

**SK-DRG**

**Slovak  
Diagnosis  
Related  
Groups**

**System 2018**

**Definičná príručka**  
Zväzok 5  
Prílohy

© 2017 by Úrad pre dohľad nad zdravotnou starostlivosťou - Centrum pre klasifikačný systém a Institut für das Entgeltsystem im Krankenhaus GmbH (InEK), Siegburg, Nemecko

Všetky práva vyhradené.

Definičné príručky pre SK-DRG systém sú chránené podľa autorského zákona. Každé využitie presahujúce hranice medzinárodne platných zákonov o autorských právach a podmienok "Zmluvy o spolupráci pri zavádzaní systému DRG v Slovenskej republike" medzi Institut für das Entgeltsystem im Krankenhaus GmbH a Úradom pre dohľad nad zdravotnou starostlivosťou (ÚDZS) je bez písomného súhlasu ÚDZS neprípustné.

# Obsah

## 5 Zväzok 5 Prílohy

<b>Príloha A</b>	Kódy diagnóz-/MDC-/DRG-Index	1
<b>Príloha B</b>	Kódy výkonov-/MDC-/DRG-Index	158
<b>Globálne tabuľky výkonov</b>		897
<b>Prehľad funkcií</b>		898
<b>Príloha C</b>	Prítomnosť CC, vyradenie CC, stanovenie CCL a PCCL	901
<b>Slovník pojmov</b>		943

# Zoznam obrázkov a tabuliek

## Zväzok 5 Prílohy

<b>Obrázok C.1</b>	Postup pre určenie PCCL pre prípady okrem novorodencov	903
<b>Obrázok C.2</b>	Postup pre určenie PCCL u novorodencov	904
<b>Tabuľka C.1</b>	Kombinácie CCL-hodnôt k dosiahnutiu PCCL od 1 do 4	905

# Príloha A

## Kódy diagnóz-/MDC-/DRG-Index

Táto príloha obsahuje zoznam všetkých kódov diagnóz MKCH-10-SK-2018, ktoré sa používajú v SK-DRG systéme 2018 na definovanie hlavných diagnostických kategórií (MDC) a DRG-skupín. Hlavná alebo vedľajšia diagnóza môže byť relevantná pre zaradovací algoritmus priamo (výskytom v tabuľke) alebo môže byť súčasťou niektorej funkcie (napr. Funkcia polytrauma [PTR]). Relevantnosť vedľajších diagnóz pre zaradovanie v rámci CCL-systému nemá pre prílohu A žiaden význam. (porovnaj s prílohou C tejto publikácie).

V niektorých prípadoch je jeden kód priradený DRG skupinám viacerých základných-DRG. Vyskytuje sa to predovšetkým vtedy, keď sa diagnóza použije na stanovenie stupňa obtiažnosti operačnej základnej-DRG, kedy je základná-DRG bližšie definovaná diagnózami, aby bolo možné záznam údajov hospitalizačného prípadu správne zaradiť do jednej z viacerých operačných-DRG, alebo ak ide o MDC 18A alebo MDC 21A a diagnóza sa použije nielen pre jednu z týchto MDC, ale aj pre jednu medicínsku DRG inej MDC.

Zaradovanie pri polytraume je ťažšie ako pri inom MDC-zaradovaní.

ICD	MDC	DRG	ICD	MDC	DRG	ICD	MDC	DRG
A00.0	06	G46A, G46B, G46C, G50Z, G67A, G67B, G67C	A03.1	06	G46A, G46B, G46C, G50Z, G67A, G67B, G67C	A05.2	06	G46A, G46B, G46C, G50Z, G67A, G67B, G67C, G67D
	Pre	A07D, A09E, A11F, A13F		15	TPN, VTPN		15	TPN, VTPN
A00.1	06	G46A, G46B, G46C, G50Z, G67A, G67B, G67C	A03.2	06	G46A, G46B, G46C, G50Z, G67A, G67B, G67C	A05.3	06	G46A, G46B, G46C, G50Z, G67A, G67B, G67C, G67D
	Pre	A07D, A09E, A11F, A13F		15	TPN, VTPN		15	TPN, VTPN
A00.9	06	G46A, G46B, G46C, G50Z, G67A, G67B, G67C	A03.3	06	G46A, G46B, G46C, G50Z, G67A, G67B, G67C	A05.4	06	G46A, G46B, G46C, G50Z, G67A, G67B, G67C, G67D
	Pre	A07D, A09E, A11F, A13F		15	TPN, VTPN		06	G46A, G46B, G46C, G50Z, G67A, G67B, G67C, G67D
A01.0	05	F62A	A03.8	06	G46A, G46B, G46C, G50Z, G67A, G67B, G67C	A05.8	06	G46A, G46B, G46C, G50Z, G67A, G67B, G67C, G67D
	06	G67A		15	TPN, VTPN	A05.9	06	G46A, G46B, G46C, G50Z, G67A, G67B, G67C, G67D
	15	TPN, VTPN	A03.9	06	G46A, G46B, G46C, G50Z, G67A, G67B, G67C	A06.0	06	G46A, G46B, G46C, G50Z, G67A, G67B, G67C
	17	R60B, R60C, R61A, R62A, R63B, R63C, R63D, R63F		15	TPN, VTPN		Pre	A07D, A09E, A11F, A13F
	18B	T01B, T60A, T60B, T60C, T60D, T60E, T60F, T61A	A04.0	06	G46A, G46B, G46C, G50Z, G67A, G67B, G67C	A06.1	06	G46A, G46B, G46C, G50Z, G67A, G67B, G67C
	Pre	A07D, A09E, A11F, A13F		15	TPN, VTPN		Pre	A07D, A09E, A11F, A13F
A01.1	05	F62A		18A	S63A, S63B	A06.2	06	G46A, G46B, G46C, G50Z, G67A, G67B, G67C
	06	G67A	A04.1	06	G46A, G46B, G46C, G50Z, G67A, G67B, G67C		Pre	A07D, A09E, A11F, A13F
	15	TPN, VTPN		15	TPN, VTPN	A06.3	18B	T64A, T64B, T64C
	17	R60B, R60C, R61A, R62A, R63B, R63C, R63D, R63F		18A	S63A, S63B		Pre	A07D, A09E, A11F, A13F
	18B	T01B, T60A, T60B, T60C, T60D, T60E, T60F, T61A	A04.2	06	G46A, G46B, G46C, G50Z, G67A, G67B, G67C	A06.4	07	H63A, H63B, H63C, H78Z
	Pre	A07D, A09E, A11F, A13F		15	TPN, VTPN		Pre	A07D, A09E, A11F, A13F
A01.2	05	F62A		18A	S63A, S63B	A06.5	04	E62A, E62B, E77A, E77B, E77C, E77D, E77F
	06	G67A	A04.3	06	G40Z, G46A, G46B, G46C, G48A, G48B, G50Z, G67A, G67B, G67C		Pre	A07D, A09E, A11F, A13F
	15	TPN, VTPN		15	TPN, VTPN	A06.6	01	B72A, B72B
	17	R60B, R60C, R61A, R62A, R63B, R63C, R63D, R63F		18A	S63A, S63B		Pre	A07D, A09E, A11F, A13F
	18B	T01B, T60A, T60B, T60C, T60D, T60E, T60F, T61A	A04.4	06	G40Z, G46A, G46B, G46C, G48A, G48B, G50Z, G67A, G67B, G67C	A06.7	09	J61A, J61B, J61C, J68A, J68B
	Pre	A07D, A09E, A11F, A13F		15	TPN, VTPN		Pre	A07D, A09E, A11F, A13F
A01.3	05	F62A		18A	S63A, S63B	A06.8	18B	T64A, T64B, T64C
	06	G67A		06	G40Z, G46A, G46B, G46C, G48A, G48B, G50Z, G67A, G67B, G67C		Pre	A07D, A09E, A11F, A13F
	15	TPN, VTPN		15	TPN, VTPN	A06.9	18B	T64A, T64B, T64C
	17	R60B, R60C, R61A, R62A, R63B, R63C, R63D, R63F	A04.5	06	G40Z, G46A, G46B, G46C, G48A, G48B, G50Z, G67A, G67B, G67C		Pre	A07D, A09E, A11F, A13F
	18B	T01B, T60A, T60B, T60C, T60D, T60E, T60F, T61A		15	TPN, VTPN	A07.0	06	G46A, G46B, G46C, G50Z, G67A, G67B, G67C
	Pre	A07D, A09E, A11F, A13F		18A	S63A, S63B		Pre	A07D, A09E, A11F, A13F
A01.4	15	TPN, VTPN		Pre	A07D, A09E, A11F, A13F	A07.1	06	G46A, G46B, G46C, G50Z, G67A, G67B, G67C
	18B	T64A, T64B, T64C	A04.6	06	G40Z, G46A, G46B, G46C, G48A, G48B, G50Z, G67A, G67B, G67C		Pre	A07D, A09E, A11F, A13F
	Pre	A07D, A09E, A11F, A13F		15	TPN, VTPN	A07.2	06	G46A, G46B, G46C, G50Z, G67A, G67B, G67C
A02.0	06	G46A, G46B, G46C, G50Z, G67A, G67B, G67C		18A	S63A, S63B		18A	S63A, S63B
	15	TPN, VTPN		Pre	A07D, A09E, A11F, A13F	A07.3	06	G46A, G46B, G46C, G50Z, G67A, G67B, G67C
	18A	S63A, S63B	A04.7	06	G40Z, G46A, G46B, G46C, G48A, G48B, G50Z, G67A, G67B, G67C		18A	S63A, S63B
A02.1	05	F62A		15	TPN, VTPN		Pre	A07D, A09E, A11F, A13F
	06	G67A		17	R62A	A07.8	06	G46A, G46B, G46C, G50Z, G67A, G67B, G67C
	15	TPN, VTPN		18A	S63A, S63B		Pre	A07D, A09E, A11F, A13F
	17	R60B, R60C, R61A, R62A, R63B, R63C, R63D, R63F		Pre	A07D, A09E, A11F, A13F	A07.9	06	G46A, G46B, G46C, G50Z, G67A, G67B, G67C
	18A	S63A, S63B	A04.8	06	G46A, G46B, G46C, G50Z, G67A, G67B, G67C, G67D		Pre	A07D, A09E, A11F, A13F
	18B	T01B, T60A, T60B, T60C, T60D, T60E, T60F, T61A		15	TPN, VTPN	A08.0	06	G46A, G46B, G46C, G50Z, G67A, G67B, G67C
	Pre	A07D, A09E, A11F, A13F		18A	S63A, S63B		15	P65C, P66C, P67B, P67C
A02.2	15	TPN, VTPN		06	G46A, G46B, G46C, G50Z, G67A, G67B, G67C, G67D		18A	S63A, S63B
	18A	S63A, S63B	A04.9	06	G46A, G46B, G46C, G50Z, G67A, G67B, G67C, G67D	A08.1	06	G46A, G46B, G46C, G50Z, G67A, G67B, G67C
	18B	T64A, T64B, T64C		18A	S63A, S63B		15	TPN, VTPN
A02.8	15	TPN, VTPN		Pre	A07D, A09E, A11F, A13F		18A	S63A, S63B
	18A	S63A, S63B	A05.0	06	G46A, G46B, G46C, G50Z, G67A, G67B, G67C, G67D		06	G46A, G46B, G46C, G50Z, G67A, G67B, G67C
	18B	T64A, T64B, T64C		15	TPN, VTPN	A08.2	06	G46A, G46B, G46C, G50Z, G67A, G67B, G67C
A02.9	15	TPN, VTPN		15	TPN, VTPN		15	P65C, P66C, P67B, P67C
	18A	S63A, S63B	A05.1	15	TPN, VTPN		18A	S63A, S63B
	18B	T64A, T64B, T64C		18B	T64A, T64B, T64C			
A03.0	06	G46A, G46B, G46C, G50Z, G67A, G67B, G67C		Pre	A07D, A09E, A11F, A13F			
	15	TPN, VTPN						

ICD	MDC	DRG	ICD	MDC	DRG	ICD	MDC	DRG
A08.3	06	G46A, G46B, G46C, G50Z, G67A, G67B, G67C, G67D	A16.1	04	E41Z, E42Z, E76A, E76B, E76C	A18.3	06	G46A, G46B, G46C, G50Z, G64A, G64B, G64C, G70A, G70B
A08.4	18A	S63A, S63B		15	TPN, VTPN		18A	S63A, S63B
A08.4	06	G46A, G46B, G46C, G50Z, G67A, G67B, G67C, G67D		18A	S63A		Pre	A07D, A09E, A11F, A13F
A08.5	18A	S63A, S63B	A16.2	04	E41Z, E42Z, E76A, E76B, E76C	A18.4	09	J08A, J08B, J08C, J61A, J61B, J61C, J68A, J68B
A08.5	06	G46A, G46B, G46C, G50Z, G67A, G67B, G67C, G67D		15	TPN, VTPN		18A	S63A, S63B
A09.0	15	TPN, VTPN		18A	S63A		Pre	A07D, A09E, A11F, A13F
A09.0	18A	S63A, S63B	A16.3	04	E41Z, E42Z, E76A, E76B, E76C	A18.5	02	C60Z
A09.0	06	G46A, G46B, G46C, G50Z, G67A, G67B, G67C, G67D		18A	S63A		15	TPN, VTPN
A09.9	15	TPN, VTPN		Pre	A07D, A09E, A11F, A13F		18A	S63A, S63B
A09.9	06	G46A, G46B, G46C, G50Z, G67A, G67B, G67C, G67D	A16.4	04	E41Z, E42Z, E76A, E76B, E76C	A18.6	03	D66Z
A15.0	18A	S65A, S65B		18A	S63A		18A	S63A, S63B
A15.0	04	E41Z, E42Z, E76A, E76B, E76C		Pre	A07D, A09E, A11F, A13F		Pre	A07D, A09E, A11F, A13F
A15.1	15	TPN, VTPN	A16.5	04	E41Z, E42Z, E76A, E76B, E76C	A18.7	10	K64A, K64B, K64C, K64D
A15.1	18A	S63A		18A	S63A		18A	S63A, S63B
A15.1	Pre	A07D, A09E, A11F, A13F		Pre	A07D, A09E, A11F, A13F		Pre	A07D, A09E, A11F, A13F
A15.1	04	E41Z, E42Z, E76A, E76B, E76C	A16.7	04	E41Z, E42Z, E76A, E76B, E76C	A18.8	04	E41Z, E42Z, E76A, E76B, E76C
A15.2	15	TPN, VTPN		15	TPN, VTPN		18A	S63A
A15.2	18A	S63A		18A	S63A		Pre	A07D, A09E, A11F, A13F
A15.2	Pre	A07D, A09E, A11F, A13F	A16.8	04	E41Z, E42Z, E76A, E76B, E76C	A19.0	04	E41Z, E42Z, E76A, E76B, E76C
A15.2	04	E41Z, E42Z, E76A, E76B, E76C		Pre	A07D, A09E, A11F, A13F		05	F62A
A15.3	15	TPN, VTPN		18A	S63A		06	G67A
A15.3	18A	S63A	A16.9	04	E41Z, E42Z, E76A, E76B, E76C	A19.1	17	R60B, R60C, R61A, R62A, R63B, R63C, R63D, R63F
A15.3	Pre	A07D, A09E, A11F, A13F		Pre	A07D, A09E, A11F, A13F		18A	S63A
A15.3	04	E41Z, E42Z, E76A, E76B, E76C		04	E41Z, E42Z, E76A, E76B, E76C		Pre	A07D, A09E, A11F, A13F
A15.4	15	TPN, VTPN		15	TPN, VTPN		04	E41Z, E42Z, E76A, E76B, E76C
A15.4	18A	S63A	A17.0	04	E41Z, E42Z, E76A, E76B, E76C		05	F62A
A15.4	Pre	A07D, A09E, A11F, A13F		18A	S63A		06	G67A
A15.4	04	E41Z, E42Z, E76A, E76B, E76C		Pre	A07D, A09E, A11F, A13F		17	R60B, R60C, R61A, R62A, R63B, R63C, R63D, R63F
A15.5	18A	S63A		15	TPN, VTPN		18A	S63A
A15.5	Pre	A07D, A09E, A11F, A13F	A17.1	04	E41Z, E42Z, E76A, E76B, E76C	A19.2	Pre	A07D, A09E, A11F, A13F
A15.5	04	E41Z, E42Z, E76A, E76B, E76C		18A	S63A		04	E41Z, E42Z, E76A, E76B, E76C
A15.6	18A	S63A		Pre	A07D, A09E, A11F, A13F		05	F62A
A15.6	Pre	A07D, A09E, A11F, A13F	A17.8	04	E41Z, E42Z, E76A, E76B, E76C		06	G67A
A15.6	04	E41Z, E42Z, E76A, E76B, E76C		15	TPN, VTPN		17	R60B, R60C, R61A, R62A, R63B, R63C, R63D, R63F
A15.7	18A	S63A		18A	S63A		18A	S63A
A15.7	Pre	A07D, A09E, A11F, A13F	A17.9	04	E41Z, E42Z, E76A, E76B, E76C	A19.8	Pre	A07D, A09E, A11F, A13F
A15.7	04	E41Z, E42Z, E76A, E76B, E76C		Pre	A07D, A09E, A11F, A13F		04	E41Z, E42Z, E76A, E76B, E76C
A15.8	15	TPN, VTPN		04	E41Z, E42Z, E76A, E76B, E76C		05	F62A
A15.8	18A	S63A		15	TPN, VTPN		06	G67A
A15.8	Pre	A07D, A09E, A11F, A13F	A18.0	08	I08A, I08B, I08C, I08D, I08E, I12A, I12B, I12C, I13A, I13B, I64A, I64B, I64C		17	R60B, R60C, R61A, R62A, R63B, R63C, R63D, R63F
A15.9	18A	S63A		18A	S63A, S63B		18A	S63A
A15.9	Pre	A07D, A09E, A11F, A13F	A18.1	11	L63A, L63B, L63C, L63D, L63E, L63F, L74Z	A19.9	Pre	A07D, A09E, A11F, A13F
A16.0	04	E41Z, E42Z, E76A, E76B, E76C		Pre	A07D, A09E, A11F, A13F		04	E41Z, E42Z, E76A, E76B, E76C
A16.0	15	TPN, VTPN		18A	S63A, S63B		05	F62A
A16.0	18A	S63A	A18.2	04	E41Z, E42Z, E76A, E76B, E76C	A20.0	06	G67A
A16.0	Pre	A07D, A09E, A11F, A13F		18A	S63A		17	R60B, R60C, R61A, R62A, R63B, R63C, R63D, R63F
				Pre	A07D, A09E, A11F, A13F		18A	S63A
							Pre	A07D, A09E, A11F, A13F
							18B	T64A, T64B, T64C
							Pre	A07D, A09E, A11F, A13F
							18B	T64A, T64B, T64C
							Pre	A07D, A09E, A11F, A13F
							04	E62A, E62B, E77A, E77B, E77C, E77D, E77F
							Pre	A07D, A09E, A11F, A13F

ICD	MDC	DRG	ICD	MDC	DRG	ICD	MDC	DRG
A20.3	01	B72A, B72B	A24.0	05	F62A	A28.9	15	TPN, VTPN
	Pre	A07D, A09E, A11F, A13F		06	G67A		18B	T64A, T64B, T64C
A20.7	05	F62A		17	R60B, R60C, R61A, R62A, R63B, R63C, R63D, R63F		Pre	A07D, A09E, A11F, A13F
	06	G67A		18B	T01B, T60A, T60B, T60C, T60D, T60E, T60F, T61A	A30.0	18B	T64A, T64B, T64C
	17	R60B, R60C, R61A, R62A, R63B, R63C, R63D, R63F		Pre	A07D, A09E, A11F, A13F		Pre	A07D, A09E, A11F, A13F
	18B	T01B, T60A, T60B, T60C, T60D, T60E, T60F, T61A	A24.1	05	F62A	A30.1	18B	T64A, T64B, T64C
	Pre	A07D, A09E, A11F, A13F		06	G67A		Pre	A07D, A09E, A11F, A13F
A20.8	18B	T64A, T64B, T64C		17	R60B, R60C, R61A, R62A, R63B, R63C, R63D, R63F	A30.2	18B	T64A, T64B, T64C
	Pre	A07D, A09E, A11F, A13F		18B	T01B, T60A, T60B, T60C, T60D, T60E, T60F, T61A		Pre	A07D, A09E, A11F, A13F
A20.9	18B	T64A, T64B, T64C		Pre	A07D, A09E, A11F, A13F	A30.3	18B	T64A, T64B, T64C
	Pre	A07D, A09E, A11F, A13F	A24.2	18B	T64A, T64B, T64C		Pre	A07D, A09E, A11F, A13F
A21.0	18B	T64A, T64B, T64C		Pre	A07D, A09E, A11F, A13F	A30.3	18B	T64A, T64B, T64C
	Pre	A07D, A09E, A11F, A13F	A24.3	18B	T64A, T64B, T64C		Pre	A07D, A09E, A11F, A13F
A21.1	18B	T64A, T64B, T64C		Pre	A07D, A09E, A11F, A13F	A30.4	18B	T64A, T64B, T64C
	Pre	A07D, A09E, A11F, A13F	A24.4	18B	T64A, T64B, T64C		Pre	A07D, A09E, A11F, A13F
A21.2	04	E62A, E62B, E77A, E77B, E77C, E77D, E77F		Pre	A07D, A09E, A11F, A13F	A30.5	18B	T64A, T64B, T64C
	Pre	A07D, A09E, A11F, A13F	A25.0	18B	T64A, T64B, T64C		Pre	A07D, A09E, A11F, A13F
A21.3	06	G46A, G46B, G46C, G50Z, G71Z		Pre	A07D, A09E, A11F, A13F	A30.8	18B	T64A, T64B, T64C
	Pre	A07D, A09E, A11F, A13F	A25.1	18B	T64A, T64B, T64C		Pre	A07D, A09E, A11F, A13F
A21.7	05	F62A		Pre	A07D, A09E, A11F, A13F	A30.9	18B	T64A, T64B, T64C
	06	G67A	A25.9	18B	T64A, T64B, T64C		Pre	A07D, A09E, A11F, A13F
	17	R60B, R60C, R61A, R62A, R63B, R63C, R63D, R63F		Pre	A07D, A09E, A11F, A13F	A31.0	04	E41Z, E42Z, E76A, E76B, E76C
	18B	T01B, T60A, T60B, T60C, T60D, T60E, T60F, T61A	A26.0	15	TPN, VTPN		18A	S63A
	Pre	A07D, A09E, A11F, A13F		18B	T64A, T64B, T64C		Pre	A07D, A09E, A11F, A13F
A21.8	18B	T64A, T64B, T64C		Pre	A07D, A09E, A11F, A13F	A31.1	09	J08A, J08B, J08C, J61A, J61B, J61C, J68A, J68B
	Pre	A07D, A09E, A11F, A13F	A26.7	05	F62A		18A	S63A, S63B
A21.9	18B	T64A, T64B, T64C		06	G67A		Pre	A07D, A09E, A11F, A13F
	Pre	A07D, A09E, A11F, A13F		15	TPN, VTPN	A31.80	18A	S63A, S63B
A22.0	09	J08A, J08B, J08C, J61A, J61B, J61C, J68A, J68B		17	R60B, R60C, R61A, R62A, R63B, R63C, R63D, R63F		18B	T64A, T64B, T64C
	Pre	A07D, A09E, A11F, A13F		18B	T01B, T60A, T60B, T60C, T60D, T60E, T60F, T61A		Pre	A07D, A09E, A11F, A13F
A22.1	04	E62A, E62B, E77A, E77B, E77C, E77D, E77F		Pre	A07D, A09E, A11F, A13F	A31.88	18A	S63A, S63B
	Pre	A07D, A09E, A11F, A13F	A26.8	15	TPN, VTPN		18B	T64A, T64B, T64C
A22.2	06	G46A, G46B, G46C, G50Z, G71Z		18B	T64A, T64B, T64C		Pre	A07D, A09E, A11F, A13F
	Pre	A07D, A09E, A11F, A13F	A26.9	15	TPN, VTPN	A31.9	18A	S63A, S63B
A22.7	05	F62A		18B	T64A, T64B, T64C		18B	T64A, T64B, T64C
	06	G67A	A27.0	05	F62A		Pre	A07D, A09E, A11F, A13F
	17	R60B, R60C, R61A, R62A, R63B, R63C, R63D, R63F		06	G67A	A32.0	15	TPN, VTPN
	18B	T01B, T60A, T60B, T60C, T60D, T60E, T60F, T61A		15	TPN, VTPN		18B	T64A, T64B, T64C
	Pre	A07D, A09E, A11F, A13F		17	R60B, R60C, R61A, R62A, R63B, R63C, R63D, R63F		Pre	A07D, A09E, A11F, A13F
A22.8	18B	T64A, T64B, T64C		18B	T01B, T60A, T60B, T60C, T60D, T60E, T60F, T61A	A32.1	01	B72A, B72B
	Pre	A07D, A09E, A11F, A13F	A27.8	01	B72A, B72B		15	TPN, VTPN
A22.9	18B	T64A, T64B, T64C		15	TPN, VTPN		Pre	A07D, A09E, A11F, A13F
	Pre	A07D, A09E, A11F, A13F		Pre	A07D, A09E, A11F, A13F	A32.9	15	TPN, VTPN
A23.0	18B	T64A, T64B, T64C		Pre	A07D, A09E, A11F, A13F		18B	T64A, T64B, T64C
	Pre	A07D, A09E, A11F, A13F	A27.9	15	TPN, VTPN		Pre	A07D, A09E, A11F, A13F
A23.1	18B	T64A, T64B, T64C		18B	T64A, T64B, T64C	A33	15	TPN, VTPN
	Pre	A07D, A09E, A11F, A13F	A28.0	15	TPN, VTPN		Pre	963Z, A07D, A09E, A11F, A13F
A23.2	18B	T64A, T64B, T64C		18B	T64A, T64B, T64C	A34	14	O04A, O04B, O61Z
	Pre	A07D, A09E, A11F, A13F		Pre	A07D, A09E, A11F, A13F		Pre	A07D, A09E, A11F, A13F
A23.3	18B	T64A, T64B, T64C		Pre	A07D, A09E, A11F, A13F	A35	15	TPN, VTPN
	Pre	A07D, A09E, A11F, A13F	A28.1	15	TPN, VTPN		18B	T64A, T64B, T64C
A23.8	18B	T64A, T64B, T64C		16	Q60A, Q60B, Q60C		Pre	A07D, A09E, A11F, A13F
	Pre	A07D, A09E, A11F, A13F	A28.2	15	TPN, VTPN	A36.0	03	D66Z
A23.9	18B	T64A, T64B, T64C		18B	T64A, T64B, T64C		Pre	A07D, A09E, A11F, A13F
	Pre	A07D, A09E, A11F, A13F	A28.8	15	TPN, VTPN	A36.1	03	D66Z
	Pre	A07D, A09E, A11F, A13F		18B	T64A, T64B, T64C		Pre	A07D, A09E, A11F, A13F
	Pre	A07D, A09E, A11F, A13F		Pre	A07D, A09E, A11F, A13F			



ICD	MDC	DRG	ICD	MDC	DRG	ICD	MDC	DRG
A36.2	03	D66Z	A39.9	05	F62A	A41.0	05	F62A
	Pre	A07D, A09E, A11F, A13F		06	G67A		06	G67A
A36.3	09	J61A, J61B, J61C, J68A, J68B		17	R60B, R60C, R61A, R62A, R63B, R63C, R63D, R63F		15	TPN, VTPN
	Pre	A07D, A09E, A11F, A13F		18B	T01B, T60A, T60B, T60C, T60F, T61A		17	R60B, R60C, R61A, R62A, R63B, R63C, R63D, R63F
A36.8	18B	T64A, T64B, T64C		Pre	A07D, A09E, A11F, A13F		18A	S63A, S63B
	Pre	A07D, A09E, A11F, A13F	A40.0	05	F62A		18B	T01B, T60A, T60B, T60C, T60D, T60E, T60F, T61A
A36.9	18B	T64A, T64B, T64C		06	G67A		22	Y02A
	Pre	A07D, A09E, A11F, A13F		15	TPN, VTPN	A41.1	Pre	A07D, A09E, A11F, A13F
A37.0	04	E70A, E70B		17	R60B, R60C, R61A, R62A, R63B, R63C, R63D, R63F		05	F62A
	Pre	A07D, A09E, A11F, A13F		18A	S63A, S63B		06	G67A
A37.1	04	E70A, E70B		18B	T01B, T60A, T60B, T60C, T60D, T60E, T60F, T61A		15	TPN, VTPN
	15	TPN, VTPN		22	Y02A		17	R60B, R60C, R61A, R62A, R63B, R63C, R63D, R63F
	Pre	A07D, A09E, A11F, A13F		Pre	A07D, A09E, A11F, A13F		18A	S63A, S63B
A37.8	04	E70A, E70B	A40.1	05	F62A		18B	T01B, T60A, T60B, T60C, T60D, T60E, T60F, T61A
	15	TPN, VTPN		06	G67A		22	Y02A
	Pre	A07D, A09E, A11F, A13F		15	TPN, VTPN	A41.2	Pre	A07D, A09E, A11F, A13F
A37.9	04	E70A, E70B		17	R60B, R60C, R61A, R62A, R63B, R63C, R63D, R63F		05	F62A
	15	TPN, VTPN		18A	S63A, S63B		06	G67A
	Pre	A07D, A09E, A11F, A13F		18B	T01B, T60A, T60B, T60C, T60D, T60E, T60F, T61A		15	TPN, VTPN
A38	18B	T64A, T64B, T64C		22	Y02A		17	R60B, R60C, R61A, R62A, R63B, R63C, R63D, R63F
	Pre	A07D, A09E, A11F, A13F		Pre	A07D, A09E, A11F, A13F		18A	S63A, S63B
A39.0	01	B72A, B72B	A40.2	05	F62A		18B	T01B, T60A, T60B, T60C, T60D, T60E, T60F, T61A
	15	TPN, VTPN		06	G67A		22	Y02A
	Pre	A07D, A09E, A11F, A13F		15	TPN, VTPN	A41.3	Pre	A07D, A09E, A11F, A13F
A39.1	05	F62A		17	R60B, R60C, R61A, R62A, R63B, R63C, R63D, R63F		05	F62A
	06	G67A		18A	S63A, S63B		06	G67A
	15	TPN, VTPN		18B	T01B, T60A, T60B, T60C, T60D, T60E, T60F, T61A		15	TPN, VTPN
	17	R60B, R60C, R61A, R62A, R63B, R63C, R63D, R63F		22	Y02A		17	R60B, R60C, R61A, R62A, R63B, R63C, R63D, R63F
	18B	T01B, T60A, T60B, T60C, T60F, T61A		Pre	A07D, A09E, A11F, A13F		18A	S63A, S63B
	Pre	A07D, A09E, A11F, A13F		05	F62A		18B	T01B, T60A, T60B, T60C, T60D, T60E, T60F, T61A
A39.2	05	F62A	A40.3	06	G67A		22	Y02A
	06	G67A		15	TPN, VTPN	A41.4	Pre	A07D, A09E, A11F, A13F
	15	TPN, VTPN		17	R60B, R60C, R61A, R62A, R63B, R63C, R63D, R63F		05	F62A
	17	R60B, R60C, R61A, R62A, R63B, R63C, R63D, R63F		18A	S63A, S63B		06	G67A
	18B	T01B, T60A, T60B, T60C, T60F, T61A		18B	T01B, T60A, T60B, T60C, T60D, T60E, T60F, T61A		15	TPN, VTPN
	Pre	A07D, A09E, A11F, A13F		22	Y02A		17	R60B, R60C, R61A, R62A, R63B, R63C, R63D, R63F
A39.3	05	F62A	A40.8	05	F62A		18A	S63A, S63B
	06	G67A		06	G67A		18B	T01B, T60A, T60B, T60C, T60D, T60E, T60F, T61A
	15	TPN, VTPN		15	TPN, VTPN		22	Y02A
	17	R60B, R60C, R61A, R62A, R63B, R63C, R63D, R63F		17	R60B, R60C, R61A, R62A, R63B, R63C, R63D, R63F	A41.5	Pre	A07D, A09E, A11F, A13F
	18B	T01B, T60A, T60B, T60C, T60F, T61A		18A	S63A, S63B		05	F62A
	Pre	A07D, A09E, A11F, A13F		18B	T01B, T60A, T60B, T60C, T60D, T60E, T60F, T61A		06	G67A
A39.4	05	F62A		22	Y02A		15	TPN, VTPN
	06	G67A		Pre	A07D, A09E, A11F, A13F		17	R60B, R60C, R61A, R62A, R63B, R63C, R63D, R63F
	15	TPN, VTPN		05	F62A		18A	S63A, S63B
	17	R60B, R60C, R61A, R62A, R63B, R63C, R63D, R63F		06	G67A		18B	T01B, T60A, T60B, T60C, T60D, T60E, T60F, T61A
	18B	T01B, T60A, T60B, T60C, T60F, T61A		15	TPN, VTPN		22	Y02A
	Pre	A07D, A09E, A11F, A13F		17	R60B, R60C, R61A, R62A, R63B, R63C, R63D, R63F		Pre	A07D, A09E, A11F, A13F
A39.5	05	F75A, F75B, F75C, F75D	A40.9	05	F62A		05	F62A
	15	TPN, VTPN		06	G67A		06	G67A
	Pre	A07D, A09E, A11F, A13F		15	TPN, VTPN		15	TPN, VTPN
A39.8	05	F62A		17	R60B, R60C, R61A, R62A, R63B, R63C, R63D, R63F	A41.52	17	R60B, R60C, R61A, R62A, R63B, R63C, R63D, R63F
	06	G67A		18A	S63A, S63B		18A	S63A, S63B
	17	R60B, R60C, R61A, R62A, R63B, R63C, R63D, R63F		18B	T01B, T60A, T60B, T60C, T60D, T60E, T60F, T61A		18B	T01B, T60A, T60B, T60C, T60D, T60E, T60F, T61A
	18B	T01B, T60A, T60B, T60C, T60F, T61A		22	Y02A		22	Y02A
	Pre	A07D, A09E, A11F, A13F		Pre	A07D, A09E, A11F, A13F		Pre	A07D, A09E, A11F, A13F

ICD	MDC	DRG	ICD	MDC	DRG	ICD	MDC	DRG
A41.58	05	F62A	A44.1	18B	T64A, T64B, T64C	A51.2	18A	S63A, S63B
	06	G67A		Pre	A07D, A09E, A11F, A13F		18B	T64A, T64B, T64C
	15	TPN, VTPN	A44.8	18B	T64A, T64B, T64C	A51.3	09	J61A, J61B, J61C, J68A, J68B
	17	R60B, R60C, R61A, R62A, R63B, R63C, R63D, R63F		Pre	A07D, A09E, A11F, A13F		18A	S63A, S63B
	18A	S63A, S63B	A44.9	18B	T64A, T64B, T64C	A51.4	18A	S63A, S63B
	18B	T01B, T60A, T60B, T60C, T60D, T60E, T60F, T61A		Pre	A07D, A09E, A11F, A13F		18B	T64A, T64B, T64C
	22	Y02A	A46	09	J11A, J11B, J64A, J64B	A51.5	18A	S63A, S63B
	Pre	A07D, A09E, A11F, A13F		15	TPN, VTPN		18B	T64A, T64B, T64C
A41.8	05	F62A	A48.0	05	F62A	A51.9	18A	S63A, S63B
	06	G67A		06	G67A		18B	T64A, T64B, T64C
	15	TPN, VTPN		15	TPN, VTPN	A52.0	05	F75A, F75B, F75C, F75D
	17	R60B, R60C, R61A, R62A, R63B, R63C, R63D, R63F		17	R60B, R60C, R61A, R62A, R63B, R63C, R63D, R63F		18A	S63A, S63B
	18A	S63A, S63B		18B	T01B, T60A, T60B, T60C, T60D, T60E, T60F, T61A	A52.1	01	B72A, B72B
	18B	T01B, T60A, T60B, T60C, T60D, T60E, T60F, T61A		Pre	A07D, A09E, A11F, A13F		18A	S63A, S63B
	22	Y02A	A48.1	04	E62A, E62B, E77A, E77B, E77C, E77D, E77F	A52.2	01	B72A, B72B
	Pre	A07D, A09E, A11F, A13F		15	TPN, VTPN		18A	S63A, S63B
A41.9	05	F62A		18A	S63A, S63B	A52.3	01	B72A, B72B
	06	G67A		22	Y02A, Y02B		18A	S63A, S63B
	15	P65C, P66C, P67B, P67C		Pre	A07D, A09E, A11F, A13F	A52.7	18A	S63A, S63B
	18A	S63A, S63B	A48.2	04	E62A, E62B, E77A, E77B, E77C, E77D, E77E, E77F, E77G		18B	T64A, T64B, T64C
	18B	T01B, T60A, T60B, T60C, T60D, T60E, T60F, T61A		15	TPN, VTPN	A52.8	18A	S63A, S63B
	22	Y02A		18A	S63A, S63B		18B	T64A, T64B, T64C
	Pre	A07D, A09E, A11F, A13F		22	Y02A, Y02B	A52.9	18A	S63A, S63B
A42.0	04	E62A, E62B, E77A, E77B, E77C, E77D, E77F		Pre	A07D, A09E, A11F, A13F		18B	T64A, T64B, T64C
	Pre	A07D, A09E, A11F, A13F	A48.3	05	F62A	A53.0	18A	S63A, S63B
A42.1	06	G46A, G46B, G46C, G50Z, G71Z		06	G67A		18B	T64A, T64B, T64C
	Pre	A07D, A09E, A11F, A13F		17	R60B, R60C, R61A, R62A, R63B, R63C, R63D, R63F	A53.9	18A	S63A, S63B
A42.2	09	J08A, J08B, J08C, J61A, J61B, J61C, J68A, J68B		18B	T01B, T60A, T60B, T60C, T60D, T60E, T60F, T61A		18B	T64A, T64B, T64C
	Pre	A07D, A09E, A11F, A13F		Pre	A07D, A09E, A11F, A13F	A54.0	12	M62Z
A42.7	05	F62A	A48.4	18B	T64A, T64B, T64C		13	N04Z, N05A, N05B, N14Z, N21Z, N25Z, N61Z
	06	G67A		Pre	A07D, A09E, A11F, A13F	A54.1	12	M62Z
	17	R60B, R60C, R61A, R62A, R63B, R63C, R63D, R63F	A48.8	18B	T64A, T64B, T64C		13	N04Z, N05A, N05B, N14Z, N21Z, N25Z, N61Z
	18B	T01B, T60A, T60B, T60C, T60D, T60E, T60F, T61A	A49.0	18B	T64A, T64B, T64C	A54.2	12	M62Z
	Pre	A07D, A09E, A11F, A13F	A49.1	15	P65C, P66C, P67B, P67C		13	N04Z, N05A, N05B, N14Z, N21Z, N25Z, N61Z
A42.8	18B	T64A, T64B, T64C		18B	T64A, T64B, T64C	A54.3	02	C60Z
	Pre	A07D, A09E, A11F, A13F	A49.2	18B	T64A, T64B, T64C	A54.4	08	I08A, I08B, I08C, I08D, I08E, I13A, I13B, I76A, I76B
A42.9	18B	T64A, T64B, T64C	A49.3	18B	T64A, T64B, T64C	A54.5	03	D62Z, D63Z
	Pre	A07D, A09E, A11F, A13F	A49.8	18B	T64A, T64B, T64C	A54.6	06	G46A, G46B, G46C, G50Z, G71Z
A43.0	04	E41Z, E42Z, E76A, E76B, E76C	A49.9	18B	T64A, T64B, T64C	A54.8	18B	T64A, T64B, T64C
	18A	S63A, S63B	A50.0	15	TPN, VTPN	A54.9	18B	T64A, T64B, T64C
	Pre	A07D, A09E, A11F, A13F	A50.1	18B	T64A, T64B, T64C	A55	12	M62Z
A43.1	09	J08A, J08B, J08C, J61A, J61B, J61C, J68A, J68B		15	TPN, VTPN		13	N04Z, N05A, N05B, N14Z, N21Z, N25Z, N61Z
	18A	S63A, S63B	A50.2	18B	T64A, T64B, T64C	A56.0	12	M62Z
	Pre	A07D, A09E, A11F, A13F		18B	T64A, T64B, T64C		13	N04Z, N05A, N05B, N14Z, N21Z, N25Z, N61Z
A43.8	18A	S63A, S63B	A50.3	02	C60Z	A56.1	12	M62Z
	18B	T64A, T64B, T64C		15	TPN, VTPN		13	N04Z, N05A, N05B, N14Z, N21Z, N25Z, N61Z
	Pre	A07D, A09E, A11F, A13F	A50.4	01	B72A, B72B	A56.2	12	M62Z
A43.9	18A	S63A, S63B		15	TPN, VTPN		13	N04Z, N05A, N05B, N14Z, N21Z, N25Z, N61Z
	18B	T64A, T64B, T64C	A50.5	18B	T64A, T64B, T64C	A56.3	06	G46A, G46B, G46C, G50Z, G71Z
	Pre	A07D, A09E, A11F, A13F	A50.6	18B	T64A, T64B, T64C	A56.4	03	D62Z, D63Z
	18A	S63A, S63B	A50.7	18B	T64A, T64B, T64C	A56.8	12	M62Z
	18B	T64A, T64B, T64C	A50.9	18B	T64A, T64B, T64C		13	N04Z, N05A, N05B, N14Z, N21Z, N25Z, N61Z
	Pre	A07D, A09E, A11F, A13F	A51.0	12	M62Z	A57	12	M62Z
A44.0	05	F62A		13	N04Z, N05A, N05B, N14Z, N21Z, N25Z, N61Z		13	N04Z, N05A, N05B, N14Z, N21Z, N25Z, N61Z
	06	G67A		18A	S63A, S63B	A58	12	M62Z
	17	R60B, R60C, R61A, R62A, R63B, R63C, R63D, R63F		06	G46A, G46B, G46C, G50Z, G71Z		13	N04Z, N05A, N05B, N14Z, N21Z, N25Z, N61Z
	18B	T01B, T60A, T60B, T60C, T60D, T60E, T60F, T61A	A51.1	18A	S63A, S63B		13	N04Z, N05A, N05B, N14Z, N21Z, N25Z, N61Z
	Pre	A07D, A09E, A11F, A13F		18A	S63A, S63B		13	N04Z, N05A, N05B, N14Z, N21Z, N25Z, N61Z

ICD	MDC	DRG	ICD	MDC	DRG	ICD	MDC	DRG	
A59.0	12	M62Z	A75.3	18B	T64A, T64B, T64C	A83.0	01	B72A, B72B	
	13	N04Z, N05A, N05B, N14Z, N21Z, N25Z, N61Z	Pre	A07D, A09E, A11F, A13F	Pre	A07D, A09E, A11F, A13F			
A59.8	18B	T64A, T64B, T64C	A75.9	18B	T64A, T64B, T64C	A83.1	01	B72A, B72B	
A59.9	18B	T64A, T64B, T64C	Pre	A07D, A09E, A11F, A13F	Pre	A07D, A09E, A11F, A13F			
A60.0	12	M62Z	A77.0	18B	T64A, T64B, T64C	A83.2	01	B72A, B72B	
	13	N04Z, N05A, N05B, N14Z, N21Z, N25Z, N61Z	Pre	A07D, A09E, A11F, A13F	Pre	A07D, A09E, A11F, A13F			
	18A	S63A, S63B	A77.1	18B	T64A, T64B, T64C	A83.3	01	B72A, B72B	
A60.1	12	M62Z	Pre	A07D, A09E, A11F, A13F	Pre	A07D, A09E, A11F, A13F			
	13	N04Z, N05A, N05B, N14Z, N21Z, N25Z, N61Z	A77.2	18B	T64A, T64B, T64C	A83.4	01	B72A, B72B	
	18A	S63A, S63B	Pre	A07D, A09E, A11F, A13F	Pre	A07D, A09E, A11F, A13F			
A60.9	12	M62Z	A77.3	18B	T64A, T64B, T64C	A83.5	01	B72A, B72B	
	13	N04Z, N05A, N05B, N14Z, N21Z, N25Z, N61Z	Pre	A07D, A09E, A11F, A13F	Pre	A07D, A09E, A11F, A13F			
	18A	S63A, S63B	A77.8	18B	T64A, T64B, T64C	A83.6	01	B72A, B72B	
A63.8	12	M62Z	Pre	A07D, A09E, A11F, A13F	Pre	A07D, A09E, A11F, A13F			
	13	N04Z, N05A, N05B, N14Z, N21Z, N25Z, N61Z	A77.9	18B	T64A, T64B, T64C	A83.8	01	B72A, B72B	
	18A	S63A, S63B	Pre	A07D, A09E, A11F, A13F	Pre	A07D, A09E, A11F, A13F			
A64	12	M62Z	A78	05	F62A	A83.9	01	B72A, B72B	
	13	N04Z, N05A, N05B, N14Z, N21Z, N25Z, N61Z	06	G67A	Pre	A07D, A09E, A11F, A13F			
A65	18B	T64A, T64B, T64C	17	R60B, R60C, R61A, R62A, R63B, R63C, R63D, R63F	A84.0	01	B72A, B72B		
A66.0	09	J67A, J67B, J68A, J68B			Pre	A07D, A09E, A11F, A13F			
A66.1	09	J67A, J67B, J68A, J68B	18B	T01B, T60A, T60B, T60C, T60F, T61A	A84.1	01	B72A, B72B		
A66.2	09	J61A, J61B, J61C, J68A, J68B	Pre	A07D, A09E, A11F, A13F	Pre	A07D, A09E, A11F, A13F			
A66.3	09	J61A, J61B, J61C, J68A, J68B	A79.0	18B	T64A, T64B, T64C	A84.8	01	B72A, B72B	
A66.4	09	J61A, J61B, J61C, J68A, J68B	Pre	A07D, A09E, A11F, A13F	Pre	A07D, A09E, A11F, A13F			
A66.5	03	D66Z	A79.1	18B	T64A, T64B, T64C	A84.9	01	B72A, B72B	
A66.6	08	I08A, I08B, I08C, I08D, I08E, I13A, I13B, I76A, I76B	Pre	A07D, A09E, A11F, A13F	Pre	A07D, A09E, A11F, A13F			
A66.7	18B	T64A, T64B, T64C	A79.8	18B	T64A, T64B, T64C	A85.0	01	B72A, B72B	
A66.8	18B	T64A, T64B, T64C	Pre	A07D, A09E, A11F, A13F	18A	S65A, S65B			
A66.9	18B	T64A, T64B, T64C	A79.9	18B	T64A, T64B, T64C	Pre	A07D, A09E, A11F, A13F		
A67.0	09	J67A, J67B, J68A, J68B	Pre	A07D, A09E, A11F, A13F	A85.1	01	B72A, B72B		
A67.1	09	J67A, J67B, J68A, J68B	A80.0	01	B72A, B72B	18A	S65A, S65B		
A67.2	18B	T64A, T64B, T64C	Pre	A07D, A09E, A11F, A13F	Pre	A07D, A09E, A11F, A13F			
A67.3	09	J67A, J67B, J68A, J68B	A80.1	01	B72A, B72B	A85.2	01	B72A, B72B	
A67.9	18B	T64A, T64B, T64C	Pre	A07D, A09E, A11F, A13F	Pre	A07D, A09E, A11F, A13F			
A68.0	18B	T64A, T64B, T64C	A80.2	01	B72A, B72B	A85.8	01	B72A, B72B	
A68.1	18B	T64A, T64B, T64C	Pre	A07D, A09E, A11F, A13F	18A	S65A, S65B			
A68.9	18B	T64A, T64B, T64C	A80.3	01	B72A, B72B	Pre	A07D, A09E, A11F, A13F		
A69.0	03	D62Z, D63Z	Pre	A07D, A09E, A11F, A13F	A86	01	B72A, B72B		
A69.1	03	D62Z, D63Z	A80.4	18B	T63A, T63B, T63C	15	TPN, VTPN		
A69.2	18B	T64A, T64B	Pre	A07D, A09E, A11F, A13F	18A	S65A, S65B			
A69.8	18B	T64A, T64B, T64C	A80.9	01	B72A, B72B	Pre	A07D, A09E, A11F, A13F		
A69.9	18B	T64A, T64B, T64C	Pre	A07D, A09E, A11F, A13F	A87.0	01	B73Z		
A70	04	E62A, E62B, E77A, E77B, E77C, E77D, E77E, E77F, E77G	A81.0	01	B17A, B48Z, B85A, B85B, B85C	15	TPN, VTPN		
A71.0	02	C60Z	Pre	A07D, A09E, A11F, A13F	18A	S63A, S63B	A87.1	01	B73Z
A71.1	02	C60Z	A81.1	01	B17A, B48Z, B85A, B85B, B85C	Pre	A07D, A09E, A11F, A13F	18A	S63A, S63B
	15	TPN, VTPN	Pre	A07D, A09E, A11F, A13F	15	TPN, VTPN	Pre	A07D, A09E, A11F, A13F	
A71.9	02	C60Z	A81.2	01	B48Z, B85A, B85B, B85C, B85D	A87.2	01	B73Z	
A74.0	02	C63Z	Pre	A07D, A09E, A11F, A13F	A87.8	01	B73Z		
A74.8	18A	S63A, S63B	A81.8	01	B48Z, B85A, B85B, B85C, B85D	18A	S63A, S63B		
	15	TPN, VTPN	Pre	A07D, A09E, A11F, A13F	A87.9	01	B73Z		
	18A	S63A, S63B	A81.9	01	B48Z, B85A, B85B, B85C, B85D	18A	S63A, S63B		
	18B	T63A, T63B, T63C	Pre	A07D, A09E, A11F, A13F	A88.0	01	B72A, B72B		
A74.9	18A	S63A, S63B	18A	S65A, S65B	Pre	A07D, A09E, A11F, A13F			
	18B	T63A, T63B, T63C	Pre	A07D, A09E, A11F, A13F	A88.1	01	B81A, B81B		
A75.0	18B	T64A, T64B, T64C	A82.0	01	B72A, B72B	Pre	A07D, A09E, A11F, A13F		
Pre	A07D, A09E, A11F, A13F		Pre	A07D, A09E, A11F, A13F	A88.8	01	B72A, B72B		
A75.1	18B	T64A, T64B, T64C	A82.1	01	B72A, B72B	18A	S65A, S65B		
Pre	A07D, A09E, A11F, A13F		Pre	A07D, A09E, A11F, A13F	Pre	A07D, A09E, A11F, A13F			
A75.2	18B	T64A, T64B, T64C	A82.9	01	B72A, B72B	A89	01	B72A, B72B	
Pre	A07D, A09E, A11F, A13F		Pre	A07D, A09E, A11F, A13F	15	TPN, VTPN			
					18A	S65A, S65B			
					Pre	A07D, A09E, A11F, A13F			
					18B	T63A, T63B, T63C			
					Pre	A07D, A09E, A11F, A13F			

ICD	MDC	DRG	ICD	MDC	DRG	ICD	MDC	DRG
A91	18B	T63A, T63B, T63C	B00.1	15	TPN, VTPN	B03	18B	T63A, T63B, T63C
	Pre	A07D, A09E, A11F, A13F		18A	S63A, S63B	B04	18B	T63A, T63B, T63C
A92.0	18B	T63A, T63B, T63C		18B	T63A, T63B, T63C	B05.0	01	B72A, B72B
	Pre	A07D, A09E, A11F, A13F	B00.2	03	D40Z, D67Z		15	TPN, VTPN
A92.1	18B	T63A, T63B, T63C		15	TPN, VTPN		18A	S63A, S63B
	Pre	A07D, A09E, A11F, A13F		18A	S63A, S63B		Pre	A07D, A09E, A11F, A13F
A92.2	01	B72A, B72B	B00.3	01	B73Z	B05.1	01	B73Z
	Pre	A07D, A09E, A11F, A13F		15	TPN, VTPN		15	TPN, VTPN
A92.3	18B	T63A, T63B, T63C		18A	S63A, S63B		18A	S63A, S63B
	Pre	A07D, A09E, A11F, A13F		Pre	A07D, A09E, A11F, A13F		Pre	A07D, A09E, A11F, A13F
A92.4	18B	T63A, T63B, T63C	B00.4	01	B72A, B72B	B05.2	04	E62A, E62B, E77A, E77B, E77C, E77D, E77E, E77F, E77G
	Pre	A07D, A09E, A11F, A13F		15	TPN, VTPN			
A92.8	18B	T63A, T63B, T63C		18A	S63A, S63B		15	TPN, VTPN
	Pre	A07D, A09E, A11F, A13F		Pre	A07D, A09E, A11F, A13F		18A	S63A, S63B
A92.9	18B	T63A, T63B, T63C	B00.5	02	C60Z	B05.3	03	D62Z, D63Z
	Pre	A07D, A09E, A11F, A13F		15	TPN, VTPN		15	TPN, VTPN
A93.0	18B	T63A, T63B, T63C		18A	S63A, S63B		18A	S63A, S63B
	Pre	A07D, A09E, A11F, A13F	B00.7	05	F62A	B05.4	15	TPN, VTPN
A93.1	18B	T63A, T63B, T63C		06	G67A		18A	S63A, S63B
	Pre	A07D, A09E, A11F, A13F		15	TPN, VTPN		18A	S63A, S63B
A93.2	18B	T63A, T63B, T63C		17	R60B, R60C, R61A, R62A, R63B, R63C, R63D, R63F	B05.8	15	TPN, VTPN
	Pre	A07D, A09E, A11F, A13F		18A	S63A, S63B		18A	S63A, S63B
A93.8	18B	T63A, T63B, T63C		18B	T01B, T60A, T60B, T60C, T60D, T60E, T60F, T61A		18B	T63A, T63B, T63C
	Pre	A07D, A09E, A11F, A13F				B05.9	18A	S63A, S63B
A94	18B	T63A, T63B, T63C	B00.8	15	TPN, VTPN		18B	T63A, T63B, T63C
	Pre	A07D, A09E, A11F, A13F		18A	S63A, S63B	B06.0	01	B72A, B72B
A95.0	18B	T63A, T63B, T63C		18B	T63A, T63B, T63C		15	TPN, VTPN
	Pre	A07D, A09E, A11F, A13F	B00.9	09	J61A, J61B, J61C, J68A, J68B	B06.8	15	TPN, VTPN
A95.1	18B	T63A, T63B, T63C		15	TPN, VTPN		18B	T63A, T63B, T63C
	Pre	A07D, A09E, A11F, A13F		18A	S63A, S63B	B06.9	18B	T63A, T63B, T63C
A95.9	18B	T63A, T63B, T63C	B01.0	01	B73Z	B07	09	J67A, J67B, J68A, J68B
	Pre	A07D, A09E, A11F, A13F		15	TPN, VTPN	B08.0	18B	T63A, T63B, T63C
A96.0	15	TPN, VTPN		Pre	A07D, A09E, A11F, A13F	B08.1	09	J67A, J67B, J68A, J68B
	18B	T63A, T63B, T63C	B01.1	01	B72A, B72B	B08.2	18B	T63A, T63B, T63C
	Pre	A07D, A09E, A11F, A13F		15	TPN, VTPN	B08.3	18B	T63A, T63B, T63C
A96.1	15	TPN, VTPN		Pre	A07D, A09E, A11F, A13F	B08.4	18B	T63A, T63B, T63C
	18B	T63A, T63B, T63C	B01.2	04	E62A, E62B, E77A, E77B, E77C, E77D, E77E, E77F, E77G	B08.5	03	D62Z, D63Z
	Pre	A07D, A09E, A11F, A13F		15	TPN, VTPN		15	TPN, VTPN
A96.2	15	TPN, VTPN		Pre	A07D, A09E, A11F, A13F	B08.8	18B	T63A, T63B, T63C
	18B	T63A, T63B, T63C	B01.8	15	TPN, VTPN	B09	15	P65C, P66C, P67B, P67C
	Pre	A07D, A09E, A11F, A13F		18B	T63A, T63B, T63C		18B	T63A, T63B, T63C
A96.8	15	TPN, VTPN	B01.9	15	TPN, VTPN	B15.0	07	H63A, H63B, H63C, H78Z
	18B	T63A, T63B, T63C		18B	T63A, T63B, T63C		15	TPN, VTPN
	Pre	A07D, A09E, A11F, A13F	B02.0	01	B72A, B72B		Pre	A07D, A09E, A11F, A13F
A96.9	15	TPN, VTPN		15	TPN, VTPN	B15.9	07	H63A, H63B, H63C, H78Z
	18B	T63A, T63B, T63C		18A	S63A, S63B		15	TPN, VTPN
	Pre	A07D, A09E, A11F, A13F	B02.1	01	B73Z	B16.0	07	H63A, H63B, H63C, H78Z
A98.0	18B	T63A, T63B, T63C		15	TPN, VTPN		15	TPN, VTPN
	Pre	A07D, A09E, A11F, A13F		18A	S63A, S63B		Pre	A07D, A09E, A11F, A13F
A98.1	18B	T63A, T63B, T63C	B02.2	01	B81A, B81B	B16.1	07	H63A, H63B, H63C, H78Z
	Pre	A07D, A09E, A11F, A13F		15	TPN, VTPN		15	TPN, VTPN
A98.2	18B	T63A, T63B, T63C		18A	S63A, S63B	B16.2	07	H63A, H63B, H63C, H78Z
	Pre	A07D, A09E, A11F, A13F		Pre	A07D, A09E, A11F, A13F		15	TPN, VTPN
A98.3	15	TPN, VTPN	B02.3	02	C60Z	B16.9	07	H63A, H63B, H63C, H78Z
	18B	T63A, T63B, T63C		15	TPN, VTPN		15	TPN, VTPN
	Pre	A07D, A09E, A11F, A13F		18A	S63A, S63B	B17.0	07	H63A, H63B, H63C, H78Z
A98.4	18B	T63A, T63B, T63C		15	TPN, VTPN		15	TPN, VTPN
	Pre	A07D, A09E, A11F, A13F	B02.7	15	TPN, VTPN		Pre	A07D, A09E, A11F, A13F
A98.5	11	L63A, L63B, L63C, L63D, L63E, L63F, L74Z		18A	S63A, S63B	B17.1	07	H63A, H63B, H63C, H78Z
	15	TPN, VTPN		15	TPN, VTPN		15	TPN, VTPN
	Pre	A07D, A09E, A11F, A13F		18A	S63A, S63B		18A	S63A, S63B
A98.8	18B	T63A, T63B, T63C	B02.8	15	TPN, VTPN	B17.2	07	H63A, H63B, H63C, H78Z
	Pre	A07D, A09E, A11F, A13F		18A	S63A, S63B		15	TPN, VTPN
A99	18B	T63A, T63B, T63C		18B	T63A, T63B, T63C		Pre	A07D, A09E, A11F, A13F
	Pre	A07D, A09E, A11F, A13F	B02.9	09	J64A, J64B, J68A, J68B	B17.8	07	H63A, H63B, H63C, H78Z
B00.0	09	J61A, J61B, J61C, J68A, J68B		15	TPN, VTPN		15	TPN, VTPN
	15	TPN, VTPN		18A	S63A, S63B			
	18A	S63A, S63B						

ICD	MDC	DRG	ICD	MDC	DRG	ICD	MDC	DRG
B17.9	07	H63A, H63B, H63C, H78Z	B21.0	14	O01C, O01D, O01F	B23.2	14	O01C, O01D, O01F
	15	TPN, VTPN		15	TPN, VTPN		15	TPN, VTPN
B18.0	07	H63A, H63B, H63C, H78Z		18A	S62Z		18A	S65A, S65B
	15	TPN, VTPN		20	V60A, V60B		20	V60A, V60B
B18.1	07	H63A, H63B, H63C, H78Z		Pre	A07D, A09E, A11F, A13F		Pre	A07D, A09E, A11F, A13F
	15	TPN, VTPN	B21.1	14	O01C, O01D, O01F	B23.8	14	O01C, O01D, O01F
B18.2	07	H63A, H63B, H63C, H78Z		15	TPN, VTPN		15	TPN, VTPN
	15	TPN, VTPN		18A	S62Z		18A	S65A, S65B
	Pre	A07D, A09E, A11F, A13F		20	V60A, V60B		20	V60A, V60B
B18.8	07	H63A, H63B, H63C, H78Z		Pre	A07D, A09E, A11F, A13F		Pre	A07D, A09E, A11F, A13F
	15	TPN, VTPN	B21.2	14	O01C, O01D, O01F	B24	14	O01C, O01D, O01F
B18.9	07	H63A, H63B, H63C, H78Z		15	TPN, VTPN		15	TPN, VTPN
	15	TPN, VTPN		18A	S62Z		18A	S65A, S65B
B19.0	07	H63A, H63B, H63C, H78Z		20	V60A, V60B		20	V60A, V60B
	15	TPN, VTPN		Pre	A07D, A09E, A11F, A13F		Pre	A07D, A09E, A11F, A13F
B19.9	07	H63A, H63B, H63C, H78Z	B21.3	14	O01C, O01D, O01F	B25.0	04	E62A, E77A, E77B, E77C, E77D, E77F
	15	TPN, VTPN		15	TPN, VTPN		15	TPN, VTPN
B20.0	14	O01C, O01D, O01F		18A	S62Z		18A	S63A, S63B
	15	TPN, VTPN		20	V60A, V60B		Pre	A07D, A09E, A11F, A13F
	18A	S63A, S63B		Pre	A07D, A09E, A11F, A13F	B25.1	15	TPN, VTPN
	20	V60A, V60B	B21.7	14	O01C, O01D, O01F		18A	S63A, S63B
	Pre	A07D, A09E, A11F, A13F		15	TPN, VTPN		18B	T63A, T63B
B20.1	14	O01C, O01D, O01F		20	V60A, V60B		Pre	A07D, A09E, A11F, A13F
	15	TPN, VTPN		Pre	A07D, A09E, A11F, A13F	B25.2	15	TPN, VTPN
	18A	S63A, S63B	B21.8	14	O01C, O01D, O01F		18A	S63A, S63B
	20	V60A, V60B		15	TPN, VTPN		18B	T63A, T63B
	Pre	A07D, A09E, A11F, A13F		18A	S62Z		Pre	A07D, A09E, A11F, A13F
B20.2	14	O01C, O01D, O01F		20	V60A, V60B	B25.80	15	TPN, VTPN
	15	TPN, VTPN		Pre	A07D, A09E, A11F, A13F		18A	S63A, S63B
	18A	S63A, S63B	B21.9	14	O01C, O01D, O01F		18B	T63A, T63B
	20	V60A, V60B		15	TPN, VTPN	B25.88	15	TPN, VTPN
	Pre	A07D, A09E, A11F, A13F		18A	S62Z		18A	S63A, S63B
B20.3	14	O01C, O01D, O01F		20	V60A, V60B		18B	T63A, T63B
	15	TPN, VTPN		Pre	A07D, A09E, A11F, A13F	B25.9	15	TPN, VTPN
	18A	S63A, S63B	B22.0	14	O01C, O01D, O01F		18A	S63A, S63B
	20	V60A, V60B		15	TPN, VTPN		18B	T63A, T63B
	Pre	A07D, A09E, A11F, A13F		18A	S65A, S65B	B26.0	12	M62Z
B20.4	14	O01C, O01D, O01F		20	V60A, V60B		15	TPN, VTPN
	15	TPN, VTPN		Pre	A07D, A09E, A11F, A13F	B26.1	01	B73Z
	18A	S63A, S63B	B22.1	14	O01C, O01D, O01F		15	TPN, VTPN
	20	V60A, V60B		15	TPN, VTPN		Pre	A07D, A09E, A11F, A13F
	Pre	A07D, A09E, A11F, A13F		18A	S65A, S65B	B26.2	01	B72A, B72B
B20.5	14	O01C, O01D, O01F		20	V60A, V60B		15	TPN, VTPN
	15	TPN, VTPN		Pre	A07D, A09E, A11F, A13F		Pre	A07D, A09E, A11F, A13F
	18A	S63A, S63B	B22.2	14	O01C, O01D, O01F	B26.3	07	H62A, H62B, H62C
	20	V60A, V60B		15	TPN, VTPN		15	TPN, VTPN
	Pre	A07D, A09E, A11F, A13F		18A	S65A, S65B	B26.8	15	TPN, VTPN
B20.6	14	O01C, O01D, O01F		20	V60A, V60B		18B	T63A, T63B, T63C
	15	TPN, VTPN		Pre	A07D, A09E, A11F, A13F	B26.9	18B	T63A, T63B, T63C
	18A	S63A, S63B	B22.7	14	O01C, O01D, O01F	B27.0	15	TPN, VTPN
	20	V60A, V60B		15	TPN, VTPN		18B	T63A, T63B, T63C
	Pre	A07D, A09E, A11F, A13F		18A	S65A, S65B	B27.1	15	TPN, VTPN
B20.7	14	O01C, O01D, O01F		20	V60A, V60B		18B	T63A, T63B, T63C
	15	TPN, VTPN		Pre	A07D, A09E, A11F, A13F	B27.8	15	TPN, VTPN
	18A	S63A, S63B	B23.0	14	O01C, O01D, O01F		18B	T63A, T63B, T63C
	20	V60A, V60B		15	TPN, VTPN	B27.9	15	TPN, VTPN
	Pre	A07D, A09E, A11F, A13F		18A	S65A, S65B		18B	T63A, T63B, T63C
B20.8	14	O01C, O01D, O01F		20	V60A, V60B	B30.0	02	C63Z
	15	TPN, VTPN		Pre	A07D, A09E, A11F, A13F	B30.1	02	C63Z
	18A	S63A, S63B	B23.1	14	O01C, O01D, O01F		15	TPN, VTPN
	20	V60A, V60B		15	TPN, VTPN	B30.2	02	C63Z
	Pre	A07D, A09E, A11F, A13F		18A	S65A, S65B	B30.3	02	C63Z
B20.9	14	O01C, O01D, O01F		20	V60A, V60B		15	TPN, VTPN
	15	TPN, VTPN		Pre	A07D, A09E, A11F, A13F	B30.8	02	C63Z
	18A	S63A, S63B				B30.9	02	C63Z
	20	V60A, V60B				B33.0	04	E62A, E62B, E77A, E77B, E77C, E77D, E77E, E77F, E77G
	Pre	A07D, A09E, A11F, A13F						

Dg

ICD	MDC	DRG	ICD	MDC	DRG	ICD	MDC	DRG
B33.1	18B	T63A, T63B, T63C	B37.5	01	B72A, B72B	B39.1	04	E74Z
B33.2	05	F75A, F75B, F75C, F75D		15	TPN, VTPN		15	TPN, VTPN
	15	TPN, VTPN		18A	S63A, S63B		18A	S63A, S63B
	Pre	A07D, A09E, A11F, A13F		Pre	A07D, A09E, A11F, A13F		Pre	A07D, A09E, A11F, A13F
B33.3	18B	T63A, T63B, T63C	B37.6	05	F15Z, F36A, F36B, F61A, F61B	B39.2	04	E74Z
B33.4	18B	T63A, T63B, T63C		15	TPN, VTPN		15	TPN, VTPN
	Pre	A07D, A09E, A11F, A13F		18A	S63A, S63B		18A	S63A, S63B
B33.8	18B	T63A, T63B, T63C		Pre	A07D, A09E, A11F, A13F		Pre	A07D, A09E, A11F, A13F
B34.0	15	TPN, VTPN	B37.7	05	F62A	B39.3	05	F62A
	18B	T63A, T63B, T63C		06	G67A		06	G67A
B34.1	18B	T63A, T63B, T63C		17	R60B, R60C, R61A, R62A, R63B, R63C, R63D, R63F		17	R60B, R60C, R61A, R62A, R63B, R63C, R63D, R63F
B34.2	18B	T63A, T63B, T63C		18A	S63A, S63B		18A	S63A, S63B
B34.3	18B	T63A, T63B, T63C		18B	T01B, T60A, T60B, T60C, T60F, T61A		18B	T01B, T60A, T60B, T60C, T60F, T61A
B34.4	18A	S63A, S63B		Pre	A07D, A09E, A11F, A13F		Pre	A07D, A09E, A11F, A13F
	18B	T63A, T63B, T63C	B37.81	06	G46A, G46B, G46C, G50Z, G67A, G67B, G67C	B39.4	18A	S63A, S63B
B34.8	18B	T63A, T63B, T63C		15	TPN, VTPN		18B	T64A, T64B, T64C
B34.9	18A	S63A, S63B		18A	S63A, S63B	B39.5	18A	S63A, S63B
	18B	T63A, T63B, T63C	B37.88	18A	S63A, S63B		18B	T64A, T64B, T64C
B35.0	09	J67A, J67B, J68A, J68B		18B	T64A, T64B, T64C		Pre	A07D, A09E, A11F, A13F
	18A	S63A, S63B	B37.9	18A	S63A, S63B	B39.9	18A	S63A, S63B
B35.1	09	J67A, J67B, J68A, J68B		18B	T64A, T64B, T64C		18B	T64A, T64B, T64C
	18A	S63A, S63B	B38.0	04	E62A, E62B, E77A, E77B, E77C, E77D, E77E, E77F, E77G		Pre	A07D, A09E, A11F, A13F
B35.2	09	J67A, J67B, J68A, J68B		15	TPN, VTPN	B40.0	04	E62A, E62B, E77A, E77B, E77C, E77D, E77E, E77F, E77G
	18A	S63A, S63B		18A	S63A, S63B		15	TPN, VTPN
B35.3	09	J02A, J02B, J02C, J03A, J03B, J04A, J04B, J08A, J08B, J08C, J67A, J67B, J68A, J68B		Pre	A07D, A09E, A11F, A13F		Pre	A07D, A09E, A11F, A13F
	18A	S63A, S63B	B38.1	04	E62A, E62B, E77A, E77B, E77C, E77D, E77E, E77F, E77G	B40.1	04	E62A, E62B, E77A, E77B, E77C, E77D, E77E, E77F, E77G
B35.4	09	J67A, J67B, J68A, J68B		15	TPN, VTPN		15	TPN, VTPN
	18A	S63A, S63B		18A	S63A, S63B		Pre	A07D, A09E, A11F, A13F
B35.5	09	J67A, J67B, J68A, J68B		Pre	A07D, A09E, A11F, A13F	B40.2	04	E62A, E62B, E77A, E77B, E77C, E77D, E77E, E77F, E77G
	18A	S63A, S63B	B38.2	04	E62A, E62B, E77A, E77B, E77C, E77D, E77E, E77F, E77G		15	TPN, VTPN
B35.6	09	J67A, J67B, J68A, J68B		15	TPN, VTPN		Pre	A07D, A09E, A11F, A13F
	18A	S63A, S63B		18A	S63A, S63B	B40.3	15	TPN, VTPN
B35.8	09	J67A, J67B, J68A, J68B		Pre	A07D, A09E, A11F, A13F		18B	T64A, T64B, T64C
	18A	S63A, S63B	B38.3	09	J61A, J61B, J61C, J68A, J68B	B40.7	15	TPN, VTPN
B35.9	09	J67A, J67B, J68A, J68B		15	TPN, VTPN		18B	T64A, T64B, T64C
	18A	S63A, S63B		18A	S63A, S63B		Pre	A07D, A09E, A11F, A13F
B36.0	09	J67A, J67B, J68A, J68B	B38.4	01	B72A, B72B	B40.8	15	TPN, VTPN
	18A	S63A, S63B		15	TPN, VTPN		18B	T64A, T64B, T64C
B36.1	09	J67A, J67B, J68A, J68B		18A	S63A, S63B	B40.9	15	TPN, VTPN
	18A	S63A, S63B		Pre	A07D, A09E, A11F, A13F		18B	T64A, T64B, T64C
B36.2	09	J67A, J67B, J68A, J68B	B38.7	05	F62A	B41.0	15	TPN, VTPN
	18A	S63A, S63B		06	G67A		18B	T64A, T64B, T64C
B36.3	09	J67A, J67B, J68A, J68B		15	TPN, VTPN		Pre	A07D, A09E, A11F, A13F
	18A	S63A, S63B		17	R60B, R60C, R61A, R62A, R63B, R63C, R63D, R63F	B41.7	05	F62A
B36.8	09	J67A, J67B, J68A, J68B		18A	S63A, S63B		06	G67A
	18A	S63A, S63B		18B	T01B, T60A, T60B, T60C, T60F, T61A		15	TPN, VTPN
B36.9	09	J67A, J67B, J68A, J68B		Pre	A07D, A09E, A11F, A13F		17	R60B, R60C, R61A, R62A, R63B, R63C, R63D, R63F
	18A	S63A, S63B	B38.8	15	TPN, VTPN		18B	T01B, T60A, T60B, T60C, T60F, T61A
B37.0	03	D40Z, D67Z		18A	S63A, S63B	B41.8	15	TPN, VTPN
	18A	S63A, S63B		18B	T64A, T64B, T64C		18B	T64A, T64B, T64C
B37.1	04	E62A, E62B, E77A, E77B, E77C, E77D, E77F	B38.9	18A	S63A, S63B	B41.9	15	TPN, VTPN
	15	TPN, VTPN		18B	T64A, T64B, T64C		18B	T64A, T64B, T64C
	18A	S63A, S63B	B39.0	04	E74Z	B42.0	04	E62A, E62B, E77A, E77B, E77C, E77D, E77E, E77F, E77G
	Pre	A07D, A09E, A11F, A13F		15	TPN, VTPN		Pre	A07D, A09E, A11F, A13F
B37.2	09	J67A, J67B, J68A, J68B		18A	S63A, S63B	B42.1	18B	T64A, T64B, T64C
	15	TPN, VTPN		Pre	A07D, A09E, A11F, A13F			
	18A	S63A, S63B						
B37.3	13	N04Z, N05A, N05B, N14Z, N21Z, N25Z, N61Z						
B37.4	12	M62Z						
	13	N04Z, N05A, N05B, N14Z, N21Z, N25Z, N61Z						
	15	TPN, VTPN						

ICD	MDC	DRG	ICD	MDC	DRG	ICD	MDC	DRG
B42.7	05	F62A	B45.8	15	TPN, VTPN	B51.0	05	F62A
	06	G67A		18A	S63A, S63B		06	G67A
	17	R60B, R60C, R61A, R62A, R63B, R63C, R63D, R63F		18B	T64A, T64B, T64C		15	TPN, VTPN
	18B	T01B, T60A, T60B, T60C, T60F, T61A	B45.9	15	TPN, VTPN		17	R60B, R60C, R61A, R62A, R63B, R63C, R63D, R63F
	Pre	A07D, A09E, A11F, A13F		18A	S63A, S63B		18B	T01B, T60A, T60B, T60C, T60D, T60E, T60F, T61A
B42.8	18B	T64A, T64B, T64C	B46.0	04	E62A, E62B, E77A, E77B, E77C, E77D, E77E, E77F, E77G		Pre	A07D, A09E, A11F, A13F
B42.9	18B	T64A, T64B, T64C		15	TPN, VTPN	B51.8	15	TPN, VTPN
B43.0	18B	T64A, T64B, T64C	Pre	A07D, A09E, A11F, A13F		18B	T64A, T64B, T64C	
B43.1	18B	T64A, T64B, T64C	B46.1	01	B72A, B72B	Pre	A07D, A09E, A11F, A13F	
	Pre	A07D, A09E, A11F, A13F		15	TPN, VTPN	B51.9	15	TPN, VTPN
B43.2	18B	T64A, T64B, T64C		Pre	A07D, A09E, A11F, A13F		18B	T64A, T64B, T64C
B43.8	18B	T64A, T64B, T64C	B46.2	15	TPN, VTPN	Pre	A07D, A09E, A11F, A13F	
B43.9	18B	T64A, T64B, T64C		18B	T64A, T64B, T64C	B52.0	15	TPN, VTPN
B44.0	04	E62A, E62B, E77A, E77B, E77C, E77D, E77E, E77F	Pre	A07D, A09E, A11F, A13F		18B	T64A, T64B, T64C	
	15	TPN, VTPN	B46.3	15	TPN, VTPN	Pre	A07D, A09E, A11F, A13F	
	18A	S63A, S63B		18B	T64A, T64B, T64C	B52.8	05	F62A
	Pre	A07D, A09E, A11F, A13F	B46.4	05	F62A		06	G67A
B44.1	04	E62A, E62B, E77A, E77B, E77C, E77D, E77E, E77F		06	G67A		15	TPN, VTPN
	15	TPN, VTPN		15	TPN, VTPN		17	R60B, R60C, R61A, R62A, R63B, R63C, R63D, R63F
	18A	S63A, S63B		17	R60B, R60C, R61A, R62A, R63B, R63C, R63D, R63F		18B	T01B, T60A, T60B, T60C, T60D, T60E, T60F, T61A
	Pre	A07D, A09E, A11F, A13F		18B	T01B, T60A, T60B, T60C, T60F, T61A		Pre	A07D, A09E, A11F, A13F
B44.2	15	TPN, VTPN	B46.5	15	TPN, VTPN	B52.9	15	TPN, VTPN
	18A	S63A, S63B		Pre	A07D, A09E, A11F, A13F		18B	T64A, T64B, T64C
	18B	T64A, T64B, T64C		15	TPN, VTPN	Pre	A07D, A09E, A11F, A13F	
B44.7	05	F62A	B46.8	15	TPN, VTPN	B53.0	15	TPN, VTPN
	06	G67A		18B	T64A, T64B, T64C		18B	T64A, T64B, T64C
	15	TPN, VTPN	B46.9	15	TPN, VTPN	Pre	A07D, A09E, A11F, A13F	
	17	R60B, R60C, R61A, R62A, R63B, R63C, R63D, R63F		18B	T64A, T64B, T64C	B53.1	15	TPN, VTPN
	18A	S63A, S63B	B47.0	15	TPN, VTPN		18B	T64A, T64B, T64C
	18B	T01B, T60A, T60B, T60C, T60F, T61A		18B	T64A, T64B, T64C	Pre	A07D, A09E, A11F, A13F	
	Pre	A07D, A09E, A11F, A13F	B47.1	15	TPN, VTPN	B53.8	15	TPN, VTPN
B44.8	15	TPN, VTPN		18B	T64A, T64B, T64C		18B	T64A, T64B, T64C
	18A	S63A, S63B	B47.9	18B	T64A, T64B, T64C	Pre	A07D, A09E, A11F, A13F	
	18B	T64A, T64B, T64C	B48.0	18B	T64A, T64B, T64C	B54	15	TPN, VTPN
B44.9	15	TPN, VTPN	B48.1	18B	T64A, T64B, T64C		18B	T64A, T64B, T64C
	18A	S63A, S63B	B48.2	15	TPN, VTPN	Pre	A07D, A09E, A11F, A13F	
	18B	T64A, T64B, T64C		18B	T64A, T64B, T64C	B55.0	05	F62A
B45.0	04	E62A, E62B, E77A, E77B, E77C, E77D, E77E, E77F, E77G	B48.3	18B	T64A, T64B, T64C		06	G67A
	15	TPN, VTPN	B48.4	18B	T64A, T64B, T64C		17	R60B, R60C, R61A, R62A, R63B, R63C, R63D, R63F
	18A	S63A, S63B	B48.7	15	TPN, VTPN		18A	S63A, S63B
	Pre	A07D, A09E, A11F, A13F		18A	S63A, S63B		18B	T01B, T60A, T60B, T60C, T60F, T61A
B45.1	01	B72A, B72B	B48.8	18B	T64A, T64B, T64C		Pre	A07D, A09E, A11F, A13F
	15	TPN, VTPN	B49	18B	T64A, T64B, T64C	B55.1	09	J61A, J61B, J61C, J68A, J68B
	18A	S63A, S63B	B50.0	01	B72A, B72B		Pre	A07D, A09E, A11F, A13F
	Pre	A07D, A09E, A11F, A13F		15	TPN, VTPN	B55.2	09	J61A, J61B, J61C, J68A, J68B
B45.2	15	TPN, VTPN		Pre	A07D, A09E, A11F, A13F		Pre	A07D, A09E, A11F, A13F
	18A	S63A, S63B	B50.8	05	F62A	B55.9	18B	T64A, T64B, T64C
	18B	T64A, T64B, T64C		06	G67A		Pre	A07D, A09E, A11F, A13F
B45.3	15	TPN, VTPN		15	TPN, VTPN	B56.0	18B	T64A, T64B, T64C
	18A	S63A, S63B		17	R60B, R60C, R61A, R62A, R63B, R63C, R63D, R63F		Pre	A07D, A09E, A11F, A13F
	18B	T64A, T64B, T64C		18B	T01B, T60A, T60B, T60C, T60D, T60E, T60F, T61A	B56.1	18B	T64A, T64B, T64C
	Pre	A07D, A09E, A11F, A13F		Pre	A07D, A09E, A11F, A13F		Pre	A07D, A09E, A11F, A13F
B45.7	05	F62A	B50.9	15	TPN, VTPN	B56.9	18B	T64A, T64B, T64C
	06	G67A		18B	T64A, T64B, T64C		Pre	A07D, A09E, A11F, A13F
	15	TPN, VTPN		Pre	A07D, A09E, A11F, A13F	B57.0	05	F75A, F75B, F75C, F75D
	17	R60B, R60C, R61A, R62A, R63B, R63C, R63D, R63F					Pre	A07D, A09E, A11F, A13F
	18A	S63A, S63B				B57.1	18B	T64A, T64B, T64C
	18B	T01B, T60A, T60B, T60C, T60F, T61A					Pre	A07D, A09E, A11F, A13F
	Pre	A07D, A09E, A11F, A13F				B57.2	05	F75A, F75B, F75C, F75D
							Pre	A07D, A09E, A11F, A13F
						B57.3	18B	T64A, T64B, T64C
							Pre	A07D, A09E, A11F, A13F

Dg

ICD	MDC	DRG	ICD	MDC	DRG	ICD	MDC	DRG
B57.4	18B	T64A, T64B, T64C	B67.1	04	E62A, E62B, E77A, E77B, E77C, E77D, E77E, E77F, E77G	B78.0	06	G46A, G46B, G46C, G50Z, G67A, G67B, G67C, G67D
B57.5	18B	T64A, T64B, T64C		Pre	A07D, A09E, A11F, A13F	B78.1	18A	S63A, S63B
B58.0	02	C66Z	B67.2	18B	T64A, T64B, T64C	B78.1	06	G46A, G46B, G46C, G50Z, G67A, G67B, G67C, G67D
	15	TPN, VTPN		Pre	A07D, A09E, A11F, A13F		18A	S63A, S63B
B58.1	18A	S63A, S63B	B67.3	18B	T64A, T64B, T64C	B78.7	06	G46A, G46B, G46C, G50Z, G67A, G67B, G67C, G67D
	07	H63A, H63B, H63C, H78Z		Pre	A07D, A09E, A11F, A13F		18A	S63A, S63B
	15	TPN, VTPN	B67.4	18B	T64A, T64B, T64C	B78.9	06	G46A, G46B, G46C, G50Z, G67A, G67B, G67C, G67D
	18A	S63A, S63B		Pre	A07D, A09E, A11F, A13F		18A	S63A, S63B
B58.2	01	B72A, B72B	B67.5	07	H63A, H63B, H63C, H78Z	B79	06	G46A, G46B, G46C, G50Z, G67A, G67B, G67C, G67D
	15	TPN, VTPN		Pre	A07D, A09E, A11F, A13F	B80	06	G46A, G46B, G46C, G50Z, G67A, G67B, G67C, G67D
	18A	S63A, S63B	B67.6	18B	T64A, T64B, T64C	B81.0	06	G46A, G46B, G46C, G50Z, G67A, G67B, G67C, G67D
	Pre	A07D, A09E, A11F, A13F	B67.7	18B	T64A, T64B, T64C	B81.1	06	G46A, G46B, G46C, G50Z, G67A, G67B, G67C, G67D
B58.3	04	E62A, E62B, E77A, E77B, E77C, E77D, E77E, E77F, E77G		Pre	A07D, A09E, A11F, A13F	B81.2	06	G46A, G46B, G46C, G50Z, G67A, G67B, G67C, G67D
	15	TPN, VTPN	B67.8	07	H63A, H63B, H63C, H78Z	B81.3	06	G46A, G46B, G46C, G50Z, G67A, G67B, G67C, G67D
	18A	S63A, S63B		Pre	A07D, A09E, A11F, A13F	B81.4	18B	T64A, T64B, T64C
	Pre	A07D, A09E, A11F, A13F	B67.9	18B	T64A, T64B, T64C	B81.8	06	G46A, G46B, G46C, G50Z, G67A, G67B, G67C, G67D
B58.8	15	TPN, VTPN		Pre	A07D, A09E, A11F, A13F	B82.0	06	G46A, G46B, G46C, G50Z, G67A, G67B, G67C, G67D
	18A	S63A, S63B	B68.0	06	G46A, G46B, G46C, G50Z, G67A, G67B, G67C, G67D	B82.9	06	G46A, G46B, G46C, G50Z, G67A, G67B, G67C, G67D
	18B	T64A, T64B, T64C	B68.1	06	G46A, G46B, G46C, G50Z, G67A, G67B, G67C, G67D	B83.0	18B	T64A, T64B, T64C
	Pre	A07D, A09E, A11F, A13F	B68.9	06	G46A, G46B, G46C, G50Z, G67A, G67B, G67C, G67D	B83.1	18B	T64A, T64B, T64C
B58.9	15	TPN, VTPN	B69.0	01	B72A, B72B	B83.2	18B	T64A, T64B, T64C
	18A	S63A, S63B		Pre	A07D, A09E, A11F, A13F	B83.3	18B	T64A, T64B, T64C
	18B	T64A, T64B, T64C	B69.1	02	C63Z	B83.4	18B	T64A, T64B, T64C
	Pre	A07D, A09E, A11F, A13F		Pre	A07D, A09E, A11F, A13F	B83.8	18B	T64A, T64B, T64C
B59	04	E62A, E77A, E77B, E77C, E77D, E77F	B69.8	06	G46A, G46B, G46C, G50Z, G67A, G67B, G67C, G67D	B83.9	18B	T64A, T64B, T64C
	15	TPN, VTPN		Pre	A07D, A09E, A11F, A13F	B85.0	09	J67A, J67B, J68A, J68B
	18A	S63A, S63B	B69.9	06	G46A, G46B, G46C, G50Z, G67A, G67B, G67C, G67D	B85.1	09	J67A, J67B, J68A, J68B
	Pre	A07D, A09E, A11F, A13F	B70.0	06	G46A, G46B, G46C, G50Z, G67A, G67B, G67C, G67D	B85.2	09	J67A, J67B, J68A, J68B
B60.0	18A	S63A, S63B		Pre	A07D, A09E, A11F, A13F	B85.3	09	J67A, J67B, J68A, J68B
	18B	T64A, T64B, T64C	B70.1	06	G46A, G46B, G46C, G50Z, G67A, G67B, G67C, G67D	B85.4	09	J67A, J67B, J68A, J68B
	Pre	A07D, A09E, A11F, A13F		Pre	A07D, A09E, A11F, A13F	B86	09	J67A, J67B, J68A, J68B
B60.1	18A	S63A, S63B	B71.0	06	G46A, G46B, G46C, G50Z, G67A, G67B, G67C, G67D	B87.0	09	J67A, J67B, J68A, J68B
	18B	T64A, T64B, T64C		Pre	A07D, A09E, A11F, A13F	B87.1	09	J67A, J67B, J68A, J68B
	Pre	A07D, A09E, A11F, A13F	B71.1	06	G46A, G46B, G46C, G50Z, G67A, G67B, G67C, G67D	B87.2	09	J67A, J67B, J68A, J68B
B60.2	18A	S63A, S63B		Pre	A07D, A09E, A11F, A13F	B87.3	09	J67A, J67B, J68A, J68B
	18B	T64A, T64B, T64C	B71.8	06	G46A, G46B, G46C, G50Z, G67A, G67B, G67C, G67D	B87.4	09	J67A, J67B, J68A, J68B
	Pre	A07D, A09E, A11F, A13F		Pre	A07D, A09E, A11F, A13F	B87.8	09	J67A, J67B, J68A, J68B
B60.8	18A	S63A, S63B	B71.9	06	G46A, G46B, G46C, G50Z, G67A, G67B, G67C, G67D	B87.9	09	J67A, J67B, J68A, J68B
	18B	T64A, T64B, T64C		Pre	A07D, A09E, A11F, A13F	B88.0	09	J67A, J67B, J68A, J68B
B64	18B	T64A, T64B, T64C	B72	18B	T64A, T64B, T64C	B88.1	09	J67A, J67B, J68A, J68B
B65.0	11	L63A, L63B, L63C, L63D, L63E, L63F, L74Z		Pre	A07D, A09E, A11F, A13F	B88.2	09	J67A, J67B, J68A, J68B
	Pre	A07D, A09E, A11F, A13F	B74.0	18B	T64A, T64B, T64C	B88.3	09	J67A, J67B, J68A, J68B
B65.1	07	H63A, H63B, H63C, H78Z		Pre	A07D, A09E, A11F, A13F	B88.8	18A	S63A, S63B
	Pre	A07D, A09E, A11F, A13F	B74.1	18B	T64A, T64B, T64C		18B	T64A, T64B, T64C
B65.2	18B	T64A, T64B, T64C	B74.2	18B	T64A, T64B, T64C	B88.9	09	J67A, J67B, J68A, J68B
	Pre	A07D, A09E, A11F, A13F	B74.3	18B	T64A, T64B, T64C	B89	18B	T64A, T64B, T64C
B65.3	09	J61A, J61B, J61C, J68A, J68B	B74.4	18B	T64A, T64B, T64C	B97.0	15	TPN, VTPN
B65.8	18B	T64A, T64B, T64C	B74.8	18B	T64A, T64B, T64C	B97.1	15	TPN, VTPN
B65.9	18B	T64A, T64B, T64C		Pre	A07D, A09E, A11F, A13F	B97.4	04	E65A, E65B, E65C, E69B
B66.0	07	H63A, H63B, H63C, H78Z	B74.9	18B	T64A, T64B, T64C	B99	15	P65C, P66C, P67B, P67C
B66.1	07	H63A, H63B, H63C, H78Z	B75	18B	T64A, T64B, T64C		18B	T64A, T64B, T64C
B66.2	18B	T64A, T64B, T64C	B76.0	06	G46A, G46B, G46C, G50Z, G67A, G67B, G67C, G67D			
B66.3	07	H63A, H63B, H63C, H78Z		Pre	A07D, A09E, A11F, A13F			
B66.4	04	E62A, E62B, E77A, E77B, E77C, E77D, E77E, E77F, E77G	B76.1	06	G46A, G46B, G46C, G50Z, G67A, G67B, G67C, G67D			
	Pre	A07D, A09E, A11F, A13F		Pre	A07D, A09E, A11F, A13F			
B66.5	07	H63A, H63B, H63C, H78Z	B76.8	06	G46A, G46B, G46C, G50Z, G67A, G67B, G67C, G67D			
B66.8	18B	T64A, T64B, T64C		Pre	A07D, A09E, A11F, A13F			
B66.9	18B	T64A, T64B, T64C	B76.9	06	G46A, G46B, G46C, G50Z, G67A, G67B, G67C, G67D			
B67.0	07	H63A, H63B, H63C, H78Z		Pre	A07D, A09E, A11F, A13F			
	Pre	A07D, A09E, A11F, A13F	B77.0	06	G46A, G46B, G46C, G50Z, G67A, G67B, G67C, G67D			
				Pre	A07D, A09E, A11F, A13F			
			B77.8	06	G46A, G46B, G46C, G50Z, G67A, G67B, G67C, G67D			
				Pre	A07D, A09E, A11F, A13F			
			B77.9	06	G46A, G46B, G46C, G50Z, G67A, G67B, G67C, G67D			







ICD	MDC	DRG	ICD	MDC	DRG	ICD	MDC	DRG
C11.0	03	D06B, D08A, D08B, D09Z, D25A, D25B, D28Z, D60A, D60B, D60C	C13.1	03	D06B, D08A, D08B, D09Z, D25A, D25B, D28Z, D60A, D60B, D60C	C15.2	06	G03A, G17A, G19A, G38Z, G40Z, G46A, G46B, G46C, G47Z, G60A, G60B, G67A
	06	G17A, G38Z, G67A		06	G17A, G38Z, G67A		08	I54Z
	08	I54Z		08	I54Z		15	TPN, VTPN
	15	TPN, VTPN		15	TPN, VTPN		Pre	A07D, A09A, A09E, A11B, A11F, A13F
Pre	A07D, A09A, A09E, A11B, A11F, A13F	Pre	A07D, A09A, A09E, A11B, A11F, A13F	C15.3	06	G03A, G17A, G19A, G38Z, G40Z, G46A, G46B, G46C, G47Z, G60A, G60B, G67A		
C11.1	03	D06B, D08A, D08B, D09Z, D25A, D25B, D28Z, D60A, D60B, D60C	C13.2		03	D06B, D08A, D08B, D09Z, D25A, D25B, D28Z, D60A, D60B, D60C	08	I54Z
	06	G17A, G38Z, G67A			06	G17A, G38Z, G67A	15	TPN, VTPN
	08	I54Z			08	I54Z	Pre	A07D, A09A, A09E, A11B, A11F, A13F
	15	TPN, VTPN		15	TPN, VTPN	C15.4	06	G03A, G17A, G19A, G38Z, G40Z, G46A, G46B, G46C, G47Z, G60A, G60B, G67A
Pre	A07D, A09A, A09E, A11B, A11F, A13F	Pre	A07D, A09A, A09E, A11B, A11F, A13F	08	I54Z			
C11.2	03	D06B, D08A, D08B, D09Z, D25A, D25B, D28Z, D60A, D60B, D60C	C13.8	03	D06B, D08A, D08B, D09Z, D25A, D25B, D28Z, D60A, D60B, D60C		15	TPN, VTPN
	06	G17A, G38Z, G67A		06	G17A, G38Z, G67A		Pre	A07D, A09A, A09E, A11B, A11F, A13F
	08	I54Z		08	I54Z	C15.5	06	G03A, G17A, G19A, G38Z, G40Z, G46A, G46B, G46C, G47Z, G60A, G60B, G67A
	15	TPN, VTPN		15	TPN, VTPN		08	I54Z
Pre	A07D, A09A, A09E, A11B, A11F, A13F	Pre	A07D, A09A, A09E, A11B, A11F, A13F	15	TPN, VTPN			
C11.3	03	D06B, D08A, D08B, D09Z, D25A, D25B, D28Z, D60A, D60B, D60C	C13.9	03	D06B, D08A, D08B, D09Z, D25A, D25B, D28Z, D60A, D60B, D60C		Pre	A07D, A09A, A09E, A11B, A11F, A13F
	06	G17A, G38Z, G67A		06	G17A, G38Z, G67A	C15.8	06	G03A, G17A, G19A, G38Z, G40Z, G46A, G46B, G46C, G47Z, G60A, G60B, G67A
	08	I54Z		08	I54Z		08	I54Z
	15	TPN, VTPN		15	TPN, VTPN		15	TPN, VTPN
Pre	A07D, A09A, A09E, A11B, A11F, A13F	Pre	A07D, A09A, A09E, A11B, A11F, A13F	Pre	A07D, A09A, A09E, A11B, A11F, A13F			
C11.8	03	D06B, D08A, D08B, D09Z, D25A, D25B, D28Z, D60A, D60B, D60C	C14.0	03	D06B, D08A, D08B, D09Z, D25A, D25B, D28Z, D60A, D60B, D60C	C15.9	06	G03A, G17A, G19A, G38Z, G40Z, G46A, G46B, G46C, G47Z, G60A, G60B, G67A
	06	G17A, G38Z, G67A		06	G17A, G38Z, G67A		08	I54Z
	08	I54Z		08	I54Z		15	TPN, VTPN
	15	TPN, VTPN		15	TPN, VTPN		Pre	A07D, A09A, A09E, A11B, A11F, A13F
Pre	A07D, A09A, A09E, A11B, A11F, A13F	Pre	A07D, A09A, A09E, A11B, A11F, A13F	C16.0	06	G17A, G19A, G38Z, G40Z, G46A, G46B, G46C, G47Z, G60A, G60B, G67A		
C11.9	03	D06B, D08A, D08B, D09Z, D25A, D25B, D28Z, D60A, D60B, D60C	C14.2		03	D06B, D08A, D08B, D09Z, D25A, D25B, D28Z, D60A, D60B, D60C	08	I54Z
	06	G17A, G38Z, G67A			06	G17A, G38Z, G67A	15	TPN, VTPN
	08	I54Z			08	I54Z	Pre	A07D, A09A, A09E, A11B, A11F, A13F
	15	TPN, VTPN		15	TPN, VTPN	C16.1	06	G17A, G19A, G38Z, G40Z, G46A, G46B, G46C, G47Z, G60A, G60B, G67A
Pre	A07D, A09A, A09E, A11B, A11F, A13F	Pre	A07D, A09A, A09E, A11B, A11F, A13F	08	I54Z			
C12	03	D06B, D08A, D08B, D09Z, D25A, D25B, D28Z, D60A, D60B, D60C	C14.8	03	D06B, D08A, D08B, D09Z, D25A, D25B, D28Z, D60A, D60B, D60C		15	TPN, VTPN
	06	G17A, G38Z, G67A		06	G17A, G38Z, G67A		Pre	A07D, A09A, A09E, A11B, A11F, A13F
	08	I54Z		08	I54Z	C16.2	06	G17A, G19A, G38Z, G40Z, G46A, G46B, G46C, G47Z, G60A, G60B, G67A
	15	TPN, VTPN		15	TPN, VTPN		08	I54Z
Pre	A07D, A09A, A09E, A11B, A11F, A13F	Pre	A07D, A09A, A09E, A11B, A11F, A13F	15	TPN, VTPN			
C13.0	03	D06B, D08A, D08B, D09Z, D25A, D25B, D28Z, D60A, D60B, D60C	C15.0	06	G03A, G17A, G19A, G38Z, G40Z, G46A, G46B, G46C, G47Z, G60A, G60B, G67A		Pre	A07D, A09A, A09E, A11B, A11F, A13F
	06	G17A, G38Z, G67A		08	I54Z	C16.3	06	G17A, G19A, G38Z, G40Z, G46A, G46B, G46C, G47Z, G60A, G60B, G67A
	08	I54Z		15	TPN, VTPN		08	I54Z
	15	TPN, VTPN		Pre	A07D, A09A, A09E, A11B, A11F, A13F		15	TPN, VTPN
Pre	A07D, A09A, A09E, A11B, A11F, A13F	Pre	A07D, A09A, A09E, A11B, A11F, A13F	Pre	A07D, A09A, A09E, A11B, A11F, A13F			
C13.1	03	D06B, D08A, D08B, D09Z, D25A, D25B, D28Z, D60A, D60B, D60C	C15.1	06	G03A, G17A, G19A, G38Z, G40Z, G46A, G46B, G46C, G47Z, G60A, G60B, G67A			
	06	G17A, G38Z, G67A		08	I54Z			
	08	I54Z		15	TPN, VTPN			
	15	TPN, VTPN		Pre	A07D, A09A, A09E, A11B, A11F, A13F			
Pre	A07D, A09A, A09E, A11B, A11F, A13F	Pre	A07D, A09A, A09E, A11B, A11F, A13F					



ICD	MDC	DRG	ICD	MDC	DRG	ICD	MDC	DRG		
C22.3	06	G17A, G38Z, G67A	C25.1	06	G17A, G38Z, G67A	C26.8	06	G17A, G19A, G38Z, G40Z, G46A, G46B, G46C, G47Z, G60A, G60B, G67A		
	07	H02A, H07A, H08A, H09B, H38Z, H61A, H61B, H78Z		07	H02A, H07A, H08A, H09B, H38Z, H61A, H61B, H78Z		08	I54Z		
	08	I54Z		08	I54Z		15	TPN, VTPN		
	15	TPN, VTPN		15	TPN, VTPN		Pre	A07D, A09A, A09E, A11B, A11F, A13F		
Pre	A07D, A09A, A09E, A11B, A11F, A13F	C22.4	C25.2	06	G17A, G38Z, G67A	C26.9	06	G17A, G19A, G38Z, G40Z, G46A, G46B, G46C, G47Z, G60A, G60B, G67A		
06	G17A, G38Z, G67A				07			H02A, H07A, H08A, H09B, H38Z, H61A, H61B, H78Z	08	I54Z
07	H02A, H07A, H08A, H09B, H38Z, H61A, H61B, H78Z				08			I54Z	15	TPN, VTPN
08	I54Z				15			TPN, VTPN	Pre	A07D, A09A, A09E, A11B, A11F, A13F
15	TPN, VTPN	C22.7	C25.3	06	G17A, G38Z, G67A	C30.0	03	D06B, D08A, D08B, D09Z, D25A, D25B, D28Z, D35Z, D60A, D60B, D60C		
Pre	A07D, A09A, A09E, A11B, A11F, A13F				07			H02A, H07A, H08A, H09B, H38Z, H61A, H61B, H78Z	06	G17A, G38Z, G67A
06	G17A, G38Z, G67A				08			I54Z	08	I54Z
07	H02A, H07A, H08A, H09B, H38Z, H61A, H61B, H78Z				15			TPN, VTPN	15	TPN, VTPN
Pre	A07D, A09A, A09E, A11B, A11F, A13F	C22.9	C25.4	06	G17A, G38Z, G67A	C30.1	03	D06B, D08A, D08B, D09Z, D25A, D25B, D28Z, D35Z, D60A, D60B, D60C		
06	G17A, G38Z, G67A				07			H02A, H07A, H08A, H09B, H38Z, H61A, H61B, H78Z	06	G17A, G38Z, G67A
07	H02A, H07A, H08A, H09B, H38Z, H61A, H61B, H78Z				08			I54Z	08	I54Z
08	I54Z				15			TPN, VTPN	15	TPN, VTPN
15	TPN, VTPN	C23	C25.7	06	G17A, G38Z, G67A	C31.0	03	D06B, D08A, D08B, D09Z, D25A, D25B, D28Z, D35Z, D60A, D60B, D60C		
Pre	A07D, A09A, A09E, A11B, A11F, A13F				07			H02A, H07A, H08A, H09B, H38Z, H61A, H61B, H78Z	06	G17A, G38Z, G67A
06	G17A, G38Z, G67A				08			I54Z	08	I54Z
07	H02A, H07A, H08A, H09B, H38Z, H61A, H61B, H78Z				15			TPN, VTPN	15	TPN, VTPN
Pre	A07D, A09A, A09E, A11B, A11F, A13F	C24.0	C25.8	06	G17A, G38Z, G67A	C31.1	03	D06B, D08A, D08B, D09Z, D25A, D25B, D28Z, D35Z, D60A, D60B, D60C		
06	G17A, G38Z, G67A				07			H02A, H07A, H08A, H09B, H38Z, H61A, H61B, H78Z	06	G17A, G38Z, G67A
07	H02A, H07A, H08A, H09B, H38Z, H61A, H61B, H78Z				08			I54Z	08	I54Z
08	I54Z				15			TPN, VTPN	15	TPN, VTPN
15	TPN, VTPN	C24.1	C25.9	06	G17A, G38Z, G67A	C31.2	03	D06B, D08A, D08B, D09Z, D25A, D25B, D28Z, D35Z, D60A, D60B, D60C		
Pre	A07D, A09A, A09E, A11B, A11F, A13F				07			H02A, H07A, H08A, H09B, H38Z, H61A, H61B, H78Z	06	G17A, G38Z, G67A
06	G17A, G38Z, G67A				08			I54Z	08	I54Z
07	H02A, H07A, H08A, H09B, H38Z, H61A, H61B, H78Z				15			TPN, VTPN	15	TPN, VTPN
Pre	A07D, A09A, A09E, A11B, A11F, A13F	C24.8	C26.0	06	G17A, G19A, G38Z, G40Z, G46A, G46B, G46C, G47Z, G60A, G60B, G67A	C31.3	03	D06B, D08A, D08B, D09Z, D25A, D25B, D28Z, D35Z, D60A, D60B, D60C		
06	G17A, G38Z, G67A				08			I54Z	06	G17A, G38Z, G67A
07	H02A, H07A, H08A, H09B, H38Z, H61A, H61B, H78Z				15			TPN, VTPN	08	I54Z
08	I54Z				15			TPN, VTPN	15	TPN, VTPN
15	TPN, VTPN	C24.9	C26.1	06	G17A, G38Z, G67A	C31.8	03	D06B, D08A, D08B, D09Z, D25A, D25B, D28Z, D35Z, D60A, D60B, D60C		
Pre	A07D, A09A, A09E, A11B, A11F, A13F				07			H02A, H07A, H08A, H09B, H38Z, H61A, H61B, H78Z	06	G17A, G38Z, G67A
06	G17A, G38Z, G67A				08			I54Z	08	I54Z
07	H02A, H07A, H08A, H09B, H38Z, H61A, H61B, H78Z				15			TPN, VTPN	15	TPN, VTPN
Pre	A07D, A09A, A09E, A11B, A11F, A13F	C25.0		Pre	A07D, A09A, A09E, A11B, A11F, A13F		Pre	A07D, A09A, A09E, A11B, A11F, A13F		
06	G17A, G38Z, G67A				07			H02A, H07A, H08A, H09B, H38Z, H61A, H61B, H78Z	06	G17A, G38Z, G67A
07	H02A, H07A, H08A, H09B, H38Z, H61A, H61B, H78Z				08			I54Z	08	I54Z
08	I54Z				15			TPN, VTPN	15	TPN, VTPN
15	TPN, VTPN									
Pre	A07D, A09A, A09E, A11B, A11F, A13F									

Dg

ICD	MDC	DRG	ICD	MDC	DRG	ICD	MDC	DRG		
C31.9	03	D06B, D08A, D08B, D09Z, D25A, D25B, D28Z, D35Z, D60A, D60B, D60C	C34.1	04	E05B, E71A, E71B	C38.8	04	E05B, E71A, E71B		
		G17A, G38Z, G67A			06			G17A, G38Z, G67A	06	G17A, G38Z, G67A
		I54Z			08			I54Z	08	I54Z
		TPN, VTPN			15			TPN, VTPN	15	TPN, VTPN
		A07D, A09A, A09E, A11B, A11F, A13F			Pre			A07D, A09A, A09E, A11B, A11F, A13F	Pre	A07D, A09A, A09E, A11B, A11F, A13F
C32.0	03	D06B, D08A, D08B, D09Z, D25A, D25B, D28Z, D60A, D60B, D60C	C34.2	04	E05B, E71A, E71B	C39.0	03	D06B, D08A, D08B, D09Z, D25A, D25B, D28Z, D60A, D60B, D60C		
		G17A, G38Z, G67A			06			G17A, G38Z, G67A	06	G17A, G38Z, G67A
		I54Z			08			I54Z	08	I54Z
		TPN, VTPN			15			TPN, VTPN	15	TPN, VTPN
		A07D, A09A, A09E, A11B, A11F, A13F			Pre			A07D, A09A, A09E, A11B, A11F, A13F	Pre	A07D, A09A, A09E, A11B, A11F, A13F
C32.1	03	D06B, D08A, D08B, D09Z, D25A, D25B, D28Z, D60A, D60B, D60C	C34.3	04	E05B, E71A, E71B	C39.8	04	E05B, E71A, E71B		
		G17A, G38Z, G67A			06			G17A, G38Z, G67A	06	G17A, G38Z, G67A
		I54Z			08			I54Z	08	I54Z
		TPN, VTPN			15			TPN, VTPN	15	TPN, VTPN
		A07D, A09A, A09E, A11B, A11F, A13F			Pre			A07D, A09A, A09E, A11B, A11F, A13F	Pre	A07D, A09A, A09E, A11B, A11F, A13F
C32.2	03	D06B, D08A, D08B, D09Z, D25A, D25B, D28Z, D60A, D60B, D60C	C34.8	04	E05B, E71A, E71B	C39.9	04	E05B, E71A, E71B		
		G17A, G38Z, G67A			06			G17A, G38Z, G67A	06	G17A, G38Z, G67A
		I54Z			08			I54Z	08	I54Z
		TPN, VTPN			15			TPN, VTPN	15	TPN, VTPN
		A07D, A09A, A09E, A11B, A11F, A13F			Pre			A07D, A09A, A09E, A11B, A11F, A13F	Pre	A07D, A09A, A09E, A11B, A11F, A13F
C32.3	03	D06B, D08A, D08B, D09Z, D25A, D25B, D28Z, D60A, D60B, D60C	C34.9	04	E05B, E71A, E71B	C40.0	06	G17A, G38Z, G67A		
		G17A, G38Z, G67A			06			G17A, G38Z, G67A	08	I06C, I54Z, I65A, I65B, I65C
		I54Z			08			I54Z	15	TPN, VTPN
		TPN, VTPN			15			TPN, VTPN	Pre	A07D, A09A, A09E, A11B, A11F, A13F
		A07D, A09A, A09E, A11B, A11F, A13F			Pre			A07D, A09A, A09E, A11B, A11F, A13F	Pre	A07D, A09A, A09E, A11B, A11F, A13F
C32.8	03	D06B, D08A, D08B, D09Z, D25A, D25B, D28Z, D60A, D60B, D60C	C37	06	G17A, G38Z, G67A	C40.1	06	G17A, G38Z, G67A		
		G17A, G38Z, G67A			08			I54Z	08	I06C, I32A, I32B, I32C, I32D, I32E, I32F, I32G, I54Z, I65A, I65B, I65C
		I54Z			15			TPN, VTPN	15	TPN, VTPN
		TPN, VTPN			15			TPN, VTPN	Pre	A07D, A09A, A09E, A11B, A11F, A13F
		A07D, A09A, A09E, A11B, A11F, A13F			Pre			A07D, A09A, A09E, A11B, A11F, A13F	Pre	A07D, A09A, A09E, A11B, A11F, A13F
C32.9	03	D06B, D08A, D08B, D09Z, D25A, D25B, D28Z, D60A, D60B, D60C	C38.0	05	F75A, F75B, F75C, F75D	C40.2	06	G17A, G38Z, G67A		
		G17A, G38Z, G67A			06			G17A, G38Z, G67A	08	I01Z, I02B, I02C, I03A, I03B, I04Z, I06C, I54Z, I65A, I65B, I65C
		I54Z			08			I54Z	15	TPN, VTPN
		TPN, VTPN			15			TPN, VTPN	Pre	A07D, A09A, A09E, A11B, A11F, A13F
		A07D, A09A, A09E, A11B, A11F, A13F			Pre			A07D, A09A, A09E, A11B, A11F, A13F	Pre	A07D, A09A, A09E, A11B, A11F, A13F
C33	04	E05B, E71A, E71B	C38.1	04	E05B, E71A, E71B	C40.3	06	G17A, G38Z, G67A		
		G17A, G38Z, G67A			06			G17A, G38Z, G67A	08	I01Z, I03A, I03B, I04Z, I06C, I54Z, I65A, I65B, I65C
		I54Z			08			I54Z	15	TPN, VTPN
		TPN, VTPN			15			TPN, VTPN	Pre	A07D, A09A, A09E, A11B, A11F, A13F
		A07D, A09A, A09E, A11B, A11F, A13F			Pre			A07D, A09A, A09E, A11B, A11F, A13F	Pre	A07D, A09A, A09E, A11B, A11F, A13F
C34.0	04	E05B, E71A, E71B	C38.2	04	E05B, E71A, E71B	C40.8	06	G17A, G38Z, G67A		
		G17A, G38Z, G67A			06			G17A, G38Z, G67A	08	I01Z, I03A, I03B, I04Z, I06C, I54Z, I65A, I65B, I65C
		I54Z			08			I54Z	15	TPN, VTPN
		TPN, VTPN			15			TPN, VTPN	Pre	A07D, A09A, A09E, A11B, A11F, A13F
		A07D, A09A, A09E, A11B, A11F, A13F			Pre			A07D, A09A, A09E, A11B, A11F, A13F	Pre	A07D, A09A, A09E, A11B, A11F, A13F
C34.1	04	E05B, E71A, E71B	C38.3	04	E05B, E71A, E71B	C40.9	06	G17A, G38Z, G67A		
		G17A, G38Z, G67A			06			G17A, G38Z, G67A	08	I06C, I54Z, I65A, I65B, I65C
		I54Z			08			I54Z	15	TPN, VTPN
		TPN, VTPN			15			TPN, VTPN	Pre	A07D, A09A, A09E, A11B, A11F, A13F
		A07D, A09A, A09E, A11B, A11F, A13F			Pre			A07D, A09A, A09E, A11B, A11F, A13F	Pre	A07D, A09A, A09E, A11B, A11F, A13F
C34.2	04	E05B, E71A, E71B	C38.4	04	E05B, E71A, E71B	C41.01	06	G17A, G38Z, G67A		
		G17A, G38Z, G67A			06			G17A, G38Z, G67A	08	I06C, I54Z, I65A, I65B, I65C
		I54Z			08			I54Z	Pre	A07D, A09A, A09E, A11B, A11F, A13F
		TPN, VTPN			15			TPN, VTPN	06	G17A, G38Z, G67A
		A07D, A09A, A09E, A11B, A11F, A13F			Pre			A07D, A09A, A09E, A11B, A11F, A13F	08	I06C, I54Z, I65A, I65B, I65C
C34.3	04	E05B, E71A, E71B	C38.8	04	E05B, E71A, E71B	C41.02	06	G17A, G38Z, G67A		
		G17A, G38Z, G67A			06			G17A, G38Z, G67A	08	I06C, I54Z, I65A, I65B, I65C
		I54Z			08			I54Z	Pre	A07D, A09A, A09E, A11B, A11F, A13F
		TPN, VTPN			15			TPN, VTPN	06	G17A, G38Z, G67A
		A07D, A09A, A09E, A11B, A11F, A13F			Pre			A07D, A09A, A09E, A11B, A11F, A13F	08	I06C, I54Z, I65A, I65B, I65C

ICD	MDC	DRG	ICD	MDC	DRG	ICD	MDC	DRG		
C41.1	06	G17A, G38Z, G67A	C43.4	06	G17A, G38Z, G67A	C44.3	06	G17A, G38Z, G67A		
	08	I06C, I54Z, I65A, I65B, I65C		08	I54Z		08	I54Z		
	15	TPN, VTPN		09	J01Z, J10A, J61A, J61B, J61C, J68A		09	J01Z, J10A, J61A, J61B, J61C, J68A		
	Pre	A07D, A09A, A09E, A11B, A11F, A13F		15	TPN, VTPN		15	TPN, VTPN		
C41.2	06	G17A, G38Z, G67A	Pre	A07D, A09A, A09E, A11B, A11F, A13F	18A	S62Z				
	08	I06C, I54Z, I65A, I65B, I65C		Pre		A07D, A09A, A09E, A11B, A11F, A13F	Pre	A07D, A09A, A09E, A11B, A11F, A13F		
	15	TPN, VTPN		C43.5		06	G17A, G38Z, G67A	C44.4	06	G17A, G38Z, G67A
	Pre	A07D, A09A, A09E, A11B, A11F, A13F		08		I54Z	08		I54Z	
C41.30	06	G17A, G38Z, G67A	09	J01Z, J06Z, J07A, J07B, J10A, J14A, J14B, J16Z, J23Z, J25Z, J26Z, J61A, J61B, J61C, J68A	15	TPN, VTPN	15		TPN, VTPN	
	08	I06C, I54Z, I65A, I65B, I65C		Pre		A07D, A09A, A09E, A11B, A11F, A13F			18A	S62Z
	15	TPN, VTPN		Pre		A07D, A09A, A09E, A11B, A11F, A13F		Pre	A07D, A09A, A09E, A11B, A11F, A13F	
	Pre	A07D, A09A, A09E, A11B, A11F, A13F		C43.6		06		G17A, G38Z, G67A	C44.5	06
C41.31	06	G17A, G38Z, G67A	08	I54Z	08	I54Z				
	08	I06C, I54Z, I65A, I65B, I65C		09		J01Z, J06Z, J07A, J07B, J10A, J14A, J14B, J16Z, J23Z, J25Z, J26Z, J61A, J61B, J61C, J68A	09	J01Z, J10A, J61A, J61B, J61C, J68A		
	15	TPN, VTPN				15		TPN, VTPN		15
	Pre	A07D, A09A, A09E, A11B, A11F, A13F				Pre		A07D, A09A, A09E, A11B, A11F, A13F	18A	S62Z
C41.32	06	G17A, G38Z, G67A	Pre		A07D, A09A, A09E, A11B, A11F, A13F	Pre		A07D, A09A, A09E, A11B, A11F, A13F		
	08	I06C, I54Z, I65A, I65B, I65C		C43.7	06		G17A, G38Z, G67A	C44.6	06	G17A, G38Z, G67A
	15	TPN, VTPN		08	I02B, I02C, I54Z		08		I54Z	
	Pre	A07D, A09A, A09E, A11B, A11F, A13F			09				J01Z, J02A, J02B, J02C, J03A, J03B, J04A, J04B, J08A, J08B, J08C, J10A, J61A, J61B, J61C, J68A	09
C41.4	06	G17A, G38Z, G67A	15			TPN, VTPN			15	
	08	I02B, I02C, I06C, I37Z, I54Z, I65A, I65B, I65C				Pre		A07D, A09A, A09E, A11B, A11F, A13F		
	15	TPN, VTPN		Pre		A07D, A09A, A09E, A11B, A11F, A13F	Pre	A07D, A09A, A09E, A11B, A11F, A13F		
	Pre	A07D, A09A, A09E, A11B, A11F, A13F		C43.8	06	G17A, G38Z, G67A	C44.7	06		G17A, G38Z, G67A
C41.8	06	G17A, G38Z, G67A	08	I54Z	08	I54Z				
	08	I06C, I54Z, I65A, I65B, I65C		09		J01Z, J06Z, J07A, J07B, J10A, J14A, J14B, J16Z, J23Z, J25Z, J26Z, J61A, J61B, J61C, J68A		09	J01Z, J02A, J02B, J02C, J03A, J03B, J04A, J04B, J08A, J08B, J08C, J10A, J61A, J61B, J61C, J68A	
	15	TPN, VTPN				15			TPN, VTPN	15
	Pre	A07D, A09A, A09E, A11B, A11F, A13F				Pre	A07D, A09A, A09E, A11B, A11F, A13F		18A	S62Z
C41.9	06	G17A, G38Z, G67A	Pre		A07D, A09A, A09E, A11B, A11F, A13F	Pre	A07D, A09A, A09E, A11B, A11F, A13F			
	08	I06C, I54Z, I65A, I65B, I65C		C43.9	06		G17A, G38Z, G67A	C44.8	06	G17A, G38Z, G67A
	15	TPN, VTPN		08	I54Z		08		I54Z	
	Pre	A07D, A09A, A09E, A11B, A11F, A13F			09				J01Z, J10A, J61A, J61B, J61C, J68A	09
C43.0	06	G17A, G38Z, G67A	15			TPN, VTPN			15	
	08	I54Z				Pre		A07D, A09A, A09E, A11B, A11F, A13F		
	09	J01Z, J10A, J61A, J61B, J61C, J68A		Pre		A07D, A09A, A09E, A11B, A11F, A13F	Pre	A07D, A09A, A09E, A11B, A11F, A13F		
	15	TPN, VTPN		C44.0	06	G17A, G38Z, G67A	C44.9	06		G17A, G38Z, G67A
Pre	A07D, A09A, A09E, A11B, A11F, A13F	08	I54Z	08	I54Z					
C43.1	02		C02A, C65Z		09	J01Z, J10A, J61A, J61B, J61C, J68A		09	J01Z, J10A, J61A, J61B, J61C, J68A	
	06		G17A, G38Z, G67A			15			TPN, VTPN	15
	08		I54Z			18A	S62Z		18A	S62Z
	15	TPN, VTPN	Pre	A07D, A09A, A09E, A11B, A11F, A13F		Pre	A07D, A09A, A09E, A11B, A11F, A13F			
Pre	A07D, A09A, A09E, A11B, A11F, A13F	C44.1	02	C02A, C65Z	C45.0	04	E05B, E71A, E71B			
C43.2	06	G17A, G38Z, G67A	06	G17A, G38Z, G67A		06	G17A, G38Z, G67A			
	08	I54Z		08			I54Z	08	I54Z	
	09	J01Z, J10A, J61A, J61B, J61C, J68A					15		TPN, VTPN	15
	15	TPN, VTPN			18A				S62Z	
Pre	A07D, A09A, A09E, A11B, A11F, A13F	Pre	A07D, A09A, A09E, A11B, A11F, A13F		Pre	A07D, A09A, A09E, A11B, A11F, A13F				
C43.3	06	G17A, G38Z, G67A	C44.2	06	G17A, G38Z, G67A	Pre		A07D, A09A, A09E, A11B, A11F, A13F		
	08	I54Z		08	I54Z		15	TPN, VTPN		
	09	J01Z, J10A, J61A, J61B, J61C, J68A			09			J01Z, J10A, J61A, J61B, J61C, J68A	Pre	A07D, A09A, A09E, A11B, A11F, A13F
	15	TPN, VTPN						15		TPN, VTPN
Pre	A07D, A09A, A09E, A11B, A11F, A13F	18A	S62Z							
C43.4	06	G17A, G38Z, G67A	Pre	A07D, A09A, A09E, A11B, A11F, A13F		Pre	A07D, A09A, A09E, A11B, A11F, A13F			
	08	I54Z		15	TPN, VTPN		18A	S62Z		
	09	J01Z, J10A, J61A, J61B, J61C, J68A			15			TPN, VTPN	18A	S62Z
	15	TPN, VTPN						Pre		A07D, A09A, A09E, A11B, A11F, A13F

ICD	MDC	DRG	ICD	MDC	DRG	ICD	MDC	DRG
C45.1	06	G17A, G19A, G38Z, G40Z, G46A, G46B, G46C, G47Z, G60A, G60B, G67A	C46.9	06	G17A, G38Z, G67A	C48.1	06	G17A, G19A, G38Z, G40Z, G46A, G46B, G46C, G47Z, G60A, G60B, G67A
	08	I54Z		08	I54Z		08	I54Z
	15	TPN, VTPN		18A	S62Z		15	TPN, VTPN
	Pre	A07D, A09A, A09E, A11B, A11F, A13F		Pre	A07D, A09A, A09E, A11B, A11F, A13F		Pre	A07D, A09A, A09E, A11B, A11F, A13F
C45.2	05	F75A, F75B, F75C, F75D	C47.0	06	G17A, G38Z, G67A	C48.2	06	G17A, G19A, G38Z, G40Z, G46A, G46B, G46C, G47Z, G60A, G60B, G67A
	06	G17A, G38Z, G67A		08	I06C, I54Z, I65A, I65B, I65C		08	I54Z
	08	I54Z		15	TPN, VTPN		15	TPN, VTPN
	15	TPN, VTPN		Pre	A07D, A09A, A09E, A11B, A11F, A13F		Pre	A07D, A09A, A09E, A11B, A11F, A13F
C45.7	06	G17A, G38Z, G67A	C47.1	06	G17A, G38Z, G67A	C48.8	06	G17A, G19A, G38Z, G40Z, G46A, G46B, G46C, G47Z, G60A, G60B, G67A
	08	I06C, I54Z, I65A, I65B, I65C		08	I06C, I32A, I32B, I32C, I32D, I32E, I32F, I32G, I54Z, I65A, I65B, I65C		08	I54Z
	15	TPN, VTPN		15	TPN, VTPN		15	TPN, VTPN
	Pre	A07D, A09A, A09E, A11B, A11F, A13F		Pre	A07D, A09A, A09E, A11B, A11F, A13F		Pre	A07D, A09A, A09E, A11B, A11F, A13F
C45.9	06	G17A, G38Z, G67A	C47.2	06	G17A, G38Z, G67A	C49.0	06	G17A, G38Z, G67A
	08	I06C, I54Z, I65A, I65B, I65C		08	I06C, I37Z, I54Z, I65A, I65B, I65C		08	I06C, I27A, I27B, I27C, I54Z, I65A, I65B, I65C
	15	TPN, VTPN		15	TPN, VTPN		15	TPN, VTPN
	Pre	A07D, A09A, A09E, A11B, A11F, A13F		Pre	A07D, A09A, A09E, A11B, A11F, A13F		Pre	A07D, A09A, A09E, A11B, A11F, A13F
C46.0	06	G17A, G38Z, G67A	C47.3	06	G17A, G38Z, G67A	C49.1	06	G17A, G38Z, G67A
	08	I54Z		08	I06C, I54Z, I65A, I65B, I65C		08	I06C, I27A, I27B, I27C, I32A, I32B, I32C, I32D, I32E, I32F, I32G, I54Z, I65A, I65B, I65C
	09	J01Z, J10A, J61A, J61B, J61C, J68A		15	TPN, VTPN		15	TPN, VTPN
	18A	S62Z		Pre	A07D, A09A, A09E, A11B, A11F, A13F		Pre	A07D, A09A, A09E, A11B, A11F, A13F
C46.1	06	G17A, G38Z, G67A	C47.4	06	G17A, G38Z, G67A	C49.2	06	G17A, G38Z, G67A
	08	I54Z		08	I06C, I54Z, I65A, I65B, I65C		08	I01Z, I02B, I02C, I03A, I03B, I04Z, I06C, I27A, I27B, I27C, I37Z, I54Z, I65A, I65B, I65C
	09	J01Z, J10A, J61A, J61B, J61C, J68A		15	TPN, VTPN		15	TPN, VTPN
	18A	S62Z		Pre	A07D, A09A, A09E, A11B, A11F, A13F		Pre	A07D, A09A, A09E, A11B, A11F, A13F
C46.2	03	D06B, D08A, D08B, D09Z, D25A, D25B, D28Z, D60A, D60B, D60C	C47.5	06	G17A, G38Z, G67A	C49.3	06	G17A, G38Z, G67A
	06	G17A, G38Z, G67A		08	I06C, I37Z, I54Z, I65A, I65B, I65C		08	I06C, I27A, I27B, I27C, I54Z, I65A, I65B, I65C
	08	I54Z		15	TPN, VTPN		15	TPN, VTPN
	18A	S62Z		Pre	A07D, A09A, A09E, A11B, A11F, A13F		Pre	A07D, A09A, A09E, A11B, A11F, A13F
C46.3	06	G17A, G38Z, G67A	C47.6	06	G17A, G38Z, G67A	C49.4	06	G17A, G38Z, G67A
	08	I54Z		08	I06C, I54Z, I65A, I65B, I65C		08	I06C, I27A, I27B, I27C, I54Z, I65A, I65B, I65C
	17	R01A, R01B, R01C, R01D, R03Z, R11A, R11B, R11C, R61A, R61B, R61C, R61D, R61E, R61F, R61G, R61H		15	TPN, VTPN		15	TPN, VTPN
	18A	S62Z		Pre	A07D, A09A, A09E, A11B, A11F, A13F		Pre	A07D, A09A, A09E, A11B, A11F, A13F
C46.7	06	G17A, G38Z, G67A	C47.8	06	G17A, G38Z, G67A	C49.5	06	G17A, G38Z, G67A
	08	I54Z		08	I06C, I54Z, I65A, I65B, I65C		08	I02B, I02C, I06C, I27A, I27B, I27C, I37Z, I54Z, I65A, I65B, I65C
	17	R01A, R01B, R01C, R01D, R03Z, R11A, R11B, R11C, R61A, R61B, R61C, R61D, R61E, R61F, R61G, R61H		15	TPN, VTPN		15	TPN, VTPN
	18A	S62Z		Pre	A07D, A09A, A09E, A11B, A11F, A13F		Pre	A07D, A09A, A09E, A11B, A11F, A13F
C46.8	06	G17A, G38Z, G67A	C47.9	06	G17A, G38Z, G67A	C49.6	06	G17A, G38Z, G67A
	08	I54Z		08	I06C, I54Z, I65A, I65B, I65C		08	I02B, I02C, I06C, I27A, I27B, I27C, I54Z, I65A, I65B, I65C
	09	J01Z, J10A, J61A, J61B, J61C, J68A		15	TPN, VTPN		15	TPN, VTPN
	18A	S62Z		Pre	A07D, A09A, A09E, A11B, A11F, A13F		Pre	A07D, A09A, A09E, A11B, A11F, A13F
C46.8	06	G17A, G38Z, G67A	C48.0	06	G17A, G38Z, G67A	C49.6	06	G17A, G38Z, G67A
	08	I54Z		08	I54Z		08	I02B, I02C, I06C, I27A, I27B, I27C, I54Z, I65A, I65B, I65C
	09	J01Z, J10A, J61A, J61B, J61C, J68A		15	TPN, VTPN		15	TPN, VTPN
	18A	S62Z		17	R04A, R04B, R12A, R12B, R12C, R13Z, R14Z, R62A, R62B, R62C		Pre	A07D, A09A, A09E, A11B, A11F, A13F
C46.8	06	G17A, G38Z, G67A	C48.0	06	G17A, G38Z, G67A	C49.6	06	G17A, G38Z, G67A
	08	I54Z		08	I54Z		08	I02B, I02C, I06C, I27A, I27B, I27C, I54Z, I65A, I65B, I65C
	09	J01Z, J10A, J61A, J61B, J61C, J68A		15	TPN, VTPN		15	TPN, VTPN
	18A	S62Z		17	R04A, R04B, R12A, R12B, R12C, R13Z, R14Z, R62A, R62B, R62C		Pre	A07D, A09A, A09E, A11B, A11F, A13F
C46.8	06	G17A, G38Z, G67A	C48.0	06	G17A, G38Z, G67A	C49.6	06	G17A, G38Z, G67A
	08	I54Z		08	I54Z		08	I02B, I02C, I06C, I27A, I27B, I27C, I54Z, I65A, I65B, I65C
	09	J01Z, J10A, J61A, J61B, J61C, J68A		15	TPN, VTPN		15	TPN, VTPN
	18A	S62Z		17	R04A, R04B, R12A, R12B, R12C, R13Z, R14Z, R62A, R62B, R62C		Pre	A07D, A09A, A09E, A11B, A11F, A13F



ICD	MDC	DRG	ICD	MDC	DRG	ICD	MDC	DRG
C49.8	06	G17A, G38Z, G67A	C50.6	06	G17A, G38Z, G67A	C53.0	06	G17A, G38Z, G67A
	08	I01Z, I02B, I02C, I03A, I03B, I04Z, I06C, I27A, I27B, I27C, I54Z, I65A, I65B, I65C		08	I54Z		08	I54Z
	15	TPN, VTPN		09	J01Z, J06Z, J07A, J07B, J08A, J08B, J08C, J10A, J14A, J14B, J16Z, J23Z, J25Z, J26Z, J62A, J62B		13	N03A, N03B, N38Z, N60A, N60B
C49.9	Pre	A07D, A09A, A09E, A11B, A11F, A13F	C50.8	15	TPN, VTPN	C53.1	15	TPN, VTPN
	06	G17A, G38Z, G67A		Pre	A07D, A09A, A09E, A11B, A11F, A13F		Pre	A07D, A09A, A09E, A11B, A11F, A13F
	08	I06C, I54Z, I65A, I65B, I65C		06	G17A, G38Z, G67A		06	G17A, G38Z, G67A
C50.0	15	TPN, VTPN	C50.9	08	I54Z	C53.8	08	I54Z
	Pre	A07D, A09A, A09E, A11B, A11F, A13F		09	J01Z, J06Z, J07A, J07B, J08A, J08B, J08C, J10A, J14A, J14B, J16Z, J23Z, J25Z, J26Z, J62A, J62B		Pre	A07D, A09A, A09E, A11B, A11F, A13F
	06	G17A, G38Z, G67A		15	TPN, VTPN		13	N03A, N03B, N38Z, N60A, N60B
C50.1	08	I54Z	C51.0	Pre	A07D, A09A, A09E, A11B, A11F, A13F	C53.9	15	TPN, VTPN
	09	J01Z, J06Z, J07A, J07B, J08A, J08B, J08C, J10A, J14A, J14B, J16Z, J23Z, J25Z, J26Z, J62A, J62B		06	G17A, G38Z, G67A		Pre	A07D, A09A, A09E, A11B, A11F, A13F
	15	TPN, VTPN		08	I54Z		06	G17A, G38Z, G67A
C50.2	Pre	A07D, A09A, A09E, A11B, A11F, A13F	C51.1	13	N03A, N03B, N38Z, N60A, N60B	C54.0	08	I54Z
	06	G17A, G38Z, G67A		15	TPN, VTPN		13	N03A, N03B, N38Z, N60A, N60B
	08	I54Z		Pre	A07D, A09A, A09E, A11B, A11F, A13F		15	TPN, VTPN
C50.3	09	J01Z, J06Z, J07A, J07B, J08A, J08B, J08C, J10A, J14A, J14B, J16Z, J23Z, J25Z, J26Z, J62A, J62B	C51.2	06	G17A, G38Z, G67A	C54.1	Pre	A07D, A09A, A09E, A11B, A11F, A13F
	15	TPN, VTPN		08	I54Z		06	G17A, G38Z, G67A
	Pre	A07D, A09A, A09E, A11B, A11F, A13F		13	N03A, N03B, N38Z, N60A, N60B		08	I54Z
C50.4	06	G17A, G38Z, G67A	C51.8	15	TPN, VTPN	C54.2	13	N03A, N03B, N38Z, N60A, N60B
	08	I54Z		Pre	A07D, A09A, A09E, A11B, A11F, A13F		06	G17A, G38Z, G67A
	09	J01Z, J06Z, J07A, J07B, J08A, J08B, J08C, J10A, J14A, J14B, J16Z, J23Z, J25Z, J26Z, J62A, J62B		06	G17A, G38Z, G67A		08	I54Z
C50.5	15	TPN, VTPN	C51.9	13	N03A, N03B, N38Z, N60A, N60B	C54.3	13	N03A, N03B, N38Z, N60A, N60B
	Pre	A07D, A09A, A09E, A11B, A11F, A13F		Pre	A07D, A09A, A09E, A11B, A11F, A13F		15	TPN, VTPN
	06	G17A, G38Z, G67A		06	G17A, G38Z, G67A		Pre	A07D, A09A, A09E, A11B, A11F, A13F
C50.5	08	I54Z	C52	08	I54Z	C54.8	06	G17A, G38Z, G67A
	09	J01Z, J06Z, J07A, J07B, J08A, J08B, J08C, J10A, J14A, J14B, J16Z, J23Z, J25Z, J26Z, J62A, J62B		13	N03A, N03B, N38Z, N60A, N60B		08	I54Z
	15	TPN, VTPN		15	TPN, VTPN		13	N03A, N03B, N38Z, N60A, N60B
C50.5	Pre	A07D, A09A, A09E, A11B, A11F, A13F	C52	Pre	A07D, A09A, A09E, A11B, A11F, A13F	C54.9	15	TPN, VTPN
	06	G17A, G38Z, G67A		06	G17A, G38Z, G67A		Pre	A07D, A09A, A09E, A11B, A11F, A13F
	08	I54Z		08	I54Z		06	G17A, G38Z, G67A
C50.5	09	J01Z, J06Z, J07A, J07B, J08A, J08B, J08C, J10A, J14A, J14B, J16Z, J23Z, J25Z, J26Z, J62A, J62B	C52	13	N03A, N03B, N38Z, N60A, N60B	C54.9	08	I54Z
	15	TPN, VTPN		15	TPN, VTPN		13	N03A, N03B, N38Z, N60A, N60B
	Pre	A07D, A09A, A09E, A11B, A11F, A13F		Pre	A07D, A09A, A09E, A11B, A11F, A13F		15	TPN, VTPN
C50.5	Pre	A07D, A09A, A09E, A11B, A11F, A13F	C52	Pre	A07D, A09A, A09E, A11B, A11F, A13F	C54.9	Pre	A07D, A09A, A09E, A11B, A11F, A13F
	06	G17A, G38Z, G67A		06	G17A, G38Z, G67A		06	G17A, G38Z, G67A
	08	I54Z		08	I54Z		08	I54Z
C50.5	09	J01Z, J06Z, J07A, J07B, J08A, J08B, J08C, J10A, J14A, J14B, J16Z, J23Z, J25Z, J26Z, J62A, J62B	C52	13	N03A, N03B, N38Z, N60A, N60B	C54.9	13	N03A, N03B, N38Z, N60A, N60B
	15	TPN, VTPN		15	TPN, VTPN		15	TPN, VTPN
	Pre	A07D, A09A, A09E, A11B, A11F, A13F		Pre	A07D, A09A, A09E, A11B, A11F, A13F		Pre	A07D, A09A, A09E, A11B, A11F, A13F

Dg

ICD	MDC	DRG	ICD	MDC	DRG	ICD	MDC	DRG
C55	06	G17A, G38Z, G67A	C57.9	06	G17A, G38Z, G67A	C62.9	06	G17A, G38Z, G67A
	08	I54Z		08	I54Z		08	I54Z
	13	N03A, N03B, N38Z, N60A, N60B		13	N03A, N03B, N38Z, N60A, N60B		12	M09A, M09B, M60A, M60B, M60C
	15	TPN, VTPN		15	TPN, VTPN		15	TPN, VTPN
	Pre	A07D, A09A, A09E, A11B, A11F, A13F		Pre	A07D, A09A, A09E, A11B, A11F, A13F		Pre	A07D, A09A, A09E, A11B, A11F, A13F, A15C
C56	06	G17A, G38Z, G67A	C58	06	G17A, G38Z, G67A	C63.0	06	G17A, G38Z, G67A
	08	I54Z		08	I54Z		08	I54Z
	13	N01A, N01B, N01C, N01D, N01E, N02A, N02B, N02C, N38Z, N60A, N60B		13	N03A, N03B, N38Z, N60A, N60B		12	M09A, M09B, M60A, M60B, M60C
	15	TPN, VTPN			Pre		A07D, A09A, A09E, A11B, A11F, A13F	15
	Pre	A07D, A09A, A09E, A11B, A11F, A13F, A15C		Pre	A07D, A09A, A09E, A11B, A11F, A13F		Pre	A07D, A09A, A09E, A11B, A11F, A13F
C57.0	06	G17A, G38Z, G67A	C60.0	06	G17A, G38Z, G67A	C63.1	06	G17A, G38Z, G67A
	08	I54Z		08	I54Z		08	I54Z
	13	N01A, N01B, N01C, N01D, N01E, N02A, N02B, N02C, N38Z, N60A, N60B		12	M09A, M09B, M60A, M60B, M60C		12	M09A, M09B, M60A, M60B, M60C
	15	TPN, VTPN		15	TPN, VTPN		15	TPN, VTPN
	Pre	A07D, A09A, A09E, A11B, A11F, A13F		Pre	A07D, A09A, A09E, A11B, A11F, A13F		Pre	A07D, A09A, A09E, A11B, A11F, A13F
C57.1	06	G17A, G38Z, G67A	C60.1	06	G17A, G38Z, G67A	C63.2	06	G17A, G38Z, G67A
	08	I54Z		08	I54Z		08	I54Z
	13	N01A, N01B, N01C, N01D, N01E, N02A, N02B, N02C, N38Z, N60A, N60B		12	M09A, M09B, M60A, M60B, M60C		12	M09A, M09B, M60A, M60B, M60C
	15	TPN, VTPN		15	TPN, VTPN		15	TPN, VTPN
	Pre	A07D, A09A, A09E, A11B, A11F, A13F		Pre	A07D, A09A, A09E, A11B, A11F, A13F		Pre	A07D, A09A, A09E, A11B, A11F, A13F
C57.2	06	G17A, G38Z, G67A	C60.2	06	G17A, G38Z, G67A	C63.7	06	G17A, G38Z, G67A
	08	I54Z		08	I54Z		08	I54Z
	13	N01A, N01B, N01C, N01D, N01E, N02A, N02B, N02C, N38Z, N60A, N60B		12	M09A, M09B, M60A, M60B, M60C		12	M09A, M09B, M60A, M60B, M60C
	15	TPN, VTPN		15	TPN, VTPN		15	TPN, VTPN
	Pre	A07D, A09A, A09E, A11B, A11F, A13F		Pre	A07D, A09A, A09E, A11B, A11F, A13F		Pre	A07D, A09A, A09E, A11B, A11F, A13F
C57.3	06	G17A, G38Z, G67A	C60.8	06	G17A, G38Z, G67A	C63.8	06	G17A, G38Z, G67A
	08	I54Z		08	I54Z		08	I54Z
	13	N01A, N01B, N01C, N01D, N01E, N02A, N02B, N02C, N38Z, N60A, N60B		12	M09A, M09B, M60A, M60B, M60C		12	M09A, M09B, M60A, M60B, M60C
	15	TPN, VTPN		15	TPN, VTPN		15	TPN, VTPN
	Pre	A07D, A09A, A09E, A11B, A11F, A13F		Pre	A07D, A09A, A09E, A11B, A11F, A13F		Pre	A07D, A09A, A09E, A11B, A11F, A13F
C57.4	06	G17A, G38Z, G67A	C60.9	06	G17A, G38Z, G67A	C63.9	06	G17A, G38Z, G67A
	08	I54Z		08	I54Z		08	I54Z
	13	N01A, N01B, N01C, N01D, N01E, N02A, N02B, N02C, N38Z, N60A, N60B		12	M09A, M09B, M60A, M60B, M60C		12	M09A, M09B, M60A, M60B, M60C
	15	TPN, VTPN		15	TPN, VTPN		15	TPN, VTPN
	Pre	A07D, A09A, A09E, A11B, A11F, A13F		Pre	A07D, A09A, A09E, A11B, A11F, A13F		Pre	A07D, A09A, A09E, A11B, A11F, A13F
C57.7	06	G17A, G38Z, G67A	C61	06	G17A, G38Z, G67A	C64	06	G17A, G38Z, G67A
	08	I54Z		08	I54Z		08	I54Z
	13	N01A, N01B, N01C, N01D, N01E, N02A, N02B, N02C, N38Z, N60A, N60B		12	M09A, M09B, M60A, M60B, M60C		11	L02A, L02B, L02C, L03Z, L10Z, L13A, L13B, L38Z, L62A, L62B
	15	TPN, VTPN		15	TPN, VTPN		15	TPN, VTPN
	Pre	A07D, A09A, A09E, A11B, A11F, A13F		Pre	A07D, A09A, A09E, A11B, A11F, A13F		Pre	A07D, A09A, A09E, A11B, A11F, A13F
C57.8	06	G17A, G38Z, G67A	C62.0	06	G17A, G38Z, G67A	C65	06	G17A, G38Z, G67A
	08	I54Z		08	I54Z		08	I54Z
	13	N03A, N03B, N38Z, N60A, N60B		12	M09A, M09B, M60A, M60B, M60C		11	L02A, L02B, L02C, L03Z, L10Z, L13A, L13B, L38Z, L62A, L62B
	15	TPN, VTPN		15	TPN, VTPN		15	TPN, VTPN
	Pre	A07D, A09A, A09E, A11B, A11F, A13F		Pre	A07D, A09A, A09E, A11B, A11F, A13F, A15C		Pre	A07D, A09A, A09E, A11B, A11F, A13F
C57.8	06	G17A, G38Z, G67A	C62.1	06	G17A, G38Z, G67A	C66	06	G17A, G38Z, G67A
	08	I54Z		08	I54Z		08	I54Z
	13	N03A, N03B, N38Z, N60A, N60B		12	M09A, M09B, M60A, M60B, M60C		11	L02A, L02B, L02C, L03Z, L10Z, L13A, L13B, L38Z, L62A, L62B
	15	TPN, VTPN		15	TPN, VTPN		15	TPN, VTPN
	Pre	A07D, A09A, A09E, A11B, A11F, A13F		Pre	A07D, A09A, A09E, A11B, A11F, A13F, A15C		Pre	A07D, A09A, A09E, A11B, A11F, A13F



ICD	MDC	DRG	ICD	MDC	DRG	ICD	MDC	DRG
C71.4	01	B02A, B02B, B02C, B02D, B03A, B03B, B66A, B66B, B66C, B66D	C72.2	01	B02A, B02B, B02C, B02D, B03A, B03B, B66A, B66B, B66C, B66D	C74.9	06	G17A, G38Z, G67A
	06	G17A, G38Z, G67A		06	G17A, G38Z, G67A		08	I54Z
	08	I54Z		08	I54Z		10	K03A, K03B, K64A, K64B, K64C
	15	TPN, VTPN		15	TPN, VTPN		15	TPN, VTPN
	Pre	A07D, A09A, A09E, A11B, A11F, A13F		Pre	A07D, A09A, A09E, A11B, A11F, A13F		Pre	A07D, A09A, A09E, A11B, A11F, A13F
C71.5	01	B02A, B02B, B02C, B02D, B03A, B03B, B66A, B66B, B66C, B66D	C72.3	01	B02A, B02B, B02C, B02D, B03A, B03B, B66A, B66B, B66C, B66D	C75.0	06	G17A, G38Z, G67A
	06	G17A, G38Z, G67A		06	G17A, G38Z, G67A		08	I54Z
	08	I54Z		08	I54Z		10	K06A, K06C, K64A, K64B, K64C, K64D
	15	TPN, VTPN		15	TPN, VTPN		15	TPN, VTPN
	Pre	A07D, A09A, A09E, A11B, A11F, A13F		Pre	A07D, A09A, A09E, A11B, A11F, A13F		Pre	A07D, A09A, A09E, A11B, A11F, A13F
C71.6	01	B02A, B02B, B02C, B02D, B03A, B03B, B66A, B66B, B66C, B66D	C72.4	01	B02A, B02B, B02C, B02D, B03A, B03B, B66A, B66B, B66C, B66D	C75.1	01	B02A, B02B, B02C, B02D
	06	G17A, G38Z, G67A		06	G17A, G38Z, G67A		06	G17A, G38Z, G67A
	08	I54Z		08	I54Z		08	I54Z
	15	TPN, VTPN		15	TPN, VTPN		10	K64A, K64B, K64C, K64D
	Pre	A07D, A09A, A09E, A11B, A11F, A13F		Pre	A07D, A09A, A09E, A11B, A11F, A13F		Pre	A07D, A09A, A09E, A11B, A11F, A13F
C71.7	01	B02A, B02B, B02C, B02D, B03A, B03B, B66A, B66B, B66C, B66D	C72.5	01	B02A, B02B, B02C, B02D, B03A, B03B, B66A, B66B, B66C, B66D	C75.2	01	B02A, B02B, B02C, B02D, B66A, B66B, B66C, B66D
	06	G17A, G38Z, G67A		06	G17A, G38Z, G67A		06	G17A, G38Z, G67A
	08	I54Z		08	I54Z		08	I54Z
	15	TPN, VTPN		15	TPN, VTPN		15	TPN, VTPN
	Pre	A07D, A09A, A09E, A11B, A11F, A13F		Pre	A07D, A09A, A09E, A11B, A11F, A13F		Pre	A07D, A09A, A09E, A11B, A11F, A13F
C71.8	01	B02A, B02B, B02C, B02D, B03A, B03B, B66A, B66B, B66C, B66D	C72.8	01	B02A, B02B, B02C, B02D, B03A, B03B, B66A, B66B, B66C, B66D	C75.3	01	B02A, B02B, B02C, B02D, B03A, B03B, B66A, B66B, B66C, B66D
	06	G17A, G38Z, G67A		06	G17A, G38Z, G67A		06	G17A, G38Z, G67A
	08	I54Z		08	I54Z		08	I54Z
	15	TPN, VTPN		15	TPN, VTPN		15	TPN, VTPN
	Pre	A07D, A09A, A09E, A11B, A11F, A13F		Pre	A07D, A09A, A09E, A11B, A11F, A13F		Pre	A07D, A09A, A09E, A11B, A11F, A13F
C71.9	01	B02A, B02B, B02C, B02D, B03A, B03B, B66A, B66B, B66C, B66D	C72.9	01	B02A, B02B, B02C, B02D, B03A, B03B, B66A, B66B, B66C, B66D	C75.4	01	B03A, B03B, B66A, B66B, B66C, B66D
	06	G17A, G38Z, G67A		06	G17A, G38Z, G67A		06	G17A, G38Z, G67A
	08	I54Z		08	I54Z		08	I54Z
	15	TPN, VTPN		15	TPN, VTPN		15	TPN, VTPN
	Pre	A07D, A09A, A09E, A11B, A11F, A13F		Pre	A07D, A09A, A09E, A11B, A11F, A13F		Pre	A07D, A09A, A09E, A11B, A11F, A13F
C72.0	01	B02A, B02B, B02C, B02D, B03A, B03B, B66A, B66B, B66C, B66D	C73	06	G17A, G38Z, G67A	C75.5	01	B03A, B03B, B66A, B66B, B66C, B66D
	06	G17A, G38Z, G67A		08	I54Z		06	G17A, G38Z, G67A
	08	I54Z		10	K06A, K06C, K64A, K64B, K64C, K64D		08	I54Z
	15	TPN, VTPN		15	TPN, VTPN		15	TPN, VTPN
	Pre	A07D, A09A, A09E, A11B, A11F, A13F		Pre	A07D, A09A, A09E, A11B, A11F, A13F		Pre	A07D, A09A, A09E, A11B, A11F, A13F
C72.1	01	B02A, B02B, B02C, B02D, B03A, B03B, B66A, B66B, B66C, B66D	C74.0	06	G17A, G38Z, G67A	C75.8	06	G17A, G38Z, G67A
	06	G17A, G38Z, G67A		08	I54Z		08	I54Z
	08	I54Z		10	K03A, K03B, K64A, K64B, K64C		10	K64A, K64B, K64C
	15	TPN, VTPN		15	TPN, VTPN		15	TPN, VTPN
	Pre	A07D, A09A, A09E, A11B, A11F, A13F		Pre	A07D, A09A, A09E, A11B, A11F, A13F		Pre	A07D, A09A, A09E, A11B, A11F, A13F
C72.2	01	B02A, B02B, B02C, B02D, B03A, B03B, B66A, B66B, B66C, B66D	C74.1	06	G17A, G38Z, G67A	C75.9	06	G17A, G38Z, G67A
	06	G17A, G38Z, G67A		08	I54Z		08	I54Z
	08	I54Z		10	K03A, K03B, K64A, K64B, K64C		10	K64A, K64B, K64C, K64D
	15	TPN, VTPN		15	TPN, VTPN		15	TPN, VTPN
	Pre	A07D, A09A, A09E, A11B, A11F, A13F		Pre	A07D, A09A, A09E, A11B, A11F, A13F		Pre	A07D, A09A, A09E, A11B, A11F, A13F

ICD	MDC	DRG	ICD	MDC	DRG	ICD	MDC	DRG
C76.1	04	E05B, E71A, E71B	C77.2	06	G17A, G38Z, G67A	C78.3	04	E05B, E71A, E71B
	06	G17A, G38Z, G67A		08	I54Z		06	G17A, G38Z, G67A
	08	I54Z		15	TPN, VTPN		08	I54Z
	15	TPN, VTPN		17	R04A, R04B, R12A, R12B, R12C, R13Z, R14Z, R62A, R62B, R62C		15	TPN, VTPN
	Pre	A07D, A09A, A09E, A11B, A11F, A13F		Pre	A07D, A09A, A09E, A11B, A11F, A13F		Pre	A07D, A09A, A09E, A11B, A11F, A13F
C76.2	06	G17A, G19A, G38Z, G40Z, G46A, G46B, G46C, G47Z, G60A, G60B, G67A	C77.3	06	G17A, G38Z, G67A	C78.4	06	G17A, G19A, G38Z, G40Z, G46A, G46B, G46C, G47Z, G60A, G60B, G67A
	08	I54Z		08	I54Z		08	I54Z
	15	TPN, VTPN		15	TPN, VTPN		15	TPN, VTPN
	Pre	A07D, A09A, A09E, A11B, A11F, A13F		17	R04A, R04B, R12A, R12B, R12C, R13Z, R14Z, R62A, R62B, R62C		Pre	A07D, A09A, A09E, A11B, A11F, A13F
C76.3	06	G17A, G38Z, G67A	C77.4	06	G17A, G38Z, G67A	C78.5	06	G17A, G19A, G38Z, G40Z, G46A, G46B, G46C, G47Z, G60A, G60B, G67A
	08	I54Z		08	I54Z		08	I54Z
	12	M09A, M09B, M60A, M60B, M60C		15	TPN, VTPN		15	TPN, VTPN
	13	N03A, N03B, N38Z, N60A, N60B		17	R04A, R04B, R12A, R12B, R12C, R13Z, R14Z, R62A, R62B, R62C		Pre	A07D, A09A, A09E, A11B, A11F, A13F
	15	TPN, VTPN		Pre	A07D, A09A, A09E, A11B, A11F, A13F		Pre	A07D, A09A, A09E, A11B, A11F, A13F
C76.4	06	G17A, G38Z, G67A	C77.5	06	G17A, G38Z, G67A	C78.6	06	G01Z, G02Z, G17A, G19A, G38Z, G40Z, G46A, G46B, G46C, G47Z, G60A, G60B, G67A
	08	I54Z		08	I54Z		08	I54Z
	15	TPN, VTPN		15	TPN, VTPN		15	TPN, VTPN
	17	R04A, R04B, R12A, R12B, R12C, R13Z, R14Z, R62A, R62B, R62C		17	R04A, R04B, R12A, R12B, R12C, R13Z, R14Z, R62A, R62B, R62C		Pre	A07D, A09A, A09E, A11B, A11F, A13F
C76.5	06	G17A, G38Z, G67A	C77.8	06	G17A, G38Z, G67A	C78.7	06	G01Z, G02Z, G17A, G38Z, G67A
	08	I54Z		08	I54Z		07	H07A, H08A, H09B, H61A, H61B, H78Z
	15	TPN, VTPN		15	TPN, VTPN		08	I54Z
	17	R04A, R04B, R12A, R12B, R12C, R13Z, R14Z, R62A, R62B, R62C		17	R04A, R04B, R12A, R12B, R12C, R13Z, R14Z, R62A, R62B, R62C		15	TPN, VTPN
	Pre	A07D, A09A, A09E, A11B, A11F, A13F		Pre	A07D, A09A, A09E, A11B, A11F, A13F		Pre	A07D, A09A, A09E, A11B, A11F, A13F
C76.7	06	G17A, G38Z, G67A	C77.9	06	G17A, G38Z, G67A	C78.8	06	G17A, G19A, G38Z, G40Z, G46A, G46B, G46C, G47Z, G60A, G60B, G67A
	08	I54Z		08	I54Z		08	I54Z
	15	TPN, VTPN		15	TPN, VTPN		15	TPN, VTPN
	17	R04A, R04B, R12A, R12B, R12C, R13Z, R14Z, R62A, R62B, R62C		17	R04A, R04B, R12A, R12B, R12C, R13Z, R14Z, R62A, R62B, R62C		Pre	A07D, A09A, A09E, A11B, A11F, A13F
	Pre	A07D, A09A, A09E, A11B, A11F, A13F		Pre	A07D, A09A, A09E, A11B, A11F, A13F		Pre	A07D, A09A, A09E, A11B, A11F, A13F
C76.8	06	G17A, G38Z, G67A	C78.0	04	E05B, E71A, E71B	C79.0	06	G17A, G38Z, G67A
	08	I54Z		06	G17A, G38Z, G67A		08	I54Z
	15	TPN, VTPN		08	I54Z		11	L02A, L02B, L02C, L03Z, L10Z, L13A, L13B, L38Z, L62A, L62B
	17	R04A, R04B, R12A, R12B, R12C, R13Z, R14Z, R62A, R62B, R62C		15	TPN, VTPN		15	TPN, VTPN
	Pre	A07D, A09A, A09E, A11B, A11F, A13F		Pre	A07D, A09A, A09E, A11B, A11F, A13F		Pre	A07D, A09A, A09E, A11B, A11F, A13F
C77.0	06	G17A, G38Z, G67A	C78.1	04	E05B, E71A, E71B	C79.1	06	G17A, G38Z, G67A
	08	I54Z		06	G17A, G38Z, G67A		08	I54Z
	15	TPN, VTPN		08	I54Z		08	I54Z
	17	R04A, R04B, R12A, R12B, R12C, R13Z, R14Z, R62A, R62B, R62C		15	TPN, VTPN		11	L02A, L02B, L02C, L03Z, L10Z, L13A, L13B, L38Z, L62A, L62B
	Pre	A07D, A09A, A09E, A11B, A11F, A13F		Pre	A07D, A09A, A09E, A11B, A11F, A13F		Pre	A07D, A09A, A09E, A11B, A11F, A13F
C77.1	06	G17A, G38Z, G67A	C78.2	04	E05B, E71A, E71B	C79.2	06	G17A, G38Z, G67A
	08	I54Z		06	G17A, G38Z, G67A		08	I54Z
	15	TPN, VTPN		08	I54Z		09	J01Z, J06Z, J07A, J07B, J10A, J14A, J14B, J16Z, J23Z, J25Z, J26Z, J62A, J62B
	17	R04A, R04B, R12A, R12B, R12C, R13Z, R14Z, R62A, R62B, R62C		15	TPN, VTPN		15	TPN, VTPN
	Pre	A07D, A09A, A09E, A11B, A11F, A13F		Pre	A07D, A09A, A09E, A11B, A11F, A13F		Pre	A07D, A09A, A09E, A11B, A11F, A13F

Dg

ICD	MDC	DRG	ICD	MDC	DRG	ICD	MDC	DRG			
C79.3	01	B03A, B03B, B66A, B66B, B66C, B66D, B70A, B70B, B70C, B70E	C79.84	06	G17A, G38Z, G67A	C81.3	06	G17A, G38Z, G67A			
		08			I54Z			08	I54Z		
		15			TPN, VTPN			15	TPN, VTPN		
		17			R61A, R61B			17	R01A, R01B, R01C, R01D, R03Z, R11A, R11B, R11C, R61A, R61B, R61C, R61D, R61E, R61F, R61G, R61H		
		Pre			A07D, A09A, A09E, A11B, A11F, A13F			Pre	A07D, A09A, A09E, A11B, A11F, A13A, A13F, A15C		
		06			B03A, B03B, B66A, B66B, B66C, B66D			C79.88	06	G17A, G38Z, G67A	C81.4
08	I54Z	08	I54Z								
15	TPN, VTPN	15	TPN, VTPN								
17	R04A, R04B, R12A, R12B, R12C, R13Z, R14Z, R62A, R62B, R62C	17	R04A, R04B, R12A, R12B, R12C, R13Z, R14Z, R62A, R62B, R62C								
Pre	A07D, A09A, A09E, A11B, A11F, A13F	Pre	A07D, A09A, A09E, A11B, A11F, A13F								
06	G17A, G38Z, G67A	C79.9	06	G17A, G38Z, G67A	C81.7	06	G17A, G38Z, G67A				
08	I01Z, I03A, I03B, I04Z, I37Z, I54Z, I65A, I65B, I65C			08			I54Z	08	I54Z		
15	TPN, VTPN			17			R04A, R04B, R12A, R12B, R12C, R13Z, R14Z, R62A, R62B, R62C	15	TPN, VTPN		
17	R61F, R61G, R62A, R62B			Pre			A07D, A09A, A09E, A11B, A11F, A13F, A15C	17	R01A, R01B, R01C, R01D, R03Z, R11A, R11B, R11C, R61A, R61B, R61C, R61D, R61E, R61F, R61G, R61H		
Pre	A07D, A09A, A09E, A11B, A11F, A13F			Pre			A07D, A09A, A09E, A11B, A11F, A13F, A15C	Pre	A07D, A09A, A09E, A11B, A11F, A13A, A13F, A15C		
06	G17A, G38Z, G67A			C80.0			06	G17A, G38Z, G67A	C81.9	06	G17A, G38Z, G67A
08	I54Z	08	I54Z		08	I54Z					
13	N01A, N01B, N01C, N01D, N01E, N02A, N02B, N02C, N38Z, N60A, N60B	17	R04A, R04B, R12A, R12B, R12C, R13Z, R14Z, R62A, R62B, R62C		Pre	A07D, A09A, A09E, A11B, A11F, A13A, A13F, A15C					
15	TPN, VTPN	Pre	A07D, A09A, A09E, A11B, A11F, A13F, A15C		15	TPN, VTPN					
Pre	A07D, A09A, A09E, A11B, A11F, A13F	C80.9	06		G17A, G38Z, G67A	C82.0		06			G17A, G38Z, G67A
06	G17A, G38Z, G67A				08						I54Z
08	I54Z			17	R04A, R04B, R12A, R12B, R12C, R13Z, R14Z, R62A, R62B, R62C		15		TPN, VTPN		
10	K03A, K03B, K64A, K64B, K64C, K64D			Pre	A07D, A09A, A09E, A11B, A11F, A13F, A15C		17		R01A, R01B, R01C, R01D, R03Z, R11A, R11B, R11C, R61A, R61B, R61C, R61D, R61E, R61F, R61G, R61H		
15	TPN, VTPN			Pre	A07D, A09A, A09E, A11B, A11F, A13F, A15C		Pre		A07D, A09A, A09E, A11B, A11F, A13A, A13F, A15C		
Pre	A07D, A09A, A09E, A11B, A11F, A13F			C81.0	06		G17A, G38Z, G67A		C82.1	06	G17A, G38Z, G67A
06	G17A, G38Z, G67A	08	I54Z			08	I54Z				
08	I54Z	15	TPN, VTPN			15	TPN, VTPN				
09	J01Z, J06Z, J07A, J07B, J10A, J14A, J14B, J16Z, J23Z, J25Z, J26Z, J62A, J62B	17	R01A, R01B, R01C, R01D, R03Z, R11A, R11B, R11C, R61A, R61B, R61C, R61D, R61E, R61F, R61G, R61H			17	R01A, R01B, R01C, R01D, R03Z, R11A, R11B, R11C, R61A, R61B, R61C, R61D, R61E, R61F, R61G, R61H				
15	TPN, VTPN	Pre	A07D, A09A, A09E, A11B, A11F, A13A, A13F, A15C			Pre	A07D, A09A, A09E, A11B, A11F, A13A, A13F, A15C				
Pre	A07D, A09A, A09E, A11B, A11F, A13F	C81.1	06			G17A, G38Z, G67A	C82.2	06			G17A, G38Z, G67A
06	G17A, G38Z, G67A			08	I54Z	08			I54Z		
08	I54Z			15	TPN, VTPN	15			TPN, VTPN		
12	M09A, M09B, M60A, M60B, M60C			17	R01A, R01B, R01C, R01D, R03Z, R11A, R11B, R11C, R61A, R61B, R61C, R61D, R61E, R61F, R61G, R61H	17			R01A, R01B, R01C, R01D, R03Z, R11A, R11B, R11C, R61A, R61B, R61C, R61D, R61E, R61F, R61G, R61H		
13	N03A, N03B, N38Z, N60A, N60B			Pre	A07D, A09A, A09E, A11B, A11F, A13A, A13F, A15C	Pre			A07D, A09A, A09E, A11B, A11F, A13A, A13F, A15C		
15	TPN, VTPN			C81.2	06	G17A, G38Z, G67A			C82.2	06	G17A, G38Z, G67A
Pre	A07D, A09A, A09E, A11B, A11F, A13F	08	I54Z			08	I54Z				
06	G17A, G38Z, G67A	15	TPN, VTPN			15	TPN, VTPN				
08	I54Z	17	R01A, R01B, R01C, R01D, R03Z, R11A, R11B, R11C, R61A, R61B, R61C, R61D, R61E, R61F, R61G, R61H			17	R01A, R01B, R01C, R01D, R03Z, R11A, R11B, R11C, R61A, R61B, R61C, R61D, R61E, R61F, R61G, R61H				
15	TPN, VTPN	Pre	A07D, A09A, A09E, A11B, A11F, A13A, A13F, A15C			18A	S62Z				
17	R04A, R04B, R12A, R12B, R12C, R13Z, R14Z, R62A, R62B, R62C	Pre	A07D, A09A, A09E, A11B, A11F, A13A, A13F, A15C			Pre	A07D, A09A, A09E, A11B, A11F, A13A, A13F, A15C				
Pre	A07D, A09A, A09E, A11B, A11F, A13F										









ICD	MDC	DRG	ICD	MDC	DRG	ICD	MDC	DRG
C91.61	06	G17A, G38Z, G67A	C92.00	06	G17A, G38Z, G67A	C92.31	06	G17A, G38Z, G67A
	08	I54Z		08	I54Z		08	I54Z
	15	TPN, VTPN		15	TPN, VTPN		15	TPN, VTPN
	17	R01A, R01B, R01C, R01D, R03Z, R11A, R11B, R11C, R61A, R61B, R61C, R61D, R61E, R61F, R61G, R61H		17	R04A, R04B, R05Z, R06Z, R12A, R12B, R12C, R13Z, R14Z, R60A, R60B, R60C, R60D, R60E, R60F, R60G		17	R04A, R04B, R12A, R12B, R12C, R13Z, R14Z, R60A, R60B, R60C, R60D, R60E, R60F, R60G
	Pre	A07D, A09A, A09E, A11B, A11F, A13A, A13F		Pre	A07D, A09A, A09E, A11B, A11F, A13A, A13F		Pre	A07D, A09A, A09E, A11B, A11F, A13A, A13F
C91.70	06	G17A, G38Z, G67A	C92.01	06	G17A, G38Z, G67A	C92.40	06	G17A, G38Z, G67A
	08	I54Z		08	I54Z		08	I54Z
	15	TPN, VTPN		15	TPN, VTPN		15	TPN, VTPN
	17	R01A, R01B, R01C, R01D, R03Z, R11A, R11B, R11C, R61A, R61B, R61C, R61D, R61E, R61F, R61G, R61H		17	R04A, R04B, R05Z, R06Z, R12A, R12B, R12C, R13Z, R14Z, R60A, R60B, R60C, R60D, R60E, R60F, R60G		17	R04A, R04B, R05Z, R06Z, R12A, R12B, R12C, R13Z, R14Z, R60A, R60B, R60C, R60D, R60E, R60F, R60G
	Pre	A07D, A09A, A09E, A11B, A11F, A13A, A13F		Pre	A07D, A09A, A09E, A11B, A11F, A13A, A13F		Pre	A07D, A09A, A09E, A11B, A11F, A13A, A13F
C91.71	06	G17A, G38Z, G67A	C92.10	06	G17A, G38Z, G67A	C92.41	06	G17A, G38Z, G67A
	08	I54Z		08	I54Z		08	I54Z
	15	TPN, VTPN		15	TPN, VTPN		15	TPN, VTPN
	17	R01A, R01B, R01C, R01D, R03Z, R11A, R11B, R11C, R61A, R61B, R61C, R61D, R61E, R61F, R61G, R61H		17	R01A, R01B, R01C, R01D, R03Z, R11A, R11B, R11C, R61A, R61B, R61C, R61D, R61E, R61F, R61G		17	R04A, R04B, R05Z, R06Z, R12A, R12B, R12C, R13Z, R14Z, R60A, R60B, R60C, R60D, R60E, R60F, R60G
	Pre	A07D, A09A, A09E, A11B, A11F, A13A, A13F		Pre	A07D, A09A, A09E, A11B, A11F, A13A, A13F		Pre	A07D, A09A, A09E, A11B, A11F, A13A, A13F
C91.80	06	G17A, G38Z, G67A	C92.11	06	G17A, G38Z, G67A	C92.50	06	G17A, G38Z, G67A
	08	I54Z		08	I54Z		08	I54Z
	15	TPN, VTPN		15	TPN, VTPN		15	TPN, VTPN
	17	R01A, R01B, R01C, R01D, R03Z, R11A, R11B, R11C, R63A, R63B, R63C, R63D, R63E, R63F, R63G, R63H, R63I		17	R01A, R01B, R01C, R01D, R03Z, R11A, R11B, R11C, R61A, R61B, R61C, R61D, R61E, R61F, R61G, R61H		17	R04A, R04B, R05Z, R06Z, R12A, R12B, R12C, R13Z, R14Z, R60A, R60B, R60C, R60D, R60E, R60F, R60G
	Pre	A07D, A09A, A09E, A11B, A11F, A13A, A13F		Pre	A07D, A09A, A09E, A11B, A11F, A13A, A13F		Pre	A07D, A09A, A09E, A11B, A11F, A13A, A13F
C91.81	06	G17A, G38Z, G67A	C92.20	06	G17A, G38Z, G67A	C92.51	06	G17A, G38Z, G67A
	08	I54Z		08	I54Z		08	I54Z
	15	TPN, VTPN		15	TPN, VTPN		15	TPN, VTPN
	17	R01A, R01B, R01C, R01D, R03Z, R11A, R11B, R11C, R63A, R63B, R63C, R63D, R63E, R63F, R63G, R63H, R63I		17	R01A, R01B, R01C, R01D, R03Z, R11A, R11B, R11C, R61A, R61B, R61C, R61D, R61E, R61F, R61G		17	R04A, R04B, R05Z, R06Z, R12A, R12B, R12C, R13Z, R14Z, R60A, R60B, R60C, R60D, R60E, R60F, R60G
	Pre	A07D, A09A, A09E, A11B, A11F, A13A, A13F		Pre	A07D, A09A, A09E, A11B, A11F, A13A, A13F		Pre	A07D, A09A, A09E, A11B, A11F, A13A, A13F
C91.90	06	G17A, G38Z, G67A	C92.21	06	G17A, G38Z, G67A	C92.60	06	G17A, G38Z, G67A
	08	I54Z		08	I54Z		08	I54Z
	15	TPN, VTPN		15	TPN, VTPN		15	TPN, VTPN
	17	R01A, R01B, R01C, R01D, R03Z, R11A, R11B, R11C, R61A, R61B, R61C, R61D, R61E, R61F, R61G, R61H		17	R01A, R01B, R01C, R01D, R03Z, R11A, R11B, R11C, R61A, R61B, R61C, R61D, R61E, R61F, R61G, R61H		17	R04A, R04B, R05Z, R06Z, R12A, R12B, R12C, R13Z, R14Z, R60A, R60B, R60C, R60D, R60E, R60F, R60G
	Pre	A07D, A09A, A09E, A11B, A11F, A13A, A13F		Pre	A07D, A09A, A09E, A11B, A11F, A13A, A13F		Pre	A07D, A09A, A09E, A11B, A11F, A13A, A13F
C91.91	06	G17A, G38Z, G67A	C92.30	06	G17A, G38Z, G67A	C92.61	06	G17A, G38Z, G67A
	08	I54Z		08	I54Z		08	I54Z
	15	TPN, VTPN		15	TPN, VTPN		15	TPN, VTPN
	17	R01A, R01B, R01C, R01D, R03Z, R11A, R11B, R11C, R61A, R61B, R61C, R61D, R61E, R61F, R61G, R61H		17	R04A, R04B, R12A, R12B, R12C, R13Z, R14Z, R60A, R60B, R60C, R60D, R60E, R60F, R61G		17	R04A, R04B, R05Z, R06Z, R12A, R12B, R12C, R13Z, R14Z, R60A, R60B, R60C, R60D, R60E, R60F, R60G
	Pre	A07D, A09A, A09E, A11B, A11F, A13A, A13F		Pre	A07D, A09A, A09E, A11B, A11F, A13A, A13F		Pre	A07D, A09A, A09E, A11B, A11F, A13A, A13F

Dg

ICD	MDC	DRG	ICD	MDC	DRG	ICD	MDC	DRG
C92.70	06	G17A, G38Z, G67A	C93.01	06	G17A, G38Z, G67A	C93.90	06	G17A, G38Z, G67A
	08	I54Z		08	I54Z		08	I54Z
	15	TPN, VTPN		15	TPN, VTPN		15	TPN, VTPN
	17	R01A, R01B, R01C, R01D, R03Z, R11A, R11B, R11C, R61A, R61B, R61C, R61D, R61E, R61F, R61G		17	R04A, R04B, R12A, R12B, R12C, R13Z, R14Z, R60A, R60B, R60C, R60D, R60E, R60F, R60G		17	R01A, R01B, R01C, R01D, R03Z, R11A, R11B, R11C, R61A, R61B, R61C, R61D, R61E, R61F, R61G, R61H
	Pre	A07D, A09A, A09E, A11B, A11F, A13A, A13F		Pre	A07D, A09A, A09E, A11B, A11F, A13A, A13F		Pre	A07D, A09A, A09E, A11B, A11F, A13A, A13F
C92.71	06	G17A, G38Z, G67A	C93.10	06	G17A, G38Z, G67A	C93.91	06	G17A, G38Z, G67A
	08	I54Z		08	I54Z		08	I54Z
	15	TPN, VTPN		15	TPN, VTPN		15	TPN, VTPN
	17	R01A, R01B, R01C, R01D, R03Z, R11A, R11B, R11C, R61A, R61B, R61C, R61D, R61E, R61F, R61G, R61H		17	R01A, R01B, R01C, R01D, R03Z, R11A, R11B, R11C, R61A, R61B, R61C, R61D, R61E, R61F, R61G, R61H		17	R01A, R01B, R01C, R01D, R03Z, R11A, R11B, R11C, R61A, R61B, R61C, R61D, R61E, R61F, R61G, R61H
	Pre	A07D, A09A, A09E, A11B, A11F, A13A, A13F		Pre	A07D, A09A, A09E, A11B, A11F, A13A, A13F		Pre	A07D, A09A, A09E, A11B, A11F, A13A, A13F
C92.80	06	G17A, G38Z, G67A	C93.11	06	G17A, G38Z, G67A	C94.00	06	G17A, G38Z, G67A
	08	I54Z		08	I54Z		08	I54Z
	15	TPN, VTPN		15	TPN, VTPN		15	TPN, VTPN
	17	R04A, R04B, R05Z, R06Z, R12A, R12B, R12C, R13Z, R14Z, R60A, R60B, R60C, R60D, R60E, R60F, R60G		17	R01A, R01B, R01C, R01D, R03Z, R11A, R11B, R11C, R61A, R61B, R61C, R61D, R61E, R61F, R61G, R61H		17	R04A, R04B, R12A, R12B, R12C, R13Z, R14Z, R60A, R60B, R60C, R60D, R60E, R60F, R60G
	Pre	A07D, A09A, A09E, A11B, A11F, A13A, A13F		Pre	A07D, A09A, A09E, A11B, A11F, A13A, A13F		Pre	A07D, A09A, A09E, A11B, A11F, A13A, A13F
C92.81	06	G17A, G38Z, G67A	C93.30	06	G17A, G38Z, G67A	C94.01	06	G17A, G38Z, G67A
	08	I54Z		08	I54Z		08	I54Z
	15	TPN, VTPN		15	TPN, VTPN		15	TPN, VTPN
	17	R04A, R04B, R05Z, R06Z, R12A, R12B, R12C, R13Z, R14Z, R60A, R60B, R60C, R60D, R60E, R60F, R60G		17	R01A, R01B, R01C, R01D, R03Z, R11A, R11B, R11C, R61A, R61B, R61C, R61D, R61E, R61F, R61G, R61H		17	R04A, R04B, R12A, R12B, R12C, R13Z, R14Z, R60A, R60B, R60C, R60D, R60E, R60F, R60G
	Pre	A07D, A09A, A09E, A11B, A11F, A13A, A13F		Pre	A07D, A09A, A09E, A11B, A11F, A13A, A13F		Pre	A07D, A09A, A09E, A11B, A11F, A13A, A13F
C92.90	06	G17A, G38Z, G67A	C93.31	06	G17A, G38Z, G67A	C94.20	06	G17A, G38Z, G67A
	08	I54Z		08	I54Z		08	I54Z
	15	TPN, VTPN		15	TPN, VTPN		15	TPN, VTPN
	17	R01A, R01B, R01C, R01D, R03Z, R11A, R11B, R11C, R61A, R61B, R61C, R61D, R61E, R61F, R61G, R61H		17	R01A, R01B, R01C, R01D, R03Z, R11A, R11B, R11C, R61A, R61B, R61C, R61D, R61E, R61F, R61G, R61H		17	R04A, R04B, R12A, R12B, R12C, R13Z, R14Z, R60A, R60B, R60C, R60D, R60E, R60F, R60G
	Pre	A07D, A09A, A09E, A11B, A11F, A13A, A13F		Pre	A07D, A09A, A09E, A11B, A11F, A13A, A13F		Pre	A07D, A09A, A09E, A11B, A11F, A13A, A13F
C92.91	06	G17A, G38Z, G67A	C93.70	06	G17A, G38Z, G67A	C94.21	06	G17A, G38Z, G67A
	08	I54Z		08	I54Z		08	I54Z
	15	TPN, VTPN		15	TPN, VTPN		15	TPN, VTPN
	17	R01A, R01B, R01C, R01D, R03Z, R11A, R11B, R11C, R61A, R61B, R61C, R61D, R61E, R61F, R61G, R61H		17	R01A, R01B, R01C, R01D, R03Z, R11A, R11B, R11C, R61A, R61B, R61C, R61D, R61E, R61F, R61G, R61H		17	R04A, R04B, R12A, R12B, R12C, R13Z, R14Z, R60A, R60B, R60C, R60D, R60E, R60F, R60G
	Pre	A07D, A09A, A09E, A11B, A11F, A13A, A13F		Pre	A07D, A09A, A09E, A11B, A11F, A13A, A13F		Pre	A07D, A09A, A09E, A11B, A11F, A13A, A13F
C93.00	06	G17A, G38Z, G67A	C93.71	06	G17A, G38Z, G67A	C94.30	06	G17A, G38Z, G67A
	08	I54Z		08	I54Z		08	I54Z
	15	TPN, VTPN		15	TPN, VTPN		15	TPN, VTPN
	17	R04A, R04B, R12A, R12B, R12C, R13Z, R14Z, R60A, R60B, R60C, R60D, R60E, R60F, R60G		17	R01A, R01B, R01C, R01D, R03Z, R11A, R11B, R11C, R61A, R61B, R61C, R61D, R61E, R61F, R61G, R61H		17	R04A, R04B, R12A, R12B, R12C, R13Z, R14Z, R60A, R60B, R60C, R60D, R60E, R60F, R60G
	Pre	A07D, A09A, A09E, A11B, A11F, A13A, A13F		Pre	A07D, A09A, A09E, A11B, A11F, A13A, A13F		Pre	A07D, A09A, A09E, A11B, A11F, A13A, A13F

Dg

ICD	MDC	DRG	ICD	MDC	DRG	ICD	MDC	DRG
C94.31	06	G17A, G38Z, G67A	C95.01	06	G17A, G38Z, G67A	C96.0	06	G17A, G38Z, G67A
	08	I54Z		08	I54Z		08	I54Z
	15	TPN, VTPN		15	TPN, VTPN		15	TPN, VTPN
	17	R04A, R04B, R12A, R12B, R12C, R13Z, R14Z, R60A, R60B, R60C, R60D, R60E, R60F, R60G		17	R01A, R01B, R01C, R01D, R03Z, R11A, R11B, R11C, R63A, R63B, R63C, R63D, R63E, R63F, R63G, R63H, R63I		17	R04A, R04B, R12A, R12B, R12C, R13Z, R14Z, R62A, R62B, R62C
	Pre	A07D, A09A, A09E, A11B, A11F, A13A, A13F		Pre	A07D, A09A, A09E, A11B, A11F, A13A, A13F		Pre	A07D, A09A, A09E, A11B, A11F, A13A, A13F
C94.40	06	G17A, G38Z, G67A	C95.10	06	G17A, G38Z, G67A	C96.2	06	G17A, G38Z, G67A
	08	I54Z		08	I54Z		08	I54Z
	15	TPN, VTPN		15	TPN, VTPN		15	TPN, VTPN
	17	R04A, R04B, R12A, R12B, R12C, R13Z, R14Z, R60A, R60B, R60C, R60D, R60E, R60F, R60G		17	R01A, R01B, R01C, R01D, R03Z, R11A, R11B, R11C, R61A, R61B, R61C, R61D, R61E, R61F, R61G, R61H		17	R01A, R01B, R01C, R01D, R03Z, R11A, R11B, R11C, R61A, R61B, R61C, R61D, R61E, R61F, R61G
	Pre	A07D, A09A, A09E, A11B, A11F, A13A, A13F		Pre	A07D, A09A, A09E, A11B, A11F, A13A, A13F		Pre	A07D, A09A, A09E, A11B, A11F, A13A, A13F
C94.41	06	G17A, G38Z, G67A	C95.11	06	G17A, G38Z, G67A	C96.4	06	G17A, G38Z, G67A
	08	I54Z		08	I54Z		08	I54Z
	15	TPN, VTPN		15	TPN, VTPN		15	TPN, VTPN
	17	R04A, R04B, R12A, R12B, R12C, R13Z, R14Z, R60A, R60B, R60C, R60D, R60E, R60F, R60G		17	R01A, R01B, R01C, R01D, R03Z, R11A, R11B, R11C, R61A, R61B, R61C, R61D, R61E, R61F, R61G, R61H		17	R01A, R01B, R01C, R01D, R03Z, R11A, R11B, R11C, R61A, R61B, R61C, R61D, R61E, R61F, R61G
	Pre	A07D, A09A, A09E, A11B, A11F, A13A, A13F		Pre	A07D, A09A, A09E, A11B, A11F, A13A, A13F		Pre	A07D, A09A, A09E, A11B, A11F, A13A, A13F
C94.60	15	TPN, VTPN	C95.70	06	G17A, G38Z, G67A	C96.5	10	K63A, K63B, K63C
	17	R01A, R01B, R01C, R01D, R03Z, R11A, R11B, R11C, R61A, R61B, R61C, R61D, R61E, R61F, R61G, R61H		08	I54Z		Pre	A07D, A09A, A09E, A11B, A11F, A13F
	Pre	A07D, A09A, A09E, A11B, A11F, A13F		15	TPN, VTPN		Pre	A07D, A09A, A09E, A11B, A11F, A13F
	Pre	A07D, A09A, A09E, A11B, A11F, A13F		17	R01A, R01B, R01C, R01D, R03Z, R11A, R11B, R11C, R61A, R61B, R61C, R61D, R61E, R61F, R61G, R61H		Pre	A07D, A09A, A09E, A11B, A11F, A13F
	Pre	A07D, A09A, A09E, A11B, A11F, A13F		Pre	A07D, A09A, A09E, A11B, A11F, A13A, A13F		Pre	A07D, A09A, A09E, A11B, A11F, A13F
C94.61	15	TPN, VTPN	C95.71	06	G17A, G38Z, G67A	C96.6	10	K63A, K63B, K63C
	17	R01A, R01B, R01C, R01D, R03Z, R11A, R11B, R11C, R61A, R61B, R61C, R61D, R61E, R61F, R61G, R61H		08	I54Z		Pre	A07D, A09A, A09E, A11B, A11F, A13F
	Pre	A07D, A09A, A09E, A11B, A11F, A13F		15	TPN, VTPN		Pre	A07D, A09A, A09E, A11B, A11F, A13F
	Pre	A07D, A09A, A09E, A11B, A11F, A13F		17	R01A, R01B, R01C, R01D, R03Z, R11A, R11B, R11C, R61A, R61B, R61C, R61D, R61E, R61F, R61G, R61H		Pre	A07D, A09A, A09E, A11B, A11F, A13F
	Pre	A07D, A09A, A09E, A11B, A11F, A13F		Pre	A07D, A09A, A09E, A11B, A11F, A13A, A13F		Pre	A07D, A09A, A09E, A11B, A11F, A13F
C94.70	06	G17A, G38Z, G67A	C95.8	06	G17A, G38Z	C96.8	06	G17A, G38Z, G67A
	08	I54Z		08	I54Z		08	I54Z
	15	TPN, VTPN		Pre	A07D, A09A, A09E, A11B, A11F, A13A, A13F		15	TPN, VTPN
	17	R01A, R01B, R01C, R01D, R03Z, R11A, R11B, R11C, R61A, R61B, R61C, R61D, R61E, R61F, R61G, R61H		Pre	A07D, A09A, A09E, A11B, A11F, A13A, A13F		17	R01A, R01B, R01C, R01D, R03Z, R11A, R11B, R11C, R61A, R61B, R61C, R61D, R61E, R61F, R61G, R61H
	Pre	A07D, A09A, A09E, A11B, A11F, A13A, A13F		Pre	A07D, A09A, A09E, A11B, A11F, A13A, A13F		Pre	A07D, A09A, A09E, A11B, A11F, A13A, A13F
C94.71	06	G17A, G38Z, G67A	C95.90	06	G17A, G38Z, G67A	C96.9	06	G17A, G38Z, G67A
	08	I54Z		08	I54Z		08	I54Z
	15	TPN, VTPN		15	TPN, VTPN		15	TPN, VTPN
	17	R01A, R01B, R01C, R01D, R03Z, R11A, R11B, R11C, R61A, R61B, R61C, R61D, R61E, R61F, R61G, R61H		17	R01A, R01B, R01C, R01D, R03Z, R11A, R11B, R11C, R61A, R61B, R61C, R61D, R61E, R61F, R61G, R61H		17	R01A, R01B, R01C, R01D, R03Z, R11A, R11B, R11C, R61A, R61B, R61C, R61D, R61E, R61F, R61G, R61H
	Pre	A07D, A09A, A09E, A11B, A11F, A13A, A13F		Pre	A07D, A09A, A09E, A11B, A11F, A13A, A13F		Pre	A07D, A09A, A09E, A11B, A11F, A13A, A13F
C95.00	06	G17A, G38Z, G67A	C95.91	06	G17A, G38Z, G67A	C97	06	G17A, G38Z, G67A
	08	I54Z		08	I54Z		08	I54Z
	15	TPN, VTPN		15	TPN, VTPN		15	TPN, VTPN
	17	R01A, R01B, R01C, R01D, R03Z, R11A, R11B, R11C, R63A, R63B, R63C, R63D, R63E, R63F, R63G, R63H, R63I		17	R01A, R01B, R01C, R01D, R03Z, R11A, R11B, R11C, R61A, R61B, R61C, R61D, R61E, R61F, R61G, R61H		17	R01A, R01B, R01C, R01D, R03Z, R11A, R11B, R11C, R61A, R61B, R61C, R61D, R61E, R61F, R61G, R61H
	Pre	A07D, A09A, A09E, A11B, A11F, A13A, A13F		Pre	A07D, A09A, A09E, A11B, A11F, A13A, A13F		Pre	A07D, A09A, A09E, A11B, A11F, A13A, A13F

ICD	MDC	DRG	ICD	MDC	DRG	ICD	MDC	DRG
D00.2	06	G19A, G38Z, G40Z, G46A, G46B, G46C, G47Z, G60A, G60B	D03.3	08	I54Z	D05.7	08	I54Z
	08	I54Z		09	J01Z, J67A, J67B, J68A, J68B		09	J01Z, J06Z, J07A, J07B, J08A, J08B, J08C, J14A, J14B, J16Z, J23Z, J25Z, J26Z, J62A, J62B
	Pre	A09A, A11B	D03.4	08	I54Z		Pre	A09A, A11B
D01.0	06	G19A, G38Z, G40Z, G46A, G46B, G46C, G47Z, G60A, G60B		09	J01Z, J67A, J67B, J68A, J68B	D05.9	08	I54Z
	08	I54Z		Pre	A09A, A11B		09	J01Z, J06Z, J07A, J07B, J08A, J08B, J08C, J14A, J14B, J16Z, J23Z, J25Z, J26Z, J62A, J62B
	Pre	A09A, A11B	D03.5	08	I54Z		Pre	A09A, A11B
D01.1	06	G19A, G38Z, G40Z, G46A, G46B, G46C, G47Z, G60A, G60B		09	J01Z, J67A, J67B, J68A, J68B	D06.0	08	I54Z
	08	I54Z		Pre	A09A, A11B		13	N04Z, N05A, N05B, N14Z, N21Z, N25Z, N62A, N62B
	Pre	A09A, A11B	D03.6	08	I54Z		Pre	A09A, A11B
D01.2	06	G19A, G38Z, G40Z, G46A, G46B, G46C, G47Z, G60A, G60B		09	J01Z, J67A, J67B, J68A, J68B	D06.1	08	I54Z
	08	I54Z		Pre	A09A, A11B		13	N04Z, N05A, N05B, N14Z, N21Z, N25Z, N62A, N62B
	Pre	A09A, A11B	D03.7	08	I54Z		Pre	A09A, A11B
D01.3	06	G19A, G38Z, G40Z, G46A, G46B, G46C, G47Z, G60A, G60B		09	J01Z, J02A, J02B, J02C, J03A, J03B, J04A, J04B, J08A, J08B, J08C, J67A, J67B, J68A, J68B	D06.7	08	I54Z
	08	I54Z		Pre	A09A, A11B		13	N04Z, N05A, N05B, N14Z, N21Z, N25Z, N62A, N62B
	Pre	A09A, A11B	D03.8	08	I54Z		Pre	A09A, A11B
D01.4	06	G19A, G38Z, G40Z, G46A, G46B, G46C, G47Z, G60A, G60B		09	J01Z, J67A, J67B, J68A, J68B	D06.9	08	I54Z
	08	I54Z		Pre	A09A, A11B		13	N04Z, N05A, N05B, N14Z, N21Z, N25Z, N62A, N62B
	Pre	A09A, A11B	D03.9	08	I54Z		Pre	A09A, A11B
D01.5	07	H09B, H61A, H61B, H78Z		09	J01Z, J67A, J67B, J68A, J68B	D06.9	08	I54Z
	08	I54Z		Pre	A09A, A11B		13	N04Z, N05A, N05B, N14Z, N21Z, N25Z, N62A, N62B
	Pre	A09A, A11B	D04.0	08	I54Z		Pre	A09A, A11B
D01.7	06	G19A, G38Z, G40Z, G46A, G46B, G46C, G47Z, G60A, G60B		09	J01Z, J67A, J67B, J68A, J68B	D07.0	08	I54Z
	08	I54Z		Pre	A09A, A11B		13	N04Z, N05A, N05B, N14Z, N21Z, N25Z, N62A, N62B
	Pre	A09A, A11B	D04.1	02	C02A, C63Z		Pre	A09A, A11B
D01.9	06	G19A, G38Z, G40Z, G46A, G46B, G46C, G47Z, G60A, G60B		08	I54Z	D07.1	08	I54Z
	08	I54Z		Pre	A09A, A11B		13	N04Z, N05A, N05B, N14Z, N21Z, N25Z, N62A, N62B
	Pre	A09A, A11B	D04.2	08	I54Z		Pre	A09A, A11B
D02.0	03	D09Z, D25A, D25B, D28Z, D60A, D60B, D60C		09	J01Z, J67A, J67B, J68A, J68B	D07.2	08	I54Z
	08	I54Z		Pre	A09A, A11B		13	N04Z, N05A, N05B, N14Z, N21Z, N25Z, N62A, N62B
	Pre	A09A, A11B	D04.3	08	I54Z		Pre	A09A, A11B
D02.1	04	E05B, E71A, E71B		09	J01Z, J67A, J67B, J68A, J68B	D07.3	08	I54Z
	08	I54Z		Pre	A09A, A11B		13	N04Z, N05A, N05B, N14Z, N21Z, N25Z, N62A, N62B
	Pre	A09A, A11B	D04.4	08	I54Z		Pre	A09A, A11B
D02.2	04	E05B, E71A, E71B		09	J01Z, J67A, J67B, J68A, J68B	D07.4	08	I54Z
	08	I54Z		Pre	A09A, A11B		12	M09A, M09B, M60A, M60B, M60C
	Pre	A09A, A11B	D04.5	08	I54Z		Pre	A09A, A11B
D02.3	04	E05B, E71A, E71B		09	J01Z, J67A, J67B, J68A, J68B	D07.5	08	I54Z
	08	I54Z		Pre	A09A, A11B		12	M09A, M09B, M60A, M60B, M60C
	Pre	A09A, A11B	D04.6	08	I54Z		Pre	A09A, A11B
D02.4	04	E05B, E71A, E71B		09	J01Z, J67A, J67B, J68A, J68B	D07.6	08	I54Z
	08	I54Z		Pre	A09A, A11B		12	M09A, M09B, M60A, M60B, M60C
	Pre	A09A, A11B	D04.7	08	I54Z		Pre	A09A, A11B
D03.0	08	I54Z		09	J01Z, J02A, J02B, J02C, J03A, J03B, J04A, J04B, J08A, J08B, J08C, J67A, J67B, J68A, J68B	D09.0	08	I54Z
	09	J01Z, J67A, J67B, J68A, J68B		Pre	A09A, A11B		11	L02A, L02B, L02C, L03Z, L10Z, L13A, L13B, L38Z, L62A, L62B
	Pre	A09A, A11B	D04.8	08	I54Z		Pre	A09A, A11B
D03.1	02	C63Z		09	J01Z, J67A, J67B, J68A, J68B	D09.1	08	I54Z
	08	I54Z		Pre	A09A, A11B		11	L02A, L02B, L02C, L03Z, L10Z, L13A, L13B, L38Z, L62A, L62B
	Pre	A09A, A11B	D04.9	08	I54Z		Pre	A09A, A11B
D03.2	08	I54Z		09	J01Z, J06Z, J07A, J07B, J08A, J08B, J08C, J14A, J14B, J16Z, J23Z, J25Z, J26Z, J62A, J62B	D09.2	02	C02A, C63Z
	09	J01Z, J67A, J67B, J68A, J68B		Pre	A09A, A11B		08	I54Z
	Pre	A09A, A11B	D05.0	08	I54Z		Pre	A09A, A11B
				09	J01Z, J06Z, J07A, J07B, J08A, J08B, J08C, J14A, J14B, J16Z, J23Z, J25Z, J26Z, J62A, J62B	D09.3	08	I54Z
			D05.1	08	I54Z		17	R04A, R04B, R12A, R12B, R12C, R13Z, R14Z, R62A, R62B, R62C
				09	J01Z, J06Z, J07A, J07B, J08A, J08B, J08C, J14A, J14B, J16Z, J23Z, J25Z, J26Z, J62A, J62B		Pre	A09A, A11B
				Pre	A09A, A11B			

ICD	MDC	DRG	ICD	MDC	DRG	ICD	MDC	DRG
D09.7	08	I54Z	D12.6	06	G46A, G46B, G46C, G50Z, G71Z	D15.2	04	E71A, E71B
	17	R04A, R04B, R12A, R12B, R12C, R13Z, R14Z, R62A, R62B, R62C		15	TPN, VTPN		15	TPN, VTPN
	Pre	A09A, A11B		Pre	A09A, A11B		Pre	A09A, A11B
D09.9	08	I54Z	D12.7	06	G46A, G46B, G46C, G50Z, G71Z	D15.7	04	E71A, E71B
	17	R04A, R04B, R12A, R12B, R12C, R13Z, R14Z, R62A, R62B, R62C		15	TPN, VTPN		15	TPN, VTPN
	Pre	A09A, A11B		Pre	A09A, A11B		Pre	A09A, A11B
D10.0	03	D40Z, D67Z	D12.8	06	G46A, G46B, G46C, G50Z, G71Z	D15.9	04	E71A, E71B
	15	TPN, VTPN		15	TPN, VTPN		15	TPN, VTPN
	Pre	A09A, A11B		Pre	A09A, A11B		Pre	A09A, A11B
D10.1	03	D40Z, D67Z	D12.9	06	G46A, G46B, G46C, G50Z, G71Z	D16.0	08	I76A, I76B
	15	TPN, VTPN		15	TPN, VTPN		15	TPN, VTPN
	Pre	A09A, A11B		Pre	A09A, A11B		Pre	A09A, A11B
D10.2	03	D40Z, D67Z	D12.9	06	G46A, G46B, G46C, G50Z, G71Z	D16.1	08	I32A, I32B, I32C, I32D, I32E, I32F, I32G, I76A, I76B
	15	TPN, VTPN		15	TPN, VTPN		15	TPN, VTPN
	Pre	A09A, A11B		Pre	A09A, A11B		Pre	A09A, A11B
D10.3	03	D40Z, D67Z	D13.0	06	G46A, G46B, G46C, G50Z, G71Z	D16.2	08	I76A, I76B
	15	TPN, VTPN		15	TPN, VTPN		15	TPN, VTPN
	Pre	A09A, A11B		Pre	A09A, A11B		Pre	A09A, A11B
D10.4	03	D66Z	D13.1	06	G46A, G46B, G46C, G50Z, G71Z	D16.3	08	I76A, I76B
	Pre	A09A, A11B		15	TPN, VTPN		15	TPN, VTPN
	Pre	A09A, A11B		Pre	A09A, A11B		Pre	A09A, A11B
D10.5	03	D66Z	D13.2	06	G46A, G46B, G46C, G50Z, G71Z	D16.4	08	I76A, I76B
	15	TPN, VTPN		15	TPN, VTPN		15	TPN, VTPN
	Pre	A09A, A11B		Pre	A09A, A11B		Pre	A09A, A11B
D10.6	03	D66Z	D13.3	06	G46A, G46B, G46C, G50Z, G71Z	D16.42	08	I76A, I76B
	15	TPN, VTPN		15	TPN, VTPN		15	TPN, VTPN
	Pre	A09A, A11B		Pre	A09A, A11B		Pre	A09A, A11B
D10.7	03	D66Z	D13.4	07	H63A, H63B, H63C, H78Z	D16.5	03	D40Z, D67Z
	15	TPN, VTPN		15	TPN, VTPN		15	TPN, VTPN
	Pre	A09A, A11B		Pre	A09A, A11B		Pre	A09A, A11B
D10.9	03	D66Z	D13.5	07	H63A, H63B, H63C, H78Z	D16.6	08	I76A, I76B
	15	TPN, VTPN		15	TPN, VTPN		15	TPN, VTPN
	Pre	A09A, A11B		Pre	A09A, A11B		Pre	A09A, A11B
D11.0	03	D66Z	D13.6	07	H62A, H62B, H62C	D16.70	04	E71A, E71B
	15	TPN, VTPN		15	TPN, VTPN		15	TPN, VTPN
	Pre	A09A, A11B		Pre	A09A, A11B		Pre	A09A, A11B
D11.7	03	D66Z	D13.7	10	K64A, K64B, K64C, K64D	D16.71	04	E71A, E71B
	15	TPN, VTPN		15	TPN, VTPN		15	TPN, VTPN
	Pre	A09A, A11B		Pre	A09A, A11B		Pre	A09A, A11B
D11.9	03	D66Z	D13.9	06	G46A, G46B, G46C, G50Z, G71Z	D16.72	04	E71A, E71B
	15	TPN, VTPN		15	TPN, VTPN		15	TPN, VTPN
	Pre	A09A, A11B		Pre	A09A, A11B		Pre	A09A, A11B
D12.0	06	G46A, G46B, G46C, G50Z, G71Z	D14.0	03	D66Z	D16.8	08	I76A, I76B
	15	TPN, VTPN		15	TPN, VTPN		15	TPN, VTPN
	Pre	A09A, A11B		Pre	A09A, A11B		Pre	A09A, A11B
D12.1	06	G46A, G46B, G46C, G50Z, G71Z	D14.1	03	D66Z	D16.9	08	I76A, I76B
	15	TPN, VTPN		15	TPN, VTPN		15	TPN, VTPN
	Pre	A09A, A11B		Pre	A09A, A11B		Pre	A09A, A11B
D12.2	06	G46A, G46B, G46C, G50Z, G71Z	D14.2	04	E71A, E71B	D17.0	09	J67A, J67B, J68A, J68B
	15	TPN, VTPN		15	TPN, VTPN		Pre	A09A, A11B
	Pre	A09A, A11B		Pre	A09A, A11B	D17.1	09	J67A, J67B, J68A, J68B
D12.3	06	G46A, G46B, G46C, G50Z, G71Z	D14.3	04	E71A, E71B		Pre	A09A, A11B
	15	TPN, VTPN		15	TPN, VTPN	D17.2	09	J67A, J67B, J68A, J68B
	Pre	A09A, A11B		Pre	A09A, A11B		Pre	A09A, A11B
D12.4	06	G46A, G46B, G46C, G50Z, G71Z	D14.4	04	E71A, E71B	D17.3	09	J67A, J67B, J68A, J68B
	15	TPN, VTPN		15	TPN, VTPN		Pre	A09A, A11B
	Pre	A09A, A11B		Pre	A09A, A11B	D17.4	04	E71A, E71B
D12.5	06	G46A, G46B, G46C, G50Z, G71Z	D15.0	15	TPN, VTPN		Pre	A09A, A11B
	15	TPN, VTPN		16	Q60A, Q60B, Q60C	D17.5	06	G46A, G46B, G46C, G50Z, G71Z
	Pre	A09A, A11B		Pre	A09A, A11B		Pre	A09A, A11B
	Pre	A09A, A11B	D15.1	05	F75A, F75B, F75C, F75D	D17.6	12	M64Z
	Pre	A09A, A11B		15	TPN, VTPN		Pre	A09A, A11B
	Pre	A09A, A11B		Pre	A09A, A11B	D17.7	09	J67A, J67B, J68A, J68B
	Pre	A09A, A11B		Pre	A09A, A11B		Pre	A09A, A11B
	Pre	A09A, A11B		Pre	A09A, A11B	D17.9	09	J67A, J67B, J68A, J68B
	Pre	A09A, A11B		Pre	A09A, A11B		Pre	A09A, A11B

ICD	MDC	DRG	ICD	MDC	DRG	ICD	MDC	DRG
D18.00	09	J11A, J11B, J11C, J67A, J67B, J68A, J68B	D21.0	08	I76A, I76B	D25.0	13	N04Z, N05A, N05B, N14Z, N21Z, N25Z, N62A, N62B
	15	TPN, VTPN		15	TPN, VTPN		15	TPN, VTPN
	Pre	A09A, A11B		Pre	A09A, A11B		Pre	A09A, A11B
D18.01	09	J11A, J11B, J11C, J67A, J67B, J68A, J68B	D21.1	08	I32A, I32B, I32C, I32D, I32E, I32F, I32G, I76A, I76B	D25.1	13	N04Z, N05A, N05B, N14Z, N21Z, N25Z, N62A, N62B
	Pre	A09A, A11B		15	TPN, VTPN		15	TPN, VTPN
D18.02	01	B81A, B81B	D21.2	08	I76A, I76B		Pre	A09A, A11B
	Pre	A09A, A11B		15	TPN, VTPN	D25.2	13	N04Z, N05A, N05B, N14Z, N21Z, N25Z, N62A, N62B
D18.03	07	H63A, H63B, H63C, H78Z		Pre	A09A, A11B		15	TPN, VTPN
	Pre	A09A, A11B	D21.3	08	I76A, I76B		Pre	A09A, A11B
D18.04	06	G46A, G46B, G46C, G50Z, G67A, G67B, G67C, G67D		15	TPN, VTPN	D25.9	13	N04Z, N05A, N05B, N14Z, N21Z, N25Z, N62A, N62B
	Pre	A09A, A11B	D21.4	08	I76A, I76B		15	TPN, VTPN
D18.05	03	D66Z		15	TPN, VTPN		Pre	A09A, A11B
	Pre	A09A, A11B	D21.5	08	I76A, I76B	D26.0	13	N04Z, N05A, N05B, N14Z, N21Z, N25Z, N62A, N62B
D18.08	09	J11A, J11B, J11C, J67A, J67B, J68A, J68B		15	TPN, VTPN		15	TPN, VTPN
	Pre	A09A, A11B	D21.6	08	I76A, I76B		Pre	A09A, A11B
D18.10	15	TPN, VTPN		15	TPN, VTPN	D26.1	13	N04Z, N05A, N05B, N14Z, N21Z, N25Z, N62A, N62B
	16	Q60A, Q60B, Q60C, Q60D, Q60E		Pre	A09A, A11B		15	TPN, VTPN
	Pre	A09A, A11B	D21.9	08	I76A, I76B		Pre	A09A, A11B
D18.11	15	TPN, VTPN		15	TPN, VTPN	D26.7	13	N04Z, N05A, N05B, N14Z, N21Z, N25Z, N62A, N62B
	16	Q60A, Q60B, Q60C, Q60D, Q60E		Pre	A09A, A11B		Pre	A09A, A11B
	Pre	A09A, A11B	D22.0	09	J67A, J67B, J68A, J68B	D26.9	13	N04Z, N05A, N05B, N14Z, N21Z, N25Z, N62A, N62B
D18.12	15	TPN, VTPN		Pre	A09A, A11B		15	TPN, VTPN
	16	Q60A, Q60B, Q60C, Q60D, Q60E	D22.1	02	C63Z		Pre	A09A, A11B
	Pre	A09A, A11B		Pre	A09A, A11B	D27	13	N04Z, N05A, N05B, N14Z, N21Z, N25Z, N62A, N62B
D18.13	15	TPN, VTPN	D22.2	09	J67A, J67B, J68A, J68B		15	TPN, VTPN
	16	Q60A, Q60B, Q60C, Q60D, Q60E		Pre	A09A, A11B		Pre	A09A, A11B
	Pre	A09A, A11B	D22.3	09	J67A, J67B, J68A, J68B	D28.0	13	N04Z, N05A, N05B, N14Z, N21Z, N25Z, N62A, N62B
D18.18	15	TPN, VTPN		Pre	A09A, A11B		15	TPN, VTPN
	16	Q60A, Q60B, Q60C, Q60D, Q60E	D22.5	09	J67A, J67B, J68A, J68B		Pre	A09A, A11B
	Pre	A09A, A11B		Pre	A09A, A11B	D28.1	13	N04Z, N05A, N05B, N14Z, N21Z, N25Z, N62A, N62B
D18.19	15	TPN, VTPN	D22.6	09	J67A, J67B, J68A, J68B		15	TPN, VTPN
	16	Q60A, Q60B, Q60C, Q60D, Q60E		Pre	A09A, A11B		Pre	A09A, A11B
	Pre	A09A, A11B	D22.7	09	J02A, J02B, J02C, J03A, J03B, J04A, J04B, J08A, J08B, J08C, J67A, J67B, J68A, J68B	D28.2	13	N04Z, N05A, N05B, N14Z, N21Z, N25Z, N62A, N62B
D19.0	04	E71A, E71B		Pre	A09A, A11B		15	TPN, VTPN
	15	TPN, VTPN	D22.9	09	J67A, J67B, J68A, J68B		Pre	A09A, A11B
	Pre	A09A, A11B		Pre	A09A, A11B	D28.7	13	N04Z, N05A, N05B, N14Z, N21Z, N25Z, N62A, N62B
D19.1	06	G46A, G46B, G46C, G50Z, G71Z	D23.0	09	J67A, J67B, J68A, J68B		15	TPN, VTPN
	15	TPN, VTPN		Pre	A09A, A11B		Pre	A09A, A11B
	Pre	A09A, A11B	D23.1	02	C63Z	D28.9	13	N04Z, N05A, N05B, N14Z, N21Z, N25Z, N62A, N62B
D19.7	15	TPN, VTPN		Pre	A09A, A11B		15	TPN, VTPN
	17	R04A, R04B, R12A, R12B, R12C, R13Z, R14Z, R62A, R62B, R62C	D23.2	09	J67A, J67B, J68A, J68B		Pre	A09A, A11B
	Pre	A09A, A11B		Pre	A09A, A11B	D29.0	12	M64Z
D19.9	15	TPN, VTPN	D23.3	09	J67A, J67B, J68A, J68B		15	TPN, VTPN
	17	R04A, R04B, R12A, R12B, R12C, R13Z, R14Z, R62A, R62B, R62C		Pre	A09A, A11B		Pre	A09A, A11B
	Pre	A09A, A11B	D23.4	09	J67A, J67B, J68A, J68B	D29.1	12	M64Z
D20.0	06	G46A, G46B, G46C, G50Z, G71Z		Pre	A09A, A11B		15	TPN, VTPN
	15	TPN, VTPN	D23.5	09	J67A, J67B, J68A, J68B		Pre	A09A, A11B
	Pre	A09A, A11B		Pre	A09A, A11B	D29.2	12	M64Z
D20.1	06	G46A, G46B, G46C, G50Z, G71Z	D23.6	09	J67A, J67B, J68A, J68B		15	TPN, VTPN
	15	TPN, VTPN		Pre	A09A, A11B		Pre	A09A, A11B
	Pre	A09A, A11B	D23.7	09	J02A, J02B, J02C, J03A, J03B, J04A, J04B, J08A, J08B, J08C, J67A, J67B, J68A, J68B	D29.3	12	M64Z
	Pre	A09A, A11B		Pre	A09A, A11B		15	TPN, VTPN
	Pre	A09A, A11B	D23.9	09	J67A, J67B, J68A, J68B		Pre	A09A, A11B
	Pre	A09A, A11B	D24	09	J67A, J67B	D29.4	12	M64Z
	Pre	A09A, A11B		15	TPN, VTPN		15	TPN, VTPN
	Pre	A09A, A11B		Pre	A09A, A11B		Pre	A09A, A11B

Dg

ICD	MDC	DRG	ICD	MDC	DRG	ICD	MDC	DRG
D29.7	12	M64Z	D32.9	01	B02A, B02B, B02C, B02D, B66A, B66B, B66C, B66D	D35.7	10	K64A, K64B, K64C, K64D
	15	TPN, VTPN		15	TPN, VTPN		15	TPN, VTPN
	Pre	A09A, A11B		Pre	A07D, A09A, A09E, A11B, A11F, A13F		Pre	A09A, A11B
D29.9	12	M64Z	D33.0	01	B02A, B02B, B02C, B02D, B66A, B66B, B66C, B66D	D35.8	10	K64A, K64B, K64C, K64D
	15	TPN, VTPN		15	TPN, VTPN		15	TPN, VTPN
	Pre	A09A, A11B		Pre	A07D, A09A, A09E, A11B, A11F, A13F		Pre	A09A, A11B
D30.0	11	L02A, L02B, L02C, L03Z, L10Z, L13A, L13B, L38Z, L62A, L62B	D33.1	01	B02A, B02B, B02C, B02D, B66A, B66B, B66C, B66D	D35.9	10	K64A, K64B, K64C, K64D
	15	TPN, VTPN		15	TPN, VTPN		15	TPN, VTPN
	Pre	A09A, A11B		Pre	A07D, A09A, A09E, A11B, A11F, A13F		Pre	A09A, A11B
D30.1	11	L02A, L02B, L02C, L03Z, L10Z, L13A, L13B, L38Z, L62A, L62B	D33.2	01	B02A, B02B, B02C, B02D, B66A, B66B, B66C, B66D	D36.0	15	TPN, VTPN
	15	TPN, VTPN		15	TPN, VTPN		16	Q60A, Q60B, Q60C, Q60D, Q60E
	Pre	A09A, A11B		Pre	A07D, A09A, A09E, A11B, A11F, A13F		Pre	A09A, A11B
D30.2	11	L02A, L02B, L02C, L03Z, L10Z, L13A, L13B, L38Z, L62A, L62B	D33.3	01	B02A, B02B, B02C, B02D, B66A, B66B, B66C, B66D	D36.1	01	B66A, B66B, B66C, B66D
	15	TPN, VTPN		15	TPN, VTPN		15	TPN, VTPN
	Pre	A09A, A11B		Pre	A07D, A09A, A09E, A11B, A11F, A13F		Pre	A09A, A11B
D30.3	11	L02A, L02B, L02C, L03Z, L10Z, L13A, L13B, L38Z, L62A, L62B	D33.4	01	B02A, B02B, B02C, B02D, B66A, B66B, B66C, B66D	D36.7	15	TPN, VTPN
	15	TPN, VTPN		15	TPN, VTPN		17	R04A, R04B, R12A, R12B, R12C, R13Z, R14Z, R62A, R62B, R62C
	Pre	A09A, A11B		Pre	A07D, A09A, A09E, A11B, A11F, A13F		Pre	A09A, A11B
D30.4	11	L02A, L02B, L02C, L03Z, L10Z, L13A, L13B, L38Z, L62A, L62B	D33.7	01	B02A, B02B, B02C, B02D, B66A, B66B, B66C, B66D	D36.9	15	TPN, VTPN
	15	TPN, VTPN		15	TPN, VTPN		17	R04A, R04B, R12A, R12B, R12C, R13Z, R14Z, R62A, R62B, R62C
	Pre	A09A, A11B		Pre	A07D, A09A, A09E, A11B, A11F, A13F		Pre	A09A, A11B
D30.7	11	L02A, L02B, L02C, L03Z, L10Z, L13A, L13B, L38Z, L62A, L62B	D33.9	01	B02A, B02B, B02C, B02D, B66A, B66B, B66C, B66D	D37.0	03	D09Z, D25A, D25B, D28Z, D60A, D60B, D60C
	15	TPN, VTPN		15	TPN, VTPN		15	TPN, VTPN
	Pre	A09A, A11B		Pre	A07D, A09A, A09E, A11B, A11F, A13F		Pre	A09A, A11B
D30.9	11	L02A, L02B, L02C, L03Z, L10Z, L13A, L13B, L38Z, L62A, L62B	D34	10	K64A, K64B, K64C, K64D	D37.1	06	G19A, G38Z, G46A, G46B, G46C, G50Z, G60A, G60B
	15	TPN, VTPN		15	TPN, VTPN		15	TPN, VTPN
	Pre	A09A, A11B		Pre	A09A, A11B		Pre	A09A, A11B
D31.0	02	C63Z	D35.0	05	F67B	D37.2	06	G19A, G38Z, G46A, G46B, G46C, G50Z, G60A, G60B
	15	TPN, VTPN		10	K64A, K64B, K64C, K64D		15	TPN, VTPN
	Pre	A09A, A11B		15	TPN, VTPN		Pre	A09A, A11B
D31.1	02	C63Z	D35.1	10	K64A, K64B, K64C, K64D	D37.3	06	G19A, G38Z, G46A, G46B, G46C, G50Z, G60A, G60B
	15	TPN, VTPN		15	TPN, VTPN		15	TPN, VTPN
	Pre	A09A, A11B		Pre	A09A, A11B		Pre	A09A, A11B
D31.2	02	C63Z	D35.2	01	B02A, B02B, B02C, B02D	D37.4	06	G19A, G38Z, G46A, G46B, G46C, G50Z, G60A, G60B
	15	TPN, VTPN		10	K64A, K64B, K64C, K64D		15	TPN, VTPN
	Pre	A09A, A11B		15	TPN, VTPN		Pre	A09A, A11B
D31.3	02	C63Z	D35.3	01	B02A, B02B, B02C, B02D, B66A, B66B, B66C, B66D	D37.5	06	G19A, G38Z, G46A, G46B, G46C, G50Z, G60A, G60B
	15	TPN, VTPN		15	TPN, VTPN		15	TPN, VTPN
	Pre	A09A, A11B		Pre	A09A, A11B		Pre	A09A, A11B
D31.4	02	C63Z	D35.4	01	B02A, B02B, B02C, B02D, B66A, B66B, B66C, B66D	D37.6	07	H09B, H61A, H61B, H78Z
	15	TPN, VTPN		15	TPN, VTPN		15	TPN, VTPN
	Pre	A09A, A11B		Pre	A09A, A11B		Pre	A09A, A11B
D31.5	02	C63Z	D35.5	01	B66A, B66B, B66C, B66D	D37.70	06	G19A, G38Z, G46A, G46B, G46C, G50Z, G60A, G60B
	15	TPN, VTPN		15	TPN, VTPN		15	TPN, VTPN
	Pre	A09A, A11B		Pre	A09A, A11B		Pre	A09A, A11B
D31.6	02	C63Z	D35.6	01	B66A, B66B, B66C, B66D	D37.78	06	G19A, G38Z, G46A, G46B, G46C, G50Z, G60A, G60B
	15	TPN, VTPN		15	TPN, VTPN		15	TPN, VTPN
	Pre	A09A, A11B		Pre	A09A, A11B		Pre	A09A, A11B
D31.9	02	C63Z	D35.9	01	B66A, B66B, B66C, B66D	D37.9	06	G19A, G38Z, G46A, G46B, G46C, G50Z, G60A, G60B
	15	TPN, VTPN		15	TPN, VTPN		15	TPN, VTPN
	Pre	A09A, A11B		Pre	A09A, A11B		Pre	A09A, A11B
D32.0	01	B02A, B02B, B02C, B02D, B66A, B66B, B66C, B66D	D36.0	16	Q60A, Q60B, Q60C, Q60D, Q60E	D38.0	03	D09Z, D25A, D25B, D28Z, D60A, D60B, D60C
	15	TPN, VTPN		Pre	A09A, A11B		15	TPN, VTPN
	Pre	A07D, A09A, A09E, A11B, A11F, A13F		Pre	A09A, A11B		Pre	A09A, A11B
D32.1	01	B02A, B02B, B02C, B02D, B66A, B66B, B66C, B66D	D36.1	01	B66A, B66B, B66C, B66D		15	TPN, VTPN
	15	TPN, VTPN		15	TPN, VTPN		Pre	A09A, A11B
	Pre	A07D, A09A, A09E, A11B, A11F, A13F		Pre	A09A, A11B		Pre	A09A, A11B



ICD	MDC	DRG	ICD	MDC	DRG	ICD	MDC	DRG
D38.1	04	E05B, E71A, E71B	D41.3	11	L02A, L02B, L02C, L03Z, L10Z, L13A, L13B, L38Z, L62A, L62B	D44.3	01	B02A, B02B, B02C, B02D
	15	TPN, VTPN		15	TPN, VTPN	10	K64A, K64B, K64C, K64D	
	Pre	A09A, A11B		Pre	A09A, A11B, A15C	15	TPN, VTPN	
D38.2	04	E05B, E71A, E71B	D41.4	11	L02A, L02B, L02C, L03Z, L10Z, L13A, L13B, L38Z, L62A, L62B	D44.4	01	B02A, B02B, B02C, B02D, B66A, B66B, B66C, B66D
	15	TPN, VTPN		15	TPN, VTPN	15	TPN, VTPN	
	Pre	A09A, A11B		Pre	A09A, A11B, A15C	Pre	A09A, A11B, A15C	
D38.3	04	E05B, E71A, E71B	D41.7	11	L02A, L02B, L02C, L03Z, L10Z, L13A, L13B, L38Z, L62A, L62B	D44.5	01	B02A, B02B, B02C, B02D, B66A, B66B, B66C, B66D
	15	TPN, VTPN		15	TPN, VTPN	15	TPN, VTPN	
	Pre	A09A, A11B		Pre	A09A, A11B, A15C	Pre	A09A, A11B, A15C	
D38.4	04	E05B, E71A, E71B	D41.9	11	L02A, L02B, L02C, L03Z, L10Z, L13A, L13B, L38Z, L62A, L62B	D44.6	01	B66A, B66B, B66C, B66D
	15	TPN, VTPN		15	TPN, VTPN	15	TPN, VTPN	
	Pre	A09A, A11B		Pre	A09A, A11B, A15C	Pre	A09A, A11B, A15C	
D38.5	04	E05B, E71A, E71B	D42.0	01	B02A, B02B, B02C, B02D, B66A, B66B, B66C, B66D	D44.7	01	B66A, B66B, B66C, B66D
	15	TPN, VTPN		15	TPN, VTPN	15	TPN, VTPN	
	Pre	A09A, A11B		Pre	A09A, A11B, A15C	Pre	A09A, A11B, A15C	
D38.6	04	E05B, E71A, E71B	D42.1	01	B02A, B02B, B02C, B02D, B66A, B66B, B66C, B66D	D44.8	10	K64A, K64B, K64C, K64D
	15	TPN, VTPN		15	TPN, VTPN	Pre	A09A, A11B, A15C	
	Pre	A09A, A11B		Pre	A09A, A11B, A15C	D44.9	10	K64A, K64B, K64C, K64D
D39.0	13	N03A, N03B, N38Z, N60A, N60B	D42.9	01	B02A, B02B, B02C, B02D, B66A, B66B, B66C, B66D	15	TPN, VTPN	
	15	TPN, VTPN		15	TPN, VTPN	Pre	A09A, A11B, A15C	
	Pre	A09A, A11B		Pre	A09A, A11B, A15C	D45	15	TPN, VTPN
D39.1	13	N01A, N01B, N01C, N01D, N01E, N02A, N02B, N02C, N38Z, N60A, N60B	D43.0	01	B02A, B02B, B02C, B02D, B66A, B66B, B66C, B66D	17	R01A, R01B, R01C, R01D, R03Z, R11A, R11B, R11C, R61A, R61B, R61C, R61D, R61E, R61F, R61G, R61H	
	15	TPN, VTPN		15	TPN, VTPN	Pre	A07D, A09A, A09E, A11B, A11F, A13F	
	Pre	A09A, A11B		Pre	A09A, A11B, A15C	D46.0	15	TPN, VTPN
D39.2	13	N03A, N03B, N38Z, N60A, N60B	D43.1	01	B02A, B02B, B02C, B02D, B66A, B66B, B66C, B66D	17	R01A, R01B, R01C, R01D, R03Z, R11A, R11B, R11C, R61A, R61B, R61C, R61D, R61E, R61F, R61G, R61H	
	15	TPN, VTPN		15	TPN, VTPN	Pre	A07D, A09A, A09E, A11B, A11F, A13F	
	Pre	A09A, A11B		Pre	A09A, A11B, A15C	D46.1	15	TPN, VTPN
D39.7	13	N03A, N03B, N38Z, N60A, N60B	D43.2	01	B02A, B02B, B02C, B02D, B66A, B66B, B66C, B66D	17	R01A, R01B, R01C, R01D, R03Z, R11A, R11B, R11C, R61A, R61B, R61C, R61D, R61E, R61F, R61G, R61H	
	15	TPN, VTPN		15	TPN, VTPN	Pre	A07D, A09A, A09E, A11B, A11F, A13F	
	Pre	A09A, A11B		Pre	A09A, A11B, A15C	D46.2	15	TPN, VTPN
D39.9	13	N03A, N03B, N38Z, N60A, N60B	D43.3	01	B02A, B02B, B02C, B02D, B66A, B66B, B66C, B66D	17	R04A, R04B, R12A, R12B, R12C, R13Z, R14Z, R60A, R60B, R60C, R60D, R60E, R60F, R60G	
	15	TPN, VTPN		15	TPN, VTPN	Pre	A07D, A09A, A09E, A11B, A11F, A13F	
	Pre	A09A, A11B		Pre	A09A, A11B, A15C	D46.4	15	TPN, VTPN
D40.0	12	M09A, M09B, M60A, M60B, M60C	D43.4	01	B02A, B02B, B02C, B02D, B66A, B66B, B66C, B66D	17	R01A, R01B, R01C, R01D, R03Z, R11A, R11B, R11C, R61A, R61B, R61C, R61D, R61E, R61F, R61G, R61H	
	15	TPN, VTPN		15	TPN, VTPN	Pre	A07D, A09A, A09E, A11B, A11F, A13F	
	Pre	A09A, A11B, A15C		Pre	A09A, A11B, A15C	D46.5	15	TPN, VTPN
D40.1	12	M09A, M09B, M60A, M60B, M60C	D43.7	01	B02A, B02B, B02C, B02D, B66A, B66B, B66C, B66D	17	R01A, R01B, R01C, R01D, R03Z, R11A, R11B, R11C, R61A, R61B, R61C, R61D, R61E, R61F, R61G, R61H	
	15	TPN, VTPN		15	TPN, VTPN	Pre	A07D, A09A, A09E, A11B, A11F, A13F	
	Pre	A09A, A11B, A15C		Pre	A09A, A11B, A15C	D46.5	17	R01A, R01B, R01C, R01D, R03Z, R11A, R11B, R11C, R61A, R61B, R61C, R61D, R61E, R61F, R61G, R61H
D40.7	12	M09A, M09B, M60A, M60B, M60C	D43.9	01	B02A, B02B, B02C, B02D, B66A, B66B, B66C, B66D	Pre	A07D, A09A, A09E, A11B, A11F, A13F	
	15	TPN, VTPN		15	TPN, VTPN	D46.5	15	TPN, VTPN
	Pre	A09A, A11B, A15C		Pre	A09A, A11B, A15C	17	R01A, R01B, R01C, R01D, R03Z, R11A, R11B, R11C, R61A, R61B, R61C, R61D, R61E, R61F, R61G, R61H	
D40.9	12	M09A, M09B, M60A, M60B, M60C	D44.0	10	K64A, K64B, K64C, K64D	Pre	A07D, A09A, A09E, A11B, A11F, A13F	
	15	TPN, VTPN		15	TPN, VTPN	D46.5	15	TPN, VTPN
	Pre	A09A, A11B, A15C		Pre	A09A, A11B, A15C	17	R01A, R01B, R01C, R01D, R03Z, R11A, R11B, R11C, R61A, R61B, R61C, R61D, R61E, R61F, R61G, R61H	
D41.0	11	L02A, L02B, L02C, L03Z, L10Z, L13A, L13B, L38Z, L62A, L62B	D44.1	05	F67B	Pre	A07D, A09A, A09E, A11B, A11F, A13F	
	15	TPN, VTPN		10	K03A, K03B, K64A, K64B, K64C, K64D	D46.5	17	R01A, R01B, R01C, R01D, R03Z, R11A, R11B, R11C, R61A, R61B, R61C, R61D, R61E, R61F, R61G, R61H
	Pre	A09A, A11B, A15C		15	TPN, VTPN	Pre	A07D, A09A, A09E, A11B, A11F, A13F	
D41.1	11	L02A, L02B, L02C, L03Z, L10Z, L13A, L13B, L38Z, L62A, L62B	D44.2	10	K64A, K64B, K64C, K64D			
	15	TPN, VTPN		15	TPN, VTPN			
	Pre	A09A, A11B, A15C		Pre	A09A, A11B, A15C			
D41.2	11	L02A, L02B, L02C, L03Z, L10Z, L13A, L13B, L38Z, L62A, L62B		15	TPN, VTPN			
	15	TPN, VTPN		Pre	A09A, A11B, A15C			
	Pre	A09A, A11B, A15C						

Dg

ICD	MDC	DRG	ICD	MDC	DRG	ICD	MDC	DRG
D46.6	15	TPN, VTPN	D48.1	08	I65A, I65B, I65C	D52.1	16	Q61A, Q61B, Q61C, Q61D, Q61E
	17	R01A, R01B, R01C, R01D, R03Z, R11A, R11B, R11C, R61A, R61B, R61C, R61D, R61E, R61F, R61G, R61H		15	TPN, VTPN		18A	S65A, S65B
D46.7	Pre	A07D, A09A, A09E, A11B, A11F, A13F	D48.2	08	I65A, I65B, I65C	D52.8	Pre	A09A, A11B
	15	TPN, VTPN		15	TPN, VTPN		16	Q61A, Q61B, Q61C, Q61D, Q61E
D46.9	17	R01A, R01B, R01C, R01D, R03Z, R11A, R11B, R11C, R61A, R61B, R61C, R61D, R61E, R61F, R61G, R61H	D48.3	06	G19A, G38Z, G46A, G46B, G46C, G50Z, G60A, G60B	D52.9	18A	S65A, S65B
	Pre	A07D, A09A, A09E, A11B, A11F, A13F		15	TPN, VTPN		Pre	A09A, A11B
D47.0	15	TPN, VTPN	D48.4	06	G19A, G38Z, G46A, G46B, G46C, G50Z, G60A, G60B	D53.0	16	Q61A, Q61B, Q61C, Q61D, Q61E
	17	R01A, R01B, R01C, R01D, R03Z, R11A, R11B, R11C, R61A, R61B, R61C, R61D, R61E, R61F, R61G, R61H		15	TPN, VTPN		18A	S65A, S65B
D47.1	Pre	A07D, A09A, A09E, A11B, A11F, A13F	D48.5	Pre	A09A, A11B	D53.1	Pre	A09A, A11B
	15	TPN, VTPN		09	J67A, J67B, J68A, J68B		16	Q61A, Q61B, Q61C, Q61D, Q61E
D47.2	17	R01A, R01B, R01C, R01D, R03Z, R11A, R11B, R11C, R61A, R61B, R61C, R61D, R61E, R61F, R61G, R61H	D48.6	15	TPN, VTPN	D53.2	18A	S65A, S65B
	Pre	A07D, A09A, A09E, A11B, A11F, A13F		Pre	A09A, A11B		Pre	A09A, A11B
D47.3	15	TPN, VTPN	D48.7	15	TPN, VTPN	D53.8	16	Q61A, Q61B, Q61C, Q61D, Q61E
	16	Q60A, Q60B, Q60C		17	R04A, R04B, R12A, R12B, R12C, R13Z, R14Z, R62A, R62B, R62C		18A	S65A, S65B
D47.4	Pre	A09A, A11B	D48.9	Pre	A09A, A11B	D53.9	Pre	A09A, A11B
	15	TPN, VTPN		15	TPN, VTPN		16	Q61A, Q61B, Q61C, Q61D, Q61E
D47.5	17	R01A, R01B, R01C, R01D, R03Z, R11A, R11B, R11C, R61A, R61B, R61C, R61D, R61E, R61F, R61G, R61H	D50.0	17	R04A, R04B, R12A, R12B, R12C, R13Z, R14Z, R62A, R62B, R62C	D55.0	16	Q61A, Q61B, Q61C, Q61D, Q61E
	Pre	A07D, A09A, A09E, A11B, A11F, A13F		Pre	A09A, A11B		18A	S65A, S65B
D47.7	15	TPN, VTPN	D50.1	16	Q61A, Q61B, Q61C, Q61D, Q61E	D55.1	Pre	A09A, A11B
	16	Q60A, Q60B, Q60C		18A	S65A, S65B		15	TPN, VTPN
D47.9	Pre	A09A, A11B	D50.8	Pre	A09A, A11B	D55.2	16	Q61A, Q61B, Q61C, Q61D, Q61E
	15	TPN, VTPN		16	Q61A, Q61B, Q61C, Q61D, Q61E		Pre	A09A, A11B
D48.0	17	R01A, R01B, R01C, R01D, R03Z, R11A, R11B, R11C, R61A, R61B, R61C, R61D, R61E, R61F, R61G, R61H	D50.9	18A	S65A, S65B	D55.3	16	Q61A, Q61B, Q61C, Q61D, Q61E
	Pre	A07D, A09A, A09E, A11B, A11F, A13F		Pre	A09A, A11B		Pre	A09A, A11B
D48.1	15	TPN, VTPN	D51.0	16	Q61A, Q61B, Q61C, Q61D, Q61E	D55.8	16	Q61A, Q61B, Q61C, Q61D, Q61E
	16	Q60A, Q60B, Q60C		18A	S65A, S65B		Pre	A09A, A11B
D48.2	Pre	A09A, A11B	D51.1	Pre	A09A, A11B	D55.9	16	Q61A, Q61B, Q61C, Q61D, Q61E
	15	TPN, VTPN		16	Q61B, Q61C, Q61D		Pre	A09A, A11B
D48.3	17	R01A, R01B, R01C, R01D, R03Z, R11A, R11B, R11C, R61A, R61B, R61C, R61D, R61E, R61F, R61G, R61H	D51.2	18A	S65A, S65B	D56.0	16	Q61A, Q61B, Q61C, Q61D, Q61E
	Pre	A09A, A11B		16	Q61B, Q61C, Q61D		Pre	A09A, A11B
D48.4	15	TPN, VTPN	D51.3	18A	S65A, S65B	D56.1	16	Q61A, Q61B, Q61C, Q61D, Q61E
	16	Q60A, Q60B, Q60C		Pre	A09A, A11B		Pre	A09A, A11B
D48.5	Pre	A09A, A11B	D51.8	16	Q61B, Q61C, Q61D	D56.2	16	Q61A, Q61B, Q61C, Q61D, Q61E
	15	TPN, VTPN		18A	S65A, S65B		Pre	A09A, A11B
D48.6	17	R01A, R01B, R01C, R01D, R03Z, R11A, R11B, R11C, R61A, R61B, R61C, R61D, R61E, R61F, R61G, R61H	D51.9	18A	S65A, S65B	D56.3	16	Q61A, Q61B, Q61C, Q61D, Q61E
	Pre	A07D, A09A, A09E, A11B, A11F, A13F		Pre	A09A, A11B		Pre	A09A, A11B
D48.7	15	TPN, VTPN	D52.0	16	Q61A, Q61B, Q61C, Q61D, Q61E	D56.4	16	Q61A, Q61B, Q61C, Q61D, Q61E
	16	Q60A, Q60B, Q60C		18A	S65A, S65B		Pre	A09A, A11B
D48.8	Pre	A09A, A11B	D52.1	Pre	A09A, A11B	D56.8	16	Q61A, Q61B, Q61C, Q61D, Q61E
	15	TPN, VTPN		16	Q61A, Q61B, Q61C, Q61D, Q61E		Pre	A09A, A11B
D48.9	17	R01A, R01B, R01C, R01D, R03Z, R11A, R11B, R11C, R61A, R61B, R61C, R61D, R61E, R61F, R61G, R61H	D52.2	18A	S65A, S65B	D56.9	16	Q61A, Q61B, Q61C, Q61D, Q61E
	Pre	A07D, A09A, A09E, A11B, A11F, A13F		Pre	A09A, A11B			

ICD	MDC	DRG	ICD	MDC	DRG	ICD	MDC	DRG
D56.9	16	Q61A, Q61B, Q61C, Q61D, Q61E	D60.0	15	TPN, VTPN	D64.0	15	TPN, VTPN
	Pre	A09A, A11B		16	Q61A, Q61B, Q61C, Q61D, Q61E		16	Q61A, Q61B, Q61C, Q61D, Q61E
D57.0	15	TPN, VTPN		18A	S65A, S65B		18A	S65A, S65B
	16	Q61B, Q61C, Q61D		Pre	A07D, A09A, A09E, A11B, A11F, A13F	D64.1	Pre	A09A, A11B
	Pre	A09A, A11B					15	TPN, VTPN
D57.1	16	Q61A, Q61B, Q61C, Q61D, Q61E	D60.1	15	TPN, VTPN		16	Q61A, Q61B, Q61C, Q61D, Q61E
	Pre	A09A, A11B		16	Q61A, Q61B, Q61C, Q61D, Q61E		18A	S65A, S65B
D57.2	16	Q61A, Q61B, Q61C, Q61D, Q61E		18A	S65A, S65B	D64.2	Pre	A09A, A11B
	Pre	A09A, A11B		Pre	A07D, A09A, A09E, A11B, A11F, A13F		15	TPN, VTPN
D57.3	16	Q61A, Q61B, Q61C, Q61D, Q61E	D60.8	15	TPN, VTPN		16	Q61A, Q61B, Q61C, Q61D, Q61E
	Pre	A09A, A11B		16	Q61A, Q61B, Q61C, Q61D, Q61E		18A	S65A, S65B
D57.8	16	Q61A, Q61B, Q61C, Q61D, Q61E		18A	S65A, S65B	D64.3	Pre	A09A, A11B
	Pre	A09A, A11B		Pre	A07D, A09A, A09E, A11B, A11F, A13F		15	TPN, VTPN
D58.0	16	Q61A, Q61B, Q61C, Q61D, Q61E	D60.9	15	TPN, VTPN		16	Q61A, Q61B, Q61C, Q61D, Q61E
	Pre	A09A, A11B		16	Q61A, Q61B, Q61C, Q61D, Q61E		18A	S65A, S65B
D58.1	16	Q61A, Q61B, Q61C, Q61D, Q61E		18A	S65A, S65B	D64.4	Pre	A09A, A11B
	Pre	A09A, A11B		Pre	A07D, A09A, A09E, A11B, A11F, A13F		16	Q61A, Q61B, Q61C, Q61D, Q61E
D58.2	16	Q61A, Q61B, Q61C, Q61D, Q61E	D61.0	15	TPN, VTPN		18A	S65A, S65B
	Pre	A09A, A11B		16	Q61B, Q61C, Q61D	D64.8	Pre	A09A, A11B
D58.8	16	Q61A, Q61B, Q61C, Q61D, Q61E		Pre	A07D, A09A, A09E, A11B, A11F, A13F		16	Q61A, Q61B, Q61C, Q61D, Q61E
	Pre	A09A, A11B	D61.10	15	TPN, VTPN		18A	S65A, S65B
D58.9	16	Q61A, Q61B, Q61C, Q61D, Q61E		16	Q61B, Q61C, Q61D	D64.9	Pre	A09A, A11B
	Pre	A09A, A11B		18A	S65A, S65B		16	Q61A, Q61B, Q61C, Q61D, Q61E
D59.0	16	Q61B, Q61C, Q61D	D61.18	15	TPN, VTPN	D65.0	18A	S65A, S65B
	18A	S65A, S65B		16	Q61B, Q61C, Q61D		Pre	A09A, A11B
	Pre	A09A, A11B		18A	S65A, S65B		16	Q61A, Q61B, Q61C, Q61D, Q61E
D59.1	16	Q61B, Q61C, Q61D		Pre	A07D, A09A, A09E, A11B, A11F, A13F		18A	S65A, S65B
	18A	S65A, S65B	D61.19	15	TPN, VTPN	D65.1	Pre	A09A, A11B
	Pre	A09A, A11B		16	Q61B, Q61C, Q61D		16	Q61A, Q61B, Q61C, Q61D, Q61E
D59.2	16	Q61A, Q61B, Q61C, Q61D, Q61E		18A	S65A, S65B		03	D30A
	18A	S65A, S65B	D61.2	15	TPN, VTPN		10	K62A
	Pre	A09A, A11B		16	Q61B, Q61C, Q61D		16	Q60A, Q60B, Q60C
D59.3	11	L72Z		18A	S65A, S65B	D65.2	Pre	A07D, A09A, A09E, A11B, A11F, A13F
	15	TPN, VTPN	D61.3	15	TPN, VTPN		16	Q61A, Q61B, Q61C, Q61D, Q61E
	Pre	A09A, A11B		16	Q61B, Q61C, Q61D		03	D30A
D59.4	16	Q61A, Q61B, Q61C, Q61D, Q61E		18A	S65A, S65B		10	K62A
	18A	S65A, S65B	D61.8	15	TPN, VTPN	D65.9	16	Q60A, Q60B, Q60C
	Pre	A09A, A11B		16	Q61B, Q61C, Q61D		Pre	A07D, A09A, A09E, A11B, A11F, A13F
D59.5	16	Q61A, Q61B, Q61C, Q61D, Q61E		18A	S65A, S65B		03	D30A
	18A	S65A, S65B	D61.9	15	TPN, VTPN		16	Q60A, Q60B, Q60C
	Pre	A09A, A11B		16	Q61B, Q61C, Q61D	D66	Pre	A07D, A09A, A09E, A11B, A11F, A13F
D59.6	16	Q61A, Q61B, Q61C, Q61D, Q61E		18A	S65A, S65B		03	D30A
	18A	S65A, S65B	D61.8	15	TPN, VTPN		06	G67A
	Pre	A09A, A11B		16	Q61B, Q61C, Q61D		10	K62A
D59.8	16	Q61A, Q61B, Q61C, Q61D, Q61E		18A	S65A, S65B		15	TPN, VTPN
	18A	S65A, S65B	D61.9	15	TPN, VTPN		16	Q60A, Q60B, Q60C
	Pre	A09A, A11B		16	Q61B, Q61C, Q61D		Pre	A07D, A09A, A09E, A11B, A11F, A13F
D59.9	16	Q61A, Q61B, Q61C, Q61D, Q61E		18A	S65A, S65B	D67	03	D30A
	18A	S65A, S65B	D62	16	Q61A, Q61B, Q61C, Q61D, Q61E		06	G67A
	Pre	A09A, A11B		18A	S65A, S65B		10	K62A
				Pre	A09A, A11B		15	TPN, VTPN
				Pre	A09A, A11B		16	Q60A, Q60B, Q60C
			D63.0	Pre	A09A, A11B		Pre	A07D, A09A, A09E, A11B, A11F, A13F
			D63.8	Pre	A09A, A11B			

Dg

ICD	MDC	DRG	ICD	MDC	DRG	ICD	MDC	DRG	
D68.0	03	D30A	D69.52	16	Q60A, Q60B, Q60C	D70.10	06	G67A	
	06	G67A		18A	S65A, S65B		14	O01A, O01B, O01C, O01D, O01E, O01F, O01G, O60A, O60B, O60C	
	10	K62A		18B	T64A, T64B		15	TPN, VTPN	
	15	TPN, VTPN		Pre	A07D, A09A, A09E, A11B, A11F, A13F		16	Q60A, Q60B, Q60C	
	16	Q60A, Q60B, Q60C	D69.53		KK11, KKI, KKII, KKP		17	R60B, R60C, R61A, R61B, R61C, R61E, R62A, R63B, R63C, R63D, R63F	
	Pre	A07D, A09A, A09E, A11B, A11F, A13F		07	H08A		18A	S65A, S65B	
D68.1	03	D30A		10	K62A		18B	T64A, T64B	
	06	G67A		16	Q60A, Q60B, Q60C		Pre	A07D, A09A, A09E, A11B, A11F, A13F	
	10	K62A		18A	S65A, S65B	D70.11	06	G67A	
	15	TPN, VTPN		18B	T64A, T64B		14	O01A, O01B, O01C, O01D, O01E, O01F, O01G, O60A, O60B, O60C	
	16	Q60A, Q60B, Q60C		Pre	A07D, A09A, A09E, A11B, A11F, A13F		15	TPN, VTPN	
	Pre	A07D, A09A, A09E, A11B, A11F, A13F	D69.57	16	Q60A, Q60B, Q60C		16	Q60A, Q60B, Q60C	
D68.2	10	K62A		17	R62A		17	R60B, R60C, R61A, R61B, R61C, R61E, R62A, R63B, R63C, R63D, R63F	
	15	TPN, VTPN		18A	S65A, S65B		18A	S65A, S65B	
	16	Q60A, Q60B, Q60C		18B	T64A, T64B		18B	T64A, T64B	
	Pre	A07D, A09A, A09E, A11B, A11F, A13F		Pre	A07D, A09A, A09E, A11B, A11F, A13F		Pre	A07D, A09A, A09E, A11B, A11F, A13F	
D68.30	15	TPN, VTPN	D69.58	16	Q60A, Q60B, Q60C		D70.11	06	G67A
	16	Q60A, Q60B, Q60C		18A	S65A, S65B		14	O01A, O01B, O01C, O01D, O01E, O01F, O01G, O60A, O60B, O60C	
	Pre	A07D, A09A, A09E, A11B, A11F, A13F		18B	T64A, T64B		15	TPN, VTPN	
D68.31	15	TPN, VTPN		Pre	A07D, A09A, A09E, A11B, A11F, A13F		16	Q60A, Q60B, Q60C	
	16	Q60A, Q60B, Q60C	D69.59	16	Q60A, Q60B, Q60C		17	R60B, R60C, R61A, R61B, R61C, R61E, R62A, R63B, R63C, R63D, R63F	
	Pre	A07D, A09A, A09E, A11B, A11F, A13F		18A	S65A, S65B		18A	S65A, S65B	
D68.32	15	TPN, VTPN		18B	T64A, T64B		18B	T64A, T64B	
	16	Q60A, Q60B, Q60C		Pre	A07D, A09A, A09E, A11B, A11F, A13F	D70.12	06	G67A	
	Pre	A07D, A09A, A09E, A11B, A11F, A13F	D69.60	16	Q60A, Q60B, Q60C		14	O01A, O01B, O01C, O01D, O01E, O01F, O01G, O60A, O60B, O60C	
D68.38	15	TPN, VTPN		18A	S65A, S65B		15	TPN, VTPN	
	16	Q60A, Q60B, Q60C		Pre	A07D, A09A, A09E, A11B, A11F, A13F		16	Q60A, Q60B, Q60C	
	Pre	A07D, A09A, A09E, A11B, A11F, A13F	D69.61	16	Q60A, Q60B, Q60C		17	R60B, R60C, R61A, R61B, R61C, R61E, R62A, R63B, R63C, R63D, R63F	
D68.4	16	Q60A, Q60B, Q60C		18A	S65A, S65B		18A	S65A, S65B	
	Pre	A07D, A09A, A09E, A11B, A11F, A13F		Pre	A07D, A09A, A09E, A11B, A11F, A13F		18B	T64A, T64B	
D68.5	16	Q60A, Q60B, Q60C		Pre	A07D, A09A, A09E, A11B, A11F, A13F		Pre	A07D, A09A, A09E, A11B, A11F, A13F	
	Pre	A07D, A09A, A09E, A11B, A11F, A13F	D69.8	16	Q60A, Q60B, Q60C, Q60D, Q60E	D70.13	06	G67A	
D68.6	16	Q60A, Q60B, Q60C		Pre	A07D, A09A, A09E, A11B, A11F, A13F		14	O01A, O01B, O01C, O01D, O01E, O01F, O01G, O60A, O60B, O60C	
	Pre	A07D, A09A, A09E, A11B, A11F, A13F	D69.9	15	TPN, VTPN		15	TPN, VTPN	
D68.8	16	Q60A, Q60B, Q60C		16	Q60A, Q60B, Q60C, Q60D, Q60E		16	Q60A, Q60B, Q60C	
	Pre	A07D, A09A, A09E, A11B, A11F, A13F		Pre	A07D, A09A, A09E, A11B, A11F, A13F		17	R60B, R60C, R61A, R61B, R61C, R61E, R62A, R63B, R63C, R63D, R63F	
D68.9	16	Q60A, Q60B, Q60C, Q60D, Q60E	D70.0	06	G67A		18A	S65A, S65B	
	Pre	A07D, A09A, A09E, A11B, A11F, A13F		14	O01A, O01B, O01C, O01D, O01E, O01F, O01G, O60A, O60B, O60C		18B	T64A, T64B	
D69.0	16	Q60A, Q60B, Q60C		15	TPN, VTPN		Pre	A07D, A09A, A09E, A11B, A11F, A13F	
	Pre	A07D, A09A, A09E, A11B, A11F, A13F		16	Q60A, Q60B, Q60C	D70.14	06	G67A	
D69.1	16	Q60A, Q60B, Q60C		17	R60B, R60C, R61A, R61B, R61C, R61E, R62A, R63B, R63C, R63D, R63F		14	O01A, O01B, O01C, O01D, O01E, O01F, O01G, O60A, O60B, O60C	
	Pre	A07D, A09A, A09E, A11B, A11F, A13F		18A	S65A, S65B		15	TPN, VTPN	
D69.2	16	Q60A, Q60B, Q60C		Pre	A07D, A09A, A09E, A11B, A11F, A13F		16	Q60A, Q60B, Q60C	
	Pre	A07D, A09A, A09E, A11B, A11F, A13F		Pre	A07D, A09A, A09E, A11B, A11F, A13F		17	R60B, R60C, R61A, R61B, R61C, R61E, R62A, R63B, R63C, R63D, R63F	
D69.3	16	Q60A, Q60B, Q60C		Pre	A07D, A09A, A09E, A11B, A11F, A13F		18A	S65A, S65B	
	Pre	A07D, A09A, A09E, A11B, A11F, A13F		Pre	A07D, A09A, A09E, A11B, A11F, A13F		18B	T64A, T64B	
D69.40	16	Q60A, Q60B, Q60C		Pre	A07D, A09A, A09E, A11B, A11F, A13F		Pre	A07D, A09A, A09E, A11B, A11F, A13F	
	Pre	A07D, A09A, A09E, A11B, A11F, A13F		Pre	A07D, A09A, A09E, A11B, A11F, A13F				
D69.41	16	Q60A, Q60B, Q60C		Pre	A07D, A09A, A09E, A11B, A11F, A13F				
	Pre	A07D, A09A, A09E, A11B, A11F, A13F		Pre	A07D, A09A, A09E, A11B, A11F, A13F				

Dg

ICD	MDC	DRG	ICD	MDC	DRG	ICD	MDC	DRG		
D70.18	06	G67A	D72.8	16	Q60A, Q60B, Q60C, Q60D, Q60E	D80.0	15	TPN, VTPN		
	14	O01A, O01B, O01C, O01D, O01E, O01F, O01G, O60A, O60B, O60C		Pre	A09A, A11B		16	Q60A, Q60B, Q60C, Q60D, Q60E		
	15	TPN, VTPN	D72.9	16	Q60A, Q60B, Q60C, Q60D, Q60E	18A	S65A, S65B			
	16	Q60A, Q60B, Q60C		Pre	A09A, A11B		Pre	A07D, A09A, A09E, A11B, A11F, A13F		
	17	R60B, R60C, R61A, R61B, R61C, R61E, R62A, R63B, R63C, R63D, R63F	D73.0	16	Q60A, Q60B, Q60C, Q60D, Q60E	D80.1	16	Q60A, Q60B, Q60C, Q60D, Q60E		
	18A	S65A, S65B		Pre	A07D, A09A, A09E, A11B, A11F, A13F		18A	S65A, S65B		
	18B	T64A, T64B	D73.1	16	Q60A, Q60B, Q60C	Pre	A07D, A09A, A09E, A11B, A11F, A13F			
	Pre	A07D, A09A, A09E, A11B, A11F, A13F		18A	S65A, S65B		D80.2	15	TPN, VTPN	
	D70.19	06	G67A	D73.2	16	Q60A, Q60B, Q60C	16	Q60A, Q60B, Q60C, Q60D, Q60E		
		14	O01A, O01B, O01C, O01D, O01E, O01F, O01G, O60A, O60B, O60C		Pre	A07D, A09A, A09E, A11B, A11F, A13F		18A	S65A, S65B	
15		TPN, VTPN	D73.3	16	Q60A, Q60B, Q60C	Pre	A07D, A09A, A09E, A11B, A11F, A13F			
16		Q60A, Q60B, Q60C		Pre	A07D, A09A, A09E, A11B, A11F, A13F		D80.3	15	TPN, VTPN	
17		R60B, R60C, R63B, R63C, R63D, R63F	D73.4	16	Q60A, Q60B, Q60C, Q60D, Q60E	16	Q60A, Q60B, Q60C, Q60D, Q60E			
18A		S65A, S65B		Pre	A09A, A11B		18A	S65A, S65B		
18B		T64A, T64B	D73.5	16	Q60A, Q60B, Q60C	Pre	A07D, A09A, A09E, A11B, A11F, A13F			
Pre		A07D, A09A, A09E, A11B, A11F, A13F		Pre	A07D, A09A, A09E, A11B, A11F, A13F		D80.4	15	TPN, VTPN	
D70.3		06	G67A	D73.8	16	Q60A, Q60B, Q60C	16	Q60A, Q60B, Q60C, Q60D, Q60E		
		14	O01A, O01B, O01C, O01D, O01E, O01F, O01G, O60A, O60B, O60C		Pre	A09A, A11B		18A	S65A, S65B	
	15	TPN, VTPN	D73.9	16	Q60A, Q60B, Q60C, Q60D, Q60E	Pre	A07D, A09A, A09E, A11B, A11F, A13F			
	16	Q60A, Q60B, Q60C		Pre	A09A, A11B		D80.5	15	TPN, VTPN	
	17	R60B, R60C, R63B, R63C, R63D, R63F	D74.0	16	Q61A, Q61B, Q61C, Q61D, Q61E	16	Q60A, Q60B, Q60C, Q60D, Q60E			
	18A	S65A, S65B		Pre	A07D, A09A, A09E, A11B, A11F, A13F		18A	S65A, S65B		
	Pre	A07D, A09A, A09E, A11B, A11F, A13F	D74.8	16	Q61A, Q61B, Q61C, Q61D, Q61E	Pre	A07D, A09A, A09E, A11B, A11F, A13F			
	D70.5	06		G67A	Pre		A07D, A09A, A09E, A11B, A11F, A13F	D80.6	16	Q60A, Q60B, Q60C, Q60D, Q60E
		15	TPN, VTPN	D74.9	16	Q61A, Q61B, Q61C, Q61D, Q61E	18A	S65A, S65B		
		16	Q60A, Q60B, Q60C		Pre	A07D, A09A, A09E, A11B, A11F, A13F		Pre	A07D, A09A, A09E, A11B, A11F, A13F	
17		R60B, R60C, R61A, R61B, R61C, R61E, R62A, R63B, R63C, R63D, R63F	D75.0	16	Q60A, Q60B, Q60C	16	Q60A, Q60B, Q60C, Q60D, Q60E			
18A		S65A, S65B		Pre	A07D, A09A, A09E, A11B, A11F, A13F		D80.7	16	Q60A, Q60B, Q60C, Q60D, Q60E	
Pre		A07D, A09A, A09E, A11B, A11F, A13F	D75.1	16	Q60A, Q60B, Q60C	18A	S65A, S65B			
D70.6		06		G67A	Pre		A07D, A09A, A09E, A11B, A11F, A13F	Pre	A07D, A09A, A09E, A11B, A11F, A13F	
		15	TPN, VTPN	D75.8	16	Q60A, Q60B, Q60C	16	Q60A, Q60B, Q60C, Q60D, Q60E		
		16	Q60A, Q60B, Q60C		Pre	A07D, A09A, A09E, A11B, A11F, A13F		D80.8	16	Q60A, Q60B, Q60C, Q60D, Q60E
		17	R60B, R60C, R61A, R61B, R61C, R61E, R62A, R63B, R63C, R63D, R63F	D75.9	16	Q60A, Q60B, Q60C	18A	S65A, S65B		
	18A	S65A, S65B	18A		S65A, S65B	Pre		A07D, A09A, A09E, A11B, A11F, A13F		
	Pre	A07D, A09A, A09E, A11B, A11F, A13F	D76.1	10	K38Z, K63A, K63B, K63C	16	Q60A, Q60B, Q60C, Q60D, Q60E			
	D70.7	06		G67A	Pre		A07D, A09A, A09E, A11B, A11F, A13F	18A	S65A, S65B	
		15	TPN, VTPN	D76.2	10	K38Z, K63A, K63B, K63C	Pre		A07D, A09A, A09E, A11B, A11F, A13F	
		16	Q60A, Q60B, Q60C		Pre	A07D, A09A, A09E, A11B, A11F, A13F		D80.9	16	Q60A, Q60B, Q60C, Q60D, Q60E
		17	R60B, R60C, R63B, R63C, R63D, R63F	D76.3	10	K63A, K63B, K63C	18A	S65A, S65B		
18A		S65A, S65B	Pre		A07D, A09A, A09E, A11B, A11F, A13F	Pre		A07D, A09A, A09E, A11B, A11F, A13F		
Pre		A07D, A09A, A09E, A11B, A11F, A13F	D77	Pre	A07D, A09A, A09E, A11B, A11F, A13F	D81.0	15	TPN, VTPN		
D71		16		Q60A, Q60B, Q60C	D76.3	10	K63A, K63B, K63C	16	Q60A, Q60B, Q60C, Q60D, Q60E	
		Pre	A07D, A09A, A09E, A11B, A11F, A13F	Pre		A07D, A09A, A09E, A11B, A11F, A13F	18A		S65A, S65B	
		D72.0	16	Q60A, Q60B, Q60C	D77	Pre		A07D, A09A, A09E, A11B, A11F, A13F	Pre	A07D, A09A, A09E, A11B, A11F, A13F
			Pre	A07D, A09A, A09E, A11B, A11F, A13F		D72.1	16	Q60A, Q60B, Q60C		16
	D72.1		16	Q60A, Q60B, Q60C	D77		Pre	A07D, A09A, A09E, A11B, A11F, A13F	18A	
			Pre	A09A, A11B			Pre	A07D, A09A, A09E, A11B, A11F, A13F		Pre

Dg

ICD	MDC	DRG	ICD	MDC	DRG	ICD	MDC	DRG	
D81.2	15	TPN, VTPN	D82.9	16	Q60A, Q60B, Q60C, Q60D, Q60E	D89.0	15	TPN, VTPN	
	16	Q60A, Q60B, Q60C		18A	S65A, S65B		16	Q60A, Q60B, Q60C	
	18A	S65A, S65B		Pre	A07D, A09A, A09E, A11B, A11F, A13F	Pre	A07D, A09A, A09E, A11B, A11F, A13F		
	Pre	A07D, A09A, A09E, A11B, A11F, A13F	D83.0	15	TPN, VTPN	D89.1	15	TPN, VTPN	
D81.3	10	K63A, K63B, K63C		16	Q60A, Q60B, Q60C		17	R01A, R01B, R01C, R01D, R03Z, R11A, R11B, R11C, R61A, R61B, R61C, R61D, R61E, R61F, R61G, R61H	
	15	TPN, VTPN		18A	S65A, S65B	Pre	A07D, A09A, A09E, A11B, A11F, A13F		
	Pre	A07D, A09A, A09E, A11B, A11F, A13F	D83.1	15	TPN, VTPN	D89.2	16	Q60A, Q60B, Q60C	
D81.4	15	TPN, VTPN		16	Q60A, Q60B, Q60C		Pre	A07D, A09A, A09E, A11B, A11F, A13F	
	16	Q60A, Q60B, Q60C, Q60D, Q60E		18A	S65A, S65B	D89.3	16	Q60A, Q60B, Q60C	
	Pre	A07D, A09A, A09E, A11B, A11F, A13F	D83.2	15	TPN, VTPN		Pre	A07D, A09A, A09E, A11B, A11F, A13F	
D81.5	10	K63A, K63B, K63C		16	Q60A, Q60B, Q60C, Q60D, Q60E	D89.8	16	Q60A, Q60B, Q60C	
	15	TPN, VTPN		18A	S65A, S65B		Pre	A07D, A09A, A09E, A11B, A11F, A13F	
	Pre	A07D, A09A, A09E, A11B, A11F, A13F	D83.8	15	TPN, VTPN	D89.9	16	Q60A, Q60B, Q60C, Q60D, Q60E	
D81.6	15	TPN, VTPN		16	Q60A, Q60B, Q60C		18A	S65A, S65B	
	16	Q60A, Q60B, Q60C, Q60D, Q60E		18A	S65A, S65B		Pre	A07D, A09A, A09E, A11B, A11F, A13F	
	18A	S65A, S65B	D83.9	15	TPN, VTPN	D90	16	Q60A, Q60B, Q60C	
	Pre	A07D, A09A, A09E, A11B, A11F, A13F		16	Q60A, Q60B, Q60C		18B	T64A, T64B	
D81.7	15	TPN, VTPN		18A	S65A, S65B		Pre	A07D, A09A, A09E, A11B, A11F, A13F	
	16	Q60A, Q60B, Q60C, Q60D, Q60E	D84.0	16	Q60A, Q60B, Q60C, Q60D, Q60E	E00.0	10	K64A, K64B, K64C, K64D	
	18A	S65A, S65B		18A	S65A, S65B		15	TPN, VTPN	
	Pre	A07D, A09A, A09E, A11B, A11F, A13F		Pre	A07D, A09A, A09E, A11B, A11F, A13F	E00.1	10	K64A, K64B, K64C, K64D	
D81.8	15	TPN, VTPN	D84.1	16	Q60A, Q60B, Q60C, Q60D, Q60E		15	TPN, VTPN	
	16	Q60A, Q60B, Q60C, Q60D, Q60E		18A	S65A, S65B	E00.2	10	K64A, K64B, K64C, K64D	
	18A	S65A, S65B		Pre	A07D, A09A, A09E, A11B, A11F, A13F		15	TPN, VTPN	
	Pre	A07D, A09A, A09E, A11B, A11F, A13F	D84.8	16	Q60A, Q60B, Q60C	E00.9	10	K64A, K64B, K64C, K64D	
D81.9	15	TPN, VTPN		18A	S65A, S65B		15	TPN, VTPN	
	16	Q60A, Q60B, Q60C		Pre	A07D, A09A, A09E, A11B, A11F, A13F	E01.0	10	K64A, K64B, K64C, K64D	
	18A	S65A, S65B	D84.9	16	Q60A, Q60B, Q60C	E01.1	10	K64A, K64B, K64C, K64D	
	Pre	A07D, A09A, A09E, A11B, A11F, A13F		18A	S65A, S65B	E01.2	10	K64A, K64B, K64C, K64D	
D82.0	15	TPN, VTPN		Pre	A07D, A09A, A09E, A11B, A11F, A13F	E01.8	10	K64A, K64B, K64C, K64D	
	16	Q60A, Q60B, Q60C	D86.0	04	E74Z		15	TPN, VTPN	
	18A	S65A, S65B		Pre	A07D, A09A, A09E, A11B, A11F, A13F	E02	10	K64A, K64B, K64C, K64D	
	Pre	A07D, A09A, A09E, A11B, A11F, A13F	D86.1	04	E74Z		15	TPN, VTPN	
D82.1	15	TPN, VTPN		Pre	A07D, A09A, A09E, A11B, A11F, A13F	E03.0	10	K64A, K64B, K64C, K64D	
	16	Q60A, Q60B, Q60C	D86.2	04	E74Z		15	TPN, VTPN	
	Pre	A07D, A09A, A09E, A11B, A11F, A13F		Pre	A07D, A09A, A09E, A11B, A11F, A13F	E03.1	10	K64A, K64B, K64C, K64D	
D82.2	16	Q60A, Q60B, Q60C	D86.3	04	E74Z		15	TPN, VTPN	
	18A	S65A, S65B		Pre	A07D, A09A, A09E, A11B, A11F, A13F	E03.2	10	K64A, K64B, K64C, K64D	
	Pre	A07D, A09A, A09E, A11B, A11F, A13F	D86.8	04	E74Z	E03.3	10	K64A, K64B, K64C, K64D	
D82.3	16	Q60A, Q60B, Q60C		Pre	A07D, A09A, A09E, A11B, A11F, A13F	E03.4	10	K64A, K64B, K64C, K64D	
	18A	S65A, S65B	D86.9	04	E74Z	E03.5	01	B66A, B66B, B66C, B66D	
	Pre	A07D, A09A, A09E, A11B, A11F, A13F		Pre	A07D, A09A, A09E, A11B, A11F, A13F		15	TPN, VTPN	
D82.4	16	Q60A, Q60B, Q60C, Q60D, Q60E		D86.8	04	E74Z	E03.8	10	K64A, K64B, K64C, K64D
	18A	S65A, S65B		Pre	A07D, A09A, A09E, A11B, A11F, A13F	E03.9	10	K64A, K64B, K64C, K64D	
	Pre	A07D, A09A, A09E, A11B, A11F, A13F		D86.8	04	E74Z	E04.0	10	K64A, K64B, K64C, K64D
D82.8	16	Q60A, Q60B, Q60C, Q60D, Q60E		Pre	A07D, A09A, A09E, A11B, A11F, A13F	E04.1	10	K64A, K64B, K64C, K64D	
	18A	S65A, S65B		D86.9	04	E74Z	E04.2	10	K64A, K64B, K64C, K64D
	Pre	A07D, A09A, A09E, A11B, A11F, A13F		Pre	A07D, A09A, A09E, A11B, A11F, A13F	E04.8	10	K64A, K64B, K64C, K64D	
						E04.9	10	K64A, K64B, K64C, K64D	
						E05.0	10	K64A, K64B, K64C, K64D	
						E05.1	10	K64A, K64B, K64C, K64D	
						E05.2	10	K64A, K64B, K64C, K64D	
						E05.3	10	K64A, K64B, K64C, K64D	
						E05.4	10	K64A, K64B, K64C, K64D	
						E05.5	10	K64A, K64B, K64C	
						E05.8	10	K64A, K64B, K64C, K64D	
						E05.9	10	K64A, K64B, K64C, K64D	

ICD	MDC	DRG	ICD	MDC	DRG	ICD	MDC	DRG
E06.0	10	K64A, K64B, K64C, K64D	E11.60	05	F27A, F27B, F27C	E13.21	11	L69A, L69B
	15	TPN, VTPN		10	K01Z, K60A, K60B, K60C, K60D, K60E	E13.30	02	C66Z
E06.1	10	K64A, K64B, K64C, K64D	E11.61	05	F27A, F27B, F27C	E13.31	02	C66Z
E06.2	10	K64A, K64B, K64C, K64D		10	K01Z, K60A, K60B, K60C, K60D, K60E	E13.40	01	B71A, B71B, B71C, B71D
E06.3	10	K64A, K64B, K64C, K64D		05	F27A, F27B, F27C	E13.41	01	B71A, B71B, B71C, B71D
E06.4	10	K64A, K64B, K64C, K64D	E11.72	05	F27A, F27B, F27C	E13.50	05	F27A, F27B, F27C, F65A, F65B
	15	TPN, VTPN		10	K01Z, K60A, K60B, K60C, K60D, K60E	E13.51	05	F27A, F27B, F27C, F65A, F65B
E06.5	10	K64A, K64B, K64C, K64D	E11.73	05	F27A, F27B, F27C	E13.60	05	F27A, F27B, F27C
E06.9	10	K64A, K64B, K64C, K64D		10	K01Z, K60A, K60B, K60C, K60D, K60E		10	K01Z, K60A, K60B, K60C, K60D, K60E
E07.0	10	K64A, K64B, K64C, K64D	E11.74	05	F27A, F27B, F27C	E13.61	05	F27A, F27B, F27C
E07.1	10	K64A, K64B, K64C, K64D		10	K01Z, K60A, K60B, K60C, K60D, K60E		10	K01Z, K60A, K60B, K60C, K60D, K60E
	15	TPN, VTPN	E11.75	05	F27A, F27B, F27C	E13.72	05	F27A, F27B, F27C
E07.8	10	K64A, K64B, K64C, K64D		10	K01Z, K60A, K60B, K60C, K60D, K60E		10	K01Z, K60A, K60B, K60C, K60D, K60E
E07.9	10	K64A, K64B, K64C, K64D	E11.80	10	K60A, K60B, K60C, K60D, K60E	E13.73	05	F27A, F27B, F27C
E10.01	10	K60A, K60B, K60C, K60D, K60E		10	K01Z, K60A, K60B, K60C, K60D, K60E		10	K01Z, K60A, K60B, K60C, K60D, K60E
E10.11	10	K60A, K60B, K60C, K60D, K60E	E11.81	10	K60A, K60B, K60C, K60D, K60E	E13.74	05	F27A, F27B, F27C
E10.20	11	L69A, L69B		10	K60A, K60B, K60C, K60D, K60E		10	K01Z, K60A, K60B, K60C, K60D, K60E
E10.21	11	L69A, L69B	E11.90	10	K60A, K60B, K60C, K60D, K60E	E13.75	05	F27A, F27B, F27C
E10.30	02	C66Z		10	K60A, K60B, K60C, K60D, K60E		10	K01Z, K60A, K60B, K60C, K60D, K60E
E10.31	02	C66Z	E11.91	10	K60A, K60B, K60C, K60D, K60E	E13.80	10	K60A, K60B, K60C, K60D, K60E
E10.40	01	B71A, B71B, B71C, B71D		10	K60A, K60B, K60C, K60D, K60E		10	K60A, K60B, K60C, K60D, K60E
E10.41	01	B71A, B71B, B71C, B71D	E12.01	10	K60A, K60B, K60C, K60D, K60E	E13.81	10	K60A, K60B, K60C, K60D, K60E
E10.50	05	F27A, F27B, F27C, F65A, F65B		10	K60A, K60B, K60C, K60D, K60E		10	K60A, K60B, K60C, K60D, K60E
E10.51	05	F27A, F27B, F27C, F65A, F65B	E12.11	10	K60A, K60B, K60C, K60D, K60E	E13.90	10	K60A, K60B, K60C, K60D, K60E
E10.60	05	F27A, F27B, F27C		11	L68A, L68B, L74Z		10	K60A, K60B, K60C, K60D, K60E
	10	K01Z, K60A, K60B, K60C, K60D, K60E	E12.21	11	L68A, L68B, L74Z	E13.91	10	K60A, K60B, K60C, K60D, K60E
E10.61	05	F27A, F27B, F27C		02	C66Z		10	K60A, K60B, K60C, K60D, K60E
	10	K01Z, K60A, K60B, K60C, K60D, K60E	E12.30	02	C66Z	E14.01	10	K60A, K60B, K60C, K60D, K60E
E10.72	05	F27A, F27B, F27C		01	B71A, B71B, B71C, B71D		10	K60A, K60B, K60C, K60D, K60E
	10	K01Z, K60A, K60B, K60C, K60D, K60E	E12.41	01	B71A, B71B, B71C, B71D	E14.11	10	K60A, K60B, K60C, K60D, K60E
E10.73	05	F27A, F27B, F27C		05	F27A, F27B, F27C, F65A, F65B		10	K60A, K60B, K60C, K60D, K60E
	10	K01Z, K60A, K60B, K60C, K60D, K60E	E12.51	05	F27A, F27B, F27C, F65A, F65B	E14.20	11	L69A, L69B
E10.74	05	F27A, F27B, F27C		05	F27A, F27B, F27C		11	L69A, L69B
	10	K01Z, K60A, K60B, K60C, K60D, K60E	E12.60	05	F27A, F27B, F27C	E14.21	11	L69A, L69B
E10.75	05	F27A, F27B, F27C		10	K01Z, K60A, K60B, K60C, K60D, K60E	E14.30	02	C66Z
	10	K01Z, K60A, K60B, K60C, K60D, K60E	E12.61	05	F27A, F27B, F27C	E14.31	02	C66Z
E10.80	10	K60A, K60B, K60C, K60D, K60E		10	K01Z, K60A, K60B, K60C, K60D, K60E	E14.40	01	B71A, B71B, B71C, B71D
E10.81	10	K60A, K60B, K60C, K60D, K60E		10	K01Z, K60A, K60B, K60C, K60D, K60E	E14.41	01	B71A, B71B, B71C, B71D
E10.90	10	K60A, K60B, K60C, K60D, K60E	E12.72	05	F27A, F27B, F27C	E14.50	05	F27A, F27B, F27C, F65A, F65B
E10.91	10	K60A, K60B, K60C, K60D, K60E		10	K01Z, K60A, K60B, K60C, K60D, K60E		05	F27A, F27B, F27C, F65A, F65B
E11.01	10	K60A, K60B, K60C, K60D, K60E	E12.73	05	F27A, F27B, F27C	E14.60	05	F27A, F27B, F27C
E11.11	10	K60A, K60B, K60C, K60D, K60E		10	K01Z, K60A, K60B, K60C, K60D, K60E		10	K01Z, K60A, K60B, K60C, K60D, K60E
E11.20	11	L69A, L69B	E12.74	05	F27A, F27B, F27C	E14.61	05	F27A, F27B, F27C
E11.21	11	L69A, L69B		10	K01Z, K60A, K60B, K60C, K60D, K60E		10	K01Z, K60A, K60B, K60C, K60D, K60E
E11.30	02	C66Z	E12.75	05	F27A, F27B, F27C	E14.72	05	F27A, F27B, F27C
E11.31	02	C66Z		10	K01Z, K60A, K60B, K60C, K60D, K60E		10	K01Z, K60A, K60B, K60C, K60D, K60E
E11.40	01	B71A, B71B, B71C, B71D	E12.80	10	K60A, K60B, K60C, K60D, K60E	E14.73	05	F27A, F27B, F27C
E11.41	01	B71A, B71B, B71C, B71D		10	K60A, K60B, K60C, K60D, K60E		10	K01Z, K60A, K60B, K60C, K60D, K60E
E11.50	05	F27A, F27B, F27C, F65A, F65B	E12.81	10	K60A, K60B, K60C, K60D, K60E	E14.74	05	F27A, F27B, F27C
E11.51	05	F27A, F27B, F27C, F65A, F65B		10	K60A, K60B, K60C, K60D, K60E		10	K01Z, K60A, K60B, K60C, K60D, K60E
			E12.90	10	K60A, K60B, K60C, K60D, K60E	E14.75	05	F27A, F27B, F27C
				10	K60A, K60B, K60C, K60D, K60E		10	K01Z, K60A, K60B, K60C, K60D, K60E
			E12.91	10	K60A, K60B, K60C, K60D, K60E	E14.80	10	K60A, K60B, K60C, K60D, K60E
				10	K60A, K60B, K60C, K60D, K60E		10	K60A, K60B, K60C, K60D, K60E
			E13.01	10	K60A, K60B, K60C, K60D, K60E			
				10	K60A, K60B, K60C, K60D, K60E			
			E13.11	10	K60A, K60B, K60C, K60D, K60E			
				10	K60A, K60B, K60C, K60D, K60E			
			E13.20	11	L69A, L69B			

Dg

ICD	MDC	DRG	ICD	MDC	DRG	ICD	MDC	DRG
E14.81	10	K60A, K60B, K60C, K60D, K60E	E27.0	10	K64A, K64B, K64C, K64D	E43	10	K60A, K60B, K60C, K60D
E14.90	10	K60A, K60B, K60C, K60D, K60E	E27.1	10	K64A, K64B, K64C, K64D	18A	S65A, S65B	
E14.91	10	K60A, K60B, K60C, K60D, K60E	E27.2	10	K64A, K64B, K64C	22	Y02A, Y02B	
E15	10	K62A, K62B	E27.3	10	K64A, K64B, K64C, K64D	E44.0	10	K60A, K60B, K60C, K60D
E16.0	10	K64A, K64B, K64C, K64D	E27.4	10	K64A, K64B, K64C, K64D	18A	S65A, S65B	
E16.1	10	K64A, K64B, K64C, K64D	E27.5	10	K64A, K64B, K64C, K64D	22	Y02A, Y02B	
E16.2	10	K62A, K62B	E27.8	10	K64A, K64B, K64C, K64D	E44.1	10	K60A, K60B, K60C, K60D
E16.3	10	K64A, K64B, K64C, K64D	E27.9	10	K64A, K64B, K64C, K64D	18A	S65A, S65B	
E16.4	06	G40Z, G46A, G46B, G46C, G47Z, G67A, G67B, G67C, G67D, G73Z	E28.0	13	N04Z, N05A, N05B, N14Z, N21Z, N25Z, N62A, N62B	22	Y02A, Y02B	
E16.8	10	K64A, K64B, K64C, K64D	E28.1	13	N04Z, N05A, N05B, N14Z, N21Z, N25Z, N62A, N62B	E45	10	K62A, K62B
E16.9	10	K64A, K64B, K64C, K64D	E28.2	13	N04Z, N05A, N05B, N14Z, N21Z, N25Z, N62A, N62B	18A	S65A, S65B	
E20.0	10	K64A, K64B, K64C, K64D	E28.3	13	N04Z, N05A, N05B, N14Z, N21Z, N25Z, N62A, N62B	22	Y02A, Y02B	
E20.1	10	K62A, K62B	E28.8	13	N04Z, N05A, N05B, N14Z, N21Z, N25Z, N62A, N62B	E46	10	K60A, K60B, K60C, K60D
E20.8	10	K64A, K64B, K64C, K64D	E28.9	13	N04Z, N05A, N05B, N14Z, N21Z, N25Z, N62A, N62B	15	TPN, VTPN	
E20.9	10	K64A, K64B, K64C, K64D	E29.0	10	K64A, K64B, K64C, K64D	18A	S65A, S65B	
E21.0	05	F67B	E29.1	10	K64A, K64B, K64C, K64D	22	Y02A, Y02B	
E21.1	10	K64A, K64B, K64C, K64D	E29.8	10	K64A, K64B, K64C, K64D	E50.0	02	C63Z
E21.2	10	K64A, K64B, K64C, K64D	E29.9	10	K64A, K64B, K64C, K64D	18A	S65A, S65B	
E21.3	10	K64A, K64B, K64C, K64D	E30.0	10	K64A, K64B, K64C, K64D	22	Y02A, Y02B	
E21.4	10	K64A, K64B, K64C, K64D	E30.1	10	K64A, K64B, K64C, K64D	22	Y02A, Y02B	
E21.5	10	K64A, K64B, K64C, K64D	E30.8	10	K64A, K64B, K64C, K64D	E50.1	02	C63Z
E22.0	10	K64A, K64B, K64C, K64D	E30.9	10	K64A, K64B, K64C, K64D	18A	S65A, S65B	
E22.1	10	K64A, K64B, K64C, K64D	E31.0	10	K64A, K64B, K64C, K64D	22	Y02A, Y02B	
E22.2	10	K64A, K64B, K64C	E31.1	10	K64A, K64B, K64C, K64D	E50.2	02	C63Z
E22.8	10	K64A, K64B, K64C, K64D	E31.8	10	K64A, K64B, K64C, K64D	18A	S65A, S65B	
E22.9	10	K64A, K64B, K64C, K64D	E31.9	10	K64A, K64B, K64C, K64D	22	Y02A, Y02B	
E23.0	10	K64A, K64B, K64C, K64D	E32.0	16	Q60A, Q60B, Q60C	E50.3	02	C63Z
E23.1	10	K64A, K64B, K64C, K64D	E32.1	15	TPN, VTPN	18A	S65A, S65B	
E23.2	15	TPN, VTPN	E32.8	16	Q60A, Q60B, Q60C, Q60D, Q60E	22	Y02A, Y02B	
E23.3	10	K64A, K64B, K64C, K64D	E32.9	16	Q60A, Q60B, Q60C, Q60D, Q60E	E50.4	02	C63Z
E23.6	10	K64A, K64B, K64C, K64D	E34.0	10	K64A, K64B, K64C, K64D	18A	S65A, S65B	
E23.7	10	K64A, K64B, K64C, K64D	E34.1	10	K64A, K64B, K64C, K64D	22	Y02A, Y02B	
E24.0	10	K64A, K64B, K64C	E34.2	10	K64A, K64B, K64C, K64D	E50.5	02	C63Z
E24.1	10	K64A, K64B, K64C, K64D	E34.3	10	K64A, K64B, K64C, K64D	18A	S65A, S65B	
E24.2	10	K64A, K64B, K64C, K64D	E34.4	15	TPN, VTPN	22	Y02A, Y02B	
E24.3	10	K64A, K64B, K64C, K64D	E34.50	10	K64A, K64B, K64C, K64D	E50.6	02	C63Z
E24.4	10	K64A, K64B, K64C, K64D	E34.51	10	K64A, K64B, K64C, K64D	18A	S65A, S65B	
E24.8	10	K64A, K64B, K64C, K64D	E34.59	10	K64A, K64B, K64C, K64D	22	Y02A, Y02B	
E24.9	10	K64A, K64B, K64C, K64D	E34.8	10	K64A, K64B, K64C, K64D	E50.7	02	C63Z
E25.00	10	K64A, K64B, K64C, K64D	E34.9	10	K64A, K64B, K64C, K64D	18A	S65A, S65B	
E25.01	10	K64A, K64B, K64C, K64D	E35.1	15	TPN, VTPN	22	Y02A, Y02B	
E25.08	10	K64A, K64B, K64C, K64D	E40	10	K60A, K60B, K60C, K60D	E50.8	10	K62A, K62B
E25.09	10	K64A, K64B, K64C, K64D	E41	18A	S65A, S65B	18A	S65A, S65B	
E25.8	10	K64A, K64B, K64C, K64D	E42	22	Y02A, Y02B	22	Y02A, Y02B	
E25.9	10	K64A, K64B, K64C, K64D				E50.9	10	K62A, K62B
E26.0	05	F67B				18A	S65A, S65B	
E26.1	10	K64A, K64B, K64C, K64D				22	Y02A, Y02B	
E26.8	10	K64A, K64B, K64C, K64D				E51.1	10	K62A, K62B
E26.9	10	K64A, K64B, K64C, K64D				18A	S65A, S65B	
						22	Y02A, Y02B	
						E51.2	Pre	A07D, A09E, A11F, A13F
						10	10	K60A, K60B, K60C, K60D
						18A	18A	S65A, S65B
						22	22	Y02A, Y02B
						Pre	Pre	A07D, A09E, A11F, A13F
						E51.8	10	K60A, K60B, K60C, K60D
						18A	18A	S65A, S65B
						22	22	Y02A, Y02B
						Pre	Pre	A07D, A09E, A11F, A13F
						E51.9	10	K60A, K60B, K60C, K60D
						18A	18A	S65A, S65B
						22	22	Y02A, Y02B
						E52	10	K62A, K62B
						18A	18A	S65A, S65B
						22	22	Y02A, Y02B
						E53.0	10	K62A, K62B
						18A	18A	S65A, S65B
						22	22	Y02A, Y02B



ICD	MDC	DRG	ICD	MDC	DRG	ICD	MDC	DRG
E53.1	10	K62A, K62B	E61.9	10	K62A, K62B	E71.1	10	K63A, K63C
	18A	S65A, S65B		18A	S65A, S65B		15	TPN, VTPN
	22	Y02A, Y02B		22	Y02A, Y02B	Pre	A07D, A09E, A11F, A13F	
E53.8	10	K62A, K62B	E63.0	10	K62A, K62B	E71.2	10	K63A, K63B, K63C
	18A	S65A, S65B		18A	S65A, S65B		15	TPN, VTPN
	22	Y02A, Y02B		22	Y02A, Y02B	Pre	A07D, A09E, A11F, A13F	
E53.9	10	K62A, K62B	E63.1	10	K62A, K62B	E71.3	10	K62A, K62B
	18A	S65A, S65B		18A	S65A, S65B		15	P65C, P66C, P67B, P67C
	22	Y02A, Y02B		22	Y02A, Y02B	Pre	A07D, A09E, A11F, A13F	
E54	10	K62A, K62B	E63.8	10	K62A, K62B	E72.0	10	K63A, K63B, K63C
	18A	S65A, S65B		18A	S65A, S65B		15	TPN, VTPN
	22	Y02A, Y02B		22	Y02A, Y02B	Pre	A07D, A09E, A11F, A13F	
E55.0	08	I69A, I69B	E63.9	10	K62A, K62B	E72.1	10	K63A, K63B, K63C
	18A	S65A, S65B		18A	S65A, S65B		15	TPN, VTPN
	22	Y02A, Y02B		22	Y02A, Y02B	Pre	A07D, A09E, A11F, A13F	
E55.9	10	K62A, K62B	E64.0	22	Y02A, Y02B	E72.2	10	K63A, K63C
	18A	S65A, S65B	E64.1	22	Y02A, Y02B		15	TPN, VTPN
	22	Y02A, Y02B	E64.2	22	Y02A, Y02B	Pre	A07D, A09E, A11F, A13F	
E56.0	10	K62A, K62B	E64.3	22	Y02A, Y02B	E72.3	10	K63A, K63B, K63C
	18A	S65A, S65B	E64.8	22	Y02A, Y02B		15	TPN, VTPN
	22	Y02A, Y02B	E64.9	22	Y02A, Y02B	Pre	A07D, A09E, A11F, A13F	
E56.1	10	K62A, K62B	E65	10	K62A, K62B	E72.4	10	K63A, K63B, K63C
	18A	S65A, S65B	E66.00	10	K62A, K62B		15	TPN, VTPN
	22	Y02A, Y02B	E66.01	10	K62A, K62B	Pre	A07D, A09E, A11F, A13F	
E56.8	10	K62A, K62B	E66.02	10	K62A, K62B	E72.5	10	K63A, K63B, K63C
	15	P65C, P66C, P67B, P67C	E66.09	10	K62A, K62B		15	TPN, VTPN
	18A	S65A, S65B	E66.10	10	K62A, K62B	Pre	A07D, A09E, A11F, A13F	
	22	Y02A, Y02B	E66.11	10	K62A, K62B	E72.8	10	K63A, K63C
E56.9	10	K62A, K62B	E66.12	10	K62A, K62B		15	TPN, VTPN
	18A	S65A, S65B	E66.19	10	K62A, K62B	Pre	A07D, A09E, A11F, A13F	
	22	Y02A, Y02B	E66.20	04	E07Z, E63Z	E72.9	10	K63A, K63B, K63C
E58	10	K62A, K62B	E66.21	04	E07Z, E63Z		15	TPN, VTPN
	18A	S65A, S65B	E66.22	04	E07Z, E63Z	Pre	A07D, A09E, A11F, A13F	
	22	Y02A, Y02B	E66.29	04	E07Z, E63Z	E73.0	06	G46A, G46B, G46C, G50Z, G67A, G67B, G67C, G67D
E59	10	K62A, K62B	E66.80	10	K62A, K62B		Pre	A07D, A09E, A11F, A13F
	18A	S65A, S65B	E66.81	10	K62A, K62B	E73.1	06	G46A, G46B, G46C, G50Z, G67A, G67B, G67C, G67D
	22	Y02A, Y02B	E66.82	10	K62A, K62B		Pre	A07D, A09E, A11F, A13F
E60	10	K62A, K62B	E66.89	10	K62A, K62B	E73.8	06	G46A, G46B, G46C, G50Z, G67A, G67B, G67C, G67D
	18A	S65A, S65B	E66.90	10	K62A, K62B		Pre	A07D, A09E, A11F, A13F
	22	Y02A, Y02B	E66.91	10	K62A, K62B	E73.9	06	G46A, G46B, G46C, G50Z, G67A, G67B, G67C, G67D
E61.0	10	K62A, K62B	E66.92	10	K62A, K62B		Pre	A07D, A09E, A11F, A13F
	18A	S65A, S65B	E66.99	10	K62A, K62B	E74.0	10	K63A, K63C
	22	Y02A, Y02B	E67.0	10	K62A, K62B		15	TPN, VTPN
E61.1	10	K62A, K62B	E67.1	10	K62A, K62B	Pre	A07D, A09E, A11F, A13F	
	18A	S65A, S65B	E67.2	10	K62A, K62B	E74.1	06	G46A, G46B, G46C, G50Z, G67A, G67B, G67C, G67D
	22	Y02A, Y02B	E67.3	10	K62A, K62B		15	TPN, VTPN
E61.2	10	K62A, K62B	E67.8	10	K62A, K62B	Pre	A07D, A09E, A11F, A13F	
	18A	S65A, S65B	E70.0	10	K63A, K63B, K63C	E74.2	10	K63A, K63B, K63C
	22	Y02A, Y02B		15	TPN, VTPN		15	TPN, VTPN
E61.3	10	K62A, K62B		Pre	A07D, A09E, A11F, A13F	Pre	A07D, A09E, A11F, A13F	
	18A	S65A, S65B	E70.1	10	K63A, K63B, K63C	E74.3	06	G46A, G46B, G46C, G50Z, G67A, G67B, G67C, G67D
	22	Y02A, Y02B		15	TPN, VTPN		Pre	A07D, A09E, A11F, A13F
E61.4	10	K62A, K62B		Pre	A07D, A09E, A11F, A13F	E74.4	10	K63A, K63B, K63C
	18A	S65A, S65B	E70.2	10	K63A, K63C		Pre	A07D, A09E, A11F, A13F
	22	Y02A, Y02B		15	TPN, VTPN	E74.8	10	K63A, K63B, K63C
E61.5	10	K62A, K62B		Pre	A07D, A09E, A11F, A13F		Pre	A07D, A09E, A11F, A13F
	18A	S65A, S65B	E70.3	10	K63A, K63B, K63C	E74.9	10	K63A, K63B, K63C
	22	Y02A, Y02B		15	TPN, VTPN		Pre	A07D, A09E, A11F, A13F
E61.6	10	K62A, K62B		Pre	A07D, A09E, A11F, A13F	E75.0	01	B48Z, B85A, B85B, B85C, B85D
	18A	S65A, S65B	E70.8	10	K63A, K63B, K63C		Pre	A07D, A09E, A11F, A13F
	22	Y02A, Y02B		15	TPN, VTPN			
E61.7	10	K62A, K62B		Pre	A07D, A09E, A11F, A13F			
	18A	S65A, S65B	E70.9	10	K63A, K63B, K63C			
	22	Y02A, Y02B		15	TPN, VTPN			
E61.8	10	K62A, K62B		Pre	A07D, A09E, A11F, A13F			
	18A	S65A, S65B	E71.0	10	K63A, K63B, K63C			
	22	Y02A, Y02B		15	TPN, VTPN			
				Pre	A07D, A09E, A11F, A13F			

Dg

ICD	MDC	DRG	ICD	MDC	DRG	ICD	MDC	DRG
E75.1	01	B48Z, B85A, B85B, B85C, B85D	E80.6	07	H63A, H63B, H63C, H78Z	E87.6	10	K62A, K62B
	Pre	A07D, A09E, A11F, A13F		15	TPN, VTPN		22	Y02A, Y02B
E75.2	01	B17A, B48Z, B85A, B85B, B85C	E80.7	07	H63A, H63B, H63C, H78Z	E87.7	22	Y02A, Y02B
	Pre	A07D, A09E, A11F, A13F	E83.0	10	K63A, K63B, K63C	E87.8	10	K62A, K62B
E75.3	10	K63A, K63B, K63C		15	TPN, VTPN		22	Y02A, Y02B
	Pre	A07D, A09E, A11F, A13F	E83.1	16	Q61A, Q61B, Q61C, Q61D, Q61E	E88.0	10	K63A, K63B, K63C
E75.4	01	B48Z, B85A, B85B, B85C, B85D	E83.2	10	K63A, K63B, K63C	E88.1	10	K63A, K63B, K63C
	Pre	A07D, A09E, A11F, A13F	E83.30	10	K63A, K63B, K63C		15	TPN, VTPN
E75.5	10	K63A, K63B, K63C	E83.31	10	K63A, K63B, K63C		18A	S65A, S65B
	Pre	A07D, A09E, A11F, A13F	E83.38	10	K63A, K63B, K63C	E88.2	10	K63A, K63B, K63C
E75.6	10	K63A, K63B, K63C	E83.39	10	K63A, K63B, K63C		15	P65C, P66C, P67B, P67C
	Pre	A07D, A09E, A11F, A13F	E83.4	10	K62A, K62B	E88.3	10	K63A, K63B, K63C
E76.0	10	K63A, K63B, K63C	E83.50	10	K62A, K62B	E88.8	10	K63A, K63B, K63C
	Pre	A07D, A09E, A11F, A13F		11	L09A, L09B, L38Z, L60A, L60B	E88.9	10	K63A, K63B, K63C
E76.1	15	TPN, VTPN		22	Y02A, Y02B		18A	S65A, S65B
	Pre	A07D, A09E, A11F, A13F	E83.58	10	K62A, K62B	E89.0	10	K64A, K64B, K64C, K64D
E76.2	10	K63A, K63B, K63C		22	Y02A, Y02B	E89.1	10	K62A, K62B
	Pre	A07D, A09E, A11F, A13F	E83.59	10	K62A, K62B	E89.2	10	K64A, K64B, K64C, K64D
E76.3	15	TPN, VTPN		22	Y02A, Y02B		15	TPN, VTPN
	Pre	A07D, A09E, A11F, A13F	E83.8	10	K63A, K63B, K63C	E89.3	10	K64A, K64B, K64C, K64D
E76.8	10	K63A, K63B, K63C	E83.9	10	K63A, K63B, K63C	E89.4	13	N04Z, N05A, N05B, N14Z, N21Z, N25Z, N62A, N62B
	Pre	A07D, A09E, A11F, A13F	E84.0	04	E60A, E60B	E89.5	10	K64A, K64B, K64C, K64D
E76.9	15	TPN, VTPN		15	TPN, VTPN	E89.6	10	K64A, K64B, K64C, K64D
	Pre	A07D, A09E, A11F, A13F		Pre	A07D, A09E, A11F, A13F		15	TPN, VTPN
E77.0	10	K63A, K63B, K63C	E84.1	06	G40Z, G46A, G46B, G46C, G47Z, G64A, G64B, G64C, G70A, G70B	E89.8	10	K64A, K64B, K64C, K64D
	Pre	A07D, A09E, A11F, A13F		15	TPN, VTPN	E89.9	10	K64A, K64B, K64C, K64D
E77.1	10	K63A, K63B, K63C		Pre	A07D, A09E, A11F, A13F	F00.0	14	O01A, O01B, O01C, O01D, O01E, O01F, O01G, O60A, O60B, O60C
	Pre	A07D, A09E, A11F, A13F	E84.80	04	E60A, E60B	F00.2	14	O01A, O01B, O01C, O01D, O01E, O01F, O01G, O60A, O60B, O60C
E77.8	10	K63A, K63B, K63C		15	TPN, VTPN	F00.9	14	O01A, O01B, O01C, O01D, O01E, O01F, O01G, O60A, O60B, O60C
	Pre	A07D, A09E, A11F, A13F	E84.87	04	E60A, E60B	F01.0	01	B63Z
E77.9	10	K63A, K63B, K63C		15	TPN, VTPN		14	O01A, O01B, O01C, O01D, O01E, O01F, O01G, O60A, O60B, O60C
	Pre	A07D, A09E, A11F, A13F	E84.88	04	E60A, E60B	F01.1	01	B63Z
E78.0	10	K63A, K63B, K63C		Pre	A07D, A09E, A11F, A13F		14	O01A, O01B, O01C, O01D, O01E, O01F, O01G, O60A, O60B, O60C
E78.1	10	K63A, K63B, K63C	E84.9	04	E60A, E60B	F01.2	01	B63Z
E78.2	10	K63A, K63B, K63C		15	TPN, VTPN		14	O01A, O01B, O01C, O01D, O01E, O01F, O01G, O60A, O60B, O60C
E78.3	10	K63A, K63B, K63C	E85.0	08	I66A, I66B, I66C	F01.3	01	B63Z
E78.4	10	K62A, K62B		Pre	A07D, A09E, A11F, A13F		14	O01A, O01B, O01C, O01D, O01E, O01F, O01G, O60A, O60B, O60C
E78.5	10	K62A, K62B	E85.1	08	I66A, I66B, I66C	F01.8	01	B63Z
E78.6	10	K63A, K63C		Pre	A07D, A09E, A11F, A13F		14	O01A, O01B, O01C, O01D, O01E, O01F, O01G, O60A, O60B, O60C
	Pre	A07D, A09E, A11F, A13F	E85.2	08	I66A, I66B, I66C	F01.9	01	B63Z
E78.8	10	K63A, K63B, K63C		Pre	A07D, A09E, A11F, A13F		14	O01A, O01B, O01C, O01D, O01E, O01F, O01G, O60A, O60B, O60C
E78.9	10	K63A, K63B, K63C	E85.3	08	I66A, I66B, I66C	F02.0	14	O01A, O01B, O01C, O01D, O01E, O01F, O01G, O60A, O60B, O60C
	Pre	A07D, A09E, A11F, A13F		Pre	A07D, A09E, A11F, A13F	F02.1	14	O01A, O01B, O01C, O01D, O01E, O01F, O01G, O60A, O60B, O60C
E79.0	15	TPN, VTPN	E85.4	08	I66A, I66B, I66C		14	O01A, O01B, O01C, O01D, O01E, O01F, O01G, O60A, O60B, O60C
	Pre	A07D, A09E, A11F, A13F	E85.8	08	I66A, I66B, I66C	F02.2	14	O01A, O01B, O01C, O01D, O01E, O01F, O01G, O60A, O60B, O60C
E79.1	10	K63A, K63B, K63C	E85.9	08	I66A, I66B, I66C			
	Pre	A07D, A09E, A11F, A13F	E86	10	K62A, K62B			
E79.8	10	K63A, K63B, K63C		15	P65C, P66C, P67B, P67C			
	Pre	A07D, A09E, A11F, A13F		18A	S65A, S65B			
E79.9	10	K63A, K63B, K63C		22	Y02A, Y02B			
	Pre	A07D, A09E, A11F, A13F	E87.0	10	K62A, K62B			
E80.0	10	K63A, K63B, K63C		22	Y02A, Y02B			
	Pre	A07D, A09E, A11F, A13F	E87.1	10	K62A, K62B			
E80.1	10	K63A, K63B, K63C		22	Y02A, Y02B			
	Pre	A07D, A09E, A11F, A13F	E87.2	10	K62A, K62B			
E80.2	10	K63A, K63B, K63C		15	P65C, P66C, P67B, P67C			
	Pre	A07D, A09E, A11F, A13F		22	Y02A, Y02B			
E80.3	10	K63A, K63B, K63C	E87.3	10	K62A, K62B			
E80.4	07	H63A, H63B, H63C, H78Z		22	Y02A, Y02B			
E80.5	07	H63A, H63B, H63C, H78Z	E87.4	10	K62A, K62B			
				22	Y02A, Y02B			
			E87.5	10	K62A, K62B			
				22	Y02A, Y02B			

ICD	MDC	DRG	ICD	MDC	DRG	ICD	MDC	DRG
F02.3	01	B67A	F07.1	01	B63Z	F11.5	14	O01A, O01B, O01C, O01D, O01E, O01F, O01G, O60A, O60B, O60C
	14	O01A, O01B, O01C, O01D, O01E, O01F, O01G, O60A, O60B, O60C	F07.2	01	B76A, B76B, B76C, B76D, B76E, B76F, B76G		20	V61Z
F02.4	14	O01A, O01B, O01C, O01D, O01E, O01F, O01G, O60A, O60B, O60C	F07.8	01	B63Z	F11.6	14	O01A, O01B, O01C, O01D, O01E, O01F, O01G, O60A, O60B, O60C
	15	TPN, VTPN	F07.9	01	B64Z		20	V61Z
F03	01	B20D, B63Z	F09	01	B63Z	F11.7	14	O01A, O01B, O01C, O01D, O01E, O01F, O01G, O60A, O60B, O60C
	14	O01A, O01B, O01C, O01D, O01E, O01F, O01G, O60A, O60B, O60C		18A	S65A, S65B		20	V61Z
	18A	S65A, S65B	F10.0	14	O01A, O01B, O01C, O01D, O01E, O01F, O01G, O60A, O60B, O60C	F11.8	14	O01A, O01B, O01C, O01D, O01E, O01F, O01G, O60A, O60B, O60C
F04	01	B63Z		20	V60A, V60B, V60C		20	V61Z
	14	O01A, O01B, O01C, O01D, O01E, O01F, O01G, O60A, O60B, O60C	F10.1	14	O01A, O01B, O01C, O01D, O01E, O01F, O01G, O60A, O60B, O60C	F11.9	14	O01A, O01B, O01C, O01D, O01E, O01F, O01G, O60A, O60B, O60C
F05.0	01	B64Z		20	V60A, V60B, V60C		20	V61Z
	14	O01A, O01B, O01C, O01D, O01E, O01F, O01G, O60A, O60B, O60C	F10.2	14	O01A, O01B, O01C, O01D, O01E, O01F, O01G, O60A, O60B, O60C	F12.0	20	V64Z
F05.1	01	B64Z		20	V60A, V60B, V60C	F12.1	20	V64Z
	14	O01A, O01B, O01C, O01D, O01E, O01F, O01G, O60A, O60B, O60C	F10.3	14	O01A, O01B, O01C, O01D, O01E, O01F, O01G, O60A, O60B, O60C	F12.2	20	V64Z
	18A	S65A, S65B		20	V60A, V60B	F12.3	14	O01A, O01B, O01C, O01D, O01E, O01F, O01G, O60A, O60B, O60C
F05.8	01	B64Z	F10.4	14	O01A, O01B, O01C, O01D, O01E, O01F, O01G, O60A, O60B, O60C		20	V61Z
	14	O01A, O01B, O01C, O01D, O01E, O01F, O01G, O60A, O60B, O60C		20	V60A, V60B	F12.4	14	O01A, O01B, O01C, O01D, O01E, O01F, O01G, O60A, O60B, O60C
F05.9	01	B64Z	F10.5	14	O01A, O01B, O01C, O01D, O01E, O01F, O01G, O60A, O60B, O60C		20	V61Z
	14	O01A, O01B, O01C, O01D, O01E, O01F, O01G, O60A, O60B, O60C		20	V60A, V60B	F12.5	14	O01A, O01B, O01C, O01D, O01E, O01F, O01G, O60A, O60B, O60C
F06.0	01	B64Z, B67A	F10.6	01	B63Z		20	V61Z
	14	O01A, O01B, O01C, O01D, O01E, O01F, O01G, O60A, O60B, O60C		14	O01A, O01B, O01C, O01D, O01E, O01F, O01G, O60A, O60B, O60C	F12.6	14	O01A, O01B, O01C, O01D, O01E, O01F, O01G, O60A, O60B, O60C
F06.1	01	B64Z		20	V60A		20	V61Z
	14	O01A, O01B, O01C, O01D, O01E, O01F, O01G, O60A, O60B, O60C	F10.7	14	O01A, O01B, O01C, O01D, O01E, O01F, O01G, O60A, O60B, O60C	F12.7	14	O01A, O01B, O01C, O01D, O01E, O01F, O01G, O60A, O60B, O60C
F06.2	01	B64Z, B67A		20	V60A, V60B		20	V61Z
	14	O01A, O01B, O01C, O01D, O01E, O01F, O01G, O60A, O60B, O60C	F10.8	14	O01A, O01B, O01C, O01D, O01E, O01F, O01G, O60A, O60B, O60C	F12.8	14	O01A, O01B, O01C, O01D, O01E, O01F, O01G, O60A, O60B, O60C
F06.3	01	B64Z		20	V60A, V60B, V60C		20	V61Z
	14	O01A, O01B, O01C, O01D, O01E, O01F, O01G, O60A, O60B, O60C	F10.9	14	O01A, O01B, O01C, O01D, O01E, O01F, O01G, O60A, O60B, O60C	F12.9	14	O01A, O01B, O01C, O01D, O01E, O01F, O01G, O60A, O60B, O60C
F06.4	01	B64Z		20	V60A, V60B, V60C		20	V61Z
	14	O01A, O01B, O01C, O01D, O01E, O01F, O01G, O60A, O60B, O60C	F11.0	14	O01A, O01B, O01C, O01D, O01E, O01F, O01G, O60A, O60B, O60C	F13.0	14	O01A, O01B, O01C, O01D, O01E, O01F, O01G, O60A, O60B, O60C
F06.5	01	B64Z		20	V63Z		20	V64Z
	14	O01A, O01B, O01C, O01D, O01E, O01F, O01G, O60A, O60B, O60C	F11.1	14	O01A, O01B, O01C, O01D, O01E, O01F, O01G, O60A, O60B, O60C	F13.1	14	O01A, O01B, O01C, O01D, O01E, O01F, O01G, O60A, O60B, O60C
F06.6	01	B64Z		20	V63Z		20	V64Z
	14	O01A, O01B, O01C, O01D, O01E, O01F, O01G, O60A, O60B, O60C	F11.2	14	O01A, O01B, O01C, O01D, O01E, O01F, O01G, O60A, O60B, O60C	F13.2	14	O01A, O01B, O01C, O01D, O01E, O01F, O01G, O60A, O60B, O60C
F06.7	01	B64Z		20	V63Z		20	V64Z
F06.8	01	B63Z	F11.3	14	O01A, O01B, O01C, O01D, O01E, O01F, O01G, O60A, O60B, O60C	F13.3	14	O01A, O01B, O01C, O01D, O01E, O01F, O01G, O60A, O60B, O60C
	18A	S65A, S65B		20	V61Z		20	V61Z
F06.9	01	B63Z	F11.4	14	O01A, O01B, O01C, O01D, O01E, O01F, O01G, O60A, O60B, O60C		20	V61Z
	18A	S65A, S65B		20	V61Z	F13.4	14	O01A, O01B, O01C, O01D, O01E, O01F, O01G, O60A, O60B, O60C
F07.0	01	B63Z		20	V61Z		20	V61Z
	14	O01A, O01B, O01C, O01D, O01E, O01F, O01G, O60A, O60B, O60C						

ICD	MDC	DRG	ICD	MDC	DRG	ICD	MDC	DRG
F13.5	14	001A, 001B, 001C, 001D, 001E, 001F, 001G, 060A, 060B, 060C	F15.2	14	001A, 001B, 001C, 001D, 001E, 001F, 001G, 060A, 060B, 060C	F16.9	14	001A, 001B, 001C, 001D, 001E, 001F, 001G, 060A, 060B, 060C
	20	V61Z		20	V64Z		20	V61Z
F13.6	14	001A, 001B, 001C, 001D, 001E, 001F, 001G, 060A, 060B, 060C	F15.3	14	001A, 001B, 001C, 001D, 001E, 001F, 001G, 060A, 060B, 060C	F17.0	20	V64Z
	20	V61Z		20	V61Z	F17.1	20	V64Z
F13.7	14	001A, 001B, 001C, 001D, 001E, 001F, 001G, 060A, 060B, 060C	F15.4	14	001A, 001B, 001C, 001D, 001E, 001F, 001G, 060A, 060B, 060C	F17.2	20	V64Z
	20	V61Z		20	V61Z	F17.3	20	V61Z
F13.8	14	001A, 001B, 001C, 001D, 001E, 001F, 001G, 060A, 060B, 060C	F15.5	14	001A, 001B, 001C, 001D, 001E, 001F, 001G, 060A, 060B, 060C	F17.4	20	V61Z
	20	V61Z		20	V61Z	F17.5	20	V61Z
F13.9	14	001A, 001B, 001C, 001D, 001E, 001F, 001G, 060A, 060B, 060C	F15.6	14	001A, 001B, 001C, 001D, 001E, 001F, 001G, 060A, 060B, 060C	F17.6	20	V61Z
	20	V61Z		20	V61Z	F17.7	20	V61Z
F14.0	14	001A, 001B, 001C, 001D, 001E, 001F, 001G, 060A, 060B, 060C	F15.7	14	001A, 001B, 001C, 001D, 001E, 001F, 001G, 060A, 060B, 060C	F17.8	20	V61Z
	20	V64Z		20	V61Z	F17.9	20	V61Z
F14.1	14	001A, 001B, 001C, 001D, 001E, 001F, 001G, 060A, 060B, 060C	F15.8	14	001A, 001B, 001C, 001D, 001E, 001F, 001G, 060A, 060B, 060C	F18.0	14	001A, 001B, 001C, 001D, 001E, 001F, 001G, 060A, 060B, 060C
	20	V64Z		20	V61Z		20	V64Z
F14.2	14	001A, 001B, 001C, 001D, 001E, 001F, 001G, 060A, 060B, 060C	F15.9	14	001A, 001B, 001C, 001D, 001E, 001F, 001G, 060A, 060B, 060C	F18.1	14	001A, 001B, 001C, 001D, 001E, 001F, 001G, 060A, 060B, 060C
	20	V64Z		20	V61Z		20	V64Z
F14.3	14	001A, 001B, 001C, 001D, 001E, 001F, 001G, 060A, 060B, 060C	F16.0	14	001A, 001B, 001C, 001D, 001E, 001F, 001G, 060A, 060B, 060C	F18.2	14	001A, 001B, 001C, 001D, 001E, 001F, 001G, 060A, 060B, 060C
	20	V61Z		20	V64Z		20	V64Z
F14.4	14	001A, 001B, 001C, 001D, 001E, 001F, 001G, 060A, 060B, 060C	F16.1	14	001A, 001B, 001C, 001D, 001E, 001F, 001G, 060A, 060B, 060C	F18.3	14	001A, 001B, 001C, 001D, 001E, 001F, 001G, 060A, 060B, 060C
	20	V61Z		20	V64Z		20	V61Z
F14.5	14	001A, 001B, 001C, 001D, 001E, 001F, 001G, 060A, 060B, 060C	F16.2	14	001A, 001B, 001C, 001D, 001E, 001F, 001G, 060A, 060B, 060C	F18.4	14	001A, 001B, 001C, 001D, 001E, 001F, 001G, 060A, 060B, 060C
	20	V61Z		20	V64Z		20	V61Z
F14.6	14	001A, 001B, 001C, 001D, 001E, 001F, 001G, 060A, 060B, 060C	F16.3	14	001A, 001B, 001C, 001D, 001E, 001F, 001G, 060A, 060B, 060C	F18.5	14	001A, 001B, 001C, 001D, 001E, 001F, 001G, 060A, 060B, 060C
	20	V61Z		20	V61Z		20	V61Z
F14.7	14	001A, 001B, 001C, 001D, 001E, 001F, 001G, 060A, 060B, 060C	F16.4	14	001A, 001B, 001C, 001D, 001E, 001F, 001G, 060A, 060B, 060C	F18.6	14	001A, 001B, 001C, 001D, 001E, 001F, 001G, 060A, 060B, 060C
	20	V61Z		20	V61Z		20	V61Z
F14.8	14	001A, 001B, 001C, 001D, 001E, 001F, 001G, 060A, 060B, 060C	F16.5	14	001A, 001B, 001C, 001D, 001E, 001F, 001G, 060A, 060B, 060C	F18.7	14	001A, 001B, 001C, 001D, 001E, 001F, 001G, 060A, 060B, 060C
	20	V61Z		20	V61Z		20	V61Z
F14.9	14	001A, 001B, 001C, 001D, 001E, 001F, 001G, 060A, 060B, 060C	F16.6	14	001A, 001B, 001C, 001D, 001E, 001F, 001G, 060A, 060B, 060C	F18.8	14	001A, 001B, 001C, 001D, 001E, 001F, 001G, 060A, 060B, 060C
	20	V61Z		20	V61Z		20	V61Z
F15.0	14	001A, 001B, 001C, 001D, 001E, 001F, 001G, 060A, 060B, 060C	F16.7	14	001A, 001B, 001C, 001D, 001E, 001F, 001G, 060A, 060B, 060C	F18.9	14	001A, 001B, 001C, 001D, 001E, 001F, 001G, 060A, 060B, 060C
	20	V64Z		20	V61Z		20	V61Z
F15.1	14	001A, 001B, 001C, 001D, 001E, 001F, 001G, 060A, 060B, 060C	F16.8	14	001A, 001B, 001C, 001D, 001E, 001F, 001G, 060A, 060B, 060C	F19.0	14	001A, 001B, 001C, 001D, 001E, 001F, 001G, 060A, 060B, 060C
	20	V64Z		20	V61Z		20	V64Z
						F19.1	14	001A, 001B, 001C, 001D, 001E, 001F, 001G, 060A, 060B, 060C
							20	V64Z
						F19.2	14	001A, 001B, 001C, 001D, 001E, 001F, 001G, 060A, 060B, 060C
							20	V64Z
						F19.3	14	001A, 001B, 001C, 001D, 001E, 001F, 001G, 060A, 060B, 060C
							15	TPN, VTPN
							20	V61Z

ICD	MDC	DRG	ICD	MDC	DRG	ICD	MDC	DRG
F19.4	14	001A, 001B, 001C, 001D, 001E, 001F, 001G, 060A, 060B, 060C	F23.2	14	001A, 001B, 001C, 001D, 001E, 001F, 001G, 060A, 060B, 060C	F31.1	14	001A, 001B, 001C, 001D, 001E, 001F, 001G, 060A, 060B, 060C
	20	V61Z		19	U61Z		19	U63Z
F19.5	14	001A, 001B, 001C, 001D, 001E, 001F, 001G, 060A, 060B, 060C	F23.3	14	001A, 001B, 001C, 001D, 001E, 001F, 001G, 060A, 060B, 060C	F31.2	14	001A, 001B, 001C, 001D, 001E, 001F, 001G, 060A, 060B, 060C
	20	V61Z		19	U61Z		19	U63Z
F19.6	14	001A, 001B, 001C, 001D, 001E, 001F, 001G, 060A, 060B, 060C	F23.8	14	001A, 001B, 001C, 001D, 001E, 001F, 001G, 060A, 060B, 060C	F31.3	19	U63Z
	20	V61Z		19	U61Z	F31.4	14	001A, 001B, 001C, 001D, 001E, 001F, 001G, 060A, 060B, 060C
F19.7	14	001A, 001B, 001C, 001D, 001E, 001F, 001G, 060A, 060B, 060C	F23.9	14	001A, 001B, 001C, 001D, 001E, 001F, 001G, 060A, 060B, 060C		19	U63Z
	20	V61Z		19	U61Z	F31.5	14	001A, 001B, 001C, 001D, 001E, 001F, 001G, 060A, 060B, 060C
F19.8	14	001A, 001B, 001C, 001D, 001E, 001F, 001G, 060A, 060B, 060C	F24	19	U61Z		19	U63Z
	20	V61Z	F25.0	14	001A, 001B, 001C, 001D, 001E, 001F, 001G, 060A, 060B, 060C	F31.6	14	001A, 001B, 001C, 001D, 001E, 001F, 001G, 060A, 060B, 060C
F19.9	14	001A, 001B, 001C, 001D, 001E, 001F, 001G, 060A, 060B, 060C		19	U61Z		19	U63Z
	20	V61Z	F25.1	14	001A, 001B, 001C, 001D, 001E, 001F, 001G, 060A, 060B, 060C	F31.7	19	U63Z
F20.0	14	001A, 001B, 001C, 001D, 001E, 001F, 001G, 060A, 060B, 060C		19	U61Z	F31.8	14	001A, 001B, 001C, 001D, 001E, 001F, 001G, 060A, 060B, 060C
	19	U61Z	F25.2	14	001A, 001B, 001C, 001D, 001E, 001F, 001G, 060A, 060B, 060C		19	U63Z
F20.1	14	001A, 001B, 001C, 001D, 001E, 001F, 001G, 060A, 060B, 060C		19	U61Z	F31.9	14	001A, 001B, 001C, 001D, 001E, 001F, 001G, 060A, 060B, 060C
	19	U61Z	F25.8	14	001A, 001B, 001C, 001D, 001E, 001F, 001G, 060A, 060B, 060C		19	U63Z
F20.2	14	001A, 001B, 001C, 001D, 001E, 001F, 001G, 060A, 060B, 060C		19	U61Z	F32.0	19	U63Z
	19	U61Z	F25.9	14	001A, 001B, 001C, 001D, 001E, 001F, 001G, 060A, 060B, 060C	F32.1	19	U63Z
F20.3	14	001A, 001B, 001C, 001D, 001E, 001F, 001G, 060A, 060B, 060C		19	U61Z	F32.2	14	001A, 001B, 001C, 001D, 001E, 001F, 001G, 060A, 060B, 060C
	19	U61Z	F28	19	U61Z		19	U63Z
F20.4	19	U64Z	F29	14	001A, 001B, 001C, 001D, 001E, 001F, 001G, 060A, 060B, 060C	F32.3	14	001A, 001B, 001C, 001D, 001E, 001F, 001G, 060A, 060B, 060C
F20.5	14	001A, 001B, 001C, 001D, 001E, 001F, 001G, 060A, 060B, 060C		18A	S65A, S65B		19	U63Z
	19	U61Z		19	U61Z	F32.8	19	U63Z
F20.6	14	001A, 001B, 001C, 001D, 001E, 001F, 001G, 060A, 060B, 060C	F30.0	14	001A, 001B, 001C, 001D, 001E, 001F, 001G, 060A, 060B, 060C	F32.9	19	U64Z
	19	U61Z		18A	S65A, S65B	F33.0	19	U63Z
F20.8	14	001A, 001B, 001C, 001D, 001E, 001F, 001G, 060A, 060B, 060C		19	U63Z	F33.1	19	U63Z
	19	U61Z	F30.1	14	001A, 001B, 001C, 001D, 001E, 001F, 001G, 060A, 060B, 060C	F33.2	14	001A, 001B, 001C, 001D, 001E, 001F, 001G, 060A, 060B, 060C
F20.9	14	001A, 001B, 001C, 001D, 001E, 001F, 001G, 060A, 060B, 060C		18A	S65A, S65B		19	U63Z
	19	U61Z		19	U63Z	F33.3	14	001A, 001B, 001C, 001D, 001E, 001F, 001G, 060A, 060B, 060C
F21	19	U61Z	F30.2	14	001A, 001B, 001C, 001D, 001E, 001F, 001G, 060A, 060B, 060C		19	U63Z
F22.0	19	U61Z		18A	S65A, S65B	F33.4	19	U63Z
F22.8	19	U61Z		19	U63Z	F33.8	14	001A, 001B, 001C, 001D, 001E, 001F, 001G, 060A, 060B, 060C
F22.9	19	U61Z		19	U63Z		19	U63Z
F23.0	14	001A, 001B, 001C, 001D, 001E, 001F, 001G, 060A, 060B, 060C		19	U63Z	F33.9	14	001A, 001B, 001C, 001D, 001E, 001F, 001G, 060A, 060B, 060C
	19	U61Z	F30.9	14	001A, 001B, 001C, 001D, 001E, 001F, 001G, 060A, 060B, 060C		19	U63Z
F23.1	14	001A, 001B, 001C, 001D, 001E, 001F, 001G, 060A, 060B, 060C		18A	S65A, S65B	F34.0	19	U64Z
	19	U61Z		19	U63Z	F34.1	19	U64Z
			F31.0	14	001A, 001B, 001C, 001D, 001E, 001F, 001G, 060A, 060B, 060C	F34.8	19	U63Z
				19	U63Z	F34.9	19	U63Z
						F38.0	19	U63Z
						F38.1	19	U63Z
						F38.8	19	U63Z
						F39	19	U63Z
						F40.00	19	U64Z
						F40.01	19	U64Z

Dg

ICD	MDC	DRG	ICD	MDC	DRG	ICD	MDC	DRG
F40.1	19	U64Z	F50.3	14	O01A, O01B, O01C, O01D, O01E, O01F, O01G, O60A, O60B, O60C	F62.9	19	U66Z
F40.2	19	U64Z				F63.0	19	U66Z
F40.8	19	U64Z				F63.1	19	U66Z
F40.9	19	U64Z		19	U66Z	F63.2	19	U66Z
F41.0	19	U64Z	F50.4	14	O01A, O01B, O01C, O01D, O01E, O01F, O01G, O60A, O60B, O60C	F63.3	19	U66Z
F41.1	19	U64Z				F63.8	19	U66Z
F41.2	19	U64Z		19	U66Z	F63.9	19	U66Z
F41.3	19	U64Z		19	U66Z	F64.0	19	U01Z, U66Z
F41.8	19	U64Z	F50.5	19	U66Z	F64.1	19	U01Z, U66Z
F41.9	19	U64Z	F50.8	14	O01A, O01B, O01C, O01D, O01E, O01F, O01G, O60A, O60B, O60C	F64.2	19	U66Z
F42.0	19	U66Z		19	U66Z	F64.8	19	U01Z, U66Z
F42.1	19	U66Z				F64.9	19	U01Z, U66Z
F42.2	19	U66Z	F50.9	14	O01A, O01B, O01C, O01D, O01E, O01F, O01G, O60A, O60B, O60C	F65.0	19	U66Z
F42.8	19	U66Z		19	U66Z	F65.1	19	U66Z
F42.9	19	U66Z	F51.0	19	U64Z	F65.2	19	U66Z
F43.0	19	U66Z		19	U64Z	F65.3	19	U66Z
F43.1	19	U66Z	F51.1	19	U64Z	F65.4	19	U66Z
F43.2	19	U66Z	F51.2	19	U64Z	F65.5	19	U66Z
F43.8	19	U66Z	F51.3	19	U64Z	F65.6	19	U66Z
F43.9	19	U66Z	F51.4	19	U64Z	F65.8	19	U66Z
F44.0	19	U64Z	F51.5	19	U64Z	F65.9	19	U66Z
F44.1	19	U64Z	F51.8	19	U64Z	F66.0	19	U66Z
F44.2	19	U64Z	F51.9	19	U64Z	F66.1	19	U66Z
F44.3	19	U64Z	F52.0	19	U66Z	F66.2	19	U66Z
F44.4	15	P65C, P66C, P67B, P67C	F52.1	19	U66Z	F66.8	19	U66Z
	19	U64Z	F52.2	12	M64Z	F66.9	19	U66Z
F44.5	19	U64Z		13	N04Z, N05A, N05B, N14Z, N21Z, N25Z, N62B	F68.0	19	U64Z
F44.6	19	U64Z	F52.3	19	U66Z	F68.1	19	U66Z
F44.7	19	U64Z	F52.4	19	U66Z	F68.8	19	U66Z
F44.80	19	U64Z	F52.5	13	N04Z, N05A, N05B, N14Z, N21Z, N25Z, N62B	F69	19	U66Z
F44.81	19	U64Z				F70.0	01	B81A, B81B
F44.82	19	U64Z	F52.6	19	U66Z	F70.1	01	B81A, B81B
F44.88	19	U64Z	F52.7	19	U66Z	F70.8	01	B81A, B81B
F44.9	19	U64Z	F52.8	19	U66Z	F70.9	01	B81A, B81B
F45.0	19	U64Z	F52.9	19	U66Z	F71.0	01	B81A, B81B
F45.1	19	U64Z	F53.0	14	O04A, O04B, O61Z	F71.1	01	B81A, B81B
F45.2	19	U64Z	F53.1	14	O04A, O04B, O61Z	F71.8	01	B81A, B81B
F45.30	05	F73Z	F53.8	14	O04A, O04B, O61Z	F71.9	01	B81A, B81B
F45.31	19	U64Z	F53.9	14	O04A, O04B, O61Z	F72.0	01	B81A, B81B
F45.32	19	U64Z	F54	19	U66Z	F72.1	01	B81A, B81B
F45.33	04	E65A, E65B, E69A, E69B, E69C, E69D, E69E, E69F, E75A, E75B, E75C	F55.0	20	V64Z	F72.8	01	B81A, B81B
			F55.1	20	V64Z	F72.9	01	B81A, B81B
F45.34	11	L68A, L68B, L74Z	F55.2	20	V64Z	F73.0	01	B81A, B81B
F45.37	19	U64Z	F55.3	20	V64Z	F73.1	01	B81A, B81B
F45.38	19	U64Z	F55.4	20	V64Z	F73.8	01	B81A, B81B
F45.39	19	U64Z	F55.5	20	V64Z	F73.9	01	B81A, B81B
F45.40	19	U64Z	F55.6	20	V64Z	F74.0	01	B81A, B81B
F45.41	19	U64Z	F55.8	20	V64Z	F74.1	01	B81A, B81B
F45.8	19	U64Z	F55.9	20	V64Z	F74.8	01	B81A, B81B
F45.9	19	U64Z	F59	19	U64Z	F74.9	01	B81A, B81B
F48.0	19	U64Z	F60.0	19	U66Z	F78.0	01	B81A, B81B
F48.1	19	U64Z	F60.1	19	U66Z	F78.1	01	B81A, B81B
F48.8	19	U64Z	F60.2	19	U66Z	F78.8	01	B81A, B81B
F48.9	19	U64Z	F60.30	19	U66Z	F78.9	01	B81A, B81B
F50.0	14	O01A, O01B, O01C, O01D, O01E, O01F, O01G, O60A, O60B, O60C	F60.31	19	U66Z	F79.0	01	B81A, B81B
	19	U66Z	F60.4	19	U66Z	F79.1	01	B81A, B81B
F50.1	14	O01A, O01B, O01C, O01D, O01E, O01F, O01G, O60A, O60B, O60C	F60.5	19	U66Z	F79.8	01	B81A, B81B
	19	U66Z	F60.6	19	U66Z	F79.9	01	B81A, B81B
F50.2	14	O01A, O01B, O01C, O01D, O01E, O01F, O01G, O60A, O60B, O60C	F60.7	19	U66Z	F80.0	19	U66Z
	19	U66Z	F60.8	19	U66Z	F80.20	19	U66Z
			F60.9	19	U66Z	F80.28	19	U66Z
			F61	19	U66Z	F80.3	19	U66Z
			F62.0	19	U66Z	F80.8	19	U66Z
			F62.1	19	U66Z	F80.9	19	U66Z
			F62.80	19	U66Z	F81.0	19	U66Z
			F62.88	19	U66Z	F81.1	19	U66Z
						F81.2	19	U66Z
						F81.3	19	U66Z

ICD	MDC	DRG	ICD	MDC	DRG	ICD	MDC	DRG
F81.8	19	U66Z	F94.9	19	U66Z	G04.1	01	B03A, B48Z, B60A, B60B
F81.9	19	U66Z	F95.0	01	B81A, B81B	04	04	E40B, E69A, E77F
F82.0	15	TPN, VTPN	F95.1	01	B81A, B81B	06	06	G67C
	19	U66Z	F95.2	01	B81A, B81B	08	08	I06A, I08C, I09D, I10C, I13A, I13B, I68A, I68B, I69A, I69B
F82.1	15	TPN, VTPN	F95.8	01	B81A, B81B	09	09	J02A, J08A, J08B, J08C, J11A
	19	U66Z	F95.9	01	B81A, B81B	10	10	K62A
F82.2	15	TPN, VTPN	F98.0	19	U66Z	11	11	L18A, L18B, L20A, L20B, L38Z, L42A, L74Z
	19	U66Z	F98.1	19	U66Z	18B	18B	T60B
F82.9	15	TPN, VTPN	F98.2	19	U66Z	Pre	Pre	A07D, A09E, A11F, A13F
	19	U66Z	F98.3	19	U66Z	G04.2	01	B72A, B72B
F83	15	TPN, VTPN	F98.4	19	U66Z	18A	18A	S65A, S65B
	19	U66Z	F98.5	01	B81A, B81B	Pre	Pre	A07D, A09E, A11F, A13F
F84.0	14	O01A, O01B, O01C, O01D, O01E, O01F, O01G, O60A, O60B, O60C	F98.6	01	B81A, B81B	G04.8	01	B72A, B72B
	19	U66Z	F98.8	19	U66Z	18A	18A	S65A, S65B
F84.1	14	O01A, O01B, O01C, O01D, O01E, O01F, O01G, O60A, O60B, O60C	F98.9	19	U66Z	Pre	Pre	A07D, A09E, A11F, A13F
	19	U66Z	F99	19	U64Z	G04.9	01	B72A, B72B
F84.2	01	B48Z, B85A, B85B, B85C, B85D	G00.0	01	B72A, B72B	18A	18A	S65A, S65B
	14	O01A, O01B, O01C, O01D, O01E, O01F, O01G, O60A, O60B, O60C	15	15	TPN, VTPN	Pre	Pre	A07D, A09E, A11F, A13F
	19	U66Z	Pre	Pre	A07D, A09E, A11F, A13F	G05.0	15	TPN, VTPN
F84.3	14	O01A, O01B, O01C, O01D, O01E, O01F, O01G, O60A, O60B, O60C	G00.1	01	B72A, B72B	Pre	Pre	A07D, A09E, A11F, A13F
	19	U66Z	15	15	TPN, VTPN	G05.1	15	TPN, VTPN
F84.4	14	O01A, O01B, O01C, O01D, O01E, O01F, O01G, O60A, O60B, O60C	Pre	Pre	A07D, A09E, A11F, A13F	Pre	Pre	A07D, A09E, A11F, A13F
	19	U66Z	G00.2	01	B72A, B72B	G05.2	15	TPN, VTPN
F84.5	14	O01A, O01B, O01C, O01D, O01E, O01F, O01G, O60A, O60B, O60C	15	15	TPN, VTPN	Pre	Pre	A07D, A09E, A11F, A13F
	19	U66Z	Pre	Pre	A07D, A09E, A11F, A13F	G05.8	15	TPN, VTPN
F84.8	14	O01A, O01B, O01C, O01D, O01E, O01F, O01G, O60A, O60B, O60C	G00.3	01	B72A, B72B	Pre	Pre	A07D, A09E, A11F, A13F
	19	U66Z	15	15	TPN, VTPN	G06.0	01	B02A, B02B, B02C, B02D, B72A, B72B
F84.9	14	O01A, O01B, O01C, O01D, O01E, O01F, O01G, O60A, O60B, O60C	Pre	Pre	A07D, A09E, A11F, A13F	15	15	TPN, VTPN
	19	U66Z	G00.8	01	B72A, B72B	Pre	Pre	A07D, A09E, A11F, A13F
F88	19	U66Z	15	15	TPN, VTPN	G06.1	01	B02A, B02B, B02C, B02D, B72A, B72B
F89	19	U66Z	G00.9	01	B72A, B72B	15	15	TPN, VTPN
F90.0	19	U66Z	15	15	TPN, VTPN	Pre	Pre	A07D, A09E, A11F, A13F
F90.1	19	U66Z	G01	15	TPN, VTPN	G06.2	01	B72A, B72B
F90.8	19	U66Z	Pre	Pre	A07D, A09E, A11F, A13F	15	15	TPN, VTPN
F90.9	19	U66Z	G02.0	15	TPN, VTPN	Pre	Pre	A07D, A09E, A11F, A13F
F91.0	19	U66Z	Pre	Pre	A07D, A09E, A11F, A13F	G07	15	TPN, VTPN
F91.1	19	U66Z	G02.1	15	TPN, VTPN	Pre	Pre	A07D, A09E, A11F, A13F
F91.2	19	U66Z	Pre	Pre	A07D, A09E, A11F, A13F	G08	01	B81A
F91.3	19	U66Z	G02.8	15	TPN, VTPN	15	15	TPN, VTPN
F91.8	19	U66Z	Pre	Pre	A07D, A09E, A11F, A13F	Pre	Pre	A07D, A09E, A11F, A13F
F91.9	19	U66Z	G03.0	01	B72A, B72B	G09	01	B48Z, B85A, B85B, B85C, B85D
F92.0	19	U66Z	15	15	TPN, VTPN	G10	01	B48Z, B85A, B85B, B85C, B85D
F92.8	19	U66Z	Pre	Pre	A07D, A09E, A11F, A13F	Pre	Pre	A07D, A09E, A11F, A13F
F92.9	19	U66Z	G03.1	01	B72A, B72B	G11.0	01	B03A, B03B, B06A, B06B, B17A, B17B, B17C, B17D, B48Z, B68A, B68B, B68C
F93.0	19	U66Z	15	15	TPN, VTPN	Pre	Pre	A07D, A09E, A11F, A13F
F93.1	19	U66Z	Pre	Pre	A07D, A09E, A11F, A13F	G11.1	01	B03A, B03B, B06A, B06B, B17A, B17B, B17C, B17D, B48Z, B68A, B68B, B68C
F93.2	19	U66Z	G03.2	01	B72A, B72B	Pre	Pre	A07D, A09E, A11F, A13F
F93.3	19	U66Z	15	15	TPN, VTPN	G11.2	01	B03A, B03B, B06A, B06B, B17A, B17B, B17C, B17D, B48Z, B68A, B68B, B68C
F93.8	19	U66Z	Pre	Pre	A07D, A09E, A11F, A13F	Pre	Pre	A07D, A09E, A11F, A13F
F93.9	19	U66Z	G03.8	01	B72A, B72B	G11.3	01	B03A, B03B, B06A, B06B, B17A, B17B, B17C, B17D, B48Z, B68A, B68B, B68C
F94.0	19	U66Z	15	15	TPN, VTPN	Pre	Pre	A07D, A09E, A11F, A13F
F94.1	19	U66Z	Pre	Pre	A07D, A09E, A11F, A13F	G11.4	01	B03A, B03B, B06A, B06B, B17A, B17B, B17C, B17D, B48Z, B68A, B68B, B68C
F94.2	19	U66Z	G03.9	01	B72A, B72B	Pre	Pre	A07D, A09E, A11F, A13F
F94.8	19	U66Z	15	15	TPN, VTPN			
			Pre	Pre	A07D, A09E, A11F, A13F			

ICD	MDC	DRG	ICD	MDC	DRG	ICD	MDC	DRG
G11.8	01	B03A, B03B, B06A, B06B, B17A, B17B, B17C, B17D, B48Z, B68A, B68B, B68C	G23.2	01	B17A, B48Z, B85A, B85B, B85C	G35.10	01	B03A, B03B, B06A, B06B, B17A, B17B, B17C, B17D, B48Z, B68A, B68B, B68C, B68D
	Pre	A07D, A09E, A11F, A13F		Pre	A07D, A09E, A11F, A13F			
G11.9	01	B03A, B03B, B06A, B06B, B17A, B17B, B17C, B17D, B48Z, B68A, B68B, B68C	G23.8	01	B67A, B67B		14	O01A, O01B, O01C, O01D, O01E, O01F, O01G, O60A, O60B, O60C
	Pre	A07D, A09E, A11F, A13F		Pre	A07D, A09E, A11F, A13F		Pre	A07D, A09E, A11F, A13F
G12.0	01	B03A, B03B, B06A, B06B, B17A, B17B, B17C, B17D, B48Z, B85A, B85B, B85C, B85D	G23.9	01	B67A, B67B	G35.11	01	B03A, B03B, B06A, B06B, B17A, B17B, B17C, B17D, B48Z, B68A, B68B, B68C, B68D
	Pre	A07D, A09E, A11F, A13F		Pre	A07D, A09E, A11F, A13F		14	O01A, O01B, O01C, O01D, O01E, O01F, O01G, O60A, O60B, O60C
	15	TPN, VTPN	G24.0	01	B48Z, B85A, B85B, B85C, B85D		Pre	A07D, A09E, A11F, A13F
	Pre	A07D, A09E, A11F, A13F	G24.1	01	B48Z, B85A, B85B, B85C, B85D		01	B03A, B03B, B06A, B06B, B17A, B17B, B17C, B17D, B48Z, B68A, B68B, B68C, B68D
G12.1	01	B03A, B03B, B06A, B06B, B17A, B17B, B17C, B17D, B48Z, B85A, B85B, B85C, B85D	G24.2	01	B48Z, B85A, B85B, B85C, B85D		14	O01A, O01B, O01C, O01D, O01E, O01F, O01G, O60A, O60B, O60C
	Pre	A07D, A09E, A11F, A13F	G24.3	01	B81A, B81B		Pre	A07D, A09E, A11F, A13F
	15	TPN, VTPN	G24.4	01	B81A, B81B	G35.20	01	B03A, B03B, B06A, B06B, B17A, B17B, B17C, B17D, B48Z, B68A, B68B, B68C, B68D
	Pre	A07D, A09E, A11F, A13F	G24.5	02	C61Z		14	O01A, O01B, O01C, O01D, O01E, O01F, O01G, O60A, O60B, O60C
G12.2	01	B03A, B03B, B06A, B06B, B17A, B17B, B17C, B17D, B48Z, B85A, B85B, B85C, B85D	G24.8	01	B81A, B81B		Pre	A07D, A09E, A11F, A13F
	Pre	A07D, A09E, A11F, A13F	G24.9	01	B81A, B81B		01	B03A, B03B, B06A, B06B, B17A, B17B, B17C, B17D, B48Z, B68A, B68B, B68C, B68D
	15	TPN, VTPN	G25.0	01	B81A, B81B		14	O01A, O01B, O01C, O01D, O01E, O01F, O01G, O60A, O60B, O60C
	Pre	A07D, A09E, A11F, A13F	G25.1	01	B81A, B81B		Pre	A07D, A09E, A11F, A13F
G12.8	01	B03A, B03B, B06A, B06B, B17A, B17B, B17C, B17D, B48Z, B85A, B85B, B85C, B85D	G25.2	01	B81A, B81B	G35.21	01	B03A, B03B, B06A, B06B, B17A, B17B, B17C, B17D, B48Z, B68A, B68B, B68C, B68D
	Pre	A07D, A09E, A11F, A13F	G25.3	01	B76A, B76B, B76C, B76D, B76E, B76F, B76G		14	O01A, O01B, O01C, O01D, O01E, O01F, O01G, O60A, O60B, O60C
	15	TPN, VTPN	G25.4	01	B48Z, B85A, B85B, B85C, B85D		Pre	A07D, A09E, A11F, A13F
	Pre	A07D, A09E, A11F, A13F	G25.5	01	B48Z, B85A, B85B, B85C, B85D		01	B03A, B03B, B06A, B06B, B17A, B17B, B17C, B17D, B48Z, B68A, B68B, B68C, B68D
G12.9	01	B03A, B03B, B06A, B06B, B17A, B17B, B17C, B17D, B48Z, B85A, B85B, B85C, B85D	G25.6	01	B81A, B81B		14	O01A, O01B, O01C, O01D, O01E, O01F, O01G, O60A, O60B, O60C
	Pre	A07D, A09E, A11F, A13F	G25.80	01	B03A, B03B, B06A, B06B, B17A, B17B, B17C, B17D, B48Z, B85A, B85B, B85C, B85D		Pre	A07D, A09E, A11F, A13F
	15	TPN, VTPN	G25.81	01	B03A, B03B, B06A, B06B, B17A, B17B, B17C, B17D, B48Z, B85A, B85B, B85C, B85D	G35.30	01	B03A, B03B, B06A, B06B, B17A, B17B, B17C, B17D, B48Z, B68A, B68B, B68C, B68D
G13.0	Pre	A07D, A09E, A11F, A13F					14	O01A, O01B, O01C, O01D, O01E, O01F, O01G, O60A, O60B, O60C
G13.1	Pre	A07D, A09E, A11F, A13F					Pre	A07D, A09E, A11F, A13F
G13.2	Pre	A07D, A09E, A11F, A13F					01	B03A, B03B, B06A, B06B, B17A, B17B, B17C, B17D, B48Z, B68A, B68B, B68C, B68D
G13.8	Pre	A07D, A09E, A11F, A13F	G25.88	01	B03A, B03B, B06A, B06B, B17A, B17B, B17C, B17D, B48Z, B85A, B85B, B85C, B85D		14	O01A, O01B, O01C, O01D, O01E, O01F, O01G, O60A, O60B, O60C
G20.00	01	B67A, B67B					Pre	A07D, A09E, A11F, A13F
G20.01	01	B67A, B67B					01	B03A, B03B, B06A, B06B, B17A, B17B, B17C, B17D, B48Z, B68A, B68B, B68C, B68D
G20.10	01	B67A, B67B					14	O01A, O01B, O01C, O01D, O01E, O01F, O01G, O60A, O60B, O60C
	Pre	A07D, A09E, A11F, A13F	G25.9	01	B48Z, B85A, B85B, B85C, B85D	G35.31	01	B03A, B03B, B06A, B06B, B17A, B17B, B17C, B17D, B48Z, B68A, B68B, B68C, B68D
G20.11	01	B67A, B67B					14	O01A, O01B, O01C, O01D, O01E, O01F, O01G, O60A, O60B, O60C
	Pre	A07D, A09E, A11F, A13F	G30.0	01	B63Z		Pre	A07D, A09E, A11F, A13F
G20.20	01	B67A	G30.1	01	B63Z		01	B03A, B03B, B06A, B06B, B17A, B17B, B17C, B17D, B48Z, B68A, B68B, B68C, B68D
	Pre	A07D, A09E, A11F, A13F	G30.8	01	B63Z		14	O01A, O01B, O01C, O01D, O01E, O01F, O01G, O60A, O60B, O60C
G20.21	01	B67A	G30.9	01	B63Z		Pre	A07D, A09E, A11F, A13F
	Pre	A07D, A09E, A11F, A13F	G31.0	01	B63Z		01	B03A, B03B, B06A, B06B, B17A, B17B, B17C, B17D, B48Z, B68A, B68B, B68C, B68D
G20.90	01	B67A, B67B	G31.2	01	B48Z, B85A, B85B, B85C, B85D	G35.9	01	B03A, B03B, B06A, B06B, B17A, B17B, B17C, B17D, B48Z, B68A, B68B, B68C, B68D
G20.91	01	B67A, B67B					14	O01A, O01B, O01C, O01D, O01E, O01F, O01G, O60A, O60B, O60C
G21.0	01	B03A, B03B, B06A, B06B, B17A, B17B, B17C, B17D, B67A, B67B	G31.81	01	B17A, B48Z, B76F, B85A, B85B, B85C		Pre	A07D, A09E, A11F, A13F
	Pre	A07D, A09E, A11F, A13F		Pre	A07D, A09E, A11F, A13F		01	B03A, B03B, B06A, B06B, B17A, B17B, B17C, B17D, B48Z, B68A, B68B, B68C, B68D
G21.1	01	B03A, B03B, B06A, B06B, B17A, B17B, B17C, B17D, B67A, B67B	G31.82	01	B17A, B48Z, B76F, B85A, B85B, B85C	G36.0	01	B03A, B03B, B06A, B06B, B17A, B17B, B17C, B17D, B48Z, B68A, B68B, B68C, B68D
	Pre	A07D, A09E, A11F, A13F		Pre	A07D, A09E, A11F, A13F		Pre	A07D, A09E, A11F, A13F
G21.2	01	B67A, B67B	G31.88	01	B17A, B48Z, B76F, B85A, B85B, B85C		01	B03A, B03B, B06A, B06B, B17A, B17B, B17C, B17D, B48Z, B68A, B68B, B68C, B68D
	Pre	A07D, A09E, A11F, A13F		Pre	A07D, A09E, A11F, A13F		Pre	A07D, A09E, A11F, A13F
G21.3	01	B67A, B67B	G31.9	01	B48Z, B85A, B85B, B85C, B85D		01	B03A, B03B, B06A, B06B, B17A, B17B, B17C, B17D, B48Z, B68A, B68B, B68C, B68D
	Pre	A07D, A09E, A11F, A13F		Pre	A07D, A09E, A11F, A13F		Pre	A07D, A09E, A11F, A13F
G21.4	01	B67A, B67B	G35.0	01	B03A, B03B, B06A, B06B, B17A, B17B, B17C, B17D, B48Z, B68A, B68B, B68C, B68D	G36.1	01	B03A, B03B, B06A, B06B, B17A, B17B, B17C, B17D, B48Z, B68A, B68B, B68C, B68D
G21.8	01	B67A, B67B		14	O01A, O01B, O01C, O01D, O01E, O01F, O01G, O60A, O60B, O60C		Pre	A07D, A09E, A11F, A13F
G21.9	01	B67A, B67B		Pre	A07D, A09E, A11F, A13F	G36.8	01	B03A, B03B, B06A, B06B, B17A, B17B, B17C, B17D, B48Z, B68A, B68B, B68C, B68D
G23.0	01	B67A, B67B					Pre	A07D, A09E, A11F, A13F
	Pre	A07D, A09E, A11F, A13F					01	B03A, B03B, B06A, B06B, B17A, B17B, B17C, B17D, B48Z, B68A, B68B, B68C, B68D
G23.1	01	B03A, B03B, B06A, B06B, B17A, B17B, B17C, B17D, B67A, B67B					Pre	A07D, A09E, A11F, A13F
	Pre	A07D, A09E, A11F, A13F					01	B03A, B03B, B06A, B06B, B17A, B17B, B17C, B17D, B48Z, B68A, B68B, B68C, B68D





ICD	MDC	DRG	ICD	MDC	DRG	ICD	MDC	DRG
G44.0	01	B03A, B03B, B06A, B06B, B17A, B17B, B17C, B17D, B77Z	G45.89	01	B03A, B03B, B06A, B06B, B17A, B17B, B17C, B17D, B39A, B39B, B39C, B69A, B69B, B69C, B69D	G51.9	01	B03A, B03B, B06A, B06B, B17A, B17B, B17C, B17D, B20D, B71A, B71B, B71C, B71D
G44.1	01	B03A, B03B, B06A, B06B, B17A, B17B, B17C, B17D, B77Z	G45.92	01	B03A, B03B, B06A, B06B, B17A, B17B, B17C, B17D, B39A, B39B, B39C, B69A, B69B, B69C, B69D	G52.0	01	B03A, B03B, B06A, B06B, B17A, B17B, B17C, B17D, B20D, B71A, B71B, B71C, B71D
G44.2	01	B77Z	G45.93	01	B03A, B03B, B06A, B06B, B17A, B17B, B17C, B17D, B39A, B39B, B39C, B69A, B69B, B69C, B69D	G52.1	01	B03A, B03B, B06A, B06B, B17A, B17B, B17C, B17D, B20D, B71A, B71B, B71C, B71D
G44.3	01	B77Z	G45.99	01	B03A, B03B, B06A, B06B, B17A, B17B, B17C, B17D, B39A, B39B, B39C, B69A, B69B, B69C, B69D	G52.2	01	B03A, B03B, B06A, B06B, B17A, B17B, B17C, B17D, B20D, B71A, B71B, B71C, B71D
G44.4	01	B03A, B03B, B06A, B06B, B17A, B17B, B17C, B17D, B77Z	G47.0	19	U64Z	G52.3	01	B03A, B03B, B06A, B06B, B17A, B17B, B17C, B17D, B20D, B71A, B71B, B71C, B71D
G44.8	01 18A	B77Z S65A, S65B	G47.1	19	U64Z	G52.7	01	B03A, B03B, B06A, B06B, B17A, B17B, B17C, B17D, B20D, B71A, B71B, B71C, B71D
G45.02	01	B03A, B03B, B06A, B06B, B17A, B17B, B17C, B17D, B39A, B39B, B39C, B69A, B69B, B69C, B69D	G47.2	19	U64Z	G52.8	01	B03A, B03B, B06A, B06B, B17A, B17B, B17C, B17D, B20D, B71A, B71B, B71C, B71D
G45.03	01	B03A, B03B, B06A, B06B, B17A, B17B, B17C, B17D, B39A, B39B, B39C, B69A, B69B, B69C, B69D	G47.30	04	E07Z, E63Z	G52.9	01	B03A, B03B, B06A, B06B, B17A, B17B, B17C, B17D, B20D, B71A, B71B, B71C, B71D
G45.09	01	B03A, B03B, B06A, B06B, B17A, B17B, B17C, B17D, B39A, B39B, B39C, B69A, B69B, B69C, B69D	G47.31	04	E07Z, E63Z	G53.1	15	TPN, VTPN
G45.12	01	B03A, B03B, B06A, B06B, B17A, B17B, B17C, B17D, B39A, B39B, B39C, B69A, B69B, B69C, B69D	G47.32	04	E07Z, E63Z	G53.2	15	TPN, VTPN
G45.13	01	B03A, B03B, B06A, B06B, B17A, B17B, B17C, B17D, B39A, B39B, B39C, B69A, B69B, B69C, B69D	G47.38	04	E07Z, E63Z	G53.3	15	TPN, VTPN
G45.19	01	B03A, B03B, B06A, B06B, B17A, B17B, B17C, B17D, B39A, B39B, B39C, B69A, B69B, B69C, B69D	G47.39	04	E07Z, E63Z	G54.0	01	B03A, B03B, B06A, B06B, B17A, B17B, B17C, B17D, B71A, B71B, B71C, B71D
G45.22	01	B03A, B03B, B06A, B06B, B17A, B17B, B17C, B17D, B39A, B39B, B39C, B69A, B69B, B69C, B69D	G47.4	01	B03A, B03B, B06A, B06B, B17A, B17B, B17C, B17D, B81A, B81B	G54.1	01	B03A, B03B, B06A, B06B, B17A, B17B, B17C, B17D, B71A, B71B, B71C, B71D
G45.23	01	B03A, B03B, B06A, B06B, B17A, B17B, B17C, B17D, B39A, B39B, B39C, B69A, B69B, B69C, B69D	G47.8	19	U64Z	G54.2	01	B03A, B03B, B06A, B06B, B17A, B17B, B17C, B17D, B71A, B71B, B71C, B71D
G45.29	01	B03A, B03B, B06A, B06B, B17A, B17B, B17C, B17D, B39A, B39B, B39C, B69A, B69B, B69C, B69D	G47.9	19	U64Z	G54.3	01	B03A, B03B, B06A, B06B, B17A, B17B, B17C, B17D, B71A, B71B, B71C, B71D
G45.32	02	C61Z	G50.0	01	B03A, B03B, B06A, B06B, B17A, B17B, B17C, B17D, B20D, B20E, B71A, B71B, B71C, B71D	G54.4	01	B03A, B03B, B06A, B06B, B17A, B17B, B17C, B17D, B71A, B71B, B71C, B71D
G45.33	02	C61Z	G50.1	01	B03A, B03B, B06A, B06B, B17A, B17B, B17C, B17D, B20D, B71A, B71B, B71C, B71D	G54.5	01	B03A, B03B, B06A, B06B, B17A, B17B, B17C, B17D, B71A, B71B, B71C, B71D
G45.39	02	C61Z	G50.8	01	B03A, B03B, B06A, B06B, B17A, B17B, B17C, B17D, B20D, B71A, B71B, B71C, B71D	G54.6	01	B03A, B03B, B06A, B06B, B17A, B17B, B17C, B17D, B20D, B71A, B71B, B71C, B71D
G45.42	01	B03A, B03B, B06A, B06B, B17A, B17B, B17C, B17D, B39A, B39B, B39C, B69A, B69B, B69C, B69D	G50.9	01	B03A, B03B, B06A, B06B, B17A, B17B, B17C, B17D, B20D, B71A, B71B, B71C, B71D	G54.7	01	B03A, B03B, B06A, B06B, B17A, B17B, B17C, B17D, B20D, B71A, B71B, B71C, B71D
G45.43	01	B03A, B03B, B06A, B06B, B17A, B17B, B17C, B17D, B39A, B39B, B39C, B69A, B69B, B69C, B69D	G51.0	01	B03A, B03B, B06A, B06B, B17A, B17B, B17C, B17D, B20D, B71A, B71B, B71C, B71D	G54.8	01	B03A, B03B, B06A, B06B, B17A, B17B, B17C, B17D, B20D, B71A, B71B, B71C, B71D
G45.49	01	B03A, B03B, B06A, B06B, B17A, B17B, B17C, B17D, B39A, B39B, B39C, B69A, B69B, B69C, B69D	G51.1	01	B03A, B03B, B06A, B06B, B17A, B17B, B17C, B17D, B20D, B71A, B71B, B71C, B71D	G54.9	01	B03A, B03B, B06A, B06B, B17A, B17B, B17C, B17D, B20D, B71A, B71B, B71C, B71D
G45.82	01	B03A, B03B, B06A, B06B, B17A, B17B, B17C, B17D, B39A, B39B, B39C, B69A, B69B, B69C, B69D	G51.2	01	B03A, B03B, B06A, B06B, B17A, B17B, B17C, B17D, B20D, B71A, B71B, B71C, B71D	G55.1	15	TPN, VTPN
G45.83	01	B03A, B03B, B06A, B06B, B17A, B17B, B17C, B17D, B39A, B39B, B39C, B69A, B69B, B69C, B69D	G51.3	01	B03A, B03B, B06A, B06B, B17A, B17B, B17C, B17D, B20D, B71A, B71B, B71C, B71D			
			G51.4	01	B03A, B03B, B06A, B06B, B17A, B17B, B17C, B17D, B20D, B71A, B71B, B71C, B71D			
			G51.8	01	B03A, B03B, B06A, B06B, B17A, B17B, B17C, B17D, B20D, B71A, B71B, B71C, B71D			

ICD	MDC	DRG	ICD	MDC	DRG	ICD	MDC	DRG
G55.2	15	TPN, VTPN	G60.2	01	B03A, B03B, B06A, B06B, B17A, B17B, B17C, B17D, B71A, B71B, B71C, B71D	G63.8	Pre	A07D, A09E, A11F, A13F
G56.0	01	B03A, B03B, B06A, B06B, B17A, B17B, B17C, B17D, B82Z		Pre	A07D, A09E, A11F, A13F	G64	01	B03A, B03B, B06A, B06B, B17A, B17B, B17C, B17D, B71A, B71B, B71C, B71D
G56.1	01	B03A, B03B, B06A, B06B, B17A, B17B, B17C, B17D, B71A, B71B, B71C, B71D	G60.3	01	B03A, B03B, B06A, B06B, B17A, B17B, B17C, B17D, B71A, B71B, B71C, B71D		Pre	A07D, A09E, A11F, A13F
G56.2	01	B03A, B03B, B06A, B06B, B17A, B17B, B17C, B17D, B71A, B71B, B71C, B71D		Pre	A07D, A09E, A11F, A13F	G70.0	01	B03A, B03B, B06A, B06B, B17A, B17B, B48Z, B85A, B85B, B85C
G56.3	01	B03A, B03B, B06A, B06B, B17A, B17B, B17C, B17D, B71A, B71B, B71C, B71D	G60.8	01	B03A, B03B, B06A, B06B, B17A, B17B, B17C, B17D, B71A, B71B, B71C, B71D		15	TPN, VTPN
G56.4	01	B03A, B03B, B06A, B06B, B17A, B17B, B17C, B17D, B71A, B71B, B71C, B71D		Pre	A07D, A09E, A11F, A13F	G70.1	01	B03A, B03B, B06A, B06B, B17A, B17B, B17C, B17D, B71A, B71B, B71C, B71D
G56.8	01	B03A, B03B, B06A, B06B, B17A, B17B, B17C, B17D, B71A, B71B, B71C, B71D	G60.9	01	B03A, B03B, B06A, B06B, B17A, B17B, B17C, B17D, B71A, B71B, B71C, B71D		Pre	A07D, A09E, A11F, A13F
G56.9	01	B03A, B03B, B06A, B06B, B17A, B17B, B17C, B17D, B71A, B71B, B71C, B71D		18A	S65A, S65B	G70.2	01	B03A, B03B, B06A, B06B, B17A, B17B, B17C, B17D, B48Z, B85A, B85B, B85C, B85D
G57.0	01	B03A, B03B, B06A, B06B, B17A, B17B, B17C, B17D, B71A, B71B, B71C, B71D	G61.0	01	B03A, B03B, B06A, B06B, B17A, B17B, B17C, B17D, B71A, B71B, B71C		15	TPN, VTPN
G57.1	01	B03A, B03B, B06A, B06B, B17A, B17B, B17C, B17D, B71A, B71B, B71C, B71D		Pre	A07D, A09E, A11F, A13F	G70.8	01	B03A, B03B, B06A, B06B, B17A, B17B, B17C, B17D, B71A, B71B, B71C, B71D
G57.2	01	B03A, B03B, B06A, B06B, B17A, B17B, B17C, B17D, B71A, B71B, B71C, B71D	G61.1	01	B03A, B03B, B06A, B06B, B17A, B17B, B17C, B17D, B71A, B71B, B71C, B71D		15	TPN, VTPN
G57.3	01	B03A, B03B, B06A, B06B, B17A, B17B, B17C, B17D, B71A, B71B, B71C, B71D		Pre	A07D, A09E, A11F, A13F	G70.9	01	B03A, B03B, B06A, B06B, B17A, B17B, B17C, B17D, B71A, B71B, B71C, B71D
G57.4	01	B03A, B03B, B06A, B06B, B17A, B17B, B17C, B17D, B71A, B71B, B71C, B71D	G61.8	01	B03A, B03B, B06A, B06B, B17A, B17B, B17C, B17D, B71A, B71B, B71C, B71D		Pre	A07D, A09E, A11F, A13F
G57.5	01	B03A, B03B, B06A, B06B, B17A, B17B, B17C, B17D, B71A, B71B, B71C, B71D		18A	S65A, S65B	G71.0	01	B03A, B03B, B06A, B06B, B17A, B17B, B17C, B17D, B48Z, B85A, B85B, B85C, B85D
G57.6	01	B03A, B03B, B06A, B06B, B17A, B17B, B17C, B17D, B71A, B71B, B71C, B71D	G61.9	01	B03A, B03B, B06A, B06B, B17A, B17B, B17C, B17D, B71A, B71B, B71C, B71D		15	TPN, VTPN
G57.7	01	B03A, B03B, B06A, B06B, B17A, B17B, B17C, B17D, B71A, B71B, B71C, B71D		Pre	A07D, A09E, A11F, A13F	G71.1	01	B03A, B03B, B06A, B06B, B17A, B17B, B17C, B17D, B81A, B81B
G57.8	01	B03A, B03B, B06A, B06B, B17A, B17B, B17C, B17D, B71A, B71B, B71C, B71D	G62.0	01	B03A, B03B, B06A, B06B, B17A, B17B, B17C, B17D, B71A, B71B, B71C, B71D		15	TPN, VTPN
G57.9	01	B03A, B03B, B06A, B06B, B17A, B17B, B17C, B17D, B71A, B71B, B71C, B71D		Pre	A07D, A09E, A11F, A13F	G71.2	01	B03A, B03B, B06A, B06B, B17A, B17B, B17C, B17D, B48Z, B85A, B85B, B85C, B85D
G58.0	01	B03A, B03B, B06A, B06B, B17A, B17B, B17C, B17D, B82Z	G62.1	01	B03A, B03B, B06A, B06B, B17A, B17B, B17C, B17D, B71A, B71B, B71C, B71D		15	TPN, VTPN
G58.7	01	B03A, B03B, B06A, B06B, B17A, B17B, B17C, B17D, B71A, B71B, B71C, B71D		Pre	A07D, A09E, A11F, A13F	G71.3	01	B03A, B03B, B06A, B06B, B17A, B17B, B17C, B17D, B48Z, B85A, B85B, B85C, B85D
G58.8	01	B03A, B03B, B06A, B06B, B17A, B17B, B17C, B17D, B71A, B71B, B71C, B71D	G62.2	01	B03A, B03B, B06A, B06B, B17A, B17B, B17C, B17D, B71A, B71B, B71C, B71D		Pre	A07D, A09E, A11F, A13F
G58.9	01	B03A, B03B, B06A, B06B, B17A, B17B, B17C, B17D, B71A, B71B, B71C, B71D		Pre	A07D, A09E, A11F, A13F	G71.8	01	B03A, B03B, B06A, B06B, B17A, B17B, B17C, B17D, B48Z, B85A, B85B, B85C, B85D
G60.0	01	B03A, B03B, B06A, B06B, B17A, B17B, B17C, B17D, B71A, B71B, B71C, B71D	G62.80	01	B03A, B03B, B06A, B06B, B17A, B17B, B17C, B17D, B71A, B71B, B71C, B71D		Pre	A07D, A09E, A11F, A13F
G60.1	Pre	A07D, A09E, A11F, A13F		18A	S65A, S65B	G71.9	01	B03A, B03B, B06A, B06B, B17A, B17B, B17C, B17D, B48Z, B85A, B85B, B85C, B85D
	Pre	A07D, A09E, A11F, A13F	G62.88	01	B03A, B03B, B06A, B06B, B17A, B17B, B17C, B17D, B71A, B71B, B71C, B71D		Pre	A07D, A09E, A11F, A13F
	Pre	A07D, A09E, A11F, A13F		18A	S65A, S65B	G72.0	01	B03A, B03B, B06A, B06B, B17A, B17B, B17C, B17D, B81A, B81B
	Pre	A07D, A09E, A11F, A13F	G63.0	Pre	A07D, A09E, A11F, A13F		Pre	A07D, A09E, A11F, A13F
	Pre	A07D, A09E, A11F, A13F	G63.1	Pre	A07D, A09E, A11F, A13F	G72.1	01	B03A, B03B, B06A, B06B, B17A, B17B, B17C, B17D, B81A, B81B
	Pre	A07D, A09E, A11F, A13F	G63.2	10	K60B		Pre	A07D, A09E, A11F, A13F
	Pre	A07D, A09E, A11F, A13F	G63.3	Pre	A07D, A09E, A11F, A13F		15	TPN, VTPN
	Pre	A07D, A09E, A11F, A13F	G63.4	Pre	A07D, A09E, A11F, A13F		Pre	A07D, A09E, A11F, A13F
	Pre	A07D, A09E, A11F, A13F	G63.5	Pre	A07D, A09E, A11F, A13F		15	TPN, VTPN
	Pre	A07D, A09E, A11F, A13F	G63.6	Pre	A07D, A09E, A11F, A13F		Pre	A07D, A09E, A11F, A13F

ICD	MDC	DRG	ICD	MDC	DRG	ICD	MDC	DRG
G72.2	01	B03A, B03B, B06A, B06B, B17A, B17B, B17C, B17D, B81A, B81B	G80.8	01	B03A, B03B, B06A, B06B, B17A, B17B, B17C, B17D, B48Z, B85A, B85B, B85C	G82.09	01	B03A, B48Z, B60A, B60B, B71A, B71B, B71C
	Pre	A07D, A09E, A11F, A13F		06	G67A		04	E40B, E69A, E77F
G72.3	01	B03A, B03B, B06A, B06B, B17A, B17B, B17C, B17D, B48Z, B85A, B85B, B85C, B85D		08	I08A, I08B, I08C, I20A, I20B, I27B, I71A		06	G67A, G67C
	Pre	A07D, A09E, A11F, A13F	G80.9	01	A07D, A09E, A11F, A13F B03A, B03B, B06A, B06B, B17A, B17B, B17C, B17D, B48Z, B85A, B85B, B85C		08	I06A, I08C, I09D, I10C, I13A, I13B, I68A, I68B, I69A, I69B
G72.4	01	B03A, B03B, B06A, B06B, B17A, B17B, B17C, B17D, B48Z, B85A, B85B, B85C, B85D		06	G67A		09	J02A, J08A, J08B, J08C, J11A, J61A, J61B, J61C
	Pre	A07D, A09E, A11F, A13F		08	I08A, I08B, I08C, I20A, I20B, I27B, I71A		10	K62A
G72.80	01	B03A, B03B, B06A, B06B, B17A, B17B, B17C, B17D, B48Z, B85A, B85B, B85C, B85D	G81.0	01	A07D, A09E, A11F, A13F B03A, B03B, B06A, B06B, B17A, B17B, B17C, B17D, B48Z, B85A, B85B, B85C, B85D	G82.10	11	L18A, L18B, L20A, L20B, L38Z, L42A, L74Z
	Pre	A07D, A09E, A11F, A13F		Pre	A07D, A09E, A11F, A13F		18B	T60B
G72.88	01	B03A, B03B, B06A, B06B, B17A, B17B, B17C, B17D, B48Z, B85A, B85B, B85C, B85D	G81.1	01	B03A, B03B, B06A, B06B, B17A, B17B, B17C, B17D, B48Z, B85A, B85B, B85C, B85D		01	B71A, B71B, B71C
	Pre	A07D, A09E, A11F, A13F		Pre	A07D, A09E, A11F, A13F		06	G67A
G72.9	01	B03A, B03B, B06A, B06B, B17A, B17B, B17C, B17D, B81A, B81B	G81.9	01	A07D, A09E, A11F, A13F B03A, B03B, B06A, B06B, B17A, B17B, B17C, B17D, B48Z, B85A, B85B, B85C, B85D		09	J61A, J61B, J61C
	Pre	A07D, A09E, A11F, A13F		Pre	A07D, A09E, A11F, A13F		Pre	B61A, B61B
G73.0	Pre	A07D, A09E, A11F, A13F		Pre	A07D, A09E, A11F, A13F	G82.11	01	B71A, B71B, B71C
G73.1	Pre	A07D, A09E, A11F, A13F		Pre	A07D, A09E, A11F, A13F		06	G67A
G73.2	Pre	A07D, A09E, A11F, A13F	G82.00	01	B71A, B71B, B71C		09	J61A, J61B, J61C
G73.3	Pre	A07D, A09E, A11F, A13F		06	G67A		Pre	B61A, B61B
G73.4	Pre	A07D, A09E, A11F, A13F		09	J61A, J61B, J61C		01	B71A, B71B, B71C
G73.5	Pre	A07D, A09E, A11F, A13F	G82.01	01	B71A, B71B, B71C		06	G67A
G73.6	Pre	A07D, A09E, A11F, A13F		06	G67A		09	J61A, J61B, J61C
G73.7	Pre	A07D, A09E, A11F, A13F		09	J61A, J61B, J61C		Pre	B61A, B61B
G80.0	01	B03A, B03B, B06A, B06B, B17A, B17B, B17C, B17D, B48Z, B85A, B85B, B85C	G82.02	01	B03A, B48Z, B60A, B60B, B71A, B71B, B71C	G82.13	01	B03A, B48Z, B60A, B60B, B71A, B71B, B71C
	06	G67A		04	E40B, E69A, E77F		04	E40B, E69A, E77F
	08	I08A, I08B, I08C, I20A, I20B, I27B, I71A		06	G67A, G67C		06	G67A, G67C
	Pre	A07D, A09E, A11F, A13F		08	I06A, I08C, I09D, I10C, I13A, I13B, I68A, I68B, I69A, I69B		08	I06A, I08C, I09D, I10C, I13A, I13B, I68A, I68B, I69A, I69B
G80.1	01	B03A, B03B, B06A, B06B, B17A, B17B, B17C, B17D, B48Z, B85A, B85B, B85C		09	J02A, J08A, J08B, J08C, J11A, J61A, J61B, J61C		09	J02A, J08A, J08B, J08C, J11A, J61A, J61B, J61C
	06	G67A		10	K62A		10	K62A
	08	I08A, I08B, I08C, I20A, I20B, I27B, I71A		11	L18A, L18B, L20A, L20B, L38Z, L42A, L74Z		11	L18A, L18B, L20A, L20B, L38Z, L42A, L74Z
	Pre	A07D, A09E, A11F, A13F		18B	T60B		18B	T60B
G80.2	01	B03A, B03B, B06A, B06B, B17A, B17B, B17C, B17D, B48Z, B85A, B85B, B85C	G82.03	01	B03A, B48Z, B60A, B60B, B71A, B71B, B71C	G82.19	01	B03A, B48Z, B60A, B60B, B71A, B71B, B71C
	06	G67A		04	E40B, E69A, E77F		04	E40B, E69A, E77F
	08	I08A, I08B, I08C, I20A, I20B, I27B, I71A		06	G67A, G67C		06	G67A, G67C
	Pre	A07D, A09E, A11F, A13F		08	I06A, I08C, I09D, I10C, I13A, I13B, I68A, I68B, I69A, I69B		08	I06A, I08C, I09D, I10C, I13A, I13B, I68A, I68B, I69A, I69B
G80.3	01	B03A, B03B, B06A, B06B, B17A, B17B, B17C, B17D, B48Z, B85A, B85B, B85C		09	J02A, J08A, J08B, J08C, J11A, J61A, J61B, J61C		09	J02A, J08A, J08B, J08C, J11A, J61A, J61B, J61C
	06	G67A		10	K62A		10	K62A
	08	I08A, I08B, I08C, I20A, I20B, I27B, I71A		11	L18A, L18B, L20A, L20B, L38Z, L42A, L74Z		11	L18A, L18B, L20A, L20B, L38Z, L42A, L74Z
	Pre	A07D, A09E, A11F, A13F		18B	T60B		18B	T60B
G80.4	01	B03A, B03B, B06A, B06B, B17A, B17B, B17C, B17D, B48Z, B85A, B85B, B85C		01	B03A, B48Z, B60A, B60B, B71A, B71B, B71C	G82.20	01	B71A, B71B, B71C
	06	G67A		04	E40B, E69A, E77F		06	G67A
	08	I08A, I08B, I08C, I20A, I20B, I27B, I71A		06	G67A, G67C		09	J61A, J61B, J61C
	Pre	A07D, A09E, A11F, A13F		08	I06A, I08C, I09D, I10C, I13A, I13B, I68A, I68B, I69A, I69B		Pre	B61A, B61B
	01	B03A, B03B, B06A, B06B, B17A, B17B, B17C, B17D, B48Z, B85A, B85B, B85C		09	J02A, J08A, J08B, J08C, J11A, J61A, J61B, J61C	G82.21	01	B71A, B71B, B71C
	06	G67A		10	K62A		06	G67A
	08	I08A, I08B, I08C, I20A, I20B, I27B, I71A		11	L18A, L18B, L20A, L20B, L38Z, L42A, L74Z		09	J61A, J61B, J61C
	Pre	A07D, A09E, A11F, A13F		18B	T60B		Pre	B61A, B61B

ICD	MDC	DRG	ICD	MDC	DRG	ICD	MDC	DRG
G82.22	01	B03A, B48Z, B60A, B60B, B71A, B71B, B71C	G82.39	01	B03A, B48Z, B60A, B60B, B71A, B71B, B71C	G82.52	01	B03A, B48Z, B60A, B60B, B71A, B71B, B71C
	04	E40B, E69A, E77F		04	E40B, E69A, E77F		04	E40B, E69A, E77F
	06	G67A, G67C		06	G67A, G67C		06	G67A, G67C
	08	I06A, I08C, I09D, I10C, I13A, I13B, I68A, I68B, I69A, I69B		08	I06A, I08C, I09D, I10C, I13A, I13B, I68A, I68B, I69A, I69B		08	I06A, I08C, I09D, I10C, I13A, I13B, I68A, I68B, I69A, I69B
	09	J02A, J08A, J08B, J08C, J11A, J61A, J61B, J61C		09	J02A, J08A, J08B, J08C, J11A, J61A, J61B, J61C		09	J02A, J08A, J08B, J08C, J11A, J61A, J61B, J61C
	10	K62A		10	K62A		10	K62A
	11	L18A, L18B, L20A, L20B, L38Z, L42A, L74Z		11	L18A, L18B, L20A, L20B, L38Z, L42A, L74Z		11	L18A, L18B, L20A, L20B, L38Z, L42A, L74Z
	18B	T60B		15	TPN, VTPN		15	TPN, VTPN
G82.23	01	B03A, B48Z, B60A, B60B, B71A, B71B, B71C	G82.40	18B	T60B	G82.53	18B	T60B
	04	E40B, E69A, E77F		01	B71A, B71B, B71C		01	B03A, B48Z, B60A, B60B, B71A, B71B, B71C
	06	G67A, G67C		06	G67A		04	E40B, E69A, E77F
	08	I06A, I08C, I09D, I10C, I13A, I13B, I68A, I68B, I69A, I69B		09	J61A, J61B, J61C		06	G67A, G67C
	09	J02A, J08A, J08B, J08C, J11A, J61A, J61B, J61C		15	TPN, VTPN		08	I06A, I08C, I09D, I10C, I13A, I13B, I68A, I68B, I69A, I69B
	10	K62A	G82.41	Pre	B61A, B61B		09	J02A, J08A, J08B, J08C, J11A, J61A, J61B, J61C
	11	L18A, L18B, L20A, L20B, L38Z, L42A, L74Z		01	B71A, B71B, B71C		10	K62A
	18B	T60B		06	G67A		11	L18A, L18B, L20A, L20B, L38Z, L42A, L74Z
G82.29	01	B03A, B48Z, B60A, B60B, B71A, B71B, B71C	G82.42	01	B03A, B48Z, B60A, B60B, B71A, B71B, B71C	G82.59	18B	T60B
	04	E40B, E69A, E77F		04	E40B, E69A, E77F		01	B03A, B48Z, B60A, B60B, B71A, B71B, B71C
	06	G67A, G67C		06	G67A, G67C		04	E40B, E69A, E77F
	08	I06A, I08C, I09D, I10C, I13A, I13B, I68A, I68B, I69A, I69B		08	I06A, I08C, I09D, I10C, I13A, I13B, I68A, I68B, I69A, I69B		06	G67A, G67C
	09	J02A, J08A, J08B, J08C, J11A, J61A, J61B, J61C		09	J02A, J08A, J08B, J08C, J11A, J61A, J61B, J61C		08	I06A, I08C, I09D, I10C, I13A, I13B, I68A, I68B, I69A, I69B
	10	K62A		10	K62A		09	J02A, J08A, J08B, J08C, J11A, J61A, J61B, J61C
	11	L18A, L18B, L20A, L20B, L38Z, L42A, L74Z		11	L18A, L18B, L20A, L20B, L38Z, L42A, L74Z		10	K62A
	18B	T60B		15	TPN, VTPN		11	L18A, L18B, L20A, L20B, L38Z, L42A, L74Z
G82.30	01	B71A, B71B, B71C	G82.43	18B	T60B	G83.0	15	TPN, VTPN
	06	G67A		01	B03A, B48Z, B60A, B60B, B71A, B71B, B71C		18B	T60B
	09	J61A, J61B, J61C		04	E40B, E69A, E77F		01	B03A, B03B, B06A, B06B, B17A, B17B, B17C, B17D, B48Z, B85A, B85B, B85C
	15	TPN, VTPN		06	G67A, G67C		15	TPN, VTPN
	Pre	B61A, B61B		08	I06A, I08C, I09D, I10C, I13A, I13B, I68A, I68B, I69A, I69B		01	B03A, B03B, B06A, B06B, B17A, B17B, B17C, B17D, B81A, B81B
G82.31	01	B71A, B71B, B71C		09	J02A, J08A, J08B, J08C, J11A, J61A, J61B, J61C	G83.1	01	B03A, B03B, B06A, B06B, B17A, B17B, B17C, B17D, B81A, B81B
	06	G67A		10	K62A		15	TPN, VTPN
	09	J61A, J61B, J61C		11	L18A, L18B, L20A, L20B, L38Z, L42A, L74Z		01	B03A, B03B, B06A, B06B, B17A, B17B, B17C, B17D, B81A, B81B
	Pre	B61A, B61B		18B	T60B	G83.2	01	B03A, B03B, B06A, B06B, B17A, B17B, B17C, B17D, B81A, B81B
G82.32	01	B03A, B48Z, B60A, B60B, B71A, B71B, B71C	G82.49	01	B03A, B48Z, B60A, B60B, B71A, B71B, B71C		15	TPN, VTPN
	04	E40B, E69A, E77F		04	E40B, E69A, E77F	G83.3	01	B03A, B03B, B06A, B06B, B17A, B17B, B17C, B17D, B81A, B81B
	06	G67A, G67C		06	G67A, G67C		15	TPN, VTPN
	08	I06A, I08C, I09D, I10C, I13A, I13B, I68A, I68B, I69A, I69B		08	I06A, I08C, I09D, I10C, I13A, I13B, I68A, I68B, I69A, I69B	G83.40	01	B03A, B03B, B06A, B06B, B17A, B17B, B17C, B17D, B71A, B71B, B71C
	09	J02A, J08A, J08B, J08C, J11A, J61A, J61B, J61C		09	J02A, J08A, J08B, J08C, J11A, J61A, J61B, J61C		15	TPN, VTPN
	10	K62A		10	K62A	G83.41	01	B03A, B03B, B06A, B06B, B17A, B17B, B17C, B17D, B71A, B71B, B71C
	11	L18A, L18B, L20A, L20B, L38Z, L42A, L74Z		11	L18A, L18B, L20A, L20B, L38Z, L42A, L74Z		15	TPN, VTPN
	15	TPN, VTPN		15	TPN, VTPN	G83.49	01	B03A, B03B, B06A, B06B, B17A, B17B, B17C, B17D, B71A, B71B, B71C
	18B	T60B		18B	T60B		15	TPN, VTPN
G82.33	01	B03A, B48Z, B60A, B60B, B71A, B71B, B71C	G82.50	01	B71A, B71B, B71C	G83.80	01	B03A, B03B, B06A, B06B, B17A, B17B, B17C, B17D, B48Z, B85A, B85B, B85C, B85D
	04	E40B, E69A, E77F		06	G67A		Pre	A43Z
	06	G67A, G67C		09	J61A, J61B, J61C			
	08	I06A, I08C, I09D, I10C, I13A, I13B, I68A, I68B, I69A, I69B		15	TPN, VTPN			
	09	J02A, J08A, J08B, J08C, J11A, J61A, J61B, J61C	G82.51	Pre	B61A, B61B			
	10	K62A		01	B71A, B71B, B71C			
	11	L18A, L18B, L20A, L20B, L38Z, L42A, L74Z		06	G67A			
	18B	T60B		09	J61A, J61B, J61C			

Dg

ICD	MDC	DRG	ICD	MDC	DRG	ICD	MDC	DRG	
G83.88	01	B03A, B03B, B06A, B06B, B17A, B17B, B17C, B17D, B48Z, B85A, B85B, B85C, B85D	G93.0	01	B03A, B03B, B06A, B06B, B17A, B17B, B17C, B17D, B81A, B81B	G95.2	01	B03A, B86Z	
G83.9	01	B03A, B03B, B06A, B06B, B17A, B17B, B17C, B17D, B81A, B81B		15	P65C, P66C, P67B, P67C		04	E40B, E69A, E77F	
G90.00	05	F71A, F71B		Pre	A07D, A09E, A11F, A13F		06	G67C	
G90.08	01	B03A, B03B, B06A, B06B, B17A, B17B, B17C, B17D, B71A, B71B, B71C, B71D	G93.1	01	B03A, B03B, B06A, B06B, B17A, B17B, B17C, B17D, B48Z, B85A, B85B, B85C, B85D		08	I06A, I08C, I09D, I10C, I13A, I13B, I68A, I68B, I69A, I69B	
G90.09	01	B03A, B03B, B06A, B06B, B17A, B17B, B17C, B17D, B71A, B71B, B71C, B71D	G93.2	01	B03A, B03B, B06A, B06B, B17A, B17B, B17C, B17D, B20D, B81A, B81B		09	J02A, J08A, J08B, J08C, J11A	
G90.1	01	B03A, B03B, B06A, B06B, B17A, B17B, B17C, B17D, B81A, B81B	G93.3	18A	S65A, S65B		10	K62A	
G90.2	01	B03A, B03B, B06A, B06B, B17A, B17B, B17C, B17D, B71A, B71B, B71C, B71D	G93.4	01	B03A, B03B, B06A, B06B, B17A, B17B, B17C, B17D, B39A, B39B, B39C, B48Z, B70A, B70B, B70C, B70D, B70E, B70F, B70G, B70H, B70I	G95.80	11	L18A, L18B, L20A, L20B, L38Z, L42A, L74Z	
G90.3	01	B48Z, B85A, B85B, B85C		18A	S65A, S65B		15	TPN, VTPN	
G90.40	Pre	A07D, A09E, A11F, A13F	G93.5	01	B03A, B03B, B06A, B06B, B17A, B17B, B17C, B17D, B66A, B66B, B66C, B66D		18A	S65A, S65B	
G90.41	01	B03A, B03B, B06A, B06B, B17A, B17B, B17C, B17D, B71A, B71B, B71C, B71D		Pre	A07D, A09E, A11F, A13F		18B	T60B	
G90.48	01	B03A, B03B, B06A, B06B, B17A, B17B, B17C, B17D, B71A, B71B, B71C, B71D	G93.6	01	B03A, B03B, B06A, B06B, B17A, B17B, B17C, B17D, B66A, B66B, B66C, B66D	G95.81	Pre	B61A, B61B	
G90.49	01	B03A, B03B, B06A, B06B, B17A, B17B, B17C, B17D, B71A, B71B, B71C, B71D		Pre	A07D, A09E, A11F, A13F		01	B03A	
G90.8	01	B03A, B03B, B06A, B06B, B17A, B17B, B17C, B17D, B71A, B71B, B71C, B71D	G93.7	01	B81A, B81B		04	E40B, E69A, E77F	
G90.9	01	B03A, B03B, B06A, B06B, B17A, B17B, B17C, B17D, B71A, B71B, B71C, B71D	G93.80	01	B03A, B03B, B06A, B06B, B17A, B17B, B17C, B17D, B63Z		06	G67C	
G91.0	01	B48Z, B85A, B85B, B85C, B85D		08	I08A, I27B, I71A		08	I06A, I08C, I09D, I10C, I13A, I13B, I68A, I68B, I69A, I69B	
G91.1	Pre	A07D, A09E, A11F, A13F		Pre	A43Z		09	J02A, J08A, J08B, J08C, J11A	
	01	B48Z, B85A, B85B, B85C, B85D	G93.88	01	B03A, B03B, B06A, B06B, B17A, B17B, B17C, B17D, B63Z	G95.82	10	K62A	
	15	TPN, VTPN				G95.83	11	L18A, L18B, L20A, L20B, L38Z, L42A, L73Z, L74Z	
	Pre	A07D, A09E, A11F, A13F				G95.84	18B	T60B	
G91.20	01	B20D, B48Z, B85A, B85B, B85C, B85D	G93.9	01	B03A, B03B, B06A, B06B, B17A, B17B, B17C, B17D, B63Z	G95.85	Pre	B61A, B61B	
	15	TPN, VTPN		18A	S65A, S65B	G95.88	Pre	B61A, B61B	
G91.21	01	B20D, B48Z, B85A, B85B, B85C, B85D		15	TPN, VTPN		01	B03A	
	15	TPN, VTPN		G94.1	15	TPN, VTPN		04	E40B, E69A, E77F
G91.29	01	B20D, B48Z, B85A, B85B, B85C, B85D		G94.2	15	TPN, VTPN		06	G67C
	15	TPN, VTPN		G95.0	01	B03A, B03B, B06A, B06B, B17A, B17B, B17C, B17D, B48Z, B85A, B85B, B85C, B85D	G95.9	08	I06A, I08C, I09D, I10C, I13A, I13B, I68A, I68B, I69A, I69B
G91.3	01	B48Z, B85A, B85B, B85C, B85D	G95.1	01	B03A, B84Z		09	J02A, J08A, J08B, J08C, J11A	
	15	TPN, VTPN		04	E40B, E69A, E77F		10	K62A	
G91.8	01	B20D, B48Z, B85A, B85B, B85C, B85D		06	G67C		11	L18A, L18B, L20A, L20B, L38Z, L42A, L74Z	
	15	TPN, VTPN		08	I06A, I08C, I09D, I10C, I13A, I13B, I68A, I68B, I69A, I69B		15	TPN, VTPN	
G91.9	01	B20D, B48Z, B85A, B85B, B85C, B85D		09	J02A, J08A, J08B, J08C, J11A		18A	S65A, S65B	
	15	TPN, VTPN		10	K62A		18B	T60B	
G92	01	B03A, B03B, B06A, B06B, B17A, B17B, B17C, B17D, B81A, B81B		11	L18A, L18B, L20A, L20B, L38Z, L42A, L74Z		Pre	B61A, B61B	
	Pre	A07D, A09E, A11F, A13F		15	TPN, VTPN		01	B03A, B86Z	
				18B	T60B		04	E40B, E69A, E77F	
				Pre	B61A, B61B		06	G67C	
							08	I06A, I08C, I09D, I10C, I13A, I13B, I68A, I68B, I69A, I69B	
							09	J02A, J08A, J08B, J08C, J11A	
							10	K62A	
							11	L18A, L18B, L20A, L20B, L38Z, L42A, L74Z	
							15	TPN, VTPN	
							18A	S65A, S65B	
							18B	T60B	
							Pre	B61A, B61B	
							01	B03A, B03B, B06A, B06B, B17A, B17B, B17C, B17D, B81A, B81B	
							15	TPN, VTPN	
							01	B03A, B03B, B06A, B06B, B17A, B17B, B17C, B17D, B81A, B81B	

ICD	MDC	DRG	ICD	MDC	DRG	ICD	MDC	DRG
G96.8	01	B03A, B03B, B06A, B06B, B17A, B17B, B17C, B17D, B39A, B39B, B39C, B48Z, B70A, B70B, B70C, B70D, B70E, B70F, B70G, B70H, B70I	H11.1	02	C63Z	H30.8	02	C63Z
			H11.2	02	C63Z	H30.9	02	C63Z
			H11.3	02	C62Z		18A	S65A, S65B
			H11.4	02	C63Z	H31.0	02	C62Z
			H11.8	02	C63Z	H31.1	02	C63Z
			H11.9	02	C63Z	H31.2	02	C63Z
G96.9	01	B03A, B03B, B06A, B06B, B17A, B17B, B17C, B17D, B63Z	H13.3	15	TPN, VTPN	H31.3	02	C62Z
			H15.0	02	C63Z	H31.4	02	C62Z
			H15.1	02	C63Z	H31.8	02	C63Z
	18A	S65A, S65B	H15.8	02	C63Z	H31.9	02	C63Z
G97.0	01	B03A, B03B, B06A, B06B, B17A, B17B, B17C, B17D, B81A, B81B	H15.9	02	C63Z	H32.0	15	TPN, VTPN
			H16.0	02	C60Z	H33.0	02	C62Z
			H16.1	02	C63Z	H33.1	02	C63Z
	15	TPN, VTPN	H16.2	02	C63Z	H33.2	02	C62Z
G97.1	01	B03A, B03B, B06A, B06B, B17A, B17B, B17C, B17D, B77Z	H16.3	02	C60Z	H33.3	02	C62Z
			H16.4	02	C63Z	H33.4	02	C62Z
			H16.8	02	C60Z	H33.5	02	C62Z
G97.2	01	B81A, B81B				H34.0	02	C61Z
G97.80	01	B81A, B81B		15	TPN, VTPN	H34.1	02	C61Z
G97.81	01	B81A, B81B	H16.9	02	C63Z	H34.2	02	C61Z
G97.88	01	B81A, B81B	H17.0	02	C63Z	H34.8	02	C61Z
G97.9	01	B81A, B81B	H17.1	02	C63Z	H34.9	02	C61Z
G98	01	B03A, B03B, B06A, B06B, B17A, B17B, B17C, B17D, B63Z	H17.8	02	C63Z	H35.0	02	C63Z
			H17.9	02	C63Z		18A	S65A, S65B
			H18.0	02	C63Z	H35.1	02	C63Z
	18A	S65A, S65B	H18.1	02	C63Z	H35.2	02	C63Z
H00.0	02	C63Z	H18.2	02	C63Z	H35.3	02	C63Z
H00.1	02	C64Z	H18.3	02	C63Z	H35.4	02	C63Z
H01.0	02	C63Z	H18.4	02	C63Z	H35.5	02	C63Z
H01.1	02	C63Z	H18.5	02	C63Z	H35.6	02	C62Z
H01.8	02	C63Z	H18.6	02	C63Z	H35.7	02	C63Z
H01.9	02	C63Z	H18.7	02	C63Z	H35.8	02	C63Z
H02.0	02	C64Z	H18.8	02	C63Z	H35.9	02	C63Z
H02.1	02	C64Z	H18.9	02	C63Z	H36.0	10	K60B
H02.2	02	C64Z	H19.1	15	TPN, VTPN	H40.0	02	C64Z
H02.3	02	C64Z	H19.2	15	TPN, VTPN	H40.1	02	C64Z
H02.4	02	C61Z	H20.0	02	C66Z	H40.2	02	C64Z
H02.5	02	C64Z	H20.1	02	C63Z	H40.3	02	C64Z
H02.6	09	J67A, J67B, J68A, J68B	H20.2	02	C63Z	H40.4	02	C64Z
H02.7	02	C64Z	H20.8	02	C63Z	H40.5	02	C64Z
H02.8	02	C64Z	H20.9	02	C63Z	H40.6	02	C64Z
H02.9	02	C64Z	H21.0	02	C62Z	H40.8	02	C64Z
H04.0	02	C63Z	H21.1	02	C63Z	H40.9	02	C64Z
H04.1	02	C63Z	H21.2	02	C63Z	H43.0	02	C63Z
H04.2	02	C63Z	H21.3	02	C63Z	H43.1	02	C62Z
H04.3	02	C63Z	H21.4	02	C63Z	H43.2	02	C63Z
H04.4	02	C63Z	H21.5	02	C63Z	H43.3	02	C63Z
H04.5	02	C64Z	H21.8	02	C63Z	H43.8	02	C63Z
H04.6	02	C64Z	H21.9	02	C63Z	H43.9	02	C63Z
H04.8	02	C64Z	H25.0	02	C64Z	H44.0	02	C60Z
H04.9	02	C64Z	H25.1	02	C64Z	H44.1	02	C60Z
H05.0	02	C60Z	H25.2	02	C64Z	H44.2	02	C63Z
	15	P65C, P66C, P67B, P67C	H25.8	02	C64Z	H44.3	02	C63Z
H05.1	02	C63Z	H25.9	02	C64Z	H44.4	02	C63Z
H05.2	02	C63Z	H26.0	02	C63Z	H44.5	02	C63Z
H05.3	02	C63Z	H26.1	02	C62Z	H44.6	02	C62Z
H05.4	02	C63Z	H26.2	02	C63Z	H44.7	02	C62Z
H05.5	02	C62Z	H26.3	02	C64Z	H44.8	02	C63Z
H05.8	02	C63Z	H26.4	02	C64Z	H44.9	02	C63Z
H05.9	02	C63Z	H26.8	02	C64Z	H46	02	C61Z
H10.0	02	C63Z	H26.9	02	C64Z	H47.0	02	C61Z
H10.1	02	C63Z	H27.0	02	C63Z	H47.1	01	B03A, B03B, B06A, B06B, B17A, B17B, B17C, B17D, B81A, B81B
H10.2	02	C63Z	H27.1	02	C63Z			
H10.3	02	C63Z	H27.8	02	C63Z	H47.2	02	C61Z
H10.4	02	C63Z	H27.9	02	C63Z	H47.3	02	C61Z
	15	P65C, P66C, P67B, P67C	H30.0	02	C63Z	H47.4	01	B03A, B03B, B06A, B06B, B17A, B17B, B17C, B17D, B81A, B81B
H10.5	02	C63Z						
H10.8	02	C63Z	H30.1	18A	S65A, S65B			
H10.9	02	C63Z						
H11.0	02	C63Z	H30.2	18A	S65A, S65B			

ICD	MDC	DRG	ICD	MDC	DRG	ICD	MDC	DRG
H47.5	01	B03A, B03B, B06A, B06B, B17A, B17B, B17C, B17D, B81A, B81B	H57.8	02	C63Z	H81.2	03	D61A
H47.6	01	B03A, B03B, B06A, B06B, B17A, B17B, B17C, B17D, B81A, B81B	H57.9	02	C63Z	H81.3	03	D61A, D61B
H47.7	01	B03A, B03B, B06A, B06B, B17A, B17B, B17C, B17D, B81A, B81B	H58.0	15	TPN, VTPN	H81.4	03	D61A
H49.0	02	C61Z	H59.0	02	C63Z	H81.8	03	D61A, D61B
H49.1	02	C61Z	H59.8	02	C62Z	H81.9	03	D61A, D61B
H49.2	02	C61Z	H59.9	02	C63Z	H83.0	03	D61A
H49.3	02	C61Z	H60.0	03	D66Z	H83.1	03	D66Z
H49.4	02	C61Z	H60.1	03	D66Z	H83.2	03	D61A
H49.8	02	C61Z	H60.2	03	D09Z, D25A, D25B, D28Z, D60A, D60B, D60C	H83.3	03	D66Z
H49.9	02	C61Z	H60.3	03	D66Z	H83.8	03	D66Z
H50.0	02	C61Z	H60.4	03	D66Z	H83.9	03	D66Z
H50.1	02	C61Z	H60.5	03	D66Z	H90.0	03	D66Z
H50.2	02	C61Z	H60.8	03	D66Z	H90.1	03	D66Z
H50.3	02	C61Z	H60.9	03	D66Z	H90.2	03	D66Z
H50.4	02	C61Z	H61.0	03	D66Z	H90.3	03	D66Z
H50.5	02	C61Z	H61.1	03	D66Z	H90.4	03	D66Z
H50.6	02	C63Z	H61.2	03	D66Z	H90.5	03	D66Z
H50.8	02	C61Z	H61.3	03	D66Z	H90.6	03	D66Z
H50.9	02	C63Z	H61.8	03	D66Z	H90.7	03	D66Z
H51.0	02	C63Z	H61.9	03	D66Z	H90.8	03	D66Z
H51.1	02	C63Z	H62.1	15	TPN, VTPN	H91.0	03	D61A, D61B
H51.2	01	B03A, B03B, B06A, B06B, B17A, B17B, B17C, B17D, B81A, B81B	H65.0	03	D62Z, D63Z	H91.1	03	D66Z
H51.8	02	C61Z	H65.1	03	D62Z, D63Z	H91.2	03	D61A
H51.9	02	C63Z	H65.2	03	D62Z, D63Z	H91.3	03	D66Z
H52.0	02	C63Z	H65.3	03	D62Z, D63Z	H91.8	03	D66Z
H52.1	02	C63Z	H65.4	03	D62Z, D63Z	H91.9	03	D66Z
H52.2	02	C63Z	H65.5	03	D62Z, D63Z	H91.9	03	D66Z
H52.3	02	C63Z	H65.9	03	D62Z, D63Z	H92.0	03	D66Z
H52.4	02	C63Z	H66.0	03	D62Z, D63Z	H92.1	03	D66Z
H52.5	02	C63Z		15	TPN, VTPN	H92.2	03	D66Z
H52.6	02	C63Z	H66.1	03	D62Z, D63Z	H93.0	03	D66Z
H52.7	02	C63Z	H66.2	03	D62Z, D63Z	H93.1	03	D61A
H53.0	02	C63Z	H66.3	03	D62Z, D63Z	H93.2	03	D66Z
H53.1	02	C63Z	H66.4	03	D62Z, D63Z	H93.3	03	D61A
H53.2	02	C61Z	H66.9	03	D62Z, D63Z	H93.8	03	D66Z
H53.3	02	C63Z	H68.0	03	D62Z, D63Z	H93.9	03	D66Z
H53.4	02	C61Z	H68.1	03	D66Z	H95.0	03	D66Z
H53.5	02	C63Z	H69.0	03	D66Z	H95.1	03	D66Z
H53.6	02	C63Z	H69.8	03	D66Z	H95.8	03	D66Z
H53.8	02	C63Z	H69.9	03	D66Z	H95.9	21B	X62Z
H53.9	02	C63Z	H70.0	03	D06B, D62Z, D63Z	I00	08	I66A, I66B, I66C
H54.0	02	C63Z	H70.1	03	D06B, D62Z, D63Z	I01.0	05	F75A, F75B, F75C, F75D
H54.1	10	K60B	H70.2	03	D62Z, D63Z	I01.1	05	F15Z, F36A, F36B, F61A, F61B
H54.1	18A	S65A, S65B	H70.8	03	D66Z		Pre	A07D, A09E, A11F, A13F
H54.1	02	C63Z	H70.9	03	D62Z, D63Z	I01.2	05	F75A, F75B, F75C, F75D
H54.2	18A	S65A, S65B	H71	03	D66Z		Pre	A07D, A09E, A11F, A13F
H54.2	02	C63Z	H72.0	03	D66Z	I01.8	05	F75A, F75B, F75C, F75D
H54.2	18A	S65A, S65B	H72.1	03	D66Z	I01.9	05	F75A, F75B, F75C, F75D
H54.3	02	C63Z	H72.2	03	D66Z	I02.0	05	F75A, F75B, F75C, F75D
H54.3	18A	S65A, S65B	H72.8	03	D66Z	I02.9	05	F75A, F75B, F75C, F75D
H54.3	02	C63Z	H72.9	03	D66Z	I05.0	05	F69A, F69B
H54.4	18A	S65A, S65B	H73.0	03	D62Z, D63Z	I05.1	05	F69A, F69B
H54.4	02	C63Z	H73.1	03	D62Z, D63Z	I05.2	05	F69A, F69B
H54.4	18A	S65A, S65B	H73.8	03	D66Z	I05.8	05	F69A, F69B
H54.4	02	C63Z	H73.9	03	D66Z	I05.9	05	F69A, F69B
H54.4	18A	S65A, S65B	H74.0	03	D66Z	I06.0	05	F69A, F69B
H54.5	02	C63Z	H74.2	03	D66Z	I06.1	05	F69A, F69B
H54.5	18A	S65A, S65B	H74.3	03	D66Z	I06.2	05	F69A, F69B
H54.5	02	C63Z	H74.4	03	D66Z	I06.8	05	F69A, F69B
H54.5	18A	S65A, S65B	H74.8	03	D66Z	I06.9	05	F69A, F69B
H54.6	02	C63Z	H74.9	03	D66Z	I07.0	05	F69A, F69B
H54.6	18A	S65A, S65B	H80.0	03	D66Z	I07.1	05	F69A, F69B
H54.9	02	C63Z	H80.1	03	D66Z	I07.2	05	F69A, F69B
H54.9	18A	S65A, S65B	H80.2	03	D66Z	I07.8	05	F69A, F69B
H55	02	C61Z	H80.8	03	D66Z	I07.9	05	F69A, F69B
H57.0	02	C63Z	H80.9	03	D66Z	I08.0	05	F69A, F69B
H57.1	02	C63Z	H81.0	03	D61A, D61B	I08.1	05	F69A, F69B
			H81.1	03	D61A, D61B	I08.2	05	F69A, F69B
						I08.3	05	F69A, F69B
						I08.8	05	F69A, F69B



ICD	MDC	DRG	ICD	MDC	DRG	ICD	MDC	DRG
I08.9	05	F69A, F69B	I21.1	05	F06C, F06D, F15Z, F24A, F24B, F36A, F36B, F41A, F41B, F52A, F52B, F60A, F60B	I23.4	05	F15Z, F24A, F24B, F36A, F36B, F52A, F52B, F69A, F69B
I09.0	05	F75A, F75B, F75C, F75D		18A	S65A		18A	S65A
I09.1	05	F69A, F69B		Pre	A07D, A09E, A11F, A13F	I23.5	Pre	A07D, A09E, A11F, A13F
I09.2	05	F75A, F75B, F75C, F75D	I21.2	05	F06C, F06D, F15Z, F24A, F24B, F36A, F36B, F41A, F41B, F52A, F52B, F60A, F60B	05	05	F15Z, F24A, F24B, F36A, F36B, F52A, F52B, F69A, F69B
I09.8	05	F75A, F75B, F75C, F75D		18A	S65A		18A	S65A
I09.9	05	F75A, F75B, F75C, F75D		Pre	A07D, A09E, A11F, A13F	I23.6	Pre	A07D, A09E, A11F, A13F
I10.00	05	F67A, F67B, F67C, F67D	I21.3	05	F06C, F06D, F15Z, F24A, F24B, F36A, F36B, F41A, F41B, F52A, F52B, F60A, F60B	05	05	F15Z, F24A, F24B, F36A, F36B, F52A, F52B, F75A, F75B, F75C, F75D
I10.01	05	F67A, F67B, F67C, F67D		18A	S65A		18A	S65A
I10.10	05	F67A, F67B, F67C, F67D		Pre	A07D, A09E, A11F, A13F	I23.8	Pre	A07D, A09E, A11F, A13F
I10.11	05	F67A, F67B, F67C, F67D	I21.4	05	F06C, F06D, F15Z, F24A, F24B, F36A, F36B, F41A, F41B, F52A, F52B, F60A, F60B	05	05	F75A, F75B, F75C, F75D
I10.90	05	F67A, F67B, F67C, F67D		18A	S65A	I24.0	18A	S65A
I10.91	05	F67A, F67B, F67C, F67D		Pre	A07D, A09E, A11F, A13F	05	05	F72A, F72B
I11.00	05	F62A, F62B, F62C	I21.9	05	F06C, F06D, F15Z, F24A, F24B, F36A, F36B, F41A, F41B, F52A, F52B, F60A, F60B	18A	18A	S65A, S65B
I11.01	05	F62A, F62B, F62C		18A	S65A	I24.1	05	F75A, F75B, F75C, F75D
I11.90	05	F67A, F67B, F67C, F67D		Pre	A07D, A09E, A11F, A13F	18A	18A	S65A, S65B
I11.91	05	F67A, F67B, F67C, F67D	I22.0	05	F06C, F06D, F15Z, F24A, F24B, F36A, F36B, F41A, F41B, F52A, F52B, F60A, F60B	I24.8	05	F72A, F72B
I12.00	11	L02B, L09A, L09B, L38Z, L60A, L60B, L60C, L60D, L71Z		18A	S65A	18A	18A	S65A, S65B
	15	TPN, VTPN	I22.1	05	F06C, F06D, F15Z, F24A, F24B, F36A, F36B, F41A, F41B, F52A, F52B, F60A, F60B	I24.9	05	F72A, F72B
I12.01	11	L02B, L09A, L09B, L38Z, L60A, L60B, L60C, L60D, L71Z		18A	S65A	18A	18A	S65A, S65B
	15	TPN, VTPN	I22.8	05	F06C, F06D, F15Z, F24A, F24B, F36A, F36B, F41A, F41B, F52A, F52B, F60A, F60B	I25.0	05	F66A, F66B
I12.90	11	L68A, L68B, L74Z		18A	S65A	18A	18A	S65A
	15	TPN, VTPN	I22.9	05	F06C, F06D, F15Z, F24A, F24B, F36A, F36B, F41A, F41B, F52A, F52B, F60A, F60B	I25.10	05	F50A, F66A, F66B
I12.91	11	L68A, L68B, L74Z		18A	S65A	18A	18A	S65A
	15	TPN, VTPN	I23.0	05	F15Z, F24A, F24B, F36A, F36B, F52A, F52B, F75A, F75B, F75C, F75D	I25.11	05	F50A, F66A, F66B
I13.00	05	F62A, F62B, F62C		18A	S65A	18A	18A	S65A
I13.01	05	F62A, F62B, F62C	I23.1	05	F15Z, F24A, F24B, F36A, F36B, F52A, F52B, F75A, F75B, F75C, F75D	I25.12	05	F50A, F66A, F66B
I13.10	11	L02B, L09A, L09B, L38Z, L60A, L60B, L60C, L60D, L71Z		Pre	A07D, A09E, A11F, A13F	18A	18A	S65A
I13.11	11	L02B, L09A, L09B, L38Z, L60A, L60B, L60C, L60D, L71Z		05	F15Z, F24A, F24B, F36A, F36B, F52A, F52B, F75A, F75B, F75C, F75D	I25.13	05	F50A, F66A, F66B
I13.20	05	F62A, F62B, F62C	I23.2	05	F15Z, F24A, F24B, F36A, F36B, F52A, F52B, F75A, F75B, F75C, F75D	I25.14	05	F50A, F66A, F66B
I13.21	05	F62A, F62B, F62C		18A	S65A	18A	18A	S65A
I13.90	05	F67A, F67B, F67C, F67D	I23.3	05	F15Z, F24A, F24B, F36A, F36B, F52A, F52B, F75A, F75B, F75C, F75D	I25.15	05	F50A, F66A, F66B
I13.91	05	F67A, F67B, F67C, F67D		18A	S65A	18A	18A	S65A
I15.00	05	F67A, F67B, F67C, F67D		Pre	A07D, A09E, A11F, A13F	I25.16	05	F50A, F66A, F66B
	15	TPN, VTPN		18A	S65A	18A	18A	S65A
I15.01	05	F67A, F67B, F67C, F67D		Pre	A07D, A09E, A11F, A13F	I25.19	05	F50A, F66A, F66B
	15	TPN, VTPN		05	F15Z, F24A, F24B, F36A, F36B, F52A, F52B, F75A, F75B, F75C, F75D	18A	18A	S65A
I15.10	05	F67A, F67B, F67C, F67D		18A	S65A	I25.20	18A	S65A
	15	TPN, VTPN		Pre	A07D, A09E, A11F, A13F	I25.21	18A	S65A
I15.11	05	F67A, F67B, F67C, F67D		05	F15Z, F24A, F24B, F36A, F36B, F52A, F52B, F75A, F75B, F75C, F75D	I25.22	18A	S65A
	15	TPN, VTPN		18A	S65A	I25.29	18A	S65A
I15.20	05	F67A, F67B, F67C, F67D		Pre	A07D, A09E, A11F, A13F	I25.3	05	F75A, F75B, F75C, F75D
I15.21	05	F67A, F67B, F67C, F67D		05	F15Z, F24A, F24B, F36A, F36B, F52A, F52B, F75A, F75B, F75C, F75D	18A	18A	S65A
I15.80	05	F67A, F67B, F67C, F67D		18A	S65A	I25.4	05	F75A, F75B, F75C, F75D
I15.81	05	F67A, F67B, F67C, F67D		Pre	A07D, A09E, A11F, A13F	18A	18A	S65A
I15.90	05	F67A, F67B, F67C, F67D		05	F15Z, F24A, F24B, F36A, F36B, F52A, F52B, F75A, F75B, F75C, F75D	I25.5	05	F50A, F66A, F66B
I15.91	05	F67A, F67B, F67C, F67D		18A	S65A	18A	18A	S65A
I20.0	05	F72A, F72B		Pre	A07D, A09E, A11F, A13F	I25.6	05	F66A, F66B
	18A	S65A, S65B		05	F15Z, F24A, F24B, F36A, F36B, F52A, F52B, F75A, F75B, F75C, F75D	18A	18A	S65A
I20.1	05	F72A, F72B		18A	S65A	I25.8	05	F66A, F66B
	18A	S65A, S65B		Pre	A07D, A09E, A11F, A13F	18A	18A	S65A
I20.8	05	F66A, F66B		05	F15Z, F24A, F24B, F36A, F36B, F52A, F52B, F75A, F75B, F75C, F75D	I25.9	05	F66A, F66B
	18A	S65A, S65B		18A	S65A	18A	18A	S65A
I20.9	05	F66A, F66B		Pre	A07D, A09E, A11F, A13F	I26.0	04	E64A
	18A	S65A, S65B		05	F15Z, F24A, F24B, F36A, F36B, F52A, F52B, F75A, F75B, F75C, F75D	10	10	K62A
I21.0	05	F06C, F06D, F15Z, F24A, F24B, F36A, F36B, F41A, F41B, F52A, F52B, F60A, F60B		18A	S65A	15	15	TPN, VTPN
	18A	S65A		Pre	A07D, A09E, A11F, A13F	17	17	R62A
	Pre	A07D, A09E, A11F, A13F		05	F15Z, F24A, F24B, F36A, F36B, F52A, F52B, F75A, F75B, F75C, F75D	22	22	Y02A, Y02B
				18A	S65A	Pre	Pre	A07D, A09E, A11F, A13F
				Pre	A07D, A09E, A11F, A13F			

Dg

ICD	MDC	DRG	ICD	MDC	DRG	ICD	MDC	DRG
I26.9	04	E64A	I35.9	05	F69A, F69B	I43.1	15	TPN, VTPN
	10	K62A	I36.0	05	F69A, F69B	I43.2	15	TPN, VTPN
	15	TPN, VTPN	I36.1	05	F69A, F69B	I44.0	05	F71A, F71B
	22	Y02A, Y02B	I36.2	05	F69A, F69B		15	TPN, VTPN
	Pre	A07D, A09E, A11F, A13F	I36.8	05	F69A, F69B	I44.1	05	F70A, F70B
I27.0	05	F46A, F46B, F75A, F75B, F75C, F75D	I36.9	05	F69A, F69B		15	TPN, VTPN
	15	TPN, VTPN	I37.0	05	F69A, F69B	I44.2	05	F70A, F70B
	Pre	A07D, A09E, A11F, A13F		15	TPN, VTPN		15	TPN, VTPN
I27.1	05	F75A, F75B, F75C, F75D	I37.1	05	F69A, F69B	Pre	A07D, A09E, A11F, A13F	
	15	TPN, VTPN	I37.2	05	F69A, F69B	I44.3	05	F70A, F70B
I27.20	05	F75A, F75B, F75C, F75D	I37.8	05	F69A, F69B		15	TPN, VTPN
	15	TPN, VTPN	I37.9	05	F69A, F69B	I44.4	05	F71A, F71B
I27.28	05	F75A, F75B, F75C, F75D	I38	05	F15Z, F36A, F36B, F61A, F61B		15	TPN, VTPN
	15	TPN, VTPN		08	I06A, I06C	I44.5	05	F71A, F71B
I27.8	05	F75A, F75B, F75C, F75D		18A	S63A, S63B		15	TPN, VTPN
	15	TPN, VTPN	I39.0	08	I06A, I06C	I44.6	05	F71A, F71B
I27.9	05	F75A, F75B, F75C, F75D		15	TPN, VTPN		15	TPN, VTPN
	15	TPN, VTPN	I39.1	08	I06A, I06C	I44.7	05	F71A, F71B
I28.0	05	F75A, F75B, F75C, F75D		15	TPN, VTPN		15	TPN, VTPN
I28.1	05	F75A, F75B, F75C, F75D	I39.2	08	I06A, I06C	I45.0	05	F71A, F71B
I28.8	05	F75A, F75B, F75C, F75D		15	TPN, VTPN		15	TPN, VTPN
I28.9	05	F75A, F75B, F75C, F75D	I39.3	08	I06A, I06C	I45.1	05	F71A, F71B
I30.0	05	F75A, F75B, F75C, F75D		15	TPN, VTPN		15	TPN, VTPN
	15	TPN, VTPN	I39.4	08	I06A, I06C	I45.2	05	F71A, F71B
I30.1	05	F75A, F75B, F75C, F75D		15	TPN, VTPN		15	TPN, VTPN
	15	TPN, VTPN	I39.8	08	I06A, I06C	I45.3	05	F70A, F70B
I30.8	05	F75A, F75B, F75C, F75D		15	TPN, VTPN		15	TPN, VTPN
	15	TPN, VTPN	I40.0	05	F75A, F75B, F75C, F75D	I45.4	05	F71A, F71B
I30.9	05	F75A, F75B, F75C, F75D		15	TPN, VTPN		15	TPN, VTPN
	15	TPN, VTPN		18A	S63A, S63B	I45.5	05	F70A, F70B
I31.0	05	F75A, F75B, F75C, F75D		Pre	A07D, A09E, A11F, A13F		15	TPN, VTPN
I31.1	05	F46A, F46B, F75A, F75B, F75C, F75D	I40.1	05	F75A, F75B, F75C, F75D	I45.6	05	F71A, F71B
				18A	S63A, S63B		15	TPN, VTPN
I31.2	05	F75A, F75B, F75C, F75D	I40.8	05	F75A, F75B, F75C, F75D	I45.8	05	F71A, F71B
	15	TPN, VTPN		18A	S63A, S63B		15	TPN, VTPN
I31.3	05	F75A, F75B, F75C, F75D	I40.9	05	F75A, F75B, F75C, F75D	I45.9	05	F71A, F71B
	15	TPN, VTPN		15	TPN, VTPN		15	TPN, VTPN
	Pre	A07D, A09E, A11F, A13F		18A	S63A, S63B	I46.0	05	F15Z, F24A, F24B, F36A, F36B, F46A, F46B, F52A, F52B, F62A, F70A, F70B
I31.8	05	F75A, F75B, F75C, F75D	I41.0	15	TPN, VTPN		15	TPN, VTPN
	15	TPN, VTPN	I41.1	15	TPN, VTPN	I46.1	05	F70A, F70B
I31.9	05	F75A, F75B, F75C, F75D	I41.2	15	TPN, VTPN		15	TPN, VTPN
	15	TPN, VTPN	I41.8	15	TPN, VTPN	I46.9	05	F70A, F70B
I32.0	15	TPN, VTPN	I42.0	05	F46A, F46B, F50A, F75A, F75B, F75C, F75D		15	TPN, VTPN
I32.1	15	TPN, VTPN		Pre	A07D, A09E, A11F, A13F	I47.0	05	F71A, F71B
I32.8	15	TPN, VTPN	I42.1	05	F15Z, F24A, F24B, F36A, F36B, F46A, F46B, F50A, F52A, F52B, F75A, F75B, F75C, F75D	I47.1	05	F71A, F71B
I33.0	05	F03C, F03D, F03E, F14A, F14B, F15Z, F36A, F36B, F54Z, F61A, F61B		15	P65C, P66C, P67B, P67C		15	TPN, VTPN
	08	I06A, I06C		Pre	A07D, A09E, A11F, A13F	I47.2	05	F15Z, F24A, F24B, F36A, F36B, F46A, F46B, F52A, F52B, F62A, F70A, F70B
	15	TPN, VTPN	I42.2	05	F46A, F46B, F50A, F75A, F75B, F75C, F75D		15	TPN, VTPN
	18A	S63A, S63B		05	F46A, F46B, F50A, F75A, F75B, F75C, F75D	I47.9	05	F70A, F70B
	Pre	A07D, A09E, A11F, A13F	I42.3	05	F46A, F46B, F50A, F75A, F75B, F75C, F75D		15	TPN, VTPN
I33.9	05	F03C, F03D, F03E, F15Z, F36A, F36B, F61A, F61B		05	F46A, F46B, F50A, F75A, F75B, F75C, F75D	I48.0	05	F71A, F71B
	08	I06A, I06C	I42.4	05	F46A, F46B, F50A, F75A, F75B, F75C, F75D		15	TPN, VTPN
	15	TPN, VTPN		05	F46A, F46B, F50A, F75A, F75B, F75C, F75D	I48.1	05	F71A, F71B
	18A	S63A, S63B	I42.5	05	F46A, F46B, F50A, F75A, F75B, F75C, F75D		15	TPN, VTPN
I34.0	05	F69A, F69B		05	F46A, F46B, F50A, F75A, F75B, F75C, F75D	I48.2	05	F71A, F71B
I34.1	05	F69A, F69B	I42.6	05	F46A, F46B, F50A, F75A, F75B, F75C, F75D		15	TPN, VTPN
I34.2	05	F69A, F69B		05	F46A, F46B, F50A, F75A, F75B, F75C, F75D	I48.3	05	F71A, F71B
I34.80	05	F69A, F69B	I42.7	05	F46A, F46B, F50A, F75A, F75B, F75C, F75D		15	TPN, VTPN
I34.88	05	F69A, F69B		05	F46A, F46B, F50A, F75A, F75B, F75C, F75D	I48.4	05	F71A, F71B
I34.9	05	F69A, F69B	I42.80	05	F46A, F46B, F50A, F75A, F75B, F75C, F75D		15	TPN, VTPN
I35.0	05	F69A, F69B		05	F46A, F46B, F50A, F75A, F75B, F75C, F75D	I48.9	05	F71A, F71B
	15	P65C, P66C, P67B, P67C	I42.88	05	F46A, F46B, F50A, F75A, F75B, F75C, F75D		15	TPN, VTPN
I35.1	05	F69A, F69B		05	F46A, F46B, F50A, F75A, F75B, F75C, F75D			
I35.2	05	F69A, F69B	I42.9	05	F46A, F46B, F50A, F75A, F75B, F75C, F75D			
I35.8	05	F69A, F69B		18A	S63A, S63B			



ICD	MDC	DRG	ICD	MDC	DRG	ICD	MDC	DRG
162.00	01	B03A, B03B, B06A, B06B, B17A, B17B, B17C, B17D, B20D, B39A, B39B, B39C, B48Z, B70A, B70B, B70C, B70D, B70E, B70F, B70G, B70H, B70I	163.4	01	B03A, B03B, B06A, B06B, B17A, B17B, B17C, B17D, B39A, B39B, B39C, B48Z, B70A, B70B, B70C, B70D, B70E, B70F, B70G, B70H, B70I	166.0	01	B03A, B03B, B06A, B06B, B17A, B17B, B17C, B17D, B39A, B39B, B39C, B48Z, B70A, B70B, B70C, B70D, B70E, B70F, B70G, B70H, B70I
	15	TPN, VTPN		15	TPN, VTPN		05	F61A
162.01	01	B03A, B03B, B06A, B06B, B17A, B17B, B17C, B17D, B20D, B39A, B39B, B39C, B48Z, B70A, B70B, B70C, B70D, B70E, B70F, B70G, B70H, B70I	163.5	01	B03A, B03B, B06A, B06B, B17A, B17B, B17C, B17D, B39A, B39B, B39C, B48Z, B70A, B70B, B70C, B70D, B70E, B70F, B70G, B70H, B70I	166.1	15	TPN, VTPN
	15	TPN, VTPN		15	TPN, VTPN		01	B03A, B03B, B06A, B06B, B17A, B17B, B17C, B17D, B39A, B39B, B39C, B48Z, B70A, B70B, B70C, B70D, B70E, B70F, B70G, B70H, B70I
162.02	01	B03A, B03B, B06A, B06B, B17A, B17B, B17C, B17D, B20D, B39A, B39B, B39C, B48Z, B70A, B70B, B70C, B70D, B70E, B70F, B70G, B70H, B70I	163.6	01	B03A, B03B, B06A, B06B, B17A, B17B, B17C, B17D, B39A, B39B, B39C, B48Z, B70A, B70B, B70C, B70D, B70E, B70F, B70G, B70H, B70I		05	F61A
	15	TPN, VTPN		15	TPN, VTPN	166.2	15	TPN, VTPN
162.09	01	B03A, B03B, B06A, B06B, B17A, B17B, B17C, B17D, B20D, B39A, B39B, B39C, B48Z, B70A, B70B, B70C, B70D, B70E, B70F, B70G, B70H, B70I	163.8	01	B03A, B03B, B06A, B06B, B17A, B17B, B17C, B17D, B39A, B39B, B39C, B48Z, B70A, B70B, B70C, B70D, B70E, B70F, B70G, B70H, B70I		01	B03A, B03B, B06A, B06B, B17A, B17B, B17C, B17D, B39A, B39B, B39C, B48Z, B70A, B70B, B70C, B70D, B70E, B70F, B70G, B70H, B70I
	15	TPN, VTPN		15	TPN, VTPN		05	F61A
162.1	01	B03A, B03B, B06A, B06B, B17A, B17B, B17C, B17D, B39A, B39B, B39C, B48Z, B70A, B70B, B70C, B70D, B70E, B70F, B70G, B70H, B70I	163.9	01	B03A, B03B, B06A, B06B, B17A, B17B, B17C, B17D, B39A, B39B, B39C, B48Z, B70A, B70B, B70C, B70D, B70E, B70F, B70G, B70H, B70I	166.3	15	TPN, VTPN
	15	TPN, VTPN		15	TPN, VTPN		01	B03A, B03B, B06A, B06B, B17A, B17B, B17C, B17D, B39A, B39B, B39C, B69A, B69B, B69C, B69D
162.9	01	B03A, B03B, B06A, B06B, B17A, B17B, B17C, B17D, B39A, B39B, B39C, B48Z, B70A, B70B, B70C, B70D, B70E, B70G, B70H, B70I	164	01	B03A, B03B, B06A, B06B, B17A, B17B, B17C, B17D, B39A, B39B, B39C, B48Z, B70A, B70B, B70C, B70D, B70E, B70F, B70G, B70H, B70I		05	F61A
	15	TPN, VTPN		15	TPN, VTPN	166.4	15	TPN, VTPN
163.0	01	B03A, B03B, B06A, B06B, B17A, B17B, B17C, B17D, B39A, B39B, B39C, B48Z, B70A, B70B, B70C, B70D, B70E, B70F, B70G, B70H, B70I	165.0	01	B03A, B03B, B06A, B06B, B17A, B17B, B17C, B17D, B20D, B39A, B39B, B39C, B69A, B69B, B69C, B69D	166.8	01	B03A, B03B, B06A, B06B, B17A, B17B, B17C, B17D, B39A, B39B, B39C, B48Z, B70A, B70B, B70C, B70D, B70E, B70F, B70G, B70H, B70I
	15	TPN, VTPN		15	TPN, VTPN		05	F61A
163.1	01	B03A, B03B, B06A, B06B, B17A, B17B, B17C, B17D, B39A, B39B, B39C, B48Z, B70A, B70B, B70C, B70D, B70E, B70F, B70G, B70H, B70I	165.1	01	B03A, B03B, B06A, B06B, B17A, B17B, B17C, B17D, B39A, B39B, B39C, B69A, B69B, B69C, B69D, B70A, B70B, B70C, B70E	166.9	15	TPN, VTPN
	15	TPN, VTPN		15	TPN, VTPN		01	B03A, B03B, B06A, B06B, B17A, B17B, B17C, B17D, B39A, B39B, B39C, B48Z, B70A, B70B, B70C, B70D, B70E, B70F, B70G, B70H, B70I
163.2	01	B03A, B03B, B06A, B06B, B17A, B17B, B17C, B17D, B39A, B39B, B39C, B48Z, B70A, B70B, B70C, B70D, B70E, B70F, B70G, B70H, B70I	165.2	01	B03A, B03B, B06A, B06B, B17A, B17B, B17C, B17D, B39A, B39B, B39C, B69A, B69B, B69C, B69D		05	F61A
	15	TPN, VTPN		15	TPN, VTPN	167.0	15	TPN, VTPN
163.3	01	B03A, B03B, B06A, B06B, B17A, B17B, B17C, B17D, B39A, B39B, B39C, B48Z, B70A, B70B, B70C, B70D, B70E, B70F, B70G, B70H, B70I	165.3	01	B03A, B03B, B06A, B06B, B17A, B17B, B17C, B17D, B39A, B39B, B39C, B69A, B69B, B69C, B69D		01	B39A, B39B, B39C, B48Z, B70A, B70B, B70C, B70D, B70E, B70F, B70G, B70H, B70I
	15	TPN, VTPN		15	TPN, VTPN	167.10	Pre	A07D, A09E, A11F, A13F
	15	TPN, VTPN	165.8	01	B03A, B03B, B06A, B06B, B17A, B17B, B17C, B17D, B39A, B39B, B39C, B69A, B69B, B69C, B69D		01	B03A, B03B, B06A, B06B, B17A, B17B, B17C, B17D, B39A, B39B, B39C, B48Z, B70A, B70B, B70C, B70D, B70E, B70F, B70G, B70H, B70I
	15	TPN, VTPN		15	TPN, VTPN		15	TPN, VTPN
	15	TPN, VTPN	165.9	01	B03A, B03B, B06A, B06B, B17A, B17B, B17C, B17D, B39A, B39B, B39C, B69A, B69B, B69C, B69D		Pre	A07D, A09E, A11F, A13F
	15	TPN, VTPN		15	TPN, VTPN			

ICD	MDC	DRG	ICD	MDC	DRG	ICD	MDC	DRG
167.11	01	B03A, B03B, B06A, B06B, B17A, B17B, B17C, B17D, B39A, B39B, B39C, B48Z, B70A, B70B, B70C, B70D, B70E, B70F, B70G, B70H, B70I	171.04	05	F75A, F75B, F75C, F75D	177.2	05	F65A, F65B
	15	TPN, VTPN		15	TPN, VTPN		15	TPN, VTPN
	Pre	A07D, A09E, A11F, A13F		Pre	A07D, A09E, A11F, A13F		Pre	A07D, A09E, A11F, A13F
167.2	01	B03A, B03B, B06A, B06B, B17A, B17B, B17C, B17D, B63Z	171.05	05	F65A, F65B	177.3	05	F65A, F65B
	Pre	A07D, A09E, A11F, A13F		15	TPN, VTPN	177.4	06	G46A, G46B, G46C, G50Z, G67A, G67B, G67C, G67D
167.3	01	B48Z, B85A, B85B, B85C, B85D	171.06	05	F75A, F75B, F75C, F75D	177.5	05	F65A, F65B
	18A	S63A, S63B		15	TPN, VTPN		15	TPN, VTPN
	Pre	A07D, A09E, A11F, A13F		Pre	A07D, A09E, A11F, A13F		177.6	I66A, I66B, I66C
167.4	05	F67A, F67B, F67C, F67D	171.07	05	F08A, F42Z, F65A, F65B	177.8	05	F65A, F65B
	Pre	A07D, A09E, A11F, A13F		15	TPN, VTPN	177.9	05	F65A, F65B
167.5	01	B03A, B03B, B06A, B06B, B17A, B17B, B17C, B17D, B81A	171.1	05	F65A, F65B	178.0	05	F65A, F65B
	Pre	A07D, A09E, A11F, A13F		15	TPN, VTPN	178.1	09	J67A, J67B, J68A, J68B
167.6	01	B03A, B03B, B06A, B06B, B17A, B17B, B17C, B17D, B81A	171.2	05	F65A, F65B	178.8	05	F65A, F65B
	15	TPN, VTPN		15	TPN, VTPN	178.9	05	F65A, F65B
	Pre	A07D, A09E, A11F, A13F		Pre	A07D, A09E, A11F, A13F	179.0	15	TPN, VTPN
167.7	01	B03A, B03B, B06A, B06B, B17A, B17B, B17C, B17D, B76A, B76B, B76C, B76D, B76E, B76F, B76G	171.3	05	F65A, F65B	179.2	15	TPN, VTPN
	Pre	A07D, A09E, A11F, A13F		15	TPN, VTPN	180.0	05	F63A, F63B
167.80	01	B03A, B03B, B06A, B06B, B17A, B17B, B17C, B17D, B63Z	171.4	05	F65A, F65B	180.1	05	F63A, F63B
	Pre	A07D, A09E, A11F, A13F		15	TPN, VTPN	180.2	05	F63A, F63B
167.88	01	B03A, B03B, B06A, B06B, B17A, B17B, B17C, B17D, B63Z	171.5	05	F08A, F42Z, F65A, F65B	180.3	05	F63A, F63B
	Pre	A07D, A09E, A11F, A13F		15	TPN, VTPN	180.8	05	F63A, F63B
167.9	01	B03A, B03B, B06A, B06B, B17A, B17B, B17C, B17D, B63Z	171.6	05	F08A, F42Z, F65A, F65B	180.9	05	F63A, F63B
	Pre	A07D, A09E, A11F, A13F		15	TPN, VTPN	181	07	H63A, H63B, H63C, H78Z
168.0	Pre	A07D, A09E, A11F, A13F	171.8	05	F65A, F65B	15	TPN, VTPN	
168.1	Pre	A07D, A09E, A11F, A13F		15	TPN, VTPN	17	R62A	
168.2	Pre	A07D, A09E, A11F, A13F	171.9	05	F65A, F65B	182.0	07	H63A, H63B, H63C, H78Z
170.0	05	F65A, F65B		15	TPN, VTPN	15	TPN, VTPN	
170.1	05	F65A, F65B	172.0	01	B81A, B81B	182.1	05	F65A, F65B
170.20	05	F65A, F65B	172.1	05	F65A, F65B	182.2	05	F69A, F69B
170.21	05	F65A, F65B	172.2	11	L68A, L68B, L74Z	15	TPN, VTPN	
170.22	05	F65A, F65B	172.3	05	F65A, F65B	182.3	11	L68A, L68B, L74Z
170.23	05	F14A, F14B, F20Z, F39A, F54Z, F65A, F65B	172.4	05	F65A, F65B	15	TPN, VTPN	
170.24	05	F14A, F14B, F20Z, F39A, F54Z, F65A, F65B	172.5	01	B81A, B81B	182.8	05	F63A, F63B
170.25	05	F65A, F65B	172.6	05	F65A, F65B	22	Y02A, Y02B	
170.8	05	F65A, F65B	172.8	05	F65A, F65B	182.9	05	F63A, F63B
170.9	05	F65A, F65B	172.9	05	F65A, F65B	183.0	05	F20Z, F39A, F64Z
171.00	05	F75A, F75B, F75C, F75D	173.0	08	I66A, I66B, I66C	183.1	05	F65A, F65B
	15	TPN, VTPN	173.1	05	F65A, F65B	183.2	05	F20Z, F39A, F64Z
	Pre	A07D, A09E, A11F, A13F	173.8	05	F65A, F65B	183.9	05	F65A, F65B
171.01	05	F65A, F65B		15	TPN, VTPN	185.0	06	G40Z, G46A, G46B, G46C, G47Z, G67A, G67B, G67C, G67D, G73Z
	15	TPN, VTPN	173.9	05	F65A, F65B		07	H40Z
	Pre	A07D, A09E, A11F, A13F		15	TPN, VTPN		15	TPN, VTPN
171.02	05	F75A, F75B, F75C, F75D	174.0	05	F61A, F65A, F65B	Pre	A07D, A09E, A11F, A13F	
	15	TPN, VTPN		15	TPN, VTPN	185.9	06	G46A, G46B, G46C, G50Z, G71Z
	Pre	A07D, A09E, A11F, A13F	174.1	05	F61A, F65A, F65B	186.0	05	F65A, F65B
171.03	05	F08A, F42Z, F65A, F65B		15	TPN, VTPN	186.1	12	M64Z
	15	TPN, VTPN	174.2	05	F61A, F65A, F65B	186.2	12	M64Z
	Pre	A07D, A09E, A11F, A13F		15	TPN, VTPN		13	N04Z, N05A, N05B, N14Z, N21Z, N25Z, N62A, N62B
171.03	05	F08A, F42Z, F65A, F65B	174.3	05	F61A, F65A, F65B	186.3	13	N04Z, N05A, N05B, N14Z, N21Z, N25Z, N62A, N62B
	15	TPN, VTPN		15	TPN, VTPN	186.4	05	F65A, F65B
	Pre	A07D, A09E, A11F, A13F	174.4	05	F61A, F65A, F65B	186.8	05	F65A, F65B
171.03	05	F08A, F42Z, F65A, F65B		15	TPN, VTPN	187.00	05	F65A, F65B
	15	TPN, VTPN	174.5	05	F61A, F65A, F65B	187.01	05	F65A, F65B
	Pre	A07D, A09E, A11F, A13F		15	TPN, VTPN	187.1	05	F65A, F65B
171.03	05	F08A, F42Z, F65A, F65B	174.8	05	F61A, F65A, F65B	187.2	05	F65A, F65B
	15	TPN, VTPN		15	TPN, VTPN	187.8	05	F66A, F66B
	Pre	A07D, A09E, A11F, A13F	174.9	05	F61A, F65A, F65B	187.9	05	F66A, F66B
171.03	05	F08A, F42Z, F65A, F65B		15	TPN, VTPN	188.0	06	G46A, G46B, G46C, G50Z, G66Z, G72A, G72B
	15	TPN, VTPN	177.0	05	F65A, F65B	188.1	16	Q60A, Q60B, Q60C, Q60D, Q60E
	Pre	A07D, A09E, A11F, A13F	177.1	05	F65A, F65B			

Dg

ICD	MDC	DRG	ICD	MDC	DRG	ICD	MDC	DRG
188.8	16	Q60A, Q60B, Q60C, Q60D, Q60E	J11.1	03	D62Z, D63Z	J15.3	04	E62A, E62B, E77A, E77B, E77C, E77D, E77E, E77F, E77G
188.9	16	Q60A, Q60B, Q60C, Q60D, Q60E	J11.8	15	TPN, VTPN	15	TPN, VTPN	
189.0	09	J67A, J67B, J68A, J68B	J12.0	04	E62A, E62B, E77A, E77B, E77C, E77D, E77E, E77F, E77G	17	R62A	
189.1	09	J64A, J64B				18A	S63A, S63B	
189.8	15	TPN, VTPN		15	TPN, VTPN	22	Y02A, Y02B	
	16	Q60A, Q60B, Q60C		22	Y02A, Y02B	J15.4	04	E62A, E62B, E77A, E77B, E77C, E77D, E77E, E77F, E77G
189.9	16	Q60A, Q60B, Q60C, Q60D, Q60E	J12.1	04	E62A, E62B, E65A, E65B, E65C, E69B, E77A, E77B, E77C, E77D, E77F	15	TPN, VTPN	
195.0	05	F73Z		15	TPN, VTPN	17	R62A	
195.1	05	F73Z		22	Y02A, Y02B	18A	S63A, S63B	
195.2	05	F73Z		22	Y02A, Y02B	22	Y02A, Y02B	
195.8	05	F73Z	J12.2	04	E62A, E62B, E77A, E77B, E77C, E77D, E77E, E77F, E77G	J15.5	04	E62A, E62B, E77A, E77B, E77C, E77D, E77E, E77F, E77G
	22	Y02A, Y02B		15	TPN, VTPN	15	TPN, VTPN	
195.9	05	F73Z		22	Y02A, Y02B	17	R62A	
197.0	05	F75A, F75B, F75C, F75D		22	Y02A, Y02B	18A	S63A, S63B	
	15	TPN, VTPN	J12.3	04	E62A, E62B, E77A, E77B, E77C, E77D, E77E, E77F, E77G	22	Y02A, Y02B	
197.1	05	F75A, F75B, F75C, F75D		15	TPN, VTPN	J15.6	04	E62A, E62B, E77A, E77B, E77C, E77D, E77E, E77F, E77G
	15	TPN, VTPN		18A	S63A, S63B	15	TPN, VTPN	
197.2	09	J67A, J67B		22	Y02A, Y02B	17	R62A	
197.8	05	F65A, F65B		22	Y02A, Y02B	18A	S63A, S63B	
	22	Y02A, Y02B	J12.8	04	E62A, E62B, E77A, E77B, E77C, E77D, E77E, E77F, E77G	22	Y02A, Y02B	
197.9	05	F75A, F75B, F75C, F75D		15	TPN, VTPN	J15.7	04	E62A, E62B, E77A, E77B, E77C, E77D, E77E, E77F, E77G
198.0	15	TPN, VTPN		18A	S63A, S63B	15	TPN, VTPN	
198.1	15	TPN, VTPN		22	Y02A, Y02B	17	R62A	
198.3	07	H40Z		22	Y02A, Y02B	18A	S63A, S63B	
199	05	F66A, F66B		22	Y02A, Y02B	22	Y02A, Y02B	
J00	03	D62Z, D63Z	J12.9	04	E62A, E62B, E77A, E77B, E77C, E77D, E77E, E77F, E77G	J15.8	04	E62A, E62B, E77A, E77B, E77C, E77D, E77E, E77F, E77G
J01.0	03	D62Z, D63Z		15	TPN, VTPN	15	TPN, VTPN	
J01.1	03	D62Z, D63Z		18A	S63A, S63B	17	R62A	
J01.2	03	D62Z, D63Z		22	Y02A, Y02B	18A	S63A, S63B	
J01.3	03	D62Z, D63Z		22	Y02A, Y02B	22	Y02A, Y02B	
J01.4	03	D62Z, D63Z		22	Y02A, Y02B	J15.9	04	E62A, E62B, E77A, E77B, E77C, E77D, E77E, E77F, E77G
J01.8	03	D62Z, D63Z	J13	04	E62A, E62B, E77A, E77B, E77C, E77D, E77E, E77F, E77G	15	TPN, VTPN	
J01.9	03	D62Z, D63Z		15	TPN, VTPN	18A	S63A, S63B	
J02.0	03	D62Z, D63Z		18A	S63A, S63B	22	Y02A, Y02B	
J02.8	03	D62Z, D63Z		22	Y02A, Y02B	J16.0	04	E62A, E62B, E77A, E77B, E77C, E77D, E77E, E77F, E77G
J02.9	03	D62Z, D63Z	J14	04	E62A, E62B, E77A, E77B, E77C, E77D, E77E, E77F, E77G	15	TPN, VTPN	
J03.0	03	D62Z, D63Z		15	TPN, VTPN	18A	S63A, S63B	
J03.8	03	D62Z, D63Z		18A	S63A, S63B	22	Y02A, Y02B	
J03.9	03	D62Z, D63Z		22	Y02A, Y02B	J16.8	04	E62A, E62B, E77A, E77B, E77C, E77D, E77E, E77F, E77G
J04.0	03	D62Z, D63Z		22	Y02A, Y02B	15	TPN, VTPN	
J04.1	04	E65A, E65B, E69A, E69B, E69C, E69D, E69E, E69F	J15.0	04	E62A, E62B, E77A, E77B, E77C, E77D, E77F	18A	S63A, S63B	
J04.2	03	D64Z		15	TPN, VTPN	22	Y02A, Y02B	
J05.0	03	D64Z		17	R62A	J17.0	15	TPN, VTPN
J05.1	03	D64Z		18A	S63A, S63B	22	Y02A, Y02B	
	Pre	A07D, A09E, A11F, A13F		22	Y02A, Y02B	J17.1	15	TPN, VTPN
J06.0	03	D62Z, D63Z		22	Y02A, Y02B	J17.2	15	TPN, VTPN
J06.8	03	D62Z, D63Z		22	Y02A, Y02B	22	Y02A, Y02B	
J06.9	03	D62Z, D63Z		22	Y02A, Y02B	J17.3	15	TPN, VTPN
J09	04	E62A, E62B, E77A, E77B, E77C, E77D, E77E, E77F, E77G	J15.1	04	E62A, E62B, E77A, E77B, E77C, E77D, E77E, E77F, E77G	22	Y02A, Y02B	
	15	TPN, VTPN		15	TPN, VTPN	J17.8	15	TPN, VTPN
J10.0	04	E62A, E62B, E77A, E77B, E77C, E77D, E77E, E77F, E77G		17	R62A	22	Y02A, Y02B	
	15	TPN, VTPN		18A	S63A, S63B	J17.1	15	TPN, VTPN
J10.1	03	D62Z, D63Z	J15.2	04	E62A, E62B, E77A, E77B, E77C, E77D, E77E, E77F, E77G	J17.2	15	TPN, VTPN
	15	TPN, VTPN		15	TPN, VTPN	22	Y02A, Y02B	
J10.8	15	TPN, VTPN		17	R62A	J17.3	15	TPN, VTPN
	18B	T63A, T63B, T63C		18A	S63A, S63B	22	Y02A, Y02B	
J11.0	04	E62A, E62B, E77A, E77B, E77C, E77D, E77E, E77F, E77G		22	Y02A, Y02B	J17.8	15	TPN, VTPN
	15	TPN, VTPN				22	Y02A, Y02B	

ICD	MDC	DRG	ICD	MDC	DRG	ICD	MDC	DRG
J18.0	04	E62A, E62B, E77A, E77B, E77C, E77D, E77E, E77F, E77G	J32.3	03	D62Z, D63Z	J44.12	04	E65A, E65B, E65C
	15	TPN, VTPN	J32.4	03	D62Z, D63Z	J44.13	04	E65A, E65B, E65C
	18A	S63A, S63B	J32.8	03	D62Z, D63Z	J44.19	04	E65A, E65B, E65C
	22	Y02A, Y02B	J32.9	03	D62Z, D63Z	J44.80	04	E65A, E65B
J18.1	04	E62A, E62B, E77A, E77B, E77C, E77D, E77E, E77F, E77G	J33.0	18A	S65A, S65B	J44.81	04	E65A, E65B, E65C
	15	TPN, VTPN	J33.0	03	D66Z	J44.82	04	E65A, E65B, E65C
	18A	S63A, S63B	J33.1	03	D66Z	J44.83	04	E65A, E65B, E65C
	22	Y02A, Y02B	J33.8	03	D66Z	J44.89	04	E65A, E65B, E65C
J18.2	04	E64A, E64B, E64C, E64D	J33.9	03	D66Z	J44.90	04	E65A, E65B
J18.8	04	E62A, E62B, E77A, E77B, E77C, E77D, E77E, E77F, E77G	J34.0	03	D66Z	J44.91	04	E65A, E65B, E65C
	15	TPN, VTPN	J34.1	03	D66Z	J44.92	04	E65A, E65B, E65C
	18A	S63A, S63B	J34.2	03	D65Z	J44.93	04	E65A, E65B, E65C
	22	Y02A, Y02B	J34.3	03	D66Z	J44.99	04	E65A, E65B, E65C
J18.9	04	E62A, E62B, E77A, E77B, E77C, E77D, E77E, E77F, E77G	J34.8	15	TPN, VTPN	J45.0	04	E65A, E65B, E69A, E69B, E69C, E69D, E69E, E69F
	15	TPN, VTPN	J35.0	03	D66Z	J45.1	04	E65A, E65B, E69A, E69B, E69C, E69D, E69E, E69F
	18A	S63A, S63B	J35.1	03	D66Z	J45.8	04	E65A, E65B, E69A, E69B, E69C, E69D, E69E, E69F
	22	Y02A, Y02B	J35.2	03	D66Z	J45.9	04	E65A, E65B, E69A, E69B, E69C, E69D, E69E, E69F
J20.0	04	E65A, E65B, E69A, E69B, E69C, E69D, E69E, E69F	J35.3	03	D66Z	J46	04	E65A, E65B, E69A, E69B, E69C, E69D, E69E, E69F
J20.1	04	E65A, E65B, E69A, E69B, E69C, E69D, E69E, E69F	J35.8	03	D66Z		Pre	A07D, A09E, A11F, A13F
J20.2	04	E65A, E65B, E69A, E69B, E69C, E69D, E69E, E69F	J35.9	03	D66Z	J47	04	E65A, E65B
J20.3	04	E65A, E65B, E69A, E69B, E69C, E69D, E69E, E69F	J36	03	D62Z, D63Z	J60	04	E74Z
J20.4	04	E65A, E65B, E69A, E69B, E69C, E69D, E69E, E69F	J37.0	03	D62Z, D63Z	J61	04	E74Z
J20.5	04	E65A, E65B, E69A, E69B, E69C, E69D, E69E, E69F	J37.1	03	D62Z, D63Z	J62.0	04	E74Z
J20.6	04	E65A, E65B, E69A, E69B, E69C, E69D, E69E, E69F	J38.00	03	D66Z	J62.8	04	E74Z
J20.7	04	E65A, E65B, E69A, E69B, E69C, E69D, E69E, E69F	J38.01	15	TPN, VTPN	J63.0	04	E74Z
J20.8	04	E65A, E65B, E69A, E69B, E69C, E69D, E69E, E69F	J38.02	03	D66Z	J63.1	04	E74Z
J20.9	04	E65A, E65B, E69A, E69B, E69C, E69D, E69E, E69F	J38.03	15	TPN, VTPN	J63.2	04	E74Z
J21.0	04	E65A, E65B, E65C, E69B, E70A, E70B	J38.1	03	D66Z	J63.3	04	E74Z
J21.1	04	E70A, E70B	J38.2	03	D66Z	J63.4	04	E74Z
J21.8	04	E70A, E70B	J38.3	03	D66Z	J63.5	04	E74Z
J21.9	04	E70A, E70B	J38.4	03	D66Z	J63.8	04	E74Z
J22	04	E75A, E75B, E75C	J38.5	03	D64Z	J64	04	E74Z
J30.0	03	D62Z, D63Z	J38.6	03	D66Z	J65	04	E41Z, E42Z, E76A, E76B, E76C
J30.1	03	D62Z, D63Z	J38.7	03	D66Z	J66.0	04	E74Z
J30.2	03	D62Z, D63Z	J39.0	15	TPN, VTPN	J66.1	04	E74Z
J30.3	03	D62Z, D63Z	J39.1	03	D30A, D62Z, D63Z	J66.2	04	E74Z
J30.4	03	D62Z, D63Z	J39.2	15	TPN, VTPN	J66.8	04	E74Z
J31.0	03	D62Z, D63Z	J39.3	Pre	A07D, A09E, A11F, A13F	J67.0	04	E74Z
J31.1	03	D62Z, D63Z	J39.80	03	D66Z	Pre	A07D, A09E, A11F, A13F	
J31.2	03	D62Z, D63Z	J39.88	03	D62Z, D63Z	J67.1	04	E74Z
J32.0	03	D62Z, D63Z	J39.9	03	D62Z, D63Z	Pre	A07D, A09E, A11F, A13F	
J32.1	03	D62Z, D63Z	J40	04	E65A, E65B, E69A, E69B, E69C, E69D, E69E, E69F	J67.2	04	E74Z
J32.2	03	D62Z, D63Z	J41.0	04	E65A, E65B, E69A, E69B, E69C, E69D, E69E, E69F	Pre	A07D, A09E, A11F, A13F	
			J41.1	04	E65A, E65B, E65C	J67.3	04	E74Z
			J41.8	04	E65A, E65B, E65C	Pre	A07D, A09E, A11F, A13F	
			J42	04	E65A, E65B, E65C	J67.4	04	E74Z
			J43.0	04	E65A, E65B, E65C	Pre	A07D, A09E, A11F, A13F	
			J43.1	04	E65A, E65B, E65C	J67.5	04	E74Z
			J43.2	04	E65A, E65B, E65C	Pre	A07D, A09E, A11F, A13F	
			J43.8	04	E65A, E65B, E65C	J67.6	04	E74Z
			J43.9	04	E65A, E65B, E65C	Pre	A07D, A09E, A11F, A13F	
			J44.00	04	E65A, E65B	J67.7	04	E74Z
			J44.01	04	E65A, E65B, E65C	Pre	A07D, A09E, A11F, A13F	
			J44.02	04	E65A, E65B, E65C	J67.8	04	E74Z
			J44.03	04	E65A, E65B, E65C	Pre	A07D, A09E, A11F, A13F	
			J44.09	04	E65A, E65B, E65C	J67.9	04	E74Z
			J44.10	04	E65A, E65B	Pre	A07D, A09E, A11F, A13F	
			J44.11	04	E65A, E65B, E65C	J68.0	04	E75A, E75B, E75C
						J68.1	04	E64A, E64B, E64C, E64D
						J68.2	04	E75A, E75B, E75C
						J68.3	04	E65A, E65B, E69A, E69B, E69C, E69D, E69E, E69F, E75A, E75B, E75C

ICD	MDC	DRG	ICD	MDC	DRG	ICD	MDC	DRG
J68.4	04	E65A, E65B, E65C	J92.9	04	E62A, E62B, E77A, E77B, E77C, E77D, E77E, E77F, E77G	K02.1	03	D40Z, D67Z
J68.8	04	E65A, E65B, E65C				K02.2	03	D40Z, D67Z
J68.9	04	E65A, E65B, E65C				K02.3	03	D40Z, D67Z
J69.0	04	E62A, E62B, E77A, E77B, E77C, E77D, E77E, E77F, E77G	J93.0	04	E76A, E76B, E76C	K02.4	03	D40Z, D67Z
	15	TPN, VTPN		15	P65C, P66C, P67B, P67C	K02.5	03	D40Z, D67Z
J69.1	04	E62A, E62B, E77A, E77B, E77C, E77D, E77E, E77F, E77G	Pre	A07D, A09E, A11F, A13F	K02.8	03	D40Z, D67Z	
	15	TPN, VTPN	J93.1	04	E76A, E76B, E76C	K02.9	03	D40Z, D67Z
J69.8	04	E62A, E62B, E77A, E77B, E77C, E77D, E77E, E77F, E77G	18A	S63A, S63B	K03.0	03	D40Z, D67Z	
	15	TPN, VTPN	J93.8	04	E76A, E76B, E76C	K03.1	03	D40Z, D67Z
J70.0	04	E75A, E75B, E75C	18A	S63A, S63B	K03.2	03	D40Z, D67Z	
J70.1	04	E74Z	J93.9	04	E76A, E76B, E76C	K03.3	03	D40Z, D67Z
J70.2	04	E75A, E75B, E75C	18A	S63A, S63B	K03.4	03	D40Z, D67Z	
J70.3	04	E75A, E75B, E75C	J94.0	04	E73A, E73B	K03.5	03	D40Z, D67Z
J70.4	04	E75A, E75B, E75C	15	TPN, VTPN	K03.6	03	D40Z, D67Z	
J70.8	04	E75A, E75B, E75C	J94.1	04	E62A, E62B, E77A, E77B, E77C, E77D, E77E, E77F, E77G	K03.7	03	D40Z, D67Z
J70.9	04	E75A, E75B, E75C	J94.2	04	E73A, E73B	K03.8	03	D40Z, D67Z
J80	04	E40A, E40B	15	TPN, VTPN	K03.9	03	D40Z, D67Z	
	Pre	A07D, A09E, A11F, A13F	J94.8	04	E73A, E73B	K04.0	03	D40Z, D67Z
J81	05	F62A, F62B, F62C	15	TPN, VTPN	K04.1	03	D40Z, D67Z	
J82	04	E74Z	J94.9	04	E73A, E73B	K04.2	03	D40Z, D67Z
J84.0	04	E74Z	15	TPN, VTPN	K04.3	03	D40Z, D67Z	
J84.1	04	E74Z	J95.0	04	E75A, E75B, E75C	K04.4	03	D40Z, D67Z
	Pre	A07D, A09E, A11F, A13F	15	TPN, VTPN	K04.5	03	D40Z, D67Z	
J84.8	04	E74Z	J95.1	04	E64A, E64B, E64C, E64D	K04.6	03	D40Z, D67Z
	18A	S65A, S65B	Pre	A07D, A09E, A11F, A13F	K04.7	03	D40Z, D67Z	
J84.9	04	E74Z	J95.2	04	E64A, E64B, E64C, E64D	K04.8	03	D40Z, D67Z
J85.0	04	E62A, E62B, E77A, E77B, E77C, E77D, E77F	J95.3	04	E64A, E64B, E64C, E64D	K04.9	03	D40Z, D67Z
	15	TPN, VTPN	J95.4	04	E75A, E75B, E75C	K05.0	03	D40Z, D67Z
	18A	S63A, S63B	J95.5	04	E75A, E75B, E75C	K05.1	03	D40Z, D67Z
	Pre	A07D, A09E, A11F, A13F	J95.80	04	E76A, E76B, E76C	K05.2	03	D40Z, D67Z
J85.1	04	E62A, E62B, E77A, E77B, E77C, E77D, E77F	J95.81	04	E75A, E75B, E75C	K05.3	03	D40Z, D67Z
	15	TPN, VTPN	J95.88	04	E75A, E75B, E75C	K05.4	03	D40Z, D67Z
	18A	S63A, S63B	J95.9	04	E75A, E75B, E75C	K05.5	03	D40Z, D67Z
	Pre	A07D, A09E, A11F, A13F	J96.00	04	E64A, E64B, E64C, E64D	K05.6	03	D40Z, D67Z
J85.2	04	E62A, E62B, E77A, E77B, E77C, E77D, E77F	J96.01	04	E64A, E64B, E64C, E64D	K06.0	03	D40Z, D67Z
	15	TPN, VTPN	J96.09	04	E64A, E64B, E64C, E64D	K06.1	03	D40Z, D67Z
	18A	S63A, S63B	J96.10	04	E64A, E64B, E64C, E64D	K06.2	03	D40Z, D67Z
	Pre	A07D, A09E, A11F, A13F	J96.11	04	E64A, E64B, E64C, E64D	K06.8	03	D40Z, D67Z
J85.3	04	E62A, E62B, E77A, E77B, E77C, E77D, E77F	J96.19	04	E64A, E64B, E64C, E64D	K06.9	03	D40Z, D67Z
	15	TPN, VTPN	J96.90	04	E64A, E64B, E64C, E64D	K07.0	03	D40Z, D67Z
	18A	S63A, S63B	J96.91	04	E64A, E64B, E64C, E64D	K07.1	03	D40Z, D67Z
	Pre	A07D, A09E, A11F, A13F	J96.99	04	E64A, E64B, E64C, E64D	K07.2	15	TPN, VTPN
J86.0	04	E01A, E62A, E62B, E77A, E77B, E77C, E77D, E77F	J98.0	04	E65A, E65B, E69A, E69B, E69C, E69D, E69E, E69F	K07.3	03	D40Z, D67Z
	15	TPN, VTPN	J98.1	04	E75A, E75B, E75C	K07.4	03	D40Z, D67Z
	18A	S63A	J98.2	04	E76A, E76B, E76C	K07.5	03	D40Z, D67Z
	Pre	A07D, A09E, A11F, A13F	J98.3	04	E75A, E75B, E75C	K07.6	03	D40Z, D67Z
J86.9	04	E62A, E62B, E77A, E77B, E77C, E77D, E77F	J98.4	04	E75A, E75B, E75C	K07.8	03	D40Z, D67Z
	15	TPN, VTPN	J98.50	04	E75A, E75B, E75C	K07.9	15	TPN, VTPN
	18A	S63A	J98.58	04	E75A, E75B, E75C	K08.0	03	D40Z, D67Z
	Pre	A07D, A09E, A11F, A13F	J98.6	04	E75A, E75B, E75C	K08.1	03	D40Z, D67Z
J90	04	E73A, E73B	J98.8	04	E75A, E75B, E75C	K08.2	03	D40Z, D67Z
	15	TPN, VTPN	J98.9	04	E75A, E75B, E75C	K08.3	03	D40Z, D67Z
J91	15	TPN, VTPN	K00.0	03	D40Z, D67Z	K08.81	03	D40Z, D67Z
J92.0	04	E62A, E62B, E77A, E77B, E77C, E77D, E77E, E77F, E77G	K00.1	03	D40Z, D67Z	K08.88	03	D40Z, D67Z
			K00.2	03	D40Z, D67Z	K08.9	03	D40Z, D67Z
			K00.3	03	D40Z, D67Z	K09.0	03	D40Z, D67Z
			K00.4	03	D40Z, D67Z	K09.1	03	D40Z, D67Z
			K00.5	03	D40Z, D67Z	K09.2	03	D40Z, D67Z
			K00.6	03	D40Z, D67Z	K09.8	03	D40Z, D67Z
			K00.7	03	D40Z, D67Z	K09.9	03	D40Z, D67Z
			K00.8	03	D40Z, D67Z	K10.0	03	D40Z, D67Z
			K00.9	03	D40Z, D67Z	K10.1	03	D40Z, D67Z
			K01.0	03	D40Z, D67Z	K10.20	03	D06B, D40Z, D67Z
			K01.1	03	D40Z, D67Z	K10.21	03	D06B, D40Z, D67Z
			K02.0	03	D40Z, D67Z	K10.28	03	D06B, D40Z, D67Z
						K10.29	03	D40Z, D67Z
						K10.3	03	D40Z, D67Z





ICD	MDC	DRG	ICD	MDC	DRG	ICD	MDC	DRG
K29.6	06	G46A, G46B, G46C, G50Z, G67A, G67B, G67C, G67D	K38.3	06	G46A, G46B, G46C, G50Z, G71Z	K43.0	06	G46A, G46B, G46C, G50Z, G71Z
K29.7	06	G46A, G46B, G46C, G50Z, G67A, G67B, G67C, G67D	K38.8	06	G46A, G46B, G46C, G50Z, G72A, G72B	K43.1	15	TPN, VTPN
K29.8	18A	S65A, S65B	K38.9	06	G46A, G46B, G46C, G50Z, G72A, G72B	K43.1	06	G46A, G46B, G46C, G50Z, G71Z
K29.9	06	G46A, G46B, G46C, G50Z, G67A, G67B, G67C, G67D	K40.00	06	G09Z, G24Z, G46A, G46B, G46C, G50Z, G71Z	K43.2	15	TPN, VTPN
K30	06	G46A, G46B, G46C, G50Z, G67A, G67B, G67C, G67D	K40.01	06	G09Z, G24Z, G46A, G46B, G46C, G50Z, G71Z	K43.2	Pre	A07D, A09E, A11F, A13F
K31.0	06	G46A, G46B, G46C, G50Z, G67A, G67B, G67C, G67D	K40.10	06	G09Z, G24Z, G46A, G46B, G46C, G50Z, G71Z	K43.3	06	G46A, G46B, G46C, G50Z, G71Z
K31.1	06	G40Z, G46A, G46B, G46C, G47Z, G67A, G67B, G67C, G73Z	K40.11	15	TPN, VTPN	K43.3	15	TPN, VTPN
K31.2	06	G46A, G46B, G46C, G50Z, G67A, G67B, G67C, G67D	K40.20	06	G09Z, G24Z, G46A, G46B, G46C, G50Z, G71Z	K43.4	06	G46A, G46B, G46C, G50Z, G71Z
K31.3	06	G46A, G46B, G46C, G50Z, G67A, G67B, G67C, G67D	K40.21	06	G09Z, G24Z, G46A, G46B, G46C, G50Z, G71Z	K43.4	15	TPN, VTPN
K31.4	06	G46A, G46B, G46C, G50Z, G67A, G67B, G67C, G67D	K40.30	06	G09Z, G24Z, G46A, G46B, G46C, G50Z, G71Z	K43.5	Pre	A07D, A09E, A11F, A13F
K31.5	06	G40Z, G46A, G46B, G46C, G47Z, G67A, G67B, G67C, G73Z	K40.31	06	G09Z, G24Z, G46A, G46B, G46C, G50Z, G71Z	K43.5	06	G46A, G46B, G46C, G50Z, G71Z
K31.6	06	G46A, G46B, G46C, G50Z, G67A, G67B, G67C	K40.40	15	TPN, VTPN	K43.6	06	G46A, G46B, G46C, G50Z, G71Z
K31.7	15	TPN, VTPN	K40.41	06	G09Z, G24Z, G46A, G46B, G46C, G50Z, G71Z	K43.7	06	G46A, G46B, G46C, G50Z, G71Z
K31.81	06	G46A, G46B, G46C, G50Z, G67A, G67B, G67C, G67D	K40.90	06	G09Z, G24Z, G46A, G46B, G46C, G50Z, G71Z	K43.9	06	G46A, G46B, G46C, G50Z, G71Z
K31.82	06	G40Z, G46A, G46B, G46C, G47Z, G67A, G67B, G67C, G67D, G73Z	K40.91	06	G09Z, G24Z, G46A, G46B, G46C, G50Z, G71Z	K44.0	06	G46A, G46B, G46C, G50Z, G67A, G67B, G67C, G67D
K31.88	06	G46A, G46B, G46C, G50Z, G67A, G67B, G67C, G67D	K41.0	06	G09Z, G24Z, G46A, G46B, G46C, G50Z, G71Z	K44.0	15	TPN, VTPN
K31.9	06	G46A, G46B, G46C, G50Z, G67A, G67B, G67C, G67D	K41.1	06	G09Z, G24Z, G46A, G46B, G46C, G50Z, G71Z	K44.1	06	G46A, G46B, G46C, G50Z, G71Z
K35.2	06	G07A, G07B, G07C, G22A, G22B, G22C, G46A, G46B, G46C, G50Z, G71Z	K41.1	15	TPN, VTPN	K44.1	15	TPN, VTPN
K35.30	15	TPN, VTPN	K41.1	06	G09Z, G24Z, G46A, G46B, G46C, G50Z, G71Z	K44.9	Pre	A07D, A09E, A11F, A13F
K35.31	06	G07A, G07B, G07C, G22A, G22B, G22C, G46A, G46B, G46C, G50Z, G71Z	K41.2	06	G09Z, G24Z, G46A, G46B, G46C, G50Z, G71Z	K44.9	06	G46A, G46B, G46C, G50Z, G67A, G67B, G67C, G67D
K35.32	15	TPN, VTPN	K41.3	06	G09Z, G24Z, G46A, G46B, G46C, G50Z, G71Z	K45.0	06	G46A, G46B, G46C, G50Z, G71Z
K35.8	06	G46A, G46B, G46C, G50Z, G72A, G72B	K41.4	06	G09Z, G24Z, G46A, G46B, G46C, G50Z, G71Z	K45.1	06	G46A, G46B, G46C, G50Z, G71Z
K36	15	TPN, VTPN	K41.9	15	TPN, VTPN	K45.1	15	TPN, VTPN
K37	06	G46A, G46B, G46C, G50Z, G72A, G72B	K42.0	06	G46A, G46B, G46C, G50Z, G71Z	K45.8	Pre	A07D, A09E, A11F, A13F
K38.0	15	TPN, VTPN	K42.1	06	G46A, G46B, G46C, G50Z, G71Z	K45.8	06	G46A, G46B, G46C, G50Z, G71Z
K38.1	06	G46A, G46B, G46C, G50Z, G71Z	K42.9	06	G46A, G46B, G46C, G50Z, G71Z	K46.0	06	G46A, G46B, G46C, G50Z, G71Z
K38.2	06	G46A, G46B, G46C, G50Z, G71Z				K46.1	06	G46A, G46B, G46C, G50Z, G71Z
						K46.1	15	TPN, VTPN
						K46.9	06	G46A, G46B, G46C, G50Z, G71Z
						K50.0	06	G40Z, G46A, G46B, G46C, G47Z, G48A, G48B, G64A, G64B, G64C
						K50.1	06	G40Z, G46A, G46B, G46C, G47Z, G48A, G48B, G64A, G64B, G64C
						K50.80	06	G40Z, G46A, G46B, G46C, G47Z, G48A, G48B, G64A, G64B, G64C
						K50.81	06	G40Z, G46A, G46B, G46C, G47Z, G48A, G48B, G64A, G64B, G64C
						K50.82	06	G40Z, G46A, G46B, G46C, G47Z, G48A, G48B, G64A, G64B, G64C
						K50.88	06	G40Z, G46A, G46B, G46C, G47Z, G48A, G48B, G64A, G64B, G64C
						K50.9	06	G40Z, G46A, G46B, G46C, G47Z, G48A, G48B, G64A, G64B, G64C

ICD	MDC	DRG	ICD	MDC	DRG	ICD	MDC	DRG
K51.0	06	G40Z, G46A, G46B, G46C, G47Z, G48A, G48B, G64A, G64B, G64C	K55.82	06	G40Z, G46A, G46B, G46C, G47Z, G67A, G67B, G67C, G67D, G73Z	K57.41	06	G40Z, G46A, G46B, G46C, G47Z, G67A, G67B, G67C, G67D, G73Z
K51.2	06	G40Z, G46A, G46B, G46C, G47Z, G48A, G48B, G64A, G64B, G64C	K55.88	06	G46A, G46B, G46C, G50Z, G71Z	K57.42	06	G46A, G46B, G46C, G50Z, G67A, G67B, G67C
K51.3	06	G40Z, G46A, G46B, G46C, G47Z, G48A, G48B, G64A, G64B, G64C	K55.9	06	G46A, G46B, G46C, G50Z, G71Z	K57.43	06	G40Z, G46A, G46B, G46C, G47Z, G67A, G67B, G67C, G67D, G73Z
K51.4	06	G40Z, G46A, G46B, G46C, G47Z, G48A, G48B, G64A, G64B, G64C	K56.0	06	G40Z, G46A, G46B, G46C, G47Z, G65Z	K57.50	06	G46A, G46B, G46C, G50Z, G67A, G67B, G67C
K51.5	06	G40Z, G46A, G46B, G46C, G47Z, G48A, G48B, G64A, G64B, G64C	K56.1	06	G40Z, G46A, G46B, G46C, G47Z, G65Z	K57.51	06	G40Z, G46A, G46B, G46C, G47Z, G67A, G67B, G67C, G67D, G73Z
K51.8	06	G40Z, G46A, G46B, G46C, G47Z, G48A, G48B, G64A, G64B, G64C	K56.2	06	G40Z, G46A, G46B, G46C, G47Z, G65Z	K57.52	06	G46A, G46B, G46C, G50Z, G67A, G67B, G67C
K51.9	06	G40Z, G46A, G46B, G46C, G47Z, G48A, G48B, G64A, G64B, G64C	K56.3	06	G40Z, G46A, G46B, G46C, G47Z, G65Z	K57.53	06	G40Z, G46A, G46B, G46C, G47Z, G67A, G67B, G67C, G67D, G73Z
K52.0	06	G46A, G46B, G46C, G50Z, G71Z	K56.4	06	G40Z, G46A, G46B, G46C, G47Z, G65Z	K57.80	06	G46A, G46B, G46C, G50Z, G67A, G67B, G67C
K52.1	06	G46A, G46B, G46C, G50Z, G71Z	K56.5	06	G40Z, G46A, G46B, G46C, G47Z, G65Z	K57.81	06	G40Z, G46A, G46B, G46C, G47Z, G67A, G67B, G67C, G67D, G73Z
K52.2	06	G46A, G46B, G46C, G50Z, G67A, G67B, G67C, G67D	K56.6	06	G40Z, G46A, G46B, G46C, G47Z, G65Z	K57.82	06	G46A, G46B, G46C, G50Z, G67A, G67B, G67C
K52.30	06	G46A, G46B, G46C, G50Z, G67A, G67B, G67C, G67D	K56.7	06	G40Z, G46A, G46B, G46C, G47Z, G65Z	K57.83	06	G40Z, G46A, G46B, G46C, G47Z, G67A, G67B, G67C, G67D, G73Z
K52.31	06	G46A, G46B, G46C, G50Z, G67A, G67B, G67C, G67D	K57.00	06	G46A, G46B, G46C, G50Z, G67A, G67B, G67C	K57.90	06	G46A, G46B, G46C, G50Z, G67A, G67B, G67C
K52.32	06	G46A, G46B, G46C, G50Z, G67A, G67B, G67C, G67D	K57.01	06	G40Z, G46A, G46B, G46C, G47Z, G67A, G67B, G67C, G67D, G73Z	K57.91	06	G40Z, G46A, G46B, G46C, G47Z, G67A, G67B, G67C, G67D, G73Z
K52.38	06	G46A, G46B, G46C, G50Z, G67A, G67B, G67C, G67D	K57.02	06	G46A, G46B, G46C, G50Z, G67A, G67B, G67C	K57.92	06	G46A, G46B, G46C, G50Z, G67A, G67B, G67C
K52.8	06	G46A, G46B, G46C, G50Z, G67A, G67B, G67C, G67D	K57.03	06	G40Z, G46A, G46B, G46C, G47Z, G67A, G67B, G67C, G67D, G73Z	K57.93	06	G40Z, G46A, G46B, G46C, G47Z, G67A, G67B, G67C, G67D, G73Z
K52.9	06	G46A, G46B, G46C, G50Z, G67A, G67B, G67C, G67D	K57.10	06	G46A, G46B, G46C, G50Z, G67A, G67B, G67C	K58.0	06	G46A, G46B, G46C, G50Z, G67A, G67B, G67C, G67D
K55.0	06	G46A, G46B, G46C, G50Z, G64A, G64B, G64C, G70A, G70B	K57.11	06	G40Z, G46A, G46B, G46C, G47Z, G67A, G67B, G67C, G67D, G73Z	K58.9	06	G46A, G46B, G46C, G50Z, G67A, G67B, G67C, G67D
K55.1	06	G46A, G46B, G46C, G50Z, G64A, G64B, G64C, G70A, G70B	K57.12	06	G46A, G46B, G46C, G50Z, G67A, G67B, G67C	K59.0	06	G46A, G46B, G46C, G50Z, G67A, G67B, G67C, G67D
K55.21	06	G46A, G46B, G46C, G50Z, G71Z	K57.13	06	G40Z, G46A, G46B, G46C, G47Z, G67A, G67B, G67C, G67D, G73Z	K59.1	06	G46A, G46B, G46C, G50Z, G67A, G67B, G67C, G67D
K55.22	06	G40Z, G46A, G46B, G46C, G47Z, G67A, G67B, G67C, G67D, G73Z	K57.20	06	G46A, G46B, G46C, G50Z, G67A, G67B, G67C	K59.2	06	G46A, G46B, G46C, G50Z, G67A, G67B, G67C, G67D
K55.81	06	G46A, G46B, G46C, G50Z, G67A, G67B, G67C, G67D	K57.21	06	G40Z, G46A, G46B, G46C, G47Z, G67A, G67B, G67C, G67D, G73Z	K59.3	06	G46A, G46B, G46C, G50Z, G71Z
			K57.22	06	G46A, G46B, G46C, G50Z, G67A, G67B, G67C		15	TPN, VTPN
			K57.23	06	G40Z, G46A, G46B, G46C, G47Z, G67A, G67B, G67C, G67D, G73Z	K59.4	06	G46A, G46B, G46C, G50Z, G67A, G67B, G67C, G67D
			K57.30	06	G46A, G46B, G46C, G50Z, G67A, G67B, G67C	K59.8	06	G46A, G46B, G46C, G50Z, G67A, G67B, G67C, G67D
			K57.31	06	G40Z, G46A, G46B, G46C, G47Z, G67A, G67B, G67C, G67D, G73Z	K59.9	06	G46A, G46B, G46C, G50Z, G67A, G67B, G67C, G67D
			K57.32	06	G46A, G46B, G46C, G50Z, G67A, G67B, G67C	K60.0	06	G46A, G46B, G46C, G50Z, G71Z
			K57.33	06	G40Z, G46A, G46B, G46C, G47Z, G67A, G67B, G67C, G67D, G73Z	K60.1	06	G46A, G46B, G46C, G50Z, G71Z
			K57.40	06	G46A, G46B, G46C, G50Z, G67A, G67B, G67C	K60.2	06	G46A, G46B, G46C, G50Z, G71Z
						K60.3	15	P65C, P66C, P67B, P67C
						K60.4	06	G46A, G46B, G46C, G50Z, G71Z
						K60.5	06	G46A, G46B, G46C, G50Z, G71Z

ICD	MDC	DRG	ICD	MDC	DRG	ICD	MDC	DRG
K61.0	06	G46A, G46B, G46C, G50Z, G71Z	K64.3	06	G46A, G46B, G46C, G50Z, G72A, G72B	K71.0	07	H40Z, H63A, H63B, H63C, H78Z
	15	TPN, VTPN	K64.4	06	G46A, G46B, G46C, G50Z, G72A, G72B		15	TPN, VTPN
K61.1	06	G46A, G46B, G46C, G50Z, G71Z	K64.5	06	G46A, G46B, G46C, G50Z, G72A, G72B	K71.1	07	H40Z, H63A, H63B, H63C, H78Z
	15	TPN, VTPN	K64.8	06	G46A, G46B, G46C, G50Z, G72A, G72B		15	TPN, VTPN
K61.2	06	G46A, G46B, G46C, G50Z, G71Z	K64.9	06	G46A, G46B, G46C, G50Z, G72A, G72B	K71.2	07	H40Z, H63A, H63B, H63C, H78Z
	15	TPN, VTPN	K65.0	06	G01Z, G02Z, G07A, G07B, G07C, G22A, G22B, G22C, G38Z, G40Z, G46A, G46B, G46C, G47Z, G48A, G48B, G64A, G64B, G64C, G70A, G70B	K71.3	07	H40Z, H63A, H63B, H63C, H78Z
K61.3	06	G46A, G46B, G46C, G50Z, G71Z		15	TPN, VTPN		15	TPN, VTPN
	15	TPN, VTPN	K65.8	06	A07D, A09E, A11F, A13F	K71.4	07	H40Z, H63A, H63B, H63C, H78Z
K61.4	06	G46A, G46B, G46C, G50Z, G71Z		Pre	G01Z, G02Z, G07A, G07B, G07C, G22A, G22B, G22C, G38Z, G40Z, G46A, G46B, G46C, G47Z, G48A, G48B, G64A, G64B, G64C, G70A, G70B	K71.5	07	H40Z, H63A, H63B, H63C, H78Z
	15	TPN, VTPN		06	TPN, VTPN		15	TPN, VTPN
K62.0	06	G46A, G46B, G46C, G50Z, G71Z		Pre	G01Z, G02Z, G07A, G07B, G07C, G22A, G22B, G22C, G38Z, G40Z, G46A, G46B, G46C, G47Z, G48A, G48B, G64A, G64B, G64C, G70A, G70B	K71.6	07	H40Z, H63A, H63B, H63C, H78Z
K62.1	06	G46A, G46B, G46C, G50Z, G71Z	K65.9	06	TPN, VTPN		15	TPN, VTPN
K62.2	06	G46A, G46B, G46C, G50Z, G71Z		15	G01Z, G02Z, G07A, G07B, G07C, G22A, G22B, G22C, G38Z, G40Z, G46A, G46B, G46C, G47Z, G48A, G48B, G64A, G64B, G64C, G70A, G70B	K71.7	07	H40Z, H60Z, H62A, H62B, H78Z
	15	TPN, VTPN		06	TPN, VTPN		15	TPN, VTPN
K62.3	06	G46A, G46B, G46C, G50Z, G71Z		Pre	G01Z, G02Z, G07A, G07B, G07C, G22A, G22B, G22C, G38Z, G40Z, G46A, G46B, G46C, G47Z, G48A, G48B, G64A, G64B, G64C, G70A, G70B	K71.8	07	H40Z, H63A, H63B, H63C, H78Z
	15	TPN, VTPN	K66.0	06	TPN, VTPN		15	TPN, VTPN
K62.4	06	G46A, G46B, G46C, G50Z, G71Z		15	A07D, A09E, A11F, A13F	K71.9	07	H40Z, H63A, H63B, H63C, H78Z
	15	TPN, VTPN		Pre	G46A, G46B, G46C, G50Z, G71Z		15	TPN, VTPN
K62.5	06	G40Z, G46A, G46B, G46C, G47Z, G67A, G67B, G67C, G67D, G73Z	K66.1	06	G40Z, G46A, G46B, G46C, G48A, G48B, G50Z, G64A, G64B, G64C, G70A, G70B	K72.0	07	H06A, H63A, H63B, H63C, H78Z
K62.6	06	G46A, G46B, G46C, G50Z, G71Z		15	TPN, VTPN		15	TPN, VTPN
K62.7	06	G46A, G46B, G46C, G50Z, G71Z		Pre	A07D, A09E, A11F, A13F	K72.1	07	H40Z, H63A, H63B, H63C, H78Z
K62.8	06	G46A, G46B, G46C, G50Z, G71Z	K66.8	06	G46A, G46B, G46C, G50Z, G71Z	K72.73	Pre	A07D, A09E, A11F, A13F
K62.9	06	G46A, G46B, G46C, G50Z, G71Z		15	TPN, VTPN	K72.74	Pre	A07D, A09E, A11F, A13F
K63.0	06	G46A, G46B, G46C, G50Z, G64A, G64B, G64C, G70A, G70B		Pre	A07D, A09E, A11F, A13F	K72.9	07	H40Z, H63A, H63B, H63C, H78Z
	15	TPN, VTPN	K66.9	06	G46A, G46B, G46C, G50Z, G71Z	K73.0	07	H40Z, H63A, H63B, H63C, H78Z
K63.1	06	G01Z, G02Z, G38Z, G46A, G46B, G46C, G50Z, G64A, G64B, G64C, G70A, G70B		15	TPN, VTPN	K73.1	07	H40Z, H63A, H63B, H63C, H78Z
	15	TPN, VTPN	K67.0	15	TPN, VTPN	K73.2	07	H40Z, H63A, H63B, H63C, H78Z
	Pre	A07D, A09E, A11F, A13F		Pre	A07D, A09E, A11F, A13F	K73.8	07	H40Z, H63A, H63B, H63C, H78Z
K63.2	06	G46A, G46B, G46C, G50Z, G64A, G64B, G64C, G70A, G70B	K67.1	15	TPN, VTPN	K73.9	07	H40Z, H63A, H63B, H63C, H78Z
	15	TPN, VTPN	K67.2	Pre	A07D, A09E, A11F, A13F	K74.0	07	H40Z, H60Z, H62A, H62B, H78Z
K63.3	06	G46A, G46B, G46C, G50Z, G64A, G64B, G64C, G70A, G70B	K67.3	15	TPN, VTPN		15	TPN, VTPN
	15	TPN, VTPN	K67.8	15	TPN, VTPN	K74.1	07	H40Z, H63A, H63B, H63C, H78Z
K63.4	06	G46A, G46B, G46C, G50Z, G71Z	K70.0	07	H40Z, H63A, H63B, H63C, H78Z	K74.2	07	H40Z, H60Z, H62A, H62B, H78Z
K63.5	06	G46A, G46B, G46C, G50Z, G71Z	K70.1	07	H40Z, H60Z, H62A, H62B, H78Z		15	TPN, VTPN
K63.8	06	G46A, G46B, G46C, G50Z, G71Z	K70.2	07	H40Z, H60Z, H62A, H62B, H78Z	K74.3	07	H40Z, H60Z, H62A, H62B, H78Z
K63.9	06	G46A, G46B, G46C, G50Z, G71Z	K70.3	07	H40Z, H60Z, H62A, H62B, H78Z		15	TPN, VTPN
K64.0	06	G46A, G46B, G46C, G50Z, G72A, G72B	K70.4	07	H40Z, H60Z, H62A, H62B, H78Z	K74.4	07	H40Z, H60Z, H62A, H62B, H78Z
K64.1	06	G46A, G46B, G46C, G50Z, G72A, G72B		Pre	A07D, A09E, A11F, A13F		15	TPN, VTPN
K64.2	06	G46A, G46B, G46C, G50Z, G72A, G72B	K70.9	07	H40Z, H60Z, H62A, H62B, H78Z	K74.5	07	H40Z, H60Z, H62A, H62B, H78Z
							15	TPN, VTPN

ICD	MDC	DRG	ICD	MDC	DRG	ICD	MDC	DRG
K74.6	07	H40Z, H60Z, H62A, H62B, H78Z	K80.51	07	H64Z	K90.1	06	G40Z, G46A, G46B, G46C, G48A, G48B, G50Z, G67A, G67B, G67C
	15	TPN, VTPN	K80.80	07	H64Z			
K75.0	07	H40Z, H63A, H63B, H63C, H78Z	K80.81	07	H64Z	K90.2	06	G40Z, G46A, G46B, G46C, G48A, G48B, G50Z, G67A, G67B, G67C
	15	TPN, VTPN	K81.0	07	H64Z		15	TPN, VTPN
Pre		A07D, A09E, A11F, A13F	K81.1	07	H64Z	K90.3	06	G40Z, G46A, G46B, G46C, G48A, G48B, G50Z, G67A, G67B, G67C
K75.1	07	H40Z, H63A, H63B, H63C, H78Z	K81.8	07	H64Z		15	TPN, VTPN
	15	TPN, VTPN	K81.9	07	H64Z	K90.4	06	G40Z, G46A, G46B, G46C, G48A, G48B, G50Z, G67A, G67B, G67C
Pre		A07D, A09E, A11F, A13F	K82.0	07	H64Z		15	TPN, VTPN
K75.2	07	H40Z, H63A, H63B, H63C, H78Z	K82.1	07	H64Z	K90.8	06	G40Z, G46A, G46B, G46C, G48A, G48B, G50Z, G67A, G67B, G67C
	15	TPN, VTPN	K82.2	07	H64Z		06	G40Z, G46A, G46B, G46C, G48A, G48B, G50Z, G67A, G67B, G67C
K75.3	07	H40Z, H63A, H63B, H63C, H78Z	K82.3	07	H64Z	K90.9	06	G40Z, G46A, G46B, G46C, G48A, G48B, G50Z, G67A, G67B, G67C
	15	TPN, VTPN	K82.4	07	H64Z		18A	S65A, S65B
K75.4	07	H40Z, H63A, H63B, H63C, H78Z	K82.8	07	H64Z	K91.0	06	G46A, G46B, G46C, G50Z, G67A, G67B, G67C
	15	TPN, VTPN	K82.9	07	H64Z		06	G46A, G46B, G46C, G50Z, G67A, G67B, G67C
Pre		A07D, A09E, A11F, A13F	K83.0	07	H64Z	K91.1	06	G46A, G46B, G46C, G50Z, G67A, G67B, G67C
K75.8	07	H40Z, H63A, H63B, H63C, H78Z	K83.1	07	H64Z		15	TPN, VTPN
	15	TPN, VTPN	K83.2	15	TPN, VTPN	K91.2	06	G46A, G46B, G46C, G50Z, G67A, G67B, G67C
K75.9	07	H40Z, H63A, H63B, H63C, H78Z	K83.3	07	H64Z		06	G46A, G46B, G46C, G50Z, G67A, G67B, G67C
	15	TPN, VTPN	K83.4	07	H64Z	K91.3	06	G46A, G46B, G46C, G50Z, G71Z
K76.0	07	H40Z, H63A, H63B, H63C, H78Z	K83.5	07	H64Z		06	G46A, G46B, G46C, G50Z, G71Z
	15	TPN, VTPN	K83.8	07	H64Z	K91.4	06	G46A, G46B, G46C, G50Z, G71Z
K76.1	07	H40Z, H63A, H63B, H63C, H78Z	K83.9	07	H64Z		07	H64Z
	15	TPN, VTPN	K85.00	07	H07A, H08A, H62A, H62B	K91.80	06	G46A, G46B, G46C, G50Z, G64A, G64B, G64C, G70A, G70B
K76.2	07	H63A, H63B, H63C, H78Z	18A	S65A, S65B		Pre	A07D, A09E, A11A, A11C, A13A, A13B, A13C, A13F	
	15	TPN, VTPN	K85.01	07	H07A, H08A, H62A, H62B	K91.88	06	G46A, G46B, G46C, G50Z, G64A, G64B, G64C, G70A, G70B
K76.3	07	H40Z, H63A, H63B, H63C, H78Z	18A	S65A, S65B		06	G46A, G46B, G46C, G50Z, G71Z	
	15	TPN, VTPN	Pre	A07D, A09E, A11F, A13F	K91.9	06	G46A, G46B, G46C, G50Z, G71Z	
K76.4	07	H40Z, H63A, H63B, H63C, H78Z	K85.10	07	H07A, H08A, H62A, H62B	K92.0	06	G40Z, G46A, G46B, G46C, G47Z, G67A, G67B, G67C, G67D, G73Z
	15	TPN, VTPN	18A	S65A, S65B		06	G40Z, G46A, G46B, G46C, G47Z, G67A, G67B, G67C, G67D, G73Z	
K76.5	07	H40Z, H63A, H63B, H63C, H78Z	K85.11	07	H07A, H08A, H62A, H62B	K92.1	06	G40Z, G46A, G46B, G46C, G47Z, G67A, G67B, G67C, G67D, G73Z
	15	TPN, VTPN	18A	S65A, S65B		06	G40Z, G46A, G46B, G46C, G47Z, G67A, G67B, G67C, G67D, G73Z	
K76.6	07	H40Z, H63A, H63B, H63C, H78Z	Pre	A07D, A09E, A11F, A13F	K92.2	06	G40Z, G46A, G46B, G46C, G47Z, G67A, G67B, G67C, G67D, G73Z	
	15	TPN, VTPN	K85.20	07	H07A, H08A, H62A, H62B	K92.8	06	G46A, G46B, G46C, G50Z, G71Z
K76.7	07	H40Z, H63A, H63B, H63C, H78Z	18A	S65A, S65B		06	G46A, G46B, G46C, G50Z, G71Z	
	15	TPN, VTPN	K85.21	07	H07A, H08A, H62A, H62B	K92.9	06	G46A, G46B, G46C, G50Z, G71Z
Pre		A07D, A09E, A11F, A13F	18A	S65A, S65B	K93.0	Pre	A07D, A09E, A11F, A13F	
K76.8	07	H40Z, H63A, H63B, H63C, H78Z	Pre	A07D, A09E, A11F, A13F	K93.1	15	TPN, VTPN	
	15	TPN, VTPN	K85.30	07	H07A, H08A, H62A, H62B		Pre	A07D, A09E, A11F, A13F
K76.9	07	H40Z, H63A, H63B, H63C, H78Z	K85.31	07	H07A, H08A, H62A, H62B	K93.21	Pre	A07D, A09E, A11F, A13F
	15	TPN, VTPN	18A	S65A, S65B		K93.22	Pre	A07D, A09E, A11F, A13F
K77.0	15	TPN, VTPN	Pre	A07D, A09E, A11F, A13F	K93.23	Pre	A07D, A09E, A11F, A13F	
K77.11	15	TPN, VTPN	K85.80	07	H07A, H08A, H62A, H62B	K93.24	Pre	A07D, A09E, A11F, A13F
K77.12	15	TPN, VTPN	K85.81	07	H07A, H08A, H62A, H62B	L00.0	09	J61A, J61B, J61C, J68A, J68B
K77.13	15	TPN, VTPN	18A	S65A, S65B			15	TPN, VTPN
K77.14	15	TPN, VTPN	Pre	A07D, A09E, A11F, A13F	K93.29	06	G46A, G46B, G46C, G50Z, G71Z	
K77.8	15	TPN, VTPN	K85.90	07	H07A, H08A, H62A, H62B		09	J08A, J08B, J08C, J61A, J61B, J68A, J68B
K80.00	07	H64Z	18A	S65A, S65B	K93.0	Pre	A07D, A09E, A11F, A13F	
K80.01	07	H64Z	Pre	A07D, A09E, A11F, A13F	K93.1	15	TPN, VTPN	
K80.10	07	H64Z	K86.0	07	H07A, H08A, H62A, H62B, H62C		Pre	A07D, A09E, A11F, A13F
K80.11	07	H64Z	K86.1	07	H07A, H08A, H62A, H62B, H62C	K93.21	Pre	A07D, A09E, A11F, A13F
K80.20	07	H64Z	K86.2	07	H07A, H08A, H62A, H62B, H62C	K93.22	Pre	A07D, A09E, A11F, A13F
K80.21	07	H64Z	K86.3	07	H07A, H08A, H62A, H62B, H62C	K93.23	Pre	A07D, A09E, A11F, A13F
K80.30	07	H64Z	K86.8	07	H07A, H08A, H62A, H62B, H62C	K93.24	Pre	A07D, A09E, A11F, A13F
K80.31	07	H64Z	K86.9	07	H07A, H08A, H62A, H62B, H62C	L00.0	09	J61A, J61B, J61C, J68A, J68B
K80.40	07	H64Z	K90.0	06	G40Z, G46A, G46B, G46C, G48A, G48B, G50Z, G67A, G67B, G67C		15	TPN, VTPN
K80.41	07	H64Z				L00.1	09	J08A, J08B, J08C, J61A, J61B, J68A, J68B
K80.50	07	H64Z					15	TPN, VTPN
						L01.0	09	J64A, J64B
						L01.1	09	J64A, J64B
							15	P65C, P66C, P67B, P67C

Dg

ICD	MDC	DRG	ICD	MDC	DRG	ICD	MDC	DRG
L02.0	09	J64A, J64B	L10.4	09	J61A, J61B, J61C, J68A, J68B	L26	09	J61A, J61B, J61C, J68A, J68B
L02.1	09	J64A, J64B	L10.5	09	J08A, J08B, J08C, J61A, J61B, J61C, J68A, J68B	L27.0	09	J61A, J61B, J61C, J68A, J68B
L02.2	09	J64A, J64B				18A	S65A, S65B	
	15	P65C, P66C, P67B, P67C	L10.8	09	J61A, J61B, J61C, J68A, J68B	L27.1	09	J61A, J61B, J61C, J68A, J68B
L02.3	09	J64A, J64B	L10.9	09	J61A, J61B, J61C, J68A, J68B	18A	S65A, S65B	
L02.4	09	J64A, J64B	L11.0	09	J67A, J67B, J68A, J68B	L27.2	09	J67A, J67B, J68A, J68B
L02.8	09	J64A, J64B	L11.1	09	J67A, J67B, J68A, J68B	L27.8	09	J67A, J67B, J68A, J68B
L02.9	09	J64A, J64B	L11.8	09	J08A, J08B, J08C, J61A, J61B, J61C, J68A, J68B	L27.9	09	J67A, J67B, J68A, J68B
L03.01	09	J02A, J02B, J02C, J03A, J03B, J08A, J08B, J08C, J64A, J64B				L28.0	09	J61A, J61B, J61C, J68A, J68B
L03.02	09	J02A, J02B, J02C, J03A, J03B, J04A, J04B, J08A, J08B, J08C, J64A, J64B	L11.9	09	J08A, J08B, J08C, J61A, J61B, J61C, J68A, J68B	L28.1	09	J61A, J61B, J61C, J68A, J68B
						L28.2	09	J61A, J61B, J61C, J68A, J68B
L03.10	09	J02A, J02B, J02C, J03A, J03B, J08A, J08B, J08C, J64A, J64B	L12.0	09	J08A, J08B, J08C, J61A, J61B, J61C, J68A, J68B	L29.0	09	J67A, J67B, J68A, J68B
	18A	S65A, S65B				L29.1	12	M64Z
	22	Y02A, Y02B	L12.1	09	J61A, J61B, J61C, J68A, J68B	L29.2	13	N04Z, N05A, N05B, N14Z, N21Z, N25Z, N61Z
L03.11	09	J02A, J02B, J02C, J03A, J03B, J04A, J04B, J08A, J08B, J08C, J64A, J64B	L12.2	09	J08A, J08B, J08C, J61A, J61B, J61C, J68A, J68B	L29.3	12	M64Z
	18A	S65A, S65B	L12.3	09	J61A, J61B, J61C, J68A, J68B			
	22	Y02A, Y02B	L12.8	09	J61A, J61B, J61C, J68A, J68B	L29.8	09	J67A, J67B, J68A, J68B
L03.2	09	J02A, J02B, J02C, J03A, J03B, J08A, J08B, J08C, J64A, J64B	L12.9	09	J61A, J61B, J61C, J68A, J68B	L29.9	09	J67A, J67B, J68A, J68B
	18A	S65A, S65B	L13.0	09	J61A, J61B, J61C, J68A, J68B	L30.0	09	J61A, J61B, J61C, J68A, J68B
	22	Y02A, Y02B	L13.1	09	J61A, J61B, J61C, J68A, J68B	L30.1	09	J61A, J61B, J61C, J68A, J68B
L03.3	09	J02A, J02B, J02C, J03A, J03B, J08A, J08B, J08C, J64A, J64B	L13.8	09	J61A, J61B, J61C, J68A, J68B	L30.2	09	J61A, J61B, J61C, J68A, J68B
	18A	S65A, S65B	L13.9	09	J61A, J61B, J61C, J68A, J68B	L30.3	09	J61A, J61B, J61C, J68A, J68B
	22	Y02A, Y02B	L14	15	TPN, VTPN	L30.4	09	J61A, J61B, J61C, J68A, J68B
L03.8	09	J02A, J02B, J02C, J03A, J03B, J08A, J08B, J08C, J64A, J64B	L20.0	09	J61A, J61B, J61C, J68A, J68B	L30.5	09	J67A, J67B, J68A, J68B
	18A	S65A, S65B	L20.8	09	J61A, J61B, J61C, J68A, J68B	L30.8	09	J61A, J61B, J61C, J68A, J68B
	22	Y02A, Y02B	L20.9	09	J61A, J61B, J61C, J68A, J68B	L30.9	09	J08A, J08B, J08C, J61A, J61B, J61C, J68A, J68B
L03.9	09	J02A, J02B, J02C, J03A, J03B, J08A, J08B, J08C, J64A, J64B	L21.0	09	J67A, J67B, J68A, J68B	L40.0	09	J08A, J08B, J08C, J61A, J61B, J61C, J68A, J68B
	18A	S65A, S65B	L21.1	09	J61A, J61B, J61C, J68A, J68B	L40.1	09	J08A, J08B, J08C, J61A, J61B, J61C, J68A, J68B
	22	Y02A, Y02B	L21.8	09	J67A, J67B, J68A, J68B			
L04.0	16	Q60A, Q60B, Q60C, Q60D, Q60E	L21.9	09	J67A, J67B, J68A, J68B	L40.2	09	J61A, J61B, J61C, J68A, J68B
	18A	S65A, S65B	L22	09	J67A, J67B, J68A, J68B	L40.3	09	J08A, J08B, J08C, J61A, J61B, J61C, J68A, J68B
L04.1	16	Q60A, Q60B, Q60C, Q60D, Q60E	L23.0	09	J67A, J67B, J68A, J68B	L40.4	09	J08A, J08B, J08C, J61A, J61B, J61C, J68A, J68B
	18A	S65A, S65B	L23.1	09	J67A, J67B, J68A, J68B	L40.5	08	I08A, I08B, I08C, I08D, I08E, I13A, I13B, I32C, I32D, I66A, I66B, I66C
L04.2	16	Q60A, Q60B, Q60C, Q60D, Q60E	L23.2	09	J67A, J67B, J68A, J68B	L40.8	09	J08A, J08B, J08C, J61A, J61B, J61C, J68A, J68B
	18A	S65A, S65B	L23.3	09	J67A, J67B, J68A, J68B	L40.9	09	J08A, J08B, J08C, J61A, J61B, J61C, J68A, J68B
L04.3	16	Q60A, Q60B, Q60C, Q60D, Q60E	L23.4	09	J61A, J61B, J61C, J68A, J68B	L41.0	09	J61A, J61B, J61C, J68A, J68B
	18A	S65A, S65B	L23.5	09	J67A, J67B, J68A, J68B	L41.1	09	J61A, J61B, J61C, J68A, J68B
L04.8	16	Q60A, Q60B, Q60C, Q60D, Q60E	L23.6	09	J67A, J67B, J68A, J68B	L41.2	09	J61A, J61B, J61C, J68A, J68B
	18A	S65A, S65B	L23.7	09	J67A, J67B, J68A, J68B	L41.3	09	J61A, J61B, J61C, J68A, J68B
L04.9	16	Q60A, Q60B, Q60C, Q60D, Q60E	L23.8	09	J61A, J61B, J61C, J68A, J68B	L41.4	09	J61A, J61B, J61C, J68A, J68B
	18A	S65A, S65B	L23.9	09	J61A, J61B, J61C, J68A, J68B	L41.5	09	J08A, J08B, J08C, J61A, J61B, J61C, J68A, J68B
	22	Y02A, Y02B	L24.0	09	J67A, J67B, J68A, J68B	L41.8	09	J61A, J61B, J61C, J68A, J68B
L05.0	09	J64A, J64B	L24.1	09	J67A, J67B, J68A, J68B	L41.9	09	J61A, J61B, J61C, J68A, J68B
L05.9	09	J64A, J64B	L24.2	09	J67A, J67B, J68A, J68B	L42	09	J67A, J67B, J68A, J68B
L08.0	09	J64A, J64B	L24.3	09	J67A, J67B, J68A, J68B	L43.0	09	J61A, J61B, J61C, J68A, J68B
	15	P65C, P66C, P67B, P67C	L24.4	09	J67A, J67B, J68A, J68B	L43.1	09	J61A, J61B, J61C, J68A, J68B
L08.1	09	J61A, J61B, J61C, J68A, J68B	L24.5	09	J67A, J67B, J68A, J68B	L43.2	09	J61A, J61B, J61C, J68A, J68B
L08.8	09	J64A, J64B	L24.6	09	J67A, J67B, J68A, J68B	L43.3	09	J61A, J61B, J61C, J68A, J68B
L08.9	09	J64A, J64B	L24.7	09	J67A, J67B, J68A, J68B	L43.8	09	J61A, J61B, J61C, J68A, J68B
L10.0	09	J61A, J61B, J61C, J68A, J68B	L24.8	09	J61A, J61B, J61C, J68A, J68B	L43.9	09	J61A, J61B, J61C, J68A, J68B
L10.1	09	J08A, J08B, J08C, J61A, J61B, J61C, J68A, J68B	L24.9	09	J61A, J61B, J61C, J68A, J68B	L44.0	09	J08A, J08B, J08C, J61A, J61B, J61C, J68A, J68B
L10.2	09	J61A, J61B, J61C, J68A, J68B	L25.0	09	J67A, J67B, J68A, J68B			
	15	TPN, VTPN	L25.1	09	J67A, J67B, J68A, J68B	L44.1	09	J67A, J67B, J68A, J68B
L10.3	09	J08A, J08B, J08C, J61A, J61B, J61C, J68A, J68B	L25.2	09	J61A, J61B, J61C, J68A, J68B	L44.2	09	J67A, J67B, J68A, J68B
			L25.3	09	J67A, J67B, J68A, J68B	L44.3	09	J67A, J67B, J68A, J68B
			L25.4	09	J67A, J67B, J68A, J68B	L44.4	09	J61A, J61B, J61C, J68A, J68B
			L25.5	09	J67A, J67B, J68A, J68B	L44.8	09	J61A, J61B, J61C, J68A, J68B
			L25.8	09	J61A, J61B, J61C, J68A, J68B	L44.9	09	J61A, J61B, J61C, J68A, J68B
			L25.9	09	J61A, J61B, J61C, J68A, J68B			



ICD	MDC	DRG	ICD	MDC	DRG	ICD	MDC	DRG
L89.16	09	J02A, J02B, J02C, J03A, J03B, J04A, J04B, J08A, J08B, J08C, J60Z, J61A, J61B, J61C	L89.90	09	J02A, J02B, J02C, J03A, J03B, J04A, J04B, J08A, J08B, J08C, J60Z, J61A, J61B, J61C	L98.0	09	J64A, J64B
L89.17	09	J02A, J02B, J02C, J03A, J03B, J04A, J04B, J08A, J08B, J08C, J60Z, J61A, J61B, J61C	L89.91	09	J02A, J02B, J02C, J03A, J03B, J04A, J04B, J08A, J08B, J08C, J60Z, J61A, J61B, J61C	L98.1	09	J61A, J61B, J61C, J68A, J68B
L89.18	09	J02A, J02B, J02C, J03A, J03B, J04A, J04B, J08A, J08B, J08C, J60Z, J61A, J61B, J61C	L89.92	09	J02A, J02B, J02C, J03A, J03B, J04A, J04B, J08A, J08B, J08C, J60Z, J61A, J61B, J61C	L98.2	09	J61A, J61B, J61C, J68A, J68B
L89.19	09	J02A, J02B, J02C, J03A, J03B, J04A, J04B, J08A, J08B, J08C, J60Z, J61A, J61B, J61C	L89.93	09	J02A, J02B, J02C, J03A, J03B, J04A, J04B, J08A, J08B, J08C, J60Z, J61A, J61B, J61C	L98.3	09	J02A, J02B, J02C, J03A, J03B, J08A, J08B, J08C, J64A, J64B
L89.20	09	J02A, J02B, J02C, J03A, J03B, J04A, J04B, J08A, J08B, J08C, J60Z, J61A, J61B, J61C	L89.94	09	J02A, J02B, J02C, J03A, J03B, J04A, J04B, J08A, J08B, J08C, J60Z, J61A, J61B, J61C		18A	S65A, S65B
L89.21	09	J02A, J02B, J02C, J03A, J03B, J04A, J04B, J08A, J08B, J08C, J60Z, J61A, J61B, J61C	L89.95	09	J02A, J02B, J02C, J03A, J03B, J04A, J04B, J08A, J08B, J08C, J60Z, J61A, J61B, J61C	L98.4	09	J02A, J02B, J02C, J03A, J03B, J08A, J08B, J08C, J60Z
L89.22	09	J02A, J02B, J02C, J03A, J03B, J04A, J04B, J08A, J08B, J08C, J60Z, J61A, J61B, J61C	L89.96	09	J02A, J02B, J02C, J03A, J03B, J04A, J04B, J08A, J08B, J08C, J60Z, J61A, J61B, J61C	L98.5	09	J67A, J67B, J68A, J68B
L89.23	09	J02A, J02B, J02C, J03A, J03B, J04A, J04B, J08A, J08B, J08C, J60Z, J61A, J61B, J61C	L89.97	09	J02A, J02B, J02C, J03A, J03B, J04A, J04B, J08A, J08B, J08C, J60Z, J61A, J61B, J61C	L98.6	09	J67A, J67B, J68A, J68B
L89.24	09	J02A, J02B, J02C, J03A, J03B, J04A, J04B, J08A, J08B, J08C, J60Z, J61A, J61B, J61C	L89.98	09	J02A, J02B, J02C, J03A, J03B, J04A, J04B, J08A, J08B, J08C, J60Z, J61A, J61B, J61C	L98.8	09	J67A, J67B, J68A, J68B
L89.25	09	J02A, J02B, J02C, J03A, J03B, J04A, J04B, J08A, J08B, J08C, J60Z, J61A, J61B, J61C	L89.99	09	J02A, J02B, J02C, J03A, J03B, J04A, J04B, J08A, J08B, J08C, J60Z, J61A, J61B, J61C	L98.9	09	J67A, J67B, J68A, J68B
L89.26	09	J02A, J02B, J02C, J03A, J03B, J04A, J04B, J08A, J08B, J08C, J60Z, J61A, J61B, J61C	L90.0	09	J67A, J67B, J68A, J68B		18A	S65A, S65B
L89.27	09	J02A, J02B, J02C, J03A, J03B, J04A, J04B, J08A, J08B, J08C, J60Z, J61A, J61B, J61C	L90.1	09	J67A, J67B, J68A, J68B	M00.00	08	I08A, I08B, I08C, I08D, I08E, I12A, I12B, I12C, I13A, I13B, I76A, I76B
L89.28	09	J02A, J02B, J02C, J03A, J03B, J04A, J04B, J08A, J08B, J08C, J60Z, J61A, J61B, J61C	L90.2	09	J67A, J67B, J68A, J68B		15	TPN, VTPN
L89.29	09	J02A, J02B, J02C, J03A, J03B, J04A, J04B, J08A, J08B, J08C, J60Z, J61A, J61B, J61C	L90.3	09	J67A, J67B, J68A, J68B		18A	S65A, S65B
L89.30	09	J02A, J02B, J02C, J03A, J03B, J04A, J04B, J08A, J08B, J08C, J60Z, J61A, J61B, J61C	L90.4	09	J67A, J67B, J68A, J68B	M00.01	08	I08A, I08B, I08C, I08D, I08E, I12A, I12B, I12C, I13A, I13B, I76A, I76B
L89.31	09	J02A, J02B, J02C, J03A, J03B, J04A, J04B, J08A, J08B, J08C, J60Z, J61A, J61B, J61C	L90.5	09	J67A, J67B, J68A, J68B		15	TPN, VTPN
L89.32	09	J02A, J02B, J02C, J03A, J03B, J04A, J04B, J08A, J08B, J08C, J60Z, J61A, J61B, J61C	L90.6	09	J67A, J67B, J68A, J68B	M00.02	08	I08A, I08B, I08C, I08D, I08E, I12A, I12B, I12C, I13A, I13B, I76A, I76B
L89.33	09	J02A, J02B, J02C, J03A, J03B, J04A, J04B, J08A, J08B, J08C, J60Z, J61A, J61B, J61C	L90.8	09	J67A, J67B, J68A, J68B		18A	S65A, S65B
L89.34	09	J02A, J02B, J02C, J03A, J03B, J04A, J04B, J08A, J08B, J08C, J60Z, J61A, J61B, J61C	L90.9	09	J67A, J67B, J68A, J68B		08	I08A, I08B, I08C, I08D, I08E, I76A, I76B
L89.35	09	J02A, J02B, J02C, J03A, J03B, J04A, J04B, J08A, J08B, J08C, J60Z, J61A, J61B, J61C	L91.0	09	J67A, J67B, J68A, J68B		15	TPN, VTPN
L89.36	09	J02A, J02B, J02C, J03A, J03B, J04A, J04B, J08A, J08B, J08C, J60Z, J61A, J61B, J61C	L91.8	09	J67A, J67B, J68A, J68B	M00.03	08	I08A, I08B, I08C, I08D, I08E, I12A, I12B, I12C, I13A, I13B, I76A, I76B
L89.37	09	J02A, J02B, J02C, J03A, J03B, J04A, J04B, J08A, J08B, J08C, J60Z, J61A, J61B, J61C	L91.9	09	J67A, J67B, J68A, J68B		18A	S65A, S65B
L89.38	09	J02A, J02B, J02C, J03A, J03B, J04A, J04B, J08A, J08B, J08C, J60Z, J61A, J61B, J61C	L92.0	09	J61A, J61B, J61C, J68A, J68B		08	I01Z, I03A, I03B, I08A, I08B, I08C, I08D, I08E, I12A, I12B, I12C, I13A, I13B, I76A, I76B
L89.39	09	J02A, J02B, J02C, J03A, J03B, J04A, J04B, J08A, J08B, J08C, J60Z, J61A, J61B, J61C	L92.1	09	J67A, J67B, J68A, J68B		15	TPN, VTPN
			L92.2	09	J67A, J67B, J68A, J68B	M00.04	08	I08A, I08B, I08C, I08D, I08E, I13A, I13B, I32A, I32B, I32C, I32D, I32E, I32F, I32G, I76A, I76B
			L92.3	09	J67A, J67B, J68A, J68B		18A	S65A, S65B
			L92.8	09	J67A, J67B, J68A, J68B		08	I01Z, I04Z, I08A, I08B, I08C, I08D, I08E, I12A, I12B, I12C, I13A, I13B, I76A, I76B
			L92.9	09	J67A, J67B, J68A, J68B		15	TPN, VTPN
			L93.0	09	J61A, J61B, J61C, J68A, J68B		18A	S65A, S65B
			L93.1	09	J61A, J61B, J61C, J68A, J68B	M00.05	08	I08A, I08B, I08C, I08D, I08E, I13A, I13B, I76A, I76B
			L93.2	09	J61A, J61B, J61C, J68A, J68B		15	TPN, VTPN
			L94.0	09	J61A, J61B, J61C, J68A, J68B		18A	S65A, S65B
			L94.1	09	J61A, J61B, J61C, J68A, J68B	M00.06	08	I01Z, I04Z, I08A, I08B, I08C, I08D, I08E, I12A, I12B, I12C, I13A, I13B, I76A, I76B
			L94.2	09	J61A, J61B, J61C, J68A, J68B		15	TPN, VTPN
			L94.3	09	J67A, J67B, J68A, J68B		18A	S65A, S65B
			L94.4	08	I66A, I66B, I66C		08	I08A, I08B, I08C, I08D, I08E, I13A, I13B, I76A, I76B
			L94.5	09	J08A, J08B, J08C, J61A, J61B, J61C, J68A, J68B	M00.07	08	I08A, I08B, I08C, I08D, I08E, I13A, I13B, I76A, I76B
			L94.6	18B	T64A, T64B, T64C		15	TPN, VTPN
			L94.8	09	J67A, J67B, J68A, J68B		18A	S65A, S65B
			L94.9	09	J67A, J67B, J68A, J68B	M00.08	08	I08A, I08B, I08C, I08D, I08E, I13A, I13B, I76A, I76B
			L95.0	09	J08A, J08B, J08C, J61A, J61B, J61C, J68A, J68B		15	TPN, VTPN
			L95.1	09	J61A, J61B, J61C, J68A, J68B		18A	S65A, S65B
			L95.8	09	J61A, J61B, J61C, J68A, J68B	M00.09	08	I08A, I08B, I08C, I08D, I08E, I13A, I13B, I76A, I76B
			L95.9	09	J61A, J61B, J61C, J68A, J68B		15	TPN, VTPN
			L97	09	J02A, J02B, J02C, J03A, J03B, J04A, J04B, J08A, J08B, J08C, J11A, J11B, J60Z	M00.10	08	I08A, I08B, I08C, I08D, I08E, I12A, I12B, I12C, I13A, I13B, I76A, I76B
				18A	S65A, S65B		18A	S65A, S65B





ICD	MDC	DRG	ICD	MDC	DRG	ICD	MDC	DRG
M01.60	15	TPN, VTPN	M02.34	08	I08A, I08B, I08C, I08D, I08E, I13A, I13B, I32A, I32B, I32C, I32D, I32E, I32F, I32G, I66A, I66B, I66C	M03.03	05	F62A
M01.61	15	TPN, VTPN	M02.35	08	I08A, I08B, I08C, I08D, I08E, I12A, I12B, I12C, I13A, I13B, I66A, I66B, I66C	M03.03	06	G67A
M01.62	15	TPN, VTPN	M02.36	08	I08A, I08B, I08C, I08D, I08E, I12A, I12B, I12C, I13A, I13B, I66A, I66B, I66C	M03.03	17	R60B, R60C, R61A, R62A, R63B, R63C, R63D, R63F
M01.63	15	TPN, VTPN	M02.37	08	I08A, I08B, I08C, I08D, I08E, I13A, I13B, I66A, I66B, I66C	M03.04	18B	T61A
M01.64	15	TPN, VTPN	M02.38	08	I08A, I08B, I08C, I08D, I08E, I13A, I13B, I66A, I66B, I66C	M03.04	05	F62A
M01.65	15	TPN, VTPN	M02.39	08	I08A, I08B, I08C, I08D, I08E, I13A, I13B, I66A, I66B, I66C	M03.04	06	G67A
M01.66	15	TPN, VTPN	M02.80	08	I74A	M03.04	17	R60B, R60C, R61A, R62A, R63B, R63C, R63D, R63F
M01.67	15	TPN, VTPN	M02.81	08	I74A	M03.05	18B	T61A
M01.68	15	TPN, VTPN	M02.82	08	I74A	M03.05	05	F62A
M01.69	15	TPN, VTPN	M02.83	08	I74A	M03.05	06	G67A
M02.00	08	I74A	M02.84	08	I32A, I32B, I32C, I32D, I32E, I32F, I32G, I74A	M03.05	17	R60B, R60C, R61A, R62A, R63B, R63C, R63D, R63F
M02.01	08	I74A	M02.85	08	I74A	M03.06	18B	T61A
M02.02	08	I74A	M02.86	08	I74A	M03.06	05	F62A
M02.03	08	I74A	M02.87	08	I74A	M03.06	06	G67A
M02.04	08	I32A, I32B, I32C, I32D, I32E, I32F, I32G, I74A	M02.88	08	I74A	M03.06	17	R60B, R60C, R61A, R62A, R63B, R63C, R63D, R63F
M02.05	08	I74A	M02.89	08	I74A	M03.07	18B	T61A
M02.06	08	I74A	M02.90	08	I08A, I08B, I08C, I08D, I08E, I12A, I12B, I12C, I13A, I13B, I74A	M03.07	05	F62A
M02.07	08	I74A	M02.91	08	I08A, I08B, I08C, I08D, I08E, I12A, I12B, I12C, I13A, I13B, I74A	M03.07	06	G67A
M02.08	08	I74A	M02.92	08	I08A, I08B, I08C, I08D, I08E, I12A, I12B, I12C, I13A, I13B, I74A	M03.07	17	R60B, R60C, R61A, R62A, R63B, R63C, R63D, R63F
M02.09	08	I74A	M02.93	08	I08A, I08B, I08C, I08D, I08E, I12A, I12B, I12C, I13A, I13B, I74A	M03.08	18B	T61A
M02.10	08	I08A, I08B, I08C, I08D, I08E, I12A, I12B, I12C, I13A, I13B, I69A	M02.94	08	I08A, I08B, I08C, I08D, I08E, I13A, I13B, I32A, I32B, I32C, I32D, I32E, I32F, I32G, I74A	M03.08	05	F62A
M02.11	08	I08A, I08B, I08C, I08D, I08E, I12A, I12B, I12C, I13A, I13B, I69A	M02.95	08	I08A, I08B, I08C, I08D, I08E, I12A, I12B, I12C, I13A, I13B, I74A	M03.08	06	G67A
M02.12	08	I08A, I08B, I08C, I08D, I08E, I12A, I12B, I12C, I13A, I13B, I69A	M02.96	08	I08A, I08B, I08C, I08D, I08E, I12A, I12B, I12C, I13A, I13B, I74A	M03.08	17	R60B, R60C, R61A, R62A, R63B, R63C, R63D, R63F
M02.13	08	I08A, I08B, I08C, I08D, I08E, I12A, I12B, I12C, I13A, I13B, I69A	M02.97	08	I08A, I08B, I08C, I08D, I08E, I13A, I13B, I74A	M03.09	05	F62A
M02.14	08	I08A, I08B, I08C, I08D, I08E, I13A, I13B, I32A, I32B, I32C, I32D, I32E, I32F, I32G, I69A	M02.98	08	I08A, I08B, I08C, I08D, I08E, I13A, I13B, I74A	M03.09	06	G67A
M02.15	08	I08A, I08B, I08C, I08D, I08E, I12A, I12B, I12C, I13A, I13B, I69A	M02.99	08	I08A, I08B, I08C, I08D, I08E, I13A, I13B, I74A	M03.09	17	R60B, R60C, R61A, R62A, R63B, R63C, R63D, R63F
M02.16	08	I08A, I08B, I08C, I08D, I08E, I12A, I12B, I12C, I13A, I13B, I69A	M03.00	05	F62A	M05.00	18B	T61A
M02.17	08	I08A, I08B, I08C, I08D, I08E, I13A, I13B, I69A	M03.01	06	G67A	M05.00	08	I08A, I08B, I08C, I08D, I08E, I12A, I12B, I12C, I13A, I13B, I20A, I20B, I20D, I66A, I66B, I66C
M02.18	08	I08A, I08B, I08C, I08D, I08E, I13A, I13B, I69A	M03.02	07	R60B, R60C, R61A, R62A, R63B, R63C, R63D, R63F	M05.01	08	I08A, I08B, I08C, I08D, I08E, I12A, I12B, I12C, I13A, I13B, I66A, I66B, I66C
M02.19	08	I08A, I08B, I08C, I08D, I08E, I13A, I13B, I69A	M03.03	18B	T61A	M05.02	08	I08A, I08B, I08C, I08D, I08E, I12A, I12B, I12C, I13A, I13B, I66A, I66B, I66C
M02.20	08	I74A	M03.04	05	F62A	M05.03	08	I08A, I08B, I08C, I08D, I08E, I12A, I12B, I12C, I13A, I13B, I66A, I66B, I66C
M02.21	08	I74A	M03.05	06	G67A	M05.04	08	I08A, I08B, I08C, I08D, I08E, I13A, I13B, I66A, I66B, I66C
M02.22	08	I74A	M03.06	17	R60B, R60C, R61A, R62A, R63B, R63C, R63D, R63F	M05.05	08	I08A, I08B, I08C, I08D, I08E, I12A, I12B, I12C, I13A, I13B, I66A, I66B, I66C
M02.23	08	I74A	M03.07	18B	T61A	M05.06	08	I08A, I08B, I08C, I08D, I08E, I12A, I12B, I12C, I13A, I13B, I66A, I66B, I66C
M02.24	08	I32A, I32B, I32C, I32D, I32E, I32F, I32G, I74A	M03.08	05	F62A	M05.07	08	I08A, I08B, I08C, I08D, I08E, I13A, I13B, I20A, I20B, I20D, I66A, I66B, I66C
M02.25	08	I74A	M03.09	06	G67A	M05.08	08	I08A, I08B, I08C, I08D, I08E, I13A, I13B, I66A, I66B, I66C
M02.26	08	I74A	M03.10	17	R60B, R60C, R61A, R62A, R63B, R63C, R63D, R63F	M05.09	08	I08A, I08B, I08C, I08D, I08E, I13A, I13B, I66A, I66B, I66C
M02.27	08	I74A	M03.11	18B	T61A	M05.10	04	E74Z
M02.28	08	I74A	M03.12	05	F62A	M05.10	08	I20D
M02.29	08	I74A	M03.13	06	G67A	M05.11	04	E74Z
M02.30	08	I08A, I08B, I08C, I08D, I08E, I12A, I12B, I12C, I13A, I13B, I66A, I66B, I66C	M03.14	17	R60B, R60C, R61A, R62A, R63B, R63C, R63D, R63F	M05.12	04	E74Z
M02.31	08	I08A, I08B, I08C, I08D, I08E, I12A, I12B, I12C, I13A, I13B, I66A, I66B, I66C	M03.15	18B	T61A	M05.13	04	E74Z
M02.32	08	I08A, I08B, I08C, I08D, I08E, I12A, I12B, I12C, I13A, I13B, I66A, I66B, I66C	M03.16	04	E74Z	M05.14	04	E74Z
M02.33	08	I08A, I08B, I08C, I08D, I08E, I12A, I12B, I12C, I13A, I13B, I66A, I66B, I66C				M05.15	04	E74Z
						M05.16	04	E74Z





ICD	MDC	DRG	ICD	MDC	DRG	ICD	MDC	DRG
M08.75	08	I08A, I08B, I08C, I08D, I08E, I12A, I12B, I12C, I13A, I13B, I66A, I66B, I66C	M09.80	08	I20A, I20B	M10.47	08	I69A
M08.76	08	I08A, I08B, I08C, I08D, I08E, I12A, I12B, I12C, I13A, I13B, I66A, I66B, I66C	M09.87	08	I20A, I20B	M10.48	08	I69A
M08.77	08	I08A, I08B, I08C, I08D, I08E, I13A, I13B, I66A, I66B, I66C	M10.00	08	I69A	M10.49	08	I69A
M08.78	08	I08A, I08B, I08C, I08D, I08E, I13A, I13B, I66A, I66B, I66C	M10.01	08	I69A	M10.90	08	I69A
M08.79	08	I08A, I08B, I08C, I08D, I08E, I13A, I13B, I66A, I66B, I66C	M10.02	08	I69A	M10.91	08	I69A
M08.80	08	I08A, I08B, I08C, I08D, I08E, I12A, I12B, I12C, I13A, I13B, I20A, I20B, I66A, I66B, I66C	M10.03	08	I69A	M10.92	08	I69A
M08.81	08	I08A, I08B, I08C, I08D, I08E, I12A, I12B, I12C, I13A, I13B, I66A, I66B, I66C	M10.04	08	I69A	M10.93	08	I69A
M08.82	08	I08A, I08B, I08C, I08D, I08E, I12A, I12B, I12C, I13A, I13B, I66A, I66B, I66C	M10.05	08	I69A	M10.94	08	I69A
M08.83	08	I08A, I08B, I08C, I08D, I08E, I12A, I12B, I12C, I13A, I13B, I66A, I66B, I66C	M10.06	08	I69A	M10.95	08	I69A
M08.84	08	I08A, I08B, I08C, I08D, I08E, I13A, I13B, I66A, I66B, I66C	M10.07	08	I69A	M10.96	08	I69A
M08.85	08	I08A, I08B, I08C, I08D, I08E, I12A, I12B, I12C, I13A, I13B, I66A, I66B, I66C	M10.08	08	I69A	M10.97	08	I69A
M08.86	08	I08A, I08B, I08C, I08D, I08E, I12A, I12B, I12C, I13A, I13B, I66A, I66B, I66C	M10.09	08	I69A	M10.98	08	I69A
M08.87	08	I08A, I08B, I08C, I08D, I08E, I13A, I13B, I20A, I20B, I66A, I66B, I66C	M10.10	15	TPN, VTPN	M10.99	08	I69A
M08.88	08	I08A, I08B, I08C, I08D, I08E, I13A, I13B, I66A, I66B, I66C	M10.11	15	TPN, VTPN	M11.00	08	I69A
M08.89	08	I08A, I08B, I08C, I08D, I08E, I13A, I13B, I66A, I66B, I66C	M10.12	15	TPN, VTPN	M11.01	08	I69A
M08.90	08	I08A, I08B, I08C, I08D, I08E, I12A, I12B, I12C, I13A, I13B, I66A, I66B, I66C	M10.13	15	TPN, VTPN	M11.02	08	I69A
M08.91	08	I08A, I08B, I08C, I08D, I08E, I12A, I12B, I12C, I13A, I13B, I66A, I66B, I66C	M10.14	15	TPN, VTPN	M11.03	08	I69A
M08.92	08	I08A, I08B, I08C, I08D, I08E, I12A, I12B, I12C, I13A, I13B, I66A, I66B, I66C	M10.15	15	TPN, VTPN	M11.04	08	I32A, I32B, I32C, I32D, I32E, I32F, I32G, I69A
M08.93	08	I08A, I08B, I08C, I08D, I08E, I12A, I12B, I12C, I13A, I13B, I66A, I66B, I66C	M10.16	15	TPN, VTPN	M11.05	08	I69A
M08.94	08	I08A, I08B, I08C, I08D, I08E, I13A, I13B, I66A, I66B, I66C	M10.17	15	TPN, VTPN	M11.06	08	I69A
M08.95	08	I08A, I08B, I08C, I08D, I08E, I12A, I12B, I12C, I13A, I13B, I66A, I66B, I66C	M10.18	15	TPN, VTPN	M11.07	08	I69A
M08.96	08	I08A, I08B, I08C, I08D, I08E, I12A, I12B, I12C, I13A, I13B, I66A, I66B, I66C	M10.19	15	TPN, VTPN	M11.08	08	I69A
M08.97	08	I08A, I08B, I08C, I08D, I08E, I13A, I13B, I20A, I20B, I66A, I66B, I66C	M10.20	08	I69A	M11.09	08	I69A
M08.98	08	I08A, I08B, I08C, I08D, I08E, I13A, I13B, I66A, I66B, I66C	M10.21	08	I69A	M11.10	08	I69A
M08.99	08	I08A, I08B, I08C, I08D, I08E, I13A, I13B, I66A, I66B, I66C	M10.22	08	I69A	M11.11	08	I69A
M09.00	08	I20A, I20B	M10.23	08	I69A	M11.12	08	I69A
M09.07	08	I20A, I20B	M10.24	08	I69A	M11.13	08	I69A
M09.10	08	I20A, I20B	M10.25	08	I69A	M11.14	08	I32A, I32B, I32C, I32D, I32E, I32F, I32G, I69A
M09.17	08	I20A, I20B	M10.26	08	I69A	M11.15	08	I69A
M09.20	08	I20A, I20B	M10.27	08	I69A	M11.16	08	I69A
M09.27	08	I20A, I20B	M10.28	08	I69A	M11.17	08	I69A
			M10.29	08	I69A	M11.18	08	I69A
			M10.30	11	L68A, L68B, L74Z	M11.19	08	I69A
			M10.31	11	L68A, L68B, L74Z	M11.20	08	I69A
			M10.32	11	L68A, L68B, L74Z	M11.21	08	I69A
			M10.33	11	L68A, L68B, L74Z	M11.22	08	I69A
			M10.34	11	L68A, L68B, L74Z	M11.23	08	I69A
			M10.35	11	L68A, L68B, L74Z	M11.24	08	I32A, I32B, I32C, I32D, I32E, I32F, I32G, I69A
			M10.36	11	L68A, L68B, L74Z	M11.25	08	I69A
			M10.37	11	L68A, L68B, L74Z	M11.26	08	I69A
			M10.38	11	L68A, L68B, L74Z	M11.27	08	I69A
			M10.39	11	L68A, L68B, L74Z	M11.28	08	I69A
			M10.40	08	I69A	M11.29	08	I69A
			M10.41	08	I69A	M11.80	08	I69A
			M10.42	08	I69A	M11.81	08	I69A
			M10.43	08	I69A	M11.82	08	I69A
			M10.44	08	I69A	M11.83	08	I69A
			M10.45	08	I69A	M11.84	08	I32A, I32B, I32C, I32D, I32E, I32F, I32G, I69A
			M10.46	08	I69A	M11.85	08	I69A
						M11.86	08	I69A
						M11.87	08	I69A
						M11.88	08	I69A
						M11.89	08	I69A
						M11.90	08	I69A
						M11.91	08	I69A
						M11.92	08	I69A
						M11.93	08	I69A
						M11.94	08	I32A, I32B, I32C, I32D, I32E, I32F, I32G, I69A
						M11.95	08	I69A
						M11.96	08	I69A
						M11.97	08	I69A
						M11.98	08	I69A
						M11.99	08	I69A

Dg

ICD	MDC	DRG	ICD	MDC	DRG	ICD	MDC	DRG
M12.00	08	I08A, I08B, I08C, I08D, I08E, I12A, I12B, I12C, I13A, I13B, I69A, I69B	M12.50	08	I69A, I69B	M15.3	08	I69A, I69B
M12.01	08	I08A, I08B, I08C, I08D, I08E, I12A, I12B, I12C, I13A, I13B, I69A, I69B	M12.51	08	I69A, I69B	M15.4	08	I69A, I69B
M12.02	08	I08A, I08B, I08C, I08D, I08E, I12A, I12B, I12C, I13A, I13B, I69A, I69B	M12.52	08	I69A, I69B	M15.8	08	I74A
M12.03	08	I08A, I08B, I08C, I08D, I08E, I12A, I12B, I12C, I13A, I13B, I69A, I69B	M12.53	08	I69A, I69B	M15.9	08	I69A, I69B
M12.04	08	I08A, I08B, I08C, I08D, I08E, I13A, I13B, I69A, I69B	M12.54	08	I32A, I32B, I32C, I32D, I32E, I32F, I32G, I69A, I69B	M16.0	08	I69A, I69B
M12.05	08	I08A, I08B, I08C, I08D, I08E, I12A, I12B, I12C, I13A, I13B, I69A, I69B	M12.55	08	I69A, I69B	M16.1	08	I69A, I69B
M12.06	08	I08A, I08B, I08C, I08D, I08E, I12A, I12B, I12C, I13A, I13B, I69A, I69B	M12.56	08	I69A, I69B	M16.2	08	I69A, I69B
M12.07	08	I08A, I08B, I08C, I08D, I08E, I13A, I13B, I69A, I69B	M12.57	08	I69A, I69B	M16.3	08	I69A, I69B
M12.08	08	I08A, I08B, I08C, I08D, I08E, I13A, I13B, I69A, I69B	M12.58	08	I69A, I69B	M16.4	08	I69A, I69B
M12.09	08	I08A, I08B, I08C, I08D, I08E, I13A, I13B, I69A, I69B	M12.59	08	I69A, I69B	M16.5	08	I69A, I69B
M12.10	08	I69A, I69B	M12.80	08	I74A	M16.6	08	I69A, I69B
M12.11	08	I69A, I69B	M12.81	08	I74A	M16.7	08	I69A, I69B
M12.12	08	I69A, I69B	M12.82	08	I74A	M16.9	08	I69A, I69B
M12.13	08	I69A, I69B	M12.83	08	I74A	M17.0	08	I69A, I69B
M12.14	08	I32A, I32B, I32C, I32D, I32E, I32F, I32G, I69A, I69B	M12.84	08	I32A, I32B, I32C, I32D, I32E, I32F, I32G, I74A	M17.1	08	I69A, I69B
M12.15	08	I69A, I69B	M12.85	08	I74A	M17.2	08	I69A, I69B
M12.16	08	I69A, I69B	M12.86	08	I74A	M17.3	08	I69A, I69B
M12.17	08	I69A, I69B	M12.87	08	I74A	M17.4	08	I69A, I69B
M12.18	08	I69A, I69B	M12.88	08	I74A	M17.5	08	I69A, I69B
M12.19	08	I69A, I69B	M12.89	08	I74A	M17.9	08	I69A, I69B
M12.20	08	I69A, I69B	M13.0	08	I69A	M18.0	08	I32A, I32B, I32C, I32D, I32E, I32F, I32G, I69A, I69B
M12.21	08	I69A, I69B	M13.11	08	I74A	M18.1	08	I32A, I32B, I32C, I32D, I32E, I32F, I32G, I69A, I69B
M12.22	08	I69A, I69B	M13.12	08	I74A	M18.2	08	I32A, I32B, I32C, I32D, I32E, I32F, I32G, I69A, I69B
M12.23	08	I69A, I69B	M13.13	08	I32C, I32D, I74A	M18.3	08	I32A, I32B, I32C, I32D, I32E, I32F, I32G, I69A, I69B
M12.24	08	I32A, I32B, I32C, I32D, I32E, I32F, I32G, I69A, I69B	M13.14	08	I32A, I32B, I32C, I32D, I32E, I32F, I32G, I74A	M18.4	08	I32A, I32B, I32C, I32D, I32E, I32F, I32G, I69A, I69B
M12.25	08	I69A, I69B	M13.15	08	I74A	M18.5	08	I32A, I32B, I32C, I32D, I32E, I32F, I32G, I69A, I69B
M12.26	08	I69A, I69B	M13.16	08	I74A	M18.9	08	I32A, I32B, I32C, I32D, I32E, I32F, I32G, I69A, I69B
M12.27	08	I69A, I69B	M13.17	08	I74A	M19.01	08	I69A, I69B
M12.28	08	I69A, I69B	M13.18	08	I74A	M19.02	08	I69A, I69B
M12.29	08	I69A, I69B	M13.19	08	I74A	M19.03	08	I69A, I69B
M12.30	08	I69A	M13.80	08	I74A	M19.04	08	I69A, I69B
M12.31	08	I69A	M13.81	08	I74A	M19.05	08	I69A, I69B
M12.32	08	I69A	M13.82	08	I74A	M19.07	08	I69A, I69B
M12.33	08	I69A	M13.83	08	I32C, I32D, I74A	M19.08	08	I69A, I69B
M12.34	08	I32A, I32B, I32C, I32D, I32E, I32F, I32G, I69A	M13.84	08	I32A, I32B, I32C, I32D, I32G, I74A	M19.09	08	I69A, I69B
M12.35	08	I69A	M13.85	08	I74A	M19.11	08	I69A, I69B
M12.36	08	I69A	M13.86	08	I74A	M19.12	08	I69A, I69B
M12.37	08	I69A	M13.87	08	I74A	M19.13	08	I69A, I69B
M12.38	08	I69A	M13.88	08	I74A	M19.14	08	I69A, I69B
M12.39	08	I69A	M13.89	08	I74A	M19.15	08	I69A, I69B
M12.40	08	I69A, I69B	M13.90	08	I74A	M19.17	08	I69A, I69B
M12.41	08	I69A, I69B	M13.91	18A	S65A, S65B	M19.18	08	I69A, I69B
M12.42	08	I69A, I69B	M13.92	08	I74A	M19.19	08	I69A, I69B
M12.43	08	I69A, I69B	M13.93	08	I74A	M19.21	08	I69A, I69B
M12.44	08	I32A, I32B, I32C, I32D, I32E, I32F, I32G, I69A, I69B	M13.94	08	I32A, I32B, I32C, I32D, I32E, I32F, I32G, I74A	M19.22	08	I69A, I69B
M12.45	08	I69A, I69B	M13.95	08	I74A	M19.23	08	I69A, I69B
M12.46	08	I69A, I69B	M13.96	08	I74A	M19.24	08	I69A, I69B
M12.47	08	I69A, I69B	M13.97	18A	S65A, S65B	M19.25	08	I69A, I69B
M12.48	08	I69A, I69B	M13.98	08	I74A	M19.27	08	I69A, I69B
M12.49	08	I69A, I69B	M13.99	08	I74A	M19.28	08	I69A, I69B
			M14.8	15	TPN, VTPN	M19.29	08	I69A, I69B
			M15.0	08	I69A, I69B	M19.81	08	I69A, I69B
			M15.1	08	I69A, I69B	M19.82	08	I69A, I69B
			M15.2	08	I69A, I69B	M19.83	08	I69A, I69B
						M19.84	08	I69A, I69B
						M19.85	08	I69A, I69B
						M19.87	08	I69A, I69B
						M19.88	08	I69A, I69B
						M19.89	08	I69A, I69B
						M19.91	08	I69A, I69B
						M19.92	08	I69A, I69B
						M19.93	08	I69A, I69B

ICD	MDC	DRG	ICD	MDC	DRG	ICD	MDC	DRG
M19.94	08	I69A, I69B	M21.82	08	I33Z, I76A, I76B	M23.53	08	I77Z
M19.95	08	I69A, I69B	M21.83	08	I33Z, I76A, I76B	M23.54	08	I77Z
M19.97	08	I69A, I69B	M21.84	08	I32A, I32B, I32C, I32D, I32E, I32F, I32G, I33Z, I76A, I76B	M23.55	08	I77Z
M19.98	08	I69A, I69B	M21.85	08	I33Z, I76A, I76B	M23.56	08	I77Z
M19.99	08	I69A, I69B	M21.86	08	I33Z, I76A, I76B	M23.57	08	I77Z
M20.0	08	I32A, I32B, I32C, I32D, I32E, I32F, I32G, I76A, I76B	M21.87	08	I33Z, I76A, I76B	M23.59	08	I77Z
M20.1	08	I76A, I76B	M21.89	08	I33Z, I76A, I76B	M23.60	08	I77Z
M20.2	08	I76A, I76B	M21.90	08	I76A, I76B	M23.61	08	I77Z
M20.3	08	I76A, I76B	M21.91	08	I76A, I76B	M23.62	08	I77Z
M20.4	08	I76A, I76B	M21.92	08	I76A, I76B	M23.63	08	I77Z
M20.5	08	I76A, I76B	M21.93	08	I76A, I76B	M23.64	08	I77Z
M20.6	08	I76A, I76B	M21.94	08	I32A, I32B, I32C, I32D, I32E, I32F, I32G, I76A, I76B	M23.67	08	I77Z
M21.00	08	I33Z, I76A, I76B	M21.95	08	I76A, I76B	M23.69	08	I77Z
M21.01	08	I33Z, I76A, I76B	M21.96	08	I76A, I76B	M23.80	08	I77Z
M21.02	08	I33Z, I76A, I76B	M21.97	08	I76A, I76B	M23.81	08	I77Z
M21.03	08	I33Z, I76A, I76B	M21.99	08	I76A, I76B	M23.82	08	I77Z
M21.04	08	I33Z, I76A, I76B	M22.0	08	I77Z	M23.83	08	I77Z
M21.05	08	I33Z, I76A, I76B	M22.1	08	I77Z	M23.84	08	I77Z
M21.06	08	I33Z, I76A, I76B	M22.2	08	I77Z	M23.85	08	I77Z
M21.07	08	I33Z, I76A, I76B	M22.3	08	I77Z	M23.86	08	I77Z
M21.08	08	I33Z, I76A, I76B	M22.4	08	I77Z	M23.87	08	I77Z
M21.09	08	I33Z, I76A, I76B	M22.8	08	I77Z	M23.89	08	I77Z
M21.10	08	I33Z, I76A, I76B	M22.9	08	I77Z	M23.90	08	I77Z
M21.11	08	I33Z, I76A, I76B	M23.00	08	I77Z	M23.91	08	I77Z
M21.12	08	I33Z, I76A, I76B	M23.01	08	I77Z	M23.92	08	I77Z
M21.13	08	I33Z, I76A, I76B	M23.02	08	I77Z	M23.93	08	I77Z
M21.14	08	I33Z, I76A, I76B	M23.03	08	I77Z	M23.94	08	I77Z
M21.15	08	I33Z, I76A, I76B	M23.04	08	I77Z	M23.95	08	I77Z
M21.16	08	I33Z, I76A, I76B	M23.05	08	I77Z	M23.96	08	I77Z
M21.17	08	I33Z, I76A, I76B	M23.06	08	I77Z	M23.97	08	I77Z
M21.18	08	I33Z, I76A, I76B	M23.09	08	I77Z	M23.99	08	I77Z
M21.19	08	I33Z, I76A, I76B	M23.10	08	I77Z	M24.00	08	I76A, I76B
M21.20	08	I33Z, I76A, I76B	M23.11	08	I77Z	M24.01	08	I76A, I76B
M21.22	08	I33Z, I76A, I76B	M23.12	08	I77Z	M24.02	08	I76A, I76B
M21.23	08	I33Z, I76A, I76B	M23.13	08	I77Z	M24.03	08	I76A, I76B
M21.24	08	I33Z, I76A, I76B	M23.14	08	I77Z	M24.04	08	I32A, I32B, I32C, I32D, I32E, I32F, I32G, I76A, I76B
M21.25	08	I33Z, I76A, I76B	M23.15	08	I77Z	M24.05	08	I76A, I76B
M21.26	08	I33Z, I76A, I76B	M23.16	08	I77Z	M24.07	08	I76A, I76B
M21.27	08	I33Z, I76A, I76B	M23.19	08	I77Z	M24.08	08	I76A, I76B
M21.28	08	I33Z, I76A, I76B	M23.20	08	I77Z	M24.09	08	I76A, I76B
M21.29	08	I33Z, I76A, I76B	M23.21	08	I77Z	M24.10	08	I76A, I76B
M21.30	08	I76A, I76B	M23.22	08	I77Z	M24.11	08	I77Z
M21.33	01	B03A, B03B, B06A, B06B, B17A, B17B, B17C, B17D, B71A, B71B, B71C, B71D	M23.23	08	I77Z	M24.12	08	I77Z
M21.37	08	I76A, I76B	M23.24	08	I77Z	M24.13	08	I74A, I74B, I74C
M21.4	08	I76A, I76B	M23.25	08	I77Z	M24.14	08	I32A, I32B, I32C, I32D, I32E, I32F, I32G, I74A, I74B, I74C
M21.50	01	B03A, B03B, B06A, B06B, B17A, B17B, B17C, B17D, B71A, B71B, B71C, B71D	M23.26	08	I77Z	M24.15	08	I76A, I76B
M21.54	01	B03A, B03B, B06A, B06B, B17A, B17B, B17C, B17D, B71A, B71B, B71C, B71D	M23.29	08	I77Z	M24.17	08	I77Z
M21.57	08	I76A, I76B	M23.30	08	I77Z	M24.18	08	I76A, I76B
M21.60	08	I33Z, I76A, I76B	M23.31	08	I77Z	M24.19	08	I76A, I76B
M21.67	08	I33Z, I76A, I76B	M23.32	08	I77Z	M24.20	08	I72Z, I75A, I75B
M21.70	08	I33Z, I76A, I76B	M23.33	08	I77Z	M24.21	08	I72Z, I75A, I75B
M21.71	08	I33Z, I76A, I76B	M23.34	08	I77Z	M24.22	08	I72Z, I75A, I75B
M21.72	08	I33Z, I76A, I76B	M23.35	08	I77Z	M24.23	08	I72Z, I75A, I75B
M21.73	08	I33Z, I76A, I76B	M23.36	08	I77Z	M24.24	08	I72Z, I75A, I75B
M21.74	08	I33Z, I76A, I76B	M23.39	08	I77Z	M24.25	08	I72Z, I75A, I75B
M21.75	08	I33Z, I76A, I76B	M23.40	08	I76A, I76B	M24.27	08	I72Z, I75A, I75B
M21.76	08	I33Z, I76A, I76B	M23.41	08	I76A, I76B	M24.28	08	I72Z, I75A, I75B
M21.77	08	I33Z, I76A, I76B	M23.42	08	I76A, I76B	M24.29	08	I72Z, I75A, I75B
M21.79	08	I33Z, I76A, I76B	M23.43	08	I76A, I76B	M24.30	08	I76A, I76B
M21.80	08	I33Z, I76A, I76B	M23.44	08	I76A, I76B	M24.31	08	I77Z
M21.81	08	I33Z, I76A, I76B	M23.45	08	I76A, I76B	M24.32	08	I77Z
			M23.46	08	I76A, I76B	M24.33	08	I74A, I74B, I74C
			M23.47	08	I76A, I76B	M24.34	08	I32A, I32B, I32C, I32D, I32E, I32F, I32G, I74A, I74B, I74C
			M23.49	08	I76A, I76B	M24.35	08	I76A, I76B
			M23.50	08	I77Z	M24.36	08	I77Z
			M23.51	08	I77Z	M24.37	08	I77Z
			M23.52	08	I77Z			

ICD	MDC	DRG	ICD	MDC	DRG	ICD	MDC	DRG
M24.38	08	I76A, I76B	M25.12	08	I69A, I69B, I71A, I71B	M25.72	08	I76A, I76B
M24.39	08	I74A, I74B, I74C	M25.13	08	I69A, I69B, I71A, I71B	M25.73	08	I76A, I76B
M24.40	08	I08A, I27B, I71A, I76A, I76B	M25.14	08	I32A, I32B, I32C, I32D, I32E, I32F, I32G, I69A, I69B, I71A, I71B	M25.74	08	I32A, I32B, I32C, I32D, I32E, I32F, I32G, I76A, I76B
M24.41	08	I77Z				M25.75	08	I76A, I76B
M24.42	08	I77Z	M25.15	08	I69A, I69B, I71A, I71B	M25.76	08	I77Z
M24.43	08	I74A, I74B, I74C	M25.16	08	I69A, I69B, I71A, I71B	M25.77	08	I76A, I76B
M24.44	08	I32A, I32B, I32C, I32D, I32E, I32F, I32G, I74A, I74B, I74C	M25.17	08	I69A, I69B, I71A, I71B	M25.78	08	I76A, I76B
M24.45	08	I76A, I76B	M25.18	08	I69A, I69B, I71A, I71B	M25.79	08	I76A, I76B
M24.46	08	I77Z	M25.19	08	I69A, I69B, I71A, I71B	M25.80	08	I69A, I69B, I71A, I71B
M24.47	08	I77Z	M25.20	08	I76A, I76B	M25.81	08	I69A, I69B, I71A, I71B
M24.48	08	I76A, I76B	M25.21	08	I76A, I76B	M25.82	08	I69A, I69B, I71A, I71B
M24.49	08	I76A, I76B	M25.22	08	I76A, I76B	M25.83	08	I69A, I69B, I71A, I71B
M24.50	08	I08A, I27B, I71A, I76A	M25.23	08	I76A, I76B	M25.84	08	I32A, I32B, I32C, I32D, I32E, I32F, I32G, I69A, I69B, I71A, I71B
M24.51	08	I76A, I76B	M25.24	08	I32A, I32B, I32C, I32D, I32E, I32F, I32G, I76A, I76B			
M24.52	08	I76A, I76B	M25.25	08	I76A, I76B	M25.85	08	I69A, I69B, I71A, I71B
M24.53	08	I76A, I76B	M25.26	08	I77Z	M25.86	08	I69A, I69B, I71A, I71B
M24.54	08	I32A, I32B, I32C, I32D, I32E, I32F, I32G, I76A, I76B	M25.27	08	I76A, I76B	M25.87	08	I69A, I69B, I71A, I71B
M24.55	08	I76A, I76B	M25.28	08	I76A, I76B	M25.88	08	I69A, I69B, I71A, I71B
M24.56	08	I76A, I76B	M25.29	08	I76A, I76B	M25.89	08	I69A, I69B, I71A, I71B
M24.57	08	I76A, I76B	M25.30	08	I76A, I76B	M25.90	08	I69A, I69B, I71A, I71B
M24.58	08	I76A, I76B	M25.31	08	I76A, I76B	M25.91	08	I69A, I69B, I71A, I71B
M24.59	08	I76A, I76B	M25.32	08	I76A, I76B	M25.92	08	I69A, I69B, I71A, I71B
M24.60	08	I69A, I69B	M25.33	08	I76A, I76B	M25.93	08	I69A, I69B, I71A, I71B
M24.61	08	I69A, I69B	M25.34	08	I32A, I32B, I32C, I32D, I32E, I32F, I32G, I76A, I76B	M25.94	08	I32A, I32B, I32C, I32D, I32E, I32F, I32G, I69A, I69B, I71A, I71B
M24.62	08	I69A, I69B	M25.35	08	I76A, I76B			
M24.63	08	I69A, I69B	M25.36	08	I77Z	M25.95	08	I69A, I69B, I71A, I71B
M24.64	08	I32A, I32B, I32C, I32D, I32E, I32F, I32G, I69A, I69B	M25.37	08	I76A, I76B	M25.96	08	I69A, I69B, I71A, I71B
M24.65	08	I69A, I69B	M25.38	08	I76A, I76B	M25.97	08	I69A, I69B, I71A, I71B
M24.66	08	I69A, I69B	M25.39	08	I76A, I76B	M25.98	08	I76A, I76B
M24.67	08	I69A, I69B	M25.40	08	I76A, I76B	M25.99	08	I69A, I69B, I71A, I71B
M24.68	08	I69A, I69B	M25.41	08	I76A, I76B	M30.0	08	I66A, I66B, I66C
M24.69	08	I69A, I69B	M25.42	08	I76A, I76B	M30.1	08	I66A, I66B, I66C
M24.7	08	I76A, I76B	M25.43	08	I76A, I76B	M30.2	08	I66A, I66B, I66C
M24.80	08	I76A, I76B	M25.44	08	I32A, I32B, I32C, I32D, I32E, I32F, I32G, I76A, I76B	M30.3	08	I66A, I66B, I66C
M24.81	08	I76A, I76B				M30.8	08	I66A, I66B, I66C
M24.82	08	I76A, I76B	M25.45	08	I76A, I76B	M31.0	08	I66A, I66B, I66C
M24.83	08	I76A, I76B	M25.46	08	I76A, I76B	M31.1	11	L7ZZ
M24.84	08	I32A, I32B, I32C, I32D, I32E, I32F, I32G, I76A, I76B	M25.47	08	I76A, I76B			
M24.85	08	I76A, I76B	M25.48	08	I76A, I76B	M31.2	08	A07D, A09E, A11F, A13F
M24.87	08	I76A, I76B	M25.49	08	I76A, I76B			
M24.88	08	I76A, I76B	M25.50	08	I69A, I69B, I71A, I71B	M31.3	08	I65A, I65B, I65C
M24.89	08	I76A, I76B	M25.51	08	I69A, I69B, I71A, I71B			
M24.90	08	I76A, I76B	M25.52	08	I69A, I69B, I71A, I71B	M31.4	08	A07D, A09E, A11F, A13F
M24.91	08	I76A, I76B	M25.53	08	I69A, I69B, I71A, I71B			
M24.92	08	I76A, I76B	M25.54	08	I32A, I32B, I32C, I32D, I32E, I32F, I32G, I69A, I69B, I71A, I71B	M31.5	08	A07D, A09E, A11F, A13F
M24.93	08	I76A, I76B						
M24.94	08	I32A, I32B, I32C, I32D, I32E, I32F, I32G, I76A, I76B	M25.55	08	I69A, I69B, I71A, I71B	M31.6	08	I66A, I66B, I66C
M24.95	08	I76A, I76B	M25.56	08	I69A, I69B, I71A, I71B	M31.7	08	I66A, I66B, I66C
M24.97	08	I76A, I76B	M25.57	08	I69A, I69B, I71A, I71B	M31.8	08	I66A, I66B, I66C
M24.98	08	I76A, I76B	M25.58	08	I69A, I69B, I71A, I71B	M31.9	08	I66A, I66B, I66C
M24.99	08	I76A, I76B	M25.59	08	I69A, I69B, I71A, I71B	M32.0	08	I66A, I66B, I66C
M25.00	08	I69A, I69B	M25.60	08	I69A, I69B, I71A, I71B			
M25.01	08	I69A, I69B	M25.61	08	I69A, I69B, I71A, I71B	M32.1	08	TPN, VTPN
M25.02	08	I69A, I69B	M25.62	08	I69A, I69B, I71A, I71B			
M25.03	08	I69A, I69B	M25.63	08	I69A, I69B, I71A, I71B			
M25.04	08	I32A, I32B, I32C, I32D, I32E, I32F, I32G, I69A, I69B	M25.64	08	I32A, I32B, I32C, I32D, I32E, I32F, I32G, I69A, I69B, I71A, I71B	M32.8	08	I32C, I32D, I66A, I66B, I66C
M25.05	08	I69A, I69B						
M25.06	08	I69A, I69B	M25.65	08	I69A, I69B, I71A, I71B	M32.9	08	I32C, I32D, I66A, I66B, I66C
M25.07	08	I69A, I69B	M25.66	08	I69A, I69B, I71A, I71B			
M25.08	08	I69A, I69B	M25.67	08	I69A, I69B, I71A, I71B			
M25.09	08	I69A, I69B	M25.68	08	I69A, I69B, I71A, I71B			
M25.10	08	I69A, I69B, I71A, I71B	M25.69	08	I69A, I69B, I71A, I71B	M33.0	08	I32C, I32D, I66A, I66B, I66C
M25.11	08	I69A, I69B, I71A, I71B	M25.70	08	I76A, I76B	M33.1	08	I08A, I08B, I08C, I08D, I08E, I12A, I12B, I12C, I13A, I13B, I32C, I32D, I66A, I66B, I66C
			M25.71	08	I76A, I76B	M33.2	08	I08A, I08B, I08C, I08D, I08E, I12A, I12B, I12C, I13A, I13B, I32C, I32D, I66A, I66B, I66C

















ICD	MDC	DRG	ICD	MDC	DRG	ICD	MDC	DRG
M73.08	15	TPN, VTPN	M79.25	01	B03A, B03B, B06A, B06B, B17A, B17B, B17C, B17D, B71A, B71B, B71C, B71D	M79.98	08	169A, 169B, 171A, 171B
M73.09	15	TPN, VTPN				M79.99	08	169A, 169B, 171A, 171B
M75.0	08	I72Z, I75A, I75B				M80.00	08	169A, 169B
M75.1	08	I72Z, I75A, I75B				M80.01	08	169A, 169B
M75.2	08	I72Z, I75A, I75B	M79.26	01	B03A, B03B, B06A, B06B, B17A, B17B, B17C, B17D, B71A, B71B, B71C, B71D	M80.02	08	169A, 169B
M75.3	08	I72Z, I75A, I75B				M80.03	08	169A, 169B
M75.4	08	I72Z, I75A, I75B				M80.04	08	169A, 169B
M75.5	08	I72Z, I75A, I75B				M80.05	08	169A, 169B
M75.8	08	I72Z, I75A, I75B	M79.27	01	B03A, B03B, B06A, B06B, B17A, B17B, B17C, B17D, B71A, B71B, B71C, B71D	M80.06	08	169A, 169B
M75.9	08	I72Z, I75A, I75B				M80.07	08	169A, 169B
M76.0	08	I72Z, I75A, I75B				M80.08	08	169A, 169B
M76.1	08	I72Z, I75A, I75B				M80.09	08	169A, 169B
M76.2	08	I72Z, I75A, I75B	M79.28	01	B03A, B03B, B06A, B06B, B17A, B17B, B17C, B17D, B71A, B71B, B71C, B71D	M80.10	08	169A, 169B
M76.3	08	I72Z, I75A, I75B				M80.11	08	169A, 169B
M76.4	08	I72Z, I75A, I75B				M80.12	08	169A, 169B
M76.5	08	I72Z, I75A, I75B				M80.13	08	169A, 169B
M76.6	08	I72Z, I75A, I75B	M79.29	01	B03A, B03B, B06A, B06B, B17A, B17B, B17C, B17D, B71A, B71B, B71C, B71D	M80.14	08	169A, 169B
M76.7	08	I72Z, I75A, I75B				M80.15	08	169A, 169B
M76.8	08	I72Z, I75A, I75B				M80.16	08	169A, 169B
M76.9	08	I72Z, I75A, I75B				M80.17	08	169A, 169B
M77.0	08	I72Z, I75A, I75B	M79.30	09	J61A, J61B, J61C, J68A, J68B	M80.18	08	169A, 169B
M77.1	08	I72Z, I75A, I75B	M79.31	09	J61A, J61B, J61C, J68A, J68B	M80.19	08	169A, 169B
M77.2	08	I72Z, I75A, I75B	M79.32	09	J61A, J61B, J61C, J68A, J68B	M80.20	08	169A, 169B
M77.3	08	I76A, I76B	M79.33	09	J61A, J61B, J61C, J68A, J68B	M80.21	08	169A, 169B
M77.4	08	I72Z, I75A, I75B	M79.34	09	J61A, J61B, J61C, J68A, J68B	M80.22	08	169A, 169B
M77.5	08	I72Z, I75A, I75B	M79.35	09	J61A, J61B, J61C, J68A, J68B	M80.23	08	169A, 169B
M77.8	08	I72Z, I75A, I75B	M79.36	09	J61A, J61B, J61C, J68A, J68B	M80.24	08	169A, 169B
M77.9	08	I72Z, I75A, I75B	M79.37	09	J61A, J61B, J61C, J68A, J68B	M80.25	08	169A, 169B
M79.00	08	I79Z	M79.38	09	J61A, J61B, J61C, J68A, J68B	M80.26	08	169A, 169B
M79.01	08	I79Z	M79.39	09	J61A, J61B, J61C, J68A, J68B	M80.27	08	169A, 169B
M79.02	08	I79Z	M79.46	08	I76A, I76B	M80.28	08	169A, 169B
M79.03	08	I79Z	M79.50	08	I76A, I76B	M80.29	08	169A, 169B
M79.04	08	I79Z	M79.51	08	I76A, I76B	M80.30	08	169A, 169B
M79.05	08	I79Z	M79.52	08	I76A, I76B	M80.31	08	169A, 169B
M79.06	08	I79Z	M79.53	08	I76A, I76B	M80.32	08	169A, 169B
M79.07	08	I79Z	M79.54	08	I76A, I76B	M80.33	08	169A, 169B
M79.08	08	I79Z	M79.55	08	I76A, I76B	M80.34	08	169A, 169B
M79.09	08	I08A, I08B, I08C, I08D, I08E, I13A, I13B, I79Z	M79.56	08	I76A, I76B	M80.35	08	169A, 169B
M79.10	08	I69A, I69B, I71A, I71B	M79.57	08	I76A, I76B	M80.36	08	169A, 169B
M79.11	08	I69A, I69B, I71A, I71B	M79.58	08	I76A, I76B	M80.37	08	169A, 169B
M79.12	08	I69A, I69B, I71A, I71B	M79.59	08	I76A, I76B	M80.38	08	169A, 169B
M79.13	08	I69A, I69B, I71A, I71B	M79.60	08	I69A, I69B, I71A, I71B	M80.39	08	169A, 169B
M79.14	08	I69A, I69B, I71A, I71B	M79.61	08	I69A, I69B, I71A, I71B	M80.40	08	169A, 169B
M79.15	08	I69A, I69B, I71A, I71B	M79.62	08	I69A, I69B, I71A, I71B			18A S65A, S65B
M79.16	08	I69A, I69B, I71A, I71B	M79.63	08	I69A, I69B, I71A, I71B	M80.41	08	169A, 169B
M79.17	08	I69A, I69B, I71A, I71B	M79.64	08	I69A, I69B, I71A, I71B			18A S65A, S65B
M79.18	08	I69A, I69B, I71A, I71B	M79.65	08	I69A, I69B, I71A, I71B	M80.42	08	169A, 169B
M79.19	08	I69A, I69B, I71A, I71B	M79.66	08	I69A, I69B, I71A, I71B			18A S65A, S65B
M79.20	01	B03A, B03B, B06A, B06B, B17A, B17B, B17C, B17D, B71A, B71B, B71C, B71D	M79.67	08	I69A, I69B, I71A, I71B	M80.43	08	169A, 169B
	18A	S65A, S65B	M79.69	08	I69A, I69B, I71A, I71B			18A S65A, S65B
M79.21	01	B03A, B03B, B06A, B06B, B17A, B17B, B17C, B17D, B71A, B71B, B71C, B71D	M79.70	08	I79Z	M80.44	08	169A, 169B
	18A	S65A, S65B	M79.80	08	I69A, I69B, I71A, I71B			18A S65A, S65B
M79.22	01	B03A, B03B, B06A, B06B, B17A, B17B, B17C, B17D, B71A, B71B, B71C, B71D	M79.81	08	I69A, I69B, I71A, I71B	M80.45	08	169A, 169B
	18A	S65A, S65B	M79.82	08	I69A, I69B, I71A, I71B			18A S65A, S65B
M79.23	01	B03A, B03B, B06A, B06B, B17A, B17B, B17C, B17D, B71A, B71B, B71C, B71D	M79.83	08	I69A, I69B, I71A, I71B	M80.46	08	169A, 169B
	18A	S65A, S65B	M79.84	08	I69A, I69B, I71A, I71B			18A S65A, S65B
M79.24	01	B03A, B03B, B06A, B06B, B17A, B17B, B17C, B17D, B71A, B71B, B71C, B71D	M79.85	08	I69A, I69B, I71A, I71B	M80.47	08	169A, 169B
	18A	S65A, S65B	M79.86	08	I69A, I69B, I71A, I71B			18A S65A, S65B
	18A	S65A, S65B	M79.87	08	I69A, I69B, I71A, I71B	M80.48	08	169A, 169B
	18A	S65A, S65B	M79.88	08	I69A, I69B, I71A, I71B			18A S65A, S65B
	18A	S65A, S65B	M79.89	08	I69A, I69B, I71A, I71B	M80.49	08	169A, 169B
	18A	S65A, S65B	M79.90	08	I69A, I69B, I71A, I71B			18A S65A, S65B
	18A	S65A, S65B	M79.91	08	I69A, I69B, I71A, I71B	M80.50	08	169A, 169B
	18A	S65A, S65B	M79.92	08	I69A, I69B, I71A, I71B			18A S65A, S65B
	18A	S65A, S65B	M79.93	08	I69A, I69B, I71A, I71B	M80.51	08	169A, 169B
	18A	S65A, S65B	M79.94	08	I69A, I69B, I71A, I71B			18A S65A, S65B
	18A	S65A, S65B	M79.95	08	I69A, I69B, I71A, I71B	M80.52	08	169A, 169B
	18A	S65A, S65B	M79.96	08	I69A, I69B, I71A, I71B			18A S65A, S65B
	18A	S65A, S65B	M79.97	08	I69A, I69B, I71A, I71B	M80.53	08	169A, 169B
	18A	S65A, S65B				M80.54	08	169A, 169B
	18A	S65A, S65B				M80.55	08	169A, 169B
	18A	S65A, S65B				M80.56	08	169A, 169B



ICD	MDC	DRG	ICD	MDC	DRG	ICD	MDC	DRG
M80.57	08	I69A, I69B	M81.46	08	I69A, I69B	M83.12	08	I69A
M80.58	08	I69A, I69B	M81.47	08	I69A, I69B	22	Y02A, Y02B	
M80.59	08	I69A, I69B	M81.48	08	I69A, I69B	M83.13	08	I69A
M80.80	08	I69A, I69B	M81.49	08	I69A, I69B	22	Y02A, Y02B	
M80.81	08	I69A, I69B	M81.50	08	I69A, I69B	M83.14	08	I69A
M80.82	08	I69A, I69B	M81.51	08	I69A, I69B	22	Y02A, Y02B	
M80.83	08	I69A, I69B	M81.52	08	I69A, I69B	M83.15	08	I69A
M80.84	08	I69A, I69B	M81.53	08	I69A, I69B	22	Y02A, Y02B	
M80.85	08	I69A, I69B	M81.54	08	I69A, I69B	M83.16	08	I69A
M80.86	08	I69A, I69B	M81.55	08	I69A, I69B	22	Y02A, Y02B	
M80.87	08	I69A, I69B	M81.56	08	I69A, I69B	M83.17	08	I69A
M80.88	08	I69A, I69B	M81.57	08	I69A, I69B	22	Y02A, Y02B	
M80.89	08	I69A, I69B	M81.58	08	I69A, I69B	M83.18	08	I69A
M80.90	08	I69A, I69B	M81.59	08	I69A, I69B	22	Y02A, Y02B	
M80.91	08	I69A, I69B	M81.60	08	I69A, I69B	M83.19	08	I69A
M80.92	08	I69A, I69B	M81.61	08	I69A, I69B	22	Y02A, Y02B	
M80.93	08	I69A, I69B	M81.62	08	I69A, I69B	M83.20	08	I69A
M80.94	08	I69A, I69B	M81.63	08	I69A, I69B	22	Y02A, Y02B	
M80.95	08	I69A, I69B	M81.64	08	I69A, I69B	M83.21	08	I69A
M80.96	08	I69A, I69B	M81.65	08	I69A, I69B	22	Y02A, Y02B	
M80.97	08	I69A, I69B	M81.66	08	I69A, I69B	M83.22	08	I69A
M80.98	08	I69A, I69B	M81.67	08	I69A, I69B	22	Y02A, Y02B	
M80.99	08	I69A, I69B	M81.68	08	I69A, I69B	M83.23	08	I69A
M81.00	08	I69A, I69B	M81.69	08	I69A, I69B	22	Y02A, Y02B	
M81.01	08	I69A, I69B	M81.80	08	I69A, I69B	M83.24	08	I69A
M81.02	08	I69A, I69B	M81.81	08	I69A, I69B	22	Y02A, Y02B	
M81.03	08	I69A, I69B	M81.82	08	I69A, I69B	M83.25	08	I69A
M81.04	08	I69A, I69B	M81.83	08	I69A, I69B	22	Y02A, Y02B	
M81.05	08	I69A, I69B	M81.84	08	I69A, I69B	M83.26	08	I69A
M81.06	08	I69A, I69B	M81.85	08	I69A, I69B	22	Y02A, Y02B	
M81.07	08	I69A, I69B	M81.86	08	I69A, I69B	M83.27	08	I69A
M81.08	08	I69A, I69B	M81.87	08	I69A, I69B	22	Y02A, Y02B	
M81.09	08	I69A, I69B	M81.88	08	I69A, I69B	M83.28	08	I69A
M81.10	08	I69A, I69B	M81.89	08	I69A, I69B	22	Y02A, Y02B	
M81.11	08	I69A, I69B	M81.90	08	I69A, I69B	M83.29	08	I69A
M81.12	08	I69A, I69B	M81.91	08	I69A, I69B	22	Y02A, Y02B	
M81.13	08	I69A, I69B	M81.92	08	I69A, I69B	M83.30	08	I69A
M81.14	08	I69A, I69B	M81.93	08	I69A, I69B	22	Y02A, Y02B	
M81.15	08	I69A, I69B	M81.94	08	I69A, I69B	M83.31	08	I69A
M81.16	08	I69A, I69B	M81.95	08	I69A, I69B	22	Y02A, Y02B	
M81.17	08	I69A, I69B	M81.96	08	I69A, I69B	M83.32	08	I69A
M81.18	08	I69A, I69B	M81.97	08	I69A, I69B	22	Y02A, Y02B	
M81.19	08	I69A, I69B	M81.98	08	I69A, I69B	M83.33	08	I69A
M81.20	08	I69A, I69B	M81.99	08	I69A, I69B	22	Y02A, Y02B	
M81.21	08	I69A, I69B	M83.00	08	I69A	M83.34	08	I69A
M81.22	08	I69A, I69B	22	Y02A, Y02B	22	Y02A, Y02B		
M81.23	08	I69A, I69B	M83.01	08	I69A	M83.35	08	I69A
M81.24	08	I69A, I69B	22	Y02A, Y02B	22	Y02A, Y02B		
M81.25	08	I69A, I69B	M83.02	08	I69A	M83.36	08	I69A
M81.26	08	I69A, I69B	22	Y02A, Y02B	22	Y02A, Y02B		
M81.27	08	I69A, I69B	M83.03	08	I69A	M83.37	08	I69A
M81.28	08	I69A, I69B	22	Y02A, Y02B	22	Y02A, Y02B		
M81.29	08	I69A, I69B	M83.04	08	I69A	M83.38	08	I69A
M81.30	08	I69A, I69B	22	Y02A, Y02B	22	Y02A, Y02B		
M81.31	08	I69A, I69B	M83.05	08	I69A	M83.39	08	I69A
M81.32	08	I69A, I69B	22	Y02A, Y02B	22	Y02A, Y02B		
M81.33	08	I69A, I69B	M83.06	08	I69A	M83.40	08	I69A
M81.34	08	I69A, I69B	22	Y02A, Y02B	22	Y02A, Y02B		
M81.35	08	I69A, I69B	M83.07	08	I69A	M83.41	08	I69A
M81.36	08	I69A, I69B	22	Y02A, Y02B	22	Y02A, Y02B		
M81.37	08	I69A, I69B	M83.08	08	I69A	M83.42	08	I69A
M81.38	08	I69A, I69B	22	Y02A, Y02B	22	Y02A, Y02B		
M81.39	08	I69A, I69B	M83.09	08	I69A	M83.43	08	I69A
M81.40	08	I69A, I69B	22	Y02A, Y02B	22	Y02A, Y02B		
M81.41	08	I69A, I69B	M83.10	08	I69A	M83.44	08	I69A
M81.42	08	I69A, I69B	22	Y02A, Y02B	22	Y02A, Y02B		
M81.43	08	I69A, I69B	M83.11	08	I69A	M83.45	08	I69A
M81.44	08	I69A, I69B	22	Y02A, Y02B	22	Y02A, Y02B		
M81.45	08	I69A, I69B						

ICD	MDC	DRG	ICD	MDC	DRG	ICD	MDC	DRG
M83.46	08	I69A	M83.95	08	I69A	M84.42	08	I65A, I65B, I65C
	22	Y02A, Y02B		22	Y02A, Y02B		15	TPN, VTPN
M83.47	08	I69A	M83.96	08	I69A		Pre	A07D, A09E, A11F, A13F
	22	Y02A, Y02B		22	Y02A, Y02B	M84.43	08	I65A, I65B, I65C
M83.48	08	I69A	M83.97	08	I69A		15	TPN, VTPN
	22	Y02A, Y02B		22	Y02A, Y02B		Pre	A07D, A09E, A11F, A13F
M83.49	08	I69A	M83.98	08	I69A	M84.44	08	I65A, I65B, I65C
	22	Y02A, Y02B		22	Y02A, Y02B		15	TPN, VTPN
M83.50	08	I69A	M83.99	08	I69A		Pre	A07D, A09E, A11F, A13F
	18A	S65A, S65B		22	Y02A, Y02B	M84.45	08	I65A, I65B, I65C
	22	Y02A, Y02B	M84.00	08	I76A, I76B		15	TPN, VTPN
M83.51	08	I69A	M84.01	08	I76A, I76B		Pre	A07D, A09E, A11F, A13F
	18A	S65A, S65B	M84.02	08	I76A, I76B	M84.46	08	I65A, I65B, I65C
	22	Y02A, Y02B	M84.03	08	I76A, I76B		15	TPN, VTPN
M83.52	08	I69A	M84.04	08	I76A, I76B		Pre	A07D, A09E, A11F, A13F
	18A	S65A, S65B	M84.05	08	I76A, I76B	M84.47	08	I65A, I65B, I65C
	22	Y02A, Y02B	M84.06	08	I76A, I76B		15	TPN, VTPN
M83.53	08	I69A	M84.07	08	I76A, I76B		Pre	A07D, A09E, A11F, A13F
	18A	S65A, S65B	M84.08	08	I76A, I76B	M84.48	08	I65A, I65B, I65C
	22	Y02A, Y02B	M84.09	08	I76A, I76B		15	TPN, VTPN
M83.54	08	I69A	M84.10	08	I13D, I76A, I76B		Pre	A07D, A09E, A11F, A13F
	18A	S65A, S65B	M84.11	08	I13D, I76A, I76B	M84.49	08	I65A, I65B, I65C
	22	Y02A, Y02B	M84.12	08	I13D, I76A, I76B		15	TPN, VTPN
M83.55	08	I69A	M84.13	08	I13D, I76A, I76B		Pre	A07D, A09E, A11F, A13F
	18A	S65A, S65B	M84.14	08	I13D, I32B, I32C, I32D, I76A, I76B	M84.80	08	I76A, I76B
	22	Y02A, Y02B				M84.81	08	I76A, I76B
M83.56	08	I69A	M84.15	08	I13D, I76A, I76B	M84.82	08	I76A, I76B
	18A	S65A, S65B	M84.16	08	I13D, I76A, I76B	M84.83	08	I76A, I76B
	22	Y02A, Y02B	M84.17	08	I13D, I76A, I76B	M84.84	08	I76A, I76B
M83.57	08	I69A	M84.18	08	I13D, I76A, I76B	M84.85	08	I76A, I76B
	18A	S65A, S65B	M84.19	08	I13D, I76A, I76B	M84.86	08	I76A, I76B
	22	Y02A, Y02B	M84.20	08	I76A, I76B	M84.87	08	I76A, I76B
M83.58	08	I69A	M84.21	08	I76A, I76B	M84.88	08	I76A, I76B
	18A	S65A, S65B	M84.22	08	I76A, I76B	M84.89	08	I76A, I76B
	22	Y02A, Y02B	M84.23	08	I76A, I76B	M84.90	08	I76A, I76B
M83.59	08	I69A	M84.24	08	I76A, I76B	M84.91	08	I76A, I76B
	18A	S65A, S65B	M84.25	08	I76A, I76B	M84.92	08	I76A, I76B
	22	Y02A, Y02B	M84.26	08	I76A, I76B	M84.93	08	I76A, I76B
M83.80	08	I69A	M84.27	08	I76A, I76B	M84.94	08	I76A, I76B
	22	Y02A, Y02B	M84.28	08	I76A, I76B	M84.95	08	I76A, I76B
M83.81	08	I69A	M84.29	08	I76A, I76B	M84.96	08	I76A, I76B
	22	Y02A, Y02B	M84.30	08	I65A, I65B, I65C	M84.97	08	I76A, I76B
M83.82	08	I69A		15	TPN, VTPN	M84.98	08	I76A, I76B
	22	Y02A, Y02B	M84.31	08	I65A, I65B, I65C	M84.99	08	I76A, I76B
M83.83	08	I69A		15	TPN, VTPN	M85.00	08	I69A, I69B
	22	Y02A, Y02B	M84.32	08	I65A, I65B, I65C	M85.01	08	I69A, I69B
M83.84	08	I69A		15	TPN, VTPN	M85.02	08	I69A, I69B
	22	Y02A, Y02B	M84.33	08	I65A, I65B, I65C	M85.03	08	I69A, I69B
M83.85	08	I69A		15	TPN, VTPN	M85.04	08	I69A, I69B
	22	Y02A, Y02B	M84.34	08	I65A, I65B, I65C	M85.05	08	I69A, I69B
M83.86	08	I69A		15	TPN, VTPN	M85.06	08	I69A, I69B
	22	Y02A, Y02B	M84.35	08	I65A, I65B, I65C	M85.07	08	I69A, I69B
M83.87	08	I69A		15	TPN, VTPN	M85.08	08	I69A, I69B
	22	Y02A, Y02B	M84.36	08	I65A, I65B, I65C	M85.09	08	I69A, I69B
M83.88	08	I69A		15	TPN, VTPN	M85.10	08	I76A, I76B
	22	Y02A, Y02B	M84.37	08	I65A, I65B, I65C	M85.11	08	I76A, I76B
M83.89	08	I69A		15	TPN, VTPN	M85.12	08	I76A, I76B
	22	Y02A, Y02B	M84.38	08	I65A, I65B, I65C	M85.13	08	I76A, I76B
M83.90	08	I69A		15	TPN, VTPN	M85.14	08	I76A, I76B
	22	Y02A, Y02B	M84.39	08	I65A, I65B, I65C	M85.15	08	I76A, I76B
M83.91	08	I69A		15	TPN, VTPN	M85.16	08	I76A, I76B
	22	Y02A, Y02B	M84.40	08	I65A, I65B, I65C	M85.17	08	I76A, I76B
M83.92	08	I69A		15	TPN, VTPN	M85.18	08	I76A, I76B
	22	Y02A, Y02B		Pre	A07D, A09E, A11F, A13F	M85.19	08	I76A, I76B
M83.93	08	I69A	M84.41	08	I65A, I65B, I65C	M85.2	08	I76A, I76B
	22	Y02A, Y02B		15	TPN, VTPN	M85.30	08	I69A, I69B
M83.94	08	I69A		Pre	A07D, A09E, A11F, A13F	M85.31	08	I69A, I69B
	22	Y02A, Y02B				M85.32	08	I69A, I69B
						M85.33	08	I69A, I69B





ICD	MDC	DRG	ICD	MDC	DRG	ICD	MDC	DRG
M86.83	05	F61A	M86.97	05	F61A	M87.23	08	I08A, I08B, I08C, I08D, I08E, I13A, I13B, I64A, I64B, I64C
	08	I08A, I08B, I08C, I08D, I08E, I12A, I12B, I12C, I13A, I13B, I64A, I64B, I64C		08	I08A, I08B, I08C, I08D, I08E, I13A, I13B, I64A, I64B, I64C		15	TPN, VTPN
	15	TPN, VTPN		15	TPN, VTPN		08	I08A, I08B, I08C, I08D, I08E, I13A, I13B, I32A, I32B, I32C, I32D, I32E, I32F, I32G, I64A, I64B, I64C
M86.84	05	F61A	M86.98	05	F61A	M87.24	15	TPN, VTPN
	08	I08A, I08B, I08C, I08D, I08E, I13A, I13B, I32A, I32B, I32C, I32D, I32E, I32F, I32G, I64A, I64B, I64C		08	I08A, I08B, I08C, I08D, I08E, I13A, I13B, I64A, I64B, I64C		08	I08A, I08B, I08C, I08D, I08E, I13A, I13B, I64A, I64B, I64C
	15	TPN, VTPN		15	TPN, VTPN		15	TPN, VTPN
M86.85	05	F61A	M86.99	05	F61A	M87.25	08	I08A, I08B, I08C, I08D, I08E, I13A, I13B, I64A, I64B, I64C
	08	I01Z, I03A, I03B, I04Z, I08A, I08B, I08C, I08D, I08E, I12A, I12B, I12C, I13A, I13B, I64A, I64B, I64C		08	I08A, I08B, I08C, I08D, I08E, I13A, I13B, I64A, I64B, I64C		15	TPN, VTPN
	15	TPN, VTPN		15	TPN, VTPN		08	I08A, I08B, I08C, I08D, I08E, I13A, I13B, I64A, I64B, I64C
M86.86	05	F61A	M87.00	08	I69A, I69B	M87.26	15	TPN, VTPN
	08	I01Z, I04Z, I08A, I08B, I08C, I08D, I08E, I12A, I12B, I12C, I13A, I13B, I64A, I64B, I64C	M87.01	08	I69A, I69B		08	I08A, I08B, I08C, I08D, I08E, I13A, I13B, I64A, I64B, I64C
	15	TPN, VTPN	M87.02	08	I69A, I69B		15	TPN, VTPN
M86.87	05	F61A	M87.03	08	I69A, I69B	M87.27	08	I08A, I08B, I08C, I08D, I08E, I13A, I13B, I64A, I64B, I64C
	08	I08A, I08B, I08C, I08D, I08E, I13A, I13B, I64A, I64B, I64C	M87.04	08	I69A, I69B		15	TPN, VTPN
	15	TPN, VTPN	M87.05	08	I69A, I69B		08	I08A, I08B, I08C, I08D, I08E, I13A, I13B, I64A, I64B, I64C
M86.88	05	F61A	M87.06	08	I69A, I69B	M87.28	15	TPN, VTPN
	08	I08A, I08B, I08C, I08D, I08E, I13A, I13B, I64A, I64B, I64C	M87.07	08	I69A, I69B		08	I08A, I08B, I08C, I08D, I08E, I13A, I13B, I64A, I64B, I64C
	15	TPN, VTPN	M87.08	08	I69A, I69B		15	TPN, VTPN
M86.89	05	F61A	M87.09	08	I69A, I69B	M87.29	08	I08A, I08B, I08C, I08D, I08E, I13A, I13B, I64A, I64B, I64C
	08	I08A, I08B, I08C, I08D, I08E, I13A, I13B, I64A, I64B, I64C	M87.10	08	I08A, I08B, I08C, I08D, I08E, I13A, I13B, I64A, I64B, I64C		15	TPN, VTPN
	15	TPN, VTPN	M87.11	08	I08A, I08B, I08C, I08D, I08E, I13A, I13B, I64A, I64B, I64C		08	I08A, I08B, I08C, I08D, I08E, I13A, I13B, I64A, I64B, I64C
M86.90	05	F61A	M87.12	08	I08A, I08B, I08C, I08D, I08E, I13A, I13B, I64A, I64B, I64C	M87.30	15	TPN, VTPN
	08	I08A, I08B, I08C, I08D, I08E, I12A, I12B, I12C, I13A, I13B, I64A, I64B, I64C	M87.13	08	I08A, I08B, I08C, I08D, I08E, I13A, I13B, I64A, I64B, I64C		08	I08A, I08B, I08C, I08D, I08E, I13A, I13B, I64A, I64B, I64C
	15	TPN, VTPN	M87.14	08	I08A, I08B, I08C, I08D, I08E, I13A, I13B, I32A, I32B, I32C, I32D, I32E, I32F, I32G, I64A, I64B, I64C		15	TPN, VTPN
M86.91	05	F61A	M87.15	08	I08A, I08B, I08C, I08D, I08E, I13A, I13B, I64A, I64B, I64C	M87.31	08	I08A, I08B, I08C, I08D, I08E, I13A, I13B, I64A, I64B, I64C
	08	I08A, I08B, I08C, I08D, I08E, I12A, I12B, I12C, I13A, I13B, I64A, I64B, I64C	M87.16	08	I08A, I08B, I08C, I08D, I08E, I13A, I13B, I64A, I64B, I64C		15	TPN, VTPN
	15	TPN, VTPN	M87.17	08	I08A, I08B, I08C, I08D, I08E, I13A, I13B, I64A, I64B, I64C		08	I08A, I08B, I08C, I08D, I08E, I13A, I13B, I64A, I64B, I64C
M86.92	05	F61A	M87.18	08	I08A, I08B, I08C, I08D, I08E, I13A, I13B, I64A, I64B, I64C	M87.32	15	TPN, VTPN
	08	I08A, I08B, I08C, I08D, I08E, I12A, I12B, I12C, I13A, I13B, I64A, I64B, I64C	M87.19	08	I08A, I08B, I08C, I08D, I08E, I13A, I13B, I64A, I64B, I64C		08	I08A, I08B, I08C, I08D, I08E, I13A, I13B, I64A, I64B, I64C
	15	TPN, VTPN	M87.20	08	I08A, I08B, I08C, I08D, I08E, I13A, I13B, I64A, I64B, I64C		15	TPN, VTPN
M86.93	05	F61A	M87.21	08	I08A, I08B, I08C, I08D, I08E, I13A, I13B, I64A, I64B, I64C	M87.33	08	I08A, I08B, I08C, I08D, I08E, I13A, I13B, I64A, I64B, I64C
	08	I08A, I08B, I08C, I08D, I08E, I12A, I12B, I12C, I13A, I13B, I64A, I64B, I64C	M87.22	08	I08A, I08B, I08C, I08D, I08E, I13A, I13B, I64A, I64B, I64C		15	TPN, VTPN
	15	TPN, VTPN	15	TPN, VTPN	08		I08A, I08B, I08C, I08D, I08E, I13A, I13B, I64A, I64B, I64C	
M86.94	05	F61A				M87.34	08	I08A, I08B, I08C, I08D, I08E, I13A, I13B, I32A, I32B, I32C, I32D, I32E, I32F, I32G, I64A, I64B, I64C
	08	I08A, I08B, I08C, I08D, I08E, I13A, I13B, I32A, I32B, I32C, I32D, I32E, I32F, I32G, I64A, I64B, I64C					15	TPN, VTPN
	15	TPN, VTPN					08	I08A, I08B, I08C, I08D, I08E, I13A, I13B, I64A, I64B, I64C
M86.95	05	F61A				M87.35	15	TPN, VTPN
	08	I01Z, I03A, I03B, I04Z, I08A, I08B, I08C, I08D, I08E, I12A, I12B, I12C, I13A, I13B, I64A, I64B, I64C					08	I08A, I08B, I08C, I08D, I08E, I13A, I13B, I64A, I64B, I64C
	15	TPN, VTPN					15	TPN, VTPN
M86.96	05	F61A				M87.36	08	I08A, I08B, I08C, I08D, I08E, I13A, I13B, I64A, I64B, I64C
	08	I01Z, I04Z, I08A, I08B, I08C, I08D, I08E, I12A, I12B, I12C, I13A, I13B, I64A, I64B, I64C					15	TPN, VTPN
	15	TPN, VTPN					08	I08A, I08B, I08C, I08D, I08E, I13A, I13B, I64A, I64B, I64C

ICD	MDC	DRG	ICD	MDC	DRG	ICD	MDC	DRG
M87.84	08	I08A, I08B, I08C, I08D, I08E, I13A, I13B, I32A, I32B, I32C, I32D, I32E, I32F, I32G, I64A, I64B, I64C	M88.97	08	I69A, I69B	M89.38	08	I76A, I76B
	15	TPN, VTPN	M88.98	08	I69A, I69B	M89.39	08	I76A, I76B
M87.85	08	I08A, I08B, I08C, I08D, I08E, I13A, I13B, I64A, I64B, I64C	M88.99	08	I69A, I69B	M89.40	08	I69A, I69B
	15	TPN, VTPN	M89.00	01	B03A, B03B, B06A, B06B, B17A, B17B, B17C, B17D, B20D, B71A, B71B, B71C, B71D	M89.41	08	I69A, I69B
M87.86	08	I08A, I08B, I08C, I08D, I08E, I13A, I13B, I64A, I64B, I64C	M89.01	01	B03A, B03B, B06A, B06B, B17A, B17B, B17C, B17D, B20D, B71A, B71B, B71C, B71D	M89.42	08	I69A, I69B
	15	TPN, VTPN	M89.02	01	B03A, B03B, B06A, B06B, B17A, B17B, B17C, B17D, B20D, B71A, B71B, B71C, B71D	M89.43	08	I69A, I69B
M87.87	08	I08A, I08B, I08C, I08D, I08E, I13A, I13B, I64A, I64B, I64C	M89.03	01	B03A, B03B, B06A, B06B, B17A, B17B, B17C, B17D, B20D, B71A, B71B, B71C, B71D	M89.44	08	I69A, I69B
	15	TPN, VTPN	M89.04	01	B03A, B03B, B06A, B06B, B17A, B17B, B17C, B17D, B20D, B71A, B71B, B71C, B71D	M89.45	08	I69A, I69B
M87.88	08	I08A, I08B, I08C, I08D, I08E, I13A, I13B, I64A, I64B, I64C	M89.05	01	B03A, B03B, B06A, B06B, B17A, B17B, B17C, B17D, B20D, B71A, B71B, B71C, B71D	M89.46	08	I69A, I69B
	15	TPN, VTPN	M89.06	01	B03A, B03B, B06A, B06B, B17A, B17B, B17C, B17D, B20D, B71A, B71B, B71C, B71D	M89.47	08	I69A, I69B
M87.89	08	I08A, I08B, I08C, I08D, I08E, I13A, I13B, I64A, I64B, I64C	M89.07	01	B03A, B03B, B06A, B06B, B17A, B17B, B17C, B17D, B20D, B71A, B71B, B71C, B71D	M89.48	08	I69A, I69B
	15	TPN, VTPN	M89.08	01	B03A, B03B, B06A, B06B, B17A, B17B, B17C, B17D, B20D, B71A, B71B, B71C, B71D	M89.49	08	I69A, I69B
M87.90	08	I08A, I08B, I08C, I08D, I08E, I13A, I13B, I64A, I64B, I64C	M89.09	01	B03A, B03B, B06A, B06B, B17A, B17B, B17C, B17D, B20D, B71A, B71B, B71C, B71D	M89.50	08	I76A
	15	TPN, VTPN	M89.10	08	I76A, I76B		17	R61F, R61G, R62A, R62B
M87.91	08	I08A, I08B, I08C, I08D, I08E, I13A, I13B, I64A, I64B, I64C	M89.11	08	I76A, I76B	M89.51	08	I76A, I76B
	15	TPN, VTPN	M89.12	08	I76A, I76B		17	R61F, R61G, R62A, R62B
M87.92	08	I08A, I08B, I08C, I08D, I08E, I13A, I13B, I64A, I64B, I64C	M89.13	08	I76A, I76B	M89.52	08	I76A, I76B
	15	TPN, VTPN	M89.14	08	I76A, I76B		17	R61F, R61G, R62A, R62B
M87.93	08	I08A, I08B, I08C, I08D, I08E, I13A, I13B, I64A, I64B, I64C	M89.15	08	I76A, I76B	M89.53	08	I76A, I76B
	15	TPN, VTPN	M89.16	08	I76A, I76B		17	R61F, R61G, R62A, R62B
M87.94	08	I08A, I08B, I08C, I08D, I08E, I13A, I13B, I32A, I32B, I32C, I32D, I32E, I32F, I32G, I64A, I64B, I64C	M89.17	08	I76A, I76B	M89.54	08	I76A, I76B
	15	TPN, VTPN	M89.18	08	I76A, I76B		17	R61F, R61G, R62A, R62B
M87.95	08	I08A, I08B, I08C, I08D, I08E, I13A, I13B, I64A, I64B, I64C	M89.19	08	I76A, I76B	M89.55	08	I04Z, I76A, I76B
	15	TPN, VTPN	M89.20	08	I76A, I76B		17	R61F, R61G, R62A, R62B
M87.96	08	I08A, I08B, I08C, I08D, I08E, I13A, I13B, I64A, I64B, I64C	M89.21	08	I76A, I76B	M89.56	08	I04Z, I76A, I76B
	15	TPN, VTPN	M89.22	08	I76A, I76B		17	R61F, R61G, R62A, R62B
M87.97	08	I08A, I08B, I08C, I08D, I08E, I13A, I13B, I64A, I64B, I64C	M89.23	08	I76A, I76B	M89.57	08	I76A, I76B
	15	TPN, VTPN	M89.24	08	I76A, I76B		17	R61F, R61G, R62A, R62B
M87.98	08	I08A, I08B, I08C, I08D, I08E, I13A, I13B, I64A, I64B, I64C	M89.25	08	I76A, I76B	M89.58	08	I76A
	15	TPN, VTPN	M89.26	08	I76A, I76B		17	R61F, R61G, R62A, R62B
M87.99	08	I08A, I08B, I08C, I08D, I08E, I13A, I13B, I64A, I64B, I64C	M89.27	08	I76A, I76B	M89.59	08	I76A, I76B
	15	TPN, VTPN	M89.28	08	I76A, I76B		17	R61F, R61G, R62A, R62B
M88.0	08	I69A, I69B	M89.29	08	I76A, I76B	M89.60	08	I08A, I08B, I08C, I08D, I08E, I13A, I13B, I76A, I76B
M88.80	08	I69A, I69B	M89.30	08	I76A, I76B		08	I08A, I08B, I08C, I08D, I08E, I13A, I13B, I76A, I76B
M88.81	08	I69A, I69B	M89.31	08	I76A, I76B	M89.61	08	I08A, I08B, I08C, I08D, I08E, I13A, I13B, I76A, I76B
M88.82	08	I69A, I69B	M89.32	08	I76A, I76B		08	I08A, I08B, I08C, I08D, I08E, I13A, I13B, I76A, I76B
M88.83	08	I69A, I69B	M89.33	08	I76A, I76B	M89.62	08	I08A, I08B, I08C, I08D, I08E, I13A, I13B, I76A, I76B
M88.84	08	I69A, I69B	M89.34	08	I76A, I76B		08	I08A, I08B, I08C, I08D, I08E, I13A, I13B, I76A, I76B
M88.85	08	I69A, I69B	M89.35	08	I76A, I76B	M89.63	08	I08A, I08B, I08C, I08D, I08E, I13A, I13B, I76A, I76B
M88.86	08	I69A, I69B	M89.36	08	I76A, I76B		08	I08A, I08B, I08C, I08D, I08E, I13A, I13B, I76A, I76B
M88.87	08	I69A, I69B	M89.37	08	I76A, I76B	M89.64	08	I08A, I08B, I08C, I08D, I08E, I13A, I13B, I32A, I32B, I32C, I32D, I32E, I32F, I32G, I76A, I76B
M88.88	08	I69A, I69B						
M88.89	08	I69A, I69B				M89.65	08	I08A, I08B, I08C, I08D, I08E, I13A, I13B, I76A, I76B
M88.90	08	I69A, I69B					08	I08A, I08B, I08C, I08D, I08E, I13A, I13B, I76A, I76B
M88.91	08	I69A, I69B				M89.66	08	I08A, I08B, I08C, I08D, I08E, I13A, I13B, I76A, I76B
M88.92	08	I69A, I69B					08	I08A, I08B, I08C, I08D, I08E, I13A, I13B, I76A, I76B
M88.93	08	I69A, I69B				M89.67	08	I08A, I08B, I08C, I08D, I08E, I13A, I13B, I76A, I76B
M88.94	08	I69A, I69B					08	I08A, I08B, I08C, I08D, I08E, I13A, I13B, I76A, I76B
M88.95	08	I69A, I69B				M89.68	08	I08A, I08B, I08C, I08D, I08E, I13A, I13B, I76A, I76B
M88.96	08	I69A, I69B					08	I08A, I08B, I08C, I08D, I08E, I13A, I13B, I76A, I76B
						M89.69	08	I08A, I08B, I08C, I08D, I08E, I13A, I13B, I76A, I76B
							08	I76A, I76B
						M89.80	08	I76A, I76B
							08	I76A, I76B
						M89.82	08	I76A, I76B
							08	I76A, I76B
						M89.83	08	I76A, I76B
							08	I76A, I76B
						M89.84	08	I76A, I76B
							08	I76A, I76B
						M89.85	08	I76A, I76B
							08	I76A, I76B
						M89.86	08	I76A, I76B
							08	I76A, I76B
						M89.87	08	I76A, I76B
							08	I76A, I76B
						M89.88	08	I76A, I76B
							08	I76A, I76B
						M89.89	08	I76A, I76B
							08	I76A, I76B
						M89.90	08	I76A, I76B
							08	I76A, I76B
						M89.91	08	I76A, I76B
							08	I76A, I76B
						M89.92	08	I76A, I76B
							08	I76A, I76B
						M89.93	08	I76A, I76B
							08	I76A, I76B
						M89.94	08	I76A, I76B
							08	I76A, I76B

ICD	MDC	DRG	ICD	MDC	DRG	ICD	MDC	DRG
M89.95	08	I76A, I76B	M92.8	08	I69A, I69B	M96.4	08	I06A, I06B, I06C, I06D, I06E, I09A, I09B, I09C, I09D, I09E, I68A, I68B, I68C, I68D, I68E
M89.96	08	I76A, I76B	M92.9	08	I69A, I69B	M96.5	08	I06A, I06B, I06C, I06D, I06E, I09A, I09B, I09C, I09D, I09E, I68A, I68B, I68C, I68D, I68E
M89.97	08	I76A, I76B	M93.0	08	I69A, I69B	M96.6	08	I01Z, I03A, I03B, I04Z, I08A, I08B, I08C, I08D, I08E, I13A, I13B, I73Z
M89.98	08	I76A, I76B	M93.1	08	I69A, I69B	M96.80	15	TPN, VTPN
M89.99	08	I76A, I76B	M93.2	08	I69A, I69B	M96.80	08	I01Z, I03A, I03B, I04Z, I08A, I08B, I08C, I08D, I08E, I13A, I13B, I73Z
M90.00	15	TPN, VTPN	M93.8	08	I69A, I69B	M96.81	15	TPN, VTPN
M90.01	15	TPN, VTPN	M93.9	08	I69A, I69B	M96.81	08	I01Z, I03A, I03B, I04Z, I08A, I08B, I08C, I08D, I08E, I13A, I13B, I73Z
M90.02	15	TPN, VTPN	M94.0	04	E65A, E65B, E69A, E69B, E69C, E69D, E69E, E69F, E75A, E75B, E75C	M96.88	15	TPN, VTPN
M90.03	15	TPN, VTPN	M94.1	08	I76A	M96.88	08	I01Z, I03A, I03B, I04Z, I08A, I08B, I08C, I08D, I08E, I13A, I13B, I73Z
M90.04	15	TPN, VTPN	M94.20	08	I69A, I69B	M96.9	15	TPN, VTPN
M90.05	15	TPN, VTPN	M94.21	08	I69A, I69B	M96.9	08	I08A, I08B, I08C, I08D, I08E, I13A, I13B, I73Z
M90.06	15	TPN, VTPN	M94.22	08	I69A, I69B	N00.0	11	L68A, L68B, L74Z
M90.07	15	TPN, VTPN	M94.23	08	I69A, I69B	N00.0	18A	S65A, S65B
M90.08	15	TPN, VTPN	M94.24	08	I69A, I69B	Pre	A07D, A09E, A11F, A13F	
M90.09	15	TPN, VTPN	M94.25	08	I69A, I69B	N00.1	11	L68A, L68B, L74Z
M90.10	15	TPN, VTPN	M94.26	08	I69A, I69B	N00.1	18A	S65A, S65B
M90.11	15	TPN, VTPN	M94.27	08	I69A, I69B	Pre	A07D, A09E, A11F, A13F	
M90.12	15	TPN, VTPN	M94.28	08	I69A, I69B	N00.2	11	L68A, L68B, L74Z
M90.13	15	TPN, VTPN	M94.29	08	I69A, I69B	N00.2	18A	S65A, S65B
M90.14	15	TPN, VTPN	M94.30	08	I76A, I76B	Pre	A07D, A09E, A11F, A13F	
M90.15	15	TPN, VTPN	M94.31	08	I76A, I76B	N00.3	11	L68A, L68B, L74Z
M90.16	15	TPN, VTPN	M94.32	08	I76A, I76B	N00.3	18A	S65A, S65B
M90.17	15	TPN, VTPN	M94.33	08	I76A, I76B	Pre	A07D, A09E, A11F, A13F	
M90.18	15	TPN, VTPN	M94.34	08	I76A, I76B	N00.4	11	L68A, L68B, L74Z
M90.19	15	TPN, VTPN	M94.35	08	I76A, I76B	N00.4	18A	S65A, S65B
M90.20	15	TPN, VTPN	M94.36	08	I76A, I76B	Pre	A07D, A09E, A11F, A13F	
M90.21	15	TPN, VTPN	M94.37	08	I76A, I76B	N00.5	11	L68A, L68B, L74Z
M90.22	15	TPN, VTPN	M94.38	08	I76A, I76B	N00.5	18A	S65A, S65B
M90.23	15	TPN, VTPN	M94.39	08	I76A, I76B	Pre	A07D, A09E, A11F, A13F	
M90.24	15	TPN, VTPN	M94.80	08	I76A, I76B	N00.6	11	L68A, L68B, L74Z
M90.25	15	TPN, VTPN	M94.81	08	I76A, I76B	N00.6	18A	S65A, S65B
M90.26	15	TPN, VTPN	M94.82	08	I76A, I76B	Pre	A07D, A09E, A11F, A13F	
M90.27	15	TPN, VTPN	M94.83	08	I76A, I76B	N00.7	11	L68A, L68B, L74Z
M90.28	15	TPN, VTPN	M94.84	08	I76A, I76B	N00.7	18A	S65A, S65B
M90.29	15	TPN, VTPN	M94.85	08	I76A, I76B	Pre	A07D, A09E, A11F, A13F	
M90.70	15	TPN, VTPN	M94.86	08	I76A, I76B	N00.8	11	L68A, L68B, L74Z
M90.71	15	TPN, VTPN	M94.87	08	I76A, I76B	N00.8	18A	S65A, S65B
M90.72	15	TPN, VTPN	M94.88	08	I76A, I76B	Pre	A07D, A09E, A11F, A13F	
M90.73	15	TPN, VTPN	M94.89	08	I76A, I76B	N00.9	11	L68A, L68B, L74Z
M90.74	15	TPN, VTPN	M94.90	08	I76A, I76B	N00.9	18A	S65A, S65B
M90.75	15	TPN, VTPN	M94.91	08	I76A, I76B	Pre	A07D, A09E, A11F, A13F	
M90.76	15	TPN, VTPN	M94.92	08	I76A, I76B	N01.0	11	L68A, L68B, L74Z
M90.77	15	TPN, VTPN	M94.93	08	I76A, I76B	N01.0	18A	S65A, S65B
M90.78	15	TPN, VTPN	M94.94	08	I76A, I76B	Pre	A07D, A09E, A11F, A13F	
M90.79	15	TPN, VTPN	M94.95	08	I76A, I76B	N01.1	11	L68A, L68B, L74Z
M91.0	08	I69A, I69B	M94.96	08	I76A, I76B	N01.1	18A	S65A, S65B
M91.1	08	I69A, I69B	M94.97	08	I76A, I76B	Pre	A07D, A09E, A11F, A13F	
M91.2	08	I69A, I69B	M94.98	08	I76A, I76B	N01.2	11	L68A, L68B, L74Z
M91.3	08	I69A, I69B	M94.99	08	I76A, I76B	N01.2	18A	S65A, S65B
M91.8	08	I69A, I69B	M95.0	08	I76A, I76B	Pre	A07D, A09E, A11F, A13F	
M91.9	08	I69A, I69B	M95.1	03	D65Z	N01.3	11	L68A, L68B, L74Z
M92.0	08	I69A, I69B	M95.2	08	I76A, I76B	N01.3	18A	S65A, S65B
M92.1	08	I69A, I69B	M95.3	08	I76A, I76B	Pre	A07D, A09E, A11F, A13F	
M92.2	08	I69A, I69B	M95.4	08	I76A, I76B	N01.4	11	L68A, L68B, L74Z
M92.3	08	I69A, I69B	M95.5	08	I76A, I76B	N01.4	18A	S65A, S65B
M92.4	08	I69A, I69B	M95.8	08	I76A, I76B	Pre	A07D, A09E, A11F, A13F	
M92.5	08	I69A, I69B	M95.9	08	I76A, I76B	N01.5	11	L68A, L68B, L74Z
M92.6	08	I69A, I69B	M96.0	08	I76A, I76B	N01.5	18A	S65A, S65B
M92.7	08	I69A, I69B	M96.1	08	I68A, I68B, I68C, I68D, I68E	Pre	A07D, A09E, A11F, A13F	
			M96.2	08	I06A, I06B, I06C, I06D, I06E, I09A, I09B, I09C, I09D, I09E, I68A, I68B, I68C, I68D, I68E	N01.6	11	L68A, L68B, L74Z
			M96.3	08	I06A, I06B, I06C, I06D, I06E, I09A, I09B, I09C, I09D, I09E, I68A, I68B, I68C, I68D, I68E	N01.6	18A	S65A, S65B

ICD	MDC	DRG	ICD	MDC	DRG	ICD	MDC	DRG
N01.7	11	L68A, L68B, L74Z	N05.0	11	L68A, L68B, L74Z	N13.8	11	L63A, L63B, L63C, L63D, L63E, L63F, L74Z
	18A	S65A, S65B		18A	S65A, S65B		15	TPN, VTPN
N01.8	11	L68A, L68B, L74Z		Pre	A07D, A09E, A11F, A13F	N13.9	11	L64A, L64B, L74Z
	18A	S65A, S65B	N05.1	11	L68A, L68B, L74Z		15	TPN, VTPN
N01.9	11	L68A, L68B, L74Z		18A	S65A, S65B	N14.0	11	L68A, L68B, L74Z
	18A	S65A, S65B	N05.2	11	L68A, L68B, L74Z		18A	S65A, S65B
N02.0	11	L64A, L74Z		18A	S65A, S65B	N14.1	11	L68A, L68B, L74Z
N02.1	11	L64A, L74Z	N05.3	11	L68A, L68B, L74Z		18A	S65A, S65B
N02.2	11	L64A, L74Z		18A	S65A, S65B	N14.2	11	L68A, L68B, L74Z
N02.3	11	L64A, L74Z	N05.4	11	L68A, L68B, L74Z		18A	S65A, S65B
N02.4	11	L64A, L74Z		18A	S65A, S65B	N14.3	11	L68A, L68B, L74Z
N02.5	11	L64A, L74Z	N05.5	11	L68A, L68B, L74Z		18A	S65A, S65B
N02.6	11	L64A, L74Z		18A	S65A, S65B	N14.4	11	L68A, L68B, L74Z
N02.7	11	L64A, L74Z	N05.6	11	L68A, L68B, L74Z		18A	S65A, S65B
N02.8	11	L64A, L74Z		18A	S65A, S65B	N15.0	11	L68A, L68B, L74Z
N02.9	11	L64A, L74Z	N05.7	11	L68A, L68B, L74Z		18A	S65A, S65B
N03.0	11	L68A, L68B, L74Z		18A	S65A, S65B	N15.10	11	L63A, L63B, L63C, L63D, L63E, L63F, L74Z
	18A	S65A, S65B	N05.8	11	L68A, L68B, L74Z		15	TPN, VTPN
N03.1	11	L68A, L68B, L74Z		18A	S65A, S65B	N15.11	11	L63A, L63B, L63C, L63D, L63E, L63F, L74Z
	18A	S65A, S65B	N05.9	11	L68A, L68B, L74Z		15	TPN, VTPN
N03.2	11	L68A, L68B, L74Z		18A	S65A, S65B	N15.8	11	L68A, L68B, L74Z
	18A	S65A, S65B	N06.0	11	L68A, L68B, L74Z		18A	S65A, S65B
N03.3	11	L68A, L68B, L74Z	N06.1	11	L68A, L68B, L74Z	N15.9	11	L68A, L68B, L74Z
	18A	S65A, S65B	N06.2	11	L68A, L68B, L74Z		18A	S65A, S65B
N03.4	11	L68A, L68B, L74Z	N06.3	11	L68A, L68B, L74Z	N17.0	05	F62A
	18A	S65A, S65B	N06.4	11	L68A, L68B, L74Z		06	G67A
N03.5	11	L68A, L68B, L74Z	N06.5	11	L68A, L68B, L74Z		07	H06A
	18A	S65A, S65B	N06.6	11	L68A, L68B, L74Z		10	K62A
N03.6	11	L68A, L68B, L74Z	N06.7	11	L68A, L68B, L74Z		11	L02B, L09A, L09B, L38Z, L60A, L60B, L60C, L60D, L71Z
	15	TPN, VTPN	N06.8	11	L68A, L68B, L74Z		15	TPN, VTPN
	18A	S65A, S65B	N06.9	11	L68A, L68B, L74Z	N17.1	Pre	A07D, A09E, A11F, A13F
N03.7	11	L68A, L68B, L74Z	N07.0	11	L68A, L68B, L74Z		05	F62A
	18A	S65A, S65B	N07.1	11	L68A, L68B, L74Z		06	G67A
N03.8	11	L68A, L68B, L74Z	N07.2	11	L68A, L68B, L74Z		07	H06A
	18A	S65A, S65B	N07.3	11	L68A, L68B, L74Z		10	K62A
N03.9	11	L68A, L68B, L74Z	N07.4	11	L68A, L68B, L74Z		11	L02B, L09A, L09B, L38Z, L60A, L60B, L60C, L60D, L71Z
	18A	S65A, S65B	N07.5	11	L68A, L68B, L74Z		15	TPN, VTPN
N04.0	11	L69A, L69B	N07.6	11	L68A, L68B, L74Z	N17.2	Pre	A07D, A09E, A11F, A13F
	15	TPN, VTPN	N07.7	11	L68A, L68B, L74Z		05	F62A
	18A	S65A, S65B	N07.8	11	L68A, L68B, L74Z		06	G67A
N04.1	11	L69A, L69B	N07.9	11	L68A, L68B, L74Z		07	H06A
	15	TPN, VTPN	N08.3	10	K60B		10	K62A
	18A	S65A, S65B		15	TPN, VTPN		11	L02B, L09A, L09B, L38Z, L60A, L60B, L60C, L60D, L71Z
N04.2	11	L69A, L69B	N10	11	L63A, L63B, L63C, L63D, L63E, L63F, L74Z		15	TPN, VTPN
	15	TPN, VTPN		15	TPN, VTPN	N17.8	Pre	A07D, A09E, A11F, A13F
	18A	S65A, S65B		Pre	A07D, A09E, A11F, A13F		05	F62A
N04.3	11	L69A, L69B	N11.0	11	L68A, L68B, L74Z		06	G67A
	15	TPN, VTPN	N11.1	11	L63A, L63B, L63C, L63D, L63E, L63F, L74Z		07	H06A
	18A	S65A, S65B		11	L63A, L63B, L63C, L63D, L63E, L63F, L74Z		10	K62A
N04.4	11	L69A, L69B	N11.8	11	L63A, L63B, L63C, L63D, L63E, L63F, L74Z		11	L02B, L09A, L09B, L38Z, L60A, L60B, L60C, L60D, L71Z
	15	TPN, VTPN	N11.9	11	L63A, L63B, L63C, L63D, L63E, L63F, L74Z		15	TPN, VTPN
	18A	S65A, S65B	N12	11	L63A, L63B, L63C, L63D, L63E, L63F, L74Z	N17.9	Pre	A07D, A09E, A11F, A13F
N04.5	11	L69A, L69B		15	TPN, VTPN		05	F62A
	15	TPN, VTPN	N13.0	11	L42A, L42B, L64A, L64B, L74Z		06	G67A
	18A	S65A, S65B	N13.1	11	L42A, L42B, L64A, L64B, L74Z		07	H06A
N04.6	11	L69A, L69B	N13.2	11	L42A, L42B, L64A, L64B, L74Z		10	K62A
	15	TPN, VTPN	N13.3	11	L42A, L42B, L64A, L64B, L74Z		11	L02B, L09A, L09B, L38Z, L60A, L60B, L60C, L60D, L71Z
	18A	S65A, S65B		Pre	A07D, A09E, A11F, A13F		15	TPN, VTPN
N04.7	11	L69A, L69B	N13.4	11	L42A, L42B, L64A, L64B, L74Z		Pre	A07D, A09E, A11F, A13F
	15	TPN, VTPN	N13.5	11	L42A, L42B, L64A, L64B, L74Z		05	F62A
	18A	S65A, S65B		15	TPN, VTPN		06	G67A
N04.8	11	L69A, L69B	N13.6	11	L63A, L63B, L63C, L63D, L63E, L63F, L74Z		07	H06A
	15	TPN, VTPN		15	TPN, VTPN		10	K62A
	18A	S65A, S65B	N13.7	11	L64A, L64B, L74Z		11	L02B, L09A, L09B, L38Z, L60A, L60B, L60C, L60D, L71Z
N04.9	11	L69A, L69B					15	TPN, VTPN
	15	TPN, VTPN					Pre	A07D, A09E, A11F, A13F
	18A	S65A, S65B						



ICD	MDC	DRG	ICD	MDC	DRG	ICD	MDC	DRG
N18.1	11	L02B, L09A, L09B, L38Z, L60A, L60B, L60C, L60D, L71Z	N31.1	11	L68A, L68B, L74Z	N42.9	12	M64Z
	15	TPN, VTPN	N31.2	11	L68A, L68B, L74Z	N43.0	12	M64Z
N18.2	11	L02B, L09A, L09B, L38Z, L60A, L60B, L60C, L60D, L71Z	N31.80	11	L68A, L68B, L74Z	N43.1	12	M62Z
	15	TPN, VTPN	N31.81	11	L68A, L68B, L74Z		15	TPN, VTPN
N18.3	11	L02B, L09A, L09B, L38Z, L60A, L60B, L60C, L60D, L71Z	N31.82	11	L68A, L68B, L74Z	N43.2	12	M64Z
	15	TPN, VTPN	N31.88	11	L68A, L68B, L74Z	N43.3	12	M64Z
N18.4	11	L02B, L09A, L09B, L38Z, L60A, L60B, L60C, L60D, L71Z	N31.9	11	L68A, L68B, L74Z	N43.4	12	M64Z
	15	TPN, VTPN	N32.0	11	L68A, L68B, L74Z	N44.0	12	M64Z
	15	TPN, VTPN	N32.1	11	L68A, L68B, L74Z		15	TPN, VTPN
	Pre	A07D, A09E, A11F, A13F		15	TPN, VTPN	N44.1	12	M64Z
N18.5	10	K60B	N32.2	11	L68A, L68B, L74Z		15	TPN, VTPN
	11	L02B, L09A, L09B, L38Z, L60A, L60B, L60C, L60D, L71Z		15	TPN, VTPN	N45.0	12	M62Z
	Pre	A07D, A09E, A11F, A13F	N32.3	11	L68A, L68B, L74Z		15	TPN, VTPN
N18.80	11	L02B, L09A, L09B, L38Z, L60A, L60B, L60C, L60D, L71Z		15	TPN, VTPN	N45.9	12	M62Z
	15	TPN, VTPN	N32.4	11	L68A, L68B, L74Z	N46	12	M64Z
N18.89	11	L02B, L09A, L09B, L38Z, L60A, L60B, L60C, L60D, L71Z		15	TPN, VTPN	N47	12	M62Z
	15	TPN, VTPN	N32.8	11	L68A, L68B, L74Z	N48.0	12	M64Z
N18.9	11	L02B, L09A, L09B, L38Z, L60A, L60B, L60C, L60D, L71Z	N32.9	11	L68A, L68B, L74Z	N48.1	12	M62Z
	15	TPN, VTPN	N34.0	11	L63A, L63B, L63C, L63D, L63E, L63F, L74Z	N48.2	12	M62Z
N19	11	L60A, L60B, L60C, L60D, L71Z		15	TPN, VTPN	N48.30	12	M64Z
	15	TPN, VTPN	N34.1	11	L63A, L63B, L63C, L63D, L63E, L63F, L74Z	N48.31	12	M64Z
N20.0	11	L20B, L42A, L42B, L64A, L64B, L74Z	N34.2	11	L63A, L63B, L63C, L63D, L63E, L63F, L74Z	N48.38	12	M64Z
	15	TPN, VTPN		11	L63A, L63B, L63C, L63D, L63E, L63F, L74Z	N48.39	12	M64Z
N20.1	11	L42A, L42B, L64A, L64B, L74Z	N34.3	11	L63A, L63B, L63C, L63D, L63E, L63F, L74Z	N48.4	12	M64Z
N20.2	11	L20B, L42A, L42B, L64A, L64B, L74Z		15	TPN, VTPN	N48.5	12	M64Z
	15	TPN, VTPN	N35.0	11	L64A, L74Z	N48.6	12	M62Z
N20.9	11	L42A, L42B, L64A, L64B, L74Z	N35.1	11	L64A, L74Z	N48.8	12	M64Z
N21.0	11	L42A, L42B, L64A, L64B, L74Z	N35.8	11	L64A, L74Z	N48.9	12	M64Z
N21.1	11	L42A, L42B, L64A, L64B, L74Z		15	TPN, VTPN	N49.0	12	M62Z
N21.8	11	L42A, L42B, L64A, L64B, L74Z	N35.9	11	L64A, L74Z	N49.1	12	M62Z
N21.9	11	L42A, L42B, L64A, L64B, L74Z	N36.0	11	L68A, L68B, L74Z	N49.2	12	M62Z
N23	11	L42A, L42B, L64A, L64B, L74Z		15	TPN, VTPN	N49.80	12	M04A, M37Z, M62Z
N25.0	11	L68A, L68B, L74Z	N36.1	11	L68A, L68B, L74Z		Pre	A07D, A09E, A11F, A13F
N25.1	11	L68A, L68B, L74Z		15	TPN, VTPN	N49.88	12	M62Z
	15	TPN, VTPN		15	TPN, VTPN	N49.9	12	M62Z
	Pre	A07D, A09E, A11F, A13F	N36.2	11	L68A, L68B, L74Z	N50.0	12	M64Z
N25.8	11	L68A, L68B, L74Z	N36.3	11	L68A, L68B, L74Z	N50.1	12	M64Z
N25.9	11	L68A, L68B, L74Z	N36.8	11	L68A, L68B, L74Z	N50.8	12	M64Z
N26	11	L64A, L64B, L74Z	N36.9	11	L68A, L68B, L74Z	N50.9	12	M64Z
N27.0	11	L68A, L68B, L74Z	N39.0	11	L63A, L63B, L63C, L63D, L63E, L63F, L74Z	N60.0	09	J67A, J67B
N27.1	11	L68A, L68B, L74Z		15	TPN, VTPN	N60.1	09	J67A, J67B
N27.9	11	L68A, L68B, L74Z	N39.1	11	L64A, L64B, L74Z	N60.2	09	J67A, J67B
N28.0	11	L69A, L69B	N39.2	11	L64A, L64B, L74Z	N60.3	09	J67A, J67B
	15	TPN, VTPN	N39.3	11	L64A, L74Z	N60.4	09	J67A, J67B
N28.1	11	L68A, L68B, L74Z	N39.40	11	L64A, L74Z	N60.8	09	J67A, J67B
N28.8	11	L68A, L68B, L74Z	N39.41	11	L64A, L74Z	N60.9	09	J67A, J67B
N28.9	11	L68A, L68B, L74Z	N39.42	11	L64A, L74Z	N61	09	J67A, J67B
	18A	S65A, S65B	N39.43	11	L64A, L74Z	N62	09	J67A, J67B
N30.0	11	L63A, L63B, L63C, L63D, L63E, L63F, L74Z	N39.48	11	L64A, L74Z	N63	09	J67A, J67B
	11	L64A, L64B, L74Z	N39.81	11	L64A, L64B, L74Z	N64.0	09	J67A, J67B
N30.1	11	L63A, L63B, L63C, L63D, L63E, L63F, L74Z	N39.88	11	L64A, L64B, L74Z	N64.1	09	J67A, J67B
N30.2	11	L63A, L63B, L63C, L63D, L63E, L63F, L74Z	N39.9	11	L64A, L64B, L74Z	N64.2	09	J67A, J67B
N30.3	11	L63A, L63B, L63C, L63D, L63E, L63F, L74Z	N40	12	M61Z	N64.3	09	J67A, J67B
N30.4	11	L62A, L62B	N41.0	12	M62Z	N64.4	09	J67A, J67B
N30.8	11	L63A, L63B, L63C, L63D, L63E, L63F, L74Z	N41.1	12	M62Z	N64.5	09	J67A, J67B
N30.9	11	L63A, L63B, L63C, L63D, L63E, L63F, L74Z	N41.2	12	M62Z	N64.8	09	J67A, J67B
N31.0	11	L68A, L68B, L74Z	N41.3	12	M62Z	N64.9	09	J67A, J67B
			N41.8	12	M62Z	N70.0	13	N04Z, N05A, N05B, N07Z, N14Z, N21Z, N25Z, N61Z
			N41.9	12	M62Z		13	N04Z, N05A, N05B, N07Z, N14Z, N21Z, N25Z, N61Z
			N42.0	12	M64Z	N70.9	13	N04Z, N05A, N05B, N07Z, N14Z, N21Z, N25Z, N61Z
			N42.1	12	M64Z		13	N04Z, N05A, N05B, N07Z, N14Z, N21Z, N25Z, N61Z
			N42.2	12	M64Z	N71.0	13	N04Z, N05A, N05B, N07Z, N14Z, N21Z, N25Z, N61Z
			N42.3	08	I54Z		13	N04Z, N05A, N05B, N07Z, N14Z, N21Z, N25Z, N61Z
				12	M09A, M09B, M60A, M60B, M60C	N71.1	13	N04Z, N05A, N05B, N07Z, N14Z, N21Z, N25Z, N61Z
				Pre	A09A, A11B	N71.9	13	N04Z, N05A, N05B, N07Z, N14Z, N21Z, N25Z, N61Z
			N42.8	12	M64Z			



ICD	MDC	DRG	ICD	MDC	DRG	ICD	MDC	DRG
N89.9	13	N04Z, N05A, N05B, N14Z, N21Z, N25Z, N62A, N62B	N94.9	13	N04Z, N05A, N05B, N14Z, N21Z, N25Z, N62B	O04.1	14	962Z, O40Z, O63Z
N90.0	13	N04Z, N05A, N05B, N14Z, N21Z, N25Z, N62A, N62B	N95.0	13	N04Z, N05A, N05B, N14Z, N21Z, N25Z, N62A, N62B	O04.2	14	962Z, O40Z, O63Z
N90.1	13	N04Z, N05A, N05B, N14Z, N21Z, N25Z, N62A, N62B	N95.1	13	N04Z, N05A, N05B, N14Z, N21Z, N25Z, N62A, N62B	O04.3	14	962Z, O40Z, O63Z
N90.2	13	N04Z, N05A, N05B, N14Z, N21Z, N25Z, N62A, N62B	N95.2	13	N04Z, N05A, N05B, N14Z, N21Z, N25Z, N62A, N62B	O04.4	14	962Z, O40Z, O63Z
N90.3	13	N04Z, N05A, N05B, N14Z, N21Z, N25Z, N62A, N62B	N95.3	13	N04Z, N05A, N05B, N14Z, N21Z, N25Z, N62A, N62B	O04.5	14	962Z, O40Z, O63Z
N90.4	13	N04Z, N05A, N05B, N14Z, N21Z, N25Z, N62A, N62B	N95.8	13	N04Z, N05A, N05B, N14Z, N21Z, N25Z, N62A, N62B	O04.6	14	962Z, O40Z, O63Z
N90.5	13	N04Z, N05A, N05B, N14Z, N21Z, N25Z, N62A, N62B	N95.9	13	N04Z, N05A, N05B, N14Z, N21Z, N25Z, N62A, N62B	O04.7	14	962Z, O40Z, O63Z
N90.6	13	N04Z, N05A, N05B, N14Z, N21Z, N25Z, N62A, N62B	N96	13	N04Z, N05A, N05B, N14Z, N21Z, N25Z, N62B	O04.8	14	962Z, O40Z, O63Z
N90.7	13	N04Z, N05A, N05B, N14Z, N21Z, N25Z, N62A, N62B	N97.0	13	N04Z, N05A, N05B, N14Z, N21Z, N25Z, N62A, N62B	O04.9	14	962Z, O40Z, O63Z
N90.8	13	N04Z, N05A, N05B, N14Z, N21Z, N25Z, N62A, N62B	N97.1	13	N04Z, N05A, N05B, N14Z, N21Z, N25Z, N62A, N62B	O05.0	14	962Z, O40Z, O63Z
N90.9	13	N04Z, N05A, N05B, N14Z, N21Z, N25Z, N62A, N62B	N97.2	13	N04Z, N05A, N05B, N14Z, N21Z, N25Z, N62A, N62B	O05.1	14	962Z, O40Z, O63Z
N91.0	13	N04Z, N05A, N05B, N14Z, N21Z, N25Z, N62A, N62B	N97.3	13	N04Z, N05A, N05B, N14Z, N21Z, N25Z, N62A, N62B	O05.2	14	962Z, O40Z, O63Z
N91.1	13	N04Z, N05A, N05B, N14Z, N21Z, N25Z, N62A, N62B	N97.4	13	N04Z, N05A, N05B, N14Z, N21Z, N25Z, N62A, N62B	O05.3	14	962Z, O40Z, O63Z
N91.2	13	N04Z, N05A, N05B, N14Z, N21Z, N25Z, N62A, N62B	N97.8	13	N04Z, N05A, N05B, N14Z, N21Z, N25Z, N62A, N62B	O05.4	14	962Z, O40Z, O63Z
N91.3	13	N04Z, N05A, N05B, N14Z, N21Z, N25Z, N62A, N62B	N97.9	13	N04Z, N05A, N05B, N14Z, N21Z, N25Z, N62A, N62B	O05.5	14	962Z, O40Z, O63Z
N91.4	13	N04Z, N05A, N05B, N14Z, N21Z, N25Z, N62A, N62B	N98.0	11	L68A, L68B, L74Z	O05.6	14	962Z, O40Z, O63Z
N91.5	13	N04Z, N05A, N05B, N14Z, N21Z, N25Z, N62A, N62B	N98.1	21B	X62Z	O05.7	14	962Z, O40Z, O63Z
N92.0	13	N04Z, N05A, N05B, N14Z, N21Z, N25Z, N62B	N98.2	21B	X62Z	O05.8	14	962Z, O40Z, O63Z
N92.1	13	N04Z, N05A, N05B, N14Z, N21Z, N25Z, N62B	N98.3	21B	X62Z	O05.9	14	962Z, O40Z, O63Z
N92.2	13	N04Z, N05A, N05B, N14Z, N21Z, N25Z, N62B	N98.8	21B	X62Z	O06.0	14	962Z, O40Z, O63Z
N92.3	13	N04Z, N05A, N05B, N14Z, N21Z, N25Z, N62B	N98.9	21B	X62Z	O06.1	14	962Z, O40Z, O63Z
N92.4	13	N04Z, N05A, N05B, N14Z, N21Z, N25Z, N62B	N99.0	11	L60A, L60B, L60C, L60D, L71Z	O06.2	14	962Z, O40Z, O63Z
N92.5	13	N04Z, N05A, N05B, N14Z, N21Z, N25Z, N62B	N99.1	11	L64A, L74Z	O06.3	14	962Z, O40Z, O63Z
N92.6	13	N04Z, N05A, N05B, N14Z, N21Z, N25Z, N62B	N99.2	15	TPN, VTPN	O06.4	14	962Z, O40Z, O63Z
N93.0	13	N04Z, N05A, N05B, N14Z, N21Z, N25Z, N62A, N62B	N99.3	13	N04Z, N05A, N05B, N14Z, N21Z, N25Z, N62A, N62B	O06.5	14	962Z, O40Z, O63Z
N93.8	13	N04Z, N05A, N05B, N14Z, N21Z, N25Z, N62A, N62B	N99.4	21B	X62Z	O06.6	14	962Z, O40Z, O63Z
N93.9	13	N04Z, N05A, N05B, N14Z, N21Z, N25Z, N62A, N62B	N99.5	11	L68A, L68B, L74Z	O06.7	14	962Z, O40Z, O63Z
N94.0	13	N04Z, N05A, N05B, N14Z, N21Z, N25Z, N62B	N99.8	11	L68A, L68B, L74Z	O06.8	14	962Z, O40Z, O63Z
N94.1	13	N04Z, N05A, N05B, N14Z, N21Z, N25Z, N62B	N99.9	21B	X62Z	O06.9	14	962Z, O40Z, O63Z
N94.2	13	N04Z, N05A, N05B, N14Z, N21Z, N25Z, N62A, N62B	O00.0	14	962Z, O03Z	O07.0	14	962Z, O40Z, O63Z
N94.3	13	N04Z, N05A, N05B, N14Z, N21Z, N25Z, N62B	O00.1	14	962Z, O03Z	O07.1	14	962Z, O40Z, O63Z
N94.4	13	N04Z, N05A, N05B, N14Z, N21Z, N25Z, N62B	O00.2	14	962Z, O03Z	O07.2	14	962Z, O40Z, O63Z
N94.5	13	N04Z, N05A, N05B, N14Z, N21Z, N25Z, N62B	O00.8	14	962Z, O03Z	O07.3	14	962Z, O40Z, O63Z
N94.6	13	N04Z, N05A, N05B, N14Z, N21Z, N25Z, N62B	O00.9	14	962Z, O03Z	O07.4	14	962Z, O40Z, O63Z
N94.8	13	N04Z, N05A, N05B, N14Z, N21Z, N25Z, N62B	O01.0	14	962Z, O40Z, O63Z	O07.5	14	962Z, O40Z, O63Z
			O01.1	14	962Z, O40Z, O63Z	O07.6	14	962Z, O40Z, O63Z
			O01.9	14	962Z, O40Z, O63Z	O07.7	14	962Z, O40Z, O63Z
			O02.0	14	962Z, O40Z, O63Z	O07.8	14	962Z, O40Z, O63Z
			O02.1	14	962Z, O40Z, O63Z	O07.9	14	962Z, O40Z, O63Z
			O02.8	14	962Z, O40Z, O63Z	O08.0	14	962Z, O04A, O04B, O61Z
			O02.9	14	962Z, O40Z, O63Z	O08.1	14	962Z, O04A, O04B, O61Z
			O03.0	14	962Z, O40Z, O63Z	O08.2	14	962Z, O04A, O04B, O61Z
			O03.1	14	962Z, O40Z, O63Z	O08.3	14	962Z, O04A, O04B, O61Z
			O03.2	14	962Z, O40Z, O63Z	O08.4	14	962Z, O04A, O04B, O61Z
			O03.3	14	962Z, O40Z, O63Z	O08.5	14	962Z, O04A, O04B, O61Z
			O03.4	14	962Z, O40Z, O63Z	O08.6	14	962Z, O04A, O04B, O61Z
			O03.5	14	962Z, O40Z, O63Z	O08.7	14	962Z, O04A, O04B, O61Z
			O03.6	14	962Z, O40Z, O63Z	O08.8	14	962Z, O04A, O04B, O61Z
			O03.7	14	962Z, O40Z, O63Z	O08.9	14	962Z, O04A, O04B, O61Z
			O03.8	14	962Z, O40Z, O63Z	O09.0	14	O01A, O01B, O01C, O01D, O01F, O02A, O60A
			O03.9	14	962Z, O40Z, O63Z	O09.1	14	O01A, O01B, O01C, O01D, O01F, O02A, O60A
			O04.0	14	962Z, O40Z, O63Z	O09.2	14	O01A, O01B, O01C, O01D, O01F, O02A, O60A
						O09.3	14	O01A, O01B, O01C, O01D, O01F, O02A, O60A, O65A
						O09.4	14	O01B, O01C, O01D, O01F, O02A, O60A, O65A, O65B
						O10.0	14	962Z, O04A, O04B, O61Z, O65A, O65B, O65C
						O10.1	14	962Z, O04A, O04B, O61Z, O65A, O65B, O65C
						O10.2	14	962Z, O01A, O01B, O01C, O01D, O01E, O01F, O01G, O04A, O04B, O60A, O60B, O60C, O61Z, O65A, O65B, O65C
						O10.3	14	962Z, O04A, O04B, O61Z, O65A, O65B, O65C

Dg









ICD	MDC	DRG	ICD	MDC	DRG	ICD	MDC	DRG
O98.8	14	962Z, O04A, O04B, O61Z, O65A, O65B, O65C	P04.1	15	P65C, P66C, P67B, P67C	P12.4	15	P65C, P66C, P67B, P67C
O98.9	14	962Z, O04A, O04B, O61Z, O65A, O65B, O65C	Pre	963Z	Pre	963Z	Pre	963Z
O99.0	14	962Z, O04A, O04B, O61Z, O65A, O65B, O65C	P04.2	Pre	963Z	P12.8	Pre	963Z
O99.1	14	962Z, O04A, O04B, O61Z, O65A, O65B, O65C	P04.3	Pre	963Z	P12.9	Pre	963Z
O99.2	14	962Z, O04A, O04B, O61Z, O65A, O65B, O65C	P04.4	15	P65C, P66C, P67B, P67C	P13.0	01	B79Z
O99.3	14	962Z, O04A, O04B, O61Z, O65A, O65B, O65C	Pre	963Z	Pre	963Z	Pre	963Z
O99.4	14	962Z, O04A, O04B, O61Z, O65A, O65B, O65C	P04.5	Pre	963Z	P13.1	Pre	963Z
O99.5	14	962Z, O04A, O04B, O61Z, O65A, O65B, O65C	P04.6	Pre	963Z	P13.2	Pre	963Z
O99.6	14	962Z, O04A, O04B, O61Z, O65A, O65B, O65C	P04.8	Pre	963Z	P13.3	Pre	963Z
O99.7	14	962Z, O04A, O04B, O61Z, O65A, O65B, O65C	P04.9	Pre	963Z	P13.4	Pre	963Z
O99.8	14	962Z, O04A, O04B, O61Z, O65A, O65B, O65C	P05.0	Pre	963Z	P13.8	Pre	963Z
P00.0	Pre	963Z	P05.1	Pre	963Z	P13.9	Pre	963Z
P00.1	Pre	963Z	P05.2	Pre	963Z	P14.0	01	B03A, B03B, B06A, B06B, B17A, B17B, B17C, B17D, B71A, B71B, B71C, B71D
P00.2	Pre	963Z	P05.9	Pre	963Z	P14.1	01	B03A, B03B, B06A, B06B, B17A, B17B, B17C, B17D, B71A, B71B, B71C, B71D
P00.3	Pre	963Z	P07.00	Pre	963Z	P14.2	01	B03A, B03B, B06A, B06B, B17A, B17B, B17C, B17D, B71A, B71B, B71C, B71D
P00.4	Pre	963Z	P07.01	Pre	963Z	P14.3	01	B03A, B03B, B06A, B06B, B17A, B17B, B17C, B17D, B71A, B71B, B71C, B71D
P00.5	Pre	963Z	P07.02	Pre	963Z	P14.8	01	B03A, B03B, B06A, B06B, B17A, B17B, B17C, B17D, B71A, B71B, B71C, B71D
P00.6	Pre	963Z	P07.10	Pre	963Z	P14.9	01	B03A, B03B, B06A, B06B, B17A, B17B, B17C, B17D, B71A, B71B, B71C, B71D
P00.7	Pre	963Z	P07.11	Pre	963Z	P15.0	Pre	963Z
P00.8	Pre	963Z	P07.12	Pre	963Z	P15.1	Pre	963Z
P00.9	Pre	963Z	P07.2	15	P65C, P66C, P67B, P67C	P15.2	Pre	963Z
P01.0	Pre	963Z	Pre	963Z	P15.3	Pre	963Z	
P01.1	Pre	963Z	P07.3	Pre	963Z	P15.4	Pre	963Z
P01.2	Pre	963Z	P08.0	Pre	963Z	P15.5	Pre	963Z
P01.3	Pre	963Z	P08.1	Pre	963Z	P15.6	15	TPN, VTPN
P01.4	Pre	963Z	P08.2	Pre	963Z	Pre	963Z	
P01.5	15	P65C, P66C, P67B, P67C	P10.0	15	TPN, VTPN	P15.8	Pre	963Z
P01.6	15	P65C, P66C, P67B, P67C	Pre	963Z	P15.9	Pre	963Z	
P01.7	Pre	963Z	P10.1	15	TPN, VTPN	P20.0	15	TPN, VTPN
P01.8	Pre	963Z	Pre	963Z	Pre	963Z		
P01.9	Pre	963Z	P10.2	15	TPN, VTPN	P20.1	Pre	963Z
P02.0	Pre	963Z	Pre	963Z	P20.9	Pre	963Z	
P02.1	15	TPN, VTPN	P10.3	15	TPN, VTPN	P21.0	01	B03A, B03B, B06A, B06B, B17A, B17B, B17C, B17D, B81A, B81B
P02.2	Pre	963Z	Pre	963Z	P21.1	15	P65C, P66C, P67B, P67C	
P02.3	Pre	963Z	P10.4	15	TPN, VTPN	01	B03A, B03B, B06A, B06B, B17A, B17B, B17C, B17D, B81A, B81B	
P02.4	15	P65C, P66C, P67B, P67C	Pre	963Z	P21.9	15	P65C, P66C, P67B, P67C	
P02.5	Pre	963Z	P10.8	15	TPN, VTPN	01	B03A, B03B, B06A, B06B, B17A, B17B, B17C, B17D, B81A, B81B	
P02.6	Pre	963Z	Pre	963Z	P22.0	15	P65C, P66C, P67B, P67C	
P02.7	15	P65C, P66C, P67B, P67C	P10.9	15	TPN, VTPN	15	TPN, VTPN	
P02.8	Pre	963Z	Pre	963Z	Pre	963Z		
P02.9	Pre	963Z	P11.0	Pre	963Z	Pre	963Z	
P03.0	Pre	963Z	P11.1	15	TPN, VTPN	P22.1	Pre	963Z
P03.1	15	TPN, VTPN	Pre	963Z	P22.8	04	E69A, E69B, E69C, E69D	
P03.2	Pre	963Z	P11.2	15	TPN, VTPN	15	P65C, P66C, P67B, P67C	
P03.3	Pre	963Z	Pre	963Z	P22.9	04	E69A, E69B, E69C, E69D	
P03.4	Pre	963Z	P11.3	01	B03A, B03B, B06A, B06B, B17A, B17B, B17C, B17D, B71A, B71B, B71C, B71D	P23.0	15	TPN, VTPN
P03.5	Pre	963Z	P11.4	01	B03A, B03B, B06A, B06B, B17A, B17B, B17C, B17D, B71A, B71B, B71C, B71D	Pre	963Z	
P03.6	Pre	963Z	P11.50	Pre	B61A, B61B	P23.1	15	TPN, VTPN
P03.8	Pre	963Z	P11.51	01	B03A, B48Z, B60A, B60B	Pre	963Z	
P03.9	Pre	963Z	04	E40B, E69A, E77F	P23.2	15	TPN, VTPN	
P04.0	15	TPN, VTPN	06	G67C	Pre	963Z		
Pre	963Z	Pre	08	I06A, I08C, I09D, I10C, I13A, I13B, I68A, I68B, I69A, I69B	P23.3	15	TPN, VTPN	
			09	J02A, J08A, J08B, J08C, J11A	Pre	963Z		
			10	K62A				
			11	L18A, L18B, L20A, L20B, L38Z, L42A, L74Z				
			18B	T60B				
			P11.59	Pre	B61A, B61B			
			P11.9	Pre	963Z			
			P12.0	Pre	963Z			
			P12.1	Pre	963Z			
			P12.2	Pre	963Z			
			P12.3	Pre	963Z			



ICD	MDC	DRG	ICD	MDC	DRG	ICD	MDC	DRG
P23.4	15	TPN, VTPN	P35.0	15	TPN, VTPN	P50.4	Pre	963Z
	Pre	963Z		23	Z65Z	P50.5	Pre	963Z
P23.5	15	TPN, VTPN	P35.1	15	TPN, VTPN	P50.8	Pre	963Z
	Pre	963Z		18B	T63A, T63B	P50.9	Pre	963Z
P23.6	15	TPN, VTPN	P35.2	05	F62A	P51.0	Pre	963Z
	Pre	963Z		06	G67A	P51.8	Pre	963Z
P23.8	15	TPN, VTPN		15	TPN, VTPN	P51.9	Pre	963Z
	Pre	963Z		17	R60B, R60C, R61A, R62A, R63B, R63C, R63D, R63F	P52.0	15	TPN, VTPN
P23.9	15	TPN, VTPN		18B	T01B, T60A, T60B, T60C, T60D, T60E, T60F, T61A		Pre	963Z
P24.0	04	E69A, E69B, E69C, E69D	P35.3	07	H63A, H63B, H63C, H78Z	P52.1	15	TPN, VTPN
	15	TPN, VTPN		15	TPN, VTPN		Pre	963Z
P24.1	15	TPN, VTPN	P35.8	15	TPN, VTPN	P52.2	15	TPN, VTPN
	Pre	963Z		18B	T64A, T64B, T64C		Pre	963Z
P24.2	15	TPN, VTPN	P35.9	15	TPN, VTPN	P52.3	15	TPN, VTPN
	Pre	963Z		18B	T64A, T64B, T64C		Pre	963Z
P24.3	15	TPN, VTPN	P36.0	15	TPN, VTPN	P52.4	15	P65C, P66C, P67B, P67C
	Pre	963Z		Pre	963Z		Pre	963Z
P24.8	15	TPN, VTPN	P36.1	15	TPN, VTPN	P52.5	15	TPN, VTPN
	Pre	963Z		Pre	963Z		Pre	963Z
P24.9	15	TPN, VTPN	P36.2	15	TPN, VTPN	P52.6	Pre	963Z
	Pre	963Z		Pre	963Z	P52.8	Pre	963Z
P25.0	15	TPN, VTPN	P36.2	15	TPN, VTPN	P52.9	Pre	963Z
	Pre	963Z		Pre	963Z	P53	15	TPN, VTPN
P25.1	15	TPN, VTPN	P36.3	15	TPN, VTPN		16	Q60A, Q60B, Q60C
	Pre	963Z		Pre	963Z	P54.0	Pre	963Z
P25.2	15	TPN, VTPN	P36.4	15	TPN, VTPN	P54.1	Pre	963Z
	Pre	963Z		Pre	963Z	P54.2	Pre	963Z
P25.3	15	TPN, VTPN	P36.5	15	TPN, VTPN	P54.3	Pre	963Z
	Pre	963Z		Pre	963Z	P54.4	15	TPN, VTPN
P25.8	15	TPN, VTPN	P36.8	15	TPN, VTPN		Pre	963Z
	Pre	963Z		Pre	963Z	P54.5	Pre	963Z
P26.0	15	TPN, VTPN	P36.9	15	TPN, VTPN	P54.6	Pre	963Z
	Pre	963Z		Pre	963Z	P54.8	Pre	963Z
P26.1	15	TPN, VTPN	P37.0	15	TPN, VTPN	P54.9	Pre	963Z
	Pre	963Z		18B	T64A, T64B, T64C	P55.0	15	P65C, P66C, P67B, P67C
P26.8	15	TPN, VTPN	P37.1	15	TPN, VTPN		16	Q61A, Q61B, Q61C, Q61D, Q61E
	Pre	963Z		18B	T64A, T64B, T64C	P55.1	15	P65C, P66C, P67B, P67C
P26.9	15	TPN, VTPN	P37.2	05	F62A		16	Q61A, Q61B, Q61C, Q61D, Q61E
	Pre	963Z		06	G67A	P55.8	15	P65C, P66C, P67B, P67C
P27.0	04	E69A, E69B, E69C, E69D		15	TPN, VTPN		16	Q61A, Q61B, Q61C, Q61D, Q61E
	15	TPN, VTPN		17	R60B, R60C, R61A, R62A, R63B, R63C, R63D, R63F	P55.9	16	Q61A, Q61B, Q61C, Q61D, Q61E
P27.1	04	E69A, E69B, E69C, E69D		18B	T01B, T60A, T60B, T60C, T60D, T60E, T60F, T61A	P56.0	15	TPN, VTPN
	15	TPN, VTPN	P37.3	15	TPN, VTPN		Pre	963Z
P27.8	04	E69A, E69B, E69C, E69D		18B	T64A, T64B, T64C	P56.9	15	TPN, VTPN
	15	TPN, VTPN	P37.4	15	TPN, VTPN		Pre	963Z
P27.9	04	E69A, E69B, E69C, E69D		18B	T64A, T64B, T64C	P57.0	15	TPN, VTPN
	15	TPN, VTPN	P37.5	Pre	963Z		Pre	963Z
P28.0	Pre	963Z	P37.8	15	TPN, VTPN	P57.8	15	TPN, VTPN
P28.1	Pre	963Z		18B	T64A, T64B, T64C		Pre	963Z
P28.2	04	E69A, E69B, E69C, E69D	P37.9	15	TPN, VTPN	P57.9	15	TPN, VTPN
P28.3	04	E69A, E69B, E69C, E69D		18B	T64A, T64B, T64C		Pre	963Z
	15	P65C, P66C, P67B, P67C	P38	15	P65C, P66C, P67B, P67C	P58.0	Pre	963Z
P28.4	04	E69A, E69B, E69C, E69D		Pre	963Z	P58.1	Pre	963Z
	15	P65C, P66C, P67B, P67C	P39.0	15	P65C, P66C, P67B, P67C	P58.2	Pre	963Z
P28.5	04	E69A, E69B, E69C, E69D		Pre	963Z	P58.3	Pre	963Z
	15	TPN, VTPN	P39.1	Pre	963Z	P58.4	Pre	963Z
P28.8	04	E69A, E69B, E69C, E69D	P39.2	Pre	963Z	P58.5	Pre	963Z
	Pre	963Z	P39.3	15	P65C, P66C, P67B, P67C	P58.8	Pre	963Z
P28.9	Pre	963Z		Pre	963Z	P58.9	Pre	963Z
P29.0	15	TPN, VTPN	P39.4	15	P65C, P66C, P67B, P67C	P59.0	15	P65C, P66C, P67B, P67C
	Pre	963Z		Pre	963Z		Pre	963Z
P29.1	15	P65C, P66C, P67B, P67C	P39.8	Pre	963Z	P59.1	07	H63A, H63B, H63C, H78Z
	Pre	963Z		Pre	963Z		15	TPN, VTPN
P29.2	Pre	963Z	P39.9	Pre	963Z	P59.2	07	H63A, H63B, H63C, H78Z
P29.3	Pre	963Z	P50.0	Pre	963Z		15	TPN, VTPN
P29.4	Pre	963Z	P50.1	Pre	963Z			
P29.8	Pre	963Z	P50.2	Pre	963Z			
P29.9	Pre	963Z	P50.3	Pre	963Z			

Dg

ICD	MDC	DRG	ICD	MDC	DRG	ICD	MDC	DRG
P59.3	07	H63A, H63B, H63C, H78Z	P78.0	15	TPN, VTPN	P92.8	10	K62A, K62B
P59.8	15	P65C, P66C, P67B, P67C		Pre	963Z	P92.9	10	K62A, K62B
	Pre	963Z	P78.1	15	TPN, VTPN	P93	Pre	963Z
P59.9	Pre	963Z		Pre	963Z	P94.0	01	B03A, B03B, B06A, B06B, B17A, B17B, B17C, B17D, B48Z, B85A, B85B, B85C, B85D
P60	15	TPN, VTPN	P78.2	Pre	963Z		15	TPN, VTPN
	16	Q60A, Q60B, Q60C	P78.3	06	G46A, G46B, G46C, G50Z, G71Z	P94.1	Pre	963Z
P61.0	15	TPN, VTPN		15	P65C, P66C, P67B, P67C	P94.2	01	B81A, B81B
	16	Q60A, Q60B, Q60C	P78.8	06	G46A, G46B, G46C, G50Z, G71Z		15	TPN, VTPN
P61.1	Pre	963Z		06	G46A, G46B, G46C, G50Z, G71Z	P94.8	Pre	963Z
P61.2	16	Q61A, Q61B, Q61C, Q61D, Q61E	P78.9	06	G46A, G46B, G46C, G50Z, G71Z	P94.9	Pre	963Z
P61.3	16	Q61A, Q61B, Q61C, Q61D, Q61E	P80.0	Pre	963Z	P95	Pre	963Z
P61.4	16	Q61A, Q61B, Q61C, Q61D, Q61E	P80.8	Pre	963Z	P96.0	15	TPN, VTPN
P61.5	16	Q60A, Q60B, Q60C, Q60D, Q60E	P80.9	Pre	963Z		Pre	963Z
P61.6	16	Q60A, Q60B, Q60C	P81.0	Pre	963Z	P96.1	15	TPN, VTPN
P61.8	Pre	963Z	P81.8	Pre	963Z		Pre	963Z
P61.9	Pre	963Z	P81.9	Pre	963Z	P96.2	15	TPN, VTPN
P70.0	15	TPN, VTPN	P83.0	15	TPN, VTPN		Pre	963Z
	Pre	963Z		Pre	963Z	P96.3	Pre	963Z
P70.1	15	TPN, VTPN	P83.1	09	J67A, J67B, J68A, J68B	P96.4	Pre	963Z
	Pre	963Z	P83.2	15	TPN, VTPN	P96.5	Pre	963Z
P70.2	10	K60A, K60B, K60C, K60D, K60E		Pre	963Z	P96.8	Pre	963Z
	15	TPN, VTPN	P83.3	23	Z65Z	P96.9	Pre	963Z
P70.3	10	K63A, K63B, K63C	P83.4	09	J67A, J67B	Q00.0	01	B03A, B03B, B06A, B06B, B17A, B17B, B17C, B17D, B76D, B81A, B81B
P70.4	10	K63A, K63B, K63C	P83.5	12	M64Z		06	G18A, G38Z
P70.8	10	K62A, K62B	P83.6	09	J67A, J67B, J68A, J68B		15	TPN, VTPN
P70.9	10	K62A, K62B	P83.8	09	J67A, J67B, J68A, J68B		Pre	A07D, A09A, A09E, A11B, A11F, A13F
P71.0	10	K62A, K62B	P83.9	09	J67A, J67B, J68A, J68B		01	B03A, B03B, B06A, B06B, B17A, B17B, B17C, B17D, B76D, B81A, B81B
P71.1	10	K62A, K62B	P90	01	B03A, B03B, B06A, B06B, B17A, B17B, B17C, B17D, B76A, B76B, B76C, B76D, B76E, B76F, B76G	Q00.1	01	B03A, B03B, B06A, B06B, B17A, B17B, B17C, B17D, B76D, B81A, B81B
	15	P65C, P66C, P67B, P67C		15	TPN, VTPN		06	G18A, G38Z
P71.2	10	K62A, K62B	P91.0	01	B03A, B03B, B06A, B06B, B17A, B17B, B17C, B17D, B66A, B66B, B66C, B66D		15	TPN, VTPN
P71.3	10	K62A, K62B		01	B03A, B03B, B06A, B06B, B17A, B17B, B17C, B17D, B66A, B66B, B66C, B66D		Pre	A07D, A09A, A09E, A11B, A11F, A13F
P71.4	10	K62A, K62B	P91.1	01	B03A, B03B, B06A, B06B, B17A, B17B, B17C, B17D, B66A, B66B, B66C, B66D	Q00.2	01	B03A, B03B, B06A, B06B, B17A, B17B, B17C, B17D, B76D, B81A, B81B
P71.8	10	K62A, K62B		01	B03A, B03B, B06A, B06B, B17A, B17B, B17C, B17D, B81A, B81B		06	G18A, G38Z
P71.9	10	K62A, K62B	P91.2	01	B03A, B03B, B06A, B06B, B17A, B17B, B17C, B17D, B66A, B66B, B66C, B66D		15	TPN, VTPN
P72.0	10	K62A, K62B		01	B03A, B03B, B06A, B06B, B17A, B17B, B17C, B17D, B81A, B81B		Pre	A07D, A09A, A09E, A11B, A11F, A13F
P72.1	10	K64A, K64B, K64C, K64D	P91.3	01	B03A, B03B, B06A, B06B, B17A, B17B, B17C, B17D, B81A, B81B	Q01.0	01	B03A, B03B, B06A, B06B, B17A, B17B, B17C, B17D, B76D, B81A, B81B
	15	TPN, VTPN		01	B03A, B03B, B06A, B06B, B17A, B17B, B17C, B17D, B66A, B66B, B66C, B66D		06	G18A, G38Z
P72.2	10	K62A, K62B	P91.4	01	B03A, B03B, B06A, B06B, B17A, B17B, B17C, B17D, B66A, B66B, B66C, B66D		15	TPN, VTPN
P72.8	10	K62A, K62B		01	B03A, B03B, B06A, B06B, B17A, B17B, B17C, B17D, B66A, B66B, B66C, B66D		Pre	A07D, A09A, A09E, A11B, A11F, A13F
P72.9	10	K62A, K62B	P91.5	01	B03A, B03B, B06A, B06B, B17A, B17B, B17C, B17D, B66A, B66B, B66C, B66D	Q01.1	01	B03A, B03B, B06A, B06B, B17A, B17B, B17C, B17D, B76D, B81A, B81B
P74.0	10	K62A, K62B		01	B03A, B03B, B06A, B06B, B17A, B17B, B17C, B17D, B66A, B66B, B66C, B66D		06	G18A, G38Z
P74.1	15	P65C, P66C, P67B, P67C	P91.6	01	B03A, B03B, B06A, B06B, B17A, B17B, B17C, B17D, B66A, B66B, B66C, B66D		15	TPN, VTPN
P74.2	10	K62A, K62B		01	B03A, B03B, B06A, B06B, B17A, B17B, B17C, B17D, B66A, B66B, B66C, B66D		Pre	A07D, A09A, A09E, A11B, A11F, A13F
P74.3	10	K62A, K62B	P91.80	01	B03A, B03B, B06A, B06B, B17A, B17B, B17C, B17D, B66A, B66B, B66C, B66D	Q01.2	01	B03A, B03B, B06A, B06B, B17A, B17B, B17C, B17D, B76D, B81A, B81B
P74.4	10	K62A, K62B		Pre	A43Z		06	G18A, G38Z
P74.5	10	K62A, K62B	P91.88	01	B03A, B03B, B06A, B06B, B17A, B17B, B17C, B17D, B66A, B66B, B66C, B66D		15	TPN, VTPN
P74.8	10	K62A, K62B		01	B03A, B03B, B06A, B06B, B17A, B17B, B17C, B17D, B66A, B66B, B66C, B66D		Pre	A07D, A09A, A09E, A11B, A11F, A13F
P74.9	10	K62A, K62B	P91.9	01	B03A, B03B, B06A, B06B, B17A, B17B, B17C, B17D, B66A, B66B, B66C, B66D		01	B03A, B03B, B06A, B06B, B17A, B17B, B17C, B17D, B76D, B81A, B81B
P75	Pre	963Z		10	K62A, K62B		06	G18A, G38Z
P76.0	15	P65C, P66C, P67B, P67C	P92.0	10	K62A, K62B		15	TPN, VTPN
	Pre	963Z	P92.1	10	K62A, K62B		Pre	A07D, A09A, A09E, A11B, A11F, A13F
P76.1	06	G46A, G46B, G46C, G50Z, G71Z	P92.2	10	K62A, K62B		01	B03A, B03B, B06A, B06B, B17A, B17B, B17C, B17D, B76D, B81A, B81B
P76.2	06	G40Z, G46A, G46B, G46C, G47Z, G65Z	P92.3	10	K62A, K62B		06	G18A, G38Z
P76.8	06	G46A, G46B, G46C, G50Z, G71Z	P92.4	10	K62A, K62B		15	TPN, VTPN
P76.9	06	G46A, G46B, G46C, G50Z, G71Z	P92.5	10	K62A, K62B		Pre	A07D, A09A, A09E, A11B, A11F, A13F
P77	06	G46A, G46B, G46C, G50Z, G71Z		15	TPN, VTPN			

ICD	MDC	DRG	ICD	MDC	DRG	ICD	MDC	DRG
Q01.8	01	B03A, B03B, B06A, B06B, B17A, B17B, B17C, B17D, B76D, B81A, B81B	Q04.3	01	B03A, B03B, B06A, B06B, B17A, B17B, B17C, B17D, B76D, B81A	Q05.4	01	B03A, B03B, B06A, B06B, B17A, B17B, B17C, B17D, B76D, B81A, B81B
	06	G18A, G38Z		06	G18A, G38Z		06	G18A, G38Z
	15	TPN, VTPN		15	TPN, VTPN		15	TPN, VTPN
	Pre	A07D, A09A, A09E, A11B, A11F, A13F		Pre	A07D, A09A, A09E, A11B, A11F, A13F		Pre	A07D, A09A, A09E, A11B, A11F, A13F
Q01.9	01	B03A, B03B, B06A, B06B, B17A, B17B, B17C, B17D, B76D, B81A, B81B	Q04.4	01	B03A, B03B, B06A, B06B, B17A, B17B, B17C, B17D, B76D, B81A, B81B	Q05.5	01	B03A, B03B, B06A, B06B, B17A, B17B, B17C, B17D, B76D, B81A, B81B
	06	G18A, G38Z		06	G18A, G38Z		15	TPN, VTPN
	15	TPN, VTPN		15	TPN, VTPN		Pre	A07D, A09A, A09E, A11B, A11F, A13F
	Pre	A07D, A09A, A09E, A11B, A11F, A13F		Pre	A07D, A09A, A09E, A11B, A11F, A13F	Q05.6	01	B03A, B03B, B06A, B06B, B17A, B17B, B17C, B17D, B76D, B81A, B81B
Q02	01	B03A, B03B, B06A, B06B, B17A, B17B, B17C, B17D, B76D, B81A, B81B	Q04.5	01	B03A, B03B, B06A, B06B, B17A, B17B, B17C, B17D, B76D, B81A, B81B		15	TPN, VTPN
	06	G18A, G38Z		06	G18A, G38Z		Pre	A07D, A09A, A09E, A11B, A11F, A13F
	Pre	A07D, A09A, A09E, A11B, A11F, A13F		15	TPN, VTPN	Q05.7	01	B03A, B03B, B06A, B06B, B17A, B17B, B17C, B17D, B76D, B81A, B81B
Q03.0	01	B03A, B03B, B06A, B06B, B17A, B17B, B17C, B17D, B76D, B81A, B81B	Q04.6	01	B03A, B03B, B06A, B06B, B17A, B17B, B17C, B17D, B76D, B81A		15	TPN, VTPN
	06	G18A, G38Z		15	TPN, VTPN		Pre	A07D, A09A, A09E, A11B, A11F, A13F
	15	TPN, VTPN		Pre	A07D, A09A, A09E, A11B, A11F, A13F	Q05.8	01	B03A, B03B, B06A, B06B, B17A, B17B, B17C, B17D, B76D, B81A, B81B
	Pre	A07D, A09A, A09E, A11B, A11F, A13F		01	B03A, B03B, B06A, B06B, B17A, B17B, B17C, B17D, B76D, B81A		15	TPN, VTPN
Q03.1	01	B03A, B03B, B06A, B06B, B17A, B17B, B17C, B17D, B76D, B81A	Q04.8	01	B03A, B03B, B06A, B06B, B17A, B17B, B17C, B17D, B76D, B81A		Pre	A07D, A09A, A09E, A11B, A11F, A13F
	06	G18A, G38Z		15	TPN, VTPN	Q05.9	01	B03A, B03B, B06A, B06B, B17A, B17B, B17C, B17D, B76D, B81A, B81B
	15	TPN, VTPN		Pre	A07D, A09A, A09E, A11B, A11F, A13F		15	TPN, VTPN
	Pre	A07D, A09A, A09E, A11B, A11F, A13F	Q04.9	01	B03A, B03B, B06A, B06B, B17A, B17B, B17C, B17D, B76D, B81A		Pre	A07D, A09A, A09E, A11B, A11F, A13F
Q03.8	01	B03A, B03B, B06A, B06B, B17A, B17B, B17C, B17D, B76D, B81A, B81B		Pre	A07D, A09A, A09E, A11B, A11F, A13F	Q06.0	01	B03A, B03B, B06A, B06B, B17A, B17B, B17C, B17D, B76D, B81A, B81B
	06	G18A, G38Z	Q05.0	01	B03A, B03B, B06A, B06B, B17A, B17B, B17C, B17D, B76D, B81A, B81B		15	TPN, VTPN
	15	TPN, VTPN		06	G18A, G38Z		Pre	A07D, A09A, A09E, A11B, A11F, A13F
	Pre	A07D, A09A, A09E, A11B, A11F, A13F		15	TPN, VTPN	Q06.1	01	B03A, B03B, B06A, B06B, B17A, B17B, B17C, B17D, B76D, B81A, B81B
Q03.9	01	B03A, B03B, B06A, B06B, B17A, B17B, B17C, B17D, B76D, B81A, B81B	Q05.1	01	B03A, B03B, B06A, B06B, B17A, B17B, B17C, B17D, B76D, B81A, B81B		15	TPN, VTPN
	06	G18A, G38Z		06	G18A, G38Z		Pre	A07D, A09A, A09E, A11B, A11F, A13F
	15	TPN, VTPN		15	TPN, VTPN	Q06.2	01	B03A, B03B, B06A, B06B, B17A, B17B, B17C, B17D, B76D, B81A, B81B
	Pre	A07D, A09A, A09E, A11B, A11F, A13F		Pre	A07D, A09A, A09E, A11B, A11F, A13F		15	TPN, VTPN
Q04.0	01	B03A, B03B, B06A, B06B, B17A, B17B, B17C, B17D, B76D, B81A	Q05.2	01	B03A, B03B, B06A, B06B, B17A, B17B, B17C, B17D, B76D, B81A, B81B		Pre	A07D, A09A, A09E, A11B, A11F, A13F
	06	G18A, G38Z		06	G18A, G38Z	Q06.3	01	B03A, B03B, B06A, B06B, B17A, B17B, B17C, B17D, B76D, B81A, B81B
	15	TPN, VTPN		15	TPN, VTPN		15	TPN, VTPN
	Pre	A07D, A09A, A09E, A11B, A11F, A13F		Pre	A07D, A09A, A09E, A11B, A11F, A13F		Pre	A07D, A09A, A09E, A11B, A11F, A13F
Q04.1	01	B03A, B03B, B06A, B06B, B17A, B17B, B17C, B17D, B76D, B81A, B81B	Q05.3	01	B03A, B03B, B06A, B06B, B17A, B17B, B17C, B17D, B76D, B81A, B81B		01	B03A, B03B, B06A, B06B, B17A, B17B, B17C, B17D, B76D, B81A, B81B
	06	G18A, G38Z		06	G18A, G38Z		15	TPN, VTPN
	15	TPN, VTPN		15	TPN, VTPN		Pre	A07D, A09A, A09E, A11B, A11F, A13F
	Pre	A07D, A09A, A09E, A11B, A11F, A13F		Pre	A07D, A09A, A09E, A11B, A11F, A13F	Q06.4	01	B03A, B03B, B06A, B06B, B17A, B17B, B17C, B17D, B76D, B81A, B81B
Q04.2	01	B03A, B03B, B06A, B06B, B17A, B17B, B17C, B17D, B76D, B81A, B81B		06	G18A, G38Z		15	TPN, VTPN
	06	G18A, G38Z		15	TPN, VTPN		Pre	A07D, A09A, A09E, A11B, A11F, A13F
	15	TPN, VTPN		Pre	A07D, A09A, A09E, A11B, A11F, A13F			
	Pre	A07D, A09A, A09E, A11B, A11F, A13F						

Dg

ICD	MDC	DRG	ICD	MDC	DRG	ICD	MDC	DRG
Q06.8	01	B03A, B03B, B06A, B06B, B17A, B17B, B17C, B17D, B76D, B81A, B81B	Q12.2	02	C08A, C63Z	Q16.2	03	D66Z
	15	TPN, VTPN		15	P65C, P66C, P67B, P67C		15	P65C, P66C, P67B, P67C
	Pre	A07D, A09A, A09E, A11B, A11F, A13F		Pre	A09A, A11B		Pre	A09A, A11B
Q06.9	01	B03A, B03B, B06A, B06B, B17A, B17B, B17C, B17D, B76D, B81A, B81B	Q12.3	02	C08A, C63Z	Q16.3	03	D66Z
	Pre	A07D, A09A, A09E, A11B, A11F, A13F		15	P65C, P66C, P67B, P67C		15	P65C, P66C, P67B, P67C
Q07.0	01	B03A, B03B, B06A, B06B, B17A, B17B, B17C, B17D, B76D, B81A, B81B	Q12.4	02	C08A, C63Z	Q16.4	03	D66Z
	06	G18A, G38Z		15	P65C, P66C, P67B, P67C		15	P65C, P66C, P67B, P67C
	15	TPN, VTPN		Pre	A09A, A11B		Pre	A09A, A11B
	Pre	A07D, A09A, A09E, A11B, A11F, A13F	Q12.8	02	C08A, C63Z	Q16.5	03	D66Z
Q07.8	01	B03A, B03B, B06A, B06B, B17A, B17B, B17C, B17D, B76D, B81A, B81B		15	P65C, P66C, P67B, P67C		15	P65C, P66C, P67B, P67C
	Pre	A07D, A09A, A09E, A11B, A11F, A13F	Q12.9	02	C08A, C63Z	Q16.9	03	D66Z
Q07.9	01	B03A, B03B, B06A, B06B, B17A, B17B, B17C, B17D, B76D, B81A, B81B		15	P65C, P66C, P67B, P67C		15	P65C, P66C, P67B, P67C
	Pre	A07D, A09A, A09E, A11B, A11F, A13F	Q13.0	02	C63Z	Q17.0	03	D66Z
Q10.0	02	C63Z		15	P65C, P66C, P67B, P67C		15	P65C, P66C, P67B, P67C
	15	P65C, P66C, P67B, P67C	Q13.1	02	C63Z	Q17.1	03	D66Z
	Pre	A09A, A11B		15	P65C, P66C, P67B, P67C		15	P65C, P66C, P67B, P67C
Q10.1	02	C63Z	Q13.2	02	C63Z	Q17.2	03	D66Z
	15	P65C, P66C, P67B, P67C		15	P65C, P66C, P67B, P67C		15	P65C, P66C, P67B, P67C
	Pre	A09A, A11B	Q13.3	02	C63Z	Q17.3	03	D66Z
Q10.2	02	C63Z		15	P65C, P66C, P67B, P67C		15	P65C, P66C, P67B, P67C
	15	P65C, P66C, P67B, P67C	Q13.4	02	C63Z	Q17.4	03	D66Z
	Pre	A09A, A11B		15	P65C, P66C, P67B, P67C		15	P65C, P66C, P67B, P67C
Q10.3	02	C63Z	Q13.5	02	C63Z	Q17.5	03	D66Z
	15	P65C, P66C, P67B, P67C		15	P65C, P66C, P67B, P67C		15	P65C, P66C, P67B, P67C
	Pre	A09A, A11B	Q13.8	02	C63Z	Q17.8	03	D66Z
Q10.4	02	C63Z		15	P65C, P66C, P67B, P67C		15	P65C, P66C, P67B, P67C
	Pre	A09A, A11B	Q13.9	02	C63Z	Q17.9	03	D66Z
Q10.5	02	C63Z		15	P65C, P66C, P67B, P67C		15	P65C, P66C, P67B, P67C
	Pre	A09A, A11B	Q14.0	02	C63Z	Q18.0	03	D66Z
Q10.6	02	C63Z		15	P65C, P66C, P67B, P67C		15	P65C, P66C, P67B, P67C
	15	P65C, P66C, P67B, P67C	Q14.1	02	C63Z	Q18.1	03	D66Z
	Pre	A09A, A11B		15	P65C, P66C, P67B, P67C		15	P65C, P66C, P67B, P67C
Q10.7	02	C63Z	Q14.2	02	C63Z	Q18.2	03	D66Z
	15	P65C, P66C, P67B, P67C		15	P65C, P66C, P67B, P67C		15	P65C, P66C, P67B, P67C
	Pre	A09A, A11B	Q14.3	02	C63Z	Q18.3	09	J67A, J67B, J68A, J68B
Q11.0	02	C63Z		15	P65C, P66C, P67B, P67C		15	P65C, P66C, P67B, P67C
	15	P65C, P66C, P67B, P67C	Q14.8	02	C63Z	Q18.4	03	D40Z, D67Z
	Pre	A09A, A11B		15	P65C, P66C, P67B, P67C		15	P65C, P66C, P67B, P67C
Q11.1	02	C63Z	Q14.9	02	C63Z	Q18.5	03	D40Z, D67Z
	15	P65C, P66C, P67B, P67C		15	P65C, P66C, P67B, P67C		15	P65C, P66C, P67B, P67C
	Pre	A09A, A11B	Q15.0	02	C64Z	Q18.6	03	D40Z, D67Z
Q11.2	02	C63Z		15	TPN, VTPN		03	D40Z, D67Z
	15	P65C, P66C, P67B, P67C	Q15.8	02	C63Z	Q18.7	03	D40Z, D67Z
	Pre	A09A, A11B		15	P65C, P66C, P67B, P67C		15	P65C, P66C, P67B, P67C
Q11.3	02	C63Z	Q15.9	02	C63Z	Q18.8	03	D66Z
	15	P65C, P66C, P67B, P67C		15	P65C, P66C, P67B, P67C		15	P65C, P66C, P67B, P67C
	Pre	A09A, A11B	Q16.0	03	D66Z	Q18.9	09	J67A, J67B, J68A, J68B
Q12.0	02	C08A, C63Z		15	P65C, P66C, P67B, P67C		15	P65C, P66C, P67B, P67C
	15	P65C, P66C, P67B, P67C	Q16.1	03	D66Z	Q20.0	05	F03C, F03D, F03E, F30Z, F42Z, F46A, F46B, F68A, F68B
	Pre	A09A, A11B		15	P65C, P66C, P67B, P67C		06	G18A, G38Z
Q12.1	02	C08A, C63Z		15	P65C, P66C, P67B, P67C		10	K62A
	15	P65C, P66C, P67B, P67C		Pre	A09A, A11B		15	TPN, VTPN
	Pre	A09A, A11B		03	D66Z	Q20.1	05	F03C, F03D, F03E, F30Z, F42Z, F46A, F46B, F68A, F68B
				15	P65C, P66C, P67B, P67C		06	G18A, G38Z
				Pre	A09A, A11B		10	K62A
							15	TPN, VTPN
							Pre	A07D, A09A, A09E, A11B, A11F, A13F

ICD	MDC	DRG	ICD	MDC	DRG	ICD	MDC	DRG
Q20.2	05	F03C, F03D, F03E, F30Z, F42Z, F46A, F46B, F68A, F68B	Q21.4	05	F03C, F03D, F03E, F46A, F46B, F68A, F68B	Q22.8	05	F03C, F03D, F03E, F46A, F46B, F68A, F68B
	06	G18A, G38Z		10	K62A		10	K62A
	10	K62A		15	TPN, VTPN		15	TPN, VTPN
	15	TPN, VTPN		Pre	A07D, A09A, A09E, A11B, A11F, A13F	Q22.9	Pre	A07D, A09A, A09E, A11B, A11F, A13F
	Pre	A07D, A09A, A09E, A11B, A11F, A13F	Q21.80	05	F03C, F03D, F03E, F46A, F46B, F68A, F68B	Q22.9	05	F03C, F03D, F03E, F46A, F46B, F68A, F68B
Q20.3	05	F03C, F03D, F03E, F30Z, F42Z, F46A, F46B, F68A, F68B		10	K62A		10	K62A
	06	G18A, G38Z		15	TPN, VTPN		15	TPN, VTPN
	10	K62A		Pre	A07D, A09A, A09E, A11B, A11F, A13F	Q23.0	Pre	A07D, A09A, A09E, A11B, A11F, A13F
	15	TPN, VTPN	Q21.88	05	F03C, F03D, F03E, F46A, F46B, F68A, F68B	Q23.0	05	F03C, F03D, F03E, F46A, F46B, F68A, F68B
	Pre	A07D, A09A, A09E, A11B, A11F, A13F		10	K62A		06	G18A, G38Z
Q20.4	05	F03C, F03D, F03E, F30Z, F42Z, F46A, F46B, F68A, F68B		Pre	A07D, A09A, A09E, A11B, A11F, A13F		10	K62A
	06	G18A, G38Z	Q21.9	05	F03C, F03D, F03E, F46A, F46B, F68A, F68B		15	TPN, VTPN
	10	K62A		10	K62A	Q23.1	Pre	A07D, A09A, A09E, A11B, A11F, A13F
	15	TPN, VTPN		Pre	A07D, A09A, A09E, A11B, A11F, A13F	Q23.1	05	F03C, F03D, F03E, F46A, F46B, F68A, F68B
	Pre	A07D, A09A, A09E, A11B, A11F, A13F	Q22.0	05	F03C, F03D, F03E, F30Z, F42Z, F46A, F46B, F68A, F68B		06	G18A, G38Z
Q20.5	05	F03C, F03D, F03E, F30Z, F42Z, F46A, F46B, F68A, F68B		06	G18A, G38Z		10	K62A
	06	G18A, G38Z		10	K62A		15	TPN, VTPN
	10	K62A		15	TPN, VTPN	Q23.2	Pre	A07D, A09A, A09E, A11B, A11F, A13F
	15	TPN, VTPN		Pre	A07D, A09A, A09E, A11B, A11F, A13F	Q23.2	05	F03C, F03D, F03E, F46A, F46B, F68A, F68B
	Pre	A07D, A09A, A09E, A11B, A11F, A13F	Q22.1	05	F03C, F03D, F03E, F46A, F46B, F68A, F68B		06	G18A, G38Z
Q20.6	05	F03C, F03D, F03E, F30Z, F42Z, F46A, F46B, F68A, F68B		06	G18A, G38Z		10	K62A
	06	G18A, G38Z		10	K62A		15	TPN, VTPN
	10	K62A		15	TPN, VTPN	Q23.3	Pre	A07D, A09A, A09E, A11B, A11F, A13F
	Pre	A07D, A09A, A09E, A11B, A11F, A13F	Q22.2	05	F03C, F03D, F03E, F46A, F46B, F68A, F68B		05	F03C, F03D, F03E, F46A, F46B, F68A, F68B
Q20.8	05	F03C, F03D, F03E, F30Z, F42Z, F46A, F46B, F68A, F68B		06	G18A, G38Z		06	G18A, G38Z
	10	K62A		10	K62A		10	K62A
	Pre	A07D, A09A, A09E, A11B, A11F, A13F		15	TPN, VTPN		15	TPN, VTPN
Q20.9	05	F03C, F03D, F03E, F46A, F46B, F68A, F68B		Pre	A07D, A09A, A09E, A11B, A11F, A13F	Q23.4	Pre	A07D, A09A, A09E, A11B, A11F, A13F
	10	K62A	Q22.3	05	F03C, F03D, F03E, F46A, F46B, F68A, F68B		05	F03C, F03D, F03E, F30Z, F42Z, F46A, F46B, F68A, F68B
	Pre	A07D, A09A, A09E, A11B, A11F, A13F		10	K62A		06	G18A, G38Z
Q21.0	05	F03C, F03D, F03E, F46A, F46B, F68A, F68B		Pre	A07D, A09A, A09E, A11B, A11F, A13F		10	K62A
	10	K62A	Q22.4	05	F03C, F03D, F03E, F46A, F46B, F68A, F68B		15	TPN, VTPN
	Pre	A07D, A09A, A09E, A11B, A11F, A13F		06	G18A, G38Z	Q23.8	Pre	A07D, A09A, A09E, A11B, A11F, A13F
Q21.1	05	F03C, F03D, F03E, F46A, F46B, F68A, F68B		10	K62A		05	F03C, F03D, F03E, F46A, F46B, F68A, F68B
	10	K62A		Pre	A07D, A09A, A09E, A11B, A11F, A13F		10	K62A
	15	TPN, VTPN	Q22.5	05	F03C, F03D, F03E, F46A, F46B, F68A, F68B		15	TPN, VTPN
	Pre	A07D, A09A, A09E, A11B, A11F, A13F		06	G18A, G38Z	Q23.9	Pre	A07D, A09A, A09E, A11B, A11F, A13F
Q21.2	05	F03C, F03D, F03E, F46A, F46B, F68A, F68B		10	K62A		05	F03C, F03D, F03E, F46A, F46B, F68A, F68B
	10	K62A		15	TPN, VTPN		10	K62A
	15	TPN, VTPN	Q22.6	05	F03C, F03D, F03E, F30Z, F42Z, F46A, F46B, F68A, F68B		15	TPN, VTPN
	Pre	A07D, A09A, A09E, A11B, A11F, A13F		06	G18A, G38Z	Q24.0	Pre	A07D, A09A, A09E, A11B, A11F, A13F
Q21.3	05	F03C, F03D, F03E, F46A, F46B, F68A, F68B		10	K62A		05	F03C, F03D, F03E, F46A, F46B, F68A, F68B
	06	G18A, G38Z		Pre	A07D, A09A, A09E, A11B, A11F, A13F	Q24.1	05	F03C, F03D, F03E, F46A, F46B, F68A, F68B
	10	K62A		15	TPN, VTPN		10	K62A
	15	TPN, VTPN		Pre	A07D, A09A, A09E, A11B, A11F, A13F		15	TPN, VTPN
	Pre	A07D, A09A, A09E, A11B, A11F, A13F		Pre	A07D, A09A, A09E, A11B, A11F, A13F		Pre	A07D, A09A, A09E, A11B, A11F, A13F

ICD	MDC	DRG	ICD	MDC	DRG	ICD	MDC	DRG
Q24.2	05	F03C, F03D, F03E, F46A, F46B, F68A, F68B	Q25.4	05	F03C, F03D, F03E, F46A, F46B, F68A, F68B	Q26.6	05	F03C, F03D, F03E, F46A, F46B, F68A, F68B
	10	K62A		10	K62A		10	K62A
	15	TPN, VTPN		Pre	A07D, A09A, A09E, A11B, A11F, A13F		Pre	A07D, A09A, A09E, A11B, A11F, A13F
Q24.3	05	F03C, F03D, F03E, F46A, F46B, F68A, F68B	Q25.5	05	F03C, F03D, F03E, F30Z, F42Z, F46A, F46B, F68A, F68B	Q26.8	05	F03C, F03D, F03E, F46A, F46B, F68A, F68B
	06	G18A, G38Z		06	G18A, G38Z		10	K62A
	10	K62A		10	K62A		Pre	A07D, A09A, A09E, A11B, A11F, A13F
	15	TPN, VTPN		Pre	A07D, A09A, A09E, A11B, A11F, A13F	Q26.9	05	F03C, F03D, F03E, F46A, F46B, F68A, F68B
	Pre	A07D, A09A, A09E, A11B, A11F, A13F	Q25.6	05	F03C, F03D, F03E, F46A, F46B, F68A, F68B		10	K62A
Q24.4	05	F03C, F03D, F03E, F46A, F46B, F68A, F68B		06	G18A, G38Z		Pre	A07D, A09A, A09E, A11B, A11F, A13F
	06	G18A, G38Z		10	K62A	Q27.0	05	F03C, F03D, F03E, F65A, F65B
	10	K62A		Pre	A07D, A09A, A09E, A11B, A11F, A13F		10	K62A
	15	TPN, VTPN	Q25.7	05	F03C, F03D, F03E, F46A, F46B, F68A, F68B		Pre	A07D, A09A, A09E, A11B, A11F, A13F
	Pre	A07D, A09A, A09E, A11B, A11F, A13F		10	K62A	Q27.1	05	F03C, F03D, F03E, F65A, F65B
Q24.5	05	F03C, F03D, F03E, F46A, F46B, F68A, F68B		Pre	A07D, A09A, A09E, A11B, A11F, A13F		10	K62A
	10	K62A	Q25.8	05	F03C, F03D, F03E, F46A, F46B, F65A, F65B		Pre	A07D, A09A, A09E, A11B, A11F, A13F
	15	TPN, VTPN		10	K62A	Q27.2	05	F03C, F03D, F03E, F65A, F65B
	Pre	A07D, A09A, A09E, A11B, A11F, A13F		Pre	A07D, A09A, A09E, A11B, A11F, A13F		10	K62A
Q24.6	05	F03C, F03D, F03E, F46A, F46B, F68A, F68B	Q25.9	05	F03C, F03D, F03E, F46A, F46B, F65A, F65B		Pre	A07D, A09A, A09E, A11B, A11F, A13F
	10	K62A		10	K62A	Q27.3	05	F03C, F03D, F03E, F65A, F65B
	15	TPN, VTPN		Pre	A07D, A09A, A09E, A11B, A11F, A13F		10	K62A
	Pre	A07D, A09A, A09E, A11B, A11F, A13F	Q26.0	05	F03C, F03D, F03E, F46A, F46B, F68A, F68B		Pre	A07D, A09A, A09E, A11B, A11F, A13F
Q24.8	05	F03C, F03D, F03E, F46A, F46B, F68A, F68B		06	G18A, G38Z	Q27.4	05	F03C, F03D, F03E, F65A, F65B
	10	K62A		10	K62A		10	K62A
	15	TPN, VTPN		Pre	A07D, A09A, A09E, A11B, A11F, A13F		Pre	A07D, A09A, A09E, A11B, A11F, A13F
	Pre	A07D, A09A, A09E, A11B, A11F, A13F	Q26.1	05	F03C, F03D, F03E, F46A, F46B, F68A, F68B	Q27.8	05	F03C, F03D, F03E, F65A, F65B
Q24.9	05	F03C, F03D, F03E, F46A, F46B, F68A, F68B		10	K62A		10	K62A
	10	K62A		Pre	A07D, A09A, A09E, A11B, A11F, A13F	Q27.9	05	F03C, F03D, F03E, F65A, F65B
	15	TPN, VTPN		Pre	A07D, A09A, A09E, A11B, A11F, A13F		10	K62A
	Pre	A07D, A09A, A09E, A11B, A11F, A13F	Q26.2	05	F03C, F03D, F03E, F30Z, F42Z, F46A, F46B, F68A, F68B		Pre	A07D, A09A, A09E, A11B, A11F, A13F
Q25.0	05	F03C, F03D, F03E, F46A, F46B, F68A, F68B		06	G18A, G38Z	Q28.00	01	B03A, B03B, B06A, B06B, B17A, B17B, B17C, B17D, B81A, B81B
	10	K62A		10	K62A		10	K62A
	Pre	A07D, A09A, A09E, A11B, A11F, A13F		15	TPN, VTPN		15	TPN, VTPN
Q25.1	05	F03C, F03D, F03E, F46A, F46B, F68A, F68B		Pre	A07D, A09A, A09E, A11B, A11F, A13F		Pre	A07D, A09A, A09E, A11B, A11F, A13F
	10	K62A	Q26.3	05	F03C, F03D, F03E, F46A, F46B, F68A, F68B	Q28.01	01	B03A, B03B, B06A, B06B, B17A, B17B, B17C, B17D, B81A, B81B
	15	TPN, VTPN		06	G18A, G38Z		10	K62A
	Pre	A07D, A09A, A09E, A11B, A11F, A13F		10	K62A		15	TPN, VTPN
Q25.2	05	F03C, F03D, F03E, F30Z, F42Z, F46A, F46B, F68A, F68B		15	TPN, VTPN		Pre	A07D, A09A, A09E, A11B, A11F, A13F
	06	G18A, G38Z		Pre	A07D, A09A, A09E, A11B, A11F, A13F	Q28.08	01	B03A, B03B, B06A, B06B, B17A, B17B, B17C, B17D, B81A, B81B
	10	K62A	Q26.4	05	F03C, F03D, F03E, F46A, F46B, F68A, F68B		10	K62A
	15	TPN, VTPN		10	K62A		15	TPN, VTPN
	Pre	A07D, A09A, A09E, A11B, A11F, A13F		Pre	A07D, A09A, A09E, A11B, A11F, A13F		Pre	A07D, A09A, A09E, A11B, A11F, A13F
Q25.3	05	F03C, F03D, F03E, F46A, F46B, F68A, F68B	Q26.5	05	F03C, F03D, F03E, F46A, F46B, F68A, F68B		10	K62A
	06	G18A, G38Z		10	K62A		15	TPN, VTPN
	10	K62A		Pre	A07D, A09A, A09E, A11B, A11F, A13F		Pre	A07D, A09A, A09E, A11B, A11F, A13F
	15	TPN, VTPN		Pre	A07D, A09A, A09E, A11B, A11F, A13F		15	TPN, VTPN
	Pre	A07D, A09A, A09E, A11B, A11F, A13F		Pre	A07D, A09A, A09E, A11B, A11F, A13F		Pre	A07D, A09A, A09E, A11B, A11F, A13F

ICD	MDC	DRG	ICD	MDC	DRG	ICD	MDC	DRG	
Q28.09	01	B03A, B03B, B06A, B06B, B17A, B17B, B17C, B17D, B81A, B81B	Q28.31	01	B03A, B03B, B06A, B06B, B17A, B17B, B17C, B17D, B81A, B81B	Q31.3	03	D66Z	
	10	K62A		10	K62A		15	TPN, VTPN	
	15	TPN, VTPN		15	TPN, VTPN		Pre	A07D, A09A, A09E, A11B, A11F, A13F	
	Pre	A07D, A09A, A09E, A11B, A11F, A13F		Pre	A07D, A09A, A09E, A11B, A11F, A13F	Q31.5	03	D66Z	
Q28.10	01	B03A, B03B, B06A, B06B, B17A, B17B, B17C, B17D, B81A, B81B	Q28.38	01	B03A, B03B, B06A, B06B, B17A, B17B, B17C, B17D, B81A, B81B		15	TPN, VTPN	
	10	K62A		10	K62A		Pre	A07D, A09A, A09E, A11B, A11F, A13F	
	15	TPN, VTPN		15	TPN, VTPN	Q31.8	03	D66Z	
	Pre	A07D, A09A, A09E, A11B, A11F, A13F		Pre	A07D, A09A, A09E, A11B, A11F, A13F		15	TPN, VTPN	
Q28.11	01	B03A, B03B, B06A, B06B, B17A, B17B, B17C, B17D, B81A, B81B	Q28.39	01	B03A, B03B, B06A, B06B, B17A, B17B, B17C, B17D, B81A, B81B		Pre	A07D, A09A, A09E, A11B, A11F, A13F	
	10	K62A		10	K62A	Q31.9	03	D66Z	
	15	TPN, VTPN		15	TPN, VTPN		15	TPN, VTPN	
	Pre	A07D, A09A, A09E, A11B, A11F, A13F		Pre	A07D, A09A, A09E, A11B, A11F, A13F		Pre	A07D, A09A, A09E, A11B, A11F, A13F	
Q28.18	01	B03A, B03B, B06A, B06B, B17A, B17B, B17C, B17D, B81A, B81B	Q28.80	05	F03C, F03D, F03E, F65A, F65B	Q32.0	03	D66Z	
	10	K62A		10	K62A		15	TPN, VTPN	
	15	TPN, VTPN		15	P65C, P66C, P67B, P67C		Pre	A07D, A09A, A09E, A11B, A11F, A13F	
	Pre	A07D, A09A, A09E, A11B, A11F, A13F		Pre	A07D, A09A, A09E, A11B, A11F, A13F	Q32.1	03	D66Z	
Q28.19	01	B03A, B03B, B06A, B06B, B17A, B17B, B17C, B17D, B81A, B81B	Q28.81	05	F03C, F03D, F03E, F65A, F65B		15	TPN, VTPN	
	10	K62A		10	K62A		Pre	A07D, A09A, A09E, A11B, A11F, A13F	
	15	TPN, VTPN		15	P65C, P66C, P67B, P67C	Q32.2	03	D66Z	
	Pre	A07D, A09A, A09E, A11B, A11F, A13F		Pre	A07D, A09A, A09E, A11B, A11F, A13F		15	TPN, VTPN	
Q28.20	01	B03A, B03B, B06A, B06B, B17A, B17B, B17C, B17D, B81A, B81B	Q28.88	05	F03C, F03D, F03E, F65A, F65B		Pre	A07D, A09A, A09E, A11B, A11F, A13F	
	10	K62A		10	K62A	Q32.3	03	D66Z	
	15	TPN, VTPN		15	P65C, P66C, P67B, P67C		15	TPN, VTPN	
	Pre	A07D, A09A, A09E, A11B, A11F, A13F		Pre	A07D, A09A, A09E, A11B, A11F, A13F		Pre	A07D, A09A, A09E, A11B, A11F, A13F	
Q28.21	01	B03A, B03B, B06A, B06B, B17A, B17B, B17C, B17D, B81A, B81B	Q28.9	05	F03C, F03D, F03E, F65A, F65B	Q32.4	03	D66Z	
	10	K62A		10	K62A		15	TPN, VTPN	
	15	TPN, VTPN		10	K62A		Pre	A07D, A09A, A09E, A11B, A11F, A13F	
	Pre	A07D, A09A, A09E, A11B, A11F, A13F		Pre	A07D, A09A, A09E, A11B, A11F, A13F	Q33.0	04	E75A, E75B, E75C	
Q28.22	01	B03A, B03B, B06A, B06B, B17A, B17B, B17C, B17D, B81A, B81B	Q30.0	03	D66Z		15	TPN, VTPN	
	10	K62A		15	TPN, VTPN		Pre	A07D, A09A, A09E, A11B, A11F, A13F	
	15	TPN, VTPN		Pre	A07D, A09A, A09E, A11B, A11F, A13F	Q33.1	04	E75A, E75B, E75C	
	Pre	A07D, A09A, A09E, A11B, A11F, A13F		Pre	A07D, A09A, A09E, A11B, A11F, A13F		15	P65C, P66C, P67B, P67C	
Q28.28	01	B03A, B03B, B06A, B06B, B17A, B17B, B17C, B17D, B81A, B81B	Q30.1	03	D66Z		Pre	A07D, A09A, A09E, A11B, A11F, A13F	
	10	K62A		Pre	A09A, A11B	Q33.2	04	E75A, E75B, E75C	
	15	TPN, VTPN		Q30.2	03	D66Z		15	TPN, VTPN
	Pre	A07D, A09A, A09E, A11B, A11F, A13F		Pre	A09A, A11B		Pre	A07D, A09A, A09E, A11B, A11F, A13F	
Q28.29	01	B03A, B03B, B06A, B06B, B17A, B17B, B17C, B17D, B81A, B81B	Q30.3	03	D66Z	Q33.3	04	E75A, E75B, E75C	
	10	K62A		Pre	A09A, A11B		15	TPN, VTPN	
	15	TPN, VTPN		Q30.8	03	D66Z		Pre	A07D, A09A, A09E, A11B, A11F, A13F
	Pre	A07D, A09A, A09E, A11B, A11F, A13F		Pre	A09A, A11B	Q33.4	04	E65A, E65B, E65C	
Q28.30	01	B03A, B03B, B06A, B06B, B17A, B17B, B17C, B17D, B81A, B81B	Q30.9	03	D66Z		15	TPN, VTPN	
	10	K62A		Pre	A09A, A11B		Pre	A07D, A09A, A09E, A11B, A11F, A13F	
	15	TPN, VTPN		Q31.0	03	D66Z	Q33.5	04	E75A, E75B, E75C
	Pre	A07D, A09A, A09E, A11B, A11F, A13F		15	TPN, VTPN		15	P65C, P66C, P67B, P67C	
Q28.31	01	B03A, B03B, B06A, B06B, B17A, B17B, B17C, B17D, B81A, B81B	Q31.1	03	D66Z		Pre	A07D, A09A, A09E, A11B, A11F, A13F	
	10	K62A		15	TPN, VTPN	Q33.6	04	E75A, E75B, E75C	
	15	TPN, VTPN		Pre	A07D, A09A, A09E, A11B, A11F, A13F		15	TPN, VTPN	
	Pre	A07D, A09A, A09E, A11B, A11F, A13F		Pre	A07D, A09A, A09E, A11B, A11F, A13F		Pre	A07D, A09A, A09E, A11B, A11F, A13F	
Q28.32	01	B03A, B03B, B06A, B06B, B17A, B17B, B17C, B17D, B81A, B81B	Q31.2	03	D66Z	Q33.8	04	E75A, E75B, E75C	
	10	K62A		15	TPN, VTPN		15	P65C, P66C, P67B, P67C	
	15	TPN, VTPN		Pre	A07D, A09A, A09E, A11B, A11F, A13F		Pre	A07D, A09A, A09E, A11B, A11F, A13F	
	Pre	A07D, A09A, A09E, A11B, A11F, A13F		Pre	A07D, A09A, A09E, A11B, A11F, A13F				

Dg

ICD	MDC	DRG	ICD	MDC	DRG	ICD	MDC	DRG		
Q33.9	04	E75A, E75B, E75C Pre A07D, A09A, A09E, A11B, A11F, A13F	Q37.9	03	D03Z, D40Z, D67Z 15 TPN, VTPN Pre A09A, A11B	Q40.0	06	G18A, G38Z, G46A, G46B, G46C, G50Z, G64A, G64B, G64C, G70A, G70B		
Q34.0	04	E75A, E75B, E75C Pre A07D, A09A, A09E, A11B, A11F, A13F	Q38.0	03	D40Z, D67Z Pre A09A, A11B	15	P65C, P66C, P67B, P67C Pre A07D, A09A, A09E, A11B, A11F, A13F			
Q34.1	04	E75A, E75B, E75C Pre A07D, A09A, A09E, A11B, A11F, A13F	Q38.1	03	D40Z, D67Z Pre A09A, A11B	Q40.1	06	G18A, G38Z, G46A, G46B, G46C, G50Z, G71Z		
Q34.8	04	E75A, E75B, E75C Pre A07D, A09A, A09E, A11B, A11F, A13F	Q38.2	03	D40Z, D67Z Pre A09A, A11B	15	P65C, P66C, P67B, P67C Pre A07D, A09A, A09E, A11B, A11F, A13F			
Q34.9	04	E75A, E75B, E75C Pre A07D, A09A, A09E, A11B, A11F, A13F	Q38.3	03	D40Z, D67Z Pre A09A, A11B	Q40.2	06	G18A, G38Z, G46A, G46B, G46C, G50Z, G71Z		
Q35.1	03	D03Z, D40Z, D67Z 15 P65C, P66C, P67B, P67C Pre A07D, A09A, A09E, A11B, A11F, A13F	Q38.4	03	D40Z, D67Z Pre A09A, A11B	Pre	A07D, A09A, A09E, A11B, A11F, A13F			
Q35.3	03	D03Z, D40Z, D67Z 15 P65C, P66C, P67B, P67C Pre A07D, A09A, A09E, A11B, A11F, A13F	Q38.5	03	D40Z, D67Z Pre A09A, A11B	Q40.3	06	G18A, G38Z, G46A, G46B, G46C, G50Z, G71Z		
Q35.5	03	D03Z, D40Z, D67Z 15 P65C, P66C, P67B, P67C Pre A07D, A09A, A09E, A11B, A11F, A13F	Q38.6	03	D40Z, D67Z 15 P65C, P66C, P67B, P67C Pre A09A, A11B	Pre	A07D, A09A, A09E, A11B, A11F, A13F			
Q35.7	03	D03Z, D40Z, D67Z 15 P65C, P66C, P67B, P67C Pre A09A, A11B	Q38.7	03	D66Z 15 TPN, VTPN Pre A09A, A11B	Q40.8	06	G18A, G38Z, G46A, G46B, G46C, G50Z, G71Z		
Q35.9	03	D03Z, D40Z, D67Z 15 P65C, P66C, P67B, P67C Pre A09A, A11B	Q38.8	03	D66Z Pre A09A, A11B	Pre	A07D, A09A, A09E, A11B, A11F, A13F			
Q36.0	03	D03Z, D40Z, D67Z 15 P65C, P66C, P67B, P67C Pre A09A, A11B	Q39.0	06	G18A, G38Z, G46A, G46B, G46C, G50Z, G71Z 15 TPN, VTPN Pre A07D, A09A, A09E, A11B, A11F, A13F	Q40.9	06	G18A, G38Z, G46A, G46B, G46C, G50Z, G71Z		
Q36.1	03	D03Z, D40Z, D67Z 15 P65C, P66C, P67B, P67C Pre A09A, A11B	Pre	A07D, A09A, A09E, A11B, A11F, A13F	Pre	A07D, A09A, A09E, A11B, A11F, A13F	Q41.0	06	G18A, G38Z, G46A, G46B, G46C, G50Z, G64A, G64B, G64C, G70A, G70B	
Q36.9	03	D03Z, D40Z, D67Z 15 P65C, P66C, P67B, P67C Pre A09A, A11B	Q39.1	06	G18A, G38Z, G46A, G46B, G46C, G50Z, G64A, G64B, G64C, G70A, G70B 15 TPN, VTPN Pre A07D, A09A, A09E, A11B, A11F, A13F	Pre	A07D, A09A, A09E, A11B, A11F, A13F	15	TPN, VTPN Pre A07D, A09A, A09E, A11B, A11F, A13F	
Q37.0	03	D03Z, D40Z, D67Z 15 TPN, VTPN Pre A07D, A09A, A09E, A11B, A11F, A13F	Q39.2	06	G18A, G38Z, G46A, G46B, G46C, G50Z, G71Z 15 TPN, VTPN Pre A07D, A09A, A09E, A11B, A11F, A13F	Pre	A07D, A09A, A09E, A11B, A11F, A13F	Q41.1	06	G18A, G38Z, G46A, G46B, G46C, G50Z, G64A, G64B, G64C, G70A, G70B
Q37.1	03	D03Z, D40Z, D67Z 15 TPN, VTPN Pre A07D, A09A, A09E, A11B, A11F, A13F	Q39.3	06	G18A, G38Z, G46A, G46B, G46C, G50Z, G71Z 15 TPN, VTPN Pre A07D, A09A, A09E, A11B, A11F, A13F	Pre	A07D, A09A, A09E, A11B, A11F, A13F	15	TPN, VTPN Pre A07D, A09A, A09E, A11B, A11F, A13F	
Q37.2	03	D03Z, D40Z, D67Z 15 TPN, VTPN Pre A07D, A09A, A09E, A11B, A11F, A13F	Q39.4	06	G18A, G38Z, G46A, G46B, G46C, G50Z, G71Z 15 TPN, VTPN Pre A07D, A09A, A09E, A11B, A11F, A13F	Pre	A07D, A09A, A09E, A11B, A11F, A13F	Q41.2	06	G18A, G38Z, G46A, G46B, G46C, G50Z, G64A, G64B, G64C, G70A, G70B
Q37.3	03	D03Z, D40Z, D67Z 15 TPN, VTPN Pre A07D, A09A, A09E, A11B, A11F, A13F	Q39.5	06	G18A, G38Z, G46A, G46B, G46C, G50Z, G71Z 15 P65C, P66C, P67B, P67C Pre A07D, A09A, A09E, A11B, A11F, A13F	Pre	A07D, A09A, A09E, A11B, A11F, A13F	15	TPN, VTPN Pre A07D, A09A, A09E, A11B, A11F, A13F	
Q37.4	03	D03Z, D40Z, D67Z 15 TPN, VTPN Pre A07D, A09A, A09E, A11B, A11F, A13F	Q39.6	06	G18A, G38Z, G46A, G46B, G46C, G50Z, G71Z 15 P65C, P66C, P67B, P67C Pre A07D, A09A, A09E, A11B, A11F, A13F	Pre	A07D, A09A, A09E, A11B, A11F, A13F	Q41.8	06	G18A, G38Z, G46A, G46B, G46C, G50Z, G71Z
Q37.5	03	D03Z, D40Z, D67Z 15 TPN, VTPN Pre A07D, A09A, A09E, A11B, A11F, A13F	Q39.8	06	G18A, G38Z, G46A, G46B, G46C, G50Z, G71Z 15 P65C, P66C, P67B, P67C Pre A07D, A09A, A09E, A11B, A11F, A13F	Pre	A07D, A09A, A09E, A11B, A11F, A13F	15	TPN, VTPN Pre A07D, A09A, A09E, A11B, A11F, A13F	
Q37.8	03	D03Z, D40Z, D67Z 15 TPN, VTPN Pre A09A, A11B	Q39.9	06	G18A, G38Z, G46A, G46B, G46C, G50Z, G71Z Pre A07D, A09A, A09E, A11B, A11F, A13F	Pre	A07D, A09A, A09E, A11B, A11F, A13F	Q41.9	06	G18A, G38Z, G46A, G46B, G46C, G50Z, G71Z
								15	TPN, VTPN Pre A07D, A09A, A09E, A11B, A11F, A13F	
								Q42.0	06	G18A, G38Z, G46A, G46B, G46C, G50Z, G64A, G64B, G64C, G70A, G70B
								15	TPN, VTPN Pre A07D, A09A, A09E, A11B, A11F, A13F	
								Q42.1	06	G18A, G38Z, G46A, G46B, G46C, G50Z, G64A, G64B, G64C, G70A, G70B
								15	TPN, VTPN Pre A07D, A09A, A09E, A11B, A11F, A13F	



ICD	MDC	DRG	ICD	MDC	DRG	ICD	MDC	DRG
Q42.2	06	G18A, G38Z, G46A, G46B, G46C, G50Z, G64A, G64B, G64C, G70A, G70B	Q43.6	06	G18A, G38Z, G46A, G46B, G46C, G50Z, G71Z	Q45.8	06	G18A, G38Z, G46A, G46B, G46C, G50Z, G71Z
	15	TPN, VTPN		15	P65C, P66C, P67B, P67C		Pre	A07D, A09A, A09E, A11B, A11F, A13F
	Pre	A07D, A09A, A09E, A11B, A11F, A13F		Pre	A07D, A09A, A09E, A11B, A11F, A13F	Q45.9	06	G18A, G38Z, G46A, G46B, G46C, G50Z, G71Z
Q42.3	06	G18A, G38Z, G46A, G46B, G46C, G50Z, G64A, G64B, G64C, G70A, G70B	Q43.7	06	G18A, G38Z, G46A, G46B, G46C, G50Z, G64A, G64B, G64C, G70A, G70B		Pre	A07D, A09A, A09E, A11B, A11F, A13F
	15	TPN, VTPN		15	P65C, P66C, P67B, P67C	Q50.0	13	N04Z, N05A, N05B, N14Z, N21Z, N25Z, N62A, N62B
	Pre	A07D, A09A, A09E, A11B, A11F, A13F		Pre	A07D, A09A, A09E, A11B, A11F, A13F		Pre	A09A, A11B
Q42.8	06	G18A, G38Z, G46A, G46B, G46C, G50Z, G71Z	Q43.8	06	G18A, G38Z, G46A, G46B, G46C, G50Z, G71Z	Q50.1	13	N04Z, N05A, N05B, N14Z, N21Z, N25Z, N62A, N62B
	15	TPN, VTPN		15	P65C, P66C, P67B, P67C		Pre	A09A, A11B
	Pre	A07D, A09A, A09E, A11B, A11F, A13F		Pre	A07D, A09A, A09E, A11B, A11F, A13F	Q50.2	13	N04Z, N05A, N05B, N14Z, N21Z, N25Z, N62A, N62B
Q42.9	06	G18A, G38Z, G46A, G46B, G46C, G50Z, G71Z	Q43.9	06	G18A, G38Z, G46A, G46B, G46C, G50Z, G71Z		Pre	A09A, A11B
	15	TPN, VTPN		15	P65C, P66C, P67B, P67C	Q50.3	13	N04Z, N05A, N05B, N14Z, N21Z, N25Z, N62A, N62B
	Pre	A07D, A09A, A09E, A11B, A11F, A13F		Pre	A07D, A09A, A09E, A11B, A11F, A13F		Pre	A09A, A11B
Q43.0	06	G40Z, G46A, G46B, G46C, G47Z, G67A, G67B, G67C, G67D, G73Z	Q44.0	07	H63A, H63B, H63C, H78Z	Q50.4	13	N04Z, N05A, N05B, N14Z, N21Z, N25Z, N62A, N62B
	15	TPN, VTPN		Pre	A07D, A09A, A09E, A11B, A11F, A13F		Pre	A09A, A11B
	Pre	A07D, A09A, A09E, A11B, A11F, A13F		Pre	A07D, A09A, A09E, A11B, A11F, A13F	Q50.5	13	N04Z, N05A, N05B, N14Z, N21Z, N25Z, N62A, N62B
Q43.1	06	G18A, G38Z, G46A, G46B, G46C, G50Z, G64A, G64B, G64C, G70A, G70B	Q44.1	07	H63A, H63B, H63C, H78Z		Pre	A09A, A11B
	15	TPN, VTPN		Pre	A07D, A09A, A09E, A11B, A11F, A13F	Q50.6	13	N04Z, N05A, N05B, N14Z, N21Z, N25Z, N62A, N62B
	Pre	A07D, A09A, A09E, A11B, A11F, A13F		Pre	A07D, A09A, A09E, A11B, A11F, A13F		Pre	A09A, A11B
Q43.2	06	G18A, G38Z, G46A, G46B, G46C, G50Z, G71Z	Q44.2	06	G18A, G38Z	Q51.0	13	N04Z, N05A, N05B, N14Z, N21Z, N25Z, N62A, N62B
	15	TPN, VTPN		07	H64Z		Pre	A09A, A11B
	Pre	A07D, A09A, A09E, A11B, A11F, A13F		15	TPN, VTPN	Q51.1	13	N04Z, N05A, N05B, N14Z, N21Z, N25Z, N62A, N62B
Q43.3	06	G18A, G38Z, G46A, G46B, G46C, G50Z, G64A, G64B, G64C, G70A, G70B	Q44.3	06	G18A, G38Z		Pre	A09A, A11B
	15	TPN, VTPN		07	H64Z	Q51.2	13	N04Z, N05A, N05B, N14Z, N21Z, N25Z, N62A, N62B
	Pre	A07D, A09A, A09E, A11B, A11F, A13F		15	TPN, VTPN		Pre	A09A, A11B
Q43.4	06	G18A, G38Z, G46A, G46B, G46C, G50Z, G71Z	Q44.4	07	H63A, H63B, H63C, H78Z	Q51.3	13	N04Z, N05A, N05B, N14Z, N21Z, N25Z, N62A, N62B
	15	P65C, P66C, P67B, P67C		Pre	A07D, A09A, A09E, A11B, A11F, A13F		Pre	A09A, A11B
	Pre	A07D, A09A, A09E, A11B, A11F, A13F		Pre	A07D, A09A, A09E, A11B, A11F, A13F	Q51.4	13	N04Z, N05A, N05B, N14Z, N21Z, N25Z, N62A, N62B
Q43.41	06	G18A, G38Z, G46A, G46B, G46C, G50Z, G71Z	Q44.5	07	H63A, H63B, H63C, H78Z		Pre	A09A, A11B
	15	P65C, P66C, P67B, P67C		Pre	A07D, A09A, A09E, A11B, A11F, A13F	Q51.5	13	N04Z, N05A, N05B, N14Z, N21Z, N25Z, N62A, N62B
	Pre	A07D, A09A, A09E, A11B, A11F, A13F		Pre	A07D, A09A, A09E, A11B, A11F, A13F		Pre	A09A, A11B
Q43.42	06	G18A, G38Z, G46A, G46B, G46C, G50Z, G71Z	Q44.6	07	H63A, H63B, H63C, H78Z	Q51.6	13	N04Z, N05A, N05B, N14Z, N21Z, N25Z, N62A, N62B
	15	P65C, P66C, P67B, P67C		15	TPN, VTPN		Pre	A09A, A11B
	Pre	A07D, A09A, A09E, A11B, A11F, A13F		Pre	A07D, A09A, A09E, A11B, A11F, A13F	Q51.7	13	N04Z, N05A, N05B, N14Z, N21Z, N25Z, N62A, N62B
Q43.49	06	G18A, G38Z, G46A, G46B, G46C, G50Z, G71Z	Q44.7	07	H63A, H63B, H63C, H78Z		Pre	A09A, A11B
	15	P65C, P66C, P67B, P67C		15	TPN, VTPN	Q51.8	13	N04Z, N05A, N05B, N14Z, N21Z, N25Z, N62A, N62B
	Pre	A07D, A09A, A09E, A11B, A11F, A13F		Pre	A07D, A09A, A09E, A11B, A11F, A13F		Pre	A09A, A11B
Q43.5	06	G18A, G38Z, G46A, G46B, G46C, G50Z, G71Z	Q45.0	07	H62A, H62B, H62C	Q51.9	13	N04Z, N05A, N05B, N14Z, N21Z, N25Z, N62A, N62B
	15	P65C, P66C, P67B, P67C		15	TPN, VTPN		Pre	A09A, A11B
	Pre	A07D, A09A, A09E, A11B, A11F, A13F		Pre	A07D, A09A, A09E, A11B, A11F, A13F	Q52.0	13	N04Z, N05A, N05B, N14Z, N21Z, N25Z, N62A, N62B
	Pre	A07D, A09A, A09E, A11B, A11F, A13F		Pre	A07D, A09A, A09E, A11B, A11F, A13F		Pre	A09A, A11B
	Pre	A07D, A09A, A09E, A11B, A11F, A13F	Q45.3	07	H62A, H62B, H62C	Q52.1	13	N04Z, N05A, N05B, N14Z, N21Z, N25Z, N62A, N62B
	Pre	A07D, A09A, A09E, A11B, A11F, A13F		15	TPN, VTPN		Pre	A09A, A11B
	Pre	A07D, A09A, A09E, A11B, A11F, A13F		Pre	A07D, A09A, A09E, A11B, A11F, A13F	Q52.2	13	N04Z, N05A, N05B, N14Z, N21Z, N25Z, N62A, N62B
	Pre	A07D, A09A, A09E, A11B, A11F, A13F		Pre	A07D, A09A, A09E, A11B, A11F, A13F		Pre	A09A, A11B

Dg

ICD	MDC	DRG	ICD	MDC	DRG	ICD	MDC	DRG
Q52.3	13	N04Z, N05A, N05B, N14Z, N21Z, N25Z, N62A, N62B	Q56.2	10	K64A, K64B, K64C, K64D	Q62.3	11	L64A, L64B, L74Z
	Pre	A09A, A11B		15	TPN, VTPN		15	P65C, P66C, P67B, P67C
Q52.4	13	N04Z, N05A, N05B, N14Z, N21Z, N25Z, N62A, N62B	Q56.3	10	K64A, K64B, K64C, K64D	Q62.4	11	L64A, L64B, L74Z
	Pre	A09A, A11B		15	TPN, VTPN		Pre	A09A, A11B
Q52.5	13	N04Z, N05A, N05B, N14Z, N21Z, N25Z, N62A, N62B	Q56.4	10	K64A, K64B, K64C, K64D	Q62.5	11	L64A, L64B, L74Z
	Pre	A09A, A11B		15	TPN, VTPN		Pre	A09A, A11B
Q52.6	13	N04Z, N05A, N05B, N14Z, N21Z, N25Z, N62A, N62B	Q60.0	11	L64A, L64B, L74Z	Q62.6	11	L64A, L64B, L74Z
	Pre	A09A, A11B		15	TPN, VTPN		Pre	A09A, A11B
Q52.7	13	N04Z, N05A, N05B, N14Z, N21Z, N25Z, N62A, N62B	Q60.1	06	G18A, G38Z	Q62.7	11	L64A, L64B, L74Z
	Pre	A09A, A11B		11	L68A, L68B, L74Z		Pre	A09A, A11B
Q52.8	13	N04Z, N05A, N05B, N14Z, N21Z, N25Z, N62A, N62B		15	TPN, VTPN	Q62.8	11	L64A, L64B, L74Z
	Pre	A09A, A11B		Pre	A07D, A09A, A09E, A11B, A11F, A13F		Pre	A09A, A11B
Q52.9	13	N04Z, N05A, N05B, N14Z, N21Z, N25Z, N62A, N62B	Q60.2	11	L64A, L64B, L74Z	Q63.0	11	L64A, L64B, L74Z
	Pre	A09A, A11B		15	TPN, VTPN		Pre	A09A, A11B
Q53.0	12	M64Z	Q60.3	11	L64A, L64B, L74Z	Q63.1	11	L64A, L64B, L74Z
	Pre	A09A, A11B		15	TPN, VTPN		Pre	A09A, A11B
Q53.1	12	M64Z	Q60.4	06	G18A, G38Z	Q63.2	11	L64A, L64B, L74Z
	Pre	A09A, A11B		11	L68A, L68B, L74Z		Pre	A09A, A11B
Q53.2	12	M64Z		15	TPN, VTPN	Q63.3	11	L64A, L64B, L74Z
	Pre	A09A, A11B		Pre	A09A, A11B		Pre	A09A, A11B
Q53.9	12	M64Z	Q60.5	11	L64A, L64B, L74Z	Q63.8	11	L64A, L64B, L74Z
	Pre	A09A, A11B		15	TPN, VTPN		Pre	A09A, A11B
Q54.0	12	M64Z	Q60.6	06	G18A, G38Z	Q63.9	11	L64A, L64B, L74Z
	Pre	A09A, A11B		11	L64A, L64B, L74Z		Pre	A09A, A11B
Q54.1	12	M64Z		15	TPN, VTPN	Q64.0	12	M64Z
	Pre	A09A, A11B		Pre	A09A, A11B		13	N04Z, N05A, N05B, N14Z, N21Z, N25Z, N62A, N62B
Q54.2	12	M64Z	Q61.0	11	L68A, L68B, L74Z		Pre	A09A, A11B
	Pre	A09A, A11B		15	P65C, P66C, P67B, P67C	Q64.1	11	L68A, L68B, L74Z
Q54.3	12	M64Z		Pre	A09A, A11B		15	TPN, VTPN
	Pre	A09A, A11B		Pre	A09A, A11B		Pre	A09A, A11B
Q54.4	12	M64Z	Q61.1	11	L68A, L68B, L74Z	Q64.2	11	L68A, L68B, L74Z
	Pre	A09A, A11B		15	TPN, VTPN		15	TPN, VTPN
Q54.8	12	M64Z		Pre	A09A, A11B		Pre	A09A, A11B
	Pre	A09A, A11B		Pre	A09A, A11B	Q64.3	11	L68A, L68B, L74Z
Q54.9	12	M64Z	Q61.2	11	L68A, L68B, L74Z		15	TPN, VTPN
	Pre	A09A, A11B		15	P65C, P66C, P67B, P67C		Pre	A09A, A11B
Q55.0	12	M64Z		Pre	A09A, A11B	Q64.4	11	L68A, L68B, L74Z
	Pre	A09A, A11B		Pre	A09A, A11B		15	P65C, P66C, P67B, P67C
Q55.1	12	M64Z	Q61.3	11	L68A, L68B, L74Z		Pre	A09A, A11B
	Pre	A09A, A11B		15	P65C, P66C, P67B, P67C	Q64.5	11	L68A, L68B, L74Z
Q55.2	12	M64Z		Pre	A09A, A11B		15	P65C, P66C, P67B, P67C
	Pre	A09A, A11B		Pre	A09A, A11B		Pre	A09A, A11B
Q55.3	12	M64Z	Q61.4	11	L68A, L68B, L74Z	Q64.6	11	L68A, L68B, L74Z
	Pre	A09A, A11B		15	P65C, P66C, P67B, P67C		15	P65C, P66C, P67B, P67C
Q55.4	12	M64Z		Pre	A09A, A11B		Pre	A09A, A11B
	Pre	A09A, A11B		Pre	A09A, A11B	Q64.7	11	L68A, L68B, L74Z
Q55.5	12	M64Z	Q61.5	11	L68A, L68B, L74Z		15	P65C, P66C, P67B, P67C
	Pre	A09A, A11B		15	P65C, P66C, P67B, P67C		Pre	A09A, A11B
Q55.6	12	M64Z		Pre	A09A, A11B	Q64.8	11	L68A, L68B, L74Z
	Pre	A09A, A11B		Pre	A09A, A11B		Pre	A09A, A11B
Q55.8	12	M64Z	Q61.8	11	L68A, L68B, L74Z	Q64.9	11	L68A, L68B, L74Z
	Pre	A09A, A11B		15	P65C, P66C, P67B, P67C		Pre	A09A, A11B
Q55.9	12	M64Z		Pre	A09A, A11B	Q65.0	08	I76A
	Pre	A09A, A11B		Pre	A09A, A11B		15	P65C, P66C, P67B, P67C
Q56.0	10	K64A, K64B, K64C, K64D	Q61.9	11	L68A, L68B, L74Z		Pre	A09A, A11B
	15	TPN, VTPN		15	P65C, P66C, P67B, P67C	Q65.1	08	I76A
	Pre	A09A, A11B		Pre	A09A, A11B		15	P65C, P66C, P67B, P67C
Q56.1	10	K64A, K64B, K64C, K64D	Q62.0	11	L64A, L64B, L74Z		Pre	A09A, A11B
	15	TPN, VTPN		15	P65C, P66C, P67B, P67C	Q65.2	08	I76A
	Pre	A09A, A11B		Pre	A09A, A11B		15	P65C, P66C, P67B, P67C
	Pre	A09A, A11B	Q62.1	11	L64A, L64B, L74Z		Pre	A09A, A11B
	Pre	A09A, A11B		15	P65C, P66C, P67B, P67C	Q65.3	08	I76A, I76B
	Pre	A09A, A11B		Pre	A09A, A11B		15	P65C, P66C, P67B, P67C
	Pre	A09A, A11B	Q62.2	11	L64A, L64B, L74Z		Pre	A09A, A11B
	Pre	A09A, A11B		15	P65C, P66C, P67B, P67C	Q65.4	08	I76A, I76B
	Pre	A09A, A11B		Pre	A09A, A11B		15	P65C, P66C, P67B, P67C
	Pre	A09A, A11B		Pre	A09A, A11B		Pre	A09A, A11B

ICD	MDC	DRG	ICD	MDC	DRG	ICD	MDC	DRG
Q65.5	08	I76A, I76B	Q69.0	08	I32A, I32B, I32C, I32D, I32E, I32F, I32G, I76A, I76B	Q72.3	08	I33Z, I76A, I76B
	15	P65C, P66C, P67B, P67C				15	P65C, P66C, P67B, P67C	
	Pre	A09A, A11B		Pre	A09A, A11B	Pre	A09A, A11B	
Q65.6	08	I76A, I76B	Q69.1	08	I32A, I32B, I32C, I32D, I32E, I32F, I32G, I76A, I76B	Q72.4	08	I33Z, I76A, I76B
	15	P65C, P66C, P67B, P67C				15	P65C, P66C, P67B, P67C	
	Pre	A09A, A11B		Pre	A09A, A11B	Pre	A09A, A11B	
Q65.8	08	I76A, I76B	Q69.2	08	I76A, I76B	Q72.5	08	I33Z, I76A, I76B
	Pre	A09A, A11B		Pre	A09A, A11B	15	P65C, P66C, P67B, P67C	
Q65.9	08	I76A, I76B	Q69.9	08	I76A, I76B	Pre	A09A, A11B	
	Pre	A09A, A11B		Pre	A09A, A11B	Q72.6	08	I33Z, I76A, I76B
Q66.0	08	I76A, I76B	Q70.0	08	I32A, I32B, I32C, I32D, I32G, I76A, I76B	15	P65C, P66C, P67B, P67C	
	Pre	A09A, A11B		Pre	A09A, A11B	Pre	A09A, A11B	
Q66.1	08	I76A, I76B	Q70.1	08	I32A, I32B, I32C, I32D, I32G, I76A, I76B	Q72.7	08	I33Z, I76A, I76B
	Pre	A09A, A11B		Pre	A09A, A11B	15	P65C, P66C, P67B, P67C	
Q66.2	08	I76A, I76B	Q70.2	08	I76A, I76B	Pre	A09A, A11B	
	Pre	A09A, A11B		Pre	A09A, A11B	Q72.8	08	I33Z, I76A, I76B
Q66.3	08	I76A, I76B	Q70.3	08	I76A, I76B	15	P65C, P66C, P67B, P67C	
	Pre	A09A, A11B		Pre	A09A, A11B	Pre	A09A, A11B	
Q66.4	08	I76A, I76B	Q70.4	08	I32B, I32C, I32D, I76A, I76B	Q72.9	08	I33Z, I76A, I76B
	Pre	A09A, A11B		Pre	A09A, A11B	Pre	A09A, A11B	
Q66.5	08	I76A, I76B	Q70.9	08	I32B, I32C, I32D, I76A, I76B	Q73.0	08	I33Z, I76A, I76B
	Pre	A09A, A11B		Pre	A09A, A11B	Pre	A09A, A11B	
Q66.6	08	I76A, I76B	Q71.0	08	I32A, I32B, I32C, I32D, I32G, I33Z, I76A, I76B	Q73.1	08	I33Z, I76A, I76B
	Pre	A09A, A11B		15	P65C, P66C, P67B, P67C	Pre	A09A, A11B	
Q66.7	08	I76A, I76B	Q71.1	08	I32A, I32B, I32C, I32D, I32G, I33Z, I76A, I76B	Q73.8	08	I33Z, I76A, I76B
	Pre	A09A, A11B		Pre	A09A, A11B	Pre	A09A, A11B	
Q66.8	08	I76A, I76B	Q71.2	08	I32B, I32C, I32D, I33Z, I76A, I76B	Q74.0	08	I33Z, I76A
	Pre	A09A, A11B		15	P65C, P66C, P67B, P67C	Pre	A09A, A11B	
Q66.9	08	I76A, I76B	Q71.3	08	I32A, I32B, I32C, I32D, I32G, I33Z, I76A, I76B	Q74.1	08	I33Z, I76A
	Pre	A09A, A11B		15	P65C, P66C, P67B, P67C	Pre	A09A, A11B	
Q67.0	08	I76A, I76B	Q71.4	08	I32B, I32C, I32D, I33Z, I76A, I76B	Q74.2	08	I33Z, I76A
	15	P65C, P66C, P67B, P67C		15	P65C, P66C, P67B, P67C	Pre	A09A, A11B	
	Pre	A09A, A11B	Q71.5	08	I32B, I32C, I32D, I33Z, I76A, I76B	Q74.3	08	I33Z, I76A
Q67.1	08	I76A, I76B		15	P65C, P66C, P67B, P67C	15	TPN, VTPN	
	Pre	A09A, A11B	Q71.6	08	I32A, I32B, I32C, I32D, I32G, I33Z, I76A, I76B	Pre	A09A, A11B	
Q67.2	08	I76A, I76B		15	P65C, P66C, P67B, P67C	Q74.8	08	I33Z, I76A, I76B
	Pre	A09A, A11B		Pre	A09A, A11B	Pre	A09A, A11B	
Q67.3	08	I76A, I76B	Q71.8	08	I32B, I32C, I32D, I33Z, I76A, I76B	Q74.9	08	I33Z, I76A, I76B
	Pre	A09A, A11B		Pre	A09A, A11B	Pre	A09A, A11B	
Q67.4	08	I76A, I76B	Q71.9	08	I32B, I32C, I32D, I33Z, I76A, I76B	Q75.0	08	I76A, I76B
	Pre	A09A, A11B		15	P65C, P66C, P67B, P67C	15	TPN, VTPN	
Q67.5	08	I06A, I06B, I06C, I06D, I06E, I09A, I09B, I09C, I09D, I09E, I76A, I76B	Q72.0	08	I33Z, I76A, I76B	Pre	A09A, A11B	
	15	P65C, P66C, P67B, P67C		15	P65C, P66C, P67B, P67C	Q75.1	08	I76A, I76B
	Pre	A09A, A11B	Q72.1	08	I33Z, I76A, I76B	15	TPN, VTPN	
Q67.6	04	E75A, E75B, E75C		Pre	A09A, A11B	Pre	A09A, A11B	
	Pre	A09A, A11B	Q72.2	08	I33Z, I76A, I76B	Q75.2	08	I76A, I76B
Q67.7	04	E75A, E75B, E75C		15	P65C, P66C, P67B, P67C	15	TPN, VTPN	
	Pre	A09A, A11B	Q72.3	08	I33Z, I76A, I76B	Pre	A09A, A11B	
Q67.8	08	I76A, I76B		Pre	A09A, A11B	Q75.3	08	I76A, I76B
	Pre	A09A, A11B	Q72.4	08	I33Z, I76A, I76B	15	TPN, VTPN	
Q68.0	08	I76A, I76B		15	P65C, P66C, P67B, P67C	Pre	A09A, A11B	
	Pre	A09A, A11B	Q72.5	08	I33Z, I76A, I76B	Q75.4	08	I76A, I76B
Q68.1	08	I32A, I32B, I32C, I32D, I32G, I76A, I76B		Pre	A09A, A11B	15	TPN, VTPN	
	Pre	A09A, A11B	Q72.6	08	I33Z, I76A, I76B	Pre	A09A, A11B	
Q68.2	08	I77Z		15	P65C, P66C, P67B, P67C	Q75.5	08	I76A, I76B
	15	P65C, P66C, P67B, P67C	Q72.7	08	I33Z, I76A, I76B	15	TPN, VTPN	
	Pre	A09A, A11B		Pre	A09A, A11B	Pre	A09A, A11B	
Q68.3	08	I76A, I76B	Q72.8	08	I33Z, I76A, I76B	Q75.6	08	I76A, I76B
	Pre	A09A, A11B		15	P65C, P66C, P67B, P67C	15	TPN, VTPN	
Q68.4	08	I76A, I76B	Q72.9	08	I33Z, I76A, I76B	Pre	A09A, A11B	
	Pre	A09A, A11B		15	P65C, P66C, P67B, P67C	Q75.7	08	I76A, I76B
Q68.5	08	I76A, I76B		Pre	A09A, A11B	15	TPN, VTPN	
	Pre	A09A, A11B	Q73.0	08	I33Z, I76A, I76B	Pre	A09A, A11B	
Q68.8	08	I76A, I76B		15	P65C, P66C, P67B, P67C	Q75.8	08	I76A, I76B
	Pre	A09A, A11B	Q73.1	08	I33Z, I76A, I76B	15	TPN, VTPN	
				Pre	A09A, A11B	Pre	A09A, A11B	
				15	P65C, P66C, P67B, P67C	Q75.9	08	I76A, I76B
				Pre	A09A, A11B	15	TPN, VTPN	
						Pre	A09A, A11B	
						Q76.0	01	B03A, B03B, B06A, B06B, B17A, B17B, B17C, B17D, B81A, B81B
						Pre	A09A, A11B	

ICD	MDC	DRG	ICD	MDC	DRG	ICD	MDC	DRG
Q76.1	08	I76A, I76B	Q78.1	08	I76A, I76B	Q80.0	09	J08A, J08B, J08C, J61A, J61B, J61C, J68A, J68B
	15	TPN, VTPN		15	TPN, VTPN		15	TPN, VTPN
	Pre	A09A, A11B		Pre	A07D, A09A, A09E, A11B, A11F, A13F		Pre	A07D, A09A, A09E, A11B, A11F, A13F
Q76.21	08	I68A, I68B, I68C, I68D, I68E	Q78.2	08	I76A, I76B	Q80.1	09	J08A, J08B, J08C, J61A, J61B, J61C, J68A, J68B
	Pre	A09A, A11B		15	TPN, VTPN		15	TPN, VTPN
Q76.22	08	I68A, I68B, I68C, I68D, I68E		Pre	A07D, A09A, A09E, A11B, A11F, A13F		Pre	A07D, A09A, A09E, A11B, A11F, A13F
	Pre	A09A, A11B	Q78.3	08	I76A, I76B	Q80.2	09	J08A, J08B, J08C, J61A, J61B, J61C, J68A, J68B
Q76.3	08	I68A, I68B, I68C, I68D, I68E		15	TPN, VTPN		15	TPN, VTPN
	15	P65C, P66C, P67B, P67C		Pre	A07D, A09A, A09E, A11B, A11F, A13F		Pre	A07D, A09A, A09E, A11B, A11F, A13F
	Pre	A09A, A11B	Q78.4	08	I76A, I76B	Q80.3	09	J08A, J08B, J08C, J61A, J61B, J61C, J68A, J68B
Q76.4	08	I68A, I68B, I68C, I68D, I68E		15	TPN, VTPN		15	TPN, VTPN
	15	P65C, P66C, P67B, P67C		Pre	A07D, A09A, A09E, A11B, A11F, A13F		Pre	A07D, A09A, A09E, A11B, A11F, A13F
	Pre	A09A, A11B	Q78.5	08	I76A, I76B	Q80.4	09	J08A, J08B, J08C, J61A, J61B, J61C, J68A, J68B
Q76.5	08	I76A, I76B		15	TPN, VTPN		15	TPN, VTPN
	Pre	A09A, A11B		Pre	A07D, A09A, A09E, A11B, A11F, A13F		Pre	A07D, A09A, A09E, A11B, A11F, A13F
Q76.6	04	E75A, E75B, E75C	Q78.6	08	I76A, I76B	Q80.8	09	J08A, J08B, J08C, J61A, J61B, J61C, J68A, J68B
	Pre	A09A, A11B		15	TPN, VTPN		15	TPN, VTPN
Q76.7	04	E75A, E75B, E75C		Pre	A07D, A09A, A09E, A11B, A11F, A13F		Pre	A07D, A09A, A09E, A11B, A11F, A13F
	Pre	A09A, A11B	Q78.8	08	I76A, I76B	Q80.9	09	J08A, J08B, J08C, J61A, J61B, J61C, J68A, J68B
Q76.8	08	I76A, I76B		15	TPN, VTPN		15	TPN, VTPN
	Pre	A09A, A11B		Pre	A07D, A09A, A09E, A11B, A11F, A13F		Pre	A07D, A09A, A09E, A11B, A11F, A13F
Q76.9	08	I76A, I76B	Q78.9	08	I76A, I76B	Q81.0	09	J67A, J67B, J68A
	Pre	A09A, A11B		15	TPN, VTPN		Pre	A07D, A09A, A09E, A11B, A11F, A13F
Q77.0	08	I76A, I76B		Pre	A07D, A09A, A09E, A11B, A11F, A13F	Q81.1	09	J61A, J61B, J61C, J68A
	15	TPN, VTPN		Pre	A07D, A09A, A09E, A11B, A11F, A13F		Pre	A07D, A09A, A09E, A11B, A11F, A13F
	Pre	A07D, A09A, A09E, A11B, A11F, A13F	Q79.0	04	E75A, E75B, E75C	Q81.2	09	J61A, J61B, J61C, J68A
Q77.1	08	I76A, I76B		06	G18A, G38Z		Pre	A07D, A09A, A09E, A11B, A11F, A13F
	15	TPN, VTPN		15	TPN, VTPN	Q81.8	09	J67A, J67B, J68A
	Pre	A07D, A09A, A09E, A11B, A11F, A13F		Pre	A07D, A09A, A09E, A11B, A11F, A13F		Pre	A07D, A09A, A09E, A11B, A11F, A13F
Q77.2	08	I76A, I76B	Q79.1	04	E75A, E75B, E75C	Q81.9	09	J67A, J67B, J68A
	15	TPN, VTPN		15	TPN, VTPN		Pre	A07D, A09A, A09E, A11B, A11F, A13F
	Pre	A07D, A09A, A09E, A11B, A11F, A13F		Pre	A07D, A09A, A09E, A11B, A11F, A13F	Q82.0	09	J02A, J02B, J02C, J03A, J03B, J04A, J04B, J08A, J08B, J08C, J67A, J67B, J68A, J68B
Q77.3	08	I76A, I76B		06	G18A, G38Z, G46A, G46B, G46C, G50Z, G71Z		15	P65C, P66C, P67B, P67C
	15	TPN, VTPN		15	TPN, VTPN		Pre	A07D, A09A, A09E, A11B, A11F, A13F
	Pre	A07D, A09A, A09E, A11B, A11F, A13F	Q79.2	06	G18A, G38Z, G46A, G46B, G46C, G50Z, G71Z	Q82.1	09	J61A, J61B, J61C, J68A, J68B
Q77.4	08	I76A, I76B		15	TPN, VTPN		Pre	A07D, A09A, A09E, A11B, A11F, A13F
	15	TPN, VTPN		Pre	A07D, A09A, A09E, A11B, A11F, A13F	Q82.2	09	J67A, J67B, J68A, J68B
	Pre	A07D, A09A, A09E, A11B, A11F, A13F	Q79.3	06	G18A, G38Z, G46A, G46B, G46C, G50Z, G71Z		Pre	A07D, A09A, A09E, A11B, A11F, A13F
Q77.5	08	I76A, I76B		15	TPN, VTPN	Q82.3	09	J67A, J67B, J68A, J68B
	15	TPN, VTPN		Pre	A07D, A09A, A09E, A11B, A11F, A13F		Pre	A07D, A09A, A09E, A11B, A11F, A13F
	Pre	A07D, A09A, A09E, A11B, A11F, A13F	Q79.4	06	G18A, G38Z, G46A, G46B, G46C, G50Z, G71Z	Q82.4	09	J67A, J67B, J68A, J68B
Q77.6	08	I76A, I76B		15	TPN, VTPN		15	TPN, VTPN
	15	TPN, VTPN		Pre	A07D, A09A, A09E, A11B, A11F, A13F	Q82.5	09	J67A, J67B, J68A, J68B
	Pre	A07D, A09A, A09E, A11B, A11F, A13F	Q79.5	06	G18A, G38Z, G46A, G46B, G46C, G50Z, G71Z		Pre	A09A, A11B
Q77.7	08	I76A, I76B		15	TPN, VTPN		Pre	A09A, A11B
	15	TPN, VTPN		Pre	A07D, A09A, A09E, A11B, A11F, A13F		Pre	A09A, A11B
	Pre	A07D, A09A, A09E, A11B, A11F, A13F	Q79.6	08	I76A, I76B		Pre	A09A, A11B
Q77.8	08	I76A, I76B		15	TPN, VTPN		Pre	A09A, A11B
	15	TPN, VTPN		Pre	A07D, A09A, A09E, A11B, A11F, A13F		Pre	A09A, A11B
	Pre	A07D, A09A, A09E, A11B, A11F, A13F	Q79.8	08	I76A, I76B		Pre	A09A, A11B
Q77.9	08	I76A, I76B		15	TPN, VTPN		Pre	A09A, A11B
	15	TPN, VTPN		Pre	A07D, A09A, A09E, A11B, A11F, A13F		Pre	A09A, A11B
	Pre	A07D, A09A, A09E, A11B, A11F, A13F	Q79.9	08	I76A, I76B		Pre	A09A, A11B
Q78.0	08	I76A, I76B		15	TPN, VTPN		Pre	A09A, A11B
	15	TPN, VTPN		Pre	A07D, A09A, A09E, A11B, A11F, A13F		Pre	A09A, A11B
	Pre	A07D, A09A, A09E, A11B, A11F, A13F		Pre	A07D, A09A, A09E, A11B, A11F, A13F		Pre	A09A, A11B

ICD	MDC	DRG	ICD	MDC	DRG	ICD	MDC	DRG
Q82.8	09	J67A, J67B, J68A, J68B	Q86.8	15	TPN, VTPN	Q89.9	23	Z65Z
	Pre	A09A, A11B		23	Z65Z		Pre	A07D, A09A, A09E, A11B, A11F, A13F
Q82.9	09	J67A, J67B, J68A, J68B		Pre	A07D, A09A, A09E, A11B, A11F, A13F	Q90.0	01	B81A, B81B
	Pre	A09A, A11B	Q87.0	04	E77A, E77B		06	G18A, G38Z
Q83.0	09	J67A, J67B		06	G18A, G38Z		15	TPN, VTPN
	Pre	A09A, A11B		15	TPN, VTPN		Pre	A07D, A09A, A09E, A11B, A11F, A13F
Q83.1	09	J67A, J67B		Pre	A07D, A09A, A09E, A11B, A11F, A13F	Q90.1	01	B81A, B81B
	Pre	A09A, A11B	Q87.1	04	E77A, E77B		06	G18A, G38Z
Q83.2	09	J67A, J67B		06	G18A, G38Z		15	TPN, VTPN
	Pre	A09A, A11B		15	TPN, VTPN		Pre	A07D, A09A, A09E, A11B, A11F, A13F
Q83.3	09	J67A, J67B		Pre	A07D, A09A, A09E, A11B, A11F, A13F	Q90.2	01	B81A, B81B
	Pre	A09A, A11B	Q87.2	04	E77A, E77B		06	G18A, G38Z
Q83.8	09	J01Z, J67A, J67B		06	G18A, G38Z		15	TPN, VTPN
	Pre	A09A, A11B		15	TPN, VTPN		Pre	A07D, A09A, A09E, A11B, A11F, A13F
Q83.9	09	J67A, J67B		Pre	A07D, A09A, A09E, A11B, A11F, A13F	Q90.9	01	B81A, B81B
	Pre	A09A, A11B	Q87.3	04	E77A, E77B		06	G18A, G38Z
Q84.0	09	J67A, J67B, J68A, J68B		06	G18A, G38Z		15	TPN, VTPN
	Pre	A09A, A11B		15	TPN, VTPN		Pre	A07D, A09A, A09E, A11B, A11F, A13F
Q84.1	09	J67A, J67B, J68A, J68B		Pre	A07D, A09A, A09E, A11B, A11F, A13F	Q91.0	01	B81A, B81B
	Pre	A09A, A11B	Q87.4	04	E77A, E77B		06	G18A, G38Z
Q84.2	09	J67A, J67B, J68A, J68B		06	G18A, G38Z		15	TPN, VTPN
	Pre	A09A, A11B		15	TPN, VTPN		Pre	A07D, A09A, A09E, A11B, A11F, A13F
Q84.3	09	J67A, J67B, J68A, J68B		Pre	A07D, A09A, A09E, A11B, A11F, A13F	Q91.0	01	B81A, B81B
	Pre	A09A, A11B	Q87.5	04	E77A, E77B		06	G18A, G38Z
Q84.4	09	J67A, J67B, J68A, J68B		06	G18A, G38Z		15	TPN, VTPN
	Pre	A09A, A11B		15	TPN, VTPN		Pre	A07D, A09A, A09E, A11B, A11F, A13F
Q84.5	09	J67A, J67B, J68A, J68B		23	Z65Z	Q91.1	01	B81A, B81B
	Pre	A09A, A11B		Pre	A07D, A09A, A09E, A11B, A11F, A13F		06	G18A, G38Z
Q84.6	09	J67A, J67B, J68A, J68B		Pre	A07D, A09A, A09E, A11B, A11F, A13F		15	TPN, VTPN
	Pre	A09A, A11B	Q87.8	04	E77A, E77B		Pre	A07D, A09A, A09E, A11B, A11F, A13F
Q84.8	09	J67A, J67B, J68A, J68B		06	G18A, G38Z	Q91.2	01	B81A, B81B
	Pre	A09A, A11B		15	TPN, VTPN		06	G18A, G38Z
Q84.9	09	J67A, J67B, J68A, J68B		Pre	A07D, A09A, A09E, A11B, A11F, A13F		15	TPN, VTPN
	Pre	A09A, A11B	Q89.0	15	P65C, P66C, P67B, P67C		Pre	A07D, A09A, A09E, A11B, A11F, A13F
Q85.0	01	B81A, B81B		16	Q60A, Q60B, Q60C	Q91.3	01	B81A, B81B
	15	TPN, VTPN		Pre	A07D, A09A, A09E, A11B, A11F, A13F		06	G18A, G38Z
	Pre	A07D, A09A, A09E, A11B, A11F, A13F	Q89.1	10	K64A, K64B, K64C, K64D		15	TPN, VTPN
Q85.1	01	B03A, B03B, B06A, B06B, B17A, B17B, B17C, B17D, B81A, B81B		15	TPN, VTPN		Pre	A07D, A09A, A09E, A11B, A11F, A13F
	15	TPN, VTPN		Pre	A07D, A09A, A09E, A11B, A11F, A13F	Q91.4	01	B81A, B81B
	Pre	A07D, A09A, A09E, A11B, A11F, A13F	Q89.2	10	K64A, K64B, K64C, K64D		06	G18A, G38Z
Q85.8	15	TPN, VTPN		Pre	A07D, A09A, A09E, A11B, A11F, A13F		15	TPN, VTPN
	17	R04A, R04B, R12A, R12B, R12C, R13Z, R14Z, R62A, R62B, R62C	Q89.3	06	G18A, G38Z, G46A, G46B, G46C, G50Z, G71Z		Pre	A07D, A09A, A09E, A11B, A11F, A13F
	Pre	A07D, A09A, A09E, A11B, A11F, A13F		15	P65C, P66C, P67B, P67C	Q91.5	01	B81A, B81B
Q85.9	15	TPN, VTPN		Pre	A09A, A11B		06	G18A, G38Z
	17	R04A, R04B, R12A, R12B, R12C, R13Z, R14Z, R62A, R62B, R62C	Q89.4	06	G18A, G38Z		15	TPN, VTPN
	Pre	A07D, A09A, A09E, A11B, A11F, A13F		15	TPN, VTPN		Pre	A07D, A09A, A09E, A11B, A11F, A13F
Q86.0	06	G18A, G38Z		23	Z65Z	Q91.6	01	B81A, B81B
	23	Z65Z		Pre	A07D, A09A, A09E, A11B, A11F, A13F, A22Z		06	G18A, G38Z
	Pre	A07D, A09A, A09E, A11B, A11F, A13F	Q89.7	15	TPN, VTPN		15	TPN, VTPN
Q86.1	15	TPN, VTPN		23	Z65Z		Pre	A07D, A09A, A09E, A11B, A11F, A13F
	23	Z65Z		Pre	A07D, A09A, A09E, A11B, A11F, A13F	Q91.7	01	B81A, B81B
	Pre	A07D, A09A, A09E, A11B, A11F, A13F	Q89.8	15	TPN, VTPN		06	G18A, G38Z
Q86.2	15	TPN, VTPN		23	Z65Z		15	TPN, VTPN
	23	Z65Z		Pre	A07D, A09A, A09E, A11B, A11F, A13F		23	Z64A, Z64B
	Pre	A07D, A09A, A09E, A11B, A11F, A13F		Pre	A07D, A09A, A09E, A11B, A11F, A13F		Pre	A07D, A09A, A09E, A11B, A11F, A13F

ICD	MDC	DRG	ICD	MDC	DRG	ICD	MDC	DRG
Q92.1	06	G18A, G38Z	Q93.7	01	B81A, B81B	Q96.4	12	M64Z
	15	TPN, VTPN		15	TPN, VTPN		13	N04Z, N05A, N05B, N14Z, N21Z, N25Z, N62A, N62B
	23	Z64A, Z64B		Pre	A07D, A09A, A09E, A11B, A11F, A13F		15	P65C, P66C, P67B, P67C
	Pre	A07D, A09A, A09E, A11B, A11F, A13F	Q93.8	01	B81A, B81B	Pre	A07D, A09A, A09E, A11B, A11F, A13F	
Q92.2	06	G18A, G38Z		15	TPN, VTPN	Q96.8	12	M64Z
	15	TPN, VTPN		Pre	A07D, A09A, A09E, A11B, A11F, A13F		13	N04Z, N05A, N05B, N14Z, N21Z, N25Z, N62A, N62B
	23	Z64A, Z64B	Q93.9	01	B81A, B81B		15	P65C, P66C, P67B, P67C
	Pre	A07D, A09A, A09E, A11B, A11F, A13F		15	TPN, VTPN	Pre	A07D, A09A, A09E, A11B, A11F, A13F	
Q92.3	06	G18A, G38Z	Pre	A07D, A09A, A09E, A11B, A11F, A13F	Q95.0	23	Z64A, Z64B	
	15	TPN, VTPN		Pre	A07D, A09A, A09E, A11B, A11F, A13F	Pre	A07D, A09A, A09E, A11B, A11F, A13F	
	23	Z64A, Z64B	Q95.1	23	Z64A, Z64B	Q96.9	12	M64Z
	Pre	A07D, A09A, A09E, A11B, A11F, A13F		Pre	A07D, A09A, A09E, A11B, A11F, A13F		13	N04Z, N05A, N05B, N14Z, N21Z, N25Z, N62A, N62B
Q92.4	15	TPN, VTPN	Pre	A07D, A09A, A09E, A11B, A11F, A13F	Q95.2	15	TPN, VTPN	
	23	Z64A, Z64B	Q95.2	23	Z64A, Z64B		13	N04Z, N05A, N05B, N14Z, N21Z, N25Z, N62A, N62B
	Pre	A07D, A09A, A09E, A11B, A11F, A13F		Pre	A07D, A09A, A09E, A11B, A11F, A13F		15	P65C, P66C, P67B, P67C
Q92.5	15	TPN, VTPN	Pre	A07D, A09A, A09E, A11B, A11F, A13F	Q95.3	15	TPN, VTPN	
	23	Z64A, Z64B	Q95.3	23	Z64A, Z64B		Pre	A07D, A09A, A09E, A11B, A11F, A13F
	Pre	A07D, A09A, A09E, A11B, A11F, A13F		Pre	A07D, A09A, A09E, A11B, A11F, A13F	Q97.1	12	M64Z
Q92.6	15	TPN, VTPN	Q95.4	15	TPN, VTPN		13	N04Z, N05A, N05B, N14Z, N21Z, N25Z, N62A, N62B
	23	Z64A, Z64B		23	Z64A, Z64B		15	P65C, P66C, P67B, P67C
	Pre	A07D, A09A, A09E, A11B, A11F, A13F	Pre	A07D, A09A, A09E, A11B, A11F, A13F	Q95.5	15	TPN, VTPN	
Q92.7	15	TPN, VTPN	Pre	A07D, A09A, A09E, A11B, A11F, A13F		23	Z64A, Z64B	
	23	Z64A, Z64B	Q95.5	23	Z64A, Z64B		Pre	A07D, A09A, A09E, A11B, A11F, A13F
	Pre	A07D, A09A, A09E, A11B, A11F, A13F		Pre	A07D, A09A, A09E, A11B, A11F, A13F	Q97.2	12	M64Z
Q92.8	15	TPN, VTPN	Pre	A07D, A09A, A09E, A11B, A11F, A13F	Q95.8	15	TPN, VTPN	
	23	Z64A, Z64B	Q95.8	23	Z64A, Z64B		13	N04Z, N05A, N05B, N14Z, N21Z, N25Z, N62A, N62B
	Pre	A07D, A09A, A09E, A11B, A11F, A13F		Pre	A07D, A09A, A09E, A11B, A11F, A13F		15	P65C, P66C, P67B, P67C
Q92.9	15	TPN, VTPN	Pre	A07D, A09A, A09E, A11B, A11F, A13F	Q95.9	15	TPN, VTPN	
	23	Z64A, Z64B	Q95.9	23	Z64A, Z64B		Pre	A07D, A09A, A09E, A11B, A11F, A13F
	Pre	A07D, A09A, A09E, A11B, A11F, A13F		Pre	A07D, A09A, A09E, A11B, A11F, A13F	Q97.3	12	M64Z
Q93.0	01	B81A, B81B	Q96.0	12	M64Z		13	N04Z, N05A, N05B, N14Z, N21Z, N25Z, N62A, N62B
	15	TPN, VTPN		13	N04Z, N05A, N05B, N14Z, N21Z, N25Z, N62A, N62B		15	P65C, P66C, P67B, P67C
	Pre	A07D, A09A, A09E, A11B, A11F, A13F		15	P65C, P66C, P67B, P67C	Pre	A07D, A09A, A09E, A11B, A11F, A13F	
Q93.1	01	B81A, B81B	Pre	A07D, A09A, A09E, A11B, A11F, A13F	Q96.1	12	M64Z	
	15	TPN, VTPN	Q96.1	13	N04Z, N05A, N05B, N14Z, N21Z, N25Z, N62A, N62B		13	N04Z, N05A, N05B, N14Z, N21Z, N25Z, N62A, N62B
	Pre	A07D, A09A, A09E, A11B, A11F, A13F		15	P65C, P66C, P67B, P67C		15	P65C, P66C, P67B, P67C
Q93.2	01	B81A, B81B	Pre	A07D, A09A, A09E, A11B, A11F, A13F	Q96.2	12	M64Z	
	15	TPN, VTPN	Q96.2	13	N04Z, N05A, N05B, N14Z, N21Z, N25Z, N62A, N62B		13	N04Z, N05A, N05B, N14Z, N21Z, N25Z, N62A, N62B
	Pre	A07D, A09A, A09E, A11B, A11F, A13F		15	P65C, P66C, P67B, P67C		15	P65C, P66C, P67B, P67C
Q93.3	01	B81A, B81B	Pre	A07D, A09A, A09E, A11B, A11F, A13F	Q96.3	12	M64Z	
	15	TPN, VTPN	Q96.3	13	N04Z, N05A, N05B, N14Z, N21Z, N25Z, N62A, N62B		13	N04Z, N05A, N05B, N14Z, N21Z, N25Z, N62A, N62B
	Pre	A07D, A09A, A09E, A11B, A11F, A13F		15	P65C, P66C, P67B, P67C		15	P65C, P66C, P67B, P67C
Q93.4	01	B81A, B81B	Pre	A07D, A09A, A09E, A11B, A11F, A13F		15	P65C, P66C, P67B, P67C	
	15	TPN, VTPN	Q96.3	15	P65C, P66C, P67B, P67C	Q98.0	12	M64Z
	Pre	A07D, A09A, A09E, A11B, A11F, A13F		Pre	A07D, A09A, A09E, A11B, A11F, A13F		13	N04Z, N05A, N05B, N14Z, N21Z, N25Z, N62A, N62B
Q93.5	01	B81A, B81B		Pre	A07D, A09A, A09E, A11B, A11F, A13F		15	P65C, P66C, P67B, P67C
	15	TPN, VTPN		Q96.3	12	M64Z	Pre	A07D, A09A, A09E, A11B, A11F, A13F
	Pre	A07D, A09A, A09E, A11B, A11F, A13F		13	N04Z, N05A, N05B, N14Z, N21Z, N25Z, N62A, N62B	Q98.1	12	M64Z
Q93.6	01	B81A, B81B		15	P65C, P66C, P67B, P67C		13	N04Z, N05A, N05B, N14Z, N21Z, N25Z, N62A, N62B
	15	TPN, VTPN		Pre	A07D, A09A, A09E, A11B, A11F, A13F		15	P65C, P66C, P67B, P67C
	Pre	A07D, A09A, A09E, A11B, A11F, A13F		Q96.3	15	P65C, P66C, P67B, P67C	Pre	A07D, A09A, A09E, A11B, A11F, A13F

ICD	MDC	DRG	ICD	MDC	DRG	ICD	MDC	DRG
Q98.2	12	M64Z	R00.1	05	F71A, F71B	R13.0	06	G46A, G46B, G46C, G50Z, G67A, G67B, G67C, G67D
	13	N04Z, N05A, N05B, N14Z, N21Z, N25Z, N62A, N62B	R00.2	05	F71A, F71B	R13.1	06	G46A, G46B, G46C, G50Z, G67A, G67B, G67C, G67D
	15	P65C, P66C, P67B, P67C	R00.8	05	F75A, F75B, F75C, F75D		R13.9	06
	Pre	A07D, A09A, A09E, A11B, A11F, A13F	R01.0	05	F69A, F69B	R14		06
Q98.3	12	M64Z	R01.1	05	F69A, F69B	R15	06	G46A, G46B, G46C, G50Z, G67A, G67B, G67C, G67D
	13	N04Z, N05A, N05B, N14Z, N21Z, N25Z, N62A, N62B	R01.2	05	F75A, F75B, F75C, F75D		R16.0	07
	15	P65C, P66C, P67B, P67C	R02	05	F65A, F65B	18A		S65A, S65B
	Pre	A07D, A09A, A09E, A11B, A11F, A13F	R03.0	05	F75A, F75B, F75C, F75D	R16.1	16	Q60A, Q60B, Q60C
Q98.4	12	M64Z	R03.1	05	F75A, F75B, F75C, F75D	R16.2	18A	S65A, S65B
	13	N04Z, N05A, N05B, N14Z, N21Z, N25Z, N62A, N62B	R04.0	03	D62Z		R17	07
	15	P65C, P66C, P67B, P67C	R04.1	03	D62Z	R18		23
	Pre	A07D, A09A, A09E, A11B, A11F, A13F	R04.2	04	E75A, E75B, E75C	R19.0	06	G46A, G46B, G46C, G50Z, G67A, G67B, G67C, G67D
Q98.5	12	M64Z	R04.8	04	E75A, E75B, E75C	R19.1	06	G46A, G46B, G46C, G50Z, G67A, G67B, G67C, G67D
	13	N04Z, N05A, N05B, N14Z, N21Z, N25Z, N62A, N62B	R04.9	04	E69A, E69B, E69C, E69D, E69E, E69F		R19.2	06
	15	P65C, P66C, P67B, P67C	R05	04	E69A, E69B, E69C, E69D, E69E, E69F	R19.3		06
	Pre	A07D, A09A, A09E, A11B, A11F, A13F	R06.0	04	E69A, E69B, E69C, E69D, E69E, E69F		R19.4	06
Q98.6	12	M64Z	R06.1	04	E69A, E69B, E69C, E69D, E69E, E69F	R19.5	06	G46A, G46B, G46C, G50Z, G67A, G67B, G67C, G67D
	13	N04Z, N05A, N05B, N14Z, N21Z, N25Z, N62A, N62B		18A	S65A, S65B		R19.6	03
	15	P65C, P66C, P67B, P67C	R06.2	04	E69A, E69B, E69C, E69D, E69E, E69F	R19.8		06
	Pre	A07D, A09A, A09E, A11B, A11F, A13F	R06.3	04	E69A, E69B, E69C, E69D, E69E, E69F	R20.0	01	B20D, B81A, B81B
Q98.7	12	M64Z	R06.4	04	E69A, E69B, E69C, E69D, E69E, E69F	R20.1	01	B20D, B81A, B81B
	13	N04Z, N05A, N05B, N14Z, N21Z, N25Z, N62A, N62B	R06.5	03	D66Z	R20.2	01	B20D, B81A, B81B
	15	P65C, P66C, P67B, P67C		04	E75A, E75B, E75C	R20.3	01	B20D, B81A, B81B
	Pre	A07D, A09A, A09E, A11B, A11F, A13F	R06.6	03	D66Z	R20.8	01	B20D, B81A, B81B
Q98.8	12	M64Z	R06.7	03	D66Z	R21	09	J67A, J67B, J68A, J68B
	13	N04Z, N05A, N05B, N14Z, N21Z, N25Z, N62A, N62B	R06.80	01	B81A, B81B	18A	S65A, S65B	
	15	P65C, P66C, P67B, P67C	R06.88	15	P65C, P66C, P67B, P67C	R22.0	09	J67A, J67B, J68A, J68B
	Pre	A07D, A09A, A09E, A11B, A11F, A13F		04	E69A, E69B, E69C, E69D, E69E, E69F	R22.1	09	J67A, J67B, J68A, J68B
Q98.9	12	M64Z	R07.0	18A	S65A, S65B	R22.2	09	J67A, J67B, J68A, J68B
	13	N04Z, N05A, N05B, N14Z, N21Z, N25Z, N62A, N62B	R07.1	04	E69A, E69B, E69C, E69D, E69E, E69F	R22.3	09	J67A, J67B, J68A, J68B
	15	P65C, P66C, P67B, P67C	R07.2	05	F74Z	R22.4	09	J67A, J67B, J68A, J68B
	Pre	A07D, A09A, A09E, A11B, A11F, A13F	R07.3	05	F74Z	R22.7	09	J67A, J67B, J68A, J68B
Q99.0	10	K64A, K64B, K64C, K64D	R07.4	05	F74Z	R22.9	09	J67A, J67B, J68A, J68B
	15	TPN, VTPN	R09.0	04	E75A, E75B, E75C	R23.0	23	Z65Z
	Pre	A07D, A09A, A09E, A11B, A11F, A13F	R09.1	04	E65A, E65B, E69A, E69B, E69C, E69D, E69E, E69F	R23.1	23	Z65Z
	Pre	A07D, A09A, A09E, A11B, A11F, A13F		04	E75A, E75B, E75C	R23.2	23	Z65Z
Q99.1	10	K64A, K64B, K64C, K64D	R09.2	15	P65C, P66C, P67B, P67C	R23.3	16	Q60A, Q60B, Q60C, Q60D, Q60E
	15	TPN, VTPN	R09.3	04	E69A, E69B, E69C, E69D, E69E, E69F	R23.4	09	J67A, J67B, J68A, J68B
	Pre	A07D, A09A, A09E, A11B, A11F, A13F	R09.8	04	E69A, E69B, E69C, E69D, E69E, E69F		R23.8	09
	Pre	A07D, A09A, A09E, A11B, A11F, A13F	R10.0	06	G46A, G46B, G46C, G50Z, G66Z, G72A, G72B	15		P65C, P66C, P67B, P67C
Q99.2	15	TPN, VTPN	R10.1	06	G46A, G46B, G46C, G50Z, G66Z, G72A, G72B	R25.0	01	B81A, B81B
	23	Z65Z		12	M64Z	R25.1	01	B81A, B81B
	Pre	A07D, A09A, A09E, A11B, A11F, A13F	R10.2	13	N04Z, N05A, N05B, N14Z, N21Z, N25Z, N62A, N62B	R25.2	08	I69A, I69B, I71A, I71B
	Pre	A07D, A09A, A09E, A11B, A11F, A13F	R10.3	06	G46A, G46B, G46C, G50Z, G66Z, G72A, G72B	R25.3	01	B81A, B81B
Q99.8	12	M64Z	R10.4	06	G46A, G46B, G46C, G50Z, G66Z, G72A, G72B	R25.8	01	B81A, B81B
	13	N04Z, N05A, N05B, N14Z, N21Z, N25Z, N62A, N62B		06	G46A, G46B, G46C, G50Z, G66Z, G72A, G72B	R26.0	01	B81A, B81B
	15	P65C, P66C, P67B, P67C	R11	06	G46A, G46B, G46C, G50Z, G67A, G67B, G67C, G67D	R26.1	01	B81A, B81B
	Pre	A07D, A09A, A09E, A11B, A11F, A13F		06	G46A, G46B, G46C, G50Z, G67A, G67B, G67C, G67D	R26.2	08	I69A, I69B, I71A, I71B
Q99.9	23	Z65Z	R12	06	G46A, G46B, G46C, G50Z, G67A, G67B, G67C, G67D	R26.3	23	Z64A, Z64B
	Pre	A07D, A09A, A09E, A11B, A11F, A13F	R00.0	05	F71A, F71B	R26.8	01	B81A, B81B
	Pre	A07D, A09A, A09E, A11B, A11F, A13F		R27.0	01	B81A, B81B	R27.8	01
	Pre	A07D, A09A, A09E, A11B, A11F, A13F	R29.0		10	K62A, K62B	R29.0	10

ICD	MDC	DRG	ICD	MDC	DRG	ICD	MDC	DRG
R29.1	01	B81A, B81B	R49.8	03	D66Z	R62.9	10	K62A, K62B
	15	TPN, VTPN	R50.2	18A	S65A, S65B		18A	S65A, S65B
R29.2	01	B81A, B81B		18B	T62A, T62B	R63.0	10	K62A, K62B
R29.3	01	B81A, B81B	R50.80	18A	S65A, S65B	R63.1	10	K62A, K62B
R29.4	08	I69A, I69B, I71A, I71B		18B	T62A, T62B	R63.2	10	K62A, K62B
R29.5	01	B81A, B81B	R50.88	18A	S65A, S65B	R63.3	10	K62A, K62B
R29.6	01	B81A, B81B		18B	T62A, T62B	R63.4	10	K62A, K62B
R29.8	01	B81A, B81B	R50.9	18A	S65A, S65B		18A	S65A, S65B
R30.0	11	L64A, L74Z		18B	T62A, T62B	R63.5	10	K62A, K62B
R30.1	11	L64A, L74Z	R51	01	B20D, B77Z	R63.6	10	K62A, K62B
R30.9	11	L64A, L74Z		18A	S65A, S65B	R63.8	10	K62A, K62B
R31	11	L64A, L74Z	R52.0	23	Z65Z	R64	18A	S65A, S65B
R32	11	L64A, L74Z	R52.1	23	Z65Z		23	Z65Z
R33	11	L64A, L74Z	R52.2	23	Z65Z	R65.0	05	F62A
R34	11	L60A, L60B, L60C, L60D, L71Z	R52.9	23	Z65Z		06	G67A
R35	11	L64A, L74Z	R53	18A	S65A, S65B		15	P65C, P66C, P67B, P67C
R36	11	L64A, L74Z		23	Z65Z		18B	T61A
R39.0	11	L64A, L74Z	R54	01	B63Z		22	Y02A
R39.1	11	L64A, L74Z	R55	05	F73Z	R65.1		KK11, KKI, KKII
R39.2	11	L64A, L74Z	R56.0	01	B75A, B75B		05	F62A
R39.8	11	L64A, L74Z	R56.8	01	B75A, B75B		06	G67A
R40.0	01	B66A, B66B, B66C, B66D		15	TPN, VTPN		07	H06A
R40.1	01	B66A, B66B, B66C, B66D	R57.0	05	F62A, F62B, F62C		10	K62A
R40.2	01	B66A, B66B, B66C, B66D	Pre	A07D, A09E, A11F, A13F		15	P65C, P66C, P67B, P67C	
	15	TPN, VTPN	R57.1	05	F62A		17	R60B, R60C, R61A, R62A, R63B, R63C, R63D, R63F
R41.0	01	B64Z		06	G67A		18B	T61A
R41.1	23	Z65Z		18B	T01B, T60A, T60B, T60C, T60D, T60E, T60F, T61A	R65.2	22	Y02A
R41.2	23	Z65Z		22	Y02A, Y02B		05	F62A
R41.3	23	Z65Z		Pre	A07D, A09E, A11F, A13F		06	G67A
R41.8	23	Z65Z	R57.2	05	F62A		10	K62A
R42	03	D61A, D61B		06	G67A		15	P65C, P66C, P67B, P67C
R43.0	01	B81A, B81B		15	P65C, P66C, P67B, P67C		18B	T61A
R43.1	01	B81A, B81B		18A	S63A, S63B		22	Y02A
R43.2	01	B81A, B81B		18B	T01B, T60A, T60B, T60C, T60D, T60E, T60F, T61A	R65.3		KK11, KKI, KKII
R43.8	01	B81A, B81B		22	Y02A		05	F62A
R44.0	19	U64Z		Pre	A07D, A09E, A11F, A13F		06	G67A
R44.1	02	C63Z	R57.8	05	F62A		07	H06A
R44.2	19	U64Z		06	G67A		10	K62A
R44.3	19	U64Z		18B	T01B, T60A, T60B, T60C, T60D, T60E, T60F, T61A		15	P65C, P66C, P67B, P67C
R44.8	19	U64Z		22	Y02A, Y02B		17	R60B, R60C, R61A, R62A, R63B, R63C, R63D, R63F
R45.0	19	U66Z		Pre	A07D, A09E, A11F, A13F		18B	T61A
R45.1	19	U66Z	R57.9	05	F73Z	R65.9	05	F62A
R45.2	23	Z64A, Z64B		05	F75A, F75B, F75C, F75D		06	G67A
R45.3	23	Z64A, Z64B	R58	05	F75A, F75B, F75C, F75D		15	P65C, P66C, P67B, P67C
R45.4	19	U66Z	R59.0	16	Q60A, Q60B, Q60C, Q60D, Q60E		18B	T61A
R45.5	23	Z64A, Z64B		18A	S65A, S65B		22	Y02A
R45.6	23	Z64A, Z64B		16	Q60A, Q60B, Q60C	R68.0	23	Z65Z
R45.7	19	U66Z	R59.1	18A	S65A, S65B	R68.1	23	Z65Z
R45.8	23	Z64A, Z64B		18A	S65A, S65B	R68.2	03	D66Z
R46.0	23	Z64A, Z64B		23	Z65Z	R68.3	04	E75A, E75B, E75C
R46.1	23	Z64A, Z64B	R59.9	16	Q60A, Q60B, Q60C, Q60D, Q60E	R68.8	23	Z65Z
R46.2	23	Z64A, Z64B		18A	S65A, S65B	R70.0	23	Z65Z
R46.3	23	Z64A, Z64B		23	Z65Z	R70.1	23	Z65Z
R46.4	23	Z64A, Z64B	R60.0	23	Z65Z	R71	16	Q61A, Q61B, Q61C, Q61D, Q61E
R46.5	23	Z64A, Z64B	R60.1	23	Z65Z			
R46.6	23	Z64A, Z64B	R60.9	23	Z65Z	R72	16	Q60A, Q60B, Q60C, Q60D, Q60E
R46.7	23	Z64A, Z64B	R61.0	09	J67A, J67B, J68A, J68B			
R46.8	23	Z64A, Z64B		18A	S65A, S65B	R73.0	10	K62A, K62B
R47.0	01	B81A, B81B	R61.1	09	J67A, J67B, J68A, J68B			
R47.1	01	B81A, B81B		18A	S65A, S65B	R73.9	10	K62A, K62B
R47.8	01	B81A, B81B		18A	S65A, S65B	R74.0	23	Z65Z
R48.0	19	U66Z	R61.9	09	J67A, J67B, J68A, J68B	R74.8	23	Z65Z
R48.1	19	U66Z		18A	S65A, S65B	R74.9	23	Z65Z
R48.2	19	U66Z	R62.0	10	K62A, K62B	R76.0	16	Q60A, Q60B, Q60C, Q60D, Q60E
R48.8	19	U66Z		18A	S65A, S65B			
R49.0	03	D66Z	R62.8	10	K62A, K62B			
	15	P65C, P66C, P67B, P67C		15	P65C, P66C, P67B, P67C			
R49.1	03	D66Z		18A	S65A, S65B			
R49.2	03	D66Z						



ICD	MDC	DRG	ICD	MDC	DRG	ICD	MDC	DRG
R76.1	04	E62A, E62B, E77A, E77B, E77C, E77D, E77E, E77F, E77G	R84.7	23	Z65Z	R94.0	01	B81A, B81B
R76.2	08	I66A, I66B, I66C	R84.8	23	Z65Z	15	P65C, P66C, P67B, P67C	
R76.8	16	Q60A, Q60B, Q60C, Q60D, Q60E	R84.9	23	Z65Z	R94.1	01	B81A, B81B
R76.9	16	Q60A, Q60B, Q60C, Q60D, Q60E	R85.0	06	G46A, G46B, G46C, G50Z, G67A, G67B, G67C, G67D	R94.2	04	E75A, E75B, E75C
R77.0	17	R01A, R01B, R01C, R01D, R03Z, R11A, R11B, R11C, R61A, R61B, R61C, R61D, R61E, R61F, R61G, R61H	R85.1	06	G46A, G46B, G46C, G50Z, G67A, G67B, G67C, G67D	R94.3	05	F75A, F75B, F75C, F75D
R77.1	17	R01A, R01B, R01C, R01D, R03Z, R11A, R11B, R11C, R61A, R61B, R61C, R61D, R61E, R61F, R61G, R61H	R85.2	06	G46A, G46B, G46C, G50Z, G67A, G67B, G67C, G67D	R94.4	11	L64A, L74Z
R77.2	17	R01A, R01B, R01C, R01D, R03Z, R11A, R11B, R11C, R61A, R61B, R61C, R61D, R61E, R61F, R61G, R61H	R85.3	06	G46A, G46B, G46C, G50Z, G67A, G67B, G67C, G67D	R94.5	07	H63A, H63B, H63C, H78Z
R77.8	17	R01A, R01B, R01C, R01D, R03Z, R11A, R11B, R11C, R61A, R61B, R61C, R61D, R61E, R61F, R61G, R61H	R85.4	06	G46A, G46B, G46C, G50Z, G67A, G67B, G67C, G67D	R94.6	10	K64A, K64B, K64C, K64D
R77.9	17	R01A, R01B, R01C, R01D, R03Z, R11A, R11B, R11C, R61A, R61B, R61C, R61D, R61E, R61F, R61G, R61H	R85.5	06	G46A, G46B, G46C, G50Z, G67A, G67B, G67C, G67D	R94.7	10	K64A, K64B, K64C, K64D
R78.1	23	Z65Z	R85.6	06	G46A, G46B, G46C, G50Z, G67A, G67B, G67C, G67D	R94.8	11	L64A, L74Z
R78.2	23	Z65Z	R85.7	06	G46A, G46B, G46C, G50Z, G67A, G67B, G67C, G67D	R95.0	01	B81A, B81B
R78.3	23	Z65Z	R85.8	06	G46A, G46B, G46C, G50Z, G67A, G67B, G67C, G67D	15	P65C, P66C, P67B, P67C	
R78.4	23	Z65Z	R85.9	06	G46A, G46B, G46C, G50Z, G67A, G67B, G67C, G67D	R95.9	01	B81A, B81B
R78.5	23	Z65Z	R86.0	12	M64Z	15	P65C, P66C, P67B, P67C	
R78.6	23	Z65Z	R86.1	12	M64Z	S00.00	09	J65Z
R78.7	23	Z65Z	R86.2	12	M64Z	21A	W61A, W61B	
R78.8	23	Z65Z	R86.3	12	M64Z	S00.01	09	J65Z
R78.9	23	Z65Z	R86.4	12	M64Z	21A	W61A, W61B	
R79.0	23	Z65Z	R86.5	12	M64Z	S00.02	09	J67A, J67B, J68A, J68B
R79.8	23	Z65Z	R86.6	12	M64Z	21A	W61A, W61B	
R79.9	23	Z65Z	R86.7	12	M64Z	S00.03	09	J67A, J67B, J68A, J68B
R80	11	L64A, L74Z	R86.8	12	M64Z	21A	W61A, W61B	
R81	10	K60A, K60B, K60C, K60D, K60E	R86.9	12	M64Z	S00.04	09	J65Z
R82.0	11	L64A, L74Z	R87.0	23	Z65Z	21A	W61A, W61B	
R82.1	23	Z65Z	R87.1	23	Z65Z	S00.05	09	J65Z
R82.2	07	H63A, H63B, H63C, H78Z	R87.2	23	Z65Z	21A	W61A, W61B	
R82.3	11	L64A, L74Z	R87.3	23	Z65Z	S00.08	09	J65Z
R82.4	10	K62A, K62B	R87.4	23	Z65Z	21A	W61A, W61B	
R82.5	11	L64A, L74Z	R87.5	23	Z65Z	S00.1	02	C62Z
R82.6	23	Z65Z	R87.6	13	N04Z, N05A, N05B, N14Z, N21Z, N25Z, N62B	21A	W61A, W61B	
R82.7	11	L64A, L74Z	R87.7	23	Z65Z	S00.1	21A	W61A, W61B
R82.8	11	L64A, L74Z	R87.8	23	Z65Z	S00.20	02	C62Z
R82.9	11	L64A, L74Z	R87.9	23	Z65Z	21A	W61A, W61B	
R83.0	01	B81A, B81B	R89.0	23	Z65Z	S00.21	02	C62Z
R83.1	01	B81A, B81B	R89.1	23	Z65Z	21A	W61A, W61B	
R83.2	01	B81A, B81B	R89.2	23	Z65Z	S00.22	02	C62Z
R83.3	01	B81A, B81B	R89.3	23	Z65Z	21A	W61A, W61B	
R83.4	01	B81A, B81B	R89.4	23	Z65Z	S00.23	02	C62Z
R83.5	01	B81A, B81B	R89.5	23	Z65Z	21A	W61A, W61B	
R83.6	01	B81A, B81B	R89.6	23	Z65Z	S00.24	02	C62Z
R83.7	01	B81A, B81B	R89.7	23	Z65Z	21A	W61A, W61B	
R83.8	01	B81A, B81B	R89.8	23	Z65Z	S00.28	02	C62Z
R83.9	01	B81A, B81B	R89.9	23	Z65Z	21A	W61A, W61B	
R84.0	23	Z65Z	R90.0	01	B81A, B81B	S00.30	09	J65Z
R84.1	23	Z65Z	R90.8	01	B81A, B81B	21A	W61A, W61B	
R84.2	23	Z65Z	R91	04	E69A, E69B, E69C, E69D, E69E, E69F	S00.31	09	J65Z
R84.3	23	Z65Z	R92	09	J67A, J67B	21A	W61A, W61B	
R84.4	23	Z65Z	R93.0	01	B81A, B81B	S00.32	09	J67A, J67B, J68A, J68B
R84.5	23	Z65Z	R93.1	05	F66A, F66B	21A	W61A, W61B	
R84.6	23	Z65Z	R93.2	07	H64Z	S00.33	09	J67A, J67B, J68A, J68B
			R93.3	06	G46A, G46B, G46C, G50Z, G67A, G67B, G67C, G67D	21A	W61A, W61B	
			R93.4	11	L64A, L74Z	S00.34	09	J65Z
			R93.5	06	G46A, G46B, G46C, G50Z, G67A, G67B, G67C, G67D	21A	W61A, W61B	
			R93.6	08	I76A, I76B	S00.35	09	J65Z
			R93.7	08	I76A, I76B	S00.38	09	J65Z
			R93.8	23	Z65Z	21A	W61A, W61B	
						S00.40	09	J65Z
						21A	W61A, W61B	
						S00.41	09	J65Z
						21A	W61A, W61B	
						S00.42	09	J67A, J67B, J68A, J68B
						21A	W61A, W61B	
						S00.43	09	J67A, J67B, J68A, J68B
						21A	W61A, W61B	
						S00.44	09	J65Z
						21A	W61A, W61B	
						S00.45	09	J65Z
						21A	W61A, W61B	

ICD	MDC	DRG	ICD	MDC	DRG	ICD	MDC	DRG
S00.48	09	J65Z	S01.35	03	D66Z	S01.88		PTR
	21A	W61A, W61B		15	TPN, VTPN	08		I02A, I02B, I02C, I02D, I08A, I08B, I08C, I08D, I08E, I13A, I13B, I13C, I20A, I20B, I20C, I22A
S00.50	09	J65Z		21A	W61A, W61B		21A	W61A, W61B
	21A	W61A, W61B	S01.36	03	D66Z		21B	X01A, X01B
S00.51	09	J65Z		15	TPN, VTPN	S01.89		PTR
	21A	W61A, W61B		21A	W61A, W61B	08		I02A, I02B, I02C, I02D, I08A, I08B, I08C, I08D, I08E, I13A, I13B, I13C, I20A, I20B, I20C, I22A
S00.52	09	J67A, J67B, J68A, J68B	S01.37	03	D66Z		21A	W61A, W61B
	21A	W61A, W61B		15	TPN, VTPN		21B	X01A, X01B
S00.53	09	J67A, J67B, J68A, J68B		21A	W61A, W61B			PTR
	21A	W61A, W61B	S01.38	03	D66Z		08	I02A, I02B, I02C, I02D, I08A, I08B, I08C, I08D, I08E, I13A, I13B, I13C, I20A, I20B, I20C, I22A
S00.54	09	J65Z		15	TPN, VTPN		21A	W61A, W61B
	21A	W61A, W61B		21A	W61A, W61B		21B	X01A, X01B
S00.55	09	J65Z	S01.39	03	D66Z	S01.9	21A	W61A, W61B
	21A	W61A, W61B		15	TPN, VTPN		21B	X60Z
S00.58	09	J65Z		21A	W61A, W61B	S02.0		PTR
	21A	W61A, W61B	S01.41	21A	W61A, W61B	01		B20D, B79Z
S00.7	09	J65Z		21B	X60Z	15		TPN, VTPN
	21A	W61A, W61B	S01.42	03	D40Z, D67Z	21A		W61A, W61B
S00.80	09	J65Z		21A	W61A, W61B	S02.1		PTR
	21A	W61A, W61B	S01.43	03	D40Z, D67Z	01		B20D, B79Z
S00.81	09	J65Z		21A	W61A, W61B	15		TPN, VTPN
	15	P65C, P66C, P67B, P67C	S01.49	21A	W61A, W61B	21A		W61A
	21A	W61A, W61B		21B	X60Z	Pre		A07D, A09E, A11F, A13F
S00.82	09	J67A, J67B, J68A, J68B	S01.50	03	D40Z, D67Z	S02.2		PTR
	21A	W61A, W61B		15	TPN, VTPN	03		D65Z
S00.83	09	J67A, J67B, J68A, J68B		21A	W61A, W61B	15		TPN, VTPN
	21A	W61A, W61B	S01.51	03	D40Z, D67Z	21A		W61A, W61B
S00.84	09	J65Z		21A	W61A, W61B	S02.3		PTR
	21A	W61A, W61B	S01.52	03	D40Z, D67Z	01		B20D, B79Z
S00.85	09	J65Z		15	TPN, VTPN	15		TPN, VTPN
	21A	W61A, W61B		21A	W61A, W61B	21A		W61A, W61B
S00.88	09	J65Z	S01.53	03	D40Z, D67Z	Pre		A07D, A09E, A11F, A13F
	21A	W61A, W61B		15	TPN, VTPN	S02.4		PTR
S00.90	09	J65Z		21A	W61A, W61B	03		D40Z, D67Z
	21A	W61A, W61B	S01.54	03	D40Z, D67Z	15		TPN, VTPN
S00.91	09	J65Z		15	TPN, VTPN	21A		W61A, W61B
	21A	W61A, W61B		21A	W61A, W61B	S02.5		PTR
S00.92	09	J67A, J67B, J68A, J68B	S01.55	03	D40Z, D67Z	03		D40Z, D67Z
	21A	W61A, W61B		15	TPN, VTPN	21A		W61A, W61B
S00.93	09	J67A, J67B, J68A, J68B		21A	W61A, W61B	S02.60		PTR
	21A	W61A, W61B	S01.59	03	D40Z, D67Z	03		D40Z, D67Z
S00.94	09	J65Z		15	TPN, VTPN	15		TPN, VTPN
	21A	W61A, W61B		21A	W61A, W61B	21A		W61A, W61B
S00.95	09	J65Z	S01.7	21A	W61A, W61B	S02.61		PTR
	21A	W61A, W61B		21B	X60Z	03		D40Z, D67Z
S00.98	09	J65Z	S01.80	21A	W61A, W61B	15		TPN, VTPN
	21A	W61A, W61B		21B	X60Z	21A		W61A, W61B
S01.0	21A	W61A, W61B	S01.83		PTR	S02.62		PTR
	21B	X60Z		08	I02A, I02B, I02C, I02D, I08A, I08B, I08C, I08D, I08E, I13A, I13B, I13C, I20A, I20B, I20C, I22A	03		D40Z, D67Z
S01.1	02	C62Z		21A	W61A, W61B	15		TPN, VTPN
	21A	W61A, W61B		21B	X01A, X01B	21A		W61A, W61B
S01.20	03	D65Z		21A	W61A, W61B	S02.63		PTR
	21A	W61A, W61B		21B	X01A, X01B	03		D40Z, D67Z
S01.21	03	D65Z	S01.84	21A	W61A, W61B	15		TPN, VTPN
	21A	W61A, W61B	S01.85	21A	W61A, W61B	21A		W61A, W61B
S01.22	03	D65Z	S01.86	08	I02A, I02B, I02C, I02D, I08A, I08B, I08C, I08D, I08E, I13A, I13B, I13C, I20A, I20B, I20C, I22A	S02.64		PTR
	21A	W61A, W61B				03		D40Z, D67Z
S01.23	03	D66Z		21A	W61A, W61B	15		TPN, VTPN
	21A	W61A, W61B		21B	X01A, X01B	21A		W61A, W61B
S01.29	03	D66Z		21A	W61A, W61B	S02.65		PTR
	21A	W61A, W61B		21B	X01A, X01B	03		D40Z, D67Z
S01.30	03	D66Z	S01.87	21A	W61A, W61B	15		TPN, VTPN
	21A	W61A, W61B				21A		W61A, W61B
S01.31	03	D66Z				S02.66		PTR
	21A	W61A, W61B				03		D40Z, D67Z
S01.33	03	D66Z				15		TPN, VTPN
	21A	W61A, W61B				21A		W61A, W61B
S01.34	03	D66Z						PTR
	21A	W61A, W61B				03		D40Z, D67Z
						15		TPN, VTPN
						21A		W61A, W61B

ICD	MDC	DRG	ICD	MDC	DRG	ICD	MDC	DRG
S02.67		PTR	S05.0		PTR	S06.30		PTR
	03	D40Z, D67Z		02	C62Z		01	B20D, B78A, B78B
	15	TPN, VTPN		21A	W61A, W61B		15	TPN, VTPN
	21A	W61A, W61B	S05.1		PTR		21A	W61A, W61B
S02.68		PTR		02	C62Z	S06.31	Pre	A07D, A09E, A11F, A13F
	03	D40Z, D67Z		21A	W61A, W61B			PTR
	15	TPN, VTPN	S05.2		PTR		01	B20D, B78A
	21A	W61A, W61B		02	C01A, C01B, C16Z, C63Z		15	TPN, VTPN
S02.69		PTR		15	TPN, VTPN		21A	W61A, W61B
	03	D40Z, D67Z	S05.3		PTR	S06.32	Pre	A07D, A09E, A11F, A13F
	15	TPN, VTPN		02	C01A, C01B, C16Z, C63Z			PTR
	21A	W61A, W61B		15	TPN, VTPN		01	B20D, B78A
S02.7		PTR		21A	W61A, W61B		15	TPN, VTPN
	01	B20D, B79Z	S05.4		PTR		21A	W61A, W61B
	21A	W61A, W61B		02	C63Z	S06.33	Pre	A07D, A09E, A11F, A13F
S02.8		PTR		15	TPN, VTPN			PTR
	01	B20D, B79Z		21A	W61A, W61B		01	B20D, B78A
	21A	W61A, W61B	S05.5		PTR		15	TPN, VTPN
S02.9		PTR		02	C01A, C01B, C16Z, C63Z		21A	W61A, W61B
	01	B20D, B79Z		15	TPN, VTPN	S06.34	Pre	A07D, A09E, A11F, A13F
	21A	W61A, W61B		21A	W61A, W61B			PTR
S03.0		PTR	S05.6		PTR		01	B20D, B78A
	03	D40Z, D67Z		02	C01A, C01B, C16Z, C63Z		15	TPN, VTPN
	21A	W61A, W61B		15	TPN, VTPN		21A	W61A, W61B
S03.1		PTR		21A	W61A, W61B	S06.38	Pre	A07D, A09E, A11F, A13F
	08	I76A, I76B	S05.7		PTR			PTR
	21A	W61A, W61B		02	C01A, C01B, C16Z, C63Z		01	B20D, B78A, B78B
S03.2		PTR		15	TPN, VTPN		15	TPN, VTPN
	03	D40Z, D67Z		21A	W61A, W61B		21A	W61A, W61B
	21A	W61A, W61B	S05.8		PTR	S06.4	Pre	A07D, A09E, A11F, A13F
S03.3		PTR		02	C62Z			PTR
	08	I76A, I76B		15	TPN, VTPN		01	B20D, B78A, B78B
	21A	W61A, W61B		21A	W61A, W61B		15	TPN, VTPN
S03.4		PTR	S05.9		PTR		21A	W61A, W61B
	03	D40Z, D67Z		02	C62Z	S06.5	Pre	A07D, A09E, A11F, A13F
	21A	W61A, W61B		21A	W61A, W61B			PTR
S03.5		PTR	S06.0		PTR		01	B20D, B78A, B78B
	08	I76A, I76B		01	B20D, B80Z		15	TPN, VTPN
	21A	W61A, W61B		15	TPN, VTPN		21A	W61A, W61B
S04.0		PTR	S06.1		PTR	S06.6	Pre	A07D, A09E, A11F, A13F
	01	B81A, B81B		01	B20D, B78A, B78B			PTR
	21A	W61A, W61B		15	TPN, VTPN		01	B20D, B78A
S04.1		PTR		21A	W61A, W61B		15	TPN, VTPN
	01	B71A, B71B, B71C, B71D		Pre	A07D, A09E, A11F, A13F		21A	W61A
	21A	W61A, W61B	S06.20		PTR		Pre	A07D, A09E, A11F, A13F
S04.2		PTR		01	B20D, B78A, B78B	S06.70		PTR
	01	B71A, B71B, B71C, B71D		15	TPN, VTPN	S06.71	15	TPN, VTPN
	21A	W61A, W61B		21A	W61A, W61B	S06.72		PTR
S04.3		PTR		Pre	A07D, A09E, A11F, A13F		15	TPN, VTPN
	01	B71A, B71B, B71C, B71D	S06.21		PTR	S06.79	15	TPN, VTPN
	21A	W61A, W61B		01	B78A	S06.8		PTR
S04.4		PTR		15	TPN, VTPN		01	B20D, B78A, B78B
	01	B71A, B71B, B71C, B71D		21A	W61A, W61B		15	TPN, VTPN
	21A	W61A, W61B	S06.22		PTR		21A	W61A, W61B
S04.5		PTR		01	B78A	S06.9		PTR
	01	B71A, B71B, B71C, B71D		15	TPN, VTPN		01	B20D, B78A, B78B
	21A	W61A, W61B		21A	W61A, W61B		15	TPN, VTPN
S04.6		PTR		Pre	A07D, A09E, A11F, A13F		21A	W61A, W61B
	03	D66Z	S06.23		PTR	S07.0		PTR
	21A	W61A, W61B		01	B20D, B78A		15	TPN, VTPN
S04.7		PTR		15	TPN, VTPN		21A	W61A, W61B
	01	B71A, B71B, B71C, B71D		21A	W61A, W61B	S07.1	21B	X60Z
	21A	W61A, W61B		Pre	A07D, A09E, A11F, A13F			PTR
S04.8		PTR	S06.28		PTR		15	TPN, VTPN
	01	B71A, B71B, B71C, B71D		01	B20D, B78A, B78B		21A	W61A, W61B
	21A	W61A, W61B		15	TPN, VTPN		21B	X60Z
S04.9		PTR		21A	W61A, W61B			
	01	B71A, B71B, B71C, B71D		Pre	A07D, A09E, A11F, A13F			
	21A	W61A, W61B						

ICD	MDC	DRG	ICD	MDC	DRG	ICD	MDC	DRG
S07.8		PTR	S10.81		PTR	S11.86	08	I02A, I02B, I02C, I02D, I08A, I08B, I08C, I08D, I08E, I13A, I13B, I13C, I20A, I20B, I20C, I22A
	15	TPN, VTPN		09	J65Z			
	21A	W61A, W61B		21A	W61A, W61B		21A	W61A, W61B
	21B	X60Z	S10.82		PTR		21B	X01A, X01B
S07.9		PTR		09	J67A, J67B, J68A, J68B			
	15	TPN, VTPN		21A	W61A, W61B	S11.87		PTR
	21A	W61A, W61B	S10.83		PTR		21A	W61A, W61B
	21B	X60Z		09	J67A, J67B, J68A, J68B	S11.88		PTR
S08.0		PTR		21A	W61A, W61B		08	I02A, I02B, I02C, I02D, I08A, I08B, I08C, I08D, I08E, I13A, I13B, I13C, I20A, I20B, I20C, I22A
	21A	W61A, W61B	S10.84		PTR			
	21B	X60Z		09	J65Z		21A	W61A, W61B
S08.1		PTR		21A	W61A, W61B		21B	X01A, X01B
	03	D66Z	S10.85		PTR	S11.89		PTR
	21A	W61A, W61B		09	J65Z		08	I02A, I02B, I02C, I02D, I08A, I08B, I08C, I08D, I08E, I13A, I13B, I13C, I20A, I20B, I20C, I22A
S08.8		PTR		21A	W61A, W61B			
	21A	W61A, W61B	S10.88		PTR		21A	W61A, W61B
	21B	X60Z		09	J65Z		21B	X01A, X01B
S08.9		PTR		21A	W61A, W61B			
	21A	W61A, W61B	S10.90		PTR		08	I02A, I02B, I02C, I02D, I08A, I08B, I08C, I08D, I08E, I13A, I13B, I13C, I20A, I20B, I20C, I22A
	21B	X60Z		09	J65Z		21A	W61A, W61B
S09.0		PTR		21A	W61A, W61B		21B	X01A, X01B
	21A	W61A, W61B	S10.91		PTR	S11.9		PTR
	21B	X60Z		09	J65Z		21A	W61A, W61B
S09.1		PTR		21A	W61A, W61B		21B	X60Z
	08	I76A, I76B	S10.92		PTR	S12.0		PTR
	21A	W61A, W61B		09	J67A, J67B, J68A, J68B		04	E66A
S09.2		PTR		21A	W61A, W61B		08	I10C, I68A, I68B, I68C, I68D, I68E
	03	D66Z	S10.93		PTR		15	TPN, VTPN
	15	TPN, VTPN		09	J67A, J67B, J68A, J68B		21A	W61A
	21A	W61A, W61B		21A	W61A, W61B		Pre	A07D, A09E, A11F, A13F
S09.7		PTR	S10.94		PTR	S12.1		PTR
	21A	W61A, W61B		09	J65Z		04	E66A
	21B	X60Z		21A	W61A, W61B		08	I10C, I68A, I68B, I68C, I68D, I68E
S09.8		PTR	S10.95		PTR		15	TPN, VTPN
	21A	W61A, W61B		09	J65Z		21A	W61A
	21B	X60Z		21A	W61A, W61B		Pre	A07D, A09E, A11F, A13F
S09.9		PTR	S10.98		PTR	S12.21		PTR
	01	B20D, B80Z		09	J65Z		04	E66A
	15	TPN, VTPN		21A	W61A, W61B		08	I10C, I68A, I68B, I68C, I68D, I68E
	21A	W61A, W61B	S11.01		PTR		15	TPN, VTPN
S10.0		PTR		03	D66Z		21A	W61A, W61B
	09	J65Z		15	TPN, VTPN		Pre	A07D, A09E, A11F, A13F
	21A	W61A, W61B	S11.02		PTR	S12.22		PTR
S10.10		PTR		04	E66A, E66B		04	E66A
	09	J65Z		15	TPN, VTPN		08	I10C, I68A, I68B, I68C, I68D, I68E
	21A	W61A, W61B		21A	W61A, W61B		15	TPN, VTPN
S10.11		PTR		04	E66A, E66B		21A	W61A, W61B
	09	J65Z	S11.1		PTR		Pre	A07D, A09E, A11F, A13F
	21A	W61A, W61B		10	K64A, K64B, K64C, K64D		04	E66A
S10.12		PTR		15	TPN, VTPN		08	I10C, I68A, I68B, I68C, I68D, I68E
	09	J67A, J67B, J68A, J68B		21A	W61A, W61B		15	TPN, VTPN
	21A	W61A, W61B	S11.21		PTR	S12.23	21A	W61A, W61B
S10.13		PTR		03	D66Z		Pre	A07D, A09E, A11F, A13F
	09	J67A, J67B, J68A, J68B		15	TPN, VTPN		04	E66A
	21A	W61A, W61B		21A	W61A, W61B		08	I10C, I68A, I68B, I68C, I68D, I68E
S10.14		PTR	S11.22		PTR		15	TPN, VTPN
	09	J65Z		03	D66Z		21A	W61A, W61B
	21A	W61A, W61B		15	TPN, VTPN		Pre	A07D, A09E, A11F, A13F
S10.18		PTR		21A	W61A, W61B	S12.24		PTR
	09	J65Z	S11.7		PTR		04	E66A
	21A	W61A, W61B		21A	W61A, W61B		08	I10C, I68A, I68B, I68C, I68D, I68E
S10.7		PTR		21B	X60Z		15	TPN, VTPN
	09	J65Z	S11.80		PTR		21A	W61A, W61B
	21A	W61A, W61B		21A	W61A, W61B		Pre	A07D, A09E, A11F, A13F
S10.80		PTR		21B	X60Z			
	09	J65Z	S11.84		PTR			
	21A	W61A, W61B	S11.85		PTR			

ICD	MDC	DRG	ICD	MDC	DRG	ICD	MDC	DRG
S12.25		PTR	S13.18		PTR	S14.73		PTR
	04	E66A		08	I68A, I68B, I68C, I68D, I68E		15	TPN, VTPN
	08	I10C, I68A, I68B, I68C, I68D, I68E		15	TPN, VTPN		21A	W61A, W61B
	15	TPN, VTPN		21A	W61A, W61B	S14.74		PTR
	21A	W61A, W61B	S13.2		PTR		15	TPN, VTPN
	Pre	A07D, A09E, A11F, A13F		08	I68A, I68B, I68C, I68D, I68E		21A	W61A, W61B
S12.7		PTR		15	TPN, VTPN	S14.75		PTR
	04	E66A		21A	W61A, W61B		15	TPN, VTPN
	08	I10C, I68A, I68B, I68C, I68D, I68E	S13.3		PTR		21A	W61A, W61B
	15	TPN, VTPN		08	I68A, I68B, I68C, I68D, I68E	S14.76		PTR
	21A	W61A, W61B		15	TPN, VTPN		15	TPN, VTPN
	Pre	A07D, A09E, A11F, A13F	S13.4		PTR		21A	W61A, W61B
S12.8		PTR		08	I68A, I68B, I68C, I68D, I68E	S14.77		PTR
	03	D66Z		21A	W61A, W61B		15	TPN, VTPN
	15	TPN, VTPN	S13.5		PTR		21A	W61A, W61B
	21A	W61A, W61B		08	I76A, I76B	S14.78		PTR
S12.9		PTR		21A	W61A, W61B		15	TPN, VTPN
	08	I68A, I68B, I68C, I68D, I68E	S13.6		PTR	S15.00		PTR
	15	TPN, VTPN		08	I68A, I68B, I68C, I68D, I68E		15	TPN, VTPN
	21A	W61A, W61B		21A	W61A, W61B		21A	W61A, W61B
	Pre	A07D, A09E, A11F, A13F	S14.0		PTR		21B	X60Z
S13.0		PTR		15	TPN, VTPN	S15.01		PTR
	08	I68A, I68B, I68C, I68D, I68E		21A	W61A, W61B		15	TPN, VTPN
	15	TPN, VTPN		Pre	B61A, B61B		21A	W61A, W61B
	21A	W61A, W61B	S14.10		PTR		21B	X60Z
S13.10		PTR		15	TPN, VTPN	S15.02		PTR
	08	I68A, I68B, I68C, I68D, I68E		21A	W61A, W61B		15	TPN, VTPN
	15	TPN, VTPN		Pre	B61A, B61B		21A	W61A, W61B
	21A	W61A, W61B	S14.11		PTR		21B	X60Z
S13.11		PTR		15	TPN, VTPN	S15.03		PTR
	08	I68A, I68B, I68C, I68D, I68E		21A	W61A, W61B		15	TPN, VTPN
	15	TPN, VTPN		Pre	B61A, B61B		21A	W61A, W61B
	21A	W61A, W61B	S14.12		PTR		21B	X60Z
	Pre	A07D, A09E, A11F, A13F		15	TPN, VTPN	S15.1		PTR
S13.12		PTR		21A	W61A, W61B		21A	W61A, W61B
	08	I68A, I68B, I68C, I68D, I68E	S14.13		PTR		21B	X60Z
	15	TPN, VTPN		15	TPN, VTPN	S15.2		PTR
	21A	W61A, W61B		21A	W61A, W61B		21A	W61A, W61B
	Pre	A07D, A09E, A11F, A13F		Pre	B61A, B61B	S15.3		PTR
S13.13		PTR	S14.2		PTR		15	TPN, VTPN
	08	I68A, I68B, I68C, I68D, I68E		01	B71A, B71B, B71C, B71D		21A	W61A, W61B
	15	TPN, VTPN		15	TPN, VTPN		21B	X60Z
	21A	W61A, W61B		21A	W61A, W61B	S15.7		PTR
	Pre	A07D, A09E, A11F, A13F	S14.3		PTR		21A	W61A, W61B
S13.14		PTR		01	B07Z, B71A, B71B, B71C, B71D		21B	X60Z
	08	I68A, I68B, I68C, I68D, I68E		15	TPN, VTPN	S15.8		PTR
	15	TPN, VTPN		21A	W61A, W61B		21A	W61A, W61B
	21A	W61A, W61B		Pre	B61A, B61B		21B	X60Z
	Pre	A07D, A09E, A11F, A13F	S14.4		PTR	S15.9		PTR
S13.15		PTR		01	B71A, B71B, B71C, B71D		21A	W61A, W61B
	08	I68A, I68B, I68C, I68D, I68E		21A	W61A, W61B		21B	X60Z
	15	TPN, VTPN	S14.5		PTR	S16		PTR
	21A	W61A, W61B		01	B71A, B71B, B71C, B71D		08	I68A, I68B, I68C, I68D, I68E
	Pre	A07D, A09E, A11F, A13F		15	TPN, VTPN		21A	W61A, W61B
S13.16		PTR		21A	W61A, W61B	S17.0		PTR
	08	I68A, I68B, I68C, I68D, I68E	S14.6		PTR		15	TPN, VTPN
	15	TPN, VTPN		01	B71A, B71B, B71C, B71D		21A	W61A, W61B
	21A	W61A, W61B		21A	W61A, W61B		21B	X60Z
	Pre	A07D, A09E, A11F, A13F	S14.70		PTR	S17.8		PTR
S13.17		PTR		15	TPN, VTPN		15	TPN, VTPN
	08	I68A, I68B, I68C, I68D, I68E		21A	W61A, W61B		21A	W61A, W61B
	15	TPN, VTPN	S14.71		PTR		21B	X60Z
	21A	W61A, W61B		15	TPN, VTPN	S17.9		PTR
	Pre	A07D, A09E, A11F, A13F		21A	W61A, W61B		15	TPN, VTPN
			S14.72		PTR		21A	W61A, W61B
				15	TPN, VTPN		21B	X60Z
				21A	W61A, W61B			

ICD	MDC	DRG	ICD	MDC	DRG	ICD	MDC	DRG
S18		PTR	S20.48		PTR	S21.88		PTR
	21A	W61A, W61B		09	J65Z		08	I02A, I02B, I02C, I02D, I08A, I08B, I08C, I08D, I08E, I13A, I13B, I13C, I20A, I20B, I20C, I22A
	21B	X60Z		21A	W61A, W61B		15	TPN, VTPN
S19.7		PTR	S20.7		PTR		21A	W61A, W61B
	21A	W61A, W61B		09	J65Z		21B	X01A, X01B
	21B	X60Z		21A	W61A, W61B	S21.89		PTR
S19.8		PTR	S20.80		PTR		08	I02A, I02B, I02C, I02D, I08A, I08B, I08C, I08D, I08E, I13A, I13B, I13C, I20A, I20B, I20C, I22A
	21A	W61A, W61B		09	J65Z		15	TPN, VTPN
	21B	X60Z		21A	W61A, W61B		21A	W61A, W61B
S19.9		PTR	S20.81		PTR		21B	X01A, X01B
	21A	W61A, W61B		09	J65Z			PTR
	21B	X60Z		21A	W61A, W61B			
S20.0		PTR	S20.82		PTR			
	09	J65Z		09	J67A, J67B, J68A, J68B			
	21A	W61A, W61B		21A	W61A, W61B			
S20.10		PTR	S20.83		PTR	S21.9		PTR
	09	J65Z		09	J67A, J67B, J68A, J68B		15	TPN, VTPN
	21A	W61A, W61B		21A	W61A, W61B		21A	W61A, W61B
S20.11		PTR	S20.84		PTR		21B	X01A, X01B
	09	J65Z		09	J65Z			PTR
	21A	W61A, W61B		21A	W61A, W61B			
S20.12		PTR	S20.85		PTR	S22.00		PTR
	09	J67A, J67B, J68A, J68B		09	J65Z		04	E66A
	21A	W61A, W61B		21A	W61A, W61B		08	I10C, I68A, I68B, I68C, I68D, I68E
S20.13		PTR	S20.88		PTR		15	TPN, VTPN
	09	J67A, J67B, J68A, J68B		09	J65Z	S22.01	21A	W61A, W61B
	21A	W61A, W61B		21A	W61A, W61B			PTR
S20.14		PTR	S21.0		PTR		04	E66A
	09	J65Z		21A	W61A, W61B		08	I10C, I68A, I68B, I68C, I68D, I68E
	21A	W61A, W61B		21B	X60Z		15	TPN, VTPN
S20.18		PTR	S21.1		PTR		21A	W61A, W61B
	09	J65Z		15	TPN, VTPN	S22.02		PTR
	21A	W61A, W61B		21A	W61A, W61B		04	E66A
S20.2		PTR	S21.2		PTR		08	I10C, I68A, I68B, I68C, I68D, I68E
	09	J65Z		15	TPN, VTPN		15	TPN, VTPN
	21A	W61A, W61B		21A	W61A, W61B		21A	W61A, W61B
S20.30		PTR	S21.7		PTR	S22.03		PTR
	09	J65Z		15	TPN, VTPN		04	E66A
	21A	W61A, W61B		21A	W61A, W61B		08	I10C, I68A, I68B, I68C, I68D, I68E
S20.31		PTR	S21.80		PTR		15	TPN, VTPN
	09	J65Z		15	TPN, VTPN	S22.04	21A	W61A, W61B
	21A	W61A, W61B		21A	W61A, W61B			PTR
S20.32		PTR	S21.83		PTR		04	E66A
	09	J67A, J67B, J68A, J68B		08	I02A, I02B, I02C, I02D, I08A, I08B, I08C, I08D, I08E, I13A, I13B, I13C, I20A, I20B, I20C, I22A	S22.05	08	I10C, I68A, I68B, I68C, I68D, I68E
	21A	W61A, W61B					15	TPN, VTPN
S20.33		PTR					21A	W61A, W61B
	09	J65Z						PTR
	21A	W61A, W61B					04	E66A
S20.38		PTR					08	I10C, I68A, I68B, I68C, I68D, I68E
	09	J65Z					15	TPN, VTPN
	21A	W61A, W61B				S22.06	21A	W61A, W61B
S20.40		PTR	S21.84		PTR			PTR
	09	J65Z	S21.85		PTR		04	E66A
	21A	W61A, W61B	S21.86		PTR		08	I02A, I02B, I02C, I02D, I08A, I08B, I08C, I08D, I08E, I13A, I13B, I13C, I20A, I20B, I20C, I22A
S20.41		PTR					15	TPN, VTPN
	09	J65Z				S22.1	21A	W61A, W61B
	21A	W61A, W61B						PTR
S20.42		PTR					04	E66A
	09	J67A, J67B, J68A, J68B					08	I10C, I68A, I68B, I68C, I68D, I68E
	21A	W61A, W61B	S21.87		PTR		15	TPN, VTPN
S20.43		PTR					21A	W61A
	09	J67A, J67B, J68A, J68B						
	21A	W61A, W61B						
S20.44		PTR						
	09	J65Z						
	21A	W61A, W61B						

ICD	MDC	DRG	ICD	MDC	DRG	ICD	MDC	DRG
S22.2		PTR	S23.15		PTR	S24.74		PTR
	04	E66A, E66B		08	I68A, I68B, I68C, I68D, I68E		15	TPN, VTPN
	15	TPN, VTPN		15	TPN, VTPN		21A	W61A, W61B
	21A	W61A, W61B		21A	W61A, W61B	S24.75		PTR
S22.31		PTR	S23.16		PTR		15	TPN, VTPN
	04	E66A, E66B		08	I68A, I68B, I68C, I68D, I68E		21A	W61A, W61B
	21A	W61A, W61B		15	TPN, VTPN	S24.76		PTR
S22.32		PTR		21A	W61A, W61B		15	TPN, VTPN
	04	E66A, E66B	S23.17		PTR		21A	W61A, W61B
	21A	W61A, W61B		08	I68A, I68B, I68C, I68D, I68E	S24.77		PTR
S22.40		PTR		15	TPN, VTPN		15	TPN, VTPN
	04	E66A, E66B	S23.2		PTR		21A	W61A, W61B
	15	TPN, VTPN		04	E66A, E66B	S25.0		PTR
	21A	W61A, W61B		21A	W61A, W61B		15	TPN, VTPN
S22.41		PTR	S23.3		PTR		21A	W61A, W61B
	04	E66A, E66B		08	I68A, I68B, I68C, I68D, I68E	S25.1		PTR
	15	TPN, VTPN		21A	W61A, W61B		15	TPN, VTPN
	21A	W61A, W61B	S23.4		PTR		21A	W61A, W61B
S22.42		PTR		04	E75A, E75B, E75C		21B	X60Z
	04	E66A, E66B		21A	W61A, W61B	S25.2		PTR
	21A	W61A, W61B	S23.5		PTR		15	TPN, VTPN
S22.43		PTR		08	I76A, I76B		21A	W61A, W61B
	04	E66A, E66B		21A	W61A, W61B		21B	X60Z
	10	K62A	S24.0		PTR	S25.3		PTR
	21A	W61A, W61B		15	TPN, VTPN		15	TPN, VTPN
S22.44		PTR		21A	W61A, W61B		21A	W61A, W61B
	04	E66A		Pre	B61A, B61B		21B	X60Z
	10	K62A	S24.10		PTR	S25.4		PTR
	15	TPN, VTPN		15	TPN, VTPN		21A	W61A, W61B
	21A	W61A, W61B		21A	W61A, W61B		21B	X60Z
	Pre	A07D, A09E, A11F, A13F		Pre	B61A, B61B	S25.5		PTR
S22.5		PTR	S24.11		PTR		21A	W61A, W61B
	04	E66A		15	TPN, VTPN		21B	X60Z
	15	TPN, VTPN		21A	W61A, W61B	S25.7		PTR
	21A	W61A		Pre	B61A, B61B		21A	W61A, W61B
	Pre	A07D, A09E, A11F, A13F	S24.12		PTR		21B	X60Z
S22.8		PTR		15	TPN, VTPN	S25.8		PTR
	08	I76A, I76B		21A	W61A, W61B		21A	W61A, W61B
	21A	W61A, W61B		Pre	B61A, B61B		21B	X60Z
S22.9		PTR	S24.2		PTR	S25.9		PTR
	08	I76A, I76B		01	B71A, B71B, B71C, B71D		21A	W61A, W61B
	21A	W61A, W61B		15	TPN, VTPN		21B	X60Z
S23.0		PTR		21A	W61A, W61B	S26.0		PTR
	08	I68A, I68B, I68C, I68D, I68E	S24.3		PTR		05	F75A, F75B, F75C, F75D
	15	TPN, VTPN		01	B71A, B71B, B71C, B71D		15	TPN, VTPN
	21A	W61A, W61B		21A	W61A, W61B		21A	W61A, W61B
S23.10		PTR	S24.4		PTR	S26.81		PTR
	08	I68A, I68B, I68C, I68D, I68E		01	B71A, B71B, B71C, B71D		05	F75A, F75B, F75C, F75D
	15	TPN, VTPN		15	TPN, VTPN		15	TPN, VTPN
	21A	W61A, W61B		21A	W61A, W61B		21A	W61A, W61B
S23.11		PTR	S24.5		PTR	S26.82		PTR
	08	I68A, I68B, I68C, I68D, I68E		01	B71A, B71B, B71C, B71D		05	F75A, F75B, F75C, F75D
	15	TPN, VTPN		21A	W61A, W61B		15	TPN, VTPN
	21A	W61A, W61B	S24.6		PTR		21A	W61A, W61B
S23.12		PTR		01	B71A, B71B, B71C, B71D	S26.83		PTR
	08	I68A, I68B, I68C, I68D, I68E		21A	W61A, W61B		05	F75A, F75B, F75C, F75D
	15	TPN, VTPN	S24.70		PTR		15	TPN, VTPN
	21A	W61A, W61B		15	TPN, VTPN		21A	W61A, W61B
S23.13		PTR		21A	W61A, W61B	S26.88		PTR
	08	I68A, I68B, I68C, I68D, I68E	S24.71		PTR		05	F75A, F75B, F75C, F75D
	15	TPN, VTPN		15	TPN, VTPN		15	TPN, VTPN
	21A	W61A, W61B		21A	W61A, W61B		21A	W61A, W61B
S23.14		PTR	S24.72		PTR	S26.9		PTR
	08	I68A, I68B, I68C, I68D, I68E		15	TPN, VTPN		05	F75A, F75B, F75C, F75D
	15	TPN, VTPN		21A	W61A, W61B		15	TPN, VTPN
	21A	W61A, W61B	S24.73		PTR		21A	W61A, W61B
				15	TPN, VTPN			
				21A	W61A, W61B			

ICD	MDC	DRG	ICD	MDC	DRG	ICD	MDC	DRG
S27.0		PTR	S27.9		PTR	S30.93		PTR
	04	E66A, E76A, E76B, E76C		15	TPN, VTPN		09	J67A, J67B, J68A, J68B
	15	TPN, VTPN		21A	W61A, W61B		21A	W61A, W61B
	21A	W61A, W61B		21B	X60Z	S30.94		PTR
	Pre	A07D, A09E, A11F, A13F	S28.0		PTR		09	J65Z
S27.1		PTR		15	TPN, VTPN		21A	W61A, W61B
	04	E66A, E76A, E76B, E76C		21A	W61A, W61B	S30.95		PTR
	15	TPN, VTPN		21B	X60Z		09	J65Z
	21A	W61A, W61B		Pre	A07D, A09E, A11F, A13F		21A	W61A, W61B
	Pre	A07D, A09E, A11F, A13F	S28.1		PTR	S30.98		PTR
S27.2		PTR		15	TPN, VTPN		09	J65Z
	04	E66A, E76A, E76B, E76C		21A	W61A, W61B		21A	W61A, W61B
	15	TPN, VTPN		21B	X60Z	S31.0		PTR
	21A	W61A, W61B		S29.0	PTR		15	TPN, VTPN
	Pre	A07D, A09E, A11F, A13F		08	I68A, I68B, I68C, I68D, I68E		21A	W61A, W61B
S27.31		PTR		21A	W61A, W61B		21B	X60Z
	04	E66A, E75A, E75B, E75C	S29.7		PTR	S31.1		PTR
	21A	W61A, W61B		21A	W61A, W61B		15	TPN, VTPN
	Pre	A07D, A09E, A11F, A13F		21B	X60Z		21A	W61A, W61B
S27.32		PTR	S29.8		PTR		21B	X60Z
	04	E66A, E66B		21A	W61A, W61B	S31.2		PTR
	15	TPN, VTPN		21B	X60Z		12	M64Z
	21A	W61A, W61B	S29.9		PTR		21A	W61A, W61B
	Pre	A07D, A09E, A11F, A13F		21A	W61A, W61B	S31.3		PTR
S27.38		PTR		21B	X60Z		12	M64Z
	04	E75A, E75B, E75C	S30.0		PTR		15	TPN, VTPN
	15	TPN, VTPN		09	J65Z		21A	W61A, W61B
	21A	W61A, W61B	S30.1		PTR	S31.4		PTR
S27.4		PTR		09	J65Z		13	N04Z, N05A, N05B, N14Z, N21Z, N25Z, N62A, N62B
	04	E66A, E66B		21A	W61A, W61B		21A	W61A, W61B
	15	TPN, VTPN	S30.2		PTR	S31.5		PTR
	21A	W61A, W61B		12	M64Z		12	M64Z
S27.5		PTR		13	N04Z, N05A, N05B, N14Z, N21Z, N25Z, N62A, N62B		13	N04Z, N05A, N05B, N14Z, N21Z, N25Z, N62A, N62B
	04	E75A, E75B, E75C		21A	W61A, W61B		21A	W61A, W61B
	15	TPN, VTPN	S30.7		PTR	S31.7		PTR
	21A	W61A, W61B		09	J65Z		15	TPN, VTPN
	Pre	A07D, A09E, A11F, A13F		21A	W61A, W61B		21A	W61A, W61B
S27.6		PTR	S30.80		PTR		21B	X60Z
	04	E75A, E75B, E75C		09	J65Z	S31.80		PTR
	15	TPN, VTPN		21A	W61A, W61B		15	TPN, VTPN
	21A	W61A, W61B	S30.81		PTR		21A	W61A, W61B
S27.7		PTR		09	J65Z		21B	X60Z
	15	TPN, VTPN	S30.82		PTR	S31.83		PTR
	21A	W61A, W61B		09	J67A, J67B, J68A, J68B		08	I02A, I02B, I02C, I02D, I08A, I08B, I08C, I08D, I08E, I13A, I13B, I13C, I20A, I20B, I20C, I22A
	21B	X60Z		21A	W61A, W61B		15	TPN, VTPN
	Pre	A07D, A09E, A11F, A13F	S30.83		PTR		21A	W61A, W61B
S27.81		PTR		09	J67A, J67B, J68A, J68B		21B	X01A, X01B
	04	E66A, E66B		21A	W61A, W61B	S31.84		PTR
	15	TPN, VTPN	S30.84		PTR		21A	W61A, W61B
	21A	W61A, W61B		09	J65Z	S31.85		PTR
	Pre	A07D, A09E, A11F, A13F		21A	W61A, W61B		21A	W61A, W61B
S27.82		PTR	S30.85		PTR	S31.86		PTR
	04	E75A, E75B, E75C		09	J65Z		08	I02A, I02B, I02C, I02D, I08A, I08B, I08C, I08D, I08E, I13A, I13B, I13C, I20A, I20B, I20C, I22A
	15	TPN, VTPN		21A	W61A, W61B		21A	W61A, W61B
	21A	W61A, W61B	S30.88		PTR		21B	X01A, X01B
S27.83		PTR		09	J65Z	S31.87		PTR
	06	G46A, G46B, G46C, G50Z, G71Z		21A	W61A, W61B		15	TPN, VTPN
	15	TPN, VTPN	S30.90		PTR		21A	W61A, W61B
	21A	W61A, W61B		09	J65Z			
	Pre	A07D, A09E, A11F, A13F		21A	W61A, W61B			
S27.84		PTR	S30.91		PTR			
	04	E75A, E75B, E75C		09	J65Z			
	15	TPN, VTPN		21A	W61A, W61B			
	21A	W61A, W61B	S30.92		PTR			
S27.88		PTR		09	J67A, J67B, J68A, J68B			
	04	E75A, E75B, E75C		21A	W61A, W61B			
	15	TPN, VTPN						
	21A	W61A, W61B						



ICD	MDC	DRG	ICD	MDC	DRG	ICD	MDC	DRG
S31.88		PTR	S32.7		PTR	S34.0		PTR
	08	I02A, I02B, I02C, I02D, I08A, I08B, I08C, I08D, I08E, I13A, I13B, I13C, I20A, I20B, I20C, I22A		08	I76A		15	TPN, VTPN
	15	TPN, VTPN		21A	W61A, W61B		21A	W61A, W61B
	21A	W61A, W61B	S32.81		PTR		Pre	A07D, A09E, A11F, A13F, B61A, B61B
	21B	X01A, X01B		08	I66A, I66B	S34.10		PTR
S31.89		PTR		21A	W61A, W61B		15	TPN, VTPN
	08	I02A, I02B, I02C, I02D, I08A, I08B, I08C, I08D, I08E, I13A, I13B, I13C, I20A, I20B, I20C, I22A	S32.82		PTR		21A	W61A, W61B
	15	TPN, VTPN		08	I68A, I68B, I68C, I68D, I68E		Pre	A07D, A09E, A11F, A13F, B61A, B61B
	21A	W61A, W61B		15	TPN, VTPN	S34.11		PTR
	21B	X01A, X01B		21A	W61A, W61B		15	TPN, VTPN
S32.00		PTR	S32.83		PTR		21A	W61A, W61B
	04	E66A		08	I66A, I66B		Pre	A07D, A09E, A11F, A13F, B61A, B61B
	08	I10C, I68A, I68B, I68C, I68D, I68E		21A	W61A, W61B	S34.18		PTR
	15	TPN, VTPN	S32.89		PTR		15	TPN, VTPN
	21A	W61A, W61B		08	I66A, I66B		21A	W61A, W61B
	21B	X01A, X01B		15	TPN, VTPN	S34.2		PTR
S32.01		PTR		21A	W61A, W61B		15	TPN, VTPN
	04	E66A	S33.0		PTR		21A	W61A, W61B
	08	I10C, I68A, I68B, I68C, I68D, I68E		08	I68A, I68B, I68C, I68D, I68E		Pre	A07D, A09E, A11F, A13F, B61A, B61B
	15	TPN, VTPN		15	TPN, VTPN	S34.2		PTR
	21A	W61A, W61B	S33.10		PTR		01	B71A, B71B, B71C, B71D
S32.02		PTR		08	I68A, I68B, I68C, I68D, I68E		15	TPN, VTPN
	04	E66A		15	TPN, VTPN		21A	W61A, W61B
	08	I10C, I68A, I68B, I68C, I68D, I68E	S33.11		PTR	S34.30		PTR
	15	TPN, VTPN		08	I68A, I68B, I68C, I68D, I68E		15	TPN, VTPN
	21A	W61A, W61B		15	TPN, VTPN		21A	W61A, W61B
S32.03		PTR	S33.12		PTR		Pre	A07D, A09E, A11F, A13F, B61A, B61B
	04	E66A		08	I68A, I68B, I68C, I68D, I68E	S34.31		PTR
	08	I10C, I68A, I68B, I68C, I68D, I68E		15	TPN, VTPN		15	TPN, VTPN
	15	TPN, VTPN	S33.13		PTR		21A	W61A, W61B
	21A	W61A, W61B		08	I68A, I68B, I68C, I68D, I68E		Pre	A07D, A09E, A11F, A13F, B61A, B61B
S32.04		PTR	S33.14		PTR	S34.38		PTR
	04	E66A		08	I68A, I68B, I68C, I68D, I68E		15	TPN, VTPN
	08	I10C, I68A, I68B, I68C, I68D, I68E		15	TPN, VTPN		21A	W61A, W61B
	15	TPN, VTPN	S33.15		PTR		Pre	A07D, A09E, A11F, A13F, B61A, B61B
	21A	W61A, W61B		08	I68A, I68B, I68C, I68D, I68E	S34.4		PTR
S32.05		PTR	S33.2		PTR		01	B71A, B71B, B71C, B71D
	04	E66A		08	I68A, I68B, I68C, I68D, I68E		15	TPN, VTPN
	08	I10C, I68A, I68B, I68C, I68D, I68E		21A	W61A, W61B		21A	W61A, W61B
	15	TPN, VTPN	S33.3		PTR		Pre	A07D, A09E, A11F, A13F, B61A, B61B
	21A	W61A, W61B		08	I68A, I68B, I68C, I68D, I68E	S34.6		PTR
S32.1		PTR	S33.4		PTR		01	B71A, B71B, B71C, B71D
	08	I68A, I68B, I68C, I68D, I68E		08	I68A, I68B, I68C, I68D, I68E		21A	W61A, W61B
	15	TPN, VTPN		21A	W61A, W61B		Pre	A07D, A09E, A11F, A13F, B61A, B61B
	21A	W61A, W61B	S33.50		PTR	S34.70		PTR
S32.2		PTR		08	I68A, I68B, I68C, I68D, I68E		15	TPN, VTPN
	08	I68A, I68B, I68C, I68D, I68E		15	TPN, VTPN		21A	W61A, W61B
	15	TPN, VTPN	S33.51		PTR		Pre	A07D, A09E, A11F, A13F, B61A, B61B
	21A	W61A, W61B		08	I68A, I68B, I68C, I68D, I68E	S34.71		PTR
S32.3		PTR	S33.6		PTR		15	TPN, VTPN
	08	I66A, I66B		08	I68A, I68B, I68C, I68D, I68E		21A	W61A, W61B
	21A	W61A, W61B		21A	W61A, W61B		Pre	A07D, A09E, A11F, A13F, B61A, B61B
S32.4		PTR	S33.7		PTR	S34.72		PTR
	08	I08C, I08D, I66A, I66B		08	I68A, I68B, I68C, I68D, I68E		15	TPN, VTPN
	21A	W61A, W61B		21A	W61A, W61B		21A	W61A, W61B
S32.5		PTR		08	I68A, I68B, I68C, I68D, I68E		Pre	A07D, A09E, A11F, A13F, B61A, B61B
	08	I66A, I66B		21A	W61A, W61B			
	21A	W61A, W61B						

Dg

ICD	MDC	DRG	ICD	MDC	DRG	ICD	MDC	DRG
S34.73		PTR 15 TPN, VTPN 21A W61A, W61B Pre A07D, A09E, A11F, A13F	S36.00		PTR 16 Q60A, Q60B, Q60C 21A W61A, W61B Pre A07D, A09E, A11F, A13F	S36.18		PTR 07 H64Z 15 TPN, VTPN 21A W61A, W61B Pre A07D, A09E, A11F, A13F
S34.74		PTR 15 TPN, VTPN 21A W61A, W61B Pre A07D, A09E, A11F, A13F	S36.01		PTR 15 TPN, VTPN 16 Q60A, Q60B, Q60C 21A W61A, W61B Pre A07D, A09E, A11F, A13F	S36.20		PTR 07 H62A, H62B, H62C 21A W61A, W61B Pre A07D, A09E, A11F, A13F
S34.75		PTR 15 TPN, VTPN 21A W61A, W61B Pre A07D, A09E, A11F, A13F	S36.02		PTR 15 TPN, VTPN 16 Q60A, Q60B, Q60C 21A W61A, W61B Pre A07D, A09E, A11F, A13F	S36.21		PTR 07 H62A, H62B, H62C 21A W61A, W61B Pre A07D, A09E, A11F, A13F
S34.76		PTR 15 TPN, VTPN 21A W61A, W61B Pre A07D, A09E, A11F, A13F	S36.03		PTR 15 TPN, VTPN 16 Q60A, Q60B, Q60C 21A W61A, W61B Pre A07D, A09E, A11F, A13F	S36.22		PTR 07 H62A, H62B, H62C 21A W61A, W61B Pre A07D, A09E, A11F, A13F
S34.77		PTR 15 TPN, VTPN 21A W61A, W61B Pre A07D, A09E, A11F, A13F	S36.04		PTR 15 TPN, VTPN 16 Q60A, Q60B, Q60C 21A W61A Pre A07D, A09E, A11F, A13F	S36.23		PTR 07 H62A, H62B, H62C 21A W61A, W61B Pre A07D, A09E, A11F, A13F
S34.8		PTR 01 B71A, B71B, B71C, B71D 21A W61A, W61B Pre A07D, A09E, A11F, A13F	S36.08		PTR 16 Q60A, Q60B, Q60C, Q60D, Q60E 21A W61A Pre A07D, A09E, A11F, A13F	S36.29		PTR 07 H62A, H62B, H62C 21A W61A, W61B Pre A07D, A09E, A11F, A13F
S35.0		PTR 15 TPN, VTPN 21A W61A, W61B 21B X60Z Pre A07D, A09E, A11F, A13F	S36.10		PTR 07 H63A, H63B, H63C, H78Z 15 TPN, VTPN 21A W61A, W61B Pre A07D, A09E, A11F, A13F	S36.3		PTR 06 G46A, G46B, G46C, G50Z, G71Z 21A W61A, W61B Pre A07D, A09E, A11F, A13F
S35.1		PTR 15 TPN, VTPN 21A W61A, W61B 21B X60Z Pre A07D, A09E, A11F, A13F	S36.11		PTR 07 H63A, H63B, H63C, H78Z 15 TPN, VTPN 21A W61A, W61B Pre A07D, A09E, A11F, A13F	S36.40		PTR 06 G46A, G46B, G46C, G50Z, G71Z 15 TPN, VTPN 21A W61A, W61B Pre A07D, A09E, A11F, A13F
S35.2		PTR 15 TPN, VTPN 21A W61A, W61B 21B X60Z Pre A07D, A09E, A11F, A13F	S36.12		PTR 07 H63A, H63B, H63C, H78Z 15 TPN, VTPN 21A W61A, W61B Pre A07D, A09E, A11F, A13F	S36.41		PTR 06 G46A, G46B, G46C, G50Z, G71Z 21A W61A, W61B Pre A07D, A09E, A11F, A13F
S35.3		PTR 15 TPN, VTPN 21A W61A, W61B 21B X60Z Pre A07D, A09E, A11F, A13F	S36.13		PTR 07 H63A, H63B, H63C, H78Z 15 TPN, VTPN 21A W61A, W61B Pre A07D, A09E, A11F, A13F	S36.49		PTR 06 G46A, G46B, G46C, G50Z, G71Z 21A W61A, W61B Pre A07D, A09E, A11F, A13F
S35.4		PTR 15 TPN, VTPN 21A W61A 21B X60Z Pre A07D, A09E, A11F, A13F	S36.14		PTR 07 H63A, H63B, H63C, H78Z 15 TPN, VTPN 21A W61A, W61B Pre A07D, A09E, A11F, A13F	S36.50		PTR 06 G46A, G46B, G46C, G50Z, G71Z 15 TPN, VTPN 21A W61A, W61B Pre A07D, A09E, A11F, A13F
S35.5		PTR 15 TPN, VTPN 21A W61A, W61B 21B X60Z Pre A07D, A09E, A11F, A13F	S36.15		PTR 07 H63A, H63B, H63C, H78Z 15 TPN, VTPN 21A W61A, W61B Pre A07D, A09E, A11F, A13F	S36.51		PTR 06 G46A, G46B, G46C, G50Z, G71Z 21A W61A, W61B Pre A07D, A09E, A11F, A13F
S35.7		PTR 15 TPN, VTPN 21A W61A, W61B 21B X60Z Pre A07D, A09E, A11F, A13F	S36.16		PTR 07 H63A, H63B, H63C, H78Z 15 TPN, VTPN 21A W61A, W61B Pre A07D, A09E, A11F, A13F	S36.52		PTR 06 G46A, G46B, G46C, G50Z, G71Z 15 TPN, VTPN 21A W61A, W61B Pre A07D, A09E, A11F, A13F
S35.8		PTR 15 TPN, VTPN 21A W61A, W61B 21B X60Z Pre A07D, A09E, A11F, A13F	S36.17		PTR 07 H64Z 15 TPN, VTPN 21A W61A, W61B Pre A07D, A09E, A11F, A13F	S36.53		PTR 06 G46A, G46B, G46C, G50Z, G71Z 15 TPN, VTPN 21A W61A, W61B Pre A07D, A09E, A11F, A13F
S35.9		PTR 15 TPN, VTPN 21A W61A, W61B 21B X60Z Pre A07D, A09E, A11F, A13F						

ICD	MDC	DRG	ICD	MDC	DRG	ICD	MDC	DRG
S36.54		PTR	S37.1		PTR	S37.82		PTR
	06	G46A, G46B, G46C, G50Z, G71Z		11	L68A, L68B, L74Z		12	M64Z
	21A	W61A, W61B		15	TPN, VTPN		21A	W61A, W61B
	Pre	A07D, A09E, A11F, A13F		21A	W61A, W61B		Pre	A07D, A09E, A11F, A13F
S36.59		PTR	S37.20		PTR	S37.83		PTR
	06	G46A, G46B, G46C, G50Z, G71Z		11	L68A, L68B, L74Z		12	M64Z
	15	TPN, VTPN		21A	W61A, W61B		21A	W61A, W61B
	21A	W61A, W61B		Pre	A07D, A09E, A11F, A13F		Pre	A07D, A09E, A11F, A13F
	Pre	A07D, A09E, A11F, A13F	S37.21		PTR	S37.84		PTR
S36.6		PTR		11	L68A, L68B, L74Z		12	M64Z
	06	G46A, G46B, G46C, G50Z, G71Z		21A	W61A, W61B		21A	W61A, W61B
	15	TPN, VTPN		Pre	A07D, A09E, A11F, A13F		Pre	A07D, A09E, A11F, A13F
	21A	W61A, W61B	S37.22		PTR	S37.88		PTR
	Pre	A07D, A09E, A11F, A13F		11	L68A, L68B, L74Z		12	M64Z
S36.7		PTR		21A	W61A, W61B		13	N04Z, N05A, N05B, N14Z, N21Z, N25Z, N62A, N62B
	06	G46A, G46B, G46C, G50Z, G71Z	S37.28		PTR		21A	W61A, W61B
	15	TPN, VTPN		11	L68A, L68B, L74Z		Pre	A07D, A09E, A11F, A13F
	21A	W61A, W61B		21A	W61A, W61B	S37.9		PTR
	Pre	A07D, A09E, A11F, A13F		Pre	A07D, A09E, A11F, A13F		12	M64Z
S36.81		PTR	S37.30		PTR		13	N04Z, N05A, N05B, N14Z, N21Z, N25Z, N62A, N62B
	06	G46A, G46B, G46C, G50Z, G71Z		11	L64A, L64B, L74Z		21A	W61A, W61B
	15	TPN, VTPN		21A	W61A, W61B		Pre	A07D, A09E, A11F, A13F
	21A	W61A, W61B		Pre	A07D, A09E, A11F, A13F	S38.0		PTR
	Pre	A07D, A09E, A11F, A13F	S37.31		PTR		12	M64Z
S36.82		PTR		11	L64A, L64B, L74Z		13	N04Z, N05A, N05B, N14Z, N21Z, N25Z, N62A, N62B
	06	G46A, G46B, G46C, G50Z, G71Z		21A	W61A, W61B		15	TPN, VTPN
	21A	W61A, W61B		Pre	A07D, A09E, A11F, A13F		21A	W61A, W61B
	Pre	A07D, A09E, A11F, A13F	S37.32		PTR		Pre	A07D, A09E, A11F, A13F
S36.83		PTR		11	L64A, L64B, L74Z	S38.1		PTR
	11	L68A, L68B, L74Z		21A	W61A, W61B		15	TPN, VTPN
	15	TPN, VTPN		Pre	A07D, A09E, A11F, A13F		21A	W61A, W61B
	21A	W61A, W61B		PTR			21B	X60Z
	Pre	A07D, A09E, A11F, A13F	S37.33		PTR		Pre	A07D, A09E, A11F, A13F
S36.88		PTR		11	L68A, L68B, L74Z	S38.2		PTR
	21A	W61A, W61B		21A	W61A, W61B		12	M64Z
	21B	X60Z		Pre	A07D, A09E, A11F, A13F		13	N04Z, N05A, N05B, N14Z, N21Z, N25Z, N62A, N62B
	Pre	A07D, A09E, A11F, A13F	S37.38		PTR		21A	W61A, W61B
S36.9		PTR		11	L68A, L68B, L74Z		Pre	A07D, A09E, A11F, A13F
	06	G46A, G46B, G46C, G50Z, G71Z		21A	W61A, W61B	S38.3		PTR
	21A	W61A, W61B		Pre	A07D, A09E, A11F, A13F		15	TPN, VTPN
	Pre	A07D, A09E, A11F, A13F	S37.4		PTR		21A	W61A, W61B
S37.00		PTR		13	N04Z, N05A, N05B, N14Z, N21Z, N25Z, N62A, N62B		21B	X60Z
	11	L64A, L64B, L74Z		21A	W61A, W61B		Pre	A07D, A09E, A11F, A13F
	21A	W61A, W61B	S37.5		PTR	S39.0		PTR
	Pre	A07D, A09E, A11F, A13F		13	N04Z, N05A, N05B, N14Z, N21Z, N25Z, N62A, N62B		08	I68A, I68B, I68C, I68D, I68E
S37.01		PTR		21A	W61A, W61B		21A	W61A, W61B
	11	L64A, L64B, L74Z		Pre	A07D, A09E, A11F, A13F		Pre	A07D, A09E, A11F, A13F
	21A	W61A, W61B	S37.6		PTR	S39.6		PTR
	Pre	A07D, A09E, A11F, A13F		13	N04Z, N05A, N05B, N14Z, N21Z, N25Z, N62A, N62B		12	M64Z
S37.02		PTR		21A	W61A, W61B		13	N04Z, N05A, N05B, N14Z, N21Z, N25Z, N62A, N62B
	11	L69A, L69B		Pre	A07D, A09E, A11F, A13F		21A	W61A, W61B
	15	TPN, VTPN	S37.7		PTR		Pre	A07D, A09E, A11F, A13F
	21A	W61A		12	M64Z	S39.7		PTR
	Pre	A07D, A09E, A11F, A13F		13	N04Z, N05A, N05B, N14Z, N21Z, N25Z, N62A, N62B		21A	W61A, W61B
S37.03		PTR		21A	W61A, W61B		21B	X60Z
	11	L69A, L69B		Pre	A07D, A09E, A11F, A13F		Pre	A07D, A09E, A11F, A13F
	21A	W61A	S37.81		PTR	S39.80		PTR
	Pre	A07D, A09E, A11F, A13F		10	K64A, K64B, K64C, K64D		21A	W61A, W61B
				21A	W61A, W61B		21B	X60Z
				Pre	A07D, A09E, A11F, A13F	S39.88		PTR
							21A	W61A, W61B
							21B	X60Z

ICD	MDC	DRG	ICD	MDC	DRG	ICD	MDC	DRG
S39.9		PTR	S42.02		PTR	S42.49		PTR
	21A	W61A, W61B		08	I77Z		08	I77Z
	21B	X60Z		21A	W61A, W61B		21A	W61A, W61B
S40.0		PTR	S42.03		PTR	S42.7		PTR
	09	J65Z		08	I77Z		08	I77Z
	21A	W61A, W61B		21A	W61A, W61B		21A	W61A, W61B
S40.7		PTR	S42.09		PTR	S42.8		PTR
	09	J65Z		08	I75A, I75B		08	I77Z
	21A	W61A, W61B		21A	W61A, W61B		21A	W61A, W61B
S40.81		PTR	S42.10		PTR	S42.9		PTR
	09	J65Z		08	I77Z		08	I77Z
	21A	W61A, W61B		21A	W61A, W61B		21A	W61A, W61B
S40.82		PTR	S42.11		PTR	S43.00		PTR
	09	J67A, J67B, J68A, J68B		08	I76A, I76B		08	I78Z
	21A	W61A, W61B		21A	W61A, W61B		21A	W61A, W61B
S40.83		PTR	S42.12		PTR	S43.01		PTR
	09	J67A, J67B, J68A, J68B		08	I77Z		08	I78Z
	21A	W61A, W61B		21A	W61A, W61B		21A	W61A, W61B
S40.84		PTR	S42.13		PTR	S43.02		PTR
	09	J65Z		08	I77Z		08	I78Z
	21A	W61A, W61B		21A	W61A, W61B		21A	W61A, W61B
S40.88		PTR	S42.14		PTR	S43.03		PTR
	09	J65Z		08	I77Z		08	I78Z
	21A	W61A, W61B		21A	W61A, W61B		21A	W61A, W61B
S40.9		PTR	S42.19		PTR	S43.08		PTR
	09	J65Z		08	I76A, I76B		08	I77Z
	21A	W61A, W61B		21A	W61A, W61B		21A	W61A, W61B
S41.0		PTR	S42.20		PTR	S43.1		PTR
	21A	W61A, W61B		08	I75A, I75B		08	I77Z
	21B	X60Z		21A	W61A, W61B		21A	W61A, W61B
S41.1		PTR	S42.21		PTR	S43.2		PTR
	21A	W61A, W61B		08	I75A, I75B		08	I78Z
	21B	X60Z		15	TPN, VTPN		21A	W61A, W61B
S41.7		PTR		21A	W61A, W61B	S43.3		PTR
	21A	W61A, W61B	S42.22		PTR		08	I77Z
	21B	X60Z		08	I75A, I75B		21A	W61A, W61B
S41.80		PTR		21A	W61A, W61B	S43.4		PTR
	21A	W61A, W61B	S42.23		PTR		08	I77Z
	21B	X60Z		08	I75A, I75B		21A	W61A, W61B
S41.84		PTR	S42.24		PTR	S43.5		PTR
S41.85		PTR		08	I75A, I75B		08	I77Z
S41.86	08	I02A, I02B, I02C, I02D, I08A, I08B, I08C, I08D, I08E, I13A, I13B, I13C, I20A, I20B, I20C, I22A		21A	W61A, W61B	S43.6		PTR
	21A	W61A, W61B	S42.29		PTR		04	E75A, E75B, E75C
	21B	X01A, X01B		15	TPN, VTPN		21A	W61A, W61B
S41.87		PTR		21A	W61A, W61B	S43.7		PTR
	21A	W61A, W61B	S42.3		PTR		08	I77Z
S41.88		PTR		08	I75A, I75B		21A	W61A, W61B
	08	I02A, I02B, I02C, I02D, I08A, I08B, I08C, I08D, I08E, I13A, I13B, I13C, I20A, I20B, I20C, I22A		15	TPN, VTPN	S44.0		PTR
	21A	W61A, W61B	S42.40		PTR		01	B71A, B71B, B71C, B71D
	21B	X01A, X01B		21A	W61A, W61B		21A	W61A, W61B
S41.89		PTR		08	I77Z	S44.1		PTR
	08	I02A, I02B, I02C, I02D, I08A, I08B, I08C, I08D, I08E, I13A, I13B, I13C, I20A, I20B, I20C, I22A	S42.41		PTR		01	B71A, B71B, B71C, B71D
	21A	W61A, W61B		21A	W61A, W61B	S44.2		PTR
	21B	X01A, X01B		08	I77Z		01	B71A, B71B, B71C, B71D
S42.00		PTR	S42.42		PTR		21A	W61A, W61B
	08	I78Z		08	I77Z	S44.3		PTR
	21A	W61A, W61B		21A	W61A, W61B		01	B71A, B71B, B71C, B71D
S42.01		PTR	S42.43		PTR		21A	W61A, W61B
	08	I77Z		08	I77Z	S44.4		PTR
	21A	W61A, W61B		21A	W61A, W61B		01	B71A, B71B, B71C, B71D
	08	I77Z	S42.44		PTR		21A	W61A, W61B
	21A	W61A, W61B		08	I77Z	S44.5		PTR
	08	I77Z		21A	W61A, W61B		01	B71A, B71B, B71C, B71D
	21A	W61A, W61B	S42.45		PTR		21A	W61A, W61B
	08	I77Z		08	I77Z	S44.7		PTR
	21A	W61A, W61B		21A	W61A, W61B		01	B71A, B71B, B71C, B71D
							21A	W61A, W61B

ICD	MDC	DRG	ICD	MDC	DRG	ICD	MDC	DRG	
S44.8		PTR	S49.7		PTR	S51.9		PTR	
	01	B71A, B71B, B71C, B71D		21A	W61A, W61B		21A	W61A, W61B	
	21A	W61A, W61B		21B	X60Z		21B	X60Z	
S44.9		PTR	S49.8		PTR	S52.00		PTR	
	01	B71A, B71B, B71C, B71D		21A	W61A, W61B		08	I74A, I74B, I74C	
	21A	W61A, W61B		21B	X60Z		21A	W61A, W61B	
S45.0		PTR	S49.9		PTR	S52.01		PTR	
	15	TPN, VTPN		21A	W61A, W61B		08	I74A, I74B, I74C	
	21A	W61A, W61B		21B	X60Z		21A	W61A, W61B	
	21B	X60Z	S50.0		PTR	S52.02		PTR	
S45.1		PTR		09	J65Z		08	I74A, I74B, I74C	
	15	TPN, VTPN		21A	W61A, W61B		21A	W61A, W61B	
	21A	W61A, W61B	S50.1		PTR	S52.09		PTR	
	21B	X60Z		09	J65Z		08	I74A, I74B, I74C	
S45.2		PTR		21A	W61A, W61B		21A	W61A, W61B	
	15	TPN, VTPN	S50.7		PTR	S52.10		PTR	
	21A	W61A, W61B		09	J65Z		08	I74A, I74B, I74C	
	21B	X60Z		21A	W61A, W61B		21A	W61A, W61B	
S45.3		PTR	S50.81		PTR	S52.11		PTR	
	15	TPN, VTPN		09	J65Z		08	I74A, I74B, I74C	
	21A	W61A, W61B		21A	W61A, W61B		21A	W61A, W61B	
	21B	X60Z	S50.82		PTR	S52.12		PTR	
S45.7		PTR		09	J67A, J67B, J68A, J68B		08	I74A, I74B, I74C	
	15	TPN, VTPN		21A	W61A, W61B		21A	W61A, W61B	
	21A	W61A, W61B	S50.83		PTR	S52.19		PTR	
	21B	X60Z		09	J67A, J67B, J68A, J68B		08	I74A, I74B, I74C	
S45.8		PTR		21A	W61A, W61B		21A	W61A, W61B	
	15	TPN, VTPN	S50.84		PTR	S52.20		PTR	
	21A	W61A, W61B		09	J65Z		08	I74A, I74B, I74C	
	21B	X60Z		21A	W61A, W61B		21A	W61A, W61B	
S45.9		PTR	S50.88		PTR	S52.21		PTR	
	15	TPN, VTPN		09	J65Z		08	I74A, I74B, I74C	
	21A	W61A, W61B		21A	W61A, W61B		21A	W61A, W61B	
	21B	X60Z	S50.9		PTR	S52.30		PTR	
S46.0		PTR		09	J65Z		08	I74A, I74B, I74C	
	08	I77Z		21A	W61A, W61B		21A	W61A, W61B	
	21A	W61A, W61B	S51.0		PTR	S52.31		PTR	
S46.1		PTR		21A	W61A, W61B		08	I74A, I74B, I74C	
	08	I77Z		21B	X60Z		21A	W61A, W61B	
	21A	W61A, W61B	S51.7		PTR	S52.4		PTR	
S46.2		PTR		21A	W61A, W61B		08	I74A, I74B, I74C	
	08	I77Z		21B	X60Z		21A	W61A, W61B	
	21A	W61A, W61B	S51.80		PTR	S52.50		PTR	
S46.3		PTR		21A	W61A, W61B		08	I74A, I74B, I74C	
	08	I77Z		21B	X60Z		21A	W61A, W61B	
	21A	W61A, W61B	S51.84		21A	W61A, W61B	S52.51		PTR
S46.7		PTR	S51.85		21A	W61A, W61B		08	I74A, I74B, I74C
	08	I77Z	S51.86		08	I02A, I02B, I02C, I02D, I08A, I08B, I08C, I08D, I08E, I13A, I13B, I13C, I20A, I20B, I20C, I22A		21A	W61A, W61B
	21A	W61A, W61B					S52.52		PTR
S46.8		PTR		21A	W61A, W61B		08	I74A, I74B, I74C	
	08	I77Z		21B	X01A, X01B		21A	W61A, W61B	
	21A	W61A, W61B	S51.87		PTR	S52.59		PTR	
S46.9		PTR		21A	W61A, W61B		08	I74A, I74B, I74C	
	08	I77Z	S51.88		PTR		21A	W61A, W61B	
	21A	W61A, W61B		08	I02A, I02B, I02C, I02D, I08A, I08B, I08C, I08D, I08E, I13A, I13B, I13C, I20A, I20B, I20C, I22A	S52.6		PTR	
S47		PTR					08	I74A, I74B, I74C	
	15	TPN, VTPN					21A	W61A, W61B	
	21A	W61A, W61B				S52.7		PTR	
	21B	X60Z					08	I78Z	
S48.0		PTR		21A	W61A, W61B		21A	W61A, W61B	
	21A	W61A, W61B		21B	X01A, X01B	S52.8		PTR	
	21B	X60Z					08	I74A, I74B, I74C	
S48.1		PTR	S51.89		PTR		21A	W61A, W61B	
	21A	W61A, W61B		08	I02A, I02B, I02C, I02D, I08A, I08B, I08C, I08D, I08E, I13A, I13B, I13C, I20A, I20B, I20C, I22A	S52.9		PTR	
	21B	X60Z					08	I74A, I74B, I74C	
S48.9		PTR		21A	W61A, W61B	S53.0		PTR	
	21A	W61A, W61B		21B	X01A, X01B		08	I78Z	
	21B	X60Z					21A	W61A, W61B	

ICD	MDC	DRG	ICD	MDC	DRG	ICD	MDC	DRG
S53.10		PTR	S55.1		PTR	S59.7		PTR
	08	I78Z		15	TPN, VTPN		21A	W61A, W61B
	21A	W61A, W61B		21A	W61A, W61B		21B	X05A, X05B, X60Z
S53.11		PTR	S55.2		PTR	S59.8		PTR
	08	I78Z		15	TPN, VTPN		21A	W61A, W61B
	21A	W61A, W61B		21A	W61A, W61B		21B	X05A, X05B, X60Z
S53.12		PTR		21B	X60Z	S59.9		PTR
	08	I78Z	S55.7		PTR		21A	W61A, W61B
	21A	W61A, W61B		15	TPN, VTPN		21B	X05A, X05B, X60Z
S53.13		PTR		21A	W61A, W61B	S60.0		PTR
	08	I78Z		21A	W61A, W61B		09	J65Z
	21A	W61A, W61B		21B	X60Z		21A	W61A, W61B
S53.14		PTR	S55.8		PTR	S60.1		PTR
	08	I78Z		15	TPN, VTPN		09	J65Z
	21A	W61A, W61B		21A	W61A, W61B		21A	W61A, W61B
S53.18		PTR		21B	X60Z	S60.2		PTR
	08	I78Z	S55.9		PTR		09	J65Z
	21A	W61A, W61B		15	TPN, VTPN		21A	W61A, W61B
S53.2		PTR		21A	W61A, W61B	S60.7		PTR
	08	I74A, I74B, I74C		21B	X60Z		09	J65Z
	21A	W61A, W61B	S56.0		PTR		21A	W61A, W61B
S53.3		PTR		08	I32A, I32B, I32C, I32D, I32E, I32F, I32G, I74A, I74B, I74C	S60.81		PTR
	08	I74A, I74B, I74C		21A	W61A, W61B		09	J65Z
	21A	W61A, W61B	S56.1		PTR		21A	W61A, W61B
S53.40		PTR		08	I32A, I32B, I32C, I32D, I32E, I32F, I32G, I74A, I74B, I74C	S60.82		PTR
	08	I74A, I74B, I74C		21A	W61A, W61B		09	J67A, J67B, J68A, J68B
	21A	W61A, W61B	S56.2		PTR		21A	W61A, W61B
S53.41		PTR		08	I74A, I74B, I74C	S60.83		PTR
	08	I74A, I74B, I74C		21A	W61A, W61B		09	J67A, J67B, J68A, J68B
	21A	W61A, W61B	S56.3		PTR		21A	W61A, W61B
S53.42		PTR		08	I74A, I74B, I74C	S60.84		PTR
	08	I74A, I74B, I74C		21A	W61A, W61B		09	J65Z
	21A	W61A, W61B	S56.4		PTR		21A	W61A, W61B
S53.43		PTR		08	I32A, I32B, I32C, I32D, I32E, I32F, I32G, I74A, I74B, I74C	S60.88		PTR
	08	I74A, I74B, I74C		21A	W61A, W61B		09	J65Z
	21A	W61A, W61B	S56.5		PTR		21A	W61A, W61B
S53.44		PTR		08	I32A, I32B, I32C, I32D, I32E, I32F, I32G, I74A, I74B, I74C	S60.9		PTR
	08	I74A, I74B, I74C		21A	W61A, W61B		09	J65Z
	21A	W61A, W61B	S56.7		PTR		21A	W61A, W61B
S53.48		PTR		08	I74A, I74B, I74C	S61.0		PTR
	08	I74A, I74B, I74C		21A	W61A, W61B		21A	W61A, W61B
	21A	W61A, W61B	S56.8		PTR		21B	X05A, X05B, X60Z
S54.0		PTR		08	I74A, I74B, I74C	S61.1		PTR
	01	B71A, B71B, B71C, B71D		21A	W61A, W61B		21A	W61A, W61B
	21A	W61A, W61B	S56.9		PTR		21B	X05A, X05B, X60Z
S54.1		PTR		08	I74A, I74B, I74C	S61.7		PTR
	01	B71A, B71B, B71C, B71D		21A	W61A, W61B		21A	W61A, W61B
	21A	W61A, W61B	S57.0		PTR		21B	X60Z
S54.2		PTR		15	TPN, VTPN	S61.80		PTR
	01	B71A, B71B, B71C, B71D		21A	W61A, W61B		21A	W61A, W61B
	21A	W61A, W61B		21A	W61A, W61B		21B	X05A, X05B, X60Z
S54.3		PTR	S57.8		PTR	S61.84		PTR
	01	B71A, B71B, B71C, B71D		15	TPN, VTPN		21A	W61A, W61B
	21A	W61A, W61B		21A	W61A, W61B	S61.85		PTR
S54.7		PTR		21B	X60Z	S61.86		PTR
	01	B71A, B71B, B71C, B71D		21A	W61A, W61B		08	I02A, I02B, I02C, I02D, I08A, I08B, I08C, I08D, I08E, I13A, I13B, I13C, I20A, I20B, I20C, I22A
	21A	W61A, W61B	S57.9		PTR		21A	W61A, W61B
S54.8		PTR		15	TPN, VTPN		21B	X01A, X01B
	01	B71A, B71B, B71C, B71D		21A	W61A, W61B	S61.87		PTR
	21A	W61A, W61B		21B	X60Z		21A	W61A, W61B
S54.9		PTR	S58.0		PTR	S61.88		PTR
	01	B71A, B71B, B71C, B71D		21A	W61A, W61B		08	I02A, I02B, I02C, I02D, I08A, I08B, I08C, I08D, I08E, I13A, I13B, I13C, I20A, I20B, I20C, I22A
	21A	W61A, W61B	S58.1		PTR		21A	W61A, W61B
S55.0		PTR		21A	W61A, W61B		21B	X01A, X01B
	15	TPN, VTPN	S58.9		PTR			
	21A	W61A, W61B		21A	W61A, W61B			
	21B	X60Z		21B	X60Z			

ICD	MDC	DRG	ICD	MDC	DRG	ICD	MDC	DRG
S61.89		PTR	S62.32		PTR	S63.08		PTR
	08	I02A, I02B, I02C, I02D, I08A, I08B, I08C, I08D, I08E, I13A, I13B, I13C, I20A, I20B, I20C, I22A		08	I32A, I32B, I32C, I32D, I32E, I32F, I32G, I74A, I74B, I74C		08	I74A, I74B, I74C
	21A	W61A, W61B		21A	W61A, W61B	S63.10	21A	W61A, W61B
S61.9	21B	X01A, X01B	S62.33		PTR			PTR
		PTR		08	I32A, I32B, I32C, I32D, I32E, I32F, I32G, I74A, I74B, I74C		08	I32A, I32B, I32C, I32D, I32E, I32F, I32G, I74A, I74B, I74C
	21A	W61A, W61B		21A	W61A, W61B	S63.11	21A	W61A, W61B
	21B	X05A, X05B, X60Z	S62.34		PTR			PTR
S62.0		PTR		08	I32A, I32B, I32C, I32D, I32E, I32F, I32G, I74A, I74B, I74C		08	I32A, I32B, I32C, I32D, I32E, I32F, I32G, I74A, I74B, I74C
	08	I32C, I32D, I74A, I74B, I74C		21A	W61A, W61B	S63.12	21A	W61A, W61B
	21A	W61A, W61B	S62.4		PTR			PTR
S62.10		PTR		08	I32A, I32B, I32C, I32D, I32E, I32F, I32G, I74A, I74B, I74C		08	I32A, I32B, I32C, I32D, I32E, I32F, I32G, I74A, I74B, I74C
	08	I74A, I74B, I74C		21A	W61A, W61B	S63.2	21A	W61A, W61B
	21A	W61A, W61B	S62.50		PTR			PTR
S62.11		PTR		08	I32A, I32B, I32C, I32D, I32E, I32F, I32G, I74A, I74B, I74C		08	I32A, I32B, I32C, I32D, I32E, I32F, I32G, I74A, I74B, I74C
	08	I32C, I32D, I74A, I74B, I74C		21A	W61A, W61B	S63.3	21A	W61A, W61B
	21A	W61A, W61B	S62.51		PTR			PTR
S62.12		PTR		08	I32A, I32B, I32C, I32D, I32E, I32F, I32G, I74A, I74B, I74C	S63.4	08	I32A, I32B, I32C, I32D, I32E, I32F, I32G, I74A, I74B, I74C
	08	I32C, I32D, I74A, I74B, I74C		21A	W61A, W61B		21A	W61A, W61B
	21A	W61A, W61B	S62.52		PTR			PTR
S62.13		PTR		08	I32A, I32B, I32C, I32D, I32E, I32F, I32G, I74A, I74B, I74C	S63.50	08	I74A, I74B, I74C
	08	I32C, I32D, I74A, I74B, I74C		21A	W61A, W61B		21A	W61A, W61B
	21A	W61A, W61B	S62.60		PTR	S63.51		PTR
S62.14		PTR		08	I32A, I32B, I32C, I32D, I32E, I32F, I32G, I74A, I74B, I74C		08	I74A, I74B, I74C
	08	I32C, I32D, I74A, I74B, I74C		21A	W61A, W61B		21A	W61A, W61B
	21A	W61A, W61B	S62.61		PTR	S63.52		PTR
S62.15		PTR		08	I32A, I32B, I32C, I32D, I32E, I32F, I32G, I74A, I74B, I74C	S63.53	08	I74A, I74B, I74C
	08	I32C, I32D, I74A, I74B, I74C		21A	W61A, W61B		21A	W61A, W61B
	21A	W61A, W61B	S62.62		PTR	S63.58		PTR
S62.16		PTR		08	I32A, I32B, I32C, I32D, I32E, I32F, I32G, I74A, I74B, I74C		08	I74A, I74B, I74C
	08	I32C, I32D, I74A, I74B, I74C		21A	W61A, W61B		21A	W61A, W61B
	21A	W61A, W61B	S62.63		PTR	S63.60		PTR
S62.17		PTR		08	I32A, I32B, I32C, I32D, I32E, I32F, I32G, I74A, I74B, I74C		08	I32A, I32B, I32C, I32D, I32E, I32F, I32G, I74A, I74B, I74C
	08	I32C, I32D, I74A, I74B, I74C		21A	W61A, W61B		21A	W61A, W61B
	21A	W61A, W61B	S62.7		PTR	S63.61		PTR
S62.19		PTR		08	I32A, I32B, I32C, I32D, I32E, I32F, I32G, I74A, I74B, I74C		08	I32A, I32B, I32C, I32D, I32E, I32F, I32G, I74A, I74B, I74C
	08	I74A, I74B, I74C		21A	W61A, W61B		21A	W61A, W61B
	21A	W61A, W61B	S62.8		PTR	S63.62		PTR
S62.20		PTR		08	I32A, I32B, I32C, I32D, I32E, I32F, I32G, I74A, I74B, I74C		08	I32A, I32B, I32C, I32D, I32E, I32F, I32G, I74A, I74B, I74C
	08	I32A, I32B, I32C, I32D, I32E, I32F, I32G, I74A, I74B, I74C		15	TPN, VTPN		21A	W61A, W61B
	21A	W61A, W61B		21A	W61A, W61B	S63.68		PTR
S62.21		PTR	S62.7		PTR		08	I32A, I32B, I32C, I32D, I32E, I32F, I32G, I74A, I74B, I74C
	08	I32A, I32B, I32C, I32D, I32E, I32F, I32G, I74A, I74B, I74C		08	I32A, I32B, I32C, I32D, I32E, I32F, I32G, I74A, I74B, I74C		21A	W61A, W61B
	21A	W61A, W61B		21A	W61A, W61B	S63.7	21A	W61A, W61B
S62.22		PTR	S62.8		PTR			PTR
	08	I32A, I32B, I32C, I32D, I32E, I32F, I32G, I74A, I74B, I74C		08	I32A, I32B, I32C, I32D, I32E, I32F, I32G, I74A, I74B, I74C	S64.0	08	I32A, I32B, I32C, I32D, I32E, I32F, I32G, I74A, I74B, I74C
	21A	W61A, W61B		15	TPN, VTPN		21A	W61A, W61B
S62.23		PTR		21A	W61A, W61B			PTR
	08	I32A, I32B, I32C, I32D, I32E, I32F, I32G, I74A, I74B, I74C	S63.00		PTR	S63.68		PTR
	21A	W61A, W61B		08	I74A, I74B, I74C		08	I32A, I32B, I32C, I32D, I32E, I32F, I32G, I74A, I74B, I74C
S62.24		PTR		21A	W61A, W61B		21A	W61A, W61B
	08	I32A, I32B, I32C, I32D, I32E, I32F, I32G, I74A, I74B, I74C	S63.01		PTR			PTR
	21A	W61A, W61B		08	I32C, I32D, I74A, I74B, I74C	S63.7	08	I32A, I32B, I32C, I32D, I32E, I32F, I32G, I74A, I74B, I74C
S62.30		PTR		21A	W61A, W61B		21A	W61A, W61B
	08	I32A, I32B, I32C, I32D, I32E, I32F, I32G, I74A, I74B, I74C	S63.02		PTR			PTR
	21A	W61A, W61B		08	I32C, I32D, I74A, I74B, I74C	S64.0	21A	W61A, W61B
S62.31		PTR		21A	W61A, W61B			PTR
	08	I32A, I32B, I32C, I32D, I32E, I32F, I32G, I74A, I74B, I74C	S63.03		PTR	S64.1	01	B82Z
	21A	W61A, W61B		08	I32C, I32D, I74A, I74B, I74C		21A	W61A, W61B
			S63.04		PTR			PTR
				08	I32C, I32D, I74A, I74B, I74C			
				21A	W61A, W61B			

ICD	MDC	DRG	ICD	MDC	DRG	ICD	MDC	DRG
S64.2		PTR	S66.5		PTR	S70.81		PTR
	01	B82Z		08	I74A, I74B, I74C		09	J02A, J02B, J02C, J03A, J03B, J04A, J04B, J08A, J08B, J08C, J65Z
	21A	W61A, W61B		21A	W61A, W61B		21A	W61A, W61B
S64.3		PTR	S66.6		PTR	S70.82		PTR
	01	B82Z		08	I74A, I74B, I74C		09	J02A, J02B, J02C, J03A, J03B, J04A, J04B, J08A, J08B, J08C, J67A, J67B, J68A, J68B
	21A	W61A, W61B		21A	W61A, W61B		21A	W61A, W61B
S64.4		PTR	S66.7		PTR	S70.83		PTR
	01	B82Z		08	I74A, I74B, I74C		09	J02A, J02B, J02C, J03A, J03B, J04A, J04B, J08A, J08B, J08C, J67A, J67B, J68A, J68B
	21A	W61A, W61B		21A	W61A, W61B		21A	W61A, W61B
S64.7		PTR	S66.8		PTR	S70.84		PTR
	01	B82Z		08	I74A, I74B, I74C		09	J02A, J02B, J02C, J03A, J03B, J04A, J04B, J08A, J08B, J08C, J67A, J67B, J68A, J68B
	21A	W61A, W61B		21A	W61A, W61B		21A	W61A, W61B
S64.8		PTR	S66.9		PTR	S70.88		PTR
	01	B82Z		08	I74A, I74B, I74C		09	J02A, J02B, J02C, J03A, J03B, J04A, J04B, J08A, J08B, J08C, J65Z
	21A	W61A, W61B		21A	W61A, W61B		21A	W61A, W61B
S64.9		PTR	S67.0		PTR	S70.9		PTR
	01	B82Z		15	TPN, VTPN		09	J02A, J02B, J02C, J03A, J03B, J04A, J04B, J08A, J08B, J08C, J65Z
	21A	W61A, W61B		21A	W61A, W61B		21A	W61A, W61B
S65.0		PTR		21B	X05A, X05B, X60Z	S70.88		PTR
	15	TPN, VTPN	S67.8		PTR		09	J02A, J02B, J02C, J03A, J03B, J04A, J04B, J08A, J08B, J08C, J65Z
	21A	W61A, W61B		15	TPN, VTPN		21A	W61A, W61B
	21B	X60Z		21A	W61A, W61B		09	J02A, J02B, J02C, J03A, J03B, J04A, J04B, J08A, J08B, J08C, J65Z
S65.1		PTR		21B	X05A, X05B, X60Z	S70.9		PTR
	15	TPN, VTPN	S68.0		PTR		09	J02A, J02B, J02C, J03A, J03B, J04A, J04B, J08A, J08B, J08C, J65Z
	21A	W61A, W61B		21A	W61A, W61B		21A	W61A, W61B
	21B	X60Z		21B	X05A, X05B, X60Z	S71.0		PTR
S65.2		PTR	S68.1		PTR		21A	W61A, W61B
	15	TPN, VTPN		21A	W61A, W61B		21B	X04Z, X60Z
	21A	W61A, W61B		21B	X05A, X05B, X60Z	S71.1		PTR
	21B	X60Z	S68.2		PTR		21A	W61A, W61B
S65.3		PTR		21A	W61A, W61B		21B	X04Z, X60Z
	15	TPN, VTPN	S68.3		PTR	S71.7		PTR
	21A	W61A, W61B		21A	W61A, W61B		21A	W61A, W61B
	21B	X05A, X05B, X60Z		21B	X60Z		21B	X04Z, X60Z
S65.4		PTR	S68.4		PTR	S71.80		PTR
	15	TPN, VTPN		21A	W61A, W61B		21A	W61A, W61B
	21A	W61A, W61B		21B	X60Z		21B	X04Z, X60Z
	21B	X05A, X05B, X60Z	S68.8		PTR	S71.84		PTR
S65.5		PTR		21A	W61A, W61B	S71.85		PTR
	15	TPN, VTPN	S68.9		PTR		21A	W61A, W61B
	21A	W61A, W61B		21A	W61A, W61B	S71.86		PTR
	21B	X05A, X05B, X60Z		21B	X60Z		08	I02A, I02B, I02C, I02D, I08A, I08B, I08C, I08D, I08E, I13A, I13B, I13C, I20A, I20B, I20C, I22A
S65.7		PTR	S69.7		PTR		21A	W61A, W61B
	15	TPN, VTPN		21A	W61A, W61B		21B	X01A, X01B
	21A	W61A, W61B		21B	X05A, X05B, X60Z	S71.87		PTR
	21B	X60Z	S69.8		PTR		21A	W61A, W61B
S65.8		PTR		21A	W61A, W61B	S71.88		PTR
	15	TPN, VTPN		21B	X05A, X05B, X60Z		08	I02A, I02B, I02C, I02D, I08A, I08B, I08C, I08D, I08E, I13A, I13B, I13C, I20A, I20B, I20C, I22A
	21A	W61A, W61B		21A	W61A, W61B		21A	W61A, W61B
	21B	X60Z	S69.9		PTR		21B	X01A, X01B
S65.9		PTR		21B	X05A, X05B, X60Z	S71.89		PTR
	15	TPN, VTPN	S70.0		PTR		08	I02A, I02B, I02C, I02D, I08A, I08B, I08C, I08D, I08E, I13A, I13B, I13C, I20A, I20B, I20C, I22A
	21A	W61A, W61B		09	J02A, J02B, J02C, J03A, J03B, J04A, J04B, J08A, J08B, J08C, J65Z		21A	W61A, W61B
	21B	X60Z		21A	W61A, W61B		21B	X01A, X01B
S66.0		PTR		21B	X05A, X05B, X60Z	S71.89		PTR
	08	I74A, I74B, I74C		21A	W61A, W61B		08	I02A, I02B, I02C, I02D, I08A, I08B, I08C, I08D, I08E, I13A, I13B, I13C, I20A, I20B, I20C, I22A
	21A	W61A, W61B	S70.1		PTR		21A	W61A, W61B
S66.1		PTR		09	J02A, J02B, J02C, J03A, J03B, J04A, J04B, J08A, J08B, J08C, J65Z		21B	X01A, X01B
	08	I74A, I74B, I74C		15	TPN, VTPN		08	I02A, I02B, I02C, I02D, I08A, I08B, I08C, I08D, I08E, I13A, I13B, I13C, I20A, I20B, I20C, I22A
	21A	W61A, W61B		21A	W61A, W61B		21A	W61A, W61B
S66.2		PTR		21B	X05A, X05B, X60Z		21B	X01A, X01B
	08	I74A, I74B, I74C	S70.7		PTR	S72.00		PTR
	21A	W61A, W61B		09	J02A, J02B, J02C, J03A, J03B, J04A, J04B, J08A, J08B, J08C, J65Z		08	I66A, I66B
S66.3		PTR		21A	W61A, W61B		21A	W61A, W61B
	08	I74A, I74B, I74C		21A	W61A, W61B			
	21A	W61A, W61B		21A	W61A, W61B			
S66.4		PTR		09	J02A, J02B, J02C, J03A, J03B, J04A, J04B, J08A, J08B, J08C, J65Z			
	08	I74A, I74B, I74C		21A	W61A, W61B			
	21A	W61A, W61B						



ICD	MDC	DRG	ICD	MDC	DRG	ICD	MDC	DRG
S72.01		PTR	S73.10		PTR	S77.0		PTR
	08	I66A, I66B		08	I71A, I71B		15	TPN, VTPN
	21A	W61A, W61B		21A	W61A, W61B		21A	W61A, W61B
S72.02		PTR	S73.11		PTR	S77.1		21B X04Z, X60Z
	08	I66A, I66B		08	I71A, I71B			PTR
	21A	W61A, W61B		21A	W61A, W61B		15	TPN, VTPN
S72.03		PTR	S73.12		PTR		21A	W61A, W61B
	08	I66A, I66B		08	I71A, I71B		21B	X04Z, X60Z
	21A	W61A, W61B		21A	W61A, W61B	S77.2		PTR
S72.04		PTR	S73.18		PTR		15	TPN, VTPN
	08	I66A, I66B		08	I71A, I71B		21A	W61A, W61B
	21A	W61A, W61B		21A	W61A, W61B		21B	X04Z, X60Z
S72.05		PTR	S74.0		PTR	S78.0		PTR
	08	I66A, I66B		01	B71A, B71B, B71C, B71D		21A	W61A, W61B
	21A	W61A, W61B		21A	W61A, W61B		21B	X04Z, X60Z
S72.08		PTR	S74.1		PTR	S78.1		PTR
	08	I66A, I66B		01	B71A, B71B, B71C, B71D		21A	W61A, W61B
	21A	W61A, W61B		21A	W61A, W61B		21B	X04Z, X60Z
S72.10		PTR	S74.2		PTR	S78.9		PTR
	08	I66A, I66B		01	B71A, B71B, B71C, B71D		21A	W61A, W61B
	21A	W61A, W61B		21A	W61A, W61B		21B	X04Z, X60Z
S72.11		PTR	S74.7		PTR	S79.7		PTR
	08	I66A, I66B		01	B71A, B71B, B71C, B71D		21A	W61A, W61B
	21A	W61A, W61B		21A	W61A, W61B		21B	X04Z, X60Z
S72.2		PTR	S74.8		PTR	S79.8		PTR
	08	I66A, I66B		01	B71A, B71B, B71C, B71D		21A	W61A, W61B
	21A	W61A, W61B		21A	W61A, W61B		21B	X04Z, X60Z
S72.3		PTR	S74.9		PTR	S79.9		PTR
	08	I04Z, I60Z, I72Z		01	B71A, B71B, B71C, B71D		21A	W61A, W61B
	15	P65C, P66C, P67B, P67C		21A	W61A, W61B		21B	X04Z, X60Z
	21A	W61A, W61B	S75.0		PTR	S80.0		PTR
S72.40		PTR		21A	W61A, W61B		09	J02A, J02B, J02C, J03A, J03B, J04A, J04B, J08A, J08B, J08C, J65Z
	08	I04Z, I68A, I68B, I68C, I68D		21B	X04Z, X60Z		21A	W61A, W61B
	21A	W61A, W61B	S75.1		PTR	S80.1		PTR
S72.41		PTR		21A	W61A, W61B		09	J02A, J02B, J02C, J03A, J03B, J04A, J04B, J08A, J08B, J08C, J65Z
	08	I04Z, I68A, I68B, I68C, I68D		21B	X04Z, X60Z		21A	W61A, W61B
	21A	W61A, W61B	S75.2		PTR	S80.7		PTR
S72.42		PTR		21A	W61A, W61B		09	J02A, J02B, J02C, J03A, J03B, J04A, J04B, J08A, J08B, J08C, J65Z
	08	I04Z, I68A, I68B, I68C, I68D		21B	X04Z, X60Z		21A	W61A, W61B
	21A	W61A, W61B	S75.7		PTR	S80.81		PTR
S72.43		PTR		15	TPN, VTPN		09	J02A, J02B, J02C, J03A, J03B, J04A, J04B, J08A, J08B, J08C, J65Z
	08	I04Z, I68A, I68B, I68C, I68D		21A	W61A, W61B		21A	W61A, W61B
	21A	W61A, W61B		21B	X04Z, X60Z	S80.82		PTR
S72.44		PTR	S75.8		PTR		09	J02A, J02B, J02C, J03A, J03B, J04A, J04B, J08A, J08B, J08C, J65Z
	08	I04Z, I68A, I68B, I68C, I68D		15	TPN, VTPN		21A	W61A, W61B
	21A	W61A, W61B		21A	W61A, W61B		09	J02A, J02B, J02C, J03A, J03B, J04A, J04B, J08A, J08B, J08C, J65Z
S72.7		PTR		21B	X04Z, X60Z	S80.83		PTR
	08	I04Z, I75A, I75B	S75.9		PTR		21A	W61A, W61B
	21A	W61A, W61B		15	TPN, VTPN	S80.84		PTR
S72.8		PTR		21A	W61A, W61B		09	J02A, J02B, J02C, J03A, J03B, J04A, J04B, J08A, J08B, J08C, J65Z
	08	I68A, I68B, I68C, I68D		21B	X04Z, X60Z		21A	W61A, W61B
	21A	W61A, W61B	S76.0		PTR	S80.88		PTR
S72.9		PTR		08	I71A, I71B		09	J02A, J02B, J02C, J03A, J03B, J04A, J04B, J08A, J08B, J08C, J65Z
	08	I68A, I68B, I68C, I68D		21A	W61A, W61B		21A	W61A, W61B
	21A	W61A, W61B	S76.1		PTR		09	J02A, J02B, J02C, J03A, J03B, J04A, J04B, J08A, J08B, J08C, J65Z
S73.00		PTR		08	I71A, I71B		21A	W61A, W61B
	08	I71A, I71B	S76.2		PTR		09	J02A, J02B, J02C, J03A, J03B, J04A, J04B, J08A, J08B, J08C, J65Z
	21A	W61A, W61B		21A	W61A, W61B	S80.84		PTR
S73.01		PTR		08	I71A, I71B		21A	W61A, W61B
	08	I71A, I71B	S76.3		PTR		09	J02A, J02B, J02C, J03A, J03B, J04A, J04B, J08A, J08B, J08C, J65Z
	21A	W61A, W61B		21A	W61A, W61B		21A	W61A, W61B
S73.02		PTR		08	I71A, I71B		09	J02A, J02B, J02C, J03A, J03B, J04A, J04B, J08A, J08B, J08C, J65Z
	08	I71A, I71B	S76.4		PTR		21A	W61A, W61B
	21A	W61A, W61B		21A	W61A, W61B	S80.88		PTR
S73.08		PTR		08	I71A, I71B		09	J02A, J02B, J02C, J03A, J03B, J04A, J04B, J08A, J08B, J08C, J65Z
	08	I71A, I71B	S76.7		PTR		21A	W61A, W61B
	21A	W61A, W61B		21A	W61A, W61B			

Dg

ICD	MDC	DRG	ICD	MDC	DRG	ICD	MDC	DRG
S80.9		PTR	S82.41		PTR	S83.43		PTR
	09	J02A, J02B, J02C, J03A, J03B, J04A, J04B, J08A, J08B, J08C, J65Z		08	I77Z		08	I77Z
	21A	W61A, W61B		15	TPN, VTPN		21A	W61A, W61B
S81.0		PTR	S82.42		PTR	S83.44		PTR
	21A	W61A, W61B		08	I77Z		08	I77Z
	21B	X04Z, X60Z		21A	W61A, W61B		21A	W61A, W61B
S81.7		PTR	S82.49		PTR	S83.50		PTR
	21A	W61A, W61B		08	I77Z		08	I77Z
	21B	X04Z, X60Z		21A	W61A, W61B		21A	W61A, W61B
S81.80		PTR	S82.5		PTR	S83.51		PTR
	21A	W61A, W61B		08	I77Z		08	I77Z
	21B	X04Z, X60Z		21A	W61A, W61B		21A	W61A, W61B
S81.84		PTR	S82.6		PTR	S83.52		PTR
S81.85		PTR		08	I77Z		08	I77Z
S81.86		PTR		21A	W61A, W61B		21A	W61A, W61B
	08	I02A, I02B, I02C, I02D, I08A, I08B, I08C, I08D, I08E, I13A, I13B, I13C, I20A, I20B, I20C, I22A	S82.7		PTR	S83.53		PTR
	21A	W61A, W61B		08	I77Z		08	I77Z
	21B	X01A, X01B		21A	W61A, W61B		21A	W61A, W61B
S81.87		PTR	S82.81		PTR	S83.54		PTR
	21A	W61A, W61B		08	I77Z		08	I77Z
S81.88		PTR		21A	W61A, W61B	S83.6		PTR
	08	I02A, I02B, I02C, I02D, I08A, I08B, I08C, I08D, I08E, I13A, I13B, I13C, I20A, I20B, I20C, I22A	S82.82		PTR		08	I78Z
	21A	W61A, W61B		08	I75A, I75B		21A	W61A, W61B
	21B	X01A, X01B		21A	W61A, W61B	S83.7		PTR
S81.89		PTR	S82.88		PTR		08	I77Z
	08	I02A, I02B, I02C, I02D, I08A, I08B, I08C, I08D, I08E, I13A, I13B, I13C, I20A, I20B, I20C, I22A		08	I77Z		21A	W61A, W61B
	21A	W61A, W61B	S82.9		PTR	S84.0		PTR
	21B	X01A, X01B		08	I77Z		01	B71A, B71B, B71C, B71D
	08	I02A, I02B, I02C, I02D, I08A, I08B, I08C, I08D, I08E, I13A, I13B, I13C, I20A, I20B, I20C, I22A		21A	W61A, W61B		21A	W61A, W61B
S81.9		PTR	S83.0		PTR	S84.1		PTR
	21A	W61A, W61B		08	I78Z		01	B71A, B71B, B71C, B71D
	21B	X01A, X01B		21A	W61A, W61B		21A	W61A, W61B
S81.9		PTR	S83.10		PTR	S84.2		PTR
	21A	W61A, W61B		08	I75A, I75B		01	B71A, B71B, B71C, B71D
	21B	X01A, X01B		21A	W61A, W61B		21A	W61A, W61B
S82.0		PTR	S83.11		PTR	S84.7		PTR
	08	I77Z		08	I77Z		01	B71A, B71B, B71C, B71D
	21A	W61A, W61B		21A	W61A, W61B		21A	W61A, W61B
S82.11		PTR	S83.12		PTR	S84.8		PTR
	08	I75A, I75B		08	I77Z		01	B71A, B71B, B71C, B71D
	15	TPN, VTPN		21A	W61A, W61B		21A	W61A, W61B
	21A	W61A, W61B	S83.14		PTR	S84.9		PTR
S82.18		PTR		08	I77Z		01	B71A, B71B, B71C, B71D
	08	I75A, I75B		21A	W61A, W61B		21A	W61A, W61B
	21A	W61A, W61B	S83.18		PTR	S85.0		PTR
S82.21		PTR		08	I75A, I75B		21A	W61A, W61B
	08	I75A, I75B		21A	W61A, W61B		21B	X04Z, X60Z
	21A	W61A, W61B	S83.2		PTR	S85.1		PTR
S82.28		PTR		08	I77Z		15	TPN, VTPN
	08	I75A, I75B		21A	W61A, W61B		21A	W61A, W61B
	21A	W61A, W61B	S83.3		PTR		21B	X04Z, X60Z
S82.31		PTR		08	I77Z	S85.2		PTR
	08	I75A, I75B		21A	W61A, W61B		15	TPN, VTPN
	21A	W61A, W61B	S83.40		PTR		21A	W61A, W61B
S82.38		PTR		08	I77Z		21B	X04Z, X60Z
	08	I77Z		21A	W61A, W61B	S85.3		PTR
	21A	W61A, W61B	S83.41		PTR		21A	W61A, W61B
S82.40		PTR		08	I77Z		21B	X04Z, X60Z
	08	I77Z		21A	W61A, W61B	S85.4		PTR
	21A	W61A, W61B	S83.42		PTR		21A	W61A, W61B
	08	I77Z		08	I77Z		21B	X04Z, X60Z
	21A	W61A, W61B		21A	W61A, W61B	S85.5		PTR
							21A	W61A, W61B
							21B	X04Z, X60Z
						S85.7		PTR
							15	TPN, VTPN
							21A	W61A, W61B
							21B	X04Z, X60Z

ICD	MDC	DRG	ICD	MDC	DRG	ICD	MDC	DRG
S85.8		PTR	S90.3		PTR	S91.88		PTR
	21A	W61A, W61B		09	J02A, J02B, J02C, J03A, J03B, J04A, J04B, J08A, J08B, J08C, J65Z		08	I02A, I02B, I02C, I02D, I08A, I08B, I08C, I08D, I08E, I13A, I13B, I13C, I20A, I20B, I20C, I22A
	21B	X04Z, X60Z		21A	W61A, W61B		21A	W61A, W61B
S85.9		PTR	S90.7		PTR		21B	X01A, X01B
	15	TPN, VTPN		09	J02A, J02B, J02C, J03A, J03B, J04A, J04B, J08A, J08B, J08C, J65Z	S91.89		PTR
	21A	W61A, W61B		21A	W61A, W61B		08	I02A, I02B, I02C, I02D, I08A, I08B, I08C, I08D, I08E, I13A, I13B, I13C, I20A, I20B, I20C, I22A
	21B	X04Z, X60Z		09	J02A, J02B, J02C, J03A, J03B, J04A, J04B, J08A, J08B, J08C, J65Z		21A	W61A, W61B
S86.0		PTR	S90.81		PTR		21B	X01A, X01B
	08	I77Z		09	J02A, J02B, J02C, J03A, J03B, J04A, J04B, J08A, J08B, J08C, J65Z	S92.0		PTR
	21A	W61A, W61B		21A	W61A, W61B		08	I20C, I77Z
S86.1		PTR	S90.82		PTR		21A	W61A, W61B
	08	I77Z		09	J02A, J02B, J02C, J03A, J03B, J04A, J04B, J08A, J08B, J08C, J65Z	S92.1		PTR
	21A	W61A, W61B		21A	W61A, W61B		08	I74A, I74B, I74C
S86.2		PTR	S90.83		PTR		21A	W61A, W61B
	08	I77Z		09	J02A, J02B, J02C, J03A, J03B, J04A, J04B, J08A, J08B, J08C, J67A, J67B, J68A, J68B	S92.20		PTR
	21A	W61A, W61B		21A	W61A, W61B		08	I74A, I74B, I74C
S86.3		PTR	S90.84		PTR		21A	W61A, W61B
	08	I77Z		09	J02A, J02B, J02C, J03A, J03B, J04A, J04B, J08A, J08B, J08C, J65Z	S92.21		PTR
	21A	W61A, W61B		21A	W61A, W61B		08	I74A, I74B, I74C
S86.7		PTR	S90.88		PTR		21A	W61A, W61B
	08	I77Z		09	J02A, J02B, J02C, J03A, J03B, J04A, J04B, J08A, J08B, J08C, J65Z	S92.22		PTR
	21A	W61A, W61B		21A	W61A, W61B		08	I74A, I74B, I74C
S86.8		PTR	S90.9		PTR		21A	W61A, W61B
	08	I77Z		09	J02A, J02B, J02C, J03A, J03B, J04A, J04B, J08A, J08B, J08C, J65Z	S92.23		PTR
	21A	W61A, W61B		21A	W61A, W61B		08	I74A, I74B, I74C
S86.9		PTR	S91.0		PTR		21A	W61A, W61B
	08	I77Z		21A	W61A, W61B	S92.28		PTR
	21A	W61A, W61B		09	J02A, J02B, J02C, J03A, J03B, J04A, J04B, J08A, J08B, J08C, J65Z		08	I74A, I74B, I74C
S87.0		PTR	S91.1		PTR		21A	W61A, W61B
	15	TPN, VTPN		21A	W61A, W61B	S92.3		PTR
	21A	W61A, W61B		09	J02A, J02B, J02C, J03A, J03B, J04A, J04B, J08A, J08B, J08C, J65Z		08	I74A, I74B, I74C
	21B	X04Z, X60Z		21A	W61A, W61B	S92.4		PTR
S87.8		PTR	S91.2		PTR		08	I74A, I74B, I74C
	15	TPN, VTPN		21A	W61A, W61B	S92.5		PTR
	21A	W61A, W61B		09	J02A, J02B, J02C, J03A, J03B, J04A, J04B, J08A, J08B, J08C, J65Z		08	I74A, I74B, I74C
	21B	X04Z, X60Z		21A	W61A, W61B	S92.7		PTR
S88.0		PTR	S91.3		PTR		08	I74A, I74B, I74C
	21A	W61A, W61B		21A	W61A, W61B	S92.9		PTR
	21B	X04Z, X60Z		21B	X04Z, X60Z		21A	W61A, W61B
S88.1		PTR	S91.7		PTR		08	I77Z
	21A	W61A, W61B		21A	W61A, W61B	S93.0		PTR
	21B	X04Z, X60Z		21B	X04Z, X60Z		08	I77Z
S88.9		PTR	S91.80		PTR		21A	W61A, W61B
	21A	W61A, W61B		21A	W61A, W61B	S93.10		PTR
	21B	X04Z, X60Z		21B	X04Z, X60Z		08	I74A, I74B, I74C
S89.7		PTR	S91.84		PTR		21A	W61A, W61B
	21A	W61A, W61B		21A	W61A, W61B	S93.11		PTR
	21B	X04Z, X60Z		21A	W61A, W61B		08	I74A, I74B, I74C
S89.8		PTR	S91.85		PTR		21A	W61A, W61B
	21A	W61A, W61B		08	I02A, I02B, I02C, I02D, I08A, I08B, I08C, I08D, I08E, I13A, I13B, I13C, I20A, I20B, I20C, I22A	S93.12		PTR
	21B	X04Z, X60Z		21A	W61A, W61B		08	I74A, I74B, I74C
S89.9		PTR	S91.86		PTR		21A	W61A, W61B
	21A	W61A, W61B		21A	W61A, W61B	S93.2		PTR
	21B	X04Z, X60Z		21B	X01A, X01B		08	I77Z
S89.9		PTR	S91.87		PTR		21A	W61A, W61B
	21A	W61A, W61B		21A	W61A, W61B	S93.30		PTR
	21B	X04Z, X60Z		21A	W61A, W61B		08	I74A, I74B, I74C
S90.0		PTR					21A	W61A, W61B
	09	J02A, J02B, J02C, J03A, J03B, J04A, J04B, J08A, J08B, J08C, J65Z						
	21A	W61A, W61B						
S90.1		PTR						
	09	J02A, J02B, J02C, J03A, J03B, J04A, J04B, J08A, J08B, J08C, J65Z						
	21A	W61A, W61B						
S90.2		PTR						
	09	J02A, J02B, J02C, J03A, J03B, J04A, J04B, J08A, J08B, J08C, J65Z						
	21A	W61A, W61B						

ICD	MDC	DRG	ICD	MDC	DRG	ICD	MDC	DRG
S93.31		PTR	S95.7		PTR	T00.1		PTR
	08	I74A, I74B, I74C		15	TPN, VTPN		09	J65Z
	21A	W61A, W61B		21A	W61A, W61B		21A	W61A, W61B
S93.32		PTR		21B	X04Z, X60Z	T00.2		PTR
	08	I74A, I74B, I74C	S95.8		PTR		09	J65Z
	21A	W61A, W61B		15	TPN, VTPN		21A	W61A, W61B
S93.33		PTR		21A	W61A, W61B	T00.3		PTR
	08	I74A, I74B, I74C		21B	X04Z, X60Z		09	J65Z
	21A	W61A, W61B	S95.9		PTR		21A	W61A, W61B
S93.34		PTR		15	TPN, VTPN	T00.6		PTR
	08	I74A, I74B, I74C		21A	W61A, W61B		09	J65Z
	21A	W61A, W61B		21B	X04Z, X60Z		21A	W61A, W61B
S93.38		PTR	S96.0		PTR	T00.8		PTR
	08	I74A, I74B, I74C		08	I74A, I74B, I74C		09	J65Z
	21A	W61A, W61B		21A	W61A, W61B		21A	W61A, W61B
S93.40		PTR	S96.1		PTR	T00.9		PTR
	08	I77Z		08	I74A, I74B, I74C		09	J65Z
	21A	W61A, W61B		21A	W61A, W61B		21A	W61A, W61B
S93.41		PTR	S96.2		PTR	T01.0		PTR
	08	I77Z		08	I74A, I74B, I74C		21A	W61A, W61B
	21A	W61A, W61B		21A	W61A, W61B		21B	X60Z
S93.42		PTR	S96.7		PTR	T01.1		PTR
	08	I77Z		08	I74A, I74B, I74C		21A	W61A, W61B
	21A	W61A, W61B		21A	W61A, W61B		21B	X60Z
S93.43		PTR	S96.8		PTR	T01.2		PTR
	08	I77Z		08	I74A, I74B, I74C		21A	W61A, W61B
	21A	W61A, W61B		21A	W61A, W61B		21B	X60Z
S93.48		PTR	S96.9		PTR	T01.3		PTR
	08	I77Z		08	I77Z		21A	W61A, W61B
	21A	W61A, W61B		21A	W61A, W61B		21B	X04Z, X60Z
S93.5		PTR	S97.0		PTR	T01.6		PTR
	08	I74A, I74B, I74C		15	TPN, VTPN		21A	W61A, W61B
	21A	W61A, W61B		21A	W61A, W61B		21B	X60Z
S93.6		PTR		21B	X04Z, X60Z	T01.8		PTR
	08	I74A, I74B, I74C	S97.1		PTR		21A	W61A, W61B
	21A	W61A, W61B		15	TPN, VTPN		21B	X60Z
S94.0		PTR		21A	W61A, W61B	T01.9		PTR
	01	B71A, B71B, B71C, B71D		21B	X04Z, X60Z		21A	W61A, W61B
	21A	W61A, W61B	S97.8		PTR		21B	X60Z
S94.1		PTR		15	TPN, VTPN	T02.00		PTR
	01	B71A, B71B, B71C, B71D		21A	W61A, W61B		01	B79Z
	21A	W61A, W61B		21B	X04Z, X60Z		15	TPN, VTPN
S94.2		PTR	S98.0		PTR		21A	W61A, W61B
	01	B71A, B71B, B71C, B71D		21A	W61A, W61B	T02.01		PTR
	21A	W61A, W61B		21B	X04Z, X60Z		01	B79Z
S94.3		PTR	S98.1		PTR		15	TPN, VTPN
	01	B71A, B71B, B71C, B71D		21A	W61A, W61B	T02.10		PTR
	21A	W61A, W61B		21B	X04Z, X60Z		21A	W61A, W61B
S94.7		PTR	S98.2		PTR		08	I76A
	01	B71A, B71B, B71C, B71D		21A	W61A, W61B		21A	W61A, W61B
	21A	W61A, W61B		21B	X04Z, X60Z	T02.11		PTR
S94.8		PTR	S98.3		PTR		08	I76A, I76B
	01	B71A, B71B, B71C, B71D		21A	W61A, W61B		15	TPN, VTPN
	21A	W61A, W61B		21B	X04Z, X60Z		21A	W61A, W61B
S94.9		PTR	S98.4		PTR	T02.20		PTR
	01	B71A, B71B, B71C, B71D		21A	W61A, W61B		08	I77Z
	21A	W61A, W61B		21B	X04Z, X60Z		21A	W61A, W61B
S95.0		PTR	S99.7		PTR	T02.21		PTR
	15	TPN, VTPN		21A	W61A, W61B		08	I77Z
	21A	W61A, W61B		21B	X04Z, X60Z		21A	W61A, W61B
	21B	X04Z, X60Z	S99.8		PTR	T02.30		PTR
S95.1		PTR		21A	W61A, W61B		08	I77Z
	15	TPN, VTPN		21B	X04Z, X60Z		21A	W61A, W61B
	21A	W61A, W61B	S99.9		PTR	T02.31		PTR
	21B	X04Z, X60Z		21A	W61A, W61B		08	I77Z
S95.2		PTR		21B	X04Z, X60Z		21A	W61A, W61B
	15	TPN, VTPN	T00.0		PTR			
	21A	W61A, W61B		09	J65Z			
	21B	X04Z, X60Z		21A	W61A, W61B			

ICD	MDC	DRG	ICD	MDC	DRG	ICD	MDC	DRG
T02.40		PTR	T04.1		PTR	T06.3		PTR
	15	TPN, VTPN		15	TPN, VTPN		15	TPN, VTPN
	21A	W61A, W61B		21A	W61A, W61B		21A	W61A, W61B
	21B	X60Z		21B	X60Z		21B	X60Z
T02.41		PTR	T04.2		PTR	T06.4		PTR
	15	TPN, VTPN		15	TPN, VTPN		08	I76A, I76B
	21A	W61A, W61B		21A	W61A, W61B		21A	W61A, W61B
	21B	X60Z		21B	X60Z			PTR
T02.50		PTR	T04.3		PTR	T06.5		PTR
	15	TPN, VTPN		15	TPN, VTPN		21A	W61A, W61B
	21A	W61A, W61B		21A	W61A, W61B		21B	X60Z
	21B	X60Z		21B	X04Z, X60Z	T06.8		PTR
T02.51		PTR	T04.4		PTR		21A	W61A, W61B
	15	TPN, VTPN		15	TPN, VTPN		21B	X60Z
	21A	W61A, W61B		21A	W61A, W61B	T07		PTR
	21B	X60Z		21B	X60Z		21A	W61A, W61B
T02.60		PTR	T04.7		PTR	T08.0		PTR
	15	TPN, VTPN		15	TPN, VTPN		08	I68A, I68B, I68C, I68D, I68E
	21A	W61A, W61B		21A	W61A, W61B		15	TPN, VTPN
	21B	X60Z		21B	X60Z		21A	W61A, W61B
T02.61		PTR	T04.8		PTR	T08.1		PTR
	15	TPN, VTPN		15	TPN, VTPN		08	I68A, I68B, I68C, I68D, I68E
	21A	W61A, W61B		21A	W61A, W61B		15	TPN, VTPN
	21B	X60Z		21B	X60Z		21A	W61A, W61B
T02.70		PTR	T04.9		PTR	T09.00		PTR
	15	TPN, VTPN		15	TPN, VTPN		09	J65Z
	21A	W61A, W61B		21A	W61A, W61B		21A	W61A, W61B
	21B	X60Z		21B	X60Z	T09.01		PTR
T02.71		PTR	T05.0		PTR		09	J65Z
	15	TPN, VTPN		21A	W61A, W61B		21A	W61A, W61B
	21A	W61A, W61B		21B	X60Z	T09.02		PTR
	21B	X60Z		T05.1	PTR		09	J67A, J67B, J68A, J68B
T02.80		PTR		21A	W61A, W61B		21A	W61A, W61B
	08	I76A		21B	X60Z	T09.03		PTR
	21A	W61A, W61B		T05.2	PTR		09	J67A, J67B, J68A, J68B
T02.81		PTR		21A	W61A, W61B		21A	W61A, W61B
	08	I76A, I76B		21B	X60Z	T09.04		PTR
	21A	W61A, W61B		T05.3	PTR		09	J65Z
T02.90		PTR		21A	W61A, W61B		21A	W61A, W61B
	08	I76A, I76B		21B	X60Z	T09.05		PTR
	21A	W61A, W61B		T05.4	PTR		09	J65Z
T02.91		PTR		21A	W61A, W61B		21A	W61A, W61B
	08	I76A, I76B		21B	X60Z	T09.08		PTR
	21A	W61A, W61B		T05.5	PTR		09	J65Z
T03.0		PTR		21A	W61A, W61B		21A	W61A, W61B
	08	I76A, I76B		21B	X60Z	T09.1		PTR
	21A	W61A, W61B		T05.6	PTR		15	TPN, VTPN
T03.1		PTR		21A	W61A, W61B		21A	W61A, W61B
	08	I76A, I76B		21B	X60Z		21B	X60Z
	21A	W61A, W61B		T05.8	PTR	T09.2		PTR
T03.2		PTR		15	TPN, VTPN		08	I68A, I68B, I68C, I68D, I68E
	08	I76A, I76B		21A	W61A, W61B		21A	W61A, W61B
	21A	W61A, W61B		21B	X60Z	T09.3		PTR
T03.3		PTR		T05.9	PTR		15	TPN, VTPN
	08	I76A, I76B		21A	W61A, W61B		21A	W61A, W61B
	21A	W61A, W61B		21B	X60Z		Pre	B61A, B61B
T03.4		PTR		T06.0	PTR			PTR
	08	I76A, I76B		15	TPN, VTPN	T09.4		PTR
	21A	W61A, W61B		21A	W61A, W61B		01	B71A, B71B, B71C, B71D
T03.8		PTR		Pre	B61A, B61B		15	TPN, VTPN
	08	I76A, I76B		T06.1	PTR		21A	W61A, W61B
	21A	W61A, W61B		15	TPN, VTPN	T09.5		PTR
T03.9		PTR		21A	W61A, W61B		08	I76A, I76B
	08	I76A, I76B		Pre	B61A, B61B		21A	W61A, W61B
	21A	W61A, W61B		T06.2	PTR	T09.6		PTR
T04.0		PTR		01	B71A, B71B, B71C, B71D		15	TPN, VTPN
	15	TPN, VTPN		21A	W61A, W61B		21A	W61A, W61B
	21A	W61A, W61B					21B	X60Z
	21B	X60Z						

ICD	MDC	DRG	ICD	MDC	DRG	ICD	MDC	DRG
T09.8		PTR	T13.01		PTR	T14.20		PTR
	21A	W61A, W61B		09	J65Z		08	I76A, I76B
	21B	X60Z		21A	W61A, W61B		21A	W61A, W61B
T09.9		PTR	T13.02		PTR	T14.21		PTR
	21A	W61A, W61B		09	J67A, J67B, J68A, J68B		08	I76A, I76B
	21B	X60Z		21A	W61A, W61B		21A	W61A, W61B
T10.0		PTR	T13.03		PTR	T14.3		PTR
	08	I77Z		09	J67A, J67B, J68A, J68B		08	I76A, I76B
	21A	W61A, W61B		21A	W61A, W61B		21A	W61A, W61B
T10.1		PTR	T13.04		PTR	T14.4		PTR
	08	I77Z		09	J65Z		01	B71A, B71B, B71C, B71D
	21A	W61A, W61B		21A	W61A, W61B		21A	W61A, W61B
T11.00		PTR	T13.05		PTR	T14.5		PTR
	09	J65Z		09	J02A, J02B, J02C, J03A, J03B, J04A, J04B, J08A, J08B, J08C, J65Z		15	TPN, VTPN
	21A	W61A, W61B		21A	W61A, W61B		21A	W61A, W61B
T11.01		PTR	T13.08		PTR	T14.6		PTR
	09	J65Z		09	J65Z		08	I76A, I76B
	21A	W61A, W61B		21A	W61A, W61B		21A	W61A, W61B
T11.02		PTR	T13.1		PTR	T14.7		PTR
	09	J67A, J67B, J68A, J68B		21A	W61A, W61B		15	TPN, VTPN
	21A	W61A, W61B		21B	X04Z, X60Z		21A	W61A, W61B
T11.03		PTR	T13.2		PTR	T14.8		PTR
	09	J67A, J67B, J68A, J68B		08	I76A, I76B		21A	W61A, W61B
	21A	W61A, W61B		21A	W61A, W61B		21B	X60Z
T11.04		PTR	T13.3		PTR	T14.9		PTR
	09	J65Z		01	B71A, B71B, B71C, B71D		21A	W61A, W61B
	21A	W61A, W61B		21A	W61A, W61B		21B	X60Z
T11.05		PTR	T13.4		PTR	T15.0		02 C62Z
	09	J65Z		15	TPN, VTPN	T15.1		02 C62Z
	21A	W61A, W61B		21A	W61A, W61B	T15.8		02 C62Z
T11.08		PTR	T13.5		PTR	T15.9		02 C62Z
	09	J65Z		08	I77Z	T16		03 D66Z
	21A	W61A, W61B		21A	W61A, W61B	T17.0		03 D65Z
T11.1		PTR	T13.6		PTR	T17.1		03 D65Z
	21A	W61A, W61B		21A	W61A, W61B	T17.2		03 D66Z
	21B	X60Z		21A	W61A, W61B	T17.3		03 D66Z
T11.2		PTR	T13.8		PTR	T17.4		04 E75A, E75B, E75C
	08	I76A, I76B		21B	X04Z, X60Z	T17.5		04 E75A, E75B, E75C
	21A	W61A, W61B		21A	W61A, W61B	T17.8		04 E75A, E75B, E75C
T11.3		PTR	T13.9		PTR	T17.9		04 E75A, E75B, E75C
	01	B71A, B71B, B71C, B71D		21A	W61A, W61B	T18.0		03 D40Z, D67Z
	21A	W61A, W61B		21B	X04Z, X60Z	T18.1		06 G46A, G46B, G46C, G50Z, G72A, G72B
T11.4		PTR	T14.00		PTR	T18.2		06 G46A, G46B, G46C, G50Z, G72A, G72B
	15	TPN, VTPN		09	J65Z	T18.3		06 G46A, G46B, G46C, G50Z, G72A, G72B
	21A	W61A, W61B		21A	W61A, W61B	T18.4		06 G46A, G46B, G46C, G50Z, G72A, G72B
	21B	X60Z		21A	W61A, W61B	T18.5		06 G46A, G46B, G46C, G50Z, G72A, G72B
T11.5		PTR	T14.01		PTR	T18.8		06 G46A, G46B, G46C, G50Z, G72A, G72B
	08	I77Z		09	J65Z	T18.9		06 G46A, G46B, G46C, G50Z, G72A, G72B
	21A	W61A, W61B		21A	W61A, W61B	T19.0		11 L68A, L68B, L74Z
T11.6		PTR	T14.02		PTR	T19.1		11 L68A, L68B, L74Z
	21A	W61A, W61B		09	J65Z	T19.2		13 N04Z, N05A, N05B, N14Z, N21Z, N25Z, N62A, N62B
	21B	X60Z		21A	W61A, W61B	T19.3		13 N04Z, N05A, N05B, N14Z, N21Z, N25Z, N62A, N62B
T11.8		PTR	T14.03		PTR	T19.8		12 M64Z
	21A	W61A, W61B		09	J67A, J67B, J68A, J68B		13	N04Z, N05A, N05B, N14Z, N21Z, N25Z, N62A, N62B
	21B	X60Z		21A	W61A, W61B	T19.9		12 M64Z
T11.9		PTR	T14.04		PTR		13	N04Z, N05A, N05B, N14Z, N21Z, N25Z, N62A, N62B
	21A	W61A, W61B		09	J67A, J67B, J68A, J68B			
	21B	X60Z		21A	W61A, W61B			
T12.0		PTR	T14.05		PTR			
	08	I77Z		09	J65Z			
	21A	W61A, W61B		21A	W61A, W61B			
T12.1		PTR	T14.08		PTR			
	08	I77Z		09	J65Z			
	21A	W61A, W61B		21A	W61A, W61B			
T13.00		PTR	T14.1		PTR			
	09	J65Z		21A	W61A, W61B			
	21A	W61A, W61B		21A	W61A, W61B			
				21B	X60Z			

ICD	MDC	DRG	ICD	MDC	DRG	ICD	MDC	DRG
T20.0	22	Y62A, Y62B	T21.69	22	Y01Z, Y62A, Y62B	T22.73	15	TPN, VTPN
T20.1	22	Y62A, Y62B	T21.70	15	TPN, VTPN	22	Y61Z, Y62A, Y62B	
T20.20	22	Y01Z, Y62A, Y62B	22	Y61Z, Y62A, Y62B	T22.80	22	Y01Z, Y62A, Y62B	
T20.21	22	Y01Z, Y62A, Y62B	T21.71	15	TPN, VTPN	T22.81	22	Y01Z, Y62A, Y62B
T20.3	15	TPN, VTPN	22	Y61Z, Y62A, Y62B	T22.82	22	Y01Z, Y62A, Y62B	
22	Y61Z, Y62A, Y62B	T21.72	15	TPN, VTPN	T22.83	22	Y01Z, Y62A, Y62B	
T20.4	22	Y62A, Y62B	22	Y61Z, Y62A, Y62B	T22.90	22	Y01Z, Y62A, Y62B	
T20.5	22	Y62A, Y62B	T21.73	15	TPN, VTPN	T22.91	22	Y01Z, Y62A, Y62B
T20.60	22	Y01Z, Y62A, Y62B	22	Y61Z, Y62A, Y62B	T22.92	22	Y01Z, Y62A, Y62B	
T20.61	22	Y01Z, Y62A, Y62B	T21.74	15	TPN, VTPN	T22.93	22	Y01Z, Y62A, Y62B
T20.7	15	TPN, VTPN	22	Y61Z, Y62A, Y62B	T23.0	22	Y62A, Y62B	
22	Y61Z, Y62A, Y62B	T21.75	15	TPN, VTPN	T23.1	22	Y62A, Y62B	
T21.00	22	Y62A, Y62B	22	Y61Z, Y62A, Y62B	T23.20	22	Y01Z, Y62A, Y62B	
T21.01	22	Y62A, Y62B	T21.79	15	TPN, VTPN	T23.21	22	Y01Z, Y62A, Y62B
T21.02	22	Y62A, Y62B	22	Y61Z, Y62A, Y62B	T23.3	15	TPN, VTPN	
T21.03	22	Y62A, Y62B	T21.80	22	Y01Z, Y62A, Y62B	22	Y61Z, Y62A, Y62B	
T21.04	22	Y62A, Y62B	T21.81	22	Y01Z, Y62A, Y62B	T23.4	22	Y62A, Y62B
T21.05	22	Y62A, Y62B	T21.82	22	Y01Z, Y62A, Y62B	T23.5	22	Y62A, Y62B
T21.09	22	Y62A, Y62B	T21.83	22	Y01Z, Y62A, Y62B	T23.60	22	Y01Z, Y62A, Y62B
T21.10	22	Y62A, Y62B	T21.84	15	P65C, P66C, P67B, P67C	T23.61	22	Y01Z, Y62A, Y62B
T21.11	22	Y62A, Y62B	22	Y01Z, Y62A, Y62B	T23.7	15	TPN, VTPN	
T21.12	22	Y62A, Y62B	T21.85	22	Y01Z, Y62A, Y62B	22	Y61Z, Y62A, Y62B	
T21.13	22	Y62A, Y62B	T21.89	22	Y01Z, Y62A, Y62B	T24.0	22	Y62A, Y62B
T21.14	22	Y62A, Y62B	T21.90	22	Y01Z, Y62A, Y62B	T24.1	22	Y62A, Y62B
T21.15	22	Y62A, Y62B	T21.91	22	Y01Z, Y62A, Y62B	T24.20	22	Y01Z, Y62A, Y62B
T21.19	22	Y62A, Y62B	T21.92	22	Y01Z, Y62A, Y62B	T24.21	22	Y01Z, Y62A, Y62B
T21.20	22	Y01Z, Y62A, Y62B	T21.93	22	Y01Z, Y62A, Y62B	T24.3	15	TPN, VTPN
T21.21	22	Y01Z, Y62A, Y62B	T21.94	15	P65C, P66C, P67B, P67C	22	Y61Z, Y62A, Y62B	
T21.22	22	Y01Z, Y62A, Y62B	22	Y01Z, Y62A, Y62B	T24.4	22	Y62A, Y62B	
T21.23	22	Y01Z, Y62A, Y62B	T21.95	22	Y01Z, Y62A, Y62B	T24.5	22	Y62A, Y62B
T21.24	15	P65C, P66C, P67B, P67C	T21.99	22	Y01Z, Y62A, Y62B	T24.60	22	Y01Z, Y62A, Y62B
22	Y01Z, Y62A, Y62B	T22.00	22	Y62A, Y62B	T24.61	22	Y01Z, Y62A, Y62B	
T21.25	22	Y01Z, Y62A, Y62B	T22.01	22	Y62A, Y62B	T24.7	15	TPN, VTPN
T21.29	22	Y01Z, Y62A, Y62B	T22.02	22	Y62A, Y62B	22	Y61Z, Y62A, Y62B	
T21.30	15	TPN, VTPN	T22.03	22	Y62A, Y62B	T25.0	22	Y62A, Y62B
22	Y61Z, Y62A, Y62B	T22.10	22	Y62A, Y62B	T25.1	22	Y62A, Y62B	
T21.31	15	TPN, VTPN	T22.11	22	Y62A, Y62B	T25.20	22	Y01Z, Y62A, Y62B
22	Y61Z, Y62A, Y62B	T22.12	22	Y62A, Y62B	T25.21	22	Y01Z, Y62A, Y62B	
T21.32	15	TPN, VTPN	T22.13	22	Y62A, Y62B	T25.3	15	TPN, VTPN
22	Y61Z, Y62A, Y62B	T22.20	22	Y01Z, Y62A, Y62B	22	Y61Z, Y62A, Y62B		
T21.33	15	TPN, VTPN	T22.21	22	Y01Z, Y62A, Y62B	T25.4	22	Y62A, Y62B
22	Y61Z, Y62A, Y62B	T22.22	22	Y01Z, Y62A, Y62B	T25.5	22	Y62A, Y62B	
T21.34	15	TPN, VTPN	T22.23	22	Y01Z, Y62A, Y62B	T25.60	22	Y01Z, Y62A, Y62B
22	Y61Z, Y62A, Y62B	T22.30	15	TPN, VTPN	T25.61	22	Y01Z, Y62A, Y62B	
T21.35	15	TPN, VTPN	22	Y61Z, Y62A, Y62B	T25.7	15	TPN, VTPN	
22	Y61Z, Y62A, Y62B	T22.31	15	TPN, VTPN	22	Y61Z, Y62A, Y62B		
T21.39	15	TPN, VTPN	22	Y61Z, Y62A, Y62B	T26.0	02	C62Z	
22	Y61Z, Y62A, Y62B	T22.32	15	TPN, VTPN	15	TPN, VTPN		
T21.40	22	Y62A, Y62B	22	Y61Z, Y62A, Y62B	T26.1	02	C62Z	
T21.41	22	Y62A, Y62B	T22.33	15	TPN, VTPN	15	TPN, VTPN	
T21.42	22	Y62A, Y62B	22	Y61Z, Y62A, Y62B	T26.2	02	C62Z	
T21.43	22	Y62A, Y62B	T22.40	22	Y62A, Y62B	15	TPN, VTPN	
T21.44	22	Y62A, Y62B	T22.41	22	Y62A, Y62B	T26.3	02	C62Z
T21.45	22	Y62A, Y62B	T22.42	22	Y62A, Y62B	15	TPN, VTPN	
T21.49	22	Y62A, Y62B	T22.43	22	Y62A, Y62B	T26.4	02	C62Z
T21.50	22	Y62A, Y62B	T22.50	22	Y62A, Y62B	15	TPN, VTPN	
T21.51	22	Y62A, Y62B	T22.51	22	Y62A, Y62B	T26.5	02	C62Z
T21.52	22	Y62A, Y62B	T22.52	22	Y62A, Y62B	15	TPN, VTPN	
T21.53	22	Y62A, Y62B	T22.53	22	Y62A, Y62B	T26.6	02	C62Z
T21.54	22	Y62A, Y62B	T22.60	22	Y01Z, Y62A, Y62B	15	TPN, VTPN	
T21.55	22	Y62A, Y62B	T22.61	22	Y01Z, Y62A, Y62B	T26.7	02	C62Z
T21.59	22	Y62A, Y62B	T22.62	22	Y01Z, Y62A, Y62B	15	TPN, VTPN	
T21.60	22	Y01Z, Y62A, Y62B	T22.63	22	Y01Z, Y62A, Y62B	T26.8	02	C62Z
T21.61	22	Y01Z, Y62A, Y62B	T22.70	15	TPN, VTPN	15	TPN, VTPN	
T21.62	22	Y01Z, Y62A, Y62B	22	Y61Z, Y62A, Y62B	T26.9	02	C62Z	
T21.63	22	Y01Z, Y62A, Y62B	T22.71	15	TPN, VTPN	15	TPN, VTPN	
T21.64	15	P65C, P66C, P67B, P67C	22	Y61Z, Y62A, Y62B				
22	Y01Z, Y62A, Y62B	T22.72	15	TPN, VTPN				
T21.65	22	Y01Z, Y62A, Y62B	22	Y61Z, Y62A, Y62B				

ICD	MDC	DRG	ICD	MDC	DRG	ICD	MDC	DRG
T27.0	04	E75A, E75B, E75C	T28.9	15	TPN, VTPN	T31.66	15	TPN, VTPN
	15	TPN, VTPN		22	Y62A, Y62B		22	Y01Z, Y61Z
	22	Y02A, Y02B		Pre	A07D, A09E, A11F, A13F	T31.70	15	TPN, VTPN
	Pre	A07D, A09E, A11F, A13F	T29.0	15	TPN, VTPN		22	Y01Z, Y61Z
T27.1	04	E75A, E75B, E75C		22	Y62A, Y62B	T31.71	15	TPN, VTPN
	15	TPN, VTPN	T29.1	22	Y62A, Y62B		22	Y01Z, Y61Z
	22	Y02A, Y02B	T29.20	22	Y01Z, Y62A, Y62B	T31.72	15	TPN, VTPN
	Pre	A07D, A09E, A11F, A13F	T29.21	22	Y01Z, Y62A, Y62B		22	Y01Z, Y61Z
T27.2	15	TPN, VTPN	T29.3	15	TPN, VTPN	T31.73	15	TPN, VTPN
	22	Y62A, Y62B		22	Y61Z, Y62A, Y62B		22	Y01Z, Y61Z
	Pre	A07D, A09E, A11F, A13F	T29.4	15	TPN, VTPN	T31.74	15	TPN, VTPN
T27.3	15	TPN, VTPN		22	Y62A, Y62B		22	Y01Z, Y61Z
	22	Y62A, Y62B	T29.5	22	Y62A, Y62B	T31.75	15	TPN, VTPN
	Pre	A07D, A09E, A11F, A13F	T29.60	22	Y01Z, Y62A, Y62B		22	Y01Z, Y61Z
T27.4	04	E75A, E75B, E75C	T29.61	22	Y01Z, Y62A, Y62B	T31.76	15	TPN, VTPN
	15	TPN, VTPN	T29.7	15	TPN, VTPN		22	Y01Z, Y61Z
	22	Y02A, Y02B		22	Y61Z, Y62A, Y62B	T31.77	15	TPN, VTPN
	Pre	A07D, A09E, A11F, A13F	T30.0	22	Y62A, Y62B		22	Y01Z, Y61Z
T27.5	04	E75A, E75B, E75C	T30.1	22	Y62A, Y62B	T31.80	15	TPN, VTPN
	15	TPN, VTPN	T30.20	22	Y01Z, Y62A, Y62B		22	Y01Z, Y61Z
	22	Y02A, Y02B	T30.21	22	Y01Z, Y62A, Y62B	T31.81	15	TPN, VTPN
	Pre	A07D, A09E, A11F, A13F	T30.3	22	Y61Z, Y62A, Y62B		22	Y01Z, Y61Z
T27.6	15	TPN, VTPN	T30.4	22	Y62A, Y62B	T31.82	15	TPN, VTPN
	22	Y62A, Y62B	T30.5	22	Y62A, Y62B		22	Y01Z, Y61Z
	Pre	A07D, A09E, A11F, A13F	T30.60	22	Y01Z, Y62A, Y62B	T31.83	15	TPN, VTPN
T27.7	15	TPN, VTPN	T30.61	22	Y01Z, Y62A, Y62B		22	Y01Z, Y61Z
	22	Y62A, Y62B	T30.7	22	Y61Z, Y62A, Y62B	T31.84	15	TPN, VTPN
	Pre	A07D, A09E, A11F, A13F	T31.11	22	Y61Z		22	Y01Z, Y61Z
T28.0	03	D66Z	T31.21	22	Y61Z	T31.85	15	TPN, VTPN
	15	TPN, VTPN	T31.22	15	TPN, VTPN		22	Y01Z, Y61Z
	22	Y02A, Y02B		22	Y01Z, Y61Z	T31.86	15	TPN, VTPN
	Pre	A07D, A09E, A11F, A13F	T31.30	22	Y01Z, Y61Z		22	Y01Z, Y61Z
T28.1	06	G46A, G46B, G46C, G50Z, G64A, G64B, G64C, G70A, G70B	T31.31	22	Y01Z, Y61Z	T31.87	15	TPN, VTPN
	15	TPN, VTPN	T31.32	15	TPN, VTPN		22	Y01Z, Y61Z
	22	Y02A, Y02B		22	Y01Z, Y61Z	T31.88	15	TPN, VTPN
	Pre	A07D, A09E, A11F, A13F	T31.33	15	TPN, VTPN		22	Y01Z, Y61Z
T28.2	06	G46A, G46B, G46C, G50Z, G71Z		22	Y01Z, Y61Z	T31.90	15	TPN, VTPN
	15	TPN, VTPN	T31.40	22	Y01Z, Y61Z		22	Y01Z, Y61Z
	22	Y02A, Y02B	T31.41	22	Y01Z, Y61Z	T31.91	15	TPN, VTPN
	Pre	A07D, A09E, A11F, A13F	T31.42	15	TPN, VTPN		22	Y01Z, Y61Z
T28.3	15	TPN, VTPN		22	Y01Z, Y61Z	T31.92	15	TPN, VTPN
	22	Y62A, Y62B	T31.43	15	TPN, VTPN		22	Y01Z, Y61Z
	Pre	A07D, A09E, A11F, A13F		22	Y01Z, Y61Z	T31.93	15	TPN, VTPN
T28.4	15	TPN, VTPN	T31.44	15	TPN, VTPN		22	Y01Z, Y61Z
	22	Y62A, Y62B		22	Y01Z, Y61Z	T31.94	15	TPN, VTPN
	Pre	A07D, A09E, A11F, A13F	T31.50	15	TPN, VTPN		22	Y01Z, Y61Z
T28.5	03	D66Z		22	Y01Z, Y61Z	T31.95	15	TPN, VTPN
	15	TPN, VTPN	T31.51	15	TPN, VTPN		22	Y01Z, Y61Z
	22	Y02A, Y02B		22	Y01Z, Y61Z	T31.96	15	TPN, VTPN
	Pre	A07D, A09E, A11F, A13F	T31.52	15	TPN, VTPN		22	Y01Z, Y61Z
T28.6	06	G46A, G46B, G46C, G50Z, G64A, G64B, G64C, G70A, G70B		22	Y01Z, Y61Z	T31.97	15	TPN, VTPN
	15	TPN, VTPN	T31.53	15	TPN, VTPN		22	Y01Z, Y61Z
	22	Y02A, Y02B		22	Y01Z, Y61Z	T31.98	15	TPN, VTPN
	Pre	A07D, A09E, A11F, A13F		22	Y01Z, Y61Z		22	Y01Z, Y61Z
T28.7	06	G46A, G46B, G46C, G50Z, G71Z	T31.54	15	TPN, VTPN	T31.99	15	TPN, VTPN
	15	TPN, VTPN		22	Y01Z, Y61Z		22	Y01Z, Y61Z
	22	Y02A, Y02B	T31.55	15	TPN, VTPN	T32.11	22	Y61Z
	Pre	A07D, A09E, A11F, A13F		22	Y01Z, Y61Z	T32.21	22	Y61Z
T28.8	15	TPN, VTPN	T31.60	15	TPN, VTPN	T32.22	15	TPN, VTPN
	22	Y62A, Y62B		22	Y01Z, Y61Z		22	Y01Z, Y61Z
	Pre	A07D, A09E, A11F, A13F	T31.61	15	TPN, VTPN	T32.30	22	Y01Z, Y61Z
	Pre	A07D, A09E, A11F, A13F		22	Y01Z, Y61Z	T32.31	22	Y01Z, Y61Z
	15	TPN, VTPN	T31.62	15	TPN, VTPN		22	Y01Z, Y61Z
	22	Y62A, Y62B		22	Y01Z, Y61Z	T32.32	15	TPN, VTPN
	Pre	A07D, A09E, A11F, A13F		22	Y01Z, Y61Z		22	Y01Z, Y61Z
	15	TPN, VTPN	T31.63	15	TPN, VTPN	T32.33	15	TPN, VTPN
	22	Y62A, Y62B		22	Y01Z, Y61Z		22	Y01Z, Y61Z
	Pre	A07D, A09E, A11F, A13F	T31.64	15	TPN, VTPN	T32.40	22	Y01Z, Y61Z
	Pre	A07D, A09E, A11F, A13F		22	Y01Z, Y61Z	T32.41	22	Y01Z, Y61Z
	15	TPN, VTPN	T31.65	15	TPN, VTPN			
	22	Y62A, Y62B		22	Y01Z, Y61Z			
	Pre	A07D, A09E, A11F, A13F						



ICD	MDC	DRG	ICD	MDC	DRG	ICD	MDC	DRG
T32.42	15	TPN, VTPN	T32.91	15	TPN, VTPN	T35.0	15	TPN, VTPN
	22	Y01Z, Y61Z		22	Y01Z, Y61Z		21B	X64Z
T32.43	15	TPN, VTPN	T32.92	15	TPN, VTPN	T35.1	15	TPN, VTPN
	22	Y01Z, Y61Z		22	Y01Z, Y61Z		21B	X64Z
T32.44	15	TPN, VTPN	T32.93	15	TPN, VTPN		Pre	A07D, A09E, A11F, A13F
	22	Y01Z, Y61Z		22	Y01Z, Y61Z	T35.2	15	TPN, VTPN
T32.50	15	TPN, VTPN	T32.94	15	TPN, VTPN		21B	X64Z
	22	Y01Z, Y61Z		22	Y01Z, Y61Z	T35.3	15	TPN, VTPN
T32.51	15	TPN, VTPN	T32.95	15	TPN, VTPN		21B	X64Z
	22	Y01Z, Y61Z		22	Y01Z, Y61Z	T35.4	15	TPN, VTPN
T32.52	15	TPN, VTPN	T32.96	15	TPN, VTPN		21B	X05A, X05B, X64Z
	22	Y01Z, Y61Z		22	Y01Z, Y61Z	T35.5	15	TPN, VTPN
T32.53	15	TPN, VTPN	T32.97	15	TPN, VTPN		21B	X04Z, X64Z
	22	Y01Z, Y61Z		22	Y01Z, Y61Z	T35.6	15	TPN, VTPN
T32.54	15	TPN, VTPN	T32.98	15	TPN, VTPN		21B	X64Z
	22	Y01Z, Y61Z		22	Y01Z, Y61Z	T35.7	15	TPN, VTPN
T32.55	15	TPN, VTPN	T32.99	15	TPN, VTPN		21B	X64Z
	22	Y01Z, Y61Z		22	Y01Z, Y61Z	T36.0	15	TPN, VTPN
T32.60	15	TPN, VTPN	T33.0	15	TPN, VTPN		21B	X62Z
	22	Y01Z, Y61Z		21B	X64Z		Pre	A07D, A09E, A11F, A13F
T32.61	15	TPN, VTPN	T33.1	15	TPN, VTPN	T36.1	15	TPN, VTPN
	22	Y01Z, Y61Z		21B	X64Z		21B	X62Z
T32.62	15	TPN, VTPN	T33.2	15	TPN, VTPN		Pre	A07D, A09E, A11F, A13F
	22	Y01Z, Y61Z		21B	X64Z	T36.2	15	TPN, VTPN
T32.63	15	TPN, VTPN	T33.3	15	TPN, VTPN		21B	X62Z
	22	Y01Z, Y61Z		21B	X64Z		Pre	A07D, A09E, A11F, A13F
T32.64	15	TPN, VTPN	T33.4	15	TPN, VTPN	T36.3	15	TPN, VTPN
	22	Y01Z, Y61Z		21B	X64Z		21B	X62Z
T32.65	15	TPN, VTPN	T33.5	15	TPN, VTPN		Pre	A07D, A09E, A11F, A13F
	22	Y01Z, Y61Z		21B	X05A, X05B, X64Z	T36.4	15	TPN, VTPN
T32.66	15	TPN, VTPN	T33.6	15	TPN, VTPN		21B	X62Z
	22	Y01Z, Y61Z		21B	X64Z		Pre	A07D, A09E, A11F, A13F
T32.70	15	TPN, VTPN	T33.7	15	TPN, VTPN	T36.5	15	TPN, VTPN
	22	Y01Z, Y61Z		21B	X64Z		21B	X62Z
T32.71	15	TPN, VTPN	T33.8	15	TPN, VTPN		Pre	A07D, A09E, A11F, A13F
	22	Y01Z, Y61Z		21B	X04Z, X64Z	T36.6	15	TPN, VTPN
T32.72	15	TPN, VTPN	T33.9	15	TPN, VTPN		21B	X62Z
	22	Y01Z, Y61Z		21B	X64Z		Pre	A07D, A09E, A11F, A13F
T32.73	15	TPN, VTPN	T34.0	15	TPN, VTPN	T36.7	15	TPN, VTPN
	22	Y01Z, Y61Z		21B	X64Z		21B	X62Z
T32.74	15	TPN, VTPN		Pre	A07D, A09E, A11F, A13F		Pre	A07D, A09E, A11F, A13F
	22	Y01Z, Y61Z	T34.1	15	TPN, VTPN	T36.8	15	TPN, VTPN
T32.75	15	TPN, VTPN		21B	X64Z		21B	X62Z
	22	Y01Z, Y61Z		Pre	A07D, A09E, A11F, A13F		Pre	A07D, A09E, A11F, A13F
T32.76	15	TPN, VTPN	T34.2	15	TPN, VTPN	T36.9	15	TPN, VTPN
	22	Y01Z, Y61Z		21B	X64Z		21B	X62Z
T32.77	15	TPN, VTPN		Pre	A07D, A09E, A11F, A13F		Pre	A07D, A09E, A11F, A13F
	22	Y01Z, Y61Z	T34.3	15	TPN, VTPN	T37.0	15	TPN, VTPN
T32.80	15	TPN, VTPN		21B	X64Z		21B	X62Z
	22	Y01Z, Y61Z		Pre	A07D, A09E, A11F, A13F		Pre	A07D, A09E, A11F, A13F
T32.81	15	TPN, VTPN	T34.4	15	TPN, VTPN	T37.1	15	TPN, VTPN
	22	Y01Z, Y61Z		21B	X64Z		21B	X62Z
T32.82	15	TPN, VTPN		Pre	A07D, A09E, A11F, A13F		Pre	A07D, A09E, A11F, A13F
	22	Y01Z, Y61Z	T34.5	15	TPN, VTPN	T37.2	15	TPN, VTPN
T32.83	15	TPN, VTPN		21B	X05A, X05B, X64Z		21B	X62Z
	22	Y01Z, Y61Z		Pre	A07D, A09E, A11F, A13F		Pre	A07D, A09E, A11F, A13F
T32.84	15	TPN, VTPN	T34.6	15	TPN, VTPN	T37.3	15	TPN, VTPN
	22	Y01Z, Y61Z		21B	X64Z		21B	X62Z
T32.85	15	TPN, VTPN		Pre	A07D, A09E, A11F, A13F		Pre	A07D, A09E, A11F, A13F
	22	Y01Z, Y61Z	T34.7	15	TPN, VTPN	T37.4	15	TPN, VTPN
T32.86	15	TPN, VTPN		21B	X64Z		21B	X62Z
	22	Y01Z, Y61Z		Pre	A07D, A09E, A11F, A13F		Pre	A07D, A09E, A11F, A13F
T32.87	15	TPN, VTPN	T34.8	15	TPN, VTPN	T37.5	15	TPN, VTPN
	22	Y01Z, Y61Z		21B	X04Z, X64Z		21B	X62Z
T32.88	15	TPN, VTPN		Pre	A07D, A09E, A11F, A13F		Pre	A07D, A09E, A11F, A13F
	22	Y01Z, Y61Z	T34.9	15	TPN, VTPN	T37.8	15	TPN, VTPN
T32.90	15	TPN, VTPN		21B	X64Z		21B	X62Z
	22	Y01Z, Y61Z		Pre	A07D, A09E, A11F, A13F		Pre	A07D, A09E, A11F, A13F

Dg





ICD	MDC	DRG	ICD	MDC	DRG	ICD	MDC	DRG
T53.6	15	TPN, VTPN	T57.8	15	TPN, VTPN	T62.0	21B	X62Z
	21B	X62Z		21B	X62Z		Pre	A07D, A09E, A11F, A13F
	Pre	A07D, A09E, A11F, A13F		Pre	A07D, A09E, A11F, A13F	T62.1	21B	X62Z
T53.7	15	TPN, VTPN	T57.9	15	TPN, VTPN		Pre	A07D, A09E, A11F, A13F
	21B	X62Z		21B	X62Z	T62.2	21B	X62Z
	Pre	A07D, A09E, A11F, A13F		Pre	A07D, A09E, A11F, A13F		Pre	A07D, A09E, A11F, A13F
T53.9	15	TPN, VTPN	T58	15	TPN, VTPN	T62.8	21B	X62Z
	21B	X62Z		21B	X62Z		Pre	A07D, A09E, A11F, A13F
	Pre	A07D, A09E, A11F, A13F		Pre	A07D, A09E, A11F, A13F	T62.9	21B	X62Z
T54.0	15	TPN, VTPN	T59.0	15	TPN, VTPN		Pre	A07D, A09E, A11F, A13F
	21B	X62Z		21B	X62Z	T63.0	15	TPN, VTPN
	Pre	A07D, A09E, A11F, A13F		Pre	A07D, A09E, A11F, A13F		21B	X62Z
T54.1	15	TPN, VTPN	T59.1	15	TPN, VTPN		Pre	A07D, A09E, A11F, A13F
	21B	X62Z		21B	X62Z	T63.1	15	TPN, VTPN
	Pre	A07D, A09E, A11F, A13F		Pre	A07D, A09E, A11F, A13F		21B	X62Z
T54.2	15	TPN, VTPN	T59.2	15	TPN, VTPN		Pre	A07D, A09E, A11F, A13F
	21B	X62Z		21B	X62Z	T63.2	15	TPN, VTPN
	Pre	A07D, A09E, A11F, A13F		Pre	A07D, A09E, A11F, A13F		21B	X62Z
T54.3	15	TPN, VTPN	T59.3	15	TPN, VTPN		Pre	A07D, A09E, A11F, A13F
	21B	X62Z		21B	X62Z	T63.3	15	TPN, VTPN
	Pre	A07D, A09E, A11F, A13F		Pre	A07D, A09E, A11F, A13F		21B	X62Z
T54.9	15	TPN, VTPN	T59.4	15	TPN, VTPN		Pre	A07D, A09E, A11F, A13F
	21B	X62Z		21B	X62Z	T63.4	15	TPN, VTPN
	Pre	A07D, A09E, A11F, A13F		Pre	A07D, A09E, A11F, A13F		21B	X62Z
T55	15	TPN, VTPN	T59.5	15	TPN, VTPN		Pre	A07D, A09E, A11F, A13F
	21B	X62Z		21B	X62Z	T63.5	15	TPN, VTPN
	Pre	A07D, A09E, A11F, A13F		Pre	A07D, A09E, A11F, A13F		21B	X62Z
T56.0	15	TPN, VTPN	T59.6	15	TPN, VTPN		Pre	A07D, A09E, A11F, A13F
	21B	X64Z		21B	X62Z	T63.6	15	TPN, VTPN
	Pre	A07D, A09E, A11F, A13F		Pre	A07D, A09E, A11F, A13F		21B	X62Z
T56.1	15	TPN, VTPN	T59.7	15	TPN, VTPN		Pre	A07D, A09E, A11F, A13F
	21B	X62Z		21B	X62Z	T63.8	15	TPN, VTPN
	Pre	A07D, A09E, A11F, A13F		Pre	A07D, A09E, A11F, A13F		21B	X62Z
T56.2	15	TPN, VTPN	T59.8	15	TPN, VTPN		Pre	A07D, A09E, A11F, A13F
	21B	X62Z		21B	X62Z	T63.9	15	TPN, VTPN
	Pre	A07D, A09E, A11F, A13F		Pre	A07D, A09E, A11F, A13F		21B	X62Z
T56.3	15	TPN, VTPN	T59.9	15	TPN, VTPN		Pre	A07D, A09E, A11F, A13F
	21B	X62Z		21B	X62Z	T64	15	TPN, VTPN
	Pre	A07D, A09E, A11F, A13F		Pre	A07D, A09E, A11F, A13F		21B	X62Z
T56.4	15	TPN, VTPN	T60.0	15	TPN, VTPN		Pre	A07D, A09E, A11F, A13F
	21B	X62Z		21B	X62Z	T65.0	15	TPN, VTPN
	Pre	A07D, A09E, A11F, A13F		Pre	A07D, A09E, A11F, A13F		21B	X62Z
T56.5	15	TPN, VTPN	T60.1	15	TPN, VTPN		Pre	A07D, A09E, A11F, A13F
	21B	X62Z		21B	X62Z	T65.1	15	TPN, VTPN
	Pre	A07D, A09E, A11F, A13F		Pre	A07D, A09E, A11F, A13F		21B	X62Z
T56.6	15	TPN, VTPN	T60.2	15	TPN, VTPN		Pre	A07D, A09E, A11F, A13F
	21B	X62Z		21B	X62Z	T65.2	15	TPN, VTPN
	Pre	A07D, A09E, A11F, A13F		Pre	A07D, A09E, A11F, A13F		21B	X62Z
T56.7	15	TPN, VTPN	T60.3	15	TPN, VTPN		Pre	A07D, A09E, A11F, A13F
	21B	X62Z		21B	X62Z	T65.3	15	TPN, VTPN
	Pre	A07D, A09E, A11F, A13F		Pre	A07D, A09E, A11F, A13F		21B	X62Z
T56.8	15	TPN, VTPN	T60.4	15	TPN, VTPN		Pre	A07D, A09E, A11F, A13F
	21B	X62Z		21B	X62Z	T65.4	15	TPN, VTPN
	Pre	A07D, A09E, A11F, A13F		Pre	A07D, A09E, A11F, A13F		21B	X62Z
T56.9	15	TPN, VTPN	T60.8	15	TPN, VTPN		Pre	A07D, A09E, A11F, A13F
	21B	X62Z		21B	X62Z	T65.5	15	TPN, VTPN
	Pre	A07D, A09E, A11F, A13F		Pre	A07D, A09E, A11F, A13F		21B	X62Z
T57.0	15	TPN, VTPN	T60.9	15	TPN, VTPN		Pre	A07D, A09E, A11F, A13F
	21B	X62Z		21B	X62Z	T65.6	15	TPN, VTPN
	Pre	A07D, A09E, A11F, A13F		Pre	A07D, A09E, A11F, A13F		21B	X62Z
T57.1	15	TPN, VTPN	T61.0	21B	X62Z		Pre	A07D, A09E, A11F, A13F
	21B	X62Z		21B	X62Z	T65.8	15	TPN, VTPN
	Pre	A07D, A09E, A11F, A13F		Pre	A07D, A09E, A11F, A13F		21B	X62Z
T57.2	15	TPN, VTPN	T61.1	21B	X62Z		Pre	A07D, A09E, A11F, A13F
	21B	X62Z		21B	X62Z	T65.9	15	TPN, VTPN
	Pre	A07D, A09E, A11F, A13F		Pre	A07D, A09E, A11F, A13F		21B	X62Z
T57.3	15	TPN, VTPN	T61.2	21B	X62Z		Pre	A07D, A09E, A11F, A13F
	21B	X62Z		21B	X62Z	T66	21B	X64Z
	Pre	A07D, A09E, A11F, A13F		Pre	A07D, A09E, A11F, A13F	T67.0	15	TPN, VTPN
	Pre	A07D, A09E, A11F, A13F		Pre	A07D, A09E, A11F, A13F		21B	X64Z

ICD	MDC	DRG	ICD	MDC	DRG	ICD	MDC	DRG	
T67.1	15	TPN, VTPN	T79.3		PTR	T82.2	05	F75A, F75B, F75C, F75D	
	21B	X64Z		18B	T61A, T61B		15	TPN, VTPN	
T67.2	21B	X64Z		21A	W61A, W61B	T82.3	05	F75A, F75B, F75C, F75D	
T67.3	21B	X64Z		22	Y02A, Y02B		15	TPN, VTPN	
T67.4	21B	X64Z	T79.4		PTR	T82.4	05	F75A, F75B, F75C, F75D	
T67.5	21B	X64Z		21A	W61A, W61B		15	TPN, VTPN	
T67.6	21B	X64Z		21B	X64Z	T82.5	05	F75A, F75B, F75C, F75D	
T67.7	21B	X64Z		Pre	A07D, A09E, A11F, A13F		15	TPN, VTPN	
T67.8	21B	X64Z	T79.5		PTR	T82.6	05	F75A, F75B, F75C, F75D	
T67.9	21B	X64Z		11	L60A, L60B, L60C, L60D, L71Z		15	TPN, VTPN	
T68	21B	X64Z		21A	W61A, W61B	T82.7	05	F61A, F75A, F75B, F75C, F75D	
	Pre	A07D, A09E, A11F, A13F		Pre	A07D, A09E, A11F, A13F		15	TPN, VTPN	
T69.0	21B	X04Z, X64Z	T79.6		PTR	T82.8	05	F75A, F75B, F75C, F75D	
T69.1	21B	X64Z		08	I76A, I76B		15	TPN, VTPN	
T69.8	21B	X64Z		15	TPN, VTPN	T82.9	05	F75A, F75B, F75C, F75D	
T69.9	21B	X64Z		21A	W61A, W61B		15	TPN, VTPN	
T70.0	03	D62Z, D63Z		Pre	A07D, A09E, A11F, A13F	T83.0	11	L64A, L64B, L74Z	
T70.1	03	D62Z, D63Z	T79.7		PTR		15	TPN, VTPN	
T70.2	21B	X64Z		04	E76A, E76B, E76C	T83.1	11	L64A, L64B, L74Z	
T70.3	21B	X64Z		15	TPN, VTPN		15	TPN, VTPN	
T70.4	21B	X64Z		21A	W61A, W61B	T83.2	11	L64A, L64B, L74Z	
T70.8	21B	X64Z		Pre	A07D, A09E, A11F, A13F		15	TPN, VTPN	
T70.9	21B	X64Z	T79.8		PTR	T83.3	13	N04Z, N05A, N05B, N14Z, N21Z, N25Z, N62B	
T71	15	TPN, VTPN		21A	W61A, W61B		11	L64A, L64B, L74Z	
	21B	X64Z		21B	X64Z	T83.4	11	L64A, L64B, L74Z	
T73.0	21B	X64Z	T79.9		PTR		15	TPN, VTPN	
T73.1	15	TPN, VTPN		21A	W61A, W61B	T83.5	11	L69A, L69B	
	21B	X64Z		21B	X64Z		15	TPN, VTPN	
T73.2	21B	X64Z	T80.0		E64A	T83.6	11	L64A, L64B, L74Z	
T73.3	21B	X64Z		15	TPN, VTPN		15	TPN, VTPN	
T73.8	21B	X64Z		Pre	A07D, A09E, A11F, A13F	T83.8	11	L64A, L64B, L74Z	
T73.9	21B	X64Z	T80.1		05	F75A, F75B, F75C, F75D		15	TPN, VTPN
T74.0	21A	W61A, W61B	T80.2		18B	T64A, T64B, T64C	T83.9	11	L64A, L64B, L74Z
T74.1	15	TPN, VTPN		Pre	A07D, A09E, A11F, A13F		15	TPN, VTPN	
	21A	W61A, W61B	T80.3		15	TPN, VTPN	T84.0	08	I73Z
T74.2	21A	W61A, W61B		16	Q61B, Q61C, Q61D		15	TPN, VTPN	
T74.3	21A	W61A, W61B		Pre	A07D, A09E, A11F, A13F	T84.1	08	I73Z	
T74.8	21A	W61A, W61B	T80.4		15	TPN, VTPN		15	TPN, VTPN
T74.9	21A	W61A, W61B		16	Q61A, Q61B, Q61C, Q61D, Q61E	T84.2	08	I73Z	
T75.0	21B	X64Z		Pre	A07D, A09E, A11F, A13F		15	TPN, VTPN	
T75.1	21B	X64Z	T80.5		21B	X60Z	T84.3	08	I73Z
	Pre	A07D, A09E, A11F, A13F		Pre	A07D, A09E, A11F, A13F		15	TPN, VTPN	
T75.2	21B	X64Z	T80.6		21B	X60Z	T84.4	08	I73Z
T75.3	03	D66Z		T80.8	16	Q61A, Q61B, Q61C, Q61D, Q61E		15	TPN, VTPN
T75.4	15	TPN, VTPN	T80.9		16	Q61A, Q61B, Q61C, Q61D, Q61E	T84.5	08	I01Z, I03A, I03B, I04Z, I08A, I08B, I08C, I08D, I08E, I12A, I12B, I12C, I13A, I13B, I73Z
	21B	X64Z		T81.0	21B	X62Z		15	TPN, VTPN
T75.8	21B	X64Z		T81.1	21B	X62Z		Pre	A07D, A09E, A11F, A13F
T78.0	21B	X60Z			22	Y02A, Y02B	T84.6	08	I08A, I08B, I08C, I08D, I08E, I12A, I12B, I12C, I13A, I13B, I73Z
T78.1	21B	X62Z		T81.2	21B	X62Z		15	TPN, VTPN
T78.2	21B	X60Z			15	TPN, VTPN	T84.7	08	I08A, I08B, I08C, I08D, I08E, I12A, I12B, I12C, I13A, I13B, I73Z
T78.3	21B	X60Z		T81.3	21B	X62Z		15	TPN, VTPN
	Pre	A07D, A09E, A11F, A13F			21B	X62Z	T84.8	08	I08A, I08B, I08C, I08D, I08E, I12A, I12B, I12C, I13A, I13B, I73Z
T78.4	21B	X64Z		T81.4	08	I01Z, I03A, I03B		15	TPN, VTPN
T78.8	21B	X62Z			18B	T61A, T61B	T84.9	08	I08A, I08B, I08C, I08D, I08E, I12A, I12B, I12C, I13A, I13B, I73Z
T78.9	21B	X62Z		T81.5	15	TPN, VTPN		15	TPN, VTPN
T79.0		PTR			21B	X62Z	T85.0	01	B81A, B81B
	04	E64A		T81.6	15	TPN, VTPN		15	TPN, VTPN
	15	TPN, VTPN			21B	X62Z	T85.1	01	B81A, B81B
	21A	W61A, W61B		T81.7	05	F65A, F65B		15	TPN, VTPN
	Pre	A07D, A09E, A11F, A13F			22	Y02A, Y02B		08	I08A, I08B, I08C, I08D, I08E, I12A, I12B, I12C, I13A, I13B, I73Z
T79.1		PTR		T81.8	21B	X62Z		15	TPN, VTPN
	04	E64A			21B	X62Z		01	B81A, B81B
	15	TPN, VTPN		T81.9	21B	X62Z		15	TPN, VTPN
	21A	W61A, W61B		T82.0	05	F69A, F69B		15	TPN, VTPN
	Pre	A07D, A09E, A11F, A13F			15	TPN, VTPN		15	TPN, VTPN
T79.2		PTR		T82.1	05	F71A, F71B		15	TPN, VTPN
	21A	W61A, W61B			15	TPN, VTPN		15	TPN, VTPN
	21B	X64Z						15	TPN, VTPN

ICD	MDC	DRG	ICD	MDC	DRG	ICD	MDC	DRG
T85.2	02	C62Z	T86.3	05	F75A, F75B, F75C, F75D	T88.4	21B	X62Z
	15	TPN, VTPN		15	TPN, VTPN	T88.5	21B	X62Z
T85.3	02	C62Z		Pre	A07D, A09E, A11F, A13F, A60A, A60B, A60C, A60D	T88.6	21B	X60Z
	15	TPN, VTPN	T86.40	07	H63A, H63B, H63C, H78Z	T88.7	21B	X62Z
T85.4	09	J01Z, J67A, J67B		15	TPN, VTPN	T88.8	21B	X62Z
	15	TPN, VTPN		Pre	A01B, A07D, A09E, A11F, A13F, A60A, A60B, A60C, A60D	T88.9	21B	X62Z
T85.5	15	TPN, VTPN				T89.00		PTR
	21B	X62Z	T86.41	07	H63A, H63B, H63C, H78Z		21A	W61A, W61B
T85.6	15	TPN, VTPN		15	TPN, VTPN		21B	X60Z
	21B	X62Z		Pre	A01B, A07D, A09E, A11F, A13F, A60A, A60B, A60C, A60D	T89.01		PTR
T85.71	11	L68A, L68B, L74Z					21A	W61A, W61B
	15	TPN, VTPN	T86.49	07	H63A, H63B, H63C, H78Z		21B	X60Z
T85.78	15	TPN, VTPN		15	TPN, VTPN	T89.02		PTR
	21B	X62Z		Pre	A01B, A07D, A09E, A11F, A13F, A60A, A60B, A60C, A60D		21A	W61A, W61B
	22	Y02A, Y02B	T86.50	15	TPN, VTPN		21B	X60Z
T85.81	01	B81A, B81B		21B	X62Z	T89.03		PTR
	15	TPN, VTPN		Pre	A07D, A09E, A11F, A13F, A60A, A60B, A60C, A60D		21A	W61A, W61B
T85.82	09	J01Z, J67A, J67B					21B	X60Z
	15	TPN, VTPN	T86.51	15	TPN, VTPN	T90.4	21A	W61A, W61B
	22	Y02A, Y02B		21B	X62Z	T90.8	21A	W61A, W61B
T85.88	15	TPN, VTPN		Pre	A07D, A09E, A11F, A13F, A60A, A60B, A60C, A60D	T90.9	21A	W61A, W61B
	21B	X62Z	T86.52	15	TPN, VTPN	T91.4	21A	W61A, W61B
	22	Y02A, Y02B		21B	X62Z	T91.8	21A	W61A, W61B
T85.9	15	TPN, VTPN		Pre	A07D, A09E, A11F, A13F, A60A, A60B, A60C, A60D	T91.9	21A	W61A, W61B
	21B	X62Z	T86.59	15	TPN, VTPN	T92.9	21A	W61A, W61B
T86.00	16	Q60A, Q60B, Q60C, Q60D, Q60E		21B	X62Z	T93.9	21A	W61A, W61B
	Pre	A07D, A09E, A11F, A13F, A36A, A36B, A61Z	T86.81	04	E75A, E75B, E75C	T94.1	21A	W61A, W61B
T86.01	16	Q60A, Q60B, Q60C, Q60D, Q60E		15	TPN, VTPN	T96	21A	W61A, W61B
	Pre	A07D, A09E, A11F, A13F, A36A, A36B, A61Z		Pre	A07D, A09E, A11F, A13F, A60A, A60B, A60C, A60D	T97	21A	W61A, W61B
T86.02	16	Q60A, Q60B, Q60C, Q60D, Q60E	T86.82	07	H62A, H62B, H62C	T98.0	21A	W61A, W61B
	Pre	A04A, A04B, A07D, A09E, A11F, A13F, A36A, A36B, A61Z		15	TPN, VTPN	T98.1	21A	W61A, W61B
T86.03	16	Q60A, Q60B, Q60C, Q60D, Q60E		Pre	A07D, A09E, A11F, A13F, A60A, A60B, A60C, A60D	T98.2	21A	W61A, W61B
	Pre	A07D, A09E, A11F, A13F, A36A, A36B, A61Z	T86.83	02	C60Z	T98.3	21A	W61A, W61B
T86.04	16	Q60A, Q60B, Q60C, Q60D, Q60E		Pre	A07D, A09E, A11F, A13F, A60A, A60B, A60C, A60D	U04.9	04	E62A, E62B, E77A, E77B, E77C, E77D, E77E, E77F, E77G
	Pre	A07D, A09E, A11F, A13F, A36A, A36B, A61Z	T86.88	15	TPN, VTPN		18A	S63A, S63B
T86.09	16	Q60A, Q60B, Q60C, Q60D, Q60E		21B	X62Z	U50.00	01	B44A, B44B, B44C, B44D
	Pre	A07D, A09E, A11F, A13F, A36A, A36B, A61Z		Pre	A07D, A09E, A11F, A13F, A60A, A60B, A60C, A60D	U50.01	01	B44A, B44B, B44C, B44D
T86.10	11	L69A, L69B	T86.9	15	TPN, VTPN	U50.10	01	B44A, B44B, B44C, B44D
	15	TPN, VTPN		21B	X62Z	U50.11	01	B44A, B44B, B44C, B44D
	Pre	A07D, A09E, A11F, A13F, A60A, A60B, A60C, A60D		Pre	A07D, A09E, A11F, A13F, A60A, A60B, A60C, A60D	U50.20	01	B44A, B44B, B44C, B44D
T86.11	11	L69A, L69B	T87.0	08	I32A, I32B, I32C, I32D, I32E, I32F, I32G, I73Z	U50.21	01	B44A, B44B, B44C, B44D
	15	TPN, VTPN		Pre	A07D, A09E, A11F, A13F	U50.30	01	B44A, B44B, B44C, B44D
	Pre	A07D, A09E, A11F, A13F, A60A, A60B, A60C, A60D	T87.1	08	I73Z	U50.31	01	B44A, B44B, B44C, B44D
T86.12	11	L69A, L69B		Pre	A07D, A09E, A11F, A13F	U50.40	01	B44A, B44B
	15	TPN, VTPN	T87.2	08	I73Z	U50.41	01	B44A, B44B
	Pre	A07D, A09E, A11F, A13F, A60A, A60B, A60C, A60D	T87.3	08	I76A, I76B	U50.50	01	B44A, B44B
T86.19	11	L69A, L69B	T87.4	08	I76A	U50.51	01	B44A, B44B
	15	TPN, VTPN	T87.5	08	I76A	U51.00	01	B44A, B44B, B44C, B44D
	Pre	A07D, A09E, A11F, A13F, A60A, A60B, A60C, A60D	T87.6	08	I76A	U51.01	01	B44A, B44B, B44C, B44D
T86.2	05	F75A, F75B, F75C, F75D	T88.0	18B	T64A, T64B, T64C	U51.02	01	B44A, B44B, B44C, B44D
	15	TPN, VTPN	T88.1	15	TPN, VTPN	U51.10	01	B44A, B44B, B44C, B44D
	Pre	A07D, A09E, A11F, A13F, A60A, A60B, A60C, A60D		21B	X62Z	U51.11	01	B44A, B44B, B44C, B44D
			T88.2	21B	X64Z	U51.12	01	B44A, B44B, B44C, B44D
			T88.3	15	TPN, VTPN	U51.20	01	B44A, B44B, B44C, B44D
				21B	X62Z	U51.21	01	B44A, B44B, B44C, B44D
				Pre	A07D, A09E, A11F, A13F	U51.22	01	B44A, B44B, B44C, B44D
						U55.10	15	P65C, P66C, P67B, P67C
						U55.11		PTX
							15	P65C, P66C, P67B, P67C
						U55.12		PTX
							15	P65C, P66C, P67B, P67C
						U55.20	04	E65A
							15	P65C, P66C, P67B, P67C
						U55.21		PTX
							04	E65A
							15	P65C, P66C, P67B, P67C

ICD	MDC	DRG	ICD	MDC	DRG	ICD	MDC	DRG
U55.22		PTX	Z04.0	23	Z65Z	Z21	14	O01A, O01B, O01C, O01D, O01E, O01F, O01G
	04	E65A	Z04.1	21B	X64Z	Z22.0	23	Z64A, Z64B
	15	P65C, P66C, P67B, P67C	Z04.2	21B	X64Z	Z22.1	23	Z64A, Z64B
U55.30	04	E65A	Z04.3	21B	X64Z	Z22.2	23	Z64A, Z64B
	15	P65C, P66C, P67B, P67C	Z04.4	23	Z65Z	Z22.3	23	Z64A, Z64B
U55.31		PTX	Z04.5	21B	X64Z	Z22.4	23	Z64A, Z64B
	04	E65A	Z04.6	23	Z65Z	Z22.5	07	H63A, H63B, H63C, H78Z
	15	P65C, P66C, P67B, P67C	Z04.8	23	Z64A, Z64B	Z22.6	07	H63A, H63B, H63C, H78Z
U55.32		PTX	Z08.0	23	Z64A, Z64B	Z22.8	23	Z64A, Z64B
	04	E65A	Z08.1	23	Z64A, Z64B	Z22.9	23	Z64A, Z64B
	15	P65C, P66C, P67B, P67C	Z08.2	23	Z64A, Z64B	Z23.0	23	Z64A, Z64B
U80.0	05	F61A	Z08.7	23	Z64A, Z64B	Z23.1	23	Z64A, Z64B
U80.1	05	F61A	Z08.8	23	Z64A, Z64B	Z23.2	23	Z64A, Z64B
U80.2	05	F61A	Z08.9	23	Z64A, Z64B	Z23.3	23	Z64A, Z64B
U80.3	05	F61A	Z09.0	23	Z64A, Z64B	Z23.4	23	Z64A, Z64B
U80.4	05	F61A	Z09.1	23	Z64A, Z64B	Z23.5	23	Z64A, Z64B
U80.5	05	F61A	Z09.2	23	Z64A, Z64B	Z23.6	23	Z64A, Z64B
U80.6	05	F61A	Z09.3	23	Z64A, Z64B	Z23.7	23	Z64A, Z64B
U80.7	05	F61A	Z09.4	23	Z64A, Z64B	Z23.8	23	Z64A, Z64B
U81	05	F61A	Z09.7	23	Z64A, Z64B	Z24.0	23	Z64A, Z64B
U82.0	05	F61A	Z09.80	23	Z64A, Z64B	Z24.1	23	Z64A, Z64B
U82.1	05	F61A	Z09.88	23	Z64A, Z64B	Z24.2	23	Z64A, Z64B
U82.2	05	F61A	Z09.9	23	Z64A, Z64B	Z24.3	23	Z64A, Z64B
U83	05	F61A	Z10.0	23	Z64A, Z64B	Z24.4	23	Z64A, Z64B
U84	05	F61A	Z10.1	23	Z64A, Z64B	Z24.5	23	Z64A, Z64B
U85	05	F61A	Z10.2	23	Z64A, Z64B	Z24.6	23	Z64A, Z64B
U99.01	11	L64A, L74Z	Z10.3	23	Z64A, Z64B	Z25.0	23	Z64A, Z64B
U99.02	06	G46A, G46B, G46C, G50Z, G67A, G67B, G67C, G67D	Z10.8	23	Z64A, Z64B	Z25.1	23	Z64A, Z64B
U99.03	06	G46A, G46B, G46C, G50Z, G67A, G67B, G67C, G67D	Z11.0	23	Z64A, Z64B	Z25.8	23	Z64A, Z64B
Z00.5	23	Z66Z	Z11.1	23	Z64A, Z64B	Z26.0	23	Z64A, Z64B
Z01.0	23	Z64A, Z64B	Z11.2	23	Z64A, Z64B	Z26.8	23	Z64A, Z64B
Z01.1	23	Z64A, Z64B	Z11.3	23	Z64A, Z64B	Z26.9	23	Z64A, Z64B
Z01.2	23	Z64A, Z64B	Z11.4	23	Z64A, Z64B	Z27.0	23	Z64A, Z64B
Z01.3	23	Z64A, Z64B	Z11.5	23	Z64A, Z64B	Z27.1	23	Z64A, Z64B
Z01.4	13	N04Z, N05A, N05B, N14Z, N21Z, N25Z, N62A, N62B	Z11.6	23	Z64A, Z64B	Z27.2	23	Z64A, Z64B
Z01.5	23	Z64A, Z64B	Z11.8	23	Z64A, Z64B	Z27.3	23	Z64A, Z64B
Z01.80	05	F15Z, F24A, F24B, F36A, F36B, F46A, F46B, F52A, F52B, F62A, F70A, F70B	Z11.9	23	Z64A, Z64B	Z27.4	23	Z64A, Z64B
Z01.81	05	F46A, F46B, F75A, F75B, F75C, F75D	Z12.0	23	Z64A, Z64B	Z27.8	23	Z64A, Z64B
Z01.88	23	Z64A, Z64B	Z12.1	23	Z64A, Z64B	Z27.9	23	Z64A, Z64B
Z02.0	23	Z64A, Z64B	Z12.2	23	Z64A, Z64B	Z28.0	23	Z64A, Z64B
Z02.1	23	Z64A, Z64B	Z12.3	23	Z64A, Z64B	Z28.1	23	Z64A, Z64B
Z02.2	23	Z64A, Z64B	Z12.4	23	Z64A, Z64B	Z28.2	23	Z64A, Z64B
Z02.3	23	Z64A, Z64B	Z12.5	23	Z64A, Z64B	Z28.8	23	Z64A, Z64B
Z02.4	23	Z64A, Z64B	Z12.6	23	Z64A, Z64B	Z28.9	23	Z64A, Z64B
Z02.5	23	Z64A, Z64B	Z12.8	23	Z64A, Z64B	Z29.0	23	Z64A, Z64B
Z02.6	23	Z64A, Z64B	Z12.9	23	Z64A, Z64B	Z29.1	18A	S65A, S65B
Z02.7	23	Z64A, Z64B	Z13.0	23	Z64A, Z64B		23	Z64A, Z64B
Z02.8	23	Z64A, Z64B	Z13.1	23	Z64A, Z64B	Z29.20	18A	S65A, S65B
Z02.9	23	Z64A, Z64B	Z13.2	23	Z64A, Z64B		23	Z64A, Z64B
Z03.0	04	E62A, E62B, E77A, E77B, E77C, E77D, E77E, E77F, E77G	Z13.3	23	Z64A, Z64B	Z29.21	15	TPN, VTPN
	15	P65C, P66C, P67B, P67C	Z13.4	23	Z64A, Z64B		18A	S65A, S65B
Z03.1	17	R04A, R04B, R12A, R12B, R12C, R13Z, R14Z, R62A, R62B, R62C	Z13.5	23	Z64A, Z64B	Z29.28	18A	S65A, S65B
Z03.2	19	U66Z	Z13.6	23	Z64A, Z64B		23	Z64A, Z64B
Z03.3	01	B80Z	Z13.7	23	Z64A, Z64B	Z29.8	18A	S65A, S65B
Z03.4	05	F74Z	Z13.8	23	Z64A, Z64B		23	Z64A, Z64B
Z03.5	05	F74Z	Z13.9	23	Z64A, Z64B	Z29.9	23	Z64A, Z64B
Z03.6	23	Z64A, Z64B	Z20.0	23	Z64A, Z64B	Z30.0	23	Z64A, Z64B
Z03.8	23	Z64A, Z64B	Z20.1	15	P65C, P66C, P67B, P67C	Z30.1	23	Z64A, Z64B
Z03.9	23	Z64A, Z64B	Z20.2	23	Z64A, Z64B	Z30.2	12	M64Z
			Z20.3	23	Z64A, Z64B		13	N04Z, N05A, N05B, N14Z, N21Z, N25Z, N62A, N62B
			Z20.4	23	Z64A, Z64B	Z30.3	23	Z64A, Z64B
			Z20.5	23	Z64A, Z64B	Z30.4	23	Z64A, Z64B
			Z20.6	15	TPN, VTPN	Z30.5	23	Z64A, Z64B
				23	Z64A, Z64B	Z30.8	23	Z64A, Z64B
			Z20.7	23	Z64A, Z64B	Z30.9	23	Z64A, Z64B
			Z20.8	23	Z64A, Z64B			
			Z20.9	23	Z64A, Z64B			

Dg

ICD	MDC	DRG	ICD	MDC	DRG	ICD	MDC	DRG
Z31.0	12	M64Z	Z39.1	14	O04A, O04B, O61Z	Z47.9	08	I73Z
	13	N04Z, N05A, N05B, N14Z, N21Z, N25Z, N62A, N62B	Z39.2	14	O04A, O04B, O61Z	Z48.0	23	Z64A, Z64B
Z31.1	13	N04Z, N05A, N05B, N14Z, N21Z, N25Z, N62A, N62B	Z40.00	09	J01Z, J67A, J67B	Z48.8	23	Z65Z
			Z40.01	13	N04Z, N05A, N05B, N14Z, N21Z, N25Z, N62A, N62B	Z48.9	23	Z65Z
Z31.2	13	N04Z, N05A, N05B, N14Z, N21Z, N25Z, N62A, N62B	Z40.08	23	Z64A, Z64B	Z49.0	11	L60A, L60B, L60C, L60D, L71Z
			Z40.8	23	Z64A, Z64B	Z49.1	11	L61Z
Z31.3	12	M64Z	Z40.9	23	Z64A, Z64B	Z51.4	23	Z65Z
	13	N04Z, N05A, N05B, N14Z, N21Z, N25Z, N62A, N62B	Z41.0	23	Z65Z	Z51.6	23	Z64A, Z64B
Z31.4	12	M64Z	Z41.1	09	J67A, J67B, J68A, J68B	Z51.83	23	Z65Z
	13	N04Z, N05A, N05B, N14Z, N21Z, N25Z, N62A, N62B	Z41.2	12	M62Z	Z51.88	23	Z65Z
				13	N04Z, N05A, N05B, N14Z, N21Z, N25Z, N62A, N62B	Z51.9	23	Z65Z
Z31.5	23	Z64A, Z64B	Z41.3	23	Z65Z	Z52.01	23	Z64A, Z64B
Z31.6	23	Z64A, Z64B	Z41.8	23	Z64A, Z64B	Z52.08	23	Z64A, Z64B
Z31.8	23	Z64A, Z64B	Z41.9	23	Z64A, Z64B	Z52.1	09	J67A, J67B, J68A, J68B
Z31.9	23	Z64A, Z64B	Z42.0	09	J67A, J67B, J68A, J68B	Z52.2	08	I76A, I76B
Z36.0	14	O65A, O65B, O65C	Z42.1	09	J01Z, J67A, J67B, J68A, J68B	Z52.3	23	Z64A, Z64B
Z36.1	14	O65A, O65B, O65C	Z42.2	09	J67A, J67B, J68A, J68B	Z52.4	23	Z64A, Z64B
Z36.2	14	O65A, O65B, O65C	Z42.3	09	J67A, J67B, J68A, J68B	Z52.5	23	Z64A, Z64B
Z36.3	14	O65A, O65B, O65C	Z42.4	09	J67A, J67B, J68A, J68B	Z52.6	23	Z02Z, Z64A, Z64B
Z36.4	14	O65A, O65B, O65C	Z42.8	09	J67A, J67B, J68A, J68B	Z52.7	23	Z64A, Z64B
Z36.5	14	O65A, O65B, O65C	Z42.9	09	J67A, J67B, J68A, J68B	Z52.8	23	Z64A, Z64B
Z36.8	14	O65A, O65B, O65C	Z43.0	04	E75A, E75B, E75C	Z52.9	23	Z64A, Z64B
Z36.9	14	O65A, O65B, O65C		22	Y02A, Y02B	Z53.0	23	Z65Z
Z37.0	14	O02A, O02B, O60A, O60B, O60C, O60D	Z43.1	06	G46A, G46B, G46C, G50Z, G71Z	Z53.1	23	Z65Z
Z37.1	14	O02A, O02B, O60A, O60B, O60C, O60D	Z43.2	06	G46A, G46B, G46C, G50Z, G71Z	Z53.2	23	Z65Z
Z37.2	14	O01A, O01B, O01C, O01D, O01E, O01F, O01G, O02A, O02B, O60A, O60B, O60C	Z43.3	06	G46A, G46B, G46C, G50Z, G71Z	Z53.8	23	Z65Z
			Z43.4	06	G46A, G46B, G46C, G50Z, G71Z	Z53.9	23	Z65Z
Z37.3	14	O01A, O01B, O01C, O01D, O01E, O01F, O01G, O02A, O02B, O60A, O60B, O60C	Z43.5	11	L68A, L68B, L74Z	Z64.1	12	M64Z
			Z43.6	11	L68A, L68B, L74Z		13	N04Z, N05A, N05B, N14Z, N21Z, N25Z, N62B
Z37.4	14	O01A, O01B, O01C, O01D, O01E, O01F, O01G, O02A, O02B, O60A, O60B, O60C	Z43.7	13	N04Z, N05A, N05B, N14Z, N21Z, N25Z, N62A, N62B	Z65.0	23	Z64A, Z64B
			Z43.80	23	Z64A, Z64B	Z65.1	23	Z64A, Z64B
Z37.5	14	O01A, O01B, O01C, O01D, O01E, O01F, O01G, O02A, O02B, O60A, O60B, O60C	Z43.88	23	Z64A, Z64B	Z65.2	23	Z64A, Z64B
			Z43.9	23	Z64A, Z64B	Z65.3	23	Z64A, Z64B
Z37.6	14	O01A, O01B, O01C, O01D, O01E, O01F, O01G, O02A, O02B, O60A, O60B, O60C	Z44.0	08	I73Z	Z65.4	23	Z64A, Z64B
			Z44.1	08	I73Z	Z65.5	23	Z64A, Z64B
Z37.7	14	O01A, O01B, O01C, O01D, O01E, O01F, O01G, O02A, O02B, O60A, O60B, O60C	Z44.2	23	Z64A, Z64B	Z65.8	23	Z64A, Z64B
			Z44.3	09	J67A, J67B	Z65.9	23	Z64A, Z64B
Z37.9	14	O02A, O02B, O60A, O60B, O60C, O60D	Z45.0	05	F71A, F71B	Z71.0	23	Z64A, Z64B
			Z45.1	23	Z64A, Z64B	Z71.1	23	Z64A, Z64B
Z38.0	Pre	963Z	Z45.20	23	Z64A, Z64B	Z71.2	23	Z64A, Z64B
Z38.1	Pre	963Z	Z45.29	23	Z64A, Z64B	Z71.3	23	Z64A, Z64B
Z38.2	Pre	963Z	Z45.3	23	Z64A, Z64B	Z71.4	23	Z64A, Z64B
Z38.3	15	P05A, P05B, P05C, P66A, P66B, P66C, P66D, P67B	Z45.80	23	Z64A, Z64B	Z71.5	23	Z64A, Z64B
	Pre	963Z	Z45.81	23	Z64A, Z64B	Z71.6	23	Z64A, Z64B
Z38.4	15	P05A, P05B, P05C, P66A, P66B, P66C, P66D, P67B	Z45.82	23	Z64A, Z64B	Z71.7	23	Z64A, Z64B
	Pre	963Z	Z45.83	23	Z64A, Z64B	Z71.8	23	Z64A, Z64B
Z38.5	15	P05A, P05B, P05C, P66A, P66B, P66C, P66D, P67B	Z45.84	23	Z64A, Z64B	Z71.9	23	Z64A, Z64B
	Pre	963Z	Z45.85	23	Z64A, Z64B	Z72.3	23	Z64A, Z64B
Z38.6	15	P05A, P05B, P05C, P66A, P66B, P66C, P66D, P67B	Z45.88	23	Z64A, Z64B	Z72.4	23	Z64A, Z64B
	Pre	963Z	Z45.9	23	Z64A, Z64B	Z72.5	23	Z64A, Z64B
Z38.7	15	P05A, P05B, P05C, P66A, P66B, P66C, P66D, P67B	Z46.0	23	Z64A, Z64B	Z72.6	23	Z64A, Z64B
	Pre	963Z	Z46.1	23	Z64A, Z64B	Z72.8	23	Z64A, Z64B
Z38.8	15	P05A, P05B, P05C, P66A, P66B, P66C, P66D, P67B	Z46.2	23	Z64A, Z64B	Z72.9	23	Z64A, Z64B
	Pre	963Z	Z46.3	23	Z64A, Z64B	Z73.0	23	Z64A, Z64B
Z39.0	14	O04A, O04B, O61Z	Z46.4	23	Z64A, Z64B	Z73.1	23	Z64A, Z64B
			Z46.5	06	G46A, G46B, G46C, G50Z, G71Z	Z73.2	23	Z64A, Z64B
			Z46.6	11	L68A, L68B, L74Z	Z73.3	23	Z64A, Z64B
			Z46.7	08	I73Z	Z73.4	23	Z64A, Z64B
			Z46.8	23	Z64A, Z64B	Z73.5	23	Z64A, Z64B
			Z46.9	23	Z64A, Z64B	Z73.6	23	Z64A, Z64B
			Z47.8	08	I73Z	Z73.8	23	Z64A, Z64B
						Z73.9	23	Z64A, Z64B
						Z74.0	23	Z64A, Z64B
						Z74.1	23	Z64A, Z64B
						Z74.2	23	Z64A, Z64B
						Z74.3	23	Z64A, Z64B
						Z74.8	23	Z64A, Z64B
						Z74.9	23	Z64A, Z64B



ICD	MDC	DRG	ICD	MDC	DRG	ICD	MDC	DRG
Z75.60	15	P65C, P66C, P67B, P67C	Z83.3	23	Z64A, Z64B	Z94.4	04	E62A, E62B, E77A, E77B, E77C
Z75.64	15	P65C, P66C, P67B, P67C	Z83.4	23	Z64A, Z64B		05	F61A
Z75.65	15	P65C, P66C, P67B, P67C	Z83.5	23	Z64A, Z64B		06	G18A, G38Z, G40Z, G48A, G48B, G67A
Z75.66	15	P65C, P66C, P67B, P67C	Z83.6	23	Z64A, Z64B		10	K62A
Z75.67	15	P65C, P66C, P67B, P67C	Z83.7	23	Z64A, Z64B		18B	T01A, T60A, T60B, T60C, T61A, T63A, T64A, T64B
Z75.68	15	P65C, P66C, P67B, P67C	Z84.0	23	Z64A, Z64B		Pre	A07D, A09E, A11F, A13F
Z75.69	15	P65C, P66C, P67B, P67C	Z84.1	23	Z64A, Z64B	Z94.5	05	F61A
Z75.70		PTX	Z84.2	23	Z64A, Z64B		06	G67A
	15	P65C, P66C, P67B, P67C	Z84.3	23	Z64A, Z64B	Z94.6	05	F61A
Z75.74		PTX	Z84.8	23	Z64A, Z64B		06	G67A
	15	P65C, P66C, P67B, P67C	Z90.3	15	TPN, VTPN	Z94.7	05	F61A
Z75.75		PTX	Z91.2	23	Z65Z		06	G67A
	15	P65C, P66C, P67B, P67C	Z91.3	23	Z65Z	Z94.80	05	F61A
Z75.76		PTX	Z91.4	23	Z65Z		06	G67A
	15	P65C, P66C, P67B, P67C	Z91.5	23	Z65Z		04	E62A, E62B, E77A, E77B, E77C
Z75.77		PTX	Z91.6	23	Z65Z		05	F61A
	15	P65C, P66C, P67B, P67C	Z92.0	23	Z65Z		06	G18A, G38Z, G40Z, G48A, G48B, G67A
Z75.78		PTX	Z92.5	23	Z65Z		10	K62A
	15	P65C, P66C, P67B, P67C	Z93.0	22	Y02A, Y02B	Z94.81	04	E62A, E62B, E77A, E77B, E77C
Z75.79		PTX	Z94.0	04	E62A, E62B, E77A, E77B, E77C		05	F61A
	15	P65C, P66C, P67B, P67C		05	F61A		06	G18A, G38Z, G40Z, G48A, G48B, G67A
Z76.0	15	P65C, P66C, P67B, P67C		06	G18A, G38Z, G40Z, G48A, G48B, G67A		10	K62A
	23	Z64A, Z64B		18B	T01A, T60A, T60B, T60C, T61A, T63A, T64A, T64B		Pre	A07D, A09E, A11F, A13F
Z76.1	15	P65C, P66C, P67B, P67C	Z94.1	04	E62A, E62B, E77A, E77B, E77C	Z94.88	04	E62A, E62B, E77A, E77B, E77C
	23	Z64A, Z64B		05	F61A		05	F61A
Z76.2	15	P65C, P66C, P67B, P67C		06	G18A, G38Z, G40Z, G48A, G48B, G67A		06	G40Z, G48A, G48B, G67A
	23	Z64A, Z64B		10	K62A		10	K62A
Z76.4	15	P65C, P66C, P67B, P67C		18B	T01A, T60A, T60B, T60C, T61A, T63A, T64A, T64B		18B	T01A, T60A, T60B, T60C, T61A, T63A
	23	Z64A, Z64B		Pre	A07D, A09E, A11F, A13F		Pre	A07D, A09E, A11F, A13F
Z76.8	15	P65C, P66C, P67B, P67C	Z94.2	04	E40A, E62A, E62B, E65A, E77A, E77B, E77C		04	E62A, E62B, E77A, E77B, E77C
	23	Z64A, Z64B		05	F61A		05	F61A
Z76.9	23	Z64A, Z64B		06	G18A, G38Z, G40Z, G48A, G48B, G67A		06	G67A
Z80.0	23	Z64A, Z64B		10	K62A		10	K62A
Z80.1	23	Z64A, Z64B		18B	T01A, T60A, T60B, T60C, T61A, T63A, T64A, T64B		23	Z65Z
Z80.2	23	Z64A, Z64B		Pre	A07D, A09E, A11F, A13F	Z97.2	23	Z65Z
Z80.3	09	J01Z, J67A, J67B		04	E40A, E62A, E62B, E65A, E77A, E77B, E77C	Z97.3	23	Z65Z
Z80.4	23	Z64A, Z64B	Z94.3	04	E40A, E62A, E62B, E65A, E77A, E77B, E77C	Z97.4	23	Z65Z
Z80.5	23	Z64A, Z64B		05	F61A	Z97.5	23	Z65Z
Z80.6	23	Z64A, Z64B		06	G18A, G38Z, G40Z, G48A, G48B, G67A			
Z80.7	23	Z64A, Z64B		10	K62A			
Z80.8	23	Z64A, Z64B		18B	T01A, T60A, T60B, T60C, T61A, T63A, T64A, T64B			
Z80.9	23	Z64A, Z64B		Pre	A07D, A09E, A11F, A13F			
Z81.0	23	Z64A, Z64B		04	E40A, E62A, E62B, E65A, E77A, E77B, E77C			
Z81.1	23	Z64A, Z64B		05	F61A			
Z81.2	23	Z64A, Z64B		06	G18A, G38Z, G40Z, G48A, G48B, G67A			
Z81.3	23	Z64A, Z64B		10	K62A			
Z81.4	23	Z64A, Z64B		18B	T01A, T60A, T60B, T60C, T61A, T63A, T64A, T64B			
Z81.8	23	Z64A, Z64B		Pre	A07D, A09E, A11F, A13F			
Z82.0	23	Z64A, Z64B						
Z82.1	23	Z64A, Z64B						
Z82.2	23	Z64A, Z64B						
Z82.3	23	Z64A, Z64B						
Z82.4	23	Z64A, Z64B						
Z82.5	23	Z64A, Z64B						
Z82.6	23	Z64A, Z64B						
Z82.7	23	Z64A, Z64B						
Z82.8	23	Z64A, Z64B						
Z82.9	23	Z64A, Z64B						
Z83.0	23	Z64A, Z64B						
Z83.1	23	Z64A, Z64B						
Z83.2	23	Z64A, Z64B						

Dg

# Príloha B

## Kódy výkonov-/MDC-/DRG-Index

Táto príloha obsahuje zoznam kódov zdravotných výkonov relevantných pre zaradovanie, ako aj bližšie informácie k MDC a DRG, v ktorých sa tieto kódy vyskytujú. Neoperačné výkony (Non-OP) sú označené prostredníctvom znaku † na konci kódu. Obojstranná šípka ↔ za kódom poukazuje na nutnosť špecifikácie doplňujúceho údajá pre určenie lokalizácie strany (P, L) prípadne obojstrannosť (B).

Priradenie DRG skupiny kódom výkonov na základe overenia na všetky OP-výkony nie je v prílohe uvedené pre každý jednotlivý zdravotný výkon. Miesto toho sú v zozname kódov výkonov relevantných pre zaradovanie v systéme SK-DRG vymenované všetky DRG-skupiny, ktoré vo svojej definícii obsahujú akékoľvek overovanie na OP-výkon. Prehľad skratiek funkcií, použitých v tejto prílohe, sa nachádza v prehľade funkcií na konci prílohy B. V nasledujúcich príkladoch sa nepristupuje k zaradovaniu do DRG-skupiny na základe overovania každého OP-výkonu - analogicky k zoznamu výkonov relevantných pre zaradovanie.

Jeden kód zdravotného výkonu môže byť priradený k viacerým DRG-skupinám v rozličných MDC. Kódy výkonov pre Non-OP-výkony pôsobia na zaradovanie záznamov inak a sú v prílohe uvedené iným spôsobom.

V tejto prílohe nie sú uvedené všetky kódy zdravotných výkonov podľa Zoznamu zdravotných výkonov pre klasifikačný systém diagnosticko-terapeutických skupín ZZV-DRG-2018. Kódy nepoužívané pre zaradovanie do DRG- skupín sú vynechané. Pokiaľ teda hospitalizačný prípad obsahuje iba kódy výkonov, ktoré nie sú uvedené v prílohe B, nebude podľa pravidiel definovaných touto príručkou takýto hospitalizačný prípad zaradený do jednej z operačných alebo „iných“ DRG, ale do DRG-skupiny medicínskeho segmentu..

Pre záznamy (hospitalizačné prípady) s viacerými výkonmi môže byť táto príručka použitá na získanie informácií o možných operačných-DRG a „iných“ DRG-skupinách pre každý samostatný kód výkonu. Pokiaľ obsahuje záznam OP-výkony, z ktorých však žiaden nie je priradený DRG-skupine v zodpovedajúcej MDC a „chybové“ a „ostatné“ DRG sú overované pred DRG-skupinami zo segmentu „iné“, je zaradený do jednej z chybových-DRG alebo ostatných-DRG 901A-D alebo 902Z. Ak je v operačných-DRG alebo iných-DRG tejto MDC uvedených viacero kódov výkonov, rozhodujúcou pre zaradenie v MDC sa stáva hierarchia v rámci operačných-DRG a iných-DRG.

ZZV	MDC	DRG	ZZV	MDC	DRG	ZZV	MDC	DRG
12a10.0	01	B09A, B09B	12a30.7↔	01	B03A, B03B, B06A, B06B, B09A, B09B, B17A, B17B, B17C	12m11.0↔	01	B03A, B03B, B06A, B06B, B09A, B09B, B17A, B17B, B17C
12a10.1	01	B09A, B09B		08	I28A, I28B		03	D12A, D12B
12a10.2	01	B09A, B09B		21A	W04A, W04B		04	E02A, E02B, E02C
12a10.3	01	B09A, B09B		21B	X04Z, X06A, X06B, X06C		06	G10Z, G12A, G12B, G12C
12a10.4	01	B09A, B09B	12a30.8↔	01	B03A, B03B, B06A, B06B, B09A, B09B, B17A, B17B, B17C		07	H06A, H06B, H06C
12a10.5	01	B09A, B09B		08	I28A, I28B		08	I28A, I28B
12a10.x	01	B09A, B09B		21A	W04A, W04B		09	J03A, J03B, J04A, J04B, J08A, J08B, J08C, J11A, J11B, J16Z
12a20.0	01	B03A, B03B, B18Z		21B	X04Z, X06A, X06B, X06C		10	K09A, K09B
	08	I10A, I10B, I10C, I10D, I10E	12a30.9↔	01	B03A, B03B, B06A, B06B, B09A, B09B, B17A, B17B, B17C		11	L09A, L09B, L09C, L09D, L38Z
	17	R01A, R01B, R01C, R01D, R02Z, R12A, R12B, R12C		08	I28A, I28B		12	M06Z, M09A, M09B, M38Z
12a20.1	01	B03A, B03B, B18Z		21A	W04A, W04B		13	N11A, N11B
	08	I10A, I10B, I10C, I10D, I10E	12a30.x↔	21B	X04Z, X06A, X06B, X06C	12m11.1↔	16	Q03A, Q03B
	17	R01A, R01B, R01C, R01D, R02Z, R12A, R12B, R12C		01	B03A, B03B, B06A, B06B, B09A, B09B, B17A, B17B, B17C		01	B03A, B03B, B06A, B06B, B17A, B17B, B17C
12a20.2	01	B03A, B03B, B18Z		08	I28A, I28B		03	D12A, D12B
	08	I10A, I10B, I10C, I10D, I10E		21A	W04A, W04B		04	E02A, E02B, E02C
	17	R01A, R01B, R01C, R01D, R02Z, R12A, R12B, R12C		21B	X04Z, X06A, X06B, X06C		06	G10Z, G12A, G12B, G12C
12a20.x	01	B03A, B03B, B18Z		21A	W04A, W04B		07	H06A, H06B, H06C
	08	I10A, I10B, I10C, I10D, I10E		21B	X06A, X06B, X06C		08	I28A, I28B
	17	R01A, R01B, R01C, R01D, R02Z, R12A, R12B, R12C	12b10		BOP, UOP4		09	J03A, J03B, J04A, J04B, J08A, J08B, J08C, J11A, J11B, J16Z
12a30.0↔	01	B03A, B03B, B06A, B06B, B17A, B17B, B17C		01	B02A, B02B, B02C, B02D, B09A, B09B, B20A, B20B, B20C, B20D, B20E, B20F, B39A, B39B		10	K09A, K09B
	03	D12A, D12B		10	K03A, K03B		11	L09A, L09B, L09C, L09D, L38Z
	08	I28A, I28B	12b11		BOP, UOP4		12	M06Z, M09A, M09B, M38Z
	21A	W04A, W04B		01	B02A, B02B, B02C, B02D, B09A, B09B, B20A, B20B, B20C, B20D, B20E, B20F, B39A, B39B		13	N11A, N11B
	21B	X06A, X06B, X06C		10	K03A, K03B		16	Q03A, Q03B
12a30.1↔	01	B03A, B03B, B06A, B06B, B09A, B09B, B17A, B17B, B17C	12b13↔	01	B09A, B09B	12m11.2↔	01	B03A, B03B, B06A, B06B, B17A, B17B, B17C
	03	D12A, D12B		08	I28A, I28B		03	D12A, D12B
	08	I28A, I28B		10	K06A, K06B, K06C, K06D		04	E02A, E02B, E02C
	21A	W04A, W04B			BOP, UOP4		06	G10Z, G12A, G12B, G12C
	21B	X06A, X06B, X06C	12b20	01	B02A, B02B, B02C, B02D, B09A, B09B, B20A, B20B, B20C, B20D, B20E, B20F, B39A, B39B		07	H06A, H06B, H06C
12a30.2↔	01	B03A, B03B, B06A, B06B, B09A, B09B, B17A, B17B, B17C		10	K03A, K03B		08	I28A, I28B
	08	I28A, I28B		01	B02A, B02B, B02C, B02D, B09A, B09B, B20A, B20B, B20C, B20D, B20E, B20F, B39A, B39B		09	J03A, J03B, J04A, J04B, J08A, J08B, J08C, J11A, J11B, J16Z
	21A	W04A, W04B		10	K03A, K03B		10	K09A, K09B
	21B	X06A, X06B, X06C	12b21		BOP, UOP4		11	L09A, L09B, L09C, L09D, L38Z
12a30.3↔	01	B03A, B03B, B06A, B06B, B09A, B09B, B17A, B17B, B17C		01	B02A, B02B, B02C, B02D, B09A, B09B, B20A, B20B, B20C, B20D, B20E, B20F, B39A, B39B		12	M06Z, M09A, M09B, M38Z
	08	I28A, I28B		10	K03A, K03B		13	N11A, N11B
	21A	W04A, W04B	12b23↔	01	B09A, B09B		16	Q03A, Q03B
	21B	X05A, X05B, X06A, X06B, X06C		08	I28A, I28B	12m11.3	01	B03A, B03B, B06A, B06B, B17A, B17B, B17C
12a30.4↔	01	B03A, B03B, B06A, B06B, B09A, B09B, B17A, B17B, B17C		10	K06A, K06B, K06C, K06D		03	D12A, D12B
	08	I28A, I28B			BOP, UOP4		04	E02A, E02B, E02C
	21A	W04A, W04B	12c02↔	01	B09A, B09B		06	G10Z, G12A, G12B, G12C
	21B	X05A, X05B, X06A, X06B, X06C		02	C01A, C01B, C14Z, C16Z		07	H06A, H06B, H06C
12a30.5	01	B03A, B03B, B06A, B06B, B09A, B09B, B17A, B17B, B17C	12c03↔	01	B09A, B09B		08	I28A, I28B
	08	I28A, I28B		02	C01A, C01B, C14Z, C16Z		09	J03A, J03B, J04A, J04B, J08A, J08B, J08C, J11A, J11B, J16Z
	21A	W04A, W04B	12j02‡↔	21A	W04A, W04B		10	K09A, K09B
	21B	X06A, X06B, X06C	12j20.00‡↔	21B	X06A, X06B, X06C		11	L09A, L09B, L09C, L09D, L38Z
12a30.6↔	01	B03A, B03B, B06A, B06B, B09A, B09B, B17A, B17B, B17C	12j20.01‡↔	04	E71A		12	M06Z, M09A, M09B, M38Z
	08	I28A, I28B		05	F03C, F03D, F03E, F05Z, F06C, F06D, F06E, F12F, F15Z, F36A, F36B, F41A, F41B, F46A, F46B, F49A, F49B, F49C, F49D, F49E, F49F, F49G		13	N11A, N11B
	21A	W04A, W04B		06	G67A		16	Q03A, Q03B
	21B	X04Z, X06A, X06B, X06C	12j20.02‡↔	04	E71A			

ZZV	MDC	DRG	ZZV	MDC	DRG	ZZV	MDC	DRG			
12m11.4	01	B03A, B03B, B06A, B06B, B17A, B17B, B17C	12m1x↔	01	B03A, B03B, B06A, B06B, B17A, B17B, B17C	12m21.3	01	B03A, B03B, B06A, B06B, B17A, B17B, B17C			
	03	D12A, D12B		03	D12A, D12B		03	D12A, D12B			
	04	E02A, E02B, E02C		04	E02A, E02B, E02C		04	E02A, E02B, E02C			
	06	G10Z, G12A, G12B, G12C		06	G10Z, G12A, G12B, G12C		06	G10Z, G12A, G12B, G12C			
	07	H06A, H06B, H06C		07	H06A, H06B, H06C		07	H06A, H06B, H06C			
	08	I28A, I28B		08	I28A, I28B		08	I28A, I28B			
	09	J03A, J03B, J04A, J04B, J08A, J08B, J08C, J11A, J11B, J16Z		09	J03A, J03B, J04A, J04B, J08A, J08B, J08C, J11A, J11B, J16Z		09	J03A, J03B, J04A, J04B, J08A, J08B, J08C, J11A, J11B, J16Z			
	10	K09A, K09B		10	K09A, K09B		10	K09A, K09B			
	11	L09A, L09B, L09C, L09D, L38Z		11	L09A, L09B, L09C, L09D, L38Z		11	L09A, L09B, L09C, L09D, L38Z			
	12	M06Z, M09A, M09B, M38Z		12	M06Z, M09A, M09B, M38Z		12	M06Z, M09A, M09B, M38Z			
	13	N11A, N11B		13	N11A, N11B		13	N11A, N11B			
	16	Q03A, Q03B		16	Q03A, Q03B		16	Q03A, Q03B			
	12m11.5↔	01		B03A, B03B, B06A, B06B, B17A, B17B, B17C	12m21.0↔		01	B03A, B03B, B06A, B06B, B17A, B17B, B17C	12m21.4	01	B03A, B03B, B06A, B06B, B17A, B17B, B17C
		03		D12A, D12B			03	D12A, D12B		03	D12A, D12B
		04		E02A, E02B, E02C			04	E02A, E02B, E02C		04	E02A, E02B, E02C
		06		G10Z, G12A, G12B, G12C			06	G10Z, G12A, G12B, G12C		06	G10Z, G12A, G12B, G12C
07		H06A, H06B, H06C	07	H06A, H06B, H06C		07	H06A, H06B, H06C				
08		I28A, I28B	08	I28A, I28B		08	I28A, I28B				
09		J03A, J03B, J04A, J04B, J08A, J08B, J08C, J11A, J11B, J16Z	09	J03A, J03B, J04A, J04B, J08A, J08B, J08C, J11A, J11B, J16Z		09	J03A, J03B, J04A, J04B, J08A, J08B, J08C, J11A, J11B, J16Z				
10		K09A, K09B	10	K09A, K09B		10	K09A, K09B				
11		L09A, L09B, L09C, L09D, L38Z	11	L09A, L09B, L09C, L09D, L38Z		11	L09A, L09B, L09C, L09D, L38Z				
12		M06Z, M09A, M09B, M38Z	12	M06Z, M09A, M09B, M38Z		12	M06Z, M09A, M09B, M38Z				
13		N11A, N11B	13	N11A, N11B		13	N11A, N11B				
16		Q03A, Q03B	16	Q03A, Q03B		16	Q03A, Q03B				
12m11.6↔		01	B03A, B03B, B06A, B06B, B17A, B17B, B17C	12m21.1↔		01	B03A, B03B, B06A, B06B, B17A, B17B, B17C	12m21.5↔		01	B03A, B03B, B06A, B06B, B17A, B17B, B17C
		03	D12A, D12B			03	D12A, D12B			03	D12A, D12B
		04	E02A, E02B, E02C			04	E02A, E02B, E02C			04	E02A, E02B, E02C
		06	G10Z, G12A, G12B, G12C			06	G10Z, G12A, G12B, G12C			06	G10Z, G12A, G12B, G12C
	07	H06A, H06B, H06C	07		H06A, H06B, H06C	07	H06A, H06B, H06C				
	08	I28A, I28B	08		I28A, I28B	08	I28A, I28B				
	09	J03A, J03B, J04A, J04B, J08A, J08B, J08C, J11A, J11B, J16Z	09		J03A, J03B, J04A, J04B, J08A, J08B, J08C, J11A, J11B, J16Z	09	J03A, J03B, J04A, J04B, J08A, J08B, J08C, J11A, J11B, J16Z				
	10	K09A, K09B	10		K09A, K09B	10	K09A, K09B				
	11	L09A, L09B, L09C, L09D, L38Z	11		L09A, L09B, L09C, L09D, L38Z	11	L09A, L09B, L09C, L09D, L38Z				
	12	M06Z, M09A, M09B, M38Z	12		M06Z, M09A, M09B, M38Z	12	M06Z, M09A, M09B, M38Z				
	13	N11A, N11B	13		N11A, N11B	13	N11A, N11B				
	16	Q03A, Q03B	16		Q03A, Q03B	16	Q03A, Q03B				
	12m11.7↔	01	B03A, B03B, B06A, B06B, B17A, B17B, B17C		12m21.2↔	01	B03A, B03B, B06A, B06B, B17A, B17B, B17C		12m21.6↔	01	B03A, B03B, B06A, B06B, B17A, B17B, B17C
		03	D12A, D12B			03	D12A, D12B			03	D12A, D12B
		04	E02A, E02B, E02C			04	E02A, E02B, E02C			04	E02A, E02B, E02C
		06	G10Z, G12A, G12B, G12C			06	G10Z, G12A, G12B, G12C			06	G10Z, G12A, G12B, G12C
07		H06A, H06B, H06C	07	H06A, H06B, H06C		07	H06A, H06B, H06C				
08		I28A, I28B	08	I28A, I28B		08	I28A, I28B				
09		J03A, J03B, J04A, J04B, J08A, J08B, J08C, J11A, J11B, J16Z	09	J03A, J03B, J04A, J04B, J08A, J08B, J08C, J11A, J11B, J16Z		09	J03A, J03B, J04A, J04B, J08A, J08B, J08C, J11A, J11B, J16Z				
10		K09A, K09B	10	K09A, K09B		10	K09A, K09B				
11		L09A, L09B, L09C, L09D, L38Z	11	L09A, L09B, L09C, L09D, L38Z		11	L09A, L09B, L09C, L09D, L38Z				
12		M06Z, M09A, M09B, M38Z	12	M06Z, M09A, M09B, M38Z		12	M06Z, M09A, M09B, M38Z				
13		N11A, N11B	13	N11A, N11B		13	N11A, N11B				
16		Q03A, Q03B	16	Q03A, Q03B		16	Q03A, Q03B				
12m13		04	E06A, E06B, E06C, E08A, E08B, E08C								
		10	K09A, K09B								
		16	Q03A, Q03B								
		17	R01A, R01B, R01C, R01D, R02Z, R12A, R12B, R12C								

VYK

ZZV	MDC	DRG	ZZV	MDC	DRG	ZZV	MDC	DRG
12m21.7↔	01	B03A, B03B, B06A, B06B, B17A, B17B, B17C	12q10.0↔	10	K09A, K09B	12t00.4↔	08	I24Z
	03	D12A, D12B		13	N01A, N01B, N01C, N01D, N01E, N02A, N02B, N02C, N03A, N03B, N07Z, N25Z, N38Z	21A	W04A, W04B	
	04	E02A, E02B, E02C				21B	X06A, X06B, X06C	
	06	G10Z, G12A, G12B, G12C	12q10.1↔	13	N01A, N01B, N01C, N01D, N01E, N02A, N02B, N02C, N03A, N03B, N07Z, N25Z, N38Z	12t00.5↔	08	I32A, I32B, I32C, I32D, I32E, I32F, I32G
	07	H06A, H06B, H06C				21A	W04A, W04B	
	08	I28A, I28B	12q10.2	13	N01A, N01B, N01C, N01D, N01E, N02A, N02B, N02C, N03A, N03B, N07Z, N25Z, N38Z	21B	X05A, X05B	
	09	J03A, J03B, J04A, J04B, J08A, J08B, J08C, J11A, J11B, J16Z				12t00.6↔	08	I24Z
	10	K09A, K09B	12q10.3↔	13	N01A, N01B, N01C, N01D, N01E, N02A, N02B, N02C, N03A, N03B, N07Z, N25Z, N38Z	21A	W04A, W04B	
	11	L09A, L09B, L09C, L09D, L38Z				21B	X04Z	
	12	M06Z, M09A, M09B, M38Z	12q10.3↔	13	N01A, N01B, N01C, N01D, N01E, N02A, N02B, N02C, N03A, N03B, N07Z, N25Z, N38Z	12t00.7↔	08	I24Z
	13	N11A, N11B				10	K09A, K09B	
	16	Q03A, Q03B	12q11.0	13	N10Z	21A	W04A, W04B	
12m23	04	E06A, E06B, E06C, E08A, E08B, E08C	12q11.1	13	N10Z	21B	X04Z	
	10	K09A, K09B	12q11.2	14	962Z, O02A, O02B, O40Z	12t00.8↔	08	I24Z
	16	Q03A, Q03B				21A	W04A, W04B	
	17	R01A, R01B, R01C, R01D, R02Z, R12A, R12B, R12C	12q11.x	13	N10Z	21B	X04Z, X06A, X06B, X06C	
12m2x↔	01	B03A, B03B, B06A, B06B, B17A, B17B, B17C	12q12.0	14	962Z, O02A, O02B, O40Z	12t00.a↔	08	I32A, I32B, I32C, I32D, I32E, I32F, I32G
	03	D12A, D12B				21A	W04A, W04B	
	04	E02A, E02B, E02C	12q11.x	13	N10Z	21B	X05A, X05B, X06A, X06B, X06C	
	06	G10Z, G12A, G12B, G12C	12q12.x	14	962Z, O02A, O02B, O40Z	12t00.x↔	08	I24Z
	07	H06A, H06B, H06C				21A	W04A, W04B	
	08	I28A, I28B				21B	X06A, X06B, X06C	
	09	J03A, J03B, J04A, J04B, J08A, J08B, J08C, J11A, J11B, J16Z	12q20.1‡	14	962Z	12t10.4	03	D12A, D12B
	10	K09A, K09B	12q20.2‡	14	962Z	08	I28A, I28B, I28C	
	11	L09A, L09B, L09C, L09D, L38Z	12q20.3‡	14	962Z	09	J03A, J03B, J04A, J04B, J08A, J08B, J08C, J11A, J11B, J16Z	
	12	M06Z, M09A, M09B, M38Z	12q20.x‡↔	14	962Z	10	K09A, K09B	
	13	N11A, N11B	12q23.0↔	10	K09A, K09B	11	L09A, L09B, L09C, L09D, L38Z	
	16	Q03A, Q03B				12	M06Z, M09A, M09B, M38Z	
12n01.0‡	07	H41A, H41B, H41C	12q23.1↔	13	N01A, N01B, N01C, N01D, N01E, N02A, N02B, N02C, N03A, N03B, N07Z, N25Z, N38Z	12t20.4	03	D12A, D12B
12n01.1‡	07	H41A, H41B, H41C	12q23.2	13	N01A, N01B, N01C, N01D, N01E, N02A, N02B, N02C, N03A, N03B, N07Z, N25Z, N38Z	08	I28A, I28B, I28C	
12n01.2‡	07	H41A, H41B, H41C	12q23.3↔	13	N01A, N01B, N01C, N01D, N01E, N02A, N02B, N02C, N03A, N03B, N07Z, N25Z, N38Z	09	J03A, J03B, J04A, J04B, J08A, J08B, J08C, J11A, J11B, J16Z	
12n01.3‡	06	G40Z, G46A, G46B, G46C, G47Z	12t00.0↔	03	D12A, D12B	10	K09A, K09B	
12n01.4‡	06	G40Z, G46A, G46B, G46C, G47Z		08	I24Z	11	L09A, L09B, L09C, L09D, L38Z	
12n01.x‡	06	G40Z, G46A, G46B, G46C, G47Z	12t00.1↔	21A	W04A, W04B	12	M06Z, M09A, M09B, M38Z	
12n02.a‡	06	G40Z, G48A, G48B, G48C		21B	X06A, X06B, X06C	12t21.b	01	B03A, B03B, B06A, B06B, B17A, B17B, B17C
12n02.b‡	06	G40Z, G48A, G48B, G48C	12t00.2↔	08	I24Z	04	E02A, E02B, E02C	
12n10.0‡	06	G40Z, G46A, G46B, G46C, G47Z, G50Z		21A	W04A, W04B	08	I27A, I27B, I27C, I27D	
12n10.2‡	07	H41A, H41B, H41C	12t00.3↔	08	I24Z	09	J03A, J03B, J04A, J04B, J08A, J08B, J08C, J11A, J11B, J16Z	
12n20.0‡	06	G40Z, G46A, G46B, G46C, G47Z, G50Z		21A	W04A, W04B	10	K09A, K09B	
12n20.2‡	07	H41A, H41B, H41C	12t00.4↔	08	I24Z	12x60‡	05	F49A, F49D
12n30.0‡	06	G40Z, G46A, G46B, G46C, G47Z		21B	X06A, X06B, X06C	12x61‡	05	F49A, F49D, F49F
12n30.2‡	07	H41A, H41B, H41C	12t00.5↔	08	I24Z	12x62‡	05	F49A, F49D, F49F
12o01.0‡↔	11	L18A, L18B, L19Z, L20A, L20B, L20C, L38Z	12t00.6↔	08	I24Z	13a10.0		BOP, KVT, UOP4
12o01.1‡↔	11	L18A, L18B, L19Z, L20A, L20B, L20C, L38Z		21A	W04A, W04B	13a10.1		BOP, KVT, UOP4
12o01.2	11	L18A, L18B, L19Z, L20A, L20B, L20C, L38Z	12t00.7↔	08	I24Z	13a10.2		BOP, KVT, UOP4
	12	M06Z, M09A, M09B, M38Z		21A	W04A, W04B	13a10.3		BOP, KVT, UOP4
	13	N08Z	12t00.8↔	08	I24Z	13a10.4		BOP, KVT, UOP4
12o10‡↔	11	L42A		21B	X06A, X06B, X06C			
12o20.0‡↔	11	L42A	12t00.9↔	08	I24Z			
				21A	W04A, W04B			
				21B	X06A, X06B, X06C			

ZZV	MDC	DRG	ZZV	MDC	DRG	ZZV	MDC	DRG			
13a10.5		BOP, KVT, UOP4	13a11.5		BOP, KVT, UOP4	13a30.4↔	01	B03A, B03B, B06A, B06B, B17A, B17B, B17C			
	01	B03A, B03B, B06A, B06B, B17A, B17B, B17C		02	C01A, C01B, C14Z, C16Z		08	I28A, I28B			
	02	C01A, C01B, C14Z, C16Z		05	F01A, F01B, F01D, F05Z, F07A, F07B, F14A, F14B, F28A, F42Z, F54Z, F59A, F59B		21A	W04A, W04B			
	05	F01A, F01B, F01D, F05Z, F07A, F07B, F14A, F14B, F28A, F42Z, F54Z, F59A, F59B		08	I28A, I28B		21B	X05A, X05B, X06A, X06B, X06C			
	08	I28A, I28B		10	K09A, K09B		13a30.5	01	B03A, B03B, B06A, B06B, B17A, B17B, B17C		
	10	K09A, K09B		17	R01A, R01B, R01C, R01D, R02Z, R12A, R12B, R12C		03	D12A, D12B			
	13a10.6			BOP, KVT, UOP4	13a11.6			BOP, KVT, UOP4	08	I28A, I28B	
		13a10.7					BOP, KVT, UOP4	17	R01A, R01B, R01C, R01D, R02Z, R12A, R12B, R12C	21A	W04A, W04B
				03			D12A, D12B		BOP, KVT, UOP4	21B	X06A, X06B, X06C
				04			E02A, E02B, E02C	13a11.x	17	R01A, R01B, R01C, R01D, R02Z, R12A, R12B, R12C	13a30.6↔
08			I23A	17		R01A, R01B, R01C, R01D, R02Z, R12A, R12B, R12C	08	I28A, I28B			
09			J03A, J03B, J04A, J04B, J08A, J08B, J08C, J11A, J11B, J16Z	13a20.0		17	R01A, R01B, R01C, R01D, R02Z, R12A, R12B, R12C	21A	W04A, W04B		
10			K09A, K09B	01		B03A, B03B, B18Z	21B	X04Z, X06A, X06B, X06C			
11			L09A, L09B, L09C, L09D, L38Z	08		I10A, I10B, I10C, I10D, I10E	13a30.7↔	01	B03A, B03B, B06A, B06B, B17A, B17B, B17C		
12			M06Z, M09A, M09B, M38Z	17		R01A, R01B, R01C, R01D, R02Z, R12A, R12B, R12C	08	I28A, I28B			
21A			W04A, W04B	13a20.1			21A	W04A, W04B			
21B	X04Z, X05A, X05B, X06A, X06B, X06C		01	B03A, B03B, B18Z	21B	X04Z, X06A, X06B, X06C					
13a10.8		BOP, KVT, UOP4	13a20.2		BOP, KVT, UOP4	13a30.8↔	01	B03A, B03B, B06A, B06B, B17A, B17B, B17C			
	03	D12A, D12B		08	I10A, I10B, I10C, I10D, I10E	08	I28A, I28B				
	04	E02A, E02B, E02C		17	R01A, R01B, R01C, R01D, R02Z, R12A, R12B, R12C	21A	W04A, W04B				
	08	I15A, I15B		01	B03A, B03B, B18Z	21B	X04Z, X06A, X06B, X06C				
	09	J03A, J03B, J04A, J04B, J08A, J08B, J08C, J11A, J11B, J16Z		08	I10A, I10B, I10C, I10D, I10E	13a30.9↔	01	B03A, B03B, B06A, B06B, B17A, B17B, B17C			
	10	K09A, K09B		17	R01A, R01B, R01C, R01D, R02Z, R12A, R12B, R12C	08	I28A, I28B				
	11	L09A, L09B, L09C, L09D, L38Z		13a20.3		21A	W04A, W04B				
	12	M06Z, M09A, M09B, M38Z		01	B03A, B03B, B18Z	21B	X04Z, X06A, X06B, X06C				
	21A	W04A, W04B		08	I10A, I10B, I10C, I10D, I10E	13a30.x↔	01	B03A, B03B, B06A, B06B, B17A, B17B, B17C			
	21B	X04Z, X05A, X05B, X06A, X06B, X06C		17	R01A, R01B, R01C, R01D, R02Z, R12A, R12B, R12C	08	I28A, I28B				
13a10.9		BOP, KVT, UOP4	13a20.x		BOP, KVT, UOP4	21A	W04A, W04B				
	03	D12A, D12B		01	B03A, B03B, B18Z	21B	X06A, X06B, X06C				
	04	E02A, E02B, E02C		08	I10A, I10B, I10C, I10D, I10E	13b00					
	08	I17Z		17	R01A, R01B, R01C, R01D, R02Z, R12A, R12B, R12C	BOP, KVT, UOP4					
	09	J03A, J03B, J04A, J04B, J08A, J08B, J08C, J11A, J11B, J16Z		13a30.0↔	01	B03A, B03B, B06A, B06B, B17A, B17B, B17C	13b01↔	08	I28A, I28B		
	10	K09A, K09B		03	D12A, D12B	10	K06A, K06B, K06C, K06D				
	11	L09A, L09B, L09C, L09D, L38Z		08	I28A, I28B	BOP, KVT, UOP4					
	12	M06Z, M09A, M09B, M38Z		21A	W04A, W04B	13b02↔	10	K03A, K03B, K14Z			
	21A	W04A, W04B		21B	X06A, X06B, X06C	13b10.0					
	21B	X04Z, X05A, X05B, X06A, X06B, X06C		01	B03A, B03B, B06A, B06B, B17A, B17B, B17C	01	B02A, B02B, B02C, B20A, B20B, B20C, B20D, B20E, B39A, B39B				
13a10.x		BOP, KVT, UOP4	13a30.1↔		BOP, KVT, UOP4	10	K03A, K03B				
	13a11.0			BOP, KVT, UOP4	03	D12A, D12B	BOP, KVT, UOP4				
		17		R01A, R01B, R01C, R01D, R02Z, R12A, R12B, R12C	08	I28A, I28B	01	B02A, B02B, B02C, B20A, B20B, B20C, B20D, B20E, B39A, B39B			
		13a11.1			BOP, KVT, UOP4	21A	W04A, W04B	10	K03A, K03B		
				17	R01A, R01B, R01C, R01D, R02Z, R12A, R12B, R12C	21B	X05A, X05B, X06A, X06B, X06C	17	R01A, R01B, R01C, R01D, R02Z, R12A, R12B, R12C		
				13a11.2		BOP, KVT, UOP4	13a30.2↔	01	B03A, B03B, B06A, B06B, B17A, B17B, B17C	BOP, KVT, UOP4	
					17	R01A, R01B, R01C, R01D, R02Z, R12A, R12B, R12C	03	D12A, D12B	01	B02A, B02B, B02C, B20A, B20B, B20C, B20D, B20E, B39A, B39B	
					13a11.3		BOP, KVT, UOP4	08	I28A, I28B	10	K03A, K03B
						17	R01A, R01B, R01C, R01D, R02Z, R12A, R12B, R12C	21A	W04A, W04B	17	R01A, R01B, R01C, R01D, R02Z, R12A, R12B, R12C
						13a11.4		BOP, KVT, UOP4	21B	X05A, X05B, X06A, X06B, X06C	13b20.1
17			R01A, R01B, R01C, R01D, R02Z, R12A, R12B, R12C				01	B03A, B03B, B06A, B06B, B17A, B17B, B17C	01	B02A, B02B, B02C, B20A, B20B, B20C, B20D, B20E, B39A, B39B	
13a11.4			BOP, KVT, UOP4				08	I28A, I28B	10	K03A, K03B	
	17		R01A, R01B, R01C, R01D, R02Z, R12A, R12B, R12C				21A	W04A, W04B	17	R01A, R01B, R01C, R01D, R02Z, R12A, R12B, R12C	
	17	R01A, R01B, R01C, R01D, R02Z, R12A, R12B, R12C	21B				X05A, X05B, X06A, X06B, X06C				

ZZV	MDC	DRG	ZZV	MDC	DRG	ZZV	MDC	DRG
13c00↔	02	C01A, C01B, C14Z, C16Z	13h10.x	03	D09Z, D30A, D30B	13k02.1↔	01	B03A, B03B, B06A, B06B, B17A, B17B, B17C
	21A	W04A, W04B		04	E02A, E02B, E02C		05	F01A, F01B, F01D, F05Z, F07A, F07B, F42Z, F54Z, F59A, F59B
	21B	X06A, X06B, X06C	13h20.0	03	D08A, D08B, D18Z, D22A, D22B, D30A, D30B		08	I28A, I28B
13c01↔	02	C01A, C01B, C13Z, C16Z		09	J03A, J03B, J04A, J04B, J08A, J08B, J08C, J11A, J11B, J16Z		10	K09A, K09B
	21A	W04A, W04B				13k02.2	01	B03A, B03B, B06A, B06B, B17A, B17B, B17C
	21B	X06A, X06B, X06C	13h21	03	D12A, D12B		05	F01A, F01B, F01D, F05Z, F07A, F07B, F42Z, F54Z, F59A, F59B
13c10↔	02	C01A, C01B, C13Z, C16Z		09	J03A, J03B, J04A, J04B, J08A, J08B, J08C, J11A, J11B, J16Z		08	I28A, I28B
	03	D09Z, D30A, D30B	13h22	03	D12A, D12B, D39Z		10	K09A, K09B
	21A	W04A, W04B		09	J03A, J03B, J04A, J04B, J08A, J08B, J08C, J11A, J11B, J16Z	13k02.3	01	B03A, B03B, B06A, B06B, B17A, B17B, B17C
	21B	X06A, X06B, X06C					05	F01A, F01B, F01D, F05Z, F07A, F07B, F42Z, F54Z, F59A, F59B
13c11↔		BOP, KVT, UOP4	13j00		BOP, KVT, UOP4		08	I28A, I28B
	02	C01A, C01B, C07A, C07B, C16Z		04	E06A, E06B, E06C, E08A, E08B, E08C		10	K09A, K09B
	21A	W04A, W04B		17	R01A, R01B, R01C, R01D, R02Z, R12A, R12B, R12C	13k02.4	01	B03A, B03B, B06A, B06B, B17A, B17B, B17C
	21B	X06A, X06B, X06C		21A	W04A, W04B		05	F01A, F01B, F01D, F05Z, F07A, F07B, F42Z, F54Z, F59A, F59B
13c12↔		BOP, KVT, UOP4		21B	X06A, X06B, X06C		08	I28A, I28B
	02	C01A, C01B, C15Z, C16Z			BOP, KVT, UOP4		10	K09A, K09B
	21A	W04A, W04B	13j01	04	E02A, E02B, E02C	13k02.5↔	01	B03A, B03B, B06A, B06B, B17A, B17B, B17C
	21B	X06A, X06B, X06C		05	F21A, F21B, F21C		05	F01A, F01B, F01D, F05Z, F07A, F07B, F42Z, F54Z, F59A, F59B
13c13↔		BOP, KVT, UOP4		10	K09A, K09B		08	I28A, I28B
	02	C01A, C01B, C14Z, C16Z		17	R01A, R01B, R01C, R01D, R02Z, R12A, R12B, R12C		10	K09A, K09B
	21A	W04A, W04B		21A	W04A, W04B	13k02.6↔	01	B03A, B03B, B06A, B06B, B17A, B17B, B17C
	21B	X06A, X06B, X06C		21B	X06A, X06B, X06C		05	F01A, F01B, F01D, F05Z, F07A, F07B, F42Z, F54Z, F59A, F59B
13c14↔		BOP, KVT, UOP4			BOP, KVT, UOP4		08	I28A, I28B
	02	C01A, C01B, C16Z, C20A, C20B		04	E06A, E06B, E06C, E08A, E08B, E08C		10	K09A, K09B
	21A	W04A, W04B	13j02↔	21A	W04A, W04B	13k02.7↔	01	B03A, B03B, B06A, B06B, B17A, B17B, B17C
	21B	X06A, X06B, X06C		21B	X06A, X06B, X06C		05	F01A, F01B, F01D, F05Z, F07A, F07B, F42Z, F54Z, F59A, F59B
13c15↔		BOP, KVT, UOP4			BOP, KVT, UOP4		08	I28A, I28B
	02	C01A, C01B, C15Z, C16Z		04	E06A, E06B, E06C, E08A, E08B, E08C		10	K09A, K09B
	21A	W04A, W04B		21A	W04A, W04B	13k02.8	01	B03A, B03B, B06A, B06B, B17A, B17B, B17C
	21B	X06A, X06B, X06C		21B	X06A, X06B, X06C		04	E02A, E02B, E02C
13c16↔		BOP, KVT, UOP4			Y01Z, Y03A, Y03B		08	I27A, I27B, I27C, I27D
	02	C01A, C01B, C15Z, C16Z	13j03↔	04	E06A, E06B, E06C, E08A, E08B, E08C		09	J03A, J03B, J04A, J04B, J08A, J08B, J08C, J11A, J11B, J16Z
	21A	W04A, W04B		08	I28A, I28B		10	K09A, K09B
	21B	X06A, X06B, X06C		11	L09A, L09B, L09C, L09D, L38Z	13k02.9	06	G10Z, G12A, G12B, G12C
13c17↔		BOP, KVT, UOP4		17	R01A, R01B, R01C, R01D, R02Z, R12A, R12B, R12C		09	J03A, J03B, J04A, J04B, J08A, J08B, J08C, J11A, J11B, J16Z
	02	C01A, C01B, C10A, C10B, C10C, C16Z			BOP, KVT, UOP4		17	R01A, R01B, R01C, R01D, R02Z, R12A, R12B, R12C
13c18↔		BOP, KVT, UOP4		04	E06A, E06B, E06C, E08A, E08B, E08C		21A	W04A, W04B
	02	C01A, C01B, C02A, C02B, C16Z	13k00	05	F01A, F01B, F01D, F05Z, F07A, F07B, F09A, F09B, F09C, F42Z	13k02.0↔	21B	X06A, X06B, X06C
	08	I17Z		17	R01A, R01B, R01C, R01D, R02Z, R12A, R12B, R12C			
	21A	W04A, W04B			BOP, KVT, UOP4			
	21B	X06A, X06B, X06C		04	E06A, E06B, E06C, E08A, E08B, E08C			
13c1x↔	02	C01A, C01B, C14Z, C16Z		05	F01A, F01B, F01D, F05Z, F07A, F07B, F09A, F09B, F09C, F42Z			
	21A	W04A, W04B			R01A, R01B, R01C, R01D, R02Z, R12A, R12B, R12C			
	21B	X06A, X06B, X06C			BOP, KVT, UOP4			
13d21↔	03	D09Z, D30A, D30B	13k01	04	E06A, E06B, E06C, E08A, E08B, E08C			
13d22↔		BOP, KVT, UOP4		05	F01A, F01B, F01D, F05Z, F07A, F07B, F09A, F09B, F09C, F42Z			
	03	D09Z, D30A, D30B		17	R01A, R01B, R01C, R01D, R02Z, R12A, R12B, R12C			
13d2x↔	03	D09Z, D30A, D30B			BOP, KVT, UOP4			
13d40↔	03	D06A, D06B, D06C		04	E06A, E06B, E06C, E08A, E08B, E08C			
13d41	03	D08A, D08B, D18Z, D22A, D22B, D30A, D30B		05	F01A, F01B, F01D, F05Z, F07A, F07B, F09A, F09B, F09C, F42Z			
	09	J03A, J03B, J04A, J04B, J08A, J08B, J08C, J11A, J11B, J16Z		17	R01A, R01B, R01C, R01D, R02Z, R12A, R12B, R12C			
13d42	03	D08A, D08B, D18Z, D22A, D22B, D30A, D30B			BOP, KVT, UOP4			
	09	J03A, J03B, J04A, J04B, J08A, J08B, J08C, J11A, J11B, J16Z		01	B03A, B03B, B06A, B06B, B17A, B17B, B17C			
13h10.0	03	D09Z, D30A, D30B		02	C01A, C01B, C14Z, C16Z			
	04	E02A, E02B, E02C		05	F01A, F01B, F01D, F05Z, F07A, F07B, F42Z, F54Z, F59A, F59B			
13h10.1	03	D09Z, D30A, D30B		08	I28A, I28B			
	04	E02A, E02B, E02C		10	K09A, K09B			
13h10.2	03	D09Z, D30A, D30B						
	04	E02A, E02B, E02C						

ZZV	MDC	DRG	ZZV	MDC	DRG	ZZV	MDC	DRG
13k02.x	06	G10Z, G12A, G12B, G12C	13m10.3	01	B03A, B03B, B06A, B06B, B17A, B17B, B17C	13m10.7↔	01	B03A, B03B, B06A, B06B, B17A, B17B, B17C
	09	J03A, J03B, J04A, J04B, J08A, J08B, J08C, J11A, J11B, J16Z		03	D12A, D12B		03	D12A, D12B
	17	R01A, R01B, R01C, R01D, R02Z, R12A, R12B, R12C		04	E02A, E02B, E02C		04	E02A, E02B, E02C
	21A	W04A, W04B		06	G10Z, G12A, G12B, G12C		06	G10Z, G12A, G12B, G12C
	21B	X06A, X06B, X06C		07	H06A, H06B, H06C		07	H06A, H06B, H06C
13m00		BOP, KVT, UOP4		08	I28A, I28B		08	I28A, I28B
	04	E06A, E06B, E06C, E08A, E08B, E08C		09	J03A, J03B, J04A, J04B, J08A, J08B, J08C, J11A, J11B, J16Z		09	J03A, J03B, J04A, J04B, J08A, J08B, J08C, J11A, J11B, J16Z
	10	K09A, K09B		10	K09A, K09B		10	K09A, K09B
	17	R01A, R01B, R01C, R01D, R02Z, R12A, R12B, R12C		11	L09A, L09B, L09C, L09D, L38Z		11	L09A, L09B, L09C, L09D, L38Z
13m01		BOP, KVT, UOP4		12	M06Z, M09A, M09B, M38Z		12	M06Z, M09A, M09B, M38Z
	16	Q01Z		13	N11A, N11B		13	N11A, N11B
13m10.0↔	01	B03A, B03B, B06A, B06B, B17A, B17B, B17C	13m10.4	01	B03A, B03B, B06A, B06B, B17A, B17B, B17C	13m10.x↔	01	B03A, B03B, B06A, B06B, B17A, B17B, B17C
	03	D12A, D12B		03	D12A, D12B		03	D12A, D12B
	04	E02A, E02B, E02C		04	E02A, E02B, E02C		04	E02A, E02B, E02C
	06	G10Z, G12A, G12B, G12C		06	G10Z, G12A, G12B, G12C		06	G10Z, G12A, G12B, G12C
	07	H06A, H06B, H06C		07	H06A, H06B, H06C		07	H06A, H06B, H06C
	08	I28A, I28B		08	I28A, I28B		08	I28A, I28B
	09	J03A, J03B, J04A, J04B, J08A, J08B, J08C, J11A, J11B, J16Z		09	J03A, J03B, J04A, J04B, J08A, J08B, J08C, J11A, J11B, J16Z		09	J03A, J03B, J04A, J04B, J08A, J08B, J08C, J11A, J11B, J16Z
	10	K09A, K09B		10	K09A, K09B		10	K09A, K09B
	11	L09A, L09B, L09C, L09D, L38Z		11	L09A, L09B, L09C, L09D, L38Z		11	L09A, L09B, L09C, L09D, L38Z
	12	M06Z, M09A, M09B, M38Z		12	M06Z, M09A, M09B, M38Z		12	M06Z, M09A, M09B, M38Z
13m10.1↔	13	N11A, N11B		13	N11A, N11B		13	N11A, N11B
	16	Q03A, Q03B		16	Q03A, Q03B		16	Q03A, Q03B
	01	B03A, B03B, B06A, B06B, B17A, B17B, B17C	13m10.5↔	01	B03A, B03B, B06A, B06B, B17A, B17B, B17C	13n00.0		BOP, KVT, UOP4
	03	D12A, D12B		03	D12A, D12B		03	D12A, D12B
	04	E02A, E02B, E02C		04	E02A, E02B, E02C		04	E02A, E02B, E02C
	06	G10Z, G12A, G12B, G12C		06	G10Z, G12A, G12B, G12C		06	G10Z, G12A, G12B, G12C
	07	H06A, H06B, H06C		07	H06A, H06B, H06C		07	H12A, H12B
	08	I28A, I28B		08	I28A, I28B		08	I28A, I28B
	09	J03A, J03B, J04A, J04B, J08A, J08B, J08C, J11A, J11B, J16Z		09	J03A, J03B, J04A, J04B, J08A, J08B, J08C, J11A, J11B, J16Z		09	J03A, J03B, J04A, J04B, J08A, J08B, J08C, J11A, J11B, J16Z
	10	K09A, K09B		10	K09A, K09B		10	K09A, K09B
11	L09A, L09B, L09C, L09D, L38Z	11		L09A, L09B, L09C, L09D, L38Z	11		L09A, L09B, L09C, L09D, L38Z	
12	M06Z, M09A, M09B, M38Z	12		M06Z, M09A, M09B, M38Z	12		M06Z, M09A, M09B, M38Z	
13m10.2↔	13	N11A, N11B		13	N11A, N11B		13	N11A, N11B
	16	Q03A, Q03B		16	Q03A, Q03B		17	R01A, R01B, R01C, R01D, R02Z, R12A, R12B, R12C
	01	B03A, B03B, B06A, B06B, B17A, B17B, B17C	13m10.6↔	01	B03A, B03B, B06A, B06B, B17A, B17B, B17C	13n00.1	21A	W04A, W04B
	03	D12A, D12B		03	D12A, D12B		21B	X06A, X06B, X06C
	04	E02A, E02B, E02C		04	E02A, E02B, E02C			BOP, KVT, UOP4
	06	G10Z, G12A, G12B, G12C		06	G10Z, G12A, G12B, G12C		03	D12A, D12B
	07	H06A, H06B, H06C		07	H06A, H06B, H06C		04	E02A, E02B, E02C
	08	I28A, I28B		08	I28A, I28B		06	G10Z, G12A, G12B, G12C
	09	J03A, J03B, J04A, J04B, J08A, J08B, J08C, J11A, J11B, J16Z		09	J03A, J03B, J04A, J04B, J08A, J08B, J08C, J11A, J11B, J16Z		07	H12A, H12B
	10	K09A, K09B		10	K09A, K09B		08	I28A, I28B
11	L09A, L09B, L09C, L09D, L38Z	11		L09A, L09B, L09C, L09D, L38Z	09		J03A, J03B, J04A, J04B, J08A, J08B, J08C, J11A, J11B, J16Z	
12	M06Z, M09A, M09B, M38Z	12		M06Z, M09A, M09B, M38Z	10		K09A, K09B	
		13	N11A, N11B	11	L09A, L09B, L09C, L09D, L38Z			
		16	Q03A, Q03B	12	M06Z, M09A, M09B, M38Z			
				13	N11A, N11B			
				17	R01A, R01B, R01C, R01D, R02Z, R12A, R12B, R12C			
				21A	W04A, W04B			
				21B	X06A, X06B, X06C			
					BOP, KVT, UOP4			
					D12A, D12B			
					E02A, E02B, E02C			
					G10Z, G12A, G12B, G12C			
					H12A, H12B			
					I28A, I28B			
					J03A, J03B, J04A, J04B, J08A, J08B, J08C, J11A, J11B, J16Z			
					K09A, K09B			
					L09A, L09B, L09C, L09D, L38Z			
					M06Z, M09A, M09B, M38Z			
					N11A, N11B			
					R01A, R01B, R01C, R01D, R02Z, R12A, R12B, R12C			
					W04A, W04B			
					X06A, X06B, X06C			
					BOP, KVT, UOP4			
					G10Z, G12A, G12B, G12C			
					H12A, H12B			

VYK



ZZV	MDC	DRG	ZZV	MDC	DRG	ZZV	MDC	DRG
13n01.1		BOP, KVT, UOP4	13n09.3		BOP, KVT, UOP4	13n09.x		BOP, KVT, UOP4
	06	G10Z, G12A, G12B, G12C		05	F21A, F21B, F21C		05	F21A, F21B, F21C
	07	H12A, H12B		06	G10Z, G12A, G12B, G12C		06	G10Z, G12A, G12B, G12C
13n01.3		BOP, KVT, UOP4		07	H12A, H12B		07	H12A, H12B
	06	G10Z, G12A, G12B, G12C		09	J03A, J03B, J04A, J04B, J08A, J08B, J08C, J11A, J11B, J16Z		09	J03A, J03B, J04A, J04B, J08A, J08B, J08C, J11A, J11B, J16Z
	07	H12A, H12B		10	K09A, K09B		10	K09A, K09B
	10	K09A, K09B		11	L09A, L09B, L09C, L09D, L38Z		11	L09A, L09B, L09C, L09D, L38Z
	17	R01A, R01B, R01C, R01D, R02Z, R12A, R12B, R12C		12	M01A, M01B, M09A, M38Z		12	M01A, M01B, M09A, M38Z
	21A	W04A, W04B		13	N01A, N01B, N01C, N01D, N01E, N02A, N02B, N02C, N03A, N03B, N07Z, N25Z, N38Z		13	N11A, N11B
	21B	X06A, X06B, X06C		14	962Z, O02A, O02B		14	962Z, O02A, O02B
13n05		BOP, KVT, UOP4		17	R01A, R01B, R01C, R01D, R02Z, R12A, R12B, R12C		17	R01A, R01B, R01C, R01D, R02Z, R12A, R12B, R12C
	06	G15Z, G19A, G19B, G19C, G38Z		21A	W04A, W04B		21A	W04A, W04B
13n06.0		BOP, KVT, UOP4		21B	X06A, X06B, X06C		21B	X06A, X06B, X06C
	06	G01Z, G04A, G04B, G07A, G07B, G07C, G38Z		22	Y01Z, Y03A, Y03B		22	Y01Z, Y03A, Y03B
13n06.1		BOP, KVT, UOP4	13n09.4		BOP, KVT, UOP4	13n0x		BOP, KVT, UOP4
	06	G01Z, G04A, G04B, G07A, G07B, G07C, G38Z		05	F21A, F21B, F21C		16	Q01Z
13n06.2		BOP, KVT, UOP4		06	G10Z, G12A, G12B, G12C		17	R01A, R01B, R01C, R01D, R02Z, R12A, R12B, R12C
	06	G01Z, G04A, G04B, G07A, G07B, G07C, G38Z		07	H12A, H12B		13o00.0↔	BOP, KVT, UOP4
13n07.0		BOP, KVT, UOP4		09	J03A, J03B, J04A, J04B, J08A, J08B, J08C, J11A, J11B, J16Z		08	I28A, I28B
	06	G13Z, G21A, G21B		10	K09A, K09B		10	K03A, K03B
13n07.1		BOP, KVT, UOP4		11	L09A, L09B, L09C, L09D, L38Z		11	L03Z, L04A, L04B, L04C, L10Z, L13A, L13B, L38Z
	06	G13Z, G21A, G21B		12	M01A, M01B, M09A, M38Z		17	R01A, R01B, R01C, R01D, R02Z, R12A, R12B, R12C
13n07.2		BOP, KVT, UOP4		13	N01A, N01B, N01C, N01D, N01E, N02A, N02B, N02C, N03A, N03B, N07Z, N25Z, N38Z		13o00.1↔	BOP, KVT, UOP4
	06	G13Z, G21A, G21B		14	962Z, O02A, O02B		11	L06A, L06B
13n07.3		BOP, KVT, UOP4		17	R01A, R01B, R01C, R01D, R02Z, R12A, R12B, R12C		12	M06Z, M09A, M09B, M38Z
	06	G13Z, G21A, G21B		21A	W04A, W04B		17	R01A, R01B, R01C, R01D, R02Z, R12A, R12B, R12C
13n08.0		BOP, KVT, UOP4		21B	X06A, X06B, X06C		21A	W04A, W04B
	06	G01Z, G04A, G04B, G07A, G07B, G07C, G38Z		22	Y01Z, Y03A, Y03B		21B	X06A, X06B, X06C
13n08.1		BOP, KVT, UOP4	13n09.5		BOP, KVT, UOP4		13o00.4↔	BOP, KVT, UOP4
	06	G01Z, G04A, G04B, G07A, G07B, G07C, G38Z		05	F21A, F21B, F21C		11	L03Z, L04A, L04B, L04C, L10Z, L13A, L13B, L38Z
13n09.0		BOP, KVT, UOP4		06	G10Z, G12A, G12B, G12C		13o00.5↔	BOP, KVT, UOP4
	03	D12A, D12B		07	H12A, H12B		11	L06A, L06B
	06	G15Z, G19A, G19B, G38Z		09	J03A, J03B, J04A, J04B, J08A, J08B, J08C, J11A, J11B, J16Z		12	M06Z, M09A, M09B, M38Z
	17	R01A, R01B, R01C, R01D, R02Z, R12A, R12B, R12C		10	K09A, K09B		17	R01A, R01B, R01C, R01D, R02Z, R12A, R12B, R12C
13n09.1		BOP, KVT, UOP4		11	L09A, L09B, L09C, L09D, L38Z		21A	W04A, W04B
	06	G01Z, G04A, G04B, G07A, G07B, G07C, G38Z		12	M01A, M01B, M09A, M38Z		21B	X06A, X06B, X06C
13n09.2		BOP, KVT, UOP4		13	N01A, N01B, N01C, N01D, N01E, N02A, N02B, N02C, N03A, N03B, N07Z, N25Z, N38Z		13o00.6	BOP, KVT, UOP4
	05	F21A, F21B, F21C		14	962Z, O02A, O02B		11	L06A, L06B
	06	G10Z, G12A, G12B, G12C		17	R01A, R01B, R01C, R01D, R02Z, R12A, R12B, R12C		12	M06Z, M09A, M09B, M38Z
	07	H12A, H12B		21A	W04A, W04B		13	N11A, N11B
	09	J03A, J03B, J04A, J04B, J08A, J08B, J08C, J11A, J11B, J16Z		21B	X06A, X06B, X06C		17	R01A, R01B, R01C, R01D, R02Z, R12A, R12B, R12C
	10	K09A, K09B		22	Y01Z, Y03A, Y03B		13o00.7	BOP, KVT, UOP4
	11	L09A, L09B, L09C, L09D, L38Z					11	L06A, L06B
	12	M01A, M01B, M09A, M38Z					12	M06Z, M09A, M09B, M38Z
	13	N01A, N01B, N01C, N01D, N01E, N02A, N02B, N02C, N03A, N03B, N07Z, N25Z, N38Z					17	R01A, R01B, R01C, R01D, R02Z, R12A, R12B, R12C
	14	962Z, O02A, O02B					21A	W04A, W04B
	17	R01A, R01B, R01C, R01D, R02Z, R12A, R12B, R12C					21B	X06A, X06B, X06C
	21A	W04A, W04B					13o00.x	BOP, KVT, UOP4
	21B	X06A, X06B, X06C					11	L06A, L06B
	22	Y01Z, Y03A, Y03B					12	M06Z, M09A, M09B, M38Z
							13	N11A, N11B
							17	R01A, R01B, R01C, R01D, R02Z, R12A, R12B, R12C
							13p00.0	BOP, KVT, UOP4
							11	L18A, L18B, L19Z, L20A, L20B, L20C, L38Z
							12	M06Z, M09A, M09B, M38Z

ZZV	MDC	DRG	ZZV	MDC	DRG	ZZV	MDC	DRG
13p00.1		BOP, KVT, UOP4	13q05		BOP, KVT, UOP4	13t10.7↔	01	B03A, B03B, B06A, B06B, B17A, B17B, B17C
	11	L18A, L18B, L19Z, L20A, L20B, L20C, L38Z		13	N01A, N01B, N01C, N01D, N01E, N02A, N02B, N02C, N03A, N03B, N07Z, N25Z, N38Z		04	E02A, E02B, E02C
13p01.0		M06Z, M09A, M09B, M38Z					08	I27A, I27B, I27C, I27D
		BOP, KVT, UOP4	13q0x		BOP, KVT, UOP4		09	J03A, J03B, J04A, J04B, J08A, J08B, J08C, J11A, J11B, J16Z
	09	J03A, J03B, J04A, J04B, J08A, J08B, J08C, J11A, J11B, J16Z		13	N01A, N01B, N01C, N01D, N01E, N02A, N02B, N02C, N03A, N03B, N07Z, N25Z, N38Z	13t10.x↔	10	K09A, K09B
13p01.1		M03A, M03B, M03C, M38Z					01	B03A, B03B, B06A, B06B, B17A, B17B, B17C
		BOP, KVT, UOP4	13t10.0		B03A, B03B, B06A, B06B, B17A, B17B, B17C		04	E02A, E02B, E02C
	09	J03A, J03B, J04A, J04B, J08A, J08B, J08C, J11A, J11B, J16Z		01	B03A, B03B, B06A, B06B, B17A, B17B, B17C		08	I27A, I27B, I27C, I27D
	12	M03A, M03B, M03C, M38Z		04	E02A, E02B, E02C		09	J03A, J03B, J04A, J04B, J08A, J08B, J08C, J11A, J11B, J16Z
13p02.0↔		BOP, KVT, UOP4		08	I27A, I27B, I27C, I27D		10	K09A, K09B
		K09A, K09B		09	J03A, J03B, J04A, J04B, J08A, J08B, J08C, J11A, J11B, J16Z	13t20.0	01	B17A, B17B, B17C
	10	K09A, K09B		10	K09A, K09B		03	D12A, D12B
	12	M04A, M04B, M04C, M04D, M37Z, M38Z	13t10.1↔		B03A, B03B, B06A, B06B, B17A, B17B, B17C		04	E02A, E02B, E02C
13p02.3↔		BOP, KVT, UOP4		01	B03A, B03B, B06A, B06B, B17A, B17B, B17C		08	I12A, I12B, I12C, I28A, I28B, I28C
	12	M06Z, M09A, M09B, M38Z		04	E02A, E02B, E02C		09	J03A, J03B, J04A, J04B, J08A, J08B, J08C, J11A, J11B, J16Z
13q00.0↔		BOP, KVT, UOP4		08	I27A, I27B, I27C, I27D		10	K09A, K09B
		K09A, K09B		09	J03A, J03B, J04A, J04B, J08A, J08B, J08C, J11A, J11B, J16Z		11	L09A, L09B, L09C, L09D, L38Z
	10	K09A, K09B		10	K09A, K09B		12	M06Z, M09A, M09B, M38Z
	13	N01A, N01B, N01C, N01D, N01E, N02A, N02B, N02C, N03A, N03B, N07Z, N25Z, N38Z	13t10.2↔		B03A, B03B, B06A, B06B, B17A, B17B, B17C		16	Q03A, Q03B
13q00.1↔		BOP, KVT, UOP4		01	B03A, B03B, B06A, B06B, B17A, B17B, B17C		21A	W04A, W04B
	13	N01A, N01B, N01C, N01D, N01E, N02A, N02B, N02C, N03A, N03B, N07Z, N25Z, N38Z		04	E02A, E02B, E02C		21B	X06A, X06B, X06C
				08	I27A, I27B, I27C, I27D	13t20.1↔	01	B17A, B17B, B17C
13q01.0↔		BOP, KVT, UOP4		09	J03A, J03B, J04A, J04B, J08A, J08B, J08C, J11A, J11B, J16Z		03	D12A, D12B
				10	K09A, K09B		04	E02A, E02B, E02C
	13	N01A, N01B, N01C, N01D, N01E, N02A, N02B, N02C, N03A, N03B, N07Z, N25Z, N38Z	13t10.3↔		B03A, B03B, B06A, B06B, B17A, B17B, B17C		08	I12A, I12B, I12C, I13A, I13B, I13C, I13D, I13E
				01	B03A, B03B, B06A, B06B, B17A, B17B, B17C		09	J03A, J03B, J04A, J04B, J08A, J08B, J08C, J11A, J11B, J16Z
13q01.1		BOP, KVT, UOP4		04	E02A, E02B, E02C		10	K09A, K09B
	13	N01A, N01B, N01C, N01D, N01E, N02A, N02B, N02C, N03A, N03B, N07Z, N25Z, N38Z		08	I27A, I27B, I27C, I27D		11	L09A, L09B, L09C, L09D, L38Z
				09	J03A, J03B, J04A, J04B, J08A, J08B, J08C, J11A, J11B, J16Z		12	M06Z, M09A, M09B, M38Z
13q01.2		BOP, KVT, UOP4		10	K09A, K09B		16	Q03A, Q03B
	09	J03A, J03B, J04A, J04B, J08A, J08B, J08C, J11A, J11B, J16Z	13t10.4		B03A, B03B, B06A, B06B, B17A, B17B, B17C		21A	W04A, W04B
				04	E02A, E02B, E02C		21B	X06A, X06B, X06C
	13	N09A, N09B		08	I27A, I27B, I27C, I27D	13t20.2↔	01	B17A, B17B, B17C
	14	962Z, O02A, O02B		09	J03A, J03B, J04A, J04B, J08A, J08B, J08C, J11A, J11B, J16Z		03	D12A, D12B
13q02		BOP, KVT, UOP4		10	K09A, K09B		04	E02A, E02B, E02C
	09	J03A, J03B, J04A, J04B, J08A, J08B, J08C, J11A, J11B, J16Z	13t10.5↔		B03A, B03B, B06A, B06B, B17A, B17B, B17C		08	I12A, I12B, I12C, I18A, I24Z
				01	B03A, B03B, B06A, B06B, B17A, B17B, B17C		09	J03A, J03B, J04A, J04B, J08A, J08B, J08C, J11A, J11B, J16Z
	13	N09A, N09B		04	E02A, E02B, E02C		10	K09A, K09B
	14	962Z, O60A, O60B, O60C, O60D		08	I27A, I27B, I27C, I27D		11	L09A, L09B, L09C, L09D, L38Z
13q03		BOP, KVT, UOP4		09	J03A, J03B, J04A, J04B, J08A, J08B, J08C, J11A, J11B, J16Z		12	M06Z, M09A, M09B, M38Z
	09	J03A, J03B, J04A, J04B, J08A, J08B, J08C, J11A, J11B, J11C, J16Z		10	K09A, K09B		16	Q03A, Q03B
				01	B03A, B03B, B06A, B06B, B17A, B17B, B17C		21A	W04A, W04B
	13	N09A, N09B	13t10.6↔		B03A, B03B, B06A, B06B, B17A, B17B, B17C		21B	X05A, X05B, X06A, X06B, X06C
	14	962Z, O60A, O60B, O60C, O60D		04	E02A, E02B, E02C			
13q04		BOP, KVT, UOP4		08	I27A, I27B, I27C, I27D			
	09	J03A, J03B, J04A, J04B, J08A, J08B, J08C, J11A, J11B, J16Z		09	J03A, J03B, J04A, J04B, J08A, J08B, J08C, J11A, J11B, J16Z			
				10	K09A, K09B			
	13	N09A, N09B						
	14	962Z, O60A, O60B, O60C, O60D						

VYK



ZZV	MDC	DRG	ZZV	MDC	DRG	ZZV	MDC	DRG
14a30.1		BOP, KVT, UOP4	14n21.11‡	06	G40Z, G48A, G48B, G48C	14t30.2↔	08	I24Z
	01	B03A, B03B, B18Z	14n21.12‡	06	G40Z, G48A, G48B, G48C		21A	W04A, W04B
	08	I10A, I10B, I10C, I10D, I10E	14n21.21‡	06	G40Z, G48A, G48B, G48C		21B	X06A, X06B, X06C
	17	R01A, R01B, R01C, R01D, R02Z, R12A, R12B, R12C	14n30	06	G10Z, G12A, G12B, G12C	14t30.3↔	08	I32A, I32B, I32C, I32D, I32E, I32F, I32G
14a30.x	01	B03A, B03B, B18Z		07	H12A, H12B		21A	W04A, W04B
	08	I10A, I10B, I10C, I10D, I10E		09	J03A, J03B, J04A, J04B, J08A, J08B, J08C, J11A, J11B, J16Z		21B	X05A, X05B
	17	R01A, R01B, R01C, R01D, R02Z, R12A, R12B, R12C		11	L09A, L09B, L09C, L09D, L38Z	14t30.4↔	08	I24Z
14c00↔	02	C01A, C01B, C13Z, C16Z		13	N25Z		21A	W04A, W04B
	03	D09Z, D30A, D30B		14	962Z, O02A, O02B	14t30.5↔	08	I24Z
	21A	W04A, W04B		21A	W04A, W04B		21A	W04A, W04B
	21B	X06A, X06B, X06C		21B	X06A, X06B	14t30.6↔	08	I24Z
14j02‡	03	D60A		22	Y01Z, Y03A, Y03B		21A	W04A, W04B
	04	E65A, E71A			BOP, KVT, UOP4		21B	X04Z
14j30.0		BOP, KVT, UOP4	14n31.0	06	G15Z, G19A, G19B, G38Z	14t30.7↔	08	I24Z
	04	E02A, E02B, E02C		07	H12A, H12B		10	K09A, K09B
	21A	W04A, W04B		17	R01A, R01B, R01C, R01D, R02Z, R12A, R12B, R12C		21A	W04A, W04B
	21B	X06A, X06B, X06C		21A	W04A, W04B		21B	X04Z
14j30.1		BOP, KVT, UOP4		21B	X06A, X06B, X06C	14t30.8↔	08	I24Z
	03	D12A, D12B		22	Y01Z, Y03A, Y03B		21A	W04A, W04B
	04	E02A, E02B, E02C			BOP, KVT, UOP4	14t30.9↔	08	I24Z
	21A	W04A, W04B	14n31.1	06	G01Z, G04A, G04B, G07A, G07B, G07C, G38Z		21A	W04A, W04B
	21B	X06A, X06B, X06C		17	R01A, R01B, R01C, R01D, R02Z, R12A, R12B, R12C	14t30.a↔	08	I32A, I32B, I32C, I32D, I32E, I32F, I32G
14j30.2	04	E02A, E02B, E02C		21A	W04A, W04B		21A	W04A, W04B
	21A	W04A, W04B		21B	X06A, X06B, X06C		21B	X05A, X05B, X06A, X06B, X06C
	21B	X06A, X06B, X06C			BOP, KVT, UOP4	14t30.c↔	08	I32A, I32B, I32C, I32D, I32E, I32F, I32G
14j30.3	03	D12A, D12B		06	G01Z, G04A, G04B, G07A, G07B, G07C, G38Z		21A	W04A, W04B
	04	E02A, E02B, E02C		21A	W04A, W04B		21B	X06A, X06B, X06C
14n11.01‡	03	D60A	14n31.2	06	G01Z, G04A, G04B, G07A, G07B, G07C, G38Z		21B	X05A, X05B, X06A, X06B, X06C
	06	G40Z, G46A, G46B, G46C, G47Z		21A	W04A, W04B	14t30.x↔	08	I24Z
14n11.02‡	06	G40Z, G46A, G46B, G46C, G47Z		21B	X06A, X06B, X06C		21A	W04A, W04B
14n11.0x‡	06	G40Z, G46A, G46B, G46C, G47Z	14n32.31‡	07	H41A, H41B, H41C		21B	X06A, X06B, X06C
14n11.1‡	06	G40Z, G46A, G46B, G46C, G47Z	14n32.32		BOP, KVT, UOP4	15c00↔	02	C01A, C01B, C14Z, C16Z
14n11.2‡	06	G40Z, G46A, G46B, G46C, G47Z		06	G01Z, G04A, G04B, G07A, G07B, G07C, G38Z		21A	W04A, W04B
14n11.3‡	06	G40Z, G46A, G46B, G46C, G47Z		21A	W04A, W04B		21B	X06A, X06B, X06C
14n11.40‡	06	G40Z, G46A, G46B, G46C, G47Z, G50Z	14n32.x		BOP, KVT, UOP4	15c03↔	02	C01A, C01B, C15Z, C16Z
14n11.41‡	06	G40Z, G46A, G46B, G46C		06	G01Z, G04A, G04B, G07A, G07B, G07C, G38Z	15x03↔	13	N01A, N01B, N01C, N01D, N01E, N02A, N02B, N02C, N03A, N03B, N07Z, N25Z, N38Z
14n11.4x‡	06	G40Z, G46A, G46B, G46C, G47Z, G50Z		21A	W04A, W04B		14	962Z
14n12.1‡	06	G40Z, G46A, G46B, G46C, G47Z, G50Z	14o01‡	11	L42A	15x04‡	04	E63Z
14n12.5‡	06	G40Z, G46A, G46B, G46C, G47Z, G50Z	14o02‡	11	L42A, L64A, L74Z	16102.0‡	17	R61B, R61G
14n13.1‡	06	G40Z, G47Z	14o03.0‡	11	L42A, L64A, L74Z	16102.1‡	17	R61B, R61G
14n13.2‡	06	G40Z, G46A, G46B, G46C, G47Z	14o03.1‡	11	L42A	16300.0‡	Pre	A69Z
14n14.4‡	07	H41A, H41B, H41C	14o04‡	11	L40Z	16300.1‡	Pre	A69Z
14n14.5‡	07	H41A, H41B, H41C	14o11.2‡↔	11	L40Z	16300.2‡	Pre	A69Z
14n14.6‡	07	H41A, H41B, H41C	14o30.2‡	11	L64A, L74Z	16300.3‡	Pre	A69Z
14n15.0‡	07	H41A, H41B	14q04‡	13	N10Z	16300.4‡	Pre	A69Z
14n15.1‡	07	H41A, H41B	14q05	13	N01A, N01B, N01C, N01D, N01E, N02A, N02B, N02C, N03A, N03B, N07Z, N25Z, N38Z	16300.5‡	Pre	A69Z
14n20.00‡	07	H41A, H41B				16300.6‡	Pre	A69Z
14n20.01‡	07	H41A, H41B	14q06	13	N11A, N11B	16310.0‡	Pre	A64Z, A66Z
14n21.00‡	06	G40Z, G48A, G48B, G48C		14	962Z, O02A, O02B	16310.1‡	Pre	A62Z
14n21.01‡	06	G40Z, G48A, G48B, G48C		21B	X06A, X06B, X06C	16310.2‡	Pre	A63Z
14n21.02‡	06	G40Z, G48A, G48B, G48C	14q07‡	14	962Z	16310.3‡	Pre	A63Z
14n21.03‡	06	G40Z, G48A, G48B, G48C	14q08‡	14	962Z	16310.4‡	Pre	A64Z
14n21.04‡	06	G40Z, G48A, G48B, G48C	14t30.0↔	03	D12A, D12B	16310.5‡	Pre	A64Z, A66Z
14n21.05‡	06	G40Z, G47Z		08	I24Z	16310.6‡	Pre	A66Z
14n21.0x‡	06	G40Z, G48A, G48B, G48C		21A	W04A, W04B	19901‡	02	C01A, C01B, C14Z, C16Z
14n21.10‡	06	G40Z, G46A, G46B, G46C, G47Z, G50Z	14t30.1↔	08	I24Z	1a402.1‡	01	B76C, B76D, B76E
				21A	W04A, W04B	1a402.2‡	01	B76C, B76D, B76E
				21B	X06A, X06B, X06C	1a510.0‡	01	B76A



ZZV	MDC	DRG	ZZV	MDC	DRG	ZZV	MDC	DRG
1k213.3‡	05	F03C, F03D, F03E, F05Z, F06C, F06D, F06E, F12F, F15Z, F36A, F36B, F41A, F41B, F42Z, F46A, F46B, F49A, F49B, F49C, F49D, F49E, F49F, F49G	1k213.ft	05	F03C, F03D, F03E, F05Z, F06C, F06D, F06E, F12F, F15Z, F36A, F36B, F41A, F41B, F42Z, F46A, F46B, F49A, F49B, F49C, F49D, F49E, F49F, F49G	1k240.x‡	05	F03C, F03D, F03E, F05Z, F06C, F06D, F06E, F12F, F15Z, F36A, F36B, F41A, F41B, F42Z, F46A, F46B, F49A, F49B, F49C, F49D, F49E, F49F, F49G
	06	G67A		06	G67A		06	G67A
1k213.4‡	05	F03C, F03D, F03E, F05Z, F06C, F06D, F06E, F12F, F15Z, F36A, F36B, F41A, F41B, F42Z, F46A, F46B, F49A, F49B, F49C, F49D, F49E, F49F, F49G	1k213.x‡	05	F03C, F03D, F03E, F05Z, F06C, F06D, F06E, F12F, F15Z, F36A, F36B, F41A, F41B, F42Z, F46A, F46B, F49A, F49B, F49C, F49D, F49E, F49F, F49G	1k241.0‡	05	F03C, F03D, F03E, F05Z, F06C, F06D, F06E, F12F, F15Z, F36A, F36B, F41A, F41B, F42Z, F46A, F46B, F49A, F49B, F49C, F49D, F49E, F49F, F49G
	06	G67A		06	G67A		06	G67A
1k213.5‡	05	F03C, F03D, F03E, F05Z, F06C, F06D, F06E, F12F, F15Z, F36A, F36B, F41A, F41B, F42Z, F46A, F46B, F49A, F49B, F49C, F49D, F49E, F49F, F49G	1k214.0‡	05	F03C, F03D, F03E, F05Z, F06C, F06D, F06E, F12F, F15Z, F36A, F36B, F41A, F41B, F42Z, F46A, F46B, F49A, F49B, F49C, F49D, F49E, F49F, F49G	1k241.30‡	05	F03C, F03D, F03E, F05Z, F06C, F06D, F06E, F12F, F15Z, F36A, F36B, F41A, F41B, F42Z, F46A, F46B, F49A, F49B, F49C, F49D, F49E, F49F, F49G
	06	G67A		06	G67A		06	G67A
1k213.6‡	05	F03C, F03D, F03E, F05Z, F06C, F06D, F06E, F12F, F15Z, F36A, F36B, F41A, F41B, F42Z, F46A, F46B, F49A, F49B, F49C, F49D, F49E, F49F, F49G	1k214.1‡	05	F03C, F03D, F03E, F05Z, F06C, F06D, F06E, F12F, F15Z, F36A, F36B, F41A, F41B, F42Z, F46A, F46B, F49A, F49B, F49C, F49D, F49E, F49F, F49G	1k241.31‡	05	F03C, F03D, F03E, F05Z, F06C, F06D, F06E, F12F, F15Z, F36A, F36B, F41A, F41B, F42Z, F46A, F46B, F49A, F49B, F49C, F49D, F49E, F49F, F49G
	06	G67A		06	G67A		06	G67A
1k213.8‡	05	F03C, F03D, F03E, F05Z, F06C, F06D, F06E, F12F, F15Z, F36A, F36B, F41A, F41B, F42Z, F46A, F46B, F49A, F49B, F49C, F49D, F49E, F49F, F49G	1k214.2‡	05	F03C, F03D, F03E, F05Z, F06C, F06D, F06E, F12F, F15Z, F36A, F36B, F41A, F41B, F42Z, F46A, F46B, F49A, F49B, F49C, F49D, F49E, F49F, F49G	1k241.32‡	05	F03C, F03D, F03E, F05Z, F06C, F06D, F06E, F12F, F15Z, F36A, F36B, F41A, F41B, F42Z, F46A, F46B, F49A, F49B, F49C, F49D, F49E, F49F, F49G
	06	G67A		06	G67A		06	G67A
1k213.9‡	05	F03C, F03D, F03E, F05Z, F06C, F06D, F06E, F12F, F15Z, F36A, F36B, F41A, F41B, F42Z, F46A, F46B, F49A, F49B, F49C, F49D, F49E, F49F, F49G	1k214.x‡	05	F03C, F03D, F03E, F05Z, F06C, F06D, F06E, F12F, F15Z, F36A, F36B, F41A, F41B, F42Z, F46A, F46B, F49A, F49B, F49C, F49D, F49E, F49F, F49G	1k241.5‡	05	F03C, F03D, F03E, F05Z, F06C, F06D, F06E, F12F, F15Z, F36A, F36B, F41A, F41B, F42Z, F46A, F46B, F49A, F49B, F49C, F49D, F49E, F49F, F49G
	06	G67A		06	G67A		06	G67A
1k213.a‡	05	F03C, F03D, F03E, F05Z, F06C, F06D, F06E, F12F, F15Z, F36A, F36B, F41A, F41B, F42Z, F46A, F46B, F49A, F49B, F49C, F49D, F49E, F49F, F49G	1k240.0‡	05	F03C, F03D, F03E, F05Z, F06C, F06D, F06E, F12F, F15Z, F36A, F36B, F41A, F41B, F42Z, F46A, F46B, F49A, F49B, F49C, F49D, F49E, F49F, F49G	1k241.x‡	05	F42Z
	06	G67A		06	G67A	31121‡	06	G40Z, G46A, G46B, G46C, G47Z, G50Z
1k213.b‡	05	F03C, F03D, F03E, F05Z, F06C, F06D, F06E, F12F, F15Z, F36A, F36B, F41A, F41B, F42Z, F46A, F46B, F49A, F49B, F49C, F49D, F49E, F49F, F49G	1k240.2‡	05	F03C, F03D, F03E, F05Z, F06C, F06D, F06E, F12F, F15Z, F36A, F36B, F41A, F41B, F42Z, F46A, F46B, F49A, F49B, F49C, F49D, F49E, F49F, F49G	31312‡	05	F49A, F49D
	06	G67A		06	G67A	31313.1‡	05	F49A, F49D
1k213.c‡	05	F03C, F03D, F03E, F05Z, F06C, F06D, F06E, F12F, F15Z, F36A, F36B, F41A, F41B, F42Z, F46A, F46B, F49A, F49B, F49C, F49D, F49E, F49F, F49G	1k240.3‡	05	F03C, F03D, F03E, F05Z, F06C, F06D, F06E, F12F, F15Z, F36A, F36B, F41A, F41B, F42Z, F46A, F46B, F49A, F49B, F49C, F49D, F49E, F49F, F49G	31313.2‡	05	F49A, F49D
	06	G67A		06	G67A	31313.x‡	05	F49A, F49D
1k213.d‡	05	F03C, F03D, F03E, F05Z, F06C, F06D, F06E, F12F, F15Z, F36A, F36B, F41A, F41B, F42Z, F46A, F46B, F49A, F49B, F49C, F49D, F49E, F49F, F49G	1k240.4‡	05	F03C, F03D, F03E, F05Z, F06C, F06D, F06E, F12F, F15Z, F36A, F36B, F41A, F41B, F42Z, F46A, F46B, F49A, F49B, F49C, F49D, F49E, F49F, F49G	31314.2‡	06	G40Z, G46A, G46B, G46C, G47Z, G50Z
	06	G67A		06	G67A	31314.3‡	06	G40Z, G46A, G46B, G46C, G47Z, G50Z
	06	G67A		06	G67A	31314.4‡	06	G40Z, G46A, G46B, G46C, G47Z, G50Z
	06	G67A		06	G67A	31314.5‡	06	G40Z, G46A, G46B, G46C, G47Z, G50Z
	06	G67A		06	G67A	31314.6‡	07	H41A, H41B, H41C
	06	G67A		06	G67A	31314.7‡	07	H41A, H41B, H41C
	06	G67A		06	G67A	31314.8‡	06	G40Z, G48A, G48B, G48C
	06	G67A		06	G67A	31314.9	06	G10Z, G12A, G12B, G12C
	06	G67A		06	G67A		07	H12A, H12B
	06	G67A		06	G67A		09	J03A, J03B, J04A, J04B, J08A, J08B, J08C, J11A, J11B, J16Z
	06	G67A		06	G67A		11	L09A, L09B, L09C, L09D, L38Z
	06	G67A		06	G67A		13	N08Z
	06	G67A		06	G67A		14	962Z, O02A, O02B
	06	G67A		06	G67A		21A	W04A, W04B
	06	G67A		06	G67A		21B	X06A, X06B, X06C
	06	G67A		06	G67A		22	Y01Z, Y03A, Y03B

ZZV	MDC	DRG	ZZV	MDC	DRG	ZZV	MDC	DRG				
31316.2‡	11	L42A, L64A, L74Z	5a110		BOP, KOP, KOPV, KVT, UOP4	5a112.e		BOP, KOP, KOPV, KVT, UOP4				
31317.2‡	11	L42A, L64A, L74Z			01		B02A, B02B, B02C, B20A, B20B, B20C, B20D, B20E, B39A, B39B		01	B02A, B02B, B02C, B13Z, B20A, B20B, B20C, B20D, B20E, B39A, B39B		
35128.3‡	10	K64C			02		C01A		02	C01A		
	23	Z64A			06		G33Z		06	G33Z		
35128.4‡	10	K64C			07		H33Z, H38Z		07	H33Z, H38Z		
	23	Z64A			08		I15A, I15B		11	L33Z		
35128.5‡	10	K64C			11		L33Z		17	R01A, R01B, R01C, R01D, R02Z, R12A, R12B, R12C		
	23	Z64A			21A		W01A, W01B, W01C, W36Z		21A	W01A, W01B, W01C, W36Z		
35128.6‡	10	K64C			21B		X06A, X06B, X06C, X33Z		21B	X33Z		
	23	Z64A			23		Z01A		23	Z01A		
35301.0‡	05	F49A, F49D		5a111			BOP, KOP, KOPV, KVT, UOP4	5a112.f		BOP, KOP, KOPV, KVT, UOP4		
35301.1‡	05	F49A, F49D					01		B02A, B02B, B02C, B20A, B20B, B20C, B20D, B20E, B39A, B39B		01	B02A, B02B, B02C, B13Z, B20A, B20B, B20C, B20D, B20E, B39A, B39B
35301.2‡	05	F49A, F49D					02		C01A		02	C01A
35302.0‡	05	F49A, F49D					06		G33Z		06	G33Z
35302.1‡	05	F49A, F49D					07		H33Z, H38Z		07	H33Z, H38Z
35302.2‡	05	F49A, F49D					08		I23A		11	L33Z
35303.0‡	05	F49A, F49D					11		L33Z		17	R01A, R01B, R01C, R01D, R02Z, R12A, R12B, R12C
35303.1‡	05	F49A, F49D					17		R01A, R01B, R01C, R01D, R02Z, R12A, R12B, R12C		21A	W01A, W01B, W01C, W36Z
35303.2‡	05	F49A, F49D					21A		W01A, W01B, W01C, W36Z		21B	X33Z
35304.0‡	05	F49A, F49D					21B		X33Z		23	Z01A
35304.1‡	05	F49A, F49D					23		Z01A		Pre	A07A
35304.2‡	05	F49A, F49D			5a112.2				BOP, KOP, KOPV, KVT, UOP4	5a112.g		BOP, KOP, KOPV, KVT, UOP4
35305.0‡	05	F49A, F49D							01		B02A, B02B, B02C, B13Z, B20A, B20B, B20C, B20D, B20E, B39A, B39B	
35305.1‡	05	F49A, F49D				02	C01A				02	C01A
35305.2‡	05	F49A, F49D				06	G33Z				06	G33Z
35306.0‡	05	F49A, F49D				07	H33Z, H38Z				07	H33Z, H38Z
35306.1‡	05	F49A, F49D				11	L33Z				11	L33Z
35306.2‡	05	F49A, F49D				17	R01A, R01B, R01C, R01D, R02Z, R12A, R12B, R12C				17	R01A, R01B, R01C, R01D, R02Z, R12A, R12B, R12C
3530x‡	05	F49A, F49D				21A	W01A, W01B, W01C, W36Z				21A	W01A, W01B, W01C, W36Z
35311.0‡	05	F49A, F49D				21B	X33Z				21B	X33Z
35311.1‡	05	F49A, F49D				23	Z01A				23	Z01A
35311.2‡	05	F49A, F49D				Pre	A07A				Pre	A07A
35311.3‡	05	F49A, F49D	5a112.d				BOP, KOP, KOPV, KVT, UOP4		5a112.h			BOP, KOP, KOPV, KVT, UOP4
35311.4‡	05	F49A, F49D				01	B02A, B02B, B02C, B13Z, B20A, B20B, B20C, B20D, B20E, B39A, B39B				01	B02A, B02B, B02C, B13Z, B20A, B20B, B20C, B20D, B20E, B39A, B39B
35311.5‡	05	F49A, F49D				02	C01A				02	C01A
35312.0‡	05	F49A, F49D				06	G33Z				06	G33Z
35312.1‡	05	F49A, F49D				07	H33Z, H38Z				07	H33Z, H38Z
35312.2‡	05	F49A, F49D				11	L33Z				11	L33Z
35312.3‡	05	F49A, F49D				17	R01A, R01B, R01C, R01D, R02Z, R12A, R12B, R12C				17	R01A, R01B, R01C, R01D, R02Z, R12A, R12B, R12C
35312.4‡	05	F49A, F49D				21A	W01A, W01B, W01C, W36Z				21A	W01A, W01B, W01C, W36Z
35312.5‡	05	F49A, F49D				21B	X33Z				21B	X33Z
35313.0‡	05	F49A, F49D				23	Z01A				23	Z01A
35313.1‡	05	F49A, F49D				Pre	A07A				Pre	A07A
35313.3‡	05	F49A, F49D					BOP, KOP, KOPV, KVT, UOP4					BOP, KOP, KOPV, KVT, UOP4
35313.4‡	05	F49A, F49D			01	B02A, B02B, B02C, B13Z, B20A, B20B, B20C, B20D, B20E, B39A, B39B		01		B02A, B02B, B02C, B13Z, B20A, B20B, B20C, B20D, B20E, B39A, B39B		
35313.6‡	05	F49A, F49D			02	C01A		02		C01A		
35313.7‡	05	F49A, F49D			06	G33Z		06		G33Z		
35313.8‡	05	F49A, F49D			07	H33Z, H38Z		07		H33Z, H38Z		
35314.0‡	05	F49A, F49D			11	L33Z		11		L33Z		
35314.1‡	05	F49A, F49D			17	R01A, R01B, R01C, R01D, R02Z, R12A, R12B, R12C		17		R01A, R01B, R01C, R01D, R02Z, R12A, R12B, R12C		
35314.3‡	05	F49A, F49D			21A	W01A, W01B, W01C, W36Z		21A		W01A, W01B, W01C, W36Z		
35314.4‡	05	F49A, F49D			21B	X33Z		21B		X33Z		
35314.5‡	05	F49A, F49D			23	Z01A		23		Z01A		
35314.6‡	05	F49A, F49D			Pre	A07A		Pre		A07A		
35314.7‡	05	F49A, F49D				BOP, KOP, KOPV, KVT, UOP4				BOP, KOP, KOPV, KVT, UOP4		
35314.8‡	05	F49A, F49D		01	B02A, B02B, B02C, B13Z, B20A, B20B, B20C, B20D, B20E, B39A, B39B		01	B02A, B02B, B02C, B13Z, B20A, B20B, B20C, B20D, B20E, B39A, B39B				
35315.0‡	05	F49A, F49D		02	C01A		02	C01A				
35315.1‡	05	F49A, F49D		06	G33Z		06	G33Z				
35315.2‡	05	F49A, F49D		07	H33Z, H38Z		07	H33Z, H38Z				
35323‡	05	F49A, F49D		11	L33Z		11	L33Z				
35324‡	05	F49A, F49D		17	R01A, R01B, R01C, R01D, R02Z, R12A, R12B, R12C		17	R01A, R01B, R01C, R01D, R02Z, R12A, R12B, R12C				
35325‡	05	F49A, F49D		21A	W01A, W01B, W01C, W36Z		21A	W01A, W01B, W01C, W36Z				
				21B	X33Z		21B	X33Z				
				23	Z01A		23	Z01A				
				Pre	A07A		Pre	A07A				

VYK

ZZV	MDC	DRG	ZZV	MDC	DRG	ZZV	MDC	DRG			
5a113.j		BOP, KOP, KOPV, KVT, UOP4	5a113.n		BOP, KOP, KOPV, KVT, UOP4	5a114.m		BOP, KOP, KOPV, KVT, UOP4			
	01	B02A, B02B, B02C, B13Z, B20A, B20B, B20C, B20D, B20E, B39A, B39B		01	B02A, B02B, B02C, B13Z, B20A, B20B, B20C, B20D, B20E, B39A, B39B		01	B02A, B02B, B02C, B13Z, B20A, B20B, B20C, B20D, B20E, B39A, B39B			
	02	C01A		02	C01A		02	C01A			
	03	D18Z, D25A, D25B, D25C, D25D		03	D18Z, D25A, D25B, D25C, D25D		03	D18Z, D25A, D25B, D25C, D25D			
	06	G33Z		06	G33Z		06	G33Z			
	07	H33Z, H38Z		07	H33Z, H38Z		07	H33Z, H38Z			
	09	J08A, J08B, J08C		09	J08A, J08B, J08C		09	J08A, J08B, J08C			
	11	L33Z		11	L33Z		11	L33Z			
	17	R01A, R01B, R01C, R01D, R02Z, R12A, R12B, R12C		17	R01A, R01B, R01C, R01D, R02Z, R12A, R12B, R12C		17	R01A, R01B, R01C, R01D, R02Z, R12A, R12B, R12C			
	21B	X06A, X06B, X06C, X33Z		21B	X06A, X06B, X06C, X33Z		21B	X06A, X06B, X06C, X33Z			
	23	Z01A		23	Z01A		23	Z01A			
	Pre	A07A, A09B, A11A, A11B, A13B		Pre	A07A, A09B, A11A, A11B, A13B		Pre	A07A, A09B, A11A, A11B, A13B			
	5a113.k			BOP, KOP, KOPV, KVT, UOP4	5a114.j			BOP, KOP, KOPV, KVT, UOP4	5a114.n		BOP, KOP, KOPV, KVT, UOP4
		01		B02A, B02B, B02C, B13Z, B20A, B20B, B20C, B20D, B20E, B39A, B39B			01	B02A, B02B, B02C, B13Z, B20A, B20B, B20C, B20D, B20E, B39A, B39B		01	B02A, B02B, B02C, B13Z, B20A, B20B, B20C, B20D, B20E, B39A, B39B
02		C01A	02	C01A		02	C01A				
03		D18Z, D25A, D25B, D25C, D25D	03	D18Z, D25A, D25B, D25C, D25D		03	D18Z, D25A, D25B, D25C, D25D				
06		G33Z	06	G33Z		06	G33Z				
07		H33Z, H38Z	07	H33Z, H38Z		07	H33Z, H38Z				
09		J08A, J08B, J08C	09	J08A, J08B, J08C		09	J08A, J08B, J08C				
11		L33Z	11	L33Z		11	L33Z				
17		R01A, R01B, R01C, R01D, R02Z, R12A, R12B, R12C	17	R01A, R01B, R01C, R01D, R02Z, R12A, R12B, R12C		17	R01A, R01B, R01C, R01D, R02Z, R12A, R12B, R12C				
21B		X06A, X06B, X06C, X33Z	21B	X06A, X06B, X06C, X33Z		21B	X06A, X06B, X06C, X33Z				
23		Z01A	23	Z01A		23	Z01A				
Pre		A07A, A09B, A11A, A11B, A13B	Pre	A07A, A09B, A11A, A11B, A13B		Pre	A07A, A09B, A11A, A11B, A13B				
5a113.m			BOP, KOP, KOPV, KVT, UOP4	5a114.k			BOP, KOP, KOPV, KVT, UOP4	5a115.j			BOP, KOP, KOPV, KVT, UOP4
		01	B02A, B02B, B02C, B13Z, B20A, B20B, B20C, B20D, B20E, B39A, B39B			01	B02A, B02B, B02C, B13Z, B20A, B20B, B20C, B20D, B20E, B39A, B39B			01	B02A, B02B, B02C, B13Z, B20A, B20B, B20C, B20D, B20E, B39A, B39B
	02	C01A	02		C01A	02	C01A				
	03	D18Z, D25A, D25B, D25C, D25D	03		D18Z, D25A, D25B, D25C, D25D	03	D18Z, D25A, D25B, D25C, D25D				
	06	G33Z	06		G33Z	06	G33Z				
	07	H33Z, H38Z	07		H33Z, H38Z	07	H33Z, H38Z				
	09	J08A, J08B, J08C	09		J08A, J08B, J08C	09	J08A, J08B, J08C				
	11	L33Z	11		L33Z	11	L33Z				
	17	R01A, R01B, R01C, R01D, R02Z, R12A, R12B, R12C	17		R01A, R01B, R01C, R01D, R02Z, R12A, R12B, R12C	17	R01A, R01B, R01C, R01D, R02Z, R12A, R12B, R12C				
	21B	X06A, X06B, X06C, X33Z	21B		X06A, X06B, X06C, X33Z	21B	X06A, X06B, X06C, X33Z				
	23	Z01A	23		Z01A	23	Z01A				
	Pre	A07A, A09B, A11A, A11B, A13B	Pre		A07A, A09B, A11A, A11B, A13B	Pre	A07A, A09B, A11A, A11B, A13B				

VYK



ZZV	MDC	DRG	ZZV	MDC	DRG	ZZV	MDC	DRG			
5a115.k		BOP, KOP, KOPV, KVT, UOP4	5a116.j		BOP, KOP, KOPV, KVT, UOP4	5a116.n		BOP, KOP, KOPV, KVT, UOP4			
	01	B02A, B02B, B02C, B13Z, B20A, B20B, B20C, B20D, B20E, B39A, B39B		01	B02A, B02B, B02C, B13Z, B20A, B20B, B20C, B20D, B20E, B39A, B39B		01	B02A, B02B, B02C, B13Z, B20A, B20B, B20C, B20D, B20E, B39A, B39B			
	02	C01A		02	C01A		02	C01A			
	03	D18Z, D25A, D25B, D25C, D25D		03	D18Z, D25A, D25B, D25C, D25D		03	D18Z, D25A, D25B, D25C, D25D			
	06	G33Z		06	G33Z		06	G33Z			
	07	H33Z, H38Z		07	H33Z, H38Z		07	H33Z, H38Z			
	09	J08A, J08B, J08C		09	J08A, J08B, J08C		09	J08A, J08B, J08C			
	11	L33Z		11	L33Z		11	L33Z			
	17	R01A, R01B, R01C, R01D, R02Z, R12A, R12B, R12C		17	R01A, R01B, R01C, R01D, R02Z, R12A, R12B, R12C		17	R01A, R01B, R01C, R01D, R02Z, R12A, R12B, R12C			
	21B	X06A, X06B, X06C, X33Z		21B	X06A, X06B, X06C, X33Z		21B	X06A, X06B, X06C, X33Z			
	23	Z01A		23	Z01A		23	Z01A			
	Pre	A07A, A09B, A11A, A11B, A13B		Pre	A07A, A09B, A11A, A11B, A13B		Pre	A07A, A09B, A11A, A11B, A13B			
	5a115.m			BOP, KOP, KOPV, KVT, UOP4	5a116.k			BOP, KOP, KOPV, KVT, UOP4	5a117.j		BOP, KOP, KOPV, KVT, UOP4
		01		B02A, B02B, B02C, B13Z, B20A, B20B, B20C, B20D, B20E, B39A, B39B			01	B02A, B02B, B02C, B13Z, B20A, B20B, B20C, B20D, B20E, B39A, B39B		01	B02A, B02B, B02C, B13Z, B20A, B20B, B20C, B20D, B20E, B39A, B39B
02		C01A	02	C01A		02	C01A				
03		D18Z, D25A, D25B, D25C, D25D	03	D18Z, D25A, D25B, D25C, D25D		03	D18Z, D25A, D25B, D25C, D25D				
06		G33Z	06	G33Z		06	G33Z				
07		H33Z, H38Z	07	H33Z, H38Z		07	H33Z, H38Z				
09		J08A, J08B, J08C	09	J08A, J08B, J08C		09	J08A, J08B, J08C				
11		L33Z	11	L33Z		11	L33Z				
17		R01A, R01B, R01C, R01D, R02Z, R12A, R12B, R12C	17	R01A, R01B, R01C, R01D, R02Z, R12A, R12B, R12C		17	R01A, R01B, R01C, R01D, R02Z, R12A, R12B, R12C				
21B		X06A, X06B, X06C, X33Z	21B	X06A, X06B, X06C, X33Z		21B	X06A, X06B, X06C, X33Z				
23		Z01A	23	Z01A		23	Z01A				
Pre		A07A, A09B, A11A, A11B, A13B	Pre	A07A, A09B, A11A, A11B, A13B		Pre	A07A, A09B, A11A, A11B, A13B				
5a115.n			BOP, KOP, KOPV, KVT, UOP4	5a116.m			BOP, KOP, KOPV, KVT, UOP4	5a117.k			BOP, KOP, KOPV, KVT, UOP4
		01	B02A, B02B, B02C, B13Z, B20A, B20B, B20C, B20D, B20E, B39A, B39B			01	B02A, B02B, B02C, B13Z, B20A, B20B, B20C, B20D, B20E, B39A, B39B			01	B02A, B02B, B02C, B13Z, B20A, B20B, B20C, B20D, B20E, B39A, B39B
	02	C01A	02		C01A	02	C01A				
	03	D18Z, D25A, D25B, D25C, D25D	03		D18Z, D25A, D25B, D25C, D25D	03	D18Z, D25A, D25B, D25C, D25D				
	06	G33Z	06		G33Z	06	G33Z				
	07	H33Z, H38Z	07		H33Z, H38Z	07	H33Z, H38Z				
	09	J08A, J08B, J08C	09		J08A, J08B, J08C	09	J08A, J08B, J08C				
	11	L33Z	11		L33Z	11	L33Z				
	17	R01A, R01B, R01C, R01D, R02Z, R12A, R12B, R12C	17		R01A, R01B, R01C, R01D, R02Z, R12A, R12B, R12C	17	R01A, R01B, R01C, R01D, R02Z, R12A, R12B, R12C				
	21B	X06A, X06B, X06C, X33Z	21B		X06A, X06B, X06C, X33Z	21B	X06A, X06B, X06C, X33Z				
	23	Z01A	23		Z01A	23	Z01A				
	Pre	A07A, A09B, A11A, A11B, A13B	Pre		A07A, A09B, A11A, A11B, A13B	Pre	A07A, A09B, A11A, A11B, A13B				

ZZV	MDC	DRG	ZZV	MDC	DRG	ZZV	MDC	DRG			
5a117.m		BOP, KOP, KOPV, KVT, UOP4	5a118.m		BOP, KOP, KOPV, KVT, UOP4	5a11a.1		BOP, KOP, KOPV, KVT, UOP4			
	01	B02A, B02B, B02C, B13Z, B20A, B20B, B20C, B20D, B20E, B39A, B39B		01	B02A, B02B, B02C, B13Z, B20A, B20B, B20C, B20D, B20E, B39A, B39B		01	B02A, B02B, B02C, B02D, B13Z, B20A, B20B, B20C, B20D, B20E, B20F, B39A, B39B			
	02	C01A		02	C01A		02	C01A			
	03	D18Z, D25A, D25B, D25C, D25D		06	G33Z		03	D18Z, D25A, D25B, D25C, D25D			
	06	G33Z		07	H33Z, H38Z		06	G33Z			
	07	H33Z, H38Z		11	L33Z		07	H33Z, H38Z			
	09	J08A, J08B, J08C		17	R01A, R01B, R01C, R01D, R02Z, R12A, R12B, R12C		09	J08A, J08B, J08C			
	11	L33Z		21B	X33Z		11	L33Z			
	17	R01A, R01B, R01C, R01D, R02Z, R12A, R12B, R12C		23	Z01A		17	R01A, R01B, R01C, R01D, R02Z, R12A, R12B, R12C			
	21B	X06A, X06B, X06C, X33Z		Pre	A07A, A09B, A11A, A11B, A13B		21A	W01A, W01B, W01C, W36Z			
	23	Z01A		5a118.n			BOP, KOP, KOPV, KVT, UOP4	21B	X06A, X06B, X06C, X33Z		
	Pre	A07A, A09B, A11A, A11B, A13B			01		B02A, B02B, B02C, B13Z, B20A, B20B, B20C, B20D, B20E, B39A, B39B	23	Z01A		
	5a117.n				BOP, KOP, KOPV, KVT, UOP4		02	C01A	Pre	A07A	
		01			B02A, B02B, B02C, B13Z, B20A, B20B, B20C, B20D, B20E, B39A, B39B		06	G33Z	5a11b.0		BOP, KOP, KOPV, KVT, UOP4
		02			C01A		07	H33Z, H38Z		01	B02A, B02B, B02C, B02D, B13Z, B20A, B20B, B20C, B20D, B20E, B20F, B39A, B39B
		03			D18Z, D25A, D25B, D25C, D25D		11	L33Z		02	C01A
		06			G33Z		17	R01A, R01B, R01C, R01D, R02Z, R12A, R12B, R12C		03	D18Z, D25A, D25B, D25C, D25D
07		H33Z, H38Z	21B		X33Z	06	G33Z				
09		J08A, J08B, J08C	23		Z01A	07	H33Z, H38Z				
11		L33Z	Pre		A07A, A09B, A11A, A11B, A13B	09	J08A, J08B, J08C				
17		R01A, R01B, R01C, R01D, R02Z, R12A, R12B, R12C	5a119			BOP, KOP, KOPV, KVT, UOP4	11	L33Z			
21B		X06A, X06B, X06C, X33Z			01	B02A, B02B, B02C, B13Z, B20A, B20B, B20C, B20D, B20E, B39A, B39B	17	R01A, R01B, R01C, R01D, R02Z, R12A, R12B, R12C			
23		Z01A			02	C01A	21A	W01A, W01B, W01C, W36Z			
Pre		A07A, A09B, A11A, A11B, A13B			03	D18Z, D25A, D25B, D25C, D25D	21B	X06A, X06B, X06C, X33Z			
5a118.j					BOP, KOP, KOPV, KVT, UOP4	06	G33Z	23		Z01A	
		01			B02A, B02B, B02C, B13Z, B20A, B20B, B20C, B20D, B20E, B39A, B39B	07	H33Z, H38Z	Pre		A07A	
		02			C01A	09	J08A, J08B, J08C	5a11b.1			BOP, KOP, KOPV, KVT, UOP4
		06		G33Z	11	L33Z	01			B02A, B02B, B02C, B02D, B13Z, B20A, B20B, B20C, B20D, B20E, B20F, B39A, B39B	
		07		H33Z, H38Z	17	R01A, R01B, R01C, R01D, R02Z, R12A, R12B, R12C	02			C01A	
	11	L33Z		21B	X06A, X06B, X06C, X33Z	03	D18Z, D25A, D25B, D25C, D25D				
	17	R01A, R01B, R01C, R01D, R02Z, R12A, R12B, R12C		23	Z01A	06	G33Z				
	21B	X33Z		Pre	A07A, A09B, A11A, A11B, A13B	07	H33Z, H38Z				
	23	Z01A		5a11a.0		BOP, KOP, KOPV, KVT, UOP4	09		J08A, J08B, J08C		
	Pre	A07A, A09B, A11A, A11B, A13B			01	B02A, B02B, B02C, B02D, B13Z, B20A, B20B, B20C, B20D, B20E, B20F, B39A, B39B	11		L33Z		
	5a118.k				BOP, KOP, KOPV, KVT, UOP4	02	C01A		17	R01A, R01B, R01C, R01D, R02Z, R12A, R12B, R12C	
		01			B02A, B02B, B02C, B13Z, B20A, B20B, B20C, B20D, B20E, B39A, B39B	03	D18Z, D25A, D25B, D25C, D25D		21A	W01A, W01B, W01C, W36Z	
		02			C01A	06	G33Z		21B	X06A, X06B, X06C, X33Z	
		06	G33Z		07	H33Z, H38Z	23		Z01A		
		07	H33Z, H38Z		09	J08A, J08B, J08C	Pre		A07A		
		11	L33Z		11	L33Z	5a118.l			BOP, KOP, KOPV, KVT, UOP4	
		17	R01A, R01B, R01C, R01D, R02Z, R12A, R12B, R12C		17	R01A, R01B, R01C, R01D, R02Z, R12A, R12B, R12C			01	B02A, B02B, B02C, B02D, B13Z, B20A, B20B, B20C, B20D, B20E, B20F, B39A, B39B	
21B		X33Z	21A		W01A, W01B, W01C, W36Z	02			C01A		
23		Z01A	21B		X06A, X06B, X06C, X33Z	03			D18Z, D25A, D25B, D25C, D25D		
Pre		A07A, A09B, A11A, A11B, A13B	23		Z01A	06		G33Z			
			Pre		A07A	07		H33Z, H38Z			
						09		J08A, J08B, J08C			
						11		L33Z			
						17		R01A, R01B, R01C, R01D, R02Z, R12A, R12B, R12C			
						21A		W01A, W01B, W01C, W36Z			
					21B	X06A, X06B, X06C, X33Z					
					23	Z01A					
				Pre	A07A						

ZZV	MDC	DRG	ZZV	MDC	DRG	ZZV	MDC	DRG
5a11c.3		BOP, KOP, KOPV, KVT, UOP4	5a11c.7		BOP, KOP, KOPV, KVT, UOP4	5a11c.b		BOP, KOP, KOPV, KVT, UOP4
	01	B02A, B02B, B02C, B20A, B20B, B20C, B20D, B20E, B39A, B39B		01	B02A, B02B, B02C, B20A, B20B, B20C, B20D, B20E, B39A, B39B		01	B02A, B02B, B02C, B20A, B20B, B20C, B20D, B20E, B39A, B39B
	02	C01A		02	C01A		02	C01A
	03	D18Z, D25A, D25B, D25C, D25D		03	D18Z, D25A, D25B, D25C, D25D		03	D18Z, D25A, D25B, D25C, D25D
	06	G33Z		06	G33Z		06	G33Z
	07	H33Z, H38Z		07	H33Z, H38Z		07	H33Z, H38Z
	09	J08A, J08B, J08C		09	J08A, J08B, J08C		09	J08A, J08B, J08C
	11	L33Z		11	L33Z		11	L33Z
	17	R01A, R01B, R01C, R01D, R02Z, R12A, R12B, R12C		17	R01A, R01B, R01C, R01D, R02Z, R12A, R12B, R12C		17	R01A, R01B, R01C, R01D, R02Z, R12A, R12B, R12C
	21B	X33Z		21B	X33Z		21B	X33Z
	23	Z01A		23	Z01A		23	Z01A
	Pre	A07A		Pre	A07A		Pre	A07A
	5a11c.4			BOP, KOP, KOPV, KVT, UOP4	5a11c.8			BOP, KOP, KOPV, KVT, UOP4
01		B02A, B02B, B02C, B20A, B20B, B20C, B20D, B20E, B39A, B39B	01	B02A, B02B, B02C, B20A, B20B, B20C, B20D, B20E, B39A, B39B		01	B02A, B02B, B02C, B20A, B20B, B20C, B20D, B20E, B39A, B39B	
02		C01A	02	C01A		02	C01A	
03		D18Z, D25A, D25B, D25C, D25D	03	D18Z, D25A, D25B, D25C, D25D		03	D18Z, D25A, D25B, D25C, D25D	
06		G33Z	06	G33Z		06	G33Z	
07		H33Z, H38Z	07	H33Z, H38Z		07	H33Z, H38Z	
09		J08A, J08B, J08C	09	J08A, J08B, J08C		09	J08A, J08B, J08C	
11		L33Z	11	L33Z		11	L33Z	
17		R01A, R01B, R01C, R01D, R02Z, R12A, R12B, R12C	17	R01A, R01B, R01C, R01D, R02Z, R12A, R12B, R12C		17	R01A, R01B, R01C, R01D, R02Z, R12A, R12B, R12C	
21B		X33Z	21B	X33Z		21B	X33Z	
23		Z01A	23	Z01A		23	Z01A	
Pre		A07A	Pre	A07A		Pre	A07A	
5a11c.5			BOP, KOP, KOPV, KVT, UOP4	5a11c.9			BOP, KOP, KOPV, KVT, UOP4	5a11d.3
	01	B02A, B02B, B02C, B20A, B20B, B20C, B20D, B20E, B39A, B39B	01		B02A, B02B, B02C, B20A, B20B, B20C, B20D, B20E, B39A, B39B	01	B02A, B02B, B02C, B20A, B20B, B20C, B20D, B20E, B39A, B39B	
	02	C01A	02		C01A	02	C01A	
	03	D18Z, D25A, D25B, D25C, D25D	03		D18Z, D25A, D25B, D25C, D25D	03	D18Z, D25A, D25B, D25C, D25D	
	06	G33Z	06		G33Z	06	G33Z	
	07	H33Z, H38Z	07		H33Z, H38Z	07	H33Z, H38Z	
	09	J08A, J08B, J08C	09		J08A, J08B, J08C	09	J08A, J08B, J08C	
	11	L33Z	11		L33Z	11	L33Z	
	17	R01A, R01B, R01C, R01D, R02Z, R12A, R12B, R12C	17		R01A, R01B, R01C, R01D, R02Z, R12A, R12B, R12C	17	R01A, R01B, R01C, R01D, R02Z, R12A, R12B, R12C	
	21B	X33Z	21B		X33Z	21B	X33Z	
	23	Z01A	23		Z01A	23	Z01A	
	Pre	A07A	Pre		A07A	Pre	A07A	
	5a11c.6		BOP, KOP, KOPV, KVT, UOP4		5a11c.a		BOP, KOP, KOPV, KVT, UOP4	
01		B02A, B02B, B02C, B20A, B20B, B20C, B20D, B20E, B39A, B39B	01	B02A, B02B, B02C, B20A, B20B, B20C, B20D, B20E, B39A, B39B		01	B02A, B02B, B02C, B20A, B20B, B20C, B20D, B20E, B39A, B39B	
02		C01A	02	C01A		02	C01A	
03		D18Z, D25A, D25B, D25C, D25D	03	D18Z, D25A, D25B, D25C, D25D		03	D18Z, D25A, D25B, D25C, D25D	
06		G33Z	06	G33Z		06	G33Z	
07		H33Z, H38Z	07	H33Z, H38Z		07	H33Z, H38Z	
09		J08A, J08B, J08C	09	J08A, J08B, J08C		09	J08A, J08B, J08C	
11		L33Z	11	L33Z		11	L33Z	
17		R01A, R01B, R01C, R01D, R02Z, R12A, R12B, R12C	17	R01A, R01B, R01C, R01D, R02Z, R12A, R12B, R12C		17	R01A, R01B, R01C, R01D, R02Z, R12A, R12B, R12C	
21B		X33Z	21B	X33Z		21B	X33Z	
23		Z01A	23	Z01A		23	Z01A	
Pre		A07A	Pre	A07A		Pre	A07A	

ZZV	MDC	DRG	ZZV	MDC	DRG	ZZV	MDC	DRG
5a11d.5		BOP, KOP, KOPV, KVT, UOP4	5a11d.9		BOP, KOP, KOPV, KVT, UOP4	5a11e.3		BOP, KOP, KOPV, KVT, UOP4
	01	B02A, B02B, B02C, B20A, B20B, B20C, B20D, B20E, B39A, B39B		01	B02A, B02B, B02C, B20A, B20B, B20C, B20D, B20E, B39A, B39B		01	B02A, B02B, B02C, B20A, B20B, B20C, B20D, B20E, B39A, B39B
	02	C01A		02	C01A		02	C01A
	03	D18Z, D25A, D25B, D25C, D25D		03	D18Z, D25A, D25B, D25C, D25D		03	D18Z, D25A, D25B, D25C, D25D
	06	G33Z		06	G33Z		06	G33Z
	07	H33Z, H38Z		07	H33Z, H38Z		07	H33Z, H38Z
	09	J08A, J08B, J08C		09	J08A, J08B, J08C		09	J08A, J08B, J08C
	11	L33Z		11	L33Z		11	L33Z
	17	R01A, R01B, R01C, R01D, R02Z, R12A, R12B, R12C		17	R01A, R01B, R01C, R01D, R02Z, R12A, R12B, R12C		17	R01A, R01B, R01C, R01D, R02Z, R12A, R12B, R12C
	21B	X33Z		21B	X33Z		21B	X33Z
	23	Z01A		23	Z01A		23	Z01A
	Pre	A07A		Pre	A07A		Pre	A07A
	5a11d.6			BOP, KOP, KOPV, KVT, UOP4	5a11d.a			BOP, KOP, KOPV, KVT, UOP4
01		B02A, B02B, B02C, B20A, B20B, B20C, B20D, B20E, B39A, B39B	01	B02A, B02B, B02C, B20A, B20B, B20C, B20D, B20E, B39A, B39B		01	B02A, B02B, B02C, B20A, B20B, B20C, B20D, B20E, B39A, B39B	
02		C01A	02	C01A		02	C01A	
03		D18Z, D25A, D25B, D25C, D25D	03	D18Z, D25A, D25B, D25C, D25D		03	D18Z, D25A, D25B, D25C, D25D	
06		G33Z	06	G33Z		06	G33Z	
07		H33Z, H38Z	07	H33Z, H38Z		07	H33Z, H38Z	
09		J08A, J08B, J08C	09	J08A, J08B, J08C		09	J08A, J08B, J08C	
11		L33Z	11	L33Z		11	L33Z	
17		R01A, R01B, R01C, R01D, R02Z, R12A, R12B, R12C	17	R01A, R01B, R01C, R01D, R02Z, R12A, R12B, R12C		17	R01A, R01B, R01C, R01D, R02Z, R12A, R12B, R12C	
21B		X33Z	21B	X33Z		21B	X33Z	
23		Z01A	23	Z01A		23	Z01A	
Pre		A07A	Pre	A07A		Pre	A07A	
5a11d.7			BOP, KOP, KOPV, KVT, UOP4	5a11d.b			BOP, KOP, KOPV, KVT, UOP4	5a11e.5
	01	B02A, B02B, B02C, B20A, B20B, B20C, B20D, B20E, B39A, B39B	01		B02A, B02B, B02C, B20A, B20B, B20C, B20D, B20E, B39A, B39B	01	B02A, B02B, B02C, B20A, B20B, B20C, B20D, B20E, B39A, B39B	
	02	C01A	02		C01A	02	C01A	
	03	D18Z, D25A, D25B, D25C, D25D	03		D18Z, D25A, D25B, D25C, D25D	03	D18Z, D25A, D25B, D25C, D25D	
	06	G33Z	06		G33Z	06	G33Z	
	07	H33Z, H38Z	07		H33Z, H38Z	07	H33Z, H38Z	
	09	J08A, J08B, J08C	09		J08A, J08B, J08C	09	J08A, J08B, J08C	
	11	L33Z	11		L33Z	11	L33Z	
	17	R01A, R01B, R01C, R01D, R02Z, R12A, R12B, R12C	17		R01A, R01B, R01C, R01D, R02Z, R12A, R12B, R12C	17	R01A, R01B, R01C, R01D, R02Z, R12A, R12B, R12C	
	21B	X33Z	21B		X33Z	21B	X33Z	
	23	Z01A	23		Z01A	23	Z01A	
	Pre	A07A	Pre		A07A	Pre	A07A	
	5a11d.8		BOP, KOP, KOPV, KVT, UOP4		5a11d.c		BOP, KOP, KOPV, KVT, UOP4	
01		B02A, B02B, B02C, B20A, B20B, B20C, B20D, B20E, B39A, B39B	01	B02A, B02B, B02C, B20A, B20B, B20C, B20D, B20E, B39A, B39B		01	B02A, B02B, B02C, B20A, B20B, B20C, B20D, B20E, B39A, B39B	
02		C01A	02	C01A		02	C01A	
03		D18Z, D25A, D25B, D25C, D25D	03	D18Z, D25A, D25B, D25C, D25D		03	D18Z, D25A, D25B, D25C, D25D	
06		G33Z	06	G33Z		06	G33Z	
07		H33Z, H38Z	07	H33Z, H38Z		07	H33Z, H38Z	
09		J08A, J08B, J08C	09	J08A, J08B, J08C		09	J08A, J08B, J08C	
11		L33Z	11	L33Z		11	L33Z	
17		R01A, R01B, R01C, R01D, R02Z, R12A, R12B, R12C	17	R01A, R01B, R01C, R01D, R02Z, R12A, R12B, R12C		17	R01A, R01B, R01C, R01D, R02Z, R12A, R12B, R12C	
21B		X33Z	21B	X33Z		21B	X33Z	
23		Z01A	23	Z01A		23	Z01A	
Pre		A07A	Pre	A07A		Pre	A07A	

ZZV	MDC	DRG	ZZV	MDC	DRG	ZZV	MDC	DRG			
5a11e.7		BOP, KOP, KOPV, KVT, UOP4	5a11e.b		BOP, KOP, KOPV, KVT, UOP4	5a11f.5		BOP, KOP, KOPV, KVT, UOP4			
	01	B02A, B02B, B02C, B20A, B20B, B20C, B20D, B20E, B39A, B39B		01	B02A, B02B, B02C, B20A, B20B, B20C, B20D, B20E, B39A, B39B		01	B02A, B02B, B02C, B20A, B20B, B20C, B20D, B20E, B39A, B39B			
	02	C01A		02	C01A		02	C01A			
	03	D18Z, D25A, D25B, D25C, D25D		03	D18Z, D25A, D25B, D25C, D25D		03	D18Z, D25A, D25B, D25C, D25D			
	06	G33Z		06	G33Z		06	G33Z			
	07	H33Z, H38Z		07	H33Z, H38Z		07	H33Z, H38Z			
	09	J08A, J08B, J08C		09	J08A, J08B, J08C		09	J08A, J08B, J08C			
	11	L33Z		11	L33Z		11	L33Z			
	17	R01A, R01B, R01C, R01D, R02Z, R12A, R12B, R12C		17	R01A, R01B, R01C, R01D, R02Z, R12A, R12B, R12C		17	R01A, R01B, R01C, R01D, R02Z, R12A, R12B, R12C			
	21B	X33Z		21B	X33Z		21B	X33Z			
	23	Z01A		23	Z01A		23	Z01A			
	Pre	A07A		Pre	A07A		Pre	A07A			
	5a11e.8			BOP, KOP, KOPV, KVT, UOP4	5a11e.c			BOP, KOP, KOPV, KVT, UOP4	5a11f.6		BOP, KOP, KOPV, KVT, UOP4
		01		B02A, B02B, B02C, B20A, B20B, B20C, B20D, B20E, B39A, B39B			01	B02A, B02B, B02C, B20A, B20B, B20C, B20D, B20E, B39A, B39B		01	B02A, B02B, B02C, B20A, B20B, B20C, B20D, B20E, B39A, B39B
02		C01A	02	C01A		02	C01A				
03		D18Z, D25A, D25B, D25C, D25D	03	D18Z, D25A, D25B, D25C, D25D		03	D18Z, D25A, D25B, D25C, D25D				
06		G33Z	06	G33Z		06	G33Z				
07		H33Z, H38Z	07	H33Z, H38Z		07	H33Z, H38Z				
09		J08A, J08B, J08C	09	J08A, J08B, J08C		09	J08A, J08B, J08C				
11		L33Z	11	L33Z		11	L33Z				
17		R01A, R01B, R01C, R01D, R02Z, R12A, R12B, R12C	17	R01A, R01B, R01C, R01D, R02Z, R12A, R12B, R12C		17	R01A, R01B, R01C, R01D, R02Z, R12A, R12B, R12C				
21B		X33Z	21B	X33Z		21B	X33Z				
23		Z01A	23	Z01A		23	Z01A				
Pre		A07A	Pre	A07A		Pre	A07A				
5a11e.9			BOP, KOP, KOPV, KVT, UOP4	5a11f.3			BOP, KOP, KOPV, KVT, UOP4	5a11f.7			BOP, KOP, KOPV, KVT, UOP4
		01	B02A, B02B, B02C, B20A, B20B, B20C, B20D, B20E, B39A, B39B			01	B02A, B02B, B02C, B20A, B20B, B20C, B20D, B20E, B39A, B39B			01	B02A, B02B, B02C, B20A, B20B, B20C, B20D, B20E, B39A, B39B
	02	C01A	02		C01A	02	C01A				
	03	D18Z, D25A, D25B, D25C, D25D	03		D18Z, D25A, D25B, D25C, D25D	03	D18Z, D25A, D25B, D25C, D25D				
	06	G33Z	06		G33Z	06	G33Z				
	07	H33Z, H38Z	07		H33Z, H38Z	07	H33Z, H38Z				
	09	J08A, J08B, J08C	09		J08A, J08B, J08C	09	J08A, J08B, J08C				
	11	L33Z	11		L33Z	11	L33Z				
	17	R01A, R01B, R01C, R01D, R02Z, R12A, R12B, R12C	17		R01A, R01B, R01C, R01D, R02Z, R12A, R12B, R12C	17	R01A, R01B, R01C, R01D, R02Z, R12A, R12B, R12C				
	21B	X33Z	21B		X33Z	21B	X33Z				
	23	Z01A	23		Z01A	23	Z01A				
	Pre	A07A	Pre		A07A	Pre	A07A				
	5a11e.a		BOP, KOP, KOPV, KVT, UOP4		5a11f.4		BOP, KOP, KOPV, KVT, UOP4		5a11f.8		BOP, KOP, KOPV, KVT, UOP4
		01	B02A, B02B, B02C, B20A, B20B, B20C, B20D, B20E, B39A, B39B			01	B02A, B02B, B02C, B20A, B20B, B20C, B20D, B20E, B39A, B39B			01	B02A, B02B, B02C, B20A, B20B, B20C, B20D, B20E, B39A, B39B
02		C01A	02	C01A		02	C01A				
03		D18Z, D25A, D25B, D25C, D25D	03	D18Z, D25A, D25B, D25C, D25D		03	D18Z, D25A, D25B, D25C, D25D				
06		G33Z	06	G33Z		06	G33Z				
07		H33Z, H38Z	07	H33Z, H38Z		07	H33Z, H38Z				
09		J08A, J08B, J08C	09	J08A, J08B, J08C		09	J08A, J08B, J08C				
11		L33Z	11	L33Z		11	L33Z				
17		R01A, R01B, R01C, R01D, R02Z, R12A, R12B, R12C	17	R01A, R01B, R01C, R01D, R02Z, R12A, R12B, R12C		17	R01A, R01B, R01C, R01D, R02Z, R12A, R12B, R12C				
21B		X33Z	21B	X33Z		21B	X33Z				
23		Z01A	23	Z01A		23	Z01A				
Pre		A07A	Pre	A07A		Pre	A07A				

VYK

ZZV	MDC	DRG	ZZV	MDC	DRG	ZZV	MDC	DRG			
5a11f.9		BOP, KOP, KOPV, KVT, UOP4	5a120.0		BOP, KVT, UOP4	5a122.1		BOP, KVT, UOP4			
	01	B02A, B02B, B02C, B20A, B20B, B20C, B20D, B20E, B39A, B39B		01	B02A, B02B, B02C, B02D, B20A, B20B, B20C, B20D, B20E, B20F, B39A, B39B		01	B02A, B02B, B02C, B02D, B20A, B20B, B20C, B20D, B20E, B20F, B39A, B39B			
	02	C01A		02	C01A		02	C01A			
	03	D18Z, D25A, D25B, D25C, D25D		03	D18Z, D25A, D25B, D25C, D25D		03	D18Z, D25A, D25B, D25C, D25D			
	06	G33Z		09	J08A, J08B, J08C		09	J08A, J08B, J08C			
	07	H33Z, H38Z		17	R01A, R01C, R02Z, R12A, R12B		17	R01A, R01C, R02Z, R12A, R12B			
	09	J08A, J08B, J08C		21A	W01A, W01B, W01C, W36Z		21A	W01A, W01B, W01C, W36Z			
	11	L33Z		21B	X06A, X06B, X06C		21B	X06A, X06B, X06C			
	17	R01A, R01B, R01C, R01D, R02Z, R12A, R12B, R12C		23	Z01A		23	Z01A			
	21B	X33Z		Pre	B61A		Pre	B61A			
	23	Z01A		5a120.1			BOP, KVT, UOP4	5a123.0		BOP, KVT, UOP4	
	Pre	A07A			01		B02A, B02B, B02C, B02D, B20A, B20B, B20C, B20D, B20E, B20F, B39A, B39B		01	B02A, B02B, B02C, B02D, B20A, B20B, B20C, B20D, B20E, B20F, B39A, B39B	
	5a11f.a				BOP, KOP, KOPV, KVT, UOP4		02		C01A	02	C01A
		01			B02A, B02B, B02C, B20A, B20B, B20C, B20D, B20E, B39A, B39B		03		D18Z, D25A, D25B, D25C, D25D	03	D18Z, D25A, D25B, D25C, D25D
		02			C01A		09		J08A, J08B, J08C	09	J08A, J08B, J08C
		03			D18Z, D25A, D25B, D25C, D25D		17		R01A, R01C, R02Z, R12A, R12B	17	R01A, R01C, R02Z, R12A, R12B
		06			G33Z		21A		W01A, W01B, W01C, W36Z	21A	W01A, W01B, W01C, W36Z
07		H33Z, H38Z	21B		X06A, X06B, X06C	21B	X06A, X06B, X06C				
09		J08A, J08B, J08C	23		Z01A	23	Z01A				
11		L33Z	Pre		B61A	Pre	B61A				
17		R01A, R01B, R01C, R01D, R02Z, R12A, R12B, R12C	5a121.0			BOP, KVT, UOP4	5a123.1			BOP, KVT, UOP4	
21B		X33Z			01	B02A, B02B, B02C, B02D, B20A, B20B, B20C, B20D, B20E, B20F, B39A, B39B			01	B02A, B02B, B02C, B02D, B20A, B20B, B20C, B20D, B20E, B20F, B39A, B39B	
23		Z01A			02	C01A			02	C01A	
Pre		A07A			03	D18Z, D25A, D25B, D25C, D25D			03	D18Z, D25A, D25B, D25C, D25D	
5a11f.b					BOP, KOP, KOPV, KVT, UOP4	09			J08A, J08B, J08C	09	J08A, J08B, J08C
		01			B02A, B02B, B02C, B20A, B20B, B20C, B20D, B20E, B39A, B39B	17			R01A, R01C, R02Z, R12A, R12B	17	R01A, R01C, R02Z, R12A, R12B
		02			C01A	21A			W01A, W01B, W01C, W36Z	21A	W01A, W01B, W01C, W36Z
		03		D18Z, D25A, D25B, D25C, D25D	21B	X06A, X06B, X06C		21B	X06A, X06B, X06C		
		06		G33Z	23	Z01A		23	Z01A		
	07	H33Z, H38Z		Pre	B61A	Pre		B61A			
	09	J08A, J08B, J08C		5a121.1		BOP, KVT, UOP4		5a124.0		BOP, KVT, UOP4	
	11	L33Z			01	B02A, B02B, B02C, B02D, B20A, B20B, B20C, B20D, B20E, B20F, B39A, B39B			01	B02A, B02B, B02C, B02D, B20A, B20B, B20C, B20D, B20E, B20F, B39A, B39B	
	17	R01A, R01B, R01C, R01D, R02Z, R12A, R12B, R12C			02	C01A			02	C01A	
	21B	X33Z			03	D18Z, D25A, D25B, D25C, D25D			03	D18Z, D25A, D25B, D25C, D25D	
	23	Z01A			09	J08A, J08B, J08C			09	J08A, J08B, J08C	
	Pre	A07A			17	R01A, R01C, R02Z, R12A, R12B			17	R01A, R01C, R02Z, R12A, R12B	
	5a11f.c				BOP, KOP, KOPV, KVT, UOP4	21A			W01A, W01B, W01C, W36Z	21A	W01A, W01B, W01C, W36Z
		01	B02A, B02B, B02C, B20A, B20B, B20C, B20D, B20E, B39A, B39B		21B	X06A, X06B, X06C	21B		X06A, X06B, X06C		
		02	C01A		23	Z01A	23		Z01A		
		03	D18Z, D25A, D25B, D25C, D25D		Pre	B61A	Pre		B61A		
		06	G33Z		5a122.0		BOP, KVT, UOP4		5a124.1		BOP, KVT, UOP4
07		H33Z, H38Z	01			B02A, B02B, B02C, B02D, B20A, B20B, B20C, B20D, B20E, B20F, B39A, B39B	01			B02A, B02B, B02C, B02D, B20A, B20B, B20C, B20D, B20E, B20F, B39A, B39B	
09		J08A, J08B, J08C	02			C01A	02			C01A	
11		L33Z	03			D18Z, D25A, D25B, D25C, D25D	03			D18Z, D25A, D25B, D25C, D25D	
17		R01A, R01B, R01C, R01D, R02Z, R12A, R12B, R12C	09			J08A, J08B, J08C	09			J08A, J08B, J08C	
21B		X33Z	17			R01A, R01C, R02Z, R12A, R12B	17			R01A, R01C, R02Z, R12A, R12B	
23		Z01A	21A			W01A, W01B, W01C, W36Z	21A			W01A, W01B, W01C, W36Z	
Pre		A07A	21B	X06A, X06B, X06C		21B	X06A, X06B, X06C				
			23	Z01A		23	Z01A				
			Pre	B61A		Pre	B61A				

ZZV	MDC	DRG	ZZV	MDC	DRG	ZZV	MDC	DRG
5a125.0		BOP, KVT, UOP4	5a127.3		BOP, KVT, UOP4	5a128.6		BOP, KOP, KOPV, KVT, UOP4
	01	B02A, B02B, B02C, B02D, B20A, B20B, B20C, B20D, B20E, B20F, B39A, B39B		01	B02A, B02B, B02C, B02D, B20A, B20B, B20C, B20D, B20E, B20F, B39A, B39B		01	B02A, B02B, B02C, B02D, B13Z, B20A, B20B, B20C, B20D, B20E, B20F, B39A, B39B
	02	C01A		02	C01A		02	C01A
	03	D18Z, D25A, D25B, D25C, D25D		03	D18Z, D25A, D25B, D25C, D25D		03	D18Z, D25A, D25B, D25C, D25D
	09	J08A, J08B, J08C		09	J08A, J08B, J08C		06	G33Z
	17	R01A, R01C, R02Z, R12A, R12B		17	R01A, R01C, R02Z, R12A, R12B		07	H33Z, H38Z
	21A	W01A, W01B, W01C, W36Z		21A	W01A, W01B, W01C, W36Z		09	J08A, J08B, J08C
	21B	X06A, X06B, X06C		21B	X06A, X06B, X06C		11	L33Z
	23	Z01A		23	Z01A		17	R01A, R01B, R01C, R01D, R02Z, R12A, R12B, R12C
	Pre	B61A		Pre	B61A		21A	W01A, W01B, W01C, W36Z
5a125.1		BOP, KVT, UOP4	5a128.4		BOP, KOP, KOPV, KVT, UOP4	5a128.7		BOP, KOP, KOPV, KVT, UOP4
	01	B02A, B02B, B02C, B02D, B20A, B20B, B20C, B20D, B20E, B20F, B39A, B39B		01	B02A, B02B, B02C, B02D, B13Z, B20A, B20B, B20C, B20D, B20E, B20F, B39A, B39B		01	B02A, B02B, B02C, B02D, B13Z, B20A, B20B, B20C, B20D, B20E, B20F, B39A, B39B
	02	C01A		02	C01A		02	C01A
	03	D18Z, D25A, D25B, D25C, D25D		03	D18Z, D25A, D25B, D25C, D25D		03	D18Z, D25A, D25B, D25C, D25D
	09	J08A, J08B, J08C		06	G33Z		06	G33Z
	17	R01A, R01C, R02Z, R12A, R12B		07	H33Z, H38Z		07	H33Z, H38Z
	21A	W01A, W01B, W01C, W36Z		09	J08A, J08B, J08C		09	J08A, J08B, J08C
	21B	X06A, X06B, X06C		11	L33Z		11	L33Z
	23	Z01A		17	R01A, R01B, R01C, R01D, R02Z, R12A, R12B, R12C		17	R01A, R01B, R01C, R01D, R02Z, R12A, R12B, R12C
	Pre	B61A		21A	W01A, W01B, W01C, W36Z		21A	W01A, W01B, W01C, W36Z
5a126.2		BOP, KVT, UOP4	5a128.5		BOP, KOP, KOPV, KVT, UOP4	5a129.0		BOP, KVT, UOP4
	01	B02A, B02B, B02C, B02D, B20A, B20B, B20C, B20D, B20E, B20F, B39A, B39B		01	B02A, B02B, B02C, B02D, B13Z, B20A, B20B, B20C, B20D, B20E, B20F, B39A, B39B		01	B09A, B09B
	02	C01A		02	C01A		02	C01A
	03	D18Z, D25A, D25B, D25C, D25D		03	D18Z, D25A, D25B, D25C, D25D		03	D18Z, D25A, D25B, D25C, D25D
	09	J08A, J08B, J08C		06	G33Z		09	J08A, J08B, J08C
	17	R01A, R01C, R02Z, R12A, R12B		07	H33Z, H38Z		17	R01A, R01B, R01C, R01D, R02Z, R12A, R12B, R12C
	21A	W01A, W01B, W01C, W36Z		09	J08A, J08B, J08C		21A	W01A, W01B, W01C, W36Z
	21B	X06A, X06B, X06C		11	L33Z		21B	X06A, X06B, X06C
	23	Z01A		17	R01A, R01B, R01C, R01D, R02Z, R12A, R12B, R12C		23	Z01A
	Pre	B61A		21A	W01A, W01B, W01C, W36Z		Pre	B61A
5a126.3		BOP, KVT, UOP4	5a129.1		BOP, KVT, UOP4	5a129.1		BOP, KVT, UOP4
	01	B02A, B02B, B02C, B02D, B20A, B20B, B20C, B20D, B20E, B20F, B39A, B39B		01	B02A, B02B, B02C, B02D, B13Z, B20A, B20B, B20C, B20D, B20E, B20F, B39A, B39B		01	B09A, B09B
	02	C01A		02	C01A		02	C01A
	03	D18Z, D25A, D25B, D25C, D25D		03	D18Z, D25A, D25B, D25C, D25D		03	D18Z, D25A, D25B, D25C, D25D
	09	J08A, J08B, J08C		06	G33Z		09	J08A, J08B, J08C
	17	R01A, R01C, R02Z, R12A, R12B		07	H33Z, H38Z		17	R01A, R01B, R01C, R01D, R02Z, R12A, R12B, R12C
	21A	W01A, W01B, W01C, W36Z		09	J08A, J08B, J08C		21A	W01A, W01B, W01C, W36Z
	21B	X06A, X06B, X06C		11	L33Z		21B	X06A, X06B, X06C
	23	Z01A		17	R01A, R01B, R01C, R01D, R02Z, R12A, R12B, R12C		23	Z01A
	Pre	B61A		21A	W01A, W01B, W01C, W36Z		Pre	B61A
5a127.2		BOP, KVT, UOP4	5a129.1		BOP, KVT, UOP4	5a129.1		BOP, KVT, UOP4
	01	B02A, B02B, B02C, B02D, B20A, B20B, B20C, B20D, B20E, B20F, B39A, B39B		01	B02A, B02B, B02C, B02D, B13Z, B20A, B20B, B20C, B20D, B20E, B20F, B39A, B39B		01	B09A, B09B
	02	C01A		02	C01A		02	C01A
	03	D18Z, D25A, D25B, D25C, D25D		03	D18Z, D25A, D25B, D25C, D25D		03	D18Z, D25A, D25B, D25C, D25D
	09	J08A, J08B, J08C		06	G33Z		09	J08A, J08B, J08C
	17	R01A, R01C, R02Z, R12A, R12B		07	H33Z, H38Z		17	R01A, R01B, R01C, R01D, R02Z, R12A, R12B, R12C
	21A	W01A, W01B, W01C, W36Z		09	J08A, J08B, J08C		21A	W01A, W01B, W01C, W36Z
	21B	X06A, X06B, X06C		11	L33Z		21B	X06A, X06B, X06C
	23	Z01A		17	R01A, R01B, R01C, R01D, R02Z, R12A, R12B, R12C		23	Z01A
	Pre	B61A		21A	W01A, W01B, W01C, W36Z		Pre	B61A

VYK

ZZV	MDC	DRG	ZZV	MDC	DRG	ZZV	MDC	DRG			
5a12a.0		BOP, KVT, UOP4	5a12d.4		BOP, KOP, KOPV, KVT, UOP4	5a12d.7		BOP, KOP, KOPV, KVT, UOP4			
	01	B09A, B09B		01	B02A, B02B, B02C, B02D, B13Z, B20A, B20B, B20C, B20D, B20E, B20F, B39A, B39B		01	B02A, B02B, B02C, B02D, B13Z, B20A, B20B, B20C, B20D, B20E, B20F, B39A, B39B			
	02	C01A		02	C01A		02	C01A			
	03	D18Z, D25A, D25B, D25C, D25D		03	D18Z, D25A, D25B, D25C, D25D		03	D18Z, D25A, D25B, D25C, D25D			
	09	J08A, J08B, J08C		06	G33Z		06	G33Z			
	17	R01A, R01B, R01C, R01D, R02Z, R12A, R12B, R12C		07	H33Z, H38Z		07	H33Z, H38Z			
	21A	W01A, W01B, W01C, W36Z		09	J08A, J08B, J08C		09	J08A, J08B, J08C			
	21B	X06A, X06B, X06C		11	L33Z		11	L33Z			
	23	Z01A		17	R01A, R01B, R01C, R01D, R02Z, R12A, R12B, R12C		17	R01A, R01B, R01C, R01D, R02Z, R12A, R12B, R12C			
	Pre	B61A		21A	W01A, W01B, W01C, W36Z		21A	W01A, W01B, W01C, W36Z			
	5a12a.1			BOP, KVT, UOP4	5a12d.5			BOP, KOP, KOPV, KVT, UOP4	5a130		BOP, KVT, UOP4
		01		B09A, B09B			01	B02A, B02B, B02C, B02D, B13Z, B20A, B20B, B20C, B20D, B20E, B20F, B39A, B39B		01	B03A, B03B, B06A, B06B, B07Z, B17A, B17B, B17C
		02		C01A			02	C01A		02	C01A
03		D18Z, D25A, D25B, D25C, D25D	03	D18Z, D25A, D25B, D25C, D25D		03	D12A, D12B				
09		J08A, J08B, J08C	06	G33Z		21A	W04A, W04B				
17		R01A, R01B, R01C, R01D, R02Z, R12A, R12B, R12C	07	H33Z, H38Z		21B	X06A, X06B, X06C				
21A		W01A, W01B, W01C, W36Z	09	J08A, J08B, J08C			BOP, KVT, UOP4				
21B		X06A, X06B, X06C	11	L33Z		01	B03A, B03B, B06A, B06B, B07Z, B17A, B17B, B17C				
23		Z01A	17	R01A, R01B, R01C, R01D, R02Z, R12A, R12B, R12C		02	C01A				
Pre		B61A	21A	W01A, W01B, W01C, W36Z		03	D12A, D12B				
5a12b.0			BOP, KVT, UOP4	5a12d.6			BOP, KOP, KOPV, KVT, UOP4	5a131			BOP, KVT, UOP4
		01	B09A, B09B			01	B02A, B02B, B02C, B02D, B13Z, B20A, B20B, B20C, B20D, B20E, B20F, B39A, B39B			01	B03A, B03B, B06A, B06B, B07Z, B17A, B17B, B17C
		02	C01A			02	C01A			02	C01A
	03	D18Z, D25A, D25B, D25C, D25D	03		D18Z, D25A, D25B, D25C, D25D	03	D12A, D12B				
	09	J08A, J08B, J08C	06		G33Z	21A	W04A, W04B				
	17	R01A, R01B, R01C, R01D, R02Z, R12A, R12B, R12C	07		H33Z, H38Z	21B	X06A, X06B, X06C				
	21A	W01A, W01B, W01C, W36Z	09		J08A, J08B, J08C		BOP, KVT, UOP4				
	21B	X06A, X06B, X06C	11		L33Z	01	B02A, B02B, B02C, B02D, B20A, B20B, B20C, B20D, B20E, B20F, B39A, B39B				
	23	Z01A	17		R01A, R01B, R01C, R01D, R02Z, R12A, R12B, R12C	02	C01A				
	Pre	B61A	21A		W01A, W01B, W01C, W36Z	03	D12A, D12B				
	5a12b.1		BOP, KVT, UOP4		5a12c.8		BOP, KOP, KOPV, KVT, UOP4		5a132.7		BOP, KVT, UOP4
		01	B09A, B09B			01	B02A, B02B, B02C, B02D, B13Z, B20A, B20B, B20C, B20D, B20E, B20F, B39A, B39B			01	B02A, B02B, B02C, B02D, B20A, B20B, B20C, B20D, B20E, B20F, B39A, B39B
		02	C01A			02	C01A			02	C01A
03		D18Z, D25A, D25B, D25C, D25D	03	D18Z, D25A, D25B, D25C, D25D		03	D12A, D12B				
09		J08A, J08B, J08C	06	G33Z		06	G33Z				
17		R01A, R01B, R01C, R01D, R02Z, R12A, R12B, R12C	07	H33Z, H38Z		07	H33Z, H38Z				
21A		W01A, W01B, W01C, W36Z	11	L33Z		11	L33Z				
21B		X06A, X06B, X06C	17	R01A, R01B, R01C, R01D, R02Z, R12A, R12B, R12C		21A	W01A, W01B, W01C, W36Z				
23		Z01A	21A	W01A, W01B, W01C, W36Z		21B	X06A, X06B, X06C, X33Z				
Pre		B61A	21B	X06A, X06B, X06C, X33Z		23	Z01A				
5a12c.8			BOP, KVT, UOP4	5a12c.9			BOP, KOP, KOPV, KVT, UOP4	5a132.8			BOP, KVT, UOP4
		01	B09A, B09B			01	B02A, B02B, B02C, B02D, B13Z, B20A, B20B, B20C, B20D, B20E, B20F, B39A, B39B			01	B02A, B02B, B02C, B02D, B20A, B20B, B20C, B20D, B20E, B20F, B39A, B39B
		02	C01A			02	C01A			02	C01A
	03	D18Z, D25A, D25B, D25C, D25D	03		D18Z, D25A, D25B, D25C, D25D	03	D12A, D12B				
	09	J08A, J08B, J08C	06		G33Z	06	G33Z				
	17	R01A, R01B, R01C, R01D, R02Z, R12A, R12B, R12C	07		H33Z, H38Z	07	H33Z, H38Z				
	21A	W01A, W01B, W01C, W36Z	11		L33Z	11	L33Z				
	21B	X06A, X06B, X06C	17		R01A, R01B, R01C, R01D, R02Z, R12A, R12B, R12C	21A	W01A, W01B, W01C, W36Z				
	23	Z01A	21A		W01A, W01B, W01C, W36Z	21B	X06A, X06B, X06C, X33Z				
	Pre	B61A	21B		X06A, X06B, X06C, X33Z	23	Z01A				
	5a12c.9		BOP, KVT, UOP4								
		01	B09A, B09B								
		02	C01A								
03		D18Z, D25A, D25B, D25C, D25D									
09		J08A, J08B, J08C									
17		R01A, R01B, R01C, R01D, R02Z, R12A, R12B, R12C									
23		Z01A									
Pre		B61A									



ZZV	MDC	DRG	ZZV	MDC	DRG	ZZV	MDC	DRG			
5a132.9		BOP, KOP, KOPV, KVT, UOP4	5a190.3		BOP, KOP, KOPV, KVT, UOP4	5a193		BOP, KOP, KOPV, KVT, UOP4			
	01	B02A, B02B, B02C, B02D, B20A, B20B, B20C, B20D, B20E, B20F, B39A, B39B		01	B02A, B02B, B02C, B20A, B20B, B20C, B20D, B20E, B39A, B39B		01	B02A, B02B, B02C, B13Z, B20A, B20B, B20C, B20D, B20E, B39A, B39B			
	02	C01A		02	C01A		02	C01A			
	03	D12A, D12B		06	G33Z		06	G33Z			
	06	G33Z		07	H33Z, H38Z		07	H33Z, H38Z			
	07	H33Z, H38Z		08	I23A		11	L33Z			
	11	L33Z		11	L33Z		17	R01A, R01B, R01C, R01D, R02Z, R12A, R12B, R12C			
	21A	W01A, W01B, W01C, W36Z		17	R01A, R01B, R01C, R01D, R02Z, R12A, R12B, R12C		21B	X33Z			
	21B	X06A, X06B, X06C, X33Z		21A	W01A, W01B, W01C, W36Z		23	Z01A			
	23	Z01A		21B	X33Z		Pre	A07A			
	Pre	A07A		23	Z01A		5a194.e	BOP, KOP, KOPV, KVT, UOP4			
	5a190.0			BOP, KOP, KOPV, KVT, UOP4	5a190.4				BOP, KOP, KOPV, KVT, UOP4	01	B02A, B02B, B02C, B13Z, B20A, B20B, B20C, B20D, B20E, B39A, B39B
		01		B02A, B02B, B02C, B20A, B20B, B20C, B20D, B20E, B39A, B39B				01	B02A, B02B, B02C, B20A, B20B, B20C, B20D, B20E, B39A, B39B	02	C01A
		02		C01A				02	C01A	06	G33Z
06		G33Z	06	G33Z		07		H33Z, H38Z			
07		H33Z, H38Z	07	H33Z, H38Z		11		L33Z			
08		I23A	08	I23A		17		R01A, R01B, R01C, R01D, R02Z, R12A, R12B, R12C			
11		L33Z	11	L33Z		21B		X33Z			
17		R01A, R01B, R01C, R01D, R02Z, R12A, R12B, R12C	17	R01A, R01B, R01C, R01D, R02Z, R12A, R12B, R12C		23		Z01A			
21A		W01A, W01B, W01C, W36Z	21A	W01A, W01B, W01C, W36Z		Pre		A07A			
21B		X33Z	21B	X33Z		5a194.f		BOP, KOP, KOPV, KVT, UOP4			
23		Z01A	23	Z01A				01	B02A, B02B, B02C, B13Z, B20A, B20B, B20C, B20D, B20E, B39A, B39B		
Pre		A07A	Pre	A07A				02	C01A		
5a190.1			BOP, KOP, KOPV, KVT, UOP4	5a191					BOP, KOP, KOPV, KVT, UOP4	06	G33Z
		01	B02A, B02B, B02C, B20A, B20B, B20C, B20D, B20E, B39A, B39B				01	B02A, B02B, B02C, B20A, B20B, B20C, B20D, B20E, B39A, B39B	07	H33Z, H38Z	
	02	C01A	02		C01A		11	L33Z			
	06	G33Z	06		G33Z		17	R01A, R01B, R01C, R01D, R02Z, R12A, R12B, R12C			
	07	H33Z, H38Z	07		H33Z, H38Z		21B	X33Z			
	08	I23A	08		I15A, I15B		23	Z01A			
	11	L33Z	11		L33Z		Pre	A07A			
	17	R01A, R01B, R01C, R01D, R02Z, R12A, R12B, R12C	21A		W01A, W01B, W01C, W36Z		5a195	BOP, KVT, UOP4			
	21A	W01A, W01B, W01C, W36Z	21B		X06A, X06B, X06C, X33Z			01	B02A, B02B, B02C, B02D, B20A, B20B, B20C, B20D, B20E, B20F, B39A, B39B		
	21B	X33Z	23		Z01A			02	C01A		
	23	Z01A	Pre		A07A, A09B, A11A, A11B, A13B			03	D18Z, D25A, D25B, D25C, D25D		
	Pre	A07A	5a192			BOP, KOP, KOPV, KVT, UOP4		09	J08A, J08B, J08C		
	5a190.2				BOP, KOP, KOPV, KVT, UOP4	5a192			BOP, KOP, KOPV, KVT, UOP4	17	R01A, R01C, R02Z, R12A, R12B
		01			B02A, B02B, B02C, B20A, B20B, B20C, B20D, B20E, B39A, B39B			01	B02A, B02B, B02C, B20A, B20B, B20C, B20D, B20E, B39A, B39B	21A	W01A, W01B, W01C, W36Z
02		C01A		02	C01A			21B	X06A, X06B, X06C		
06		G33Z		06	G33Z			23	Z01A		
07		H33Z, H38Z		07	H33Z, H38Z			Pre	B61A		
08		I23A		08	I15A, I15B			5a196	BOP, KVT, UOP4		
11		L33Z		11	L33Z				01	B09A, B09B	
17		R01A, R01B, R01C, R01D, R02Z, R12A, R12B, R12C		21A	W01A, W01B, W01C, W36Z				02	C01A	
21A		W01A, W01B, W01C, W36Z		21B	X06A, X06B, X06C, X33Z				03	D18Z, D25A, D25B, D25C, D25D	
21B		X33Z		23	Z01A		09		J08A, J08B, J08C		
23		Z01A		Pre	A07A, A09B, A11A, A11B, A13B		17		R01A, R01B, R01C, R01D, R02Z, R12A, R12B, R12C		
Pre		A07A					23		Z01A		
							Pre		B61A		

VYK

ZZV	MDC	DRG	ZZV	MDC	DRG	ZZV	MDC	DRG				
5a197		BOP, KOP, KOPV, KVT, UOP4	5a199.1		BOP, KOP, KOPV, KVT, UOP4	5a19b.b		BOP, KVT, UOP4				
	01	B02A, B02B, B02C, B02D, B13Z, B20A, B20B, B20C, B20D, B20E, B20F, B39A, B39B		01	B02A, B02B, B02C, B02D, B13Z, B20A, B20B, B20C, B20D, B20E, B20F, B39A, B39B		01	B03A, B03B, B06A, B06B, B07Z, B17A, B17B, B17C				
	02	C01A		02	C01A		02	C01A				
	03	D18Z, D25A, D25B, D25C, D25D		03	D18Z, D25A, D25B, D25C, D25D		03	D12A, D12B				
	06	G33Z		06	G33Z		21A	W04A, W04B				
	07	H33Z, H38Z		07	H33Z, H38Z		21B	X06A, X06B, X06C				
	09	J08A, J08B, J08C		09	J08A, J08B, J08C		5a19b.c	BOP, KVT, UOP4				
	11	L33Z		11	L33Z			01	B03A, B03B, B06A, B06B, B07Z, B17A, B17B, B17C			
	17	R01A, R01B, R01C, R01D, R02Z, R12A, R12B, R12C		17	R01A, R01B, R01C, R01D, R02Z, R12A, R12B, R12C			02	C01A			
	21B	X33Z		21A	W01A, W01B, W01C, W36Z		03	D12A, D12B				
	23	Z01A		21B	X06A, X06B, X06C, X33Z		21A	W04A, W04B				
	Pre	A07A		23	Z01A		21B	X06A, X06B, X06C				
	5a198.1			BOP, KOP, KOPV, KVT, UOP4	5a199.9			BOP, KOP, KOPV, KVT, UOP4	5a19c.81		BOP, KOP, KOPV, KVT, UOP4	
		01		B02A, B02B, B02C, B02D, B13Z, B20A, B20B, B20C, B20D, B20E, B20F, B39A, B39B			01	B02A, B02B, B02C, B02D, B13Z, B20A, B20B, B20C, B20D, B20E, B20F, B39A, B39B		01	B02A, B02B, B02C, B20A, B20B, B20C, B20D, B20E, B39A, B39B	
		02		C01A			02	C01A		02	C01A	
		03		D18Z, D25A, D25B, D25C, D25D			03	D18Z, D25A, D25B, D25C, D25D		03	D12A, D12B	
		06		G33Z			06	G33Z		21A	W04A, W04B	
07		H33Z, H38Z	07	H33Z, H38Z		21B	X06A, X06B, X06C					
09		J08A, J08B, J08C	09	J08A, J08B, J08C		5a19c.81	BOP, KOP, KOPV, KVT, UOP4					
11		L33Z	11	L33Z			01	B02A, B02B, B02C, B20A, B20B, B20C, B20D, B20E, B39A, B39B				
17		R01A, R01B, R01C, R01D, R02Z, R12A, R12B, R12C	17	R01A, R01B, R01C, R01D, R02Z, R12A, R12B, R12C			02	C01A				
21A		W01A, W01B, W01C, W36Z	21A	W01A, W01B, W01C, W36Z		03	D18Z, D25A, D25B, D25C, D25D					
21B		X06A, X06B, X06C, X33Z	21B	X06A, X06B, X06C, X33Z		06	G33Z					
23		Z01A	23	Z01A		07	H33Z, H38Z					
Pre		A07A	Pre	A07A		09	J08A, J08B, J08C					
5a198.9			BOP, KOP, KOPV, KVT, UOP4	5a19a.7			BOP, KVT, UOP4	5a19c.82			BOP, KOP, KOPV, KVT, UOP4	
		01	B02A, B02B, B02C, B02D, B13Z, B20A, B20B, B20C, B20D, B20E, B20F, B39A, B39B			01	B03A, B03B, B06A, B06B, B07Z, B17A, B17B, B17C			01	B02A, B02B, B02C, B20A, B20B, B20C, B20D, B20E, B39A, B39B	
		02	C01A			02	C01A			02	C01A	
		03	D18Z, D25A, D25B, D25C, D25D			03	D12A, D12B			03	D18Z, D25A, D25B, D25C, D25D	
	06	G33Z	21A		W04A, W04B	06	G33Z					
	07	H33Z, H38Z	21B		X06A, X06B, X06C	07	H33Z, H38Z					
	09	J08A, J08B, J08C	5a19a.b		BOP, KVT, UOP4	09	J08A, J08B, J08C					
	11	L33Z			01	B03A, B03B, B06A, B06B, B07Z, B17A, B17B, B17C	11		L33Z			
	17	R01A, R01B, R01C, R01D, R02Z, R12A, R12B, R12C			02	C01A	17		R01A, R01B, R01C, R01D, R02Z, R12A, R12B, R12C			
	21A	W01A, W01B, W01C, W36Z	03		D12A, D12B	21B	X33Z					
	21B	X06A, X06B, X06C, X33Z	21A		W04A, W04B	23	Z01A					
	23	Z01A	21B		X06A, X06B, X06C	Pre	A07A					
	Pre	A07A	Pre		A07A	5a19e	BOP, KVT, UOP4					
	5a199.7		BOP, KOP, KOPV, KVT, UOP4		5a19a.c				BOP, KVT, UOP4	5a19b.7		BOP, KVT, UOP4
		01	B02A, B02B, B02C, B02D, B13Z, B20A, B20B, B20C, B20D, B20E, B20F, B39A, B39B				01		B03A, B03B, B06A, B06B, B07Z, B17A, B17B, B17C		01	B03A, B03B, B06A, B06B, B07Z, B17A, B17B, B17C
		02	C01A			02	C01A		02		C01A	
		03	D18Z, D25A, D25B, D25C, D25D			03	D12A, D12B		03		D12A, D12B	
06		G33Z	21A	W04A, W04B		21A	W04A, W04B					
07		H33Z, H38Z	21B	X06A, X06B, X06C		21B	X06A, X06B, X06C					
09		J08A, J08B, J08C	5a19a.b	BOP, KVT, UOP4		5a19c.81	BOP, KOP, KOPV, KVT, UOP4					
11		L33Z		01			B03A, B03B, B06A, B06B, B07Z, B17A, B17B, B17C	01	B03A, B03B, B06A, B06B, B07Z, B17A, B17B, B17C			
17		R01A, R01B, R01C, R01D, R02Z, R12A, R12B, R12C		02			C01A	02	C01A			
21A		W01A, W01B, W01C, W36Z	03	D12A, D12B		03	D12A, D12B					
21B		X06A, X06B, X06C, X33Z	21A	W04A, W04B		21A	W04A, W04B					
23		Z01A	21B	X06A, X06B, X06C		21B	X06A, X06B, X06C					
Pre		A07A	Pre	A07A		21B	X06A, X06B, X06C					

ZZV	MDC	DRG	ZZV	MDC	DRG	ZZV	MDC	DRG		
5a19f.8		BOP, KOP, KOPV, KVT, UOP4	5a19k.2		BOP, KVT, UOP4	5a19n.7		BOP, KVT, UOP4		
	01	B02A, B02B, B02C, B20A, B20B, B20C, B20D, B20E, B39A, B39B		01	B02A, B02B, B02C, B02D, B20A, B20B, B20C, B20D, B20E, B20F, B39A, B39B		01	B09A, B09B, B20A, B20B, B20C, B20D, B20E, B20F		
	02	C01A		02	C01A		02	C01A		
	03	D18Z, D25A, D25B, D25C, D25D		08	I15A, I15B		17	R01A, R01B, R01C, R01D, R02Z, R12A, R12B, R12C		
	06	G33Z		09	J08A		21A	W01A, W01B, W01C, W36Z		
	07	H33Z, H38Z		17	R01A, R01C, R02Z, R12A, R12B		21B	X06A, X06B, X06C		
	09	J08A, J08B, J08C		21A	W01A, W01B, W01C, W36Z		5a19n.8	01	B09A, B09B, B20A, B20B, B20C, B20D, B20E, B20F	
	11	L33Z		21B	X06A, X06B			02	C01A	
	17	R01A, R01B, R01C, R01D, R02Z, R12A, R12B, R12C		23	Z01A		17	R01A, R01B, R01C, R01D, R02Z, R12A, R12B, R12C		
	21B	X33Z		5a19k.3			BOP, KVT, UOP4	21A	W01A, W01B, W01C, W36Z	
	23	Z01A			01		B02A, B02B, B02C, B02D, B20A, B20B, B20C, B20D, B20E, B20F, B39A, B39B	21B	X06A, X06B, X06C	
	Pre	A07A			02		C01A	5a19o.1	BOP, KVT, UOP4	
	5a19g				BOP, KOP, KOPV, KVT, UOP4		08		I15A, I15B	01
		01			B02A, B02B, B02C, B20A, B20B, B20C, B20D, B20E, B39A, B39B		09	J08A	02	C01A
		02			C01A		17	R01A, R01C, R02Z, R12A, R12B	03	D18Z, D25A, D25B, D25C, D25D
		03			D18Z, D25A, D25B, D25C, D25D		21A	W01A, W01B, W01C, W36Z	09	J08A, J08B, J08C
		06			G33Z		21B	X06A, X06B	17	R01A, R01B, R01C, R01D, R02Z, R12A, R12B, R12C
07		H33Z, H38Z	23		Z01A	21A	W01A, W01B, W01C, W36Z			
09		J08A, J08B, J08C	5a19m.4			BOP, KVT, UOP4	21B	X06A, X06B, X06C		
11		L33Z			01	B02A, B02B, B02C, B02D, B20A, B20B, B20C, B20D, B20E, B20F, B39A, B39B	Pre	B61A		
17		R01A, R01B, R01C, R01D, R02Z, R12A, R12B, R12C			02	C01A	5a19o.3	BOP, KVT, UOP4		
21A		W01A, W01B, W01C, W36Z			06	G01Z, G02Z, G38Z		01	B09A, B09B, B20A, B20B, B20C, B20D, B20E, B20F	
21B		X06A, X06B, X06C, X33Z			08	I15A, I15B	02	C01A		
23		Z01A			09	J08A	03	D18Z, D25A, D25B, D25C, D25D		
Pre		A07A			17	R01A, R01C, R02Z, R12A, R12B	09	J08A, J08B, J08C		
5a19h					BOP, KVT, UOP4	21A	W01A, W01B, W01C, W36Z	17	R01A, R01B, R01C, R01D, R02Z, R12A, R12B, R12C	
		01		B03A, B03B, B06A, B06B, B07Z, B17A, B17B, B17C	21B	X06A, X06B	21A	W01A, W01B, W01C, W36Z		
		02		C01A	23	Z01A	21B	X06A, X06B, X06C		
		03		D12A, D12B	Pre	A11A, A13A, A13B, A13D	Pre	B61A		
	21A	W04A, W04B		5a19m.5		BOP, KVT, UOP4	BOP, KVT, UOP4			
	21B	X06A, X06B, X06C			01	B02A, B02B, B02C, B02D, B20A, B20B, B20C, B20D, B20E, B20F, B39A, B39B	01	B09A, B09B, B20A, B20B, B20C, B20D, B20E, B20F		
	5a19i				BOP, KVT, UOP4	02	C01A	02	C01A	
		01			B02A, B02B, B02C, B02D, B20A, B20B, B20C, B20D, B20E, B20F, B39A, B39B	06	G01Z, G02Z, G38Z	03	D18Z, D25A, D25B, D25C, D25D	
		02			C01A	08	I15A, I15B	09	J08A, J08B, J08C	
		08			I15A, I15B	09	J08A	17	R01A, R01B, R01C, R01D, R02Z, R12A, R12B, R12C	
		09	J08A		17	R01A, R01C, R02Z, R12A, R12B	21A	W01A, W01B, W01C, W36Z		
		17	R01A, R01C, R02Z, R12A, R12B		21A	W01A, W01B, W01C, W36Z	21B	X06A, X06B, X06C		
		21A	W01A, W01B, W01C, W36Z		21B	X06A, X06B	Pre	B61A		
		21B	X06A, X06B		Pre	A11A, A13A, A13B, A13D	5a19p.1	BOP, KVT, UOP4		
		23	Z01A		BOP, KVT, UOP4	01		B09A, B09B, B20A, B20B, B20C, B20D, B20E, B20F		
		5a19k.0			BOP, KVT, UOP4	02	C01A	02	C01A	
			01		B02A, B02B, B02C, B02D, B20A, B20B, B20C, B20D, B20E, B20F, B39A, B39B	06	G01Z, G02Z, G38Z	03	D18Z, D25A, D25B, D25C, D25D	
02			C01A		08	I15A, I15B	09	J08A, J08B, J08C		
08			I15A, I15B		09	J08A	17	R01A, R01B, R01C, R01D, R02Z, R12A, R12B, R12C		
09			J08A		17	R01A, R01C, R02Z, R12A, R12B	21A	W01A, W01B, W01C, W36Z		
17			R01A, R01C, R02Z, R12A, R12B		21A	W01A, W01B, W01C, W36Z	21B	X06A, X06B, X06C		
21A			W01A, W01B, W01C, W36Z	21B	X06A, X06B	Pre	B61A			
21B			X06A, X06B	Pre	A11A, A13A, A13B, A13D	5a19p.3	BOP, KVT, UOP4			
23	Z01A		BOP, KVT, UOP4	01	B09A, B09B, B20A, B20B, B20C, B20D, B20E, B20F					
5a19k.1			BOP, KVT, UOP4	02	C01A	02	C01A			
	01		B02A, B02B, B02C, B02D, B20A, B20B, B20C, B20D, B20E, B20F, B39A, B39B	06	G01Z, G02Z, G38Z	03	D18Z, D25A, D25B, D25C, D25D			
	02		C01A	08	I15A, I15B	09	J08A, J08B, J08C			
	08		I15A, I15B	08	I15A, I15B	17	R01A, R01B, R01C, R01D, R02Z, R12A, R12B, R12C			
	09		J08A	09	J08A	21A	W01A, W01B, W01C, W36Z			
	17		R01A, R01C, R02Z, R12A, R12B	17	R01A, R01C, R02Z, R12A, R12B	21B	X06A, X06B, X06C			
	21A		W01A, W01B, W01C, W36Z	21A	W01A, W01B, W01C, W36Z	Pre	B61A			
	21B		X06A, X06B	21B	X06A, X06B					
	23	Z01A	23	Z01A						
			Pre	A11A, A13A, A13B, A13D						

VYK

ZZV	MDC	DRG	ZZV	MDC	DRG	ZZV	MDC	DRG
5a19r.1		BOP, KVT, UOP4	5a200		BOP, KOP, KVT, UOP4	5a204.2		BOP, KOP, KOPV, KVT, UOP4
	01	B09A, B09B, B20A, B20B, B20C, B20D, B20E, B20F		01	B09A, B09B		01	B02A, B02B, B02C, B02D, B20A, B20B, B20C, B20D, B20E, B20F, B39A, B39B
	02	C01A		08	I15A, I15B		06	G01Z, G02Z, G33Z, G38Z
	03	D18Z, D25A, D25B, D25C, D25D		17	R01A, R01B, R01C, R01D, R02Z, R12A, R12B, R12C		07	H33Z, H38Z
	09	J08A, J08B, J08C		21A	W01A, W01B, W01C, W36Z		11	L33Z
	17	R01A, R01B, R01C, R01D, R02Z, R12A, R12B, R12C		5a202	BOP, KOP, KOPV, KVT, UOP4		17	R01A, R01B, R01C, R01D, R02Z, R12A, R12B, R12C
	21A	W01A, W01B, W01C, W36Z		01	B02A, B02B, B02C, B20A, B20B, B20C, B20D, B20E, B39A, B39B		21A	W04A, W04B
	21B	X06A, X06B, X06C		06	G33Z		21B	X06A, X06B, X06C, X33Z
	Pre	B61A		07	H33Z, H38Z		23	Z01A
	5a19r.3			BOP, KVT, UOP4				Pre
01	B09A, B09B, B20A, B20B, B20C, B20D, B20E, B20F	01	B09A, B09B	5a204.3		BOP, KOP, KOPV, KVT, UOP4		
02	C01A	11	L33Z	01	B02A, B02B, B02C, B02D, B20A, B20B, B20C, B20D, B20E, B20F, B39A, B39B			
03	D18Z, D25A, D25B, D25C, D25D	21A	W01A, W01B, W01C, W36Z	06	G01Z, G02Z, G33Z, G38Z			
09	J08A, J08B, J08C	21B	X06A, X06B, X06C, X33Z	07	H33Z, H38Z			
17	R01A, R01B, R01C, R01D, R02Z, R12A, R12B, R12C	23	Z01A	11	L33Z			
21A	W01A, W01B, W01C, W36Z	Pre	A07A	17	R01A, R01B, R01C, R01D, R02Z, R12A, R12B, R12C			
21B	X06A, X06B, X06C	5a203	BOP, KOP, KOPV, KVT, UOP4	21A	W04A, W04B			
Pre	B61A	01	B02A, B02B, B02C, B02D, B20A, B20B, B20C, B20D, B20E, B20F, B39A, B39B	21B	X06A, X06B, X06C, X33Z			
5a19s		BOP, KOP, KOPV, KVT, UOP4			23	Z01A		
01	B02A, B02B, B02C, B13Z, B20A, B20B, B20C, B20D, B20E, B39A, B39B	06	G33Z	Pre	A07A, A11A, A13A, A13B, A13D			
02	C01A	07	H33Z, H38Z	5a204.4		BOP, KOP, KOPV, KVT, UOP4		
06	G33Z	11	L33Z	01	B02A, B02B, B02C, B02D, B20A, B20B, B20C, B20D, B20E, B20F, B39A, B39B			
07	H33Z, H38Z	17	R01A, R01B, R01C, R01D, R02Z, R12A, R12B, R12C	06	G33Z			
11	L33Z	21A	W04A, W04B	07	H33Z, H38Z			
17	R01A, R01B, R01C, R01D, R02Z, R12A, R12B, R12C	21B	X06A, X06B, X06C, X33Z	11	L33Z			
21A	W01A, W01B, W01C, W36Z	23	Z01A	17	R01A, R01B, R01C, R01D, R02Z, R12A, R12B, R12C			
21B	X06A, X06B, X06C, X33Z	Pre	A07A	21A	W04A, W04B			
23	Z01A	5a204.0	BOP, KOP, KOPV, KVT, UOP4	21B	X06A, X06B, X06C, X33Z			
Pre	A07A	01	B02A, B02B, B02C, B02D, B20A, B20B, B20C, B20D, B20E, B20F, B39A, B39B	Pre	A07A			
5a19t		BOP, KOP, KOPV, KVT, UOP4			5a204.5		BOP, KOP, KOPV, KVT, UOP4	
01	B02A, B02B, B02C, B13Z, B20A, B20B, B20C, B20D, B20E, B39A, B39B	06	G01Z, G02Z, G33Z, G38Z	01	B02A, B02B, B02C, B02D, B20A, B20B, B20C, B20D, B20E, B20F, B39A, B39B			
02	C01A	07	H33Z, H38Z	06	G33Z			
03	D18Z, D25A, D25B, D25C, D25D	07	H33Z, H38Z	07	H33Z, H38Z			
04	E02A, E02B, E02C	11	L33Z	11	L33Z			
06	G10Z, G12A, G12B, G33Z	17	R01A, R01B, R01C, R01D, R02Z, R12A, R12B, R12C	17	R01A, R01B, R01C, R01D, R02Z, R12A, R12B, R12C			
07	H33Z, H38Z	21A	W04A, W04B	21A	W04A, W04B			
09	J03A, J03B, J04A, J04B, J08A, J08B, J08C, J11A, J11B, J16Z	21B	X06A, X06B, X06C, X33Z	21B	X06A, X06B, X06C, X33Z			
10	K09A, K09B	23	Z01A	Pre	A07A			
11	L09A, L09B, L09C, L09D, L33Z, L38Z	Pre	A07A, A11A, A13A, A13B, A13D	Pre	A07A			
12	M06Z, M09A, M09B, M38Z	5a204.1	BOP, KOP, KOPV, KVT, UOP4	01	B02A, B02B, B02C, B02D, B20A, B20B, B20C, B20D, B20E, B20F, B39A, B39B			
13	N13A, N13B	01	B02A, B02B, B02C, B02D, B20A, B20B, B20C, B20D, B20E, B20F, B39A, B39B	06	G33Z			
17	R01A, R01B, R01C, R01D, R02Z, R12A, R12B, R12C	06	G01Z, G02Z, G33Z, G38Z	07	H33Z, H38Z			
21A	W01A, W01B, W01C, W36Z	07	H33Z, H38Z	11	L33Z			
21B	X04Z, X05A, X05B, X06A, X06B, X06C, X33Z	11	L33Z	17	R01A, R01B, R01C, R01D, R02Z, R12A, R12B, R12C			
23	Z01A	17	R01A, R01B, R01C, R01D, R02Z, R12A, R12B, R12C	21A	W04A, W04B			
Pre	A07A	21A	W04A, W04B	21B	X06A, X06B, X06C, X33Z			
		21B	X06A, X06B, X06C, X33Z	23	Z01A			
		23	Z01A	Pre	A07A			
		Pre	A07A, A11A, A13A, A13B, A13D					

VYK

ZZV	MDC	DRG	ZZV	MDC	DRG	ZZV	MDC	DRG			
5a204.6		BOP, KOP, KOPV, KVT, UOP4	5a206		BOP, KOP, KOPV, KVT, UOP4	5a209.1		BOP, KOP, KOPV, KVT, UOP4			
	01	B02A, B02B, B02C, B02D, B20A, B20B, B20C, B20D, B20E, B20F, B39A, B39B		01	B02A, B02B, B02C, B02D, B20A, B20B, B20C, B20D, B20E, B20F, B39A, B39B		01	B02A, B02B, B02C, B13Z, B20A, B20B, B20C, B20D, B20E, B20F, B39A, B39B			
	06	G33Z		06	G33Z		06	G33Z			
	07	H33Z, H38Z		07	H33Z, H38Z		07	H33Z, H38Z			
	11	L33Z		11	L33Z		11	L33Z			
	17	R01A, R01B, R01C, R01D, R02Z, R12A, R12B, R12C		17	R01A, R01B, R01C, R01D, R02Z, R12A, R12B, R12C		17	R01A, R01B, R01C, R01D, R02Z, R12A, R12B, R12C			
	21A	W04A, W04B		21A	W04A, W04B		21A	W04A, W04B			
	21B	X06A, X06B, X06C, X33Z		21B	X06A, X06B, X06C, X33Z		21B	X06A, X06B, X06C, X33Z			
	23	Z01A		23	Z01A		23	Z01A			
	Pre	A07A		Pre	A07A		Pre	A07A			
	5a204.7			BOP, KOP, KOPV, KVT, UOP4	5a207			BOP, KOP, KOPV, KVT, UOP4	5a20a		BOP, KOP, KOPV, KVT, UOP4
		01		B02A, B02B, B02C, B02D, B20A, B20B, B20C, B20D, B20E, B20F, B39A, B39B			01	B02A, B02B, B02C, B20A, B20B, B20C, B20D, B20E, B21A, B39A, B39B		01	B02A, B02B, B02C, B02D, B20A, B20B, B20C, B20D, B20E, B20F, B39A, B39B
		06		G33Z			04	E36Z		06	G33Z
07		H33Z, H38Z	06	G33Z, G36Z		07	H33Z, H38Z				
11		L33Z	07	H33Z, H38Z		11	L33Z				
17		R01A, R01B, R01C, R01D, R02Z, R12A, R12B, R12C	08	I26Z		17	R01A, R01B, R01C, R01D, R02Z, R12A, R12B, R12C				
21A		W04A, W04B	11	L33Z		21A	W01A, W01B, W01C, W36Z				
21B		X06A, X06B, X06C, X33Z	17	R01A, R01B, R01C, R01D, R02Z, R12A, R12B, R12C		21B	X06A, X06B, X06C, X33Z				
23		Z01A	21A	W04A, W04B		23	Z01A				
Pre		A07A	21B	X06A, X06B, X06C, X33Z		Pre	A07A				
5a205.0			BOP, KOP, KOPV, KVT, UOP4	5a208			BOP, KOP, KOPV, KVT, UOP4	5a20b.0			BOP, KOP, KOPV, KVT, UOP4
		01	B02A, B02B, B02C, B02D, B20A, B20B, B20C, B20D, B20E, B20F, B39A, B39B			01	B02A, B02B, B02C, B13Z, B20A, B20B, B20C, B20D, B20E, B39A, B39B			01	B02A, B02B, B02C, B02D, B20A, B20B, B20C, B20D, B20E, B20F, B39A, B39B
		06	G01Z, G02Z, G33Z, G38Z			06	G33Z			06	G01Z, G02Z, G33Z, G38Z
	07	H33Z, H38Z	07		H33Z, H38Z	07	H33Z, H38Z				
	11	L33Z	11		L33Z	11	L33Z				
	17	R01A, R01B, R01C, R01D, R02Z, R12A, R12B, R12C	06		G33Z	17	R01A, R01B, R01C, R01D, R02Z, R12A, R12B, R12C				
	21A	W04A, W04B	07		H33Z, H38Z	21A	W01A, W01B, W01C, W36Z				
	21B	X06A, X06B, X06C, X33Z	11		L33Z	21B	X06A, X06B, X06C, X33Z				
	23	Z01A	17		R01A, R01B, R01C, R01D, R02Z, R12A, R12B, R12C	23	Z01A				
	Pre	A07A, A11A, A13A, A13B, A13D	21A		W04A, W04B	Pre	A07A, A11A, A13A, A13B, A13D				
	5a205.1		BOP, KOP, KOPV, KVT, UOP4		5a209.0		BOP, KOP, KOPV, KVT, UOP4		5a20b.1		BOP, KOP, KOPV, KVT, UOP4
		01	B02A, B02B, B02C, B02D, B20A, B20B, B20C, B20D, B20E, B20F, B39A, B39B			01	B02A, B02B, B02C, B20A, B20B, B20C, B20D, B20E, B39A, B39B			01	B02A, B02B, B02C, B02D, B20A, B20B, B20C, B20D, B20E, B20F, B39A, B39B
		06	G33Z			06	G33Z			06	G01Z, G02Z, G33Z, G38Z
07		H33Z, H38Z	07	H33Z, H38Z		07	H33Z, H38Z				
11		L33Z	06	G33Z		11	L33Z				
17		R01A, R01B, R01C, R01D, R02Z, R12A, R12B, R12C	07	H33Z, H38Z		17	R01A, R01B, R01C, R01D, R02Z, R12A, R12B, R12C				
21A		W04A, W04B	11	L33Z		21A	W01A, W01B, W01C, W36Z				
21B		X06A, X06B, X06C, X33Z	17	R01A, R01B, R01C, R01D, R02Z, R12A, R12B, R12C		21B	X06A, X06B, X06C, X33Z				
23		Z01A	21A	W04A, W04B		23	Z01A				
Pre		A07A	21B	X06A, X06B, X06C, X33Z		Pre	A07A, A11A, A13A, A13B, A13D				
			23	Z01A							
			Pre	A07A							

ZZV	MDC	DRG	ZZV	MDC	DRG	ZZV	MDC	DRG			
5a20b.2		BOP, KOP, KOPV, KVT, UOP4	5a20e.0		BOP, KOP, KOPV, KVT, UOP4	5a20e.4		BOP, KOP, KOPV, KVT, UOP4			
	01	B02A, B02B, B02C, B02D, B20A, B20B, B20C, B20D, B20E, B20F, B39A, B39B		01	B02A, B02B, B02C, B20A, B20B, B20C, B20D, B20E, B39A, B39B		01	B02A, B02B, B02C, B20A, B20B, B20C, B20D, B20E, B39A, B39B			
	06	G01Z, G02Z, G33Z, G38Z		05	F01A, F01B, F01D, F05Z, F07A, F07B, F14A, F14B, F28A, F42Z, F54Z, F59A, F59B		05	F01A, F01B, F01D, F05Z, F07A, F07B, F14A, F14B, F28A, F42Z, F54Z, F59A, F59B			
	07	H33Z, H38Z		06	G33Z		06	G33Z			
	11	L33Z		07	H33Z, H38Z		07	H33Z, H38Z			
	17	R01A, R01B, R01C, R01D, R02Z, R12A, R12B, R12C		11	L33Z		11	L33Z			
	21A	W01A, W01B, W01C, W36Z		21A	W01A, W01B, W01C, W36Z		21A	W01A, W01B, W01C, W36Z			
	21B	X06A, X06B, X06C, X33Z		21B	X06A, X06B, X06C, X33Z		21B	X06A, X06B, X06C, X33Z			
	23	Z01A		23	Z01A		23	Z01A			
	Pre	A07A, A11A, A13A, A13B, A13D		Pre	A07A		Pre	A07A			
	5a20b.3			BOP, KOP, KOPV, KVT, UOP4	5a20e.1			BOP, KOP, KOPV, KVT, UOP4	5a20e.5		BOP, KOP, KOPV, KVT, UOP4
		01		B02A, B02B, B02C, B02D, B20A, B20B, B20C, B20D, B20E, B20F, B39A, B39B			01	B02A, B02B, B02C, B20A, B20B, B20C, B20D, B20E, B39A, B39B		01	B02A, B02B, B02C, B20A, B20B, B20C, B20D, B20E, B39A, B39B
		06		G01Z, G02Z, G33Z, G38Z			05	F01A, F01B, F01D, F05Z, F07A, F07B, F14A, F14B, F28A, F42Z, F54Z, F59A, F59B		05	F01A, F01B, F01D, F05Z, F07A, F07B, F14A, F14B, F28A, F42Z, F54Z, F59A, F59B
		07		H33Z, H38Z			06	G33Z		06	G33Z
11		L33Z	07	H33Z, H38Z		07	H33Z, H38Z				
17		R01A, R01B, R01C, R01D, R02Z, R12A, R12B, R12C	11	L33Z		11	L33Z				
21A		W01A, W01B, W01C, W36Z	21A	W01A, W01B, W01C, W36Z		21A	W01A, W01B, W01C, W36Z				
21B		X06A, X06B, X06C, X33Z	21B	X06A, X06B, X06C, X33Z		21B	X06A, X06B, X06C, X33Z				
23		Z01A	23	Z01A		23	Z01A				
Pre		A07A, A11A, A13A, A13B, A13D	Pre	A07A		Pre	A07A				
5a20c			BOP, KOP, KOPV, KVT, UOP4	5a20e.2			BOP, KOP, KOPV, KVT, UOP4	5a20e.6			BOP, KOP, KOPV, KVT, UOP4
		01	B02A, B02B, B02C, B02D, B20A, B20B, B20C, B20D, B20E, B20F, B39A, B39B			01	B02A, B02B, B02C, B20A, B20B, B20C, B20D, B20E, B39A, B39B			01	B02A, B02B, B02C, B20A, B20B, B20C, B20D, B20E, B39A, B39B
		06	G33Z			05	F01A, F01B, F01D, F05Z, F07A, F07B, F14A, F14B, F28A, F42Z, F54Z, F59A, F59B			05	F01A, F01B, F01D, F05Z, F07A, F07B, F14A, F14B, F28A, F42Z, F54Z, F59A, F59B
		07	H33Z, H38Z			06	G33Z			06	G33Z
	11	L33Z	07		H33Z, H38Z	07	H33Z, H38Z				
	17	R01A, R01B, R01C, R01D, R02Z, R12A, R12B, R12C	11		L33Z	11	L33Z				
	21A	W04A, W04B	21A		W01A, W01B, W01C, W36Z	21A	W01A, W01B, W01C, W36Z				
	21B	X06A, X06B, X06C, X33Z	21B		X06A, X06B, X06C, X33Z	21B	X06A, X06B, X06C, X33Z				
	23	Z01A	23		Z01A	23	Z01A				
	Pre	A07A	Pre		A07A	Pre	A07A				
	5a20d		BOP, KOP, KOPV, KVT, UOP4		5a20e.3		BOP, KOP, KOPV, KVT, UOP4		5a20e.7		BOP, KOP, KOPV, KVT, UOP4
		01	B02A, B02B, B02C, B02D, B20A, B20B, B20C, B20D, B20E, B20F, B39A, B39B			01	B02A, B02B, B02C, B20A, B20B, B20C, B20D, B20E, B39A, B39B			01	B02A, B02B, B02C, B20A, B20B, B20C, B20D, B20E, B39A, B39B
		06	G33Z			05	F01A, F01B, F01D, F05Z, F07A, F07B, F14A, F14B, F28A, F42Z, F54Z, F59A, F59B			05	F01A, F01B, F01D, F05Z, F07A, F07B, F14A, F14B, F28A, F42Z, F54Z, F59A, F59B
		07	H33Z, H38Z			06	G33Z			06	G33Z
11		L33Z	07	H33Z, H38Z		07	H33Z, H38Z				
17		R01A, R01B, R01C, R01D, R02Z, R12A, R12B, R12C	11	L33Z		11	L33Z				
21A		W01A, W01B, W01C, W36Z	21A	W01A, W01B, W01C, W36Z		21A	W01A, W01B, W01C, W36Z				
21B		X06A, X06B, X06C, X33Z	21B	X06A, X06B, X06C, X33Z		21B	X06A, X06B, X06C, X33Z				
23		Z01A	23	Z01A		23	Z01A				
Pre		A07A	Pre	A07A		Pre	A07A				

ZZV	MDC	DRG	ZZV	MDC	DRG	ZZV	MDC	DRG			
5a20e.8		BOP, KOP, KOPV, KVT, UOP4	5a20f.0		BOP, KOP, KOPV, KVT, UOP4	5a20g.4		BOP, KOP, KOPV, KVT, UOP4			
	01	B02A, B02B, B02C, B20A, B20B, B20C, B20D, B20E, B39A, B39B		01	B02A, B02B, B02C, B20A, B20B, B20C, B20D, B20E, B39A, B39B		01	B02A, B02B, B02C, B20A, B20B, B20C, B20D, B20E, B39A, B39B			
	05	F01A, F01B, F01D, F05Z, F07A, F07B, F14A, F14B, F28A, F42Z, F54Z, F59A, F59B		05	F01A, F01B, F01D, F05Z, F07A, F07B, F14A, F14B, F28A, F42Z, F54Z, F59A, F59B		05	F01A, F01B, F01D, F05Z, F07A, F07B, F14A, F14B, F28A, F42Z, F54Z, F59A, F59B			
	06	G33Z		06	G33Z		06	G33Z			
	07	H33Z, H38Z		07	H33Z, H38Z		07	H33Z, H38Z			
	11	L33Z		11	L33Z		11	L33Z			
	21A	W01A, W01B, W01C, W36Z		21A	W01A, W01B, W01C, W36Z		21A	W01A, W01B, W01C, W36Z			
	21B	X06A, X06B, X06C, X33Z		21B	X06A, X06B, X06C, X33Z		21B	X06A, X06B, X06C, X33Z			
	23	Z01A		23	Z01A		23	Z01A			
	Pre	A07A		Pre	A07A		Pre	A07A			
	5a20e.9			BOP, KOP, KOPV, KVT, UOP4	5a20f.1			BOP, KOP, KOPV, KVT, UOP4	5a20g.5		BOP, KOP, KOPV, KVT, UOP4
		01		B02A, B02B, B02C, B20A, B20B, B20C, B20D, B20E, B39A, B39B			01	B02A, B02B, B02C, B20A, B20B, B20C, B20D, B20E, B39A, B39B		01	B02A, B02B, B02C, B20A, B20B, B20C, B20D, B20E, B39A, B39B
		05		F01A, F01B, F01D, F05Z, F07A, F07B, F14A, F14B, F28A, F42Z, F54Z, F59A, F59B			05	F01A, F01B, F01D, F05Z, F07A, F07B, F14A, F14B, F28A, F42Z, F54Z, F59A, F59B		06	G33Z
06		G33Z	06	G33Z		07	H33Z, H38Z				
07		H33Z, H38Z	07	H33Z, H38Z		08	I15A, I15B				
11		L33Z	11	L33Z		11	L33Z				
21A		W01A, W01B, W01C, W36Z	21A	W01A, W01B, W01C, W36Z		21A	W01A, W01B, W01C, W36Z				
21B		X06A, X06B, X06C, X33Z	21B	X06A, X06B, X06C, X33Z		21B	X06A, X06B, X06C, X33Z				
23		Z01A	23	Z01A		23	Z01A				
Pre		A07A	Pre	A07A		Pre	A07A				
5a20e.a			BOP, KOP, KOPV, KVT, UOP4	5a20f.2			BOP, KOP, KOPV, KVT, UOP4	5a20g.6			BOP, KOP, KOPV, KVT, UOP4
		01	B02A, B02B, B02C, B20A, B20B, B20C, B20D, B20E, B39A, B39B			01	B02A, B02B, B02C, B20A, B20B, B20C, B20D, B20E, B39A, B39B			01	B02A, B02B, B02C, B20A, B20B, B20C, B20D, B20E, B39A, B39B
		05	F01A, F01B, F01D, F05Z, F07A, F07B, F14A, F14B, F28A, F42Z, F54Z, F59A, F59B			05	F01A, F01B, F01D, F05Z, F07A, F07B, F14A, F14B, F28A, F42Z, F54Z, F59A, F59B			05	F01A, F01B, F01D, F05Z, F07A, F07B, F14A, F14B, F28A, F42Z, F54Z, F59A, F59B
	06	G33Z	06		G33Z	06	G33Z				
	07	H33Z, H38Z	07		H33Z, H38Z	07	H33Z, H38Z				
	11	L33Z	11		L33Z	11	L33Z				
	21A	W01A, W01B, W01C, W36Z	21A		W01A, W01B, W01C, W36Z	21A	W01A, W01B, W01C, W36Z				
	21B	X06A, X06B, X06C, X33Z	21B		X06A, X06B, X06C, X33Z	21B	X06A, X06B, X06C, X33Z				
	23	Z01A	23		Z01A	23	Z01A				
	Pre	A07A	Pre		A07A	Pre	A07A				
	5a20e.b		BOP, KOP, KOPV, KVT, UOP4		5a20f.3		BOP, KOP, KOPV, KVT, UOP4		5a20g.7		BOP, KOP, KOPV, KVT, UOP4
		01	B02A, B02B, B02C, B20A, B20B, B20C, B20D, B20E, B39A, B39B			01	B02A, B02B, B02C, B20A, B20B, B20C, B20D, B20E, B39A, B39B			01	B02A, B02B, B02C, B20A, B20B, B20C, B20D, B20E, B39A, B39B
		05	F01A, F01B, F01D, F05Z, F07A, F07B, F14A, F14B, F28A, F42Z, F54Z, F59A, F59B			05	F01A, F01B, F01D, F05Z, F07A, F07B, F14A, F14B, F28A, F42Z, F54Z, F59A, F59B			06	G33Z
06		G33Z	06	G33Z		07	H33Z, H38Z				
07		H33Z, H38Z	07	H33Z, H38Z		08	I15A, I15B				
11		L33Z	11	L33Z		11	L33Z				
21A		W01A, W01B, W01C, W36Z	21A	W01A, W01B, W01C, W36Z		21A	W01A, W01B, W01C, W36Z				
21B		X06A, X06B, X06C, X33Z	21B	X06A, X06B, X06C, X33Z		21B	X06A, X06B, X06C, X33Z				
23		Z01A	23	Z01A		23	Z01A				
Pre		A07A	Pre	A07A		Pre	A07A				





ZZV	MDC	DRG	ZZV	MDC	DRG	ZZV	MDC	DRG			
5a20n.1		BOP, KOP, KOPV, KVT, UOP4	5a20s		BOP, KOP, KOPV, KVT, UOP4	5a210.1		BOP, KOP, KOPV, KVT, UOP4			
	01	B02A, B02B, B02C, B20A, B20B, B20C, B20D, B20E, B39A, B39B		01	B02A, B02B, B02C, B02D, B20A, B20B, B20C, B20D, B20E, B20F, B39A, B39B		01	B02A, B02B, B02C, B02D, B20A, B20B, B20C, B20D, B20E, B20F, B39A, B39B			
	02	C01A		05	F13A		02	C01A			
	06	G01Z, G02Z, G33Z, G38Z		06	G01Z, G02Z, G33Z, G38Z		06	G33Z			
	07	H33Z, H38Z		07	H33Z, H38Z		07	H33Z, H38Z			
	11	L33Z		11	L33Z		08	I15A, I15B			
	21A	W01A, W01B, W01C, W36Z		21A	W04A, W04B		11	L33Z			
	21B	X06A, X06B, X06C, X33Z		21B	X06A, X06B, X06C, X33Z		21A	W01A, W01B, W01C, W36Z			
	23	Z01A		23	Z01A		21B	X06A, X06B, X33Z			
	Pre	A07A, A11A, A13A, A13B, A13D		Pre	A07A, A11A, A13A, A13B, A13D		23	Z01A			
	5a20n.2			BOP, KOP, KOPV, KVT, UOP4	5a20t			BOP, KVT, UOP4	5a211.2		BOP, KOP, KOPV, KVT, UOP4
		01		B02A, B02B, B02C, B20A, B20B, B20C, B20D, B20E, B39A, B39B			01	B18Z		01	B02A, B02B, B02C, B20A, B20B, B20C, B20D, B20E, B39A, B39B
		02		C01A			05	F13A		02	C01A
06		G01Z, G02Z, G33Z, G38Z	06	G01Z, G02Z, G38Z		06	G33Z				
07		H33Z, H38Z	08	I15A, I15B		07	H33Z, H38Z				
11		L33Z	17	R01A, R01B, R01C, R01D, R02Z, R12A, R12B, R12C		08	I15A, I15B				
21A		W01A, W01B, W01C, W36Z	21A	W04A, W04B		11	L33Z				
21B		X06A, X06B, X06C, X33Z	21B	X06A, X06B, X06C		21A	W01A, W01B, W01C, W36Z				
23		Z01A	Pre	A11A, A13A, A13B, A13D		21B	X06A, X06B, X33Z				
Pre		A07A, A11A, A13A, A13B, A13D	5a20u			Pre	A07A				
5a20o			BOP, KOP, KOPV, KVT, UOP4	5a20u			BOP, KVT, UOP4	5a211.3			BOP, KOP, KOPV, KVT, UOP4
		01	B02A, B02B, B02C, B20A, B20B, B20C, B20D, B20E, B39A, B39B			01	B18Z			01	B02A, B02B, B02C, B20A, B20B, B20C, B20D, B20E, B39A, B39B
		02	C01A			05	F13A			02	C01A
	06	G01Z, G02Z, G33Z, G38Z	06		G01Z, G02Z, G38Z	06	G33Z				
	07	H33Z, H38Z	08		I15A, I15B	07	H33Z, H38Z				
	11	L33Z	17		R01A, R01B, R01C, R01D, R02Z, R12A, R12B, R12C	08	I15A, I15B				
	21A	W01A, W01B, W01C, W36Z	21A		W04A, W04B	11	L33Z				
	21B	X06A, X06B, X06C, X33Z	21B		X06A, X06B, X06C	21A	W01A, W01B, W01C, W36Z				
	23	Z01A	Pre		A11A, A13A, A13B, A13D	21B	X06A, X06B, X33Z				
	Pre	A07A, A11A, A13A, A13B, A13D	5a20v			Pre	A07A				
	5a20p		BOP, KOP, KOPV, KVT, UOP4		5a20v		BOP, KOP, KOPV, KVT, UOP4		5a211.4		BOP, KOP, KOPV, KVT, UOP4
		01	B02A, B02B, B02C, B20A, B20B, B20C, B20D, B20E, B39A, B39B			01	B02A, B02B, B02C, B02D, B20A, B20B, B20C, B20D, B20E, B20F, B39A, B39B			01	B02A, B02B, B02C, B20A, B20B, B20C, B20D, B20E, B39A, B39B
		05	F01A, F01B, F01D, F05Z, F07A, F07B, F08A, F08B, F08C, F08D, F08E, F28A, F42Z			05	F13A			02	C01A
06		G33Z	06	G01Z, G02Z, G33Z, G38Z		06	G33Z				
07		H33Z, H38Z	07	H33Z, H38Z		07	H33Z, H38Z				
11		L33Z	11	L33Z		08	I15A, I15B				
21B		X33Z	21A	W04A, W04B		11	L33Z				
23		Z01A	21B	X06A, X06B, X06C, X33Z		21A	W01A, W01B, W01C, W36Z				
Pre		A07A	23	Z01A		21B	X06A, X06B, X33Z				
5a210.0			BOP, KOP, KOPV, KVT, UOP4	5a210.0			BOP, KOP, KOPV, KVT, UOP4	5a211.5			BOP, KOP, KOPV, KVT, UOP4
		01	B02A, B02B, B02C, B02D, B20A, B20B, B20C, B20D, B20E, B20F, B39A, B39B			01	B02A, B02B, B02C, B02D, B20A, B20B, B20C, B20D, B20E, B20F, B39A, B39B			01	B02A, B02B, B02C, B20A, B20B, B20C, B20D, B20E, B39A, B39B
		02	C01A			02	C01A			02	C01A
		06	G33Z			06	G33Z			06	G33Z
	07	H33Z, H38Z	07		H33Z, H38Z	07	H33Z, H38Z				
	11	L33Z	08		I15A, I15B	08	I15A, I15B				
	21A	W01A, W01B, W01C, W36Z	11		L33Z	11	L33Z				
	21B	X06A, X06B, X33Z	21A		W01A, W01B, W01C, W36Z	21A	W01A, W01B, W01C, W36Z				
	23	Z01A	21B		X06A, X06B, X33Z	21B	X06A, X06B, X33Z				
	Pre	A07A	Pre		A07A	Pre	A07A				

VYK

ZZV	MDC	DRG	ZZV	MDC	DRG	ZZV	MDC	DRG			
5a211.6		BOP, KOP, KOPV, KVT, UOP4	5a212.5		BOP, KOP, KOPV, KVT, UOP4	5a214.10		BOP, KOP, KOPV, KVT, UOP4			
	01	B02A, B02B, B02C, B20A, B20B, B20C, B20D, B20E, B39A, B39B		01	B02A, B02B, B02C, B20A, B20B, B20C, B20D, B20E, B39A, B39B		01	B02A, B02B, B02C, B20A, B20B, B20C, B20D, B20E, B39A, B39B			
	02	C01A		02	C01A		02	C01A			
	06	G33Z		06	G33Z		03	D18Z, D25A, D25B, D25C, D25D			
	07	H33Z, H38Z		07	H33Z, H38Z		06	G33Z			
	08	I15A, I15B		08	I15A, I15B		07	H33Z, H38Z			
	11	L33Z		11	L33Z		08	I15A, I15B			
	21A	W01A, W01B, W01C, W36Z		21A	W01A, W01B, W01C, W36Z		09	J08A, J08B, J08C			
	21B	X06A, X06B, X33Z		21B	X06A, X06B, X33Z		11	L33Z			
	23	Z01A		23	Z01A		21A	W01A, W01B, W01C, W36Z			
	Pre	A07A		Pre	A07A		21B	X06A, X06B, X33Z			
	5a211.7			BOP, KOP, KOPV, KVT, UOP4	5a212.6			BOP, KOP, KOPV, KVT, UOP4	5a214.11		BOP, KOP, KOPV, KVT, UOP4
		01		B02A, B02B, B02C, B20A, B20B, B20C, B20D, B20E, B39A, B39B			01	B02A, B02B, B02C, B20A, B20B, B20C, B20D, B20E, B39A, B39B		01	B02A, B02B, B02C, B20A, B20B, B20C, B20D, B20E, B39A, B39B
		02		C01A			02	C01A		02	C01A
06		G33Z	06	G33Z		03	D18Z, D25A, D25B, D25C, D25D				
07		H33Z, H38Z	07	H33Z, H38Z		06	G33Z				
08		I15A, I15B	08	I15A, I15B		07	H33Z, H38Z				
11		L33Z	11	L33Z		08	I15A, I15B				
21A		W01A, W01B, W01C, W36Z	21A	W01A, W01B, W01C, W36Z		09	J08A, J08B, J08C				
21B		X06A, X06B, X33Z	21B	X06A, X06B, X33Z		11	L33Z				
23		Z01A	23	Z01A		21A	W01A, W01B, W01C, W36Z				
Pre		A07A	Pre	A07A		21B	X06A, X06B, X33Z				
5a212.2			BOP, KOP, KOPV, KVT, UOP4	5a212.7			BOP, KOP, KOPV, KVT, UOP4	5a214.12			BOP, KOP, KOPV, KVT, UOP4
		01	B02A, B02B, B02C, B20A, B20B, B20C, B20D, B20E, B39A, B39B			01	B02A, B02B, B02C, B20A, B20B, B20C, B20D, B20E, B39A, B39B			01	B02A, B02B, B02C, B20A, B20B, B20C, B20D, B20E, B39A, B39B
		02	C01A			02	C01A			02	C01A
	06	G33Z	06		G33Z	03	D18Z, D25A, D25B, D25C, D25D				
	07	H33Z, H38Z	07		H33Z, H38Z	06	G33Z				
	08	I15A, I15B	08		I15A, I15B	07	H33Z, H38Z				
	11	L33Z	11		L33Z	08	I15A, I15B				
	21A	W01A, W01B, W01C, W36Z	21A		W01A, W01B, W01C, W36Z	09	J08A, J08B, J08C				
	21B	X06A, X06B, X33Z	21B		X06A, X06B, X33Z	11	L33Z				
	23	Z01A	23		Z01A	21A	W01A, W01B, W01C, W36Z				
	Pre	A07A	Pre		A07A	21B	X06A, X06B, X33Z				
	5a212.3		BOP, KOP, KOPV, KVT, UOP4		5a213		BOP, KOP, KOPV, KVT, UOP4		5a214.20		BOP, KOP, KOPV, KVT, UOP4
		01	B02A, B02B, B02C, B20A, B20B, B20C, B20D, B20E, B39A, B39B			01	B02A, B02B, B02C, B20A, B20B, B20C, B20D, B20E, B39A, B39B			01	B02A, B02B, B02C, B20A, B20B, B20C, B20D, B20E, B39A, B39B
		02	C01A			02	C01A			02	C01A
06		G33Z	03	D18Z, D25A, D25B, D25C, D25D		06	G33Z				
07		H33Z, H38Z	06	G33Z		07	H33Z, H38Z				
08		I15A, I15B	07	H33Z, H38Z		08	I15A, I15B				
11		L33Z	08	I15A, I15B		09	J08A, J08B, J08C				
21A		W01A, W01B, W01C, W36Z	09	J08A, J08B, J08C		11	L33Z				
21B		X06A, X06B, X33Z	11	L33Z		21A	W01A, W01B, W01C, W36Z				
23		Z01A	21A	W01A, W01B, W01C, W36Z		21B	X06A, X06B, X33Z				
Pre		A07A	21B	X06A, X06B, X33Z		23	Z01A				
5a212.4			BOP, KOP, KOPV, KVT, UOP4	5a212.4			BOP, KOP, KOPV, KVT, UOP4	5a212.4			BOP, KOP, KOPV, KVT, UOP4
		01	B02A, B02B, B02C, B20A, B20B, B20C, B20D, B20E, B39A, B39B			01	B02A, B02B, B02C, B20A, B20B, B20C, B20D, B20E, B39A, B39B			01	B02A, B02B, B02C, B20A, B20B, B20C, B20D, B20E, B39A, B39B
		02	C01A			02	C01A			02	C01A
	06	G33Z	06		G33Z	06	G33Z				
	07	H33Z, H38Z	07		H33Z, H38Z	07	H33Z, H38Z				
	08	I15A, I15B	08		I15A, I15B	08	I15A, I15B				
	11	L33Z	11		L33Z	11	L33Z				
	21A	W01A, W01B, W01C, W36Z	21A		W01A, W01B, W01C, W36Z	21A	W01A, W01B, W01C, W36Z				
	21B	X06A, X06B, X33Z	21B		X06A, X06B, X33Z	21B	X06A, X06B, X33Z				
	23	Z01A	23		Z01A	23	Z01A				
	Pre	A07A	Pre		A07A	Pre	A07A				

VYK

ZZV	MDC	DRG	ZZV	MDC	DRG	ZZV	MDC	DRG			
5a214.21		BOP, KOP, KOPV, KVT, UOP4	5a214.a		BOP, KOP, KOPV, KVT, UOP4	5a215.3		BOP, KOP, KOPV, KVT, UOP4			
	01	B02A, B02B, B02C, B20A, B20B, B20C, B20D, B20E, B39A, B39B		01	B02A, B02B, B02C, B20A, B20B, B20C, B20D, B20E, B39A, B39B		01	B02A, B02B, B02C, B20A, B20B, B20C, B20D, B20E, B39A, B39B			
	02	C01A		02	C01A		02	C01A			
	06	G33Z		06	G33Z		06	G33Z			
	07	H33Z, H38Z		07	H33Z, H38Z		07	H33Z, H38Z			
	08	I15A, I15B		08	I15A, I15B		08	I15A, I15B			
	11	L33Z		11	L33Z		11	L33Z			
	21A	W01A, W01B, W01C, W36Z		21A	W01A, W01B, W01C, W36Z		17	R01A, R01B, R01C, R01D, R02Z, R12A, R12B, R12C			
	21B	X06A, X06B, X33Z		21B	X06A, X06B, X33Z		21A	W01A, W01B, W01C, W36Z			
	23	Z01A		23	Z01A		21B	X06A, X06B, X33Z			
	Pre	A07A		Pre	A07A		23	Z01A			
	5a214.22			BOP, KOP, KOPV, KVT, UOP4	5a214.b			BOP, KOP, KOPV, KVT, UOP4	5a215.4		BOP, KOP, KOPV, KVT, UOP4
		01		B02A, B02B, B02C, B20A, B20B, B20C, B20D, B20E, B39A, B39B			01	B02A, B02B, B02C, B20A, B20B, B20C, B20D, B20E, B39A, B39B		01	B02A, B02B, B02C, B20A, B20B, B20C, B20D, B20E, B39A, B39B
		02		C01A			02	C01A		02	C01A
06		G33Z	06	G33Z		06	G33Z				
07		H33Z, H38Z	07	H33Z, H38Z		07	H33Z, H38Z				
08		I15A, I15B	08	I15A, I15B		08	I15A, I15B				
11		L33Z	11	L33Z		11	L33Z				
21A		W01A, W01B, W01C, W36Z	21A	W01A, W01B, W01C, W36Z		21A	W01A, W01B, W01C, W36Z				
21B		X06A, X06B, X33Z	21B	X06A, X06B, X33Z		21B	X06A, X06B, X33Z				
23		Z01A	23	Z01A		23	Z01A				
Pre		A07A	Pre	A07A		Pre	A07A				
5a214.8			BOP, KOP, KOPV, KVT, UOP4	5a214.c			BOP, KOP, KOPV, KVT, UOP4	5a215.5			BOP, KOP, KOPV, KVT, UOP4
		01	B02A, B02B, B02C, B20A, B20B, B20C, B20D, B20E, B39A, B39B			01	B02A, B02B, B02C, B20A, B20B, B20C, B20D, B20E, B39A, B39B			01	B02A, B02B, B02C, B20A, B20B, B20C, B20D, B20E, B39A, B39B
		02	C01A			02	C01A			02	C01A
	06	G33Z	06		G33Z	06	G33Z				
	07	H33Z, H38Z	07		H33Z, H38Z	07	H33Z, H38Z				
	08	I15A, I15B	08		I15A, I15B	08	I15A, I15B				
	11	L33Z	11		L33Z	11	L33Z				
	17	R01A, R01B, R01C, R01D, R02Z, R12A, R12B, R12C	21A		W01A, W01B, W01C, W36Z	08	I15A, I15B				
	21A	W01A, W01B, W01C, W36Z	21B		X06A, X06B, X33Z	11	L33Z				
	21B	X06A, X06B, X33Z	23		Z01A	21A	W01A, W01B, W01C, W36Z				
	23	Z01A	Pre		A07A	21B	X06A, X06B, X33Z				
	Pre	A07A	5a215.2			BOP, KOP, KOPV, KVT, UOP4	23		Z01A		
	5a214.9				BOP, KOP, KOPV, KVT, UOP4	01	B02A, B02B, B02C, B20A, B20B, B20C, B20D, B20E, B39A, B39B		Pre	A07A	
		01	B02A, B02B, B02C, B20A, B20B, B20C, B20D, B20E, B39A, B39B		02	C01A	5a215.6			BOP, KOP, KOPV, KVT, UOP4	
02		C01A	06	G33Z	01	B02A, B02B, B02C, B20A, B20B, B20C, B20D, B20E, B39A, B39B					
06		G33Z	07	H33Z, H38Z	02	C01A					
07		H33Z, H38Z	08	I15A, I15B	02	C01A					
08		I15A, I15B	11	L33Z	06	G33Z					
11		L33Z	21A	W01A, W01B, W01C, W36Z	07	H33Z, H38Z					
21A		W01A, W01B, W01C, W36Z	21B	X06A, X06B, X33Z	07	H33Z, H38Z					
21B		X06A, X06B, X33Z	23	Z01A	08	I15A, I15B					
23		Z01A	Pre	A07A	11	L33Z					
Pre		A07A			21A	W01A, W01B, W01C, W36Z					
					21B	X06A, X06B, X33Z					
					23	Z01A					
					Pre	A07A					

VYK

ZZV	MDC	DRG	ZZV	MDC	DRG	ZZV	MDC	DRG			
5a215.7		BOP, KOP, KOPV, KVT, UOP4	5a215.91		BOP, KOP, KOPV, KVT, UOP4	5a215.a2		BOP, KOP, KOPV, KVT, UOP4			
	01	B02A, B02B, B02C, B20A, B20B, B20C, B20D, B20E, B39A, B39B		01	B02A, B02B, B02C, B20A, B20B, B20C, B20D, B20E, B21A, B39A, B39B		01	B02A, B02B, B02C, B20A, B20B, B20C, B20D, B20E, B21A, B21B, B39A, B39B			
	02	C01A		04	E36Z		04	E36Z			
	06	G33Z		06	G33Z, G36Z		06	G33Z, G36Z			
	07	H33Z, H38Z		07	H33Z, H38Z		07	H33Z, H38Z			
	08	I15A, I15B		08	I26Z		08	I26Z			
	11	L33Z		11	L33Z		11	L33Z			
	21A	W01A, W01B, W01C, W36Z		17	R01A, R01B, R01C, R01D, R02Z, R12A, R12B, R12C		17	R01A, R01B, R01C, R01D, R02Z, R12A, R12B, R12C			
	21B	X06A, X06B, X33Z		21A	W04A, W04B		21A	W04A, W04B			
	23	Z01A		21B	X06A, X06B, X06C, X33Z		21B	X06A, X06B, X06C, X33Z			
	Pre	A07A		23	Z01A		23	Z01A			
	5a215.8a			BOP, KOP, KOPV, KVT, UOP4	5a215.92			BOP, KOP, KOPV, KVT, UOP4	5a215.b		BOP, KOP, KOPV, KVT, UOP4
		01		B02A, B02B, B02C, B20A, B20B, B20C, B20D, B20E, B39A, B39B			01	B02A, B02B, B02C, B20A, B20B, B20C, B20D, B20E, B21A, B39A, B39B		01	B02A, B02B, B02C, B20A, B20B, B20C, B20D, B20E, B39A, B39B
		06		G33Z			04	E36Z		06	G33Z
07		H33Z, H38Z	06	G33Z, G36Z		07	H33Z, H38Z				
11		L33Z	07	H33Z, H38Z		08	I15A, I15B				
17		R01A, R01B, R01C, R01D, R02Z, R12A, R12B, R12C	08	I26Z		11	L33Z				
21A		W04A, W04B	11	L33Z		17	R01A, R01B, R01C, R01D, R02Z, R12A, R12B, R12C				
21B		X06A, X06B, X06C, X33Z	17	R01A, R01B, R01C, R01D, R02Z, R12A, R12B, R12C		21A	W04A, W04B				
23		Z01A	21A	W04A, W04B		21B	X06A, X06B, X06C, X33Z				
Pre		A07A	21B	X06A, X06B, X06C, X33Z		Pre	A07A				
5a215.8b			BOP, KOP, KOPV, KVT, UOP4	5a215.a0			BOP, KOP, KOPV, KVT, UOP4	5a300			BOP, KVT, UOP4
		01	B02A, B02B, B02C, B20A, B20B, B20C, B20D, B20E, B39A, B39B			01	B02A, B02B, B02C, B20A, B20B, B20C, B20D, B20E, B39A, B39B			01	B03A, B03B, B18Z
		06	G33Z			06	G33Z			07	H06A, H06B, H06C
		07	H33Z, H38Z			07	H33Z, H38Z			11	L09A, L38Z
	11	L33Z	11		L33Z	17	R01A, R01B, R01C, R01D, R02Z, R12A, R12B, R12C				
	17	R01A, R01B, R01C, R01D, R02Z, R12A, R12B, R12C	17		R01A, R01B, R01C, R01D, R02Z, R12A, R12B, R12C	21A	W04A, W04B				
	21A	W04A, W04B	06		G33Z	21B	X06A, X06B, X06C				
	21B	X06A, X06B, X06C, X33Z	07		H33Z, H38Z	Pre	BOP, KVT, UOP4				
	23	Z01A	11		L33Z	01	B03A, B03B, B18Z				
	Pre	A07A	17		R01A, R01B, R01C, R01D, R02Z, R12A, R12B, R12C	07	H06A, H06B, H06C				
	5a215.8x		BOP, KOP, KOPV, KVT, UOP4		5a215.a1		BOP, KOP, KOPV, KVT, UOP4		5a301		BOP, KVT, UOP4
		01	B02A, B02B, B02C, B20A, B20B, B20C, B20D, B20E, B39A, B39B			01	B02A, B02B, B02C, B20A, B20B, B20C, B20D, B20E, B39A, B39B			01	B03A, B03B, B18Z
		06	G33Z			04	E36Z			07	H06A, H06B, H06C
		07	H33Z, H38Z			06	G33Z, G36Z			11	L09A, L38Z
11		L33Z	07	H33Z, H38Z		17	R01A, R01B, R01C, R01D, R02Z, R12A, R12B, R12C				
17		R01A, R01B, R01C, R01D, R02Z, R12A, R12B, R12C	08	I26Z		21A	W04A, W04B				
21A		W04A, W04B	11	L33Z		21B	X06A, X06B, X06C				
21B		X06A, X06B, X06C, X33Z	17	R01A, R01B, R01C, R01D, R02Z, R12A, R12B, R12C		Pre	BOP, KVT, UOP4				
23		Z01A	04	E36Z		01	B03A, B03B, B18Z				
Pre		A07A	06	G33Z, G36Z		07	H06A, H06B, H06C				
5a215.90			BOP, KOP, KOPV, KVT, UOP4	5a215.a2			BOP, KOP, KOPV, KVT, UOP4	5a302			BOP, KVT, UOP4
		01	B02A, B02B, B02C, B20A, B20B, B20C, B20D, B20E, B39A, B39B			01	B02A, B02B, B02C, B20A, B20B, B20C, B20D, B20E, B21A, B21B, B39A, B39B			01	B03A, B03B, B18Z
		06	G33Z			04	E36Z			08	I10A, I10B, I10C, I10D, I10E, I23A, I23B
		07	H33Z, H38Z			06	G33Z, G36Z			11	L09A, L09B, L09C, L09D, L38Z
	11	L33Z	07		H33Z, H38Z	12	M06Z, M09A, M09B, M38Z				
	17	R01A, R01B, R01C, R01D, R02Z, R12A, R12B, R12C	08		I26Z	13	N11A				
	21A	W04A, W04B	11		L33Z	21A	W04A, W04B				
	21B	X06A, X06B, X06C, X33Z	17		R01A, R01B, R01C, R01D, R02Z, R12A, R12B, R12C	21B	X06A, X06B, X06C				
	23	Z01A	04		E36Z	Pre	BOP, KVT, UOP4				
	Pre	A07A	06		G33Z, G36Z	01	B03A, B03B, B18Z				
	5a215.91		BOP, KOP, KOPV, KVT, UOP4		5a215.a3		BOP, KOP, KOPV, KVT, UOP4		5a304.0		BOP, KVT, UOP4
		01	B02A, B02B, B02C, B20A, B20B, B20C, B20D, B20E, B39A, B39B			01	B02A, B02B, B02C, B20A, B20B, B20C, B20D, B20E, B21A, B21B, B39A, B39B			01	B03A, B03B, B18Z
		06	G33Z			04	E36Z			08	I10A, I10B, I10C, I10D, I10E
		07	H33Z, H38Z			06	G33Z, G36Z			17	R01A, R01B, R01C, R01D, R02Z, R12A, R12B, R12C
11		L33Z	07	H33Z, H38Z		Pre	B61A				
17		R01A, R01B, R01C, R01D, R02Z, R12A, R12B, R12C	08	I26Z		Pre	BOP, KVT, UOP4				
21A		W04A, W04B	11	L33Z		01	B03A, B03B, B18Z				
21B		X06A, X06B, X06C, X33Z	17	R01A, R01B, R01C, R01D, R02Z, R12A, R12B, R12C		08	I10A, I10B, I10C, I10D, I10E				
23		Z01A	04	E36Z		17	R01A, R01B, R01C, R01D, R02Z, R12A, R12B, R12C				
Pre		A07A	06	G33Z, G36Z		Pre	B61A				
5a215.92			BOP, KOP, KOPV, KVT, UOP4	5a215.a4			BOP, KOP, KOPV, KVT, UOP4	5a304.1			BOP, KVT, UOP4
		01	B02A, B02B, B02C, B20A, B20B, B20C, B20D, B20E, B39A, B39B			01	B02A, B02B, B02C, B20A, B20B, B20C, B20D, B20E, B21A, B21B, B39A, B39B			01	B03A, B03B, B18Z
		06	G33Z			04	E36Z			08	I10A, I10B, I10C, I10D, I10E
		07	H33Z, H38Z			06	G33Z, G36Z			17	R01A, R01B, R01C, R01D, R02Z, R12A, R12B, R12C
	11	L33Z	07		H33Z, H38Z	Pre	B61A				
	17	R01A, R01B, R01C, R01D, R02Z, R12A, R12B, R12C	08		I26Z	Pre	BOP, KVT, UOP4				
	21A	W04A, W04B	11		L33Z	01	B03A, B03B, B18Z				
	21B	X06A, X06B, X06C, X33Z	17		R01A, R01B, R01C, R01D, R02Z, R12A, R12B, R12C	08	I10A, I10B, I10C, I10D, I10E				
	23	Z01A	04		E36Z	17	R01A, R01B, R01C, R01D, R02Z, R12A, R12B, R12C				
	Pre	A07A	06		G33Z, G36Z	Pre	B61A				

ZZV	MDC	DRG	ZZV	MDC	DRG	ZZV	MDC	DRG
5a304.2		BOP, KVT, UOP4	5a30d		BOP, KVT, UOP4	5a30g		BOP, KVT, UOP4
	01	B03A, B03B, B18Z		01	B03A, B03B, B18Z		01	B03A, B03B, B18Z
	08	I10A, I10B, I10C, I10D, I10E		08	I10A, I10B, I10C, I10D, I10E, I23A, I23B		05	F01A, F01B, F01D, F05Z, F07A, F07B, F14A, F14B, F28A, F42Z, F54Z, F59A, F59B
	17	R01A, R01B, R01C, R01D, R02Z, R12A, R12B, R12C		17	R01A, R01B, R01C, R01D, R02Z, R12A, R12B, R12C		08	I10A, I10B, I10C, I10D, I10E
5a304.3	Pre	B61A	5a30e.4	21A	W04A, W04B	5a30h	08	I10A, I10B, I10C, I10D, I10E
		BOP, KVT, UOP4		21B	X06A, X06B, X06C		17	R01A, R01B, R01C, R01D, R02Z, R12A, R12B, R12C
	01	B03A, B03B, B18Z		01	BOP, KVT, UOP4		01	BOP, KVT, UOP4
	08	I10A, I10B, I10C, I10D, I10E		08	B03A, B03B, B18Z		05	B03A, B03B, B18Z
5a307	17	R01A, R01B, R01C, R01D, R02Z, R12A, R12B, R12C	5a30e.5	17	I10A, I10B, I10C, I10D, I10E, I23A, I23B	5a30j	08	F01A, F01B, F01D, F05Z, F07A, F07B, F14A, F14B, F28A, F42Z, F54Z, F59A, F59B
	Pre	B61A		21A	W04A, W04B		08	I10A, I10B, I10C, I10D, I10E
	01	BOP, KVT, UOP4		21B	X06A, X06B, X06C		17	R01A, R01B, R01C, R01D, R02Z, R12A, R12B, R12C
	08	B03A, B03B, B18Z		01	BOP, KVT, UOP4		01	BOP, KOP, KOPV, KVT, UOP4, VIAL
5a308	11	L09A, L38Z	5a30e.6	08	I10A, I10B, I10C, I10D, I10E, I23A, I23B	5a30k	06	B03A, B03B, B18Z
	17	R01A, R01B, R01C, R01D, R02Z, R12A, R12B, R12C		17	R01A, R01B, R01C, R01D, R02Z, R12A, R12B, R12C		07	H33Z, H38Z
	21A	W04A, W04B		21A	W04A, W04B		08	I06A, I06B, I06C, I06D, I06E, I08A, I08B, I08C, I08D, I08E, I08F, I09A, I09B, I09C, I09D, I09E, I10A, I10B, I10C, I10D, I10E
	21B	X06A, X06B, X06C		21B	X06A, X06B, X06C		09	J26Z
5a309	Pre	B61A	5a30e.7	21B	X06A, X06B, X06C	5a30l	11	L33Z
	01	BOP, KVT, UOP4		01	BOP, KVT, UOP4		21A	W01A, W01B, W01C, W02A, W02B
	08	I10A, I10B, I10C, I10D, I10E, I23A, I23B		06	G01Z, G02Z, G38Z		21B	X06A, X06B, X06C
	11	L09A, L38Z		08	I10A, I10B, I10C, I10D, I10E		23	Z01A
5a30a	17	R01A, R01B, R01C, R01D, R02Z, R12A, R12B, R12C	5a30f	21A	W04A, W04B	5a30m	Pre	A07A
	21A	W04A, W04B		01	B03A, B03B, B06A, B06B, B07Z, B17A, B17B, B17C		01	BOP, KVT, UOP4
	21B	X06A, X06B, X06C		04	E02A, E02B, E02C		01	B03A, B03B, B18Z
	Pre	B61A		06	G10Z, G12A, G12B		06	G01Z, G02Z, G38Z
5a30b	08	I10A, I10B, I10C, I10D, I10E, I23A, I23B	5a30g	07	H06A, H06B, H06C	5a30n	08	I10C, I10D
	11	L09A, L38Z		08	I10A, I10B, I10C, I10D, I10E, I28A, I28B		Pre	A11A, A13A, A13B, A13D
	17	R01A, R01B, R01C, R01D, R02Z, R12A, R12B, R12C		09	J03A, J03B, J04A, J04B, J08A, J08B, J08C, J11A, J11B, J16Z		01	BOP, KVT, UOP4
	21A	W04A, W04B		10	K09A, K09B		06	B03A, B03B, B18Z
5a30c	21B	X06A, X06B, X06C	5a30h	11	L09A, L09B, L09C, L09D, L38Z	5a30o.9	08	I10A, I10B, I10C, I10D, I10E
	Pre	B61A		12	M06Z, M09A, M09B, M38Z		17	R01A, R01B, R01C, R01D, R02Z, R12A, R12B, R12C
	01	BOP, KVT, UOP4		13	N11A		21A	W04A, W04B
	08	B03A, B03B, B18Z		21A	W04A, W04B		21B	X06A, X06B, X06C
5a30d	11	L09A, L38Z	5a30i	21B	X04Z, X05A, X05B, X06A, X06B	5a30p	Pre	A11A, A13A, A13B, A13D
	17	R01A, R01B, R01C, R01D, R02Z, R12A, R12B, R12C		22	Y01Z, Y03A, Y03B		01	BOP, KVT, UOP4
	21A	W04A, W04B		23	Z01A		01	B03A, B03B, B18Z
	21B	X06A, X06B, X06C					06	G01Z, G02Z, G38Z

VYK

ZZV	MDC	DRG	ZZV	MDC	DRG	ZZV	MDC	DRG	
5a30o.b		BOP, KVT, UOP4	5a310.11		BOP, KVT, UOP4	5a310.4		BOP, KVT, UOP4	
	01	B03A, B03B, B18Z		01	B03A, B03B, B06A, B06B, B07Z, B17A, B17B, B17C		01	B03A, B03B, B18Z	
	06	G01Z, G02Z, G38Z		04	E02A, E02B, E02C		08	I10A, I10B, I10C, I10D, I10E, I23A, I23B	
	08	I10A, I10B, I10C, I10D, I10E, I23A, I23B		06	G10Z, G12A, G12B		17	R01A, R01B, R01C, R01D, R02Z, R12A, R12B, R12C	
	17	R01A, R01B, R01C, R01D, R02Z, R12A, R12B, R12C		07	H06A, H06B, H06C		21A	W04A, W04B	
	21A	W04A, W04B		08	I10A, I10B, I10C, I10D, I10E, I28A, I28B		21B	X06A, X06B	
	21B	X06A, X06B, X06C		09	J03A, J03B, J04A, J04B, J08A, J08B, J08C, J11A, J11B, J16Z		23	Z01A	
	Pre	A11A, A13A, A13B, A13D					5a310.5		BOP, KVT, UOP4
	5a30p.8			BOP, KVT, UOP4				01	B03A, B03B, B18Z
		01		B03A, B03B, B18Z	10		K09A, K09B	08	I10A, I10B, I10C, I10D, I10E, I23A, I23B
06		G01Z, G02Z, G38Z	11	L09A, L09B, L09C, L09D, L38Z	17	R01A, R01B, R01C, R01D, R02Z, R12A, R12B, R12C			
08		I10A, I10B, I10C, I10D, I10E, I23A, I23B	12	M06Z, M09A, M09B, M38Z	21A	W04A, W04B			
17		R01A, R01B, R01C, R01D, R02Z, R12A, R12B, R12C	13	N11A	21B	X06A, X06B			
21A		W04A, W04B	21A	W04A, W04B					
21B		X06A, X06B, X06C	21B	X04Z, X05A, X05B, X06A, X06B	5a310.7				
Pre		A11A, A13A, A13B, A13D	22	Y01Z, Y03A, Y03B	01	B03A, B03B, B18Z			
5a30p.a			BOP, KVT, UOP4	23	Z01A	08	I10A, I10B, I10C, I10D, I10E, I23A, I23B		
		01	B03A, B03B, B18Z	5a310.1x		17	R01A, R01B, R01C, R01D, R02Z, R12A, R12B, R12C		
	06	G01Z, G02Z, G38Z	01	BOP, KVT, UOP4	21A	W04A, W04B			
	08	I10A, I10B, I10C, I10D, I10E, I23A, I23B	01	B03A, B03B, B06A, B06B, B07Z, B17A, B17B, B17C	21B	X06A, X06B			
	17	R01A, R01B, R01C, R01D, R02Z, R12A, R12B, R12C	04	E02A, E02B, E02C	5a310.8				
	21A	W04A, W04B	06	G10Z, G12A, G12B	01	B03A, B03B, B18Z			
	21B	X06A, X06B, X06C	07	H06A, H06B, H06C	08	I10A, I10B, I10C, I10D, I10E, I23A, I23B			
	Pre	A11A, A13A, A13B, A13D	08	I28A, I28B	17	R01A, R01B, R01C, R01D, R02Z, R12A, R12B, R12C			
	5a30r		BOP, KVT, UOP4	09	J03A, J03B, J04A, J04B, J08A, J08B, J08C, J11A, J11B, J16Z	21A	W04A, W04B		
		01	B03A, B03B, B18Z	10	K09A, K09B	21B	X06A, X06B		
06		G01Z, G02Z, G38Z	11	L09A, L09B, L09C, L09D, L38Z	5a311.00				
08		I10A, I10B, I10C, I10D, I10E, I23A, I23B	12	M06Z, M09A, M09B, M38Z	01	B03A, B03B, B18Z			
17		R01A, R01B, R01C, R01D, R02Z, R12A, R12B, R12C	13	N11A	08	I10A, I10B, I10C, I10D, I10E, I23A, I23B			
21A		W04A, W04B	21A	W04A, W04B	11	L09A, L09B, L09C, L09D, L38Z			
21B		X06A, X06B, X06C	21B	X04Z, X05A, X05B, X06A, X06B	12	M06Z, M09A, M09B, M38Z			
Pre		A11A, A13A, A13B, A13D	22	Y01Z, Y03A, Y03B	13	N11A			
5a310.10			BOP, KVT, UOP4	23	Z01A	17	R01A, R01B, R01C, R01D, R02Z, R12A, R12B, R12C		
		01	B03A, B03B, B06A, B06B, B07Z, B17A, B17B, B17C	5a310.2		21A	W04A, W04B		
	04	E02A, E02B, E02C	01	BOP, KVT, UOP4	21B	X06A, X06B, X06C			
	06	G10Z, G12A, G12B	01	B03A, B03B, B06A, B06B, B07Z, B17A, B17B, B17C	23	Z01A			
	07	H06A, H06B, H06C	04	E02A, E02B, E02C	5a311.01				
	08	I10A, I10B, I10C, I10D, I10E, I28A, I28B	06	G10Z, G12A, G12B	01	B03A, B03B, B18Z			
	09	J03A, J03B, J04A, J04B, J08A, J08B, J08C, J11A, J11B, J16Z	07	H06A, H06B, H06C	08	I10A, I10B, I10C, I10D, I10E, I23A, I23B			
	10	K09A, K09B	08	I10A, I10B, I10C, I10D, I10E, I28A, I28B	11	L09A, L09B, L09C, L09D, L38Z			
	11	L09A, L09B, L09C, L09D, L38Z	09	J03A, J03B, J04A, J04B, J08A, J08B, J08C, J11A, J11B, J16Z	12	M06Z, M09A, M09B, M38Z			
	12	M06Z, M09A, M09B, M38Z	10	K09A, K09B	13	N11A			
13	N11A	11	L09A, L09B, L09C, L09D, L38Z	17	R01A, R01B, R01C, R01D, R02Z, R12A, R12B, R12C				
21A	W04A, W04B	12	M06Z, M09A, M09B, M38Z	21A	W04A, W04B				
21B	X04Z, X05A, X05B, X06A, X06B	13	N11A	21B	X06A, X06B, X06C				
22	Y01Z, Y03A, Y03B	21A	W04A, W04B	23	Z01A				
23	Z01A	21B	X04Z, X05A, X05B, X06A, X06B	5a311.02					
		22	Y01Z, Y03A, Y03B	01	BOP, KVT, UOP4				
		5a310.3		01	B03A, B03B, B18Z				
		01	BOP, KVT, UOP4	08	I10A, I10B, I10C, I10D, I10E, I23A, I23B				
		01	B03A, B03B, B18Z	11	L09A, L09B, L09C, L09D, L38Z				
		08	I10A, I10B, I10C, I10D, I10E, I23A, I23B	12	M06Z, M09A, M09B, M38Z				
		17	R01A, R01B, R01C, R01D, R02Z, R12A, R12B, R12C	13	N11A				
		21A	W04A, W04B	17	R01A, R01B, R01C, R01D, R02Z, R12A, R12B, R12C				
		21B	X06A, X06B	21A	W04A, W04B				
				21B	X06A, X06B, X06C				
				23	Z01A				

ZZV	MDC	DRG	ZZV	MDC	DRG	ZZV	MDC	DRG			
5a311.03		BOP, KVT, UOP4	5a311.20		BOP, KVT, UOP4	5a311.32		BOP, KVT, UOP4			
	01	B03A, B03B, B18Z		01	B03A, B03B, B18Z		01	B03A, B03B, B18Z			
	08	I10A, I10B, I10C, I10D, I10E		08	I10A, I10B, I10C, I10D, I10E, I23A, I23B		08	I10A, I10B, I10C, I10D, I10E, I23A			
	11	L09A, L09B, L09C, L09D, L38Z		11	L09A, L09B, L09C, L09D, L38Z		11	L09A, L09B, L09C, L09D, L38Z			
	12	M06Z, M09A, M09B, M38Z		12	M06Z, M09A, M09B, M38Z		12	M06Z, M09A, M09B, M38Z			
	13	N11A		13	N11A		13	N11A			
	17	R01A, R01B, R01C, R01D, R02Z, R12A, R12B, R12C		21A	W04A, W04B		21A	W04A, W04B			
	21A	W04A, W04B		21B	X06A, X06B, X06C		21B	X06A, X06B, X06C			
	21B	X06A, X06B, X06C		5a311.21			BOP, KVT, UOP4	5a311.33		BOP, KVT, UOP4	
	23	Z01A			01		B03A, B03B, B18Z		01	B03A, B03B, B18Z	
	5a311.04				BOP, KVT, UOP4		08		I10A, I10B, I10C, I10D, I10E, I23A, I23B	08	I10A, I10B, I10C, I10D, I10E, I23A
		01			B03A, B03B, B18Z		11		L09A, L09B, L09C, L09D, L38Z	11	L09A, L09B, L09C, L09D, L38Z
		08			I10A, I10B, I10C, I10D, I10E		12		M06Z, M09A, M09B, M38Z	12	M06Z, M09A, M09B, M38Z
11		L09A, L09B, L09C, L09D, L38Z	13		N11A	13	N11A				
12		M06Z, M09A, M09B, M38Z	21A		W04A, W04B	21A	W04A, W04B				
13		N11A	21B		X06A, X06B, X06C	21B	X06A, X06B, X06C				
17		R01A, R01B, R01C, R01D, R02Z, R12A, R12B, R12C	5a311.22			BOP, KVT, UOP4	5a311.34			BOP, KVT, UOP4	
21A		W04A, W04B			01	B03A, B03B, B18Z			01	B03A, B03B, B18Z	
21B		X06A, X06B, X06C			08	I10A, I10B, I10C, I10D, I10E, I23A, I23B			08	I10A, I10B, I10C, I10D, I10E, I23A	
23		Z01A			11	L09A, L09B, L09C, L09D, L38Z			11	L09A, L09B, L09C, L09D, L38Z	
5a311.05					BOP, KVT, UOP4	12			M06Z, M09A, M09B, M38Z	12	M06Z, M09A, M09B, M38Z
		01		B03A, B03B, B18Z	13	N11A		13	N11A		
		08		I10A, I10B, I10C, I10D, I10E	21A	W04A, W04B		21A	W04A, W04B		
	11	L09A, L09B, L09C, L09D, L38Z		21B	X06A, X06B, X06C	21B		X06A, X06B, X06C			
	12	M06Z, M09A, M09B, M38Z		5a311.23		BOP, KVT, UOP4		5a311.35		BOP, KVT, UOP4	
	13	N11A			01	B03A, B03B, B18Z			01	B03A, B03B, B18Z	
	17	R01A, R01B, R01C, R01D, R02Z, R12A, R12B, R12C			08	I10A, I10B, I10C, I10D, I10E, I23A, I23B			08	I10A, I10B, I10C, I10D, I10E, I23A, I23B	
	21A	W04A, W04B			11	L09A, L09B, L09C, L09D, L38Z			11	L09A, L09B, L09C, L09D, L38Z	
	21B	X06A, X06B, X06C			12	M06Z, M09A, M09B, M38Z			12	M06Z, M09A, M09B, M38Z	
	23	Z01A	13		N11A	13	N11A				
	5a311.06		BOP, KVT, UOP4		21A	W04A, W04B	21A		W04A, W04B		
		01	B03A, B03B, B18Z		21B	X06A, X06B, X06C	21B		X06A, X06B, X06C		
		08	I10A, I10B, I10C, I10D, I10E		5a311.24		BOP, KVT, UOP4		5a311.36		BOP, KVT, UOP4
11		L09A, L09B, L09C, L09D, L38Z	01			B03A, B03B, B18Z	01			B03A, B03B, B18Z	
12		M06Z, M09A, M09B, M38Z	08			I10A, I10B, I10C, I10D, I10E, I23A, I23B	08			I10A, I10B, I10C, I10D, I10E, I23A	
13		N11A	11			L09A, L09B, L09C, L09D, L38Z	11			L09A, L09B, L09C, L09D, L38Z	
17		R01A, R01B, R01C, R01D, R02Z, R12A, R12B, R12C	12			M06Z, M09A, M09B, M38Z	12			M06Z, M09A, M09B, M38Z	
21A		W04A, W04B	13	N11A		13	N11A				
21B		X06A, X06B, X06C	21A	W04A, W04B		21A	W04A, W04B				
23		Z01A	21B	X06A, X06B, X06C		21B	X06A, X06B, X06C				
5a311.1			BOP, KVT, UOP4	5a311.25			BOP, KVT, UOP4	5a311.40			BOP, KVT, UOP4
		01	B03A, B03B, B18Z			01	B03A, B03B, B18Z			01	B03A, B03B, B18Z
		08	I10A, I10B, I10C, I10D, I10E			08	I10A, I10B, I10C, I10D, I10E, I23A, I23B			08	I10A, I10B, I10C, I10D, I10E, I23A
	11	L09A, L09B, L09C, L09D, L38Z	11			L09A, L09B, L09C, L09D, L38Z	11			L09A, L09B, L09C, L09D, L38Z	
	12	M06Z, M09A, M09B, M38Z	12			M06Z, M09A, M09B, M38Z	12			M06Z, M09A, M09B, M38Z	
	13	N11A	13		N11A	13	N11A				
	17	R01A, R01B, R01C, R01D, R02Z, R12A, R12B, R12C	21A		W04A, W04B	17	R01A, R01B, R01C, R01D, R02Z, R12A, R12B, R12C				
	21A	W04A, W04B	21B		X06A, X06B, X06C	21A	W04A, W04B				
	21B	X06A, X06B, X06C	5a311.31			BOP, KVT, UOP4	21B		X06A, X06B, X06C		
	23	Z01A			01	B03A, B03B, B18Z	23		Z01A		
					08	I10A, I10B, I10C, I10D, I10E, I23A					
					11	L09A, L09B, L09C, L09D, L38Z					
					12	M06Z, M09A, M09B, M38Z					
		13		N11A							
		21A		W04A, W04B							
		21B		X06A, X06B, X06C							





ZZV	MDC	DRG	ZZV	MDC	DRG	ZZV	MDC	DRG
5a407.4		BOP, KVT, UOP4	5a40a.7		BOP, KVT, UOP4	5a40c.5		BOP, KVT, UOP4
	01	B03A, B03B, B06A, B06B, B07Z, B17A, B17B, B17C		01	B03A, B03B, B06A, B06B, B07Z, B17A, B17B, B17C		01	B03A, B03B, B06A, B06B, B07Z, B17A, B17B, B17C
	03	D12A		03	D12A, D12B		03	D12A, D12B
	05	F21A, F21B		08	I08A, I08B, I08C, I08D, I08E, I13A, I13B		08	I08A, I08B, I08C, I08D, I08E, I13A, I13B, I28A, I28B
	08	I08A, I08B, I08C, I08D, I08E, I13A, I13B, I28A, I28B		21A	W04A, W04B		21A	W04A, W04B
5a407.5	09	J03A, J03B, J04A, J04B, J08A, J08B, J08C, J10A, J10B, J16Z	21B	X01A, X01B, X06A, X06B	21B	X06A, X06B, X06C		
		BOP, KVT, UOP4		BOP, KVT, UOP4		BOP, KVT, UOP4		
	01	B03A, B03B, B06A, B06B, B07Z, B17A, B17B, B17C	01	B03A, B03B, B06A, B06B, B07Z, B17A, B17B, B17C	01	B03A, B03B, B06A, B06B, B07Z, B17A, B17B, B17C		
	03	D12A	03	D12A, D12B	03	D12A, D12B		
	05	F21A, F21B	08	I08A, I08B, I08C, I08D, I08E, I13A, I13B	08	I08A, I08B, I08C, I08D, I08E, I13A, I13B, I28A, I28B		
5a408.1	08	I08A, I08B, I08C, I08D, I08E, I13A, I13B, I28A, I28B	21A	W04A, W04B	21A	W04A, W04B		
	09	J03A, J03B, J04A, J04B, J08A, J08B, J08C, J10A, J10B, J16Z	21B	X01A, X01B, X06A, X06B	21B	X06A, X06B, X06C		
		BOP, KVT, UOP4		BOP, KVT, UOP4		BOP, KVT, UOP4		
	01	B03A, B03B, B06A, B06B, B07Z, B17A, B17B, B17C	01	B03A, B03B, B06A, B06B, B07Z, B17A, B17B, B17C	01	B03A, B03B, B06A, B06B, B07Z, B17A, B17B, B17C		
	03	D12A	03	D12A, D12B	03	D12A, D12B		
5a408.2	05	F21A, F21B	08	I08A, I08B, I08C, I08D, I08E, I13A, I13B	08	I08A, I08B, I08C, I08D, I08E, I13A, I13B, I28A, I28B		
	08	I08A, I08B, I08C, I08D, I08E, I13A, I13B, I28A, I28B	21A	W04A, W04B	21A	W04A, W04B		
	09	J03A, J03B, J04A, J04B, J08A, J08B, J08C, J10A, J10B, J16Z	21B	X01A, X01B, X06A, X06B, X33Z	21B	X06A, X06B, X06C		
		BOP, KVT, UOP4		BOP, KVT, UOP4		BOP, KVT, UOP4		
	01	B03A, B03B, B06A, B06B, B07Z, B17A, B17B, B17C	01	B03A, B03B, B06A, B06B, B07Z, B17A, B17B, B17C	01	B03A, B03B, B06A, B06B, B07Z, B17A, B17B, B17C		
5a408.3	03	D12A	03	D12A, D12B	03	D12A, D12B		
	05	F21A, F21B	08	I08A, I08B, I08C, I08D, I08E, I13A, I13B	08	I08A, I08B, I08C, I08D, I08E, I13A, I13B, I28A, I28B		
	08	I08A, I08B, I08C, I08D, I08E, I13A, I13B, I28A, I28B	21A	W04A, W04B	21A	W04A, W04B		
	09	J03A, J03B, J04A, J04B, J08A, J08B, J08C, J10A, J10B, J16Z	21B	X01A, X01B, X06A, X06B, X33Z	21B	X06A, X06B, X06C		
		BOP, KVT, UOP4		BOP, KVT, UOP4		BOP, KVT, UOP4		
5a409.0	01	B03A, B03B, B06A, B06B, B07Z, B17A, B17B, B17C	01	B03A, B03B, B06A, B06B, B07Z, B17A, B17B, B17C	01	B03A, B03B, B06A, B06B, B07Z, B17A, B17B, B17C		
	03	D12A	03	D12A, D12B	03	D12A, D12B		
	05	F21A, F21B	08	I08A, I08B, I08C, I08D, I08E, I13A, I13B, I28A, I28B	08	I08A, I08B, I08C, I08D, I08E, I13A, I13B, I28A, I28B		
	08	I08A, I08B, I08C, I08D, I08E, I13A, I13B, I28A, I28B	21A	W04A, W04B	21A	W04A, W04B		
	09	J03A, J03B, J04A, J04B, J08A, J08B, J08C, J10A, J10B, J16Z	21B	X01A, X01B, X06A, X06B, X33Z	21B	X06A, X06B, X06C		
5a409.3		BOP, KVT, UOP4		BOP, KVT, UOP4		BOP, KVT, UOP4		
	01	B03A, B03B, B06A, B06B, B07Z, B17A, B17B, B17C	01	B03A, B03B, B06A, B06B, B07Z, B17A, B17B, B17C	01	B03A, B03B, B06A, B06B, B07Z, B17A, B17B, B17C		
	03	D12A	03	D12A, D12B	03	D12A, D12B		
	05	F21A, F21B	08	I08A, I08B, I08C, I08D, I08E, I13A, I13B, I28A, I28B	08	I08A, I08B, I08C, I08D, I08E, I13A, I13B, I28A, I28B		
	08	I08A, I08B, I08C, I08D, I08E, I13A, I13B, I28A, I28B	21A	W04A, W04B	21A	W04A, W04B		
5a409.3	09	J03A, J03B, J04A, J04B, J08A, J08B, J08C, J10A, J10B, J16Z	21B	X01A, X01B, X06A, X06B, X33Z	21B	X06A, X06B, X06C		
		BOP, KVT, UOP4		BOP, KVT, UOP4		BOP, KVT, UOP4		
	01	B03A, B03B, B06A, B06B, B07Z, B17A, B17B, B17C	01	B03A, B03B, B06A, B06B, B07Z, B17A, B17B, B17C	01	B03A, B03B, B06A, B06B, B07Z, B17A, B17B, B17C		
	03	D12A	03	D12A, D12B	03	D12A, D12B		
	05	F21A, F21B	08	I08A, I08B, I08C, I08D, I08E, I13A, I13B, I28A, I28B	08	I08A, I08B, I08C, I08D, I08E, I13A, I13B, I28A, I28B		

VYK



ZZV	MDC	DRG	ZZV	MDC	DRG	ZZV	MDC	DRG
5a40f.b		BOP, KVT, UOP4	5a504		BOP, KVT, UOP4	5a50c.2		BOP, KVT, UOP4
	01	B03A, B03B, B06A, B06B, B07Z, B17A, B17B, B17C		01	B03A, B03B, B06A, B06B, B07Z, B17A, B17B, B17C		01	B03A, B03B, B06A, B06B, B07Z, B17A, B17B, B17C
	03	D12A, D12B		03	D12A		08	I08A, I08B, I08C, I08D, I08E, I13A, I13B, I28A, I28B
	08	I08A, I08B, I08C, I08D, I08E, I13A, I13B, I28A, I28B		08	I08A, I08B, I08C, I08D, I08E, I13A, I13B		21A	W04A, W04B
	21A	W04A, W04B		21A	W04A, W04B		21B	X06A, X06B, X06C
	21B	X06A, X06B, X06C		21B	X06A, X06B, X06C			BOP, KVT, UOP4
5a40f.c		BOP, KVT, UOP4	5a505		BOP, KVT, UOP4	5a50c.3		BOP, KVT, UOP4
	01	B03A, B03B, B06A, B06B, B07Z, B17A, B17B, B17C		01	B03A, B03B, B06A, B06B, B07Z, B17A, B17B, B17C		01	B03A, B03B, B06A, B06B, B07Z, B17A, B17B, B17C
	03	D12A, D12B		03	D12A		08	I08A, I08B, I08C, I08D, I08E, I13A, I13B, I28A, I28B
	08	I08A, I08B, I08C, I08D, I08E, I13A, I13B, I28A, I28B		08	I08A, I08B, I08C, I08D, I08E, I13A, I13B		21A	W04A, W04B
	21A	W04A, W04B		21A	W04A, W04B		21B	X06A, X06B, X06C
	21B	X06A, X06B, X06C		21B	X06A, X06B, X06C			BOP, KVT, UOP4
5a40g		BOP, KVT, UOP4	5a506		BOP, KVT, UOP4	5a50e.4		BOP, KVT, UOP4
	01	B03A, B03B, B06A, B06B, B07Z, B17A, B17B, B17C		01	B03A, B03B, B06A, B06B, B07Z, B17A, B17B, B17C		01	B03A, B03B, B06A, B06B, B07Z, B17A, B17B, B17C
	03	D12A, D12B		03	D12A		08	I08A, I08B, I08C, I08D, I08E, I13A, I13B, I28A, I28B
	08	I08A, I08B, I08C, I08D, I08E, I13A, I13B, I28A, I28B		08	I08A, I08B, I08C, I08D, I08E, I13A, I13B		21A	W04A, W04B
	21A	W04A, W04B		21A	W04A, W04B		21B	X06A, X06B, X06C
	21B	X06A, X06B, X06C		21B	X06A, X06B, X06C			BOP, KVT, UOP4
5a500		BOP, KVT, UOP4	5a507.0		BOP, KVT, UOP4	5a50e.5		BOP, KVT, UOP4
	01	B03A, B03B, B06A, B06B, B07Z, B17A, B17B, B17C		01	B03A, B03B, B06A, B06B, B07Z, B17A, B17B, B17C		01	B03A, B03B, B06A, B06B, B07Z, B17A, B17B, B17C
	03	D12A		03	D12A		08	I08A, I08B, I08C, I08D, I08E, I13A, I13B, I28A, I28B
	06	G11A, G11B		08	I08A, I08B, I08C, I08D, I08E, I13A, I13B, I28A, I28B		21A	W04A, W04B
	08	I08A, I08B, I08C, I08D, I08E, I13A, I13B, I28A, I28B		21A	W04A, W04B		21B	X06A, X06B, X06C, X33Z
	11	L03Z, L04A, L04B, L04C, L10Z, L38Z		21B	X06A, X06B, X06C			BOP, KVT, UOP4
	12	M06Z, M09A, M09B, M38Z			BOP, KVT, UOP4		01	B03A, B03B, B06A, B06B, B07Z, B17A, B17B, B17C
	13	N11A		01	B03A, B03B, B06A, B06B, B07Z, B17A, B17B, B17C		08	I08A, I08B, I08C, I08D, I08E, I13A, I13B, I28A, I28B
	21A	W04A, W04B		08	I08A, I08B, I08C, I08D, I08E, I13A, I13B, I28A, I28B		21A	W04A, W04B
	21B	X04Z, X05A, X05B, X06A, X06B, X06C		21A	W04A, W04B		21B	X06A, X06B, X06C, X33Z
	22	Y01Z, Y03A, Y03B		21B	X06A, X06B, X06C			BOP, KVT, UOP4
5a501		BOP, KVT, UOP4	5a508		BOP, KVT, UOP4	5a50g		BOP, KVT, UOP4
	01	B03A, B03B, B06A, B06B, B07Z, B17A, B17B, B17C		01	B03A, B03B, B06A, B06B, B07Z, B17A, B17B, B17C		01	B03A, B03B, B06A, B06B, B07Z, B17A, B17B, B17C, B17D
	03	D12A		03	D12A		08	I08A, I08B, I08C, I08D, I08E, I13A, I13B, I28A, I28B, I28C
	08	I08A, I08B, I08C, I08D, I08E, I13A, I13B		06	G11A, G11B		21A	W04A, W04B
	21A	W04A, W04B		08	I08A, I08B, I08C, I08D, I08E, I13A, I13B, I28A, I28B		21B	X06A, X06B
	21B	X06A, X06B, X06C		11	L03Z, L04A, L04B, L04C, L10Z, L38Z			BOP, KVT, UOP4
5a502		BOP, KVT, UOP4	5a50a		BOP, KVT, UOP4	5a50h.61		BOP, KVT, UOP4
	01	B03A, B03B, B06A, B06B, B07Z, B17A, B17B, B17C		01	B03A, B03B, B06A, B06B, B07Z, B17A, B17B, B17C		01	B03A, B03B, B06A, B06B, B07Z, B17A, B17B, B17C, B17D
	03	D12A		03	D12A		08	I08A, I08B, I08C, I08D, I08E, I13A, I13B, I28A, I28B, I28C
	08	I08A, I08B, I08C, I08D, I08E, I13A, I13B		12	M06Z, M09A, M09B, M38Z		21A	W04A, W04B
	21A	W04A, W04B		13	N11A		21B	X05A, X05B, X06A, X06B
	21B	X06A, X06B, X06C		21A	W04A, W04B			BOP, KVT, UOP4
5a503		BOP, KVT, UOP4	5a50b		BOP, KVT, UOP4	5a50h.62		BOP, KVT, UOP4
	01	B03A, B03B, B06A, B06B, B07Z, B17A, B17B, B17C		01	B03A, B03B, B06A, B06B, B07Z, B17A, B17B, B17C		01	B03A, B03B, B06A, B06B, B07Z, B17A, B17B, B17C, B17D
	03	D12A		03	D12A		08	I08A, I08B, I08C, I08D, I08E, I13A, I13B, I28A, I28B, I28C
	08	I08A, I08B, I08C, I08D, I08E, I13A, I13B		08	I08A, I08B, I08C, I08D, I08E, I13A, I13B		21A	W04A, W04B
	21A	W04A, W04B		21A	W04A, W04B		21B	X05A, X05B, X06A, X06B
	21B	X06A, X06B, X06C		21B	X06A, X06B, X06C			BOP, KVT, UOP4
5a503		BOP, KVT, UOP4	5a50b		BOP, KVT, UOP4	5a50h.63		BOP, KVT, UOP4
	01	B03A, B03B, B06A, B06B, B07Z, B17A, B17B, B17C		01	B03A, B03B, B06A, B06B, B07Z, B17A, B17B, B17C		01	B03A, B03B, B06A, B06B, B07Z, B17A, B17B, B17C, B17D
	03	D12A		03	D12A		08	I08A, I08B, I08C, I08D, I08E, I13A, I13B, I28A, I28B, I28C
	08	I08A, I08B, I08C, I08D, I08E, I13A, I13B		08	I08A, I08B, I08C, I08D, I08E, I13A, I13B		21A	W04A, W04B
	21A	W04A, W04B		21A	W04A, W04B		21B	X05A, X05B, X06A, X06B
	21B	X06A, X06B, X06C		21B	X06A, X06B, X06C			BOP, KVT, UOP4

## Príloha B: Index Výkon-MDC-DRG

ZZV	MDC	DRG	ZZV	MDC	DRG	ZZV	MDC	DRG
5a50h.64		BOP, KVT, UOP4	5a50l		BOP, KVT, UOP4	5a50t.01		BOP, KVT, UOP4
	01	B03A, B03B, B06A, B06B, B07Z, B17A, B17B, B17C, B17D		01	B03A, B03B, B06A, B06B, B07Z, B17A, B17B, B17C		01	B03A, B03B, B06A, B06B, B07Z, B17A, B17B, B17C
	08	I08A, I08B, I08C, I08D, I08E, I13A, I13B, I28A, I28B, I28C		03	D12A, D12B		03	D12A
	21A	W04A, W04B		08	I08A, I08B, I08C, I08D, I08E, I13A, I13B, I28A, I28B, I28C		06	G11A, G11B
5a50h.6x	21B	X05A, X05B, X06A, X06B	5a50m	21A	W04A, W04B	5a50t.01	08	I08A, I08B, I08C, I08D, I08E, I13A, I13B, I28A, I28B
		BOP, KVT, UOP4		21B	X06A, X06B		11	L03Z, L04A, L04B, L04C, L10Z, L38Z
	01	B03A, B03B, B06A, B06B, B07Z, B17A, B17B, B17C, B17D		01	B03A, B03B, B06A, B06B, B07Z, B17A, B17B, B17C		12	M06Z, M09A, M09B, M38Z
	08	I08A, I08B, I08C, I08D, I08E, I13A, I13B, I28A, I28B, I28C		03	D12A, D12B		13	N11A
5a50h.7	21A	W04A, W04B	5a50n	08	I08A, I08B, I08C, I08D, I08E, I13A, I13B, I28A, I28B, I28C	5a50t.02	21A	W04A, W04B
	21B	X05A, X05B, X06A, X06B		21A	W04A, W04B		21B	X04Z, X05A, X05B, X06A, X06B, X06C
		BOP, KVT, UOP4		21B	X06A, X06B		22	Y01Z, Y03A, Y03B
	01	B03A, B03B, B06A, B06B, B07Z, B17A, B17B, B17C, B17D		01	B03A, B03B, B06A, B06B, B07Z, B17A, B17B, B17C		23	Z01A
5a50h.8	08	I08A, I08B, I08C, I08D, I08E, I13A, I13B, I28A, I28B, I28C	5a50o	03	D12A, D12B	5a50t.02	01	B03A, B03B, B06A, B06B, B07Z, B17A, B17B, B17C
	21A	W04A, W04B		08	I08A, I08B, I08C, I08D, I08E, I13A, I13B, I28A, I28B, I28C		03	D12A
	21B	X05A, X05B, X06A, X06B		21A	W04A, W04B		06	G11A, G11B
		BOP, KVT, UOP4		21B	X06A, X06B		08	I08A, I08B, I08C, I08D, I08E, I13A, I13B, I28A, I28B
5a50h.9	01	B03A, B03B, B06A, B06B, B07Z, B17A, B17B, B17C, B17D	5a50p	01	B03A, B03B, B06A, B06B, B07Z, B17A, B17B, B17C	5a50t.03	11	L03Z, L04A, L04B, L04C, L10Z, L38Z
	08	I08A, I08B, I08C, I08D, I08E, I13A, I13B, I28A, I28B, I28C		03	D12A, D12B		12	M06Z, M09A, M09B, M38Z
	21A	W04A, W04B		08	I08A, I08B, I08C, I08D, I08E, I13A, I13B, I28A, I28B		13	N11A
	21B	X04Z, X06A, X06B		21A	W04A, W04B		21A	W04A, W04B
5a50h.a	21B	X04Z, X06A, X06B	5a50r	21B	X06A, X06B, X06C	5a50t.03	21B	X04Z, X05A, X05B, X06A, X06B, X06C
		BOP, KVT, UOP4		01	B03A, B03B, B06A, B06B, B07Z, B17A, B17B, B17C		12	Y01Z, Y03A, Y03B
	01	B03A, B03B, B06A, B06B, B07Z, B17A, B17B, B17C		03	D12A, D12B		23	Z01A
	08	I08A, I08B, I08C, I08D, I08E, I13A, I13B, I28A, I28B, I28C		08	I28A, I28B		01	B03A, B03B, B06A, B06B, B07Z, B17A, B17B, B17C
5a50h.b	21A	W04A, W04B	5a50t.00	21A	W04A, W04B	5a50t.04	03	D12A
	21B	X04Z, X06A, X06B		21B	X06A, X06B, X06C		06	G11A, G11B
		BOP, KVT, UOP4		01	B03A, B03B, B06A, B06B, B07Z, B17A, B17B, B17C		08	I08A, I08B, I08C, I08D, I08E, I13A, I13B, I28A, I28B
	01	B03A, B03B, B06A, B06B, B07Z, B17A, B17B, B17C		03	D12A		11	L03Z, L04A, L04B, L04C, L10Z, L38Z
5a50j	08	I08A, I08B, I08C, I08D, I08E, I13A, I13B, I20A, I20B, I20C, I20D, I20E, I20F	5a50r	06	G11A, G11B	5a50t.04	12	M06Z, M09A, M09B, M38Z
	21A	W04A, W04B		08	I28A, I28B		13	N11A
	21B	X04Z		21A	W04A, W04B		21A	W04A, W04B
		BOP, KVT, UOP4		21B	X04Z, X05A, X05B, X06A, X06B, X06C		21B	X04Z, X05A, X05B, X06A, X06B, X06C
5a50k	01	B03A, B03B, B06A, B06B, B07Z, B17A, B17B, B17C	5a50t.00	22	Y01Z, Y03A, Y03B	5a50t.04	11	L03Z, L04A, L04B, L04C, L10Z, L38Z
	03	D12A, D12B		23	Z01A		12	M06Z, M09A, M09B, M38Z
	08	I08A, I08B, I08C, I08D, I08E, I13A, I13B, I28A, I28B, I28C		01	B03A, B03B, B06A, B06B, B07Z, B17A, B17B, B17C		13	N11A
	21A	W04A, W04B		03	D12A		21A	W04A, W04B
	X06A, X06B	06	G11A, G11B	21B	X04Z, X05A, X05B, X06A, X06B, X06C			
		08	I08A, I08B, I08C, I08D, I08E, I13A, I13B, I28A, I28B	22	Y01Z, Y03A, Y03B			
		11	L03Z, L04A, L04B, L04C, L10Z, L38Z	23	Z01A			
		12	M06Z, M09A, M09B, M38Z					
		13	N11A					
		21A	W04A, W04B					
		21B	X04Z, X05A, X05B, X06A, X06B, X06C					
		22	Y01Z, Y03A, Y03B					
		23	Z01A					

ZZV	MDC	DRG	ZZV	MDC	DRG	ZZV	MDC	DRG
5a50t.05		BOP, KVT, UOP4	5a50t.12		BOP, KVT, UOP4	5a50t.16		BOP, KVT, UOP4
	01	B03A, B03B, B06A, B06B, B07Z, B17A, B17B, B17C		01	B03A, B03B, B06A, B06B, B07Z, B17A, B17B, B17C		01	B03A, B03B, B06A, B06B, B07Z, B17A, B17B, B17C
	03	D12A		03	D12A		03	D12A
	06	G11A, G11B		06	G11A, G11B		06	G11A, G11B
	08	I08A, I08B, I08C, I08D, I08E, I13A, I13B, I28A, I28B		08	I08A, I08B, I08C, I08D, I08E, I13A, I13B, I28A, I28B		08	I08A, I08B, I08C, I08D, I08E, I13A, I13B, I28A, I28B
	11	L03Z, L04A, L04B, L04C, L10Z, L38Z		11	L03Z, L04A, L04B, L04C, L10Z, L38Z		11	L03Z, L04A, L04B, L04C, L10Z, L38Z
	12	M06Z, M09A, M09B, M38Z		12	M06Z, M09A, M09B, M38Z		12	M06Z, M09A, M09B, M38Z
	13	N11A		13	N11A		13	N11A
	21A	W04A, W04B		21A	W04A, W04B		21A	W04A, W04B
	21B	X04Z, X05A, X05B, X06A, X06B, X06C		21B	X04Z, X05A, X05B, X06A, X06B, X06C		21B	X04Z, X05A, X05B, X06A, X06B, X06C
	22	Y01Z, Y03A, Y03B		22	Y01Z, Y03A, Y03B		22	Y01Z, Y03A, Y03B
	23	Z01A		23	Z01A		23	Z01A
	5a50t.06			BOP, KVT, UOP4	5a50t.13			BOP, KVT, UOP4
01		B03A, B03B, B06A, B06B, B07Z, B17A, B17B, B17C	01	B03A, B03B, B06A, B06B, B07Z, B17A, B17B, B17C		01	B03A, B03B, B06A, B06B, B07Z, B17A, B17B, B17C	
03		D12A	03	D12A		03	D12A	
06		G11A, G11B	06	G11A, G11B		08	I08A, I08B, I08C, I08D, I08E, I13A, I13B, I28A, I28B	
08		I08A, I08B, I08C, I08D, I08E, I13A, I13B, I28A, I28B	08	I08A, I08B, I08C, I08D, I08E, I13A, I13B, I28A, I28B		12	M06Z, M09A, M09B, M38Z	
11		L03Z, L04A, L04B, L04C, L10Z, L38Z	11	L03Z, L04A, L04B, L04C, L10Z, L38Z		13	N11A	
12		M06Z, M09A, M09B, M38Z	12	M06Z, M09A, M09B, M38Z		21A	W04A, W04B	
13		N11A	13	N11A		21B	X04Z, X05A, X05B, X06A, X06B, X06C	
21A		W04A, W04B	21A	W04A, W04B		22	Y01Z, Y03A, Y03B	
21B		X04Z, X05A, X05B, X06A, X06B, X06C	21B	X04Z, X05A, X05B, X06A, X06B, X06C		23	Z01A	
22		Y01Z, Y03A, Y03B	22	Y01Z, Y03A, Y03B		5a901.a†	VIAL	
23		Z01A	23	Z01A		5a901.b†	VIAL	
5a50t.10			BOP, KVT, UOP4	5a50t.14			BOP, KVT, UOP4	5a901.c†
	01	B03A, B03B, B06A, B06B, B07Z, B17A, B17B, B17C	01		B03A, B03B, B06A, B06B, B07Z, B17A, B17B, B17C	5a902.01†	VIAL	
	03	D12A	03		D12A	5a902.02†	VIAL	
	06	G11A, G11B	06		G11A, G11B	5a902.03†	VIAL	
	08	I08A, I08B, I08C, I08D, I08E, I13A, I13B, I28A, I28B	08		I08A, I08B, I08C, I08D, I08E, I13A, I13B, I28A, I28B	5a902.11	BOP, KVT, UOP4, VIAL	
	11	L03Z, L04A, L04B, L04C, L10Z, L38Z	11		L03Z, L04A, L04B, L04C, L10Z, L38Z	01	B03A, B03B, B18Z	
	12	M06Z, M09A, M09B, M38Z	12		M06Z, M09A, M09B, M38Z	08	I10A, I10B, I10C, I10D, I10E	
	13	N11A	13		N11A	17	R01A, R01B, R01C, R01D, R02Z, R12A, R12B, R12C	
	21A	W04A, W04B	21A		W04A, W04B	21A	W04A, W04B	
	21B	X04Z, X05A, X05B, X06A, X06B, X06C	21B		X04Z, X05A, X05B, X06A, X06B, X06C	21B	X06A, X06B, X06C	
	22	Y01Z, Y03A, Y03B	22		Y01Z, Y03A, Y03B	5a902.12	BOP, KVT, UOP4, VIAL	
	23	Z01A	23		Z01A	01	B03A, B03B, B18Z	
	5a50t.11		BOP, KVT, UOP4		5a50t.15		BOP, KVT, UOP4	08
01		B03A, B03B, B06A, B06B, B07Z, B17A, B17B, B17C	01	B03A, B03B, B06A, B06B, B07Z, B17A, B17B, B17C		17	R01A, R01B, R01C, R01D, R02Z, R12A, R12B, R12C	
03		D12A	03	D12A		21A	W04A, W04B	
06		G11A, G11B	06	G11A, G11B		21B	X06A, X06B, X06C	
08		I08A, I08B, I08C, I08D, I08E, I13A, I13B, I28A, I28B	08	I08A, I08B, I08C, I08D, I08E, I13A, I13B, I28A, I28B		5a902.13	BOP, KVT, UOP4, VIAL	
11		L03Z, L04A, L04B, L04C, L10Z, L38Z	11	L03Z, L04A, L04B, L04C, L10Z, L38Z		01	B03A, B03B, B18Z	
12		M06Z, M09A, M09B, M38Z	12	M06Z, M09A, M09B, M38Z		08	I10A, I10B, I10C, I10D, I10E	
13		N11A	13	N11A		17	R01A, R01B, R01C, R01D, R02Z, R12A, R12B, R12C	
21A		W04A, W04B	21A	W04A, W04B		21A	W04A, W04B	
21B		X04Z, X05A, X05B, X06A, X06B, X06C	21B	X04Z, X05A, X05B, X06A, X06B, X06C		21B	X06A, X06B, X06C	
22		Y01Z, Y03A, Y03B	22	Y01Z, Y03A, Y03B		5a902.21	BOP, KVT, UOP4, VIAL	
23		Z01A	23	Z01A		01	B03A, B03B, B18Z	
						08	I10A, I10B, I10C, I10D, I10E	
				17	R01A, R01B, R01C, R01D, R02Z, R12A, R12B, R12C			
				21A	W04A, W04B			
				21B	X06A, X06B, X06C			

VYK



ZZV	MDC	DRG	ZZV	MDC	DRG	ZZV	MDC	DRG
5b111		BOP, KVT, UOP4	5b121.x		BOP, KVT, UOP4	5b12x.6		BOP, KVT, UOP4
	03	D09Z, D30A		10	K06A, K06B, K06C, K06D		10	K06A, K06B, K06C, K06D
	09	J03A, J03B, J04A, J04B, J08A, J08B, J08C, J11A, J11B, J16Z		11	L09A, L09C, L38Z		11	L09A, L09C, L38Z
	10	K06A, K06B, K06C, K06D	5b122.0		BOP, KVT, UOP4	5b12x.x		BOP, KVT, UOP4
	21A	W04A, W04B		10	K06A, K06B		10	K06A, K06B, K06C, K06D
	21B	X06A, X06B, X06C		11	L09A, L09C, L38Z		11	L09A, L09C, L38Z
5b112		BOP, KVT, UOP4	5b122.1		BOP, KVT, UOP4	5b130.0		BOP, KVT, UOP4
	03	D09Z, D30A		10	K06A, K06B		10	K06A, K06B, K06C, K06D
	09	J03A, J03B, J04A, J04B, J08A, J08B, J08C, J11A, J11B, J16Z		11	L09A, L09C, L38Z		11	L09C, L38Z
	10	K06A, K06B, K06C, K06D	5b122.2		BOP, KVT, UOP4	5b130.1		BOP, KVT, UOP4
	21A	W04A, W04B		10	K06A, K06B		10	K06A, K06B, K06C, K06D
	21B	X06A, X06B, X06C		11	L09A, L09C, L38Z		11	L09C, L38Z
5b113		BOP, KVT, UOP4	5b122.3		BOP, KVT, UOP4	5b130.2		BOP, KVT, UOP4
	10	K06A, K06B, K06C, K06D		10	K06A, K06B		10	K06A, K06B, K06C, K06D
	21A	W04A, W04B		11	L09A, L09C, L38Z		11	L09C, L38Z
	21B	X06A, X06B, X06C	5b122.4		BOP, KVT, UOP4	5b130.3		BOP, KVT, UOP4
5b11x		BOP, KVT, UOP4		10	K06A, K06B		10	K06A, K06B, K06C, K06D
	10	K06A, K06B, K06C, K06D		11	L09A, L09C, L38Z		11	L09C, L38Z
	21A	W04A, W04B	5b122.5		BOP, KVT, UOP4	5b130.4		BOP, KVT, UOP4
	21B	X06A, X06B, X06C		10	K06A, K06B		10	K06A, K06B, K06C, K06D
5b120.0		BOP, KVT, UOP4		11	L09A, L09C, L38Z	5b130.5		BOP, KVT, UOP4
	10	K06A, K06B, K06C, K06D	5b122.6		BOP, KVT, UOP4		10	K06A, K06B, K06C, K06D
	11	L09A, L09C, L38Z		11	L09A, L09C, L38Z		11	L09C, L38Z
5b120.1		BOP, KVT, UOP4	5b122.x		BOP, KVT, UOP4	5b130.6		BOP, KVT, UOP4
	10	K06A, K06B, K06C, K06D		10	K06A, K06B		10	K06A, K06B, K06C, K06D
	11	L09A, L09C, L38Z		11	L09A, L09C, L38Z		11	L09C, L38Z
5b120.2		BOP, KVT, UOP4	5b123.0		BOP, KVT, UOP4	5b130.x		BOP, KVT, UOP4
	10	K06A, K06B, K06C, K06D		10	K06A, K06B		10	K06A, K06B, K06C, K06D
	11	L09A, L09C, L38Z		11	L09A, L09C, L38Z		11	L09C, L38Z
5b120.3		BOP, KVT, UOP4	5b123.1		BOP, KVT, UOP4	5b131.0		BOP, KVT, UOP4
	10	K06A, K06B, K06C, K06D		10	K06A, K06B		10	K06A, K06B, K06C, K06D
	11	L09A, L09C, L38Z		11	L09A, L09C, L38Z		11	L09C, L38Z
5b120.4		BOP, KVT, UOP4	5b123.2		BOP, KVT, UOP4	5b131.1		BOP, KVT, UOP4
	10	K06A, K06B, K06C, K06D		10	K06A, K06B		10	K06A, K06B, K06C, K06D
	11	L09A, L09C, L38Z		11	L09A, L09C, L38Z		11	L09C, L38Z
5b120.5		BOP, KVT, UOP4	5b123.3		BOP, KVT, UOP4	5b131.2		BOP, KVT, UOP4
	10	K06A, K06B, K06C, K06D		10	K06A, K06B		10	K06A, K06B, K06C, K06D
	11	L09A, L09C, L38Z		11	L09A, L09C, L38Z		11	L09C, L38Z
5b120.6		BOP, KVT, UOP4	5b123.4		BOP, KVT, UOP4	5b131.3		BOP, KVT, UOP4
	10	K06A, K06B, K06C, K06D		10	K06A, K06B		10	K06A, K06B, K06C, K06D
	11	L09A, L09C, L38Z		11	L09A, L09C, L38Z		11	L09C, L38Z
5b120.x		BOP, KVT, UOP4	5b123.5		BOP, KVT, UOP4	5b131.4		BOP, KVT, UOP4
	10	K06A, K06B, K06C, K06D		10	K06A, K06B		10	K06A, K06B, K06C, K06D
	11	L09A, L09C, L38Z		11	L09A, L09C, L38Z		11	L09C, L38Z
5b121.0		BOP, KVT, UOP4	5b123.6		BOP, KVT, UOP4	5b131.5		BOP, KVT, UOP4
	10	K06A, K06B, K06C, K06D		10	K06A, K06B		10	K06A, K06B, K06C, K06D
	11	L09A, L09C, L38Z		11	L09A, L09C, L38Z		11	L09C, L38Z
5b121.1		BOP, KVT, UOP4	5b123.x		BOP, KVT, UOP4	5b131.6		BOP, KVT, UOP4
	10	K06A, K06B, K06C, K06D		10	K06A, K06B		10	K06A, K06B, K06C, K06D
	11	L09A, L09C, L38Z		11	L09A, L09C, L38Z		11	L09C, L38Z
5b121.2		BOP, KVT, UOP4	5b12x.0		BOP, KVT, UOP4	5b131.x		BOP, KVT, UOP4
	10	K06A, K06B, K06C, K06D		10	K06A, K06B, K06C, K06D		10	K06A, K06B, K06C, K06D
	11	L09A, L09C, L38Z		11	L09A, L09C, L38Z		11	L09C, L38Z
5b121.3		BOP, KVT, UOP4	5b12x.1		BOP, KVT, UOP4	5b132.0		BOP, KVT, UOP4
	10	K06A, K06B, K06C, K06D		10	K06A, K06B, K06C, K06D		10	K06A, K06B, K06C, K06D
	11	L09A, L09C, L38Z		11	L09A, L09C, L38Z		11	L09A, L09C, L38Z
5b121.4		BOP, KVT, UOP4	5b12x.2		BOP, KVT, UOP4	5b132.1		BOP, KVT, UOP4
	10	K06A, K06B, K06C, K06D		10	K06A, K06B, K06C, K06D		10	K06A, K06B, K06C, K06D
	11	L09A, L09C, L38Z		11	L09A, L09C, L38Z		11	L09A, L09C, L38Z
5b121.5		BOP, KVT, UOP4	5b12x.3		BOP, KVT, UOP4	5b132.2		BOP, KVT, UOP4
	10	K06A, K06B, K06C, K06D		10	K06A, K06B, K06C, K06D		10	K06A, K06B, K06C, K06D
	11	L09A, L09C, L38Z		11	L09A, L09C, L38Z		11	L09A, L09C, L38Z
5b121.6		BOP, KVT, UOP4	5b12x.4		BOP, KVT, UOP4	5b132.3		BOP, KVT, UOP4
	10	K06A, K06B, K06C, K06D		10	K06A, K06B, K06C, K06D		10	K06A, K06B, K06C, K06D
	11	L09A, L09C, L38Z		11	L09A, L09C, L38Z		11	L09A, L09C, L38Z
	10	K06A, K06B, K06C, K06D	5b12x.5		BOP, KVT, UOP4	5b132.4		BOP, KVT, UOP4
	11	L09A, L09C, L38Z		10	K06A, K06B, K06C, K06D		10	K06A, K06B, K06C, K06D
				11	L09A, L09C, L38Z		11	L09A, L09C, L38Z





ZZV	MDC	DRG	ZZV	MDC	DRG	ZZV	MDC	DRG
5b143.2		BOP, KVT, UOP4	5b151		BOP, KVT, UOP4	5b210.5		BOP, KVT, UOP4
	10	K06A, K06B, K06C, K06D		10	K06A, K06B, K06C, K06D		10	K06A, K06B
	11	L09A, L09C, L38Z		11	L09A, L09C, L38Z		11	L09A, L09B, L09C, L38Z
5b143.3		BOP, KVT, UOP4	5b152		BOP, KVT, UOP4	5b210.6		BOP, KVT, UOP4
	10	K06A, K06B, K06C, K06D		10	K06A, K06B, K06C, K06D		10	K06A, K06B
	11	L09A, L09C, L38Z		11	L09A, L09C, L38Z		11	L09A, L09B, L09C, L38Z
5b143.4		BOP, KVT, UOP4	5b153		BOP, KVT, UOP4	5b210.x		BOP, KVT, UOP4
	10	K06A, K06B, K06C, K06D		10	K06A, K06B, K06C, K06D		10	K06A, K06B
	11	L09A, L09C, L38Z		11	L09A, L09C, L38Z		11	L09A, L09B, L09C, L38Z
5b143.5		BOP, KVT, UOP4	5b154		BOP, KVT, UOP4	5b211.0		BOP, KVT, UOP4
	10	K06A, K06B, K06C, K06D		10	K06A, K06B, K06C, K06D		10	K06A, K06B
	11	L09A, L09C, L38Z		11	L09A, L09C, L38Z		11	L09A, L09B, L09C, L38Z
5b143.6		BOP, KVT, UOP4	5b155		BOP, KVT, UOP4		21A	W04A, W04B
	10	K06A, K06B, K06C, K06D		10	K06A, K06B, K06C, K06D		21B	X06A, X06B, X06C
	11	L09A, L09C, L38Z		11	L09A, L09C, L38Z	5b211.1		BOP, KVT, UOP4
5b143.x		BOP, KVT, UOP4	5b156		BOP, KVT, UOP4		10	K06A, K06B
	10	K06A, K06B, K06C, K06D		10	K06A, K06B, K06C, K06D		11	L09A, L09B, L09C, L38Z
	11	L09A, L09C, L38Z		11	L09A, L09C, L38Z		21A	W04A, W04B
5b144.0		BOP, KVT, UOP4	5b15x		BOP, KVT, UOP4		21B	X06A, X06B, X06C
	10	K06A, K06B, K06C, K06D		10	K06A, K06B, K06C, K06D	5b211.2		BOP, KVT, UOP4
	11	L09A, L09C, L38Z		11	L09A, L09C, L38Z		10	K06A, K06B
5b144.1		BOP, KVT, UOP4	5b160		BOP, KVT, UOP4		11	L09A, L09B, L09C, L38Z
	10	K06A, K06B, K06C, K06D		03	D12A, D12B		21A	W04A, W04B
	11	L09A, L09C, L38Z		10	K06A, K06B, K06C, K06D		21B	X06A, X06B, X06C
5b144.2		BOP, KVT, UOP4	5b161		BOP, KVT, UOP4	5b211.3		BOP, KVT, UOP4
	10	K06A, K06B, K06C, K06D		03	D12A, D12B		10	K06A, K06B
	11	L09A, L09C, L38Z		10	K06A, K06B, K06C, K06D		11	L09A, L09B, L09C, L38Z
5b144.3		BOP, KVT, UOP4	5b162		BOP, KVT, UOP4		21A	W04A, W04B
	10	K06A, K06B, K06C, K06D		03	D12A, D12B		21B	X06A, X06B, X06C
	11	L09A, L09C, L38Z		10	K06A, K06B, K06C, K06D	5b211.4		BOP, KVT, UOP4
5b144.4		BOP, KVT, UOP4	5b163		BOP, KVT, UOP4		10	K06A, K06B
	10	K06A, K06B, K06C, K06D		03	D12A, D12B		11	L09A, L09B, L09C, L38Z
	11	L09A, L09C, L38Z		10	K06A, K06B, K06C, K06D		21A	W04A, W04B
5b144.5		BOP, KVT, UOP4	5b164		BOP, KVT, UOP4		21B	X06A, X06B, X06C
	10	K06A, K06B, K06C, K06D		03	D12A, D12B	5b211.5		BOP, KVT, UOP4
	11	L09A, L09C, L38Z		10	K06A, K06B, K06C, K06D		10	K06A, K06B
5b144.6		BOP, KVT, UOP4	5b165		BOP, KVT, UOP4		11	L09A, L09B, L09C, L38Z
	10	K06A, K06B, K06C, K06D		03	D12A, D12B		21A	W04A, W04B
	11	L09A, L09C, L38Z		10	K06A, K06B, K06C, K06D		21B	X06A, X06B, X06C
5b144.x		BOP, KVT, UOP4	5b16x		BOP, KVT, UOP4	5b211.6		BOP, KVT, UOP4
	10	K06A, K06B, K06C, K06D		03	D12A, D12B		10	K06A, K06B
	11	L09A, L09C, L38Z		10	K06A, K06B, K06C, K06D		11	L09A, L09B, L09C, L38Z
5b14x.0		BOP, KVT, UOP4	5b190		BOP, KVT, UOP4		21A	W04A, W04B
	10	K06A, K06B, K06C, K06D		03	D12A, D12B		21B	X06A, X06B, X06C
	11	L09A, L09C, L38Z		08	I28A, I28B	5b211.x		BOP, KVT, UOP4
5b14x.1		BOP, KVT, UOP4		10	K06A, K06B, K06C, K06D		10	K06A, K06B
	10	K06A, K06B, K06C, K06D		21A	W04A, W04B		11	L09A, L09B, L09C, L38Z
	11	L09A, L09C, L38Z		21B	X06A, X06B, X06C		21A	W04A, W04B
5b14x.2		BOP, KVT, UOP4	5b191		BOP, KVT, UOP4		21B	X06A, X06B, X06C
	10	K06A, K06B, K06C, K06D		10	K06A, K06B, K06C, K06D	5b21x.0		BOP, KVT, UOP4
	11	L09A, L09C, L38Z			BOP, KVT, UOP4		10	K06A, K06B
5b14x.3		BOP, KVT, UOP4	5b19x		BOP, KVT, UOP4		11	L09A, L09B, L09C, L38Z
	10	K06A, K06B, K06C, K06D		10	K06A, K06B, K06C, K06D	5b21x.1		BOP, KVT, UOP4
	11	L09A, L09C, L38Z			BOP, KVT, UOP4		10	K06A, K06B
5b14x.4		BOP, KVT, UOP4	5b210.0		BOP, KVT, UOP4		11	L09A, L09B, L09C, L38Z
	10	K06A, K06B, K06C, K06D		10	K06A, K06B	5b21x.2		BOP, KVT, UOP4
	11	L09A, L09C, L38Z		11	L09A, L09B, L09C, L38Z		10	K06A, K06B
5b14x.5		BOP, KVT, UOP4	5b210.1		BOP, KVT, UOP4		11	L09A, L09B, L09C, L38Z
	10	K06A, K06B, K06C, K06D		10	K06A, K06B	5b21x.3		BOP, KVT, UOP4
	11	L09A, L09C, L38Z		11	L09A, L09B, L09C, L38Z		10	K06A, K06B
5b14x.6		BOP, KVT, UOP4	5b210.2		BOP, KVT, UOP4		11	L09A, L09B, L09C, L38Z
	10	K06A, K06B, K06C, K06D		10	K06A, K06B	5b21x.4		BOP, KVT, UOP4
	11	L09A, L09C, L38Z		11	L09A, L09B, L09C, L38Z		10	K06A, K06B
5b14x.x		BOP, KVT, UOP4	5b210.3		BOP, KVT, UOP4		11	L09A, L09B, L09C, L38Z
	10	K06A, K06B, K06C, K06D		10	K06A, K06B	5b21x.5		BOP, KVT, UOP4
	11	L09A, L09C, L38Z		11	L09A, L09B, L09C, L38Z		10	K06A, K06B
5b150		BOP, KVT, UOP4	5b210.4		BOP, KVT, UOP4		11	L09A, L09B, L09C, L38Z
	10	K06A, K06B, K06C, K06D		10	K06A, K06B			
	11	L09A, L09C, L38Z		11	L09A, L09B, L09C, L38Z			

VYK

ZZV	MDC	DRG	ZZV	MDC	DRG	ZZV	MDC	DRG
5b21x.6		BOP, KVT, UOP4	5b230.5		BOP, KVT, UOP4	5b23x.3		BOP, KVT, UOP4
	10	K06A, K06B		10	K06A, K06B, K06C, K06D		10	K06A, K06B, K06C, K06D
	11	L09A, L09B, L09C, L38Z		11	L09C, L38Z		11	L09C, L38Z
5b21x.x		BOP, KVT, UOP4	5b230.6		BOP, KVT, UOP4	5b23x.4		BOP, KVT, UOP4
	10	K06A, K06B		10	K06A, K06B, K06C, K06D		10	K06A, K06B, K06C, K06D
	11	L09A, L09B, L09C, L38Z		11	L09C, L38Z		11	L09C, L38Z
5b220.0		BOP, KVT, UOP4	5b230.x		BOP, KVT, UOP4	5b23x.5		BOP, KVT, UOP4
	10	K06A, K06B		10	K06A, K06B, K06C, K06D		10	K06A, K06B, K06C, K06D
	11	L09A, L09B, L09C, L38Z		11	L09C, L38Z		11	L09C, L38Z
5b220.1		BOP, KVT, UOP4	5b231.0		BOP, KVT, UOP4	5b23x.6		BOP, KVT, UOP4
	10	K06A, K06B		10	K06A, K06B, K06C, K06D		10	K06A, K06B, K06C, K06D
	11	L09A, L09B, L09C, L38Z		11	L09C, L38Z		11	L09C, L38Z
5b220.2		BOP, KVT, UOP4	5b231.1		BOP, KVT, UOP4	5b23x.x		BOP, KVT, UOP4
	10	K06A, K06B		10	K06A, K06B, K06C, K06D		10	K06A, K06B, K06C, K06D
	11	L09A, L09B, L09C, L38Z		11	L09C, L38Z		11	L09C, L38Z
5b220.3		BOP, KVT, UOP4	5b231.2		BOP, KVT, UOP4	5b290		BOP, KVT, UOP4
	10	K06A, K06B		10	K06A, K06B, K06C, K06D		10	K06A, K06B, K06C, K06D
	11	L09A, L09B, L09C, L38Z		11	L09C, L38Z	5b291		BOP, KVT, UOP4
5b220.4		BOP, KVT, UOP4	5b231.3		BOP, KVT, UOP4		10	K06A, K06B, K06C, K06D
	10	K06A, K06B		10	K06A, K06B, K06C, K06D	5b311.1↔		BOP, KVT, UOP4
	11	L09A, L09B, L09C, L38Z		11	L09C, L38Z		10	K03A, K03B, K14Z
5b220.5		BOP, KVT, UOP4	5b231.4		BOP, KVT, UOP4	5b311.2↔		BOP, KVT, UOP4
	10	K06A, K06B		10	K06A, K06B, K06C, K06D		10	K03A, K03B, K14Z
	11	L09A, L09B, L09C, L38Z		11	L09C, L38Z	5b311.4↔		BOP, KVT, UOP4
5b220.6		BOP, KVT, UOP4	5b231.5		BOP, KVT, UOP4		10	K03A, K03B, K14Z
	10	K06A, K06B		10	K06A, K06B, K06C, K06D	5b311.x↔		BOP, KVT, UOP4
	11	L09A, L09B, L09C, L38Z		11	L09C, L38Z		10	K03A, K03B, K14Z
5b220.x		BOP, KVT, UOP4	5b231.6		BOP, KVT, UOP4	5b312.1↔		BOP, KVT, UOP4
	10	K06A, K06B		10	K06A, K06B, K06C, K06D		06	G18A, G38Z
	11	L09A, L09B, L09C, L38Z		11	L09C, L38Z		10	K03A, K03B, K14Z
5b221.0		BOP, KVT, UOP4	5b231.x		BOP, KVT, UOP4	5b312.2↔		BOP, KVT, UOP4
	10	K06A, K06B		10	K06A, K06B, K06C, K06D		10	K03A, K03B, K14Z
	11	L09A, L09B, L09C, L38Z		11	L09C, L38Z	5b312.4↔		BOP, KVT, UOP4
5b221.1		BOP, KVT, UOP4	5b232.0		BOP, KVT, UOP4		10	K03A, K03B, K14Z
	10	K06A, K06B		10	K06A, K06B, K06C, K06D	5b312.x↔		BOP, KVT, UOP4
	11	L09A, L09B, L09C, L38Z		11	L09C, L38Z		10	K03A, K03B, K14Z
5b221.2		BOP, KVT, UOP4	5b232.1		BOP, KVT, UOP4	5b320.1↔		BOP, KVT, UOP4
	10	K06A, K06B		10	K06A, K06B, K06C, K06D		06	G18A, G38Z
	11	L09A, L09B, L09C, L38Z		11	L09C, L38Z		09	J03A, J03B, J04A, J04B, J08A, J08B, J08C, J11A, J11B, J16Z
5b221.3		BOP, KVT, UOP4	5b232.2		BOP, KVT, UOP4		10	K03A, K03B, K14Z
	10	K06A, K06B		10	K06A, K06B, K06C, K06D	5b320.2↔		BOP, KVT, UOP4
	11	L09A, L09B, L09C, L38Z		11	L09C, L38Z		09	J03A, J03B, J04A, J04B, J08A, J08B, J08C, J11A, J11B, J16Z
5b221.4		BOP, KVT, UOP4	5b232.3		BOP, KVT, UOP4		10	K03A, K03B, K14Z
	10	K06A, K06B		10	K06A, K06B, K06C, K06D	5b320.4↔		BOP, KVT, UOP4
	11	L09A, L09B, L09C, L38Z		11	L09C, L38Z		09	J03A, J03B, J04A, J04B, J08A, J08B, J08C, J11A, J11B, J16Z
5b221.5		BOP, KVT, UOP4	5b232.4		BOP, KVT, UOP4		10	K03A, K03B, K14Z
	10	K06A, K06B		10	K06A, K06B, K06C, K06D	5b320.x↔		BOP, KVT, UOP4
	11	L09A, L09B, L09C, L38Z		11	L09C, L38Z		09	J03A, J03B, J04A, J04B, J08A, J08B, J08C, J11A, J11B, J16Z
5b221.6		BOP, KVT, UOP4	5b232.5		BOP, KVT, UOP4		10	K03A, K03B, K14Z
	10	K06A, K06B		10	K06A, K06B, K06C, K06D	5b320.1↔		BOP, KVT, UOP4
	11	L09A, L09B, L09C, L38Z		11	L09C, L38Z		06	G18A, G38Z
5b221.x		BOP, KVT, UOP4	5b232.6		BOP, KVT, UOP4		09	J03A, J03B, J04A, J04B, J08A, J08B, J08C, J11A, J11B, J16Z
	10	K06A, K06B		10	K06A, K06B, K06C, K06D	5b320.x↔		BOP, KVT, UOP4
	11	L09A, L09B, L09C, L38Z		11	L09C, L38Z		09	J03A, J03B, J04A, J04B, J08A, J08B, J08C, J11A, J11B, J16Z
5b230.0		BOP, KVT, UOP4	5b232.x		BOP, KVT, UOP4		10	K03A, K03B, K14Z
	10	K06A, K06B, K06C, K06D		10	K06A, K06B, K06C, K06D	5b321.1↔		BOP, KVT, UOP4
	11	L09C, L38Z		11	L09C, L38Z		06	G18A, G38Z
5b230.1		BOP, KVT, UOP4	5b233.1		BOP, KVT, UOP4		09	J03A, J03B, J04A, J04B, J08A, J08B, J08C, J11A, J11B, J16Z
	10	K06A, K06B, K06C, K06D		10	K06A, K06B, K06C, K06D		10	K03A, K03B, K14Z
	11	L09C, L38Z		11	L09C, L38Z		13	N01A, N01B, N01C, N01D, N01E, N02A, N02B, N02C, N03A, N03B, N05A, N05B, N38Z
5b230.2		BOP, KVT, UOP4	5b23x.0		BOP, KVT, UOP4			
	10	K06A, K06B, K06C, K06D		10	K06A, K06B, K06C, K06D			
	11	L09C, L38Z		11	L09C, L38Z			
5b230.3		BOP, KVT, UOP4	5b23x.1		BOP, KVT, UOP4			
	10	K06A, K06B, K06C, K06D		10	K06A, K06B, K06C, K06D			
	11	L09C, L38Z		11	L09C, L38Z			
5b230.4		BOP, KVT, UOP4	5b23x.2		BOP, KVT, UOP4			
	10	K06A, K06B, K06C, K06D		10	K06A, K06B, K06C, K06D			
	11	L09C, L38Z		11	L09C, L38Z			

ZZV	MDC	DRG	ZZV	MDC	DRG	ZZV	MDC	DRG					
5b321.2↔		BOP, KVT, UOP4	5b330.1↔	10	BOP, KVT, UOP4	5b412		BOP, KOP, KOPV, KVT, UOP4					
	09	J03A, J03B, J04A, J04B, J08A, J08B, J08C, J11A, J11B, J16Z		21A	K03A, K03B, K14Z		01	B02A, B02B, B02C, B20A, B20B, B20C, B20D, B20E, B39A, B39B					
	10	K03A, K03B, K14Z		21B	W04A, W04B		06	G33Z					
5b321.4↔		BOP, KVT, UOP4	5b330.2↔	10	BOP, KVT, UOP4		07	H33Z, H38Z					
	09	J03A, J03B, J04A, J04B, J08A, J08B, J08C, J11A, J11B, J16Z		21A	K03A, K03B, K14Z		10	K03A, K03B					
	10	K03A, K03B, K14Z		21B	W04A, W04B		11	L33Z					
5b321.x↔		BOP, KVT, UOP4	5b330.4↔	10	BOP, KVT, UOP4		5b41x	21B	X06A, X06B, X06C				
	09	J03A, J03B, J04A, J04B, J08A, J08B, J08C, J11A, J11B, J16Z		10	K03A, K03B, K14Z			21B	K03A, K03B				
	10	K03A, K03B, K14Z		21A	W04A, W04B			Pre	X33Z				
5b322.1↔		BOP, KVT, UOP4	5b330.x↔	10	BOP, KVT, UOP4			5b421	23	Z01A			
	09	J03A, J03B, J04A, J04B, J08A, J08B, J08C, J11A, J11B, J16Z		10	K03A, K03B, K14Z				Pre	A07A			
	10	K03A, K03B, K14Z		21A	K03A, K03B, K14Z	01				B02A, B02B, B02C, B20A, B20B, B20C, B20D, B20E, B39A, B39B			
5b322.2↔		BOP, KVT, UOP4	5b331↔	21A	BOP, KVT, UOP4	06				G33Z			
	09	J03A, J03B, J04A, J04B, J08A, J08B, J08C, J11A, J11B, J16Z		21A	K03A, K03B, K14Z	07				H33Z, H38Z			
	10	K03A, K03B, K14Z		21B	W04A, W04B	10				K03A, K03B			
5b322.4↔		BOP, KVT, UOP4	5b332↔	21B	X06A, X06B, X06C	11				L33Z			
	09	J03A, J03B, J04A, J04B, J08A, J08B, J08C, J11A, J11B, J16Z		10	BOP, KVT, UOP4	23				Z01A			
	10	K03A, K03B, K14Z		21A	K03A, K03B, K14Z	Pre	A07A						
5b322.x↔		BOP, KVT, UOP4	5b333.1↔	21A	BOP, KVT, UOP4	5b422	Pre			BOP, KOP, KOPV, KVT, UOP4			
	09	J03A, J03B, J04A, J04B, J08A, J08B, J08C, J11A, J11B, J16Z		10	K03A, K03B, K14Z					01	B03A, B03B, B06A, B06B, B07Z, B17A, B17B, B17C		
	10	K03A, K03B, K14Z		21A	W04A, W04B			04		E05A, E05B, E05C, E08A, E08B, E08C			
5b323.1↔		BOP, KVT, UOP4	5b333.2↔	21B	X06A, X06B, X06C			06	G33Z				
	06	G18A, G38Z		10	BOP, KVT, UOP4			07	H33Z, H38Z				
	09	J03A, J03B, J04A, J04B, J08A, J08B, J08C, J11A, J11B, J16Z		21A	K03A, K03B, K14Z			10	K09A, K09B				
5b323.2↔		BOP, KVT, UOP4	5b333.4↔	21B	X06A, X06B, X06C			11	L33Z				
	09	J03A, J03B, J04A, J04B, J08A, J08B, J08C, J11A, J11B, J16Z		10	BOP, KVT, UOP4			17	R01A, R01B, R01C, R01D, R02Z, R12A, R12B, R12C				
	10	K03A, K03B, K14Z		21A	K03A, K03B, K14Z			21A	W04A, W04B				
5b323.4↔		BOP, KVT, UOP4	5b333.x↔	21B	X06A, X06B, X06C			21B	X06A, X06B, X06C, X33Z				
	09	J03A, J03B, J04A, J04B, J08A, J08B, J08C, J11A, J11B, J16Z		10	BOP, KVT, UOP4			23	Z01A				
	10	K03A, K03B, K14Z		10	K03A, K03B, K14Z	Pre	A07A						
5b323.x↔		BOP, KVT, UOP4	5b33x.1↔	21A	BOP, KVT, UOP4	5b422	Pre	BOP, KOP, KOPV, KVT, UOP4					
	09	J03A, J03B, J04A, J04B, J08A, J08B, J08C, J11A, J11B, J16Z		10	K03A, K03B, K14Z			01	B03A, B03B, B06A, B06B, B07Z, B17A, B17B, B17C				
	10	K03A, K03B, K14Z		21A	W04A, W04B			04	E05A, E05B, E05C, E08A, E08B, E08C				
5b323.2↔		BOP, KVT, UOP4	5b33x.2↔	21B	X06A, X06B, X06C			06	G33Z				
	09	J03A, J03B, J04A, J04B, J08A, J08B, J08C, J11A, J11B, J16Z		10	BOP, KVT, UOP4			07	H33Z, H38Z				
	10	K03A, K03B, K14Z		21A	K03A, K03B, K14Z			10	K09A, K09B				
5b323.4↔		BOP, KVT, UOP4	5b33x.4↔	21B	X06A, X06B, X06C			11	L33Z				
	09	J03A, J03B, J04A, J04B, J08A, J08B, J08C, J11A, J11B, J16Z		10	BOP, KVT, UOP4			17	R01A, R01B, R01C, R01D, R02Z, R12A, R12B, R12C				
	10	K03A, K03B, K14Z		21A	K03A, K03B, K14Z			21A	W04A, W04B				
5b323.x↔		BOP, KVT, UOP4	5b33x.x↔	21B	X06A, X06B, X06C			21B	X06A, X06B, X06C, X33Z				
	09	J03A, J03B, J04A, J04B, J08A, J08B, J08C, J11A, J11B, J16Z		10	BOP, KVT, UOP4			23	Z01A				
	10	K03A, K03B, K14Z		10	K03A, K03B, K14Z	Pre	A07A						
5b323.1↔		BOP, KVT, UOP4	5b411	5b411	BOP, KOP, KOPV, KVT, UOP4	5b412	Pre	BOP, KOP, KOPV, KVT, UOP4					
	06	G18A, G38Z						01	B02A, B02B, B02C, B20A, B20B, B20C, B20D, B20E, B39A, B39B				
	09	J03A, J03B, J04A, J04B, J08A, J08B, J08C, J11A, J11B, J16Z						06	G33Z				
5b323.2↔		BOP, KVT, UOP4	5b411					5b411	BOP, KOP, KOPV, KVT, UOP4	5b412	Pre	H33Z, H38Z	
	09	J03A, J03B, J04A, J04B, J08A, J08B, J08C, J11A, J11B, J16Z										10	K03A, K03B
	10	K03A, K03B, K14Z										11	L33Z
5b323.4↔		BOP, KVT, UOP4	5b411					5b411	BOP, KOP, KOPV, KVT, UOP4	5b412	Pre	X33Z	
	09	J03A, J03B, J04A, J04B, J08A, J08B, J08C, J11A, J11B, J16Z										21B	X33Z
	10	K03A, K03B, K14Z										23	Z01A
5b323.x↔		BOP, KVT, UOP4	5b411					5b411	BOP, KOP, KOPV, KVT, UOP4	5b412	Pre	A07A	
	09	J03A, J03B, J04A, J04B, J08A, J08B, J08C, J11A, J11B, J16Z										Pre	A07A
	10	K03A, K03B, K14Z											

ZZV	MDC	DRG	ZZV	MDC	DRG	ZZV	MDC	DRG	
5b423		BOP, KOP, KOPV, KVT, UOP4	5b427		BOP, KOP, KOPV, KVT, UOP4	5b510		BOP, KOP, KOPV, KVT, UOP4	
	01	B03A, B03B, B06A, B06B, B07Z, B17A, B17B, B17C		01	B03A, B03B, B06A, B06B, B07Z, B17A, B17B, B17C		01	B02A, B02B, B02C, B20A, B20B, B20C, B20D, B20E, B39A, B39B	
	04	E05A, E05B, E05C, E08A, E08B, E08C		04	E05A, E05B, E05C, E08A, E08B, E08C		06	G33Z	
	06	G33Z		06	G33Z		07	H33Z, H38Z	
	07	H33Z, H38Z		07	H33Z, H38Z		10	K03A, K03B	
	10	K09A, K09B		10	K09A, K09B		11	L33Z	
	11	L33Z		11	L33Z		21B	X33Z	
	17	R01A, R01B, R01C, R01D, R02Z, R12A, R12B, R12C		17	R01A, R01B, R01C, R01D, R02Z, R12A, R12B, R12C		23	Z01A	
	21A	W04A, W04B		21A	W04A, W04B		Pre	A07A	
	21B	X06A, X06B, X06C, X33Z		21B	X06A, X06B, X06C, X33Z		5b511	BOP, KOP, KOPV, KVT, UOP4	
	23	Z01A		23	Z01A			01	B02A, B02B, B02C, B20A, B20B, B20C, B20D, B20E, B39A, B39B
	Pre	A07A		Pre	A07A		06	G33Z	
	5b424			BOP, KOP, KOPV, KVT, UOP4	5b42x			BOP, KOP, KOPV, KVT, UOP4	5b512.0
01		B03A, B03B, B06A, B06B, B07Z, B17A, B17B, B17C	01	B03A, B03B, B06A, B06B, B07Z, B17A, B17B, B17C		01	B02A, B02B, B02C, B20A, B20B, B20C, B20D, B20E, B39A, B39B		
04		E05A, E05B, E05C, E08A, E08B, E08C	04	E05A, E05B, E05C, E08A, E08B, E08C		06	G33Z		
06		G33Z	06	G33Z		07	H33Z, H38Z		
07		H33Z, H38Z	07	H33Z, H38Z		10	K03A, K03B		
10		K09A, K09B	10	K09A, K09B		11	L33Z		
11		L33Z	11	L33Z		21B	X33Z		
17		R01A, R01B, R01C, R01D, R02Z, R12A, R12B, R12C	17	R01A, R01B, R01C, R01D, R02Z, R12A, R12B, R12C		23	Z01A		
21A		W04A, W04B	21A	W04A, W04B		Pre	A07A		
21B		X06A, X06B, X06C, X33Z	21B	X06A, X06B, X06C, X33Z		5b512.1	BOP, KOP, KOPV, KVT, UOP4		
23		Z01A	23	Z01A			01	B02A, B02B, B02C, B20A, B20B, B20C, B20D, B20E, B39A, B39B	
Pre		A07A	Pre	A07A		06	G33Z		
5b425			BOP, KOP, KOPV, KVT, UOP4	5b491			BOP, KVT, UOP4	5b512.2	
	01	B03A, B03B, B06A, B06B, B07Z, B17A, B17B, B17C	10		K06A, K06B, K06C, K06D	01	B02A, B02B, B02C, B20A, B20B, B20C, B20D, B20E, B39A, B39B		
	04	E05A, E05B, E05C, E08A, E08B, E08C	5b492			BOP, KOP, KOPV, KVT, UOP4	06		G33Z
	06	G33Z			04	E05A, E05B, E05C, E08A, E08B, E08C	07		H33Z, H38Z
	07	H33Z, H38Z	06		G33Z	10	K03A, K03B		
	10	K09A, K09B	07		H33Z, H38Z	11	L33Z		
	11	L33Z	10		K09A, K09B	21B	X33Z		
	17	R01A, R01B, R01C, R01D, R02Z, R12A, R12B, R12C	11		L33Z	23	Z01A		
	21A	W04A, W04B	17		R01A, R01B, R01C, R01D, R02Z, R12A, R12B, R12C	Pre	A07A		
	21B	X06A, X06B, X06C, X33Z	21A		W04A, W04B	5b512.2	BOP, KOP, KOPV, KVT, UOP4		
	23	Z01A	21B		X06A, X06B, X06C		01		B02A, B02B, B02C, B20A, B20B, B20C, B20D, B20E, B39A, B39B
	Pre	A07A	23		Z01A	06	G33Z		
	5b426		BOP, KOP, KOPV, KVT, UOP4		5b49x		BOP, KOP, KOPV, KVT, UOP4		5b512.2
01		B03A, B03B, B06A, B06B, B07Z, B17A, B17B, B17C	04	E05A, E05B, E05C, E08A, E08B, E08C		06	G33Z		
04		E05A, E05B, E05C, E08A, E08B, E08C	06	G33Z		07	H33Z, H38Z		
06		G33Z	07	H33Z, H38Z		10	K09A, K09B		
07		H33Z, H38Z	10	K09A, K09B		11	L33Z		
10		K09A, K09B	11	L33Z		17	R01A, R01B, R01C, R01D, R02Z, R12A, R12B, R12C		
11		L33Z	17	R01A, R01B, R01C, R01D, R02Z, R12A, R12B, R12C		21A	W04A, W04B		
17		R01A, R01B, R01C, R01D, R02Z, R12A, R12B, R12C	21A	W04A, W04B		21B	X06A, X06B, X06C		
21A		W04A, W04B	21B	X06A, X06B, X06C		23	Z01A		
21B		X06A, X06B, X06C, X33Z	23	Z01A		Pre	A07A		
23		Z01A	Pre	A07A					
Pre		A07A	Pre	A07A					

VYK

ZZV	MDC	DRG	ZZV	MDC	DRG	ZZV	MDC	DRG				
5b512.3		BOP, KOP, KOPV, KVT, UOP4	5b514		BOP, KOP, KOPV, KVT, UOP4	5c131.0↔	02	C01A, C01B, C13Z, C16Z				
	01	B02A, B02B, B02C, B20A, B20B, B20C, B20D, B20E, B39A, B39B		01	B02A, B02B, B02C, B20A, B20B, B20C, B20D, B20E, B39A, B39B	5c131.1↔	02	C01A, C01B, C13Z, C16Z				
	06	G33Z		06	G33Z	5c131.2↔	02	C01A, C01B, C13Z, C16Z				
	07	H33Z, H38Z		07	H33Z, H38Z	5c140↔	02	C01A, C01B, C13Z, C16Z				
	10	K03A, K03B		10	K03A, K03B	03	D09Z, D30A					
	11	L33Z		11	L33Z	21A	W04A, W04B					
	21B	X33Z		21B	X33Z	21B	X06A, X06B, X06C					
	23	Z01A		23	Z01A	5c141↔	02	C01A, C01B, C13Z, C16Z				
	Pre	A07A		Pre	A07A	03	D09Z, D30A					
	5b513.0			BOP, KOP, KOPV, KVT, UOP4	5b515		BOP, KOP, KOPV, KVT, UOP4	21A	W04A, W04B			
		01		B02A, B02B, B02C, B20A, B20B, B20C, B20D, B20E, B39A, B39B		01	B02A, B02B, B02C, B20A, B20B, B20C, B20D, B20E, B39A, B39B	21B	X06A, X06B, X06C			
		06		G33Z		06	G33Z	5c142↔	02	C01A, C01B, C13Z, C16Z		
		07		H33Z, H38Z		07	H33Z, H38Z	03	D09Z, D30A			
10		K03A, K03B	10	K03A, K03B		21A	W04A, W04B					
11		L33Z	11	L33Z		21B	X06A, X06B, X06C					
21B		X33Z	21B	X33Z		5c143↔	02	C01A, C01B, C13Z, C16Z				
23		Z01A	23	Z01A		03	D09Z, D30A					
Pre		A07A	Pre	A07A		21A	W04A, W04B					
5b513.1			BOP, KOP, KOPV, KVT, UOP4	5b516			BOP, KOP, KOPV, KVT, UOP4	21B	X06A, X06B, X06C			
		01	B02A, B02B, B02C, B20A, B20B, B20C, B20D, B20E, B39A, B39B			01	B02A, B02B, B02C, B20A, B20B, B20C, B20D, B20E, B39A, B39B	5c14x↔	02	C01A, C01B, C13Z, C16Z		
		06	G33Z			06	G33Z	03	D09Z, D30A			
		07	H33Z, H38Z			07	H33Z, H38Z	21A	W04A, W04B			
	10	K03A, K03B	10		K03A, K03B	21B	X06A, X06B, X06C					
	11	L33Z	11		L33Z	5c150.0↔	02	C01A, C01B, C13Z, C16Z				
	21B	X33Z	21B		X33Z	21A	W04A, W04B					
	23	Z01A	23		Z01A	21B	X06A, X06B, X06C					
	Pre	A07A	Pre		A07A	BOP, UOP4	5c150.1↔	BOP, UOP4				
	5b513.2		BOP, KOP, KOPV, KVT, UOP4		5b51x		BOP, KOP, KOPV, KVT, UOP4	02	C01A, C01B, C13Z, C16Z			
		01	B02A, B02B, B02C, B20A, B20B, B20C, B20D, B20E, B39A, B39B			01	B02A, B02B, B02C, B20A, B20B, B20C, B20D, B20E, B39A, B39B	21A	W04A, W04B			
		06	G33Z			06	G33Z	21B	X06A, X06B, X06C			
		07	H33Z, H38Z			07	H33Z, H38Z	5c150.1↔	02	C01A, C01B, C13Z, C16Z		
10		K03A, K03B	10	K03A, K03B		21A	W04A, W04B					
11		L33Z	11	L33Z		21B	X06A, X06B, X06C					
21B		X33Z	21B	X33Z		5c150.x↔	BOP, UOP4					
23		Z01A	23	Z01A		02	C01A, C01B, C13Z, C16Z					
Pre		A07A	Pre	A07A		21A	W04A, W04B					
5b513.3			BOP, KOP, KOPV, KVT, UOP4	5c100↔		02	C01A, C01B, C13Z, C16Z	21B	X06A, X06B, X06C			
		01	B02A, B02B, B02C, B20A, B20B, B20C, B20D, B20E, B39A, B39B			5c101↔	02	C01A, C01B, C13Z, C16Z	BOP, UOP4	5c151↔	02	C01A, C01B, C13Z, C16Z
		06	G33Z			5c102↔	02	C01A, C01B, C13Z, C16Z	21A	W04A, W04B	21B	X06A, X06B, X06C
		07	H33Z, H38Z			5c10x↔	02	C01A, C01B, C13Z, C16Z	5c152↔	02	C01A, C01B, C13Z, C16Z	
	10	K03A, K03B	5c110↔		02	C01A, C01B, C13Z, C16Z	21A	W04A, W04B	21A	W04A, W04B		
	11	L33Z	21A		W04A, W04B	21B	X06A, X06B, X06C	21B	X06A, X06B, X06C			
	21B	X33Z	5c111↔		02	C01A, C01B, C13Z, C16Z	5c153.0↔	BOP, UOP4	02	C01A, C01B, C13Z, C16Z		
	23	Z01A	21A		W04A, W04B	21B	X06A, X06B, X06C	5c153.1↔	BOP, UOP4	02	C01A, C01B, C13Z, C16Z	
	Pre	A07A	5c120↔		02	C01A, C01B, C13Z, C16Z	03	D09Z, D30A	5c153.x↔	BOP, UOP4		
	5b513.3		BOP, KOP, KOPV, KVT, UOP4		03	D09Z, D30A	21A	W04A, W04B	02	C01A, C01B, C13Z, C16Z	02	C01A, C01B, C13Z, C16Z
		01	B02A, B02B, B02C, B20A, B20B, B20C, B20D, B20E, B39A, B39B		21A	W04A, W04B	21B	X06A, X06B, X06C	5c160.0↔	BOP, UOP4	02	C01A, C01B, C13Z, C16Z
		06	G33Z		21B	X06A, X06B, X06C	5c160.1↔	BOP, UOP4	02	C01A, C01B, C05Z, C16Z	03	D09Z, D30A
		07	H33Z, H38Z		5c111↔	02	C01A, C01B, C13Z, C16Z	21A	W04A, W04B	21A	W04A, W04B	21B
10		K03A, K03B	21A	W04A, W04B	21B	X06A, X06B, X06C	5c160.x↔	BOP, UOP4	02	C01A, C01B, C05Z, C16Z		
11		L33Z	5c120↔	02	C01A, C01B, C13Z, C16Z	03	D09Z, D30A	21A	W04A, W04B	21B	X06A, X06B, X06C	
21B		X33Z	03	D09Z, D30A	21A	W04A, W04B	5c161↔	BOP, UOP4	02	C01A, C01B, C05Z, C16Z		
23		Z01A	21A	W04A, W04B	21B	X06A, X06B, X06C	03	D09Z, D30A	21A	W04A, W04B	21B	X06A, X06B, X06C
Pre		A07A	21B	X06A, X06B, X06C	5c130.0↔	02	C01A, C01B, C13Z, C16Z	02	C01A, C01B, C13Z, C16Z	21A	W04A, W04B	
5b513.3			BOP, KOP, KOPV, KVT, UOP4	5c130.1↔	02	C01A, C01B, C13Z, C16Z	5c130.2↔	02	C01A, C01B, C13Z, C16Z	21B	X06A, X06B, X06C	
		01	B02A, B02B, B02C, B20A, B20B, B20C, B20D, B20E, B39A, B39B	5c130.x↔	02	C01A, C01B, C13Z, C16Z						
		06	G33Z									
		07	H33Z, H38Z									
	10	K03A, K03B										

## Príloha B: Index Výkon-MDC-DRG

ZZV	MDC	DRG	ZZV	MDC	DRG	ZZV	MDC	DRG
5c162↔		BOP, UOP4	5c17x↔		BOP, UOP4	5c211.1↔	01	B03A, B03B, B06A, B06B, B07Z, B17A, B17B, B17C
	02	C01A, C01B, C05Z, C16Z		02	C01A, C01B, C13Z, C16Z		02	C01A, C01B, C14Z, C16Z
	03	D09Z, D30A		03	D09Z, D30A		03	D12A, D12B
	21A	W04A, W04B		21A	W04A, W04B		05	F21A, F21B, F21C
	21B	X06A, X06B, X06C		21B	X06A, X06B, X06C		08	I27A, I27B, I27C, I27D
5c163↔		BOP, UOP4	5c190.0↔		C01A, C01B, C13Z, C16Z		09	J03A, J03B, J04A, J04B, J08A, J08B, J08C, J16Z, J21Z, J22A, J22B
	02	C01A, C01B, C05Z, C16Z		02	C01A, C01B, C13Z, C16Z		10	K09A, K09B
	03	D09Z, D30A		02	C01A, C01B, C13Z, C16Z		21A	W04A, W04B
	21A	W04A, W04B		21A	W04A, W04B		21B	X06A, X06B, X06C
	21B	X06A, X06B, X06C		21A	W04A, W04B		22	Y01Z, Y03A, Y03B
5c16x↔		BOP, UOP4	5c190.1↔		C01A, C01B, C13Z, C16Z	5c212.0↔		BOP, KVT, UOP4
	02	C01A, C01B, C05Z, C16Z		02	C01A, C01B, C13Z, C16Z		02	C01A, C01B, C16Z, C20A, C20B
	03	D09Z, D30A		02	C01A, C01B, C13Z, C16Z		09	J03A, J03B, J04A, J04B, J08A, J08B, J08C, J11A, J11B, J11C, J16Z
	21A	W04A, W04B		03	D09Z, D30A		10	K09A, K09B
	21B	X06A, X06B, X06C		21A	W04A, W04B		21A	W04A, W04B
5c170.0↔		BOP, UOP4	5c191↔		C01A, C01B, C05Z, C16Z		21B	X06A, X06B, X06C
	02	C01A, C01B, C05Z, C16Z		02	C01A, C01B, C13Z, C16Z		22	Y01Z, Y03A, Y03B
	21A	W04A, W04B		03	D09Z, D30A			BOP, KVT, UOP4
	21B	X06A, X06B, X06C		21A	W04A, W04B		02	C01A, C01B, C16Z, C20A, C20B
5c170.1↔		BOP, UOP4	5c192↔		C01A, C01B, C13Z, C16Z		09	J03A, J03B, J04A, J04B, J08A, J08B, J08C, J11A, J11B, J11C, J16Z
	02	C01A, C01B, C05Z, C16Z		02	C01A, C01B, C13Z, C16Z		10	K09A, K09B
	21A	W04A, W04B		03	D09Z, D30A		21A	W04A, W04B
	21B	X06A, X06B, X06C		21A	W04A, W04B		21B	X06A, X06B, X06C
5c170.1↔		BOP, UOP4	5c193↔		C01A, C01B, C13Z, C16Z		22	Y01Z, Y03A, Y03B
	02	C01A, C01B, C05Z, C16Z		02	C01A, C01B, C13Z, C16Z			BOP, KVT, UOP4
	21A	W04A, W04B		03	D09Z, D30A		02	C01A, C01B, C16Z, C20A, C20B
	21B	X06A, X06B, X06C		21A	W04A, W04B		09	J03A, J03B, J04A, J04B, J08A, J08B, J08C, J11A, J11B, J11C, J16Z
5c170.x↔		BOP, UOP4	5c194↔		C01A, C01B, C13Z, C16Z	5c212.1↔		BOP, KVT, UOP4
	02	C01A, C01B, C05Z, C16Z		02	C01A, C01B, C13Z, C16Z		02	C01A, C01B, C16Z, C20A, C20B
	21A	W04A, W04B		03	D09Z, D30A		09	J03A, J03B, J04A, J04B, J08A, J08B, J08C, J11A, J11B, J11C, J16Z
	21B	X06A, X06B, X06C		21A	W04A, W04B		10	K09A, K09B
5c171.0↔		BOP, UOP4	5c19x↔		C01A, C01B, C13Z, C16Z		21A	W04A, W04B
	02	C01A, C01B, C05Z, C16Z		02	C01A, C01B, C13Z, C16Z		21B	X06A, X06B, X06C
	21A	W04A, W04B		03	D09Z, D30A		22	Y01Z, Y03A, Y03B
	21B	X06A, X06B, X06C		21A	W04A, W04B			BOP, KVT, UOP4
5c171.1↔		BOP, UOP4	5c201±↔		J11A, J11B	5c213.0↔		BOP, KVT, UOP4
	02	C01A, C01B, C05Z, C16Z	5c210.0↔		C01A, C01B, C14Z, C16Z		01	B03A, B03B, B06A, B06B, B07Z, B17A, B17B, B17C
	21A	W04A, W04B		02	C01A, C01B, C14Z, C16Z		02	C01A, C01B, C16Z, C20A, C20B
	21B	X06A, X06B, X06C		09	J03A, J03B, J04A, J04B, J08A, J08B, J08C, J11A, J11B, J11C, J16Z		03	D12A, D12B
5c171.x↔		BOP, UOP4		10	K09A, K09B		05	F21A, F21B, F21C
	02	C01A, C01B, C05Z, C16Z		21A	W04A, W04B		08	I27A, I27B, I27C, I27D
	21A	W04A, W04B		21B	X06A, X06B, X06C		09	J03A, J03B, J04A, J04B, J08A, J08B, J08C, J16Z, J21Z, J22A, J22B
	21B	X06A, X06B, X06C		22	Y01Z, Y03A, Y03B		10	K09A, K09B
5c172↔		BOP, UOP4	5c210.1↔		C01A, C01B, C14Z, C16Z		21A	W04A, W04B
	02	C01A, C01B, C13Z, C16Z		02	C01A, C01B, C14Z, C16Z		21B	X06A, X06B, X06C
	03	D09Z, D30A		09	J03A, J03B, J04A, J04B, J08A, J08B, J08C, J11A, J11B, J11C, J16Z		21B	X06A, X06B, X06C
	21A	W04A, W04B		10	K09A, K09B		22	Y01Z, Y03A, Y03B
	21B	X06A, X06B, X06C		21A	W04A, W04B			BOP, KVT, UOP4
5c173↔		BOP, UOP4		21B	X06A, X06B, X06C	5c213.1↔		B03A, B03B, B06A, B06B, B07Z, B17A, B17B, B17C
	02	C01A, C01B, C05Z, C16Z		22	Y01Z, Y03A, Y03B		01	C01A, C01B, C16Z, C20A, C20B
	21A	W04A, W04B		01	B03A, B03B, B06A, B06B, B07Z, B17A, B17B, B17C		02	C01A, C01B, C16Z, C20A, C20B
	21B	X06A, X06B, X06C		02	C01A, C01B, C14Z, C16Z		03	D12A, D12B
5c174.0↔		BOP, UOP4		03	D12A, D12B		05	F21A, F21B, F21C
	02	C01A, C01B, C05Z, C16Z		05	F21A, F21B, F21C		08	I27A, I27B, I27C, I27D
	21A	W04A, W04B		08	I27A, I27B, I27C, I27D		09	J03A, J03B, J04A, J04B, J08A, J08B, J08C, J16Z, J21Z, J22A, J22B
	21B	X06A, X06B, X06C		09	J03A, J03B, J04A, J04B, J08A, J08B, J08C, J16Z, J21Z, J22A, J22B		10	K09A, K09B
5c174.1↔		BOP, UOP4		10	K09A, K09B		21A	W04A, W04B
	02	C01A, C01B, C05Z, C16Z		21A	W04A, W04B		21B	X06A, X06B, X06C
	03	D09Z, D30A		22	Y01Z, Y03A, Y03B		22	Y01Z, Y03A, Y03B
	21A	W04A, W04B		01	B03A, B03B, B06A, B06B, B07Z, B17A, B17B, B17C			BOP, KVT, UOP4
	21B	X06A, X06B, X06C		02	C01A, C01B, C14Z, C16Z		01	B03A, B03B, B06A, B06B, B07Z, B17A, B17B, B17C
5c175↔		BOP, UOP4		03	D12A, D12B		02	C01A, C01B, C16Z, C20A, C20B
	02	C01A, C01B, C05Z, C16Z		05	F21A, F21B, F21C		03	D12A, D12B
	03	D09Z, D30A		08	I27A, I27B, I27C, I27D		05	F21A, F21B, F21C
	21A	W04A, W04B		09	J03A, J03B, J04A, J04B, J08A, J08B, J08C, J16Z, J21Z, J22A, J22B		08	I27A, I27B, I27C, I27D
	21B	X06A, X06B, X06C		10	K09A, K09B		09	J03A, J03B, J04A, J04B, J08A, J08B, J08C, J16Z, J21Z, J22A, J22B
5c176↔		BOP, UOP4		21A	W04A, W04B		10	K09A, K09B
	02	C01A, C01B, C05Z, C16Z		21B	X06A, X06B, X06C		21A	W04A, W04B
	03	D09Z, D30A		22	Y01Z, Y03A, Y03B		21B	X06A, X06B, X06C
	21A	W04A, W04B					22	Y01Z, Y03A, Y03B
	21B	X06A, X06B, X06C					09	J11A, J11B
							09	J11A, J11B
							09	J11A, J11B, J11C
							09	J11A, J11B
							09	J11A, J11B
							09	J11A, J11B
							09	J11A, J11B
							09	J11A, J11B

ZZV	MDC	DRG	ZZV	MDC	DRG	ZZV	MDC	DRG	
5c216.4↔	09	J11A, J11B	5c224.1↔		BOP, KVT, UOP4	5c234↔		BOP, KVT, UOP4	
5c216.x↔	09	J11A, J11B	01	B03A, B03B, B06A, B06B, B07Z, B17A, B17B, B17C	02	02	C01A, C01B, C16Z, C20A, C20B	08	I17Z
5c21x↔	09	J11A, J11B, J11C	02	C01A, C01B, C16Z, C20A, C20B	09	09	J03A, J03B, J04A, J04B, J08A, J08B, J08C, J10A, J10B, J16Z	09	J03A, J03B, J04A, J04B, J08A, J08B, J08C, J10A, J10B, J16Z
5c220.0↔		BOP, KVT, UOP4	09	J03A, J03B, J04A, J04B, J08A, J08B, J08C, J10A, J10B, J16Z	21A	21A	W04A, W04B	10	K09A, K09B
	01	B03A, B03B, B06A, B06B, B07Z, B17A, B17B, B17C			21B	21B	X06A, X06B, X06C	21A	W04A, W04B
	02	C01A, C01B, C16Z, C20A, C20B			22	22	Y01Z, Y03A, Y03B	21B	X06A, X06B, X06C
	09	J03A, J03B, J04A, J04B, J08A, J08B, J08C, J10A, J10B, J16Z	5c224.x↔		BOP, KVT, UOP4	5c235↔		BOP, KVT, UOP4	
	21A	W04A, W04B	01	B03A, B03B, B06A, B06B, B07Z, B17A, B17B, B17C	01	01	B03A, B03B, B06A, B06B, B07Z, B17A, B17B, B17C	02	C01A, C01B, C16Z, C20A, C20B
5c220.1↔	21B	X06A, X06B, X06C	02	C01A, C01B, C16Z, C20A, C20B	02	02	C01A, C01B, C16Z, C20A, C20B	08	I17Z
		BOP, KVT, UOP4	09	J03A, J03B, J04A, J04B, J08A, J08B, J08C, J10A, J10B, J16Z	09	09	J03A, J03B, J04A, J04B, J08A, J08B, J08C, J10A, J10B, J16Z	09	J03A, J03B, J04A, J04B, J08A, J08B, J08C, J10A, J10B, J16Z
	01	B03A, B03B, B06A, B06B, B07Z, B17A, B17B, B17C			21A	21A	W04A, W04B	10	K09A, K09B
	02	C01A, C01B, C16Z, C20A, C20B			21B	21B	X06A, X06B, X06C	21A	W04A, W04B
	09	J03A, J03B, J04A, J04B, J08A, J08B, J08C, J10A, J10B, J16Z	5c225↔		22	22	Y01Z, Y03A, Y03B	21B	X06A, X06B, X06C
	21A	W04A, W04B					BOP, KVT, UOP4	22	Y01Z, Y03A, Y03B
	21B	X06A, X06B, X06C	01	B03A, B03B, B06A, B06B, B07Z, B17A, B17B, B17C	01	01	B03A, B03B, B06A, B06B, B07Z, B17A, B17B, B17C	5c236↔	
5c221↔		BOP, KVT, UOP4	02	C01A, C01B, C16Z, C20A, C20B	02	02	C01A, C01B, C16Z, C20A, C20B	02	C01A, C01B, C16Z, C20A, C20B
	01	B03A, B03B, B06A, B06B, B07Z, B17A, B17B, B17C	09	J03A, J03B, J04A, J04B, J08A, J08B, J08C, J10A, J10B, J16Z	09	09	J03A, J03B, J04A, J04B, J08A, J08B, J08C, J10A, J10B, J16Z	21A	W04A, W04B
	02	C01A, C01B, C16Z, C20A, C20B			21B	21B	X06A, X06B, X06C	21B	X06A, X06B, X06C
	09	J03A, J03B, J04A, J04B, J08A, J08B, J08C, J10A, J10B, J16Z	5c22x↔		22	22	Y01Z, Y03A, Y03B	22	Y01Z, Y03A, Y03B
	21A	W04A, W04B					BOP, KVT, UOP4	5c23x↔	
	21B	X06A, X06B, X06C	01	B03A, B03B, B06A, B06B, B07Z, B17A, B17B, B17C	01	01	B03A, B03B, B06A, B06B, B07Z, B17A, B17B, B17C	02	C01A, C01B, C14Z, C16Z
5c222↔	22	Y01Z, Y03A, Y03B	02	C01A, C01B, C16Z, C20A, C20B	02	02	C01A, C01B, C16Z, C20A, C20B	21A	W04A, W04B
		BOP, KVT, UOP4	09	J03A, J03B, J04A, J04B, J08A, J08B, J08C, J10A, J10B, J16Z	09	09	J03A, J03B, J04A, J04B, J08A, J08B, J08C, J10A, J10B, J16Z	21B	X06A, X06B, X06C
	01	B03A, B03B, B06A, B06B, B07Z, B17A, B17B, B17C			21A	21A	W04A, W04B	21B	X06A, X06B, X06C
	02	C01A, C01B, C16Z, C20A, C20B	5c222x↔		21B	21B	X06A, X06B, X06C	22	Y01Z, Y03A, Y03B
	09	J03A, J03B, J04A, J04B, J08A, J08B, J08C, J10A, J10B, J16Z					BOP, KVT, UOP4	5c240↔	
	21A	W04A, W04B	01	B03A, B03B, B06A, B06B, B07Z, B17A, B17B, B17C	01	01	B03A, B03B, B06A, B06B, B07Z, B17A, B17B, B17C	02	C01A, C01B, C16Z, C20A, C20B
	21B	X06A, X06B, X06C	02	C01A, C01B, C14Z, C16Z	02	02	C01A, C01B, C14Z, C16Z	21A	W04A, W04B
5c223↔	22	Y01Z, Y03A, Y03B	09	J03A, J03B, J04A, J04B, J08A, J08B, J08C, J10A, J10B, J16Z	09	09	J03A, J03B, J04A, J04B, J08A, J08B, J08C, J10A, J10B, J16Z	21B	X06A, X06B, X06C
		BOP, KVT, UOP4			21A	21A	W04A, W04B	22	Y01Z, Y03A, Y03B
	01	B03A, B03B, B06A, B06B, B07Z, B17A, B17B, B17C	5c230↔		21B	21B	X06A, X06B, X06C	5c241↔	
	02	C01A, C01B, C14Z, C16Z					BOP, KVT, UOP4	02	C01A, C01B, C16Z, C20A, C20B
	09	J03A, J03B, J04A, J04B, J08A, J08B, J08C, J10A, J10B, J16Z	5c231↔		02	02	C01A, C01B, C14Z, C16Z	21A	W04A, W04B
	21A	W04A, W04B			21A	21A	W04A, W04B	21B	X06A, X06B, X06C
	21B	X06A, X06B, X06C	5c232↔		21B	21B	X06A, X06B, X06C	21B	X06A, X06B, X06C
5c224.0↔	22	Y01Z, Y03A, Y03B					BOP, KVT, UOP4	5c242↔	
		BOP, KVT, UOP4	02	C01A, C01B, C16Z, C20A, C20B	02	02	C01A, C01B, C16Z, C20A, C20B	02	C01A, C01B, C16Z, C20A, C20B
	01	B03A, B03B, B06A, B06B, B07Z, B17A, B17B, B17C	5c233↔		21A	21A	W04A, W04B	21A	W04A, W04B
	02	C01A, C01B, C16Z, C20A, C20B			21B	21B	X06A, X06B, X06C	21B	X06A, X06B, X06C
	09	J03A, J03B, J04A, J04B, J08A, J08B, J08C, J10A, J10B, J16Z					BOP, KVT, UOP4	5c243↔	
	21A	W04A, W04B	02	C01A, C01B, C16Z, C20A, C20B	02	02	C01A, C01B, C16Z, C20A, C20B	02	C01A, C01B, C16Z, C20A, C20B
	21B	X06A, X06B, X06C			21A	21A	W04A, W04B	21A	W04A, W04B
	22	Y01Z, Y03A, Y03B	5c234↔		21B	21B	X06A, X06B, X06C	21B	X06A, X06B, X06C
		BOP, KVT, UOP4					BOP, KVT, UOP4	5c244↔	
	01	B03A, B03B, B06A, B06B, B07Z, B17A, B17B, B17C					BOP, KVT, UOP4	02	C01A, C01B, C16Z, C20A, C20B
	02	C01A, C01B, C16Z, C20A, C20B	5c235↔		02	02	C01A, C01B, C16Z, C20A, C20B	21A	W04A, W04B
	09	J03A, J03B, J04A, J04B, J08A, J08B, J08C, J10A, J10B, J16Z			21A	21A	W04A, W04B	21B	X06A, X06B, X06C
	21A	W04A, W04B			21B	21B	X06A, X06B, X06C	5c245↔	
	21B	X06A, X06B, X06C	02	C01A, C01B, C16Z, C20A, C20B	22	22	Y01Z, Y03A, Y03B	02	C01A, C01B, C16Z, C20A, C20B
	22	Y01Z, Y03A, Y03B					BOP, KVT, UOP4	21A	W04A, W04B
		BOP, KVT, UOP4	5c236↔				BOP, KVT, UOP4	21B	X06A, X06B, X06C
	01	B03A, B03B, B06A, B06B, B07Z, B17A, B17B, B17C					BOP, KVT, UOP4	5c246↔	
	02	C01A, C01B, C16Z, C20A, C20B					BOP, KVT, UOP4	02	C01A, C01B, C16Z, C20A, C20B
	09	J03A, J03B, J04A, J04B, J08A, J08B, J08C, J10A, J10B, J16Z	01	B03A, B03B, B06A, B06B, B07Z, B17A, B17B, B17C	01	01	B03A, B03B, B06A, B06B, B07Z, B17A, B17B, B17C	21A	W04A, W04B
	21A	W04A, W04B	02	C01A, C01B, C16Z, C20A, C20B	02	02	C01A, C01B, C16Z, C20A, C20B	21B	X06A, X06B, X06C
	21B	X06A, X06B, X06C					BOP, KVT, UOP4	21B	X06A, X06B, X06C
	22	Y01Z, Y03A, Y03B	5c237↔				BOP, KVT, UOP4		
		BOP, KVT, UOP4					BOP, KVT, UOP4		
	01	B03A, B03B, B06A, B06B, B07Z, B17A, B17B, B17C					BOP, KVT, UOP4		
	02	C01A, C01B, C16Z, C20A, C20B					BOP, KVT, UOP4		
	09	J03A, J03B, J04A, J04B, J08A, J08B, J08C, J10A, J10B, J16Z					BOP, KVT, UOP4		
	21A	W04A, W04B					BOP, KVT, UOP4		
	21B	X06A, X06B, X06C					BOP, KVT, UOP4		
	22	Y01Z, Y03A, Y03B					BOP, KVT, UOP4		

VYK

ZZV	MDC	DRG	ZZV	MDC	DRG	ZZV	MDC	DRG
5c24x↔		BOP, KVT, UOP4	5c260.0↔		BOP, KVT, UOP4	5c262.0↔		BOP, KVT, UOP4
	02	C01A, C01B, C16Z, C20A, C20B		02	C01A, C01B, C12Z, C16Z		02	C01A, C01B, C12Z, C16Z
	21A	W04A, W04B		08	I17Z		09	J03A, J03B, J04A, J04B, J08A, J08B, J08C, J10A, J10B, J16Z
5c250.0↔	21B	X06A, X06B, X06C			09	J03A, J03B, J04A, J04B, J08A, J08B, J08C, J10A, J10B, J16Z	10	K09A, K09B
		BOP, KVT, UOP4			10	K09A, K09B	21A	W04A, W04B
	02	C01A, C01B, C16Z, C20A, C20B			21A	W04A, W04B	21B	X06A, X06B, X06C
	08	I17Z			21B	X06A, X06B, X06C		BOP, KVT, UOP4
5c250.1↔	09	J03A, J03B, J04A, J04B, J08A, J08B, J08C, J10A, J10B, J16Z	5c260.1↔		BOP, KVT, UOP4	5c262.1↔		BOP, KVT, UOP4
	21A	W04A, W04B			02	C01A, C01B, C12Z, C16Z	02	C01A, C01B, C12Z, C16Z
	21B	X06A, X06B, X06C			08	I17Z	08	I17Z
	22	Y01Z, Y03A, Y03B			09	J03A, J03B, J04A, J04B, J08A, J08B, J08C, J10A, J10B, J16Z	09	J03A, J03B, J04A, J04B, J08A, J08B, J08C, J10A, J10B, J16Z
		BOP, KVT, UOP4			10	K09A, K09B	10	K09A, K09B
	02	C01A, C01B, C16Z, C20A, C20B			21A	W04A, W04B	21A	W04A, W04B
5c251.0↔	08	I17Z			21B	X06A, X06B, X06C	21B	X06A, X06B, X06C
	09	J03A, J03B, J04A, J04B, J08A, J08B, J08C, J10A, J10B, J16Z	5c260.2↔		BOP, KVT, UOP4	5c262.2↔		BOP, KVT, UOP4
	21A	W04A, W04B			02	C01A, C01B, C12Z, C16Z	02	C01A, C01B, C12Z, C16Z
	21B	X06A, X06B, X06C			08	I17Z	08	I17Z
	22	Y01Z, Y03A, Y03B			09	J03A, J03B, J04A, J04B, J08A, J08B, J08C, J10A, J10B, J16Z	09	J03A, J03B, J04A, J04B, J08A, J08B, J08C, J10A, J10B, J16Z
		BOP, KVT, UOP4			10	K09A, K09B	10	K09A, K09B
5c251.1↔	02	C01A, C01B, C16Z, C20A, C20B			21A	W04A, W04B	21A	W04A, W04B
	08	I17Z			21B	X06A, X06B, X06C	21B	X06A, X06B, X06C
	09	J03A, J03B, J04A, J04B, J08A, J08B, J08C, J10A, J10B, J16Z	5c260.x↔		BOP, KVT, UOP4	5c262.3↔		BOP, KVT, UOP4
	21A	W04A, W04B			02	C01A, C01B, C12Z, C16Z	02	C01A, C01B, C12Z, C16Z
	21B	X06A, X06B, X06C			08	I17Z	08	I17Z
	22	Y01Z, Y03A, Y03B			09	J03A, J03B, J04A, J04B, J08A, J08B, J08C, J10A, J10B, J16Z	09	J03A, J03B, J04A, J04B, J08A, J08B, J08C, J10A, J10B, J16Z
5c252↔		BOP, KVT, UOP4			10	K09A, K09B	10	K09A, K09B
	02	C01A, C01B, C16Z, C20A, C20B			21A	W04A, W04B	21A	W04A, W04B
	08	I17Z			21B	X06A, X06B, X06C	21B	X06A, X06B, X06C
	09	J03A, J03B, J04A, J04B, J08A, J08B, J08C, J10A, J10B, J16Z	5c261.0↔		BOP, KVT, UOP4	5c262.4↔		BOP, KVT, UOP4
	21A	W04A, W04B			02	C01A, C01B, C12Z, C16Z	01	B03A, B03B, B06A, B06B, B07Z, B17A, B17B, B17C
	21B	X06A, X06B, X06C			08	I17Z	02	C01A, C01B, C12Z, C16Z
5c25x↔	22	Y01Z, Y03A, Y03B			09	J03A, J03B, J04A, J04B, J08A, J08B, J08C, J10A, J10B, J16Z	09	J02A, J02B, J02C, J03A, J03B, J04A, J04B, J08A, J08B, J08C, J10A, J10B, J16Z, J21Z, J22A, J22B
		BOP, KVT, UOP4			10	K09A, K09B	21A	W04A, W04B
	02	C01A, C01B, C16Z, C20A, C20B			21A	W04A, W04B	21B	X01A, X01B, X01C, X06A, X06B, X06C
	08	I17Z			21B	X06A, X06B, X06C	22	Y01Z, Y03A, Y03B
	09	J03A, J03B, J04A, J04B, J08A, J08B, J08C, J10A, J10B, J16Z	5c261.1↔		BOP, KVT, UOP4	5c262.x↔		BOP, KVT, UOP4
	21A	W04A, W04B			02	C01A, C01B, C12Z, C16Z	02	C01A, C01B, C12Z, C16Z
5c255↔	21B	X06A, X06B, X06C			08	I17Z	09	J03A, J03B, J04A, J04B, J08A, J08B, J08C, J10A, J10B, J16Z
	22	Y01Z, Y03A, Y03B			09	J03A, J03B, J04A, J04B, J08A, J08B, J08C, J10A, J10B, J16Z	10	K09A, K09B
		BOP, KVT, UOP4			10	K09A, K09B	21A	W04A, W04B
	02	C01A, C01B, C16Z, C20A, C20B			21A	W04A, W04B	21B	X06A, X06B, X06C
	08	I17Z			21B	X06A, X06B, X06C		BOP, KVT, UOP4
	09	J03A, J03B, J04A, J04B, J08A, J08B, J08C, J10A, J10B, J16Z	5c261.x↔		BOP, KVT, UOP4	5c263.0↔		BOP, KVT, UOP4
	21A	W04A, W04B			02	C01A, C01B, C12Z, C16Z	02	C01A, C01B, C12Z, C16Z
	21B	X06A, X06B, X06C			08	I17Z	08	I17Z
	22	Y01Z, Y03A, Y03B			09	J03A, J03B, J04A, J04B, J08A, J08B, J08C, J10A, J10B, J16Z	09	J03A, J03B, J04A, J04B, J08A, J08B, J08C, J10A, J10B, J16Z
		BOP, KVT, UOP4			10	K09A, K09B	10	K09A, K09B
	02	C01A, C01B, C16Z, C20A, C20B			21A	W04A, W04B	21A	W04A, W04B
	08	I17Z			21B	X06A, X06B, X06C	21B	X06A, X06B, X06C
09	J03A, J03B, J04A, J04B, J08A, J08B, J08C, J10A, J10B, J16Z			22	Y01Z, Y03A, Y03B	22	Y01Z, Y03A, Y03B	



ZZV	MDC	DRG	ZZV	MDC	DRG	ZZV	MDC	DRG			
5c263.1↔		BOP, KVT, UOP4	5c265.0↔		BOP, KVT, UOP4	5c273↔		BOP, KVT, UOP4			
	02	C01A, C01B, C12Z, C16Z		01	B03A, B03B, B06A, B06B, B07Z, B17A, B17B, B17C		02	C01A, C01B, C16Z, C20A, C20B			
	08	I17Z		02	C01A, C01B, C16Z, C20A, C20B		09	J03A, J03B, J04A, J04B, J08A, J08B, J08C, J10A, J10B, J16Z			
	09	J03A, J03B, J04A, J04B, J08A, J08B, J08C, J10A, J10B, J16Z		09	J03A, J03B, J04A, J04B, J08A, J08B, J08C, J10A, J10B, J16Z		10	K09A, K09B			
	10	K09A, K09B		10	K09A, K09B		21A	W04A, W04B			
	21A	W04A, W04B		21A	W04A, W04B		21B	X06A, X06B, X06C			
	21B	X06A, X06B, X06C		21B	X06A, X06B, X06C		22	Y01Z, Y03A, Y03B			
	22	Y01Z, Y03A, Y03B		22	Y01Z, Y03A, Y03B						
	5c263.2↔			BOP, KVT, UOP4	5c265.1↔			BOP, KVT, UOP4	5c274†↔		J11A, J11B
		02		C01A, C01B, C12Z, C16Z			01	B03A, B03B, B06A, B06B, B07Z, B17A, B17B, B17C	5c27x†↔		J11A, J11B
		08		I17Z			02	C01A, C01B, C16Z, C20A, C20B	5c280.0↔		BOP, KVT, UOP4
09		J03A, J03B, J04A, J04B, J08A, J08B, J08C, J10A, J10B, J16Z	09	J03A, J03B, J04A, J04B, J08A, J08B, J08C, J10A, J10B, J16Z		01	B03A, B03B, B06A, B06B, B07Z, B17A, B17B, B17C				
10		K09A, K09B	10	K09A, K09B		02	C01A, C01B, C16Z, C20A, C20B				
21A		W04A, W04B	21A	W04A, W04B		09	J03A, J03B, J04A, J04B, J08A, J08B, J08C, J10A, J10B, J16Z				
21B		X06A, X06B, X06C	21B	X06A, X06B, X06C		10	K09A, K09B				
22		Y01Z, Y03A, Y03B	22	Y01Z, Y03A, Y03B		21A	W04A, W04B				
5c263.x↔			BOP, KVT, UOP4	5c266↔			BOP, KVT, UOP4	21B	X06A, X06B, X06C		
		02	C01A, C01B, C12Z, C16Z			02	C01A, C01B, C14Z, C16Z	22	Y01Z, Y03A, Y03B		
		08	I17Z			09	J03A, J03B, J04A, J04B, J08A, J08B, J08C, J11A, J11B, J16Z	5c280.1↔		BOP, KVT, UOP4	
	09	J03A, J03B, J04A, J04B, J08A, J08B, J08C, J10A, J10B, J16Z	21A		W04A, W04B	01	B03A, B03B, B06A, B06B, B07Z, B17A, B17B, B17C				
	10	K09A, K09B	21B		X06A, X06B, X06C	02	C01A, C01B, C16Z, C20A, C20B				
	21A	W04A, W04B	22		Y01Z, Y03A, Y03B	09	J03A, J03B, J04A, J04B, J08A, J08B, J08C, J10A, J10B, J16Z				
	21B	X06A, X06B, X06C	5c26x↔			10	K09A, K09B				
	22	Y01Z, Y03A, Y03B	02		C01A, C01B, C14Z, C16Z	21A	W04A, W04B				
	5c264.0↔		BOP, KVT, UOP4		5c270↔		BOP, KVT, UOP4	21B	X06A, X06B, X06C		
		02	C01A, C01B, C12Z, C16Z			02	C01A, C01B, C16Z, C20A, C20B	22	Y01Z, Y03A, Y03B		
		08	I17Z			03	D12A, D12B	5c280.2↔		BOP, KVT, UOP4	
09		J03A, J03B, J04A, J04B, J08A, J08B, J08C, J10A, J10B, J16Z	09	J03A, J03B, J04A, J04B, J08A, J08B, J08C, J10A, J10B, J16Z		01	B03A, B03B, B06A, B06B, B07Z, B17A, B17B, B17C				
10		K09A, K09B	10	K09A, K09B		02	C01A, C01B, C16Z, C20A, C20B				
21A		W04A, W04B	21A	W04A, W04B		09	J03A, J03B, J04A, J04B, J08A, J08B, J08C, J10A, J10B, J16Z				
21B		X06A, X06B, X06C	21B	X06A, X06B, X06C		10	K09A, K09B				
22		Y01Z, Y03A, Y03B	22	Y01Z, Y03A, Y03B		21A	W04A, W04B				
5c264.1↔			BOP, KVT, UOP4	5c271↔			BOP, KVT, UOP4	21B	X06A, X06B, X06C		
		02	C01A, C01B, C12Z, C16Z			02	C01A, C01B, C16Z, C20A, C20B	22	Y01Z, Y03A, Y03B		
		08	I17Z			09	J03A, J03B, J04A, J04B, J08A, J08B, J08C, J10A, J10B, J16Z	5c280.3↔		BOP, KVT, UOP4	
	09	J03A, J03B, J04A, J04B, J08A, J08B, J08C, J10A, J10B, J16Z	10		K09A, K09B	01	B03A, B03B, B06A, B06B, B07Z, B17A, B17B, B17C				
	10	K09A, K09B	21A		W04A, W04B	02	C01A, C01B, C16Z, C20A, C20B				
	21A	W04A, W04B	21A		W04A, W04B	09	J03A, J03B, J04A, J04B, J08A, J08B, J08C, J10A, J10B, J16Z				
	21B	X06A, X06B, X06C	21B		X06A, X06B, X06C	10	K09A, K09B				
	22	Y01Z, Y03A, Y03B	22		Y01Z, Y03A, Y03B	21A	W04A, W04B				
	5c264.2↔		BOP, KVT, UOP4		5c272↔		BOP, KVT, UOP4	21B	X06A, X06B, X06C		
		02	C01A, C01B, C12Z, C16Z			02	C01A, C01B, C16Z, C20A, C20B	22	Y01Z, Y03A, Y03B		
		08	I17Z			09	J03A, J03B, J04A, J04B, J08A, J08B, J08C, J10A, J10B, J16Z				
09		J03A, J03B, J04A, J04B, J08A, J08B, J08C, J10A, J10B, J16Z	10	K09A, K09B							
10		K09A, K09B	21A	W04A, W04B							
21A		W04A, W04B	21A	W04A, W04B							
21B		X06A, X06B, X06C	21B	X06A, X06B, X06C							
22		Y01Z, Y03A, Y03B	22	Y01Z, Y03A, Y03B							
5c264.x↔			BOP, KVT, UOP4								
		02	C01A, C01B, C12Z, C16Z								
		08	I17Z								
	09	J03A, J03B, J04A, J04B, J08A, J08B, J08C, J10A, J10B, J16Z									
	10	K09A, K09B									
	21A	W04A, W04B									
	21B	X06A, X06B, X06C									
	22	Y01Z, Y03A, Y03B									

VYK

ZZV	MDC	DRG	ZZV	MDC	DRG	ZZV	MDC	DRG
5c280.x↔		BOP, KVT, UOP4	5c312↔		BOP, KVT, UOP4	5c35x↔		BOP, KVT, UOP4
	01	B03A, B03B, B06A, B06B, B07Z, B17A, B17B, B17C		02	C01A, C01B, C10A, C10B, C10C, C16Z		02	C01A, C01B, C10A, C10B, C10C, C16Z
	02	C01A, C01B, C16Z, C20A, C20B		10	K09A, K09B		10	K09A, K09B
	09	J03A, J03B, J04A, J04B, J08A, J08B, J08C, J10A, J10B, J16Z	5c313↔		BOP, KVT, UOP4	5c360↔		BOP, KVT, UOP4
	10	K09A, K09B		02	C01A, C01B, C10A, C10B, C10C, C16Z		02	C01A, C01B, C10A, C10B, C10C, C16Z
	21A	W04A, W04B		10	K09A, K09B	5c361↔		BOP, KVT, UOP4
	21B	X06A, X06B, X06C	5c314↔		BOP, KVT, UOP4		02	C01A, C01B, C10A, C10B, C10C, C16Z
	22	Y01Z, Y03A, Y03B		02	C01A, C01B, C10A, C10B, C10C, C16Z	5c370.1↔		BOP, KVT, UOP4
5c281↔		BOP, KVT, UOP4	5c31x↔		BOP, KVT, UOP4		02	C01A, C01B, C10A, C10B, C10C, C16Z
	02	C01A, C01B, C16Z, C20A, C20B		02	C01A, C01B, C10A, C10B, C10C, C16Z		10	K09A, K09B
	09	J03A, J03B, J04A, J04B, J08A, J08B, J08C, J10A, J10B, J16Z		10	K09A, K09B	5c370.2↔		BOP, KVT, UOP4
	10	K09A, K09B	5c320↔		BOP, KVT, UOP4		02	C01A, C01B, C10A, C10B, C10C, C16Z
	21A	W04A, W04B		02	C01A, C01B, C10A, C10B, C10C, C16Z		10	K09A, K09B
	21B	X06A, X06B, X06C		10	K09A, K09B	5c371.1↔		BOP, KVT, UOP4
	22	Y01Z, Y03A, Y03B	5c321↔		BOP, KVT, UOP4		02	C01A, C01B, C10A, C10B, C10C, C16Z
5c28x↔		BOP, KVT, UOP4		02	C01A, C01B, C10A, C10B, C10C, C16Z		10	K09A, K09B
	02	C01A, C01B, C16Z, C20A, C20B	5c330↔		BOP, KVT, UOP4	5c371.2↔		BOP, KVT, UOP4
	09	J03A, J03B, J04A, J04B, J08A, J08B, J08C, J10A, J10B, J16Z		02	C01A, C01B, C10A, C10B, C10C, C16Z		02	C01A, C01B, C10A, C16Z
	10	K09A, K09B		10	K09A, K09B		10	K09A, K09B
	21A	W04A, W04B	5c331↔		BOP, KVT, UOP4	5c372.1↔		BOP, KVT, UOP4
	21B	X06A, X06B, X06C		02	C01A, C01B, C10A, C10B, C10C, C16Z		02	C01A, C01B, C10A, C10B, C10C, C16Z
	22	Y01Z, Y03A, Y03B		10	K09A, K09B		10	K09A, K09B
5c290↔		BOP, KVT, UOP4	5c340↔		BOP, KVT, UOP4	5c372.2↔		BOP, KVT, UOP4
	02	C01A, C01B, C14Z, C16Z		02	C01A, C01B, C10A, C10B, C10C, C16Z		02	C01A, C01B, C10A, C10B, C10C, C16Z
	09	J03A, J03B, J04A, J04B, J08A, J08B, J08C, J11A, J11B, J16Z		10	K09A, K09B		10	K09A, K09B
	21A	W04A, W04B	5c341↔		BOP, KVT, UOP4	5c372.3↔		BOP, KVT, UOP4
	21B	X06A, X06B, X06C		02	C01A, C01B, C10A, C10B, C10C, C16Z		02	C01A, C01B, C10A, C10B, C10C, C16Z
	22	Y01Z, Y03A, Y03B		10	K09A, K09B		10	K09A, K09B
5c300↔		BOP, KVT, UOP4	5c342↔		BOP, KVT, UOP4	5c372.4↔		BOP, KVT, UOP4
	02	C01A, C01B, C10A, C10B, C10C, C16Z		02	C01A, C01B, C10A, C10B, C10C, C16Z		02	C01A, C01B, C10A, C10B, C10C, C16Z
	10	K09A, K09B		10	K09A, K09B		10	K09A, K09B
5c301↔		BOP, KVT, UOP4	5c343↔		BOP, KVT, UOP4	5c372.5↔		BOP, KVT, UOP4
	02	C01A, C01B, C10A, C10B, C10C, C16Z		02	C01A, C01B, C10A, C10B, C10C, C16Z		02	C01A, C01B, C10A, C16Z
	10	K09A, K09B		10	K09A, K09B		10	K09A, K09B
5c302↔		BOP, KVT, UOP4	5c34x↔		BOP, KVT, UOP4	5c378↔		BOP, KVT, UOP4
	02	C01A, C01B, C10A, C10B, C10C, C16Z		02	C01A, C01B, C10A, C10B, C10C, C16Z		02	C01A, C01B, C10A, C16Z
	10	K09A, K09B		10	K09A, K09B		10	K09A, K09B
5c303↔		BOP, KVT, UOP4	5c350↔		BOP, KVT, UOP4	5c379↔		BOP, KVT, UOP4
	02	C01A, C01B, C10A, C10B, C10C, C16Z		02	C01A, C01B, C10A, C10B, C10C, C16Z		02	C01A, C01B, C10A, C16Z
	10	K09A, K09B		10	K09A, K09B		10	K09A, K09B
5c30x↔		BOP, KVT, UOP4	5c351↔		BOP, KVT, UOP4	5c37x↔		BOP, KVT, UOP4
	02	C01A, C01B, C10A, C10B, C10C, C16Z		02	C01A, C01B, C10A, C10B, C10C, C16Z		02	C01A, C01B, C10A, C10B, C10C, C16Z
	10	K09A, K09B		10	K09A, K09B		10	K09A, K09B
5c310↔		BOP, KVT, UOP4	5c352↔		BOP, KVT, UOP4	5c390↔		BOP, KVT, UOP4
	02	C01A, C01B, C10A, C10B, C10C, C16Z		02	C01A, C01B, C10A, C10B, C10C, C16Z		02	C01A, C01B, C02A, C02B, C10A, C16Z
	10	K09A, K09B		10	K09A, K09B		08	I17Z
5c311↔		BOP, KVT, UOP4	5c353↔		BOP, KVT, UOP4		21A	W04A, W04B
	02	C01A, C01B, C10A, C10B, C10C, C16Z		02	C01A, C01B, C10A, C10B, C10C, C16Z		21B	X06A, X06B, X06C
	10	K09A, K09B		10	K09A, K09B	5c391↔		BOP, KVT, UOP4
	02	C01A, C01B, C10A, C10B, C10C, C16Z	5c354↔		BOP, KVT, UOP4		02	C01A, C01B, C10A, C10B, C10C, C16Z
	10	K09A, K09B		02	C01A, C01B, C10A, C10B, C10C, C16Z		21A	W04A, W04B
	02	C01A, C01B, C10A, C10B, C10C, C16Z		10	K09A, K09B		21B	X06A, X06B, X06C
	10	K09A, K09B		02	C01A, C01B, C10A, C10B, C10C, C16Z	5c392↔		BOP, KVT, UOP4
	02	C01A, C01B, C10A, C10B, C10C, C16Z		10	K09A, K09B		02	C01A, C01B, C10A, C10B, C10C, C16Z
	10	K09A, K09B		02	C01A, C01B, C10A, C10B, C10C, C16Z		21A	W04A, W04B
	02	C01A, C01B, C10A, C10B, C10C, C16Z		10	K09A, K09B		21B	X06A, X06B, X06C
	10	K09A, K09B		02	C01A, C01B, C10A, C10B, C10C, C16Z		02	C01A, C01B, C10A, C10B, C10C, C16Z
	02	C01A, C01B, C10A, C10B, C10C, C16Z		10	K09A, K09B		21A	W04A, W04B
	10	K09A, K09B		02	C01A, C01B, C10A, C10B, C10C, C16Z		21B	X06A, X06B, X06C

ZZV	MDC	DRG	ZZV	MDC	DRG	ZZV	MDC	DRG
5c393↔		BOP, KVT, UOP4	5c411↔		BOP, KVT, UOP4	5c500↔		BOP, UOP4
	02	C01A, C01B, C02A, C02B, C10A, C16Z		02	C01A, C01B, C14Z, C16Z		02	C14Z
	08	I17Z		21A	W04A, W04B		21A	W04A, W04B
	21A	W04A, W04B		21B	X06A, X06B, X06C		21B	X06A, X06B, X06C
	21B	X06A, X06B, X06C	5c412↔		BOP, KVT, UOP4	5c501↔		BOP, UOP4
5c394↔		BOP, KVT, UOP4		02	C01A, C01B, C16Z, C20A, C20B		02	C14Z
	02	C01A, C01B, C10A, C10B, C10C, C16Z		21A	W04A, W04B		21A	W04A, W04B
				21B	X06A, X06B, X06C		21B	X06A, X06B, X06C
5c39a↔		BOP, KVT, UOP4	5c413↔		BOP, KVT, UOP4	5c502↔		BOP, UOP4
	02	C01A, C01B, C02A, C02B, C10A, C16Z		02	C01A, C01B, C14Z, C16Z		02	C14Z
	08	I17Z		21A	W04A, W04B		21A	W04A, W04B
	21A	W04A, W04B		21B	X06A, X06B, X06C		21B	X06A, X06B, X06C
	21B	X06A, X06B, X06C	5c414↔		BOP, KVT, UOP4	5c503↔		BOP, UOP4
5c39b↔		BOP, KVT, UOP4		02	C01A, C01B, C14Z, C16Z		02	C14Z
	02	C01A, C01B, C10A, C10B, C10C, C16Z		21A	W04A, W04B		21A	W04A, W04B
	21A	W04A, W04B		21B	X06A, X06B, X06C		21A	W04A, W04B
	21B	X06A, X06B, X06C	5c41x↔		BOP, KVT, UOP4		21B	X06A, X06B, X06C
				02	C01A, C01B, C14Z, C16Z	5c50x↔		BOP, UOP4
5c39c↔		BOP, KVT, UOP4		5c420.0↔			02	C14Z
	02	C01A, C01B, C10A, C10B, C10C, C16Z			C01A, C01B, C16Z, C20A, C20B		21A	W04A, W04B
	21A	W04A, W04B					21B	X06A, X06B, X06C
	21B	X06A, X06B, X06C	5c420.1↔		BOP, KVT, UOP4	5c510↔		BOP, UOP4
				02	C01A, C01B, C16Z, C20A, C20B		02	C14Z
				21A	W04A, W04B		21A	W04A, W04B
				21B	X06A, X06B, X06C		21B	X06A, X06B, X06C
5c39d↔		BOP, KVT, UOP4	5c420.2↔		BOP, KVT, UOP4	5c511↔		BOP, UOP4
	02	C01A, C01B, C02A, C02B, C10A, C16Z		02	C01A, C01B, C14Z, C16Z		02	C14Z
	08	I17Z		21A	W04A, W04B		21A	W04A, W04B
	21A	W04A, W04B		21A	W04A, W04B		21A	W04A, W04B
	21B	X06A, X06B, X06C		21B	X06A, X06B, X06C		21B	X06A, X06B, X06C
5c39x.0↔		BOP, KVT, UOP4	5c420.x↔		BOP, KVT, UOP4	5c51x↔		BOP, UOP4
	02	C01A, C01B, C10A, C10B, C10C, C16Z		02	C01A, C01B, C14Z, C16Z		02	C14Z
				21A	W04A, W04B		21A	W04A, W04B
				21B	X06A, X06B, X06C		21B	X06A, X06B, X06C
5c39x.1↔		BOP, KVT, UOP4		5c421↔		5c520↔		BOP, KVT, UOP4
	02	C01A, C01B, C10A, C10B, C10C, C16Z		02	C01A, C01B, C16Z, C20A, C20B		02	C01A, C01B, C16Z, C20A, C20B
				21A	W04A, W04B		02	C01A, C01B, C16Z, C20A, C20B
				21B	X06A, X06B, X06C		21A	W04A, W04B
5c39x.x↔		BOP, KVT, UOP4		5c422↔		5c521↔		BOP, KVT, UOP4
	02	C01A, C01B, C10A, C10B, C10C, C16Z		02	C01A, C01B, C16Z, C20A, C20B		02	C01A, C01B, C16Z, C20A, C20B
				21A	W04A, W04B		21A	W04A, W04B
				21B	X06A, X06B, X06C		21B	X06A, X06B, X06C
5c400↔		BOP, UOP4		5c423↔		5c522↔		BOP, KVT, UOP4
	02	C20A, C20B		02	C01A, C01B, C16Z, C20A, C20B		02	C01A, C01B, C16Z, C20A, C20B
	21A	W04A, W04B		21A	W04A, W04B		21A	W04A, W04B
	21B	X06A, X06B, X06C		21B	X06A, X06B, X06C		21B	X06A, X06B, X06C
5c401↔		BOP, UOP4		5c42x↔		5c523↔		BOP, KVT, UOP4
	02	C20A, C20B		02	C01A, C01B, C14Z, C16Z		02	C01A, C01B, C16Z, C20A, C20B
	21A	W04A, W04B		21A	W04A, W04B		21A	W04A, W04B
	21B	X06A, X06B, X06C		21B	X06A, X06B, X06C		21B	X06A, X06B, X06C
5c40x↔		BOP, UOP4		5c430↔		5c524↔		BOP, KVT, UOP4
	02	C20A, C20B		02	C01A, C01B, C14Z, C16Z		02	C01A, C01B, C16Z, C20A, C20B
	21A	W04A, W04B		21A	W04A, W04B		21A	W04A, W04B
	21B	X06A, X06B, X06C		21B	X06A, X06B, X06C		21B	X06A, X06B, X06C
5c410.0↔		BOP, KVT, UOP4		5c431↔		5c52x↔		BOP, KVT, UOP4
	02	C01A, C01B, C14Z, C16Z		02	C01A, C01B, C16Z, C20A, C20B		02	C01A, C01B, C16Z, C20A, C20B
	21A	W04A, W04B		21A	W04A, W04B		21A	W04A, W04B
	21B	X06A, X06B, X06C		21B	X06A, X06B, X06C		21B	X06A, X06B, X06C
5c410.1↔		BOP, KVT, UOP4		5c43x↔		5c530.0↔		BOP, KVT, UOP4
	02	C01A, C01B, C14Z, C16Z		02	C01A, C01B, C14Z, C16Z		02	C01A, C01B, C14Z, C16Z
	21A	W04A, W04B		21A	W04A, W04B		21A	W04A, W04B
	21B	X06A, X06B, X06C		21B	X06A, X06B, X06C		21B	X06A, X06B, X06C
5c410.2↔		BOP, KVT, UOP4		5c490↔		5c530.1↔		BOP, KVT, UOP4
	02	C01A, C01B, C14Z, C16Z		02	C01A, C01B, C14Z, C16Z		02	C01A, C01B, C16Z, C20A, C20B
	21A	W04A, W04B		21A	W04A, W04B		21A	W04A, W04B
	21B	X06A, X06B, X06C		21B	X06A, X06B, X06C		21B	X06A, X06B, X06C
5c410.x↔		BOP, KVT, UOP4		5c491↔		5c530.2↔		BOP, KVT, UOP4
	02	C01A, C01B, C14Z, C16Z		02	C01A, C01B, C14Z, C16Z		02	C01A, C01B, C14Z, C16Z
	21A	W04A, W04B		21A	W04A, W04B		21A	W04A, W04B
	21B	X06A, X06B, X06C		21B	X06A, X06B, X06C		21B	X06A, X06B, X06C

VYK

ZZV	MDC	DRG	ZZV	MDC	DRG	ZZV	MDC	DRG
5c530.x↔		BOP, KVT, UOP4	5c550.1↔		BOP, KVT, UOP4	5c594↔		BOP, KVT, UOP4
	02	C01A, C01B, C14Z, C16Z		02	C01A, C01B, C16Z, C20A, C20B		02	C01A, C01B, C16Z, C20A, C20B
	21A	W04A, W04B		21A	W04A, W04B		21A	W04A, W04B
	21B	X06A, X06B, X06C		21B	X06A, X06B, X06C		21B	X06A, X06B, X06C
5c532.0↔		BOP, KVT, UOP4	5c550.x↔		BOP, KVT, UOP4	5c596↔		BOP, KVT, UOP4
	02	C01A, C01B, C16Z, C20A, C20B		02	C01A, C01B, C16Z, C20A, C20B		02	C01A, C01B, C14Z, C16Z
	21A	W04A, W04B		21A	W04A, W04B		21A	W04A, W04B
	21B	X06A, X06B, X06C		21B	X06A, X06B, X06C		21B	X06A, X06B, X06C
5c532.1↔		BOP, KVT, UOP4	5c551↔		BOP, KVT, UOP4	5c600↔		BOP, UOP4
	02	C01A, C01B, C16Z, C20A, C20B		02	C01A, C01B, C16Z, C20A, C20B		02	C20A, C20B
	21A	W04A, W04B		21A	W04A, W04B		21A	W04A, W04B
	21B	X06A, X06B, X06C		21B	X06A, X06B, X06C		21B	X06A, X06B, X06C
5c532.x↔		BOP, KVT, UOP4	5c552↔		BOP, KVT, UOP4	5c601↔		BOP, UOP4
	02	C01A, C01B, C16Z, C20A, C20B		02	C01A, C01B, C16Z, C20A, C20B		02	C20A, C20B
	21A	W04A, W04B		21A	W04A, W04B		21A	W04A, W04B
	21B	X06A, X06B, X06C		21B	X06A, X06B, X06C		21B	X06A, X06B, X06C
5c533↔		BOP, KVT, UOP4	5c553↔		BOP, KVT, UOP4	5c60x↔		BOP, UOP4
	02	C01A, C01B, C16Z, C20A, C20B		02	C01A, C01B, C16Z, C20A, C20B		02	C20A, C20B
	21A	W04A, W04B		21A	W04A, W04B		21A	W04A, W04B
	21B	X06A, X06B, X06C		21B	X06A, X06B, X06C		21A	W04A, W04B
5c535↔		BOP, KVT, UOP4	5c554↔		BOP, KVT, UOP4	5c610.0↔		BOP, KVT, UOP4
	02	C01A, C01B, C14Z, C16Z		02	C01A, C01B, C16Z, C20A, C20B		02	C01A, C01B, C06Z, C16Z
	21A	W04A, W04B		21A	W04A, W04B		10	K09A, K09B
	21B	X06A, X06B, X06C		21B	X06A, X06B, X06C		21A	W04A, W04B
5c53x↔		BOP, KVT, UOP4	5c555↔		BOP, KVT, UOP4	5c610.1↔		BOP, KVT, UOP4
	02	C01A, C01B, C14Z, C16Z		02	C01A, C01B, C16Z		02	C01A, C01B, C06Z, C16Z
	21A	W04A, W04B		21A	W04A, W04B		10	K09A, K09B
	21B	X06A, X06B, X06C		21B	X06A, X06B, X06C		21A	W04A, W04B
5c540↔		BOP, KVT, UOP4	5c556↔		BOP, KVT, UOP4	5c610.x↔		BOP, KVT, UOP4
	02	C01A, C01B, C04A, C04B, C16Z		02	C01A, C01B, C16Z		02	C01A, C01B, C06Z, C16Z
	21A	W04A, W04B		21A	W04A, W04B		10	K09A, K09B
	21B	X06A, X06B, X06C		21B	X06A, X06B, X06C		21A	W04A, W04B
5c541.0↔		BOP, KVT, UOP4	5c557↔		BOP, KVT, UOP4	5c611↔		BOP, KVT, UOP4
	02	C01A, C01B, C04A, C04B, C16Z		02	C01A, C01B, C16Z, C20A, C20B		02	C01A, C01B, C06Z, C16Z
	21A	W04A, W04B		21A	W04A, W04B		21A	W04A, W04B
	21B	X06A, X06B, X06C		21B	X06A, X06B, X06C		21B	X06A, X06B, X06C
5c541.1↔		BOP, KVT, UOP4	5c55x↔		BOP, KVT, UOP4	5c612↔		BOP, KVT, UOP4
	02	C01A, C01B, C04A, C04B, C16Z		02	C01A, C01B, C16Z, C20A, C20B		02	C01A, C01B, C06Z, C16Z
	21A	W04A, W04B		21A	W04A, W04B		21A	W04A, W04B
	21B	X06A, X06B, X06C		21B	X06A, X06B, X06C		21B	X06A, X06B, X06C
5c543↔		BOP, KVT, UOP4	5c590↔		BOP, KVT, UOP4	5c613↔		BOP, KVT, UOP4
	02	C01A, C01B, C04A, C04B, C16Z		02	C01A, C01B, C16Z, C20A, C20B		02	C01A, C01B, C07A, C07B, C16Z
	21A	W04A, W04B		21A	W04A, W04B		21A	W04A, W04B
	21B	X06A, X06B, X06C		21B	X06A, X06B, X06C		21B	X06A, X06B, X06C
5c544↔		BOP, KVT, UOP4	5c591↔		BOP, KVT, UOP4	5c614.0↔		BOP, KVT, UOP4
	02	C01A, C01B, C16Z, C20A, C20B		02	C01A, C01B, C16Z, C20A, C20B		02	C01A, C01B, C07A, C07B, C16Z
	21A	W04A, W04B		21A	W04A, W04B		21A	W04A, W04B
	21B	X06A, X06B, X06C		21B	X06A, X06B, X06C		21B	X06A, X06B, X06C
5c54x↔		BOP, KVT, UOP4	5c592↔		BOP, KVT, UOP4	5c614.1↔		BOP, KVT, UOP4
	02	C01A, C01B, C16Z, C20A, C20B		02	C01A, C01B, C16Z, C20A, C20B		02	C01A, C01B, C07A, C07B, C16Z
	21A	W04A, W04B		21A	W04A, W04B		21A	W04A, W04B
	21B	X06A, X06B, X06C		21B	X06A, X06B, X06C		21B	X06A, X06B, X06C
5c550.0↔		BOP, KVT, UOP4	5c593↔		BOP, KVT, UOP4	5c614.2↔		BOP, KVT, UOP4
	02	C01A, C01B, C16Z, C20A, C20B		02	C01A, C01B, C04A, C16Z		02	C01A, C01B, C07A, C07B, C16Z
	21A	W04A, W04B		21A	W04A, W04B		21A	W04A, W04B
	21B	X06A, X06B, X06C		21B	X06A, X06B, X06C		21B	X06A, X06B, X06C
						5c614.x↔		BOP, KVT, UOP4
							02	C01A, C01B, C07A, C07B, C16Z
							21A	W04A, W04B
							21B	X06A, X06B, X06C

VYK

ZZV	MDC	DRG	ZZV	MDC	DRG	ZZV	MDC	DRG
5c615↔		BOP, KVT, UOP4	5c635↔		BOP, KVT, UOP4	5c663↔		BOP, KVT, UOP4
	02	C01A, C01B, C07A, C07B, C16Z		02	C01A, C01B, C07A, C07B, C16Z		02	C14Z
	21A	W04A, W04B		10	K09A, K09B		21A	W04A, W04B
	21B	X06A, X06B, X06C	5c636↔		BOP, KVT, UOP4	5c664↔		X06A, X06B, X06C
5c616↔		BOP, KVT, UOP4		02	C01A, C01B, C07A, C07B, C16Z		02	BOP, KVT, UOP4
	02	C01A, C01B, C06Z, C16Z		21A	W04A, W04B		21A	C01A, C01B, C07A, C07B, C16Z
	21A	W04A, W04B		21B	X06A, X06B, X06C		21A	W04A, W04B
	21B	X06A, X06B, X06C	5c638↔		BOP, KVT, UOP4	5c66x↔		X06A, X06B, X06C
5c617.1↔		BOP, KVT, UOP4		02	C01A, C01B, C07A, C07B, C16Z		02	BOP, KVT, UOP4
	02	C01A, C01B, C06Z, C16Z		10	K09A, K09B		21A	W04A, W04B
	21A	W04A, W04B	5c63x↔		BOP, KVT, UOP4	5c671↔		X06A, X06B, X06C
	21B	X06A, X06B, X06C		02	C01A, C01B, C07A, C07B, C16Z		02	BOP, KVT, UOP4
5c617.2↔		BOP, KVT, UOP4		10	K09A, K09B		21A	C01A, C01B, C07A, C07B, C16Z
	02	C01A, C01B, C06Z, C16Z	5c640↔		BOP, KVT, UOP4		21B	W04A, W04B
	21A	W04A, W04B		02	C01A, C01B, C06Z, C16Z		21A	X06A, X06B, X06C
	21B	X06A, X06B, X06C	5c641↔		BOP, KVT, UOP4	5c672↔		BOP, KVT, UOP4
5c617.3↔		BOP, KVT, UOP4		10	K09A, K09B		02	C01A, C01B, C07A, C07B, C16Z
	02	C01A, C01B, C06Z, C16Z	5c64x↔		BOP, KVT, UOP4		21A	W04A, W04B
	21A	W04A, W04B		02	C01A, C01B, C07A, C07B, C16Z	5c673↔		X06A, X06B, X06C
	21B	X06A, X06B, X06C	5c650↔		BOP, KVT, UOP4		02	BOP, KVT, UOP4
5c617.4↔		BOP, KVT, UOP4		02	C14Z		21A	W04A, W04B
	02	C01A, C01B, C06Z, C16Z		21A	W04A, W04B	5c674↔		X06A, X06B, X06C
	21A	W04A, W04B	5c651↔		BOP, KVT, UOP4		02	BOP, KVT, UOP4
	21B	X06A, X06B, X06C		02	C01A, C01B, C15Z, C16Z		21A	C01A, C01B, C16Z, C20A, C20B
5c61x↔		BOP, KVT, UOP4		21A	W04A, W04B	5c675↔		W04A, W04B
	02	C01A, C01B, C06Z, C16Z	5c652↔		BOP, KVT, UOP4		21B	X06A, X06B, X06C
	21A	W04A, W04B		02	C01A, C01B, C16Z, C20A, C20B		02	BOP, KVT, UOP4
	21B	X06A, X06B, X06C	5c654↔		BOP, KVT, UOP4		21A	W04A, W04B
5c620↔		BOP, KVT, UOP4		02	C01A, C01B, C15Z, C16Z	5c676↔		X06A, X06B, X06C
	02	C01A, C01B, C07A, C07B, C16Z		21A	W04A, W04B		02	BOP, KVT, UOP4
	10	K09A, K09B	5c655↔		BOP, KVT, UOP4		21A	W04A, W04B
5c621↔		BOP, KVT, UOP4		02	C01A, C01B, C16Z, C20A, C20B	5c677↔		X06A, X06B, X06C
	02	C01A, C01B, C07A, C07B, C16Z	5c65x↔		BOP, KVT, UOP4		02	BOP, KVT, UOP4
	10	K09A, K09B		02	C01A, C01B, C16Z, C20A, C20B		21A	W04A, W04B
5c622↔		BOP, KVT, UOP4		21A	W04A, W04B	5c67x↔		X06A, X06B, X06C
	02	C01A, C01B, C07A, C07B, C16Z	5c654↔		BOP, KVT, UOP4		02	BOP, KVT, UOP4
	10	K09A, K09B		02	C01A, C01B, C15Z, C16Z		21A	W04A, W04B
5c62x↔		BOP, KVT, UOP4		21A	W04A, W04B	5c677↔		X06A, X06B, X06C
	02	C01A, C01B, C07A, C07B, C16Z	5c655↔		BOP, KVT, UOP4		02	BOP, KVT, UOP4
	10	K09A, K09B		02	C01A, C01B, C16Z, C20A, C20B		21A	W04A, W04B
5c630↔		BOP, KVT, UOP4		21A	W04A, W04B	5c680.0↔		X06A, X06B, X06C
	02	C01A, C01B, C07A, C07B, C16Z	5c65x↔		BOP, KVT, UOP4		02	BOP, UOP4
	21A	W04A, W04B		02	C01A, C01B, C16Z, C20A, C20B		21A	C20A, C20B
	21B	X06A, X06B, X06C	5c660↔		BOP, KVT, UOP4		21A	W04A, W04B
5c631↔		BOP, KVT, UOP4		02	C01A, C01B, C16Z, C20A, C20B	5c680.1↔		X06A, X06B, X06C
	02	C01A, C01B, C06Z, C16Z	5c65x↔		BOP, KVT, UOP4		02	BOP, UOP4
	10	K09A, K09B		02	C01A, C01B, C07A, C07B, C16Z		21A	W04A, W04B
	21A	W04A, W04B	5c661↔		BOP, KVT, UOP4		21B	X06A, X06B, X06C
	21B	X06A, X06B, X06C		02	C01A, C01B, C07A, C07B, C16Z	5c680.x↔		BOP, UOP4
5c632↔		BOP, KVT, UOP4		21A	W04A, W04B		02	C20A, C20B
	02	C01A, C01B, C06Z, C16Z	5c662↔		BOP, KVT, UOP4		21A	W04A, W04B
	21A	W04A, W04B		02	C01A, C01B, C07A, C07B, C16Z	5c681.0↔		X06A, X06B, X06C
	21B	X06A, X06B, X06C		21A	W04A, W04B		02	BOP, KVT, UOP4
5c633↔		BOP, KVT, UOP4		21B	X06A, X06B, X06C		21A	W04A, W04B
	02	C01A, C01B, C07A, C07B, C16Z	5c661↔		BOP, KVT, UOP4		21B	X06A, X06B, X06C
	21A	W04A, W04B		02	C01A, C01B, C07A, C07B, C16Z		02	C20A, C20B
	21B	X06A, X06B, X06C	5c662↔		BOP, KVT, UOP4		21A	W04A, W04B
5c634↔		BOP, KVT, UOP4		02	C01A, C01B, C07A, C07B, C16Z	5c681.0↔		X06A, X06B, X06C
	02	C01A, C01B, C07A, C07B, C16Z		21A	W04A, W04B		02	C01A, C01B, C16Z, C20A, C20B
	21A	W04A, W04B		21B	X06A, X06B, X06C		21A	W04A, W04B
	21B	X06A, X06B, X06C		21B	X06A, X06B, X06C		21B	X06A, X06B, X06C

ZZV	MDC	DRG	ZZV	MDC	DRG	ZZV	MDC	DRG
5c681.3↔		BOP, KVT, UOP4	5c69x↔		BOP, KVT, UOP4	5c720.6↔		BOP, KVT, UOP4
	02	C01A, C01B, C16Z, C20A, C20B		02	C01A, C01B, C16Z, C20A, C20B		02	C01A, C01B, C16Z, C20A, C20B
	21A	W04A, W04B		21A	W04A, W04B		10	K09A, K09B
	21B	X06A, X06B, X06C		21B	X06A, X06B, X06C	5c720.7↔		BOP, KVT, UOP4
5c681.x↔		BOP, KVT, UOP4	5c700↔		BOP, UOP4		02	C01A, C01B, C16Z, C20A, C20B
	02	C01A, C01B, C16Z, C20A, C20B		02	C01A, C01B, C16Z, C20A, C20B		10	K09A, K09B
	21A	W04A, W04B		21A	W04A, W04B	5c720.8↔		BOP, KVT, UOP4
	21B	X06A, X06B, X06C		21B	X06A, X06B, X06C		02	C01A, C01B, C16Z, C20A, C20B
5c682.1↔		BOP, KVT, UOP4	5c701↔		BOP, UOP4		10	K09A, K09B
	02	C01A, C01B, C16Z, C20A, C20B		02	C01A, C01B, C16Z, C20A, C20B	5c720.a↔		BOP, KVT, UOP4
	21A	W04A, W04B		21A	W04A, W04B		02	C01A, C01B, C16Z, C20A, C20B
	21B	X06A, X06B, X06C		21B	X06A, X06B, X06C		10	K09A, K09B
5c682.2↔		BOP, KVT, UOP4	5c70x↔		BOP, UOP4		10	K09A, K09B
	02	C01A, C01B, C16Z, C20A, C20B		02	C01A, C01B, C16Z, C20A, C20B	5c720.b↔		BOP, KVT, UOP4
	21A	W04A, W04B		21A	W04A, W04B		02	C01A, C01B, C16Z, C20A, C20B
	21B	X06A, X06B, X06C		21B	X06A, X06B, X06C		10	K09A, K09B
5c68x↔		BOP, KVT, UOP4	5c710↔		BOP, KVT, UOP4	5c720.c↔		BOP, KVT, UOP4
	02	C01A, C01B, C16Z, C20A, C20B		02	C01A, C01B, C16Z, C20A, C20B		02	C01A, C01B, C16Z, C20A, C20B
	21A	W04A, W04B		5c711↔	BOP, KVT, UOP4		10	K09A, K09B
	21B	X06A, X06B, X06C		02	C01A, C01B, C16Z, C20A, C20B	5c720.d↔		BOP, KVT, UOP4
5c690↔		BOP, KVT, UOP4		5c712↔	BOP, KVT, UOP4		02	C01A, C01B, C16Z, C20A, C20B
	02	C14Z		02	C01A, C01B, C16Z, C20A, C20B		10	K09A, K09B
	21A	W04A, W04B				5c720.e↔		BOP, KVT, UOP4
	21B	X06A, X06B, X06C		5c713↔	BOP, KVT, UOP4		02	C01A, C01B, C16Z, C20A, C20B
5c691.0↔		BOP, KVT, UOP4		02	C01A, C01B, C16Z, C20A, C20B		10	K09A, K09B
	02	C14Z		5c714.10↔	BOP, KVT, UOP4	5c720.f↔		BOP, KVT, UOP4
	21A	W04A, W04B		02	C01A, C01B, C16Z, C20A, C20B		02	C01A, C01B, C16Z, C20A, C20B
	21B	X06A, X06B, X06C					10	K09A, K09B
5c691.1↔		BOP, KVT, UOP4		5c714.11↔	BOP, KVT, UOP4	5c720.g↔		BOP, KVT, UOP4
	02	C01A, C01B, C15Z, C16Z		02	C01A, C01B, C16Z, C20A, C20B		02	C01A, C01B, C16Z, C20A, C20B
	21A	W04A, W04B					10	K09A, K09B
	21B	X06A, X06B, X06C		5c714.20↔	BOP, KVT, UOP4	5c720.h↔		BOP, KVT, UOP4
5c691.2↔		BOP, KVT, UOP4		02	C01A, C01B, C16Z, C20A, C20B		02	C01A, C01B, C16Z, C20A, C20B
	02	C14Z					10	K09A, K09B
	21A	W04A, W04B		5c714.21↔	BOP, KVT, UOP4		02	C01A, C01B, C16Z, C20A, C20B
	21B	X06A, X06B, X06C		02	C01A, C01B, C16Z, C20A, C20B		10	K09A, K09B
5c691.3↔		BOP, KVT, UOP4				5c720.x↔		BOP, KVT, UOP4
	02	C14Z		5c715.0↔	BOP, KVT, UOP4		02	C01A, C01B, C16Z, C20A, C20B
	21A	W04A, W04B		02	C01A, C01B, C16Z, C20A, C20B		10	K09A, K09B
	21B	X06A, X06B, X06C				5c721.0↔		BOP, KVT, UOP4
5c691.x↔		BOP, KVT, UOP4		5c715.1↔	BOP, KVT, UOP4		02	C01A, C01B, C16Z, C20A, C20B
	02	C14Z		02	C01A, C01B, C16Z, C20A, C20B		10	K09A, K09B
	21A	W04A, W04B					02	C01A, C01B, C16Z, C20A, C20B
	21B	X06A, X06B, X06C		5c716.1↔	BOP, KVT, UOP4	5c721.5↔		BOP, KVT, UOP4
5c692↔		BOP, KVT, UOP4		02	C01A, C01B, C16Z, C20A, C20B		02	C01A, C01B, C16Z, C20A, C20B
	02	C14Z					10	K09A, K09B
	21A	W04A, W04B		5c716.2↔	BOP, KVT, UOP4		02	C01A, C01B, C16Z, C20A, C20B
	21B	X06A, X06B, X06C		02	C01A, C01B, C16Z, C20A, C20B		10	K09A, K09B
5c693↔		BOP, KVT, UOP4				5c721.a↔		BOP, KVT, UOP4
	02	C01A, C01B, C16Z, C20A, C20B		5c71x↔	BOP, KVT, UOP4		02	C01A, C01B, C16Z, C20A, C20B
	21A	W04A, W04B		02	C01A, C01B, C16Z, C20A, C20B		10	K09A, K09B
	21B	X06A, X06B, X06C					02	C01A, C01B, C16Z, C20A, C20B
5c694↔		BOP, KVT, UOP4		5c720.0↔	BOP, KVT, UOP4	5c721.b↔		BOP, KVT, UOP4
	02	C01A, C01B, C15Z, C16Z		02	C01A, C01B, C16Z, C20A, C20B		02	C01A, C01B, C16Z, C20A, C20B
	21A	W04A, W04B					10	K09A, K09B
	21B	X06A, X06B, X06C		5c720.5↔	BOP, KVT, UOP4	5c721.c↔		BOP, KVT, UOP4
5c695↔		BOP, KVT, UOP4		02	C01A, C01B, C16Z, C20A, C20B		02	C01A, C01B, C16Z, C20A, C20B
	02	C01A, C01B, C16Z, C20A, C20B					10	K09A, K09B
	21A	W04A, W04B		10	K09A, K09B		02	C01A, C01B, C16Z, C20A, C20B
	21B	X06A, X06B, X06C					10	K09A, K09B

VYK

ZZV	MDC	DRG	ZZV	MDC	DRG	ZZV	MDC	DRG
5c721.d↔		BOP, KVT, UOP4	5c72x.f↔		BOP, KVT, UOP4	5c732.b↔		BOP, KVT, UOP4
	02	C01A, C01B, C16Z, C20A, C20B		02	C01A, C01B, C16Z, C20A, C20B		02	C01A, C01B, C03A, C03B, C04A, C07A, C08A, C08B, C16Z
	10	K09A, K09B		10	K09A, K09B		10	K09A, K09B
5c721.e↔		BOP, KVT, UOP4	5c72x.g↔		BOP, KVT, UOP4		10	K09A, K09B
	02	C01A, C01B, C16Z, C20A, C20B		02	C01A, C01B, C16Z, C20A, C20B		21A	W04A, W04B
	10	K09A, K09B		10	K09A, K09B		21B	X06A, X06B, X06C
5c721.f↔		BOP, KVT, UOP4	5c72x.h↔		BOP, KVT, UOP4	5c732.c↔		BOP, KVT, UOP4
	02	C01A, C01B, C16Z, C20A, C20B		02	C01A, C01B, C16Z, C20A, C20B		02	C01A, C01B, C03A, C03B, C04A, C07A, C08A, C08B, C16Z
	10	K09A, K09B		10	K09A, K09B		10	K09A, K09B
5c721.g↔		BOP, KVT, UOP4	5c72x.x↔		BOP, KVT, UOP4		21A	W04A, W04B
	02	C01A, C01B, C16Z, C20A, C20B		02	C01A, C01B, C16Z, C20A, C20B		21B	X06A, X06B, X06C
	10	K09A, K09B		10	K09A, K09B	5c732.d↔		BOP, KVT, UOP4
5c721.h↔		BOP, KVT, UOP4	5c732.0↔		BOP, KVT, UOP4		02	C01A, C01B, C03A, C03B, C04A, C07A, C08A, C08B, C16Z
	02	C01A, C01B, C16Z, C20A, C20B		02	C01A, C01B, C03A, C03B, C04A, C07A, C08A, C08B, C16Z		10	K09A, K09B
	10	K09A, K09B		10	K09A, K09B		21A	W04A, W04B
5c721.x↔		BOP, KVT, UOP4		10	K09A, K09B		21B	X06A, X06B, X06C
	02	C01A, C01B, C16Z, C20A, C20B		21A	W04A, W04B	5c732.e↔		BOP, KVT, UOP4
	10	K09A, K09B	5c732.5↔		BOP, KVT, UOP4		02	C01A, C01B, C03A, C03B, C04A, C07A, C08A, C08B, C16Z
5c72x.0↔		BOP, KVT, UOP4		02	C01A, C01B, C03A, C03B, C04A, C07A, C08A, C08B, C16Z		10	K09A, K09B
	02	C01A, C01B, C16Z, C20A, C20B		10	K09A, K09B		21A	W04A, W04B
	10	K09A, K09B		21A	W04A, W04B		21B	X06A, X06B, X06C
5c72x.5↔		BOP, KVT, UOP4		21B	X06A, X06B, X06C	5c732.f↔		BOP, KVT, UOP4
	02	C01A, C01B, C16Z, C20A, C20B	5c732.6↔		BOP, KVT, UOP4		02	C01A, C01B, C03A, C03B, C04A, C07A, C08A, C08B, C16Z
	10	K09A, K09B		02	C01A, C01B, C03A, C03B, C04A, C07A, C08A, C08B, C16Z		10	K09A, K09B
5c72x.6↔		BOP, KVT, UOP4		10	K09A, K09B		21A	W04A, W04B
	02	C01A, C01B, C16Z, C20A, C20B		21A	W04A, W04B		21B	X06A, X06B, X06C
	10	K09A, K09B		21B	X06A, X06B, X06C	5c732.g↔		BOP, KVT, UOP4
5c72x.7↔		BOP, KVT, UOP4		21A	W04A, W04B		02	C01A, C01B, C03A, C03B, C04A, C07A, C08A, C08B, C16Z
	02	C01A, C01B, C16Z, C20A, C20B	5c732.7↔		BOP, KVT, UOP4		10	K09A, K09B
	10	K09A, K09B		02	C01A, C01B, C03A, C03B, C04A, C07A, C08A, C08B, C16Z		21A	W04A, W04B
5c72x.8↔		BOP, KVT, UOP4		10	K09A, K09B		21B	X06A, X06B, X06C
	02	C01A, C01B, C16Z, C20A, C20B		21A	W04A, W04B	5c732.h↔		BOP, KVT, UOP4
	10	K09A, K09B		21B	X06A, X06B, X06C		02	C01A, C01B, C03A, C03B, C04A, C07A, C08A, C08B, C16Z
5c72x.9↔		BOP, KVT, UOP4	5c732.8↔		BOP, KVT, UOP4		10	K09A, K09B
	02	C01A, C01B, C16Z, C20A, C20B		02	C01A, C01B, C03A, C03B, C04A, C07A, C08A, C08B, C16Z		21A	W04A, W04B
	10	K09A, K09B		10	K09A, K09B		21B	X06A, X06B, X06C
5c72x.a↔		BOP, KVT, UOP4		10	K09A, K09B	5c732.x↔		BOP, KVT, UOP4
	02	C01A, C01B, C16Z, C20A, C20B		21A	W04A, W04B		02	C01A, C01B, C03A, C03B, C04A, C07A, C08A, C08B, C16Z
	10	K09A, K09B	5c732.9↔		BOP, KVT, UOP4		10	K09A, K09B
5c72x.b↔		BOP, KVT, UOP4		02	C01A, C01B, C03A, C03B, C04A, C07A, C08A, C08B, C16Z		21A	W04A, W04B
	02	C01A, C01B, C16Z, C20A, C20B		10	K09A, K09B		21B	X06A, X06B, X06C
	10	K09A, K09B		21A	W04A, W04B	5c733.0↔		BOP, KVT, UOP4
5c72x.c↔		BOP, KVT, UOP4		21B	X06A, X06B, X06C		02	C01A, C01B, C03A, C03B, C04A, C07A, C08A, C08B, C16Z
	02	C01A, C01B, C16Z, C20A, C20B	5c732.a↔		BOP, KVT, UOP4		10	K09A, K09B
	10	K09A, K09B		02	C01A, C01B, C03A, C03B, C04A, C07A, C08A, C08B, C16Z		21A	W04A, W04B
5c72x.d↔		BOP, KVT, UOP4		10	K09A, K09B		21B	X06A, X06B, X06C
	02	C01A, C01B, C16Z, C20A, C20B		21A	W04A, W04B	5c733.5↔		BOP, KVT, UOP4
	10	K09A, K09B		21B	X06A, X06B, X06C		02	C01A, C01B, C03A, C03B, C04A, C07A, C08A, C08B, C16Z
5c72x.e↔		BOP, KVT, UOP4		10	K09A, K09B		10	K09A, K09B
	02	C01A, C01B, C16Z, C20A, C20B		21A	W04A, W04B		21A	W04A, W04B
	10	K09A, K09B		21B	X06A, X06B, X06C		21B	X06A, X06B, X06C

ZZV	MDC	DRG	ZZV	MDC	DRG	ZZV	MDC	DRG
5c733.6↔		BOP, KVT, UOP4	5c733.g↔		BOP, KVT, UOP4	5c734.b↔		BOP, KVT, UOP4
	02	C01A, C01B, C03A, C03B, C04A, C07A, C08A, C08B, C16Z		02	C01A, C01B, C03A, C03B, C04A, C07A, C08A, C08B, C16Z		02	C01A, C01B, C03A, C03B, C04A, C07A, C08A, C08B, C16Z
	10	K09A, K09B		10	K09A, K09B		10	K09A, K09B
	21A	W04A, W04B		21A	W04A, W04B		21A	W04A, W04B
5c733.7↔	21B	X06A, X06B, X06C	5c733.h↔	21B	X06A, X06B, X06C	5c734.c↔	21B	X06A, X06B, X06C
		BOP, KVT, UOP4			BOP, KVT, UOP4			BOP, KVT, UOP4
	02	C01A, C01B, C03A, C03B, C04A, C07A, C08A, C08B, C16Z		02	C01A, C01B, C03A, C03B, C04A, C07A, C08A, C08B, C16Z		02	C01A, C01B, C03A, C03B, C04A, C07A, C08A, C08B, C16Z
	10	K09A, K09B		10	K09A, K09B		10	K09A, K09B
5c733.8↔	21A	W04A, W04B	5c733.x↔	21A	W04A, W04B	5c734.d↔	21A	W04A, W04B
	21B	X06A, X06B, X06C		21B	X06A, X06B, X06C		21B	X06A, X06B, X06C
		BOP, KVT, UOP4			BOP, KVT, UOP4			BOP, KVT, UOP4
	02	C01A, C01B, C03A, C03B, C04A, C07A, C08A, C08B, C16Z		02	C01A, C01B, C03A, C03B, C04A, C07A, C08A, C08B, C16Z		02	C01A, C01B, C03A, C03B, C04A, C07A, C08A, C08B, C16Z
5c733.9↔	10	K09A, K09B	5c734.0↔	10	K09A, K09B	5c734.e↔	10	K09A, K09B
	21A	W04A, W04B		21A	W04A, W04B		21A	W04A, W04B
	21B	X06A, X06B, X06C		21B	X06A, X06B, X06C		21B	X06A, X06B, X06C
		BOP, KVT, UOP4			BOP, KVT, UOP4			BOP, KVT, UOP4
5c733.a↔	02	C01A, C01B, C03A, C03B, C04A, C07A, C08A, C08B, C16Z	5c734.5↔	02	C01A, C01B, C03A, C03B, C04A, C07A, C08A, C08B, C16Z	5c734.f↔	02	C01A, C01B, C03A, C03B, C04A, C07A, C08A, C08B, C16Z
	10	K09A, K09B		10	K09A, K09B		10	K09A, K09B
	21A	W04A, W04B		21A	W04A, W04B		21A	W04A, W04B
	21B	X06A, X06B, X06C		21B	X06A, X06B, X06C		21B	X06A, X06B, X06C
5c733.b↔		BOP, KVT, UOP4	5c734.6↔		BOP, KVT, UOP4	5c734.g↔		BOP, KVT, UOP4
	02	C01A, C01B, C03A, C03B, C04A, C07A, C08A, C08B, C16Z		02	C01A, C01B, C03A, C03B, C04A, C07A, C08A, C08B, C16Z		02	C01A, C01B, C03A, C03B, C04A, C07A, C08A, C08B, C16Z
	10	K09A, K09B		10	K09A, K09B		10	K09A, K09B
	21A	W04A, W04B		21A	W04A, W04B		21A	W04A, W04B
5c733.c↔	21B	X06A, X06B, X06C	5c734.7↔	21B	X06A, X06B, X06C	5c734.h↔	21B	X06A, X06B, X06C
		BOP, KVT, UOP4			BOP, KVT, UOP4			BOP, KVT, UOP4
	02	C01A, C01B, C03A, C03B, C04A, C07A, C08A, C08B, C16Z		02	C01A, C01B, C03A, C03B, C04A, C07A, C08A, C08B, C16Z		02	C01A, C01B, C03A, C03B, C04A, C07A, C08A, C08B, C16Z
	10	K09A, K09B		10	K09A, K09B		10	K09A, K09B
5c733.d↔	21A	W04A, W04B	5c734.8↔	21A	W04A, W04B	5c734.x↔	21A	W04A, W04B
	21B	X06A, X06B, X06C		21B	X06A, X06B, X06C		21B	X06A, X06B, X06C
		BOP, KVT, UOP4			BOP, KVT, UOP4			BOP, KVT, UOP4
	02	C01A, C01B, C03A, C03B, C04A, C07A, C08A, C08B, C16Z		02	C01A, C01B, C03A, C03B, C04A, C07A, C08A, C08B, C16Z		02	C01A, C01B, C03A, C03B, C04A, C07A, C08A, C08B, C16Z
5c733.e↔	10	K09A, K09B	5c734.9↔	10	K09A, K09B	5c735.0↔	10	K09A, K09B
	21A	W04A, W04B		21A	W04A, W04B		21A	W04A, W04B
	21B	X06A, X06B, X06C		21B	X06A, X06B, X06C		21B	X06A, X06B, X06C
		BOP, KVT, UOP4			BOP, KVT, UOP4			BOP, KVT, UOP4
5c733.f↔	02	C01A, C01B, C03A, C03B, C04A, C07A, C08A, C08B, C16Z	5c734.a↔	02	C01A, C01B, C03A, C03B, C04A, C07A, C08A, C08B, C16Z	5c735.5↔	02	C01A, C01B, C03A, C03B, C04A, C07A, C08A, C08B, C16Z
	10	K09A, K09B		10	K09A, K09B		10	K09A, K09B
	21A	W04A, W04B		21A	W04A, W04B		21A	W04A, W04B
	21B	X06A, X06B, X06C		21B	X06A, X06B, X06C		21B	X06A, X06B, X06C

VYK



ZZV	MDC	DRG	ZZV	MDC	DRG	ZZV	MDC	DRG
5c735.6↔		BOP, KVT, UOP4	5c735.g↔		BOP, KVT, UOP4	5c73x.b↔		BOP, KVT, UOP4
	02	C01A, C01B, C03A, C03B, C04A, C07A, C08A, C08B, C16Z		02	C01A, C01B, C03A, C03B, C04A, C07A, C08A, C08B, C16Z		02	C01A, C01B, C03A, C03B, C04A, C07A, C08A, C08B, C16Z
	10	K09A, K09B		10	K09A, K09B		10	K09A, K09B
	21A	W04A, W04B		21A	W04A, W04B		21A	W04A, W04B
5c735.7↔	21B	X06A, X06B, X06C	5c735.h↔	21B	X06A, X06B, X06C	5c73x.c↔	21B	X06A, X06B, X06C
		BOP, KVT, UOP4			BOP, KVT, UOP4			BOP, KVT, UOP4
	02	C01A, C01B, C03A, C03B, C04A, C07A, C08A, C08B, C16Z		02	C01A, C01B, C03A, C03B, C04A, C07A, C08A, C08B, C16Z		02	C01A, C01B, C03A, C03B, C04A, C07A, C08A, C08B, C16Z
	10	K09A, K09B		10	K09A, K09B		10	K09A, K09B
5c735.8↔	21A	W04A, W04B	5c735.x↔	21A	W04A, W04B	5c73x.d↔	21A	W04A, W04B
	21B	X06A, X06B, X06C		21B	X06A, X06B, X06C		21B	X06A, X06B, X06C
		BOP, KVT, UOP4			BOP, KVT, UOP4			BOP, KVT, UOP4
	02	C01A, C01B, C03A, C03B, C04A, C07A, C08A, C08B, C16Z		02	C01A, C01B, C03A, C03B, C04A, C07A, C08A, C08B, C16Z		02	C01A, C01B, C03A, C03B, C04A, C07A, C08A, C08B, C16Z
5c735.9↔	10	K09A, K09B	5c73x.0↔	10	K09A, K09B	5c73x.e↔	10	K09A, K09B
	21A	W04A, W04B		21A	W04A, W04B		21A	W04A, W04B
	21B	X06A, X06B, X06C		21B	X06A, X06B, X06C		21B	X06A, X06B, X06C
		BOP, KVT, UOP4			BOP, KVT, UOP4			BOP, KVT, UOP4
5c735.a↔	02	C01A, C01B, C03A, C03B, C04A, C07A, C08A, C08B, C16Z	5c73x.5↔	02	C01A, C01B, C03A, C03B, C04A, C07A, C08A, C08B, C16Z	5c73x.f↔	02	C01A, C01B, C03A, C03B, C04A, C07A, C08A, C08B, C16Z
	10	K09A, K09B		10	K09A, K09B		10	K09A, K09B
	21A	W04A, W04B		21A	W04A, W04B		21A	W04A, W04B
	21B	X06A, X06B, X06C		21B	X06A, X06B, X06C		21B	X06A, X06B, X06C
5c735.b↔		BOP, KVT, UOP4	5c73x.6↔		BOP, KVT, UOP4	5c73x.g↔		BOP, KVT, UOP4
	02	C01A, C01B, C03A, C03B, C04A, C07A, C08A, C08B, C16Z		02	C01A, C01B, C03A, C03B, C04A, C07A, C08A, C08B, C16Z		02	C01A, C01B, C03A, C03B, C04A, C07A, C08A, C08B, C16Z
	10	K09A, K09B		21A	W04A, W04B		10	K09A, K09B
	21A	W04A, W04B		21B	X06A, X06B, X06C		21A	W04A, W04B
5c735.c↔	21B	X06A, X06B, X06C	5c73x.7↔		BOP, KVT, UOP4	5c73x.h↔	21B	X06A, X06B, X06C
		BOP, KVT, UOP4		02	C01A, C01B, C03A, C03B, C04A, C07A, C08A, C08B, C16Z		02	C01A, C01B, C03A, C03B, C04A, C07A, C08A, C08B, C16Z
	02	C01A, C01B, C03A, C03B, C04A, C07A, C08A, C08B, C16Z		10	K09A, K09B		10	K09A, K09B
	10	K09A, K09B		21A	W04A, W04B		21A	W04A, W04B
5c735.d↔	21A	W04A, W04B	5c73x.8↔	21B	X06A, X06B, X06C	5c73x.x↔	21A	W04A, W04B
	21B	X06A, X06B, X06C			BOP, KVT, UOP4		21B	X06A, X06B, X06C
		BOP, KVT, UOP4		02	C01A, C01B, C03A, C03B, C04A, C07A, C08A, C08B, C16Z		02	C01A, C01B, C03A, C03B, C04A, C07A, C08A, C08B, C16Z
	02	C01A, C01B, C03A, C03B, C04A, C07A, C08A, C08B, C16Z		10	K09A, K09B		10	K09A, K09B
5c735.e↔	21A	W04A, W04B	5c73x.9↔	21A	W04A, W04B	5c740.0↔	21A	W04A, W04B
	21B	X06A, X06B, X06C		21B	X06A, X06B, X06C		21B	X06A, X06B, X06C
		BOP, KVT, UOP4		02	C01A, C01B, C03A, C03B, C04A, C07A, C08A, C08B, C16Z		02	C01A, C01B, C16Z, C20A, C20B
	02	C01A, C01B, C03A, C03B, C04A, C07A, C08A, C08B, C16Z		10	K09A, K09B		10	K09A, K09B
5c735.f↔	10	K09A, K09B	5c73x.a↔	21A	W04A, W04B	5c740.5↔	10	K09A, K09B
	21A	W04A, W04B		21B	X06A, X06B, X06C		21A	W04A, W04B
	21B	X06A, X06B, X06C			BOP, KVT, UOP4		02	C01A, C01B, C16Z, C20A, C20B
	02	C01A, C01B, C03A, C03B, C04A, C07A, C08A, C08B, C16Z		02	C01A, C01B, C03A, C03B, C04A, C07A, C08A, C08B, C16Z		10	K09A, K09B
	BOP, KVT, UOP4	10	K09A, K09B	5c740.6↔	21A	W04A, W04B		
10	K09A, K09B	21A	W04A, W04B		10	K09A, K09B		
21A	W04A, W04B	21B	X06A, X06B, X06C		02	C01A, C01B, C16Z, C20A, C20B		
21B	X06A, X06B, X06C		BOP, KVT, UOP4		10	K09A, K09B		

VYK

ZZV	MDC	DRG	ZZV	MDC	DRG	ZZV	MDC	DRG
5c740.7↔		BOP, KVT, UOP4	5c742.8↔		BOP, KVT, UOP4	5c74x.b↔		BOP, KVT, UOP4
	02	C01A, C01B, C16Z, C20A, C20B		02	C01A, C01B, C16Z, C20A, C20B		02	C01A, C01B, C16Z, C20A, C20B
	10	K09A, K09B		10	K09A, K09B		10	K09A, K09B
5c740.8↔		BOP, KVT, UOP4	5c742.a↔		BOP, KVT, UOP4	5c74x.c↔		BOP, KVT, UOP4
	02	C01A, C01B, C16Z, C20A, C20B		02	C01A, C01B, C16Z, C20A, C20B		02	C01A, C01B, C16Z, C20A, C20B
	10	K09A, K09B		10	K09A, K09B		10	K09A, K09B
5c740.a↔		BOP, KVT, UOP4	5c742.b↔		BOP, KVT, UOP4	5c74x.d↔		BOP, KVT, UOP4
	02	C01A, C01B, C16Z, C20A, C20B		02	C01A, C01B, C16Z, C20A, C20B		02	C01A, C01B, C16Z, C20A, C20B
	10	K09A, K09B		10	K09A, K09B		10	K09A, K09B
5c740.b↔		BOP, KVT, UOP4	5c742.c↔		BOP, KVT, UOP4	5c74x.e↔		BOP, KVT, UOP4
	02	C01A, C01B, C16Z, C20A, C20B		02	C01A, C01B, C16Z, C20A, C20B		02	C01A, C01B, C16Z, C20A, C20B
	10	K09A, K09B		10	K09A, K09B		10	K09A, K09B
5c740.c↔		BOP, KVT, UOP4	5c742.d↔		BOP, KVT, UOP4	5c74x.f↔		BOP, KVT, UOP4
	02	C01A, C01B, C16Z, C20A, C20B		02	C01A, C01B, C16Z, C20A, C20B		02	C01A, C01B, C16Z, C20A, C20B
	10	K09A, K09B		10	K09A, K09B		10	K09A, K09B
5c740.d↔		BOP, KVT, UOP4	5c742.e↔		BOP, KVT, UOP4	5c74x.g↔		BOP, KVT, UOP4
	02	C01A, C01B, C16Z, C20A, C20B		02	C01A, C01B, C16Z, C20A, C20B		02	C01A, C01B, C16Z, C20A, C20B
	10	K09A, K09B		10	K09A, K09B		10	K09A, K09B
5c740.e↔		BOP, KVT, UOP4	5c742.f↔		BOP, KVT, UOP4	5c74x.h↔		BOP, KVT, UOP4
	02	C01A, C01B, C16Z, C20A, C20B		02	C01A, C01B, C16Z, C20A, C20B		02	C01A, C01B, C16Z, C20A, C20B
	10	K09A, K09B		10	K09A, K09B		10	K09A, K09B
5c740.f↔		BOP, KVT, UOP4	5c742.g↔		BOP, KVT, UOP4	5c74x.x↔		BOP, KVT, UOP4
	02	C01A, C01B, C16Z, C20A, C20B		02	C01A, C01B, C16Z, C20A, C20B		02	C01A, C01B, C16Z, C20A, C20B
	10	K09A, K09B		10	K09A, K09B		10	K09A, K09B
5c740.g↔		BOP, KVT, UOP4	5c742.h↔		BOP, KVT, UOP4	5c750.5↔		BOP, KVT, UOP4
	02	C01A, C01B, C16Z, C20A, C20B		02	C01A, C01B, C16Z, C20A, C20B		02	C01A, C01B, C16Z, C20A, C20B
	10	K09A, K09B		10	K09A, K09B		21A	W04A, W04B
5c740.h↔		BOP, KVT, UOP4	5c742.x↔		BOP, KVT, UOP4		21B	X06A, X06B, X06C
	02	C01A, C01B, C16Z, C20A, C20B		02	C01A, C01B, C16Z, C20A, C20B	5c750.6↔		BOP, KVT, UOP4
	10	K09A, K09B		10	K09A, K09B		02	C01A, C01B, C16Z, C20A, C20B
5c740.x↔		BOP, KVT, UOP4	5c74x.0↔		BOP, KVT, UOP4		21A	W04A, W04B
	02	C01A, C01B, C16Z, C20A, C20B		02	C01A, C01B, C16Z, C20A, C20B		21B	X06A, X06B, X06C
	10	K09A, K09B		10	K09A, K09B	5c750.7↔		BOP, KVT, UOP4
5c741.0↔		BOP, KVT, UOP4	5c74x.5↔		BOP, KVT, UOP4		02	C01A, C01B, C16Z, C20A, C20B
	02	C01A, C01B, C16Z, C20A, C20B		02	C01A, C01B, C16Z, C20A, C20B		21A	W04A, W04B
	10	K09A, K09B		10	K09A, K09B		21B	X06A, X06B, X06C
5c741.x↔		BOP, KVT, UOP4	5c74x.6↔		BOP, KVT, UOP4	5c750.8↔		BOP, KVT, UOP4
	02	C01A, C01B, C16Z, C20A, C20B		02	C01A, C01B, C16Z, C20A, C20B		02	C01A, C01B, C16Z, C20A, C20B
	10	K09A, K09B		10	K09A, K09B		21A	W04A, W04B
5c742.0↔		BOP, KVT, UOP4	5c74x.7↔		BOP, KVT, UOP4		21B	X06A, X06B, X06C
	02	C01A, C01B, C16Z, C20A, C20B		02	C01A, C01B, C16Z, C20A, C20B	5c750.a↔		BOP, KVT, UOP4
	10	K09A, K09B		10	K09A, K09B		02	C01A, C01B, C16Z, C20A, C20B
5c742.5↔		BOP, KVT, UOP4	5c74x.8↔		BOP, KVT, UOP4		21A	W04A, W04B
	02	C01A, C01B, C16Z, C20A, C20B		02	C01A, C01B, C16Z, C20A, C20B	5c750.b↔		BOP, KVT, UOP4
	10	K09A, K09B		10	K09A, K09B		02	C01A, C01B, C16Z, C20A, C20B
5c742.6↔		BOP, KVT, UOP4	5c74x.9↔		BOP, KVT, UOP4		21A	W04A, W04B
	02	C01A, C01B, C16Z, C20A, C20B		02	C01A, C01B, C16Z, C20A, C20B		21B	X06A, X06B, X06C
	10	K09A, K09B		10	K09A, K09B	5c750.c↔		BOP, KVT, UOP4
5c742.7↔		BOP, KVT, UOP4	5c74x.a↔		BOP, KVT, UOP4		02	C01A, C01B, C16Z, C20A, C20B
	02	C01A, C01B, C16Z, C20A, C20B		02	C01A, C01B, C16Z, C20A, C20B		21A	W04A, W04B
	10	K09A, K09B		10	K09A, K09B		21B	X06A, X06B, X06C

VYK



ZZV	MDC	DRG	ZZV	MDC	DRG	ZZV	MDC	DRG	
5c80x↔		BOP, KVT, UOP4	5c845↔		BOP, KVT, UOP4	5c857↔		BOP, KVT, UOP4	
	02	C01A, C01B, C15Z, C16Z		02	C01A, C01B, C14Z, C16Z		02	C01A, C01B, C02A, C02B, C15Z, C16Z	
	21A	W04A, W04B	5c846↔		BOP, KVT, UOP4		21A	W04A, W04B	
	21B	X06A, X06B, X06C		02	C01A, C01B, C14Z, C16Z		21B	X06A, X06B, X06C	
5c810↔		BOP, KVT, UOP4	5c847↔		BOP, KVT, UOP4	5c858†↔	02	C02A, C02B, C16Z	
	02	C01A, C01B, C15Z, C16Z		02	C01A, C01B, C14Z, C16Z	5c860↔		BOP, KVT, UOP4	
	10	K09A, K09B	5c848.0↔		BOP, KVT, UOP4		02	C01A, C01B, C15Z, C16Z	
	21A	W04A, W04B		02	C01A, C01B, C14Z, C16Z		21A	W04A, W04B	
	21B	X06A, X06B, X06C	5c848.1↔		BOP, KVT, UOP4		21B	X06A, X06B, X06C	
5c811↔		BOP, KVT, UOP4		02	C01A, C01B, C02A, C02B, C16Z	5c861↔		BOP, KVT, UOP4	
	02	C01A, C01B, C15Z, C16Z		21A	W04A, W04B		02	C01A, C01B, C15Z, C16Z	
	10	K09A, K09B		21B	X06A, X06B, X06C		21A	W04A, W04B	
	21A	W04A, W04B	5c848.x↔		BOP, KVT, UOP4		21B	X06A, X06B, X06C	
	21B	X06A, X06B, X06C		02	C01A, C01B, C02A, C02B, C16Z	5c862.0↔		BOP, KVT, UOP4	
5c812↔		BOP, KVT, UOP4		21A	W04A, W04B		02	C01A, C01B, C15Z, C16Z	
	02	C01A, C01B, C03A, C03C, C15Z, C16Z		21B	X06A, X06B, X06C		21A	W04A, W04B	
	10	K09A, K09B	5c849↔		BOP, KVT, UOP4		21B	X06A, X06B, X06C	
	21A	W04A, W04B		02	C01A, C01B, C02A, C02B, C16Z	5c862.1↔		BOP, KVT, UOP4	
	21B	X06A, X06B, X06C		21A	W04A, W04B		02	C01A, C01B, C15Z, C16Z	
5c81x↔		BOP, KVT, UOP4		21B	X06A, X06B, X06C	5c863↔		BOP, KVT, UOP4	
	02	C01A, C01B, C15Z, C16Z	5c84a↔		BOP, KVT, UOP4		02	C01A, C01B, C15Z, C16Z	
	10	K09A, K09B		02	C01A, C01B, C02A, C02B, C16Z		21A	W04A, W04B	
	21A	W04A, W04B		21A	W04A, W04B		21B	X06A, X06B, X06C	
	21B	X06A, X06B, X06C		21B	X06A, X06B, X06C	5c86x↔		BOP, KVT, UOP4	
5c820↔		BOP, KVT, UOP4		5c84b↔			02	C01A, C01B, C15Z, C16Z	
	02	C01A, C01B, C15Z, C16Z			BOP, KVT, UOP4		21A	W04A, W04B	
	21A	W04A, W04B			BOP, KVT, UOP4		21B	X06A, X06B, X06C	
	21B	X06A, X06B, X06C		02	C01A, C01B, C02A, C02B, C16Z	5c870.0↔		BOP, KVT, UOP4	
5c821↔		BOP, KVT, UOP4		21A	W04A, W04B		02	C01A, C01B, C15Z, C16Z	
	02	C01A, C01B, C15Z, C16Z		21B	X06A, X06B, X06C		10	K09A, K09B	
	21A	W04A, W04B	5c84c↔		BOP, KVT, UOP4		21A	W04A, W04B	
	21B	X06A, X06B, X06C		02	C01A, C01B, C14Z, C16Z		21B	X06A, X06B, X06C	
5c822↔		BOP, KVT, UOP4		5c84d↔			5c870.1↔		BOP, KVT, UOP4
	02	C01A, C01B, C14Z, C16Z			BOP, KVT, UOP4		02	C01A, C01B, C15Z, C16Z	
	10	K09A, K09B		02	C01A, C01B, C14Z, C16Z		10	K09A, K09B	
	21A	W04A, W04B		5c84x↔			21A	W04A, W04B	
	21B	X06A, X06B, X06C			BOP, KVT, UOP4		21B	X06A, X06B, X06C	
5c830↔		BOP, KVT, UOP4		5c850↔			5c870.2↔		BOP, KVT, UOP4
	02	C01A, C01B, C14Z, C16Z			BOP, KVT, UOP4		02	C01A, C01B, C15Z, C16Z	
	21A	W04A, W04B		02	C01A, C01B, C15Z, C16Z		10	K09A, K09B	
	21B	X06A, X06B, X06C		21A	W04A, W04B		21A	W04A, W04B	
5c832↔		BOP, KVT, UOP4		21B	X06A, X06B, X06C		21B	X06A, X06B, X06C	
	02	C01A, C01B, C14Z, C16Z	5c851↔		BOP, KVT, UOP4	5c870.3↔		BOP, KVT, UOP4	
	21A	W04A, W04B		02	C01A, C01B, C15Z, C16Z		02	C01A, C01B, C15Z, C16Z	
	21B	X06A, X06B, X06C		21A	W04A, W04B		10	K09A, K09B	
5c833↔		BOP, KVT, UOP4		21B	X06A, X06B, X06C		21A	W04A, W04B	
	02	C01A, C01B, C15Z, C16Z	5c852↔		BOP, KVT, UOP4		21B	X06A, X06B, X06C	
	21A	W04A, W04B		02	C01A, C01B, C15Z, C16Z		02	C01A, C01B, C15Z, C16Z	
	21B	X06A, X06B, X06C		21A	W04A, W04B		10	K09A, K09B	
5c834↔		BOP, KVT, UOP4		21B	X06A, X06B, X06C	5c870.4↔		BOP, KVT, UOP4	
	02	C01A, C01B, C03A, C03C, C15Z, C16Z		5c853↔			02	C01A, C01B, C15Z, C16Z	
	21A	W04A, W04B			BOP, KVT, UOP4		10	K09A, K09B	
	21B	X06A, X06B, X06C		02	C01A, C01B, C03A, C03B, C03C, C16Z		21A	W04A, W04B	
5c83x↔		BOP, KVT, UOP4		21A	W04A, W04B		21B	X06A, X06B, X06C	
	02	C01A, C01B, C14Z, C16Z	5c855↔		BOP, KVT, UOP4	5c870.5↔		BOP, KVT, UOP4	
	21A	W04A, W04B		02	C01A, C01B, C02A, C02B, C15Z, C16Z		02	C01A, C01B, C15Z, C16Z	
	21B	X06A, X06B, X06C		21A	W04A, W04B		10	K09A, K09B	
5c840↔		BOP, KVT, UOP4		21B	X06A, X06B, X06C		21A	W04A, W04B	
	02	C01A, C01B, C14Z, C16Z		5c856↔			21B	X06A, X06B, X06C	
	21A	W04A, W04B			BOP, KVT, UOP4		02	C01A, C01B, C15Z, C16Z	
	21B	X06A, X06B, X06C		02	C01A, C01B, C14Z, C16Z		10	K09A, K09B	
5c841↔		BOP, KVT, UOP4		10	K09A, K09B		21A	W04A, W04B	
	02	C01A, C01B, C14Z, C16Z		21A	W04A, W04B		21B	X06A, X06B, X06C	
5c842↔		BOP, KVT, UOP4		21B	X06A, X06B, X06C	5c870.6↔		BOP, KVT, UOP4	
	02	C01A, C01B, C14Z, C16Z		5c854↔			02	C01A, C01B, C15Z, C16Z	
	21A	W04A, W04B			BOP, KVT, UOP4		10	K09A, K09B	
5c843↔		BOP, KVT, UOP4			BOP, KVT, UOP4		21A	W04A, W04B	
	02	C01A, C01B, C14Z, C16Z		02	C01A, C01B, C14Z, C16Z		21B	X06A, X06B, X06C	
	21A	W04A, W04B		10	K09A, K09B				
5c844↔		BOP, KVT, UOP4		21A	W04A, W04B				
	02	C01A, C01B, C14Z, C16Z		21B	X06A, X06B, X06C				
	21A	W04A, W04B							
	21B	X06A, X06B, X06C							



ZZV	MDC	DRG	ZZV	MDC	DRG	ZZV	MDC	DRG
5c87x.0↔		BOP, KVT, UOP4	5c881.5↔		BOP, KVT, UOP4	5c902↔		BOP, KOP, KOPV, KVT, UOP4
	02	C01A, C01B, C03A, C03B, C03C, C03D, C16Z		02	C01A, C01B, C15Z, C16Z		01	B02A, B02B, B02C, B02D, B20A, B20B, B20C, B20D, B20E, B20F, B39A, B39B
	10	K09A, K09B		21A	W04A, W04B		02	C01A, C01B, C02A, C02B, C16Z
	21A	W04A, W04B	5c881.6↔		BOP, KVT, UOP4		06	G33Z
5c87x.1↔		BOP, KVT, UOP4		02	C01A, C01B, C15Z, C16Z		07	H33Z, H38Z
	02	C01A, C01B, C03A, C03B, C03C, C03D, C16Z		21A	W04A, W04B		08	I17Z
	10	K09A, K09B		21B	X06A, X06B, X06C		10	K09A, K09B
	21A	W04A, W04B	5c881.x↔		BOP, KVT, UOP4		11	L33Z
	21B	X06A, X06B, X06C		02	C01A, C01B, C15Z, C16Z		21A	W04A, W04B
5c87x.2↔		BOP, KVT, UOP4		21A	W04A, W04B		21B	X06A, X06B, X06C
	02	C01A, C01B, C03A, C03B, C03C, C03D, C16Z	5c882.0↔		BOP, KVT, UOP4		23	Z01A
	10	K09A, K09B		02	C01A, C01B, C15Z, C16Z		Pre	A07A
	21A	W04A, W04B		21A	W04A, W04B	5c903↔		BOP, KOP, KOPV, KVT, UOP4
	21B	X06A, X06B, X06C		21B	X06A, X06B, X06C		01	B02A, B02B, B02C, B02D, B20A, B20B, B20C, B20D, B20E, B20F, B39A, B39B
5c87x.3↔		BOP, KVT, UOP4	5c882.5↔		BOP, KVT, UOP4		02	C01A, C01B, C02A, C02B, C16Z
	02	C01A, C01B, C03A, C03B, C03C, C03D, C16Z		02	C01A, C01B, C15Z, C16Z		06	G33Z
	10	K09A, K09B		21A	W04A, W04B		07	H33Z, H38Z
	21A	W04A, W04B		21B	X06A, X06B, X06C		08	I17Z
	21B	X06A, X06B, X06C	5c882.6↔		BOP, KVT, UOP4		10	K09A, K09B
5c87x.4↔		BOP, KVT, UOP4		02	C01A, C01B, C15Z, C16Z		11	L33Z
	10	K09A, K09B		21A	W04A, W04B		21A	W04A, W04B
	21A	W04A, W04B	5c882.x↔		BOP, KVT, UOP4		21B	X06A, X06B, X06C
	21B	X06A, X06B, X06C		02	C01A, C01B, C15Z, C16Z		23	Z01A
5c87x.5↔		BOP, KVT, UOP4		21A	W04A, W04B		Pre	A07A
	02	C01A, C01B, C03A, C03B, C03C, C03D, C16Z	5c883↔		BOP, KVT, UOP4	5c904↔		BOP, KOP, KOPV, KVT, UOP4
	10	K09A, K09B		02	C01A, C01B, C15Z, C16Z		01	B02A, B02B, B02C, B02D, B20A, B20B, B20C, B20D, B20E, B20F, B39A, B39B
	21A	W04A, W04B		21A	W04A, W04B		02	C01A, C01B, C02A, C02B, C16Z
	21B	X06A, X06B, X06C		21B	X06A, X06B, X06C		06	G33Z
5c87x.6↔		BOP, KVT, UOP4	5c88x↔		BOP, KVT, UOP4		07	H33Z, H38Z
	02	C01A, C01B, C03A, C03B, C03C, C03D, C16Z		02	C01A, C01B, C15Z, C16Z		08	I17Z
	10	K09A, K09B		21A	W04A, W04B		10	K09A, K09B
	21A	W04A, W04B		21B	X06A, X06B, X06C		11	L33Z
	21B	X06A, X06B, X06C	5c900↔		BOP, KOP, KOPV, KVT, UOP4		21A	W04A, W04B
5c87x.x↔		BOP, KVT, UOP4		01	B02A, B02B, B02C, B02D, B20A, B20B, B20C, B20D, B20E, B20F, B39A, B39B		21B	X06A, X06B, X06C
	02	C01A, C01B, C03A, C03B, C03C, C03D, C16Z		02	C01A, C01B, C02A, C02B, C16Z		23	Z01A
	10	K09A, K09B		06	G33Z		Pre	A07A
	21A	W04A, W04B		07	H33Z, H38Z	5c90x↔		BOP, KOP, KOPV, KVT, UOP4
	21B	X06A, X06B, X06C		08	I17Z		01	B02A, B02B, B02C, B02D, B20A, B20B, B20C, B20D, B20E, B20F, B39A, B39B
5c880.0↔		BOP, KVT, UOP4		10	K09A, K09B		02	C01A, C01B, C02A, C02B, C16Z
	02	C01A, C01B, C15Z, C16Z		11	L33Z		06	G33Z
	21A	W04A, W04B		21A	W04A, W04B		07	H33Z, H38Z
	21B	X06A, X06B, X06C		21B	X06A, X06B, X06C		08	I17Z
5c880.5↔		BOP, KVT, UOP4		23	Z01A		10	K09A, K09B
	02	C01A, C01B, C15Z, C16Z	5c901↔		BOP, KOP, KOPV, KVT, UOP4		11	L33Z
	21A	W04A, W04B		01	B02A, B02B, B02C, B02D, B20A, B20B, B20C, B20D, B20E, B20F, B39A, B39B		21A	W04A, W04B
	21B	X06A, X06B, X06C		02	C01A, C01B, C02A, C02B, C16Z		21B	X06A, X06B, X06C
5c880.6↔		BOP, KVT, UOP4		06	G33Z		23	Z01A
	02	C01A, C01B, C15Z, C16Z		07	H33Z, H38Z		Pre	A07A
	21A	W04A, W04B		08	I17Z	5c910↔		BOP, KVT, UOP4
	21B	X06A, X06B, X06C		10	K09A, K09B		02	C01A, C01B, C02A, C02B, C16Z
5c880.x↔		BOP, KVT, UOP4		11	L33Z		06	G33Z
	02	C01A, C01B, C15Z, C16Z		21A	W04A, W04B		07	H33Z, H38Z
	21A	W04A, W04B		21B	X06A, X06B, X06C		08	I17Z
	21B	X06A, X06B, X06C		Pre	A07A		10	K09A, K09B
5c881.0↔		BOP, KVT, UOP4		21A	W04A, W04B		11	L33Z
	02	C01A, C01B, C15Z, C16Z		21B	X06A, X06B, X06C		21A	W04A, W04B
	21A	W04A, W04B		23	Z01A		21B	X06A, X06B, X06C
	21B	X06A, X06B, X06C		Pre	A07A		22	Y01Z, Y03A, Y03B

ZZV	MDC	DRG	ZZV	MDC	DRG	ZZV	MDC	DRG
5c911↔		BOP, KVT, UOP4	5c922.1↔	02	BOP, KVT, UOP4 C01A, C01B, C02A, C02B, C16Z	5c933.0↔		BOP, KOP, KOPV, KVT, UOP4
	02	C01A, C01B, C02A, C02B, C16Z		01	B02A, B02B, B02C, B02D, B20A, B20B, B20C, B20D, B20E, B20F, B39A, B39B			
	21A	W04A, W04B		02	C01A, C01B, C02A, C02B, C16Z			
5c91x↔	21B	X06A, X06B, X06C	5c922.2↔	21A	W04A, W04B	5c933.1↔	03	D18Z, D28Z, D29Z
	22	Y01Z, Y03A, Y03B		21B	X06A, X06B, X06C		06	G33Z
		BOP, KVT, UOP4		22	Y01Z, Y03A, Y03B		07	H33Z, H38Z
5c920↔	02	C01A, C01B, C02A, C02B, C16Z	5c922.3↔	02	C01A, C01B, C02A, C02B, C16Z	5c933.2↔	08	I17Z
	21A	W04A, W04B		21A	W04A, W04B		09	J08A, J08B
	21B	X06A, X06B, X06C		21B	X06A, X06B, X06C		11	L33Z
5c921.0↔	22	Y01Z, Y03A, Y03B	5c922.4↔	22	Y01Z, Y03A, Y03B	5c933.3↔	21A	W04A, W04B
		BOP, KVT, UOP4		02	C01A, C01B, C02A, C02B, C16Z		21B	X06A, X06B, X06C
	02	C01A, C01B, C02A, C02B, C03A, C03B, C03C, C16Z		21A	W04A, W04B		22	Y01Z, Y03A, Y03B
5c921.1↔	21B	X06A, X06B, X06C	5c922.x↔	22	Y01Z, Y03A, Y03B	5c933.4↔	Pre	A07A
	22	Y01Z, Y03A, Y03B		02	C01A, C01B, C02A, C02B, C16Z		01	B02A, B02B, B02C, B02D, B20A, B20B, B20C, B20D, B20E, B20F, B39A, B39B
		BOP, KVT, UOP4		21A	W04A, W04B		02	C01A, C01B, C02A, C02B, C16Z
5c921.2↔	02	C01A, C01B, C02A, C02B, C03A, C03B, C03C, C16Z	5c92x↔	02	C01A, C01B, C02A, C02B, C16Z	5c933.5↔	03	D18Z, D28Z, D29Z
	21A	W04A, W04B		21A	W04A, W04B		06	G33Z
	21B	X06A, X06B, X06C		21B	X06A, X06B, X06C		07	H33Z, H38Z
5c921.3↔	22	Y01Z, Y03A, Y03B	5c930↔	22	Y01Z, Y03A, Y03B	5c933.6↔	08	I17Z
		BOP, KVT, UOP4		02	C01A, C01B, C02A, C02B, C16Z		09	J08A, J08B
	02	C01A, C01B, C02A, C02B, C03A, C03B, C03C, C16Z		09	J08A		11	L33Z
5c921.4↔	21A	W04A, W04B	5c931↔	09	J08A	5c933.7↔	21A	W04A, W04B
	21B	X06A, X06B, X06C		10	K09A, K09B		21B	X06A, X06B, X06C
	22	Y01Z, Y03A, Y03B		21A	W04A, W04B		22	Y01Z, Y03A, Y03B
5c921.5↔		BOP, KVT, UOP4	5c932↔	02	C01A, C01B, C02A, C02B, C16Z	5c933.8↔	03	D18Z, D28Z, D29Z
	02	C01A, C01B, C02A, C02B, C16Z		09	J08A		06	G33Z
	21A	W04A, W04B		21A	W04A, W04B		07	H33Z, H38Z
5c921.x↔	21B	X06A, X06B, X06C	5c932↔	22	Y01Z, Y03A, Y03B	5c933.9↔	08	I17Z
	22	Y01Z, Y03A, Y03B		02	C01A, C01B, C02A, C02B, C16Z		09	J08A, J08B
		BOP, KVT, UOP4		09	J08A		11	L33Z
5c922.0↔	02	C01A, C01B, C02A, C02B, C16Z	5c932↔	21A	W04A, W04B	5c933.0↔	21A	W04A, W04B
	21A	W04A, W04B		21B	X06A, X06B, X06C		21B	X06A, X06B, X06C
	21B	X06A, X06B, X06C		22	Y01Z, Y03A, Y03B		22	Y01Z, Y03A, Y03B
5c922.1↔	22	Y01Z, Y03A, Y03B	5c932↔	02	C01A, C01B, C02A, C02B, C16Z	5c933.1↔	23	Z01A
		BOP, KVT, UOP4		09	J08A		Pre	A07A
	02	C01A, C01B, C02A, C02B, C16Z		21A	W04A, W04B			
5c922.2↔	21A	W04A, W04B	5c932↔	21B	X06A, X06B, X06C			
	21B	X06A, X06B, X06C		22	Y01Z, Y03A, Y03B			
	22	Y01Z, Y03A, Y03B						

ZZV	MDC	DRG	ZZV	MDC	DRG	ZZV	MDC	DRG			
5c933.3↔		BOP, KOP, KOPV, KVT, UOP4	5c934.1↔		BOP, KOP, KOPV, KVT, UOP4	5c934.x↔		BOP, KOP, KOPV, KVT, UOP4			
	01	B02A, B02B, B02C, B02D, B20A, B20B, B20C, B20D, B20E, B20F, B39A, B39B		01	B02A, B02B, B02C, B02D, B20A, B20B, B20C, B20D, B20E, B20F, B39A, B39B		01	B02A, B02B, B02C, B02D, B20A, B20B, B20C, B20D, B20E, B20F, B39A, B39B			
	02	C01A, C01B, C02A, C02B, C16Z		02	C01A, C01B, C02A, C02B, C16Z		02	C01A, C01B, C02A, C02B, C16Z			
	03	D18Z, D28Z, D29Z		03	D18Z, D25A, D25B, D25C, D25D		03	D18Z, D25A, D25B, D25C, D25D			
	06	G33Z		06	G33Z		06	G33Z			
	07	H33Z, H38Z		07	H33Z, H38Z		07	H33Z, H38Z			
	08	I17Z		08	I17Z		08	I17Z			
	09	J08A, J08B		09	J08A, J08B		09	J08A, J08B			
	11	L33Z		11	L33Z		11	L33Z			
	21A	W04A, W04B		21A	W04A, W04B		21A	W04A, W04B			
	21B	X06A, X06B, X06C		21B	X06A, X06B, X06C		21B	X06A, X06B, X06C			
	22	Y01Z, Y03A, Y03B		22	Y01Z, Y03A, Y03B		22	Y01Z, Y03A, Y03B			
	23	Z01A		23	Z01A		23	Z01A			
	Pre	A07A		Pre	A07A		Pre	A07A			
	5c933.x↔			BOP, KOP, KOPV, KVT, UOP4	5c934.2↔			BOP, KOP, KOPV, KVT, UOP4	5c93x↔		BOP, KVT, UOP4
		01		B02A, B02B, B02C, B02D, B20A, B20B, B20C, B20D, B20E, B20F, B39A, B39B			01	B02A, B02B, B02C, B02D, B20A, B20B, B20C, B20D, B20E, B20F, B39A, B39B		02	C01A, C01B, C02A, C02B, C16Z
		02		C01A, C01B, C02A, C02B, C16Z			02	C01A, C01B, C02A, C02B, C16Z		09	J08A
03		D18Z, D28Z, D29Z	03	D18Z, D25A, D25B, D25C, D25D		10	K09A, K09B				
06		G33Z	06	G33Z		21A	W04A, W04B				
07		H33Z, H38Z	07	H33Z, H38Z		21B	X06A, X06B, X06C				
08		I17Z	08	I17Z		22	Y01Z, Y03A, Y03B				
09		J08A, J08B	09	J08A, J08B		5c941.0↔	BOP, KVT, UOP4				
11		L33Z	11	L33Z		02	C01A, C01B, C02A, C02B, C16Z				
21A		W04A, W04B	21A	W04A, W04B		21A	W04A, W04B				
21B		X06A, X06B, X06C	21B	X06A, X06B, X06C		21B	X06A, X06B, X06C				
22		Y01Z, Y03A, Y03B	22	Y01Z, Y03A, Y03B		22	Y01Z, Y03A, Y03B				
23		Z01A	23	Z01A		5c941.1↔	BOP, KVT, UOP4				
Pre		A07A	Pre	A07A		02	C01A, C01B, C02A, C02B, C16Z				
5c934.0↔			BOP, KOP, KOPV, KVT, UOP4	5c934.3↔			BOP, KOP, KOPV, KVT, UOP4	5c941.2↔			BOP, KVT, UOP4
		01	B02A, B02B, B02C, B02D, B20A, B20B, B20C, B20D, B20E, B20F, B39A, B39B			01	B02A, B02B, B02C, B02D, B20A, B20B, B20C, B20D, B20E, B20F, B39A, B39B			02	C01A, C01B, C02A, C02B, C16Z
		02	C01A, C01B, C02A, C02B, C16Z			02	C01A, C01B, C02A, C02B, C16Z			03	D12A, D12B
	03	D18Z, D25A, D25B, D25C, D25D	03		D18Z, D25A, D25B, D25C, D25D	08	I17Z				
	06	G33Z	06		G33Z	21A	W04A, W04B				
	07	H33Z, H38Z	07		H33Z, H38Z	21B	X06A, X06B, X06C				
	08	I17Z	08		I17Z	22	Y01Z, Y03A, Y03B				
	09	J08A, J08B	09		J08A, J08B	5c941.3↔	BOP, KVT, UOP4				
	11	L33Z	11		L33Z	02	C01A, C01B, C02A, C02B, C16Z				
	21A	W04A, W04B	21A		W04A, W04B	21A	W04A, W04B				
	21B	X06A, X06B, X06C	21B		X06A, X06B, X06C	21B	X06A, X06B, X06C				
	22	Y01Z, Y03A, Y03B	22		Y01Z, Y03A, Y03B	22	Y01Z, Y03A, Y03B				
	23	Z01A	23		Z01A	5c941.4↔	BOP, KVT, UOP4				
	Pre	A07A	Pre		A07A	02	C01A, C01B, C02A, C02B, C16Z				
	5c934.1↔		BOP, KOP, KOPV, KVT, UOP4		5c934.2↔		BOP, KOP, KOPV, KVT, UOP4		5c941.x↔		BOP, KVT, UOP4
		01	B02A, B02B, B02C, B02D, B20A, B20B, B20C, B20D, B20E, B20F, B39A, B39B			01	B02A, B02B, B02C, B02D, B20A, B20B, B20C, B20D, B20E, B20F, B39A, B39B			02	C01A, C01B, C02A, C02B, C16Z
		02	C01A, C01B, C02A, C02B, C16Z			02	C01A, C01B, C02A, C02B, C16Z			21A	W04A, W04B
03		D18Z, D25A, D25B, D25C, D25D	03	D18Z, D25A, D25B, D25C, D25D		21B	X06A, X06B, X06C				
06		G33Z	06	G33Z		22	Y01Z, Y03A, Y03B				
07		H33Z, H38Z	07	H33Z, H38Z		5c941.3↔	BOP, KVT, UOP4				
08		I17Z	08	I17Z		02	C01A, C01B, C02A, C02B, C16Z				
09		J08A, J08B	09	J08A, J08B		21A	W04A, W04B				
11		L33Z	11	L33Z		21B	X06A, X06B, X06C				
21A		W04A, W04B	21A	W04A, W04B		22	Y01Z, Y03A, Y03B				
21B		X06A, X06B, X06C	21B	X06A, X06B, X06C		5c941.4↔	BOP, KVT, UOP4				
22		Y01Z, Y03A, Y03B	22	Y01Z, Y03A, Y03B		02	C01A, C01B, C02A, C02B, C16Z				
23		Z01A	23	Z01A		21A	W04A, W04B				
Pre		A07A	Pre	A07A		21B	X06A, X06B, X06C				
5c934.2↔			BOP, KOP, KOPV, KVT, UOP4	5c934.3↔			BOP, KOP, KOPV, KVT, UOP4	5c941.x↔			BOP, KVT, UOP4
		01	B02A, B02B, B02C, B02D, B20A, B20B, B20C, B20D, B20E, B20F, B39A, B39B			01	B02A, B02B, B02C, B02D, B20A, B20B, B20C, B20D, B20E, B20F, B39A, B39B			02	C01A, C01B, C02A, C02B, C16Z
		02	C01A, C01B, C02A, C02B, C16Z			02	C01A, C01B, C02A, C02B, C16Z			21A	W04A, W04B
	03	D18Z, D25A, D25B, D25C, D25D	03		D18Z, D25A, D25B, D25C, D25D	21B	X06A, X06B, X06C				
	06	G33Z	06		G33Z	22	Y01Z, Y03A, Y03B				
	07	H33Z, H38Z	07		H33Z, H38Z	5c941.3↔	BOP, KVT, UOP4				
	08	I17Z	08		I17Z	02	C01A, C01B, C02A, C02B, C16Z				
	09	J08A, J08B	09		J08A, J08B	21A	W04A, W04B				
	11	L33Z	11		L33Z	21B	X06A, X06B, X06C				
	21A	W04A, W04B	21A		W04A, W04B	22	Y01Z, Y03A, Y03B				
	21B	X06A, X06B, X06C	21B		X06A, X06B, X06C	5c941.4↔	BOP, KVT, UOP4				
	22	Y01Z, Y03A, Y03B	22		Y01Z, Y03A, Y03B	02	C01A, C01B, C02A, C02B, C16Z				
	23	Z01A	23		Z01A	21A	W04A, W04B				
	Pre	A07A	Pre		A07A	21B	X06A, X06B, X06C				

VYK



ZZV	MDC	DRG	ZZV	MDC	DRG	ZZV	MDC	DRG
5c953.0↔		BOP, KVT, UOP4	5c970.1↔		BOP, KVT, UOP4	5c973↔		BOP, KOP, KOPV, KVT, UOP4
	02	C01A, C01B, C02A, C02B, C16Z		02	C01A, C01B, C02A, C02B, C16Z		01	B02A, B02B, B02C, B02D, B20A, B20B, B20C, B20D, B20E, B20F, B39A, B39B
	21A	W04A, W04B		03	D12A		02	C01A, C01B, C02A, C02B, C16Z
	21B	X06A, X06B, X06C		08	I17Z		03	D12A
5c953.1↔		BOP, KVT, UOP4		21A	W04A, W04B		06	G33Z
	02	C01A, C01B, C02A, C02B, C16Z		21B	X06A, X06B, X06C		07	H33Z, H38Z
	21A	W04A, W04B	5c970.2↔		BOP, KVT, UOP4		08	I17Z
	21B	X06A, X06B, X06C		02	C01A, C01B, C02A, C02B, C16Z		10	K09A, K09B
	22	Y01Z, Y03A, Y03B		03	D12A		11	L33Z
5c953.2↔		BOP, KVT, UOP4		08	I17Z		21A	W04A, W04B
	02	C01A, C01B, C02A, C02B, C16Z		21A	W04A, W04B		21B	X06A, X06B, X06C
	03	D12A, D12B		21B	X06A, X06B, X06C		22	Y01Z, Y03A, Y03B
	08	I17Z	5c970.3↔		BOP, KVT, UOP4		23	Z01A
	21A	W04A, W04B		02	C01A, C01B, C02A, C02B, C16Z	5c97x↔	Pre	A07A
	21B	X06A, X06B, X06C		03	D12A			BOP, KVT, UOP4
	22	Y01Z, Y03A, Y03B		08	I17Z		02	C01A, C01B, C02A, C02B, C16Z
5c953.3↔		BOP, KVT, UOP4		21A	W04A, W04B		08	I17Z
	02	C01A, C01B, C02A, C02B, C16Z		21B	X06A, X06B, X06C		10	K09A, K09B
	21A	W04A, W04B	5c970.4↔		BOP, KVT, UOP4		21A	W04A, W04B
	21B	X06A, X06B, X06C		02	C01A, C01B, C02A, C02B, C16Z		21B	X06A, X06B, X06C
	22	Y01Z, Y03A, Y03B		03	D12A	5c980↔	22	Y01Z, Y03A, Y03B
5c953.4↔		BOP, KVT, UOP4		08	I17Z			BOP, KOP, KOPV, KVT, UOP4
	02	C01A, C01B, C02A, C02B, C16Z		21A	W04A, W04B		01	B02A, B02B, B02C, B02D, B20A, B20B, B20C, B20D, B20E, B20F, B39A, B39B
	21A	W04A, W04B		21B	X06A, X06B, X06C		02	C01A, C01B, C02A, C02B, C16Z
	21B	X06A, X06B, X06C	5c970.x↔		BOP, KVT, UOP4		03	D12A
	22	Y01Z, Y03A, Y03B		02	C01A, C01B, C02A, C02B, C16Z		06	G33Z
5c953.x↔		BOP, KVT, UOP4		03	D12A		07	H33Z, H38Z
	02	C01A, C01B, C02A, C02B, C16Z		08	I17Z		08	I17Z
	21A	W04A, W04B		21A	W04A, W04B		11	L33Z
	21B	X06A, X06B, X06C		21B	X06A, X06B, X06C		21A	W04A, W04B
	22	Y01Z, Y03A, Y03B		22	Y01Z, Y03A, Y03B		21B	X06A, X06B, X06C
5c962↔		BOP, KVT, UOP4	5c971↔		BOP, KVT, UOP4		22	Y01Z, Y03A, Y03B
	02	C01A, C01B, C02A, C02B, C16Z		02	C01A, C01B, C02A, C02B, C16Z		23	Z01A
	03	D12A, D12B		08	I17Z	5c981↔	Pre	A07A
	08	I17Z		21A	W04A, W04B			BOP, KOP, KOPV, KVT, UOP4
	21A	W04A, W04B		21B	X06A, X06B, X06C		01	B02A, B02B, B02C, B02D, B20A, B20B, B20C, B20D, B20E, B20F, B39A, B39B
	21B	X06A, X06B, X06C		22	Y01Z, Y03A, Y03B		02	C01A, C01B, C02A, C02B, C16Z
	22	Y01Z, Y03A, Y03B	5c972↔		BOP, KVT, UOP4		03	D12A
5c964↔		BOP, KVT, UOP4		02	C01A, C01B, C02A, C02B, C16Z		06	G33Z
	02	C01A, C01B, C02A, C02B, C16Z		08	I17Z		07	H33Z, H38Z
	21A	W04A, W04B		21A	W04A, W04B		08	I17Z
	21B	X06A, X06B, X06C		21B	X06A, X06B, X06C		11	L33Z
	22	Y01Z, Y03A, Y03B		22	Y01Z, Y03A, Y03B		21A	W04A, W04B
5c96x↔		BOP, KVT, UOP4		21A	W04A, W04B		21B	X06A, X06B, X06C
	02	C01A, C01B, C02A, C02B, C16Z		21B	X06A, X06B, X06C		22	Y01Z, Y03A, Y03B
	21A	W04A, W04B		22	Y01Z, Y03A, Y03B		23	Z01A
	21B	X06A, X06B, X06C					Pre	A07A
	22	Y01Z, Y03A, Y03B						
5c970.0↔		BOP, KVT, UOP4						
	02	C01A, C01B, C02A, C02B, C16Z						
	03	D12A						
	08	I17Z						
	21A	W04A, W04B						
	21B	X06A, X06B, X06C						
	22	Y01Z, Y03A, Y03B						

ZZV	MDC	DRG	ZZV	MDC	DRG	ZZV	MDC	DRG									
5c982↔		BOP, KOP, KOPV, KVT, UOP4	5c990.0↔		BOP, KOP, KOPV, KVT, UOP4	5c991.2↔		BOP, KOP, KOPV, KVT, UOP4									
	01	B02A, B02B, B02C, B02D, B20A, B20B, B20C, B20D, B20E, B20F, B39A, B39B		01	B02A, B02B, B02C, B02D, B20A, B20B, B20C, B20D, B20E, B20F, B39A, B39B		01	B02A, B02B, B02C, B02D, B20A, B20B, B20C, B20D, B20E, B20F, B39A, B39B									
	02	C01A, C01B, C02A, C02B, C16Z		06	G33Z		02	C01A, C01B, C02A, C02B, C16Z									
	03	D12A		07	H33Z, H38Z		06	G33Z									
	06	G33Z		11	L33Z		07	H33Z, H38Z									
	07	H33Z, H38Z		17	R01A, R01B, R01C, R01D, R02Z, R12A, R12B, R12C		10	K09A, K09B									
	08	I17Z		21A	W01A, W01B, W01C, W36Z		11	L33Z									
	11	L33Z		21B	X06A, X06B, X06C		21A	W04A, W04B									
	21A	W04A, W04B		23	Z01A		21B	X06A, X06B, X06C									
	21B	X06A, X06B, X06C		Pre	A07A		23	Z01A									
	22	Y01Z, Y03A, Y03B		5c990.1↔			BOP, KVT, UOP4	5c991.x↔		BOP, KOP, KOPV, KVT, UOP4							
	23	Z01A			01		B03A, B03B, B06A, B06B, B07Z, B17A, B17B, B17C		01	B02A, B02B, B02C, B02D, B20A, B20B, B20C, B20D, B20E, B20F, B39A, B39B							
	Pre	A07A			03		D12A, D12B		02	C01A, C01B, C02A, C02B, C16Z							
	5c983↔				BOP, KOP, KOPV, KVT, UOP4		5c990.2↔			BOP, KVT, UOP4	5c992↔		BOP, KVT, UOP4				
		01			B02A, B02B, B02C, B02D, B20A, B20B, B20C, B20D, B20E, B20F, B39A, B39B				01	B03A, B03B, B06A, B06B, B07Z, B17A, B17B, B17C		02	C01A, C01B, C16Z, C20A, C20B				
		02			C01A, C01B, C02A, C02B, C16Z				03	D12A, D12B		10	K09A, K09B				
		03			D12A				08	I28A, I28B		11	L33Z				
		06			G33Z				21A	W04A, W04B		21A	W04A, W04B				
		07			H33Z, H38Z				21B	X06A, X06B, X06C		21B	X06A, X06B, X06C				
		08			I17Z				5c991.0↔			BOP, KOP, KOPV, KVT, UOP4	5c993↔		BOP, KVT, UOP4		
11		L33Z	01		B02A, B02B, B02C, B02D, B20A, B20B, B20C, B20D, B20E, B20F, B39A, B39B	02				C01A, C01B, C15Z, C16Z							
21A		W04A, W04B	02		C01A, C01B, C02A, C02B, C16Z	10				K09A, K09B							
21B		X06A, X06B, X06C	06		G33Z	21A				W04A, W04B							
22		Y01Z, Y03A, Y03B	07		H33Z, H38Z	21B				X06A, X06B, X06C							
23		Z01A	07		H33Z, H38Z	22				Y01Z, Y03A, Y03B							
Pre		A07A	10		K09A, K09B	5c994↔						BOP, KVT, UOP4					
5c984↔			BOP, KOP, KOPV, KVT, UOP4		5c991.1↔							BOP, KOP, KOPV, KVT, UOP4		5c995↔		BOP, KVT, UOP4	
		01	B02A, B02B, B02C, B02D, B20A, B20B, B20C, B20D, B20E, B20F, B39A, B39B							01		B02A, B02B, B02C, B02D, B20A, B20B, B20C, B20D, B20E, B20F, B39A, B39B			02	C01A, C01B, C15Z, C16Z	
		02	C01A, C01B, C02A, C02B, C16Z							02		C01A, C01B, C02A, C02B, C16Z			21A	W04A, W04B	
		03	D12A							06		G33Z			21B	X06A, X06B, X06C	
		06	G33Z	07				H33Z, H38Z		22		Y01Z, Y03A, Y03B					
		07	H33Z, H38Z	10				K09A, K09B		5c996↔					BOP, KVT, UOP4		
		08	I02A, I02B, I02C, I02D, I22A, I50Z	11				L33Z				02			C01A, C01B, C16Z, C16Z		
	11	L33Z	21A	W04A, W04B			21A	W04A, W04B									
	21A	W04A, W04B	21B	X06A, X06B, X06C			21B	X06A, X06B, X06C									
	21B	X01A, X01B, X01C	23	Z01A			22	Y01Z, Y03A, Y03B									
	22	Y01Z, Y03A, Y03B	Pre	A07A			5c997↔				BOP, KVT, UOP4						
	23	Z01A	5c991.x↔					BOP, KOP, KOPV, KVT, UOP4			5c998↔				BOP, KVT, UOP4		
	Pre	A07A		01				B02A, B02B, B02C, B02D, B20A, B20B, B20C, B20D, B20E, B20F, B39A, B39B				02			C01A, C01B, C16Z, C16Z		
	5c98x↔			BOP, KOP, KOPV, KVT, UOP4				5c991.1↔				BOP, KOP, KOPV, KVT, UOP4	5c999x↔			BOP, KVT, UOP4	
		01		B02A, B02B, B02C, B02D, B20A, B20B, B20C, B20D, B20E, B20F, B39A, B39B					01			B02A, B02B, B02C, B02D, B20A, B20B, B20C, B20D, B20E, B20F, B39A, B39B			02	C01A, C01B, C02A, C02B, C16Z	
		02		C01A, C01B, C02A, C02B, C16Z					02			C01A, C01B, C02A, C02B, C16Z			10	K09A, K09B	
		03		D12A					06			G33Z			5c999x↔		BOP, KVT, UOP4
		06		G33Z					07			H33Z, H38Z				02	C01A, C01B, C02A, C02B, C16Z
		07		H33Z, H38Z					10			K09A, K09B				10	K09A, K09B
		08		I17Z		11			L33Z			5c999x↔					BOP, KVT, UOP4
11		L33Z		21A	W04A, W04B	02			C01A, C01B, C02A, C02B, C16Z								
21A		W04A, W04B		21B	X06A, X06B, X06C	10			K09A, K09B								
21B		X06A, X06B, X06C		23	Z01A	5c999x↔								BOP, KVT, UOP4			
22		Y01Z, Y03A, Y03B		Pre	A07A				02					C01A, C01B, C02A, C02B, C16Z			
23		Z01A		5c991.x↔					BOP, KOP, KOPV, KVT, UOP4					5c999x↔			BOP, KVT, UOP4
Pre		A07A			01				B02A, B02B, B02C, B02D, B20A, B20B, B20C, B20D, B20E, B20F, B39A, B39B	10						K09A, K09B	

VYK

ZZV	MDC	DRG	ZZV	MDC	DRG	ZZV	MDC	DRG	
5d100↔		BOP, KVT, UOP4	5d108↔	03	D09Z, D30A	5d10h.a1↔		BOP, KVT, UOP4	
	01	B02A, B02B, B02C, B02D, B20A, B20B, B20C, B20D, B20E, B20F, B39A, B39B		09	J03A, J03B, J04A, J04B, J08A, J08B, J08C, J11A, J11B, J11C, J16Z		03	D03Z, D09Z, D30A	
	03	D09Z, D30A		21A	W04A, W04B		09	J03A, J03B, J04A, J04B, J08A, J08B, J08C, J10A, J10B, J16Z	
	08	I15A, I15B		21B	X06A, X06B, X06C		21A	W04A, W04B	
	17	R01A, R01B, R01C, R01D, R02Z, R12A, R12B, R12C		22	Y01Z, Y03A, Y03B		21B	X06A, X06B, X06C	
	21A	W04A, W04B		5d109↔	03		D09Z, D30A	22	Y01Z, Y03A, Y03B
	21B	X06A, X06B, X06C			09		J03A, J03B, J04A, J04B, J08A, J08B, J08C, J11A, J11B, J11C, J16Z	5d10h.a2↔	BOP, KVT, UOP4
	22	Y01Z, Y03A, Y03B		21A	W04A, W04B		03		D03Z, D09Z, D30A
	5d101↔			BOP, KVT, UOP4	21B		X06A, X06B, X06C	09	J03A, J03B, J04A, J04B, J08A, J08B, J08C, J10A, J10B, J16Z
		03		D09Z, D30A	22		Y01Z, Y03A, Y03B	21A	W04A, W04B
09		J03A, J03B, J04A, J04B, J08A, J08B, J08C, J10A, J10B, J16Z	5d10a↔	03	D09Z, D30A	21B	X06A, X06B, X06C		
21A		W04A, W04B		09	J03A, J03B, J04A, J04B, J08A, J08B, J08C, J11A, J11B, J16Z	22	Y01Z, Y03A, Y03B		
21B		X06A, X06B, X06C	21A	W04A, W04B	5d10h.ax↔	BOP, KVT, UOP4			
22		Y01Z, Y03A, Y03B	21B	X06A, X06B, X06C		03	D03Z, D09Z, D30A		
5d102↔		BOP, KVT, UOP4	5d10b↔	22	Y01Z, Y03A, Y03B	09	J03A, J03B, J04A, J04B, J08A, J08B, J08C, J10A, J10B, J16Z		
	03	D09Z, D30A		03	D09Z, D30A	21A	W04A, W04B		
	09	J03A, J03B, J04A, J04B, J08A, J08B, J08C, J10A, J10B, J16Z		09	J03A, J03B, J04A, J04B, J08A, J08B, J08C, J11A, J11B, J16Z	21B	X06A, X06B, X06C		
	21A	W04A, W04B		21A	W04A, W04B	22	Y01Z, Y03A, Y03B		
	21B	X06A, X06B, X06C		21B	X06A, X06B, X06C	5d10h.b1↔	BOP, KVT, UOP4		
	22	Y01Z, Y03A, Y03B		22	Y01Z, Y03A, Y03B		03	D03Z, D09Z, D30A	
5d103↔	03	D09Z, D30A	5d10c↔	21B	X06A, X06B, X06C	09	J03A, J03B, J04A, J04B, J08A, J08B, J08C, J10A, J10B, J16Z		
	09	J03A, J03B, J04A, J04B, J08A, J08B, J08C, J11A, J11B, J11C, J16Z		03	D09Z, D30A	21A	W04A, W04B		
	21A	W04A, W04B		09	J03A, J03B, J04A, J04B, J08A, J08B, J08C, J11A, J11B, J16Z	21B	X06A, X06B, X06C		
	21B	X06A, X06B, X06C		21A	W04A, W04B	22	Y01Z, Y03A, Y03B		
	22	Y01Z, Y03A, Y03B		21B	X06A, X06B, X06C	5d10j↔	BOP, KVT, UOP4		
	5d104↔	01		B03A, B03B, B06A, B06B, B07Z, B17A, B17B, B17C	5d10d↔		22	Y01Z, Y03A, Y03B	03
03		D12A, D12B	BOP, KVT, UOP4	09		J03A, J03B, J04A, J04B, J08A, J08B, J08C, J10A, J10B, J16Z			
05		F21A, F21B, F21C	03	D09Z, D30A		21A	W04A, W04B		
08		I27A, I27B, I27C, I27D	09	J03A, J03B, J04A, J04B, J08A, J08B, J08C, J10A, J10B, J16Z		21B	X06A, X06B, X06C		
09		J03A, J03B, J04A, J04B, J08A, J08B, J08C, J16Z, J21Z, J22A, J22B	21A	W04A, W04B		22	Y01Z, Y03A, Y03B		
10		K09A, K09B	21B	X06A, X06B, X06C		5d10k↔	03	D09Z, D30A	
21A		W04A, W04B	22	Y01Z, Y03A, Y03B			09	J03A, J03B, J04A, J04B, J08A, J08B, J08C, J10A, J10B, J16Z	
21B		X06A, X06B, X06C	5d10e↔	BOP, KVT, UOP4		5d10m↔	BOP, KVT, UOP4	01	B03A, B03B, B06A, B06B, B07Z, B17A, B17B, B17C
22		Y01Z, Y03A, Y03B		03			D09Z, D30A	03	D12A, D12B
5d105↔		03	D09Z, D30A	09		J03A, J03B, J04A, J04B, J08A, J08B, J08C, J10A, J10B, J16Z	05	F21A, F21B, F21C	
	09	J03A, J03B, J04A, J04B, J08A, J08B, J08C, J11A, J11B, J11C, J16Z	21A	W04A, W04B	08	I27A, I27B, I27C, I27D			
	21A	W04A, W04B	21B	X06A, X06B, X06C	09	J03A, J03B, J04A, J04B, J08A, J08B, J08C, J16Z, J21Z, J22A, J22B			
	21B	X06A, X06B, X06C	22	Y01Z, Y03A, Y03B	10	K09A, K09B			
	22	Y01Z, Y03A, Y03B	5d10f↔	BOP, KVT, UOP4	21A	W04A, W04B			
	5d106↔	03		D09Z, D30A	03	D09Z, D30A	21B	X06A, X06B, X06C	
09		J03A, J03B, J04A, J04B, J08A, J08B, J08C, J11A, J11B, J11C, J16Z	09	J03A, J03B, J04A, J04B, J08A, J08B, J08C, J10A, J10B, J16Z	22	Y01Z, Y03A, Y03B			
21A		W04A, W04B	21A	W04A, W04B	5d10q.1↔	BOP, KVT, UOP4			
21B		X06A, X06B, X06C	21B	X06A, X06B, X06C		03	D09Z, D30A		
22		Y01Z, Y03A, Y03B	22	Y01Z, Y03A, Y03B	09	J03A, J03B, J04A, J04B, J08A, J08B, J08C, J10A, J10B, J16Z			
5d107↔		03	D09Z, D30A	5d10g↔	BOP, KVT, UOP4	21A	W04A, W04B		
	09	J03A, J03B, J04A, J04B, J08A, J08B, J08C, J11A, J11B, J11C, J16Z	03		D09Z, D30A	21B	X06A, X06B, X06C		
	21A	W04A, W04B	09		J03A, J03B, J04A, J04B, J08A, J08B, J08C, J10A, J10B, J16Z	22	Y01Z, Y03A, Y03B		
	21B	X06A, X06B, X06C	21A		W04A, W04B				
22	Y01Z, Y03A, Y03B	21B	X06A, X06B, X06C						

VYK

ZZV	MDC	DRG	ZZV	MDC	DRG	ZZV	MDC	DRG
5d10q.2↔		BOP, KVT, UOP4	5d502↔		BOP, KVT, UOP4	5f101	03	D09Z, D30A, D30B, D35Z, D38Z
	03	D09Z, D30A		01	B02A, B02B, B02C, B02D, B20A, B20B, B20C, B20D, B20E, B20F, B39A, B39B		09	J03A, J03B, J04A, J04B, J08A, J08B, J08C, J10A, J10B, J16Z
	09	J03A, J03B, J04A, J04B, J08A, J08B, J08C, J10A, J10B, J16Z		03	D09Z, D30A		21A	W04A, W04B
	21A	W04A, W04B		08	I15A, I15B		21B	X06A, X06B, X06C
	21B	X06A, X06B, X06C		17	R01A, R01B, R01C, R01D, R02Z, R12A, R12B, R12C		22	Y01Z, Y03A, Y03B
	22	Y01Z, Y03A, Y03B		21A	W04A, W04B	5f102	03	D09Z, D30A, D30B, D35Z, D39Z
5d300↔		BOP, KVT, UOP4		21B	X06A, X06B, X06C		09	J03A, J03B, J04A, J04B, J08A, J08B, J08C, J10A, J10B, J16Z
	03	D09Z, D30A	5d503↔		BOP, KOP, KVT, UOP4		21A	W04A, W04B
	21B	X06A, X06B, X06C		03	D01A, D01B		21B	X06A, X06B, X06C
5d301↔		BOP, KVT, UOP4		04	E36Z		22	Y01Z, Y03A, Y03B
	03	D09Z, D30A		06	G36Z	5f103	03	D09Z, D30A, D30B, D35Z, D39Z
	21B	X06A, X06B, X06C		08	I26Z		09	J03A, J03B, J04A, J04B, J08A, J08B, J08C, J10A, J10B, J16Z
5d302↔		BOP, KVT, UOP4		11	L33Z		21A	W04A, W04B
	01	B02A, B02B, B02C, B02D, B20A, B20B, B20C, B20D, B20E, B20F, B39A, B39B		Pre	A06A, A07A, A09A, A11A, A13A		21B	X06A, X06B, X06C
	03	D09Z, D30A			BOP, KVT, UOP4		22	Y01Z, Y03A, Y03B
	21B	X06A, X06B, X06C	5d504↔		BOP, KVT, UOP4	5f104	03	D09Z, D30A, D30B, D35Z, D38Z
5d303↔		BOP, KVT, UOP4		03	D23Z		09	J03A, J03B, J04A, J04B, J08A, J08B, J08C, J10A, J10B, J16Z
	01	B02A, B02B, B02C, B02D, B20A, B20B, B20C, B20D, B20E, B20F, B39A, B39B	5d505↔		BOP, KVT, UOP4		21A	W04A, W04B
	03	D09Z, D30A		01	B02A, B02B, B02C, B02D, B20A, B20B, B20C, B20D, B20E, B20F, B39A, B39B		21B	X06A, X06B, X06C
	21B	X06A, X06B, X06C		03	D09Z, D30A		22	Y01Z, Y03A, Y03B
5d304↔		BOP, KVT, UOP4	5d506↔		BOP, KVT, UOP4	5f105	03	D09Z, D30A, D30B, D39Z
	01	B02A, B02B, B02C, B02D, B20A, B20B, B20C, B20D, B20E, B20F, B39A, B39B		03	D06A, D06B, D06C		09	J03A, J03B, J04A, J04B, J08A, J08B, J08C, J10A, J10B, J16Z
	03	D09Z, D30A	5d507↔		BOP, KVT, UOP4		21A	W04A, W04B
	21B	X06A, X06B, X06C		03	D06A, D06B, D06C		21B	X06A, X06B, X06C
5d305↔		BOP, KVT, UOP4	5d508↔		BOP, KVT, UOP4		22	Y01Z, Y03A, Y03B
	01	B02A, B02B, B02C, B02D, B20A, B20B, B20C, B20D, B20E, B20F, B39A, B39B	5d509↔		BOP, KVT, UOP4	5f106	03	D09Z, D30A, D30B, D39Z
	03	D09Z, D30A		01	B02A, B02B, B02C, B02D, B20A, B20B, B20C, B20D, B20E, B20F, B39A, B39B		09	J03A, J03B, J04A, J04B, J08A, J08B, J08C, J10A, J10B, J16Z
	21B	X06A, X06B, X06C		03	D06A, D06B, D06C		21A	W04A, W04B
5d306↔		BOP, KVT, UOP4	5d50a↔		BOP, KVT, UOP4		21B	X06A, X06B, X06C
	01	B02A, B02B, B02C, B02D, B20A, B20B, B20C, B20D, B20E, B20F, B39A, B39B		01	B02A, B02B, B02C, B02D, B20A, B20B, B20C, B20D, B20E, B20F, B39A, B39B	5f107	22	Y01Z, Y03A, Y03B
	03	D09Z, D30A		03	D06A, D06B		03	D09Z, D30A, D30B, D39Z
	21B	X06A, X06B, X06C	5d50b↔		BOP, KVT, UOP4		09	J03A, J03B, J04A, J04B, J08A, J08B, J08C, J10A, J10B, J16Z
5d307↔		BOP, KVT, UOP4		01	B02A, B02B, B02C, B02D, B20A, B20B, B20C, B20D, B20E, B20F, B39A, B39B		21A	W04A, W04B
	03	D09Z, D30A		03	D06A, D06B		21B	X06A, X06B, X06C
	21B	X06A, X06B, X06C	5d50c↔		BOP, KVT, UOP4	5f108	22	Y01Z, Y03A, Y03B
5d308.1↔		BOP, KVT, UOP4		01	B02A, B02B, B02C, B02D, B20A, B20B, B20C, B20D, B20E, B20F, B39A, B39B		03	D09Z, D30A, D30B, D39Z
	03	D06A, D06B, D06C		03	D06A, D06B, D06C		09	J03A, J03B, J04A, J04B, J08A, J08B, J08C, J10A, J10B, J16Z
	21B	X06A, X06B, X06C	5d50d↔		BOP, KVT, UOP4		21A	W04A, W04B
5d308.2↔		BOP, KVT, UOP4		01	B02A, B02B, B02C, B02D, B20A, B20B, B20C, B20D, B20E, B20F, B39A, B39B		21B	X06A, X06B, X06C
	03	D06A, D06B, D06C		03	D06A, D06B, D06C	5f109	22	Y01Z, Y03A, Y03B
	21B	X06A, X06B, X06C		01	B09A, B09B		03	D09Z, D30A, D30B, D35Z, D39Z
5d30a↔		BOP, KVT, UOP4	5d50g↔		B09A, B09B		09	J03A, J03B, J04A, J04B, J08A, J08B, J08C, J10A, J10B, J16Z
	03	D09Z, D30A		03	D13Z		21A	W04A, W04B
	21B	X06A, X06B, X06C		21B	X06A, X06B, X06C		21B	X06A, X06B, X06C
5d500↔		BOP, KVT, UOP4	5f100		D09Z, D30A, D30B, D35Z, D39Z		22	Y01Z, Y03A, Y03B
	01	B02A, B02B, B02C, B02D, B20A, B20B, B20C, B20D, B20E, B20F, B39A, B39B		09	J03A, J03B, J04A, J04B, J08A, J08B, J08C, J10A, J10B, J16Z		03	D09Z, D30A, D30B, D35Z, D39Z
	03	D09Z, D30A		21A	W04A, W04B		09	J03A, J03B, J04A, J04B, J08A, J08B, J08C, J10A, J10B, J16Z
5d501↔		BOP, KOP, KVT, UOP4		21B	X06A, X06B, X06C		21A	W04A, W04B
	03	D01A, D01B		03	D09Z, D30A, D30B, D35Z, D39Z		21B	X06A, X06B, X06C
	04	E36Z		09	J03A, J03B, J04A, J04B, J08A, J08B, J08C, J10A, J10B, J16Z		22	Y01Z, Y03A, Y03B
	06	G36Z		21A	W04A, W04B		03	D09Z, D30A, D30B, D35Z, D39Z
	08	I26Z		21B	X06A, X06B, X06C		09	J03A, J03B, J04A, J04B, J08A, J08B, J08C, J10A, J10B, J16Z
	11	L33Z		22	Y01Z, Y03A, Y03B		21A	W04A, W04B
	Pre	A06A, A07A, A09A, A11A, A13A					21B	X06A, X06B, X06C

ZZV	MDC	DRG	ZZV	MDC	DRG	ZZV	MDC	DRG
5f10a.0	03	D09Z, D30A, D30B, D38Z	5f114		BOP, KVT, UOP4	5f11b.0↔		BOP, KVT, UOP4
	04	E02A, E02B, E02C, E02D, E07Z		03	D35Z, D38Z		03	D35Z, D38Z
	21A	W04A, W04B		08	I28A, I28B, I28C		08	I28A, I28B, I28C
	21B	X06A, X06B, X06C		09	J03A, J03B, J04A, J04B, J08A, J08B, J08C, J10A, J10B, J16Z		09	J03A, J03B, J04A, J04B, J08A, J08B, J08C, J10A, J10B, J16Z
5f10a.1	03	D09Z, D30A, D30B, D38Z						
	04	E02A, E02B, E02C, E02D, E07Z	21A	W04A, W04B	21A	W04A, W04B		
	21A	W04A, W04B	21B	X06A, X06B, X06C	21B	X06A, X06B, X06C		
5f10b.1	21B	X06A, X06B, X06C	5f115↔		BOP, KVT, UOP4	5f11b.1↔		BOP, KVT, UOP4
	21A	W04A, W04B		03	D35Z, D38Z		03	D35Z, D38Z
	21B	X06A, X06B, X06C		08	I28A, I28B, I28C		08	I28A, I28B, I28C
5f10b.2		BOP, KVT, UOP4	09	J03A, J03B, J04A, J04B, J08A, J08B, J08C, J10A, J10B, J16Z	09	J03A, J03B, J04A, J04B, J08A, J08B, J08C, J10A, J10B, J16Z		
	03	D09Z, D30A, D30B, D38Z	21A	W04A, W04B	21A	W04A, W04B		
	21A	W04A, W04B	21B	X06A, X06B, X06C	21B	X06A, X06B, X06C		
5f110	21B	X06A, X06B, X06C	5f116		BOP, KVT, UOP4	5f11c.0		BOP, KVT, UOP4
		BOP, KVT, UOP4		03	D35Z, D38Z		03	D35Z, D38Z
	03	D35Z, D38Z		08	I28A, I28B, I28C		08	I28A, I28B, I28C
	08	I28A, I28B, I28C		09	J03A, J03B, J04A, J04B, J08A, J08B, J08C, J10A, J10B, J16Z		09	J03A, J03B, J04A, J04B, J08A, J08B, J08C, J10A, J10B, J16Z
5f111	09	J03A, J03B, J04A, J04B, J08A, J08B, J08C, J10A, J10B, J16Z						
	21A	W04A, W04B	21A	W04A, W04B	21A	W04A, W04B		
	21B	X06A, X06B, X06C	21B	X06A, X06B, X06C	21B	X06A, X06B, X06C		
	22	Y01Z, Y03A, Y03B	22	Y01Z, Y03A, Y03B	22	Y01Z, Y03A, Y03B		
5f112.0		BOP, KVT, UOP4	5f117		BOP, KVT, UOP4	5f11c.1		BOP, KVT, UOP4
	03	D35Z, D38Z		03	D35Z, D38Z		03	D35Z, D38Z
	08	I28A, I28B, I28C		08	I28A, I28B, I28C		08	I28A, I28B, I28C
	09	J03A, J03B, J04A, J04B, J08A, J08B, J08C, J10A, J10B, J16Z		09	J03A, J03B, J04A, J04B, J08A, J08B, J08C, J10A, J10B, J16Z		09	J03A, J03B, J04A, J04B, J08A, J08B, J08C, J10A, J10B, J16Z
5f112.1	21A	W04A, W04B	21A	W04A, W04B	21A	W04A, W04B		
	21B	X06A, X06B, X06C	21B	X06A, X06B, X06C	21B	X06A, X06B, X06C		
	22	Y01Z, Y03A, Y03B	22	Y01Z, Y03A, Y03B	22	Y01Z, Y03A, Y03B		
		BOP, KVT, UOP4	5f118↔		BOP, KVT, UOP4	5f11d		BOP, KVT, UOP4
03	D35Z, D38Z	03		D35Z, D38Z	03		D09Z, D30A, D30B, D39Z	
08	I28A, I28B, I28C	08		I28A, I28B, I28C	21A		W04A, W04B	
09	J03A, J03B, J04A, J04B, J08A, J08B, J08C, J10A, J10B, J16Z	09		J03A, J03B, J04A, J04B, J08A, J08B, J08C, J10A, J10B, J16Z	21B		X06A, X06B, X06C	
5f113	21A	W04A, W04B						
	21B	X06A, X06B, X06C	21A	W04A, W04B	21A	W04A, W04B		
	22	Y01Z, Y03A, Y03B	21B	X06A, X06B, X06C	21B	X06A, X06B, X06C		
		BOP, KVT, UOP4	22	Y01Z, Y03A, Y03B	22	Y01Z, Y03A, Y03B		
5f113	03	D35Z, D38Z	5f119.1		BOP, KVT, UOP4	5f11e		D39Z
	08	I28A, I28B, I28C		03	D35Z, D38Z		21A	W04A, W04B
	09	J03A, J03B, J04A, J04B, J08A, J08B, J08C, J10A, J10B, J16Z		08	I28A, I28B, I28C		21B	X06A, X06B, X06C
	21A	W04A, W04B		09	J03A, J03B, J04A, J04B, J08A, J08B, J08C, J10A, J10B, J16Z		03	D39Z
5f113	21B	X06A, X06B, X06C	5f119.x		BOP, KVT, UOP4	5f121.0		D12A, D12B
	22	Y01Z, Y03A, Y03B		03	D35Z, D38Z		08	I17Z
		BOP, KVT, UOP4		08	I28A, I28B, I28C		09	J03A, J03B, J04A, J04B, J08A, J08B, J08C, J11A, J11B, J16Z
	03	D35Z, D38Z		09	J03A, J03B, J04A, J04B, J08A, J08B, J08C, J10A, J10B, J16Z		21A	W04A, W04B
5f113	08	I28A, I28B, I28C						
	09	J03A, J03B, J04A, J04B, J08A, J08B, J08C, J10A, J10B, J16Z	21A	W04A, W04B	21B	X06A, X06B, X06C		
	21A	W04A, W04B	21B	X06A, X06B, X06C	5f190		BOP, KVT, UOP4	
	21B	X06A, X06B, X06C	22	Y01Z, Y03A, Y03B		03	D09Z, D30A, D30B, D39Z	
5f113	22	Y01Z, Y03A, Y03B	5f119.x		BOP, KVT, UOP4	5f193		W04A, W04B
	03	D35Z, D38Z		03	D35Z, D38Z		21A	W04A, W04B
	08	I28A, I28B, I28C		08	I28A, I28B, I28C		21B	X06A, X06B, X06C
	09	J03A, J03B, J04A, J04B, J08A, J08B, J08C, J10A, J10B, J16Z		09	J03A, J03B, J04A, J04B, J08A, J08B, J08C, J10A, J10B, J16Z			BOP, KVT, UOP4
5f113	21A	W04A, W04B						
	21B	X06A, X06B, X06C	21A	W04A, W04B	5f195		D09Z, D30A, D30B, D39Z	
	22	Y01Z, Y03A, Y03B	21B	X06A, X06B, X06C		03	D03Z, D12A, D38Z	
		BOP, KVT, UOP4	22	Y01Z, Y03A, Y03B	04	E02A, E02B, E02C, E07Z		
5f113	03	D35Z, D38Z						
	08	I28A, I28B, I28C						
	09	J03A, J03B, J04A, J04B, J08A, J08B, J08C, J10A, J10B, J16Z						
	21A	W04A, W04B						
5f113	21B	X06A, X06B, X06C						
	22	Y01Z, Y03A, Y03B						
		BOP, KVT, UOP4						
	03	D35Z, D38Z						
5f113	08	I28A, I28B, I28C						
	09	J03A, J03B, J04A, J04B, J08A, J08B, J08C, J10A, J10B, J16Z						
	21A	W04A, W04B						
	21B	X06A, X06B, X06C						
5f113	22	Y01Z, Y03A, Y03B						
		BOP, KVT, UOP4						
	03	D35Z, D38Z						
	04	E02A, E02B, E02C, E07Z						
5f113	21A	W04A, W04B						
	21B	X06A, X06B, X06C						
		BOP, KVT, UOP4						
	03	D09Z, D30A, D30B, D39Z						
5f113	09	J03A, J03B, J04A, J04B, J08A, J08B, J08C, J10A, J10B, J16Z						
	21A	W04A, W04B						
	21B	X06A, X06B, X06C						
	22	Y01Z, Y03A, Y03B						

ZZV	MDC	DRG	ZZV	MDC	DRG	ZZV	MDC	DRG
5f197	03	D38Z	5f206	03	D35Z, D37A, D37B	5f291		BOP, KVT, UOP4
	04	E02A, E02B, E02C, E02D, E07Z		04	E02A, E02B, E02C, E02D, E07Z		03	D09Z, D30A, D30B, D39Z
	21A	W04A, W04B		08	I28A, I28B		09	J03A, J03B, J04A, J04B, J08A, J08B, J08C, J10A, J10B, J16Z
5f198	21B	X06A, X06B, X06C	5f207.1	09	J03A, J03B, J04A, J04B, J08A, J08B, J08C, J10A, J10B, J16Z	5f300	21A	W04A, W04B
		BOP, KVT, UOP4		21A	W04A, W04B		21B	X06A, X06B, X06C
	03	D12A, D12B		22	Y01Z, Y03A, Y03B		22	Y01Z, Y03A, Y03B
	05	F21A, F21B, F21C		03	D38Z		01	B02A, B02B, B02C, B13Z, B20A, B20B, B20C, B20D, B20E, B39A, B39B
	21A	W04A, W04B		04	E02A, E02B, E02C, E02D, E07Z		02	C01A
5f200	21B	X06A, X06B, X06C	5f207.x	08	I28A, I28B	5f310.0↔	03	D18Z, D25A, D25B, D25C, D25D
		BOP, KVT, UOP4		09	J03A, J03B, J04A, J04B, J08A, J08B, J08C, J10A, J10B, J16Z		06	G33Z
	03	D35Z, D37A, D37B		21A	W04A, W04B		07	H33Z, H38Z
	04	E02A, E02B, E02C, E02D, E07Z		21B	X06A, X06B, X06C		09	J08A, J08B, J08C
	08	I28A, I28B, I28C		22	Y01Z, Y03A, Y03B		11	L33Z
	09	J03A, J03B, J04A, J04B, J08A, J08B, J08C, J10A, J10B, J16Z		03	D38Z		17	R01A, R01B, R01C, R01D, R02Z, R12A, R12B, R12C
	21A	W04A, W04B		04	E02A, E02B, E02C, E02D, E07Z		21B	X06A, X06B, X06C, X33Z
	21B	X06A, X06B, X06C		08	I28A, I28B		23	Z01A
	22	Y01Z, Y03A, Y03B		09	J03A, J03B, J04A, J04B, J08A, J08B, J08C, J10A, J10B, J16Z		Pre	A07A, A09B, A11A, A11B, A13B
	5f201			BOP, KVT, UOP4	5f209		21A	W04A, W04B
03		D35Z, D37A, D37B	21B	X06A, X06B, X06C		01	B02A, B02B, B02C, B02D, B20A, B20B, B20C, B20D, B20E, B20F, B39A, B39B	
04		E02A, E02B, E02C, E02D, E07Z	22	Y01Z, Y03A, Y03B		03	D06A, D06B, D06C, D36Z	
08		I28A, I28B, I28C	03	D09Z, D30A, D30B, D38Z			BOP, KVT, UOP4	
09		J03A, J03B, J04A, J04B, J08A, J08B, J08C, J10A, J10B, J16Z	04	E02A, E02B, E02C, E02D, E07Z		01	B02A, B02B, B02C, B02D, B20A, B20B, B20C, B20D, B20E, B20F, B39A, B39B	
21A		W04A, W04B	21A	W04A, W04B		03	D06A, D06B, D06C	
21B		X06A, X06B, X06C	21B	X06A, X06B, X06C		5f311	BOP, KVT, UOP4	
22		Y01Z, Y03A, Y03B	03	D38Z		01	B02A, B02B, B02C, B02D, B20A, B20B, B20C, B20D, B20E, B20F, B39A, B39B	
		BOP, KVT, UOP4	04	E02A, E02B, E02C, E02D, E07Z		03	D06A, D06B, D06C	
5f202		03	D35Z, D37A, D37B	5f20a		08	I28A, I28B	5f320
	04	E02A, E02B, E02C, E02D, E07Z	09		J03A, J03B, J04A, J04B, J08A, J08B, J08C, J10A, J10B, J16Z	01	B09A, B09B	
	08	I28A, I28B, I28C	21A		W04A, W04B	03	D06A, D06B, D06C	
	09	J03A, J03B, J04A, J04B, J08A, J08B, J08C, J10A, J10B, J16Z	21B		X06A, X06B, X06C		BOP, KVT, UOP4	
	21A	W04A, W04B	22		Y01Z, Y03A, Y03B	5f322	BOP, KVT, UOP4	
	21B	X06A, X06B, X06C	03		D12A, D12B	01	B09A, B09B	
	22	Y01Z, Y03A, Y03B	08		I17Z	03	D06A, D06B, D06C	
		BOP, KVT, UOP4	09		J03A, J03B, J04A, J04B, J08A, J08B, J08C, J11A, J11B, J16Z	08	I28A, I28B	
	03	D35Z, D37A, D37B	21A		W04A, W04B	5f325	BOP, KVT, UOP4	
	04	E02A, E02B, E02C, E02D, E07Z	21B		X06A, X06B, X06C	01	B09A, B09B	
5f203		BOP, KVT, UOP4	5f210	03	D18Z, D28Z, D29Z	5f330	03	D06A, D06B, D06C
	03	D35Z, D37A, D37B		08	I17Z			BOP, KVT, UOP4
	04	E02A, E02B, E02C, E02D, E07Z		09	J03A, J03B, J04A, J04B, J08A, J08B, J08C, J11A, J11B, J16Z		01	B09A, B09B
	08	I28A, I28B		21A	W04A, W04B		03	D06A, D06B, D06C, D36Z
	09	J03A, J03B, J04A, J04B, J08A, J08B, J08C, J10A, J10B, J16Z		21B	X06A, X06B, X06C			BOP, KVT, UOP4
	21A	W04A, W04B		03	D38Z		5f332	BOP, KVT, UOP4
	21B	X06A, X06B, X06C		09	J03A, J03B, J04A, J04B, J08A, J08B, J08C, J10A, J10B, J16Z		01	B09A, B09B
	22	Y01Z, Y03A, Y03B		21A	W04A, W04B		03	D06A, D06B, D06C
		BOP, KVT, UOP4		21B	X06A, X06B, X06C			BOP, KVT, UOP4
	03	D35Z, D37A, D37B		22	Y01Z, Y03A, Y03B		5f333	BOP, KVT, UOP4
5f204	04	E02A, E02B, E02C, E02D, E07Z	5f211	03	D09Z, D30A, D30B, D35Z, D38Z	5f340	01	B09A, B09B
	08	I28A, I28B		09	J03A, J03B, J04A, J04B, J08A, J08B, J08C, J10A, J10B, J16Z		03	D06A, D06B, D06C
	09	J03A, J03B, J04A, J04B, J08A, J08B, J08C, J10A, J10B, J16Z		21A	W04A, W04B			BOP, KVT, UOP4
	21A	W04A, W04B		21B	X06A, X06B, X06C		01	B09A, B09B
	21B	X06A, X06B, X06C		03	D12A, D12B		03	D06A, D06B, D06C
	22	Y01Z, Y03A, Y03B		08	I17Z			BOP, KVT, UOP4
		BOP, KVT, UOP4		09	J03A, J03B, J04A, J04B, J08A, J08B, J08C, J11A, J11B, J16Z		5f341	BOP, KVT, UOP4
	03	D35Z, D37A, D37B		21A	W04A, W04B		01	B09A, B09B
	04	E02A, E02B, E02C, E02D, E07Z		21B	X06A, X06B, X06C		03	D06A, D06B, D06C
	08	I28A, I28B		22	Y01Z, Y03A, Y03B			BOP, KVT, UOP4
5f205	09	J03A, J03B, J04A, J04B, J08A, J08B, J08C, J10A, J10B, J16Z	5f290	09	J03A, J03B, J04A, J04B, J08A, J08B, J08C, J10A, J10B, J16Z	5f341	03	D06A, D06B, D06C
	21A	W04A, W04B		21A	W04A, W04B		01	B09A, B09B
	21B	X06A, X06B, X06C		21B	X06A, X06B, X06C		03	D06A, D06B, D06C
	22	Y01Z, Y03A, Y03B		22	Y01Z, Y03A, Y03B			BOP, KVT, UOP4
		BOP, KVT, UOP4					01	B09A, B09B
	03	D35Z, D37A, D37B					03	D06A, D06B, D06C
	04	E02A, E02B, E02C, E02D, E07Z						BOP, KVT, UOP4
	08	I28A, I28B					01	B09A, B09B
	09	J03A, J03B, J04A, J04B, J08A, J08B, J08C, J10A, J10B, J16Z					03	D06A, D06B, D06C
	21A	W04A, W04B						BOP, KVT, UOP4
21B	X06A, X06B, X06C			01	B09A, B09B			
22	Y01Z, Y03A, Y03B			03	D06A, D06B, D06C			

ZZV	MDC	DRG	ZZV	MDC	DRG	ZZV	MDC	DRG
5f342		BOP, KVT, UOP4	5g201	03	D13Z	5g20h.1		BOP, KVT, UOP4
	01	B09A, B09B		09	J03A, J03B, J04A, J04B, J08A, J08B, J08C, J11A, J11B, J16Z		03	D13Z
5f343	03	D06A, D06B, D06C		21A	W04A, W04B		09	J03A, J03B, J04A, J04B, J08A, J08B, J08C, J11A, J11B, J16Z
	01	B09A, B09B		21B	X06A, X06B, X06C		21A	W04A, W04B
	03	D06A, D06B, D06C	5g203	03	D08A, D08B, D18Z, D22A, D22B, D30A, D30B		21B	X06A, X06B, X06C
5f344		BOP, KVT, UOP4		21A	W04A, W04B	5g20h.x		BOP, KVT, UOP4
	01	B09A, B09B		21B	X06A, X06B, X06C		03	D13Z
	03	D06A, D06B, D06C	5g204.0	03	D08A, D08B, D18Z, D22A, D22B, D30A, D30B		09	J03A, J03B, J04A, J04B, J08A, J08B, J08C, J11A, J11B, J16Z
5f345		BOP, KVT, UOP4		21A	W04A, W04B		21A	W04A, W04B
	01	B09A, B09B		21B	X06A, X06B, X06C		21B	X06A, X06B, X06C
	03	D06A, D06B, D06C, D35Z, D36Z	5g204.1	03	D08A, D08B, D18Z, D22A, D22B, D30A, D30B		22	Y01Z, Y03A, Y03B
	08	I15A, I15B		21A	W04A, W04B	5g20k		BOP, KVT, UOP4
	21A	W01A, W01B, W01C, W36Z		21B	X06A, X06B, X06C		03	D13Z
	21B	X06A, X06B, X06C		21A	W04A, W04B		09	J03A, J03B, J04A, J04B, J08A, J08B, J08C, J11A, J11B, J16Z
5f390		BOP, KVT, UOP4	5g206	03	D08A, D08B, D18Z, D22A, D22B, D30A, D30B		21A	W04A, W04B
	03	D06A, D06B, D06C, D36Z		21B	X06A, X06B, X06C		21B	X06A, X06B, X06C
	21B	X06A, X06B, X06C		21A	W04A, W04B		22	Y01Z, Y03A, Y03B
5f391		BOP, KOP, KOPV, KVT, UOP4	5g207	03	D08A, D08B, D18Z, D22A, D22B, D30A, D30B		22	Y01Z, Y03A, Y03B
	01	B02A, B02B, B02C, B20A, B20B, B20C, B20D, B20E, B39A, B39B		21A	W04A, W04B	5g20m.0		BOP, KVT, UOP4
	02	C01A		21B	X06A, X06B, X06C		03	D13Z
	06	G01Z, G02Z, G33Z, G38Z	5g208.0	03	D08A, D08B, D18Z, D22A, D22B, D30A, D30B		09	J03A, J03B, J04A, J04B, J08A, J08B, J08C, J11A, J11B, J16Z
	07	H33Z, H38Z		21A	W04A, W04B		21A	W04A, W04B
	11	L33Z		21B	X06A, X06B, X06C		21B	X06A, X06B, X06C
	21A	W01A, W01B, W01C, W36Z	5g208.1	03	D08A, D08B, D18Z, D22A, D22B, D30A, D30B		22	Y01Z, Y03A, Y03B
	21B	X06A, X06B, X06C		21A	W04A, W04B	5g20m.1		BOP, KVT, UOP4
	23	Z01A		21B	X06A, X06B, X06C		03	D13Z
	Pre	A07A, A11A, A13A, A13B, A13D		21A	W04A, W04B		09	J03A, J03B, J04A, J04B, J08A, J08B, J08C, J11A, J11B, J16Z
5f392	03	D09Z, D30A, D30B, D38Z	5g208.2	03	D08A, D08B, D18Z, D22A, D22B, D30A, D30B		21A	W04A, W04B
	04	E02A, E02B, E02C, E02D, E07Z		21B	X06A, X06B, X06C		21B	X06A, X06B, X06C
	21A	W04A, W04B	5g209.1	03	D08A, D08B, D18Z, D22A, D22B, D30A, D30B		22	Y01Z, Y03A, Y03B
	21B	X06A, X06B, X06C		21A	W04A, W04B	5g20m.2		BOP, KVT, UOP4
5f393		BOP, KVT, UOP4		21B	X06A, X06B, X06C		03	D13Z
	03	D06A, D06B, D06C	5g209.2	03	D08A, D08B, D18Z, D22A, D22B, D30A, D30B		09	J03A, J03B, J04A, J04B, J08A, J08B, J08C, J11A, J11B, J16Z
5f394		BOP, KVT, UOP4		21A	W04A, W04B		21A	W04A, W04B
	03	D06A, D06B, D06C		21B	X06A, X06B, X06C		21B	X06A, X06B, X06C
5g103†	03	D40Z	5g20e	03	D08A, D08B, D18Z, D22A, D22B, D30A, D30B		22	Y01Z, Y03A, Y03B
5g104†	03	D40Z		09	J03A, J03B, J04A, J04B, J08A, J08B, J08C, J11A, J11B, J16Z	5g20m.3		BOP, KVT, UOP4
5g105†	03	D40Z		21A	W04A, W04B		03	D13Z
5g106		BOP, KVT, UOP4		21B	X06A, X06B, X06C		09	J03A, J03B, J04A, J04B, J08A, J08B, J08C, J11A, J11B, J16Z
	03	D13Z		21A	W04A, W04B		21A	W04A, W04B
	21A	W04A, W04B		21B	X06A, X06B, X06C		21B	X06A, X06B, X06C
	21B	X06A, X06B, X06C		09	J03A, J03B, J04A, J04B, J08A, J08B, J08C, J11A, J11B, J16Z		22	Y01Z, Y03A, Y03B
5g10b		BOP, KVT, UOP4	5g20g.1	03	D13Z		22	Y01Z, Y03A, Y03B
	03	D08A, D08B, D18Z, D22A, D22B, D30A, D30B		09	J03A, J03B, J04A, J04B, J08A, J08B, J08C, J11A, J11B, J16Z	5g20n		BOP, KVT, UOP4
	09	J03A, J03B, J04A, J04B, J08A, J08B, J08C, J11A, J11B, J16Z		21A	W04A, W04B		03	D13Z
	21A	W04A, W04B		21B	X06A, X06B, X06C		09	J03A, J03B, J04A, J04B, J08A, J08B, J08C, J11A, J11B, J16Z
	21B	X06A, X06B, X06C		22	Y01Z, Y03A, Y03B		21A	W04A, W04B
	22	Y01Z, Y03A, Y03B		BOP, KVT, UOP4		21B	X06A, X06B, X06C	
5g110.0†	03	D40Z	5g20g.x	03	D13Z		22	Y01Z, Y03A, Y03B
5g110.1†	03	D40Z		09	J03A, J03B, J04A, J04B, J08A, J08B, J08C, J11A, J11B, J16Z	5g210		BOP, KVT, UOP4
5g111†	03	D40Z		21A	W04A, W04B		03	D13Z
5g200	03	D13Z		21B	X06A, X06B, X06C		09	J03A, J03B, J04A, J04B, J08A, J08B, J08C, J11A, J11B, J16Z
	09	J03A, J03B, J04A, J04B, J08A, J08B, J08C, J11A, J11B, J16Z		22	Y01Z, Y03A, Y03B	5g211		BOP, KVT, UOP4
	21A	W04A, W04B		BOP, KVT, UOP4		03	D08A, D08B, D18Z, D22A, D22B, D30A, D30B	
	21B	X06A, X06B, X06C		03	D13Z		03	D08A, D08B, D18Z, D22A, D22B, D30A, D30B
				09	J03A, J03B, J04A, J04B, J08A, J08B, J08C, J11A, J11B, J16Z	5g212.0		BOP, KVT, UOP4
				21A	W04A, W04B		03	D08A, D08B, D18Z, D22A, D22B, D30A, D30B
				21B	X06A, X06B, X06C			
				22	Y01Z, Y03A, Y03B			

ZZV	MDC	DRG	ZZV	MDC	DRG	ZZV	MDC	DRG
5g212.1	03	D08A, D08B, D18Z, D22A, D22B, D30A, D30B	5g225↔		BOP, KVT, UOP4	5g22d.1		BOP, KVT, UOP4
5g212.2	03	D08A, D08B, D18Z, D22A, D22B, D30A, D30B		03	D08A, D08B, D18Z, D22A, D22B, D30A, D30B		03	D13Z
5g220.0		BOP, KVT, UOP4		09	J03A, J03B, J04A, J04B, J08A, J08B, J08C, J11A, J11B, J16Z		09	J03A, J03B, J04A, J04B, J08A, J08B, J08C, J11A, J11B, J16Z
	03	D08A, D08B, D18Z, D22A, D22B, D30A, D30B		21A	W04A, W04B		21A	W04A, W04B
	09	J03A, J03B, J04A, J04B, J08A, J08B, J08C, J11A, J11B, J16Z		21B	X06A, X06B, X06C		21B	X06A, X06B, X06C
	21A	W04A, W04B	5g226↔		BOP, KVT, UOP4	5g22d.2		BOP, KVT, UOP4
	21B	X06A, X06B, X06C		03	D08A, D08B, D18Z, D22A, D22B, D30A, D30B		03	D13Z
	22	Y01Z, Y03A, Y03B		09	J03A, J03B, J04A, J04B, J08A, J08B, J08C, J11A, J11B, J16Z		09	J03A, J03B, J04A, J04B, J08A, J08B, J08C, J11A, J11B, J16Z
5g220.1		BOP, KVT, UOP4		21A	W04A, W04B		21A	W04A, W04B
	03	D08A, D08B, D18Z, D22A, D22B, D30A, D30B		21B	X06A, X06B, X06C		21B	X06A, X06B, X06C
	09	J03A, J03B, J04A, J04B, J08A, J08B, J08C, J11A, J11B, J16Z		22	Y01Z, Y03A, Y03B	5g22d.3		BOP, KVT, UOP4
	21A	W04A, W04B	5g227		BOP, KVT, UOP4		03	D13Z
	21B	X06A, X06B, X06C		03	D13Z		09	J03A, J03B, J04A, J04B, J08A, J08B, J08C, J11A, J11B, J16Z
	22	Y01Z, Y03A, Y03B		09	J03A, J03B, J04A, J04B, J08A, J08B, J08C, J11A, J11B, J16Z		21A	W04A, W04B
5g220.2		BOP, KVT, UOP4		21A	W04A, W04B		21B	X06A, X06B, X06C
	03	D08A, D08B, D18Z, D22A, D22B, D30A, D30B		21B	X06A, X06B, X06C	5g22e.1		BOP, KVT, UOP4
	09	J03A, J03B, J04A, J04B, J08A, J08B, J08C, J11A, J11B, J16Z	5g228		Y01Z, Y03A, Y03B		03	D13Z
	21A	W04A, W04B		03	D13Z		09	J03A, J03B, J04A, J04B, J08A, J08B, J08C, J11A, J11B, J16Z
	21B	X06A, X06B, X06C		09	J03A, J03B, J04A, J04B, J08A, J08B, J08C, J11A, J11B, J16Z		21A	W04A, W04B
	22	Y01Z, Y03A, Y03B		21A	W04A, W04B		21B	X06A, X06B, X06C
5g222.2		BOP, KVT, UOP4		21B	X06A, X06B, X06C	5g22e.2		Y01Z, Y03A, Y03B
	03	D08A, D08B, D18Z, D22A, D22B, D30A, D30B	5g229		Y01Z, Y03A, Y03B		03	D13Z
	09	J03A, J03B, J04A, J04B, J08A, J08B, J08C, J11A, J11B, J16Z		03	D13Z		09	J03A, J03B, J04A, J04B, J08A, J08B, J08C, J11A, J11B, J16Z
	21A	W04A, W04B		09	J03A, J03B, J04A, J04B, J08A, J08B, J08C, J11A, J11B, J16Z		21A	W04A, W04B
	21B	X06A, X06B, X06C		21A	W04A, W04B		21B	X06A, X06B, X06C
	22	Y01Z, Y03A, Y03B		21B	X06A, X06B, X06C	5g22f		Y01Z, Y03A, Y03B
5g222.3		BOP, KVT, UOP4		22	Y01Z, Y03A, Y03B		03	D13Z
	03	D08A, D08B, D18Z, D22A, D22B, D30A, D30B	5g22a		BOP, KVT, UOP4		09	J03A, J03B, J04A, J04B, J08A, J08B, J08C, J11A, J11B, J16Z
	09	J03A, J03B, J04A, J04B, J08A, J08B, J08C, J11A, J11B, J16Z		03	D13Z		21A	W04A, W04B
	21A	W04A, W04B		09	J03A, J03B, J04A, J04B, J08A, J08B, J08C, J11A, J11B, J16Z		21B	X06A, X06B, X06C
	21B	X06A, X06B, X06C		21A	W04A, W04B	5g300		D13Z
	22	Y01Z, Y03A, Y03B		21B	X06A, X06B, X06C		16	Q03A, Q03B
5g223		BOP, KVT, UOP4		22	Y01Z, Y03A, Y03B	5g301		D08A, D08B, D18Z, D22A, D22B, D30A, D30B
	03	D13Z, D22A	5g22b		BOP, KVT, UOP4		16	Q03A, Q03B
	09	J03A, J03B, J04A, J04B, J08A, J08B, J08C, J11A, J11B, J16Z		03	D13Z	5g302		D08A, D08B, D18Z, D22A, D22B, D30A, D30B
	21A	W04A, W04B		09	J03A, J03B, J04A, J04B, J08A, J08B, J08C, J11A, J11B, J16Z		16	Q03A, Q03B
	21B	X06A, X06B, X06C		21A	W04A, W04B	5g303		D08A, D08B, D18Z, D22A, D22B, D30A, D30B
	22	Y01Z, Y03A, Y03B		21B	X06A, X06B, X06C		16	Q03A, Q03B
5g224		BOP, KVT, UOP4		22	Y01Z, Y03A, Y03B	5g304		D08A, D08B, D18Z, D22A, D22B, D30A, D30B
	03	D08A, D08B, D18Z, D22A, D22B, D30A, D30B	5g22c		BOP, KVT, UOP4		16	Q03A, Q03B
	09	J03A, J03B, J04A, J04B, J08A, J08B, J08C, J11A, J11B, J16Z		03	D13Z	5g305		D08A, D08B, D18Z, D22A, D22B, D30A, D30B
	21A	W04A, W04B		09	J03A, J03B, J04A, J04B, J08A, J08B, J08C, J11A, J11B, J16Z		16	Q03A, Q03B
	21B	X06A, X06B, X06C		21A	W04A, W04B		03	BOP, KVT, UOP4
	22	Y01Z, Y03A, Y03B		21B	X06A, X06B, X06C		09	D18Z, D25A, D25B, D25C, D25D
				22	Y01Z, Y03A, Y03B	5g306		J08A, J08B, J08C
							03	BOP, KVT, UOP4
							09	D18Z, D25A, D25B, D25C, D25D
							09	J08A, J08B, J08C

VYK



ZZV	MDC	DRG	ZZV	MDC	DRG	ZZV	MDC	DRG
5g404↔		BOP, KVT, UOP4	5g514		BOP, KVT, UOP4	5g518.2		BOP, KVT, UOP4
	03	D06A, D06B, D06C		03	D03Z, D12A		03	D03Z, D12A
	16	Q03A, Q03B		09	J03A, J03B, J04A, J04B, J08A, J08B, J08C, J11A, J11B, J16Z		09	J03A, J03B, J04A, J04B, J08A, J08B, J08C, J11A, J11B, J16Z
5g405↔		BOP, KVT, UOP4		21A	W04A, W04B		21A	W04A, W04B
	03	D06A, D06B, D06C		21B	X06A, X06B, X06C		21B	X06A, X06B, X06C
5g406↔		BOP, KVT, UOP4	5g515		BOP, KVT, UOP4	5g518.3		BOP, KVT, UOP4
	03	D06A, D06B, D06C		03	D03Z, D12A		03	D03Z, D12A
5g407↔		BOP, KVT, UOP4		09	J03A, J03B, J04A, J04B, J08A, J08B, J08C, J11A, J11B, J16Z		09	J03A, J03B, J04A, J04B, J08A, J08B, J08C, J11A, J11B, J16Z
	03	D06A, D06B, D06C		21A	W04A, W04B		21A	W04A, W04B
5g408↔		BOP, KVT, UOP4		21B	X06A, X06B, X06C		21B	X06A, X06B, X06C
	03	D05A, D05B	5g516		BOP, KVT, UOP4	5g519.1		BOP, KVT, UOP4
5g409↔		BOP, KVT, UOP4		03	D03Z, D12A		03	D03Z, D12A
	03	D05A, D05B		09	J03A, J03B, J04A, J04B, J08A, J08B, J08C, J11A, J11B, J16Z		09	J03A, J03B, J04A, J04B, J08A, J08B, J08C, J11A, J11B, J16Z
5g40a↔		BOP, KVT, UOP4		21A	W04A, W04B		21A	W04A, W04B
	03	D05A, D05B		21B	X06A, X06B, X06C		21B	X06A, X06B, X06C
5g40b↔		BOP, KVT, UOP4	5g517.11		BOP, KVT, UOP4	5g521.1		BOP, KVT, UOP4
	03	D05A, D05B		03	D03Z, D12A		03	D03Z, D12A
5g40c↔		BOP, KVT, UOP4		09	J03A, J03B, J04A, J04B, J08A, J08B, J08C, J11A, J11B, J16Z		09	J03A, J03B, J04A, J04B, J08A, J08B, J08C, J11A, J11B, J16Z
	03	D05A		21A	W04A, W04B		21A	W04A, W04B
5g40d↔		BOP, KVT, UOP4		21B	X06A, X06B, X06C	5g519.2		BOP, KVT, UOP4
	03	D06A, D06B, D06C	5g517.12		BOP, KVT, UOP4		03	D03Z, D12A
5g40e↔		BOP, KVT, UOP4		03	D03Z, D12A		09	J03A, J03B, J04A, J04B, J08A, J08B, J08C, J11A, J11B, J16Z
	03	D06A, D06B, D06C		09	J03A, J03B, J04A, J04B, J08A, J08B, J08C, J11A, J11B, J16Z		03	D08A, D08B, D18Z, D22A, D22B, D30A, D30B
	21A	W04A, W04B		21A	W04A, W04B		09	J03A, J03B, J04A, J04B, J08A, J08B, J08C, J11A, J11B, J16Z
	21B	X06A, X06B, X06C		21B	X06A, X06B, X06C	5g521.2		D08A, D08B, D18Z, D22A, D22B, D30A, D30B
5g40f↔		BOP, KVT, UOP4		03	D03Z, D12A		21A	W04A, W04B
	03	D06A, D06B, D06C		09	J03A, J03B, J04A, J04B, J08A, J08B, J08C, J11A, J11B, J16Z		21B	X06A, X06B, X06C
	21A	W04A, W04B		21A	W04A, W04B		22	Y01Z, Y03A, Y03B
	21B	X06A, X06B, X06C		21B	X06A, X06B, X06C		03	D08A, D08B, D18Z, D22A, D22B, D30A, D30B
5g40g↔		BOP, KVT, UOP4	5g517.1x		BOP, KVT, UOP4	5g522		D08A, D08B, D18Z, D22A, D22B, D30A, D30B
	03	D06A, D06B, D06C		03	D03Z, D12A		09	J03A, J03B, J04A, J04B, J08A, J08B, J08C, J11A, J11B, J11C, J16Z
	21A	W04A, W04B		09	J03A, J03B, J04A, J04B, J08A, J08B, J08C, J11A, J11B, J16Z		21A	W04A, W04B
	21B	X06A, X06B, X06C		03	D03Z, D12A		21B	X06A, X06B, X06C
5g40h		BOP, KVT, UOP4		09	J03A, J03B, J04A, J04B, J08A, J08B, J08C, J11A, J11B, J16Z		22	Y01Z, Y03A, Y03B
	03	D06A, D06B, D06C		21A	W04A, W04B		03	D08A, D08B, D18Z, D22A, D22B, D30A, D30B
5g40j		D06A, D06B, D06C	5g517.21		BOP, KVT, UOP4		09	J03A, J03B, J04A, J04B, J08A, J08B, J08C, J11A, J11B, J11C, J16Z
5g40k		D06A, D06B, D06C		03	D03Z, D12A		21A	W04A, W04B
5g40m		D06A, D06B, D06C		09	J03A, J03B, J04A, J04B, J08A, J08B, J08C, J11A, J11B, J16Z		21B	X06A, X06B, X06C
5g40n		D06A, D06B, D06C		21A	W04A, W04B		22	Y01Z, Y03A, Y03B
5g500‡		D40Z		21B	X06A, X06B, X06C	5g523		D08A, D08B, D18Z, D22A, D22B, D30A, D30B
5g501‡		D40Z		03	D03Z, D12A		09	J03A, J03B, J04A, J04B, J08A, J08B, J08C, J11A, J11B, J11C, J16Z
5g502‡		D15A, D15B, D18Z		09	J03A, J03B, J04A, J04B, J08A, J08B, J08C, J11A, J11B, J16Z		21A	W04A, W04B
	04	E02A, E02B, E02C		21A	W04A, W04B		21B	X06A, X06B, X06C
	21A	W01A, W01B, W01C, W36Z		21B	X06A, X06B, X06C		22	Y01Z, Y03A, Y03B
5g511		BOP, KVT, UOP4	5g517.22		BOP, KVT, UOP4	5g524		D08A, D08B, D18Z, D22A, D22B, D30A, D30B
	03	D03Z, D12A		03	D03Z, D12A		09	J03A, J03B, J04A, J04B, J08A, J08B, J08C, J11A, J11B, J11C, J16Z
	09	J03A, J03B, J04A, J04B, J08A, J08B, J08C, J11A, J11B, J16Z		09	J03A, J03B, J04A, J04B, J08A, J08B, J08C, J11A, J11B, J16Z		21A	W04A, W04B
	21A	W04A, W04B		21A	W04A, W04B		21B	X06A, X06B, X06C
	21B	X06A, X06B, X06C		21B	X06A, X06B, X06C		22	Y01Z, Y03A, Y03B
5g512↔		BOP, KVT, UOP4		03	D03Z, D12A		03	D08A, D08B, D18Z, D22A, D22B, D30A, D30B
	03	D03Z, D12A		09	J03A, J03B, J04A, J04B, J08A, J08B, J08C, J11A, J11B, J16Z		09	J03A, J03B, J04A, J04B, J08A, J08B, J08C, J11A, J11B, J11C, J16Z
	09	J03A, J03B, J04A, J04B, J08A, J08B, J08C, J11A, J11B, J16Z		21A	W04A, W04B		21A	W04A, W04B
	21A	W04A, W04B		21B	X06A, X06B, X06C		21B	X06A, X06B, X06C
	21B	X06A, X06B, X06C		03	D03Z, D12A		22	Y01Z, Y03A, Y03B
5g513↔		BOP, KVT, UOP4	5g517.2x		BOP, KVT, UOP4	5g530.1		BOP, KVT, UOP4
	03	D03Z, D12A		03	D03Z, D12A		03	D03Z, D12A
	09	J03A, J03B, J04A, J04B, J08A, J08B, J08C, J11A, J11B, J16Z		09	J03A, J03B, J04A, J04B, J08A, J08B, J08C, J11A, J11B, J16Z		09	J03A, J03B, J04A, J04B, J08A, J08B, J08C, J11A, J11B, J16Z
	21A	W04A, W04B		21A	W04A, W04B		21A	W04A, W04B
	21B	X06A, X06B, X06C		21B	X06A, X06B, X06C		21B	X06A, X06B, X06C
	03	D03Z, D12A		03	D03Z, D12A		22	Y01Z, Y03A, Y03B
	09	J03A, J03B, J04A, J04B, J08A, J08B, J08C, J11A, J11B, J16Z	5g518.1		BOP, KVT, UOP4		03	D03Z, D12A
	21A	W04A, W04B		03	D03Z, D12A		09	J03A, J03B, J04A, J04B, J08A, J08B, J08C, J11A, J11B, J16Z
	21B	X06A, X06B, X06C		09	J03A, J03B, J04A, J04B, J08A, J08B, J08C, J11A, J11B, J16Z		21A	W04A, W04B
				21A	W04A, W04B		21B	X06A, X06B, X06C
				21B	X06A, X06B, X06C			

ZZV	MDC	DRG	ZZV	MDC	DRG	ZZV	MDC	DRG
5g530.2		BOP, KVT, UOP4	5g904	03	D08A, D08B, D18Z, D22A, D22B, D30A, D30B	5g90e.4		BOP, KVT, UOP4
	03	D03Z, D12A		09	J03A, J03B, J04A, J04B, J08A, J08B, J08C, J11A, J11B, J16Z		03	D03Z, D13Z
	09	J03A, J03B, J04A, J04B, J08A, J08B, J08C, J11A, J11B, J16Z		21A	W04A, W04B	5g90k		BOP, KVT, UOP4
	21A	W04A, W04B		21B	X06A, X06B, X06C		03	D03Z, D12A, D12B
	21B	X06A, X06B, X06C		22	Y01Z, Y03A, Y03B		04	E02A, E02B, E02C, E07Z
5g531.3		BOP, KVT, UOP4	5g905	03	D08A, D08B, D18Z, D22A, D22B, D30A, D30B	5g90m		W04A, W04B
	03	D03Z, D12A		09	J03A, J03B, J04A, J04B, J08A, J08B, J08C, J11A, J11B, J11C, J16Z		21A	X06A, X06B, X06C
	09	J03A, J03B, J04A, J04B, J08A, J08B, J08C, J11A, J11B, J16Z		21A	W04A, W04B	5g90n		BOP, KVT, UOP4
	21A	W04A, W04B		21B	X06A, X06B, X06C		03	D03Z, D12A, D12B
	21B	X06A, X06B, X06C		22	Y01Z, Y03A, Y03B		04	E02A, E02B, E02C, E07Z
5g531.4		BOP, KVT, UOP4	5g906↔	03	D08A, D08B, D18Z, D22A, D22B, D30A, D30B	5g90o		W04A, W04B
	03	D03Z, D12A		09	J03A, J03B, J04A, J04B, J08A, J08B, J08C, J11A, J11B, J11C, J16Z		03	D03Z, D12A, D12B
	09	J03A, J03B, J04A, J04B, J08A, J08B, J08C, J11A, J11B, J16Z		21A	W04A, W04B		04	E02A, E02B, E02C, E07Z
	21A	W04A, W04B		21B	X06A, X06B, X06C		21A	W04A, W04B
	21B	X06A, X06B, X06C		22	Y01Z, Y03A, Y03B	5g90p		X06A, X06B, X06C
5g531.8		BOP, KVT, UOP4	5g907	03	D08A, D08B, D18Z, D22A, D22B, D30A, D30B		03	BOP, KVT, UOP4
	03	D03Z, D12A		09	J03A, J03B, J04A, J04B, J08A, J08B, J08C, J11A, J11B, J16Z		03	D03Z, D12A, D12B
	09	J03A, J03B, J04A, J04B, J08A, J08B, J08C, J11A, J11B, J16Z		21A	W04A, W04B		04	E02A, E02B, E02C, E07Z
	21A	W04A, W04B		21B	X06A, X06B, X06C		21A	W04A, W04B
	21B	X06A, X06B, X06C		22	Y01Z, Y03A, Y03B	5g90t		X06A, X06B, X06C
5g600		BOP, KVT, UOP4	5g908	03	D08A, D08B, D18Z, D22A, D22B, D30A, D30B		03	BOP, KVT, UOP4
	03	D09Z, D30A, D30B		09	J03A, J03B, J04A, J04B, J08A, J08B, J08C, J11A, J11B, J16Z		04	D03Z, D12A, D12B
5g601		BOP, KVT, UOP4		21A	W04A, W04B		04	E02A, E02B, E02C, E07Z
	03	D09Z, D30A, D30B		21B	X06A, X06B, X06C		21A	W04A, W04B
	04	E02A, E02B, E02C, E07Z		22	Y01Z, Y03A, Y03B	5g90u		X06A, X06B, X06C
5g602		BOP, KVT, UOP4	5g909	03	D08A, D08B, D18Z, D22A, D22B, D30A, D30B		03	BOP, KVT, UOP4
	03	D09Z, D30A, D30B		09	J03A, J03B, J04A, J04B, J08A, J08B, J08C, J11A, J11B, J16Z		01	B03A, B03B, B06A, B06B, B07Z, B17A, B17B, B17C
	04	E02A, E02B, E02C, E07Z		21A	W04A, W04B		08	I12A, I12B, I12C, I27A, I27B, I27C, I27D
5g603		BOP, KVT, UOP4		21B	X06A, X06B, X06C		21A	W04A, W04B
	03	D09Z, D30A, D30B		22	Y01Z, Y03A, Y03B		21B	X04Z, X05A, X05B, X06A, X06B, X06C
	04	E02A, E02B, E02C, E07Z		03	D08A, D08B, D18Z, D22A, D22B, D30A, D30B	5g90v		BOP, KVT, UOP4
5g604		BOP, KVT, UOP4	5g90a	03	D08A, D08B, D18Z, D22A, D22B, D30A, D30B		01	B03A, B03B, B06A, B06B, B07Z, B17A, B17B, B17C
	03	D09Z, D30A, D30B		09	J03A, J03B, J04A, J04B, J08A, J08B, J08C, J11A, J11B, J16Z		03	D12A
	04	E02A, E02B, E02C, E07Z		21A	W04A, W04B		05	F21A, F21B, F21C, F27A, F27B, F27C
5g605		BOP, KVT, UOP4		21B	X06A, X06B, X06C		08	I08A, I08B, I08C, I08D, I08E, I12A, I12B, I12C, I13A, I13B, I32A, I32B, I32C, I32D
	03	D09Z, D30A, D30B		22	Y01Z, Y03A, Y03B		09	J02A, J02B, J02C, J04A, J04B, J08A, J08B, J08C, J16Z, J21Z, J22A, J22B
	04	E02A, E02B, E02C, E07Z		03	D08A, D08B, D18Z, D22A, D22B, D30A, D30B		10	K01Z
5g607.0		BOP, KVT, UOP4	5g90b	03	D08A, D08B, D18Z, D22A, D22B, D30A, D30B		21A	W04A, W04B
	03	D13Z		09	J03A, J03B, J04A, J04B, J08A, J08B, J08C, J11A, J11B, J16Z		21B	X04Z, X05A, X05B, X06A, X06B, X06C
	04	E02A, E02B, E02C, E07Z		21A	W04A, W04B	5g910↔		Y01Z, Y03A, Y03B
	16	Q03A, Q03B		21B	X06A, X06B, X06C		03	BOP, KVT, UOP4
5g607.1		BOP, KVT, UOP4	5g90c	03	D08A, D08B, D18Z, D22A, D22B, D30A, D30B		03	D03Z, D13Z
	03	D13Z		09	J03A, J03B, J04A, J04B, J08A, J08B, J08C, J11A, J11B, J16Z	5g911		BOP, KVT, UOP4
	04	E02A, E02B, E02C, E07Z		21A	W04A, W04B		03	D03Z, D13Z
	16	Q03A, Q03B		21B	X06A, X06B, X06C	5g912↔		BOP, KVT, UOP4
5g608.a		BOP, KVT, UOP4	5g90d	03	D08A, D08B, D18Z, D22A, D22B, D30A, D30B		03	D03Z, D12A
	03	D09Z, D30A, D30B		09	J03A, J03B, J04A, J04B, J08A, J08B, J08C, J11A, J11B, J16Z		09	J03A, J03B, J04A, J04B, J08A, J08B, J08C, J11A, J11B, J16Z
5g608.b		BOP, KVT, UOP4		21A	W04A, W04B			
	03	D09Z, D30A, D30B		21B	X06A, X06B, X06C			
5g608.c		BOP, KVT, UOP4		22	Y01Z, Y03A, Y03B			
	03	D09Z, D30A, D30B		03	D08A, D08B, D18Z, D22A, D22B, D30A, D30B			
5g608.d		BOP, KVT, UOP4		09	J03A, J03B, J04A, J04B, J08A, J08B, J08C, J11A, J11B, J16Z			
	03	D09Z, D30A, D30B		21A	W04A, W04B			
5g901↔↔		BOP, KVT, UOP4	5g90e.0	03	D03Z, D13Z			
5g902		BOP, KVT, UOP4		03	D03Z, D13Z			
	03	D08A, D08B, D18Z, D22A, D22B, D30A, D30B	5g90e.2	03	BOP, KVT, UOP4			
5g903		D08A, D08B, D18Z, D22A, D22B, D30A, D30B	5g90e.3	03	BOP, KVT, UOP4			
	03	D08A, D08B, D18Z, D22A, D22B, D30A, D30B		03	D03Z, D13Z			

ZZV	MDC	DRG	ZZV	MDC	DRG	ZZV	MDC	DRG			
5g913		BOP, KVT, UOP4	5g921.2		BOP, KVT, UOP4	5h111.1		BOP, KOP, KOPV, KVT, UOP4			
	03	D08A, D08B, D18Z, D22A, D22B, D30A, D30B		03	D18Z, D25A, D25B, D25C, D25D		03	D02A, D18Z, D25A, D25B, D25C, D25D			
	09	J03A, J03B, J04A, J04B, J08A, J08B, J08C, J11A, J11B, J16Z		5g921.3	09		J08A, J08B	06	G15Z, G19A, G19B, G33Z, G38Z		
	21A	W04A, W04B			03		D18Z, D25A, D25B, D25C, D25D	07	H33Z, H38Z		
	21B	X06A, X06B, X06C		5g921.4	09		J08A, J08B	09	J08A, J08B, J08C		
22	Y01Z, Y03A, Y03B		BOP, KVT, UOP4		11	L33Z					
5g914		BOP, KVT, UOP4	5g921.5		BOP, KVT, UOP4	5h111.2	Pre	A07A			
	03	D08A, D08B, D18Z, D22A, D22B, D30A, D30B		03	D18Z, D25A, D25B, D25C, D25D		03	D02A, D18Z, D25A, D25B, D25C, D25D			
	09	J03A, J03B, J04A, J04B, J08A, J08B, J08C, J11A, J11B, J16Z		5g922.1	09		J08A, J08B	06	G15Z, G19A, G19B, G33Z, G38Z		
	21A	W04A, W04B			03		D09Z, D30A, D30B	07	H33Z, H38Z		
	21B	X06A, X06B, X06C		03	D09Z, D30A, D30B		09	J08A, J08B, J08C			
5g915↔		BOP, KVT, UOP4	5g922.2		BOP, KVT, UOP4	5h111.4	11	L33Z			
	03	D18Z, D25A, D25B, D25C, D25D		21A	W04A, W04B		Pre	A07A			
	08	I06A, I06B, I06C, I06D, I06E		21B	X06A, X06B, X06C		5h111.4	BOP, KOP, KOPV, KVT, UOP4			
	09	J08A, J08B, J08C		03	D09Z, D30A, D30B			03	D02A, D18Z, D25A, D25B, D25C, D25D		
	5g916.0↔			BOP, KVT, UOP4	5g922.x			BOP, KVT, UOP4	5h111.x	06	G15Z, G19A, G19B, G33Z, G38Z
03		D18Z, D25A, D25B, D25C, D25D	21A	W04A, W04B		07	H33Z, H38Z				
09		J08A, J08B	21B	X06A, X06B, X06C		09	J08A, J08B, J08C				
5g916.1↔			BOP, KVT, UOP4	5h101			KOP, KOPV	5h112.1		11	L33Z
		03	D18Z, D25A, D25B, D25C, D25D			03	D12A, D12B			Pre	A07A
	09	J08A, J08B	06		G15Z, G19A, G19B, G33Z, G38Z	5h112.1	BOP, KOP, KOPV, KVT, UOP4				
	5g916.2↔		BOP, KOP, KOPV, KVT, UOP4		5h102				H33Z, H38Z	03	D02A, D18Z, D25A, D25B, D25C, D25D
		03	D02A, D02B			11	L33Z		06	G15Z, G19A, G19B, G33Z, G38Z	
06		G33Z	Pre	A07A		07	H33Z, H38Z				
07		H33Z, H38Z	5h103.0	03		D12A	09	J08A, J08B, J08C			
09		J08A, J08B		21A		W04A, W04B	11	L33Z			
5g918		BOP, KVT, UOP4	5h103.1		BOP, KOP, KOPV, KVT, UOP4	5h112.2	Pre	A07A			
	03	D09Z, D30A, D30B		03	D12A		5h112.2	BOP, KOP, KOPV, KVT, UOP4			
	21A	W04A, W04B		21A	W04A, W04B			03	D12A, D12B		
	5g919.1			BOP, KVT, UOP4	5h103.2			BOP, KOP, KOPV, KVT, UOP4	5h112.3	06	G15Z, G19A, G19B, G33Z, G38Z
		03		D03Z, D12A			03	D12A		07	H33Z, H38Z
09		J03A, J03B, J04A, J04B, J08A, J08B, J08C, J11A, J11B, J16Z	21A	W04A, W04B		11	L33Z				
5g919.2			BOP, KVT, UOP4	5h104			BOP, KOP, KOPV, KVT, UOP4	5h112.3		Pre	A07A
		03	D03Z, D12A			21B	X06A, X06B, X06C			03	D12A, D12B
	09	J03A, J03B, J04A, J04B, J08A, J08B, J08C, J11A, J11B, J16Z	03		D12A, D12B	06	G15Z, G19A, G19B, G33Z, G38Z				
	5g919.4		BOP, KVT, UOP4		5h105		BOP, KOP, KOPV, KVT, UOP4		5h112.3	07	H33Z, H38Z
		03	D03Z, D12A			09	J03A, J03B, J04A, J04B, J08A, J08B, J08C, J11A, J11B, J16Z			11	L33Z
09		J03A, J03B, J04A, J04B, J08A, J08B, J08C, J11A, J11B, J16Z	03	D12A, D12B		Pre	A07A				
5g919.7			BOP, KVT, UOP4	5h110			BOP, KOP, KOPV, KVT, UOP4	5h112.3		BOP, KOP, KOPV, KVT, UOP4	
		03	D03Z, D12A			09	J03A, J03B, J04A, J04B, J08A, J08B, J08C, J11A, J11B, J16Z			03	D12A, D12B
	09	J03A, J03B, J04A, J04B, J08A, J08B, J08C, J11A, J11B, J16Z	03		D12A, D12B	06	G15Z, G19A, G19B, G33Z, G38Z				
	5g921.0		BOP, KVT, UOP4		5h110		BOP, KOP, KOPV, KVT, UOP4		5h112.3	07	H33Z, H38Z
		03	D18Z, D25A, D25B, D25C, D25D			03	D12A, D12B			11	L33Z
09		J08A, J08B	06	G15Z, G19A, G19B, G33Z, G38Z		Pre	A07A				
			07	H33Z, H38Z							
			11	L33Z							
		Pre	A07A								

VYK

ZZV	MDC	DRG	ZZV	MDC	DRG	ZZV	MDC	DRG
5h115.1		BOP, KOP, KOPV, KVT, UOP4	5h121.x		BOP, KVT, UOP4	5h221		BOP, KVT, UOP4
	03	D12A, D12B		03	D03Z, D12A, D12B		03	D03Z, D12A, D12B, D18Z, D25A, D25B, D25C, D25D
	06	G15Z, G19A, G19B, G33Z, G38Z		04	E02A, E02B, E02C, E07Z		04	E02A, E02B, E02C, E07Z
	07	H33Z, H38Z		21A	W04A, W04B		09	J08A, J08B, J08C
	11	L33Z	5h123		X06A, X06B, X06C		21A	W04A, W04B
	Pre	A07A			BOP, KOP, KOPV, KVT, UOP4		21B	X06A, X06B, X06C, X33Z
5h115.2		BOP, KOP, KOPV, KVT, UOP4		03	D02A, D03Z	5h222		BOP, KVT, UOP4
	03	D12A, D12B		04	E02A, E02B, E02C, E07Z		03	D03Z, D12A, D12B, D18Z, D25A, D25B, D25C, D25D
	06	G15Z, G19A, G19B, G33Z, G38Z		06	G33Z		04	E02A, E02B, E02C, E07Z
	07	H33Z, H38Z		07	H33Z, H38Z		09	J08A, J08B, J08C
	11	L33Z		09	J08A, J08B, J08C		21A	W04A, W04B
	Pre	A07A		11	L33Z		21B	X06A, X06B, X06C, X33Z
5h118	03	D09Z, D30A, D30B		21A	W04A, W04B	5h223		BOP, KVT, UOP4
	04	E02A, E02B, E02C		21B	X06A, X06B, X06C, X33Z		03	D09Z, D30A
5h119		BOP, KOP, KOPV, KVT, UOP4	5h190	Pre	A07A		04	E02A, E02B, E02C
	03	D12A, D12B			BOP, KOP, KOPV, KVT, UOP4			BOP, KVT, UOP4
	06	G15Z, G19A, G19B, G33Z, G38Z		03	D12A, D12B	5h230	03	D09Z, D25A, D25B, D25C, D25D, D30A
	07	H33Z, H38Z		06	G15Z, G19A, G19B, G33Z, G38Z		04	E02A, E02B, E02C
	11	L33Z		07	H33Z, H38Z		21A	W04A, W04B
	Pre	A07A		11	L33Z		21B	X06A, X06B, X06C
5h120		BOP, KVT, UOP4	5h191	Pre	A07A	5h231	22	Y01Z, Y03A, Y03B
	03	D03Z, D12A, D12B			BOP, KVT, UOP4		03	D09Z, D25A, D25B, D25C, D25D, D30A
	04	E02A, E02B, E02C, E07Z		21A	W04A, W04B		04	E02A, E02B, E02C
	21A	W04A, W04B		21B	X06A, X06B, X06C		21A	W04A, W04B
	21B	X06A, X06B, X06C	5h192	03	D12A, D12B		21B	X06A, X06B, X06C
5h121.1		BOP, KVT, UOP4		21A	W04A, W04B		22	Y01Z, Y03A, Y03B
	03	D03Z, D18Z, D25A, D25B, D25C, D25D	5h193	03	D12A, D12B	5h232		BOP, KVT, UOP4
	04	E02A, E02B, E02C, E07Z	5h194		BOP, KVT, UOP4		03	D18Z, D28Z, D29Z
	09	J08A, J08B, J08C		03	D12A, D12B		04	E02A, E02B, E02C
	21A	W04A, W04B		21A	W04A, W04B		09	J08A, J08B, J08C
	21B	X06A, X06B, X06C	5h200	21B	X06A, X06B, X06C		21A	W04A, W04B
5h121.2		BOP, KVT, UOP4		03	D09Z, D30A, D30B		21B	X06A, X06B, X06C
	03	D03Z, D12A, D12B		04	E02A, E02B, E02C	5h233		BOP, KVT, UOP4
	04	E02A, E02B, E02C, E07Z	5h201		BOP, KVT, UOP4		03	D18Z, D28Z, D29Z
	21A	W04A, W04B		03	D09Z, D30A, D30B		04	E02A, E02B, E02C
	21B	X06A, X06B, X06C		04	E02A, E02B, E02C		09	J08A, J08B, J08C
5h121.3		BOP, KOP, KOPV, KVT, UOP4	5h203		BOP, KVT, UOP4		21A	W04A, W04B
	03	D02A, D03Z		03	D18Z, D25A, D25B, D25C, D25D		21B	X06A, X06B, X06C
	04	E02A, E02B, E02C, E07Z		04	E02A, E02B, E02C	5h234		BOP, KVT, UOP4
	06	G33Z		09	J08A, J08B, J08C		03	D18Z, D25A, D25B, D25C, D25D
	07	H33Z, H38Z		21A	W04A, W04B		04	E02A, E02B, E02C
	09	J08A, J08B, J08C	5h210	21B	X06A, X06B, X06C		09	J08A, J08B, J08C
	11	L33Z		03	D09Z, D30A, D30B		21A	W04A, W04B
	21A	W04A, W04B		04	E02A, E02B, E02C, E02D		21B	X06A, X06B, X06C, X33Z
	21B	X06A, X06B, X06C, X33Z		04	E02A, E02B, E02C, E02D	5h291		BOP, KVT, UOP4
	Pre	A07A	5h211	03	D09Z, D30A, D30B		03	D12A
5h121.4		BOP, KOP, KOPV, KVT, UOP4		04	E02A, E02B, E02C, E02D		04	E02A, E02B, E02C
	03	D02A, D03Z	5h212	03	D09Z, D30A, D30B		09	J08A, J08B, J08C
	04	E02A, E02B, E02C, E07Z		04	E02A, E02B, E02C, E02D		21A	W04A, W04B
	06	G33Z	5h213	03	D09Z, D30A, D30B		21B	X06A, X06B, X06C
	07	H33Z, H38Z		04	E02A, E02B, E02C, E02D	5h292		BOP, KVT, UOP4
	09	J08A, J08B, J08C		03	D09Z, D30A, D30B		03	D09Z, D30A, D30B
	11	L33Z	5h214	04	E02A, E02B, E02C, E02D		04	E02A, E02B, E02C
	21A	W04A, W04B			BOP, KVT, UOP4		21A	W04A, W04B
	21B	X06A, X06B, X06C, X33Z	5h220		BOP, KVT, UOP4		21B	X06A, X06B, X06C
	Pre	A07A		03	D03Z, D12A, D12B, D18Z, D25A, D25B, D25C, D25D		22	Y01Z, Y03A, Y03B
				04	E02A, E02B, E02C, E07Z	5h293		BOP, KVT, UOP4
				09	J08A, J08B, J08C		03	D09Z, D30A, D30B
				21A	W04A, W04B		04	E02A, E02B, E02C
				21B	X06A, X06B, X06C		21A	W04A, W04B
							21B	X06A, X06B, X06C
							22	Y01Z, Y03A, Y03B

ZZV	MDC	DRG	ZZV	MDC	DRG	ZZV	MDC	DRG
5h301		BOP, KVT, UOP4	5j123.00↔		BOP, KOP, KOPV, KVT, UOP4	5j124.20↔		BOP, KOP, KOPV, KVT, UOP4
	03	D09Z, D30A					04	E06A, E06B, E06C, E08A, E08B, E08C
	04	E02A, E02B, E02C		04	E06A, E06B, E06C, E08A, E08B, E08C		06	G33Z
5h302.1‡	03	D15A, D15B, D18Z		06	G33Z		07	H33Z, H38Z
	04	E02A, E02B, E02C		07	H33Z, H38Z		09	J26Z
5h302.2‡	21A	W01A, W01B, W01C, W36Z		09	J26Z		10	K03A, K03B
	03	D15A, D15B, D18Z		11	L33Z		11	L33Z
	04	E02A, E02B, E02C		17	R01A, R01B, R01C, R01D, R02Z, R12A, R12B, R12C		17	R01A, R01B, R01C, R01D, R02Z, R12A, R12B, R12C
5h303.1‡	21A	W01A, W01B, W01C, W36Z		21B	X33Z		21B	X33Z
	03	D15A, D15B, D18Z		23	Z01A		23	Z01A
	04	E02A, E02B, E02C		Pre	A07A		Pre	A07A
5h303.2	21A	W01A, W01B, W01C, W36Z	5j123.01↔		BOP, KOP, KOPV, KVT, UOP4	5j124.21↔		BOP, KOP, KOPV, KVT, UOP4
	03	D12A, D12B		04	E06A, E06B, E06C, E08A, E08B, E08C		04	E06A, E06B, E06C, E08A, E08B, E08C
	04	E02A, E02B, E02C		06	G33Z		06	G33Z
	05	F21A, F21B		07	H33Z, H38Z		07	H33Z, H38Z
	09	J03A, J03B, J04A, J04B, J08A, J08B, J08C, J11A, J11B, J16Z		09	J26Z		09	J26Z
	21A	W04A, W04B		11	L33Z		11	L33Z
	21B	X06A, X06B, X06C		17	R01A, R01B, R01C, R01D, R02Z, R12A, R12B, R12C		17	R01A, R01B, R01C, R01D, R02Z, R12A, R12B, R12C
5h303.4	22	Y01Z, Y03A, Y03B		21B	X33Z		21B	X33Z
	BOP, KVT, UOP4			23	Z01A		23	Z01A
	03	D12A, D12B		Pre	A07A		Pre	A07A
	04	E02A, E02B, E02C	5j123.20↔		BOP, KOP, KOPV, KVT, UOP4	5j130.0		BOP, KOP, KOPV, KVT, UOP4
	05	F21A, F21B		04	E06A, E06B, E06C, E08A, E08B, E08C		04	E06A, E06B, E06C, E08A, E08B, E08C
	09	J03A, J03B, J04A, J04B, J08A, J08B, J08C, J11A, J11B, J16Z		06	G33Z		06	G33Z
	21A	W04A, W04B		07	H33Z, H38Z		07	H33Z, H38Z
	21B	X06A, X06B, X06C		09	J26Z		09	J26Z
	22	Y01Z, Y03A, Y03B		11	L33Z		11	L33Z
5h304	BOP, KVT, UOP4			17	R01A, R01B, R01C, R01D, R02Z, R12A, R12B, R12C		21A	W04A, W04B
	03	D04Z, D09Z, D25A, D25B, D25C, D25D, D30A		21B	X33Z		21B	X06A, X06B, X06C, X33Z
	04	E02A, E02B, E02C		23	Z01A		22	Y01Z, Y03A, Y03B
5h305	BOP, KVT, UOP4			Pre	A07A		23	Z01A
	03	D12A, D12B, D25A, D25B, D25C, D25D	5j124.00↔		BOP, KOP, KOPV, KVT, UOP4	5j130.1		BOP, KOP, KOPV, KVT, UOP4
	04	E02A, E02B, E02C		04	E06A, E06B, E06C, E08A, E08B, E08C		04	E05A, E05B, E05C, E08A, E08B, E08C
	21A	W04A, W04B		06	G33Z		06	G33Z
	21B	X06A, X06B, X06C		07	H33Z, H38Z		07	H33Z, H38Z
	22	Y01Z, Y03A, Y03B		09	J26Z		09	J26Z
5j122.00↔	BOP, KOP, KOPV, KVT, UOP4			11	L33Z		11	L33Z
	04	E06A, E06B, E06C, E08A, E08B, E08C		17	R01A, R01B, R01C, R01D, R02Z, R12A, R12B, R12C		21A	W04A, W04B
	06	G33Z		21B	X33Z		21B	X06A, X06B, X06C
	07	H33Z, H38Z		23	Z01A		22	Y01Z, Y03A, Y03B
	09	J26Z		Pre	A07A		23	Z01A
	11	L33Z	5j124.01↔		BOP, KOP, KOPV, KVT, UOP4	5j130.2		BOP, KOP, KOPV, KVT, UOP4
	17	R01A, R01B, R01C, R01D, R02Z, R12A, R12B, R12C		04	E06A, E06B, E06C, E08A, E08B, E08C		04	E06A, E06B, E06C, E08A, E08B, E08C
	21B	X33Z		06	G33Z		06	G33Z
	23	Z01A		07	H33Z, H38Z		07	H33Z, H38Z
	Pre	A07A		09	J26Z		09	J26Z
5j122.01↔	BOP, KOP, KOPV, KVT, UOP4			11	L33Z		11	L33Z
	04	E06A, E06B, E06C, E08A, E08B, E08C		17	R01A, R01B, R01C, R01D, R02Z, R12A, R12B, R12C		21A	W04A, W04B
	06	G33Z		21B	X33Z		21B	X06A, X06B, X06C, X33Z
	07	H33Z, H38Z		23	Z01A		22	Y01Z, Y03A, Y03B
	09	J26Z		Pre	A07A		23	Z01A
	11	L33Z		Pre	A07A		Pre	A07A
	17	R01A, R01B, R01C, R01D, R02Z, R12A, R12B, R12C						
	21B	X33Z						
	23	Z01A						
	Pre	A07A						

VYK

ZZV	MDC	DRG	ZZV	MDC	DRG	ZZV	MDC	DRG			
5j131.00↔		BOP, KOP, KOPV, KVT, UOP4	5j132.01↔		BOP, KOP, KOPV, KVT, UOP4	5j141.00↔		BOP, KOP, KOPV, KVT, UOP4			
	04	E06A, E06B, E06C, E08A, E08B, E08C		04	E06A, E06B, E06C, E08A, E08B, E08C		04	E01A, E01B, E05A, E05B, E05C, E08A, E08B, E08C			
	06	G33Z		06	G33Z		06	G01Z, G02Z, G33Z, G38Z			
	07	H33Z, H38Z		07	H33Z, H38Z		07	H33Z, H38Z			
	09	J26Z		09	J26Z		09	J26Z			
	11	L33Z		11	L33Z		11	L33Z			
	21A	W04A, W04B		21A	W04A, W04B		21A	W04A, W04B			
	21B	X06A, X06B, X06C, X33Z		21B	X06A, X06B, X06C, X33Z		21B	X06A, X06B, X06C, X33Z			
	22	Y01Z, Y03A, Y03B		22	Y01Z, Y03A, Y03B		22	Y01Z, Y03A, Y03B			
	23	Z01A		23	Z01A		23	Z01A			
	Pre	A07A		Pre	A07A		Pre	A07A, A11A, A13A, A13B, A13D			
	5j131.01↔			BOP, KOP, KOPV, KVT, UOP4	5j140.00↔			BOP, KOP, KOPV, KVT, UOP4	5j141.01↔		BOP, KOP, KOPV, KVT, UOP4
		04		E06A, E06B, E06C, E08A, E08B, E08C			04	E01A, E01B, E05A, E05B, E05C, E08A, E08B, E08C		04	E01A, E01B, E05A, E05B, E05C, E08A, E08B, E08C
		06		G33Z			06	G01Z, G02Z, G33Z, G38Z		06	G33Z
07		H33Z, H38Z	07	H33Z, H38Z		07	H33Z, H38Z				
09		J26Z	09	J26Z		09	J26Z				
11		L33Z	11	L33Z		11	L33Z				
21A		W04A, W04B	21A	W04A, W04B		21A	W04A, W04B				
21B		X06A, X06B, X06C, X33Z	21B	X06A, X06B, X06C, X33Z		21B	X06A, X06B, X06C, X33Z				
22		Y01Z, Y03A, Y03B	22	Y01Z, Y03A, Y03B		22	Y01Z, Y03A, Y03B				
23		Z01A	23	Z01A		23	Z01A				
Pre		A07A	Pre	A07A, A11A, A13A, A13B, A13D		Pre	A07A				
5j131.20↔			BOP, KOP, KOPV, KVT, UOP4	5j140.01↔			BOP, KOP, KOPV, KVT, UOP4	5j141.20↔			BOP, KOP, KOPV, KVT, UOP4
		04	E06A, E06B, E06C, E08A, E08B, E08C			04	E05A, E05B, E05C, E08A, E08B, E08C			04	E05A, E05B, E05C, E08A, E08B, E08C
		06	G33Z			06	G01Z, G02Z, G33Z, G38Z			06	G01Z, G02Z, G33Z, G38Z
	07	H33Z, H38Z	07		H33Z, H38Z	07	H33Z, H38Z				
	09	J26Z	09		J26Z	09	J26Z				
	11	L33Z	11		L33Z	11	L33Z				
	21A	W04A, W04B	21A		W04A, W04B	21A	W04A, W04B				
	21B	X06A, X06B, X06C, X33Z	21B		X06A, X06B, X06C, X33Z	21B	X06A, X06B, X06C, X33Z				
	22	Y01Z, Y03A, Y03B	22		Y01Z, Y03A, Y03B	22	Y01Z, Y03A, Y03B				
	23	Z01A	23		Z01A	23	Z01A				
	Pre	A07A	Pre		A07A, A11A, A13A, A13B, A13D	Pre	A07A, A11A, A13A, A13B, A13D				
	5j131.21↔		BOP, KOP, KOPV, KVT, UOP4		5j140.20↔		BOP, KOP, KOPV, KVT, UOP4		5j141.21↔		BOP, KOP, KOPV, KVT, UOP4
		04	E06A, E06B, E06C, E08A, E08B, E08C			04	E05A, E05B, E05C, E08A, E08B, E08C			04	E05A, E05B, E05C, E08A, E08B, E08C
		06	G33Z			06	G01Z, G02Z, G33Z, G38Z			06	G33Z
07		H33Z, H38Z	07	H33Z, H38Z		07	H33Z, H38Z				
09		J26Z	09	J26Z		09	J26Z				
11		L33Z	11	L33Z		11	L33Z				
21A		W04A, W04B	21A	W04A, W04B		21A	W04A, W04B				
21B		X06A, X06B, X06C, X33Z	21B	X06A, X06B, X06C, X33Z		21B	X06A, X06B, X06C, X33Z				
22		Y01Z, Y03A, Y03B	22	Y01Z, Y03A, Y03B		22	Y01Z, Y03A, Y03B				
23		Z01A	23	Z01A		23	Z01A				
Pre		A07A	Pre	A07A, A11A, A13A, A13B, A13D		Pre	A07A, A11A, A13A, A13B, A13D				
5j132.00↔			BOP, KOP, KOPV, KVT, UOP4	5j140.21↔			BOP, KOP, KOPV, KVT, UOP4	5j142.10↔			BOP, KOP, KOPV, KVT, UOP4
		04	E06A, E06B, E06C, E08A, E08B, E08C			04	E05A, E05B, E05C, E08A, E08B, E08C			04	E01A, E01B, E08A, E08B, E08C
		06	G33Z			06	G33Z			06	G01Z, G02Z, G33Z, G38Z
	07	H33Z, H38Z	07		H33Z, H38Z	07	H33Z, H38Z				
	09	J26Z	09		J26Z	09	J26Z				
	11	L33Z	11		L33Z	11	L33Z				
	21A	W04A, W04B	21A		W04A, W04B	21A	W04A, W04B				
	21B	X06A, X06B, X06C, X33Z	21B		X06A, X06B, X06C, X33Z	21B	X06A, X06B, X06C, X33Z				
	22	Y01Z, Y03A, Y03B	22		Y01Z, Y03A, Y03B	22	Y01Z, Y03A, Y03B				
	23	Z01A	23		Z01A	23	Z01A				
	Pre	A07A	Pre		A07A	Pre	A07A, A11A, A13A, A13B, A13D				

VYK

ZZV	MDC	DRG	ZZV	MDC	DRG	ZZV	MDC	DRG			
5j142.11↔		BOP, KOP, KOPV, KVT, UOP4	5j14a.00↔		BOP, KOP, KOPV, KVT, UOP4	5j14b.01↔		BOP, KOP, KOPV, KVT, UOP4			
	04	E01A, E01B, E08A, E08B, E08C		04	E05A, E05B, E05C, E08A, E08B, E08C		04	E05A, E05B, E05C, E08A, E08B, E08C			
	06	G33Z		06	G33Z		06	G33Z			
	07	H33Z, H38Z		07	H33Z, H38Z		07	H33Z, H38Z			
	09	J26Z		09	J26Z		09	J26Z			
	11	L33Z		11	L33Z		11	L33Z			
	21A	W04A, W04B		21A	W04A, W04B		21A	W04A, W04B			
	21B	X06A, X06B, X06C, X33Z		21B	X06A, X06B, X06C, X33Z		21B	X06A, X06B, X06C, X33Z			
	22	Y01Z, Y03A, Y03B		22	Y01Z, Y03A, Y03B		22	Y01Z, Y03A, Y03B			
	23	Z01A		23	Z01A		23	Z01A			
	Pre	A07A		Pre	A07A		Pre	A07A			
	5j142.20↔			BOP, KOP, KOPV, KVT, UOP4	5j14a.01↔			BOP, KOP, KOPV, KVT, UOP4	5j14b.20↔		BOP, KOP, KOPV, KVT, UOP4
		04		E01A, E01B, E08A, E08B, E08C			04	E05A, E05B, E05C, E08A, E08B, E08C		04	E05A, E05B, E05C, E08A, E08B, E08C
		06		G01Z, G02Z, G33Z, G38Z			06	G33Z		06	G33Z
07		H33Z, H38Z	07	H33Z, H38Z		07	H33Z, H38Z				
09		J26Z	09	J26Z		09	J26Z				
11		L33Z	11	L33Z		11	L33Z				
21A		W04A, W04B	21A	W04A, W04B		21A	W04A, W04B				
21B		X06A, X06B, X06C, X33Z	21B	X06A, X06B, X06C, X33Z		21B	X06A, X06B, X06C, X33Z				
22		Y01Z, Y03A, Y03B	22	Y01Z, Y03A, Y03B		22	Y01Z, Y03A, Y03B				
23		Z01A	23	Z01A		23	Z01A				
Pre		A07A, A11A, A13A, A13B, A13D	Pre	A07A		Pre	A07A				
5j142.21↔			BOP, KOP, KOPV, KVT, UOP4	5j14a.20↔			BOP, KOP, KOPV, KVT, UOP4	5j14b.21↔			BOP, KOP, KOPV, KVT, UOP4
		04	E05A, E05B, E05C, E08A, E08B, E08C			04	E05A, E05B, E05C, E08A, E08B, E08C			04	E05A, E05B, E05C, E08A, E08B, E08C
		06	G33Z			06	G33Z			06	G33Z
	07	H33Z, H38Z	07		H33Z, H38Z	07	H33Z, H38Z				
	09	J26Z	09		J26Z	09	J26Z				
	11	L33Z	11		L33Z	11	L33Z				
	21A	W04A, W04B	21A		W04A, W04B	21A	W04A, W04B				
	21B	X06A, X06B, X06C, X33Z	21B		X06A, X06B, X06C, X33Z	21B	X06A, X06B, X06C, X33Z				
	22	Y01Z, Y03A, Y03B	22		Y01Z, Y03A, Y03B	22	Y01Z, Y03A, Y03B				
	23	Z01A	23		Z01A	23	Z01A				
	Pre	A07A	Pre		A07A	Pre	A07A				
	5j144.00↔		BOP, KOP, KOPV, KVT, UOP4		5j14a.21↔		BOP, KOP, KOPV, KVT, UOP4		5j14c.11↔		BOP, KOP, KOPV, KVT, UOP4
		04	E01A, E01B			04	E05A, E05B, E05C, E08A, E08B, E08C			04	E01A, E01B, E08A, E08B, E08C
		06	G33Z			06	G33Z			06	G33Z
07		H33Z, H38Z	07	H33Z, H38Z		07	H33Z, H38Z				
09		J26Z	09	J26Z		09	J26Z				
11		L33Z	11	L33Z		11	L33Z				
21A		W04A, W04B	21A	W04A, W04B		21A	W04A, W04B				
21B		X06A, X06B, X06C, X33Z	21B	X06A, X06B, X06C, X33Z		21B	X06A, X06B, X06C, X33Z				
22		Y01Z, Y03A, Y03B	22	Y01Z, Y03A, Y03B		22	Y01Z, Y03A, Y03B				
23		Z01A	23	Z01A		23	Z01A				
Pre		A07A	Pre	A07A		Pre	A07A				
5j144.01↔			BOP, KOP, KOPV, KVT, UOP4	5j14b.00↔			BOP, KOP, KOPV, KVT, UOP4	5j14c.20↔			BOP, KOP, KOPV, KVT, UOP4
		04	E01A			04	E05A, E05B, E05C, E08A, E08B, E08C			04	E01A, E01B, E08A, E08B, E08C
		06	G33Z			06	G33Z			06	G33Z
	07	H33Z, H38Z	07		H33Z, H38Z	07	H33Z, H38Z				
	09	J26Z	09		J26Z	09	J26Z				
	11	L33Z	11		L33Z	11	L33Z				
	21A	W04A, W04B	21A		W04A, W04B	21A	W04A, W04B				
	21B	X06A, X06B, X06C, X33Z	21B		X06A, X06B, X06C, X33Z	21B	X06A, X06B, X06C, X33Z				
	22	Y01Z, Y03A, Y03B	22		Y01Z, Y03A, Y03B	22	Y01Z, Y03A, Y03B				
	23	Z01A	23		Z01A	23	Z01A				
	Pre	A07A	Pre		A07A	Pre	A07A				

ZZV	MDC	DRG	ZZV	MDC	DRG	ZZV	MDC	DRG
5j14c.21↔		BOP, KOP, KOPV, KVT, UOP4	5j150.01↔	04	E05A, E05B, E05C, E08A, E08B, E08C	5j154↔	04	E01A, E01B
	04	E01A, E01B, E08A, E08B, E08C		06	G33Z		06	G33Z
	06	G33Z		07	H33Z, H38Z		07	H33Z, H38Z
	07	H33Z, H38Z		09	J26Z		09	J26Z
	09	J26Z		11	L33Z		11	L33Z
	11	L33Z		21A	W04A, W04B		21A	W04A, W04B
	21A	W04A, W04B		21B	X06A, X06B, X06C, X33Z		21B	X06A, X06B, X06C, X33Z
	21B	X06A, X06B, X06C, X33Z		22	Y01Z, Y03A, Y03B		22	Y01Z, Y03A, Y03B
	22	Y01Z, Y03A, Y03B		23	Z01A		23	Z01A
	23	Z01A		Pre	A07A		Pre	A07A, A09B, A11A, A11B, A13B
	Pre	A07A						
5j14e.00↔		BOP, KOP, KOPV, KVT, MVV, UOP4	5j151.00↔	04	E01A, E01B	5j155↔	04	E01A, E01B
	04	E01A, E01B		06	G33Z		06	G33Z
	06	G33Z		07	H33Z, H38Z		07	H33Z, H38Z
	07	H33Z, H38Z		09	J26Z		09	J26Z
	09	J26Z		11	L33Z		11	L33Z
	11	L33Z		21A	W04A, W04B		21A	W04A, W04B
	21A	W04A, W04B		21B	X06A, X06B, X06C, X33Z		21B	X06A, X06B, X06C, X33Z
	21B	X06A, X06B, X06C, X33Z		22	Y01Z, Y03A, Y03B		22	Y01Z, Y03A, Y03B
	22	Y01Z, Y03A, Y03B		23	Z01A		23	Z01A
	23	Z01A		Pre	A07A, A09B, A11A, A11B, A13B		Pre	A07A, A09B, A11A, A11B, A13B
	Pre	A07A						
5j14e.01↔		BOP, KOP, KOPV, KVT, MVV, UOP4	5j151.01↔	04	E05A, E05B, E05C, E08A, E08B, E08C	5j401	04	E05A, E05B, E05C, E08A, E08B, E08C
	04	E01A, E01B		06	G33Z		06	G33Z
	06	G33Z		07	H33Z, H38Z		07	H33Z, H38Z
	07	H33Z, H38Z		09	J26Z		09	J26Z
	09	J26Z		11	L33Z		11	L33Z
	11	L33Z		21A	W04A, W04B		21A	W04A, W04B
	21A	W04A, W04B		21B	X06A, X06B, X06C, X33Z		21B	X06A, X06B, X06C, X33Z
	21B	X06A, X06B, X06C, X33Z		22	Y01Z, Y03A, Y03B		22	Y01Z, Y03A, Y03B
	22	Y01Z, Y03A, Y03B		23	Z01A		23	Z01A
	23	Z01A		Pre	A07A		Pre	A07A
	Pre	A07A						
5j14x↔		BOP, KOP, KOPV, KVT, UOP4	5j152↔	04	E01A, E01B	5j403	04	E05A, E05B, E05C, E08A, E08B, E08C
	04	E05A, E05B, E05C, E08A, E08B, E08C		06	G33Z		06	G33Z
	06	G33Z		07	H33Z, H38Z		07	H33Z, H38Z
	07	H33Z, H38Z		09	J26Z		09	J26Z
	09	J26Z		11	L33Z		11	L33Z
	11	L33Z		21A	W04A, W04B		21A	W04A, W04B
	21A	W04A, W04B		21B	X06A, X06B, X06C, X33Z		21B	X06A, X06B, X06C, X33Z
	21B	X06A, X06B, X06C, X33Z		22	Y01Z, Y03A, Y03B		22	Y01Z, Y03A, Y03B
	22	Y01Z, Y03A, Y03B		23	Z01A		23	Z01A
	23	Z01A		Pre	A07A		Pre	A07A
	Pre	A07A						
5j150.00↔		BOP, KOP, KOPV, KVT, UOP4	5j153↔	04	E01A, E01B	5j405 5j410.0	04	E02A, E02B, E02C
	04	E05A, E05B, E05C, E08A, E08B, E08C		06	G33Z		04	BOP, KOP, KOPV, KVT, UOP4
	06	G33Z		07	H33Z, H38Z		06	E05A, E05B, E05C, E08A, E08B, E08C
	07	H33Z, H38Z		09	J26Z		06	G33Z
	09	J26Z		11	L33Z		07	H33Z, H38Z
	11	L33Z		21A	W04A, W04B		11	L33Z
	21A	W04A, W04B		21B	X06A, X06B, X06C, X33Z		21A	W04A, W04B
	21B	X06A, X06B, X06C, X33Z		22	Y01Z, Y03A, Y03B		21B	X06A, X06B, X06C
	22	Y01Z, Y03A, Y03B		23	Z01A		22	Y01Z, Y03A, Y03B
	23	Z01A		Pre	A07A, A09B, A11A, A11B, A13B		23	Z01A
	Pre	A07A					Pre	A07A



ZZV	MDC	DRG	ZZV	MDC	DRG	ZZV	MDC	DRG			
5j410.2		BOP, KOP, KOPV, KVT, UOP4	5j491		BOP, KOP, KOPV, KVT, UOP4	5j496.51		BOP, KOP, KOPV, KVT, UOP4			
	04	E05A, E05B, E05C, E08A, E08B, E08C		04	E06A, E06B, E06C, E08A, E08B, E08C		04	E05A, E05B, E05C, E08A, E08B, E08C			
	06	G33Z		06	G33Z		06	G33Z			
	07	H33Z, H38Z		07	H33Z, H38Z		07	H33Z, H38Z			
	11	L33Z		09	J26Z		11	L33Z			
	21A	W04A, W04B		11	L33Z		21A	W04A, W04B			
	21B	X06A, X06B, X06C		21A	W04A, W04B		21B	X06A, X06B, X06C			
	22	Y01Z, Y03A, Y03B		21B	X06A, X06B, X06C, X33Z		22	Y01Z, Y03A, Y03B			
	23	Z01A		22	Y01Z, Y03A, Y03B		23	Z01A			
	Pre	A07A		23	Z01A		Pre	A07A			
	5j411.0			BOP, KOP, KOPV, KVT, UOP4	5j494			BOP, KOP, KOPV, KVT, UOP4	5j496.52		BOP, KOP, KOPV, KVT, UOP4
		04		E05A, E05B, E05C, E08A, E08B, E08C			04	E05A, E05B, E05C, E08A, E08B, E08C		04	E05A, E05B, E05C, E08A, E08B, E08C
		06		G33Z			06	G33Z		06	G33Z
07		H33Z, H38Z	07	H33Z, H38Z		07	H33Z, H38Z				
09		J03A, J03B, J04A, J04B, J08A, J08B, J08C, J11A, J11B, J16Z	11	L33Z		11	L33Z				
11		L33Z	21A	W04A, W04B		21A	W04A, W04B				
21A		W04A, W04B	21B	X06A, X06B, X06C		21B	X06A, X06B, X06C				
21B		X06A, X06B, X06C	22	Y01Z, Y03A, Y03B		22	Y01Z, Y03A, Y03B				
22		Y01Z, Y03A, Y03B	23	Z01A		23	Z01A				
23		Z01A	Pre	A07A		Pre	A07A				
Pre		A07A	5j495.0			BOP, KOP, KOPV, KVT, UOP4	5j496.53			BOP, KOP, KOPV, KVT, UOP4	
5j411.1				BOP, KOP, KOPV, KVT, UOP4		04		E05A, E05B, E05C, E08A, E08B, E08C		04	E05A, E05B, E05C, E08A, E08B, E08C
		04		E05A, E05B, E05C, E08A, E08B, E08C		06		G33Z		06	G33Z
	06	G33Z		07	H33Z, H38Z	07		H33Z, H38Z			
	07	H33Z, H38Z		11	L33Z	11		L33Z			
	09	J03A, J03B, J04A, J04B, J08A, J08B, J08C, J11A, J11B, J16Z		21A	W04A, W04B	21A		W04A, W04B			
	11	L33Z		21B	X06A, X06B, X06C	21B		X06A, X06B, X06C			
	21A	W04A, W04B		22	Y01Z, Y03A, Y03B	22		Y01Z, Y03A, Y03B			
	21B	X06A, X06B, X06C		23	Z01A	23		Z01A			
	22	Y01Z, Y03A, Y03B		Pre	A07A	Pre		A07A			
	23	Z01A		5j495.2		BOP, KOP, KOPV, KVT, UOP4		5j496.54		BOP, KOP, KOPV, KVT, UOP4	
	Pre	A07A			04	E05A, E05B, E05C, E08A, E08B, E08C			04	E05A, E05B, E05C, E08A, E08B, E08C	
	5j411.2				BOP, KOP, KOPV, KVT, UOP4	06			G33Z	06	G33Z
		04	E05A, E05B, E05C, E08A, E08B, E08C		07	H33Z, H38Z	07		H33Z, H38Z		
06		G33Z	11		L33Z	11	L33Z				
07		H33Z, H38Z	21A		W04A, W04B	21A	W04A, W04B				
09		J03A, J03B, J04A, J04B, J08A, J08B, J08C, J11A, J11B, J16Z	21B		X06A, X06B, X06C	21B	X06A, X06B, X06C				
11		L33Z	22		Y01Z, Y03A, Y03B	22	Y01Z, Y03A, Y03B				
21A		W04A, W04B	23		Z01A	23	Z01A				
21B		X06A, X06B, X06C	Pre		A07A	Pre	A07A				
22		Y01Z, Y03A, Y03B	5j496.0↔			BOP, KVT, UOP4	5j501			BOP, KOP, KOPV, KVT, UOP4	
23		Z01A			04	E02A, E02B, E02C			04	E05A, E05B, E05C, E08A, E08B, E08C	
Pre		A07A			05	F13A			05	F13A	
5j412.2				BOP, KOP, KOPV, KVT, UOP4	08	I12A, I12B, I12C, I23A		06	G01Z, G02Z, G33Z, G38Z		
		04		E05A, E05B, E05C, E08A, E08B, E08C	5j496.2↔			BOP, KVT, UOP4	07	H33Z, H38Z	
	06	G33Z		04		E02A, E02B, E02C		07	H33Z, H38Z		
	07	H33Z, H38Z		05		F13A		11	L33Z		
	09	J03A, J03B, J04A, J04B, J08A, J08B, J08C, J11A, J11B, J16Z		08		I12A, I12B, I12C, I23A		17	R01A, R01B, R01C, R01D, R02Z, R12A, R12B, R12C		
	11	L33Z		5j496.50				BOP, KOP, KOPV, KVT, UOP4	21A	W04A, W04B	
	21A	W04A, W04B				04		E05A, E05B, E05C, E08A, E08B, E08C	21B	X06A, X06B, X06C	
	21B	X06A, X06B, X06C				06		G33Z	23	Z01A	
	22	Y01Z, Y03A, Y03B				07		H33Z, H38Z	Pre	A07A, A11A, A13A, A13B, A13D	
	23	Z01A				11		L33Z	5j503		BOP, KVT, UOP4
	Pre	A07A	21A			W04A, W04B	04	E02A, E02B, E02C			
	5j415.1		BOP, KVT, UOP4			21B	X06A, X06B, X06C	05		F13A	
		Pre	A03A, A03B, A18Z			22	Y01Z, Y03A, Y03B	21A		W04A, W04B	
5j415.1			BOP, KVT, UOP4			23	Z01A	21B		X06A, X06B, X06C	
		Pre	A03A, A03B, A18Z		Pre	A07A	Pre	B61A			

ZZV	MDC	DRG	ZZV	MDC	DRG	ZZV	MDC	DRG	
5j510.a		BOP, KVT, UOP4	5j514.1		BOP, KOP, KOPV, KVT, UOP4	5j515.x		BOP, KOP, KOPV, KVT, UOP4	
	04	E02A, E02B, E02C		04	E05A, E05B, E05C, E08A, E08B, E08C		04	E05A, E05B, E05C, E08A, E08B, E08C	
	05	F13A, F21A, F21B		06	G10Z, G12A, G12B, G33Z		06	G33Z	
	10	K09A, K09B		07	H33Z, H38Z		07	H33Z, H38Z	
	17	R01A, R01B, R01C, R01D, R02Z, R12A, R12B, R12C		08	I28A, I28B		10	K09A, K09B	
	21A	W04A, W04B		09	J03A, J03B, J04A, J04B, J08A, J08B, J08C, J10A, J10B, J16Z, J21Z		11	L33Z	
	21B	X06A, X06B, X06C					23	Z01A	
	5j510.b			BOP, KVT, UOP4				Pre	A07A
		04		E02A, E02B, E02C	10		K09A, K09B	5j520↔	BOP, KOP, KOPV, KVT, UOP4
		05		F13A, F21A, F21B	11		L03Z, L04A, L04B, L04C, L10Z, L13A, L13B, L33Z, L38Z	04	E05A, E05B, E05C, E08A, E08B, E08C
10		K09A, K09B	12	M01A, M01B, M09A, M38Z	06	G33Z			
17		R01A, R01B, R01C, R01D, R02Z, R12A, R12B, R12C	13	N01A, N01B, N01C, N01D, N01E, N11A, N38Z	07	H33Z, H38Z			
21A		W04A, W04B	17	R01A, R01B, R01C, R01D, R02Z, R12A, R12B, R12C	10	K09A, K09B			
21B		X06A, X06B, X06C	23	Z01A	11	L33Z			
5j510.c			BOP, KVT, UOP4	Pre	A07A	17	R01A, R01B, R01C, R01D, R02Z, R12A, R12B, R12C		
		04	E02A, E02B, E02C	5j514.2	BOP, KVT, UOP4	21A	W04A, W04B		
		05	F13A, F21A, F21B	03	D02A, D02B, D18Z, D24A, D24B	21B	X06A, X06B, X06C		
	10	K09A, K09B	04	E02A, E02B, E02C	22	Y01Z, Y03A, Y03B			
	17	R01A, R01B, R01C, R01D, R02Z, R12A, R12B, R12C	08	I06A, I06B, I06C, I06D, I06E	23	Z01A			
	21A	W04A, W04B	09	J02A, J02B, J02C, J03A, J03B, J04A, J04B, J08A, J08B, J10A, J10B, J16Z, J21Z	Pre	A07A			
	21B	X06A, X06B, X06C	10	K14Z	5j521	BOP, KOP, KOPV, KVT, UOP4			
	5j510.d		BOP, KVT, UOP4	11	L09A, L38Z	04	E05A, E05B, E05C, E08A, E08B, E08C		
		04	E02A, E02B, E02C	13	N11A	06	G33Z		
		05	F13A, F21A, F21B	17	R01A, R01B, R01C, R01D, R02Z, R12A, R12B	07	H33Z, H38Z		
10		K09A, K09B	5j515.b0	BOP, KOP, KOPV, KVT, UOP4	10	K09A, K09B			
17		R01A, R01B, R01C, R01D, R02Z, R12A, R12B, R12C	04	E05A, E05B, E05C, E08A, E08B, E08C	11	L33Z			
21A		W04A, W04B	06	G33Z	17	R01A, R01B, R01C, R01D, R02Z, R12A, R12B, R12C			
21B		X06A, X06B, X06C	07	H33Z, H38Z	23	Z01A			
5j510.x			BOP, KVT, UOP4	10	K09A, K09B	Pre	A07A		
		04	E02A, E02B, E02C	11	L33Z	5j523↔	BOP, KVT, UOP4		
		05	F13A, F21A, F21B	17	R01A, R01B, R01C, R01D, R02Z, R12A, R12B, R12C	04	E02A, E02B, E02C		
	10	K09A, K09B	5j515.b1	BOP, KOP, KOPV, KVT, UOP4	06	G03B, G38Z			
	17	R01A, R01B, R01C, R01D, R02Z, R12A, R12B, R12C	04	E05A, E05B, E05C, E08A, E08B, E08C	08	I06A, I06B, I06C, I06D, I06E, I28A, I28B			
	21A	W04A, W04B	06	G33Z	09	J03A, J03B, J04A, J04B, J08A, J08B, J08C, J11A, J11B, J14A, J16Z, J26Z			
	21B	X06A, X06B, X06C	07	H33Z, H38Z	10	K09A, K09B			
	5j513	03	D12A, D12B	10	K09A, K09B	17	R01A, R01B, R01C, R01D, R02Z, R12A, R12B, R12C		
		04	E02A, E02B, E02C	11	L33Z	21A	W04A, W04B		
		5j514.0		BOP, KOP, KOPV, KVT, UOP4	23	Z01A	21B	X06A, X06B	
04			E05A, E05B, E05C, E08A, E08B, E08C	Pre	A07A	5j524↔	BOP, KVT, UOP4		
06			G10Z, G12A, G12B, G18A, G33Z, G38Z	5j515.d	BOP, KOP, KOPV, KVT, UOP4	01	B03A, B03B, B18Z		
07			H33Z, H38Z	04	E05A, E05B, E05C, E08A, E08B, E08C	04	E02A, E02B, E02C		
08			I28A, I28B	06	G33Z	06	G03B, G38Z		
09			J03A, J03B, J04A, J04B, J08A, J08B, J08C, J10A, J10B, J16Z, J21Z	07	H33Z, H38Z	08	I06A, I06B, I06C, I06D, I06E, I28A, I28B		
10			K09A, K09B	10	K09A, K09B	09	J14A, J26Z		
11			L03Z, L04A, L04B, L04C, L10Z, L13A, L13B, L33Z, L38Z	11	L33Z	21A	W04A, W04B		
12	M01A, M01B, M09A, M38Z		17	R01A, R01B, R01C, R01D, R02Z, R12A, R12B, R12C	21B	X06A, X06B			
13	N01A, N01B, N01C, N01D, N01E, N11A, N38Z		23	Z01A	5j525↔	BOP, KVT, UOP4			
17	R01A, R01B, R01C, R01D, R02Z, R12A, R12B, R12C	Pre	A07A	01	B03A, B03B, B18Z				
23	Z01A			04	E02A, E02B, E02C				
Pre	A07A			06	G03B, G38Z				

ZZV	MDC	DRG	ZZV	MDC	DRG	ZZV	MDC	DRG				
5j526↔		BOP, KVT, UOP4	5j546.1		BOP, KOP, KOPV, KVT, UOP4	5j54a.2		BOP, KOP, KOPV, KVT, UOP4				
	01	B03A, B03B, B18Z			04		E06A, E06B, E06C, E08A, E08B, E08C	04	E06A, E06B, E06C, E08A, E08B, E08C			
	04	E02A, E02B, E02C			06		G33Z	06	G33Z			
	06	G03B, G38Z			07		H33Z, H38Z	07	H33Z, H38Z			
	08	I06A, I06B, I06C, I06D, I06E, I28A, I28B			08		I06A, I06B, I06C, I06D, I06E, I28A, I28B, I44A, I44B	08	I06A, I06B, I06C, I06D, I06E, I28A, I28B, I44A, I44B			
	09	J14A, J26Z			11		L33Z	11	L33Z			
	21A	W04A, W04B			21B		X33Z	21B	X33Z			
	21B	X06A, X06B			23		Z01A	23	Z01A			
	5j540			BOP, KOP, KOPV, KVT, UOP4	5j547			Pre A07A	5j54a.3		Pre A07A	
		04		E06A, E06B, E06C, E08A, E08B, E08C				04		E06A, E06B, E06C, E08A, E08B, E08C	04	E06A, E06B, E06C, E08A, E08B, E08C
		06		G33Z				06		G33Z	06	G33Z
07		H33Z, H38Z		07		H33Z, H38Z	07	H33Z, H38Z				
08		I06A, I06B, I06C, I06D, I06E, I28A, I28B, I44A, I44B		08		I28A	08	I06A, I06B, I06C, I06D, I06E, I28A, I28B, I44A, I44B				
11		L33Z		09		J03A, J03B, J04A, J04B, J08A, J08B, J08C, J11A, J11B, J16Z	11	L33Z				
21B		X33Z		11		L33Z	21B	X33Z				
23		Z01A		17		R01A, R01B, R01C, R01D, R02Z, R12A, R12B	23	Z01A				
Pre		A07A		21A		W04A, W04B	Pre	A07A				
5j541			BOP, KOP, KOPV, KVT, UOP4	5j548			BOP, KVT, UOP4	5j54b.2			BOP, KOP, KOPV, KVT, UOP4	
		04	E06A, E06B, E06C, E08A, E08B, E08C				01			B03A, B03B, B18Z	04	E06A, E06B, E06C, E08A, E08B, E08C
	06	G33Z			04	E02A, E02B, E02C	06		G33Z			
	07	H33Z, H38Z			08	I06A, I06B, I06C, I06D, I06E, I28A, I28B, I44A, I44B	07		H33Z, H38Z			
	08	I06A, I06B, I06C, I06D, I06E, I28A, I28B, I44A, I44B			09	J14A, J26Z	08		I06A, I06B, I06C, I06D, I06E, I28A, I28B, I44A, I44B			
	11	L33Z			21A	W04A, W04B	11		L33Z			
	21B	X33Z			21B	X06A, X06B	21B		X33Z			
	23	Z01A			5j549		BOP, KOP, KOPV, KVT, UOP4		23	Z01A		
	Pre	A07A				04	E05A, E05B, E05C, E06A, E06B, E06C, E08A, E08B, E08C		Pre	A07A		
	5j542		BOP, KOP, KOPV, KVT, UOP4			5j54a.1			BOP, KOP, KOPV, KVT, UOP4	5j54b.3		BOP, KOP, KOPV, KVT, UOP4
		04	E06A, E06B, E06C, E08A, E08B, E08C						04		E06A, E06B, E06C, E08A, E08B, E08C	04
06		G33Z		06			G01Z, G02Z, G33Z, G38Z	06	G33Z			
07		H33Z, H38Z		07			H33Z, H38Z	07	H33Z, H38Z			
08		I06A, I06B, I06C, I06D, I06E, I28A, I28B, I44A, I44B		08			I10A, I10B, I10C, I10D, I10E	08	I06A, I06B, I06C, I06D, I06E, I28A, I28B, I44A, I44B			
11		L33Z		09			J26Z	11	L33Z			
21B		X33Z		11			L33Z	21B	X33Z			
23		Z01A		17			R01A, R01B, R01C, R01D, R02Z, R12A, R12B	23	Z01A			
Pre		A07A		21B			X33Z	Pre	A07A			
5j543			BOP, KOP, KOPV, KVT, UOP4	5j54a.2			BOP, KOP, KOPV, KVT, UOP4	5j54b.4			BOP, KOP, KOPV, KVT, UOP4	
		04	E06A, E06B, E06C, E08A, E08B, E08C				04		E06A, E06B, E06C, E08A, E08B, E08C		04	E06A, E06B, E06C, E08A, E08B, E08C
	06	G33Z			06	G33Z	06		G33Z			
	07	H33Z, H38Z			07	H33Z, H38Z	07		H33Z, H38Z			
	08	I06A, I06B, I06C, I06D, I06E, I28A, I28B, I44A, I44B			08	I06A, I06B, I06C, I06D, I06E, I28A, I28B, I44A, I44B	08		I06A, I06B, I06C, I06D, I06E, I28A, I28B, I44A, I44B			
	11	L33Z			11	L33Z	11		L33Z			
	21B	X33Z			21B	X33Z	21B		X33Z			
	23	Z01A			23	Z01A	23		Z01A			
	Pre	A07A			Pre	A07A	Pre		A07A			
	5j545		BOP, KOP, KOPV, KVT, UOP4			04	E06A, E06B, E06C, E08A, E08B, E08C					
		04	E06A, E06B, E06C, E08A, E08B, E08C			06	G33Z					
06		G33Z		07	H33Z, H38Z							
07		H33Z, H38Z		08	I06A, I06B, I06C, I06D, I06E, I28A, I28B, I44A, I44B							
08		I06A, I06B, I06C, I06D, I06E, I28A, I28B, I44A, I44B		11	L33Z							
11		L33Z		21B	X33Z							
21B		X33Z		23	Z01A							
23		Z01A		Pre	A07A							
Pre		A07A										

ZZV	MDC	DRG	ZZV	MDC	DRG	ZZV	MDC	DRG
5j550.0		BOP, KOP, KOPV, KVT, UOP4	5j554.1		BOP, KOP, KOPV, KVT, MVV, UOP4	5j555.21		BOP, KOP, KOPV, KVT, MVV, UOP4
	04	E05A, E05B, E05C, E08A, E08B, E08C		04	E05A, E05B, E05C, E08A, E08B, E08C		04	E05A, E05B, E05C, E08A, E08B, E08C
	06	G33Z		06	G33Z		06	G01Z, G02Z, G15Z, G19A, G19B, G33Z, G38Z
	07	H33Z, H38Z		07	H33Z, H38Z		07	H01A, H33Z, H38Z
	11	L33Z		08	I28A, I28B		11	L33Z
	21A	W04A, W04B		10	K03A, K03B		17	R01A, R01B, R01C, R01D, R02Z, R12A, R12B
	21B	X06A, X06B, X06C, X33Z		11	L33Z		21A	W04A, W04B
	23	Z01A		17	R01A, R01B, R01C, R01D, R02Z, R12A, R12B		21B	X06A, X06B, X06C, X33Z
	Pre	A07A		21A	W04A, W04B		23	Z01A
	Pre	A07A		Pre	A07A		Pre	A07A, A11A, A13A, A13B, A13D
5j550.2		BOP, KOP, KOPV, KVT, UOP4	5j555.10		BOP, KOP, KOPV, KVT, MVV, UOP4	5j560.0		BOP, KOP, KOPV, KVT, UOP4
	04	E05A, E05B, E05C, E08A, E08B, E08C		04	E05A, E05B, E05C, E08A, E08B, E08C		04	E06A, E06B, E06C, E08A, E08B, E08C
	06	G33Z		06	G01Z, G02Z, G15Z, G19A, G19B, G33Z, G38Z		06	G33Z
	07	H33Z, H38Z		07	H01A, H33Z, H38Z		07	H33Z, H38Z
	11	L33Z		11	L33Z		11	L33Z
	21A	W04A, W04B		17	R01A, R01B, R01C, R01D, R02Z, R12A, R12B		21A	W04A, W04B
	21B	X06A, X06B, X06C, X33Z		21A	W04A, W04B		21B	X06A, X06B, X06C
	23	Z01A		21B	X06A, X06B, X06C, X33Z		22	Y01Z, Y03A, Y03B
	Pre	A07A		23	Z01A		23	Z01A
	Pre	A07A		Pre	A07A, A11A, A13A, A13B, A13D		Pre	A07A
5j552		BOP, KVT, UOP4	5j555.11		BOP, KOP, KOPV, KVT, MVV, UOP4	5j560.2		BOP, KOP, KOPV, KVT, UOP4
	04	E02A, E02B, E02C		04	E05A, E05B, E05C, E08A, E08B, E08C		04	E06A, E06B, E06C, E08A, E08B, E08C
	08	I23A, I23B		06	G01Z, G02Z, G15Z, G19A, G19B, G33Z, G38Z		06	G33Z
	09	J03A, J03B, J04A, J04B, J08A, J08B, J08C, J11A, J11B, J16Z		07	H01A, H33Z, H38Z		07	H33Z, H38Z
	10	K09A, K09B		11	L33Z		11	L33Z
	17	R01A, R01B, R01C, R01D, R02Z, R12A, R12B		17	R01A, R01B, R01C, R01D, R02Z, R12A, R12B		17	R01A, R01B, R01C, R01D, R02Z, R12A, R12B, R12C
	21A	W04A, W04B		21A	W04A, W04B		21A	W04A, W04B
	21B	X06A, X06B, X06C		21B	X06A, X06B, X06C, X33Z		21B	X06A, X06B, X06C
	Pre	A07A		23	Z01A		22	Y01Z, Y03A, Y03B
	Pre	A07A		Pre	A07A, A11A, A13A, A13B, A13D		23	Z01A
5j553		BOP, KOP, KOPV, KVT, UOP4	5j555.20		BOP, KOP, KOPV, KVT, MVV, UOP4	5j561.0		BOP, KOP, KOPV, KVT, UOP4
	04	E05A, E05B, E05C, E08A, E08B, E08C		04	E05A, E05B, E05C, E08A, E08B, E08C		04	E06A, E06B, E06C, E08A, E08B, E08C
	06	G33Z		06	G01Z, G02Z, G15Z, G19A, G19B, G33Z, G38Z		06	G33Z
	07	H33Z, H38Z		07	H01A, H33Z, H38Z		07	H33Z, H38Z
	11	L33Z		11	L33Z		11	L33Z
	21A	W04A, W04B		17	R01A, R01B, R01C, R01D, R02Z, R12A, R12B		17	R01A, R01B, R01C, R01D, R02Z, R12A, R12B, R12C
	21B	X06A, X06B, X06C, X33Z		21A	W04A, W04B		21A	W04A, W04B
	23	Z01A		21B	X06A, X06B, X06C, X33Z		21B	X06A, X06B, X06C
	Pre	A07A		23	Z01A		22	Y01Z, Y03A, Y03B
	Pre	A07A		Pre	A07A, A11A, A13A, A13B, A13D		Pre	A07A
5j554.0		BOP, KOP, KOPV, KVT, MVV, UOP4	5j555.20		BOP, KOP, KOPV, KVT, MVV, UOP4	5j561.2		BOP, KOP, KOPV, KVT, UOP4
	04	E05A, E05B, E05C, E08A, E08B, E08C		04	E05A, E05B, E05C, E08A, E08B, E08C		04	E06A, E06B, E06C, E08A, E08B, E08C
	06	G33Z		06	G01Z, G02Z, G15Z, G19A, G19B, G33Z, G38Z		06	G33Z
	07	H33Z, H38Z		07	H01A, H33Z, H38Z		07	H33Z, H38Z
	08	I28A, I28B		11	L33Z		11	L33Z
	10	K03A, K03B		17	R01A, R01B, R01C, R01D, R02Z, R12A, R12B		17	R01A, R01B, R01C, R01D, R02Z, R12A, R12B, R12C
	11	L33Z		21A	W04A, W04B		21A	W04A, W04B
	17	R01A, R01B, R01C, R01D, R02Z, R12A, R12B		21B	X06A, X06B, X06C, X33Z		21B	X06A, X06B, X06C
	21A	W04A, W04B		23	Z01A		22	Y01Z, Y03A, Y03B
	21B	X06A, X06B, X06C, X33Z		Pre	A07A, A11A, A13A, A13B, A13D		23	Z01A
23	Z01A	Pre	A07A	Pre	A07A			
Pre	A07A			Pre	A07A			

VYK

ZZV	MDC	DRG	ZZV	MDC	DRG	ZZV	MDC	DRG						
5j562		BOP, KOP, KOPV, KVT, UOP4	5k500.01		BOP, KOP, KVT, UOP4	5k501.0		BOP, KOP, KVT, UOP4						
	04	E06A, E06B, E06C, E08A, E08B, E08C		04	E36Z		04	E36Z						
	06	G33Z		05	F98Z		05	F98Z						
	07	H33Z, H38Z		06	G36Z		06	G36Z						
	11	L33Z		08	I26Z		08	I26Z						
	21A	W04A, W04B		11	L33Z		11	L33Z						
	21B	X06A, X06B, X06C		Pre	A06A, A07A, A09A, A11A, A13A		Pre	A06A, A07A, A09A, A11A, A13A						
	22	Y01Z, Y03A, Y03B		5k500.02			BOP, KOP, KVT, UOP4	5k502.0	05	F01A, F01B, F01D, F19A, F19B, F19C				
	23	Z01A			04		E36Z		5k503.0		BOP, KOP, KVT, UOP4			
	Pre	A07A			05		F98Z			04	E36Z			
	5j591				BOP, KVT, UOP4		06			G36Z	05	F98Z		
		04			E02A, E02B, E02C		08			I26Z	06	G36Z		
		08			I12A, I12B, I12C, I23A, I23B		11			L33Z	08	I26Z		
		21A			W04A, W04B		Pre			A06A, A07A, A09A, A11A, A13A	11	L33Z		
21B		X06A, X06B	5k500.03			BOP, KOP, KVT, UOP4	Pre			A06A, A07A, A09A, A11A, A13A				
5j592		BOP, KVT, UOP4			04	E36Z	5k503.1			05	F01A, F01B, F01D, F19A, F19B, F19C			
	04	E02A, E02B, E02C			05	F98Z				5k505.0	05	F01A, F01B, F01D, F19A, F19B, F19C		
	08	I23A, I23B			06	G36Z					5k50x	05	F01A, F01B, F01D, F19A, F19B, F19C	
	21A	W04A, W04B			08	I26Z						5k510.2		BOP, KOP, KOPV, KVT, UOP4
	21B	X06A, X06B			11	L33Z							05	F01A, F01B, F01D, F03A, F03B, F03C, F03D, F03E, F03F, F05Z, F30Z, F36A, F36B, F42Z
5j593		BOP, KVT, UOP4			Pre	A06A, A07A, A09A, A11A, A13A							06	G33Z
	04	E02A, E02B, E02C		5k500.0x		BOP, KOP, KVT, UOP4		07					H33Z, H38Z	
	08	I23A, I23B			04	E36Z		11	L33Z					
	21A	W04A, W04B			05	F98Z		15	P02A, P02B, P02C					
	21B	X06A, X06B			06	G36Z		21B	X33Z					
5j595		BOP, KVT, UOP4			08	I26Z		5k510.2	23				Z01A	
	04	E02A, E02B, E02C			11	L33Z			Pre				A06A, A07A, A09A, A11A, A13A	
	08	I28A, I28B			Pre	A06A, A07A, A09A, A11A, A13A			5k510.3					BOP, KOP, KOPV, KVT, UOP4
	21A	W04A, W04B	KOP		05	F98Z							05	F01A, F01B, F01D, F03A, F03B, F03C, F03D, F03E, F03F, F05Z, F30Z, F36A, F36B, F42Z
	21B	X06A, X06B	04		E36Z	06	G33Z							
5j597		BOP, KVT, UOP4	05		F98Z	07	H33Z, H38Z							
	04	E02A, E02B, E02C	06		G36Z	11	L33Z							
	08	I12A, I12B, I12C, I23A, I23B	08		I26Z	15	P02A, P02B, P02C							
	21A	W04A, W04B	11		L33Z	21B	X33Z							
	21B	X06A, X06B	Pre		A06A, A07A, A09A, A11A, A13A	23	Z01A							
5j902		BOP, KOP, KOPV, KVT, UOP4	5k500.11		KOP	5k510.3				BOP, KOP, KOPV, KVT, UOP4				
	03	D12A		04	E36Z		05			F01A, F01B, F01D, F03A, F03B, F03C, F03D, F03E, F03F, F05Z, F30Z, F36A, F36B, F42Z				
	04	E01A, E01B, E02A, E02B, E02C		05	F98Z		06			G33Z				
	05	F05Z, F07A, F13A, F21A, F21B, F27A, F27B, F27C, F42Z		06	G36Z		07			H33Z, H38Z				
	06	G01Z, G02Z, G03B, G10Z, G12A, G12B, G33Z, G38Z		11	L33Z		11	L33Z						
	07	H06A, H06B, H06C, H33Z, H38Z		Pre	A06A, A07A, A09A, A11A, A13A		15	P02A, P02B, P02C						
	08	I23A, I23B, I28A, I28B		5k500.12			KOP	21B	X33Z					
	09	J03A, J03B, J04A, J04B, J08A, J08B, J08C, J11A, J11B, J16Z			04		E36Z	23	Z01A					
	10	K01Z, K09A, K09B			05		F98Z	Pre	A06A, A07A, A09A, A11A, A13A					
	11	L09A, L09B, L09C, L09D, L33Z, L38Z			06		G36Z	5k510.4		BOP, KOP, KOPV, KVT, UOP4				
	12	M06Z, M09A, M09B, M38Z			08		I26Z		05	F01A, F01B, F01D, F03A, F03B, F03C, F03D, F03E, F03F, F05Z, F30Z, F36A, F36B, F42Z				
	13	N11A			11		L33Z		06	G33Z				
	14	962Z, O02A, O02B			Pre		A06A, A07A, A09A, A11A, A13A		07	H33Z, H38Z				
	17	R01A, R01B, R01C, R01D, R02Z, R12A, R12B, R12C			5k500.13				KOP	11	L33Z			
21A	W04A, W04B	04	E36Z			15	P02A, P02B, P02C							
21B	X06A, X06B, X06C	05	F98Z			21B	X33Z							
23	Z01A	06	G36Z			23	Z01A							
Pre	A06A, A07A, A09A, A11A, A13A, A13B	08	I26Z			Pre	A06A, A07A, A09A, A11A, A13A							
		11	L33Z											
		Pre	A06A, A07A, A09A, A11A, A13A											

ZZV	MDC	DRG	ZZV	MDC	DRG	ZZV	MDC	DRG
5k510.5		BOP, KOP, KOPV, KVT, UOP4	5k512.4		BOP, KOP, KOPV, KVT, UOP4	5k513.4		BOP, KOP, KOPV, KVT, UOP4
	05	F01A, F01B, F01D, F03A, F03B, F03C, F03D, F03E, F03F, F05Z, F30Z, F36A, F36B, F42Z		05	F01A, F01B, F01D, F03A, F03B, F03C, F03D, F03E, F03F, F05Z, F30Z, F36A, F36B, F42Z		05	F01A, F01B, F01D, F03A, F03B, F03C, F03D, F03E, F03F, F05Z, F30Z, F36A, F36B, F42Z
	06	G33Z		06	G33Z		06	G33Z
	07	H33Z, H38Z		07	H33Z, H38Z		07	H33Z, H38Z
	11	L33Z		11	L33Z		11	L33Z
	15	P02A, P02B, P02C		15	P02A, P02B, P02C		15	P02A, P02B, P02C
	21B	X33Z		21B	X33Z		21B	X33Z
	23	Z01A		23	Z01A		23	Z01A
	Pre	A06A, A07A, A09A, A11A, A13A		Pre	A06A, A07A, A09A, A11A, A13A		Pre	A06A, A07A, A09A, A11A, A13A
	5k510.x			BOP, KOP, KOPV, KVT, UOP4	5k512.x			BOP, KOP, KOPV, KVT, UOP4
05		F01A, F01B, F01D, F03A, F03B, F03C, F03D, F03E, F03F, F05Z, F30Z, F36A, F36B, F42Z	05	F01A, F01B, F01D, F03A, F03B, F03C, F03D, F03E, F03F, F05Z, F30Z, F36A, F36B, F42Z		05	F01A, F01B, F01D, F03A, F03B, F03C, F03D, F03E, F03F, F05Z, F30Z, F36A, F36B, F42Z	
06		G33Z	06	G33Z		06	G33Z	
07		H33Z, H38Z	07	H33Z, H38Z		07	H33Z, H38Z	
11		L33Z	11	L33Z		11	L33Z	
15		P02A, P02B, P02C	15	P02A, P02B, P02C		15	P02A, P02B, P02C	
21B		X33Z	21B	X33Z		21B	X33Z	
23		Z01A	23	Z01A		23	Z01A	
Pre		A06A, A07A, A09A, A11A, A13A	Pre	A06A, A07A, A09A, A11A, A13A		Pre	A06A, A07A, A09A, A11A, A13A	
5k512.1			BOP, KOP, KOPV, KVT, UOP4	5k513.1			BOP, KOP, KOPV, KVT, UOP4	5k514.1
	05	F01A, F01B, F01D, F03A, F03B, F03C, F03D, F03E, F03F, F05Z, F30Z, F36A, F36B, F42Z	05		F01A, F01B, F01D, F03A, F03B, F03C, F03D, F03E, F03F, F05Z, F30Z, F36A, F36B, F42Z	05	F01A, F01B, F01D, F03A, F03B, F03C, F03D, F03E, F03F, F05Z, F30Z, F36A, F36B, F42Z	
	06	G33Z	06		G33Z	06	G33Z	
	07	H33Z, H38Z	07		H33Z, H38Z	07	H33Z, H38Z	
	11	L33Z	11		L33Z	11	L33Z	
	15	P02A, P02B, P02C	15		P02A, P02B, P02C	15	P02A, P02B, P02C	
	21B	X33Z	21B		X33Z	21B	X33Z	
	23	Z01A	23		Z01A	23	Z01A	
	Pre	A06A, A07A, A09A, A11A, A13A	Pre		A06A, A07A, A09A, A11A, A13A	Pre	A06A, A07A, A09A, A11A, A13A	
	5k512.2		BOP, KOP, KOPV, KVT, UOP4		5k513.2		BOP, KOP, KOPV, KVT, UOP4	
05		F01A, F01B, F01D, F03A, F03B, F03C, F03D, F03E, F03F, F05Z, F30Z, F36A, F36B, F42Z	05	F01A, F01B, F01D, F03A, F03B, F03C, F03D, F03E, F03F, F05Z, F30Z, F36A, F36B, F42Z		05	F01A, F01B, F01D, F03A, F03B, F03C, F03D, F03E, F03F, F05Z, F30Z, F36A, F36B, F42Z	
06		G33Z	06	G33Z		06	G33Z	
07		H33Z, H38Z	07	H33Z, H38Z		07	H33Z, H38Z	
11		L33Z	11	L33Z		11	L33Z	
15		P02A, P02B, P02C	15	P02A, P02B, P02C		15	P02A, P02B, P02C	
21B		X33Z	21B	X33Z		21B	X33Z	
23		Z01A	23	Z01A		23	Z01A	
Pre		A06A, A07A, A09A, A11A, A13A	Pre	A06A, A07A, A09A, A11A, A13A		Pre	A06A, A07A, A09A, A11A, A13A	
5k512.3			BOP, KOP, KOPV, KVT, UOP4	5k513.3			BOP, KOP, KOPV, KVT, UOP4	5k514.3
	05	F01A, F01B, F01D, F03A, F03B, F03C, F03D, F03E, F03F, F05Z, F30Z, F36A, F36B, F42Z	05		F01A, F01B, F01D, F03A, F03B, F03C, F03D, F03E, F03F, F05Z, F30Z, F36A, F36B, F42Z	05	F01A, F01B, F01D, F03A, F03B, F03C, F03D, F03E, F03F, F05Z, F30Z, F36A, F36B, F42Z	
	06	G33Z	06		G33Z	06	G33Z	
	07	H33Z, H38Z	07		H33Z, H38Z	07	H33Z, H38Z	
	11	L33Z	11		L33Z	11	L33Z	
	15	P02A, P02B, P02C	15		P02A, P02B, P02C	15	P02A, P02B, P02C	
	21B	X33Z	21B		X33Z	21B	X33Z	
	23	Z01A	23		Z01A	23	Z01A	
	Pre	A06A, A07A, A09A, A11A, A13A	Pre		A06A, A07A, A09A, A11A, A13A	Pre	A06A, A07A, A09A, A11A, A13A	

ZZV	MDC	DRG	ZZV	MDC	DRG	ZZV	MDC	DRG
5k514.4		BOP, KOP, KOPV, KVT, UOP4	5k516.4		BOP, KOP, KOPV, KVT, UOP4	5k51x.4		BOP, KOP, KOPV, KVT, UOP4
	05	F01A, F01B, F01D, F03A, F03B, F03C, F03D, F03E, F03F, F05Z, F30Z, F36A, F36B, F42Z		05	F01A, F01B, F01D, F03A, F03B, F03C, F03D, F03E, F03F, F05Z, F30Z, F36A, F36B, F42Z		05	F01A, F01B, F01D, F03A, F03B, F03C, F03D, F03E, F03F, F05Z, F30Z, F36A, F36B, F42Z
	06	G33Z		06	G33Z		06	G33Z
	07	H33Z, H38Z		07	H33Z, H38Z		07	H33Z, H38Z
	11	L33Z		11	L33Z		11	L33Z
	15	P02A, P02B, P02C		15	P02A, P02B, P02C		15	P02A, P02B, P02C
	21B	X33Z		21B	X33Z		21B	X33Z
	23	Z01A		23	Z01A		23	Z01A
	Pre	A06A, A07A, A09A, A11A, A13A		Pre	A06A, A07A, A09A, A11A, A13A		Pre	A06A, A07A, A09A, A11A, A13A
	5k514.x			BOP, KOP, KOPV, KVT, UOP4	5k516.x			BOP, KOP, KOPV, KVT, UOP4
05		F01A, F01B, F01D, F03A, F03B, F03C, F03D, F03E, F03F, F05Z, F30Z, F36A, F36B, F42Z	05	F01A, F01B, F01D, F03A, F03B, F03C, F03D, F03E, F03F, F05Z, F30Z, F36A, F36B, F42Z		05	F01A, F01B, F01D, F03A, F03B, F03C, F03D, F03E, F03F, F05Z, F30Z, F36A, F36B, F42Z	
06		G33Z	06	G33Z		06	G33Z	
07		H33Z, H38Z	07	H33Z, H38Z		07	H33Z, H38Z	
11		L33Z	11	L33Z		11	L33Z	
15		P02A, P02B, P02C	15	P02A, P02B, P02C		15	P02A, P02B, P02C	
21B		X33Z	21B	X33Z		21B	X33Z	
23		Z01A	23	Z01A		23	Z01A	
Pre		A06A, A07A, A09A, A11A, A13A	Pre	A06A, A07A, A09A, A11A, A13A		Pre	A06A, A07A, A09A, A11A, A13A	
5k516.1			BOP, KOP, KOPV, KVT, UOP4	5k51x.1			BOP, KOP, KOPV, KVT, UOP4	5k520.0
	05	F01A, F01B, F01D, F03A, F03B, F03C, F03D, F03E, F03F, F05Z, F30Z, F36A, F36B, F42Z	05		F01A, F01B, F01D, F03A, F03B, F03C, F03D, F03E, F03F, F05Z, F30Z, F36A, F36B, F42Z	05	F01A, F01B, F01D, F03A, F03B, F03C, F03D, F03E, F03F, F05Z, F30Z, F36A, F36B, F42Z	
	06	G33Z	06		G33Z	06	G33Z	
	07	H33Z, H38Z	07		H33Z, H38Z	07	H33Z, H38Z	
	11	L33Z	11		L33Z	11	L33Z	
	15	P02A, P02B, P02C	15		P02A, P02B, P02C	15	P02A, P02B, P02C	
	21B	X33Z	21B		X33Z	21B	X33Z	
	23	Z01A	23		Z01A	23	Z01A	
	Pre	A06A, A07A, A09A, A11A, A13A	Pre		A06A, A07A, A09A, A11A, A13A	Pre	A06A, A07A, A09A, A11A, A13A	
	5k516.2		BOP, KOP, KOPV, KVT, UOP4		5k51x.2		BOP, KOP, KOPV, KVT, UOP4	
05		F01A, F01B, F01D, F03A, F03B, F03C, F03D, F03E, F03F, F05Z, F30Z, F36A, F36B, F42Z	05	F01A, F01B, F01D, F03A, F03B, F03C, F03D, F03E, F03F, F05Z, F30Z, F36A, F36B, F42Z		05	F01A, F01B, F01D, F03A, F03B, F03C, F03D, F03E, F03F, F05Z, F30Z, F36A, F36B, F42Z	
06		G33Z	06	G33Z		06	G33Z	
07		H33Z, H38Z	07	H33Z, H38Z		07	H33Z, H38Z	
11		L33Z	11	L33Z		11	L33Z	
15		P02A, P02B, P02C	15	P02A, P02B, P02C		15	P02A, P02B, P02C	
21B		X33Z	21B	X33Z		21B	X33Z	
23		Z01A	23	Z01A		23	Z01A	
Pre		A06A, A07A, A09A, A11A, A13A	Pre	A06A, A07A, A09A, A11A, A13A		Pre	A06A, A07A, A09A, A11A, A13A	
5k516.3			BOP, KOP, KOPV, KVT, UOP4	5k51x.3			BOP, KOP, KOPV, KVT, UOP4	5k520.2
	05	F01A, F01B, F01D, F03A, F03B, F03C, F03D, F03E, F03F, F05Z, F30Z, F36A, F36B, F42Z	05		F01A, F01B, F01D, F03A, F03B, F03C, F03D, F03E, F03F, F05Z, F30Z, F36A, F36B, F42Z	05	F01A, F01B, F01D, F03A, F03B, F03C, F03D, F03E, F03F, F05Z, F30Z, F36A, F36B, F42Z	
	06	G33Z	06		G33Z	06	G33Z	
	07	H33Z, H38Z	07		H33Z, H38Z	07	H33Z, H38Z	
	11	L33Z	11		L33Z	11	L33Z	
	15	P02A, P02B, P02C	15		P02A, P02B, P02C	15	P02A, P02B, P02C	
	21B	X33Z	21B		X33Z	21B	X33Z	
	23	Z01A	23		Z01A	23	Z01A	
	Pre	A06A, A07A, A09A, A11A, A13A	Pre		A06A, A07A, A09A, A11A, A13A	Pre	A06A, A07A, A09A, A11A, A13A	

ZZV	MDC	DRG	ZZV	MDC	DRG	ZZV	MDC	DRG
5k520.3		BOP, KOP, KOPV, KVT, UOP4	5k522.0		BOP, KOP, KOPV, KVT, UOP4	5k524.0		BOP, KOP, KOPV, KVT, UOP4
	05	F01A, F01B, F01D, F03A, F03B, F03C, F03D, F03E, F03F, F05Z, F30Z, F36A, F36B, F42Z		05	F01A, F01B, F01D, F03A, F03B, F03C, F03D, F03E, F03F, F05Z, F30Z, F36A, F36B, F42Z		05	F01A, F01B, F01D, F03A, F03B, F03C, F03D, F03E, F03F, F05Z, F30Z, F36A, F36B, F42Z
	06	G33Z		06	G33Z		06	G33Z
	07	H33Z, H38Z		07	H33Z, H38Z		07	H33Z, H38Z
	11	L33Z		11	L33Z		11	L33Z
	15	P02A, P02B, P02C		15	P02A, P02B, P02C		15	P02A, P02B, P02C
	21B	X33Z		21B	X33Z		21B	X33Z
	23	Z01A		23	Z01A		23	Z01A
	Pre	A06A, A07A, A09A, A11A, A13A		Pre	A06A, A07A, A09A, A11A, A13A		Pre	A06A, A07A, A09A, A11A, A13A
5k520.4		BOP, KOP, KOPV, KVT, UOP4	5k522.1		BOP, KOP, KOPV, KVT, UOP4	5k524.1		BOP, KOP, KOPV, KVT, UOP4
	05	F01A, F01B, F01D, F03A, F03B, F03C, F03D, F03E, F03F, F05Z, F30Z, F36A, F36B, F42Z		05	F01A, F01B, F01D, F03A, F03B, F03C, F03D, F03E, F03F, F05Z, F30Z, F36A, F36B, F42Z		05	F01A, F01B, F01D, F03A, F03B, F03C, F03D, F03E, F03F, F05Z, F30Z, F36A, F36B, F42Z
	06	G33Z		06	G33Z		06	G33Z
	07	H33Z, H38Z		07	H33Z, H38Z		07	H33Z, H38Z
	11	L33Z		11	L33Z		11	L33Z
	15	P02A, P02B, P02C		15	P02A, P02B, P02C		15	P02A, P02B, P02C
	21B	X33Z		21B	X33Z		21B	X33Z
	23	Z01A		23	Z01A		23	Z01A
	Pre	A06A, A07A, A09A, A11A, A13A		Pre	A06A, A07A, A09A, A11A, A13A		Pre	A06A, A07A, A09A, A11A, A13A
5k520.5		BOP, KOP, KOPV, KVT, UOP4	5k522.2		BOP, KOP, KOPV, KVT, UOP4	5k524.2		BOP, KOP, KOPV, KVT, UOP4
	05	F01A, F01B, F01D, F03A, F03B, F03C, F03D, F03E, F03F, F05Z, F30Z, F36A, F36B, F42Z		05	F01A, F01B, F01D, F03A, F03B, F03C, F03D, F03E, F03F, F05Z, F30Z, F36A, F36B, F42Z		05	F01A, F01B, F01D, F03A, F03B, F03C, F03D, F03E, F03F, F05Z, F30Z, F36A, F36B, F42Z
	06	G33Z		06	G33Z		06	G33Z
	07	H33Z, H38Z		07	H33Z, H38Z		07	H33Z, H38Z
	11	L33Z		11	L33Z		11	L33Z
	15	P02A, P02B, P02C		15	P02A, P02B, P02C		15	P02A, P02B, P02C
	21B	X33Z		21B	X33Z		21B	X33Z
	23	Z01A		23	Z01A		23	Z01A
	Pre	A06A, A07A, A09A, A11A, A13A		Pre	A06A, A07A, A09A, A11A, A13A		Pre	A06A, A07A, A09A, A11A, A13A
5k520.6		BOP, KOP, KOPV, KVT, UOP4	5k522.3		BOP, KOP, KOPV, KVT, UOP4	5k524.3		BOP, KOP, KOPV, KVT, UOP4
	05	F01A, F01B, F01D, F03A, F03B, F03C, F03D, F03E, F03F, F05Z, F30Z, F36A, F36B, F42Z		05	F01A, F01B, F01D, F03A, F03B, F03C, F03D, F03E, F03F, F05Z, F30Z, F36A, F36B, F42Z		05	F01A, F01B, F01D, F03A, F03B, F03C, F03D, F03E, F03F, F05Z, F30Z, F36A, F36B, F42Z
	06	G33Z		06	G33Z		06	G33Z
	07	H33Z, H38Z		07	H33Z, H38Z		07	H33Z, H38Z
	11	L33Z		11	L33Z		11	L33Z
	15	P02A, P02B, P02C		15	P02A, P02B, P02C		15	P02A, P02B, P02C
	21B	X33Z		21B	X33Z		21B	X33Z
	23	Z01A		23	Z01A		23	Z01A
	Pre	A06A, A07A, A09A, A11A, A13A		Pre	A06A, A07A, A09A, A11A, A13A		Pre	A06A, A07A, A09A, A11A, A13A
5k520.x		BOP, KOP, KOPV, KVT, UOP4	5k522.x		BOP, KOP, KOPV, KVT, UOP4	5k524.4		BOP, KOP, KOPV, KVT, UOP4
	05	F01A, F01B, F01D, F03A, F03B, F03C, F03D, F03E, F03F, F05Z, F30Z, F36A, F36B, F42Z		05	F01A, F01B, F01D, F03A, F03B, F03C, F03D, F03E, F03F, F05Z, F30Z, F36A, F36B, F42Z		05	F01A, F01B, F01D, F03A, F03B, F03C, F03D, F03E, F03F, F05Z, F30Z, F36A, F36B, F42Z
	06	G33Z		06	G33Z		06	G33Z
	07	H33Z, H38Z		07	H33Z, H38Z		07	H33Z, H38Z
	11	L33Z		11	L33Z		11	L33Z
	15	P02A, P02B, P02C		15	P02A, P02B, P02C		15	P02A, P02B, P02C
	21B	X33Z		21B	X33Z		21B	X33Z
	23	Z01A		23	Z01A		23	Z01A
	Pre	A06A, A07A, A09A, A11A, A13A		Pre	A06A, A07A, A09A, A11A, A13A		Pre	A06A, A07A, A09A, A11A, A13A



ZZV	MDC	DRG	ZZV	MDC	DRG	ZZV	MDC	DRG
5k524.5		BOP, KOP, KOPV, KVT, UOP4	5k526.3		BOP, KOP, KOPV, KVT, UOP4	5k532		BOP, KOP, KOPV, KVT, UOP4
	05	F01A, F01B, F01D, F03A, F03B, F03C, F03D, F03E, F03F, F05Z, F30Z, F36A, F36B, F42Z		05	F01A, F01B, F01D, F03A, F03B, F03C, F03D, F03E, F03F, F05Z, F30Z, F36A, F36B, F42Z		05	F01A, F01B, F01D, F03A, F03B, F03C, F03D, F03E, F03F, F05Z, F07A, F07B, F30Z, F36A, F36B, F42Z
	06	G33Z		06	G33Z		06	G33Z
	07	H33Z, H38Z		07	H33Z, H38Z		07	H33Z, H38Z
	11	L33Z		11	L33Z		11	L33Z
	15	P02A, P02B, P02C		15	P02A, P02B, P02C		15	P02A, P02B, P02C
	21B	X33Z		21B	X33Z		21B	X33Z
	23	Z01A		23	Z01A		23	Z01A
	Pre	A06A, A07A, A09A, A11A, A13A		Pre	A06A, A07A, A09A, A11A, A13A		Pre	A06A, A07A, A09A, A11A, A13A
5k524.x		BOP, KOP, KOPV, KVT, UOP4	5k526.x		BOP, KOP, KOPV, KVT, UOP4	5k533.0		BOP, KOP, KOPV, KVT, UOP4
	05	F01A, F01B, F01D, F03A, F03B, F03C, F03D, F03E, F03F, F05Z, F30Z, F36A, F36B, F42Z		05	F01A, F01B, F01D, F03A, F03B, F03C, F03D, F03E, F03F, F05Z, F30Z, F36A, F36B, F42Z		05	F01A, F01B, F01D, F03A, F03B, F03C, F03D, F03E, F03F, F05Z, F30Z, F36A, F36B, F42Z
	06	G33Z		06	G33Z		06	G33Z
	07	H33Z, H38Z		07	H33Z, H38Z		07	H33Z, H38Z
	11	L33Z		11	L33Z		11	L33Z
	15	P02A, P02B, P02C		15	P02A, P02B, P02C		15	P02A, P02B, P02C
	21B	X33Z		21B	X33Z		21B	X33Z
	23	Z01A		23	Z01A		23	Z01A
	Pre	A06A, A07A, A09A, A11A, A13A		Pre	A06A, A07A, A09A, A11A, A13A		Pre	A06A, A07A, A09A, A11A, A13A
5k526.0		BOP, KOP, KOPV, KVT, UOP4	5k530.0		BOP, KOP, KOPV, KVT, UOP4	5k533.1		BOP, KOP, KOPV, KVT, UOP4
	05	F01A, F01B, F01D, F03A, F03B, F03C, F03D, F03E, F03F, F05Z, F30Z, F36A, F36B, F42Z		05	F01A, F01B, F01D, F03A, F03B, F03C, F03D, F03E, F03F, F05Z, F30Z, F36A, F36B, F42Z		05	F01A, F01B, F01D, F03A, F03B, F03C, F03D, F03E, F03F, F05Z, F30Z, F36A, F36B, F42Z
	06	G33Z		06	G33Z		06	G33Z
	07	H33Z, H38Z		07	H33Z, H38Z		07	H33Z, H38Z
	11	L33Z		11	L33Z		11	L33Z
	15	P02A, P02B, P02C		15	P02A, P02B, P02C		15	P02A, P02B, P02C
	21B	X33Z		21B	X33Z		21B	X33Z
	23	Z01A		23	Z01A		23	Z01A
	Pre	A06A, A07A, A09A, A11A, A13A		Pre	A06A, A07A, A09A, A11A, A13A		Pre	A06A, A07A, A09A, A11A, A13A
5k526.1		BOP, KOP, KOPV, KVT, UOP4	5k530.1		BOP, KOP, KOPV, KVT, UOP4	5k534		BOP, KOP, KOPV, KVT, UOP4
	05	F01A, F01B, F01D, F03A, F03B, F03C, F03D, F03E, F03F, F05Z, F30Z, F36A, F36B, F42Z		05	F01A, F01B, F01D, F03A, F03B, F03C, F03D, F03E, F03F, F05Z, F30Z, F36A, F36B, F42Z		05	F01A, F01B, F01D, F03A, F03B, F03C, F03D, F03E, F03F, F05Z, F07A, F07B, F30Z, F36A, F36B, F42Z
	06	G33Z		06	G33Z		06	G33Z
	07	H33Z, H38Z		07	H33Z, H38Z		07	H33Z, H38Z
	11	L33Z		11	L33Z		11	L33Z
	15	P02A, P02B, P02C		15	P02A, P02B, P02C		15	P02A, P02B, P02C
	21B	X33Z		21B	X33Z		21B	X33Z
	23	Z01A		23	Z01A		23	Z01A
	Pre	A06A, A07A, A09A, A11A, A13A		Pre	A06A, A07A, A09A, A11A, A13A		Pre	A06A, A07A, A09A, A11A, A13A
5k526.2		BOP, KOP, KOPV, KVT, UOP4	5k531		BOP, KOP, KOPV, KVT, UOP4	5k535		BOP, KOP, KOPV, KVT, UOP4
	05	F01A, F01B, F01D, F03A, F03B, F03C, F03D, F03E, F03F, F05Z, F30Z, F36A, F36B, F42Z		05	F01A, F01B, F01D, F03A, F03B, F03C, F03D, F03E, F03F, F05Z, F30Z, F36A, F36B, F42Z		05	F01A, F01B, F01D, F03A, F03B, F03C, F03D, F03E, F03F, F05Z, F07A, F07B, F30Z, F36A, F36B, F42Z
	06	G33Z		06	G33Z		06	G33Z
	07	H33Z, H38Z		07	H33Z, H38Z		07	H33Z, H38Z
	11	L33Z		11	L33Z		11	L33Z
	15	P02A, P02B, P02C		15	P02A, P02B, P02C		15	P02A, P02B, P02C
	21B	X33Z		21B	X33Z		21B	X33Z
	23	Z01A		23	Z01A		23	Z01A
	Pre	A06A, A07A, A09A, A11A, A13A		Pre	A06A, A07A, A09A, A11A, A13A		Pre	A06A, A07A, A09A, A11A, A13A

VYK

ZZV	MDC	DRG	ZZV	MDC	DRG	ZZV	MDC	DRG
5k536.0		BOP, KOP, KOPV, KVT, UOP4	5k540.0		BOP, KOP, KOPV, KVT, UOP4	5k542.2		BOP, KOP, KOPV, KVT, UOP4
	05	F01A, F01B, F01D, F03A, F03B, F03C, F03D, F03E, F03F, F05Z, F30Z, F36A, F36B, F42Z		05	F01A, F01B, F01D, F03A, F03B, F03C, F03D, F03E, F03F, F05Z, F30Z, F36A, F36B, F42Z		05	F01A, F01B, F01D, F05Z, F07A, F07B, F30Z, F36A, F36B, F42Z
	06	G33Z		06	G33Z		06	G33Z
	07	H33Z, H38Z		07	H33Z, H38Z		07	H33Z, H38Z
	11	L33Z		11	L33Z		11	L33Z
	15	P02A, P02B, P02C		15	P02A, P02B, P02C		15	P02A, P02B, P02C
	21B	X33Z		21B	X33Z		21B	X33Z
	23	Z01A		23	Z01A		23	Z01A
	Pre	A06A, A07A, A09A, A11A, A13A		Pre	A07A		Pre	A07A
	5k536.1			BOP, KOP, KOPV, KVT, UOP4	5k540.2			BOP, KOP, KOPV, KVT, UOP4
05		F01A, F01B, F01D, F03A, F03B, F03C, F03D, F03E, F03F, F05Z, F07A, F07B, F30Z, F36A, F36B, F42Z	05	F01A, F01B, F01D, F03A, F03B, F03C, F03D, F03E, F03F, F05Z, F30Z, F36A, F36B, F42Z		05	F01A, F01B, F01D, F05Z, F07A, F07B, F30Z, F36A, F36B, F42Z	
06		G33Z	06	G33Z		06	G33Z	
07		H33Z, H38Z	07	H33Z, H38Z		07	H33Z, H38Z	
11		L33Z	11	L33Z		11	L33Z	
15		P02A, P02B, P02C	15	P02A, P02B, P02C		15	P02A, P02B, P02C	
21B		X33Z	21B	X33Z		21B	X33Z	
23		Z01A	23	Z01A		23	Z01A	
Pre		A06A, A07A, A09A, A11A, A13A	Pre	A07A		Pre	A07A	
5k537.0			BOP, KOP, KOPV, KVT, UOP4	5k540.4			BOP, KOP, KOPV, KVT, UOP4	5k550.0
	05	F01A, F01B, F01D, F03A, F03B, F03C, F03D, F03E, F03F, F05Z, F07A, F07B, F30Z, F36A, F36B, F42Z	05		F01A, F01B, F01D, F03A, F03B, F03C, F03D, F03E, F03F, F05Z, F30Z, F36A, F36B, F42Z	05	F01A, F01B, F01D, F03B, F03C, F03D, F03E, F05Z, F07A, F07B, F30Z, F36A, F36B, F42Z	
	06	G33Z	06		G33Z	06	G33Z	
	07	H33Z, H38Z	07		H33Z, H38Z	07	H33Z, H38Z	
	11	L33Z	11		L33Z	11	L33Z	
	15	P02A, P02B, P02C	15		P02A, P02B, P02C	15	P02A, P02B, P02C	
	21B	X33Z	21B		X33Z	21B	X33Z	
	23	Z01A	23		Z01A	23	Z01A	
	Pre	A06A, A07A, A09A, A11A, A13A	Pre		A07A	Pre	A06A, A07A, A09A, A11A, A13A	
	5k537.1		BOP, KOP, KOPV, KVT, UOP4		5k540.6		BOP, KOP, KOPV, KVT, UOP4	
05		F01A, F01B, F01D, F03A, F03B, F03C, F03D, F03E, F03F, F05Z, F07A, F07B, F30Z, F36A, F36B, F42Z	05	F01A, F01B, F01D, F03A, F03B, F03C, F03D, F03E, F03F, F05Z, F30Z, F36A, F36B, F42Z		05	F01A, F01B, F01D, F03B, F03C, F03D, F03E, F05Z, F07A, F07B, F30Z, F36A, F36B, F42Z	
06		G33Z	06	G33Z		06	G33Z	
07		H33Z, H38Z	07	H33Z, H38Z		07	H33Z, H38Z	
11		L33Z	11	L33Z		11	L33Z	
15		P02A, P02B, P02C	15	P02A, P02B, P02C		15	P02A, P02B, P02C	
21B		X33Z	21B	X33Z		21B	X33Z	
23		Z01A	23	Z01A		23	Z01A	
Pre		A06A, A07A, A09A, A11A, A13A	Pre	A07A		Pre	A06A, A07A, A09A, A11A, A13A	
5k53x			BOP, KOP, KOPV, KVT, UOP4	5k542.0			BOP, KOP, KOPV, KVT, UOP4	5k550.x
	05	F01A, F01B, F01D, F03A, F03B, F03C, F03D, F03E, F03F, F05Z, F07A, F07B, F30Z, F36A, F36B, F42Z	05		F01A, F01B, F01D, F05Z, F07A, F07B, F30Z, F36A, F36B, F42Z	05	F01A, F01B, F01D, F03B, F03C, F03D, F03E, F05Z, F07A, F07B, F30Z, F36A, F36B, F42Z	
	06	G33Z	06		G33Z	06	G33Z	
	07	H33Z, H38Z	07		H33Z, H38Z	07	H33Z, H38Z	
	11	L33Z	11		L33Z	11	L33Z	
	15	P02A, P02B, P02C	15		P02A, P02B, P02C	15	P02A, P02B, P02C	
	21B	X33Z	21B		X33Z	21B	X33Z	
	23	Z01A	23		Z01A	23	Z01A	
	Pre	A06A, A07A, A09A, A11A, A13A	Pre		A07A	Pre	A06A, A07A, A09A, A11A, A13A	

ZZV	MDC	DRG	ZZV	MDC	DRG	ZZV	MDC	DRG	
5k551.0		BOP, KOP, KOPV, KVT, UOP4	5k552.x		BOP, KOP, KOPV, KVT, UOP4	5k563		BOP, KVT, UOP4	
	05	F01A, F01B, F01D, F03B, F03C, F03D, F03E, F05Z, F07A, F07B, F30Z, F36A, F36B, F42Z		05	F01A, F01B, F01D, F03B, F03C, F03D, F03E, F05Z, F07A, F07B, F30Z, F36A, F36B, F42Z		04	E02A, E02B, E02C	
	06	G33Z		06	G33Z		05	F01A, F01B, F01D, F03B, F03C, F03D, F03E, F05Z, F07A, F07B, F14A, F14B, F28A, F42Z, F54Z, F59A, F59B	
	07	H33Z, H38Z		07	H33Z, H38Z		10	K09A, K09B	
	11	L33Z		11	L33Z		Pre	A06A, A07A, A09A, A11A, A13A	
	15	P02A, P02B, P02C		15	P02A, P02B, P02C		5k564	BOP, KVT, UOP4	
	21B	X33Z		21B	X33Z			04	E02A, E02B, E02C
	23	Z01A		23	Z01A			05	F01A, F01B, F01D, F03B, F03C, F03D, F03E, F05Z, F07A, F07B, F09A, F09B, F09C, F42Z
	Pre	A06A, A07A, A09A, A11A, A13A		Pre	A06A, A07A, A09A, A11A, A13A			10	K09A, K09B
	5k551.1			BOP, KOP, KOPV, KVT, UOP4	5k559			BOP, KOP, KOPV, KVT, UOP4	5k565
05		F01A, F01B, F01D, F03B, F03C, F03D, F03E, F05Z, F07A, F07B, F30Z, F36A, F36B, F42Z	05	F01A, F01B, F01D, F03B, F03C, F03D, F03E, F05Z, F07A, F07B, F30Z, F36A, F36B, F42Z		04	E02A, E02B, E02C		
06		G33Z	06	G33Z		05	F01A, F01B, F01D, F03B, F03C, F03D, F03E, F05Z, F07A, F07B, F14A, F14B, F28A, F42Z, F54Z, F59A, F59B		
07		H33Z, H38Z	07	H33Z, H38Z		10	K09A, K09B		
11		L33Z	11	L33Z		Pre	A06A, A07A, A09A, A11A, A13A		
15		P02A, P02B, P02C	15	P02A, P02B, P02C		5k566	BOP, KVT, UOP4		
21B		X33Z	21B	X33Z			05	F01A, F01B, F01D, F03B, F03C, F03D, F03E, F05Z, F07A, F07B, F09A, F09B, F09C, F30Z, F42Z	
23		Z01A	23	Z01A			15	P02A, P02B, P02C	
Pre		A06A, A07A, A09A, A11A, A13A	Pre	A06A, A07A, A09A, A11A, A13A			21B	X06A, X06B, X06C	
5k551.x			BOP, KOP, KOPV, KVT, UOP4	5k560			BOP, KOP, KOPV, KVT, UOP4	5k567	
	05	F01A, F01B, F01D, F03B, F03C, F03D, F03E, F05Z, F07A, F07B, F30Z, F36A, F36B, F42Z	04		E05A, E05B, E05C, E08A, E08B, E08C	05	F01A, F01B, F01D, F03B, F03C, F03D, F03E, F05Z, F07A, F07B, F09A, F09B, F09C, F30Z, F42Z		
	06	G33Z	05		F01A, F01B, F01D, F03B, F03C, F03D, F03E, F05Z, F07A, F07B, F09A, F09B, F09C, F36A, F36B, F42Z	15	P02A, P02B, P02C		
	07	H33Z, H38Z	06		G33Z	21B	X06A, X06B, X06C		
	11	L33Z	07		H33Z, H38Z	Pre	A06A, A07A, A09A, A11A, A13A		
	15	P02A, P02B, P02C	11		L33Z	5k568	BOP, KOP, KOPV, KVT, UOP4		
	21B	X33Z	21B		X33Z		05		F01A, F01B, F01D, F03B, F03C, F03D, F03E, F05Z, F07A, F07B, F09A, F09B, F09C, F30Z, F42Z
	23	Z01A	23		Z01A		15		P02A, P02B, P02C
	Pre	A06A, A07A, A09A, A11A, A13A	Pre		A06A, A07A, A09A, A11A, A13A		Pre		A06A, A07A, A09A, A11A, A13A
	5k552.0		BOP, KOP, KOPV, KVT, UOP4		5k561.0		BOP, KVT, UOP4		5k568
05		F01A, F01B, F01D, F03B, F03C, F03D, F03E, F05Z, F07A, F07B, F30Z, F36A, F36B, F42Z	05	F01A, F01B, F01D, F03B, F03C, F03D, F03E, F05Z, F07A, F07B, F09A, F09B, F09C, F30Z, F42Z		05	F01A, F01B, F01D, F03B, F03C, F03D, F03E, F05Z, F07A, F07B, F09A, F09B, F09C, F30Z, F36A, F36B, F42Z		
06		G33Z	Pre	A06A, A07A, A09A, A11A, A13A		06	G33Z		
07		H33Z, H38Z	5k561.1	BOP, KVT, UOP4		07	H33Z, H38Z		
11		L33Z		05		F01A, F01B, F01D, F03B, F03C, F03D, F03E, F05Z, F07A, F07B, F09A, F09B, F09C, F30Z, F42Z	11	L33Z	
15		P02A, P02B, P02C		Pre		A06A, A07A, A09A, A11A, A13A	15	P02A, P02B, P02C	
21B		X33Z		05		F01A, F01B, F01D, F03B, F03C, F03D, F03E, F05Z, F07A, F07B, F14A, F14B, F28A, F42Z, F54Z, F59A, F59B	21B	X33Z	
23		Z01A	5k562	BOP, KVT, UOP4		23	Z01A		
Pre		A06A, A07A, A09A, A11A, A13A		04		E02A, E02B, E02C	Pre	A06A, A07A, A09A, A11A, A13A	
5k552.1				BOP, KOP, KOPV, KVT, UOP4		05	F01A, F01B, F01D, F03B, F03C, F03D, F03E, F05Z, F07A, F07B, F14A, F14B, F28A, F42Z, F54Z, F59A, F59B	5k56b	
	05	F01A, F01B, F01D, F03B, F03C, F03D, F03E, F05Z, F07A, F07B, F30Z, F36A, F36B, F42Z		05	F01A, F01B, F01D, F03B, F03C, F03D, F03E, F05Z, F07A, F07B, F14A, F14B, F28A, F42Z, F54Z, F59A, F59B	04	E02A, E02B, E02C		
	06	G33Z	10	K09A, K09B	05	F01A, F01B, F01D, F03B, F03C, F03D, F03E, F05Z, F07A, F07B, F14A, F14B, F28A, F42Z, F54Z, F59A, F59B			
	07	H33Z, H38Z	Pre	A06A, A07A, A09A, A11A, A13A	21A	W04A, W04B			
	11	L33Z	5k562	BOP, KVT, UOP4	Pre	A06A, A07A, A09A, A11A, A13A			
	15	P02A, P02B, P02C		04	E02A, E02B, E02C				
	21B	X33Z		05	F01A, F01B, F01D, F03B, F03C, F03D, F03E, F05Z, F07A, F07B, F14A, F14B, F28A, F42Z, F54Z, F59A, F59B				
	23	Z01A							
	Pre	A06A, A07A, A09A, A11A, A13A							

ZZV	MDC	DRG	ZZV	MDC	DRG	ZZV	MDC	DRG
5k56c.0		BOP, KVT, UOP4	5k56g.3		BOP, KVT, UOP4	5k570.2		BOP, KOP, KOPV, KVT, UOP4
	04	E02A, E02B, E02C		04	E02A, E02B, E02C		05	F01A, F01B, F01D, F03A, F03B, F03C, F03D, F03E, F05Z, F07A, F07B, F14A, F14B, F28A, F42Z, F54Z, F59A, F59B
	05	F01A, F01B, F01D, F03B, F03C, F03D, F03E, F05Z, F07A, F07B, F14A, F14B, F28A, F42Z, F54Z, F59A, F59B		05	F01A, F01B, F01D, F03B, F03C, F03D, F03E, F05Z, F07A, F07B, F14A, F14B, F28A, F42Z, F54Z, F59A, F59B			
	21A	W04A, W04B		21A	W04A, W04B			
Pre	A06A, A07A, A09A, A11A, A13A	Pre	A06A, A07A, A09A, A11A, A13A					
5k56c.1		BOP, KVT, UOP4	5k56h.1		BOP, KVT, UOP4	5k570.3		BOP, KOP, KOPV, KVT, UOP4
	04	E02A, E02B, E02C		04	E02A, E02B, E02C		05	F01A, F01B, F01D, F03A, F03B, F03C, F03D, F03E, F05Z, F07A, F07B, F14A, F14B, F28A, F42Z, F54Z, F59A, F59B
	05	F01A, F01B, F01D, F03B, F03C, F03D, F03E, F05Z, F07A, F07B, F14A, F14B, F28A, F42Z, F54Z, F59A, F59B		05	F01A, F01B, F01D, F03B, F03C, F03D, F03E, F05Z, F07A, F07B, F14A, F14B, F28A, F42Z, F54Z, F59A, F59B			
	21A	W04A, W04B		21A	W04A, W04B			
Pre	A06A, A07A, A09A, A11A, A13A	Pre	A06A, A07A, A09A, A11A, A13A					
5k56d		BOP, KVT, UOP4	5k56h.2		BOP, KVT, UOP4	5k570.4		BOP, KOP, KOPV, KVT, UOP4
	04	E02A, E02B, E02C		04	E02A, E02B, E02C		05	F01A, F01B, F01D, F03A, F03B, F03C, F03D, F03E, F05Z, F07A, F07B, F14A, F14B, F28A, F42Z, F54Z, F59A, F59B
	05	F01A, F01B, F01D, F03B, F03C, F03D, F03E, F05Z, F07A, F07B, F14A, F14B, F28A, F42Z, F54Z, F59A, F59B		05	F01A, F01B, F01D, F03B, F03C, F03D, F03E, F05Z, F07A, F07B, F14A, F14B, F28A, F42Z, F54Z, F59A, F59B			
	21A	W04A, W04B		21A	W04A, W04B			
Pre	A06A, A07A, A09A, A11A, A13A	Pre	A06A, A07A, A09A, A11A, A13A					
5k56e		BOP, KVT, UOP4	5k56x		BOP, KVT, UOP4	5k570.5		BOP, KOP, KOPV, KVT, UOP4
	04	E02A, E02B, E02C		04	E02A, E02B, E02C		05	F01A, F01B, F01D, F03A, F03B, F03C, F03D, F03E, F05Z, F07A, F07B, F14A, F14B, F28A, F42Z, F54Z, F59A, F59B
	05	F01A, F01B, F01D, F03B, F03C, F03D, F03E, F05Z, F07A, F07B, F14A, F14B, F28A, F42Z, F54Z, F59A, F59B		05	F01A, F01B, F01D, F03B, F03C, F03D, F03E, F05Z, F07A, F07B, F14A, F14B, F28A, F42Z, F54Z, F59A, F59B			
	21A	W04A, W04B		21A	W04A, W04B			
Pre	A06A, A07A, A09A, A11A, A13A	Pre	A06A, A07A, A09A, A11A, A13A					
5k56f		BOP, KVT, UOP4	5k570.0		BOP, KOP, KOPV, KVT, UOP4	5k570.6		BOP, KOP, KOPV, KVT, UOP4
	04	E02A, E02B, E02C		05	F01A, F01B, F01D, F03A, F03B, F03C, F03D, F03E, F05Z, F07A, F07B, F14A, F14B, F28A, F42Z, F54Z, F59A, F59B		05	F01A, F01B, F01D, F03A, F03B, F03C, F03D, F03E, F05Z, F07A, F07B, F14A, F14B, F28A, F42Z, F54Z, F59A, F59B
	05	F01A, F01B, F01D, F03B, F03C, F03D, F03E, F05Z, F07A, F07B, F14A, F14B, F28A, F42Z, F54Z, F59A, F59B			06			G33Z
	21A	W04A, W04B			07			H33Z, H38Z
Pre	A06A, A07A, A09A, A11A, A13A	11	L33Z					
5k56g.1		BOP, KVT, UOP4	5k570.1		BOP, KOP, KOPV, KVT, UOP4	5k570.6		BOP, KOP, KOPV, KVT, UOP4
	04	E02A, E02B, E02C		05	F01A, F01B, F01D, F03A, F03B, F03C, F03D, F03E, F05Z, F07A, F07B, F14A, F14B, F28A, F42Z, F54Z, F59A, F59B		05	F01A, F01B, F01D, F03A, F03B, F03C, F03D, F03E, F05Z, F07A, F07B, F14A, F14B, F28A, F42Z, F54Z, F59A, F59B
	05	F01A, F01B, F01D, F03B, F03C, F03D, F03E, F05Z, F07A, F07B, F14A, F14B, F28A, F42Z, F54Z, F59A, F59B			06			G33Z
	21A	W04A, W04B			07			H33Z, H38Z
Pre	A06A, A07A, A09A, A11A, A13A	11	L33Z					
5k56g.2		BOP, KVT, UOP4	5k570.1		BOP, KOP, KOPV, KVT, UOP4	5k570.6		BOP, KOP, KOPV, KVT, UOP4
	04	E02A, E02B, E02C		05	F01A, F01B, F01D, F03A, F03B, F03C, F03D, F03E, F05Z, F07A, F07B, F14A, F14B, F28A, F42Z, F54Z, F59A, F59B		05	F01A, F01B, F01D, F03A, F03B, F03C, F03D, F03E, F05Z, F07A, F07B, F14A, F14B, F28A, F42Z, F54Z, F59A, F59B
	05	F01A, F01B, F01D, F03B, F03C, F03D, F03E, F05Z, F07A, F07B, F14A, F14B, F28A, F42Z, F54Z, F59A, F59B			06			G33Z
	21A	W04A, W04B			07			H33Z, H38Z
Pre	A06A, A07A, A09A, A11A, A13A	11	L33Z					

ZZV	MDC	DRG	ZZV	MDC	DRG	ZZV	MDC	DRG
5k570.7		BOP, KOP, KOPV, KVT, UOP4	5k572.3		BOP, KOP, KOPV, KVT, UOP4	5k574.2		BOP, KOP, KOPV, KVT, UOP4
	05	F01A, F01B, F01D, F03A, F03B, F03C, F03D, F03E, F03F, F05Z, F30Z, F36A, F36B, F42Z		05	F01A, F01B, F01D, F03A, F03B, F03C, F03D, F03E, F03F, F05Z, F30Z, F36A, F36B, F42Z		05	F01A, F01B, F01D, F03A, F03B, F03C, F03D, F03E, F03F, F05Z, F30Z, F36A, F36B, F42Z
	06	G33Z		06	G33Z		06	G33Z
	07	H33Z, H38Z		07	H33Z, H38Z		07	H33Z, H38Z
	11	L33Z		11	L33Z		11	L33Z
	15	P02A, P02B, P02C		15	P02A, P02B, P02C		15	P02A, P02B, P02C
	21B	X33Z		21B	X33Z		21B	X33Z
	23	Z01A		23	Z01A		23	Z01A
	Pre	A06A, A07A, A09A, A11A, A13A		Pre	A06A, A07A, A09A, A11A, A13A		Pre	A06A, A07A, A09A, A11A, A13A
	5k570.x			BOP, KOP, KOPV, KVT, UOP4	5k572.4			BOP, KOP, KOPV, KVT, UOP4
05		F01A, F01B, F01D, F03A, F03B, F03C, F03D, F03E, F03F, F05Z, F07A, F07B, F30Z, F36A, F36B, F42Z	05	F01A, F01B, F01D, F03A, F03B, F03C, F03D, F03E, F03F, F05Z, F30Z, F36A, F36B, F42Z		05	F01A, F01B, F01D, F03A, F03B, F03C, F03D, F03E, F03F, F05Z, F30Z, F36A, F36B, F42Z	
06		G33Z	06	G33Z		06	G33Z	
07		H33Z, H38Z	07	H33Z, H38Z		07	H33Z, H38Z	
11		L33Z	11	L33Z		11	L33Z	
15		P02A, P02B, P02C	15	P02A, P02B, P02C		15	P02A, P02B, P02C	
21B		X33Z	21B	X33Z		21B	X33Z	
23		Z01A	23	Z01A		23	Z01A	
Pre		A06A, A07A, A09A, A11A, A13A	Pre	A06A, A07A, A09A, A11A, A13A		Pre	A06A, A07A, A09A, A11A, A13A	
5k572.0			BOP, KOP, KOPV, KVT, UOP4	5k572.x			BOP, KOP, KOPV, KVT, UOP4	5k574.4
	05	F01A, F01B, F01D, F03A, F03B, F03C, F03D, F03E, F03F, F05Z, F30Z, F36A, F36B, F42Z	05		F01A, F01B, F01D, F03A, F03B, F03C, F03D, F03E, F03F, F05Z, F30Z, F36A, F36B, F42Z	05	F01A, F01B, F01D, F03A, F03B, F03C, F03D, F03E, F03F, F05Z, F30Z, F36A, F36B, F42Z	
	06	G33Z	06		G33Z	06	G33Z	
	07	H33Z, H38Z	07		H33Z, H38Z	07	H33Z, H38Z	
	11	L33Z	11		L33Z	11	L33Z	
	15	P02A, P02B, P02C	15		P02A, P02B, P02C	15	P02A, P02B, P02C	
	21B	X33Z	21B		X33Z	21B	X33Z	
	23	Z01A	23		Z01A	23	Z01A	
	Pre	A06A, A07A, A09A, A11A, A13A	Pre		A06A, A07A, A09A, A11A, A13A	Pre	A06A, A07A, A09A, A11A, A13A	
	5k572.1		BOP, KOP, KOPV, KVT, UOP4		5k574.0		BOP, KOP, KOPV, KVT, UOP4	
05		F01A, F01B, F01D, F03A, F03B, F03C, F03D, F03E, F03F, F05Z, F30Z, F36A, F36B, F42Z	05	F01A, F01B, F01D, F03A, F03B, F03C, F03D, F03E, F03F, F05Z, F30Z, F36A, F36B, F42Z		05	F01A, F01B, F01D, F03A, F03B, F03C, F03D, F03E, F03F, F05Z, F07A, F07B, F30Z, F36A, F36B, F42Z	
06		G33Z	06	G33Z		06	G33Z	
07		H33Z, H38Z	07	H33Z, H38Z		07	H33Z, H38Z	
11		L33Z	11	L33Z		11	L33Z	
15		P02A, P02B, P02C	15	P02A, P02B, P02C		15	P02A, P02B, P02C	
21B		X33Z	21B	X33Z		21B	X33Z	
23		Z01A	23	Z01A		23	Z01A	
Pre		A06A, A07A, A09A, A11A, A13A	Pre	A06A, A07A, A09A, A11A, A13A		Pre	A06A, A07A, A09A, A11A, A13A	
5k572.2			BOP, KOP, KOPV, KVT, UOP4	5k574.1			BOP, KOP, KOPV, KVT, UOP4	5k574.x
	05	F01A, F01B, F01D, F03A, F03B, F03C, F03D, F03E, F03F, F05Z, F30Z, F36A, F36B, F42Z	05		F01A, F01B, F01D, F03A, F03B, F03C, F03D, F03E, F03F, F05Z, F30Z, F36A, F36B, F42Z	05	F01A, F01B, F01D, F03A, F03B, F03C, F03D, F03E, F03F, F05Z, F07A, F07B, F30Z, F36A, F36B, F42Z	
	06	G33Z	06		G33Z	06	G33Z	
	07	H33Z, H38Z	07		H33Z, H38Z	07	H33Z, H38Z	
	11	L33Z	11		L33Z	11	L33Z	
	15	P02A, P02B, P02C	15		P02A, P02B, P02C	15	P02A, P02B, P02C	
	21B	X33Z	21B		X33Z	21B	X33Z	
	23	Z01A	23		Z01A	23	Z01A	
	Pre	A06A, A07A, A09A, A11A, A13A	Pre		A06A, A07A, A09A, A11A, A13A	Pre	A06A, A07A, A09A, A11A, A13A	

ZZV	MDC	DRG	ZZV	MDC	DRG	ZZV	MDC	DRG
5k576.0		BOP, KOP, KOPV, KVT, UOP4	5k576.x		BOP, KOP, KOPV, KVT, UOP4	5k578.4		BOP, KOP, KOPV, KVT, UOP4
	05	F01A, F01B, F01D, F03A, F03B, F03C, F03D, F03E, F03F, F05Z, F30Z, F36A, F36B, F42Z		05	F01A, F01B, F01D, F03A, F03B, F03C, F03D, F03E, F03F, F05Z, F30Z, F36A, F36B, F42Z		05	F01A, F01B, F01D, F03A, F03B, F03C, F03D, F03E, F03F, F05Z, F30Z, F36A, F36B, F42Z
	06	G33Z		06	G33Z		06	G33Z
	07	H33Z, H38Z		07	H33Z, H38Z		07	H33Z, H38Z
	11	L33Z		11	L33Z		11	L33Z
	15	P02A, P02B, P02C		15	P02A, P02B, P02C		15	P02A, P02B, P02C
	21B	X33Z		21B	X33Z		21B	X33Z
	23	Z01A		23	Z01A		23	Z01A
	Pre	A06A, A07A, A09A, A11A, A13A		Pre	A06A, A07A, A09A, A11A, A13A		Pre	A06A, A07A, A09A, A11A, A13A
5k576.1		BOP, KOP, KOPV, KVT, UOP4	5k578.0		BOP, KOP, KOPV, KVT, UOP4	5k578.x		BOP, KOP, KOPV, KVT, UOP4
	05	F01A, F01B, F01D, F03A, F03B, F03C, F03D, F03E, F03F, F05Z, F30Z, F36A, F36B, F42Z		05	F01A, F01B, F01D, F03A, F03B, F03C, F03D, F03E, F03F, F05Z, F30Z, F36A, F36B, F42Z		05	F01A, F01B, F01D, F03A, F03B, F03C, F03D, F03E, F03F, F05Z, F30Z, F36A, F36B, F42Z
	06	G33Z		06	G33Z		06	G33Z
	07	H33Z, H38Z		07	H33Z, H38Z		07	H33Z, H38Z
	11	L33Z		11	L33Z		11	L33Z
	15	P02A, P02B, P02C		15	P02A, P02B, P02C		15	P02A, P02B, P02C
	21B	X33Z		21B	X33Z		21B	X33Z
	23	Z01A		23	Z01A		23	Z01A
	Pre	A06A, A07A, A09A, A11A, A13A		Pre	A06A, A07A, A09A, A11A, A13A		Pre	A06A, A07A, A09A, A11A, A13A
5k576.2		BOP, KOP, KOPV, KVT, UOP4	5k578.1		BOP, KOP, KOPV, KVT, UOP4	5k57a.0		BOP, KOP, KOPV, KVT, UOP4
	05	F01A, F01B, F01D, F03A, F03B, F03C, F03D, F03E, F03F, F05Z, F30Z, F36A, F36B, F42Z		05	F01A, F01B, F01D, F03A, F03B, F03C, F03D, F03E, F03F, F05Z, F30Z, F36A, F36B, F42Z		05	F01A, F01B, F01D, F03A, F03B, F03C, F03D, F03E, F03F, F05Z, F30Z, F36A, F36B, F42Z
	06	G33Z		06	G33Z		06	G33Z
	07	H33Z, H38Z		07	H33Z, H38Z		07	H33Z, H38Z
	11	L33Z		11	L33Z		11	L33Z
	15	P02A, P02B, P02C		15	P02A, P02B, P02C		15	P02A, P02B, P02C
	21B	X33Z		21B	X33Z		21B	X33Z
	23	Z01A		23	Z01A		23	Z01A
	Pre	A06A, A07A, A09A, A11A, A13A		Pre	A06A, A07A, A09A, A11A, A13A		Pre	A06A, A07A, A09A, A11A, A13A
5k576.3		BOP, KOP, KOPV, KVT, UOP4	5k578.2		BOP, KOP, KOPV, KVT, UOP4	5k57a.1		BOP, KOP, KOPV, KVT, UOP4
	05	F01A, F01B, F01D, F03A, F03B, F03C, F03D, F03E, F03F, F05Z, F30Z, F36A, F36B, F42Z		05	F01A, F01B, F01D, F03A, F03B, F03C, F03D, F03E, F03F, F05Z, F30Z, F36A, F36B, F42Z		05	F01A, F01B, F01D, F03A, F03B, F03C, F03D, F03E, F03F, F05Z, F30Z, F36A, F36B, F42Z
	06	G33Z		06	G33Z		06	G33Z
	07	H33Z, H38Z		07	H33Z, H38Z		07	H33Z, H38Z
	11	L33Z		11	L33Z		11	L33Z
	15	P02A, P02B, P02C		15	P02A, P02B, P02C		15	P02A, P02B, P02C
	21B	X33Z		21B	X33Z		21B	X33Z
	23	Z01A		23	Z01A		23	Z01A
	Pre	A06A, A07A, A09A, A11A, A13A		Pre	A06A, A07A, A09A, A11A, A13A		Pre	A06A, A07A, A09A, A11A, A13A
5k576.4		BOP, KOP, KOPV, KVT, UOP4	5k578.3		BOP, KOP, KOPV, KVT, UOP4	5k57a.2		BOP, KOP, KOPV, KVT, UOP4
	05	F01A, F01B, F01D, F03A, F03B, F03C, F03D, F03E, F03F, F05Z, F30Z, F36A, F36B, F42Z		05	F01A, F01B, F01D, F03A, F03B, F03C, F03D, F03E, F03F, F05Z, F30Z, F36A, F36B, F42Z		05	F01A, F01B, F01D, F03A, F03B, F03C, F03D, F03E, F03F, F05Z, F30Z, F36A, F36B, F42Z
	06	G33Z		06	G33Z		06	G33Z
	07	H33Z, H38Z		07	H33Z, H38Z		07	H33Z, H38Z
	11	L33Z		11	L33Z		11	L33Z
	15	P02A, P02B, P02C		15	P02A, P02B, P02C		15	P02A, P02B, P02C
	21B	X33Z		21B	X33Z		21B	X33Z
	23	Z01A		23	Z01A		23	Z01A
	Pre	A06A, A07A, A09A, A11A, A13A		Pre	A06A, A07A, A09A, A11A, A13A		Pre	A06A, A07A, A09A, A11A, A13A

ZZV	MDC	DRG	ZZV	MDC	DRG	ZZV	MDC	DRG
5k57a.3		BOP, KOP, KOPV, KVT, UOP4	5k581.2		BOP, KOP, KOPV, KVT, UOP4	5k584.0		BOP, KOP, KOPV, KVT, UOP4
	05	F01A, F01B, F01D, F03A, F03B, F03C, F03D, F03E, F03F, F05Z, F30Z, F36A, F36B, F42Z		05	F01A, F01B, F01D, F05Z, F07A, F07B, F30Z, F36A, F36B, F42Z		05	F01A, F01B, F01D, F03B, F03C, F03D, F03E, F05Z, F07A, F07B, F30Z, F36A, F36B, F42Z
	06	G33Z		06	G33Z		06	G33Z
	07	H33Z, H38Z		07	H33Z, H38Z		07	H33Z, H38Z
	11	L33Z		11	L33Z		11	L33Z
	15	P02A, P02B, P02C		15	P02A, P02B, P02C		15	P02A, P02B, P02C
	21B	X33Z		21B	X33Z		21B	X33Z
	23	Z01A		23	Z01A		23	Z01A
	Pre	A06A, A07A, A09A, A11A, A13A		Pre	A06A, A07A, A09A, A11A, A13A		Pre	A06A, A07A, A09A, A11A, A13A
	5k57a.4			BOP, KOP, KOPV, KVT, UOP4	5k581.x			BOP, KOP, KOPV, KVT, UOP4
05		F01A, F01B, F01D, F03A, F03B, F03C, F03D, F03E, F03F, F05Z, F30Z, F36A, F36B, F42Z	05	F01A, F01B, F01D, F05Z, F07A, F07B, F30Z, F36A, F36B, F42Z		05	F01A, F01B, F01D, F05Z, F07A, F07B, F30Z, F36A, F36B, F42Z	
06		G33Z	06	G33Z		06	G33Z	
07		H33Z, H38Z	07	H33Z, H38Z		07	H33Z, H38Z	
11		L33Z	11	L33Z		11	L33Z	
15		P02A, P02B, P02C	15	P02A, P02B, P02C		15	P02A, P02B, P02C	
21B		X33Z	21B	X33Z		21B	X33Z	
23		Z01A	23	Z01A		23	Z01A	
Pre		A06A, A07A, A09A, A11A, A13A	Pre	A06A, A07A, A09A, A11A, A13A		Pre	A06A, A07A, A09A, A11A, A13A	
5k57a.x			BOP, KOP, KOPV, KVT, UOP4	5k582.0			BOP, KOP, KOPV, KVT, UOP4	5k585
	05	F01A, F01B, F01D, F03A, F03B, F03C, F03D, F03E, F03F, F05Z, F30Z, F36A, F36B, F42Z	05		F01A, F01B, F01D, F03B, F03C, F03D, F03E, F05Z, F07A, F07B, F09A, F09B, F09C, F30Z, F36A, F36B, F42Z	05	F01A, F01B, F01D, F05Z, F07A, F07B, F30Z, F36A, F36B, F42Z	
	06	G33Z	06		G33Z	06	G33Z	
	07	H33Z, H38Z	07		H33Z, H38Z	07	H33Z, H38Z	
	11	L33Z	11		L33Z	11	L33Z	
	15	P02A, P02B, P02C	15		P02A, P02B, P02C	15	P02A, P02B, P02C	
	21B	X33Z	21B		X33Z	21B	X33Z	
	23	Z01A	23		Z01A	23	Z01A	
	Pre	A06A, A07A, A09A, A11A, A13A	Pre		A06A, A07A, A09A, A11A, A13A	Pre	A06A, A07A, A09A, A11A, A13A	
	5k580		BOP, KOP, KOPV, KVT, UOP4		5k582.1		BOP, KOP, KOPV, KVT, UOP4	
05		F01A, F01B, F01D, F05Z, F07A, F07B, F30Z, F36A, F36B, F42Z	05	F01A, F01B, F01D, F03B, F03C, F03D, F03E, F05Z, F07A, F07B, F09A, F09B, F09C, F30Z, F36A, F36B, F42Z		05	F01A, F01B, F01D, F05Z, F07A, F07B, F30Z, F36A, F36B, F42Z	
06		G33Z	06	G33Z		06	G33Z	
07		H33Z, H38Z	07	H33Z, H38Z		07	H33Z, H38Z	
11		L33Z	11	L33Z		11	L33Z	
15		P02A, P02B, P02C	15	P02A, P02B, P02C		15	P02A, P02B, P02C	
21B		X33Z	21B	X33Z		21B	X33Z	
23		Z01A	23	Z01A		23	Z01A	
Pre		A06A, A07A, A09A, A11A, A13A	Pre	A06A, A07A, A09A, A11A, A13A		Pre	A06A, A07A, A09A, A11A, A13A	
5k581.0			BOP, KOP, KOPV, KVT, UOP4	5k583.2			BOP, KOP, KOPV, KVT, UOP4	5k587.0
	05	F01A, F01B, F01D, F05Z, F07A, F07B, F30Z, F36A, F36B, F42Z	05		F01A, F01B, F01D, F03B, F03C, F03D, F03E, F05Z, F07A, F07B, F09A, F09B, F09C, F30Z, F36A, F36B, F42Z	05	F01A, F01B, F01D, F05Z, F07A, F07B, F30Z, F36A, F36B, F42Z	
	06	G33Z	06		G33Z	06	G33Z	
	07	H33Z, H38Z	07		H33Z, H38Z	07	H33Z, H38Z	
	11	L33Z	11		L33Z	11	L33Z	
	15	P02A, P02B, P02C	15		P02A, P02B, P02C	15	P02A, P02B, P02C	
	21B	X33Z	21B		X33Z	21B	X33Z	
	23	Z01A	23		Z01A	23	Z01A	
	Pre	A06A, A07A, A09A, A11A, A13A	Pre		A06A, A07A, A09A, A11A, A13A	Pre	A06A, A07A, A09A, A11A, A13A	

VYK

ZZV	MDC	DRG	ZZV	MDC	DRG	ZZV	MDC	DRG			
5k587.1		BOP, KOP, KOPV, KVT, UOP4	5k587.6		BOP, KOP, KOPV, KVT, UOP4	5k589		BOP, KOP, KOPV, KVT, UOP4			
	04	E05A, E05B, E05C, E08A, E08B, E08C		05	F01A, F01B, F01D, F05Z, F07A, F07B, F30Z, F36A, F36B, F42Z		05	F01A, F01B, F01D, F05Z, F07A, F07B, F30Z, F36A, F36B, F42Z			
	05	F01A, F01B, F01D, F05Z, F07A, F07B, F30Z, F36A, F36B, F42Z		06	G33Z		06	G33Z			
	06	G33Z		07	H33Z, H38Z		07	H33Z, H38Z			
	07	H33Z, H38Z		11	L33Z		11	L33Z			
	11	L33Z		15	P02A, P02B, P02C		15	P02A, P02B, P02C			
	15	P02A, P02B, P02C		21B	X33Z		21B	X33Z			
	21B	X33Z		23	Z01A		23	Z01A			
	23	Z01A		Pre	A06A, A07A, A09A, A11A, A13A		Pre	A06A, A07A, A09A, A11A, A13A			
	Pre	A06A, A07A, A09A, A11A, A13A		5k587.7			BOP, KOP, KOPV, KVT, UOP4	5k58x		BOP, KOP, KOPV, KVT, UOP4	
	5k587.2				BOP, KOP, KOPV, KVT, UOP4		05		F01A, F01B, F01D, F05Z, F07A, F07B, F30Z, F36A, F36B, F42Z	05	F01A, F01B, F01D, F03B, F03C, F03D, F03E, F05Z, F07A, F07B, F09A, F09B, F09C, F30Z, F36A, F36B, F42Z
		04			E05A, E05B, E05C, E08A, E08B, E08C		06		G33Z	06	G33Z
		05			F01A, F01B, F01D, F05Z, F07A, F07B, F30Z, F36A, F36B, F42Z		07		H33Z, H38Z	07	H33Z, H38Z
06		G33Z	11		L33Z	11	L33Z				
07		H33Z, H38Z	15		P02A, P02B, P02C	15	P02A, P02B, P02C				
11		L33Z	21B		X33Z	21B	X33Z				
15		P02A, P02B, P02C	23		Z01A	23	Z01A				
21B		X33Z	Pre		A06A, A07A, A09A, A11A, A13A	Pre	A06A, A07A, A09A, A11A, A13A				
23		Z01A	5k587.8			BOP, KOP, KOPV, KVT, UOP4	5k590.1			BOP, KOP, KOPV, KVT, UOP4	
Pre		A06A, A07A, A09A, A11A, A13A			05	F01A, F01B, F01D, F05Z, F07A, F07B, F30Z, F36A, F36B, F42Z			05	F01A, F01B, F01D, F05Z, F07A, F07B, F30Z, F36A, F36B, F42Z	
5k587.3					BOP, KOP, KOPV, KVT, UOP4	06			G33Z	06	G33Z
		05			F01A, F01B, F01D, F05Z, F07A, F07B, F30Z, F36A, F36B, F42Z	07			H33Z, H38Z	07	H33Z, H38Z
		06		G33Z	11	L33Z		11	L33Z		
	07	H33Z, H38Z		15	P02A, P02B, P02C	15		P02A, P02B, P02C			
	11	L33Z		21B	X33Z	21B		X33Z			
	15	P02A, P02B, P02C		23	Z01A	23		Z01A			
	21B	X33Z		Pre	A06A, A07A, A09A, A11A, A13A	Pre		A06A, A07A, A09A, A11A, A13A			
	23	Z01A		5k587.x		BOP, KOP, KOPV, KVT, UOP4		5k590.2		BOP, KOP, KOPV, KVT, UOP4	
	Pre	A06A, A07A, A09A, A11A, A13A			05	F01A, F01B, F01D, F05Z, F07A, F07B, F30Z, F36A, F36B, F42Z			05	F01A, F01B, F01D, F03A, F03B, F03C, F03D, F03E, F03F, F05Z, F30Z, F36A, F36B, F42Z	
	5k587.4				BOP, KOP, KOPV, KVT, UOP4	06			G33Z	06	G33Z
		05			F01A, F01B, F01D, F05Z, F07A, F07B, F30Z, F36A, F36B, F42Z	07			H33Z, H38Z	07	H33Z, H38Z
		06	G33Z		11	L33Z	11		L33Z		
		07	H33Z, H38Z		15	P02A, P02B, P02C	15		P02A, P02B, P02C		
11		L33Z	21B		X33Z	21B	X33Z				
15		P02A, P02B, P02C	23		Z01A	23	Z01A				
21B		X33Z	Pre		A06A, A07A, A09A, A11A, A13A	Pre	A06A, A07A, A09A, A11A, A13A				
23		Z01A	5k588			BOP, KOP, KOPV, KVT, UOP4	5k590.3			BOP, KOP, KOPV, KVT, UOP4	
Pre		A06A, A07A, A09A, A11A, A13A			04	E05A, E05B, E05C, E08A, E08B, E08C			05	F01A, F01B, F01D, F03A, F03B, F03C, F03D, F03E, F07A, F07B, F09A, F09B, F09C, F30Z, F36A, F36B, F42Z	
5k587.5					BOP, KOP, KOPV, KVT, UOP4	05			F01A, F01B, F01D, F03B, F03C, F03D, F03E, F05Z, F07A, F07B, F09A, F09B, F09C, F30Z, F36A, F36B, F42Z	06	G33Z
		05			F01A, F01B, F01D, F05Z, F07A, F07B, F30Z, F36A, F36B, F42Z	07			H33Z, H38Z	07	H33Z, H38Z
		06		G33Z	11	L33Z		11	L33Z		
		07		H33Z, H38Z	15	P02A, P02B, P02C		15	P02A, P02B, P02C		
	11	L33Z		21B	X33Z	21B		X33Z			
	15	P02A, P02B, P02C		23	Z01A	23		Z01A			
	21B	X33Z		Pre	A06A, A07A, A09A, A11A, A13A	Pre		A06A, A07A, A09A, A11A, A13A			
	23	Z01A									
	Pre	A06A, A07A, A09A, A11A, A13A									

VYK



ZZV	MDC	DRG	ZZV	MDC	DRG	ZZV	MDC	DRG			
5k590.4		BOP, KOP, KOPV, KVT, UOP4	5k590.9		BOP, KOP, KOPV, KVT, UOP4	5k590.x		BOP, KOP, KOPV, KVT, UOP4			
	04	E05A, E05B, E05C, E08A, E08B, E08C		04	E05A, E05B, E05C, E08A, E08B, E08C		05	F01A, F01B, F01D, F05Z, F07A, F07B, F30Z, F36A, F36B, F42Z			
	05	F01A, F01B, F01D, F05Z, F07A, F07B, F14A, F14B, F28A, F36A, F36B, F42Z, F54Z, F59A, F59B		05	F01A, F01B, F01D, F03A, F03B, F03C, F03D, F03E, F03F, F05Z, F07A, F07B, F36A, F36B, F42Z		06	G33Z			
	06	G33Z		06	G33Z		07	H33Z, H38Z			
	07	H33Z, H38Z		07	H33Z, H38Z		11	L33Z			
	10	K09A, K09B		11	L33Z		15	P02A, P02B, P02C			
	11	L33Z		21A	W04A, W04B		21B	X33Z			
	21A	W04A, W04B		21B	X06A, X06B, X06C, X33Z		23	Z01A			
	21B	X06A, X06B, X06C, X33Z		23	Z01A		Pre	A06A, A07A, A09A, A11A, A13A			
	23	Z01A		Pre	A06A, A07A, A09A, A11A, A13A		5k592.1	BOP, KOP, KOPV, KVT, UOP4			
	Pre	A06A, A07A, A09A, A11A, A13A		5k590.a	BOP, KOP, KOPV, KVT, UOP4		05	F01A, F01B, F01D, F05Z, F07A, F07B, F30Z, F36A, F36B, F42Z			
	5k590.5			BOP, KOP, KOPV, KVT, UOP4	5k590.b0			BOP, KOP, KOPV, KVT, UOP4	5k592.2		BOP, KOP, KOPV, KVT, UOP4
		05		F01A, F01B, F01D, F03A, F03B, F03C, F03D, F03E, F03F, F05Z, F30Z, F36A, F36B, F42Z			05	F01A, F01B, F01D, F03A, F03B, F03C, F03D, F03E, F03F, F05Z, F07A, F07B, F30Z, F36A, F36B, F42Z		06	G33Z
		06		G33Z			06	G33Z		07	H33Z, H38Z
07		H33Z, H38Z	07	H33Z, H38Z		11	L33Z				
11		L33Z	11	L33Z		15	P02A, P02B, P02C				
15		P02A, P02B, P02C	15	P02A, P02B, P02C		21B	X33Z				
21B		X33Z	21B	X33Z		23	Z01A				
23		Z01A	23	Z01A		Pre	A06A, A07A, A09A, A11A, A13A				
Pre		A06A, A07A, A09A, A11A, A13A	Pre	A06A, A07A, A09A, A11A, A13A		5k592.3	BOP, KOP, KOPV, KVT, UOP4				
5k590.6			BOP, KOP, KOPV, KVT, UOP4	5k590.b1			BOP, KOP, KOPV, KVT, UOP4	5k592.3			BOP, KOP, KOPV, KVT, UOP4
		05	F01A, F01B, F01D, F03A, F03B, F03C, F03D, F03E, F03F, F05Z, F30Z, F36A, F36B, F42Z			05	F01A, F01B, F01D, F05Z, F07A, F07B, F30Z, F36A, F36B, F42Z			05	F01A, F01B, F01D, F03A, F03B, F03C, F03D, F03E, F03F, F05Z, F30Z, F36A, F36B, F42Z
		06	G33Z			06	G33Z			06	G33Z
		07	H33Z, H38Z			07	H33Z, H38Z			07	H33Z, H38Z
		11	L33Z			11	L33Z			11	L33Z
	15	P02A, P02B, P02C	15		P02A, P02B, P02C	15	P02A, P02B, P02C				
	21B	X33Z	21B		X33Z	21B	X33Z				
	23	Z01A	23		Z01A	23	Z01A				
	Pre	A06A, A07A, A09A, A11A, A13A	Pre		A06A, A07A, A09A, A11A, A13A	Pre	A06A, A07A, A09A, A11A, A13A				
	5k590.8		BOP, KOP, KOPV, KVT, UOP4		5k590.c		BOP, KOP, KOPV, KVT, UOP4		5k592.4		BOP, KOP, KOPV, KVT, UOP4
		04	E05A, E05B, E05C, E08A, E08B, E08C			05	F01A, F01B, F01D, F05Z, F07A, F07B, F30Z, F36A, F36B, F42Z			05	F01A, F01B, F01D, F03A, F03B, F03C, F03D, F03E, F03F, F05Z, F30Z, F36A, F36B, F42Z
		05	F01A, F01B, F01D, F03A, F03B, F03C, F03D, F03E, F03F, F05Z, F07A, F07B, F36A, F36B, F42Z			06	G33Z			06	G33Z
		06	G33Z			07	H33Z, H38Z			07	H33Z, H38Z
		07	H33Z, H38Z			11	L33Z			11	L33Z
11		L33Z	15	P02A, P02B, P02C		15	P02A, P02B, P02C				
21A		W04A, W04B	21B	X33Z		21B	X33Z				
21B		X06A, X06B, X06C, X33Z	23	Z01A		23	Z01A				
23		Z01A	Pre	A06A, A07A, A09A, A11A, A13A		Pre	A06A, A07A, A09A, A11A, A13A				
Pre		A06A, A07A, A09A, A11A, A13A	5k590.c	BOP, KOP, KOPV, KVT, UOP4		Pre	A06A, A07A, A09A, A11A, A13A				
5k590.8			BOP, KOP, KOPV, KVT, UOP4	5k590.c			BOP, KOP, KOPV, KVT, UOP4	5k592.4			BOP, KOP, KOPV, KVT, UOP4
		04	E05A, E05B, E05C, E08A, E08B, E08C			05	F01A, F01B, F01D, F03A, F03B, F03C, F03D, F03E, F03F, F05Z, F07A, F07B, F30Z, F36A, F36B, F42Z			05	F01A, F01B, F01D, F03A, F03B, F03C, F03D, F03E, F03F, F05Z, F30Z, F36A, F36B, F42Z
		05	F01A, F01B, F01D, F03A, F03B, F03C, F03D, F03E, F03F, F05Z, F07A, F07B, F36A, F36B, F42Z			06	G33Z			06	G33Z
		06	G33Z			07	H33Z, H38Z			07	H33Z, H38Z
	07	H33Z, H38Z	11		L33Z	11	L33Z				
	11	L33Z	15		P02A, P02B, P02C	15	P02A, P02B, P02C				
	21A	W04A, W04B	21B		X33Z	21B	X33Z				
	21B	X06A, X06B, X06C, X33Z	23		Z01A	23	Z01A				
	23	Z01A	Pre		A06A, A07A, A09A, A11A, A13A	Pre	A06A, A07A, A09A, A11A, A13A				
	Pre	A06A, A07A, A09A, A11A, A13A	5k590.c		BOP, KOP, KOPV, KVT, UOP4	Pre	A06A, A07A, A09A, A11A, A13A				

ZZV	MDC	DRG	ZZV	MDC	DRG	ZZV	MDC	DRG			
5k592.x		BOP, KOP, KOPV, KVT, UOP4	5k594.5		BOP, KOP, KOPV, KVT, UOP4	5k594.x		BOP, KOP, KOPV, KVT, UOP4			
	05	F01A, F01B, F01D, F05Z, F07A, F07B, F30Z, F36A, F36B, F42Z		05	F01A, F01B, F01D, F03A, F03B, F03C, F03D, F03E, F03F, F05Z, F30Z, F36A, F36B, F42Z		05	F01A, F01B, F01D, F05Z, F07A, F07B, F30Z, F36A, F36B, F42Z			
	06	G33Z		06	G33Z		06	G33Z			
	07	H33Z, H38Z		07	H33Z, H38Z		07	H33Z, H38Z			
	11	L33Z		11	L33Z		11	L33Z			
	15	P02A, P02B, P02C		15	P02A, P02B, P02C		15	P02A, P02B, P02C			
	21B	X33Z		21B	X33Z		21B	X33Z			
	23	Z01A		23	Z01A		23	Z01A			
	Pre	A06A, A07A, A09A, A11A, A13A		Pre	A06A, A07A, A09A, A11A, A13A		Pre	A06A, A07A, A09A, A11A, A13A			
	5k594.1			BOP, KOP, KOPV, KVT, UOP4	5k594.6			BOP, KOP, KOPV, KVT, UOP4	5k596.1		BOP, KOP, KOPV, KVT, UOP4
		05		F01A, F01B, F01D, F05Z, F07A, F07B, F30Z, F36A, F36B, F42Z			05	F01A, F01B, F01D, F03A, F03B, F03C, F03D, F03E, F03F, F05Z, F30Z, F36A, F36B, F42Z		05	F01A, F01B, F01D, F05Z, F07A, F07B, F30Z, F36A, F36B, F42Z
06		G33Z	06	G33Z		06	G33Z				
07		H33Z, H38Z	07	H33Z, H38Z		07	H33Z, H38Z				
11		L33Z	11	L33Z		11	L33Z				
15		P02A, P02B, P02C	15	P02A, P02B, P02C		15	P02A, P02B, P02C				
21B		X33Z	21B	X33Z		21B	X33Z				
23		Z01A	23	Z01A		23	Z01A				
Pre		A06A, A07A, A09A, A11A, A13A	Pre	A06A, A07A, A09A, A11A, A13A		Pre	A06A, A07A, A09A, A11A, A13A				
5k594.2			BOP, KOP, KOPV, KVT, UOP4	5k594.8			BOP, KOP, KOPV, KVT, UOP4	5k596.2			BOP, KOP, KOPV, KVT, UOP4
		05	F01A, F01B, F01D, F03A, F03B, F03C, F03D, F03E, F03F, F05Z, F30Z, F36A, F36B, F42Z			04	E05A, E05B, E05C, E08A, E08B, E08C			05	F01A, F01B, F01D, F05Z, F07A, F07B, F30Z, F36A, F36B, F42Z
	06	G33Z	05		F01A, F01B, F01D, F03A, F03B, F03C, F03D, F03E, F03F, F05Z, F07A, F07B, F36A, F36B, F42Z	06	G33Z				
	07	H33Z, H38Z	06		G33Z	07	H33Z, H38Z				
	11	L33Z	07		H33Z, H38Z	11	L33Z				
	15	P02A, P02B, P02C	11		L33Z	15	P02A, P02B, P02C				
	21B	X33Z	21A		W04A, W04B	21B	X06A, X06B, X06C, X33Z				
	23	Z01A	23		Z01A	23	Z01A				
	Pre	A06A, A07A, A09A, A11A, A13A	Pre		A06A, A07A, A09A, A11A, A13A	Pre	A06A, A07A, A09A, A11A, A13A				
	5k594.4		BOP, KOP, KOPV, KVT, UOP4		5k594.9		BOP, KOP, KOPV, KVT, UOP4		5k596.3		BOP, KOP, KOPV, KVT, UOP4
		04	E05A, E05B, E05C, E08A, E08B, E08C			04	E05A, E05B, E05C, E08A, E08B, E08C			05	F01A, F01B, F01D, F03A, F03B, F03C, F03D, F03E, F03F, F05Z, F30Z, F36A, F36B, F42Z
05		F01A, F01B, F01D, F05Z, F07A, F07B, F14A, F14B, F28A, F36A, F36B, F42Z, F54Z, F59A, F59B	05	F01A, F01B, F01D, F03A, F03B, F03C, F03D, F03E, F03F, F05Z, F07A, F07B, F36A, F36B, F42Z		06	G33Z				
06		G33Z	06	G33Z		07	H33Z, H38Z				
07		H33Z, H38Z	07	H33Z, H38Z		11	L33Z				
10		K09A, K09B	11	L33Z		15	P02A, P02B, P02C				
11		L33Z	21A	W04A, W04B		21B	X33Z				
21A		W04A, W04B	21B	X06A, X06B, X06C, X33Z		23	Z01A				
21B		X06A, X06B, X06C, X33Z	23	Z01A		Pre	A06A, A07A, A09A, A11A, A13A				
23		Z01A	Pre	A06A, A07A, A09A, A11A, A13A		5k596.4		BOP, KOP, KOPV, KVT, UOP4			
Pre		A06A, A07A, A09A, A11A, A13A	Pre	A06A, A07A, A09A, A11A, A13A			05	F01A, F01B, F01D, F03A, F03B, F03C, F03D, F03E, F03F, F05Z, F30Z, F36A, F36B, F42Z			
				06	G33Z						
				07	H33Z, H38Z						
				11	L33Z						
				15	P02A, P02B, P02C						
				21B	X33Z						
				23	Z01A						
				Pre	A06A, A07A, A09A, A11A, A13A						

VYK

ZZV	MDC	DRG	ZZV	MDC	DRG	ZZV	MDC	DRG			
5k596.x		BOP, KOP, KOPV, KVT, UOP4	5k604		BOP, KOP, KOPV, KVT, UOP4	5k610.5		BOP, KOP, KOPV, KVT, UOP4			
	05	F01A, F01B, F01D, F05Z, F07A, F07B, F30Z, F36A, F36B, F42Z		05	F01A, F01B, F01D, F05Z, F07A, F07B, F09A, F09B, F09C, F30Z, F36A, F36B, F42Z		05	F01A, F01B, F01D, F03B, F03C, F03D, F03E, F05Z, F06A, F06B, F06C, F06D, F06E, F06F, F07A, F07B, F30Z, F36A, F36B, F42Z			
	06	G33Z		06	G33Z		06	G33Z			
	07	H33Z, H38Z		07	H33Z, H38Z		07	H33Z, H38Z			
	11	L33Z		11	L33Z		11	L33Z			
	15	P02A, P02B, P02C		15	P02A, P02B, P02C		15	P02A, P02B, P02C			
	21B	X33Z		21B	X33Z		21B	X33Z			
	23	Z01A		23	Z01A		23	Z01A			
	Pre	A06A, A07A, A09A, A11A, A13A		Pre	A07A		Pre	A07A			
	5k59x			BOP, KOP, KOPV, KVT, UOP4	5k60x			BOP, KOP, KOPV, KVT, UOP4	5k610.x		BOP, KOP, KOPV, KVT, UOP4
		05		F01A, F01B, F01D, F05Z, F07A, F07B, F30Z, F36A, F36B, F42Z			05	F01A, F01B, F01D, F05Z, F07A, F07B, F09A, F09B, F09C, F30Z, F36A, F36B, F42Z		05	F01A, F01B, F01D, F03B, F03C, F03D, F03E, F05Z, F06A, F06B, F06C, F06D, F06E, F06F, F07A, F07B, F30Z, F36A, F36B, F42Z
06		G33Z	06	G33Z		06	G33Z				
07		H33Z, H38Z	07	H33Z, H38Z		07	H33Z, H38Z				
11		L33Z	11	L33Z		11	L33Z				
15		P02A, P02B, P02C	15	P02A, P02B, P02C		15	P02A, P02B, P02C				
21B		X33Z	21B	X33Z		21B	X33Z				
23		Z01A	23	Z01A		23	Z01A				
Pre		A06A, A07A, A09A, A11A, A13A	Pre	A07A		Pre	A07A				
5k600			BOP, KOP, KOPV, KVT, UOP4	5k610.0			BOP, KOP, KOPV, KVT, UOP4	5k611.0			BOP, KOP, KOPV, KVT, UOP4
		05	F01A, F01B, F01D, F05Z, F07A, F07B, F09A, F09B, F09C, F30Z, F36A, F36B, F42Z			05	F01A, F01B, F01D, F03B, F03C, F03D, F03E, F05Z, F06A, F06B, F06C, F06D, F06E, F06F, F07A, F07B, F30Z, F36A, F36B, F42Z			05	F01A, F01B, F01D, F03B, F03C, F03D, F03E, F05Z, F06A, F06B, F06C, F06D, F06E, F06F, F07A, F07B, F30Z, F36A, F36B, F42Z
	06	G33Z	06		G33Z	06	G33Z				
	07	H33Z, H38Z	07		H33Z, H38Z	07	H33Z, H38Z				
	11	L33Z	11		L33Z	11	L33Z				
	15	P02A, P02B, P02C	15		P02A, P02B, P02C	15	P02A, P02B, P02C				
	21B	X33Z	21B		X33Z	21B	X33Z				
	23	Z01A	23		Z01A	23	Z01A				
	Pre	A07A	Pre		A07A	Pre	A07A				
	5k601		BOP, KOP, KOPV, KVT, UOP4		5k610.1		BOP, KOP, KOPV, KVT, UOP4		5k611.1		BOP, KOP, KOPV, KVT, UOP4
		05	F01A, F01B, F01D, F05Z, F07A, F07B, F09A, F09B, F09C, F30Z, F36A, F36B, F42Z			05	F01A, F01B, F01D, F03B, F03C, F03D, F03E, F05Z, F06A, F06B, F06C, F06D, F06E, F06F, F07A, F07B, F30Z, F36A, F36B, F42Z			05	F01A, F01B, F01D, F03B, F03C, F03D, F03E, F05Z, F06A, F06B, F06C, F06D, F06E, F06F, F07A, F07B, F30Z, F36A, F36B, F42Z
06		G33Z	06	G33Z		06	G33Z				
07		H33Z, H38Z	07	H33Z, H38Z		07	H33Z, H38Z				
11		L33Z	11	L33Z		11	L33Z				
15		P02A, P02B, P02C	15	P02A, P02B, P02C		15	P02A, P02B, P02C				
21B		X33Z	21B	X33Z		21B	X33Z				
23		Z01A	23	Z01A		23	Z01A				
Pre		A07A	Pre	A07A		Pre	A07A				
5k602			BOP, KOP, KOPV, KVT, UOP4	5k610.2			BOP, KOP, KOPV, KVT, UOP4	5k611.2			BOP, KOP, KOPV, KVT, UOP4
		05	F01A, F01B, F01D, F05Z, F07A, F07B, F09A, F09B, F09C, F30Z, F36A, F36B, F42Z			05	F01A, F01B, F01D, F03B, F03C, F03D, F03E, F05Z, F06A, F06B, F06C, F06D, F06E, F06F, F07A, F07B, F30Z, F36A, F36B, F42Z			05	F01A, F01B, F01D, F03B, F03C, F03D, F03E, F05Z, F06A, F06B, F06C, F06D, F06E, F06F, F07A, F07B, F30Z, F36A, F36B, F42Z
	06	G33Z	06		G33Z	06	G33Z				
	07	H33Z, H38Z	07		H33Z, H38Z	07	H33Z, H38Z				
	11	L33Z	11		L33Z	11	L33Z				
	15	P02A, P02B, P02C	15		P02A, P02B, P02C	15	P02A, P02B, P02C				
	21B	X33Z	21B		X33Z	21B	X33Z				
	23	Z01A	23		Z01A	23	Z01A				
	Pre	A07A	Pre		A07A	Pre	A07A				



ZZV	MDC	DRG	ZZV	MDC	DRG	ZZV	MDC	DRG
5k614.5		BOP, KOP, KOPV, KVT, UOP4	5k615.5		BOP, KOP, KOPV, KVT, UOP4	5k620.25		BOP, KOP, KOPV, KVT, UOP4
	05	F01A, F01B, F01D, F03B, F03C, F03D, F03E, F05Z, F06A, F06B, F06C, F06D, F06E, F06F, F07A, F07B, F30Z, F36A, F36B, F42Z		05	F01A, F01B, F01D, F03B, F03C, F03D, F03E, F05Z, F06A, F06B, F06C, F06D, F06E, F06F, F07A, F07B, F30Z, F36A, F36B, F42Z		05	F01A, F01B, F01D, F03B, F03C, F03D, F03E, F05Z, F06A, F06B, F06C, F06D, F06E, F06F, F30Z, F36A, F36B, F42Z
	06	G33Z		06	G33Z		06	G33Z
	07	H33Z, H38Z		07	H33Z, H38Z		07	H33Z, H38Z
	11	L33Z		11	L33Z		11	L33Z
	15	P02A, P02B, P02C		15	P02A, P02B, P02C		15	P02A, P02B, P02C
	21B	X33Z		21B	X33Z		21B	X33Z
	23	Z01A		23	Z01A		23	Z01A
Pre	A07A	Pre	A07A	Pre	A07A			
5k614.x		BOP, KOP, KOPV, KVT, UOP4	5k615.x		BOP, KOP, KOPV, KVT, UOP4	5k620.2x		BOP, KOP, KOPV, KVT, UOP4
	05	F01A, F01B, F01D, F03B, F03C, F03D, F03E, F05Z, F06A, F06B, F06C, F06D, F06E, F06F, F07A, F07B, F30Z, F36A, F36B, F42Z		05	F01A, F01B, F01D, F03B, F03C, F03D, F03E, F05Z, F06A, F06B, F06C, F06D, F06E, F06F, F07A, F07B, F30Z, F36A, F36B, F42Z		05	F01A, F01B, F01D, F03B, F03C, F03D, F03E, F05Z, F06A, F06B, F06C, F06D, F06E, F06F, F30Z, F36A, F36B, F42Z
	06	G33Z		06	G33Z		06	G33Z
	07	H33Z, H38Z		07	H33Z, H38Z		07	H33Z, H38Z
	11	L33Z		11	L33Z		11	L33Z
	15	P02A, P02B, P02C		15	P02A, P02B, P02C		15	P02A, P02B, P02C
	21B	X33Z		21B	X33Z		21B	X33Z
	23	Z01A		23	Z01A		23	Z01A
Pre	A07A	Pre	A07A	Pre	A07A			
5k615.0		BOP, KOP, KOPV, KVT, UOP4	5k620.20		BOP, KOP, KOPV, KVT, UOP4	5k620.30		BOP, KOP, KOPV, KVT, UOP4
	05	F01A, F01B, F01D, F03B, F03C, F03D, F03E, F05Z, F06A, F06B, F06C, F06D, F06E, F06F, F07A, F07B, F30Z, F36A, F36B, F42Z		05	F01A, F01B, F01D, F03B, F03C, F03D, F03E, F05Z, F06A, F06B, F06C, F06D, F06E, F06F, F30Z, F36A, F36B, F42Z		05	F01A, F01B, F01D, F03B, F03C, F03D, F03E, F05Z, F06A, F06B, F06C, F06D, F06E, F06F, F30Z, F36A, F36B, F42Z
	06	G33Z		06	G33Z		06	G33Z
	07	H33Z, H38Z		07	H33Z, H38Z		07	H33Z, H38Z
	11	L33Z		11	L33Z		11	L33Z
	15	P02A, P02B, P02C		15	P02A, P02B, P02C		15	P02A, P02B, P02C
	21B	X33Z		21B	X33Z		21B	X33Z
	23	Z01A		23	Z01A		23	Z01A
Pre	A07A	Pre	A07A	Pre	A07A			
5k615.1		BOP, KOP, KOPV, KVT, UOP4	5k620.21		BOP, KOP, KOPV, KVT, UOP4	5k620.31		BOP, KOP, KOPV, KVT, UOP4
	05	F01A, F01B, F01D, F03B, F03C, F03D, F03E, F05Z, F06A, F06B, F06C, F06D, F06E, F06F, F07A, F07B, F30Z, F36A, F36B, F42Z		05	F01A, F01B, F01D, F03B, F03C, F03D, F03E, F05Z, F06A, F06B, F06C, F06D, F06E, F06F, F30Z, F36A, F36B, F42Z		05	F01A, F01B, F01D, F03B, F03C, F03D, F03E, F05Z, F06A, F06B, F06C, F06D, F06E, F06F, F30Z, F36A, F36B, F42Z
	06	G33Z		06	G33Z		06	G33Z
	07	H33Z, H38Z		07	H33Z, H38Z		07	H33Z, H38Z
	11	L33Z		11	L33Z		11	L33Z
	15	P02A, P02B, P02C		15	P02A, P02B, P02C		15	P02A, P02B, P02C
	21B	X33Z		21B	X33Z		21B	X33Z
	23	Z01A		23	Z01A		23	Z01A
Pre	A07A	Pre	A07A	Pre	A07A			
5k615.2		BOP, KOP, KOPV, KVT, UOP4	5k620.22		BOP, KOP, KOPV, KVT, UOP4	5k620.32		BOP, KOP, KOPV, KVT, UOP4
	05	F01A, F01B, F01D, F03B, F03C, F03D, F03E, F05Z, F06A, F06B, F06C, F06D, F06E, F06F, F07A, F07B, F30Z, F36A, F36B, F42Z		05	F01A, F01B, F01D, F03B, F03C, F03D, F03E, F05Z, F06A, F06B, F06C, F06D, F06E, F06F, F30Z, F36A, F36B, F42Z		05	F01A, F01B, F01D, F03B, F03C, F03D, F03E, F05Z, F06A, F06B, F06C, F06D, F06E, F06F, F30Z, F36A, F36B, F42Z
	06	G33Z		06	G33Z		06	G33Z
	07	H33Z, H38Z		07	H33Z, H38Z		07	H33Z, H38Z
	11	L33Z		11	L33Z		11	L33Z
	15	P02A, P02B, P02C		15	P02A, P02B, P02C		15	P02A, P02B, P02C
	21B	X33Z		21B	X33Z		21B	X33Z
	23	Z01A		23	Z01A		23	Z01A
Pre	A07A	Pre	A07A	Pre	A07A			

ZZV	MDC	DRG	ZZV	MDC	DRG	ZZV	MDC	DRG
5k620.35		BOP, KOP, KOPV, KVT, UOP4	5k621.25		BOP, KOP, KOPV, KVT, UOP4	5k621.35		BOP, KOP, KOPV, KVT, UOP4
	05	F01A, F01B, F01D, F03B, F03C, F03D, F03E, F05Z, F06A, F06B, F06C, F06D, F06E, F06F, F30Z, F36A, F36B, F42Z		05	F01A, F01B, F01D, F03B, F03C, F03D, F03E, F05Z, F06A, F06B, F06C, F06D, F06E, F06F, F30Z, F36A, F36B, F42Z		05	F01A, F01B, F01D, F03B, F03C, F03D, F03E, F05Z, F06A, F06B, F06C, F06D, F06E, F06F, F30Z, F36A, F36B, F42Z
	06	G33Z		06	G33Z		06	G33Z
	07	H33Z, H38Z		07	H33Z, H38Z		07	H33Z, H38Z
	11	L33Z		11	L33Z		11	L33Z
	15	P02A, P02B, P02C		15	P02A, P02B, P02C		15	P02A, P02B, P02C
	21B	X33Z		21B	X33Z		21B	X33Z
	23	Z01A		23	Z01A		23	Z01A
Pre	A07A	Pre	A07A	Pre	A07A			
5k620.3x		BOP, KOP, KOPV, KVT, UOP4	5k621.2x		BOP, KOP, KOPV, KVT, UOP4	5k621.3x		BOP, KOP, KOPV, KVT, UOP4
	05	F01A, F01B, F01D, F03B, F03C, F03D, F03E, F05Z, F06A, F06B, F06C, F06D, F06E, F06F, F30Z, F36A, F36B, F42Z		05	F01A, F01B, F01D, F03B, F03C, F03D, F03E, F05Z, F06A, F06B, F06C, F06D, F06E, F06F, F30Z, F36A, F36B, F42Z		05	F01A, F01B, F01D, F03B, F03C, F03D, F03E, F05Z, F06A, F06B, F06C, F06D, F06E, F06F, F30Z, F36A, F36B, F42Z
	06	G33Z		06	G33Z		06	G33Z
	07	H33Z, H38Z		07	H33Z, H38Z		07	H33Z, H38Z
	11	L33Z		11	L33Z		11	L33Z
	15	P02A, P02B, P02C		15	P02A, P02B, P02C		15	P02A, P02B, P02C
	21B	X33Z		21B	X33Z		21B	X33Z
	23	Z01A		23	Z01A		23	Z01A
Pre	A07A	Pre	A07A	Pre	A07A			
5k621.20		BOP, KOP, KOPV, KVT, UOP4	5k621.30		BOP, KOP, KOPV, KVT, UOP4	5k622.20		BOP, KOP, KOPV, KVT, UOP4
	05	F01A, F01B, F01D, F03B, F03C, F03D, F03E, F05Z, F06A, F06B, F06C, F06D, F06E, F06F, F30Z, F36A, F36B, F42Z		05	F01A, F01B, F01D, F03B, F03C, F03D, F03E, F05Z, F06A, F06B, F06C, F06D, F06E, F06F, F30Z, F36A, F36B, F42Z		05	F01A, F01B, F01D, F03B, F03C, F03D, F03E, F05Z, F06A, F06B, F06C, F06D, F06E, F06F, F30Z, F36A, F36B, F42Z
	06	G33Z		06	G33Z		06	G33Z
	07	H33Z, H38Z		07	H33Z, H38Z		07	H33Z, H38Z
	11	L33Z		11	L33Z		11	L33Z
	15	P02A, P02B, P02C		15	P02A, P02B, P02C		15	P02A, P02B, P02C
	21B	X33Z		21B	X33Z		21B	X33Z
	23	Z01A		23	Z01A		23	Z01A
Pre	A07A	Pre	A07A	Pre	A07A			
5k621.21		BOP, KOP, KOPV, KVT, UOP4	5k621.31		BOP, KOP, KOPV, KVT, UOP4	5k622.21		BOP, KOP, KOPV, KVT, UOP4
	05	F01A, F01B, F01D, F03B, F03C, F03D, F03E, F05Z, F06A, F06B, F06C, F06D, F06E, F06F, F30Z, F36A, F36B, F42Z		05	F01A, F01B, F01D, F03B, F03C, F03D, F03E, F05Z, F06A, F06B, F06C, F06D, F06E, F06F, F30Z, F36A, F36B, F42Z		05	F01A, F01B, F01D, F03B, F03C, F03D, F03E, F05Z, F06A, F06B, F06C, F06D, F06E, F06F, F30Z, F36A, F36B, F42Z
	06	G33Z		06	G33Z		06	G33Z
	07	H33Z, H38Z		07	H33Z, H38Z		07	H33Z, H38Z
	11	L33Z		11	L33Z		11	L33Z
	15	P02A, P02B, P02C		15	P02A, P02B, P02C		15	P02A, P02B, P02C
	21B	X33Z		21B	X33Z		21B	X33Z
	23	Z01A		23	Z01A		23	Z01A
Pre	A07A	Pre	A07A	Pre	A07A			
5k621.22		BOP, KOP, KOPV, KVT, UOP4	5k621.32		BOP, KOP, KOPV, KVT, UOP4	5k622.22		BOP, KOP, KOPV, KVT, UOP4
	05	F01A, F01B, F01D, F03B, F03C, F03D, F03E, F05Z, F06A, F06B, F06C, F06D, F06E, F06F, F30Z, F36A, F36B, F42Z		05	F01A, F01B, F01D, F03B, F03C, F03D, F03E, F05Z, F06A, F06B, F06C, F06D, F06E, F06F, F30Z, F36A, F36B, F42Z		05	F01A, F01B, F01D, F03B, F03C, F03D, F03E, F05Z, F06A, F06B, F06C, F06D, F06E, F06F, F30Z, F36A, F36B, F42Z
	06	G33Z		06	G33Z		06	G33Z
	07	H33Z, H38Z		07	H33Z, H38Z		07	H33Z, H38Z
	11	L33Z		11	L33Z		11	L33Z
	15	P02A, P02B, P02C		15	P02A, P02B, P02C		15	P02A, P02B, P02C
	21B	X33Z		21B	X33Z		21B	X33Z
	23	Z01A		23	Z01A		23	Z01A
Pre	A07A	Pre	A07A	Pre	A07A			

VYK

ZZV	MDC	DRG	ZZV	MDC	DRG	ZZV	MDC	DRG
5k622.25		BOP, KOP, KOPV, KVT, UOP4	5k622.35		BOP, KOP, KOPV, KVT, UOP4	5k623.25		BOP, KOP, KOPV, KVT, UOP4
	05	F01A, F01B, F01D, F03B, F03C, F03D, F03E, F05Z, F06A, F06B, F06C, F06D, F06E, F06F, F30Z, F36A, F36B, F42Z		05	F01A, F01B, F01D, F03B, F03C, F03D, F03E, F05Z, F06A, F06B, F06C, F06D, F06E, F06F, F30Z, F36A, F36B, F42Z		05	F01A, F01B, F01D, F03B, F03C, F03D, F03E, F05Z, F06A, F06B, F06C, F06D, F06E, F06F, F30Z, F36A, F36B, F42Z
	06	G33Z		06	G33Z		06	G33Z
	07	H33Z, H38Z		07	H33Z, H38Z		07	H33Z, H38Z
	11	L33Z		11	L33Z		11	L33Z
	15	P02A, P02B, P02C		15	P02A, P02B, P02C		15	P02A, P02B, P02C
	21B	X33Z		21B	X33Z		21B	X33Z
	23	Z01A		23	Z01A		23	Z01A
Pre	A07A	Pre	A07A	Pre	A07A			
5k622.2x		BOP, KOP, KOPV, KVT, UOP4	5k622.3x		BOP, KOP, KOPV, KVT, UOP4	5k623.2x		BOP, KOP, KOPV, KVT, UOP4
	05	F01A, F01B, F01D, F03B, F03C, F03D, F03E, F05Z, F06A, F06B, F06C, F06D, F06E, F06F, F30Z, F36A, F36B, F42Z		05	F01A, F01B, F01D, F03B, F03C, F03D, F03E, F05Z, F06A, F06B, F06C, F06D, F06E, F06F, F30Z, F36A, F36B, F42Z		05	F01A, F01B, F01D, F03B, F03C, F03D, F03E, F05Z, F06A, F06B, F06C, F06D, F06E, F06F, F30Z, F36A, F36B, F42Z
	06	G33Z		06	G33Z		06	G33Z
	07	H33Z, H38Z		07	H33Z, H38Z		07	H33Z, H38Z
	11	L33Z		11	L33Z		11	L33Z
	15	P02A, P02B, P02C		15	P02A, P02B, P02C		15	P02A, P02B, P02C
	21B	X33Z		21B	X33Z		21B	X33Z
	23	Z01A		23	Z01A		23	Z01A
Pre	A07A	Pre	A07A	Pre	A07A			
5k622.30		BOP, KOP, KOPV, KVT, UOP4	5k623.20		BOP, KOP, KOPV, KVT, UOP4	5k623.30		BOP, KOP, KOPV, KVT, UOP4
	05	F01A, F01B, F01D, F03B, F03C, F03D, F03E, F05Z, F06A, F06B, F06C, F06D, F06E, F06F, F30Z, F36A, F36B, F42Z		05	F01A, F01B, F01D, F03B, F03C, F03D, F03E, F05Z, F06A, F06B, F06C, F06D, F06E, F06F, F30Z, F36A, F36B, F42Z		05	F01A, F01B, F01D, F03B, F03C, F03D, F03E, F05Z, F06A, F06B, F06C, F06D, F06E, F06F, F30Z, F36A, F36B, F42Z
	06	G33Z		06	G33Z		06	G33Z
	07	H33Z, H38Z		07	H33Z, H38Z		07	H33Z, H38Z
	11	L33Z		11	L33Z		11	L33Z
	15	P02A, P02B, P02C		15	P02A, P02B, P02C		15	P02A, P02B, P02C
	21B	X33Z		21B	X33Z		21B	X33Z
	23	Z01A		23	Z01A		23	Z01A
Pre	A07A	Pre	A07A	Pre	A07A			
5k622.31		BOP, KOP, KOPV, KVT, UOP4	5k623.21		BOP, KOP, KOPV, KVT, UOP4	5k623.31		BOP, KOP, KOPV, KVT, UOP4
	05	F01A, F01B, F01D, F03B, F03C, F03D, F03E, F05Z, F06A, F06B, F06C, F06D, F06E, F06F, F30Z, F36A, F36B, F42Z		05	F01A, F01B, F01D, F03B, F03C, F03D, F03E, F05Z, F06A, F06B, F06C, F06D, F06E, F06F, F30Z, F36A, F36B, F42Z		05	F01A, F01B, F01D, F03B, F03C, F03D, F03E, F05Z, F06A, F06B, F06C, F06D, F06E, F06F, F30Z, F36A, F36B, F42Z
	06	G33Z		06	G33Z		06	G33Z
	07	H33Z, H38Z		07	H33Z, H38Z		07	H33Z, H38Z
	11	L33Z		11	L33Z		11	L33Z
	15	P02A, P02B, P02C		15	P02A, P02B, P02C		15	P02A, P02B, P02C
	21B	X33Z		21B	X33Z		21B	X33Z
	23	Z01A		23	Z01A		23	Z01A
Pre	A07A	Pre	A07A	Pre	A07A			
5k622.32		BOP, KOP, KOPV, KVT, UOP4	5k623.22		BOP, KOP, KOPV, KVT, UOP4	5k623.32		BOP, KOP, KOPV, KVT, UOP4
	05	F01A, F01B, F01D, F03B, F03C, F03D, F03E, F05Z, F06A, F06B, F06C, F06D, F06E, F06F, F30Z, F36A, F36B, F42Z		05	F01A, F01B, F01D, F03B, F03C, F03D, F03E, F05Z, F06A, F06B, F06C, F06D, F06E, F06F, F30Z, F36A, F36B, F42Z		05	F01A, F01B, F01D, F03B, F03C, F03D, F03E, F05Z, F06A, F06B, F06C, F06D, F06E, F06F, F30Z, F36A, F36B, F42Z
	06	G33Z		06	G33Z		06	G33Z
	07	H33Z, H38Z		07	H33Z, H38Z		07	H33Z, H38Z
	11	L33Z		11	L33Z		11	L33Z
	15	P02A, P02B, P02C		15	P02A, P02B, P02C		15	P02A, P02B, P02C
	21B	X33Z		21B	X33Z		21B	X33Z
	23	Z01A		23	Z01A		23	Z01A
Pre	A07A	Pre	A07A	Pre	A07A			

ZZV	MDC	DRG	ZZV	MDC	DRG	ZZV	MDC	DRG
5k623.35		BOP, KOP, KOPV, KVT, UOP4	5k624.25		BOP, KOP, KOPV, KVT, UOP4	5k624.35		BOP, KOP, KOPV, KVT, UOP4
	05	F01A, F01B, F01D, F03B, F03C, F03D, F03E, F05Z, F06A, F06B, F06C, F06D, F06E, F06F, F30Z, F36A, F36B, F42Z		05	F01A, F01B, F01D, F03B, F03C, F03D, F03E, F05Z, F06A, F06B, F06C, F06D, F06E, F06F, F30Z, F36A, F36B, F42Z		05	F01A, F01B, F01D, F03B, F03C, F03D, F03E, F05Z, F06A, F06B, F06C, F06D, F06E, F06F, F30Z, F36A, F36B, F42Z
	06	G33Z		06	G33Z		06	G33Z
	07	H33Z, H38Z		07	H33Z, H38Z		07	H33Z, H38Z
	11	L33Z		11	L33Z		11	L33Z
	15	P02A, P02B, P02C		15	P02A, P02B, P02C		15	P02A, P02B, P02C
	21B	X33Z		21B	X33Z		21B	X33Z
	23	Z01A		23	Z01A		23	Z01A
Pre	A07A	Pre	A07A	Pre	A07A			
5k623.3x		BOP, KOP, KOPV, KVT, UOP4	5k624.2x		BOP, KOP, KOPV, KVT, UOP4	5k624.3x		BOP, KOP, KOPV, KVT, UOP4
	05	F01A, F01B, F01D, F03B, F03C, F03D, F03E, F05Z, F06A, F06B, F06C, F06D, F06E, F06F, F30Z, F36A, F36B, F42Z		05	F01A, F01B, F01D, F03B, F03C, F03D, F03E, F05Z, F06A, F06B, F06C, F06D, F06E, F06F, F30Z, F36A, F36B, F42Z		05	F01A, F01B, F01D, F03B, F03C, F03D, F03E, F05Z, F06A, F06B, F06C, F06D, F06E, F06F, F30Z, F36A, F36B, F42Z
	06	G33Z		06	G33Z		06	G33Z
	07	H33Z, H38Z		07	H33Z, H38Z		07	H33Z, H38Z
	11	L33Z		11	L33Z		11	L33Z
	15	P02A, P02B, P02C		15	P02A, P02B, P02C		15	P02A, P02B, P02C
	21B	X33Z		21B	X33Z		21B	X33Z
	23	Z01A		23	Z01A		23	Z01A
Pre	A07A	Pre	A07A	Pre	A07A			
5k624.20		BOP, KOP, KOPV, KVT, UOP4	5k624.30		BOP, KOP, KOPV, KVT, UOP4	5k62x.0		BOP, KOP, KOPV, KVT, UOP4
	05	F01A, F01B, F01D, F03B, F03C, F03D, F03E, F05Z, F06A, F06B, F06C, F06D, F06E, F06F, F30Z, F36A, F36B, F42Z		05	F01A, F01B, F01D, F03B, F03C, F03D, F03E, F05Z, F06A, F06B, F06C, F06D, F06E, F06F, F30Z, F36A, F36B, F42Z		05	F01A, F01B, F01D, F03B, F03C, F03D, F03E, F05Z, F06A, F06B, F06C, F06D, F06E, F06F, F30Z, F36A, F36B, F42Z
	06	G33Z		06	G33Z		06	G33Z
	07	H33Z, H38Z		07	H33Z, H38Z		07	H33Z, H38Z
	11	L33Z		11	L33Z		11	L33Z
	15	P02A, P02B, P02C		15	P02A, P02B, P02C		15	P02A, P02B, P02C
	21B	X33Z		21B	X33Z		21B	X33Z
	23	Z01A		23	Z01A		23	Z01A
Pre	A07A	Pre	A07A	Pre	A07A			
5k624.21		BOP, KOP, KOPV, KVT, UOP4	5k624.31		BOP, KOP, KOPV, KVT, UOP4	5k62x.1		BOP, KOP, KOPV, KVT, UOP4
	05	F01A, F01B, F01D, F03B, F03C, F03D, F03E, F05Z, F06A, F06B, F06C, F06D, F06E, F06F, F30Z, F36A, F36B, F42Z		05	F01A, F01B, F01D, F03B, F03C, F03D, F03E, F05Z, F06A, F06B, F06C, F06D, F06E, F06F, F30Z, F36A, F36B, F42Z		05	F01A, F01B, F01D, F03B, F03C, F03D, F03E, F05Z, F06A, F06B, F06C, F06D, F06E, F06F, F30Z, F36A, F36B, F42Z
	06	G33Z		06	G33Z		06	G33Z
	07	H33Z, H38Z		07	H33Z, H38Z		07	H33Z, H38Z
	11	L33Z		11	L33Z		11	L33Z
	15	P02A, P02B, P02C		15	P02A, P02B, P02C		15	P02A, P02B, P02C
	21B	X33Z		21B	X33Z		21B	X33Z
	23	Z01A		23	Z01A		23	Z01A
Pre	A07A	Pre	A07A	Pre	A07A			
5k624.22		BOP, KOP, KOPV, KVT, UOP4	5k624.32		BOP, KOP, KOPV, KVT, UOP4	5k62x.2		BOP, KOP, KOPV, KVT, UOP4
	05	F01A, F01B, F01D, F03B, F03C, F03D, F03E, F05Z, F06A, F06B, F06C, F06D, F06E, F06F, F30Z, F36A, F36B, F42Z		05	F01A, F01B, F01D, F03B, F03C, F03D, F03E, F05Z, F06A, F06B, F06C, F06D, F06E, F06F, F30Z, F36A, F36B, F42Z		05	F01A, F01B, F01D, F03B, F03C, F03D, F03E, F05Z, F06A, F06B, F06C, F06D, F06E, F06F, F30Z, F36A, F36B, F42Z
	06	G33Z		06	G33Z		06	G33Z
	07	H33Z, H38Z		07	H33Z, H38Z		07	H33Z, H38Z
	11	L33Z		11	L33Z		11	L33Z
	15	P02A, P02B, P02C		15	P02A, P02B, P02C		15	P02A, P02B, P02C
	21B	X33Z		21B	X33Z		21B	X33Z
	23	Z01A		23	Z01A		23	Z01A
Pre	A07A	Pre	A07A	Pre	A07A			

VYK



ZZV	MDC	DRG	ZZV	MDC	DRG	ZZV	MDC	DRG
5k62x.5		BOP, KOP, KOPV, KVT, UOP4	5k633		BOP, KOP, KOPV, KVT, UOP4	5k642		BOP, KVT, UOP4
	05	F01A, F01B, F01D, F03B, F03C, F03D, F03E, F05Z, F06A, F06B, F06C, F06D, F06E, F06F, F30Z, F36A, F36B, F42Z		05	F01A, F01B, F01D, F05Z, F07A, F07B, F09A, F09B, F09C, F30Z, F36A, F36B, F42Z		05	F01A, F01B, F01D, F05Z, F07A, F07B, F09A, F09B, F09C, F30Z, F36A, F36B, F42Z
	06	G33Z		06	G33Z		06	G33Z
	07	H33Z, H38Z		07	H33Z, H38Z		07	H33Z, H38Z
	11	L33Z		11	L33Z		11	L33Z
	15	P02A, P02B, P02C		15	P02A, P02B, P02C		15	P02A, P02B, P02C
	21B	X33Z		21B	X06A, X06B, X06C, X33Z		21B	X06A, X06B, X06C, X33Z
	23	Z01A		23	Z01A		23	Z01A
	Pre	A07A		Pre	A07A		Pre	A07A
	5k62x.x			BOP, KOP, KOPV, KVT, UOP4	5k634			BOP, KOP, KOPV, KVT, UOP4
05		F01A, F01B, F01D, F03B, F03C, F03D, F03E, F05Z, F06A, F06B, F06C, F06D, F06E, F06F, F30Z, F36A, F36B, F42Z	05	F01A, F01B, F01D, F03B, F03C, F03D, F03E, F05Z, F06A, F06B, F06C, F06D, F06E, F06F, F30Z, F36A, F36B, F42Z		05	F01A, F01B, F01D, F05Z, F07A, F07B, F09A, F09B, F09C, F30Z, F36A, F36B, F42Z	
06		G33Z	06	G33Z		06	G33Z	
07		H33Z, H38Z	07	H33Z, H38Z		07	H33Z, H38Z	
11		L33Z	11	L33Z		11	L33Z	
15		P02A, P02B, P02C	15	P02A, P02B, P02C		15	P02A, P02B, P02C	
21B		X33Z	21B	X33Z		21B	X06A, X06B, X06C, X33Z	
23		Z01A	23	Z01A		23	Z01A	
Pre		A07A	Pre	A07A		Pre	A07A	
5k630			BOP, KOP, KOPV, KVT, UOP4	5k635			BOP, KVT, UOP4	5k700
	05	F01A, F01B, F01D, F05Z, F07A, F07B, F09A, F09B, F09C, F30Z, F36A, F36B, F42Z	05		F01A, F01B, F01D, F05Z, F07A, F07B, F09A, F09B, F09C, F30Z, F42Z	04	E05A, E05B, E05C, E08A, E08B, E08C	
	06	G33Z	06		G33Z	06	G33Z	
	07	H33Z, H38Z	07		H33Z, H38Z	07	H33Z, H38Z	
	11	L33Z	11		L33Z	11	L33Z	
	15	P02A, P02B, P02C	15		P02A, P02B, P02C	15	P02A, P02B, P02C	
	21B	X06A, X06B, X06C, X33Z	21B		X06A, X06B, X06C	21B	X06A, X06B, X06C	
	23	Z01A	23		Z01A	23	Z01A	
	Pre	A07A	Pre		A07A	Pre	A07A	
	5k631		BOP, KOP, KOPV, KVT, UOP4		5k636		BOP, KOP, KOPV, KVT, UOP4	
05		F01A, F01B, F01D, F05Z, F06C, F06D, F07A, F07B, F09A, F09B, F09C, F30Z, F36A, F36B, F42Z	05	F01A, F01B, F01D, F05Z, F07A, F07B, F09A, F09B, F09C, F30Z, F36A, F36B, F42Z		04	E05A, E05B, E05C, E08A, E08B, E08C	
06		G33Z	06	G33Z		06	G33Z	
07		H33Z, H38Z	07	H33Z, H38Z		07	H33Z, H38Z	
11		L33Z	11	L33Z		11	L33Z	
15		P02A, P02B, P02C	15	P02A, P02B, P02C		15	P02A, P02B, P02C	
21B		X06A, X06B, X06C, X33Z	21B	X06A, X06B, X06C		21B	X06A, X06B, X06C	
23		Z01A	23	Z01A		23	Z01A	
Pre		A07A	Pre	A07A		Pre	A07A	
5k632			BOP, KOP, KOPV, KVT, UOP4	5k63x			BOP, KVT, UOP4	5k702
	05	F01A, F01B, F01D, F03B, F03C, F03D, F03E, F05Z, F06A, F06B, F06C, F06D, F06E, F06F, F30Z, F36A, F36B, F42Z	05		F01A, F01B, F01D, F05Z, F07A, F07B, F09A, F09B, F09C, F30Z, F42Z	04	E02A, E02B, E02C	
	06	G33Z	06		G33Z	08	I23A	
	07	H33Z, H38Z	07		H33Z, H38Z	09	J03A, J03B, J04A, J04B, J08A, J08B, J08C, J11A, J11B, J16Z	
	11	L33Z	11		L33Z	10	K09A, K09B	
	15	P02A, P02B, P02C	15		P02A, P02B, P02C	17	R01A, R01B, R01C, R01D, R02Z, R12A, R12B, R12C	
	21B	X06A, X06B, X06C, X33Z	21B		X06A, X06B, X06C	21A	W04A, W04B	
	23	Z01A	23		Z01A	21B	X06A, X06B, X06C	
	Pre	A07A	Pre		A07A	Pre	A07A	
	5k633		BOP, KOP, KOPV, KVT, UOP4		5k640		BOP, KVT, UOP4	
05		F01A, F01B, F01D, F03B, F03C, F03D, F03E, F05Z, F06A, F06B, F06C, F06D, F06E, F06F, F30Z, F36A, F36B, F42Z	05	F01A, F01B, F01D, F05Z, F07A, F07B, F09A, F09B, F09C, F30Z, F42Z		04	E02A, E02B, E02C	
06		G33Z	06	G33Z		08	I23A	
07		H33Z, H38Z	07	H33Z, H38Z		09	J03A, J03B, J04A, J04B, J08A, J08B, J08C, J11A, J11B, J16Z	
11		L33Z	11	L33Z		10	K09A, K09B	
15		P02A, P02B, P02C	15	P02A, P02B, P02C		17	R01A, R01B, R01C, R01D, R02Z, R12A, R12B, R12C	
21B		X06A, X06B, X06C, X33Z	21B	X06A, X06B, X06C		21A	W04A, W04B	
23		Z01A	23	Z01A		21B	X06A, X06B, X06C	
Pre		A07A	Pre	A07A		Pre	A07A	
5k634			BOP, KOP, KOPV, KVT, UOP4	5k641			BOP, KVT, UOP4	5k702
	05	F01A, F01B, F01D, F03B, F03C, F03D, F03E, F05Z, F06A, F06B, F06C, F06D, F06E, F06F, F30Z, F36A, F36B, F42Z	05		F01A, F01B, F01D, F05Z, F07A, F07B, F09A, F09B, F09C, F30Z, F42Z	04	E02A, E02B, E02C	
	06	G33Z	06		G33Z	08	I23A	
	07	H33Z, H38Z	07		H33Z, H38Z	09	J03A, J03B, J04A, J04B, J08A, J08B, J08C, J11A, J11B, J16Z	
	11	L33Z	11		L33Z	10	K09A, K09B	
	15	P02A, P02B, P02C	15		P02A, P02B, P02C	17	R01A, R01B, R01C, R01D, R02Z, R12A, R12B, R12C	
	21B	X06A, X06B, X06C, X33Z	21B		X06A, X06B, X06C	21A	W04A, W04B	
	23	Z01A	23		Z01A	21B	X06A, X06B, X06C	
	Pre	A07A	Pre		A07A	Pre	A07A	

VYK



ZZV	MDC	DRG	ZZV	MDC	DRG	ZZV	MDC	DRG
5k720		BOP, KOP, KOPV, KVT, UOP4	5k724		BOP, KOP, KOPV, KVT, UOP4	5k731		BOP, KOP, KOPV, KVT, UOP4
	04	E05A, E05B, E05C, E08A, E08B, E08C		04	E05A, E05B, E05C, E08A, E08B, E08C		05	F01A, F01B, F01D, F05Z, F07A, F07B, F09A, F09B, F09C, F36A, F36B, F42Z
	05	F01A, F01B, F01D, F05Z, F07A, F07B, F09A, F09B, F09C, F36A, F36B, F42Z		05	F01A, F01B, F01D, F05Z, F07A, F07B, F09A, F09B, F09C, F36A, F36B, F42Z		06	G33Z
	06	G33Z		06	G33Z		07	H33Z, H38Z
	07	H33Z, H38Z		07	H33Z, H38Z		11	L33Z
	11	L33Z		11	L33Z		15	P02A, P02B, P02C
	17	R01A, R01B, R01C, R01D, R02Z, R12A, R12B, R12C		17	R01A, R01B, R01C, R01D, R02Z, R12A, R12B, R12C		17	R01A, R01B, R01C, R01D, R02Z, R12A, R12B
	21A	W04A, W04B		21A	W04A, W04B		21B	X33Z
	21B	X06A, X06B, X06C		21B	X06A, X06B, X06C		23	Z01A
	23	Z01A		23	Z01A		Pre	A07A
	Pre	A07A		Pre	A07A		5k732	BOP, KOP, KOPV, KVT, UOP4
5k721		BOP, KOP, KOPV, KVT, UOP4	5k725		BOP, KOP, KOPV, KVT, UOP4	5k732	05	F01A, F01B, F01D, F05Z, F07A, F07B, F09A, F09B, F09C, F30Z, F36A, F36B, F42Z
	04	E05A, E05B, E05C, E08A, E08B, E08C		04	E05A, E05B, E05C, E08A, E08B, E08C		06	G33Z
	05	F01A, F01B, F01D, F05Z, F07A, F07B, F09A, F09B, F09C, F36A, F36B, F42Z		05	F01A, F01B, F01D, F05Z, F07A, F07B, F09A, F09B, F09C, F36A, F36B, F42Z		07	H33Z, H38Z
	06	G33Z		06	G33Z		11	L33Z
	07	H33Z, H38Z		07	H33Z, H38Z		15	P02A, P02B, P02C
	11	L33Z		11	L33Z		21B	X33Z
	17	R01A, R01B, R01C, R01D, R02Z, R12A, R12B, R12C		17	R01A, R01B, R01C, R01D, R02Z, R12A, R12B, R12C		23	Z01A
	21A	W04A, W04B		21A	W04A, W04B		Pre	A07A
	21B	X06A, X06B, X06C		21B	X06A, X06B, X06C		5k733	BOP, KOP, KOPV, KVT, UOP4
	23	Z01A		23	Z01A		05	F01A, F01B, F01D, F05Z, F07A, F07B, F09A, F09B, F09C, F30Z, F36A, F36B, F42Z
	Pre	A07A		Pre	A07A		06	G33Z
5k722		BOP, KOP, KOPV, KVT, UOP4	5k72x		BOP, KOP, KOPV, KVT, UOP4	5k733	07	H33Z, H38Z
	04	E05A, E05B, E05C, E08A, E08B, E08C		04	E05A, E05B, E05C, E08A, E08B, E08C		11	L33Z
	05	F01A, F01B, F01D, F05Z, F07A, F07B, F09A, F09B, F09C, F36A, F36B, F42Z		05	F01A, F01B, F01D, F05Z, F07A, F07B, F09A, F09B, F09C, F36A, F36B, F42Z		15	P02A, P02B, P02C
	06	G33Z		06	G33Z		21B	X33Z
	07	H33Z, H38Z		07	H33Z, H38Z		23	Z01A
	11	L33Z		11	L33Z		Pre	A07A
	17	R01A, R01B, R01C, R01D, R02Z, R12A, R12B, R12C		17	R01A, R01B, R01C, R01D, R02Z, R12A, R12B, R12C		5k734	BOP, KOP, KOPV, KVT, UOP4
	21A	W04A, W04B		21A	W04A, W04B		05	F01A, F01B, F01D, F05Z, F07A, F07B, F09A, F09B, F09C, F30Z, F36A, F36B, F42Z
	21B	X06A, X06B, X06C		21B	X06A, X06B, X06C		06	G33Z
	23	Z01A		23	Z01A		07	H33Z, H38Z
	Pre	A07A		Pre	A07A		11	L33Z
5k723		BOP, KOP, KOPV, KVT, UOP4	5k730		BOP, KOP, KOPV, KVT, UOP4	5k734	15	P02A, P02B, P02C
	04	E05A, E05B, E05C, E08A, E08B, E08C		05	F01A, F01B, F01D, F05Z, F07A, F07B, F09A, F09B, F09C, F30Z, F36A, F36B, F42Z		21B	X33Z
	05	F01A, F01B, F01D, F05Z, F07A, F07B, F09A, F09B, F09C, F36A, F36B, F42Z		06	G33Z		23	Z01A
	06	G33Z		07	H33Z, H38Z		Pre	A07A
	07	H33Z, H38Z		11	L33Z		5k735	BOP, KVT, UOP4
	11	L33Z		15	P02A, P02B, P02C		05	F01A, F01B, F01D, F03C, F03D, F05Z, F06C, F06E, F07A, F07B, F09A, F09B, F09C, F30Z, F42Z
	17	R01A, R01B, R01C, R01D, R02Z, R12A, R12B, R12C		17	R01A, R01B, R01C, R01D, R02Z, R12A, R12B		15	P02A, P02B, P02C
	21A	W04A, W04B		21B	X33Z		5k736	BOP, KVT, UOP4
	21B	X06A, X06B, X06C		23	Z01A		05	F01A, F01B, F01D, F03C, F03D, F05Z, F06C, F06E, F07A, F07B, F09A, F09B, F09C, F30Z, F42Z
	23	Z01A		Pre	A07A		15	P02A, P02B, P02C
	Pre	A07A						

VYK

ZZV	MDC	DRG	ZZV	MDC	DRG	ZZV	MDC	DRG
5k737		BOP, KVT, UOP4	5k743		BOP, KOP, KOPV, KVT, UOP4	5k751.1		BOP, KVT, UOP4
	05	F01A, F01B, F01D, F03C, F03D, F05Z, F06C, F06E, F07A, F07B, F09A, F09B, F09C, F30Z, F42Z		04	E05A, E05B, E05C, E08A, E08B, E08C	Pre	A05A, A05B, A18Z	
	15	P02A, P02B, P02C		05	F01A, F01B, F01D, F05Z, F07A, F07B, F09A, F09B, F09C, F30Z, F36A, F36B, F42Z	5k752	BOP, KVT, UOP4	
5k738		BOP, KVT, UOP4		06	G33Z	Pre	A05A, A05B, A18Z	
	05	F01A, F01B, F01D, F03C, F03D, F05Z, F06C, F06E, F07A, F07B, F09A, F09B, F09C, F30Z, F42Z		07	H33Z, H38Z	5k760.0	BOP, KKP, KVT, UOP4	
	15	P02A, P02B, P02C		11	L33Z	05	F01A, F01B, F01D, F05Z, F07A, F07B, F09A, F09B, F09C, F42Z	
5k73x		BOP, KVT, UOP4		15	P02A, P02B, P02C	5k760.1	BOP, KVT, UOP4	
	05	F01A, F01B, F01D, F05Z, F07A, F07B, F09A, F09B, F09C, F30Z, F42Z		21B	X33Z	05	F01A, F01B, F01D, F05Z, F07A, F07B, F09A, F09B, F09C, F42Z	
	15	P02A, P02B, P02C	5k744		BOP, KOP, KOPV, KVT, UOP4	5k762.0	BOP, KKP, KOP, KOPV, KVT, UOP4	
5k740		BOP, KOP, KOPV, KVT, UOP4		04	E05A, E05B, E05C, E08A, E08B, E08C	05	F01A, F01B, F01D, F05Z, F07A, F07B, F09A, F09B, F09C, F30Z, F36A, F36B, F42Z	
	04	E05A, E05B, E05C, E08A, E08B, E08C		05	F01A, F01B, F01D, F05Z, F07A, F07B, F09A, F09B, F09C, F30Z, F36A, F36B, F42Z	06	G33Z	
	05	F01A, F01B, F01D, F05Z, F07A, F07B, F09A, F09B, F09C, F30Z, F36A, F36B, F42Z		06	G33Z	07	H33Z, H38Z	
	06	G33Z		07	H33Z, H38Z	11	L33Z	
	07	H33Z, H38Z		11	L33Z	15	P02A, P02B, P02C	
	11	L33Z		15	P02A, P02B, P02C	21B	X33Z	
	15	P02A, P02B, P02C		21B	X33Z	23	Z01A	
	21B	X33Z		23	Z01A	Pre	A07A	
	23	Z01A	5k745		BOP, KOP, KOPV, KVT, UOP4	5k762.1	BOP, KOP, KOPV, KVT, UOP4	
	Pre	A07A		04	E05A, E05B, E05C, E08A, E08B, E08C	05	F01A, F01B, F01D, F05Z, F07A, F07B, F09A, F09B, F09C, F30Z, F36A, F36B, F42Z	
5k741		BOP, KOP, KOPV, KVT, UOP4		05	F01A, F01B, F01D, F05Z, F07A, F07B, F09A, F09B, F09C, F30Z, F36A, F36B, F42Z	06	G33Z	
	04	E05A, E05B, E05C, E08A, E08B, E08C		06	G33Z	07	H33Z, H38Z	
	05	F01A, F01B, F01D, F05Z, F07A, F07B, F09A, F09B, F09C, F30Z, F36A, F36B, F42Z		07	H33Z, H38Z	11	L33Z	
	06	G33Z		11	L33Z	15	P02A, P02B, P02C	
	07	H33Z, H38Z		15	P02A, P02B, P02C	21B	X33Z	
	11	L33Z		21B	X33Z	23	Z01A	
	15	P02A, P02B, P02C		23	Z01A	Pre	A07A	
	21B	X33Z	5k746		BOP, KOP, KOPV, KVT, UOP4	5k762.2	BOP, KKP, KOP, KOPV, KVT, UOP4	
	23	Z01A		05	F01A, F01B, F01D, F05Z, F07A, F07B, F09A, F09B, F09C, F30Z, F36A, F36B, F42Z	05	F01A, F01B, F01D, F05Z, F07A, F07B, F09A, F09B, F09C, F30Z, F36A, F36B, F42Z	
	Pre	A07A		06	G33Z	06	G33Z	
5k742		BOP, KOP, KOPV, KVT, UOP4		07	H33Z, H38Z	07	H33Z, H38Z	
	04	E05A, E05B, E05C, E08A, E08B, E08C		11	L33Z	11	L33Z	
	05	F01A, F01B, F01D, F05Z, F07A, F07B, F09A, F09B, F09C, F30Z, F36A, F36B, F42Z		15	P02A, P02B, P02C	15	P02A, P02B, P02C	
	06	G33Z		21B	X33Z	21B	X33Z	
	07	H33Z, H38Z		23	Z01A	23	Z01A	
	11	L33Z		Pre	A07A	Pre	A07A	
	15	P02A, P02B, P02C	5k74x		BOP, KVT, UOP4	5k763.0	BOP, KKP, KOP, KOPV, KVT, UOP4	
	21B	X33Z		05	F01A, F01B, F01D, F05Z, F07A, F07B, F09A, F09B, F09C, F30Z, F42Z	05	F01A, F01B, F01D, F05Z, F07A, F07B, F09A, F09B, F09C, F30Z, F36A, F36B, F42Z	
	23	Z01A		15	P02A, P02B, P02C	06	G33Z	
	Pre	A07A		15	P02A, P02B, P02C	07	H33Z, H38Z	
			5k750.0		BOP, KVT, UOP4	11	L33Z	
			Pre		A05A, A05B, A18Z	15	P02A, P02B, P02C	
			5k750.1		BOP, KVT, UOP4	21B	X33Z	
			Pre		A05A, A05B, A18Z	23	Z01A	
			5k751.0		BOP, KVT, UOP4	Pre	A07A	
			Pre		A05A, A05B, A18Z			

ZZV	MDC	DRG	ZZV	MDC	DRG	ZZV	MDC	DRG
5k763.1		BOP, KOP, KOPV, KVT, UOP4	5k765.1		BOP, KOP, KOPV, KVT, UOP4	5k767.2		BOP, KKP, KOP, KOPV, KVT, UOP4
	05	F01A, F01B, F01D, F05Z, F07A, F07B, F09A, F09B, F09C, F30Z, F36A, F36B, F42Z		05	F01A, F01B, F01D, F05Z, F07A, F07B, F09A, F09B, F09C, F30Z, F36A, F36B, F42Z		05	F01A, F01B, F01D, F05Z, F07A, F07B, F09A, F09B, F09C, F36A, F36B, F42Z
	06	G33Z		06	G33Z		06	G33Z
	07	H33Z, H38Z		07	H33Z, H38Z		07	H33Z, H38Z
	11	L33Z		11	L33Z		11	L33Z
	15	P02A, P02B, P02C		15	P02A, P02B, P02C		23	Z01A
	21B	X33Z		21B	X33Z		Pre	A07A
	23	Z01A		23	Z01A		5k768.0	BOP, KKP, KOP, KOPV, KVT, UOP4
	Pre	A07A		Pre	A07A			05
	5k763.2			BOP, KKP, KOP, KOPV, KVT, UOP4	5k766.0			BOP, KKP, KOP, KOPV, KVT, UOP4
05		F01A, F01B, F01D, F05Z, F07A, F07B, F09A, F09B, F09C, F30Z, F36A, F36B, F42Z	05	F01A, F01B, F01D, F05Z, F07A, F07B, F09A, F09B, F09C, F30Z, F36A, F36B, F42Z		05	F01A, F01B, F01D, F05Z, F07A, F07B, F09A, F09B, F09C, F36A, F36B, F42Z	
06		G33Z	06	G33Z		06	G33Z	
07		H33Z, H38Z	07	H33Z, H38Z		07	H33Z, H38Z	
11		L33Z	11	L33Z		11	L33Z	
15		P02A, P02B, P02C	15	P02A, P02B, P02C		21B	X33Z	
21B		X33Z	21B	X33Z		23	Z01A	
23		Z01A	23	Z01A		Pre	A07A	
Pre		A07A	Pre	A07A		5k768.2	BOP, KKP, KOP, KOPV, KVT, UOP4	
							05	F01A, F01B, F01D, F05Z, F07A, F07B, F09A, F09B, F09C, F36A, F36B, F42Z
5k764.0		BOP, KKP, KOP, KOPV, KVT, UOP4	5k766.1		BOP, KOP, KOPV, KVT, UOP4	5k76x		BOP, KOP, KOPV, KVT, UOP4
	05	F01A, F01B, F01D, F05Z, F07A, F07B, F09A, F09B, F09C, F30Z, F36A, F36B, F42Z		05	F01A, F01B, F01D, F05Z, F07A, F07B, F09A, F09B, F09C, F30Z, F36A, F36B, F42Z		05	F01A, F01B, F01D, F05Z, F07A, F07B, F09A, F09B, F09C, F36A, F36B, F42Z
	06	G33Z		06	G33Z		06	G33Z
	07	H33Z, H38Z		07	H33Z, H38Z		07	H33Z, H38Z
	11	L33Z		11	L33Z		11	L33Z
	15	P02A, P02B, P02C		15	P02A, P02B, P02C		21B	X33Z
	21B	X33Z		21B	X33Z		23	Z01A
	23	Z01A		23	Z01A		Pre	A07A
	Pre	A07A		Pre	A07A		5k770	BOP, KOP, KOPV, KVT, UOP4
								05
5k764.1		BOP, KOP, KOPV, KVT, UOP4	5k767.0		BOP, KKP, KOP, KOPV, KVT, UOP4	5k771		BOP, KVT, UOP4
	05	F01A, F01B, F01D, F05Z, F07A, F07B, F09A, F09B, F09C, F30Z, F36A, F36B, F42Z		05	F01A, F01B, F01D, F05Z, F07A, F07B, F09A, F09B, F09C, F36A, F36B, F42Z		01	B12Z
	06	G33Z		06	G33Z		05	F12A, F12B, F12C, F12D, F12E, F12F, F12G, F12H
	07	H33Z, H38Z		07	H33Z, H38Z		11	L09A, L38Z
	11	L33Z		11	L33Z		BOP, KK11, KKI, KKII, KVT, UOP4	
	15	P02A, P02B, P02C		15	P02A, P02B, P02C			01
	21B	X33Z		21B	X33Z		05	F12A, F12B, F12C, F12D, F12E, F12F, F12G, F12H
	23	Z01A		23	Z01A		11	L09A, L38Z
	Pre	A07A		Pre	A07A		5k771	BOP, KK11, KKI, KKII, KVT, UOP4
								01
5k765.0		BOP, KKP, KOP, KOPV, KVT, UOP4	5k767.1		BOP, KOP, KOPV, KVT, UOP4			
	05	F01A, F01B, F01D, F05Z, F07A, F07B, F09A, F09B, F09C, F30Z, F36A, F36B, F42Z		05	F01A, F01B, F01D, F05Z, F07A, F07B, F09A, F09B, F09C, F36A, F36B, F42Z		05	F12A, F12B, F12C, F12D, F12E, F12F, F12G, F12H
	06	G33Z		06	G33Z		11	L09A, L38Z
	07	H33Z, H38Z		07	H33Z, H38Z			
	11	L33Z		11	L33Z			
	15	P02A, P02B, P02C		15	P02A, P02B, P02C			
	21B	X33Z		21B	X33Z			
	23	Z01A		23	Z01A			
	Pre	A07A		Pre	A07A			

VYK

ZZV	MDC	DRG	ZZV	MDC	DRG	ZZV	MDC	DRG	
5k772		BOP, KK11, KKI, KKII, KVT, UOP4	5k77c.0		BOP, KVT, UOP4	5k780.a	05	F18A, F18C	
	01	B12Z		01	B12Z		21A	W04A, W04B	
	05	F12A, F12B, F12C, F12D, F12E, F12F, F12G		05	F01A, F01D, F12A, F12B, F12C, F12D, F12E, F12F, F12G		21B	X06A, X06B, X06C	
	11	L09A, L38Z		11	L09A, L38Z		5k780.x	05	F18A, F18C
	23	Z01A					21A	W04A, W04B	
5k773.0	Pre	A06A, A07A, A09A, A11A, A13A	5k77c.1		BOP, KVT, UOP4	5k781.8	21B	X06A, X06B, X06C	
		BOP, KK11, KKI, KKII, KVT, UOP4		01	B12Z		05	F18A, F18C	
	01	B12Z		05	F01A, F01D, F12A, F12B, F12C, F12D, F12E, F12F, F12G		21A	W04A, W04B	
	05	F12A, F12B, F12C, F12D, F12E, F12F, F12G		11	L09A, L38Z		21B	X06A, X06B, X06C	
	11	L09A, L38Z		5k77g.0			5k781.9	05	F18A, F18C
5k774	23	Z01A	5k77g.1		BOP, KVT, UOP4	5k781.a	21A	W04A, W04B	
	Pre	A06A, A07A, A09A, A11A, A13A		05	F12A, F12B, F12C, F12D, F12E, F12F, F12G, F12H, F18A, F18C		05	F18A, F18C	
		BOP, KK11, KKI, KKII, KVT, UOP4		05	F12A, F12B, F12C, F12D, F12E, F12F, F12G, F12H, F18A, F18C		21A	W04A, W04B	
	01	B12Z		5k77g.2			21B	X06A, X06B, X06C	
	05	F12A, F12B, F12C, F12D, F12E, F12F, F12G		05	F12A, F12B, F12C, F12D, F12E, F12F, F12G, F12H, F18A, F18C		5k782.0	05	F18A, F18C
5k775.0	11	L09A, L38Z	5k77h.0		BOP, KVT, UOP4	5k782.1	21A	W04A, W04B	
	21A	W04A, W04B		01	B12Z		21B	X06A, X06B, X06C	
	21B	X06A, X06B, X06C		05	F12A, F12B, F12C, F12D, F12E, F12F, F12G, F12H		5k782.2	05	F18A, F18C
	23	Z01A		11	L09A, L38Z		21A	W04A, W04B	
	Pre	A06A, A07A, A09A, A11A, A13A		5k77h.1			21B	X06A, X06B, X06C	
5k775.0		BOP, KOP, KOPV, KVT, UOP4	5k77h.2		BOP, KVT, UOP4	5k782.3	05	F18A, F18C	
	05	F01A, F01B, F01C, F01D, F01E, F01F, F01G, F36A, F36B		01	B12Z		21A	W04A, W04B	
	06	G33Z		05	F12A, F12B, F12C, F12D, F12E, F12F, F12G, F12H		21B	X06A, X06B, X06C	
	07	H33Z, H38Z		11	L09A, L38Z		5k782.4	05	F18A, F18C
	11	L09A, L33Z, L38Z		5k77x			21A	W04A, W04B	
5k776	21B	X33Z	5k780.0		BOP, KVT, UOP4	5k782.5	21B	X06A, X06B, X06C	
	23	Z01A		01	B12Z		05	F18A, F18C	
	Pre	A06A, A07A, A09A, A11A, A13A		05	F12A, F12B, F12C, F12D, F12E, F12F, F12G, F12H		21A	W04A, W04B	
		BOP, KOP, KOPV, KVT, UOP4		11	L09A, L38Z		21B	X06A, X06B, X06C	
	05	F01A, F01B, F01C, F01D, F01F, F36A, F36B		5k780.1			5k782.6	05	F18A, F18C
5k777	06	G33Z	5k780.1		BOP, KVT, UOP4	5k782.x	21A	W04A, W04B	
	07	H33Z, H38Z		05	F12A, F12B, F12C, F12D, F12E, F12F, F12G, F12H		21B	X06A, X06B, X06C	
	11	L09A, L33Z, L38Z		11	L09A, L38Z		5k783.0	05	F18A, F18C
	21B	X33Z		5k780.2			21A	W04A, W04B	
	23	Z01A		21A	W04A, W04B		21B	X06A, X06B, X06C	
5k777	Pre	A06A, A07A, A09A, A11A, A13A	5k780.2		BOP, KVT, UOP4	5k783.1	05	F18A, F18C	
		BOP, KOP, KOPV, KVT, UOP4		01	B12Z		21A	W04A, W04B	
	05	F01A, F01B, F01C, F01D, F01F, F36A, F36B		05	F12A, F12B, F12C, F12D, F12E, F12F, F12G, F12H		21B	X06A, X06B, X06C	
	06	G33Z		11	L09A, L38Z		5k783.2	05	F18A, F18C
	07	H33Z, H38Z		5k780.3			21A	W04A, W04B	
5k778	11	L09A, L33Z, L38Z	5k780.3		BOP, KVT, UOP4	5k783.3	21B	X06A, X06B, X06C	
	21B	X33Z		05	F18A, F18C		05	F18A, F18C	
	23	Z01A		21A	W04A, W04B		21A	W04A, W04B	
	Pre	A06A, A07A, A09A, A11A, A13A		21B	X06A, X06B, X06C		21B	X06A, X06B, X06C	
		BOP, KVT, UOP4		5k780.4			5k783.4	05	F18A, F18C
5k778	01	B12Z	5k780.4		BOP, KVT, UOP4	5k783.5	21A	W04A, W04B	
	05	F12A, F12B, F12C, F12D, F12E, F12F, F12G, F12H		05	F18A, F18C		21B	X06A, X06B, X06C	
	11	L09A, L38Z		21A	W04A, W04B		05	F18A, F18C	
		BOP, KVT, UOP4		21B	X06A, X06B, X06C		21A	W04A, W04B	
	01	B12Z		5k780.5			5k783.6	05	F18A, F18C
5k778	05	F12A, F12B, F12C, F12D, F12E, F12F, F12G, F12H	5k780.5		BOP, KVT, UOP4	5k783.x	21B	X06A, X06B, X06C	
	11	L09A, L38Z		05	F18A, F18C		05	F18A, F18C	
		BOP, KVT, UOP4		21A	W04A, W04B		21A	W04A, W04B	
	01	B12Z		21B	X06A, X06B, X06C		21B	X06A, X06B, X06C	
	05	F12A, F12B, F12C, F12D, F12E, F12F, F12G, F12H		5k780.6			5k783.x	05	F18A, F18C
5k778	11	L09A, L38Z	5k780.6		BOP, KVT, UOP4	5k783.x	21A	W04A, W04B	
		BOP, KVT, UOP4		05	F18A, F18C		21B	X06A, X06B, X06C	
	01	B12Z		21A	W04A, W04B				
	05	F12A, F12B, F12C, F12D, F12E, F12F, F12G, F12H		21B	X06A, X06B, X06C				
	11	L09A, L38Z		5k780.7					
5k778		BOP, KVT, UOP4	5k780.7		BOP, KVT, UOP4	5k783.x	05	F18A, F18C	
	01	B12Z		05	F18A, F18C		21A	W04A, W04B	
	05	F12A, F12B, F12C, F12D, F12E, F12F, F12G, F12H		21A	W04A, W04B		21B	X06A, X06B, X06C	
	11	L09A, L38Z		21B	X06A, X06B, X06C				
		BOP, KVT, UOP4							

ZZV	MDC	DRG	ZZV	MDC	DRG	ZZV	MDC	DRG
5k784.0		BOP, KVT, UOP4	5k785.1		BOP, KVT, UOP4	5k786.2		BOP, KVT, UOP4
	05	F18A, F18B, F18C, F18D		05	F12A, F12B, F12C, F12D, F12E, F12F, F12G, F12H, F17A, F17B		01	B12Z
	09	J03A, J03B, J04A, J04B, J08A, J08B, J08C, J11A, J11B, J16Z		11	L09A, L38Z		05	F12A, F12B, F12C, F12D, F12E, F12F, F12G
5k784.1	21A	W04A, W04B	5k785.2		BOP, KVT, UOP4	5k786.3	11	L09A, L38Z
	21B	X06A, X06B, X06C		05	F12A, F12B, F12C, F12D, F12E, F12F, F12G, F12H, F17A		23	Z01A
		BOP, KVT, UOP4		11	L09A, L38Z		Pre	A06A, A07A, A09A, A11A, A13A
5k784.2	05	F18A, F18B, F18C, F18D	5k785.3		BOP, KVT, UOP4	5k786.4	01	B12Z
	09	J03A, J03B, J04A, J04B, J08A, J08B, J08C, J11A, J11B, J16Z		05	F12A, F12B, F12C, F12D, F12E, F12F, F12G, F12H, F17A		05	F12A, F12B, F12C, F12D, F12E, F12F, F12G
	21A	W04A, W04B		11	L09A, L38Z		11	L09A, L38Z
5k784.3	21B	X06A, X06B, X06C	5k785.4		BOP, KVT, UOP4	5k786.5	21A	W04A, W04B
		BOP, KVT, UOP4		05	F12A, F12B, F12C, F12D, F12E, F12F, F12G, F12H, F17A		21B	X06A, X06B, X06C
	05	F18A, F18B, F18C, F18D		11	L09A, L38Z		23	Z01A
5k784.4	09	J03A, J03B, J04A, J04B, J08A, J08B, J08C, J11A, J11B, J16Z	5k785.5		BOP, KOP, KOPV, KVT, UOP4	5k786.6	Pre	A06A, A07A, A09A, A11A, A13A
	21A	W04A, W04B		05	F02A, F02B, F36A, F36B		05	F02A, F36A, F36B
	21B	X06A, X06B, X06C		06	G33Z		06	G33Z
5k784.5		BOP, KVT, UOP4	5k785.6		BOP, KOP, KOPV, KVT, UOP4	5k786.x	07	H33Z, H38Z
	05	F18A, F18B, F18C, F18D		11	L09A, L33Z, L38Z		11	L09A, L33Z, L38Z
	09	J03A, J03B, J04A, J04B, J08A, J08B, J08C, J11A, J11B, J16Z		21B	X33Z		21B	X33Z
5k784.6	21A	W04A, W04B	5k785.9		BOP, KVT, UOP4	5k787.0	Pre	A06A, A07A, A09A, A11A, A13A
	21B	X06A, X06B, X06C		05	F12A, F12B, F12C, F12D, F12E, F12F, F12G, F12H, F17A		05	F12A, F12B, F12C, F12D, F12E, F12F, F12G, F12H, F18A, F18C
		BOP, KVT, UOP4		11	L09A, L38Z		11	L09A, L38Z
5k784.7	05	F18A, F18B, F18C, F18D	5k786.1		BOP, KVT, UOP4	5k787.1	Pre	A06A, A07A, A09A, A11A, A13A
	09	J03A, J03B, J04A, J04B, J08A, J08B, J08C, J11A, J11B, J16Z		01	B12Z		05	F12A, F12B, F12C, F12D, F12E, F12F, F12G, F12H, F18A, F18C
	21A	W04A, W04B		05	F12A, F12B, F12C, F12D, F12E, F12F, F12G, F12H, F17A, F17B		05	F12A, F12B, F12C, F12D, F12E, F12F, F12G, F12H, F18A, F18C
5k784.x	21B	X06A, X06B, X06C	5k786.2		BOP, KVT, UOP4	5k787.2	05	F12A, F12B, F12C, F12D, F12E, F12F, F12G, F12H, F18A, F18C
		BOP, KVT, UOP4		01	B12Z			BOP, KVT, UOP4
	05	F18A, F18B, F18C, F18D		05	F12A, F12B, F12C, F12D, F12E, F12F, F12G, F12H, F17A, F17B			BOP, KVT, UOP4
5k785.0	09	J03A, J03B, J04A, J04B, J08A, J08B, J08C, J11A, J11B, J16Z	5k786.3		BOP, KVT, UOP4	5k787.3		BOP, KVT, UOP4
	21A	W04A, W04B		05	F12A, F12B, F12C, F12D, F12E, F12F, F12G, F12H, F17A			BOP, KVT, UOP4
	21B	X06A, X06B, X06C		11	L09A, L38Z			BOP, KVT, UOP4

VYK

ZZV	MDC	DRG	ZZV	MDC	DRG	ZZV	MDC	DRG
5k787.3		BOP, KVT, UOP4	5k789.6		BOP, KVT, UOP4	5k790		BOP, KOP, KOPV, KVT, UOP4
	05	F12A, F12B, F12C, F12D, F12E, F12F, F12G, F12H, F18A, F18C		01	B12Z		04	E05A, E05B, E05C, E08A, E08B, E08C
5k787.4		BOP, KVT, UOP4		05	F12A, F12B, F12C, F12D, F12E, F12F, F12G, F12H		05	F01A, F01B, F01D, F05Z, F07A, F07B, F09A, F09B, F09C, F30Z, F36A, F36B, F42Z
	05	F18A, F18C		21A	W04A, W04B		06	G33Z
5k787.5		BOP, KVT, UOP4		21B	X06A, X06B, X06C		07	H33Z, H38Z
	05	F18A, F18C		23	Z01A		11	L33Z
5k787.6		BOP, KVT, UOP4		Pre	A06A, A07A, A09A, A11A, A13A		15	P02A, P02B, P02C
	05	F18A, F18C	5k789.7		BOP, KOP, KOPV, KVT, UOP4		21B	X33Z
5k787.x		BOP, KVT, UOP4		05	F01A, F01B, F01C, F01D, F01E, F01F, F01G, F36A, F36B		23	Z01A
	05	F12A, F12B, F12C, F12D, F12E, F12F, F12G, F12H, F18A, F18C		06	G33Z		Pre	A07A
5k788.0		BOP, KVT, UOP4		07	H33Z, H38Z	5k791		BOP, KOP, KOPV, KVT, UOP4
	05	F18A, F18C		11	L33Z		04	E05A, E05B, E05C, E08A, E08B, E08C
5k788.1		BOP, KVT, UOP4		21B	X33Z		05	F01A, F01B, F01D, F05Z, F07A, F07B, F09A, F09B, F09C, F30Z, F36A, F36B, F42Z
	05	F18A, F18C		23	Z01A		06	G33Z
5k788.2		BOP, KVT, UOP4		Pre	A06A, A07A, A09A, A11A, A13A		07	H33Z, H38Z
	05	F18A, F18C	5k789.a		BOP, KOP, KOPV, KVT, UOP4		11	L33Z
5k788.3		BOP, KVT, UOP4		05	F01A, F01B, F01C, F01D, F01F, F36A, F36B		15	P02A, P02B, P02C
	05	F18A, F18C		06	G33Z		21B	X33Z
5k788.4		BOP, KVT, UOP4		07	H33Z, H38Z		23	Z01A
	05	F18A, F18C		11	L33Z		Pre	A07A
5k788.5		BOP, KVT, UOP4		21B	X33Z	5k795		BOP, KOP, KOPV, KVT, UOP4
	05	F18A, F18C		23	Z01A		04	E05A, E05B, E05C, E08A, E08B, E08C
5k788.6		BOP, KVT, UOP4		Pre	A06A, A07A, A09A, A11A, A13A		05	F01A, F01B, F01D, F03C, F03D, F03E, F05Z, F06C, F06D, F07A, F09A, F09B, F09C, F30Z, F36A, F36B, F42Z
	05	F18A, F18C	5k789.b		BOP, KOP, KOPV, KVT, UOP4		06	G33Z
5k788.x		BOP, KVT, UOP4		05	F01A, F01B, F01C, F01D, F01F, F36A, F36B		07	H33Z, H38Z
	05	F18A, F18C		06	G33Z		11	L33Z
5k789.0		BOP, KVT, UOP4		07	H33Z, H38Z		15	P02A, P02B, P02C
	01	B12Z		11	L33Z		21B	X33Z
	05	F12A, F12B, F12C, F12D, F12E, F12F, F12G		21B	X33Z		23	Z01A
	Pre	A06A, A07A, A09A, A11A, A13A		23	Z01A		Pre	A07A
5k789.1		BOP, KVT, UOP4		Pre	A06A, A07A, A09A, A11A, A13A	5k796		BOP, KOP, KOPV, KVT, UOP4
	01	B12Z	5k789.c		BOP, KOP, KOPV, KVT, UOP4		04	E05A, E05B, E05C, E08A, E08B, E08C
	05	F12A, F12B, F12C, F12D, F12E, F12F, F12G		05	F01A, F01B, F01C, F01D, F01F, F36A, F36B		05	F01A, F01B, F01D, F03C, F03D, F03E, F05Z, F06C, F06D, F07A, F09A, F09B, F09C, F30Z, F36A, F36B, F42Z
	21A	W04A, W04B		06	G33Z		06	G33Z
	21B	X06A, X06B, X06C		07	H33Z, H38Z		07	H33Z, H38Z
	23	Z01A		11	L33Z		11	L33Z
	Pre	A06A, A07A, A09A, A11A, A13A		21B	X33Z		15	P02A, P02B, P02C
5k789.2		BOP, KVT, UOP4		23	Z01A		23	Z01A
	01	B12Z	5k789.d		BOP, KOP, KOPV, KVT, UOP4		Pre	A07A
	05	F12A, F12B, F12C, F12D, F12E, F12F, F12G, F12H		05	F01A, F01B, F01C, F01D, F01F, F36A, F36B		04	E05A, E05B, E05C, E08A, E08B, E08C
5k789.3		BOP, KVT, UOP4		06	G33Z		05	F01A, F01B, F01D, F05Z, F07A, F07B, F09A, F09B, F09C, F30Z, F36A, F36B, F42Z
	01	B12Z		07	H33Z, H38Z		06	G33Z
	05	F12A, F12B, F12C, F12D, F12E, F12F, F12G		11	L33Z		07	H33Z, H38Z
	21A	W04A, W04B		21B	X33Z		11	L33Z
	21B	X06A, X06B, X06C		23	Z01A		15	P02A, P02B, P02C
	23	Z01A		Pre	A06A, A07A, A09A, A11A, A13A		23	Z01A
	Pre	A06A, A07A, A09A, A11A, A13A		Pre	A06A, A07A, A09A, A11A, A13A		Pre	A07A
5k789.4		BOP, KVT, UOP4		05	F01A, F01B, F01C, F01D, F01F, F36A, F36B		04	E05A, E05B, E05C, E08A, E08B, E08C
	01	B12Z		06	G33Z		05	F01A, F01B, F01D, F05Z, F07A, F07B, F09A, F09B, F09C, F30Z, F36A, F36B, F42Z
	05	F12A, F12B, F12C, F12D, F12E, F12F, F12G, F12H		07	H33Z, H38Z		06	G33Z
5k789.5		BOP, KVT, UOP4		11	L33Z		07	H33Z, H38Z
	01	B12Z		21B	X33Z		11	L33Z
	05	F12A, F12B, F12C, F12D, F12E, F12F, F12G		23	Z01A		15	P02A, P02B, P02C
	23	Z01A		Pre	A06A, A07A, A09A, A11A, A13A		21B	X33Z
	Pre	A06A, A07A, A09A, A11A, A13A	5k789.x		BOP, KVT, UOP4		23	Z01A
				01	B12Z		Pre	A07A
				05	F12A, F12B, F12C, F12D, F12E, F12F, F12G, F12H			

VYK



ZZV	MDC	DRG	ZZV	MDC	DRG	ZZV	MDC	DRG
5k797		BOP, KOP, KOPV, KVT, UOP4	5k79a		BOP, KOP, KOPV, KVT, UOP4	5I010.1↔		BOP, KVT, UOP4
	04	E05A, E05B, E05C, E08A, E08B, E08C		04	E05A, E05B, E05C, E08A, E08B, E08C		01	B03A, B03B, B06A, B06B, B07Z, B17A, B17B, B17C
	05	F01A, F01B, F01D, F05Z, F07A, F07B, F09A, F09B, F09C, F30Z, F36A, F36B, F42Z		05	F01A, F01B, F01D, F05Z, F07A, F07B, F09A, F09B, F09C, F30Z, F36A, F36B, F42Z		03	D12A
	06	G33Z		06	G33Z		05	F01A, F01B, F01D, F05Z, F06A, F06C, F07A, F07B, F14A, F14B, F28A, F42Z, F54Z, F59A, F59B
	07	H33Z, H38Z		07	H33Z, H38Z		08	I08A, I08B, I08C, I08D, I08E, I13A, I13B
	11	L33Z		11	L33Z		10	K09A, K09B
	15	P02A, P02B, P02C		15	P02A, P02B, P02C		11	L09A, L38Z
	23	Z01A		Pre	A07A		21A	W04A, W04B
	Pre	A07A					21B	X06A, X06B, X06C
	5k798.0			BOP, KOP, KOPV, KVT, UOP4	5k79b			BOP, KOP, KOPV, KVT, UOP4
04		E05A, E05B, E05C, E08A, E08B, E08C	04	E05A, E05B, E05C, E08A, E08B, E08C		01	B03A, B03B, B06A, B06B, B07Z, B17A, B17B, B17C	
05		F01A, F01B, F01C, F01D, F01F, F05Z, F07A, F07B, F09A, F09B, F09C, F30Z, F36A, F36B, F42Z	05	F01A, F01B, F01D, F05Z, F07A, F07B, F09A, F09B, F09C, F30Z, F36A, F36B, F42Z		03	D12A	
06		G33Z	06	G33Z		05	F01A, F01B, F01D, F05Z, F06A, F06C, F07A, F07B, F14A, F14B, F28A, F42Z, F54Z, F59A, F59B	
07		H33Z, H38Z	07	H33Z, H38Z		08	I08A, I08B, I08C, I08D, I08E, I13A, I13B	
11		L33Z	11	L33Z		10	K09A, K09B	
15		P02A, P02B, P02C	15	P02A, P02B, P02C		11	L09A, L38Z	
23		Z01A	Pre	A07A		21A	W04A, W04B	
Pre		A07A				21B	X06A, X06B, X06C	
5k798.1			BOP, KOP, KOPV, KVT, UOP4	5k79c			BOP, KOP, KOPV, KVT, UOP4	5I010.3↔
	04	E05A, E05B, E05C, E08A, E08B, E08C	04		E05A, E05B, E05C, E08A, E08B, E08C	01	B03A, B03B, B06A, B06B, B07Z, B17A, B17B, B17C	
	05	F01A, F01B, F01D, F05Z, F07A, F07B, F09A, F09B, F09C, F30Z, F36A, F36B, F42Z	05		F01A, F01B, F01D, F05Z, F07A, F07B, F09A, F09B, F09C, F30Z, F36A, F36B, F42Z	03	D12A	
	06	G33Z	06		G33Z	05	F01A, F01B, F01D, F05Z, F06A, F06C, F07A, F07B, F14A, F14B, F28A, F42Z, F54Z, F59A, F59B	
	07	H33Z, H38Z	07		H33Z, H38Z	08	I08A, I08B, I08C, I08D, I08E, I13A, I13B	
	11	L33Z	11		L33Z	10	K09A, K09B	
	15	P02A, P02B, P02C	15		P02A, P02B, P02C	11	L09A, L38Z	
	23	Z01A	Pre		A07A	21A	W04A, W04B	
	Pre	A07A				21B	X06A, X06B, X06C	
	5k799.0		BOP, KOP, KOPV, KVT, UOP4		5k79x		BOP, KOP, KOPV, KVT, UOP4	
04		E05A, E05B, E05C, E08A, E08B, E08C	04	E05A, E05B, E05C, E08A, E08B, E08C		01	B03A, B03B, B06A, B06B, B07Z, B17A, B17B, B17C	
05		F01A, F01B, F01D, F05Z, F07A, F07B, F09A, F09B, F09C, F30Z, F36A, F36B, F42Z	05	F01A, F01B, F01D, F05Z, F07A, F07B, F09A, F09B, F09C, F30Z, F36A, F36B, F42Z		03	D12A	
06		G33Z	06	G33Z		05	F01A, F01B, F01D, F05Z, F06A, F06C, F07A, F07B, F14A, F14B, F28A, F42Z, F54Z, F59A, F59B	
07		H33Z, H38Z	07	H33Z, H38Z		08	I08A, I08B, I08C, I08D, I08E, I13A, I13B	
11		L33Z	11	L33Z		10	K09A, K09B	
15		P02A, P02B, P02C	15	P02A, P02B, P02C		11	L09A, L38Z	
23		Z01A	Pre	A07A		21A	W04A, W04B	
Pre		A07A				21B	X06A, X06B, X06C	
5k799.1			BOP, KOP, KOPV, KVT, UOP4	5I010.0↔			BOP, KVT, UOP4	5I010.5↔
	04	E05A, E05B, E05C, E08A, E08B, E08C	01		B03A, B03B, B06A, B06B, B07Z, B17A, B17B, B17C	01	B03A, B03B, B06A, B06B, B07Z, B17A, B17B, B17C	
	05	F01A, F01B, F01D, F05Z, F07A, F07B, F09A, F09B, F09C, F30Z, F36A, F36B, F42Z	03		D12A	03	D12A	
	06	G33Z	05		F01A, F01B, F01D, F05Z, F06A, F06C, F07A, F07B, F14A, F14B, F28A, F42Z, F54Z, F59A, F59B	05	F01A, F01B, F01D, F05Z, F06A, F06C, F07A, F07B, F14A, F14B, F28A, F42Z, F54Z, F59A, F59B	
	07	H33Z, H38Z	08		I08A, I08B, I08C, I08D, I08E, I13A, I13B	08	I08A, I08B, I08C, I08D, I08E, I13A, I13B	
	11	L33Z	10		K09A, K09B	10	K09A, K09B	
	15	P02A, P02B, P02C	11		L09A, L38Z	11	L09A, L38Z	
	23	Z01A	21A		W04A, W04B	21A	W04A, W04B	
	Pre	A07A	21B		X06A, X06B, X06C	21B	X06A, X06B, X06C	

VYK

ZZV	MDC	DRG	ZZV	MDC	DRG	ZZV	MDC	DRG
5i010.6↔		BOP, KVT, UOP4	5i012.0↔		BOP, KVT, UOP4	5i012.6↔		BOP, KVT, UOP4
01		B03A, B03B, B06A, B06B, B07Z, B17A, B17B, B17C	05		F01A, F01B, F01D, F05Z, F07A, F07B, F28A, F42Z, F54Z, F59A, F59B	05		F01A, F01B, F01D, F05Z, F07A, F07B, F28A, F42Z, F54Z, F59A, F59B
03		D12A	08		I08A, I08B, I08C, I08D, I08E, I13A, I13B	08		I08A, I08B, I08C, I08D, I08E, I13A, I13B
05		F01A, F01B, F01D, F05Z, F06A, F06C, F07A, F07B, F14A, F14B, F28A, F42Z, F54Z, F59A, F59B	10		K09A, K09B	10		K09A, K09B
08		I08A, I08B, I08C, I08D, I08E, I13A, I13B	11		L09A, L38Z	11		L09A, L38Z
10		K09A, K09B	21A		W04A, W04B	21A		W04A, W04B
11		L09A, L38Z	21B		X06A, X06B, X06C	21B		X05A, X05B, X06A, X06B, X06C
21A		W04A, W04B	5i012.1↔		BOP, KVT, UOP4	5i012.7↔		BOP, KVT, UOP4
21B		X06A, X06B, X06C	05		F01A, F01B, F01D, F05Z, F07A, F07B, F28A, F42Z, F54Z, F59A, F59B	05		F01A, F01B, F01D, F05Z, F07A, F07B, F28A, F42Z, F54Z, F59A, F59B
5i010.x↔		BOP, KVT, UOP4	08		I08A, I08B, I08C, I08D, I08E, I13A, I13B	08		I08A, I08B, I08C, I08D, I08E, I13A, I13B
01		B03A, B03B, B06A, B06B, B07Z, B17A, B17B, B17C	10		K09A, K09B	10		K09A, K09B
03		D12A	11		L09A, L38Z	11		L09A, L38Z
05		F01A, F01B, F01D, F05Z, F06A, F06C, F07A, F07B, F14A, F14B, F28A, F42Z, F54Z, F59A, F59B	21A		W04A, W04B	21A		W04A, W04B
08		I08A, I08B, I08C, I08D, I08E, I13A, I13B	21B		X05A, X05B, X06A, X06B, X06C	21B		X05A, X05B, X06A, X06B, X06C
10		K09A, K09B	5i012.2↔		BOP, KVT, UOP4	5i012.8↔		BOP, KVT, UOP4
11		L09A, L38Z	05		F01A, F01B, F01D, F05Z, F07A, F07B, F28A, F42Z, F54Z, F59A, F59B	05		F01A, F01B, F01D, F05Z, F07A, F07B, F28A, F42Z, F54Z, F59A, F59B
21A		W04A, W04B	08		I08A, I08B, I08C, I08D, I08E, I13A, I13B	08		I08A, I08B, I08C, I08D, I08E, I13A, I13B
21B		X06A, X06B, X06C	10		K09A, K09B	10		K09A, K09B
5i011.0↔		BOP, KVT, UOP4	11		L09A, L38Z	11		L09A, L38Z
05		F01A, F01B, F01D, F05Z, F07A, F07B, F14A, F14B, F28A, F42Z, F54Z, F59A, F59B	21A		W04A, W04B	21A		W04A, W04B
08		I08A, I08B, I08C, I08D, I08E, I13A, I13B	21B		X05A, X05B, X06A, X06B, X06C	21B		X06A, X06B, X06C
10		K09A, K09B	5i012.3↔		BOP, KVT, UOP4	5i012.x↔		BOP, KVT, UOP4
11		L09A, L38Z	05		F01A, F01B, F01D, F05Z, F07A, F07B, F28A, F42Z, F54Z, F59A, F59B	05		F01A, F01B, F01D, F05Z, F07A, F07B, F28A, F42Z, F54Z, F59A, F59B
21A		W04A, W04B	08		I08A, I08B, I08C, I08D, I08E, I13A, I13B	08		I08A, I08B, I08C, I08D, I08E, I13A, I13B
21B		X06A, X06B, X06C	10		K09A, K09B	10		K09A, K09B
5i011.1↔		BOP, KVT, UOP4	11		L09A, L38Z	11		L09A, L38Z
05		F01A, F01B, F01D, F05Z, F07A, F07B, F28A, F42Z, F54Z, F59A, F59B	21A		W04A, W04B	21A		W04A, W04B
08		I08A, I08B, I08C, I08D, I08E, I13A, I13B	21B		X05A, X05B, X06A, X06B, X06C	21B		X06A, X06B, X06C
10		K09A, K09B	5i012.4↔		BOP, KVT, UOP4	5i013.0		BOP, KOP, KOPV, KVT, UOP4
11		L09A, L38Z	05		F01A, F01B, F01D, F05Z, F07A, F07B, F28A, F42Z, F54Z, F59A, F59B	04		E05A, E05B, E05C, E08A, E08B, E08C
21A		W04A, W04B	08		I08A, I08B, I08C, I08D, I08E, I13A, I13B	05		F01A, F01B, F01D, F05Z, F07A, F07B, F09A, F09B, F09C, F30Z, F42Z
21B		X06A, X06B, X06C	10		K09A, K09B	06		G15Z, G19A, G19B, G33Z, G38Z
5i011.2↔		BOP, KVT, UOP4	11		L09A, L38Z	07		H33Z, H38Z
05		F01A, F01B, F01D, F05Z, F07A, F07B, F28A, F42Z, F54Z, F59A, F59B	21A		W04A, W04B	08		I08A, I08B, I08C, I08D, I08E, I13A, I13B
08		I08A, I08B, I08C, I08D, I08E, I13A, I13B	21B		X06A, X06B, X06C	11		L09A, L33Z, L38Z
10		K09A, K09B	5i012.5↔		BOP, KVT, UOP4	15		P02A, P02B, P02C
11		L09A, L38Z	05		F01A, F01B, F01D, F05Z, F07A, F07B, F28A, F42Z, F54Z, F59A, F59B	21A		W04A, W04B
21A		W04A, W04B	08		I08A, I08B, I08C, I08D, I08E, I13A, I13B	21B		X06A, X06B, X06C, X33Z
21B		X06A, X06B, X06C	10		K09A, K09B	23		Z01A
5i011.x↔		BOP, KVT, UOP4	11		L09A, L38Z	Pre		A07A
05		F01A, F01B, F01D, F05Z, F07A, F07B, F28A, F42Z, F54Z, F59A, F59B	21A		W04A, W04B			
08		I08A, I08B, I08C, I08D, I08E, I13A, I13B	21B		X05A, X05B, X06A, X06B, X06C			
10		K09A, K09B						
11		L09A, L38Z						
21A		W04A, W04B						
21B		X06A, X06B, X06C						

VYK

ZZV	MDC	DRG	ZZV	MDC	DRG	ZZV	MDC	DRG			
51013.1		BOP, KOP, KOPV, KVT, UOP4	51013.5		BOP, KVT, UOP4	51014.2↔		BOP, KOP, KOPV, KVT, UOP4			
	04	E05A, E05B, E05C, E08A, E08B, E08C		05	F01A, F01B, F01D, F05Z, F07A, F07B, F14A, F14B, F28A, F42Z, F54Z, F59A, F59B		04	E05A, E05B, E05C, E08A, E08B, E08C			
	05	F01A, F01B, F01D, F05Z, F07A, F07B, F09A, F09B, F09C, F30Z, F42Z		06	G10Z, G12A, G12B		05	F01A, F01B, F01D, F05Z, F07A, F07B, F09A, F09B, F09C, F30Z, F42Z			
	06	G15Z, G19A, G19B, G33Z, G38Z		08	I08A, I08B, I08C, I08D, I08E, I13A, I13B		06	G15Z, G19A, G19B, G33Z, G38Z			
	07	H33Z, H38Z		11	L09A, L09B, L09C, L09D, L38Z		07	H33Z, H38Z			
	08	I08A, I08B, I08C, I08D, I08E, I13A, I13B		21A	W04A, W04B		08	I08A, I08B, I08C, I08D, I08E, I13A, I13B			
	11	L09A, L33Z, L38Z		21B	X06A, X06B, X06C		11	L09A, L33Z, L38Z			
	15	P02A, P02B, P02C			BOP, KVT, UOP4		15	P02A, P02B, P02C			
	21A	W04A, W04B		05	F01A, F01B, F01D, F05Z, F07A, F07B, F14A, F14B, F28A, F42Z, F54Z, F59A, F59B		21A	W04A, W04B			
	21B	X06A, X06B, X06C, X33Z		06	G10Z, G12A, G12B		21B	X06A, X06B, X06C, X33Z			
	23	Z01A		08	I08A, I08B, I08C, I08D, I08E, I13A, I13B		23	Z01A			
	Pre	A07A		11	L09A, L33Z, L38Z		Pre	A07A			
	51013.2			BOP, KOP, KOPV, KVT, UOP4	51014.0↔			BOP, KOP, KOPV, KVT, UOP4	51014.3↔		BOP, KOP, KOPV, KVT, UOP4
		04		E05A, E05B, E05C, E08A, E08B, E08C			04	E05A, E05B, E05C, E08A, E08B, E08C		04	E05A, E05B, E05C, E08A, E08B, E08C
05		F01A, F01B, F01D, F05Z, F07A, F07B, F09A, F09B, F09C, F30Z, F42Z	05	F01A, F01B, F01D, F05Z, F07A, F07B, F09A, F09B, F09C, F30Z, F42Z		05	F01A, F01B, F01D, F05Z, F07A, F07B, F09A, F09B, F09C, F30Z, F42Z				
06		G15Z, G19A, G19B, G33Z, G38Z	06	G15Z, G19A, G19B, G33Z, G38Z		06	G15Z, G19A, G19B, G33Z, G38Z				
07		H33Z, H38Z	07	H33Z, H38Z		07	H33Z, H38Z				
08		I08A, I08B, I08C, I08D, I08E, I13A, I13B	08	I08A, I08B, I08C, I08D, I08E, I13A, I13B		08	I08A, I08B, I08C, I08D, I08E, I13A, I13B				
11		L09A, L33Z, L38Z	11	L09A, L33Z, L38Z		11	L09A, L33Z, L38Z				
15		P02A, P02B, P02C	15	P02A, P02B, P02C		15	P02A, P02B, P02C				
21A		W04A, W04B	21A	W04A, W04B		21A	W04A, W04B				
21B		X06A, X06B, X06C, X33Z	21B	X06A, X06B, X06C, X33Z		21B	X06A, X06B, X06C, X33Z				
23		Z01A	23	Z01A		23	Z01A				
Pre		A07A	Pre	A07A		Pre	A07A				
51013.3			BOP, KVT, UOP4	51014.1↔			BOP, KOP, KOPV, KVT, UOP4	51014.x↔			BOP, KOP, KOPV, KVT, UOP4
		05	F01A, F01B, F01D, F05Z, F07A, F07B, F14A, F14B, F28A, F42Z, F54Z, F59A, F59B			04	E05A, E05B, E05C, E08A, E08B, E08C			04	E05A, E05B, E05C, E08A, E08B, E08C
	06	G10Z, G12A, G12B	05		F01A, F01B, F01D, F05Z, F07A, F07B, F09A, F09B, F09C, F30Z, F42Z	05	F01A, F01B, F01D, F05Z, F07A, F07B, F09A, F09B, F09C, F30Z, F42Z				
	08	I08A, I08B, I08C, I08D, I08E, I13A, I13B	06		G15Z, G19A, G19B, G33Z, G38Z	06	G15Z, G19A, G19B, G33Z, G38Z				
	11	L09A, L09B, L09C, L09D, L38Z	07		H33Z, H38Z	07	H33Z, H38Z				
	21A	W04A, W04B	08		I08A, I08B, I08C, I08D, I08E, I13A, I13B	08	I08A, I08B, I08C, I08D, I08E, I13A, I13B				
	21B	X06A, X06B, X06C	11		L09A, L33Z, L38Z	11	L09A, L33Z, L38Z				
	51013.4		BOP, KVT, UOP4		51015.0↔		BOP, KVT, UOP4		51015.0↔		BOP, KVT, UOP4
		05	F01A, F01B, F01D, F05Z, F07A, F07B, F14A, F14B, F28A, F42Z, F54Z, F59A, F59B			01	B03A, B03B, B06A, B06B, B07Z, B17A, B17B, B17C			01	B03A, B03B, B06A, B06B, B07Z, B17A, B17B, B17C
		06	G10Z, G12A, G12B			05	F01A, F01B, F01D, F05Z, F07A, F07B, F14A, F14B, F28A, F42Z, F54Z, F59A, F59B			05	F01A, F01B, F01D, F05Z, F07A, F07B, F14A, F14B, F28A, F42Z, F54Z, F59A, F59B
		08	I08A, I08B, I08C, I08D, I08E, I13A, I13B			06	G10Z, G12A, G12B			06	G10Z, G12A, G12B
		11	L09A, L09B, L09C, L09D, L38Z			08	I08A, I08B, I08C, I08D, I08E, I13A, I13B			08	I08A, I08B, I08C, I08D, I08E, I13A, I13B
		21A	W04A, W04B			10	K09A, K09B			10	K09A, K09B
		21B	X06A, X06B, X06C			11	L09A, L38Z			11	L09A, L38Z
			21A	W04A, W04B		21A	W04A, W04B				
			21B	X06A, X06B, X06C, X33Z		21B	X06A, X06B, X06C				
			23	Z01A							
			Pre	A07A							

ZZV	MDC	DRG	ZZV	MDC	DRG	ZZV	MDC	DRG			
51015.1↔		BOP, KVT, UOP4	51015.x↔		BOP, KVT, UOP4	51016.4↔		BOP, KVT, UOP4			
	05	F01A, F01B, F01D, F05Z, F07A, F07B, F14A, F14B, F28A, F42Z, F54Z, F59A, F59B		05	F01A, F01B, F01D, F05Z, F07A, F07B, F14A, F14B, F28A, F42Z, F54Z, F59A, F59B		05	F01A, F01B, F01D, F05Z, F07A, F07B, F14A, F14B, F28A, F42Z, F54Z, F59A, F59B			
	06	G10Z, G12A, G12B		06	G10Z, G12A, G12B		06	G10Z, G12A, G12B			
	08	I08A, I08B, I08C, I08D, I08E, I13A, I13B		08	I08A, I08B, I08C, I08D, I08E, I13A, I13B		08	I08A, I08B, I08C, I08D, I08E, I13A, I13B			
	11	L09A, L09B, L09C, L09D, L38Z		11	L09A, L09B, L09C, L09D, L38Z		11	L09A, L09B, L09C, L09D, L38Z			
	21A	W04A, W04B		21A	W04A, W04B		51016.5		BOP, KVT, UOP4		
	21B	X06A, X06B, X06C		21B	X06A, X06B, X06C			05	F01A, F01B, F01D, F05Z, F07A, F07B, F14A, F14B, F28A, F42Z, F54Z, F59A, F59B		
	51015.2↔			BOP, KVT, UOP4	51016.0				BOP, KVT, UOP4	06	G10Z, G12A, G12B, G18A, G38Z
		05		F01A, F01B, F01D, F05Z, F07A, F07B, F14A, F14B, F28A, F42Z, F54Z, F59A, F59B				05	F01A, F01B, F01D, F05Z, F07A, F07B, F14A, F14B, F28A, F42Z, F54Z, F59A, F59B	08	I08A, I08B, I08C, I08D, I08E, I13A, I13B
		06		G10Z, G12A, G12B				06	G10Z, G12A, G12B, G18A, G38Z	11	L09A, L09B, L09C, L09D, L38Z
08		I08A, I08B, I08C, I08D, I08E, I13A, I13B	08	I08A, I08B, I08C, I08D, I08E, I13A, I13B		51016.6		BOP, KVT, UOP4			
11		L09A, L09B, L09C, L09D, L38Z	11	L09A, L09B, L09C, L09D, L38Z			05	F01A, F01B, F01D, F05Z, F07A, F07B, F14A, F14B, F28A, F42Z, F54Z, F59A, F59B			
21A		W04A, W04B	21A	W04A, W04B			06	G10Z, G12A, G12B, G18A, G38Z			
21B		X06A, X06B, X06C	21B	X06A, X06B, X06C			08	I08A, I08B, I08C, I08D, I08E, I13A, I13B			
51015.3↔			BOP, KVT, UOP4	51016.1				BOP, KVT, UOP4	11	L09A, L09B, L09C, L09D, L38Z	
		05	F01A, F01B, F01D, F05Z, F07A, F07B, F14A, F14B, F28A, F42Z, F54Z, F59A, F59B			05	F01A, F01B, F01D, F05Z, F07A, F07B, F14A, F14B, F28A, F42Z, F54Z, F59A, F59B	51016.7		BOP, KVT, UOP4	
		06	G10Z, G12A, G12B			06	G10Z, G12A, G12B, G18A, G38Z		05	F01A, F01B, F01D, F05Z, F07A, F07B, F14A, F14B, F28A, F42Z, F54Z, F59A, F59B	
	08	I08A, I08B, I08C, I08D, I08E, I13A, I13B	07		H06A, H06B, H06C	06	G10Z, G12A, G12B				
	11	L09A, L09B, L09C, L09D, L38Z	08		I08A, I08B, I08C, I08D, I08E, I13A, I13B	08	I08A, I08B, I08C, I08D, I08E, I13A, I13B				
	21A	W04A, W04B	11		L09A, L09B, L09C, L09D, L38Z	11	L09A, L09B, L09C, L09D, L38Z				
	21B	X06A, X06B, X06C	51016.2			BOP, KVT, UOP4	51016.x↔		BOP, KVT, UOP4		
	51015.4↔				BOP, KVT, UOP4	51016.3			BOP, KVT, UOP4	05	F01A, F01B, F01D, F05Z, F07A, F07B, F14A, F14B, F28A, F42Z, F54Z, F59A, F59B
		05			F01A, F01B, F01D, F05Z, F07A, F07B, F14A, F14B, F28A, F42Z, F54Z, F59A, F59B			05	F01A, F01B, F01D, F05Z, F07A, F07B, F14A, F14B, F28A, F42Z, F54Z, F59A, F59B	06	G10Z, G12A, G12B
		06			G10Z, G12A, G12B			06	G10Z, G12A, G12B, G18A, G38Z	08	I08A, I08B, I08C, I08D, I08E, I13A, I13B
08		I08A, I08B, I08C, I08D, I08E, I13A, I13B		08	I08A, I08B, I08C, I08D, I08E, I13A, I13B			11	L09A, L09B, L09C, L09D, L38Z		
11		L09A, L09B, L09C, L09D, L38Z		11	L09A, L09B, L09C, L09D, L38Z		51017.0↔		BOP, KVT, UOP4		
21A		W04A, W04B		21A	W04A, W04B			05	F01A, F01B, F01D, F05Z, F07A, F07B, F14A, F14B, F28A, F42Z, F54Z, F59A, F59B		
21B		X06A, X06B, X06C		21B	X06A, X06B, X06C			08	I08A, I08B, I08C, I08D, I08E, I13A, I13B		
51015.5↔				BOP, KVT, UOP4	51016.3				BOP, KVT, UOP4	10	K09A, K09B
		05		F01A, F01B, F01D, F05Z, F07A, F07B, F14A, F14B, F28A, F42Z, F54Z, F59A, F59B				05	F01A, F01B, F01D, F05Z, F07A, F07B, F14A, F14B, F28A, F42Z, F54Z, F59A, F59B	11	L09A, L38Z
		06	G10Z, G12A, G12B	06			G10Z, G12A, G12B, G18A, G38Z	17	R01A, R01B, R01C, R01D, R02Z, R12A, R12B, R12C		
	08	I08A, I08B, I08C, I08D, I08E, I13A, I13B	07	H06A, H06B, H06C		21A	W04A, W04B				
	11	L09A, L09B, L09C, L09D, L38Z	08	I08A, I08B, I08C, I08D, I08E, I13A, I13B		21B	X04Z				
	21A	W04A, W04B	11	L09A, L09B, L09C, L09D, L38Z							
	21B	X06A, X06B, X06C									

VYK

ZZV	MDC	DRG	ZZV	MDC	DRG	ZZV	MDC	DRG	
5I017.1↔		BOP, KVT, UOP4	5I018.1↔		BOP, KVT, UOP4	5I018.6↔		BOP, KVT, UOP4	
	05	F01A, F01B, F01D, F05Z, F07A, F07B, F14A, F14B, F28A, F42Z, F54Z, F59A, F59B		05	F01A, F01B, F01D, F05Z, F07A, F07B, F28A, F42Z, F54Z, F59A, F59B		05	F01A, F01B, F01D, F05Z, F07A, F07B, F28A, F42Z, F54Z, F59A, F59B	
	08	I08A, I08B, I08C, I08D, I08E, I13A, I13B		08	I08A, I08B, I08C, I08D, I08E, I13A, I13B		08	I08A, I08B, I08C, I08D, I08E, I13A, I13B	
	10	K09A, K09B		10	K09A, K09B		10	K09A, K09B	
	11	L09A, L38Z		11	L09A, L38Z		11	L09A, L38Z	
	17	R01A, R01B, R01C, R01D, R02Z, R12A, R12B, R12C		17	R01A, R01B, R01C, R01D, R02Z, R12A, R12B, R12C		17	R01A, R01B, R01C, R01D, R02Z, R12A, R12B, R12C	
	21A	W04A, W04B		21A	W04A, W04B		21A	W04A, W04B	
	21B	X04Z		21B	X04Z		21B	X04Z	
	5I017.2↔			BOP, KVT, UOP4	5I018.2↔			BOP, KVT, UOP4	5I018.7↔
05		F01A, F01B, F01D, F05Z, F07A, F07B, F28A, F42Z, F54Z, F59A, F59B	05	F01A, F01B, F01D, F05Z, F07A, F07B, F28A, F42Z, F54Z, F59A, F59B		05	F01A, F01B, F01D, F05Z, F07A, F07B, F28A, F42Z, F54Z, F59A, F59B		
08		I08A, I08B, I08C, I08D, I08E, I13A, I13B	08	I08A, I08B, I08C, I08D, I08E, I13A, I13B		08	I08A, I08B, I08C, I08D, I08E, I13A, I13B		
10		K09A, K09B	10	K09A, K09B		10	K09A, K09B		
11		L09A, L38Z	11	L09A, L38Z		11	L09A, L38Z		
17		R01A, R01B, R01C, R01D, R02Z, R12A, R12B, R12C	17	R01A, R01B, R01C, R01D, R02Z, R12A, R12B, R12C		17	R01A, R01B, R01C, R01D, R02Z, R12A, R12B, R12C		
21A		W04A, W04B	21A	W04A, W04B		21A	W04A, W04B		
21B		X04Z	21B	X04Z		21B	X04Z		
5I017.3↔			BOP, KVT, UOP4	5I018.3↔			BOP, KVT, UOP4	5I018.x↔	
	05	F01A, F01B, F01D, F05Z, F07A, F07B, F28A, F42Z, F54Z, F59A, F59B	05		F01A, F01B, F01D, F05Z, F07A, F07B, F28A, F42Z, F54Z, F59A, F59B	05	F01A, F01B, F01D, F05Z, F07A, F07B, F28A, F42Z, F54Z, F59A, F59B		
	08	I08A, I08B, I08C, I08D, I08E, I13A, I13B	08		I08A, I08B, I08C, I08D, I08E, I13A, I13B	08	I08A, I08B, I08C, I08D, I08E, I13A, I13B		
	10	K09A, K09B	10		K09A, K09B	10	K09A, K09B		
	11	L09A, L38Z	11		L09A, L38Z	11	L09A, L38Z		
	17	R01A, R01B, R01C, R01D, R02Z, R12A, R12B, R12C	17		R01A, R01B, R01C, R01D, R02Z, R12A, R12B, R12C	17	R01A, R01B, R01C, R01D, R02Z, R12A, R12B, R12C		
	21A	W04A, W04B	21A		W04A, W04B	21A	W04A, W04B		
	21B	X04Z	21B		X04Z	21B	X04Z		
	5I017.x↔		BOP, KVT, UOP4		5I018.4↔		BOP, KVT, UOP4		5I019.0↔
05		F01A, F01B, F01D, F05Z, F07A, F07B, F28A, F42Z, F54Z, F59A, F59B	05	F01A, F01B, F01D, F05Z, F07A, F07B, F28A, F42Z, F54Z, F59A, F59B		05	F39A, F39B		
08		I08A, I08B, I08C, I08D, I08E, I13A, I13B	08	I08A, I08B, I08C, I08D, I08E, I13A, I13B		08	I08A, I08B, I08C, I08D, I08E, I13A, I13B		
10		K09A, K09B	10	K09A, K09B		11	L09A, L38Z		
11		L09A, L38Z	11	L09A, L38Z		21A	W04A, W04B		
17		R01A, R01B, R01C, R01D, R02Z, R12A, R12B, R12C	17	R01A, R01B, R01C, R01D, R02Z, R12A, R12B, R12C		21B	X04Z		
21A		W04A, W04B	21A	W04A, W04B		5I019.1↔		BOP, KVT, UOP4	
21B		X04Z	21B	X04Z			05	F39A, F39B	
							08	I08A, I08B, I08C, I08D, I08E, I13A, I13B	
5I018.0↔		BOP, KVT, UOP4	5I018.5↔		BOP, KVT, UOP4	5I019.2		BOP, KVT, UOP4	
	05	F01A, F01B, F01D, F05Z, F07A, F07B, F28A, F42Z, F54Z, F59A, F59B		05	F01A, F01B, F01D, F05Z, F07A, F07B, F28A, F42Z, F54Z, F59A, F59B		05	F39A, F39B	
	08	I08A, I08B, I08C, I08D, I08E, I13A, I13B		08	I08A, I08B, I08C, I08D, I08E, I13A, I13B		06	G18A, G38Z	
	10	K09A, K09B		10	K09A, K09B		07	H01A	
	11	L09A, L38Z		11	L09A, L38Z		08	I08A, I08B, I08C, I08D, I08E, I13A, I13B	
	17	R01A, R01B, R01C, R01D, R02Z, R12A, R12B, R12C		17	R01A, R01B, R01C, R01D, R02Z, R12A, R12B, R12C		11	L09A, L38Z	
	21A	W04A, W04B		21A	W04A, W04B		21A	W04A, W04B	
	21B	X04Z		21B	X04Z		21B	X04Z	
							5I019.3↔		BOP, KVT, UOP4
				05	F39A, F39B				
				06	G18A, G38Z				
				07	H01A				
				08	I08A, I08B, I08C, I08D, I08E, I13A, I13B				
				11	L09A, L38Z				
				21A	W04A, W04B				
				21B	X04Z				
				21B	X04Z				

VYK

ZZV	MDC	DRG	ZZV	MDC	DRG	ZZV	MDC	DRG
5I019.4		BOP, KVT, UOP4	5I019.a↔		BOP, KOP, KOPV, KVT, UOP4	5I019.e		BOP, KOP, KOPV, KVT, UOP4
	05	F39A, F39B		04	E05A, E05B, E05C, E08A, E08B, E08C		04	E05A, E05B, E05C, E08A, E08B, E08C
	06	G18A, G38Z		05	F01A, F01B, F01D, F05Z, F07A, F07B, F09A, F09B, F09C, F30Z, F42Z		05	F01A, F01B, F01D, F05Z, F07A, F07B, F09A, F09B, F09C, F30Z, F42Z
	07	H01A		06	G15Z, G19A, G19B, G33Z, G38Z		06	G15Z, G19A, G19B, G33Z, G38Z
	08	I08A, I08B, I08C, I08D, I08E, I13A, I13B		07	H33Z, H38Z		07	H33Z, H38Z
	11	L09A, L38Z		08	I08A, I08B, I08C, I08D, I08E, I13A, I13B		08	I08A, I08B, I08C, I08D, I08E, I13A, I13B
	21A	W04A, W04B		11	L09A, L33Z, L38Z		11	L09A, L33Z, L38Z
	21B	X04Z		15	P02A, P02B, P02C		15	P02A, P02B, P02C
5I019.5		BOP, KVT, UOP4	5I019.b↔		BOP, KOP, KOPV, KVT, UOP4	5I019.f		BOP, KOP, KOPV, KVT, UOP4
	05	F39A, F39B		04	E05A, E05B, E05C, E08A, E08B, E08C		04	E05A, E05B, E05C, E08A, E08B, E08C
	06	G18A, G38Z		05	F01A, F01B, F01D, F05Z, F07A, F07B, F09A, F09B, F09C, F30Z, F42Z		05	F01A, F01B, F01D, F05Z, F07A, F07B, F09A, F09B, F09C, F30Z, F42Z
	07	H01A		06	G15Z, G19A, G19B, G33Z, G38Z		06	G03A, G15Z, G18A, G19A, G19B, G33Z, G38Z
	08	I08A, I08B, I08C, I08D, I08E, I13A, I13B		07	H33Z, H38Z		07	H01A, H33Z, H38Z
	11	L09A, L38Z		08	I08A, I08B, I08C, I08D, I08E, I13A, I13B		08	I08A, I08B, I08C, I08D, I08E, I13A, I13B
	21A	W04A, W04B		11	L09A, L33Z, L38Z		11	L09A, L33Z, L38Z
	21B	X04Z		15	P02A, P02B, P02C		15	P02A, P02B, P02C
5I019.6		BOP, KVT, UOP4	5I019.c↔		BOP, KVT, UOP4	5I019.g↔		BOP, KVT, UOP4
	05	F39A, F39B		05	F01A, F01B, F01D, F05Z, F07A, F07B, F14A, F14B, F28A, F42Z, F54Z, F59A, F59B		05	F01A, F01B, F01D, F05Z, F07A, F07B, F14A, F14B, F28A, F42Z, F54Z, F59A, F59B
	06	G18A, G38Z		08	I08A, I08B, I08C, I08D, I08E, I13A, I13B		06	G10Z, G12A, G12B
	07	H01A		10	K09A, K09B		08	I08A, I08B, I08C, I08D, I08E, I13A, I13B
	08	I08A, I08B, I08C, I08D, I08E, I13A, I13B		11	L09A, L38Z		11	L09A, L09B, L09C, L09D, L38Z
	11	L09A, L38Z		21A	W04A, W04B		21A	W04A, W04B
	21A	W04A, W04B		21B	X06A, X06B, X06C		21B	X06A, X06B, X06C
	21B	X04Z		Pre	A07A		Pre	A07A
5I019.7		BOP, KVT, UOP4	5I019.d↔		BOP, KOP, KOPV, KVT, UOP4	5I019.h↔		BOP, KVT, UOP4
	05	F39A, F39B		04	E05A, E05B, E05C, E08A, E08B, E08C		05	F01A, F01B, F01D, F05Z, F07A, F07B, F14A, F14B, F28A, F42Z, F54Z, F59A, F59B
	06	G18A, G38Z		05	F01A, F01B, F01D, F05Z, F07A, F07B, F09A, F09B, F09C, F30Z, F42Z		06	G10Z, G12A, G12B
	07	H01A		06	G15Z, G19A, G19B, G33Z, G38Z		08	I08A, I08B, I08C, I08D, I08E, I13A, I13B
	08	I08A, I08B, I08C, I08D, I08E, I13A, I13B		07	H33Z, H38Z		11	L09A, L09B, L09C, L09D, L38Z
	11	L09A, L38Z		08	I08A, I08B, I08C, I08D, I08E, I13A, I13B		21A	W04A, W04B
	21A	W04A, W04B		11	L09A, L33Z, L38Z		21B	X06A, X06B, X06C
	21B	X04Z		15	P02A, P02B, P02C			
5I019.8↔		BOP, KVT, UOP4	5I019.e↔		BOP, KOP, KOPV, KVT, UOP4	5I019.f↔		BOP, KOP, KOPV, KVT, UOP4
	05	F39A, F39B		04	E05A, E05B, E05C, E08A, E08B, E08C		04	E05A, E05B, E05C, E08A, E08B, E08C
	06	G18A, G38Z		05	F01A, F01B, F01D, F05Z, F07A, F07B, F09A, F09B, F09C, F30Z, F42Z		05	F01A, F01B, F01D, F05Z, F07A, F07B, F09A, F09B, F09C, F30Z, F42Z
	07	H01A		06	G15Z, G19A, G19B, G33Z, G38Z		06	G15Z, G19A, G19B, G33Z, G38Z
	08	I08A, I08B, I08C, I08D, I08E, I13A, I13B		07	H33Z, H38Z		07	H33Z, H38Z
	11	L09A, L38Z		08	I08A, I08B, I08C, I08D, I08E, I13A, I13B		08	I08A, I08B, I08C, I08D, I08E, I13A, I13B
	21A	W04A, W04B		11	L09A, L33Z, L38Z		11	L09A, L33Z, L38Z
	21B	X04Z		15	P02A, P02B, P02C		15	P02A, P02B, P02C
5I019.9↔		BOP, KVT, UOP4	5I019.g↔		BOP, KVT, UOP4	5I019.h↔		BOP, KVT, UOP4
	01	B03A, B03B, B06A, B06B, B07Z, B17A, B17B, B17C		05	F01A, F01B, F01D, F05Z, F07A, F07B, F14A, F14B, F28A, F42Z, F54Z, F59A, F59B		05	F01A, F01B, F01D, F05Z, F07A, F07B, F14A, F14B, F28A, F42Z, F54Z, F59A, F59B
	03	D12A		08	I08A, I08B, I08C, I08D, I08E, I13A, I13B		06	G10Z, G12A, G12B
	05	F01A, F01B, F01D, F05Z, F07A, F07B, F14A, F14B, F28A, F42Z, F54Z, F59A, F59B		10	K09A, K09B		08	I08A, I08B, I08C, I08D, I08E, I13A, I13B
	08	I08A, I08B, I08C, I08D, I08E, I13A, I13B		11	L09A, L38Z		11	L09A, L09B, L09C, L09D, L38Z
	10	K09A, K09B		21A	W04A, W04B		21A	W04A, W04B
	11	L09A, L38Z		21B	X06A, X06B, X06C		21B	X06A, X06B, X06C
	21A	W04A, W04B		Pre	A07A			

ZZV	MDC	DRG	ZZV	MDC	DRG	ZZV	MDC	DRG
51019.i↔		BOP, KVT, UOP4	51120.0↔	01	BOP, KVT, UOP4	51120.24↔	01	BOP, KVT, UOP4
	05	F01A, F01B, F01D, F05Z, F07A, F07B, F14A, F14B, F28A, F42Z, F54Z, F59A, F59B		01	B04A, B04B, B04C, B04D, B04E		01	B04A, B04B, B04C, B04D, B04E
	06	G10Z, G12A, G12B		03	D12A, D12B		03	D12A, D12B
	08	I08A, I08B, I08C, I08D, I08E, I13A, I13B		05	F01A, F01B, F01D, F05Z, F06A, F06C, F07A, F07B, F14A, F14B, F28A, F42Z, F54Z, F59A, F59B		05	F01A, F01B, F01D, F05Z, F06A, F06C, F07A, F07B, F14A, F14B, F28A, F42Z, F54Z, F59A, F59B
	11	L09A, L09B, L09C, L09D, L38Z		08	I08A, I08B, I08C, I08D, I08E, I13A, I13B		08	I08A, I08B, I08C, I08D, I08E, I13A, I13B
	21A	W04A, W04B		10	K09A, K09B		10	K09A, K09B
	21B	X06A, X06B, X06C		11	L09A, L38Z		11	L09A, L38Z
51019.x↔		BOP, KVT, UOP4	51120.1↔	21A	W04A, W04B	51120.25↔	21A	W04A, W04B
	05	F39A, F39B		21B	X06A, X06B, X06C		21B	X06A, X06B, X06C
	08	I08A, I08B, I08C, I08D, I08E, I13A, I13B		01	BOP, KVT, UOP4		01	BOP, KVT, UOP4
	11	L09A, L38Z		01	B04A, B04B, B04C, B04D, B04E		01	B04A, B04B, B04C, B04D, B04E
	21A	W04A, W04B		03	D12A, D12B		03	D12A, D12B
5101b.01↔		BOP, KVT, UOP4	51120.20↔	05	F01A, F01B, F01D, F05Z, F06A, F06C, F07A, F07B, F14A, F14B, F28A, F42Z, F54Z, F59A, F59B	51120.3↔	05	F01A, F01B, F01D, F05Z, F06A, F06C, F07A, F07B, F14A, F14B, F28A, F42Z, F54Z, F59A, F59B
	05	F01A, F01B, F01D, F05Z, F07A, F07B, F14A, F14B, F28A, F42Z, F54Z, F59A, F59B		08	I08A, I08B, I08C, I08D, I08E, I13A, I13B		08	I08A, I08B, I08C, I08D, I08E, I13A, I13B
	06	G10Z, G12A, G12B		10	K09A, K09B		10	K09A, K09B
	08	I08A, I08B, I08C, I08D, I08E, I13A, I13B		11	L09A, L38Z		11	L09A, L38Z
	11	L09A, L09B, L09C, L09D, L38Z		21A	W04A, W04B		21A	W04A, W04B
				21B	X06A, X06B, X06C		21B	X06A, X06B, X06C
					BOP, KVT, UOP4			BOP, KVT, UOP4
5101b.02↔		BOP, KVT, UOP4	51120.22↔	01	BOP, KVT, UOP4	51120.40↔	01	BOP, KVT, UOP4
	05	F01A, F01B, F01D, F05Z, F07A, F07B, F14A, F14B, F28A, F42Z, F54Z, F59A, F59B		01	B04A, B04B, B04C, B04D, B04E		01	B04A, B04B, B04C, B04D, B04E
	06	G10Z, G12A, G12B		03	D12A, D12B		03	D12A, D12B
	08	I08A, I08B, I08C, I08D, I08E, I13A, I13B		05	F01A, F01B, F01D, F05Z, F06A, F06C, F07A, F07B, F14A, F14B, F28A, F42Z, F54Z, F59A, F59B		05	F01A, F01B, F01D, F05Z, F06A, F06C, F07A, F07B, F14A, F14B, F28A, F42Z, F54Z, F59A, F59B
	11	L09A, L09B, L09C, L09D, L38Z		08	I08A, I08B, I08C, I08D, I08E, I13A, I13B		08	I08A, I08B, I08C, I08D, I08E, I13A, I13B
5101b.11		BOP, KVT, UOP4	51120.23↔	10	K09A, K09B	51120.4x	10	K09A, K09B
	05	F01A, F01B, F01D, F05Z, F07A, F07B, F14A, F14B, F28A, F42Z, F54Z, F59A, F59B		11	L09A, L38Z		11	L09A, L38Z
	06	G10Z, G12A, G12B		21A	W04A, W04B		21A	W04A, W04B
	08	I08A, I08B, I08C, I08D, I08E, I13A, I13B		21B	X06A, X06B, X06C		21B	X06A, X06B, X06C
	11	L09A, L09B, L09C, L09D, L38Z			BOP, KVT, UOP4			BOP, KVT, UOP4
5101b.12		BOP, KVT, UOP4	51120.23↔	01	BOP, KVT, UOP4	51120.4x	05	F01A, F01B, F01D, F05Z, F07A, F07B, F08A, F08B, F08C, F08D, F08E, F27A, F28A, F42Z
	05	F01A, F01B, F01D, F05Z, F07A, F07B, F14A, F14B, F28A, F42Z, F54Z, F59A, F59B		01	B04A, B04B, B04C, B04D, B04E		05	F01A, F01B, F01D, F05Z, F07A, F07B, F08A, F08B, F08C, F08D, F08E, F27A, F28A, F42Z
	06	G10Z, G12A, G12B		03	D12A, D12B		06	G10Z, G12A, G12B, G18A, G38Z
	08	I08A, I08B, I08C, I08D, I08E, I13A, I13B		05	F01A, F01B, F01D, F05Z, F06A, F06C, F07A, F07B, F14A, F14B, F28A, F42Z, F54Z, F59A, F59B		07	H01A
	11	L09A, L09B, L09C, L09D, L38Z		08	I08A, I08B, I08C, I08D, I08E, I13A, I13B		08	I08A, I08B, I08C, I08D, I08E, I13A, I13B
				10	K09A, K09B		11	L09A, L09B, L09C, L09D, L38Z
				11	L09A, L38Z		21A	W04A, W04B
		21A	W04A, W04B	21B	X06A, X06B, X06C, X33Z			
		21B	X06A, X06B, X06C					

VYK

ZZV	MDC	DRG	ZZV	MDC	DRG	ZZV	MDC	DRG	
51120.5↔		BOP, KVT, UOP4	51121.1↔	05	BOP, KVT, UOP4	51122.2↔	05	BOP, KVT, UOP4	
	01	B04A, B04B, B04C, B04D, B04E			F01A, F01B, F01D, F05Z, F07A, F07B, F14A, F14B, F28A, F42Z, F54Z, F59A, F59B			F01A, F01B, F01D, F05Z, F07A, F07B, F14A, F14B, F28A, F42Z, F54Z, F59A, F59B	
	03	D12A, D12B		08	I08A, I08B, I08C, I08D, I08E, I13A, I13B		08	I08A, I08B, I08C, I08D, I08E, I13A, I13B	
	05	F01A, F01B, F01D, F05Z, F06A, F06C, F07A, F07B, F14A, F14B, F28A, F42Z, F54Z, F59A, F59B		10	K09A, K09B		10	K09A, K09B	
	08	I08A, I08B, I08C, I08D, I08E, I13A, I13B		11	L09A, L38Z		11	L09A, L38Z	
	10	K09A, K09B		21A	W04A, W04B		21A	W04A, W04B	
	11	L09A, L38Z		21B	X05A, X05B, X06A, X06B, X06C		21B	X05A, X05B, X06A, X06B, X06C	
	21A	W04A, W04B							
	21B	X06A, X06B, X06C		51121.2↔	BOP, KVT, UOP4		51122.x↔	BOP, KVT, UOP4	
		BOP, KVT, UOP4		05	F01A, F01B, F01D, F05Z, F07A, F07B, F14A, F14B, F28A, F42Z, F54Z, F59A, F59B		05	F01A, F01B, F01D, F05Z, F07A, F07B, F14A, F14B, F28A, F42Z, F54Z, F59A, F59B	
	51120.6↔	01		B04A, B04B, B04C, B04D, B04E	08		I08A, I08B, I08C, I08D, I08E, I13A, I13B	08	I08A, I08B, I08C, I08D, I08E, I13A, I13B
		03		D12A, D12B	10		K09A, K09B	10	K09A, K09B
		05		F01A, F01B, F01D, F05Z, F06A, F06C, F07A, F07B, F14A, F14B, F28A, F42Z, F54Z, F59A, F59B	11		L09A, L38Z	11	L09A, L38Z
		08		I08A, I08B, I08C, I08D, I08E, I13A, I13B	21A		W04A, W04B	21A	W04A, W04B
10		K09A, K09B	21B	X05A, X05B, X06A, X06B, X06C	21B	X05A, X05B, X06A, X06B, X06C			
11		L09A, L38Z							
21A		W04A, W04B	51121.x↔	BOP, KVT, UOP4	51123.0	BOP, KVT, UOP4			
21B		X06A, X06B, X06C	05	F01A, F01B, F01D, F05Z, F07A, F07B, F14A, F14B, F28A, F42Z, F54Z, F59A, F59B	05	F01A, F01B, F01D, F05Z, F07A, F07B, F08A, F08B, F08C, F08D, F08E, F27A, F28A, F42Z			
		BOP, KVT, UOP4	08	I08A, I08B, I08C, I08D, I08E, I13A, I13B	06	G10Z, G12A, G12B			
51120.8↔		05	F01A, F01B, F01D, F05Z, F07A, F07B, F08A, F08B, F08C, F08D, F08E, F27A, F28A, F42Z	10	K09A, K09B	08	I08A, I08B, I08C, I08D, I08E, I13A, I13B		
		06	G10Z, G12A, G12B	11	L09A, L38Z	11	L09A, L38Z		
		08	I08A, I08B, I08C, I08D, I08E, I13A, I13B	21A	W04A, W04B	21A	W04A, W04B		
		11	L09A, L09B, L09C, L09D, L38Z	21B	X05A, X05B, X06A, X06B, X06C	21B	X06A, X06B, X06C, X33Z		
		21A	W04A, W04B						
	21B	X06A, X06B, X06C, X33Z	51122.0↔	BOP, KVT, UOP4	51123.1	BOP, KVT, UOP4			
		BOP, KVT, UOP4	05	F01A, F01B, F01D, F05Z, F07A, F07B, F14A, F14B, F28A, F42Z, F54Z, F59A, F59B	05	F01A, F01B, F01D, F05Z, F07A, F07B, F08A, F08B, F08C, F08D, F08E, F27A, F28A, F42Z			
	51120.x↔	01	B04A, B04B, B04C, B04D, B04E	08	I08A, I08B, I08C, I08D, I08E, I13A, I13B	06	G10Z, G12A, G12B		
		03	D12A, D12B	10	K09A, K09B	08	I08A, I08B, I08C, I08D, I08E, I13A, I13B		
		05	F01A, F01B, F01D, F05Z, F06A, F06C, F07A, F07B, F14A, F14B, F28A, F42Z, F54Z, F59A, F59B	11	L09A, L38Z	11	L09A, L38Z		
		08	I08A, I08B, I08C, I08D, I08E, I13A, I13B	21A	W04A, W04B	21A	W04A, W04B		
		10	K09A, K09B	21B	X05A, X05B, X06A, X06B, X06C	21B	X06A, X06B, X06C, X33Z		
		11	L09A, L38Z						
		21A	W04A, W04B	51122.1↔	BOP, KVT, UOP4	51123.2	BOP, KVT, UOP4		
21B		X06A, X06B, X06C	05	F01A, F01B, F01D, F05Z, F07A, F07B, F14A, F14B, F28A, F42Z, F54Z, F59A, F59B	05	F01A, F01B, F01D, F05Z, F07A, F07B, F08A, F08B, F08C, F08D, F08E, F27A, F28A, F42Z			
		BOP, KVT, UOP4	08	I08A, I08B, I08C, I08D, I08E, I13A, I13B	06	G10Z, G12A, G12B			
51121.0↔		01	B04A, B04B, B04C, B04D, B04E	10	K09A, K09B	08	I08A, I08B, I08C, I08D, I08E, I13A, I13B		
		03	D12A, D12B	11	L09A, L38Z	11	L09A, L38Z		
		05	F01A, F01B, F01D, F05Z, F06A, F06C, F07A, F07B, F14A, F14B, F28A, F42Z, F54Z, F59A, F59B	21A	W04A, W04B	21A	W04A, W04B		
		08	I08A, I08B, I08C, I08D, I08E, I13A, I13B	21B	X05A, X05B, X06A, X06B, X06C	21B	X06A, X06B, X06C, X33Z		
		10	K09A, K09B						
	11	L09A, L38Z	51122.2↔	BOP, KVT, UOP4	51123.3	BOP, KVT, UOP4			
	21A	W04A, W04B	05	F01A, F01B, F01D, F05Z, F07A, F07B, F14A, F14B, F28A, F42Z, F54Z, F59A, F59B	05	F01A, F01B, F01D, F05Z, F07A, F07B, F08A, F08B, F08C, F08D, F08E, F27A, F28A, F42Z			
	21B	X06A, X06B, X06C	08	I08A, I08B, I08C, I08D, I08E, I13A, I13B	06	G10Z, G12A, G12B			
		BOP, KVT, UOP4	10	K09A, K09B	08	I08A, I08B, I08C, I08D, I08E, I13A, I13B			
	51121.5↔	05	F01A, F01B, F01D, F05Z, F07A, F07B, F14A, F14B, F28A, F42Z, F54Z, F59A, F59B	11	L09A, L38Z	11	L09A, L38Z		
		08	I08A, I08B, I08C, I08D, I08E, I13A, I13B	21A	W04A, W04B	21A	W04A, W04B		
		10	K09A, K09B	21B	X05A, X05B, X06A, X06B, X06C	21B	X06A, X06B, X06C, X33Z		
		11	L09A, L38Z						
		21A	W04A, W04B						
21B		X05A, X05B, X06A, X06B, X06C							

VYK



ZZV	MDC	DRG	ZZV	MDC	DRG	ZZV	MDC	DRG			
51123.4		BOP, KVT, UOP4	51124.2↔		BOP, KOP, KOPV, KVT, UOP4	51125.1↔		BOP, KVT, UOP4			
	05	F01A, F01B, F01D, F05Z, F07A, F07B, F08A, F08B, F08C, F08D, F08E, F27A, F28A, F42Z		04	E01A, E08A, E08B, E08C		05	F01A, F01B, F01D, F05Z, F07A, F07B, F08A, F08B, F08C, F08D, F08E, F27A, F28A, F42Z			
	06	G10Z, G12A, G12B		06	G33Z		06	G10Z, G12A, G12B			
	08	I08A, I08B, I08C, I08D, I08E, I13A, I13B		07	H33Z, H38Z		08	I08A, I08B, I08C, I08D, I08E, I13A, I13B			
	11	L09A, L38Z		08	I08A, I08B, I08C, I08D, I08E, I13A, I13B		11	L09A, L09B, L09C, L09D, L38Z			
	21A	W04A, W04B		11	L09A, L33Z, L38Z		21A	W04A, W04B			
	21B	X06A, X06B, X06C, X33Z		15	P02A, P02B, P02C		21B	X06A, X06B, X06C, X33Z			
	51123.x			BOP, KVT, UOP4	51124.3↔			BOP, KOP, KOPV, KVT, UOP4	51125.2↔		BOP, KVT, UOP4
		05		F01A, F01B, F01D, F05Z, F07A, F07B, F08A, F08B, F08C, F08D, F08E, F27A, F28A, F42Z			04	E05A, E05B, E05C, E08A, E08B, E08C		05	F01A, F01B, F01D, F05Z, F07A, F07B, F08A, F08B, F08C, F08D, F08E, F08F, F14A, F14B, F27A, F28A, F42Z
		06		G10Z, G12A, G12B			05	F01A, F01B, F01D, F05Z, F07A, F07B, F09A, F09B, F09C, F30Z, F42Z		06	G10Z, G12A, G12B
08		I08A, I08B, I08C, I08D, I08E, I13A, I13B	06	G33Z		08	I08A, I08B, I08C, I08D, I08E, I13A, I13B				
11		L09A, L38Z	07	H33Z, H38Z		11	L09A, L09B, L09C, L09D, L38Z				
21A		W04A, W04B	08	I08A, I08B, I08C, I08D, I08E, I13A, I13B		21A	W04A, W04B				
21B		X06A, X06B, X06C, X33Z	11	L09A, L33Z, L38Z		21B	X06A, X06B, X06C, X33Z				
51124.0↔			BOP, KOP, KOPV, KVT, UOP4	51124.x↔			BOP, KOP, KOPV, KVT, UOP4	51125.3↔			BOP, KVT, UOP4
		04	E05A, E05B, E05C, E08A, E08B, E08C			04	E05A, E05B, E05C, E08A, E08B, E08C			05	F01A, F01B, F01D, F05Z, F07A, F07B, F08A, F08B, F08C, F08D, F08E, F08F, F14A, F14B, F27A, F28A, F42Z
		05	F01A, F01B, F01D, F05Z, F07A, F07B, F09A, F09B, F09C, F30Z, F42Z			05	F01A, F01B, F01D, F05Z, F07A, F07B, F09A, F09B, F09C, F30Z, F42Z			06	G10Z, G12A, G12B
	06	G33Z	06		G33Z	08	I08A, I08B, I08C, I08D, I08E, I13A, I13B				
	07	H33Z, H38Z	07		H33Z, H38Z	11	L09A, L09B, L09C, L09D, L38Z				
	08	I08A, I08B, I08C, I08D, I08E, I13A, I13B	08		I08A, I08B, I08C, I08D, I08E, I13A, I13B	21A	W04A, W04B				
	11	L09A, L33Z, L38Z	11		L09A, L33Z, L38Z	21B	X06A, X06B, X06C, X33Z				
	15	P02A, P02B, P02C	15		P02A, P02B, P02C	05	F01A, F01B, F01D, F05Z, F07A, F07B, F08A, F08B, F08C, F08D, F08E, F08F, F14A, F14B, F27A, F28A, F42Z				
	21A	W04A, W04B	21A		W04A, W04B	06	G10Z, G12A, G12B				
	21B	X06A, X06B, X06C, X33Z	21B		X06A, X06B, X06C, X33Z	08	I08A, I08B, I08C, I08D, I08E, I13A, I13B				
51124.1↔		BOP, KOP, KOPV, KVT, UOP4	51125.0↔		BOP, KVT, UOP4	51125.4↔		BOP, KVT, UOP4			
	04	E05A, E05B, E05C, E08A, E08B, E08C		04	E05A, E05B, E05C, E08A, E08B, E08C		05	F01A, F01B, F01D, F05Z, F07A, F07B, F08A, F08B, F08C, F08D, F08E, F08F, F14A, F14B, F27A, F28A, F42Z			
	05	F01A, F01B, F01D, F05Z, F07A, F07B, F09A, F09B, F09C, F30Z, F42Z		05	F01A, F01B, F01D, F05Z, F07A, F07B, F09A, F09B, F09C, F30Z, F42Z		06	G10Z, G12A, G12B			
	06	G33Z		06	G33Z		08	I08A, I08B, I08C, I08D, I08E, I13A, I13B			
	07	H33Z, H38Z		07	H33Z, H38Z		11	L09A, L09B, L09C, L09D, L38Z			
	08	I08A, I08B, I08C, I08D, I08E, I13A, I13B		08	I08A, I08B, I08C, I08D, I08E, I13A, I13B		21A	W04A, W04B			
	11	L09A, L33Z, L38Z		11	L09A, L33Z, L38Z		21B	X06A, X06B, X06C, X33Z			
	15	P02A, P02B, P02C		15	P02A, P02B, P02C		05	F01A, F01B, F01D, F05Z, F07A, F07B, F14A, F14B, F28A, F42Z, F54Z, F59A, F59B			
	21A	W04A, W04B		21A	W04A, W04B		08	I08A, I08B, I08C, I08D, I08E, I13A, I13B			
	21B	X06A, X06B, X06C, X33Z		21B	X06A, X06B, X06C, X33Z		08	I08A, I08B, I08C, I08D, I08E, I13A, I13B			
51124.1↔		BOP, KOP, KOPV, KVT, UOP4	51125.x↔		BOP, KOP, KOPV, KVT, UOP4	51125.5↔		BOP, KVT, UOP4			
	04	E05A, E05B, E05C, E08A, E08B, E08C		04	E05A, E05B, E05C, E08A, E08B, E08C		05	F01A, F01B, F01D, F05Z, F07A, F07B, F14A, F14B, F28A, F42Z, F54Z, F59A, F59B			
	05	F01A, F01B, F01D, F05Z, F07A, F07B, F09A, F09B, F09C, F30Z, F42Z		05	F01A, F01B, F01D, F05Z, F07A, F07B, F09A, F09B, F09C, F30Z, F42Z		08	I08A, I08B, I08C, I08D, I08E, I13A, I13B			
	06	G33Z		06	G33Z		10	K09A, K09B			
	07	H33Z, H38Z		07	H33Z, H38Z		11	L09A, L38Z			
	08	I08A, I08B, I08C, I08D, I08E, I13A, I13B		08	I08A, I08B, I08C, I08D, I08E, I13A, I13B		21A	W04A, W04B			
	11	L09A, L33Z, L38Z		10	K09A, K09B		21B	X06A, X06B, X06C			
	15	P02A, P02B, P02C		11	L09A, L38Z						
	21A	W04A, W04B		21A	W04A, W04B						
	21B	X06A, X06B, X06C, X33Z		21B	X06A, X06B, X06C						

VYK

ZZV	MDC	DRG	ZZV	MDC	DRG	ZZV	MDC	DRG			
51125.x↔		BOP, KVT, UOP4	51126.4↔		BOP, KVT, UOP4	51127.0↔		BOP, KVT, UOP4			
	05	F01A, F01B, F01D, F05Z, F07A, F07B, F14A, F14B, F28A, F42Z, F54Z, F59A, F59B		05	F01A, F01B, F01D, F05Z, F07A, F07B, F08A, F08B, F08C, F08D, F08E, F27A, F28A, F42Z		05	F01A, F01B, F01D, F05Z, F07A, F07B, F14A, F14B, F28A, F42Z, F54Z, F59A, F59B			
	08	I08A, I08B, I08C, I08D, I08E, I13A, I13B		06	G10Z, G12A, G12B		08	I08A, I08B, I08C, I08D, I08E, I13A, I13B			
	10	K09A, K09B		08	I08A, I08B, I08C, I08D, I08E, I13A, I13B		10	K09A, K09B			
	11	L09A, L38Z		11	L09A, L09B, L09C, L09D, L38Z		11	L09A, L38Z			
	21A	W04A, W04B		21A	W04A, W04B		21A	W04A, W04B			
	21B	X06A, X06B, X06C		21A	W04A, W04B		21B	X04Z			
	51126.0			BOP, KVT, UOP4	51126.5			BOP, KVT, UOP4	51127.1↔		BOP, KVT, UOP4
		05		F01A, F01B, F01D, F05Z, F07A, F07B, F08A, F08B, F08C, F08D, F08E, F27A, F28A, F42Z			05	F01A, F01B, F01D, F05Z, F07A, F07B, F08A, F08B, F08C, F08D, F08E, F27A, F28A, F42Z		05	F01A, F01B, F01D, F05Z, F07A, F07B, F14A, F14B, F28A, F42Z, F54Z, F59A, F59B
		06		G10Z, G12A, G12B, G18A, G38Z			06	G10Z, G12A, G12B, G18A, G38Z		08	I08A, I08B, I08C, I08D, I08E, I13A, I13B
		07		H01A			07	H01A		10	K09A, K09B
		08		I08A, I08B, I08C, I08D, I08E, I13A, I13B			07	H01A		11	L09A, L38Z
		11		L09A, L09B, L09C, L09D, L38Z			08	I08A, I08B, I08C, I08D, I08E, I13A, I13B		21A	W04A, W04B
21A		W04A, W04B	11	L09A, L09B, L09C, L09D, L38Z		21B	X04Z				
21B		X06A, X06B, X06C, X33Z	21A	W04A, W04B		51127.2↔		BOP, KVT, UOP4			
51126.1			BOP, KVT, UOP4	51126.6				BOP, KVT, UOP4		05	F01A, F01B, F01D, F05Z, F07A, F07B, F14A, F14B, F28A, F42Z, F54Z, F59A, F59B
		05	F01A, F01B, F01D, F05Z, F07A, F07B, F08A, F08B, F08C, F08D, F08E, F27A, F28A, F42Z				05	F01A, F01B, F01D, F05Z, F07A, F07B, F08A, F08B, F08C, F08D, F08E, F27A, F28A, F42Z		08	I08A, I08B, I08C, I08D, I08E, I13A, I13B
		06	G10Z, G12A, G12B, G18A, G38Z				06	G10Z, G12A, G12B, G18A, G38Z		10	K09A, K09B
		07	H01A, H06A, H06B, H06C				06	G10Z, G12A, G12B, G18A, G38Z		11	L09A, L38Z
		08	I08A, I08B, I08C, I08D, I08E, I13A, I13B				07	H01A		21A	W04A, W04B
	11	L09A, L09B, L09C, L09D, L38Z	08		I08A, I08B, I08C, I08D, I08E, I13A, I13B		21B	X04Z, X06A, X06B, X06C			
	21A	W04A, W04B	11		L09A, L09B, L09C, L09D, L38Z		51127.3↔		BOP, KVT, UOP4		
	21B	X06A, X06B, X06C, X33Z	21A		W04A, W04B			05	F01A, F01B, F01D, F05Z, F07A, F07B, F14A, F14B, F28A, F42Z, F54Z, F59A, F59B		
	51126.2		BOP, KVT, UOP4		51126.7				BOP, KVT, UOP4	08	I08A, I08B, I08C, I08D, I08E, I13A, I13B
		05	F01A, F01B, F01D, F05Z, F07A, F07B, F08A, F08B, F08C, F08D, F08E, F27A, F28A, F42Z					05	F01A, F01B, F01D, F05Z, F07A, F07B, F08A, F08B, F08C, F08D, F08E, F27A, F28A, F42Z	10	K09A, K09B
		06	G10Z, G12A, G12B					06	G10Z, G12A, G12B	11	L09A, L38Z
		08	I08A, I08B, I08C, I08D, I08E, I13A, I13B					06	G10Z, G12A, G12B	21A	W04A, W04B
		11	L09A, L09B, L09C, L09D, L38Z			08		I08A, I08B, I08C, I08D, I08E, I13A, I13B	21B	X04Z, X06A, X06B, X06C	
21A		W04A, W04B	11	L09A, L09B, L09C, L09D, L38Z		51127.x↔			BOP, KVT, UOP4		
21B		X06A, X06B, X06C, X33Z	21A	W04A, W04B				05	F01A, F01B, F01D, F05Z, F07A, F07B, F14A, F14B, F28A, F42Z, F54Z, F59A, F59B		
51126.3			BOP, KVT, UOP4	51126.x↔					BOP, KVT, UOP4	08	I08A, I08B, I08C, I08D, I08E, I13A, I13B
		05	F01A, F01B, F01D, F05Z, F07A, F07B, F08A, F08B, F08C, F08D, F08E, F27A, F28A, F42Z					05	F01A, F01B, F01D, F05Z, F07A, F07B, F08A, F08B, F08C, F08D, F08E, F27A, F28A, F42Z	10	K09A, K09B
		06	G10Z, G12A, G12B, G18A, G38Z					06	G10Z, G12A, G12B	11	L09A, L38Z
		07	H06A, H06B, H06C					08	I08A, I08B, I08C, I08D, I08E, I13A, I13B	21A	W04A, W04B
		08	I08A, I08B, I08C, I08D, I08E, I13A, I13B				11	L09A, L09B, L09C, L09D, L38Z	21B	X04Z, X06A, X06B, X06C	
		11	L09A, L09B, L09C, L09D, L38Z				21A	W04A, W04B	51128.0↔		BOP, KVT, UOP4
	21A	W04A, W04B	21B		X06A, X06B, X06C, X33Z		05	F01A, F01B, F01D, F05Z, F07A, F07B, F14A, F14B, F28A, F42Z, F54Z, F59A, F59B			
	21B	X06A, X06B, X06C, X33Z					08	I08A, I08B, I08C, I08D, I08E, I13A, I13B			
							10	K09A, K09B			
							11	L09A, L38Z			
							21A	W04A, W04B			
						21B	X04Z, X06A, X06B, X06C				
								BOP, KVT, UOP4			
						F01A, F01B, F01D, F05Z, F07A, F07B, F14A, F14B, F28A, F42Z, F54Z, F59A, F59B					
						I08A, I08B, I08C, I08D, I08E, I13A, I13B					
						K09A, K09B					
						L09A, L38Z					
						W04A, W04B					
						X04Z, X06A, X06B, X06C					

ZZV	MDC	DRG	ZZV	MDC	DRG	ZZV	MDC	DRG
51128.1↔		BOP, KVT, UOP4	51128.7↔		BOP, KVT, UOP4	51130.2↔		BOP, KVT, UOP4
	05	F01A, F01B, F01D, F05Z, F07A, F07B, F14A, F14B, F28A, F42Z, F54Z, F59A, F59B		05	F01A, F01B, F01D, F05Z, F07A, F07B, F14A, F14B, F28A, F42Z, F54Z, F59A, F59B		01	B04A, B04B, B04C, B04D, B04E
	08	I08A, I08B, I08C, I08D, I08E, I13A, I13B		08	I08A, I08B, I08C, I08D, I08E, I13A, I13B		03	D12A
	10	K09A, K09B		10	K09A, K09B		05	F01A, F01B, F01D, F05Z, F06A, F06C, F07A, F07B, F14A, F14B, F28A, F42Z, F54Z, F59A, F59B
	11	L09A, L38Z		11	L09A, L38Z		08	I08A, I08B, I08C, I08D, I08E, I13A, I13B
	21A	W04A, W04B		21A	W04A, W04B		11	L09A, L38Z
51128.2↔	21B	X04Z, X06A, X06B, X06C	51128.x↔	21B	X04Z, X06A, X06B, X06C	21A	W04A, W04B	
		BOP, KVT, UOP4			BOP, KVT, UOP4	21B	X06A, X06B, X06C	
	05	F01A, F01B, F01D, F05Z, F07A, F07B, F14A, F14B, F28A, F42Z, F54Z, F59A, F59B		05	F01A, F01B, F01D, F05Z, F07A, F07B, F14A, F14B, F28A, F42Z, F54Z, F59A, F59B	51130.3↔		BOP, KVT, UOP4
	08	I08A, I08B, I08C, I08D, I08E, I13A, I13B		08	I08A, I08B, I08C, I08D, I08E, I13A, I13B		01	B04A, B04B, B04C, B04D, B04E
	10	K09A, K09B		10	K09A, K09B		03	D12A
	11	L09A, L38Z		11	L09A, L38Z		05	F01A, F01B, F01D, F05Z, F06A, F06C, F07A, F07B, F14A, F14B, F28A, F42Z, F54Z, F59A, F59B
21A	W04A, W04B	21A	W04A, W04B	08	I08A, I08B, I08C, I08D, I08E, I13A, I13B			
21B	X04Z, X06A, X06B, X06C	21B	X04Z, X06A, X06B, X06C	11	L09A, L38Z			
51128.3↔		BOP, KVT, UOP4	5112x↔		BOP, KVT, UOP4	51130.4↔		BOP, KVT, UOP4
	05	F01A, F01B, F01D, F05Z, F07A, F07B, F14A, F14B, F28A, F42Z, F54Z, F59A, F59B		05	F01A, F01B, F01D, F05Z, F07A, F07B, F14A, F14B, F28A, F42Z, F54Z, F59A, F59B		01	B04A, B04B, B04C, B04D, B04E
	08	I08A, I08B, I08C, I08D, I08E, I13A, I13B		08	I08A, I08B, I08C, I08D, I08E, I13A, I13B		03	D12A
	10	K09A, K09B		10	K09A, K09B		05	F01A, F01B, F01D, F05Z, F06A, F06C, F07A, F07B, F14A, F14B, F28A, F42Z, F54Z, F59A, F59B
	11	L09A, L38Z		11	L09A, L38Z		08	I08A, I08B, I08C, I08D, I08E, I13A, I13B
	21A	W04A, W04B		21A	W04A, W04B		11	L09A, L38Z
51128.4↔	21B	X04Z, X06A, X06B, X06C	51130.0↔	21B	X06A, X06B, X06C	21A	W04A, W04B	
		BOP, KVT, UOP4			BOP, KVT, UOP4	21B	X06A, X06B, X06C	
	05	F01A, F01B, F01D, F05Z, F07A, F07B, F14A, F14B, F28A, F42Z, F54Z, F59A, F59B		01	B04A, B04B, B04C, B04D, B04E	51130.x↔		BOP, KVT, UOP4
	08	I08A, I08B, I08C, I08D, I08E, I13A, I13B		03	D12A		01	B04A, B04B, B04C, B04D, B04E
	10	K09A, K09B		05	F01A, F01B, F01D, F05Z, F06A, F06C, F07A, F07B, F14A, F14B, F28A, F42Z, F54Z, F59A, F59B		03	D12A
	11	L09A, L38Z		08	I08A, I08B, I08C, I08D, I08E, I13A, I13B		05	F01A, F01B, F01D, F05Z, F06A, F06C, F07A, F07B, F14A, F14B, F28A, F42Z, F54Z, F59A, F59B
21A	W04A, W04B	11	L09A, L38Z	08	I08A, I08B, I08C, I08D, I08E, I13A, I13B			
21B	X04Z, X06A, X06B, X06C	21A	W04A, W04B	11	L09A, L38Z			
51128.5↔	21B	X06A, X06B, X06C	51130.1↔	21B	X06A, X06B, X06C	51131.0↔		BOP, KVT, UOP4
		BOP, KVT, UOP4			BOP, KVT, UOP4		01	B04A, B04B, B04C, B04D, B04E
	05	F01A, F01B, F01D, F05Z, F07A, F07B, F14A, F14B, F28A, F42Z, F54Z, F59A, F59B		01	B04A, B04B, B04C, B04D, B04E		03	D12A
	08	I08A, I08B, I08C, I08D, I08E, I13A, I13B		03	D12A		05	F01A, F01B, F01D, F05Z, F06A, F06C, F07A, F07B, F14A, F14B, F28A, F42Z, F54Z, F59A, F59B
	10	K09A, K09B		05	F01A, F01B, F01D, F05Z, F06A, F06C, F07A, F07B, F14A, F14B, F28A, F42Z, F54Z, F59A, F59B		08	I08A, I08B, I08C, I08D, I08E, I13A, I13B
	11	L09A, L38Z		08	I08A, I08B, I08C, I08D, I08E, I13A, I13B		11	L09A, L38Z
21A	W04A, W04B	11	L09A, L38Z	21A	W04A, W04B			
51128.6↔	21B	X04Z, X06A, X06B, X06C	51130.1↔	21B	X06A, X06B, X06C	51131.0↔	21B	X06A, X06B, X06C
		BOP, KVT, UOP4			BOP, KVT, UOP4		01	B04A, B04B, B04C, B04D, B04E
	05	F01A, F01B, F01D, F05Z, F07A, F07B, F14A, F14B, F28A, F42Z, F54Z, F59A, F59B		01	B04A, B04B, B04C, B04D, B04E		05	F01A, F01B, F01D, F05Z, F07A, F07B, F14A, F14B, F28A, F42Z, F54Z, F59A, F59B
	08	I08A, I08B, I08C, I08D, I08E, I13A, I13B		03	D12A		08	I08A, I08B, I08C, I08D, I08E, I13A, I13B
	10	K09A, K09B		05	F01A, F01B, F01D, F05Z, F06A, F06C, F07A, F07B, F14A, F14B, F28A, F42Z, F54Z, F59A, F59B		11	L09A, L38Z
	11	L09A, L38Z		08	I08A, I08B, I08C, I08D, I08E, I13A, I13B		21A	W04A, W04B
21A	W04A, W04B	11	L09A, L38Z	21B	X06A, X06B, X06C			
21B	X04Z, X06A, X06B, X06C	21A	W04A, W04B	21B	X06A, X06B, X06C			

VYK

ZZV	MDC	DRG	ZZV	MDC	DRG	ZZV	MDC	DRG
51131.1↔		BOP, KVT, UOP4	51133.0		BOP, KOP, KOPV, KVT, UOP4	51134.0↔		BOP, KVT, UOP4
	01	B04A, B04B, B04C, B04D, B04E		04	E05A, E05B, E05C, E08A, E08B, E08C		01	B04A, B04B, B04C, B04D, B04E
	05	F01A, F01B, F01D, F05Z, F07A, F07B, F14A, F14B, F28A, F42Z, F54Z, F59A, F59B		05	F01A, F01B, F01D, F05Z, F07A, F07B, F08A, F08B, F08C, F08D, F08E, F27A, F28A, F30Z, F42Z		05	F01A, F01B, F01D, F05Z, F07A, F07B, F09A, F09B, F09C, F30Z, F42Z
	08	I08A, I08B, I08C, I08D, I08E, I13A, I13B		06	G10Z, G12A, G12B, G33Z		08	I08A, I08B, I08C, I08D, I08E, I13A, I13B
	11	L09A, L38Z		07	H33Z, H38Z		11	L09A, L38Z
	21A	W04A, W04B		08	I08A, I08B, I08C, I08D, I08E, I13A, I13B		15	P02A, P02B, P02C
	21B	X06A, X06B, X06C		11	L09A, L33Z, L38Z		21A	W04A, W04B
		BOP, KVT, UOP4		15	P02A, P02B, P02C		21B	X06A, X06B, X06C
		B04A, B04B, B04C, B04D, B04E		21A	W04A, W04B			BOP, KOP, KOPV, KVT, UOP4
		F01A, F01B, F01D, F05Z, F07A, F07B, F14A, F14B, F28A, F42Z, F54Z, F59A, F59B		21B	X06A, X06B, X06C, X33Z		05	F01A, F01B, F01D, F05Z, F07A, F07B, F09A, F09B, F09C, F30Z, F42Z
51131.x↔		BOP, KVT, UOP4	51133.1		BOP, KOP, KOPV, KVT, UOP4	51134.1↔		BOP, KOP, KOPV, KVT, UOP4
	01	B04A, B04B, B04C, B04D, B04E		04	E05A, E05B, E05C, E08A, E08B, E08C		05	F01A, F01B, F01D, F05Z, F07A, F07B, F09A, F09B, F09C, F30Z, F42Z
	05	F01A, F01B, F01D, F05Z, F07A, F07B, F14A, F14B, F28A, F42Z, F54Z, F59A, F59B		05	F01A, F01B, F01D, F05Z, F07A, F07B, F08A, F08B, F08C, F08D, F08E, F27A, F28A, F30Z, F42Z		06	G15Z, G19A, G19B, G33Z, G38Z
	08	I08A, I08B, I08C, I08D, I08E, I13A, I13B		06	G10Z, G12A, G12B, G33Z		07	H33Z, H38Z
	11	L09A, L38Z		07	H33Z, H38Z		08	I08A, I08B, I08C, I08D, I08E, I13A, I13B
	21A	W04A, W04B		08	I08A, I08B, I08C, I08D, I08E, I13A, I13B		11	L09A, L33Z, L38Z
	21B	X06A, X06B, X06C		11	L09A, L33Z, L38Z		15	P02A, P02B, P02C
		BOP, KVT, UOP4		15	P02A, P02B, P02C		21A	W04A, W04B
		B04A, B04B, B04C, B04D, B04E		21A	W04A, W04B		21B	X06A, X06B, X06C, X33Z
		F01A, F01B, F01D, F05Z, F07A, F07B, F14A, F14B, F28A, F42Z, F54Z, F59A, F59B		21B	X06A, X06B, X06C, X33Z		23	Z01A
51132.0↔		BOP, KVT, UOP4	51133.2		BOP, KVT, UOP4	51134.2↔		BOP, KOP, KOPV, KVT, UOP4
	01	B04A, B04B, B04C, B04D, B04E		05	F01A, F01B, F01D, F05Z, F07A, F07B, F08A, F08B, F08C, F08D, F08E, F27A, F28A, F30Z, F42Z		04	E05A, E05B, E05C, E08A, E08B, E08C
	05	F01A, F01B, F01D, F05Z, F07A, F07B, F14A, F14B, F28A, F42Z, F54Z, F59A, F59B		06	G10Z, G12A, G12B, G33Z		05	F01A, F01B, F01D, F05Z, F07A, F07B, F09A, F09B, F09C, F42Z
	08	I08A, I08B, I08C, I08D, I08E, I13A, I13B		07	H33Z, H38Z		06	G15Z, G19A, G19B, G33Z, G38Z
	11	L09A, L38Z		08	I08A, I08B, I08C, I08D, I08E, I13A, I13B		07	H33Z, H38Z
	21A	W04A, W04B		11	L09A, L33Z, L38Z		08	I08A, I08B, I08C, I08D, I08E, I13A, I13B
	21B	X06A, X06B, X06C		15	P02A, P02B, P02C		11	L09A, L33Z, L38Z
		BOP, KVT, UOP4		21A	W04A, W04B		21A	W04A, W04B
		B04A, B04B, B04C, B04D, B04E		21B	X06A, X06B, X06C, X33Z		21B	X06A, X06B, X06C, X33Z
		F01A, F01B, F01D, F05Z, F07A, F07B, F14A, F14B, F28A, F42Z, F54Z, F59A, F59B		23	Z01A		23	Z01A
51132.1↔		BOP, KVT, UOP4	51133.x		BOP, KVT, UOP4	51134.x↔		BOP, KOP, KOPV, KVT, UOP4
	05	F01A, F01B, F01D, F05Z, F07A, F07B, F14A, F14B, F28A, F42Z, F54Z, F59A, F59B		05	F01A, F01B, F01D, F05Z, F07A, F07B, F08A, F08B, F08C, F08D, F08E, F27A, F28A, F30Z, F42Z		05	F01A, F01B, F01D, F05Z, F07A, F07B, F09A, F09B, F09C, F30Z, F42Z
	08	I08A, I08B, I08C, I08D, I08E, I13A, I13B		06	G10Z, G12A, G12B		06	G15Z, G19A, G19B, G33Z, G38Z
	11	L09A, L38Z		07	H33Z, H38Z		07	H33Z, H38Z
	21A	W04A, W04B		08	I08A, I08B, I08C, I08D, I08E, I13A, I13B		08	I08A, I08B, I08C, I08D, I08E, I13A, I13B
	21B	X06A, X06B, X06C		11	L09A, L38Z		11	L09A, L33Z, L38Z
		BOP, KVT, UOP4		15	P02A, P02B, P02C		15	P02A, P02B, P02C
		B04A, B04B, B04C, B04D, B04E		21A	W04A, W04B		21A	W04A, W04B
		F01A, F01B, F01D, F05Z, F07A, F07B, F14A, F14B, F28A, F42Z, F54Z, F59A, F59B		21B	X06A, X06B, X06C, X33Z		21B	X06A, X06B, X06C, X33Z
		I08A, I08B, I08C, I08D, I08E, I13A, I13B		05	F01A, F01B, F01D, F05Z, F07A, F07B, F08A, F08B, F08C, F08D, F08E, F27A, F28A, F30Z, F42Z		23	Z01A
51132.x↔		BOP, KVT, UOP4						A07A
	05	F01A, F01B, F01D, F05Z, F07A, F07B, F14A, F14B, F28A, F42Z, F54Z, F59A, F59B						BOP, KOP, KOPV, KVT, UOP4
	08	I08A, I08B, I08C, I08D, I08E, I13A, I13B						F01A, F01B, F01D, F05Z, F07A, F07B, F09A, F09B, F09C, F30Z, F42Z
	11	L09A, L38Z						G15Z, G19A, G19B, G33Z, G38Z
	21A	W04A, W04B						H33Z, H38Z
	21B	X06A, X06B, X06C						I08A, I08B, I08C, I08D, I08E, I13A, I13B
		BOP, KVT, UOP4						L09A, L33Z, L38Z
		B04A, B04B, B04C, B04D, B04E						P02A, P02B, P02C
		F01A, F01B, F01D, F05Z, F07A, F07B, F14A, F14B, F28A, F42Z, F54Z, F59A, F59B						W04A, W04B
		I08A, I08B, I08C, I08D, I08E, I13A, I13B						X06A, X06B, X06C, X33Z

VYK

ZZV	MDC	DRG	ZZV	MDC	DRG	ZZV	MDC	DRG
51135.0↔		BOP, KOP, KOPV, KVT, UOP4	51136.0		BOP, KOP, KOPV, KVT, UOP4	51136.4↔		BOP, KOP, KOPV, KVT, UOP4
	05	F01A, F01B, F01D, F05Z, F07A, F07B, F08A, F08B, F08C, F08D, F08E, F08F, F27A, F28A, F42Z		05	F01A, F01B, F01D, F05Z, F07A, F07B, F08A, F08B, F08C, F08D, F08E, F27A, F28A, F42Z		05	F01A, F01B, F01D, F05Z, F07A, F07B, F08A, F08B, F08C, F08D, F08E, F27A, F28A, F42Z
	06	G15Z, G19A, G19B, G33Z, G38Z		06	G15Z, G18A, G19A, G19B, G33Z, G38Z		06	G15Z, G18A, G19A, G19B, G33Z, G38Z
	07	H33Z, H38Z		07	H01A, H33Z, H38Z		07	H33Z, H38Z
	08	I08A, I08B, I08C, I08D, I08E, I13A, I13B		08	I08A, I08B, I08C, I08D, I08E, I13A, I13B		08	I08A, I08B, I08C, I08D, I08E, I13A, I13B
	11	L09A, L09B, L09C, L09D, L33Z, L38Z		11	L09A, L09B, L09C, L09D, L33Z, L38Z		11	L09A, L09B, L09C, L09D, L33Z, L38Z
	21A	W04A, W04B		21A	W04A, W04B		21A	W04A, W04B
	21B	X06A, X06B, X06C, X33Z		21B	X06A, X06B, X06C, X33Z		21B	X06A, X06B, X06C, X33Z
	23	Z01A		23	Z01A		23	Z01A
	Pre	A07A		Pre	A07A		Pre	A07A
51135.1↔		BOP, KOP, KOPV, KVT, UOP4	51136.1		BOP, KOP, KOPV, KVT, UOP4	51136.5		BOP, KOP, KOPV, KVT, UOP4
	05	F01A, F01B, F01D, F05Z, F07A, F07B, F08A, F08B, F08C, F08D, F08E, F08F, F27A, F28A, F42Z		05	F01A, F01B, F01D, F05Z, F07A, F07B, F08A, F08B, F08C, F08D, F08E, F27A, F28A, F42Z		05	F01A, F01B, F01D, F05Z, F07A, F07B, F08A, F08B, F08C, F08D, F08E, F27A, F28A, F42Z
	06	G15Z, G19A, G19B, G33Z, G38Z		06	G15Z, G18A, G19A, G19B, G33Z, G38Z		06	G15Z, G18A, G19A, G19B, G33Z, G38Z
	07	H33Z, H38Z		07	H01A, H06A, H06B, H06C, H33Z, H38Z		07	H01A, H33Z, H38Z
	08	I08A, I08B, I08C, I08D, I08E, I13A, I13B		08	I08A, I08B, I08C, I08D, I08E, I13A, I13B		08	I08A, I08B, I08C, I08D, I08E, I13A, I13B
	11	L09A, L09B, L09C, L09D, L33Z, L38Z		11	L09A, L09B, L09C, L09D, L33Z, L38Z		11	L09A, L09B, L09C, L09D, L33Z, L38Z
	21A	W04A, W04B		21A	W04A, W04B		21A	W04A, W04B
	21B	X06A, X06B, X06C, X33Z		21B	X06A, X06B, X06C, X33Z		21B	X06A, X06B, X06C, X33Z
	23	Z01A		23	Z01A		23	Z01A
	Pre	A07A		Pre	A07A		Pre	A07A
51135.2↔		BOP, KOP, KOPV, KVT, UOP4	51136.2		BOP, KOP, KOPV, KVT, UOP4	51136.6		BOP, KOP, KOPV, KVT, UOP4
	05	F01A, F01B, F01D, F05Z, F07A, F07B, F08A, F08B, F08C, F08D, F08E, F08F, F27A, F28A, F42Z		05	F01A, F01B, F01D, F05Z, F07A, F07B, F08A, F08B, F08C, F08D, F08E, F27A, F28A, F42Z		05	F01A, F01B, F01D, F05Z, F07A, F07B, F08A, F08B, F08C, F08D, F08E, F27A, F28A, F42Z
	06	G15Z, G19A, G19B, G33Z, G38Z		06	G15Z, G19A, G19B, G33Z, G38Z		06	G15Z, G18A, G19A, G19B, G33Z, G38Z
	07	H33Z, H38Z		07	H33Z, H38Z		07	H01A, H33Z, H38Z
	08	I08A, I08B, I08C, I08D, I08E, I13A, I13B		08	I08A, I08B, I08C, I08D, I08E, I13A, I13B		08	I08A, I08B, I08C, I08D, I08E, I13A, I13B
	11	L09A, L09B, L09C, L09D, L33Z, L38Z		11	L09A, L09B, L09C, L09D, L33Z, L38Z		11	L09A, L09B, L09C, L09D, L33Z, L38Z
	21A	W04A, W04B		21A	W04A, W04B		21A	W04A, W04B
	21B	X06A, X06B, X06C, X33Z		21B	X06A, X06B, X06C, X33Z		21B	X06A, X06B, X06C, X33Z
	23	Z01A		23	Z01A		23	Z01A
	Pre	A07A		Pre	A07A		Pre	A07A
51135.x↔		BOP, KVT, UOP4	51136.3		BOP, KOP, KOPV, KVT, UOP4	51136.x↔		BOP, KOP, KOPV, KVT, UOP4
	01	B03A, B03B, B06A, B06B, B07Z, B17A, B17B, B17C		05	F01A, F01B, F01D, F05Z, F07A, F07B, F08A, F08B, F08C, F08D, F08E, F27A, F28A, F42Z, F54Z, F59A, F59B		05	F01A, F01B, F01D, F05Z, F07A, F07B, F08A, F08B, F08C, F08D, F08E, F27A, F28A, F42Z
	05	F01A, F01B, F01D, F05Z, F07A, F07B, F14A, F14B, F28A, F42Z, F54Z, F59A, F59B		06	G15Z, G18A, G19A, G19B, G33Z, G38Z		06	G15Z, G19A, G19B, G33Z, G38Z
	08	I08A, I08B, I08C, I08D, I08E, I13A, I13B		07	H06A, H06B, H06C, H33Z, H38Z		07	H33Z, H38Z
	11	L09A, L38Z		08	I08A, I08B, I08C, I08D, I08E, I13A, I13B		08	I08A, I08B, I08C, I08D, I08E, I13A, I13B
	21A	W04A, W04B		11	L09A, L09B, L09C, L09D, L33Z, L38Z		11	L09A, L09B, L09C, L09D, L33Z, L38Z
	21B	X04Z, X06A, X06B, X06C		21A	W04A, W04B		21A	W04A, W04B
				21B	X06A, X06B, X06C, X33Z		21B	X06A, X06B, X06C, X33Z
		23	Z01A	23	Z01A			
		Pre	A07A	Pre	A07A			

ZZV	MDC	DRG	ZZV	MDC	DRG	ZZV	MDC	DRG			
51137.0↔		BOP, KVT, UOP4	51138.1↔		BOP, KVT, UOP4	51139.2		BOP, KVT, UOP4			
	01	B04A, B04B, B04C, B04D, B04E		01	B04A, B04B, B04C, B04D, B04E		05	F39A, F39B			
	05	F01A, F01B, F01D, F05Z, F07A, F07B, F08A, F08B, F08C, F08D, F08E, F08F, F27A, F27B, F27C, F28A, F42Z		05	F01A, F01B, F01D, F05Z, F07A, F07B, F08A, F08B, F08C, F08D, F08E, F08F, F27A, F27B, F27C, F28A, F42Z		06	G18A, G38Z			
	08	I08A, I08B, I08C, I08D, I08E, I13A, I13B		08	I08A, I08B, I08C, I08D, I08E, I13A, I13B		07	H01A			
	10	K01Z		10	K01Z		08	I08A, I08B, I08C, I08D, I08E, I13A, I13B			
	11	L09A, L38Z		11	L09A, L38Z		11	L09A, L38Z			
	21A	W04A, W04B		21A	W04A, W04B		21A	W04A, W04B			
	21B	X04Z, X33Z		21B	X04Z, X33Z		21B	X06A, X06B, X06C			
	51137.1↔			BOP, KVT, UOP4	51138.2↔			BOP, KVT, UOP4	51139.3↔		BOP, KVT, UOP4
		01		B04A, B04B, B04C, B04D, B04E			01	B04A, B04B, B04C, B04D, B04E		05	F39A, F39B
		05		F01A, F01B, F01D, F05Z, F07A, F07B, F08A, F08B, F08C, F08D, F08E, F08F, F27A, F27B, F27C, F28A, F42Z			05	F01A, F01B, F01D, F05Z, F07A, F07B, F08A, F08B, F08C, F08D, F08E, F08F, F27A, F27B, F27C, F28A, F42Z		06	G18A, G38Z
08		I08A, I08B, I08C, I08D, I08E, I13A, I13B	08	I08A, I08B, I08C, I08D, I08E, I13A, I13B		07	H01A				
10		K01Z	10	K01Z		08	I08A, I08B, I08C, I08D, I08E, I13A, I13B				
11		L09A, L38Z	11	L09A, L38Z		11	L09A, L38Z				
21A		W04A, W04B	21A	W04A, W04B		21A	W04A, W04B				
21B		X04Z, X33Z	21B	X04Z, X33Z		21B	X06A, X06B, X06C				
51137.2↔			BOP, KVT, UOP4	51138.3↔			BOP, KVT, UOP4	51139.4			BOP, KVT, UOP4
		01	B04A, B04B, B04C, B04D, B04E			01	B04A, B04B, B04C, B04D, B04E			05	F39A, F39B
		05	F01A, F01B, F01D, F05Z, F07A, F07B, F08A, F08B, F08C, F08D, F08E, F08F, F27A, F27B, F27C, F28A, F42Z			05	F01A, F01B, F01D, F05Z, F07A, F07B, F08A, F08B, F08C, F08D, F08E, F08F, F27A, F27B, F27C, F28A, F42Z			06	G18A, G38Z
	08	I08A, I08B, I08C, I08D, I08E, I13A, I13B	08		I08A, I08B, I08C, I08D, I08E, I13A, I13B	07	H01A				
	10	K01Z	10		K01Z	08	I08A, I08B, I08C, I08D, I08E, I13A, I13B				
	11	L09A, L38Z	11		L09A, L38Z	11	L09A, L38Z				
	21A	W04A, W04B	21A		W04A, W04B	21A	W04A, W04B				
	21B	X04Z, X33Z	21B		X04Z, X33Z	21B	X06A, X06B, X06C				
	51137.x↔		BOP, KVT, UOP4		51138.x↔		BOP, KVT, UOP4		51139.5		BOP, KVT, UOP4
		01	B04A, B04B, B04C, B04D, B04E			01	B04A, B04B, B04C, B04D, B04E			05	F39A, F39B
		05	F01A, F01B, F01D, F05Z, F07A, F07B, F08A, F08B, F08C, F08D, F08E, F08F, F27A, F27B, F27C, F28A, F42Z			05	F01A, F01B, F01D, F05Z, F07A, F07B, F08A, F08B, F08C, F08D, F08E, F08F, F27A, F27B, F27C, F28A, F42Z			06	G18A, G38Z
08		I08A, I08B, I08C, I08D, I08E, I13A, I13B	08	I08A, I08B, I08C, I08D, I08E, I13A, I13B		07	H01A				
10		K01Z	10	K01Z		08	I08A, I08B, I08C, I08D, I08E, I13A, I13B				
11		L09A, L38Z	11	L09A, L38Z		11	L09A, L38Z				
21A		W04A, W04B	21A	W04A, W04B		21A	W04A, W04B				
21B		X04Z, X33Z	21B	X04Z, X33Z		21B	X06A, X06B, X06C				
51138.0↔			BOP, KVT, UOP4	51139.0↔			BOP, KVT, UOP4	51139.6			BOP, KVT, UOP4
		01	B04A, B04B, B04C, B04D, B04E			05	F39A, F39B			05	F39A, F39B
		05	F01A, F01B, F01D, F05Z, F07A, F07B, F08A, F08B, F08C, F08D, F08E, F08F, F27A, F27B, F27C, F28A, F42Z			08	I08A, I08B, I08C, I08D, I08E, I13A, I13B			06	G18A, G38Z
	08	I08A, I08B, I08C, I08D, I08E, I13A, I13B	11		L09A, L38Z	07	H01A				
	10	K01Z	21A		W04A, W04B	08	I08A, I08B, I08C, I08D, I08E, I13A, I13B				
	11	L09A, L38Z	21B		X04Z, X33Z	11	L09A, L38Z				
	21A	W04A, W04B	51139.1↔			BOP, KVT, UOP4	21A		W04A, W04B		
	21B	X04Z, X33Z			05	F39A, F39B	21B		X06A, X06B, X06C		
	51138.x↔				BOP, KVT, UOP4	08	I08A, I08B, I08C, I08D, I08E, I13A, I13B		51139.7		BOP, KVT, UOP4
		01			B04A, B04B, B04C, B04D, B04E	11	L09A, L38Z			05	F39A, F39B
		05			F01A, F01B, F01D, F05Z, F07A, F07B, F08A, F08B, F08C, F08D, F08E, F08F, F27A, F27B, F27C, F28A, F42Z	21A	W04A, W04B			06	G18A, G38Z
08		I08A, I08B, I08C, I08D, I08E, I13A, I13B	21B	X04Z, X33Z	07	H01A					
10		K01Z	51139.8↔		BOP, KVT, UOP4	08	I08A, I08B, I08C, I08D, I08E, I13A, I13B				
11		L09A, L38Z		05	F39A, F39B	11	L09A, L38Z				
21A		W04A, W04B		06	G18A, G38Z	21A	W04A, W04B				
21B		X04Z, X33Z		07	H01A	21B	X06A, X06B, X06C				
				08	I08A, I08B, I08C, I08D, I08E, I13A, I13B						

VYK

ZZV	MDC	DRG	ZZV	MDC	DRG	ZZV	MDC	DRG
51139.9↔		BOP, KVT, UOP4	51139.d↔		BOP, KOP, KOPV, KVT, UOP4	51139.h↔		BOP, KVT, UOP4
	01	B04A, B04B, B04C, B04D, B04E		01	B04A, B04B, B04C, B04D, B04E		05	F01A, F01B, F01D, F05Z, F07A, F07B, F08A, F08B, F08C, F08D, F08E, F08F, F27A, F28A, F42Z
	03	D12A		05	F01A, F01B, F01D, F05Z, F07A, F07B, F09A, F09B, F09C, F30Z, F42Z		06	G10Z, G12A, G12B
	05	F01A, F01B, F01D, F05Z, F07A, F07B, F14A, F14B, F28A, F42Z, F54Z, F59A, F59B		06	G15Z, G19A, G19B, G33Z, G38Z		08	I08A, I08B, I08C, I08D, I08E, I13A, I13B
	08	I08A, I08B, I08C, I08D, I08E, I13A, I13B		07	H33Z, H38Z		11	L09A, L09B, L09C, L09D, L38Z
	11	L09A, L38Z		08	I08A, I08B, I08C, I08D, I08E, I13A, I13B		21A	W04A, W04B
	21A	W04A, W04B		11	L09A, L33Z, L38Z		21B	X06A, X06B, X06C, X33Z
	21B	X06A, X06B, X06C		15	P02A, P02B, P02C			BOP, KVT, UOP4
		BOP, KOP, KOPV, KVT, UOP4		21A	W04A, W04B		05	F01A, F01B, F01D, F05Z, F07A, F07B, F08A, F08B, F08C, F08D, F08E, F08F, F27A, F28A, F42Z
		BOP, KOP, KOPV, KVT, UOP4		21B	X06A, X06B, X06C, X33Z		06	G10Z, G12A, G12B
51139.a↔	01	B04A, B04B, B04C, B04D, B04E	51139.e		BOP, KOP, KOPV, KVT, UOP4	51139.i↔	05	F01A, F01B, F01D, F05Z, F07A, F07B, F08A, F08B, F08C, F08D, F08E, F08F, F27A, F28A, F42Z
	05	F01A, F01B, F01D, F05Z, F07A, F07B, F09A, F09B, F09C, F30Z, F42Z		01	B04A, B04B, B04C, B04D, B04E		06	G10Z, G12A, G12B
	06	G33Z		05	F01A, F01B, F01D, F05Z, F07A, F07B, F09A, F09B, F09C, F30Z, F42Z		08	I08A, I08B, I08C, I08D, I08E, I13A, I13B
	07	H33Z, H38Z		06	G15Z, G19A, G19B, G33Z, G38Z		11	L09A, L09B, L09C, L09D, L38Z
	08	I08A, I08B, I08C, I08D, I08E, I13A, I13B		07	H33Z, H38Z		21A	W04A, W04B
	11	L09A, L33Z, L38Z		08	I08A, I08B, I08C, I08D, I08E, I13A, I13B		21B	X06A, X06B, X06C, X33Z
	15	P02A, P02B, P02C		11	L09A, L33Z, L38Z			BOP, KVT, UOP4
	21A	W04A, W04B		15	P02A, P02B, P02C		05	F39A, F39B
	21B	X06A, X06B, X06C, X33Z		21A	W04A, W04B		08	I08A, I08B, I08C, I08D, I08E, I13A, I13B
	23	Z01A		21B	X06A, X06B, X06C, X33Z		11	L09A, L38Z
Pre	A07A	Pre	A07A	21A	W04A, W04B			
51139.b↔		BOP, KVT, UOP4	51139.f		BOP, KOP, KOPV, KVT, UOP4	5113x↔	21B	X06A, X06B, X06C
	01	B04A, B04B, B04C, B04D, B04E		01	B04A, B04B, B04C, B04D, B04E		05	F39A, F39B
	05	F01A, F01B, F01D, F05Z, F07A, F07B, F09A, F09B, F09C, F30Z, F42Z		05	F01A, F01B, F01D, F05Z, F07A, F07B, F09A, F09B, F09C, F30Z, F42Z		08	I08A, I08B, I08C, I08D, I08E, I13A, I13B
	08	I08A, I08B, I08C, I08D, I08E, I13A, I13B		06	G03A, G15Z, G18A, G19A, G19B, G33Z, G38Z		11	L09A, L38Z
	11	L09A, L38Z		07	H01A, H33Z, H38Z		21A	W04A, W04B
	15	P02A, P02B, P02C		08	I08A, I08B, I08C, I08D, I08E, I13A, I13B		21B	X06A, X06B, X06C
	21A	W04A, W04B		11	L09A, L33Z, L38Z			BOP, KVT, UOP4
	21B	X06A, X06B, X06C		15	P02A, P02B, P02C		01	B04A, B04B, B04C, B04D, B04E
		BOP, KVT, UOP4		21A	W04A, W04B		03	D12A
		BOP, KVT, UOP4		21B	X06A, X06B, X06C, X33Z		05	F01A, F01B, F01D, F05Z, F06A, F06C, F07A, F07B, F14A, F14B, F28A, F42Z, F54Z, F59A, F59B
51139.c↔	01	B04A, B04B, B04C, B04D, B04E	51139.g↔		BOP, KVT, UOP4	51140.0↔	08	I08A, I08B, I08C, I08D, I08E, I13A, I13B
	05	F01A, F01B, F01D, F05Z, F07A, F07B, F14A, F14B, F28A, F42Z, F54Z, F59A, F59B		01	B04A, B04B, B04C, B04D, B04E		05	F01A, F01B, F01D, F05Z, F06A, F06C, F07A, F07B, F14A, F14B, F28A, F42Z, F54Z, F59A, F59B
	08	I08A, I08B, I08C, I08D, I08E, I13A, I13B		05	F01A, F01B, F01D, F05Z, F07A, F07B, F08A, F08B, F08C, F08D, F08E, F08F, F27A, F28A, F42Z		08	I08A, I08B, I08C, I08D, I08E, I13A, I13B
	11	L09A, L38Z		06	G10Z, G12A, G12B		11	L09A, L38Z
	15	P02A, P02B, P02C		07	H01A, H33Z, H38Z		21A	W04A, W04B
	21A	W04A, W04B		08	I08A, I08B, I08C, I08D, I08E, I13A, I13B		21B	X06A, X06B, X06C
	21B	X06A, X06B, X06C		11	L09A, L33Z, L38Z			BOP, KVT, UOP4
		BOP, KVT, UOP4		15	P02A, P02B, P02C		01	B04A, B04B, B04C, B04D, B04E
		BOP, KVT, UOP4		21A	W04A, W04B		03	D12A
		BOP, KVT, UOP4		21B	X06A, X06B, X06C, X33Z		05	F01A, F01B, F01D, F05Z, F06A, F06C, F07A, F07B, F14A, F14B, F28A, F42Z, F54Z, F59A, F59B
	BOP, KVT, UOP4	Pre	A07A	51140.1↔	08	I08A, I08B, I08C, I08D, I08E, I13A, I13B		
	BOP, KVT, UOP4	Pre	A07A		11	L09A, L38Z		
	BOP, KVT, UOP4	05	F01A, F01B, F01D, F05Z, F07A, F07B, F08A, F08B, F08C, F08D, F08E, F08F, F27A, F28A, F42Z		21A	W04A, W04B		
	BOP, KVT, UOP4	06	G10Z, G12A, G12B		21B	X06A, X06B, X06C		
	BOP, KVT, UOP4	08	I08A, I08B, I08C, I08D, I08E, I13A, I13B		01	B04A, B04B, B04C, B04D, B04E		
	BOP, KVT, UOP4	11	L09A, L09B, L09C, L09D, L38Z		03	D12A		
	BOP, KVT, UOP4	21A	W04A, W04B		05	F01A, F01B, F01D, F05Z, F06A, F06C, F07A, F07B, F14A, F14B, F28A, F42Z, F54Z, F59A, F59B		
	BOP, KVT, UOP4	21B	X06A, X06B, X06C, X33Z		08	I08A, I08B, I08C, I08D, I08E, I13A, I13B		
	BOP, KVT, UOP4	21A	W04A, W04B		11	L09A, L38Z		
	BOP, KVT, UOP4	21B	X06A, X06B, X06C, X33Z		21A	W04A, W04B		
	BOP, KVT, UOP4	21B	X06A, X06B, X06C, X33Z	21B	X06A, X06B, X06C			

VYK

ZZV	MDC	DRG	ZZV	MDC	DRG	ZZV	MDC	DRG			
51140.2↔		BOP, KVT, UOP4	51142.0↔	05	BOP, KVT, UOP4	51143.0x		BOP, KOP, KOPV, KVT, UOP4			
	01	B04A, B04B, B04C, B04D, B04E			08		F01A, F01B, F01D, F05Z, F07A, F07B, F14A, F14B, F28A, F42Z, F54Z, F59A, F59B	04	E05A, E05B, E05C, E08A, E08B, E08C		
	03	D12A			11		I08A, I08B, I08C, I08D, I08E, I13A, I13B	05	F01A, F01B, F01D, F05Z, F07A, F09A, F09B, F09C, F42Z		
	05	F01A, F01B, F01D, F05Z, F06A, F06C, F07A, F07B, F14A, F14B, F28A, F42Z, F54Z, F59A, F59B			21A		L09A, L38Z	06	G15Z, G19A, G19B, G33Z, G38Z		
	08	I08A, I08B, I08C, I08D, I08E, I13A, I13B			21B		W04A, W04B	07	H33Z, H38Z		
	11	L09A, L38Z		51142.1↔			X06A, X06B, X06C	08	I08A, I08B, I08C, I08D, I08E, I13A, I13B		
	21A	W04A, W04B			05		BOP, KVT, UOP4	11	L09A, L33Z, L38Z		
	21B	X06A, X06B, X06C			08		F01A, F01B, F01D, F05Z, F07A, F07B, F14A, F14B, F28A, F42Z, F54Z, F59A, F59B	21A	W04A, W04B		
	51140.3↔				BOP, KVT, UOP4			11	F01A, F01B, F01D, F05Z, F07A, F07B, F14A, F14B, F28A, F42Z, F54Z, F59A, F59B	21B	X06A, X06B, X06C, X33Z
		01			B04A, B04B, B04C, B04D, B04E			21B	I08A, I08B, I08C, I08D, I08E, I13A, I13B	23	Z01A
03		D12A			08	L09A, L38Z	Pre	A07A			
05		F01A, F01B, F01D, F05Z, F06A, F06C, F07A, F07B, F14A, F14B, F28A, F42Z, F54Z, F59A, F59B			21A	W04A, W04B	51143.11		BOP, KOP, KOPV, KVT, UOP4		
08		I08A, I08B, I08C, I08D, I08E, I13A, I13B	51142.x↔			X06A, X06B, X06C		04	E05A, E05B, E05C, E08A, E08B, E08C		
11		L09A, L38Z			05	BOP, KVT, UOP4		05	F01A, F01B, F01D, F05Z, F07A, F09A, F09B, F09C, F42Z		
21A		W04A, W04B				08		F01A, F01B, F01D, F05Z, F07A, F07B, F14A, F14B, F28A, F42Z, F54Z, F59A, F59B	06	G15Z, G19A, G19B, G33Z, G38Z	
21B		X06A, X06B, X06C			11	I08A, I08B, I08C, I08D, I08E, I13A, I13B		07	H33Z, H38Z		
51140.x↔				BOP, KVT, UOP4		21A		L09A, L38Z	08	I08A, I08B, I08C, I08D, I08E, I13A, I13B	
		01		B03A, B03B, B06A, B06B, B07Z, B17A, B17B, B17C		21B		W04A, W04B	11	L09A, L33Z, L38Z	
	03	D12A		51143.01		X06A, X06B, X06C		21A	W04A, W04B		
	05	F01A, F01B, F01D, F05Z, F06A, F06C, F07A, F07B, F14A, F14B, F28A, F42Z, F54Z, F59A, F59B				04		BOP, KOP, KOPV, KVT, UOP4	21B	X06A, X06B, X06C, X33Z	
	08	I08A, I08B, I08C, I08D, I08E, I13A, I13B				05		E05A, E05B, E05C, E08A, E08B, E08C	23	Z01A	
	11	L09A, L38Z				08	F01A, F01B, F01D, F05Z, F07A, F09A, F09B, F09C, F42Z	Pre	A07A		
	21A	W04A, W04B			06	G15Z, G19A, G19B, G33Z, G38Z	51143.12		BOP, KOP, KOPV, KVT, UOP4		
	21B	X06A, X06B, X06C			07	H33Z, H38Z		04	E05A, E05B, E05C, E08A, E08B, E08C		
	51141.0↔		BOP, KVT, UOP4			08		I08A, I08B, I08C, I08D, I08E, I13A, I13B	05	F01A, F01B, F01D, F05Z, F07A, F09A, F09B, F09C, F42Z	
		05	F01A, F01B, F01D, F05Z, F07A, F07B, F14A, F14B, F28A, F42Z, F54Z, F59A, F59B			11		L09A, L33Z, L38Z	06	G15Z, G19A, G19B, G33Z, G38Z	
08		I08A, I08B, I08C, I08D, I08E, I13A, I13B			21A	W04A, W04B		07	H33Z, H38Z		
11		L09A, L38Z			21B	X06A, X06B, X06C		08	I08A, I08B, I08C, I08D, I08E, I13A, I13B		
21A		W04A, W04B		23	Z01A	11		L09A, L33Z, L38Z			
21B		X06A, X06B, X06C	51143.02		Pre	A07A		21A	W04A, W04B		
51141.1↔				BOP, KVT, UOP4		04		BOP, KOP, KOPV, KVT, UOP4	21B	X06A, X06B, X06C, X33Z	
		05		F01A, F01B, F01D, F05Z, F07A, F07B, F14A, F14B, F28A, F42Z, F54Z, F59A, F59B		05		E05A, E05B, E05C, E08A, E08B, E08C	23	Z01A	
		08		I08A, I08B, I08C, I08D, I08E, I13A, I13B		08	F01A, F01B, F01D, F05Z, F07A, F09A, F09B, F09C, F42Z	Pre	A07A		
		11		L09A, L38Z		06	G15Z, G19A, G19B, G33Z, G38Z	51143.1x		BOP, KOP, KOPV, KVT, UOP4	
	21A	W04A, W04B			07	H33Z, H38Z	04		E05A, E05B, E05C, E08A, E08B, E08C		
	21B	X06A, X06B, X06C			08	I08A, I08B, I08C, I08D, I08E, I13A, I13B	05		F01A, F01B, F01D, F05Z, F07A, F09A, F09B, F09C, F42Z		
	51141.x↔			BOP, KVT, UOP4		11	L09A, L33Z, L38Z		06	G15Z, G19A, G19B, G33Z, G38Z	
		05		F01A, F01B, F01D, F05Z, F07A, F07B, F14A, F14B, F28A, F42Z, F54Z, F59A, F59B		21A	W04A, W04B		07	H33Z, H38Z	
		08		I08A, I08B, I08C, I08D, I08E, I13A, I13B		21B	X06A, X06B, X06C, X33Z		08	I08A, I08B, I08C, I08D, I08E, I13A, I13B	
		11	L09A, L38Z		23	Z01A	11		L09A, L33Z, L38Z		
21A		W04A, W04B		Pre	A07A	21A	W04A, W04B				
21B		X06A, X06B, X06C				21B	X06A, X06B, X06C, X33Z				
						23	Z01A				
						Pre	A07A				

VYK



ZZV	MDC	DRG	ZZV	MDC	DRG	ZZV	MDC	DRG			
51143.21		BOP, KOP, KOPV, KVT, UOP4	51143.32		BOP, KOP, KOPV, KVT, UOP4	51143.5x		BOP, KVT, UOP4			
	04	E05A, E05B, E05C, E08A, E08B, E08C		04	E05A, E05B, E05C, E08A, E08B, E08C		05	F01A, F01B, F01D, F05Z, F07A, F07B, F08A, F08B, F08C, F08D, F08E, F27A, F28A, F42Z			
	05	F01A, F01B, F01D, F05Z, F07A, F09A, F09B, F09C, F42Z		05	F01A, F01B, F01D, F05Z, F07A, F08B, F08D, F09A, F09B, F09C, F42Z		08	I08A, I08B, I08C, I08D, I08E, I13A, I13B			
	06	G15Z, G19A, G19B, G33Z, G38Z		06	G15Z, G19A, G19B, G33Z, G38Z		11	L09A, L38Z			
	07	H33Z, H38Z		07	H33Z, H38Z		21A	W04A, W04B			
	08	I08A, I08B, I08C, I08D, I08E, I13A, I13B		08	I08A, I08B, I08C, I08D, I08E, I13A, I13B		21B	X06A, X06B, X06C, X33Z			
	11	L09A, L33Z, L38Z		11	L09A, L33Z, L38Z		23	Z01A			
	21A	W04A, W04B		21B	X33Z		Pre	A07A			
	21B	X06A, X06B, X06C, X33Z		Pre	A07A		51143.62		BOP, KVT, UOP4		
	23	Z01A		51143.3x				BOP, KOP, KOPV, KVT, UOP4	05	F01A, F01B, F01D, F05Z, F07A, F07B, F08A, F08B, F08C, F08D, F08E, F27A, F28A, F42Z	
	Pre	A07A			04			E05A, E05B, E05C, E08A, E08B, E08C	08	I08A, I08B, I08C, I08D, I08E, I13A, I13B	
	51143.22				BOP, KOP, KOPV, KVT, UOP4			04	E05A, E05B, E05C, E08A, E08B, E08C	11	L09A, L38Z
		04			E05A, E05B, E05C, E08A, E08B, E08C			05	F01A, F01B, F01D, F05Z, F07A, F07B, F08B, F08D, F09A, F09B, F09C, F42Z	21A	W04A, W04B
		05			F01A, F01B, F01D, F05Z, F07A, F09A, F09B, F09C, F42Z			06	G15Z, G19A, G19B, G33Z, G38Z	21B	X06A, X06B, X06C, X33Z
06		G15Z, G19A, G19B, G33Z, G38Z	07		H33Z, H38Z	23		Z01A			
07		H33Z, H38Z	08		I08A, I08B, I08C, I08D, I08E, I13A, I13B	51143.6x			BOP, KVT, UOP4		
08		I08A, I08B, I08C, I08D, I08E, I13A, I13B	11		L09A, L33Z, L38Z			05	F01A, F01B, F01D, F05Z, F07A, F07B, F08A, F08B, F08C, F08D, F08E, F27A, F28A, F42Z		
11		L09A, L33Z, L38Z	21B		X33Z			08	I08A, I08B, I08C, I08D, I08E, I13A, I13B		
21B		X33Z	23		Z01A			11	L09A, L38Z		
23		Z01A	Pre		A07A			21A	W04A, W04B		
Pre		A07A	51143.42					BOP, KVT, UOP4	21B	X06A, X06B, X06C, X33Z	
51143.2x					BOP, KOP, KOPV, KVT, UOP4			05	F01A, F01B, F01D, F05Z, F07A, F07B, F08A, F08B, F08C, F08D, F08E, F27A, F28A, F42Z	23	Z01A
		04			E05A, E05B, E05C, E08A, E08B, E08C		08	I08A, I08B, I08C, I08D, I08E, I13A, I13B	51143.7		BOP, KOP, KOPV, KVT, UOP4
		05		F01A, F01B, F01D, F05Z, F07A, F09A, F09B, F09C, F42Z	11		L09A, L38Z	04		E05A, E05B, E05C, E08A, E08B, E08C	
		06		G15Z, G19A, G19B, G33Z, G38Z	21A		W04A, W04B	05		F01A, F01B, F01D, F05Z, F07A, F09A, F09B, F09C, F27A, F42Z	
	07	H33Z, H38Z		21B	X06A, X06B, X06C, X33Z		06	G15Z, G19A, G19B, G33Z, G38Z			
	08	I08A, I08B, I08C, I08D, I08E, I13A, I13B		23	Z01A		07	H33Z, H38Z			
	11	L09A, L33Z, L38Z		51143.4x			BOP, KVT, UOP4	08		I08A, I08B, I08C, I08D, I08E, I13A, I13B	
	21B	X33Z			05		F01A, F01B, F01D, F05Z, F07A, F07B, F08A, F08B, F08C, F08D, F08E, F27A, F28A, F42Z	11		L09A, L33Z, L38Z	
	23	Z01A			08	I08A, I08B, I08C, I08D, I08E, I13A, I13B	21A	W04A, W04B			
	Pre	A07A			11	L09A, L38Z	21B	X06A, X06B, X06C, X33Z			
	51143.31				BOP, KOP, KOPV, KVT, UOP4	21B	X06A, X06B, X06C, X33Z	23		Z01A	
		04			E05A, E05B, E05C, E08A, E08B, E08C	11	L09A, L38Z	Pre		A07A	
		05			F01A, F01B, F01D, F05Z, F07A, F08B, F08D, F09A, F09B, F09C, F42Z	21A	W04A, W04B	51143.80			BOP, KOP, KOPV, KVT, UOP4
		06	G15Z, G19A, G19B, G33Z, G38Z		21B	X06A, X06B, X06C, X33Z	04			E05A, E05B, E05C, E08A, E08B, E08C	
07		H33Z, H38Z	51143.52			BOP, KVT, UOP4	05			F01A, F01B, F01D, F05Z, F07A, F09A, F09B, F09C, F27A, F42Z	
08		I08A, I08B, I08C, I08D, I08E, I13A, I13B			05	F01A, F01B, F01D, F05Z, F07A, F07B, F08A, F08B, F08C, F08D, F08E, F27A, F28A, F42Z	06		G15Z, G19A, G19B, G33Z, G38Z		
11		L09A, L33Z, L38Z			08	I08A, I08B, I08C, I08D, I08E, I13A, I13B	07		H33Z, H38Z		
21A		W04A, W04B			11	L09A, L38Z	08		I08A, I08B, I08C, I08D, I08E, I13A, I13B		
21B		X06A, X06B, X06C, X33Z			21A	W04A, W04B	11		L09A, L33Z, L38Z		
23		Z01A			21B	X06A, X06B, X06C, X33Z	21A		W04A, W04B		
Pre		A07A		23	Z01A	21B	X06A, X06B, X06C, X33Z				
						23	Z01A				
						Pre	A07A				

ZZV	MDC	DRG	ZZV	MDC	DRG	ZZV	MDC	DRG			
51143.81		BOP, KOP, KOPV, KVT, UOP4	51143.92		BOP, KOP, KOPV, KVT, UOP4	51144.2↔		BOP, KOP, KOPV, KVT, UOP4			
	04	E05A, E05B, E05C, E08A, E08B, E08C		04	E05A, E05B, E05C, E08A, E08B, E08C		04	E05A, E05B, E05C, E08A, E08B, E08C			
	05	F01A, F01B, F01D, F05Z, F07A, F09A, F09B, F09C, F27A, F42Z		05	F01A, F01B, F01D, F05Z, F07A, F09A, F09B, F09C, F27A, F42Z		05	F01A, F01B, F01D, F05Z, F07A, F07B, F09A, F09B, F09C, F42Z			
	06	G15Z, G19A, G19B, G33Z, G38Z		06	G15Z, G19A, G19B, G33Z, G38Z		06	G15Z, G19A, G19B, G33Z, G38Z			
	07	H33Z, H38Z		07	H33Z, H38Z		07	H33Z, H38Z			
	08	I08A, I08B, I08C, I08D, I08E, I13A, I13B		08	I08A, I08B, I08C, I08D, I08E, I13A, I13B		08	I08A, I08B, I08C, I08D, I08E, I13A, I13B			
	11	L09A, L33Z, L38Z		11	L09A, L33Z, L38Z		11	L09A, L33Z, L38Z			
	21A	W04A, W04B		21A	W04A, W04B		21A	W04A, W04B			
	21B	X06A, X06B, X06C, X33Z		21B	X06A, X06B, X06C, X33Z		21B	X06A, X06B, X06C, X33Z			
	23	Z01A		23	Z01A		23	Z01A			
	Pre	A07A		Pre	A07A		Pre	A07A			
	51143.82			BOP, KOP, KOPV, KVT, UOP4	51143.x			BOP, KVT, UOP4	51144.x↔		BOP, KOP, KOPV, KVT, UOP4
		04		E05A, E05B, E05C, E08A, E08B, E08C			05	F01A, F01B, F01D, F05Z, F07A, F07B, F08A, F08B, F08C, F08D, F08E, F27A, F28A, F42Z		04	E05A, E05B, E05C, E08A, E08B, E08C
		05		F01A, F01B, F01D, F05Z, F07A, F09A, F09B, F09C, F27A, F42Z			08	I08A, I08B, I08C, I08D, I08E, I13A, I13B		05	F01A, F01B, F01D, F05Z, F07A, F07B, F09A, F09B, F09C, F42Z
06		G15Z, G19A, G19B, G33Z, G38Z	11	L09A, L38Z		06	G15Z, G19A, G19B, G33Z, G38Z				
07		H33Z, H38Z	21A	W04A, W04B		07	H33Z, H38Z				
08		I08A, I08B, I08C, I08D, I08E, I13A, I13B	21B	X06A, X06B, X06C, X33Z		08	I08A, I08B, I08C, I08D, I08E, I13A, I13B				
11		L09A, L33Z, L38Z	23	Z01A		11	L09A, L33Z, L38Z				
21A		W04A, W04B	51144.0↔			21A	W04A, W04B				
21B		X06A, X06B, X06C, X33Z				21B	X06A, X06B, X06C, X33Z				
23		Z01A				23	Z01A				
Pre		A07A				Pre	A07A				
51143.90			BOP, KOP, KOPV, KVT, UOP4	51144.1↔			BOP, KOP, KOPV, KVT, UOP4	51145.0↔			BOP, KVT, UOP4
		04	E05A, E05B, E05C, E08A, E08B, E08C			04	E05A, E05B, E05C, E08A, E08B, E08C			05	F01A, F01B, F01D, F05Z, F07A, F07B, F08A, F08B, F08C, F08D, F08E, F27A, F28A, F42Z
		05	F01A, F01B, F01D, F05Z, F07A, F09A, F09B, F09C, F27A, F42Z			05	F01A, F01B, F01D, F05Z, F07A, F07B, F09A, F09B, F09C, F42Z			06	G10Z, G12A, G12B
	06	G15Z, G19A, G19B, G33Z, G38Z	06		G15Z, G19A, G19B, G33Z, G38Z	08	I08A, I08B, I08C, I08D, I08E, I13A, I13B				
	07	H33Z, H38Z	07		H33Z, H38Z	11	L09A, L09B, L09C, L09D, L38Z				
	08	I08A, I08B, I08C, I08D, I08E, I13A, I13B	08		I08A, I08B, I08C, I08D, I08E, I13A, I13B	21A	W04A, W04B				
	11	L09A, L33Z, L38Z	11		L09A, L33Z, L38Z	21B	X06A, X06B, X06C, X33Z				
	21A	W04A, W04B	21A		W04A, W04B	Pre	BOP, KVT, UOP4				
	21B	X06A, X06B, X06C, X33Z	21B		X06A, X06B, X06C, X33Z	05	F01A, F01B, F01D, F05Z, F07A, F07B, F08A, F08B, F08C, F08D, F08E, F27A, F28A, F42Z				
	23	Z01A	23		Z01A	06	G10Z, G12A, G12B				
	Pre	A07A	Pre		A07A	08	I08A, I08B, I08C, I08D, I08E, I13A, I13B				
	51143.91		BOP, KOP, KOPV, KVT, UOP4		51144.1↔		BOP, KOP, KOPV, KVT, UOP4		51145.1↔		BOP, KVT, UOP4
		04	E05A, E05B, E05C, E08A, E08B, E08C			04	E05A, E05B, E05C, E08A, E08B, E08C			05	F01A, F01B, F01D, F05Z, F07A, F07B, F08A, F08B, F08C, F08D, F08E, F27A, F28A, F42Z
		05	F01A, F01B, F01D, F05Z, F07A, F09A, F09B, F09C, F27A, F42Z			05	F01A, F01B, F01D, F05Z, F07A, F07B, F09A, F09B, F09C, F42Z			06	G10Z, G12A, G12B
06		G15Z, G19A, G19B, G33Z, G38Z	06	G15Z, G19A, G19B, G33Z, G38Z		08	I08A, I08B, I08C, I08D, I08E, I13A, I13B				
07		H33Z, H38Z	07	H33Z, H38Z		11	L09A, L09B, L09C, L09D, L38Z				
08		I08A, I08B, I08C, I08D, I08E, I13A, I13B	08	I08A, I08B, I08C, I08D, I08E, I13A, I13B		21A	W04A, W04B				
11		L09A, L33Z, L38Z	11	L09A, L33Z, L38Z		21B	X06A, X06B, X06C, X33Z				
21A		W04A, W04B	21A	W04A, W04B		Pre	BOP, KVT, UOP4				
21B		X06A, X06B, X06C, X33Z	21B	X06A, X06B, X06C, X33Z		05	F01A, F01B, F01D, F05Z, F07A, F07B, F08A, F08B, F08C, F08D, F08E, F27A, F28A, F42Z				
23		Z01A	23	Z01A		06	G10Z, G12A, G12B				
Pre		A07A	Pre	A07A		08	I08A, I08B, I08C, I08D, I08E, I13A, I13B				
51143.91			BOP, KOP, KOPV, KVT, UOP4	51144.1↔			BOP, KOP, KOPV, KVT, UOP4	51145.2↔			BOP, KVT, UOP4
		04	E05A, E05B, E05C, E08A, E08B, E08C			04	E05A, E05B, E05C, E08A, E08B, E08C			05	F01A, F01B, F01D, F05Z, F07A, F07B, F08A, F08B, F08C, F08D, F08E, F27A, F28A, F42Z
		05	F01A, F01B, F01D, F05Z, F07A, F09A, F09B, F09C, F27A, F42Z			05	F01A, F01B, F01D, F05Z, F07A, F07B, F09A, F09B, F09C, F42Z			06	G10Z, G12A, G12B
	06	G15Z, G19A, G19B, G33Z, G38Z	06		G15Z, G19A, G19B, G33Z, G38Z	08	I08A, I08B, I08C, I08D, I08E, I13A, I13B				
	07	H33Z, H38Z	07		H33Z, H38Z	11	L09A, L09B, L09C, L09D, L38Z				
	08	I08A, I08B, I08C, I08D, I08E, I13A, I13B	08		I08A, I08B, I08C, I08D, I08E, I13A, I13B	21A	W04A, W04B				
	11	L09A, L33Z, L38Z	11		L09A, L33Z, L38Z	21B	X06A, X06B, X06C, X33Z				
	21A	W04A, W04B	21A		W04A, W04B	Pre	BOP, KVT, UOP4				
	21B	X06A, X06B, X06C, X33Z	21B		X06A, X06B, X06C, X33Z	05	F01A, F01B, F01D, F05Z, F07A, F07B, F08A, F08B, F08C, F08D, F08E, F27A, F28A, F42Z				
	23	Z01A	23		Z01A	06	G10Z, G12A, G12B				
	Pre	A07A	Pre		A07A	08	I08A, I08B, I08C, I08D, I08E, I13A, I13B				

VYK

ZZV	MDC	DRG	ZZV	MDC	DRG	ZZV	MDC	DRG			
51145.3↔		BOP, KVT, UOP4	51146.3		BOP, KVT, UOP4	51147.0↔		BOP, KVT, UOP4			
	05	F01A, F01B, F01D, F05Z, F07A, F07B, F08A, F08B, F08C, F08D, F08E, F27A, F28A, F42Z		05	F01A, F01B, F01D, F05Z, F07A, F07B, F08A, F08B, F08C, F08D, F08E, F27A, F28A, F42Z		05	F01A, F01B, F01D, F05Z, F07A, F07B, F08A, F08B, F08C, F08D, F08E, F27A, F28A, F42Z			
	06	G10Z, G12A, G12B		06	G10Z, G12A, G12B, G18A, G38Z		08	I08A, I08B, I08C, I08D, I08E, I13A, I13B			
	08	I08A, I08B, I08C, I08D, I08E, I13A, I13B		07	H06A, H06B, H06C		11	L09A, L38Z			
	11	L09A, L09B, L09C, L09D, L38Z		08	I08A, I08B, I08C, I08D, I08E, I13A, I13B		21A	W04A, W04B			
	21A	W04A, W04B		11	L09A, L09B, L09C, L09D, L38Z		21B	X04Z, X33Z			
	21B	X06A, X06B, X06C, X33Z		21A	W04A, W04B		51147.1↔		BOP, KVT, UOP4		
	51145.x↔			BOP, KVT, UOP4	21B			X06A, X06B, X06C, X33Z	05	F01A, F01B, F01D, F05Z, F07A, F07B, F08A, F08B, F08C, F08D, F08E, F27A, F28A, F42Z	
		01		B03A, B03B, B06A, B06B, B07Z, B17A, B17B, B17C	51146.4↔				BOP, KVT, UOP4	08	I08A, I08B, I08C, I08D, I08E, I13A, I13B
		05		F01A, F01B, F01D, F05Z, F07A, F07B, F14A, F14B, F28A, F42Z, F54Z, F59A, F59B				05	F01A, F01B, F01D, F05Z, F07A, F07B, F08A, F08B, F08C, F08D, F08E, F27A, F28A, F42Z	11	L09A, L38Z
08		I08A, I08B, I08C, I08D, I08E, I13A, I13B	06	G10Z, G12A, G12B		21A		W04A, W04B			
11		L09A, L38Z	08	I08A, I08B, I08C, I08D, I08E, I13A, I13B		21B		X04Z, X33Z			
21A		W04A, W04B	11	L09A, L09B, L09C, L09D, L38Z		51147.2↔			BOP, KVT, UOP4		
21B		X04Z, X06A, X06B, X06C	21A	W04A, W04B				05	F01A, F01B, F01D, F05Z, F07A, F07B, F08A, F08B, F08C, F08D, F08E, F27A, F27B, F27C, F28A, F42Z		
51146.0			BOP, KVT, UOP4	21B				X06A, X06B, X06C, X33Z	08	I08A, I08B, I08C, I08D, I08E, I13A, I13B	
		05	F01A, F01B, F01D, F05Z, F07A, F07B, F08A, F08B, F08C, F08D, F08E, F27A, F28A, F42Z	51146.5					BOP, KVT, UOP4	10	K01Z
		06	G10Z, G12A, G12B, G18A, G38Z				05	F01A, F01B, F01D, F05Z, F07A, F07B, F08A, F08B, F08C, F08D, F08E, F27A, F28A, F42Z	11	L09A, L38Z	
	07	H01A	06				G10Z, G12A, G12B, G18A, G38Z	21A	W04A, W04B		
	08	I08A, I08B, I08C, I08D, I08E, I13A, I13B	07		H01A		21B	X04Z, X33Z			
	11	L09A, L09B, L09C, L09D, L38Z	08		I08A, I08B, I08C, I08D, I08E, I13A, I13B		51147.x↔		BOP, KVT, UOP4		
	21A	W04A, W04B	11		L09A, L09B, L09C, L09D, L38Z			05	F01A, F01B, F01D, F05Z, F07A, F07B, F08A, F08B, F08C, F08D, F08E, F27A, F28A, F42Z		
	21B	X06A, X06B, X06C, X33Z	21A		W04A, W04B			08	I08A, I08B, I08C, I08D, I08E, I13A, I13B		
	51146.1		BOP, KVT, UOP4		21B	X06A, X06B, X06C, X33Z		11	L09A, L38Z		
		05	F01A, F01B, F01D, F05Z, F07A, F07B, F08A, F08B, F08C, F08D, F08E, F27A, F28A, F42Z		51146.6			BOP, KVT, UOP4	21A	W04A, W04B	
06		G10Z, G12A, G12B, G18A, G38Z	05			F01A, F01B, F01D, F05Z, F07A, F07B, F08A, F08B, F08C, F08D, F08E, F27A, F28A, F42Z		21B	X04Z, X33Z		
07		H01A, H06A, H06B, H06C	06	G10Z, G12A, G12B, G18A, G38Z		51148.0↔			BOP, KVT, UOP4		
08		I08A, I08B, I08C, I08D, I08E, I13A, I13B	07	H01A				05	F01A, F01B, F01D, F05Z, F07A, F07B, F08A, F08B, F08C, F08D, F08E, F27A, F27B, F27C, F28A, F42Z		
11		L09A, L09B, L09C, L09D, L38Z	08	I08A, I08B, I08C, I08D, I08E, I13A, I13B				08	I08A, I08B, I08C, I08D, I08E, I13A, I13B		
21A		W04A, W04B	11	L09A, L09B, L09C, L09D, L38Z				10	K01Z		
21B		X06A, X06B, X06C, X33Z	21A	W04A, W04B			11	L09A, L38Z			
51146.2			BOP, KVT, UOP4	21B			X06A, X06B, X06C, X33Z	21A	W04A, W04B		
		05	F01A, F01B, F01D, F05Z, F07A, F07B, F08A, F08B, F08C, F08D, F08E, F27A, F28A, F42Z	51146.x↔				BOP, KVT, UOP4	21B	X04Z, X33Z	
	06	G10Z, G12A, G12B	05				F01A, F01B, F01D, F05Z, F07A, F07B, F08A, F08B, F08C, F08D, F08E, F27A, F28A, F42Z	51148.1↔		BOP, KVT, UOP4	
	08	I08A, I08B, I08C, I08D, I08E, I13A, I13B	06		G10Z, G12A, G12B		05		F01A, F01B, F01D, F05Z, F07A, F07B, F08A, F08B, F08C, F08D, F08E, F27A, F27B, F27C, F28A, F42Z		
	11	L09A, L09B, L09C, L09D, L38Z	08		I08A, I08B, I08C, I08D, I08E, I13A, I13B		08		I08A, I08B, I08C, I08D, I08E, I13A, I13B		
	21A	W04A, W04B	06		G10Z, G12A, G12B	10	K01Z				
	21B	X06A, X06B, X06C, X33Z	08		I08A, I08B, I08C, I08D, I08E, I13A, I13B	11	L09A, L38Z				
			11		L09A, L09B, L09C, L09D, L38Z	21A	W04A, W04B				
			21A		W04A, W04B	21B	X04Z, X33Z				
			21B		X06A, X06B, X06C, X33Z						

VYK

ZZV	MDC	DRG	ZZV	MDC	DRG	ZZV	MDC	DRG
51148.2↔		BOP, KVT, UOP4	51149.5		BOP, KVT, UOP4	51149.b↔		BOP, KOP, KOPV, KVT, UOP4
	05	F01A, F01B, F01D, F05Z, F07A, F07B, F08A, F08B, F08C, F08D, F08E, F27A, F27B, F27C, F28A, F42Z		05	F39A, F39B		04	E05A, E05B, E05C, E08A, E08B, E08C
	08	I08A, I08B, I08C, I08D, I08E, I13A, I13B		06	G18A, G38Z		05	F01A, F01B, F01D, F05Z, F07A, F07B, F09A, F09B, F09C, F42Z
	10	K01Z		07	H01A		06	G15Z, G19A, G19B, G33Z, G38Z
	11	L09A, L38Z		08	I08A, I08B, I08C, I08D, I08E, I13A, I13B		07	H33Z, H38Z
	21A	W04A, W04B		11	L09A, L38Z		08	I08A, I08B, I08C, I08D, I08E, I13A, I13B
	21B	X04Z, X33Z		21A	W04A, W04B		11	L09A, L33Z, L38Z
51148.x↔		BOP, KVT, UOP4	51149.6		BOP, KVT, UOP4	51149.c↔		BOP, KVT, UOP4
	05	F01A, F01B, F01D, F05Z, F07A, F07B, F08A, F08B, F08C, F08D, F08E, F27A, F27B, F27C, F28A, F42Z		05	F39A, F39B		05	F01A, F01B, F01D, F05Z, F07A, F07B, F14A, F14B, F28A, F42Z, F54Z, F59A, F59B
	08	I08A, I08B, I08C, I08D, I08E, I13A, I13B		06	G18A, G38Z		08	I08A, I08B, I08C, I08D, I08E, I13A, I13B
	10	K01Z		07	H01A		11	L09A, L38Z
	11	L09A, L38Z		08	I08A, I08B, I08C, I08D, I08E, I13A, I13B		21A	W04A, W04B
	21A	W04A, W04B		11	L09A, L38Z		21B	X06A, X06B, X06C
	21B	X04Z, X33Z		21A	W04A, W04B		Pre	A07A
51149.0↔		BOP, KVT, UOP4	51149.7		BOP, KVT, UOP4	51149.d↔		BOP, KOP, KOPV, KVT, UOP4
	05	F39A, F39B		05	F39A, F39B		04	E05A, E05B, E05C, E08A, E08B, E08C
	08	I08A, I08B, I08C, I08D, I08E, I13A, I13B		06	G18A, G38Z		05	F01A, F01B, F01D, F05Z, F07A, F07B, F09A, F09B, F09C, F42Z
	11	L09A, L38Z		07	H01A		06	G15Z, G19A, G19B, G33Z, G38Z
	21A	W04A, W04B		08	I08A, I08B, I08C, I08D, I08E, I13A, I13B		07	H33Z, H38Z
	21B	X04Z		11	L09A, L38Z		08	I08A, I08B, I08C, I08D, I08E, I13A, I13B
				21A	W04A, W04B		11	L09A, L33Z, L38Z
51149.1↔		BOP, KVT, UOP4	51149.8↔		BOP, KVT, UOP4	51149.e		BOP, KOP, KOPV, KVT, UOP4
	05	F39A, F39B		05	F39A, F39B		04	E05A, E05B, E05C, E08A, E08B, E08C
	08	I08A, I08B, I08C, I08D, I08E, I13A, I13B		06	G18A, G38Z		05	F01A, F01B, F01D, F05Z, F07A, F07B, F09A, F09B, F09C, F42Z
	11	L09A, L38Z		07	H01A		06	G15Z, G19A, G19B, G33Z, G38Z
	21A	W04A, W04B		08	I08A, I08B, I08C, I08D, I08E, I13A, I13B		07	H33Z, H38Z
	21B	X04Z, X33Z		11	L09A, L38Z		08	I08A, I08B, I08C, I08D, I08E, I13A, I13B
				21A	W04A, W04B		11	L09A, L33Z, L38Z
51149.2		BOP, KVT, UOP4	51149.9↔		BOP, KVT, UOP4	51149.a↔		BOP, KOP, KOPV, KVT, UOP4
	05	F39A, F39B		01	B03A, B03B, B06A, B06B, B07Z, B17A, B17B, B17C		04	E05A, E05B, E05C, E08A, E08B, E08C
	06	G18A, G38Z		03	D12A		05	F01A, F01B, F01D, F05Z, F07A, F07B, F09A, F09B, F09C, F42Z
	07	H01A		05	F01A, F01B, F01D, F05Z, F07A, F07B, F14A, F14B, F28A, F42Z, F54Z, F59A, F59B		06	G15Z, G19A, G19B, G33Z, G38Z
	08	I08A, I08B, I08C, I08D, I08E, I13A, I13B		08	I08A, I08B, I08C, I08D, I08E, I13A, I13B		07	H33Z, H38Z
	11	L09A, L38Z		11	L09A, L38Z		08	I08A, I08B, I08C, I08D, I08E, I13A, I13B
	21A	W04A, W04B		21A	W04A, W04B		11	L09A, L33Z, L38Z
51149.3↔		BOP, KVT, UOP4	51149.a↔		BOP, KOP, KOPV, KVT, UOP4	51149.b↔		BOP, KOP, KOPV, KVT, UOP4
	05	F39A, F39B		04	E05A, E05B, E05C, E08A, E08B, E08C		04	E05A, E05B, E05C, E08A, E08B, E08C
	06	G18A, G38Z		05	F01A, F01B, F01D, F05Z, F07A, F07B, F09A, F09B, F09C, F42Z		05	F01A, F01B, F01D, F05Z, F07A, F07B, F09A, F09B, F09C, F42Z
	07	H01A		06	G15Z, G19A, G19B, G33Z, G38Z		06	G15Z, G19A, G19B, G33Z, G38Z
	08	I08A, I08B, I08C, I08D, I08E, I13A, I13B		07	H33Z, H38Z		07	H33Z, H38Z
	11	L09A, L38Z		08	I08A, I08B, I08C, I08D, I08E, I13A, I13B		08	I08A, I08B, I08C, I08D, I08E, I13A, I13B
	21A	W04A, W04B		11	L09A, L38Z		11	L09A, L33Z, L38Z
51149.4		BOP, KVT, UOP4	51149.a↔		BOP, KOP, KOPV, KVT, UOP4	51149.c↔		BOP, KOP, KOPV, KVT, UOP4
	05	F39A, F39B		04	E05A, E05B, E05C, E08A, E08B, E08C		05	F01A, F01B, F01D, F05Z, F07A, F07B, F09A, F09B, F09C, F42Z
	06	G18A, G38Z		05	F01A, F01B, F01D, F05Z, F07A, F07B, F09A, F09B, F09C, F42Z		06	G15Z, G19A, G19B, G33Z, G38Z
	07	H01A		06	G15Z, G19A, G19B, G33Z, G38Z		07	H33Z, H38Z
	08	I08A, I08B, I08C, I08D, I08E, I13A, I13B		07	H33Z, H38Z		08	I08A, I08B, I08C, I08D, I08E, I13A, I13B
	11	L09A, L38Z		08	I08A, I08B, I08C, I08D, I08E, I13A, I13B		11	L09A, L33Z, L38Z
	21A	W04A, W04B		11	L09A, L33Z, L38Z		21A	W04A, W04B
		21B	X06A, X06B, X06C	21B	X06A, X06B, X06C, X33Z			
		23	Z01A	23	Z01A			
		Pre	A07A	Pre	A07A			

ZZV	MDC	DRG	ZZV	MDC	DRG	ZZV	MDC	DRG							
51149.f		BOP, KOP, KOPV, KVT, UOP4	51150.0↔	01	B03A, B03B, B06A, B06B, B07Z, B17A, B17B, B17C	51151.0↔	05	F01A, F01B, F01D, F05Z, F07A, F07B, F14A, F14B, F28A, F42Z, F54Z, F59A, F59B							
	04	E05A, E05B, E05C, E08A, E08B, E08C		05	F01A, F01B, F01D, F05Z, F07A, F07B, F14A, F14B, F28A, F42Z, F54Z, F59A, F59B		08	I08A, I08B, I08C, I08D, I08E, I13A, I13B							
	05	F01A, F01B, F01D, F05Z, F07A, F07B, F09A, F09B, F09C, F42Z		08	I08A, I08B, I08C, I08D, I08E, I13A, I13B		10	K09A, K09B							
	06	G03A, G15Z, G18A, G19A, G19B, G33Z, G38Z		21A	W04A, W04B		21A	W04A, W04B							
	07	H01A, H33Z, H38Z		21B	X06A, X06B, X06C		21B	X06A, X06B, X06C							
	08	I08A, I08B, I08C, I08D, I08E, I13A, I13B		51150.1↔	01		B03A, B03B, B06A, B06B, B07Z, B17A, B17B, B17C	51151.1↔	05	F01A, F01B, F01D, F05Z, F07A, F07B, F14A, F14B, F28A, F42Z, F54Z, F59A, F59B					
	11	L09A, L33Z, L38Z			05		F01A, F01B, F01D, F05Z, F07A, F07B, F14A, F14B, F28A, F42Z, F54Z, F59A, F59B		08	I08A, I08B, I08C, I08D, I08E, I13A, I13B					
	21A	W04A, W04B			08		I08A, I08B, I08C, I08D, I08E, I13A, I13B		10	K09A, K09B					
	21B	X06A, X06B, X06C, X33Z			21A		W04A, W04B		21A	W04A, W04B					
	23	Z01A			21B		X06A, X06B, X06C		21B	X06A, X06B, X06C					
	Pre	A07A			51150.2↔		01		B03A, B03B, B06A, B06B, B07Z, B17A, B17B, B17C	51151.x↔	05	F01A, F01B, F01D, F05Z, F07A, F07B, F14A, F14B, F28A, F42Z, F54Z, F59A, F59B			
	51149.g↔						BOP, KVT, UOP4		05		F01A, F01B, F01D, F05Z, F07A, F07B, F14A, F14B, F28A, F42Z, F54Z, F59A, F59B	08	I08A, I08B, I08C, I08D, I08E, I13A, I13B		
		05					F01A, F01B, F01D, F05Z, F07A, F07B, F08A, F08B, F08C, F08D, F08E, F27A, F28A, F42Z		08		I08A, I08B, I08C, I08D, I08E, I13A, I13B	10	K09A, K09B		
		06					G10Z, G12A, G12B		21A		W04A, W04B	21A	W04A, W04B		
		08					I08A, I08B, I08C, I08D, I08E, I13A, I13B		21B		X06A, X06B, X06C	21B	X06A, X06B, X06C		
11		L09A, L09B, L09C, L09D, L38Z	51150.3↔			01	B03A, B03B, B06A, B06B, B07Z, B17A, B17B, B17C		51152.0↔		05	F01A, F01B, F01D, F05Z, F07A, F07B, F14A, F14B, F28A, F42Z, F54Z, F59A, F59B			
21A		W04A, W04B				05	F01A, F01B, F01D, F05Z, F07A, F07B, F14A, F14B, F28A, F42Z, F54Z, F59A, F59B				08	I08A, I08B, I08C, I08D, I08E, I13A, I13B			
21B		X06A, X06B, X06C, X33Z				08	I08A, I08B, I08C, I08D, I08E, I13A, I13B				10	K09A, K09B			
51149.h↔						BOP, KVT, UOP4	21A				W04A, W04B	21A	W04A, W04B		
		05				F01A, F01B, F01D, F05Z, F07A, F07B, F08A, F08B, F08C, F08D, F08E, F27A, F28A, F42Z	21B				X06A, X06B, X06C	21B	X06A, X06B, X06C		
		06		G10Z, G12A, G12B		51150.4↔	01	B03A, B03B, B06A, B06B, B07Z, B17A, B17B, B17C			51152.1↔	05	F01A, F01B, F01D, F05Z, F07A, F07B, F14A, F14B, F28A, F42Z, F54Z, F59A, F59B		
		08		I08A, I08B, I08C, I08D, I08E, I13A, I13B			05	F01A, F01B, F01D, F05Z, F07A, F07B, F14A, F14B, F28A, F42Z, F54Z, F59A, F59B				08	I08A, I08B, I08C, I08D, I08E, I13A, I13B		
		11		L09A, L09B, L09C, L09D, L38Z			08	I08A, I08B, I08C, I08D, I08E, I13A, I13B				10	K09A, K09B		
		21A		W04A, W04B			21A	W04A, W04B				21A	W04A, W04B		
		21B		X06A, X06B, X06C, X33Z			21B	X06A, X06B, X06C				21B	X06A, X06B, X06C		
		51149.i↔			BOP, KVT, UOP4		51150.5↔	01		B03A, B03B, B06A, B06B, B07Z, B17A, B17B, B17C		51152.2↔	05	F01A, F01B, F01D, F05Z, F07A, F07B, F14A, F14B, F28A, F42Z, F54Z, F59A, F59B	
	05			F01A, F01B, F01D, F05Z, F07A, F07B, F08A, F08B, F08C, F08D, F08E, F27A, F28A, F42Z	05			F01A, F01B, F01D, F05Z, F07A, F07B, F14A, F14B, F28A, F42Z, F54Z, F59A, F59B		08			I08A, I08B, I08C, I08D, I08E, I13A, I13B		
	06			G10Z, G12A, G12B	08			I08A, I08B, I08C, I08D, I08E, I13A, I13B		10			K09A, K09B		
	08			I08A, I08B, I08C, I08D, I08E, I13A, I13B	21A			W04A, W04B		21A			W04A, W04B		
	11			L09A, L09B, L09C, L09D, L38Z	21B			X06A, X06B, X06C		21B			X06A, X06B, X06C		
	21A		W04A, W04B	51150.x↔	01			B03A, B03B, B06A, B06B, B07Z, B17A, B17B, B17C	51152.3↔	05			F01A, F01B, F01D, F05Z, F07A, F07B, F14A, F14B, F28A, F42Z, F54Z, F59A, F59B		
	21B		X06A, X06B, X06C, X33Z		05			F01A, F01B, F01D, F05Z, F07A, F07B, F14A, F14B, F28A, F42Z, F54Z, F59A, F59B		08			I08A, I08B, I08C, I08D, I08E, I13A, I13B		
	51149.x↔				BOP, KVT, UOP4			08		I08A, I08B, I08C, I08D, I08E, I13A, I13B			51151.x↔	05	F01A, F01B, F01D, F05Z, F07A, F07B, F14A, F14B, F28A, F42Z, F54Z, F59A, F59B
05			F39A, F39B		21A			W04A, W04B		08				I08A, I08B, I08C, I08D, I08E, I13A, I13B	
08			I08A, I08B, I08C, I08D, I08E, I13A, I13B		21B			X06A, X06B, X06C		10				K09A, K09B	
11			L09A, L38Z		51150.x↔	01		B03A, B03B, B06A, B06B, B07Z, B17A, B17B, B17C		21A	W04A, W04B				
21A			W04A, W04B			05		F01A, F01B, F01D, F05Z, F07A, F07B, F14A, F14B, F28A, F42Z, F54Z, F59A, F59B		21B	X05A, X05B, X06A, X06B				
21B			X06A, X06B, X06C			08		I08A, I08B, I08C, I08D, I08E, I13A, I13B		51152.x↔	05			F01A, F01B, F01D, F05Z, F07A, F07B, F14A, F14B, F28A, F42Z, F54Z, F59A, F59B	
5114x↔						BOP, KVT, UOP4		21A			W04A, W04B			08	I08A, I08B, I08C, I08D, I08E, I13A, I13B
			05			F39A, F39B		21B			X06A, X06B, X06C			10	K09A, K09B
		08	I08A, I08B, I08C, I08D, I08E, I13A, I13B			51150.x↔	01	B03A, B03B, B06A, B06B, B07Z, B17A, B17B, B17C			21A	W04A, W04B			
		11	L09A, L38Z				05	F01A, F01B, F01D, F05Z, F07A, F07B, F14A, F14B, F28A, F42Z, F54Z, F59A, F59B			21B	X05A, X05B, X06A, X06B			
		21A	W04A, W04B				08	I08A, I08B, I08C, I08D, I08E, I13A, I13B, I28A, I28B			51151.x↔	05		F01A, F01B, F01D, F05Z, F07A, F07B, F14A, F14B, F28A, F42Z, F54Z, F59A, F59B	
		21B	X04Z				21A	W04A, W04B				08		I08A, I08B, I08C, I08D, I08E, I13A, I13B	
							21B	X06A, X06B, X06C				10		K09A, K09B	
								21A	W04A, W04B						
								21B	X05A, X05B, X06A, X06B						

ZZV	MDC	DRG	ZZV	MDC	DRG	ZZV	MDC	DRG
51152.4↔	05	F01A, F01B, F01D, F05Z, F07A, F07B, F14A, F14B, F28A, F42Z, F54Z, F59A, F59B	51153.1		BOP, KOP, KOPV, KVT, UOP4	51153.x		BOP, KVT, UOP4
	08	I08A, I08B, I08C, I08D, I08E, I13A, I13B		04	E05A, E05B, E05C, E08A, E08B, E08C		05	F01A, F01B, F01D, F05Z, F07A, F07B, F09A, F09B, F09C, F42Z
	10	K09A, K09B		05	F01A, F01B, F01D, F05Z, F07A, F07B, F09A, F09B, F09C, F42Z		06	G10Z, G12A, G12B
	21A	W04A, W04B		06	G15Z, G19A, G19B, G33Z, G38Z		08	I08A, I08B, I08C, I08D, I08E, I13A, I13B
	21B	X06A, X06B		07	H33Z, H38Z		11	L09A, L09B, L09C, L09D, L38Z
51152.5↔	05	F01A, F01B, F01D, F05Z, F07A, F07B, F14A, F14B, F28A, F42Z, F54Z, F59A, F59B	51153.2	08	I08A, I08B, I08C, I08D, I08E, I13A, I13B	51154.0↔	08	I08A, I08B, I08C, I08D, I08E, I13A, I13B
	08	I08A, I08B, I08C, I08D, I08E, I13A, I13B		11	L33Z		21A	W04A, W04B
	10	K09A, K09B		21A	W04A, W04B		21B	X06A, X06B, X06C
	21A	W04A, W04B		21B	X06A, X06B, X06C, X33Z		Pre	BOP, KOP, KOPV, KVT, UOP4
	21B	X05A, X05B, X06A, X06B		23	Z01A		04	E05A, E05B, E05C, E08A, E08B, E08C
51152.6↔	05	F01A, F01B, F01D, F05Z, F07A, F07B, F14A, F14B, F28A, F42Z, F54Z, F59A, F59B	51153.3	Pre	A07A	51154.1↔	05	F01A, F01B, F01D, F05Z, F07A, F07B, F09A, F09B, F09C, F42Z
	08	I08A, I08B, I08C, I08D, I08E, I13A, I13B		04	E05A, E05B, E05C, E08A, E08B, E08C		06	G15Z, G19A, G19B, G33Z, G38Z
	10	K09A, K09B		05	F01A, F01B, F01D, F05Z, F07A, F07B, F09A, F09B, F09C, F42Z		07	H33Z, H38Z
	21A	W04A, W04B		06	G15Z, G19A, G19B, G33Z, G38Z		08	I08A, I08B, I08C, I08D, I08E, I13A, I13B
	21B	X05A, X05B, X06A, X06B		07	H33Z, H38Z		11	L33Z
51152.7↔	05	F01A, F01B, F01D, F05Z, F07A, F07B, F14A, F14B, F28A, F42Z, F54Z, F59A, F59B	51153.4	08	I08A, I08B, I08C, I08D, I08E, I13A, I13B	51154.2↔	21A	W04A, W04B
	08	I08A, I08B, I08C, I08D, I08E, I13A, I13B		11	L33Z		21B	X06A, X06B, X06C, X33Z
	10	K09A, K09B		21A	W04A, W04B		23	Z01A
	21A	W04A, W04B		21B	X06A, X06B, X06C, X33Z		Pre	A07A
	21B	X05A, X05B, X06A, X06B		05	BOP, KVT, UOP4		04	E05A, E05B, E05C, E08A, E08B, E08C
51152.x↔	05	F01A, F01B, F01D, F05Z, F07A, F07B, F14A, F14B, F28A, F42Z, F54Z, F59A, F59B	51153.5	05	F01A, F01B, F01D, F05Z, F07A, F07B, F14A, F14B, F28A, F42Z, F54Z, F59A, F59B	51154.2↔	05	F01A, F01B, F01D, F05Z, F07A, F07B, F09A, F09B, F09C, F42Z
	08	I08A, I08B, I08C, I08D, I08E, I13A, I13B		06	G10Z, G12A, G12B		06	G15Z, G19A, G19B, G33Z, G38Z
	10	K09A, K09B		08	I08A, I08B, I08C, I08D, I08E, I13A, I13B		07	H33Z, H38Z
	21A	W04A, W04B		11	L09A, L09B, L09C, L09D, L38Z		08	I08A, I08B, I08C, I08D, I08E, I13A, I13B
	21B	X06A, X06B		21A	W04A, W04B		11	L33Z
51153.0		BOP, KOP, KOPV, KVT, UOP4	51153.5	21B	X06A, X06B, X06C	51154.2↔	21B	X06A, X06B, X06C, X33Z
	04	E05A, E05B, E05C, E08A, E08B, E08C		05	F01A, F01B, F01D, F05Z, F07A, F07B, F14A, F14B, F28A, F42Z, F54Z, F59A, F59B		23	Z01A
	05	F01A, F01B, F01D, F05Z, F07A, F07B, F09A, F09B, F09C, F42Z		06	G10Z, G12A, G12B		Pre	A07A
	06	G15Z, G19A, G19B, G33Z, G38Z		08	I08A, I08B, I08C, I08D, I08E, I13A, I13B		04	E05A, E05B, E05C, E08A, E08B, E08C
	07	H33Z, H38Z		11	L09A, L09B, L09C, L09D, L38Z		05	F01A, F01B, F01D, F05Z, F07A, F07B, F09A, F09B, F09C, F42Z
	08	I08A, I08B, I08C, I08D, I08E, I13A, I13B		21A	W04A, W04B		06	G15Z, G19A, G19B, G33Z, G38Z
	11	L33Z		21B	X06A, X06B, X06C		07	H33Z, H38Z
	21A	W04A, W04B			BOP, KVT, UOP4		08	I08A, I08B, I08C, I08D, I08E, I13A, I13B
	21B	X06A, X06B, X06C, X33Z		05	F01A, F01B, F01D, F05Z, F07A, F07B, F14A, F14B, F28A, F42Z, F54Z, F59A, F59B		11	L33Z
	23	Z01A		06	G10Z, G12A, G12B		21A	W04A, W04B
	Pre	A07A		08	I08A, I08B, I08C, I08D, I08E, I13A, I13B		21B	X06A, X06B, X06C, X33Z

VYK

ZZV	MDC	DRG	ZZV	MDC	DRG	ZZV	MDC	DRG					
51154.x↔		BOP, KOP, KOPV, KVT, UOP4	51155.4↔		BOP, KVT, UOP4	51156.3		BOP, KVT, UOP4					
	04	E05A, E05B, E05C, E08A, E08B, E08C		05	F01A, F01B, F01D, F05Z, F07A, F07B, F14A, F14B, F28A, F42Z, F54Z, F59A, F59B		01	B03A, B03B, B06A, B06B, B07Z, B17A, B17B, B17C					
	05	F01A, F01B, F01D, F05Z, F07A, F07B, F09A, F09B, F09C, F42Z		08	I08A, I08B, I08C, I08D, I08E, I13A, I13B		05	F01A, F01B, F01D, F05Z, F07A, F07B, F14A, F14B, F28A, F42Z, F54Z, F59A, F59B					
	06	G15Z, G19A, G19B, G33Z, G38Z		10	K09A, K09B		06	G10Z, G12A, G12B					
	07	H33Z, H38Z		21A	W04A, W04B		07	H06A, H06B, H06C					
	08	I08A, I08B, I08C, I08D, I08E, I13A, I13B		21B	X06A, X06B, X06C		08	I08A, I08B, I08C, I08D, I08E, I13A, I13B					
	11	L33Z		51155.x↔			BOP, KVT, UOP4	10	K09A, K09B				
	21A	W04A, W04B			05		F01A, F01B, F01D, F05Z, F07A, F07B, F14A, F14B, F28A, F42Z, F54Z, F59A, F59B	11	L09A, L09B, L09C, L09D, L38Z				
	21B	X06A, X06B, X06C, X33Z			08		I08A, I08B, I08C, I08D, I08E, I13A, I13B	21A	W04A, W04B				
	23	Z01A			10		K09A, K09B	21B	X06A, X06B, X06C				
	Pre	A07A			10		K09A, K09B	51156.4↔		BOP, KVT, UOP4			
	51155.0↔				BOP, KVT, UOP4		21A		W04A, W04B	01	B03A, B03B, B06A, B06B, B07Z, B17A, B17B, B17C		
		01			B03A, B03B, B06A, B06B, B07Z, B17A, B17B, B17C		21B		X06A, X06B, X06C	05	F01A, F01B, F01D, F05Z, F07A, F07B, F14A, F14B, F28A, F42Z, F54Z, F59A, F59B		
		05			F01A, F01B, F01D, F05Z, F07A, F07B, F14A, F14B, F28A, F42Z, F54Z, F59A, F59B		51156.0			BOP, KVT, UOP4	06	G10Z, G12A, G12B	
		08			I08A, I08B, I08C, I08D, I08E, I13A, I13B				01	B03A, B03B, B06A, B06B, B07Z, B17A, B17B, B17C	08	I08A, I08B, I08C, I08D, I08E, I13A, I13B	
		21A			W04A, W04B				05	F01A, F01B, F01D, F05Z, F07A, F07B, F14A, F14B, F28A, F42Z, F54Z, F59A, F59B	10	K09A, K09B	
		21B			X04Z, X06A, X06B, X06C				06	G10Z, G12A, G12B	11	L09A, L09B, L09C, L09D, L38Z	
		51155.1↔							BOP, KVT, UOP4	08	I08A, I08B, I08C, I08D, I08E, I13A, I13B	21A	W04A, W04B
					05				F01A, F01B, F01D, F05Z, F07A, F07B, F14A, F14B, F28A, F42Z, F54Z, F59A, F59B	10	K09A, K09B	21B	X06A, X06B, X06C
					06				G10Z, G12A, G12B	11	L09A, L09B, L09C, L09D, L38Z	51156.5	
08			I08A, I08B, I08C, I08D, I08E, I13A, I13B		21A	W04A, W04B			01	B03A, B03B, B06A, B06B, B07Z, B17A, B17B, B17C			
11	L09A, L09B, L09C, L09D, L38Z		21B		X06A, X06B, X06C	05			F01A, F01B, F01D, F05Z, F07A, F07B, F14A, F14B, F28A, F42Z, F54Z, F59A, F59B				
21A	W04A, W04B		51156.1			BOP, KVT, UOP4			06	G10Z, G12A, G12B			
21B	X06A, X06B, X06C				01	B03A, B03B, B06A, B06B, B07Z, B17A, B17B, B17C	08		I08A, I08B, I08C, I08D, I08E, I13A, I13B				
51155.2↔					BOP, KVT, UOP4	05	F01A, F01B, F01D, F05Z, F07A, F07B, F14A, F14B, F28A, F42Z, F54Z, F59A, F59B		10	K09A, K09B			
	05				F01A, F01B, F01D, F05Z, F07A, F07B, F14A, F14B, F28A, F42Z, F54Z, F59A, F59B	06	G10Z, G12A, G12B		11	L09A, L09B, L09C, L09D, L38Z			
	06			G10Z, G12A, G12B	07	H06A, H06B, H06C	21A		W04A, W04B				
	08	I08A, I08B, I08C, I08D, I08E, I13A, I13B		08	I08A, I08B, I08C, I08D, I08E, I13A, I13B	21B	X06A, X06B, X06C						
	11	L09A, L09B, L09C, L09D, L38Z		10	K09A, K09B	51156.6			BOP, KVT, UOP4				
	21A	W04A, W04B		11	L09A, L09B, L09C, L09D, L38Z		01		B03A, B03B, B06A, B06B, B07Z, B17A, B17B, B17C				
	21B	X06A, X06B, X06C		21A	W04A, W04B		05	F01A, F01B, F01D, F05Z, F07A, F07B, F14A, F14B, F28A, F42Z, F54Z, F59A, F59B					
	51155.3↔			BOP, KVT, UOP4	21B		X06A, X06B, X06C	06	G10Z, G12A, G12B				
		05	F01A, F01B, F01D, F05Z, F07A, F07B, F14A, F14B, F28A, F42Z, F54Z, F59A, F59B	51156.2			BOP, KVT, UOP4	08	I08A, I08B, I08C, I08D, I08E, I13A, I13B				
		08	I08A, I08B, I08C, I08D, I08E, I13A, I13B		01		B03A, B03B, B06A, B06B, B07Z, B17A, B17B, B17C	10	K09A, K09B				
10		K09A, K09B	05		F01A, F01B, F01D, F05Z, F07A, F07B, F14A, F14B, F28A, F42Z, F54Z, F59A, F59B		11	L09A, L09B, L09C, L09D, L38Z					
21A		W04A, W04B	06		G10Z, G12A, G12B		21A	W04A, W04B					
21B		X06A, X06B, X06C	08		I08A, I08B, I08C, I08D, I08E, I13A, I13B		21B	X06A, X06B, X06C					
			10		K09A, K09B								
			11		L09A, L09B, L09C, L09D, L38Z								
			21A		W04A, W04B								
			21B		X06A, X06B, X06C								

ZZV	MDC	DRG	ZZV	MDC	DRG	ZZV	MDC	DRG				
51156.x↔		BOP, KVT, UOP4	51158.1↔	05	F01A, F01B, F01D, F05Z, F07A, F07B, F14A, F14B, F28A, F42Z, F54Z, F59A, F59B	51159.1↔	05	F39A, F39B				
	01	B03A, B03B, B06A, B06B, B07Z, B17A, B17B, B17C		08	I08A, I08B, I08C, I08D, I08E, I13A, I13B		08	I08A, I08B, I08C, I08D, I08E, I13A, I13B				
	05	F01A, F01B, F01D, F05Z, F07A, F07B, F14A, F14B, F28A, F42Z, F54Z, F59A, F59B		10	K09A, K09B		21A	W04A, W04B				
	06	G10Z, G12A, G12B		21B	X04Z		21B	X04Z, X05A, X05B, X06A, X06B, X06C				
	08	I08A, I08B, I08C, I08D, I08E, I13A, I13B		51158.2↔	05		F01A, F01B, F01D, F05Z, F07A, F07B, F14A, F14B, F28A, F42Z, F54Z, F59A, F59B	51159.2	05	F39A, F39B		
	10	K09A, K09B			08		I08A, I08B, I08C, I08D, I08E, I13A, I13B	08	I08A, I08B, I08C, I08D, I08E, I13A, I13B			
	11	L09A, L09B, L09C, L09D, L38Z			10		K09A, K09B	21A	W04A, W04B			
	21A	W04A, W04B			21A		W04A, W04B	21B	X04Z, X05A, X05B, X06A, X06B, X06C			
	21B	X06A, X06B, X06C			21B		X04Z	51159.3↔	05	F39A, F39B		
	51157.0↔				BOP, KVT, UOP4		51158.3↔		05	F01A, F01B, F01D, F05Z, F07A, F07B, F14A, F14B, F28A, F42Z, F54Z, F59A, F59B	08	I08A, I08B, I08C, I08D, I08E, I13A, I13B
		05			F01A, F01B, F01D, F05Z, F07A, F07B, F14A, F14B, F28A, F42Z, F54Z, F59A, F59B				08	I08A, I08B, I08C, I08D, I08E, I13A, I13B	21A	W04A, W04B
08		I08A, I08B, I08C, I08D, I08E, I13A, I13B	10		K09A, K09B	21B			X04Z, X05A, X05B, X06A, X06B, X06C			
10		K09A, K09B	51158.4↔		05	F01A, F01B, F01D, F05Z, F07A, F07B, F14A, F14B, F28A, F42Z, F54Z, F59A, F59B			51159.4	05	F39A, F39B	
21A		W04A, W04B			08	I08A, I08B, I08C, I08D, I08E, I13A, I13B			08	I08A, I08B, I08C, I08D, I08E, I13A, I13B		
21B		X04Z			10	K09A, K09B			21A	W04A, W04B		
51157.1↔				BOP, KVT, UOP4	51158.5↔	05			F01A, F01B, F01D, F05Z, F07A, F07B, F14A, F14B, F28A, F42Z, F54Z, F59A, F59B	08	I08A, I08B, I08C, I08D, I08E, I13A, I13B	
		05		F01A, F01B, F01D, F05Z, F07A, F07B, F14A, F14B, F28A, F42Z, F54Z, F59A, F59B		08			I08A, I08B, I08C, I08D, I08E, I13A, I13B	21A	W04A, W04B	
		08		I08A, I08B, I08C, I08D, I08E, I13A, I13B		10			K09A, K09B	21B	X04Z, X05A, X05B, X06A, X06B, X06C	
		10		K09A, K09B		51158.6↔			05	F01A, F01B, F01D, F05Z, F07A, F07B, F14A, F14B, F28A, F42Z, F54Z, F59A, F59B	51159.5	05
		21A		W04A, W04B				08	I08A, I08B, I08C, I08D, I08E, I13A, I13B	08	I08A, I08B, I08C, I08D, I08E, I13A, I13B	
	21B	X04Z		10			K09A, K09B	21A	W04A, W04B			
	51157.2↔			BOP, KVT, UOP4			51158.7↔	05	F01A, F01B, F01D, F05Z, F07A, F07B, F14A, F14B, F28A, F42Z, F54Z, F59A, F59B	08	I08A, I08B, I08C, I08D, I08E, I13A, I13B	
		05		F01A, F01B, F01D, F05Z, F07A, F07B, F14A, F14B, F28A, F42Z, F54Z, F59A, F59B				08	I08A, I08B, I08C, I08D, I08E, I13A, I13B	21A	W04A, W04B	
		08	I08A, I08B, I08C, I08D, I08E, I13A, I13B	10				K09A, K09B	21B	X04Z, X05A, X05B, X06A, X06B, X06C		
		10	K09A, K09B	51158.8↔				05	F01A, F01B, F01D, F05Z, F07A, F07B, F14A, F14B, F28A, F42Z, F54Z, F59A, F59B	05	F39A, F39B	
		21A	W04A, W04B					08	I08A, I08B, I08C, I08D, I08E, I13A, I13B	08	I08A, I08B, I08C, I08D, I08E, I13A, I13B	
21B		X04Z	10		K09A, K09B			21A	W04A, W04B			
51157.x↔			BOP, KVT, UOP4		51158.9↔			05	F01A, F01B, F01D, F05Z, F07A, F07B, F14A, F14B, F28A, F42Z, F54Z, F59A, F59B	08	I08A, I08B, I08C, I08D, I08E, I13A, I13B	
		05	F01A, F01B, F01D, F05Z, F07A, F07B, F14A, F14B, F28A, F42Z, F54Z, F59A, F59B					08	I08A, I08B, I08C, I08D, I08E, I13A, I13B	21A	W04A, W04B	
		08	I08A, I08B, I08C, I08D, I08E, I13A, I13B			10		K09A, K09B	21B	X04Z, X05A, X05B, X06A, X06B, X06C		
		10	K09A, K09B			51159.8↔		05	F01A, F01B, F01D, F05Z, F07A, F07B, F14A, F14B, F28A, F42Z, F54Z, F59A, F59B	05	F39A, F39B	
		21A	W04A, W04B					08	I08A, I08B, I08C, I08D, I08E, I13A, I13B	08	I08A, I08B, I08C, I08D, I08E, I13A, I13B	
	21B	X04Z	10				K09A, K09B	21A	W04A, W04B			
	51157.0↔		BOP, KVT, UOP4				51159.9↔	05	F01A, F01B, F01D, F05Z, F07A, F07B, F14A, F14B, F28A, F42Z, F54Z, F59A, F59B	01	B03A, B03B, B06A, B06B, B07Z, B17A, B17B, B17C	
		05	F01A, F01B, F01D, F05Z, F07A, F07B, F14A, F14B, F28A, F42Z, F54Z, F59A, F59B					05	F01A, F01B, F01D, F05Z, F07A, F07B, F14A, F14B, F28A, F42Z, F54Z, F59A, F59B	05	F01A, F01B, F01D, F05Z, F07A, F07B, F14A, F14B, F28A, F42Z, F54Z, F59A, F59B	
		08	I08A, I08B, I08C, I08D, I08E, I13A, I13B	08				I08A, I08B, I08C, I08D, I08E, I13A, I13B	08	I08A, I08B, I08C, I08D, I08E, I13A, I13B		
		10	K09A, K09B	10				K09A, K09B	21A	W04A, W04B		
		21A	W04A, W04B	21A				W04A, W04B	21B	X06A, X06B, X06C		
21B		X04Z	51159.0↔	05	F28A, F39A, F39B							
51158.0↔				BOP, KVT, UOP4	08				I08A, I08B, I08C, I08D, I08E, I13A, I13B			
		05		F01A, F01B, F01D, F05Z, F07A, F07B, F14A, F14B, F28A, F42Z, F54Z, F59A, F59B	10				K09A, K09B			
		08		I08A, I08B, I08C, I08D, I08E, I13A, I13B	21A	W04A, W04B						
		10		K09A, K09B	21B	X04Z						
		21A		W04A, W04B								
	21B	X04Z										

VYK



ZZV	MDC	DRG	ZZV	MDC	DRG	ZZV	MDC	DRG			
51159.a↔		KOP, KOPV	51159.f	04	E02A, E02B, E02C	5115a.3↔	05	F39A, F39B			
	04	E05A, E05B, E05C, E08A, E08B, E08C		05	F01A, F01B, F01D, F05Z, F07A, F07B, F14A, F14B, F28A, F42Z, F54Z, F59A, F59B		08	I08A, I08B, I08C, I08D, I08E, I13A, I13B			
	05	F01A, F01B, F01D, F05Z, F07A, F07B, F09A, F09B, F09C, F42Z		08	I08A, I08B, I08C, I08D, I08E, I13A, I13B		21A	W04A, W04B			
	06	G15Z, G19A, G19B, G33Z, G38Z		14	962Z, O02A, O02B		21B	X04Z, X05A, X05B, X06A, X06B, X06C			
	07	H33Z, H38Z		21A	W04A, W04B		5115a.4↔	05	F39A, F39B		
	08	I08A, I08B, I08C, I08D, I08E, I13A, I13B		21B	X06A, X06B, X06C			08	I08A, I08B, I08C, I08D, I08E, I13A, I13B		
	11	L33Z		51159.g↔	05		F01A, F01B, F01D, F05Z, F07A, F07B, F14A, F14B, F28A, F42Z, F54Z, F59A, F59B	21A	W04A, W04B		
	21A	W04A, W04B			06		G10Z, G12A, G12B	21B	X04Z, X05A, X05B, X06A, X06B, X06C		
	21B	X06A, X06B, X06C, X33Z		08	I08A, I08B, I08C, I08D, I08E, I13A, I13B		5115a.5↔	05	F39A, F39B		
	23	Z01A		11	L09A, L09B, L09C, L09D, L38Z			08	I08A, I08B, I08C, I08D, I08E, I13A, I13B		
	Pre	A07A		51159.h↔	21A		W04A, W04B	21A	W04A, W04B		
	51159.b↔	KOP, KOPV			21B		X06A, X06B, X06C	21B	X04Z, X05A, X05B, X06A, X06B, X06C		
		04		E05A, E05B, E05C, E08A, E08B, E08C	51159.i↔		05	F01A, F01B, F01D, F05Z, F07A, F07B, F14A, F14B, F28A, F42Z, F54Z, F59A, F59B	5115a.6↔	05	F39A, F39B
		05		F01A, F01B, F01D, F05Z, F07A, F07B, F09A, F09B, F09C, F42Z			06	G10Z, G12A, G12B		08	I08A, I08B, I08C, I08D, I08E, I13A, I13B
		06		G15Z, G19A, G19B, G33Z, G38Z	08		I08A, I08B, I08C, I08D, I08E, I13A, I13B	21A	W04A, W04B		
07		H33Z, H38Z	11	L09A, L09B, L09C, L09D, L38Z	21B	X04Z, X05A, X05B, X06A, X06B, X06C					
08		I08A, I08B, I08C, I08D, I08E, I13A, I13B	51159.j↔	21A	W04A, W04B	5115a.x↔	05	F39A, F39B			
11		L33Z		21B	X06A, X06B, X06C		08	I08A, I08B, I08C, I08D, I08E, I13A, I13B			
21A		W04A, W04B	51159.k↔	05	F01A, F01B, F01D, F05Z, F07A, F07B, F14A, F14B, F28A, F42Z, F54Z, F59A, F59B	21A	W04A, W04B				
21B		X06A, X06B, X06C, X33Z		06	G10Z, G12A, G12B	21B	X04Z, X05A, X05B, X06A, X06B, X06C				
23		Z01A	08	I08A, I08B, I08C, I08D, I08E, I13A, I13B	5115b.0	05	F39A, F39B				
Pre		A07A	11	L09A, L09B, L09C, L09D, L38Z		08	I08A, I08B, I08C, I08D, I08E, I13A, I13B				
51159.c↔		05	F39A, F39B	51159.l↔	21A	W04A, W04B	5115b.1	05	F39A, F39B		
		08	I08A, I08B, I08C, I08D, I08E, I13A, I13B		21B	X06A, X06B, X06C		08	I08A, I08B, I08C, I08D, I08E, I13A, I13B		
		21A	W04A, W04B		51159.m↔	05	F39A, F39B	5115x↔	05	F39A, F39B	
		21B	X04Z, X05A, X05B, X06A, X06B, X06C			08	I08A, I08B, I08C, I08D, I08E, I13A, I13B		08	I08A, I08B, I08C, I08D, I08E, I13A, I13B	
	51159.d↔	KOP, KOPV	5115a.0↔		01	B03A, B03B, B06A, B06B, B07Z, B17A, B17B, B17C	51160.0↔	01	B04A, B04B, B04C, B04D, B04E		
04		E05A, E05B, E05C, E08A, E08B, E08C		05	F01A, F01B, F01D, F05Z, F07A, F07B, F14A, F14B, F42Z, F54Z, F59A, F59B	05		F01A, F01B, F01D, F05Z, F07A, F07B, F14A, F14B, F28A, F42Z, F54Z, F59A, F59B			
05		F01A, F01B, F01D, F05Z, F07A, F07B, F09A, F09B, F09C, F42Z		5115a.1↔	08	I08A, I08B, I08C, I08D, I08E, I13A, I13B	51160.1↔	08	I08A, I08B, I08C, I08D, I08E, I13A, I13B		
06		G15Z, G19A, G19B, G33Z, G38Z			21A	W04A, W04B		10	K09A, K09B		
07		H33Z, H38Z		21B	X06A, X06B, X06C	21A	W04A, W04B				
08		I08A, I08B, I08C, I08D, I08E, I13A, I13B		5115a.2↔	05	F39A, F39B	21B	X06A, X06B			
11		L33Z			08	I08A, I08B, I08C, I08D, I08E, I13A, I13B	51160.1↔	01	B04A, B04B, B04C, B04D, B04E		
21A		W04A, W04B		21A	W04A, W04B	05		F01A, F01B, F01D, F05Z, F07A, F07B, F14A, F14B, F28A, F42Z, F54Z, F59A, F59B			
21B		X06A, X06B, X06C, X33Z		21B	X04Z, X05A, X05B, X06A, X06B, X06C	08	I08A, I08B, I08C, I08D, I08E, I13A, I13B				
23		Z01A		5115a.2↔	05	F39A, F39B	10	K09A, K09B			
Pre		A07A			08	I08A, I08B, I08C, I08D, I08E, I13A, I13B	21A	W04A, W04B			
51159.e		04		E02A, E02B, E02C	5115a.2↔	21A	W04A, W04B	21B	X06A, X06B		
		05		F01A, F01B, F01D, F05Z, F07A, F07B, F14A, F14B, F28A, F42Z, F54Z, F59A, F59B		21B	X04Z, X05A, X05B, X06A, X06B, X06C				
		08		I08A, I08B, I08C, I08D, I08E, I13A, I13B		5115a.2↔	05	F39A, F39B	51160.1↔	01	B04A, B04B, B04C, B04D, B04E
		14		962Z, O02A, O02B			08	I08A, I08B, I08C, I08D, I08E, I13A, I13B		05	F01A, F01B, F01D, F05Z, F07A, F07B, F14A, F14B, F28A, F42Z, F54Z, F59A, F59B
	21A	W04A, W04B	21A	W04A, W04B		08	I08A, I08B, I08C, I08D, I08E, I13A, I13B				
	21B	X06A, X06B, X06C	21B	X04Z, X05A, X05B, X06A, X06B, X06C		10	K09A, K09B				
						21A	W04A, W04B				
				21B	X06A, X06B						



ZZV	MDC	DRG	ZZV	MDC	DRG	ZZV	MDC	DRG
51163.x		BOP, KVT, UOP4	51164.x↔		BOP, KOP, KOPV, KVT, UOP4	51165.3↔		BOP, KOP, KOPV, KVT, UOP4
	05	F01A, F01B, F01D, F05Z, F07A, F07B, F14A, F14B, F28A, F42Z, F54Z, F59A, F59B		04	E05A, E05B, E05C, E08A, E08B, E08C		05	F01A, F01B, F01D, F05Z, F07A, F07B, F14A, F14B, F28A, F42Z, F54Z, F59A, F59B
	08	I08A, I08B, I08C, I08D, I08E, I13A, I13B		05	F01A, F01B, F01D, F05Z, F07A, F07B, F14A, F14B, F28A, F42Z, F54Z, F59A, F59B		06	G15Z, G19A, G19B, G33Z, G38Z
	10	K09A, K09B		06	G33Z		07	H33Z, H38Z
	21A	W04A, W04B		07	H33Z, H38Z		08	I08A, I08B, I08C, I08D, I08E, I13A, I13B
51164.0↔	21B	X06A, X06B	08	I08A, I08B, I08C, I08D, I08E, I13A, I13B	10	K09A, K09B		
		BOP, KOP, KOPV, KVT, UOP4	10	K09A, K09B	11	L33Z		
	04	E05A, E05B, E05C, E08A, E08B, E08C	11	L33Z	21A	W04A, W04B		
	05	F01A, F01B, F01D, F05Z, F07A, F07B, F14A, F14B, F28A, F42Z, F54Z, F59A, F59B	21A	W04A, W04B	21B	X06A, X06B, X33Z		
	06	G33Z	21B	X06A, X06B, X33Z	23	Z01A		
	07	H33Z, H38Z	Pre	A07A	Pre	A07A		
	08	I08A, I08B, I08C, I08D, I08E, I13A, I13B	51165.0↔	BOP, KOP, KOPV, KVT, UOP4	51165.4↔	BOP, KOP, KOPV, KVT, UOP4		
	10	K09A, K09B	05	F01A, F01B, F01D, F05Z, F07A, F07B, F14A, F14B, F28A, F42Z, F54Z, F59A, F59B	05	F01A, F01B, F01D, F05Z, F07A, F07B, F14A, F14B, F28A, F42Z, F54Z, F59A, F59B		
	11	L33Z	06	G15Z, G19A, G19B, G33Z, G38Z	06	G15Z, G19A, G19B, G33Z, G38Z		
	21A	W04A, W04B	07	H33Z, H38Z	07	H33Z, H38Z		
	21B	X06A, X06B, X33Z	08	I08A, I08B, I08C, I08D, I08E, I13A, I13B	08	I08A, I08B, I08C, I08D, I08E, I13A, I13B		
	23	Z01A	10	K09A, K09B	10	K09A, K09B		
	Pre	A07A	11	L33Z	11	L33Z		
51164.1↔		BOP, KOP, KOPV, KVT, UOP4	10	K09A, K09B	21A	W04A, W04B		
	04	E05A, E05B, E05C, E08A, E08B, E08C	11	L33Z	21B	X06A, X06B, X33Z		
	05	F01A, F01B, F01D, F05Z, F07A, F07B, F14A, F14B, F28A, F42Z, F54Z, F59A, F59B	21A	W04A, W04B	23	Z01A		
	06	G15Z, G19A, G19B, G33Z, G38Z	21B	X06A, X06B, X33Z	Pre	A07A		
	07	H33Z, H38Z	Pre	A07A	51165.x↔	BOP, KOP, KOPV, KVT, UOP4		
	08	I08A, I08B, I08C, I08D, I08E, I13A, I13B	51165.1↔	BOP, KOP, KOPV, KVT, UOP4	05	F01A, F01B, F01D, F05Z, F07A, F07B, F14A, F14B, F28A, F42Z, F54Z, F59A, F59B		
	10	K09A, K09B	05	F01A, F01B, F01D, F05Z, F07A, F07B, F14A, F14B, F28A, F42Z, F54Z, F59A, F59B	06	G15Z, G19A, G19B, G33Z, G38Z		
	11	L33Z	06	G15Z, G19A, G19B, G33Z, G38Z	07	H33Z, H38Z		
	21A	W04A, W04B	07	H33Z, H38Z	08	I08A, I08B, I08C, I08D, I08E, I13A, I13B		
	21B	X06A, X06B, X33Z	08	I08A, I08B, I08C, I08D, I08E, I13A, I13B	10	K09A, K09B		
	23	Z01A	10	K09A, K09B	11	L33Z		
	Pre	A07A	11	L33Z	21A	W04A, W04B		
	51164.2↔		BOP, KOP, KOPV, KVT, UOP4	21A	W04A, W04B	21B	X06A, X06B, X33Z	
04		E05A, E05B, E05C, E08A, E08B, E08C	21B	X06A, X06B, X33Z	23	Z01A		
05		F01A, F01B, F01D, F05Z, F07A, F07B, F14A, F14B, F28A, F42Z, F54Z, F59A, F59B	23	Z01A	Pre	A07A		
06		G33Z	Pre	A07A	51166.0	BOP, KOP, KOPV, KVT, UOP4		
07		H33Z, H38Z	51165.2↔	BOP, KOP, KOPV, KVT, UOP4	05	F01A, F01B, F01D, F05Z, F07A, F07B, F14A, F14B, F28A, F42Z, F54Z, F59A, F59B		
08		I08A, I08B, I08C, I08D, I08E, I13A, I13B	05	F01A, F01B, F01D, F05Z, F07A, F07B, F14A, F14B, F28A, F42Z, F54Z, F59A, F59B	06	G15Z, G18A, G19A, G19B, G33Z, G38Z		
10		K09A, K09B	06	G15Z, G19A, G19B, G33Z, G38Z	07	H01A, H33Z, H38Z		
11		L33Z	07	H33Z, H38Z	08	I08A, I08B, I08C, I08D, I08E, I13A, I13B		
21A		W04A, W04B	08	I08A, I08B, I08C, I08D, I08E, I13A, I13B	10	K09A, K09B		
21B		X06A, X06B, X33Z	10	K09A, K09B	11	L33Z, L38Z		
23		Z01A	11	L33Z	21A	W04A, W04B		
Pre		A07A	21A	W04A, W04B	21B	X06A, X06B, X33Z		
			21B	X06A, X06B, X33Z	23	Z01A		
		Pre	A07A	Pre	A07A			



ZZV	MDC	DRG	ZZV	MDC	DRG	ZZV	MDC	DRG
51168.2↔	05	F01A, F01B, F01D, F05Z, F07A, F07B, F28A, F42Z, F54Z, F59A, F59B	51169.5	01	B04A, B04B, B04C, B04D, B04E	51169.d↔		BOP, KVT, UOP4
	08	I08A, I08B, I08C, I08D, I08E, I13A, I13B		05	F39A, F39B		01	B04A, B04B, B04C, B04D, B04E
	10	K09A, K09B		06	G18A, G38Z		05	F39A, F39B
	21A	W04A, W04B		07	H01A		08	I08A, I08B, I08C, I08D, I08E, I13A, I13B
	21B	X06A, X06B		08	I08A, I08B, I08C, I08D, I08E, I13A, I13B		21A	W04A, W04B
51168.3↔	05	F01A, F01B, F01D, F05Z, F07A, F07B, F28A, F42Z, F54Z, F59A, F59B	51169.6	21A	W04A, W04B	51169.e	21B	X06A, X06B
	08	I08A, I08B, I08C, I08D, I08E, I13A, I13B		21B	X06A, X06B		01	BOP, KVT, UOP4
	10	K09A, K09B		01	B04A, B04B, B04C, B04D, B04E		01	B04A, B04B, B04C, B04D, B04E
	21A	W04A, W04B		05	F39A, F39B		05	F39A, F39B
	21B	X06A, X06B		06	G18A, G38Z		08	I08A, I08B, I08C, I08D, I08E, I13A, I13B
51168.x↔	05	F01A, F01B, F01D, F05Z, F07A, F07B, F28A, F42Z, F54Z, F59A, F59B	51169.7	07	H01A	51169.f	21A	W04A, W04B
	08	I08A, I08B, I08C, I08D, I08E, I13A, I13B		08	I08A, I08B, I08C, I08D, I08E, I13A, I13B		21B	X06A, X06B
	10	K09A, K09B		21A	W04A, W04B		01	BOP, KVT, UOP4
	21A	W04A, W04B		21B	X06A, X06B		01	B04A, B04B, B04C, B04D, B04E
	21B	X06A, X06B		01	B04A, B04B, B04C, B04D, B04E		05	F39A, F39B
51169.0↔	01	B04A, B04B, B04C, B04D, B04E	51169.8↔	05	F39A, F39B	51169.g↔	06	G03A, G18A, G38Z
	05	F39A, F39B		06	G18A, G38Z		07	H01A
	08	I08A, I08B, I08C, I08D, I08E, I13A, I13B		07	H01A		08	I08A, I08B, I08C, I08D, I08E, I13A, I13B
	21A	W04A, W04B		08	I08A, I08B, I08C, I08D, I08E, I13A, I13B		21A	W04A, W04B
	21B	X06A, X06B		21A	W04A, W04B		21B	X06A, X06B
51169.1↔	01	B04A, B04B, B04C, B04D, B04E	51169.9↔	21B	X06A, X06B	51169.h↔	BOP, KVT, UOP4	
	05	F39A, F39B		01	B04A, B04B, B04C, B04D, B04E		01	B04A, B04B, B04C, B04D, B04E
	08	I08A, I08B, I08C, I08D, I08E, I13A, I13B		05	F39A, F39B		05	F39A, F39B
	21A	W04A, W04B		06	G18A, G38Z		08	I08A, I08B, I08C, I08D, I08E, I13A, I13B
	21B	X06A, X06B		07	H01A		21A	W04A, W04B
51169.2	01	B04A, B04B, B04C, B04D, B04E	51169.a↔	21B	X06A, X06B	51169.i↔	21B	X06A, X06B
	05	F39A, F39B		01	B04A, B04B, B04C, B04D, B04E		01	BOP, KVT, UOP4
	06	G18A, G38Z		05	F39A, F39B		01	B04A, B04B, B04C, B04D, B04E
	07	H01A		08	I08A, I08B, I08C, I08D, I08E, I13A, I13B		05	F39A, F39B
	08	I08A, I08B, I08C, I08D, I08E, I13A, I13B		21A	W04A, W04B		08	I08A, I08B, I08C, I08D, I08E, I13A, I13B
51169.3↔	01	B04A, B04B, B04C, B04D, B04E	51169.b↔	21B	X06A, X06B	51169.x↔	21A	W04A, W04B
	05	F39A, F39B		01	B04A, B04B, B04C, B04D, B04E		21B	X06A, X06B
	06	G18A, G38Z		05	F39A, F39B		01	B04A, B04B, B04C, B04D, B04E
	07	H01A		08	I08A, I08B, I08C, I08D, I08E, I13A, I13B		05	F39A, F39B
	08	I08A, I08B, I08C, I08D, I08E, I13A, I13B		08	I08A, I08B, I08C, I08D, I08E, I13A, I13B		08	I08A, I08B, I08C, I08D, I08E, I13A, I13B
51169.4	21A	W04A, W04B	51169.c↔	21A	W04A, W04B	5116a.0↔	21A	W04A, W04B
	21B	X06A, X06B		21B	X06A, X06B		21B	X06A, X06B
	01	B04A, B04B, B04C, B04D, B04E		01	B04A, B04B, B04C, B04D, B04E		01	B04A, B04B, B04C, B04D, B04E
	05	F39A, F39B		05	F39A, F39B		05	F39A, F39B
	06	G18A, G38Z		08	I08A, I08B, I08C, I08D, I08E, I13A, I13B		08	I08A, I08B, I08C, I08D, I08E, I13A, I13B
51169.4	07	H01A	51169.c↔	08	I08A, I08B, I08C, I08D, I08E, I13A, I13B	5116a.1↔	21A	W04A, W04B
	08	I08A, I08B, I08C, I08D, I08E, I13A, I13B		21A	W04A, W04B		21B	X06A, X06B
	21A	W04A, W04B		21B	X06A, X06B		01	B04A, B04B, B04C, B04D, B04E
	21B	X06A, X06B		05	F39A, F39B		05	F39A, F39B
				08	I08A, I08B, I08C, I08D, I08E, I13A, I13B		08	I08A, I08B, I08C, I08D, I08E, I13A, I13B



ZZV	MDC	DRG	ZZV	MDC	DRG	ZZV	MDC	DRG	
51172.7↔	05	F01A, F01B, F01D, F05Z, F07A, F07B, F14A, F14B, F28A, F42Z, F54Z, F59A, F59B	51173.2		BOP, KOP, KOPV, KVT, UOP4	51174.0↔		BOP, KOP, KOPV, KVT, UOP4	
	08	I08A, I08B, I08C, I08D, I08E, I13A, I13B		04	E05A, E05B, E05C, E08A, E08B, E08C		04	E05A, E05B, E05C, E08A, E08B, E08C	
	10	K09A, K09B		05	F01A, F01B, F01D, F05Z, F07A, F07B, F14A, F14B, F28A, F42Z, F54Z, F59A, F59B		05	F01A, F01B, F01D, F05Z, F07A, F07B, F09A, F09B, F09C, F42Z	
	21A	W04A, W04B		06	G01Z, G02Z, G33Z, G38Z		06	G01Z, G02Z, G15Z, G19A, G19B, G33Z, G38Z	
	21B	X05A, X05B, X06A, X06B		07	H33Z, H38Z		07	H33Z, H38Z	
51172.x↔	05	F01A, F01B, F01D, F05Z, F07A, F07B, F14A, F14B, F28A, F42Z, F54Z, F59A, F59B	51173.3	08	I08A, I08B, I08C, I08D, I08E, I13A, I13B	51174.1↔	08	I08A, I08B, I08C, I08D, I08E, I13A, I13B	
	08	I08A, I08B, I08C, I08D, I08E, I13A, I13B		10	K09A, K09B		11	L33Z	
	10	K09A, K09B		21A	W04A, W04B		21A	W04A, W04B	
	21A	W04A, W04B		21B	X06A, X06B, X33Z		21B	X06A, X06B, X33Z	
	21B	X06A, X06B		23	Z01A		23	Z01A	
51173.0		BOP, KOP, KOPV, KVT, UOP4	51173.4	Pre	A07A, A11A, A13A, A13B, A13D	51174.2↔	Pre	A07A, A11A, A13A, A13B, A13D	
	04	E05A, E05B, E05C, E08A, E08B, E08C		05	F01A, F01B, F01D, F05Z, F07A, F07B, F14A, F14B, F28A, F42Z, F54Z, F59A, F59B		04	E05A, E05B, E05C, E08A, E08B, E08C	
	05	F01A, F01B, F01D, F05Z, F07A, F07B, F14A, F14B, F28A, F42Z, F54Z, F59A, F59B		06	G01Z, G02Z, G38Z		05	F01A, F01B, F01D, F05Z, F07A, F07B, F09A, F09B, F09C, F42Z	
	06	G01Z, G02Z, G33Z, G38Z		08	I08A, I08B, I08C, I08D, I08E, I13A, I13B		06	G15Z, G19A, G19B, G33Z, G38Z	
	07	H33Z, H38Z		10	K09A, K09B		07	H33Z, H38Z	
	08	I08A, I08B, I08C, I08D, I08E, I13A, I13B		21A	W04A, W04B		08	I08A, I08B, I08C, I08D, I08E, I13A, I13B	
	10	K09A, K09B		21B	X06A, X06B		11	L33Z	
	11	L33Z		Pre	A11A, A13A, A13B, A13D		21A	W04A, W04B	
	21A	W04A, W04B		05	F01A, F01B, F01D, F05Z, F07A, F07B, F14A, F14B, F28A, F42Z, F54Z, F59A, F59B		21B	X06A, X06B, X33Z	
	21B	X06A, X06B, X33Z		06	G01Z, G02Z, G38Z		23	Z01A	
	23	Z01A		08	I08A, I08B, I08C, I08D, I08E, I13A, I13B		Pre	A07A	
	Pre	A07A, A11A, A13A, A13B, A13D		10	K09A, K09B		51174.x↔	Pre	BOP, KOP, KOPV, KVT, UOP4
	51173.1			BOP, KOP, KOPV, KVT, UOP4	51173.x			05	F01A, F01B, F01D, F05Z, F07A, F07B, F14A, F14B, F28A, F42Z, F54Z, F59A, F59B
04		E05A, E05B, E05C, E08A, E08B, E08C	06	G01Z, G02Z, G38Z		05		F01A, F01B, F01D, F05Z, F07A, F07B, F09A, F09B, F09C, F42Z	
05		F01A, F01B, F01D, F05Z, F07A, F07B, F14A, F14B, F28A, F42Z, F54Z, F59A, F59B	08	I08A, I08B, I08C, I08D, I08E, I13A, I13B		06		G15Z, G19A, G19B, G33Z, G38Z	
06		G01Z, G02Z, G33Z, G38Z	10	K09A, K09B		07		H33Z, H38Z	
07		H33Z, H38Z	21A	W04A, W04B		08		I08A, I08B, I08C, I08D, I08E, I13A, I13B	
08		I08A, I08B, I08C, I08D, I08E, I13A, I13B	21B	X06A, X06B		11		L33Z	
10		K09A, K09B	Pre	A11A, A13A, A13B, A13D		21A		W04A, W04B	
11		L33Z	05	F01A, F01B, F01D, F05Z, F07A, F07B, F14A, F14B, F28A, F42Z, F54Z, F59A, F59B		21B		X06A, X06B, X33Z	
21A		W04A, W04B	06	G01Z, G02Z, G38Z		23		Z01A	
21B		X06A, X06B, X33Z	08	I08A, I08B, I08C, I08D, I08E, I13A, I13B		Pre		A07A	
23		Z01A	10	K09A, K09B		51174.x↔		Pre	BOP, KOP, KOPV, KVT, UOP4
Pre		A07A, A11A, A13A, A13B, A13D	21A	W04A, W04B				04	E05A, E05B, E05C, E08A, E08B, E08C
			21B	X06A, X06B			05	F01A, F01B, F01D, F05Z, F07A, F07B, F09A, F09B, F09C, F42Z	
		Pre	A11A, A13A, A13B, A13D	06	G15Z, G19A, G19B, G33Z, G38Z				
				07	H33Z, H38Z				
				08	I08A, I08B, I08C, I08D, I08E, I13A, I13B				
				11	L33Z				
				21A	W04A, W04B				
				21B	X06A, X06B, X33Z				
				23	Z01A				
				Pre	A07A				

VYK

ZZV	MDC	DRG	ZZV	MDC	DRG	ZZV	MDC	DRG
51175.0↔		BOP, KVT, UOP4	51175.x↔		BOP, KVT, UOP4	51176.3		BOP, KVT, UOP4
	05	F01A, F01B, F01D, F05Z, F07A, F07B, F14A, F14B, F28A, F42Z, F54Z, F59A, F59B		05	F01A, F01B, F01D, F05Z, F07A, F07B, F14A, F14B, F28A, F42Z, F54Z, F59A, F59B		01	B03A, B03B, B06A, B06B, B07Z, B17A, B17B, B17C
	06	G10Z, G12A, G12B		06	G10Z, G12A, G12B		05	F01A, F01B, F01D, F05Z, F07A, F07B, F14A, F14B, F28A, F42Z, F54Z, F59A, F59B
	08	I08A, I08B, I08C, I08D, I08E, I13A, I13B		08	I08A, I08B, I08C, I08D, I08E, I13A, I13B		06	G01Z, G02Z, G10Z, G12A, G12B, G18A, G38Z
	11	L09A, L09B, L09C, L09D, L38Z		11	L09A, L09B, L09C, L09D, L38Z		07	H06A, H06B, H06C
	21A	W04A, W04B		21A	W04A, W04B		08	I08A, I08B, I08C, I08D, I08E, I13A, I13B
	21B	X06A, X06B		21B	X06A, X06B		10	K09A, K09B
							11	L09A, L09B, L09C, L09D, L38Z
51175.1↔		BOP, KVT, UOP4	51176.0		BOP, KVT, UOP4	51176.4↔		BOP, KVT, UOP4
	05	F01A, F01B, F01D, F05Z, F07A, F07B, F14A, F14B, F28A, F42Z, F54Z, F59A, F59B		01	B03A, B03B, B06A, B06B, B07Z, B17A, B17B, B17C		01	B03A, B03B, B06A, B06B, B07Z, B17A, B17B, B17C
	06	G10Z, G12A, G12B		05	F01A, F01B, F01D, F05Z, F07A, F07B, F14A, F14B, F28A, F42Z, F54Z, F59A, F59B		05	F01A, F01B, F01D, F05Z, F07A, F07B, F14A, F14B, F28A, F42Z, F54Z, F59A, F59B
	08	I08A, I08B, I08C, I08D, I08E, I13A, I13B		06	G10Z, G12A, G12B, G18A, G38Z		06	G01Z, G02Z, G10Z, G12A, G12B, G38Z
	11	L09A, L09B, L09C, L09D, L38Z		07	H01A		08	I08A, I08B, I08C, I08D, I08E, I13A, I13B
	21A	W04A, W04B		08	I08A, I08B, I08C, I08D, I08E, I13A, I13B		10	K09A, K09B
	21B	X06A, X06B		10	K09A, K09B		11	L09A, L09B, L09C, L09D, L38Z
				11	L09A, L09B, L09C, L09D, L38Z		21A	W04A, W04B
51175.2↔		BOP, KVT, UOP4	51176.1		BOP, KVT, UOP4	51176.5		BOP, KVT, UOP4
	05	F01A, F01B, F01D, F05Z, F07A, F07B, F14A, F14B, F28A, F42Z, F54Z, F59A, F59B		01	B03A, B03B, B06A, B06B, B07Z, B17A, B17B, B17C		01	B03A, B03B, B06A, B06B, B07Z, B17A, B17B, B17C
	06	G10Z, G12A, G12B		05	F01A, F01B, F01D, F05Z, F07A, F07B, F14A, F14B, F28A, F42Z, F54Z, F59A, F59B		05	F01A, F01B, F01D, F05Z, F07A, F07B, F14A, F14B, F28A, F42Z, F54Z, F59A, F59B
	08	I08A, I08B, I08C, I08D, I08E, I13A, I13B		06	G10Z, G12A, G12B, G18A, G38Z		06	G10Z, G12A, G12B, G18A, G38Z
	11	L09A, L09B, L09C, L09D, L38Z		07	H01A, H06A, H06B, H06C		07	H01A
	21A	W04A, W04B		08	I08A, I08B, I08C, I08D, I08E, I13A, I13B		08	I08A, I08B, I08C, I08D, I08E, I13A, I13B
	21B	X06A, X06B		10	K09A, K09B		10	K09A, K09B
				11	L09A, L09B, L09C, L09D, L38Z		11	L09A, L09B, L09C, L09D, L38Z
51175.3↔		BOP, KVT, UOP4	51176.2		BOP, KVT, UOP4	51176.6		BOP, KVT, UOP4
	05	F01A, F01B, F01D, F05Z, F07A, F07B, F14A, F14B, F28A, F42Z, F54Z, F59A, F59B		01	B03A, B03B, B06A, B06B, B07Z, B17A, B17B, B17C		01	B03A, B03B, B06A, B06B, B07Z, B17A, B17B, B17C
	06	G10Z, G12A, G12B		05	F01A, F01B, F01D, F05Z, F07A, F07B, F14A, F14B, F28A, F42Z, F54Z, F59A, F59B		05	F01A, F01B, F01D, F05Z, F07A, F07B, F14A, F14B, F28A, F42Z, F54Z, F59A, F59B
	08	I08A, I08B, I08C, I08D, I08E, I13A, I13B		06	G10Z, G12A, G12B		06	G10Z, G12A, G12B
	11	L09A, L09B, L09C, L09D, L38Z		08	I08A, I08B, I08C, I08D, I08E, I13A, I13B		08	I08A, I08B, I08C, I08D, I08E, I13A, I13B
	21A	W04A, W04B		10	K09A, K09B		10	K09A, K09B
	21B	X06A, X06B		11	L09A, L09B, L09C, L09D, L38Z		11	L09A, L09B, L09C, L09D, L38Z
				21A	W04A, W04B		21A	W04A, W04B
51175.4↔		BOP, KVT, UOP4						X06A, X06B
	05	F01A, F01B, F01D, F05Z, F07A, F07B, F14A, F14B, F28A, F42Z, F54Z, F59A, F59B	01	B03A, B03B, B06A, B06B, B07Z, B17A, B17B, B17C	01	B03A, B03B, B06A, B06B, B07Z, B17A, B17B, B17C		
	06	G10Z, G12A, G12B	05	F01A, F01B, F01D, F05Z, F07A, F07B, F14A, F14B, F28A, F42Z, F54Z, F59A, F59B	05	F01A, F01B, F01D, F05Z, F07A, F07B, F14A, F14B, F28A, F42Z, F54Z, F59A, F59B		
	08	I08A, I08B, I08C, I08D, I08E, I13A, I13B	06	G10Z, G12A, G12B	06	G10Z, G12A, G12B		
	11	L09A, L09B, L09C, L09D, L38Z	08	I08A, I08B, I08C, I08D, I08E, I13A, I13B	08	I08A, I08B, I08C, I08D, I08E, I13A, I13B		
	21A	W04A, W04B	10	K09A, K09B	10	K09A, K09B		
	21B	X06A, X06B	11	L09A, L09B, L09C, L09D, L38Z	11	L09A, L09B, L09C, L09D, L38Z		
			21A	W04A, W04B	21A	W04A, W04B		

VYK



ZZV	MDC	DRG	ZZV	MDC	DRG	ZZV	MDC	DRG			
51176.x↔		BOP, KVT, UOP4	51178.2↔	05	F01A, F01B, F01D, F05Z, F07A, F07B, F14A, F14B, F28A, F42Z, F54Z, F59A, F59B	51179.3↔	05	F39A, F39B			
	01	B03A, B03B, B06A, B06B, B07Z, B17A, B17B, B17C		08	I08A, I08B, I08C, I08D, I08E, I13A, I13B		06	G18A, G38Z			
	05	F01A, F01B, F01D, F05Z, F07A, F07B, F14A, F14B, F28A, F42Z, F54Z, F59A, F59B		10	K09A, K09B		07	H01A			
	06	G10Z, G12A, G12B		21A	W04A, W04B		08	I08A, I08B, I08C, I08D, I08E, I13A, I13B			
	08	I08A, I08B, I08C, I08D, I08E, I13A, I13B		21B	X04Z		11	L09A, L09B, L09C, L09D, L38Z			
	10	K09A, K09B		51178.3↔	05		F01A, F01B, F01D, F05Z, F07A, F07B, F14A, F14B, F28A, F42Z, F54Z, F59A, F59B	21A	W04A, W04B		
	11	L09A, L09B, L09C, L09D, L38Z			08		I08A, I08B, I08C, I08D, I08E, I13A, I13B	21B	X04Z		
	21A	W04A, W04B			10		K09A, K09B	05	F39A, F39B		
	21B	X06A, X06B			21A		W04A, W04B	06	G18A, G38Z		
	51177.0↔	05			F01A, F01B, F01D, F05Z, F07A, F07B, F14A, F14B, F28A, F42Z, F54Z, F59A, F59B		21B	X04Z	07	H01A	
		08			I08A, I08B, I08C, I08D, I08E, I13A, I13B		51178.4↔	05	F01A, F01B, F01D, F05Z, F07A, F07B, F14A, F14B, F28A, F42Z, F54Z, F59A, F59B	08	I08A, I08B, I08C, I08D, I08E, I13A, I13B
10		K09A, K09B	08		I08A, I08B, I08C, I08D, I08E, I13A, I13B	21A		W04A, W04B			
21A		W04A, W04B	10		K09A, K09B	21B		X04Z			
21B		X04Z	21A		W04A, W04B	51179.5		05	F39A, F39B		
51177.1↔	05	F01A, F01B, F01D, F05Z, F07A, F07B, F14A, F14B, F28A, F42Z, F54Z, F59A, F59B	51178.5↔		21B			X04Z	06	G18A, G38Z	
	08	I08A, I08B, I08C, I08D, I08E, I13A, I13B			05		F01A, F01B, F01D, F05Z, F07A, F07B, F14A, F14B, F28A, F42Z, F54Z, F59A, F59B	07	H01A		
	10	K09A, K09B		08	I08A, I08B, I08C, I08D, I08E, I13A, I13B		08	I08A, I08B, I08C, I08D, I08E, I13A, I13B			
	21A	W04A, W04B		10	K09A, K09B		21A	W04A, W04B			
	21B	X04Z		21A	W04A, W04B	21B	X04Z				
51177.2↔	05	F01A, F01B, F01D, F05Z, F07A, F07B, F14A, F14B, F28A, F42Z, F54Z, F59A, F59B	51178.6↔	21B	X04Z	51179.6	05	F39A, F39B			
	08	I08A, I08B, I08C, I08D, I08E, I13A, I13B		05	F01A, F01B, F01D, F05Z, F07A, F07B, F14A, F14B, F28A, F42Z, F54Z, F59A, F59B		06	G18A, G38Z			
	10	K09A, K09B		08	I08A, I08B, I08C, I08D, I08E, I13A, I13B		07	H01A			
	21A	W04A, W04B		10	K09A, K09B		08	I08A, I08B, I08C, I08D, I08E, I13A, I13B			
	21B	X04Z		21A	W04A, W04B		21A	W04A, W04B			
51177.x↔	05	F01A, F01B, F01D, F05Z, F07A, F07B, F14A, F14B, F28A, F42Z, F54Z, F59A, F59B	51178.x↔	21B	X04Z	51179.7	05	F39A, F39B			
	08	I08A, I08B, I08C, I08D, I08E, I13A, I13B		05	F01A, F01B, F01D, F05Z, F07A, F07B, F14A, F14B, F28A, F42Z, F54Z, F59A, F59B		06	G18A, G38Z			
	10	K09A, K09B		08	I08A, I08B, I08C, I08D, I08E, I13A, I13B		07	H01A			
	21A	W04A, W04B		10	K09A, K09B		08	I08A, I08B, I08C, I08D, I08E, I13A, I13B			
	21B	X04Z		21A	W04A, W04B		21A	W04A, W04B			
51178.0↔	05	F01A, F01B, F01D, F05Z, F07A, F07B, F14A, F14B, F28A, F42Z, F54Z, F59A, F59B	51179.0↔	21B	X04Z	51179.8↔	05	F39A, F39B			
	08	I08A, I08B, I08C, I08D, I08E, I13A, I13B		05	F39A, F39B		06	G18A, G38Z			
	10	K09A, K09B		08	I08A, I08B, I08C, I08D, I08E, I13A, I13B		07	H01A			
	21A	W04A, W04B		10	K09A, K09B		08	I08A, I08B, I08C, I08D, I08E, I13A, I13B			
	21B	X04Z		21A	W04A, W04B		21A	W04A, W04B			
51178.1↔	05	F01A, F01B, F01D, F05Z, F07A, F07B, F14A, F14B, F28A, F42Z, F54Z, F59A, F59B	51179.1↔	21B	X04Z	51179.9↔	01	B03A, B03B, B06A, B06B, B07Z, B17A, B17B, B17C			
	08	I08A, I08B, I08C, I08D, I08E, I13A, I13B		05	F39A, F39B		05	F01A, F01B, F01D, F05Z, F07A, F07B, F14A, F14B, F28A, F42Z, F54Z, F59A, F59B			
	10	K09A, K09B		08	I08A, I08B, I08C, I08D, I08E, I13A, I13B		08	I08A, I08B, I08C, I08D, I08E, I13A, I13B			
	21A	W04A, W04B		10	K09A, K09B		21A	W04A, W04B			
	21B	X04Z		21A	W04A, W04B		21B	X04Z			
51179.a↔	04	E05A, E05B, E05C, E08A, E08B, E08C	51179.2	05	F39A, F39B	51179.a↔	05	F01A, F01B, F01D, F05Z, F07A, F07B, F09A, F09B, F09C, F42Z			
	05	F01A, F01B, F01D, F05Z, F07A, F07B, F09A, F09B, F09C, F42Z		06	G18A, G38Z		06	G15Z, G19A, G19B, G33Z, G38Z			
	06	G15Z, G19A, G19B, G33Z, G38Z		07	H01A		07	H33Z, H38Z			
	07	H33Z, H38Z		08	I08A, I08B, I08C, I08D, I08E, I13A, I13B		08	I08A, I08B, I08C, I08D, I08E, I13A, I13B			
	08	I08A, I08B, I08C, I08D, I08E, I13A, I13B		08	I08A, I08B, I08C, I08D, I08E, I13A, I13B		11	L33Z			
	11	L33Z		08	I08A, I08B, I08C, I08D, I08E, I13A, I13B		21A	W04A, W04B			
	21A	W04A, W04B		08	I08A, I08B, I08C, I08D, I08E, I13A, I13B		21B	X06A, X06B, X33Z			
	21B	X06A, X06B, X33Z		21A	W04A, W04B		23	Z01A			
	23	Z01A		21B	X04Z		Pre	A07A			
	Pre	A07A									

ZZV	MDC	DRG	ZZV	MDC	DRG	ZZV	MDC	DRG			
51179.b↔		KOP, KOPV	51179.g↔		BOP, KVT, UOP4	5117a.4↔	01	B03A, B03B, B06A, B06B, B07Z, B17A, B17B, B17C			
	04	E05A, E05B, E05C, E08A, E08B, E08C		05	F01A, F01B, F01D, F05Z, F07A, F07B, F14A, F14B, F28A, F42Z, F54Z, F59A, F59B		05	F01A, F01B, F01D, F05Z, F07A, F07B, F14A, F14B, F28A, F42Z, F54Z, F59A, F59B			
	05	F01A, F01B, F01D, F05Z, F07A, F07B, F09A, F09B, F09C, F42Z		06	G10Z, G12A, G12B		06	G10Z, G12A, G12B			
	06	G15Z, G19A, G19B, G33Z, G38Z		08	I08A, I08B, I08C, I08D, I08E, I13A, I13B		08	I08A, I08B, I08C, I08D, I08E, I13A, I13B			
	07	H33Z, H38Z		11	L09A, L09B, L09C, L09D, L38Z		21B	X04Z, X06A, X06B			
	08	I08A, I08B, I08C, I08D, I08E, I13A, I13B		21A	W04A, W04B		5117a.5↔	05	F39A, F39B		
	11	L33Z		21B	X06A, X06B			08	I08A, I08B, I08C, I08D, I08E, I13A, I13B		
	21A	W04A, W04B		51179.h↔	05		F01A, F01B, F01D, F05Z, F07A, F07B, F14A, F14B, F28A, F42Z, F54Z, F59A, F59B	21A	W04A, W04B		
	21B	X06A, X06B, X33Z			06		G10Z, G12A, G12B	21B	X04Z		
	23	Z01A			08		I08A, I08B, I08C, I08D, I08E, I13A, I13B	5117a.6↔	05	F39A, F39B	
	Pre	A07A			11		L09A, L09B, L09C, L09D, L38Z		08	I08A, I08B, I08C, I08D, I08E, I13A, I13B	
	51179.c↔	05			F01A, F01B, F01D, F05Z, F07A, F07B, F14A, F14B, F28A, F42Z, F54Z, F59A, F59B		21A	W04A, W04B	21A	W04A, W04B	
		08			I08A, I08B, I08C, I08D, I08E, I13A, I13B		21B	X06A, X06B	5117a.x↔	05	F39A, F39B
		10			K09A, K09B		51179.i↔	BOP, KVT, UOP4		08	I08A, I08B, I08C, I08D, I08E, I13A, I13B
21A		W04A, W04B	05		F01A, F01B, F01D, F05Z, F07A, F07B, F14A, F14B, F28A, F42Z, F54Z, F59A, F59B	21A		W04A, W04B			
21B		X06A, X06B	06		G10Z, G12A, G12B	21B		X06A, X06B			
51179.d↔			BOP, KOP, KOPV, KVT, UOP4		08	I08A, I08B, I08C, I08D, I08E, I13A, I13B		5117x↔	05	F39A, F39B	
		04	E05A, E05B, E05C, E08A, E08B, E08C		11	L09A, L09B, L09C, L09D, L38Z			08	I08A, I08B, I08C, I08D, I08E, I13A, I13B	
		05	F01A, F01B, F01D, F05Z, F07A, F07B, F09A, F09B, F09C, F42Z		21A	W04A, W04B		21A	W04A, W04B		
		06	G15Z, G19A, G19B, G33Z, G38Z		21B	X06A, X06B		51180.0	21B	X04Z, X06A, X06B	
		07	H33Z, H38Z		51179.x↔	05			F39A, F39B	04	E02A, E02B, E02C
		08	I08A, I08B, I08C, I08D, I08E, I13A, I13B	08		I08A, I08B, I08C, I08D, I08E, I13A, I13B		05	F01A, F01B, F01D, F05Z, F07A, F07B, F14A, F14B, F28A, F42Z, F54Z, F59A, F59B		
		11	L33Z	21A		W04A, W04B		08	I08A, I08B, I08C, I08D, I08E, I13A, I13B		
		21A	W04A, W04B	21B		X04Z		14	962Z, O02A, O02B		
		21B	X06A, X06B, X33Z	5117a.0↔		01		B03A, B03B, B06A, B06B, B07Z, B17A, B17B, B17C	21A	W04A, W04B	
	23	Z01A	03			D12A, D12B		21B	X06A, X06B, X06C		
	Pre	A07A	05			F01A, F01B, F01D, F05Z, F07A, F07B, F14A, F14B, F28A, F42Z, F54Z, F59A, F59B		51180.1	BOP, KVT, UOP4		
	51179.e		BOP, KVT, UOP4			08	I08A, I08B, I08C, I08D, I08E, I13A, I13B		04	E02A, E02B, E02C	
		04	E02A, E02B, E02C			21A	W04A, W04B	05	F01A, F01B, F01D, F05Z, F07A, F07B, F14A, F14B, F28A, F42Z, F54Z, F59A, F59B		
		05	F01A, F01B, F01D, F05Z, F07A, F07B, F14A, F14B, F28A, F42Z, F54Z, F59A, F59B			21B	X06A, X06B	08	I08A, I08B, I08C, I08D, I08E, I13A, I13B		
08		I08A, I08B, I08C, I08D, I08E, I13A, I13B	5117a.1↔			01	B04A, B04B, B04C, B04D, B04E	14	962Z, O02A, O02B		
14		962Z, O02A, O02B				05	F39A, F39B	21A	W04A, W04B		
21A		W04A, W04B				08	I08A, I08B, I08C, I08D, I08E, I13A, I13B	21B	X06A, X06B, X06C		
21B		X06A, X06B				21A	W04A, W04B	51180.2	04	E02A, E02B, E02C	
51179.f					BOP, KVT, UOP4	21B	X06A, X06B		05	F01A, F01B, F01D, F05Z, F07A, F07B, F14A, F14B, F28A, F42Z, F54Z, F59A, F59B	
		04			E02A, E02B, E02C	5117a.2↔	05	F01A, F01B, F01D, F05Z, F07A, F07B, F14A, F14B, F28A, F42Z, F54Z, F59A, F59B	08	I08A, I08B, I08C, I08D, I08E, I13A, I13B	
		05			F01A, F01B, F01D, F05Z, F07A, F07B, F14A, F14B, F28A, F42Z, F54Z, F59A, F59B		08	I08A, I08B, I08C, I08D, I08E, I13A, I13B	14	962Z, O02A, O02B	
		06			G03A, G18A, G38Z		10	K09A, K09B	21A	W04A, W04B	
		07		H01A	21A		W04A, W04B	21B	X06A, X06B, X06C		
		08		I08A, I08B, I08C, I08D, I08E, I13A, I13B	21B		X06A, X06B				
		14		962Z, O02A, O02B							
	21A	W04A, W04B									
	21B	X06A, X06B									

VYK

ZZV	MDC	DRG	ZZV	MDC	DRG	ZZV	MDC	DRG
51180.x		BOP, KVT, UOP4	51195.1	05	F39A, F39B	511a2.00↔	05	F01A, F01B, F01D, F05Z, F07A, F07B, F14A, F14B, F28A, F42Z, F54Z, F59A, F59B
	04	E02A, E02B, E02C		08	I08A, I08B, I08C, I08D, I08E, I13A, I13B		08	I08A, I08B, I08C, I08D, I08E, I13A, I13B
	05	F01A, F01B, F01D, F05Z, F07A, F07B, F14A, F14B, F28A, F42Z, F54Z, F59A, F59B	51195.2	05	F39A, F39B		10	K09A, K09B
	08	I08A, I08B, I08C, I08D, I08E, I13A, I13B		08	I08A, I08B, I08C, I08D, I08E, I13A, I13B		21A	W04A, W04B
	14	962Z, O02A, O02B	51195.3	05	F39A, F39B		21B	X06A, X06B
	21A	W04A, W04B		08	I08A, I08B, I08C, I08D, I08E, I13A, I13B	511a2.0x↔	05	F01A, F01B, F01D, F05Z, F07A, F07B, F14A, F14B, F28A, F42Z, F54Z, F59A, F59B
	21B	X06A, X06B, X06C	51195.4	05	F39A, F39B		08	I08A, I08B, I08C, I08D, I08E, I13A, I13B
51190.0↔	01	B04A, B04B, B04C, B04D, B04E		08	I08A, I08B, I08C, I08D, I08E, I13A, I13B		10	K09A, K09B
	05	F39A, F39B	51195.5	05	F39A, F39B		21A	W04A, W04B
	08	I08A, I08B, I08C, I08D, I08E, I13A, I13B		08	I08A, I08B, I08C, I08D, I08E, I13A, I13B		21B	X06A, X06B
51190.1↔	05	F39A, F39B	51195.6↔	05	F39A, F39B	511a2.10↔	05	F39A, F39B
	08	I08A, I08B, I08C, I08D, I08E, I13A, I13B		08	I08A, I08B, I08C, I08D, I08E, I13A, I13B		08	I08A, I08B, I08C, I08D, I08E, I13A, I13B
51190.2↔	05	F39A, F39B	51195.7↔	05	F39A, F39B		21A	W04A, W04B
	08	I08A, I08B, I08C, I08D, I08E, I13A, I13B		08	I08A, I08B, I08C, I08D, I08E, I13A, I13B		21B	X04Z, X05A, X05B, X06A, X06B, X06C
51190.3↔	05	F39A, F39B	51195.8↔	05	F39A, F39B	511a2.11↔	05	F39A, F39B
	08	I08A, I08B, I08C, I08D, I08E, I13A, I13B		08	I08A, I08B, I08C, I08D, I08E, I13A, I13B		08	I08A, I08B, I08C, I08D, I08E, I13A, I13B
51191.10↔	05	F39A, F39B	5119x↔	05	F39A, F39B		21A	W04A, W04B
	08	I08A, I08B, I08C, I08D, I08E, I13A, I13B		08	I08A, I08B, I08C, I08D, I08E, I13A, I13B		21B	X04Z, X05A, X05B, X06A, X06B, X06C
51191.11↔	05	F39A, F39B	511a1.70↔		BOP, KVT, UOP4	511a2.1x↔	05	F39A, F39B
	08	I08A, I08B, I08C, I08D, I08E, I13A, I13B		01	B04A, B04B, B04C, B04D, B04E		08	I08A, I08B, I08C, I08D, I08E, I13A, I13B
51191.2↔	05	F39A, F39B		03	D12A, D12B		21A	W04A, W04B
	08	I08A, I08B, I08C, I08D, I08E, I13A, I13B		05	F01A, F01B, F01D, F05Z, F06A, F06C, F07A, F07B, F14A, F14B, F28A, F42Z, F54Z, F59A, F59B		21B	X04Z, X05A, X05B, X06A, X06B, X06C
51192.0↔	05	F20Z, F39A, F39B		08	I08A, I08B, I08C, I08D, I08E, I13A, I13B	511a2.x↔	05	F39A, F39B
	08	I08A, I08B, I08C, I08D, I08E, I13A, I13B		10	K09A, K09B		08	I08A, I08B, I08C, I08D, I08E, I13A, I13B
51192.1↔	05	F20Z, F39A, F39B		11	L09A, L38Z		21A	W04A, W04B
	08	I08A, I08B, I08C, I08D, I08E, I13A, I13B		21A	W04A, W04B		21B	X04Z, X05A, X05B, X06A, X06B, X06C
51192.2↔	05	F20Z, F39A, F39B	511a1.71↔		BOP, KVT, UOP4	51410.00		BOP, KOP, KVT, UOP4
	08	I08A, I08B, I08C, I08D, I08E, I13A, I13B		01	B04A, B04B, B04C, B04D, B04E		04	E36Z
51193.0↔	05	F20Z, F39A, F39B		03	D12A, D12B		05	F01A, F01B, F01D, F05Z, F07A, F07B, F08A, F08B, F08C, F08D, F08E, F27A, F28A, F36A, F42Z, F51A, F51B
	08	I08A, I08B, I08C, I08D, I08E, I13A, I13B		05	F01A, F01B, F01D, F05Z, F06A, F06C, F07A, F07B, F14A, F14B, F28A, F42Z, F54Z, F59A, F59B		06	G36Z
51193.1↔	05	F39A, F39B		08	I08A, I08B, I08C, I08D, I08E, I13A, I13B		08	I08A, I08B, I08C, I08D, I08E, I13A, I13B, I26Z
	08	I08A, I08B, I08C, I08D, I08E, I13A, I13B		10	K09A, K09B		11	L33Z
51193.2↔	05	F20Z, F39A, F39B		11	L09A, L38Z		21A	W36Z
	08	I08A, I08B, I08C, I08D, I08E, I13A, I13B		21A	W04A, W04B		21B	X33Z
51194.0↔	05	F39A, F39B	511a1.7x↔		BOP, KVT, UOP4		23	Z01A
	08	I08A, I08B, I08C, I08D, I08E, I13A, I13B		01	B04A, B04B, B04C, B04D, B04E		Pre	A06A, A07A, A09A, A11A, A13A
51194.1↔	05	F39A, F39B		03	D12A, D12B			
	08	I08A, I08B, I08C, I08D, I08E, I13A, I13B		05	F01A, F01B, F01D, F05Z, F06A, F06C, F07A, F07B, F14A, F14B, F28A, F42Z, F54Z, F59A, F59B			
51194.2↔	05	F39A, F39B		08	I08A, I08B, I08C, I08D, I08E, I13A, I13B			
	08	I08A, I08B, I08C, I08D, I08E, I13A, I13B		10	K09A, K09B			
51194.3↔	05	F39A, F39B		11	L09A, L38Z			
	08	I08A, I08B, I08C, I08D, I08E, I13A, I13B		21A	W04A, W04B			
51194.x↔	05	F39A, F39B		21B	X06A, X06B, X06C			
	08	I08A, I08B, I08C, I08D, I08E, I13A, I13B		01	B04A, B04B, B04C, B04D, B04E			
51195.0↔	05	F39A, F39B		03	D12A, D12B			
	08	I08A, I08B, I08C, I08D, I08E, I13A, I13B		05	F01A, F01B, F01D, F05Z, F06A, F06C, F07A, F07B, F14A, F14B, F28A, F42Z, F54Z, F59A, F59B			
				08	I08A, I08B, I08C, I08D, I08E, I13A, I13B			
				10	K09A, K09B			
				11	L09A, L38Z			
				21A	W04A, W04B			
				21B	X06A, X06B, X06C			

VYK

ZZV	MDC	DRG	ZZV	MDC	DRG	ZZV	MDC	DRG
51410.01		BOP, KOP, KVT, UOP4	51410.13		BOP, KOP, KVT, UOP4	51410.23		BOP, KOP, KVT, UOP4
	04	E36Z		04	E36Z		04	E36Z
	05	F01A, F01B, F01D, F05Z, F07A, F07B, F08A, F08B, F08C, F08D, F08E, F27A, F28A, F36A, F42Z, F51A, F51B		05	F01A, F01B, F01D, F05Z, F07A, F07B, F08A, F08B, F08C, F08D, F08E, F27A, F28A, F36A, F42Z, F51A, F51B		05	F01A, F01B, F01D, F05Z, F07A, F07B, F08A, F08B, F08C, F08D, F08E, F27A, F28A, F36A, F42Z, F51A, F51B
	06	G36Z		06	G36Z		06	G36Z
	08	I08A, I08B, I08C, I08D, I08E, I13A, I13B, I26Z		08	I08A, I08B, I08C, I08D, I08E, I13A, I13B, I26Z		08	I08A, I08B, I08C, I08D, I08E, I13A, I13B, I26Z
	11	L33Z		11	L33Z		11	L33Z
	21A	W36Z		21A	W36Z		21A	W36Z
	21B	X33Z		21B	X33Z		21B	X33Z
	23	Z01A		23	Z01A		23	Z01A
	Pre	A06A, A07A, A09A, A11A, A13A		Pre	A06A, A07A, A09A, A11A, A13A		Pre	A06A, A07A, A09A, A11A, A13A
51410.10		BOP, KOP, KVT, UOP4	51410.14		BOP, KOP, KVT, UOP4	51410.24		BOP, KOP, KVT, UOP4
	04	E36Z		04	E36Z		04	E36Z
	05	F01A, F01B, F01D, F05Z, F07A, F07B, F08A, F08B, F08C, F08D, F08E, F27A, F28A, F36A, F42Z, F51A, F51B		05	F01A, F01B, F01D, F05Z, F07A, F07B, F08A, F08B, F08C, F08D, F08E, F27A, F28A, F36A, F42Z, F51A, F51B		05	F01A, F01B, F01D, F05Z, F07A, F07B, F08A, F08B, F08C, F08D, F08E, F27A, F28A, F36A, F42Z, F51A, F51B
	06	G36Z		06	G36Z		06	G36Z
	08	I08A, I08B, I08C, I08D, I08E, I13A, I13B, I26Z		08	I08A, I08B, I08C, I08D, I08E, I13A, I13B, I26Z		08	I08A, I08B, I08C, I08D, I08E, I13A, I13B, I26Z
	11	L33Z		11	L33Z		11	L33Z
	21A	W36Z		21A	W36Z		21A	W36Z
	21B	X33Z		21B	X33Z		21B	X33Z
	23	Z01A		23	Z01A		23	Z01A
	Pre	A06A, A07A, A09A, A11A, A13A		Pre	A06A, A07A, A09A, A11A, A13A		Pre	A06A, A07A, A09A, A11A, A13A
51410.11		BOP, KOP, KVT, UOP4	51410.21		BOP, KOP, KVT, UOP4	51410.30		BOP, KOP, KVT, UOP4
	04	E36Z		04	E36Z		04	E36Z
	05	F01A, F01B, F01D, F05Z, F07A, F07B, F08A, F08B, F08C, F08D, F08E, F27A, F28A, F36A, F42Z, F51A, F51B		05	F01A, F01B, F01D, F05Z, F07A, F07B, F08A, F08B, F08C, F08D, F08E, F27A, F28A, F36A, F42Z, F51A, F51B		05	F01A, F01B, F01D, F05Z, F07A, F07B, F08A, F08B, F08C, F08D, F08E, F27A, F28A, F36A, F42Z, F51A, F51B
	06	G36Z		06	G36Z		06	G36Z
	08	I08A, I08B, I08C, I08D, I08E, I13A, I13B, I26Z		08	I08A, I08B, I08C, I08D, I08E, I13A, I13B, I26Z		08	I08A, I08B, I08C, I08D, I08E, I13A, I13B, I26Z
	11	L33Z		11	L33Z		11	L33Z
	21A	W36Z		21A	W36Z		21A	W36Z
	21B	X33Z		21B	X33Z		21B	X33Z
	23	Z01A		23	Z01A		23	Z01A
	Pre	A06A, A07A, A09A, A11A, A13A		Pre	A06A, A07A, A09A, A11A, A13A		Pre	A06A, A07A, A09A, A11A, A13A
51410.12		BOP, KOP, KVT, UOP4	51410.22		BOP, KOP, KVT, UOP4	51410.31		BOP, KOP, KVT, UOP4
	04	E36Z		04	E36Z		04	E36Z
	05	F01A, F01B, F01D, F05Z, F07A, F07B, F08A, F08B, F08C, F08D, F08E, F27A, F28A, F36A, F42Z, F51A, F51B		05	F01A, F01B, F01D, F05Z, F07A, F07B, F08A, F08B, F08C, F08D, F08E, F27A, F28A, F36A, F42Z, F51A, F51B		05	F01A, F01B, F01D, F05Z, F07A, F07B, F08A, F08B, F08C, F08D, F08E, F27A, F28A, F36A, F42Z, F51A, F51B
	06	G36Z		06	G36Z		06	G36Z
	08	I08A, I08B, I08C, I08D, I08E, I13A, I13B, I26Z		08	I08A, I08B, I08C, I08D, I08E, I13A, I13B, I26Z		08	I08A, I08B, I08C, I08D, I08E, I13A, I13B, I26Z
	11	L33Z		11	L33Z		11	L33Z
	21A	W36Z		21A	W36Z		21A	W36Z
	21B	X33Z		21B	X33Z		21B	X33Z
	23	Z01A		23	Z01A		23	Z01A
	Pre	A06A, A07A, A09A, A11A, A13A		Pre	A06A, A07A, A09A, A11A, A13A		Pre	A06A, A07A, A09A, A11A, A13A

VYK

ZZV	MDC	DRG	ZZV	MDC	DRG	ZZV	MDC	DRG			
51410.32		BOP, KOP, KVT, UOP4	51410.42		BOP, KOP, KVT, UOP4	51410.53		BOP, KOP, KVT, UOP4			
	04	E36Z		04	E36Z		04	E36Z			
	05	F01A, F01B, F01D, F05Z, F07A, F07B, F08A, F08B, F08C, F08D, F08E, F27A, F28A, F36A, F42Z, F51A, F51B		05	F01A, F01B, F01D, F05Z, F07A, F08A, F08B, F08C, F08D, F08E, F27A, F28A, F36A, F42Z, F51A, F51B		05	F01A, F01B, F01D, F05Z, F07A, F07B, F08A, F08B, F08C, F08D, F08E, F27A, F28A, F36A, F42Z, F51A, F51B			
	06	G36Z		06	G36Z		06	G36Z			
	08	I08A, I08B, I08C, I08D, I08E, I13A, I13B, I26Z		08	I08A, I08B, I08C, I08D, I08E, I13A, I13B, I26Z		08	I08A, I08B, I08C, I08D, I08E, I13A, I13B, I26Z			
	11	L33Z		11	L33Z		11	L33Z			
	21A	W36Z		21A	W36Z		21A	W36Z			
	21B	X33Z		21B	X33Z		21B	X33Z			
	23	Z01A		23	Z01A		23	Z01A			
	Pre	A06A, A07A, A09A, A11A, A13A		Pre	A06A, A07A, A09A, A11A, A13A		Pre	A06A, A07A, A09A, A11A, A13A			
	51410.33			BOP, KOP, KVT, UOP4	51410.43			BOP, KOP, KVT, UOP4	51410.54		BOP, KOP, KVT, UOP4
		04		E36Z			04	E36Z		04	E36Z
		05		F01A, F01B, F01D, F05Z, F07A, F08A, F08B, F08C, F08D, F08E, F27A, F28A, F36A, F42Z, F51A, F51B			05	F01A, F01B, F01D, F05Z, F07A, F07B, F08A, F08B, F08C, F08D, F08E, F27A, F28A, F36A, F42Z, F51A, F51B		05	F01A, F01B, F01D, F05Z, F07A, F07B, F08A, F08B, F08C, F08D, F08E, F27A, F28A, F36A, F42Z, F51A, F51B
06		G36Z	06	G36Z		06	G36Z				
08		I08A, I08B, I08C, I08D, I08E, I13A, I13B, I26Z	08	I08A, I08B, I08C, I08D, I08E, I13A, I13B, I26Z		08	I08A, I08B, I08C, I08D, I08E, I13A, I13B, I26Z				
11		L33Z	11	L33Z		11	L33Z				
21A		W36Z	21A	W36Z		21A	W36Z				
21B		X33Z	21B	X33Z		21B	X33Z				
23		Z01A	23	Z01A		23	Z01A				
Pre		A06A, A07A, A09A, A11A, A13A	Pre	A06A, A07A, A09A, A11A, A13A		Pre	A06A, A07A, A09A, A11A, A13A				
51410.34			BOP, KOP, KVT, UOP4	51410.44			BOP, KOP, KVT, UOP4	51410.60			BOP, KOP, KVT, UOP4
		04	E36Z			04	E36Z			04	E36Z
		05	F01A, F01B, F01D, F05Z, F07A, F08A, F08B, F08C, F08D, F08E, F27A, F28A, F36A, F42Z, F51A, F51B			05	F01A, F01B, F01D, F05Z, F07A, F07B, F08A, F08B, F08C, F08D, F08E, F27A, F28A, F36A, F42Z, F51A, F51B			05	F01A, F01B, F01D, F05Z, F07A, F08A, F08B, F08C, F08D, F08E, F27A, F28A, F36A, F42Z, F51A, F51B
	06	G36Z	06		G36Z	06	G36Z				
	08	I08A, I08B, I08C, I08D, I08E, I13A, I13B, I26Z	08		I08A, I08B, I08C, I08D, I08E, I13A, I13B, I26Z	08	I08A, I08B, I08C, I08D, I08E, I13A, I13B, I26Z				
	11	L33Z	11		L33Z	11	L33Z				
	21A	W36Z	21A		W36Z	21A	W36Z				
	21B	X33Z	21B		X33Z	21B	X33Z				
	23	Z01A	23		Z01A	23	Z01A				
	Pre	A06A, A07A, A09A, A11A, A13A	Pre		A06A, A07A, A09A, A11A, A13A	Pre	A06A, A07A, A09A, A11A, A13A				
	51410.41		BOP, KOP, KVT, UOP4		51410.51		BOP, KOP, KVT, UOP4		51410.61		BOP, KOP, KVT, UOP4
		04	E36Z			04	E36Z			04	E36Z
		05	F01A, F01B, F01D, F05Z, F07A, F08A, F08B, F08C, F08D, F08E, F27A, F28A, F36A, F42Z, F51A, F51B			05	F01A, F01B, F01D, F05Z, F07A, F07B, F08A, F08B, F08C, F08D, F08E, F27A, F28A, F36A, F42Z, F51A, F51B			05	F01A, F01B, F01D, F05Z, F07A, F08A, F08B, F08C, F08D, F08E, F27A, F28A, F36A, F42Z, F51A, F51B
06		G36Z	06	G36Z		06	G36Z				
08		I08A, I08B, I08C, I08D, I08E, I13A, I13B, I26Z	08	I08A, I08B, I08C, I08D, I08E, I13A, I13B, I26Z		08	I08A, I08B, I08C, I08D, I08E, I13A, I13B, I26Z				
11		L33Z	11	L33Z		11	L33Z				
21A		W36Z	21A	W36Z		21A	W36Z				
21B		X33Z	21B	X33Z		21B	X33Z				
23		Z01A	23	Z01A		23	Z01A				
Pre		A06A, A07A, A09A, A11A, A13A	Pre	A06A, A07A, A09A, A11A, A13A		Pre	A06A, A07A, A09A, A11A, A13A				

ZZV	MDC	DRG	ZZV	MDC	DRG	ZZV	MDC	DRG			
51410.62		BOP, KOP, KVT, UOP4	51412.11		BOP, KOP, KVT, UOP4	51412.22		BOP, KOP, KVT, UOP4			
	04	E36Z		04	E36Z		04	E36Z			
	05	F01A, F01B, F01D, F05Z, F07A, F08A, F08B, F08C, F08D, F08E, F27A, F28A, F36A, F42Z, F51A, F51B		05	F01A, F01B, F01D, F05Z, F07A, F07B, F08A, F08B, F08C, F08D, F08E, F27A, F28A, F36A, F42Z, F51A		05	F01A, F01B, F01D, F05Z, F07A, F07B, F08A, F08B, F08C, F08D, F08E, F27A, F28A, F36A, F42Z, F51A			
	06	G36Z		06	G36Z		06	G36Z			
	08	I08A, I08B, I08C, I08D, I08E, I13A, I13B, I26Z		08	I08A, I08B, I08C, I08D, I08E, I13A, I13B, I26Z		08	I08A, I08B, I08C, I08D, I08E, I13A, I13B, I26Z			
	11	L33Z		11	L33Z		11	L33Z			
	21A	W36Z		21A	W36Z		21A	W36Z			
	21B	X33Z		21B	X33Z		21B	X33Z			
	23	Z01A		23	Z01A		23	Z01A			
	Pre	A06A, A07A, A09A, A11A, A13A		Pre	A06A, A07A, A09A, A11A, A13A		Pre	A06A, A07A, A09A, A11A, A13A			
	51410.x			BOP, KOP, KVT, UOP4	51412.12			BOP, KOP, KVT, UOP4	51412.23		BOP, KOP, KVT, UOP4
04		E36Z	04	E36Z		04	E36Z				
05		F01A, F01B, F01D, F05Z, F07A, F07B, F08A, F08B, F08C, F08D, F08E, F27A, F28A, F36A, F42Z, F51A, F51B	05	F01A, F01B, F01D, F05Z, F07A, F07B, F08A, F08B, F08C, F08D, F08E, F27A, F28A, F36A, F42Z, F51A		05	F01A, F01B, F01D, F05Z, F07A, F07B, F08A, F08B, F08C, F08D, F08E, F27A, F28A, F36A, F42Z, F51A				
06		G36Z	06	G36Z		06	G36Z				
08		I08A, I08B, I08C, I08D, I08E, I13A, I13B, I26Z	08	I08A, I08B, I08C, I08D, I08E, I13A, I13B, I26Z		08	I08A, I08B, I08C, I08D, I08E, I13A, I13B, I26Z				
11		L33Z	11	L33Z		11	L33Z				
21A		W36Z	21A	W36Z		21A	W36Z				
21B		X33Z	21B	X33Z		21B	X33Z				
23		Z01A	23	Z01A		23	Z01A				
Pre		A06A, A07A, A09A, A11A, A13A	Pre	A06A, A07A, A09A, A11A, A13A		Pre	A06A, A07A, A09A, A11A, A13A				
51411.0			BOP, KVT, UOP4	51412.13			BOP, KOP, KVT, UOP4	51412.31			BOP, KOP, KVT, UOP4
	05	F01A, F01B, F01D, F05Z, F07A, F07B, F08A, F08B, F08C, F08D, F08E, F27A, F28A, F42Z	05		F01A, F01B, F01D, F05Z, F07A, F07B, F08A, F08B, F08C, F08D, F08E, F27A, F28A, F36A, F42Z, F51A	05	F01A, F01B, F01D, F05Z, F07A, F07B, F08A, F08B, F08C, F08D, F08E, F27A, F28A, F36A, F42Z, F51A				
	08	I08A, I08B, I08C, I08D, I08E, I13A, I13B	06		G36Z	06	G36Z				
	21B	X33Z	08		I08A, I08B, I08C, I08D, I08E, I13A, I13B, I26Z	08	I08A, I08B, I08C, I08D, I08E, I13A, I13B, I26Z				
	23	Z01A	11		L33Z	11	L33Z				
	51411.1		BOP, KVT, UOP4		51412.21		BOP, KOP, KVT, UOP4		51412.32		BOP, KOP, KVT, UOP4
		05	F01A, F01B, F01D, F05Z, F07A, F07B, F08A, F08B, F08C, F08D, F08E, F27A, F28A, F42Z			04	E36Z			04	E36Z
		08	I08A, I08B, I08C, I08D, I08E, I13A, I13B			05	F01A, F01B, F01D, F05Z, F07A, F07B, F08A, F08B, F08C, F08D, F08E, F27A, F28A, F36A, F42Z, F51A			05	F01A, F01B, F01D, F05Z, F07A, F07B, F08A, F08B, F08C, F08D, F08E, F27A, F28A, F36A, F42Z, F51A
		21B	X33Z			06	G36Z			06	G36Z
		23	Z01A			08	I08A, I08B, I08C, I08D, I08E, I13A, I13B, I26Z			08	I08A, I08B, I08C, I08D, I08E, I13A, I13B, I26Z
		51412.0				BOP, KOP, KVT, UOP4	51412.20				BOP, KOP, KVT, UOP4
04			E36Z	04		E36Z		04		E36Z	
05			F01A, F01B, F01D, F05Z, F07A, F07B, F08A, F08B, F08C, F08D, F08E, F27A, F28A, F36A, F42Z, F51A	05		F01A, F01B, F01D, F05Z, F07A, F07B, F08A, F08B, F08C, F08D, F08E, F27A, F28A, F36A, F42Z, F51A		05		F01A, F01B, F01D, F05Z, F07A, F07B, F08A, F08B, F08C, F08D, F08E, F27A, F28A, F36A, F42Z, F51A	
06			G36Z	06		G36Z		06		G36Z	
08			I08A, I08B, I08C, I08D, I08E, I13A, I13B, I26Z	08		I08A, I08B, I08C, I08D, I08E, I13A, I13B, I26Z		08		I08A, I08B, I08C, I08D, I08E, I13A, I13B, I26Z	
11			L33Z	11		L33Z		11		L33Z	
21A	W36Z		21A	W36Z	21A	W36Z					
21B	X33Z		21B	X33Z	21B	X33Z					
23	Z01A		23	Z01A	23	Z01A					
Pre	A06A, A07A, A09A, A11A, A13A		Pre	A06A, A07A, A09A, A11A, A13A	Pre	A06A, A07A, A09A, A11A, A13A					

VYK

ZZV	MDC	DRG	ZZV	MDC	DRG	ZZV	MDC	DRG
51412.33		BOP, KOP, KVT, UOP4	51413.13		BOP, KOP, KVT, UOP4	51413.23		BOP, KOP, KVT, UOP4
	04	E36Z		04	E36Z		04	E36Z
	05	F01A, F01B, F01D, F05Z, F07A, F07B, F08A, F08B, F08C, F08D, F08E, F27A, F28A, F36A, F42Z, F51A		05	F01A, F01B, F01D, F05Z, F07A, F07B, F08A, F08B, F08C, F08D, F08E, F27A, F28A, F36A, F42Z, F51A		05	F01A, F01B, F01D, F05Z, F07A, F07B, F08A, F08B, F08C, F08D, F08E, F27A, F28A, F36A, F42Z, F51A
	06	G36Z		06	G36Z		06	G36Z
	08	I08A, I08B, I08C, I08D, I08E, I13A, I13B, I26Z		08	I08A, I08B, I08C, I08D, I08E, I13A, I13B, I26Z		08	I08A, I08B, I08C, I08D, I08E, I13A, I13B, I26Z
	11	L33Z		11	L33Z		11	L33Z
	21A	W36Z		21A	W36Z		21A	W36Z
	21B	X33Z		21B	X33Z		21B	X33Z
	23	Z01A		23	Z01A		23	Z01A
	Pre	A06A, A07A, A09A, A11A, A13A		Pre	A06A, A07A, A09A, A11A, A13A		Pre	A06A, A07A, A09A, A11A, A13A
	51413.0			BOP, KOP, KVT, UOP4	51413.14			BOP, KOP, KVT, UOP4
04		E36Z	04	E36Z		04	E36Z	
05		F01A, F01B, F01D, F05Z, F07A, F07B, F08A, F08B, F08C, F08D, F08E, F27A, F28A, F36A, F42Z, F51A	05	F01A, F01B, F01D, F05Z, F07A, F07B, F08A, F08B, F08C, F08D, F08E, F27A, F28A, F36A, F42Z, F51A		05	F01A, F01B, F01D, F05Z, F07A, F07B, F08A, F08B, F08C, F08D, F08E, F27A, F28A, F36A, F42Z, F51A	
06		G36Z	06	G36Z		06	G36Z	
08		I08A, I08B, I08C, I08D, I08E, I13A, I13B, I26Z	08	I08A, I08B, I08C, I08D, I08E, I13A, I13B, I26Z		08	I08A, I08B, I08C, I08D, I08E, I13A, I13B, I26Z	
11		L33Z	11	L33Z		11	L33Z	
21A		W36Z	21A	W36Z		21A	W36Z	
21B		X33Z	21B	X33Z		21B	X33Z	
23		Z01A	23	Z01A		23	Z01A	
Pre		A06A, A07A, A09A, A11A, A13A	Pre	A06A, A07A, A09A, A11A, A13A		Pre	A06A, A07A, A09A, A11A, A13A	
51413.11			BOP, KOP, KVT, UOP4	51413.21			BOP, KOP, KVT, UOP4	51413.31
	04	E36Z	04		E36Z	04	E36Z	
	05	F01A, F01B, F01D, F05Z, F07A, F07B, F08A, F08B, F08C, F08D, F08E, F27A, F28A, F36A, F42Z, F51A	05		F01A, F01B, F01D, F05Z, F07A, F07B, F08A, F08B, F08C, F08D, F08E, F27A, F28A, F36A, F42Z, F51A	05	F01A, F01B, F01D, F05Z, F07A, F07B, F08A, F08B, F08C, F08D, F08E, F27A, F28A, F36A, F42Z, F51A	
	06	G36Z	06		G36Z	06	G36Z	
	08	I08A, I08B, I08C, I08D, I08E, I13A, I13B, I26Z	08		I08A, I08B, I08C, I08D, I08E, I13A, I13B, I26Z	08	I08A, I08B, I08C, I08D, I08E, I13A, I13B, I26Z	
	11	L33Z	11		L33Z	11	L33Z	
	21A	W36Z	21A		W36Z	21A	W36Z	
	21B	X33Z	21B		X33Z	21B	X33Z	
	23	Z01A	23		Z01A	23	Z01A	
	Pre	A06A, A07A, A09A, A11A, A13A	Pre		A06A, A07A, A09A, A11A, A13A	Pre	A06A, A07A, A09A, A11A, A13A	
	51413.12		BOP, KOP, KVT, UOP4		51413.22		BOP, KOP, KVT, UOP4	
04		E36Z	04	E36Z		04	E36Z	
05		F01A, F01B, F01D, F05Z, F07A, F07B, F08A, F08B, F08C, F08D, F08E, F27A, F28A, F36A, F42Z, F51A	05	F01A, F01B, F01D, F05Z, F07A, F07B, F08A, F08B, F08C, F08D, F08E, F27A, F28A, F36A, F42Z, F51A		05	F01A, F01B, F01D, F05Z, F07A, F07B, F08A, F08B, F08C, F08D, F08E, F27A, F28A, F36A, F42Z, F51A	
06		G36Z	06	G36Z		06	G36Z	
08		I08A, I08B, I08C, I08D, I08E, I13A, I13B, I26Z	08	I08A, I08B, I08C, I08D, I08E, I13A, I13B, I26Z		08	I08A, I08B, I08C, I08D, I08E, I13A, I13B, I26Z	
11		L33Z	11	L33Z		11	L33Z	
21A		W36Z	21A	W36Z		21A	W36Z	
21B		X33Z	21B	X33Z		21B	X33Z	
23		Z01A	23	Z01A		23	Z01A	
Pre		A06A, A07A, A09A, A11A, A13A	Pre	A06A, A07A, A09A, A11A, A13A		Pre	A06A, A07A, A09A, A11A, A13A	

ZZV	MDC	DRG	ZZV	MDC	DRG	ZZV	MDC	DRG										
51413.33		BOP, KOP, KVT, UOP4	5141x		BOP, KVT, UOP4	51500.7		BOP, KOP, KVT, UOP4										
	04	E36Z		05	F01A, F01B, F01D, F05Z, F07A, F07B, F08A, F08B, F08C, F08D, F08E, F27A, F28A, F42Z		05	F01A, F01B, F01D, F05Z, F07A, F07B, F09A, F09B, F09C, F42Z										
	05	F01A, F01B, F01D, F05Z, F07A, F07B, F08A, F08B, F08C, F08D, F08E, F27A, F28A, F36A, F42Z, F51A		08	I08A, I08B, I08C, I08D, I08E, I13A, I13B		08	I08A, I08B, I08C, I08D, I08E, I13A, I13B										
	06	G36Z					51500.8		BOP, KOP, KVT, UOP4									
	08	I08A, I08B, I08C, I08D, I08E, I13A, I13B, I26Z		21B	X33Z		05	F01A, F01B, F01D, F05Z, F07A, F07B, F09A, F09B, F09C, F42Z										
	11	L33Z		51500.0			BOP, KOP, KVT, UOP4	08	I08A, I08B, I08C, I08D, I08E, I13A, I13B									
	21A	W36Z		05	F01A, F01B, F01D, F05Z, F07A, F07B, F09A, F09B, F09C, F42Z		51500.x		BOP, KOP, KVT, UOP4									
	21B	X33Z		08	I08A, I08B, I08C, I08D, I08E, I13A, I13B		05	F01A, F01B, F01D, F05Z, F07A, F07B, F09A, F09B, F09C, F42Z										
	23	Z01A		15	P02A, P02B, P02C		08	I08A, I08B, I08C, I08D, I08E, I13A, I13B										
	Pre	A06A, A07A, A09A, A11A, A13A		51500.1			BOP, KOP, KVT, UOP4	51501.0		BOP, KOP, KOPV, KVT, UOP4								
	51413.34			BOP, KVT, UOP4	05		F01A, F01B, F01D, F05Z, F07A, F07B, F08A, F08B, F08C, F08D, F08E, F27A, F28A, F42Z	08	I08A, I08B, I08C, I08D, I08E, I13A, I13B									
		05		F01A, F01B, F01D, F05Z, F07A, F07B, F08A, F08B, F08C, F08D, F08E, F27A, F28A, F42Z	51500.2			BOP, KOP, KVT, UOP4	05	F01A, F01B, F01D, F05Z, F07A, F07B, F14A, F14B, F28A, F42Z, F54Z, F59A, F59B								
		08		I08A, I08B, I08C, I08D, I08E, I13A, I13B	05		F01A, F01B, F01D, F05Z, F07A, F07B, F09A, F09B, F09C, F42Z	06	G15Z, G19A, G19B, G33Z, G38Z									
51415.11		BOP, KVT, UOP4	08	I08A, I08B, I08C, I08D, I08E, I13A, I13B	07	H01A, H01B, H09A, H09B, H09C, H33Z, H38Z												
	05	F01A, F01B, F01D, F05Z, F07A, F07B, F08A, F08B, F08C, F08D, F08E, F27A, F28A, F42Z	51500.3		BOP, KOP, KOPV, KVT, UOP4	08	I08A, I08B, I08C, I08D, I08E, I13A, I13B											
	08	I08A, I08B, I08C, I08D, I08E, I13A, I13B	05	F01A, F01B, F01D, F05Z, F07A, F07B, F09A, F09B, F09C, F42Z	11	L33Z												
51415.12		BOP, KVT, UOP4	06	G33Z	21B	X33Z	23	Z01A										
	05	F01A, F01B, F01D, F05Z, F07A, F07B, F08A, F08B, F08C, F08D, F08E, F27A, F28A, F42Z	07	H33Z, H38Z	Pre	A07A	51501.1		BOP, KOP, KOPV, KVT, UOP4									
	08	I08A, I08B, I08C, I08D, I08E, I13A, I13B	08	I08A, I08B, I08C, I08D, I08E, I13A, I13B	05	F01A, F01B, F01D, F05Z, F07A, F07B, F14A, F14B, F28A, F42Z, F54Z, F59A, F59B												
51415.13		BOP, KVT, UOP4	11	L33Z	06	G15Z, G19A, G19B, G33Z, G38Z	07	H01A, H01B, H09A, H09B, H09C, H33Z, H38Z										
	05	F01A, F01B, F01D, F05Z, F07A, F07B, F08A, F08B, F08C, F08D, F08E, F27A, F28A, F42Z	21B	X33Z	08	I08A, I08B, I08C, I08D, I08E, I13A, I13B	11	L33Z										
	08	I08A, I08B, I08C, I08D, I08E, I13A, I13B	23	Z01A	51501.2		BOP, KOP, KOPV, KVT, UOP4											
51416.11		BOP, KVT, UOP4	Pre	A07A	05	F01A, F01B, F01D, F05Z, F07A, F07B, F14A, F14B, F28A, F42Z, F54Z, F59A, F59B	06	G15Z, G19A, G19B, G33Z, G38Z										
	05	F01A, F01B, F01D, F05Z, F07A, F07B, F08A, F08B, F08C, F08D, F08E, F27A, F28A, F42Z	51500.4		BOP, KOP, KVT, UOP4	07	H01A, H01B, H09A, H09B, H09C, H33Z, H38Z											
	08	I08A, I08B, I08C, I08D, I08E, I13A, I13B	05	F01A, F01B, F01D, F05Z, F07A, F07B, F09A, F09B, F09C, F42Z	08	I08A, I08B, I08C, I08D, I08E, I13A, I13B												
51416.12		BOP, KVT, UOP4	08	I08A, I08B, I08C, I08D, I08E, I13A, I13B	11	L33Z	21B	X33Z	23	Z01A								
	05	F01A, F01B, F01D, F05Z, F07A, F07B, F08A, F08B, F08C, F08D, F08E, F27A, F28A, F42Z	51500.5		BOP, KOP, KVT, UOP4	Pre	A07A	51501.2		BOP, KOP, KOPV, KVT, UOP4								
	08	I08A, I08B, I08C, I08D, I08E, I13A, I13B	04	E02A, E02B, E02C	05	F01A, F01B, F01D, F05Z, F07A, F07B, F14A, F14B, F28A, F42Z, F54Z, F59A, F59B	05	F01A, F01B, F01D, F05Z, F07A, F07B, F14A, F14B, F28A, F42Z, F54Z, F59A, F59B										
51416.13		BOP, KVT, UOP4	05	F01A, F01B, F01D, F05Z, F07A, F07B, F08A, F08B, F08C, F08D, F08E, F27A, F28A, F42Z	08	I08A, I08B, I08C, I08D, I08E, I13A, I13B	06	G15Z, G19A, G19B, G33Z, G38Z	07	H01A, H01B, H09A, H09B, H09C, H33Z, H38Z								
	05	F01A, F01B, F01D, F05Z, F07A, F07B, F08A, F08B, F08C, F08D, F08E, F27A, F28A, F42Z	51500.6		BOP, KOP, KOPV, KVT, UOP4	08	I08A, I08B, I08C, I08D, I08E, I13A, I13B	08	I08A, I08B, I08C, I08D, I08E, I13A, I13B									
	08	I08A, I08B, I08C, I08D, I08E, I13A, I13B	05	F01A, F01B, F01D, F05Z, F07A, F07B, F09A, F09B, F09C, F30Z, F42Z	06	G33Z	11	L33Z	21B	X33Z	23	Z01A	Pre	A07A				
	21B	X33Z	07	H33Z, H38Z	07	H33Z, H38Z	08	I08A, I08B, I08C, I08D, I08E, I13A, I13B	11	L33Z	15	P02A, P02B, P02C	21B	X33Z	23	Z01A	Pre	A07A



ZZV	MDC	DRG	ZZV	MDC	DRG	ZZV	MDC	DRG			
51501.3		BOP, KOP, KOPV, KVT, UOP4	51502.11	01	B04A, B04B, B04C, B04D, B04E	51502.31	01	B04A, B04B, B04C, B04D, B04E			
	05	F01A, F01B, F01D, F05Z, F07A, F07B, F14A, F14B, F28A, F42Z, F54Z, F59A, F59B		05	F01A, F01B, F01D, F05Z, F07A, F07B, F08B, F08D, F14A, F14B, F28A, F42Z, F54Z, F59A, F59B		05	F01A, F01B, F01D, F05Z, F07A, F07B, F08B, F08D, F14A, F14B, F28A, F42Z, F54Z, F59A, F59B			
	06	G15Z, G19A, G19B, G33Z, G38Z		07	H06A, H06B, H06C		07	H06A, H06B, H06C			
	07	H01A, H01B, H09A, H09B, H09C, H33Z, H38Z		08	I08A, I08B, I08C, I08D, I08E, I13A, I13B		08	I08A, I08B, I08C, I08D, I08E, I13A, I13B			
	08	I08A, I08B, I08C, I08D, I08E, I13A, I13B		09	J03A, J03B, J04A, J04B, J08A, J08B, J08C, J11A, J11B, J16Z		09	J03A, J03B, J04A, J04B, J08A, J08B, J08C, J11A, J11B, J16Z			
	11	L33Z		10	K09A, K09B		10	K09A, K09B			
	21B	X33Z		11	L09A, L09B, L09C, L09D, L38Z		11	L09A, L09B, L09C, L09D, L38Z			
	23	Z01A		21A	W04A, W04B		21A	W04A, W04B			
	Pre	A07A		21B	X04Z, X05A, X05B, X06A, X06B, X06C		21B	X04Z, X05A, X05B, X06A, X06B, X06C			
	51501.4			BOP, KOP, KOPV, KVT, UOP4	51502.2		01	B04A, B04B, B04C, B04D, B04E	51502.32	01	B04A, B04B, B04C, B04D, B04E
		05		F01A, F01B, F01D, F05Z, F07A, F07B, F14A, F14B, F28A, F42Z, F54Z, F59A, F59B			05	F01A, F01B, F01D, F05Z, F07A, F07B, F08B, F08D, F14A, F14B, F28A, F42Z, F54Z, F59A, F59B		05	F01A, F01B, F01D, F05Z, F07A, F07B, F08B, F08D, F14A, F14B, F28A, F42Z, F54Z, F59A, F59B
		06		G15Z, G19A, G19B, G33Z, G38Z			07	H06A, H06B, H06C		07	H06A, H06B, H06C
		07		H01A, H01B, H09A, H09B, H09C, H33Z, H38Z			08	I08A, I08B, I08C, I08D, I08E, I13A, I13B		08	I08A, I08B, I08C, I08D, I08E, I13A, I13B
08		I08A, I08B, I08C, I08D, I08E, I13A, I13B	09	J03A, J03B, J04A, J04B, J08A, J08B, J08C, J11A, J11B, J16Z		09	J03A, J03B, J04A, J04B, J08A, J08B, J08C, J11A, J11B, J16Z				
11		L33Z	10	K09A, K09B		10	K09A, K09B				
21B		X33Z	11	L09A, L09B, L09C, L09D, L38Z		11	L09A, L09B, L09C, L09D, L38Z				
23		Z01A	21A	W04A, W04B		21A	W04A, W04B				
Pre		A07A	21B	X04Z, X05A, X05B, X06A, X06B, X06C		21B	X04Z, X05A, X05B, X06A, X06B, X06C				
51501.x			BOP, KOP, KOPV, KVT, UOP4	51502.30		01	B04A, B04B, B04C, B04D, B04E	51502.40		01	B04A, B04B, B04C, B04D, B04E
		05	F01A, F01B, F01D, F05Z, F07A, F07B, F14A, F14B, F28A, F42Z, F54Z, F59A, F59B			05	F01A, F01B, F01D, F05Z, F07A, F07B, F08B, F08D, F14A, F14B, F28A, F42Z, F54Z, F59A, F59B			05	F01A, F01B, F01D, F05Z, F07A, F07B, F08B, F08D, F14A, F14B, F28A, F42Z, F54Z, F59A, F59B
		06	G15Z, G19A, G19B, G33Z, G38Z			07	H06A, H06B, H06C			07	H06A, H06B, H06C
		07	H01A, H01B, H09A, H09B, H09C, H33Z, H38Z			08	I08A, I08B, I08C, I08D, I08E, I13A, I13B			08	I08A, I08B, I08C, I08D, I08E, I13A, I13B
	08	I08A, I08B, I08C, I08D, I08E, I13A, I13B	09		J03A, J03B, J04A, J04B, J08A, J08B, J08C, J11A, J11B, J16Z	09	J03A, J03B, J04A, J04B, J08A, J08B, J08C, J11A, J11B, J16Z				
	11	L33Z	10		K09A, K09B	10	K09A, K09B				
	21B	X33Z	11		L09A, L09B, L09C, L09D, L38Z	11	L09A, L09B, L09C, L09D, L38Z				
	23	Z01A	21A		W04A, W04B	21A	W04A, W04B				
	Pre	A07A	21B		X04Z, X05A, X05B, X06A, X06B, X06C	21B	X04Z, X05A, X05B, X06A, X06B, X06C				
	51502.10	01	B04A, B04B, B04C, B04D, B04E		51502.10	01	B04A, B04B, B04C, B04D, B04E		51502.10	01	B04A, B04B, B04C, B04D, B04E
		05	F01A, F01B, F01D, F05Z, F07A, F07B, F08B, F08D, F14A, F14B, F28A, F42Z, F54Z, F59A, F59B			05	F01A, F01B, F01D, F05Z, F07A, F07B, F08B, F08D, F14A, F14B, F28A, F42Z, F54Z, F59A, F59B			05	F01A, F01B, F01D, F05Z, F07A, F07B, F08B, F08D, F14A, F14B, F28A, F42Z, F54Z, F59A, F59B
		07	H06A, H06B, H06C			07	H06A, H06B, H06C			07	H06A, H06B, H06C
		08	I08A, I08B, I08C, I08D, I08E, I13A, I13B			08	I08A, I08B, I08C, I08D, I08E, I13A, I13B			08	I08A, I08B, I08C, I08D, I08E, I13A, I13B
09		J03A, J03B, J04A, J04B, J08A, J08B, J08C, J11A, J11B, J16Z	09	J03A, J03B, J04A, J04B, J08A, J08B, J08C, J11A, J11B, J16Z		09	J03A, J03B, J04A, J04B, J08A, J08B, J08C, J11A, J11B, J16Z				
10		K09A, K09B	10	K09A, K09B		10	K09A, K09B				
11		L09A, L09B, L09C, L09D, L38Z	11	L09A, L09B, L09C, L09D, L38Z		11	L09A, L09B, L09C, L09D, L38Z				
21A		W04A, W04B	21A	W04A, W04B		21A	W04A, W04B				
21B		X04Z, X05A, X05B, X06A, X06B, X06C	21B	X04Z, X05A, X05B, X06A, X06B, X06C		21B	X04Z, X05A, X05B, X06A, X06B, X06C				



ZZV	MDC	DRG	ZZV	MDC	DRG	ZZV	MDC	DRG
51502.a1	05	F21A, F21B	51511.0		BOP, KVT, UOP4	51512.0		BOP, KVT, UOP4
	08	I08A, I08B, I08C, I08D, I08E, I13A, I13B		01	B04A, B04B, B04C, B04D, B04E		01	B04A, B04B, B04C, B04D, B04E
	10	K09A, K09B		05	F01A, F01B, F01D, F05Z, F06A, F06C, F07A, F07B, F08A, F08B, F08C, F08D, F08E, F27A, F28A, F42Z		05	F01A, F01B, F01D, F05Z, F07A, F07B, F08A, F08B, F08C, F08D, F08E, F27A, F28A, F42Z
	21A	W04A, W04B		08	I08A, I08B, I08C, I08D, I08E, I13A, I13B		08	I08A, I08B, I08C, I08D, I08E, I13A, I13B
	21B	X04Z, X05A, X05B, X06A, X06B, X06C		10	K09A, K09B		11	L09A, L38Z
51502.a2	05	F21A, F21B	11	L09A, L38Z	21A	W04A, W04B		
	08	I08A, I08B, I08C, I08D, I08E, I13A, I13B	21A	W04A, W04B	21B	X06A, X06B, X06C, X33Z		
	10	K09A, K09B	21B	X06A, X06B, X06C, X33Z	51512.1	BOP, KVT, UOP4		
	11	L09A, L09B, L09C, L09D, L38Z	51511.1	BOP, KVT, UOP4		01	B04A, B04B, B04C, B04D, B04E	
	21A	W04A, W04B	01	B04A, B04B, B04C, B04D, B04E		05	F01A, F01B, F01D, F05Z, F07A, F07B, F08A, F08B, F08C, F08D, F08E, F27A, F28A, F42Z	
21B	X04Z, X05A, X05B, X06A, X06B, X06C	05	F01A, F01B, F01D, F05Z, F06A, F06C, F07A, F07B, F08A, F08B, F08C, F08D, F08E, F27A, F28A, F42Z	08		I08A, I08B, I08C, I08D, I08E, I13A, I13B		
51502.a3	05	F21A, F21B	08	I08A, I08B, I08C, I08D, I08E, I13A, I13B		11	L09A, L38Z	
	08	I08A, I08B, I08C, I08D, I08E, I13A, I13B	10	K09A, K09B	21A	W04A, W04B		
	10	K09A, K09B	11	L09A, L38Z	21B	X06A, X06B, X06C, X33Z		
	11	L09A, L09B, L09C, L09D, L38Z	21A	W04A, W04B	51512.2	BOP, KVT, UOP4		
	21A	W04A, W04B	21B	X06A, X06B, X06C, X33Z		01	B04A, B04B, B04C, B04D, B04E	
21B	X04Z, X05A, X05B, X06A, X06B, X06C	51511.2	BOP, KVT, UOP4	05		F01A, F01B, F01D, F05Z, F07A, F07B, F08A, F08B, F08C, F08D, F08E, F27A, F28A, F42Z		
51502.a4	05	F21A, F21B	01	B04A, B04B, B04C, B04D, B04E		08	I08A, I08B, I08C, I08D, I08E, I13A, I13B	
	08	I08A, I08B, I08C, I08D, I08E, I13A, I13B	05	F01A, F01B, F01D, F05Z, F06A, F06C, F07A, F07B, F08A, F08B, F08C, F08D, F08E, F27A, F28A, F42Z		10	K09A, K09B	
	10	K09A, K09B	08	I08A, I08B, I08C, I08D, I08E, I13A, I13B	11	L09A, L38Z		
	11	L09A, L09B, L09C, L09D, L38Z	11	L09A, L38Z	21A	W04A, W04B		
	21A	W04A, W04B	21A	W04A, W04B	21B	X06A, X06B, X06C, X33Z		
51502.a5	21B	X04Z, X05A, X05B, X06A, X06B, X06C	21B	X06A, X06B, X06C, X33Z	51512.3	BOP, KVT, UOP4		
	05	F21A, F21B	51511.3	BOP, KOP, KOPV, KVT, UOP4		01	B04A, B04B, B04C, B04D, B04E	
	08	I08A, I08B, I08C, I08D, I08E, I13A, I13B	01	B02A, B02B, B02C, B02D, B20A, B20B, B20C, B20D, B20E, B20F, B39A, B39B		05	F01A, F01B, F01D, F05Z, F07A, F07B, F08A, F08B, F08C, F08D, F08E, F27A, F28A, F42Z	
	10	K09A, K09B	05	F05Z, F06A, F06C		08	I08A, I08B, I08C, I08D, I08E, I13A, I13B	
	11	L09A, L09B, L09C, L09D, L38Z	06	G33Z		10	K09A, K09B	
51502.ax	21A	W04A, W04B	07	H33Z, H38Z	11	L09A, L38Z		
	21B	X04Z, X05A, X05B, X06A, X06B, X06C	08	I08A, I08B, I08C, I08D, I08E, I13A, I13B	21A	W04A, W04B		
	05	F21A, F21B	11	L09A, L33Z, L38Z	21B	X06A, X06B, X06C, X33Z		
	08	I08A, I08B, I08C, I08D, I08E, I13A, I13B	21A	W01A, W01B, W01C, W36Z	51512.4	BOP, KVT, UOP4		
	10	K09A, K09B	21B	X06A, X06B, X06C, X33Z		01	B04A, B04B, B04C, B04D, B04E	
11	L09A, L09B, L09C, L09D, L38Z	23	Z01A	05		F01A, F01B, F01D, F05Z, F07A, F07B, F08A, F08B, F08C, F08D, F08E, F27A, F28A, F42Z		
21A	W04A, W04B	Pre	A07A	08		I08A, I08B, I08C, I08D, I08E, I13A, I13B		
21B	X04Z, X05A, X05B, X06A, X06B, X06C	51511.x	BOP, KVT, UOP4	10		K09A, K09B		
51502.x	05	F21A, F21B	01	B04A, B04B, B04C, B04D, B04E	11	L09A, L38Z		
	08	I08A, I08B, I08C, I08D, I08E, I13A, I13B	05	F01A, F01B, F01D, F05Z, F06A, F06C, F07A, F07B, F08A, F08B, F08C, F08D, F08E, F27A, F28A, F42Z	21A	W04A, W04B		
	10	K09A, K09B	08	I08A, I08B, I08C, I08D, I08E, I13A, I13B	21B	X06A, X06B, X06C, X33Z		
	11	L09A, L09B, L09C, L09D, L38Z	11	L09A, L38Z				
	21A	W04A, W04B	21A	W04A, W04B				
	21B	X04Z, X05A, X05B, X06A, X06B, X06C	21B	X06A, X06B, X06C, X33Z				

VYK

ZZV	MDC	DRG	ZZV	MDC	DRG	ZZV	MDC	DRG
51512.5		BOP, KVT, UOP4	51514.0		BOP, KVT, UOP4	51514.5		BOP, KVT, UOP4
	01	B04A, B04B, B04C, B04D, B04E		01	B04A, B04B, B04C, B04D, B04E		05	F01A, F01B, F01D, F05Z, F07A, F07B, F08A, F08B, F08C, F08D, F08E, F27A, F28A, F42Z
	05	F01A, F01B, F01D, F05Z, F07A, F07B, F08A, F08B, F08C, F08D, F08E, F27A, F28A, F42Z		05	F01A, F01B, F01D, F05Z, F07A, F07B, F08A, F08B, F08C, F08D, F08E, F27A, F28A, F42Z		08	I08A, I08B, I08C, I08D, I08E, I13A, I13B
	08	I08A, I08B, I08C, I08D, I08E, I13A, I13B		08	I08A, I08B, I08C, I08D, I08E, I13A, I13B		09	J03A, J03B, J04A, J04B, J08A, J08B, J08C, J11A, J11B, J16Z
	10	K09A, K09B		11	L09A, L38Z		10	K01Z
	11	L09A, L38Z		21A	W04A, W04B		11	L09A, L38Z
	21A	W04A, W04B		21B	X06A, X06B, X06C, X33Z		21A	W04A, W04B
	21B	X06A, X06B, X06C, X33Z			BOP, KVT, UOP4		21B	X06A, X06B, X06C, X33Z
51512.6		BOP, KVT, UOP4	51514.1		BOP, KVT, UOP4	51514.6		BOP, KVT, UOP4
	01	B04A, B04B, B04C, B04D, B04E		01	B04A, B04B, B04C, B04D, B04E		05	F01A, F01B, F01D, F05Z, F07A, F07B, F08A, F08B, F08C, F08D, F08E, F27A, F28A, F42Z
	05	F01A, F01B, F01D, F05Z, F07A, F07B, F08A, F08B, F08C, F08D, F08E, F27A, F28A, F42Z		05	F01A, F01B, F01D, F05Z, F07A, F07B, F08A, F08B, F08C, F08D, F08E, F27A, F28A, F42Z		08	I08A, I08B, I08C, I08D, I08E, I13A, I13B
	08	I08A, I08B, I08C, I08D, I08E, I13A, I13B		08	I08A, I08B, I08C, I08D, I08E, I13A, I13B		09	J03A, J03B, J04A, J04B, J08A, J08B, J08C, J11A, J11B, J16Z
	10	K09A, K09B		11	L09A, L38Z		10	K01Z
	11	L09A, L38Z		21A	W04A, W04B		11	L09A, L38Z
	21A	W04A, W04B		21B	X06A, X06B, X06C, X33Z		21A	W04A, W04B
	21B	X06A, X06B, X06C, X33Z			BOP, KVT, UOP4		21B	X06A, X06B, X06C, X33Z
51512.7		BOP, KVT, UOP4	51514.2		BOP, KVT, UOP4	51514.x		BOP, KVT, UOP4
	01	B04A, B04B, B04C, B04D, B04E		01	B04A, B04B, B04C, B04D, B04E		01	B04A, B04B, B04C, B04D, B04E
	05	F01A, F01B, F01D, F05Z, F07A, F07B, F08A, F08B, F08C, F08D, F08E, F27A, F28A, F42Z		05	F01A, F01B, F01D, F05Z, F07A, F07B, F08A, F08B, F08C, F08D, F08E, F27A, F28A, F42Z		05	F01A, F01B, F01D, F05Z, F07A, F07B, F08A, F08B, F08C, F08D, F08E, F27A, F28A, F42Z
	08	I08A, I08B, I08C, I08D, I08E, I13A, I13B		07	H06A, H06B, H06C		05	F01A, F01B, F01D, F05Z, F07A, F07B, F08A, F08B, F08C, F08D, F08E, F27A, F28A, F42Z
	10	K09A, K09B		08	I08A, I08B, I08C, I08D, I08E, I13A, I13B		08	I08A, I08B, I08C, I08D, I08E, I13A, I13B
	11	L09A, L38Z		09	J03A, J03B, J04A, J04B, J08A, J08B, J08C, J11A, J11B, J16Z		11	L09A, L38Z
	21A	W04A, W04B		10	K09A, K09B		21A	W04A, W04B
	21B	X06A, X06B, X06C, X33Z		11	L09A, L38Z		21B	X06A, X06B, X06C, X33Z
51512.x		BOP, KVT, UOP4	51514.3		BOP, KVT, UOP4	51515.0		BOP, KVT, UOP4
	01	B04A, B04B, B04C, B04D, B04E		01	B04A, B04B, B04C, B04D, B04E		05	F01A, F01B, F01D, F05Z, F07A, F07B, F08A, F08B, F08C, F08D, F08E, F27A, F27B, F27C, F28A, F42Z
	05	F01A, F01B, F01D, F05Z, F07A, F07B, F08A, F08B, F08C, F08D, F08E, F27A, F28A, F42Z		05	F01A, F01B, F01D, F05Z, F07A, F07B, F08A, F08B, F08C, F08D, F08E, F27A, F27B, F27C, F28A, F42Z		06	G10Z, G12A, G12B
	08	I08A, I08B, I08C, I08D, I08E, I13A, I13B		08	I08A, I08B, I08C, I08D, I08E, I13A, I13B		07	H06A, H06B, H06C
	11	L09A, L38Z		09	J03A, J03B, J04A, J04B, J08A, J08B, J08C, J11A, J11B, J16Z		08	I08A, I08B, I08C, I08D, I08E, I13A, I13B
	21A	W04A, W04B		10	K01Z		11	L09A, L38Z
	21B	X06A, X06B, X06C, X33Z		11	L09A, L38Z		21A	W04A, W04B
		BOP, KVT, UOP4		21A	W04A, W04B		21B	X06A, X06B, X06C, X33Z
51513		BOP, KVT, UOP4	51514.4		BOP, KVT, UOP4	51515.1		BOP, KVT, UOP4
	01	B04A, B04B, B04C, B04D, B04E		01	B04A, B04B, B04C, B04D, B04E		05	F01A, F01B, F01D, F05Z, F07A, F07B, F08A, F08B, F08C, F08D, F08E, F27A, F27B, F27C, F28A, F42Z
	05	F01A, F01B, F01D, F05Z, F07A, F07B, F08A, F08B, F08C, F08D, F08E, F27A, F27B, F27C, F28A, F42Z		05	F01A, F01B, F01D, F05Z, F07A, F07B, F08A, F08B, F08C, F08D, F08E, F27A, F27B, F27C, F28A, F42Z		08	I08A, I08B, I08C, I08D, I08E, I13A, I13B
	08	I08A, I08B, I08C, I08D, I08E, I13A, I13B		08	I08A, I08B, I08C, I08D, I08E, I13A, I13B		09	J03A, J03B, J04A, J04B, J08A, J08B, J08C, J11A, J11B, J16Z
	10	K09A, K09B		09	J03A, J03B, J04A, J04B, J08A, J08B, J08C, J11A, J11B, J16Z		10	K01Z
	11	L09A, L38Z		10	K01Z		11	L09A, L38Z
	21A	W04A, W04B		11	L09A, L38Z		21A	W04A, W04B
	21B	X06A, X06B, X06C, X33Z		21A	W04A, W04B		21B	X06A, X06B, X06C, X33Z

ZZV	MDC	DRG	ZZV	MDC	DRG	ZZV	MDC	DRG				
51515.2		BOP, KVT, UOP4	51515.7		BOP, KVT, UOP4	51516.2		BOP, KVT, UOP4				
	05	F01A, F01B, F01D, F05Z, F07A, F07B, F08A, F08B, F08C, F08D, F08E, F27A, F27B, F27C, F28A, F42Z		05	F01A, F01B, F01D, F05Z, F07A, F07B, F08A, F08B, F08C, F08D, F08E, F27A, F28A, F42Z		01	B04A, B04B, B04C, B04D, B04E				
	08	I08A, I08B, I08C, I08D, I08E, I13A, I13B		08	I08A, I08B, I08C, I08D, I08E, I13A, I13B		05	F01A, F01B, F01D, F05Z, F07A, F07B, F08A, F08B, F08C, F08D, F08E, F27A, F28A, F42Z				
	09	J03A, J03B, J04A, J04B, J08A, J08B, J08C, J11A, J11B, J16Z		11	L03Z, L04A, L04B, L04C, L09A, L10Z, L13A, L13B, L38Z		08	I08A, I08B, I08C, I08D, I08E, I13A, I13B				
	10	K01Z		21A	W04A, W04B		10	K09A, K09B				
	11	L09A, L38Z		21B	X06A, X06B, X06C, X33Z		11	L09A, L38Z				
	21A	W04A, W04B		51515.8			BOP, KVT, UOP4	21A	W04A, W04B			
	21B	X06A, X06B, X06C, X33Z			05		F01A, F01B, F01D, F05Z, F07A, F07B, F08A, F08B, F08C, F08D, F08E, F27A, F28A, F42Z	21B	X06A, X06B, X06C, X33Z			
	51515.3				BOP, KVT, UOP4		51515.x		BOP, KVT, UOP4	51516.3		BOP, KVT, UOP4
		05			F01A, F01B, F01D, F05Z, F07A, F07B, F08A, F08B, F08C, F08D, F08E, F27A, F27B, F27C, F28A, F42Z			05	F01A, F01B, F01D, F05Z, F07A, F07B, F08A, F08B, F08C, F08D, F08E, F27A, F28A, F42Z		01	B04A, B04B, B04C, B04D, B04E
		08			I08A, I08B, I08C, I08D, I08E, I13A, I13B			06	G10Z, G12A, G12B, G18A, G38Z		05	F01A, F01B, F01D, F05Z, F07A, F07B, F08A, F08B, F08C, F08D, F08E, F27A, F28A, F42Z
09		J03A, J03B, J04A, J04B, J08A, J08B, J08C, J11A, J11B, J16Z	07		H01A, H06A, H06B, H06C	08		I08A, I08B, I08C, I08D, I08E, I13A, I13B				
10		K01Z	08		I08A, I08B, I08C, I08D, I08E, I13A, I13B	10		K09A, K09B				
11		L09A, L38Z	11		L03Z, L04A, L04B, L04C, L09A, L10Z, L13A, L13B, L38Z	11		L09A, L38Z				
21A		W04A, W04B	21A		W04A, W04B	21A		W04A, W04B				
21B		X06A, X06B, X06C, X33Z	21B		X06A, X06B, X06C, X33Z	21B		X06A, X06B, X06C, X33Z				
51515.4			BOP, KVT, UOP4		51516.0			BOP, KVT, UOP4	51516.4			BOP, KVT, UOP4
		05	F01A, F01B, F01D, F05Z, F07A, F07B, F08A, F08B, F08C, F08D, F08E, F27A, F27B, F27C, F28A, F42Z	05		F01A, F01B, F01D, F05Z, F07A, F07B, F08A, F08B, F08C, F08D, F08E, F27A, F28A, F42Z		01			B04A, B04B, B04C, B04D, B04E	
		08	I08A, I08B, I08C, I08D, I08E, I13A, I13B	06		G10Z, G12A, G12B		05			F01A, F01B, F01D, F05Z, F07A, F07B, F08A, F08B, F08C, F08D, F08E, F27A, F28A, F42Z	
	09	J03A, J03B, J04A, J04B, J08A, J08B, J08C, J11A, J11B, J16Z	07	H06A, H06B, H06C		08	I08A, I08B, I08C, I08D, I08E, I13A, I13B					
	10	K01Z	08	I08A, I08B, I08C, I08D, I08E, I13A, I13B		10	K09A, K09B					
	11	L09A, L38Z	11	L09A, L38Z		11	L09A, L38Z					
	21A	W04A, W04B	21A	W04A, W04B		21A	W04A, W04B					
	21B	X06A, X06B, X06C, X33Z	21B	X06A, X06B, X06C, X33Z		21B	X06A, X06B, X06C, X33Z					
	51515.5		BOP, KVT, UOP4	51516.1			BOP, KVT, UOP4	51516.5			BOP, KVT, UOP4	
		05	F01A, F01B, F01D, F05Z, F07A, F07B, F08A, F08B, F08C, F08D, F08E, F27A, F27B, F27C, F28A, F42Z			01	B04A, B04B, B04C, B04D, B04E			01	B04A, B04B, B04C, B04D, B04E	
		08	I08A, I08B, I08C, I08D, I08E, I13A, I13B			05	F01A, F01B, F01D, F05Z, F07A, F07B, F08A, F08B, F08C, F08D, F08E, F27A, F28A, F42Z			05	F01A, F01B, F01D, F05Z, F07A, F07B, F08A, F08B, F08C, F08D, F08E, F27A, F28A, F42Z	
09		J03A, J03B, J04A, J04B, J08A, J08B, J08C, J11A, J11B, J16Z	08		I08A, I08B, I08C, I08D, I08E, I13A, I13B	08	I08A, I08B, I08C, I08D, I08E, I13A, I13B					
10		K01Z	10		K09A, K09B	10	K09A, K09B					
11		L09A, L38Z	11		L09A, L38Z	11	L09A, L38Z					
21A		W04A, W04B	21A		W04A, W04B	21A	W04A, W04B					
21B		X06A, X06B, X06C, X33Z	21B		X06A, X06B, X06C, X33Z	21B	X06A, X06B, X06C, X33Z					
51515.6			BOP, KVT, UOP4		51516.6		BOP, KVT, UOP4		51516.6		BOP, KVT, UOP4	
		05	F01A, F01B, F01D, F05Z, F07A, F07B, F08A, F08B, F08C, F08D, F08E, F27A, F28A, F42Z			01	B04A, B04B, B04C, B04D, B04E			01	B04A, B04B, B04C, B04D, B04E	
		06	G10Z, G12A, G12B			05	F01A, F01B, F01D, F05Z, F07A, F07B, F08A, F08B, F08C, F08D, F08E, F27A, F28A, F42Z			05	F01A, F01B, F01D, F05Z, F07A, F07B, F08A, F08B, F08C, F08D, F08E, F27A, F28A, F42Z	
	07	H06A, H06B, H06C	08	I08A, I08B, I08C, I08D, I08E, I13A, I13B		08	I08A, I08B, I08C, I08D, I08E, I13A, I13B					
	08	I08A, I08B, I08C, I08D, I08E, I13A, I13B	10	K09A, K09B		10	K09A, K09B					
	11	L09A, L38Z	11	L09A, L38Z		11	L09A, L38Z					
	21A	W04A, W04B	21A	W04A, W04B		21A	W04A, W04B					
	21B	X06A, X06B, X06C, X33Z	21B	X06A, X06B, X06C, X33Z		21B	X06A, X06B, X06C, X33Z					

VYK

ZZV	MDC	DRG	ZZV	MDC	DRG	ZZV	MDC	DRG
51516.x		BOP, KVT, UOP4	51517.x		BOP, KVT, UOP4	51521.2↔		BOP, KVT, UOP4
	01	B04A, B04B, B04C, B04D, B04E		01	B04A, B04B, B04C, B04D, B04E		01	B04A, B04B, B04C, B04D, B04E
	05	F01A, F01B, F01D, F05Z, F07A, F07B, F08A, F08B, F08C, F08D, F08E, F27A, F28A, F42Z		05	F01A, F01B, F01D, F05Z, F07A, F07B, F08A, F08B, F08C, F08D, F08E, F27A, F28A, F42Z		05	F01A, F01B, F01D, F05Z, F06A, F06C, F07A, F07B, F08A, F08B, F08C, F08D, F08E, F27A, F28A, F42Z
	08	I08A, I08B, I08C, I08D, I08E, I13A, I13B		08	I08A, I08B, I08C, I08D, I08E, I13A, I13B		08	I08A, I08B, I08C, I08D, I08E, I13A, I13B
	10	K09A, K09B		10	K09A, K09B		11	L09A, L38Z
	11	L09A, L38Z		11	L09A, L38Z		21A	W04A, W04B
	21A	W04A, W04B		21A	W04A, W04B		21B	X06A, X06B, X06C, X33Z
	21B	X04Z, X33Z		21B	X04Z, X33Z			
51517.0		BOP, KVT, UOP4	51518		BOP, KVT, UOP4	51521.3↔		BOP, KOP, KOPV, KVT, UOP4
	01	B04A, B04B, B04C, B04D, B04E		01	B04A, B04B, B04C, B04D, B04E		01	B02A, B02B, B02C, B02D, B20A, B20B, B20C, B20D, B20E, B20F, B39A, B39B
	05	F01A, F01B, F01D, F05Z, F07A, F07B, F08A, F08B, F08C, F08D, F08E, F27A, F28A, F42Z		05	F01A, F01B, F01D, F05Z, F07A, F07B, F08A, F08B, F08C, F08D, F08E, F27A, F28A, F42Z		05	F05Z, F06A, F06C
	08	I08A, I08B, I08C, I08D, I08E, I13A, I13B		08	I08A, I08B, I08C, I08D, I08E, I13A, I13B		06	G33Z
	10	K09A, K09B		10	K09A, K09B		07	H33Z, H38Z
	11	L09A, L38Z		11	L09A, L38Z		08	I08A, I08B, I08C, I08D, I08E, I13A, I13B
	21A	W04A, W04B		21A	W04A, W04B		11	L09A, L33Z, L38Z
	21B	X04Z, X33Z		21B	X04Z, X33Z		21A	W01A, W01B, W01C, W36Z
51517.1		BOP, KVT, UOP4	51519		BOP, KVT, UOP4	51521.4		BOP, KVT, UOP4
	01	B04A, B04B, B04C, B04D, B04E		01	B04A, B04B, B04C, B04D, B04E		01	B04A, B04B, B04C, B04D, B04E
	05	F01A, F01B, F01D, F05Z, F07A, F07B, F08A, F08B, F08C, F08D, F08E, F27A, F28A, F42Z		05	F01A, F01B, F01D, F05Z, F07A, F07B, F08A, F08B, F08C, F08D, F08E, F27A, F28A, F42Z		05	F01A, F01B, F01D, F05Z, F06A, F06C, F07A, F07B, F08A, F08B, F08C, F08D, F08E, F27A, F28A, F42Z
	08	I08A, I08B, I08C, I08D, I08E, I13A, I13B		07	H06A, H06B, H06C		08	I08A, I08B, I08C, I08D, I08E, I13A, I13B
	10	K09A, K09B		08	I08A, I08B, I08C, I08D, I08E, I13A, I13B		11	L09A, L38Z
	11	L09A, L38Z		09	J03A, J03B, J04A, J04B, J08A, J08B, J08C, J11A, J11B, J16Z		21A	W04A, W04B
	21A	W04A, W04B		10	K09A, K09B		21B	X06A, X06B, X06C, X33Z
	21B	X04Z, X33Z		11	L09A, L09B, L09C, L09D, L38Z			
51517.2		BOP, KVT, UOP4	51521.0↔		BOP, KVT, UOP4	51521.5		BOP, KVT, UOP4
	01	B04A, B04B, B04C, B04D, B04E		01	B04A, B04B, B04C, B04D, B04E		01	B04A, B04B, B04C, B04D, B04E
	05	F01A, F01B, F01D, F05Z, F07A, F07B, F08A, F08B, F08C, F08D, F08E, F27A, F28A, F42Z		05	F01A, F01B, F01D, F05Z, F06A, F06C, F07A, F07B, F08A, F08B, F08C, F08D, F08E, F27A, F28A, F42Z		05	F01A, F01B, F01D, F05Z, F06A, F06C, F07A, F07B, F08A, F08B, F08C, F08D, F08E, F27A, F28A, F42Z
	08	I08A, I08B, I08C, I08D, I08E, I13A, I13B		08	I08A, I08B, I08C, I08D, I08E, I13A, I13B		08	I08A, I08B, I08C, I08D, I08E, I13A, I13B
	10	K09A, K09B		05	F01A, F01B, F01D, F05Z, F06A, F06C, F07A, F07B, F08A, F08B, F08C, F08D, F08E, F27A, F28A, F42Z		11	L09A, L38Z
	11	L09A, L38Z		10	K09A, K09B		21A	W04A, W04B
	21A	W04A, W04B		11	L09A, L38Z		21B	X06A, X06B, X06C, X33Z
	21B	X04Z, X33Z		21A	W04A, W04B			
51517.3		BOP, KVT, UOP4	51521.1↔		BOP, KVT, UOP4	51521.x↔		BOP, KVT, UOP4
	01	B04A, B04B, B04C, B04D, B04E		01	B04A, B04B, B04C, B04D, B04E		01	B04A, B04B, B04C, B04D, B04E
	05	F01A, F01B, F01D, F05Z, F07A, F07B, F08A, F08B, F08C, F08D, F08E, F27A, F28A, F42Z		05	F01A, F01B, F01D, F05Z, F06A, F06C, F07A, F07B, F08A, F08B, F08C, F08D, F08E, F27A, F28A, F42Z		05	F01A, F01B, F01D, F05Z, F06A, F06C, F07A, F07B, F08A, F08B, F08C, F08D, F08E, F27A, F28A, F42Z
	08	I08A, I08B, I08C, I08D, I08E, I13A, I13B		08	I08A, I08B, I08C, I08D, I08E, I13A, I13B		08	I08A, I08B, I08C, I08D, I08E, I13A, I13B
	10	K09A, K09B		10	K09A, K09B		11	L09A, L38Z
	11	L09A, L38Z		11	L09A, L38Z		21A	W04A, W04B
	21A	W04A, W04B		21A	W04A, W04B		21B	X06A, X06B, X06C, X33Z
	21B	X04Z, X33Z		21B	X06A, X06B, X06C, X33Z			

ZZV	MDC	DRG	ZZV	MDC	DRG	ZZV	MDC	DRG
51522.0↔		BOP, KVT, UOP4	51522.5↔		BOP, KVT, UOP4	51524.0↔		BOP, KVT, UOP4
	01	B04A, B04B, B04C, B04D, B04E		01	B04A, B04B, B04C, B04D, B04E		01	B04A, B04B, B04C, B04D, B04E
	05	F01A, F01B, F01D, F05Z, F07A, F07B, F08A, F08B, F08C, F08D, F08E, F27A, F28A, F42Z		05	F01A, F01B, F01D, F05Z, F07A, F07B, F08A, F08B, F08C, F08D, F08E, F27A, F28A, F42Z		05	F01A, F01B, F01D, F05Z, F07A, F07B, F08A, F08B, F08C, F08D, F08E, F27A, F28A, F42Z
	08	I08A, I08B, I08C, I08D, I08E, I13A, I13B		08	I08A, I08B, I08C, I08D, I08E, I13A, I13B		08	I08A, I08B, I08C, I08D, I08E, I13A, I13B
	11	L09A, L38Z		10	K09A, K09B		11	L09A, L38Z
	21A	W04A, W04B		11	L09A, L38Z		21A	W04A, W04B
	21B	X06A, X06B, X06C, X33Z		21A	W04A, W04B		21B	X06A, X06B, X06C, X33Z
51522.1↔		BOP, KVT, UOP4	51522.6↔		BOP, KVT, UOP4	51524.1↔		BOP, KVT, UOP4
	01	B04A, B04B, B04C, B04D, B04E		01	B04A, B04B, B04C, B04D, B04E		01	B04A, B04B, B04C, B04D, B04E
	05	F01A, F01B, F01D, F05Z, F07A, F07B, F08A, F08B, F08C, F08D, F08E, F27A, F28A, F42Z		05	F01A, F01B, F01D, F05Z, F07A, F07B, F08A, F08B, F08C, F08D, F08E, F27A, F28A, F42Z		05	F01A, F01B, F01D, F05Z, F07A, F07B, F08A, F08B, F08C, F08D, F08E, F27A, F28A, F42Z
	08	I08A, I08B, I08C, I08D, I08E, I13A, I13B		08	I08A, I08B, I08C, I08D, I08E, I13A, I13B		08	I08A, I08B, I08C, I08D, I08E, I13A, I13B
	11	L09A, L38Z		10	K09A, K09B		11	L09A, L38Z
	21A	W04A, W04B		11	L09A, L38Z		21A	W04A, W04B
	21B	X06A, X06B, X06C, X33Z		21A	W04A, W04B		21B	X06A, X06B, X06C, X33Z
51522.2↔		BOP, KVT, UOP4	51522.7↔		BOP, KVT, UOP4	51524.2		BOP, KVT, UOP4
	01	B04A, B04B, B04C, B04D, B04E		01	B04A, B04B, B04C, B04D, B04E		01	B04A, B04B, B04C, B04D, B04E
	05	F01A, F01B, F01D, F05Z, F07A, F07B, F08A, F08B, F08C, F08D, F08E, F27A, F28A, F42Z		05	F01A, F01B, F01D, F05Z, F07A, F07B, F08A, F08B, F08C, F08D, F08E, F27A, F28A, F42Z		05	F01A, F01B, F01D, F05Z, F07A, F07B, F08A, F08B, F08C, F08D, F08E, F27A, F28A, F42Z
	08	I08A, I08B, I08C, I08D, I08E, I13A, I13B		08	I08A, I08B, I08C, I08D, I08E, I13A, I13B		07	H06A, H06B, H06C
	10	K09A, K09B		10	K09A, K09B		08	I08A, I08B, I08C, I08D, I08E, I13A, I13B
	11	L09A, L38Z		10	K09A, K09B		09	J03A, J03B, J04A, J04B, J08A, J08B, J08C, J11A, J11B, J16Z
	21A	W04A, W04B		11	L09A, L38Z		10	K09A, K09B
51522.3↔		BOP, KVT, UOP4	51522.x↔		BOP, KVT, UOP4	51524.3↔		BOP, KVT, UOP4
	01	B04A, B04B, B04C, B04D, B04E		01	B04A, B04B, B04C, B04D, B04E		01	B04A, B04B, B04C, B04D, B04E
	05	F01A, F01B, F01D, F05Z, F07A, F07B, F08A, F08B, F08C, F08D, F08E, F27A, F28A, F42Z		05	F01A, F01B, F01D, F05Z, F07A, F07B, F08A, F08B, F08C, F08D, F08E, F27A, F28A, F42Z		05	F01A, F01B, F01D, F05Z, F07A, F07B, F08A, F08B, F08C, F08D, F08E, F27A, F27B, F27C, F28A, F42Z
	08	I08A, I08B, I08C, I08D, I08E, I13A, I13B		08	I08A, I08B, I08C, I08D, I08E, I13A, I13B		08	I08A, I08B, I08C, I08D, I08E, I13A, I13B
	10	K09A, K09B		10	K09A, K09B		09	J03A, J03B, J04A, J04B, J08A, J08B, J08C, J11A, J11B, J16Z
	11	L09A, L38Z		11	L09A, L38Z		10	K01Z
	21A	W04A, W04B		21A	W04A, W04B		11	L09A, L38Z
51522.4↔		BOP, KVT, UOP4	51523↔		BOP, KVT, UOP4	51524.4		BOP, KVT, UOP4
	01	B04A, B04B, B04C, B04D, B04E		01	B04A, B04B, B04C, B04D, B04E		01	B04A, B04B, B04C, B04D, B04E
	05	F01A, F01B, F01D, F05Z, F07A, F07B, F08A, F08B, F08C, F08D, F08E, F27A, F28A, F42Z		05	F01A, F01B, F01D, F05Z, F07A, F07B, F08A, F08B, F08C, F08D, F08E, F08F, F27A, F28A, F42Z		05	F01A, F01B, F01D, F05Z, F07A, F07B, F08A, F08B, F08C, F08D, F08E, F27A, F27B, F27C, F28A, F42Z
	08	I08A, I08B, I08C, I08D, I08E, I13A, I13B		08	I08A, I08B, I08C, I08D, I08E, I13A, I13B		08	I08A, I08B, I08C, I08D, I08E, I13A, I13B
	10	K09A, K09B		10	K09A, K09B		08	I08A, I08B, I08C, I08D, I08E, I13A, I13B
	11	L09A, L38Z		10	K09A, K09B		09	J03A, J03B, J04A, J04B, J08A, J08B, J08C, J11A, J11B, J16Z
	21A	W04A, W04B		11	L09A, L38Z		10	K01Z
21B	X06A, X06B, X06C, X33Z	21A	W04A, W04B	11	L09A, L38Z			
				21A	W04A, W04B	21B	X06A, X06B, X06C, X33Z	

VYK

ZZV	MDC	DRG	ZZV	MDC	DRG	ZZV	MDC	DRG			
51524.5↔		BOP, KVT, UOP4	51525.00		BOP, KVT, UOP4	51525.4↔		BOP, KVT, UOP4			
	05	F01A, F01B, F01D, F05Z, F07A, F07B, F08A, F08B, F08C, F08D, F08E, F27A, F27B, F27C, F28A, F42Z		05	F01A, F01B, F01D, F05Z, F07A, F07B, F08A, F08B, F08C, F08D, F08E, F27A, F28A, F42Z		05	F01A, F01B, F01D, F05Z, F07A, F07B, F08A, F08B, F08C, F08D, F08E, F27A, F27B, F27C, F28A, F42Z			
	08	I08A, I08B, I08C, I08D, I08E, I13A, I13B		06	G10Z, G12A, G12B		08	I08A, I08B, I08C, I08D, I08E, I13A, I13B			
	09	J03A, J03B, J04A, J04B, J08A, J08B, J08C, J11A, J11B, J16Z		07	H06A, H06B, H06C		09	J03A, J03B, J04A, J04B, J08A, J08B, J08C, J11A, J11B, J16Z			
	10	K01Z		08	I08A, I08B, I08C, I08D, I08E, I13A, I13B		10	K01Z			
	11	L09A, L38Z		11	L09A, L38Z		11	L09A, L38Z			
	21A	W04A, W04B		21A	W04A, W04B		21A	W04A, W04B			
	21B	X06A, X06B, X06C, X33Z		21B	X06A, X06B, X06C, X33Z		21B	X06A, X06B, X06C, X33Z			
	51524.6↔			BOP, KVT, UOP4	51525.1↔			BOP, KVT, UOP4	51525.5↔		BOP, KVT, UOP4
		05		F01A, F01B, F01D, F05Z, F07A, F07B, F08A, F08B, F08C, F08D, F08E, F27A, F27B, F27C, F28A, F42Z			05	F01A, F01B, F01D, F05Z, F07A, F07B, F08A, F08B, F08C, F08D, F08E, F27A, F27B, F27C, F28A, F42Z		05	F01A, F01B, F01D, F05Z, F07A, F07B, F08A, F08B, F08C, F08D, F08E, F27A, F27B, F27C, F28A, F42Z
		08		I08A, I08B, I08C, I08D, I08E, I13A, I13B			08	I08A, I08B, I08C, I08D, I08E, I13A, I13B		08	I08A, I08B, I08C, I08D, I08E, I13A, I13B
09		J03A, J03B, J04A, J04B, J08A, J08B, J08C, J11A, J11B, J16Z	09	J03A, J03B, J04A, J04B, J08A, J08B, J08C, J11A, J11B, J16Z		09	J03A, J03B, J04A, J04B, J08A, J08B, J08C, J11A, J11B, J16Z				
10		K01Z	10	K01Z		10	K01Z				
11		L09A, L38Z	11	L09A, L38Z		11	L09A, L38Z				
21A		W04A, W04B	21A	W04A, W04B		21A	W04A, W04B				
21B		X06A, X06B, X06C, X33Z	21B	X06A, X06B, X06C, X33Z		21B	X06A, X06B, X06C, X33Z				
51524.7			BOP, KVT, UOP4	51525.10			BOP, KVT, UOP4	51525.6↔			BOP, KVT, UOP4
		01	B04A, B04B, B04C, B04D, B04E			05	F01A, F01B, F01D, F05Z, F07A, F07B, F08A, F08B, F08C, F08D, F08E, F27A, F28A, F42Z			05	F01A, F01B, F01D, F05Z, F07A, F07B, F08A, F08B, F08C, F08D, F08E, F27A, F28A, F42Z
		05	F01A, F01B, F01D, F05Z, F07A, F07B, F08A, F08B, F08C, F08D, F08E, F27A, F28A, F42Z			06	G10Z, G12A, G12B			06	G10Z, G12A, G12B
	08	I08A, I08B, I08C, I08D, I08E, I13A, I13B	07		H06A, H06B, H06C	07	H06A, H06B, H06C				
	11	L09A, L38Z	08		I08A, I08B, I08C, I08D, I08E, I13A, I13B	08	I08A, I08B, I08C, I08D, I08E, I13A, I13B				
	21A	W04A, W04B	11		L09A, L38Z	11	L09A, L38Z				
	21B	X06A, X06B, X06C, X33Z	21A		W04A, W04B	21A	W04A, W04B				
	51524.x↔		BOP, KVT, UOP4		51525.2↔		BOP, KVT, UOP4		51525.7↔		BOP, KVT, UOP4
		01	B04A, B04B, B04C, B04D, B04E			05	F01A, F01B, F01D, F05Z, F07A, F07B, F08A, F08B, F08C, F08D, F08E, F27A, F27B, F27C, F28A, F42Z			05	F01A, F01B, F01D, F05Z, F07A, F07B, F08A, F08B, F08C, F08D, F08E, F27A, F28A, F42Z
		05	F01A, F01B, F01D, F05Z, F07A, F07B, F08A, F08B, F08C, F08D, F08E, F27A, F28A, F42Z			08	I08A, I08B, I08C, I08D, I08E, I13A, I13B			08	I08A, I08B, I08C, I08D, I08E, I13A, I13B
		08	I08A, I08B, I08C, I08D, I08E, I13A, I13B			09	J03A, J03B, J04A, J04B, J08A, J08B, J08C, J11A, J11B, J16Z			08	I08A, I08B, I08C, I08D, I08E, I13A, I13B
11		L09A, L38Z	10	K01Z		11	L03Z, L04A, L04B, L04C, L09A, L10Z, L13A, L13B, L38Z				
21A		W04A, W04B	11	L09A, L38Z		21A	W04A, W04B				
21B		X06A, X06B, X06C, X33Z	21A	W04A, W04B		21B	X06A, X06B, X06C, X33Z				
51525.0↔			BOP, KVT, UOP4	51525.3↔			BOP, KVT, UOP4	51525.8↔			BOP, KVT, UOP4
		05	F01A, F01B, F01D, F05Z, F07A, F07B, F08A, F08B, F08C, F08D, F08E, F27A, F28A, F42Z			05	F01A, F01B, F01D, F05Z, F07A, F07B, F08A, F08B, F08C, F08D, F08E, F27A, F27B, F27C, F28A, F42Z			05	F01A, F01B, F01D, F05Z, F07A, F07B, F08A, F08B, F08C, F08D, F08E, F27A, F28A, F42Z
		06	G10Z, G12A, G12B			08	I08A, I08B, I08C, I08D, I08E, I13A, I13B			06	G10Z, G12A, G12B, G18A, G38Z
		07	H06A, H06B, H06C			09	J03A, J03B, J04A, J04B, J08A, J08B, J08C, J11A, J11B, J16Z			07	H01A, H06A, H06B, H06C
	08	I08A, I08B, I08C, I08D, I08E, I13A, I13B	10		K01Z	08	I08A, I08B, I08C, I08D, I08E, I13A, I13B				
	11	L09A, L38Z	11		L09A, L38Z	11	L03Z, L04A, L04B, L04C, L09A, L10Z, L13A, L13B, L38Z				
	21A	W04A, W04B	21A		W04A, W04B	21A	W04A, W04B				
	21B	X06A, X06B, X06C, X33Z	21B		X06A, X06B, X06C, X33Z	21B	X06A, X06B, X06C, X33Z				

VYK



ZZV	MDC	DRG	ZZV	MDC	DRG	ZZV	MDC	DRG			
51525.x↔		BOP, KVT, UOP4	51526.4↔		BOP, KVT, UOP4	51527.1		BOP, KVT, UOP4			
	05	F01A, F01B, F01D, F05Z, F07A, F07B, F08A, F08B, F08C, F08D, F08E, F27A, F28A, F42Z		01	B04A, B04B, B04C, B04D, B04E		01	B04A, B04B, B04C, B04D, B04E			
	06	G10Z, G12A, G12B		05	F01A, F01B, F01D, F05Z, F07A, F07B, F08A, F08B, F08C, F08D, F08E, F27A, F28A, F42Z		05	F01A, F01B, F01D, F05Z, F07A, F07B, F08A, F08B, F08C, F08D, F08E, F27A, F28A, F42Z			
	07	H06A, H06B, H06C		08	I08A, I08B, I08C, I08D, I08E, I13A, I13B		08	I08A, I08B, I08C, I08D, I08E, I13A, I13B			
	08	I08A, I08B, I08C, I08D, I08E, I13A, I13B		10	K09A, K09B		10	K09A, K09B			
	11	L09A, L38Z		11	L09A, L38Z		11	L09A, L38Z			
	21A	W04A, W04B		21A	W04A, W04B		21A	W04A, W04B			
	21B	X06A, X06B, X06C, X33Z		21B	X06A, X06B, X06C, X33Z		21B	X04Z, X33Z			
	51526.0↔			BOP, KVT, UOP4	51526.5↔			BOP, KVT, UOP4	51527.2		BOP, KVT, UOP4
		01		B04A, B04B, B04C, B04D, B04E			01	B04A, B04B, B04C, B04D, B04E		01	B04A, B04B, B04C, B04D, B04E
05		F01A, F01B, F01D, F05Z, F07A, F07B, F08A, F08B, F08C, F08D, F08E, F27A, F28A, F42Z	05	F01A, F01B, F01D, F05Z, F07A, F07B, F08A, F08B, F08C, F08D, F08E, F27A, F28A, F42Z		05	F01A, F01B, F01D, F05Z, F07A, F07B, F08A, F08B, F08C, F08D, F08E, F27A, F28A, F42Z				
08		I08A, I08B, I08C, I08D, I08E, I13A, I13B	08	I08A, I08B, I08C, I08D, I08E, I13A, I13B		08	I08A, I08B, I08C, I08D, I08E, I13A, I13B				
10		K09A, K09B	10	K09A, K09B		10	K09A, K09B				
11		L09A, L38Z	11	L09A, L38Z		11	L09A, L38Z				
21A		W04A, W04B	21A	W04A, W04B		21A	W04A, W04B				
21B		X06A, X06B, X06C, X33Z	21B	X06A, X06B, X06C, X33Z		21B	X04Z, X33Z				
51526.1↔			BOP, KVT, UOP4	51526.6↔			BOP, KVT, UOP4	51527.3↔			BOP, KVT, UOP4
		01	B04A, B04B, B04C, B04D, B04E			01	B04A, B04B, B04C, B04D, B04E			01	B04A, B04B, B04C, B04D, B04E
	05	F01A, F01B, F01D, F05Z, F07A, F07B, F08A, F08B, F08C, F08D, F08E, F27A, F28A, F42Z	05		F01A, F01B, F01D, F05Z, F07A, F07B, F08A, F08B, F08C, F08D, F08E, F27A, F28A, F42Z	05	F01A, F01B, F01D, F05Z, F07A, F07B, F08A, F08B, F08C, F08D, F08E, F27A, F28A, F42Z				
	08	I08A, I08B, I08C, I08D, I08E, I13A, I13B	08		I08A, I08B, I08C, I08D, I08E, I13A, I13B	08	I08A, I08B, I08C, I08D, I08E, I13A, I13B				
	10	K09A, K09B	10		K09A, K09B	10	K09A, K09B				
	11	L09A, L38Z	11		L09A, L38Z	11	L09A, L38Z				
	21A	W04A, W04B	21A		W04A, W04B	21A	W04A, W04B				
	21B	X06A, X06B, X06C, X33Z	21B		X06A, X06B, X06C, X33Z	21B	X04Z, X33Z				
	51526.2↔		BOP, KVT, UOP4		51526.x↔		BOP, KVT, UOP4		51527.x↔		BOP, KVT, UOP4
		01	B04A, B04B, B04C, B04D, B04E			01	B04A, B04B, B04C, B04D, B04E			01	B04A, B04B, B04C, B04D, B04E
05		F01A, F01B, F01D, F05Z, F07A, F07B, F08A, F08B, F08C, F08D, F08E, F27A, F28A, F42Z	05	F01A, F01B, F01D, F05Z, F07A, F07B, F08A, F08B, F08C, F08D, F08E, F27A, F28A, F42Z		05	F01A, F01B, F01D, F05Z, F07A, F07B, F08A, F08B, F08C, F08D, F08E, F27A, F28A, F42Z				
08		I08A, I08B, I08C, I08D, I08E, I13A, I13B	08	I08A, I08B, I08C, I08D, I08E, I13A, I13B		08	I08A, I08B, I08C, I08D, I08E, I13A, I13B				
10		K09A, K09B	10	K09A, K09B		10	K09A, K09B				
11		L09A, L38Z	11	L09A, L38Z		11	L09A, L38Z				
21A		W04A, W04B	21A	W04A, W04B		21A	W04A, W04B				
21B		X06A, X06B, X06C, X33Z	21B	X06A, X06B, X06C, X33Z		21B	X04Z, X33Z				
51526.3↔			BOP, KVT, UOP4	51527.0↔			BOP, KVT, UOP4	51528↔			BOP, KVT, UOP4
		01	B04A, B04B, B04C, B04D, B04E			01	B04A, B04B, B04C, B04D, B04E			01	B04A, B04B, B04C, B04D, B04E
	05	F01A, F01B, F01D, F05Z, F07A, F07B, F08A, F08B, F08C, F08D, F08E, F27A, F28A, F42Z	05		F01A, F01B, F01D, F05Z, F07A, F07B, F08A, F08B, F08C, F08D, F08E, F27A, F28A, F42Z	05	F01A, F01B, F01D, F05Z, F07A, F07B, F08A, F08B, F08C, F08D, F08E, F27A, F28A, F42Z				
	08	I08A, I08B, I08C, I08D, I08E, I13A, I13B	08		I08A, I08B, I08C, I08D, I08E, I13A, I13B	08	I08A, I08B, I08C, I08D, I08E, I13A, I13B				
	10	K09A, K09B	10		K09A, K09B	10	K09A, K09B				
	11	L09A, L38Z	11		L09A, L38Z	11	L09A, L38Z				
	21A	W04A, W04B	21A		W04A, W04B	21A	W04A, W04B				
	21B	X06A, X06B, X06C, X33Z	21B		X04Z, X33Z	21B	X04Z, X33Z				

VYK

ZZV	MDC	DRG	ZZV	MDC	DRG	ZZV	MDC	DRG			
51529		BOP, KVT, UOP4	51530.3↔		BOP, KVT, UOP4	51531.1↔		BOP, KVT, UOP4			
	01	B04A, B04B, B04C, B04D, B04E		01	B04A, B04B, B04C, B04D, B04E		01	B04A, B04B, B04C, B04D, B04E			
	05	F01A, F01B, F01D, F05Z, F07A, F07B, F08A, F08B, F08C, F08D, F08E, F27A, F28A, F42Z		05	F01A, F01B, F01D, F05Z, F06A, F06C, F07A, F07B, F14A, F14B, F28A, F42Z, F54Z, F59A, F59B		05	F01A, F01B, F01D, F05Z, F07A, F07B, F14A, F14B, F28A, F42Z, F54Z, F59A, F59B			
	07	H06A, H06B, H06C		08	I08A, I08B, I08C, I08D, I08E, I13A, I13B		08	I08A, I08B, I08C, I08D, I08E, I13A, I13B			
	08	I08A, I08B, I08C, I08D, I08E, I13A, I13B		10	K09A, K09B		10	K09A, K09B			
	09	J03A, J03B, J04A, J04B, J08A, J08B, J08C, J11A, J11B, J16Z		11	L09A, L09B, L09C, L09D, L38Z		11	L09A, L09B, L09C, L09D, L38Z			
	10	K09A, K09B		21A	W04A, W04B		21A	W04A, W04B			
	11	L09A, L09B, L09C, L09D, L38Z		21B	X06A, X06B, X06C		21B	X05A, X05B, X06A, X06B, X06C			
	21A	W04A, W04B		51530.4↔			BOP, KVT, UOP4	51531.x↔		BOP, KVT, UOP4	
	21B	X04Z, X05A, X05B, X06A, X06B, X06C, X33Z			01		B04A, B04B, B04C, B04D, B04E		01	B04A, B04B, B04C, B04D, B04E	
	5152a			BOP, KVT, UOP4	51530.x↔			BOP, KVT, UOP4	51532.0↔		BOP, KVT, UOP4
05		F21A, F21B	05	F01A, F01B, F01D, F05Z, F06A, F06C, F07A, F07B, F14A, F14B, F28A, F42Z, F54Z, F59A, F59B		05	F01A, F01B, F01D, F05Z, F07A, F07B, F14A, F14B, F28A, F42Z, F54Z, F59A, F59B				
08		I08A, I08B, I08C, I08D, I08E, I13A, I13B	08	I08A, I08B, I08C, I08D, I08E, I13A, I13B		08	I08A, I08B, I08C, I08D, I08E, I13A, I13B				
10		K09A, K09B	10	K09A, K09B		10	K09A, K09B				
11		L09A, L09B, L09C, L09D, L38Z	11	L09A, L09B, L09C, L09D, L38Z		11	L09A, L09B, L09C, L09D, L38Z				
21A		W04A, W04B	21A	W04A, W04B		21A	W04A, W04B				
21B		X04Z, X05A, X05B, X06A, X06B, X06C	21B	X06A, X06B, X06C		21B	X05A, X05B, X06A, X06B, X06C				
51530.0↔			BOP, KVT, UOP4	51531.0↔			BOP, KVT, UOP4	51532.1↔			BOP, KVT, UOP4
		01	B04A, B04B, B04C, B04D, B04E			01	B04A, B04B, B04C, B04D, B04E			01	B04A, B04B, B04C, B04D, B04E
		05	F01A, F01B, F01D, F05Z, F06A, F06C, F07A, F07B, F14A, F14B, F28A, F42Z, F54Z, F59A, F59B			05	F01A, F01B, F01D, F05Z, F06A, F06C, F07A, F07B, F14A, F14B, F28A, F42Z, F54Z, F59A, F59B			05	F01A, F01B, F01D, F05Z, F07A, F07B, F14A, F14B, F28A, F42Z, F54Z, F59A, F59B
		08	I08A, I08B, I08C, I08D, I08E, I13A, I13B			08	I08A, I08B, I08C, I08D, I08E, I13A, I13B			08	I08A, I08B, I08C, I08D, I08E, I13A, I13B
	10	K09A, K09B	10		K09A, K09B	10	K09A, K09B				
	11	L09A, L09B, L09C, L09D, L38Z	11		L09A, L09B, L09C, L09D, L38Z	11	L09A, L09B, L09C, L09D, L38Z				
	21A	W04A, W04B	21A		W04A, W04B	21A	W04A, W04B				
	21B	X06A, X06B, X06C	21B		X06A, X06B, X06C	21B	X05A, X05B, X06A, X06B, X06C				
	51530.1↔		BOP, KVT, UOP4		51532.2↔		BOP, KVT, UOP4		51533.1↔		BOP, KVT, UOP4
		01	B04A, B04B, B04C, B04D, B04E			01	B04A, B04B, B04C, B04D, B04E			01	B04A, B04B, B04C, B04D, B04E
		05	F01A, F01B, F01D, F05Z, F06A, F06C, F07A, F07B, F14A, F14B, F28A, F42Z, F54Z, F59A, F59B			05	F01A, F01B, F01D, F05Z, F06A, F06C, F07A, F07B, F14A, F14B, F28A, F42Z, F54Z, F59A, F59B			05	F01A, F01B, F01D, F05Z, F07A, F07B, F14A, F14B, F28A, F42Z, F54Z, F59A, F59B
08		I08A, I08B, I08C, I08D, I08E, I13A, I13B	08	I08A, I08B, I08C, I08D, I08E, I13A, I13B		08	I08A, I08B, I08C, I08D, I08E, I13A, I13B				
10		K09A, K09B	10	K09A, K09B		10	K09A, K09B				
11		L09A, L09B, L09C, L09D, L38Z	11	L09A, L09B, L09C, L09D, L38Z		11	L09A, L09B, L09C, L09D, L38Z				
21A		W04A, W04B	21A	W04A, W04B		21A	W04A, W04B				
21B		X06A, X06B, X06C	21B	X05A, X05B, X06A, X06B, X06C		21B	X05A, X05B, X06A, X06B, X06C				
51530.2↔			BOP, KVT, UOP4	51533.2↔			BOP, KVT, UOP4	51534.1↔			BOP, KVT, UOP4
		01	B04A, B04B, B04C, B04D, B04E			01	B04A, B04B, B04C, B04D, B04E			01	B04A, B04B, B04C, B04D, B04E
		05	F01A, F01B, F01D, F05Z, F06A, F06C, F07A, F07B, F14A, F14B, F28A, F42Z, F54Z, F59A, F59B			05	F01A, F01B, F01D, F05Z, F06A, F06C, F07A, F07B, F14A, F14B, F28A, F42Z, F54Z, F59A, F59B			05	F01A, F01B, F01D, F05Z, F07A, F07B, F14A, F14B, F28A, F42Z, F54Z, F59A, F59B
	08	I08A, I08B, I08C, I08D, I08E, I13A, I13B	08		I08A, I08B, I08C, I08D, I08E, I13A, I13B	08	I08A, I08B, I08C, I08D, I08E, I13A, I13B				
	10	K09A, K09B	10		K09A, K09B	10	K09A, K09B				
	11	L09A, L09B, L09C, L09D, L38Z	11		L09A, L09B, L09C, L09D, L38Z	11	L09A, L09B, L09C, L09D, L38Z				
	21A	W04A, W04B	21A		W04A, W04B	21A	W04A, W04B				
	21B	X06A, X06B, X06C	21B		X05A, X05B, X06A, X06B, X06C	21B	X05A, X05B, X06A, X06B, X06C				

VYK

ZZV	MDC	DRG	ZZV	MDC	DRG	ZZV	MDC	DRG
51532.2↔		BOP, KVT, UOP4	51533.0		BOP, KVT, UOP4	51534.1↔		BOP, KVT, UOP4
	01	B04A, B04B, B04C, B04D, B04E		01	B04A, B04B, B04C, B04D, B04E		01	B04A, B04B, B04C, B04D, B04E
	05	F01A, F01B, F01D, F05Z, F07A, F07B, F14A, F14B, F28A, F42Z, F54Z, F59A, F59B		05	F01A, F01B, F01D, F05Z, F07A, F07B, F14A, F14B, F28A, F42Z, F54Z, F59A, F59B		05	F01A, F01B, F01D, F05Z, F07A, F07B, F14A, F14B, F28A, F42Z, F54Z, F59A, F59B
	08	I08A, I08B, I08C, I08D, I08E, I13A, I13B		08	I08A, I08B, I08C, I08D, I08E, I13A, I13B		08	I08A, I08B, I08C, I08D, I08E, I13A, I13B
	10	K09A, K09B		10	K09A, K09B		10	K09A, K09B
	11	L09A, L09B, L09C, L09D, L38Z		11	L09A, L09B, L09C, L09D, L38Z		11	L09A, L09B, L09C, L09D, L38Z
	21A	W04A, W04B		15	P02A, P02B, P02C		15	P02A, P02B, P02C
21B	X05A, X05B, X06A, X06B, X06C	21A	W04A, W04B	21A	W04A, W04B			
51532.3↔		BOP, KVT, UOP4	51533.1		BOP, KVT, UOP4	51534.2↔		BOP, KVT, UOP4
	01	B04A, B04B, B04C, B04D, B04E		01	B04A, B04B, B04C, B04D, B04E		01	B04A, B04B, B04C, B04D, B04E
	05	F01A, F01B, F01D, F05Z, F07A, F07B, F14A, F14B, F28A, F42Z, F54Z, F59A, F59B		05	F01A, F01B, F01D, F05Z, F07A, F07B, F14A, F14B, F28A, F42Z, F54Z, F59A, F59B		05	F01A, F01B, F01D, F05Z, F07A, F07B, F14A, F14B, F28A, F42Z, F54Z, F59A, F59B
	08	I08A, I08B, I08C, I08D, I08E, I13A, I13B		08	I08A, I08B, I08C, I08D, I08E, I13A, I13B		08	I08A, I08B, I08C, I08D, I08E, I13A, I13B
	10	K09A, K09B		10	K09A, K09B		10	K09A, K09B
	11	L09A, L09B, L09C, L09D, L38Z		11	L09A, L09B, L09C, L09D, L38Z		11	L09A, L09B, L09C, L09D, L38Z
	21A	W04A, W04B		15	P02A, P02B, P02C		15	P02A, P02B, P02C
21B	X05A, X05B, X06A, X06B, X06C	21A	W04A, W04B	21A	W04A, W04B			
51532.4↔		BOP, KVT, UOP4	51533.x		BOP, KVT, UOP4	51534.x↔		BOP, KVT, UOP4
	01	B04A, B04B, B04C, B04D, B04E		01	B04A, B04B, B04C, B04D, B04E		01	B04A, B04B, B04C, B04D, B04E
	05	F01A, F01B, F01D, F05Z, F07A, F07B, F14A, F14B, F28A, F42Z, F54Z, F59A, F59B		05	F01A, F01B, F01D, F05Z, F07A, F07B, F14A, F14B, F28A, F42Z, F54Z, F59A, F59B		05	F01A, F01B, F01D, F05Z, F07A, F07B, F14A, F14B, F28A, F42Z, F54Z, F59A, F59B
	08	I08A, I08B, I08C, I08D, I08E, I13A, I13B		08	I08A, I08B, I08C, I08D, I08E, I13A, I13B		08	I08A, I08B, I08C, I08D, I08E, I13A, I13B
	10	K09A, K09B		10	K09A, K09B		10	K09A, K09B
	11	L09A, L09B, L09C, L09D, L38Z		11	L09A, L09B, L09C, L09D, L38Z		11	L09A, L09B, L09C, L09D, L38Z
	21A	W04A, W04B		15	P02A, P02B, P02C		15	P02A, P02B, P02C
21B	X05A, X05B, X06A, X06B, X06C	21A	W04A, W04B	21A	W04A, W04B			
51532.x↔		BOP, KVT, UOP4	51534.0↔		BOP, KVT, UOP4	51535.0↔		BOP, KVT, UOP4
	01	B04A, B04B, B04C, B04D, B04E		01	B04A, B04B, B04C, B04D, B04E		01	B04A, B04B, B04C, B04D, B04E
	05	F01A, F01B, F01D, F05Z, F07A, F07B, F14A, F14B, F28A, F42Z, F54Z, F59A, F59B		05	F01A, F01B, F01D, F05Z, F07A, F07B, F14A, F14B, F28A, F42Z, F54Z, F59A, F59B		05	F01A, F01B, F01D, F05Z, F07A, F07B, F14A, F14B, F28A, F42Z, F54Z, F59A, F59B
	08	I08A, I08B, I08C, I08D, I08E, I13A, I13B		08	I08A, I08B, I08C, I08D, I08E, I13A, I13B		08	I08A, I08B, I08C, I08D, I08E, I13A, I13B
	10	K09A, K09B		10	K09A, K09B		10	K09A, K09B
	11	L09A, L09B, L09C, L09D, L38Z		11	L09A, L09B, L09C, L09D, L38Z		11	L09A, L09B, L09C, L09D, L38Z
	21A	W04A, W04B		15	P02A, P02B, P02C		21A	W04A, W04B
21B	X05A, X05B, X06A, X06B, X06C	21A	W04A, W04B	21B	X04Z, X06A, X06B, X06C			
			21B	X06A, X06B, X06C				

ZZV	MDC	DRG	ZZV	MDC	DRG	ZZV	MDC	DRG			
51535.1↔		BOP, KVT, UOP4	51536.0		BOP, KOP, KOPV, KVT, UOP4	51536.3		BOP, KOP, KOPV, KVT, UOP4			
	01	B04A, B04B, B04C, B04D, B04E		01	B04A, B04B, B04C, B04D, B04E		01	B04A, B04B, B04C, B04D, B04E			
	05	F01A, F01B, F01D, F05Z, F07A, F07B, F14A, F14B, F28A, F42Z, F54Z, F59A, F59B		05	F01A, F01B, F01D, F05Z, F07A, F07B, F14A, F14B, F28A, F42Z, F54Z, F59A, F59B		05	F01A, F01B, F01D, F05Z, F07A, F07B, F14A, F14B, F28A, F42Z, F54Z, F59A, F59B			
	08	I08A, I08B, I08C, I08D, I08E, I13A, I13B		06	G15Z, G18A, G19A, G19B, G33Z, G38Z		06	G15Z, G18A, G19A, G19B, G33Z, G38Z			
	10	K09A, K09B		07	H01A, H33Z, H38Z		07	H06A, H06B, H06C, H33Z, H38Z			
	11	L09A, L09B, L09C, L09D, L38Z		08	I08A, I08B, I08C, I08D, I08E, I13A, I13B		08	I08A, I08B, I08C, I08D, I08E, I13A, I13B			
	21A	W04A, W04B		10	K09A, K09B		10	K09A, K09B			
	21B	X04Z, X06A, X06B, X06C		11	L09A, L09B, L09C, L09D, L33Z, L38Z		11	L09A, L09B, L09C, L09D, L33Z, L38Z			
	51535.2↔			BOP, KVT, UOP4	51536.1			BOP, KOP, KOPV, KVT, UOP4	51536.4↔		BOP, KVT, UOP4
		01		B04A, B04B, B04C, B04D, B04E			01	B04A, B04B, B04C, B04D, B04E		01	B04A, B04B, B04C, B04D, B04E
05		F01A, F01B, F01D, F05Z, F07A, F07B, F14A, F14B, F28A, F42Z, F54Z, F59A, F59B	05	F01A, F01B, F01D, F05Z, F07A, F07B, F14A, F14B, F28A, F42Z, F54Z, F59A, F59B		05	F01A, F01B, F01D, F05Z, F07A, F07B, F14A, F14B, F28A, F42Z, F54Z, F59A, F59B				
08		I08A, I08B, I08C, I08D, I08E, I13A, I13B	06	G15Z, G18A, G19A, G19B, G33Z, G38Z		08	I08A, I08B, I08C, I08D, I08E, I13A, I13B				
10		K09A, K09B	07	H01A, H06A, H06B, H06C, H33Z, H38Z		10	K09A, K09B				
11		L09A, L09B, L09C, L09D, L38Z	08	I08A, I08B, I08C, I08D, I08E, I13A, I13B		11	L09A, L09B, L09C, L09D, L38Z				
21A		W04A, W04B	10	K09A, K09B		21A	W04A, W04B				
21B		X04Z, X06A, X06B, X06C	11	L09A, L09B, L09C, L09D, L33Z, L38Z		21B	X06A, X06B, X06C				
51535.3↔			BOP, KVT, UOP4	51536.2			BOP, KOP, KOPV, KVT, UOP4	51536.5			BOP, KOP, KOPV, KVT, UOP4
		01	B04A, B04B, B04C, B04D, B04E			01	B04A, B04B, B04C, B04D, B04E			01	B04A, B04B, B04C, B04D, B04E
	05	F01A, F01B, F01D, F05Z, F07A, F07B, F14A, F14B, F28A, F42Z, F54Z, F59A, F59B	05		F01A, F01B, F01D, F05Z, F07A, F07B, F14A, F14B, F28A, F42Z, F54Z, F59A, F59B	05	F01A, F01B, F01D, F05Z, F07A, F07B, F14A, F14B, F28A, F42Z, F54Z, F59A, F59B				
	08	I08A, I08B, I08C, I08D, I08E, I13A, I13B	06		G15Z, G19A, G19B, G33Z, G38Z	06	G15Z, G18A, G19A, G19B, G33Z, G38Z				
	10	K09A, K09B	07		H33Z, H38Z	07	H01A, H33Z, H38Z				
	11	L09A, L09B, L09C, L09D, L38Z	08		I08A, I08B, I08C, I08D, I08E, I13A, I13B	08	I08A, I08B, I08C, I08D, I08E, I13A, I13B				
	21A	W04A, W04B	10		K09A, K09B	10	K09A, K09B				
	21B	X04Z, X06A, X06B, X06C	11		L09A, L09B, L09C, L09D, L33Z, L38Z	11	L09A, L09B, L09C, L09D, L33Z, L38Z				
	51535.4↔		BOP, KVT, UOP4		51535.x↔		BOP, KVT, UOP4		51535.x↔		BOP, KVT, UOP4
		01	B04A, B04B, B04C, B04D, B04E			01	B04A, B04B, B04C, B04D, B04E			01	B04A, B04B, B04C, B04D, B04E
05		F01A, F01B, F01D, F05Z, F07A, F07B, F14A, F14B, F28A, F42Z, F54Z, F59A, F59B	05	F01A, F01B, F01D, F05Z, F07A, F07B, F14A, F14B, F28A, F42Z, F54Z, F59A, F59B		05	F01A, F01B, F01D, F05Z, F07A, F07B, F14A, F14B, F28A, F42Z, F54Z, F59A, F59B				
08		I08A, I08B, I08C, I08D, I08E, I13A, I13B	08	I08A, I08B, I08C, I08D, I08E, I13A, I13B		08	I08A, I08B, I08C, I08D, I08E, I13A, I13B				
10		K09A, K09B	10	K09A, K09B		10	K09A, K09B				
11		L09A, L09B, L09C, L09D, L38Z	11	L09A, L09B, L09C, L09D, L38Z		11	L09A, L09B, L09C, L09D, L38Z				
21A		W04A, W04B	21A	W04A, W04B		21A	W04A, W04B				
21B		X04Z, X06A, X06B, X06C	21B	X06A, X06B, X06C, X33Z		21B	X06A, X06B, X06C, X33Z				
51535.x↔			BOP, KVT, UOP4								
		01	B04A, B04B, B04C, B04D, B04E								
	05	F01A, F01B, F01D, F05Z, F07A, F07B, F14A, F14B, F28A, F42Z, F54Z, F59A, F59B									
	08	I08A, I08B, I08C, I08D, I08E, I13A, I13B									
	10	K09A, K09B									
	11	L09A, L09B, L09C, L09D, L38Z									
	21A	W04A, W04B									
	21B	X04Z, X06A, X06B, X06C									

VYK



ZZV	MDC	DRG	ZZV	MDC	DRG	ZZV	MDC	DRG			
51539.1↔		BOP, KVT, UOP4	51539.5		BOP, KVT, UOP4	51539.9↔		BOP, KVT, UOP4			
	01	B04A, B04B, B04C, B04D, B04E		01	B04A, B04B, B04C, B04D, B04E		01	B04A, B04B, B04C, B04D, B04E			
	05	F01A, F01B, F01D, F05Z, F07A, F07B, F14A, F14B, F28A, F42Z, F54Z, F59A, F59B		05	F01A, F01B, F01D, F05Z, F07A, F07B, F14A, F14B, F28A, F42Z, F54Z, F59A, F59B		05	F01A, F01B, F01D, F05Z, F07A, F07B, F14A, F14B, F28A, F42Z, F54Z, F59A, F59B			
	08	I08A, I08B, I08C, I08D, I08E, I13A, I13B		06	G18A, G38Z		08	I08A, I08B, I08C, I08D, I08E, I13A, I13B			
	10	K09A, K09B		07	H01A		10	K09A, K09B			
	11	L09A, L09B, L09C, L09D, L38Z		08	I08A, I08B, I08C, I08D, I08E, I13A, I13B		11	L09A, L09B, L09C, L09D, L38Z			
	21A	W04A, W04B		10	K09A, K09B		21A	W04A, W04B			
	21B	X04Z, X06A, X06B, X06C		11	L09A, L09B, L09C, L09D, L38Z		21B	X06A, X06B, X06C			
	51539.2			BOP, KVT, UOP4	51539.6			BOP, KVT, UOP4	51539.a↔		BOP, KVT, UOP4
		01		B04A, B04B, B04C, B04D, B04E			01	B04A, B04B, B04C, B04D, B04E		01	B04A, B04B, B04C, B04D, B04E
		05		F01A, F01B, F01D, F05Z, F07A, F07B, F14A, F14B, F28A, F42Z, F54Z, F59A, F59B			05	F01A, F01B, F01D, F05Z, F07A, F07B, F14A, F14B, F28A, F42Z, F54Z, F59A, F59B		05	F01A, F01B, F01D, F05Z, F07A, F07B, F14A, F14B, F28A, F42Z, F54Z, F59A, F59B
06		G18A, G38Z	06	G18A, G38Z		08	I08A, I08B, I08C, I08D, I08E, I13A, I13B				
07		H01A	07	H01A		10	K09A, K09B				
08		I08A, I08B, I08C, I08D, I08E, I13A, I13B	08	I08A, I08B, I08C, I08D, I08E, I13A, I13B		11	L09A, L09B, L09C, L09D, L38Z				
10		K09A, K09B	10	K09A, K09B		21A	W04A, W04B				
11		L09A, L09B, L09C, L09D, L38Z	11	L09A, L09B, L09C, L09D, L38Z		21B	X06A, X06B, X06C				
21A		W04A, W04B	21A	W04A, W04B			BOP, KVT, UOP4				
21B		X06A, X06B, X06C	21B	X06A, X06B, X06C		01	B04A, B04B, B04C, B04D, B04E				
51539.3↔			BOP, KVT, UOP4	51539.7			BOP, KVT, UOP4	51539.b↔			BOP, KVT, UOP4
	01	B04A, B04B, B04C, B04D, B04E	01		B04A, B04B, B04C, B04D, B04E	05	F01A, F01B, F01D, F05Z, F07A, F07B, F14A, F14B, F28A, F42Z, F54Z, F59A, F59B				
	05	F01A, F01B, F01D, F05Z, F07A, F07B, F14A, F14B, F28A, F42Z, F54Z, F59A, F59B	05		F01A, F01B, F01D, F05Z, F07A, F07B, F14A, F14B, F28A, F42Z, F54Z, F59A, F59B	08	I08A, I08B, I08C, I08D, I08E, I13A, I13B				
	06	G18A, G38Z	06		G18A, G38Z	10	K09A, K09B				
	07	H01A	07		H01A	11	L09A, L09B, L09C, L09D, L38Z				
	08	I08A, I08B, I08C, I08D, I08E, I13A, I13B	08		I08A, I08B, I08C, I08D, I08E, I13A, I13B	21A	W04A, W04B				
	10	K09A, K09B	10		K09A, K09B	21B	X05A, X05B, X06A, X06B, X06C				
	11	L09A, L09B, L09C, L09D, L38Z	11		L09A, L09B, L09C, L09D, L38Z		BOP, KVT, UOP4				
	21A	W04A, W04B	21A		W04A, W04B	01	B04A, B04B, B04C, B04D, B04E				
	21B	X06A, X06B, X06C	21B		X06A, X06B, X06C	05	F01A, F01B, F01D, F05Z, F07A, F07B, F14A, F14B, F28A, F42Z, F54Z, F59A, F59B				
	51539.4		BOP, KVT, UOP4		51539.8↔		BOP, KVT, UOP4		51539.c↔		BOP, KVT, UOP4
01		B04A, B04B, B04C, B04D, B04E	01	B04A, B04B, B04C, B04D, B04E		08	I08A, I08B, I08C, I08D, I08E, I13A, I13B				
05		F01A, F01B, F01D, F05Z, F07A, F07B, F14A, F14B, F28A, F42Z, F54Z, F59A, F59B	05	F01A, F01B, F01D, F05Z, F07A, F07B, F14A, F14B, F28A, F42Z, F54Z, F59A, F59B		10	K09A, K09B				
06		G18A, G38Z	06	G18A, G38Z		11	L09A, L09B, L09C, L09D, L38Z				
07		H01A	07	H01A		21A	W04A, W04B				
08		I08A, I08B, I08C, I08D, I08E, I13A, I13B	08	I08A, I08B, I08C, I08D, I08E, I13A, I13B		21B	X05A, X05B, X06A, X06B, X06C				
10		K09A, K09B	10	K09A, K09B			BOP, KVT, UOP4				
11		L09A, L09B, L09C, L09D, L38Z	11	L09A, L09B, L09C, L09D, L38Z		01	B04A, B04B, B04C, B04D, B04E				
21A		W04A, W04B	21A	W04A, W04B		05	F01A, F01B, F01D, F05Z, F07A, F07B, F14A, F14B, F28A, F42Z, F54Z, F59A, F59B				
21B		X06A, X06B, X06C	21B	X06A, X06B, X06C			BOP, KVT, UOP4				

VYK

ZZV	MDC	DRG	ZZV	MDC	DRG	ZZV	MDC	DRG			
51539.d↔		BOP, KVT, UOP4	51539.h↔		BOP, KVT, UOP4	5153a.3↔		BOP, KVT, UOP4			
	01	B04A, B04B, B04C, B04D, B04E		01	B04A, B04B, B04C, B04D, B04E		01	B04A, B04B, B04C, B04D, B04E			
	05	F01A, F01B, F01D, F05Z, F07A, F07B, F14A, F14B, F28A, F42Z, F54Z, F59A, F59B		05	F01A, F01B, F01D, F05Z, F07A, F07B, F14A, F14B, F28A, F42Z, F54Z, F59A, F59B		05	F01A, F01B, F01D, F05Z, F07A, F07B, F14A, F14B, F28A, F42Z, F54Z, F59A, F59B			
	08	I08A, I08B, I08C, I08D, I08E, I13A, I13B		08	I08A, I08B, I08C, I08D, I08E, I13A, I13B		08	I08A, I08B, I08C, I08D, I08E, I13A, I13B			
	10	K09A, K09B		10	K09A, K09B		10	K09A, K09B			
	11	L09A, L09B, L09C, L09D, L38Z		11	L09A, L09B, L09C, L09D, L38Z		11	L09A, L09B, L09C, L09D, L38Z			
51539.e	21A	W04A, W04B	51539.i↔	21A	W04A, W04B	5153a.x↔	21A	W04A, W04B			
	21B	X05A, X05B, X06A, X06B, X06C		21B	X04Z, X06A, X06B, X06C		21B	X04Z, X05A, X05B, X06A, X06B, X06C			
	01	BOP, KVT, UOP4		01	B04A, B04B, B04C, B04D, B04E		01	BOP, KVT, UOP4			
		B04A, B04B, B04C, B04D, B04E			05			F01A, F01B, F01D, F05Z, F07A, F07B, F14A, F14B, F28A, F42Z, F54Z, F59A, F59B	05	F01A, F01B, F01D, F05Z, F07A, F07B, F14A, F14B, F28A, F42Z, F54Z, F59A, F59B	
		05			F01A, F01B, F01D, F05Z, F07A, F07B, F14A, F14B, F28A, F42Z, F54Z, F59A, F59B			08	I08A, I08B, I08C, I08D, I08E, I13A, I13B	08	I08A, I08B, I08C, I08D, I08E, I13A, I13B
		08			I08A, I08B, I08C, I08D, I08E, I13A, I13B			10	K09A, K09B	10	K09A, K09B
10		K09A, K09B	11		L09A, L09B, L09C, L09D, L38Z	11		L09A, L09B, L09C, L09D, L38Z			
11	L09A, L09B, L09C, L09D, L38Z	21A	W04A, W04B	21A	W04A, W04B						
21A	W04A, W04B		21B		X04Z, X06A, X06B, X06C	21B	X06A, X06B, X06C				
51539.f	21B	X06A, X06B, X06C	51539.x↔		BOP, KVT, UOP4	51540.0↔		BOP, KVT, UOP4			
	01	BOP, KVT, UOP4		01	B04A, B04B, B04C, B04D, B04E		01	B04A, B04B, B04C, B04D, B04E			
		B04A, B04B, B04C, B04D, B04E			05			F01A, F01B, F01D, F05Z, F07A, F07B, F14A, F14B, F28A, F42Z, F54Z, F59A, F59B	05	F01A, F01B, F01D, F05Z, F06A, F06C, F07A, F07B, F14A, F14B, F28A, F42Z, F54Z, F59A, F59B	
		05			F01A, F01B, F01D, F05Z, F07A, F07B, F14A, F14B, F28A, F42Z, F54Z, F59A, F59B			08	I08A, I08B, I08C, I08D, I08E, I13A, I13B	08	I08A, I08B, I08C, I08D, I08E, I13A, I13B
		06			G03A, G18A, G38Z			10	K09A, K09B	09	J03A, J03B, J04A, J04B, J08A, J08B, J08C, J11A, J11B, J16Z
		07			H01A			11	L09A, L09B, L09C, L09D, L38Z	10	K09A, K09B
	08	I08A, I08B, I08C, I08D, I08E, I13A, I13B		21A	W04A, W04B		21A	W04A, W04B			
	10	K09A, K09B			21B			X06A, X06B, X06C	21B	X06A, X06B, X06C	
	11	L09A, L09B, L09C, L09D, L38Z		01	BOP, KVT, UOP4		01	BOP, KVT, UOP4			
	21A	W04A, W04B			05			F01A, F01B, F01D, F05Z, F07A, F07B, F28A, F42Z, F54Z, F59A, F59B	05	F01A, F01B, F01D, F05Z, F06A, F06C, F07A, F07B, F14A, F14B, F28A, F42Z, F54Z, F59A, F59B	
	21B	X06A, X06B, X06C		5153a.1↔			B04A, B04B, B04C, B04D, B04E	51540.10↔		BOP, KVT, UOP4	
01	BOP, KVT, UOP4	01	B04A, B04B, B04C, B04D, B04E		01	B04A, B04B, B04C, B04D, B04E					
	B04A, B04B, B04C, B04D, B04E		05			F01A, F01B, F01D, F05Z, F07A, F07B, F28A, F42Z, F54Z, F59A, F59B	05		F01A, F01B, F01D, F05Z, F06A, F06C, F07A, F07B, F14A, F14B, F28A, F42Z, F54Z, F59A, F59B		
	05		F01A, F01B, F01D, F05Z, F07A, F07B, F14A, F14B, F28A, F42Z, F54Z, F59A, F59B			08	I08A, I08B, I08C, I08D, I08E, I13A, I13B		08	I08A, I08B, I08C, I08D, I08E, I13A, I13B	
	06		G03A, G18A, G38Z			10	K09A, K09B		09	J03A, J03B, J04A, J04B, J08A, J08B, J08C, J11A, J11B, J16Z	
	07		H01A			11	L09A, L09B, L09C, L09D, L38Z		10	K09A, K09B	
08	I08A, I08B, I08C, I08D, I08E, I13A, I13B	21A	W04A, W04B	21A	W04A, W04B						
10	K09A, K09B		21B		X04Z, X05A, X05B, X06A, X06B, X06C	21B	X06A, X06B, X06C				
11	L09A, L09B, L09C, L09D, L38Z	5153a.2↔		BOP, KVT, UOP4	21A	W04A, W04B					
01	BOP, KVT, UOP4		01	B04A, B04B, B04C, B04D, B04E		01	B04A, B04B, B04C, B04D, B04E				
	B04A, B04B, B04C, B04D, B04E			05			F01A, F01B, F01D, F05Z, F07A, F07B, F28A, F42Z, F54Z, F59A, F59B	05	F01A, F01B, F01D, F05Z, F06A, F06C, F07A, F07B, F14A, F14B, F28A, F42Z, F54Z, F59A, F59B		
	05			F01A, F01B, F01D, F05Z, F07A, F07B, F14A, F14B, F28A, F42Z, F54Z, F59A, F59B			08	I08A, I08B, I08C, I08D, I08E, I13A, I13B	08	I08A, I08B, I08C, I08D, I08E, I13A, I13B	
	06			G03A, G18A, G38Z			10	K09A, K09B	09	J03A, J03B, J04A, J04B, J08A, J08B, J08C, J11A, J11B, J16Z	
	07			H01A			11	L09A, L09B, L09C, L09D, L38Z	10	K09A, K09B	
08	I08A, I08B, I08C, I08D, I08E, I13A, I13B	21A	W04A, W04B	21A	W04A, W04B						
10	K09A, K09B		21B		X04Z, X05A, X05B, X06A, X06B, X06C	21B	X06A, X06B, X06C				
11	L09A, L09B, L09C, L09D, L38Z										
21A	W04A, W04B										
21B	X04Z, X06A, X06B, X06C										

VYK

ZZV	MDC	DRG	ZZV	MDC	DRG	ZZV	MDC	DRG			
51540.11↔		BOP, KVT, UOP4	51540.41↔		BOP, KOP, KOPV, KVT, UOP4	51542.0↔		BOP, KVT, UOP4			
	01	B04A, B04B, B04C, B04D, B04E		01	B04A, B04B, B04C, B04D, B04E		01	B04A, B04B, B04C, B04D, B04E			
	05	F01A, F01B, F01D, F05Z, F06A, F06C, F07A, F07B, F14A, F14B, F28A, F42Z, F54Z, F59A, F59B		04	E05A, E05B, E05C, E08A, E08B, E08C		05	F01A, F01B, F01D, F05Z, F06A, F06C, F07A, F07B, F14A, F14B, F28A, F42Z, F54Z, F59A, F59B			
	08	I08A, I08B, I08C, I08D, I08E, I13A, I13B		05	F01A, F01B, F01D, F05Z, F06A, F06C, F07A, F07B, F14A, F14B, F28A, F42Z, F54Z, F59A, F59B		08	I08A, I08B, I08C, I08D, I08E, I13A, I13B			
	09	J03A, J03B, J04A, J04B, J08A, J08B, J08C, J11A, J11B, J16Z		06	G33Z		09	J03A, J03B, J04A, J04B, J08A, J08B, J08C, J11A, J11B, J16Z			
	10	K09A, K09B		07	H33Z, H38Z		10	K09A, K09B			
	21A	W04A, W04B		08	I08A, I08B, I08C, I08D, I08E, I13A, I13B		21A	W04A, W04B			
	21B	X06A, X06B, X06C		09	J03A, J03B, J04A, J04B, J08A, J08B, J08C, J11A, J11B, J16Z		21B	X05A, X05B, X06A, X06B, X06C			
	51540.2↔			BOP, KVT, UOP4	51540.42↔			BOP, KOP, KOPV, KVT, UOP4	51542.1↔		BOP, KVT, UOP4
		01		B04A, B04B, B04C, B04D, B04E			01	B04A, B04B, B04C, B04D, B04E		01	B04A, B04B, B04C, B04D, B04E
		05		F01A, F01B, F01D, F05Z, F06A, F06C, F07A, F07B, F14A, F14B, F28A, F42Z, F54Z, F59A, F59B			04	E05A, E05B, E05C, E08A, E08B, E08C		05	F01A, F01B, F01D, F05Z, F07A, F07B, F14A, F14B, F28A, F42Z, F54Z, F59A, F59B
08		I08A, I08B, I08C, I08D, I08E, I13A, I13B	05	F01A, F01B, F01D, F05Z, F06A, F06C, F07A, F07B, F14A, F14B, F28A, F42Z, F54Z, F59A, F59B		08	I08A, I08B, I08C, I08D, I08E, I13A, I13B				
09		J03A, J03B, J04A, J04B, J08A, J08B, J08C, J11A, J11B, J16Z	06	G33Z		09	J03A, J03B, J04A, J04B, J08A, J08B, J08C, J11A, J11B, J16Z				
10		K09A, K09B	07	H33Z, H38Z		10	K09A, K09B				
21A		W04A, W04B	08	I08A, I08B, I08C, I08D, I08E, I13A, I13B		21A	W04A, W04B				
21B		X06A, X06B, X06C	09	J03A, J03B, J04A, J04B, J08A, J08B, J08C, J11A, J11B, J16Z		21B	X05A, X05B, X06A, X06B, X06C				
51540.3↔			BOP, KVT, UOP4	51540.x↔			BOP, KVT, UOP4	51542.2↔			BOP, KVT, UOP4
		01	B04A, B04B, B04C, B04D, B04E			01	B04A, B04B, B04C, B04D, B04E			01	B04A, B04B, B04C, B04D, B04E
		05	F01A, F01B, F01D, F05Z, F06A, F06C, F07A, F07B, F14A, F14B, F28A, F42Z, F54Z, F59A, F59B			05	F01A, F01B, F01D, F05Z, F06A, F06C, F07A, F07B, F14A, F14B, F28A, F42Z, F54Z, F59A, F59B			05	F01A, F01B, F01D, F05Z, F07A, F07B, F14A, F14B, F28A, F42Z, F54Z, F59A, F59B
	08	I08A, I08B, I08C, I08D, I08E, I13A, I13B	06		G33Z	08	I08A, I08B, I08C, I08D, I08E, I13A, I13B				
	09	J03A, J03B, J04A, J04B, J08A, J08B, J08C, J11A, J11B, J16Z	07		H33Z, H38Z	09	J03A, J03B, J04A, J04B, J08A, J08B, J08C, J11A, J11B, J16Z				
	10	K09A, K09B	08		I08A, I08B, I08C, I08D, I08E, I13A, I13B	10	K09A, K09B				
	21A	W04A, W04B	09		J03A, J03B, J04A, J04B, J08A, J08B, J08C, J11A, J11B, J16Z	21A	W04A, W04B				
	21B	X06A, X06B, X06C	10		K09A, K09B	21B	X05A, X05B, X06A, X06B, X06C				
	51540.40↔		BOP, KOP, KOPV, KVT, UOP4		51540.x↔		BOP, KVT, UOP4		51542.3↔		BOP, KVT, UOP4
		01	B04A, B04B, B04C, B04D, B04E			01	B04A, B04B, B04C, B04D, B04E			01	B04A, B04B, B04C, B04D, B04E
		04	E05A, E05B, E05C, E08A, E08B, E08C			05	F01A, F01B, F01D, F05Z, F06A, F06C, F07A, F07B, F14A, F14B, F28A, F42Z, F54Z, F59A, F59B			05	F01A, F01B, F01D, F05Z, F07A, F07B, F14A, F14B, F28A, F42Z, F54Z, F59A, F59B
05		F01A, F01B, F01D, F05Z, F06A, F06C, F07A, F07B, F14A, F14B, F28A, F42Z, F54Z, F59A, F59B	06	G33Z		08	I08A, I08B, I08C, I08D, I08E, I13A, I13B				
06		G33Z	07	H33Z, H38Z		09	J03A, J03B, J04A, J04B, J08A, J08B, J08C, J11A, J11B, J16Z				
07		H33Z, H38Z	08	I08A, I08B, I08C, I08D, I08E, I13A, I13B		10	K09A, K09B				
08		I08A, I08B, I08C, I08D, I08E, I13A, I13B	09	J03A, J03B, J04A, J04B, J08A, J08B, J08C, J11A, J11B, J16Z		21A	W04A, W04B				
09		J03A, J03B, J04A, J04B, J08A, J08B, J08C, J11A, J11B, J16Z	10	K09A, K09B		21B	X05A, X05B, X06A, X06B, X06C				
10		K09A, K09B	21A	W04A, W04B							
21A		W04A, W04B	21B	X06A, X06B, X06C							
21B		X06A, X06B, X06C, X33Z									
23	Z01A										
Pre	A07A										

VYK



ZZV	MDC	DRG	ZZV	MDC	DRG	ZZV	MDC	DRG			
51542.4↔		BOP, KVT, UOP4	51544.1↔		BOP, KOP, KOPV, KVT, UOP4	51544.x↔		BOP, KOP, KOPV, KVT, UOP4			
	01	B04A, B04B, B04C, B04D, B04E		01	B04A, B04B, B04C, B04D, B04E		01	B04A, B04B, B04C, B04D, B04E			
	05	F01A, F01B, F01D, F05Z, F07A, F07B, F14A, F14B, F28A, F42Z, F54Z, F59A, F59B		04	E05A, E05B, E05C, E08A, E08B, E08C		04	E05A, E05B, E05C, E08A, E08B, E08C			
	08	I08A, I08B, I08C, I08D, I08E, I13A, I13B		05	F01A, F01B, F01D, F05Z, F07A, F07B, F14A, F14B, F28A, F42Z, F54Z, F59A, F59B		05	F01A, F01B, F01D, F05Z, F07A, F07B, F14A, F14B, F28A, F42Z, F54Z, F59A, F59B			
	09	J03A, J03B, J04A, J04B, J08A, J08B, J08C, J11A, J11B, J16Z		06	G15Z, G19A, G19B, G33Z, G38Z		06	G15Z, G19A, G19B, G33Z, G38Z			
	10	K09A, K09B		07	H33Z, H38Z		07	H33Z, H38Z			
	21A	W04A, W04B		08	I08A, I08B, I08C, I08D, I08E, I13A, I13B		08	I08A, I08B, I08C, I08D, I08E, I13A, I13B			
	21B	X05A, X05B, X06A, X06B, X06C		09	J03A, J03B, J04A, J04B, J08A, J08B, J08C, J11A, J11B, J16Z		09	J03A, J03B, J04A, J04B, J08A, J08B, J08C, J11A, J11B, J16Z			
	51542.x↔			BOP, KVT, UOP4	51544.2↔			BOP, KOP, KOPV, KVT, UOP4	51545.0↔		BOP, KOP, KOPV, KVT, UOP4
		01		B04A, B04B, B04C, B04D, B04E			01	B04A, B04B, B04C, B04D, B04E		01	B04A, B04B, B04C, B04D, B04E
05		F01A, F01B, F01D, F05Z, F07A, F07B, F14A, F14B, F28A, F42Z, F54Z, F59A, F59B	04	E05A, E05B, E05C, E08A, E08B, E08C		05	F01A, F01B, F01D, F05Z, F07A, F07B, F14A, F14B, F28A, F42Z, F54Z, F59A, F59B				
08		I08A, I08B, I08C, I08D, I08E, I13A, I13B	05	F01A, F01B, F01D, F05Z, F07A, F07B, F14A, F14B, F28A, F42Z, F54Z, F59A, F59B		06	G15Z, G19A, G19B, G33Z, G38Z				
09		J03A, J03B, J04A, J04B, J08A, J08B, J08C, J11A, J11B, J16Z	06	G15Z, G19A, G19B, G33Z, G38Z		07	H33Z, H38Z				
10		K09A, K09B	07	H33Z, H38Z		08	I08A, I08B, I08C, I08D, I08E, I13A, I13B				
21A		W04A, W04B	08	I08A, I08B, I08C, I08D, I08E, I13A, I13B		09	J03A, J03B, J04A, J04B, J08A, J08B, J08C, J11A, J11B, J16Z				
21B		X05A, X05B, X06A, X06B, X06C	09	J03A, J03B, J04A, J04B, J08A, J08B, J08C, J11A, J11B, J16Z		10	K09A, K09B				
51544.00↔			BOP, KOP, KOPV, KVT, UOP4	51544.0↔			BOP, KOP, KOPV, KVT, UOP4	51544.0↔			BOP, KOP, KOPV, KVT, UOP4
		01	B04A, B04B, B04C, B04D, B04E			01	B04A, B04B, B04C, B04D, B04E			01	B04A, B04B, B04C, B04D, B04E
	04	E05A, E05B, E05C, E08A, E08B, E08C	04		E05A, E05B, E05C, E08A, E08B, E08C	05	F01A, F01B, F01D, F05Z, F07A, F07B, F14A, F14B, F28A, F42Z, F54Z, F59A, F59B				
	05	F01A, F01B, F01D, F05Z, F07A, F07B, F14A, F14B, F28A, F42Z, F54Z, F59A, F59B	05		F01A, F01B, F01D, F05Z, F07A, F07B, F14A, F14B, F28A, F42Z, F54Z, F59A, F59B	06	G15Z, G19A, G19B, G33Z, G38Z				
	06	G15Z, G19A, G19B, G33Z, G38Z	06		G15Z, G19A, G19B, G33Z, G38Z	07	H33Z, H38Z				
	07	H33Z, H38Z	07		H33Z, H38Z	08	I08A, I08B, I08C, I08D, I08E, I13A, I13B				
	08	I08A, I08B, I08C, I08D, I08E, I13A, I13B	08		I08A, I08B, I08C, I08D, I08E, I13A, I13B	09	J03A, J03B, J04A, J04B, J08A, J08B, J08C, J11A, J11B, J16Z				
	09	J03A, J03B, J04A, J04B, J08A, J08B, J08C, J11A, J11B, J16Z	09		J03A, J03B, J04A, J04B, J08A, J08B, J08C, J11A, J11B, J16Z	10	K09A, K09B				
	10	K09A, K09B	10		K09A, K09B	11	L09A, L09B, L09C, L09D, L33Z, L38Z				
	11	L33Z	11		L33Z	21A	W04A, W04B				
21A	W04A, W04B	21A	W04A, W04B	21B	X04Z, X06A, X06B, X06C, X33Z						
21B	X06A, X06B, X06C, X33Z	21B	X06A, X06B, X06C, X33Z	23	Z01A						
23	Z01A	23	Z01A	Pre	A07A						
Pre	A07A	Pre	A07A								
51544.01↔		BOP, KVT, UOP4									
	01	B04A, B04B, B04C, B04D, B04E									
	05	F01A, F01B, F01D, F05Z, F06A, F06C, F07A, F07B, F14A, F14B, F28A, F42Z, F54Z, F59A, F59B									
	08	I08A, I08B, I08C, I08D, I08E, I13A, I13B									
	09	J03A, J03B, J04A, J04B, J08A, J08B, J08C, J11A, J11B, J16Z									
	10	K09A, K09B									
	21A	W04A, W04B									
21B	X06A, X06B, X06C										

ZZV	MDC	DRG	ZZV	MDC	DRG	ZZV	MDC	DRG			
51545.1↔		BOP, KOP, KOPV, KVT, UOP4	51545.x↔		BOP, KOP, KOPV, KVT, UOP4	51546.1		BOP, KOP, KOPV, KVT, UOP4			
	01	B04A, B04B, B04C, B04D, B04E		01	B04A, B04B, B04C, B04D, B04E		01	B04A, B04B, B04C, B04D, B04E			
	05	F01A, F01B, F01D, F05Z, F07A, F07B, F14A, F14B, F28A, F42Z, F54Z, F59A, F59B		05	F01A, F01B, F01D, F05Z, F07A, F07B, F14A, F14B, F28A, F42Z, F54Z, F59A, F59B		04	E05A, E05B, E05C, E08A, E08B, E08C			
	06	G15Z, G19A, G19B, G33Z, G38Z		06	G15Z, G19A, G19B, G33Z, G38Z		05	F01A, F01B, F01D, F05Z, F07A, F07B, F14A, F14B, F28A, F42Z, F54Z, F59A, F59B			
	07	H33Z, H38Z		07	H33Z, H38Z		06	G15Z, G19A, G19B, G33Z, G38Z			
	08	I08A, I08B, I08C, I08D, I08E, I13A, I13B		08	I08A, I08B, I08C, I08D, I08E, I13A, I13B		07	H33Z, H38Z			
	09	J03A, J03B, J04A, J04B, J08A, J08B, J08C, J11A, J11B, J16Z		09	J03A, J03B, J04A, J04B, J08A, J08B, J08C, J11A, J11B, J16Z		08	I08A, I08B, I08C, I08D, I08E, I13A, I13B			
	10	K09A, K09B		10	K09A, K09B		09	J03A, J03B, J04A, J04B, J08A, J08B, J08C, J11A, J11B, J16Z			
	11	L09A, L09B, L09C, L09D, L33Z, L38Z		11	L09A, L09B, L09C, L09D, L33Z, L38Z		10	K09A, K09B			
	21A	W04A, W04B		21A	W04A, W04B		11	L09A, L09B, L09C, L09D, L33Z, L38Z			
	21B	X04Z, X06A, X06B, X06C, X33Z		21B	X04Z, X06A, X06B, X06C, X33Z		21A	W04A, W04B			
	23	Z01A		23	Z01A		21B	X06A, X06B, X06C, X33Z			
	Pre	A07A		Pre	A07A		23	Z01A			
	51545.2↔			BOP, KOP, KOPV, KVT, UOP4	51546.0			BOP, KOP, KOPV, KVT, UOP4	51546.2		BOP, KOP, KOPV, KVT, UOP4
		01		B04A, B04B, B04C, B04D, B04E			01	B04A, B04B, B04C, B04D, B04E		01	B04A, B04B, B04C, B04D, B04E
		05		F01A, F01B, F01D, F05Z, F07A, F07B, F14A, F14B, F28A, F42Z, F54Z, F59A, F59B			04	E05A, E05B, E05C, E08A, E08B, E08C		04	E05A, E05B, E05C, E08A, E08B, E08C
		06		G15Z, G19A, G19B, G33Z, G38Z			05	F01A, F01B, F01D, F05Z, F07A, F07B, F14A, F14B, F28A, F42Z, F54Z, F59A, F59B		05	F01A, F01B, F01D, F05Z, F07A, F07B, F14A, F14B, F28A, F42Z, F54Z, F59A, F59B
07		H33Z, H38Z	06	G15Z, G19A, G19B, G33Z, G38Z		06	G15Z, G19A, G19B, G33Z, G38Z				
08		I08A, I08B, I08C, I08D, I08E, I13A, I13B	07	H33Z, H38Z		07	H33Z, H38Z				
09		J03A, J03B, J04A, J04B, J08A, J08B, J08C, J11A, J11B, J16Z	08	I08A, I08B, I08C, I08D, I08E, I13A, I13B		08	I08A, I08B, I08C, I08D, I08E, I13A, I13B				
10		K09A, K09B	09	J03A, J03B, J04A, J04B, J08A, J08B, J08C, J11A, J11B, J16Z		09	J03A, J03B, J04A, J04B, J08A, J08B, J08C, J11A, J11B, J16Z				
11		L09A, L09B, L09C, L09D, L33Z, L38Z	10	K09A, K09B		10	K09A, K09B				
21A		W04A, W04B	11	L09A, L09B, L09C, L09D, L33Z, L38Z		11	L09A, L09B, L09C, L09D, L33Z, L38Z				
21B		X04Z, X06A, X06B, X06C, X33Z	21A	W04A, W04B		21A	W04A, W04B				
23		Z01A	21B	X06A, X06B, X06C, X33Z		21B	X06A, X06B, X06C, X33Z				
Pre		A07A	23	Z01A		23	Z01A				
			Pre	A07A		Pre	A07A				

ZZV	MDC	DRG	ZZV	MDC	DRG	ZZV	MDC	DRG			
51546.3↔		BOP, KOP, KOPV, KVT, UOP4	51546.5		BOP, KOP, KOPV, KVT, UOP4	51547.1↔		BOP, KVT, UOP4			
	01	B04A, B04B, B04C, B04D, B04E		01	B04A, B04B, B04C, B04D, B04E		01	B04A, B04B, B04C, B04D, B04E			
	04	E05A, E05B, E05C, E08A, E08B, E08C		04	E05A, E05B, E05C, E08A, E08B, E08C		05	F01A, F01B, F01D, F05Z, F07A, F07B, F14A, F14B, F28A, F42Z, F54Z, F59A, F59B			
	05	F01A, F01B, F01D, F05Z, F07A, F07B, F14A, F14B, F28A, F42Z, F54Z, F59A, F59B		05	F01A, F01B, F01D, F05Z, F07A, F07B, F14A, F14B, F28A, F42Z, F54Z, F59A, F59B		08	I08A, I08B, I08C, I08D, I08E, I13A, I13B			
	06	G15Z, G19A, G19B, G33Z, G38Z		06	G15Z, G19A, G19B, G33Z, G38Z		09	J03A, J03B, J04A, J04B, J08A, J08B, J08C, J11A, J11B, J16Z			
	07	H33Z, H38Z		07	H33Z, H38Z		10	K09A, K09B			
	08	I08A, I08B, I08C, I08D, I08E, I13A, I13B		08	I08A, I08B, I08C, I08D, I08E, I13A, I13B		11	L09A, L09B, L09C, L09D, L38Z			
	09	J03A, J03B, J04A, J04B, J08A, J08B, J08C, J11A, J11B, J16Z		09	J03A, J03B, J04A, J04B, J08A, J08B, J08C, J11A, J11B, J16Z		21A	W04A, W04B			
	10	K09A, K09B		10	K09A, K09B		21B	X04Z, X06A, X06B, X06C			
	11	L09A, L09B, L09C, L09D, L33Z, L38Z		11	L09A, L09B, L09C, L09D, L33Z, L38Z		Pre	BOP, KVT, UOP4			
	21A	W04A, W04B		21A	W04A, W04B		01	B04A, B04B, B04C, B04D, B04E			
	21B	X06A, X06B, X06C, X33Z		21B	X06A, X06B, X06C, X33Z		05	F01A, F01B, F01D, F05Z, F07A, F07B, F14A, F14B, F28A, F42Z, F54Z, F59A, F59B			
	23	Z01A		23	Z01A		08	I08A, I08B, I08C, I08D, I08E, I13A, I13B			
	Pre	A07A		Pre	A07A		09	J03A, J03B, J04A, J04B, J08A, J08B, J08C, J11A, J11B, J16Z			
	51546.4			BOP, KOP, KOPV, KVT, UOP4	51546.x↔			BOP, KOP, KOPV, KVT, UOP4	51547.x↔		BOP, KVT, UOP4
		01		B04A, B04B, B04C, B04D, B04E			01	B04A, B04B, B04C, B04D, B04E		01	B04A, B04B, B04C, B04D, B04E
		04		E05A, E05B, E05C, E08A, E08B, E08C			04	E05A, E05B, E05C, E08A, E08B, E08C		05	F01A, F01B, F01D, F05Z, F07A, F07B, F14A, F14B, F28A, F42Z, F54Z, F59A, F59B
05		F01A, F01B, F01D, F05Z, F07A, F07B, F14A, F14B, F28A, F42Z, F54Z, F59A, F59B	05	F01A, F01B, F01D, F05Z, F07A, F07B, F14A, F14B, F28A, F42Z, F54Z, F59A, F59B		08	I08A, I08B, I08C, I08D, I08E, I13A, I13B				
06		G15Z, G19A, G19B, G33Z, G38Z	06	G15Z, G19A, G19B, G33Z, G38Z		09	J03A, J03B, J04A, J04B, J08A, J08B, J08C, J11A, J11B, J16Z				
07		H33Z, H38Z	07	H33Z, H38Z		10	K09A, K09B				
08		I08A, I08B, I08C, I08D, I08E, I13A, I13B	08	I08A, I08B, I08C, I08D, I08E, I13A, I13B		11	L09A, L09B, L09C, L09D, L38Z				
09		J03A, J03B, J04A, J04B, J08A, J08B, J08C, J11A, J11B, J16Z	09	J03A, J03B, J04A, J04B, J08A, J08B, J08C, J11A, J11B, J16Z		21A	W04A, W04B				
10		K09A, K09B	10	K09A, K09B		21B	X04Z, X06A, X06B, X06C				
11		L09A, L09B, L09C, L09D, L33Z, L38Z	11	L09A, L09B, L09C, L09D, L33Z, L38Z		Pre	BOP, KVT, UOP4				
21A		W04A, W04B	21A	W04A, W04B		01	B04A, B04B, B04C, B04D, B04E				
21B		X06A, X06B, X06C, X33Z	21B	X06A, X06B, X06C, X33Z		05	F01A, F01B, F01D, F05Z, F07A, F07B, F14A, F14B, F28A, F42Z, F54Z, F59A, F59B				
23		Z01A	23	Z01A		08	I08A, I08B, I08C, I08D, I08E, I13A, I13B				
Pre		A07A	Pre	A07A		09	J03A, J03B, J04A, J04B, J08A, J08B, J08C, J11A, J11B, J16Z				
51547.0↔			BOP, KVT, UOP4	51547.0↔			BOP, KVT, UOP4	51548.0↔			BOP, KVT, UOP4
		01	B04A, B04B, B04C, B04D, B04E			01	B04A, B04B, B04C, B04D, B04E			01	B04A, B04B, B04C, B04D, B04E
		05	F01A, F01B, F01D, F05Z, F07A, F07B, F14A, F14B, F28A, F42Z, F54Z, F59A, F59B			05	F01A, F01B, F01D, F05Z, F07A, F07B, F14A, F14B, F28A, F42Z, F54Z, F59A, F59B			05	F01A, F01B, F01D, F05Z, F07A, F07B, F14A, F14B, F28A, F42Z, F54Z, F59A, F59B
	08	I08A, I08B, I08C, I08D, I08E, I13A, I13B	08		I08A, I08B, I08C, I08D, I08E, I13A, I13B	08	I08A, I08B, I08C, I08D, I08E, I13A, I13B				
	09	J03A, J03B, J04A, J04B, J08A, J08B, J08C, J11A, J11B, J16Z	09		J03A, J03B, J04A, J04B, J08A, J08B, J08C, J11A, J11B, J16Z	09	J03A, J03B, J04A, J04B, J08A, J08B, J08C, J11A, J11B, J16Z				
	10	K09A, K09B	10		K09A, K09B	10	K09A, K09B				
	11	L09A, L09B, L09C, L09D, L38Z	11		L09A, L09B, L09C, L09D, L38Z	11	L09A, L09B, L09C, L09D, L38Z				
	21A	W04A, W04B	21A		W04A, W04B	21A	W04A, W04B				
	21B	X04Z, X06A, X06B, X06C	21B		X04Z, X06A, X06B, X06C	21B	X04Z, X06A, X06B, X06C				
	51548.1↔		BOP, KVT, UOP4		51548.1↔		BOP, KVT, UOP4		51548.1↔		BOP, KVT, UOP4
		01	B04A, B04B, B04C, B04D, B04E			01	B04A, B04B, B04C, B04D, B04E			01	B04A, B04B, B04C, B04D, B04E
		05	F01A, F01B, F01D, F05Z, F07A, F07B, F14A, F14B, F28A, F42Z, F54Z, F59A, F59B			05	F01A, F01B, F01D, F05Z, F07A, F07B, F14A, F14B, F28A, F42Z, F54Z, F59A, F59B			05	F01A, F01B, F01D, F05Z, F07A, F07B, F14A, F14B, F28A, F42Z, F54Z, F59A, F59B
		08	I08A, I08B, I08C, I08D, I08E, I13A, I13B			08	I08A, I08B, I08C, I08D, I08E, I13A, I13B			08	I08A, I08B, I08C, I08D, I08E, I13A, I13B
		09	J03A, J03B, J04A, J04B, J08A, J08B, J08C, J11A, J11B, J16Z			09	J03A, J03B, J04A, J04B, J08A, J08B, J08C, J11A, J11B, J16Z			09	J03A, J03B, J04A, J04B, J08A, J08B, J08C, J11A, J11B, J16Z
		10	K09A, K09B			10	K09A, K09B			10	K09A, K09B
		11	L09A, L09B, L09C, L09D, L38Z			11	L09A, L09B, L09C, L09D, L38Z			11	L09A, L09B, L09C, L09D, L38Z
		21A	W04A, W04B			21A	W04A, W04B			21A	W04A, W04B
21B		X04Z, X06A, X06B, X06C	21B	X04Z, X06A, X06B, X06C		21B	X04Z, X06A, X06B, X06C				

ZZV	MDC	DRG	ZZV	MDC	DRG	ZZV	MDC	DRG
51548.2↔		BOP, KVT, UOP4	51550.0↔		BOP, KVT, UOP4	51550.3↔		BOP, KVT, UOP4
	01	B04A, B04B, B04C, B04D, B04E		01	B04A, B04B, B04C, B04D, B04E		01	B04A, B04B, B04C, B04D, B04E
	05	F01A, F01B, F01D, F05Z, F07A, F07B, F14A, F14B, F28A, F42Z, F54Z, F59A, F59B		03	D12A		03	D12A
	08	I08A, I08B, I08C, I08D, I08E, I13A, I13B		04	E02C		04	E02A, E02B, E02C
	09	J03A, J03B, J04A, J04B, J08A, J08B, J08C, J11A, J11B, J16Z		05	F01A, F01B, F01D, F05Z, F06A, F06C, F07A, F07B, F14A, F14B, F28A, F42Z, F54Z, F59A, F59B		05	F01A, F01B, F01D, F05Z, F06A, F06C, F07A, F07B, F14A, F14B, F28A, F42Z, F54Z, F59A, F59B
	10	K09A, K09B		06	G01Z, G02Z, G38Z		06	G01Z, G02Z, G38Z
	11	L09A, L09B, L09C, L09D, L38Z		08	I08A, I08B, I08C, I08D, I08E, I13A, I13B		08	I08A, I08B, I08C, I08D, I08E, I13A, I13B
	21A	W04A, W04B		09	J03A, J03B, J04A, J04B, J08A, J08B, J08C, J11A, J11B, J16Z		09	J03A, J03B, J04A, J04B, J08A, J08B, J08C, J11A, J11B, J16Z
	21B	X04Z, X06A, X06B, X06C		10	K09A, K09B		10	K09A, K09B
		BOP, KVT, UOP4		17	R01A, R01B, R01C, R01D, R02Z, R12A, R12B, R12C		17	R01A, R01B, R01C, R01D, R02Z, R12A, R12B, R12C
	51548.x↔	01		B04A, B04B, B04C, B04D, B04E	21A		W04A, W04B	21A
04		E02A, E02B, E02C, E02D	21B	X06A, X06B, X06C	21B	X06A, X06B, X06C		
05		F01A, F01B, F01D, F05Z, F07A, F07B, F14A, F14B, F28A, F42Z, F54Z, F59A, F59B	Pre	A11A, A13A, A13B, A13D	Pre	A11A, A13A, A13B, A13D		
08		I08A, I08B, I08C, I08D, I08E, I13A, I13B	51550.1↔		51550.4↔			
09		J03A, J03B, J04A, J04B, J08A, J08B, J08C, J11A, J11B, J16Z	01	B04A, B04B, B04C, B04D, B04E	01	B04A, B04B, B04C, B04D, B04E		
10		K09A, K09B	03	D12A	03	D12A		
11		L09A, L09B, L09C, L09D, L38Z	04	E02A, E02B, E02C	04	E02A, E02B, E02C		
21A		W04A, W04B	05	F01A, F01B, F01D, F05Z, F06A, F06C, F07A, F07B, F14A, F14B, F28A, F42Z, F54Z, F59A, F59B	05	F01A, F01B, F01D, F05Z, F06A, F06C, F07A, F07B, F14A, F14B, F28A, F42Z, F54Z, F59A, F59B		
21B		X04Z, X06A, X06B, X06C	06	G01Z, G02Z, G38Z	08	I08A, I08B, I08C, I08D, I08E, I13A, I13B		
		BOP, KVT, UOP4	08	I08A, I08B, I08C, I08D, I08E, I13A, I13B	09	J03A, J03B, J04A, J04B, J08A, J08B, J08C, J11A, J11B, J16Z		
51549		01	B04A, B04B, B04C, B04D, B04E	09	J03A, J03B, J04A, J04B, J08A, J08B, J08C, J11A, J11B, J16Z	10	K09A, K09B	
	05	F01A, F01B, F01D, F05Z, F07A, F07B, F14A, F14B, F28A, F42Z, F54Z, F59A, F59B	10	K09A, K09B	17	R01A, R01B, R01C, R01D, R02Z, R12A, R12B, R12C		
	08	I08A, I08B, I08C, I08D, I08E, I13A, I13B	17	R01A, R01B, R01C, R01D, R02Z, R12A, R12B, R12C	21A	W04A, W04B		
	09	J03A, J03B, J04A, J04B, J08A, J08B, J08C, J11A, J11B, J16Z	21B	X06A, X06B, X06C	21B	X06A, X06B, X06C		
	10	K09A, K09B	Pre	A11A, A13A, A13B, A13D	51550.5↔			
	21A	W04A, W04B	01	B04A, B04B, B04C, B04D, B04E	01	B04A, B04B, B04C, B04D, B04E		
	21B	X06A, X06B, X06C	03	D12A	03	D12A		
		BOP, KVT, UOP4	04	E02A, E02B, E02C	04	E02A, E02B, E02C		
	01	B04A, B04B, B04C, B04D, B04E	05	F01A, F01B, F01D, F05Z, F06A, F06C, F07A, F07B, F14A, F14B, F28A, F42Z, F54Z, F59A, F59B	05	F01A, F01B, F01D, F05Z, F06A, F06C, F07A, F07B, F14A, F14B, F28A, F42Z, F54Z, F59A, F59B		
	05	F01A, F01B, F01D, F05Z, F07A, F07B, F14A, F14B, F28A, F42Z, F54Z, F59A, F59B	06	G01Z, G02Z, G38Z	08	I08A, I08B, I08C, I08D, I08E, I13A, I13B		
	08	I08A, I08B, I08C, I08D, I08E, I13A, I13B	08	I08A, I08B, I08C, I08D, I08E, I13A, I13B	09	J03A, J03B, J04A, J04B, J08A, J08B, J08C, J11A, J11B, J16Z		
09	J03A, J03B, J04A, J04B, J08A, J08B, J08C, J11A, J11B, J16Z	09	J03A, J03B, J04A, J04B, J08A, J08B, J08C, J11A, J11B, J16Z	10	K09A, K09B			
10	K09A, K09B	10	K09A, K09B	17	R01A, R01B, R01C, R01D, R02Z, R12A, R12B, R12C			
21A	W04A, W04B	17	R01A, R01B, R01C, R01D, R02Z, R12A, R12B, R12C	21A	W04A, W04B			
21B	X06A, X06B, X06C	21A	W04A, W04B	21B	X06A, X06B, X06C			
5154x↔		BOP, KVT, UOP4	Pre	A11A, A13A, A13B, A13D		BOP, KVT, UOP4		
	01	B04A, B04B, B04C, B04D, B04E	01	B04A, B04B, B04C, B04D, B04E	01	B04A, B04B, B04C, B04D, B04E		
	05	F01A, F01B, F01D, F05Z, F07A, F07B, F14A, F14B, F28A, F42Z, F54Z, F59A, F59B	03	D12A	03	D12A		
	08	I08A, I08B, I08C, I08D, I08E, I13A, I13B	04	E02A, E02B, E02C	04	E02A, E02B, E02C		
	09	J03A, J03B, J04A, J04B, J08A, J08B, J08C, J11A, J11B, J16Z	05	F01A, F01B, F01D, F05Z, F06A, F06C, F07A, F07B, F14A, F14B, F28A, F42Z, F54Z, F59A, F59B	05	F01A, F01B, F01D, F05Z, F06A, F06C, F07A, F07B, F14A, F14B, F28A, F42Z, F54Z, F59A, F59B		
	10	K09A, K09B	06	G01Z, G02Z, G38Z	08	I08A, I08B, I08C, I08D, I08E, I13A, I13B		
	21A	W04A, W04B	08	I08A, I08B, I08C, I08D, I08E, I13A, I13B	09	J03A, J03B, J04A, J04B, J08A, J08B, J08C, J11A, J11B, J16Z		
	21B	X06A, X06B, X06C	09	J03A, J03B, J04A, J04B, J08A, J08B, J08C, J11A, J11B, J16Z	10	K09A, K09B		
		BOP, KVT, UOP4	10	K09A, K09B	17	R01A, R01B, R01C, R01D, R02Z, R12A, R12B, R12C		
	01	B04A, B04B, B04C, B04D, B04E	17	R01A, R01B, R01C, R01D, R02Z, R12A, R12B, R12C	21A	W04A, W04B		
	05	F01A, F01B, F01D, F05Z, F07A, F07B, F14A, F14B, F28A, F42Z, F54Z, F59A, F59B	21A	W04A, W04B	21B	X06A, X06B, X06C		
08	I08A, I08B, I08C, I08D, I08E, I13A, I13B	21B	X06A, X06B, X06C					
09	J03A, J03B, J04A, J04B, J08A, J08B, J08C, J11A, J11B, J16Z	Pre	A11A, A13A, A13B, A13D					
10	K09A, K09B							
21A	W04A, W04B							
21B	X06A, X06B, X06C							

ZZV	MDC	DRG	ZZV	MDC	DRG	ZZV	MDC	DRG			
51550.x↔		BOP, KVT, UOP4	51551.x↔		BOP, KVT, UOP4	51552.3↔		BOP, KVT, UOP4			
	01	B04A, B04B, B04C, B04D, B04E		01	B04A, B04B, B04C, B04D, B04E		01	B04A, B04B, B04C, B04D, B04E			
	03	D12A		05	F01A, F01B, F01D, F05Z, F07A, F07B, F14A, F14B, F28A, F42Z, F54Z, F59A, F59B		05	F01A, F01B, F01D, F05Z, F07A, F07B, F14A, F14B, F28A, F42Z, F54Z, F59A, F59B			
	04	E02A, E02B, E02C		08	I08A, I08B, I08C, I08D, I08E, I13A, I13B		08	I08A, I08B, I08C, I08D, I08E, I13A, I13B			
	05	F01A, F01B, F01D, F05Z, F06A, F06C, F07A, F07B, F14A, F14B, F28A, F42Z, F54Z, F59A, F59B		09	J03A, J03B, J04A, J04B, J08A, J08B, J08C, J11A, J11B, J16Z		09	J03A, J03B, J04A, J04B, J08A, J08B, J08C, J11A, J11B, J16Z			
	08	I08A, I08B, I08C, I08D, I08E, I13A, I13B		10	K09A, K09B		10	K09A, K09B			
	09	J03A, J03B, J04A, J04B, J08A, J08B, J08C, J11A, J11B, J16Z		17	R01A, R01B, R01C, R01D, R02Z, R12A, R12B, R12C		17	R01A, R01B, R01C, R01D, R02Z, R12A, R12B, R12C			
	10	K09A, K09B		21A	W04A, W04B		21A	W04A, W04B			
	17	R01A, R01B, R01C, R01D, R02Z, R12A, R12B, R12C		21B	X05A, X05B, X06A, X06B, X06C		21B	X05A, X05B, X06A, X06B, X06C			
	21A	W04A, W04B									
	21B	X06A, X06B, X06C		51552.0↔			BOP, KVT, UOP4	51552.4↔		BOP, KVT, UOP4	
	51551.0↔			BOP, KVT, UOP4	51552.1↔			BOP, KVT, UOP4	51552.5↔		BOP, KVT, UOP4
		01		B04A, B04B, B04C, B04D, B04E			01	B04A, B04B, B04C, B04D, B04E		01	B04A, B04B, B04C, B04D, B04E
		05		F01A, F01B, F01D, F05Z, F07A, F07B, F14A, F14B, F28A, F42Z, F54Z, F59A, F59B			05	F01A, F01B, F01D, F05Z, F07A, F07B, F14A, F14B, F28A, F42Z, F54Z, F59A, F59B		05	F01A, F01B, F01D, F05Z, F07A, F07B, F14A, F14B, F28A, F42Z, F54Z, F59A, F59B
		08		I08A, I08B, I08C, I08D, I08E, I13A, I13B			08	I08A, I08B, I08C, I08D, I08E, I13A, I13B		08	I08A, I08B, I08C, I08D, I08E, I13A, I13B
		09		J03A, J03B, J04A, J04B, J08A, J08B, J08C, J11A, J11B, J16Z			09	J03A, J03B, J04A, J04B, J08A, J08B, J08C, J11A, J11B, J16Z		09	J03A, J03B, J04A, J04B, J08A, J08B, J08C, J11A, J11B, J16Z
		10		K09A, K09B			10	K09A, K09B		10	K09A, K09B
17		R01A, R01B, R01C, R01D, R02Z, R12A, R12B, R12C	17	R01A, R01B, R01C, R01D, R02Z, R12A, R12B, R12C		17	R01A, R01B, R01C, R01D, R02Z, R12A, R12B, R12C				
21A		W04A, W04B	21A	W04A, W04B		21A	W04A, W04B				
21B		X05A, X05B, X06A, X06B, X06C	21B	X05A, X05B, X06A, X06B, X06C		21B	X05A, X05B, X06A, X06B, X06C				
51551.1↔			BOP, KVT, UOP4	51552.2↔			BOP, KVT, UOP4	51552.6↔			BOP, KVT, UOP4
		01	B04A, B04B, B04C, B04D, B04E			01	B04A, B04B, B04C, B04D, B04E			01	B04A, B04B, B04C, B04D, B04E
		05	F01A, F01B, F01D, F05Z, F07A, F07B, F14A, F14B, F28A, F42Z, F54Z, F59A, F59B			05	F01A, F01B, F01D, F05Z, F07A, F07B, F14A, F14B, F28A, F42Z, F54Z, F59A, F59B			05	F01A, F01B, F01D, F05Z, F07A, F07B, F14A, F14B, F28A, F42Z, F54Z, F59A, F59B
		08	I08A, I08B, I08C, I08D, I08E, I13A, I13B			08	I08A, I08B, I08C, I08D, I08E, I13A, I13B			08	I08A, I08B, I08C, I08D, I08E, I13A, I13B
		09	J03A, J03B, J04A, J04B, J08A, J08B, J08C, J11A, J11B, J16Z			09	J03A, J03B, J04A, J04B, J08A, J08B, J08C, J11A, J11B, J16Z			09	J03A, J03B, J04A, J04B, J08A, J08B, J08C, J11A, J11B, J16Z
		10	K09A, K09B			10	K09A, K09B			10	K09A, K09B
		17	R01A, R01B, R01C, R01D, R02Z, R12A, R12B, R12C			17	R01A, R01B, R01C, R01D, R02Z, R12A, R12B, R12C			17	R01A, R01B, R01C, R01D, R02Z, R12A, R12B, R12C
		21A	W04A, W04B			21A	W04A, W04B			21A	W04A, W04B
	21B	X05A, X05B, X06A, X06B, X06C	21B		X05A, X05B, X06A, X06B, X06C	21B	X05A, X05B, X06A, X06B, X06C				

ZZV	MDC	DRG	ZZV	MDC	DRG	ZZV	MDC	DRG			
51552.7↔		BOP, KVT, UOP4	51553.1		BOP, KOP, KOPV, KVT, UOP4	51553.x		BOP, KVT, UOP4			
	01	B04A, B04B, B04C, B04D, B04E		04	E05A, E05B, E05C, E08A, E08B, E08C		05	F01A, F01B, F01D, F05Z, F07A, F07B, F14A, F14B, F28A, F42Z, F54Z, F59A, F59B			
	05	F01A, F01B, F01D, F05Z, F07A, F07B, F14A, F14B, F28A, F42Z, F54Z, F59A, F59B		05	F01A, F01B, F01D, F05Z, F07A, F07B, F14A, F14B, F28A, F42Z, F54Z, F59A, F59B		06	G01Z, G02Z, G38Z			
	08	I08A, I08B, I08C, I08D, I08E, I13A, I13B		06	G01Z, G02Z, G33Z, G38Z		08	I08A, I08B, I08C, I08D, I08E, I13A, I13B			
	09	J03A, J03B, J04A, J04B, J08A, J08B, J08C, J11A, J11B, J16Z		07	H33Z, H38Z		10	K09A, K09B			
	10	K09A, K09B		08	I08A, I08B, I08C, I08D, I08E, I13A, I13B		21A	W04A, W04B			
	17	R01A, R01B, R01C, R01D, R02Z, R12A, R12B, R12C		10	K09A, K09B		21B	X06A, X06B, X06C			
	21A	W04A, W04B		11	L33Z		Pre	A11A, A13A, A13B, A13D			
	21B	X05A, X05B, X06A, X06B		21A	W04A, W04B		51554.0↔	01	B04A, B04B, B04C, B04D, B04E		
	51552.x↔			BOP, KVT, UOP4	51553.2				BOP, KOP, KOPV, KVT, UOP4	03	D12A
		01		B04A, B04B, B04C, B04D, B04E				04	E05A, E05B, E05C, E08A, E08B, E08C	04	E02A, E02B, E02C
		05		F01A, F01B, F01D, F05Z, F07A, F07B, F14A, F14B, F28A, F42Z, F54Z, F59A, F59B				05	F01A, F01B, F01D, F05Z, F07A, F07B, F14A, F14B, F28A, F42Z, F54Z, F59A, F59B	05	F01A, F01B, F01D, F05Z, F07A, F07B, F14A, F14B, F28A, F42Z, F54Z, F59A, F59B
		08		I08A, I08B, I08C, I08D, I08E, I13A, I13B				06	G01Z, G02Z, G33Z, G38Z	06	G10Z, G12A, G12B
		09		J03A, J03B, J04A, J04B, J08A, J08B, J08C, J11A, J11B, J16Z				07	H33Z, H38Z	08	I08A, I08B, I08C, I08D, I08E, I13A, I13B
		10		K09A, K09B				08	I08A, I08B, I08C, I08D, I08E, I13A, I13B	09	J03A, J03B, J04A, J04B, J08A, J08B, J08C, J11A, J11B, J16Z
		17		R01A, R01B, R01C, R01D, R02Z, R12A, R12B, R12C				10	K09A, K09B	10	K09A, K09B
		21A		W04A, W04B				11	L33Z	11	L09A, L09B, L09C, L09D, L38Z
21B		X05A, X05B, X06A, X06B	21A	W04A, W04B		17		R01A, R01B, R01C, R01D, R02Z, R12A, R12B, R12C			
51553.0			BOP, KOP, KOPV, KVT, UOP4	51553.3				BOP, KOP, KOPV, KVT, UOP4	51554.1↔		BOP, KVT, UOP4
		04	E05A, E05B, E05C, E08A, E08B, E08C			05		F01A, F01B, F01D, F05Z, F07A, F07B, F14A, F14B, F28A, F42Z, F54Z, F59A, F59B		01	B04A, B04B, B04C, B04D, B04E
		05	F01A, F01B, F01D, F05Z, F07A, F07B, F14A, F14B, F28A, F42Z, F54Z, F59A, F59B			06		G01Z, G02Z, G38Z		03	D12A
		06	G01Z, G02Z, G33Z, G38Z			08		I08A, I08B, I08C, I08D, I08E, I13A, I13B		04	E02A, E02B, E02C
		07	H33Z, H38Z			10		K09A, K09B		05	F01A, F01B, F01D, F05Z, F07A, F07B, F14A, F14B, F28A, F42Z, F54Z, F59A, F59B
		08	I08A, I08B, I08C, I08D, I08E, I13A, I13B			21A		W04A, W04B		06	G10Z, G12A, G12B
		10	K09A, K09B			21B		X06A, X06B, X06C		08	I08A, I08B, I08C, I08D, I08E, I13A, I13B
		11	L33Z			Pre	A11A, A13A, A13B, A13D	09		J03A, J03B, J04A, J04B, J08A, J08B, J08C, J11A, J11B, J16Z	
	21A	W04A, W04B	05		F01A, F01B, F01D, F05Z, F07A, F07B, F14A, F14B, F28A, F42Z, F54Z, F59A, F59B	10	K09A, K09B				
	21B	X06A, X06B, X06C, X33Z	06		G01Z, G02Z, G38Z	11	L09A, L09B, L09C, L09D, L38Z				
	23	Z01A	08		I08A, I08B, I08C, I08D, I08E, I13A, I13B	17	R01A, R01B, R01C, R01D, R02Z, R12A, R12B, R12C				
	Pre	A07A, A11A, A13A, A13B, A13D	10		K09A, K09B	21A	W04A, W04B				
	51553.0		BOP, KOP, KOPV, KVT, UOP4		51553.4		BOP, KVT, UOP4	21B		X06A, X06B, X06C	
		04	E05A, E05B, E05C, E08A, E08B, E08C			05	F01A, F01B, F01D, F05Z, F07A, F07B, F14A, F14B, F28A, F42Z, F54Z, F59A, F59B				
		05	F01A, F01B, F01D, F05Z, F07A, F07B, F14A, F14B, F28A, F42Z, F54Z, F59A, F59B			06	G01Z, G02Z, G38Z				
		06	G01Z, G02Z, G33Z, G38Z			08	I08A, I08B, I08C, I08D, I08E, I13A, I13B				
		07	H33Z, H38Z			10	K09A, K09B				
08		I08A, I08B, I08C, I08D, I08E, I13A, I13B	21A	W04A, W04B							
10		K09A, K09B	21B	X06A, X06B, X06C							
11		L33Z	Pre	A11A, A13A, A13B, A13D							
21A		W04A, W04B									
21B		X06A, X06B, X06C, X33Z									
23		Z01A									
Pre		A07A, A11A, A13A, A13B, A13D									

VYK

ZZV	MDC	DRG	ZZV	MDC	DRG	ZZV	MDC	DRG					
51554.2↔		BOP, KOP, KOPV, KVT, UOP4	51555.1↔		BOP, KVT, UOP4	51555.4↔		BOP, KVT, UOP4					
	01	B04A, B04B, B04C, B04D, B04E		01	B04A, B04B, B04C, B04D, B04E		01	B04A, B04B, B04C, B04D, B04E					
	03	D12A		05	F01A, F01B, F01D, F05Z, F07A, F07B, F14A, F14B, F28A, F42Z, F54Z, F59A, F59B		05	F01A, F01B, F01D, F05Z, F07A, F07B, F14A, F14B, F28A, F42Z, F54Z, F59A, F59B					
	04	E02A, E02B, E02C		06	G10Z, G12A, G12B		06	G10Z, G12A, G12B					
	05	F01A, F01B, F01D, F05Z, F07A, F07B, F14A, F14B, F28A, F30Z, F42Z, F54Z, F59A, F59B		08	I08A, I08B, I08C, I08D, I08E, I13A, I13B		08	I08A, I08B, I08C, I08D, I08E, I13A, I13B					
	06	G10Z, G12A, G12B, G33Z		09	J03A, J03B, J04A, J04B, J08A, J08B, J08C, J11A, J11B, J16Z		09	J03A, J03B, J04A, J04B, J08A, J08B, J08C, J11A, J11B, J16Z					
	07	H33Z, H38Z		10	K09A, K09B		10	K09A, K09B					
	08	I08A, I08B, I08C, I08D, I08E, I13A, I13B		11	L09A, L09B, L09C, L09D, L38Z		11	L09A, L09B, L09C, L09D, L38Z					
	09	J03A, J03B, J04A, J04B, J08A, J08B, J08C, J11A, J11B, J16Z		17	R01A, R01B, R01C, R01D, R02Z, R12A, R12B, R12C		17	R01A, R01B, R01C, R01D, R02Z, R12A, R12B, R12C					
	10	K09A, K09B		21A	W04A, W04B		21A	W04A, W04B					
	11	L09A, L09B, L09C, L09D, L33Z, L38Z		21B	X04Z, X06A, X06B, X06C		21B	X04Z, X06A, X06B, X06C					
	17	R01A, R01B, R01C, R01D, R02Z, R12A, R12B, R12C		51555.2↔			BOP, KVT, UOP4	51555.x↔		BOP, KVT, UOP4			
	21A	W04A, W04B			01		B04A, B04B, B04C, B04D, B04E		01	B04A, B04B, B04C, B04D, B04E			
	21B	X06A, X06B, X06C, X33Z			05		F01A, F01B, F01D, F05Z, F07A, F07B, F14A, F14B, F28A, F42Z, F54Z, F59A, F59B		05	F01A, F01B, F01D, F05Z, F07A, F07B, F14A, F14B, F28A, F42Z, F54Z, F59A, F59B			
	23	Z01A			06		G10Z, G12A, G12B		06	G10Z, G12A, G12B			
	Pre	A07A			08		I08A, I08B, I08C, I08D, I08E, I13A, I13B		08	I08A, I08B, I08C, I08D, I08E, I13A, I13B			
	51554.x↔				BOP, KVT, UOP4		51555.3↔			BOP, KVT, UOP4	51556.0		BOP, KVT, UOP4
		01			B04A, B04B, B04C, B04D, B04E				01	B04A, B04B, B04C, B04D, B04E		01	B04A, B04B, B04C, B04D, B04E
		03			D12A				05	F01A, F01B, F01D, F05Z, F07A, F07B, F14A, F14B, F28A, F42Z, F54Z, F59A, F59B		05	F01A, F01B, F01D, F05Z, F07A, F07B, F14A, F14B, F28A, F42Z, F54Z, F59A, F59B
		04			E02A, E02B, E02C				06	G10Z, G12A, G12B		06	G10Z, G12A, G12B
		05			F01A, F01B, F01D, F05Z, F07A, F07B, F14A, F14B, F28A, F42Z, F54Z, F59A, F59B				08	I08A, I08B, I08C, I08D, I08E, I13A, I13B		08	I08A, I08B, I08C, I08D, I08E, I13A, I13B
		06			G10Z, G12A, G12B				09	J03A, J03B, J04A, J04B, J08A, J08B, J08C, J11A, J11B, J16Z		09	J03A, J03B, J04A, J04B, J08A, J08B, J08C, J11A, J11B, J16Z
		08			I08A, I08B, I08C, I08D, I08E, I13A, I13B				10	K09A, K09B		10	K09A, K09B
09		J03A, J03B, J04A, J04B, J08A, J08B, J08C, J11A, J11B, J16Z	11		L09A, L09B, L09C, L09D, L38Z	11			L09A, L09B, L09C, L09D, L38Z				
10		K09A, K09B	17		R01A, R01B, R01C, R01D, R02Z, R12A, R12B, R12C	17			R01A, R01B, R01C, R01D, R02Z, R12A, R12B, R12C				
11		L09A, L09B, L09C, L09D, L38Z	21A		W04A, W04B	21A			W04A, W04B				
17		R01A, R01B, R01C, R01D, R02Z, R12A, R12B, R12C	21B		X04Z, X06A, X06B, X06C	21B			X04Z, X06A, X06B, X06C				
21A		W04A, W04B	51555.0↔			BOP, KVT, UOP4			51555.0↔			BOP, KVT, UOP4	
21B		X06A, X06B, X06C			01	B04A, B04B, B04C, B04D, B04E				01		B04A, B04B, B04C, B04D, B04E	
51555.0↔					BOP, KVT, UOP4	05				F01A, F01B, F01D, F05Z, F07A, F07B, F14A, F14B, F28A, F42Z, F54Z, F59A, F59B		05	F01A, F01B, F01D, F05Z, F07A, F07B, F14A, F14B, F28A, F42Z, F54Z, F59A, F59B
		01			B04A, B04B, B04C, B04D, B04E	06				G10Z, G12A, G12B		06	G10Z, G12A, G12B, G18A, G38Z
		05			F01A, F01B, F01D, F05Z, F07A, F07B, F14A, F14B, F28A, F42Z, F54Z, F59A, F59B	08				I08A, I08B, I08C, I08D, I08E, I13A, I13B		07	H01A
		06			G10Z, G12A, G12B	09				J03A, J03B, J04A, J04B, J08A, J08B, J08C, J11A, J11B, J16Z		08	I08A, I08B, I08C, I08D, I08E, I13A, I13B
		08			I08A, I08B, I08C, I08D, I08E, I13A, I13B	10				K09A, K09B		09	J03A, J03B, J04A, J04B, J08A, J08B, J08C, J11A, J11B, J16Z
		09		J03A, J03B, J04A, J04B, J08A, J08B, J08C, J11A, J11B, J16Z	11	L09A, L09B, L09C, L09D, L38Z		10		K09A, K09B			
		10		K09A, K09B	17	R01A, R01B, R01C, R01D, R02Z, R12A, R12B, R12C		11		L09A, L09B, L09C, L09D, L38Z			
		11		L09A, L09B, L09C, L09D, L38Z	21A	W04A, W04B		17		R01A, R01B, R01C, R01D, R02Z, R12A, R12B, R12C			
		17		R01A, R01B, R01C, R01D, R02Z, R12A, R12B, R12C	21B	X04Z, X06A, X06B, X06C		21A		W04A, W04B			
		21A		W04A, W04B				21B		X06A, X06B, X06C			
	21B	X04Z, X06A, X06B, X06C											

ZZV	MDC	DRG	ZZV	MDC	DRG	ZZV	MDC	DRG			
51556.1		BOP, KVT, UOP4	51556.4↔		BOP, KVT, UOP4	51556.x↔		BOP, KVT, UOP4			
	01	B04A, B04B, B04C, B04D, B04E		01	B04A, B04B, B04C, B04D, B04E		01	B04A, B04B, B04C, B04D, B04E			
	05	F01A, F01B, F01D, F05Z, F07A, F07B, F14A, F14B, F28A, F42Z, F54Z, F59A, F59B		05	F01A, F01B, F01D, F05Z, F07A, F07B, F14A, F14B, F28A, F42Z, F54Z, F59A, F59B		05	F01A, F01B, F01D, F05Z, F07A, F07B, F14A, F14B, F28A, F42Z, F54Z, F59A, F59B			
	06	G10Z, G12A, G12B, G18A, G38Z		06	G10Z, G12A, G12B		06	G10Z, G12A, G12B			
	07	H01A		08	I08A, I08B, I08C, I08D, I08E, I13A, I13B		08	I08A, I08B, I08C, I08D, I08E, I13A, I13B			
	08	I08A, I08B, I08C, I08D, I08E, I13A, I13B		09	J03A, J03B, J04A, J04B, J08A, J08B, J08C, J11A, J11B, J16Z		09	J03A, J03B, J04A, J04B, J08A, J08B, J08C, J11A, J11B, J16Z			
	09	J03A, J03B, J04A, J04B, J08A, J08B, J08C, J11A, J11B, J16Z		10	K09A, K09B		10	K09A, K09B			
	10	K09A, K09B		11	L09A, L09B, L09C, L09D, L38Z		11	L09A, L09B, L09C, L09D, L38Z			
	11	L09A, L09B, L09C, L09D, L38Z		17	R01A, R01B, R01C, R01D, R02Z, R12A, R12B, R12C		17	R01A, R01B, R01C, R01D, R02Z, R12A, R12B, R12C			
	17	R01A, R01B, R01C, R01D, R02Z, R12A, R12B, R12C		21A	W04A, W04B		21A	W04A, W04B			
	21A	W04A, W04B		21B	X06A, X06B, X06C		21B	X06A, X06B, X06C			
	21B	X06A, X06B, X06C		51556.5			BOP, KVT, UOP4	51557.0↔		BOP, KVT, UOP4	
	51556.2				BOP, KVT, UOP4		01		B04A, B04B, B04C, B04D, B04E	01	B04A, B04B, B04C, B04D, B04E
		01			B04A, B04B, B04C, B04D, B04E		05		F01A, F01B, F01D, F05Z, F07A, F07B, F14A, F14B, F28A, F42Z, F54Z, F59A, F59B	05	F01A, F01B, F01D, F05Z, F07A, F07B, F14A, F14B, F28A, F42Z, F54Z, F59A, F59B
		05			F01A, F01B, F01D, F05Z, F07A, F07B, F14A, F14B, F28A, F42Z, F54Z, F59A, F59B		06		G10Z, G12A, G12B, G18A, G38Z	08	I08A, I08B, I08C, I08D, I08E, I13A, I13B
		06			G10Z, G12A, G12B		07		H01A	09	J03A, J03B, J04A, J04B, J08A, J08B, J08C, J11A, J11B, J16Z
		08			I08A, I08B, I08C, I08D, I08E, I13A, I13B		08		I08A, I08B, I08C, I08D, I08E, I13A, I13B	10	K09A, K09B
09		J03A, J03B, J04A, J04B, J08A, J08B, J08C, J11A, J11B, J16Z	09		J03A, J03B, J04A, J04B, J08A, J08B, J08C, J11A, J11B, J16Z	11	L09A, L09B, L09C, L09D, L38Z				
10		K09A, K09B	10		K09A, K09B	17	R01A, R01B, R01C, R01D, R02Z, R12A, R12B, R12C				
11		L09A, L09B, L09C, L09D, L38Z	11		L09A, L09B, L09C, L09D, L38Z	21A	W04A, W04B				
17		R01A, R01B, R01C, R01D, R02Z, R12A, R12B, R12C	17		R01A, R01B, R01C, R01D, R02Z, R12A, R12B, R12C	21B	X04Z, X06A, X06B, X06C				
21A		W04A, W04B	21A		W04A, W04B	51557.1↔			BOP, KVT, UOP4		
21B		X06A, X06B, X06C	21B		X06A, X06B, X06C		01		B04A, B04B, B04C, B04D, B04E		
51556.3			BOP, KVT, UOP4		51556.6				BOP, KVT, UOP4	05	F01A, F01B, F01D, F05Z, F07A, F07B, F14A, F14B, F28A, F42Z, F54Z, F59A, F59B
		01	B04A, B04B, B04C, B04D, B04E				01		B04A, B04B, B04C, B04D, B04E	08	I08A, I08B, I08C, I08D, I08E, I13A, I13B
		05	F01A, F01B, F01D, F05Z, F07A, F07B, F14A, F14B, F28A, F42Z, F54Z, F59A, F59B				05		F01A, F01B, F01D, F05Z, F07A, F07B, F14A, F14B, F28A, F42Z, F54Z, F59A, F59B	09	J03A, J03B, J04A, J04B, J08A, J08B, J08C, J11A, J11B, J16Z
		06	G10Z, G12A, G12B, G18A, G38Z				06		G10Z, G12A, G12B, G18A, G38Z	10	K09A, K09B
		08	I08A, I08B, I08C, I08D, I08E, I13A, I13B				07		H01A	11	L09A, L09B, L09C, L09D, L38Z
		09	J03A, J03B, J04A, J04B, J08A, J08B, J08C, J11A, J11B, J16Z	08			I08A, I08B, I08C, I08D, I08E, I13A, I13B	17	R01A, R01B, R01C, R01D, R02Z, R12A, R12B, R12C		
	10	K09A, K09B	09	J03A, J03B, J04A, J04B, J08A, J08B, J08C, J11A, J11B, J16Z			21A	W04A, W04B			
	11	L09A, L09B, L09C, L09D, L38Z	10	K09A, K09B			21B	X04Z, X06A, X06B, X06C			
	17	R01A, R01B, R01C, R01D, R02Z, R12A, R12B, R12C	11	L09A, L09B, L09C, L09D, L38Z							
	21A	W04A, W04B	17	R01A, R01B, R01C, R01D, R02Z, R12A, R12B, R12C							
	21B	X06A, X06B, X06C	21A	W04A, W04B							
			21B	X06A, X06B, X06C							



ZZV	MDC	DRG	ZZV	MDC	DRG	ZZV	MDC	DRG
51557.2↔		BOP, KVT, UOP4	51558.2↔		BOP, KVT, UOP4	51558.6↔		BOP, KVT, UOP4
	01	B04A, B04B, B04C, B04D, B04E		01	B04A, B04B, B04C, B04D, B04E		01	B04A, B04B, B04C, B04D, B04E
	05	F01A, F01B, F01D, F05Z, F07A, F07B, F14A, F14B, F28A, F42Z, F54Z, F59A, F59B		05	F01A, F01B, F01D, F05Z, F07A, F07B, F14A, F14B, F28A, F42Z, F54Z, F59A, F59B		05	F01A, F01B, F01D, F05Z, F07A, F07B, F14A, F14B, F28A, F42Z, F54Z, F59A, F59B
	08	I08A, I08B, I08C, I08D, I08E, I13A, I13B		08	I08A, I08B, I08C, I08D, I08E, I13A, I13B		08	I08A, I08B, I08C, I08D, I08E, I13A, I13B
	09	J03A, J03B, J04A, J04B, J08A, J08B, J08C, J11A, J11B, J16Z		09	J03A, J03B, J04A, J04B, J08A, J08B, J08C, J11A, J11B, J16Z		09	J03A, J03B, J04A, J04B, J08A, J08B, J08C, J11A, J11B, J16Z
	10	K09A, K09B		10	K09A, K09B		10	K09A, K09B
	17	R01A, R01B, R01C, R01D, R02Z, R12A, R12B, R12C		17	R01A, R01B, R01C, R01D, R02Z, R12A, R12B, R12C		17	R01A, R01B, R01C, R01D, R02Z, R12A, R12B, R12C
	21A	W04A, W04B		21A	W04A, W04B		21A	W04A, W04B
	21B	X04Z, X06A, X06B, X06C		21B	X04Z, X06A, X06B, X06C		21B	X04Z, X06A, X06B, X06C
	51557.x↔			BOP, KVT, UOP4	51558.3↔			BOP, KVT, UOP4
01		B04A, B04B, B04C, B04D, B04E	01	B04A, B04B, B04C, B04D, B04E		01	B04A, B04B, B04C, B04D, B04E	
05		F01A, F01B, F01D, F05Z, F07A, F07B, F14A, F14B, F28A, F42Z, F54Z, F59A, F59B	05	F01A, F01B, F01D, F05Z, F07A, F07B, F14A, F14B, F28A, F42Z, F54Z, F59A, F59B		05	F01A, F01B, F01D, F05Z, F07A, F07B, F14A, F14B, F28A, F42Z, F54Z, F59A, F59B	
08		I08A, I08B, I08C, I08D, I08E, I13A, I13B	08	I08A, I08B, I08C, I08D, I08E, I13A, I13B		08	I08A, I08B, I08C, I08D, I08E, I13A, I13B	
09		J03A, J03B, J04A, J04B, J08A, J08B, J08C, J11A, J11B, J16Z	09	J03A, J03B, J04A, J04B, J08A, J08B, J08C, J11A, J11B, J16Z		09	J03A, J03B, J04A, J04B, J08A, J08B, J08C, J11A, J11B, J16Z	
10		K09A, K09B	10	K09A, K09B		10	K09A, K09B	
17		R01A, R01B, R01C, R01D, R02Z, R12A, R12B, R12C	17	R01A, R01B, R01C, R01D, R02Z, R12A, R12B, R12C		17	R01A, R01B, R01C, R01D, R02Z, R12A, R12B, R12C	
21A		W04A, W04B	21A	W04A, W04B		21A	W04A, W04B	
21B		X04Z, X06A, X06B, X06C	21B	X04Z, X06A, X06B, X06C		21B	X04Z, X06A, X06B, X06C	
51558.0↔			BOP, KVT, UOP4	51558.4↔			BOP, KVT, UOP4	51559.0↔
	01	B04A, B04B, B04C, B04D, B04E	01		B04A, B04B, B04C, B04D, B04E	01	B04A, B04B, B04C, B04D, B04E	
	05	F01A, F01B, F01D, F05Z, F07A, F07B, F14A, F14B, F28A, F42Z, F54Z, F59A, F59B	05		F01A, F01B, F01D, F05Z, F07A, F07B, F14A, F14B, F28A, F42Z, F54Z, F59A, F59B	05	F01A, F01B, F01D, F05Z, F07A, F07B, F14A, F14B, F28A, F42Z, F54Z, F59A, F59B	
	08	I08A, I08B, I08C, I08D, I08E, I13A, I13B	08		I08A, I08B, I08C, I08D, I08E, I13A, I13B	06	G10Z, G12A, G12B	
	09	J03A, J03B, J04A, J04B, J08A, J08B, J08C, J11A, J11B, J16Z	09		J03A, J03B, J04A, J04B, J08A, J08B, J08C, J11A, J11B, J16Z	08	I08A, I08B, I08C, I08D, I08E, I13A, I13B	
	10	K09A, K09B	10		K09A, K09B	09	J03A, J03B, J04A, J04B, J08A, J08B, J08C, J11A, J11B, J16Z	
	17	R01A, R01B, R01C, R01D, R02Z, R12A, R12B, R12C	17		R01A, R01B, R01C, R01D, R02Z, R12A, R12B, R12C	10	K09A, K09B	
	21A	W04A, W04B	21A		W04A, W04B	11	L09A, L09B, L09C, L09D, L38Z	
	21B	X04Z, X06A, X06B, X06C	21B		X04Z, X06A, X06B, X06C	17	R01A, R01B, R01C, R01D, R02Z, R12A, R12B, R12C	
	51558.1↔		BOP, KVT, UOP4		51558.5↔		BOP, KVT, UOP4	
01		B04A, B04B, B04C, B04D, B04E	01	B04A, B04B, B04C, B04D, B04E		01	B04A, B04B, B04C, B04D, B04E	
05		F01A, F01B, F01D, F05Z, F07A, F07B, F14A, F14B, F28A, F42Z, F54Z, F59A, F59B	05	F01A, F01B, F01D, F05Z, F07A, F07B, F14A, F14B, F28A, F42Z, F54Z, F59A, F59B		05	F01A, F01B, F01D, F05Z, F07A, F07B, F14A, F14B, F28A, F42Z, F54Z, F59A, F59B	
08		I08A, I08B, I08C, I08D, I08E, I13A, I13B	08	I08A, I08B, I08C, I08D, I08E, I13A, I13B		08	I08A, I08B, I08C, I08D, I08E, I13A, I13B	
09		J03A, J03B, J04A, J04B, J08A, J08B, J08C, J11A, J11B, J16Z	09	J03A, J03B, J04A, J04B, J08A, J08B, J08C, J11A, J11B, J16Z		08	I08A, I08B, I08C, I08D, I08E, I13A, I13B	
10		K09A, K09B	10	K09A, K09B		09	J03A, J03B, J04A, J04B, J08A, J08B, J08C, J11A, J11B, J16Z	
17		R01A, R01B, R01C, R01D, R02Z, R12A, R12B, R12C	17	R01A, R01B, R01C, R01D, R02Z, R12A, R12B, R12C		10	K09A, K09B	
21A		W04A, W04B	21A	W04A, W04B		17	R01A, R01B, R01C, R01D, R02Z, R12A, R12B, R12C	
21B		X04Z, X06A, X06B, X06C	21B	X04Z, X06A, X06B, X06C		21A	W04A, W04B	
						21B	X04Z, X06A, X06B, X06C	

ZZV	MDC	DRG	ZZV	MDC	DRG	ZZV	MDC	DRG
51559.2		BOP, KVT, UOP4	51559.5		BOP, KVT, UOP4	51559.8↔		BOP, KVT, UOP4
	01	B04A, B04B, B04C, B04D, B04E		01	B04A, B04B, B04C, B04D, B04E		01	B04A, B04B, B04C, B04D, B04E
	05	F01A, F01B, F01D, F05Z, F07A, F07B, F14A, F14B, F28A, F42Z, F54Z, F59A, F59B		05	F01A, F01B, F01D, F05Z, F07A, F07B, F14A, F14B, F28A, F42Z, F54Z, F59A, F59B		05	F01A, F01B, F01D, F05Z, F07A, F07B, F14A, F14B, F28A, F42Z, F54Z, F59A, F59B
	06	G18A, G38Z		06	G18A, G38Z		06	G18A, G38Z
	07	H01A		07	H01A		07	H01A
	08	I08A, I08B, I08C, I08D, I08E, I13A, I13B		08	I08A, I08B, I08C, I08D, I08E, I13A, I13B		08	I08A, I08B, I08C, I08D, I08E, I13A, I13B
	09	J03A, J03B, J04A, J04B, J08A, J08B, J08C, J11A, J11B, J16Z		09	J03A, J03B, J04A, J04B, J08A, J08B, J08C, J11A, J11B, J16Z		09	J03A, J03B, J04A, J04B, J08A, J08B, J08C, J11A, J11B, J16Z
	10	K09A, K09B		10	K09A, K09B		10	K09A, K09B
	17	R01A, R01B, R01C, R01D, R02Z, R12A, R12B, R12C		17	R01A, R01B, R01C, R01D, R02Z, R12A, R12B, R12C		17	R01A, R01B, R01C, R01D, R02Z, R12A, R12B, R12C
	21A	W04A, W04B		21A	W04A, W04B		21A	W04A, W04B
21B	X06A, X06B, X06C	21B	X06A, X06B, X06C	21B	X06A, X06B, X06C			
51559.3↔		BOP, KVT, UOP4	51559.6		BOP, KVT, UOP4	51559.9↔		BOP, KVT, UOP4
	01	B04A, B04B, B04C, B04D, B04E		01	B04A, B04B, B04C, B04D, B04E		01	B04A, B04B, B04C, B04D, B04E
	05	F01A, F01B, F01D, F05Z, F07A, F07B, F14A, F14B, F28A, F42Z, F54Z, F59A, F59B		05	F01A, F01B, F01D, F05Z, F07A, F07B, F14A, F14B, F28A, F42Z, F54Z, F59A, F59B		03	D12A
	06	G18A, G38Z		06	G18A, G38Z		04	E02A, E02B, E02C
	07	H01A		07	H01A		05	F01A, F01B, F01D, F05Z, F07A, F07B, F14A, F14B, F28A, F42Z, F54Z, F59A, F59B
	08	I08A, I08B, I08C, I08D, I08E, I13A, I13B		08	I08A, I08B, I08C, I08D, I08E, I13A, I13B		06	G10Z, G12A, G12B
	09	J03A, J03B, J04A, J04B, J08A, J08B, J08C, J11A, J11B, J16Z		09	J03A, J03B, J04A, J04B, J08A, J08B, J08C, J11A, J11B, J16Z		08	I08A, I08B, I08C, I08D, I08E, I13A, I13B
	10	K09A, K09B		10	K09A, K09B		09	J03A, J03B, J04A, J04B, J08A, J08B, J08C, J11A, J11B, J16Z
	17	R01A, R01B, R01C, R01D, R02Z, R12A, R12B, R12C		17	R01A, R01B, R01C, R01D, R02Z, R12A, R12B, R12C		10	K09A, K09B
	21A	W04A, W04B		21A	W04A, W04B		11	L09A, L09B, L09C, L09D, L38Z
21B	X06A, X06B, X06C	21B	X06A, X06B, X06C	17	R01A, R01B, R01C, R01D, R02Z, R12A, R12B, R12C			
51559.4		BOP, KVT, UOP4	51559.7		BOP, KVT, UOP4	51559.a↔		BOP, KVT, UOP4
	01	B04A, B04B, B04C, B04D, B04E		01	B04A, B04B, B04C, B04D, B04E		01	B04A, B04B, B04C, B04D, B04E
	05	F01A, F01B, F01D, F05Z, F07A, F07B, F14A, F14B, F28A, F42Z, F54Z, F59A, F59B		05	F01A, F01B, F01D, F05Z, F07A, F07B, F14A, F14B, F28A, F42Z, F54Z, F59A, F59B		03	D12A
	06	G18A, G38Z		06	G18A, G38Z		04	E02A, E02B, E02C
	07	H01A		07	H01A		05	F01A, F01B, F01D, F05Z, F07A, F07B, F14A, F14B, F28A, F42Z, F54Z, F59A, F59B
	08	I08A, I08B, I08C, I08D, I08E, I13A, I13B		08	I08A, I08B, I08C, I08D, I08E, I13A, I13B		06	G10Z, G12A, G12B
	09	J03A, J03B, J04A, J04B, J08A, J08B, J08C, J11A, J11B, J16Z		09	J03A, J03B, J04A, J04B, J08A, J08B, J08C, J11A, J11B, J16Z		08	I08A, I08B, I08C, I08D, I08E, I13A, I13B
	10	K09A, K09B		10	K09A, K09B		09	J03A, J03B, J04A, J04B, J08A, J08B, J08C, J11A, J11B, J16Z
	17	R01A, R01B, R01C, R01D, R02Z, R12A, R12B, R12C		17	R01A, R01B, R01C, R01D, R02Z, R12A, R12B, R12C		10	K09A, K09B
	21A	W04A, W04B		21A	W04A, W04B		11	L09A, L09B, L09C, L09D, L38Z
21B	X06A, X06B, X06C	21B	X06A, X06B, X06C	17	R01A, R01B, R01C, R01D, R02Z, R12A, R12B, R12C			
				21A	W04A, W04B			
				21B	X06A, X06B, X06C			

VYK

ZZV	MDC	DRG	ZZV	MDC	DRG	ZZV	MDC	DRG					
51559.b↔		BOP, KVT, UOP4	51559.e		BOP, KVT, UOP4	51559.h↔		BOP, KVT, UOP4					
	01	B04A, B04B, B04C, B04D, B04E		01	B04A, B04B, B04C, B04D, B04E		01	B04A, B04B, B04C, B04D, B04E					
	03	D12A		04	E02A, E02B, E02C		05	F01A, F01B, F01D, F05Z, F07A, F07B, F14A, F14B, F28A, F42Z, F54Z, F59A, F59B					
	04	E02A, E02B, E02C		05	F01A, F01B, F01D, F05Z, F07A, F07B, F14A, F14B, F28A, F42Z, F54Z, F59A, F59B		06	G10Z, G12A, G12B					
	05	F01A, F01B, F01D, F05Z, F07A, F07B, F14A, F14B, F28A, F42Z, F54Z, F59A, F59B		06	G10Z, G12A, G12B		08	I08A, I08B, I08C, I08D, I08E, I13A, I13B					
	06	G10Z, G12A, G12B		08	I08A, I08B, I08C, I08D, I08E, I13A, I13B		09	J03A, J03B, J04A, J04B, J08A, J08B, J08C, J11A, J11B, J16Z					
	08	I08A, I08B, I08C, I08D, I08E, I13A, I13B		09	J03A, J03B, J04A, J04B, J08A, J08B, J08C, J11A, J11B, J16Z		10	K09A, K09B					
	09	J03A, J03B, J04A, J04B, J08A, J08B, J08C, J11A, J11B, J16Z		10	K09A, K09B		11	L09A, L09B, L09C, L09D, L38Z					
	10	K09A, K09B		11	L09A, L09B, L09C, L09D, L38Z		17	R01A, R01B, R01C, R01D, R02Z, R12A, R12B, R12C					
	11	L09A, L09B, L09C, L09D, L38Z		17	R01A, R01B, R01C, R01D, R02Z, R12A, R12B, R12C		21A	W04A, W04B					
	17	R01A, R01B, R01C, R01D, R02Z, R12A, R12B, R12C		21A	W04A, W04B		21B	X04Z, X06A, X06B, X06C					
	21A	W04A, W04B		21B	X06A, X06B, X06C		51559.i↔		BOP, KVT, UOP4				
	21B	X05A, X05B, X06A, X06B, X06C		01	B04A, B04B, B04C, B04D, B04E			01	B04A, B04B, B04C, B04D, B04E				
	51559.c↔			BOP, KVT, UOP4	51559.f				BOP, KVT, UOP4	51559.x↔		BOP, KVT, UOP4	
		01		B04A, B04B, B04C, B04D, B04E				01	B04A, B04B, B04C, B04D, B04E		01	B04A, B04B, B04C, B04D, B04E	
		03		D12A				04	E02A, E02B, E02C		05	F01A, F01B, F01D, F05Z, F07A, F07B, F14A, F14B, F28A, F42Z, F54Z, F59A, F59B	
		04		E02A, E02B, E02C				05	F01A, F01B, F01D, F05Z, F07A, F07B, F14A, F14B, F28A, F42Z, F54Z, F59A, F59B		06	G10Z, G12A, G12B	
05		F01A, F01B, F01D, F05Z, F07A, F07B, F14A, F14B, F28A, F42Z, F54Z, F59A, F59B	06	G03A, G10Z, G12A, G12B, G18A, G38Z		08		I08A, I08B, I08C, I08D, I08E, I13A, I13B					
06		G10Z, G12A, G12B	07	H01A		09		J03A, J03B, J04A, J04B, J08A, J08B, J08C, J11A, J11B, J16Z					
08		I08A, I08B, I08C, I08D, I08E, I13A, I13B	08	I08A, I08B, I08C, I08D, I08E, I13A, I13B		10		K09A, K09B					
09		J03A, J03B, J04A, J04B, J08A, J08B, J08C, J11A, J11B, J16Z	09	J03A, J03B, J04A, J04B, J08A, J08B, J08C, J11A, J11B, J16Z		11		L09A, L09B, L09C, L09D, L38Z					
10		K09A, K09B	10	K09A, K09B		17		R01A, R01B, R01C, R01D, R02Z, R12A, R12B, R12C					
11		L09A, L09B, L09C, L09D, L38Z	11	L09A, L09B, L09C, L09D, L38Z		21A		W04A, W04B					
17		R01A, R01B, R01C, R01D, R02Z, R12A, R12B, R12C	17	R01A, R01B, R01C, R01D, R02Z, R12A, R12B, R12C		21B		X04Z, X06A, X06B, X06C					
21A		W04A, W04B	21A	W04A, W04B		51559.d↔			BOP, KVT, UOP4				
21B		X05A, X05B, X06A, X06B, X06C	21B	X06A, X06B, X06C				01	B04A, B04B, B04C, B04D, B04E				
51559.d↔			BOP, KVT, UOP4	51559.g↔					BOP, KVT, UOP4		51559.y↔		BOP, KVT, UOP4
		01	B04A, B04B, B04C, B04D, B04E					01	B04A, B04B, B04C, B04D, B04E			01	B04A, B04B, B04C, B04D, B04E
		03	D12A				05	F01A, F01B, F01D, F05Z, F07A, F07B, F14A, F14B, F28A, F42Z, F54Z, F59A, F59B	05			F01A, F01B, F01D, F05Z, F07A, F07B, F14A, F14B, F28A, F42Z, F54Z, F59A, F59B	
		04	E02A, E02B, E02C				06	G10Z, G12A, G12B	08			I08A, I08B, I08C, I08D, I08E, I13A, I13B	
	05	F01A, F01B, F01D, F05Z, F07A, F07B, F14A, F14B, F28A, F42Z, F54Z, F59A, F59B	08		I08A, I08B, I08C, I08D, I08E, I13A, I13B		09	J03A, J03B, J04A, J04B, J08A, J08B, J08C, J11A, J11B, J16Z					
	06	G10Z, G12A, G12B	09		J03A, J03B, J04A, J04B, J08A, J08B, J08C, J11A, J11B, J16Z		10	K09A, K09B					
	08	I08A, I08B, I08C, I08D, I08E, I13A, I13B	09		J03A, J03B, J04A, J04B, J08A, J08B, J08C, J11A, J11B, J16Z		11	L09A, L09B, L09C, L09D, L38Z					
	09	J03A, J03B, J04A, J04B, J08A, J08B, J08C, J11A, J11B, J16Z	10		K09A, K09B		17	R01A, R01B, R01C, R01D, R02Z, R12A, R12B, R12C					
	10	K09A, K09B	11		L09A, L09B, L09C, L09D, L38Z		21A	W04A, W04B					
	11	L09A, L09B, L09C, L09D, L38Z	17		R01A, R01B, R01C, R01D, R02Z, R12A, R12B, R12C		21B	X06A, X06B, X06C					
	17	R01A, R01B, R01C, R01D, R02Z, R12A, R12B, R12C	21A		W04A, W04B								
	21A	W04A, W04B	21B		X04Z, X06A, X06B, X06C								
	21B	X05A, X05B, X06A, X06B, X06C											

ZZV	MDC	DRG	ZZV	MDC	DRG	ZZV	MDC	DRG			
5155x↔		BOP, KVT, UOP4	51570.0		BOP, KVT, UOP4	51570.4		BOP, KOP, KOPV, KVT, UOP4			
	05	F01A, F01B, F01D, F05Z, F07A, F07B, F14A, F14B, F28A, F42Z, F54Z, F59A, F59B		05	F01A, F01B, F01D, F05Z, F07A, F07B, F13A, F14A, F14B, F27A, F27B, F27C, F28A, F42Z, F54Z, F59A, F59B		01	B04A, B04B, B04C, B04D, B04E			
	08	I08A, I08B, I08C, I08D, I08E, I13A, I13B		08	I08A, I08B, I08C, I08D, I08E, I13A, I13B		03	D12A			
	09	J03A, J03B, J04A, J04B, J08A, J08B, J08C, J11A, J11B, J16Z		10	K01Z		04	E05A, E05B, E05C, E08A, E08B, E08C			
	10	K09A, K09B		21A	W04A, W04B		05	F01A, F01B, F01D, F05Z, F07A, F07B, F13A, F28A, F42Z, F54Z, F59A, F59B			
	17	R01A, R01B, R01C, R01D, R02Z, R12A, R12B, R12C		21B	X04Z, X05A, X05B, X06A, X06B, X06C		06	G15Z, G19A, G19B, G33Z, G38Z			
	21A	W04A, W04B			BOP, KVT, UOP4		07	H33Z, H38Z			
	21B	X06A, X06B, X06C		01	B04A, B04B, B04C, B04D, B04E		08	I08A, I08B, I08C, I08D, I08E, I13A, I13B			
	51560.0			BOP, KVT, UOP4	51570.1			BOP, KVT, UOP4	51570.5		BOP, KVT, UOP4
		01		B03A, B03B, B06A, B06B, B07Z, B17A, B17B, B17C			03	D12A		05	F01A, F01B, F01D, F05Z, F07A, F07B, F13A, F28A, F42Z, F54Z, F59A, F59B
		03		D12A, D12B			04	E02A, E02B, E02C		06	G10Z, G12A, G12B
		05		F01A, F01B, F01D, F05Z, F07A, F07B, F14A, F14B, F28A, F42Z, F54Z, F59A, F59B			05	F01A, F01B, F01D, F05Z, F07A, F07B, F13A, F14A, F14B, F28A, F42Z, F54Z, F59A, F59B		08	I08A, I08B, I08C, I08D, I08E, I13A, I13B
		08		I08A, I08B, I08C, I08D, I08E, I13A, I13B			06	G10Z, G12A, G12B		09	J03A, J03B, J04A, J04B, J08A, J08B, J08C, J11A, J11B, J16Z
		10		K09A, K09B			08	I08A, I08B, I08C, I08D, I08E, I13A, I13B		10	K09A, K09B
		21A		W04A, W04B			09	J03A, J03B, J04A, J04B, J08A, J08B, J08C, J11A, J11B, J16Z		11	L33Z
		21B		X06A, X06B, X06C			10	K09A, K09B		21A	W04A, W04B
		51560.1					BOP, KVT, UOP4	51570.2			BOP, KVT, UOP4
01			B04A, B04B, B04C, B04D, B04E	05		F01A, F01B, F01D, F05Z, F07A, F07B, F13A, F14A, F14B, F28A, F42Z, F54Z, F59A, F59B	06			G10Z, G12A, G12B	
03			D12A, D12B	06		G10Z, G12A, G12B	08			I08A, I08B, I08C, I08D, I08E, I13A, I13B	
04			E02A, E02B, E02C	08		I08A, I08B, I08C, I08D, I08E, I13A, I13B	10			K09A, K09B	
05			F01A, F01B, F01D, F05Z, F07A, F07B, F14A, F14B, F28A, F42Z, F54Z, F59A, F59B	17		R01A, R01B, R01C, R01D, R02Z, R12A, R12B, R12C	11			L09A, L09B, L09C, L09D, L38Z	
08			I08A, I08B, I08C, I08D, I08E, I13A, I13B	21A		W04A, W04B	21A			W04A, W04B	
17			R01A, R01B, R01C, R01D, R02Z, R12A, R12B, R12C	21B		X04Z, X05A, X05B, X06A, X06B, X06C	21B			X04Z, X05A, X05B, X06A, X06B, X06C	
BOP, KVT, UOP4						BOP, KVT, UOP4	22			Y01Z, Y03A, Y03B	
01			B04A, B04B, B04C, B04D, B04E	06		G10Z, G12A, G12B	05			F13A, F21A, F21B	
03	D12A, D12B		08	I08A, I08B, I08C, I08D, I08E, I13A, I13B	08	I08A, I08B, I08C, I08D, I08E, I13A, I13B					
04	E02A, E02B, E02C		10	K09A, K09B	11	L09A, L09B, L09C, L09D, L38Z					
05	F01A, F01B, F01D, F05Z, F07A, F07B, F14A, F14B, F28A, F42Z, F54Z, F59A, F59B		17	R01A, R01B, R01C, R01D, R02Z, R12A, R12B, R12C	21A	W04A, W04B					
08	I08A, I08B, I08C, I08D, I08E, I13A, I13B		21A	W04A, W04B	21B	X06A, X06B, X06C					
17	R01A, R01B, R01C, R01D, R02Z, R12A, R12B, R12C		21B	X04Z, X05A, X05B, X06A, X06B, X06C	51570.7		BOP, KOP, KOPV, KVT, UOP4				
BOP, KVT, UOP4				BOP, KOP, KOPV, KVT, UOP4		05	F01A, F01B, F01D, F05Z, F07A, F07B, F09A, F09B, F09C, F13A, F30Z, F42Z				
01	B04A, B04B, B04C, B04D, B04E		05	F01A, F01B, F01D, F05Z, F07A, F07B, F13A, F14A, F14B, F28A, F42Z, F54Z, F59A, F59B		06	G33Z				
03	D12A, D12B		04	E05A, E05B, E05C, E08A, E08B, E08C		07	H33Z, H38Z				
04	E02A, E02B, E02C	05	F01A, F01B, F01D, F05Z, F07A, F07B, F13A, F14A, F14B, F28A, F42Z, F54Z, F59A, F59B	08		I08A, I08B, I08C, I08D, I08E, I13A, I13B					
05	F01A, F01B, F01D, F05Z, F07A, F07B, F14A, F14B, F28A, F42Z, F54Z, F59A, F59B	06	G15Z, G19A, G19B, G33Z, G38Z	11		L33Z					
08	I08A, I08B, I08C, I08D, I08E, I13A, I13B	07	H33Z, H38Z	15		P02A, P02B, P02C					
17	R01A, R01B, R01C, R01D, R02Z, R12A, R12B, R12C	08	I08A, I08B, I08C, I08D, I08E, I13A, I13B	21B		X33Z					
BOP, KVT, UOP4			L33Z	23		Z01A					
01	B04A, B04B, B04C, B04D, B04E	11	L33Z	Pre		A07A					
03	D12A, D12B	21A	W04A, W04B	51570.x			BOP, KVT, UOP4				
04	E02A, E02B, E02C	21B	X06A, X06B, X06C, X33Z			05	F13A, F21A, F21B				
05	F01A, F01B, F01D, F05Z, F07A, F07B, F14A, F14B, F28A, F42Z, F54Z, F59A, F59B	23	Z01A			08	I08A, I08B, I08C, I08D, I08E, I13A, I13B				
08	I08A, I08B, I08C, I08D, I08E, I13A, I13B	Pre	A07A			11	L09A, L09B, L09C, L09D, L38Z				
17	R01A, R01B, R01C, R01D, R02Z, R12A, R12B, R12C					21A	W04A, W04B				
						21B	X06A, X06B, X06C				

ZZV	MDC	DRG	ZZV	MDC	DRG	ZZV	MDC	DRG			
51571.0		BOP, KVT, UOP4	51571.4		BOP, KOP, KOPV, KVT, UOP4	51591.6		BOP, KVT, UOP4			
	05	F01A, F01B, F01D, F05Z, F07A, F07B, F13A, F14A, F14B, F27A, F27B, F27C, F28A, F42Z, F54Z, F59A, F59B		01	B04A, B04B, B04C, B04D, B04E		04	E02A, E02B, E02C			
	08	I08A, I08B, I08C, I08D, I08E, I13A, I13B		03	D12A		05	F01A, F01B, F01D, F05Z, F07A, F07B, F14A, F14B, F28A, F42Z, F54Z, F59A, F59B			
	10	K01Z		04	E05A, E05B, E05C, E08A, E08B, E08C		08	I08A, I08B, I08C, I08D, I08E, I13A, I13B			
	21A	W04A, W04B		05	F01A, F01B, F01D, F05Z, F07A, F07B, F13A, F28A, F42Z, F54Z, F59A, F59B		21A	W04A, W04B			
	21B	X04Z, X05A, X05B, X06A, X06B, X06C		06	G15Z, G19A, G19B, G33Z, G38Z		21B	X04Z, X05A, X05B, X06A, X06B, X06C			
	51571.1			BOP, KVT, UOP4	07		H33Z, H38Z	51591.7		BOP, KOP, KOPV, UOP4	
		01		B04A, B04B, B04C, B04D, B04E	08		I08A, I08B, I08C, I08D, I08E, I13A, I13B		01	B02A, B02B, B02C, B02D, B20A, B20B, B20C, B20D, B20E, B20F, B39A, B39B	
		03		D12A	09		J03A, J03B, J04A, J04B, J08A, J08B, J08C, J11A, J11B, J16Z		05	F01A, F01B, F01D, F05Z, F07A, F07B, F14A, F14B, F28A, F42Z, F54Z, F59A, F59B	
		04		E02A, E02B, E02C	10		K09A, K09B		06	G33Z	
05		F01A, F01B, F01D, F05Z, F07A, F07B, F13A, F14A, F14B, F28A, F42Z, F54Z, F59A, F59B	11	L33Z	07	H33Z, H38Z					
06		G10Z, G12A, G12B	21A	W04A, W04B	08	I08A, I08B, I08C, I08D, I08E, I13A, I13B					
08		I08A, I08B, I08C, I08D, I08E, I13A, I13B	21B	X04Z, X05A, X05B, X06A, X06B, X06C, X33Z	11	L09A, L09B, L09C, L09D, L33Z, L38Z					
09		J03A, J03B, J04A, J04B, J08A, J08B, J08C, J11A, J11B, J16Z	23	Z01A	21B	X06A, X06B, X06C					
10		K09A, K09B	Pre	A07A	Pre	A07A					
11		L09A, L09B, L09C, L09D, L38Z	51572	01	B03A, B03B, B06A, B06B, B07Z, B17A, B17B, B17C	51591.8			BOP, KVT, UOP4		
17	R01A, R01B, R01C, R01D, R02Z, R12A, R12B, R12C		05	F01A, F01B, F01D, F05Z, F07A, F07B, F14A, F14B, F28A, F42Z, F54Z, F59A, F59B	05		F01A, F01B, F01D, F05Z, F07A, F07B, F14A, F14B, F28A, F42Z, F54Z, F59A, F59B				
21A	W04A, W04B		08	I08A, I08B, I08C, I08D, I08E, I13A, I13B	06		G10Z, G12A, G12B				
21B	X04Z, X05A, X05B, X06A, X06B, X06C		21A	W04A, W04B	08		I08A, I08B, I08C, I08D, I08E, I13A, I13B				
51571.2		BOP, KVT, UOP4	51590.01	06	G10Z, G12A, G12B		10	K09A, K09B			
	05	F01A, F01B, F01D, F05Z, F07A, F07B, F13A, F14A, F14B, F28A, F42Z, F54Z, F59A, F59B		08	I28A, I28B		11	L09A, L09B, L09C, L09D, L38Z			
	06	G10Z, G12A, G12B		10	K09A, K09B		17	R01A, R01B, R01C, R01D, R02Z, R12A, R12B, R12C			
	08	I08A, I08B, I08C, I08D, I08E, I13A, I13B		13	N11A, N11B		21A	W04A, W04B			
	10	K09A, K09B		51590.02	06		G10Z, G12A, G12B	21B	X04Z, X06A, X06B, X06C		
	17	R01A, R01B, R01C, R01D, R02Z, R12A, R12B, R12C			08		I28A, I28B	51591.9		BOP, KVT, UOP4	
	21A	W04A, W04B			10	K09A, K09B	01		B04A, B04B, B04C, B04D, B04E		
	21B	X04Z, X05A, X05B, X06A, X06B, X06C			13	N11A, N11B	03		D12A, D12B		
	51571.3				BOP, KOP, KOPV, KVT, UOP4	51590.03	06		G10Z, G12A, G12B	04	E02A, E02B, E02C
		04			E05A, E05B, E05C, E08A, E08B, E08C		08		I28A, I28B	05	F01A, F01B, F01D, F05Z, F07A, F07B, F14A, F14B, F28A, F42Z, F54Z, F59A, F59B
05		F01A, F01B, F01D, F05Z, F07A, F07B, F13A, F14A, F14B, F28A, F42Z, F54Z, F59A, F59B	10		K09A, K09B		06		G10Z, G12A, G12B		
06		G15Z, G19A, G19B, G33Z, G38Z	13		N11A, N11B		08		I08A, I08B, I08C, I08D, I08E, I13A, I13B		
07		H33Z, H38Z	51590.04		06		G10Z, G12A, G12B		09	J03A, J03B, J04A, J04B, J08A, J08B, J08C, J11A, J11B, J16Z	
08		I08A, I08B, I08C, I08D, I08E, I13A, I13B			08		I28A, I28B		10	K09A, K09B	
11		L33Z		10	K09A, K09B		11		L09A, L09B, L09C, L09D, L38Z		
21A		W04A, W04B		13	N11A, N11B		17	R01A, R01B, R01C, R01D, R02Z, R12A, R12B, R12C			
21B		X06A, X06B, X06C, X33Z		51591.50‡	06		G10Z, G12A, G12B	51591.51‡		BOP, KVT, UOP4	
23		Z01A			09		KK11, KKI, KKII, KKP		09	J11A, J11B	
Pre	A07A	17			R60B, R60C, R61A, R61B, R61C, R61E, R62A, R63B, R63C, R63D, R63F	17	R60B, R60C, R61A, R61B, R61C, R61E, R62A, R63B, R63C, R63D, R63F				
51571.3		BOP, KOP, KOPV, KVT, UOP4			51591.52‡	09	KK11, KKI, KKII, KKP		51591.52‡		BOP, KVT, UOP4
	04	E05A, E05B, E05C, E08A, E08B, E08C				09	J11A, J11B			09	J11A, J11B
	05	F01A, F01B, F01D, F05Z, F07A, F07B, F13A, F14A, F14B, F28A, F42Z, F54Z, F59A, F59B				17	R60B, R60C, R61A, R61B, R61C, R61E, R62A, R63B, R63C, R63D, R63F			17	R60B, R60C, R61A, R61B, R61C, R61E, R62A, R63B, R63C, R63D, R63F
	06	G15Z, G19A, G19B, G33Z, G38Z	09			KK11, KKI, KKII, KKP	09			J11A, J11B	
	07	H33Z, H38Z	17			R60B, R60C, R61A, R61B, R61C, R61E, R62A, R63B, R63C, R63D, R63F	17			R60B, R60C, R61A, R61B, R61C, R61E, R62A, R63B, R63C, R63D, R63F	
	08	I08A, I08B, I08C, I08D, I08E, I13A, I13B	09			J11A, J11B	17			R60B, R60C, R61A, R61B, R61C, R61E, R62A, R63B, R63C, R63D, R63F	
	11	L33Z	17			R60B, R60C, R61A, R61B, R61C, R61E, R62A, R63B, R63C, R63D, R63F	17			R60B, R60C, R61A, R61B, R61C, R61E, R62A, R63B, R63C, R63D, R63F	
	21A	W04A, W04B	09	J11A, J11B		17	R60B, R60C, R61A, R61B, R61C, R61E, R62A, R63B, R63C, R63D, R63F				
	21B	X06A, X06B, X06C, X33Z	17	R60B, R60C, R61A, R61B, R61C, R61E, R62A, R63B, R63C, R63D, R63F		17	R60B, R60C, R61A, R61B, R61C, R61E, R62A, R63B, R63C, R63D, R63F				
	23	Z01A	09	J11A, J11B		17	R60B, R60C, R61A, R61B, R61C, R61E, R62A, R63B, R63C, R63D, R63F				
Pre	A07A	17	R60B, R60C, R61A, R61B, R61C, R61E, R62A, R63B, R63C, R63D, R63F	17	R60B, R60C, R61A, R61B, R61C, R61E, R62A, R63B, R63C, R63D, R63F						

VYK

ZZV	MDC	DRG	ZZV	MDC	DRG	ZZV	MDC	DRG				
5m100	03	D12A, D12B	5m120.0		BOP, KOP, KOPV, KVT, UOP4	5m122		BOP, KVT, UOP4				
	04	E02A, E02B, E02C		04	E05A, E05B, E05C, E08A, E08B, E08C		03	D18Z, D25A, D25B, D25C, D25D				
	06	G10Z, G12A, G12B		06	G10Z, G12A, G12B, G18A, G33Z, G38Z		04	E02A, E02B, E02C				
	08	I28A, I28B		07	H33Z, H38Z		08	I06A, I06B, I06C, I06D, I06E				
	09	J03A, J03B, J04A, J04B, J08A, J08B, J08C, J11A, J11B, J16Z, J21Z		08	I28A, I28B		09	J02A, J02B, J02C, J03A, J03B, J04A, J04B, J08A, J08B, J10A, J10B, J16Z, J21Z				
	10	K03A, K03B, K09A, K09B		09	J03A, J03B, J04A, J04B, J08A, J08B, J08C, J10A, J10B, J16Z, J21Z		10	K14Z				
	13	N11A		10	K09A, K09B		17	R01A, R01B, R01C, R01D, R02Z, R12A, R12B, R12C				
	16	Q03A, Q03B		11	L03Z, L04A, L04B, L04C, L10Z, L13A, L13B, L33Z, L38Z		5m123	BOP, KVT, UOP4				
	5m101	03		D12A, D12B	12			M01A, M01B, M09A, M38Z	03	D18Z, D25A, D25B, D25C, D25D		
		04		E02A, E02B, E02C	13			N01A, N01B, N01C, N01D, N01E, N11A, N38Z	04	E02A, E02B, E02C		
		06		G10Z, G12A, G12B	17			R01A, R01B, R01C, R01D, R02Z, R12A, R12B, R12C	08	I06A, I06B, I06C, I06D, I06E		
		08		I28A, I28B	23			Z01A	09	J02A, J02B, J02C, J03A, J03B, J04A, J04B, J08A, J08B, J10A, J10B, J16Z, J21Z		
		09		J03A, J03B, J04A, J04B, J08A, J08B, J08C, J11A, J11B, J16Z, J21Z	Pre			A07A	10	K14Z		
		10		K09A, K09B	5m120.3			BOP, KOP, KOPV, KVT, UOP4	13	N11A		
		13		N11A				04	E05A, E05B, E05C, E08A, E08B, E08C	17	R01A, R01B, R01C, R01D, R02Z, R12A, R12B, R12C	
		16		Q03A, Q03B				06	G10Z, G12A, G12B, G33Z	5m124	BOP, KVT, UOP4	
5m102↔		03	D12A, D12B	07		H33Z, H38Z		03	D02A, D02B, D18Z, D24A, D24B			
		04	E02A, E02B, E02C	08		I28A, I28B		04	E02A, E02B, E02C			
		06	G10Z, G12A, G12B	09		J03A, J03B, J04A, J04B, J08A, J08B, J08C, J10A, J10B, J16Z, J21Z		08	I06A, I06B, I06C, I06D, I06E			
		08	I28A, I28B	10		K09A, K09B		09	J02A, J02B, J02C, J03A, J03B, J04A, J04B, J08A, J08B, J10A, J10B, J16Z, J21Z			
		09	J03A, J03B, J04A, J04B, J07A, J07B, J08A, J08B, J08C, J11A, J11B, J16Z, J21Z, J24A, J24B, J24C, J24D, J25Z	13		N11A		10	K14Z			
		10	K09A, K09B	16		Q03A, Q03B		11	L09A, L38Z			
		13	N11A	5m103		08		I27A, I27B, I27C, I27D	13		N11A	
		16	Q03A, Q03B			09	J03A, J03B, J04A, J04B, J08A, J08B, J08C, J11A, J11B, J16Z, J21Z	17	R01A, R01B, R01C, R01D, R02Z, R12A, R12B			
	5m103	08	I27A, I27B, I27C, I27D			10	K09A, K09B	5m130	BOP, KVT, UOP4			
		09	J03A, J03B, J04A, J04B, J08A, J08B, J08C, J11A, J11B, J16Z, J21Z			11	L03Z, L04A, L04B, L04C, L10Z, L13A, L13B, L33Z, L38Z		03		D12A	
		5m104	BOP, KVT, UOP4			12	M01A, M01B, M09A, M38Z		04		E02A, E02B, E02C	
			09			J03A, J03B, J04A, J04B, J08A, J08B, J08C, J11A, J11B, J16Z	13		N01A, N01B, N01C, N01D, N01E, N11A, N38Z		06	G10Z, G12A, G12B
			5m110			BOP, KOP, KOPV, KVT, UOP4	17		R01A, R01B, R01C, R01D, R02Z, R12A, R12B, R12C		08	I28A, I28B
					04	E05A, E05B, E05C, E08A, E08B, E08C	23		Z01A		09	J03A, J03B, J04A, J04B, J08A, J08B, J08C, J11A, J11B, J16Z, J21Z
					06	G33Z	Pre		A07A		10	K09A, K09B
					07	H33Z, H38Z	BOP, KOP, KOPV, KVT, UOP4		06	G10Z, G12A, G12B, G33Z	11	L09A, L09B, L09C, L09D, L38Z
11					L33Z	06	G10Z, G12A, G12B, G33Z		12	M06Z, M09A, M09B, M38Z		
17					R01A, R01B, R01C, R01D, R02Z, R12A, R12B, R12C	07	H33Z, H38Z		13	N11A		
21A					W04A, W04B	08	I28A, I28B		14	962Z, O02A, O02B		
21B					X06A, X06B, X06C	09	J03A, J03B, J04A, J04B, J08A, J08B, J08C, J10A, J10B, J16Z, J21Z		16	Q03A, Q03B		
23					Z01A	11	L03Z, L04A, L04B, L04C, L10Z, L13A, L13B, L33Z, L38Z		5m131	BOP, KVT, UOP4		
Pre					A07A	12	M01A, M01B, M09A, M38Z			03	D12A	
5m111				BOP, KOP, KOPV, KVT, UOP4	13	N01A, N01B, N01C, N01D, N01E, N11A, N38Z	04			E02A, E02B, E02C		
				04	E05A, E05B, E05C, E08A, E08B, E08C	17	R01A, R01B, R01C, R01D, R02Z, R12A, R12B, R12C			06	G10Z, G12A, G12B	
	06			G33Z	23	Z01A	08	I28A, I28B				
	07			H33Z, H38Z	Pre	A07A	09	J03A, J03B, J04A, J04B, J08A, J08B, J08C, J11A, J11B, J16Z, J21Z				
	11	L33Z		5m121	BOP, KOP, KOPV, KVT, UOP4	10	K09A, K09B					
	17	R01A, R01B, R01C, R01D, R02Z, R12A, R12B, R12C			06	G10Z, G12A, G12B, G33Z	11	L09A, L09B, L09C, L09D, L38Z				
	21A	W04A, W04B	07		H33Z, H38Z	12	M06Z, M09A, M09B, M38Z					
	21B	X06A, X06B, X06C	08		I28A, I28B	13	N11A					
	23	Z01A	09		J03A, J03B, J04A, J04B, J08A, J08B, J08C, J10A, J10B, J16Z, J21Z	14	962Z, O02A, O02B					
	Pre	A07A	11		L03Z, L04A, L04B, L04C, L10Z, L13A, L13B, L33Z, L38Z	16	Q03A, Q03B					

ZZV	MDC	DRG	ZZV	MDC	DRG	ZZV	MDC	DRG			
5m132		BOP, KVT, UOP4	5m136.3		BOP, KVT, UOP4	5m138.3		BOP, KVT, UOP4			
	03	D12A		03	D12A		03	D12A			
	04	E02A, E02B, E02C		04	E02A, E02B, E02C		04	E02A, E02B, E02C			
	06	G10Z, G12A, G12B		06	G10Z, G12A, G12B		06	G10Z, G12A, G12B			
	08	I28A, I28B		08	I28A, I28B		08	I28A, I28B			
	09	J03A, J03B, J04A, J04B, J08A, J08B, J08C, J11A, J11B, J16Z, J21Z		09	J03A, J03B, J04A, J04B, J08A, J08B, J08C, J11A, J11B, J16Z, J21Z		09	J03A, J03B, J04A, J04B, J08A, J08B, J08C, J11A, J11B, J16Z, J21Z, J23Z, J26Z			
	10	K09A, K09B		10	K09A, K09B		10	K09A, K09B			
	11	L09A, L09B, L09C, L09D, L38Z		11	L09A, L09B, L09C, L09D, L38Z		11	L09A, L09B, L09C, L09D, L38Z			
	12	M06Z, M09A, M09B, M38Z		12	M06Z, M09A, M09B, M38Z		12	M06Z, M09A, M09B, M38Z			
	13	N11A		13	N11A		13	N01A, N01B, N01C, N01D, N01E, N02A, N02B, N02C, N03A, N03B, N04Z, N11A, N14Z, N21Z, N38Z			
	14	962Z, O02A, O02B		14	962Z, O02A, O02B		14	962Z, O02A, O02B			
	16	Q03A, Q03B		16	Q03A, Q03B		14	BOP, KVT, UOP4			
	5m133↔			BOP, KVT, UOP4	5m137.0			BOP, KVT, UOP4	5m139		BOP, KVT, UOP4
		03		D12A			03	D12A		03	D12A
		04		E02A, E02B, E02C			04	E02A, E02B, E02C		04	E02A, E02B, E02C
		06		G10Z, G12A, G12B			06	G10Z, G12A, G12B		06	G10Z, G12A, G12B
08		I28A, I28B	08	I28A, I28B		08	I28A, I28B				
09		J03A, J03B, J04A, J04B, J08A, J08B, J08C, J11A, J11B, J16Z, J21Z, J23Z, J24A, J24B, J24C, J24D, J26Z	09	J03A, J03B, J04A, J04B, J08A, J08B, J08C, J11A, J11B, J16Z, J21Z		09	J03A, J03B, J04A, J04B, J08A, J08B, J08C, J11A, J11B, J16Z, J21Z				
10		K09A, K09B	10	K09A, K09B		10	K09A, K09B				
11		L09A, L09B, L09C, L09D, L38Z	11	L09A, L09B, L09C, L09D, L38Z		11	L09A, L09B, L09C, L09D, L38Z				
13		N11A	12	M06Z, M09A, M09B, M38Z		12	M06Z, M09A, M09B, M38Z				
14		962Z, O02A, O02B	13	N11A		13	N01A, N01B, N01C, N01D, N01E, N02A, N02B, N02C, N03A, N03B, N04Z, N11A, N14Z, N21Z, N38Z				
16		Q03A, Q03B	14	962Z, O02A, O02B		14	962Z, O02A, O02B				
5m134↔			BOP, KVT, UOP4	5m137.3			BOP, KVT, UOP4	5m13c			BOP, KVT, UOP4
		03	D12A			03	D12A			03	D12A
		04	E02A, E02B, E02C			04	E02A, E02B, E02C			04	E02A, E02B, E02C
		06	G10Z, G12A, G12B			06	G10Z, G12A, G12B			06	G10Z, G12A, G12B
		08	I28A, I28B			08	I28A, I28B			08	I28A, I28B
	09	J03A, J03B, J04A, J04B, J08A, J08B, J08C, J11A, J11B, J16Z, J21Z, J23Z, J24A, J24B, J24C, J24D, J26Z	09		J03A, J03B, J04A, J04B, J08A, J08B, J08C, J11A, J11B, J16Z, J21Z	09	J03A, J03B, J04A, J04B, J08A, J08B, J08C, J11A, J11B, J16Z, J21Z				
	10	K09A, K09B	10		K09A, K09B	10	K09A, K09B				
	11	L09A, L09B, L09C, L09D, L38Z	11		L09A, L09B, L09C, L09D, L38Z	11	L09A, L09B, L09C, L09D, L38Z				
	13	N11A	12		M06Z, M09A, M09B, M38Z	12	M06Z, M09A, M09B, M38Z				
	14	962Z, O02A, O02B	13		N11A	13	N01A, N01B, N01C, N01D, N01E, N02A, N02B, N02C, N03A, N03B, N04Z, N11A, N14Z, N21Z, N38Z				
	16	Q03A, Q03B	14		962Z, O02A, O02B	14	962Z, O02A, O02B				
	5m136.0		BOP, KVT, UOP4		5m138.0		BOP, KVT, UOP4		5m13d.0		BOP, KVT, UOP4
		03	D12A			03	D12A			03	D12A
		04	E02A, E02B, E02C			04	E02A, E02B, E02C			04	E02A, E02B, E02C
		06	G10Z, G12A, G12B			06	G10Z, G12A, G12B			06	G10Z, G12A, G12B
		08	I28A, I28B			08	I28A, I28B			08	I28A, I28B
09		J03A, J03B, J04A, J04B, J08A, J08B, J08C, J11A, J11B, J16Z, J21Z	09	J03A, J03B, J04A, J04B, J08A, J08B, J08C, J11A, J11B, J16Z, J21Z, J23Z, J26Z		09	J03A, J03B, J04A, J04B, J08A, J08B, J08C, J11A, J11B, J16Z, J21Z, J23Z, J26Z				
10		K09A, K09B	10	K09A, K09B		10	K09A, K09B				
11		L09A, L09B, L09C, L09D, L38Z	11	L09A, L09B, L09C, L09D, L38Z		11	L09A, L09B, L09C, L09D, L38Z				
12		M06Z, M09A, M09B, M38Z	12	M06Z, M09A, M09B, M38Z		12	M06Z, M09A, M09B, M38Z				
13		N11A	13	N01A, N01B, N01C, N01D, N01E, N02A, N02B, N02C, N03A, N03B, N04Z, N11A, N14Z, N21Z, N38Z		13	N01A, N01B, N01C, N01D, N01E, N02A, N02B, N02C, N03A, N03B, N04Z, N11A, N14Z, N21Z, N38Z				
14		962Z, O02A, O02B	14	962Z, O02A, O02B		14	962Z, O02A, O02B				
16		Q03A, Q03B	16	Q03A, Q03B		16	Q03A, Q03B				
17		R01A, R01B, R01C, R01D, R02Z, R12A, R12B, R12C	17	R01A, R01B, R01C, R01D, R02Z, R12A, R12B, R12C		17	R01A, R01B, R01C, R01D, R02Z, R12A, R12B, R12C				

VYK

ZZV	MDC	DRG	ZZV	MDC	DRG	ZZV	MDC	DRG			
5m13d.3		BOP, KVT, UOP4	5m13e.8		BOP, KVT, UOP4	5m203		BOP, KVT, MVV, UOP4			
	03	D12A		03	D12A		05	F21A, F21B			
	04	E02A, E02B, E02C		04	E02A, E02B, E02C		06	G10Z, G12A, G12B, G16A, G16B, G18A, G38Z			
	06	G10Z, G12A, G12B		06	G10Z, G12A, G12B		08	I28A, I28B			
	08	I28A, I28B		08	I28A, I28B		13	N11A			
	09	J03A, J03B, J04A, J04B, J08A, J08B, J08C, J11A, J11B, J16Z, J21Z, J23Z, J26Z		09	J03A, J03B, J04A, J04B, J08A, J08B, J08C, J11A, J11B, J16Z, J21Z, J23Z, J26Z		16	Q01Z			
	10	K09A, K09B		10	K09A, K09B		17	R01A, R01B, R01C, R01D, R02Z, R12A, R12B, R12C			
	11	L09A, L09B, L09C, L09D, L38Z		11	L09A, L09B, L09C, L09D, L38Z		21A	W04A, W04B			
	12	M06Z, M09A, M09B, M38Z		12	M06Z, M09A, M09B, M38Z		21B	X06A, X06B, X06C			
	13	N01A, N01B, N01C, N01D, N01E, N02A, N02B, N02C, N03A, N03B, N04Z, N11A, N14Z, N21Z, N38Z		13	N01A, N01B, N01C, N01D, N01E, N02A, N02B, N02C, N03A, N03B, N04Z, N11A, N14Z, N21Z, N38Z		5m290	BOP, KVT, UOP4			
	14	962Z, O02A, O02B		14	962Z, O02A, O02B		16	Q01Z			
	5m13d.8			BOP, KVT, UOP4	5m200.0			BOP, KVT, MVV, UOP4	5m291		BOP, KVT, UOP4
		03		D12A			05	F21A, F21B		06	G10Z, G12A, G12B
		04		E02A, E02B, E02C			06	G10Z, G12A, G12B, G16A, G16B, G18A, G38Z		16	Q01Z
06		G10Z, G12A, G12B	08	I28A, I28B		17	R01A, R01B, R01C, R01D, R02Z, R12A, R12B, R12C				
08		I28A, I28B	13	N11A		21A	W04A, W04B				
09		J03A, J03B, J04A, J04B, J08A, J08B, J08C, J11A, J11B, J16Z, J21Z	16	Q01Z		21B	X06A, X06B, X06C				
10		K09A, K09B	17	R01A, R01B, R01C, R01D, R02Z, R12A, R12B, R12C		5m292	BOP, KVT, UOP4				
11		L09A, L09B, L09C, L09D, L38Z	21A	W04A, W04B		06	G10Z, G12A, G12B				
12		M06Z, M09A, M09B, M38Z	21B	X06A, X06B, X06C		16	Q01Z				
13		N01A, N01B, N01C, N01D, N01E, N11A, N38Z	5m200.3	BOP, KVT, UOP4		17	R01A, R01B, R01C, R01D, R02Z, R12A, R12B, R12C				
14		962Z, O02A, O02B	05	F21A, F21B		21A	W04A, W04B				
16		Q03A, Q03B	06	G10Z, G12A, G12B		21B	X06A, X06B, X06C				
5m13e.0			BOP, KVT, UOP4	5m201			BOP, KVT, MVV, UOP4	5m293.0			BOP, KVT, UOP4
		03	D12A			05	F21A, F21B			16	Q01Z
	04	E02A, E02B, E02C	06		G10Z, G12A, G12B	17	R01A, R01B, R01C, R01D, R02Z, R12A, R12B, R12C				
	06	G10Z, G12A, G12B	08		I28A, I28B	21A	W04A, W04B				
	08	I28A, I28B	13		N11A	21B	X06A, X06B, X06C				
	09	J03A, J03B, J04A, J04B, J08A, J08B, J08C, J11A, J11B, J16Z, J21Z, J23Z, J26Z	16		Q01Z	5m293.3	BOP, KVT, UOP4				
	10	K09A, K09B	17		R01A, R01B, R01C, R01D, R02Z, R12A, R12B, R12C	16	Q01Z				
	11	L09A, L09B, L09C, L09D, L38Z	21A		W04A, W04B	17	R01A, R01B, R01C, R01D, R02Z, R12A, R12B, R12C				
	12	M06Z, M09A, M09B, M38Z	21B		X06A, X06B, X06C	21A	W04A, W04B				
	13	N01A, N01B, N01C, N01D, N01E, N11A, N38Z	5m202		BOP, KVT, UOP4	21B	X06A, X06B, X06C				
	14	962Z, O02A, O02B	05		F21A, F21B	5m300.0†	Pre		A42A, A42B		
	5m13e.3		BOP, KVT, UOP4		5m202		BOP, KVT, MVV, UOP4		5m300.1†		BOP, KVT, UOP4
		03	D12A			05	F21A, F21B			23	Z42Z
		04	E02A, E02B, E02C			06	G10Z, G12A, G12B			Pre	A42A, A42B
06		G10Z, G12A, G12B	08	I28A, I28B		5m301.0†	23	Z41Z			
08		I28A, I28B	13	N11A		5m301.1†	23	Z41Z, Z43Z			
09		J03A, J03B, J04A, J04B, J08A, J08B, J08C, J11A, J11B, J16Z, J21Z, J23Z, J26Z	16	Q01Z		5m310.0	Pre	A09A, A11A, A13A, A15A, A15B, A15C, A15D, A18Z			
10		K09A, K09B	17	R01A, R01B, R01C, R01D, R02Z, R12A, R12B, R12C		5m310.1	Pre	A09A, A11A, A13A, A15A, A15C, A15D, A18Z			
11		L09A, L09B, L09C, L09D, L38Z	21A	W04A, W04B		5m311.00	Pre	A04A, A04B, A04D, A09A, A18Z			
12		M06Z, M09A, M09B, M38Z	21B	X06A, X06B, X06C		5m311.02	Pre	A04A, A04B, A04D, A09A, A18Z			
13		N01A, N01B, N01C, N01D, N01E, N02A, N02B, N02C, N03A, N03B, N04Z, N11A, N14Z, N21Z, N38Z	5m202	BOP, KVT, UOP4		5m311.03	Pre	A04A, A04B, A04D, A09A, A18Z			
14		962Z, O02A, O02B	05	F21A, F21B		5m311.10	Pre	A04A, A04B, A04C, A04D, A09A, A18Z			
5m13e.3			BOP, KVT, UOP4	5m202			BOP, KVT, MVV, UOP4	5m311.11			BOP, KVT, UOP4
		03	D12A			05	F21A, F21B			Pre	A04A, A04B, A04D, A09A, A18Z
		04	E02A, E02B, E02C			06	G10Z, G12A, G12B			5m312.00	Pre
	06	G10Z, G12A, G12B	08		I28A, I28B	5m312.01	Pre		A04A, A04B, A04D, A09A, A18Z		
	08	I28A, I28B	13		N11A	5m312.10	Pre		A04A, A04B, A04C, A04D, A09A, A18Z		
	09	J03A, J03B, J04A, J04B, J08A, J08B, J08C, J11A, J11B, J16Z, J21Z, J23Z, J26Z	16		Q01Z	5m312.11	Pre		A04A, A04B, A04D, A09A, A18Z		
	10	K09A, K09B	17		R01A, R01B, R01C, R01D, R02Z, R12A, R12B, R12C						
	11	L09A, L09B, L09C, L09D, L38Z	21A		W04A, W04B						
	12	M06Z, M09A, M09B, M38Z	21B		X06A, X06B, X06C						
	13	N01A, N01B, N01C, N01D, N01E, N02A, N02B, N02C, N03A, N03B, N04Z, N11A, N14Z, N21Z, N38Z									
	14	962Z, O02A, O02B									



ZZV	MDC	DRG	ZZV	MDC	DRG	ZZV	MDC	DRG				
5n010.0		BOP, KOP, KOPV, KVT, UOP4	5n010.5		BOP, KOP, KOPV, KVT, UOP4	5n012.1		BOP, KOP, KOPV, KVT, UOP4				
	03	D12A		03	D12A		03	D12A				
	06	G15Z, G19A, G19B, G38Z		06	G15Z, G19A, G19B, G38Z		06	G01Z, G02Z, G15Z, G19A, G19B, G38Z				
	07	H33Z, H38Z		07	H33Z, H38Z		07	H33Z, H38Z				
	11	L33Z		11	L33Z		11	L33Z				
	17	R01A, R01B, R01C, R01D, R02Z, R12A, R12B, R12C		17	R01A, R01B, R01C, R01D, R02Z, R12A, R12B, R12C		17	R01A, R01B, R01C, R01D, R02Z, R12A, R12B, R12C				
	21A	W04A, W04B		21A	W04A, W04B		21A	W04A, W04B				
	21B	X06A, X06B, X06C		21B	X06A, X06B, X06C		21B	X06A, X06B, X06C				
	23	Z01A		23	Z01A		23	Z01A				
	Pre	A07A		Pre	A07A		Pre	A07A, A11A, A13A, A13B, A13D				
	5n010.1			BOP, KOP, KOPV, KVT, UOP4	5n010.6†			G40Z, G46A, G46B, G46C, G47Z, G50Z	5n012.2		BOP, KOP, KOPV, KVT, UOP4	
		03		D12A			07	H40Z		03	D12A	
		06		G15Z, G19A, G19B, G38Z			5n010.x			BOP, KOP, KOPV, KVT, UOP4	06	G01Z, G02Z, G15Z, G19A, G19B, G38Z
07		H33Z, H38Z	03	D12A		07		H33Z, H38Z				
11		L33Z	06	G15Z, G19A, G19B, G38Z		11		L33Z				
17		R01A, R01B, R01C, R01D, R02Z, R12A, R12B, R12C	07	H33Z, H38Z		17		R01A, R01B, R01C, R01D, R02Z, R12A, R12B, R12C				
21A		W04A, W04B	11	L33Z		21A		W04A, W04B				
21B		X06A, X06B, X06C	17	R01A, R01B, R01C, R01D, R02Z, R12A, R12B, R12C		21B		X06A, X06B, X06C				
23		Z01A	21A	W04A, W04B		23		Z01A				
Pre		A07A	21B	X06A, X06B, X06C		Pre		A07A, A11A, A13A, A13B, A13D				
5n010.2			BOP, KOP, KOPV, KVT, UOP4	5n011.1				BOP, KOP, KOPV, KVT, UOP4		5n012.3		BOP, KOP, KOPV, KVT, UOP4
		03	D12A			03		D12A			03	D12A
		06	G15Z, G19A, G19B, G38Z			06		G15Z, G19A, G19B, G38Z			06	G01Z, G02Z, G15Z, G19A, G19B, G38Z
	07	H33Z, H38Z	07		H33Z, H38Z	07		H33Z, H38Z				
	11	L33Z	11		L33Z	11		L33Z				
	17	R01A, R01B, R01C, R01D, R02Z, R12A, R12B, R12C	17		R01A, R01B, R01C, R01D, R02Z, R12A, R12B, R12C	17	R01A, R01B, R01C, R01D, R02Z, R12A, R12B, R12C					
	21A	W04A, W04B	23		Z01A	21A	W04A, W04B					
	21B	X06A, X06B, X06C	Pre		A07A	21B	X06A, X06B, X06C					
	23	Z01A	5n011.6†			G40Z, G46A, G46B, G46C, G47Z, G50Z	23	Z01A				
	Pre	A07A			06	G40Z, G46A, G46B, G46C, G47Z, G50Z	Pre	A07A, A11A, A13A, A13B, A13D				
	5n010.3				BOP, KOP, KOPV, KVT, UOP4	5n011.x		BOP, KOP, KOPV, KVT, UOP4	5n012.4			BOP, KOP, KOPV, KVT, UOP4
		03			D12A		03	D12A			03	D12A
		06			G15Z, G19A, G19B, G38Z		06	G15Z, G19A, G19B, G38Z			06	G01Z, G02Z, G15Z, G19A, G19B, G38Z
07		H33Z, H38Z		07	H33Z, H38Z		07	H33Z, H38Z				
11		L33Z		11	L33Z		11	L33Z				
17		R01A, R01B, R01C, R01D, R02Z, R12A, R12B, R12C		17	R01A, R01B, R01C, R01D, R02Z, R12A, R12B, R12C		17	R01A, R01B, R01C, R01D, R02Z, R12A, R12B, R12C				
21A		W04A, W04B		23	Z01A		21A	W04A, W04B				
21B		X06A, X06B, X06C		Pre	A07A		21B	X06A, X06B, X06C				
23		Z01A		5n012.0			BOP, KOP, KOPV, KVT, UOP4	23		Z01A		
Pre		A07A			03		D12A	Pre		A07A, A11A, A13A, A13B, A13D		
5n010.4					BOP, KOP, KOPV, KVT, UOP4		5n012.5			BOP, KOP, KOPV, KVT, UOP4	5n012.5	
		03	D12A		03			D12A		03		D12A
		06	G15Z, G19A, G19B, G38Z		06			G01Z, G02Z, G15Z, G19A, G19B, G38Z		06		G01Z, G02Z, G15Z, G19A, G19B, G38Z
	07	H33Z, H38Z	07		H33Z, H38Z	07		H33Z, H38Z				
	11	L33Z	11		L33Z	11		L33Z				
	17	R01A, R01B, R01C, R01D, R02Z, R12A, R12B, R12C	17		R01A, R01B, R01C, R01D, R02Z, R12A, R12B, R12C	17		R01A, R01B, R01C, R01D, R02Z, R12A, R12B, R12C				
	21A	W04A, W04B	21A		W04A, W04B	21A		W04A, W04B				
	21B	X06A, X06B, X06C	21B		X06A, X06B, X06C	21B		X06A, X06B, X06C				
	23	Z01A	23		Z01A	23		Z01A				
	Pre	A07A	Pre		A07A, A11A, A13A, A13B, A13D	Pre		A07A, A11A, A13A, A13B, A13D				

ZZV	MDC	DRG	ZZV	MDC	DRG	ZZV	MDC	DRG
5n012.6†	06	G40Z, G46A, G46B, G46C, G47Z, G50Z	5n01x.4		BOP, KOP, KOPV, UOP4	5n020.3		BOP, KOP, KOPV, KVT, MVV, UOP4
	07	H40Z		03	D12A		03	D12A
5n012.x		BOP, KOP, KOPV, KVT, UOP4		06	G15Z, G19A, G19B, G38Z		05	F36A, F36B
	03	D12A		07	H33Z, H38Z		06	G03A, G03B, G33Z, G38Z
	06	G01Z, G02Z, G15Z, G19A, G19B, G38Z		11	L33Z		07	H33Z, H38Z
	07	H33Z, H38Z		17	R01A, R01B, R01C, R01D, R02Z, R12A, R12B, R12C		11	L33Z
	11	L33Z		21A	W04A, W04B		17	R01A, R01B, R01C, R01D, R02Z, R12A, R12B, R12C
	17	R01A, R01B, R01C, R01D, R02Z, R12A, R12B, R12C		21B	X06A, X06B, X06C		21A	W04A, W04B
	21A	W04A, W04B	5n01x.5	23	Z01A		21B	X06A, X06B, X06C, X33Z
	21B	X06A, X06B, X06C		Pre	A07A		22	Y01Z, Y03A, Y03B
	23	Z01A		03	D12A		23	Z01A
	Pre	A07A, A11A, A13A, A13B, A13D		06	G15Z, G19A, G19B, G38Z	5n020.4	Pre	A07A
5n01x.0		BOP, KOP, KOPV, UOP4		07	H33Z, H38Z			BOP, KOP, KOPV, KVT, MVV, UOP4
	03	D12A		11	L33Z		03	D12A
	06	G15Z, G19A, G19B, G38Z		17	R01A, R01B, R01C, R01D, R02Z, R12A, R12B, R12C		05	F36A, F36B
	07	H33Z, H38Z		21A	W04A, W04B		06	G03A, G03B, G33Z, G38Z
	11	L33Z		21B	X06A, X06B, X06C		07	H33Z, H38Z
	17	R01A, R01B, R01C, R01D, R02Z, R12A, R12B, R12C	5n01x.6†	23	Z01A		11	L33Z
	21A	W04A, W04B		Pre	A07A		17	R01A, R01B, R01C, R01D, R02Z, R12A, R12B, R12C
	21B	X06A, X06B, X06C		06	G40Z, G46A, G46B, G46C, G47Z, G50Z		21A	W04A, W04B
	23	Z01A		07	H40Z		21B	X06A, X06B, X06C, X33Z
	Pre	A07A	5n01x.x†	06	G40Z, G46A, G46B, G46C, G47Z, G50Z		22	Y01Z, Y03A, Y03B
5n01x.1		BOP, KOP, KOPV, UOP4		07	H40Z		23	Z01A
	03	D12A	5n020.1		BOP, KOP, KOPV, KVT, MVV, UOP4	5n020.x	Pre	A07A
	06	G15Z, G19A, G19B, G38Z		03	D12A			BOP, KOP, KOPV, KVT, MVV, UOP4
	07	H33Z, H38Z		05	F36A, F36B		03	D12A
	11	L33Z		06	G03A, G03B, G33Z, G38Z		05	F36A, F36B
	17	R01A, R01B, R01C, R01D, R02Z, R12A, R12B, R12C		07	H33Z, H38Z		06	G03A, G03B, G33Z, G38Z
	21A	W04A, W04B		11	L33Z		07	H33Z, H38Z
	21B	X06A, X06B, X06C		17	R01A, R01B, R01C, R01D, R02Z, R12A, R12B, R12C		11	L33Z
	23	Z01A		21A	W04A, W04B		17	R01A, R01B, R01C, R01D, R02Z, R12A, R12B, R12C
	Pre	A07A		21B	X06A, X06B, X06C, X33Z		21A	W04A, W04B
5n01x.2		BOP, KOP, KOPV, UOP4		22	Y01Z, Y03A, Y03B		21B	X06A, X06B, X06C, X33Z
	03	D12A		23	Z01A		22	Y01Z, Y03A, Y03B
	06	G15Z, G19A, G19B, G38Z		Pre	A07A		23	Z01A
	07	H33Z, H38Z	5n020.2		BOP, KOP, KOPV, KVT, MVV, UOP4	5n021.1	Pre	A07A
	11	L33Z		03	D12A			BOP, KOP, KOPV, KVT, MVV, UOP4
	17	R01A, R01B, R01C, R01D, R02Z, R12A, R12B, R12C		05	F36A, F36B		03	D12A
	21A	W04A, W04B		06	G03A, G03B, G33Z, G38Z		05	F36A, F36B
	21B	X06A, X06B, X06C		07	H33Z, H38Z		06	G03A, G03B, G33Z, G38Z
	23	Z01A		11	L33Z		07	H33Z, H38Z
	Pre	A07A		17	R01A, R01B, R01C, R01D, R02Z, R12A, R12B, R12C		11	L33Z
5n01x.3		BOP, KOP, KOPV, UOP4		21A	W04A, W04B		17	R01A, R01B, R01C, R01D, R02Z, R12A, R12B, R12C
	03	D12A		21B	X06A, X06B, X06C, X33Z		21A	W04A, W04B
	06	G15Z, G19A, G19B, G38Z		22	Y01Z, Y03A, Y03B		21B	X06A, X06B, X06C, X33Z
	07	H33Z, H38Z		23	Z01A		22	Y01Z, Y03A, Y03B
	11	L33Z		Pre	A07A		23	Z01A
	17	R01A, R01B, R01C, R01D, R02Z, R12A, R12B, R12C					Pre	A07A
	21A	W04A, W04B						
	21B	X06A, X06B, X06C						
	23	Z01A						
	Pre	A07A						

VYK

ZZV	MDC	DRG	ZZV	MDC	DRG	ZZV	MDC	DRG			
5n021.2		BOP, KOP, KOPV, KVT, MVV, UOP4	5n022.x		BOP, KOP, KOPV, KVT, UOP4	5n029.x		BOP, KOP, KOPV, KVT, MVV, UOP4			
	03	D12A		03	D12A, D12B		03	D12A			
	05	F36A, F36B		06	G15Z, G19A, G19B, G38Z		05	F36A, F36B			
	06	G03A, G03B, G33Z, G38Z		07	H33Z, H38Z		06	G03A, G03B, G33Z, G38Z			
	07	H33Z, H38Z		11	L33Z		07	H33Z, H38Z			
	11	L33Z		17	R01A, R01B, R01C, R01D, R02Z, R12A, R12B, R12C		11	L33Z			
	17	R01A, R01B, R01C, R01D, R02Z, R12A, R12B, R12C		21A	W04A, W04B		17	R01A, R01B, R01C, R01D, R02Z, R12A, R12B, R12C			
	21A	W04A, W04B		21B	X06A, X06B, X06C		21A	W04A, W04B			
	21B	X06A, X06B, X06C, X33Z		22	Y01Z, Y03A, Y03B		21B	X06A, X06B, X06C, X33Z			
	22	Y01Z, Y03A, Y03B		23	Z01A		22	Y01Z, Y03A, Y03B			
	23	Z01A		Pre	A07A		23	Z01A			
	Pre	A07A		Pre	A07A		Pre	A07A			
	5n021.3			BOP, KOP, KOPV, KVT, MVV, UOP4	5n029.1			BOP, KOP, KOPV, KVT, MVV, UOP4	5n02a		BOP, KOP, KOPV, KVT, UOP4
		03		D12A			03	D12A		03	D12A
05		F36A, F36B	05	F36A, F36B		05	F36A, F36B				
06		G03A, G03B, G33Z, G38Z	06	G03A, G03B, G33Z, G38Z		06	G01Z, G02Z, G03A, G03B, G03C, G33Z, G38Z				
07		H33Z, H38Z	07	H33Z, H38Z		07	H33Z, H38Z				
11		L33Z	11	L33Z		11	L33Z				
17		R01A, R01B, R01C, R01D, R02Z, R12A, R12B, R12C	17	R01A, R01B, R01C, R01D, R02Z, R12A, R12B, R12C		17	R01A, R01B, R01C, R01D, R02Z, R12A, R12B, R12C				
21A		W04A, W04B	21A	W04A, W04B		21A	W04A, W04B				
21B		X06A, X06B, X06C, X33Z	21B	X06A, X06B, X06C, X33Z		21B	X06A, X06B, X06C, X33Z				
22		Y01Z, Y03A, Y03B	22	Y01Z, Y03A, Y03B		22	Y01Z, Y03A, Y03B				
23		Z01A	23	Z01A		23	Z01A				
Pre		A07A	Pre	A07A		Pre	A07A, A11A, A13A, A13B, A13D				
5n021.4			BOP, KOP, KOPV, KVT, MVV, UOP4	5n029.2			BOP, KOP, KOPV, KVT, MVV, UOP4	5n02b			BOP, KOP, KOPV, KVT, UOP4
		03	D12A			03	D12A			03	D12A
	05	F36A, F36B	05		F36A, F36B	05	F36A, F36B				
	06	G03A, G03B, G33Z, G38Z	06		G03A, G03B, G33Z, G38Z	06	G01Z, G02Z, G03A, G03B, G03C, G33Z, G38Z				
	07	H33Z, H38Z	07		H33Z, H38Z	07	H33Z, H38Z				
	11	L33Z	11		L33Z	11	L33Z				
	17	R01A, R01B, R01C, R01D, R02Z, R12A, R12B, R12C	17		R01A, R01B, R01C, R01D, R02Z, R12A, R12B, R12C	17	R01A, R01B, R01C, R01D, R02Z, R12A, R12B, R12C				
	21A	W04A, W04B	21A		W04A, W04B	21A	W04A, W04B				
	21B	X06A, X06B, X06C, X33Z	21B		X06A, X06B, X06C, X33Z	21B	X06A, X06B, X06C, X33Z				
	22	Y01Z, Y03A, Y03B	22		Y01Z, Y03A, Y03B	22	Y01Z, Y03A, Y03B				
	23	Z01A	23		Z01A	23	Z01A				
	Pre	A07A	Pre		A07A	Pre	A07A, A11A, A13A, A13B, A13D				
	5n021.x		BOP, KOP, KOPV, KVT, MVV, UOP4		5n029.3		BOP, KOP, KOPV, KVT, MVV, UOP4		5n02c		BOP, KOP, KOPV, KVT, UOP4
		03	D12A			03	D12A			03	D12A
05		F36A, F36B	05	F36A, F36B		05	F36A, F36B				
06		G03A, G03B, G33Z, G38Z	06	G03A, G03B, G33Z, G38Z		06	G01Z, G02Z, G03A, G03B, G03C, G33Z, G38Z				
07		H33Z, H38Z	07	H33Z, H38Z		07	H33Z, H38Z				
11		L33Z	11	L33Z		11	L33Z				
17		R01A, R01B, R01C, R01D, R02Z, R12A, R12B, R12C	17	R01A, R01B, R01C, R01D, R02Z, R12A, R12B, R12C		17	R01A, R01B, R01C, R01D, R02Z, R12A, R12B, R12C				
21A		W04A, W04B	21A	W04A, W04B		21A	W04A, W04B				
21B		X06A, X06B, X06C, X33Z	21B	X06A, X06B, X06C, X33Z		21B	X06A, X06B, X06C, X33Z				
22		Y01Z, Y03A, Y03B	22	Y01Z, Y03A, Y03B		22	Y01Z, Y03A, Y03B				
23		Z01A	23	Z01A		23	Z01A				
Pre		A07A	Pre	A07A		Pre	A07A, A11A, A13A, A13B, A13D				
5n022.0			BOP, KOP, KOPV, KVT, UOP4	5n029.4			BOP, KOP, KOPV, KVT, MVV, UOP4				BOP, KOP, KOPV, KVT, UOP4
		03	D12A, D12B			03	D12A			03	D12A
	06	G15Z, G19A, G19B, G38Z	05		F36A, F36B	05	F36A, F36B				
	07	H33Z, H38Z	06		G03A, G03B, G33Z, G38Z	06	G03A, G03B, G33Z, G38Z				
	11	L33Z	07		H33Z, H38Z	07	H33Z, H38Z				
	17	R01A, R01B, R01C, R01D, R02Z, R12A, R12B, R12C	11		L33Z	11	L33Z				
	21A	W04A, W04B	17		R01A, R01B, R01C, R01D, R02Z, R12A, R12B, R12C	17	R01A, R01B, R01C, R01D, R02Z, R12A, R12B, R12C				
	21B	X06A, X06B, X06C	21A		W04A, W04B	21A	W04A, W04B				
	22	Y01Z, Y03A, Y03B	21B		X06A, X06B, X06C, X33Z	21B	X06A, X06B, X06C, X33Z				
	23	Z01A	22		Y01Z, Y03A, Y03B	22	Y01Z, Y03A, Y03B				
	Pre	A07A	23		Z01A	23	Z01A				
			Pre		A07A	Pre	A07A				

VYK

ZZV	MDC	DRG	ZZV	MDC	DRG	ZZV	MDC	DRG		
5n02d		BOP, KOP, KOPV, KVT, UOP4	5n02h		BOP, KOP, KOPV, KVT, UOP4	5n033.0		BOP, KOP, KOPV, KVT, UOP4		
	03	D12A		03	D12A		03	D12A, D12B		
	05	F36A, F36B		04	E05A, E05B, E05C, E08A, E08B, E08C		06	G15Z, G19A, G19B, G38Z		
	06	G01Z, G02Z, G03A, G03B, G03C, G33Z, G38Z		05	F36A, F36B		07	H33Z, H38Z		
	07	H33Z, H38Z		06	G01Z, G02Z, G03A, G03B, G03C, G33Z, G38Z		11	L33Z		
	11	L33Z		07	H33Z, H38Z		17	R01A, R01B, R01C, R01D, R02Z, R12A, R12B, R12C		
	17	R01A, R01B, R01C, R01D, R02Z, R12A, R12B, R12C		11	L33Z		23	Z01A		
	21A	W04A, W04B		21A	W04A, W04B		Pre	A07A		
	21B	X06A, X06B, X06C, X33Z		21B	X06A, X06B, X06C, X33Z		5n033.1	BOP, KOP, KOPV, KVT, UOP4		
	22	Y01Z, Y03A, Y03B		23	Z01A		03	D12A, D12B		
	23	Z01A		Pre	A07A, A11A, A13A, A13B, A13D		06	G15Z, G19A, G19B, G38Z		
	Pre	A07A, A11A, A13A, A13B, A13D		5n02x	BOP, KOP, KOPV, KVT, UOP4		07	H33Z, H38Z		
	5n02e			BOP, KOP, KOPV, KVT, UOP4			03	D12A	11	L33Z
		03		D12A			05	F36A, F36B	17	R01A, R01B, R01C, R01D, R02Z, R12A, R12B, R12C
		05		F36A, F36B			06	G01Z, G02Z, G03A, G03B, G03C, G33Z, G38Z	23	Z01A
		06		G01Z, G02Z, G03A, G03B, G03C, G33Z, G38Z			07	H33Z, H38Z	Pre	A07A
07		H33Z, H38Z		11	L33Z	5n033.2	BOP, KOP, KOPV, KVT, UOP4			
11		L33Z		17	R01A, R01B, R01C, R01D, R02Z, R12A, R12B, R12C	03	D12A, D12B			
17		R01A, R01B, R01C, R01D, R02Z, R12A, R12B, R12C		21A	W04A, W04B	06	G15Z, G19A, G19B, G38Z			
21A		W04A, W04B		21B	X06A, X06B, X06C, X33Z	07	H33Z, H38Z			
21B		X06A, X06B, X06C, X33Z		22	Y01Z, Y03A, Y03B	11	L33Z			
22		Y01Z, Y03A, Y03B		23	Z01A	17	R01A, R01B, R01C, R01D, R02Z, R12A, R12B, R12C			
23		Z01A		Pre	A07A, A11A, A13A, A13B, A13D	23	Z01A			
Pre		A07A, A11A, A13A, A13B, A13D	5n030	BOP, KOP, KOPV, KVT, UOP4	Pre	A07A				
5n02f			BOP, KOP, KOPV, KVT, UOP4		03	D12A, D12B	5n033.3	BOP, KOP, KOPV, KVT, UOP4		
		03	D12A		06	G15Z, G19A, G19B, G38Z	03	D12A, D12B		
		05	F36A, F36B		07	H33Z, H38Z	06	G15Z, G19A, G19B, G38Z		
		06	G01Z, G02Z, G03A, G03B, G03C, G33Z, G38Z		11	L33Z	07	H33Z, H38Z		
	07	H33Z, H38Z		17	R01A, R01B, R01C, R01D, R02Z, R12A, R12B, R12C	11	L33Z			
	11	L33Z		23	Z01A	17	R01A, R01B, R01C, R01D, R02Z, R12A, R12B, R12C			
	17	R01A, R01B, R01C, R01D, R02Z, R12A, R12B, R12C		Pre	A07A	23	Z01A			
	21A	W04A, W04B	5n031	BOP, KOP, KOPV, KVT, UOP4	Pre	A07A				
	21B	X06A, X06B, X06C, X33Z		03	D12A, D12B	5n033.4	BOP, KOP, KOPV, KVT, UOP4			
	22	Y01Z, Y03A, Y03B		06	G15Z, G19A, G19B, G38Z	03	D12A, D12B			
	23	Z01A		07	H33Z, H38Z	06	G15Z, G19A, G19B, G38Z			
	Pre	A07A, A11A, A13A, A13B, A13D		11	L33Z	07	H33Z, H38Z			
	5n02g		BOP, KOP, KOPV, KVT, UOP4		17	R01A, R01B, R01C, R01D, R02Z, R12A, R12B, R12C	11	L33Z		
		03	D12A		23	Z01A	17	R01A, R01B, R01C, R01D, R02Z, R12A, R12B, R12C		
		05	F36A, F36B		Pre	A07A	23	Z01A		
		06	G01Z, G02Z, G03A, G03B, G03C, G33Z, G38Z	5n032.0†	06	G40Z, G46A, G46B, G46C, G47Z, G50Z	Pre	A07A		
07		H33Z, H38Z	5n032.1†	06	G40Z, G46A, G46B, G46C, G47Z, G50Z	5n033.x	BOP, KOP, KOPV, KVT, UOP4			
11		L33Z	5n032.2†	06	G40Z, G46A, G46B, G46C, G47Z, G50Z	03	D12A, D12B			
17		R01A, R01B, R01C, R01D, R02Z, R12A, R12B, R12C	5n032.3†	06	G40Z, G46A, G46B, G46C, G47Z, G50Z	06	G15Z, G19A, G19B, G38Z			
21A		W04A, W04B	5n032.4†	06	G40Z, G46A, G46B, G46C, G47Z, G50Z	07	H33Z, H38Z			
21B		X06A, X06B, X06C, X33Z	5n032.x†	06	G40Z, G46A, G46B, G46C, G47Z, G50Z	11	L33Z			
22		Y01Z, Y03A, Y03B				17	R01A, R01B, R01C, R01D, R02Z, R12A, R12B, R12C			
23		Z01A				23	Z01A			
Pre		A07A, A11A, A13A, A13B, A13D				Pre	A07A			
						5n034.0	BOP, KOP, KOPV, KVT, UOP4			
						03	D12A, D12B			
						06	G15Z, G19A, G19B, G38Z			
						07	H33Z, H38Z			
					11	L33Z				
					17	R01A, R01B, R01C, R01D, R02Z, R12A, R12B, R12C				
					23	Z01A				
					Pre	A07A				

ZZV	MDC	DRG	ZZV	MDC	DRG	ZZV	MDC	DRG
5n034.1		BOP, KOP, KOPV, KVT, UOP4	5n040		BOP, KOP, KOPV, KVT, UOP4	5n049		BOP, KOP, KOPV, KVT, UOP4
	03	D12A, D12B		03	D12A		03	D12A
	06	G15Z, G19A, G19B, G38Z		05	F36A, F36B		05	F36A, F36B
	07	H33Z, H38Z		06	G15Z, G19A, G19B, G33Z, G38Z		06	G15Z, G19A, G19B, G33Z, G38Z
	11	L33Z		07	H33Z, H38Z		07	H33Z, H38Z
	17	R01A, R01B, R01C, R01D, R02Z, R12A, R12B, R12C		11	L33Z		11	L33Z
	23	Z01A		17	R01A, R01B, R01C, R01D, R02Z, R12A, R12B, R12C		17	R01A, R01B, R01C, R01D, R02Z, R12A, R12B, R12C
	Pre	A07A		21A	W04A, W04B		21A	W04A, W04B
5n034.2		BOP, KOP, KOPV, KVT, UOP4	5n041		BOP, KOP, KOPV, KVT, UOP4	5n04a		BOP, KOP, KOPV, KVT, UOP4
	03	D12A, D12B		03	D12A		03	D12A
	06	G15Z, G19A, G19B, G38Z		05	F36A, F36B		05	F36A, F36B
	07	H33Z, H38Z		06	G15Z, G19A, G19B, G33Z, G38Z		06	G01Z, G02Z, G03A, G03B, G33Z, G38Z
	11	L33Z		07	H33Z, H38Z		07	H33Z, H38Z
	17	R01A, R01B, R01C, R01D, R02Z, R12A, R12B, R12C		11	L33Z		11	L33Z
	23	Z01A		17	R01A, R01B, R01C, R01D, R02Z, R12A, R12B, R12C		17	R01A, R01B, R01C, R01D, R02Z, R12A, R12B, R12C
	Pre	A07A		21A	W04A, W04B		21A	W04A, W04B
5n034.3		BOP, KOP, KOPV, KVT, UOP4	5n042		BOP, KOP, KOPV, KVT, UOP4	5n04b		BOP, KOP, KOPV, KVT, UOP4
	03	D12A, D12B		03	D12A		03	D12A
	06	G15Z, G19A, G19B, G38Z		05	F36A, F36B		05	F36A, F36B
	07	H33Z, H38Z		06	G15Z, G19A, G19B, G33Z, G38Z		06	G01Z, G02Z, G03A, G03B, G33Z, G38Z
	11	L33Z		07	H33Z, H38Z		07	H33Z, H38Z
	17	R01A, R01B, R01C, R01D, R02Z, R12A, R12B, R12C		11	L33Z		11	L33Z
	23	Z01A		17	R01A, R01B, R01C, R01D, R02Z, R12A, R12B, R12C		17	R01A, R01B, R01C, R01D, R02Z, R12A, R12B, R12C
	Pre	A07A		21A	W04A, W04B		21A	W04A, W04B
5n034.4		BOP, KOP, KOPV, KVT, UOP4	5n043		BOP, KOP, KOPV, KVT, UOP4	5n04c		BOP, KOP, KOPV, KVT, UOP4
	03	D12A, D12B		03	D12A		03	D12A
	06	G15Z, G19A, G19B, G38Z		05	F36A, F36B		05	F36A, F36B
	07	H33Z, H38Z		06	G15Z, G19A, G19B, G33Z, G38Z		06	G01Z, G02Z, G03A, G03B, G33Z, G38Z
	11	L33Z		07	H33Z, H38Z		07	H33Z, H38Z
	17	R01A, R01B, R01C, R01D, R02Z, R12A, R12B, R12C		11	L33Z		11	L33Z
	23	Z01A		17	R01A, R01B, R01C, R01D, R02Z, R12A, R12B, R12C		17	R01A, R01B, R01C, R01D, R02Z, R12A, R12B, R12C
	Pre	A07A		21A	W04A, W04B		21A	W04A, W04B
5n034.x		BOP, KOP, KOPV, KVT, UOP4	5n043		BOP, KOP, KOPV, KVT, UOP4	5n04c		BOP, KOP, KOPV, KVT, UOP4
	03	D12A, D12B		03	D12A		03	D12A
	06	G15Z, G19A, G19B, G38Z		05	F36A, F36B		05	F36A, F36B
	07	H33Z, H38Z		06	G15Z, G19A, G19B, G33Z, G38Z		06	G01Z, G02Z, G03A, G03B, G33Z, G38Z
	11	L33Z		07	H33Z, H38Z		07	H33Z, H38Z
	17	R01A, R01B, R01C, R01D, R02Z, R12A, R12B, R12C		11	L33Z		11	L33Z
	23	Z01A		17	R01A, R01B, R01C, R01D, R02Z, R12A, R12B, R12C		17	R01A, R01B, R01C, R01D, R02Z, R12A, R12B, R12C
	Pre	A07A		21A	W04A, W04B		21A	W04A, W04B
5n035.0‡	06	G40Z, G46A, G46B, G46C, G47Z, G50Z	5n043	06	G15Z, G19A, G19B, G33Z, G38Z	5n04c	03	D12A
	07	H40Z		05	F36A, F36B		05	F36A, F36B
5n035.1‡	06	G40Z, G46A, G46B, G46C, G47Z, G50Z	5n043	07	H33Z, H38Z	5n04c	06	G01Z, G02Z, G03A, G03B, G33Z, G38Z
	07	H40Z		11	L33Z		07	H33Z, H38Z
5n035.2‡	06	G40Z, G46A, G46B, G46C, G47Z, G50Z	5n043	17	R01A, R01B, R01C, R01D, R02Z, R12A, R12B, R12C	5n04c	11	L33Z
	07	H40Z		21A	W04A, W04B		17	R01A, R01B, R01C, R01D, R02Z, R12A, R12B, R12C
5n035.4‡	06	G40Z, G46A, G46B, G46C, G47Z, G50Z	5n043	21B	X06A, X06B, X06C, X33Z	5n04c	21A	W04A, W04B
	07	H40Z		22	Y01Z, Y03A, Y03B		21B	X06A, X06B, X06C, X33Z
5n035.5‡	06	G40Z, G46A, G46B, G46C, G47Z, G50Z	5n043	23	Z01A	5n04c	22	Y01Z, Y03A, Y03B
	07	H40Z		Pre	A07A		23	Z01A
5n035.x‡	06	G40Z, G46A, G46B, G46C, G47Z, G50Z	5n043	Pre	A07A	5n04c	Pre	A07A, A11A, A13A, A13B, A13D
	07	H40Z		Pre	A07A		Pre	A07A, A11A, A13A, A13B, A13D

VYK

ZZV	MDC	DRG	ZZV	MDC	DRG	ZZV	MDC	DRG
5n04x		BOP, KOP, KOPV, KVT, UOP4	5n059		BOP, KOP, KOPV, KVT, MVV, UOP4	5n05a.4		BOP, KOP, KOPV, KVT, MVV, UOP4
	03	D12A		03	D12A		03	D18Z, D25A, D25B, D25C, D25D
	05	F36A, F36B		05	F36A, F36B		05	F36A, F36B
	06	G01Z, G02Z, G03A, G03B, G33Z, G38Z		06	G15Z, G19A, G19B, G33Z, G38Z		06	G03A, G03B, G33Z, G38Z
	07	H33Z, H38Z		07	H33Z, H38Z		07	H33Z, H38Z
	11	L33Z		11	L33Z		09	J08A, J08B, J08C
	17	R01A, R01B, R01C, R01D, R02Z, R12A, R12B, R12C		17	R01A, R01B, R01C, R01D, R02Z, R12A, R12B, R12C		11	L33Z
	21A	W04A, W04B		21A	W04A, W04B		17	R01A, R01B, R01C, R01D, R02Z, R12A, R12B, R12C
	21B	X06A, X06B, X06C, X33Z		21B	X06A, X06B, X06C, X33Z		21A	W04A, W04B
	22	Y01Z, Y03A, Y03B		22	Y01Z, Y03A, Y03B		21B	X06A, X06B, X06C, X33Z
	23	Z01A		23	Z01A		22	Y01Z, Y03A, Y03B
	Pre	A07A, A11A, A13A, A13B, A13D		Pre	A07A		23	Z01A
				Pre	A07A		Pre	A07A, A09B, A11A, A11B, A13B
	5n050			BOP, KOP, KOPV, KVT, MVV, UOP4	5n05a.1			BOP, KOP, KOPV, KVT, MVV, UOP4
03		D12A	03	D18Z, D25A, D25B, D25C, D25D		03	D12A	
05		F36A, F36B	05	F36A, F36B		05	F36A, F36B	
06		G15Z, G19A, G19B, G33Z, G38Z	06	G03A, G03B, G33Z, G38Z		06	G03A, G03B, G33Z, G38Z	
07		H33Z, H38Z	07	H33Z, H38Z		07	H33Z, H38Z	
11		L33Z	09	J08A, J08B, J08C		11	L33Z	
17		R01A, R01B, R01C, R01D, R02Z, R12A, R12B, R12C	17	R01A, R01B, R01C, R01D, R02Z, R12A, R12B, R12C		17	R01A, R01B, R01C, R01D, R02Z, R12A, R12B, R12C	
21A		W04A, W04B	21A	W04A, W04B		21A	W04A, W04B	
21B		X06A, X06B, X06C, X33Z	21B	X06A, X06B, X06C, X33Z		21B	X06A, X06B, X06C, X33Z	
22		Y01Z, Y03A, Y03B	22	Y01Z, Y03A, Y03B		22	Y01Z, Y03A, Y03B	
23		Z01A	23	Z01A		23	Z01A	
Pre		A07A	Pre	A07A, A09B, A11A, A11B, A13B		Pre	A07A, A09B, A11A, A11B, A13B	
			Pre	A07A, A09B, A11A, A11B, A13B		Pre	A07A, A09B, A11A, A11B, A13B	
5n051			BOP, KOP, KOPV, KVT, MVV, UOP4	5n05a.2			BOP, KOP, KOPV, KVT, MVV, UOP4	5n05b.1
	03	D12A	03		D18Z, D25A, D25B, D25C, D25D	03	D12A	
	05	F36A, F36B	05		F36A, F36B	05	F36A, F36B	
	06	G15Z, G19A, G19B, G33Z, G38Z	06		G03A, G03B, G33Z, G38Z	06	G03A, G03B, G33Z, G38Z	
	07	H33Z, H38Z	07		H33Z, H38Z	07	H33Z, H38Z	
	11	L33Z	07		H33Z, H38Z	11	L33Z	
	17	R01A, R01B, R01C, R01D, R02Z, R12A, R12B, R12C	09		J08A, J08B, J08C	17	R01A, R01B, R01C, R01D, R02Z, R12A, R12B, R12C	
	21A	W04A, W04B	11		L33Z	21A	W04A, W04B	
	21B	X06A, X06B, X06C, X33Z	17		R01A, R01B, R01C, R01D, R02Z, R12A, R12B, R12C	21B	X06A, X06B, X06C, X33Z	
	22	Y01Z, Y03A, Y03B	21A		W04A, W04B	22	Y01Z, Y03A, Y03B	
	23	Z01A	21B		X06A, X06B, X06C, X33Z	23	Z01A	
	Pre	A07A	22		Y01Z, Y03A, Y03B	Pre	A07A, A09B, A11A, A11B, A13B	
			23		Z01A	Pre	A07A, A09B, A11A, A11B, A13B	
	Pre	A07A	Pre		A07A, A09B, A11A, A11B, A13B	Pre	A07A, A09B, A11A, A11B, A13B	
5n052		BOP, KOP, KOPV, KVT, MVV, UOP4	5n05a.3		BOP, KOP, KOPV, KVT, MVV, UOP4	5n05b.2		BOP, KOP, KOPV, KVT, MVV, UOP4
	03	D12A		03	D18Z, D25A, D25B, D25C, D25D		03	D12A
	05	F36A, F36B		05	F36A, F36B		05	F36A, F36B
	06	G15Z, G19A, G19B, G33Z, G38Z		06	G03A, G03B, G33Z, G38Z		06	G03A, G03B, G33Z, G38Z
	07	H33Z, H38Z		07	H33Z, H38Z		07	H33Z, H38Z
	11	L33Z		09	J08A, J08B, J08C		11	L33Z
	17	R01A, R01B, R01C, R01D, R02Z, R12A, R12B, R12C		17	R01A, R01B, R01C, R01D, R02Z, R12A, R12B, R12C		17	R01A, R01B, R01C, R01D, R02Z, R12A, R12B, R12C
	21A	W04A, W04B		21A	W04A, W04B		21A	W04A, W04B
	21B	X06A, X06B, X06C, X33Z		21B	X06A, X06B, X06C, X33Z		21B	X06A, X06B, X06C, X33Z
	22	Y01Z, Y03A, Y03B		22	Y01Z, Y03A, Y03B		22	Y01Z, Y03A, Y03B
	23	Z01A		23	Z01A		23	Z01A
	Pre	A07A		Pre	A07A, A09B, A11A, A11B, A13B		Pre	A07A, A09B, A11A, A11B, A13B
				Pre	A07A, A09B, A11A, A11B, A13B		Pre	A07A, A09B, A11A, A11B, A13B
	Pre	A07A		Pre	A07A, A09B, A11A, A11B, A13B		Pre	A07A, A09B, A11A, A11B, A13B

VYK

ZZV	MDC	DRG	ZZV	MDC	DRG	ZZV	MDC	DRG			
5n05b.3		BOP, KOP, KOPV, KVT, MVV, UOP4	5n05c.1		BOP, KOP, KOPV, KVT, MVV, UOP4	5n05c.x		BOP, KOP, KOPV, KVT, MVV, UOP4			
	03	D12A		03	D12A		03	D12A			
	05	F36A, F36B		05	F36A, F36B		05	F36A, F36B			
	06	G03A, G03B, G33Z, G38Z		06	G03A, G03B, G33Z, G38Z		06	G03A, G03B, G33Z, G38Z			
	07	H33Z, H38Z		07	H33Z, H38Z		07	H33Z, H38Z			
	11	L33Z		11	L33Z		11	L33Z			
	17	R01A, R01B, R01C, R01D, R02Z, R12A, R12B, R12C		17	R01A, R01B, R01C, R01D, R02Z, R12A, R12B, R12C		17	R01A, R01B, R01C, R01D, R02Z, R12A, R12B, R12C			
	21A	W04A, W04B		21A	W04A, W04B		21A	W04A, W04B			
	21B	X06A, X06B, X06C, X33Z		21B	X06A, X06B, X06C, X33Z		21B	X06A, X06B, X06C, X33Z			
	22	Y01Z, Y03A, Y03B		22	Y01Z, Y03A, Y03B		22	Y01Z, Y03A, Y03B			
	23	Z01A		23	Z01A		23	Z01A			
	Pre	A07A, A09B, A11A, A11B, A13B		Pre	A07A, A09B, A11A, A11B, A13B		Pre	A07A, A09B, A11A, A11B, A13B			
	5n05b.4			BOP, KOP, KOPV, KVT, MVV, UOP4	5n05c.2			BOP, KOP, KOPV, KVT, MVV, UOP4	5n05x.1		BOP, KOP, KOPV, KVT, MVV, UOP4
		03		D12A			03	D12A		03	D12A
05		F36A, F36B	05	F36A, F36B		05	F36A, F36B				
06		G03A, G03B, G33Z, G38Z	06	G03A, G03B, G33Z, G38Z		06	G03A, G03B, G33Z, G38Z				
07		H33Z, H38Z	07	H33Z, H38Z		07	H33Z, H38Z				
11		L33Z	11	L33Z		11	L33Z				
17		R01A, R01B, R01C, R01D, R02Z, R12A, R12B, R12C	17	R01A, R01B, R01C, R01D, R02Z, R12A, R12B, R12C		17	R01A, R01B, R01C, R01D, R02Z, R12A, R12B, R12C				
21A		W04A, W04B	21A	W04A, W04B		21A	W04A, W04B				
21B		X06A, X06B, X06C, X33Z	21B	X06A, X06B, X06C, X33Z		21B	X06A, X06B, X06C, X33Z				
22		Y01Z, Y03A, Y03B	22	Y01Z, Y03A, Y03B		22	Y01Z, Y03A, Y03B				
23		Z01A	23	Z01A		23	Z01A				
Pre		A07A, A09B, A11A, A11B, A13B	Pre	A07A, A09B, A11A, A11B, A13B		Pre	A07A				
5n05b.5			BOP, KOP, KOPV, KVT, MVV, UOP4	5n05c.3			BOP, KOP, KOPV, KVT, MVV, UOP4	5n05x.2			BOP, KOP, KOPV, KVT, MVV, UOP4
		03	D12A			03	D12A			03	D12A
	05	F36A, F36B	05		F36A, F36B	05	F36A, F36B				
	06	G15Z, G19A, G19B, G33Z, G38Z	06		G03A, G03B, G33Z, G38Z	06	G03A, G03B, G33Z, G38Z				
	07	H33Z, H38Z	07		H33Z, H38Z	07	H33Z, H38Z				
	11	L33Z	11		L33Z	11	L33Z				
	17	R01A, R01B, R01C, R01D, R02Z, R12A, R12B, R12C	17		R01A, R01B, R01C, R01D, R02Z, R12A, R12B, R12C	17	R01A, R01B, R01C, R01D, R02Z, R12A, R12B, R12C				
	21A	W04A, W04B	21A		W04A, W04B	21A	W04A, W04B				
	21B	X06A, X06B, X06C, X33Z	21B		X06A, X06B, X06C, X33Z	21B	X06A, X06B, X06C, X33Z				
	22	Y01Z, Y03A, Y03B	22		Y01Z, Y03A, Y03B	22	Y01Z, Y03A, Y03B				
	23	Z01A	23		Z01A	23	Z01A				
	Pre	A07A	Pre		A07A, A09B, A11A, A11B, A13B	Pre	A07A				
	5n05b.x		BOP, KOP, KOPV, KVT, MVV, UOP4		5n05c.4		BOP, KOP, KOPV, KVT, MVV, UOP4		5n05x.3		BOP, KOP, KOPV, KVT, MVV, UOP4
		03	D12A			03	D12A			03	D12A
05		F36A, F36B	05	F36A, F36B		05	F36A, F36B				
06		G03A, G03B, G33Z, G38Z	06	G03A, G03B, G33Z, G38Z		06	G03A, G03B, G33Z, G38Z				
07		H33Z, H38Z	07	H33Z, H38Z		07	H33Z, H38Z				
11		L33Z	11	L33Z		11	L33Z				
17		R01A, R01B, R01C, R01D, R02Z, R12A, R12B, R12C	17	R01A, R01B, R01C, R01D, R02Z, R12A, R12B, R12C		17	R01A, R01B, R01C, R01D, R02Z, R12A, R12B, R12C				
21A		W04A, W04B	21A	W04A, W04B		21A	W04A, W04B				
21B		X06A, X06B, X06C, X33Z	21B	X06A, X06B, X06C, X33Z		21B	X06A, X06B, X06C, X33Z				
22		Y01Z, Y03A, Y03B	22	Y01Z, Y03A, Y03B		22	Y01Z, Y03A, Y03B				
23		Z01A	23	Z01A		23	Z01A				
Pre		A07A, A09B, A11A, A11B, A13B	Pre	A07A, A09B, A11A, A11B, A13B		Pre	A07A				

ZZV	MDC	DRG	ZZV	MDC	DRG	ZZV	MDC	DRG		
5n05x.4		BOP, KOP, KOPV, KVT, MVV, UOP4	5n095†	06	G40Z, G46A, G46B, G46C, G47Z, G50Z	5n09j.61†	06	G40Z, G46A, G46B, G46C, G47Z, G50Z		
	03	D12A	5n097†	06	G40Z, G46A, G46B, G46C, G47Z, G50Z	5n09j.63†	06	G40Z, G46A, G46B, G46C, G47Z, G50Z		
	05	F36A, F36B	5n098†	06	G40Z, G46A, G46B, G46C, G47Z, G50Z	5n09k.02		BOP, KOP, KOPV, KVT, UOP4		
	06	G03A, G03B, G33Z, G38Z	5n09a†	06	G40Z, G46A, G46B, G46C, G47Z, G50Z		03	D12A, D12B		
	07	H33Z, H38Z		07	H40Z		06	G15Z, G19A, G19B, G38Z		
	11	L33Z	5n09c†	Pre	A13F		07	H06A, H06B, H06C, H33Z, H38Z		
	17	R01A, R01B, R01C, R01D, R02Z, R12A, R12B, R12C	5n09d†	06	G40Z, G46A, G46B, G46C, G47Z, G50Z		10	K04A		
	21A	W04A, W04B		07	H40Z		11	L33Z		
	21B	X06A, X06B, X06C, X33Z	5n09e†	06	G40Z, G46A, G46B, G46C, G47Z, G50Z		17	R01A, R01B, R01C, R01D, R02Z, R12A, R12B, R12C		
	22	Y01Z, Y03A, Y03B		07	H40Z		21A	W04A, W04B		
	23	Z01A	5n09h	Pre	A13F		21B	X06A, X06B, X06C		
	Pre	A07A		03	BOP, KVT, UOP4		22	Y01Z, Y03A, Y03B		
	5n05x.x		BOP, KOP, KOPV, KVT, MVV, UOP4	5n09i.00	03	D12A, D12B	23	Z01A		
		03	D12A		06	G10Z, G12A, G12B	Pre	A07A		
		05	F36A, F36B	5n09j.00	03	D12A, D12B	5n09k.04		BOP, KOP, KOPV, KVT, UOP4	
		06	G03A, G03B, G33Z, G38Z		06	G15Z, G19A, G19B, G38Z	03	D12A, D12B		
		07	H33Z, H38Z		10	K09A, K09B	06	G15Z, G19A, G19B, G38Z		
11		L33Z		03	BOP, KOP, KOPV, KVT, UOP4	07	H06A, H06B, H06C, H33Z, H38Z			
17		R01A, R01B, R01C, R01D, R02Z, R12A, R12B, R12C		06	D12A, D12B	10	K04A			
21A		W04A, W04B		06	G15Z, G19A, G19B, G38Z	11	L33Z			
21B		X06A, X06B, X06C, X33Z		07	H06A, H06B, H06C, H33Z, H38Z	17	R01A, R01B, R01C, R01D, R02Z, R12A, R12B, R12C			
22		Y01Z, Y03A, Y03B		10	K04A	21A	W04A, W04B			
23		Z01A		11	L33Z	21B	X06A, X06B, X06C			
Pre		A07A		17	R01A, R01B, R01C, R01D, R02Z, R12A, R12B, R12C	22	Y01Z, Y03A, Y03B			
5n091†		06	G40Z, G46A, G46B, G46C, G47Z, G50Z	5n09j.01	Pre	A07A	23	Z01A		
		07	H40Z		03	BOP, KOP, KOPV, KVT, UOP4	Pre	A07A		
		5n092		BOP, KOP, KOPV, KVT, UOP4		06	D12A, D12B	5n09k.05		BOP, KOP, KOPV, KVT, UOP4
			06	G15Z, G19A, G19B, G38Z		06	G15Z, G19A, G19B, G38Z	03	D12A, D12B	
			07	H06A, H06B, H06C, H33Z, H38Z		07	H06A, H06B, H06C, H33Z, H38Z	06	G15Z, G19A, G19B, G38Z	
	11		L33Z		10	K04A	07	H06A, H06B, H06C, H33Z, H38Z		
	23		Z01A		11	L33Z	10	K04A		
	Pre		A07A		17	R01A, R01B, R01C, R01D, R02Z, R12A, R12B, R12C	11	L33Z		
	5n094.0			BOP, KOP, KOPV, KVT, UOP4		21A	W04A, W04B	17	R01A, R01B, R01C, R01D, R02Z, R12A, R12B, R12C	
			03	D12A, D12B		21B	X06A, X06B, X06C	21A	W04A, W04B	
			04	E05A, E05B, E05C, E08A, E08B, E08C		22	Y01Z, Y03A, Y03B	21B	X06A, X06B, X06C	
			06	G15Z, G19A, G19B, G38Z		23	Z01A	22	Y01Z, Y03A, Y03B	
			07	H33Z, H38Z		Pre	A07A	23	Z01A	
			11	L33Z				Pre	A07A	
			17	R01A, R01B, R01C, R01D, R02Z, R12A, R12B, R12C		5n09j.03		5n09k.62†	06	G40Z, G46A, G46B, G46C, G47Z, G50Z
			21A	W04A, W04B				5n09k.64†	06	G40Z, G46A, G46B, G46C, G47Z, G50Z
			21B	X06A, X06B, X06C				5n09k.65†	06	G40Z, G46A, G46B, G46C, G47Z, G50Z
22			Y01Z, Y03A, Y03B				5n09l.0		BOP, KOP, KOPV, KVT, UOP4	
23			Z01A				03	D12A, D12B		
Pre		A07A				06	G15Z, G19A, G19B, G38Z			
5n094.6			BOP, KOP, KOPV, KVT, UOP4		07	H06A, H06B, H06C, H33Z, H38Z	07	H06A, H06B, H06C, H33Z, H38Z		
		03	D12A, D12B		10	K04A	10	K04A		
		04	E05A, E05B, E05C, E08A, E08B, E08C		11	L33Z	11	L33Z		
		06	G15Z, G19A, G19B, G38Z		17	R01A, R01B, R01C, R01D, R02Z, R12A, R12B, R12C	17	R01A, R01B, R01C, R01D, R02Z, R12A, R12B, R12C		
		07	H33Z, H38Z		21A	W04A, W04B	21A	W04A, W04B		
	11	L33Z		21B	X06A, X06B, X06C	21B	X06A, X06B, X06C			
	17	R01A, R01B, R01C, R01D, R02Z, R12A, R12B, R12C		22	Y01Z, Y03A, Y03B	22	Y01Z, Y03A, Y03B			
	21A	W04A, W04B		23	Z01A	23	Z01A			
	21B	X06A, X06B, X06C		Pre	A07A	Pre	A07A			
	22	Y01Z, Y03A, Y03B		5n09j.60†	06	G40Z, G46A, G46B, G46C, G47Z, G50Z	22	Y01Z, Y03A, Y03B		
	23	Z01A				23	Z01A			
	Pre	A07A				Pre	A07A			



ZZV	MDC	DRG	ZZV	MDC	DRG	ZZV	MDC	DRG
5n09l.6‡	06	G40Z, G46A, G46B, G46C, G47Z, G50Z	5n10b.1		BOP, KOP, KOPV, KVT, UOP4	5n112.4‡	06	G40Z, G46A, G46B, G46C, G47Z, G50Z
5n09n.0‡	06	G40Z, G46A, G46B, G46C		01	B03A, B03B, B06A, B06B, B07Z, B17A, B17B, B17C	5n112.x‡	06	G40Z, G46A, G46B, G46C, G47Z, G50Z
5n09n.1‡	06	G40Z, G46A, G46B, G46C		06	G15Z, G19A, G19B, G38Z	5n113.0		BOP, KOP, KOPV, KVT, UOP4
5n09n.2‡	06	G40Z, G46A, G46B, G46C		07	H33Z, H38Z		06	G15Z, G19A, G19B, G38Z
5n09n.3‡	06	G40Z, G46A, G46B, G46C		23	Z01A		07	H06A, H06B, H06C, H33Z, H38Z
5n09n.x‡	06	G40Z, G46A, G46B, G46C		Pre	A07A		10	K04A
5n100		BOP, KOP, KOPV, KVT, UOP4	5n10c.0		BOP, KOP, KOPV, KVT, UOP4		11	L33Z
	06	G15Z, G19A, G19B, G38Z		06	G15Z, G19A, G19B, G38Z		16	Q03A, Q03B
	07	H06A, H06B, H06C, H33Z, H38Z		07	H33Z, H38Z		23	Z01A
	10	K04A		23	Z01A		Pre	A07A
	11	L33Z	5n10c.1		BOP, KOP, KOPV, KVT, UOP4	5n113.1		BOP, KOP, KOPV, KVT, UOP4
	17	R01A, R01B, R01C, R01D, R02Z, R12A, R12B, R12C		06	G15Z, G19A, G19B, G38Z		06	G15Z, G19A, G19B, G38Z
	21A	W04A, W04B		07	H33Z, H38Z		07	H06A, H06B, H06C, H33Z, H38Z
	21B	X06A, X06B, X06C		23	Z01A		10	K04A
	22	Y01Z, Y03A, Y03B		Pre	A07A		11	L33Z
	Pre	A07A	5n10d		BOP, KOP, KOPV, KVT, UOP4		16	Q03A, Q03B
5n101		BOP, KOP, KOPV, KVT, UOP4		01	B03A, B03B, B06A, B06B, B07Z, B17A, B17B, B17C		23	Z01A
	06	G15Z, G19A, G19B, G38Z		06	G15Z, G19A, G19B, G38Z	5n113.2		BOP, KOP, KOPV, KVT, UOP4
	07	H06A, H06B, H06C, H33Z, H38Z		07	H33Z, H38Z		06	G15Z, G19A, G19B, G38Z
	10	K04A		23	Z01A		07	H06A, H06B, H06C, H33Z, H38Z
	11	L33Z		Pre	A07A		10	K04A
	17	R01A, R01B, R01C, R01D, R02Z, R12A, R12B, R12C	5n10e		BOP, KOP, KOPV, KVT, UOP4		11	L33Z
	21A	W04A, W04B		01	B03A, B03B, B06A, B06B, B07Z, B17A, B17B, B17C		16	Q03A, Q03B
	21B	X06A, X06B, X06C		06	G15Z, G19A, G19B, G38Z		23	Z01A
	22	Y01Z, Y03A, Y03B		07	H33Z, H38Z	5n113.3		BOP, KOP, KOPV, KVT, UOP4
	Pre	A07A		23	Z01A		06	G15Z, G19A, G19B, G38Z
5n103		BOP, KOP, KOPV, KVT, UOP4	5n10x		BOP, KOP, KOPV, KVT, UOP4		07	H06A, H06B, H06C, H33Z, H38Z
	06	G15Z, G19A, G19B, G38Z		06	G15Z, G19A, G19B, G38Z		10	K04A
	07	H06A, H06B, H06C, H33Z, H38Z		07	H33Z, H38Z		11	L33Z
	10	K04A		23	Z01A		16	Q03A, Q03B
	11	L33Z		Pre	A07A		23	Z01A
	17	R01A, R01B, R01C, R01D, R02Z, R12A, R12B, R12C	5n110		BOP, KOP, KOPV, KVT, UOP4	5n113.4		BOP, KOP, KOPV, KVT, UOP4
	21A	W04A, W04B		06	G15Z, G19A, G19B, G38Z		06	G15Z, G19A, G19B, G38Z
	21B	X06A, X06B, X06C		07	H06A, H06B, H06C, H33Z, H38Z		07	H06A, H06B, H06C, H33Z, H38Z
	22	Y01Z, Y03A, Y03B		10	K04A		10	K04A
	Pre	A07A		11	L33Z		11	L33Z
5n106‡	06	G40Z, G46A, G46B, G46C, G47Z, G50Z		16	Q03A, Q03B		16	Q03A, Q03B
5n10a		BOP, KOP, KOPV, KVT, UOP4		23	Z01A		23	Z01A
	01	B03A, B03B, B06A, B06B, B07Z, B17A, B17B, B17C	5n111		BOP, KOP, KOPV, KVT, UOP4	5n113.x		BOP, KOP, KOPV, KVT, UOP4
	06	G15Z, G19A, G19B, G38Z		06	G15Z, G19A, G19B, G38Z		06	G15Z, G19A, G19B, G38Z
	07	H33Z, H38Z		07	H06A, H06B, H06C, H33Z, H38Z		07	H06A, H06B, H06C, H33Z, H38Z
	23	Z01A		10	K04A		10	K04A
	Pre	A07A		11	L33Z		11	L33Z
5n10b.0		BOP, KOP, KOPV, KVT, UOP4		16	Q03A, Q03B		16	Q03A, Q03B
	01	B03A, B03B, B06A, B06B, B07Z, B17A, B17B, B17C		23	Z01A		23	Z01A
	06	G15Z, G19A, G19B, G38Z		Pre	A07A		Pre	A07A
	07	H33Z, H38Z	5n112.0‡	06	G40Z, G46A, G46B, G46C, G47Z, G50Z		06	G15Z, G19A, G19B, G38Z
	23	Z01A		06	G40Z, G46A, G46B, G46C, G47Z, G50Z		07	H06A, H06B, H06C, H33Z, H38Z
	Pre	A07A		06	G40Z, G46A, G46B, G46C, G47Z, G50Z		10	K04A
			5n112.1‡	06	G40Z, G46A, G46B, G46C, G47Z, G50Z		11	L33Z
				06	G40Z, G46A, G46B, G46C, G47Z, G50Z		16	Q03A, Q03B
			5n112.2‡	06	G40Z, G46A, G46B, G46C, G47Z, G50Z		23	Z01A
				06	G40Z, G46A, G46B, G46C, G47Z, G50Z		Pre	A07A
			5n112.3‡	06	G40Z, G46A, G46B, G46C, G47Z, G50Z		06	G15Z, G19A, G19B, G38Z

VYK

ZZV	MDC	DRG	ZZV	MDC	DRG	ZZV	MDC	DRG		
5n114.0		BOP, KOP, KOPV, KVT, UOP4	5n115.3	06	G13Z, G21A, G21B	5n123.2		BOP, KOP, KOPV, KVT, UOP4		
	06	G15Z, G19A, G19B, G38Z		16	Q03A, Q03B		05	F36A, F36B		
	07	H06A, H06B, H06C, H33Z, H38Z		17	R01A, R01B, R01C, R01D, R02Z, R12A, R12B, R12C		06	G15Z, G19A, G19B, G33Z, G38Z		
	10	K04A	5n115.4†	06	G40Z, G46A, G46B, G46C, G47Z, G50Z		07	H33Z, H38Z		
	11	L33Z		5n115.x†	06		G40Z, G46A, G46B, G46C, G47Z, G50Z	09	J26Z	
	16	Q03A, Q03B	5n120				BOP, KOP, KOPV, KVT, UOP4	10	K04A	
	23	Z01A			05		F36A, F36B	11	L33Z	
	Pre	A07A			06		G15Z, G19A, G19B, G33Z, G38Z	17	R01A, R01B, R01C, R01D, R02Z, R12A, R12B, R12C	
	5n114.1		BOP, KOP, KOPV, KVT, UOP4		05		F36A, F36B	5n123.4		BOP, KOP, KOPV, KVT, UOP4
		06	G15Z, G19A, G19B, G38Z		06		G15Z, G19A, G19B, G33Z, G38Z		05	F36A, F36B
07		H06A, H06B, H06C, H33Z, H38Z		07	H33Z, H38Z	06	G15Z, G19A, G19B, G33Z, G38Z			
10		K04A		09	J26Z	07	H33Z, H38Z			
11		L33Z		11	L33Z	09	J26Z			
16		Q03A, Q03B		17	R01A, R01B, R01C, R01D, R02Z, R12A, R12B, R12C	10	K04A			
23		Z01A		21A	W04A, W04B	11	L33Z			
Pre		A07A		21B	X06A, X06B, X06C, X33Z	17	R01A, R01B, R01C, R01D, R02Z, R12A, R12B, R12C			
5n114.2			BOP, KOP, KOPV, KVT, UOP4		22	Y01Z, Y03A, Y03B	21A		W04A, W04B	
		06	G15Z, G19A, G19B, G38Z		23	Z01A	21B		X06A, X06B, X06C, X33Z	
	07	H06A, H06B, H06C, H33Z, H38Z	5n121	Pre	A07A	22	Y01Z, Y03A, Y03B			
	10	K04A			05	F36A, F36B	23	Z01A		
	11	L33Z			06	G15Z, G19A, G19B, G33Z, G38Z	Pre	A07A		
	16	Q03A, Q03B		07	H33Z, H38Z	5n124.0		BOP, KOP, KOPV, KVT, UOP4		
	23	Z01A		09	J26Z		05	F36A, F36B		
	Pre	A07A		11	L33Z		06	G15Z, G19A, G19B, G33Z, G38Z		
	5n114.3		BOP, KOP, KOPV, KVT, UOP4		17		R01A, R01B, R01C, R01D, R02Z, R12A, R12B, R12C	07	H33Z, H38Z	
		06	G15Z, G19A, G19B, G38Z		21A		W04A, W04B	09	J26Z	
07		H06A, H06B, H06C, H33Z, H38Z		21B	X06A, X06B, X06C, X33Z		10	K04A		
10		K04A		22	Y01Z, Y03A, Y03B		11	L33Z		
11		L33Z		23	Z01A		17	R01A, R01B, R01C, R01D, R02Z, R12A, R12B, R12C		
16		Q03A, Q03B	5n122	Pre	A07A		21A	W04A, W04B		
23		Z01A			05		F36A, F36B	21B	X06A, X06B, X06C, X33Z	
Pre		A07A			06	G15Z, G19A, G19B, G33Z, G38Z	22	Y01Z, Y03A, Y03B		
5n114.4			BOP, KOP, KOPV, KVT, UOP4		07	H33Z, H38Z	23	Z01A		
		06	G15Z, G19A, G19B, G38Z		09	J26Z	Pre	A07A		
	07	H06A, H06B, H06C, H33Z, H38Z		11	L33Z	5n124.2		BOP, KOP, KOPV, KVT, UOP4		
	10	K04A		17	R01A, R01B, R01C, R01D, R02Z, R12A, R12B, R12C		05	F36A, F36B		
	11	L33Z		21A	W04A, W04B		06	G15Z, G19A, G19B, G33Z, G38Z		
	16	Q03A, Q03B		21B	X06A, X06B, X06C, X33Z		07	H33Z, H38Z		
	23	Z01A		22	Y01Z, Y03A, Y03B		09	J26Z		
	Pre	A07A		23	Z01A		10	K04A		
	5n114.x		BOP, KOP, KOPV, KVT, UOP4		Pre		A07A	11	L33Z	
		06	G15Z, G19A, G19B, G38Z		05		F36A, F36B	17	R01A, R01B, R01C, R01D, R02Z, R12A, R12B, R12C	
07		H06A, H06B, H06C, H33Z, H38Z	5n123.0	06	G15Z, G19A, G19B, G33Z, G38Z		21A	W04A, W04B		
10		K04A			07		H33Z, H38Z	21B	X06A, X06B, X06C, X33Z	
11		L33Z			09	J26Z	22	Y01Z, Y03A, Y03B		
16		Q03A, Q03B		10	K04A	23	Z01A			
23		Z01A		11	L33Z	Pre	A07A			
Pre		A07A		17	R01A, R01B, R01C, R01D, R02Z, R12A, R12B, R12C	5n124.2		BOP, KOP, KOPV, KVT, UOP4		
5n115.0			BOP, KOP, KOPV, KVT, UOP4		21A		W04A, W04B	05	F36A, F36B	
		06	G13Z, G21A, G21B		21B		X06A, X06B, X06C, X33Z	06	G15Z, G19A, G19B, G33Z, G38Z	
	16	Q03A, Q03B		22	Y01Z, Y03A, Y03B		07	H33Z, H38Z		
	17	R01A, R01B, R01C, R01D, R02Z, R12A, R12B, R12C		23	Z01A		09	J26Z		
	5n115.1†	06	G40Z, G46A, G46B, G46C, G47Z, G50Z		Pre		A07A	10	K04A	
		5n115.2	06	G13Z, G21A, G21B			05	F36A, F36B	11	L33Z
	16		Q03A, Q03B		06		G15Z, G19A, G19B, G33Z, G38Z	17	R01A, R01B, R01C, R01D, R02Z, R12A, R12B, R12C	
	17		R01A, R01B, R01C, R01D, R02Z, R12A, R12B, R12C		07		H33Z, H38Z	21A	W04A, W04B	
					09		J26Z	21B	X06A, X06B, X06C, X33Z	
					10	K04A	22	Y01Z, Y03A, Y03B		
				11	L33Z	23	Z01A			
				17	R01A, R01B, R01C, R01D, R02Z, R12A, R12B, R12C	Pre	A07A			

ZZV	MDC	DRG	ZZV	MDC	DRG	ZZV	MDC	DRG			
5n124.4		BOP, KOP, KOPV, KVT, UOP4	5n126.0		BOP, KOP, KOPV, KVT, UOP4	5n12a		BOP, KOP, KOPV, KVT, UOP4			
	05	F36A, F36B		05	F36A, F36B		06	G15Z, G19A, G19B, G38Z			
	06	G15Z, G19A, G19B, G33Z, G38Z		06	G15Z, G19A, G19B, G33Z, G38Z		07	H33Z, H38Z			
	07	H33Z, H38Z		07	H33Z, H38Z		11	L33Z			
	09	J26Z		09	J26Z		17	R01A, R01B, R01C, R01D, R02Z, R12A, R12B, R12C			
	10	K04A		10	K04A		21A	W04A, W04B			
	11	L33Z		11	L33Z		21B	X06A, X06B, X06C, X33Z			
	17	R01A, R01B, R01C, R01D, R02Z, R12A, R12B, R12C		17	R01A, R01B, R01C, R01D, R02Z, R12A, R12B, R12C		22	Y01Z, Y03A, Y03B			
	21A	W04A, W04B		21A	W04A, W04B		23	Z01A			
	21B	X06A, X06B, X06C, X33Z		21B	X06A, X06B, X06C, X33Z		Pre	A07A			
	22	Y01Z, Y03A, Y03B		22	Y01Z, Y03A, Y03B		5n12b	BOP, KOP, KOPV, KVT, UOP4			
	23	Z01A		23	Z01A			06	G15Z, G19A, G19B, G38Z		
	Pre	A07A		Pre	A07A		07	H33Z, H38Z			
	5n125.0			BOP, KOP, KOPV, KVT, UOP4	5n126.2			BOP, KOP, KOPV, KVT, UOP4	5n12c		BOP, KOP, KOPV, KVT, UOP4
		05		F36A, F36B			05	F36A, F36B		06	G15Z, G19A, G19B, G38Z
		06		G15Z, G19A, G19B, G33Z, G38Z			06	G15Z, G19A, G19B, G33Z, G38Z		07	H33Z, H38Z
07		H33Z, H38Z	07	H33Z, H38Z		11	L33Z				
09		J26Z	09	J26Z		17	R01A, R01B, R01C, R01D, R02Z, R12A, R12B, R12C				
10		K04A	10	K04A		21A	W04A, W04B				
11		L33Z	11	L33Z		21B	X06A, X06B, X06C, X33Z				
17		R01A, R01B, R01C, R01D, R02Z, R12A, R12B, R12C	17	R01A, R01B, R01C, R01D, R02Z, R12A, R12B, R12C		22	Y01Z, Y03A, Y03B				
21A		W04A, W04B	21A	W04A, W04B		23	Z01A				
21B		X06A, X06B, X06C, X33Z	21B	X06A, X06B, X06C, X33Z		Pre	A07A				
22		Y01Z, Y03A, Y03B	22	Y01Z, Y03A, Y03B		5n12d	BOP, KOP, KOPV, KVT, UOP4				
23		Z01A	23	Z01A			06	G15Z, G19A, G19B, G38Z			
Pre		A07A	Pre	A07A		07	H33Z, H38Z				
5n125.2			BOP, KOP, KOPV, KVT, UOP4	5n126.4			BOP, KOP, KOPV, KVT, UOP4	5n12e			BOP, KOP, KOPV, KVT, UOP4
		05	F36A, F36B			05	F36A, F36B			06	G15Z, G19A, G19B, G38Z
		06	G15Z, G19A, G19B, G33Z, G38Z			06	G15Z, G19A, G19B, G33Z, G38Z			07	H33Z, H38Z
	07	H33Z, H38Z	07		H33Z, H38Z	11	L33Z				
	09	J26Z	09		J26Z	17	R01A, R01B, R01C, R01D, R02Z, R12A, R12B, R12C				
	10	K04A	10		K04A	21A	W04A, W04B				
	11	L33Z	11		L33Z	21B	X06A, X06B, X06C, X33Z				
	17	R01A, R01B, R01C, R01D, R02Z, R12A, R12B, R12C	17		R01A, R01B, R01C, R01D, R02Z, R12A, R12B, R12C	22	Y01Z, Y03A, Y03B				
	21A	W04A, W04B	21A		W04A, W04B	23	Z01A				
	21B	X06A, X06B, X06C, X33Z	21B		X06A, X06B, X06C, X33Z	Pre	A07A				
	22	Y01Z, Y03A, Y03B	22		Y01Z, Y03A, Y03B	5n12e	BOP, KOP, KOPV, KVT, UOP4				
	23	Z01A	23		Z01A		06		G15Z, G19A, G19B, G38Z		
	Pre	A07A	Pre		A07A	07	H33Z, H38Z				
	5n125.4		BOP, KOP, KOPV, KVT, UOP4		5n129		BOP, KOP, KOPV, KVT, UOP4		5n12e		BOP, KOP, KOPV, KVT, UOP4
		05	F36A, F36B			05	F36A, F36B			06	G15Z, G19A, G19B, G38Z
		06	G15Z, G19A, G19B, G33Z, G38Z			06	G15Z, G19A, G19B, G33Z, G38Z			07	H33Z, H38Z
07		H33Z, H38Z	07	H33Z, H38Z		11	L33Z				
09		J26Z	09	J26Z		17	R01A, R01B, R01C, R01D, R02Z, R12A, R12B, R12C				
10		K04A	10	K04A		21A	W04A, W04B				
11		L33Z	11	L33Z		21B	X06A, X06B, X06C, X33Z				
17		R01A, R01B, R01C, R01D, R02Z, R12A, R12B, R12C	17	R01A, R01B, R01C, R01D, R02Z, R12A, R12B, R12C		22	Y01Z, Y03A, Y03B				
21A		W04A, W04B	21A	W04A, W04B		23	Z01A				
21B		X06A, X06B, X06C, X33Z	21B	X06A, X06B, X06C, X33Z		Pre	A07A				
22		Y01Z, Y03A, Y03B	22	Y01Z, Y03A, Y03B		5n12e	BOP, KOP, KOPV, KVT, UOP4				
23		Z01A	23	Z01A			06	G15Z, G19A, G19B, G38Z			
Pre		A07A	Pre	A07A		07	H33Z, H38Z				

ZZV	MDC	DRG	ZZV	MDC	DRG	ZZV	MDC	DRG			
5n12f		BOP, KOP, KOPV, KVT, UOP4	5n131		BOP, KOP, KOPV, KVT, UOP4	5n13a.1		BOP, KOP, KOPV, KVT, MVV, UOP4			
	06	G15Z, G19A, G19B, G38Z		05	F36A, F36B		05	F36A, F36B			
	07	H33Z, H38Z		06	G15Z, G19A, G19B, G33Z, G38Z		06	G03A, G03B, G03C, G33Z, G38Z			
	11	L33Z		07	H33Z, H38Z		07	H33Z, H38Z			
	17	R01A, R01B, R01C, R01D, R02Z, R12A, R12B, R12C		09	J26Z		09	J26Z			
	21A	W04A, W04B		11	L33Z		11	L33Z			
	21B	X06A, X06B, X06C, X33Z		17	R01A, R01B, R01C, R01D, R02Z, R12A, R12B, R12C		17	R01A, R01B, R01C, R01D, R02Z, R12A, R12B, R12C			
	22	Y01Z, Y03A, Y03B		21A	W04A, W04B		21A	W04A, W04B			
	23	Z01A		21B	X06A, X06B, X06C, X33Z		21B	X06A, X06B, X06C, X33Z			
	Pre	A07A		22	Y01Z, Y03A, Y03B		22	Y01Z, Y03A, Y03B			
	5n12g			BOP, KOP, KOPV, KVT, UOP4	5n132			BOP, KOP, KOPV, KVT, UOP4	5n13a.2		BOP, KOP, KOPV, KVT, MVV, UOP4
		06		G01Z, G02Z, G15Z, G18A, G18B, G38Z			05	F36A, F36B		05	F36A, F36B
		07		H06A, H06B, H06C, H33Z, H38Z			06	G15Z, G19A, G19B, G33Z, G38Z		06	G03A, G03B, G03C, G33Z, G38Z
10		K04A	07	H33Z, H38Z		07	H33Z, H38Z				
11		L33Z	09	J26Z		09	J26Z				
17		R01A, R01B, R01C, R01D, R02Z, R12A, R12B, R12C	11	L33Z		11	L33Z				
21B		X33Z	17	R01A, R01B, R01C, R01D, R02Z, R12A, R12B, R12C		17	R01A, R01B, R01C, R01D, R02Z, R12A, R12B, R12C				
23		Z01A	21A	W04A, W04B		21A	W04A, W04B				
Pre		A07A	21B	X06A, X06B, X06C, X33Z		21B	X06A, X06B, X06C, X33Z				
5n12h			BOP, KOP, KOPV, KVT, UOP4	5n133			BOP, KOP, KOPV, KVT, UOP4	5n13b.0			BOP, KOP, KOPV, KVT, MVV, UOP4
		06	G01Z, G02Z, G15Z, G18A, G18B, G38Z			05	F36A, F36B			05	F36A, F36B
		07	H06A, H06B, H06C, H33Z, H38Z			06	G15Z, G19A, G19B, G33Z, G38Z			06	G03A, G03B, G03C, G33Z, G38Z
		10	K04A			07	H33Z, H38Z			07	H33Z, H38Z
	11	L33Z	09		J26Z	09	J26Z				
	17	R01A, R01B, R01C, R01D, R02Z, R12A, R12B, R12C	11		L33Z	11	L33Z				
	21B	X33Z	17		R01A, R01B, R01C, R01D, R02Z, R12A, R12B, R12C	17	R01A, R01B, R01C, R01D, R02Z, R12A, R12B, R12C				
	23	Z01A	21A		W04A, W04B	21A	W04A, W04B				
	Pre	A07A	21B		X06A, X06B, X06C, X33Z	21B	X06A, X06B, X06C, X33Z				
	5n12x		BOP, KOP, KOPV, KVT, UOP4		5n13a.0		BOP, KOP, KOPV, KVT, MVV, UOP4		5n13b.1		BOP, KOP, KOPV, KVT, MVV, UOP4
		06	G15Z, G19A, G19B, G38Z			05	F36A, F36B			05	F36A, F36B
		07	H06A, H06B, H06C, H33Z, H38Z			06	G03A, G03B, G03C, G33Z, G38Z			06	G03A, G03B, G03C, G33Z, G38Z
		10	K04A			07	H33Z, H38Z			07	H33Z, H38Z
11		L33Z	09	J26Z		09	J26Z				
17		R01A, R01B, R01C, R01D, R02Z, R12A, R12B, R12C	11	L33Z		11	L33Z				
21B		X33Z	17	R01A, R01B, R01C, R01D, R02Z, R12A, R12B, R12C		17	R01A, R01B, R01C, R01D, R02Z, R12A, R12B, R12C				
23		Z01A	21A	W04A, W04B		21A	W04A, W04B				
Pre		A07A	21B	X06A, X06B, X06C, X33Z		21B	X06A, X06B, X06C, X33Z				
5n130			BOP, KOP, KOPV, KVT, UOP4	5n13a.0			BOP, KOP, KOPV, KVT, MVV, UOP4	5n13b.1			BOP, KOP, KOPV, KVT, MVV, UOP4
		05	F36A, F36B			05	F36A, F36B			05	F36A, F36B
		06	G15Z, G19A, G19B, G33Z, G38Z			06	G03A, G03B, G03C, G33Z, G38Z			06	G03A, G03B, G03C, G33Z, G38Z
		07	H33Z, H38Z			07	H33Z, H38Z			07	H33Z, H38Z
	09	J26Z	09		J26Z	09	J26Z				
	11	L33Z	11		L33Z	11	L33Z				
	17	R01A, R01B, R01C, R01D, R02Z, R12A, R12B, R12C	17		R01A, R01B, R01C, R01D, R02Z, R12A, R12B, R12C	17	R01A, R01B, R01C, R01D, R02Z, R12A, R12B, R12C				
	21A	W04A, W04B	21A		W04A, W04B	21A	W04A, W04B				
	21B	X06A, X06B, X06C, X33Z	21B		X06A, X06B, X06C, X33Z	21B	X06A, X06B, X06C, X33Z				
	22	Y01Z, Y03A, Y03B	22		Y01Z, Y03A, Y03B	22	Y01Z, Y03A, Y03B				
	23	Z01A	23		Z01A	23	Z01A				
	Pre	A07A	Pre		A07A	Pre	A07A				

VYK

ZZV	MDC	DRG	ZZV	MDC	DRG	ZZV	MDC	DRG			
5n13b.2		BOP, KOP, KOPV, KVT, MVV, UOP4	5n13x.0		BOP, KOP, KOPV, KVT, MVV, UOP4	5n140.1		BOP, KOP, KOPV, KVT, MVV, UOP4			
	05	F36A, F36B		05	F36A, F36B		05	F36A, F36B			
	06	G03A, G03B, G03C, G33Z, G38Z		06	G03A, G03B, G03C, G33Z, G38Z		06	G03A, G03B, G03C, G33Z, G38Z			
	07	H33Z, H38Z		07	H33Z, H38Z		07	H33Z, H38Z			
	09	J26Z		09	J26Z		09	J26Z			
	11	L33Z		11	L33Z		11	L33Z			
	17	R01A, R01B, R01C, R01D, R02Z, R12A, R12B, R12C		17	R01A, R01B, R01C, R01D, R02Z, R12A, R12B, R12C		17	R01A, R01B, R01C, R01D, R02Z, R12A, R12B, R12C			
	21A	W04A, W04B		21A	W04A, W04B		21A	W04A, W04B			
	21B	X06A, X06B, X06C, X33Z		21B	X06A, X06B, X06C, X33Z		21B	X06A, X06B, X06C, X33Z			
	22	Y01Z, Y03A, Y03B		22	Y01Z, Y03A, Y03B		22	Y01Z, Y03A, Y03B			
	23	Z01A		23	Z01A		23	Z01A			
	Pre	A07A		Pre	A07A		Pre	A07A			
	5n13c.0			BOP, KOP, KOPV, KVT, MVV, UOP4	5n13x.1			BOP, KOP, KOPV, KVT, MVV, UOP4	5n140.2		BOP, KOP, KOPV, KVT, MVV, UOP4
		05		F36A, F36B			05	F36A, F36B		05	F36A, F36B
06		G03A, G03B, G03C, G33Z, G38Z	06	G03A, G03B, G03C, G33Z, G38Z		06	G03A, G03B, G03C, G33Z, G38Z				
07		H33Z, H38Z	07	H33Z, H38Z		07	H33Z, H38Z				
09		J26Z	09	J26Z		09	J26Z				
11		L33Z	11	L33Z		11	L33Z				
17		R01A, R01B, R01C, R01D, R02Z, R12A, R12B, R12C	17	R01A, R01B, R01C, R01D, R02Z, R12A, R12B, R12C		17	R01A, R01B, R01C, R01D, R02Z, R12A, R12B, R12C				
21A		W04A, W04B	21A	W04A, W04B		21A	W04A, W04B				
21B		X06A, X06B, X06C, X33Z	21B	X06A, X06B, X06C, X33Z		21B	X06A, X06B, X06C, X33Z				
22		Y01Z, Y03A, Y03B	22	Y01Z, Y03A, Y03B		22	Y01Z, Y03A, Y03B				
23		Z01A	23	Z01A		23	Z01A				
Pre		A07A	Pre	A07A		Pre	A07A				
5n13c.1			BOP, KOP, KOPV, KVT, MVV, UOP4	5n13x.2			BOP, KOP, KOPV, KVT, MVV, UOP4	5n141.0			BOP, KOP, KOPV, KVT, MVV, UOP4
		05	F36A, F36B			05	F36A, F36B			05	F36A, F36B
	06	G03A, G03B, G03C, G33Z, G38Z	06		G03A, G03B, G03C, G33Z, G38Z	06	G03A, G03B, G03C, G33Z, G38Z				
	07	H33Z, H38Z	07		H33Z, H38Z	07	H33Z, H38Z				
	09	J26Z	09		J26Z	09	J26Z				
	11	L33Z	11		L33Z	11	L33Z				
	17	R01A, R01B, R01C, R01D, R02Z, R12A, R12B, R12C	17		R01A, R01B, R01C, R01D, R02Z, R12A, R12B, R12C	17	R01A, R01B, R01C, R01D, R02Z, R12A, R12B, R12C				
	21A	W04A, W04B	21A		W04A, W04B	21A	W04A, W04B				
	21B	X06A, X06B, X06C, X33Z	21B		X06A, X06B, X06C, X33Z	21B	X06A, X06B, X06C, X33Z				
	22	Y01Z, Y03A, Y03B	22		Y01Z, Y03A, Y03B	22	Y01Z, Y03A, Y03B				
	23	Z01A	23		Z01A	23	Z01A				
	Pre	A07A	Pre		A07A	Pre	A07A				
	5n13c.2		BOP, KOP, KOPV, KVT, MVV, UOP4		5n140.0		BOP, KOP, KOPV, KVT, MVV, UOP4		5n141.1		BOP, KOP, KOPV, KVT, MVV, UOP4
		05	F36A, F36B			05	F36A, F36B			05	F36A, F36B
06		G03A, G03B, G03C, G33Z, G38Z	06	G03A, G03B, G03C, G33Z, G38Z		06	G03A, G03B, G03C, G33Z, G38Z				
07		H33Z, H38Z	07	H33Z, H38Z		07	H33Z, H38Z				
09		J26Z	09	J26Z		09	J26Z				
11		L33Z	11	L33Z		11	L33Z				
17		R01A, R01B, R01C, R01D, R02Z, R12A, R12B, R12C	17	R01A, R01B, R01C, R01D, R02Z, R12A, R12B, R12C		17	R01A, R01B, R01C, R01D, R02Z, R12A, R12B, R12C				
21A		W04A, W04B	21A	W04A, W04B		21A	W04A, W04B				
21B		X06A, X06B, X06C, X33Z	21B	X06A, X06B, X06C, X33Z		21B	X06A, X06B, X06C, X33Z				
22		Y01Z, Y03A, Y03B	22	Y01Z, Y03A, Y03B		22	Y01Z, Y03A, Y03B				
23		Z01A	23	Z01A		23	Z01A				
Pre		A07A	Pre	A07A		Pre	A07A				

ZZV	MDC	DRG	ZZV	MDC	DRG	ZZV	MDC	DRG			
5n141.2		BOP, KOP, KOPV, KVT, MVV, UOP4	5n143.0		BOP, KOP, KOPV, KVT, MVV, UOP4	5n144.1		BOP, KOP, KOPV, KVT, MVV, UOP4			
	05	F36A, F36B		05	F36A, F36B		05	F36A, F36B			
	06	G03A, G03B, G03C, G33Z, G38Z		06	G03A, G03B, G03C, G33Z, G38Z		06	G03A, G03B, G03C, G33Z, G38Z			
	07	H33Z, H38Z		07	H33Z, H38Z		07	H33Z, H38Z			
	09	J26Z		09	J26Z		09	J26Z			
	11	L33Z		11	L33Z		11	L33Z			
	17	R01A, R01B, R01C, R01D, R02Z, R12A, R12B, R12C		17	R01A, R01B, R01C, R01D, R02Z, R12A, R12B, R12C		17	R01A, R01B, R01C, R01D, R02Z, R12A, R12B, R12C			
	21A	W04A, W04B		21A	W04A, W04B		21A	W04A, W04B			
	21B	X06A, X06B, X06C, X33Z		21B	X06A, X06B, X06C, X33Z		21B	X06A, X06B, X06C, X33Z			
	22	Y01Z, Y03A, Y03B		22	Y01Z, Y03A, Y03B		22	Y01Z, Y03A, Y03B			
	23	Z01A		23	Z01A		23	Z01A			
	Pre	A07A		Pre	A07A		Pre	A07A			
	5n142.0			BOP, KOP, KOPV, KVT, MVV, UOP4	5n143.1			BOP, KOP, KOPV, KVT, MVV, UOP4	5n144.2		BOP, KOP, KOPV, KVT, MVV, UOP4
		05		F36A, F36B			05	F36A, F36B		05	F36A, F36B
06		G03A, G03B, G03C, G33Z, G38Z	06	G03A, G03B, G03C, G33Z, G38Z		06	G03A, G03B, G03C, G33Z, G38Z				
07		H33Z, H38Z	07	H33Z, H38Z		07	H33Z, H38Z				
09		J26Z	09	J26Z		09	J26Z				
11		L33Z	11	L33Z		11	L33Z				
17		R01A, R01B, R01C, R01D, R02Z, R12A, R12B, R12C	17	R01A, R01B, R01C, R01D, R02Z, R12A, R12B, R12C		17	R01A, R01B, R01C, R01D, R02Z, R12A, R12B, R12C				
21A		W04A, W04B	21A	W04A, W04B		21A	W04A, W04B				
21B		X06A, X06B, X06C, X33Z	21B	X06A, X06B, X06C, X33Z		21B	X06A, X06B, X06C, X33Z				
22		Y01Z, Y03A, Y03B	22	Y01Z, Y03A, Y03B		22	Y01Z, Y03A, Y03B				
23		Z01A	23	Z01A		23	Z01A				
Pre		A07A	Pre	A07A		Pre	A07A				
5n142.1			BOP, KOP, KOPV, KVT, MVV, UOP4	5n143.2			BOP, KOP, KOPV, KVT, MVV, UOP4	5n145.0			BOP, KOP, KOPV, KVT, MVV, UOP4
		05	F36A, F36B			05	F36A, F36B			05	F36A, F36B
	06	G03A, G03B, G03C, G33Z, G38Z	06		G03A, G03B, G03C, G33Z, G38Z	06	G03A, G03B, G03C, G33Z, G38Z				
	07	H33Z, H38Z	07		H33Z, H38Z	07	H33Z, H38Z				
	09	J26Z	09		J26Z	09	J26Z				
	11	L33Z	11		L33Z	11	L33Z				
	17	R01A, R01B, R01C, R01D, R02Z, R12A, R12B, R12C	17		R01A, R01B, R01C, R01D, R02Z, R12A, R12B, R12C	17	R01A, R01B, R01C, R01D, R02Z, R12A, R12B, R12C				
	21A	W04A, W04B	21A		W04A, W04B	21A	W04A, W04B				
	21B	X06A, X06B, X06C, X33Z	21B		X06A, X06B, X06C, X33Z	21B	X06A, X06B, X06C, X33Z				
	22	Y01Z, Y03A, Y03B	22		Y01Z, Y03A, Y03B	22	Y01Z, Y03A, Y03B				
	23	Z01A	23		Z01A	23	Z01A				
	Pre	A07A	Pre		A07A	Pre	A07A				
	5n142.2		BOP, KOP, KOPV, KVT, MVV, UOP4		5n144.0		BOP, KOP, KOPV, KVT, MVV, UOP4		5n145.1		BOP, KOP, KOPV, KVT, MVV, UOP4
		05	F36A, F36B			05	F36A, F36B			05	F36A, F36B
06		G03A, G03B, G03C, G33Z, G38Z	06	G03A, G03B, G03C, G33Z, G38Z		06	G03A, G03B, G33Z, G38Z				
07		H33Z, H38Z	07	H33Z, H38Z		07	H33Z, H38Z				
09		J26Z	09	J26Z		09	J26Z				
11		L33Z	11	L33Z		11	L33Z				
17		R01A, R01B, R01C, R01D, R02Z, R12A, R12B, R12C	17	R01A, R01B, R01C, R01D, R02Z, R12A, R12B, R12C		17	R01A, R01B, R01C, R01D, R02Z, R12A, R12B, R12C				
21A		W04A, W04B	21A	W04A, W04B		21A	W04A, W04B				
21B		X06A, X06B, X06C, X33Z	21B	X06A, X06B, X06C, X33Z		21B	X06A, X06B, X06C, X33Z				
22		Y01Z, Y03A, Y03B	22	Y01Z, Y03A, Y03B		22	Y01Z, Y03A, Y03B				
23		Z01A	23	Z01A		23	Z01A				
Pre		A07A	Pre	A07A		Pre	A07A				

VYK

ZZV	MDC	DRG	ZZV	MDC	DRG	ZZV	MDC	DRG			
5n145.2		BOP, KOP, KOPV, KVT, MVV, UOP4	5n14a.0		BOP, KOP, KOPV, KVT, MVV, UOP4	5n14b.1		BOP, KOP, KOPV, KVT, MVV, UOP4			
	05	F36A, F36B		05	F36A, F36B		05	F36A, F36B			
	06	G03A, G03B, G03C, G33Z, G38Z		06	G03A, G03B, G03C, G33Z, G38Z		06	G03A, G03B, G03C, G33Z, G38Z			
	07	H33Z, H38Z		07	H33Z, H38Z		07	H33Z, H38Z			
	09	J26Z		09	J26Z		09	J26Z			
	11	L33Z		11	L33Z		11	L33Z			
	17	R01A, R01B, R01C, R01D, R02Z, R12A, R12B, R12C		17	R01A, R01B, R01C, R01D, R02Z, R12A, R12B, R12C		17	R01A, R01B, R01C, R01D, R02Z, R12A, R12B, R12C			
	21A	W04A, W04B		21A	W04A, W04B		21A	W04A, W04B			
	21B	X06A, X06B, X06C, X33Z		21B	X06A, X06B, X06C, X33Z		21B	X06A, X06B, X06C, X33Z			
	22	Y01Z, Y03A, Y03B		22	Y01Z, Y03A, Y03B		22	Y01Z, Y03A, Y03B			
	23	Z01A		23	Z01A		23	Z01A			
	Pre	A07A		Pre	A07A		Pre	A07A			
	5n146.0			BOP, KOP, KOPV, KVT, MVV, UOP4	5n14a.1			BOP, KOP, KOPV, KVT, MVV, UOP4	5n14b.2		BOP, KOP, KOPV, KVT, MVV, UOP4
		05		F36A, F36B			05	F36A, F36B		05	F36A, F36B
06		G03A, G03B, G03C, G33Z, G38Z	06	G03A, G03B, G33Z, G38Z		06	G03A, G03B, G03C, G33Z, G38Z				
07		H33Z, H38Z	07	H33Z, H38Z		07	H33Z, H38Z				
09		J26Z	09	J26Z		09	J26Z				
11		L33Z	11	L33Z		11	L33Z				
17		R01A, R01B, R01C, R01D, R02Z, R12A, R12B, R12C	17	R01A, R01B, R01C, R01D, R02Z, R12A, R12B, R12C		17	R01A, R01B, R01C, R01D, R02Z, R12A, R12B, R12C				
21A		W04A, W04B	21A	W04A, W04B		21A	W04A, W04B				
21B		X06A, X06B, X06C, X33Z	21B	X06A, X06B, X06C, X33Z		21B	X06A, X06B, X06C, X33Z				
22		Y01Z, Y03A, Y03B	22	Y01Z, Y03A, Y03B		22	Y01Z, Y03A, Y03B				
23		Z01A	23	Z01A		23	Z01A				
Pre		A07A	Pre	A07A		Pre	A07A				
5n146.1			BOP, KOP, KOPV, KVT, MVV, UOP4	5n14a.2			BOP, KOP, KOPV, KVT, MVV, UOP4	5n14x.00			BOP, KOP, KOPV, KVT, MVV, UOP4
		05	F36A, F36B			05	F36A, F36B			05	F36A, F36B
	06	G03A, G03B, G03C, G33Z, G38Z	06		G03A, G03B, G33Z, G38Z	06	G03A, G03B, G03C, G33Z, G38Z				
	07	H33Z, H38Z	07		H33Z, H38Z	07	H33Z, H38Z				
	09	J26Z	09		J26Z	09	J26Z				
	11	L33Z	11		L33Z	11	L33Z				
	17	R01A, R01B, R01C, R01D, R02Z, R12A, R12B, R12C	17		R01A, R01B, R01C, R01D, R02Z, R12A, R12B, R12C	17	R01A, R01B, R01C, R01D, R02Z, R12A, R12B, R12C				
	21A	W04A, W04B	21A		W04A, W04B	21A	W04A, W04B				
	21B	X06A, X06B, X06C, X33Z	21B		X06A, X06B, X06C, X33Z	21B	X06A, X06B, X06C, X33Z				
	22	Y01Z, Y03A, Y03B	22		Y01Z, Y03A, Y03B	22	Y01Z, Y03A, Y03B				
	23	Z01A	23		Z01A	23	Z01A				
	Pre	A07A	Pre		A07A	Pre	A07A				
	5n146.2		BOP, KOP, KOPV, KVT, MVV, UOP4		5n14b.0		BOP, KOP, KOPV, KVT, MVV, UOP4		5n14x.01		BOP, KOP, KOPV, KVT, MVV, UOP4
		05	F36A, F36B			05	F36A, F36B			05	F36A, F36B
06		G03A, G03B, G03C, G33Z, G38Z	06	G03A, G03B, G03C, G33Z, G38Z		06	G03A, G03B, G03C, G33Z, G38Z				
07		H33Z, H38Z	07	H33Z, H38Z		07	H33Z, H38Z				
09		J26Z	09	J26Z		09	J26Z				
11		L33Z	11	L33Z		11	L33Z				
17		R01A, R01B, R01C, R01D, R02Z, R12A, R12B, R12C	17	R01A, R01B, R01C, R01D, R02Z, R12A, R12B, R12C		17	R01A, R01B, R01C, R01D, R02Z, R12A, R12B, R12C				
21A		W04A, W04B	21A	W04A, W04B		21A	W04A, W04B				
21B		X06A, X06B, X06C, X33Z	21B	X06A, X06B, X06C, X33Z		21B	X06A, X06B, X06C, X33Z				
22		Y01Z, Y03A, Y03B	22	Y01Z, Y03A, Y03B		22	Y01Z, Y03A, Y03B				
23		Z01A	23	Z01A		23	Z01A				
Pre		A07A	Pre	A07A		Pre	A07A				

ZZV	MDC	DRG	ZZV	MDC	DRG	ZZV	MDC	DRG			
5n14x.02		BOP, KOP, KOPV, KVT, MVV, UOP4	5n150.0		BOP, KOP, KOPV, KVT, MVV, UOP4	5n15a.2		BOP, KOP, KOPV, KVT, MVV, UOP4			
	05	F36A, F36B		05	F36A, F36B		05	F36A, F36B			
	06	G03A, G03B, G03C, G33Z, G38Z		06	G03A, G03B, G03C, G33Z, G38Z		06	G03A, G03B, G03C, G33Z, G38Z			
	07	H33Z, H38Z		07	H33Z, H38Z		07	H33Z, H38Z			
	09	J26Z		09	J26Z		09	J26Z			
	11	L33Z		11	L33Z		11	L33Z			
	17	R01A, R01B, R01C, R01D, R02Z, R12A, R12B, R12C		17	R01A, R01B, R01C, R01D, R02Z, R12A, R12B, R12C		17	R01A, R01B, R01C, R01D, R02Z, R12A, R12B, R12C			
	21A	W04A, W04B		21A	W04A, W04B		21A	W04A, W04B			
	21B	X06A, X06B, X06C, X33Z		21B	X06A, X06B, X06C, X33Z		21B	X06A, X06B, X06C, X33Z			
	22	Y01Z, Y03A, Y03B		22	Y01Z, Y03A, Y03B		22	Y01Z, Y03A, Y03B			
	23	Z01A		23	Z01A		23	Z01A			
	Pre	A07A		Pre	A07A		Pre	A07A			
	5n14x.10			BOP, KOP, KOPV, KVT, MVV, UOP4	5n151.0			BOP, KOP, KOPV, KVT, MVV, UOP4	5n15b.2		BOP, KOP, KOPV, KVT, MVV, UOP4
		05		F36A, F36B			05	F36A, F36B		05	F36A, F36B
06		G03A, G03B, G03C, G33Z, G38Z	06	G03A, G03B, G03C, G33Z, G38Z		06	G03A, G03B, G03C, G33Z, G38Z				
07		H33Z, H38Z	07	H33Z, H38Z		07	H33Z, H38Z				
09		J26Z	09	J26Z		09	J26Z				
11		L33Z	11	L33Z		11	L33Z				
17		R01A, R01B, R01C, R01D, R02Z, R12A, R12B, R12C	17	R01A, R01B, R01C, R01D, R02Z, R12A, R12B, R12C		17	R01A, R01B, R01C, R01D, R02Z, R12A, R12B, R12C				
21A		W04A, W04B	21A	W04A, W04B		21A	W04A, W04B				
21B		X06A, X06B, X06C, X33Z	21B	X06A, X06B, X06C, X33Z		21B	X06A, X06B, X06C, X33Z				
22		Y01Z, Y03A, Y03B	22	Y01Z, Y03A, Y03B		22	Y01Z, Y03A, Y03B				
23		Z01A	23	Z01A		23	Z01A				
Pre		A07A	Pre	A07A		Pre	A07A				
5n14x.11			BOP, KOP, KOPV, KVT, MVV, UOP4	5n152.0			BOP, KOP, KOPV, KVT, MVV, UOP4	5n15c.2			BOP, KOP, KOPV, KVT, MVV, UOP4
		05	F36A, F36B			05	F36A, F36B			05	F36A, F36B
	06	G03A, G03B, G03C, G33Z, G38Z	06		G03A, G03B, G03C, G33Z, G38Z	06	G03A, G03B, G03C, G33Z, G38Z				
	07	H33Z, H38Z	07		H33Z, H38Z	07	H33Z, H38Z				
	09	J26Z	09		J26Z	09	J26Z				
	11	L33Z	11		L33Z	11	L33Z				
	17	R01A, R01B, R01C, R01D, R02Z, R12A, R12B, R12C	17		R01A, R01B, R01C, R01D, R02Z, R12A, R12B, R12C	17	R01A, R01B, R01C, R01D, R02Z, R12A, R12B, R12C				
	21A	W04A, W04B	21A		W04A, W04B	21A	W04A, W04B				
	21B	X06A, X06B, X06C, X33Z	21B		X06A, X06B, X06C, X33Z	21B	X06A, X06B, X06C, X33Z				
	22	Y01Z, Y03A, Y03B	22		Y01Z, Y03A, Y03B	22	Y01Z, Y03A, Y03B				
	23	Z01A	23		Z01A	23	Z01A				
	Pre	A07A	Pre		A07A	Pre	A07A				
	5n14x.12		BOP, KOP, KOPV, KVT, MVV, UOP4		5n159		BOP, KOP, KOPV, KVT, MVV, UOP4		5n15x		BOP, KOP, KOPV, KVT, MVV, UOP4
		05	F36A, F36B			05	F36A, F36B			05	F36A, F36B
06		G03A, G03B, G03C, G33Z, G38Z	06	G03A, G03B, G03C, G33Z, G38Z		06	G03A, G03B, G03C, G33Z, G38Z				
07		H33Z, H38Z	07	H33Z, H38Z		07	H33Z, H38Z				
09		J26Z	09	J26Z		09	J26Z				
11		L33Z	11	L33Z		11	L33Z				
17		R01A, R01B, R01C, R01D, R02Z, R12A, R12B, R12C	17	R01A, R01B, R01C, R01D, R02Z, R12A, R12B, R12C		17	R01A, R01B, R01C, R01D, R02Z, R12A, R12B, R12C				
21A		W04A, W04B	21A	W04A, W04B		21A	W04A, W04B				
21B		X06A, X06B, X06C, X33Z	21B	X06A, X06B, X06C, X33Z		21B	X06A, X06B, X06C, X33Z				
22		Y01Z, Y03A, Y03B	22	Y01Z, Y03A, Y03B		22	Y01Z, Y03A, Y03B				
23		Z01A	23	Z01A		23	Z01A				
Pre		A07A	Pre	A07A		Pre	A07A				



ZZV	MDC	DRG	ZZV	MDC	DRG	ZZV	MDC	DRG			
5n160.0		BOP, KOP, KOPV, KVT, MVV, UOP4	5n162.0		BOP, KOP, KOPV, KVT, MVV, UOP4	5n164.0		BOP, KOP, KOPV, KVT, MVV, UOP4			
	05	F36A, F36B		05	F36A, F36B		05	F36A, F36B			
	06	G03A, G03B, G03C, G33Z, G38Z		06	G03A, G03B, G03C, G33Z, G38Z		06	G03A, G03B, G03C, G33Z, G38Z			
	07	H33Z, H38Z		07	H33Z, H38Z		07	H33Z, H38Z			
	09	J26Z		09	J26Z		09	J26Z			
	11	L33Z		11	L33Z		11	L33Z			
	17	R01A, R01B, R01C, R01D, R02Z, R12A, R12B, R12C		17	R01A, R01B, R01C, R01D, R02Z, R12A, R12B, R12C		17	R01A, R01B, R01C, R01D, R02Z, R12A, R12B, R12C			
	21A	W04A, W04B		21A	W04A, W04B		21A	W04A, W04B			
	21B	X06A, X06B, X06C, X33Z		21B	X06A, X06B, X06C, X33Z		21B	X06A, X06B, X06C, X33Z			
	22	Y01Z, Y03A, Y03B		22	Y01Z, Y03A, Y03B		22	Y01Z, Y03A, Y03B			
	23	Z01A		23	Z01A		23	Z01A			
	Pre	A07A		Pre	A07A		Pre	A07A			
	5n160.2			BOP, KOP, KOPV, KVT, MVV, UOP4	5n162.2			BOP, KOP, KOPV, KVT, MVV, UOP4	5n164.2		BOP, KOP, KOPV, KVT, MVV, UOP4
		05		F36A, F36B			05	F36A, F36B		05	F36A, F36B
06		G03A, G03B, G03C, G33Z, G38Z	06	G03A, G03B, G03C, G33Z, G38Z		06	G03A, G03B, G03C, G33Z, G38Z				
07		H33Z, H38Z	07	H33Z, H38Z		07	H33Z, H38Z				
09		J26Z	09	J26Z		09	J26Z				
11		L33Z	11	L33Z		11	L33Z				
17		R01A, R01B, R01C, R01D, R02Z, R12A, R12B, R12C	17	R01A, R01B, R01C, R01D, R02Z, R12A, R12B, R12C		17	R01A, R01B, R01C, R01D, R02Z, R12A, R12B, R12C				
21A		W04A, W04B	21A	W04A, W04B		21A	W04A, W04B				
21B		X06A, X06B, X06C, X33Z	21B	X06A, X06B, X06C, X33Z		21B	X06A, X06B, X06C, X33Z				
22		Y01Z, Y03A, Y03B	22	Y01Z, Y03A, Y03B		22	Y01Z, Y03A, Y03B				
23		Z01A	23	Z01A		23	Z01A				
Pre		A07A	Pre	A07A		Pre	A07A				
5n161.0			BOP, KOP, KOPV, KVT, MVV, UOP4	5n163.0			BOP, KOP, KOPV, KVT, MVV, UOP4	5n165.0			BOP, KOP, KOPV, KVT, MVV, UOP4
		05	F36A, F36B			05	F36A, F36B			05	F36A, F36B
	06	G03A, G03B, G03C, G33Z, G38Z	06		G03A, G03B, G03C, G33Z, G38Z	06	G03A, G03B, G03C, G33Z, G38Z				
	07	H33Z, H38Z	07		H33Z, H38Z	07	H33Z, H38Z				
	09	J26Z	09		J26Z	09	J26Z				
	11	L33Z	11		L33Z	11	L33Z				
	17	R01A, R01B, R01C, R01D, R02Z, R12A, R12B, R12C	17		R01A, R01B, R01C, R01D, R02Z, R12A, R12B, R12C	17	R01A, R01B, R01C, R01D, R02Z, R12A, R12B, R12C				
	21A	W04A, W04B	21A		W04A, W04B	21A	W04A, W04B				
	21B	X06A, X06B, X06C, X33Z	21B		X06A, X06B, X06C, X33Z	21B	X06A, X06B, X06C, X33Z				
	22	Y01Z, Y03A, Y03B	22		Y01Z, Y03A, Y03B	22	Y01Z, Y03A, Y03B				
	23	Z01A	23		Z01A	23	Z01A				
	Pre	A07A	Pre		A07A	Pre	A07A				
	5n161.2		BOP, KOP, KOPV, KVT, MVV, UOP4		5n163.2		BOP, KOP, KOPV, KVT, MVV, UOP4		5n165.2		BOP, KOP, KOPV, KVT, MVV, UOP4
		05	F36A, F36B			05	F36A, F36B			05	F36A, F36B
06		G03A, G03B, G03C, G33Z, G38Z	06	G03A, G03B, G33Z, G38Z		06	G03A, G03B, G03C, G33Z, G38Z				
07		H33Z, H38Z	07	H33Z, H38Z		07	H33Z, H38Z				
09		J26Z	09	J26Z		09	J26Z				
11		L33Z	11	L33Z		11	L33Z				
17		R01A, R01B, R01C, R01D, R02Z, R12A, R12B, R12C	17	R01A, R01B, R01C, R01D, R02Z, R12A, R12B, R12C		17	R01A, R01B, R01C, R01D, R02Z, R12A, R12B, R12C				
21A		W04A, W04B	21A	W04A, W04B		21A	W04A, W04B				
21B		X06A, X06B, X06C, X33Z	21B	X06A, X06B, X06C, X33Z		21B	X06A, X06B, X06C, X33Z				
22		Y01Z, Y03A, Y03B	22	Y01Z, Y03A, Y03B		22	Y01Z, Y03A, Y03B				
23		Z01A	23	Z01A		23	Z01A				
Pre		A07A	Pre	A07A		Pre	A07A				

ZZV	MDC	DRG	ZZV	MDC	DRG	ZZV	MDC	DRG			
5n166.2		BOP, KOP, KOPV, KVT, MVV, UOP4	5n170.2		BOP, KOP, KOPV, KVT, UOP4	5n172.0		BOP, KOP, KOPV, KVT, UOP4			
	05	F36A, F36B		05	F36A, F36B		05	F36A, F36B			
	06	G03A, G03B, G03C, G33Z, G38Z		06	G15Z, G19A, G19B, G33Z, G38Z		06	G15Z, G19A, G19B, G33Z, G38Z			
	07	H33Z, H38Z		07	H12A, H33Z, H38Z		07	H12A, H33Z, H38Z			
	09	J26Z		10	K04A		10	K04A			
	11	L33Z		11	L33Z		11	L33Z			
	17	R01A, R01B, R01C, R01D, R02Z, R12A, R12B, R12C		17	R01A, R01B, R01C, R01D, R02Z, R12A, R12B, R12C		17	R01A, R01B, R01C, R01D, R02Z, R12A, R12B, R12C			
	21A	W04A, W04B		21B	X33Z		21B	X33Z			
	21B	X06A, X06B, X06C, X33Z		23	Z01A		23	Z01A			
	22	Y01Z, Y03A, Y03B		Pre	A07A		Pre	A07A			
	23	Z01A		5n170.4			BOP, KOP, KOPV, KVT, UOP4	5n172.2		BOP, KOP, KOPV, KVT, UOP4	
	Pre	A07A			05		F36A, F36B		05	F36A, F36B	
	5n16x				BOP, KOP, KOPV, KVT, MVV, UOP4		06		G15Z, G19A, G19B, G33Z, G38Z	06	G15Z, G19A, G19B, G33Z, G38Z
		05			F36A, F36B		07		H12A, H33Z, H38Z	07	H12A, H33Z, H38Z
		06			G03A, G03B, G03C, G33Z, G38Z		10		K04A	10	K04A
		07			H33Z, H38Z		11		L33Z	11	L33Z
09		J26Z	17		R01A, R01B, R01C, R01D, R02Z, R12A, R12B, R12C	17	R01A, R01B, R01C, R01D, R02Z, R12A, R12B, R12C				
11		L33Z	21B		X33Z	21B	X33Z				
17		R01A, R01B, R01C, R01D, R02Z, R12A, R12B, R12C	23		Z01A	23	Z01A				
21A		W04A, W04B	Pre		A07A	Pre	A07A				
21B		X06A, X06B, X06C, X33Z	5n171.0			BOP, KOP, KOPV, KVT, UOP4	5n172.4			BOP, KOP, KOPV, KVT, UOP4	
22		Y01Z, Y03A, Y03B			05	F36A, F36B			05	F36A, F36B	
23		Z01A			06	G15Z, G19A, G19B, G33Z, G38Z			06	G15Z, G19A, G19B, G33Z, G38Z	
Pre		A07A			07	H12A, H33Z, H38Z			07	H12A, H33Z, H38Z	
5n16x.0					BOP, KOP, KOPV, KVT, MVV, UOP4	10			K04A	10	K04A
		05			F36A, F36B	11			L33Z	11	L33Z
		06		G03A, G03B, G03C, G33Z, G38Z	17	R01A, R01B, R01C, R01D, R02Z, R12A, R12B, R12C		17	R01A, R01B, R01C, R01D, R02Z, R12A, R12B, R12C		
		07		H33Z, H38Z	21B	X33Z		21B	X33Z		
	09	J26Z		23	Z01A	23		Z01A			
	11	L33Z		Pre	A07A	Pre		A07A			
	17	R01A, R01B, R01C, R01D, R02Z, R12A, R12B, R12C		5n171.2		BOP, KOP, KOPV, KVT, UOP4		5n173.0		BOP, KOP, KOPV, KVT, UOP4	
	21A	W04A, W04B			05	F36A, F36B			05	F36A, F36B	
	21B	X06A, X06B, X06C, X33Z			06	G15Z, G19A, G19B, G33Z, G38Z			06	G15Z, G19A, G19B, G33Z, G38Z	
	22	Y01Z, Y03A, Y03B			07	H12A, H33Z, H38Z			07	H12A, H33Z, H38Z	
	23	Z01A			10	K04A			10	K04A	
	Pre	A07A			11	L33Z			11	L33Z	
	5n170.0		BOP, KOP, KOPV, KVT, UOP4		17	R01A, R01B, R01C, R01D, R02Z, R12A, R12B, R12C	17		R01A, R01B, R01C, R01D, R02Z, R12A, R12B, R12C		
		05	F36A, F36B		21B	X33Z	21B		X33Z		
		06	G15Z, G19A, G19B, G33Z, G38Z		23	Z01A	23		Z01A		
		07	H12A, H33Z, H38Z		Pre	A07A	Pre		A07A		
10		K04A	5n171.4			BOP, KOP, KOPV, KVT, UOP4	5n173.2			BOP, KOP, KOPV, KVT, UOP4	
11		L33Z			05	F36A, F36B			05	F36A, F36B	
17		R01A, R01B, R01C, R01D, R02Z, R12A, R12B, R12C			06	G15Z, G19A, G19B, G33Z, G38Z			06	G15Z, G19A, G19B, G33Z, G38Z	
21B		X33Z			07	H12A, H33Z, H38Z			07	H12A, H33Z, H38Z	
23		Z01A			10	K04A			10	K04A	
Pre		A07A			11	L33Z			11	L33Z	
				17	R01A, R01B, R01C, R01D, R02Z, R12A, R12B, R12C	17		R01A, R01B, R01C, R01D, R02Z, R12A, R12B, R12C			
				21B	X33Z	21B		X33Z			
				23	Z01A	23		Z01A			
				Pre	A07A	Pre		A07A			

VYK

ZZV	MDC	DRG	ZZV	MDC	DRG	ZZV	MDC	DRG			
5n173.4		BOP, KOP, KOPV, KVT, UOP4	5n175.2		BOP, KOP, KOPV, KVT, UOP4	5n180.0		BOP, KOP, KOPV, KVT, UOP4			
	05	F36A, F36B		05	F36A, F36B		06	G15Z, G19A, G19B, G38Z			
	06	G15Z, G19A, G19B, G33Z, G38Z		06	G15Z, G19A, G19B, G33Z, G38Z		07	H33Z, H38Z			
	07	H12A, H33Z, H38Z		07	H12A, H33Z, H38Z		11	L33Z			
	10	K04A		10	K04A		21A	W04A, W04B			
	11	L33Z		11	L33Z		21B	X06A, X06B			
	17	R01A, R01B, R01C, R01D, R02Z, R12A, R12B, R12C		17	R01A, R01B, R01C, R01D, R02Z, R12A, R12B, R12C		23	Z01A			
	21B	X33Z		21B	X33Z		Pre	A07A			
	23	Z01A		23	Z01A		5n180.1	BOP, KOP, KOPV, KVT, UOP4			
	Pre	A07A		Pre	A07A			06	G15Z, G19A, G19B, G38Z		
	5n174.0			BOP, KOP, KOPV, KVT, UOP4	5n175.4			BOP, KOP, KOPV, KVT, UOP4	5n180.2		BOP, KOP, KOPV, KVT, UOP4
		05		F36A, F36B			05	F36A, F36B		06	G15Z, G19A, G19B, G38Z
		06		G15Z, G19A, G19B, G33Z, G38Z			06	G15Z, G19A, G19B, G33Z, G38Z		07	H33Z, H38Z
07		H12A, H33Z, H38Z	07	H12A, H33Z, H38Z		11	L33Z				
10		K04A	10	K04A		21A	W04A, W04B				
11		L33Z	11	L33Z		21B	X06A, X06B				
17		R01A, R01B, R01C, R01D, R02Z, R12A, R12B, R12C	17	R01A, R01B, R01C, R01D, R02Z, R12A, R12B, R12C		23	Z01A				
21B		X33Z	21B	X33Z		Pre	A07A				
23		Z01A	23	Z01A		5n180.4	BOP, KOP, KOPV, KVT, UOP4				
Pre		A07A	Pre	A07A			06	G15Z, G19A, G19B, G38Z			
5n174.2			BOP, KOP, KOPV, KVT, UOP4	5n17x.0			BOP, KOP, KOPV, KVT, UOP4	5n180.x			BOP, KOP, KOPV, KVT, UOP4
		05	F36A, F36B			05	F36A, F36B			06	G15Z, G19A, G19B, G38Z
		06	G15Z, G19A, G19B, G33Z, G38Z			06	G15Z, G19A, G19B, G33Z, G38Z			07	H33Z, H38Z
	07	H12A, H33Z, H38Z	07		H12A, H33Z, H38Z	11	L33Z				
	10	K04A	10		K04A	21A	W04A, W04B				
	11	L33Z	11		L33Z	21B	X06A, X06B				
	17	R01A, R01B, R01C, R01D, R02Z, R12A, R12B, R12C	17		R01A, R01B, R01C, R01D, R02Z, R12A, R12B, R12C	23	Z01A				
	21B	X33Z	21B		X33Z	Pre	A07A				
	23	Z01A	23		Z01A	5n182.0	BOP, KOP, KOPV, KVT, UOP4				
	Pre	A07A	Pre		A07A		06		G01Z, G02Z, G15Z, G19A, G19B, G38Z		
	5n174.4		BOP, KOP, KOPV, KVT, UOP4		5n17x.2		BOP, KOP, KOPV, KVT, UOP4		5n182.1		BOP, KOP, KOPV, KVT, UOP4
		05	F36A, F36B			05	F36A, F36B			06	G01Z, G02Z, G15Z, G19A, G19B, G38Z
		06	G15Z, G19A, G19B, G33Z, G38Z			06	G15Z, G19A, G19B, G33Z, G38Z			07	H33Z, H38Z
07		H12A, H33Z, H38Z	07	H12A, H33Z, H38Z		11	L33Z				
10		K04A	10	K04A		21A	W04A, W04B				
11		L33Z	11	L33Z		21B	X06A, X06B				
17		R01A, R01B, R01C, R01D, R02Z, R12A, R12B, R12C	17	R01A, R01B, R01C, R01D, R02Z, R12A, R12B, R12C		23	Z01A				
21B		X33Z	21B	X33Z		Pre	A07A, A11A, A13A, A13B, A13D				
23		Z01A	23	Z01A		5n182.1	BOP, KOP, KOPV, KVT, UOP4				
Pre		A07A	Pre	A07A			06	G01Z, G02Z, G15Z, G19A, G19B, G38Z			
5n175.0			BOP, KOP, KOPV, KVT, UOP4	5n17x.4			BOP, KOP, KOPV, KVT, UOP4	5n182.1			BOP, KOP, KOPV, KVT, UOP4
		05	F36A, F36B			05	F36A, F36B			06	G01Z, G02Z, G15Z, G19A, G19B, G38Z
		06	G15Z, G19A, G19B, G33Z, G38Z			06	G15Z, G19A, G19B, G33Z, G38Z			07	H33Z, H38Z
	07	H12A, H33Z, H38Z	07		H12A, H33Z, H38Z	11	L33Z				
	10	K04A	10		K04A	21A	W04A, W04B				
	11	L33Z	11		L33Z	21B	X06A, X06B				
	17	R01A, R01B, R01C, R01D, R02Z, R12A, R12B, R12C	17		R01A, R01B, R01C, R01D, R02Z, R12A, R12B, R12C	23	Z01A				
	21B	X33Z	21B		X33Z	Pre	A07A, A11A, A13A, A13B, A13D				
	23	Z01A	23		Z01A	5n182.1	BOP, KOP, KOPV, KVT, UOP4				
	Pre	A07A	Pre		A07A		06		G01Z, G02Z, G15Z, G19A, G19B, G38Z		

VYK



ZZV	MDC	DRG	ZZV	MDC	DRG	ZZV	MDC	DRG
5n186.1		BOP, KOP, KOPV, KVT, UOP4	5n18a.2		BOP, KOP, KOPV, KVT, UOP4	5n18b.4		BOP, KOP, KOPV, KVT, UOP4
	06	G01Z, G02Z, G15Z, G19A, G19B, G38Z		06	G15Z, G19A, G19B, G38Z		06	G15Z, G19A, G19B, G38Z
	07	H33Z, H38Z		07	H33Z, H38Z		07	H33Z, H38Z
	11	L33Z		10	K04A		10	K04A, K04B
	21A	W04A, W04B		11	L33Z		11	L33Z
	21B	X06A, X06B		21A	W04A, W04B		21A	W04A, W04B
	23	Z01A		21B	X06A, X06B		21B	X06A, X06B
	Pre	A07A, A11A, A13A, A13B, A13D		23	Z01A		23	Z01A
				Pre	A07A		Pre	A07A
	5n186.2			BOP, KOP, KOPV, KVT, UOP4	5n18a.4			BOP, KOP, KOPV, KVT, UOP4
06		G01Z, G02Z, G15Z, G19A, G19B, G19C, G38Z	06	G15Z, G19A, G19B, G38Z		06	G15Z, G19A, G19B, G19C, G38Z	
07		H33Z, H38Z	07	H33Z, H38Z		07	H33Z, H38Z	
11		L33Z	10	K04A		10	K04A, K04B	
21A		W04A, W04B	11	L33Z		11	L33Z	
21B		X06A, X06B	21A	W04A, W04B		21A	W04A, W04B	
23		Z01A	21B	X06A, X06B		21B	X06A, X06B	
Pre		A07A, A11A, A13A, A13B, A13D	23	Z01A		23	Z01A	
			Pre	A07A		Pre	A07A	
5n186.4			BOP, KOP, KOPV, KVT, UOP4	5n18a.x			BOP, KOP, KOPV, KVT, UOP4	5n18c.0
	06	G01Z, G02Z, G15Z, G19A, G19B, G38Z	06		G15Z, G19A, G19B, G38Z	06	G15Z, G19A, G19B, G38Z	
	07	H33Z, H38Z	07		H33Z, H38Z	07	H33Z, H38Z	
	11	L33Z	10		K04A	10	K04A, K04B	
	21A	W04A, W04B	11		L33Z	11	L33Z	
	21B	X06A, X06B	21A		W04A, W04B	21A	W04A, W04B	
	23	Z01A	21B		X06A, X06B	21B	X06A, X06B	
	Pre	A07A, A11A, A13A, A13B, A13D	23		Z01A	23	Z01A	
			Pre		A07A	Pre	A07A	
	5n186.x		BOP, KOP, KOPV, KVT, UOP4		5n18b.0		BOP, KOP, KOPV, KVT, UOP4	
06		G01Z, G02Z, G15Z, G19A, G19B, G19C, G38Z	06	G15Z, G19A, G19B, G38Z		06	G15Z, G19A, G19B, G38Z	
07		H33Z, H38Z	07	H33Z, H38Z		07	H33Z, H38Z	
11		L33Z	10	K04A, K04B		10	K04A, K04B	
21A		W04A, W04B	11	L33Z		11	L33Z	
21B		X06A, X06B	21A	W04A, W04B		21A	W04A, W04B	
23		Z01A	21B	X06A, X06B		21B	X06A, X06B	
Pre		A07A, A11A, A13A, A13B, A13D	23	Z01A		23	Z01A	
			Pre	A07A		Pre	A07A	
5n18a.0			BOP, KOP, KOPV, KVT, UOP4	5n18b.1			BOP, KOP, KOPV, KVT, UOP4	5n18c.2
	06	G15Z, G19A, G19B, G38Z	06		G15Z, G19A, G19B, G38Z	06	G15Z, G19A, G19B, G19C, G38Z	
	07	H33Z, H38Z	07		H33Z, H38Z	07	H33Z, H38Z	
	10	K04A	10		K04A, K04B	10	K04A, K04B	
	11	L33Z	11		L33Z	11	L33Z	
	21A	W04A, W04B	21A		W04A, W04B	21A	W04A, W04B	
	21B	X06A, X06B	21B		X06A, X06B	21B	X06A, X06B	
	23	Z01A	23		Z01A	23	Z01A	
	Pre	A07A	Pre		A07A	Pre	A07A	
	5n18a.1		BOP, KOP, KOPV, KVT, UOP4		5n18b.2		BOP, KOP, KOPV, KVT, UOP4	
06		G15Z, G19A, G19B, G38Z	06	G15Z, G19A, G19B, G19C, G38Z		06	G15Z, G19A, G19B, G38Z	
07		H33Z, H38Z	07	H33Z, H38Z		07	H33Z, H38Z	
10		K04A	10	K04A, K04B		10	K04A, K04B	
11		L33Z	11	L33Z		11	L33Z	
21A		W04A, W04B	21A	W04A, W04B		21A	W04A, W04B	
21B		X06A, X06B	21B	X06A, X06B		21B	X06A, X06B	
23		Z01A	23	Z01A		23	Z01A	
Pre		A07A	Pre	A07A		Pre	A07A	

ZZV	MDC	DRG	ZZV	MDC	DRG	ZZV	MDC	DRG
5n18c.x		BOP, KOP, KOPV, KVT, UOP4	5n18e.0		BOP, KOP, KOPV, KVT, UOP4	5n18x.1		BOP, KOP, KOPV, KVT, UOP4
	06	G15Z, G19A, G19B, G19C, G38Z		06	G15Z, G19A, G19B, G38Z		06	G15Z, G19A, G19B, G38Z
	07	H33Z, H38Z		07	H33Z, H38Z		07	H33Z, H38Z
	10	K04A, K04B		10	K07Z		11	L33Z
	11	L33Z		11	L33Z		21A	W04A, W04B
	21A	W04A, W04B		21A	W04A, W04B		21B	X06A, X06B
	21B	X06A, X06B		21B	X06A, X06B		23	Z01A
	23	Z01A		23	Z01A		Pre	A07A
	Pre	A07A		Pre	A07A		5n18x.2	BOP, KOP, KOPV, KVT, UOP4
	5n18d.0			BOP, KOP, KOPV, KVT, UOP4	5n18e.1			BOP, KOP, KOPV, KVT, UOP4
06		G15Z, G19A, G19B, G38Z	06	G15Z, G19A, G19B, G38Z		06	G15Z, G19A, G19B, G19C, G38Z	
07		H33Z, H38Z	07	H33Z, H38Z		07	H33Z, H38Z	
10		K04A, K04B	10	K07Z		11	L33Z	
11		L33Z	11	L33Z		21A	W04A, W04B	
21A		W04A, W04B	21A	W04A, W04B		21B	X06A, X06B	
21B		X06A, X06B	21B	X06A, X06B		23	Z01A	
23		Z01A	23	Z01A		Pre	A07A	
Pre		A07A	Pre	A07A		5n18x.4	BOP, KOP, KOPV, KVT, UOP4	
5n18d.1			BOP, KOP, KOPV, KVT, UOP4	5n18e.2			BOP, KOP, KOPV, KVT, UOP4	5n18x.4
	06	G15Z, G19A, G19B, G38Z	06		G15Z, G19A, G19B, G19C, G38Z	06	G15Z, G19A, G19B, G38Z	
	07	H33Z, H38Z	07		H33Z, H38Z	07	H33Z, H38Z	
	10	K04A, K04B	10		K07Z	11	L33Z	
	11	L33Z	11		L33Z	21A	W04A, W04B	
	21A	W04A, W04B	21A		W04A, W04B	21B	X06A, X06B	
	21B	X06A, X06B	21B		X06A, X06B	23	Z01A	
	23	Z01A	23		Z01A	Pre	A07A	
	Pre	A07A	Pre		A07A	5n18x.x	BOP, KOP, KOPV, KVT, UOP4	
	5n18d.2		BOP, KOP, KOPV, KVT, UOP4		5n18e.4		BOP, KOP, KOPV, KVT, UOP4	
06		G15Z, G19A, G19B, G19C, G38Z	06	G15Z, G19A, G19B, G38Z		06	G15Z, G19A, G19B, G19C, G38Z	
07		H33Z, H38Z	07	H33Z, H38Z		07	H33Z, H38Z	
10		K04A, K04B	10	K07Z		11	L33Z	
11		L33Z	11	L33Z		21A	W04A, W04B	
21A		W04A, W04B	21A	W04A, W04B		21B	X06A, X06B	
21B		X06A, X06B	21B	X06A, X06B		23	Z01A	
23		Z01A	23	Z01A		Pre	A07A	
Pre		A07A	Pre	A07A		5n190.6†	G40Z, G46A, G46B, G46C, G47Z, G50Z	
5n18d.4			BOP, KOP, KOPV, KVT, UOP4	5n18e.x			BOP, KOP, KOPV, KVT, UOP4	5n190.x†
	06	G15Z, G19A, G19B, G38Z	06		G15Z, G19A, G19B, G19C, G38Z	06	G40Z, G46A, G46B, G46C, G47Z, G50Z	
	07	H33Z, H38Z	07		H33Z, H38Z	5n191.0	BOP, KOP, KOPV, KVT, UOP4	
	10	K04A, K04B	10		K07Z	06	G15Z, G19A, G19B, G38Z	
	11	L33Z	11		L33Z	07	H06A, H06B, H06C, H33Z, H38Z	
	21A	W04A, W04B	21A		W04A, W04B	23	Z01A	
	21B	X06A, X06B	21A		W04A, W04B	Pre	A07A	
	23	Z01A	21B		X06A, X06B	5n191.2	BOP, KOP, KOPV, KVT, UOP4	
	Pre	A07A	23		Z01A	06	G15Z, G19A, G19B, G38Z	
	5n18d.x		BOP, KOP, KOPV, KVT, UOP4		5n18x.0		BOP, KOP, KOPV, KVT, UOP4	
06		G15Z, G19A, G19B, G19C, G38Z	06	G15Z, G19A, G19B, G38Z		06	G15Z, G19A, G19B, G38Z	
07		H33Z, H38Z	07	H33Z, H38Z		07	H06A, H06B, H06C, H33Z, H38Z	
10		K04A, K04B	11	L33Z		23	Z01A	
11		L33Z	11	L33Z		Pre	A07A	
21A		W04A, W04B	21A	W04A, W04B		5n191.4	BOP, KOP, KOPV, KVT, UOP4	
21B		X06A, X06B	21B	X06A, X06B		06	G15Z, G19A, G19B, G38Z	
23		Z01A	23	Z01A		07	H06A, H06B, H06C, H33Z, H38Z	
Pre		A07A	Pre	A07A		23	Z01A	
5n18d.x			BOP, KOP, KOPV, KVT, UOP4	5n18x.0			BOP, KOP, KOPV, KVT, UOP4	5n191.x
	06	G15Z, G19A, G19B, G19C, G38Z	06		G15Z, G19A, G19B, G38Z	06	G15Z, G19A, G19B, G38Z	
	07	H33Z, H38Z	07		H33Z, H38Z	07	H06A, H06B, H06C, H33Z, H38Z	
	10	K04A, K04B	11		L33Z	23	Z01A	
	11	L33Z	11		L33Z	Pre	A07A	
	21A	W04A, W04B	21A		W04A, W04B	5n191.4	BOP, KOP, KOPV, KVT, UOP4	
	21B	X06A, X06B	21B		X06A, X06B	06	G15Z, G19A, G19B, G38Z	
	23	Z01A	23		Z01A	07	H06A, H06B, H06C, H33Z, H38Z	
	Pre	A07A	Pre		A07A	23	Z01A	
						Pre	A07A	

ZZV	MDC	DRG	ZZV	MDC	DRG	ZZV	MDC	DRG
5n193.0		BOP, KOP, KOPV, KVT, UOP4	5n194.x†	06	G40Z, G46A, G46B, G46C, G47Z, G50Z	5n19e.6†	06	G40Z, G46A, G46B, G46C, G47Z, G50Z
	06	G15Z, G19A, G19B, G38Z	5n195.0		BOP, KOP, KOPV, KVT, UOP4	5n19e.x†	06	G40Z, G46A, G46B, G46C, G47Z, G50Z
	07	H06A, H06B, H06C, H33Z, H38Z		06	G15Z, G19A, G19B, G38Z	5n19h.0		BOP, KOP, KOPV, KVT, UOP4
	10	K04A		07	H33Z, H38Z		06	G15Z, G19A, G19B, G38Z
	21A	W04A, W04B		23	Z01A		07	H33Z, H38Z
	21B	X06A, X06B, X06C	5n195.2	Pre	A07A		23	Z01A
	23	Z01A			BOP, KOP, KOPV, KVT, UOP4	5n19h.2	Pre	A07A
	Pre	A07A		06	G15Z, G19A, G19B, G38Z			BOP, KOP, KOPV, KVT, UOP4
5n193.2		BOP, KOP, KOPV, KVT, UOP4		07	H33Z, H38Z		06	G15Z, G19A, G19B, G38Z
	06	G15Z, G19A, G19B, G38Z		23	Z01A		07	H33Z, H38Z
	07	H06A, H06B, H06C, H33Z, H38Z	5n195.4	Pre	A07A		23	Z01A
	10	K04A			BOP, KOP, KOPV, KVT, UOP4	5n19h.4	Pre	A07A
	21A	W04A, W04B		06	G15Z, G19A, G19B, G38Z			BOP, KOP, KOPV, KVT, UOP4
	21B	X06A, X06B, X06C		07	H33Z, H38Z		06	G15Z, G19A, G19B, G38Z
	23	Z01A		23	Z01A		07	H33Z, H38Z
	Pre	A07A	5n195.x	Pre	A07A	5n19h.6†	06	G40Z, G46A, G46B, G46C, G47Z, G50Z
5n193.4		BOP, KOP, KOPV, KVT, UOP4			BOP, KOP, KOPV, KVT, UOP4	5n19h.x†	06	G40Z, G46A, G46B, G46C, G47Z, G50Z
	06	G15Z, G19A, G19B, G38Z		06	G15Z, G19A, G19B, G38Z	5n19j.0		BOP, KOP, KOPV, KVT, UOP4
	07	H06A, H06B, H06C, H33Z, H38Z		07	H33Z, H38Z		06	G15Z, G19A, G19B, G38Z
	10	K04A	5n196.6†	23	Z01A		07	H33Z, H38Z
	21A	W04A, W04B		Pre	A07A		23	Z01A
	21B	X06A, X06B, X06C	5n196.x†		BOP, KOP, KOPV, KVT, UOP4	5n19j.2	Pre	A07A
	23	Z01A		06	G40Z, G46A, G46B, G46C, G47Z, G50Z		06	G15Z, G19A, G19B, G38Z
	Pre	A07A	5n197.6†	06	G40Z, G46A, G46B, G46C, G47Z, G50Z	5n19j.4	06	G15Z, G19A, G19B, G38Z
5n193.x		BOP, KOP, KOPV, KVT, UOP4	5n197.x†	06	G40Z, G46A, G46B, G46C, G47Z, G50Z		07	H33Z, H38Z
	06	G15Z, G19A, G19B, G38Z		06	G40Z, G46A, G46B, G46C, G47Z, G50Z		23	Z01A
	07	H06A, H06B, H06C, H33Z, H38Z	5n198		BOP, KVT, UOP4		Pre	A07A
	10	K04A		06	G11A, G11B		06	G15Z, G19A, G19B, G38Z
	21A	W04A, W04B		15	P60A, P60B, P60C, P67B, P67C		07	H33Z, H38Z
	21B	X06A, X06B, X06C	5n199		BOP, KOP, KOPV, KVT, UOP4		23	Z01A
	23	Z01A			BOP, KOP, KOPV, KVT, UOP4		Pre	A07A
	Pre	A07A		06	G15Z, G19A, G19B, G38Z	5n19j.4		BOP, KOP, KOPV, KVT, UOP4
5n194.0		BOP, KOP, KOPV, KVT, UOP4		07	H33Z, H38Z		06	G15Z, G19A, G19B, G38Z
	06	G01Z, G02Z, G15Z, G18A, G18B, G38Z		11	L33Z		07	H33Z, H38Z
	07	H33Z, H38Z		23	Z01A		23	Z01A
	21A	W04A, W04B	5n19a	Pre	A07A	5n19j.6†	Pre	A07A
	21B	X06A, X06B, X06C, X33Z			BOP, KOP, KOPV, KVT, UOP4		06	G40Z, G46A, G46B, G46C, G47Z, G50Z
	23	Z01A		06	G15Z, G19A, G19B, G38Z	5n19j.x†	06	G40Z, G46A, G46B, G46C, G47Z, G50Z
	Pre	A07A		07	H33Z, H38Z			BOP, KOP, KOPV, KVT, UOP4
5n194.2		BOP, KOP, KOPV, KVT, UOP4		11	L33Z	5n19k.0		BOP, KOP, KOPV, KVT, UOP4
	06	G01Z, G02Z, G15Z, G18A, G18B, G38Z		17	R01A, R01B, R01C, R01D, R02Z, R12A, R12B, R12C		06	G15Z, G19A, G19B, G38Z
	07	H33Z, H38Z		21A	W04A, W04B		07	H33Z, H38Z
	21A	W04A, W04B		21B	X06A, X06B, X06C		23	Z01A
	21B	X06A, X06B, X06C, X33Z		22	Y01Z, Y03A, Y03B	5n19k.2	Pre	A07A
	23	Z01A		23	Z01A		06	G15Z, G19A, G19B, G38Z
	Pre	A07A	5n19b.6†	Pre	A07A		07	H33Z, H38Z
5n194.4		BOP, KOP, KOPV, KVT, UOP4			BOP, KOP, KOPV, KVT, UOP4		23	Z01A
	06	G01Z, G02Z, G15Z, G18A, G18B, G38Z	5n19b.x†	06	G40Z, G46A, G46B, G46C, G47Z, G50Z		Pre	A07A
	07	H33Z, H38Z		06	G40Z, G46A, G46B, G46C, G47Z, G50Z	5n19k.4		BOP, KOP, KOPV, KVT, UOP4
	21A	W04A, W04B	5n19c.6†	06	G40Z, G46A, G46B, G46C, G47Z, G50Z		06	G15Z, G19A, G19B, G38Z
	21B	X06A, X06B, X06C, X33Z		06	G40Z, G46A, G46B, G46C, G47Z, G50Z		07	H33Z, H38Z
	23	Z01A	5n19c.x†	06	G40Z, G46A, G46B, G46C, G47Z, G50Z		23	Z01A
	Pre	A07A		06	G40Z, G46A, G46B, G46C, G47Z, G50Z	5n19k.6†	Pre	A07A
5n194.6†	06	G40Z, G46A, G46B, G46C, G47Z, G50Z	5n19d.6†	06	G40Z, G46A, G46B, G46C, G47Z, G50Z		06	G40Z, G46A, G46B, G46C, G47Z, G50Z
			5n19d.x†	06	G40Z, G46A, G46B, G46C, G47Z, G50Z	5n19k.x†	06	G40Z, G46A, G46B, G46C, G47Z, G50Z

VYK

ZZV	MDC	DRG	ZZV	MDC	DRG	ZZV	MDC	DRG	
5n19m.0		BOP, KOP, KOPV, KVT, UOP4	5n19x.0		BOP, KOP, KOPV, UOP4	5n20b		BOP, KOP, KOPV, KVT, UOP4	
	06	G15Z, G19A, G19B, G38Z		06	G15Z, G19A, G19B, G38Z		05	F36A, F36B	
	07	H33Z, H38Z		07	H33Z, H38Z		06	G01Z, G02Z, G15Z, G18A, G18B, G33Z, G38Z	
	23	Z01A		23	Z01A		07	H33Z, H38Z	
	Pre	A07A		Pre	A07A		10	K04A	
5n19m.2		BOP, KOP, KOPV, KVT, UOP4	5n19x.2		BOP, KOP, KOPV, UOP4		11	L33Z	
	06	G15Z, G19A, G19B, G38Z		06	G15Z, G19A, G19B, G38Z		17	R01A, R01B, R01C, R01D, R02Z, R12A, R12B, R12C	
	07	H33Z, H38Z		07	H33Z, H38Z		21A	W04A, W04B	
	23	Z01A		23	Z01A		21B	X06A, X06B, X06C, X33Z	
	Pre	A07A		Pre	A07A		23	Z01A	
5n19m.4		BOP, KOP, KOPV, KVT, UOP4	5n19x.4		BOP, KOP, KOPV, UOP4		Pre	A07A, A11A, A13A, A13B, A13D	
	06	G15Z, G19A, G19B, G38Z		06	G15Z, G19A, G19B, G38Z		5n20c	BOP, KOP, KOPV, KVT, UOP4	
	07	H33Z, H38Z		07	H33Z, H38Z			05	F36A, F36B
	23	Z01A		23	Z01A			06	G01Z, G02Z, G15Z, G18A, G18B, G33Z, G38Z
	Pre	A07A		Pre	A07A			07	H33Z, H38Z
5n19m.6‡		G40Z, G46A, G46B, G46C, G47Z, G50Z	5n19x.6‡		G40Z, G46A, G46B, G46C, G47Z, G50Z			10	K09A, K09B
	06	G40Z, G46A, G46B, G46C, G47Z, G50Z		06	G40Z, G46A, G46B, G46C, G47Z, G50Z			11	L33Z
5n19m.x‡		G40Z, G46A, G46B, G46C, G47Z, G50Z	5n19x.x‡		G40Z, G46A, G46B, G46C, G47Z, G50Z			17	R01A, R01B, R01C, R01D, R02Z, R12A, R12B, R12C
	06	G40Z, G46A, G46B, G46C, G47Z, G50Z		06	G40Z, G46A, G46B, G46C, G47Z, G50Z			21A	W04A, W04B
5n19n.0		BOP, KOP, KOPV, KVT, UOP4	5n200		BOP, KVT, UOP4			21B	X06A, X06B, X06C
	06	G15Z, G19A, G19B, G38Z		06	G01Z, G04A, G04B, G07A, G07B, G07C, G38Z			21B	X06A, X06B, X06C, X33Z
	07	H33Z, H38Z		17	R01A, R01B, R01C, R01D, R02Z, R12A, R12B, R12C			23	Z01A
	23	Z01A		21A	W04A, W04B			Pre	A07A, A11A, A13A, A13B, A13D
	Pre	A07A		21B	X06A, X06B, X06C			5n20d	BOP, KOP, KOPV, KVT, UOP4
5n19n.1		BOP, KOP, KOPV, KVT, UOP4	5n201		BOP, KVT, UOP4			05	F36A, F36B
	06	G15Z, G19A, G19B, G38Z		06	G01Z, G04A, G04B, G07A, G07B, G07C, G38Z			06	G01Z, G02Z, G15Z, G18A, G18B, G33Z, G38Z
	07	H33Z, H38Z		17	R01A, R01B, R01C, R01D, R02Z, R12A, R12B, R12C			07	H33Z, H38Z
	23	Z01A		21A	W04A, W04B			11	L33Z
	Pre	A07A		21B	X06A, X06B, X06C			17	R01A, R01B, R01C, R01D, R02Z, R12A, R12B, R12C
5n19n.2		BOP, KOP, KOPV, KVT, UOP4	5n202		BOP, KVT, UOP4			21A	W04A, W04B
	06	G15Z, G19A, G19B, G38Z		06	G01Z, G04A, G04B, G07A, G07B, G07C, G38Z			21B	X06A, X06B, X06C, X33Z
	07	H33Z, H38Z		17	R01A, R01B, R01C, R01D, R02Z, R12A, R12B, R12C			23	Z01A
	23	Z01A		21A	W04A, W04B			Pre	A07A, A11A, A13A, A13B, A13D
	Pre	A07A		21B	X06A, X06B, X06C			5n20e	BOP, KOP, KOPV, KVT, UOP4
5n19p.0		BOP, KOP, KOPV, KVT, UOP4	5n203‡		G40Z, G46A, G46B, G46C, G47Z, G50Z			05	F36A, F36B
	06	G15Z, G19A, G19B, G38Z		06	G40Z, G46A, G46B, G46C, G47Z, G50Z			06	G01Z, G02Z, G15Z, G18A, G18B, G33Z, G38Z
	07	H33Z, H38Z		07	H33Z, H38Z			07	H33Z, H38Z
	23	Z01A		10	K04A			10	K04A
	Pre	A07A		11	L33Z			11	L33Z
5n19p.2		BOP, KOP, KOPV, KVT, UOP4	5n20a		BOP, KOP, KOPV, KVT, UOP4			17	R01A, R01B, R01C, R01D, R02Z, R12A, R12B, R12C
	06	G15Z, G19A, G19B, G38Z		05	F36A, F36B			21A	W04A, W04B
	07	H33Z, H38Z		06	G01Z, G02Z, G15Z, G18A, G18B, G33Z, G38Z			21B	X06A, X06B, X06C, X33Z
	23	Z01A		07	H33Z, H38Z			23	Z01A
	Pre	A07A		10	K04A			Pre	A07A, A11A, A13A, A13B, A13D
5n19p.4		BOP, KOP, KOPV, KVT, UOP4		11	L33Z				
	06	G15Z, G19A, G19B, G38Z		17	R01A, R01B, R01C, R01D, R02Z, R12A, R12B, R12C				
	07	H33Z, H38Z		21A	W04A, W04B				
	23	Z01A		21B	X06A, X06B, X06C, X33Z				
	Pre	A07A		23	Z01A				
5n19q‡		G40Z, G46A, G46B, G46C, G47Z, G50Z		Pre	A07A, A11A, A13A, A13B, A13D				
	06	G40Z, G46A, G46B, G46C, G47Z, G50Z							
5n19r‡		G40Z, G46A, G46B, G46C, G47Z, G50Z							
	06	G40Z, G46A, G46B, G46C, G47Z, G50Z							
5n19s		BOP, KVT, UOP4							
	06	G11A, G11B							
	15	P60A, P60B, P60C, P66C, P67B, P67C							



ZZV	MDC	DRG	ZZV	MDC	DRG	ZZV	MDC	DRG	
5n20x		BOP, KOP, KOPV, KVT, UOP4	5n215.4		BOP, KVT, UOP4	5n220		BOP, KVT, UOP4	
	05	F36A, F36B		06	G13Z, G21A, G21B		06	G01Z, G04A, G04B, G07A, G07B, G07C, G38Z	
	06	G01Z, G02Z, G15Z, G18A, G18B, G33Z, G38Z	17	R01A, R01B, R01C, R01D, R02Z, R12A, R12B, R12C	10	K09A, K09B			
	07	H33Z, H38Z	5n215.x		BOP, KVT, UOP4	5n221		R01A, R01B, R01C, R01D, R02Z, R12A, R12B, R12C	
	10	K04A		06	G13Z, G21A, G21B		06	G01Z, G04A, G04B, G07A, G07B, G07C, G38Z	
	11	L33Z	07	H06A, H06B, H06C	10	K09A, K09B			
	17	R01A, R01B, R01C, R01D, R02Z, R12A, R12B, R12C	17	R01A, R01B, R01C, R01D, R02Z, R12A, R12B, R12C	17	R01A, R01B, R01C, R01D, R02Z, R12A, R12B, R12C			
	21A	W04A, W04B	5n217.0†		G40Z, G46A, G46B, G46C, G47Z, G50Z	5n222.0†		G40Z, G48A, G48B, G48C	
	21B	X06A, X06B, X06C, X33Z		06	G40Z, G46A, G46B, G46C, G47Z, G50Z		5n222.1†		G40Z, G48A, G48B, G48C
	23	Z01A	5n217.1†		G40Z, G46A, G46B, G46C, G47Z, G50Z	5n222.2†		G40Z, G48A, G48B, G48C	
	Pre	A07A, A11A, A13A, A13B, A13D		06	G40Z, G46A, G46B, G46C, G47Z, G50Z	5n222.3†		G40Z, G48A, G48B, G48C	
	5n210		BOP, KVT, UOP4	5n217.3†		G40Z, G46A, G46B, G46C, G47Z, G50Z	5n222.x†		G40Z, G48A, G48B, G48C
		06	G13Z, G21A, G21B		06	G40Z, G46A, G46B, G46C, G47Z, G50Z		5n223.0	
		17	R01A, R01B, R01C, R01D, R02Z, R12A, R12B, R12C	5n217.x†		G40Z, G46A, G46B, G46C, G47Z, G50Z		06	G13Z, G21A, G21B
5n211.0		BOP, KVT, UOP4	5n218†			G40Z, G46A, G46B, G46C, G47Z, G50Z		10	K09A, K09B
	06	G13Z, G21A, G21B		06	BOP, KVT, UOP4	5n223.1		17	R01A, R01B, R01C, R01D, R02Z, R12A, R12B, R12C
	07	H06A, H06B, H06C	16	Q03A, Q03B	06		G13Z, G21A, G21B		
	17	R01A, R01B, R01C, R01D, R02Z, R12A, R12B, R12C	5n219.0		R01A, R01B, R01C, R01D, R02Z, R12A, R12B, R12C		10	K09A, K09B	
5n211.2		BOP, KVT, UOP4		5n219.1†		G40Z, G46A, G46B, G46C, G47Z, G50Z	5n223.2		R01A, R01B, R01C, R01D, R02Z, R12A, R12B, R12C
	06	G13Z, G21A, G21B	06		BOP, KVT, UOP4	06		G13Z, G21A, G21B	
	07	H06A, H06B, H06C	5n219.2		G13Z, G21A, G21B		10	K09A, K09B	
	17	R01A, R01B, R01C, R01D, R02Z, R12A, R12B, R12C		5n219.4†		R01A, R01B, R01C, R01D, R02Z, R12A, R12B, R12C		17	R01A, R01B, R01C, R01D, R02Z, R12A, R12B, R12C
5n214.0		BOP, KVT, UOP4	5n219.x†			G40Z, G46A, G46B, G46C, G47Z, G50Z	5n223.4		BOP, KVT, UOP4
	06	G13Z, G21A, G21B		06	G40Z, G46A, G46B, G46C, G47Z, G50Z	06		G13Z, G21A, G21B	
	07	H06A, H06B, H06C	5n21a.0		BOP, KVT, UOP4	5n223.x		10	K09A, K09B
17	R01A, R01B, R01C, R01D, R02Z, R12A, R12B, R12C	06		G13Z, G21A, G21B	06		G13Z, G21A, G21B		
5n214.1		BOP, KVT, UOP4	5n21a.1†		R01A, R01B, R01C, R01D, R02Z, R12A, R12B, R12C	5n224.0		10	K09A, K09B
	06	G13Z, G21A, G21B		06	G40Z, G46A, G46B, G46C, G47Z, G50Z		17	R01A, R01B, R01C, R01D, R02Z, R12A, R12B, R12C	
	07	H06A, H06B, H06C	5n21a.2		BOP, KVT, UOP4	5n224.1		06	BOP, KVT, UOP4
17	R01A, R01B, R01C, R01D, R02Z, R12A, R12B, R12C	06		G13Z, G21A, G21B	06		G13Z, G21A, G21B		
5n214.2		BOP, KVT, UOP4	5n21a.4†		R01A, R01B, R01C, R01D, R02Z, R12A, R12B, R12C	5n224.2		10	K09A, K09B
	06	G13Z, G21A, G21B		06	G40Z, G46A, G46B, G46C, G47Z, G50Z		17	R01A, R01B, R01C, R01D, R02Z, R12A, R12B, R12C	
	07	H06A, H06B, H06C	5n21a.x†		BOP, KVT, UOP4	5n224.4		17	R01A, R01B, R01C, R01D, R02Z, R12A, R12B, R12C
17	R01A, R01B, R01C, R01D, R02Z, R12A, R12B, R12C	06		G13Z, G21A, G21B	06		G13Z, G21A, G21B		
5n214.4		BOP, KVT, UOP4	5n21x.0		R01A, R01B, R01C, R01D, R02Z, R12A, R12B, R12C	5n224.x		10	K09A, K09B
	06	G13Z, G21A, G21B		06	G13Z, G21A, G21B		17	R01A, R01B, R01C, R01D, R02Z, R12A, R12B, R12C	
	17	R01A, R01B, R01C, R01D, R02Z, R12A, R12B, R12C	5n21x.1†		R01A, R01B, R01C, R01D, R02Z, R12A, R12B, R12C	5n225.0†		06	G13Z, G21A, G21B
5n214.x		BOP, KVT, UOP4		5n21x.2			G40Z, G46A, G46B, G46C, G47Z, G50Z	5n225.1†	
	06	G13Z, G21A, G21B	06		BOP, KVT, UOP4	06	G40Z, G48A, G48B, G48C		
	07	H06A, H06B, H06C	5n21x.4†		G13Z, G21A, G21B	5n225.2†		06	G40Z, G48A, G48B, G48C
17	R01A, R01B, R01C, R01D, R02Z, R12A, R12B, R12C	06		G13Z, G21A, G21B	06		G40Z, G48A, G48B, G48C		
5n215.0		BOP, KVT, UOP4	5n21x.x†		R01A, R01B, R01C, R01D, R02Z, R12A, R12B, R12C		17	R01A, R01B, R01C, R01D, R02Z, R12A, R12B, R12C	
	06	G13Z, G21A, G21B		06	G40Z, G46A, G46B, G46C, G47Z, G50Z		06	G13Z, G21A, G21B	
	07	H06A, H06B, H06C				10	K09A, K09B		
	17	R01A, R01B, R01C, R01D, R02Z, R12A, R12B, R12C				17	R01A, R01B, R01C, R01D, R02Z, R12A, R12B, R12C		
5n215.1		BOP, KVT, UOP4					06	G13Z, G21A, G21B	
	06	G13Z, G21A, G21B					10	K09A, K09B	
	07	H06A, H06B, H06C					17	R01A, R01B, R01C, R01D, R02Z, R12A, R12B, R12C	
5n215.2		BOP, KVT, UOP4					06	BOP, KVT, UOP4	
	06	G13Z, G21A, G21B					06	G13Z, G21A, G21B	
	07	H06A, H06B, H06C					10	K09A, K09B	
	17	R01A, R01B, R01C, R01D, R02Z, R12A, R12B, R12C					17	R01A, R01B, R01C, R01D, R02Z, R12A, R12B, R12C	

VYK

ZZV	MDC	DRG	ZZV	MDC	DRG	ZZV	MDC	DRG
5n225.4‡	06	G40Z, G48A, G48B, G48C	5n231.0		BOP, KOP, KOPV, KVT, UOP4	5n232.0		BOP, KOP, KOPV, KVT, UOP4
5n225.x‡	06	G40Z, G48A, G48B, G48C		05	F36A, F36B	05		F36A, F36B
5n22x.0‡	06	G40Z, G48A, G48B, G48C		06	G01Z, G02Z, G15Z, G18A, G18B, G33Z, G38Z	06		G01Z, G02Z, G15Z, G18A, G18B, G33Z, G38Z
5n22x.1‡	06	G40Z, G48A, G48B, G48C		07	H33Z, H38Z	07		H33Z, H38Z
5n22x.2‡	06	G40Z, G48A, G48B, G48C		10	K09A, K09B	10		K09A, K09B
5n22x.4‡	06	G40Z, G48A, G48B, G48C		11	L10Z, L33Z, L38Z	11		L10Z, L33Z, L38Z
5n22x.x‡	06	G40Z, G48A, G48B, G48C		12	M37Z, M38Z	12		M37Z, M38Z
5n230.0		BOP, KOP, KOPV, KVT, UOP4		13	N01A, N01B, N01C, N01D, N01E, N34Z, N38Z	13		N01A, N01B, N01C, N01D, N01E, N34Z, N38Z
	05	F36A, F36B		14	O04A	14		O04A
	06	G01Z, G02Z, G15Z, G18A, G18B, G33Z, G38Z		17	R01A, R01B, R01C, R01D, R02Z, R12A, R12B, R12C	17		R01A, R01B, R01C, R01D, R02Z, R12A, R12B, R12C
	07	H33Z, H38Z		21A	W01A, W01B, W01C, W02A, W02B, W04A, W04B	21A		W01A, W01B, W01C, W02A, W02B, W04A, W04B
	10	K09A, K09B		21B	X06A, X06B, X33Z	21B		X06A, X06B, X33Z
	11	L10Z, L33Z, L38Z		23	Z01A	23		Z01A
	12	M37Z, M38Z		Pre	A07A, A11A, A13A, A13B, A13D	Pre		A07A, A11A, A13A, A13B, A13D
	13	N01A, N01B, N01C, N01D, N01E, N34Z, N38Z	5n231.2		BOP, KOP, KOPV, KVT, UOP4	5n232.2		BOP, KOP, KOPV, KVT, UOP4
	14	O04A		05	F36A, F36B	05		F36A, F36B
	17	R01A, R01B, R01C, R01D, R02Z, R12A, R12B, R12C		06	G01Z, G02Z, G15Z, G18A, G18B, G33Z, G38Z	06		G01Z, G02Z, G15Z, G18A, G18B, G33Z, G38Z
	21A	W04A, W04B		07	H33Z, H38Z	07		H33Z, H38Z
	21B	X06A, X06B, X33Z		10	K09A, K09B	10		K09A, K09B
	23	Z01A		11	L10Z, L33Z, L38Z	11		L10Z, L33Z, L38Z
	Pre	A07A, A11A, A13A, A13B, A13D		12	M37Z, M38Z	12		M37Z, M38Z
5n230.2		BOP, KOP, KOPV, KVT, UOP4		13	N01A, N01B, N01C, N01D, N01E, N34Z, N38Z	13		N01A, N01B, N01C, N01D, N01E, N34Z, N38Z
	05	F36A, F36B		14	O04A	14		O04A
	06	G01Z, G02Z, G15Z, G18A, G18B, G33Z, G38Z		17	R01A, R01B, R01C, R01D, R02Z, R12A, R12B, R12C	17		R01A, R01B, R01C, R01D, R02Z, R12A, R12B, R12C
	07	H33Z, H38Z		21A	W04A, W04B	21A		W04A, W04B
	10	K09A, K09B		21B	X06A, X06B, X33Z	21B		X06A, X06B, X33Z
	11	L10Z, L33Z, L38Z		23	Z01A	23		Z01A
	12	M37Z, M38Z		Pre	A07A, A11A, A13A, A13B, A13D	Pre		A07A, A11A, A13A, A13B, A13D
	13	N01A, N01B, N01C, N01D, N01E, N34Z, N38Z	5n231.4		BOP, KOP, KOPV, KVT, UOP4	5n232.4		BOP, KOP, KOPV, KVT, UOP4
	14	O04A		05	F36A, F36B	05		F36A, F36B
	17	R01A, R01B, R01C, R01D, R02Z, R12A, R12B, R12C		06	G01Z, G02Z, G15Z, G18A, G18B, G33Z, G38Z	06		G01Z, G02Z, G15Z, G18A, G18B, G33Z, G38Z
	21A	W04A, W04B		07	H33Z, H38Z	07		H33Z, H38Z
	21B	X06A, X06B, X33Z		10	K09A, K09B	10		K09A, K09B
	23	Z01A		11	L10Z, L33Z, L38Z	11		L10Z, L33Z, L38Z
	Pre	A07A, A11A, A13A, A13B, A13D		12	M37Z, M38Z	12		M37Z, M38Z
5n230.4		BOP, KOP, KOPV, KVT, UOP4		13	N01A, N01B, N01C, N01D, N01E, N34Z, N38Z	13		N01A, N01B, N01C, N01D, N01E, N34Z, N38Z
	05	F36A, F36B		14	O04A	14		O04A
	06	G01Z, G02Z, G15Z, G18A, G18B, G33Z, G38Z		17	R01A, R01B, R01C, R01D, R02Z, R12A, R12B, R12C	17		R01A, R01B, R01C, R01D, R02Z, R12A, R12B, R12C
	07	H33Z, H38Z		21A	W04A, W04B	21A		W04A, W04B
	10	K09A, K09B		21B	X06A, X06B, X33Z	21B		X06A, X06B, X33Z
	11	L10Z, L33Z, L38Z		23	Z01A	23		Z01A
	12	M37Z, M38Z		Pre	A07A, A11A, A13A, A13B, A13D	Pre		A07A, A11A, A13A, A13B, A13D
	13	N01A, N01B, N01C, N01D, N01E, N34Z, N38Z						
	14	O04A						
	17	R01A, R01B, R01C, R01D, R02Z, R12A, R12B, R12C						
	21A	W04A, W04B						
	21B	X06A, X06B, X33Z						
	23	Z01A						
	Pre	A07A, A11A, A13A, A13B, A13D						

VYK

ZZV	MDC	DRG	ZZV	MDC	DRG	ZZV	MDC	DRG			
5n233.0		BOP, KOP, KOPV, KVT, UOP4	5n234.0		BOP, KOP, KOPV, KVT, UOP4	5n235.0		BOP, KOP, KOPV, KVT, UOP4			
	05	F36A, F36B		05	F36A, F36B		05	F36A, F36B			
	06	G01Z, G02Z, G03A, G15Z, G33Z, G38Z		06	G01Z, G02Z, G15Z, G18A, G18B, G33Z, G38Z		06	G01Z, G02Z, G15Z, G18A, G18B, G33Z, G38Z			
	07	H33Z, H38Z		07	H33Z, H38Z		07	H33Z, H38Z			
	10	K09A, K09B		10	K09A, K09B		10	K09A, K09B			
	11	L10Z, L33Z, L38Z		11	L10Z, L33Z, L38Z		11	L10Z, L33Z, L38Z			
	12	M37Z, M38Z		12	M37Z, M38Z		12	M37Z, M38Z			
	13	N01A, N01B, N01C, N01D, N01E, N34Z, N38Z		13	N01A, N01B, N01C, N01D, N01E, N34Z, N38Z		13	N01A, N01B, N01C, N01D, N01E, N34Z, N38Z			
	14	O04A		14	O04A		14	O04A			
	17	R01A, R01B, R01C, R01D, R02Z, R12A, R12B, R12C		17	R01A, R01B, R01C, R01D, R02Z, R12A, R12B, R12C		17	R01A, R01B, R01C, R01D, R02Z, R12A, R12B, R12C			
	21A	W01A, W01B, W01C, W02A, W02B, W04A, W04B		21A	W04A, W04B		21A	W04A, W04B			
	21B	X06A, X06B, X33Z		21B	X06A, X06B, X33Z		21B	X06A, X06B, X33Z			
	23	Z01A		23	Z01A		23	Z01A			
	Pre	A07A, A11A, A13A, A13B, A13D		Pre	A07A, A11A, A13A, A13B, A13D		Pre	A07A, A11A, A13A, A13B, A13D			
	5n233.2			BOP, KOP, KOPV, KVT, UOP4	5n234.2			BOP, KOP, KOPV, KVT, UOP4	5n235.2		BOP, KOP, KOPV, KVT, UOP4
		05		F36A, F36B			05	F36A, F36B		05	F36A, F36B
		06		G01Z, G02Z, G15Z, G33Z, G38Z			06	G01Z, G02Z, G15Z, G18A, G18B, G33Z, G38Z		06	G01Z, G02Z, G15Z, G18A, G18B, G33Z, G38Z
07		H33Z, H38Z	07	H33Z, H38Z		07	H33Z, H38Z				
10		K09A, K09B	10	K09A, K09B		10	K09A, K09B				
11		L10Z, L33Z, L38Z	11	L10Z, L33Z, L38Z		11	L10Z, L33Z, L38Z				
12		M37Z, M38Z	12	M37Z, M38Z		12	M37Z, M38Z				
13		N01A, N01B, N01C, N01D, N01E, N34Z, N38Z	13	N01A, N01B, N01C, N01D, N01E, N34Z, N38Z		13	N01A, N01B, N01C, N01D, N01E, N34Z, N38Z				
14		O04A	14	O04A		14	O04A				
17		R01A, R01B, R01C, R01D, R02Z, R12A, R12B, R12C	17	R01A, R01B, R01C, R01D, R02Z, R12A, R12B, R12C		17	R01A, R01B, R01C, R01D, R02Z, R12A, R12B, R12C				
21A		W04A, W04B	21A	W04A, W04B		21A	W04A, W04B				
21B		X06A, X06B, X33Z	21B	X06A, X06B, X33Z		21B	X06A, X06B, X33Z				
23		Z01A	23	Z01A		23	Z01A				
Pre		A07A, A11A, A13A, A13B, A13D	Pre	A07A, A11A, A13A, A13B, A13D		Pre	A07A, A11A, A13A, A13B, A13D				
5n233.4			BOP, KOP, KOPV, KVT, UOP4	5n234.4			BOP, KOP, KOPV, KVT, UOP4	5n235.4			BOP, KOP, KOPV, KVT, UOP4
		05	F36A, F36B			05	F36A, F36B			05	F36A, F36B
		06	G01Z, G02Z, G15Z, G33Z, G38Z			06	G01Z, G02Z, G15Z, G18A, G18B, G33Z, G38Z			06	G01Z, G02Z, G15Z, G18A, G18B, G33Z, G38Z
	07	H33Z, H38Z	07		H33Z, H38Z	07	H33Z, H38Z				
	10	K09A, K09B	10		K09A, K09B	10	K09A, K09B				
	11	L10Z, L33Z, L38Z	11		L10Z, L33Z, L38Z	11	L10Z, L33Z, L38Z				
	12	M37Z, M38Z	12		M37Z, M38Z	12	M37Z, M38Z				
	13	N01A, N01B, N01C, N01D, N01E, N34Z, N38Z	13		N01A, N01B, N01C, N01D, N01E, N34Z, N38Z	13	N01A, N01B, N01C, N01D, N01E, N34Z, N38Z				
	14	O04A	14		O04A	14	O04A				
	17	R01A, R01B, R01C, R01D, R02Z, R12A, R12B, R12C	17		R01A, R01B, R01C, R01D, R02Z, R12A, R12B, R12C	17	R01A, R01B, R01C, R01D, R02Z, R12A, R12B, R12C				
	21A	W04A, W04B	21A		W04A, W04B	21A	W04A, W04B				
	21B	X06A, X06B, X33Z	21B		X06A, X06B, X33Z	21B	X06A, X06B, X33Z				
	23	Z01A	23		Z01A	23	Z01A				
	Pre	A07A, A11A, A13A, A13B, A13D	Pre		A07A, A11A, A13A, A13B, A13D	Pre	A07A, A11A, A13A, A13B, A13D				

VYK

ZZV	MDC	DRG	ZZV	MDC	DRG	ZZV	MDC	DRG	
5n236.0		BOP, KOP, KOPV, KVT, UOP4	5n238		BOP, KOP, KOPV, KVT, UOP4	5n240.03		BOP, KOP, KOPV, KVT, UOP4	
	05	F36A, F36B		05	F36A, F36B		05	F36A, F36B	
	06	G01Z, G02Z, G15Z, G18A, G18B, G33Z, G38Z		06	G01Z, G02Z, G15Z, G18A, G18B, G33Z, G38Z		06	G01Z, G02Z, G15Z, G18A, G18B, G33Z, G38Z	
	07	H33Z, H38Z		07	H33Z, H38Z		07	H33Z, H38Z	
	10	K09A, K09B		10	K09A, K09B		10	K09A, K09B	
	11	L10Z, L33Z, L38Z		11	L10Z, L33Z, L38Z		11	L10Z, L33Z, L38Z	
	12	M37Z, M38Z		12	M37Z, M38Z		12	M37Z, M38Z	
	13	N01A, N01B, N01C, N01D, N01E, N34Z, N38Z		13	N01A, N01B, N01C, N01D, N01E, N34Z, N38Z		13	N01A, N01B, N01C, N01D, N01E, N34Z, N38Z	
	14	O04A		17	R01A, R01B, R01C, R01D, R02Z, R12A, R12B, R12C		17	R01A, R01B, R01C, R01D, R02Z, R12A, R12B, R12C	
	17	R01A, R01B, R01C, R01D, R02Z, R12A, R12B, R12C		21A	W04A, W04B		21A	W04A, W04B	
	21A	W04A, W04B		21B	X06A, X06B, X33Z		21B	X06A, X06B, X33Z	
	21B	X06A, X06B, X33Z		23	Z01A		23	Z01A	
	23	Z01A		Pre	A07A		Pre	A07A, A11A, A13A, A13B, A13D	
	Pre	A07A, A11A, A13A, A13B, A13D		5n23x	BOP, KOP, KOPV, KVT, UOP4		5n240.04	BOP, KOP, KOPV, KVT, UOP4	
	5n236.2			BOP, KOP, KOPV, KVT, UOP4	05		F36A, F36B	05	F36A, F36B
		05		F36A, F36B	06		G01Z, G02Z, G15Z, G18A, G18B, G33Z, G38Z	06	G01Z, G02Z, G15Z, G18A, G18B, G33Z, G38Z
		06		G01Z, G02Z, G15Z, G18A, G18B, G33Z, G38Z	07		H33Z, H38Z	07	H33Z, H38Z
07		H33Z, H38Z	10	K09A, K09B	10	K09A, K09B			
10		K09A, K09B	11	L33Z	10	K09A, K09B			
11		L10Z, L33Z, L38Z	17	R01A, R01B, R01C, R01D, R02Z, R12A, R12B, R12C	11	L10Z, L33Z, L38Z			
12		M37Z, M38Z	21A	W04A, W04B	12	M37Z, M38Z			
13		N01A, N01B, N01C, N01D, N01E, N34Z, N38Z	21B	X06A, X06B	13	N01A, N01B, N01C, N01D, N01E, N34Z, N38Z			
14		O04A	23	Z01A	17	R01A, R01B, R01C, R01D, R02Z, R12A, R12B, R12C			
17		R01A, R01B, R01C, R01D, R02Z, R12A, R12B, R12C	Pre	A07A, A11A, A13A, A13B, A13D	21A	W04A, W04B			
21A		W04A, W04B	5n240.01	BOP, KOP, KOPV, KVT, UOP4	21B	X06A, X06B, X33Z			
21B		X06A, X06B, X33Z	05	F36A, F36B	23	Z01A			
23		Z01A	06	G01Z, G02Z, G15Z, G18A, G18B, G33Z, G38Z	Pre	A07A, A11A, A13A, A13B, A13D			
Pre		A07A, A11A, A13A, A13B, A13D	07	H33Z, H38Z	5n240.21	BOP, KOP, KOPV, KVT, UOP4			
5n236.4			BOP, KOP, KOPV, KVT, UOP4	10	K09A, K09B	05	F36A, F36B		
		05	F36A, F36B	11	L10Z, L33Z, L38Z	06	G01Z, G02Z, G15Z, G18A, G18B, G33Z, G38Z		
		06	G01Z, G02Z, G15Z, G18A, G18B, G33Z, G38Z	12	M37Z, M38Z	07	H33Z, H38Z		
	07	H33Z, H38Z	13	N01A, N01B, N01C, N01D, N01E, N34Z, N38Z	10	K09A, K09B			
	10	K09A, K09B	17	R01A, R01B, R01C, R01D, R02Z, R12A, R12B, R12C	11	L10Z, L33Z, L38Z			
	11	L10Z, L33Z, L38Z	21A	W04A, W04B	12	M37Z, M38Z			
	12	M37Z, M38Z	21B	X06A, X06B, X33Z	13	N01A, N01B, N01C, N01D, N01E, N34Z, N38Z			
	13	N01A, N01B, N01C, N01D, N01E, N34Z, N38Z	23	Z01A	17	R01A, R01B, R01C, R01D, R02Z, R12A, R12B, R12C			
	17	R01A, R01B, R01C, R01D, R02Z, R12A, R12B, R12C	Pre	A07A, A11A, A13A, A13B, A13D	21A	W04A, W04B			
	21A	W04A, W04B	5n240.02	BOP, KOP, KOPV, KVT, UOP4	21B	X06A, X06B, X33Z			
	21B	X06A, X06B, X33Z	05	F36A, F36B	23	Z01A			
	23	Z01A	06	G01Z, G02Z, G15Z, G18A, G18B, G33Z, G38Z	Pre	A07A, A11A, A13A, A13B, A13D			
	Pre	A07A, A11A, A13A, A13B, A13D	07	H33Z, H38Z					
			10	K09A, K09B					
			11	L10Z, L33Z, L38Z					
			12	M37Z, M38Z					
			13	N01A, N01B, N01C, N01D, N01E, N34Z, N38Z					
		17	R01A, R01B, R01C, R01D, R02Z, R12A, R12B, R12C						
		21A	W04A, W04B						
		21B	X06A, X06B, X33Z						
		23	Z01A						
		Pre	A07A, A11A, A13A, A13B, A13D						

VYK

ZZV	MDC	DRG	ZZV	MDC	DRG	ZZV	MDC	DRG			
5n240.25		BOP, KOP, KOPV, KVT, UOP4	5n241.01		BOP, KOP, KOPV, KVT, UOP4	5n241.21		BOP, KOP, KOPV, KVT, UOP4			
	05	F36A, F36B		05	F36A, F36B		05	F36A, F36B			
	06	G01Z, G02Z, G15Z, G18A, G18B, G33Z, G38Z		06	G01Z, G02Z, G03A, G15Z, G33Z, G38Z		06	G01Z, G02Z, G15Z, G33Z, G38Z			
	07	H33Z, H38Z		07	H33Z, H38Z		07	H33Z, H38Z			
	10	K09A, K09B		10	K09A, K09B		10	K09A, K09B			
	11	L10Z, L33Z, L38Z		11	L10Z, L33Z, L38Z		11	L10Z, L33Z, L38Z			
	12	M37Z, M38Z		12	M37Z, M38Z		12	M37Z, M38Z			
	13	N01A, N01B, N01C, N01D, N01E, N34Z, N38Z		13	N01A, N01B, N01C, N01D, N01E, N34Z, N38Z		13	N01A, N01B, N01C, N01D, N01E, N34Z, N38Z			
	17	R01A, R01B, R01C, R01D, R02Z, R12A, R12B, R12C		17	R01A, R01B, R01C, R01D, R02Z, R12A, R12B, R12C		17	R01A, R01B, R01C, R01D, R02Z, R12A, R12B, R12C			
	21A	W04A, W04B		21A	W04A, W04B		21A	W04A, W04B			
	21B	X06A, X06B, X33Z		21B	X06A, X06B, X33Z		21B	X06A, X06B, X33Z			
	23	Z01A		23	Z01A		23	Z01A			
	Pre	A07A, A11A, A13A, A13B, A13D		Pre	A07A		Pre	A07A			
	5n240.4			BOP, KOP, KOPV, KVT, UOP4	5n241.02			BOP, KOP, KOPV, KVT, UOP4	5n241.25		BOP, KOP, KOPV, KVT, UOP4
		05		F36A, F36B			05	F36A, F36B		05	F36A, F36B
		06		G01Z, G02Z, G15Z, G18A, G18B, G33Z, G38Z			06	G01Z, G02Z, G15Z, G33Z, G38Z		06	G01Z, G02Z, G15Z, G33Z, G38Z
		07		H33Z, H38Z			07	H33Z, H38Z		07	H33Z, H38Z
10		K09A, K09B	10	K09A, K09B		10	K09A, K09B				
11		L10Z, L33Z, L38Z	11	L10Z, L33Z, L38Z		11	L10Z, L33Z, L38Z				
12		M37Z, M38Z	12	M37Z, M38Z		12	M37Z, M38Z				
13		N01A, N01B, N01C, N01D, N01E, N34Z, N38Z	13	N01A, N01B, N01C, N01D, N01E, N34Z, N38Z		13	N01A, N01B, N01C, N01D, N01E, N34Z, N38Z				
17		R01A, R01B, R01C, R01D, R02Z, R12A, R12B, R12C	17	R01A, R01B, R01C, R01D, R02Z, R12A, R12B, R12C		17	R01A, R01B, R01C, R01D, R02Z, R12A, R12B, R12C				
21A		W04A, W04B	21A	W04A, W04B		21A	W04A, W04B				
21B		X06A, X06B, X33Z	21B	X06A, X06B, X33Z		21B	X06A, X06B, X33Z				
23		Z01A	23	Z01A		23	Z01A				
Pre		A07A, A11A, A13A, A13B, A13D	Pre	A07A		Pre	A07A				
5n240.x			BOP, KOP, KOPV, KVT, UOP4	5n241.03			BOP, KOP, KOPV, KVT, UOP4	5n241.4			BOP, KOP, KOPV, KVT, UOP4
		05	F36A, F36B			05	F36A, F36B			05	F36A, F36B
		06	G01Z, G02Z, G15Z, G18A, G18B, G33Z, G38Z			06	G01Z, G02Z, G15Z, G33Z, G38Z			06	G01Z, G02Z, G15Z, G33Z, G38Z
		07	H33Z, H38Z			07	H33Z, H38Z			07	H33Z, H38Z
	10	K09A, K09B	10		K09A, K09B	10	K09A, K09B				
	11	L10Z, L33Z, L38Z	11		L10Z, L33Z, L38Z	11	L10Z, L33Z, L38Z				
	12	M37Z, M38Z	12		M37Z, M38Z	12	M37Z, M38Z				
	13	N01A, N01B, N01C, N01D, N01E, N34Z, N38Z	13		N01A, N01B, N01C, N01D, N01E, N34Z, N38Z	13	N01A, N01B, N01C, N01D, N01E, N34Z, N38Z				
	17	R01A, R01B, R01C, R01D, R02Z, R12A, R12B, R12C	17		R01A, R01B, R01C, R01D, R02Z, R12A, R12B, R12C	17	R01A, R01B, R01C, R01D, R02Z, R12A, R12B, R12C				
	21A	W04A, W04B	21A		W04A, W04B	21A	W04A, W04B				
	21B	X06A, X06B, X33Z	21B		X06A, X06B, X33Z	21B	X06A, X06B, X33Z				
	23	Z01A	23		Z01A	23	Z01A				
	Pre	A07A, A11A, A13A, A13B, A13D	Pre		A07A	Pre	A07A				
	5n240.x		BOP, KOP, KOPV, KVT, UOP4		5n241.04		BOP, KOP, KOPV, KVT, UOP4		5n241.x		BOP, KOP, KOPV, KVT, UOP4
		05	F36A, F36B			05	F36A, F36B			05	F36A, F36B
		06	G01Z, G02Z, G15Z, G18A, G18B, G33Z, G38Z			06	G01Z, G02Z, G15Z, G33Z, G38Z			06	G01Z, G02Z, G15Z, G33Z, G38Z
		07	H33Z, H38Z			07	H33Z, H38Z			07	H33Z, H38Z
10		K09A, K09B	10	K09A, K09B		10	K09A, K09B				
11		L10Z, L33Z, L38Z	11	L10Z, L33Z, L38Z		11	L10Z, L33Z, L38Z				
12		M37Z, M38Z	12	M37Z, M38Z		12	M37Z, M38Z				
13		N01A, N01B, N01C, N01D, N01E, N34Z, N38Z	13	N01A, N01B, N01C, N01D, N01E, N34Z, N38Z		13	N01A, N01B, N01C, N01D, N01E, N34Z, N38Z				
17		R01A, R01B, R01C, R01D, R02Z, R12A, R12B, R12C	17	R01A, R01B, R01C, R01D, R02Z, R12A, R12B, R12C		17	R01A, R01B, R01C, R01D, R02Z, R12A, R12B, R12C				
21A		W04A, W04B	21A	W04A, W04B		21A	W04A, W04B				
21B		X06A, X06B, X33Z	21B	X06A, X06B, X33Z		21B	X06A, X06B, X33Z				
23		Z01A	23	Z01A		23	Z01A				
Pre		A07A, A11A, A13A, A13B, A13D	Pre	A07A		Pre	A07A				

ZZV	MDC	DRG	ZZV	MDC	DRG	ZZV	MDC	DRG
5n242.01		BOP, KVT, UOP4	5n242.25		BOP, KVT, UOP4	5n243.4		BOP, KVT, UOP4
	06	G01Z, G02Z, G15Z, G18A, G18B, G38Z		06	G01Z, G02Z, G15Z, G18A, G18B, G38Z		06	G01Z, G02Z, G15Z, G18A, G18B, G18C, G38Z
	10	K09A, K09B		10	K09A, K09B		10	K09A, K09B
	11	L10Z, L38Z		11	L10Z, L38Z		11	L10Z, L38Z
	12	M37Z, M38Z		12	M37Z, M38Z		12	M37Z, M38Z
	13	N01A, N01B, N01C, N01D, N01E, N34Z, N38Z		13	N01A, N01B, N01C, N01D, N01E, N34Z, N38Z		13	N01A, N01B, N01C, N01D, N01E, N34Z, N38Z
	17	R01A, R01B, R01C, R01D, R02Z, R12A, R12B, R12C		17	R01A, R01B, R01C, R01D, R02Z, R12A, R12B, R12C		17	R01A, R01B, R01C, R01D, R02Z, R12A, R12B, R12C
	21A	W04A, W04B		21A	W04A, W04B		21A	W04A, W04B
	21B	X06A, X06B		21B	X06A, X06B		21B	X06A, X06B
	Pre	A11A, A13A, A13B, A13D		Pre	A11A, A13A, A13B, A13D		Pre	A11A, A13A, A13B, A13D
5n242.02		BOP, KVT, UOP4	5n242.4		BOP, KVT, UOP4	5n244.01		BOP, KOP, KOPV, KVT, UOP4
	06	G01Z, G02Z, G15Z, G18A, G18B, G38Z		06	G01Z, G02Z, G15Z, G18A, G18B, G38Z		05	F36A, F36B
	10	K09A, K09B		10	K09A, K09B		06	G01Z, G02Z, G03A, G15Z, G18A, G18B, G33Z, G38Z
	11	L10Z, L38Z		11	L10Z, L38Z		07	H33Z, H38Z
	12	M37Z, M38Z		12	M37Z, M38Z		11	L10Z, L33Z, L38Z
	13	N01A, N01B, N01C, N01D, N01E, N34Z, N38Z		13	N01A, N01B, N01C, N01D, N01E, N34Z, N38Z		12	M37Z, M38Z
	17	R01A, R01B, R01C, R01D, R02Z, R12A, R12B, R12C		17	R01A, R01B, R01C, R01D, R02Z, R12A, R12B, R12C		13	N01A, N01B, N01C, N01D, N01E, N34Z, N38Z
	21A	W04A, W04B		21A	W04A, W04B		17	R01A, R01B, R01C, R01D, R02Z, R12A, R12B, R12C
	21B	X06A, X06B		21B	X06A, X06B		21A	W04A, W04B
	Pre	A11A, A13A, A13B, A13D		Pre	A11A, A13A, A13B, A13D		21B	X06A, X06B, X33Z
5n242.03		BOP, KVT, UOP4	5n242.x		BOP, KVT, UOP4	5n244.02		Z01A
	06	G01Z, G02Z, G15Z, G18A, G18B, G38Z		06	G01Z, G02Z, G15Z, G18A, G18B, G38Z		Pre	A07A, A11A, A13A, A13B, A13D
	10	K09A, K09B		10	K09A, K09B			BOP, KOP, KOPV, KVT, UOP4
	11	L10Z, L38Z		11	L10Z, L38Z		05	F36A, F36B
	12	M37Z, M38Z		12	M37Z, M38Z		06	G01Z, G02Z, G15Z, G18A, G18B, G33Z, G38Z
	13	N01A, N01B, N01C, N01D, N01E, N34Z, N38Z		13	N01A, N01B, N01C, N01D, N01E, N34Z, N38Z		07	H33Z, H38Z
	17	R01A, R01B, R01C, R01D, R02Z, R12A, R12B, R12C		17	R01A, R01B, R01C, R01D, R02Z, R12A, R12B, R12C		11	L10Z, L33Z, L38Z
	21A	W04A, W04B		21A	W04A, W04B		12	M37Z, M38Z
	21B	X06A, X06B		21B	X06A, X06B		13	N01A, N01B, N01C, N01D, N01E, N34Z, N38Z
	Pre	A11A, A13A, A13B, A13D		Pre	A11A, A13A, A13B, A13D		17	R01A, R01B, R01C, R01D, R02Z, R12A, R12B, R12C
5n242.04		BOP, KVT, UOP4	5n243.0		BOP, KVT, UOP4	5n244.03		W04A, W04B
	06	G01Z, G02Z, G15Z, G18A, G18B, G38Z		06	G01Z, G02Z, G15Z, G18A, G18B, G18C, G38Z		21B	X06A, X06B, X33Z
	10	K09A, K09B		10	K09A, K09B		23	Z01A
	11	L10Z, L38Z		11	L10Z, L38Z		Pre	A07A, A11A, A13A, A13B, A13D
	12	M37Z, M38Z		12	M37Z, M38Z			BOP, KOP, KOPV, KVT, UOP4
	13	N01A, N01B, N01C, N01D, N01E, N34Z, N38Z		13	N01A, N01B, N01C, N01D, N01E, N34Z, N38Z		05	F36A, F36B
	17	R01A, R01B, R01C, R01D, R02Z, R12A, R12B, R12C		17	R01A, R01B, R01C, R01D, R02Z, R12A, R12B, R12C		06	G01Z, G02Z, G15Z, G18A, G18B, G33Z, G38Z
	21A	W04A, W04B		21A	W04A, W04B		07	H33Z, H38Z
	21B	X06A, X06B		21B	X06A, X06B		11	L10Z, L33Z, L38Z
	Pre	A11A, A13A, A13B, A13D		Pre	A11A, A13A, A13B, A13D		12	M37Z, M38Z
5n242.21		BOP, KVT, UOP4	5n243.2		BOP, KVT, UOP4			N01A, N01B, N01C, N01D, N01E, N34Z, N38Z
	06	G01Z, G02Z, G15Z, G18A, G18B, G38Z		06	G01Z, G02Z, G15Z, G18A, G18B, G18C, G38Z		17	R01A, R01B, R01C, R01D, R02Z, R12A, R12B, R12C
	10	K09A, K09B		10	K09A, K09B		21A	W04A, W04B
	11	L10Z, L38Z		11	L10Z, L38Z		21B	X06A, X06B, X33Z
	12	M37Z, M38Z		12	M37Z, M38Z		23	Z01A
	13	N01A, N01B, N01C, N01D, N01E, N34Z, N38Z		13	N01A, N01B, N01C, N01D, N01E, N34Z, N38Z		Pre	A07A, A11A, A13A, A13B, A13D
	17	R01A, R01B, R01C, R01D, R02Z, R12A, R12B, R12C		17	R01A, R01B, R01C, R01D, R02Z, R12A, R12B, R12C			
	21A	W04A, W04B		21A	W04A, W04B			
	21B	X06A, X06B		21B	X06A, X06B			
	Pre	A11A, A13A, A13B, A13D		Pre	A11A, A13A, A13B, A13D			

VYK



ZZV	MDC	DRG	ZZV	MDC	DRG	ZZV	MDC	DRG
5n245.25		BOP, KOP, KOPV, KVT, UOP4	5n246.01		BOP, KOP, KOPV, KVT, UOP4	5n246.04		BOP, KOP, KOPV, KVT, UOP4
	05	F36A, F36B		05	F36A, F36B		05	F36A, F36B
	06	G01Z, G02Z, G15Z, G33Z, G38Z		06	G01Z, G02Z, G15Z, G18A, G18B, G33Z, G38Z		06	G01Z, G02Z, G15Z, G18A, G18B, G33Z, G38Z
	07	H33Z, H38Z		07	H33Z, H38Z		07	H33Z, H38Z
	10	K09A, K09B		10	K09A, K09B		10	K09A, K09B
	11	L10Z, L33Z, L38Z		11	L10Z, L33Z, L38Z		11	L10Z, L33Z, L38Z
	12	M37Z, M38Z		12	M37Z, M38Z		12	M37Z, M38Z
	13	N01A, N01B, N01C, N01D, N01E, N34Z, N38Z		13	N01A, N01B, N01C, N01D, N01E, N34Z, N38Z		13	N01A, N01B, N01C, N01D, N01E, N34Z, N38Z
	17	R01A, R01B, R01C, R01D, R02Z, R12A, R12B, R12C		17	R01A, R01B, R01C, R01D, R02Z, R12A, R12B, R12C		17	R01A, R01B, R01C, R01D, R02Z, R12A, R12B, R12C
	21A	W04A, W04B		21A	W04A, W04B		21A	W04A, W04B
	21B	X06A, X06B, X33Z		21B	X06A, X06B, X33Z		21B	X06A, X06B, X33Z
	23	Z01A		23	Z01A		23	Z01A
	Pre	A07A, A11A, A13A, A13B, A13D		Pre	A07A, A11A, A13A, A13B, A13D		Pre	A07A, A11A, A13A, A13B, A13D
	5n245.4			BOP, KOP, KOPV, KVT, UOP4	5n246.02			BOP, KOP, KOPV, KVT, UOP4
05		F36A, F36B	05	F36A, F36B		05	F36A, F36B	
06		G01Z, G02Z, G15Z, G33Z, G38Z	06	G01Z, G02Z, G15Z, G33Z, G38Z		06	G01Z, G02Z, G15Z, G18A, G18B, G33Z, G38Z	
07		H33Z, H38Z	07	H33Z, H38Z		07	H33Z, H38Z	
10		K09A, K09B	10	K09A, K09B		10	K09A, K09B	
11		L10Z, L33Z, L38Z	11	L10Z, L33Z, L38Z		11	L10Z, L33Z, L38Z	
12		M37Z, M38Z	12	M37Z, M38Z		12	M37Z, M38Z	
13		N01A, N01B, N01C, N01D, N01E, N34Z, N38Z	13	N01A, N01B, N01C, N01D, N01E, N34Z, N38Z		13	N01A, N01B, N01C, N01D, N01E, N34Z, N38Z	
17		R01A, R01B, R01C, R01D, R02Z, R12A, R12B, R12C	17	R01A, R01B, R01C, R01D, R02Z, R12A, R12B, R12C		17	R01A, R01B, R01C, R01D, R02Z, R12A, R12B, R12C	
21A		W04A, W04B	21A	W04A, W04B		21A	W04A, W04B	
21B		X06A, X06B, X33Z	21B	X06A, X06B, X33Z		21B	X06A, X06B, X33Z	
23		Z01A	23	Z01A		23	Z01A	
Pre		A07A, A11A, A13A, A13B, A13D	Pre	A07A, A11A, A13A, A13B, A13D		Pre	A07A, A11A, A13A, A13B, A13D	
5n245.x			BOP, KOP, KOPV, KVT, UOP4	5n246.03			BOP, KOP, KOPV, KVT, UOP4	5n246.25
	05	F36A, F36B	05		F36A, F36B	05	F36A, F36B	
	06	G01Z, G02Z, G15Z, G33Z, G38Z	06		G01Z, G02Z, G15Z, G18A, G18B, G33Z, G38Z	06	G01Z, G02Z, G15Z, G18A, G18B, G33Z, G38Z	
	07	H33Z, H38Z	07		H33Z, H38Z	07	H33Z, H38Z	
	10	K09A, K09B	10		K09A, K09B	10	K09A, K09B	
	11	L10Z, L33Z, L38Z	11		L10Z, L33Z, L38Z	11	L10Z, L33Z, L38Z	
	12	M37Z, M38Z	12		M37Z, M38Z	12	M37Z, M38Z	
	13	N01A, N01B, N01C, N01D, N01E, N34Z, N38Z	13		N01A, N01B, N01C, N01D, N01E, N34Z, N38Z	13	N01A, N01B, N01C, N01D, N01E, N34Z, N38Z	
	17	R01A, R01B, R01C, R01D, R02Z, R12A, R12B, R12C	17		R01A, R01B, R01C, R01D, R02Z, R12A, R12B, R12C	17	R01A, R01B, R01C, R01D, R02Z, R12A, R12B, R12C	
	21A	W04A, W04B	21A		W04A, W04B	21A	W04A, W04B	
	21B	X06A, X06B, X33Z	21B		X06A, X06B, X33Z	21B	X06A, X06B, X33Z	
	23	Z01A	23		Z01A	23	Z01A	
	Pre	A07A, A11A, A13A, A13B, A13D	Pre		A07A, A11A, A13A, A13B, A13D	Pre	A07A, A11A, A13A, A13B, A13D	

VYK



ZZV	MDC	DRG	ZZV	MDC	DRG	ZZV	MDC	DRG			
5n246.4		BOP, KOP, KOPV, KVT, UOP4	5n247.02		BOP, KOP, KOPV, KVT, UOP4	5n247.21		BOP, KOP, KOPV, KVT, UOP4			
	05	F36A, F36B		05	F36A, F36B		05	F36A, F36B			
	06	G01Z, G02Z, G15Z, G18A, G18B, G33Z, G38Z		06	G01Z, G02Z, G15Z, G18A, G18B, G33Z, G38Z		06	G01Z, G02Z, G15Z, G18A, G18B, G33Z, G38Z			
	07	H33Z, H38Z		07	H33Z, H38Z		07	H33Z, H38Z			
	10	K09A, K09B		10	K09A, K09B		10	K09A, K09B			
	11	L10Z, L33Z, L38Z		11	L10Z, L33Z, L38Z		11	L10Z, L33Z, L38Z			
	12	M37Z, M38Z		12	M37Z, M38Z		12	M37Z, M38Z			
	13	N01A, N01B, N01C, N01D, N01E, N34Z, N38Z		13	N01A, N01B, N01C, N01D, N01E, N34Z, N38Z		13	N01A, N01B, N01C, N01D, N01E, N34Z, N38Z			
	17	R01A, R01B, R01C, R01D, R02Z, R12A, R12B, R12C		17	R01A, R01B, R01C, R01D, R02Z, R12A, R12B, R12C		17	R01A, R01B, R01C, R01D, R02Z, R12A, R12B, R12C			
	21A	W04A, W04B		21A	W04A, W04B		21A	W04A, W04B			
	21B	X06A, X06B, X33Z		21B	X06A, X06B, X33Z		21B	X06A, X06B, X33Z			
	23	Z01A		23	Z01A		23	Z01A			
	Pre	A07A, A11A, A13A, A13B, A13D		Pre	A07A, A11A, A13A, A13B, A13D		Pre	A07A, A11A, A13A, A13B, A13D			
	5n246.x			BOP, KOP, KOPV, KVT, UOP4	5n247.03			BOP, KOP, KOPV, KVT, UOP4	5n247.25		BOP, KOP, KOPV, KVT, UOP4
		05		F36A, F36B			05	F36A, F36B		05	F36A, F36B
06		G01Z, G02Z, G15Z, G18A, G18B, G33Z, G38Z	06	G01Z, G02Z, G15Z, G18A, G18B, G33Z, G38Z		06	G01Z, G02Z, G15Z, G18A, G18B, G33Z, G38Z				
07		H33Z, H38Z	07	H33Z, H38Z		07	H33Z, H38Z				
10		K09A, K09B	10	K09A, K09B		10	K09A, K09B				
11		L10Z, L33Z, L38Z	11	L10Z, L33Z, L38Z		11	L10Z, L33Z, L38Z				
12		M37Z, M38Z	12	M37Z, M38Z		12	M37Z, M38Z				
13		N01A, N01B, N01C, N01D, N01E, N34Z, N38Z	13	N01A, N01B, N01C, N01D, N01E, N34Z, N38Z		13	N01A, N01B, N01C, N01D, N01E, N34Z, N38Z				
17		R01A, R01B, R01C, R01D, R02Z, R12A, R12B, R12C	17	R01A, R01B, R01C, R01D, R02Z, R12A, R12B, R12C		17	R01A, R01B, R01C, R01D, R02Z, R12A, R12B, R12C				
21A		W04A, W04B	21A	W04A, W04B		21A	W04A, W04B				
21B		X06A, X06B, X33Z	21B	X06A, X06B, X33Z		21B	X06A, X06B, X33Z				
23		Z01A	23	Z01A		23	Z01A				
Pre		A07A, A11A, A13A, A13B, A13D	Pre	A07A, A11A, A13A, A13B, A13D		Pre	A07A, A11A, A13A, A13B, A13D				
5n247.01			BOP, KOP, KOPV, KVT, UOP4	5n247.04			BOP, KOP, KOPV, KVT, UOP4	5n247.4			BOP, KOP, KOPV, KVT, UOP4
		05	F36A, F36B			05	F36A, F36B			05	F36A, F36B
	06	G01Z, G02Z, G15Z, G18A, G18B, G33Z, G38Z	06		G01Z, G02Z, G15Z, G18A, G18B, G33Z, G38Z	06	G01Z, G02Z, G15Z, G18A, G18B, G33Z, G38Z				
	07	H33Z, H38Z	07		H33Z, H38Z	07	H33Z, H38Z				
	10	K09A, K09B	10		K09A, K09B	10	K09A, K09B				
	11	L10Z, L33Z, L38Z	11		L10Z, L33Z, L38Z	11	L10Z, L33Z, L38Z				
	12	M37Z, M38Z	12		M37Z, M38Z	12	M37Z, M38Z				
	13	N01A, N01B, N01C, N01D, N01E, N34Z, N38Z	13		N01A, N01B, N01C, N01D, N01E, N34Z, N38Z	13	N01A, N01B, N01C, N01D, N01E, N34Z, N38Z				
	17	R01A, R01B, R01C, R01D, R02Z, R12A, R12B, R12C	17		R01A, R01B, R01C, R01D, R02Z, R12A, R12B, R12C	17	R01A, R01B, R01C, R01D, R02Z, R12A, R12B, R12C				
	21A	W04A, W04B	21A		W04A, W04B	21A	W04A, W04B				
	21B	X06A, X06B, X33Z	21B		X06A, X06B, X33Z	21B	X06A, X06B, X33Z				
	23	Z01A	23		Z01A	23	Z01A				
	Pre	A07A, A11A, A13A, A13B, A13D	Pre		A07A, A11A, A13A, A13B, A13D	Pre	A07A, A11A, A13A, A13B, A13D				

ZZV	MDC	DRG	ZZV	MDC	DRG	ZZV	MDC	DRG			
5n247.x		BOP, KOP, KOPV, KVT, UOP4	5n248.03		BOP, KOP, KOPV, KVT, UOP4	5n248.25		BOP, KOP, KOPV, KVT, UOP4			
	05	F36A, F36B		05	F36A, F36B		05	F36A, F36B			
	06	G01Z, G02Z, G15Z, G18A, G18B, G33Z, G38Z		06	G01Z, G02Z, G15Z, G33Z, G38Z		06	G01Z, G02Z, G15Z, G33Z, G38Z			
	07	H33Z, H38Z		07	H33Z, H38Z		07	H33Z, H38Z			
	10	K09A, K09B		10	K09A, K09B		10	K09A, K09B			
	11	L10Z, L33Z, L38Z		11	L10Z, L33Z, L38Z		11	L10Z, L33Z, L38Z			
	12	M37Z, M38Z		12	M37Z, M38Z		12	M37Z, M38Z			
	13	N01A, N01B, N01C, N01D, N01E, N34Z, N38Z		13	N01A, N01B, N01C, N01D, N01E, N34Z, N38Z		13	N01A, N01B, N01C, N01D, N01E, N34Z, N38Z			
	17	R01A, R01B, R01C, R01D, R02Z, R12A, R12B, R12C		17	R01A, R01B, R01C, R01D, R02Z, R12A, R12B, R12C		17	R01A, R01B, R01C, R01D, R02Z, R12A, R12B, R12C			
	21A	W04A, W04B		21A	W04A, W04B		21A	W04A, W04B			
	21B	X06A, X06B, X33Z		21B	X06A, X06B, X33Z		21B	X06A, X06B, X33Z			
	23	Z01A		23	Z01A		23	Z01A			
	Pre	A07A, A11A, A13A, A13B, A13D		Pre	A07A, A11A, A13A, A13B, A13D		Pre	A07A, A11A, A13A, A13B, A13D			
	5n248.01			BOP, KOP, KOPV, KVT, UOP4	5n248.04			BOP, KOP, KOPV, KVT, UOP4	5n248.4		BOP, KOP, KOPV, KVT, UOP4
		05		F36A, F36B			05	F36A, F36B		05	F36A, F36B
06		G01Z, G02Z, G03A, G15Z, G33Z, G38Z	06	G01Z, G02Z, G15Z, G33Z, G38Z		06	G01Z, G02Z, G15Z, G33Z, G38Z				
07		H33Z, H38Z	07	H33Z, H38Z		07	H33Z, H38Z				
10		K09A, K09B	10	K09A, K09B		10	K09A, K09B				
11		L10Z, L33Z, L38Z	11	L10Z, L33Z, L38Z		11	L10Z, L33Z, L38Z				
12		M37Z, M38Z	12	M37Z, M38Z		12	M37Z, M38Z				
13		N01A, N01B, N01C, N01D, N01E, N34Z, N38Z	13	N01A, N01B, N01C, N01D, N01E, N34Z, N38Z		13	N01A, N01B, N01C, N01D, N01E, N34Z, N38Z				
17		R01A, R01B, R01C, R01D, R02Z, R12A, R12B, R12C	17	R01A, R01B, R01C, R01D, R02Z, R12A, R12B, R12C		17	R01A, R01B, R01C, R01D, R02Z, R12A, R12B, R12C				
21A		W04A, W04B	21A	W04A, W04B		21A	W04A, W04B				
21B		X06A, X06B, X33Z	21B	X06A, X06B, X33Z		21B	X06A, X06B, X33Z				
23		Z01A	23	Z01A		23	Z01A				
Pre		A07A, A11A, A13A, A13B, A13D	Pre	A07A, A11A, A13A, A13B, A13D		Pre	A07A, A11A, A13A, A13B, A13D				
5n248.02			BOP, KOP, KOPV, KVT, UOP4	5n248.21			BOP, KOP, KOPV, KVT, UOP4	5n248.x			BOP, KOP, KOPV, KVT, UOP4
		05	F36A, F36B			05	F36A, F36B			05	F36A, F36B
	06	G01Z, G02Z, G15Z, G33Z, G38Z	06		G01Z, G02Z, G15Z, G33Z, G38Z	06	G01Z, G02Z, G15Z, G33Z, G38Z				
	07	H33Z, H38Z	07		H33Z, H38Z	07	H33Z, H38Z				
	10	K09A, K09B	10		K09A, K09B	10	K09A, K09B				
	11	L10Z, L33Z, L38Z	11		L10Z, L33Z, L38Z	11	L10Z, L33Z, L38Z				
	12	M37Z, M38Z	12		M37Z, M38Z	12	M37Z, M38Z				
	13	N01A, N01B, N01C, N01D, N01E, N34Z, N38Z	13		N01A, N01B, N01C, N01D, N01E, N34Z, N38Z	13	N01A, N01B, N01C, N01D, N01E, N34Z, N38Z				
	17	R01A, R01B, R01C, R01D, R02Z, R12A, R12B, R12C	17		R01A, R01B, R01C, R01D, R02Z, R12A, R12B, R12C	17	R01A, R01B, R01C, R01D, R02Z, R12A, R12B, R12C				
	21A	W04A, W04B	21A		W04A, W04B	21A	W04A, W04B				
	21B	X06A, X06B, X33Z	21B		X06A, X06B, X33Z	21B	X06A, X06B, X33Z				
	23	Z01A	23		Z01A	23	Z01A				
	Pre	A07A, A11A, A13A, A13B, A13D	Pre		A07A, A11A, A13A, A13B, A13D	Pre	A07A, A11A, A13A, A13B, A13D				
	5n24x.01		BOP, KVT, UOP4				5n24x.01			BOP, KVT, UOP4	
		06	G01Z, G02Z, G15Z, G18A, G18B, G38Z						06	G01Z, G02Z, G15Z, G18A, G18B, G38Z	
10		K09A, K09B			10	K09A, K09B					
11		L10Z, L38Z			11	L10Z, L38Z					
12		M37Z, M38Z			12	M37Z, M38Z					
13		N01A, N01B, N01C, N01D, N01E, N34Z, N38Z			13	N01A, N01B, N01C, N01D, N01E, N34Z, N38Z					
17		R01A, R01B, R01C, R01D, R02Z, R12A, R12B, R12C			17	R01A, R01B, R01C, R01D, R02Z, R12A, R12B, R12C					
21A		W04A, W04B			21A	W04A, W04B					
21B		X06A, X06B			21B	X06A, X06B					
Pre		A11A, A13A, A13B, A13D			Pre	A11A, A13A, A13B, A13D					

ZZV	MDC	DRG	ZZV	MDC	DRG	ZZV	MDC	DRG			
5n24x.02		BOP, KVT, UOP4	5n24x.4		BOP, KVT, UOP4	5n250.04		BOP, KOP, KOPV, KVT, MVV, UOP4			
	06	G01Z, G02Z, G15Z, G18A, G18B, G38Z		06	G01Z, G02Z, G15Z, G18A, G18B, G38Z		05	F36A, F36B			
	10	K09A, K09B		10	K09A, K09B		06	G15Z, G16A, G16B, G33Z, G38Z			
	11	L10Z, L38Z		11	L10Z, L38Z		07	H33Z, H38Z			
	12	M37Z, M38Z		12	M37Z, M38Z		10	K09A, K09B			
	13	N01A, N01B, N01C, N01D, N01E, N34Z, N38Z		13	N01A, N01B, N01C, N01D, N01E, N34Z, N38Z		11	L10Z, L33Z, L38Z			
	17	R01A, R01B, R01C, R01D, R02Z, R12A, R12B, R12C		17	R01A, R01B, R01C, R01D, R02Z, R12A, R12B, R12C		12	M37Z, M38Z			
	21A	W04A, W04B		21A	W04A, W04B		13	N01A, N01B, N01C, N01D, N01E, N34Z, N38Z			
	21B	X06A, X06B		21B	X06A, X06B		17	R01A, R01B, R01C, R01D, R02Z, R12A, R12B, R12C			
	Pre	A11A, A13A, A13B, A13D		Pre	A11A, A13A, A13B, A13D		21A	W04A, W04B			
	5n24x.03			BOP, KVT, UOP4	5n24x.x			BOP, KVT, UOP4	5n250.05		BOP, KOP, KOPV, KVT, MVV, UOP4
		06		G01Z, G02Z, G15Z, G18A, G18B, G38Z			06	G01Z, G02Z, G15Z, G18A, G18B, G38Z		05	F36A, F36B
		10		K09A, K09B			10	K09A, K09B		06	G15Z, G16A, G16B, G33Z, G38Z
11		L10Z, L38Z	11	L10Z, L38Z		07	H33Z, H38Z				
12		M37Z, M38Z	12	M37Z, M38Z		11	L10Z, L33Z, L38Z				
13		N01A, N01B, N01C, N01D, N01E, N34Z, N38Z	13	N01A, N01B, N01C, N01D, N01E, N34Z, N38Z		12	M37Z, M38Z				
17		R01A, R01B, R01C, R01D, R02Z, R12A, R12B, R12C	17	R01A, R01B, R01C, R01D, R02Z, R12A, R12B, R12C		13	N01A, N01B, N01C, N01D, N01E, N34Z, N38Z				
21A		W04A, W04B	21A	W04A, W04B		17	R01A, R01B, R01C, R01D, R02Z, R12A, R12B, R12C				
21B		X06A, X06B	21B	X06A, X06B		21A	W04A, W04B				
Pre		A11A, A13A, A13B, A13D	Pre	A11A, A13A, A13B, A13D		21B	X06A, X06B, X06C, X33Z				
5n24x.04			BOP, KVT, UOP4	5n250.02			BOP, KOP, KOPV, KVT, MVV, UOP4	5n250.08			BOP, KOP, KOPV, KVT, MVV, UOP4
		06	G01Z, G02Z, G15Z, G18A, G18B, G38Z			05	F36A, F36B			05	F36A, F36B
		10	K09A, K09B			06	G15Z, G16A, G16B, G33Z, G38Z			06	G15Z, G16A, G16B, G33Z, G38Z
	11	L10Z, L38Z	07		H33Z, H38Z	07	H33Z, H38Z				
	12	M37Z, M38Z	10		K09A, K09B	11	L10Z, L33Z, L38Z				
	13	N01A, N01B, N01C, N01D, N01E, N34Z, N38Z	11		L10Z, L33Z, L38Z	12	M37Z, M38Z				
	17	R01A, R01B, R01C, R01D, R02Z, R12A, R12B, R12C	12		M37Z, M38Z	13	N01A, N01B, N01C, N01D, N01E, N34Z, N38Z				
	21A	W04A, W04B	13		N01A, N01B, N01C, N01D, N01E, N34Z, N38Z	17	R01A, R01B, R01C, R01D, R02Z, R12A, R12B, R12C				
	21B	X06A, X06B	17		R01A, R01B, R01C, R01D, R02Z, R12A, R12B, R12C	21A	W04A, W04B				
	Pre	A11A, A13A, A13B, A13D	21A		W04A, W04B	21B	X06A, X06B, X06C, X33Z				
	5n24x.21		BOP, KVT, UOP4		5n250.03		BOP, KOP, KOPV, KVT, MVV, UOP4		5n250.26		BOP, KOP, KOPV, KVT, MVV, UOP4
		06	G01Z, G02Z, G15Z, G18A, G18B, G38Z			05	F36A, F36B			05	F36A, F36B
		10	K09A, K09B			06	G15Z, G16A, G16B, G33Z, G38Z			06	G15Z, G16A, G16B, G33Z, G38Z
11		L10Z, L38Z	07	H33Z, H38Z		07	H33Z, H38Z				
12		M37Z, M38Z	11	L10Z, L33Z, L38Z		10	K09A, K09B				
13		N01A, N01B, N01C, N01D, N01E, N34Z, N38Z	12	M37Z, M38Z		11	L10Z, L33Z, L38Z				
17		R01A, R01B, R01C, R01D, R02Z, R12A, R12B, R12C	13	N01A, N01B, N01C, N01D, N01E, N34Z, N38Z		12	M37Z, M38Z				
21A		W04A, W04B	17	R01A, R01B, R01C, R01D, R02Z, R12A, R12B, R12C		13	N01A, N01B, N01C, N01D, N01E, N34Z, N38Z				
21B		X06A, X06B	21A	W04A, W04B		17	R01A, R01B, R01C, R01D, R02Z, R12A, R12B, R12C				
Pre		A11A, A13A, A13B, A13D	21B	X06A, X06B, X06C, X33Z		21A	W04A, W04B				
5n24x.25			BOP, KVT, UOP4	5n250.03			BOP, KOP, KOPV, KVT, MVV, UOP4	5n250.26			BOP, KOP, KOPV, KVT, MVV, UOP4
		06	G01Z, G02Z, G15Z, G18A, G18B, G38Z			05	F36A, F36B			05	F36A, F36B
		10	K09A, K09B			06	G15Z, G16A, G16B, G33Z, G38Z			06	G15Z, G16A, G16B, G33Z, G38Z
	11	L10Z, L38Z	07		H33Z, H38Z	07	H33Z, H38Z				
	12	M37Z, M38Z	11		L10Z, L33Z, L38Z	10	K09A, K09B				
	13	N01A, N01B, N01C, N01D, N01E, N34Z, N38Z	12		M37Z, M38Z	11	L10Z, L33Z, L38Z				
	17	R01A, R01B, R01C, R01D, R02Z, R12A, R12B, R12C	13		N01A, N01B, N01C, N01D, N01E, N34Z, N38Z	12	M37Z, M38Z				
	21A	W04A, W04B	17		R01A, R01B, R01C, R01D, R02Z, R12A, R12B, R12C	13	N01A, N01B, N01C, N01D, N01E, N34Z, N38Z				
	21B	X06A, X06B	21A		W04A, W04B	17	R01A, R01B, R01C, R01D, R02Z, R12A, R12B, R12C				
	Pre	A11A, A13A, A13B, A13D	21B		X06A, X06B, X06C, X33Z	21A	W04A, W04B				
			23		Z01A	21B	X06A, X06B, X06C, X33Z				
			Pre		A07A	23	Z01A				
						Pre	A07A				

VYK

ZZV	MDC	DRG	ZZV	MDC	DRG	ZZV	MDC	DRG
5n250.27		BOP, KOP, KOPV, KVT, MVV, UOP4	5n251.02		BOP, KOP, KOPV, KVT, MVV, UOP4	5n251.08		BOP, KOP, KOPV, KVT, MVV, UOP4
	05	F36A, F36B		05	F36A, F36B		05	F36A, F36B
	06	G15Z, G16A, G16B, G33Z, G38Z		06	G15Z, G16A, G16B, G33Z, G38Z		06	G15Z, G16A, G16B, G33Z, G38Z
	07	H33Z, H38Z		07	H33Z, H38Z		07	H33Z, H38Z
	11	L10Z, L33Z, L38Z		11	L10Z, L33Z, L38Z		11	L10Z, L33Z, L38Z
	12	M37Z, M38Z		12	M37Z, M38Z		12	M37Z, M38Z
	13	N01A, N01B, N01C, N01D, N01E, N34Z, N38Z		13	N01A, N01B, N01C, N01D, N01E, N34Z, N38Z		13	N01A, N01B, N01C, N01D, N01E, N34Z, N38Z
	17	R01A, R01B, R01C, R01D, R02Z, R12A, R12B, R12C		17	R01A, R01B, R01C, R01D, R02Z, R12A, R12B, R12C		17	R01A, R01B, R01C, R01D, R02Z, R12A, R12B, R12C
	21A	W04A, W04B		21A	W04A, W04B		21A	W04A, W04B
	21B	X06A, X06B, X06C, X33Z		21B	X06A, X06B, X06C, X33Z		21B	X06A, X06B, X06C, X33Z
	23	Z01A		23	Z01A		23	Z01A
	Pre	A07A		Pre	A07A		Pre	A07A
5n250.28		BOP, KOP, KOPV, KVT, MVV, UOP4	5n251.03		BOP, KOP, KOPV, KVT, MVV, UOP4	5n251.26		BOP, KOP, KOPV, KVT, MVV, UOP4
	05	F36A, F36B		05	F36A, F36B		05	F36A, F36B
	06	G15Z, G16A, G16B, G33Z, G38Z		06	G15Z, G16A, G16B, G33Z, G38Z		06	G15Z, G16A, G16B, G33Z, G38Z
	07	H33Z, H38Z		07	H33Z, H38Z		07	H33Z, H38Z
	11	L10Z, L33Z, L38Z		11	L10Z, L33Z, L38Z		11	L10Z, L33Z, L38Z
	12	M37Z, M38Z		12	M37Z, M38Z		12	M37Z, M38Z
	13	N01A, N01B, N01C, N01D, N01E, N34Z, N38Z		13	N01A, N01B, N01C, N01D, N01E, N34Z, N38Z		13	N01A, N01B, N01C, N01D, N01E, N34Z, N38Z
	17	R01A, R01B, R01C, R01D, R02Z, R12A, R12B, R12C		17	R01A, R01B, R01C, R01D, R02Z, R12A, R12B, R12C		17	R01A, R01B, R01C, R01D, R02Z, R12A, R12B, R12C
	21A	W04A, W04B		21A	W04A, W04B		21A	W04A, W04B
	21B	X06A, X06B, X06C, X33Z		21B	X06A, X06B, X06C, X33Z		21B	X06A, X06B, X06C, X33Z
	23	Z01A		23	Z01A		23	Z01A
	Pre	A07A		Pre	A07A		Pre	A07A
5n250.4		BOP, KOP, KOPV, KVT, MVV, UOP4	5n251.04		BOP, KOP, KOPV, KVT, MVV, UOP4	5n251.27		BOP, KOP, KOPV, KVT, MVV, UOP4
	05	F36A, F36B		05	F36A, F36B		05	F36A, F36B
	06	G15Z, G16A, G16B, G33Z, G38Z		06	G15Z, G16A, G16B, G33Z, G38Z		06	G15Z, G16A, G16B, G33Z, G38Z
	07	H33Z, H38Z		07	H33Z, H38Z		07	H33Z, H38Z
	11	L10Z, L33Z, L38Z		11	L10Z, L33Z, L38Z		11	L10Z, L33Z, L38Z
	12	M37Z, M38Z		12	M37Z, M38Z		12	M37Z, M38Z
	13	N01A, N01B, N01C, N01D, N01E, N34Z, N38Z		13	N01A, N01B, N01C, N01D, N01E, N34Z, N38Z		13	N01A, N01B, N01C, N01D, N01E, N34Z, N38Z
	17	R01A, R01B, R01C, R01D, R02Z, R12A, R12B, R12C		17	R01A, R01B, R01C, R01D, R02Z, R12A, R12B, R12C		17	R01A, R01B, R01C, R01D, R02Z, R12A, R12B, R12C
	21A	W04A, W04B		21A	W04A, W04B		21A	W04A, W04B
	21B	X06A, X06B, X06C, X33Z		21B	X06A, X06B, X06C, X33Z		21B	X06A, X06B, X06C, X33Z
	23	Z01A		23	Z01A		23	Z01A
	Pre	A07A		Pre	A07A		Pre	A07A
5n250.x		BOP, KOP, KOPV, KVT, MVV, UOP4	5n251.05		BOP, KOP, KOPV, KVT, MVV, UOP4	5n251.28		BOP, KOP, KOPV, KVT, MVV, UOP4
	05	F36A, F36B		05	F36A, F36B		05	F36A, F36B
	06	G15Z, G16A, G16B, G33Z, G38Z		06	G15Z, G16A, G16B, G33Z, G38Z		06	G15Z, G16A, G16B, G33Z, G38Z
	07	H33Z, H38Z		07	H33Z, H38Z		07	H33Z, H38Z
	11	L10Z, L33Z, L38Z		11	L10Z, L33Z, L38Z		11	L10Z, L33Z, L38Z
	12	M37Z, M38Z		12	M37Z, M38Z		12	M37Z, M38Z
	13	N01A, N01B, N01C, N01D, N01E, N34Z, N38Z		13	N01A, N01B, N01C, N01D, N01E, N34Z, N38Z		13	N01A, N01B, N01C, N01D, N01E, N34Z, N38Z
	17	R01A, R01B, R01C, R01D, R02Z, R12A, R12B, R12C		17	R01A, R01B, R01C, R01D, R02Z, R12A, R12B, R12C		17	R01A, R01B, R01C, R01D, R02Z, R12A, R12B, R12C
	21A	W04A, W04B		21A	W04A, W04B		21A	W04A, W04B
	21B	X06A, X06B, X06C, X33Z		21B	X06A, X06B, X06C, X33Z		21B	X06A, X06B, X06C, X33Z
	23	Z01A		23	Z01A		23	Z01A
	Pre	A07A		Pre	A07A		Pre	A07A

VYK

ZZV	MDC	DRG	ZZV	MDC	DRG	ZZV	MDC	DRG
5n251.4		BOP, KOP, KOPV, KVT, MVV, UOP4	5n252.04		BOP, KOP, KOPV, KVT, MVV, UOP4	5n252.27		BOP, KOP, KOPV, KVT, MVV, UOP4
	05	F36A, F36B		05	F36A, F36B		05	F36A, F36B
	06	G15Z, G16A, G16B, G33Z, G38Z		06	G15Z, G16A, G16B, G33Z, G38Z		06	G15Z, G16A, G16B, G33Z, G38Z
	07	H33Z, H38Z		07	H33Z, H38Z		07	H33Z, H38Z
	11	L10Z, L33Z, L38Z		11	L10Z, L33Z, L38Z		11	L10Z, L33Z, L38Z
	12	M37Z, M38Z		12	M37Z, M38Z		12	M37Z, M38Z
	13	N01A, N01B, N01C, N01D, N01E, N34Z, N38Z		13	N01A, N01B, N01C, N01D, N01E, N34Z, N38Z		13	N01A, N01B, N01C, N01D, N01E, N34Z, N38Z
	17	R01A, R01B, R01C, R01D, R02Z, R12A, R12B, R12C		17	R01A, R01B, R01C, R01D, R02Z, R12A, R12B, R12C		17	R01A, R01B, R01C, R01D, R02Z, R12A, R12B, R12C
	21A	W04A, W04B		21A	W04A, W04B		21A	W04A, W04B
	21B	X06A, X06B, X06C, X33Z		21B	X06A, X06B, X06C, X33Z		21B	X06A, X06B, X06C, X33Z
	23	Z01A		23	Z01A		23	Z01A
	Pre	A07A		Pre	A07A		Pre	A07A
	5n251.x			BOP, KOP, KOPV, KVT, MVV, UOP4	5n252.05			BOP, KOP, KOPV, KVT, MVV, UOP4
05		F36A, F36B	05	F36A, F36B		05	F36A, F36B	
06		G15Z, G16A, G16B, G33Z, G38Z	06	G15Z, G16A, G16B, G33Z, G38Z		06	G15Z, G16A, G16B, G33Z, G38Z	
07		H33Z, H38Z	07	H33Z, H38Z		07	H33Z, H38Z	
11		L10Z, L33Z, L38Z	11	L10Z, L33Z, L38Z		11	L10Z, L33Z, L38Z	
12		M37Z, M38Z	12	M37Z, M38Z		12	M37Z, M38Z	
13		N01A, N01B, N01C, N01D, N01E, N34Z, N38Z	13	N01A, N01B, N01C, N01D, N01E, N34Z, N38Z		13	N01A, N01B, N01C, N01D, N01E, N34Z, N38Z	
17		R01A, R01B, R01C, R01D, R02Z, R12A, R12B, R12C	17	R01A, R01B, R01C, R01D, R02Z, R12A, R12B, R12C		17	R01A, R01B, R01C, R01D, R02Z, R12A, R12B, R12C	
21A		W04A, W04B	21A	W04A, W04B		21A	W04A, W04B	
21B		X06A, X06B, X06C, X33Z	21B	X06A, X06B, X06C, X33Z		21B	X06A, X06B, X06C, X33Z	
23		Z01A	23	Z01A		23	Z01A	
Pre		A07A	Pre	A07A		Pre	A07A	
5n252.02			BOP, KOP, KOPV, KVT, MVV, UOP4	5n252.08			BOP, KOP, KOPV, KVT, MVV, UOP4	5n252.4
	05	F36A, F36B	05		F36A, F36B	05	F36A, F36B	
	06	G15Z, G16A, G16B, G33Z, G38Z	06		G15Z, G16A, G16B, G33Z, G38Z	06	G15Z, G16A, G16B, G33Z, G38Z	
	07	H33Z, H38Z	07		H33Z, H38Z	07	H33Z, H38Z	
	11	L10Z, L33Z, L38Z	11		L10Z, L33Z, L38Z	11	L10Z, L33Z, L38Z	
	12	M37Z, M38Z	12		M37Z, M38Z	12	M37Z, M38Z	
	13	N01A, N01B, N01C, N01D, N01E, N34Z, N38Z	13		N01A, N01B, N01C, N01D, N01E, N34Z, N38Z	13	N01A, N01B, N01C, N01D, N01E, N34Z, N38Z	
	17	R01A, R01B, R01C, R01D, R02Z, R12A, R12B, R12C	17		R01A, R01B, R01C, R01D, R02Z, R12A, R12B, R12C	17	R01A, R01B, R01C, R01D, R02Z, R12A, R12B, R12C	
	21A	W04A, W04B	21A		W04A, W04B	21A	W04A, W04B	
	21B	X06A, X06B, X06C, X33Z	21B		X06A, X06B, X06C, X33Z	21B	X06A, X06B, X06C, X33Z	
	23	Z01A	23		Z01A	23	Z01A	
	Pre	A07A	Pre		A07A	Pre	A07A	
	5n252.03		BOP, KOP, KOPV, KVT, MVV, UOP4		5n252.26		BOP, KOP, KOPV, KVT, MVV, UOP4	
05		F36A, F36B	05	F36A, F36B		05	F36A, F36B	
06		G15Z, G16A, G16B, G33Z, G38Z	06	G15Z, G16A, G16B, G33Z, G38Z		06	G15Z, G16A, G16B, G33Z, G38Z	
07		H33Z, H38Z	07	H33Z, H38Z		07	H33Z, H38Z	
11		L10Z, L33Z, L38Z	11	L10Z, L33Z, L38Z		11	L10Z, L33Z, L38Z	
12		M37Z, M38Z	12	M37Z, M38Z		12	M37Z, M38Z	
13		N01A, N01B, N01C, N01D, N01E, N34Z, N38Z	13	N01A, N01B, N01C, N01D, N01E, N34Z, N38Z		13	N01A, N01B, N01C, N01D, N01E, N34Z, N38Z	
17		R01A, R01B, R01C, R01D, R02Z, R12A, R12B, R12C	17	R01A, R01B, R01C, R01D, R02Z, R12A, R12B, R12C		17	R01A, R01B, R01C, R01D, R02Z, R12A, R12B, R12C	
21A		W04A, W04B	21A	W04A, W04B		21A	W04A, W04B	
21B		X06A, X06B, X06C, X33Z	21B	X06A, X06B, X06C, X33Z		21B	X06A, X06B, X06C, X33Z	
23		Z01A	23	Z01A		23	Z01A	
Pre		A07A	Pre	A07A		Pre	A07A	

ZZV	MDC	DRG	ZZV	MDC	DRG	ZZV	MDC	DRG
5n25x.02		BOP, KOP, KOPV, KVT, MVV, UOP4	5n25x.08		BOP, KOP, KOPV, KVT, MVV, UOP4	5n25x.4		BOP, KOP, KOPV, KVT, MVV, UOP4
	05	F36A, F36B		05	F36A, F36B		05	F36A, F36B
	06	G01Z, G02Z, G15Z, G33Z, G38Z		06	G01Z, G02Z, G15Z, G33Z, G38Z		06	G01Z, G02Z, G15Z, G33Z, G38Z
	07	H33Z, H38Z		07	H33Z, H38Z		07	H33Z, H38Z
	11	L10Z, L33Z, L38Z		11	L10Z, L33Z, L38Z		11	L10Z, L33Z, L38Z
	12	M37Z, M38Z		12	M37Z, M38Z		12	M37Z, M38Z
	13	N01A, N01B, N01C, N01D, N01E, N34Z, N38Z		13	N01A, N01B, N01C, N01D, N01E, N34Z, N38Z		13	N01A, N01B, N01C, N01D, N01E, N34Z, N38Z
	17	R01A, R01B, R01C, R01D, R02Z, R12A, R12B, R12C		17	R01A, R01B, R01C, R01D, R02Z, R12A, R12B, R12C		17	R01A, R01B, R01C, R01D, R02Z, R12A, R12B, R12C
	21A	W04A, W04B		21A	W04A, W04B		21A	W04A, W04B
	21B	X06A, X06B, X06C, X33Z		21B	X06A, X06B, X06C, X33Z		21B	X06A, X06B, X06C, X33Z
	23	Z01A		23	Z01A		23	Z01A
	Pre	A07A		Pre	A07A		Pre	A07A
5n25x.03		BOP, KOP, KOPV, KVT, MVV, UOP4	5n25x.26		BOP, KOP, KOPV, KVT, MVV, UOP4	5n25x.x		BOP, KOP, KOPV, KVT, MVV, UOP4
	05	F36A, F36B		05	F36A, F36B		05	F36A, F36B
	06	G01Z, G02Z, G15Z, G33Z, G38Z		06	G01Z, G02Z, G15Z, G33Z, G38Z		06	G01Z, G02Z, G15Z, G33Z, G38Z
	07	H33Z, H38Z		07	H33Z, H38Z		07	H33Z, H38Z
	11	L10Z, L33Z, L38Z		10	K09A, K09B		11	L10Z, L33Z, L38Z
	12	M37Z, M38Z		11	L10Z, L33Z, L38Z		12	M37Z, M38Z
	13	N01A, N01B, N01C, N01D, N01E, N34Z, N38Z		12	M37Z, M38Z		13	N01A, N01B, N01C, N01D, N01E, N34Z, N38Z
	17	R01A, R01B, R01C, R01D, R02Z, R12A, R12B, R12C		13	N01A, N01B, N01C, N01D, N01E, N34Z, N38Z		17	R01A, R01B, R01C, R01D, R02Z, R12A, R12B, R12C
	21A	W04A, W04B		17	R01A, R01B, R01C, R01D, R02Z, R12A, R12B, R12C		21A	W04A, W04B
	21B	X06A, X06B, X06C, X33Z		21A	W04A, W04B		21B	X06A, X06B, X06C, X33Z
	23	Z01A		21B	X06A, X06B, X06C, X33Z		23	Z01A
	Pre	A07A		23	Z01A		Pre	A07A
5n25x.04		BOP, KOP, KOPV, KVT, MVV, UOP4	5n25x.27		BOP, KOP, KOPV, KVT, MVV, UOP4	5n260.01		BOP, KOP, KOPV, KVT, MVV, UOP4
	05	F36A, F36B		05	F36A, F36B		05	F36A, F36B
	06	G15Z, G16A, G16B, G33Z, G38Z		06	G01Z, G02Z, G15Z, G33Z, G38Z		06	G01Z, G02Z, G15Z, G33Z, G38Z
	07	H33Z, H38Z		07	H33Z, H38Z		07	H33Z, H38Z
	10	K09A, K09B		10	H33Z, H38Z		10	K09A, K09B
	11	L10Z, L33Z, L38Z		11	L10Z, L33Z, L38Z		11	L10Z, L33Z, L38Z
	12	M37Z, M38Z		12	M37Z, M38Z		12	M37Z, M38Z
	13	N01A, N01B, N01C, N01D, N01E, N34Z, N38Z		13	N01A, N01B, N01C, N01D, N01E, N34Z, N38Z		13	N01A, N01B, N01C, N01D, N01E, N34Z, N38Z
	17	R01A, R01B, R01C, R01D, R02Z, R12A, R12B, R12C		17	R01A, R01B, R01C, R01D, R02Z, R12A, R12B, R12C		17	R01A, R01B, R01C, R01D, R02Z, R12A, R12B, R12C
	21A	W04A, W04B		21A	W04A, W04B		21A	W04A, W04B
	21B	X06A, X06B, X06C, X33Z		21B	X06A, X06B, X06C, X33Z		21B	X06A, X06B, X06C, X33Z
	23	Z01A		23	Z01A		23	Z01A
Pre	A07A	Pre	A07A	Pre	A07A			
5n25x.05		BOP, KOP, KOPV, KVT, MVV, UOP4	5n25x.28		BOP, KOP, KOPV, KVT, MVV, UOP4	5n260.02		BOP, KOP, KOPV, KVT, MVV, UOP4
	05	F36A, F36B		05	F36A, F36B		05	F36A, F36B
	06	G15Z, G16A, G16B, G33Z, G38Z		06	G01Z, G02Z, G15Z, G33Z, G38Z		06	G01Z, G02Z, G15Z, G33Z, G38Z
	07	H33Z, H38Z		07	H33Z, H38Z		07	H33Z, H38Z
	11	L10Z, L33Z, L38Z		11	L10Z, L33Z, L38Z		10	K09A, K09B
	12	M37Z, M38Z		12	M37Z, M38Z		11	L10Z, L33Z, L38Z
	13	N01A, N01B, N01C, N01D, N01E, N34Z, N38Z		13	N01A, N01B, N01C, N01D, N01E, N34Z, N38Z		12	M37Z, M38Z
	17	R01A, R01B, R01C, R01D, R02Z, R12A, R12B, R12C		17	R01A, R01B, R01C, R01D, R02Z, R12A, R12B, R12C		13	N01A, N01B, N01C, N01D, N01E, N34Z, N38Z
	21A	W04A, W04B		17	R01A, R01B, R01C, R01D, R02Z, R12A, R12B, R12C		17	R01A, R01B, R01C, R01D, R02Z, R12A, R12B, R12C
	21B	X06A, X06B, X06C, X33Z		21A	W04A, W04B		21A	W04A, W04B
	23	Z01A		21B	X06A, X06B, X06C, X33Z		21B	X06A, X06B, X06C, X33Z
	Pre	A07A		23	Z01A		23	Z01A
		Pre	A07A	Pre	A07A			

VYK

ZZV	MDC	DRG	ZZV	MDC	DRG	ZZV	MDC	DRG
5n260.03		BOP, KOP, KOPV, KVT, MVV, UOP4	5n260.4		BOP, KOP, KOPV, KVT, MVV, UOP4	5n261.03		BOP, KOP, KOPV, KVT, MVV, UOP4
	05	F36A, F36B		05	F36A, F36B		05	F36A, F36B
	06	G01Z, G02Z, G15Z, G33Z, G38Z		06	G01Z, G02Z, G15Z, G33Z, G38Z		06	G01Z, G02Z, G15Z, G33Z, G38Z
	07	H33Z, H38Z		07	H33Z, H38Z		07	H33Z, H38Z
	10	K09A, K09B		10	K09A, K09B		10	K09A, K09B
	11	L10Z, L33Z, L38Z		11	L10Z, L33Z, L38Z		11	L10Z, L33Z, L38Z
	12	M37Z, M38Z		12	M37Z, M38Z		12	M37Z, M38Z
	13	N01A, N01B, N01C, N01D, N01E, N34Z, N38Z		13	N01A, N01B, N01C, N01D, N01E, N34Z, N38Z		13	N01A, N01B, N01C, N01D, N01E, N34Z, N38Z
	17	R01A, R01B, R01C, R01D, R02Z, R12A, R12B, R12C		17	R01A, R01B, R01C, R01D, R02Z, R12A, R12B, R12C		17	R01A, R01B, R01C, R01D, R02Z, R12A, R12B, R12C
	21A	W04A, W04B		21A	W04A, W04B		21A	W04A, W04B
	21B	X06A, X06B, X06C, X33Z		21B	X06A, X06B, X06C, X33Z		21B	X06A, X06B, X06C, X33Z
	23	Z01A		23	Z01A		23	Z01A
	Pre	A07A		Pre	A07A		Pre	A07A
	5n260.04			BOP, KOP, KOPV, KVT, MVV, UOP4	5n260.x			BOP, KOP, KOPV, KVT, MVV, UOP4
05		F36A, F36B	05	F36A, F36B		05	F36A, F36B	
06		G01Z, G02Z, G15Z, G33Z, G38Z	06	G01Z, G02Z, G15Z, G33Z, G38Z		06	G01Z, G02Z, G15Z, G33Z, G38Z	
07		H33Z, H38Z	07	H33Z, H38Z		07	H33Z, H38Z	
10		K09A, K09B	10	K09A, K09B		10	K09A, K09B	
11		L10Z, L33Z, L38Z	11	L10Z, L33Z, L38Z		11	L10Z, L33Z, L38Z	
12		M37Z, M38Z	12	M37Z, M38Z		12	M37Z, M38Z	
13		N01A, N01B, N01C, N01D, N01E, N34Z, N38Z	13	N01A, N01B, N01C, N01D, N01E, N34Z, N38Z		13	N01A, N01B, N01C, N01D, N01E, N34Z, N38Z	
17		R01A, R01B, R01C, R01D, R02Z, R12A, R12B, R12C	17	R01A, R01B, R01C, R01D, R02Z, R12A, R12B, R12C		17	R01A, R01B, R01C, R01D, R02Z, R12A, R12B, R12C	
21A		W04A, W04B	21A	W04A, W04B		21A	W04A, W04B	
21B		X06A, X06B, X06C, X33Z	21B	X06A, X06B, X06C, X33Z		21B	X06A, X06B, X06C, X33Z	
23		Z01A	23	Z01A		23	Z01A	
Pre		A07A	Pre	A07A		Pre	A07A	
5n260.20			BOP, KOP, KOPV, KVT, MVV, UOP4	5n261.01			BOP, KOP, KOPV, KVT, MVV, UOP4	5n261.20
	05	F36A, F36B	05		F36A, F36B	05	F36A, F36B	
	06	G01Z, G02Z, G15Z, G33Z, G38Z	06		G01Z, G02Z, G15Z, G33Z, G38Z	06	G01Z, G02Z, G15Z, G33Z, G38Z	
	07	H33Z, H38Z	07		H33Z, H38Z	07	H33Z, H38Z	
	10	K09A, K09B	10		K09A, K09B	10	K09A, K09B	
	11	L10Z, L33Z, L38Z	11		L10Z, L33Z, L38Z	11	L10Z, L33Z, L38Z	
	12	M37Z, M38Z	12		M37Z, M38Z	12	M37Z, M38Z	
	13	N01A, N01B, N01C, N01D, N01E, N34Z, N38Z	13		N01A, N01B, N01C, N01D, N01E, N34Z, N38Z	13	N01A, N01B, N01C, N01D, N01E, N34Z, N38Z	
	17	R01A, R01B, R01C, R01D, R02Z, R12A, R12B, R12C	17		R01A, R01B, R01C, R01D, R02Z, R12A, R12B, R12C	17	R01A, R01B, R01C, R01D, R02Z, R12A, R12B, R12C	
	21A	W04A, W04B	21A		W04A, W04B	21A	W04A, W04B	
	21B	X06A, X06B, X06C, X33Z	21B		X06A, X06B, X06C, X33Z	21B	X06A, X06B, X06C, X33Z	
	23	Z01A	23		Z01A	23	Z01A	
	Pre	A07A	Pre		A07A	Pre	A07A	
	5n260.21		BOP, KOP, KOPV, KVT, MVV, UOP4		5n261.02		BOP, KOP, KOPV, KVT, MVV, UOP4	
05		F36A, F36B	05	F36A, F36B		05	F36A, F36B	
06		G01Z, G02Z, G15Z, G33Z, G38Z	06	G01Z, G02Z, G15Z, G33Z, G38Z		06	G01Z, G02Z, G15Z, G33Z, G38Z	
07		H33Z, H38Z	07	H33Z, H38Z		07	H33Z, H38Z	
10		K09A, K09B	10	K09A, K09B		10	K09A, K09B	
11		L10Z, L33Z, L38Z	11	L10Z, L33Z, L38Z		11	L10Z, L33Z, L38Z	
12		M37Z, M38Z	12	M37Z, M38Z		12	M37Z, M38Z	
13		N01A, N01B, N01C, N01D, N01E, N34Z, N38Z	13	N01A, N01B, N01C, N01D, N01E, N34Z, N38Z		13	N01A, N01B, N01C, N01D, N01E, N34Z, N38Z	
17		R01A, R01B, R01C, R01D, R02Z, R12A, R12B, R12C	17	R01A, R01B, R01C, R01D, R02Z, R12A, R12B, R12C		17	R01A, R01B, R01C, R01D, R02Z, R12A, R12B, R12C	
21A		W04A, W04B	21A	W04A, W04B		21A	W04A, W04B	
21B		X06A, X06B, X06C, X33Z	21B	X06A, X06B, X06C, X33Z		21B	X06A, X06B, X06C, X33Z	
23		Z01A	23	Z01A		23	Z01A	
Pre		A07A	Pre	A07A		Pre	A07A	

VYK

ZZV	MDC	DRG	ZZV	MDC	DRG	ZZV	MDC	DRG
5n261.4		BOP, KOP, KOPV, KVT, MVV, UOP4	5n262.03		BOP, KOP, KOPV, KVT, MVV, UOP4	5n262.4		BOP, KOP, KOPV, KVT, MVV, UOP4
	05	F36A, F36B		05	F36A, F36B		05	F36A, F36B
	06	G01Z, G02Z, G15Z, G33Z, G38Z		06	G01Z, G02Z, G15Z, G18A, G18B, G33Z, G38Z		06	G01Z, G02Z, G15Z, G18A, G18B, G33Z, G38Z
	07	H33Z, H38Z		07	H33Z, H38Z		07	H33Z, H38Z
	10	K09A, K09B		10	K09A, K09B		10	K09A, K09B
	11	L10Z, L33Z, L38Z		11	L10Z, L33Z, L38Z		11	L10Z, L33Z, L38Z
	12	M37Z, M38Z		12	M37Z, M38Z		12	M37Z, M38Z
	13	N01A, N01B, N01C, N01D, N01E, N34Z, N38Z		13	N01A, N01B, N01C, N01D, N01E, N34Z, N38Z		13	N01A, N01B, N01C, N01D, N01E, N34Z, N38Z
	17	R01A, R01B, R01C, R01D, R02Z, R12A, R12B, R12C		17	R01A, R01B, R01C, R01D, R02Z, R12A, R12B, R12C		17	R01A, R01B, R01C, R01D, R02Z, R12A, R12B, R12C
	21A	W04A, W04B		21A	W04A, W04B		21A	W04A, W04B
	21B	X06A, X06B, X06C, X33Z		21B	X06A, X06B, X06C, X33Z		21B	X06A, X06B, X06C, X33Z
	23	Z01A		23	Z01A		23	Z01A
	Pre	A07A		Pre	A07A		Pre	A07A
	5n261.x			BOP, KOP, KOPV, KVT, MVV, UOP4	5n262.04			BOP, KOP, KOPV, KVT, MVV, UOP4
05		F36A, F36B	05	F36A, F36B		05	F36A, F36B	
06		G01Z, G02Z, G15Z, G33Z, G38Z	06	G01Z, G02Z, G15Z, G18A, G18B, G33Z, G38Z		06	G01Z, G02Z, G15Z, G18A, G18B, G33Z, G38Z	
07		H33Z, H38Z	07	H33Z, H38Z		07	H33Z, H38Z	
10		K09A, K09B	10	K09A, K09B		10	K09A, K09B	
11		L10Z, L33Z, L38Z	11	L10Z, L33Z, L38Z		11	L10Z, L33Z, L38Z	
12		M37Z, M38Z	12	M37Z, M38Z		12	M37Z, M38Z	
13		N01A, N01B, N01C, N01D, N01E, N34Z, N38Z	13	N01A, N01B, N01C, N01D, N01E, N34Z, N38Z		13	N01A, N01B, N01C, N01D, N01E, N34Z, N38Z	
17		R01A, R01B, R01C, R01D, R02Z, R12A, R12B, R12C	17	R01A, R01B, R01C, R01D, R02Z, R12A, R12B, R12C		17	R01A, R01B, R01C, R01D, R02Z, R12A, R12B, R12C	
21A		W04A, W04B	21A	W04A, W04B		21A	W04A, W04B	
21B		X06A, X06B, X06C, X33Z	21B	X06A, X06B, X06C, X33Z		21B	X06A, X06B, X06C, X33Z	
23		Z01A	23	Z01A		23	Z01A	
Pre		A07A	Pre	A07A		Pre	A07A	
5n262.01			BOP, KOP, KOPV, KVT, MVV, UOP4	5n262.20			BOP, KOP, KOPV, KVT, MVV, UOP4	5n263.01
	05	F36A, F36B	05		F36A, F36B	05	F36A, F36B	
	06	G01Z, G02Z, G15Z, G18A, G18B, G33Z, G38Z	06		G01Z, G02Z, G15Z, G18A, G18B, G33Z, G38Z	06	G01Z, G02Z, G15Z, G18A, G18B, G33Z, G38Z	
	07	H33Z, H38Z	07		H33Z, H38Z	07	H33Z, H38Z	
	10	K09A, K09B	10		K09A, K09B	10	K09A, K09B	
	11	L10Z, L33Z, L38Z	11		L10Z, L33Z, L38Z	11	L10Z, L33Z, L38Z	
	12	M37Z, M38Z	12		M37Z, M38Z	12	M37Z, M38Z	
	13	N01A, N01B, N01C, N01D, N01E, N34Z, N38Z	13		N01A, N01B, N01C, N01D, N01E, N34Z, N38Z	13	N01A, N01B, N01C, N01D, N01E, N34Z, N38Z	
	17	R01A, R01B, R01C, R01D, R02Z, R12A, R12B, R12C	17		R01A, R01B, R01C, R01D, R02Z, R12A, R12B, R12C	17	R01A, R01B, R01C, R01D, R02Z, R12A, R12B, R12C	
	21A	W04A, W04B	21A		W04A, W04B	21A	W04A, W04B	
	21B	X06A, X06B, X06C, X33Z	21B		X06A, X06B, X06C, X33Z	21B	X06A, X06B, X06C, X33Z	
	23	Z01A	23		Z01A	23	Z01A	
	Pre	A07A	Pre		A07A	Pre	A07A	
	5n262.02		BOP, KOP, KOPV, KVT, MVV, UOP4		5n262.21		BOP, KOP, KOPV, KVT, MVV, UOP4	
05		F36A, F36B	05	F36A, F36B		05	F36A, F36B	
06		G01Z, G02Z, G15Z, G18A, G18B, G33Z, G38Z	06	G01Z, G02Z, G15Z, G18A, G18B, G33Z, G38Z		06	G01Z, G02Z, G15Z, G18A, G18B, G33Z, G38Z	
07		H33Z, H38Z	07	H33Z, H38Z		07	H33Z, H38Z	
10		K09A, K09B	10	K09A, K09B		10	K09A, K09B	
11		L10Z, L33Z, L38Z	11	L10Z, L33Z, L38Z		11	L10Z, L33Z, L38Z	
12		M37Z, M38Z	12	M37Z, M38Z		12	M37Z, M38Z	
13		N01A, N01B, N01C, N01D, N01E, N34Z, N38Z	13	N01A, N01B, N01C, N01D, N01E, N34Z, N38Z		13	N01A, N01B, N01C, N01D, N01E, N34Z, N38Z	
17		R01A, R01B, R01C, R01D, R02Z, R12A, R12B, R12C	17	R01A, R01B, R01C, R01D, R02Z, R12A, R12B, R12C		17	R01A, R01B, R01C, R01D, R02Z, R12A, R12B, R12C	
21A		W04A, W04B	21A	W04A, W04B		21A	W04A, W04B	
21B		X06A, X06B, X06C, X33Z	21B	X06A, X06B, X06C, X33Z		21B	X06A, X06B, X06C, X33Z	
23		Z01A	23	Z01A		23	Z01A	
Pre		A07A	Pre	A07A		Pre	A07A	



ZZV	MDC	DRG	ZZV	MDC	DRG	ZZV	MDC	DRG
5n263.03		BOP, KOP, KOPV, KVT, MVV, UOP4	5n263.4		BOP, KOP, KOPV, KVT, MVV, UOP4	5n264.03		BOP, KOP, KOPV, KVT, MVV, UOP4
	05	F36A, F36B		05	F36A, F36B		05	F36A, F36B
	06	G01Z, G02Z, G15Z, G18A, G18B, G33Z, G38Z		06	G01Z, G02Z, G15Z, G18A, G18B, G33Z, G38Z		06	G15Z, G16A, G16B, G33Z, G38Z
	07	H33Z, H38Z		07	H33Z, H38Z		07	H33Z, H38Z
	10	K09A, K09B		10	K09A, K09B		10	K09A, K09B
	11	L10Z, L33Z, L38Z		11	L10Z, L33Z, L38Z		11	L10Z, L33Z, L38Z
	12	M37Z, M38Z		12	M37Z, M38Z		12	M37Z, M38Z
	13	N01A, N01B, N01C, N01D, N01E, N34Z, N38Z		13	N01A, N01B, N01C, N01D, N01E, N34Z, N38Z		13	N01A, N01B, N01C, N01D, N01E, N34Z, N38Z
	17	R01A, R01B, R01C, R01D, R02Z, R12A, R12B, R12C		17	R01A, R01B, R01C, R01D, R02Z, R12A, R12B, R12C		17	R01A, R01B, R01C, R01D, R02Z, R12A, R12B, R12C
	21A	W04A, W04B		21A	W04A, W04B		21A	W04A, W04B
	21B	X06A, X06B, X06C, X33Z		21B	X06A, X06B, X06C, X33Z		21B	X06A, X06B, X06C, X33Z
	23	Z01A		23	Z01A		23	Z01A
	Pre	A07A		Pre	A07A		Pre	A07A
	5n263.04			BOP, KOP, KOPV, KVT, MVV, UOP4	5n263.x			BOP, KOP, KOPV, KVT, MVV, UOP4
05		F36A, F36B	05	F36A, F36B		05	F36A, F36B	
06		G01Z, G02Z, G15Z, G18A, G18B, G33Z, G38Z	06	G01Z, G02Z, G15Z, G18A, G18B, G33Z, G38Z		06	G15Z, G16A, G16B, G33Z, G38Z	
07		H33Z, H38Z	07	H33Z, H38Z		07	H33Z, H38Z	
10		K09A, K09B	10	K09A, K09B		10	K09A, K09B	
11		L10Z, L33Z, L38Z	11	L10Z, L33Z, L38Z		11	L10Z, L33Z, L38Z	
12		M37Z, M38Z	12	M37Z, M38Z		12	M37Z, M38Z	
13		N01A, N01B, N01C, N01D, N01E, N34Z, N38Z	13	N01A, N01B, N01C, N01D, N01E, N34Z, N38Z		13	N01A, N01B, N01C, N01D, N01E, N34Z, N38Z	
17		R01A, R01B, R01C, R01D, R02Z, R12A, R12B, R12C	17	R01A, R01B, R01C, R01D, R02Z, R12A, R12B, R12C		17	R01A, R01B, R01C, R01D, R02Z, R12A, R12B, R12C	
21A		W04A, W04B	21A	W04A, W04B		21A	W04A, W04B	
21B		X06A, X06B, X06C, X33Z	21B	X06A, X06B, X06C, X33Z		21B	X06A, X06B, X06C, X33Z	
23		Z01A	23	Z01A		23	Z01A	
Pre		A07A	Pre	A07A		Pre	A07A	
5n263.20			BOP, KOP, KOPV, KVT, MVV, UOP4	5n264.01			BOP, KOP, KOPV, KVT, MVV, UOP4	5n264.20
	05	F36A, F36B	05		F36A, F36B	05	F36A, F36B	
	06	G01Z, G02Z, G15Z, G18A, G18B, G33Z, G38Z	06		G15Z, G16A, G16B, G33Z, G38Z	06	G15Z, G16A, G16B, G33Z, G38Z	
	07	H33Z, H38Z	07		H33Z, H38Z	07	H33Z, H38Z	
	10	K09A, K09B	10		K09A, K09B	10	K09A, K09B	
	11	L10Z, L33Z, L38Z	11		L10Z, L33Z, L38Z	11	L10Z, L33Z, L38Z	
	12	M37Z, M38Z	12		M37Z, M38Z	12	M37Z, M38Z	
	13	N01A, N01B, N01C, N01D, N01E, N34Z, N38Z	13		N01A, N01B, N01C, N01D, N01E, N34Z, N38Z	13	N01A, N01B, N01C, N01D, N01E, N34Z, N38Z	
	17	R01A, R01B, R01C, R01D, R02Z, R12A, R12B, R12C	17		R01A, R01B, R01C, R01D, R02Z, R12A, R12B, R12C	17	R01A, R01B, R01C, R01D, R02Z, R12A, R12B, R12C	
	21A	W04A, W04B	21A		W04A, W04B	21A	W04A, W04B	
	21B	X06A, X06B, X06C, X33Z	21B		X06A, X06B, X06C, X33Z	21B	X06A, X06B, X06C, X33Z	
	23	Z01A	23		Z01A	23	Z01A	
	Pre	A07A	Pre		A07A	Pre	A07A	
	5n263.21		BOP, KOP, KOPV, KVT, MVV, UOP4		5n264.02		BOP, KOP, KOPV, KVT, MVV, UOP4	
05		F36A, F36B	05	F36A, F36B		05	F36A, F36B	
06		G01Z, G02Z, G15Z, G18A, G18B, G33Z, G38Z	06	G15Z, G16A, G16B, G33Z, G38Z		06	G15Z, G16A, G16B, G33Z, G38Z	
07		H33Z, H38Z	07	H33Z, H38Z		07	H33Z, H38Z	
10		K09A, K09B	10	K09A, K09B		10	K09A, K09B	
11		L10Z, L33Z, L38Z	11	L10Z, L33Z, L38Z		11	L10Z, L33Z, L38Z	
12		M37Z, M38Z	12	M37Z, M38Z		12	M37Z, M38Z	
13		N01A, N01B, N01C, N01D, N01E, N34Z, N38Z	13	N01A, N01B, N01C, N01D, N01E, N34Z, N38Z		13	N01A, N01B, N01C, N01D, N01E, N34Z, N38Z	
17		R01A, R01B, R01C, R01D, R02Z, R12A, R12B, R12C	17	R01A, R01B, R01C, R01D, R02Z, R12A, R12B, R12C		17	R01A, R01B, R01C, R01D, R02Z, R12A, R12B, R12C	
21A		W04A, W04B	21A	W04A, W04B		21A	W04A, W04B	
21B		X06A, X06B, X06C, X33Z	21B	X06A, X06B, X06C, X33Z		21B	X06A, X06B, X06C, X33Z	
23		Z01A	23	Z01A		23	Z01A	
Pre		A07A	Pre	A07A		Pre	A07A	

VYK

ZZV	MDC	DRG	ZZV	MDC	DRG	ZZV	MDC	DRG
5n264.4		BOP, KOP, KOPV, KVT, MVV, UOP4	5n265.03		BOP, KOP, KOPV, KVT, MVV, UOP4	5n265.4		BOP, KOP, KOPV, KVT, MVV, UOP4
	05	F36A, F36B		05	F36A, F36B		05	F36A, F36B
	06	G15Z, G16A, G16B, G33Z, G38Z		06	G01Z, G02Z, G15Z, G18A, G18B, G33Z, G38Z		06	G01Z, G02Z, G15Z, G18A, G18B, G33Z, G38Z
	07	H33Z, H38Z		07	H33Z, H38Z		07	H33Z, H38Z
	10	K09A, K09B		10	K09A, K09B		10	K09A, K09B
	11	L10Z, L33Z, L38Z		11	L10Z, L33Z, L38Z		11	L10Z, L33Z, L38Z
	12	M37Z, M38Z		12	M37Z, M38Z		12	M37Z, M38Z
	13	N01A, N01B, N01C, N01D, N01E, N34Z, N38Z		13	N01A, N01B, N01C, N01D, N01E, N34Z, N38Z		13	N01A, N01B, N01C, N01D, N01E, N34Z, N38Z
	17	R01A, R01B, R01C, R01D, R02Z, R12A, R12B, R12C		17	R01A, R01B, R01C, R01D, R02Z, R12A, R12B, R12C		17	R01A, R01B, R01C, R01D, R02Z, R12A, R12B, R12C
	21A	W04A, W04B		21A	W04A, W04B		21A	W04A, W04B
	21B	X06A, X06B, X06C, X33Z		21B	X06A, X06B, X06C, X33Z		21B	X06A, X06B, X06C, X33Z
	23	Z01A		23	Z01A		23	Z01A
	Pre	A07A		Pre	A07A		Pre	A07A
	5n264.x			BOP, KOP, KOPV, KVT, MVV, UOP4	5n265.04			BOP, KOP, KOPV, KVT, MVV, UOP4
05		F36A, F36B	05	F36A, F36B		05	F36A, F36B	
06		G15Z, G16A, G16B, G33Z, G38Z	06	G01Z, G02Z, G15Z, G18A, G18B, G33Z, G38Z		06	G01Z, G02Z, G15Z, G18A, G18B, G33Z, G38Z	
07		H33Z, H38Z	07	H33Z, H38Z		07	H33Z, H38Z	
10		K09A, K09B	10	K09A, K09B		10	K09A, K09B	
11		L10Z, L33Z, L38Z	11	L10Z, L33Z, L38Z		11	L10Z, L33Z, L38Z	
12		M37Z, M38Z	12	M37Z, M38Z		12	M37Z, M38Z	
13		N01A, N01B, N01C, N01D, N01E, N34Z, N38Z	13	N01A, N01B, N01C, N01D, N01E, N34Z, N38Z		13	N01A, N01B, N01C, N01D, N01E, N34Z, N38Z	
17		R01A, R01B, R01C, R01D, R02Z, R12A, R12B, R12C	17	R01A, R01B, R01C, R01D, R02Z, R12A, R12B, R12C		17	R01A, R01B, R01C, R01D, R02Z, R12A, R12B, R12C	
21A		W04A, W04B	21A	W04A, W04B		21A	W04A, W04B	
21B		X06A, X06B, X06C, X33Z	21B	X06A, X06B, X06C, X33Z		21B	X06A, X06B, X06C, X33Z	
23		Z01A	23	Z01A		23	Z01A	
Pre		A07A	Pre	A07A		Pre	A07A	
5n265.01			BOP, KOP, KOPV, KVT, MVV, UOP4	5n265.20			BOP, KOP, KOPV, KVT, MVV, UOP4	5n26x.x
	05	F36A, F36B	05		F36A, F36B	05	F36A, F36B	
	06	G01Z, G02Z, G15Z, G18A, G18B, G33Z, G38Z	06		G01Z, G02Z, G15Z, G18A, G18B, G33Z, G38Z	06	G01Z, G02Z, G15Z, G18A, G18B, G33Z, G38Z	
	07	H33Z, H38Z	07		H33Z, H38Z	07	H33Z, H38Z	
	10	K09A, K09B	10		K09A, K09B	10	K09A, K09B	
	11	L10Z, L33Z, L38Z	11		L10Z, L33Z, L38Z	11	L10Z, L33Z, L38Z	
	12	M37Z, M38Z	12		M37Z, M38Z	12	M37Z, M38Z	
	13	N01A, N01B, N01C, N01D, N01E, N34Z, N38Z	13		N01A, N01B, N01C, N01D, N01E, N34Z, N38Z	13	N01A, N01B, N01C, N01D, N01E, N34Z, N38Z	
	17	R01A, R01B, R01C, R01D, R02Z, R12A, R12B, R12C	17		R01A, R01B, R01C, R01D, R02Z, R12A, R12B, R12C	17	R01A, R01B, R01C, R01D, R02Z, R12A, R12B, R12C	
	21A	W04A, W04B	21A		W04A, W04B	21A	W04A, W04B	
	21B	X06A, X06B, X06C, X33Z	21B		X06A, X06B, X06C, X33Z	21B	X06A, X06B, X06C, X33Z	
	23	Z01A	23		Z01A	23	Z01A	
	Pre	A07A	Pre		A07A	Pre	A07A	
	5n265.02		BOP, KOP, KOPV, KVT, MVV, UOP4		5n265.21		BOP, KOP, KOPV, KVT, MVV, UOP4	
05		F36A, F36B	05	F36A, F36B		05	F36A, F36B	
06		G01Z, G02Z, G15Z, G18A, G18B, G33Z, G38Z	06	G01Z, G02Z, G15Z, G18A, G18B, G33Z, G38Z		06	G01Z, G02Z, G15Z, G18A, G18B, G33Z, G38Z	
07		H33Z, H38Z	07	H33Z, H38Z		07	H33Z, H38Z	
10		K09A, K09B	10	K09A, K09B		11	L33Z	
11		L10Z, L33Z, L38Z	11	L10Z, L33Z, L38Z		21B	X33Z	
12		M37Z, M38Z	12	M37Z, M38Z		23	Z01A	
13		N01A, N01B, N01C, N01D, N01E, N34Z, N38Z	13	N01A, N01B, N01C, N01D, N01E, N34Z, N38Z		Pre	A07A	
17		R01A, R01B, R01C, R01D, R02Z, R12A, R12B, R12C	17	R01A, R01B, R01C, R01D, R02Z, R12A, R12B, R12C				
21A		W04A, W04B	21A	W04A, W04B				
21B		X06A, X06B, X06C, X33Z	21B	X06A, X06B, X06C, X33Z				
23		Z01A	23	Z01A				
Pre		A07A	Pre	A07A				

VYK

ZZV	MDC	DRG	ZZV	MDC	DRG	ZZV	MDC	DRG			
5n291		BOP, KOP, KOPV, KVT, UOP4	5n301.0		BOP, KVT, UOP4	5n303.0		BOP, KVT, UOP4			
	05	F36A, F36B		06	G01Z, G02Z, G15Z, G18A, G18B, G38Z		06	G01Z, G02Z, G15Z, G18A, G18B, G38Z			
	06	G01Z, G02Z, G15Z, G18A, G18B, G33Z, G38Z		11	L09A, L10Z, L38Z		11	L09A, L10Z, L38Z			
	07	H33Z, H38Z		12	M37Z, M38Z		12	M37Z, M38Z			
	11	L33Z		13	N11A		13	N11A			
	21B	X33Z		17	R01A, R01B, R01C, R01D, R02Z, R12A, R12B, R12C		17	R01A, R01B, R01C, R01D, R02Z, R12A, R12B, R12C			
	23	Z01A		21A	W04A, W04B		21A	W04A, W04B			
	Pre	A07A		21B	X06A, X06B, X06C		21B	X06A, X06B, X06C			
	5n292			BOP, KOP, KOPV, KVT, UOP4	5n301.2			BOP, KVT, UOP4	5n303.2		BOP, KVT, UOP4
		05		F36A, F36B			06	G01Z, G02Z, G15Z, G18A, G18B, G38Z		06	G01Z, G02Z, G15Z, G18A, G18B, G38Z
06		G01Z, G02Z, G15Z, G18A, G18B, G33Z, G38Z	11	L09A, L10Z, L38Z		11	L09A, L10Z, L38Z				
07		H33Z, H38Z	12	M37Z, M38Z		12	M37Z, M38Z				
11		L33Z	13	N11A		13	N11A				
21B		X33Z	17	R01A, R01B, R01C, R01D, R02Z, R12A, R12B, R12C		17	R01A, R01B, R01C, R01D, R02Z, R12A, R12B, R12C				
23		Z01A	21A	W04A, W04B		21A	W04A, W04B				
Pre		A07A	21B	X06A, X06B, X06C		21B	X06A, X06B, X06C				
5n29x			BOP, KOP, KOPV, KVT, UOP4	5n301.4			BOP, KVT, UOP4	5n303.4			BOP, KVT, UOP4
		05	F36A, F36B			06	G01Z, G02Z, G15Z, G18A, G18B, G33Z, G38Z			06	G01Z, G02Z, G15Z, G18A, G18B, G38Z
	06	G01Z, G02Z, G15Z, G18A, G18B, G33Z, G38Z	11		L09A, L10Z, L38Z	11	L09A, L10Z, L38Z				
	07	H33Z, H38Z	12		M37Z, M38Z	12	M37Z, M38Z				
	11	L33Z	13		N11A	13	N11A				
	21B	X33Z	17		R01A, R01B, R01C, R01D, R02Z, R12A, R12B, R12C	17	R01A, R01B, R01C, R01D, R02Z, R12A, R12B, R12C				
	23	Z01A	21A		W04A, W04B	21A	W04A, W04B				
	Pre	A07A	21B		X06A, X06B, X06C	21B	X06A, X06B, X06C				
	5n300.0		BOP, KVT, UOP4		5n302.0		BOP, KVT, UOP4		5n304.0		BOP, KVT, UOP4
		06	G01Z, G02Z, G15Z, G18A, G18B, G38Z			06	G01Z, G02Z, G15Z, G18A, G18B, G38Z			06	G01Z, G02Z, G15Z, G18A, G18B, G38Z
11		L09A, L10Z, L38Z	11	L09A, L10Z, L38Z		11	L09A, L10Z, L38Z				
12		M37Z, M38Z	12	M37Z, M38Z		12	M37Z, M38Z				
13		N11A	13	N11A		13	N11A				
17		R01A, R01B, R01C, R01D, R02Z, R12A, R12B, R12C	17	R01A, R01B, R01C, R01D, R02Z, R12A, R12B, R12C		17	R01A, R01B, R01C, R01D, R02Z, R12A, R12B, R12C				
21A		W04A, W04B	21A	W04A, W04B		21A	W04A, W04B				
21B		X06A, X06B, X06C	21B	X06A, X06B, X06C		21B	X06A, X06B, X06C				
Pre		A11A, A13A, A13B, A13D	Pre	A11A, A13A, A13B, A13D		Pre	A11A, A13A, A13B, A13D				
5n300.2			BOP, KVT, UOP4	5n302.2			BOP, KVT, UOP4	5n304.2			BOP, KVT, UOP4
	06	G01Z, G02Z, G15Z, G18A, G18B, G38Z	06		G01Z, G02Z, G15Z, G18A, G18B, G38Z	06	G01Z, G02Z, G15Z, G18A, G18B, G38Z				
	11	L09A, L10Z, L38Z	11		L09A, L10Z, L38Z	11	L09A, L10Z, L38Z				
	12	M37Z, M38Z	12		M37Z, M38Z	12	M37Z, M38Z				
	13	N11A	13		N11A	13	N11A				
	17	R01A, R01B, R01C, R01D, R02Z, R12A, R12B, R12C	17		R01A, R01B, R01C, R01D, R02Z, R12A, R12B, R12C	17	R01A, R01B, R01C, R01D, R02Z, R12A, R12B, R12C				
	21A	W04A, W04B	21A		W04A, W04B	21A	W04A, W04B				
	21B	X06A, X06B, X06C	21B		X06A, X06B, X06C	21B	X06A, X06B, X06C				
	Pre	A11A, A13A, A13B, A13D	Pre		A11A, A13A, A13B, A13D	Pre	A11A, A13A, A13B, A13D				
	5n300.4		BOP, KVT, UOP4		5n302.4		BOP, KVT, UOP4		5n304.4		BOP, KVT, UOP4
06		G01Z, G02Z, G15Z, G18A, G18B, G38Z	06	G01Z, G02Z, G15Z, G18A, G18B, G38Z		06	G01Z, G02Z, G15Z, G18A, G18B, G38Z				
11		L09A, L10Z, L38Z	11	L09A, L10Z, L38Z		11	L09A, L10Z, L38Z				
12		M37Z, M38Z	12	M37Z, M38Z		12	M37Z, M38Z				
13		N11A	13	N11A		13	N11A				
17		R01A, R01B, R01C, R01D, R02Z, R12A, R12B, R12C	17	R01A, R01B, R01C, R01D, R02Z, R12A, R12B, R12C		17	R01A, R01B, R01C, R01D, R02Z, R12A, R12B, R12C				
21A		W04A, W04B	21A	W04A, W04B		21A	W04A, W04B				
21B		X06A, X06B, X06C	21B	X06A, X06B, X06C		21B	X06A, X06B, X06C				
Pre		A11A, A13A, A13B, A13D	Pre	A11A, A13A, A13B, A13D		Pre	A11A, A13A, A13B, A13D				



ZZV	MDC	DRG	ZZV	MDC	DRG	ZZV	MDC	DRG
5n313.2		BOP, KOP, KOPV, KVT, UOP4	5n315.0		BOP, KOP, KOPV, KVT, UOP4	5n31x.4		BOP, KOP, KOPV, KVT, UOP4
	06	G01Z, G02Z, G15Z, G38Z		06	G01Z, G02Z, G15Z, G38Z		06	G01Z, G02Z, G15Z, G38Z
	07	H33Z, H38Z		07	H33Z, H38Z		07	H33Z, H38Z
	11	L10Z, L33Z, L38Z		11	L10Z, L33Z, L38Z		11	L10Z, L33Z, L38Z
	12	M37Z, M38Z		12	M37Z, M38Z		12	M37Z, M38Z
	13	N11A		13	N11A		13	N11A
	17	R01A, R01B, R01C, R01D, R02Z, R12A, R12B, R12C		17	R01A, R01B, R01C, R01D, R02Z, R12A, R12B, R12C		17	R01A, R01B, R01C, R01D, R02Z, R12A, R12B, R12C
	21A	W04A, W04B		21A	W04A, W04B		21A	W04A, W04B
	21B	X06A, X06B, X06C, X33Z		21B	X06A, X06B, X06C, X33Z		21B	X06A, X06B, X06C, X33Z
	Pre	A07A, A11A, A13A, A13B, A13D		Pre	A07A, A11A, A13A, A13B, A13D		Pre	A07A, A11A, A13A, A13B, A13D
5n313.4		BOP, KOP, KOPV, KVT, UOP4	5n315.2		BOP, KOP, KOPV, KVT, UOP4	5n320.0		BOP, KVT, UOP4
	06	G01Z, G02Z, G15Z, G38Z		06	G01Z, G02Z, G15Z, G38Z		06	G15Z, G18A, G18B, G38Z
	07	H33Z, H38Z		07	H33Z, H38Z		13	N11A
	11	L10Z, L33Z, L38Z		11	L10Z, L33Z, L38Z		17	R01A, R01B, R01C, R01D, R02Z, R12A, R12B, R12C
	12	M37Z, M38Z		12	M37Z, M38Z		21A	W04A, W04B
	13	N11A		13	N11A		21B	X06A, X06B, X06C
	17	R01A, R01B, R01C, R01D, R02Z, R12A, R12B, R12C		17	R01A, R01B, R01C, R01D, R02Z, R12A, R12B, R12C		5n320.2	BOP, KVT, UOP4
	21A	W04A, W04B		21A	W04A, W04B		06	G15Z, G18A, G18B, G38Z
	21B	X06A, X06B, X06C, X33Z		21B	X06A, X06B, X06C, X33Z		13	N11A
	Pre	A07A, A11A, A13A, A13B, A13D		Pre	A07A, A11A, A13A, A13B, A13D		17	R01A, R01B, R01C, R01D, R02Z, R12A, R12B, R12C
5n314.0		BOP, KOP, KOPV, KVT, UOP4	5n315.4		BOP, KOP, KOPV, KVT, UOP4	5n320.4		BOP, KVT, UOP4
	06	G01Z, G02Z, G15Z, G38Z		06	G01Z, G02Z, G15Z, G38Z		06	G15Z, G18A, G18B, G38Z
	07	H33Z, H38Z		07	H33Z, H38Z		13	N11A
	11	L10Z, L33Z, L38Z		11	L10Z, L33Z, L38Z		17	R01A, R01B, R01C, R01D, R02Z, R12A, R12B, R12C
	12	M37Z, M38Z		12	M37Z, M38Z		21A	W04A, W04B
	13	N11A		13	N11A		21B	X06A, X06B, X06C
	17	R01A, R01B, R01C, R01D, R02Z, R12A, R12B, R12C		17	R01A, R01B, R01C, R01D, R02Z, R12A, R12B, R12C		5n321.0	BOP, KVT, UOP4
	21A	W04A, W04B		21A	W04A, W04B		06	G15Z, G18A, G18B, G38Z
	21B	X06A, X06B, X06C, X33Z		21B	X06A, X06B, X06C, X33Z		13	N11A
	Pre	A07A, A11A, A13A, A13B, A13D		Pre	A07A, A11A, A13A, A13B, A13D		17	R01A, R01B, R01C, R01D, R02Z, R12A, R12B, R12C
5n314.2		BOP, KOP, KOPV, KVT, UOP4	5n31x.0		BOP, KOP, KOPV, KVT, UOP4	5n321.2		BOP, KVT, UOP4
	06	G01Z, G02Z, G15Z, G38Z		06	G01Z, G02Z, G15Z, G38Z		06	G15Z, G18A, G18B, G38Z
	07	H33Z, H38Z		07	H33Z, H38Z		13	N11A
	11	L10Z, L33Z, L38Z		11	L10Z, L33Z, L38Z		17	R01A, R01B, R01C, R01D, R02Z, R12A, R12B, R12C
	12	M37Z, M38Z		12	M37Z, M38Z		21A	W04A, W04B
	13	N11A		13	N11A		21B	X06A, X06B, X06C
	17	R01A, R01B, R01C, R01D, R02Z, R12A, R12B, R12C		17	R01A, R01B, R01C, R01D, R02Z, R12A, R12B, R12C		5n321.4	BOP, KVT, UOP4
	21A	W04A, W04B		21A	W04A, W04B		06	G15Z, G18A, G18B, G38Z
	21B	X06A, X06B, X06C, X33Z		21B	X06A, X06B, X06C, X33Z		13	N11A
	Pre	A07A, A11A, A13A, A13B, A13D		Pre	A07A, A11A, A13A, A13B, A13D		17	R01A, R01B, R01C, R01D, R02Z, R12A, R12B, R12C
5n314.4		BOP, KOP, KOPV, KVT, UOP4	5n31x.2		BOP, KOP, KOPV, KVT, UOP4	5n322.1		BOP, KVT, UOP4
	06	G01Z, G02Z, G15Z, G38Z		06	G01Z, G02Z, G15Z, G38Z		06	G01Z, G02Z, G15Z, G18A, G18B, G38Z
	07	H33Z, H38Z		07	H33Z, H38Z		13	N11A
	11	L10Z, L33Z, L38Z		11	L10Z, L33Z, L38Z		17	R01A, R01B, R01C, R01D, R02Z, R12A, R12B, R12C
	12	M37Z, M38Z		12	M37Z, M38Z		21A	W04A, W04B
	13	N11A		13	N11A		21B	X06A, X06B, X06C
	17	R01A, R01B, R01C, R01D, R02Z, R12A, R12B, R12C		17	R01A, R01B, R01C, R01D, R02Z, R12A, R12B, R12C		Pre	A11A, A13A, A13B, A13D
	21A	W04A, W04B		21A	W04A, W04B			
	21B	X06A, X06B, X06C, X33Z		21B	X06A, X06B, X06C, X33Z			
	Pre	A07A, A11A, A13A, A13B, A13D		Pre	A07A, A11A, A13A, A13B, A13D			

ZZV	MDC	DRG	ZZV	MDC	DRG	ZZV	MDC	DRG	
5n322.2		BOP, KVT, UOP4	5n330.1		BOP, KVT, UOP4	5n332.2		BOP, KVT, UOP4	
	06	G01Z, G02Z, G15Z, G18A, G18B, G38Z		06	G13Z, G21A, G21B		05	F13A	
	13	N11A		17	R01A, R01B, R01C, R01D, R02Z, R12A, R12B, R12C		06	G01Z, G02Z, G13Z, G21A, G21B, G38Z	
	17	R01A, R01B, R01C, R01D, R02Z, R12A, R12B, R12C		21A	W04A, W04B		11	L09A, L38Z	
	21A	W04A, W04B		21B	X06A, X06B, X06C		13	N11A	
	21B	X06A, X06B, X06C			BOP, KVT, UOP4		17	R01A, R01B, R01C, R01D, R02Z, R12A, R12B, R12C	
5n322.3	Pre	A11A, A13A, A13B, A13D	5n330.2	06	G13Z, G21A, G21B	5n332.3	21A	W04A, W04B	
		BOP, KVT, UOP4		17	R01A, R01B, R01C, R01D, R02Z, R12A, R12B, R12C		21B	X06A, X06B, X06C	
	06	G01Z, G02Z, G15Z, G18A, G18B, G38Z		21A	W04A, W04B		Pre	A11A, A13A, A13B, A13D	
	13	N11A		21B	X06A, X06B, X06C			BOP, KVT, UOP4	
	17	R01A, R01B, R01C, R01D, R02Z, R12A, R12B, R12C			BOP, KVT, UOP4		05	F13A	
	21A	W04A, W04B		5n330.3	06		G13Z, G21A, G21B	06	G01Z, G02Z, G13Z, G21A, G21B, G38Z
21B	X06A, X06B, X06C	21A	W04A, W04B		11	L09A, L38Z			
Pre	A11A, A13A, A13B, A13D	21B	X06A, X06B, X06C		13	N11A			
5n322.4		BOP, KVT, UOP4	5n330.x		06	G13Z, G21A, G21B	5n332.x	21A	W04A, W04B
	06	G01Z, G02Z, G15Z, G18A, G18B, G38Z			21A	W04A, W04B		21B	X06A, X06B, X06C
	13	N11A			21B	X06A, X06B, X06C		Pre	A11A, A13A, A13B, A13D
	17	R01A, R01B, R01C, R01D, R02Z, R12A, R12B, R12C			BOP, KVT, UOP4			BOP, KVT, UOP4	
	21A	W04A, W04B		5n331.0	06	G13Z, G21A, G21B		05	F13A
	21B	X06A, X06B, X06C			17	R01A, R01B, R01C, R01D, R02Z, R12A, R12B, R12C		06	G01Z, G02Z, G13Z, G21A, G21B, G38Z
Pre	A11A, A13A, A13B, A13D	21A	W04A, W04B		13	N11A			
5n322.5		BOP, KVT, UOP4	5n331.1		21B	X06A, X06B, X06C	21A	W04A, W04B	
	06	G01Z, G02Z, G15Z, G18A, G18B, G38Z				BOP, KVT, UOP4	21B	X06A, X06B, X06C	
	13	N11A			06	G13Z, G21A, G21B	Pre	A11A, A13A, A13B, A13D	
	17	R01A, R01B, R01C, R01D, R02Z, R12A, R12B, R12C		17	R01A, R01B, R01C, R01D, R02Z, R12A, R12B, R12C		BOP, KVT, UOP4		
	21A	W04A, W04B		5n331.2	21A	W04A, W04B	06	G01Z, G02Z, G13Z, G21A, G21B, G38Z	
	21B	X06A, X06B, X06C			21B	X06A, X06B, X06C	17	R01A, R01B, R01C, R01D, R02Z, R12A, R12B, R12C	
Pre	A11A, A13A, A13B, A13D	06	G13Z, G21A, G21B		21A	W04A, W04B			
5n322.6		BOP, KVT, UOP4	5n331.3		17	R01A, R01B, R01C, R01D, R02Z, R12A, R12B, R12C	21B	X06A, X06B, X06C	
	06	G01Z, G02Z, G15Z, G18A, G18B, G38Z			21A	W04A, W04B	Pre	A11A, A13A, A13B, A13D	
	13	N11A			21B	X06A, X06B, X06C		BOP, KVT, UOP4	
	17	R01A, R01B, R01C, R01D, R02Z, R12A, R12B, R12C			BOP, KVT, UOP4	06	G01Z, G02Z, G13Z, G21A, G21B, G38Z		
	21A	W04A, W04B		5n331.x	06	G13Z, G21A, G21B	17	R01A, R01B, R01C, R01D, R02Z, R12A, R12B, R12C	
	21B	X06A, X06B, X06C			21A	W04A, W04B	21A	W04A, W04B	
Pre	A11A, A13A, A13B, A13D	21B	X06A, X06B, X06C		21B	X06A, X06B, X06C			
5n322.7		BOP, KVT, UOP4	5n332.0		06	G13Z, G21A, G21B	5n333.1	Pre	A11A, A13A, A13B, A13D
	06	G01Z, G02Z, G15Z, G18A, G18B, G38Z			21A	W04A, W04B		06	G01Z, G02Z, G13Z, G21A, G21B, G38Z
	13	N11A				BOP, KVT, UOP4		17	R01A, R01B, R01C, R01D, R02Z, R12A, R12B, R12C
	17	R01A, R01B, R01C, R01D, R02Z, R12A, R12B, R12C		5n332.1	06	G01Z, G21A, G21B		21A	W04A, W04B
	21A	W04A, W04B			05	F13A		21B	X06A, X06B, X06C
	21B	X06A, X06B, X06C			06	G01Z, G02Z, G13Z, G21A, G21B, G38Z		Pre	A11A, A13A, A13B, A13D
Pre	A11A, A13A, A13B, A13D	11	L09A, L38Z			BOP, KVT, UOP4			
5n322.x		BOP, KVT, UOP4	5n333.0		13	N11A	5n333.2	06	G01Z, G02Z, G13Z, G21A, G21B, G38Z
	06	G01Z, G02Z, G15Z, G18A, G18B, G38Z			17	R01A, R01B, R01C, R01D, R02Z, R12A, R12B, R12C		17	R01A, R01B, R01C, R01D, R02Z, R12A, R12B, R12C
	13	N11A		21A	W04A, W04B	21A		W04A, W04B	
	17	R01A, R01B, R01C, R01D, R02Z, R12A, R12B, R12C		21B	X06A, X06B, X06C	21B		X06A, X06B, X06C	
	21A	W04A, W04B			BOP, KVT, UOP4	Pre		A11A, A13A, A13B, A13D	
	21B	X06A, X06B, X06C		5n333.1	06	G13Z, G21A, G21B		Pre	BOP, KVT, UOP4
Pre	A11A, A13A, A13B, A13D	21A	W04A, W04B		06	G01Z, G02Z, G13Z, G21A, G21B, G38Z			
5n330.0		BOP, KVT, UOP4	5n333.2		21B	X06A, X06B, X06C	5n333.3	17	R01A, R01B, R01C, R01D, R02Z, R12A, R12B, R12C
	06	G13Z, G21A, G21B			06	G13Z, G21A, G21B		21A	W04A, W04B
	17	R01A, R01B, R01C, R01D, R02Z, R12A, R12B, R12C			17	R01A, R01B, R01C, R01D, R02Z, R12A, R12B, R12C		21B	X06A, X06B, X06C
	21A	W04A, W04B			21A	W04A, W04B		Pre	A11A, A13A, A13B, A13D
	21B	X06A, X06B, X06C		21B	X06A, X06B, X06C			BOP, KVT, UOP4	
	Pre	A11A, A13A, A13B, A13D		5n333.x	Pre	A11A, A13A, A13B, A13D		06	G01Z, G02Z, G13Z, G21A, G21B, G38Z
	BOP, KVT, UOP4	05	F13A		5n333.3	17	R01A, R01B, R01C, R01D, R02Z, R12A, R12B, R12C		
06	G13Z, G21A, G21B	06	G01Z, G02Z, G13Z, G21A, G21B, G38Z			21A	W04A, W04B		
17	R01A, R01B, R01C, R01D, R02Z, R12A, R12B, R12C	11	L09A, L38Z			21B	X06A, X06B, X06C		
21A	W04A, W04B	13	N11A			Pre	A11A, A13A, A13B, A13D		
21B	X06A, X06B, X06C	17	R01A, R01B, R01C, R01D, R02Z, R12A, R12B, R12C				BOP, KVT, UOP4		
Pre	A11A, A13A, A13B, A13D	5n334.1	21A	W04A, W04B		06	G01Z, G02Z, G13Z, G21A, G21B, G38Z		
	BOP, KVT, UOP4		21B	X06A, X06B, X06C	5n333.x	17	R01A, R01B, R01C, R01D, R02Z, R12A, R12B, R12C		
06	G13Z, G21A, G21B		Pre	A11A, A13A, A13B, A13D		21A	W04A, W04B		
17	R01A, R01B, R01C, R01D, R02Z, R12A, R12B, R12C		05	F13A		21B	X06A, X06B, X06C		
21A	W04A, W04B		06	G01Z, G02Z, G13Z, G21A, G21B, G38Z		Pre	A11A, A13A, A13B, A13D		
21B	X06A, X06B, X06C		11	L09A, L38Z			BOP, KVT, UOP4		
	BOP, KVT, UOP4	13	N11A	06		G01Z, G02Z, G13Z, G21A, G21B, G38Z			
	BOP, KVT, UOP4	17	R01A, R01B, R01C, R01D, R02Z, R12A, R12B, R12C	5n333.3	21A	W04A, W04B			
	BOP, KVT, UOP4	21A	W04A, W04B		21B	X06A, X06B, X06C			
	BOP, KVT, UOP4	21B	X06A, X06B, X06C		Pre	A11A, A13A, A13B, A13D			
	BOP, KVT, UOP4	Pre	A11A, A13A, A13B, A13D			BOP, KVT, UOP4			
	BOP, KVT, UOP4		BOP, KVT, UOP4		06	G01Z, G02Z, G13Z, G21A, G21B, G38Z			
	BOP, KVT, UOP4		BOP, KVT, UOP4		17	R01A, R01B, R01C, R01D, R02Z, R12A, R12B, R12C			

ZZV	MDC	DRG	ZZV	MDC	DRG	ZZV	MDC	DRG
5n334.2		BOP, KVT, UOP4	5n339.2		BOP, KVT, UOP4	5n33b.1		BOP, KVT, UOP4
	06	G15Z, G18A, G18B, G38Z		06	G01Z, G02Z, G13Z, G21A, G21B, G38Z		05	F13A
	17	R01A, R01B, R01C, R01D, R02Z, R12A, R12B, R12C		17	R01A, R01B, R01C, R01D, R02Z, R12A, R12B, R12C		06	G01Z, G02Z, G04A, G04B, G07A, G07B, G07C, G15Z, G18A, G18B, G38Z
	21A	W04A, W04B		21A	W04A, W04B		11	L09A, L38Z
5n334.3	21B	X06A, X06B, X06C	5n339.3	21B	X06A, X06B, X06C	5n33b.2	13	N11A
		BOP, KVT, UOP4		Pre	A11A, A13A, A13B, A13D		21A	W04A, W04B
	06	G15Z, G18A, G18B, G38Z		06	BOP, KVT, UOP4		21B	X06A, X06B
	10	K09A, K09B		06	G01Z, G02Z, G13Z, G21A, G21B, G38Z		Pre	A11A, A13A, A13B, A13D
5n334.x	17	R01A, R01B, R01C, R01D, R02Z, R12A, R12B, R12C	5n339.x	21A	W04A, W04B	5n33b.x	05	F13A
	21A	W04A, W04B		21B	X06A, X06B, X06C		06	G01Z, G02Z, G04A, G04B, G07A, G07B, G07C, G15Z, G18A, G18B, G38Z
	21B	X06A, X06B, X06C		Pre	A11A, A13A, A13B, A13D		11	L09A, L38Z
		BOP, KVT, UOP4		06	BOP, KVT, UOP4		13	N11A
5n335.0	06	G15Z, G18A, G18B, G38Z	5n33a.0	21A	W04A, W04B	5n340.0	21A	W04A, W04B
	17	R01A, R01B, R01C, R01D, R02Z, R12A, R12B, R12C		21B	X06A, X06B, X06C		21B	X06A, X06B
	21A	W04A, W04B		Pre	A11A, A13A, A13B, A13D		Pre	A11A, A13A, A13B, A13D
	21B	X06A, X06B, X06C		05	BOP, KVT, UOP4		05	BOP, KVT, UOP4
5n335.1	11	L09A, L38Z	5n33a.1	05	F13A	5n340.1	05	F13A
	17	R01A, R01B, R01C, R01D, R02Z, R12A, R12B, R12C		06	G01Z, G02Z, G04A, G04B, G07A, G07B, G07C, G38Z		06	G01Z, G02Z, G04A, G04B, G07A, G07B, G07C, G15Z, G18A, G18B, G38Z
	21A	W04A, W04B		11	L09A, L38Z		13	N11A
	21B	X06A, X06B, X06C		13	N11A		21A	W04A, W04B
5n335.2		BOP, KVT, UOP4	5n33a.2	21B	X06A, X06B	5n340.2	21A	W04A, W04B
	06	G13Z, G21A, G21B		Pre	A11A, A13A, A13B, A13D		21B	X06A, X06B
	11	L09A, L38Z		05	BOP, KVT, UOP4		23	Z01A
	17	R01A, R01B, R01C, R01D, R02Z, R12A, R12B, R12C		06	F13A		06	BOP, KVT, UOP4
5n335.3	21A	W04A, W04B	5n33a.x	06	G01Z, G02Z, G04A, G04B, G07A, G07B, G07C, G38Z	5n340.3	06	G15Z, G18A, G18B, G38Z
	21B	X06A, X06B, X06C		11	L09A, L38Z		21A	W01A, W01B, W01C, W02A, W02B, W04A, W04B
		BOP, KVT, UOP4		13	N11A		21B	X06A, X06B
	06	G13Z, G21A, G21B		21A	W04A, W04B		23	Z01A
5n335.x	11	L09A, L38Z	5n33b.0	21B	X06A, X06B	5n341.0	23	Z01A
	17	R01A, R01B, R01C, R01D, R02Z, R12A, R12B, R12C		Pre	A11A, A13A, A13B, A13D		06	BOP, KVT, UOP4
	21A	W04A, W04B		05	F13A		06	G15Z, G18A, G18B, G38Z
	21B	X06A, X06B, X06C		06	G01Z, G02Z, G04A, G04B, G07A, G07B, G07C, G38Z		21A	W01A, W01B, W01C, W02A, W02B, W04A, W04B
5n339.0		BOP, KVT, UOP4	5n339.0		BOP, KVT, UOP4	5n341.1	21B	X06A, X06B
	06	G13Z, G21A, G21B		05	F13A		23	Z01A
	17	R01A, R01B, R01C, R01D, R02Z, R12A, R12B, R12C		06	G01Z, G02Z, G04A, G04B, G07A, G07B, G07C, G15Z, G18A, G18B, G38Z		06	BOP, KVT, UOP4
	21A	W04A, W04B		13	N11A		06	G15Z, G18A, G18B, G38Z
5n339.1	21B	X06A, X06B, X06C	5n339.1	21A	W04A, W04B	5n341.2	21A	W04A, W04B
		BOP, KVT, UOP4		21B	X06A, X06B		21B	X06A, X06B
	06	G13Z, G21A, G21B		Pre	A11A, A13A, A13B, A13D		Pre	A11A, A13A, A13B, A13D
	17	R01A, R01B, R01C, R01D, R02Z, R12A, R12B, R12C		06	BOP, KVT, UOP4		06	BOP, KVT, UOP4
	BOP, KVT, UOP4		BOP, KVT, UOP4	06	G15Z, G18A, G18B, G38Z			
06	G13Z, G21A, G21B		F13A	21A	W04A, W04B			
17	R01A, R01B, R01C, R01D, R02Z, R12A, R12B, R12C		G01Z, G02Z, G04A, G04B, G07A, G07B, G07C, G15Z, G18A, G18B, G38Z	21B	X06A, X06B			
21A	W04A, W04B		N11A	21B	X06A, X06B			
21B	X06A, X06B, X06C		W04A, W04B	Pre	A11A, A13A, A13B, A13D			

VYK

ZZV	MDC	DRG	ZZV	MDC	DRG	ZZV	MDC	DRG
5n341.3		BOP, KVT, UOP4	5n345.3		BOP, KVT, UOP4	5n34x.1‡	06	G40Z, G46A, G46B, G46C, G47Z, G50Z
	06	G15Z, G18A, G18B, G38Z		05	F13A			
	21A	W04A, W04B		06	G15Z, G18A, G18B, G38Z	5n34x.2‡	06	G40Z, G48A, G48B, G48C
	21B	X06A, X06B		21A	W04A, W04B	5n34x.3‡	06	G40Z, G48A, G48B, G48C
5n341.x		BOP, KVT, UOP4		21B	X06A, X06B	5n34x.x‡	06	G40Z, G48A, G48B, G48C
	06	G15Z, G18A, G18B, G38Z	5n345.x		BOP, KVT, UOP4	5n350.1		BOP, KVT, UOP4
	21A	W04A, W04B		05	F13A		06	G15Z, G18A, G18B, G38Z
	21B	X06A, X06B		06	G15Z, G18A, G18B, G38Z		07	H06A, H06B, H06C
5n342.0‡	06	G40Z, G46A, G46B, G46C, G47Z, G50Z		21A	W04A, W04B		17	R01A, R01B, R01C, R01D, R02Z, R12A, R12B, R12C
5n342.2‡	06	G40Z, G48A, G48B, G48C	5n346.0		BOP, KVT, MVV, UOP4		21A	W04A, W04B
5n342.3‡	06	G40Z, G48A, G48B, G48C		06	G15Z, G18A, G18B, G38Z	5n350.2	21B	X06A, X06B, X06C
5n342.x‡	06	G40Z, G48A, G48B, G48C		07	H06A, H06B, H06C			BOP, KVT, UOP4
5n343.0		BOP, KVT, UOP4		10	K09A, K09B		06	G15Z, G18A, G18B, G38Z
	06	G15Z, G18A, G18B, G38Z		17	R01A, R01B, R01C, R01D, R02Z, R12A, R12B, R12C		07	H06A, H06B, H06C
	21A	W04A, W04B		21A	W04A, W04B		17	R01A, R01B, R01C, R01D, R02Z, R12A, R12B, R12C
	21B	X06A, X06B		21B	X06A, X06B		21A	W04A, W04B
5n343.1		BOP, KVT, UOP4		Pre	A06A, A07A, A09A, A16A	5n350.3	21B	X06A, X06B, X06C
	06	G15Z, G18A, G18B, G38Z			BOP, KVT, MVV, UOP4			BOP, KVT, UOP4
	21A	W04A, W04B	5n346.1		G15Z, G18A, G18B, G38Z		06	G15Z, G18A, G18B, G38Z
	21B	X06A, X06B		06	G15Z, G18A, G18B, G38Z		07	H06A, H06B, H06C
5n343.2		BOP, KVT, UOP4		07	H06A, H06B, H06C		17	R01A, R01B, R01C, R01D, R02Z, R12A, R12B, R12C
	06	G15Z, G18A, G18B, G38Z		10	K09A, K09B		21A	W04A, W04B
	21A	W04A, W04B		17	R01A, R01B, R01C, R01D, R02Z, R12A, R12B, R12C		21B	X06A, X06B, X06C
	21B	X06A, X06B		21A	W04A, W04B	5n350.x		BOP, KVT, UOP4
5n343.3		BOP, KVT, UOP4		21B	X06A, X06B		06	G15Z, G18A, G18B, G38Z
	06	G15Z, G18A, G18B, G38Z		Pre	A06A, A07A, A09A, A16A		07	H06A, H06B, H06C
	21A	W04A, W04B	5n346.2		BOP, KVT, MVV, UOP4		17	R01A, R01B, R01C, R01D, R02Z, R12A, R12B, R12C
	21B	X06A, X06B		06	G15Z, G18A, G18B, G38Z		21A	W04A, W04B
5n343.x		BOP, KVT, UOP4		07	H06A, H06B, H06C		21B	X06A, X06B, X06C
	06	G15Z, G18A, G18B, G38Z		10	K09A, K09B	5n351.1		BOP, KVT, UOP4
	21A	W04A, W04B		17	R01A, R01B, R01C, R01D, R02Z, R12A, R12B, R12C		06	G15Z, G18A, G18B, G18C, G38Z
	21B	X06A, X06B		21A	W04A, W04B		07	H06A, H06B, H06C
5n344.0		BOP, KVT, UOP4		21B	X06A, X06B		17	R01A, R01B, R01C, R01D, R02Z, R12A, R12B, R12C
	06	G15Z, G18A, G18B, G38Z		Pre	A06A, A07A, A09A, A16A		21A	W04A, W04B
	21A	W04A, W04B	5n346.x		BOP, KVT, MVV, UOP4		21B	X06A, X06B, X06C
	21B	X06A, X06B		06	G15Z, G18A, G18B, G38Z	5n351.2		BOP, KVT, UOP4
5n344.1		BOP, KVT, UOP4		07	H06A, H06B, H06C		06	G15Z, G18A, G18B, G18C, G38Z
	06	G15Z, G18A, G18B, G38Z		10	K09A, K09B		07	H06A, H06B, H06C
	21A	W04A, W04B		17	R01A, R01B, R01C, R01D, R02Z, R12A, R12B, R12C		17	R01A, R01B, R01C, R01D, R02Z, R12A, R12B, R12C
	21B	X06A, X06B		21A	W04A, W04B		21A	W04A, W04B
5n344.2		BOP, KVT, UOP4		21B	X06A, X06B		21B	X06A, X06B, X06C
	06	G15Z, G18A, G18B, G38Z		Pre	A06A, A07A, A09A, A16A			BOP, KVT, UOP4
	21A	W04A, W04B	5n34a.0		BOP, KOP, KOPV, KVT, UOP4	5n351.3	06	G15Z, G18A, G18B, G18C, G38Z
	21B	X06A, X06B		05	F36A, F36B		07	H06A, H06B, H06C
5n344.3		BOP, KVT, UOP4		06	G01Z, G02Z, G15Z, G33Z, G38Z		17	R01A, R01B, R01C, R01D, R02Z, R12A, R12B, R12C
	06	G15Z, G18A, G18B, G38Z		07	H33Z, H38Z		21A	W04A, W04B
	21A	W04A, W04B		10	K09A, K09B	5n351.x	21B	X06A, X06B, X06C
	21B	X06A, X06B		11	L10Z, L33Z, L38Z			BOP, KVT, UOP4
5n344.x		BOP, KVT, UOP4		12	M37Z, M38Z		06	G15Z, G18A, G18B, G18C, G38Z
	06	G15Z, G18A, G18B, G38Z		13	N01A, N01B, N01C, N01D, N01E, N34Z, N38Z		07	H06A, H06B, H06C
	21A	W04A, W04B		17	R01A, R01B, R01C, R01D, R02Z, R12A, R12B, R12C		17	R01A, R01B, R01C, R01D, R02Z, R12A, R12B, R12C
	21B	X06A, X06B		21A	W04A, W04B		21A	W04A, W04B
5n345.0		BOP, KVT, UOP4		21B	X06A, X06B, X33Z		21B	X06A, X06B, X06C
	05	F13A		Pre	A07A, A11A, A13A, A13B, A13D			BOP, KVT, UOP4
	06	G15Z, G18A, G18B, G38Z					06	G15Z, G18A, G18B, G18C, G38Z
	21A	W04A, W04B		06	G40Z, G46A, G46B, G46C, G47Z, G50Z		07	H06A, H06B, H06C
	21B	X06A, X06B		5n34a.1‡			17	R01A, R01B, R01C, R01D, R02Z, R12A, R12B, R12C
5n345.1		BOP, KVT, UOP4					21A	W04A, W04B
	05	F13A		5n34a.x‡			21B	X06A, X06B, X06C
	06	G15Z, G18A, G18B, G38Z						BOP, KVT, UOP4
	21A	W04A, W04B		5n34x.0‡				
	21B	X06A, X06B						
5n345.2		BOP, KVT, UOP4						
	05	F13A						
	06	G15Z, G18A, G18B, G38Z						
	21A	W04A, W04B						
	21B	X06A, X06B						



ZZV	MDC	DRG	ZZV	MDC	DRG	ZZV	MDC	DRG	
5n35x.x		BOP, KVT, UOP4	5n390.2		BOP, KVT, UOP4	5n392.x		BOP, KVT, UOP4	
	06	G15Z, G18A, G18B, G38Z		06	G01Z, G02Z, G13Z, G18B, G21A, G21B, G38Z		06	G01Z, G04A, G04B, G21A, G21B, G38Z	
	07	H06A, H06B, H06C		07	H06A, H06B, H06C		07	H06A, H06B, H06C	
	17	R01A, R01B, R01C, R01D, R02Z, R12A, R12B, R12C		17	R01A, R01B, R01C, R01D, R02Z, R12A, R12B, R12C		13	N11A, N11B	
	21A	W04A, W04B		21A	W04A, W04B		21A	W04A, W04B	
	21B	X06A, X06B, X06C		21B	X06A, X06B		21B	X06A, X06B	
5n360		BOP, KVT, UOP4		21B	X06A, X06B	5n393.0		BOP, KVT, UOP4	
	06	G07A, G07B, G07C, G22A, G22B, G22C, G23A, G23B, G23C		Pre	A11A, A13A, A13B, A13D		06	G01Z, G02Z, G15Z, G18A, G18B, G38Z	
	13	N11A, N11B	5n390.4		BOP, KVT, UOP4		07	H06A, H06B, H06C	
5n361.0		BOP, KVT, UOP4		06	G01Z, G02Z, G13Z, G18B, G21A, G21B, G38Z		17	R01A, R01B, R01C, R01D, R02Z, R12A, R12B, R12C	
	06	G07A, G07B, G07C, G22A, G22B, G22C, G23A, G23B, G23C		07	H06A, H06B, H06C		21A	W04A, W04B	
	13	N08Z		17	R01A, R01B, R01C, R01D, R02Z, R12A, R12B, R12C		21B	X06A, X06B	
5n361.1		BOP, KVT, UOP4		21A	W04A, W04B	5n393.2		Pre	A11A, A13A, A13B, A13D
	06	G07A, G07B, G07C, G22A, G22B, G22C, G23A, G23B, G23C	5n390.6†		Pre	A11A, A13A, A13B, A13D		06	G01Z, G02Z, G15Z, G18A, G18B, G38Z
	13	N08Z	5n390.x†		06	G40Z, G48A, G48B, G48C		07	H06A, H06B, H06C
5n361.x		BOP, KVT, UOP4	5n391.0		06	BOP, KVT, UOP4		17	R01A, R01B, R01C, R01D, R02Z, R12A, R12B, R12C
	06	G07A, G07B, G07C, G22A, G22B, G22C, G23A, G23B, G23C		06	G01Z, G04A, G04B, G07A, G07B, G07C, G38Z		21A	W04A, W04B	
	13	N08Z		17	R01A, R01B, R01C, R01D, R02Z, R12A, R12B, R12C		21B	X06A, X06B	
5n362		BOP, KVT, UOP4		21A	W04A, W04B	5n393.4		Pre	A11A, A13A, A13B, A13D
	06	G07A, G07B, G07C, G22A, G22B, G22C, G23A, G23B, G23C		21B	X06A, X06B		06	G01Z, G02Z, G15Z, G18A, G18B, G38Z	
	13	N11A, N11B	5n391.2		BOP, KVT, UOP4		07	H06A, H06B, H06C	
5n36a		BOP, KVT, UOP4		06	G01Z, G04A, G04B, G07A, G07B, G07C, G38Z		17	R01A, R01B, R01C, R01D, R02Z, R12A, R12B, R12C	
	06	G07A, G07B, G07C, G22A, G22B, G22C, G23A, G23B, G23C		17	R01A, R01B, R01C, R01D, R02Z, R12A, R12B, R12C		21A	W04A, W04B	
	13	N11A, N11B		21A	W04A, W04B		21B	X06A, X06B	
5n36b.0		BOP, KVT, UOP4		21B	X06A, X06B	5n393.x		Pre	A11A, A13A, A13B, A13D
	06	G07A, G07B, G07C, G22A, G22B, G22C, G23A, G23B, G23C		06	G01Z, G04A, G04B, G07A, G07B, G07C, G38Z		06	G01Z, G02Z, G15Z, G18A, G18B, G38Z	
	13	N08Z		17	R01A, R01B, R01C, R01D, R02Z, R12A, R12B, R12C		07	H06A, H06B, H06C	
5n36b.1		BOP, KVT, UOP4	5n391.6†		21A	W04A, W04B		17	R01A, R01B, R01C, R01D, R02Z, R12A, R12B, R12C
	06	G07A, G07B, G07C, G22A, G22B, G22C, G23A, G23B, G23C	5n391.x†		21B	X06A, X06B		21A	W04A, W04B
	13	N08Z	5n392.0		06	G40Z, G48A, G48B, G48C		21B	X06A, X06B
5n36b.x		BOP, KVT, UOP4		06	G40Z, G48A, G48B, G48C	5n394.0		Pre	A11A, A13A, A13B, A13D
	06	G07A, G07B, G07C, G22A, G22B, G22C, G23A, G23B, G23C		06	BOP, KVT, UOP4		06	BOP, KVT, UOP4	
	13	N08Z		06	G01Z, G04A, G04B, G21A, G21B, G38Z		06	G01Z, G02Z, G15Z, G18A, G18B, G38Z	
5n36x		BOP, KVT, UOP4		07	H06A, H06B, H06C		07	H06A, H06B, H06C	
	06	G07A, G07B, G07C, G22A, G22B, G22C, G23A, G23B, G23C		13	N11A, N11B		17	R01A, R01B, R01C, R01D, R02Z, R12A, R12B, R12C	
	13	N11A, N11B		21A	W04A, W04B		21A	W04A, W04B	
5n390.0		BOP, KVT, UOP4		21B	X06A, X06B	5n394.2		21B	X06A, X06B
	06	G01Z, G02Z, G13Z, G18B, G21A, G21B, G38Z		06	BOP, KVT, UOP4		06	G01Z, G04A, G04B, G07A, G07B, G07C, G38Z	
	07	H06A, H06B, H06C		06	G01Z, G04A, G04B, G21A, G21B, G38Z		17	R01A, R01B, R01C, R01D, R02Z, R12A, R12B, R12C	
	17	R01A, R01B, R01C, R01D, R02Z, R12A, R12B, R12C		07	H06A, H06B, H06C		21A	W04A, W04B	
	21A	W04A, W04B		13	N08Z		21B	X06A, X06B	
	21B	X06A, X06B		21A	W04A, W04B	5n394.4		Pre	A11A, A13A, A13B, A13D
	Pre	A11A, A13A, A13B, A13D		21B	X06A, X06B		06	G01Z, G04A, G04B, G07A, G07B, G07C, G38Z	

ZZV	MDC	DRG	ZZV	MDC	DRG	ZZV	MDC	DRG
5n394.x		BOP, KVT, UOP4	5n397.x		BOP, KOP, KOPV, KVT, UOP4	5n39h.6†	06	G40Z, G46A, G46B, G46C, G47Z, G50Z
	06	G01Z, G04A, G04B, G07A, G07B, G07C, G38Z		06	G15Z, G19A, G19B, G38Z	5n39h.x†	06	G40Z, G46A, G46B, G46C, G47Z, G50Z
	17	R01A, R01B, R01C, R01D, R02Z, R12A, R12B, R12C		07	H33Z, H38Z	5n39j.0		BOP, KVT, UOP4
	21A	W04A, W04B		21B	X33Z		06	G01Z, G04A, G04B, G07A, G07B, G07C, G38Z
	21B	X06A, X06B		Pre	A07A		17	R01A, R01B, R01C, R01D, R02Z, R12A, R12B, R12C
5n395.0		BOP, KVT, UOP4	5n398.0		BOP, KOP, KOPV, KVT, UOP4	5n39j.2	21A	W04A, W04B
	06	G15Z, G18A, G18B, G38Z		06	G15Z, G19A, G19B, G38Z		21B	X06A, X06B
	07	H06A, H06B, H06C		07	H33Z, H38Z			BOP, KVT, UOP4
	21A	W04A, W04B		21B	X33Z		06	G01Z, G04A, G04B, G07A, G07B, G07C, G38Z
	21B	X06A, X06B		Pre	A07A		17	R01A, R01B, R01C, R01D, R02Z, R12A, R12B, R12C
5n395.2		BOP, KVT, UOP4	5n398.2		BOP, KOP, KOPV, KVT, UOP4	5n39j.4	21A	W04A, W04B
	06	G15Z, G18A, G18B, G38Z		06	G15Z, G19A, G19B, G38Z		21B	X06A, X06B
	07	H06A, H06B, H06C		07	H33Z, H38Z			BOP, KVT, UOP4
	21A	W04A, W04B		21B	X33Z		06	G01Z, G04A, G04B, G07A, G07B, G07C, G38Z
	21B	X06A, X06B		Pre	A07A		17	R01A, R01B, R01C, R01D, R02Z, R12A, R12B, R12C
5n395.4		BOP, KVT, UOP4	5n398.4		BOP, KOP, KOPV, KVT, UOP4	5n39j.6†	21A	W04A, W04B
	06	G15Z, G18A, G18B, G38Z		06	G15Z, G19A, G19B, G38Z	5n39j.x†	21B	X06A, X06B
	07	H06A, H06B, H06C		07	H33Z, H38Z	5n39k		BOP, KVT, UOP4
	21A	W04A, W04B		21B	X33Z		06	G07A, G07B, G07C, G22A, G22B, G22C, G23A, G23B, G23C
	21B	X06A, X06B		Pre	A07A		13	N11A, N11B
5n395.x		BOP, KVT, UOP4	5n398.x		BOP, KOP, KOPV, KVT, UOP4	5n39l	06	G07A, G07B, G07C, G22A, G22B, G22C, G23A, G23B, G23C
	06	G15Z, G18A, G18B, G38Z		06	G15Z, G19A, G19B, G38Z		13	N11A, N11B
	07	H06A, H06B, H06C		07	H33Z, H38Z			BOP, KVT, UOP4
	21A	W04A, W04B		21B	X33Z		06	G07A, G07B, G07C, G22A, G22B, G22C, G23A, G23B, G23C
	21B	X06A, X06B		Pre	A07A		13	N11A, N11B
5n396.0		BOP, KVT, UOP4	5n39b.6†		G40Z, G46A, G46B, G46C, G47Z, G50Z	5n39x.0		BOP, KVT, UOP4
	06	G15Z, G18A, G18B, G38Z		06	G40Z, G46A, G46B, G46C, G47Z, G50Z		06	G01Z, G04A, G04B, G07A, G07B, G07C, G38Z
	07	H06A, H06B, H06C		06	G40Z, G48A, G48B, G48C		17	R01A, R01B, R01C, R01D, R02Z, R12A, R12B, R12C
	21A	W04A, W04B		06	G40Z, G48A, G48B, G48C		21A	W04A, W04B
	21B	X06A, X06B		06	G40Z, G48A, G48B, G48C		21B	X06A, X06B
5n396.2		BOP, KVT, UOP4	5n39b.x†		G40Z, G46A, G46B, G46C, G47Z, G50Z	5n39x.2		BOP, KVT, UOP4
	06	G15Z, G18A, G18B, G38Z		06	G40Z, G48A, G48B, G48C		06	G01Z, G04A, G04B, G07A, G07B, G07C, G38Z
	07	H06A, H06B, H06C		06	G40Z, G48A, G48B, G48C		17	R01A, R01B, R01C, R01D, R02Z, R12A, R12B, R12C
	21A	W04A, W04B		06	G40Z, G46A, G46B, G46C, G47Z, G50Z		21A	W04A, W04B
	21B	X06A, X06B		07	H41A, H41B, H41C		21B	X06A, X06B
5n396.4		BOP, KVT, UOP4	5n39g.x†		G40Z, G46A, G46B, G46C, G47Z, G50Z	5n39x.4		BOP, KVT, UOP4
	06	G15Z, G18A, G18B, G38Z		06	G40Z, G48A, G48B, G48C		06	G01Z, G04A, G04B, G07A, G07B, G07C, G38Z
	07	H06A, H06B, H06C		07	H41A, H41B, H41C		17	R01A, R01B, R01C, R01D, R02Z, R12A, R12B, R12C
	21A	W04A, W04B		07	H41A, H41B, H41C		21A	W04A, W04B
	21B	X06A, X06B		06	BOP, KVT, UOP4		21B	X06A, X06B
5n396.x		BOP, KVT, UOP4	5n39h.0		G01Z, G04A, G04B, G07A, G07B, G07C, G38Z	5n39x.6†	06	G40Z, G48A, G48B, G48C
	06	G15Z, G18A, G18B, G38Z		06	G01Z, G04A, G04B, G07A, G07B, G07C, G38Z	5n39x.x†	06	G40Z, G48A, G48B, G48C
	07	H06A, H06B, H06C		17	R01A, R01B, R01C, R01D, R02Z, R12A, R12B, R12C	5n410.0	06	G13Z, G21A, G21B
	21A	W04A, W04B		21A	W04A, W04B		09	J03A, J03B, J04A, J04B, J08A, J08B, J08C, J11A, J11B, J16Z
	21B	X06A, X06B		21B	X06A, X06B		21A	W04A, W04B
5n397.0		BOP, KOP, KOPV, KVT, UOP4	5n39h.2		BOP, KVT, UOP4	5n410.6†	21B	X06A, X06B, X06C
	06	G15Z, G19A, G19B, G38Z		06	G01Z, G04A, G04B, G07A, G07B, G07C, G38Z		06	G40Z, G48A, G48B, G48C
	07	H33Z, H38Z		17	R01A, R01B, R01C, R01D, R02Z, R12A, R12B, R12C			
	21B	X33Z		21A	W04A, W04B			
	23	Z01A		21B	X06A, X06B			
	Pre	A07A		Pre	A07A			
5n397.2		BOP, KOP, KOPV, KVT, UOP4	5n39h.4		BOP, KVT, UOP4			
	06	G15Z, G19A, G19B, G38Z		06	G01Z, G04A, G04B, G07A, G07B, G07C, G38Z			
	07	H33Z, H38Z		17	R01A, R01B, R01C, R01D, R02Z, R12A, R12B, R12C			
	21B	X33Z		21A	W04A, W04B			
	23	Z01A		21B	X06A, X06B			
	Pre	A07A		Pre	A07A			
5n397.4		BOP, KOP, KOPV, KVT, UOP4		06	G01Z, G04A, G04B, G07A, G07B, G07C, G38Z			
	06	G15Z, G19A, G19B, G38Z		17	R01A, R01B, R01C, R01D, R02Z, R12A, R12B, R12C			
	07	H33Z, H38Z		21A	W04A, W04B			
	21B	X33Z		21B	X06A, X06B			
	23	Z01A		Pre	A07A			
	Pre	A07A		21A	W04A, W04B			
				21B	X06A, X06B			

ZZV	MDC	DRG	ZZV	MDC	DRG	ZZV	MDC	DRG
5n410.7	06	G13Z, G21A, G21B	5n418.x	06	G13Z, G21A, G21B	5n420.02		BOP, KOP, KOPV, KVT, UOP4
	09	J03A, J03B, J04A, J04B, J08A, J08B, J08C, J11A, J11B, J16Z		09	J03A, J03B, J04A, J04B, J08A, J08B, J08C, J11A, J11B, J16Z		05	F36A, F36B
	21A	W04A, W04B		21A	W04A, W04B		06	G15Z, G16A, G16B, G17A, G17B, G33Z, G38Z
5n410.x	21B	X06A, X06B, X06C	5n419.0	21B	X06A, X06B, X06C	07	H33Z, H38Z	
	06	G13Z, G21A, G21B		06	G13Z, G21A, G21B	11	L10Z, L33Z, L38Z	
	09	J03A, J03B, J04A, J04B, J08A, J08B, J08C, J11A, J11B, J16Z		09	J03A, J03B, J04A, J04B, J08A, J08B, J08C, J11A, J11B, J16Z	12	M01A, M01B, M37Z, M38Z	
5n411.0	21A	W04A, W04B	5n419.6‡	13	N06Z	13	N01A, N01B, N01C, N01D, N01E, N34Z, N38Z	
	21B	X06A, X06B, X06C		21A	W04A, W04B	17	R01A, R01B, R01C, R01D, R02Z, R12A, R12B, R12C	
	06	G13Z, G21A, G21B		21B	X06A, X06B, X06C	21A	W04A, W04B	
5n411.6‡	09	J03A, J03B, J04A, J04B, J08A, J08B, J08C, J11A, J11B, J16Z	5n419.7	06	G40Z, G48A, G48B, G48C	21B	X06A, X06B, X06C, X33Z	
	5n411.7	21A	W04A, W04B	06	G13Z, G21A, G21B	23	Z01A	
		21B	X06A, X06B, X06C	09	J03A, J03B, J04A, J04B, J08A, J08B, J08C, J11A, J11B, J16Z	Pre	A07A	
5n411.x	06	G40Z, G48A, G48B, G48C	5n419.x	13	N06Z	5n420.21	BOP, KOP, KOPV, KVT, UOP4	
	06	G13Z, G21A, G21B		21A	W04A, W04B	05	F36A, F36B	
	09	J03A, J03B, J04A, J04B, J08A, J08B, J08C, J11A, J11B, J16Z		21B	X06A, X06B, X06C	06	G15Z, G16A, G16B, G17A, G17B, G33Z, G38Z	
5n413.0‡	21A	W04A, W04B	5n41a.7	06	G13Z, G21A, G21B	07	H33Z, H38Z	
	21B	X06A, X06B, X06C		09	J03A, J03B, J04A, J04B, J08A, J08B, J08C, J11A, J11B, J16Z	11	L10Z, L33Z, L38Z	
	06	G40Z, G48A, G48B, G48C		13	N06Z	12	M37Z, M38Z	
5n413.6‡	06	G40Z, G48A, G48B, G48C	5n41b.0	21A	W04A, W04B	13	N01A, N01B, N01C, N01D, N01E, N34Z, N38Z	
5n413.7‡	06	G40Z, G48A, G48B, G48C		21B	X06A, X06B, X06C	17	R01A, R01B, R01C, R01D, R02Z, R12A, R12B, R12C	
5n413.x‡	06	G40Z, G48A, G48B, G48C		06	G13Z, G21A, G21B	21A	W04A, W04B	
5n414.0‡	06	G40Z, G48A, G48B, G48C	5n41b.1	09	J03A, J03B, J04A, J04B, J08A, J08B, J08C, J11A, J11B, J16Z	21B	X06A, X06B, X06C, X33Z	
5n414.6‡	06	G40Z, G48A, G48B, G48C		06	G13Z, G21A, G21B	23	Z01A	
5n414.7‡	06	G40Z, G48A, G48B, G48C		09	J03A, J03B, J04A, J04B, J08A, J08B, J08C, J11A, J11B, J16Z	Pre	A07A	
5n414.x‡	06	G40Z, G48A, G48B, G48C	5n41x.2‡	13	N06Z	5n420.22	BOP, KOP, KOPV, KVT, UOP4	
5n415.0‡	06	G40Z, G48A, G48B, G48C		21A	W04A, W04B	05	F36A, F36B	
5n415.6‡	06	G40Z, G48A, G48B, G48C		21B	X06A, X06B, X06C	06	G15Z, G16A, G16B, G17A, G17B, G33Z, G38Z	
5n415.7‡	06	G40Z, G48A, G48B, G48C	5n41x.6‡	06	G40Z, G48A, G48B, G48C	07	H33Z, H38Z	
5n415.x‡	06	G40Z, G48A, G48B, G48C		06	G40Z, G48A, G48B, G48C	11	L10Z, L33Z, L38Z	
5n416.0‡	06	G40Z, G48A, G48B, G48C		5n41x.7‡	09	J03A, J03B, J04A, J04B, J08A, J08B, J08C, J11A, J11B, J16Z	12	M01A, M01B, M37Z, M38Z
5n416.6‡	06	G40Z, G48A, G48B, G48C	5n41x.x‡		13	N06Z	13	N01A, N01B, N01C, N01D, N01E, N34Z, N38Z
5n416.7‡	06	G40Z, G48A, G48B, G48C			5n420.01	21A	W04A, W04B	17
5n416.x‡	06	G40Z, G48A, G48B, G48C		06		G40Z, G48A, G48B, G48C	21A	W04A, W04B
5n418.0	06	G13Z, G21A, G21B	5n420.01	06		G40Z, G48A, G48B, G48C	21B	X06A, X06B, X06C, X33Z
5n418.6‡	09	J03A, J03B, J04A, J04B, J08A, J08B, J08C, J11A, J11B, J16Z		06	G40Z, G48A, G48B, G48C	23	Z01A	
	5n418.7	21A		W04A, W04B	06	G40Z, G48A, G48B, G48C	Pre	A07A
		21B	X06A, X06B, X06C	06	G40Z, G48A, G48B, G48C	5n420.x	BOP, KOP, KOPV, KVT, UOP4	
5n418.8	06	G13Z, G21A, G21B	5n420.01	05	F36A, F36B	05	F36A, F36B	
	09	J03A, J03B, J04A, J04B, J08A, J08B, J08C, J11A, J11B, J16Z		05	F36A, F36B	06	G15Z, G16A, G16B, G17A, G17B, G33Z, G38Z	
	21A	W04A, W04B		06	G15Z, G16A, G16B, G17A, G17B, G33Z, G38Z	07	H33Z, H38Z	
5n418.8	21B	X06A, X06B, X06C	5n420.01	07	H33Z, H38Z	11	L10Z, L33Z, L38Z	
	06	G13Z, G21A, G21B		11	L10Z, L33Z, L38Z	12	M37Z, M38Z	
	09	J03A, J03B, J04A, J04B, J08A, J08B, J08C, J11A, J11B, J16Z		12	M37Z, M38Z	13	N01A, N01B, N01C, N01D, N01E, N34Z, N38Z	
5n418.8	21A	W04A, W04B	5n420.01	13	N01A, N01B, N01C, N01D, N01E, N34Z, N38Z	17	R01A, R01B, R01C, R01D, R02Z, R12A, R12B, R12C	
	21B	X06A, X06B, X06C		5n420.01	17	R01A, R01B, R01C, R01D, R02Z, R12A, R12B, R12C	21A	W04A, W04B
	06	G13Z, G21A, G21B			21A	W04A, W04B	21B	X06A, X06B, X06C, X33Z
09	J03A, J03B, J04A, J04B, J08A, J08B, J08C, J11A, J11B, J16Z	21B	X06A, X06B, X06C, X33Z		23	Z01A		
5n418.8	21A	W04A, W04B	5n420.01	23	Z01A	Pre	A07A	
	21B	X06A, X06B, X06C		Pre	A07A			

VYK

ZZV	MDC	DRG	ZZV	MDC	DRG	ZZV	MDC	DRG
5n421.01		BOP, KOP, KOPV, KVT, UOP4	5n422.02		BOP, KOP, KOPV, KVT, UOP4	5n422.x		BOP, KOP, KOPV, KVT, UOP4
	05	F36A, F36B		05	F36A, F36B		05	F36A, F36B
	06	G15Z, G16A, G16B, G17A, G17B, G33Z, G38Z		06	G15Z, G16A, G16B, G17A, G17B, G33Z, G38Z		06	G15Z, G16A, G16B, G17A, G17B, G33Z, G38Z
	07	H33Z, H38Z		07	H33Z, H38Z		07	H33Z, H38Z
	11	L10Z, L33Z, L38Z		11	L10Z, L33Z, L38Z		11	L10Z, L33Z, L38Z
	12	M37Z, M38Z		12	M01A, M01B, M37Z, M38Z		12	M37Z, M38Z
	13	N01A, N01B, N01C, N01D, N01E, N34Z, N38Z		13	N01A, N01B, N01C, N01D, N01E, N34Z, N38Z		13	N01A, N01B, N01C, N01D, N01E, N34Z, N38Z
	17	R01A, R01B, R01C, R01D, R02Z, R12A, R12B, R12C		17	R01A, R01B, R01C, R01D, R02Z, R12A, R12B, R12C		17	R01A, R01B, R01C, R01D, R02Z, R12A, R12B, R12C
	21A	W04A, W04B		21A	W04A, W04B		21A	W04A, W04B
	21B	X06A, X06B, X06C, X33Z		21B	X06A, X06B, X06C, X33Z		21B	X06A, X06B, X06C, X33Z
	23	Z01A		23	Z01A		23	Z01A
	Pre	A07A		Pre	A07A		Pre	A07A
	5n421.02			BOP, KOP, KOPV, KVT, UOP4	5n422.21			BOP, KOP, KOPV, KVT, UOP4
05		F36A, F36B	05	F36A, F36B		05	F36A, F36B	
06		G15Z, G16A, G16B, G17A, G17B, G33Z, G38Z	06	G15Z, G16A, G16B, G17A, G17B, G33Z, G38Z		06	G15Z, G16A, G16B, G17A, G17B, G33Z, G38Z	
07		H33Z, H38Z	07	H33Z, H38Z		07	H33Z, H38Z	
11		L10Z, L33Z, L38Z	11	L10Z, L33Z, L38Z		11	L10Z, L33Z, L38Z	
12		M01A, M01B, M37Z, M38Z	12	M37Z, M38Z		12	M37Z, M38Z	
13		N01A, N01B, N01C, N01D, N01E, N34Z, N38Z	13	N01A, N01B, N01C, N01D, N01E, N34Z, N38Z		13	N01A, N01B, N01C, N01D, N01E, N34Z, N38Z	
17		R01A, R01B, R01C, R01D, R02Z, R12A, R12B, R12C	17	R01A, R01B, R01C, R01D, R02Z, R12A, R12B, R12C		17	R01A, R01B, R01C, R01D, R02Z, R12A, R12B, R12C	
21A		W04A, W04B	21A	W04A, W04B		21A	W04A, W04B	
21B		X06A, X06B, X06C, X33Z	21B	X06A, X06B, X06C, X33Z		21B	X06A, X06B, X06C, X33Z	
23		Z01A	23	Z01A		23	Z01A	
Pre		A07A	Pre	A07A		Pre	A07A	
5n421.x			BOP, KOP, KOPV, KVT, UOP4	5n422.22			BOP, KOP, KOPV, KVT, UOP4	5n423.02
	05	F36A, F36B	05		F36A, F36B	05	F36A, F36B	
	06	G15Z, G16A, G16B, G17A, G17B, G33Z, G38Z	06		G15Z, G16A, G16B, G17A, G17B, G33Z, G38Z	06	G15Z, G16A, G16B, G17A, G17B, G33Z, G38Z	
	07	H33Z, H38Z	07		H33Z, H38Z	07	H33Z, H38Z	
	11	L10Z, L33Z, L38Z	11		L10Z, L33Z, L38Z	11	L10Z, L33Z, L38Z	
	12	M37Z, M38Z	12		M01A, M01B, M37Z, M38Z	12	M01A, M01B, M37Z, M38Z	
	13	N01A, N01B, N01C, N01D, N01E, N34Z, N38Z	13		N01A, N01B, N01C, N01D, N01E, N34Z, N38Z	13	N01A, N01B, N01C, N01D, N01E, N34Z, N38Z	
	17	R01A, R01B, R01C, R01D, R02Z, R12A, R12B, R12C	17		R01A, R01B, R01C, R01D, R02Z, R12A, R12B, R12C	17	R01A, R01B, R01C, R01D, R02Z, R12A, R12B, R12C	
	21A	W04A, W04B	21A		W04A, W04B	21A	W04A, W04B	
	21B	X06A, X06B, X06C, X33Z	21B		X06A, X06B, X06C, X33Z	21B	X06A, X06B, X06C, X33Z	
	23	Z01A	23		Z01A	23	Z01A	
	Pre	A07A	Pre		A07A	Pre	A07A	
	5n422.01		BOP, KOP, KOPV, KVT, UOP4		5n422.7		BOP, KOP, KOPV, KVT, UOP4	
05		F36A, F36B	05	F36A, F36B		05	F36A, F36B	
06		G15Z, G16A, G16B, G17A, G17B, G33Z, G38Z	06	G15Z, G16A, G16B, G17A, G17B, G33Z, G38Z		06	G15Z, G16A, G16B, G17A, G17B, G33Z, G38Z	
07		H33Z, H38Z	07	H33Z, H38Z		07	H33Z, H38Z	
11		L10Z, L33Z, L38Z	11	L10Z, L33Z, L38Z		11	L10Z, L33Z, L38Z	
12		M37Z, M38Z	12	M37Z, M38Z		12	M37Z, M38Z	
13		N01A, N01B, N01C, N01D, N01E, N34Z, N38Z	13	N01A, N01B, N01C, N01D, N01E, N34Z, N38Z		13	N01A, N01B, N01C, N01D, N01E, N34Z, N38Z	
17		R01A, R01B, R01C, R01D, R02Z, R12A, R12B, R12C	17	R01A, R01B, R01C, R01D, R02Z, R12A, R12B, R12C		17	R01A, R01B, R01C, R01D, R02Z, R12A, R12B, R12C	
21A		W04A, W04B	21A	W04A, W04B		21A	W04A, W04B	
21B		X06A, X06B, X06C, X33Z	21B	X06A, X06B, X06C, X33Z		21B	X06A, X06B, X06C, X33Z	
23		Z01A	23	Z01A		23	Z01A	
Pre		A07A	Pre	A07A		Pre	A07A	

ZZV	MDC	DRG	ZZV	MDC	DRG	ZZV	MDC	DRG
5n423.22		BOP, KOP, KOPV, KVT, UOP4	5n424.21		BOP, KOP, KOPV, KVT, UOP4	5n425.02		BOP, KOP, KOPV, KVT, MVV, UOP4
	05	F36A, F36B		05	F36A, F36B		05	F36A, F36B
	06	G15Z, G16A, G16B, G17A, G17B, G33Z, G38Z		06	G15Z, G16A, G16B, G17A, G17B, G33Z, G38Z		06	G15Z, G16A, G16B, G17A, G17B, G33Z, G38Z
	07	H33Z, H38Z		07	H33Z, H38Z		07	H33Z, H38Z
	11	L10Z, L33Z, L38Z		11	L10Z, L33Z, L38Z		11	L10Z, L33Z, L38Z
	12	M01A, M01B, M37Z, M38Z		12	M37Z, M38Z		12	M01A, M01B, M37Z, M38Z
	13	N01A, N01B, N01C, N01D, N01E, N34Z, N38Z		13	N01A, N01B, N01C, N01D, N01E, N34Z, N38Z		13	N01A, N01B, N01C, N01D, N01E, N34Z, N38Z
	17	R01A, R01B, R01C, R01D, R02Z, R12A, R12B, R12C		17	R01A, R01B, R01C, R01D, R02Z, R12A, R12B, R12C		17	R01A, R01B, R01C, R01D, R02Z, R12A, R12B, R12C
	21A	W04A, W04B		21A	W04A, W04B		21A	W04A, W04B
	21B	X06A, X06B, X06C, X33Z		21B	X06A, X06B, X06C, X33Z		21B	X06A, X06B, X06C, X33Z
	23	Z01A		23	Z01A		23	Z01A
	Pre	A07A		Pre	A07A		Pre	A07A
5n423.x		BOP, KOP, KOPV, KVT, UOP4	5n424.22		BOP, KOP, KOPV, KVT, UOP4	5n425.21		BOP, KOP, KOPV, KVT, MVV, UOP4
	05	F36A, F36B		05	F36A, F36B		05	F36A, F36B
	06	G15Z, G16A, G16B, G17A, G17B, G33Z, G38Z		06	G15Z, G16A, G16B, G17A, G17B, G33Z, G38Z		06	G15Z, G16A, G16B, G17A, G17B, G33Z, G38Z
	07	H33Z, H38Z		07	H33Z, H38Z		07	H33Z, H38Z
	11	L10Z, L33Z, L38Z		11	L10Z, L33Z, L38Z		11	L10Z, L33Z, L38Z
	12	M37Z, M38Z		12	M01A, M01B, M37Z, M38Z		12	M37Z, M38Z
	13	N01A, N01B, N01C, N01D, N01E, N34Z, N38Z		13	N01A, N01B, N01C, N01D, N01E, N34Z, N38Z		13	N01A, N01B, N01C, N01D, N01E, N34Z, N38Z
	17	R01A, R01B, R01C, R01D, R02Z, R12A, R12B, R12C		17	R01A, R01B, R01C, R01D, R02Z, R12A, R12B, R12C		17	R01A, R01B, R01C, R01D, R02Z, R12A, R12B, R12C
	21A	W04A, W04B		21A	W04A, W04B		21A	W04A, W04B
	21B	X06A, X06B, X06C, X33Z		21B	X06A, X06B, X06C, X33Z		21B	X06A, X06B, X06C, X33Z
	23	Z01A		23	Z01A		23	Z01A
	Pre	A07A		Pre	A07A		Pre	A07A
5n424.01		BOP, KOP, KOPV, KVT, UOP4	5n424.x		BOP, KOP, KOPV, KVT, UOP4	5n425.22		BOP, KOP, KOPV, KVT, MVV, UOP4
	05	F36A, F36B		05	F36A, F36B		05	F36A, F36B
	06	G15Z, G16A, G16B, G17A, G17B, G33Z, G38Z		06	G15Z, G16A, G16B, G17A, G17B, G33Z, G38Z		06	G15Z, G16A, G16B, G17A, G17B, G33Z, G38Z
	07	H33Z, H38Z		07	H33Z, H38Z		07	H33Z, H38Z
	11	L10Z, L33Z, L38Z		11	L10Z, L33Z, L38Z		11	L10Z, L33Z, L38Z
	12	M37Z, M38Z		12	M37Z, M38Z		12	M01A, M01B, M37Z, M38Z
	13	N01A, N01B, N01C, N01D, N01E, N34Z, N38Z		13	N01A, N01B, N01C, N01D, N01E, N34Z, N38Z		13	N01A, N01B, N01C, N01D, N01E, N34Z, N38Z
	17	R01A, R01B, R01C, R01D, R02Z, R12A, R12B, R12C		17	R01A, R01B, R01C, R01D, R02Z, R12A, R12B, R12C		17	R01A, R01B, R01C, R01D, R02Z, R12A, R12B, R12C
	21A	W04A, W04B		21A	W04A, W04B		21A	W04A, W04B
	21B	X06A, X06B, X06C, X33Z		21B	X06A, X06B, X06C, X33Z		21B	X06A, X06B, X06C, X33Z
	23	Z01A		23	Z01A		23	Z01A
	Pre	A07A		Pre	A07A		Pre	A07A
5n424.02		BOP, KOP, KOPV, KVT, UOP4	5n425.01		BOP, KOP, KOPV, KVT, MVV, UOP4	5n425.x		BOP, KOP, KOPV, KVT, MVV, UOP4
	05	F36A, F36B		05	F36A, F36B		05	F36A, F36B
	06	G15Z, G16A, G16B, G17A, G17B, G33Z, G38Z		06	G15Z, G16A, G16B, G17A, G17B, G33Z, G38Z		06	G15Z, G16A, G16B, G17A, G17B, G33Z, G38Z
	07	H33Z, H38Z		07	H33Z, H38Z		07	H33Z, H38Z
	11	L10Z, L33Z, L38Z		11	L10Z, L33Z, L38Z		11	L10Z, L33Z, L38Z
	12	M01A, M01B, M37Z, M38Z		12	M37Z, M38Z		12	M37Z, M38Z
	13	N01A, N01B, N01C, N01D, N01E, N34Z, N38Z		13	N01A, N01B, N01C, N01D, N01E, N34Z, N38Z		13	N01A, N01B, N01C, N01D, N01E, N34Z, N38Z
	17	R01A, R01B, R01C, R01D, R02Z, R12A, R12B, R12C		17	R01A, R01B, R01C, R01D, R02Z, R12A, R12B, R12C		17	R01A, R01B, R01C, R01D, R02Z, R12A, R12B, R12C
	21A	W04A, W04B		21A	W04A, W04B		21A	W04A, W04B
	21B	X06A, X06B, X06C, X33Z		21B	X06A, X06B, X06C, X33Z		21B	X06A, X06B, X06C, X33Z
	23	Z01A		23	Z01A		23	Z01A
	Pre	A07A		Pre	A07A		Pre	A07A

ZZV	MDC	DRG	ZZV	MDC	DRG	ZZV	MDC	DRG
5n426.01		BOP, KOP, KOPV, KVT, MVV, UOP4	5n427.02		BOP, KOP, KOPV, KVT, MVV, UOP4	5n429.01		BOP, KOP, KOPV, KVT, UOP4
	05	F36A, F36B		05	F36A, F36B		05	F36A, F36B
	06	G15Z, G16A, G16B, G17A, G17B, G33Z, G38Z		06	G15Z, G16A, G16B, G33Z, G38Z		06	G15Z, G16A, G16B, G17A, G17B, G33Z, G38Z
	07	H33Z, H38Z		07	H33Z, H38Z		07	H33Z, H38Z
	11	L10Z, L33Z, L38Z		11	L10Z, L33Z, L38Z		11	L10Z, L33Z, L38Z
	12	M37Z, M38Z		12	M01A, M01B, M37Z, M38Z		12	M37Z, M38Z
	13	N01A, N01B, N01C, N01D, N01E, N34Z, N38Z		13	N01A, N01B, N01C, N01D, N01E, N34Z, N38Z		13	N01A, N01B, N01C, N01D, N01E, N34Z, N38Z
	17	R01A, R01B, R01C, R01D, R02Z, R12A, R12B, R12C		17	R01A, R01B, R01C, R01D, R02Z, R12A, R12B, R12C		17	R01A, R01B, R01C, R01D, R02Z, R12A, R12B, R12C
	21A	W04A, W04B		21A	W04A, W04B		21A	W04A, W04B
	21B	X06A, X06B, X06C, X33Z		21B	X06A, X06B, X06C, X33Z		21B	X06A, X06B, X06C, X33Z
	23	Z01A		23	Z01A		23	Z01A
Pre	A07A	Pre	A07A	Pre	A07A			
5n426.21		BOP, KOP, KOPV, KVT, MVV, UOP4	5n427.21		BOP, KOP, KOPV, KVT, MVV, UOP4	5n429.02		BOP, KOP, KOPV, KVT, UOP4
	05	F36A, F36B		05	F36A, F36B		05	F36A, F36B
	06	G15Z, G16A, G16B, G17A, G17B, G33Z, G38Z		06	G15Z, G16A, G16B, G33Z, G38Z		06	G15Z, G16A, G16B, G17A, G17B, G33Z, G38Z
	07	H33Z, H38Z		07	H33Z, H38Z		07	H33Z, H38Z
	11	L10Z, L33Z, L38Z		11	L10Z, L33Z, L38Z		11	L10Z, L33Z, L38Z
	12	M37Z, M38Z		12	M01A, M01B, M37Z, M38Z		12	M01A, M01B, M37Z, M38Z
	13	N01A, N01B, N01C, N01D, N01E, N34Z, N38Z		13	N01A, N01B, N01C, N01D, N01E, N34Z, N38Z		13	N01A, N01B, N01C, N01D, N01E, N34Z, N38Z
	17	R01A, R01B, R01C, R01D, R02Z, R12A, R12B, R12C		17	R01A, R01B, R01C, R01D, R02Z, R12A, R12B, R12C		17	R01A, R01B, R01C, R01D, R02Z, R12A, R12B, R12C
	21A	W04A, W04B		21A	W04A, W04B		21A	W04A, W04B
	21B	X06A, X06B, X06C, X33Z		21B	X06A, X06B, X06C, X33Z		21B	X06A, X06B, X06C, X33Z
	23	Z01A		23	Z01A		23	Z01A
Pre	A07A	Pre	A07A	Pre	A07A			
5n426.x		BOP, KOP, KOPV, KVT, MVV, UOP4	5n427.22		BOP, KOP, KOPV, KVT, MVV, UOP4	5n429.21		BOP, KOP, KOPV, KVT, UOP4
	05	F36A, F36B		05	F36A, F36B		05	F36A, F36B
	06	G15Z, G16A, G16B, G17A, G17B, G33Z, G38Z		06	G15Z, G16A, G16B, G33Z, G38Z		06	G15Z, G16A, G16B, G17A, G17B, G33Z, G38Z
	07	H33Z, H38Z		07	H33Z, H38Z		07	H33Z, H38Z
	11	L10Z, L33Z, L38Z		11	L10Z, L33Z, L38Z		11	L10Z, L33Z, L38Z
	12	M37Z, M38Z		12	M01A, M01B, M37Z, M38Z		12	M37Z, M38Z
	13	N01A, N01B, N01C, N01D, N01E, N34Z, N38Z		13	N01A, N01B, N01C, N01D, N01E, N34Z, N38Z		13	N01A, N01B, N01C, N01D, N01E, N34Z, N38Z
	17	R01A, R01B, R01C, R01D, R02Z, R12A, R12B, R12C		17	R01A, R01B, R01C, R01D, R02Z, R12A, R12B, R12C		17	R01A, R01B, R01C, R01D, R02Z, R12A, R12B, R12C
	21A	W04A, W04B		21A	W04A, W04B		21A	W04A, W04B
	21B	X06A, X06B, X06C, X33Z		21B	X06A, X06B, X06C, X33Z		21B	X06A, X06B, X06C, X33Z
	23	Z01A		23	Z01A		23	Z01A
Pre	A07A	Pre	A07A	Pre	A07A			
5n427.01		BOP, KOP, KOPV, KVT, MVV, UOP4	5n427.x		BOP, KOP, KOPV, KVT, MVV, UOP4	5n429.22		BOP, KOP, KOPV, KVT, UOP4
	05	F36A, F36B		05	F36A, F36B		05	F36A, F36B
	06	G15Z, G16A, G16B, G33Z, G38Z		06	G15Z, G16A, G16B, G33Z, G38Z		06	G15Z, G16A, G16B, G17A, G17B, G33Z, G38Z
	07	H33Z, H38Z		07	H33Z, H38Z		07	H33Z, H38Z
	11	L10Z, L33Z, L38Z		11	L10Z, L33Z, L38Z		11	L10Z, L33Z, L38Z
	12	M01A, M01B, M37Z, M38Z		12	M01A, M01B, M37Z, M38Z		12	M01A, M01B, M37Z, M38Z
	13	N01A, N01B, N01C, N01D, N01E, N34Z, N38Z		13	N01A, N01B, N01C, N01D, N01E, N34Z, N38Z		13	N01A, N01B, N01C, N01D, N01E, N34Z, N38Z
	17	R01A, R01B, R01C, R01D, R02Z, R12A, R12B, R12C		17	R01A, R01B, R01C, R01D, R02Z, R12A, R12B, R12C		17	R01A, R01B, R01C, R01D, R02Z, R12A, R12B, R12C
	21A	W04A, W04B		21A	W04A, W04B		21A	W04A, W04B
	21B	X06A, X06B, X06C, X33Z		21B	X06A, X06B, X06C, X33Z		21B	X06A, X06B, X06C, X33Z
	23	Z01A		23	Z01A		23	Z01A
Pre	A07A	Pre	A07A	Pre	A07A			

ZZV	MDC	DRG	ZZV	MDC	DRG	ZZV	MDC	DRG
5n429.x		BOP, KOP, KOPV, KVT, UOP4	5n42b		BOP, KOP, KOPV, KVT, UOP4	5n42d		BOP, KOP, KOPV, KVT, UOP4
	05	F36A, F36B		05	F36A, F36B		05	F36A, F36B
	06	G15Z, G16A, G16B, G17A, G17B, G33Z, G38Z		06	G15Z, G16A, G16B, G33Z, G38Z		06	G15Z, G16A, G16B, G33Z, G38Z
	07	H33Z, H38Z		07	H33Z, H38Z		07	H33Z, H38Z
	11	L10Z, L33Z, L38Z		11	L10Z, L33Z, L38Z		11	L10Z, L33Z, L38Z
	12	M37Z, M38Z		12	M01A, M01B, M37Z, M38Z		12	M01A, M01B, M37Z, M38Z
	13	N01A, N01B, N01C, N01D, N01E, N34Z, N38Z		13	N01A, N01B, N01C, N01D, N01E, N34Z, N38Z		13	N01A, N01B, N01C, N01D, N01E, N34Z, N38Z
	17	R01A, R01B, R01C, R01D, R02Z, R12A, R12B, R12C		17	R01A, R01B, R01C, R01D, R02Z, R12A, R12B, R12C		17	R01A, R01B, R01C, R01D, R02Z, R12A, R12B, R12C
	21A	W04A, W04B		21A	W04A, W04B		21A	W04A, W04B
	21B	X06A, X06B, X06C, X33Z		21B	X06A, X06B, X06C, X33Z		21B	X06A, X06B, X06C, X33Z
	23	Z01A		23	Z01A		23	Z01A
	Pre	A07A		Pre	A07A		Pre	A07A
	5n42a.0			BOP, KOP, KOPV, KVT, UOP4	5n42c.1			BOP, KOP, KOPV, KVT, UOP4
05		F36A, F36B	05	F36A, F36B		05	F36A, F36B	
06		G15Z, G16A, G16B, G33Z, G38Z	06	G15Z, G16A, G16B, G33Z, G38Z		06	G15Z, G16A, G16B, G33Z, G38Z	
07		H33Z, H38Z	07	H33Z, H38Z		07	H33Z, H38Z	
11		L10Z, L33Z, L38Z	11	L10Z, L33Z, L38Z		11	L10Z, L33Z, L38Z	
12		M01A, M01B, M37Z, M38Z	12	M01A, M01B, M37Z, M38Z		12	M01A, M01B, M37Z, M38Z	
13		N01A, N01B, N01C, N01D, N01E, N34Z, N38Z	13	N01A, N01B, N01C, N01D, N01E, N34Z, N38Z		13	N01A, N01B, N01C, N01D, N01E, N34Z, N38Z	
17		R01A, R01B, R01C, R01D, R02Z, R12A, R12B, R12C	17	R01A, R01B, R01C, R01D, R02Z, R12A, R12B, R12C		17	R01A, R01B, R01C, R01D, R02Z, R12A, R12B, R12C	
21A		W04A, W04B	21A	W04A, W04B		21A	W04A, W04B	
21B		X06A, X06B, X06C, X33Z	21B	X06A, X06B, X06C, X33Z		21B	X06A, X06B, X06C, X33Z	
23		Z01A	23	Z01A		23	Z01A	
Pre		A07A	Pre	A07A		Pre	A07A	
5n42a.2			BOP, KOP, KOPV, KVT, UOP4	5n42c.2			BOP, KOP, KOPV, KVT, UOP4	5n42f
	05	F36A, F36B	05		F36A, F36B	05	F36A, F36B	
	06	G15Z, G16A, G16B, G33Z, G38Z	06		G15Z, G16A, G16B, G33Z, G38Z	06	G15Z, G16A, G16B, G33Z, G38Z	
	07	H33Z, H38Z	07		H33Z, H38Z	07	H33Z, H38Z	
	11	L10Z, L33Z, L38Z	11		L10Z, L33Z, L38Z	11	L10Z, L33Z, L38Z	
	12	M01A, M01B, M37Z, M38Z	12		M01A, M01B, M37Z, M38Z	12	M01A, M01B, M37Z, M38Z	
	13	N01A, N01B, N01C, N01D, N01E, N34Z, N38Z	13		N01A, N01B, N01C, N01D, N01E, N34Z, N38Z	13	N01A, N01B, N01C, N01D, N01E, N34Z, N38Z	
	17	R01A, R01B, R01C, R01D, R02Z, R12A, R12B, R12C	17		R01A, R01B, R01C, R01D, R02Z, R12A, R12B, R12C	17	R01A, R01B, R01C, R01D, R02Z, R12A, R12B, R12C	
	21A	W04A, W04B	21A		W04A, W04B	21A	W04A, W04B	
	21B	X06A, X06B, X06C, X33Z	21B		X06A, X06B, X06C, X33Z	21B	X06A, X06B, X06C, X33Z	
	23	Z01A	23		Z01A	23	Z01A	
	Pre	A07A	Pre		A07A	Pre	A07A	
	5n42a.x		BOP, KOP, KOPV, KVT, UOP4		5n42c.x		BOP, KOP, KOPV, KVT, UOP4	
05		F36A, F36B	05	F36A, F36B		05	F36A, F36B	
06		G15Z, G16A, G16B, G33Z, G38Z	06	G15Z, G16A, G16B, G33Z, G38Z		06	G15Z, G16A, G16B, G33Z, G38Z	
07		H33Z, H38Z	07	H33Z, H38Z		07	H33Z, H38Z	
11		L10Z, L33Z, L38Z	11	L10Z, L33Z, L38Z		11	L10Z, L33Z, L38Z	
12		M01A, M01B, M37Z, M38Z	12	M01A, M01B, M37Z, M38Z		12	M01A, M01B, M37Z, M38Z	
13		N01A, N01B, N01C, N01D, N01E, N34Z, N38Z	13	N01A, N01B, N01C, N01D, N01E, N34Z, N38Z		13	N01A, N01B, N01C, N01D, N01E, N34Z, N38Z	
17		R01A, R01B, R01C, R01D, R02Z, R12A, R12B, R12C	17	R01A, R01B, R01C, R01D, R02Z, R12A, R12B, R12C		17	R01A, R01B, R01C, R01D, R02Z, R12A, R12B, R12C	
21A		W04A, W04B	21A	W04A, W04B		21A	W04A, W04B	
21B		X06A, X06B, X06C, X33Z	21B	X06A, X06B, X06C, X33Z		21B	X06A, X06B, X06C, X33Z	
23		Z01A	23	Z01A		23	Z01A	
Pre		A07A	Pre	A07A		Pre	A07A	
						5n430		BOP, KVT, UOP4
					06	G15Z, G18A, G18B, G38Z		
					14	O04A		
					21A	W04A, W04B		
					21B	X06A, X06B		

ZZV	MDC	DRG	ZZV	MDC	DRG	ZZV	MDC	DRG
5n431		BOP, KVT, UOP4	5n43e		BOP, KVT, UOP4	5n440	06	G26Z
	06	G13Z, G21A, G21B		06	G11A, G11B		09	J03A, J03B, J04A, J04B, J08A, J08B, J08C, J09A, J09B, J16Z
	09	J03A, J03B, J04A, J04B, J08A, J08B, J08C, J11A, J11B, J16Z		09	J03A, J03B, J04A, J04B, J08A, J08B, J08C, J09A, J09B, J16Z		21A	W04A, W04B
	13	N06Z		14	962Z, O02A, O02B		21B	X06A, X06B, X06C
	14	962Z, O02A, O02B, O04A		21A	W04A, W04B	5n441	06	G26Z
	21A	W04A, W04B		21B	X06A, X06B, X06C		09	J03A, J03B, J04A, J04B, J08A, J08B, J08C, J09A, J09B, J16Z
	21B	X06A, X06B	5n43f		BOP, KOP, KOPV, KVT, UOP4		14	962Z, O02A, O02B
5n432		BOP, KVT, UOP4		05	F36A, F36B		21A	W04A, W04B
	06	G15Z, G18A, G18B, G38Z		06	G01Z, G02Z, G15Z, G33Z, G38Z		21B	X06A, X06B, X06C
	21A	W04A, W04B		07	H33Z, H38Z	5n449	06	G26Z
	21B	X06A, X06B		11	L33Z		09	J03A, J03B, J04A, J04B, J08A, J08B, J08C, J09A, J09B, J16Z
5n433		BOP, KVT, UOP4		21B	X33Z		14	962Z, O02A, O02B
	06	G15Z, G18A, G18B, G38Z		23	Z01A		21A	W04A, W04B
	13	N04Z, N06Z		Pre	A07A		21B	X06A, X06B, X06C
	21A	W04A, W04B	5n43g.0		BOP, KVT, UOP4	5n449	09	J03A, J03B, J04A, J04B, J08A, J08B, J08C, J09A, J09B, J16Z
	21B	X06A, X06B		06	G11A, G11B		14	962Z, O02A, O02B
5n434		BOP, KVT, UOP4		09	J03A, J03B, J04A, J04B, J08A, J08B, J08C, J11A, J11B, J16Z	5n44a.0	06	G26Z
	06	G15Z, G18A, G18B, G38Z		13	N06Z		09	J03A, J03B, J04A, J04B, J08A, J08B, J08C, J11A, J11B, J16Z
	13	N04Z, N06Z		14	962Z, O02A, O02B		14	962Z, O02A, O02B
	21A	W04A, W04B		21A	W04A, W04B		21A	W04A, W04B
	21B	X06A, X06B		21B	X06A, X06B, X06C		21B	X06A, X06B, X06C
5n435		BOP, KVT, UOP4	5n43g.1		BOP, KVT, UOP4	5n44a.1	06	G26Z
	06	G15Z, G18A, G18B, G38Z		06	G11A, G11B		09	J03A, J03B, J04A, J04B, J08A, J08B, J08C, J11A, J11B, J16Z
	13	N04Z, N06Z		09	J03A, J03B, J04A, J04B, J08A, J08B, J08C, J11A, J11B, J16Z		14	962Z, O02A, O02B
	21A	W04A, W04B		13	N06Z		21A	W04A, W04B
	21B	X06A, X06B		14	962Z, O02A, O02B		21B	X06A, X06B, X06C
5n436		BOP, KVT, UOP4		21A	W04A, W04B	5n44a.2	06	G26Z
	06	G15Z, G18A, G18B, G18C, G38Z		21B	X06A, X06B, X06C		09	J03A, J03B, J04A, J04B, J08A, J08B, J08C, J11A, J11B, J16Z
	21A	W04A, W04B		06	G11A, G11B		14	962Z, O02A, O02B
	21B	X06A, X06B		09	J03A, J03B, J04A, J04B, J08A, J08B, J08C, J11A, J11B, J16Z		21A	W04A, W04B
5n439		BOP, KVT, UOP4	5n43g.2		BOP, KVT, UOP4		21B	X06A, X06B, X06C
	06	G13Z, G21A, G21B		06	G11A, G11B	5n44a.x	06	G26Z
	09	J03A, J03B, J04A, J04B, J08A, J08B, J08C, J11A, J11B, J16Z		09	J03A, J03B, J04A, J04B, J08A, J08B, J08C, J11A, J11B, J16Z		09	J03A, J03B, J04A, J04B, J08A, J08B, J08C, J11A, J11B, J16Z
	13	N06Z		13	N06Z		14	962Z, O02A, O02B
	14	962Z, O02A, O02B		14	962Z, O02A, O02B		21A	W04A, W04B
	21A	W04A, W04B		21A	W04A, W04B		21B	X06A, X06B, X06C
	21B	X06A, X06B		21B	X06A, X06B, X06C		06	G26Z
5n43a		BOP, KVT, UOP4	5n43g.x		BOP, KVT, UOP4	5n44b	09	J03A, J03B, J04A, J04B, J08A, J08B, J08C, J09A, J09B, J16Z
	06	G11A, G11B		06	G11A, G11B		14	962Z, O02A, O02B
	09	J03A, J03B, J04A, J04B, J08A, J08B, J08C, J11A, J11B, J16Z		09	J03A, J03B, J04A, J04B, J08A, J08B, J08C, J11A, J11B, J16Z		21A	W04A, W04B
	21A	W04A, W04B		13	N06Z		21B	X06A, X06B, X06C
	21B	X06A, X06B, X06C		14	962Z, O02A, O02B	5n44b	06	G26Z
5n43b		BOP, KVT, UOP4		21A	W04A, W04B		09	J03A, J03B, J04A, J04B, J08A, J08B, J08C, J09A, J09B, J16Z
	06	G11A, G11B		21B	X06A, X06B, X06C		14	962Z, O02A, O02B
	09	J03A, J03B, J04A, J04B, J08A, J08B, J08C, J11A, J11B, J16Z		06	G11A, G11B	5n450	06	G26Z
	21A	W04A, W04B		09	J03A, J03B, J04A, J04B, J08A, J08B, J08C, J11A, J11B, J16Z		09	J03A, J03B, J04A, J04B, J08A, J08B, J08C, J09A, J09B, J16Z
	21B	X06A, X06B, X06C		13	N06Z		21A	W04A, W04B
5n43c		BOP, KVT, UOP4	5n43h		BOP, KVT, UOP4		21B	X06A, X06B, X06C
	06	G11A, G11B		06	G15Z, G16A, G16B, G38Z		06	G26Z
5n43d		BOP, KVT, UOP4	5n43j.0		BOP, KVT, UOP4	5n451.0	09	J03A, J03B, J04A, J04B, J08A, J08B, J08C, J11A, J11B, J16Z
	06	G11A, G11B		06	G11A, G11B		21A	W04A, W04B
	09	J03A, J03B, J04A, J04B, J08A, J08B, J08C, J09A, J09B, J16Z		06	BOP, KVT, UOP4		21B	X06A, X06B, X06C
	14	962Z, O02A, O02B, O04A	5n43j.1		BOP, KVT, UOP4		06	G26Z
	21A	W04A, W04B		06	G11A, G11B		09	J03A, J03B, J04A, J04B, J08A, J08B, J08C, J11A, J11B, J16Z
	21B	X06A, X06B, X06C	5n43j.2		BOP, KVT, UOP4		21A	W04A, W04B
				06	G11A, G11B		21B	X06A, X06B, X06C
			5n43j.3		BOP, KVT, UOP4			
				06	G11A, G11B			
			5n43j.4		BOP, KVT, UOP4			
				06	G11A, G11B			
			5n43k		BOP, KVT, UOP4			
				06	G11A, G11B			
			5n43x		BOP, KVT, UOP4			
				06	G11A, G11B			



ZZV	MDC	DRG	ZZV	MDC	DRG	ZZV	MDC	DRG
5n451.1	06	G26Z	5n45d		BOP, KVT, UOP4	5n471.x		BOP, KVT, UOP4
	09	J03A, J03B, J04A, J04B, J08A, J08B, J08C, J11A, J11B, J16Z		06	G26Z		06	G01Z, G02Z, G11A, G11B, G38Z
	21A	W04A, W04B		14	962Z, O02A, O02B		09	J03A, J03B, J04A, J04B, J08A, J08B, J08C, J09A, J09B, J16Z
5n451.2	21B	X06A, X06B, X06C	5n45e		BOP, KVT, UOP4	5n472.0		W04A, W04B
	06	G26Z		06	G26Z		21A	W04A, W04B
	09	J03A, J03B, J04A, J04B, J08A, J08B, J08C, J11A, J11B, J16Z		14	962Z, O02A, O02B		21B	X06A, X06B, X06C
5n451.3	21B	X06A, X06B, X06C	5n45f		BOP, KVT, UOP4	5n472.1		Pre A11A, A13A, A13B, A13D
	06	G26Z		06	G26Z		06	G01Z, G02Z, G15Z, G16A, G16B, G38Z
	09	J03A, J03B, J04A, J04B, J08A, J08B, J08C, J11A, J11B, J16Z		16	Q03A, Q03B		09	J03A, J03B, J04A, J04B, J08A, J08B, J08C, J09A, J09B, J16Z
5n451.4	21A	W04A, W04B	5n45g.0		BOP, KVT, UOP4	5n472.x		W04A, W04B
	21B	X06A, X06B, X06C		06	G26Z		21A	W04A, W04B
	06	G26Z		14	962Z, O02A, O02B		21B	X06A, X06B, X06C
5n451.5	09	J03A, J03B, J04A, J04B, J08A, J08B, J08C, J11A, J11B, J16Z	5n45g.1		BOP, KVT, UOP4	5n473.0		Pre A11A, A13A, A13B, A13D
	21A	W04A, W04B		06	G26Z		06	G01Z, G02Z, G15Z, G16A, G16B, G38Z
	21B	X06A, X06B, X06C		14	962Z, O02A, O02B		09	J03A, J03B, J04A, J04B, J08A, J08B, J08C, J09A, J09B, J16Z
5n451.6	21B	X06A, X06B, X06C	5n461		BOP, KVT, UOP4	5n473.1		W04A, W04B
	06	G26Z		06	G26Z		21A	W04A, W04B
	09	J03A, J03B, J04A, J04B, J08A, J08B, J08C, J11A, J11B, J16Z		16	Q03A, Q03B		21B	X06A, X06B, X06C
5n451.x	21A	W04A, W04B	5n462		BOP, KVT, UOP4	5n473.x		Pre A11A, A13A, A13B, A13D
	21B	X06A, X06B, X06C		06	G26Z		06	G01Z, G02Z, G11A, G11B, G38Z
	06	G26Z		06	G26Z		09	J03A, J03B, J04A, J04B, J08A, J08B, J08C, J09A, J09B, J16Z
5n452	09	J03A, J03B, J04A, J04B, J08A, J08B, J08C, J11A, J11B, J16Z	5n46x		BOP, KVT, UOP4	5n473.0		W04A, W04B
	21A	W04A, W04B		06	G26Z		21A	W04A, W04B
	21B	X06A, X06B, X06C		06	G26Z		21B	X06A, X06B, X06C
5n451.x	09	J03A, J03B, J04A, J04B, J08A, J08B, J08C, J11A, J11B, J16Z	5n470.0		BOP, KVT, UOP4	5n473.1		Pre A11A, A13A, A13B, A13D
	21A	W04A, W04B		06	G01Z, G02Z, G11A, G11B, G38Z		06	G01Z, G02Z, G15Z, G16A, G16B, G38Z
	21B	X06A, X06B, X06C		09	J03A, J03B, J04A, J04B, J08A, J08B, J08C, J09A, J09B, J16Z		09	J03A, J03B, J04A, J04B, J08A, J08B, J08C, J09A, J09B, J16Z
5n452	21A	W04A, W04B	5n470.1		BOP, KVT, UOP4	5n473.1		W04A, W04B
	21B	X06A, X06B, X06C		06	G01Z, G02Z, G11A, G11B, G38Z		21A	W04A, W04B
	06	G26Z		09	J03A, J03B, J04A, J04B, J08A, J08B, J08C, J09A, J09B, J16Z		21B	X06A, X06B, X06C
5n453	09	J03A, J03B, J04A, J04B, J08A, J08B, J08C, J09A, J09B, J16Z	5n470.x		BOP, KVT, UOP4	5n473.1		Pre A11A, A13A, A13B, A13D
	21A	W04A, W04B		06	G01Z, G02Z, G11A, G11B, G38Z		06	G01Z, G02Z, G15Z, G16A, G16B, G38Z
	21B	X06A, X06B, X06C		09	J03A, J03B, J04A, J04B, J08A, J08B, J08C, J09A, J09B, J16Z		09	J03A, J03B, J04A, J04B, J08A, J08B, J08C, J09A, J09B, J16Z
5n453	21A	W04A, W04B	5n471.0		BOP, KVT, UOP4	5n473.x		W04A, W04B
	21B	X06A, X06B, X06C		06	G01Z, G02Z, G11A, G11B, G38Z		21A	W04A, W04B
	06	G26Z		09	J03A, J03B, J04A, J04B, J08A, J08B, J08C, J09A, J09B, J16Z		21B	X06A, X06B, X06C
5n459	09	J03A, J03B, J04A, J04B, J08A, J08B, J08C, J11A, J11B, J16Z	5n471.x		BOP, KVT, UOP4	5n473.x		Pre A11A, A13A, A13B, A13D
	21A	W04A, W04B		06	G01Z, G02Z, G11A, G11B, G38Z		06	G01Z, G02Z, G15Z, G16A, G16B, G38Z
	21B	X06A, X06B, X06C		09	J03A, J03B, J04A, J04B, J08A, J08B, J08C, J09A, J09B, J16Z		09	J03A, J03B, J04A, J04B, J08A, J08B, J08C, J09A, J09B, J16Z
5n45a	BOP, KVT, UOP4		5n471.1		BOP, KVT, UOP4	5n473.x		W04A, W04B
	06	G26Z		06	G01Z, G02Z, G11A, G11B, G38Z		21A	W04A, W04B
	14	962Z, O02A, O02B		09	J03A, J03B, J04A, J04B, J08A, J08B, J08C, J09A, J09B, J16Z		21B	X06A, X06B, X06C
5n45c	16	Q03A, Q03B	5n471.1		BOP, KVT, UOP4	5n473.x		Pre A11A, A13A, A13B, A13D
	BOP, KVT, UOP4			06	G01Z, G02Z, G11A, G11B, G38Z		06	G01Z, G02Z, G15Z, G16A, G16B, G38Z
	06	G26Z		09	J03A, J03B, J04A, J04B, J08A, J08B, J08C, J09A, J09B, J16Z		09	J03A, J03B, J04A, J04B, J08A, J08B, J08C, J09A, J09B, J16Z
5n45c	14	962Z, O02A, O02B	5n471.1		BOP, KVT, UOP4	5n473.x		W04A, W04B
	16	Q03A, Q03B		06	G01Z, G02Z, G11A, G11B, G38Z		21A	W04A, W04B
				09	J03A, J03B, J04A, J04B, J08A, J08B, J08C, J09A, J09B, J16Z		21B	X06A, X06B, X06C
				21A	W04A, W04B			Pre A11A, A13A, A13B, A13D
				21B	X06A, X06B, X06C			
				Pre	A11A, A13A, A13B, A13D			

VYK

ZZV	MDC	DRG	ZZV	MDC	DRG	ZZV	MDC	DRG
5n474		BOP, KVT, UOP4	5n510.0		BOP, KOP, KOPV, KVT, UOP4	5n511.x		BOP, KOP, KOPV, KVT, UOP4
	06	G01Z, G02Z, G15Z, G16A, G16B, G38Z		06	G10Z, G18A, G33Z, G38Z		06	G10Z, G33Z, G38Z
	09	J03A, J03B, J04A, J04B, J08A, J08B, J08C, J09A, J09B, J16Z		07	H01A, H01B, H09A, H09B, H09C, H33Z, H38Z		07	H01A, H01B, H09A, H09B, H09C, H33Z, H38Z
	21A	W04A, W04B		09	J26Z		09	J26Z
	21B	X06A, X06B, X06C		10	K03A, K03B		11	L33Z
5n475	Pre	A11A, A13A, A13B, A13D	11	L33Z	21B	X33Z		
		BOP, KVT, UOP4	21B	X33Z	23	Z01A		
	06	G01Z, G02Z, G15Z, G16A, G16B, G38Z	Pre	Z01A	Pre	A07A		
	09	J03A, J03B, J04A, J04B, J08A, J08B, J08C, J09A, J09B, J16Z	5n510.2		BOP, KOP, KOPV, KVT, UOP4	5n512.0		BOP, KOP, KOPV, KVT, UOP4
	21A	W04A, W04B		06	G10Z, G18A, G33Z, G38Z		06	G03B, G10Z, G18A, G33Z, G38Z
21B	X06A, X06B, X06C	07		H12A, H12B, H33Z, H38Z	07		H01A, H01B, H09A, H09B, H09C, H33Z, H38Z	
Pre	A11A, A13A, A13B, A13D	09		J26Z	09		J26Z	
5n476		BOP, KVT, UOP4		11	L33Z		11	L33Z
	06	G01Z, G02Z, G11A, G11B, G38Z	21B	X33Z	21B	X33Z		
	09	J03A, J03B, J04A, J04B, J08A, J08B, J08C, J09A, J09B, J16Z	23	Z01A	23	Z01A		
	21A	W04A, W04B	Pre	A07A	Pre	A07A		
	21B	X06A, X06B, X06C	5n510.4		BOP, KOP, KOPV, KVT, UOP4	5n512.2		BOP, KOP, KOPV, KVT, UOP4
Pre	A11A, A13A, A13B, A13D	06		G10Z, G18A, G33Z, G38Z	06		G03B, G10Z, G18A, G33Z, G38Z	
5n47x.0		BOP, KVT, UOP4		07	H01A, H01B, H09A, H09B, H09C, H33Z, H38Z		07	H01A, H01B, H09A, H09B, H09C, H33Z, H38Z
	06	G01Z, G02Z, G11A, G11B, G38Z		09	J26Z		09	J26Z
	09	J03A, J03B, J04A, J04B, J08A, J08B, J08C, J09A, J09B, J16Z		11	L33Z		11	L33Z
	21A	W04A, W04B	21B	X33Z	21B	X33Z		
	21B	X06A, X06B, X06C	23	Z01A	23	Z01A		
5n47x.1	Pre	A11A, A13A, A13B, A13D	Pre	A07A	Pre	A07A		
		BOP, KVT, UOP4	5n510.x		BOP, KOP, KOPV, KVT, UOP4	5n512.4		BOP, KOP, KOPV, KVT, UOP4
	06	G01Z, G02Z, G11A, G11B, G38Z		06	G10Z, G18A, G33Z, G38Z		06	G03B, G10Z, G18A, G33Z, G38Z
	09	J03A, J03B, J04A, J04B, J08A, J08B, J08C, J09A, J09B, J16Z		07	H01A, H01B, H09A, H09B, H09C, H33Z, H38Z		07	H01A, H01B, H09A, H09B, H09C, H33Z, H38Z
	21A	W04A, W04B		09	J26Z		09	J26Z
21B	X06A, X06B, X06C	11		L33Z	11		L33Z	
5n47x.x	Pre	A11A, A13A, A13B, A13D	23	Z01A	21B	X33Z		
		BOP, KVT, UOP4	Pre	A07A	23	Z01A		
	06	G01Z, G02Z, G11A, G11B, G38Z	5n511.0		BOP, KOP, KOPV, KVT, UOP4	Pre	A07A	
	09	J03A, J03B, J04A, J04B, J08A, J08B, J08C, J09A, J09B, J16Z		06	G10Z, G33Z, G38Z	5n512.x		BOP, KOP, KOPV, KVT, UOP4
	21A	W04A, W04B		07	H01A, H01B, H09A, H09B, H09C, H33Z, H38Z		06	G03B, G10Z, G18A, G33Z, G38Z
21B	X06A, X06B, X06C	09		J26Z	07		H01A, H01B, H09A, H09B, H09C, H33Z, H38Z	
Pre	A11A, A13A, A13B, A13D	11		L33Z	09		J26Z	
5n49a		BOP, KVT, UOP4	23	Z01A	11		L33Z	
	06	G15Z, G18A, G18B, G18C, G38Z	Pre	A07A	21B	X33Z		
	21A	W04A, W04B	5n511.2		BOP, KOP, KOPV, KVT, UOP4	23	Z01A	
	21B	X06A, X06B, X06C		06	G10Z, G33Z, G38Z	Pre	A07A	
	Pre	A11A, A13A, A13B, A13D		07	H01A, H01B, H09A, H09B, H09C, H33Z, H38Z	5n514.0		BOP, KOP, KOPV, KVT, UOP4
5n49e†		BOP, KVT, UOP4		09	J26Z		06	G18A, G33Z, G38Z
	06	G15Z, G18A, G18B, G18C, G38Z		11	L33Z		07	H01A, H01B, H09A, H09B, H09C, H33Z, H38Z
	21A	W04A, W04B	21B	X33Z	09		J26Z	
	21B	X06A, X06B, X06C	23	Z01A	11		L33Z	
	Pre	A11A, A13A, A13B, A13D	Pre	A07A	21B	X33Z		
5n49f†	06	G40Z, G48A, G48B, G48C	5n511.3†		BOP, KOP, KOPV, KVT, UOP4	23	Z01A	
5n49g†	06	G40Z, G48A, G48B, G48C		5n511.4		BOP, KOP, KOPV, KVT, UOP4	Pre	A07A
					06	G10Z, G33Z, G38Z		
					07	H01A, H01B, H09A, H09B, H09C, H33Z, H38Z		
					09	J26Z		
			11		L33Z			
			21B	X33Z				
			23	Z01A				
			Pre	A07A				

ZZV	MDC	DRG	ZZV	MDC	DRG	ZZV	MDC	DRG
5n514.2		BOP, KOP, KOPV, KVT, UOP4	5n515.x		BOP, KOP, KOPV, KVT, UOP4	5n521		BOP, KOP, KOPV, KVT, MVV, UOP4
	06	G18A, G33Z, G38Z		06	G18A, G33Z, G38Z		06	G03B, G10Z, G16A, G18A, G33Z, G38Z
	07	H01A, H01B, H09A, H09B, H09C, H33Z, H38Z		07	H01A, H01B, H09A, H09B, H09C, H33Z, H38Z		07	H01A, H01B, H09A, H09B, H09C, H33Z, H38Z
	09	J26Z		09	J26Z		09	J14A, J26Z
	11	L33Z		11	L33Z		11	L33Z
	21B	X33Z		21B	X33Z		13	N11A
	23	Z01A		23	Z01A		21A	W01A, W01B, W01C, W02A, W02B, W04A, W04B
	Pre	A07A		Pre	A07A		21B	X06A, X06B, X06C, X33Z
							23	Z01A, Z02Z
							Pre	A07A, A09B, A11A, A11B, A13B
5n514.3‡		H41A, H41B, H41C	5n51x.0		BOP, KOP, KOPV, KVT, UOP4	5n522		BOP, KOP, KOPV, KVT, MVV, UOP4
5n514.4		BOP, KOP, KOPV, KVT, UOP4			BOP, KOP, KOPV, KVT, UOP4			G03B, G10Z, G16A, G18A, G33Z, G38Z
	06	G18A, G33Z, G38Z			G18A, G33Z, G38Z			H01A, H01B, H09A, H09B, H09C, H33Z, H38Z
	07	H01A, H01B, H09A, H09B, H09C, H33Z, H38Z			H01A, H01B, H09A, H09B, H09C, H33Z, H38Z			J26Z
	09	J26Z			J26Z			L33Z
	11	L33Z			L33Z			X33Z
	21B	X33Z			X33Z			Z01A
	23	Z01A			Z01A			Pre
	Pre	A07A			Pre			A07A
								A07A, A09B, A11A, A11B, A13B
5n514.x		BOP, KOP, KOPV, KVT, UOP4	5n51x.2		BOP, KOP, KOPV, KVT, UOP4			W01A, W01B, W01C, W02A, W02B, W04A, W04B
		G18A, G33Z, G38Z			G18A, G33Z, G38Z			X06A, X06B, X06C, X33Z
		H01A, H01B, H09A, H09B, H09C, H33Z, H38Z			H01A, H01B, H09A, H09B, H09C, H33Z, H38Z			Z01A, Z02Z
		J26Z			J26Z			Pre
		L33Z			L33Z			A07A, A09B, A11A, A11B, A13B
		X33Z			X33Z			
		Z01A			Z01A			
		Pre			Pre			
		A07A			A07A			
5n515.0		BOP, KOP, KOPV, KVT, UOP4	5n51x.3‡		H41A, H41B, H41C	5n523		BOP, KOP, KOPV, KVT, MVV, UOP4
		G18A, G33Z, G38Z	5n51x.4		BOP, KOP, KOPV, KVT, UOP4			G03B, G10Z, G16A, G18A, G33Z, G38Z
		H01A, H01B, H09A, H09B, H09C, H33Z, H38Z			G18A, G33Z, G38Z			H01A, H09A, H09B, H09C, H33Z, H38Z
		J26Z			H01A, H01B, H09A, H09B, H09C, H33Z, H38Z			J14A, J26Z
		L33Z			J26Z			L33Z
		X33Z			L33Z			N11A
		Z01A			X33Z			W01A, W01B, W01C, W02A, W02B, W04A, W04B
		Pre			Z01A			X06A, X06B, X06C, X33Z
		A07A			Pre			Z01A, Z02Z
					Pre			A07A, A09B, A11A, A11B, A13B
5n515.2		BOP, KOP, KOPV, KVT, UOP4	5n51x.x		BOP, KOP, KOPV, KVT, UOP4	5n524		BOP, KOP, KOPV, KVT, MVV, UOP4
		G18A, G33Z, G38Z			G18A, G33Z, G38Z			G03B, G10Z, G16A, G18A, G33Z, G38Z
		H01A, H01B, H09A, H09B, H09C, H33Z, H38Z			H01A, H01B, H09A, H09B, H09C, H33Z, H38Z			H01A, H01B, H09A, H09B, H09C, H33Z, H38Z
		J26Z			J26Z			J14A, J26Z
		L33Z			L33Z			L33Z
		X33Z			X33Z			N11A
		Z01A			Z01A			W01A, W01B, W01C, W02A, W02B, W04A, W04B
		Pre			Pre			X06A, X06B, X06C, X33Z
		A07A			Pre			Z01A, Z02Z
								A07A, A09B, A11A, A11B, A13B
5n515.3‡		H41A, H41B, H41C	5n520		BOP, KOP, KOPV, KVT, MVV, UOP4			J14A, J26Z
5n515.4		BOP, KOP, KOPV, KVT, UOP4			G03B, G10Z, G16A, G18A, G33Z, G38Z			L33Z
	06	G18A, G33Z, G38Z			H01A, H01B, H09A, H09B, H09C, H33Z, H38Z			N11A
	07	H01A, H01B, H09A, H09B, H09C, H33Z, H38Z			H01A, H01B, H09A, H09B, H09C, H33Z, H38Z			W01A, W01B, W01C, W02A, W02B, W04A, W04B
	09	J26Z			J14A, J26Z			X06A, X06B, X06C, X33Z
	11	L33Z			L33Z			Z01A, Z02Z
	21B	X33Z			N11A			Pre
	23	Z01A			21A			A07A, A09B, A11A, A11B, A13B
	Pre	A07A			21B			
					23			
					Pre			

ZZV	MDC	DRG	ZZV	MDC	DRG	ZZV	MDC	DRG					
5n525		BOP, KOP, KOPV, KVT, MVV, UOP4	5n534		BOP, KOP, KOPV, KVT, UOP4	5n552		BOP, KOP, KOPV, KVT, UOP4					
	06	G03B, G10Z, G16A, G18A, G33Z, G38Z		06	G03B, G10Z, G33Z, G38Z		06	G03B, G33Z, G38Z					
	07	H01A, H01B, H09A, H09B, H09C, H33Z, H38Z		07	H01A, H01B, H09A, H09B, H09C, H33Z, H38Z		07	H01A, H01B, H09A, H09B, H09C, H33Z, H38Z					
	09	J14A, J26Z		09	J26Z		11	L33Z					
	11	L33Z		11	L33Z		21A	W01A, W01B, W01C, W02A, W02B, W04A, W04B					
	13	N11A		21A	W04A, W04B		21B	X06A, X06B, X06C, X33Z					
	21A	W01A, W01B, W01C, W02A, W02B, W04A, W04B		21B	X06A, X06B, X06C, X33Z		23	Z01A, Z02Z					
	21B	X06A, X06B, X06C, X33Z		Pre	A07A		Pre	A07A					
	23	Z01A, Z02Z		5n535			BOP, KOP, KOPV, KVT, UOP4	5n590.0		BOP, KVT, UOP4			
	Pre	A07A, A09B, A11A, A11B, A13B			06		G03B, G10Z, G33Z, G38Z		05	F13A, F21A, F21B			
	5n52x				BOP, KOP, KOPV, KVT, MVV, UOP4		07		H01A, H01B, H09A, H09B, H09C, H33Z, H38Z	06	G10Z, G12A, G12B		
		06			G03B, G10Z, G16A, G18A, G33Z, G38Z		09		J26Z	07	H05Z		
		07			H01A, H01B, H09A, H09B, H09C, H33Z, H38Z		11		L33Z	09	J03A, J03B, J04A, J04B, J08A, J08B, J08C, J11A, J11B, J16Z		
09		J14A, J26Z	21A		W04A, W04B	10	K09A, K09B						
11		L33Z	21B		X06A, X06B, X06C, X33Z	11	L09A, L09B, L09C, L09D, L38Z						
13		N11A	23		Z01A, Z02Z	12	M01A, M01B, M38Z						
21A		W01A, W01B, W01C, W02A, W02B, W04A, W04B	Pre		A07A	13	N11A, N11B						
21B		X06A, X06B, X06C, X33Z	5n536			BOP, KOP, KOPV, KVT, UOP4	14		962Z, O02A, O02B, O04A				
23		Z01A, Z02Z			06	G03B, G10Z, G33Z, G38Z	17		R01A, R01B, R01C, R01D, R02Z, R12A, R12B, R12C				
Pre		A07A			07	H01A, H01B, H09A, H09B, H09C, H33Z, H38Z	21A		W04A, W04B				
5n531					BOP, KOP, KOPV, KVT, UOP4	09	J26Z		21B	X06A, X06B			
		06		G03B, G10Z, G33Z, G38Z	11	L33Z	22	Y01Z, Y03A, Y03B					
		07		H01A, H01B, H09A, H09B, H09C, H33Z, H38Z	21A	W04A, W04B	04	E02A, E02B, E02C					
	09	J26Z		21B	X06A, X06B, X06C, X33Z	05	F21A, F21B						
	11	L33Z		23	Z01A, Z02Z	06	G10Z, G12A, G12B						
	21A	W04A, W04B		Pre	A07A	07	H12A, H12B						
	21B	X06A, X06B, X06C, X33Z		5n53x		BOP, KOP, KOPV, KVT, UOP4	08	I28A, I28B					
	23	Z01A			06	G03B, G10Z, G33Z, G38Z	09	J03A, J03B, J04A, J04B, J08A, J08B, J08C, J11A, J11B, J16Z, J21Z					
	Pre	A07A			07	H01A, H01B, H09A, H09B, H09C, H33Z, H38Z	10	K09A, K09B					
	5n532				BOP, KOP, KOPV, KVT, UOP4	09	J26Z	11	L09A, L09B, L09C, L09D, L38Z				
		06	G03B, G10Z, G33Z, G38Z		11	L33Z	13	N11A					
		07	H01A, H01B, H09A, H09B, H09C, H33Z, H38Z		21A	W04A, W04B	14	962Z, O02A, O02B					
		09	J26Z		21B	X06A, X06B, X06C, X33Z	17	R01A, R01B, R01C, R01D, R02Z, R12A, R12B, R12C					
11		L33Z	23		Z01A, Z02Z	21A	W04A, W04B						
21A		W04A, W04B	Pre		A07A	21B	X06A, X06B, X06C						
21B		X06A, X06B, X06C, X33Z	5n540			BOP, KVT, UOP4	22	Y01Z, Y03A, Y03B					
23		Z01A			Pre	A01A, A01B, A01C, A18Z	5n591.0		BOP, KOP, KOPV, KVT, UOP4				
Pre		A07A			5n541			BOP, KVT, UOP4	06	G33Z			
5n533						BOP, KOP, KOPV, KVT, UOP4		Pre	A01A, A01B, A01C, A18Z	07	H01A, H01B, H09A, H09B, H09C, H33Z, H38Z		
		06		G03B, G10Z, G33Z, G38Z		5n542			BOP, KVT, UOP4	11	L33Z		
		07		H01A, H01B, H09A, H09B, H09C, H33Z, H38Z				Pre	A01A, A01B, A01C, A18Z	21A	W04A, W04B		
		09		J26Z				5n54x		BOP, KVT, UOP4	21B	X06A, X06B, X06C	
	11	L33Z		Pre					A01A, A01B, A01C, A18Z	23	Z01A		
	21A	W04A, W04B		5n550						BOP, KOP, KOPV, KVT, UOP4	Pre	A07A	
	21B	X06A, X06B, X06C, X33Z							06	G03B, G33Z, G38Z	5n591.1		BOP, KOP, KOPV, KVT, UOP4
	23	Z01A, Z02Z							07	H01A, H01B, H09A, H09B, H09C, H33Z, H38Z		06	G33Z
	Pre	A07A							11	L33Z		07	H01A, H01B, H09A, H09B, H09C, H33Z, H38Z
	5n533								BOP, KOP, KOPV, KVT, UOP4	21A		W01A, W01B, W01C, W02A, W02B, W04A, W04B	11
		06	G03B, G10Z, G33Z, G38Z						21B	X06A, X06B, X06C, X33Z		21A	W04A, W04B
		07	H01A, H01B, H09A, H09B, H09C, H33Z, H38Z				23		Z01A	21B		X06A, X06B, X06C, X33Z	
		09	J26Z		Pre		A07A		23	Z01A			
11		L33Z	5n551				BOP, KVT, UOP4		Pre	A07A			
21A		W04A, W04B			07	H12A, H12B	5n591.1			BOP, KOP, KOPV, KVT, UOP4			
21B		X06A, X06B, X06C, X33Z			21A	W04A, W04B			06	G33Z			
23		Z01A, Z02Z			21B	X06A, X06B, X06C		07	H01A, H01B, H09A, H09B, H09C, H33Z, H38Z				
Pre		A07A			Pre	A07A		11	L33Z				

ZZV	MDC	DRG	ZZV	MDC	DRG	ZZV	MDC	DRG	
5n591.x		BOP, KOP, KOPV, KVT, UOP4	5n613.4		BOP, KOP, KOPV, KVT, MVV, UOP4	5n623		BOP, KOP, KOPV, KVT, UOP4	
	06	G33Z		06	G03A, G10Z, G33Z, G38Z		06	G10Z, G33Z, G38Z	
	07	H01A, H01B, H09A, H09B, H09C, H33Z, H38Z		07	H01A, H02A, H02B, H33Z, H38Z		07	H01A, H01B, H09A, H09B, H09C, H33Z, H38Z	
	11	L33Z		11	L33Z		11	L33Z	
	21A	W04A, W04B		17	R01A, R01B, R01C, R01D, R02Z, R12A, R12B, R12C		17	R01A, R01B, R01C, R01D, R02Z, R12A, R12B, R12C	
	21B	X06A, X06B, X06C		21A	W04A, W04B		21A	W04A, W04B	
	23	Z01A		21B	X06A, X06B, X06C, X33Z		21B	X06A, X06B	
	Pre	A07A		23	Z01A		23	Z01A	
5n592‡	09	J11A, J11B		Pre	A07A		Pre	A07A	
5n593‡	09	J11A, J11B				5n624.1		BOP, KVT, UOP4	
5n610		BOP, KVT, UOP4	5n613.5		BOP, KOP, KOPV, KVT, MVV, UOP4		07	H07A, H07B	
	06	G10Z, G12A, G12B		06	G03A, G10Z, G33Z, G38Z		17	R01A, R01B, R01C, R01D, R02Z, R12A, R12B, R12C	
	07	H05Z		07	H02A, H02B, H33Z, H38Z		21A	W04A, W04B	
	17	R01A, R01B, R01C, R01D, R02Z, R12A, R12B, R12C		11	L33Z		21B	X06A, X06B	
	21A	W04A, W04B		17	R01A, R01B, R01C, R01D, R02Z, R12A, R12B, R12C	5n624.2		BOP, KVT, UOP4	
	21B	X06A, X06B, X06C		21A	W04A, W04B		07	H05Z	
5n611.0		BOP, KVT, UOP4		21B	X06A, X06B, X06C, X33Z		17	R01A, R01B, R01C, R01D, R02Z, R12A, R12B, R12C	
	07	H05Z		23	Z01A		21A	W04A, W04B	
5n611.2		BOP, KVT, UOP4		Pre	A07A		21B	X06A, X06B	
	07	H05Z				5n625.1		BOP, KVT, UOP4	
5n611.3		BOP, KVT, UOP4	5n61x		BOP, KVT, UOP4		07	H08A, H08B	
	07	H05Z		06	G10Z, G12A, G12B		17	R01A, R01B, R01C, R01D, R02Z, R12A, R12B, R12C	
5n612		BOP, KVT, UOP4		07	H05Z		21A	W04A, W04B	
	06	G10Z, G12A, G12B		5n620.0			21B	X06A, X06B	
	07	H05Z						BOP, KVT, UOP4	
5n613.1		BOP, KOP, KOPV, KVT, MVV, UOP4		07	H07A, H07B		5n625.2		
	06	G03A, G10Z, G33Z, G38Z		17	R01A, R01B, R01C, R01D, R02Z, R12A, R12B, R12C		07	H08A, H08B	
	07	H02A, H02B, H33Z, H38Z		21A	W04A, W04B		17	R01A, R01B, R01C, R01D, R02Z, R12A, R12B, R12C	
	11	L33Z		21B	X06A, X06B		21A	W04A, W04B	
	17	R01A, R01B, R01C, R01D, R02Z, R12A, R12B, R12C		21A	W04A, W04B		21B	X06A, X06B	
	21A	W04A, W04B		21B	X06A, X06B			BOP, KVT, UOP4	
	21B	X06A, X06B, X06C, X33Z		5n620.2			07	H08A, H08B	
	23	Z01A					17	R01A, R01B, R01C, R01D, R02Z, R12A, R12B, R12C	
	Pre	A07A		07	H08A, H08B		21A	W04A, W04B	
5n613.2		BOP, KOP, KOPV, KVT, MVV, UOP4		17	R01A, R01B, R01C, R01D, R02Z, R12A, R12B, R12C		21B	X06A, X06B	
	06	G03A, G10Z, G33Z, G38Z		21A	W04A, W04B			BOP, KVT, UOP4	
	07	H01A, H02A, H02B, H33Z, H38Z		21B	X06A, X06B		5n62x		
	11	L33Z		5n620.4			07	H08A, H08B	
	17	R01A, R01B, R01C, R01D, R02Z, R12A, R12B, R12C					17	R01A, R01B, R01C, R01D, R02Z, R12A, R12B, R12C	
	21A	W04A, W04B		07	H07A, H07B		21A	W04A, W04B	
	21B	X06A, X06B, X06C, X33Z		17	R01A, R01B, R01C, R01D, R02Z, R12A, R12B, R12C		21B	X06A, X06B	
	23	Z01A		21A	W04A, W04B		5n631‡	07	H41A, H41B, H41C
	Pre	A07A		21B	X06A, X06B		5n632.0‡	07	H41A, H41B, H41C
5n613.3		BOP, KOP, KOPV, KVT, MVV, UOP4		5n621.0			5n632.1‡	07	H41A, H41B, H41C
	06	G03A, G10Z, G33Z, G38Z					5n632.2‡	07	H41A, H41B, H41C
	07	H01A, H02A, H02B, H33Z, H38Z		07	H05Z		5n632.3‡	07	H41A, H41B, H41C
	11	L33Z		17	R01A, R01B, R01C, R01D, R02Z, R12A, R12B, R12C		5n632.x‡	07	H41A, H41B, H41C
	17	R01A, R01B, R01C, R01D, R02Z, R12A, R12B, R12C		21A	W04A, W04B		5n633‡	07	H41A, H41B, H41C
	21A	W04A, W04B		21B	X06A, X06B		5n634.0‡	07	H41A, H41B, H41C
	21B	X06A, X06B, X06C, X33Z		5n621.2			5n634.1‡	06	G40Z, G46A, G46B, G46C, G47Z, G50Z
	23	Z01A						07	H41A, H41B
	Pre	A07A		07	H08A, H08B		5n634.x‡	07	H41A, H41B, H41C
				17	R01A, R01B, R01C, R01D, R02Z, R12A, R12B, R12C		5n635‡	07	H41A, H41B, H41C
				21A	W04A, W04B		5n63a‡	07	H41A, H41B, H41C
				21B	X06A, X06B		5n63b‡	07	H41A, H41B, H41C
				5n621.4			5n63c‡	07	H41A, H41B, H41C
							5n63d‡	07	H41A, H41B, H41C
				07	H05Z		5n63f.1‡	07	H41A, H41B, H41C
				17	R01A, R01B, R01C, R01D, R02Z, R12A, R12B, R12C		5n63f.2‡	07	H41A, H41B, H41C
				21A	W04A, W04B		5n63h.1‡	07	H41A, H41B, H41C
				21B	X06A, X06B		5n63h.2‡	07	H41A, H41B, H41C
							5n63m.01‡	07	H41A, H41B, H41C
							5n63m.02‡	07	H41A, H41B, H41C
							5n63m.03‡	07	H41A, H41B, H41C
							5n63m.11‡	07	H41A, H41B, H41C
							5n63m.12‡	07	H41A, H41B, H41C
							5n63m.13‡	07	H41A, H41B, H41C



ZZV	MDC	DRG	ZZV	MDC	DRG	ZZV	MDC	DRG
5n641.1x†	07	H41A, H41B, H41C	5n642.03†	07	H41A, H41B, H41C	5n651.2		BOP, KOP, KOPV, KVT, UOP4
5n641.20		BOP, KOP, KOPV, KVT, UOP4	5n642.13†	07	H41A, H41B, H41C	06		G10Z, G15Z, G19A, G19B, G33Z, G38Z
	06	G10Z, G12A, G12B, G33Z, G38Z	5n642.23†	07	H41A, H41B, H41C	07		H01A, H01B, H09A, H09B, H09C, H33Z, H38Z
	07	H01A, H01B, H09A, H09B, H09C, H38Z	5n642.33†	07	H41A, H41B, H41C	11		L33Z
	17	R01A, R01B, R01C, R01D, R02Z, R12A, R12B, R12C	5n64x.0		BOP, KOP, KOPV, KVT, UOP4	21B		X06A, X06B, X06C
	21A	W04A, W04B		06	G10Z, G12A, G12B, G33Z, G38Z	23		Z01A
	21B	X06A, X06B, X06C		07	H02A, H02B, H38Z	Pre		A07A
5n641.21	Pre	A07A		17	R01A, R01B, R01C, R01D, R02Z, R12A, R12B, R12C	5n651.4		BOP, KOP, KOPV, KVT, UOP4
		BOP, KOP, KOPV, KVT, UOP4		21A	W04A, W04B	06		G10Z, G15Z, G19A, G19B, G33Z, G38Z
	06	G10Z, G12A, G12B, G33Z, G38Z	5n64x.1	21B	X06A, X06B, X06C	07		H01A, H01B, H09A, H09B, H09C, H33Z, H38Z
	07	H01A, H01B, H09A, H09B, H09C, H38Z		Pre	A07A	11		L33Z
	17	R01A, R01B, R01C, R01D, R02Z, R12A, R12B, R12C		06	G10Z, G12A, G12B, G33Z, G38Z	21B		X06A, X06B, X06C
	21A	W04A, W04B		07	H05Z	23		Z01A
	21B	X06A, X06B, X06C		17	R01A, R01B, R01C, R01D, R02Z, R12A, R12B, R12C	Pre		A07A
5n641.22	Pre	A07A		21A	W04A, W04B	5n651.x		BOP, KOP, KOPV, KVT, UOP4
		BOP, KOP, KOPV, KVT, UOP4		21B	X06A, X06B, X06C	06		G10Z, G15Z, G19A, G19B, G33Z, G38Z
	06	G10Z, G12A, G12B, G33Z, G38Z	5n64x.2	Pre	A07A	07		H01A, H01B, H09A, H09B, H09C, H33Z, H38Z
	07	H01A, H01B, H09A, H09B, H09C, H38Z		BOP, KOP, KOPV, KVT, UOP4	11		L33Z	
	17	R01A, R01B, R01C, R01D, R02Z, R12A, R12B, R12C		06	G10Z, G12A, G12B, G33Z, G38Z	21B		X06A, X06B, X06C
	21A	W04A, W04B		07	H02A, H02B, H38Z	23		Z01A
	21B	X06A, X06B, X06C		17	R01A, R01B, R01C, R01D, R02Z, R12A, R12B, R12C	Pre		A07A
5n641.23†	Pre	A07A		21A	W04A, W04B	5n652.0		BOP, KOP, KOPV, KVT, UOP4
5n641.2x†	07	H41A, H41B, H41C	5n64x.3†	21B	X06A, X06B, X06C	06		G10Z, G15Z, G19A, G19B, G33Z, G38Z
5n641.30	07	H41A, H41B, H41C	5n64x.x†	Pre	A07A	07		H01A, H01B, H09A, H09B, H09C, H33Z, H38Z
		BOP, KOP, KOPV, KVT, UOP4	5n650.0	07	H41A, H41B, H41C	11		L33Z
	06	G10Z, G12A, G12B, G33Z, G38Z		07	H41A, H41B, H41C	21B		X06A, X06B, X06C
	07	H01A, H01B, H09A, H09B, H09C, H38Z		06	BOP, KVT, UOP4	23		Z01A
	17	R01A, R01B, R01C, R01D, R02Z, R12A, R12B, R12C		07	G10Z, G12A, G12B	Pre		A07A
	21A	W04A, W04B		07	H05Z	5n652.2		BOP, KOP, KOPV, KVT, UOP4
	21B	X06A, X06B, X06C		17	R01A, R01B, R01C, R01D, R02Z, R12A, R12B, R12C	06		G10Z, G15Z, G19A, G19B, G33Z, G38Z
5n641.31	Pre	A07A		21A	W04A, W04B	07		H01A, H01B, H09A, H09B, H09C, H33Z, H38Z
		BOP, KOP, KOPV, KVT, UOP4		21B	X06A, X06B, X06C	11		L33Z
	06	G10Z, G12A, G12B, G33Z, G38Z	5n650.4	BOP, KVT, UOP4		21B		X06A, X06B, X06C
	07	H01A, H01B, H09A, H09B, H09C, H38Z		G10Z, G12A, G12B	5n652.4			BOP, KOP, KOPV, KVT, UOP4
	17	R01A, R01B, R01C, R01D, R02Z, R12A, R12B, R12C		07	H05Z	06		G10Z, G15Z, G19A, G19B, G33Z, G38Z
	21A	W04A, W04B		17	R01A, R01B, R01C, R01D, R02Z, R12A, R12B, R12C	07		H01A, H01B, H09A, H09B, H09C, H33Z, H38Z
	21B	X06A, X06B, X06C		21A	W04A, W04B	11		L33Z
5n641.32	Pre	A07A		21B	X06A, X06B, X06C	21B		X06A, X06B, X06C
		BOP, KOP, KOPV, KVT, UOP4	5n650.x	BOP, KVT, UOP4		23		Z01A
	06	G10Z, G12A, G12B, G33Z, G38Z		G10Z, G12A, G12B	Pre			A07A
	07	H01A, H01B, H09A, H09B, H09C, H38Z		07	H05Z	5n652.x		BOP, KOP, KOPV, KVT, UOP4
	17	R01A, R01B, R01C, R01D, R02Z, R12A, R12B, R12C		17	R01A, R01B, R01C, R01D, R02Z, R12A, R12B, R12C	06		G10Z, G15Z, G19A, G19B, G33Z, G38Z
	21A	W04A, W04B		21A	W04A, W04B	07		H01A, H01B, H09A, H09B, H09C, H33Z, H38Z
	21B	X06A, X06B, X06C		21B	X06A, X06B, X06C	11		L33Z
5n641.33†	Pre	A07A	5n651.0	BOP, KOP, KOPV, KVT, UOP4		21B		X06A, X06B, X06C
5n641.3x†	06	G10Z, G12A, G12B, G33Z, G38Z		G10Z, G15Z, G19A, G19B, G33Z, G38Z		23		Z01A
	07	H01A, H01B, H09A, H09B, H09C, H38Z		07	H01A, H01B, H09A, H09B, H09C, H33Z, H38Z	Pre		A07A
	17	R01A, R01B, R01C, R01D, R02Z, R12A, R12B, R12C		11	L33Z	06		G10Z, G15Z, G19A, G19B, G33Z, G38Z
	21A	W04A, W04B		21B	X06A, X06B, X06C	07		H01A, H01B, H09A, H09B, H09C, H33Z, H38Z
	21B	X06A, X06B, X06C		Pre	A07A	11		L33Z
	Pre	A07A				21B		X06A, X06B, X06C
	07	H41A, H41B, H41C				23		Z01A
	07	H41A, H41B, H41C				Pre		A07A

VYK

ZZV	MDC	DRG	ZZV	MDC	DRG	ZZV	MDC	DRG
5n653.0		BOP, KVT, UOP4	5n692.4		BOP, KVT, UOP4	5n695.4		BOP, KOP, KOPV, KVT, UOP4
	06	G10Z, G12A, G12B		07	H05Z		06	G10Z, G12A, G12B, G33Z, G38Z
	07	H05Z		17	R01A, R01B, R01C, R01D, R02Z, R12A, R12B, R12C		07	H02A, H02B, H38Z
5n653.2		BOP, KVT, UOP4	5n692.x†		H41A, H41B, H41C		17	R01A, R01B, R01C, R01D, R02Z, R12A, R12B, R12C
	06	G10Z, G12A, G12B	5n693.0		BOP, KVT, UOP4		21A	W04A, W04B
	07	H05Z		06	G10Z, G12A, G12B		21B	X06A, X06B, X06C
5n653.4		BOP, KVT, UOP4		07	H05Z		23	Z01A
	06	G10Z, G12A, G12B	5n693.2		BOP, KVT, UOP4		Pre	A07A
	07	H05Z		06	G10Z, G12A, G12B	5n695.x†	07	H41A, H41B, H41C
5n653.x		BOP, KVT, UOP4		07	H05Z	5n69a.0		BOP, KOP, KOPV, KVT, UOP4
	06	G10Z, G12A, G12B	5n693.3†		H41A, H41B, H41C		06	G33Z
	07	H05Z	5n693.4		BOP, KVT, UOP4		07	H02A, H02B, H38Z
5n655.0		BOP, KVT, UOP4		06	G10Z, G12A, G12B		17	R01A, R01B, R01C, R01D, R02Z, R12A, R12B, R12C
	06	G10Z, G12A, G12B		07	H05Z		21A	W04A, W04B
	07	H05Z	5n693.x†		H41A, H41B, H41C		21B	X06A, X06B, X06C
5n655.2		BOP, KVT, UOP4	5n694.0		BOP, KOP, KOPV, KVT, UOP4		23	Z01A
	06	G10Z, G12A, G12B		06	G10Z, G12A, G12B, G33Z, G38Z		Pre	A07A
	07	H05Z		07	H02A, H02B, H38Z	5n69a.2		BOP, KOP, KOPV, KVT, UOP4
5n655.4		BOP, KVT, UOP4		23	Z01A		06	G33Z
	06	G10Z, G12A, G12B		Pre	A07A		07	H05Z
	07	H05Z	5n694.2		BOP, KOP, KOPV, KVT, UOP4		17	R01A, R01B, R01C, R01D, R02Z, R12A, R12B, R12C
5n655.x		BOP, KVT, UOP4		06	G10Z, G12A, G12B, G33Z, G38Z		21A	W04A, W04B
	06	G10Z, G12A, G12B		07	H05Z		21B	X06A, X06B, X06C
	07	H05Z		23	Z01A		23	Z01A
5n65x.0		BOP, KVT, UOP4		Pre	A07A	5n69a.3†		A07A
	06	G10Z, G12A, G12B		07	H41A, H41B, H41C	5n69a.4		H41A, H41B, H41C
	07	H05Z	5n694.3†		BOP, KOP, KOPV, KVT, UOP4		06	G33Z
5n65x.2		BOP, KVT, UOP4	5n694.4		G10Z, G12A, G12B, G33Z, G38Z		07	H02A, H02B, H38Z
	06	G10Z, G12A, G12B		06	G10Z, G12A, G12B, G33Z, G38Z		23	Z01A
	07	H05Z		07	H05Z		Pre	A07A
5n65x.4		BOP, KVT, UOP4		23	Z01A		07	H41A, H41B, H41C
	06	G10Z, G12A, G12B		Pre	A07A		21A	W04A, W04B
	07	H05Z		07	H41A, H41B, H41C		21B	X06A, X06B, X06C
5n65x.x		BOP, KVT, UOP4		06	G10Z, G12A, G12B, G33Z, G38Z		23	Z01A
	06	G10Z, G12A, G12B		07	H02A, H02B, H38Z		Pre	A07A
	07	H05Z		23	Z01A		07	H41A, H41B, H41C
5n690.0		BOP, KVT, UOP4		Pre	A07A		06	G33Z
	06	G10Z, G12A, G12B	5n694.x†		H41A, H41B, H41C		07	H02A, H02B, H38Z
	07	H05Z	5n695.0		BOP, KOP, KOPV, KVT, UOP4		17	R01A, R01B, R01C, R01D, R02Z, R12A, R12B, R12C
	17	R01A, R01B, R01C, R01D, R02Z, R12A, R12B, R12C		06	G10Z, G12A, G12B, G33Z, G38Z		21A	W04A, W04B
	21A	W04A, W04B		07	H02A, H02B, H38Z		21B	X06A, X06B, X06C
	21B	X06A, X06B, X06C		17	R01A, R01B, R01C, R01D, R02Z, R12A, R12B, R12C		23	Z01A
5n690.2		BOP, KVT, UOP4		21A	W04A, W04B	5n69a.x†		A07A
	06	G10Z, G12A, G12B		21B	X06A, X06B, X06C	5n69b.0		H41A, H41B, H41C
	07	H05Z		Pre	A07A		06	G10Z, G12A, G12B, G33Z, G38Z
	17	R01A, R01B, R01C, R01D, R02Z, R12A, R12B, R12C		07	BOP, KOP, KOPV, KVT, UOP4		07	H02A, H02B, H38Z
	21A	W04A, W04B	5n695.2		G10Z, G12A, G12B, G33Z, G38Z		17	R01A, R01B, R01C, R01D, R02Z, R12A, R12B, R12C
	21B	X06A, X06B, X06C		06	G10Z, G12A, G12B, G33Z, G38Z		21A	W04A, W04B
5n690.3†		H41A, H41B, H41C		07	H05Z		21B	X06A, X06B, X06C
5n690.4		BOP, KVT, UOP4		17	R01A, R01B, R01C, R01D, R02Z, R12A, R12B, R12C		23	Z01A
	06	G10Z, G12A, G12B		21A	W04A, W04B	5n69b.2		Pre
	07	H05Z		21B	X06A, X06B, X06C		06	G10Z, G12A, G12B, G33Z, G38Z
	17	R01A, R01B, R01C, R01D, R02Z, R12A, R12B, R12C		Pre	A07A		07	H05Z
	21A	W04A, W04B		07	H41A, H41B, H41C		17	R01A, R01B, R01C, R01D, R02Z, R12A, R12B, R12C
	21B	X06A, X06B, X06C		21A	W04A, W04B		21A	W04A, W04B
5n690.x†		H41A, H41B, H41C		21B	X06A, X06B, X06C		21B	X06A, X06B, X06C
5n692.0		BOP, KVT, UOP4		23	Z01A		23	Z01A
	07	H05Z		Pre	A07A		Pre	A07A
	17	R01A, R01B, R01C, R01D, R02Z, R12A, R12B, R12C	5n695.3†		KKI, KKP		07	H41A, H41B, H41C
	21A	W04A, W04B		07	H41A, H41B, H41C		21A	W04A, W04B
	21B	X06A, X06B, X06C					21B	X06A, X06B, X06C
5n692.2		BOP, KVT, UOP4					23	Z01A
	07	H05Z					Pre	A07A
	17	R01A, R01B, R01C, R01D, R02Z, R12A, R12B, R12C					07	H41A, H41B, H41C



ZZV	MDC	DRG	ZZV	MDC	DRG	ZZV	MDC	DRG			
5n69b.4		BOP, KOP, KOPV, KVT, UOP4	5n69d.4		BOP, KOP, KOPV, KVT, UOP4	5n69f.4		BOP, KOP, KOPV, KVT, UOP4			
	06	G10Z, G12A, G12B, G33Z, G38Z		06	G10Z, G12A, G12B, G33Z, G38Z		06	G10Z, G12A, G12B, G33Z, G38Z			
	07	H02A, H02B, H38Z		07	H01A, H01B, H09A, H09B, H09C, H38Z		07	H01A, H01B, H09A, H09B, H09C, H38Z			
	17	R01A, R01B, R01C, R01D, R02Z, R12A, R12B, R12C		17	R01A, R01B, R01C, R01D, R02Z, R12A, R12B, R12C		17	R01A, R01B, R01C, R01D, R02Z, R12A, R12B, R12C			
	21A	W04A, W04B		21A	W04A, W04B		21A	W04A, W04B			
	21B	X06A, X06B, X06C		21B	X06A, X06B, X06C		21B	X06A, X06B, X06C			
	23	Z01A		23	X06A, X06B, X06C		21B	X06A, X06B, X06C			
	Pre	A07A		Pre	A07A		Pre	A07A			
	5n69b.x† 5n69c.0	07		H41A, H41B, H41C	5n69d.x† 5n69e.0		07	H41A, H41B, H41C	5n69f.x† 5n69g	07	H41A, H41B, H41C
				BOP, KOP, KOPV, KVT, UOP4				BOP, KOP, KOPV, KVT, UOP4			BOP, KOP, KOPV, KVT, UOP4
06		G10Z, G12A, G12B, G33Z, G38Z	06	G10Z, G12A, G12B, G33Z, G38Z		06	G10Z, G12A, G12B, G33Z, G38Z				
07		H02A, H02B, H38Z	07	H01A, H01B, H09A, H09B, H09C, H38Z		07	H02A, H02B, H38Z				
17		R01A, R01B, R01C, R01D, R02Z, R12A, R12B, R12C	17	R01A, R01B, R01C, R01D, R02Z, R12A, R12B, R12C		17	R01A, R01B, R01C, R01D, R02Z, R12A, R12B, R12C				
21A		W04A, W04B	21A	W04A, W04B		21A	W04A, W04B				
21B		X06A, X06B, X06C	21A	W04A, W04B		21B	X06A, X06B, X06C				
23		Z01A	21B	X06A, X06B, X06C		Pre	A07A				
Pre		A07A	Pre	A07A		Pre	A07A				
5n69c.2			BOP, KOP, KOPV, KVT, UOP4	5n69e.2			BOP, KOP, KOPV, KVT, UOP4	5n69j			BOP, KVT, UOP4
	06	G10Z, G12A, G12B, G33Z, G38Z	06		G10Z, G12A, G12B, G33Z, G38Z	06	G10Z, G12A, G12B				
	07	H05Z	07		H01A, H01B, H09A, H09B, H09C, H38Z	07	H05Z				
	17	R01A, R01B, R01C, R01D, R02Z, R12A, R12B, R12C	17		R01A, R01B, R01C, R01D, R02Z, R12A, R12B, R12C	17	R01A, R01B, R01C, R01D, R02Z, R12A, R12B, R12C				
	21A	W04A, W04B	21A		W04A, W04B	21A	W04A, W04B				
	21B	X06A, X06B, X06C	21A		W04A, W04B	21B	X06A, X06B, X06C				
	23	Z01A	21B		X06A, X06B, X06C	Pre	A07A				
	Pre	A07A	Pre		A07A	Pre	A07A				
	5n69c.3† 5n69c.4	07	H41A, H41B, H41C		5n69e.3† 5n69e.4	07	H41A, H41B, H41C		5n69k	06	G10Z, G12A, G12B
			BOP, KOP, KOPV, KVT, UOP4				BOP, KOP, KOPV, KVT, UOP4				H05Z
06		G10Z, G12A, G12B, G33Z, G38Z	06	G10Z, G12A, G12B, G33Z, G38Z		07	H05Z				
07		H02A, H02B, H38Z	07	H01A, H01B, H09A, H09B, H09C, H38Z		17	R01A, R01B, R01C, R01D, R02Z, R12A, R12B, R12C				
17		R01A, R01B, R01C, R01D, R02Z, R12A, R12B, R12C	17	R01A, R01B, R01C, R01D, R02Z, R12A, R12B, R12C		21A	W04A, W04B				
21A		W04A, W04B	21A	W04A, W04B		21B	X06A, X06B, X06C				
21B		X06A, X06B, X06C	21A	W04A, W04B		Pre	A07A				
23		Z01A	21B	X06A, X06B, X06C		Pre	A07A				
Pre		A07A	Pre	A07A		Pre	A07A				
5n69c.x† 5n69d.0		07	H41A, H41B, H41C	5n69e.x† 5n69f.0		07	H41A, H41B, H41C	5n69l		21A	W04A, W04B
		BOP, KOP, KOPV, KVT, UOP4			BOP, KOP, KOPV, KVT, UOP4		X06A, X06B, X06C				
	06	G10Z, G12A, G12B, G33Z, G38Z	06		G10Z, G12A, G12B, G33Z, G38Z	06	BOP, KVT, UOP4				
	07	H02A, H02B, H38Z	07		H01A, H01B, H09A, H09B, H09C, H38Z	06	G10Z, G12A, G12B				
	17	R01A, R01B, R01C, R01D, R02Z, R12A, R12B, R12C	07		H01A, H01B, H09A, H09B, H09C, H38Z	07	H05Z				
	21A	W04A, W04B	17		R01A, R01B, R01C, R01D, R02Z, R12A, R12B, R12C	17	R01A, R01B, R01C, R01D, R02Z, R12A, R12B, R12C				
	21B	X06A, X06B, X06C	21A		W04A, W04B	21A	W04A, W04B				
	23	Z01A	21A		W04A, W04B	21B	X06A, X06B, X06C				
	Pre	A07A	21B		X06A, X06B, X06C	Pre	A07A				
	5n69c.x† 5n69d.0	07	H41A, H41B, H41C		5n69e.x† 5n69f.0	07	H41A, H41B, H41C		5n69m	06	G10Z, G12A, G12B
		BOP, KOP, KOPV, KVT, UOP4		BOP, KOP, KOPV, KVT, UOP4			H05Z				
06		G10Z, G12A, G12B, G33Z, G38Z	06	G10Z, G12A, G12B, G33Z, G38Z		07	H05Z				
07		H01A, H01B, H09A, H09B, H09C, H38Z	07	H01A, H01B, H09A, H09B, H09C, H38Z		17	R01A, R01B, R01C, R01D, R02Z, R12A, R12B, R12C				
17		R01A, R01B, R01C, R01D, R02Z, R12A, R12B, R12C	17	R01A, R01B, R01C, R01D, R02Z, R12A, R12B, R12C		21A	W04A, W04B				
21A		W04A, W04B	21A	W04A, W04B		21B	X06A, X06B, X06C				
21B		X06A, X06B, X06C	21A	W04A, W04B		Pre	A07A				
23		Z01A	21B	X06A, X06B, X06C		Pre	A07A				
Pre		A07A	Pre	A07A		Pre	A07A				
5n69d.2			BOP, KOP, KOPV, KVT, UOP4	5n69f.2			BOP, KOP, KOPV, KVT, UOP4	5n69n† 5n69x.0			BOP, KOP, KOPV, KVT, UOP4
	06	G10Z, G12A, G12B, G33Z, G38Z	06		G10Z, G12A, G12B, G33Z, G38Z	06	G10Z, G12A, G12B, G33Z, G38Z				
	07	H01A, H01B, H09A, H09B, H09C, H38Z	07		H01A, H01B, H09A, H09B, H09C, H38Z	07	H02A, H02B, H38Z				
	17	R01A, R01B, R01C, R01D, R02Z, R12A, R12B, R12C	17		R01A, R01B, R01C, R01D, R02Z, R12A, R12B, R12C	17	R01A, R01B, R01C, R01D, R02Z, R12A, R12B, R12C				
	21A	W04A, W04B	21A		W04A, W04B	21A	W04A, W04B				
	21B	X06A, X06B, X06C	21A		W04A, W04B	21B	X06A, X06B, X06C				
	23	Z01A	21B		X06A, X06B, X06C	Pre	A07A				
	Pre	A07A	Pre		A07A	Pre	A07A				
	5n69d.3†	07	H41A, H41B, H41C		5n69f.3†	07	H41A, H41B, H41C		5n69o	06	G10Z, G12A, G12B, G33Z, G38Z
			BOP, KOP, KOPV, KVT, UOP4				BOP, KOP, KOPV, KVT, UOP4				H02A, H02B, H38Z
06		G10Z, G12A, G12B, G33Z, G38Z	06	G10Z, G12A, G12B, G33Z, G38Z		07	H02A, H02B, H38Z				
07		H01A, H01B, H09A, H09B, H09C, H38Z	07	H01A, H01B, H09A, H09B, H09C, H38Z		17	R01A, R01B, R01C, R01D, R02Z, R12A, R12B, R12C				
17		R01A, R01B, R01C, R01D, R02Z, R12A, R12B, R12C	17	R01A, R01B, R01C, R01D, R02Z, R12A, R12B, R12C		21A	W04A, W04B				
21A		W04A, W04B	21A	W04A, W04B		21B	X06A, X06B, X06C				
21B		X06A, X06B, X06C	21A	W04A, W04B		Pre	A07A				
23		Z01A	21B	X06A, X06B, X06C		Pre	A07A				
Pre		A07A	Pre	A07A		Pre	A07A				
07		H41A, H41B, H41C	07	H41A, H41B, H41C		07	H41A, H41B, H41C				

ZZV	MDC	DRG	ZZV	MDC	DRG	ZZV	MDC	DRG
5n69x.2		BOP, KOP, KOPV, KVT, UOP4	5n712.1		BOP, KOP, KOPV, KVT, UOP4	5n720.2		BOP, KOP, KOPV, KVT, UOP4
	06	G10Z, G12A, G12B, G33Z, G38Z		06	G33Z		06	G03A, G10Z, G12A, G12B, G33Z, G38Z
	07	H05Z		07	H01A, H01B, H09A, H09B, H09C, H33Z, H38Z		07	H01A, H01B, H09A, H09B, H33Z, H38Z
	17	R01A, R01B, R01C, R01D, R02Z, R12A, R12B, R12C		10	K09A, K09B		10	K09A, K09B
	21A	W04A, W04B		23	Z01A		11	L33Z
	21B	X06A, X06B, X06C		Pre	A07A		21A	W04A, W04B
	Pre	A07A		5n715			21B	X06A, X06B, X06C, X33Z
	5n69x.3‡			07	H41A, H41B, H41C		06	G33Z
	5n69x.4			07	BOP, KOP, KOPV, KVT, UOP4		07	H01A, H01B, H09A, H09B, H09C, H33Z, H38Z
				06	G10Z, G12A, G12B, G33Z, G38Z		10	K09A, K09B
		07	H02A, H02B, H38Z	23	Z01A			
		17	R01A, R01B, R01C, R01D, R02Z, R12A, R12B, R12C	Pre	A07A			
		21A	W04A, W04B	5n721.0				
		21B	X06A, X06B, X06C		BOP, KOP, KOPV, KVT, UOP4			
		Pre	A07A	06	G03A, G10Z, G12A, G12B, G33Z, G38Z			
5n69x.x‡		07	H41A, H41B, H41C	07	H01A, H01B, H09A, H09B, H33Z, H38Z			
5n710.0			BOP, KOP, KOPV, KVT, UOP4	10	K09A, K09B			
		06	G33Z	11	L33Z			
		07	H01A, H01B, H09A, H09B, H09C, H33Z, H38Z	21A	W04A, W04B			
		23	Z01A	21B	X06A, X06B, X06C, X33Z			
		Pre	A07A	23	Z01A			
5n710.1			BOP, KOP, KOPV, KVT, UOP4	Pre	A07A			
		06	G33Z	5n721.2				
		07	H01A, H01B, H09A, H09B, H09C, H33Z, H38Z	06	G03A, G10Z, G12A, G12B, G33Z, G38Z			
		23	Z01A	07	H01A, H01B, H09A, H09B, H33Z, H38Z			
		Pre	A07A	10	K09A, K09B			
5n710.2			BOP, KOP, KOPV, KVT, UOP4	11	L33Z			
		06	G33Z	21A	W04A, W04B			
		07	H01A, H01B, H09A, H09B, H09C, H33Z, H38Z	21B	X06A, X06B, X06C, X33Z			
		23	Z01A	23	Z01A			
		Pre	A07A	Pre	A07A			
5n710.x			BOP, KOP, KOPV, KVT, UOP4	5n721.4				
		06	G33Z		BOP, KOP, KOPV, KVT, UOP4			
		07	H01A, H01B, H09A, H09B, H09C, H33Z, H38Z	06	G03A, G10Z, G12A, G12B, G33Z, G38Z			
		23	Z01A	07	H01A, H01B, H09A, H09B, H33Z, H38Z			
		Pre	A07A	10	K09A, K09B			
5n710.x			BOP, KOP, KOPV, KVT, UOP4	11	L33Z			
		06	G33Z	21A	W04A, W04B			
		07	H01A, H01B, H09A, H09B, H09C, H33Z, H38Z	21B	X06A, X06B, X06C, X33Z			
		23	Z01A	23	Z01A			
		Pre	A07A	Pre	A07A			
5n711			BOP, KOP, KOPV, KVT, UOP4	5n722				
		06	G33Z		BOP, KOP, KOPV, KVT, UOP4			
		07	H01A, H01B, H09A, H09B, H09C, H33Z, H38Z	06	G03A, G03B, G33Z, G38Z			
		10	K09A, K09B	07	H01A, H01B, H09A, H09B, H09C, H33Z, H38Z			
		23	Z01A	11	L33Z			
		Pre	A07A	21A	W04A, W04B			
5n712.0			BOP, KOP, KOPV, KVT, UOP4	21B	X06A, X06B, X06C, X33Z			
		06	G33Z	23	Z01A			
		07	H01A, H01B, H09A, H09B, H09C, H33Z, H38Z	Pre	A07A			
		10	K09A, K09B	5n723				
		23	Z01A		BOP, KOP, KOPV, KVT, UOP4			
		Pre	A07A	06	G03A, G10Z, G12A, G12B, G33Z, G38Z			
				07	H01A, H01B, H09A, H09B, H33Z, H38Z			
				10	K09A, K09B			
				11	L33Z			
				21A	W04A, W04B			
				21B	X06A, X06B, X06C			
				23	Z01A			
				Pre	A07A			
				5n720.0				
					BOP, KOP, KOPV, KVT, UOP4			
				06	G03A, G10Z, G12A, G12B, G33Z, G38Z			
				07	H01A, H01B, H09A, H09B, H33Z, H38Z			
				10	K09A, K09B			
				11	L33Z			
				21A	W04A, W04B			
				21B	X06A, X06B, X06C, X33Z			
				23	Z01A			
				Pre	A07A			

ZZV	MDC	DRG	ZZV	MDC	DRG	ZZV	MDC	DRG			
5n724		BOP, KOP, KOPV, KVT, UOP4	5n72x.0		BOP, KOP, KOPV, KVT, UOP4	5n742		BOP, KOP, KOPV, KVT, UOP4			
	06	G03A, G10Z, G12A, G12B, G33Z, G38Z		06	G03A, G10Z, G12A, G12B, G33Z, G38Z		06	G10Z, G33Z, G38Z			
	07	H01A, H01B, H09A, H09B, H33Z, H38Z		07	H01A, H01B, H09A, H09B, H33Z, H38Z		07	H01A, H01B, H09A, H09B, H09C, H33Z, H38Z			
	11	L33Z		11	L33Z		11	L33Z			
	21A	W04A, W04B		21A	W04A, W04B		21A	W04A, W04B			
	21B	X06A, X06B, X06C, X33Z		21B	X06A, X06B, X06C, X33Z		21B	X06A, X06B, X06C, X33Z			
	23	Z01A		23	Z01A		23	Z01A			
	Pre	A07A		Pre	A07A		Pre	A07A			
	5n725			BOP, KOP, KOPV, KVT, UOP4	5n72x.1			BOP, KOP, KOPV, KVT, MVV, UOP4	5n743		BOP, KOP, KOPV, KVT, UOP4
		06		G03A, G03B, G33Z, G38Z			06	G03A, G10Z, G12A, G12B, G33Z, G38Z		06	G10Z, G33Z, G38Z
07		H01A, H01B, H09A, H09B, H09C, H33Z, H38Z	07	H01A, H01B, H09A, H09B, H09C, H33Z, H38Z		07	H01A, H01B, H09A, H09B, H09C, H33Z, H38Z				
11		L33Z	11	L33Z		11	L33Z				
21A		W04A, W04B	21A	W04A, W04B		21A	W04A, W04B				
21B		X06A, X06B, X06C, X33Z	21B	X06A, X06B, X06C, X33Z		21B	X06A, X06B, X06C, X33Z				
23		Z01A	23	Z01A		23	Z01A				
Pre		A07A	Pre	A07A		Pre	A07A				
5n72a			BOP, KOP, KOPV, KVT, MVV, UOP4	5n731†			H41A, H41B, H41C	5n74a			BOP, KVT, UOP4
		06	G03A, G03B, G33Z, G38Z			5n732.0†	H41A, H41B, H41C			Pre	A06A, A07A, A09A, A16A, A16B
	07	H01A, H01B, H09A, H09B, H09C, H33Z, H38Z	5n732.1†		H41A, H41B, H41C	5n74b			BOP, KVT, UOP4		
	11	L33Z	5n732.2†		H41A, H41B, H41C		07		H01A, H01B, H09A, H09B, H09C, H38Z		
	21A	W04A, W04B	5n732.3†		H41A, H41B, H41C	Pre	A02Z, A06A, A07A, A09A, A16A				
	21B	X06A, X06B, X06C, X33Z	5n732.4†		H41A, H41B, H41C	5n74c			BOP, KVT, UOP4		
	23	Z01A	5n732.5†		H41A, H41B, H41C		Pre		A02Z, A06A, A07A, A09A, A16A, A16B		
	Pre	A07A	5n732.x†		H41A, H41B, H41C	5n74x			BOP, KOP, KOPV, KVT, UOP4		
	5n72b		BOP, KOP, KOPV, KVT, MVV, UOP4		5n733†		H41A, H41B, H41C		06	G10Z, G33Z, G38Z	
		06	G03A, G10Z, G12A, G12B, G33Z, G38Z		5n734†		H41A, H41B, H41C		07	H01A, H01B, H09A, H09B, H09C, H33Z, H38Z	
07		H01A, H01B, H09A, H09B, H09C, H33Z, H38Z	5n735†	H41A, H41B, H41C	11		L33Z				
11		L33Z	5n736†	H41A, H41B, H41C	21A		W04A, W04B				
21A		W04A, W04B	5n737†	H41A, H41B, H41C	21B		X06A, X06B, X06C, X33Z				
21B		X06A, X06B, X06C, X33Z	5n738†	H41A, H41B, H41C	23		Z01A				
23		Z01A	5n739†	H41A, H41B, H41C	Pre		A07A				
Pre		A07A	5n73a.0†	H41A, H41B, H41C	5n790.0			BOP, KOP, KOPV, KVT, UOP4			
5n72c			BOP, KOP, KOPV, KVT, MVV, UOP4	5n73a.1†			H41A, H41B, H41C	06	G10Z, G15Z, G19A, G19B, G33Z, G38Z		
		06	G03A, G10Z, G12A, G12B, G33Z, G38Z	5n73b.0†	H41A, H41B, H41C	07	H01A, H01B, H09A, H09B, H09C, H33Z, H38Z				
	07	H01A, H01B, H09A, H09B, H09C, H33Z, H38Z	5n73b.1†	H41A, H41B, H41C	11	L33Z					
	11	L33Z	5n73x†	H41A, H41B, H41C	21B	X06A, X06B, X06C					
	21A	W04A, W04B	5n740	BOP, KOP, KOPV, KVT, UOP4	23	Z01A					
	21B	X06A, X06B, X06C, X33Z	5n741		BOP, KOP, KOPV, KVT, UOP4	Pre	A07A				
	23	Z01A		06	G10Z, G33Z, G38Z	5n790.2		BOP, KOP, KOPV, KVT, UOP4			
	Pre	A07A		07	H01A, H01B, H09A, H09B, H09C, H33Z, H38Z		06	G10Z, G15Z, G19A, G19B, G33Z, G38Z			
	5n72d			BOP, KOP, KOPV, KVT, MVV, UOP4		G10Z, G33Z, G38Z	07	H01A, H01B, H09A, H09B, H09C, H33Z, H38Z			
		06		G03A, G10Z, G12A, G12B, G33Z, G38Z		H01A, H01B, H09A, H09B, H09C, H33Z, H38Z	11	L33Z			
07		H01A, H01B, H09A, H09B, H09C, H33Z, H38Z			L33Z	21B	X06A, X06B, X06C				
11		L33Z			W04A, W04B	23	Z01A				
21A		W04A, W04B			X06A, X06B, X06C, X33Z	Pre	A07A				
21B		X06A, X06B, X06C, X33Z			Z01A	5n790.2		BOP, KOP, KOPV, KVT, UOP4			
23		Z01A			A07A		06	G10Z, G15Z, G19A, G19B, G33Z, G38Z			
Pre		A07A		BOP, KOP, KOPV, KVT, UOP4	07		H01A, H01B, H09A, H09B, H09C, H33Z, H38Z				
				L33Z	11		L33Z				
					21B	X06A, X06B, X06C					
				23	Z01A						
				Pre	A07A						

ZZV	MDC	DRG	ZZV	MDC	DRG	ZZV	MDC	DRG
5n790.4		BOP, KOP, KOPV, KVT, UOP4	5n793.x		BOP, KOP, KOPV, KVT, UOP4	5n79a.x		BOP, KOP, KOPV, KVT, UOP4
	06	G10Z, G15Z, G19A, G19B, G33Z, G38Z		06	G10Z, G33Z, G38Z		06	G10Z, G33Z, G38Z
	07	H01A, H01B, H09A, H09B, H09C, H33Z, H38Z		07	H01A, H01B, H09A, H09B, H09C, H33Z, H38Z		07	H01A, H01B, H09A, H09B, H09C, H33Z, H38Z
	11	L33Z		10	K09A, K09B		11	L33Z
	21B	X06A, X06B, X06C		11	L33Z		21A	W04A, W04B
	23	Z01A		23	Z01A		21B	X06A, X06B, X06C
	Pre	A07A		Pre	A07A		23	Z01A
5n790.x		BOP, KOP, KOPV, KVT, UOP4	5n794.0		BOP, KOP, KOPV, KVT, UOP4	5n79b.0		BOP, KVT, UOP4
	06	G10Z, G15Z, G19A, G19B, G33Z, G38Z		06	G10Z, G33Z, G38Z		07	H05Z
	07	H01A, H01B, H09A, H09B, H09C, H33Z, H38Z		07	H01A, H01B, H09A, H09B, H09C, H33Z, H38Z		17	R01A, R01B, R01C, R01D, R02Z, R12A, R12B, R12C
	11	L33Z		10	K09A, K09B		21A	W04A, W04B
	21B	X06A, X06B, X06C		11	L33Z		21B	X06A, X06B, X06C
	23	Z01A		23	Z01A		5n79b.x	BOP, KVT, UOP4
	Pre	A07A		Pre	A07A			07
5n791.0		BOP, KOP, KOPV, KVT, UOP4	5n794.x		BOP, KOP, KOPV, KVT, UOP4	5n79c.0		BOP, KOP, KOPV, KVT, UOP4
	06	G10Z, G15Z, G19A, G19B, G33Z, G38Z		06	G10Z, G33Z, G38Z		06	G10Z, G12A, G12B, G33Z, G38Z
	07	H01A, H01B, H09A, H09B, H09C, H33Z, H38Z		07	H01A, H01B, H09A, H09B, H09C, H33Z, H38Z		07	H01A, H01B, H09A, H09B, H09C, H33Z, H38Z
	11	L33Z		10	K09A, K09B		10	K09A, K09B
	21B	X06A, X06B, X06C		11	L33Z		11	L33Z
	23	Z01A		23	Z01A		17	R01A, R01B, R01C, R01D, R02Z, R12A, R12B, R12C
	Pre	A07A		Pre	A07A		21A	W04A, W04B
5n791.x		BOP, KOP, KOPV, KVT, UOP4	5n795.0		BOP, KOP, KOPV, KVT, UOP4	5n79c.x		BOP, KOP, KOPV, KVT, UOP4
	06	G10Z, G15Z, G19A, G19B, G33Z, G38Z		06	G10Z, G12A, G12B, G33Z, G38Z		06	G10Z, G12A, G12B, G33Z, G38Z
	07	H01A, H01B, H09A, H09B, H09C, H33Z, H38Z		07	H01A, H01B, H09A, H09B, H09C, H33Z, H38Z		07	H01A, H01B, H09A, H09B, H09C, H33Z, H38Z
	11	L33Z		11	L33Z		10	K09A, K09B
	21B	X06A, X06B, X06C		17	R01A, R01B, R01C, R01D, R02Z, R12A, R12B, R12C		11	L33Z
	23	Z01A		21A	W04A, W04B		17	R01A, R01B, R01C, R01D, R02Z, R12A, R12B, R12C
	Pre	A07A		21B	X06A, X06B, X06C		21A	W04A, W04B
5n792.0		BOP, KOP, KOPV, KVT, UOP4	5n795.x		BOP, KOP, KOPV, KVT, UOP4	5n79d.0		BOP, KOP, KOPV, KVT, UOP4
	06	G10Z, G33Z, G38Z		06	G10Z, G12A, G12B, G33Z, G38Z		06	G10Z, G12A, G12B, G33Z, G38Z
	07	H01A, H01B, H09A, H09B, H09C, H33Z, H38Z		07	H01A, H01B, H09A, H09B, H09C, H33Z, H38Z		07	H01A, H01B, H09A, H09B, H09C, H33Z, H38Z
	11	L33Z		11	L33Z		10	K09A, K09B
	23	Z01A		17	R01A, R01B, R01C, R01D, R02Z, R12A, R12B, R12C		11	L33Z
	Pre	A07A		21A	W04A, W04B		17	R01A, R01B, R01C, R01D, R02Z, R12A, R12B, R12C
	5n792.x			BOP, KOP, KOPV, KVT, UOP4	5n79a.0			BOP, KOP, KOPV, KVT, UOP4
06		G10Z, G33Z, G38Z	06	G10Z, G33Z, G38Z		06	G10Z, G12A, G12B, G33Z, G38Z	
07		H01A, H01B, H09A, H09B, H09C, H33Z, H38Z	07	H01A, H01B, H09A, H09B, H09C, H33Z, H38Z		07	H01A, H01B, H09A, H09B, H09C, H33Z, H38Z	
11		L33Z	11	L33Z		10	K09A, K09B	
23		Z01A	21A	W04A, W04B		11	L33Z	
Pre		A07A	21B	X06A, X06B, X06C		17	R01A, R01B, R01C, R01D, R02Z, R12A, R12B, R12C	
5n793.0			BOP, KOP, KOPV, KVT, UOP4	5n79a.0			BOP, KOP, KOPV, KVT, UOP4	5n79d.0
	06	G10Z, G33Z, G38Z	06		G10Z, G33Z, G38Z	06	G10Z, G12A, G12B, G33Z, G38Z	
	07	H01A, H01B, H09A, H09B, H09C, H33Z, H38Z	07		H01A, H01B, H09A, H09B, H09C, H33Z, H38Z	07	H01A, H01B, H09A, H09B, H09C, H33Z, H38Z	
	10	K09A, K09B	11		L33Z	10	K09A, K09B	
	11	L33Z	21A		W04A, W04B	11	L33Z	
	23	Z01A	21B		X06A, X06B, X06C	17	R01A, R01B, R01C, R01D, R02Z, R12A, R12B, R12C	
	Pre	A07A	23		Z01A	21A	W04A, W04B	

VYK

ZZV	MDC	DRG	ZZV	MDC	DRG	ZZV	MDC	DRG
5n79d.x		BOP, KOP, KOPV, KVT, UOP4	5n79j.0		BOP, KOP, KOPV, KVT, UOP4	5n79m.2		BOP, KOP, KOPV, KVT, UOP4
	06	G10Z, G12A, G12B, G33Z, G38Z		06	G10Z, G12A, G12B, G33Z, G38Z		06	G10Z, G12A, G12B, G33Z, G38Z
	07	H01A, H01B, H09A, H09B, H09C, H33Z, H38Z		07	H01A, H01B, H09A, H09B, H09C, H33Z, H38Z		07	H01A, H01B, H09A, H09B, H09C, H33Z, H38Z
	10	K09A, K09B		11	L33Z		10	K09A, K09B
	11	L33Z		17	R01A, R01B, R01C, R01D, R02Z, R12A, R12B, R12C		11	L33Z
	17	R01A, R01B, R01C, R01D, R02Z, R12A, R12B, R12C		21A	W04A, W04B		17	R01A, R01B, R01C, R01D, R02Z, R12A, R12B, R12C
	21A	W04A, W04B		21B	X06A, X06B, X06C		21A	W04A, W04B
	21B	X06A, X06B, X06C		23	Z01A		21B	X06A, X06B, X06C
	23	Z01A		Pre	A07A		23	Z01A
	Pre	A07A					Pre	A07A
5n79g.0		BOP, KOP, KOPV, KVT, UOP4	5n79j.x		BOP, KOP, KOPV, KVT, UOP4	5n79m.4		BOP, KOP, KOPV, KVT, UOP4
	06	G10Z, G12A, G12B, G33Z, G38Z		06	G10Z, G12A, G12B, G33Z, G38Z		06	G10Z, G12A, G12B, G33Z, G38Z
	07	H01A, H01B, H09A, H09B, H09C, H33Z, H38Z		07	H01A, H01B, H09A, H09B, H09C, H33Z, H38Z		07	H01A, H01B, H09A, H09B, H09C, H33Z, H38Z
	11	L33Z		11	L33Z		10	K09A, K09B
	17	R01A, R01B, R01C, R01D, R02Z, R12A, R12B, R12C		17	R01A, R01B, R01C, R01D, R02Z, R12A, R12B, R12C		11	L33Z
	21A	W04A, W04B		21A	W04A, W04B		17	R01A, R01B, R01C, R01D, R02Z, R12A, R12B, R12C
	21B	X06A, X06B, X06C		21B	X06A, X06B, X06C		21A	W04A, W04B
	23	Z01A		23	Z01A		21B	X06A, X06B, X06C
	Pre	A07A		Pre	A07A		23	Z01A
	Pre	A07A					Pre	A07A
5n79g.x		BOP, KOP, KOPV, KVT, UOP4	5n79k.0		BOP, KOP, KOPV, KVT, UOP4	5n79m.x		BOP, KOP, KOPV, KVT, UOP4
	06	G10Z, G12A, G12B, G33Z, G38Z		06	G10Z, G12A, G12B, G33Z, G38Z		06	G10Z, G12A, G12B, G33Z, G38Z
	07	H01A, H01B, H09A, H09B, H09C, H33Z, H38Z		07	H01A, H01B, H09A, H09B, H09C, H33Z, H38Z		07	H01A, H01B, H09A, H09B, H09C, H33Z, H38Z
	11	L33Z		11	L33Z		10	K09A, K09B
	17	R01A, R01B, R01C, R01D, R02Z, R12A, R12B, R12C		17	R01A, R01B, R01C, R01D, R02Z, R12A, R12B, R12C		11	L33Z
	21A	W04A, W04B		21A	W04A, W04B		17	R01A, R01B, R01C, R01D, R02Z, R12A, R12B, R12C
	21B	X06A, X06B, X06C		21B	X06A, X06B, X06C		21A	W04A, W04B
	23	Z01A		23	Z01A		21B	X06A, X06B, X06C
	Pre	A07A		Pre	A07A		23	Z01A
	Pre	A07A					Pre	A07A
5n79h.0		BOP, KOP, KOPV, KVT, UOP4	5n79k.x		BOP, KOP, KOPV, KVT, UOP4	5n79n.6†		G40Z, G46A, G46B, G46C, G47Z, G50Z
	06	G10Z, G12A, G12B, G33Z, G38Z		06	G10Z, G12A, G12B, G33Z, G38Z		07	H41A, H41B
	07	H01A, H01B, H09A, H09B, H09C, H33Z, H38Z		07	H01A, H01B, H09A, H09B, H09C, H33Z, H38Z		06	G40Z, G46A, G46B, G46C, G47Z, G50Z
	11	L33Z		11	L33Z		07	H41A, H41B, H41C
	17	R01A, R01B, R01C, R01D, R02Z, R12A, R12B, R12C		17	R01A, R01B, R01C, R01D, R02Z, R12A, R12B, R12C		06	G40Z, G46A, G46B, G46C, G47Z, G50Z
	21A	W04A, W04B		21A	W04A, W04B		07	H41A, H41B, H41C
	21B	X06A, X06B, X06C		21B	X06A, X06B, X06C		06	G40Z, G46A, G46B, G46C, G47Z, G50Z
	23	Z01A		23	Z01A		07	H41A, H41B, H41C
	Pre	A07A		Pre	A07A		06	BOP, KOP, KOPV, KVT, UOP4
	Pre	A07A					06	G10Z, G12A, G12B, G33Z, G38Z
5n79h.x		BOP, KOP, KOPV, KVT, UOP4	5n79m.0		BOP, KOP, KOPV, KVT, UOP4	5n79n.x†		G40Z, G46A, G46B, G46C, G47Z, G50Z
	06	G10Z, G12A, G12B, G33Z, G38Z		06	G10Z, G12A, G12B, G33Z, G38Z		07	H41A, H41B, H41C
	07	H01A, H01B, H09A, H09B, H09C, H33Z, H38Z		07	H01A, H01B, H09A, H09B, H09C, H33Z, H38Z		06	G40Z, G46A, G46B, G46C, G47Z, G50Z
	11	L33Z		10	K09A, K09B		07	H41A, H41B, H41C
	17	R01A, R01B, R01C, R01D, R02Z, R12A, R12B, R12C		11	L33Z		06	G40Z, G46A, G46B, G46C, G47Z, G50Z
	21A	W04A, W04B		17	R01A, R01B, R01C, R01D, R02Z, R12A, R12B, R12C		07	H41A, H41B, H41C
	21B	X06A, X06B, X06C		21A	W04A, W04B		06	BOP, KOP, KOPV, KVT, UOP4
	23	Z01A		21B	X06A, X06B, X06C		06	G10Z, G12A, G12B, G33Z, G38Z
	Pre	A07A		23	Z01A		07	H01A, H01B, H09A, H09B, H09C, H33Z, H38Z
	Pre	A07A		Pre	A07A		10	K09A, K09B
5n79h.0		BOP, KOP, KOPV, KVT, UOP4	5n79m.0		BOP, KOP, KOPV, KVT, UOP4	5n79p.†		G40Z, G46A, G46B, G46C, G47Z, G50Z
	06	G10Z, G12A, G12B, G33Z, G38Z		06	G10Z, G12A, G12B, G33Z, G38Z		07	H41A, H41B, H41C
	07	H01A, H01B, H09A, H09B, H09C, H33Z, H38Z		07	H01A, H01B, H09A, H09B, H09C, H33Z, H38Z		06	G40Z, G46A, G46B, G46C, G47Z, G50Z
	11	L33Z		10	K09A, K09B		07	H41A, H41B, H41C
	17	R01A, R01B, R01C, R01D, R02Z, R12A, R12B, R12C		11	L33Z		06	G40Z, G46A, G46B, G46C, G47Z, G50Z
	21A	W04A, W04B		17	R01A, R01B, R01C, R01D, R02Z, R12A, R12B, R12C		07	H41A, H41B, H41C
	21B	X06A, X06B, X06C		21A	W04A, W04B		06	BOP, KOP, KOPV, KVT, UOP4
	23	Z01A		21B	X06A, X06B, X06C		06	G10Z, G12A, G12B, G33Z, G38Z
	Pre	A07A		23	Z01A		07	H01A, H01B, H09A, H09B, H09C, H33Z, H38Z
	Pre	A07A		Pre	A07A		10	K09A, K09B
5n79h.x		BOP, KOP, KOPV, KVT, UOP4	5n79m.0		BOP, KOP, KOPV, KVT, UOP4	5n79x.0		BOP, KOP, KOPV, KVT, UOP4
	06	G10Z, G12A, G12B, G33Z, G38Z		06	G10Z, G12A, G12B, G33Z, G38Z		06	G10Z, G12A, G12B, G33Z, G38Z
	07	H01A, H01B, H09A, H09B, H09C, H33Z, H38Z		07	H01A, H01B, H09A, H09B, H09C, H33Z, H38Z		07	H01A, H01B, H09A, H09B, H09C, H33Z, H38Z
	11	L33Z		10	K09A, K09B		10	K09A, K09B
	17	R01A, R01B, R01C, R01D, R02Z, R12A, R12B, R12C		11	L33Z		17	R01A, R01B, R01C, R01D, R02Z, R12A, R12B, R12C
	21A	W04A, W04B		17	R01A, R01B, R01C, R01D, R02Z, R12A, R12B, R12C		21A	W04A, W04B
	21B	X06A, X06B, X06C		21A	W04A, W04B		21B	X06A, X06B, X06C
	23	Z01A		21B	X06A, X06B, X06C		23	Z01A
	Pre	A07A		23	Z01A		Pre	A07A
	Pre	A07A		Pre	A07A			

VYK

ZZV	MDC	DRG	ZZV	MDC	DRG	ZZV	MDC	DRG							
5n79x.2		BOP, KOP, KOPV, KVT, UOP4	5n810.3↔		BOP, KVT, UOP4	5n815.0↔		BOP, KVT, UOP4							
	06	G10Z, G12A, G12B, G33Z, G38Z		05	F21A, F21B		05	F21A, F21B							
	07	H01A, H01B, H09A, H09B, H09C, H33Z, H38Z		06	G09Z, G24Z, G25Z		06	G09Z, G24Z, G25Z							
	10	K09A, K09B		07	H06A, H06B, H06C		07	H06A, H06B, H06C							
	11	L33Z		12	M04A, M04B, M04C, M04D, M37Z, M38Z		12	M04A, M04B, M04C, M04D, M37Z, M38Z							
	17	R01A, R01B, R01C, R01D, R02Z, R12A, R12B, R12C		15	P60A, P60B, P60C, P66C, P67B, P67C		15	P60A, P60B, P60C, P66C, P67B, P67C							
	21A	W04A, W04B		5n810.x↔			BOP, KVT, UOP4	5n815.1↔		BOP, KVT, UOP4					
	21B	X06A, X06B, X06C			05		F21A, F21B		05	F21A, F21B					
	23	Z01A			06		G09Z, G24Z, G25Z		06	G09Z, G24Z, G25Z					
	Pre	A07A			07		H06A, H06B, H06C		07	H06A, H06B, H06C					
	5n79x.4				BOP, KOP, KOPV, KVT, UOP4		5n811↔			BOP, KVT, UOP4	5n816↔		BOP, KVT, UOP4		
		06			G10Z, G12A, G12B, G33Z, G38Z				05	F21A, F21B		05	F21A, F21B		
		07			H01A, H01B, H09A, H09B, H09C, H33Z, H38Z				06	G09Z, G24Z, G25Z		06	G09Z, G24Z, G25Z		
		10			K09A, K09B				07	H06A, H06B, H06C		07	H06A, H06B, H06C		
		11			L33Z				12	M04A, M04B, M04C, M04D, M37Z, M38Z		12	M04A, M04B, M04C, M04D, M37Z, M38Z		
		17			R01A, R01B, R01C, R01D, R02Z, R12A, R12B, R12C				15	P60A, P60B, P60C, P66C, P67B, P67C		15	P60A, P60B, P60C, P66C, P67B, P67C		
		21A			W04A, W04B				5n812↔			BOP, KVT, UOP4	5n817.0↔		BOP, KVT, UOP4
21B		X06A, X06B, X06C	05		F21A, F21B	05				F21A, F21B					
23		Z01A	06		G09Z, G24Z, G25Z	06				G09Z, G24Z, G25Z					
Pre		A07A	07		H06A, H06B, H06C	07				H06A, H06B, H06C					
5n79x.x			BOP, KOP, KOPV, KVT, UOP4		5n813.0↔					BOP, KVT, UOP4		5n817.1↔			BOP, KVT, UOP4
		06	G10Z, G12A, G12B, G33Z, G38Z			05				F21A, F21B				05	F21A, F21B
		07	H01A, H01B, H09A, H09B, H09C, H33Z, H38Z			06				G09Z, G24Z, G25Z				06	G09Z, G24Z, G25Z
		10	K09A, K09B	07		H06A, H06B, H06C		07		H06A, H06B, H06C					
		11	L33Z	12		M04A, M04B, M04C, M04D, M37Z, M38Z		12		M04A, M04B, M04C, M04D, M37Z, M38Z					
		17	R01A, R01B, R01C, R01D, R02Z, R12A, R12B, R12C	15		P60A, P60B, P60C, P66C, P67B, P67C		15		P60A, P60B, P60C, P66C, P67B, P67C					
		21A	W04A, W04B	5n813.1↔				BOP, KVT, UOP4		5n817.2↔					BOP, KVT, UOP4
	21B	X06A, X06B, X06C	05			F21A, F21B	05	F21A, F21B							
	23	Z01A	06			G09Z, G24Z, G25Z	06	G09Z, G24Z, G25Z							
	Pre	A07A	07			H06A, H06B, H06C	07	H06A, H06B, H06C							
	5n810.0↔		BOP, KVT, UOP4			5n813.2↔		BOP, KVT, UOP4			5n817.x↔				BOP, KVT, UOP4
		05	F21A, F21B				05	F21A, F21B						05	F21A, F21B
		06	G09Z, G24Z, G25Z				06	G09Z, G24Z, G25Z						06	G09Z, G24Z, G25Z
		07	H06A, H06B, H06C				07	H06A, H06B, H06C	07				H06A, H06B, H06C		
		12	M04A, M04B, M04C, M04D, M37Z, M38Z				12	M04A, M04B, M04C, M04D, M37Z, M38Z	12				M04A, M04B, M04C, M04D, M37Z, M38Z		
		15	P60A, P60B, P60C, P66C, P67B, P67C				15	P60A, P60B, P60C, P66C, P67B, P67C	15				P60A, P60B, P60C, P66C, P67B, P67C		
		5n810.1↔					BOP, KVT, UOP4	5n813.x↔					BOP, KVT, UOP4	5n818↔	
05			F21A, F21B		05		F21A, F21B		05			F21A, F21B			
06			G09Z, G24Z, G25Z		06		G09Z, G24Z, G25Z		06			G09Z, G24Z, G25Z			
07			H06A, H06B, H06C		07		H06A, H06B, H06C		07			H06A, H06B, H06C			
12			M04A, M04B, M04C, M04D, M37Z, M38Z		12		M04A, M04B, M04C, M04D, M37Z, M38Z		12			M04A, M04B, M04C, M04D, M37Z, M38Z			
15			P60A, P60B, P60C, P66C, P67B, P67C		15		P60A, P60B, P60C, P66C, P67B, P67C		15			P60A, P60B, P60C, P66C, P67B, P67C			
5n810.2↔					BOP, KVT, UOP4		5n814↔					BOP, KVT, UOP4	5n81x↔		
			05	F21A, F21B	05				F21A, F21B	05		F21A, F21B			
			06	G09Z, G24Z, G25Z	06				G09Z, G24Z, G25Z	06		G09Z, G24Z, G25Z			
			07	H06A, H06B, H06C	07				H06A, H06B, H06C	07		H06A, H06B, H06C			
			12	M04A, M04B, M04C, M04D, M37Z, M38Z	12				M04A, M04B, M04C, M04D, M37Z, M38Z	12		M04A, M04B, M04C, M04D, M37Z, M38Z			
	15		P60A, P60B, P60C, P66C, P67B, P67C	15	P60A, P60B, P60C, P66C, P67B, P67C	15			P60A, P60B, P60C, P66C, P67B, P67C						
				05	F21A, F21B										
				06	G09Z, G24Z, G25Z										
				07	H06A, H06B, H06C										
				12	M04A, M04B, M04C, M04D, M37Z, M38Z										
				15	P60A, P60B, P60C, P66C, P67B, P67C										
			05	F21A, F21B											
			06	G09Z, G24Z, G25Z											
			07	H06A, H06B, H06C											
			12	M04A, M04B, M04C, M04D, M37Z, M38Z											
			15	P60A, P60B, P60C, P66C, P67B, P67C											

ZZV	MDC	DRG	ZZV	MDC	DRG	ZZV	MDC	DRG
5n820↔		BOP, KVT, UOP4	5n830.2		BOP, KVT, UOP4	5n854.1		BOP, KVT, UOP4
	05	F21A, F21B		06	G24Z, G25Z		06	G08A, G08B, G25Z
	06	G09Z, G24Z, G25Z		21A	W04A, W04B		21A	W04A, W04B
	07	H06A, H06B, H06C		21B	X06A, X06B		21B	X06A, X06B, X06C
5n821↔		BOP, KVT, UOP4	5n830.3		BOP, KVT, UOP4	5n854.3		Y01Z, Y03A, Y03B
	05	F21A, F21B		06	G24Z, G25Z		06	BOP, KVT, UOP4
	06	G09Z, G24Z, G25Z		21A	W04A, W04B		06	G08A, G08B, G25Z
	07	H06A, H06B, H06C		21B	X06A, X06B		21A	W04A, W04B
5n822↔		BOP, KVT, UOP4	5n830.x		BOP, KVT, UOP4	5n854.4		X06A, X06B, X06C
	05	F21A, F21B		06	G24Z, G25Z		22	Y01Z, Y03A, Y03B
	06	G09Z, G24Z, G25Z		21A	W04A, W04B		06	BOP, KVT, UOP4
	07	H06A, H06B, H06C		21B	X06A, X06B		06	G08A, G08B, G25Z
5n823.0↔		BOP, KVT, UOP4	5n831		BOP, KVT, UOP4	5n854.x		W04A, W04B
	05	F21A, F21B		06	G24Z, G25Z		21A	W04A, W04B
	06	G09Z, G24Z, G25Z		21A	W04A, W04B		21B	X06A, X06B, X06C
	07	H06A, H06B, H06C		21B	X06A, X06B		22	Y01Z, Y03A, Y03B
5n823.1↔		BOP, KVT, UOP4	5n832		BOP, KVT, UOP4	5n855x		BOP, KVT, UOP4
	05	F21A, F21B		06	G24Z, G25Z		06	G24Z, G25Z
	06	G09Z, G24Z, G25Z		21A	W04A, W04B		21A	W04A, W04B
	07	H06A, H06B, H06C		21B	X06A, X06B		21B	X06A, X06B, X06C
5n823.2↔		BOP, KVT, UOP4	5n833.0		BOP, KVT, UOP4	5n860		Y01Z, Y03A, Y03B
	05	F21A, F21B		06	G24Z, G25Z		06	BOP, KVT, UOP4
	06	G09Z, G24Z, G25Z		21A	W04A, W04B		06	G01Z, G02Z, G24Z, G25Z, G38Z
	07	H06A, H06B, H06C		21B	X06A, X06B		21A	W04A, W04B
5n823.x↔		BOP, KVT, UOP4	5n833.1		BOP, KVT, UOP4	5n861		X06A, X06B, X06C
	05	F21A, F21B		06	G24Z, G25Z		Pre	A11A, A13A, A13B, A13D
	06	G09Z, G24Z, G25Z		21A	W04A, W04B		06	BOP, KVT, UOP4
	07	H06A, H06B, H06C		21B	X06A, X06B		06	G01Z, G02Z, G24Z, G25Z, G38Z
5n824↔		BOP, KVT, UOP4	5n833.2		BOP, KVT, UOP4	5n862		W04A, W04B
	05	F21A, F21B		06	G24Z, G25Z		21A	W04A, W04B
	06	G09Z, G24Z, G25Z		21A	W04A, W04B		21B	X06A, X06B, X06C
	07	H06A, H06B, H06C		21B	X06A, X06B		Pre	A11A, A13A, A13B, A13D
5n825↔		BOP, KVT, UOP4	5n833.x		BOP, KVT, UOP4	5n863		BOP, KVT, UOP4
	05	F21A, F21B		06	G24Z, G25Z		06	G01Z, G02Z, G08A, G08B, G25Z, G38Z
	06	G09Z, G24Z, G25Z		21A	W04A, W04B		21A	W04A, W04B
	07	H06A, H06B, H06C		21A	W04A, W04B		21B	X06A, X06B, X06C
5n826↔		BOP, KVT, UOP4	5n83x		BOP, KVT, UOP4	5n864		A11A, A13A, A13B, A13D
	05	F21A, F21B		06	G24Z, G25Z		06	BOP, KVT, UOP4
	06	G09Z, G24Z, G25Z		21A	W04A, W04B		06	G01Z, G02Z, G08A, G08B, G25Z, G38Z
	07	H06A, H06B, H06C		21B	X06A, X06B		21A	W04A, W04B
5n827.0↔		BOP, KVT, UOP4	5n840		BOP, KVT, UOP4	5n86x		X06A, X06B, X06C
	05	F21A, F21B		06	G24Z, G25Z		Pre	A11A, A13A, A13B, A13D
	06	G09Z, G24Z, G25Z		21A	W04A, W04B		06	BOP, KVT, UOP4
	07	H06A, H06B, H06C		21B	X06A, X06B		06	G01Z, G02Z, G24Z, G25Z, G38Z
5n827.1↔		BOP, KVT, UOP4	5n841		BOP, KVT, UOP4		21A	W04A, W04B
	05	F21A, F21B		06	G24Z, G25Z		21B	X06A, X06B, X06C
	06	G09Z, G24Z, G25Z		21A	W04A, W04B		Pre	A11A, A13A, A13B, A13D
	07	H06A, H06B, H06C		21B	X06A, X06B		06	BOP, KVT, UOP4
5n827.2↔		BOP, KVT, UOP4	5n842		BOP, KVT, UOP4	5n864		G01Z, G02Z, G08A, G08B, G25Z, G38Z
	05	F21A, F21B		06	G24Z, G25Z		21A	W04A, W04B
	06	G09Z, G24Z, G25Z		21A	W04A, W04B		21B	X06A, X06B, X06C
	07	H06A, H06B, H06C		21B	X06A, X06B		Pre	A11A, A13A, A13B, A13D
5n827.x↔		BOP, KVT, UOP4	5n843.0		BOP, KVT, UOP4	5n86x		BOP, KVT, UOP4
	05	F21A, F21B		06	G24Z, G25Z		06	G01Z, G02Z, G24Z, G25Z, G38Z
	06	G09Z, G24Z, G25Z		21A	W04A, W04B		21A	W04A, W04B
	07	H06A, H06B, H06C		21A	W04A, W04B		21B	X06A, X06B, X06C
5n828↔		BOP, KVT, UOP4	5n843.1		BOP, KVT, UOP4		Pre	A11A, A13A, A13B, A13D
	05	F21A, F21B		06	G24Z, G25Z		06	BOP, KVT, UOP4
	06	G09Z, G24Z, G25Z		21A	W04A, W04B		06	G01Z, G02Z, G24Z, G25Z, G38Z
	07	H06A, H06B, H06C		21A	W04A, W04B		21A	W04A, W04B
5n82x↔		BOP, KVT, UOP4	5n843.2		BOP, KVT, UOP4		21B	X06A, X06B, X06C
	05	F21A, F21B		06	G24Z, G25Z		Pre	A11A, A13A, A13B, A13D
	06	G09Z, G24Z, G25Z		21A	W04A, W04B		06	BOP, KVT, UOP4
	07	H06A, H06B, H06C		21B	X06A, X06B		06	G01Z, G02Z, G24Z, G25Z, G38Z
5n830.1		BOP, KVT, UOP4	5n843.x		BOP, KVT, UOP4		21A	W04A, W04B
	06	G24Z, G25Z		06	G24Z, G25Z		21B	X06A, X06B, X06C
	21A	W04A, W04B		21A	W04A, W04B		Pre	A11A, A13A, A13B, A13D
	21B	X06A, X06B		21B	X06A, X06B		06	G01Z, G02Z, G24Z, G25Z, G38Z
				21A	W04A, W04B		21A	W04A, W04B
				21B	X06A, X06B, X06C		21B	X06A, X06B, X06C
				22	Y01Z, Y03A, Y03B		Pre	A11A, A13A, A13B, A13D

VYK

ZZV	MDC	DRG	ZZV	MDC	DRG	ZZV	MDC	DRG
5n870		BOP, KOP, KOPV, KVT, UOP4	5n874.1		BOP, KOP, KOPV, KVT, UOP4	5n874.x		BOP, KOP, KOPV, KVT, UOP4
	04	E05A, E05B, E05C, E08A, E08B, E08C		04	E05A, E05B, E05C, E08A, E08B, E08C		04	E05A, E05B, E05C, E08A, E08B, E08C
	06	G01Z, G02Z, G15Z, G19A, G19B, G19C, G33Z, G38Z		06	G01Z, G02Z, G15Z, G19A, G19B, G19C, G33Z, G38Z		06	G01Z, G02Z, G15Z, G19A, G19B, G19C, G33Z, G38Z
	07	H33Z, H38Z		07	H33Z, H38Z		07	H33Z, H38Z
	11	L33Z		11	L33Z		11	L33Z
	21A	W04A, W04B		21A	W04A, W04B		21A	W04A, W04B
	21B	X06A, X06B, X06C		21B	X06A, X06B, X06C		21B	X06A, X06B, X06C
	23	Z01A		23	Z01A		23	Z01A
	Pre	A07A, A11A, A13A, A13B, A13D		Pre	A07A, A11A, A13A, A13B, A13D		Pre	A07A, A11A, A13A, A13B, A13D
	5n871			BOP, KOP, KOPV, KVT, UOP4	5n874.2			BOP, KOP, KOPV, KVT, UOP4
04		E05A, E05B, E05C, E08A, E08B, E08C	04	E05A, E05B, E05C, E08A, E08B, E08C		04	E05A, E05B, E05C, E08A, E08B, E08C	
06		G01Z, G02Z, G15Z, G19A, G19B, G19C, G33Z, G38Z	06	G01Z, G02Z, G15Z, G19A, G19B, G33Z, G38Z		06	G01Z, G02Z, G15Z, G19A, G19B, G33Z, G38Z	
07		H33Z, H38Z	07	H33Z, H38Z		07	H33Z, H38Z	
11		L33Z	11	L33Z		11	L33Z	
21A		W04A, W04B	21A	W04A, W04B		21A	W04A, W04B	
21B		X06A, X06B, X06C	21B	X06A, X06B, X06C		21B	X06A, X06B, X06C	
23		Z01A	23	Z01A		23	Z01A	
Pre		A07A, A11A, A13A, A13B, A13D	Pre	A07A, A11A, A13A, A13B, A13D		Pre	A07A, A11A, A13A, A13B, A13D	
5n872			BOP, KOP, KOPV, KVT, UOP4	5n874.3			BOP, KOP, KOPV, KVT, UOP4	5n876
	04	E05A, E05B, E05C, E08A, E08B, E08C	04		E05A, E05B, E05C, E08A, E08B, E08C	04	E05A, E05B, E05C, E08A, E08B, E08C	
	06	G01Z, G02Z, G15Z, G19A, G19B, G19C, G33Z, G38Z	06		G01Z, G02Z, G15Z, G19A, G19B, G33Z, G38Z	06	G01Z, G02Z, G15Z, G19A, G19B, G33Z, G38Z	
	07	H33Z, H38Z	07		H33Z, H38Z	07	H33Z, H38Z	
	11	L33Z	11		L33Z	11	L33Z	
	21A	W04A, W04B	21A		W04A, W04B	21A	W04A, W04B	
	21B	X06A, X06B, X06C	21B		X06A, X06B, X06C	21B	X06A, X06B, X06C	
	23	Z01A	23		Z01A	23	Z01A	
	Pre	A07A, A11A, A13A, A13B, A13D	Pre		A07A, A11A, A13A, A13B, A13D	Pre	A07A, A11A, A13A, A13B, A13D	
	5n873		BOP, KOP, KOPV, KVT, UOP4		5n874.4		BOP, KOP, KOPV, KVT, UOP4	
04		E05A, E05B, E05C, E08A, E08B, E08C	04	E05A, E05B, E05C, E08A, E08B, E08C		04	E05A, E05B, E05C, E08A, E08B, E08C	
06		G01Z, G02Z, G15Z, G19A, G19B, G19C, G33Z, G38Z	06	G01Z, G02Z, G15Z, G19A, G19B, G33Z, G38Z		06	G01Z, G02Z, G15Z, G19A, G19B, G33Z, G38Z	
07		H33Z, H38Z	07	H33Z, H38Z		07	H33Z, H38Z	
11		L33Z	11	L33Z		11	L33Z	
21A		W04A, W04B	21A	W04A, W04B		21A	W04A, W04B	
21B		X06A, X06B, X06C	21B	X06A, X06B, X06C		21B	X06A, X06B, X06C	
23		Z01A	23	Z01A		23	Z01A	
Pre		A07A, A11A, A13A, A13B, A13D	Pre	A07A, A11A, A13A, A13B, A13D		Pre	A07A, A11A, A13A, A13B, A13D	
5n874.0			BOP, KOP, KOPV, KVT, UOP4	5n874.5			BOP, KOP, KOPV, KVT, UOP4	5n878
	04	E05A, E05B, E05C, E08A, E08B, E08C	04		E05A, E05B, E05C, E08A, E08B, E08C	04	E05A, E05B, E05C, E08A, E08B, E08C	
	06	G01Z, G02Z, G15Z, G19A, G19B, G33Z, G38Z	06		G01Z, G02Z, G15Z, G19A, G19B, G33Z, G38Z	06	G01Z, G02Z, G15Z, G19A, G19B, G33Z, G38Z	
	07	H33Z, H38Z	07		H33Z, H38Z	07	H33Z, H38Z	
	11	L33Z	11		L33Z	11	L33Z	
	21A	W04A, W04B	21A		W04A, W04B	21A	W04A, W04B	
	21B	X06A, X06B, X06C	21B		X06A, X06B, X06C	21B	X06A, X06B, X06C	
	23	Z01A	23		Z01A	23	Z01A	
	Pre	A07A, A11A, A13A, A13B, A13D	Pre		A07A, A11A, A13A, A13B, A13D	Pre	A07A, A11A, A13A, A13B, A13D	

VYK





ZZV	MDC	DRG	ZZV	MDC	DRG	ZZV	MDC	DRG									
5n914		BOP, KVT, UOP4	5n920.1		BOP, UOP4	5n92b		BOP, KVT, UOP4									
	05	F13A, F21A, F21B		06	G10Z, G12A, G12B, G12C		06	G10Z, G12A, G12B									
	06	G10Z, G12A, G12B		07	H06A, H06B, H06C		07	H06A, H06B, H06C									
	07	H05Z		09	J03A, J03B, J04A, J04B, J08A, J08B, J08C, J11A, J11B, J16Z		10	K09A, K09B									
	09	J03A, J03B, J04A, J04B, J08A, J08B, J08C, J11A, J11B, J16Z		10	K09A, K09B		11	L09A, L38Z									
	10	K09A, K09B		21A	W04A, W04B		17	R01A, R01B, R01C, R01D, R02Z, R12A, R12B, R12C									
	11	L09A, L09B, L09C, L09D, L38Z		21B	X06A, X06B		23	Z01A									
	12	M01A, M01B, M38Z		5n920.2			BOP, KVT, UOP4	5n92c		BOP, KVT, UOP4							
	13	N11A, N11B			06		G10Z, G12A, G12B		06	G10Z, G12A, G12B, G38Z							
	14	962Z, O02A, O02B, O04A			07		H06A, H06B, H06C		07	H06A, H06B, H06C							
	17	R01A, R01B, R01C, R01D, R02Z, R12A, R12B, R12C			10		K09A, K09B		10	K09A, K09B							
	21A	W04A, W04B			5n920.3				BOP, UOP4	11	L09A, L38Z						
	21B	X06A, X06B					06		G10Z, G12A, G12B	13	N01A, N01B, N01C, N01D, N01E, N11A, N38Z						
	22	Y01Z, Y03A, Y03B					07		H06A, H06B, H06C	17	R01A, R01B, R01C, R01D, R02Z, R12A, R12B, R12C						
	5n915						BOP, KVT, UOP4		5n920.x		BOP, UOP4	5n92d.0		BOP, KOP, KVT, UOP4			
		05					F13A			06	G10Z, G12A, G12B, G12C		06	G03B, G10Z, G12A, G12B, G18A, G38Z			
		06					G10Z, G12A, G12B			07	H06A, H06B, H06C		07	H06A, H06B, H06C			
		07					H06A, H06B, H06C			09	J03A, J03B, J04A, J04B, J08A, J08B, J08C, J11A, J11B, J16Z		10	K09A, K09B			
		09					J03A, J03B, J04A, J04B, J08A, J08B, J08C, J11A, J11B, J16Z			10	K09A, K09B		11	L09A, L38Z			
		10					K09A, K09B			10	K09A, K09B		13	N11A			
		11					L03Z, L04A, L04B, L04C, L10Z, L13A, L13B, L38Z			21A	W04A, W04B		17	R01A, R01B, R01C, R01D, R02Z, R12A, R12B, R12C			
		12					M06Z, M09A, M09B, M38Z			21B	X06A, X06B		5n92d.1		BOP, KOP, KVT, MVV, UOP4		
13		N11A, N11B	5n921				BOP, UOP4			06	G03B, G10Z, G12A, G12B, G18A, G38Z						
17		R01A, R01B, R01C, R01D, R02Z, R12A, R12B, R12C				06	G10Z, G12A, G12B, G12C			07	H06A, H06B, H06C						
21A		W04A, W04B				07	H06A, H06B, H06C			10	K09A, K09B						
21B		X06A, X06B				08	I27A, I27B, I27C, I27D			13	N11A						
5n916						BOP, KVT, UOP4	5n922				BOP, UOP4			5n92d.2		BOP, KOP, KVT, UOP4	
		05				F13A				06	G10Z, G12A, G12B, G12C				06	G03B, G10Z, G12A, G12B, G18A, G38Z	
		06				G10Z, G12A, G12B				08	I27A, I27B, I27C, I27D				07	H06A, H06B, H06C	
		07		H06A, H06B, H06C		09		J03A, J03B, J04A, J04B, J08A, J08B, J08C, J11A, J11B, J16Z		10	K09A, K09B						
		09		J03A, J03B, J04A, J04B, J08A, J08B, J08C, J11A, J11B, J16Z		21A		W04A, W04B		11	L09A, L38Z						
		10		K09A, K09B		21B		X06A, X06B, X06C		13	N11A						
		21A		W04A, W04B		5n923				BOP, UOP4	17				R01A, R01B, R01C, R01D, R02Z, R12A, R12B, R12C		
		21B		X06A, X06B	06			G10Z, G12A, G12B, G12C		5n92e					BOP, KVT, UOP4		
		5n91x			BOP, KVT, UOP4			5n929							BOP, UOP4	06	G10Z, G12A, G12B
				05	F13A, F21A, F21B						08				I27A, I27B, I27C, I27D	07	H06A, H06B, H06C
	06			G10Z, G12A, G12B	09				J03A, J03B, J04A, J04B, J08A, J08B, J08C, J11A, J11B, J16Z		10	K03A, K03B, K09A, K09B					
	07			H05Z	10				K09A, K09B		11	L09A, L38Z					
	09			J03A, J03B, J04A, J04B, J08A, J08B, J08C, J11A, J11B, J16Z	06				G10Z, G12A, G12B, G12C		13	N01A, N01B, N01C, N01D, N01E, N02A, N02B, N02C, N03A, N03B, N04Z, N14Z, N21Z, N38Z					
	10			K09A, K09B	08				I27A, I27B, I27C, I27D		17	R01A, R01B, R01C, R01D, R02Z, R12A, R12B, R12C					
	11			L09A, L09B, L09C, L09D, L38Z	09				J03A, J03B, J04A, J04B, J08A, J08B, J08C, J11A, J11B, J16Z		5n92x				BOP, KVT, UOP4		
	12			M01A, M01B, M38Z	10				K09A, K09B			06			G10Z, G12A, G12B		
	13			N11A, N11B	5n92a							BOP, UOP4			07	H06A, H06B, H06C	
	14			962Z, O02A, O02B					06			G10Z, G12A, G12B, G12C	10		K09A, K09B		
	17		R01A, R01B, R01C, R01D, R02Z, R12A, R12B, R12C	07					H06A, H06B, H06C			13	N11A, N11B				
	21A		W04A, W04B	09					J03A, J03B, J04A, J04B, J08A, J08B, J08C, J11A, J11B, J16Z			17	R01A, R01B, R01C, R01D, R02Z, R12A, R12B, R12C				
	21B		X06A, X06B	10					K09A, K09B								
	22		Y01Z, Y03A, Y03B	21A					W04A, W04B								
			21B	X06A, X06B, X06C													
				BOP, KVT, UOP4													
				G10Z, G12A, G12B													
				H06A, H06B, H06C													
				K09A, K09B													
				R01A, R01B, R01C, R01D, R02Z, R12A, R12B, R12C													

ZZV	MDC	DRG	ZZV	MDC	DRG	ZZV	MDC	DRG
5n930		BOP, UOP4	5n933		BOP, KVT, UOP4	5n991.2		BOP, KVT, UOP4
	06	G10Z, G12A, G12B		05	F13A		05	F13A
	07	H06A, H06B, H06C		06	G10Z, G12A, G12B, G18A, G38Z		06	G01Z, G02Z, G10Z, G12A, G12B, G38Z
	09	J03A, J03B, J04A, J04B, J08A, J08B, J08C, J11A, J11B, J16Z		07	H06A, H06B, H06C		07	H06A, H06B, H06C
	13	N11A, N11B		10	K09A, K09B		09	J03A, J03B, J04A, J04B, J08A, J08B, J08C, J11A, J11B, J16Z
	17	R01A, R01B, R01C, R01D, R02Z, R12A, R12B, R12C		11	L09A, L38Z		13	N11A, N11B
	21A	W04A, W04B		17	R01A, R01B, R01C, R01D, R02Z, R12A, R12B, R12C		14	O04A
	21B	X06A, X06B		21A	W04A, W04B		17	R01A, R01B, R01C, R01D, R02Z, R12A, R12B, R12C
	22	Y01Z, Y03A, Y03B		21B	X06A, X06B		21A	W04A, W04B
	5n931			BOP, KVT, UOP4	5n934.1			BOP, KVT, UOP4
06		G01Z, G02Z, G10Z, G12A, G12B, G38Z	06	G01Z, G02Z, G24Z, G25Z, G38Z		21A	W04A, W04B	
07		H06A, H06B, H06C	07	H06A, H06B, H06C		21B	X06A, X06B, X06C	
17		R01A, R01B, R01C, R01D, R02Z, R12A, R12B, R12C	08	I27A, I27B, I27C, I27D		22	Y01Z, Y03A, Y03B	
21A		W04A, W04B	09	J03A, J03B, J04A, J04B, J08A, J08B, J08C, J11A, J11B, J16Z		Pre	A11A, A13A, A13B, A13D	
21B		X06A, X06B	17	R01A, R01B, R01C, R01D, R02Z, R12A, R12B, R12C		05	F13A	
Pre		A11A, A13A, A13B, A13D	21A	W04A, W04B		06	G10Z, G12A, G12B	
		BOP, KVT, UOP4	21B	X06A, X06B		07	H06A, H06B, H06C	
06		G01Z, G02Z, G24Z, G25Z, G38Z	Pre	A11A, A13A, A13B, A13D		13	N11A, N11B	
5n932.1			BOP, KVT, UOP4	5n934.2			BOP, KVT, UOP4	5n993
	06	G01Z, G02Z, G24Z, G25Z, G38Z	06		G01Z, G02Z, G24Z, G25Z, G38Z	05	F21A, F21B	
	07	H06A, H06B, H06C	07		H06A, H06B, H06C	06	G10Z, G12A, G12B	
	08	I27A, I27B, I27C, I27D	08		I27A, I27B, I27C, I27D	07	H12A, H12B	
	09	J03A, J03B, J04A, J04B, J08A, J08B, J08C, J11A, J11B, J16Z	09		J03A, J03B, J04A, J04B, J08A, J08B, J08C, J11A, J11B, J16Z	11	L09A, L09B, L09C, L09D, L38Z	
	17	R01A, R01B, R01C, R01D, R02Z, R12A, R12B, R12C	17		R01A, R01B, R01C, R01D, R02Z, R12A, R12B, R12C	13	N11A, N11B	
	21A	W04A, W04B	21A		W04A, W04B	17	R01A, R01B, R01C, R01D, R02Z, R12A, R12B, R12C	
	21B	X06A, X06B	21B		X06A, X06B	21A	W04A, W04B	
	Pre	A11A, A13A, A13B, A13D	Pre		A11A, A13A, A13B, A13D	21B	X06A, X06B, X06C	
	5n932.2		BOP, KVT, UOP4		5n93x		BOP, KVT, UOP4	
06		G01Z, G02Z, G24Z, G25Z, G38Z	06	G24Z, G25Z		06	G10Z, G12A, G12B, G33Z	
07		H06A, H06B, H06C	07	H06A, H06B, H06C		07	H01A, H01B, H09A, H09B, H09C, H33Z, H38Z	
08		I27A, I27B, I27C, I27D	09	J03A, J03B, J04A, J04B, J08A, J08B, J08C, J11A, J11B, J16Z		11	L33Z	
09		J03A, J03B, J04A, J04B, J08A, J08B, J08C, J11A, J11B, J16Z	17	R01A, R01B, R01C, R01D, R02Z, R12A, R12B, R12C		17	R01A, R01B, R01C, R01D, R02Z, R12A, R12B, R12C	
17		R01A, R01B, R01C, R01D, R02Z, R12A, R12B, R12C	21A	W04A, W04B		23	Z01A	
21A		W04A, W04B	21B	X06A, X06B		Pre	A07A	
21B		X06A, X06B	Pre	A11A, A13A, A13B, A13D		05	F21A, F21B	
Pre		A11A, A13A, A13B, A13D	06	G01Z, G02Z, G24Z, G25Z, G38Z		06	G10Z, G12A, G12B	
5n932.x			BOP, KVT, UOP4	5n991.1			BOP, KVT, UOP4	5n995
	06	G01Z, G02Z, G24Z, G25Z, G38Z	05		F13A	05	F21A, F21B	
	07	H06A, H06B, H06C	06		G01Z, G02Z, G10Z, G12A, G12B, G38Z	06	G10Z, G12A, G12B	
	08	I27A, I27B, I27C, I27D	07		H06A, H06B, H06C	07	H06A, H06B, H06C	
	09	J03A, J03B, J04A, J04B, J08A, J08B, J08C, J11A, J11B, J16Z	09		J03A, J03B, J04A, J04B, J08A, J08B, J08C, J11A, J11B, J16Z	10	K09A, K09B	
	17	R01A, R01B, R01C, R01D, R02Z, R12A, R12B, R12C	13		N11A, N11B	11	L02A, L02B, L02C, L38Z	
	21A	W04A, W04B	14		O04A	17	R01A, R01B, R01C, R01D, R02Z, R12A, R12B, R12C	
	21B	X06A, X06B	17		R01A, R01B, R01C, R01D, R02Z, R12A, R12B, R12C	21A	W04A, W04B	
	Pre	A11A, A13A, A13B, A13D	21A		W04A, W04B	21B	X06A, X06B, X06C	
		BOP, KVT, UOP4	21B		X06A, X06B, X06C	BOP, KVT, UOP4	04	
5n933.x		BOP, KVT, UOP4	5n991.2		BOP, KVT, UOP4	5n996		BOP, KVT, UOP4
	06	G01Z, G02Z, G24Z, G25Z, G38Z		05	F13A		05	F21A, F21B
	07	H06A, H06B, H06C		06	G01Z, G02Z, G10Z, G12A, G12B, G38Z		06	G10Z, G12A, G12B
	08	I27A, I27B, I27C, I27D		07	H06A, H06B, H06C		07	H06A, H06B, H06C
	09	J03A, J03B, J04A, J04B, J08A, J08B, J08C, J11A, J11B, J16Z		09	J03A, J03B, J04A, J04B, J08A, J08B, J08C, J11A, J11B, J16Z		10	K09A, K09B
	17	R01A, R01B, R01C, R01D, R02Z, R12A, R12B, R12C		13	N11A, N11B		11	L02A, L02B, L02C, L38Z
	21A	W04A, W04B		14	O04A		17	R01A, R01B, R01C, R01D, R02Z, R12A, R12B, R12C
	21B	X06A, X06B		17	R01A, R01B, R01C, R01D, R02Z, R12A, R12B, R12C		21A	W04A, W04B
	Pre	A11A, A13A, A13B, A13D		21A	W04A, W04B		21B	X06A, X06B, X06C
		BOP, KVT, UOP4		21B	X06A, X06B, X06C		BOP, KVT, UOP4	05
	BOP, KVT, UOP4	22	Y01Z, Y03A, Y03B	06	G10Z, G12A, G12B			
	BOP, KVT, UOP4	Pre	A11A, A13A, A13B, A13D	07	H06A, H06B, H06C			
	BOP, KVT, UOP4			11	L02A, L02B, L02C, L38Z			
	BOP, KVT, UOP4			17	R01A, R01B, R01C, R01D, R02Z, R12A, R12B, R12C			
	BOP, KVT, UOP4			21A	W04A, W04B			
	BOP, KVT, UOP4			21B	X06A, X06B, X06C			

ZZV	MDC	DRG	ZZV	MDC	DRG	ZZV	MDC	DRG
5n997		BOP, KVT, UOP4	5o101.2↔		BOP, KVT, UOP4	5o104.4↔		BOP, KVT, UOP4
	05	F21A, F21B, F21C		11	L03Z, L04A, L04B, L04C, L10Z, L13A, L13B, L38Z		11	L03Z, L04A, L04B, L04C, L10Z, L13A, L13B, L38Z
	06	G10Z, G12A, G12B		21A	W01A, W01B, W01C, W02A, W02B, W04A, W04B		21A	W04A, W04B
	07	H06A, H06B, H06C		21B	X06A, X06B, X06C		21B	X06A, X06B, X06C
	11	L09A, L09B, L09C, L09D, L38Z		5o101.4↔			5o104.5↔	
	13	N11A, N11B		11	L03Z, L04A, L04B, L04C, L10Z, L13A, L13B, L38Z		11	L03Z, L04A, L04B, L04C, L10Z, L13A, L13B, L38Z
	17	R01A, R01B, R01C, R01D, R02Z, R12A, R12B, R12C		21A	W04A, W04B		21A	W04A, W04B
	21A	W04A, W04B		21B	X06A, X06B, X06C		21B	X06A, X06B, X06C
	21B	X06A, X06B, X06C		5o101.x↔			5o104.x↔	
	22	Y01Z, Y03A, Y03B		11	L03Z, L04A, L04B, L04C, L10Z, L13A, L13B, L38Z		11	L03Z, L04A, L04B, L04C, L10Z, L13A, L13B, L38Z
5n998		BOP, KVT, UOP4	5o102.1↔		BOP, KVT, UOP4	5o105.1↔		BOP, KVT, UOP4
	05	F21A, F21B		11	L03Z, L04A, L04B, L04C, L10Z, L13A, L13B, L38Z		11	L03Z, L04A, L04B, L04C, L10Z, L13A, L13B, L38Z
	06	G10Z, G12A, G12B		21A	W04A, W04B		21A	W04A, W04B
	07	H12A, H12B		21B	X06A, X06B, X06C		21B	X06A, X06B, X06C
	11	L09A, L09B, L09C, L09D, L38Z		5o102.2↔			5o105.2↔	
	13	N11A, N11B		11	L03Z, L04A, L04B, L04C, L10Z, L13A, L13B, L38Z		11	L03Z, L04A, L04B, L04C, L10Z, L13A, L13B, L38Z
	14	O04A		21A	W04A, W04B		21A	W04A, W04B
	17	R01A, R01B, R01C, R01D, R02Z, R12A, R12B, R12C		21B	X06A, X06B, X06C		21B	X06A, X06B, X06C
	21A	W04A, W04B		5o102.4↔			5o105.4↔	
	21B	X06A, X06B, X06C		11	L03Z, L04A, L04B, L04C, L10Z, L13A, L13B, L38Z		11	L03Z, L04A, L04B, L04C, L10Z, L13A, L13B, L38Z
5o100.1↔		BOP, KVT, UOP4	5o102.2↔		BOP, KVT, UOP4	5o105.4↔		BOP, KVT, UOP4
	08	I28A, I28B		11	L03Z, L04A, L04B, L04C, L10Z, L13A, L13B, L38Z		11	L03Z, L04A, L04B, L04C, L10Z, L13A, L13B, L38Z
	11	L03Z, L04A, L04B, L04C, L10Z, L13A, L13B, L38Z		21A	W04A, W04B		21A	W04A, W04B
	17	R01A, R01B, R01C, R01D, R02Z, R12A, R12B, R12C		21B	X06A, X06B, X06C		21B	X06A, X06B, X06C
	21A	W01A, W01B, W01C, W02A, W02B, W04A, W04B		5o102.x↔			5o105.5↔	
	21B	X06A, X06B, X06C		11	L03Z, L04A, L04B, L04C, L10Z, L13A, L13B, L38Z		11	L03Z, L04A, L04B, L04C, L10Z, L13A, L13B, L38Z
	5o100.2↔			21A	W04A, W04B		21A	W04A, W04B
	08	I28A, I28B		21B	X06A, X06B, X06C		21B	X06A, X06B, X06C
	11	L03Z, L04A, L04B, L04C, L10Z, L13A, L13B, L38Z		5o103.1↔			5o105.x↔	
	17	R01A, R01B, R01C, R01D, R02Z, R12A, R12B, R12C		11	L03Z, L04A, L04B, L04C, L10Z, L13A, L13B, L38Z		11	L03Z, L04A, L04B, L04C, L10Z, L13A, L13B, L38Z
5o100.4↔		BOP, KVT, UOP4	5o103.2↔		BOP, KVT, UOP4	5o106.1↔		BOP, KVT, UOP4
	08	I28A, I28B		11	L03Z, L04A, L04B, L04C, L10Z, L13A, L13B, L38Z		11	L03Z, L04A, L04B, L04C, L10Z, L13A, L13B, L38Z
	11	L03Z, L04A, L04B, L04C, L10Z, L13A, L13B, L38Z		21A	W04A, W04B		21A	W04A, W04B
	17	R01A, R01B, R01C, R01D, R02Z, R12A, R12B, R12C		21B	X06A, X06B, X06C		21B	X06A, X06B, X06C
	21A	W01A, W01B, W01C, W02A, W02B, W04A, W04B		5o103.4↔			5o106.2↔	
	21B	X06A, X06B, X06C		11	L03Z, L04A, L04B, L04C, L10Z, L13A, L13B, L38Z		11	L03Z, L04A, L04B, L04C, L10Z, L13A, L13B, L38Z
	5o100.x↔			21A	W04A, W04B		21A	W04A, W04B
	08	I28A, I28B		21B	X06A, X06B, X06C		21B	X06A, X06B, X06C
	11	L03Z, L04A, L04B, L04C, L10Z, L13A, L13B, L38Z		5o103.x↔			5o106.4↔	
	17	R01A, R01B, R01C, R01D, R02Z, R12A, R12B, R12C		11	L03Z, L04A, L04B, L04C, L10Z, L13A, L13B, L38Z		11	L03Z, L04A, L04B, L04C, L10Z, L13A, L13B, L38Z
5o101.1↔		BOP, KVT, UOP4	5o104.1↔		BOP, KVT, UOP4	5o106.5↔		BOP, KVT, UOP4
	08	I28A, I28B		11	L03Z, L04A, L04B, L04C, L10Z, L13A, L13B, L38Z		11	L03Z, L04A, L04B, L04C, L10Z, L13A, L13B, L38Z
	11	L03Z, L04A, L04B, L04C, L10Z, L13A, L13B, L38Z		21A	W04A, W04B		21A	W04A, W04B
	17	R01A, R01B, R01C, R01D, R02Z, R12A, R12B, R12C		21B	X06A, X06B, X06C		21B	X06A, X06B, X06C
	21A	W04A, W04B		5o104.2↔			5o107.1↔	
	21B	X06A, X06B, X06C		11	L03Z, L04A, L04B, L04C, L10Z, L13A, L13B, L38Z		11	L03Z, L04A, L04B, L04C, L10Z, L13A, L13B, L38Z
	5o101.x↔			21A	W04A, W04B		21A	W04A, W04B
	08	I28A, I28B		21B	X06A, X06B, X06C		21B	X06A, X06B, X06C
	11	L03Z, L04A, L04B, L04C, L10Z, L13A, L13B, L38Z		5o104.x↔			5o107.x↔	
	17	R01A, R01B, R01C, R01D, R02Z, R12A, R12B, R12C		11	L03Z, L04A, L04B, L04C, L10Z, L13A, L13B, L38Z		11	L03Z, L04A, L04B, L04C, L10Z, L13A, L13B, L38Z
5o101.4↔		BOP, KVT, UOP4	5o104.2↔		BOP, KVT, UOP4	5o107.1↔		BOP, KVT, UOP4
	05	F21A, F21B		11	L03Z, L04A, L04B, L04C, L10Z, L13A, L13B, L38Z		11	L03Z, L04A, L04B, L04C, L10Z, L13A, L13B, L38Z
	06	G10Z, G12A, G12B		21A	W04A, W04B		21A	W04A, W04B
	07	H12A, H12B		21B	X06A, X06B, X06C		21B	X06A, X06B, X06C
	11	L09A, L09B, L09C, L09D, L38Z		5o107.1↔			5o107.1↔	
	13	N11A, N11B		11	L03Z, L04A, L04B, L04C, L10Z, L13A, L13B, L38Z		11	L03Z, L04A, L04B, L04C, L10Z, L13A, L13B, L38Z
	14	O04A		21A	W04A, W04B		21A	W04A, W04B
	17	R01A, R01B, R01C, R01D, R02Z, R12A, R12B, R12C		21B	X06A, X06B, X06C		21B	X06A, X06B, X06C
	21A	W04A, W04B		5o107.1↔			5o107.1↔	
	21B	X06A, X06B, X06C		11	L03Z, L04A, L04B, L04C, L10Z, L13A, L13B, L38Z		11	L03Z, L04A, L04B, L04C, L10Z, L13A, L13B, L38Z

ZZV	MDC	DRG	ZZV	MDC	DRG	ZZV	MDC	DRG
5o107.2↔		BOP, KVT, UOP4	5o10a.x↔		BOP, KVT, UOP4	5o110.5↔		BOP, KVT, MVV, UOP4
	11	L03Z, L04A, L04B, L04C, L10Z, L13A, L13B, L38Z		11	L03Z, L09A, L09B, L09C, L09D, L10Z, L13A, L13B, L38Z	06		G10Z, G18A, G38Z
	21A	W04A, W04B		21A	W04A, W04B	07		H01A
5o107.4↔	21B	X06A, X06B, X06C		21B	X06A, X06B, X06C	11		L03Z, L04A, L04B, L04C, L10Z, L13A, L13B, L38Z
		BOP, KVT, UOP4	5o10x.1↔		BOP, KVT, UOP4	17		R01A, R01B, R01C, R01D, R02Z, R12A, R12B, R12C
	11	L03Z, L04A, L04B, L04C, L10Z, L13A, L13B, L38Z		11	L03Z, L04A, L04B, L04C, L10Z, L13A, L13B, L38Z	21A		W04A, W04B
	21A	W04A, W04B		21A	W04A, W04B	21B		X06A, X06B, X06C
	21B	X06A, X06B, X06C		21A	W04A, W04B	5o110.6↔		BOP, KVT, MVV, UOP4
5o107.x↔		BOP, KVT, UOP4		21B	X06A, X06B, X06C	06		G10Z, G18A, G38Z
	11	L03Z, L04A, L04B, L04C, L10Z, L13A, L13B, L38Z	5o10x.2↔		BOP, KVT, UOP4	07		H01A
	21A	W04A, W04B		11	L03Z, L04A, L04B, L04C, L10Z, L13A, L13B, L38Z	11		L03Z, L04A, L04B, L04C, L10Z, L13A, L13B, L38Z
	21B	X06A, X06B, X06C		21A	W04A, W04B	17		R01A, R01B, R01C, R01D, R02Z, R12A, R12B, R12C
5o108.1↔		BOP, KVT, UOP4		21B	X06A, X06B, X06C	21A		W04A, W04B
	11	L03Z, L04A, L04B, L04C, L10Z, L13A, L13B, L38Z	5o10x.4↔		BOP, KVT, UOP4	21B		X06A, X06B, X06C
	21A	W04A, W04B		11	L03Z, L04A, L04B, L04C, L10Z, L13A, L13B, L38Z	5o110.x↔		BOP, KVT, MVV, UOP4
	21B	X06A, X06B, X06C		21A	W04A, W04B	06		G10Z, G18A, G38Z
5o108.2↔		BOP, KVT, UOP4		21B	X06A, X06B, X06C	07		H01A
	11	L03Z, L04A, L04B, L04C, L10Z, L13A, L13B, L38Z	5o10x.x↔		BOP, KVT, UOP4	11		L03Z, L04A, L04B, L04C, L10Z, L13A, L13B, L38Z
	21A	W04A, W04B		11	L03Z, L04A, L04B, L04C, L10Z, L13A, L13B, L38Z	17		R01A, R01B, R01C, R01D, R02Z, R12A, R12B, R12C
	21B	X06A, X06B, X06C		21A	W04A, W04B	21A		W04A, W04B
5o108.4↔		BOP, KVT, UOP4		21B	X06A, X06B, X06C	21B		X06A, X06B, X06C
	11	L03Z, L04A, L04B, L04C, L10Z, L13A, L13B, L38Z	5o110.1↔		BOP, KOP, KVT, MVV, UOP4	5o111.1↔		BOP, KOP, KVT, MVV, UOP4
	21A	W04A, W04B		06	G10Z, G18A, G38Z	06		G10Z, G18A, G38Z
	21B	X06A, X06B, X06C		07	H01A	07		H01A
5o108.x↔		BOP, KVT, UOP4		11	L03Z, L04A, L04B, L04C, L10Z, L13A, L13B, L38Z	10		K03A, K03B
	11	L03Z, L04A, L04B, L04C, L10Z, L13A, L13B, L38Z		17	R01A, R01B, R01C, R01D, R02Z, R12A, R12B, R12C	11		L03Z, L04A, L04B, L04C, L10Z, L13A, L13B, L38Z
	21A	W04A, W04B		21A	W04A, W04B	17		R01A, R01B, R01C, R01D, R02Z, R12A, R12B, R12C
	21B	X06A, X06B, X06C		21B	X06A, X06B, X06C	21A		W04A, W04B
5o109.1↔		BOP, KVT, UOP4	5o110.2↔		BOP, KVT, MVV, UOP4	21B		X06A, X06B, X06C
	11	L03Z, L04A, L04B, L04C, L10Z, L13A, L13B, L38Z		06	G10Z, G18A, G38Z	5o111.2↔		BOP, KVT, MVV, UOP4
	21A	W04A, W04B		07	H01A	06		G10Z, G18A, G38Z
	21B	X06A, X06B, X06C		11	L03Z, L04A, L04B, L04C, L10Z, L13A, L13B, L38Z	07		H01A
5o109.2↔		BOP, KVT, UOP4		17	R01A, R01B, R01C, R01D, R02Z, R12A, R12B, R12C	11		L03Z, L04A, L04B, L04C, L10Z, L13A, L13B, L38Z
	11	L03Z, L04A, L04B, L04C, L10Z, L13A, L13B, L38Z		21A	W04A, W04B	17		R01A, R01B, R01C, R01D, R02Z, R12A, R12B, R12C
	21A	W04A, W04B		21B	X06A, X06B, X06C	21A		W04A, W04B
	21B	X06A, X06B, X06C	5o110.3↔		BOP, KOP, KVT, MVV, UOP4	21B		X06A, X06B, X06C
5o109.4↔		BOP, KVT, UOP4		06	G10Z, G18A, G38Z	5o111.4↔		BOP, KVT, MVV, UOP4
	11	L03Z, L04A, L04B, L04C, L10Z, L13A, L13B, L38Z		07	H01A	06		G10Z, G18A, G38Z
	21A	W04A, W04B		11	L03Z, L04A, L04B, L04C, L10Z, L13A, L13B, L38Z	07		H01A
	21B	X06A, X06B, X06C		17	R01A, R01B, R01C, R01D, R02Z, R12A, R12B, R12C	11		L03Z, L04A, L04B, L04C, L10Z, L13A, L13B, L38Z
5o109.x↔		BOP, KVT, UOP4		21A	W04A, W04B	17		R01A, R01B, R01C, R01D, R02Z, R12A, R12B, R12C
	11	L03Z, L04A, L04B, L04C, L10Z, L13A, L13B, L38Z		21B	X06A, X06B, X06C	21A		W04A, W04B
	21A	W04A, W04B	5o110.4↔		BOP, KVT, MVV, UOP4	21B		X06A, X06B, X06C
	21B	X06A, X06B, X06C		06	G10Z, G18A, G38Z	5o111.5↔		BOP, KVT, MVV, UOP4
5o10a.1↔		BOP, KVT, UOP4		07	H01A	06		G10Z, G18A, G38Z
	11	L03Z, L04A, L04B, L04C, L10Z, L13A, L13B, L38Z		11	L03Z, L04A, L04B, L04C, L10Z, L13A, L13B, L38Z	07		H01A
	21A	W04A, W04B		17	R01A, R01B, R01C, R01D, R02Z, R12A, R12B, R12C	11		L03Z, L04A, L04B, L04C, L10Z, L13A, L13B, L38Z
	21B	X06A, X06B, X06C		21A	W04A, W04B	17		R01A, R01B, R01C, R01D, R02Z, R12A, R12B, R12C
5o10a.2↔		BOP, KVT, UOP4		21B	X06A, X06B, X06C	21A		W04A, W04B
	11	L03Z, L04A, L04B, L04C, L10Z, L13A, L13B, L38Z		06	G10Z, G18A, G38Z	21B		X06A, X06B, X06C
	21A	W04A, W04B		07	H01A			
	21B	X06A, X06B, X06C		11	L03Z, L04A, L04B, L04C, L10Z, L13A, L13B, L38Z			
5o10a.4↔		BOP, KVT, UOP4		17	R01A, R01B, R01C, R01D, R02Z, R12A, R12B, R12C			
	11	L03Z, L04A, L04B, L04C, L10Z, L13A, L13B, L38Z		21A	W04A, W04B			
	21A	W04A, W04B		21B	X06A, X06B, X06C			
	21B	X06A, X06B, X06C						

VYK





ZZV	MDC	DRG	ZZV	MDC	DRG	ZZV	MDC	DRG
5o137±↔	11	L11Z, L18A, L18B, L38Z	5o154↔		BOP, KVT, UOP4	5o163.6±↔	11	L18A, L18B, L19Z, L20A, L20B, L20C, L38Z
5o138±↔	11	L11Z, L18A, L18B, L38Z		08	I28A, I28B	5o163.7±↔	11	L18A, L18B, L19Z, L20A, L20B, L20C, L38Z
5o139±↔	11	L19Z, L20A, L20B, L20C		11	L03Z, L04A, L04B, L04C, L10Z, L13A, L13B, L38Z	5o165.0↔		BOP, KVT, UOP4
5o13x±↔	11	L11Z, L18A, L18B, L38Z		17	R01A, R01B, R01C, R01D, R02Z, R12A, R12B, R12C		11	L03Z, L04A, L04B, L04C, L10Z, L13A, L13B, L38Z
5o140↔		BOP, KVT, UOP4		21A	W04A, W04B		21A	W04A, W04B
	Pre	A01B, A02Z, A06A, A07A, A09A, A11A, A13A, A17A, A17B		21B	X06A, X06B, X06C		21B	X06A, X06B, X06C
5o141↔		BOP, KVT, UOP4	5o155↔		BOP, KVT, UOP4	5o165.4↔		BOP, KVT, UOP4
	Pre	A01B, A02Z, A06A, A07A, A09A, A11A, A13A, A17A, A17B		08	I28A, I28B		11	L03Z, L04A, L04B, L04C, L10Z, L13A, L13B, L38Z
5o142↔		BOP, KVT, UOP4		11	L03Z, L04A, L04B, L04C, L10Z, L13A, L13B, L38Z		21A	W04A, W04B
	Pre	A01B, A02Z, A06A, A07A, A09A, A11A, A13A, A17A, A17B		17	R01A, R01B, R01C, R01D, R02Z, R12A, R12B, R12C		21B	X06A, X06B, X06C
5o143↔		BOP, KVT, UOP4	5o156↔		BOP, KVT, UOP4	5o166±↔	11	L18A, L18B, L19Z, L20A, L20B, L20C, L38Z
	11	L03Z, L04A, L04B, L04C, L10Z, L13A, L13B, L38Z		08	I28A, I28B	5o16x±↔	11	L18A, L18B, L19Z, L20A, L20B, L20C, L38Z
	21A	W04A, W04B		11	L03Z, L04A, L04B, L04C, L10Z, L13A, L13B, L38Z	5o190↔		BOP, KVT, UOP4
	21B	X06A, X06B, X06C		17	R01A, R01B, R01C, R01D, R02Z, R12A, R12B, R12C		11	L03Z, L04A, L04B, L04C, L10Z, L13A, L13B, L38Z
5o144↔		BOP, KVT, UOP4		21A	W04A, W04B		21A	W04A, W04B
	11	L03Z, L04A, L04B, L04C, L10Z, L13A, L13B, L38Z		21B	X06A, X06B, X06C	5o191.1↔		BOP, KVT, UOP4
	21A	W04A, W04B	5o157↔		BOP, KVT, UOP4		08	I28A, I28B
	21B	X06A, X06B, X06C		08	I28A, I28B		11	L03Z, L04A, L04B, L04C, L10Z, L13A, L13B, L38Z
5o145↔		BOP, KVT, UOP4		11	L03Z, L04A, L04B, L04C, L10Z, L13A, L13B, L38Z		17	R01A, R01B, R01C, R01D, R02Z, R12A, R12B, R12C
	Pre	A01B, A02Z, A06A, A07A, A09A, A11A, A13A, A17A, A17B		17	R01A, R01B, R01C, R01D, R02Z, R12A, R12B, R12C	5o191.2↔		BOP, KVT, UOP4
5o14x↔		BOP, KVT, UOP4		21A	W04A, W04B		08	I28A, I28B
	11	L03Z, L04A, L04B, L04C, L10Z, L13A, L13B, L38Z	5o158↔		BOP, KVT, UOP4		11	L03Z, L04A, L04B, L04C, L10Z, L13A, L13B, L38Z
	21A	W04A, W04B		08	I28A, I28B		17	R01A, R01B, R01C, R01D, R02Z, R12A, R12B, R12C
	21B	X06A, X06B, X06C		11	L03Z, L04A, L04B, L04C, L10Z, L13A, L13B, L38Z	5o191.3↔		BOP, KVT, UOP4
5o150↔		BOP, KVT, UOP4		17	R01A, R01B, R01C, R01D, R02Z, R12A, R12B, R12C		08	I28A, I28B
	08	I28A, I28B	5o15a±↔	11	L40Z		11	L03Z, L04A, L04B, L04C, L10Z, L13A, L13B, L38Z
	11	L03Z, L04A, L04B, L04C, L10Z, L13A, L13B, L38Z	5o15b±↔	11	L40Z		17	R01A, R01B, R01C, R01D, R02Z, R12A, R12B, R12C
	17	R01A, R01B, R01C, R01D, R02Z, R12A, R12B, R12C	5o15x↔		BOP, KVT, UOP4	5o191.4↔		BOP, KVT, UOP4
5o151↔		BOP, KVT, UOP4		11	L03Z, L04A, L04B, L04C, L10Z, L13A, L13B, L38Z		08	I28A, I28B
	11	L03Z, L04A, L04B, L04C, L10Z, L13A, L13B, L38Z		21A	W04A, W04B		11	L03Z, L04A, L04B, L04C, L10Z, L13A, L13B, L38Z
	21A	W04A, W04B	5o161↔		BOP, KVT, UOP4		17	R01A, R01B, R01C, R01D, R02Z, R12A, R12B, R12C
	21B	X06A, X06B, X06C		10	K03A, K03B, K14Z	5o191.x↔		BOP, KVT, UOP4
5o152↔		BOP, KVT, UOP4		21A	W04A, W04B		08	I28A, I28B
	08	I28A, I28B		21B	X06A, X06B, X06C		11	L03Z, L04A, L04B, L04C, L10Z, L13A, L13B, L38Z
	11	L03Z, L04A, L04B, L04C, L10Z, L13A, L13B, L38Z	5o162.1↔		BOP, KVT, UOP4		17	R01A, R01B, R01C, R01D, R02Z, R12A, R12B, R12C
	17	R01A, R01B, R01C, R01D, R02Z, R12A, R12B, R12C		11	L03Z, L04A, L04B, L04C, L10Z, L13A, L13B, L38Z	5o192.1↔		BOP, KVT, UOP4
	21A	W04A, W04B		21A	W04A, W04B		11	L03Z, L04A, L04B, L04C, L10Z, L13A, L13B, L38Z
	21B	X06A, X06B, X06C		21B	X06A, X06B, X06C		21A	W04A, W04B
5o153.1↔		BOP, KVT, UOP4	5o162.4↔		BOP, KVT, UOP4		21B	X06A, X06B, X06C
	08	I28A, I28B		11	L03Z, L04A, L04B, L04C, L10Z, L13A, L13B, L38Z	5o192.2↔		BOP, KVT, UOP4
	11	L03Z, L04A, L04B, L04C, L10Z, L13A, L13B, L38Z		21A	W04A, W04B		11	L03Z, L04A, L04B, L04C, L10Z, L13A, L13B, L38Z
	17	R01A, R01B, R01C, R01D, R02Z, R12A, R12B, R12C		21B	X06A, X06B, X06C		21A	W04A, W04B
	21A	W04A, W04B	5o162.6±↔	11	L20B, L40Z		21B	X06A, X06B, X06C
	21B	X06A, X06B, X06C	5o163.1↔		BOP, KVT, UOP4	5o192.4↔		BOP, KVT, UOP4
5o153.2↔		BOP, KVT, UOP4		11	L03Z, L04A, L04B, L04C, L10Z, L13A, L13B, L38Z		11	L03Z, L04A, L04B, L04C, L10Z, L13A, L13B, L38Z
	08	I28A, I28B		21A	W04A, W04B		21A	W04A, W04B
	11	L03Z, L04A, L04B, L04C, L10Z, L13A, L13B, L38Z	5o163.4↔		BOP, KVT, UOP4		21B	X06A, X06B, X06C
	17	R01A, R01B, R01C, R01D, R02Z, R12A, R12B, R12C		11	L03Z, L04A, L04B, L04C, L10Z, L13A, L13B, L38Z		21A	W04A, W04B
	21A	W04A, W04B		21A	W04A, W04B		21B	X06A, X06B, X06C
	21B	X06A, X06B, X06C		21B	X06A, X06B, X06C			

VYK



ZZV	MDC	DRG	ZZV	MDC	DRG	ZZV	MDC	DRG
5o192.x↔		BOP, KVT, UOP4	5o19x.3↔		BOP, KVT, UOP4	5o202.x↔		BOP, KVT, UOP4
	11	L03Z, L04A, L04B, L04C, L10Z, L13A, L13B, L38Z		11	L03Z, L04A, L04B, L04C, L10Z, L13A, L13B, L38Z		11	L03Z, L04A, L04B, L04C, L10Z, L13A, L13B, L38Z
	21A	W04A, W04B		21A	W04A, W04B		12	M06Z, M09A, M09B, M38Z
	21B	X06A, X06B, X06C		21B	X06A, X06B, X06C		13	N11A
5o193.1↔		BOP, KVT, UOP4	5o19x.4↔		BOP, KVT, UOP4		17	R01A, R01B, R01C, R01D, R02Z, R12A, R12B, R12C
	11	L03Z, L04A, L04B, L04C, L10Z, L13A, L13B, L38Z		11	L03Z, L04A, L04B, L04C, L10Z, L13A, L13B, L38Z		21A	W04A, W04B
	21A	W04A, W04B		21A	W04A, W04B		21B	X06A, X06B, X06C
	21B	X06A, X06B, X06C		21B	X06A, X06B, X06C	5o203.0↔		BOP, KVT, UOP4
5o193.2↔		BOP, KVT, UOP4	5o19x.x↔		BOP, KVT, UOP4		11	L03Z, L04A, L04B, L04C, L10Z, L13A, L13B, L38Z
	11	L03Z, L04A, L04B, L04C, L10Z, L13A, L13B, L38Z		11	L03Z, L04A, L04B, L04C, L10Z, L13A, L13B, L38Z		21A	W04A, W04B
	21A	W04A, W04B		21A	W04A, W04B		21B	X06A, X06B, X06C
	21B	X06A, X06B, X06C		21B	X06A, X06B, X06C	5o203.4↔		BOP, KVT, UOP4
5o193.4↔		BOP, KVT, UOP4	5o200.0↔		BOP, KVT, UOP4		11	L03Z, L04A, L04B, L04C, L10Z, L13A, L13B, L38Z
	11	L03Z, L04A, L04B, L04C, L10Z, L13A, L13B, L38Z		11	L03Z, L04A, L04B, L04C, L10Z, L13A, L13B, L38Z		21A	W04A, W04B
	21A	W04A, W04B		21A	W04A, W04B		21B	X06A, X06B, X06C
	21B	X06A, X06B, X06C		21B	X06A, X06B, X06C	5o203.x↔		BOP, KVT, UOP4
5o193.x↔		BOP, KVT, UOP4	5o200.4↔		BOP, KVT, UOP4		11	L03Z, L04A, L04B, L04C, L10Z, L13A, L13B, L38Z
	11	L03Z, L04A, L04B, L04C, L10Z, L13A, L13B, L38Z		11	L03Z, L04A, L04B, L04C, L10Z, L13A, L13B, L38Z		21A	W04A, W04B
	21A	W04A, W04B		21A	W04A, W04B		21B	X06A, X06B, X06C
	21B	X06A, X06B, X06C		21B	X06A, X06B, X06C	5o204.0↔		BOP, KVT, UOP4
5o194.1↔		BOP, KVT, UOP4	5o200.x↔		BOP, KVT, UOP4		11	L03Z, L04A, L04B, L04C, L10Z, L13A, L13B, L38Z
	11	L03Z, L04A, L04B, L04C, L10Z, L13A, L13B, L38Z		11	L03Z, L04A, L04B, L04C, L10Z, L13A, L13B, L38Z		21A	W04A, W04B
	21A	W04A, W04B		21A	W04A, W04B		21B	X06A, X06B, X06C
	21B	X06A, X06B, X06C		21B	X06A, X06B, X06C	5o204.4↔		BOP, KVT, UOP4
5o194.2↔		BOP, KVT, UOP4	5o201.0↔		BOP, KVT, UOP4		11	L03Z, L04A, L04B, L04C, L10Z, L13A, L13B, L38Z
	11	L03Z, L04A, L04B, L04C, L10Z, L13A, L13B, L38Z		11	L03Z, L04A, L04B, L04C, L10Z, L13A, L13B, L38Z		21A	W04A, W04B
	21A	W04A, W04B		21A	W04A, W04B		21B	X06A, X06B, X06C
	21B	X06A, X06B, X06C		21B	X06A, X06B, X06C	5o204.x↔		BOP, KVT, UOP4
5o194.3↔		BOP, KVT, UOP4	5o201.4↔		BOP, KVT, UOP4		11	L03Z, L04A, L04B, L04C, L10Z, L13A, L13B, L38Z
	11	L03Z, L04A, L04B, L04C, L10Z, L13A, L13B, L38Z		11	L03Z, L04A, L04B, L04C, L10Z, L13A, L13B, L38Z		21A	W04A, W04B
	21A	W04A, W04B		21A	W04A, W04B		21B	X06A, X06B, X06C
	21B	X06A, X06B, X06C		21B	X06A, X06B, X06C	5o205.0↔		BOP, KVT, UOP4
5o194.4↔		BOP, KVT, UOP4	5o201.x↔		BOP, KVT, UOP4		11	L03Z, L04A, L04B, L04C, L10Z, L13A, L13B, L38Z
	11	L03Z, L04A, L04B, L04C, L10Z, L13A, L13B, L38Z		11	L03Z, L04A, L04B, L04C, L10Z, L13A, L13B, L38Z		21A	W04A, W04B
	21A	W04A, W04B		21A	W04A, W04B		21B	X06A, X06B, X06C
	21B	X06A, X06B, X06C		21B	X06A, X06B, X06C	5o205.4↔		BOP, KVT, UOP4
5o194.x↔		BOP, KVT, UOP4	5o202.0↔		BOP, KVT, UOP4		11	L03Z, L04A, L04B, L04C, L10Z, L13A, L13B, L38Z
	11	L03Z, L04A, L04B, L04C, L10Z, L13A, L13B, L38Z		11	L03Z, L04A, L04B, L04C, L10Z, L13A, L13B, L38Z		13	N08Z
	21A	W04A, W04B		12	M06Z, M09A, M09B, M38Z		21A	W04A, W04B
	21B	X06A, X06B, X06C		13	N11A		21B	X06A, X06B, X06C
5o195↔		BOP, KVT, UOP4		17	R01A, R01B, R01C, R01D, R02Z, R12A, R12B, R12C	5o205.x↔		BOP, KVT, UOP4
	11	L03Z, L04A, L04B, L04C, L10Z, L13A, L13B, L38Z		21A	W04A, W04B		11	L03Z, L04A, L04B, L04C, L10Z, L13A, L13B, L38Z
	21A	W04A, W04B		21B	X06A, X06B, X06C		21A	W04A, W04B
	21B	X06A, X06B, X06C	5o202.4↔		BOP, KVT, UOP4		21B	X06A, X06B, X06C
5o196↔		BOP, KVT, UOP4		11	L03Z, L04A, L04B, L04C, L10Z, L13A, L13B, L38Z	5o206.0↔		BOP, KVT, UOP4
	09	J03A, J03B, J04A, J04B, J08A, J08B, J08C, J11A, J11B, J16Z		12	M06Z, M09A, M09B, M38Z		11	L03Z, L04A, L04B, L04C, L10Z, L13A, L13B, L38Z
				13	N08Z		12	M06Z, M09A, M09B, M38Z
5o19x.1↔		BOP, KVT, UOP4		17	R01A, R01B, R01C, R01D, R02Z, R12A, R12B, R12C		13	N11A
	11	L03Z, L04A, L04B, L04C, L10Z, L13A, L13B, L38Z		21A	W04A, W04B		17	R01A, R01B, R01C, R01D, R02Z, R12A, R12B, R12C
	21A	W04A, W04B		21B	X06A, X06B, X06C		21A	W04A, W04B
	21B	X06A, X06B, X06C					21B	X06A, X06B, X06C
5o19x.2↔		BOP, KVT, UOP4						
	11	L03Z, L04A, L04B, L04C, L10Z, L13A, L13B, L38Z						
	21A	W04A, W04B						
	21B	X06A, X06B, X06C						

VYK

ZZV	MDC	DRG	ZZV	MDC	DRG	ZZV	MDC	DRG	
5o206.4↔		BOP, KVT, UOP4	5o20a.4↔	06	G18A, G38Z	5o20x.x↔	11	L03Z, L04A, L04B, L04C, L10Z, L13A, L13B, L38Z	
	11	L03Z, L04A, L04B, L04C, L10Z, L13A, L13B, L38Z		11	L03Z, L04A, L04B, L04C, L10Z, L13A, L13B, L38Z		21A	W04A, W04B	
	12	M06Z, M09A, M09B, M38Z		21B	X06A, X06B, X06C		21B	X06A, X06B, X06C	
	13	N11A			BOP, KVT, UOP4		5o210.0	06	G18A, G38Z
	17	R01A, R01B, R01C, R01D, R02Z, R12A, R12B, R12C		06	G18A, G38Z		11	L02A, L02B, L02C, L03Z, L04A, L04B, L04C, L10Z, L33Z, L38Z	
	21A	W04A, W04B		11	L03Z, L04A, L04B, L04C, L10Z, L13A, L13B, L38Z		12	M37Z, M38Z	
5o206.x↔		BOP, KVT, UOP4	5o20a.x↔	21A	W04A, W04B	5o210.0	13	N01A, N01B, N01C, N01D, N01E, N34Z, N38Z	
	11	L03Z, L04A, L04B, L04C, L10Z, L13A, L13B, L38Z		21B	X06A, X06B, X06C		21A	W04A, W04B	
	12	M06Z, M09A, M09B, M38Z		06	G18A, G38Z		21B	X06A, X06B, X06C	
	13	N11A		11	L03Z, L04A, L04B, L04C, L10Z, L13A, L13B, L38Z		5o210.4	06	G18A, G38Z
	17	R01A, R01B, R01C, R01D, R02Z, R12A, R12B, R12C		11	L03Z, L04A, L04B, L04C, L10Z, L13A, L13B, L38Z		11	L02A, L02B, L02C, L03Z, L04A, L04B, L04C, L10Z, L33Z, L38Z	
	21A	W04A, W04B		21A	W04A, W04B		12	M37Z, M38Z	
5o207.0↔		BOP, KVT, UOP4	5o20b.0↔	21B	X06A, X06B, X06C	5o210.4	13	N01A, N01B, N01C, N01D, N01E, N34Z, N38Z	
	11	L03Z, L04A, L04B, L04C, L10Z, L13A, L13B, L38Z		06	G18A, G38Z		21A	W04A, W04B	
	13	N11A		11	L03Z, L04A, L04B, L04C, L10Z, L13A, L13B, L38Z		21B	X06A, X06B, X06C	
	21A	W04A, W04B		21A	W04A, W04B		5o210.x	06	G18A, G38Z
	21B	X06A, X06B, X06C		21B	X06A, X06B, X06C		11	L02A, L02B, L02C, L03Z, L04A, L04B, L04C, L10Z, L33Z, L38Z	
		BOP, KVT, UOP4		21B	X06A, X06B, X06C		12	M37Z, M38Z	
5o207.4↔		BOP, KVT, UOP4	5o20b.4↔		BOP, KVT, UOP4	5o210.x	13	N01A, N01B, N01C, N01D, N01E, N34Z, N38Z	
	11	L03Z, L04A, L04B, L04C, L10Z, L13A, L13B, L38Z		06	G18A, G38Z		21A	W04A, W04B	
	13	N11A		11	L03Z, L04A, L04B, L04C, L10Z, L13A, L13B, L38Z		21B	X06A, X06B, X06C	
	21A	W04A, W04B		11	L03Z, L04A, L04B, L04C, L10Z, L13A, L13B, L38Z		5o211.0	06	G18A, G38Z
	21B	X06A, X06B, X06C		21A	W04A, W04B		11	L02A, L02B, L02C, L03Z, L04A, L04B, L04C, L10Z, L33Z, L38Z	
		BOP, KVT, UOP4		21B	X06A, X06B, X06C		12	M37Z, M38Z	
5o207.x↔		BOP, KVT, UOP4	5o20b.x↔		BOP, KVT, UOP4	5o211.0	13	N01A, N01B, N01C, N01D, N01E, N34Z, N38Z	
	11	L03Z, L04A, L04B, L04C, L10Z, L13A, L13B, L38Z		06	G18A, G38Z		21A	W04A, W04B	
	13	N11A		11	L03Z, L04A, L04B, L04C, L10Z, L13A, L13B, L38Z		21B	X06A, X06B, X06C	
	21A	W04A, W04B		21A	W04A, W04B		5o211.4	06	G18A, G38Z
	21B	X06A, X06B, X06C		21B	X06A, X06B, X06C		11	L02A, L02B, L02C, L03Z, L04A, L04B, L04C, L10Z, L33Z, L38Z	
		BOP, KVT, UOP4		21B	X06A, X06B, X06C		12	M37Z, M38Z	
5o208↔		BOP, KVT, UOP4	5o20c.0↔		BOP, KVT, UOP4	5o211.0	13	N01A, N01B, N01C, N01D, N01E, N34Z, N38Z	
	11	L03Z, L04A, L04B, L04C, L10Z, L13A, L13B, L38Z		06	G18A, G38Z		21A	W04A, W04B	
	13	N11A		11	L03Z, L04A, L04B, L04C, L10Z, L13A, L13B, L38Z		21B	X06A, X06B, X06C	
	21A	W04A, W04B		21A	W04A, W04B		5o211.4	06	G18A, G38Z
	21B	X06A, X06B, X06C		21B	X06A, X06B, X06C		11	L02A, L02B, L02C, L03Z, L04A, L04B, L04C, L10Z, L33Z, L38Z	
		BOP, KVT, UOP4		21B	X06A, X06B, X06C		12	M37Z, M38Z	
5o209.0↔		BOP, KVT, UOP4	5o20d.0↔		BOP, KVT, UOP4	5o211.4	13	N01A, N01B, N01C, N01D, N01E, N34Z, N38Z	
	06	G18A, G38Z		06	G18A, G38Z		21A	W04A, W04B	
	11	L03Z, L04A, L04B, L04C, L10Z, L13A, L13B, L38Z		11	L03Z, L04A, L04B, L04C, L10Z, L13A, L13B, L38Z		21B	X06A, X06B, X06C	
	13	N11A		13	N11A		5o211.x	06	G18A, G38Z
	21A	W04A, W04B		21A	W04A, W04B		11	L02A, L02B, L02C, L03Z, L04A, L04B, L04C, L10Z, L33Z, L38Z	
	21B	X06A, X06B, X06C		21B	X06A, X06B, X06C		12	M37Z, M38Z	
5o209.4↔		BOP, KVT, UOP4	5o20d.4↔		BOP, KVT, UOP4	5o211.4	13	N01A, N01B, N01C, N01D, N01E, N34Z, N38Z	
	06	G18A, G38Z		06	G18A, G38Z		21A	W04A, W04B	
	11	L03Z, L04A, L04B, L04C, L10Z, L13A, L13B, L38Z		11	L03Z, L04A, L04B, L04C, L10Z, L13A, L13B, L38Z		21B	X06A, X06B, X06C	
	13	N11A		13	N11A		5o211.x	06	G18A, G38Z
	21A	W04A, W04B		21A	W04A, W04B		11	L02A, L02B, L02C, L03Z, L04A, L04B, L04C, L10Z, L33Z, L38Z	
	21B	X06A, X06B, X06C		21B	X06A, X06B, X06C		12	M37Z, M38Z	
5o209.4↔		BOP, KVT, UOP4	5o20d.x↔		BOP, KVT, UOP4	5o211.x	13	N01A, N01B, N01C, N01D, N01E, N34Z, N38Z	
	06	G18A, G38Z		06	G18A, G38Z		21A	W04A, W04B	
	11	L03Z, L04A, L04B, L04C, L10Z, L13A, L13B, L38Z		11	L03Z, L04A, L04B, L04C, L10Z, L13A, L13B, L38Z		21B	X06A, X06B, X06C	
	13	N11A		13	N11A		5o211.x	06	G18A, G38Z
	21A	W04A, W04B		21A	W04A, W04B		11	L02A, L02B, L02C, L03Z, L04A, L04B, L04C, L10Z, L33Z, L38Z	
	21B	X06A, X06B, X06C		21B	X06A, X06B, X06C		12	M37Z, M38Z	
5o209.x↔		BOP, KVT, UOP4	5o20x.0↔		BOP, KVT, UOP4	5o211.x	13	N01A, N01B, N01C, N01D, N01E, N34Z, N38Z	
	06	G18A, G38Z		11	L03Z, L04A, L04B, L04C, L10Z, L13A, L13B, L38Z		21A	W04A, W04B	
	11	L03Z, L04A, L04B, L04C, L10Z, L13A, L13B, L38Z		11	L03Z, L04A, L04B, L04C, L10Z, L13A, L13B, L38Z		21B	X06A, X06B, X06C	
	13	N11A		13	N11A		5o211.x	06	G18A, G38Z
	21A	W04A, W04B		21A	W04A, W04B		11	L02A, L02B, L02C, L03Z, L04A, L04B, L04C, L10Z, L33Z, L38Z	
	21B	X06A, X06B, X06C		21B	X06A, X06B, X06C		12	M37Z, M38Z	
5o20a.0↔		BOP, KVT, UOP4	5o20x.4↔		BOP, KVT, UOP4	5o211.x	13	N01A, N01B, N01C, N01D, N01E, N34Z, N38Z	
	06	G18A, G38Z		11	L03Z, L04A, L04B, L04C, L10Z, L13A, L13B, L38Z		21A	W04A, W04B	
	11	L03Z, L04A, L04B, L04C, L10Z, L13A, L13B, L38Z		11	L03Z, L04A, L04B, L04C, L10Z, L13A, L13B, L38Z		21B	X06A, X06B, X06C	
	13	N11A		13	N11A		5o211.x	06	G18A, G38Z
	21A	W04A, W04B		21A	W04A, W04B		11	L02A, L02B, L02C, L03Z, L04A, L04B, L04C, L10Z, L33Z, L38Z	
	21B	X06A, X06B, X06C		21B	X06A, X06B, X06C		12	M37Z, M38Z	





ZZV	MDC	DRG	ZZV	MDC	DRG	ZZV	MDC	DRG
5o221.0		BOP, KVT, MVV, UOP4	5o222.x		BOP, KVT, MVV, UOP4	5o224.4		BOP, KVT, MVV, UOP4
	06	G18A, G38Z		06	G18A, G38Z		06	G18A, G38Z
	11	L03Z, L04A, L04B, L04C, L10Z, L13A, L13B, L33Z, L38Z		11	L03Z, L04A, L04B, L04C, L10Z, L13A, L13B, L33Z, L38Z		11	L03Z, L04A, L04B, L04C, L10Z, L13A, L13B, L33Z, L38Z
	12	M06Z, M09A, M09B, M37Z, M38Z		12	M06Z, M09A, M09B, M37Z, M38Z		12	M06Z, M09A, M09B, M37Z, M38Z
	13	N01A, N01B, N01C, N01D, N01E, N11A, N11B, N34Z, N38Z		13	N01A, N01B, N01C, N01D, N01E, N11A, N11B, N34Z, N38Z		13	N01A, N01B, N01C, N01D, N01E, N11A, N11B, N34Z, N38Z
	17	R01A, R01B, R01C, R01D, R02Z, R12A, R12B, R12C		17	R01A, R01B, R01C, R01D, R02Z, R12A, R12B, R12C		17	R01A, R01B, R01C, R01D, R02Z, R12A, R12B, R12C
5o221.4	21A	W04A, W04B	5o223.0	21A	W04A, W04B	5o224.x	21A	W04A, W04B
	21B	X06A, X06B, X06C		21B	X06A, X06B, X06C		21B	X06A, X06B, X06C
		BOP, KVT, MVV, UOP4			BOP, KVT, MVV, UOP4			BOP, KVT, MVV, UOP4
	06	G18A, G38Z		06	G18A, G38Z		06	G18A, G38Z
	11	L03Z, L04A, L04B, L04C, L10Z, L13A, L13B, L33Z, L38Z		11	L03Z, L04A, L04B, L04C, L10Z, L13A, L13B, L33Z, L38Z		11	L03Z, L04A, L04B, L04C, L10Z, L13A, L13B, L33Z, L38Z
	12	M06Z, M09A, M09B, M37Z, M38Z		12	M06Z, M09A, M09B, M37Z, M38Z		12	M06Z, M09A, M09B, M37Z, M38Z
5o221.x	13	N01A, N01B, N01C, N01D, N01E, N08Z, N34Z, N38Z	5o223.4	13	N01A, N01B, N01C, N01D, N01E, N11A, N11B, N34Z, N38Z	5o225.0	13	N01A, N01B, N01C, N01D, N01E, N11A, N11B, N34Z, N38Z
	17	R01A, R01B, R01C, R01D, R02Z, R12A, R12B, R12C		17	R01A, R01B, R01C, R01D, R02Z, R12A, R12B, R12C		17	R01A, R01B, R01C, R01D, R02Z, R12A, R12B, R12C
	21A	W04A, W04B		21A	W04A, W04B		21A	W04A, W04B
	21B	X06A, X06B, X06C		21B	X06A, X06B, X06C		21B	X06A, X06B, X06C
		BOP, KVT, MVV, UOP4			BOP, KVT, MVV, UOP4			BOP, KVT, MVV, UOP4
	06	G18A, G38Z		06	G18A, G38Z		06	G18A, G38Z
5o222.0	11	L03Z, L04A, L04B, L04C, L10Z, L13A, L13B, L33Z, L38Z	5o223.x	11	L03Z, L04A, L04B, L04C, L10Z, L13A, L13B, L33Z, L38Z	5o225.4	11	L03Z, L04A, L04B, L04C, L10Z, L13A, L13B, L33Z, L38Z
	12	M06Z, M09A, M09B, M37Z, M38Z		12	M06Z, M09A, M09B, M37Z, M38Z		12	M37Z, M38Z
	13	N01A, N01B, N01C, N01D, N01E, N11A, N11B, N34Z, N38Z		13	N01A, N01B, N01C, N01D, N01E, N11A, N11B, N34Z, N38Z		13	N01A, N01B, N01C, N01D, N01E, N34Z, N38Z
	17	R01A, R01B, R01C, R01D, R02Z, R12A, R12B, R12C		17	R01A, R01B, R01C, R01D, R02Z, R12A, R12B, R12C		21A	W04A, W04B
	21A	W04A, W04B		21A	W04A, W04B		21B	X06A, X06B, X06C
	21B	X06A, X06B, X06C		21B	X06A, X06B, X06C			BOP, KVT, MVV, UOP4
5o222.4		BOP, KVT, MVV, UOP4	5o224.0		BOP, KVT, MVV, UOP4	5o225.x	06	G18A, G38Z
	06	G18A, G38Z		06	G18A, G38Z		11	L03Z, L04A, L04B, L04C, L10Z, L13A, L13B, L33Z, L38Z
	11	L03Z, L04A, L04B, L04C, L10Z, L13A, L13B, L33Z, L38Z		11	L03Z, L04A, L04B, L04C, L10Z, L13A, L13B, L33Z, L38Z		12	M37Z, M38Z
	12	M06Z, M09A, M09B, M37Z, M38Z		12	M06Z, M09A, M09B, M37Z, M38Z		13	N01A, N01B, N01C, N01D, N01E, N34Z, N38Z
	13	N01A, N01B, N01C, N01D, N01E, N11A, N11B, N34Z, N38Z		13	N01A, N01B, N01C, N01D, N01E, N11A, N11B, N34Z, N38Z		21A	W04A, W04B
	17	R01A, R01B, R01C, R01D, R02Z, R12A, R12B, R12C		17	R01A, R01B, R01C, R01D, R02Z, R12A, R12B, R12C		21B	X06A, X06B, X06C
5o222.x	21A	W04A, W04B	5o224.x	21A	W04A, W04B	5o22x.0	06	G18A, G38Z
	21B	X06A, X06B, X06C		21B	X06A, X06B, X06C		11	L03Z, L04A, L04B, L04C, L10Z, L13A, L13B, L33Z, L38Z
		BOP, KVT, MVV, UOP4			BOP, KVT, MVV, UOP4		12	M37Z, M38Z
	06	G18A, G38Z		06	G18A, G38Z		13	N01A, N01B, N01C, N01D, N01E, N34Z, N38Z
	11	L03Z, L04A, L04B, L04C, L10Z, L13A, L13B, L33Z, L38Z		11	L03Z, L04A, L04B, L04C, L10Z, L13A, L13B, L33Z, L38Z		21A	W04A, W04B
	12	M06Z, M09A, M09B, M37Z, M38Z		12	M06Z, M09A, M09B, M37Z, M38Z		21B	X06A, X06B, X06C
5o222.4	13	N01A, N01B, N01C, N01D, N01E, N11A, N11B, N34Z, N38Z	5o224.0	13	N01A, N01B, N01C, N01D, N01E, N11A, N11B, N34Z, N38Z	5o22x.0	06	G18A, G38Z
	17	R01A, R01B, R01C, R01D, R02Z, R12A, R12B, R12C		17	R01A, R01B, R01C, R01D, R02Z, R12A, R12B, R12C		11	L03Z, L04A, L04B, L04C, L10Z, L13A, L13B, L33Z, L38Z
	21A	W04A, W04B		21A	W04A, W04B		12	M37Z, M38Z
	21B	X06A, X06B, X06C		21B	X06A, X06B, X06C		13	N01A, N01B, N01C, N01D, N01E, N34Z, N38Z
		BOP, KVT, MVV, UOP4			BOP, KVT, MVV, UOP4		21A	W04A, W04B
	06	G18A, G38Z		06	G18A, G38Z		21B	X06A, X06B, X06C
5o222.4	11	L03Z, L04A, L04B, L04C, L10Z, L13A, L13B, L33Z, L38Z	5o224.0	11	L03Z, L04A, L04B, L04C, L10Z, L13A, L13B, L33Z, L38Z	5o22x.0	06	G18A, G38Z
	12	M06Z, M09A, M09B, M37Z, M38Z		12	M06Z, M09A, M09B, M37Z, M38Z		11	L03Z, L04A, L04B, L04C, L10Z, L13A, L13B, L33Z, L38Z
	13	N01A, N01B, N01C, N01D, N01E, N11A, N11B, N34Z, N38Z		13	N01A, N01B, N01C, N01D, N01E, N11A, N11B, N34Z, N38Z		12	M37Z, M38Z
	17	R01A, R01B, R01C, R01D, R02Z, R12A, R12B, R12C		17	R01A, R01B, R01C, R01D, R02Z, R12A, R12B, R12C		13	N01A, N01B, N01C, N01D, N01E, N34Z, N38Z
	21A	W04A, W04B		21A	W04A, W04B		21A	W04A, W04B
	21B	X06A, X06B, X06C		21B	X06A, X06B, X06C		21B	X06A, X06B, X06C

VYK

ZZV	MDC	DRG	ZZV	MDC	DRG	ZZV	MDC	DRG
5o22x.4		BOP, KVT, MVV, UOP4	5o231.1		BOP, KVT, UOP4	5o232.4		BOP, KVT, UOP4
	06	G18A, G38Z		06	G18A, G38Z		06	G18A, G38Z
	11	L03Z, L04A, L04B, L04C, L10Z, L13A, L13B, L33Z, L38Z		11	L03Z, L04A, L04B, L04C, L10Z, L13A, L13B, L33Z, L38Z		11	L03Z, L04A, L04B, L04C, L10Z, L13A, L13B, L33Z, L38Z
	12	M37Z, M38Z		12	M06Z, M09A, M09B, M38Z		12	M06Z, M09A, M09B, M38Z
	13	N01A, N01B, N01C, N01D, N01E, N34Z, N38Z		13	N11A		13	N11A, N11B
5o22x.x	21A	W04A, W04B	5o231.2	17	R01A, R01B, R01C, R01D, R02Z, R12A, R12B, R12C	5o232.x	17	R01A, R01B, R01C, R01D, R02Z, R12A, R12B, R12C
	21B	X06A, X06B, X06C		21A	W04A, W04B		21A	W04A, W04B
		BOP, KVT, MVV, UOP4		21B	X06A, X06B, X06C		21B	X06A, X06B, X06C
	06	G18A, G38Z			BOP, KVT, UOP4			BOP, KVT, UOP4
	11	L03Z, L04A, L04B, L04C, L10Z, L13A, L13B, L33Z, L38Z		06	G18A, G38Z		06	G18A, G38Z
5o230.1	12	M06Z, M09A, M09B, M38Z	5o231.4	11	L03Z, L04A, L04B, L04C, L10Z, L13A, L13B, L33Z, L38Z	5o233.1	11	L03Z, L04A, L04B, L04C, L10Z, L13A, L13B, L33Z, L38Z
	13	N11A		12	M06Z, M09A, M09B, M38Z		12	M06Z, M09A, M09B, M38Z
	17	R01A, R01B, R01C, R01D, R02Z, R12A, R12B, R12C		13	N08Z		13	N11A, N11B
	21A	W04A, W04B		17	R01A, R01B, R01C, R01D, R02Z, R12A, R12B, R12C		17	R01A, R01B, R01C, R01D, R02Z, R12A, R12B, R12C
	21B	X06A, X06B, X06C		21A	W04A, W04B		21A	W04A, W04B
5o230.2	21B	X06A, X06B, X06C	5o231.x	21B	X06A, X06B, X06C	5o233.2	21B	X06A, X06B, X06C
		BOP, KVT, UOP4			BOP, KVT, UOP4			BOP, KVT, UOP4
	06	G18A, G38Z		06	G18A, G38Z		06	G18A, G38Z
	11	L03Z, L04A, L04B, L04C, L10Z, L13A, L13B, L33Z, L38Z		11	L03Z, L04A, L04B, L04C, L10Z, L13A, L13B, L33Z, L38Z		11	L03Z, L04A, L04B, L04C, L10Z, L13A, L13B, L33Z, L38Z
	12	M06Z, M09A, M09B, M38Z		12	M06Z, M09A, M09B, M38Z		12	M06Z, M09A, M09B, M38Z
5o230.4	13	N11A	5o232.1	13	N11A	5o233.4	13	N11A, N11B
	17	R01A, R01B, R01C, R01D, R02Z, R12A, R12B, R12C		17	R01A, R01B, R01C, R01D, R02Z, R12A, R12B, R12C		17	R01A, R01B, R01C, R01D, R02Z, R12A, R12B, R12C
	21A	W04A, W04B		21A	W04A, W04B		21A	W04A, W04B
	21B	X06A, X06B, X06C		21B	X06A, X06B, X06C		21B	X06A, X06B, X06C
		BOP, KVT, UOP4			BOP, KVT, UOP4			BOP, KVT, UOP4
5o230.x	06	G18A, G38Z	5o232.2	06	G18A, G38Z	5o233.x	06	G18A, G38Z
	11	L03Z, L04A, L04B, L04C, L10Z, L13A, L13B, L33Z, L38Z		11	L03Z, L04A, L04B, L04C, L10Z, L13A, L13B, L33Z, L38Z		11	L03Z, L04A, L04B, L04C, L10Z, L13A, L13B, L33Z, L38Z
	12	M06Z, M09A, M09B, M38Z		12	M06Z, M09A, M09B, M38Z		12	M06Z, M09A, M09B, M38Z
	13	N11A		13	N11A, N11B		13	N11A, N11B
	17	R01A, R01B, R01C, R01D, R02Z, R12A, R12B, R12C		17	R01A, R01B, R01C, R01D, R02Z, R12A, R12B, R12C		17	R01A, R01B, R01C, R01D, R02Z, R12A, R12B, R12C
	BOP, KVT, UOP4		BOP, KVT, UOP4		BOP, KVT, UOP4			
21A	W04A, W04B	21A	W04A, W04B	21A	W04A, W04B			
21B	X06A, X06B, X06C	21B	X06A, X06B, X06C	21B	X06A, X06B, X06C			

ZZV	MDC	DRG	ZZV	MDC	DRG	ZZV	MDC	DRG						
5o234.1		BOP, KVT, UOP4	5o235.x		BOP, KVT, UOP4	5o250.0↔		BOP, KVT, UOP4						
	06	G18A, G38Z		06	G18A, G38Z		11	L03Z, L04A, L04B, L04C, L10Z, L13A, L13B, L33Z, L38Z						
	11	L03Z, L04A, L04B, L04C, L10Z, L13A, L13B, L33Z, L38Z		11	L03Z, L04A, L04B, L04C, L10Z, L13A, L13B, L33Z, L38Z		21A	W04A, W04B						
5o234.2	21A	W04A, W04B	5o23x.1	12	M06Z, M09A, M09B, M38Z	5o250.4↔	21B	X06A, X06B, X06C						
	21B	X06A, X06B, X06C		13	N11A		11	L03Z, L04A, L04B, L04C, L10Z, L13A, L13B, L33Z, L38Z						
	BOP, KVT, UOP4	17		R01A, R01B, R01C, R01D, R02Z, R12A, R12B, R12C	21A		W04A, W04B							
5o234.4	06	G18A, G38Z	5o23x.2	21B	X06A, X06B, X06C	5o251↔	11	L03Z, L04A, L04B, L04C, L10Z, L13A, L13B, L33Z, L38Z						
	11	L03Z, L04A, L04B, L04C, L10Z, L13A, L13B, L33Z, L38Z		06	G18A, G38Z		11	L18A, L18B, L19Z, L20A, L20B, L20C, L38Z						
	21A	W04A, W04B		11	L03Z, L04A, L04B, L04C, L10Z, L13A, L13B, L33Z, L38Z		21A	W04A, W04B						
5o234.x	21B	X06A, X06B, X06C	5o23x.4	11	L03Z, L04A, L04B, L04C, L10Z, L13A, L13B, L33Z, L38Z	5o252↔	21B	X06A, X06B, X06C						
	BOP, KVT, UOP4	06		G18A, G38Z	11		L18A, L18B, L19Z, L20A, L20B, L20C, L38Z							
	06	G18A, G38Z		11	L03Z, L04A, L04B, L04C, L10Z, L13A, L13B, L33Z, L38Z		21A	W04A, W04B						
5o235.1	11	L03Z, L04A, L04B, L04C, L10Z, L13A, L13B, L33Z, L38Z	5o23x.x	21A	W04A, W04B	5o253.6↔	21B	X06A, X06B, X06C						
	21A	W04A, W04B		06	G18A, G38Z		11	L18A, L18B, L19Z, L20A, L20B, L20C, L38Z						
	21B	X06A, X06B, X06C		11	L03Z, L04A, L04B, L04C, L10Z, L13A, L13B, L33Z, L38Z		21A	W04A, W04B						
5o235.2	BOP, KVT, UOP4	5o240.6†↔	5o240.a†↔	11	L40Z	5o253.a†↔	11	L11Z, L18A, L18B, L38Z						
	06								G18A, G38Z	5o254↔	11	L18A, L18B, L19Z, L20A, L20B, L20C, L38Z		
	11								L03Z, L04A, L04B, L04C, L10Z, L13A, L13B, L33Z, L38Z				21A	W04A, W04B
12	M06Z, M09A, M09B, M38Z	21B	X06A, X06B, X06C											
13	N11A			5o255↔	11	L18A, L18B, L19Z, L20A, L20B, L20C, L38Z								
17	R01A, R01B, R01C, R01D, R02Z, R12A, R12B, R12C						21A	W04A, W04B						
21A	W04A, W04B	21B	X06A, X06B, X06C											
21B	X06A, X06B, X06C			5o256.6↔	11	L18A, L18B, L19Z, L20A, L20B, L20C, L38Z								
BOP, KVT, UOP4	5o240.r†↔						11	L18A, L18B, L19Z, L20A, L20B, L20C, L38Z	21A	W04A, W04B				
06		G18A, G38Z	5o256.a†↔								11	L11Z, L18A, L18B, L38Z		
11		L03Z, L04A, L04B, L04C, L10Z, L13A, L13B, L33Z, L38Z		5o256.r†↔	11	L11Z, L18A, L18B, L38Z								
12	M06Z, M09A, M09B, M38Z	5o25x.a†↔					11	L40Z						
13	N11A		5o25x.r†↔						11	L40Z				
17	R01A, R01B, R01C, R01D, R02Z, R12A, R12B, R12C			5o260.1↔	11	BOP, KVT, UOP4								
21A	W04A, W04B	11					L03Z, L04A, L04B, L04C, L10Z, L13A, L13B, L38Z							
21B	X06A, X06B, X06C		12					M06Z, M09A, M09B, M38Z						
5o235.4	BOP, KVT, UOP4			5o243.a1†↔	11	L20A, L20B			13	N11A	21A	W04A, W04B		
	06	G18A, G38Z					5o243.a2†↔						11	L64A, L74Z
	11	L03Z, L04A, L04B, L04C, L10Z, L13A, L13B, L33Z, L38Z	5o243.r1†↔					11						
12	M06Z, M09A, M09B, M38Z	5o243.r2†↔		11	L64A, L74Z	12			M06Z, M09A, M09B, M38Z					
13	N08Z						5o244.a†↔			11	L64A, L74Z	13	N11A	
17	R01A, R01B, R01C, R01D, R02Z, R12A, R12B, R12C		5o244.r†↔					11						L64A, L74Z
21A	W04A, W04B	5o245.a†↔		11	L64A, L74Z	21B			X06A, X06B, X06C					
21B	X06A, X06B, X06C						5o245.r†↔			11	L64A, L74Z	11	L03Z, L04A, L04B, L04C, L10Z, L13A, L13B, L38Z	
5o246.1†↔	11		L20A, L20B					5o246.a1†↔						11
		5o246.a2†↔		11	L64A, L74Z	12			M06Z, M09A, M09B, M38Z					
							5o246.r1†↔			11	L20A, L20B	13	N08Z	
5o246.r2†↔	11		L64A, L74Z					21A						W04A, W04B
		5o247.a†↔		11	L64A, L74Z	21B			X06A, X06B, X06C					
							5o247.r†↔			11	L64A, L74Z	11	L03Z, L04A, L04B, L04C, L10Z, L13A, L13B, L38Z	
5o24x.a†↔	11		L64A, L74Z					12						M06Z, M09A, M09B, M38Z
		5o24x.r†↔		11	L64A, L74Z	13			N08Z					
							5o246.a2†↔			11	L64A, L74Z	21A	W04A, W04B	
5o246.r1†↔	11		L20A, L20B					21B						X06A, X06B, X06C
		5o246.r2†↔		11	L64A, L74Z	11			L03Z, L04A, L04B, L04C, L10Z, L13A, L13B, L38Z					
							5o247.a†↔			11	L64A, L74Z	12	M06Z, M09A, M09B, M38Z	
5o247.r†↔	11		L64A, L74Z					13						N08Z
		5o24x.a†↔		11	L64A, L74Z	21A			W04A, W04B					
							5o24x.r†↔			11	L64A, L74Z	21B	X06A, X06B, X06C	

VYK

ZZV	MDC	DRG	ZZV	MDC	DRG	ZZV	MDC	DRG
5o260.x↔		BOP, KVT, UOP4	5o26x.2↔		BOP, KVT, UOP4	5o280.1		BOP, KVT, UOP4
	11	L03Z, L04A, L04B, L04C, L10Z, L13A, L13B, L38Z		11	L03Z, L04A, L04B, L04C, L10Z, L13A, L13B, L38Z		06	G18A, G38Z
	12	M06Z, M09A, M09B, M38Z		21A	W04A, W04B		11	L03Z, L04A, L04B, L04C, L10Z, L13A, L13B, L33Z, L38Z
	13	N11A		21B	X06A, X06B, X06C		12	M06Z, M09A, M09B, M37Z, M38Z
	21A	W04A, W04B	5o26x.4↔		BOP, KVT, UOP4		13	N01A, N01B, N01C, N01D, N01E, N11A, N11B, N34Z, N38Z
	21B	X06A, X06B, X06C		11	L03Z, L04A, L04B, L04C, L10Z, L13A, L13B, L38Z		17	R01A, R01B, R01C, R01D, R02Z, R12A, R12B, R12C
5o261.1↔		BOP, KVT, UOP4		21A	W04A, W04B		21A	W04A, W04B
	11	L03Z, L04A, L04B, L04C, L10Z, L13A, L13B, L38Z		21B	X06A, X06B, X06C	5o281.0	21B	X06A, X06B, X06C
	21A	W04A, W04B	5o26x.x↔		BOP, KVT, UOP4			BOP, KVT, UOP4
	21B	X06A, X06B, X06C		11	L03Z, L04A, L04B, L04C, L10Z, L13A, L13B, L38Z		06	G18A, G38Z
5o261.2↔		BOP, KVT, UOP4		21A	W04A, W04B		11	L03Z, L04A, L04B, L04C, L10Z, L13A, L13B, L33Z, L38Z
	11	L03Z, L04A, L04B, L04C, L10Z, L13A, L13B, L38Z		21B	X06A, X06B, X06C		12	M06Z, M09A, M09B, M37Z, M38Z
	21A	W04A, W04B	5o270.0↔		BOP, KVT, UOP4		13	N01A, N01B, N01C, N01D, N01E, N11A, N11B, N34Z, N38Z
	21B	X06A, X06B, X06C		11	L03Z, L04A, L04B, L04C, L10Z, L13A, L13B, L38Z		17	R01A, R01B, R01C, R01D, R02Z, R12A, R12B, R12C
5o261.4↔		BOP, KVT, UOP4		21A	W04A, W04B		21A	W04A, W04B
	11	L03Z, L04A, L04B, L04C, L10Z, L13A, L13B, L38Z		21B	X06A, X06B, X06C	5o281.4	21B	X06A, X06B, X06C
	21A	W04A, W04B	5o270.2†↔		L18A, L18B, L19Z, L20A, L20B, L20C, L38Z			BOP, KVT, UOP4
	21B	X06A, X06B, X06C		11	L18A, L18B, L19Z, L20A, L20B, L20C, L38Z		06	G18A, G38Z
5o261.x↔		BOP, KVT, UOP4		12	M06Z, M09A, M09B, M38Z		11	L03Z, L04A, L04B, L04C, L10Z, L13A, L13B, L33Z, L38Z
	11	L03Z, L04A, L04B, L04C, L10Z, L13A, L13B, L38Z	5o270.t†↔		BOP, KVT, UOP4		12	M06Z, M09A, M09B, M37Z, M38Z
	21A	W04A, W04B		11	L18A, L18B, L19Z, L20A, L20B, L20C, L38Z		13	N01A, N01B, N01C, N01D, N01E, N08Z, N34Z, N38Z
	21B	X06A, X06B, X06C		12	M06Z, M09A, M09B, M38Z		17	R01A, R01B, R01C, R01D, R02Z, R12A, R12B, R12C
5o262.1↔		BOP, KVT, UOP4		11	L03Z, L04A, L04B, L04C, L10Z, L13A, L13B, L38Z		21A	W04A, W04B
	11	L03Z, L04A, L04B, L04C, L10Z, L13A, L13B, L38Z		12	M06Z, M09A, M09B, M38Z	5o282.0	21B	X06A, X06B, X06C
	21A	W04A, W04B		13	N11A			BOP, KVT, UOP4
	21B	X06A, X06B, X06C	5o271.2↔		BOP, KVT, UOP4		06	G18A, G38Z
5o262.2↔		BOP, KVT, UOP4		11	L18A, L18B, L19Z, L20A, L20B, L20C, L38Z		11	L03Z, L04A, L04B, L04C, L10Z, L13A, L13B, L33Z, L38Z
	11	L03Z, L04A, L04B, L04C, L10Z, L13A, L13B, L38Z		12	M06Z, M09A, M09B, M38Z		12	M06Z, M09A, M09B, M37Z, M38Z
	21A	W04A, W04B		11	L18A, L18B, L19Z, L20A, L20B, L20C, L38Z		13	N01A, N01B, N01C, N01D, N01E, N08Z, N34Z, N38Z
	21B	X06A, X06B, X06C	5o271.t↔		BOP, KVT, UOP4		17	R01A, R01B, R01C, R01D, R02Z, R12A, R12B, R12C
5o262.4↔		BOP, KVT, UOP4		12	M06Z, M09A, M09B, M38Z		21A	W04A, W04B
	11	L03Z, L04A, L04B, L04C, L10Z, L13A, L13B, L38Z		11	L64A, L74Z		21B	X06A, X06B, X06C
	21A	W04A, W04B	5o272.t†↔		L64A, L74Z			BOP, KVT, UOP4
	21B	X06A, X06B, X06C	5o273.t†↔		BOP, KVT, UOP4		06	G18A, G38Z
5o262.x↔		BOP, KVT, UOP4	5o274.4↔		L18A, L18B, L19Z, L20A, L20B, L20C, L38Z		11	L03Z, L04A, L04B, L04C, L10Z, L13A, L13B, L33Z, L38Z
	11	L03Z, L04A, L04B, L04C, L10Z, L13A, L13B, L38Z		12	M06Z, M09A, M09B, M38Z		12	M06Z, M09A, M09B, M37Z, M38Z
	21A	W04A, W04B		11	L64A, L74Z		13	N01A, N01B, N01C, N01D, N01E, N11A, N11B, N34Z, N38Z
	21B	X06A, X06B, X06C	5o27x.t†↔		BOP, KVT, UOP4		17	R01A, R01B, R01C, R01D, R02Z, R12A, R12B, R12C
5o263↔		BOP, KVT, UOP4	5o280.0		G18A, G38Z		21A	W04A, W04B
	11	L03Z, L04A, L04B, L04C, L10Z, L13A, L13B, L38Z		06	G18A, G38Z	5o282.4	21B	X06A, X06B, X06C
	21A	W04A, W04B		11	L03Z, L04A, L04B, L04C, L10Z, L13A, L13B, L33Z, L38Z			BOP, KVT, UOP4
	21B	X06A, X06B, X06C		12	M06Z, M09A, M09B, M37Z, M38Z		06	G18A, G38Z
5o264↔		BOP, KVT, UOP4		13	N01A, N01B, N01C, N01D, N01E, N11A, N11B, N34Z, N38Z		11	L03Z, L04A, L04B, L04C, L10Z, L13A, L13B, L33Z, L38Z
	11	L03Z, L04A, L04B, L04C, L10Z, L13A, L13B, L38Z		17	R01A, R01B, R01C, R01D, R02Z, R12A, R12B, R12C		12	M06Z, M09A, M09B, M37Z, M38Z
	21A	W04A, W04B		21A	W04A, W04B		13	N01A, N01B, N01C, N01D, N01E, N08Z, N34Z, N38Z
	21B	X06A, X06B, X06C		21B	X06A, X06B, X06C		17	R01A, R01B, R01C, R01D, R02Z, R12A, R12B, R12C
5o265↔		BOP, KVT, UOP4					21A	W04A, W04B
	11	L03Z, L04A, L04B, L04C, L10Z, L13A, L13B, L38Z					21B	X06A, X06B, X06C
	21A	W04A, W04B						
	21B	X06A, X06B, X06C						
5o26x.1↔		BOP, KVT, UOP4						
	11	L03Z, L04A, L04B, L04C, L10Z, L13A, L13B, L38Z						
	21A	W04A, W04B						
	21B	X06A, X06B, X06C						

VYK



ZZV	MDC	DRG	ZZV	MDC	DRG	ZZV	MDC	DRG
5o283		BOP, KVT, UOP4	5o292.t↔		BOP, KVT, UOP4	5o294.x↔		BOP, KVT, UOP4
	06	G18A, G38Z		11	L03Z, L04A, L04B, L04C, L10Z, L13A, L13B, L38Z		11	L03Z, L04A, L04B, L04C, L10Z, L13A, L13B, L38Z
	11	L03Z, L04A, L04B, L04C, L10Z, L13A, L13B, L33Z, L38Z		21A	W04A, W04B		12	M06Z, M09A, M09B, M38Z
	12	M37Z, M38Z		21B	X06A, X06B, X06C		13	N11A, N11B
	13	N01A, N01B, N01C, N01D, N01E, N34Z, N38Z		5o292.x↔			17	R01A, R01B, R01C, R01D, R02Z, R12A, R12B, R12C
5o284	21A	W04A, W04B	5o293.0↔	11	L03Z, L04A, L04B, L04C, L10Z, L13A, L13B, L38Z	5o295.0↔	21A	W04A, W04B
	21B	X06A, X06B, X06C		12	M06Z, M09A, M09B, M38Z		21B	X06A, X06B, X06C
		BOP, KVT, UOP4		13	N01A, N01B, N01C, N01D, N01E, N02A, N02B, N02C, N03A, N03B, N04Z, N14Z, N21Z, N38Z		11	L03Z, L04A, L04B, L04C, L10Z, L13A, L13B, L38Z
	06	G18A, G38Z		17	R01A, R01B, R01C, R01D, R02Z, R12A, R12B, R12C		12	M06Z, M09A, M09B, M38Z
	11	L03Z, L04A, L04B, L04C, L10Z, L13A, L13B, L33Z, L38Z		21A	W04A, W04B		13	N01A, N01B, N01C, N01D, N01E, N02A, N02B, N02C, N03A, N03B, N04Z, N14Z, N21Z, N38Z
5o28x	21B	X06A, X06B, X06C	5o293.4↔	21B	X06A, X06B, X06C	5o295.4↔	17	R01A, R01B, R01C, R01D, R02Z, R12A, R12B, R12C
		BOP, KVT, UOP4		11	L03Z, L04A, L04B, L04C, L10Z, L13A, L13B, L38Z		21A	W04A, W04B
	06	G18A, G38Z		12	M06Z, M09A, M09B, M38Z		21B	X06A, X06B, X06C
	11	L03Z, L04A, L04B, L04C, L10Z, L13A, L13B, L38Z		13	N01A, N01B, N01C, N01D, N01E, N02A, N02B, N02C, N03A, N03B, N04Z, N14Z, N21Z, N38Z		11	L03Z, L04A, L04B, L04C, L10Z, L13A, L13B, L38Z
	21A	W04A, W04B		17	R01A, R01B, R01C, R01D, R02Z, R12A, R12B, R12C		12	M06Z, M09A, M09B, M38Z
5o290.0↔	21B	X06A, X06B, X06C	5o293.x↔	17	R01A, R01B, R01C, R01D, R02Z, R12A, R12B, R12C	5o295.x↔	13	N08Z
		BOP, KVT, UOP4		21A	W04A, W04B		17	R01A, R01B, R01C, R01D, R02Z, R12A, R12B, R12C
	11	L03Z, L04A, L04B, L04C, L10Z, L13A, L13B, L38Z		21B	X06A, X06B, X06C		21A	W04A, W04B
	21A	W04A, W04B		11	L03Z, L04A, L04B, L04C, L10Z, L13A, L13B, L38Z		21B	X06A, X06B, X06C
	21B	X06A, X06B, X06C		12	M06Z, M09A, M09B, M38Z		11	L03Z, L04A, L04B, L04C, L10Z, L13A, L13B, L38Z
5o290.4↔		BOP, KVT, UOP4	5o294.0↔		BOP, KVT, UOP4	5o296.0↔	12	M06Z, M09A, M09B, M38Z
	11	L03Z, L04A, L04B, L04C, L10Z, L13A, L13B, L38Z		11	L03Z, L04A, L04B, L04C, L10Z, L13A, L13B, L38Z		13	N11A, N11B
	21A	W04A, W04B		12	M06Z, M09A, M09B, M38Z		17	R01A, R01B, R01C, R01D, R02Z, R12A, R12B, R12C
	21B	X06A, X06B, X06C		13	N11A, N11B		21A	W04A, W04B
		BOP, KVT, UOP4		17	R01A, R01B, R01C, R01D, R02Z, R12A, R12B, R12C		21B	X06A, X06B, X06C
5o290.x↔	11	L03Z, L04A, L04B, L04C, L10Z, L13A, L13B, L38Z	5o294.4↔	11	L03Z, L04A, L04B, L04C, L10Z, L13A, L13B, L38Z	5o296.t↔	11	L06A, L06B
	21A	W04A, W04B		12	M06Z, M09A, M09B, M38Z		21A	W04A, W04B
	21B	X06A, X06B, X06C		13	N01A, N01B, N01C, N01D, N01E, N02A, N02B, N02C, N03A, N03B, N04Z, N14Z, N21Z, N38Z		21B	X06A, X06B, X06C
		BOP, KVT, UOP4		17	R01A, R01B, R01C, R01D, R02Z, R12A, R12B, R12C		11	L06A, L06B
	11	L03Z, L04A, L04B, L04C, L10Z, L13A, L13B, L38Z		21A	W04A, W04B		21A	W04A, W04B
5o291.0↔	21B	X06A, X06B, X06C	5o294.4↔	21B	X06A, X06B, X06C	5o296.x↔	21B	X06A, X06B, X06C
		BOP, KVT, UOP4		11	L03Z, L04A, L04B, L04C, L10Z, L13A, L13B, L38Z		11	L06A, L06B
	11	L03Z, L04A, L04B, L04C, L10Z, L13A, L13B, L38Z		12	M06Z, M09A, M09B, M38Z		21A	W04A, W04B
	21A	W04A, W04B		13	N01A, N01B, N01C, N01D, N01E, N02A, N02B, N02C, N03A, N03B, N04Z, N14Z, N21Z, N38Z		21B	X06A, X06B, X06C
	21B	X06A, X06B, X06C		17	R01A, R01B, R01C, R01D, R02Z, R12A, R12B, R12C		11	L06A, L06B
5o291.4↔		BOP, KVT, UOP4	5o294.4↔		BOP, KVT, UOP4	5o297.0↔	21A	W04A, W04B
	11	L03Z, L04A, L04B, L04C, L10Z, L13A, L13B, L38Z		11	L03Z, L04A, L04B, L04C, L10Z, L13A, L13B, L38Z		21B	X06A, X06B, X06C
	21A	W04A, W04B		12	M06Z, M09A, M09B, M38Z		11	L03Z, L04A, L04B, L04C, L10Z, L13A, L13B, L38Z
	21B	X06A, X06B, X06C		13	N08Z		21A	W04A, W04B
		BOP, KVT, UOP4		17	R01A, R01B, R01C, R01D, R02Z, R12A, R12B, R12C		21B	X06A, X06B, X06C
5o291.x↔	11	L03Z, L04A, L04B, L04C, L10Z, L13A, L13B, L38Z	5o294.4↔	11	L03Z, L04A, L04B, L04C, L10Z, L13A, L13B, L38Z	5o297.4↔	11	L03Z, L04A, L04B, L04C, L10Z, L13A, L13B, L38Z
	21A	W04A, W04B		12	M06Z, M09A, M09B, M38Z		12	M06Z, M09A, M09B, M38Z
	21B	X06A, X06B, X06C		13	N08Z		13	N11A
		BOP, KVT, UOP4		17	R01A, R01B, R01C, R01D, R02Z, R12A, R12B, R12C		17	R01A, R01B, R01C, R01D, R02Z, R12A, R12B, R12C
	11	L03Z, L04A, L04B, L04C, L10Z, L13A, L13B, L38Z		21A	W04A, W04B		21A	W04A, W04B
5o292.0↔	21B	X06A, X06B, X06C	5o294.4↔	21B	X06A, X06B, X06C	5o297.4↔	21B	X06A, X06B, X06C
		BOP, KVT, UOP4		11	L03Z, L04A, L04B, L04C, L10Z, L13A, L13B, L38Z		11	L03Z, L04A, L04B, L04C, L10Z, L13A, L13B, L38Z
	11	L03Z, L04A, L04B, L04C, L10Z, L13A, L13B, L38Z		12	M06Z, M09A, M09B, M38Z		12	M06Z, M09A, M09B, M38Z
	21A	W04A, W04B		13	N08Z		13	N11A
	21B	X06A, X06B, X06C		17	R01A, R01B, R01C, R01D, R02Z, R12A, R12B, R12C		17	R01A, R01B, R01C, R01D, R02Z, R12A, R12B, R12C
5o292.4↔		BOP, KVT, UOP4	5o294.4↔		BOP, KVT, UOP4	5o297.4↔	21A	W04A, W04B
	11	L03Z, L04A, L04B, L04C, L10Z, L13A, L13B, L38Z		11	L03Z, L04A, L04B, L04C, L10Z, L13A, L13B, L38Z		21B	X06A, X06B, X06C
	21A	W04A, W04B		12	M06Z, M09A, M09B, M38Z		11	L03Z, L04A, L04B, L04C, L10Z, L13A, L13B, L38Z
	21B	X06A, X06B, X06C		13	N08Z		12	M06Z, M09A, M09B, M38Z
		BOP, KVT, UOP4		17	R01A, R01B, R01C, R01D, R02Z, R12A, R12B, R12C		13	N11A

ZZV	MDC	DRG	ZZV	MDC	DRG	ZZV	MDC	DRG
5o297.t↔		BOP, KVT, UOP4	5o300.4		BOP, KVT, UOP4	5o303.0		BOP, KVT, UOP4
	11	L03Z, L04A, L04B, L04C, L10Z, L13A, L13B, L38Z		11	L06A, L06B		06	G01Z, G04A, G04B, G07A, G07B, G07C, G16A, G16B, G18A, G38Z
	12	M06Z, M09A, M09B, M38Z		12	M06Z, M09A, M09B, M38Z		11	L03Z, L04A, L04B, L04C, L10Z, L13A, L13B, L38Z
	13	N11A		13	N11A, N11B		12	M06Z, M09A, M09B, M38Z
	17	R01A, R01B, R01C, R01D, R02Z, R12A, R12B, R12C		14	962Z, O02A, O02B		13	N11A
	21A	W04A, W04B		21A	W04A, W04B		17	R01A, R01B, R01C, R01D, R02Z, R12A, R12B, R12C
	21B	X06A, X06B, X06C	5o300.x		BOP, KVT, UOP4		21A	W04A, W04B
5o297.x↔		BOP, KVT, UOP4		11	L06A, L06B		21B	X06A, X06B, X06C
	11	L03Z, L04A, L04B, L04C, L10Z, L13A, L13B, L38Z		12	M06Z, M09A, M09B, M38Z	5o303.4		BOP, KVT, UOP4
	12	M06Z, M09A, M09B, M38Z		13	N11A, N11B		06	G01Z, G04A, G04B, G07A, G07B, G07C, G18A, G38Z
	13	N11A		14	962Z, O02A, O02B		11	L03Z, L04A, L04B, L04C, L10Z, L13A, L13B, L38Z
	17	R01A, R01B, R01C, R01D, R02Z, R12A, R12B, R12C	5o301.0		BOP, KVT, UOP4		12	M06Z, M09A, M09B, M38Z
	21A	W04A, W04B		11	L06A, L06B		13	N11A
	21B	X06A, X06B, X06C		12	M06Z, M09A, M09B, M38Z		17	R01A, R01B, R01C, R01D, R02Z, R12A, R12B, R12C
5o298.t↔		L18A, L18B, L19Z, L20A, L20B, L20C, L38Z		13	N11A, N11B		21A	W04A, W04B
5o299.t↔		L18A, L18B, L19Z, L20A, L20B, L20C, L38Z		17	R01A, R01B, R01C, R01D, R02Z, R12A, R12B, R12C		21B	X06A, X06B, X06C
5o29a↔		BOP, KVT, UOP4	5o301.4		BOP, KVT, UOP4	5o303.x		BOP, KVT, UOP4
	11	L18A, L18B, L19Z, L20A, L20B, L20C, L38Z		11	L06A, L06B		06	G01Z, G04A, G04B, G07A, G07B, G07C, G38Z
	12	M06Z, M09A, M09B, M38Z		12	M06Z, M09A, M09B, M38Z		11	L03Z, L04A, L04B, L04C, L10Z, L13A, L13B, L38Z
5o29b↔		BOP, KVT, UOP4		13	N11A, N11B		12	M06Z, M09A, M09B, M38Z
	11	L18A, L18B, L19Z, L20A, L20B, L20C, L38Z		17	R01A, R01B, R01C, R01D, R02Z, R12A, R12B, R12C		13	N11A
	12	M06Z, M09A, M09B, M38Z		21A	W04A, W04B		17	R01A, R01B, R01C, R01D, R02Z, R12A, R12B, R12C
5o29c↔		BOP, KVT, UOP4	5o301.x		BOP, KVT, UOP4		21A	W04A, W04B
	11	L17A, L17B, L20A, L20B, L20C		11	L06A, L06B		21B	X06A, X06B, X06C
	13	N11A, N11B		12	M06Z, M09A, M09B, M38Z	5o304.0		BOP, KVT, UOP4
	21A	W04A, W04B		13	N11A, N11B		11	L08A, L08B
	21B	X06A, X06B, X06C		17	R01A, R01B, R01C, R01D, R02Z, R12A, R12B, R12C		12	M03A, M03B, M03C, M38Z
5o29x.0↔		BOP, KVT, UOP4		21A	W04A, W04B		13	N04Z, N06Z
	11	L03Z, L04A, L04B, L04C, L10Z, L13A, L13B, L38Z	5o302.0		BOP, KVT, UOP4		21A	W04A, W04B
	21A	W04A, W04B		11	L06A, L06B		21B	X06A, X06B, X06C
	21B	X06A, X06B, X06C		12	M06Z, M09A, M09B, M38Z	5o304.4		BOP, KVT, UOP4
5o29x.4↔		BOP, KVT, UOP4		13	N11A		11	L08A, L08B
	11	L03Z, L04A, L04B, L04C, L10Z, L13A, L13B, L38Z		17	R01A, R01B, R01C, R01D, R02Z, R12A, R12B, R12C		12	M03A, M03B, M03C, M38Z
	21A	W04A, W04B		21A	W04A, W04B		13	N04Z, N06Z
	21B	X06A, X06B, X06C		21B	X06A, X06B, X06C		21A	W04A, W04B
5o29x.t↔		BOP, KVT, UOP4	5o302.4		BOP, KVT, UOP4	5o304.x		X06A, X06B, X06C
	11	L03Z, L04A, L04B, L04C, L10Z, L13A, L13B, L38Z		11	L06A, L06B		21B	X06A, X06B, X06C
	21A	W04A, W04B		12	M06Z, M09A, M09B, M38Z		11	L08A, L08B
	21B	X06A, X06B, X06C		13	N11A		12	M03A, M03B, M03C, M38Z
5o29x.x↔		BOP, KVT, UOP4		17	R01A, R01B, R01C, R01D, R02Z, R12A, R12B, R12C		13	N04Z, N06Z
	11	L03Z, L04A, L04B, L04C, L10Z, L13A, L13B, L38Z		21A	W04A, W04B		21A	W04A, W04B
	21A	W04A, W04B	5o302.x		BOP, KVT, UOP4	5o305.0		X06A, X06B, X06C
	21B	X06A, X06B, X06C		11	L06A, L06B		21B	X06A, X06B, X06C
5o300.0		BOP, KVT, UOP4		12	M06Z, M09A, M09B, M38Z		11	L06A, L06B
	11	L06A, L06B		13	N11A		12	M01A, M01B, M09A, M38Z
	12	M06Z, M09A, M09B, M38Z		17	R01A, R01B, R01C, R01D, R02Z, R12A, R12B, R12C		13	N11A
	13	N11A, N11B					17	R01A, R01B, R01C, R01D, R02Z, R12A, R12B, R12C
	14	962Z, O02A, O02B					21A	W04A, W04B
	21A	W01A, W01B, W01C, W02A, W02B, W04A, W04B				5o305.4		X06A, X06B, X06C
	21B	X06A, X06B, X06C					11	L06A, L06B
							12	M01A, M01B, M09A, M38Z
							13	N11A
							17	R01A, R01B, R01C, R01D, R02Z, R12A, R12B, R12C
							21A	W04A, W04B
							21B	X06A, X06B, X06C
								BOP, KVT, UOP4
							11	L06A, L06B
							12	M01A, M01B, M09A, M38Z
							13	N11A
							17	R01A, R01B, R01C, R01D, R02Z, R12A, R12B, R12C
							21A	W04A, W04B
							21B	X06A, X06B, X06C

ZZV	MDC	DRG	ZZV	MDC	DRG	ZZV	MDC	DRG		
5o305.x		BOP, KVT, UOP4	5o30b.4		BOP, KVT, UOP4	5o311.x		BOP, KVT, UOP4		
	11	L06A, L06B		11	L06A, L06B		06	G18A, G38Z		
	12	M01A, M01B, M09A, M38Z		12	M06Z, M09A, M09B, M38Z		11	L03Z, L04A, L04B, L04C, L10Z, L13A, L13B, L38Z		
	13	N11A		13	N11A		12	M01A, M01B, M37Z, M38Z		
	17	R01A, R01B, R01C, R01D, R02Z, R12A, R12B, R12C		17	R01A, R01B, R01C, R01D, R02Z, R12A, R12B, R12C		17	R01A, R01B, R01C, R01D, R02Z, R12A, R12B, R12C		
5o306	21A	W04A, W04B	5o30b.x	21A	W04A, W04B	5o312.0	21A	W04A, W04B		
	21B	X06A, X06B, X06C		21B	X06A, X06B, X06C		21B	X06A, X06B, X06C		
		BOP, KVT, UOP4			BOP, KVT, UOP4			BOP, KVT, MVV, UOP4		
5o307.4	11	L03Z, L04A, L04B, L04C, L10Z, L13A, L13B, L38Z	5o30x.0	11	L06A, L06B	5o312.4	06	G18A, G38Z		
	21A	W04A, W04B		12	M06Z, M09A, M09B, M38Z		11	L03Z, L04A, L04B, L04C, L10Z, L13A, L13B, L33Z, L38Z		
	21B	X06A, X06B, X06C		13	N11A		12	M01A, M01B, M37Z, M38Z		
5o307.x	21A	W04A, W04B	5o30x.4	17	R01A, R01B, R01C, R01D, R02Z, R12A, R12B, R12C	5o312.x	17	R01A, R01B, R01C, R01D, R02Z, R12A, R12B, R12C		
	21B	X06A, X06B, X06C		5o30x.x	21A		W04A, W04B	5o313.0	21A	W04A, W04B
		BOP, KVT, UOP4			21B		X06A, X06B, X06C		21B	X06A, X06B, X06C
11	L03Z, L04A, L04B, L04C, L10Z, L13A, L13B, L38Z	11	L06A, L06B		06	G18A, G38Z				
5o308.4	21A	W04A, W04B	5o310	12	M06Z, M09A, M09B, M38Z	5o313.4	11	L03Z, L04A, L04B, L04C, L10Z, L13A, L13B, L33Z, L38Z		
	21B	X06A, X06B, X06C		13	N11A		12	M01A, M01B, M37Z, M38Z		
		BOP, KVT, UOP4		14	962Z, O02A, O02B		17	R01A, R01B, R01C, R01D, R02Z, R12A, R12B, R12C		
5o308.x	21A	W04A, W04B	5o311.0	21A	W04A, W04B	5o313.x	21A	W04A, W04B		
	21B	X06A, X06B, X06C		21B	X06A, X06B, X06C		21B	X06A, X06B, X06C		
		BOP, KVT, UOP4		11	L06A, L06B		06	G18A, G38Z		
5o309	11	L03Z, L04A, L04B, L04C, L10Z, L13A, L13B, L38Z	5o311.4	12	M06Z, M09A, M09B, M38Z	5o313.4	11	L03Z, L04A, L04B, L04C, L10Z, L13A, L13B, L33Z, L38Z		
	21A	W04A, W04B		13	N11A		12	M01A, M01B, M37Z, M38Z		
	21B	X06A, X06B, X06C		14	962Z, O02A, O02B		13	N01A, N38Z		
		BOP, KVT, UOP4		21A	W04A, W04B		17	R01A, R01B, R01C, R01D, R02Z, R12A, R12B, R12C		
	11	L08A, L08B		21B	X06A, X06B, X06C		21A	W04A, W04B		
5o30a.0	12	M03A, M03B, M03C, M38Z	5o311.4		BOP, KVT, UOP4	5o313.4	21B	X06A, X06B, X06C		
	19	U01Z		11	L06A, L06B		06	G18A, G38Z		
	21A	W04A, W04B		12	M06Z, M09A, M09B, M38Z		11	L03Z, L04A, L04B, L04C, L10Z, L13A, L13B, L38Z		
	21B	X06A, X06B, X06C		13	N13A, N13B		12	M01A, M01B, M37Z, M38Z		
		BOP, KVT, UOP4		17	R01A, R01B, R01C, R01D, R02Z, R12A, R12B, R12C		17	R01A, R01B, R01C, R01D, R02Z, R12A, R12B, R12C		
5o30a.4	06	G01Z, G02Z, G38Z	5o311.4	21A	W04A, W04B	5o313.4	21A	W04A, W04B		
	11	L03Z, L04A, L04B, L04C, L10Z, L13A, L13B, L38Z		21B	X06A, X06B, X06C		21B	X06A, X06B, X06C		
	Pre	A11A, A13A, A13B, A13D		06	G18A, G38Z		06	G18A, G38Z		
5o30a.x	06	G01Z, G02Z, G38Z	5o311.4	11	L03Z, L04A, L04B, L04C, L10Z, L13A, L13B, L38Z	5o313.4	11	L03Z, L04A, L04B, L04C, L10Z, L13A, L13B, L33Z, L38Z		
	11	L03Z, L04A, L04B, L04C, L10Z, L13A, L13B, L38Z		12	M01A, M01B, M37Z, M38Z		12	M01A, M01B, M37Z, M38Z		
	Pre	A11A, A13A, A13B, A13D		17	R01A, R01B, R01C, R01D, R02Z, R12A, R12B, R12C		13	N01A, N38Z		
5o30b.0	06	G01Z, G02Z, G38Z	5o311.4	21A	W04A, W04B	5o313.4	17	R01A, R01B, R01C, R01D, R02Z, R12A, R12B, R12C		
	11	L03Z, L04A, L04B, L04C, L10Z, L13A, L13B, L38Z		21B	X06A, X06B, X06C		21A	W04A, W04B		
	Pre	A11A, A13A, A13B, A13D		06	G18A, G38Z		21B	X06A, X06B, X06C		
		BOP, KVT, UOP4		11	L03Z, L04A, L04B, L04C, L10Z, L13A, L13B, L38Z					
	11	L06A, L06B		12	M01A, M01B, M37Z, M38Z					
5o30b.4	12	M06Z, M09A, M09B, M38Z	5o311.4	17	R01A, R01B, R01C, R01D, R02Z, R12A, R12B, R12C	5o313.4	21A	W04A, W04B		
	13	N11A		21A	W04A, W04B		21B	X06A, X06B, X06C		
	17	R01A, R01B, R01C, R01D, R02Z, R12A, R12B, R12C		21B	X06A, X06B, X06C					
	21A	W04A, W04B								
	21B	X06A, X06B, X06C								

VYK

ZZV	MDC	DRG	ZZV	MDC	DRG	ZZV	MDC	DRG
5o313.x		BOP, KVT, MVV, UOP4	5o315.4		BOP, KOP, KOPV, KVT, MVV, UOP4	5o31b.0		BOP, KVT, MVV, UOP4
	06	G18A, G38Z		06	G01Z, G18A, G33Z, G38Z		06	G18A, G38Z
	11	L03Z, L04A, L04B, L04C, L10Z, L13A, L13B, L33Z, L38Z		07	H33Z, H38Z		11	L03Z, L04A, L04B, L04C, L10Z, L13A, L13B, L33Z, L38Z
	12	M01A, M01B, M37Z, M38Z		11	L03Z, L04A, L04B, L04C, L10Z, L13A, L13B, L33Z, L38Z		13	N01A, N01B, N01C, N01D, N01E, N11A, N11B, N34Z, N38Z
	13	N01A, N38Z		12	M01A, M01B, M37Z, M38Z		17	R01A, R01B, R01C, R01D, R02Z, R12A, R12B, R12C
	17	R01A, R01B, R01C, R01D, R02Z, R12A, R12B, R12C		13	N01A, N01B, N01C, N01D, N01E, N34Z, N38Z		21A	W04A, W04B
	21A	W04A, W04B		17	R01A, R01B, R01C, R01D, R02Z, R12A, R12B, R12C		21B	X06A, X06B, X06C
	21B	X06A, X06B, X06C		21A	W04A, W04B		21A	W04A, W04B
		BOP, KVT, MVV, UOP4		21B	X06A, X06B, X06C, X33Z		21B	X06A, X06B, X06C
		G18A, G38Z		Pre	A07A			BOP, KVT, MVV, UOP4
5o314.0	06	G18A, G38Z	5o315.x		BOP, KOP, KOPV, KVT, MVV, UOP4	5o31b.4	06	G18A, G38Z
	11	L03Z, L04A, L04B, L04C, L10Z, L13A, L13B, L33Z, L38Z		06	G01Z, G18A, G33Z, G38Z		11	L03Z, L04A, L04B, L04C, L10Z, L13A, L13B, L33Z, L38Z
	12	M01A, M01B, M37Z, M38Z		07	H33Z, H38Z		13	N01A, N01B, N01C, N01D, N01E, N11A, N11B, N34Z, N38Z
	17	R01A, R01B, R01C, R01D, R02Z, R12A, R12B, R12C		11	L03Z, L04A, L04B, L04C, L10Z, L13A, L13B, L33Z, L38Z		17	R01A, R01B, R01C, R01D, R02Z, R12A, R12B, R12C
	21A	W04A, W04B		12	M01A, M01B, M37Z, M38Z		21A	W04A, W04B
	21B	X06A, X06B, X06C		13	N01A, N01B, N01C, N01D, N01E, N34Z, N38Z		21B	X06A, X06B, X06C
		BOP, KVT, MVV, UOP4		17	R01A, R01B, R01C, R01D, R02Z, R12A, R12B, R12C			BOP, KVT, MVV, UOP4
	06	G18A, G38Z		21A	W04A, W04B		06	G18A, G38Z
	11	L03Z, L04A, L04B, L04C, L10Z, L13A, L13B, L33Z, L38Z		21B	X06A, X06B, X06C, X33Z		11	L03Z, L04A, L04B, L04C, L10Z, L13A, L13B, L33Z, L38Z
	12	M01A, M01B, M37Z, M38Z		Pre	A07A		13	N01A, N01B, N01C, N01D, N01E, N11A, N11B, N34Z, N38Z
5o314.4	17	R01A, R01B, R01C, R01D, R02Z, R12A, R12B, R12C	5o31a.0		BOP, KVT, UOP4	5o31b.x	17	R01A, R01B, R01C, R01D, R02Z, R12A, R12B, R12C
	21A	W04A, W04B		06	G18A, G38Z		21A	W04A, W04B
	21B	X06A, X06B, X06C		11	L03Z, L04A, L04B, L04C, L10Z, L13A, L13B, L38Z		21B	X06A, X06B, X06C
		BOP, KVT, MVV, UOP4		13	N01A, N01B, N01C, N01D, N01E, N11A, N11B, N34Z, N38Z			BOP, KVT, MVV, UOP4
	06	G18A, G38Z		17	R01A, R01B, R01C, R01D, R02Z, R12A, R12B, R12C		06	G18A, G38Z
	11	L03Z, L04A, L04B, L04C, L10Z, L13A, L13B, L33Z, L38Z		21A	W04A, W04B		11	L03Z, L04A, L04B, L04C, L10Z, L13A, L13B, L33Z, L38Z
	12	M01A, M01B, M37Z, M38Z		21B	X06A, X06B, X06C, X33Z		13	N01A, N01B, N01C, N01D, N01E, N11A, N11B, N34Z, N38Z
	17	R01A, R01B, R01C, R01D, R02Z, R12A, R12B, R12C		Pre	A07A		17	R01A, R01B, R01C, R01D, R02Z, R12A, R12B, R12C
	21A	W04A, W04B			BOP, KVT, UOP4		21A	W04A, W04B
	21B	X06A, X06B, X06C		06	G18A, G38Z		21B	X06A, X06B, X06C
5o314.x	06	G18A, G38Z	5o31a.4		BOP, KVT, UOP4	5o31c.0	06	G18A, G38Z
	11	L03Z, L04A, L04B, L04C, L10Z, L13A, L13B, L33Z, L38Z		06	G18A, G38Z		11	L03Z, L04A, L04B, L04C, L10Z, L13A, L13B, L33Z, L38Z
	12	M01A, M01B, M37Z, M38Z		11	L03Z, L04A, L04B, L04C, L10Z, L13A, L13B, L38Z		12	M01A, M01B, M37Z, M38Z
	17	R01A, R01B, R01C, R01D, R02Z, R12A, R12B, R12C		13	N01A, N01B, N01C, N01D, N01E, N11A, N11B, N34Z, N38Z		17	R01A, R01B, R01C, R01D, R02Z, R12A, R12B, R12C
	21A	W04A, W04B		17	R01A, R01B, R01C, R01D, R02Z, R12A, R12B, R12C		21A	W04A, W04B
	21B	X06A, X06B, X06C		21A	W04A, W04B		21B	X06A, X06B, X06C
		BOP, KOP, KOPV, KVT, MVV, UOP4		21B	X06A, X06B, X06C			BOP, KVT, MVV, UOP4
	06	G01Z, G18A, G33Z, G38Z		06	G18A, G38Z		06	G18A, G38Z
	07	H33Z, H38Z		11	L03Z, L04A, L04B, L04C, L10Z, L13A, L13B, L38Z		11	L03Z, L04A, L04B, L04C, L10Z, L13A, L13B, L33Z, L38Z
	11	L03Z, L04A, L04B, L04C, L10Z, L13A, L13B, L33Z, L38Z		13	N01A, N01B, N01C, N01D, N01E, N11A, N11B, N34Z, N38Z		12	M01A, M01B, M37Z, M38Z
5o315.0	12	M01A, M01B, M37Z, M38Z	5o31a.x		BOP, KVT, UOP4	5o31c.4	17	R01A, R01B, R01C, R01D, R02Z, R12A, R12B, R12C
	13	N01A, N01B, N01C, N01D, N01E, N34Z, N38Z		06	G18A, G38Z		06	G18A, G38Z
	17	R01A, R01B, R01C, R01D, R02Z, R12A, R12B, R12C		11	L03Z, L04A, L04B, L04C, L10Z, L13A, L13B, L38Z		11	L03Z, L04A, L04B, L04C, L10Z, L13A, L13B, L33Z, L38Z
	21A	W04A, W04B		13	N01A, N01B, N01C, N01D, N01E, N11A, N11B, N34Z, N38Z		12	M01A, M01B, M37Z, M38Z
	21B	X06A, X06B, X06C		17	R01A, R01B, R01C, R01D, R02Z, R12A, R12B, R12C		17	R01A, R01B, R01C, R01D, R02Z, R12A, R12B, R12C
		BOP, KOP, KOPV, KVT, MVV, UOP4		21A	W04A, W04B		21A	W04A, W04B
	06	G01Z, G18A, G33Z, G38Z		21B	X06A, X06B, X06C		21B	X06A, X06B, X06C
	07	H33Z, H38Z		06	G18A, G38Z			BOP, KVT, MVV, UOP4
	11	L03Z, L04A, L04B, L04C, L10Z, L13A, L13B, L33Z, L38Z		11	L03Z, L04A, L04B, L04C, L10Z, L13A, L13B, L38Z		06	G18A, G38Z
	12	M01A, M01B, M37Z, M38Z		13	N01A, N01B, N01C, N01D, N01E, N11A, N11B, N34Z, N38Z		11	L03Z, L04A, L04B, L04C, L10Z, L13A, L13B, L33Z, L38Z
5o315.x	13	N01A, N01B, N01C, N01D, N01E, N34Z, N38Z	5o31a.x		BOP, KVT, UOP4	5o31c.x	12	M01A, M01B, M37Z, M38Z
	17	R01A, R01B, R01C, R01D, R02Z, R12A, R12B, R12C		06	G18A, G38Z		17	R01A, R01B, R01C, R01D, R02Z, R12A, R12B, R12C
	21A	W04A, W04B		11	L03Z, L04A, L04B, L04C, L10Z, L13A, L13B, L38Z		21A	W04A, W04B
	21B	X06A, X06B, X06C		13	N01A, N01B, N01C, N01D, N01E, N11A, N11B, N34Z, N38Z		21B	X06A, X06B, X06C
		BOP, KOP, KOPV, KVT, MVV, UOP4		17	R01A, R01B, R01C, R01D, R02Z, R12A, R12B, R12C			BOP, KVT, MVV, UOP4
	06	G01Z, G18A, G33Z, G38Z		21A	W04A, W04B		06	G18A, G38Z
	07	H33Z, H38Z		21B	X06A, X06B, X06C		11	L03Z, L04A, L04B, L04C, L10Z, L13A, L13B, L33Z, L38Z
	11	L03Z, L04A, L04B, L04C, L10Z, L13A, L13B, L33Z, L38Z		06	G18A, G38Z		12	M01A, M01B, M37Z, M38Z
	12	M01A, M01B, M37Z, M38Z		11	L03Z, L04A, L04B, L04C, L10Z, L13A, L13B, L38Z		17	R01A, R01B, R01C, R01D, R02Z, R12A, R12B, R12C
	13	N01A, N01B, N01C, N01D, N01E, N34Z, N38Z		13	N01A, N01B, N01C, N01D, N01E, N11A, N11B, N34Z, N38Z		21A	W04A, W04B
17	R01A, R01B, R01C, R01D, R02Z, R12A, R12B, R12C	17	R01A, R01B, R01C, R01D, R02Z, R12A, R12B, R12C	21B	X06A, X06B, X06C			
21A	W04A, W04B	21A	W04A, W04B		BOP, KVT, MVV, UOP4			
21B	X06A, X06B, X06C, X33Z	21B	X06A, X06B, X06C	06	G18A, G38Z			
23	Z01A	06	G18A, G38Z	11	L03Z, L04A, L04B, L04C, L10Z, L13A, L13B, L33Z, L38Z			
Pre	A07A	11	L03Z, L04A, L04B, L04C, L10Z, L13A, L13B, L38Z	12	M01A, M01B, M37Z, M38Z			
		13	N01A, N01B, N01C, N01D, N01E, N11A, N11B, N34Z, N38Z	17	R01A, R01B, R01C, R01D, R02Z, R12A, R12B, R12C			
		17	R01A, R01B, R01C, R01D, R02Z, R12A, R12B, R12C	21A	W04A, W04B			
		21A	W04A, W04B	21B	X06A, X06B, X06C			
		21B	X06A, X06B, X06C					

ZZV	MDC	DRG	ZZV	MDC	DRG	ZZV	MDC	DRG
5o31d.0		BOP, KVT, MVV, UOP4	5o31x.x		BOP, KVT, UOP4	5o321.x		BOP, KVT, UOP4
	06	G18A, G38Z		06	G18A, G38Z		06	G18A, G38Z
	11	L03Z, L04A, L04B, L04C, L10Z, L13A, L13B, L33Z, L38Z		11	L03Z, L04A, L04B, L04C, L10Z, L13A, L13B, L38Z		11	L03Z, L04A, L04B, L04C, L10Z, L13A, L13B, L38Z
	13	N01A, N01B, N01C, N01D, N01E, N11A, N11B, N34Z, N38Z		12	M01A, M01B, M37Z, M38Z		12	M01A, M01B, M37Z, M38Z
	17	R01A, R01B, R01C, R01D, R02Z, R12A, R12B, R12C		13	N01A, N01B, N01C, N01D, N01E, N11A, N11B, N34Z, N38Z		13	N01A, N01B, N01C, N01D, N01E, N11A, N11B, N34Z, N38Z
	21A	W04A, W04B		17	R01A, R01B, R01C, R01D, R02Z, R12A, R12B, R12C		17	R01A, R01B, R01C, R01D, R02Z, R12A, R12B, R12C
	21B	X06A, X06B, X06C		21A	W04A, W04B		21A	W04A, W04B
5o31d.4		BOP, KVT, MVV, UOP4	5o320.0		BOP, KVT, UOP4	5o322.0		BOP, KVT, UOP4
	06	G18A, G38Z		06	G18A, G38Z		06	G18A, G38Z
	11	L03Z, L04A, L04B, L04C, L10Z, L13A, L13B, L33Z, L38Z		10	K03A, K03B		11	L03Z, L04A, L04B, L04C, L10Z, L13A, L13B, L38Z
	13	N01A, N01B, N01C, N01D, N01E, N11A, N11B, N34Z, N38Z		11	L06A, L06B		12	M01A, M01B, M37Z, M38Z
	17	R01A, R01B, R01C, R01D, R02Z, R12A, R12B, R12C		12	M01A, M01B, M38Z		13	N01A, N01B, N01C, N01D, N01E, N11A, N11B, N34Z, N38Z
	21A	W04A, W04B		13	N01A, N01B, N01C, N01D, N01E, N11A, N11B, N34Z, N38Z		17	R01A, R01B, R01C, R01D, R02Z, R12A, R12B, R12C
	21B	X06A, X06B, X06C		17	R01A, R01B, R01C, R01D, R02Z, R12A, R12B, R12C		17	R01A, R01B, R01C, R01D, R02Z, R12A, R12B, R12C
5o31d.x		BOP, KVT, MVV, UOP4	5o320.4		BOP, KVT, UOP4	5o322.4		BOP, KVT, UOP4
	06	G18A, G38Z		06	G18A, G38Z		06	G18A, G38Z
	11	L03Z, L04A, L04B, L04C, L10Z, L13A, L13B, L33Z, L38Z		11	L06A, L06B		11	L03Z, L04A, L04B, L04C, L10Z, L13A, L13B, L38Z
	13	N01A, N01B, N01C, N01D, N01E, N11A, N11B, N34Z, N38Z		12	M01A, M01B, M38Z		12	M01A, M01B, M37Z, M38Z
	17	R01A, R01B, R01C, R01D, R02Z, R12A, R12B, R12C		13	N01A, N01B, N01C, N01D, N01E, N08Z, N34Z, N38Z		13	N01A, N01B, N01C, N01D, N01E, N08Z, N34Z, N38Z
	21A	W04A, W04B		17	R01A, R01B, R01C, R01D, R02Z, R12A, R12B, R12C		17	R01A, R01B, R01C, R01D, R02Z, R12A, R12B, R12C
	21B	X06A, X06B, X06C		21A	W04A, W04B		21A	W04A, W04B
5o31x.0		BOP, KVT, UOP4	5o320.x		BOP, KVT, UOP4	5o322.x		BOP, KVT, UOP4
	06	G18A, G38Z		06	G18A, G38Z		06	G18A, G38Z
	11	L03Z, L04A, L04B, L04C, L10Z, L13A, L13B, L38Z		11	L06A, L06B		11	L03Z, L04A, L04B, L04C, L10Z, L13A, L13B, L38Z
	12	M01A, M01B, M37Z, M38Z		12	M01A, M01B, M38Z		12	M01A, M01B, M37Z, M38Z
	13	N01A, N01B, N01C, N01D, N01E, N11A, N11B, N34Z, N38Z		13	N01A, N01B, N01C, N01D, N01E, N11A, N11B, N34Z, N38Z		13	N01A, N01B, N01C, N01D, N01E, N11A, N11B, N34Z, N38Z
	17	R01A, R01B, R01C, R01D, R02Z, R12A, R12B, R12C		17	R01A, R01B, R01C, R01D, R02Z, R12A, R12B, R12C		17	R01A, R01B, R01C, R01D, R02Z, R12A, R12B, R12C
	21A	W04A, W04B		21A	W04A, W04B		21A	W04A, W04B
5o31x.4		BOP, KVT, UOP4	5o321.0		BOP, KVT, UOP4	5o323.0		BOP, KVT, UOP4
	06	G18A, G38Z		06	G18A, G38Z		06	G18A, G38Z
	11	L03Z, L04A, L04B, L04C, L10Z, L13A, L13B, L38Z		11	L03Z, L04A, L04B, L04C, L10Z, L13A, L13B, L38Z		11	L06A, L06B
	12	M01A, M01B, M37Z, M38Z		12	M01A, M01B, M37Z, M38Z		12	M01A, M01B, M37Z, M38Z
	13	N01A, N01B, N01C, N01D, N01E, N11A, N11B, N34Z, N38Z		13	N01A, N01B, N01C, N01D, N01E, N11A, N11B, N34Z, N38Z		13	N01A, N01B, N01C, N01D, N01E, N11A, N11B, N34Z, N38Z
	17	R01A, R01B, R01C, R01D, R02Z, R12A, R12B, R12C		17	R01A, R01B, R01C, R01D, R02Z, R12A, R12B, R12C		17	R01A, R01B, R01C, R01D, R02Z, R12A, R12B, R12C
	21A	W04A, W04B		21A	W04A, W04B		21A	W04A, W04B
5o31x.4		BOP, KVT, UOP4	5o321.4		BOP, KVT, UOP4	5o323.4		BOP, KVT, UOP4
	06	G18A, G38Z		06	G18A, G38Z		06	G18A, G38Z
	11	L03Z, L04A, L04B, L04C, L10Z, L13A, L13B, L38Z		11	L03Z, L04A, L04B, L04C, L10Z, L13A, L13B, L38Z		11	L06A, L06B
	12	M01A, M01B, M37Z, M38Z		12	M01A, M01B, M37Z, M38Z		12	M01A, M01B, M37Z, M38Z
	13	N01A, N01B, N01C, N01D, N01E, N11A, N11B, N34Z, N38Z		13	N01A, N01B, N01C, N01D, N01E, N08Z, N34Z, N38Z		13	N01A, N01B, N01C, N01D, N01E, N11A, N11B, N34Z, N38Z
	17	R01A, R01B, R01C, R01D, R02Z, R12A, R12B, R12C		17	R01A, R01B, R01C, R01D, R02Z, R12A, R12B, R12C		17	R01A, R01B, R01C, R01D, R02Z, R12A, R12B, R12C
	21A	W04A, W04B		21A	W04A, W04B		21A	W04A, W04B
21B	X06A, X06B, X06C	21B	X06A, X06B, X06C	21B	X06A, X06B, X06C			



ZZV	MDC	DRG	ZZV	MDC	DRG	ZZV	MDC	DRG
5o330.0		BOP, KOP, KOPV, KVT, MVV, UOP4	5o331.x		BOP, KOP, KOPV, KVT, MVV, UOP4	5o333.4		BOP, KOP, KOPV, KVT, MVV, UOP4
	06	G18A, G33Z, G38Z		06	G18A, G33Z, G38Z		06	G18A, G33Z, G38Z
	07	H33Z, H38Z		07	H33Z, H38Z		07	H33Z, H38Z
	11	L02A, L02B, L02C, L03Z, L10Z, L33Z, L38Z		11	L02A, L02B, L02C, L03Z, L10Z, L33Z, L38Z		11	L02A, L02B, L02C, L03Z, L10Z, L33Z, L38Z
	12	M37Z, M38Z		12	M37Z, M38Z		12	M37Z, M38Z
	13	N01A, N01B, N01C, N01D, N01E, N34Z, N38Z		13	N01A, N01B, N01C, N01D, N01E, N34Z, N38Z		13	N01A, N01B, N01C, N01D, N01E, N34Z, N38Z
	21A	W04A, W04B		21A	W04A, W04B		21A	W04A, W04B
	21B	X06A, X06B, X06C, X33Z		21B	X06A, X06B, X06C, X33Z		21B	X06A, X06B, X06C, X33Z
	23	Z01A		23	Z01A		23	Z01A
	Pre	A07A		Pre	A07A		Pre	A07A
5o330.4		BOP, KOP, KOPV, KVT, MVV, UOP4	5o332.0		BOP, KOP, KOPV, KVT, MVV, UOP4	5o334		BOP, KOP, KOPV, KVT, MVV, UOP4
	06	G18A, G33Z, G38Z		06	G18A, G33Z, G38Z		06	G18A, G33Z, G38Z
	07	H33Z, H38Z		07	H33Z, H38Z		07	H33Z, H38Z
	11	L02A, L02B, L02C, L03Z, L10Z, L33Z, L38Z		11	L02A, L02B, L02C, L03Z, L10Z, L33Z, L38Z		11	L02A, L02B, L02C, L03Z, L10Z, L33Z, L38Z
	12	M37Z, M38Z		12	M37Z, M38Z		12	M37Z, M38Z
	13	N01A, N01B, N01C, N01D, N01E, N34Z, N38Z		13	N01A, N01B, N01C, N01D, N01E, N34Z, N38Z		13	N01A, N01B, N01C, N01D, N01E, N34Z, N38Z
	21A	W04A, W04B		21A	W04A, W04B		21A	W04A, W04B
	21B	X06A, X06B, X06C, X33Z		21B	X06A, X06B, X06C, X33Z		21B	X06A, X06B, X06C, X33Z
	23	Z01A		23	Z01A		23	Z01A
	Pre	A07A		Pre	A07A		Pre	A07A
5o330.x		BOP, KOP, KOPV, KVT, MVV, UOP4	5o332.4		BOP, KOP, KOPV, KVT, MVV, UOP4	5o335.0		BOP, KOP, KOPV, KVT, MVV, UOP4
	06	G18A, G33Z, G38Z		06	G18A, G33Z, G38Z		06	G18A, G33Z, G38Z
	07	H33Z, H38Z		07	H33Z, H38Z		07	H33Z, H38Z
	11	L02A, L02B, L02C, L03Z, L10Z, L33Z, L38Z		11	L02A, L02B, L02C, L03Z, L10Z, L33Z, L38Z		11	L02A, L02B, L02C, L03Z, L10Z, L33Z, L38Z
	12	M37Z, M38Z		12	M37Z, M38Z		12	M37Z, M38Z
	13	N01A, N01B, N01C, N01D, N01E, N34Z, N38Z		13	N01A, N01B, N01C, N01D, N01E, N34Z, N38Z		13	N01A, N01B, N01C, N01D, N01E, N34Z, N38Z
	21A	W04A, W04B		21A	W04A, W04B		21A	W04A, W04B
	21B	X06A, X06B, X06C, X33Z		21B	X06A, X06B, X06C, X33Z		21B	X06A, X06B, X06C, X33Z
	23	Z01A		23	Z01A		23	Z01A
	Pre	A07A		Pre	A07A		Pre	A07A
5o331.0		BOP, KOP, KOPV, KVT, MVV, UOP4	5o332.x		BOP, KOP, KOPV, KVT, MVV, UOP4	5o335.4		BOP, KOP, KOPV, KVT, MVV, UOP4
	06	G18A, G33Z, G38Z		06	G18A, G33Z, G38Z		06	G18A, G33Z, G38Z
	07	H33Z, H38Z		07	H33Z, H38Z		07	H33Z, H38Z
	11	L02A, L02B, L02C, L03Z, L10Z, L33Z, L38Z		11	L02A, L02B, L02C, L03Z, L10Z, L33Z, L38Z		11	L02A, L02B, L02C, L03Z, L10Z, L33Z, L38Z
	12	M37Z, M38Z		12	M37Z, M38Z		12	M37Z, M38Z
	13	N01A, N01B, N01C, N01D, N01E, N34Z, N38Z		13	N01A, N01B, N01C, N01D, N01E, N34Z, N38Z		13	N01A, N01B, N01C, N01D, N01E, N34Z, N38Z
	21A	W04A, W04B		21A	W04A, W04B		21A	W04A, W04B
	21B	X06A, X06B, X06C, X33Z		21B	X06A, X06B, X06C, X33Z		21B	X06A, X06B, X06C, X33Z
	23	Z01A		23	Z01A		23	Z01A
	Pre	A07A		Pre	A07A		Pre	A07A
5o331.4		BOP, KOP, KOPV, KVT, MVV, UOP4	5o333.0		BOP, KOP, KOPV, KVT, MVV, UOP4	5o335.x		BOP, KOP, KOPV, KVT, MVV, UOP4
	06	G18A, G33Z, G38Z		06	G18A, G33Z, G38Z		06	G18A, G33Z, G38Z
	07	H33Z, H38Z		07	H33Z, H38Z		07	H33Z, H38Z
	11	L02A, L02B, L02C, L03Z, L10Z, L33Z, L38Z		11	L02A, L02B, L02C, L03Z, L10Z, L33Z, L38Z		11	L02A, L02B, L02C, L03Z, L10Z, L33Z, L38Z
	12	M37Z, M38Z		12	M37Z, M38Z		12	M37Z, M38Z
	13	N01A, N01B, N01C, N01D, N01E, N34Z, N38Z		13	N01A, N01B, N01C, N01D, N01E, N34Z, N38Z		13	N01A, N01B, N01C, N01D, N01E, N34Z, N38Z
	21A	W04A, W04B		21A	W04A, W04B		21A	W04A, W04B
	21B	X06A, X06B, X06C, X33Z		21B	X06A, X06B, X06C, X33Z		21B	X06A, X06B, X06C, X33Z
	23	Z01A		23	Z01A		23	Z01A
	Pre	A07A		Pre	A07A		Pre	A07A

ZZV	MDC	DRG	ZZV	MDC	DRG	ZZV	MDC	DRG			
5o33x.0		BOP, KOP, KOPV, KVT, MVV, UOP4	5o345.2		BOP, KVT, UOP4	5o361.0		BOP, KVT, UOP4			
	06	G18A, G33Z, G38Z		11	L18A, L18B, L19Z, L20A, L20B, L20C, L38Z		11	L06A, L06B			
	07	H33Z, H38Z		12	M06Z, M09A, M09B, M38Z		12	M06Z, M09A, M09B, M38Z			
	11	L02A, L02B, L02C, L03Z, L10Z, L33Z, L38Z		13	N11A, N11B		13	N13A, N13B			
	12	M37Z, M38Z		5o346			BOP, KVT, UOP4	17	R01A, R01B, R01C, R01D, R02Z, R12A, R12B, R12C		
	13	N01A, N01B, N01C, N01D, N01E, N34Z, N38Z		11	L18A, L18B, L19Z, L20A, L20B, L20C, L38Z		21A	W04A, W04B			
	21A	W04A, W04B		12	M06Z, M09A, M09B, M38Z		21B	X06A, X06B, X06C			
	21B	X06A, X06B, X06C, X33Z		13	N11A, N11B		5o362.0		BOP, KVT, UOP4		
	23	Z01A		5o34x			BOP, KVT, UOP4	11	L06A, L06B		
	Pre	A07A		11	L18A, L18B, L19Z, L20A, L20B, L20C, L38Z		12	M06Z, M09A, M09B, M38Z			
	5o33x.4			BOP, KOP, KOPV, KVT, MVV, UOP4	5o350.2†		11	L18A, L18B, L19Z, L20A, L20B, L20C, L38Z	13	N13A, N13B	
		06		G18A, G33Z, G38Z			5o350.t†	11	L18A, L18B, L19Z, L20A, L20B, L20C, L38Z	17	R01A, R01B, R01C, R01D, R02Z, R12A, R12B, R12C
		07		H33Z, H38Z			5o351.2†	11	L18A, L18B, L19Z, L20A, L20B, L20C, L38Z	21A	W04A, W04B
		11		L02A, L02B, L02C, L03Z, L10Z, L33Z, L38Z			5o352†	11	L18A, L18B, L19Z, L20A, L20B, L20C, L38Z	21B	X06A, X06B, X06C
12		M37Z, M38Z	5o353			BOP, KVT, UOP4	5o362.1		BOP, KVT, UOP4		
13		N01A, N01B, N01C, N01D, N01E, N34Z, N38Z	11	L06A, L06B		11	L06A, L06B				
21A		W04A, W04B	16	Q03A, Q03B		12	M06Z, M09A, M09B, M38Z				
21B		X06A, X06B, X06C, X33Z	21A	W04A, W04B		13	N13A, N13B				
23		Z01A	21B	X06A, X06B, X06C		17	R01A, R01B, R01C, R01D, R02Z, R12A, R12B, R12C				
Pre		A07A	5o354			BOP, KVT, UOP4	21A	W04A, W04B			
5o33x.x			BOP, KOP, KOPV, KVT, MVV, UOP4	5o355		11	L06A, L06B	21B	X06A, X06B, X06C		
		06	G18A, G33Z, G38Z			11	L06A, L06B	5o363		BOP, KVT, UOP4	
		07	H33Z, H38Z			12	M06Z, M09A, M09B, M38Z	11	L06A, L06B		
		11	L02A, L02B, L02C, L03Z, L10Z, L33Z, L38Z			13	N13A, N13B	12	M06Z, M09A, M09B, M38Z		
	12	M37Z, M38Z	17		R01A, R01B, R01C, R01D, R02Z, R12A, R12B, R12C	13	N13A, N13B				
	13	N01A, N01B, N01C, N01D, N01E, N34Z, N38Z	21A		W04A, W04B	17	R01A, R01B, R01C, R01D, R02Z, R12A, R12B, R12C				
	21A	W04A, W04B	21B		X06A, X06B, X06C	21A	W04A, W04B				
	21B	X06A, X06B, X06C, X33Z	5o355			BOP, KVT, UOP4	21B	X06A, X06B, X06C			
	23	Z01A	11		L06A, L06B	5o364		BOP, KVT, UOP4			
	Pre	A07A	12		M06Z, M09A, M09B, M38Z	11	L06A, L06B				
	5o340		BOP, KVT, UOP4		5o356	13	N13A, N13B	12	M06Z, M09A, M09B, M38Z		
		11	L18A, L18B, L19Z, L20A, L20B, L20C, L38Z			17	R01A, R01B, R01C, R01D, R02Z, R12A, R12B, R12C	13	N11A, N11B		
	5o341		BOP, KVT, UOP4		5o357	17	R01A, R01B, R01C, R01D, R02Z, R12A, R12B, R12C	17	R01A, R01B, R01C, R01D, R02Z, R12A, R12B, R12C		
		11	L06A, L06B			11	L06A, L06B	5o370.0		BOP, KVT, UOP4	
5o342		BOP, KVT, UOP4	5o360	12	M06Z, M09A, M09B, M38Z	11	L06A, L06B				
	11	L18A, L18B, L19Z, L20A, L20B, L20C, L38Z		13	N13A, N13B	12	M06Z, M09A, M09B, M38Z				
5o343		BOP, KVT, UOP4	5o361	17	R01A, R01B, R01C, R01D, R02Z, R12A, R12B, R12C	13	N08Z				
	11	L18A, L18B, L19Z, L20A, L20B, L20C, L38Z		21A	W04A, W04B	17	R01A, R01B, R01C, R01D, R02Z, R12A, R12B, R12C				
5o344		BOP, KVT, UOP4	5o362	12	M06Z, M09A, M09B, M38Z	5o371.0		BOP, KVT, UOP4			
	11	L18A, L18B, L19Z, L20A, L20B, L20C, L38Z		13	N13A, N13B	11	L06A, L06B				
5o345.0		BOP, KVT, UOP4	5o363	17	R01A, R01B, R01C, R01D, R02Z, R12A, R12B, R12C	12	M06Z, M09A, M09B, M38Z				
	11	L18A, L18B, L19Z, L20A, L20B, L20C, L38Z		21A	W04A, W04B	13	N11A, N11B				
5o345.1		BOP, KVT, UOP4	5o364	21B	X06A, X06B, X06C	17	R01A, R01B, R01C, R01D, R02Z, R12A, R12B, R12C				
	11	L18A, L18B, L19Z, L20A, L20B, L38Z		06	G18A, G38Z	5o371.4		BOP, KVT, UOP4			
				11	L03Z, L04A, L04B, L04C, L10Z, L13A, L13B, L38Z	11	L06A, L06B				
				21A	W04A, W04B	12	M06Z, M09A, M09B, M38Z				
				21B	X06A, X06B, X06C	13	N08Z				
						17	R01A, R01B, R01C, R01D, R02Z, R12A, R12B, R12C				



ZZV	MDC	DRG	ZZV	MDC	DRG	ZZV	MDC	DRG
5o372		BOP, KVT, UOP4	5o394.4		BOP, KVT, UOP4	5o39x.0		BOP, KVT, UOP4
	11	L06A, L06B		11	L06A, L06B		11	L06A, L06B
	12	M06Z, M09A, M09B, M38Z		21A	W04A, W04B		21A	W04A, W04B
	13	N11A, N11B		21B	X06A, X06B, X06C		21B	X06A, X06B, X06C
	17	R01A, R01B, R01C, R01D, R02Z, R12A, R12B, R12C	5o394.t		BOP, KVT, UOP4	5o39x.4		BOP, KVT, UOP4
5o37x		BOP, KVT, UOP4		11	L11Z, L18A, L18B, L38Z		11	L06A, L06B
	11	L06A, L06B		12	M06Z, M09A, M09B, M38Z		21A	W04A, W04B
	12	M06Z, M09A, M09B, M38Z	5o394.x		BOP, KVT, UOP4		21B	X06A, X06B, X06C
	13	N11A, N11B		11	L11Z, L18A, L18B, L38Z	5o400		BOP, KVT, UOP4
	17	R01A, R01B, R01C, R01D, R02Z, R12A, R12B, R12C	5o395.0		M06Z, M09A, M09B, M38Z		11	L08A, L08B
5o390		BOP, KVT, UOP4		11	L06A, L06B		12	M03A, M03B, M03C, M38Z
	11	L03Z, L04A, L04B, L04C, L10Z, L13A, L13B, L38Z		21A	W04A, W04B		19	U01Z
	21A	W04A, W04B		21B	X06A, X06B, X06C		21A	W04A, W04B
	21B	X06A, X06B, X06C	5o395.1		BOP, KVT, UOP4		21B	X06A, X06B, X06C
5o391.0		BOP, KVT, UOP4		11	L06A, L06B	5o401		BOP, KVT, UOP4
	11	L06A, L06B		21A	W04A, W04B		11	L08A, L08B
	21A	W04A, W04B	5o395.3		X06A, X06B, X06C		12	M03A, M03B, M03C, M38Z
	21B	X06A, X06B, X06C		11	L06A, L06B		13	N11A, N11B
5o391.1‡		BOP, KVT, UOP4		21A	W04A, W04B		14	962Z, O02A, O02B
	11	L18A, L18B, L19Z, L20A, L20B, L20C, L38Z		21B	X06A, X06B, X06C		19	U01Z
5o391.3‡		BOP, KVT, UOP4	5o395.4		BOP, KVT, UOP4		21A	W04A, W04B
	11	L18A, L18B, L19Z, L20A, L20B, L20C, L38Z		11	L06A, L06B	5o402		X06A, X06B, X06C
5o391.4		BOP, KVT, UOP4		21A	W04A, W04B		11	L08A, L08B
	11	L06A, L06B		21B	X06A, X06B, X06C		12	M03A, M03B, M03C, M38Z
	21A	W04A, W04B	5o395.t		BOP, KVT, UOP4		13	N11A, N11B
	21B	X06A, X06B, X06C		11	L06A, L06B		14	962Z, O02A, O02B
5o391.t‡		BOP, KVT, UOP4		21A	W04A, W04B		19	U01Z
	11	L18A, L18B, L19Z, L20A, L20B, L20C, L38Z		21B	X06A, X06B, X06C		21A	W04A, W04B
5o391.x‡		BOP, KVT, UOP4	5o395.x		BOP, KVT, UOP4		21B	X06A, X06B, X06C
	11	L18A, L18B, L19Z, L20A, L20B, L20C, L38Z		11	L06A, L06B	5o404		BOP, KVT, UOP4
5o392.0		BOP, KVT, UOP4		21A	W04A, W04B		11	L08A, L08B
	11	L06A, L06B		21B	X06A, X06B, X06C		12	M03A, M03B, M03C, M38Z
	12	M06Z, M09A, M09B, M38Z	5o396.0		BOP, KVT, UOP4		13	N11A
	13	N13A, N13B		11	L06A, L06B		17	R01A, R01B, R01C, R01D, R02Z, R12A, R12B, R12C
	17	R01A, R01B, R01C, R01D, R02Z, R12A, R12B, R12C		21A	W04A, W04B		19	U01Z
	21A	W04A, W04B	5o396.4		X06A, X06B, X06C		21A	W04A, W04B
	21B	X06A, X06B, X06C		11	L06A, L06B	5o405		X06A, X06B, X06C
5o392.4		BOP, KVT, UOP4		21A	W04A, W04B		11	L08A, L08B
	11	L06A, L06B		21B	X06A, X06B, X06C		12	M03A, M03B, M03C, M38Z
	12	M06Z, M09A, M09B, M38Z	5o397.0		BOP, KVT, UOP4		13	N11A, N11B
	13	N13A, N13B		11	L06A, L06B		14	962Z, O02A, O02B
	17	R01A, R01B, R01C, R01D, R02Z, R12A, R12B, R12C		21A	W04A, W04B		19	U01Z
	21A	W04A, W04B		21B	X06A, X06B, X06C		21A	W04A, W04B
	21B	X06A, X06B, X06C	5o397.3		BOP, KVT, UOP4		21B	X06A, X06B, X06C
5o393.0		BOP, KVT, UOP4		11	L06A, L06B	5o406		BOP, KVT, UOP4
	11	L06A, L06B		21A	W04A, W04B		11	L08A, L08B
	21A	W04A, W04B		21B	X06A, X06B, X06C		12	M03A, M03B, M03C, M38Z
	21B	X06A, X06B, X06C	5o397.4		BOP, KVT, UOP4		13	N11A, N11B
5o393.4		BOP, KVT, UOP4		11	L06A, L06B		14	962Z, O02A, O02B
	11	L06A, L06B		21A	W04A, W04B		19	U01Z
	21A	W04A, W04B		21B	X06A, X06B, X06C		21A	W04A, W04B
	21B	X06A, X06B, X06C	5o397.t		BOP, KVT, UOP4		21B	X06A, X06B, X06C
5o394.0		BOP, KVT, UOP4		11	L06A, L06B	5o407		BOP, KVT, UOP4
	11	L06A, L06B		21A	W04A, W04B		11	L08A, L08B
	21A	W04A, W04B		21B	X06A, X06B, X06C		12	M03A, M03B, M03C, M38Z
	21B	X06A, X06B, X06C	5o398.0		BOP, KVT, UOP4		13	N11A, N11B
5o394.1		BOP, KVT, UOP4		11	L06A, L06B		14	962Z, O02A, O02B
	11	L06A, L06B		21A	W04A, W04B		19	U01Z
	21A	W04A, W04B		21B	X06A, X06B, X06C		21A	W04A, W04B
	21B	X06A, X06B, X06C	5o398.4		BOP, KVT, UOP4		21B	X06A, X06B, X06C
5o394.3		BOP, KVT, UOP4		11	L06A, L06B	5o408.1		BOP, KVT, UOP4
	11	L11Z, L18A, L18B, L38Z		21A	W04A, W04B		11	L08A, L08B
	12	M06Z, M09A, M09B, M38Z		21B	X06A, X06B, X06C		12	M03A, M03B, M03C, M38Z
							19	U01Z
							21A	W04A, W04B
							21B	X06A, X06B, X06C

ZZV	MDC	DRG	ZZV	MDC	DRG	ZZV	MDC	DRG
5o408.2		BOP, KVT, UOP4	5o40a.x		BOP, KVT, UOP4	5o40d		BOP, KVT, UOP4
	11	L08A, L08B		11	L08A, L08B		11	L08A, L08B
	12	M03A, M03B, M03C, M38Z		12	M03A, M03B, M03C, M38Z		13	N11A
	13	N11A		13	N11A		14	962Z, O02A, O02B
	14	962Z, O02A, O02B		14	962Z, O02A, O02B		19	U01Z
	19	U01Z		19	U01Z		21A	W04A, W04B
	21A	W04A, W04B		21A	W04A, W04B		21B	X06A, X06B, X06C
5o408.x	21B	X06A, X06B, X06C	5o40b.1	21B	X06A, X06B, X06C	5o40x		BOP, KVT, UOP4
		BOP, KVT, UOP4			BOP, KVT, UOP4		11	L08A, L08B
	11	L08A, L08B		11	L08A, L08B		12	M03A, M03B, M03C, M38Z
	12	M03A, M03B, M03C, M38Z		12	M03A, M03B, M03C, M38Z		19	U01Z
	19	U01Z		19	U01Z		21A	W04A, W04B
	21A	W04A, W04B		21A	W04A, W04B		21B	X06A, X06B, X06C
	21B	X06A, X06B, X06C		21B	X06A, X06B, X06C		5o410†	11
5o409.1		BOP, KVT, UOP4	5o40b.2		BOP, KVT, UOP4	5o411.0		
	11	L08A, L08B		11	L08A, L08B		11	L08A, L08B
	12	M03A, M03B, M03C, M38Z		12	M03A, M03B, M03C, M38Z	13	N11A, N11B	
	19	U01Z		19	U01Z	21A	W04A, W04B	
	21A	W04A, W04B		21A	W04A, W04B	21B	X06A, X06B, X06C	
	21B	X06A, X06B, X06C		21B	X06A, X06B, X06C	5o411.1		BOP, KVT, UOP4
	5o409.x			BOP, KVT, UOP4	5o40b.3			BOP, KVT, UOP4
11		L08A, L08B	11	L08A, L08B		13	N11A, N11B	
12		M03A, M03B, M03C, M38Z	12	M03A, M03B, M03C, M38Z		21A	W04A, W04B	
19		U01Z	13	N11A		21B	X06A, X06B, X06C	
21A		W04A, W04B	14	962Z, O02A, O02B		5o411.2		BOP, KVT, UOP4
21B		X06A, X06B, X06C	19	U01Z			11	L08A, L08B
5o40a.1			BOP, KVT, UOP4	5o40b.4		21A	W04A, W04B	13
	11	L08A, L08B	21B		X06A, X06B, X06C	21A	W04A, W04B	
	12	M03A, M03B, M03C, M38Z			BOP, KVT, UOP4	21B	X06A, X06B, X06C	
	14	962Z, O02A, O02B	11		L08A, L08B	5o412.0		BOP, KVT, UOP4
	19	U01Z	12		M03A, M03B, M03C, M38Z		11	L08A, L08B
	21A	W04A, W04B	13		N11A	13	N11A, N11B	
	21B	X06A, X06B, X06C	14		962Z, O02A, O02B	21A	W04A, W04B	
5o40a.2		BOP, KVT, UOP4	5o40b.5	19	U01Z	21B	X06A, X06B, X06C	
	11	L08A, L08B		21A	W04A, W04B	5o412.1		BOP, KVT, UOP4
	12	M03A, M03B, M03C, M38Z		21B	X06A, X06B, X06C		11	L08A, L08B
	14	962Z, O02A, O02B			BOP, KVT, UOP4	13	N11A, N11B	
	19	U01Z		11	L08A, L08B	21A	W04A, W04B	
	21A	W04A, W04B		12	M03A, M03B, M03C, M38Z	21B	X06A, X06B, X06C	
	21B	X06A, X06B, X06C		13	N11A	5o413		BOP, KVT, UOP4
5o40a.3		BOP, KVT, UOP4	5o40b.6	14	962Z, O02A, O02B		10	K03A, K03B
	11	L08A, L08B		19	U01Z	11	L03Z, L04A, L04B, L04C, L10Z, L13A, L13B, L38Z	
	12	M03A, M03B, M03C, M38Z		21A	W04A, W04B	21A	W04A, W04B	
	13	N11A		21B	X06A, X06B, X06C	21B	X06A, X06B, X06C	
	14	962Z, O02A, O02B			BOP, KVT, UOP4	5o414		BOP, KVT, UOP4
	19	U01Z		11	L08A, L08B		11	L03Z, L04A, L04B, L04C, L10Z, L13A, L13B, L33Z, L38Z
	21A	W04A, W04B		12	M03A, M03B, M03C, M38Z	21A	W04A, W04B	
21B	X06A, X06B, X06C	13	N11A	21B	X06A, X06B, X06C			
5o40a.4		BOP, KVT, UOP4	5o40b.x	14	962Z, O02A, O02B	5o41c		BOP, KVT, UOP4
	11	L08A, L08B		19	U01Z		10	K03A, K03B
	12	M03A, M03B, M03C, M38Z		21A	W04A, W04B	11	L03Z, L04A, L04B, L04C, L10Z, L13A, L13B, L38Z	
	13	N11A		21B	X06A, X06B, X06C	13	N04Z, N06Z	
	14	962Z, O02A, O02B			BOP, KVT, UOP4	21A	W04A, W04B	
	19	U01Z		11	L08A, L08B	21B	X06A, X06B, X06C	
	21A	W04A, W04B		12	M03A, M03B, M03C, M38Z	5o41d		BOP, KVT, UOP4
21B	X06A, X06B, X06C	13	N11A	11	L03Z, L04A, L04B, L04C, L10Z, L13A, L13B, L33Z, L38Z			
5o40a.5		BOP, KVT, UOP4	5o40c	14	962Z, O02A, O02B	13	N04Z, N06Z	
	11	L08A, L08B		19	U01Z	21A	W04A, W04B	
	12	M03A, M03B, M03C, M38Z		21A	W04A, W04B	21B	X06A, X06B, X06C	
	13	N11A		21B	X06A, X06B, X06C	5o41d		BOP, KVT, UOP4
	14	962Z, O02A, O02B			BOP, KVT, UOP4		11	L03Z, L04A, L04B, L04C, L10Z, L13A, L13B, L33Z, L38Z
	19	U01Z		11	L08A, L08B		13	N04Z, N06Z
	21A	W04A, W04B		13	N11A		21A	W04A, W04B
21B	X06A, X06B, X06C	14	962Z, O02A, O02B	21B	X06A, X06B, X06C			
				19	U01Z			
				21A	W04A, W04B			
				21B	X06A, X06B, X06C			

VYK

ZZV	MDC	DRG	ZZV	MDC	DRG	ZZV	MDC	DRG
5o41x		BOP, KVT, UOP4	5o440		BOP, KVT, UOP4	5o493		BOP, KVT, UOP4
	11	L03Z, L04A, L04B, L04C, L10Z, L13A, L13B, L38Z		11	L17A, L17B, L20A, L20B, L20C		11	L18A, L18B, L19Z, L20A, L20B, L20C, L38Z
	13	N04Z, N06Z		12	M06Z, M09A, M09B, M38Z		12	M06Z, M09A, M09B, M38Z
	21A	W04A, W04B		21A	W04A, W04B	5o494†	11	L18A, L18B, L19Z, L20A, L20B, L20C, L38Z
	21B	X06A, X06B, X06C		21B	X06A, X06B, X06C		12	M06Z, M09A, M09B, M38Z
5o421		BOP, KVT, UOP4	5o441		BOP, KVT, UOP4	5o495†	11	L18A, L18B, L19Z, L20A, L20B, L20C, L38Z
	11	L17A, L17B, L20A, L20B, L20C		11	L17A, L17B, L20A, L20B, L20C		12	M06Z, M09A, M09B, M38Z
	12	M03A, M03B, M03C, M38Z		12	M03A, M03B, M03C, M38Z		12	M06Z, M09A, M09B, M38Z
	13	N11A, N11B		13	N11A, N11B	5o496		BOP, KVT, UOP4
	21A	W04A, W04B		14	962Z, O02A, O02B		11	L17A, L17B, L20A, L20B, L20C
	21B	X06A, X06B, X06C		21A	W04A, W04B		13	N11A, N11B
5o422.2		BOP, KVT, UOP4		21B	X06A, X06B, X06C		21A	W04A, W04B
	11	L17A, L17B, L20A, L20B, L20C	5o442		BOP, KVT, UOP4		21B	X06A, X06B, X06C
	12	M03A, M03B, M03C, M38Z		11	L17A, L17B, L20A, L20B, L20C	5o497		BOP, KVT, UOP4
	13	N11A, N11B		12	M06Z, M09A, M09B, M38Z		11	L17A, L17B, L20A, L20B, L20C
	21A	W04A, W04B		21A	W04A, W04B		13	N11A, N11B
	21B	X06A, X06B, X06C		21B	X06A, X06B, X06C		21A	W04A, W04B
5o422.t		BOP, KVT, UOP4	5o443		BOP, KVT, UOP4		21B	X06A, X06B, X06C
	11	L17A, L17B, L20A, L20B, L20C		11	L17A, L17B, L20A, L20B, L20C	5o498		BOP, KVT, UOP4
	12	M03A, M03B, M03C, M38Z		12	M06Z, M09A, M09B, M38Z		11	L17A, L17B, L20A, L20B, L20C
	13	N11A, N11B		21A	W04A, W04B		13	N11A, N11B
	21A	W04A, W04B		21B	X06A, X06B, X06C		21A	W04A, W04B
	21B	X06A, X06B, X06C	5o44x		BOP, KVT, UOP4		21B	X06A, X06B, X06C
5o430.0		BOP, KVT, UOP4		11	L17A, L17B, L20A, L20B, L20C	5o499†	11	L18A, L18B, L19Z, L20A, L20B, L20C, L38Z
	11	L17A, L17B, L20A, L20B, L20C		12	M06Z, M09A, M09B, M38Z		12	M06Z, M09A, M09B, M38Z
	12	M06Z, M09A, M09B, M38Z		21A	W04A, W04B	5o49a.1†	11	L18A, L18B, L19Z, L20A, L20B, L20C, L38Z
	13	N11A, N11B		21B	X06A, X06B, X06C		12	M06Z, M09A, M09B, M38Z
	21A	W04A, W04B	5o450†	11	L64A, L74Z		11	L18A, L18B, L19Z, L20A, L20B, L20C, L38Z
	21B	X06A, X06B, X06C	5o451		BOP, KVT, UOP4	5o49a.2†	11	L18A, L18B, L19Z, L20A, L20B, L20C, L38Z
5o430.1		BOP, KVT, UOP4		11	L17A, L17B, L20A, L20B, L20C		12	M06Z, M09A, M09B, M38Z
	11	L17A, L17B, L20A, L20B, L20C		13	N11A, N11B	5o49b		BOP, KVT, UOP4
	12	M06Z, M09A, M09B, M38Z		21A	W04A, W04B		06	G01Z, G02Z, G38Z
	13	N11A, N11B		21B	X06A, X06B, X06C		11	L08A, L08B
	21A	W04A, W04B	5o452		BOP, KVT, UOP4		12	M03A, M03B, M03C, M38Z
	21B	X06A, X06B, X06C		11	L17A, L17B, L20A, L20B, L20C		Pre	A11A, A13A, A13B, A13D
5o430.2		BOP, KVT, UOP4		13	N11A, N11B	5o49c		BOP, KVT, UOP4
	11	L17A, L17B, L20A, L20B, L20C		21A	W04A, W04B		06	G01Z, G02Z, G38Z
	12	M06Z, M09A, M09B, M38Z		21B	X06A, X06B, X06C		11	L08A, L08B
	13	N11A, N11B	5o45x		BOP, KVT, UOP4		12	M03A, M03B, M03C, M38Z
	21A	W04A, W04B		11	L17A, L17B, L20A, L20B, L20C	5o49x†	Pre	A11A, A13A, A13B, A13D
	21B	X06A, X06B, X06C		13	N11A, N11B		11	L18A, L18B, L19Z, L20A, L20B, L20C, L38Z
5o431		BOP, KVT, UOP4		21A	W04A, W04B		12	M06Z, M09A, M09B, M38Z
	11	L17A, L17B, L20A, L20B, L20C		21B	X06A, X06B, X06C	5o900.1		BOP, KVT, UOP4
	12	M06Z, M09A, M09B, M38Z	5o490		BOP, KVT, UOP4		11	L03Z, L04A, L04B, L04C, L10Z, L13A, L13B, L38Z
	13	N08Z		11	L03Z, L04A, L04B, L04C, L10Z, L13A, L13B, L38Z		12	M06Z, M09A, M09B, M38Z
	21A	W04A, W04B		21A	W04A, W04B		13	N11A, N11B
	21B	X06A, X06B, X06C		21B	X06A, X06B, X06C		17	R01A, R01B, R01C, R01D, R02Z, R12A, R12B, R12C
5o432		BOP, KVT, UOP4	5o491		BOP, KVT, UOP4		21A	W04A, W04B
	11	L17A, L17B, L20A, L20B, L20C		11	L06A, L06B		21B	X06A, X06B, X06C
	12	M06Z, M09A, M09B, M38Z		12	M06Z, M09A, M09B, M38Z	5o900.2		BOP, KVT, UOP4
	13	N11A, N11B		13	N11A		11	L03Z, L04A, L04B, L04C, L10Z, L13A, L13B, L38Z
	21A	W04A, W04B		14	962Z, O02A, O02B		12	M06Z, M09A, M09B, M38Z
	21B	X06A, X06B, X06C		21A	W04A, W04B		13	N11A, N11B
5o43x		BOP, KVT, UOP4		21B	X06A, X06B, X06C		17	R01A, R01B, R01C, R01D, R02Z, R12A, R12B, R12C
	11	L17A, L17B, L20A, L20B, L20C	5o492		BOP, KVT, UOP4		21A	W04A, W04B
	12	M06Z, M09A, M09B, M38Z		11	L18A, L18B, L19Z, L20A, L20B, L20C, L38Z		21B	X06A, X06B, X06C
	13	N11A, N11B		12	M06Z, M09A, M09B, M38Z	5o900.3†	11	L11Z, L18A, L18B, L38Z
	21A	W04A, W04B						
	21B	X06A, X06B, X06C						

VYK

ZZV	MDC	DRG	ZZV	MDC	DRG	ZZV	MDC	DRG
5o900.4		BOP, KVT, UOP4	5o902.4		BOP, KVT, UOP4	5o905.2		BOP, KVT, UOP4
	11	L03Z, L04A, L04B, L04C, L10Z, L13A, L13B, L38Z		06	G10Z, G12A, G12B		06	G15Z
	12	M06Z, M09A, M09B, M38Z		07	H06A, H06B, H06C		11	L03Z, L04A, L04B, L04C, L10Z, L13A, L13B, L38Z
	13	N11A, N11B		10	K09A, K09B		12	M06Z, M09A, M09B, M38Z
	17	R01A, R01B, R01C, R01D, R02Z, R12A, R12B, R12C		11	L03Z, L04A, L04B, L04C, L10Z, L13A, L13B, L38Z		13	N11A, N11B
	21A	W04A, W04B		12	M06Z, M09A, M09B, M38Z		17	R01A, R01B, R01C, R01D, R02Z, R12A, R12B, R12C
	21B	X06A, X06B, X06C		13	N11A, N11B		21A	W04A, W04B
5o900.x†		L11Z, L18A, L18B, L38Z		17	R01A, R01B, R01C, R01D, R02Z, R12A, R12B, R12C		21B	X06A, X06B, X06C
5o901.1		BOP, KVT, UOP4	5o902.x†		W04A, W04B	5o905.3†		L11Z, L18A, L18B, L38Z
	11	L03Z, L04A, L04B, L04C, L10Z, L13A, L13B, L38Z	5o903.1		X06A, X06B, X06C	5o905.4		BOP, KVT, UOP4
	12	M06Z, M09A, M09B, M38Z		11	L11Z, L18A, L18B, L38Z		06	G15Z
	13	N11A, N11B			BOP, KVT, UOP4		11	L03Z, L04A, L04B, L04C, L10Z, L13A, L13B, L38Z
	17	R01A, R01B, R01C, R01D, R02Z, R12A, R12B, R12C		06	G10Z, G12A, G12B		12	M06Z, M09A, M09B, M38Z
	21A	W04A, W04B		07	H06A, H06B, H06C		13	N11A, N11B
	21B	X06A, X06B, X06C		10	K09A, K09B		17	R01A, R01B, R01C, R01D, R02Z, R12A, R12B, R12C
5o901.2		BOP, KVT, UOP4		11	L03Z, L04A, L04B, L04C, L10Z, L13A, L13B, L38Z		21A	W04A, W04B
	11	L03Z, L04A, L04B, L04C, L10Z, L13A, L13B, L38Z		12	M06Z, M09A, M09B, M38Z		21B	X06A, X06B, X06C
	12	M06Z, M09A, M09B, M38Z		13	N11A, N11B	5o905.x†		L11Z, L18A, L18B, L38Z
	13	N11A, N11B		17	R01A, R01B, R01C, R01D, R02Z, R12A, R12B, R12C	5o906.1		BOP, KVT, UOP4
	17	R01A, R01B, R01C, R01D, R02Z, R12A, R12B, R12C		21A	W04A, W04B		06	G10Z, G12A, G12B, G15Z
	21A	W04A, W04B	5o903.2		X06A, X06B, X06C		07	H06A, H06B, H06C
	21B	X06A, X06B, X06C			BOP, KVT, UOP4		10	K03A, K03B, K09A, K09B
5o901.3†		L11Z, L18A, L18B, L38Z		06	G10Z, G12A, G12B		11	L03Z, L04A, L04B, L04C, L10Z, L13A, L13B, L38Z
5o901.4		BOP, KVT, UOP4		07	H06A, H06B, H06C		12	M06Z, M09A, M09B, M38Z
	11	L03Z, L04A, L04B, L04C, L10Z, L13A, L13B, L38Z		10	K09A, K09B		13	N11A, N11B
	12	M06Z, M09A, M09B, M38Z		11	L03Z, L04A, L04B, L04C, L10Z, L13A, L13B, L38Z		17	R01A, R01B, R01C, R01D, R02Z, R12A, R12B, R12C
	13	N11A, N11B		12	M06Z, M09A, M09B, M38Z		21A	W04A, W04B
	17	R01A, R01B, R01C, R01D, R02Z, R12A, R12B, R12C		13	N11A, N11B		21B	X06A, X06B, X06C
	21A	W04A, W04B		17	R01A, R01B, R01C, R01D, R02Z, R12A, R12B, R12C	5o906.2		BOP, KVT, UOP4
	21B	X06A, X06B, X06C		21A	W04A, W04B		06	G10Z, G12A, G12B, G15Z
5o901.x†		L11Z, L18A, L18B, L38Z		21B	X06A, X06B, X06C		07	H06A, H06B, H06C
5o902.1		BOP, KVT, UOP4	5o903.3†		L11Z, L18A, L18B, L38Z		10	K09A, K09B
	06	G10Z, G12A, G12B	5o903.4		BOP, KVT, UOP4		11	L03Z, L04A, L04B, L04C, L10Z, L13A, L13B, L38Z
	07	H06A, H06B, H06C		06	G10Z, G12A, G12B		12	M06Z, M09A, M09B, M38Z
	10	K09A, K09B		07	H06A, H06B, H06C		13	N11A, N11B
	11	L03Z, L04A, L04B, L04C, L10Z, L13A, L13B, L38Z		10	K09A, K09B		17	R01A, R01B, R01C, R01D, R02Z, R12A, R12B, R12C
	12	M06Z, M09A, M09B, M38Z		11	L03Z, L04A, L04B, L04C, L10Z, L13A, L13B, L38Z		21A	W04A, W04B
	13	N11A, N11B		12	M06Z, M09A, M09B, M38Z		21B	X06A, X06B, X06C
	17	R01A, R01B, R01C, R01D, R02Z, R12A, R12B, R12C		13	N11A, N11B	5o906.3†		L11Z, L18A, L18B, L38Z
	21A	W04A, W04B		17	R01A, R01B, R01C, R01D, R02Z, R12A, R12B, R12C	5o906.4		BOP, KVT, UOP4
	21B	X06A, X06B, X06C		21A	W04A, W04B		06	G10Z, G12A, G12B, G15Z
5o902.2		BOP, KVT, UOP4	5o903.x†		X06A, X06B, X06C		07	H06A, H06B, H06C
	06	G10Z, G12A, G12B	5o904.†		L11Z, L18A, L18B, L38Z		10	K03A, K03B, K09A, K09B
	07	H06A, H06B, H06C	5o905.1		L11Z, L18A, L18B, L38Z		11	L03Z, L04A, L04B, L04C, L10Z, L13A, L13B, L38Z
	10	K09A, K09B			BOP, KVT, UOP4		12	M06Z, M09A, M09B, M38Z
	11	L03Z, L04A, L04B, L04C, L10Z, L13A, L13B, L38Z		06	G15Z		13	N11A, N11B
	12	M06Z, M09A, M09B, M38Z		10	K03A, K03B		17	R01A, R01B, R01C, R01D, R02Z, R12A, R12B, R12C
	13	N11A, N11B		11	L03Z, L04A, L04B, L04C, L10Z, L13A, L13B, L38Z		21A	W04A, W04B
	17	R01A, R01B, R01C, R01D, R02Z, R12A, R12B, R12C		12	M06Z, M09A, M09B, M38Z		21B	X06A, X06B, X06C
	21A	W04A, W04B		13	N11A, N11B	5o906.x†		L11Z, L18A, L18B, L38Z
	21B	X06A, X06B, X06C		17	R01A, R01B, R01C, R01D, R02Z, R12A, R12B, R12C			
5o902.3†		L11Z, L18A, L18B, L38Z		21A	W04A, W04B			
				21B	X06A, X06B, X06C			

VYK

ZZV	MDC	DRG	ZZV	MDC	DRG	ZZV	MDC	DRG
5o907.1		BOP, KOP, KOPV, KVT, UOP4	5o907.x		BOP, KOP, KOPV, KVT, UOP4	5o908.4		BOP, KOP, KOPV, KVT, UOP4
	04	E05A, E05B, E05C, E08A, E08B, E08C		04	E05A, E05B, E05C, E08A, E08B, E08C		04	E05A, E05B, E05C, E08A, E08B, E08C
	06	G10Z, G12A, G12B, G15Z, G18A, G33Z, G38Z		06	G10Z, G12A, G12B, G15Z, G33Z		06	G10Z, G12A, G12B, G15Z, G18A, G33Z, G38Z
	07	H33Z, H38Z		07	H33Z, H38Z		07	H33Z, H38Z
	08	I28A, I28B		08	I28A, I28B		08	I28A, I28B
	09	J03A, J03B, J04A, J04B, J08A, J08B, J08C, J10A, J10B, J16Z		09	J03A, J03B, J04A, J04B, J08A, J08B, J08C, J10A, J10B, J16Z		09	J03A, J03B, J04A, J04B, J08A, J08B, J08C, J10A, J10B, J16Z
	10	K09A, K09B		10	K09A, K09B		10	K09A, K09B
	11	L03Z, L04A, L04B, L04C, L10Z, L13A, L13B, L33Z, L38Z		11	L03Z, L04A, L04B, L04C, L10Z, L13A, L13B, L33Z, L38Z		11	L03Z, L04A, L04B, L04C, L10Z, L13A, L13B, L33Z, L38Z
	12	M01A, M01B, M38Z		12	M01A, M01B, M38Z		12	M01A, M01B, M38Z
	13	N01A, N01B, N01C, N01D, N01E, N38Z		13	N01A, N01B, N01C, N01D, N01E, N38Z		13	N01A, N01B, N01C, N01D, N01E, N38Z
	17	R01A, R01B, R01C, R01D, R02Z, R12A, R12B, R12C		17	R01A, R01B, R01C, R01D, R02Z, R12A, R12B, R12C		17	R01A, R01B, R01C, R01D, R02Z, R12A, R12B, R12C
	21B	X33Z		21B	X33Z		21B	X33Z
	23	Z01A		23	Z01A		23	Z01A
	Pre	A07A		Pre	A07A		Pre	A07A
	5o907.2			BOP, KOP, KOPV, KVT, UOP4	5o908.1			BOP, KOP, KOPV, KVT, UOP4
04		E05A, E05B, E05C, E08A, E08B, E08C	04	E05A, E05B, E05C, E08A, E08B, E08C		04	E05A, E05B, E05C, E08A, E08B, E08C	
06		G10Z, G12A, G12B, G15Z, G18A, G33Z, G38Z	06	G10Z, G12A, G12B, G15Z, G18A, G33Z, G38Z		06	G10Z, G12A, G12B, G15Z, G33Z	
07		H33Z, H38Z	07	H33Z, H38Z		07	H33Z, H38Z	
08		I28A, I28B	08	I28A, I28B		08	I28A, I28B	
09		J03A, J03B, J04A, J04B, J08A, J08B, J08C, J10A, J10B, J16Z	09	J03A, J03B, J04A, J04B, J08A, J08B, J08C, J10A, J10B, J16Z		09	J03A, J03B, J04A, J04B, J08A, J08B, J08C, J10A, J10B, J16Z	
10		K09A, K09B	10	K09A, K09B		10	K09A, K09B	
11		L03Z, L04A, L04B, L04C, L10Z, L13A, L13B, L33Z, L38Z	11	L03Z, L04A, L04B, L04C, L10Z, L13A, L13B, L33Z, L38Z		11	L03Z, L04A, L04B, L04C, L10Z, L13A, L13B, L33Z, L38Z	
12		M01A, M01B, M38Z	12	M01A, M01B, M38Z		12	M01A, M01B, M38Z	
13		N01A, N01B, N01C, N01D, N01E, N38Z	13	N01A, N01B, N01C, N01D, N01E, N38Z		13	N01A, N01B, N01C, N01D, N01E, N38Z	
17		R01A, R01B, R01C, R01D, R02Z, R12A, R12B, R12C	17	R01A, R01B, R01C, R01D, R02Z, R12A, R12B, R12C		17	R01A, R01B, R01C, R01D, R02Z, R12A, R12B, R12C	
21B		X33Z	21B	X33Z		21B	X33Z	
23		Z01A	23	Z01A		23	Z01A	
Pre		A07A	Pre	A07A		Pre	A07A	
5o907.4			BOP, KOP, KOPV, KVT, UOP4	5o908.2			BOP, KOP, KOPV, KVT, UOP4	5o909.1
	04	E05A, E05B, E05C, E08A, E08B, E08C	04		E05A, E05B, E05C, E08A, E08B, E08C	06	G10Z, G12A, G12B, G15Z	
	06	G10Z, G12A, G12B, G15Z, G18A, G33Z, G38Z	06		G10Z, G12A, G12B, G15Z, G18A, G33Z, G38Z	07	H06A, H06B, H06C	
	07	H33Z, H38Z	07		H33Z, H38Z	10	K03A, K03B, K09A, K09B	
	08	I28A, I28B	08		I28A, I28B	11	L03Z, L04A, L04B, L04C, L10Z, L13A, L13B, L38Z	
	09	J03A, J03B, J04A, J04B, J08A, J08B, J08C, J10A, J10B, J16Z	09		J03A, J03B, J04A, J04B, J08A, J08B, J08C, J10A, J10B, J16Z	12	M06Z, M09A, M09B, M38Z	
	10	K09A, K09B	10		K09A, K09B	13	N01A, N01B, N01C, N01D, N01E, N02A, N02B, N02C, N03A, N03B, N07Z, N11A, N11B, N25Z, N38Z	
	11	L03Z, L04A, L04B, L04C, L10Z, L13A, L13B, L33Z, L38Z	11		L03Z, L04A, L04B, L04C, L10Z, L13A, L13B, L33Z, L38Z	17	R01A, R01B, R01C, R01D, R02Z, R12A, R12B, R12C	
	12	M01A, M01B, M38Z	12		M01A, M01B, M38Z	21A	W04A, W04B	
	13	N01A, N01B, N01C, N01D, N01E, N38Z	13		N01A, N01B, N01C, N01D, N01E, N38Z	21B	X06A, X06B, X06C	
	17	R01A, R01B, R01C, R01D, R02Z, R12A, R12B, R12C	17		R01A, R01B, R01C, R01D, R02Z, R12A, R12B, R12C			
	21B	X33Z	21B		X33Z			
	23	Z01A	23		Z01A			
	Pre	A07A	Pre		A07A			

ZZV	MDC	DRG	ZZV	MDC	DRG	ZZV	MDC	DRG		
5o909.2		BOP, KVT, UOP4	5o90x.4		BOP, KVT, UOP4	5o922.1		BOP, KVT, UOP4		
	06	G10Z, G12A, G12B, G15Z		11	L03Z, L04A, L04B, L04C, L10Z, L13A, L13B, L38Z		11	L03Z, L04A, L04B, L04C, L10Z, L13A, L13B, L38Z		
	07	H06A, H06B, H06C		12	M06Z, M09A, M09B, M38Z		12	M01A, M01B, M38Z		
	10	K09A, K09B		13	N11A, N11B		13	N04Z, N06Z		
	11	L03Z, L04A, L04B, L04C, L10Z, L13A, L13B, L38Z		17	R01A, R01B, R01C, R01D, R02Z, R12A, R12B, R12C		21A	W04A, W04B		
	12	M06Z, M09A, M09B, M38Z		21A	W04A, W04B		21B	X06A, X06B, X06C		
	13	N01A, N01B, N01C, N01D, N01E, N02A, N02B, N02C, N03A, N03B, N07Z, N25Z, N38Z		21B	X06A, X06B, X06C		5o922.2	BOP, KVT, UOP4		
	17	R01A, R01B, R01C, R01D, R02Z, R12A, R12B, R12C		11	L11Z, L18A, L18B, L38Z		11	L03Z, L04A, L04B, L04C, L10Z, L13A, L13B, L38Z		
	21A	W04A, W04B		5o90x.5†	11		L11Z, L18A, L18B, L38Z	12	M01A, M01B, M38Z	
	21B	X06A, X06B, X06C		5o90x.x†	11		L11Z, L18A, L18B, L38Z	13	N04Z, N06Z	
	5o909.4			BOP, KVT, UOP4	5o910†		11	L11Z, L18A, L18B, L38Z	21A	W04A, W04B
		06		G10Z, G12A, G12B, G15Z	5o911		11	L06A, L06B	21B	X06A, X06B, X06C
		07		H06A, H06B, H06C	11		L06A, L06B	5o922.3	BOP, KVT, UOP4	
		10		K09A, K09B	12		M06Z, M09A, M09B, M38Z	11	L03Z, L04A, L04B, L04C, L10Z, L13A, L13B, L38Z	
		11		L03Z, L04A, L04B, L04C, L10Z, L13A, L13B, L38Z	13		N11A, N11B	12	M01A, M01B, M38Z	
		12		M06Z, M09A, M09B, M38Z	17		R01A, R01B, R01C, R01D, R02Z, R12A, R12B, R12C	13	N04Z, N06Z	
		13		N01A, N01B, N01C, N01D, N01E, N02A, N02B, N02C, N03A, N03B, N07Z, N11A, N11B, N25Z, N38Z	21A		W04A, W04B	21A	W04A, W04B	
		17		R01A, R01B, R01C, R01D, R02Z, R12A, R12B, R12C	21B		X06A, X06B, X06C	21B	X06A, X06B, X06C	
		21A		W04A, W04B	5o912		11	L06A, L06B	5o922.x	BOP, KVT, UOP4
		21B		X06A, X06B, X06C	12		M06Z, M09A, M09B, M38Z	11	L03Z, L04A, L04B, L04C, L10Z, L13A, L13B, L38Z	
		5o909.x			BOP, KVT, UOP4		13	N11A, N11B	12	M01A, M01B, M38Z
06	G10Z, G12A, G12B, G15Z		17	R01A, R01B, R01C, R01D, R02Z, R12A, R12B, R12C	13	N04Z, N06Z				
07	H06A, H06B, H06C		21A	W04A, W04B	21A	W04A, W04B				
10	K09A, K09B		21B	X06A, X06B, X06C	21B	X06A, X06B, X06C				
13	N11A, N11B		5o91x	11	L06A, L06B	5o923	BOP, KVT, UOP4			
17	R01A, R01B, R01C, R01D, R02Z, R12A, R12B, R12C		11	L06A, L06B	11	L03Z, L04A, L04B, L04C, L10Z, L13A, L13B, L38Z				
21A	W04A, W04B		12	M06Z, M09A, M09B, M38Z	12	M01A, M01B, M38Z				
21B	X06A, X06B, X06C		13	N11A, N11B	13	N04Z, N06Z				
5o90x.1			BOP, KVT, UOP4	17	R01A, R01B, R01C, R01D, R02Z, R12A, R12B, R12C	21A	W04A, W04B			
	06		G10Z, G12A, G12B, G15Z	21A	W04A, W04B	21B	X06A, X06B, X06C			
	07		H06A, H06B, H06C	21B	X06A, X06B, X06C	5o92x	BOP, KVT, UOP4			
	10	K09A, K09B	5o920.1	11	L03Z, L04A, L04B, L04C, L10Z, L13A, L13B, L38Z	11	L03Z, L04A, L04B, L04C, L10Z, L13A, L13B, L38Z			
	13	N11A, N11B	12	M06Z, M09A, M09B, M38Z	12	M06Z, M09A, M09B, M38Z				
	17	R01A, R01B, R01C, R01D, R02Z, R12A, R12B, R12C	13	N11A, N11B	13	N11A				
	21A	W04A, W04B	21A	W04A, W04B	5o930.1	BOP, KVT, UOP4				
	21B	X06A, X06B, X06C	21B	X06A, X06B, X06C	11	L06A, L06B				
	5o90x.2		BOP, KVT, UOP4	5o920.2	11	L03Z, L04A, L04B, L04C, L10Z, L13A, L13B, L38Z	13	N04Z, N06Z		
		11	L03Z, L04A, L04B, L04C, L10Z, L13A, L13B, L38Z	12	M01A, M01B, M38Z	5o930.2	BOP, KVT, UOP4			
		12	M06Z, M09A, M09B, M38Z	13	N04Z, N06Z	11	L06A, L06B			
13		N11A, N11B	21A	W04A, W04B	13	N04Z, N06Z				
17		R01A, R01B, R01C, R01D, R02Z, R12A, R12B, R12C	21B	X06A, X06B, X06C	5o930.3	BOP, KVT, UOP4				
21A		W04A, W04B	5o920.3	11	L03Z, L04A, L04B, L04C, L10Z, L13A, L13B, L38Z	11	L06A, L06B			
21B		X06A, X06B, X06C	12	M01A, M01B, M38Z	13	N04Z, N06Z				
5o90x.3			BOP, KVT, UOP4	21A	W04A, W04B	5o930.x	BOP, KVT, UOP4			
		11	L03Z, L04A, L04B, L04C, L10Z, L13A, L13B, L38Z	21B	X06A, X06B, X06C	11	L06A, L06B			
		12	M06Z, M09A, M09B, M38Z	5o920.x	11	L03Z, L04A, L04B, L04C, L10Z, L13A, L13B, L38Z	13	N04Z, N06Z		
		13	N11A, N11B	11	L03Z, L04A, L04B, L04C, L10Z, L13A, L13B, L38Z	5o931.1	BOP, KVT, UOP4			
	17	R01A, R01B, R01C, R01D, R02Z, R12A, R12B, R12C	12	M01A, M01B, M38Z	11	L06A, L06B				
	21A	W04A, W04B	13	N04Z, N06Z	13	N04Z, N23Z				
	21B	X06A, X06B, X06C	21A	W04A, W04B	5o931.2	BOP, KVT, UOP4				
	5o921		BOP, KVT, UOP4	21B	X06A, X06B, X06C	11	L06A, L06B			
		11	L03Z, L04A, L04B, L04C, L10Z, L13A, L13B, L38Z	5o921	11	L03Z, L04A, L04B, L04C, L10Z, L13A, L13B, L38Z	13	N04Z, N23Z		
		12	M06Z, M09A, M09B, M38Z	11	L03Z, L04A, L04B, L04C, L10Z, L13A, L13B, L38Z	5o932.1	BOP, KVT, UOP4			
		13	N11A, N11B	12	M01A, M01B, M38Z	11	L06A, L06B			
17		R01A, R01B, R01C, R01D, R02Z, R12A, R12B, R12C	13	N04Z, N06Z	13	N04Z, N23Z				
21A		W04A, W04B	21A	W04A, W04B	5o932.x	BOP, KVT, UOP4				
21B		X06A, X06B, X06C	21B	X06A, X06B, X06C	11	L06A, L06B				
5o922.1			BOP, KVT, UOP4	11	L03Z, L04A, L04B, L04C, L10Z, L13A, L13B, L38Z	13	N04Z, N23Z			
		11	L03Z, L04A, L04B, L04C, L10Z, L13A, L13B, L38Z	12	M06Z, M09A, M09B, M38Z	11	L06A, L06B			
		12	M01A, M01B, M38Z	13	N11A, N11B	13	N04Z, N23Z			
		13	N04Z, N06Z	17	R01A, R01B, R01C, R01D, R02Z, R12A, R12B, R12C	5o932.1	BOP, KVT, UOP4			
	21A	W04A, W04B	21A	W04A, W04B	11	L06A, L06B				
	21B	X06A, X06B, X06C	21B	X06A, X06B, X06C	13	N04Z, N23Z				
	5o922.2	BOP, KVT, UOP4	5o921	11	L03Z, L04A, L04B, L04C, L10Z, L13A, L13B, L38Z	11	L06A, L06B			
	11	L03Z, L04A, L04B, L04C, L10Z, L13A, L13B, L38Z	12	M06Z, M09A, M09B, M38Z	13	N04Z, N23Z				
	12	M01A, M01B, M38Z	13	N11A, N11B	5o932.x	BOP, KVT, UOP4				
	13	N04Z, N06Z	17	R01A, R01B, R01C, R01D, R02Z, R12A, R12B, R12C	11	L06A, L06B				
	21A	W04A, W04B	21A	W04A, W04B	13	N04Z, N23Z				
21B	X06A, X06B, X06C	21B	X06A, X06B, X06C							

VYK

ZZV	MDC	DRG	ZZV	MDC	DRG	ZZV	MDC	DRG
5o93x		BOP, KVT, UOP4	5o95a		BOP, KVT, UOP4	5o993.41		BOP, KVT, UOP4
	11	L06A, L06B		11	L06A		11	L06A, L06B
	13	N04Z, N23Z		13	N13A, N13B		12	M06Z, M09A, M09B, M38Z
5o941.1		BOP, KVT, UOP4	5o95b		BOP, KVT, UOP4		17	R01A, R01B, R01C, R01D, R02Z, R12A, R12B, R12C
	11	L06A, L06B		11	L06A, L06B		21A	W04A, W04B
	13	N04Z, N06Z		13	N13A, N13B		21B	X06A, X06B, X06C
5o941.2		BOP, KVT, UOP4	5o95c		BOP, KVT, UOP4	5o993.70		BOP, KVT, UOP4
	11	L06A, L06B		11	L06A, L06B		11	L06A, L06B
	13	N04Z, N06Z		13	N13A, N13B		12	M06Z, M09A, M09B, M38Z
5o941.3		BOP, KVT, UOP4	5o95d		BOP, KVT, UOP4		17	R01A, R01B, R01C, R01D, R02Z, R12A, R12B, R12C
	11	L06A, L06B		11	L06A		21A	W04A, W04B
	13	N04Z, N06Z		13	N13A, N13B		21B	X06A, X06B, X06C
5o942.0		BOP, KVT, UOP4	5o95x		BOP, KVT, UOP4	5o994.70		BOP, KVT, UOP4
	11	L06A		11	L06A, L06B		11	L06A, L06B
	13	N04Z, N23Z		13	N13A, N13B		12	M06Z, M09A, M09B, M38Z
5o942.1		BOP, KVT, UOP4	5o960		BOP, KVT, UOP4		17	R01A, R01B, R01C, R01D, R02Z, R12A, R12B, R12C
	11	L06A		11	L06A, L06B		21A	W04A, W04B
	13	N04Z, N23Z		13	N04Z, N06Z		21B	X06A, X06B, X06C
5o94x		BOP, KVT, UOP4	5o961		BOP, KVT, UOP4	5o994.71		BOP, KVT, UOP4
	11	L06A, L06B		11	L06A, L06B		11	L06A, L06B
	13	N04Z, N23Z		13	N04Z, N06Z		12	M06Z, M09A, M09B, M38Z
5o950.1		BOP, KVT, UOP4	5o962		BOP, KVT, UOP4		17	R01A, R01B, R01C, R01D, R02Z, R12A, R12B, R12C
	11	L17A, L17B, L20A, L20B, L20C		11	L06A, L06B		21A	W04A, W04B
	12	M06Z, M09A, M09B, M38Z		13	N04Z, N06Z		21B	X06A, X06B, X06C
	13	N13A, N13B	5o963		BOP, KVT, UOP4	5o994.71		BOP, KVT, UOP4
5o950.2		BOP, KVT, UOP4		11	L06A, L06B		11	L06A, L06B
	11	L17A, L17B, L20A, L20B, L20C		13	N04Z, N06Z		12	M06Z, M09A, M09B, M38Z
	12	M06Z, M09A, M09B, M38Z		11	L06A, L06B		17	R01A, R01B, R01C, R01D, R02Z, R12A, R12B, R12C
	13	N13A, N13B	5o96x		BOP, KVT, UOP4		21A	W04A, W04B
5o951		BOP, KVT, UOP4		11	L06A, L06B	5o995.1		X06A, X06B, X06C
	11	L08A, L08B		13	N04Z, N06Z		11	L06A, L06B
	12	M03A, M03B, M03C, M38Z	5o990		BOP, KVT, UOP4		12	M06Z, M09A, M09B, M38Z
	13	N11A		11	L06A, L06B		17	R01A, R01B, R01C, R01D, R02Z, R12A, R12B, R12C
	14	962Z, O02A, O02B		13	N13A, N13B		21A	W04A, W04B
	21A	W04A, W04B	5o992.10		BOP, KVT, UOP4		21B	X06A, X06B, X06C
	21B	X06A, X06B, X06C		11	L06A, L06B	5o995.2		BOP, KVT, UOP4
5o952.1		BOP, KVT, UOP4		12	M06Z, M09A, M09B, M38Z		11	L06A, L06B
	11	L08A, L08B		17	R01A, R01B, R01C, R01D, R02Z, R12A, R12B, R12C		12	M06Z, M09A, M09B, M38Z
	12	M03A, M03B, M03C, M38Z	5o992.40		BOP, KVT, UOP4		17	R01A, R01B, R01C, R01D, R02Z, R12A, R12B, R12C
	13	N11A		11	L06A, L06B		21A	W04A, W04B
	14	962Z, O02A, O02B		12	M06Z, M09A, M09B, M38Z	5o995.3		X06A, X06B, X06C
	21A	W04A, W04B		17	R01A, R01B, R01C, R01D, R02Z, R12A, R12B, R12C		11	L06A, L06B
	21B	X06A, X06B, X06C		21A	W04A, W04B		12	M06Z, M09A, M09B, M38Z
5o952.2		BOP, KVT, UOP4		21B	X06A, X06B, X06C		17	R01A, R01B, R01C, R01D, R02Z, R12A, R12B, R12C
	11	L08A, L08B	5o992.70		BOP, KVT, UOP4		21A	W04A, W04B
	12	M03A, M03B, M03C, M38Z		11	L06A, L06B	5o995.4		X06A, X06B, X06C
	13	N11A		12	M06Z, M09A, M09B, M38Z		11	L06A, L06B
	14	962Z, O02A, O02B		17	R01A, R01B, R01C, R01D, R02Z, R12A, R12B, R12C		12	M06Z, M09A, M09B, M38Z
	21A	W04A, W04B		21A	W04A, W04B		17	R01A, R01B, R01C, R01D, R02Z, R12A, R12B, R12C
	21B	X06A, X06B, X06C		21B	X06A, X06B, X06C		21A	W04A, W04B
5o953		BOP, KVT, UOP4	5o992.71		BOP, KVT, UOP4	5o995.7		X06A, X06B, X06C
	11	L06A, L06B		11	L06A, L06B		11	L06A, L06B
	13	N13A, N13B		12	M06Z, M09A, M09B, M38Z		12	M06Z, M09A, M09B, M38Z
5o954		BOP, KVT, UOP4		17	R01A, R01B, R01C, R01D, R02Z, R12A, R12B, R12C		17	R01A, R01B, R01C, R01D, R02Z, R12A, R12B, R12C
	11	L06A, L06B		21A	W04A, W04B		21A	W04A, W04B
	13	N04Z, N06Z		21B	X06A, X06B, X06C		21B	X06A, X06B, X06C
5o955		BOP, KVT, UOP4		11	L06A, L06B		11	L06A, L06B
	11	L06A, L06B		12	M06Z, M09A, M09B, M38Z		12	M06Z, M09A, M09B, M38Z
	13	N04Z, N06Z		17	R01A, R01B, R01C, R01D, R02Z, R12A, R12B, R12C		17	R01A, R01B, R01C, R01D, R02Z, R12A, R12B, R12C
5o956.1		BOP, KVT, UOP4	5o993.11		BOP, KVT, UOP4		21A	W04A, W04B
	11	L06A		11	L06A, L06B		21B	X06A, X06B, X06C
	13	N13A, N13B		12	M06Z, M09A, M09B, M38Z			
5o956.x		BOP, KVT, UOP4		17	R01A, R01B, R01C, R01D, R02Z, R12A, R12B, R12C			
	11	L06A, L06B		21A	W04A, W04B			
	13	N13A, N13B		21B	X06A, X06B, X06C			

VYK

ZZV	MDC	DRG	ZZV	MDC	DRG	ZZV	MDC	DRG
5o995.x		BOP, KVT, UOP4	5p123.2		BOP, KVT, MVV, UOP4	5p126.4		BOP, KVT, MVV, UOP4
	11	L06A, L06B		11	L03Z, L04A, L04B, L04C, L10Z, L13A, L13B, L38Z		11	L03Z, L04A, L04B, L04C, L10Z, L13A, L13B, L38Z
	12	M06Z, M09A, M09B, M38Z		12	M01A, M01B, M38Z		12	M01A, M01B, M38Z
	17	R01A, R01B, R01C, R01D, R02Z, R12A, R12B, R12C		23	Z01A		23	Z01A
	21A	W04A, W04B	5p123.3		BOP, KVT, MVV, UOP4	5p126.8		BOP, KVT, MVV, UOP4
	21B	X06A, X06B, X06C		11	L03Z, L04A, L04B, L04C, L10Z, L13A, L13B, L38Z		11	L03Z, L04A, L04B, L04C, L10Z, L13A, L13B, L38Z
5o99x		BOP, KVT, UOP4		12	M01A, M01B, M38Z		12	M01A, M01B, M38Z
	11	L06A, L06B		23	Z01A		23	Z01A
	12	M06Z, M09A, M09B, M38Z	5p123.4		BOP, KVT, MVV, UOP4	5p127.2		BOP, KVT, MVV, UOP4
	17	R01A, R01B, R01C, R01D, R02Z, R12A, R12B, R12C		11	L03Z, L04A, L04B, L04C, L10Z, L13A, L13B, L38Z		11	L03Z, L04A, L04B, L04C, L10Z, L13A, L13B, L38Z
	21A	W04A, W04B		12	M01A, M01B, M38Z		12	M01A, M01B, M38Z
	21B	X06A, X06B, X06C		23	Z01A		23	Z01A
5p111.t		BOP, KVT, UOP4	5p123.8		BOP, KVT, MVV, UOP4	5p127.3		BOP, KVT, MVV, UOP4
	12	M06Z, M09A, M09B, M38Z		11	L03Z, L04A, L04B, L04C, L10Z, L13A, L13B, L38Z		11	L03Z, L04A, L04B, L04C, L10Z, L13A, L13B, L38Z
5p111.x		BOP, KVT, UOP4		12	M01A, M01B, M38Z		12	M01A, M01B, M38Z
	12	M06Z, M09A, M09B, M38Z		23	Z01A		23	Z01A
5p112		BOP, KVT, UOP4	5p124.2		BOP, KVT, MVV, UOP4	5p127.4		BOP, KVT, MVV, UOP4
	12	M06Z, M09A, M09B, M38Z		11	L03Z, L04A, L04B, L04C, L10Z, L13A, L13B, L38Z		11	L03Z, L04A, L04B, L04C, L10Z, L13A, L13B, L38Z
5p113		BOP, KVT, UOP4		12	M01A, M01B, M38Z		12	M01A, M01B, M38Z
	12	M06Z, M09A, M09B, M38Z		23	Z01A		23	Z01A
5p114		BOP, KVT, UOP4	5p124.3		BOP, KVT, MVV, UOP4	5p127.5		BOP, KVT, MVV, UOP4
	12	M06Z, M09A, M09B, M38Z		11	L03Z, L04A, L04B, L04C, L10Z, L13A, L13B, L38Z		11	L03Z, L04A, L04B, L04C, L10Z, L13A, L13B, L38Z
5p115		BOP, KVT, UOP4		12	M01A, M01B, M38Z		12	M01A, M01B, M38Z
	12	M06Z, M09A, M09B, M38Z		23	Z01A		23	Z01A
5p116		BOP, KVT, UOP4	5p124.4		BOP, KVT, MVV, UOP4	5p12x		BOP, KVT, MVV, UOP4
	12	M06Z, M09A, M09B, M38Z		11	L03Z, L04A, L04B, L04C, L10Z, L13A, L13B, L38Z		11	L03Z, L04A, L04B, L04C, L10Z, L13A, L13B, L38Z
5p11x		BOP, KVT, UOP4		12	M01A, M01B, M38Z		12	M01A, M01B, M38Z
	12	M06Z, M09A, M09B, M38Z		23	Z01A		23	Z01A
5p121.1		BOP, KVT, UOP4	5p124.8		BOP, KVT, MVV, UOP4	5p131		BOP, KVT, UOP4
	11	L03Z, L04A, L04B, L04C, L10Z, L13A, L13B, L38Z		11	L03Z, L04A, L04B, L04C, L10Z, L13A, L13B, L38Z		12	M06Z, M09A, M09B, M38Z
	12	M01A, M01B, M09A, M38Z		12	M01A, M01B, M38Z		12	M06Z, M09A, M09B, M38Z
5p121.2		BOP, KVT, UOP4		23	Z01A		12	M06Z, M09A, M09B, M38Z
	11	L03Z, L04A, L04B, L04C, L10Z, L13A, L13B, L38Z	5p125.2		BOP, KVT, MVV, UOP4	5p132		BOP, KVT, UOP4
	12	M01A, M01B, M09A, M38Z		11	L03Z, L04A, L04B, L04C, L10Z, L13A, L13B, L38Z		12	M06Z, M09A, M09B, M38Z
5p121.3		BOP, KVT, UOP4		12	M01A, M01B, M38Z		12	M06Z, M09A, M09B, M38Z
	12	M06Z, M09A, M09B, M38Z		23	Z01A		12	M06Z, M09A, M09B, M38Z
5p121.4		BOP, KVT, UOP4	5p125.4		BOP, KVT, MVV, UOP4	5p133		BOP, KVT, UOP4
	11	L05A, L05B		11	L03Z, L04A, L04B, L04C, L10Z, L13A, L13B, L38Z		12	M06Z, M09A, M09B, M38Z
	12	M02A, M02B, M38Z		12	M01A, M01B, M38Z		12	M06Z, M09A, M09B, M38Z
5p121.x		BOP, KVT, UOP4		23	Z01A		12	M06Z, M09A, M09B, M38Z
	11	L05A, L05B	5p125.3		BOP, KVT, MVV, UOP4	5p136		BOP, KVT, UOP4
	12	M02A, M02B, M38Z		11	L03Z, L04A, L04B, L04C, L10Z, L13A, L13B, L38Z		12	M06Z, M09A, M09B, M38Z
5p122.2		BOP, KVT, MVV, UOP4		12	M01A, M01B, M38Z		12	M06Z, M09A, M09B, M38Z
	11	L03Z, L04A, L04B, L04C, L10Z, L13A, L13B, L38Z		23	Z01A		12	M06Z, M09A, M09B, M38Z
	12	M01A, M01B, M38Z	5p125.5		BOP, KVT, MVV, UOP4	5p140.1		BOP, KVT, UOP4
	23	Z01A		11	L03Z, L04A, L04B, L04C, L10Z, L13A, L13B, L38Z		11	L05A, L05B
5p122.3		BOP, KVT, MVV, UOP4		12	M01A, M01B, M38Z		12	M02A, M02B, M38Z
	11	L03Z, L04A, L04B, L04C, L10Z, L13A, L13B, L38Z		23	Z01A		12	M02A, M02B, M38Z
	12	M01A, M01B, M38Z	5p126.2		BOP, KVT, MVV, UOP4		12	M02A, M02B, M38Z
	23	Z01A		11	L03Z, L04A, L04B, L04C, L10Z, L13A, L13B, L38Z		12	M06Z, M09A, M09B, M38Z
5p122.4		BOP, KVT, MVV, UOP4		12	M01A, M01B, M38Z		12	M06Z, M09A, M09B, M38Z
	11	L03Z, L04A, L04B, L04C, L10Z, L13A, L13B, L38Z		23	Z01A		12	M06Z, M09A, M09B, M11Z, M38Z
	12	M01A, M01B, M38Z	5p126.3		BOP, KVT, MVV, UOP4		12	M06Z, M09A, M09B, M11Z, M38Z
	23	Z01A		11	L03Z, L04A, L04B, L04C, L10Z, L13A, L13B, L38Z		12	M06Z, M09A, M09B, M11Z, M38Z
5p122.8		BOP, KVT, MVV, UOP4		12	M01A, M01B, M38Z		12	M06Z, M09A, M09B, M11Z, M38Z
	11	L03Z, L04A, L04B, L04C, L10Z, L13A, L13B, L38Z		23	Z01A		12	M06Z, M09A, M09B, M11Z, M38Z
	12	M01A, M01B, M38Z		11	L03Z, L04A, L04B, L04C, L10Z, L13A, L13B, L38Z		12	M06Z, M09A, M09B, M11Z, M38Z
	23	Z01A		12	M01A, M01B, M38Z		12	M06Z, M09A, M09B, M11Z, M38Z
	23	Z01A		23	Z01A		12	M06Z, M09A, M09B, M11Z, M38Z



ZZV	MDC	DRG	ZZV	MDC	DRG	ZZV	MDC	DRG
5p143.x		BOP, KVT, UOP4	5p20x		BOP, KVT, UOP4	5p303.1↔		BOP, KVT, UOP4
	12	M06Z, M09A, M09B, M11Z, M38Z		12	M04A, M04B, M04C, M04D, M37Z, M38Z		08	I28A, I28B
5p144		BOP, KVT, UOP4	5p211		BOP, KVT, UOP4		10	K09A, K09B
	12	M06Z, M09A, M09B, M38Z		12	M04A, M04B, M04C, M04D, M37Z, M38Z		12	M04A, M04B, M04C, M37Z, M38Z
5p145		BOP, KVT, UOP4	5p212		BOP, KVT, UOP4		21A	W04A, W04B
	12	M06Z, M09A, M09B, M38Z		10	K09A, K09B		21B	X06A, X06B, X06C
5p146		BOP, KVT, UOP4		12	M04A, M04B, M04C, M04D, M37Z, M38Z	5p303.4↔	22	Y01Z, Y03A, Y03B
	12	M06Z, M09A, M09B, M11Z, M38Z		21A	W04A, W04B			BOP, KVT, UOP4
5p14x		BOP, KVT, UOP4	5p221		BOP, KVT, UOP4		08	I28A, I28B
	12	M06Z, M09A, M09B, M38Z		12	M04A, M04B, M04C, M04D, M37Z, M38Z		10	K09A, K09B
5p151↔		BOP, KVT, UOP4		21A	X06A, X06B, X06C		12	M04A, M04B, M04C, M37Z, M38Z
	12	M06Z, M09A, M09B, M38Z		12	M04A, M04B, M04C, M04D, M37Z, M38Z		21A	W04A, W04B
5p152↔		BOP, KVT, UOP4		21A	W04A, W04B		21B	X06A, X06B, X06C
	12	M06Z, M09A, M09B, M38Z		21B	X06A, X06B, X06C	5p304↔	22	Y01Z, Y03A, Y03B
5p153↔		BOP, KVT, UOP4	5p233		BOP, KVT, UOP4			BOP, KVT, UOP4
	12	M06Z, M09A, M09B, M38Z		12	M04A, M04B, M04C, M04D, M37Z, M38Z		08	I28A, I28B
5p15x↔		BOP, KVT, UOP4		21A	W04A, W04B		10	K09A, K09B
	12	M06Z, M09A, M09B, M38Z		21B	X06A, X06B, X06C		12	M01A, M04A, M04B, M04C, M37Z, M38Z
5p190.1		BOP, KVT, UOP4	5p241		BOP, KVT, UOP4		21A	W04A, W04B
	12	M06Z, M09A, M09B, M38Z		10	K09A, K09B		21B	X06A, X06B, X06C
	21A	W04A, W04B		12	M04A, M04B, M04C, M04D, M37Z, M38Z	5p305.0↔	22	Y01Z, Y03A, Y03B
5p190.t		BOP, KVT, UOP4		19	U01Z			BOP, KVT, UOP4
	21B	X06A, X06B, X06C		21A	W04A, W04B		10	K09A, K09B
	12	M06Z, M09A, M09B, M38Z		21B	X06A, X06B, X06C		12	M04A, M04B, M04C, M37Z, M38Z
5p191		BOP, KVT, UOP4	5p242		BOP, KVT, UOP4		21A	W04A, W04B
	12	M06Z, M09A, M09B, M38Z		10	K09A, K09B		21B	X06A, X06B, X06C
	21A	W04A, W04B		12	M04A, M04B, M04C, M04D, M37Z, M38Z	5p305.2↔	22	Y01Z, Y03A, Y03B
	21B	X06A, X06B, X06C		19	U01Z			BOP, KVT, UOP4
5p192		BOP, KVT, UOP4		21A	W04A, W04B		10	K09A, K09B
	11	L18A, L18B, L19Z, L20A, L20B, L20C, L38Z		21B	X06A, X06B, X06C		12	M04A, M04B, M04C, M04D, M37Z, M38Z
5p193		BOP, KVT, UOP4	5p301.0↔		BOP, KVT, UOP4		21A	W04A, W04B
	12	M06Z, M09A, M09B, M38Z		08	I28A, I28B		21B	X06A, X06B, X06C
	11	L18A, L18B, L19Z, L20A, L20B, L20C, L38Z		10	K09A, K09B	5p306↔	22	Y01Z, Y03A, Y03B
	12	M06Z, M09A, M09B, M38Z		12	M04A, M04B, M04C, M37Z, M38Z			BOP, KVT, UOP4
5p194		BOP, KVT, UOP4		21A	W04A, W04B		10	K09A, K09B
	11	L18A, L18B, L19Z, L20A, L20B, L20C, L38Z		21B	X06A, X06B, X06C		12	M04A, M04B, M04C, M04D, M37Z, M38Z
	12	M06Z, M09A, M09B, M38Z	5p301.2↔		BOP, KVT, UOP4		21A	W04A, W04B
5p195‡		BOP, KVT, UOP4		08	I28A, I28B		21B	X06A, X06B, X06C
	11	L18A, L18B, L19Z, L20A, L20B, L20C, L38Z		10	K09A, K09B	5p30x↔	22	Y01Z, Y03A, Y03B
	12	M06Z, M09A, M09B, M38Z		12	M04A, M04B, M04C, M04D, M37Z, M38Z			BOP, KVT, UOP4
5p196		BOP, KVT, UOP4		21A	W04A, W04B		10	K09A, K09B
	12	M06Z, M09A, M09B, M38Z		21B	X06A, X06B, X06C		12	M04A, M04B, M04C, M04D, M37Z, M38Z
	21A	W04A, W04B	5p302.0↔		BOP, KVT, UOP4		21A	W04A, W04B
5p197		BOP, KVT, UOP4		10	K09A, K09B		21B	X06A, X06B, X06C
	11	L18A, L18B, L19Z, L20A, L20B, L20C, L38Z		12	M04A, M04B, M04C, M37Z, M38Z	5p311↔	22	Y01Z, Y03A, Y03B
	12	M06Z, M09A, M09B, M38Z		21A	W04A, W04B			BOP, KVT, UOP4
5p198‡		BOP, KVT, UOP4		21B	X06A, X06B, X06C		10	K09A, K09B
	11	L18A, L18B, L19Z, L20A, L20B, L20C, L38Z		22	Y01Z, Y03A, Y03B	5p312↔	12	M04A, M04B, M04C, M04D, M37Z, M38Z
	12	M06Z, M09A, M09B, M38Z	5p302.2↔		BOP, KVT, UOP4			BOP, KVT, UOP4
5p19x‡		BOP, KVT, UOP4		08	I28A, I28B		10	K09A, K09B
	11	L18A, L18B, L19Z, L20A, L20B, L20C, L38Z		10	K09A, K09B		12	M04A, M04B, M04C, M04D, M37Z, M38Z
	12	M06Z, M09A, M09B, M38Z		12	M04A, M04B, M04C, M04D, M37Z, M38Z	5p31x↔		BOP, KVT, UOP4
5p201		BOP, KVT, UOP4		21A	W04A, W04B		10	K09A, K09B
	10	K09A, K09B		21B	X06A, X06B, X06C		12	M04A, M04B, M04C, M04D, M37Z, M38Z
	12	M04A, M04B, M04C, M04D, M37Z, M38Z		22	Y01Z, Y03A, Y03B	5p320.1↔		BOP, KVT, UOP4
	21A	W04A, W04B					10	K09A, K09B
	21B	X06A, X06B, X06C					12	M04A, M04B, M04C, M37Z, M38Z

ZZV	MDC	DRG	ZZV	MDC	DRG	ZZV	MDC	DRG
5p320.4↔		BOP, KVT, UOP4	5p402.0↔		BOP, KVT, UOP4	5p464↔		BOP, KVT, UOP4
	10	K09A, K09B		12	M04A, M04B, M04C, M04D, M37Z, M38Z		12	M04A, M04B, M04C, M04D, M37Z, M38Z
	12	M04A, M04B, M04C, M37Z, M38Z	5p402.1↔		BOP, KVT, UOP4	5p465↔		BOP, KVT, UOP4
5p321.1↔		BOP, KVT, UOP4		12	M04A, M04B, M04C, M04D, M37Z, M38Z		12	M04A, M04B, M04C, M04D, M37Z, M38Z
	10	K09A, K09B					21A	W04A, W04B
	12	M04A, M04B, M04C, M37Z, M38Z	5p402.3↔		BOP, KVT, UOP4		21B	X06A, X06B, X06C
5p321.4↔		BOP, KVT, UOP4		12	M04A, M04B, M04C, M04D, M37Z, M38Z	5p46x↔		BOP, KVT, UOP4
	10	K09A, K09B	5p402.4↔		BOP, KVT, UOP4		12	M04A, M04B, M04C, M04D, M37Z, M38Z
	12	M04A, M04B, M04C, M37Z, M38Z		12	M04A, M04B, M04C, M04D, M37Z, M38Z	5p491↔		BOP, KVT, UOP4
5p32x↔		BOP, KVT, UOP4	5p403↔		BOP, KVT, UOP4		12	M04A, M04B, M04C, M04D, M37Z, M38Z
	10	K09A, K09B		12	M04A, M04B, M04C, M04D, M37Z, M38Z	5p492↔		BOP, KVT, UOP4
	12	M04A, M04B, M04C, M04D, M37Z, M38Z	5p40x↔		BOP, KVT, UOP4		12	M04A, M04B, M04C, M04D, M37Z, M38Z
5p341±↔		M04A, M04B, M04C, M04D, M37Z, M38Z		12	M04A, M04B, M04C, M04D, M37Z, M38Z	5p493↔		BOP, KVT, UOP4
5p342±↔		M04A, M04B, M04C, M04D, M37Z, M38Z	5p411↔		BOP, KVT, UOP4		12	M04A, M04B, M04C, M04D, M37Z, M38Z
5p343±↔		M04A, M04B, M04C, M04D, M37Z, M38Z		12	M04A, M04B, M04C, M04D, M37Z, M38Z	21A		W04A, W04B
5p34x±↔		M04A, M04B, M04C, M04D, M37Z, M38Z	5p412↔		BOP, KVT, UOP4	21B		X06A, X06B, X06C
	12	M04A, M04B, M04C, M04D, M37Z, M38Z		12	M04A, M04B, M04C, M04D, M37Z, M38Z	5p494↔		BOP, KVT, UOP4
5p351↔		BOP, KVT, UOP4	5p413↔		BOP, KVT, UOP4		12	M04A, M04B, M04C, M04D, M37Z, M38Z
	12	M04A, M04B, M04C, M04D, M37Z, M38Z		12	M04A, M04B, M04C, M04D, M37Z, M38Z	5p49x↔		BOP, KVT, UOP4
	21A	W04A, W04B	5p41x↔		BOP, KVT, UOP4		12	M04A, M04B, M04C, M04D, M37Z, M38Z
	21B	X06A, X06B, X06C		12	M04A, M04B, M04C, M04D, M37Z, M38Z	5p503		BOP, KVT, UOP4
	22	Y01Z, Y03A, Y03B	5p421↔		BOP, KVT, UOP4		11	L09A, L09B, L09C, L09D, L38Z
5p35x↔		BOP, KVT, UOP4		12	M04A, M04B, M04C, M04D, M37Z, M38Z		12	M05Z, M38Z
	12	M04A, M04B, M04C, M04D, M37Z, M38Z	5p422↔		BOP, KVT, UOP4		15	P60A, P60B, P60C, P67B, P67C
	21A	W04A, W04B		12	M04A, M04B, M04C, M04D, M37Z, M38Z	5p504		BOP, KVT, UOP4
	21B	X06A, X06B, X06C	5p42x↔		BOP, KVT, UOP4		11	L09A, L09B, L09C, L09D, L38Z
	22	Y01Z, Y03A, Y03B		12	M04A, M04B, M04C, M04D, M37Z, M38Z		12	M05Z, M38Z
5p391.0		BOP, KVT, UOP4	5p431↔		BOP, KVT, UOP4		15	P60A, P60B, P60C, P67B, P67C
	12	M06Z, M09A, M09B, M38Z		12	M04A, M04B, M04C, M04D, M37Z, M38Z	5p505.1		BOP, KVT, UOP4
5p391.1↔		BOP, KVT, UOP4		21A	W04A, W04B		11	L09A, L09B, L09C, L09D, L38Z
	10	K09A, K09B	5p432↔		BOP, KVT, UOP4		12	M05Z, M38Z
	12	M01A, M01B, M04A, M04B, M04C, M04D, M09A, M09B, M37Z, M38Z		12	M04A, M04B, M04C, M04D, M37Z, M38Z		22	Y01Z, Y03A, Y03B
5p391.4		BOP, KVT, UOP4		21A	W04A, W04B	5p505.2		BOP, KVT, UOP4
	10	K09A, K09B	5p43x±↔		X06A, X06B, X06C		11	L09A, L09B, L09C, L09D, L38Z
	12	M04A, M04B, M04C, M04D, M37Z, M38Z		12	M04A, M04B, M04C, M04D, M37Z, M38Z		12	M05Z, M38Z
5p392↔		BOP, KVT, UOP4	5p434±↔		M04A, M04B, M04C, M04D, M37Z, M38Z		22	Y01Z, Y03A, Y03B
	12	M04A, M04B, M04C, M04D, M37Z, M38Z	5p43x±↔		M04A, M04B, M04C, M04D, M37Z, M38Z	5p506		BOP, KVT, UOP4
5p393↔		BOP, KVT, UOP4		12	M04A, M04B, M04C, M04D, M37Z, M38Z		11	L09A, L09B, L09C, L09D, L38Z
	12	M04A, M04B, M04C, M04D, M37Z, M38Z	5p461↔		BOP, KVT, UOP4		12	M05Z, M38Z
	21A	W04A, W04B		12	M04A, M04B, M04C, M04D, M37Z, M38Z		15	P60A, P60B, P60C, P67B, P67C
	21B	X06A, X06B, X06C	5p462↔		BOP, KVT, UOP4		22	Y01Z, Y03A, Y03B
5p394↔		BOP, KVT, UOP4		21A	W04A, W04B	5p511		BOP, KVT, UOP4
	10	K09A, K09B		21B	X06A, X06B, X06C		09	J03A, J03B, J04A, J04B, J08A, J08B, J08C, J11A, J11B, J11C, J16Z
	12	M04A, M04B, M04C, M04D, M37Z, M38Z		12	M04A, M04B, M04C, M04D, M37Z, M38Z		12	M05Z, M38Z
5p39x±↔		M04A, M04B, M04C, M04D, M37Z, M38Z	5p463↔		BOP, KVT, UOP4	5p512		BOP, KVT, UOP4
5p401.2↔		BOP, KVT, UOP4		21B	X06A, X06B, X06C		09	J03A, J03B, J04A, J04B, J08A, J08B, J08C, J11A, J11B, J11C, J16Z
	12	M04A, M04B, M04C, M04D, M37Z, M38Z		12	M04A, M04B, M04C, M04D, M37Z, M38Z		12	M05Z, M38Z

VYK

ZZV	MDC	DRG	ZZV	MDC	DRG	ZZV	MDC	DRG	
5p51x		BOP, KVT, UOP4	5p535		BOP, KVT, UOP4	5p551		BOP, KVT, UOP4	
	09	J03A, J03B, J04A, J04B, J08A, J08B, J08C, J11A, J11B, J11C, J16Z		09	J03A, J03B, J04A, J04B, J08A, J08B, J08C, J11A, J11B, J11C, J16Z		06	G01Z, G02Z, G38Z	
5p521	12	M05Z, M38Z	5p536	12	M03A, M03B, M03C, M38Z	5p552	11	L08A, L08B	
		BOP, KVT, UOP4		19	U01Z		Pre	A11A, A13A, A13B, A13D	
	10	K09A, K09B		21A	W04A, W04B		06	G01Z, G02Z, G38Z	
	12	M03A, M03B, M03C, M38Z		21B	X06A, X06B, X06C		10	K09A, K09B	
5p522	22	Y01Z, Y02A, Y02B, Y03A, Y03B	5p537	22	Y01Z, Y03A, Y03B	5p553.0	11	L08A, L08B	
		BOP, KVT, UOP4		12	M03A, M03B, M03C, M38Z		12	M03A, M03B, M03C, M38Z	
	10	K09A, K09B		19	U01Z		Pre	A11A, A13A, A13B, A13D	
	12	M03A, M03B, M03C, M38Z		21A	W04A, W04B		06	G01Z, G02Z, G38Z	
5p523	22	Y01Z, Y02A, Y02B, Y03A, Y03B	5p538	21B	X06A, X06B, X06C	5p553.1	11	L08A, L08B	
		BOP, KVT, UOP4		22	Y01Z, Y03A, Y03B		12	M03A, M03B, M03C, M38Z	
	10	K09A, K09B		BOP, KVT, UOP4	12		M03A, M03B, M03C, M38Z	Pre	A11A, A13A, A13B, A13D
	12	M03A, M03B, M03C, M38Z		12	M03A, M03B, M03C, M38Z		06	G01Z, G02Z, G38Z	
	21A	W04A, W04B		19	U01Z		11	L08A, L08B	
5p530	21B	X06A, X06B, X06C	5p539	21A	W04A, W04B	5p553.2	12	M03A, M03B, M03C, M38Z	
	22	Y01Z, Y02A, Y02B, Y03A, Y03B		21B	X06A, X06B, X06C		Pre	A11A, A13A, A13B, A13D	
		BOP, KVT, UOP4		22	Y01Z, Y03A, Y03B		06	G01Z, G02Z, G38Z	
	09	J03A, J03B, J04A, J04B, J08A, J08B, J08C, J11A, J11B, J11C, J16Z		BOP, KVT, UOP4	12		M03A, M03B, M03C, M38Z	11	L08A, L08B
	12	M03A, M03B, M03C, M38Z		19	U01Z		12	M03A, M03B, M03C, M38Z	
5p531	19	U01Z	5p540	21A	W04A, W04B	5p553.3	Pre	A11A, A13A, A13B, A13D	
	21A	W04A, W04B		21B	X06A, X06B, X06C		06	G01Z, G02Z, G38Z	
	21B	X06A, X06B, X06C		22	Y01Z, Y03A, Y03B		11	L08A, L08B	
	22	Y01Z, Y03A, Y03B		BOP, KVT, UOP4	12		M03A, M03B, M03C, M38Z	12	M03A, M03B, M03C, M38Z
		BOP, KVT, UOP4		10	K09A, K09B		Pre	A11A, A13A, A13B, A13D	
5p532	12	M03A, M03B, M03C, M38Z	5p541	11	L08A, L08B	5p553.x	Pre	A11A, A13A, A13B, A13D	
	19	U01Z		12	M03A, M03B, M03C, M38Z		06	G01Z, G02Z, G38Z	
	21A	W04A, W04B		BOP, KVT, UOP4	12		M03A, M03B, M03C, M38Z	11	L08A, L08B
	21B	X06A, X06B, X06C		11	L08A, L08B		12	M03A, M03B, M03C, M38Z	
	22	Y01Z, Y03A, Y03B		12	M03A, M03B, M03C, M38Z		Pre	A11A, A13A, A13B, A13D	
5p533	22	Y01Z, Y03A, Y03B	5p542	06	G01Z, G02Z, G38Z	5p554	06	G01Z, G02Z, G38Z	
		BOP, KVT, UOP4		11	L08A, L08B		11	L08A, L08B	
	09	J03A, J03B, J04A, J04B, J08A, J08B, J08C, J11A, J11B, J16Z		12	M03A, M03B, M03C, M38Z		12	M03A, M03B, M03C, M38Z	
	12	M03A, M03B, M03C, M38Z		Pre	A11A, A13A, A13B, A13D		Pre	A11A, A13A, A13B, A13D	
	19	U01Z		BOP, KVT, UOP4	06		G01Z, G02Z, G38Z	06	G01Z, G02Z, G38Z
5p534	21A	W04A, W04B	5p543.0	11	L08A, L08B	5p555	11	L08A, L08B	
	21B	X06A, X06B, X06C		12	M03A, M03B, M03C, M38Z		12	M03A, M03B, M03C, M38Z	
	22	Y01Z, Y03A, Y03B		Pre	A11A, A13A, A13B, A13D		Pre	A11A, A13A, A13B, A13D	
		BOP, KVT, UOP4		BOP, KVT, UOP4	06		G01Z, G02Z, G38Z	06	G01Z, G02Z, G38Z
	09	J03A, J03B, J04A, J04B, J08A, J08B, J08C, J11A, J11B, J16Z		11	L08A, L08B		11	L08A, L08B	
5p535	12	M03A, M03B, M03C, M38Z	5p543.1	12	M03A, M03B, M03C, M38Z	5p556	12	M03A, M03B, M03C, M38Z	
	19	U01Z		Pre	A11A, A13A, A13B, A13D		Pre	A11A, A13A, A13B, A13D	
	21A	W04A, W04B		06	G01Z, G02Z, G38Z		06	G01Z, G02Z, G38Z	
	21B	X06A, X06B, X06C		11	L08A, L08B		11	L08A, L08B	
	22	Y01Z, Y03A, Y03B		12	M03A, M03B, M03C, M38Z		12	M03A, M03B, M03C, M38Z	
5p536	22	Y01Z, Y03A, Y03B	5p543.2	Pre	A11A, A13A, A13B, A13D	5p557	Pre	A11A, A13A, A13B, A13D	
		BOP, KVT, UOP4		BOP, KVT, UOP4	06		G01Z, G02Z, G38Z	06	G01Z, G02Z, G38Z
	09	J03A, J03B, J04A, J04B, J08A, J08B, J08C, J11A, J11B, J16Z		11	L08A, L08B		11	L08A, L08B	
	12	M03A, M03B, M03C, M38Z		12	M03A, M03B, M03C, M38Z		12	M03A, M03B, M03C, M38Z	
	19	U01Z		Pre	A11A, A13A, A13B, A13D		Pre	A11A, A13A, A13B, A13D	
5p537	21A	W04A, W04B	5p543.3	06	G01Z, G02Z, G38Z	5p55x	06	G01Z, G02Z, G38Z	
	21B	X06A, X06B, X06C		11	L08A, L08B		11	L08A, L08B	
	22	Y01Z, Y03A, Y03B		12	M03A, M03B, M03C, M38Z		12	M03A, M03B, M03C, M38Z	
		BOP, KVT, UOP4		Pre	A11A, A13A, A13B, A13D		Pre	A11A, A13A, A13B, A13D	
	09	J03A, J03B, J04A, J04B, J08A, J08B, J08C, J11A, J11B, J16Z		BOP, KVT, UOP4	06		G01Z, G02Z, G38Z	06	G01Z, G02Z, G38Z
5p538	12	M03A, M03B, M03C, M38Z	5p543.x	11	L08A, L08B	5p590	12	M03A, M03B, M03C, M38Z	
	19	U01Z		Pre	A11A, A13A, A13B, A13D		21B	X06A, X06B, X06C	
	21A	W04A, W04B		BOP, KVT, UOP4	12		M03A, M03B, M03C, M38Z	Pre	A11A, A13A, A13B, A13D
	21B	X06A, X06B, X06C		06	G01Z, G02Z, G38Z		12	M03A, M03B, M03C, M38Z	
	22	Y01Z, Y03A, Y03B		11	L08A, L08B		05	F01A, F01B, F01D, F05Z, F07A, F07B, F14A, F14B, F28A, F42Z, F54Z, F59A, F59B	
5p539	12	M03A, M03B, M03C, M38Z	5p54x	12	M03A, M03B, M03C, M38Z	5p592	12	M03A, M03B, M03C, M38Z	
	19	U01Z		Pre	A11A, A13A, A13B, A13D				
	21A	W04A, W04B		06	G01Z, G02Z, G38Z				
	21B	X06A, X06B, X06C		11	L08A, L08B				
	22	Y01Z, Y03A, Y03B		12	M03A, M03B, M03C, M38Z				
5p540	22	Y01Z, Y03A, Y03B	5p543	Pre	A11A, A13A, A13B, A13D				
		BOP, KVT, UOP4		06	G01Z, G02Z, G38Z				
	09	J03A, J03B, J04A, J04B, J08A, J08B, J08C, J11A, J11B, J16Z		11	L08A, L08B				
	12	M03A, M03B, M03C, M38Z		12	M03A, M03B, M03C, M38Z				
	19	U01Z		Pre	A11A, A13A, A13B, A13D				

VYK

ZZV	MDC	DRG	ZZV	MDC	DRG	ZZV	MDC	DRG
5p593		BOP, KVT, UOP4	5q001.4↔		BOP, KVT, UOP4	5q012.1↔		BOP, KVT, UOP4
	05	F01A, F01B, F01D, F05Z, F07A, F07B, F14A, F14B, F28A, F42Z, F54Z, F59A, F59B		13	N01A, N01B, N01C, N01D, N01E, N02A, N02B, N02C, N03A, N03B, N07Z, N25Z, N38Z		09	J03A, J03B, J04A, J04B, J08A, J08B, J08C, J11A, J11B, J16Z
	12	M03A, M03B, M03C, M38Z	5q001.8↔		BOP, KVT, UOP4		10	K09A, K09B
5p594		BOP, KVT, UOP4		13	N01A, N01B, N01C, N01D, N01E, N02A, N02B, N02C, N03A, N03B, N07Z, N25Z, N38Z		13	N01A, N01B, N01C, N01D, N01E, N02A, N02B, N02C, N03A, N03B, N05A, N05B, N38Z
5p595.1		BOP, KVT, UOP4					14	O04A
	11	L09A, L09B, L09C, L09D, L38Z	5q002.0		BOP, KVT, UOP4	5q012.4↔		BOP, KVT, UOP4
	12	M03A, M03B, M03C, M38Z		13	N01A, N01B, N01C, N01D, N01E, N02A, N02B, N02C, N03A, N03B, N07Z, N25Z, N38Z		09	J03A, J03B, J04A, J04B, J08A, J08B, J08C, J11A, J11B, J16Z
5p595.2		BOP, KVT, UOP4					10	K09A, K09B
	11	L09A, L09B, L09C, L09D, L38Z	5q002.1		BOP, KVT, UOP4		13	N01A, N01B, N01C, N01D, N01E, N02A, N02B, N02C, N03A, N03B, N05A, N05B, N38Z
5p595.x		BOP, KVT, UOP4		13	N01A, N01B, N01C, N01D, N01E, N02A, N02B, N02C, N03A, N03B, N07Z, N25Z, N38Z		14	O04A
	11	L09A, L09B, L09C, L09D, L38Z	5q002.4		BOP, KVT, UOP4	5q012.7↔		BOP, KVT, UOP4
	12	M03A, M03B, M03C, M38Z		13	N01A, N01B, N01C, N01D, N01E, N02A, N02B, N02C, N03A, N03B, N07Z, N25Z, N38Z		09	J03A, J03B, J04A, J04B, J08A, J08B, J08C, J11A, J11B, J16Z
5p596		BOP, KVT, UOP4					10	K09A, K09B
	11	L09A, L09B, L09C, L09D, L38Z	5q002.8		BOP, KVT, UOP4		13	N01A, N01B, N01C, N01D, N01E, N02A, N02B, N02C, N03A, N03B, N05A, N05B, N38Z
	12	M03A, M03B, M03C, M38Z		13	N01A, N01B, N01C, N01D, N01E, N02A, N02B, N02C, N03A, N03B, N07Z, N25Z, N38Z		14	O04A
5p597.1		BOP, KVT, UOP4	5q003		BOP, KVT, UOP4	5q013.0↔		BOP, KVT, UOP4
	11	L09A, L09B, L09C, L09D, L38Z		13	N01A, N01B, N01C, N01D, N01E, N02A, N02B, N02C, N03A, N03B, N07Z, N25Z, N38Z		09	J03A, J03B, J04A, J04B, J08A, J08B, J08C, J11A, J11B, J16Z
	12	M03A, M03B, M03C, M38Z	5q010.0↔		BOP, KVT, UOP4		10	K09A, K09B
5p597.2		BOP, KVT, UOP4		13	N01A, N01B, N01C, N01D, N01E, N02A, N02B, N02C, N03A, N03B, N05A, N05B, N38Z		13	N01A, N01B, N01C, N01D, N01E, N02A, N02B, N02C, N03A, N03B, N05A, N05B, N38Z
	11	L09A, L09B, L09C, L09D, L38Z	5q010.4↔		BOP, KVT, UOP4	5q013.4↔		BOP, KVT, UOP4
	12	M03A, M03B, M03C, M38Z		13	N01A, N01B, N01C, N01D, N01E, N02A, N02B, N02C, N03A, N03B, N07Z, N25Z, N38Z		09	J03A, J03B, J04A, J04B, J08A, J08B, J08C, J11A, J11B, J16Z
5p597.x		BOP, KVT, UOP4	5q010.8↔		BOP, KVT, UOP4		10	K09A, K09B
	11	L09A, L09B, L09C, L09D, L38Z		13	N01A, N01B, N01C, N01D, N01E, N02A, N02B, N02C, N03A, N03B, N07Z, N25Z, N38Z		13	N01A, N01B, N01C, N01D, N01E, N02A, N02B, N02C, N03A, N03B, N05A, N05B, N38Z
	12	M03A, M03B, M03C, M38Z	5q011.0↔		BOP, KVT, UOP4	5q013.8↔		BOP, KVT, UOP4
5p598		BOP, KVT, UOP4		10	K09A, K09B		09	J03A, J03B, J04A, J04B, J08A, J08B, J08C, J11A, J11B, J16Z
	11	L09A, L09B, L09C, L09D, L38Z	5q010.4↔		BOP, KVT, UOP4		10	K09A, K09B
	12	M03A, M03B, M03C, M38Z		13	N01A, N01B, N01C, N01D, N01E, N02A, N02B, N02C, N03A, N03B, N05A, N05B, N38Z		13	N01A, N01B, N01C, N01D, N01E, N02A, N02B, N02C, N03A, N03B, N05A, N05B, N38Z
5p599		BOP, KVT, UOP4	5q011.4↔		BOP, KVT, UOP4	5q014.0↔		BOP, KVT, UOP4
	09	J03A, J03B, J04A, J04B, J08A, J08B, J08C, J11A, J11B, J16Z		10	K09A, K09B		13	N01A, N01B, N01C, N01D, N01E, N02A, N02B, N02C, N03A, N03B, N04Z, N14Z, N21Z, N38Z
	12	M03A, M03B, M03C, M38Z	5q010.8↔		BOP, KVT, UOP4		14	O04A
	21A	W04A, W04B		13	N01A, N01B, N01C, N01D, N01E, N02A, N02B, N02C, N03A, N03B, N07Z, N25Z, N38Z		19	U01Z
	21B	X06A, X06B, X06C	5q011.0↔		BOP, KVT, UOP4			
	22	Y01Z, Y03A, Y03B		10	K09A, K09B			
5p59x		BOP, KVT, UOP4	5q011.4↔		BOP, KVT, UOP4			
	12	M03A, M03B, M03C, M38Z		10	K09A, K09B			
5p5a0		BOP, KVT, UOP4	5q011.8↔		BOP, KVT, UOP4			
	10	K09A, K09B		10	K09A, K09B			
	13	N11A		13	N01A, N01B, N01C, N01D, N01E, N02A, N02B, N02C, N03A, N03B, N05A, N05B, N38Z			
	19	U01Z						
5p5a1		BOP, KVT, UOP4		10	K09A, K09B			
	10	K09A, K09B		13	N01A, N01B, N01C, N01D, N01E, N02A, N02B, N02C, N03A, N03B, N05A, N05B, N38Z			
	12	M03A, M03B, M03C, M38Z						
	19	U01Z						
5q001.0↔		BOP, KVT, UOP4						
	13	N01A, N01B, N01C, N01D, N01E, N02A, N02B, N02C, N03A, N03B, N07Z, N25Z, N38Z						
5q001.1↔		BOP, KVT, UOP4						
	13	N01A, N01B, N01C, N01D, N01E, N02A, N02B, N02C, N03A, N03B, N07Z, N25Z, N38Z						

ZZV	MDC	DRG	ZZV	MDC	DRG	ZZV	MDC	DRG
5q014.4↔		BOP, KVT, UOP4	5q031.7↔		BOP, KVT, UOP4	5q090.8↔		BOP, KVT, UOP4
	13	N01A, N01B, N01C, N01D, N01E, N02A, N02B, N02C, N03A, N03B, N04Z, N14Z, N21Z, N38Z		09	J03A, J03B, J04A, J04B, J08A, J08B, J08C, J11A, J11B, J16Z		13	N01A, N01B, N01C, N01D, N01E, N02A, N02B, N02C, N03A, N03B, N07Z, N25Z, N38Z
	14	962Z, O02A, O02B, O04A		13	N01A, N01B, N01C, N01D, N01E, N02A, N02B, N02C, N03A, N03B, N05A, N05B, N38Z	5q101.0↔		BOP, KVT, UOP4
	19	U01Z		14	962Z, O03Z		13	N01A, N01B, N01C, N01D, N01E, N02A, N02B, N02C, N03A, N03B, N07Z, N25Z, N38Z
5q014.8↔		BOP, KVT, UOP4	5q031.8↔		BOP, KVT, UOP4	5q101.4↔		BOP, KVT, UOP4
	13	N01A, N01B, N01C, N01D, N01E, N02A, N02B, N02C, N03A, N03B, N04Z, N14Z, N21Z, N38Z		09	J03A, J03B, J04A, J04B, J08A, J08B, J08C, J11A, J11B, J16Z		13	N01A, N01B, N01C, N01D, N01E, N02A, N02B, N02C, N03A, N03B, N07Z, N25Z, N38Z
	14	962Z, O02A, O02B, O04A		13	N01A, N01B, N01C, N01D, N01E, N02A, N02B, N02C, N03A, N03B, N05A, N05B, N38Z	5q101.4↔		BOP, KVT, UOP4
	19	U01Z		14	962Z, O03Z		13	N01A, N01B, N01C, N01D, N01E, N02A, N02B, N02C, N03A, N03B, N07Z, N25Z, N38Z
5q030.0↔		BOP, KVT, UOP4	5q042.0↔		BOP, KVT, UOP4	5q101.8↔		BOP, KVT, UOP4
	09	J03A, J03B, J04A, J04B, J08A, J08B, J08C, J11A, J11B, J16Z		13	N01A, N01B, N01C, N01D, N01E, N02A, N02B, N02C, N03A, N03B, N07Z, N25Z, N38Z		13	N01A, N01B, N01C, N01D, N01E, N02A, N02B, N02C, N03A, N03B, N07Z, N25Z, N38Z
	13	N01A, N01B, N01C, N01D, N01E, N02A, N02B, N02C, N03A, N03B, N05A, N05B, N38Z		21A	W04A, W04B	5q110.0		O02A, O02B, O03Z, O04A
	14	962Z, O03Z		21B	X06A, X06B, X06C		13	BOP, KVT, UOP4
5q030.4↔		BOP, KVT, UOP4	5q042.4↔		BOP, KVT, UOP4	5q110.3		N10Z
	09	J03A, J03B, J04A, J04B, J08A, J08B, J08C, J11A, J11B, J16Z		13	N01A, N01B, N01C, N01D, N01E, N02A, N02B, N02C, N03A, N03B, N07Z, N25Z, N38Z		14	O02A, O02B, O40Z
	13	N01A, N01B, N01C, N01D, N01E, N02A, N02B, N02C, N03A, N03B, N05A, N05B, N38Z		21A	W04A, W04B	5q110.4		BOP, KVT, UOP4
	14	962Z, O03Z		21B	X06A, X06B, X06C		13	N10Z, N11A, N11B
5q030.8↔		BOP, KVT, UOP4	5q043.0↔		BOP, KVT, UOP4	5q110.7		O02A, O02B, O40Z
	09	J03A, J03B, J04A, J04B, J08A, J08B, J08C, J11A, J11B, J16Z		13	N01A, N01B, N01C, N01D, N01E, N02A, N02B, N02C, N03A, N03B, N07Z, N25Z, N38Z		13	BOP, KVT, UOP4
	13	N01A, N01B, N01C, N01D, N01E, N02A, N02B, N02C, N03A, N03B, N05A, N05B, N38Z		21A	W04A, W04B	5q120.0↔		N10Z, N11A, N11B
	14	962Z, O03Z		21B	X06A, X06B, X06C		14	O02A, O02B, O40Z
5q031.0↔		BOP, KVT, UOP4	5q043.4↔		BOP, KVT, UOP4	5q120.4↔		BOP, KVT, UOP4
	09	J03A, J03B, J04A, J04B, J08A, J08B, J08C, J11A, J11B, J16Z		13	N01A, N01B, N01C, N01D, N01E, N02A, N02B, N02C, N03A, N03B, N07Z, N25Z, N38Z		13	N10Z, N11A, N11B
	13	N01A, N01B, N01C, N01D, N01E, N02A, N02B, N02C, N03A, N03B, N05A, N05B, N38Z		21A	W04A, W04B	5q120.8↔		O02A, O02B
	14	962Z, O03Z		21B	X06A, X06B, X06C		14	BOP, KVT, UOP4
5q031.4↔		BOP, KVT, UOP4	5q043.8↔		BOP, KVT, UOP4	5q130.0↔		BOP, KVT, UOP4
	09	J03A, J03B, J04A, J04B, J08A, J08B, J08C, J11A, J11B, J16Z		13	N01A, N01B, N01C, N01D, N01E, N02A, N02B, N02C, N03A, N03B, N07Z, N25Z, N38Z		13	N01A, N01B, N01C, N01D, N01E, N02A, N02B, N02C, N03A, N03B, N07Z, N25Z, N38Z
	13	N01A, N01B, N01C, N01D, N01E, N02A, N02B, N02C, N03A, N03B, N05A, N05B, N38Z		21A	W04A, W04B	5q130.4↔		962Z, O03Z
	14	962Z, O03Z		21B	X06A, X06B, X06C		13	BOP, KVT, UOP4
5q031.5↔		BOP, KVT, UOP4	5q090.0↔		BOP, KVT, UOP4	5q130.8↔		BOP, KVT, UOP4
	09	J03A, J03B, J04A, J04B, J08A, J08B, J08C, J11A, J11B, J16Z		13	N01A, N01B, N01C, N01D, N01E, N02A, N02B, N02C, N03A, N03B, N07Z, N25Z, N38Z		14	N01A, N01B, N01C, N01D, N01E, N02A, N02B, N02C, N03A, N03B, N07Z, N25Z, N38Z
	13	N01A, N01B, N01C, N01D, N01E, N02A, N02B, N02C, N03A, N03B, N05A, N05B, N38Z		13	N01A, N01B, N01C, N01D, N01E, N02A, N02B, N02C, N03A, N03B, N07Z, N25Z, N38Z		13	962Z, O03Z
	14	962Z, O03Z		13	N01A, N01B, N01C, N01D, N01E, N02A, N02B, N02C, N03A, N03B, N07Z, N25Z, N38Z		14	BOP, KVT, UOP4
5q031.7↔		BOP, KVT, UOP4	5q090.1↔		BOP, KVT, UOP4	5q130.4↔		N01A, N01B, N01C, N01D, N01E, N02A, N02B, N02C, N03A, N03B, N07Z, N25Z, N38Z
	09	J03A, J03B, J04A, J04B, J08A, J08B, J08C, J11A, J11B, J16Z		13	N01A, N01B, N01C, N01D, N01E, N02A, N02B, N02C, N03A, N03B, N07Z, N25Z, N38Z		13	962Z, O03Z
	13	N01A, N01B, N01C, N01D, N01E, N02A, N02B, N02C, N03A, N03B, N05A, N05B, N38Z		13	N01A, N01B, N01C, N01D, N01E, N02A, N02B, N02C, N03A, N03B, N07Z, N25Z, N38Z		14	BOP, KVT, UOP4
	14	962Z, O03Z		13	N01A, N01B, N01C, N01D, N01E, N02A, N02B, N02C, N03A, N03B, N07Z, N25Z, N38Z		13	N01A, N01B, N01C, N01D, N01E, N02A, N02B, N02C, N03A, N03B, N07Z, N25Z, N38Z
5q031.8↔		BOP, KVT, UOP4	5q090.4↔		BOP, KVT, UOP4	5q130.8↔		962Z, O03Z
	09	J03A, J03B, J04A, J04B, J08A, J08B, J08C, J11A, J11B, J16Z		13	N01A, N01B, N01C, N01D, N01E, N02A, N02B, N02C, N03A, N03B, N07Z, N25Z, N38Z		14	BOP, KVT, UOP4
	13	N01A, N01B, N01C, N01D, N01E, N02A, N02B, N02C, N03A, N03B, N05A, N05B, N38Z		13	N01A, N01B, N01C, N01D, N01E, N02A, N02B, N02C, N03A, N03B, N07Z, N25Z, N38Z		13	N01A, N01B, N01C, N01D, N01E, N02A, N02B, N02C, N03A, N03B, N07Z, N25Z, N38Z
	14	962Z, O03Z		13	N01A, N01B, N01C, N01D, N01E, N02A, N02B, N02C, N03A, N03B, N07Z, N25Z, N38Z		14	962Z, O03Z

VYK

ZZV	MDC	DRG	ZZV	MDC	DRG	ZZV	MDC	DRG
5q131.0↔		BOP, KVT, UOP4	5q221.0		BOP, KVT, UOP4	5q401.1		BOP, KVT, UOP4
	13	N01A, N01B, N01C, N01D, N01E, N02A, N02B, N02C, N03A, N03B, N05A, N05B, N38Z		09	J03A, J03B, J04A, J04B, J08A, J08B, J08C, J11A, J11B, J16Z		13	N21Z, N23Z
	21A	W04A, W04B		13	N01A, N01B, N01C, N01D, N01E, N02A, N02B, N02C, N03A, N03B, N09A, N09B, N38Z	5q401.2	14	962Z, O02A, O02B, O04A
	21B	X06A, X06B, X06C		14	962Z, O02A, O02B		13	BOP, KVT, UOP4
5q131.4↔		BOP, KVT, UOP4		21B	X06A, X06B, X06C	5q401.4	14	N21Z, N23Z
	13	N01A, N01B, N01C, N01D, N01E, N02A, N02B, N02C, N03A, N03B, N05A, N05B, N38Z	5q221.1		BOP, KVT, UOP4		13	962Z, O02A, O02B, O04A
	21A	W04A, W04B		09	J03A, J03B, J04A, J04B, J08A, J08B, J08C, J11A, J11B, J16Z	5q401.7	14	BOP, KVT, UOP4
	21B	X06A, X06B, X06C		13	N01A, N01B, N01C, N01D, N01E, N02A, N02B, N02C, N03A, N03B, N09A, N09B, N38Z	5q401.8	13	N23Z
5q131.8↔		BOP, KVT, UOP4		14	962Z, O02A, O02B		14	962Z, O02A, O02B, O04A
	13	N01A, N01B, N01C, N01D, N01E, N02A, N02B, N02C, N03A, N03B, N05A, N05B, N38Z		21B	X06A, X06B, X06C	5q402.2	13	BOP, KVT, UOP4
	21A	W04A, W04B	5q221.4		BOP, KVT, UOP4		14	N01A, N01B, N01C, N01D, N01E, N02A, N02B, N02C, N03A, N03B, N07Z, N25Z, N38Z
	21B	X06A, X06B, X06C		09	J03A, J03B, J04A, J04B, J08A, J08B, J08C, J11A, J11B, J16Z	5q402.7	13	962Z, O02A, O02B
5q132.0		BOP, KVT, UOP4		13	N01A, N01B, N01C, N01D, N01E, N02A, N02B, N02C, N03A, N03B, N09A, N09B, N38Z		14	BOP, KVT, UOP4
	13	N01A, N01B, N01C, N01D, N01E, N02A, N02B, N02C, N03A, N03B, N05A, N05B, N38Z		14	962Z, O02A, O02B	5q403	13	N01A, N01B, N01C, N01D, N01E, N02A, N02B, N02C, N03A, N03B, N07Z, N25Z, N38Z
5q132.4		BOP, KVT, UOP4		21B	X06A, X06B, X06C		14	962Z, O02A, O02B
	13	N01A, N01B, N01C, N01D, N01E, N02A, N02B, N02C, N03A, N03B, N05A, N05B, N38Z	5q221.7		BOP, KVT, UOP4		13	BOP, KVT, UOP4
5q132.8		BOP, KVT, UOP4		09	J03A, J03B, J04A, J04B, J08A, J08B, J08C, J11A, J11B, J16Z	5q404.0	13	N01A, N01B, N01C, N01D, N01E, N02A, N02B, N02C, N03A, N03B, N07Z, N25Z, N38Z
	13	N01A, N01B, N01C, N01D, N01E, N02A, N02B, N02C, N03A, N03B, N05A, N05B, N38Z		13	N01A, N01B, N01C, N01D, N01E, N02A, N02B, N02C, N03A, N03B, N09A, N09B, N38Z		14	962Z, O02A, O02B
5q133↔		BOP, KVT, UOP4		14	962Z, O02A, O02B	5q404.4	13	N01A, N01B, N01C, N01D, N01E, N02A, N02B, N02C, N03A, N03B, N07Z, N25Z, N38Z
	13	N01A, N01B, N01C, N01D, N01E, N02A, N02B, N02C, N03A, N03B, N07Z, N25Z, N38Z	5q223		BOP, KVT, UOP4		14	962Z, O02A, O02B
	21A	W04A, W04B		13	N13A, N13B		13	BOP, KVT, UOP4
	21B	X06A, X06B, X06C	5q230		BOP, KVT, UOP4	5q404.8	14	962Z, O02A, O02B
5q140↔		BOP, KVT, UOP4		13	N13A, N13B		13	BOP, KVT, UOP4
	13	N10Z		14	962Z, O02A, O02B, O05A		14	962Z, O02A, O02B
5q141↔		BOP, KVT, UOP4		21A	W04A, W04B		13	N01A, N01B, N01C, N01D, N01E, N02A, N02B, N02C, N03A, N03B, N07Z, N25Z, N38Z
	13	N10Z		21B	X06A, X06B, X06C		14	962Z, O02A, O02B
5q142↔		BOP, KVT, UOP4	5q231.0		BOP, KVT, UOP4		13	N01A, N01B, N01C, N01D, N01E, N02A, N02B, N02C, N03A, N03B, N07Z, N25Z, N38Z
	13	N10Z		13	N13A, N13B		14	962Z, O02A, O02B
5q210		BOP, KVT, UOP4		14	962Z, O02A, O02B, O05A	5q405.0	13	BOP, KVT, UOP4
	13	N09A, N09B		21A	W04A, W04B		13	N09A, N09B
5q211		BOP, KVT, UOP4		21B	X06A, X06B, X06C	5q405.4	13	BOP, KVT, UOP4
	13	N09A, N09B	5q231.4		BOP, KVT, UOP4		13	N09A, N09B
5q212		BOP, KVT, UOP4		13	N13A, N13B	5q405.8	13	N09A, N09B
	13	N09A, N09B		14	962Z, O02A, O02B, O05A		13	BOP, KVT, UOP4
5q213		BOP, KVT, UOP4		21A	W04A, W04B		13	N09A, N09B
	13	N09A, N09B		21B	X06A, X06B, X06C	5q410.0	13	BOP, KVT, UOP4
5q220		BOP, KVT, UOP4	5q291		BOP, KVT, UOP4		13	N01A, N01B, N01C, N01D, N01E, N02A, N02B, N02C, N03A, N03B, N04Z, N14Z, N21Z, N38Z
	09	J03A, J03B, J04A, J04B, J08A, J08B, J08C, J11A, J11B, J16Z		13	N13A, N13B		14	962Z, O02A, O02B
	13	N09A, N09B		14	962Z, O02A, O02B	5q410.4	13	BOP, KVT, UOP4
	14	962Z, O02A, O02B		21A	W04A, W04B		13	N01A, N01B, N01C, N01D, N01E, N02A, N02B, N02C, N03A, N03B, N04Z, N14Z, N21Z, N38Z
	21B	X06A, X06B, X06C	5q293		BOP, KVT, UOP4		14	962Z, O02A, O02B
				12	M06Z, M09A, M09B, M11Z, M38Z		13	BOP, KVT, UOP4
			5q401.0		BOP, KVT, UOP4		14	962Z, O02A, O02B
				13	N21Z, N23Z			
				14	962Z, O02A, O02B, O04A			

ZZV	MDC	DRG	ZZV	MDC	DRG	ZZV	MDC	DRG
5q410.7		BOP, KVT, UOP4	5q421.4↔		BOP, KVT, UOP4	5q430.8		BOP, KVT, UOP4
	13	N01A, N01B, N01C, N01D, N01E, N02A, N02B, N02C, N03A, N03B, N04Z, N14Z, N21Z, N38Z		13	N01A, N01B, N01C, N01D, N01E, N02A, N02B, N02C, N03A, N03B, N04Z, N14Z, N21Z, N38Z		13	N01A, N01B, N01C, N01D, N01E, N02A, N02B, N02C, N03A, N03B, N04Z, N14Z, N21Z, N38Z
	14	962Z, O02A, O02B		14	962Z, O02A, O02B, O04A		14	962Z, O02A, O02B, O04A
5q411.0		BOP, KVT, UOP4	5q421.7↔		BOP, KVT, UOP4	5q431.0↔		BOP, KVT, UOP4
	13	N01A, N01B, N01C, N01D, N01E, N02A, N02B, N02C, N03A, N03B, N04Z, N14Z, N21Z, N38Z		13	N01A, N01B, N01C, N01D, N01E, N02A, N02B, N02C, N03A, N03B, N04Z, N14Z, N21Z, N38Z		13	N01A, N01B, N01C, N01D, N01E, N02A, N02B, N02C, N03A, N03B, N04Z, N14Z, N21Z, N38Z
	14	962Z, O02A, O02B		14	962Z, O02A, O02B, O04A		14	962Z, O02A, O02B, O04A
5q411.4		BOP, KVT, UOP4	5q421.8↔		BOP, KVT, UOP4	5q431.4↔		BOP, KVT, UOP4
	13	N01A, N01B, N01C, N01D, N01E, N02A, N02B, N02C, N03A, N03B, N04Z, N14Z, N21Z, N38Z		13	N01A, N01B, N01C, N01D, N01E, N02A, N02B, N02C, N03A, N03B, N04Z, N14Z, N21Z, N38Z		13	N01A, N01B, N01C, N01D, N01E, N02A, N02B, N02C, N03A, N03B, N04Z, N14Z, N21Z, N38Z
	14	962Z, O02A, O02B		14	962Z, O02A, O02B, O04A		14	962Z, O02A, O02B, O04A
5q411.8		BOP, KVT, UOP4	5q422.0↔		BOP, KVT, UOP4	5q431.8↔		BOP, KVT, UOP4
	13	N01A, N01B, N01C, N01D, N01E, N02A, N02B, N02C, N03A, N03B, N04Z, N14Z, N21Z, N38Z		13	N01A, N01B, N01C, N01D, N01E, N02A, N02B, N02C, N03A, N03B, N04Z, N14Z, N21Z, N38Z		13	N01A, N01B, N01C, N01D, N01E, N02A, N02B, N02C, N03A, N03B, N04Z, N14Z, N21Z, N38Z
	14	962Z, O02A, O02B		14	962Z, O02A, O02B, O04A		14	962Z, O02A, O02B, O04A
5q412		BOP, KVT, UOP4	5q422.4↔		BOP, KVT, UOP4	5q432.0		BOP, KVT, MVV, UOP4
	13	N01A, N01B, N01C, N01D, N01E, N02A, N02B, N02C, N03A, N03B, N04Z, N14Z, N21Z, N38Z		13	N01A, N01B, N01C, N01D, N01E, N02A, N02B, N02C, N03A, N03B, N04Z, N14Z, N21Z, N38Z		13	N01A, N01B, N01C, N01D, N01E, N38Z
	14	962Z, O02A, O02B		14	962Z, O02A, O02B, O04A		14	962Z, O02A, O02B
5q420.0		BOP, KVT, UOP4	5q422.8↔		BOP, KVT, UOP4	5q432.4		BOP, KVT, MVV, UOP4
	13	N01A, N01B, N01C, N01D, N01E, N02A, N02B, N02C, N03A, N03B, N04Z, N14Z, N21Z, N38Z		13	N01A, N01B, N01C, N01D, N01E, N02A, N02B, N02C, N03A, N03B, N04Z, N14Z, N21Z, N38Z		13	N01A, N01B, N01C, N01D, N01E, N38Z
	14	962Z, O02A, O02B		14	962Z, O02A, O02B, O04A		14	962Z, O02A, O02B
5q420.1		BOP, KVT, UOP4	5q424		BOP, KVT, UOP4	5q432.7		BOP, KVT, MVV, UOP4
	13	N01A, N01B, N01C, N01D, N01E, N02A, N02B, N02C, N03A, N03B, N04Z, N14Z, N21Z, N38Z		11	L06A, L06B		13	N01A, N01B, N01C, N01D, N01E, N38Z
	14	962Z, O02A, O02B		13	N06Z, N14Z		14	962Z, O02A, O02B
5q420.4		BOP, KVT, UOP4	5q425		BOP, KVT, UOP4	5q501		N10Z
	13	N01A, N01B, N01C, N01D, N01E, N02A, N02B, N02C, N03A, N03B, N04Z, N14Z, N21Z, N38Z		11	L06A, L06B		14	962Z, O02A, O02B, O40Z
	14	962Z, O02A, O02B		13	N06Z, N14Z		13	N10Z
5q420.7		BOP, KVT, UOP4	5q430.0		BOP, KVT, UOP4	5q502		962Z, O02A, O02B, O40Z
	13	N01A, N01B, N01C, N01D, N01E, N02A, N02B, N02C, N03A, N03B, N04Z, N14Z, N21Z, N38Z		13	N01A, N01B, N01C, N01D, N01E, N02A, N02B, N02C, N03A, N03B, N04Z, N14Z, N21Z, N38Z		14	962Z, O02A, O02B
	14	962Z, O02A, O02B		14	962Z, O02A, O02B, O04A		06	G10Z, G12A, G12B
5q420.8		BOP, KVT, UOP4	5q430.4		BOP, KVT, UOP4	5q530.0		BOP, KVT, UOP4
	13	N01A, N01B, N01C, N01D, N01E, N02A, N02B, N02C, N03A, N03B, N04Z, N14Z, N21Z, N38Z		13	N01A, N01B, N01C, N01D, N01E, N02A, N02B, N02C, N03A, N03B, N04Z, N14Z, N21Z, N38Z		10	K09A, K09B
	14	962Z, O02A, O02B		14	962Z, O02A, O02B, O04A		13	N11A, N11B
5q421.0↔		BOP, KVT, UOP4	5q430.7		BOP, KVT, UOP4	5q530.3		R01A, R01B, R01C, R01D, R02Z, R12A, R12B, R12C
	13	N01A, N01B, N01C, N01D, N01E, N02A, N02B, N02C, N03A, N03B, N04Z, N14Z, N21Z, N38Z		13	N01A, N01B, N01C, N01D, N01E, N02A, N02B, N02C, N03A, N03B, N04Z, N14Z, N21Z, N38Z		17	R01A, R01B, R01C, R01D, R02Z, R12A, R12B, R12C
	14	962Z, O02A, O02B, O04A		14	962Z, O02A, O02B, O04A		13	N04Z, N06Z
5q421.1↔		BOP, KVT, UOP4		19	U01Z		14	962Z, O02A, O02B
	13	N01A, N01B, N01C, N01D, N01E, N02A, N02B, N02C, N03A, N03B, N04Z, N14Z, N21Z, N38Z		13	N01A, N01B, N01C, N01D, N01E, N02A, N02B, N02C, N03A, N03B, N04Z, N14Z, N21Z, N38Z		21A	W04A, W04B
	14	962Z, O02A, O02B, O04A		14	962Z, O02A, O02B, O04A		21B	X06A, X06B, X06C
	14	962Z, O02A, O02B, O04A		19	U01Z		13	N01A, N01B, N01C, N01D, N01E, N02A, N02B, N02C, N03A, N03B, N07Z, N25Z, N38Z
	13	N01A, N01B, N01C, N01D, N01E, N02A, N02B, N02C, N03A, N03B, N04Z, N14Z, N21Z, N38Z		13	N01A, N01B, N01C, N01D, N01E, N02A, N02B, N02C, N03A, N03B, N04Z, N14Z, N21Z, N38Z		14	962Z, O02A, O02B
	14	962Z, O02A, O02B, O04A		14	962Z, O02A, O02B, O04A		21A	W04A, W04B
	14	962Z, O02A, O02B, O04A		19	U01Z		21B	X06A, X06B, X06C
	13	N01A, N01B, N01C, N01D, N01E, N02A, N02B, N02C, N03A, N03B, N04Z, N14Z, N21Z, N38Z		13	N01A, N01B, N01C, N01D, N01E, N02A, N02B, N02C, N03A, N03B, N04Z, N14Z, N21Z, N38Z		13	N04Z, N06Z
	14	962Z, O02A, O02B, O04A		14	962Z, O02A, O02B, O04A		14	962Z, O02A, O02B
	14	962Z, O02A, O02B, O04A		19	U01Z		21A	W04A, W04B
	14	962Z, O02A, O02B, O04A		19	U01Z		21B	X06A, X06B, X06C

VYK

ZZV	MDC	DRG	ZZV	MDC	DRG	ZZV	MDC	DRG
5q530.8		BOP, KVT, UOP4	5q634.7		BOP, KVT, UOP4	5q692		BOP, KVT, UOP4
	13	N04Z, N06Z		06	G18A, G38Z		09	J03A, J03B, J04A, J04B, J08A, J08B, J08C, J11A, J11B, J16Z
	14	962Z, O02A, O02B		13	N04Z, N06Z		10	K09A, K09B
	21A	W04A, W04B		19	U01Z		13	N13A, N13B
	21B	X06A, X06B, X06C	5q640		BOP, KVT, UOP4		14	962Z, O60A, O60B, O60C, O60D
5q593	13	N10Z		11	L06A, L06B		21A	W04A, W04B
	14	962Z, O02A, O02B, O40Z		13	N06Z, N14Z	5q693	21B	X06A, X06B, X06C
5q594	13	N10Z		14	O04A			BOP, KVT, UOP4
	14	962Z, O02A, O02B, O40Z	5q641		BOP, KVT, UOP4		09	J03A, J03B, J04A, J04B, J08A, J08B, J08C, J11A, J11B, J16Z
5q595		BOP, KVT, UOP4		11	L06A, L06B		10	K09A, K09B
	13	N01A, N01B, N01C, N01D, N01E, N02A, N02B, N02C, N03A, N03B, N07Z, N25Z, N38Z	5q642		BOP, KVT, UOP4		13	N13A, N13B
	14	962Z, O02A, O02B		11	L06A, L06B		14	962Z, O60A, O60B, O60C, O60D
5q597.0		BOP, KVT, UOP4	5q650.4		BOP, KVT, UOP4		21A	W04A, W04B
	11	L06A, L06B		13	N03A, N04Z, N06Z, N38Z		21B	X06A, X06B, X06C
	13	N06Z, N14Z		19	U01Z	5q710		BOP, UOP4
5q597.4		BOP, KVT, UOP4		21A	W04A, W04B		09	J03A, J03B, J04A, J04B, J08A, J08B, J08C, J11A, J11B, J16Z
	11	L06A, L06B	5q650.7		BOP, KVT, UOP4		13	N09A, N09B
	13	N06Z, N14Z		13	N03A, N04Z, N06Z, N38Z		14	962Z, O02A, O02B
5q597.7		BOP, KVT, UOP4		19	U01Z	5q711		BOP, UOP4
	11	L06A, L06B		21A	W04A, W04B		09	J03A, J03B, J04A, J04B, J08A, J08B, J08C, J11A, J11B, J16Z
	13	N06Z, N14Z	5q651		BOP, KVT, UOP4		13	N09A, N09B
5q597.8		BOP, KVT, UOP4		13	N09A, N09B		14	962Z, O02A, O02B
	11	L06A, L06B	5q652		BOP, KVT, UOP4		09	J03A, J03B, J04A, J04B, J08A, J08B, J08C, J11A, J11B, J16Z
	13	N06Z, N14Z		13	N04Z, N06Z		13	N09A, N09B
5q598†	13	N10Z		19	U01Z		14	962Z, O02A, O02B
5q610		BOP, UOP4		21A	W04A, W04B	5q712		BOP, UOP4
	13	N09A, N09B		21B	X06A, X06B, X06C		09	J03A, J03B, J04A, J04B, J08A, J08B, J08C, J11A, J11B, J16Z
	14	962Z, O02A, O02B	5q653		BOP, KVT, UOP4		13	N09A, N09B
5q620		BOP, UOP4		13	N04Z, N06Z		14	962Z, O02A, O02B
	09	J03A, J03B, J04A, J04B, J08A, J08B, J08C, J11A, J11B, J11C, J16Z		19	U01Z	5q720		BOP, UOP4
	11	L09A, L09B, L09C, L09D, L38Z		21A	W04A, W04B		09	J03A, J03B, J04A, J04B, J08A, J08B, J08C, J11A, J11B, J11C, J16Z
	13	N13A, N13B	5q654		BOP, KVT, UOP4		13	N09A, N09B
	14	962Z, O02A, O02B		13	N04Z, N06Z		14	962Z, O60A, O60B, O60C, O60D
	21A	W04A, W04B		19	U01Z	5q721		BOP, UOP4
	21B	X06A, X06B, X06C		21A	W04A, W04B		09	J03A, J03B, J04A, J04B, J08A, J08B, J08C, J11A, J11B, J11C, J16Z
5q621		BOP, UOP4		21B	X06A, X06B, X06C		13	N09A, N09B
	09	J03A, J03B, J04A, J04B, J08A, J08B, J08C, J11A, J11B, J11C, J16Z	5q690		BOP, KVT, UOP4		14	962Z, O60A, O60B, O60C, O60D
	13	N13A, N13B		11	L06A, L06B		09	J03A, J03B, J04A, J04B, J08A, J08B, J08C, J11A, J11B, J11C, J16Z
	14	962Z, O02A, O02B		12	M06Z, M09A, M09B, M38Z	5q722		BOP, KVT, UOP4
	21B	X06A, X06B, X06C		13	N04Z, N06Z		13	N09A, N09B
5q630		BOP, KVT, UOP4		17	R01A, R01B, R01C, R01D, R02Z, R12A, R12B, R12C		21A	W04A, W04B
	13	N04Z, N06Z		21A	W04A, W04B		21B	X06A, X06B, X06C
	21A	W04A, W04B	5q691		BOP, KVT, UOP4		09	J03A, J03B, J04A, J04B, J08A, J08B, J08C, J11A, J11B, J16Z
	21B	X06A, X06B, X06C		09	J03A, J03B, J04A, J04B, J08A, J08B, J08C, J11A, J11B, J16Z	5q723		BOP, UOP4
5q631		BOP, KVT, UOP4		10	K09A, K09B		10	K09A, K09B
	06	G18A, G38Z		13	N13A, N13B		13	N13A, N13B
	13	N04Z, N06Z		14	962Z, O60A, O60B, O60C, O60D	5q730		BOP, UOP4
	19	U01Z		21A	W04A, W04B		10	K09A, K09B
5q632		BOP, KVT, UOP4		21B	X06A, X06B, X06C		13	N13A, N13B
	06	G18A, G38Z		09	J03A, J03B, J04A, J04B, J08A, J08B, J08C, J11A, J11B, J16Z	5q731		BOP, UOP4
	13	N04Z, N06Z		10	K09A, K09B		10	K09A, K09B
	19	U01Z		13	N13A, N13B		13	N13A, N13B
5q633.7		BOP, KVT, UOP4		14	962Z, O60A, O60B, O60C, O60D	5q732		BOP, UOP4
	06	G18A, G38Z		21A	W04A, W04B		10	K09A, K09B
	13	N04Z, N06Z		21B	X06A, X06B, X06C		13	N13A, N13B
	19	U01Z		09	J03A, J03B, J04A, J04B, J08A, J08B, J08C, J11A, J11B, J16Z	5q740		BOP, KVT, UOP4
5q634.0		BOP, KVT, UOP4		10	K09A, K09B		13	N13A, N13B
	06	G18A, G38Z		13	N13A, N13B			
	13	N04Z, N06Z		19	U01Z			
	19	U01Z						



ZZV	MDC	DRG	ZZV	MDC	DRG	ZZV	MDC	DRG	
5q741		BOP, KOP, KOPV, KVT, UOP4	5r232†	14	962Z	5r331.4↔		BOP, KVT, UOP4	
	06	G33Z	5r233†	14	962Z		13	N01A, N01B, N01C, N01D, N01E, N02A, N02B, N02C, N03A, N03B, N07Z, N25Z, N38Z	
	07	H33Z, H38Z	5r234†	14	962Z		14	962Z, O03Z	
	11	L33Z	5r311.1	14	BOP, KVT, UOP4		5r331.6↔	BOP, KVT, UOP4	
	13	N01A, N01B, N01C, N01D, N01E, N38Z		14	962Z, O01A, O01B, O01C, O01D, O01E, O01F, O01G, O01H			13	N01A, N01B, N01C, N01D, N01E, N02A, N02B, N02C, N03A, N03B, N07Z, N25Z, N38Z
	21B	X33Z	5r311.2		BOP, KVT, UOP4		5r331.7↔	BOP, KVT, UOP4	
	23	Z01A	5r312.1	14	962Z, O01A, O01B, O01C, O01D, O01E, O01F			13	N01A, N01B, N01C, N01D, N01E, N02A, N02B, N02C, N03A, N03B, N07Z, N25Z, N38Z
	Pre	A07A		14	BOP, KVT, UOP4		14	962Z, O03Z	
	5q742		BOP, UOP4	5r312.2	14		962Z, O01A, O01B, O01C, O01D, O01E, O01F, O01G, O01H	5r331.x↔	BOP, KVT, UOP4
		09	J03A, J03B, J04A, J04B, J08A, J08B, J08C, J11A, J11B, J16Z		14		962Z, O01A, O01B, O01C, O01D, O01E, O01F		13
10		K09A, K09B	5r313	14	BOP, KVT, UOP4	5r331.x↔	962Z, O03Z		
13		N09A, N09B		14	962Z, O01A, O01B, O01C, O01D, O01E, O01F, O01G, O01H		13	BOP, KVT, UOP4	
14		962Z, O60A, O60B, O60C, O60D	5r314	14	BOP, KVT, UOP4	5r332.0↔	BOP, KVT, UOP4		
21A		W04A, W04B		14	962Z, O01A, O01B, O01C, O01D, O01E, O01F, O01G, O01H		13	N01A, N01B, N01C, N01D, N01E, N02A, N02B, N02C, N03A, N03B, N07Z, N25Z, N38Z	
21B		X06A, X06B, X06C	5r315.1	14	BOP, KVT, UOP4	5r332.0↔	962Z, O03Z		
5q750				BOP, KVT, UOP4	14		962Z, O01A, O01B, O01C, O01D, O01E, O01F, O01G, O01H	13	N01A, N01B, N01C, N01D, N01E, N02A, N02B, N02C, N03A, N03B, N07Z, N25Z, N38Z
		13	N09A, N09B	5r315.2	14	BOP, KVT, UOP4	5r332.1↔	BOP, KVT, UOP4	
21A		W04A, W04B	14		962Z, O01A, O01B, O01C, O01D, O01E, O01F, O01G, O01H	13		N01A, N01B, N01C, N01D, N01E, N02A, N02B, N02C, N03A, N03B, N07Z, N25Z, N38Z	
21B	X06A, X06B, X06C	5r316.1	14	BOP, KVT, UOP4	5r332.4↔	962Z, O03Z			
5q751			BOP, KVT, UOP4	14		962Z, O01A, O01B, O01C, O01D, O01E, O01F, O01G, O01H	13	N01A, N01B, N01C, N01D, N01E, N02A, N02B, N02C, N03A, N03B, N07Z, N25Z, N38Z	
	13	N09A, N09B	5r316.2	14	BOP, KVT, UOP4	5r332.6↔	BOP, KVT, UOP4		
21A	W04A, W04B	14		962Z, O01A, O01B, O01C, O01D, O01E, O01F	13		N01A, N01B, N01C, N01D, N01E, N02A, N02B, N02C, N03A, N03B, N07Z, N25Z, N38Z		
21B	X06A, X06B, X06C	5r317.1	14	BOP, KVT, UOP4	5r332.7↔	962Z, O03Z			
5q752			BOP, KVT, UOP4	14		962Z, O01A, O01B, O01C, O01D, O01E, O01F, O01G, O01H, O02A	13	BOP, KVT, UOP4	
	13	N09A, N09B	5r317.2	14	BOP, KVT, UOP4	5r332.x↔	962Z, O03Z		
21A	W04A, W04B	14		962Z, O01A, O01B, O01C, O01D, O01E, O01F, O01G, O01H	13		N01A, N01B, N01C, N01D, N01E, N02A, N02B, N02C, N03A, N03B, N07Z, N25Z, N38Z		
21B	X06A, X06B, X06C	5r318.1	14	BOP, KVT, UOP4	5r333.0↔	BOP, KVT, UOP4			
5q790			BOP, UOP4	14		962Z, O01A, O01B, O01C, O01D, O01E, O01F, O01G, O01H	13	N01A, N01B, N01C, N01D, N01E, N02A, N02B, N02C, N03A, N03B, N07Z, N25Z, N38Z	
	09	J03A, J03B, J04A, J04B, J08A, J08B, J08C, J11A, J11B, J16Z	5r317.1	14	BOP, KVT, UOP4	5r333.1↔	962Z, O03Z		
10	K09A, K09B	14		962Z, O01A, O01B, O01C, O01D, O01E, O01F	13		BOP, KVT, UOP4		
13	N09A, N09B	5r317.1	14	BOP, KVT, UOP4	5r333.1↔	962Z, O03Z			
14	962Z, O60A, O60B, O60C, O60D		14	962Z, O01A, O01B, O01C, O01D, O01E, O01F, O01G, O01H		13	N01A, N01B, N01C, N01D, N01E, N02A, N02B, N02C, N03A, N03B, N07Z, N25Z, N38Z		
21A	W04A, W04B	5r317.2	14	BOP, KVT, UOP4	5r333.1↔	962Z, O03Z			
21B	X06A, X06B, X06C		14	962Z, O01A, O01B, O01C, O01D, O01E, O01F		13	BOP, KVT, UOP4		
5r111†	14	962Z	5r321	14	BOP, KVT, UOP4	5r333.1↔	962Z, O03Z		
5r112†	14	962Z		14	962Z, O01A, O01B, O01C, O01D, O01E, O01F		13	N01A, N01B, N01C, N01D, N01E, N02A, N02B, N02C, N03A, N03B, N07Z, N25Z, N38Z	
5r113†	14	962Z	5r322	14	BOP, KVT, UOP4	5r333.1↔	962Z, O03Z		
5r114†	14	962Z		14	962Z, O01A, O01B, O01C, O01D, O01E, O01F, O01G, O01H		13	BOP, KVT, UOP4	
5r11x†	14	962Z	5r323	14	BOP, KVT, UOP4	5r333.1↔	962Z, O03Z		
5r121†	14	962Z		14	962Z, O01A, O01B, O01C, O01D, O01E, O01F, O01G, O01H, O02A		13	N01A, N01B, N01C, N01D, N01E, N02A, N02B, N02C, N03A, N03B, N07Z, N25Z, N38Z	
5r122†	14	962Z	5r331.0↔	13	BOP, KVT, UOP4	5r333.1↔	962Z, O03Z		
5r12x†	14	962Z		14	N01A, N01B, N01C, N01D, N01E, N02A, N02B, N02C, N03A, N03B, N07Z, N25Z, N38Z		13	BOP, KVT, UOP4	
5r131†	14	962Z	5r331.1↔	13	N01A, N01B, N01C, N01D, N01E, N02A, N02B, N02C, N03A, N03B, N07Z, N25Z, N38Z	5r333.1↔	962Z, O03Z		
5r132†	14	962Z		14	962Z, O03Z		13	BOP, KVT, UOP4	
5r133†	14	962Z	5r331.1↔	13	BOP, KVT, UOP4	5r333.1↔	962Z, O03Z		
5r13x†	14	962Z		14	N01A, N01B, N01C, N01D, N01E, N02A, N02B, N02C, N03A, N03B, N07Z, N25Z, N38Z		13	BOP, KVT, UOP4	
5r141†	14	962Z	5r331.1↔	13	N01A, N01B, N01C, N01D, N01E, N02A, N02B, N02C, N03A, N03B, N07Z, N25Z, N38Z	5r333.1↔	962Z, O03Z		
5r142†	14	962Z		14	962Z, O03Z		13	BOP, KVT, UOP4	
5r14x†	14	962Z	5r331.1↔	13	N01A, N01B, N01C, N01D, N01E, N02A, N02B, N02C, N03A, N03B, N07Z, N25Z, N38Z	5r333.1↔	962Z, O03Z		
5r211†	14	962Z		14	962Z, O03Z		13	BOP, KVT, UOP4	
5r212†	14	962Z	5r331.1↔	13	N01A, N01B, N01C, N01D, N01E, N02A, N02B, N02C, N03A, N03B, N07Z, N25Z, N38Z	5r333.1↔	962Z, O03Z		
5r213†	14	962Z		14	962Z, O03Z		13	BOP, KVT, UOP4	
5r214†	14	962Z	5r331.1↔	13	N01A, N01B, N01C, N01D, N01E, N02A, N02B, N02C, N03A, N03B, N07Z, N25Z, N38Z	5r333.1↔	962Z, O03Z		
5r215†	14	962Z		14	962Z, O03Z		13	BOP, KVT, UOP4	
5r216†	14	962Z	5r331.1↔	13	N01A, N01B, N01C, N01D, N01E, N02A, N02B, N02C, N03A, N03B, N07Z, N25Z, N38Z	5r333.1↔	962Z, O03Z		
5r217†	14	962Z		14	962Z, O03Z		13	BOP, KVT, UOP4	
5r221†	14	962Z	5r331.1↔	13	N01A, N01B, N01C, N01D, N01E, N02A, N02B, N02C, N03A, N03B, N07Z, N25Z, N38Z	5r333.1↔	962Z, O03Z		
5r222†	14	962Z		14	962Z, O03Z		13	BOP, KVT, UOP4	
5r223†	14	962Z	5r331.1↔	13	N01A, N01B, N01C, N01D, N01E, N02A, N02B, N02C, N03A, N03B, N07Z, N25Z, N38Z	5r333.1↔	962Z, O03Z		
5r224†	14	962Z		14	962Z, O03Z		13	BOP, KVT, UOP4	
5r231†	14	962Z	5r331.1↔	13	N01A, N01B, N01C, N01D, N01E, N02A, N02B, N02C, N03A, N03B, N07Z, N25Z, N38Z	5r333.1↔	962Z, O03Z		
	14	962Z		14	962Z, O03Z		13	BOP, KVT, UOP4	

ZZV	MDC	DRG	ZZV	MDC	DRG	ZZV	MDC	DRG
5r333.4↔		BOP, KVT, UOP4	5r335.4↔		BOP, KVT, UOP4	5r492		BOP, KVT, UOP4
	13	N01A, N01B, N01C, N01D, N01E, N02A, N02B, N02C, N03A, N03B, N07Z, N25Z, N38Z		13	N01A, N01B, N01C, N01D, N01E, N02A, N02B, N02C, N03A, N03B, N07Z, N25Z, N38Z		14	962Z, O01A, O02A, O06Z, O60A
	14	962Z, O03Z		14	962Z, O03Z	5r493‡	14	962Z
5r333.6↔		BOP, KVT, UOP4	5r335.6↔		BOP, KVT, UOP4	5r912		BOP, KVT, UOP4
	13	N01A, N01B, N01C, N01D, N01E, N02A, N02B, N02C, N03A, N03B, N07Z, N25Z, N38Z		13	N01A, N01B, N01C, N01D, N01E, N02A, N02B, N02C, N03A, N03B, N07Z, N25Z, N38Z		14	962Z, O02A, O02B
	14	962Z, O03Z		14	962Z, O03Z	5r913‡	14	962Z
5r333.7↔		BOP, KVT, UOP4	5r335.7↔		BOP, KVT, UOP4	5r914.1‡	14	962Z
	13	N01A, N01B, N01C, N01D, N01E, N02A, N02B, N02C, N03A, N03B, N07Z, N25Z, N38Z		13	N01A, N01B, N01C, N01D, N01E, N02A, N02B, N02C, N03A, N03B, N07Z, N25Z, N38Z	5r914.2‡	14	962Z
	14	962Z, O03Z		14	962Z, O03Z	5r914.3‡	14	962Z
5r333.x↔		BOP, KVT, UOP4	5r335.x↔		BOP, KVT, UOP4	5r914.4‡	14	962Z
	13	N01A, N01B, N01C, N01D, N01E, N02A, N02B, N02C, N03A, N03B, N07Z, N25Z, N38Z		13	N01A, N01B, N01C, N01D, N01E, N02A, N02B, N02C, N03A, N03B, N07Z, N25Z, N38Z	5r921‡	14	962Z
	14	962Z, O03Z		14	962Z, O03Z	5r922‡	14	962Z
5r334.0↔		BOP, KVT, UOP4	5r336.0		BOP, KVT, UOP4	5r923‡	14	962Z
	13	N01A, N01B, N01C, N01D, N01E, N02A, N02B, N02C, N03A, N03B, N07Z, N25Z, N38Z		14	962Z, O03Z	5r924		BOP, KVT, UOP4
	14	962Z, O03Z		14	962Z, O03Z		14	962Z, O02A, O02B, O40Z
5r334.1↔		BOP, KVT, UOP4	5r336.1		BOP, KVT, UOP4	5r925‡	14	962Z
	13	N01A, N01B, N01C, N01D, N01E, N02A, N02B, N02C, N03A, N03B, N07Z, N25Z, N38Z		14	962Z, O03Z	5r931		BOP, KVT, UOP4
	14	962Z, O03Z		14	962Z, O03Z		14	962Z, O02A, O02B
5r334.4↔		BOP, KVT, UOP4	5r336.4		BOP, KVT, UOP4	5r932‡	14	962Z
	13	N01A, N01B, N01C, N01D, N01E, N02A, N02B, N02C, N03A, N03B, N07Z, N25Z, N38Z		14	962Z, O03Z	5r991		BOP, KVT, UOP4
	14	962Z, O03Z		14	962Z, O03Z		14	962Z, O40Z
5r334.6↔		BOP, KVT, UOP4	5r336.6		BOP, KVT, UOP4	5s112		BOP, KVT, UOP4
	13	N01A, N01B, N01C, N01D, N01E, N02A, N02B, N02C, N03A, N03B, N07Z, N25Z, N38Z		14	962Z, O03Z		03	D04Z, D18Z, D28Z, D29Z
	14	962Z, O03Z		14	962Z, O03Z		08	I17Z
5r334.7↔		BOP, KVT, UOP4	5r336.7		BOP, KVT, UOP4		09	J08A, J08B
	13	N01A, N01B, N01C, N01D, N01E, N02A, N02B, N02C, N03A, N03B, N07Z, N25Z, N38Z		14	962Z, O03Z		21A	W04A, W04B
	14	962Z, O03Z		14	962Z, O03Z		21B	X06A, X06B, X06C
5r334.x↔		BOP, KVT, UOP4	5r336.x		BOP, KVT, UOP4	5s116.0		BOP, KVT, UOP4
	13	N01A, N01B, N01C, N01D, N01E, N02A, N02B, N02C, N03A, N03B, N07Z, N25Z, N38Z		14	962Z, O03Z		03	D04Z, D18Z, D28Z, D29Z
	14	962Z, O03Z		14	962Z, O03Z		08	I17Z
5r335.0↔		BOP, KVT, UOP4	5r339		BOP, KVT, UOP4		09	J08A, J08B, J08C
	13	N01A, N01B, N01C, N01D, N01E, N02A, N02B, N02C, N03A, N03B, N07Z, N25Z, N38Z		14	962Z, O03Z		21A	W04A, W04B
	14	962Z, O03Z		14	962Z, O03Z		21B	X06A, X06B, X06C
5r335.1↔		BOP, KVT, UOP4	5r341		BOP, KVT, UOP4	5s116.1		BOP, KVT, UOP4
	13	N01A, N01B, N01C, N01D, N01E, N02A, N02B, N02C, N03A, N03B, N07Z, N25Z, N38Z		14	962Z, O03Z		03	D04Z, D18Z, D28Z, D29Z
	14	962Z, O03Z		14	962Z, O03Z		08	I17Z
	14	962Z, O03Z		14	962Z, O01A, O02A, O06Z, O60A		09	J08A, J08B, J08C
	13	N01A, N01B, N01C, N01D, N01E, N02A, N02B, N02C, N03A, N03B, N07Z, N25Z, N38Z		14	962Z, O01A, O02A, O06Z, O60A		21A	W04A, W04B
	14	962Z, O03Z		14	962Z, O01A, O02A, O06Z, O60A		21B	X06A, X06B, X06C
	14	962Z, O03Z		14	962Z, O01A, O02A, O06Z, O60A	5s117		BOP, KVT, UOP4
	13	N01A, N01B, N01C, N01D, N01E, N02A, N02B, N02C, N03A, N03B, N07Z, N25Z, N38Z		14	962Z, O01A, O02A, O06Z, O60A		03	D04Z, D18Z, D28Z, D29Z
	14	962Z, O03Z		14	962Z, O03Z		08	I17Z
	14	962Z, O03Z		14	962Z, O03Z		09	J08A, J08B, J08C
	13	N01A, N01B, N01C, N01D, N01E, N02A, N02B, N02C, N03A, N03B, N07Z, N25Z, N38Z		14	962Z, O01A, O02A, O06Z, O60A		21A	W04A, W04B
	14	962Z, O03Z		14	962Z, O01A, O02A, O06Z, O60A		21B	X06A, X06B, X06C
	14	962Z, O03Z		14	962Z, O01A, O02A, O06Z, O60A	5s118		BOP, KVT, UOP4
	13	N01A, N01B, N01C, N01D, N01E, N02A, N02B, N02C, N03A, N03B, N07Z, N25Z, N38Z		14	962Z, O01A, O02A, O06Z, O60A		03	D04Z, D18Z, D28Z, D29Z
	14	962Z, O03Z		14	962Z, O01A, O02A, O06Z, O60A		08	I17Z
	14	962Z, O03Z		14	962Z, O01A, O02A, O06Z, O60A		09	J08A, J08B, J08C
	13	N01A, N01B, N01C, N01D, N01E, N02A, N02B, N02C, N03A, N03B, N07Z, N25Z, N38Z		14	962Z, O01A, O02A, O06Z, O60A		21A	W04A, W04B
	14	962Z, O03Z		14	962Z, O01A, O02A, O06Z, O60A		21B	X06A, X06B, X06C
	14	962Z, O03Z		14	962Z, O01A, O02A, O06Z, O60A	5s11x		BOP, KVT, UOP4
	13	N01A, N01B, N01C, N01D, N01E, N02A, N02B, N02C, N03A, N03B, N07Z, N25Z, N38Z		14	962Z, O01A, O02A, O06Z, O60A		03	D04Z, D18Z, D28Z, D29Z
	14	962Z, O03Z		14	962Z, O01A, O02A, O06Z, O60A		08	I17Z
	14	962Z, O03Z		14	962Z, O01A, O02A, O06Z, O60A		09	J08A, J08B, J08C
	13	N01A, N01B, N01C, N01D, N01E, N02A, N02B, N02C, N03A, N03B, N07Z, N25Z, N38Z		14	962Z, O01A, O02A, O06Z, O60A		21A	W04A, W04B
	14	962Z, O03Z		14	962Z, O01A, O02A, O06Z, O60A		21B	X06A, X06B, X06C
	14	962Z, O03Z		14	962Z, O01A, O02A, O06Z, O60A	5s123		D04Z
	13	N01A, N01B, N01C, N01D, N01E, N02A, N02B, N02C, N03A, N03B, N07Z, N25Z, N38Z		14	962Z, O01A, O02A, O06Z, O60A	5s125		BOP, KVT, UOP4
	14	962Z, O03Z		14	962Z, O01A, O02A, O06Z, O60A		03	D18Z, D28Z, D29Z
	14	962Z, O03Z		14	962Z, O01A, O02A, O06Z, O60A		08	I17Z
	13	N01A, N01B, N01C, N01D, N01E, N02A, N02B, N02C, N03A, N03B, N07Z, N25Z, N38Z		14	962Z, O01A, O02A, O06Z, O60A		09	J08A, J08B, J08C
	14	962Z, O03Z		14	962Z, O01A, O02A, O06Z, O60A		21A	W04A, W04B
	14	962Z, O03Z		14	962Z, O01A, O02A, O06Z, O60A		21B	X06A, X06B, X06C
	13	N01A, N01B, N01C, N01D, N01E, N02A, N02B, N02C, N03A, N03B, N07Z, N25Z, N38Z		14	962Z, O01A, O02A, O06Z, O60A			
	14	962Z, O03Z		14	962Z, O01A, O02A, O06Z, O60A			

ZZV	MDC	DRG	ZZV	MDC	DRG	ZZV	MDC	DRG
5s126		BOP, KVT, UOP4	5s220.2		BOP, KVT, UOP4	5s222.30		BOP, KVT, UOP4
	03	D18Z, D28Z, D29Z		03	D18Z, D28Z, D29Z		03	D04Z, D18Z, D28Z, D29Z
	08	I17Z		08	I17Z		08	I17Z
	09	J08A, J08B, J08C		09	J08A, J08B		09	J08A, J08B, J08C
	21A	W04A, W04B		21A	W04A, W04B		21A	W04A, W04B
5s191	21B	X06A, X06B, X06C	5s220.3	21B	X06A, X06B, X06C	5s222.31	21B	X06A, X06B, X06C
		BOP, KVT, UOP4			BOP, KVT, UOP4			BOP, KVT, UOP4
	03	D04Z, D18Z, D28Z, D29Z		03	D18Z, D28Z, D29Z		03	D04Z, D18Z, D28Z, D29Z
	08	I17Z		08	I17Z		08	I17Z
	09	J08A, J08B		09	J08A, J08B		09	J08A, J08B, J08C
5s192	21A	W04A, W04B	5s221.1	21A	W04A, W04B	5s222.40	21A	W04A, W04B
	21B	X06A, X06B, X06C		21B	X06A, X06B, X06C		21B	X06A, X06B, X06C
		BOP, KVT, UOP4			BOP, KVT, UOP4			BOP, KVT, UOP4
	01	B09A, B09B		03	D18Z, D28Z, D29Z		03	D04Z, D18Z, D28Z, D29Z
	08	I15A, I15B		08	I17Z		08	I17Z
5s193	21A	W01A, W01B, W01C, W36Z	5s221.2	09	J08A, J08B, J08C	5s222.41	09	J08A, J08B, J08C
	21B	X06A, X06B, X06C		21A	W04A, W04B		21A	W04A, W04B
		BOP, KVT, UOP4		21B	X06A, X06B, X06C		21B	X06A, X06B, X06C
	03	D04Z, D18Z, D28Z, D29Z			BOP, KVT, UOP4			BOP, KVT, UOP4
	08	I17Z		03	D18Z, D28Z, D29Z		03	D04Z, D18Z, D28Z, D29Z
5s210.1	09	J08A, J08B, J08C	5s221.3	08	I17Z	5s222.50	08	I17Z
	21A	W04A, W04B		09	J08A, J08B, J08C		09	J08A, J08B, J08C
	21B	X06A, X06B, X06C		21A	W04A, W04B		21A	W04A, W04B
		BOP, KVT, UOP4		21B	X06A, X06B, X06C		21B	X06A, X06B, X06C
	03	D18Z, D28Z, D29Z			BOP, KVT, UOP4			BOP, KVT, UOP4
5s210.2	08	I17Z	5s222.00	03	D18Z, D28Z, D29Z	5s222.51	03	D04Z, D18Z, D28Z, D29Z
	09	J08A, J08B		08	I17Z		08	I17Z
	21A	W04A, W04B		09	J08A, J08B, J08C		09	J08A, J08B, J08C
	21B	X06A, X06B, X06C		21A	W04A, W04B		21A	W04A, W04B
		BOP, KVT, UOP4		21B	X06A, X06B, X06C		21B	X06A, X06B, X06C
5s210.3	03	D18Z, D28Z, D29Z	5s222.01		BOP, KVT, UOP4	5s222.60		BOP, KVT, UOP4
	08	I17Z		03	D04Z, D18Z, D28Z, D29Z		03	D04Z, D18Z, D28Z, D29Z
	09	J08A, J08B		08	I17Z		08	I17Z
	21A	W04A, W04B		09	J08A, J08B, J08C		09	J08A, J08B, J08C
	21B	X06A, X06B, X06C		21A	W04A, W04B		21A	W04A, W04B
5s211.1	21B	X06A, X06B, X06C	5s222.10↔	21B	X06A, X06B, X06C	5s222.61	21B	X06A, X06B, X06C
		BOP, KVT, UOP4			BOP, KVT, UOP4			BOP, KVT, UOP4
	03	D18Z, D28Z, D29Z		03	D04Z, D18Z, D28Z, D29Z		03	D18Z, D24A, D24B
	08	I17Z		08	I17Z		08	I17Z
	09	J08A, J08B, J08C		09	J08A, J08B, J08C		09	J08A, J08B, J08C
5s211.2	21A	W04A, W04B	5s222.11↔	21A	W04A, W04B	5s222.70	21A	W04A, W04B
	21B	X06A, X06B, X06C		21B	X06A, X06B, X06C		21B	X06A, X06B, X06C
		BOP, KVT, UOP4			BOP, KVT, UOP4			BOP, KVT, UOP4
	03	D18Z, D28Z, D29Z		03	D04Z, D18Z, D28Z, D29Z		03	D18Z, D24A, D24B
	08	I17Z		08	I17Z		08	I17Z
5s211.3	09	J08A, J08B, J08C	5s222.20	09	J08A, J08B, J08C	5s222.71	09	J08A, J08B, J08C
	21A	W04A, W04B		21A	W04A, W04B		21A	W04A, W04B
	21B	X06A, X06B, X06C		21B	X06A, X06B, X06C		21B	X06A, X06B, X06C
		BOP, KVT, UOP4			BOP, KVT, UOP4			BOP, KVT, UOP4
	03	D18Z, D28Z, D29Z		03	D04Z, D18Z, D28Z, D29Z		03	D18Z, D24A, D24B
5s212	08	I17Z	5s222.21	08	I17Z	5s222.80	08	I17Z
	09	J08A		03	D04Z, D18Z, D28Z, D29Z		03	D18Z, D24A, D24B
		BOP, KVT, UOP4		08	I17Z		08	I17Z
5s220.1	09	J08A, J08B, J08C		09	J08A, J08B, J08C		09	J08A, J08B, J08C
	21A	W04A, W04B		21A	W04A, W04B		21A	W04A, W04B
	21B	X06A, X06B, X06C		21B	X06A, X06B, X06C		21B	X06A, X06B, X06C
		BOP, KVT, UOP4			BOP, KVT, UOP4			BOP, KVT, UOP4
	03	D18Z, D28Z, D29Z			BOP, KVT, UOP4			BOP, KVT, UOP4

ZZV	MDC	DRG	ZZV	MDC	DRG	ZZV	MDC	DRG
5s222.81		BOP, KVT, UOP4	5s22a		BOP, KVT, UOP4	5s302.1		BOP, KVT, UOP4
	03	D18Z, D24A, D24B		03	D18Z, D28Z, D29Z		03	D18Z, D25A, D25B, D25C, D25D
	08	I17Z		08	I17Z		08	I17Z
	09	J08A, J08B, J08C		09	J08A, J08B		09	J08A, J08B, J08C
	21A	W04A, W04B		21A	W04A, W04B		21A	W04A, W04B
5s222.90	21B	X06A, X06B, X06C	5s22b	21B	X06A, X06B, X06C	5s302.2	21B	X06A, X06B, X06C
		BOP, KVT, UOP4			BOP, KVT, UOP4			BOP, KVT, UOP4
	03	D18Z, D24A, D24B		03	D18Z, D28Z, D29Z		03	D18Z, D25A, D25B, D25C, D25D
	08	I17Z		08	I17Z		08	I17Z
	09	J08A, J08B, J08C		09	J08A, J08B, J08C		09	J08A, J08B, J08C
5s222.91	21A	W04A, W04B	5s290	21A	W04A, W04B	5s302.3	21A	W04A, W04B
	21B	X06A, X06B, X06C		21B	X06A, X06B, X06C		21B	X06A, X06B, X06C
		BOP, KVT, UOP4			BOP, KVT, UOP4			BOP, KVT, UOP4
	03	D18Z, D24A, D24B		03	D18Z, D25A, D25B, D25C, D25D		03	D18Z, D25A, D25B, D25C, D25D
	08	I17Z		08	I23A		03	D18Z, D25A, D25B, D25C, D25D
5s222.x	09	J08A, J08B, J08C	5s291	09	J08A, J08B	5s303.0	08	I17Z
	21A	W04A, W04B			BOP, KVT, UOP4		09	J08A, J08B, J08C
	21B	X06A, X06B, X06C		03	D18Z, D28Z, D29Z		21A	W04A, W04B
		BOP, KVT, UOP4		08	I17Z		21B	X06A, X06B, X06C
	03	D18Z, D24A, D24B		09	J08A, J08B, J08C			BOP, KVT, UOP4
5s223	08	I17Z	5s292	21A	W04A, W04B	5s303.1	03	D18Z, D25A, D25B, D25C, D25D
	09	J08A, J08B, J08C		21B	X06A, X06B, X06C		08	I17Z
	21A	W04A, W04B			BOP, KVT, UOP4		09	J08A, J08B, J08C
	21B	X06A, X06B, X06C		03	D18Z, D24A, D24B		21A	W04A, W04B
		BOP, KVT, UOP4		08	I17Z		21B	X06A, X06B, X06C
5s224	03	D04Z, D18Z, D28Z, D29Z	5s298	09	J08A, J08B, J08C	5s303.2	03	D18Z, D25A, D25B, D25C, D25D
	08	I17Z		21A	W04A, W04B		08	I17Z
	09	J08A, J08B, J08C		21B	X06A, X06B, X06C		09	J08A, J08B, J08C
	21A	W04A, W04B			BOP, KVT, UOP4		21A	W04A, W04B
	21B	X06A, X06B, X06C		03	D18Z, D25A, D25B, D25C, D25D		21B	X06A, X06B, X06C
5s225.0a↔		BOP, KVT, UOP4	5s300.0	08	I17Z	5s304		BOP, KVT, UOP4
	03	D18Z, D25A, D25B, D25C, D25D		09	J03A, J03B, J04A, J04B, J08A, J08B, J08C, J11A, J11B, J16Z		03	D18Z, D25A, D25B, D25C, D25D
	08	I17Z		21A	W04A, W04B		08	I17Z
	09	J03A, J03B, J04A, J04B, J08A, J08B, J08C, J11A, J11B, J16Z		21B	X06A, X06B, X06C		09	J08A, J08B, J08C
	21A	W04A, W04B			BOP, KVT, UOP4		21A	W04A, W04B
5s225.0b↔	21B	X06A, X06B, X06C	5s300.1	03	D03Z, D12A	5s305	21B	X06A, X06B, X06C
		BOP, KVT, UOP4		08	I17Z			BOP, KVT, UOP4
	03	D18Z, D25A, D25B, D25C, D25D		09	J03A, J03B, J04A, J04B, J08A, J08B, J08C, J11A, J11B, J16Z		03	D18Z, D25A, D25B, D25C, D25D
	08	I17Z		21A	W04A, W04B		08	I17Z
	09	J03A, J03B, J04A, J04B, J08A, J08B, J08C, J11A, J11B, J16Z		21B	X06A, X06B, X06C		09	J08A, J08B, J08C
5s225.0c↔	21A	W04A, W04B	5s300.2		BOP, KVT, UOP4	5s306	21A	W04A, W04B
	21B	X06A, X06B, X06C		03	D03Z, D12A		21B	X06A, X06B, X06C
		BOP, KVT, UOP4		08	I17Z			BOP, KVT, UOP4
	03	D18Z, D25A, D25B, D25C, D25D		09	J03A, J03B, J04A, J04B, J08A, J08B, J08C, J11A, J11B, J16Z		03	D18Z, D25A, D25B, D25C, D25D
	08	I17Z		21A	W04A, W04B		08	I17Z
5s225.0c↔	09	J03A, J03B, J04A, J04B, J08A, J08B, J08C, J11A, J11B, J16Z	5s301	21B	X06A, X06B, X06C	5s306	09	J08A, J08B, J08C
	21A	W04A, W04B			BOP, KVT, UOP4		21A	W04A, W04B
	21B	X06A, X06B, X06C		03	D18Z, D25A, D25B, D25C, D25D		21B	X06A, X06B, X06C
		BOP, KVT, UOP4		08	I17Z			BOP, KVT, UOP4
	03	D18Z, D25A, D25B, D25C, D25D		09	J08A, J08B, J08C			BOP, KVT, UOP4
5s225.0c↔	08	I17Z	5s301	21A	W04A, W04B	5s306	09	J08A, J08B, J08C
	09	J03A, J03B, J04A, J04B, J08A, J08B, J08C, J11A, J11B, J16Z		21B	X06A, X06B, X06C		21A	W04A, W04B
	21A	W04A, W04B			BOP, KVT, UOP4		21B	X06A, X06B, X06C
	21B	X06A, X06B, X06C		03	D18Z, D25A, D25B, D25C, D25D			BOP, KVT, UOP4
		BOP, KVT, UOP4		08	I17Z			BOP, KVT, UOP4
5s225.0c↔	03	D18Z, D25A, D25B, D25C, D25D	5s301	09	J08A, J08B, J08C	5s306	09	J08A, J08B, J08C
	08	I17Z		21A	W04A, W04B		21A	W04A, W04B
	09	J03A, J03B, J04A, J04B, J08A, J08B, J08C, J11A, J11B, J16Z		21B	X06A, X06B, X06C		21B	X06A, X06B, X06C
	21A	W04A, W04B			BOP, KVT, UOP4			BOP, KVT, UOP4
	21B	X06A, X06B, X06C		03	D18Z, D25A, D25B, D25C, D25D			BOP, KVT, UOP4

ZZV	MDC	DRG	ZZV	MDC	DRG	ZZV	MDC	DRG
5s307.0		BOP, KVT, UOP4	5s30f.1		BOP, KVT, UOP4	5s315		BOP, KVT, UOP4
	03	D18Z, D25A, D25B, D25C, D25D		03	D18Z, D25A, D25B, D25C, D25D		03	D18Z, D25A, D25B, D25C, D25D
	08	I17Z		08	I17Z		08	I17Z
	09	J08A, J08B, J08C		09	J08A, J08B, J08C		09	J08A, J08B
	21A	W04A, W04B		21A	W04A, W04B		21A	W04A, W04B
5s307.1	21B	X06A, X06B, X06C	5s30f.2	21B	X06A, X06B, X06C	5s316	21B	X06A, X06B, X06C
		BOP, KVT, UOP4			BOP, KVT, UOP4			BOP, KVT, UOP4
	03	D18Z, D25A, D25B, D25C, D25D		03	D18Z, D25A, D25B, D25C, D25D		03	D18Z, D25A, D25B, D25C, D25D
	08	I17Z		08	I17Z		08	I17Z
	09	J08A, J08B, J08C		09	J08A, J08B, J08C		09	J08A, J08B
5s308	21A	W04A, W04B	5s311.0	21A	W04A, W04B	5s317	21A	W04A, W04B
	21B	X06A, X06B, X06C		21B	X06A, X06B, X06C		21B	X06A, X06B, X06C
		BOP, KVT, UOP4			BOP, KVT, UOP4			BOP, KVT, UOP4
	03	D18Z, D25A, D25B, D25C, D25D		03	D18Z, D25A, D25B, D25C, D25D		03	D18Z, D25A, D25B, D25C, D25D
	08	I17Z		08	I17Z		08	I17Z
5s309	09	J08A, J08B, J08C	5s311.1	09	J08A, J08B	5s318	09	J08A, J08B
	21A	W04A, W04B		21A	W04A, W04B		21A	W04A, W04B
	21B	X06A, X06B, X06C		21B	X06A, X06B, X06C		21B	X06A, X06B, X06C
		BOP, KVT, UOP4			BOP, KVT, UOP4			BOP, KVT, UOP4
	03	D18Z, D24A, D24B		03	D18Z, D25A, D25B, D25C, D25D		03	D18Z, D25A, D25B, D25C, D25D
5s30a.1	08	I17Z	5s311.2	08	I17Z	5s319	08	I17Z
	09	J08A, J08B, J08C		09	J08A, J08B		09	J08A, J08B
	21A	W04A, W04B		21A	W04A, W04B		21A	W04A, W04B
	21B	X06A, X06B, X06C		21B	X06A, X06B, X06C		21B	X06A, X06B, X06C
		BOP, KVT, UOP4			BOP, KVT, UOP4			BOP, KVT, UOP4
5s30a.2	03	D18Z, D25A, D25B, D25C, D25D	5s311.3	03	D18Z, D25A, D25B, D25C, D25D	5s31a.1	03	D18Z, D25A, D25B, D25C, D25D
	08	I17Z		08	I17Z		08	I06A, I06B, I06C, I06D, I06E
	09	J08A, J08B, J08C		09	J08A, J08B		09	J08A, J08B
	21A	W04A, W04B		21A	W04A, W04B		21A	W04A, W04B
	21B	X06A, X06B, X06C		21B	X06A, X06B, X06C		21B	X06A, X06B, X06C
5s30c		BOP, KVT, UOP4	5s312		BOP, KVT, UOP4	5s31a.2		BOP, KVT, UOP4
	03	D18Z, D25A, D25B, D25C, D25D		03	D18Z, D25A, D25B, D25C, D25D		03	D18Z, D25A, D25B, D25C, D25D
	08	I17Z		08	I17Z		08	I06A, I06B, I06C, I06D, I06E
	09	J08A, J08B, J08C		09	J08A, J08B		09	J08A, J08B
	21A	W04A, W04B		21A	W04A, W04B		21A	W04A, W04B
5s30d	21B	X06A, X06B, X06C	5s313.1	21B	X06A, X06B, X06C	5s31b.1	21B	X06A, X06B, X06C
		BOP, KVT, UOP4			BOP, KVT, UOP4			BOP, KVT, UOP4
	03	D18Z, D25A, D25B, D25C, D25D		03	D18Z, D28Z, D29Z		03	D18Z, D25A, D25B, D25C, D25D
	08	I17Z		08	I17Z		08	I06A, I06B, I06C, I06D, I06E
	09	J08A, J08B, J08C		09	J08A, J08B, J08C		09	J08A, J08B
5s30e	21A	W04A, W04B	5s313.x	21A	W04A, W04B	5s31b.2	21A	W04A, W04B
	21B	X06A, X06B, X06C		21B	X06A, X06B, X06C		21B	X06A, X06B, X06C
		BOP, KVT, UOP4			BOP, KVT, UOP4			BOP, KVT, UOP4
	03	D18Z, D25A, D25B, D25C, D25D		03	D18Z, D25A, D25B, D25C, D25D		03	D18Z, D25A, D25B, D25C, D25D
	08	I17Z		08	I06A, I06B, I06C, I06D, I06E		08	I06A, I06B, I06C, I06D, I06E
5s30f.0	09	J08A, J08B, J08C	5s314	09	J08A, J08B, J08C		09	J08A, J08B
	21A	W04A, W04B		03	D18Z, D25A, D25B, D25C, D25D		21A	W04A, W04B
	21B	X06A, X06B, X06C		08	I17Z		21B	X06A, X06B, X06C
		BOP, KVT, UOP4		09	J08A, J08B			
	03	D18Z, D25A, D25B, D25C, D25D		21A	W04A, W04B			
	I17Z	21B	X06A, X06B, X06C					
	J08A, J08B, J08C							
	W04A, W04B							
	X06A, X06B, X06C							

VYK

ZZV	MDC	DRG	ZZV	MDC	DRG	ZZV	MDC	DRG
5s390		BOP, KVT, UOP4	5s930.1		BOP, KVT, UOP4	5t001.6↔		BOP, KVT, UOP4
	03	D18Z, D25A, D25B, D25C, D25D		03	D18Z, D25A, D25B, D25C, D25D		05	F13A
	08	I17Z		08	I17Z		08	I12A, I12B, I12C, I21Z, I31Z
	09	J08A, J08B		09	J08A, J08B, J08C		21A	W04A, W04B
	21A	W04A, W04B		21A	W04A, W04B	5t001.7↔	21B	X06A, X06B, X06C
	21B	X06A, X06B, X06C		21B	X06A, X06B, X06C			BOP, KVT, UOP4
5s391		BOP, KVT, UOP4	5s930.2		BOP, KVT, UOP4		05	F13A
	03	D18Z, D25A, D25B, D25C, D25D		03	D18Z, D25A, D25B, D25C, D25D		08	I12A, I12B, I12C, I21Z, I31Z
	08	I17Z		08	I17Z	5t001.8↔	21A	W04A, W04B
	09	J08A, J08B		09	J08A, J08B, J08C		21B	X06A, X06B, X06C
	21A	W04A, W04B		21A	W04A, W04B			BOP, KVT, UOP4
	21B	X06A, X06B, X06C		21B	X06A, X06B, X06C		05	F13A
5s392		BOP, KVT, UOP4	5s930.3		BOP, KVT, UOP4		08	I12A, I12B, I12C, I21Z, I31Z
	03	D18Z, D25A, D25B, D25C, D25D		03	D18Z, D25A, D25B, D25C, D25D	5t001.9↔	21A	W04A, W04B
	08	I17Z		08	I17Z		21B	X06A, X06B, X06C
	09	J08A, J08B		09	J08A, J08B, J08C			BOP, KVT, UOP4
	21A	W04A, W04B		21A	W04A, W04B		05	F13A
	21B	X06A, X06B, X06C		21B	X06A, X06B, X06C		08	I12A, I12B, I12C, I21Z, I31Z
5s393		BOP, KVT, UOP4	5s991†		D28Z	5t001.a↔	21A	W04A, W04B
	03	D18Z, D25A, D25B, D25C, D25D	5s992		BOP, KVT, UOP4		21B	X06A, X06B, X06C
	08	I17Z		03	D18Z, D28Z, D29Z			BOP, KVT, UOP4
	09	J08A, J08B		08	I17Z		05	F13A
	21A	W04A, W04B		09	J08A, J08B		08	I12A, I12B, I12C, I32A, I32B, I32C, I32D, I32E, I32F
	21B	X06A, X06B, X06C		21A	W04A, W04B	5t001.b↔	21A	W04A, W04B
5s394		BOP, KVT, UOP4	5s993		BOP, KVT, UOP4		21B	X05A, X05B
	03	D18Z, D25A, D25B, D25C, D25D		01	B09A, B09B			BOP, KVT, UOP4
	08	I17Z		03	D16Z		05	F13A
	09	J08A, J08B		08	I23A		08	I12A, I12B, I12C, I32A, I32B, I32C, I32D, I32E, I32F
	21A	W04A, W04B		21A	W04A, W04B	5t001.c↔	21A	W04A, W04B
	21B	X06A, X06B, X06C		21B	X06A, X06B, X06C		21B	X05A, X05B
5s395		BOP, KVT, UOP4	5t001.0↔		BOP, KVT, UOP4			BOP, KVT, UOP4
	03	D18Z, D25A, D25B, D25C, D25D		04	E02A, E02B, E02C		05	F13A
	08	I23A		05	F13A		08	I12A, I12B, I12C, I32A, I32B, I32C, I32D, I32E, I32F
	09	J08A, J08B		08	I12A, I12B, I12C, I28A, I28B	5t001.d	21A	W04A, W04B
5s900		BOP, KVT, UOP4	5t001.1↔		BOP, KVT, UOP4		21B	X05A, X05B
	03	D18Z, D28Z, D29Z		05	F13A			BOP, KVT, UOP4
	08	I17Z		08	I12A, I12B, I12C, I13A, I13B, I13C, I13D, I13E		05	F13A
	09	J08A, J08B, J08C		21A	W04A, W04B		08	I08A, I08B, I08C, I08D, I08E, I08F, I12A, I12B, I12C
	21A	W04A, W04B		21B	X06A, X06B, X06C	5t001.e↔	21A	W04A, W04B
	21B	X06A, X06B, X06C		21B	X06A, X06B, X06C		21B	X06A, X06B, X06C
5s901		BOP, KVT, UOP4	5t001.2↔		BOP, KVT, UOP4			BOP, KVT, UOP4
	03	D18Z, D28Z, D29Z		05	F13A		01	B03A, B03B, B06A, B06B, B17A, B17B, B17C
	08	I17Z		08	I12A, I12B, I12C, I13A, I13B, I13C, I13D, I13E		05	F13A
	09	J08A, J08B, J08C		21A	W04A, W04B		08	I08A, I08B, I08C, I08D, I08E, I08F
	21A	W04A, W04B		21B	X06A, X06B, X06C	5t001.f↔	21A	W01A, W01B, W01C, W02A, W02B
	21B	X06A, X06B, X06C		21B	X06A, X06B, X06C		21B	X04Z
5s902		BOP, KVT, UOP4	5t001.3↔		BOP, KVT, UOP4			BOP, KVT, UOP4
	03	D04Z, D15A, D18Z		05	F13A		01	B03A, B03B, B06A, B06B, B17A, B17B, B17C
	08	I17Z		08	I12A, I12B, I12C, I13A, I13B, I13C, I13D, I13E		05	F13A
	09	J08A, J08B, J08C		21A	W04A, W04B		08	I08A, I08B, I08C, I08D, I08E, I08F
	21A	W04A, W04B		21B	X06A, X06B, X06C		21A	W01A, W01B, W01C, W02A, W02B
	21B	X06A, X06B, X06C		21B	X06A, X06B, X06C		21B	X04Z
5s930.0		BOP, KVT, UOP4	5t001.4↔		BOP, KVT, UOP4			BOP, KVT, UOP4
	03	D18Z, D25A, D25B, D25C, D25D		05	F13A		01	B03A, B03B, B06A, B06B, B17A, B17B, B17C
	08	I17Z		08	I12A, I12B, I12C, I21Z, I31Z		05	F13A
	09	J08A, J08B, J08C		21A	W04A, W04B		08	I08A, I08B, I08C, I08D, I08E, I08F
	21A	W04A, W04B		21B	X06A, X06B, X06C		21A	W01A, W01B, W01C, W02A, W02B
	21B	X06A, X06B, X06C		21B	X06A, X06B, X06C		21B	X04Z
			5t001.5↔		BOP, KVT, UOP4			
				05	F13A			
				08	I12A, I12B, I12C, I21Z, I31Z			
				21A	W04A, W04B			
				21B	X06A, X06B, X06C			

ZZV	MDC	DRG	ZZV	MDC	DRG	ZZV	MDC	DRG
5t001.g↔		BOP, KVT, UOP4	5t001.t↔		BOP, KVT, UOP4	5t002.5↔		BOP, KVT, UOP4
	01	B03A, B03B, B06A, B06B, B17A, B17B, B17C		05	F13A, F27A, F27B, F27C		05	F13A
	05	F13A		08	I12A, I12B, I12C, I20A, I20B, I20C, I20D, I20E, I20F		08	I12A, I12B, I12C, I21Z, I31Z
	08	I08A, I08B, I08C, I08D, I08E, I08F		10	K01Z		21A	W04A, W04B
	21A	W01A, W01B, W01C, W02A, W02B		21A	W04A, W04B	5t002.6↔		BOP, KVT, UOP4
	21B	X04Z	5t001.u↔		BOP, KVT, UOP4		05	F13A
5t001.h↔		BOP, KVT, UOP4		05	F13A, F27A, F27B, F27C		08	I12A, I12B, I12C, I21Z, I31Z
	01	B03A, B03B, B06A, B06B, B17A, B17B, B17C		08	I12A, I12B, I12C, I20A, I20B, I20C, I20D, I20E, I20F		21A	W04A, W04B
	05	F13A		10	K01Z	5t002.7↔		BOP, KVT, UOP4
	08	I08A, I08B, I08C, I08D, I08E, I08F		21A	W04A, W04B		05	F13A
	21A	W01A, W01B, W01C, W02A, W02B		21B	X04Z		08	I12A, I12B, I12C, I21Z, I31Z
	21B	X04Z	5t001.v↔		BOP, KVT, UOP4		21A	W04A, W04B
5t001.j↔		BOP, KVT, UOP4		05	F13A, F27A, F27B, F27C	5t002.8↔		BOP, KVT, UOP4
	01	B03A, B03B, B06A, B06B, B17A, B17B, B17C		08	I12A, I12B, I12C, I20A, I20B, I20C, I20D, I20E, I20F		05	F13A
	05	F13A		10	K01Z		08	I12A, I12B, I12C, I21Z, I31Z
	08	I12A, I12B, I12C, I18A, I18B, I30Z		21A	W04A, W04B		21A	W04A, W04B
	21A	W04A, W04B		21B	X04Z		21B	X06A, X06B, X06C
	21B	X04Z	5t001.w↔		BOP, KVT, UOP4	5t002.9↔		BOP, KVT, UOP4
5t001.k↔		BOP, KVT, UOP4		05	F13A		05	F13A
	05	F13A		08	I12A, I12B, I12C, I20A, I20B, I20C, I20D, I20E, I20F		08	I12A, I12B, I12C, I21Z, I31Z
	08	I12A, I12B, I12C, I13A, I13B, I13C, I13D, I13E		21A	W04A, W04B		21A	W04A, W04B
	21A	W04A, W04B		21B	X04Z		21B	X06A, X06B, X06C
	21B	X04Z	5t001.x		BOP, KVT, UOP4	5t002.a↔		BOP, KVT, UOP4
5t001.m↔		BOP, KVT, UOP4		01	B03A, B03B, B06A, B06B, B17A, B17B, B17C		05	F13A
	05	F13A		05	F13A		08	I12A, I12B, I12C, I21Z, I31Z
	08	I12A, I12B, I12C, I13A, I13B, I13C, I13D, I13E		08	I12A, I12B, I12C, I28A, I28B		21A	W04A, W04B
	21A	W04A, W04B		21A	W04A, W04B		21B	X06A, X06B, X06C
	21B	X04Z		21B	X06A, X06B, X06C	5t002.b↔		BOP, KVT, UOP4
5t001.n↔		BOP, KVT, UOP4	5t001.z↔		BOP, KVT, UOP4		05	F13A
	05	F13A		04	E02A, E02B, E02C		08	I12A, I12B, I12C, I32A, I32B, I32C, I32D, I32E, I32F
	08	I12A, I12B, I12C, I13A, I13B, I13C, I13D, I13E		05	F13A		21A	W04A, W04B
	21A	W04A, W04B		08	I12A, I12B, I12C, I28A, I28B		21B	X05A, X05B
	21B	X04Z		21A	W04A, W04B	5t002.c↔		BOP, KVT, UOP4
5t001.o↔		BOP, KVT, UOP4		21B	X06A, X06B, X06C		05	F13A
	05	F13A	5t002.0↔		BOP, KVT, UOP4		08	I12A, I12B, I12C, I32A, I32B, I32C, I32D, I32E, I32F
	08	I12A, I12B, I12C, I13A, I13B, I13C, I13D, I13E		04	E02A, E02B, E02C		21A	W04A, W04B
	21A	W04A, W04B		05	F13A		21B	X05A, X05B
	21B	X04Z		08	I12A, I12B, I12C, I28A, I28B	5t002.d		BOP, KVT, UOP4
5t001.p↔		BOP, KVT, UOP4		21A	W04A, W04B		05	F13A
	05	F13A		21B	X06A, X06B, X06C		08	I08A, I08B, I08C, I08D, I08E, I08F, I12A, I12B, I12C
	08	I12A, I12B, I12C, I13A, I13B, I13C, I13D, I13E	5t002.1↔		BOP, KVT, UOP4		21A	W04A, W04B
	21A	W04A, W04B		05	F13A		21B	X06A, X06B, X06C
	21B	X04Z		08	I12A, I12B, I12C, I13A, I13B, I13C, I13D, I13E	5t002.e↔		BOP, KVT, UOP4
5t001.q↔		BOP, KVT, UOP4		21A	W04A, W04B		05	F13A
	05	F13A		21B	X06A, X06B, X06C		08	I12A, I12B, I12C, I21Z
	08	I12A, I12B, I12C, I13A, I13B, I13C, I13D, I13E	5t002.2↔		BOP, KVT, UOP4		21A	W04A, W04B
	21A	W04A, W04B		05	F13A		21B	X04Z
	21B	X04Z		08	I12A, I12B, I12C, I13A, I13B, I13C, I13D, I13E	5t002.f↔		BOP, KVT, UOP4
5t001.r↔		BOP, KVT, UOP4		21A	W04A, W04B		01	B03A, B03B, B06A, B06B, B17A, B17B, B17C
	05	F13A		21B	X06A, X06B, X06C		05	F13A
	08	I12A, I12B, I12C, I13A, I13B, I13C, I13D, I13E	5t002.3↔		BOP, KVT, UOP4		08	I08A, I08B, I08C, I08D, I08E, I08F
	21A	W04A, W04B		05	F13A		21A	W01A, W01B, W01C, W02A, W02B
	21B	X04Z		08	I12A, I12B, I12C, I13A, I13B, I13C, I13D, I13E		21B	X04Z
5t001.s↔		BOP, KVT, UOP4		21A	W04A, W04B			
	05	F13A, F27A, F27B, F27C	5t002.4↔		BOP, KVT, UOP4			
	08	I12A, I12B, I12C, I20A, I20B, I20C, I20D, I20E, I20F		05	F13A			
	10	K01Z		08	I12A, I12B, I12C, I21Z, I31Z			
	21A	W04A, W04B		21A	W04A, W04B			
	21B	X04Z		21B	X06A, X06B, X06C			

VYK

ZZV	MDC	DRG	ZZV	MDC	DRG	ZZV	MDC	DRG
5t002.g↔		BOP, KVT, UOP4	5t002.t↔	05	F13A, F27A, F27B, F27C	5t003.5↔	05	BOP, KVT, UOP4, VIAL
	01	B03A, B03B, B06A, B06B, B17A, B17B, B17C		08	I12A, I12B, I12C, I20A, I20B, I20C, I20D, I20E, I20F		08	F13A
	05	F13A		10	K01Z		08	I08A, I08B, I08C, I08D, I08E, I08F, I23A, I23B
	08	I08A, I08B, I08C, I08D, I08E, I08F		21A	W04A, W04B		5t003.6↔	BOP, KVT, UOP4, VIAL
	21A	W01A, W01B, W01C, W02A, W02B		21B	X04Z		05	F13A
5t002.h↔	21B	X04Z	5t002.u↔		BOP, KVT, UOP4	08	I08A, I08B, I08C, I08D, I08E, I08F, I23A, I23B	
	5t002.i↔			BOP, KVT, UOP4	05	F13A, F27A, F27B, F27C	5t003.7↔	BOP, KVT, UOP4, VIAL
		01		B03A, B03B, B06A, B06B, B17A, B17B, B17C	08	I12A, I12B, I12C, I20A, I20B, I20C, I20D, I20E, I20F	05	F13A
		05		F13A	10	K01Z	08	I08A, I08B, I08C, I08D, I08E, I08F, I23A, I23B
		08		I08A, I08B, I08C, I08D, I08E, I08F	21A	W04A, W04B	5t003.8↔	BOP, KVT, UOP4, VIAL
21A		W01A, W01B, W01C, W02A, W02B	21B	X04Z	05	F13A		
5t002.j↔	21B	X04Z	5t002.v↔	05	BOP, KVT, UOP4	08	I08A, I08B, I08C, I08D, I08E, I08F, I23A, I23B	
	5t002.k↔			BOP, KVT, UOP4	08	F13A, F27A, F27B, F27C	5t003.9↔	BOP, KVT, UOP4, VIAL
		01		B03A, B03B, B06A, B06B, B17A, B17B, B17C	10	I12A, I12B, I12C, I20A, I20B, I20C, I20D, I20E, I20F	05	F13A
		05		F13A	21A	W04A, W04B	08	I08A, I08B, I08C, I08D, I08E, I08F, I23A, I23B
		08		I12A, I12B, I12C, I18A, I18B, I30Z	21B	X04Z	5t003.a↔	BOP, KVT, UOP4, VIAL
21A		W04A, W04B	5t002.w↔		BOP, KVT, UOP4	05	F13A	
21B	X04Z	05		F13A	08	I12A, I12B, I12C, I32A, I32B, I32C, I32D, I32E, I32F		
5t002.l↔		BOP, KVT, UOP4		08	I12A, I12B, I12C, I20A, I20B, I20C, I20D, I20E, I20F	21A	W04A, W04B	
	05	F13A		21A	W04A, W04B	21B	X05A, X05B	
	08	I12A, I12B, I12C, I13A, I13B, I13C, I13D, I13E		21B	X04Z	5t003.b↔	BOP, KVT, UOP4, VIAL	
	21A	W04A, W04B	5t002.x		BOP, KVT, UOP4	05	F13A	
	21B	X04Z		05	F13A	08	I12A, I12B, I12C, I32A, I32B, I32C, I32D, I32E, I32F	
5t002.m↔		BOP, KVT, UOP4		08	I12A, I12B, I12C, I28A, I28B	21A	W04A, W04B	
	05	F13A		21A	W04A, W04B	21B	X05A, X05B	
	08	I12A, I12B, I12C, I13A, I13B, I13C, I13D, I13E		21B	X06A, X06B, X06C	5t003.c↔	BOP, KVT, UOP4, VIAL	
	21A	W04A, W04B	5t002.z↔		BOP, KVT, UOP4	05	F13A	
	21B	X04Z		04	E02A, E02B, E02C	08	I12A, I12B, I12C, I23A, I23B	
5t002.n↔		BOP, KVT, UOP4		05	F13A	21A	W04A, W04B	
	05	F13A		08	I12A, I12B, I12C, I28A, I28B	21B	X05A, X05B	
	08	I12A, I12B, I12C, I13A, I13B, I13C, I13D, I13E		21A	W04A, W04B	5t003.d	BOP, KVT, UOP4, VIAL	
	21A	W04A, W04B	21B	X06A, X06B, X06C	05	F13A		
	21B	X04Z	5t003.0↔		BOP, KVT, UOP4, VIAL	08	I12A, I12B, I12C, I23A, I23B	
5t002.o↔		BOP, KVT, UOP4		04	E02A, E02B, E02C	21A	W04A, W04B	
	05	F13A		05	F13A	21B	X05A, X05B	
	08	I12A, I12B, I12C, I13A, I13B, I13C, I13D, I13E		08	I23A, I23B	5t003.e↔	BOP, KVT, UOP4, VIAL	
	21A	W04A, W04B		5t003.1↔		BOP, KVT, UOP4, VIAL	05	F13A
	21B	X04Z	05		F13A	08	I08A, I08B, I08C, I08D, I08E, I08F, I12A, I12B, I12C, I23A, I23B	
5t002.p↔		BOP, KVT, UOP4	08		I08A, I08B, I08C, I08D, I08E, I08F, I12A, I12B, I12C, I23A, I23B	21A	W04A, W04B	
	05	F13A	21B		X06A, X06B, X06C	21B	X04Z	
	08	I12A, I12B, I12C, I13A, I13B, I13C, I13D, I13E	5t003.2↔			BOP, KVT, UOP4, VIAL	5t003.f↔	BOP, KVT, UOP4, VIAL
	21A	W04A, W04B		05	F13A	05	F13A	
	21B	X04Z		08	I08A, I08B, I08C, I08D, I08E, I08F, I12A, I12B, I12C, I23A, I23B	08	I12A, I12B, I12C, I21Z	
5t002.q↔		BOP, KVT, UOP4		21A	W04A, W04B	21A	W04A, W04B	
	05	F13A		21B	X06A, X06B, X06C	21B	X04Z	
	08	I12A, I12B, I12C, I13A, I13B, I13C, I13D, I13E	5t003.3↔		BOP, KVT, UOP4, VIAL	5t003.g↔	BOP, KVT, UOP4, VIAL	
	21A	W04A, W04B		05	F13A	05	F13A	
	21B	X04Z		08	I08A, I08B, I08C, I08D, I08E, I08F, I12A, I12B, I12C, I23A, I23B	08	I12A, I12B, I12C, I21Z	
5t002.r↔		BOP, KVT, UOP4		21A	W04A, W04B	21A	W04A, W04B	
	05	F13A		21B	X06A, X06B, X06C	21B	X04Z	
	08	I12A, I12B, I12C, I13A, I13B, I13C, I13D, I13E	5t003.4↔		BOP, KVT, UOP4, VIAL	5t003.h↔	BOP, KVT, UOP4, VIAL	
	21A	W04A, W04B		05	F13A	05	F13A	
	21B	X04Z		08	I08A, I08B, I08C, I08D, I08E, I08F, I12A, I12B, I12C, I23A, I23B	08	I12A, I12B, I12C, I21Z	
5t002.s↔		BOP, KVT, UOP4		21A	W04A, W04B	21A	W04A, W04B	
	05	F13A, F27A, F27B, F27C		21B	X06A, X06B, X06C	21B	X04Z	
	08	I12A, I12B, I12C, I20A, I20B, I20C, I20D, I20E, I20F	5t003.5↔		BOP, KVT, UOP4, VIAL	5t003.i↔	BOP, KVT, UOP4, VIAL	
	10	K01Z		05	F13A	05	F13A	
	21A	W04A, W04B		08	I08A, I08B, I08C, I08D, I08E, I08F, I23A, I23B	08	I12A, I12B, I12C, I23A, I23B	
21B	X04Z				21A	W04A, W04B		
					21B	X04Z, X06A, X06B, X06C		

VYK



ZZV	MDC	DRG	ZZV	MDC	DRG	ZZV	MDC	DRG
5t003.k↔		BOP, KVT, UOP4, VIAL	5t004.0↔		BOP, KVT, UOP4, VIAL	5t004.e↔		BOP, KVT, UOP4, VIAL
	05	F13A		04	E02A, E02B, E02C		05	F13A
	08	I12A, I12B, I12C, I23A, I23B		05	F13A		08	I12A, I12B, I12C, I21Z
	21A	W04A, W04B		08	I23A, I23B		21A	W04A, W04B
	21B	X04Z	5t004.1↔		BOP, KVT, UOP4, VIAL		21B	X04Z
5t003.m↔		BOP, KVT, UOP4, VIAL		05	F13A	5t004.f↔		BOP, KVT, UOP4, VIAL
	05	F13A		08	I08A, I08B, I08C, I08D, I08E, I08F, I12A, I12B, I12C, I23A		05	F13A
	08	I12A, I12B, I12C, I23A, I23B		21A	W04A, W04B		08	I12A, I12B, I12C, I21Z
	21A	W04A, W04B		21B	X06A, X06B, X06C		21A	W04A, W04B
	21B	X04Z	5t004.2↔		BOP, KVT, UOP4, VIAL		21B	X04Z
5t003.n↔		BOP, KVT, UOP4, VIAL		05	F13A	5t004.g↔		BOP, KVT, UOP4, VIAL
	05	F13A		08	I08A, I08B, I08C, I08D, I08E, I08F, I12A, I12B, I12C, I23A		05	F13A
	08	I12A, I12B, I12C, I23A, I23B		21A	W04A, W04B		08	I12A, I12B, I12C, I21Z
	21A	W04A, W04B		21B	X06A, X06B, X06C		21A	W04A, W04B
	21B	X04Z	5t004.3↔		BOP, KVT, UOP4, VIAL		21B	X04Z
5t003.p↔		BOP, KVT, UOP4, VIAL		05	F13A	5t004.h↔		BOP, KVT, UOP4, VIAL
	05	F13A		08	I08A, I08B, I08C, I08D, I08E, I08F, I12A, I12B, I12C, I23A		05	F13A
	08	I12A, I12B, I12C, I23A, I23B		21A	W04A, W04B		08	I12A, I12B, I12C, I21Z
	21A	W04A, W04B		21B	X06A, X06B, X06C		21A	W04A, W04B
	21B	X04Z	5t004.4↔		BOP, KVT, UOP4, VIAL		21B	X04Z
5t003.q↔		BOP, KVT, UOP4, VIAL		05	F13A	5t004.i↔		BOP, KVT, UOP4, VIAL
	05	F13A		08	I08A, I08B, I08C, I08D, I08E, I08F, I12A, I12B, I12C, I23A		05	F13A
	08	I12A, I12B, I12C, I23A, I23B		21A	W04A, W04B		08	I12A, I12B, I12C, I23A
	21A	W04A, W04B		21B	X06A, X06B, X06C		21A	W04A, W04B
	21B	X04Z	5t004.5↔		BOP, KVT, UOP4, VIAL		21B	X04Z, X06A, X06B, X06C
5t003.r↔		BOP, KVT, UOP4, VIAL		05	F13A	5t004.k↔		BOP, KVT, UOP4, VIAL
	05	F13A		08	I08A, I08B, I08C, I08D, I08E, I08F, I23A		05	F13A
	08	I12A, I12B, I12C, I23A, I23B		21A	W04A, W04B		08	I12A, I12B, I12C, I23A
	21A	W04A, W04B		21B	X06A, X06B, X06C		21A	W04A, W04B
	21B	X04Z	5t004.6↔		BOP, KVT, UOP4, VIAL		21B	X04Z
5t003.s↔		BOP, KVT, UOP4, VIAL		05	F13A	5t004.l↔		BOP, KVT, UOP4, VIAL
	05	F13A		08	I08A, I08B, I08C, I08D, I08E, I08F, I23A		05	F13A
	08	I12A, I12B, I12C, I20A, I20B, I20C, I20D, I20E, I20F		21A	W04A, W04B		08	I12A, I12B, I12C, I23A
	21A	W04A, W04B		21B	X04Z		21A	W04A, W04B
	21B	X04Z	5t004.7↔		BOP, KVT, UOP4, VIAL		21B	X04Z
5t003.t↔		BOP, KVT, UOP4, VIAL		05	F13A	5t004.m↔		BOP, KVT, UOP4, VIAL
	05	F13A		08	I08A, I08B, I08C, I08D, I08E, I08F, I23A		05	F13A
	08	I12A, I12B, I12C, I20A, I20B, I20C, I20D, I20E, I20F		21A	W04A, W04B		08	I12A, I12B, I12C, I23A
	21A	W04A, W04B		21B	X04Z		21A	W04A, W04B
	21B	X04Z	5t004.8↔		BOP, KVT, UOP4, VIAL		21B	X04Z
5t003.u↔		BOP, KVT, UOP4, VIAL		05	F13A	5t004.n↔		BOP, KVT, UOP4, VIAL
	05	F13A		08	I08A, I08B, I08C, I08D, I08E, I08F, I23A		05	F13A
	08	I12A, I12B, I12C, I20A, I20B, I20C, I20D, I20E, I20F		21A	W04A, W04B		08	I12A, I12B, I12C, I23A
	21A	W04A, W04B		21B	X04Z		21A	W04A, W04B
	21B	X04Z	5t004.9↔		BOP, KVT, UOP4, VIAL		21B	X04Z
5t003.v↔		BOP, KVT, UOP4, VIAL		05	F13A	5t004.o↔		BOP, KVT, UOP4, VIAL
	05	F13A		08	I08A, I08B, I08C, I08D, I08E, I08F, I23A		05	F13A
	08	I12A, I12B, I12C, I20A, I20B, I20C, I20D, I20E, I20F		21A	W04A, W04B		08	I12A, I12B, I12C, I23A
	21A	W04A, W04B		21B	X05A, X05B		21A	W04A, W04B
	21B	X04Z	5t004.a↔		BOP, KVT, UOP4, VIAL		21B	X04Z
5t003.w↔		BOP, KVT, UOP4, VIAL		05	F13A	5t004.p↔		BOP, KVT, UOP4, VIAL
	05	F13A		08	I12A, I12B, I12C, I32A, I32B, I32C, I32D, I32E, I32F		05	F13A
	08	I12A, I12B, I12C, I23A, I23B		21A	W04A, W04B		08	I12A, I12B, I12C, I23A
	21A	W04A, W04B		21B	X05A, X05B		21A	W04A, W04B
	21B	X04Z	5t004.b↔		BOP, KVT, UOP4, VIAL		21B	X04Z
5t003.x		BOP, KVT, UOP4		05	F13A	5t004.q↔		BOP, KVT, UOP4, VIAL
	05	F13A		08	I12A, I12B, I12C, I32A, I32B, I32C, I32D, I32E, I32F		05	F13A
	08	I12A, I12B, I12C, I23A, I23B		21A	W04A, W04B		08	I12A, I12B, I12C, I23A
	21A	W04A, W04B		21B	X05A, X05B		21A	W04A, W04B
	21B	X04Z	5t004.c↔		BOP, KVT, UOP4, VIAL		21B	X04Z
5t003.y		BOP, KVT, UOP4		05	F13A	5t004.r↔		BOP, KVT, UOP4, VIAL
	05	F13A		08	I12A, I12B, I12C, I23A		05	F13A
	08	I12A, I12B, I12C, I23A, I23B		21A	W04A, W04B		08	I12A, I12B, I12C, I23A
	21A	W04A, W04B		21B	X05A, X05B		21A	W04A, W04B
	21B	X06A, X06B, X06C	5t004.d		BOP, KVT, UOP4, VIAL		21B	X04Z
5t003.z↔		BOP, KVT, UOP4, VIAL		05	F13A	5t004.s↔		BOP, KVT, UOP4, VIAL
	04	E02A, E02B, E02C		08	I12A, I12B, I12C, I23A		05	F13A
	05	F13A		21A	W04A, W04B		08	I12A, I12B, I12C, I20A, I20B, I20C, I20D, I20E, I20F
	08	I23A, I23B		21B	X04Z, X05A, X05B, X06A, X06B, X06C		21A	W04A, W04B
							21B	X04Z

ZZV	MDC	DRG	ZZV	MDC	DRG	ZZV	MDC	DRG
5t004.u↔		BOP, KVT, UOP4, VIAL	5t005.6↔		BOP, KVT, UOP4, VIAL	5t005.g↔		BOP, KVT, UOP4, VIAL
	05	F13A		05	F13A		01	B03A, B03B, B06A, B06B, B17A, B17B, B17C
	08	I12A, I12B, I12C, I20A, I20B, I20C, I20D, I20E, I20F		08	I08A, I08B, I08C, I08D, I08E, I08F, I12A, I12B, I12C, I21Z, I31Z		05	F13A
	21A	W04A, W04B		21A	W04A, W04B		08	I08A, I08B, I08C, I08D, I08E, I08F
	21B	X04Z		21B	X06A, X06B, X06C		21A	W01A, W01B, W01C, W02A, W02B
5t004.v↔		BOP, KVT, UOP4, VIAL	5t005.7↔		BOP, KVT, UOP4, VIAL	5t005.h↔		BOP, KVT, UOP4, VIAL
	05	F13A		05	F13A		01	B03A, B03B, B06A, B06B, B17A, B17B, B17C
	08	I12A, I12B, I12C, I20A, I20B, I20C, I20D, I20E, I20F		08	I08A, I08B, I08C, I08D, I08E, I08F, I12A, I12B, I12C, I21Z, I31Z		05	F13A
	21A	W04A, W04B		21A	W04A, W04B		08	I08A, I08B, I08C, I08D, I08E, I08F
	21B	X04Z		21B	X06A, X06B, X06C		21A	W01A, W01B, W01C, W02A, W02B
5t004.w↔		BOP, KVT, UOP4, VIAL	5t005.8↔		BOP, KVT, UOP4, VIAL	5t005.i↔		BOP, KVT, UOP4, VIAL
	05	F13A		05	F13A		01	B03A, B03B, B06A, B06B, B17A, B17B, B17C
	08	I12A, I12B, I12C, I23A, I23B		08	I08A, I08B, I08C, I08D, I08E, I08F, I12A, I12B, I12C, I21Z, I31Z		05	F13A
	21A	W04A, W04B		21A	W04A, W04B		08	I08A, I08B, I08C, I08D, I08E, I08F
	21B	X04Z		21B	X06A, X06B, X06C		21A	W01A, W01B, W01C, W02A, W02B
5t004.x		BOP, KVT, UOP4	5t005.9↔		BOP, KVT, UOP4, VIAL	5t005.j↔		BOP, KVT, UOP4, VIAL
	05	F13A		05	F13A		01	B03A, B03B, B06A, B06B, B17A, B17B, B17C
	08	I12A, I12B, I12C, I23A, I23B		08	I08A, I08B, I08C, I08D, I08E, I08F, I12A, I12B, I12C, I21Z, I31Z		05	F13A
	21A	W04A, W04B		21A	W04A, W04B		08	I12A, I12B, I12C, I18A, I18B, I30Z
	21B	X06A, X06B, X06C		21B	X06A, X06B, X06C		21A	W04A, W04B
5t004.z↔		BOP, KVT, UOP4, VIAL	5t005.a↔		BOP, KVT, UOP4, VIAL	5t005.k↔		BOP, KVT, UOP4, VIAL
	04	E02A, E02B, E02C		05	F13A		05	F13A
	05	F13A		08	I12A, I12B, I12C, I28A, I28B		08	I12A, I12B, I12C, I13A, I13B, I13C, I13D, I13E
	08	I23A, I23B		21A	W04A, W04B		21A	W04A, W04B
5t005.0↔		BOP, KVT, UOP4, VIAL	5t005.b↔		BOP, KVT, UOP4, VIAL	5t005.l↔		BOP, KVT, UOP4, VIAL
	04	E02A, E02B, E02C		05	F13A		05	F13A
	05	F13A		08	I12A, I12B, I12C, I32A, I32B, I32C, I32D, I32E, I32F		08	I12A, I12B, I12C, I13A, I13B, I13C, I13D, I13E
	08	I12A, I12B, I12C, I28A, I28B		21A	W04A, W04B		21A	W04A, W04B
	21A	W04A, W04B		21B	X05A, X05B		21B	X04Z
	21B	X06A, X06B, X06C		21B	X05A, X05B		21A	W04A, W04B
5t005.1↔		BOP, KVT, UOP4, VIAL	5t005.c↔		BOP, KVT, UOP4, VIAL	5t005.m↔		BOP, KVT, UOP4, VIAL
	05	F13A		05	F13A		05	F13A
	08	I08A, I08B, I08C, I08D, I08E, I08F, I12A, I12B, I12C, I13A, I13B, I13C, I13D, I13E		08	I12A, I12B, I12C, I32A, I32B, I32C, I32D, I32E, I32F		08	I12A, I12B, I12C, I13A, I13B, I13C, I13D, I13E
	21A	W04A, W04B		21A	W04A, W04B		21A	W04A, W04B
	21B	X06A, X06B, X06C		21B	X05A, X05B		21B	X04Z
5t005.2↔		BOP, KVT, UOP4, VIAL	5t005.d		BOP, KVT, UOP4, VIAL	5t005.n↔		BOP, KVT, UOP4, VIAL
	05	F13A		05	F13A		05	F13A
	08	I08A, I08B, I08C, I08D, I08E, I08F, I12A, I12B, I12C, I13A, I13B, I13C, I13D, I13E		08	I12A, I12B, I12C, I32A, I32B, I32C, I32D, I32E, I32F		08	I12A, I12B, I12C, I13A, I13B, I13C, I13D, I13E
	21A	W04A, W04B		21A	W04A, W04B		21A	W04A, W04B
	21B	X06A, X06B, X06C		21B	X05A, X05B		21B	X04Z
5t005.3↔		BOP, KVT, UOP4, VIAL	5t005.e↔		BOP, KVT, UOP4, VIAL	5t005.o↔		BOP, KVT, UOP4, VIAL
	05	F13A		05	F13A		05	F13A
	08	I08A, I08B, I08C, I08D, I08E, I08F, I12A, I12B, I12C, I13A, I13B, I13C, I13D, I13E		08	I08A, I08B, I08C, I08D, I08E, I08F, I12A, I12B, I12C		08	I12A, I12B, I12C, I13A, I13B, I13C, I13D, I13E
	21A	W04A, W04B		21A	W04A, W04B		21A	W04A, W04B
	21B	X06A, X06B, X06C		21B	X05A, X05B		21B	X04Z
5t005.4↔		BOP, KVT, UOP4, VIAL	5t005.f↔		BOP, KVT, UOP4, VIAL	5t005.p↔		BOP, KVT, UOP4, VIAL
	05	F13A		01	B03A, B03B, B06A, B06B, B17A, B17B, B17C		05	F13A
	08	I08A, I08B, I08C, I08D, I08E, I08F, I12A, I12B, I12C, I21Z, I31Z		05	F13A		08	I12A, I12B, I12C, I13A, I13B, I13C, I13D, I13E
	21A	W04A, W04B		08	I08A, I08B, I08C, I08D, I08E, I08F		21A	W04A, W04B
	21B	X06A, X06B, X06C		21A	W01A, W01B, W01C, W02A, W02B		21B	X04Z
5t005.5↔		BOP, KVT, UOP4, VIAL		21B	X04Z		21A	W04A, W04B
	05	F13A		21B	X04Z		21B	X04Z
	08	I08A, I08B, I08C, I08D, I08E, I08F, I12A, I12B, I12C, I21Z, I31Z		01	B03A, B03B, B06A, B06B, B17A, B17B, B17C		05	F13A, F27A, F27B, F27C
	21A	W04A, W04B		05	F13A		08	I12A, I12B, I12C, I20A, I20B, I20C, I20D, I20E, I20F
	21B	X06A, X06B, X06C		08	I08A, I08B, I08C, I08D, I08E, I08F		10	K01Z
				21A	W01A, W01B, W01C, W02A, W02B		21A	W04A, W04B
				21B	X04Z		21B	X04Z

ZZV	MDC	DRG	ZZV	MDC	DRG	ZZV	MDC	DRG	
5t005.t↔		BOP, KVT, UOP4, VIAL	5t006.4↔		BOP, KVT, UOP4, VIAL	5t006.e↔		BOP, KVT, UOP4, VIAL	
	05	F13A, F27A, F27B, F27C		05	F13A		05	F13A	
	08	I12A, I12B, I12C, I20A, I20B, I20C, I20D, I20E, I20F		08	I08A, I08B, I08C, I08D, I08E, I08F, I12A, I12B, I12C, I21Z, I31Z		08	I08A, I08B, I08C, I08D, I08E, I08F, I12A, I12B, I12C	
	10	K01Z		21A	W04A, W04B		21A	W01A, W01B, W01C, W02A, W02B	
	21A	W04A, W04B		21B	X06A, X06B, X06C		21B	X04Z	
	21B	X04Z				5t006.f↔		BOP, KVT, UOP4, VIAL	
5t005.u↔		BOP, KVT, UOP4, VIAL	5t006.5↔		BOP, KVT, UOP4, VIAL		05	F13A	
	05	F13A, F27A, F27B, F27C		05	F13A		08	I08A, I08B, I08C, I08D, I08E, I08F, I12A, I12B, I12C	
	08	I12A, I12B, I12C, I20A, I20B, I20C, I20D, I20E, I20F		08	I08A, I08B, I08C, I08D, I08E, I08F, I12A, I12B, I12C, I21Z, I31Z		21A	W01A, W01B, W01C, W02A, W02B	
	10	K01Z		21A	W04A, W04B		21B	X04Z	
	21A	W04A, W04B		21B	X06A, X06B, X06C				
	21B	X04Z				5t006.g↔		BOP, KVT, UOP4, VIAL	
5t005.v↔		BOP, KVT, UOP4, VIAL	5t006.6↔		BOP, KVT, UOP4, VIAL		05	F13A	
	05	F13A, F27A, F27B, F27C		05	F13A		08	I08A, I08B, I08C, I08D, I08E, I08F, I12A, I12B, I12C	
	08	I12A, I12B, I12C, I20A, I20B, I20C, I20D, I20E, I20F		08	I08A, I08B, I08C, I08D, I08E, I08F, I12A, I12B, I12C, I21Z, I31Z		21A	W01A, W01B, W01C, W02A, W02B	
	10	K01Z		21A	W04A, W04B		21B	X04Z	
	21A	W04A, W04B		21B	X06A, X06B, X06C				
	21B	X04Z				5t006.h↔		BOP, KVT, UOP4, VIAL	
5t005.w↔		BOP, KVT, UOP4, VIAL	5t006.7↔		BOP, KVT, UOP4, VIAL		05	F13A	
	05	F13A		05	F13A		08	I08A, I08B, I08C, I08D, I08E, I08F, I12A, I12B, I12C	
	08	I12A, I12B, I12C, I20A, I20B, I20C, I20D, I20E, I20F		08	I08A, I08B, I08C, I08D, I08E, I08F, I12A, I12B, I12C, I21Z, I31Z		21A	W01A, W01B, W01C, W02A, W02B	
	21A	W04A, W04B		21A	W04A, W04B		21B	X04Z	
	21B	X04Z		21B	X06A, X06B, X06C				
5t005.x		BOP, KVT, UOP4	5t006.8↔		BOP, KVT, UOP4, VIAL	5t006.j↔		BOP, KVT, UOP4, VIAL	
	05	F13A		05	F13A		05	F13A	
	08	I12A, I12B, I12C, I28A, I28B		08	I08A, I08B, I08C, I08D, I08E, I08F, I12A, I12B, I12C, I21Z, I31Z		08	I12A, I12B, I12C, I18A, I18B, I30Z	
	21A	W04A, W04B		21A	W04A, W04B		21A	W04A, W04B	
	21B	X06A, X06B, X06C		21B	X06A, X06B, X06C		21B	X04Z	
5t005.z↔		BOP, KVT, UOP4, VIAL	5t006.9↔		BOP, KVT, UOP4, VIAL	5t006.k↔		BOP, KVT, UOP4, VIAL	
	04	E02A, E02B, E02C		05	F13A		05	F13A	
	05	F13A		08	I08A, I08B, I08C, I08D, I08E, I08F, I12A, I12B, I12C, I21Z, I31Z		08	I12A, I12B, I12C, I13A, I13B, I13C, I13D, I13E	
	08	I12A, I12B, I12C, I28A, I28B		21A	W04A, W04B		21A	W04A, W04B	
	21A	W04A, W04B		21B	X06A, X06B, X06C		21B	X04Z	
	21B	X06A, X06B, X06C				5t006.l↔		BOP, KVT, UOP4, VIAL	
5t006.0↔		BOP, KVT, UOP4, VIAL	5t006.a↔		BOP, KVT, UOP4, VIAL		05	F13A	
	01	B03A, B03B, B18Z		05	F13A		08	I12A, I12B, I12C, I13A, I13B, I13C, I13D, I13E	
	04	E02A, E02B, E02C		08	I12A, I12B, I12C, I32A, I32B, I32C, I32D, I32E, I32F		21A	W04A, W04B	
	05	F13A		21A	W04A, W04B		21B	X04Z	
	08	I12A, I12B, I12C, I28A, I28B		21B	X05A, X05B				
	21A	W04A, W04B				5t006.m↔		BOP, KVT, UOP4, VIAL	
	21B	X06A, X06B, X06C					05	F13A	
5t006.1↔		BOP, KVT, UOP4, VIAL	5t006.b↔		BOP, KVT, UOP4, VIAL		08	I12A, I12B, I12C, I13A, I13B, I13C, I13D, I13E	
	05	F13A		05	F13A		21A	W04A, W04B	
	08	I08A, I08B, I08C, I08D, I08E, I08F, I12A, I12B, I12C, I13A, I13B, I13C, I13D, I13E		08	I12A, I12B, I12C, I32A, I32B, I32C, I32D, I32E, I32F		21B	X04Z	
	21A	W04A, W04B		21A	W04A, W04B				
	21B	X06A, X06B, X06C		21B	X05A, X05B		5t006.n↔		BOP, KVT, UOP4, VIAL
5t006.2↔		BOP, KVT, UOP4, VIAL	5t006.c↔		BOP, KVT, UOP4, VIAL		05	F13A	
	05	F13A		05	F13A, F27A, F27B, F27C		08	I12A, I12B, I12C, I13A, I13B, I13C, I13D, I13E	
	08	I08A, I08B, I08C, I08D, I08E, I08F, I12A, I12B, I12C, I13A, I13B, I13C, I13D, I13E		08	I12A, I12B, I12C, I32A, I32B, I32C, I32D, I32E, I32F		21A	W04A, W04B	
	21A	W04A, W04B		10	K09A, K09B		21B	X04Z	
	21B	X06A, X06B, X06C		21A	W04A, W04B				
5t006.3↔		BOP, KVT, UOP4, VIAL	5t006.d		BOP, KVT, UOP4, VIAL	5t006.o↔		BOP, KVT, UOP4, VIAL	
	05	F13A		05	F13A, F27A, F27B, F27C		05	F13A	
	08	I08A, I08B, I08C, I08D, I08E, I08F, I12A, I12B, I12C, I13A, I13B, I13C, I13D, I13E		08	I08A, I08B, I08C, I08D, I08E, I08F, I12A, I12B, I12C		08	I12A, I12B, I12C, I13A, I13B, I13C, I13D, I13E	
	21A	W04A, W04B		10	K09A, K09B		21A	W04A, W04B	
	21B	X06A, X06B, X06C		21A	W04A, W04B		21B	X04Z	
				21B	X05A, X05B, X06A, X06B, X06C				

VYK

ZZV	MDC	DRG	ZZV	MDC	DRG	ZZV	MDC	DRG
5t006.s↔		BOP, KVT, UOP4, VIAL	5t007.4↔		BOP, KVT, UOP4, VIAL	5t007.h↔		BOP, KVT, UOP4, VIAL
05		F13A, F27A, F27B, F27C	05		F13A	05		F13A
08		I12A, I12B, I12C, I20A, I20B, I20C, I20D, I20E, I20F	08		I08A, I08B, I08C, I08D, I08E, I08F, I23A	08		I08A, I08B, I08C, I08D, I08E, I08F, I12A, I12B, I12C, I21Z
10		K01Z	5t007.5↔		BOP, KVT, UOP4, VIAL	21A		W04A, W04B
21A		W04A, W04B	05		F13A	21B		X04Z
21B		X04Z	08		I08A, I08B, I08C, I08D, I08E, I08F, I23A	5t007.j↔		BOP, KVT, UOP4, VIAL
5t006.t↔		BOP, KVT, UOP4, VIAL	5t007.6↔		BOP, KVT, UOP4, VIAL	05		F13A
05		F13A, F27A, F27B, F27C	05		F13A	08		I12A, I12B, I12C, I23A
08		I12A, I12B, I12C, I20A, I20B, I20C, I20D, I20E, I20F	08		I08A, I08B, I08C, I08D, I08E, I08F, I23A	21A		W04A, W04B
10		K01Z	5t007.7↔		BOP, KVT, UOP4, VIAL	21B		X04Z, X06A, X06B, X06C
21A		W04A, W04B	05		F13A	5t007.k↔		BOP, KVT, UOP4, VIAL
21B		X04Z	08		I08A, I08B, I08C, I08D, I08E, I08F, I23A	05		F13A
5t006.u↔		BOP, KVT, UOP4, VIAL	5t007.8↔		BOP, KVT, UOP4, VIAL	08		I12A, I12B, I12C, I23A
05		F13A, F27A, F27B, F27C	05		F13A	21A		W04A, W04B
08		I12A, I12B, I12C, I20A, I20B, I20C, I20D, I20E, I20F	08		I08A, I08B, I08C, I08D, I08E, I08F, I23A	21B		X04Z
10		K01Z	5t007.9↔		BOP, KVT, UOP4, VIAL	5t007.m↔		BOP, KVT, UOP4, VIAL
21A		W04A, W04B	05		F13A	05		F13A
21B		X04Z	08		I08A, I08B, I08C, I08D, I08E, I08F, I23A	08		I12A, I12B, I12C, I23A
5t006.v↔		BOP, KVT, UOP4, VIAL	5t007.a↔		BOP, KVT, UOP4, VIAL	21A		W04A, W04B
05		F13A, F27A, F27B, F27C	05		F13A	21B		X04Z
08		I12A, I12B, I12C, I20A, I20B, I20C, I20D, I20E, I20F	08		I12A, I12B, I12C, I32A, I32B, I32C, I32D, I32E, I32F	5t007.p↔		BOP, KVT, UOP4, VIAL
10		K01Z	21A		W04A, W04B	05		F13A
21A		W04A, W04B	21B		X05A, X05B	08		I12A, I12B, I12C, I23A
21B		X04Z	5t007.b↔		BOP, KVT, UOP4, VIAL	21A		W04A, W04B
5t006.w↔		BOP, KVT, UOP4, VIAL	05		F13A	21B		X04Z
05		F13A, F27A, F27B, F27C	08		I12A, I12B, I12C, I32A, I32B, I32C, I32D, I32E, I32F	5t007.q↔		BOP, KVT, UOP4, VIAL
08		I12A, I12B, I12C, I20A, I20B, I20C, I20D, I20E, I20F	21A		W04A, W04B	05		F13A
10		K09A, K09B	21B		X05A, X05B	08		I12A, I12B, I12C, I23A
21A		W04A, W04B	5t007.c↔		BOP, KVT, UOP4, VIAL	21A		W04A, W04B
21B		X04Z	05		F13A	21B		X04Z
5t006.x		BOP, KVT, UOP4	08		I12A, I12B, I12C, I23A, I23B	5t007.r↔		BOP, KVT, UOP4, VIAL
05		F13A	21A		W04A, W04B	05		F13A
08		I12A, I12B, I12C, I28A, I28B	21B		X05A, X05B	08		I12A, I12B, I12C, I23A
21A		W04A, W04B	5t007.d		BOP, KVT, UOP4, VIAL	21A		W04A, W04B
21B		X06A, X06B, X06C	05		F13A	21B		X04Z
5t006.z↔		BOP, KVT, UOP4, VIAL	08		I08A, I08B, I08C, I08D, I08E, I08F, I12A, I12B, I12C, I23A	5t007.s↔		BOP, KVT, UOP4, VIAL
01		B03A, B03B, B18Z	21A		W04A, W04B	05		F13A, F27A, F27B, F27C
04		E02A, E02B, E02C	21B		X04Z, X05A, X05B, X06A, X06B, X06C	08		I12A, I12B, I12C, I20A, I20B, I20C, I20D, I20E, I20F
05		F13A	5t007.e↔		BOP, KVT, UOP4, VIAL	10		K09A, K09B, K09C
08		I12A, I12B, I12C, I28A, I28B	05		F13A	21A		W04A, W04B
21A		W04A, W04B	08		I08A, I08B, I08C, I08D, I08E, I08F, I12A, I12B, I12C, I21Z	21B		X04Z
21B		X06A, X06B, X06C	21A		W04A, W04B	5t007.t↔		BOP, KVT, UOP4, VIAL
5t007.0↔		BOP, KVT, UOP4, VIAL	21B		X04Z	05		F13A, F27A, F27B, F27C
04		E02A, E02B, E02C	5t007.f↔		BOP, KVT, UOP4, VIAL	08		I12A, I12B, I12C, I20A, I20B, I20C, I20D, I20E, I20F
05		F13A	05		F13A	10		K09A, K09B, K09C
08		I23A, I23B	08		I08A, I08B, I08C, I08D, I08E, I08F, I12A, I12B, I12C, I21Z	21A		W04A, W04B
5t007.1↔		BOP, KVT, UOP4, VIAL	21A		W04A, W04B	21B		X04Z
05		F13A	5t007.g↔		BOP, KVT, UOP4, VIAL	5t007.u↔		BOP, KVT, UOP4, VIAL
08		I08A, I08B, I08C, I08D, I08E, I08F, I12A, I12B, I12C, I23A	05		F13A	05		F13A, F27A, F27B, F27C
21A		W04A, W04B	08		I08A, I08B, I08C, I08D, I08E, I08F, I12A, I12B, I12C, I21Z	08		I12A, I12B, I12C, I20A, I20B, I20C, I20D, I20E, I20F
21B		X06A, X06B, X06C	21A		W04A, W04B	10		K09A, K09B, K09C
5t007.2↔		BOP, KVT, UOP4, VIAL	21B		X04Z	21A		W04A, W04B
05		F13A	5t007.v↔		BOP, KVT, UOP4, VIAL	21B		X04Z
08		I08A, I08B, I08C, I08D, I08E, I08F, I12A, I12B, I12C, I23A	05		F13A	5t007.v↔		BOP, KVT, UOP4, VIAL
21A		W04A, W04B	08		I08A, I08B, I08C, I08D, I08E, I08F, I12A, I12B, I12C, I21Z	05		F13A, F27A, F27B, F27C
21B		X06A, X06B, X06C	21A		W04A, W04B	08		I12A, I12B, I12C, I20A, I20B, I20C, I20D, I20E, I20F
5t007.3↔		BOP, KVT, UOP4, VIAL	21B		X04Z	10		K09A, K09B, K09C
05		F13A	5t007.g↔		BOP, KVT, UOP4, VIAL	21A		W04A, W04B
08		I08A, I08B, I08C, I08D, I08E, I08F, I12A, I12B, I12C, I23A	05		F13A	21B		X04Z
21A		W04A, W04B	08		I08A, I08B, I08C, I08D, I08E, I08F, I12A, I12B, I12C, I21Z	5t007.v↔		BOP, KVT, UOP4, VIAL
21B		X06A, X06B, X06C	21A		W04A, W04B	05		F13A, F27A, F27B, F27C
5t007.3↔		BOP, KVT, UOP4, VIAL	21B		X04Z	08		I12A, I12B, I12C, I20A, I20B, I20C, I20D, I20E, I20F
05		F13A				10		K09A, K09B, K09C
08		I08A, I08B, I08C, I08D, I08E, I08F, I12A, I12B, I12C, I23A				21A		W04A, W04B
21A		W04A, W04B				21B		X04Z
21B		X06A, X06B, X06C						

ZZV	MDC	DRG	ZZV	MDC	DRG	ZZV	MDC	DRG
5t007.w↔		BOP, KVT, UOP4, VIAL	5t008.b↔		BOP, KVT, UOP4, VIAL	5t008.q↔		BOP, KVT, UOP4, VIAL
05		F13A, F27A, F27B, F27C	05		F13A	05		F13A
08		I12A, I12B, I12C, I23A	08		I12A, I12B, I12C, I32A, I32B, I32C, I32D, I32E, I32F	08		I12A, I12B, I12C, I23A
10		K09A, K09B, K09C	21A		W04A, W04B	21A		W04A, W04B
21A		W04A, W04B	21B		X04Z	21B		X04Z
21B		X04Z	5t008.c↔		BOP, KVT, UOP4, VIAL	5t008.r↔		BOP, KVT, UOP4, VIAL
5t007.x		BOP, KVT, UOP4	05		F13A	05		F13A
05		F13A	08		I12A, I12B, I12C, I23A	08		I12A, I12B, I12C, I23A
08		I12A, I12B, I12C, I23A, I23B	21A		W04A, W04B	21A		W04A, W04B
21A		W04A, W04B	21B		X04Z	21B		X04Z
21B		X06A, X06B, X06C	5t008.d		BOP, KVT, UOP4, VIAL	5t008.s↔		BOP, KVT, UOP4, VIAL
5t007.z↔		BOP, KVT, UOP4, VIAL	05		F13A	05		F13A
04		E02A, E02B, E02C	08		I08A, I08B, I08C, I08D, I08E, I08F, I12A, I12B, I12C, I23A	08		I12A, I12B, I12C, I20A, I20B, I20C, I20D, I20E, I20F
05		F13A	21A		W04A, W04B	21A		W04A, W04B
08		I23A, I23B	21B		X04Z, X05A, X05B, X06A, X06B, X06C	21B		X04Z
5t008.0↔		BOP, KVT, UOP4, VIAL	5t008.e↔		BOP, KVT, UOP4, VIAL	5t008.t↔		BOP, KVT, UOP4, VIAL
04		E02A, E02B, E02C	05		F13A	05		F13A
05		F13A	08		I08A, I08B, I08C, I08D, I08E, I08F, I12A, I12B, I12C, I21Z	08		I12A, I12B, I12C, I20A, I20B, I20C, I20D, I20E, I20F
08		I23A, I23B	21A		W04A, W04B	21A		W04A, W04B
5t008.1↔		BOP, KVT, UOP4, VIAL	21B		X04Z	21B		X04Z
05		F13A	5t008.f↔		BOP, KVT, UOP4, VIAL	5t008.u↔		BOP, KVT, UOP4, VIAL
08		I08A, I08B, I08C, I08D, I08E, I08F, I12A, I12B, I12C, I23A	05		F13A	05		F13A
21A		W04A, W04B	08		I08A, I08B, I08C, I08D, I08E, I08F, I12A, I12B, I12C, I21Z	08		I12A, I12B, I12C, I20A, I20B, I20C, I20D, I20E, I20F
21B		X06A, X06B, X06C	21A		W04A, W04B	21A		W04A, W04B
5t008.2↔		BOP, KVT, UOP4, VIAL	21B		X04Z	21B		X04Z
05		F13A	5t008.g↔		BOP, KVT, UOP4, VIAL	5t008.v↔		BOP, KVT, UOP4, VIAL
08		I08A, I08B, I08C, I08D, I08E, I08F, I12A, I12B, I12C, I23A	05		F13A	05		F13A
21A		W04A, W04B	08		I08A, I08B, I08C, I08D, I08E, I08F, I12A, I12B, I12C, I21Z	08		I12A, I12B, I12C, I20A, I20B, I20C, I20D, I20E, I20F
21B		X06A, X06B, X06C	21A		W04A, W04B	21A		W04A, W04B
5t008.3↔		BOP, KVT, UOP4, VIAL	21B		X04Z	21B		X04Z
05		F13A	5t008.h↔		BOP, KVT, UOP4, VIAL	5t008.w↔		BOP, KVT, UOP4, VIAL
08		I08A, I08B, I08C, I08D, I08E, I08F, I12A, I12B, I12C, I23A	05		F13A	05		F13A
21A		W04A, W04B	08		I08A, I08B, I08C, I08D, I08E, I08F, I12A, I12B, I12C, I21Z	08		I12A, I12B, I12C, I23A
21B		X06A, X06B, X06C	21A		W04A, W04B	21A		W04A, W04B
5t008.4↔		BOP, KVT, UOP4, VIAL	21B		X04Z	21B		X04Z
05		F13A	5t008.i↔		BOP, KVT, UOP4, VIAL	5t008.x		BOP, KVT, UOP4
08		I08A, I08B, I08C, I08D, I08E, I08F, I23A	05		F13A	05		F13A
5t008.5↔		BOP, KVT, UOP4, VIAL	08		I12A, I12B, I12C, I23A	08		I12A, I12B, I12C, I23A
05		F13A	21A		W04A, W04B	21A		W04A, W04B
08		I08A, I08B, I08C, I08D, I08E, I08F, I23A	21B		X04Z, X06A, X06B, X06C	21B		X06A, X06B, X06C
5t008.6↔		BOP, KVT, UOP4, VIAL	5t008.j↔		BOP, KVT, UOP4, VIAL	5t008.z↔		BOP, KVT, UOP4, VIAL
05		F13A	05		F13A	04		E02A, E02B, E02C
08		I08A, I08B, I08C, I08D, I08E, I08F, I23A	08		I12A, I12B, I12C, I23A	05		F13A
5t008.7↔		BOP, KVT, UOP4, VIAL	21A		W04A, W04B	08		I23A, I23B
05		F13A	21B		X04Z	08		I23A, I23B
08		I08A, I08B, I08C, I08D, I08E, I08F, I23A	5t008.k↔		BOP, KVT, UOP4, VIAL	5t00a.0↔		BOP, KVT, UOP4, VIAL
5t008.8↔		BOP, KVT, UOP4, VIAL	05		F13A	04		E02A, E02B, E02C
05		F13A	08		I12A, I12B, I12C, I23A	05		F13A
08		I08A, I08B, I08C, I08D, I08E, I08F, I23A	21A		W04A, W04B	08		I23A, I23B
5t008.9↔		BOP, KVT, UOP4, VIAL	21B		X04Z	5t00a.1↔		BOP, KVT, UOP4, VIAL
05		F13A	5t008.l↔		BOP, KVT, UOP4, VIAL	05		F13A
08		I08A, I08B, I08C, I08D, I08E, I08F, I23A	05		F13A	08		I08A, I08B, I08C, I08D, I08E, I08F, I12A, I12B, I12C, I23A, I23B
5t008.a↔		BOP, KVT, UOP4, VIAL	08		I12A, I12B, I12C, I23A	21A		W04A, W04B
05		F13A	21A		W04A, W04B	21B		X06A, X06B, X06C
08		I12A, I12B, I12C, I32A, I32B, I32C, I32D, I32E, I32F	21B		X04Z	5t00a.2↔		BOP, KVT, UOP4, VIAL
21A		W04A, W04B	5t008.m↔		BOP, KVT, UOP4, VIAL	05		F13A
21B		X05A, X05B	05		F13A	08		I08A, I08B, I08C, I08D, I08E, I08F, I12A, I12B, I12C, I23A, I23B
			08		I12A, I12B, I12C, I23A	21A		W04A, W04B
			21A		W04A, W04B	21B		X06A, X06B, X06C
			21B		X04Z			

ZZV	MDC	DRG	ZZV	MDC	DRG	ZZV	MDC	DRG
5t00a.3↔		BOP, KVT, UOP4, VIAL	5t00a.g↔		BOP, KVT, UOP4, VIAL	5t00a.w↔		BOP, KVT, UOP4, VIAL
	05	F13A		05	F13A		05	F13A
	08	I08A, I08B, I08C, I08D, I08E, I08F, I12A, I12B, I12C, I23A, I23B		08	I12A, I12B, I12C, I21Z		08	I12A, I12B, I12C, I23A, I23B
	21A	W04A, W04B		21A	W04A, W04B		21A	W04A, W04B
	21B	X06A, X06B, X06C		21B	X04Z		21B	X04Z
5t00a.4↔		BOP, KVT, UOP4, VIAL	5t00a.h↔		BOP, KVT, UOP4, VIAL	5t00a.x		BOP, KVT, UOP4
	05	F13A		05	F13A		05	F13A
	08	I08A, I08B, I08C, I08D, I08E, I08F, I23A, I23B		08	I12A, I12B, I12C, I21Z		08	I12A, I12B, I12C, I23A, I23B
5t00a.5↔		BOP, KVT, UOP4, VIAL	5t00a.j↔		BOP, KVT, UOP4, VIAL	5t00a.z↔		BOP, KVT, UOP4, VIAL
	05	F13A		05	F13A		04	E02A, E02B, E02C
	08	I08A, I08B, I08C, I08D, I08E, I08F, I23A, I23B		08	I12A, I12B, I12C, I23A, I23B		05	F13A
5t00a.6↔		BOP, KVT, UOP4, VIAL	5t00a.k↔		BOP, KVT, UOP4, VIAL	5t00b.0↔		BOP, KVT, UOP4, VIAL
	05	F13A		05	F13A		04	E02A, E02B, E02C
	08	I08A, I08B, I08C, I08D, I08E, I08F, I23A, I23B		08	I12A, I12B, I12C, I23A, I23B		05	F13A
5t00a.7↔		BOP, KVT, UOP4, VIAL	5t00a.l↔		BOP, KVT, UOP4, VIAL	5t00b.1↔		BOP, KVT, UOP4, VIAL
	05	F13A		05	F13A		05	F13A
	08	I08A, I08B, I08C, I08D, I08E, I08F, I23A, I23B		08	I12A, I12B, I12C, I23A, I23B		08	I08A, I08B, I08C, I08D, I08E, I08F, I12A, I12B, I12C, I23A, I23B
5t00a.8↔		BOP, KVT, UOP4, VIAL	5t00a.m↔		BOP, KVT, UOP4, VIAL	5t00b.2↔		BOP, KVT, UOP4, VIAL
	05	F13A		05	F13A		05	F13A
	08	I08A, I08B, I08C, I08D, I08E, I08F, I23A, I23B		08	I12A, I12B, I12C, I23A, I23B		08	I08A, I08B, I08C, I08D, I08E, I08F, I12A, I12B, I12C, I23A, I23B
5t00a.9↔		BOP, KVT, UOP4, VIAL	5t00a.n↔		BOP, KVT, UOP4, VIAL	5t00b.3↔		BOP, KVT, UOP4, VIAL
	05	F13A		05	F13A		05	F13A
	08	I08A, I08B, I08C, I08D, I08E, I08F, I23A, I23B		08	I12A, I12B, I12C, I23A, I23B		08	I08A, I08B, I08C, I08D, I08E, I08F, I12A, I12B, I12C, I23A, I23B
5t00a.a↔		BOP, KVT, UOP4, VIAL	5t00a.o↔		BOP, KVT, UOP4, VIAL	5t00b.4↔		BOP, KVT, UOP4, VIAL
	05	F13A		05	F13A		05	F13A
	08	I12A, I12B, I12C, I32A, I32B, I32C, I32D, I32E, I32F		08	I12A, I12B, I12C, I23A, I23B		08	I08A, I08B, I08C, I08D, I08E, I08F, I12A, I12B, I12C, I23A, I23B
	21A	W04A, W04B		21A	W04A, W04B		21A	W04A, W04B
	21B	X05A, X05B		21B	X04Z		21B	X06A, X06B, X06C
5t00a.b↔		BOP, KVT, UOP4, VIAL	5t00a.p↔		BOP, KVT, UOP4, VIAL	5t00b.5↔		BOP, KVT, UOP4, VIAL
	05	F13A		05	F13A		05	F13A
	08	I12A, I12B, I12C, I32A, I32B, I32C, I32D, I32E, I32F		08	I12A, I12B, I12C, I23A, I23B		08	I08A, I08B, I08C, I08D, I08E, I08F, I12A, I12B, I12C, I23A, I23B
	21A	W04A, W04B		21A	W04A, W04B		21A	W04A, W04B
	21B	X05A, X05B		21B	X04Z		21B	X06A, X06B, X06C
5t00a.c↔		BOP, KVT, UOP4, VIAL	5t00a.q↔		BOP, KVT, UOP4, VIAL	5t00b.6↔		BOP, KVT, UOP4, VIAL
	05	F13A		05	F13A		05	F13A
	08	I12A, I12B, I12C, I23A, I23B, I32A, I32B, I32C, I32D		08	I12A, I12B, I12C, I23A, I23B		08	I08A, I08B, I08C, I08D, I08E, I08F, I23A, I23B
	21A	W04A, W04B		21A	W04A, W04B		21A	W04A, W04B
	21B	X05A, X05B		21B	X04Z		21B	X06A, X06B, X06C
5t00a.d		BOP, KVT, UOP4, VIAL	5t00a.r↔		BOP, KVT, UOP4, VIAL	5t00b.7↔		BOP, KVT, UOP4, VIAL
	05	F13A		05	F13A		05	F13A
	08	I12A, I12B, I12C, I23A, I23B, I32A, I32B, I32C, I32D		08	I12A, I12B, I12C, I20A, I20B, I20C, I20D, I20E, I20F		08	I08A, I08B, I08C, I08D, I08E, I08F, I23A, I23B
	21A	W04A, W04B		21A	W04A, W04B		21A	W04A, W04B
	21B	X04Z, X05A, X05B, X06A, X06B, X06C		21B	X04Z		21B	X04Z
5t00a.e↔		BOP, KVT, UOP4, VIAL	5t00a.s↔		BOP, KVT, UOP4, VIAL	5t00b.8↔		BOP, KVT, UOP4, VIAL
	05	F13A		05	F13A		05	F13A
	08	I12A, I12B, I12C, I21Z		08	I12A, I12B, I12C, I20A, I20B, I20C, I20D, I20E, I20F		08	I08A, I08B, I08C, I08D, I08E, I08F, I23A, I23B
	21A	W04A, W04B		21A	W04A, W04B		21A	W04A, W04B
	21B	X04Z		21B	X04Z		21B	X04Z
5t00a.f↔		BOP, KVT, UOP4, VIAL	5t00a.t↔		BOP, KVT, UOP4, VIAL	5t00b.9↔		BOP, KVT, UOP4, VIAL
	05	F13A		05	F13A		05	F13A
	08	I12A, I12B, I12C, I21Z		08	I12A, I12B, I12C, I20A, I20B, I20C, I20D, I20E, I20F		08	I08A, I08B, I08C, I08D, I08E, I08F, I23A, I23B
	21A	W04A, W04B		21A	W04A, W04B		21A	W04A, W04B
	21B	X04Z		21B	X04Z		21B	X04Z
5t00a.g↔		BOP, KVT, UOP4, VIAL	5t00a.u↔		BOP, KVT, UOP4, VIAL	5t00b.a↔		BOP, KVT, UOP4, VIAL
	05	F13A		05	F13A		05	F13A
	08	I12A, I12B, I12C, I21Z		08	I12A, I12B, I12C, I20A, I20B, I20C, I20D, I20E, I20F		08	I08A, I08B, I08C, I08D, I08E, I08F, I23A, I23B
	21A	W04A, W04B		21A	W04A, W04B		21A	W04A, W04B
	21B	X04Z		21B	X04Z		21B	X05A, X05B

ZZV	MDC	DRG	ZZV	MDC	DRG	ZZV	MDC	DRG
5t00b.b↔		BOP, KVT, UOP4, VIAL	5t00b.r↔		BOP, KVT, UOP4, VIAL	5t00x.5↔		BOP, KVT, UOP4, VIAL
05		F13A	05		F13A	05		F13A
08		I12A, I12B, I12C, I32A, I32B, I32C, I32D, I32E, I32F	08		I12A, I12B, I12C, I23A, I23B	08		I08A, I08B, I08C, I08D, I08E, I08F, I23A, I23B
21A		W04A, W04B	21A		W04A, W04B	5t00x.6↔		BOP, KVT, UOP4, VIAL
21B		X05A, X05B	21B		X04Z	05		F13A
5t00b.c↔		BOP, KVT, UOP4, VIAL	5t00b.s↔		BOP, KVT, UOP4, VIAL	08		I08A, I08B, I08C, I08D, I08E, I08F, I23A, I23B
05		F13A	05		F13A	5t00x.7↔		BOP, KVT, UOP4, VIAL
08		I12A, I12B, I12C, I23A, I23B, I32A, I32B, I32C, I32D	08		I12A, I12B, I12C, I20A, I20B, I20C, I20D, I20E, I20F	05		F13A
21A		W04A, W04B	21A		W04A, W04B	08		I08A, I08B, I08C, I08D, I08E, I08F, I23A, I23B
21B		X05A, X05B	21B		X04Z	5t00x.8↔		BOP, KVT, UOP4, VIAL
5t00b.d		BOP, KVT, UOP4, VIAL	5t00b.t↔		BOP, KVT, UOP4, VIAL	05		F13A
05		F13A	05		F13A	08		I12A, I12B, I12C, I20A, I20B, I20C, I20D, I20E, I20F
08		I12A, I12B, I12C, I23A, I23B	08		I12A, I12B, I12C, I20A, I20B, I20C, I20D, I20E, I20F	21A		W04A, W04B
21A		W04A, W04B	21A		W04A, W04B	21B		X04Z
21B		X04Z, X06A, X06B, X06C	21B		X04Z	5t00x.9↔		BOP, KVT, UOP4, VIAL
5t00b.e↔		BOP, KVT, UOP4, VIAL	5t00b.u↔		BOP, KVT, UOP4, VIAL	05		F13A
05		F13A	05		F13A	08		I08A, I08B, I08C, I08D, I08E, I08F, I23A, I23B
08		I12A, I12B, I12C, I21Z	08		I12A, I12B, I12C, I20A, I20B, I20C, I20D, I20E, I20F	5t00x.a↔		BOP, KVT, UOP4, VIAL
21A		W04A, W04B	21A		W04A, W04B	05		F13A
21B		X04Z	21B		X04Z	08		I32A, I32B, I32C, I32D, I32E, I32F
5t00b.f↔		BOP, KVT, UOP4, VIAL	5t00b.v↔		BOP, KVT, UOP4, VIAL	21A		W04A, W04B
05		F13A	05		F13A	21B		X05A, X05B
08		I12A, I12B, I12C, I21Z	08		I12A, I12B, I12C, I20A, I20B, I20C, I20D, I20E, I20F	5t00x.b↔		BOP, KVT, UOP4, VIAL
21A		W04A, W04B	21A		W04A, W04B	05		F13A
21B		X04Z	21B		X04Z	08		I32A, I32B, I32C, I32D, I32E, I32F
5t00b.g↔		BOP, KVT, UOP4, VIAL	5t00b.w↔		BOP, KVT, UOP4, VIAL	21A		W04A, W04B
05		F13A	05		F13A	21B		X05A, X05B
08		I12A, I12B, I12C, I21Z	08		I12A, I12B, I12C, I23A, I23B	5t00x.c↔		BOP, KVT, UOP4, VIAL
21A		W04A, W04B	21A		W04A, W04B	05		F13A
21B		X04Z	21B		X04Z	08		I23A, I23B
5t00b.h↔		BOP, KVT, UOP4, VIAL	5t00b.x		BOP, KVT, UOP4	21A		W04A, W04B
05		F13A	05		F13A	21B		X05A, X05B
08		I12A, I12B, I12C, I21Z	08		I12A, I12B, I12C, I23A, I23B	5t00x.d		BOP, KVT, UOP4, VIAL
21A		W04A, W04B	21A		W04A, W04B	05		F13A
21B		X04Z	21B		X04Z	08		I23A, I23B
5t00b.i↔		BOP, KVT, UOP4, VIAL	5t00b.y		BOP, KVT, UOP4	21A		W04A, W04B
05		F13A	05		F13A	21B		X05A, X05B
08		I12A, I12B, I12C, I21Z	08		I12A, I12B, I12C, I23A, I23B	5t00x.e↔		BOP, KVT, UOP4, VIAL
21A		W04A, W04B	21A		W04A, W04B	05		F13A
21B		X04Z	21B		X04Z	08		I21Z
5t00b.j↔		BOP, KVT, UOP4, VIAL	5t00b.z↔		BOP, KVT, UOP4, VIAL	21A		W04A, W04B
05		F13A	04		E02A, E02B, E02C	21B		X04Z, X06A, X06B, X06C
08		I12A, I12B, I12C, I23A, I23B	05		F13A	5t00x.f↔		BOP, KVT, UOP4, VIAL
21A		W04A, W04B	08		I23A, I23B	05		F13A
21B		X04Z, X06A, X06B, X06C	5t00x.0↔		BOP, KVT, UOP4, VIAL	08		I21Z
5t00b.k↔		BOP, KVT, UOP4, VIAL	04		E02A, E02B, E02C	21A		W04A, W04B
05		F13A	05		F13A	21B		X04Z
08		I12A, I12B, I12C, I23A, I23B	08		I23A, I23B	5t00x.g↔		BOP, KVT, UOP4, VIAL
21A		W04A, W04B	5t00x.1↔		BOP, KVT, UOP4, VIAL	05		F13A
21B		X04Z	05		F13A	08		I21Z
5t00b.l↔		BOP, KVT, UOP4, VIAL	08		I08A, I08B, I08C, I08D, I08E, I08F, I23A, I23B	21A		W04A, W04B
05		F13A	21A		W04A, W04B	21B		X04Z
08		I12A, I12B, I12C, I23A, I23B	21B		X06A, X06B, X06C	5t00x.h↔		BOP, KVT, UOP4, VIAL
21A		W04A, W04B	5t00x.2↔		BOP, KVT, UOP4, VIAL	05		F13A
21B		X04Z	05		F13A	08		I21Z
5t00b.m↔		BOP, KVT, UOP4, VIAL	08		I08A, I08B, I08C, I08D, I08E, I08F, I23A, I23B	21A		W04A, W04B
05		F13A	21A		W04A, W04B	21B		X04Z
08		I12A, I12B, I12C, I23A, I23B	21B		X06A, X06B, X06C	5t00x.i↔		BOP, KVT, UOP4, VIAL
21A		W04A, W04B	5t00x.3↔		BOP, KVT, UOP4, VIAL	05		F13A
21B		X04Z	05		F13A	08		I21Z
5t00b.n↔		BOP, KVT, UOP4, VIAL	08		I08A, I08B, I08C, I08D, I08E, I08F, I23A, I23B	21A		W04A, W04B
05		F13A	21A		W04A, W04B	21B		X04Z
08		I12A, I12B, I12C, I23A, I23B	21B		X06A, X06B, X06C	5t00x.j↔		BOP, KVT, UOP4, VIAL
21A		W04A, W04B	5t00x.4↔		BOP, KVT, UOP4, VIAL	05		F13A
21B		X04Z	05		F13A	08		I23A, I23B
5t00b.o↔		BOP, KVT, UOP4, VIAL	08		I08A, I08B, I08C, I08D, I08E, I08F, I23A, I23B	21A		W04A, W04B
05		F13A	21A		W04A, W04B	21B		X04Z, X06A, X06B, X06C
08		I12A, I12B, I12C, I23A, I23B	21B		X06A, X06B, X06C			
21A		W04A, W04B						
21B		X04Z						

ZZV	MDC	DRG	ZZV	MDC	DRG	ZZV	MDC	DRG
5t00x.k↔		BOP, KVT, UOP4, VIAL	5t010.1↔		BOP, KVT, UOP4, VIAL	5t010.f↔		BOP, KVT, UOP4, VIAL
	05	F13A		08	I08A, I08B, I08C, I08D, I08E, I08F, I13A, I13B, I13C, I13D, I33Z		01	B03A, B03B, B06A, B06B, B17A, B17B, B17C
	08	I23A, I23B		21A	W04A, W04B		08	I08A, I08B, I08C, I08D, I08E, I08F, I33Z
	21A	W04A, W04B		21B	X06A, X06B, X06C		21A	W01A, W01B, W01C, W02A, W02B
	21B	X04Z			BOP, KVT, UOP4, VIAL		21B	X04Z
5t00x.m↔		BOP, KVT, UOP4, VIAL	5t010.2↔		BOP, KVT, UOP4, VIAL	5t010.g↔		BOP, KVT, UOP4, VIAL
	05	F13A		08	I08A, I08B, I08C, I08D, I08E, I08F, I13A, I13B, I13C, I13D, I33Z		01	B03A, B03B, B06A, B06B, B17A, B17B, B17C
	08	I23A, I23B		21A	W04A, W04B		08	I08A, I08B, I08C, I08D, I08E, I08F, I33Z
	21A	W04A, W04B		21B	X06A, X06B, X06C		21A	W01A, W01B, W01C, W02A, W02B
	21B	X04Z			BOP, KVT, UOP4, VIAL		21B	X04Z
5t00x.n↔		BOP, KVT, UOP4, VIAL	5t010.3↔		BOP, KVT, UOP4, VIAL	5t010.h↔		BOP, KVT, UOP4, VIAL
	05	F13A		08	I08A, I08B, I08C, I08D, I08E, I08F, I13A, I13B, I13C, I13D, I33Z		01	B03A, B03B, B06A, B06B, B17A, B17B, B17C
	08	I23A, I23B		21A	W04A, W04B		08	I08A, I08B, I08C, I08D, I08E, I08F, I33Z
	21A	W04A, W04B		21B	X06A, X06B, X06C		21A	W01A, W01B, W01C, W02A, W02B
	21B	X04Z			BOP, KVT, UOP4, VIAL		21B	X04Z
5t00x.p↔		BOP, KVT, UOP4, VIAL	5t010.4↔		BOP, KVT, UOP4, VIAL	5t010.i↔		BOP, KVT, UOP4, VIAL
	05	F13A		08	I08A, I08B, I08C, I08D, I08E, I08F, I21Z, I31Z, I33Z		01	B03A, B03B, B06A, B06B, B17A, B17B, B17C
	08	I23A, I23B		21A	W04A, W04B		08	I08A, I08B, I08C, I08D, I08E, I08F, I33Z
	21A	W04A, W04B		21B	X06A, X06B, X06C		21A	W01A, W01B, W01C, W02A, W02B
	21B	X04Z			BOP, KVT, UOP4, VIAL		21B	X04Z
5t00x.q↔		BOP, KVT, UOP4, VIAL	5t010.5↔		BOP, KVT, UOP4, VIAL	5t010.k↔		BOP, KVT, UOP4, VIAL
	05	F13A		08	I08A, I08B, I08C, I08D, I08E, I08F, I21Z, I31Z, I33Z		01	B03A, B03B, B06A, B06B, B17A, B17B, B17C
	08	I23A, I23B		21A	W04A, W04B		08	I13A, I13B, I13C, I13D, I33Z
	21A	W04A, W04B		21B	X06A, X06B, X06C		10	K09A, K09B
	21B	X04Z			BOP, KVT, UOP4, VIAL		21A	W04A, W04B
5t00x.r↔		BOP, KVT, UOP4, VIAL	5t010.6↔		BOP, KVT, UOP4, VIAL	21B	21A	X04Z
	05	F13A		08	I08A, I08B, I08C, I08D, I08E, I08F, I21Z, I31Z, I33Z		01	B03A, B03B, B06A, B06B, B17A, B17B, B17C
	08	I23A, I23B		21A	W04A, W04B		08	I13A, I13B, I13C, I13D, I33Z
	21A	W04A, W04B		21B	X06A, X06B, X06C		10	K09A, K09B
	21B	X04Z			BOP, KVT, UOP4, VIAL		21A	W04A, W04B
5t00x.s↔		BOP, KVT, UOP4, VIAL	5t010.7↔		BOP, KVT, UOP4, VIAL	21B	21A	X04Z
	05	F13A		08	I08A, I08B, I08C, I08D, I08E, I08F, I21Z, I31Z, I33Z		01	B03A, B03B, B06A, B06B, B17A, B17B, B17C
	08	I20A, I20B, I20C, I20D, I20E, I20F		21A	W04A, W04B		08	I13A, I13B, I13C, I13D, I33Z
	21A	W04A, W04B		21B	X06A, X06B, X06C		10	K09A, K09B
	21B	X04Z			BOP, KVT, UOP4, VIAL		21A	W04A, W04B
5t00x.t↔		BOP, KVT, UOP4, VIAL	5t010.8↔		BOP, KVT, UOP4, VIAL	21B	21A	X04Z
	05	F13A		08	I08A, I08B, I08C, I08D, I08E, I08F, I21Z, I31Z, I33Z		01	B03A, B03B, B06A, B06B, B17A, B17B, B17C
	08	I20A, I20B, I20C, I20D, I20E, I20F		21A	W04A, W04B		08	I13A, I13B, I13C, I13D, I33Z
	21A	W04A, W04B		21B	X06A, X06B, X06C		10	K09A, K09B
	21B	X04Z			BOP, KVT, UOP4, VIAL		21A	W04A, W04B
5t00x.u↔		BOP, KVT, UOP4, VIAL	5t010.9↔		BOP, KVT, UOP4, VIAL	21B	21A	X04Z
	05	F13A		08	I08A, I08B, I08C, I08D, I08E, I08F, I21Z, I31Z, I33Z		01	B03A, B03B, B06A, B06B, B17A, B17B, B17C
	08	I20A, I20B, I20C, I20D, I20E, I20F		21A	W04A, W04B		08	I13A, I13B, I13C, I13D, I33Z
	21A	W04A, W04B		21B	X06A, X06B, X06C		10	K09A, K09B
	21B	X04Z			BOP, KVT, UOP4, VIAL		21A	W04A, W04B
5t00x.v↔		BOP, KVT, UOP4, VIAL	5t010.b↔		BOP, KVT, UOP4, VIAL	21B	21A	X04Z
	05	F13A		08	I32A, I32B, I32C, I32D, I32E, I32F, I33Z		01	B03A, B03B, B06A, B06B, B17A, B17B, B17C
	08	I20A, I20B, I20C, I20D, I20E, I20F		21A	W04A, W04B		08	I13A, I13B, I13C, I13D, I33Z
	21A	W04A, W04B		21B	X05A, X05B		10	K09A, K09B
	21B	X04Z			BOP, KVT, UOP4, VIAL		21A	W04A, W04B
5t00x.w↔		BOP, KVT, UOP4, VIAL	5t010.c↔		BOP, KVT, UOP4, VIAL	21B	21A	X04Z
	05	F13A		08	I32A, I32B, I32C, I32D, I32E, I32F, I33Z		01	B03A, B03B, B06A, B06B, B17A, B17B, B17C
	08	I23A, I23B		21A	W04A, W04B		08	I13A, I13B, I13C, I13D, I33Z
	21A	W04A, W04B		21B	X05A, X05B		10	K09A, K09B
	21B	X04Z			BOP, KVT, UOP4, VIAL		21A	W04A, W04B
5t00x.x		BOP, KVT, UOP4	5t010.d		BOP, KVT, UOP4, VIAL	21B	21A	X04Z
	05	F13A		08	I08A, I08B, I08C, I08D, I08E, I08F, I33Z, I47A		01	B03A, B03B, B06A, B06B, B17A, B17B, B17C
	08	I23A, I23B		21A	W04A, W04B		08	I13A, I13B, I13C, I13D, I33Z
	21A	W04A, W04B		21B	X05A, X05B		10	K01Z
	21B	X06A, X06B, X06C			BOP, KVT, UOP4, VIAL		21A	W04A, W04B
5t00x.z↔		BOP, KVT, UOP4, VIAL	5t010.e↔		BOP, KVT, UOP4, VIAL	21B	21A	X04Z
	04	E02A, E02B, E02C		08	I08A, I08B, I08C, I08D, I08E, I08F, I33Z		01	B03A, B03B, B06A, B06B, B17A, B17B, B17C
	05	F13A			BOP, KVT, UOP4, VIAL		08	I13A, I13B, I13C, I13D, I33Z
	08	I23A, I23B			BOP, KVT, UOP4, VIAL		10	K01Z



ZZV	MDC	DRG	ZZV	MDC	DRG	ZZV	MDC	DRG
5t010.u↔		BOP, KVT, UOP4, VIAL	5t011.d		BOP, KVT, UOP4, VIAL	5t011.t↔		BOP, KVT, UOP4, VIAL
	05	F27A, F27B, F27C		08	I08A, I08B, I08C, I08D, I08E, I08F, I33Z, I47A		05	F27A, F27B, F27C
	08	I20A, I20B, I20C, I20D, I33Z					08	I20A, I20B, I20C, I20D, I33Z
	10	K01Z	5t011.e↔		BOP, KVT, UOP4, VIAL		10	K01Z
	21A	W04A, W04B		08	I08A, I08B, I08C, I08D, I08E, I08F, I33Z	5t011.u↔	21A	W04A, W04B
	21B	X04Z					21B	X04Z
5t010.x		BOP, KVT, UOP4	5t011.f↔		BOP, KVT, UOP4, VIAL	5t011.u↔		BOP, KVT, UOP4, VIAL
	01	B03A, B03B, B06A, B06B, B17A, B17B, B17C		01	B03A, B03B, B06A, B06B, B17A, B17B, B17C		08	I20A, I20B, I20C, I20D, I33Z
	08	I28A, I28B, I33Z		08	I08A, I08B, I08C, I08D, I08E, I08F, I33Z	5t011.x		BOP, KVT, UOP4
	21A	W04A, W04B		21A	W01A, W01B, W01C, W02A, W02B		01	B03A, B03B, B06A, B06B, B17A, B17B, B17C
	21B	X06A, X06B, X06C		21B	X04Z		08	I28A, I28B, I33Z
5t011.1↔		BOP, KVT, UOP4, VIAL	5t011.g↔		BOP, KVT, UOP4, VIAL		21A	W04A, W04B
	08	I08A, I08B, I08C, I08D, I08E, I08F, I13A, I13B, I13C, I13D, I33Z		01	B03A, B03B, B06A, B06B, B17A, B17B, B17C		21B	X06A, X06B, X06C
	21A	W04A, W04B		08	I08A, I08B, I08C, I08D, I08E, I08F, I33Z	5t012.0↔		BOP, KVT, UOP4, VIAL
	21B	X06A, X06B, X06C		21A	W01A, W01B, W01C, W02A, W02B		04	E02A, E02B, E02C
5t011.2↔		BOP, KVT, UOP4, VIAL		21B	X04Z		08	I28A, I28B, I33Z
	08	I08A, I08B, I08C, I08D, I08E, I08F, I13A, I13B, I13C, I13D, I33Z	5t011.h↔		BOP, KVT, UOP4, VIAL	5t012.1↔	21A	W04A, W04B
	21A	W04A, W04B		01	B03A, B03B, B06A, B06B, B17A, B17B, B17C		21B	X06A, X06B, X06C
	21B	X06A, X06B, X06C		08	I08A, I08B, I08C, I08D, I08E, I08F, I33Z			BOP, KVT, UOP4, VIAL
5t011.3↔		BOP, KVT, UOP4, VIAL		21A	W01A, W01B, W01C, W02A, W02B		08	I08A, I08B, I08C, I08D, I08E, I08F, I13A, I13B, I13C, I13D, I33Z
	08	I08A, I08B, I08C, I08D, I08E, I08F, I13A, I13B, I13C, I13D, I33Z		21B	X04Z		21A	W04A, W04B
	21A	W04A, W04B		01	B03A, B03B, B06A, B06B, B17A, B17B, B17C	5t012.2↔	21B	X06A, X06B, X06C
	21B	X06A, X06B, X06C		08	I08A, I08B, I08C, I08D, I08E, I08F, I33Z			BOP, KVT, UOP4, VIAL
5t011.4↔		BOP, KVT, UOP4, VIAL		21A	W01A, W01B, W01C, W02A, W02B		08	I08A, I08B, I08C, I08D, I08E, I08F, I13A, I13B, I13C, I13D, I33Z
	08	I08A, I08B, I08C, I08D, I08E, I08F, I21Z, I31Z, I33Z	5t011.k↔		BOP, KVT, UOP4, VIAL		21A	W04A, W04B
	21A	W04A, W04B		01	B03A, B03B, B06A, B06B, B17A, B17B, B17C	5t012.3↔	21B	X06A, X06B, X06C
	21B	X06A, X06B, X06C		08	I13A, I13B, I13C, I13D, I33Z			BOP, KVT, UOP4, VIAL
5t011.5↔		BOP, KVT, UOP4, VIAL		10	K09A, K09B		08	I08A, I08B, I08C, I08D, I08E, I08F, I13A, I13B, I13C, I13D, I33Z
	08	I08A, I08B, I08C, I08D, I08E, I08F, I21Z, I31Z, I33Z		21A	W04A, W04B		21A	W04A, W04B
	21A	W04A, W04B	5t011.m↔		BOP, KVT, UOP4, VIAL		21B	X06A, X06B, X06C
	21B	X06A, X06B, X06C		01	B03A, B03B, B06A, B06B, B17A, B17B, B17C	5t012.5↔		BOP, KVT, UOP4, VIAL
5t011.6↔		BOP, KVT, UOP4, VIAL		08	I13A, I13B, I13C, I13D, I33Z		08	I08A, I08B, I08C, I08D, I08E, I08F, I21Z, I31Z, I33Z
	08	I08A, I08B, I08C, I08D, I08E, I08F, I21Z, I31Z, I33Z		10	K09A, K09B		21A	W04A, W04B
	21A	W04A, W04B		21A	W04A, W04B	5t012.6↔	21B	X06A, X06B, X06C
	21B	X06A, X06B, X06C		21B	X04Z			BOP, KVT, UOP4, VIAL
5t011.7↔		BOP, KVT, UOP4, VIAL	5t011.n↔		BOP, KVT, UOP4, VIAL		08	I08A, I08B, I08C, I08D, I08E, I08F, I21Z, I31Z, I33Z
	08	I08A, I08B, I08C, I08D, I08E, I08F, I21Z, I31Z, I33Z		01	B03A, B03B, B06A, B06B, B17A, B17B, B17C		21A	W04A, W04B
	21A	W04A, W04B		08	I13A, I13B, I13C, I13D, I33Z	5t012.8↔	21B	X06A, X06B, X06C
	21B	X06A, X06B, X06C		10	K09A, K09B			BOP, KVT, UOP4, VIAL
5t011.8↔		BOP, KVT, UOP4, VIAL		21A	W04A, W04B		08	I08A, I08B, I08C, I08D, I08E, I08F, I21Z, I31Z, I33Z
	08	I08A, I08B, I08C, I08D, I08E, I08F, I21Z, I31Z, I33Z		21B	X04Z		21A	W04A, W04B
	21A	W04A, W04B	5t011.p↔		BOP, KVT, UOP4, VIAL		21B	X06A, X06B, X06C
	21B	X06A, X06B, X06C		08	I13A, I13B, I13C, I13D, I33Z	5t012.9↔		BOP, KVT, UOP4, VIAL
5t011.9↔		BOP, KVT, UOP4, VIAL		21A	W04A, W04B		08	I08A, I08B, I08C, I08D, I08E, I08F, I21Z, I31Z, I33Z
	08	I08A, I08B, I08C, I08D, I08E, I08F, I21Z, I31Z, I33Z	5t011.q↔		BOP, KVT, UOP4, VIAL		21A	W04A, W04B
	21A	W04A, W04B		08	I13A, I13B, I13C, I13D, I33Z	5t012.a↔	21B	X06A, X06B, X06C
	21B	X06A, X06B, X06C		21A	W04A, W04B			BOP, KVT, UOP4, VIAL
5t011.b↔		BOP, KVT, UOP4, VIAL		21B	X04Z		08	I32A, I32B, I32C, I32D, I32E, I32F, I33Z
	08	I32A, I32B, I32C, I32D, I32E, I32F, I33Z	5t011.r↔		BOP, KVT, UOP4, VIAL		21A	W04A, W04B
	21A	W04A, W04B		08	I13A, I13B, I13C, I13D, I33Z	5t012.b↔	21B	X05A, X05B
	21B	X05A, X05B		21A	W04A, W04B			BOP, KVT, UOP4, VIAL
5t011.c↔		BOP, KVT, UOP4, VIAL	5t011.s↔		BOP, KVT, UOP4, VIAL		08	I32A, I32B, I32C, I32D, I32E, I32F, I33Z
	08	I32A, I32B, I32C, I32D, I32E, I32F, I33Z		08	I20A, I20B, I20C, I20D, I33Z		21A	W04A, W04B
	21A	W04A, W04B					21B	X05A, X05B
	21B	X05A, X05B						

VYK

ZZV	MDC	DRG	ZZV	MDC	DRG	ZZV	MDC	DRG
5t012.c↔		BOP, KVT, UOP4, VIAL	5t012.z↔		BOP, KVT, UOP4, VIAL	5t013.d		BOP, KVT, UOP4, VIAL
	08	I32A, I32B, I32C, I32D, I32E, I32F, I33Z		04	E02A, E02B, E02C		08	I08A, I08B, I08C, I08D, I08E, I08F, I33Z, I47A
	21A	W04A, W04B		08	I28A, I28B, I33Z	5t013.e↔		BOP, KVT, UOP4, VIAL
	21B	X05A, X05B		21A	W04A, W04B		08	I08A, I08B, I08C, I08D, I08E, I08F, I33Z
5t012.d		BOP, KVT, UOP4, VIAL	5t013.0↔		BOP, KVT, UOP4, VIAL	5t013.f↔		BOP, KVT, UOP4, VIAL
	08	I08A, I08B, I08C, I08D, I08E, I27B, I33Z, I37Z, I47A		04	E02A, E02B, E02C		01	B03A, B03B, B06A, B06B, B17A, B17B, B17C
5t012.e↔		BOP, KVT, UOP4, VIAL		08	I28A, I28B, I33Z		08	I08A, I08B, I08C, I08D, I08E, I08F, I33Z
	08	I08A, I08B, I08C, I08D, I08E, I27B, I33Z, I37Z		21A	W04A, W04B		21A	W01A, W01B, W01C, W02A, W02B
5t012.f↔		BOP, KVT, UOP4, VIAL	5t013.1↔		BOP, KVT, UOP4, VIAL		21B	X04Z
	01	B03A, B03B, B06A, B06B, B17A, B17B, B17C		08	I08A, I08B, I08C, I08D, I08E, I08F, I13A, I13B, I13C, I13D, I33Z	5t013.g↔		BOP, KVT, UOP4, VIAL
	08	I08A, I08B, I08C, I08D, I08E, I27B, I33Z, I37Z		21A	W04A, W04B		01	B03A, B03B, B06A, B06B, B17A, B17B, B17C
	21A	W01A, W01B, W01C, W02A, W02B	5t013.2↔		BOP, KVT, UOP4, VIAL		08	I08A, I08B, I08C, I08D, I08E, I08F, I33Z
	21B	X04Z		08	I08A, I08B, I08C, I08D, I08E, I08F, I13A, I13B, I13C, I13D, I33Z		21A	W01A, W01B, W01C, W02A, W02B
5t012.g↔		BOP, KVT, UOP4, VIAL		21A	W04A, W04B		21B	X04Z
	01	B03A, B03B, B06A, B06B, B17A, B17B, B17C	5t013.3↔		BOP, KVT, UOP4, VIAL	5t013.h↔		BOP, KVT, UOP4, VIAL
	08	I08A, I08B, I08C, I08D, I08E, I27B, I33Z, I37Z		08	I08A, I08B, I08C, I08D, I08E, I08F, I13A, I13B, I13C, I13D, I33Z		01	B03A, B03B, B06A, B06B, B17A, B17B, B17C
	21A	W01A, W01B, W01C, W02A, W02B		21A	W04A, W04B		08	I08A, I08B, I08C, I08D, I08E, I08F, I33Z
	21B	X04Z	5t013.4↔		BOP, KVT, UOP4, VIAL		21A	W01A, W01B, W01C, W02A, W02B
5t012.h↔		BOP, KVT, UOP4, VIAL		08	I08A, I08B, I08C, I08D, I08E, I08F, I21Z, I31Z, I33Z		21B	X04Z
	01	B03A, B03B, B06A, B06B, B17A, B17B, B17C	5t013.5↔		BOP, KVT, UOP4, VIAL	5t013.i↔		BOP, KVT, UOP4, VIAL
	08	I08A, I08B, I08C, I08D, I08E, I27B, I33Z, I37Z		08	I08A, I08B, I08C, I08D, I08E, I08F, I21Z, I31Z, I33Z		08	I13A, I13B, I13C, I13D, I33Z
	21A	W01A, W01B, W01C, W02A, W02B		21A	W04A, W04B		21A	W04A, W04B
	21B	X04Z	5t013.6↔		BOP, KVT, UOP4, VIAL		21B	X04Z
5t012.i↔		BOP, KVT, UOP4, VIAL		08	I08A, I08B, I08C, I08D, I08E, I08F, I21Z, I31Z, I33Z	5t013.m↔		BOP, KVT, UOP4, VIAL
	01	B03A, B03B, B06A, B06B, B17A, B17B, B17C	5t013.7↔		BOP, KVT, UOP4, VIAL		08	I13A, I13B, I13C, I13D, I33Z
	08	I08A, I08B, I08C, I08D, I08E, I27B, I33Z, I37Z		08	I08A, I08B, I08C, I08D, I08E, I08F, I21Z, I31Z, I33Z		21A	W04A, W04B
	21A	W04A, W04B		21A	W04A, W04B		21B	X04Z
	21B	X04Z	5t013.8↔		BOP, KVT, UOP4, VIAL	5t013.n↔		BOP, KVT, UOP4, VIAL
5t012.j↔		BOP, KVT, UOP4, VIAL		08	I08A, I08B, I08C, I08D, I08E, I08F, I21Z, I31Z, I33Z		08	I13A, I13B, I13C, I13D, I33Z
	08	I08A, I08D, I08E, I13A, I13B, I13C, I13D, I27B, I33Z, I37Z	5t013.9↔		BOP, KVT, UOP4, VIAL		21A	W04A, W04B
	21A	W04A, W04B		08	I08A, I08B, I08C, I08D, I08E, I08F, I21Z, I31Z, I33Z		21B	X04Z
	21B	X04Z	5t013.0↔		BOP, KVT, UOP4, VIAL	5t013.p↔		BOP, KVT, UOP4, VIAL
5t012.k↔		BOP, KVT, UOP4, VIAL		08	I08A, I08B, I08C, I08D, I08E, I08F, I21Z, I31Z, I33Z		08	I13A, I13B, I13C, I13D, I33Z
	08	I08A, I08D, I08E, I13A, I13B, I13C, I13D, I27B, I33Z, I37Z	5t013.1↔		BOP, KVT, UOP4, VIAL		21A	W04A, W04B
	21A	W04A, W04B		08	I08A, I08B, I08C, I08D, I08E, I08F, I21Z, I31Z, I33Z		21B	X04Z
	21B	X04Z	5t013.2↔		BOP, KVT, UOP4, VIAL	5t013.q↔		BOP, KVT, UOP4, VIAL
5t012.l↔		BOP, KVT, UOP4, VIAL		08	I08A, I08B, I08C, I08D, I08E, I08F, I21Z, I31Z, I33Z		08	I13A, I13B, I13C, I13D, I33Z
	08	I08A, I08D, I08E, I13A, I13B, I13C, I13D, I27B, I33Z, I37Z	5t013.3↔		BOP, KVT, UOP4, VIAL		21A	W04A, W04B
	21A	W04A, W04B		08	I08A, I08B, I08C, I08D, I08E, I08F, I21Z, I31Z, I33Z		21B	X04Z
	21B	X04Z	5t013.4↔		BOP, KVT, UOP4, VIAL	5t013.r↔		BOP, KVT, UOP4, VIAL
5t012.m↔		BOP, KVT, UOP4, VIAL		08	I08A, I08B, I08C, I08D, I08E, I08F, I21Z, I31Z, I33Z		08	I13A, I13B, I13C, I13D, I33Z
	08	I08A, I08D, I08E, I13A, I13B, I13C, I13D, I27B, I33Z, I37Z	5t013.5↔		BOP, KVT, UOP4, VIAL		21A	W04A, W04B
	21A	W04A, W04B		08	I08A, I08B, I08C, I08D, I08E, I08F, I21Z, I31Z, I33Z		21B	X04Z
	21B	X04Z	5t013.6↔		BOP, KVT, UOP4, VIAL	5t013.s↔		BOP, KVT, UOP4, VIAL
5t012.n↔		BOP, KVT, UOP4, VIAL		08	I08A, I08B, I08C, I08D, I08E, I08F, I21Z, I31Z, I33Z		08	I20A, I20B, I20C, I20D, I33Z
	08	I08A, I08D, I08E, I13A, I13B, I13C, I13D, I27B, I33Z, I37Z	5t013.7↔		BOP, KVT, UOP4, VIAL	5t013.t↔		BOP, KVT, UOP4, VIAL
	21A	W04A, W04B		08	I08A, I08B, I08C, I08D, I08E, I08F, I21Z, I31Z, I33Z		05	F27A, F27B, F27C
	21B	X04Z	5t013.8↔		BOP, KVT, UOP4, VIAL		08	I20A, I20B, I20C, I20D, I33Z
5t012.o↔		BOP, KVT, UOP4, VIAL		08	I08A, I08B, I08C, I08D, I08E, I08F, I21Z, I31Z, I33Z		10	K01Z
	08	I13A, I13B, I13C, I13D, I33Z, I37Z	5t013.9↔		BOP, KVT, UOP4, VIAL		21A	W04A, W04B
	21A	W04A, W04B		08	I08A, I08B, I08C, I08D, I08E, I08F, I21Z, I31Z, I33Z		21B	X04Z
	21B	X04Z	5t013.0↔		BOP, KVT, UOP4, VIAL	5t013.u↔		BOP, KVT, UOP4, VIAL
5t012.p↔		BOP, KVT, UOP4, VIAL		08	I08A, I08B, I08C, I08D, I08E, I08F, I21Z, I31Z, I33Z		08	I20A, I20B, I20C, I20D, I33Z
	08	I13A, I13B, I13C, I13D, I33Z, I37Z	5t013.1↔		BOP, KVT, UOP4, VIAL			
	21A	W04A, W04B		08	I08A, I08B, I08C, I08D, I08E, I08F, I21Z, I31Z, I33Z			
	21B	X04Z	5t013.2↔		BOP, KVT, UOP4, VIAL			
5t012.q↔		BOP, KVT, UOP4, VIAL		08	I08A, I08B, I08C, I08D, I08E, I08F, I21Z, I31Z, I33Z			
	08	I08A, I08D, I08E, I13A, I13B, I13C, I13D, I27B, I33Z, I37Z	5t013.3↔		BOP, KVT, UOP4, VIAL			
	21A	W04A, W04B		08	I08A, I08B, I08C, I08D, I08E, I08F, I21Z, I31Z, I33Z			
	21B	X04Z	5t013.4↔		BOP, KVT, UOP4, VIAL			
5t012.r↔		BOP, KVT, UOP4, VIAL		08	I08A, I08B, I08C, I08D, I08E, I08F, I21Z, I31Z, I33Z			
	08	I13A, I13B, I13C, I13D, I33Z, I37Z	5t013.5↔		BOP, KVT, UOP4, VIAL			
	21A	W04A, W04B		08	I08A, I08B, I08C, I08D, I08E, I08F, I21Z, I31Z, I33Z			
	21B	X04Z	5t013.6↔		BOP, KVT, UOP4, VIAL			
5t012.s↔		BOP, KVT, UOP4, VIAL		08	I08A, I08B, I08C, I08D, I08E, I08F, I21Z, I31Z, I33Z			
	08	I20A, I20B, I20C, I20D, I33Z, I37Z	5t013.7↔		BOP, KVT, UOP4, VIAL			
5t012.t↔		BOP, KVT, UOP4, VIAL		08	I08A, I08B, I08C, I08D, I08E, I08F, I21Z, I31Z, I33Z			
	08	I20A, I20B, I20C, I20D, I33Z, I37Z	5t013.8↔		BOP, KVT, UOP4, VIAL			
5t012.u↔		BOP, KVT, UOP4, VIAL		08	I08A, I08B, I08C, I08D, I08E, I08F, I21Z, I31Z, I33Z			
	08	I20A, I20B, I20C, I20D, I33Z, I37Z	5t013.9↔		BOP, KVT, UOP4, VIAL			
5t012.x		BOP, KVT, UOP4		08	I08A, I08B, I08C, I08D, I08E, I08F, I21Z, I31Z, I33Z			
	01	B03A, B03B, B06A, B06B, B17A, B17B, B17C	5t013.0↔		BOP, KVT, UOP4, VIAL			
	08	I28A, I28B, I33Z		08	I32A, I32B, I32C, I32D, I32E, I32F, I33Z			
	21A	W04A, W04B		21A	W04A, W04B			
	21B	X06A, X06B, X06C		21B	X05A, X05B			

ZZV	MDC	DRG	ZZV	MDC	DRG	ZZV	MDC	DRG
5t013.x		BOP, KVT, UOP4	5t014.c↔	08	BOP, KVT, UOP4, VIAL I32A, I32B, I32C, I32D, I32E, I32F, I33Z	5t014.x	01	BOP, KVT, UOP4 B03A, B03B, B06A, B06B, B17A, B17B, B17C
	01	B03A, B03B, B06A, B06B, B17A, B17B, B17C		21A	W04A, W04B		08	I28A, I28B, I33Z
	08	I28A, I28B, I33Z		21B	X05A, X05B		21A	W04A, W04B
	21A	W04A, W04B	5t014.d		BOP, KVT, UOP4, VIAL		21B	X06A, X06B, X06C
	21B	X06A, X06B, X06C		08	I08A, I08B, I08C, I08D, I08E, I08F, I33Z, I47A	5t014.z↔		BOP, KVT, UOP4, VIAL
5t013.z↔		BOP, KVT, UOP4, VIAL			BOP, KVT, UOP4, VIAL		04	E02A, E02B, E02C
	04	E02A, E02B, E02C	5t014.e↔		BOP, KVT, UOP4, VIAL		08	I28A, I28B, I33Z
	08	I28A, I28B, I33Z		08	I08A, I08B, I08C, I08D, I08E, I08F, I33Z		21A	W04A, W04B
	21A	W04A, W04B		21A	W01A, W01B, W01C, W02A, W02B		21B	X06A, X06B, X06C
	21B	X06A, X06B, X06C	5t014.f↔		BOP, KVT, UOP4, VIAL	5t015.1↔		BOP, KVT, UOP4, VIAL
5t014.0↔		BOP, KVT, UOP4, VIAL		01	B03A, B03B, B06A, B06B, B17A, B17B, B17C		08	I08A, I08B, I08C, I08D, I08E, I08F, I13A, I13B, I13C, I13D, I33Z
	04	E02A, E02B, E02C		08	I11Z, I33Z		21A	W04A, W04B
	08	I28A, I28B, I33Z		21A	W01A, W01B, W01C, W02A, W02B		21B	X06A, X06B, X06C
	21A	W04A, W04B		21B	X04Z	5t015.2↔		BOP, KVT, UOP4, VIAL
	21B	X06A, X06B, X06C	5t014.g↔		BOP, KVT, UOP4, VIAL		08	I08A, I08B, I08C, I08D, I08E, I08F, I13A, I13B, I13C, I13D, I33Z
5t014.1↔		BOP, KVT, UOP4, VIAL		01	B03A, B03B, B06A, B06B, B17A, B17B, B17C		21A	W04A, W04B
	08	I08A, I08B, I08C, I08D, I08E, I08F, I11Z, I33Z		08	I11Z, I33Z		21B	X06A, X06B, X06C
	21A	W04A, W04B		21A	W01A, W01B, W01C, W02A, W02B	5t015.3↔		BOP, KVT, UOP4, VIAL
	21B	X06A, X06B, X06C		21B	X04Z		08	I08A, I08B, I08C, I08D, I08E, I08F, I13A, I13B, I13C, I13D, I33Z
5t014.2↔		BOP, KVT, UOP4, VIAL	5t014.h↔		BOP, KVT, UOP4, VIAL		21A	W04A, W04B
	08	I08A, I08B, I08C, I08D, I08E, I08F, I11Z, I33Z		01	B03A, B03B, B06A, B06B, B17A, B17B, B17C		21B	X06A, X06B, X06C
	21A	W04A, W04B		08	I11Z, I33Z	5t015.4↔		BOP, KVT, UOP4, VIAL
	21B	X06A, X06B, X06C		21A	W01A, W01B, W01C, W02A, W02B		08	I08A, I08B, I08C, I08D, I08E, I08F, I21Z, I31Z, I33Z
5t014.3↔		BOP, KVT, UOP4, VIAL		21B	X04Z		21A	W04A, W04B
	08	I08A, I08B, I08C, I08D, I08E, I08F, I11Z, I33Z		01	B03A, B03B, B06A, B06B, B17A, B17B, B17C		21B	X06A, X06B, X06C
	21A	W04A, W04B		08	I11Z, I33Z	5t015.5↔		BOP, KVT, UOP4, VIAL
	21B	X06A, X06B, X06C		21A	W04A, W04B		08	I08A, I08B, I08C, I08D, I08E, I08F, I21Z, I31Z, I33Z
5t014.4↔		BOP, KVT, UOP4, VIAL		21B	X04Z		21A	W04A, W04B
	08	I08A, I08B, I08C, I08D, I08E, I08F, I11Z, I33Z	5t014.k↔		BOP, KVT, UOP4, VIAL		21B	X06A, X06B, X06C
	21A	W04A, W04B		08	I11Z, I33Z	5t015.6↔		BOP, KVT, UOP4, VIAL
	21B	X06A, X06B, X06C		21A	W04A, W04B		08	I08A, I08B, I08C, I08D, I08E, I08F, I21Z, I31Z, I33Z
5t014.5↔		BOP, KVT, UOP4, VIAL		21B	X04Z		21A	W04A, W04B
	08	I08A, I08B, I08C, I08D, I08E, I08F, I11Z, I33Z	5t014.m↔		BOP, KVT, UOP4, VIAL		21B	X06A, X06B, X06C
	21A	W04A, W04B		08	I11Z, I33Z	5t015.7↔		BOP, KVT, UOP4, VIAL
	21B	X06A, X06B, X06C		21A	W04A, W04B		08	I08A, I08B, I08C, I08D, I08E, I08F, I21Z, I31Z, I33Z
5t014.6↔		BOP, KVT, UOP4, VIAL		21B	X04Z		21A	W04A, W04B
	08	I08A, I08B, I08C, I08D, I08E, I08F, I11Z, I33Z	5t014.n↔		BOP, KVT, UOP4, VIAL		21B	X06A, X06B, X06C
	21A	W04A, W04B		08	I11Z, I33Z	5t015.8↔		BOP, KVT, UOP4, VIAL
	21B	X06A, X06B, X06C		21A	W04A, W04B		08	I08A, I08B, I08C, I08D, I08E, I08F, I21Z, I31Z, I33Z
5t014.7↔		BOP, KVT, UOP4, VIAL		21B	X04Z		21A	W04A, W04B
	08	I08A, I08B, I08C, I08D, I08E, I08F, I11Z, I33Z	5t014.p↔		BOP, KVT, UOP4, VIAL		21B	X06A, X06B, X06C
	21A	W04A, W04B		08	I11Z, I33Z	5t015.9↔		BOP, KVT, UOP4, VIAL
	21B	X06A, X06B, X06C		21A	W04A, W04B		08	I08A, I08B, I08C, I08D, I08E, I08F, I21Z, I31Z, I33Z
5t014.8↔		BOP, KVT, UOP4, VIAL		21B	X04Z		21A	W04A, W04B
	08	I08A, I08B, I08C, I08D, I08E, I08F, I11Z, I33Z	5t014.q↔		BOP, KVT, UOP4, VIAL		21B	X06A, X06B, X06C
	21A	W04A, W04B		08	I11Z, I33Z	5t015.b↔		BOP, KVT, UOP4, VIAL
	21B	X06A, X06B, X06C		21A	W04A, W04B		08	I32A, I32B, I32C, I32D, I32E, I32F, I33Z
5t014.9↔		BOP, KVT, UOP4, VIAL		21B	X04Z		21A	W04A, W04B
	08	I08A, I08B, I08C, I08D, I08E, I08F, I11Z, I33Z	5t014.r↔		BOP, KVT, UOP4, VIAL		21B	X05A, X05B
	21A	W04A, W04B		08	I11Z, I33Z	5t015.c↔		BOP, KVT, UOP4, VIAL
	21B	X06A, X06B, X06C		21A	W04A, W04B		08	I32A, I32B, I32C, I32D, I32E, I32F, I33Z
5t014.b↔		BOP, KVT, UOP4, VIAL		21B	X04Z		21A	W04A, W04B
	08	I32A, I32B, I32C, I32D, I32E, I32F, I33Z	5t014.s↔		BOP, KVT, UOP4, VIAL		21B	X05A, X05B
	21A	W04A, W04B		08	I20A, I20B, I20C, I20D, I33Z			
	21B	X06A, X06B, X06C	5t014.t↔		BOP, KVT, UOP4, VIAL			
				05	F27A, F27B, F27C			
				08	I20A, I20B, I20C, I20D, I33Z			
				10	K01Z			
				21A	W04A, W04B			
				21B	X04Z			
			5t014.u↔		BOP, KVT, UOP4, VIAL			
				08	I20A, I20B, I20C, I20D, I33Z			

ZZV	MDC	DRG	ZZV	MDC	DRG	ZZV	MDC	DRG
5t015.d		BOP, KVT, UOP4, VIAL	5t015.x		BOP, KVT, UOP4	5t016.f↔		BOP, KVT, UOP4, VIAL
	08	I08A, I08B, I08C, I08D, I08E, I27B, I33Z, I37Z, I47A		01	B03A, B03B, B06A, B06B, B17A, B17B, B17C		01	B03A, B03B, B06A, B06B, B17A, B17B, B17C
5t015.e↔		BOP, KVT, UOP4, VIAL		08	I28A, I28B, I33Z		08	I08A, I08B, I08C, I08D, I08E, I27B, I33Z, I37Z
	08	I08A, I08B, I08C, I08D, I08E, I27B, I33Z, I37Z		21A	W04A, W04B		21A	W01A, W01B, W01C, W02A, W02B
5t015.f↔		BOP, KVT, UOP4, VIAL	5t016.1↔		BOP, KVT, UOP4, VIAL		21B	X04Z
	01	B03A, B03B, B06A, B06B, B17A, B17B, B17C		08	I08A, I08B, I08C, I08D, I08E, I08F, I13A, I13B, I13C, I13D, I33Z	5t016.g↔		BOP, KVT, UOP4, VIAL
	08	I08A, I08B, I08C, I08D, I08E, I27B, I33Z, I37Z		21A	W04A, W04B		01	B03A, B03B, B06A, B06B, B17A, B17B, B17C
	21A	W01A, W01B, W01C, W02A, W02B	5t016.2↔		BOP, KVT, UOP4, VIAL		08	I08A, I08B, I08C, I08D, I08E, I27B, I33Z, I37Z
	21B	X04Z		08	I08A, I08B, I08C, I08D, I08E, I08F, I13A, I13B, I13C, I13D, I33Z		21A	W01A, W01B, W01C, W02A, W02B
5t015.g↔		BOP, KVT, UOP4, VIAL		21A	W04A, W04B	5t016.h↔		BOP, KVT, UOP4, VIAL
	01	B03A, B03B, B06A, B06B, B17A, B17B, B17C	5t016.3↔		BOP, KVT, UOP4, VIAL		01	B03A, B03B, B06A, B06B, B17A, B17B, B17C
	08	I08A, I08B, I08C, I08D, I08E, I27B, I33Z, I37Z		08	I08A, I08B, I08C, I08D, I08E, I08F, I13A, I13B, I13C, I13D, I33Z		08	I08A, I08B, I08C, I08D, I08E, I27B, I33Z, I37Z
	21A	W01A, W01B, W01C, W02A, W02B		21A	W04A, W04B		21A	W01A, W01B, W01C, W02A, W02B
	21B	X04Z	5t016.4↔		BOP, KVT, UOP4, VIAL		21B	X04Z
5t015.h↔		BOP, KVT, UOP4, VIAL		08	I08A, I08B, I08C, I08D, I08E, I08F, I21Z, I31Z, I33Z	5t016.k↔		BOP, KVT, UOP4, VIAL
	01	B03A, B03B, B06A, B06B, B17A, B17B, B17C		21A	W04A, W04B		01	B03A, B03B, B06A, B06B, B17A, B17B, B17C
	08	I08A, I08B, I08C, I08D, I08E, I27B, I33Z, I37Z		21B	X06A, X06B, X06C		08	I08A, I08D, I08E, I13A, I13B, I13C, I13D, I27B, I33Z, I37Z
	21A	W01A, W01B, W01C, W02A, W02B	5t016.5↔		BOP, KVT, UOP4, VIAL		10	K09A, K09B
	21B	X04Z		08	I08A, I08B, I08C, I08D, I08E, I08F, I21Z, I31Z, I33Z		21A	W04A, W04B
5t015.k↔		BOP, KVT, UOP4, VIAL		21A	W04A, W04B	5t016.m↔		BOP, KVT, UOP4, VIAL
	01	B03A, B03B, B06A, B06B, B17A, B17B, B17C	5t016.6↔		BOP, KVT, UOP4, VIAL		01	B03A, B03B, B06A, B06B, B17A, B17B, B17C
	08	I08A, I08D, I08E, I13A, I13B, I13C, I13D, I27B, I33Z, I37Z		08	I08A, I08B, I08C, I08D, I08E, I08F, I21Z, I31Z, I33Z		08	I08A, I08D, I08E, I13A, I13B, I13C, I13D, I27B, I33Z, I37Z
	10	K09A, K09B		21A	W04A, W04B		10	K09A, K09B
	21A	W04A, W04B		21B	X06A, X06B, X06C		21A	W04A, W04B
	21B	X04Z	5t016.7↔		BOP, KVT, UOP4, VIAL		21B	X04Z
5t015.m↔		BOP, KVT, UOP4, VIAL		08	I08A, I08B, I08C, I08D, I08E, I08F, I21Z, I31Z, I33Z	5t016.n↔		BOP, KVT, UOP4, VIAL
	01	B03A, B03B, B06A, B06B, B17A, B17B, B17C	5t016.8↔		BOP, KVT, UOP4, VIAL		01	B03A, B03B, B06A, B06B, B17A, B17B, B17C
	08	I08A, I08D, I08E, I13A, I13B, I13C, I13D, I27B, I33Z, I37Z		08	I08A, I08B, I08C, I08D, I08E, I08F, I21Z, I31Z, I33Z		08	I08A, I08D, I08E, I13A, I13B, I13C, I13D, I27B, I33Z, I37Z
	10	K09A, K09B		21A	W04A, W04B		10	K09A, K09B
	21A	W04A, W04B	5t016.9↔		BOP, KVT, UOP4, VIAL		21A	W04A, W04B
	21B	X04Z		08	I08A, I08B, I08C, I08D, I08E, I08F, I21Z, I31Z, I33Z		21B	X04Z
5t015.n↔		BOP, KVT, UOP4, VIAL		21A	W04A, W04B	5t016.r↔		BOP, KVT, UOP4, VIAL
	01	B03A, B03B, B06A, B06B, B17A, B17B, B17C	5t016.9↔		BOP, KVT, UOP4, VIAL		08	I13A, I13B, I13C, I13D, I33Z, I37Z
	08	I08A, I08D, I08E, I13A, I13B, I13C, I13D, I27B, I33Z, I37Z		08	I08A, I08B, I08C, I08D, I08E, I08F, I21Z, I31Z, I33Z		21A	W04A, W04B
	10	K09A, K09B		21A	W04A, W04B		21B	X04Z
	21A	W04A, W04B	5t016.b↔		BOP, KVT, UOP4, VIAL	5t016.s↔		BOP, KVT, UOP4, VIAL
	21B	X04Z		08	I32A, I32B, I32C, I32D, I32E, I32F, I33Z		08	I20A, I20B, I20C, I20D, I33Z, I37Z
5t015.r↔		BOP, KVT, UOP4, VIAL		21A	W04A, W04B	5t016.t↔		BOP, KVT, UOP4, VIAL
	08	I13A, I13B, I13C, I13D, I33Z, I37Z	5t016.c↔		BOP, KVT, UOP4, VIAL		08	I20A, I20B, I20C, I20D, I33Z, I37Z
	21A	W04A, W04B		08	I32A, I32B, I32C, I32D, I32E, I32F, I33Z		5t016.u↔	BOP, KVT, UOP4, VIAL
	21B	X04Z		21A	W04A, W04B	5t016.x		BOP, KVT, UOP4
5t015.s↔		BOP, KVT, UOP4, VIAL		21B	X05A, X05B		01	B03A, B03B, B06A, B06B, B17A, B17B, B17C
	08	I20A, I20B, I20C, I20D, I33Z, I37Z	5t016.d		BOP, KVT, UOP4, VIAL		08	I28A, I28B, I33Z
5t015.t↔		BOP, KVT, UOP4, VIAL		08	I08A, I08B, I08C, I08D, I08E, I27B, I33Z, I37Z, I47A		21A	W04A, W04B
	08	I20A, I20B, I20C, I20D, I33Z, I37Z	5t016.e↔		BOP, KVT, UOP4, VIAL		21B	X06A, X06B, X06C
5t015.u↔		BOP, KVT, UOP4, VIAL		08	I08A, I08B, I08C, I08D, I08E, I27B, I33Z, I37Z			
	08	I20A, I20B, I20C, I20D, I33Z, I37Z						

ZZV	MDC	DRG	ZZV	MDC	DRG	ZZV	MDC	DRG
5t017.0↔		BOP, KVT, UOP4, VIAL	5t017.d		BOP, KVT, UOP4, VIAL	5t017.u↔		BOP, KVT, UOP4, VIAL
	04	E02A, E02B, E02C		08	I08A, I08B, I08C, I08D, I08E, I08F, I33Z, I47A		05	F27A, F27B, F27C
	08	I28A, I28B, I33Z		21A	W04A, W04B		08	I20A, I20B, I20C, I20D, I33Z
	21A	W04A, W04B		21B	X06A, X06B, X06C		10	K01Z
	21B	X06A, X06B, X06C	5t017.e↔		BOP, KVT, UOP4, VIAL		21A	W04A, W04B
5t017.1↔		BOP, KVT, UOP4, VIAL		08	I08A, I08B, I08C, I08D, I08E, I08F, I13A, I13B, I13C, I13D, I33Z	5t017.x		X04Z
	08	I08A, I08B, I08C, I08D, I08E, I08F, I13A, I13B, I13C, I13D, I33Z	5t017.f↔		BOP, KVT, UOP4, VIAL		01	B03A, B03B, B06A, B06B, B17A, B17B, B17C
	21A	W04A, W04B		01	B03A, B03B, B06A, B06B, B17A, B17B, B17C		08	I28A, I28B, I33Z
	21B	X06A, X06B, X06C		08	I08A, I08B, I08C, I08D, I08E, I08F, I33Z		21A	W04A, W04B
5t017.2↔		BOP, KVT, UOP4, VIAL		21A	W01A, W01B, W01C, W02A, W02B	5t017.z↔		BOP, KVT, UOP4, VIAL
	08	I08A, I08B, I08C, I08D, I08E, I08F, I13A, I13B, I13C, I13D, I33Z	5t017.g↔		BOP, KVT, UOP4, VIAL		04	E02A, E02B, E02C
	21A	W04A, W04B		01	B03A, B03B, B06A, B06B, B17A, B17B, B17C		08	I28A, I28B, I33Z
	21B	X06A, X06B, X06C		08	I08A, I08B, I08C, I08D, I08E, I08F, I33Z		21A	W04A, W04B
5t017.3↔		BOP, KVT, UOP4, VIAL		21A	W01A, W01B, W01C, W02A, W02B	5t018.0↔		BOP, KVT, UOP4, VIAL
	08	I08A, I08B, I08C, I08D, I08E, I08F, I13A, I13B, I13C, I13D, I33Z	5t017.h↔		BOP, KVT, UOP4, VIAL		04	E02A, E02B, E02C
	21A	W04A, W04B		01	B03A, B03B, B06A, B06B, B17A, B17B, B17C		08	I28A, I28B, I33Z
	21B	X06A, X06B, X06C		08	I08A, I08B, I08C, I08D, I08E, I08F, I33Z		21A	W04A, W04B
5t017.4↔		BOP, KVT, UOP4, VIAL		21A	W01A, W01B, W01C, W02A, W02B	5t018.1↔		BOP, KVT, UOP4, VIAL
	08	I08A, I08B, I08C, I08D, I08E, I08F, I21Z, I31Z, I33Z	5t017.i↔		BOP, KVT, UOP4, VIAL		08	I08A, I08B, I08C, I08D, I08E, I08F, I13A, I13B, I13C, I13D, I33Z
	21A	W04A, W04B		01	B03A, B03B, B06A, B06B, B17A, B17B, B17C		21A	W04A, W04B
	21B	X06A, X06B, X06C		08	I08A, I08B, I08C, I08D, I08E, I08F, I33Z	5t018.2↔		BOP, KVT, UOP4, VIAL
5t017.5↔		BOP, KVT, UOP4, VIAL	5t017.j↔		BOP, KVT, UOP4, VIAL		08	I08A, I08B, I08C, I08D, I08E, I08F, I13A, I13B, I13C, I13D, I33Z
	08	I08A, I08B, I08C, I08D, I08E, I08F, I21Z, I31Z, I33Z		08	I13A, I13B, I13C, I13D, I33Z		21A	W04A, W04B
	21A	W04A, W04B	5t017.k↔		BOP, KVT, UOP4, VIAL		21B	X06A, X06B, X06C
	21B	X06A, X06B, X06C		08	I13A, I13B, I13C, I13D, I33Z	5t018.3↔		BOP, KVT, UOP4, VIAL
5t017.6↔		BOP, KVT, UOP4, VIAL		21A	W04A, W04B		08	I08A, I08B, I08C, I08D, I08E, I08F, I13A, I13B, I13C, I13D, I33Z
	08	I08A, I08B, I08C, I08D, I08E, I08F, I21Z, I31Z, I33Z	5t017.l↔		BOP, KVT, UOP4, VIAL		21A	W04A, W04B
	21A	W04A, W04B		08	I13A, I13B, I13C, I13D, I33Z	5t018.4↔		BOP, KVT, UOP4, VIAL
	21B	X06A, X06B, X06C	5t017.m↔		BOP, KVT, UOP4, VIAL		08	I08A, I08B, I08C, I08D, I08E, I08F, I21Z, I31Z, I33Z
5t017.7↔		BOP, KVT, UOP4, VIAL		08	I13A, I13B, I13C, I13D, I33Z	5t018.5↔		BOP, KVT, UOP4, VIAL
	08	I08A, I08B, I08C, I08D, I08E, I08F, I21Z, I31Z, I33Z	5t017.n↔		BOP, KVT, UOP4, VIAL		08	I08A, I08B, I08C, I08D, I08E, I08F, I21Z, I31Z, I33Z
	21A	W04A, W04B		08	I13A, I13B, I13C, I13D, I33Z		21A	W04A, W04B
	21B	X06A, X06B, X06C	5t017.o↔		BOP, KVT, UOP4, VIAL	5t018.6↔		BOP, KVT, UOP4, VIAL
5t017.8↔		BOP, KVT, UOP4, VIAL		08	I13A, I13B, I13C, I13D, I33Z		08	I08A, I08B, I08C, I08D, I08E, I08F, I21Z, I31Z, I33Z
	08	I08A, I08B, I08C, I08D, I08E, I08F, I21Z, I31Z, I33Z	5t017.p↔		BOP, KVT, UOP4, VIAL		21A	W04A, W04B
	21A	W04A, W04B		08	I13A, I13B, I13C, I13D, I33Z	5t018.7↔		BOP, KVT, UOP4, VIAL
	21B	X06A, X06B, X06C	5t017.q↔		BOP, KVT, UOP4, VIAL		08	I08A, I08B, I08C, I08D, I08E, I08F, I21Z, I31Z, I33Z
5t017.9↔		BOP, KVT, UOP4, VIAL		08	I13A, I13B, I13C, I13D, I33Z	5t018.8↔		BOP, KVT, UOP4, VIAL
	08	I08A, I08B, I08C, I08D, I08E, I08F, I21Z, I31Z, I33Z	5t017.r↔		BOP, KVT, UOP4, VIAL		08	I08A, I08B, I08C, I08D, I08E, I08F, I21Z, I31Z, I33Z
	21A	W04A, W04B		08	I13A, I13B, I13C, I13D, I33Z		21A	W04A, W04B
	21B	X06A, X06B, X06C	5t017.s↔		BOP, KVT, UOP4, VIAL	5t018.9↔		BOP, KVT, UOP4, VIAL
5t017.a↔		BOP, KVT, UOP4, VIAL		05	F27A, F27B, F27C		08	I08A, I08B, I08C, I08D, I08E, I08F, I21Z, I31Z, I33Z
	08	I32A, I32B, I32C, I32D, I32E, I32F, I33Z		08	I20A, I20B, I20C, I20D, I33Z		21A	W04A, W04B
	21A	W04A, W04B	5t017.t↔		BOP, KVT, UOP4, VIAL		21B	X06A, X06B, X06C
	21B	X05A, X05B		05	F27A, F27B, F27C		08	I08A, I08B, I08C, I08D, I08E, I08F, I21Z, I31Z, I33Z
5t017.b↔		BOP, KVT, UOP4, VIAL		08	I20A, I20B, I20C, I20D, I33Z		21A	W04A, W04B
	08	I32A, I32B, I32C, I32D, I32E, I32F, I33Z		10	K01Z	5t018.9↔		BOP, KVT, UOP4, VIAL
	21A	W04A, W04B		21A	W04A, W04B		08	I08A, I08B, I08C, I08D, I08E, I08F, I21Z, I31Z, I33Z
	21B	X05A, X05B		21B	X04Z		21A	W04A, W04B
5t017.c↔		BOP, KVT, UOP4, VIAL		05	F27A, F27B, F27C		21B	X06A, X06B, X06C
	08	I32A, I32B, I32C, I32D, I32E, I32F, I33Z		08	I20A, I20B, I20C, I20D, I33Z		08	I08A, I08B, I08C, I08D, I08E, I08F, I21Z, I31Z, I33Z
	21A	W04A, W04B		10	K01Z		21A	W04A, W04B
	21B	X05A, X05B		21A	W04A, W04B		21B	X06A, X06B, X06C
				21B	X04Z			

ZZV	MDC	DRG	ZZV	MDC	DRG	ZZV	MDC	DRG
5t018.a↔		BOP, KVT, UOP4, VIAL	5t018.r↔		BOP, KVT, UOP4, VIAL	5t019.6↔		BOP, KVT, UOP4, VIAL
	08	I32A, I32B, I32C, I32D, I32E, I32F, I33Z		08	I13A, I13B, I13C, I13D, I33Z, I37Z		08	I08A, I08B, I08C, I08D, I08E, I08F, I21Z, I31Z, I33Z
	21A	W04A, W04B		21A	W04A, W04B		21A	W04A, W04B
	21B	X05A, X05B		21B	X04Z		21B	X06A, X06B, X06C
5t018.b↔		BOP, KVT, UOP4, VIAL	5t018.s↔		BOP, KVT, UOP4, VIAL	5t019.7↔		BOP, KVT, UOP4, VIAL
	08	I32A, I32B, I32C, I32D, I32E, I32F, I33Z		08	I20A, I20B, I20C, I20D, I33Z, I37Z		08	I08A, I08B, I08C, I08D, I08E, I08F, I21Z, I31Z, I33Z
	21A	W04A, W04B					21A	W04A, W04B
	21B	X05A, X05B			21B	X06A, X06B, X06C		
5t018.c↔		BOP, KVT, UOP4, VIAL	5t018.t↔		BOP, KVT, UOP4, VIAL	5t019.8↔		BOP, KVT, UOP4, VIAL
	08	I32A, I32B, I32C, I32D, I32E, I32F, I33Z		05	F27A, F27B, F27C		08	I08A, I08B, I08C, I08D, I08E, I08F, I21Z, I31Z, I33Z
	21A	W04A, W04B		08	I20A, I20B, I20C, I20D, I33Z, I37Z		10	K01Z
	21B	X05A, X05B			21A	W04A, W04B		
5t018.d		BOP, KVT, UOP4, VIAL	5t018.u↔		BOP, KVT, UOP4, VIAL	5t019.9↔		BOP, KVT, UOP4, VIAL
	08	I08A, I08B, I08C, I08D, I08E, I27B, I33Z, I37Z, I47A		05	F27A, F27B, F27C		08	I08A, I08B, I08C, I08D, I08E, I08F, I21Z, I31Z, I33Z
	21A	W04A, W04B		08	I20A, I20B, I20C, I20D, I33Z, I37Z		10	K01Z
	21B	X06A, X06B, X06C			21A	W04A, W04B		
5t018.e↔		BOP, KVT, UOP4, VIAL	5t018.v↔		BOP, KVT, UOP4, VIAL	5t019.a↔		BOP, KVT, UOP4, VIAL
	08	I08A, I08B, I08C, I08D, I08E, I27B, I33Z, I37Z		05	F27A, F27B, F27C		08	I08A, I08B, I08C, I08D, I08E, I08F, I21Z, I31Z, I33Z
				08	I20A, I20B, I20C, I20D, I33Z, I37Z		10	K01Z
5t018.f↔		BOP, KVT, UOP4, VIAL	5t018.w↔		BOP, KVT, UOP4, VIAL	5t019.b↔		BOP, KVT, UOP4, VIAL
	01	B03A, B03B, B06A, B06B, B17A, B17B, B17C		01	B03A, B03B, B06A, B06B, B17A, B17B, B17C		08	I32A, I32B, I32C, I32D, I32E, I32F, I33Z
	08	I08A, I08B, I08C, I08D, I08E, I27B, I33Z, I37Z		08	I28A, I28B, I33Z		21A	W04A, W04B
	21A	W01A, W01B, W01C, W02A, W02B			21B	X05A, X05B		
	21B	X04Z					BOP, KVT, UOP4, VIAL	
5t018.g↔		BOP, KVT, UOP4, VIAL	5t018.z↔		BOP, KVT, UOP4, VIAL	5t019.c↔		BOP, KVT, UOP4, VIAL
	01	B03A, B03B, B06A, B06B, B17A, B17B, B17C		04	E02A, E02B, E02C		08	I32A, I32B, I32C, I32D, I32E, I32F, I33Z
	08	I08A, I08B, I08C, I08D, I08E, I27B, I33Z, I37Z		08	I28A, I28B, I33Z		21A	W04A, W04B
	21A	W01A, W01B, W01C, W02A, W02B			21B	X05A, X05B		
	21B	X04Z					BOP, KVT, UOP4, VIAL	
5t018.h↔		BOP, KVT, UOP4, VIAL	5t019.0↔		BOP, KVT, UOP4, VIAL	5t019.d		BOP, KVT, UOP4, VIAL
	01	B03A, B03B, B06A, B06B, B17A, B17B, B17C		04	E02A, E02B, E02C		08	I08A, I08B, I08C, I08D, I08E, I27B, I33Z, I37Z, I47A
	08	I08A, I08B, I08C, I08D, I08E, I27B, I33Z, I37Z		08	I28A, I28B, I33Z		21A	W04A, W04B
	21A	W01A, W01B, W01C, W02A, W02B			21B	X06A, X06B, X06C		
	21B	X04Z					BOP, KVT, UOP4, VIAL	
5t018.i↔		BOP, KVT, UOP4, VIAL	5t019.1↔		BOP, KVT, UOP4, VIAL	5t019.e↔		BOP, KVT, UOP4, VIAL
	01	B03A, B03B, B06A, B06B, B17A, B17B, B17C		08	I08A, I08B, I08C, I08D, I08E, I08F, I13A, I13B, I13C, I13D, I33Z		08	I08A, I08B, I08C, I08D, I08E, I27B, I33Z, I37Z
	08	I08A, I08B, I08C, I08D, I08E, I27B, I33Z, I37Z		21A	W04A, W04B		08	I08A, I08B, I08C, I08D, I08E, I27B, I33Z, I37Z
	21A	W01A, W01B, W01C, W02A, W02B			21A	W01A, W01B, W01C, W02A, W02B		
	21B	X04Z			21B	X04Z		
5t018.j↔		BOP, KVT, UOP4, VIAL	5t019.2↔		BOP, KVT, UOP4, VIAL	5t019.f↔		BOP, KVT, UOP4, VIAL
	08	I08A, I08D, I08E, I13A, I13B, I13C, I13D, I27B, I33Z, I37Z		08	I08A, I08B, I08C, I08D, I08E, I08F, I13A, I13B, I13C, I13D, I33Z		01	B03A, B03B, B06A, B06B, B17A, B17B, B17C
	21A	W04A, W04B		21A	W04A, W04B		08	I08A, I08B, I08C, I08D, I08E, I27B, I33Z, I37Z
	21B	X04Z			21A	W01A, W01B, W01C, W02A, W02B		
5t018.k↔		BOP, KVT, UOP4, VIAL	5t019.3↔		BOP, KVT, UOP4, VIAL	5t019.g↔		BOP, KVT, UOP4, VIAL
	08	I08A, I08D, I08E, I13A, I13B, I13C, I13D, I27B, I33Z, I37Z		08	I08A, I08B, I08C, I08D, I08E, I08F, I13A, I13B, I13C, I13D, I33Z		01	B03A, B03B, B06A, B06B, B17A, B17B, B17C
	21A	W04A, W04B		21A	W04A, W04B		08	I08A, I08B, I08C, I08D, I08E, I27B, I33Z, I37Z
	21B	X04Z			21A	W01A, W01B, W01C, W02A, W02B		
5t018.l↔		BOP, KVT, UOP4, VIAL	5t019.4↔		BOP, KVT, UOP4, VIAL	5t019.h↔		BOP, KVT, UOP4, VIAL
	08	I08A, I08D, I08E, I13A, I13B, I13C, I13D, I27B, I33Z, I37Z		08	I08A, I08B, I08C, I08D, I08E, I08F, I21Z, I31Z, I33Z		01	B03A, B03B, B06A, B06B, B17A, B17B, B17C
	21A	W04A, W04B		21A	W04A, W04B		08	I08A, I08B, I08C, I08D, I08E, I27B, I33Z, I37Z
	21B	X04Z			21A	W01A, W01B, W01C, W02A, W02B		
5t018.m↔		BOP, KVT, UOP4, VIAL	5t019.5↔		BOP, KVT, UOP4, VIAL	5t019.i↔		BOP, KVT, UOP4, VIAL
	08	I08A, I08D, I08E, I13A, I13B, I13C, I13D, I27B, I33Z, I37Z		08	I08A, I08B, I08C, I08D, I08E, I08F, I21Z, I31Z, I33Z		01	B03A, B03B, B06A, B06B, B17A, B17B, B17C
	21A	W04A, W04B		21A	W04A, W04B		08	I08A, I08B, I08C, I08D, I08E, I27B, I33Z, I37Z
	21B	X04Z			21A	W01A, W01B, W01C, W02A, W02B		
5t018.n↔		BOP, KVT, UOP4, VIAL						BOP, KVT, UOP4, VIAL
	08	I08A, I08D, I08E, I13A, I13B, I13C, I13D, I27B, I33Z, I37Z						I08A, I08B, I08C, I08D, I08E, I27B, I33Z, I37Z
	21A	W04A, W04B						W01A, W01B, W01C, W02A, W02B
	21B	X04Z						X04Z
5t018.o↔		BOP, KVT, UOP4, VIAL						BOP, KVT, UOP4, VIAL
	08	I13A, I13B, I13C, I13D, I33Z						I08A, I08B, I08C, I08D, I08E, I27B, I33Z, I37Z
	21A	W04A, W04B						W01A, W01B, W01C, W02A, W02B
	21B	X04Z						X04Z
5t018.p↔		BOP, KVT, UOP4, VIAL						BOP, KVT, UOP4, VIAL
	08	I13A, I13B, I13C, I13D, I33Z						I08A, I08B, I08C, I08D, I08E, I27B, I33Z, I37Z
	21A	W04A, W04B						W01A, W01B, W01C, W02A, W02B
	21B	X04Z						X04Z
5t018.q↔		BOP, KVT, UOP4, VIAL						BOP, KVT, UOP4, VIAL
	08	I13A, I13B, I13C, I13D, I33Z						I08A, I08B, I08C, I08D, I08E, I27B, I33Z, I37Z
	21A	W04A, W04B						W01A, W01B, W01C, W02A, W02B
	21B	X04Z						X04Z

ZZV	MDC	DRG	ZZV	MDC	DRG	ZZV	MDC	DRG
5t019.m↔		BOP, KVT, UOP4, VIAL	5t01a.6↔		BOP, KVT, UOP4, VIAL	5t01a.x		BOP, KVT, UOP4
	08	I08A, I08D, I08E, I13A, I13B, I13C, I13D, I27B, I33Z, I37Z		08	I08A, I08B, I08C, I08D, I08E, I08F, I11Z, I33Z		01	B03A, B03B, B06A, B06B, B17A, B17B, B17C
	21A	W04A, W04B		21A	W04A, W04B		08	I28A, I28B, I33Z
	21B	X04Z		21B	X06A, X06B, X06C		21A	W04A, W04B
5t019.n↔		BOP, KVT, UOP4, VIAL	5t01a.8↔		BOP, KVT, UOP4, VIAL	5t01x.0↔		X06A, X06B, X06C
	08	I08A, I08D, I08E, I13A, I13B, I13C, I13D, I27B, I33Z, I37Z		08	I08A, I08B, I08C, I08D, I08E, I08F, I11Z, I33Z		04	E02A, E02B, E02C
	21A	W04A, W04B		21A	W04A, W04B		08	I28A, I28B, I33Z
	21B	X04Z		21B	X06A, X06B, X06C		21A	W04A, W04B
5t019.p↔		BOP, KVT, UOP4, VIAL	5t01a.d		BOP, KVT, UOP4, VIAL	5t01x.1↔		X06A, X06B, X06C
	08	I13A, I13B, I13C, I13D, I33Z		08	I08A, I08B, I08C, I08D, I08E, I08F, I33Z, I47A		08	BOP, KVT, UOP4, VIAL
	21A	W04A, W04B		5t01a.e↔	BOP, KVT, UOP4, VIAL		08	I08A, I08B, I08C, I08D, I08E, I08F, I13A, I13B, I13C, I13D, I33Z
	21B	X04Z		08	I08A, I08B, I08C, I08D, I08E, I08F, I33Z		21A	W04A, W04B
5t019.q↔		BOP, KVT, UOP4, VIAL	5t01a.f↔		BOP, KVT, UOP4, VIAL	5t01x.2↔		X06A, X06B, X06C
	08	I13A, I13B, I13C, I13D, I33Z		01	B03A, B03B, B06A, B06B, B17A, B17B, B17C		08	BOP, KVT, UOP4, VIAL
	21A	W04A, W04B		08	I11Z, I33Z		08	I08A, I08B, I08C, I08D, I08E, I08F, I13A, I13B, I13C, I13D, I33Z
	21B	X04Z		21A	W01A, W01B, W01C, W02A, W02B		21A	W04A, W04B
5t019.r↔		BOP, KVT, UOP4, VIAL	5t01a.g↔		BOP, KVT, UOP4, VIAL	5t01x.3↔		X06A, X06B, X06C
	08	I13A, I13B, I13C, I13D, I33Z, I37Z		01	B03A, B03B, B06A, B06B, B17A, B17B, B17C		08	BOP, KVT, UOP4, VIAL
	21A	W04A, W04B		08	I11Z, I33Z		08	I08A, I08B, I08C, I08D, I08E, I08F, I13A, I13B, I13C, I13D, I33Z
	21B	X04Z		21A	W01A, W01B, W01C, W02A, W02B		21A	W04A, W04B
5t019.t↔		BOP, KVT, UOP4, VIAL	5t01a.h↔		BOP, KVT, UOP4, VIAL	5t01x.4↔		X06A, X06B, X06C
	05	F27A, F27B, F27C		01	B03A, B03B, B06A, B06B, B17A, B17B, B17C		08	BOP, KVT, UOP4, VIAL
	08	I20A, I20B, I20C, I20D, I33Z, I37Z		08	I11Z, I33Z		08	I08A, I08B, I08C, I08D, I08E, I08F, I21Z, I31Z, I33Z
	10	K01Z		21A	W01A, W01B, W01C, W02A, W02B		21A	W04A, W04B
	21A	W04A, W04B		21B	X04Z		21B	X06A, X06B, X06C
	21B	X04Z		5t01a.i↔	BOP, KVT, UOP4, VIAL	5t01x.5↔		BOP, KVT, UOP4, VIAL
5t019.u↔		BOP, KVT, UOP4, VIAL	5t01a.j↔		BOP, KVT, UOP4, VIAL		08	I08A, I08B, I08C, I08D, I08E, I08F, I21Z, I31Z, I33Z
	05	F27A, F27B, F27C		01	B03A, B03B, B06A, B06B, B17A, B17B, B17C		21A	W04A, W04B
	08	I20A, I20B, I20C, I20D, I33Z, I37Z		08	I11Z, I33Z		21B	X06A, X06B, X06C
	10	K01Z		21A	W01A, W01B, W01C, W02A, W02B		5t01x.6↔	BOP, KVT, UOP4, VIAL
	21A	W04A, W04B		21B	X04Z		08	I08A, I08B, I08C, I08D, I08E, I08F, I21Z, I31Z, I33Z
	21B	X04Z		5t01a.k↔	BOP, KVT, UOP4, VIAL		21A	W04A, W04B
5t019.v		BOP, KVT, UOP4		08	I11Z, I33Z		21B	X06A, X06B, X06C
	01	B03A, B03B, B06A, B06B, B17A, B17B, B17C		21A	W04A, W04B		5t01x.7↔	BOP, KVT, UOP4, VIAL
	08	I28A, I28B, I33Z		21B	X04Z		08	I08A, I08B, I08C, I08D, I08E, I08F, I21Z, I31Z, I33Z
	21A	W04A, W04B		5t01a.l↔	BOP, KVT, UOP4, VIAL		21A	W04A, W04B
	21B	X06A, X06B, X06C		08	I11Z, I33Z		21B	X06A, X06B, X06C
5t019.w↔		BOP, KVT, UOP4, VIAL	5t01a.m↔		BOP, KVT, UOP4, VIAL	5t01x.8↔		BOP, KVT, UOP4, VIAL
	04	E02A, E02B, E02C		08	I11Z, I33Z		08	I08A, I08B, I08C, I08D, I08E, I08F, I18A, I18B, I30Z, I33Z
	08	I28A, I28B, I33Z		21A	W04A, W04B		21A	W04A, W04B
	21A	W04A, W04B		21B	X04Z		21B	X06A, X06B, X06C
	21B	X06A, X06B, X06C		5t01a.n↔	BOP, KVT, UOP4, VIAL	5t01x.9↔		BOP, KVT, UOP4, VIAL
5t01a.1↔		BOP, KVT, UOP4, VIAL	5t01a.o↔		BOP, KVT, UOP4, VIAL		08	I08A, I08B, I08C, I08D, I08E, I08F, I18A, I18B, I30Z, I33Z
	08	I08A, I08B, I08C, I08D, I08E, I08F, I11Z, I33Z		08	I11Z, I33Z		21A	W04A, W04B
	21A	W04A, W04B		21A	W04A, W04B		21B	X06A, X06B, X06C
	21B	X06A, X06B, X06C		21B	X04Z		5t01x.a↔	BOP, KVT, UOP4, VIAL
5t01a.2↔		BOP, KVT, UOP4, VIAL	5t01a.p↔		BOP, KVT, UOP4, VIAL		08	I32A, I32B, I32C, I32D, I32E, I32F, I33Z
	08	I08A, I08B, I08C, I08D, I08E, I08F, I11Z, I33Z		08	I11Z, I33Z		21A	W04A, W04B
	21A	W04A, W04B		21A	W04A, W04B		21B	X05A, X05B
	21B	X06A, X06B, X06C		21B	X04Z		5t01x.b↔	BOP, KVT, UOP4, VIAL
5t01a.3↔		BOP, KVT, UOP4, VIAL	5t01a.q↔		BOP, KVT, UOP4, VIAL		08	I32A, I32B, I32C, I32D, I32E, I32F, I33Z
	08	I08A, I08B, I08C, I08D, I08E, I08F, I11Z, I33Z		08	I11Z, I33Z		21A	W04A, W04B
	21A	W04A, W04B		21A	W04A, W04B		21B	X05A, X05B
	21B	X06A, X06B, X06C		21B	X04Z		5t01x.c↔	BOP, KVT, UOP4, VIAL
5t01a.4↔		BOP, KVT, UOP4, VIAL	5t01a.r↔		BOP, KVT, UOP4, VIAL		08	I32A, I32B, I32C, I32D, I32E, I32F, I33Z
	08	I08A, I08B, I08C, I08D, I08E, I08F, I11Z, I33Z		08	I11Z, I33Z		21A	W04A, W04B
	21A	W04A, W04B		21A	W04A, W04B		21B	X05A, X05B
	21B	X06A, X06B, X06C		21B	X04Z		5t01x.d↔	BOP, KVT, UOP4, VIAL
5t01a.5↔		BOP, KVT, UOP4, VIAL	5t01a.s↔		BOP, KVT, UOP4, VIAL		08	I32A, I32B, I32C, I32D, I32E, I32F, I33Z
	08	I08A, I08B, I08C, I08D, I08E, I08F, I11Z, I33Z		08	I20A, I20B, I20C, I20D, I33Z		21A	W04A, W04B
	21A	W04A, W04B		08	I20A, I20B, I20C, I20D, I33Z		21B	X05A, X05B
	21B	X06A, X06B, X06C		5t01a.t↔	BOP, KVT, UOP4, VIAL		5t01x.e↔	BOP, KVT, UOP4, VIAL
	5t01a.5↔	BOP, KVT, UOP4, VIAL		08	I20A, I20B, I20C, I20D, I33Z		08	I32A, I32B, I32C, I32D, I32E, I32F, I33Z
	08	I08A, I08B, I08C, I08D, I08E, I08F, I11Z, I33Z		5t01a.u↔	BOP, KVT, UOP4, VIAL		21A	W04A, W04B
	21A	W04A, W04B		08	I20A, I20B, I20C, I20D, I33Z		21B	X05A, X05B
	21B	X06A, X06B, X06C						

ZZV	MDC	DRG	ZZV	MDC	DRG	ZZV	MDC	DRG
5t01x.c↔		BOP, KVT, UOP4, VIAL	5t01x.s↔		BOP, KVT, UOP4, VIAL	5t020.8↔		BOP, KVT, UOP4
	08	I32A, I32B, I32C, I32D, I32E, I32F, I33Z		05	F27A, F27B, F27C		08	I12A, I12B, I12C, I18A, I30Z
	21A	W04A, W04B		08	I20A, I20B, I20C, I20D, I33Z		21A	W04A, W04B
	21B	X05A, X05B		10	K01Z		21B	X06A, X06B, X06C
5t01x.d		BOP, KVT, UOP4, VIAL		21A	W04A, W04B	5t020.9↔		BOP, KVT, UOP4
	08	I08A, I08B, I08C, I08D, I08E, I08F, I33Z, I47A	5t01x.t↔		BOP, KVT, UOP4, VIAL		08	I12A, I12B, I12C, I18A, I30Z
	21A	W04A, W04B		05	F27A, F27B, F27C		21A	W04A, W04B
	21B	X06A, X06B, X06C		08	I20A, I20B, I20C, I20D, I20E, I20F, I33Z	5t020.a↔		BOP, KVT, UOP4
5t01x.e↔		BOP, KVT, UOP4, VIAL		10	K01Z		08	I12A, I12B, I12C, I32A, I32B, I32C, I32D, I32E, I32F
	01	B03A, B03B, B06A, B06B, B17A, B17B, B17C		21A	W04A, W04B		21A	W04A, W04B
	08	I08A, I08B, I08C, I08D, I08E, I08F, I33Z		21B	X04Z	5t020.b↔		BOP, KVT, UOP4
	21A	W01A, W01B, W01C, W02A, W02B	5t01x.u↔		BOP, KVT, UOP4, VIAL		08	I12A, I12B, I12C, I32A, I32B, I32C, I32D, I32E, I32F
	21B	X04Z		05	F27A, F27B, F27C		21A	W04A, W04B
5t01x.f↔		BOP, KVT, UOP4, VIAL		08	I20A, I20B, I20C, I20D, I20E, I20F, I33Z		21B	X05A, X05B
	01	B03A, B03B, B06A, B06B, B17A, B17B, B17C		10	K01Z	5t020.c↔		BOP, KVT, UOP4
	08	I08A, I08B, I08C, I08D, I08E, I08F, I33Z		21A	W04A, W04B		08	I12A, I12B, I12C, I32A, I32B, I32C, I32D, I32E, I32F
	21A	W01A, W01B, W01C, W02A, W02B	5t01x.x		BOP, KVT, UOP4		10	K09A, K09B
	21B	X04Z		01	B03A, B03B, B06A, B06B, B17A, B17B, B17C		21A	W04A, W04B
5t01x.g↔		BOP, KVT, UOP4, VIAL		08	I28A, I28B, I33Z	5t020.d		BOP, KVT, UOP4
	01	B03A, B03B, B06A, B06B, B17A, B17B, B17C		21A	W04A, W04B		08	I08A, I08B, I08C, I08D, I08E, I08F, I12A, I12B, I12C
	08	I08A, I08B, I08C, I08D, I08E, I08F, I33Z		21B	X06A, X06B, X06C		10	K09A, K09B
	21A	W01A, W01B, W01C, W02A, W02B	5t01x.z↔		BOP, KVT, UOP4, VIAL		21A	W04A, W04B
	21B	X04Z		04	E02A, E02B, E02C	5t020.e↔		BOP, KVT, UOP4
5t01x.h↔		BOP, KVT, UOP4, VIAL		08	I28A, I28B, I33Z		08	I08A, I08B, I08C, I08D, I08E, I08F
	01	B03A, B03B, B06A, B06B, B17A, B17B, B17C		21A	W04A, W04B		21A	W01A, W01B, W01C, W02A, W02B
	08	I08A, I08B, I08C, I08D, I08E, I08F, I33Z		21B	X06A, X06B, X06C		21B	X04Z
	21A	W01A, W01B, W01C, W02A, W02B	5t020.0↔		BOP, KVT, UOP4	5t020.f↔		BOP, KVT, UOP4
	21B	X04Z		01	B03A, B03B, B18Z		08	I08A, I08B, I08C, I08D, I08E, I08F
5t01x.i↔		BOP, KVT, UOP4, VIAL		04	E02A, E02B, E02C		21A	W01A, W01B, W01C, W02A, W02B
	01	B03A, B03B, B06A, B06B, B17A, B17B, B17C		08	I28A, I28B, I33Z		21B	X04Z
	08	I08A, I08B, I08C, I08D, I08E, I08F, I33Z		21A	W04A, W04B	5t020.g↔		BOP, KVT, UOP4
	21A	W01A, W01B, W01C, W02A, W02B	5t020.1↔		BOP, KVT, UOP4		08	I08A, I08B, I08C, I08D, I08E, I08F
	21B	X04Z		08	I12A, I12B, I12C, I13A, I13B, I13C, I13D, I13E		21A	W01A, W01B, W01C, W02A, W02B
5t01x.k↔		BOP, KVT, UOP4, VIAL		21A	W04A, W04B		21B	X04Z
	08	I13A, I13B, I13C, I13D, I33Z		21B	X06A, X06B, X06C	5t020.h↔		BOP, KVT, UOP4
	21A	W04A, W04B	5t020.2↔		BOP, KVT, UOP4		08	I08A, I08B, I08C, I08D, I08E, I08F
	21B	X04Z		08	I12A, I12B, I12C, I13A, I13B, I13C, I13D, I13E		21A	W01A, W01B, W01C, W02A, W02B
5t01x.l↔		BOP, KVT, UOP4, VIAL		21A	W04A, W04B		21B	X04Z
	08	I13A, I13B, I13C, I13D, I33Z		21B	X06A, X06B, X06C	5t020.i↔		BOP, KVT, UOP4
	21A	W04A, W04B	5t020.3↔		BOP, KVT, UOP4		08	I08A, I08B, I08C, I08D, I08E, I08F
	21B	X04Z		08	I12A, I12B, I12C, I13A, I13B, I13C, I13D, I13E		21A	W01A, W01B, W01C, W02A, W02B
5t01x.m↔		BOP, KVT, UOP4, VIAL		21A	W04A, W04B		21B	X04Z
	08	I13A, I13B, I13C, I13D, I33Z		21B	X06A, X06B, X06C	5t020.j↔		BOP, KVT, UOP4
	21A	W04A, W04B	5t020.4↔		BOP, KVT, UOP4		08	I12A, I12B, I12C, I18A, I30Z
	21B	X04Z		08	I12A, I12B, I12C, I18A, I30Z		21A	W04A, W04B
5t01x.n↔		BOP, KVT, UOP4, VIAL		21A	W04A, W04B		21B	X04Z
	08	I13A, I13B, I13C, I13D, I33Z		21B	X06A, X06B, X06C	5t020.k↔		BOP, KVT, UOP4
	21A	W04A, W04B		08	I12A, I12B, I12C, I18A, I30Z		08	I12A, I12B, I12C, I18A, I30Z
	21B	X04Z		21A	W04A, W04B		21A	W04A, W04B
5t01x.o↔		BOP, KVT, UOP4, VIAL		21B	X06A, X06B, X06C		21B	X04Z
	08	I13A, I13B, I13C, I13D, I33Z	5t020.5↔		BOP, KVT, UOP4		21A	W04A, W04B
	21A	W04A, W04B		08	I12A, I12B, I12C, I18A, I30Z	5t020.l↔		BOP, KVT, UOP4
	21B	X04Z		21A	W04A, W04B		08	I12A, I12B, I12C, I13A, I13B, I13C, I13D, I13E
5t01x.p↔		BOP, KVT, UOP4, VIAL		21B	X06A, X06B, X06C		21A	W04A, W04B
	08	I13A, I13B, I13C, I13D, I33Z		08	I12A, I12B, I12C, I18A, I30Z		21B	X04Z
	21A	W04A, W04B		21A	W04A, W04B	5t020.m↔		BOP, KVT, UOP4
	21B	X04Z		21B	X06A, X06B, X06C		08	I12A, I12B, I12C, I13A, I13B, I13C, I13D, I13E
5t01x.q↔		BOP, KVT, UOP4, VIAL		08	I12A, I12B, I12C, I18A, I30Z		21A	W04A, W04B
	08	I13A, I13B, I13C, I13D, I33Z		21A	W04A, W04B		21B	X04Z
	21A	W04A, W04B	5t020.6↔		BOP, KVT, UOP4	5t020.n↔		BOP, KVT, UOP4
	21B	X04Z		08	I12A, I12B, I12C, I18A, I30Z		08	I12A, I12B, I12C, I13A, I13B, I13C, I13D, I13E
5t01x.r↔		BOP, KVT, UOP4, VIAL		21A	W04A, W04B		21A	W04A, W04B
	08	I13A, I13B, I13C, I13D, I33Z		21B	X06A, X06B, X06C		21B	X04Z
	21A	W04A, W04B		08	I12A, I12B, I12C, I18A, I30Z			
	21B	X04Z	5t020.7↔		BOP, KVT, UOP4			
				08	I12A, I12B, I12C, I18A, I30Z			
				21A	W04A, W04B			
				21B	X06A, X06B, X06C			



ZZV	MDC	DRG	ZZV	MDC	DRG	ZZV	MDC	DRG
5t020.p↔		BOP, KVT, UOP4	5t021.3↔		BOP, KVT, UOP4	5t021.h↔		BOP, KVT, UOP4
	08	I12A, I12B, I12C, I13A, I13B, I13C, I13D, I13E		08	I12A, I12B, I12C, I13A, I13B, I13C, I13D, I13E		08	I08A, I08B, I08C, I08D, I08E, I08F
	21A	W04A, W04B		21A	W04A, W04B		21A	W01A, W01B, W01C, W02A, W02B
5t020.q↔	21B	X04Z	5t021.4↔	21B	X06A, X06B, X06C	5t021.k↔	21B	X04Z
		BOP, KVT, UOP4			BOP, KVT, UOP4			BOP, KVT, UOP4
	08	I12A, I12B, I12C, I13A, I13B, I13C, I13D, I13E		08	I12A, I12B, I12C, I18A, I30Z		08	I12A, I12B, I12C, I13A, I13B, I13C, I13D, I13E
5t020.r↔	21A	W04A, W04B	5t021.5↔	21A	W04A, W04B	5t021.m↔	21A	W04A, W04B
	21B	X04Z		21B	X06A, X06B, X06C		21B	X04Z
		BOP, KVT, UOP4			BOP, KVT, UOP4			BOP, KVT, UOP4
5t020.s↔	08	I12A, I12B, I12C, I13A, I13B, I13C, I13D, I13E	5t021.6↔	08	I12A, I12B, I12C, I21Z, I31Z	5t021.n↔	08	I12A, I12B, I12C, I13A, I13B, I13C, I13D, I13E
	21A	W04A, W04B		21A	W04A, W04B		21A	W04A, W04B
	21B	X04Z		21B	X06A, X06B, X06C		21B	X04Z
5t020.t↔	05	F27A, F27B, F27C	5t021.7↔	08	I12A, I12B, I12C, I21Z, I31Z	5t021.p↔	08	I12A, I12B, I12C, I13A, I13B, I13C, I13D, I13E
	08	I12A, I12B, I12C, I20A, I20B, I20C, I20D, I20E, I20F		21A	W04A, W04B		21A	W04A, W04B
	10	K01Z		21B	X06A, X06B, X06C		21B	X04Z
	21A	W04A, W04B		08	I12A, I12B, I12C, I21Z, I31Z		08	I12A, I12B, I12C, I13A, I13B, I13C, I13D, I13E
	21B	X04Z		21A	W04A, W04B		21A	W04A, W04B
5t020.u↔	08	I12A, I12B, I12C, I20A, I20B, I20C, I20D, I20E, I20F	5t021.8↔	21B	X06A, X06B, X06C	5t021.q↔	08	I12A, I12B, I12C, I13A, I13B, I13C, I13D, I13E
	10	K01Z		08	I12A, I12B, I12C, I21Z, I31Z		21A	W04A, W04B
	21A	W04A, W04B		21A	W04A, W04B		21B	X04Z
	21B	X04Z		21B	X06A, X06B, X06C		21A	W04A, W04B
	05	F27A, F27B, F27C		08	I12A, I12B, I12C, I32A, I32B, I32C, I32D, I32E, I32F		21B	X04Z
5t020.v↔	08	I12A, I12B, I12C, I20A, I20B, I20C, I20D, I20E, I20F	5t021.9↔	21A	W04A, W04B	5t021.r↔	08	I12A, I12B, I12C, I13A, I13B, I13C, I13D, I13E
	10	K01Z		08	I12A, I12B, I12C, I21Z, I31Z		21A	W04A, W04B
	21A	W04A, W04B		21A	W04A, W04B		21B	X04Z
	21B	X04Z		21B	X06A, X06B, X06C		21A	W04A, W04B
	08	I12A, I12B, I12C, I28A, I28B, I28C		08	I12A, I12B, I12C, I32A, I32B, I32C, I32D, I32E, I32F		21B	X04Z
5t020.w↔	21A	W04A, W04B	5t021.a↔	21A	W04A, W04B	5t021.s↔	05	F27A, F27B, F27C
	21B	X06A, X06B, X06C		08	I12A, I12B, I12C, I32A, I32B, I32C, I32D, I32E, I32F		08	I12A, I12B, I12C, I20A, I20B, I20C, I20D, I20E, I20F
	01	B03A, B03B, B18Z		21A	W04A, W04B		10	K01Z
	04	E02A, E02B, E02C		21B	X05A, X05B		21A	W04A, W04B
	08	I12A, I12B, I12C, I28A, I28B, I28C		08	I12A, I12B, I12C, I32A, I32B, I32C, I32D, I32E, I32F		21B	X04Z
5t020.x↔	21A	W04A, W04B	5t021.b↔	08	I12A, I12B, I12C, I32A, I32B, I32C, I32D, I32E, I32F	5t021.t↔	05	F27A, F27B, F27C
	21B	X06A, X06B, X06C		08	I12A, I12B, I12C, I32A, I32B, I32C, I32D, I32E, I32F		08	I12A, I12B, I12C, I20A, I20B, I20C, I20D, I20E, I20F
	01	B03A, B03B, B18Z		10	K09A, K09B		10	K01Z
	04	E02A, E02B, E02C		21A	W04A, W04B		21A	W04A, W04B
	08	I12A, I12B, I12C, I28A, I28B, I28C		21B	X06A, X06B, X06C		21B	X04Z
5t020.y↔	21A	W04A, W04B	5t021.c↔	08	I12A, I12B, I12C, I32A, I32B, I32C, I32D, I32E, I32F	5t021.u↔	08	I12A, I12B, I12C, I20A, I20B, I20C, I20D, I20E, I20F
	21B	X06A, X06B, X06C		08	I12A, I12B, I12C, I32A, I32B, I32C, I32D, I32E, I32F		10	K01Z
	01	B03A, B03B, B18Z		10	K09A, K09B		21A	W04A, W04B
	04	E02A, E02B, E02C		21A	W04A, W04B		21B	X04Z
	08	I12A, I12B, I12C, I28A, I28B, I28C		21B	X06A, X06B, X06C		05	F27A, F27B, F27C
5t021.0↔	21A	W04A, W04B	5t021.d	08	I08A, I08B, I08C, I08D, I08E, I08F, I12A, I12B, I12C	5t021.v↔	08	I12A, I12B, I12C, I20A, I20B, I20C, I20D, I20E, I20F
	21B	X06A, X06B, X06C		08	I08A, I08B, I08C, I08D, I08E, I08F, I12A, I12B, I12C		10	K01Z
	01	B03A, B03B, B18Z		10	K09A, K09B		21A	W04A, W04B
	04	E02A, E02B, E02C		21A	W04A, W04B		21B	X04Z
	08	I12A, I12B, I12C, I28A, I28B, I28C		21B	X06A, X06B, X06C		05	F27A, F27B, F27C
5t021.1↔	21A	W04A, W04B	5t021.e↔	08	I08A, I08B, I08C, I08D, I08E, I08F	5t021.w↔	08	I12A, I12B, I12C, I20A, I20B, I20C, I20D, I20E, I20F
	21B	X06A, X06B, X06C		08	I08A, I08B, I08C, I08D, I08E, I08F		10	K01Z
	01	B03A, B03B, B18Z		21A	W01A, W01B, W01C, W02A, W02B		21A	W04A, W04B
	04	E02A, E02B, E02C		21B	X04Z		21B	X04Z
	08	I12A, I12B, I12C, I28A, I28B, I28C		08	I08A, I08B, I08C, I08D, I08E, I08F		05	F27A, F27B, F27C
5t021.2↔	21A	W04A, W04B	5t021.f↔	21A	W01A, W01B, W01C, W02A, W02B	5t021.x	08	I12A, I12B, I12C, I28A, I28B, I28C
	21B	X06A, X06B, X06C		21B	X04Z		21A	W04A, W04B
	01	B03A, B03B, B18Z		08	I08A, I08B, I08C, I08D, I08E, I08F		21B	X06A, X06B, X06C
	04	E02A, E02B, E02C		21A	W01A, W01B, W01C, W02A, W02B		01	B03A, B03B, B18Z
	08	I12A, I12B, I12C, I28A, I28B, I28C		21B	X04Z		04	E02A, E02B, E02C
5t021.3↔	21A	W04A, W04B	5t021.g↔	08	I08A, I08B, I08C, I08D, I08E, I08F	5t021.y↔	08	I12A, I12B, I12C, I28A, I28B, I28C
	21B	X06A, X06B, X06C		21A	W01A, W01B, W01C, W02A, W02B		21A	W04A, W04B
	01	B03A, B03B, B18Z		21B	X04Z		21B	X06A, X06B, X06C
	04	E02A, E02B, E02C		08	I08A, I08B, I08C, I08D, I08E, I08F		01	B03A, B03B, B18Z
	08	I12A, I12B, I12C, I28A, I28B, I28C		21A	W01A, W01B, W01C, W02A, W02B		04	E02A, E02B, E02C

VYK

ZZV	MDC	DRG	ZZV	MDC	DRG	ZZV	MDC	DRG
5t022.0↔		BOP, KVT, UOP4	5t022.e↔		BOP, KVT, UOP4	5t022.u↔		BOP, KVT, UOP4
	01	B03A, B03B, B18Z		08	I08A, I08B, I08C, I08D, I08E, I08F		05	F27A, F27B, F27C
	04	E02A, E02B, E02C		21A	W01A, W01B, W01C, W02A, W02B		08	I12A, I12B, I12C, I20A, I20B, I20C, I20D, I20E, I20F
	08	I12A, I12B, I12C, I28A, I28B, I28C		21B	X04Z		10	K01Z
	21A	W04A, W04B	5t022.f↔		BOP, KVT, UOP4		21A	W04A, W04B
	21B	X06A, X06B, X06C		08	I08A, I08B, I08C, I08D, I08E, I08F	5t022.x		BOP, KVT, UOP4
5t022.1↔		BOP, KVT, UOP4		21A	W01A, W01B, W01C, W02A, W02B		08	I12A, I12B, I12C, I28A, I28B, I28C
	08	I12A, I12B, I12C, I13A, I13B, I13C, I13D, I13E		21B	X04Z		21A	W04A, W04B
	21A	W04A, W04B	5t022.g↔		BOP, KVT, UOP4		21B	X06A, X06B, X06C
	21B	X06A, X06B, X06C		08	I08A, I08B, I08C, I08D, I08E, I08F	5t022.z↔		BOP, KVT, UOP4
5t022.2↔		BOP, KVT, UOP4		21A	W01A, W01B, W01C, W02A, W02B		01	B03A, B03B, B18Z
	08	I12A, I12B, I12C, I13A, I13B, I13C, I13D, I13E		21B	X04Z		04	E02A, E02B, E02C
	21A	W04A, W04B	5t022.h↔		BOP, KVT, UOP4		08	I12A, I12B, I12C, I28A, I28B, I28C
	21B	X06A, X06B, X06C		08	I08A, I08B, I08C, I08D, I08E, I08F		21A	W04A, W04B
5t022.3↔		BOP, KVT, UOP4		21A	W01A, W01B, W01C, W02A, W02B	5t023.0↔		BOP, KVT, UOP4
	08	I12A, I12B, I12C, I13A, I13B, I13C, I13D, I13E		21B	X04Z		01	B03A, B03B, B18Z
	21A	W04A, W04B	5t022.i↔		BOP, KVT, UOP4		04	E02A, E02B, E02C
	21B	X06A, X06B, X06C		08	I12A, I12B, I12C, I13A, I13B, I13C, I13D, I13E		08	I12A, I12B, I12C, I28A, I28B, I28C
5t022.4↔		BOP, KVT, UOP4		21A	W04A, W04B		21A	W04A, W04B
	08	I12A, I12B, I12C, I21Z, I31Z	5t022.k↔		BOP, KVT, UOP4		21B	X06A, X06B, X06C
	21A	W04A, W04B		08	I12A, I12B, I12C, I13A, I13B, I13C, I13D, I13E	5t023.1↔		BOP, KVT, UOP4
	21B	X06A, X06B, X06C		21A	W04A, W04B		08	I12A, I12B, I12C, I13A, I13B, I13C, I13D, I13E
5t022.5↔		BOP, KVT, UOP4		21B	X04Z		21A	W04A, W04B
	08	I12A, I12B, I12C, I21Z, I31Z	5t022.l↔		BOP, KVT, UOP4		21B	X06A, X06B, X06C
	21A	W04A, W04B		08	I12A, I12B, I12C, I13A, I13B, I13C, I13D, I13E	5t023.2↔		BOP, KVT, UOP4
	21B	X06A, X06B, X06C		21A	W04A, W04B		08	I12A, I12B, I12C, I13A, I13B, I13C, I13D, I13E
5t022.6↔		BOP, KVT, UOP4		21B	X04Z		21A	W04A, W04B
	08	I12A, I12B, I12C, I21Z, I31Z	5t022.m↔		BOP, KVT, UOP4		21B	X06A, X06B, X06C
	21A	W04A, W04B		08	I12A, I12B, I12C, I13A, I13B, I13C, I13D, I13E	5t023.3↔		BOP, KVT, UOP4
	21B	X06A, X06B, X06C		21A	W04A, W04B		08	I12A, I12B, I12C, I13A, I13B, I13C, I13D, I13E
5t022.7↔		BOP, KVT, UOP4		21B	X04Z		21A	W04A, W04B
	08	I12A, I12B, I12C, I21Z, I31Z	5t022.n↔		BOP, KVT, UOP4		21B	X06A, X06B, X06C
	21A	W04A, W04B		08	I12A, I12B, I12C, I13A, I13B, I13C, I13D, I13E	5t023.4↔		BOP, KVT, UOP4
	21B	X06A, X06B, X06C		21A	W04A, W04B		08	I12A, I12B, I12C, I21Z, I31Z
5t022.8↔		BOP, KVT, UOP4		21B	X04Z		21A	W04A, W04B
	08	I12A, I12B, I12C, I21Z, I31Z	5t022.o↔		BOP, KVT, UOP4		21B	X06A, X06B, X06C
	21A	W04A, W04B		08	I12A, I12B, I12C, I13A, I13B, I13C, I13D, I13E	5t023.5↔		BOP, KVT, UOP4
	21B	X06A, X06B, X06C		21A	W04A, W04B		08	I12A, I12B, I12C, I21Z, I31Z
5t022.9↔		BOP, KVT, UOP4		21B	X04Z		21A	W04A, W04B
	08	I12A, I12B, I12C, I21Z, I31Z	5t022.p↔		BOP, KVT, UOP4		21B	X06A, X06B, X06C
	21A	W04A, W04B		08	I12A, I12B, I12C, I13A, I13B, I13C, I13D, I13E	5t023.6↔		BOP, KVT, UOP4
	21B	X06A, X06B, X06C		21A	W04A, W04B		08	I12A, I12B, I12C, I21Z, I31Z
5t022.a↔		BOP, KVT, UOP4		21B	X04Z		21A	W04A, W04B
	08	I12A, I12B, I12C, I32A, I32B, I32C, I32D, I32E, I32F	5t022.q↔		BOP, KVT, UOP4		21B	X06A, X06B, X06C
	21A	W04A, W04B		08	I12A, I12B, I12C, I13A, I13B, I13C, I13D, I13E	5t023.7↔		BOP, KVT, UOP4
	21B	X05A, X05B		21A	W04A, W04B		08	I12A, I12B, I12C, I21Z, I31Z
5t022.b↔		BOP, KVT, UOP4		21B	X04Z		21A	W04A, W04B
	08	I12A, I12B, I12C, I32A, I32B, I32C, I32D, I32E, I32F	5t022.r↔		BOP, KVT, UOP4		21B	X06A, X06B, X06C
	21A	W04A, W04B		08	I12A, I12B, I12C, I13A, I13B, I13C, I13D, I13E	5t023.8↔		BOP, KVT, UOP4
	21B	X05A, X05B		21A	W04A, W04B		08	I12A, I12B, I12C, I21Z, I31Z
5t022.c↔		BOP, KVT, UOP4		21B	X04Z		21A	W04A, W04B
	08	I12A, I12B, I12C, I32A, I32B, I32C, I32D, I32E, I32F	5t022.s↔		BOP, KVT, UOP4		21B	X06A, X06B, X06C
	10	K09A, K09B		05	F27A, F27B, F27C	5t023.9↔		BOP, KVT, UOP4
	21A	W04A, W04B		08	I12A, I12B, I12C, I20A, I20B, I20C, I20D, I20E, I20F		08	I12A, I12B, I12C, I21Z, I31Z
	21B	X06A, X06B, X06C		10	K01Z		21A	W04A, W04B
5t022.d		BOP, KVT, UOP4		21A	W04A, W04B		21B	X06A, X06B, X06C
	08	I08A, I08B, I08C, I08D, I08E, I08F, I12A, I12B, I12C, I37Z	5t022.t↔		BOP, KVT, UOP4			
	10	K09A, K09B		05	F27A, F27B, F27C			
	21A	W04A, W04B		08	I12A, I12B, I12C, I20A, I20B, I20C, I20D, I20E, I20F			
	21B	X06A, X06B, X06C		10	K01Z			
				21A	W04A, W04B			
				21B	X04Z			

VYK

ZZV	MDC	DRG	ZZV	MDC	DRG	ZZV	MDC	DRG
5t023.a↔		BOP, KVT, UOP4	5t023.q↔		BOP, KVT, UOP4	5t024.5↔		BOP, KVT, UOP4
	08	I12A, I12B, I12C, I32A, I32B, I32C, I32D, I32E, I32F		08	I12A, I12B, I12C, I13A, I13B, I13C, I13D, I13E		08	I12A, I12B, I12C, I21Z, I31Z
	21A	W04A, W04B		21A	W04A, W04B		21A	W04A, W04B
	21B	X05A, X05B		21B	X04Z	5t024.6↔		X06A, X06B, X06C
5t023.b↔		BOP, KVT, UOP4	5t023.r↔		BOP, KVT, UOP4			BOP, KVT, UOP4
	08	I12A, I12B, I12C, I32A, I32B, I32C, I32D, I32E, I32F		08	I12A, I12B, I12C, I13A, I13B, I13C, I13D, I13E		08	I12A, I12B, I12C, I21Z, I31Z
	21A	W04A, W04B		21A	W04A, W04B		21A	W04A, W04B
	21B	X05A, X05B		21B	X04Z	5t024.7↔		X06A, X06B, X06C
5t023.c↔		BOP, KVT, UOP4	5t023.s↔		BOP, KVT, UOP4			BOP, KVT, UOP4
	08	I12A, I12B, I12C, I32A, I32B, I32C, I32D, I32E, I32F		05	F27A, F27B, F27C		08	I12A, I12B, I12C, I21Z, I31Z
	10	K09A, K09B		08	I12A, I12B, I12C, I20A, I20B, I20C, I20D, I20E, I20F		21A	W04A, W04B
	21A	W04A, W04B		10	K01Z	5t024.8↔		X06A, X06B, X06C
	21B	X06A, X06B, X06C		21A	W04A, W04B		21B	BOP, KVT, UOP4
5t023.d		BOP, KVT, UOP4	5t023.t↔		BOP, KVT, UOP4		08	I12A, I12B, I12C, I21Z, I31Z
	08	I08A, I08B, I08C, I08D, I08E, I08F, I12A, I12B, I12C, I37Z		05	F27A, F27B, F27C		21A	W04A, W04B
	10	K09A, K09B		08	I12A, I12B, I12C, I20A, I20B, I20C, I20D, I20E, I20F	5t024.9↔		X06A, X06B, X06C
	21A	W04A, W04B		10	K01Z		21A	BOP, KVT, UOP4
	21B	X06A, X06B, X06C		21A	W04A, W04B		21B	I12A, I12B, I12C, I32A, I32B, I32C, I32D, I32E, I32F
5t023.e↔		BOP, KVT, UOP4	5t023.u↔		BOP, KVT, UOP4		21A	W04A, W04B
	08	I08A, I08B, I08C, I08D, I08E, I08F		05	F27A, F27B, F27C	5t024.a↔		X05A, X05B
	21A	W01A, W01B, W01C, W02A, W02B		08	I12A, I12B, I12C, I20A, I20B, I20C, I20D, I20E, I20F		21B	BOP, KVT, UOP4
	21B	X04Z		10	K01Z	5t024.b↔		I12A, I12B, I12C, I32A, I32B, I32C, I32D, I32E, I32F
5t023.f↔		BOP, KVT, UOP4	5t023.x		BOP, KVT, UOP4		21A	W04A, W04B
	08	I08A, I08B, I08C, I08D, I08E, I08F		08	I12A, I12B, I12C, I28A, I28B, I28C	5t024.c↔		X05A, X05B
	21A	W01A, W01B, W01C, W02A, W02B		21A	W04A, W04B		21B	BOP, KVT, UOP4
	21B	X04Z		21B	X06A, X06B, X06C		08	I12A, I12B, I12C, I32A, I32B, I32C, I32D, I32E, I32F
5t023.g↔		BOP, KVT, UOP4	5t023.z↔		BOP, KVT, UOP4		10	K09A, K09B
	08	I08A, I08B, I08C, I08D, I08E, I08F		01	B03A, B03B, B18Z	5t024.d		W04A, W04B
	21A	W01A, W01B, W01C, W02A, W02B		04	E02A, E02B, E02C		21A	X06A, X06B, X06C
	21B	X04Z		08	I12A, I12B, I12C, I28A, I28B, I28C		21B	BOP, KVT, UOP4
5t023.h↔		BOP, KVT, UOP4	5t024.0↔		BOP, KVT, UOP4		08	I08A, I08B, I08C, I08D, I08E, I08F, I12A, I12B, I12C, I37Z
	08	I08A, I08B, I08C, I08D, I08E, I08F		01	B03A, B03B, B18Z		10	K09A, K09B
	21A	W01A, W01B, W01C, W02A, W02B		04	E02A, E02B, E02C	5t024.e↔		W04A, W04B
	21B	X04Z		08	I12A, I12B, I12C, I28A, I28B, I28C		21A	X06A, X06B, X06C
5t023.k↔		BOP, KVT, UOP4	5t024.1↔		BOP, KVT, UOP4		21B	BOP, KVT, UOP4
	08	I12A, I12B, I12C, I13A, I13B, I13C, I13D, I13E		08	I12A, I12B, I12C, I13A, I13B, I13C, I13D, I13E	5t024.f↔		X06A, X06B, X06C
	21A	W04A, W04B		21A	W04A, W04B		08	I08A, I08B, I08C, I08D, I08E, I08F
	21B	X04Z		21B	X06A, X06B, X06C		21A	W01A, W01B, W01C, W02A, W02B
5t023.m↔		BOP, KVT, UOP4	5t024.2↔		BOP, KVT, UOP4		21B	X04Z
	08	I12A, I12B, I12C, I13A, I13B, I13C, I13D, I13E		08	I12A, I12B, I12C, I13A, I13B, I13C, I13D, I13E	5t024.g↔		BOP, KVT, UOP4
	21A	W04A, W04B		21A	W04A, W04B		08	I08A, I08B, I08C, I08D, I08E, I08F
	21B	X04Z		21B	X06A, X06B, X06C		21A	W01A, W01B, W01C, W02A, W02B
5t023.n↔		BOP, KVT, UOP4	5t024.3↔		BOP, KVT, UOP4		21B	X04Z
	08	I12A, I12B, I12C, I13A, I13B, I13C, I13D, I13E		08	I12A, I12B, I12C, I13A, I13B, I13C, I13D, I13E	5t024.h↔		BOP, KVT, UOP4
	21A	W04A, W04B		21A	W04A, W04B		08	I08A, I08B, I08C, I08D, I08E, I08F
	21B	X04Z		21B	X06A, X06B, X06C		21A	W01A, W01B, W01C, W02A, W02B
5t023.p↔		BOP, KVT, UOP4	5t024.4↔		BOP, KVT, UOP4		21B	X04Z
	08	I12A, I12B, I12C, I13A, I13B, I13C, I13D, I13E		08	I12A, I12B, I12C, I21Z, I31Z			
	21A	W04A, W04B		21A	W04A, W04B			
	21B	X04Z		21B	X06A, X06B, X06C			

ZZV	MDC	DRG	ZZV	MDC	DRG	ZZV	MDC	DRG
5t024.k↔		BOP, KVT, UOP4	5t025.0↔	01	BOP, KVT, UOP4	5t025.e↔		BOP, KVT, UOP4
	08	I12A, I12B, I12C, I13A, I13B, I13C, I13D, I13E		04	B03A, B03B, B18Z		08	I08A, I08B, I08C, I08D, I08E, I08F
	21A	W04A, W04B		08	E02A, E02B, E02C		21A	W01A, W01B, W01C, W02A, W02B
5t024.m↔	21B	X04Z	5t025.1↔	21A	I12A, I12B, I12C, I28A, I28B, I28C	5t025.f↔	21B	W04A, W04B
		BOP, KVT, UOP4		21B	W04A, W04B			X04Z
	08	I12A, I12B, I12C, I13A, I13B, I13C, I13D, I13E		21B	X06A, X06B, X06C			BOP, KVT, UOP4
5t024.n↔	21A	W04A, W04B	5t025.2↔	08	BOP, KVT, UOP4	5t025.g↔	08	I08A, I08B, I08C, I08D, I08E, I08F
	21B	X04Z		08	I12A, I12B, I12C, I13A, I13B, I13C, I13D, I13E		21A	W01A, W01B, W01C, W02A, W02B
		BOP, KVT, UOP4		21A	W04A, W04B		21B	X04Z
5t024.p↔	08	I12A, I12B, I12C, I13A, I13B, I13C, I13D, I13E	5t025.3↔	21B	X06A, X06B, X06C	5t025.h↔		BOP, KVT, UOP4
	21A	W04A, W04B		08	BOP, KVT, UOP4		08	I08A, I08B, I08C, I08D, I08E, I08F
	21B	X04Z		08	I12A, I12B, I12C, I13A, I13B, I13C, I13D, I13E		21A	W01A, W01B, W01C, W02A, W02B
5t024.q↔		BOP, KVT, UOP4	5t025.4↔	21A	W04A, W04B	5t025.i↔	21B	X04Z
	08	I12A, I12B, I12C, I13A, I13B, I13C, I13D, I13E		21B	X06A, X06B, X06C		08	I08A, I08B, I08C, I08D, I08E, I08F
	21A	W04A, W04B		08	BOP, KVT, UOP4		21A	W01A, W01B, W01C, W02A, W02B
5t024.r↔	21B	X04Z	5t025.5↔	21A	W04A, W04B	5t025.j↔	21B	X04Z
		BOP, KVT, UOP4		21B	X06A, X06B, X06C		08	BOP, KVT, UOP4
	08	I12A, I12B, I12C, I13A, I13B, I13C, I13D, I13E		08	I12A, I12B, I12C, I21Z, I31Z		08	I08A, I08B, I08C, I08D, I08E, I08F
5t024.s↔	21A	W04A, W04B	5t025.6↔	21A	W04A, W04B	5t025.k↔	21A	W01A, W01B, W01C, W02A, W02B
	21B	X04Z		21B	X06A, X06B, X06C		08	BOP, KVT, UOP4
		BOP, KVT, UOP4		08	BOP, KVT, UOP4		08	I12A, I12B, I12C, I13A, I13B, I13C, I13D, I13E
5t024.t↔	05	F27A, F27B, F27C	5t025.7↔	21A	W04A, W04B	5t025.l↔	21A	W04A, W04B
	08	I12A, I12B, I12C, I20A, I20B, I20C, I20D, I20E, I20F		21B	X06A, X06B, X06C		21B	X04Z
	10	K01Z		08	I12A, I12B, I12C, I21Z, I31Z		08	I12A, I12B, I12C, I13A, I13B, I13C, I13D, I13E
5t024.u↔	21A	W04A, W04B	5t025.8↔	21A	W04A, W04B	5t025.m↔	21A	W04A, W04B
	21B	X04Z		21B	X06A, X06B, X06C		21B	X04Z
		BOP, KVT, UOP4		08	BOP, KVT, UOP4		08	I12A, I12B, I12C, I13A, I13B, I13C, I13D, I13E
5t024.v↔	05	F27A, F27B, F27C	5t025.9↔	08	I12A, I12B, I12C, I21Z, I31Z	5t025.n↔		BOP, KVT, UOP4
	08	I12A, I12B, I12C, I20A, I20B, I20C, I20D, I20E, I20F		08	BOP, KVT, UOP4		08	I12A, I12B, I12C, I13A, I13B, I13C, I13D, I13E
	10	K01Z		08	I12A, I12B, I12C, I21Z, I31Z		21A	W04A, W04B
5t024.w↔	21A	W04A, W04B	5t025.a↔	21A	W04A, W04B	5t025.o↔	21B	X04Z
	21B	X04Z		21B	X06A, X06B, X06C		08	BOP, KVT, UOP4
		BOP, KVT, UOP4		08	BOP, KVT, UOP4		08	I12A, I12B, I12C, I13A, I13B, I13C, I13D, I13E
5t024.x	05	F27A, F27B, F27C	5t025.b↔	08	I12A, I12B, I12C, I21Z, I31Z	5t025.p↔	21A	W04A, W04B
	08	I12A, I12B, I12C, I20A, I20B, I20C, I20D, I20E, I20F		08	BOP, KVT, UOP4		08	I12A, I12B, I12C, I13A, I13B, I13C, I13D, I13E
	10	K01Z		08	I12A, I12B, I12C, I21Z, I31Z		21A	W04A, W04B
5t024.y	21A	W04A, W04B	5t025.c↔	21A	W04A, W04B	5t025.q↔	21B	X04Z
	21B	X04Z		21B	X06A, X06B, X06C		08	BOP, KVT, UOP4
		BOP, KVT, UOP4		08	BOP, KVT, UOP4		08	I12A, I12B, I12C, I13A, I13B, I13C, I13D, I13E
5t024.z↔	01	B03A, B03B, B18Z	5t025.d	08	I12A, I12B, I12C, I32A, I32B, I32C, I32D, I32E, I32F	5t025.r↔	21A	W04A, W04B
	04	E02A, E02B, E02C		08	BOP, KVT, UOP4		08	I12A, I12B, I12C, I13A, I13B, I13C, I13D, I13E
	08	I12A, I12B, I12C, I28A, I28B, I28C		10	K09A, K09B		21A	W04A, W04B
			21A	W04A, W04B	5t025.s↔	21B	X04Z	
			21B	X06A, X06B, X06C		05	F27A, F27B, F27C	
			21B	X06A, X06B, X06C		08	I12A, I12B, I12C, I20A, I20B, I20C, I20D, I20E, I20F	
					10	K01Z		
					21A	W04A, W04B		
					21B	X04Z		
						BOP, KVT, UOP4		
					05	F27A, F27B, F27C		
					08	I12A, I12B, I12C, I20A, I20B, I20C, I20D, I20E, I20F		
					10	K01Z		
					21A	W04A, W04B		
					21B	X04Z		
						BOP, KVT, UOP4		
					05	F27A, F27B, F27C		
					08	I12A, I12B, I12C, I20A, I20B, I20C, I20D, I20E, I20F		
					10	K01Z		
					21A	W04A, W04B		
					21B	X04Z		

ZZV	MDC	DRG	ZZV	MDC	DRG	ZZV	MDC	DRG
5t025.u↔		BOP, KVT, UOP4	5t026.m↔	08	BOP, KVT, UOP4	5t027.b↔		BOP, KVT, UOP4
	05	F27A, F27B, F27C		08	I12A, I12B, I12C, I13A, I13B, I13C, I13D, I13E		08	I12A, I12B, I12C, I32A, I32B, I32C, I32D, I32E, I32F
	08	I12A, I12B, I12C, I20A, I20B, I20C, I20D, I20E, I20F		21A	W04A, W04B		21A	W04A, W04B
	10	K01Z		21B	X04Z		21B	X05A, X05B
	21A	W04A, W04B		5t026.q↔			BOP, KVT, UOP4	5t027.c↔
5t025.x	21B	X04Z	08	I12A, I12B, I12C, I13A, I13B, I13C, I13D, I13E	08	I12A, I12B, I12C, I32A, I32B, I32C, I32D, I32E, I32F		
		BOP, KVT, UOP4	21A	W04A, W04B	10	K09A, K09B		
	08	I12A, I12B, I12C, I28A, I28B, I28C	21B	X04Z	21A	W04A, W04B		
	21A	W04A, W04B	5t026.s↔		BOP, KVT, UOP4	21B	X06A, X06B, X06C	
	21B	X06A, X06B, X06C	05	F27A, F27B, F27C	5t027.d		BOP, KVT, UOP4	
5t025.z↔		BOP, KVT, UOP4	08	I12A, I12B, I12C, I20A, I20B, I20C, I20D	08	I08A, I08B, I08C, I08D, I08E, I08F, I12A, I12B, I12C, I37Z		
	01	B03A, B03B, B18Z	10	K01Z	10	K09A, K09B		
	04	E02A, E02B, E02C	21A	W04A, W04B	21A	W04A, W04B		
	08	I12A, I12B, I12C, I28A, I28B, I28C	21B	X04Z	21B	X06A, X06B, X06C		
	21A	W04A, W04B	5t026.t↔		BOP, KVT, UOP4	5t027.g↔		BOP, KVT, UOP4
5t026.0↔	21B	X06A, X06B, X06C	05	F27A, F27B, F27C	08	I08A, I08B, I08C, I08D, I08E, I08F		
		BOP, KVT, UOP4	08	I12A, I12B, I12C, I20A, I20B, I20C, I20D	21A	W01A, W01B, W01C, W02A, W02B		
	01	B03A, B03B, B18Z	10	K01Z	21B	X04Z		
	04	E02A, E02B, E02C	21A	W04A, W04B	5t027.m↔		BOP, KVT, UOP4	
	08	I12A, I12B, I12C, I28A, I28B, I28C	21B	X04Z	08	I12A, I12B, I12C, I13A, I13B, I13C, I13D, I13E		
5t026.2↔	21A	W04A, W04B	5t026.u↔		BOP, KVT, UOP4	21A	W04A, W04B	
	21B	X06A, X06B, X06C	05	F27A, F27B, F27C	08	I12A, I12B, I12C, I20A, I20B, I20C, I20D		
		BOP, KVT, UOP4	08	I12A, I12B, I12C, I20A, I20B, I20C, I20D	10	K01Z		
	08	I12A, I12B, I12C, I13A, I13B, I13C, I13D, I13E	21A	W04A, W04B	21A	W04A, W04B		
	21A	W04A, W04B	21B	X04Z	21B	X04Z		
5t026.5↔	21B	X06A, X06B, X06C	5t026.x		BOP, KVT, UOP4	21A	W04A, W04B	
		BOP, KVT, UOP4	08	I12A, I12B, I12C, I28A, I28B, I28C	21B	X06A, X06B, X06C		
	08	I12A, I12B, I12C, I21Z, I31Z	21A	W04A, W04B	5t026.z↔		BOP, KVT, UOP4	
	21A	W04A, W04B	21B	X06A, X06B, X06C	01	B03A, B03B, B18Z		
	21B	X06A, X06B, X06C	5t026.8↔		BOP, KVT, UOP4	04	E02A, E02B, E02C	
5t026.8↔	08	I12A, I12B, I12C, I21Z, I31Z	08	I12A, I12B, I12C, I28A, I28B, I28C	08	I12A, I12B, I12C, I28A, I28B, I28C		
	21A	W04A, W04B	21A	W04A, W04B	21A	W04A, W04B		
	21B	X06A, X06B, X06C	21B	X06A, X06B, X06C	21B	X04Z		
		BOP, KVT, UOP4	5t026.a↔		BOP, KVT, UOP4	5t027.t↔		BOP, KVT, UOP4
	08	I12A, I12B, I12C, I32A, I32B, I32C, I32D, I32E, I32F	08	I12A, I12B, I12C, I32A, I32B, I32C, I32D, I32E, I32F	05	F27A, F27B, F27C		
5t026.a↔	21A	W04A, W04B	21B	X06A, X06B, X06C	08	I12A, I12B, I12C, I20A, I20B, I20C, I20D		
	21B	X05A, X05B	5t027.0↔		BOP, KVT, UOP4	10	K01Z	
		BOP, KVT, UOP4	01	B03A, B03B, B18Z	21A	W04A, W04B		
	08	I12A, I12B, I12C, I32A, I32B, I32C, I32D, I32E, I32F	04	E02A, E02B, E02C	21B	X04Z		
	21A	W04A, W04B	08	I12A, I12B, I12C, I28A, I28B, I28C	5t027.u↔		BOP, KVT, UOP4	
5t026.b↔	21B	X05A, X05B	21A	W04A, W04B	05	F27A, F27B, F27C		
		BOP, KVT, UOP4	21B	X06A, X06B, X06C	08	I12A, I12B, I12C, I20A, I20B, I20C, I20D		
	08	I12A, I12B, I12C, I32A, I32B, I32C, I32D, I32E, I32F	5t027.2↔		BOP, KVT, UOP4	10	K01Z	
	21A	W04A, W04B	08	I12A, I12B, I12C, I13A, I13B, I13C, I13D, I13E	21A	W04A, W04B		
	21B	X05A, X05B	21A	W04A, W04B	21B	X04Z		
5t026.c↔		BOP, KVT, UOP4	21B	X06A, X06B, X06C	5t027.x		BOP, KVT, UOP4	
	08	I12A, I12B, I12C, I32A, I32B, I32C, I32D, I32E, I32F	5t027.5↔		BOP, KVT, UOP4	08	I12A, I12B, I12C, I28A, I28B, I28C	
	10	K09A, K09B	08	I12A, I12B, I12C, I21Z, I31Z	21A	W04A, W04B		
	21A	W04A, W04B	21A	W04A, W04B	21B	X06A, X06B, X06C		
	21B	X06A, X06B, X06C	5t027.8↔		BOP, KVT, UOP4	5t027.z↔		BOP, KVT, UOP4
5t026.d		BOP, KVT, UOP4	08	I12A, I12B, I12C, I21Z, I31Z	08	I12A, I12B, I12C, I28A, I28B, I28C		
	08	I08A, I08B, I08C, I08D, I08E, I08F, I12A, I12B, I12C, I37Z	21A	W04A, W04B	21A	W04A, W04B		
	10	K09A, K09B	21B	X06A, X06B, X06C	21B	X06A, X06B, X06C		
	21A	W04A, W04B	5t027.a↔		BOP, KVT, UOP4	01	B03A, B03B, B18Z	
	21B	X06A, X06B, X06C	08	I12A, I12B, I12C, I21Z, I31Z	04	E02A, E02B, E02C		
5t026.g↔		BOP, KVT, UOP4	21A	W04A, W04B	08	I12A, I12B, I12C, I28A, I28B, I28C		
	08	I08A, I08B, I08C, I08D, I08E, I08F	21B	X06A, X06B, X06C	21A	W04A, W04B		
	21A	W01A, W01B, W01C, W02A, W02B	5t027.a↔		BOP, KVT, UOP4	21A	W04A, W04B	
	21B	X04Z	08	I12A, I12B, I12C, I32A, I32B, I32C, I32D, I32E, I32F	21B	X06A, X06B, X06C		
			21A	W04A, W04B				
		21B	X05A, X05B					

ZZV	MDC	DRG	ZZV	MDC	DRG	ZZV	MDC	DRG
5t028.2↔		BOP, KVT, UOP4	5t029.a↔		BOP, KVT, UOP4	5t02x.6↔		BOP, KVT, UOP4
	08	I12A, I12B, I12C, I13A, I13B, I13C, I13D, I13E		08	I12A, I12B, I12C, I32A, I32B, I32C, I32D, I32E, I32F		08	I12A, I12B, I12C, I18A, I30Z
	21A	W04A, W04B		21A	W04A, W04B		21A	W04A, W04B
	21B	X06A, X06B, X06C		21B	X05A, X05B	5t02x.7↔		X06A, X06B, X06C
5t028.5↔		BOP, KVT, UOP4	5t029.c↔		BOP, KVT, UOP4			BOP, KVT, UOP4
	08	I12A, I12B, I12C, I21Z, I31Z		08	I12A, I12B, I12C, I32A, I32B, I32C, I32D, I32E, I32F		08	I12A, I12B, I12C, I18A, I30Z
	21A	W04A, W04B		10	K09A, K09B		21A	W04A, W04B
	21B	X06A, X06B, X06C		21A	W04A, W04B	5t02x.8↔		X06A, X06B, X06C
5t028.8↔		BOP, KVT, UOP4	5t029.d		BOP, KVT, UOP4			BOP, KVT, UOP4
	08	I12A, I12B, I12C, I21Z, I31Z		08	I08A, I08B, I08C, I08D, I08E, I08F, I37Z		08	I12A, I12B, I12C, I18A, I30Z
	21A	W04A, W04B		21B	X05A, X05B		21A	W04A, W04B
	21B	X06A, X06B, X06C	5t029.g↔		BOP, KVT, UOP4	5t02x.9↔		X06A, X06B, X06C
5t028.a↔		BOP, KVT, UOP4		08	I08A, I08B, I08C, I08D, I08E, I08F, I37Z			BOP, KVT, UOP4
	08	I12A, I12B, I12C, I32A, I32B, I32C, I32D, I32E, I32F	5t029.m↔		BOP, KVT, UOP4		08	I12A, I12B, I12C, I18A, I30Z
	21A	W04A, W04B		08	I12A, I12B, I12C, I13A, I13B, I13C, I13D, I13E	5t02x.a↔		W04A, W04B
	21B	X05A, X05B		21A	W01A, W01B, W01C, W02A, W02B			X06A, X06B, X06C
5t028.b↔		BOP, KVT, UOP4		21B	X04Z		08	I12A, I12B, I12C, I32A, I32B, I32C, I32D, I32E, I32F
	08	I20A, I20B, I20C, I20D, I20E, I20F	5t029.q↔		BOP, KVT, UOP4		21A	W04A, W04B
5t028.c↔		BOP, KVT, UOP4		08	I12A, I12B, I12C, I13A, I13B, I13C, I13D, I13E	5t02x.b↔		X05A, X05B
	08	I12A, I12B, I12C, I32A, I32B, I32C, I32D, I32E, I32F	5t029.s↔		BOP, KVT, UOP4		08	I12A, I12B, I12C, I32A, I32B, I32C, I32D, I32E, I32F
	10	K09A, K09B		08	I20A, I20B, I20C, I20D		21A	W04A, W04B
	21A	W04A, W04B	5t029.t↔		BOP, KVT, UOP4	5t02x.c↔		X06A, X06B, X06C
	21B	X05A, X05B		08	I20A, I20B, I20C, I20D			BOP, KVT, UOP4
5t028.d		BOP, KVT, UOP4	5t029.u↔		BOP, KVT, UOP4		08	I12A, I12B, I12C, I32A, I32B, I32C, I32D, I32E, I32F
	08	I08A, I08B, I08C, I08D, I08E, I08F, I37Z		08	I20A, I20B, I20C, I20D	5t02x.d		K09A, K09B
5t028.g↔		BOP, KVT, UOP4	5t029.x		BOP, KVT, UOP4		21A	W04A, W04B
	08	I08A, I08B, I08C, I08D, I08E, I08F		08	I12A, I12B, I12C, I28A, I28B, I28C		21B	X06A, X06B, X06C
	21A	W01A, W01B, W01C, W02A, W02B		21A	W04A, W04B	5t02x.e↔		BOP, KVT, UOP4
	21B	X04Z	5t02x.0↔		X06A, X06B, X06C		08	I08A, I08B, I08C, I08D, I08E, I08F
5t028.m↔		BOP, KVT, UOP4		01	B03A, B03B, B18Z		21A	W01A, W01B, W01C, W02A, W02B
	08	I12A, I12B, I12C, I13A, I13B, I13C, I13D, I13E		04	E02A, E02B, E02C		21B	X04Z
	21A	W04A, W04B		08	I12A, I12B, I12C, I28A, I28B, I28C	5t02x.f↔		X06A, X06B, X06C
	21B	X04Z		21A	W04A, W04B			BOP, KVT, UOP4
5t028.q↔		BOP, KVT, UOP4		21B	X06A, X06B, X06C		08	I08A, I08B, I08C, I08D, I08E, I08F
	08	I13A, I13B, I13C, I13D, I13E	5t02x.1↔		BOP, KVT, UOP4		21A	W01A, W01B, W01C, W02A, W02B
5t028.s↔		BOP, KVT, UOP4		08	I12A, I12B, I12C, I13A, I13B, I13C, I13D, I13E		21B	X04Z
	08	I20A, I20B, I20C, I20D		21A	W04A, W04B	5t02x.g↔		X06A, X06B, X06C
5t028.t↔		BOP, KVT, UOP4		21B	X06A, X06B, X06C			BOP, KVT, UOP4
	08	I20A, I20B, I20C, I20D	5t02x.2↔		BOP, KVT, UOP4		08	I08A, I08B, I08C, I08D, I08E, I08F
5t028.u↔		BOP, KVT, UOP4		08	I12A, I12B, I12C, I13A, I13B, I13C, I13D, I13E		21A	W01A, W01B, W01C, W02A, W02B
	08	I20A, I20B, I20C, I20D		21A	W04A, W04B		21B	X04Z
5t028.x		BOP, KVT, UOP4	5t02x.3↔		BOP, KVT, UOP4			BOP, KVT, UOP4
	08	I12A, I12B, I12C, I28A, I28B, I28C		08	I12A, I12B, I12C, I13A, I13B, I13C, I13D, I13E	5t02x.h↔		X06A, X06B, X06C
	21A	W04A, W04B		21A	W04A, W04B		08	I08A, I08B, I08C, I08D, I08E, I08F
	21B	X06A, X06B, X06C	5t02x.4↔		X06A, X06B, X06C		21A	W01A, W01B, W01C, W02A, W02B
5t029.2↔		BOP, KVT, UOP4		08	I12A, I12B, I12C, I18A, I30Z		21B	X04Z
	08	I12A, I12B, I12C, I13A, I13B, I13C, I13D, I13E		21A	W04A, W04B	5t02x.k↔		BOP, KVT, UOP4
	21A	W04A, W04B		21B	X06A, X06B, X06C		08	I12A, I12B, I12C, I13A, I13B, I13C, I13D, I13E
	21B	X06A, X06B, X06C	5t02x.5↔		BOP, KVT, UOP4		21A	W04A, W04B
5t029.5↔		BOP, KVT, UOP4		08	I12A, I12B, I12C, I18A, I30Z		21B	X04Z
	08	I12A, I12B, I12C, I21Z, I31Z		21A	W04A, W04B			
	21A	W04A, W04B		21B	X06A, X06B, X06C			
	21B	X06A, X06B, X06C		08	I12A, I12B, I12C, I18A, I30Z			
5t029.8↔		BOP, KVT, UOP4		21A	W04A, W04B			
	08	I12A, I12B, I12C, I21Z, I31Z		21B	X06A, X06B, X06C			
	21A	W04A, W04B						
	21B	X06A, X06B, X06C						

ZZV	MDC	DRG	ZZV	MDC	DRG	ZZV	MDC	DRG
5t02x.m↔		BOP, KVT, UOP4	5t040.2↔		BOP, KVT, UOP4, VIAL	5t040.e↔		BOP, KVT, UOP4, VIAL
	08	I12A, I12B, I12C, I13A, I13B, I13C, I13D, I13E		08	I08A, I08B, I08C, I08D, I08E, I08F, I12A, I12B, I12C, I13A, I13B, I13C, I13D		01	B03A, B03B, B06A, B06B, B17A, B17B, B17C
	21A	W04A, W04B		21A	W04A, W04B		08	I08A, I08B, I08C, I08D, I08E, I08F
	21B	X04Z		21B	X06A, X06B, X06C		21A	W01A, W01B, W01C, W02A, W02B
5t02x.n↔		BOP, KVT, UOP4	5t040.3↔		BOP, KVT, UOP4, VIAL		21B	X04Z
	08	I12A, I12B, I12C, I13A, I13B, I13C, I13D, I13E		08	I08A, I08B, I08C, I08D, I08E, I08F, I12A, I12B, I12C, I13A, I13B, I13C, I13D	5t040.f↔		BOP, KVT, UOP4, VIAL
	21A	W04A, W04B		21A	W04A, W04B		01	B03A, B03B, B06A, B06B, B17A, B17B, B17C
	21B	X04Z		21B	X06A, X06B, X06C		08	I08A, I08B, I08C, I08D, I08E, I08F
5t02x.p↔		BOP, KVT, UOP4	5t040.4↔		BOP, KVT, UOP4, VIAL		21A	W01A, W01B, W01C, W02A, W02B
	08	I12A, I12B, I12C, I13A, I13B, I13C, I13D, I13E		08	I08A, I08B, I08C, I08D, I08E, I08F, I12A, I12B, I12C, I18A, I30Z		21B	X04Z
	21A	W04A, W04B		21A	W04A, W04B	5t040.g↔		BOP, KVT, UOP4, VIAL
	21B	X04Z		21B	X06A, X06B, X06C		01	B03A, B03B, B06A, B06B, B17A, B17B, B17C
5t02x.q↔		BOP, KVT, UOP4	5t040.5↔		BOP, KVT, UOP4, VIAL		08	I08A, I08B, I08C, I08D, I08E, I08F
	08	I12A, I12B, I12C, I13A, I13B, I13C, I13D, I13E		08	I08A, I08B, I08C, I08D, I08E, I08F, I12A, I12B, I12C, I18A, I30Z		21A	W01A, W01B, W01C, W02A, W02B
	21A	W04A, W04B		21A	W04A, W04B		21B	X04Z
	21B	X04Z		21B	X06A, X06B, X06C	5t040.h↔		BOP, KVT, UOP4, VIAL
5t02x.r↔		BOP, KVT, UOP4	5t040.6↔		BOP, KVT, UOP4, VIAL		01	B03A, B03B, B06A, B06B, B17A, B17B, B17C
	08	I12A, I12B, I12C, I13A, I13B, I13C, I13D, I13E		08	I08A, I08B, I08C, I08D, I08E, I08F, I12A, I12B, I12C, I18A, I30Z		08	I08A, I08B, I08C, I08D, I08E, I08F
	21A	W04A, W04B		21A	W04A, W04B		21A	W01A, W01B, W01C, W02A, W02B
	21B	X04Z		21B	X06A, X06B, X06C		21B	X04Z
5t02x.s↔		BOP, KVT, UOP4	5t040.7↔		BOP, KVT, UOP4, VIAL		21A	W01A, W01B, W01C, W02A, W02B
	05	F27A, F27B, F27C		08	I08A, I08B, I08C, I08D, I08E, I08F, I12A, I12B, I12C, I18A, I30Z		21B	X04Z
	08	I12A, I12B, I12C, I20A, I20B, I20C, I20D, I20E, I20F		21A	W04A, W04B	5t040.i↔		BOP, KVT, UOP4, VIAL
	10	K01Z		21B	X06A, X06B, X06C		08	I12A, I12B, I12C, I28A, I28B
	21A	W04A, W04B		21B	X06A, X06B, X06C		21A	W04A, W04B
	21B	X04Z		21B	X06A, X06B, X06C		21B	X04Z, X06A, X06B, X06C
5t02x.t↔		BOP, KVT, UOP4	5t040.8↔		BOP, KVT, UOP4, VIAL	5t040.k↔		BOP, KVT, UOP4, VIAL
	05	F27A, F27B, F27C		08	I08A, I08B, I08C, I08D, I08E, I08F, I12A, I12B, I12C, I21Z, I31Z		08	I12A, I12B, I12C, I28A, I28B
	08	I12A, I12B, I12C, I20A, I20B, I20C, I20D, I20E, I20F		21A	W04A, W04B		21A	W04A, W04B
	10	K01Z		21B	X06A, X06B, X06C		21B	X04Z, X06A, X06B, X06C
	21A	W04A, W04B		21B	X06A, X06B, X06C		21B	X04Z, X06A, X06B, X06C
	21B	X04Z		21B	X06A, X06B, X06C	5t040.l↔		BOP, KVT, UOP4, VIAL
5t02x.u↔		BOP, KVT, UOP4	5t040.9↔		BOP, KVT, UOP4, VIAL		08	I12A, I12B, I12C, I13A, I13B, I13C, I13D
	05	F27A, F27B, F27C		08	I08A, I08B, I08C, I08D, I08E, I08F, I12A, I12B, I12C, I21Z, I31Z		21A	W04A, W04B
	08	I12A, I12B, I12C, I20A, I20B, I20C, I20D, I20E, I20F		21A	W04A, W04B	5t040.m↔		BOP, KVT, UOP4, VIAL
	10	K01Z		21B	X06A, X06B, X06C		08	I12A, I12B, I12C, I13A, I13B, I13C, I13D
	21A	W04A, W04B		21B	X06A, X06B, X06C		21A	W04A, W04B
	21B	X04Z		21B	X06A, X06B, X06C		21B	X04Z
5t02x.v↔		BOP, KVT, UOP4	5t040.a↔		BOP, KVT, UOP4, VIAL	5t040.n↔		BOP, KVT, UOP4, VIAL
	08	I12A, I12B, I12C, I28A, I28B, I28C		08	I12A, I12B, I12C, I32A, I32B, I32C, I32D, I32E, I32F		08	I12A, I12B, I12C, I13A, I13B, I13C, I13D
	21A	W04A, W04B		21A	W04A, W04B		21A	W04A, W04B
	21B	X06A, X06B, X06C		21B	X05A, X05B		21B	X04Z
5t02x.w↔		BOP, KVT, UOP4	5t040.b↔		BOP, KVT, UOP4, VIAL	5t040.o↔		BOP, KVT, UOP4, VIAL
	01	B03A, B03B, B18Z		08	I12A, I12B, I12C, I32A, I32B, I32C, I32D, I32E, I32F		08	I12A, I12B, I12C, I13A, I13B, I13C, I13D, I13E
	04	E02A, E02B, E02C		21A	W04A, W04B		21A	W04A, W04B
	08	I12A, I12B, I12C, I28A, I28B, I28C		21B	X05A, X05B		21B	X04Z
	21A	W04A, W04B		21A	W04A, W04B	5t040.p↔		BOP, KVT, UOP4, VIAL
	21B	X06A, X06B, X06C		21B	X05A, X05B		08	I12A, I12B, I12C, I13A, I13B, I13C, I13D, I13E
5t040.0↔		BOP, KVT, UOP4, VIAL	5t040.c↔		BOP, KVT, UOP4, VIAL		21A	W04A, W04B
	04	E02A, E02B, E02C		08	I12A, I12B, I12C, I32A, I32B, I32C, I32D, I32E, I32F		21B	X04Z
	08	I12A, I12B, I12C, I28A, I28B		21A	W04A, W04B	5t040.q↔		BOP, KVT, UOP4, VIAL
	21A	W04A, W04B		21B	X05A, X05B		08	I12A, I12B, I12C, I13A, I13B, I13C, I13D, I13E
	21B	X06A, X06B, X06C		21B	X05A, X05B		21A	W04A, W04B
5t040.1↔		BOP, KVT, UOP4, VIAL	5t040.d		BOP, KVT, UOP4, VIAL	5t040.r↔		BOP, KVT, UOP4, VIAL
	08	I08A, I08B, I08C, I08D, I08E, I08F, I12A, I12B, I12C, I13A, I13B, I13C, I13D		08	I08A, I08B, I08C, I08D, I08E, I08F, I12A, I12B, I12C		08	I12A, I12B, I12C, I13A, I13B, I13C, I13D, I13E
	21A	W04A, W04B		21A	W04A, W04B		21A	W04A, W04B
	21B	X06A, X06B, X06C		21B	X06A, X06B, X06C	5t040.s↔		BOP, KVT, UOP4, VIAL
							08	I12A, I12B, I12C, I20C, I28A, I28B
							21A	W04A, W04B
							21B	X04Z, X06A, X06B, X06C

VYK

ZZV	MDC	DRG	ZZV	MDC	DRG	ZZV	MDC	DRG
5t040.t↔		BOP, KVT, UOP4, VIAL	5t041.7↔		BOP, KVT, UOP4, VIAL	5t041.j↔		BOP, KVT, UOP4, VIAL
	08	I12A, I12B, I12C, I20C, I28A, I28B		08	I08A, I08B, I08C, I08D, I08E, I08F, I12A, I12B, I12C, I21Z, I31Z		08	I12A, I12B, I12C, I28A, I28B
	21A	W04A, W04B		21A	W04A, W04B		21A	W04A, W04B
	21B	X04Z, X06A, X06B, X06C		21B	X06A, X06B, X06C		21B	X04Z, X06A, X06B, X06C
5t040.u↔		BOP, KVT, UOP4, VIAL	5t041.8↔		BOP, KVT, UOP4, VIAL	5t041.k↔		BOP, KVT, UOP4, VIAL
	08	I12A, I12B, I12C, I20C, I28A, I28B		08	I08A, I08B, I08C, I08D, I08E, I08F, I12A, I12B, I12C, I21Z, I31Z		08	I12A, I12B, I12C, I13A, I13B, I13C, I13D
	21A	W04A, W04B		21A	W04A, W04B		21A	W04A, W04B
	21B	X04Z, X06A, X06B, X06C		21B	X06A, X06B, X06C		21B	X04Z
5t040.v↔		BOP, KVT, UOP4, VIAL	5t041.9↔		BOP, KVT, UOP4, VIAL	5t041.m↔		BOP, KVT, UOP4, VIAL
	08	I12A, I12B, I12C, I20C, I28A, I28B		08	I08A, I08B, I08C, I08D, I08E, I08F, I12A, I12B, I12C, I21Z, I31Z		08	I12A, I12B, I12C, I13A, I13B, I13C, I13D
	21A	W04A, W04B		21A	W04A, W04B		21A	W04A, W04B
	21B	X04Z, X06A, X06B, X06C		21B	X06A, X06B, X06C		21B	X04Z
5t040.w↔		BOP, KVT, UOP4, VIAL	5t041.a↔		BOP, KVT, UOP4, VIAL	5t041.n↔		BOP, KVT, UOP4, VIAL
	08	I12A, I12B, I12C, I20C, I28A, I28B		08	I12A, I12B, I12C, I32A, I32B, I32C, I32D, I32E, I32F		08	I12A, I12B, I12C, I13A, I13B, I13C, I13D
	21A	W04A, W04B		21A	W04A, W04B		21A	W04A, W04B
	21B	X04Z, X06A, X06B, X06C		21B	X06A, X06B, X06C		21B	X04Z
5t040.x		BOP, KVT, UOP4	5t041.b↔		BOP, KVT, UOP4, VIAL	5t041.p↔		BOP, KVT, UOP4, VIAL
	08	I12A, I12B, I12C, I28A, I28B		08	I12A, I12B, I12C, I32A, I32B, I32C, I32D, I32E, I32F		08	I12A, I12B, I12C, I13A, I13B, I13C, I13D, I13E
	21A	W04A, W04B		21A	W04A, W04B		21A	W04A, W04B
	21B	X06A, X06B, X06C		21B	X05A, X05B		21B	X04Z
5t040.z↔		BOP, KVT, UOP4, VIAL	5t041.c↔		BOP, KVT, UOP4, VIAL	5t041.q↔		BOP, KVT, UOP4, VIAL
	04	E02A, E02B, E02C		08	I12A, I12B, I12C, I32A, I32B, I32C, I32D, I32E, I32F		08	I12A, I12B, I12C, I13A, I13B, I13C, I13D, I13E
	08	I12A, I12B, I12C, I28A, I28B		21A	W04A, W04B		21A	W04A, W04B
	21A	W04A, W04B		21B	X05A, X05B		21B	X04Z
	21B	X06A, X06B, X06C		5t041.d	BOP, KVT, UOP4, VIAL	5t041.r↔		BOP, KVT, UOP4, VIAL
5t041.0↔		BOP, KVT, UOP4, VIAL		08	I08A, I08B, I08C, I08D, I08E, I08F, I12A, I12B, I12C, I32A, I32B, I32C, I32D, I32E, I32F		08	I12A, I12B, I12C, I13A, I13B, I13C, I13D, I13E
	04	E02A, E02B, E02C		21A	W04A, W04B		21A	W04A, W04B
	08	I12A, I12B, I12C, I28A, I28B		21B	X05A, X05B		21B	X04Z
	21A	W04A, W04B		5t041.e↔	BOP, KVT, UOP4, VIAL	5t041.s↔		BOP, KVT, UOP4, VIAL
	21B	X06A, X06B, X06C		01	B03A, B03B, B06A, B06B, B17A, B17B, B17C		08	I12A, I12B, I12C, I20C, I28A, I28B
5t041.1↔		BOP, KVT, UOP4, VIAL		08	I08A, I08B, I08C, I08D, I08E, I08F, I12A, I12B, I12C		21A	W04A, W04B
	08	I08A, I08B, I08C, I08D, I08E, I08F, I12A, I12B, I12C, I13A, I13B, I13C, I13D		21A	W04A, W04B		21B	X04Z, X06A, X06B, X06C
	21A	W04A, W04B		21B	X06A, X06B, X06C		5t041.t↔	BOP, KVT, UOP4, VIAL
	21B	X06A, X06B, X06C		5t041.f↔	BOP, KVT, UOP4, VIAL		08	I12A, I12B, I12C, I20C, I28A, I28B
5t041.2↔		BOP, KVT, UOP4, VIAL		01	B03A, B03B, B06A, B06B, B17A, B17B, B17C		21A	W04A, W04B
	08	I08A, I08B, I08C, I08D, I08E, I08F, I12A, I12B, I12C, I13A, I13B, I13C, I13D		08	I08A, I08B, I08C, I08D, I08E, I08F		21B	X04Z, X06A, X06B, X06C
	21A	W04A, W04B		21A	W01A, W01B, W01C, W02A, W02B		5t041.u↔	BOP, KVT, UOP4, VIAL
	21B	X06A, X06B, X06C		21B	X04Z		08	I12A, I12B, I12C, I20C, I28A, I28B
5t041.3↔		BOP, KVT, UOP4, VIAL		5t041.g↔	BOP, KVT, UOP4, VIAL		21A	W04A, W04B
	08	I08A, I08B, I08C, I08D, I08E, I08F, I12A, I12B, I12C, I13A, I13B, I13C, I13D		01	B03A, B03B, B06A, B06B, B17A, B17B, B17C		21B	X04Z, X06A, X06B, X06C
	21A	W04A, W04B		08	I08A, I08B, I08C, I08D, I08E, I08F		5t041.v↔	BOP, KVT, UOP4, VIAL
	21B	X06A, X06B, X06C		21A	W01A, W01B, W01C, W02A, W02B		08	I12A, I12B, I12C, I20C, I28A, I28B
5t041.4↔		BOP, KVT, UOP4, VIAL		5t041.h↔	BOP, KVT, UOP4, VIAL		21A	W04A, W04B
	08	I08A, I08B, I08C, I08D, I08E, I08F, I12A, I12B, I12C, I21Z, I31Z		01	B03A, B03B, B06A, B06B, B17A, B17B, B17C		21B	X04Z, X06A, X06B, X06C
	21A	W04A, W04B		08	I08A, I08B, I08C, I08D, I08E, I08F		5t041.w↔	BOP, KVT, UOP4, VIAL
	21B	X06A, X06B, X06C		21A	W01A, W01B, W01C, W02A, W02B		08	I12A, I12B, I12C, I20C, I28A, I28B
5t041.5↔		BOP, KVT, UOP4, VIAL		5t041.i↔	BOP, KVT, UOP4, VIAL		21A	W04A, W04B
	08	I08A, I08B, I08C, I08D, I08E, I08F, I12A, I12B, I12C, I21Z, I31Z		01	B03A, B03B, B06A, B06B, B17A, B17B, B17C		21B	X04Z, X06A, X06B, X06C
	21A	W04A, W04B		08	I08A, I08B, I08C, I08D, I08E, I08F		5t041.x	BOP, KVT, UOP4
	21B	X06A, X06B, X06C		21A	W01A, W01B, W01C, W02A, W02B		08	I12A, I12B, I12C, I28A, I28B
5t041.6↔		BOP, KVT, UOP4, VIAL		5t041.j↔	BOP, KVT, UOP4, VIAL		21A	W04A, W04B
	08	I08A, I08B, I08C, I08D, I08E, I08F, I12A, I12B, I12C, I21Z, I31Z		01	B03A, B03B, B06A, B06B, B17A, B17B, B17C		21B	X06A, X06B, X06C
	21A	W04A, W04B		08	I08A, I08B, I08C, I08D, I08E, I08F		5t041.z↔	BOP, KVT, UOP4, VIAL
	21B	X06A, X06B, X06C		21A	W01A, W01B, W01C, W02A, W02B		04	E02A, E02B, E02C
				21B	X04Z		08	I12A, I12B, I12C, I28A, I28B
							21A	W04A, W04B
							21B	X06A, X06B, X06C

VYK



ZZV	MDC	DRG	ZZV	MDC	DRG	ZZV	MDC	DRG
5t042.0↔		BOP, KVT, UOP4, VIAL	5t042.c↔		BOP, KVT, UOP4, VIAL	5t042.q↔		BOP, KVT, UOP4, VIAL
	04	E02A, E02B, E02C		08	I12A, I12B, I12C, I32A, I32B, I32C, I32D, I32E, I32F		08	I12A, I12B, I12C, I13A, I13B, I13C, I13D, I13E
	08	I12A, I12B, I12C, I28A, I28B		21A	W04A, W04B		21A	W04A, W04B
	21A	W04A, W04B		21B	X05A, X05B		21B	X04Z
	21B	X06A, X06B, X06C	5t042.d		BOP, KVT, UOP4, VIAL	5t042.r↔		BOP, KVT, UOP4, VIAL
5t042.1↔		BOP, KVT, UOP4, VIAL		08	I08A, I08B, I08C, I08D, I08E, I08F, I12A, I12B, I12C, I13A, I13B, I13C, I13D		08	I12A, I12B, I12C, I13A, I13B, I13C, I13D, I13E
	08	I08A, I08B, I08C, I08D, I08E, I08F, I12A, I12B, I12C, I13A, I13B, I13C, I13D		21A	W04A, W04B		21A	W04A, W04B
	21A	W04A, W04B		21B	X06A, X06B, X06C		21B	X04Z
	21B	X06A, X06B, X06C	5t042.e↔		BOP, KVT, UOP4, VIAL	5t042.s↔		BOP, KVT, UOP4, VIAL
5t042.2↔		BOP, KVT, UOP4, VIAL		01	B03A, B03B, B06A, B06B, B17A, B17B, B17C		08	I12A, I12B, I12C, I20C, I28A, I28B
	08	I08A, I08B, I08C, I08D, I08E, I08F, I12A, I12B, I12C, I13A, I13B, I13C, I13D, I13E		08	I08A, I08B, I08C, I08D, I08E, I08F		21A	W04A, W04B
	21A	W04A, W04B		21A	W01A, W01B, W01C, W02A, W02B		21B	X04Z, X06A, X06B, X06C
	21B	X06A, X06B, X06C		21B	X04Z	5t042.t↔		BOP, KVT, UOP4, VIAL
5t042.3↔		BOP, KVT, UOP4, VIAL	5t042.f↔		BOP, KVT, UOP4, VIAL		08	I12A, I12B, I12C, I20C, I28A, I28B
	08	I08A, I08B, I08C, I08D, I08E, I08F, I12A, I12B, I12C, I13A, I13B, I13C, I13D		01	B03A, B03B, B06A, B06B, B17A, B17B, B17C		21A	W04A, W04B
	21A	W04A, W04B		08	I08A, I08B, I08C, I08D, I08E, I08F		21B	X04Z, X06A, X06B, X06C
	21B	X06A, X06B, X06C		21A	W01A, W01B, W01C, W02A, W02B	5t042.u↔		BOP, KVT, UOP4, VIAL
5t042.4↔		BOP, KVT, UOP4, VIAL		21B	X04Z		08	I12A, I12B, I12C, I20C, I28A, I28B
	08	I08A, I08B, I08C, I08D, I08E, I08F, I12A, I12B, I12C, I21Z, I31Z	5t042.g↔		BOP, KVT, UOP4, VIAL		21A	W04A, W04B
	21A	W04A, W04B		01	B03A, B03B, B06A, B06B, B17A, B17B, B17C		21B	X04Z, X06A, X06B, X06C
	21B	X06A, X06B, X06C		08	I08A, I08B, I08C, I08D, I08E, I08F	5t042.v↔		BOP, KVT, UOP4, VIAL
5t042.5↔		BOP, KVT, UOP4, VIAL		21A	W01A, W01B, W01C, W02A, W02B		08	I12A, I12B, I12C, I20C, I28A, I28B
	08	I08A, I08B, I08C, I08D, I08E, I08F, I12A, I12B, I12C, I21Z, I31Z		21B	X04Z		21A	W04A, W04B
	21A	W04A, W04B	5t042.h↔		BOP, KVT, UOP4, VIAL		21B	X04Z, X06A, X06B, X06C
	21B	X06A, X06B, X06C		01	B03A, B03B, B06A, B06B, B17A, B17B, B17C	5t042.w↔		BOP, KVT, UOP4, VIAL
5t042.6↔		BOP, KVT, UOP4, VIAL		08	I08A, I08B, I08C, I08D, I08E, I08F		08	I12A, I12B, I12C, I20C, I28A, I28B
	08	I08A, I08B, I08C, I08D, I08E, I08F, I12A, I12B, I12C, I21Z, I31Z		21A	W01A, W01B, W01C, W02A, W02B		21A	W04A, W04B
	21A	W04A, W04B		21B	X04Z		21B	X04Z, X06A, X06B, X06C
	21B	X06A, X06B, X06C	5t042.i↔		BOP, KVT, UOP4, VIAL	5t042.x		BOP, KVT, UOP4
5t042.7↔		BOP, KVT, UOP4, VIAL		01	B03A, B03B, B06A, B06B, B17A, B17B, B17C		08	I12A, I12B, I12C, I28A, I28B
	08	I08A, I08B, I08C, I08D, I08E, I08F, I12A, I12B, I12C, I21Z, I31Z		08	I08A, I08B, I08C, I08D, I08E, I08F		21A	W04A, W04B
	21A	W04A, W04B		21A	W01A, W01B, W01C, W02A, W02B		21B	X06A, X06B, X06C
	21B	X06A, X06B, X06C		21B	X04Z	5t042.z↔		BOP, KVT, UOP4, VIAL
5t042.8↔		BOP, KVT, UOP4, VIAL	5t042.j↔		BOP, KVT, UOP4, VIAL		04	E02A, E02B, E02C
	08	I08A, I08B, I08C, I08D, I08E, I08F, I12A, I12B, I12C, I21Z, I31Z		08	I12A, I12B, I12C, I28A, I28B		08	I12A, I12B, I12C, I28A, I28B
	21A	W04A, W04B		21A	W04A, W04B		21A	W04A, W04B
	21B	X06A, X06B, X06C		21B	X04Z, X06A, X06B, X06C		21B	X06A, X06B, X06C
5t042.9↔		BOP, KVT, UOP4, VIAL	5t042.k↔		BOP, KVT, UOP4, VIAL	5t043.0↔		BOP, KVT, UOP4, VIAL
	08	I08A, I08B, I08C, I08D, I08E, I08F, I12A, I12B, I12C, I21Z, I31Z		08	I12A, I12B, I12C, I13A, I13B, I13C, I13D		04	E02A, E02B, E02C
	21A	W04A, W04B		21A	W04A, W04B		08	I12A, I12B, I12C, I28A, I28B
	21B	X06A, X06B, X06C		21B	X04Z		21A	W04A, W04B
5t042.a↔		BOP, KVT, UOP4, VIAL	5t042.l↔		BOP, KVT, UOP4, VIAL		21B	X06A, X06B, X06C
	08	I12A, I12B, I12C, I32A, I32B, I32C, I32D, I32E, I32F		08	I12A, I12B, I12C, I13A, I13B, I13C, I13D	5t043.1↔		BOP, KVT, UOP4, VIAL
	21A	W04A, W04B		21A	W04A, W04B		08	I08A, I08B, I08C, I08D, I08E, I08F, I12A, I12B, I12C, I13A, I13B, I13C, I13D
	21B	X05A, X05B		21B	X04Z		21A	W04A, W04B
5t042.b↔		BOP, KVT, UOP4, VIAL	5t042.m↔		BOP, KVT, UOP4, VIAL		21B	X06A, X06B, X06C
	08	I12A, I12B, I12C, I32A, I32B, I32C, I32D, I32E, I32F		08	I12A, I12B, I12C, I13A, I13B, I13C, I13D	5t043.2↔		BOP, KVT, UOP4, VIAL
	21A	W04A, W04B		21A	W04A, W04B		08	I08A, I08B, I08C, I08D, I08E, I08F, I12A, I12B, I12C, I13A, I13B, I13C, I13D, I13E
	21B	X05A, X05B		21B	X04Z		21A	W04A, W04B
5t042.c↔		BOP, KVT, UOP4, VIAL	5t042.n↔		BOP, KVT, UOP4, VIAL		21B	X06A, X06B, X06C
	08	I12A, I12B, I12C, I32A, I32B, I32C, I32D, I32E, I32F		08	I12A, I12B, I12C, I13A, I13B, I13C, I13D	5t043.3↔		BOP, KVT, UOP4, VIAL
	21A	W04A, W04B		21A	W04A, W04B		08	I08A, I08B, I08C, I08D, I08E, I08F, I12A, I12B, I12C, I13A, I13B, I13C, I13D, I13E
	21B	X05A, X05B		21B	X04Z		21A	W04A, W04B
5t042.d↔		BOP, KVT, UOP4, VIAL	5t042.o↔		BOP, KVT, UOP4, VIAL		21B	X06A, X06B, X06C
	08	I12A, I12B, I12C, I32A, I32B, I32C, I32D, I32E, I32F		08	I12A, I12B, I12C, I13A, I13B, I13C, I13D			
	21A	W04A, W04B		21A	W04A, W04B			
	21B	X05A, X05B		21B	X04Z			

ZZV	MDC	DRG	ZZV	MDC	DRG	ZZV	MDC	DRG
5t043.4↔		BOP, KVT, UOP4, VIAL	5t043.f↔		BOP, KVT, UOP4, VIAL	5t043.u↔		BOP, KVT, UOP4, VIAL
	08	I08A, I08B, I08C, I08D, I08E, I08F, I12A, I12B, I12C, I21Z, I31Z		01	B03A, B03B, B06A, B06B, B17A, B17B, B17C		08	I12A, I12B, I12C, I20C, I28A, I28B
	21A	W04A, W04B		08	I08A, I08B, I08C, I08D, I08E, I08F		21A	W04A, W04B
	21B	X06A, X06B, X06C		21A	W01A, W01B, W01C, W02A, W02B	5t043.v↔		X04Z, X06A, X06B, X06C
5t043.5↔		BOP, KVT, UOP4, VIAL		21B	X04Z		08	BOP, KVT, UOP4, VIAL
	08	I08A, I08B, I08C, I08D, I08E, I08F, I12A, I12B, I12C, I21Z, I31Z	5t043.g↔		BOP, KVT, UOP4, VIAL		21A	I12A, I12B, I12C, I20C, I28A, I28B
	21A	W04A, W04B		01	B03A, B03B, B06A, B06B, B17A, B17B, B17C		21B	W04A, W04B
	21B	X06A, X06B, X06C		08	I08A, I08B, I08C, I08D, I08E, I08F	5t043.w↔		X04Z, X06A, X06B, X06C
5t043.6↔		BOP, KVT, UOP4, VIAL		21A	W01A, W01B, W01C, W02A, W02B		08	BOP, KVT, UOP4, VIAL
	08	I08A, I08B, I08C, I08D, I08E, I08F, I12A, I12B, I12C, I21Z, I31Z		21B	X04Z		21A	I12A, I12B, I12C, I20C, I28A, I28B
	21A	W04A, W04B	5t043.h↔		BOP, KVT, UOP4, VIAL		21B	W04A, W04B
	21B	X06A, X06B, X06C		01	B03A, B03B, B06A, B06B, B17A, B17B, B17C	5t043.x		X04Z, X06A, X06B, X06C
5t043.7↔		BOP, KVT, UOP4, VIAL		08	I08A, I08B, I08C, I08D, I08E, I08F		08	BOP, KVT, UOP4
	08	I08A, I08B, I08C, I08D, I08E, I08F, I12A, I12B, I12C, I21Z, I31Z		21A	W01A, W01B, W01C, W02A, W02B		21A	I12A, I12B, I12C, I28A, I28B
	21A	W04A, W04B		21B	X04Z		21A	W04A, W04B
	21B	X06A, X06B, X06C	5t043.i↔		BOP, KVT, UOP4, VIAL		21B	X06A, X06B, X06C
5t043.8↔		BOP, KVT, UOP4, VIAL		08	I12A, I12B, I12C, I28A, I28B	5t043.z↔		BOP, KVT, UOP4, VIAL
	08	I08A, I08B, I08C, I08D, I08E, I08F, I12A, I12B, I12C, I21Z, I31Z		21A	W04A, W04B		04	E02A, E02B, E02C
	21A	W04A, W04B		21B	X04Z, X06A, X06B, X06C		08	I12A, I12B, I12C, I28A, I28B
	21B	X06A, X06B, X06C	5t043.j↔		BOP, KVT, UOP4, VIAL		21A	W04A, W04B
5t043.9↔		BOP, KVT, UOP4, VIAL		08	I12A, I12B, I12C, I13A, I13B, I13C, I13D		21B	X06A, X06B, X06C
	08	I08A, I08B, I08C, I08D, I08E, I08F, I12A, I12B, I12C, I21Z, I31Z		21A	W04A, W04B	5t044.0↔		BOP, KVT, UOP4, VIAL
	21A	W04A, W04B		21B	X04Z		08	I02A, I02B, I02C, I02D, I08A, I08B, I08C, I08D, I08E, I08F, I12A, I12B, I12C, I13A, I13B, I13C, I13D, I13E, I22A, I32A, I32B, I32C, I32D, I50Z
	21B	X06A, X06B, X06C	5t043.k↔		BOP, KVT, UOP4, VIAL	5t044.1↔		I02A, I02B, I02C, I02D, I08A, I08B, I08C, I08D, I08E, I08F, I12A, I12B, I12C, I13A, I13B, I13C, I13D, I13E, I22A, I32A, I32B, I32C, I32D, I50Z
5t043.a↔		BOP, KVT, UOP4, VIAL		08	I12A, I12B, I12C, I13A, I13B, I13C, I13D		21A	W04A, W04B
	08	I12A, I12B, I12C, I32A, I32B, I32C, I32D, I32E, I32F		21A	W04A, W04B		21B	X01A, X01B, X01C
	21A	W04A, W04B	5t043.l↔		BOP, KVT, UOP4, VIAL	5t044.2↔		BOP, KVT, UOP4, VIAL
	21B	X05A, X05B		08	I12A, I12B, I12C, I13A, I13B, I13C, I13D		08	I02A, I02B, I02C, I02D, I08A, I08B, I08C, I08D, I08E, I08F, I12A, I12B, I12C, I13A, I13B, I13C, I13D, I13E, I22A, I32A, I32B, I32C, I32D, I50Z
5t043.b↔		BOP, KVT, UOP4, VIAL		21A	W04A, W04B		21A	W04A, W04B
	08	I12A, I12B, I12C, I32A, I32B, I32C, I32D, I32E, I32F	5t043.m↔		BOP, KVT, UOP4, VIAL		21B	X01A, X01B, X01C
	21A	W04A, W04B		08	I12A, I12B, I12C, I13A, I13B, I13C, I13D		08	I02A, I02B, I02C, I02D, I08A, I08B, I08C, I08D, I08E, I08F, I12A, I12B, I12C, I13A, I13B, I13C, I13D, I13E, I22A, I32A, I32B, I32C, I32D, I50Z
	21B	X05A, X05B		21A	W04A, W04B	5t044.3↔		BOP, KVT, UOP4, VIAL
5t043.c↔		BOP, KVT, UOP4, VIAL		21B	X04Z		08	I02A, I02B, I02C, I02D, I08A, I08B, I08C, I08D, I08E, I08F, I12A, I12B, I12C, I13A, I13B, I13C, I13D, I13E, I22A, I32A, I32B, I32C, I32D, I50Z
	08	I12A, I12B, I12C, I32A, I32B, I32C, I32D, I32E, I32F	5t043.n↔		BOP, KVT, UOP4, VIAL		21A	W04A, W04B
	21A	W04A, W04B		08	I12A, I12B, I12C, I13A, I13B, I13C, I13D		21B	X01A, X01B, X01C
	21B	X05A, X05B		21A	W04A, W04B	5t044.4↔		BOP, KVT, UOP4, VIAL
5t043.d		BOP, KVT, UOP4, VIAL		21B	X04Z		08	I02A, I02B, I02C, I02D, I08A, I08B, I08C, I08D, I08E, I08F, I12A, I12B, I12C, I21Z, I22A, I31Z, I32A, I32B, I32C, I32D, I32E, I32F, I50Z
	08	I08A, I08B, I08C, I08D, I08E, I08F, I12A, I12B, I12C, I47A	5t043.o↔		BOP, KVT, UOP4, VIAL		21A	W04A, W04B
	21A	W04A, W04B		08	I12A, I12B, I12C, I13A, I13B, I13C, I13D, I13E		21B	X01A, X01B, X01C
	21B	X06A, X06B, X06C		21A	W04A, W04B	5t044.5↔		BOP, KVT, UOP4, VIAL
5t043.e↔		BOP, KVT, UOP4, VIAL		21B	X04Z		08	I02A, I02B, I02C, I02D, I08A, I08B, I08C, I08D, I08E, I08F, I12A, I12B, I12C, I21Z, I22A, I31Z, I32A, I32B, I32C, I32D, I32E, I32F, I50Z
	01	B03A, B03B, B06A, B06B, B17A, B17B, B17C	5t043.p↔		BOP, KVT, UOP4, VIAL		21A	W04A, W04B
	08	I08A, I08B, I08C, I08D, I08E, I08F		08	I12A, I12B, I12C, I20C, I28A, I28B		21B	X01A, X01B, X01C
	21A	W01A, W01B, W01C, W02A, W02B		21A	W04A, W04B		08	I02A, I02B, I02C, I02D, I08A, I08B, I08C, I08D, I08E, I08F, I12A, I12B, I12C, I21Z, I22A, I31Z, I32A, I32B, I32C, I32D, I32E, I32F, I50Z
	21B	X04Z	5t043.q↔		BOP, KVT, UOP4, VIAL		21A	W04A, W04B
				08	I12A, I12B, I12C, I13A, I13B, I13C, I13D, I13E		21B	X01A, X01B, X01C
				21A	W04A, W04B		08	I02A, I02B, I02C, I02D, I08A, I08B, I08C, I08D, I08E, I08F, I12A, I12B, I12C, I21Z, I22A, I31Z, I32A, I32B, I32C, I32D, I32E, I32F, I50Z
				21B	X04Z, X06A, X06B, X06C		21A	W04A, W04B
			5t043.r↔		BOP, KVT, UOP4, VIAL		21B	X01A, X01B, X01C
				08	I12A, I12B, I12C, I20C, I28A, I28B			
				21A	W04A, W04B			
				21B	X04Z, X06A, X06B, X06C			
			5t043.s↔		BOP, KVT, UOP4, VIAL			
				08	I12A, I12B, I12C, I20C, I28A, I28B			
				21A	W04A, W04B			
				21B	X04Z, X06A, X06B, X06C			
			5t043.t↔		BOP, KVT, UOP4, VIAL			
				08	I12A, I12B, I12C, I20C, I28A, I28B			
				21A	W04A, W04B			
				21B	X04Z, X06A, X06B, X06C			

ZZV	MDC	DRG	ZZV	MDC	DRG	ZZV	MDC	DRG	
5t044.6↔		BOP, KVT, UOP4, VIAL	5t044.g↔	01	BOP, KVT, UOP4, VIAL	5t044.x↔		BOP, KVT, UOP4	
	08	I02A, I02B, I02C, I02D, I08A, I08B, I08C, I08D, I08E, I08F, I12A, I12B, I12C, I21Z, I22A, I31Z, I32A, I32B, I32C, I32D, I32E, I32F, I50Z		08	B03A, B03B, B06A, B06B, B17A, B17B, B17C		08	I02A, I02B, I02C, I02D, I12A, I12B, I12C, I22A, I28A, I28B, I32A, I32B, I32C, I32D, I32E, I32F, I50Z	
	21A	W04A, W04B		21A	W01A, W01B, W01C, W02A, W02B		21A	W04A, W04B	
5t044.7↔	21B	X01A, X01B, X01C	5t044.h↔	21B	X01A, X01B, X01C	5t044.z↔	08	I32A, I32B, I32C, I32D	
		BOP, KVT, UOP4, VIAL			BOP, KVT, UOP4, VIAL	5t045.1↔		BOP, KVT, UOP4, VIAL	
	08	I02A, I02B, I02C, I02D, I08A, I08B, I08C, I08D, I08E, I08F, I12A, I12B, I12C, I21Z, I22A, I31Z, I32A, I32B, I32C, I32D, I32E, I32F, I50Z		01	B03A, B03B, B06A, B06B, B17A, B17B, B17C	08	I08A, I08B, I08C, I08D, I08E, I08F, I13A, I13B, I13C, I13D		
5t044.8↔	21A	W04A, W04B	5t044.i↔	08	I02A, I02B, I02C, I02D, I08A, I08B, I08C, I08D, I08E, I08F, I22A, I32A, I32B, I32C, I32D, I50Z	5t045.3↔		BOP, KVT, UOP4, VIAL	
	21B	X01A, X01B, X01C		5t044.j↔	21A	W01A, W01B, W01C, W02A, W02B	08	I08A, I08B, I08C, I08D, I08E, I08F, I12A, I12B, I12C, I13A, I13B, I13D	
		BOP, KVT, UOP4, VIAL			21B	X01A, X01B, X01C	21A	W04A, W04B	
08	I02A, I02B, I02C, I02D, I08A, I08B, I08C, I08D, I08E, I08F, I12A, I12B, I12C, I21Z, I22A, I31Z, I32A, I32B, I32C, I32D, I32E, I32F, I50Z	5t044.k↔	08		I02A, I02B, I02C, I02D, I12A, I12B, I12C, I13A, I13B, I13C, I13D, I13E, I22A, I32A, I32B, I32C, I32D, I50Z	5t045.4↔	21B	X06A, X06B, X06C	
5t044.9↔	21A	W04A, W04B	5t044.l↔	08	I32A, I32B, I32C, I32D	08	I08A, I08B, I08C, I08D, I08E, I08F, I12A, I12B, I12C, I21Z, I31Z		
	21B	X01A, X01B, X01C		5t044.m↔		BOP, KVT, UOP4, VIAL	21A	W04A, W04B	
		BOP, KVT, UOP4, VIAL			08	I02A, I02B, I02C, I02D, I12A, I12B, I12C, I13A, I13B, I13C, I32C, I32D, I50Z	21B	X06A, X06B, X06C	
08	I02A, I02B, I02C, I02D, I08A, I08B, I08C, I08D, I08E, I08F, I12A, I12B, I12C, I21Z, I22A, I31Z, I32A, I32B, I32C, I32D, I32E, I32F, I50Z	5t044.n↔	08		I02A, I02B, I02C, I02D, I12A, I12B, I12C, I13A, I13B, I13C, I32C, I32D, I50Z	5t045.d	08	I08A, I08B, I08C, I08D, I08E, I08F, I47A	
5t044.a↔	21A	W04A, W04B	5t044.o↔	08	I02A, I02B, I02C, I02D, I12A, I12B, I12C, I13A, I13B, I13C, I32C, I32D, I50Z	5t045.e↔	01	B03A, B03B, B06A, B06B, B17A, B17B, B17C	
	21B	X01A, X01B, X01C		5t044.p↔	21A	W04A, W04B	08	I08A, I08B, I08C, I08D, I08E, I08F	
		BOP, KVT, UOP4, VIAL			21B	X01A, X01B, X01C	21A	W01A, W01B, W01C, W02A, W02B	
08	I12A, I12B, I12C, I32A, I32B, I32C, I32D, I32E, I32F	5t044.q↔	08		I02A, I02B, I02C, I02D, I12A, I12B, I12C, I13A, I13B, I13C, I32C, I32D, I50Z	21B	X04Z		
5t044.b↔	21A	W04A, W04B	5t044.r↔		BOP, KVT, UOP4, VIAL	5t045.h↔	01	B03A, B03B, B06A, B06B, B17A, B17B, B17C	
	21B	X01A, X01B, X01C		08	I02A, I02B, I02C, I02D, I12A, I12B, I12C, I13A, I13B, I13C, I32C, I32D, I50Z	08	I08A, I08B, I08C, I08D, I08E, I08F, I30Z		
		BOP, KVT, UOP4, VIAL		21A	W04A, W04B	21A	W01A, W01B, W01C, W02A, W02B		
5t044.c↔	21B	X01A, X01B, X01C	5t044.s↔	21B	X01A, X01B, X01C	5t045.i↔	21B	X04Z	
		BOP, KVT, UOP4, VIAL		08	I13A, I13B, I13C, I13D, I13E, I32A, I32B, I32C, I32D	08	I12A, I12B, I12C, I28A, I28B		
	08	I12A, I12B, I12C, I32A, I32B, I32C, I32D, I32E, I32F		5t044.t↔	08	I13A, I13B, I13C, I13D, I13E, I32A, I32B, I32C, I32D	21A	W04A, W04B	
5t044.d	21A	W04A, W04B	5t044.u↔		BOP, KVT, UOP4, VIAL	21B	X04Z, X06A, X06B, X06C		
	21B	X01A, X01B, X01C		08	I13A, I13B, I13C, I13D, I13E, I32A, I32B, I32C, I32D	5t045.k↔	08	I12A, I12B, I12C, I13A, I13B, I13C, I13D	
		BOP, KVT, UOP4, VIAL		5t044.v↔	08	I02A, I02B, I02C, I02D, I12A, I12B, I12C, I13A, I13B, I13C, I13D, I13E, I22A, I32A, I32B, I32C, I32D, I50Z	21A	W04A, W04B	
5t044.e↔	08	I08A, I08B, I08C, I08D, I08E, I08F, I32A, I32B, I32C, I32D, I47A	5t044.w↔	08	I02A, I02B, I02C, I02D, I12A, I12B, I12C, I13A, I13B, I13C, I13D, I13E, I22A, I32A, I32B, I32C, I32D, I50Z	21B	X04Z		
		BOP, KVT, UOP4, VIAL		21A	W04A, W04B	5t045.n↔	08	I13A, I13B, I13C, I13D	
	01	B03A, B03B, B06A, B06B, B17A, B17B, B17C		21B	X01A, X01B, X01C	5t045.p↔	08	I13A, I13B, I13C, I13D, I13E	
5t044.f↔	08	I02A, I02B, I02C, I02D, I08A, I08B, I08C, I08D, I08E, I08F, I22A, I32A, I32B, I32C, I32D, I50Z	5t044.x↔	08	I20A, I20B, I20C, I20D, I32A, I32B, I32C, I32D	5t045.r↔	08	I13A, I13B, I13C, I13D, I13E	
	21A	W01A, W01B, W01C, W02A, W02B		5t044.y↔	08	I20A, I20B, I20C, I20D, I32A, I32B, I32C, I32D	5t045.s↔	08	I13A, I13B, I13C, I13D, I13E
	21B	X01A, X01B, X01C		5t044.z↔	08	I20A, I20B, I20C, I20D, I32A, I32B, I32C, I32D	08	I12A, I12B, I12C, I20C, I28A, I28B	
5t044.g↔		BOP, KVT, UOP4, VIAL	5t044.aa↔		BOP, KVT, UOP4, VIAL	21A	W04A, W04B		
	01	B03A, B03B, B06A, B06B, B17A, B17B, B17C		5t044.aa↔	08	I20A, I20B, I20C, I20D, I32A, I32B, I32C, I32D	21B	X04Z, X06A, X06B, X06C	
	08	I02A, I02B, I02C, I02D, I08A, I08B, I08C, I08D, I08E, I08F, I22A, I32A, I32B, I32C, I32D, I50Z		5t044.ab↔	08	I20A, I20B, I20C, I20D, I32A, I32B, I32C, I32D	5t045.t↔	08	I20A, I20B, I20C, I20D
5t044.h↔	21A	W01A, W01B, W01C, W02A, W02B	5t044.aa↔	08	I20A, I20B, I20C, I20D, I32A, I32B, I32C, I32D	5t045.u↔	08	I20A, I20B, I20C, I20D	
	21B	X01A, X01B, X01C		5t044.ab↔	08	I20A, I20B, I20C, I20D, I32A, I32B, I32C, I32D	5t045.v↔	08	I20A, I20B, I20C, I20D
		BOP, KVT, UOP4, VIAL		5t044.ab↔	08	I20A, I20B, I20C, I20D, I32A, I32B, I32C, I32D	5t045.w↔	08	I20A, I20B, I20C, I20D
5t044.i↔	08	I02A, I02B, I02C, I02D, I08A, I08B, I08C, I08D, I08E, I08F, I22A, I32A, I32B, I32C, I32D, I50Z	5t044.aa↔	08	I20A, I20B, I20C, I20D, I32A, I32B, I32C, I32D				
	21A	W04A, W04B		5t044.ab↔	08	I20A, I20B, I20C, I20D, I32A, I32B, I32C, I32D			
	21B	X01A, X01B, X01C		5t044.ab↔	08	I20A, I20B, I20C, I20D, I32A, I32B, I32C, I32D			

ZZV	MDC	DRG	ZZV	MDC	DRG	ZZV	MDC	DRG
5t045.x		BOP, KVT, UOP4	5t047.3↔		BOP, KVT, UOP4, VIAL	5t047.e↔		BOP, KVT, UOP4, VIAL
	08	I12A, I12B, I12C, I28A, I28B		08	I08A, I08B, I08C, I08D, I08E, I08F, I12A, I12B, I12C, I13A, I13B, I13C, I13D, I46A, I47A		01	B03A, B03B, B06A, B06B, B17A, B17B, B17C
	21A	W04A, W04B		21A	W04A, W04B		08	I08A, I08B, I08C, I08D, I08E, I08F, I46A, I47A
	21B	X06A, X06B, X06C		21B	X06A, X06B, X06C		21A	W01A, W01B, W01C, W02A, W02B
5t046.1↔		BOP, KVT, UOP4, VIAL	5t047.4↔		BOP, KVT, UOP4, VIAL		21B	X04Z
	08	I08A, I08B, I08C, I08D, I08E, I08F, I13A, I13B, I13C, I13D, I13E, I46A, I47A		08	I08A, I08B, I08C, I08D, I08E, I08F, I12A, I12B, I12C, I21Z, I31Z, I46A, I47A	5t047.f↔		BOP, KVT, UOP4, VIAL
5t046.3↔		BOP, KVT, UOP4, VIAL		21A	W04A, W04B		01	B03A, B03B, B06A, B06B, B17A, B17B, B17C
	08	I08A, I08B, I08C, I08D, I08E, I08F, I13A, I13B, I13C, I13D, I46A, I47A		21B	X06A, X06B, X06C		08	I08A, I08B, I08C, I08D, I08E, I08F, I46A, I47A
5t046.d		BOP, KVT, UOP4, VIAL	5t047.5↔		BOP, KVT, UOP4, VIAL		21A	W01A, W01B, W01C, W02A, W02B
	08	I08A, I08B, I08C, I08D, I08E, I08F, I46A, I47A		08	I08A, I08B, I08C, I08D, I08E, I08F, I12A, I12B, I12C, I21Z, I31Z, I46A, I47A		21B	X04Z
5t046.e↔		BOP, KVT, UOP4, VIAL		21A	W04A, W04B	5t047.g↔		BOP, KVT, UOP4, VIAL
	08	I08A, I08B, I08C, I08D, I08E, I08F, I46A, I47A		21B	X06A, X06B, X06C		01	B03A, B03B, B06A, B06B, B17A, B17B, B17C
5t046.h↔		BOP, KVT, UOP4, VIAL	5t047.6↔		BOP, KVT, UOP4, VIAL		08	I08A, I08B, I08C, I08D, I08E, I08F, I46A, I47A
	08	I08A, I08B, I08C, I08D, I08E, I08F, I30Z, I46A, I47A		08	I08A, I08B, I08C, I08D, I08E, I08F, I12A, I12B, I12C, I21Z, I31Z, I46A, I47A		21A	W01A, W01B, W01C, W02A, W02B
5t046.k↔		BOP, KVT, UOP4, VIAL		21A	W04A, W04B		21B	X04Z
	08	I13A, I13B, I13C, I13D, I46A, I47A		21B	X06A, X06B, X06C	5t047.h↔		BOP, KVT, UOP4, VIAL
5t046.n↔		BOP, KVT, UOP4, VIAL	5t047.7↔		BOP, KVT, UOP4, VIAL		01	B03A, B03B, B06A, B06B, B17A, B17B, B17C
	08	I13A, I13B, I13C, I13D, I46A, I47A		08	I08A, I08B, I08C, I08D, I08E, I08F, I12A, I12B, I12C, I21Z, I31Z, I46A, I47A		08	I08A, I08B, I08C, I08D, I08E, I08F, I46A, I47A
5t046.p↔		BOP, KVT, UOP4, VIAL		21A	W04A, W04B		21A	W01A, W01B, W01C, W02A, W02B
	08	I13A, I13B, I13C, I13D, I13E, I46A, I47A		21B	X06A, X06B, X06C		21B	X04Z
5t046.r↔		BOP, KVT, UOP4, VIAL	5t047.8↔		BOP, KVT, UOP4, VIAL	5t047.j↔		BOP, KVT, UOP4, VIAL
	08	I13A, I13B, I13C, I13D, I13E, I46A, I47A		08	I08A, I08B, I08C, I08D, I08E, I08F, I12A, I12B, I12C, I21Z, I31Z, I46A, I47A		08	I12A, I12B, I12C, I28A, I28B, I46A, I47A
5t046.s↔		BOP, KVT, UOP4, VIAL		21A	W04A, W04B		21A	W04A, W04B
	08	I20A, I20B, I20C, I20D, I46A, I47A		21B	X06A, X06B, X06C		21B	X04Z, X06A, X06B, X06C
5t046.t↔		BOP, KVT, UOP4, VIAL	5t047.9↔		BOP, KVT, UOP4, VIAL	5t047.k↔		BOP, KVT, UOP4, VIAL
	08	I20A, I20B, I20C, I20D, I46A, I47A		08	I08A, I08B, I08C, I08D, I08E, I08F, I12A, I12B, I12C, I21Z, I31Z, I46A, I47A		08	I12A, I12B, I12C, I13A, I13B, I13C, I13D, I46A, I47A
5t046.u↔		BOP, KVT, UOP4, VIAL		21A	W04A, W04B		21A	W04A, W04B
	08	I20A, I20B, I20C, I20D, I46A, I47A		21B	X06A, X06B, X06C	5t047.m↔		BOP, KVT, UOP4, VIAL
5t046.v↔		BOP, KVT, UOP4, VIAL	5t047.a↔		BOP, KVT, UOP4, VIAL		08	I12A, I12B, I12C, I13A, I13B, I13C, I13D, I46A, I47A
	08	I20A, I20B, I20C, I20D, I46A, I47A		08	I12A, I12B, I12C, I32A, I32B, I32C, I32D, I32E, I32F, I46A, I47A		21A	W04A, W04B
5t046.w↔		BOP, KVT, UOP4, VIAL		21A	W04A, W04B		21B	X04Z
	08	I20A, I20B, I20C, I20D, I46A, I47A		21B	X05A, X05B	5t047.n↔		BOP, KVT, UOP4, VIAL
5t047.0↔		BOP, KVT, UOP4, VIAL	5t047.b↔		BOP, KVT, UOP4, VIAL		08	I12A, I12B, I12C, I13A, I13B, I13C, I13D, I46A, I47A
	04	E02A, E02B, E02C		08	I12A, I12B, I12C, I32A, I32B, I32C, I32D, I32E, I32F, I46A, I47A		21A	W04A, W04B
	08	I12A, I12B, I12C, I28A, I28B, I46A, I47A		21A	W04A, W04B		21B	X04Z
	21A	W04A, W04B		21B	X05A, X05B	5t047.p↔		BOP, KVT, UOP4, VIAL
	21B	X06A, X06B, X06C	5t047.c↔		BOP, KVT, UOP4, VIAL		08	I12A, I12B, I12C, I13A, I13B, I13C, I13D, I13E, I46A, I47A
5t047.1↔		BOP, KVT, UOP4, VIAL		08	I12A, I12B, I12C, I32A, I32B, I32C, I32D, I32E, I32F, I46A, I47A		21A	W04A, W04B
	08	I08A, I08B, I08C, I08D, I08E, I08F, I12A, I12B, I12C, I13A, I13B, I13C, I13D, I46A, I47A		21A	W04A, W04B		21B	X04Z
	21A	W04A, W04B		21B	X05A, X05B	5t047.q↔		BOP, KVT, UOP4, VIAL
	21B	X06A, X06B, X06C	5t047.d		BOP, KVT, UOP4, VIAL		08	I12A, I12B, I12C, I13A, I13B, I13C, I13D, I13E, I46A, I47A
5t047.2↔		BOP, KVT, UOP4, VIAL		08	I08A, I08B, I08C, I08D, I08E, I08F, I12A, I12B, I12C, I46A, I47A		21A	W04A, W04B
	08	I08A, I08B, I08C, I08D, I08E, I08F, I12A, I12B, I12C, I13A, I13B, I13C, I13D, I46A, I47A		21A	W04A, W04B	5t047.r↔		BOP, KVT, UOP4, VIAL
	21A	W04A, W04B		21B	X06A, X06B, X06C		08	I12A, I12B, I12C, I13A, I13B, I13C, I13D, I13E, I46A, I47A
	21B	X06A, X06B, X06C					21A	W04A, W04B
							21B	X04Z

ZZV	MDC	DRG	ZZV	MDC	DRG	ZZV	MDC	DRG
5t047.s↔		BOP, KVT, UOP4, VIAL	5t048.5↔		BOP, KVT, UOP4, VIAL	5t048.g↔		BOP, KVT, UOP4, VIAL
	08	I12A, I12B, I12C, I20C, I28A, I28B, I46A, I47A		08	I08A, I08B, I08C, I08D, I08E, I08F, I12A, I12B, I12C, I21Z, I31Z, I46A, I47A		01	B03A, B03B, B06A, B06B, B17A, B17B, B17C
	21A	W04A, W04B		21A	W04A, W04B		08	I08A, I08B, I08C, I08D, I08E, I08F, I46A, I47A
5t047.t↔	21B	X04Z, X06A, X06B, X06C	5t048.6↔	21B	X06A, X06B, X06C	21A	W01A, W01B, W01C, W02A, W02B	
	08	BOP, KVT, UOP4, VIAL		08	BOP, KVT, UOP4, VIAL	21B	X04Z	
	08	I12A, I12B, I12C, I20C, I28A, I28B, I46A, I47A		08	I08A, I08B, I08C, I08D, I08E, I08F, I12A, I12B, I12C, I21Z, I31Z, I46A, I47A	5t048.h↔		
	21A	W04A, W04B		21A	W04A, W04B		01	B03A, B03B, B06A, B06B, B17A, B17B, B17C
	21B	X04Z, X06A, X06B, X06C		21B	X06A, X06B, X06C		08	I08A, I08B, I08C, I08D, I08E, I08F, I46A, I47A
5t047.u↔		BOP, KVT, UOP4, VIAL	5t048.7↔		BOP, KVT, UOP4, VIAL	21A	W01A, W01B, W01C, W02A, W02B	
	08	I12A, I12B, I12C, I20C, I28A, I28B, I46A, I47A		08	I08A, I08B, I08C, I08D, I08E, I08F, I12A, I12B, I12C, I21Z, I31Z, I46A, I47A	21B	X04Z	
	21A	W04A, W04B		21A	W04A, W04B	5t048.j↔		BOP, KVT, UOP4, VIAL
	21B	X04Z, X06A, X06B, X06C		21B	X06A, X06B, X06C		08	I12A, I12B, I12C, I28A, I28B, I46A, I47A
5t047.v↔		BOP, KVT, UOP4, VIAL	5t048.8↔		BOP, KVT, UOP4, VIAL	21A	W04A, W04B	
	08	I12A, I12B, I12C, I20C, I28A, I28B, I46A, I47A		08	I08A, I08B, I08C, I08D, I08E, I08F, I12A, I12B, I12C, I21Z, I31Z, I46A, I47A	21B	X04Z, X06A, X06B, X06C	
	21A	W04A, W04B		21A	W04A, W04B	5t048.k↔		BOP, KVT, UOP4, VIAL
	21B	X04Z, X06A, X06B, X06C		21B	X06A, X06B, X06C		08	I12A, I12B, I12C, I13A, I13B, I13C, I13D, I46A, I47A
5t047.w↔		BOP, KVT, UOP4, VIAL	5t048.9↔		BOP, KVT, UOP4, VIAL	21A	W04A, W04B	
	08	I12A, I12B, I12C, I20C, I28A, I28B, I46A, I47A		08	I08A, I08B, I08C, I08D, I08E, I08F, I12A, I12B, I12C, I21Z, I31Z, I46A, I47A	21B	X04Z	
	21A	W04A, W04B		21A	W04A, W04B	5t048.m↔		BOP, KVT, UOP4, VIAL
	21B	X04Z, X06A, X06B, X06C		21B	X06A, X06B, X06C		08	I12A, I12B, I12C, I13A, I13B, I13C, I13D, I13E, I46A, I47A
5t047.x		BOP, KVT, UOP4	5t048.a↔		BOP, KVT, UOP4, VIAL	21A	W04A, W04B	
	08	I12A, I12B, I12C, I28A, I28B, I46A, I47A		08	I12A, I12B, I12C, I32A, I32B, I32C, I32D, I32E, I32F, I46A, I47A	21B	X04Z	
	21A	W04A, W04B		21A	W04A, W04B	5t048.n↔		BOP, KVT, UOP4, VIAL
	21B	X06A, X06B, X06C		21B	X05A, X05B		08	I12A, I12B, I12C, I13A, I13B, I13C, I13D, I46A, I47A
5t047.z↔		BOP, KVT, UOP4, VIAL	5t048.b↔		BOP, KVT, UOP4, VIAL	21A	W04A, W04B	
	04	E02A, E02B, E02C		08	I12A, I12B, I12C, I32A, I32B, I32C, I32D, I32E, I32F, I46A, I47A	21B	X04Z	
	08	I12A, I12B, I12C, I28A, I28B, I46A, I47A		21A	W04A, W04B	5t048.p↔		BOP, KVT, UOP4, VIAL
	21A	W04A, W04B		21B	X05A, X05B		08	I12A, I12B, I12C, I13A, I13B, I13C, I13D, I13E, I46A, I47A
	21B	X06A, X06B, X06C		5t048.c↔		21A	W04A, W04B	
5t048.0↔		BOP, KVT, UOP4, VIAL		08	I12A, I12B, I12C, I32A, I32B, I32C, I32D, I32E, I32F, I46A, I47A	21B	X04Z	
	04	E02A, E02B, E02C		21A	W04A, W04B	5t048.q↔		BOP, KVT, UOP4, VIAL
	08	I12A, I12B, I12C, I28A, I28B, I46A, I47A		21B	X05A, X05B		08	I12A, I12B, I12C, I13A, I13B, I13C, I13D, I13E, I46A, I47A
	21A	W04A, W04B		5t048.d		21A	W04A, W04B	
	21B	X06A, X06B, X06C		08	I08A, I08B, I08C, I08D, I08E, I08F, I12A, I12B, I12C, I46A, I47A	21B	X04Z	
5t048.1↔		BOP, KVT, UOP4, VIAL		21A	W04A, W04B	5t048.r↔		BOP, KVT, UOP4, VIAL
	08	I08A, I08B, I08C, I08D, I08E, I08F, I12A, I12B, I12C, I13A, I13B, I13C, I13D, I46A, I47A		21B	X06A, X06B, X06C		08	I12A, I12B, I12C, I13A, I13B, I13C, I13D, I13E, I46A, I47A
	21A	W04A, W04B		5t048.e↔		21A	W04A, W04B	
	21B	X06A, X06B, X06C		01	B03A, B03B, B06A, B06B, B17A, B17B, B17C	21B	X04Z	
5t048.2↔		BOP, KVT, UOP4, VIAL		08	I08A, I08B, I08C, I08D, I08E, I08F, I12A, I12B, I12C, I46A, I47A	5t048.s↔		BOP, KVT, UOP4, VIAL
	08	I08A, I08B, I08C, I08D, I08E, I08F, I12A, I12B, I12C, I13A, I13B, I13C, I13D, I13E, I46A, I47A		21A	W04A, W04B		08	I12A, I12B, I12C, I20C, I28A, I28B, I46A, I47A
	21A	W04A, W04B		21B	X06A, X06B, X06C	21A	W04A, W04B	
	21B	X06A, X06B, X06C		5t048.f↔		21B	X04Z, X06A, X06B, X06C	
5t048.3↔		BOP, KVT, UOP4, VIAL		01	B03A, B03B, B06A, B06B, B17A, B17B, B17C	5t048.t↔		BOP, KVT, UOP4, VIAL
	08	I08A, I08B, I08C, I08D, I08E, I08F, I12A, I12B, I12C, I13A, I13B, I13C, I13D, I13E, I46A, I47A		08	I08A, I08B, I08C, I08D, I08E, I08F, I46A, I47A		08	I12A, I12B, I12C, I20C, I28A, I28B, I46A, I47A
	21A	W04A, W04B		21A	W01A, W01B, W01C, W02A, W02B	21A	W04A, W04B	
	21B	X06A, X06B, X06C		21B	X04Z	21B	X04Z, X06A, X06B, X06C	
5t048.4↔		BOP, KVT, UOP4, VIAL		21A	W01A, W01B, W01C, W02A, W02B	5t048.u↔		BOP, KVT, UOP4, VIAL
	08	I08A, I08B, I08C, I08D, I08E, I08F, I12A, I12B, I12C, I21Z, I31Z, I46A, I47A		01	B03A, B03B, B06A, B06B, B17A, B17B, B17C		08	I12A, I12B, I12C, I20C, I28A, I28B, I46A, I47A
	21A	W04A, W04B		08	I08A, I08B, I08C, I08D, I08E, I08F, I46A, I47A	21A	W04A, W04B	
	21B	X06A, X06B, X06C		21A	W01A, W01B, W01C, W02A, W02B	21B	X04Z, X06A, X06B, X06C	
				21B	X04Z			

ZZV	MDC	DRG	ZZV	MDC	DRG	ZZV	MDC	DRG
5t048.v↔		BOP, KVT, UOP4, VIAL	5t049.v↔		BOP, KVT, UOP4, VIAL	5t04a.e↔		BOP, KVT, UOP4, VIAL
	08	I12A, I12B, I12C, I20C, I28A, I28B, I46A, I47A		08	I20A, I20B, I20C, I20D, I46A, I47A		01	B03A, B03B, B06A, B06B, B17A, B17B, B17C
	21A	W04A, W04B	5t049.w↔		BOP, KVT, UOP4, VIAL		08	I08A, I08B, I08C, I08D, I08E, I08F
5t048.w↔	21B	X04Z, X06A, X06B, X06C		08	I20A, I20B, I20C, I20D, I46A, I47A		21A	W01A, W01B, W01C, W02A, W02B
		BOP, KVT, UOP4, VIAL	5t04a.1↔		BOP, KVT, UOP4, VIAL	5t04a.f↔	21B	X04Z
	08	I12A, I12B, I12C, I20C, I28A, I28B, I46A, I47A		08	I08A, I08B, I08C, I08D, I08E, I08F, I12A, I12B, I12C, I13A, I13B, I13C, I13D, I13E		01	B03A, B03B, B06A, B06B, B17A, B17B, B17C
	21A	W04A, W04B		21A	W04A, W04B		08	I08A, I08B, I08C, I08D, I08E, I08F
5t048.x	21B	X04Z, X06A, X06B, X06C	5t04a.2↔		BOP, KVT, UOP4, VIAL		21A	W01A, W01B, W01C, W02A, W02B
		BOP, KVT, UOP4		08	I08A, I08B, I08C, I08D, I08E, I08F, I12A, I12B, I12C, I13A, I13B, I13C, I13D, I13E	5t04a.g↔	21B	X04Z
	08	I12A, I12B, I12C, I28A, I28B, I46A, I47A		21A	W04A, W04B		01	B03A, B03B, B06A, B06B, B17A, B17B, B17C
	21A	W04A, W04B	5t04a.3↔		BOP, KVT, UOP4, VIAL		08	I08A, I08B, I08C, I08D, I08E, I08F
5t048.z↔	21B	X06A, X06B, X06C		08	I08A, I08B, I08C, I08D, I08E, I08F, I12A, I12B, I12C, I13A, I13B, I13C, I13D, I13E		21A	W01A, W01B, W01C, W02A, W02B
		BOP, KVT, UOP4, VIAL	5t04a.4↔		BOP, KVT, UOP4, VIAL	5t04a.h↔	21B	X04Z
	04	E02A, E02B, E02C		08	I08A, I08B, I08C, I08D, I08E, I08F, I12A, I12B, I12C, I21Z, I31Z		01	B03A, B03B, B06A, B06B, B17A, B17B, B17C
	08	I12A, I12B, I12C, I28A, I28B, I46A, I47A		21A	W04A, W04B		08	I08A, I08B, I08C, I08D, I08E, I08F
	21A	W04A, W04B	5t04a.5↔		BOP, KVT, UOP4, VIAL		21A	W01A, W01B, W01C, W02A, W02B
5t049.2↔	21B	X06A, X06B, X06C		08	I08A, I08B, I08C, I08D, I08E, I08F, I12A, I12B, I12C, I21Z, I31Z	5t04a.i↔	21B	X04Z
		BOP, KVT, UOP4, VIAL	5t04a.6↔		BOP, KVT, UOP4, VIAL		01	B03A, B03B, B06A, B06B, B17A, B17B, B17C
	08	I08A, I08B, I08C, I08D, I08E, I08F, I12A, I12B, I12C, I13A, I13B, I13C, I13D, I13E, I46A, I47A		08	I08A, I08B, I08C, I08D, I08E, I08F, I12A, I12B, I12C, I21Z, I31Z	5t04a.k↔	08	I12A, I12B, I12C, I13A, I13B, I13C, I13D, I13E
	21A	W04A, W04B		21A	W04A, W04B		21A	W04A, W04B
5t049.5↔	21B	X06A, X06B, X06C	5t04a.7↔		BOP, KVT, UOP4, VIAL		21B	X04Z
		BOP, KVT, UOP4, VIAL		08	I08A, I08B, I08C, I08D, I08E, I08F, I12A, I12B, I12C, I21Z, I31Z	5t04a.m↔	08	I12A, I12B, I12C, I13A, I13B, I13C, I13D, I13E
	08	I08A, I08B, I08C, I08D, I08E, I08F, I12A, I12B, I12C, I21Z, I31Z, I46A, I47A		21A	W04A, W04B		21A	W04A, W04B
	21A	W04A, W04B	5t04a.8↔		BOP, KVT, UOP4, VIAL	5t04a.n↔	21B	X04Z
5t049.8↔	21B	X06A, X06B, X06C		08	I08A, I08B, I08C, I08D, I08E, I08F, I12A, I12B, I12C, I21Z, I31Z		08	I12A, I12B, I12C, I13A, I13B, I13C, I13D, I13E
		BOP, KVT, UOP4, VIAL	5t04a.9↔		BOP, KVT, UOP4, VIAL	5t04a.p↔	21A	W04A, W04B
	08	I08A, I08B, I08C, I08D, I08E, I08F, I12A, I12B, I12C, I21Z, I31Z, I46A, I47A		08	I08A, I08B, I08C, I08D, I08E, I08F, I12A, I12B, I12C, I21Z, I31Z		21B	X04Z
	21A	W04A, W04B		21A	W04A, W04B	5t04a.q↔	08	I13A, I13B, I13C, I13D, I13E
5t049.d	21B	X06A, X06B, X06C	5t04a.10↔		BOP, KVT, UOP4, VIAL		08	I13A, I13B, I13C, I13D, I13E
		BOP, KVT, UOP4, VIAL		08	I08A, I08B, I08C, I08D, I08E, I08F, I12A, I12B, I12C, I21Z, I31Z	5t04a.r↔	08	I12A, I12B, I12C, I13A, I13B, I13C, I13D, I13E
	08	I08A, I08B, I08C, I08D, I08E, I08F, I46A, I47A		21A	W04A, W04B		21A	W04A, W04B
5t049.g↔	01	B03A, B03B, B06A, B06B, B17A, B17B, B17C	5t04a.11↔		BOP, KVT, UOP4, VIAL	5t04a.s↔	21B	X04Z
	08	I08A, I08B, I08C, I08D, I08E, I08F, I46A, I47A		08	I08A, I08B, I08C, I08D, I08E, I08F, I12A, I12B, I12C, I21Z, I31Z		08	I20A, I20B, I20C, I20D
	21A	W01A, W01B, W01C, W02A, W02B	5t04a.12↔		BOP, KVT, UOP4, VIAL	5t04a.t↔	08	I20A, I20B, I20C, I20D
5t049.m↔	21B	X04Z		08	I08A, I08B, I08C, I08D, I08E, I08F, I12A, I12B, I12C, I21Z, I31Z	5t04a.u↔	08	I20A, I20B, I20C, I20D
		BOP, KVT, UOP4, VIAL	5t04a.13↔		BOP, KVT, UOP4, VIAL	5t04a.v↔	08	I20A, I20B, I20C, I20D
	08	I12A, I12B, I12C, I13A, I13B, I13C, I13D, I13E, I46A, I47A		08	I08A, I08B, I08C, I08D, I08E, I08F, I12A, I12B, I12C, I21Z, I31Z	5t04a.w↔	08	I20A, I20B, I20C, I20D
	21A	W04A, W04B		21A	W04A, W04B	5t04a.x	08	I12A, I12B, I12C, I28A, I28B
5t049.q↔	21B	X04Z	5t04a.14↔		BOP, KVT, UOP4, VIAL		21A	W04A, W04B
		BOP, KVT, UOP4, VIAL		08	I08A, I08B, I08C, I08D, I08E, I08F, I12A, I12B, I12C, I21Z, I31Z		21B	X06A, X06B, X06C
	08	I13A, I13B, I13C, I13D, I13E, I46A, I47A	5t04a.15↔		BOP, KVT, UOP4, VIAL			
5t049.s↔	08	I20A, I20B, I20C, I20D, I46A, I47A		08	I08A, I08B, I08C, I08D, I08E, I08F, I12A, I12B, I12C, I21Z, I31Z			
		BOP, KVT, UOP4, VIAL	5t04a.16↔		BOP, KVT, UOP4, VIAL			
	08	I20A, I20B, I20C, I20D, I46A, I47A		08	I08A, I08B, I08C, I08D, I08E, I08F, I12A, I12B, I12C, I21Z, I31Z			
5t049.t↔	08	I20A, I20B, I20C, I20D, I46A, I47A	5t04a.17↔		BOP, KVT, UOP4, VIAL			
		BOP, KVT, UOP4, VIAL		08	I08A, I08B, I08C, I08D, I08E, I08F, I12A, I12B, I12C, I21Z, I31Z			
5t049.u↔	08	I20A, I20B, I20C, I20D, I46A, I47A	5t04a.18↔		BOP, KVT, UOP4, VIAL			
		BOP, KVT, UOP4, VIAL		08	I08A, I08B, I08C, I08D, I08E, I08F, I12A, I12B, I12C, I21Z, I31Z			
	08	I20A, I20B, I20C, I20D, I46A, I47A						

ZZV	MDC	DRG	ZZV	MDC	DRG	ZZV	MDC	DRG
5t04b.0↔		BOP, KVT, UOP4, VIAL	5t04b.c↔		BOP, KVT, UOP4, VIAL	5t04b.q↔		BOP, KVT, UOP4, VIAL
	04	E02A, E02B, E02C		08	I12A, I12B, I12C, I32A, I32B, I32C, I32D, I32E, I32F		08	I12A, I12B, I12C, I13A, I13B, I13C, I13D, I13E
	08	I12A, I12B, I12C, I28A, I28B		21A	W04A, W04B		21A	W04A, W04B
	21A	W04A, W04B		21B	X05A, X05B		21B	X04Z
	21B	X06A, X06B, X06C	5t04b.d		BOP, KVT, UOP4, VIAL	5t04b.r↔		BOP, KVT, UOP4, VIAL
5t04b.1↔		BOP, KVT, UOP4, VIAL		08	I08A, I08B, I08C, I08D, I08E, I08F, I12A, I12B, I12C, I13A, I13B, I13C, I13D, I13E		08	I12A, I12B, I12C, I13A, I13B, I13C, I13D, I13E
	08	I08A, I08B, I08C, I08D, I08E, I08F, I12A, I12B, I12C, I13A, I13B, I13C, I13D, I13E		21A	W04A, W04B		21A	W04A, W04B
	21A	W04A, W04B		21B	X06A, X06B, X06C		21B	X04Z
	21B	X06A, X06B, X06C	5t04b.e↔		BOP, KVT, UOP4, VIAL	5t04b.s↔		BOP, KVT, UOP4, VIAL
5t04b.2↔		BOP, KVT, UOP4, VIAL		01	B03A, B03B, B06A, B06B, B17A, B17B, B17C		08	I12A, I12B, I12C, I20C, I28A, I28B
	08	I08A, I08B, I08C, I08D, I08E, I08F, I12A, I12B, I12C, I13A, I13B, I13C, I13D, I13E		08	I08A, I08B, I08C, I08D, I08E, I08F		21A	W04A, W04B
	21A	W04A, W04B		21A	W01A, W01B, W01C, W02A, W02B		21B	X04Z, X06A, X06B, X06C
	21B	X06A, X06B, X06C		21B	X04Z	5t04b.t↔		BOP, KVT, UOP4, VIAL
5t04b.3↔		BOP, KVT, UOP4, VIAL	5t04b.f↔		BOP, KVT, UOP4, VIAL		08	I12A, I12B, I12C, I20C, I28A, I28B
	08	I08A, I08B, I08C, I08D, I08E, I08F, I12A, I12B, I12C, I13A, I13B, I13C, I13D, I13E		01	B03A, B03B, B06A, B06B, B17A, B17B, B17C		21A	W04A, W04B
	21A	W04A, W04B		08	I08A, I08B, I08C, I08D, I08E, I08F		21B	X04Z, X06A, X06B, X06C
	21B	X06A, X06B, X06C		21A	W01A, W01B, W01C, W02A, W02B	5t04b.u↔		BOP, KVT, UOP4, VIAL
5t04b.4↔		BOP, KVT, UOP4, VIAL		21B	X04Z		08	I12A, I12B, I12C, I20C, I28A, I28B
	08	I08A, I08B, I08C, I08D, I08E, I08F, I12A, I12B, I12C, I21Z, I31Z	5t04b.g↔		BOP, KVT, UOP4, VIAL		21A	W04A, W04B
	21A	W04A, W04B		01	B03A, B03B, B06A, B06B, B17A, B17B, B17C		21B	X04Z, X06A, X06B, X06C
	21B	X06A, X06B, X06C		08	I08A, I08B, I08C, I08D, I08E, I08F	5t04b.v↔		BOP, KVT, UOP4, VIAL
5t04b.5↔		BOP, KVT, UOP4, VIAL		21A	W01A, W01B, W01C, W02A, W02B		08	I12A, I12B, I12C, I20C, I28A, I28B
	08	I08A, I08B, I08C, I08D, I08E, I08F, I12A, I12B, I12C, I21Z, I31Z		21B	X04Z		21A	W04A, W04B
	21A	W04A, W04B		21B	X04Z		21B	X04Z, X06A, X06B, X06C
	21B	X06A, X06B, X06C	5t04b.h↔		BOP, KVT, UOP4, VIAL		21B	X04Z, X06A, X06B, X06C
5t04b.6↔		BOP, KVT, UOP4, VIAL		01	B03A, B03B, B06A, B06B, B17A, B17B, B17C	5t04b.x		BOP, KVT, UOP4, VIAL
	08	I08A, I08B, I08C, I08D, I08E, I08F, I12A, I12B, I12C, I21Z, I31Z		08	I08A, I08B, I08C, I08D, I08E, I08F		08	I12A, I12B, I12C, I28A, I28B
	21A	W04A, W04B		21A	W01A, W01B, W01C, W02A, W02B		21A	W04A, W04B
	21B	X06A, X06B, X06C		21B	X04Z		21B	X06A, X06B, X06C
5t04b.7↔		BOP, KVT, UOP4, VIAL		21B	X04Z	5t04b.z↔		BOP, KVT, UOP4, VIAL
	08	I08A, I08B, I08C, I08D, I08E, I08F, I12A, I12B, I12C, I21Z, I31Z	5t04b.j↔		BOP, KVT, UOP4, VIAL		04	E02A, E02B, E02C
	21A	W04A, W04B		08	I12A, I12B, I12C, I28A, I28B		08	I12A, I12B, I12C, I28A, I28B
	21B	X06A, X06B, X06C		21A	W04A, W04B		21A	W04A, W04B
5t04b.8↔		BOP, KVT, UOP4, VIAL		21B	X04Z, X06A, X06B, X06C		21B	X06A, X06B, X06C
	08	I08A, I08B, I08C, I08D, I08E, I08F, I12A, I12B, I12C, I21Z, I31Z	5t04b.k↔		BOP, KVT, UOP4, VIAL	5t04x.0↔		BOP, KVT, UOP4, VIAL
	21A	W04A, W04B		08	I12A, I12B, I12C, I13A, I13B, I13C, I13D, I13E		04	E02A, E02B, E02C
	21B	X06A, X06B, X06C		21A	W04A, W04B		08	I12A, I12B, I12C, I28A, I28B
5t04b.9↔		BOP, KVT, UOP4, VIAL		21B	X04Z		21A	W04A, W04B
	08	I08A, I08B, I08C, I08D, I08E, I08F, I12A, I12B, I12C, I21Z, I31Z	5t04b.m↔		BOP, KVT, UOP4, VIAL		21B	X06A, X06B, X06C
	21A	W04A, W04B		08	I12A, I12B, I12C, I13A, I13B, I13C, I13D, I13E	5t04x.1↔		BOP, KVT, UOP4, VIAL
	21B	X06A, X06B, X06C		21A	W04A, W04B		08	I08A, I08B, I08C, I08D, I08E, I08F, I12A, I12B, I12C, I13A, I13B, I13C, I13D, I13E
5t04b.a↔		BOP, KVT, UOP4, VIAL		21B	X04Z		21A	W04A, W04B
	08	I12A, I12B, I12C, I32A, I32B, I32C, I32D, I32E, I32F	5t04b.n↔		BOP, KVT, UOP4, VIAL		21B	X06A, X06B, X06C
	21A	W04A, W04B		08	I12A, I12B, I12C, I13A, I13B, I13C, I13D, I13E	5t04x.2↔		BOP, KVT, UOP4, VIAL
	21B	X05A, X05B		21A	W04A, W04B		08	I08A, I08B, I08C, I08D, I08E, I08F, I12A, I12B, I12C, I13A, I13B, I13C, I13D, I13E
5t04b.b↔		BOP, KVT, UOP4, VIAL		21B	X04Z		21A	W04A, W04B
	08	I12A, I12B, I12C, I32A, I32B, I32C, I32D, I32E, I32F	5t04b.p↔		BOP, KVT, UOP4, VIAL	5t04x.3↔		BOP, KVT, UOP4, VIAL
	21A	W04A, W04B		08	I12A, I12B, I12C, I13A, I13B, I13C, I13D, I13E		08	I08A, I08B, I08C, I08D, I08E, I08F, I12A, I12B, I12C, I13A, I13B, I13C, I13D, I13E
	21B	X05A, X05B		21A	W04A, W04B		21A	W04A, W04B
	21B	X05A, X05B		21B	X04Z		21B	X06A, X06B, X06C

ZZV	MDC	DRG	ZZV	MDC	DRG	ZZV	MDC	DRG	
5t04x.4↔		BOP, KVT, UOP4, VIAL	5t04x.f↔		BOP, KVT, UOP4, VIAL	5t04x.u↔		BOP, KVT, UOP4, VIAL	
	08	I08A, I08B, I08C, I08D, I08E, I08F, I12A, I12B, I12C, I21Z, I31Z		01	B03A, B03B, B06A, B06B, B17A, B17B, B17C		08	I12A, I12B, I12C, I20C, I28A, I28B	
	21A	W04A, W04B		08	I08A, I08B, I08C, I08D, I08E, I08F		21A	W04A, W04B	
	21B	X06A, X06B, X06C		21A	W01A, W01B, W01C, W02A, W02B	5t04x.v↔		X04Z, X06A, X06B, X06C	
5t04x.5↔		BOP, KVT, UOP4, VIAL		21B	X04Z		08	BOP, KVT, UOP4, VIAL	
	08	I08A, I08B, I08C, I08D, I08E, I08F, I12A, I12B, I12C, I21Z, I31Z	5t04x.g↔		BOP, KVT, UOP4, VIAL		21A	I12A, I12B, I12C, I20C, I28A, I28B	
	21A	W04A, W04B		01	B03A, B03B, B06A, B06B, B17A, B17B, B17C		21B	W04A, W04B	
	21B	X06A, X06B, X06C		08	I08A, I08B, I08C, I08D, I08E, I08F	5t04x.w↔		X04Z, X06A, X06B, X06C	
5t04x.6↔		BOP, KVT, UOP4, VIAL		21A	W01A, W01B, W01C, W02A, W02B		08	BOP, KVT, UOP4, VIAL	
	08	I08A, I08B, I08C, I08D, I08E, I08F, I12A, I12B, I12C, I21Z, I31Z		21B	X04Z		21A	I12A, I12B, I12C, I20C, I28A, I28B	
	21A	W04A, W04B	5t04x.h↔		BOP, KVT, UOP4, VIAL		21B	W04A, W04B	
	21B	X06A, X06B, X06C		01	B03A, B03B, B06A, B06B, B17A, B17B, B17C	5t04x.x		X04Z, X06A, X06B, X06C	
5t04x.7↔		BOP, KVT, UOP4, VIAL		08	I08A, I08B, I08C, I08D, I08E, I08F		08	BOP, KVT, UOP4	
	08	I08A, I08B, I08C, I08D, I08E, I08F, I12A, I12B, I12C, I21Z, I31Z		21A	W01A, W01B, W01C, W02A, W02B		21A	I12A, I12B, I12C, I28A, I28B	
	21A	W04A, W04B		21B	X04Z		21B	W04A, W04B	
	21B	X06A, X06B, X06C		5t04x.i↔		5t04x.z↔		X06A, X06B, X06C	
5t04x.8↔		BOP, KVT, UOP4, VIAL		01	B03A, B03B, B06A, B06B, B17A, B17B, B17C		04	BOP, KVT, UOP4, VIAL	
	08	I08A, I08B, I08C, I08D, I08E, I08F, I12A, I12B, I12C, I21Z, I31Z		08	I08A, I08B, I08C, I08D, I08E, I08F		08	E02A, E02B, E02C	
	21A	W04A, W04B		21A	W01A, W01B, W01C, W02A, W02B		08	I12A, I12B, I12C, I28A, I28B	
	21B	X06A, X06B, X06C		21B	X04Z		21A	W04A, W04B	
5t04x.9↔		BOP, KVT, UOP4, VIAL		5t04x.j↔		5t050.0↔		X06A, X06B, X06C	
	08	I08A, I08B, I08C, I08D, I08E, I08F, I12A, I12B, I12C, I21Z, I31Z		08	BOP, KVT, UOP4, VIAL		04	BOP, KVT, UOP4, VIAL	
	21A	W04A, W04B		08	I12A, I12B, I12C, I28A, I28B		08	E02A, E02B, E02C	
	21B	X06A, X06B, X06C		21A	W04A, W04B		08	I12A, I12B, I12C, I28A, I28B	
5t04x.a↔		BOP, KVT, UOP4, VIAL		21B	X04Z, X06A, X06B, X06C		21A	W04A, W04B	
	08	I12A, I12B, I12C, I32A, I32B, I32C, I32D, I32E, I32F		5t04x.k↔		5t050.1↔		X06A, X06B, X06C	
	21A	W04A, W04B		08	BOP, KVT, UOP4, VIAL		08	BOP, KVT, UOP4, VIAL	
	21B	X05A, X05B		08	I12A, I12B, I12C, I13A, I13B, I13C, I13D, I13E		08	I08A, I08B, I08C, I08D, I08E, I08F, I12A, I12B, I12C, I13A, I13B, I13C, I13D	
5t04x.b↔		BOP, KVT, UOP4, VIAL		21A	W04A, W04B		21A	W04A, W04B	
	08	I12A, I12B, I12C, I32A, I32B, I32C, I32D, I32E, I32F		21B	X04Z		21B	X06A, X06B, X06C	
	21A	W04A, W04B		5t04x.l↔		5t050.2↔		BOP, KVT, UOP4, VIAL	
	21B	X05A, X05B		08	I12A, I12B, I12C, I13A, I13B, I13C, I13D, I13E		08	I08A, I08B, I08C, I08D, I08E, I08F, I12A, I12B, I12C, I13A, I13B, I13C, I13D	
5t04x.c↔		BOP, KVT, UOP4, VIAL		21A	W04A, W04B		21A	W04A, W04B	
	08	I12A, I12B, I12C, I32A, I32B, I32C, I32D, I32E, I32F		21B	X04Z		21B	X06A, X06B, X06C	
	21A	W04A, W04B		5t04x.m↔		5t050.3↔		BOP, KVT, UOP4, VIAL	
	21B	X05A, X05B		08	I12A, I12B, I12C, I13A, I13B, I13C, I13D, I13E		08	I08A, I08B, I08C, I08D, I08E, I08F, I12A, I12B, I12C, I13A, I13B, I13C, I13D	
5t04x.d		BOP, KVT, UOP4, VIAL		21A	W04A, W04B		21A	W04A, W04B	
	08	I08A, I08B, I08C, I08D, I08E, I08F, I12A, I12B, I12C		21B	X04Z		21B	X06A, X06B, X06C	
	21A	W04A, W04B		5t04x.n↔		5t050.4↔		BOP, KVT, UOP4, VIAL	
	21B	X06A, X06B, X06C		08	I12A, I12B, I12C, I13A, I13B, I13C, I13D, I13E		08	I08A, I08B, I08C, I08D, I08E, I08F, I12A, I12B, I12C, I13A, I13B, I13C, I13D	
5t04x.e↔		BOP, KVT, UOP4, VIAL		21A	W04A, W04B		21A	W04A, W04B	
	01	B03A, B03B, B06A, B06B, B17A, B17B, B17C		21B	X04Z		21B	X06A, X06B, X06C	
	08	I08A, I08B, I08C, I08D, I08E, I08F		5t04x.o↔		5t050.5↔		BOP, KVT, UOP4, VIAL	
	21A	W01A, W01B, W01C, W02A, W02B		08	BOP, KVT, UOP4, VIAL		08	I08A, I08B, I08C, I08D, I08E, I08F, I12A, I12B, I12C, I21Z, I31Z	
	21B	X04Z		08	I12A, I12B, I12C, I13A, I13B, I13C, I13D, I13E		21A	W04A, W04B	
				21A	W04A, W04B		21B	X06A, X06B, X06C	
				5t04x.p↔		5t050.6↔		BOP, KVT, UOP4, VIAL	
				08	I12A, I12B, I12C, I13A, I13B, I13C, I13D, I13E		08	I08A, I08B, I08C, I08D, I08E, I08F, I12A, I12B, I12C, I21Z, I31Z	
				21A	W04A, W04B		21A	W04A, W04B	
				5t04x.q↔			21B	X06A, X06B, X06C	
				08	I12A, I12B, I12C, I13A, I13B, I13C, I13D, I13E				
				21A	W04A, W04B				
				5t04x.r↔					
				08	BOP, KVT, UOP4, VIAL				
				21A	W04A, W04B				
				5t04x.s↔					
				08	I12A, I12B, I12C, I20C, I28A, I28B				
				21A	W04A, W04B				
				21B	X04Z, X06A, X06B, X06C				
				5t04x.t↔					
				08	BOP, KVT, UOP4, VIAL				
				21A	W04A, W04B				
				21B	X04Z, X06A, X06B, X06C				





ZZV	MDC	DRG	ZZV	MDC	DRG	ZZV	MDC	DRG
5t051.g↔		BOP, KVT, UOP4, VIAL	5t051.w↔	08	I12A, I12B, I12C, I28A, I28B	5t052.9↔	08	I08A, I08B, I08C, I08D, I08E, I08F, I12A, I12B, I12C, I21Z, I31Z
	01	B03A, B03B, B06A, B06B, B17A, B17B, B17C		21A	W04A, W04B		21A	W04A, W04B
	08	I08A, I08B, I08C, I08D, I08E, I08F		21B	X04Z, X06A, X06B, X06C		21B	X06A, X06B, X06C
	21A	W01A, W01B, W01C, W02A, W02B			BOP, KVT, UOP4		5t052.a↔	BOP, KVT, UOP4, VIAL
5t051.h↔	21B	X04Z	5t051.x	03	D12A, D12B	08	I12A, I12B, I12C, I32A, I32B, I32C, I32D, I32E, I32F	
		BOP, KVT, UOP4, VIAL		08	I12A, I12B, I12C, I28A, I28B	21A	W04A, W04B	
	01	B03A, B03B, B06A, B06B, B17A, B17B, B17C		21A	W04A, W04B	21B	X06A, X06B, X06C	
	08	I08A, I08B, I08C, I08D, I08E, I08F			BOP, KVT, UOP4, VIAL	5t052.b↔	BOP, KVT, UOP4, VIAL	
21A	W01A, W01B, W01C, W02A, W02B	5t051.z↔	04	E02A, E02B, E02C	08		I12A, I12B, I12C, I32A, I32B, I32C, I32D, I32E, I32F	
21B	X04Z		08	I12A, I12B, I12C, I28A, I28B	21A		W04A, W04B	
	BOP, KVT, UOP4, VIAL		21A	W04A, W04B	21B		X05A, X05B	
01	B03A, B03B, B06A, B06B, B17A, B17B, B17C			BOP, KVT, UOP4, VIAL	5t052.c↔	BOP, KVT, UOP4, VIAL		
08	I08A, I08B, I08C, I08D, I08E, I08F	5t052.0↔	04	E02A, E02B, E02C		08	I12A, I12B, I12C, I32A, I32B, I32C, I32D, I32E, I32F	
21A	W01A, W01B, W01C, W02A, W02B		08	I12A, I12B, I12C, I28A, I28B		21A	W04A, W04B	
21B	X04Z		21A	W04A, W04B		21B	X05A, X05B	
	BOP, KVT, UOP4, VIAL			BOP, KVT, UOP4, VIAL	5t052.d	BOP, KVT, UOP4, VIAL		
01	B03A, B03B, B06A, B06B, B17A, B17B, B17C	5t052.1↔	04	E02A, E02B, E02C		08	I08A, I08B, I08C, I08D, I08E, I08F, I12A, I12B, I12C, I13A, I13B, I13C, I13D	
08	I08A, I08B, I08C, I08D, I08E, I08F		08	I12A, I12B, I12C, I28A, I28B		21A	W04A, W04B	
21A	W01A, W01B, W01C, I13A, I13B, I13C, I13D		21A	W04A, W04B		21B	X06A, X06B, X06C	
21B	X04Z			BOP, KVT, UOP4, VIAL	5t052.e↔	BOP, KVT, UOP4, VIAL		
	BOP, KVT, UOP4, VIAL	5t052.2↔	08	I08A, I08B, I08C, I08D, I08E, I08F, I12A, I12B, I12C, I13A, I13B, I13C, I13D		01	B03A, B03B, B06A, B06B, B17A, B17B, B17C	
08	I12A, I12B, I12C, I13A, I13B, I13C, I13D		08	I08A, I08B, I08C, I08D, I08E, I08F, I12A, I12B, I12C, I13A, I13B, I13C, I13D		08	I08A, I08B, I08C, I08D, I08E, I08F	
21A	W04A, W04B		21A	W04A, W04B		21A	W01A, W01B, W01C, W02A, W02B	
21B	X04Z		21B	X06A, X06B, X06C	21B	X04Z		
5t051.j↔		BOP, KVT, UOP4, VIAL	5t052.3↔	08	I08A, I08B, I08C, I08D, I08E, I08F, I12A, I12B, I12C, I13A, I13B, I13C, I13D	5t052.f↔	BOP, KVT, UOP4, VIAL	
	08	I12A, I12B, I12C, I28A, I28B		08	I08A, I08B, I08C, I08D, I08E, I08F, I12A, I12B, I12C, I13A, I13B, I13C, I13D		01	B03A, B03B, B06A, B06B, B17A, B17B, B17C
	21A	W04A, W04B		21A	W04A, W04B		08	I08A, I08B, I08C, I08D, I08E, I08F
	21B	X04Z, X06A, X06B, X06C		21B	X06A, X06B, X06C		21A	W01A, W01B, W01C, W02A, W02B
5t051.k↔		BOP, KVT, UOP4, VIAL	5t052.4↔	08	I08A, I08B, I08C, I08D, I08E, I08F, I12A, I12B, I12C, I21Z, I31Z	5t052.g↔	BOP, KVT, UOP4, VIAL	
	08	I12A, I12B, I12C, I13A, I13B, I13C, I13D		08	I08A, I08B, I08C, I08D, I08E, I08F, I12A, I12B, I12C, I21Z, I31Z		01	B03A, B03B, B06A, B06B, B17A, B17B, B17C
	21A	W04A, W04B		21A	W04A, W04B		08	I08A, I08B, I08C, I08D, I08E, I08F
	21B	X04Z		21B	X06A, X06B, X06C		21A	W01A, W01B, W01C, W02A, W02B
5t051.l↔		BOP, KVT, UOP4, VIAL	5t052.5↔	08	I08A, I08B, I08C, I08D, I08E, I08F, I12A, I12B, I12C, I21Z, I31Z	5t052.h↔	BOP, KVT, UOP4, VIAL	
	08	I12A, I12B, I12C, I13A, I13B, I13C, I13D		08	I08A, I08B, I08C, I08D, I08E, I08F, I12A, I12B, I12C, I21Z, I31Z		01	B03A, B03B, B06A, B06B, B17A, B17B, B17C
	21A	W04A, W04B		21A	W04A, W04B		08	I08A, I08B, I08C, I08D, I08E, I08F
	21B	X04Z		21B	X06A, X06B, X06C		21A	W01A, W01B, W01C, W02A, W02B
5t051.m↔		BOP, KVT, UOP4, VIAL	5t052.6↔	08	I08A, I08B, I08C, I08D, I08E, I08F, I12A, I12B, I12C, I21Z, I31Z	5t052.i↔	BOP, KVT, UOP4, VIAL	
	08	I12A, I12B, I12C, I13A, I13B, I13C, I13D		08	I08A, I08B, I08C, I08D, I08E, I08F, I12A, I12B, I12C, I21Z, I31Z		01	B03A, B03B, B06A, B06B, B17A, B17B, B17C
	21A	W04A, W04B		21A	W04A, W04B		08	I08A, I08B, I08C, I08D, I08E, I08F
	21B	X04Z		21B	X06A, X06B, X06C		21A	W01A, W01B, W01C, W02A, W02B
5t051.n↔		BOP, KVT, UOP4, VIAL	5t052.7↔	08	I08A, I08B, I08C, I08D, I08E, I08F, I12A, I12B, I12C, I21Z, I31Z	5t052.j↔	BOP, KVT, UOP4, VIAL	
	08	I12A, I12B, I12C, I13A, I13B, I13C, I13D		08	I08A, I08B, I08C, I08D, I08E, I08F, I12A, I12B, I12C, I21Z, I31Z		08	I12A, I12B, I12C, I28A, I28B
	21A	W04A, W04B		21A	W04A, W04B		21A	W04A, W04B
	21B	X04Z		21B	X06A, X06B, X06C		21B	X04Z, X06A, X06B, X06C
5t051.o↔		BOP, KVT, UOP4, VIAL	5t052.8↔	08	I08A, I08B, I08C, I08D, I08E, I08F, I12A, I12B, I12C, I21Z, I31Z	5t052.k↔	BOP, KVT, UOP4, VIAL	
	08	I12A, I12B, I12C, I13A, I13B, I13C, I13D		08	I08A, I08B, I08C, I08D, I08E, I08F, I12A, I12B, I12C, I21Z, I31Z		08	I12A, I12B, I12C, I13A, I13B, I13C, I13D
	21A	W04A, W04B		21A	W04A, W04B		21A	W04A, W04B
	21B	X04Z		21B	X06A, X06B, X06C		21B	X04Z
5t051.p↔		BOP, KVT, UOP4, VIAL						
	08	I12A, I12B, I12C, I13A, I13B, I13C, I13D						
	21A	W04A, W04B						
	21B	X04Z						
5t051.q↔		BOP, KVT, UOP4, VIAL						
	08	I12A, I12B, I12C, I13A, I13B, I13C, I13D						
	21A	W04A, W04B						
	21B	X04Z						
5t051.r↔		BOP, KVT, UOP4, VIAL						
	08	I12A, I12B, I12C, I13A, I13B, I13C, I13D						
	21A	W04A, W04B						
	21B	X04Z						
5t051.s↔		BOP, KVT, UOP4, VIAL						
	08	I12A, I12B, I12C, I28A, I28B						
	21A	W04A, W04B						
	21B	X04Z, X06A, X06B, X06C						
5t051.t↔		BOP, KVT, UOP4, VIAL						
	08	I12A, I12B, I12C, I28A, I28B						
	21A	W04A, W04B						
	21B	X04Z, X06A, X06B, X06C						
5t051.u↔		BOP, KVT, UOP4, VIAL						
	08	I12A, I12B, I12C, I28A, I28B						
	21A	W04A, W04B						
	21B	X04Z, X06A, X06B, X06C						
5t051.v↔		BOP, KVT, UOP4, VIAL						
	08	I12A, I12B, I12C, I28A, I28B						
	21A	W04A, W04B						
	21B	X04Z, X06A, X06B, X06C						

ZZV	MDC	DRG	ZZV	MDC	DRG	ZZV	MDC	DRG			
5t052.m↔		BOP, KVT, UOP4, VIAL	5t053.2↔		BOP, KVT, UOP4, VIAL	5t053.e↔		BOP, KVT, UOP4, VIAL			
	08	I12A, I12B, I12C, I13A, I13B, I13C, I13D		08	I08A, I08B, I08C, I08D, I08E, I08F, I12A, I12B, I12C, I13A, I13B, I13C, I13D		01	B03A, B03B, B06A, B06B, B17A, B17B, B17C			
	21A	W04A, W04B		21A	W04A, W04B		08	I08A, I08B, I08C, I08D, I08E, I08F			
5t052.n↔	21B	X04Z	5t053.3↔	21B	X06A, X06B, X06C	5t053.f↔	21A	W01A, W01B, W01C, W02A, W02B			
		BOP, KVT, UOP4, VIAL			BOP, KVT, UOP4, VIAL		21B	X04Z			
	08	I12A, I12B, I12C, I13A, I13B, I13C, I13D		08	I08A, I08B, I08C, I08D, I08E, I08F, I12A, I12B, I12C, I13A, I13B, I13C, I13D		01	B03A, B03B, B06A, B06B, B17A, B17B, B17C			
5t052.p↔	21A	W04A, W04B	5t053.4↔	21A	W04A, W04B	5t053.g↔	08	I08A, I08B, I08C, I08D, I08E, I08F			
	21B	X04Z		21B	X06A, X06B, X06C		21A	W01A, W01B, W01C, W02A, W02B			
		BOP, KVT, UOP4, VIAL			BOP, KVT, UOP4, VIAL		21B	X04Z			
5t052.q↔	08	I12A, I12B, I12C, I13A, I13B, I13C, I13D	5t053.5↔	08	I08A, I08B, I08C, I08D, I08E, I08F, I12A, I12B, I12C, I21Z, I31Z	5t053.h↔	01	B03A, B03B, B06A, B06B, B17A, B17B, B17C			
	21A	W04A, W04B		08	I08A, I08B, I08C, I08D, I08E, I08F, I12A, I12B, I12C, I21Z, I31Z		08	I08A, I08B, I08C, I08D, I08E, I08F			
	21B	X04Z		21A	W04A, W04B		21A	W01A, W01B, W01C, W02A, W02B			
5t052.r↔	08	BOP, KVT, UOP4, VIAL	5t053.6↔	21B	X06A, X06B, X06C	5t053.i↔	21B	X04Z			
		I12A, I12B, I12C, I13A, I13B, I13C, I13D			08			I08A, I08B, I08C, I08D, I08E, I08F, I12A, I12B, I12C, I21Z, I31Z	01	B03A, B03B, B06A, B06B, B17A, B17B, B17C	
		21A			W04A, W04B			21A	W04A, W04B	08	I08A, I08B, I08C, I08D, I08E, I08F
5t052.s↔	21B	X04Z	5t053.7↔	21B	X06A, X06B, X06C	5t053.j↔	21A	W01A, W01B, W01C, W02A, W02B			
		BOP, KVT, UOP4, VIAL						BOP, KVT, UOP4, VIAL	21B	X04Z	
	08	I12A, I12B, I12C, I28A, I28B			08			I08A, I08B, I08C, I08D, I08E, I08F, I12A, I12B, I12C, I21Z, I31Z	08	I12A, I12B, I12C, I28A, I28B	
5t052.t↔	21A	W04A, W04B	5t053.8↔	21A	W04A, W04B	5t053.k↔	21A	W04A, W04B			
	21B	X04Z, X06A, X06B, X06C			21B			X06A, X06B, X06C	08	I12A, I12B, I12C, I13A, I13B, I13C, I13D	
		BOP, KVT, UOP4, VIAL								BOP, KVT, UOP4, VIAL	21A
5t052.u↔	08	I12A, I12B, I12C, I28A, I28B	5t053.9↔	08		I08A, I08B, I08C, I08D, I08E, I08F, I12A, I12B, I12C, I21Z, I31Z	5t053.l↔	21B		X04Z	
		21A			W04A, W04B	08			I08A, I08B, I08C, I08D, I08E, I08F, I12A, I12B, I12C, I21Z, I31Z	08	I12A, I12B, I12C, I28A, I28B
		21B			X04Z, X06A, X06B, X06C				21A		W04A, W04B
5t052.v↔	08	I12A, I12B, I12C, I28A, I28B	5t053.a↔	21B	X06A, X06B, X06C		5t053.m↔	08			I12A, I12B, I12C, I13A, I13B, I13C, I13D
		21A			W04A, W04B	08				I08A, I08B, I08C, I08D, I08E, I08F, I12A, I12B, I12C, I21Z, I31Z	21A
		21B			X04Z, X06A, X06B, X06C				21A	W04A, W04B	
5t052.w↔	08	I12A, I12B, I12C, I28A, I28B	5t053.b↔	08	I12A, I12B, I12C, I32A, I32B, I32C, I32D, I32E, I32F		5t053.n↔	08		I12A, I12B, I12C, I13A, I13B, I13C, I13D	
		21A			W04A, W04B	08				I12A, I12B, I12C, I32A, I32B, I32C, I32D, I32E, I32F	21A
		21B			X04Z, X06A, X06B, X06C				21A	W04A, W04B	
5t052.x	03	D12A, D12B	5t053.c↔	08	I12A, I12B, I12C, I32A, I32B, I32C, I32D, I32E, I32F		5t053.o↔	08		I12A, I12B, I12C, I13A, I13B, I13C, I13D	
		08			I12A, I12B, I12C, I28A, I28B	21A				W04A, W04B	08
					21A				W04A, W04B	21A	
21B	X06A, X06B, X06C		21B	X04Z							
5t052.z↔	04	E02A, E02B, E02C		5t053.d	08	I08A, I08B, I08C, I08D, I08E, I08F, I12A, I12B, I12C, I13A, I13B, I13C, I13D	5t053.p↔	08	I12A, I12B, I12C, I13A, I13B, I13C, I13D		
		08				I12A, I12B, I12C, I28A, I28B			08	I12A, I12B, I12C, I32A, I32B, I32C, I32D, I32E, I32F	21A
			21A			W04A, W04B				21A	
21B	X06A, X06B, X06C		21B	X04Z							
5t053.0↔	04	E02A, E02B, E02C		5t053.e↔	08	I08A, I08B, I08C, I08D, I08E, I08F, I12A, I12B, I12C, I13A, I13B, I13C, I13D	5t053.q↔	08	I12A, I12B, I12C, I13A, I13B, I13C, I13D		
		08				I12A, I12B, I12C, I28A, I28B			21A	W04A, W04B	08
			21A			W04A, W04B				21A	
21B	X06A, X06B, X06C		21B	X04Z							
5t053.1↔	08	I08A, I08B, I08C, I08D, I08E, I08F, I12A, I12B, I12C, I13A, I13B, I13C, I13D		5t053.f↔	08	I08A, I08B, I08C, I08D, I08E, I08F, I12A, I12B, I12C, I21Z, I31Z	5t053.r↔	08	I12A, I12B, I12C, I13A, I13B, I13C, I13D		
		21A				W04A, W04B			08	I08A, I08B, I08C, I08D, I08E, I08F, I12A, I12B, I12C, I21Z, I31Z	21A
			21B			X06A, X06B, X06C				21A	
08	I12A, I12B, I12C, I28A, I28B			21B	X06A, X06B, X06C	08	I12A, I12B, I12C, I28A, I28B				
	21A	W04A, W04B			21A		W04A, W04B	21A	W04A, W04B		
		21B	X06A, X06B, X06C				21B		X06A, X06B, X06C	21B	X04Z, X06A, X06B, X06C

VYK

ZZV	MDC	DRG	ZZV	MDC	DRG	ZZV	MDC	DRG
5t053.t↔		BOP, KVT, UOP4, VIAL	5t054.7↔		BOP, KVT, UOP4, VIAL	5t054.j↔		BOP, KVT, UOP4, VIAL
	08	I12A, I12B, I12C, I28A, I28B		08	I08A, I08B, I08C, I08D, I08E, I08F, I12A, I12B, I12C, I21Z, I31Z		08	I12A, I12B, I12C, I28A, I28B
	21A	W04A, W04B		21A	W04A, W04B		21A	W04A, W04B
	21B	X04Z, X06A, X06B, X06C		21B	X06A, X06B, X06C		21B	X04Z, X06A, X06B, X06C
5t053.u↔		BOP, KVT, UOP4, VIAL	5t054.8↔		BOP, KVT, UOP4, VIAL	5t054.k↔		BOP, KVT, UOP4, VIAL
	08	I12A, I12B, I12C, I28A, I28B		08	I08A, I08B, I08C, I08D, I08E, I08F, I12A, I12B, I12C, I21Z, I31Z		08	I12A, I12B, I12C, I13A, I13B, I13C, I13D
	21A	W04A, W04B		21A	W04A, W04B		21A	W04A, W04B
	21B	X04Z, X06A, X06B, X06C		21B	X06A, X06B, X06C		21B	X04Z
5t053.v↔		BOP, KVT, UOP4, VIAL	5t054.9↔		BOP, KVT, UOP4, VIAL	5t054.m↔		BOP, KVT, UOP4, VIAL
	08	I12A, I12B, I12C, I28A, I28B		08	I08A, I08B, I08C, I08D, I08E, I08F, I12A, I12B, I12C, I21Z, I31Z		08	I12A, I12B, I12C, I13A, I13B, I13C, I13D
	21A	W04A, W04B		21A	W04A, W04B		21A	W04A, W04B
	21B	X04Z, X06A, X06B, X06C		21B	X06A, X06B, X06C		21B	X04Z
5t053.w↔		BOP, KVT, UOP4, VIAL	5t054.a↔		BOP, KVT, UOP4, VIAL	5t054.n↔		BOP, KVT, UOP4, VIAL
	08	I12A, I12B, I12C, I28A, I28B		08	I12A, I12B, I12C, I32A, I32B, I32C, I32D, I32E, I32F		08	I12A, I12B, I12C, I13A, I13B, I13C, I13D
	21A	W04A, W04B		21A	W04A, W04B		21A	W04A, W04B
	21B	X04Z, X06A, X06B, X06C		21B	X06A, X06B, X06C		21B	X04Z
5t053.x		BOP, KVT, UOP4	5t054.b↔		BOP, KVT, UOP4, VIAL	5t054.p↔		BOP, KVT, UOP4, VIAL
	03	D12A, D12B		08	I12A, I12B, I12C, I32A, I32B, I32C, I32D, I32E, I32F		08	I12A, I12B, I12C, I13A, I13B, I13C, I13D
	08	I12A, I12B, I12C, I28A, I28B		21A	W04A, W04B		21A	W04A, W04B
	21A	W04A, W04B		21B	X05A, X05B		21B	X04Z
	21B	X06A, X06B, X06C	5t054.c↔		BOP, KVT, UOP4, VIAL	5t054.q↔		BOP, KVT, UOP4, VIAL
5t053.z↔		BOP, KVT, UOP4, VIAL		08	I12A, I12B, I12C, I32A, I32B, I32C, I32D, I32E, I32F		08	I12A, I12B, I12C, I13A, I13B, I13C, I13D
	04	E02A, E02B, E02C		21A	W04A, W04B		21A	W04A, W04B
	08	I12A, I12B, I12C, I28A, I28B		21B	X05A, X05B		21B	X04Z
	21A	W04A, W04B	5t054.d		BOP, KVT, UOP4, VIAL	5t054.r↔		BOP, KVT, UOP4, VIAL
	21B	X06A, X06B, X06C		08	I12A, I12B, I12C, I32A, I32B, I32C, I32D, I32E, I32F		08	I12A, I12B, I12C, I13A, I13B, I13C, I13D
5t054.0↔		BOP, KVT, UOP4, VIAL		21A	W04A, W04B		21A	W04A, W04B
	04	E02A, E02B, E02C		21B	X05A, X05B		21B	X04Z
	08	I12A, I12B, I12C, I28A, I28B	5t054.e↔		BOP, KVT, UOP4, VIAL	5t054.s↔		BOP, KVT, UOP4, VIAL
	21A	W04A, W04B		01	B03A, B03B, B06A, B06B, B17A, B17B, B17C		08	I12A, I12B, I12C, I28A, I28B
	21B	X06A, X06B, X06C		08	I08A, I08B, I08C, I08D, I08E, I08F		21A	W04A, W04B
5t054.1↔		BOP, KVT, UOP4, VIAL		21A	W01A, W01B, W01C, W02A, W02B		21B	X04Z, X06A, X06B, X06C
	08	I08A, I08B, I08C, I08D, I08E, I08F, I12A, I12B, I12C, I13A, I13B, I13C, I13D		21B	X04Z		08	I12A, I12B, I12C, I28A, I28B
	21A	W04A, W04B	5t054.f↔		BOP, KVT, UOP4, VIAL		21A	W04A, W04B
	21B	X06A, X06B, X06C		01	B03A, B03B, B06A, B06B, B17A, B17B, B17C		21B	X04Z, X06A, X06B, X06C
5t054.2↔		BOP, KVT, UOP4, VIAL		08	I08A, I08B, I08C, I08D, I08E, I08F		21B	X04Z, X06A, X06B, X06C
	08	I08A, I08B, I08C, I08D, I08E, I08F, I12A, I12B, I12C, I13A, I13B, I13C, I13D		21A	W01A, W01B, W01C, W02A, W02B		08	I12A, I12B, I12C, I28A, I28B
	21A	W04A, W04B		21B	X04Z		21A	W04A, W04B
	21B	X06A, X06B, X06C	5t054.g↔		BOP, KVT, UOP4, VIAL		21B	X04Z, X06A, X06B, X06C
5t054.3↔		BOP, KVT, UOP4, VIAL		01	B03A, B03B, B06A, B06B, B17A, B17B, B17C		08	I12A, I12B, I12C, I28A, I28B
	08	I08A, I08B, I08C, I08D, I08E, I08F, I12A, I12B, I12C, I13A, I13B, I13C, I13D		08	I08A, I08B, I08C, I08D, I08E, I08F		21A	W04A, W04B
	21A	W04A, W04B		21A	W01A, W01B, W01C, W02A, W02B		21B	X04Z, X06A, X06B, X06C
	21B	X06A, X06B, X06C	5t054.h↔		BOP, KVT, UOP4, VIAL		08	I12A, I12B, I12C, I28A, I28B
5t054.4↔		BOP, KVT, UOP4, VIAL		01	B03A, B03B, B06A, B06B, B17A, B17B, B17C		21A	W04A, W04B
	08	I08A, I08B, I08C, I08D, I08E, I08F, I12A, I12B, I12C, I21Z, I31Z		08	I08A, I08B, I08C, I08D, I08E, I08F		21B	X06A, X06B, X06C
	21A	W04A, W04B		21A	W01A, W01B, W01C, W02A, W02B		04	E02A, E02B, E02C
	21B	X06A, X06B, X06C		21B	X04Z		08	I12A, I12B, I12C, I28A, I28B
5t054.5↔		BOP, KVT, UOP4, VIAL		01	B03A, B03B, B06A, B06B, B17A, B17B, B17C		21A	W04A, W04B
	08	I08A, I08B, I08C, I08D, I08E, I08F, I12A, I12B, I12C, I21Z, I31Z		08	I08A, I08B, I08C, I08D, I08E, I08F		21B	X06A, X06B, X06C
	21A	W04A, W04B		21A	W01A, W01B, W01C, W02A, W02B		5t054.z↔	BOP, KVT, UOP4, VIAL
	21B	X06A, X06B, X06C		21B	X04Z			E02A, E02B, E02C
5t054.6↔		BOP, KVT, UOP4, VIAL		08	I08A, I08B, I08C, I08D, I08E, I08F, I12A, I12B, I12C, I21Z, I31Z		08	I12A, I12B, I12C, I28A, I28B
	08	I08A, I08B, I08C, I08D, I08E, I08F, I12A, I12B, I12C, I21Z, I31Z		21A	W01A, W01B, W01C, W02A, W02B		21A	W04A, W04B
	21A	W04A, W04B		21B	X04Z		21B	X06A, X06B, X06C
	21B	X06A, X06B, X06C		21A	W01A, W01B, W01C, W02A, W02B		5t05x.0↔	BOP, KVT, UOP4, VIAL
	21B	X06A, X06B, X06C		21B	X04Z			E02A, E02B, E02C
							08	I12A, I12B, I12C, I28A, I28B
							21A	W04A, W04B
							21B	X06A, X06B, X06C

VYK



ZZV	MDC	DRG	ZZV	MDC	DRG	ZZV	MDC	DRG
5t066		BOP, KVT, UOP4	5t06f.0		BOP, KVT, UOP4	5t070.5↔		BOP, KVT, UOP4, VIAL
	03	D18Z, D28Z, D29Z		03	D18Z, D28Z, D29Z		08	I08A, I08B, I08C, I08D, I08E, I08F, I12A, I12B, I12C, I21Z, I31Z
	04	E02A, E02B, E02C		04	E02A, E02B, E02C		21A	W04A, W04B
	08	I12A, I12B, I12C, I28A, I28B		08	I12A, I12B, I12C, I28A, I28B		21B	X06A, X06B, X06C
	09	J08A, J08B, J08C		09	J08A, J08B, J08C	5t070.6↔		BOP, KVT, UOP4, VIAL
	21A	W04A, W04B		21A	W04A, W04B		08	I08A, I08B, I08C, I08D, I08E, I08F, I12A, I12B, I12C, I21Z, I31Z
	21B	X04Z, X05A, X05B, X06A, X06B, X06C		21B	X04Z, X05A, X05B, X06A, X06B, X06C		21A	W04A, W04B
5t067		BOP, KVT, UOP4	5t06f.1		BOP, KVT, UOP4		21B	X06A, X06B, X06C
	03	D18Z, D28Z, D29Z		03	D18Z, D28Z, D29Z	5t070.7↔		BOP, KVT, UOP4, VIAL
	04	E02A, E02B, E02C		04	E02A, E02B, E02C		08	I08A, I08B, I08C, I08D, I08E, I08F, I12A, I12B, I12C, I21Z, I31Z
	08	I12A, I12B, I12C, I28A, I28B		08	I12A, I12B, I12C, I28A, I28B		21A	W04A, W04B
	09	J08A, J08B, J08C		09	J08A, J08B, J08C		21B	X06A, X06B, X06C
	21A	W04A, W04B		21A	W04A, W04B		08	I08A, I08B, I08C, I08D, I08E, I08F, I12A, I12B, I12C, I21Z, I31Z
	21B	X04Z, X05A, X05B, X06A, X06B, X06C		21B	X04Z, X05A, X05B, X06A, X06B, X06C		21A	W04A, W04B
5t068		BOP, KVT, UOP4	5t06v		BOP, KVT, UOP4		21B	X06A, X06B, X06C
	03	D18Z, D28Z, D29Z		03	D18Z, D28Z, D29Z	5t070.8↔		BOP, KVT, UOP4, VIAL
	04	E02A, E02B, E02C		04	E02A, E02B, E02C		08	I08A, I08B, I08C, I08D, I08E, I08F, I12A, I12B, I12C, I21Z, I31Z
	08	I12A, I12B, I12C, I28A, I28B		08	I12A, I12B, I12C, I28A, I28B, I33Z		21A	W04A, W04B
	09	J08A, J08B, J08C		09	J08A, J08B, J08C		21B	X06A, X06B, X06C
	21A	W04A, W04B		21A	W04A, W04B	5t070.9↔		BOP, KVT, UOP4, VIAL
	21B	X04Z, X05A, X05B, X06A, X06B, X06C		21B	X04Z, X05A, X05B, X06A, X06B, X06C		08	I08A, I08B, I08C, I08D, I08E, I08F, I12A, I12B, I12C, I21Z, I31Z
5t069		BOP, KVT, UOP4	5t06x		BOP, KVT, UOP4		21A	W04A, W04B
	03	D18Z, D28Z, D29Z		03	D18Z, D28Z, D29Z		21B	X06A, X06B, X06C
	04	E02A, E02B, E02C		04	E02A, E02B, E02C	5t070.a↔		BOP, KVT, UOP4, VIAL
	08	I12A, I12B, I12C, I28A, I28B		08	I12A, I12B, I12C, I28A, I28B		08	I12A, I12B, I12C, I32A, I32B, I32C, I32D, I32E, I32F
	09	J08A, J08B, J08C		09	J08A, J08B, J08C		21A	W04A, W04B
	21A	W04A, W04B		21A	W04A, W04B		21B	X05A, X05B
	21B	X04Z, X05A, X05B, X06A, X06B, X06C		21B	X04Z, X05A, X05B, X06A, X06B, X06C	5t070.b↔		BOP, KVT, UOP4, VIAL
5t06a		BOP, KVT, UOP4	5t06z		BOP, KVT, UOP4		08	I12A, I12B, I12C, I32A, I32B, I32C, I32D, I32E, I32F
	03	D18Z, D28Z, D29Z		03	D18Z, D28Z, D29Z		21A	W04A, W04B
	04	E02A, E02B, E02C		04	E02A, E02B, E02C		21B	X05A, X05B
	08	I12A, I12B, I12C, I28A, I28B		08	I12A, I12B, I12C, I28A, I28B	5t070.c↔		BOP, KVT, UOP4, VIAL
	09	J08A, J08B, J08C		09	J08A, J08B, J08C		08	I12A, I12B, I12C, I32A, I32B, I32C, I32D, I32E, I32F
	21A	W04A, W04B		21A	W04A, W04B		21A	W04A, W04B
	21B	X04Z, X05A, X05B, X06A, X06B, X06C		21B	X04Z, X05A, X05B, X06A, X06B, X06C		21B	X05A, X05B
5t06b		BOP, KVT, UOP4	5t070.0↔		BOP, KVT, UOP4, VIAL		08	I08A, I08B, I08C, I08D, I08E, I08F, I12A, I12B, I12C, I13A, I13B, I13C, I13D, I13E
	03	D18Z, D28Z, D29Z		08	I12A, I12B, I12C, I28A, I28B		21A	W04A, W04B
	04	E02A, E02B, E02C		21A	W04A, W04B		21B	X06A, X06B, X06C
	08	I12A, I12B, I12C, I28A, I28B		21B	X06A, X06B, X06C	5t070.1↔		BOP, KVT, UOP4, VIAL
	09	J08A, J08B, J08C		08	I08A, I08B, I08C, I08D, I08E, I08F, I12A, I12B, I12C, I13A, I13B, I13C, I13D, I13E		08	I08A, I08B, I08C, I08D, I08E, I08F, I12A, I12B, I12C, I13A, I13B, I13C, I13D, I13E
	21A	W04A, W04B		21A	W04A, W04B		21A	W04A, W04B
	21B	X04Z, X05A, X05B, X06A, X06B, X06C		21B	X06A, X06B, X06C		21B	X06A, X06B, X06C
5t06c		BOP, KVT, UOP4	5t070.2↔		BOP, KVT, UOP4, VIAL		08	I08A, I08B, I08C, I08D, I08E, I08F, I12A, I12B, I12C, I13A, I13B, I13C, I13D, I13E
	03	D18Z, D28Z, D29Z		08	I08A, I08B, I08C, I08D, I08E, I08F, I12A, I12B, I12C, I13A, I13B, I13C, I13D, I13E		21A	W04A, W04B
	04	E02A, E02B, E02C		21A	W04A, W04B		21B	X06A, X06B, X06C
	08	I12A, I12B, I12C, I28A, I28B		21B	X06A, X06B, X06C	5t070.e↔		BOP, KVT, UOP4, VIAL
	09	J08A, J08B, J08C		08	I08A, I08B, I08C, I08D, I08E, I08F, I12A, I12B, I12C, I13A, I13B, I13C, I13D, I13E		08	I08A, I08B, I08C, I08D, I08E, I08F
	21A	W04A, W04B		21A	W04A, W04B		21A	W01A, W01B, W01C, W02A, W02B
	21B	X04Z, X05A, X05B, X06A, X06B, X06C		21B	X06A, X06B, X06C		21B	X04Z
5t06d		BOP, KVT, UOP4	5t070.3↔		BOP, KVT, UOP4, VIAL		08	I08A, I08B, I08C, I08D, I08E, I08F
	03	D18Z, D28Z, D29Z		08	I08A, I08B, I08C, I08D, I08E, I08F, I12A, I12B, I12C, I13A, I13B, I13C, I13D, I13E	5t070.f↔		BOP, KVT, UOP4, VIAL
	04	E02A, E02B, E02C		21A	W04A, W04B		08	I08A, I08B, I08C, I08D, I08E, I08F
	08	I12A, I12B, I12C, I28A, I28B		21B	X06A, X06B, X06C		21A	W01A, W01B, W01C, W02A, W02B
	09	J08A, J08B, J08C		08	I08A, I08B, I08C, I08D, I08E, I08F, I12A, I12B, I12C, I13A, I13B, I13C, I13D, I13E		21B	X04Z
	21A	W04A, W04B		21A	W04A, W04B		08	I08A, I08B, I08C, I08D, I08E, I08F
	21B	X04Z, X05A, X05B, X06A, X06B, X06C		21B	X06A, X06B, X06C	5t070.g↔		BOP, KVT, UOP4, VIAL
			5t070.4↔		BOP, KVT, UOP4, VIAL		08	I08A, I08B, I08C, I08D, I08E, I08F
				08	I08A, I08B, I08C, I08D, I08E, I08F, I12A, I12B, I12C, I21Z, I31Z		21A	W01A, W01B, W01C, W02A, W02B
				21A	W04A, W04B		21B	X04Z
				21B	X06A, X06B, X06C			

ZZV	MDC	DRG	ZZV	MDC	DRG	ZZV	MDC	DRG	
5t070.h↔		BOP, KVT, UOP4, VIAL	5t070.z↔	08	I12A, I12B, I12C, I28A, I28B	5t071.a↔	01	B03A, B03B, B06A, B06B, B17A, B17B, B17C	
	08	I08A, I08B, I08C, I08D, I08E, I08F		21A	W04A, W04B		08	I12A, I12B, I12C, I23A, I23B	
	21A	W01A, W01B, W01C, W02A, W02B		21B	X06A, X06B, X06C		21A	W04A, W04B	
5t070.j↔	21B	X04Z	5t071.0↔	01	B03A, B03B, B06A, B06B, B17A, B17B, B17C	5t071.b↔	21B	X05A, X05B, X06A, X06B, X06C	
	08	I12A, I12B, I12C, I18A, I18B, I30Z		04	E02A, E02B, E02C		5t071.c↔	01	B03A, B03B, B06A, B06B, B17A, B17B, B17C
	21A	W04A, W04B		08	I12A, I12B, I12C, I23A, I23B			08	I12A, I12B, I12C, I23A, I23B
21B	X04Z	21A	W04A, W04B	21A	W04A, W04B				
5t070.k↔		BOP, KVT, UOP4, VIAL	5t071.1↔	01	B03A, B03B, B06A, B06B, B17A, B17B, B17C	5t071.d	21B	X05A, X05B, X06A, X06B, X06C	
	08	I12A, I12B, I12C, I13A, I13B, I13C, I13D, I13E		08	I12A, I12B, I12C, I23A, I23B		5t071.e↔	01	B03A, B03B, B06A, B06B, B17A, B17B, B17C
	21A	W04A, W04B		21A	W04A, W04B			08	I12A, I12B, I12C, I23A, I23B
21B	X04Z	21B	X06A, X06B, X06C	21A	W04A, W04B				
5t070.m↔		BOP, KVT, UOP4, VIAL	5t071.2↔	01	B03A, B03B, B06A, B06B, B17A, B17B, B17C	5t071.f↔	21B	X05A, X05B, X06A, X06B, X06C	
	08	I12A, I12B, I12C, I13A, I13B, I13C, I13D, I13E		08	I12A, I12B, I12C, I23A, I23B		5t071.g↔	01	B03A, B03B, B06A, B06B, B17A, B17B, B17C
	21A	W04A, W04B		21A	W04A, W04B			08	I12A, I12B, I12C, I21Z
21B	X04Z	21B	X06A, X06B, X06C	21A	W04A, W04B				
5t070.n↔		BOP, KVT, UOP4, VIAL	5t071.3↔	01	B03A, B03B, B06A, B06B, B17A, B17B, B17C	5t071.h↔	21B	X04Z, X06A, X06B, X06C	
	08	I12A, I12B, I12C, I13A, I13B, I13C, I13D, I13E		08	I12A, I12B, I12C, I23A, I23B		5t071.i↔	01	B03A, B03B, B06A, B06B, B17A, B17B, B17C
	21A	W04A, W04B		21A	W04A, W04B			08	I12A, I12B, I12C, I21Z
21B	X04Z	21B	X06A, X06B, X06C	21A	W04A, W04B				
5t070.p↔		BOP, KVT, UOP4, VIAL	5t071.4↔	01	B03A, B03B, B06A, B06B, B17A, B17B, B17C	5t071.j↔	21B	X04Z, X06A, X06B, X06C	
	08	I12A, I12B, I12C, I13A, I13B, I13C, I13D, I13E		08	I12A, I12B, I12C, I23A, I23B		5t071.k↔	01	B03A, B03B, B06A, B06B, B17A, B17B, B17C
	21A	W04A, W04B		21A	W04A, W04B			08	I12A, I12B, I12C, I23A, I23B
21B	X04Z	21B	X06A, X06B, X06C	21A	W04A, W04B				
5t070.q↔		BOP, KVT, UOP4, VIAL	5t071.5↔	01	B03A, B03B, B06A, B06B, B17A, B17B, B17C	5t071.l↔	21B	X04Z, X06A, X06B, X06C	
	08	I12A, I12B, I12C, I13A, I13B, I13C, I13D, I13E		08	I12A, I12B, I12C, I23A, I23B		5t071.m↔	01	B03A, B03B, B06A, B06B, B17A, B17B, B17C
	21A	W04A, W04B		21A	W04A, W04B			08	I12A, I12B, I12C, I23A, I23B
21B	X04Z	21B	X06A, X06B, X06C	21A	W04A, W04B				
5t070.r↔		BOP, KVT, UOP4, VIAL	5t071.6↔	01	B03A, B03B, B06A, B06B, B17A, B17B, B17C	5t071.n↔	21B	X04Z, X06A, X06B, X06C	
	08	I12A, I12B, I12C, I13A, I13B, I13C, I13D, I13E		08	I12A, I12B, I12C, I23A, I23B		5t071.o↔	01	B03A, B03B, B06A, B06B, B17A, B17B, B17C
	21A	W04A, W04B		21A	W04A, W04B			08	I12A, I12B, I12C, I23A, I23B
21B	X04Z	21B	X06A, X06B, X06C	21A	W04A, W04B				
5t070.s↔		BOP, KVT, UOP4, VIAL	5t071.7↔	01	B03A, B03B, B06A, B06B, B17A, B17B, B17C	5t071.p↔	21B	X04Z, X06A, X06B, X06C	
	08	I12A, I12B, I12C, I20A, I20B, I20C, I20D, I20E, I20F		08	I12A, I12B, I12C, I23A, I23B		5t071.q↔	01	B03A, B03B, B06A, B06B, B17A, B17B, B17C
	21A	W04A, W04B		21A	W04A, W04B			08	I12A, I12B, I12C, I21Z
21B	X04Z	21B	X06A, X06B, X06C	21A	W04A, W04B				
5t070.t↔		BOP, KVT, UOP4, VIAL	5t071.8↔	01	B03A, B03B, B06A, B06B, B17A, B17B, B17C	5t071.r↔	21B	X04Z, X06A, X06B, X06C	
	08	I12A, I12B, I12C, I20A, I20B, I20C, I20D, I20E, I20F		08	I12A, I12B, I12C, I23A, I23B		5t071.s↔	01	B03A, B03B, B06A, B06B, B17A, B17B, B17C
	21A	W04A, W04B		21A	W04A, W04B			08	I12A, I12B, I12C, I23A, I23B
21B	X04Z	21B	X06A, X06B, X06C	21A	W04A, W04B				
5t070.u↔		BOP, KVT, UOP4, VIAL	5t071.9↔	01	B03A, B03B, B06A, B06B, B17A, B17B, B17C	5t071.t↔	21B	X04Z, X06A, X06B, X06C	
	08	I12A, I12B, I12C, I20A, I20B, I20C, I20D, I20E, I20F		08	I12A, I12B, I12C, I23A, I23B		5t071.u↔	01	B03A, B03B, B06A, B06B, B17A, B17B, B17C
	21A	W04A, W04B		21A	W04A, W04B			08	I12A, I12B, I12C, I23A, I23B
21B	X04Z	21B	X06A, X06B, X06C	21A	W04A, W04B				
5t070.v↔		BOP, KVT, UOP4, VIAL	5t071.0↔	01	B03A, B03B, B06A, B06B, B17A, B17B, B17C	5t071.v↔	21B	X04Z, X06A, X06B, X06C	
	08	I12A, I12B, I12C, I20A, I20B, I20C, I20D, I20E, I20F		08	I12A, I12B, I12C, I23A, I23B		5t071.w↔	01	B03A, B03B, B06A, B06B, B17A, B17B, B17C
	21A	W04A, W04B		21A	W04A, W04B			08	I12A, I12B, I12C, I23A, I23B
21B	X04Z	21B	X06A, X06B, X06C	21A	W04A, W04B				
5t070.w↔		BOP, KVT, UOP4, VIAL	5t071.1↔	01	B03A, B03B, B06A, B06B, B17A, B17B, B17C	5t071.x	21B	X04Z, X06A, X06B, X06C	
	08	I12A, I12B, I12C, I20A, I20B, I20C, I20D, I20E, I20F		08	I12A, I12B, I12C, I23A, I23B		5t071.y	01	B03A, B03B, B06A, B06B, B17A, B17B, B17C
	21A	W04A, W04B		21A	W04A, W04B			08	I12A, I12B, I12C, I23A, I23B
21B	X04Z	21B	X06A, X06B, X06C	21A	W04A, W04B				
5t070.x		BOP, KVT, UOP4	5t071.2↔	01	B03A, B03B, B06A, B06B, B17A, B17B, B17C	5t071.z	21B	X04Z, X06A, X06B, X06C	
	08	I12A, I12B, I12C, I28A, I28B		08	I12A, I12B, I12C, I23A, I23B		5t071.aa	01	B03A, B03B, B06A, B06B, B17A, B17B, B17C
	21A	W04A, W04B		21A	W04A, W04B			08	I12A, I12B, I12C, I23A, I23B
21B	X06A, X06B, X06C	21B	X06A, X06B, X06C	21A	W04A, W04B				

VYK





ZZV	MDC	DRG	ZZV	MDC	DRG	ZZV	MDC	DRG
5t072.p↔		BOP, KVT, UOP4	5t073.1↔		BOP, KVT, UOP4	5t073.c↔		BOP, KVT, UOP4
	01	B03A, B03B, B06A, B06B, B17A, B17B, B17C		01	B03A, B03B, B06A, B06B, B17A, B17B, B17C		01	B03A, B03B, B06A, B06B, B17A, B17B, B17C
	08	I12A, I12B, I12C, I23A, I23B		08	I12A, I12B, I12C, I23A, I23B		08	I12A, I12B, I12C, I23A, I23B
	21A	W04A, W04B		21A	W04A, W04B		21A	W04A, W04B
5t072.q↔	21B	X04Z, X06A, X06B, X06C	5t073.2↔	21B	X06A, X06B, X06C	5t073.d	21B	X05A, X05B, X06A, X06B, X06C
		BOP, KVT, UOP4			BOP, KVT, UOP4			BOP, KVT, UOP4
	01	B03A, B03B, B06A, B06B, B17A, B17B, B17C		01	B03A, B03B, B06A, B06B, B17A, B17B, B17C		01	B03A, B03B, B06A, B06B, B17A, B17B, B17C
	08	I12A, I12B, I12C, I23A, I23B		08	I12A, I12B, I12C, I23A, I23B		08	I12A, I12B, I12C, I23A, I23B
5t072.r↔	21A	W04A, W04B	5t073.3↔	21A	W04A, W04B	5t073.e↔	21A	W04A, W04B
	21B	X04Z, X06A, X06B, X06C		21B	X06A, X06B, X06C		21B	X04Z, X06A, X06B, X06C
		BOP, KVT, UOP4			BOP, KVT, UOP4			BOP, KVT, UOP4
	01	B03A, B03B, B06A, B06B, B17A, B17B, B17C		01	B03A, B03B, B06A, B06B, B17A, B17B, B17C		01	B03A, B03B, B06A, B06B, B17A, B17B, B17C
5t072.s↔	08	I12A, I12B, I12C, I23A, I23B	5t073.4↔	08	I12A, I12B, I12C, I23A, I23B	5t073.f↔	08	I12A, I12B, I12C, I21Z
	21A	W04A, W04B		21A	W04A, W04B		21A	W04A, W04B
	21B	X04Z, X06A, X06B, X06C		21B	X06A, X06B, X06C		21B	X04Z, X06A, X06B, X06C
		BOP, KVT, UOP4			BOP, KVT, UOP4			BOP, KVT, UOP4
5t072.t↔	01	B03A, B03B, B06A, B06B, B17A, B17B, B17C	5t073.5↔	01	B03A, B03B, B06A, B06B, B17A, B17B, B17C	5t073.g↔	01	B03A, B03B, B06A, B06B, B17A, B17B, B17C
	08	I12A, I12B, I12C, I23A, I23B		08	I12A, I12B, I12C, I23A, I23B		08	I12A, I12B, I12C, I21Z
	21A	W04A, W04B		21A	W04A, W04B		21A	W04A, W04B
	21B	X04Z, X06A, X06B, X06C		21B	X06A, X06B, X06C		21B	X04Z, X06A, X06B, X06C
5t072.u↔		BOP, KVT, UOP4	5t073.6↔		BOP, KVT, UOP4	5t073.h↔		BOP, KVT, UOP4
	01	B03A, B03B, B06A, B06B, B17A, B17B, B17C		01	B03A, B03B, B06A, B06B, B17A, B17B, B17C		01	B03A, B03B, B06A, B06B, B17A, B17B, B17C
	08	I12A, I12B, I12C, I23A, I23B		08	I12A, I12B, I12C, I23A, I23B		08	I12A, I12B, I12C, I21Z
	21A	W04A, W04B		21A	W04A, W04B		21A	W04A, W04B
5t072.v↔	21B	X04Z, X06A, X06B, X06C	5t073.7↔	21B	X06A, X06B, X06C	5t073.i↔	21B	X04Z, X06A, X06B, X06C
		BOP, KVT, UOP4			BOP, KVT, UOP4			BOP, KVT, UOP4
	01	B03A, B03B, B06A, B06B, B17A, B17B, B17C		01	B03A, B03B, B06A, B06B, B17A, B17B, B17C		01	B03A, B03B, B06A, B06B, B17A, B17B, B17C
	08	I12A, I12B, I12C, I23A, I23B		08	I12A, I12B, I12C, I23A, I23B		08	I12A, I12B, I12C, I23A
5t072.w↔	21A	W04A, W04B	5t073.8↔	21A	W04A, W04B	5t073.j↔	21A	W04A, W04B
	21B	X04Z, X06A, X06B, X06C		21B	X06A, X06B, X06C		21B	X04Z, X06A, X06B, X06C
		BOP, KVT, UOP4			BOP, KVT, UOP4			BOP, KVT, UOP4
	01	B03A, B03B, B06A, B06B, B17A, B17B, B17C		01	B03A, B03B, B06A, B06B, B17A, B17B, B17C		01	B03A, B03B, B06A, B06B, B17A, B17B, B17C
5t072.x	08	I12A, I12B, I12C, I23A, I23B	5t073.9↔	08	I12A, I12B, I12C, I23A, I23B	5t073.k↔	08	I12A, I12B, I12C, I23A
	21A	W04A, W04B		21A	W04A, W04B		21A	W04A, W04B
	21B	X04Z, X06A, X06B, X06C		21B	X06A, X06B, X06C		21B	X04Z, X06A, X06B, X06C
		BOP, KVT, UOP4			BOP, KVT, UOP4			BOP, KVT, UOP4
5t072.y	01	B03A, B03B, B06A, B06B, B17A, B17B, B17C	5t073.a↔	01	B03A, B03B, B06A, B06B, B17A, B17B, B17C	5t073.l↔	01	B03A, B03B, B06A, B06B, B17A, B17B, B17C
	04	E02A, E02B, E02C		04	E02A, E02B, E02C		04	E02A, E02B, E02C
	08	I12A, I12B, I12C, I23A, I23B		08	I12A, I12B, I12C, I23A, I23B		08	I12A, I12B, I12C, I23A
	21A	W04A, W04B		21A	W04A, W04B		21A	W04A, W04B
5t072.z↔	21B	X06A, X06B, X06C	5t073.b↔	21B	X06A, X06B, X06C	5t073.m↔	21B	X04Z, X06A, X06B, X06C
		BOP, KVT, UOP4			BOP, KVT, UOP4			BOP, KVT, UOP4
	01	B03A, B03B, B06A, B06B, B17A, B17B, B17C		01	B03A, B03B, B06A, B06B, B17A, B17B, B17C		01	B03A, B03B, B06A, B06B, B17A, B17B, B17C
	04	E02A, E02B, E02C		04	E02A, E02B, E02C		04	E02A, E02B, E02C
5t073.0↔	08	I12A, I12B, I12C, I23A, I23B	5t073.c↔	08	I12A, I12B, I12C, I23A, I23B	5t073.n↔	08	I12A, I12B, I12C, I23A
	21A	W04A, W04B		21A	W04A, W04B		21A	W04A, W04B
	21B	X06A, X06B, X06C		21B	X06A, X06B, X06C		21B	X04Z, X06A, X06B, X06C
		BOP, KVT, UOP4			BOP, KVT, UOP4			BOP, KVT, UOP4
5t073.1↔	01	B03A, B03B, B06A, B06B, B17A, B17B, B17C	5t073.d	01	B03A, B03B, B06A, B06B, B17A, B17B, B17C	5t073.o↔	01	B03A, B03B, B06A, B06B, B17A, B17B, B17C
	08	I12A, I12B, I12C, I23A, I23B		08	I12A, I12B, I12C, I23A, I23B		08	I12A, I12B, I12C, I23A, I23B
	21A	W04A, W04B		21A	W04A, W04B		21A	W04A, W04B
	21B	X04Z, X06A, X06B, X06C		21B	X05A, X05B, X06A, X06B, X06C		21B	X04Z, X06A, X06B, X06C

VYK



ZZV	MDC	DRG	ZZV	MDC	DRG	ZZV	MDC	DRG
5t074.s↔		BOP, KVT, UOP4	5t075.g↔		BOP, KVT, UOP4	5t076.5↔		BOP, KVT, UOP4
	01	B03A, B03B, B06A, B06B, B17A, B17B, B17C		01	B03A, B03B, B06A, B06B, B17A, B17B, B17C		01	B03A, B03B, B06A, B06B, B17A, B17B, B17C
	08	I12A, I12B, I12C, I23A, I23B		08	I12A, I12B, I12C, I21Z		08	I12A, I12B, I12C, I23A, I23B
	21A	W04A, W04B		21A	W04A, W04B		21A	W04A, W04B
	21B	X04Z, X06A, X06B, X06C		21B	X04Z, X06A, X06B, X06C		21B	X06A, X06B, X06C
5t074.t↔		BOP, KVT, UOP4	5t075.h↔		BOP, KVT, UOP4	5t076.6↔		BOP, KVT, UOP4
	01	B03A, B03B, B06A, B06B, B17A, B17B, B17C		01	B03A, B03B, B06A, B06B, B17A, B17B, B17C		01	B03A, B03B, B06A, B06B, B17A, B17B, B17C
	08	I12A, I12B, I12C, I23A, I23B		08	I12A, I12B, I12C, I21Z		08	I12A, I12B, I12C, I23A, I23B
	21A	W04A, W04B		21A	W04A, W04B		21A	W04A, W04B
	21B	X04Z, X06A, X06B, X06C		21B	X04Z, X06A, X06B, X06C		21B	X06A, X06B, X06C
5t074.u↔		BOP, KVT, UOP4	5t075.k↔		BOP, KVT, UOP4	5t076.7↔		BOP, KVT, UOP4
	01	B03A, B03B, B06A, B06B, B17A, B17B, B17C		08	I13A, I13B, I59Z		01	B03A, B03B, B06A, B06B, B17A, B17B, B17C
	08	I12A, I12B, I12C, I23A, I23B	5t075.n↔		BOP, KVT, UOP4		08	I12A, I12B, I12C, I23A, I23B
	21A	W04A, W04B		08	I13A, I13B, I59Z		21A	W04A, W04B
	21B	X04Z, X06A, X06B, X06C	5t075.p↔		BOP, KVT, UOP4		21B	X06A, X06B, X06C
5t074.v↔		BOP, KVT, UOP4		08	I59Z		21B	X06A, X06B, X06C
	01	B03A, B03B, B06A, B06B, B17A, B17B, B17C	5t075.q↔		BOP, KVT, UOP4	5t076.8↔		BOP, KVT, UOP4
	08	I12A, I12B, I12C, I23A, I23B		08	I59Z		01	B03A, B03B, B06A, B06B, B17A, B17B, B17C
	21A	W04A, W04B	5t075.r↔		BOP, KVT, UOP4		08	I12A, I12B, I12C, I23A, I23B
	21B	X04Z, X06A, X06B, X06C		08	I59Z		21A	W04A, W04B
5t074.w↔		BOP, KVT, UOP4	5t075.s↔		BOP, KVT, UOP4	5t076.9↔		BOP, KVT, UOP4
	01	B03A, B03B, B06A, B06B, B17A, B17B, B17C		08	I20A, I20B, I20C, I20D, I20E, I20F		01	B03A, B03B, B06A, B06B, B17A, B17B, B17C
	08	I12A, I12B, I12C, I23A, I23B	5t075.t↔		BOP, KVT, UOP4		08	I12A, I12B, I12C, I23A, I23B
	21A	W04A, W04B		08	I20A, I20B, I20C, I20D, I20E, I20F		21A	W04A, W04B
	21B	X04Z, X06A, X06B, X06C	5t075.u↔		BOP, KVT, UOP4		21B	X06A, X06B, X06C
5t074.x		BOP, KVT, UOP4		08	I20A, I20B, I20C, I20D, I20E, I20F	5t076.e↔		BOP, KVT, UOP4
	01	B03A, B03B, B06A, B06B, B17A, B17B, B17C	5t075.v↔		BOP, KVT, UOP4		01	B03A, B03B, B06A, B06B, B17A, B17B, B17C
	04	E02A, E02B, E02C		08	I20A, I20B, I20C, I20D, I20E, I20F		08	I12A, I12B, I12C, I21Z
	08	I12A, I12B, I12C, I23A, I23B	5t075.w↔		BOP, KVT, UOP4		21A	W04A, W04B
	21A	W04A, W04B		08	I20A, I20B, I20C, I20D, I20E, I20F	5t076.f↔		X04Z, X06A, X06B, X06C
	21B	X06A, X06B, X06C	5t075.x		BOP, KVT, UOP4		21B	X06A, X06B, X06C
5t074.z↔		BOP, KVT, UOP4		01	B03A, B03B, B06A, B06B, B17A, B17B, B17C	5t076.g↔		BOP, KVT, UOP4
	01	B03A, B03B, B06A, B06B, B17A, B17B, B17C		08	I12A, I12B, I12C, I23A, I23B		01	B03A, B03B, B06A, B06B, B17A, B17B, B17C
	04	E02A, E02B, E02C		21A	W04A, W04B		08	I12A, I12B, I12C, I21Z
	08	I12A, I12B, I12C, I23A, I23B	5t076.1↔		BOP, KVT, UOP4		21A	W04A, W04B
	21A	W04A, W04B		21B	X06A, X06B, X06C		21B	X04Z, X06A, X06B, X06C
	21B	X06A, X06B, X06C	5t076.2↔		BOP, KVT, UOP4	5t076.h↔		BOP, KVT, UOP4
5t075.1↔		BOP, KVT, UOP4		01	B03A, B03B, B06A, B06B, B17A, B17B, B17C		01	B03A, B03B, B06A, B06B, B17A, B17B, B17C
	08	I13A, I13B, I59Z		08	I12A, I12B, I12C, I23A, I23B		08	I12A, I12B, I12C, I21Z
5t075.2↔		BOP, KVT, UOP4		21A	W04A, W04B		21A	W04A, W04B
	08	I13A, I13B, I59Z		21B	X06A, X06B, X06C		21B	X04Z, X06A, X06B, X06C
5t075.3↔		BOP, KVT, UOP4	5t076.3↔		BOP, KVT, UOP4	5t076.i↔		BOP, KVT, UOP4
	08	I13A, I13B, I59Z		01	B03A, B03B, B06A, B06B, B17A, B17B, B17C		01	B03A, B03B, B06A, B06B, B17A, B17B, B17C
5t075.d		BOP, KVT, UOP4		08	I12A, I12B, I12C, I23A, I23B		08	I12A, I12B, I12C, I21Z
	08	I08A, I08B, I08C, I08D, I08E, I08F		21A	W04A, W04B		21A	W04A, W04B
5t075.e↔		BOP, KVT, UOP4		21B	X06A, X06B, X06C	5t076.k↔		X04Z, X06A, X06B, X06C
	01	B03A, B03B, B06A, B06B, B17A, B17B, B17C	5t076.4↔		BOP, KVT, UOP4		01	B03A, B03B, B06A, B06B, B17A, B17B, B17C
	08	I12A, I12B, I12C, I21Z		01	B03A, B03B, B06A, B06B, B17A, B17B, B17C		08	I12A, I12B, I12C, I23A, I23B
	21A	W04A, W04B		08	I12A, I12B, I12C, I23A, I23B		21A	W04A, W04B
	21B	X04Z, X06A, X06B, X06C		21A	W04A, W04B		21B	X04Z, X06A, X06B, X06C
5t075.f↔		BOP, KVT, UOP4		21B	X06A, X06B, X06C	5t076.l↔		BOP, KVT, UOP4
	01	B03A, B03B, B06A, B06B, B17A, B17B, B17C		01	B03A, B03B, B06A, B06B, B17A, B17B, B17C		01	B03A, B03B, B06A, B06B, B17A, B17B, B17C
	08	I12A, I12B, I12C, I21Z		08	I12A, I12B, I12C, I23A, I23B		08	I12A, I12B, I12C, I23A, I23B
	21A	W04A, W04B		21A	W04A, W04B		21A	W04A, W04B
	21B	X04Z, X06A, X06B, X06C		21B	X06A, X06B, X06C		21B	X04Z, X06A, X06B, X06C

VYK

ZZV	MDC	DRG	ZZV	MDC	DRG	ZZV	MDC	DRG
5t076.n↔		BOP, KVT, UOP4	5t077.8↔		BOP, KVT, UOP4	5t077.x		BOP, KVT, UOP4
	01	B03A, B03B, B06A, B06B, B17A, B17B, B17C		01	B03A, B03B, B06A, B06B, B17A, B17B, B17C		01	B03A, B03B, B06A, B06B, B17A, B17B, B17C
	08	I12A, I12B, I12C, I23A, I23B		08	I12A, I12B, I12C, I23A, I23B		08	I12A, I12B, I12C, I23A, I23B
	21A	W04A, W04B		21A	W04A, W04B		21A	W04A, W04B
	21B	X04Z, X06A, X06B, X06C		21B	X06A, X06B, X06C		21B	X06A, X06B, X06C
5t076.p↔		BOP, KVT, UOP4	5t077.9↔		BOP, KVT, UOP4	5t078.1↔		BOP, KVT, UOP4
	01	B03A, B03B, B06A, B06B, B17A, B17B, B17C		01	B03A, B03B, B06A, B06B, B17A, B17B, B17C		08	I13A, I13B, I59Z
	08	I12A, I12B, I12C, I23A, I23B		08	I12A, I12B, I12C, I23A, I23B	5t078.2↔		BOP, KVT, UOP4
	21A	W04A, W04B		21A	W04A, W04B		08	I13A, I13B, I59Z
	21B	X04Z, X06A, X06B, X06C		21B	X06A, X06B, X06C	5t078.e↔		BOP, KVT, UOP4
5t076.q↔		BOP, KVT, UOP4	5t077.e↔		BOP, KVT, UOP4		01	B03A, B03B, B06A, B06B, B17A, B17B, B17C
	08	I59Z		08	I08A, I08B, I08C, I08D, I08E, I08F		08	I12A, I12B, I12C, I21Z
5t076.r↔		BOP, KVT, UOP4	5t077.f↔		BOP, KVT, UOP4		21A	W04A, W04B
	01	B03A, B03B, B06A, B06B, B17A, B17B, B17C		01	B03A, B03B, B06A, B06B, B17A, B17B, B17C	5t078.f↔		X04Z, X06A, X06B, X06C
	08	I12A, I12B, I12C, I23A, I23B		08	I12A, I12B, I12C, I21Z		01	B03A, B03B, B06A, B06B, B17A, B17B, B17C
	21A	W04A, W04B		21A	W04A, W04B		08	I12A, I12B, I12C, I21Z
	21B	X04Z, X06A, X06B, X06C		21B	X04Z, X06A, X06B, X06C		21A	W04A, W04B
5t076.x		BOP, KVT, UOP4	5t077.g↔		BOP, KVT, UOP4		21B	X04Z, X06A, X06B, X06C
	01	B03A, B03B, B06A, B06B, B17A, B17B, B17C		01	B03A, B03B, B06A, B06B, B17A, B17B, B17C	5t078.g↔		BOP, KVT, UOP4
	08	I12A, I12B, I12C, I23A, I23B		08	I12A, I12B, I12C, I21Z		01	B03A, B03B, B06A, B06B, B17A, B17B, B17C
	21A	W04A, W04B		21A	W04A, W04B		08	I12A, I12B, I12C, I21Z
	21B	X06A, X06B, X06C		21B	X04Z, X06A, X06B, X06C		21A	W04A, W04B
5t077.1↔		BOP, KVT, UOP4	5t077.h↔		BOP, KVT, UOP4		21B	X04Z, X06A, X06B, X06C
	01	B03A, B03B, B06A, B06B, B17A, B17B, B17C		01	B03A, B03B, B06A, B06B, B17A, B17B, B17C	5t078.h↔		BOP, KVT, UOP4
	08	I12A, I12B, I12C, I23A, I23B		08	I12A, I12B, I12C, I21Z		01	B03A, B03B, B06A, B06B, B17A, B17B, B17C
	21A	W04A, W04B		21A	W04A, W04B		08	I12A, I12B, I12C, I21Z
	21B	X06A, X06B, X06C		21B	X04Z, X06A, X06B, X06C		21A	W04A, W04B
5t077.2↔		BOP, KVT, UOP4	5t077.k↔		BOP, KVT, UOP4		21B	X04Z, X06A, X06B, X06C
	01	B03A, B03B, B06A, B06B, B17A, B17B, B17C		01	B03A, B03B, B06A, B06B, B17A, B17B, B17C	5t078.x		BOP, KVT, UOP4
	08	I12A, I12B, I12C, I23A, I23B		08	I12A, I12B, I12C, I23A, I23B		01	B03A, B03B, B06A, B06B, B17A, B17B, B17C
	21A	W04A, W04B		21A	W04A, W04B		08	I12A, I12B, I12C, I23A, I23B
	21B	X06A, X06B, X06C		21B	X04Z, X06A, X06B, X06C		21A	W04A, W04B
5t077.3↔		BOP, KVT, UOP4	5t077.m↔		BOP, KVT, UOP4		21B	X06A, X06B, X06C
	01	B03A, B03B, B06A, B06B, B17A, B17B, B17C		01	B03A, B03B, B06A, B06B, B17A, B17B, B17C	5t079.1↔		BOP, KVT, UOP4
	08	I12A, I12B, I12C, I23A, I23B		08	I12A, I12B, I12C, I23A, I23B		01	B03A, B03B, B06A, B06B, B17A, B17B, B17C
	21A	W04A, W04B		21A	W04A, W04B		08	I12A, I12B, I12C, I23A, I23B
	21B	X06A, X06B, X06C		21B	X04Z, X06A, X06B, X06C		21A	W04A, W04B
5t077.4↔		BOP, KVT, UOP4	5t077.n↔		BOP, KVT, UOP4		21B	X06A, X06B, X06C
	01	B03A, B03B, B06A, B06B, B17A, B17B, B17C		01	B03A, B03B, B06A, B06B, B17A, B17B, B17C	5t079.2↔		BOP, KVT, UOP4
	08	I12A, I12B, I12C, I23A, I23B		08	I12A, I12B, I12C, I23A, I23B		01	B03A, B03B, B06A, B06B, B17A, B17B, B17C
	21A	W04A, W04B		21A	W04A, W04B		08	I12A, I12B, I12C, I23A, I23B
	21B	X06A, X06B, X06C		21B	X04Z, X06A, X06B, X06C		21A	W04A, W04B
5t077.5↔		BOP, KVT, UOP4	5t077.p↔		BOP, KVT, UOP4		21B	X06A, X06B, X06C
	01	B03A, B03B, B06A, B06B, B17A, B17B, B17C		01	B03A, B03B, B06A, B06B, B17A, B17B, B17C	5t079.3↔		BOP, KVT, UOP4
	08	I12A, I12B, I12C, I23A, I23B		08	I12A, I12B, I12C, I23A, I23B		01	B03A, B03B, B06A, B06B, B17A, B17B, B17C
	21A	W04A, W04B		21A	W04A, W04B		08	I12A, I12B, I12C, I23A, I23B
	21B	X06A, X06B, X06C		21B	X04Z, X06A, X06B, X06C		21A	W04A, W04B
5t077.6↔		BOP, KVT, UOP4	5t077.q↔		BOP, KVT, UOP4		21B	X06A, X06B, X06C
	01	B03A, B03B, B06A, B06B, B17A, B17B, B17C		08	I59Z	5t079.4↔		BOP, KVT, UOP4
	08	I12A, I12B, I12C, I23A, I23B	5t077.r↔		BOP, KVT, UOP4		01	B03A, B03B, B06A, B06B, B17A, B17B, B17C
	21A	W04A, W04B		01	B03A, B03B, B06A, B06B, B17A, B17B, B17C		08	I12A, I12B, I12C, I23A, I23B
	21B	X06A, X06B, X06C		21A	W04A, W04B		21A	W04A, W04B
5t077.7↔		BOP, KVT, UOP4		21B	X04Z, X06A, X06B, X06C		21B	X06A, X06B, X06C
	01	B03A, B03B, B06A, B06B, B17A, B17B, B17C		08	I12A, I12B, I12C, I23A, I23B			
	08	I12A, I12B, I12C, I23A, I23B		21A	W04A, W04B			
	21A	W04A, W04B		21B	X04Z, X06A, X06B, X06C			
	21B	X06A, X06B, X06C						

ZZV	MDC	DRG	ZZV	MDC	DRG	ZZV	MDC	DRG
5t079.5↔		BOP, KVT, UOP4	5t079.n↔		BOP, KVT, UOP4	5t07a.7↔		BOP, KVT, UOP4
	01	B03A, B03B, B06A, B06B, B17A, B17B, B17C		01	B03A, B03B, B06A, B06B, B17A, B17B, B17C		01	B03A, B03B, B06A, B06B, B17A, B17B, B17C
	08	I12A, I12B, I12C, I23A, I23B		08	I12A, I12B, I12C, I23A, I23B		08	I12A, I12B, I12C, I23A, I23B
	21A	W04A, W04B		21A	W04A, W04B		21A	W04A, W04B
	21B	X06A, X06B, X06C		21B	X04Z, X06A, X06B, X06C		21B	X06A, X06B, X06C
5t079.6↔		BOP, KVT, UOP4	5t079.p↔		BOP, KVT, UOP4	5t07a.8↔		BOP, KVT, UOP4
	01	B03A, B03B, B06A, B06B, B17A, B17B, B17C		08	I59Z		01	B03A, B03B, B06A, B06B, B17A, B17B, B17C
	08	I12A, I12B, I12C, I23A, I23B	5t079.q↔		BOP, KVT, UOP4		08	I12A, I12B, I12C, I23A, I23B
	21A	W04A, W04B		08	I59Z		21A	W04A, W04B
	21B	X06A, X06B, X06C	5t079.r↔		BOP, KVT, UOP4		21B	X06A, X06B, X06C
5t079.7↔		BOP, KVT, UOP4		08	I59Z	5t07a.9↔		BOP, KVT, UOP4
	01	B03A, B03B, B06A, B06B, B17A, B17B, B17C	5t079.s↔		BOP, KVT, UOP4		01	B03A, B03B, B06A, B06B, B17A, B17B, B17C
	08	I12A, I12B, I12C, I23A, I23B		08	I20A, I20B, I20C, I20D, I20E, I20F		08	I12A, I12B, I12C, I23A, I23B
	21A	W04A, W04B	5t079.t↔		BOP, KVT, UOP4		21A	W04A, W04B
	21B	X06A, X06B, X06C		08	I20A, I20B, I20C, I20D, I20E, I20F		21B	X06A, X06B, X06C
5t079.8↔		BOP, KVT, UOP4	5t079.x		BOP, KVT, UOP4	5t07a.b↔		BOP, KVT, UOP4
	01	B03A, B03B, B06A, B06B, B17A, B17B, B17C		01	B03A, B03B, B06A, B06B, B17A, B17B, B17C		01	B03A, B03B, B06A, B06B, B17A, B17B, B17C
	08	I12A, I12B, I12C, I23A, I23B		08	I12A, I12B, I12C, I23A, I23B		08	I12A, I12B, I12C, I23A, I23B
	21A	W04A, W04B		21A	W04A, W04B		21A	W04A, W04B
	21B	X06A, X06B, X06C		21B	X06A, X06B, X06C		21B	X05A, X05B, X06A, X06B, X06C
5t079.9↔		BOP, KVT, UOP4	5t07a.0↔		BOP, KVT, UOP4	5t07a.c↔		BOP, KVT, UOP4
	01	B03A, B03B, B06A, B06B, B17A, B17B, B17C		01	B03A, B03B, B06A, B06B, B17A, B17B, B17C		01	B03A, B03B, B06A, B06B, B17A, B17B, B17C
	08	I12A, I12B, I12C, I23A, I23B		04	E02A, E02B, E02C		08	I12A, I12B, I12C, I23A, I23B
	21A	W04A, W04B		08	I12A, I12B, I12C, I23A, I23B		21A	W04A, W04B
	21B	X06A, X06B, X06C		21A	W04A, W04B		21B	X05A, X05B, X06A, X06B, X06C
5t079.d		BOP, KVT, UOP4		21B	X06A, X06B, X06C	5t07a.e↔		BOP, KVT, UOP4
	08	I08A, I08B, I08C, I08D, I08E, I08F	5t07a.1↔		BOP, KVT, UOP4		01	B03A, B03B, B06A, B06B, B17A, B17B, B17C
5t079.e↔		BOP, KVT, UOP4		01	B03A, B03B, B06A, B06B, B17A, B17B, B17C		08	I12A, I12B, I12C, I21Z
	08	I08A, I08B, I08C, I08D, I08E, I08F		08	I12A, I12B, I12C, I23A, I23B		21A	W04A, W04B
5t079.f↔		BOP, KVT, UOP4		21A	W04A, W04B		21B	X04Z, X06A, X06B, X06C
	01	B03A, B03B, B06A, B06B, B17A, B17B, B17C	5t07a.2↔		BOP, KVT, UOP4	5t07a.f↔		BOP, KVT, UOP4
	08	I12A, I12B, I12C, I21Z		01	B03A, B03B, B06A, B06B, B17A, B17B, B17C		01	B03A, B03B, B06A, B06B, B17A, B17B, B17C
	21A	W04A, W04B		08	I12A, I12B, I12C, I23A, I23B		08	I12A, I12B, I12C, I21Z
	21B	X04Z, X06A, X06B, X06C		21A	W04A, W04B		21A	W04A, W04B
5t079.g↔		BOP, KVT, UOP4		21B	X06A, X06B, X06C		21B	X04Z, X06A, X06B, X06C
	01	B03A, B03B, B06A, B06B, B17A, B17B, B17C	5t07a.3↔		BOP, KVT, UOP4	5t07a.g↔		BOP, KVT, UOP4
	08	I12A, I12B, I12C, I21Z		01	B03A, B03B, B06A, B06B, B17A, B17B, B17C		01	B03A, B03B, B06A, B06B, B17A, B17B, B17C
	21A	W04A, W04B		08	I12A, I12B, I12C, I23A, I23B		08	I12A, I12B, I12C, I21Z
	21B	X04Z, X06A, X06B, X06C		21A	W04A, W04B		21A	W04A, W04B
5t079.h↔		BOP, KVT, UOP4		21B	X06A, X06B, X06C		21B	X04Z, X06A, X06B, X06C
	01	B03A, B03B, B06A, B06B, B17A, B17B, B17C	5t07a.4↔		BOP, KVT, UOP4	5t07a.h↔		BOP, KVT, UOP4
	08	I12A, I12B, I12C, I21Z		01	B03A, B03B, B06A, B06B, B17A, B17B, B17C		01	B03A, B03B, B06A, B06B, B17A, B17B, B17C
	21A	W04A, W04B		08	I12A, I12B, I12C, I23A, I23B		08	I12A, I12B, I12C, I21Z
	21B	X04Z, X06A, X06B, X06C		21A	W04A, W04B		21A	W04A, W04B
5t079.k↔		BOP, KVT, UOP4		21B	X06A, X06B, X06C		21B	X04Z, X06A, X06B, X06C
	01	B03A, B03B, B06A, B06B, B17A, B17B, B17C	5t07a.5↔		BOP, KVT, UOP4	5t07a.j↔		BOP, KVT, UOP4
	08	I12A, I12B, I12C, I23A, I23B		01	B03A, B03B, B06A, B06B, B17A, B17B, B17C		01	B03A, B03B, B06A, B06B, B17A, B17B, B17C
	21A	W04A, W04B		08	I12A, I12B, I12C, I23A, I23B		08	I12A, I12B, I12C, I23A, I23B
	21B	X04Z, X06A, X06B, X06C		21A	W04A, W04B		21A	W04A, W04B
5t079.m↔		BOP, KVT, UOP4		21B	X06A, X06B, X06C		21B	X04Z, X06A, X06B, X06C
	01	B03A, B03B, B06A, B06B, B17A, B17B, B17C	5t07a.6↔		BOP, KVT, UOP4	5t07a.k↔		BOP, KVT, UOP4
	08	I12A, I12B, I12C, I23A, I23B		01	B03A, B03B, B06A, B06B, B17A, B17B, B17C		01	B03A, B03B, B06A, B06B, B17A, B17B, B17C
	21A	W04A, W04B		08	I12A, I12B, I12C, I23A, I23B		08	I12A, I12B, I12C, I23A, I23B
	21B	X04Z, X06A, X06B, X06C		21A	W04A, W04B		21A	W04A, W04B
				21B	X06A, X06B, X06C		21B	X04Z, X06A, X06B, X06C

VYK



ZZV	MDC	DRG	ZZV	MDC	DRG	ZZV	MDC	DRG	
5t07b.q↔		BOP, KVT, UOP4	5t07c.d	08	I08A, I08B, I08C, I08D, I08E, I08F	5t07d.3↔	01	B03A, B03B, B06A, B06B, B17A, B17B, B17C	
	01	B03A, B03B, B06A, B06B, B17A, B17B, B17C					08	I12A, I12B, I12C, I23A, I23B	
	08	I12A, I12B, I12C, I23A, I23B		5t07c.e↔	01		B03A, B03B, B06A, B06B, B17A, B17B, B17C	21A	W04A, W04B
	21A	W04A, W04B			08		I12A, I12B, I12C, I21Z	21B	X06A, X06B, X06C
5t07b.r↔	21B	X04Z, X06A, X06B, X06C			5t07d.4↔	01	B03A, B03B, B06A, B06B, B17A, B17B, B17C		
		BOP, KVT, UOP4	5t07c.f↔	01		B03A, B03B, B06A, B06B, B17A, B17B, B17C	08	I12A, I12B, I12C, I23A, I23B	
	01	B03A, B03B, B06A, B06B, B17A, B17B, B17C		08		I12A, I12B, I12C, I21Z	21A	W04A, W04B	
	08	I12A, I12B, I12C, I23A, I23B		21A		W04A, W04B	21B	X04Z, X06A, X06B, X06C	
21A	W04A, W04B				5t07d.5↔	01	B03A, B03B, B06A, B06B, B17A, B17B, B17C		
21B	X04Z, X06A, X06B, X06C	5t07c.g↔	01	B03A, B03B, B06A, B06B, B17A, B17B, B17C		08	I12A, I12B, I12C, I23A, I23B		
	BOP, KVT, UOP4		08	I12A, I12B, I12C, I21Z		21A	W04A, W04B		
01	B03A, B03B, B06A, B06B, B17A, B17B, B17C		21A	W04A, W04B		21B	X06A, X06B, X06C		
08	I12A, I12B, I12C, I23A, I23B				5t07d.6↔	01	B03A, B03B, B06A, B06B, B17A, B17B, B17C		
21A	W04A, W04B	5t07c.h↔	01	B03A, B03B, B06A, B06B, B17A, B17B, B17C		08	I12A, I12B, I12C, I23A, I23B		
21B	X04Z, X06A, X06B, X06C		08	I12A, I12B, I12C, I21Z		21A	W04A, W04B		
	BOP, KVT, UOP4		21A	W04A, W04B		21B	X06A, X06B, X06C		
01	B03A, B03B, B06A, B06B, B17A, B17B, B17C				5t07d.7↔	01	B03A, B03B, B06A, B06B, B17A, B17B, B17C		
08	I12A, I12B, I12C, I23A, I23B	5t07c.i↔	01	B03A, B03B, B06A, B06B, B17A, B17B, B17C		08	I12A, I12B, I12C, I23A, I23B		
21A	W04A, W04B		08	I12A, I12B, I12C, I21Z		21A	W04A, W04B		
21B	X04Z, X06A, X06B, X06C		21A	W04A, W04B		21B	X06A, X06B, X06C		
	BOP, KVT, UOP4				5t07d.8↔	01	B03A, B03B, B06A, B06B, B17A, B17B, B17C		
01	B03A, B03B, B06A, B06B, B17A, B17B, B17C	5t07c.k↔	01	B03A, B03B, B06A, B06B, B17A, B17B, B17C		08	I12A, I12B, I12C, I23A, I23B		
08	I12A, I12B, I12C, I23A, I23B		08	I12A, I12B, I12C, I23A		21A	W04A, W04B		
21A	W04A, W04B		21A	W04A, W04B		21B	X04Z, X06A, X06B, X06C		
21B	X04Z, X06A, X06B, X06C				5t07d.9↔	01	B03A, B03B, B06A, B06B, B17A, B17B, B17C		
	BOP, KVT, UOP4	5t07c.l↔	01	B03A, B03B, B06A, B06B, B17A, B17B, B17C		08	I12A, I12B, I12C, I23A, I23B		
01	B03A, B03B, B06A, B06B, B17A, B17B, B17C		08	I12A, I12B, I12C, I23A		21A	W04A, W04B		
08	I12A, I12B, I12C, I23A, I23B		21A	W04A, W04B		21B	X06A, X06B, X06C		
21A	W04A, W04B				5t07d.a↔	01	B03A, B03B, B06A, B06B, B17A, B17B, B17C		
21B	X04Z, X06A, X06B, X06C	5t07c.m↔	01	B03A, B03B, B06A, B06B, B17A, B17B, B17C		08	I12A, I12B, I12C, I23A, I23B		
	BOP, KVT, UOP4		08	I12A, I12B, I12C, I23A		21A	W04A, W04B		
01	B03A, B03B, B06A, B06B, B17A, B17B, B17C		21A	W04A, W04B		21B	X06A, X06B, X06C		
08	I12A, I12B, I12C, I23A, I23B				5t07d.b↔	01	B03A, B03B, B06A, B06B, B17A, B17B, B17C		
21A	W04A, W04B	5t07c.n↔	01	B03A, B03B, B06A, B06B, B17A, B17B, B17C		08	I12A, I12B, I12C, I23A, I23B		
21B	X04Z, X06A, X06B, X06C		08	I12A, I12B, I12C, I23A		21A	W04A, W04B		
	BOP, KVT, UOP4		21A	W04A, W04B		21B	X06A, X06B, X06C		
01	B03A, B03B, B06A, B06B, B17A, B17B, B17C				5t07d.c↔	01	B03A, B03B, B06A, B06B, B17A, B17B, B17C		
08	I12A, I12B, I12C, I23A, I23B	5t07c.o↔	01	B03A, B03B, B06A, B06B, B17A, B17B, B17C		08	I12A, I12B, I12C, I23A, I23B		
21A	W04A, W04B		08	I12A, I12B, I12C, I23A		21A	W04A, W04B		
21B	X04Z, X06A, X06B, X06C		21A	W04A, W04B		21B	X06A, X06B, X06C		
	BOP, KVT, UOP4				5t07d.d	01	B03A, B03B, B06A, B06B, B17A, B17B, B17C		
01	B03A, B03B, B06A, B06B, B17A, B17B, B17C	5t07d.0↔	01	B03A, B03B, B06A, B06B, B17A, B17B, B17C		08	I12A, I12B, I12C, I23A, I23B		
08	I12A, I12B, I12C, I23A, I23B		04	E02A, E02B, E02C		21A	W04A, W04B		
21A	W04A, W04B		08	I12A, I12B, I12C, I23A, I23B		21B	X06A, X06B, X06C		
21B	X06A, X06B, X06C								
5t07b.z↔	01	B03A, B03B, B06A, B06B, B17A, B17B, B17C	5t07d.1↔	01	B03A, B03B, B06A, B06B, B17A, B17B, B17C	5t07d.e↔	01	B03A, B03B, B06A, B06B, B17A, B17B, B17C	
	04	E02A, E02B, E02C		08	I12A, I12B, I12C, I23A, I23B		08	I12A, I12B, I12C, I23A, I23B	
	08	I12A, I12B, I12C, I23A, I23B		21A	W04A, W04B		21A	W04A, W04B	
	21A	W04A, W04B		21A	W04A, W04B		21B	X06A, X06B, X06C	
21B	X06A, X06B, X06C			5t07d.2↔	01	B03A, B03B, B06A, B06B, B17A, B17B, B17C			
	BOP, KVT, UOP4	5t07c.1↔	01		B03A, B03B, B06A, B06B, B17A, B17B, B17C	08	I12A, I12B, I12C, I23A, I23B		
01	B03A, B03B, B06A, B06B, B17A, B17B, B17C		08		I12A, I12B, I12C, I23A, I23B	21A	W04A, W04B		
08	I12A, I12B, I12C, I23A, I23B		21A		W04A, W04B	21B	X06A, X06B, X06C		
21A	W04A, W04B								
5t07c.1↔	21B	X06A, X06B, X06C	5t07c.x	01	B03A, B03B, B06A, B06B, B17A, B17B, B17C	5t07d.f↔	01	B03A, B03B, B06A, B06B, B17A, B17B, B17C	
		BOP, KVT, UOP4		08	I12A, I12B, I12C, I23A		08	I12A, I12B, I12C, I23A, I23B	
	01	B03A, B03B, B06A, B06B, B17A, B17B, B17C		21A	W04A, W04B		21A	W04A, W04B	
	08	I12A, I12B, I12C, I23A, I23B		21A	W04A, W04B		21B	X06A, X06B, X06C	
21A	W04A, W04B								
5t07c.3↔	21B	X06A, X06B, X06C	5t07d.2↔	01	B03A, B03B, B06A, B06B, B17A, B17B, B17C	5t07d.g↔	01	B03A, B03B, B06A, B06B, B17A, B17B, B17C	
		BOP, KVT, UOP4		08	I12A, I12B, I12C, I23A, I23B		08	I12A, I12B, I12C, I23A, I23B	
	01	B03A, B03B, B06A, B06B, B17A, B17B, B17C		21A	W04A, W04B		21A	W04A, W04B	
	08	I12A, I12B, I12C, I23A, I23B		21A	W04A, W04B		21B	X06A, X06B, X06C	
21A	W04A, W04B								
21B	X06A, X06B, X06C								

VYK





ZZV	MDC	DRG	ZZV	MDC	DRG	ZZV	MDC	DRG
5t07t.d		BOP, KVT, UOP4	5t07t.r↔		BOP, KVT, UOP4	5t07v.4↔		BOP, KVT, UOP4
	01	B03A, B03B, B06A, B06B, B17A, B17B, B17C		01	B03A, B03B, B06A, B06B, B17A, B17B, B17C		01	B03A, B03B, B06A, B06B, B17A, B17B, B17C
	08	I12A, I12B, I12C, I23A, I23B		08	I12A, I12B, I12C, I23A, I23B		08	I12A, I12B, I12C, I23A, I23B
	21A	W04A, W04B		21A	W04A, W04B		21A	W04A, W04B
5t07t.e↔	21B	X04Z, X06A, X06B, X06C	5t07t.s↔	21B	X04Z, X06A, X06B, X06C	5t07v.5↔	21B	X06A, X06B, X06C
		BOP, KVT, UOP4			BOP, KVT, UOP4			BOP, KVT, UOP4
	01	B03A, B03B, B06A, B06B, B17A, B17B, B17C		01	B03A, B03B, B06A, B06B, B17A, B17B, B17C		01	B03A, B03B, B06A, B06B, B17A, B17B, B17C
	08	I12A, I12B, I12C, I21Z		08	I12A, I12B, I12C, I23A, I23B		08	I12A, I12B, I12C, I23A, I23B
5t07t.f↔	21A	W04A, W04B	5t07t.t↔	21A	W04A, W04B	5t07v.6↔	21A	W04A, W04B
	21B	X04Z, X06A, X06B, X06C		21B	X04Z, X06A, X06B, X06C		21B	X06A, X06B, X06C
		BOP, KVT, UOP4			BOP, KVT, UOP4			BOP, KVT, UOP4
	01	B03A, B03B, B06A, B06B, B17A, B17B, B17C		01	B03A, B03B, B06A, B06B, B17A, B17B, B17C		01	B03A, B03B, B06A, B06B, B17A, B17B, B17C
5t07t.g↔	08	I12A, I12B, I12C, I21Z	5t07t.u↔	08	I12A, I12B, I12C, I23A, I23B	5t07v.7↔	08	I12A, I12B, I12C, I23A, I23B
	21A	W04A, W04B		21A	W04A, W04B		21A	W04A, W04B
	21B	X04Z, X06A, X06B, X06C		21B	X04Z, X06A, X06B, X06C		21B	X06A, X06B, X06C
		BOP, KVT, UOP4			BOP, KVT, UOP4			BOP, KVT, UOP4
5t07t.h↔	01	B03A, B03B, B06A, B06B, B17A, B17B, B17C	5t07t.v↔	01	B03A, B03B, B06A, B06B, B17A, B17B, B17C	5t07v.8↔	01	B03A, B03B, B06A, B06B, B17A, B17B, B17C
	08	I12A, I12B, I12C, I21Z		08	I12A, I12B, I12C, I23A, I23B		08	I12A, I12B, I12C, I23A, I23B
	21A	W04A, W04B		21A	W04A, W04B		21A	W04A, W04B
	21B	X04Z, X06A, X06B, X06C		21B	X04Z, X06A, X06B, X06C		21B	X06A, X06B, X06C
5t07t.j↔		BOP, KVT, UOP4	5t07t.w↔		BOP, KVT, UOP4	5t07v.9↔		BOP, KVT, UOP4
	01	B03A, B03B, B06A, B06B, B17A, B17B, B17C		01	B03A, B03B, B06A, B06B, B17A, B17B, B17C		01	B03A, B03B, B06A, B06B, B17A, B17B, B17C
	08	I12A, I12B, I12C, I23A, I23B		08	I12A, I12B, I12C, I23A, I23B		08	I12A, I12B, I12C, I23A, I23B
	21A	W04A, W04B		21A	W04A, W04B		21A	W04A, W04B
5t07t.k↔	21B	X04Z, X06A, X06B, X06C	5t07t.x	21B	X04Z, X06A, X06B, X06C	5t07v.a↔	21B	X06A, X06B, X06C
		BOP, KVT, UOP4			BOP, KVT, UOP4			BOP, KVT, UOP4
	01	B03A, B03B, B06A, B06B, B17A, B17B, B17C		01	B03A, B03B, B06A, B06B, B17A, B17B, B17C		01	B03A, B03B, B06A, B06B, B17A, B17B, B17C
	08	I12A, I12B, I12C, I23A, I23B		08	I12A, I12B, I12C, I23A, I23B		08	I12A, I12B, I12C, I23A, I23B
5t07t.m↔	21A	W04A, W04B	5t07t.z↔	21A	W04A, W04B	5t07v.b↔	21A	W04A, W04B
	21B	X04Z, X06A, X06B, X06C		21B	X06A, X06B, X06C		21B	X05A, X05B, X06A, X06B, X06C
		BOP, KVT, UOP4			BOP, KVT, UOP4			BOP, KVT, UOP4
	01	B03A, B03B, B06A, B06B, B17A, B17B, B17C		01	B03A, B03B, B06A, B06B, B17A, B17B, B17C		01	B03A, B03B, B06A, B06B, B17A, B17B, B17C
5t07t.n↔	08	I12A, I12B, I12C, I23A, I23B	5t07v.1↔	04	E02A, E02B, E02C	5t07v.d	08	I12A, I12B, I12C, I23A, I23B
	21A	W04A, W04B		08	I12A, I12B, I12C, I23A, I23B		08	I12A, I12B, I12C, I23A, I23B
	21B	X04Z, X06A, X06B, X06C		21A	W04A, W04B		21A	W04A, W04B
		BOP, KVT, UOP4		21B	X06A, X06B, X06C		21B	X05A, X05B, X06A, X06B, X06C
5t07t.p↔	01	B03A, B03B, B06A, B06B, B17A, B17B, B17C	5t07v.2↔		BOP, KVT, UOP4	5t07v.f↔		BOP, KVT, UOP4
	08	I12A, I12B, I12C, I23A, I23B		01	B03A, B03B, B06A, B06B, B17A, B17B, B17C		01	B03A, B03B, B06A, B06B, B17A, B17B, B17C
	21A	W04A, W04B		08	I12A, I12B, I12C, I23A, I23B		08	I12A, I12B, I12C, I23A, I23B
	21B	X04Z, X06A, X06B, X06C		21A	W04A, W04B		08	I12A, I12B, I12C, I21Z
5t07t.q↔		BOP, KVT, UOP4	5t07v.3↔	21B	X06A, X06B, X06C	5t07v.g↔	21A	W04A, W04B
	01	B03A, B03B, B06A, B06B, B17A, B17B, B17C		01	BOP, KVT, UOP4		01	B03A, B03B, B06A, B06B, B17A, B17B, B17C
	08	I12A, I12B, I12C, I23A, I23B		08	I12A, I12B, I12C, I23A, I23B		08	I12A, I12B, I12C, I21Z
	21A	W04A, W04B		21A	W04A, W04B		21A	W04A, W04B
	BOP, KVT, UOP4	21B	X06A, X06B, X06C	21B	X04Z, X06A, X06B, X06C			
	BOP, KVT, UOP4		BOP, KVT, UOP4		BOP, KVT, UOP4			

VYK

ZZV	MDC	DRG	ZZV	MDC	DRG	ZZV	MDC	DRG
5t07v.h↔		BOP, KVT, UOP4	5t07x.0↔		BOP, KVT, UOP4	5t07x.b↔		BOP, KVT, UOP4
01		B03A, B03B, B06A, B06B, B17A, B17B, B17C	01		B03A, B03B, B06A, B06B, B17A, B17B, B17C	01		B03A, B03B, B06A, B06B, B17A, B17B, B17C
08		I12A, I12B, I12C, I21Z	04		E02A, E02B, E02C	08		I23A, I23B
21A		W04A, W04B	08		I23A, I23B	21A		W04A, W04B
21B		X04Z, X06A, X06B, X06C	21A		W04A, W04B	21B		X05A, X05B, X06A, X06B, X06C
5t07v.k↔		BOP, KVT, UOP4	21B		X06A, X06B, X06C	5t07x.c↔		BOP, KVT, UOP4
01		B03A, B03B, B06A, B06B, B17A, B17B, B17C	5t07x.1↔		BOP, KVT, UOP4	5t07x.c↔		BOP, KVT, UOP4
08		I12A, I12B, I12C, I23A, I23B	01		B03A, B03B, B06A, B06B, B17A, B17B, B17C	01		B03A, B03B, B06A, B06B, B17A, B17B, B17C
21A		W04A, W04B	08		I23A, I23B	08		I23A, I23B
21B		X04Z, X06A, X06B, X06C	21A		W04A, W04B	21A		W04A, W04B
5t07v.m↔		BOP, KVT, UOP4	21B		X06A, X06B, X06C	21B		X05A, X05B, X06A, X06B, X06C
01		B03A, B03B, B06A, B06B, B17A, B17B, B17C	5t07x.2↔		BOP, KVT, UOP4	5t07x.d		BOP, KVT, UOP4
08		I12A, I12B, I12C, I23A, I23B	01		B03A, B03B, B06A, B06B, B17A, B17B, B17C	01		B03A, B03B, B06A, B06B, B17A, B17B, B17C
21A		W04A, W04B	08		I23A, I23B	08		I23A, I23B
21B		X04Z, X06A, X06B, X06C	21A		W04A, W04B	21A		W04A, W04B
5t07v.n↔		BOP, KVT, UOP4	21B		X06A, X06B, X06C	21B		X04Z, X06A, X06B, X06C
01		B03A, B03B, B06A, B06B, B17A, B17B, B17C	5t07x.3↔		BOP, KVT, UOP4	5t07x.e↔		BOP, KVT, UOP4
08		I12A, I12B, I12C, I23A, I23B	01		B03A, B03B, B06A, B06B, B17A, B17B, B17C	5t07x.e↔		BOP, KVT, UOP4
21A		W04A, W04B	08		I23A, I23B	01		B03A, B03B, B06A, B06B, B17A, B17B, B17C
21B		X04Z, X06A, X06B, X06C	21A		W04A, W04B	08		I21Z
5t07v.p↔		BOP, KVT, UOP4	21B		X06A, X06B, X06C	21A		W04A, W04B
01		B03A, B03B, B06A, B06B, B17A, B17B, B17C	5t07x.4↔		BOP, KVT, UOP4	21B		X04Z, X06A, X06B, X06C
08		I12A, I12B, I12C, I23A, I23B	01		B03A, B03B, B06A, B06B, B17A, B17B, B17C	5t07x.f↔		BOP, KVT, UOP4
21A		W04A, W04B	08		I23A, I23B	5t07x.f↔		BOP, KVT, UOP4
21B		X04Z, X06A, X06B, X06C	21A		W04A, W04B	01		B03A, B03B, B06A, B06B, B17A, B17B, B17C
5t07v.q↔		BOP, KVT, UOP4	21B		X06A, X06B, X06C	08		I21Z
01		B03A, B03B, B06A, B06B, B17A, B17B, B17C	5t07x.5↔		BOP, KVT, UOP4	21A		W04A, W04B
08		I12A, I12B, I12C, I23A, I23B	01		B03A, B03B, B06A, B06B, B17A, B17B, B17C	21B		X04Z, X06A, X06B, X06C
21A		W04A, W04B	08		I23A, I23B	5t07x.g↔		BOP, KVT, UOP4
21B		X04Z, X06A, X06B, X06C	21A		W04A, W04B	5t07x.g↔		BOP, KVT, UOP4
5t07v.r↔		BOP, KVT, UOP4	21B		X06A, X06B, X06C	01		B03A, B03B, B06A, B06B, B17A, B17B, B17C
01		B03A, B03B, B06A, B06B, B17A, B17B, B17C	5t07x.6↔		BOP, KVT, UOP4	08		I21Z
08		I12A, I12B, I12C, I23A, I23B	01		B03A, B03B, B06A, B06B, B17A, B17B, B17C	21A		W04A, W04B
21A		W04A, W04B	08		I23A, I23B	21B		X04Z, X06A, X06B, X06C
21B		X04Z, X06A, X06B, X06C	21A		W04A, W04B	5t07x.h↔		BOP, KVT, UOP4
5t07v.s↔		BOP, KVT, UOP4	21B		X06A, X06B, X06C	5t07x.h↔		BOP, KVT, UOP4
01		B03A, B03B, B06A, B06B, B17A, B17B, B17C	5t07x.7↔		BOP, KVT, UOP4	01		B03A, B03B, B06A, B06B, B17A, B17B, B17C
08		I12A, I12B, I12C, I23A, I23B	01		B03A, B03B, B06A, B06B, B17A, B17B, B17C	08		I21Z
21A		W04A, W04B	08		I23A, I23B	21A		W04A, W04B
21B		X04Z, X06A, X06B, X06C	21A		W04A, W04B	21B		X04Z, X06A, X06B, X06C
5t07v.t↔		BOP, KVT, UOP4	21B		X06A, X06B, X06C	5t07x.j↔		BOP, KVT, UOP4
01		B03A, B03B, B06A, B06B, B17A, B17B, B17C	5t07x.8↔		BOP, KVT, UOP4	5t07x.j↔		BOP, KVT, UOP4
08		I12A, I12B, I12C, I23A, I23B	01		B03A, B03B, B06A, B06B, B17A, B17B, B17C	01		B03A, B03B, B06A, B06B, B17A, B17B, B17C
21A		W04A, W04B	08		I23A, I23B	08		I23A, I23B
21B		X04Z, X06A, X06B, X06C	21A		W04A, W04B	21A		W04A, W04B
5t07v.u↔		BOP, KVT, UOP4	21B		X06A, X06B, X06C	21B		X04Z, X06A, X06B, X06C
01		B03A, B03B, B06A, B06B, B17A, B17B, B17C	5t07x.9↔		BOP, KVT, UOP4	5t07x.k↔		BOP, KVT, UOP4
08		I12A, I12B, I12C, I23A, I23B	01		B03A, B03B, B06A, B06B, B17A, B17B, B17C	5t07x.k↔		BOP, KVT, UOP4
21A		W04A, W04B	08		I23A, I23B	01		B03A, B03B, B06A, B06B, B17A, B17B, B17C
21B		X04Z, X06A, X06B, X06C	21A		W04A, W04B	08		I23A, I23B
5t07v.v↔		BOP, KVT, UOP4	21B		X06A, X06B, X06C	21A		W04A, W04B
01		B03A, B03B, B06A, B06B, B17A, B17B, B17C	5t07x.a↔		BOP, KVT, UOP4	21B		X04Z, X06A, X06B, X06C
08		I12A, I12B, I12C, I23A, I23B	01		B03A, B03B, B06A, B06B, B17A, B17B, B17C	5t07x.n↔		BOP, KVT, UOP4
21A		W04A, W04B	08		I23A, I23B	5t07x.n↔		BOP, KVT, UOP4
21B		X04Z, X06A, X06B, X06C	21A		W04A, W04B	01		B03A, B03B, B06A, B06B, B17A, B17B, B17C
			21B		X05A, X05B, X06A, X06B, X06C	08		I23A, I23B
						21A		W04A, W04B
						21B		X04Z, X06A, X06B, X06C

VYK

ZZV	MDC	DRG	ZZV	MDC	DRG	ZZV	MDC	DRG
5t07x.p↔		BOP, KVT, UOP4	5t080.1↔	05	BOP, KVT, UOP4, VIAL F27A, F27B, F27C	5t080.x↔	05	BOP, KVT, UOP4, VIAL F27A, F27B, F27C
	01	B03A, B03B, B06A, B06B, B17A, B17B, B17C		08	I20A, I20B, I20C, I20D, I20E, I20F		08	I20A, I20B, I20C, I20D, I20E, I20F
	08	I23A, I23B		10	K01Z		10	K09A, K09B
	21A	W04A, W04B		21A	W04A, W04B		21A	W04A, W04B
	21B	X04Z, X06A, X06B, X06C		21B	X04Z		21B	X04Z
5t07x.q↔		BOP, KVT, UOP4	5t080.2↔		BOP, KVT, UOP4, VIAL	5t081.0↔		BOP, KVT, UOP4, VIAL
	01	B03A, B03B, B06A, B06B, B17A, B17B, B17C		05	F27A, F27B, F27C		08	I20A, I20B, I20C, I20D, I20E, I20F
	08	I23A, I23B		08	I20A, I20B, I20C, I20D, I20E, I20F		10	K01Z
	21A	W04A, W04B		10	K01Z		21A	W04A, W04B
	21B	X04Z, X06A, X06B, X06C		21B	X04Z		21B	X04Z
5t07x.r↔		BOP, KVT, UOP4	5t080.3↔		BOP, KVT, UOP4, VIAL	5t081.1↔		BOP, KVT, UOP4, VIAL
	01	B03A, B03B, B06A, B06B, B17A, B17B, B17C		05	F27A, F27B, F27C		08	I20A, I20B, I20C, I20D, I20E, I20F
	08	I23A, I23B		08	I20A, I20B, I20C, I20D		10	K01Z
	21A	W04A, W04B		10	K01Z		21A	W04A, W04B
	21B	X04Z, X06A, X06B, X06C		21B	X04Z		21B	X04Z
5t07x.s↔		BOP, KVT, UOP4	5t080.4↔		BOP, KVT, UOP4, VIAL	5t081.2↔		BOP, KVT, UOP4, VIAL
	01	B03A, B03B, B06A, B06B, B17A, B17B, B17C		05	F27A, F27B, F27C		08	I20A, I20B, I20C, I20D, I20E, I20F
	08	I23A, I23B		08	I20A, I20B, I20C, I20D		10	K01Z
	21A	W04A, W04B		10	K01Z		21A	W04A, W04B
	21B	X04Z, X06A, X06B, X06C		21B	X04Z		21B	X04Z
5t07x.t↔		BOP, KVT, UOP4	5t080.a↔		BOP, KVT, UOP4, VIAL	5t081.3↔		BOP, KVT, UOP4, VIAL
	01	B03A, B03B, B06A, B06B, B17A, B17B, B17C		05	F27A, F27B, F27C		08	I20A, I20B, I20C, I20D, I20E, I20F
	08	I23A, I23B		08	I20A, I20B, I20C, I20D		10	K01Z
	21A	W04A, W04B		10	K01Z		21A	W04A, W04B
	21B	X04Z, X06A, X06B, X06C		21B	X04Z		21B	X04Z
5t07x.u↔		BOP, KVT, UOP4	5t080.b↔		BOP, KVT, UOP4, VIAL	5t081.4↔		BOP, KVT, UOP4, VIAL
	01	B03A, B03B, B06A, B06B, B17A, B17B, B17C		05	F27A, F27B, F27C		08	I20A, I20B, I20C, I20D, I20E, I20F
	08	I23A, I23B		08	I20A, I20B, I20C, I20D		10	K01Z
	21A	W04A, W04B		10	K09A, K09B		21A	W04A, W04B
	21B	X04Z, X06A, X06B, X06C		21B	X04Z		21B	X04Z
5t07x.v↔		BOP, KVT, UOP4	5t080.c↔		BOP, KVT, UOP4, VIAL	5t082.0↔		BOP, KVT, UOP4, VIAL
	01	B03A, B03B, B06A, B06B, B17A, B17B, B17C		05	F27A, F27B, F27C		05	F27A, F27B, F27C
	08	I23A, I23B		08	I20A, I20B, I20C, I20D, I20E, I20F		08	I20A, I20B, I20C, I20D, I20E, I20F
	21A	W04A, W04B		10	K09A, K09B		10	K01Z
	21B	X04Z, X06A, X06B, X06C		21A	W04A, W04B		21A	W04A, W04B
5t07x.w↔		BOP, KVT, UOP4	5t080.d↔		BOP, KVT, UOP4, VIAL	5t082.02↔		BOP, KVT, UOP4, VIAL
	01	B03A, B03B, B06A, B06B, B17A, B17B, B17C		05	F27A, F27B, F27C		05	F27A, F27B, F27C
	08	I23A, I23B		08	I20A, I20B, I20C, I20D, I20E, I20F		08	I20A, I20B, I20C, I20D, I20E, I20F
	21A	W04A, W04B		10	K09A, K09B		10	K01Z
	21B	X04Z, X06A, X06B, X06C		21A	W04A, W04B		21A	W04A, W04B
5t07x.x		BOP, KVT, UOP4	5t080.e↔		BOP, KVT, UOP4, VIAL	5t082.1↔		BOP, KVT, UOP4, VIAL
	01	B03A, B03B, B06A, B06B, B17A, B17B, B17C		05	F27A, F27B, F27C		05	F27A, F27B, F27C
	08	I23A, I23B		08	I20A, I20B, I20C, I20D, I20E, I20F		08	I20A, I20B, I20C, I20D, I20E, I20F
	21A	W04A, W04B		10	K09A, K09B		10	K01Z
	21B	X06A, X06B, X06C		21A	W04A, W04B		21A	W04A, W04B
5t07x.z↔		BOP, KVT, UOP4	5t080.f↔		BOP, KVT, UOP4, VIAL	5t082.2↔		BOP, KVT, UOP4, VIAL
	01	B03A, B03B, B06A, B06B, B17A, B17B, B17C		05	F27A, F27B, F27C		05	F27A, F27B, F27C
	04	E02A, E02B, E02C		08	I20A, I20B, I20C, I20D, I20E, I20F		08	I20A, I20B, I20C, I20D, I20E, I20F
	08	I23A, I23B		10	K09A, K09B		10	K01Z
	21A	W04A, W04B		21A	W04A, W04B		21A	W04A, W04B
5t080.0↔		BOP, KVT, UOP4, VIAL	5t080.g↔		BOP, KVT, UOP4, VIAL	5t082.3↔		BOP, KVT, UOP4, VIAL
	05	F27A, F27B, F27C		05	F27A, F27B, F27C		05	F27A, F27B, F27C
	08	I20A, I20B, I20C, I20D, I20E, I20F		08	I20A, I20B, I20C, I20D, I20E, I20F		08	I20A, I20B, I20C, I20D, I20E, I20F
	10	K01Z		10	K09A, K09B		10	K01Z
	21A	W04A, W04B		21A	W04A, W04B		21A	W04A, W04B
21B	X04Z	21B	X04Z	21B	X04Z			

VYK

ZZV	MDC	DRG	ZZV	MDC	DRG	ZZV	MDC	DRG
5t082.b↔		BOP, KVT, UOP4, VIAL	5t083.a↔	05	BOP, KVT, UOP4, VIAL	5t090.7↔		BOP, KVT, UOP4
	08	I20A, I20B, I20C, I20D, I20E, I20F		08	F27A, F27B, F27C		08	I21Z, I31Z
	21A	W04A, W04B		08	I20A, I20B, I20C, I20D, I20E, I20F		21A	W04A, W04B
5t082.c↔	21B	X04Z	5t083.b↔	10	K09A, K09B	5t090.8↔	21B	X06A, X06B, X06C
	08	BOP, KVT, UOP4, VIAL		21A	W04A, W04B			BOP, KVT, UOP4
	08	I20A, I20B, I20C, I20D, I20E, I20F		21B	X04Z		08	I21Z, I31Z
5t082.d↔	21A	W04A, W04B	5t083.c↔	05	BOP, KVT, UOP4, VIAL	5t090.9↔	21A	W04A, W04B
	21B	X04Z		08	F27A, F27B, F27C		21B	X06A, X06B, X06C
	08	BOP, KVT, UOP4, VIAL		08	I20A, I20B, I20C, I20D, I20E, I20F			BOP, KVT, UOP4
5t082.e↔	08	I20A, I20B, I20C, I20D, I20E, I20F	5t083.d↔	10	K09A, K09B	5t090.a↔	08	I21Z, I31Z
	21A	W04A, W04B		21A	W04A, W04B		21A	W04A, W04B
	21B	X04Z		21B	X04Z		21B	X06A, X06B, X06C
5t082.f↔	08	BOP, KVT, UOP4, VIAL	5t083.e↔	05	BOP, KVT, UOP4, VIAL	5t090.b↔		BOP, KVT, UOP4
	08	I20A, I20B, I20C, I20D, I20E, I20F		08	F27A, F27B, F27C		08	I32A, I32B, I32C, I32D, I32E, I32F
	21A	W04A, W04B		08	I20A, I20B, I20C, I20D, I20E, I20F		21A	W04A, W04B
5t082.x↔	21B	X04Z	5t083.f↔	10	K09A, K09B	5t090.c↔	21B	X05A, X05B
	08	BOP, KVT, UOP4, VIAL		21A	W04A, W04B			BOP, KVT, UOP4
	08	I20A, I20B, I20C, I20D, I20E, I20F		21B	X04Z		08	I32A, I32B, I32C, I32D, I32E, I32F
5t083.0↔	21A	W04A, W04B	5t083.g↔	05	BOP, KVT, UOP4, VIAL	5t090.d	21A	W04A, W04B
	21B	X04Z		08	F27A, F27B, F27C		21B	X05A, X05B
	05	BOP, KVT, UOP4, VIAL		08	I20A, I20B, I20C, I20D, I20E, I20F			BOP, KVT, UOP4
5t083.1↔	08	I20A, I20B, I20C, I20D, I20E, I20F	5t083.h↔	10	K09A, K09B	5t090.e↔	08	I08A, I08B, I08C, I08D, I08E, I08F
	21A	W04A, W04B		21A	W04A, W04B		21A	W04A, W04B
	21B	X04Z		21B	X04Z		21B	X05A, X05B
5t083.2↔	05	BOP, KVT, UOP4, VIAL	5t083.i↔	05	BOP, KVT, UOP4, VIAL	5t090.f↔		BOP, KVT, UOP4
	08	I20A, I20B, I20C, I20D, I20E, I20F		08	F27A, F27B, F27C		08	I08A, I08B, I08C, I08D, I08E, I08F
	10	K01Z		08	I20A, I20B, I20C, I20D, I20E, I20F		21A	W04A, W04B
5t083.3↔	21A	W04A, W04B	5t090.0↔	10	K09A, K09B	5t090.g↔	21B	X06A, X06B, X06C
	21B	X04Z		21A	W04A, W04B			BOP, KVT, UOP4
	05	BOP, KVT, UOP4, VIAL		21B	X04Z		01	B03A, B03B, B06A, B06B, B17A, B17B, B17C
5t083.4↔	08	I20A, I20B, I20C, I20D	5t090.1↔	08	BOP, KVT, UOP4, VIAL	5t090.h↔	08	I08A, I08B, I08C, I08D, I08E, I08F
	10	K01Z		08	I20A, I20B, I20C, I20D, I20E, I20F		21A	W01A, W01B, W01C, W02A, W02B
	21A	W04A, W04B		08	I20A, I20B, I20C, I20D, I20E, I20F		21B	X04Z
5t083.5↔	21B	X04Z	5t090.2↔	04	E02A, E02B, E02C	5t090.i↔		BOP, KVT, UOP4
	05	F27A, F27B, F27C		08	I28A, I28B		01	B03A, B03B, B06A, B06B, B17A, B17B, B17C
	08	I20A, I20B, I20C, I20D		21A	W04A, W04B		08	I08A, I08B, I08C, I08D, I08E, I08F
5t083.6↔	10	K01Z	5t090.3↔	21B	X06A, X06B, X06C	5t090.j↔	21A	W01A, W01B, W01C, W02A, W02B
	21A	W04A, W04B		08	BOP, KVT, UOP4		21B	X04Z
	21B	X04Z		08	I13A, I13B, I13C, I13D, I13E			BOP, KVT, UOP4
5t083.7↔	05	F27A, F27B, F27C	5t090.4↔	21A	W04A, W04B	5t090.k↔	01	B03A, B03B, B06A, B06B, B17A, B17B, B17C
	08	I20A, I20B, I20C, I20D		21B	X06A, X06B, X06C		08	I08A, I08B, I08C, I08D, I08E, I08F
	10	K01Z		08	BOP, KVT, UOP4		21A	W01A, W01B, W01C, W02A, W02B
5t083.8↔	21A	W04A, W04B	5t090.5↔	08	I21Z, I31Z	5t090.l↔	21B	X04Z
	21B	X04Z		21A	W04A, W04B			BOP, KVT, UOP4
	05	BOP, KVT, UOP4, VIAL		21B	X06A, X06B, X06C		01	B03A, B03B, B06A, B06B, B17A, B17B, B17C
5t083.9↔	08	I20A, I20B, I20C, I20D	5t090.6↔	08	BOP, KVT, UOP4	5t090.m↔	08	I08A, I08B, I08C, I08D, I08E, I08F
	10	K01Z		08	I21Z, I31Z		21A	W01A, W01B, W01C, W02A, W02B
	21A	W04A, W04B		21A	W04A, W04B		21B	X04Z
5t083.0↔	21B	X04Z			21B	X06A, X06B, X06C		
	05	F27A, F27B, F27C			08	BOP, KVT, UOP4		
	08	I20A, I20B, I20C, I20D, I20E, I20F			01	B03A, B03B, B06A, B06B, B17A, B17B, B17C		
5t083.1↔	10	K01Z			08	I18A, I18B, I30Z		
	21A	W04A, W04B			21A	W04A, W04B		
	21B	X04Z			21B	X04Z		

ZZV	MDC	DRG	ZZV	MDC	DRG	ZZV	MDC	DRG
5t090.k↔		BOP, KVT, UOP4	5t091.0↔		BOP, KVT, UOP4	5t091.h↔		BOP, KVT, UOP4, VIAL
	08	I13A, I13B, I13C, I13D, I13E		08	I12A, I12B, I12C, I28A, I28B		01	B03A, B03B, B06A, B06B, B17A, B17B, B17C
	21A	W04A, W04B		21A	W04A, W04B		08	I08A, I08B, I08C, I08D, I08E, I08F, I12A, I12B, I12C
	21B	X04Z		21B	X06A, X06B, X06C		21A	W04A, W04B
5t090.m↔		BOP, KVT, UOP4	5t091.1↔		BOP, KVT, UOP4, VIAL		21B	X04Z
	08	I13A, I13B, I13C, I13D, I13E		08	I08A, I08B, I08C, I08D, I08E, I08F, I12A, I12B, I12C, I13A, I13B, I13C, I13D, I13E	5t091.k↔		BOP, KVT, UOP4, VIAL
	21A	W04A, W04B		21A	W04A, W04B		08	I12A, I12B, I12C, I13A, I13B, I13C, I13D, I13E
	21B	X04Z		21B	X06A, X06B, X06C		21A	W04A, W04B
5t090.n↔		BOP, KVT, UOP4	5t091.3↔		BOP, KVT, UOP4, VIAL		21B	X04Z
	08	I13A, I13B, I13C, I13D, I13E		08	I08A, I08B, I08C, I08D, I08E, I08F, I12A, I12B, I12C, I13A, I13B, I13C, I13D, I13E	5t091.n↔		BOP, KVT, UOP4, VIAL
	21A	W04A, W04B		21A	W04A, W04B		08	I12A, I12B, I12C, I13A, I13B, I13C, I13D, I13E
	21B	X04Z		21B	X06A, X06B, X06C		21A	W04A, W04B
5t090.p↔		BOP, KVT, UOP4	5t091.4↔		BOP, KVT, UOP4, VIAL		21B	X04Z
	08	I13A, I13B, I13C, I13D, I13E		08	I08A, I08B, I08C, I08D, I08E, I08F, I12A, I12B, I12C, I21Z, I31Z	5t091.p↔		BOP, KVT, UOP4, VIAL
	21A	W04A, W04B		21A	W04A, W04B		08	I12A, I12B, I12C, I13A, I13B, I13C, I13D, I13E
	21B	X04Z		21B	X06A, X06B, X06C		21A	W04A, W04B
5t090.q↔		BOP, KVT, UOP4	5t091.6↔		BOP, KVT, UOP4, VIAL		21B	X04Z
	08	I13A, I13B, I13C, I13D, I13E		08	I08A, I08B, I08C, I08D, I08E, I08F, I12A, I12B, I12C, I21Z, I31Z	5t091.r↔		BOP, KVT, UOP4, VIAL
	21A	W04A, W04B		21A	W04A, W04B		08	I12A, I12B, I12C, I13A, I13B, I13C, I13D, I13E
	21B	X04Z		21B	X06A, X06B, X06C		21A	W04A, W04B
5t090.r↔		BOP, KVT, UOP4	5t091.7↔		BOP, KVT, UOP4, VIAL		21B	X04Z
	08	I13A, I13B, I13C, I13D, I13E		08	I08A, I08B, I08C, I08D, I08E, I08F, I12A, I12B, I12C, I21Z, I31Z	5t091.s↔		BOP, KVT, UOP4, VIAL
	21A	W04A, W04B		21A	W04A, W04B		08	I12A, I12B, I12C, I20A, I20B, I20C, I20D, I20E, I20F
	21B	X04Z		21B	X06A, X06B, X06C		21A	W04A, W04B
5t090.s↔		BOP, KVT, UOP4	5t091.9↔		BOP, KVT, UOP4, VIAL		21B	X04Z
	05	F27A, F27B, F27C		08	I08A, I08B, I08C, I08D, I08E, I08F, I12A, I12B, I12C, I21Z, I31Z	5t091.t↔		BOP, KVT, UOP4, VIAL
	08	I20A, I20B, I20C, I20D, I20E, I20F		21A	W04A, W04B		08	I12A, I12B, I12C, I20A, I20B, I20C, I20D, I20E, I20F
	10	K01Z		21B	X06A, X06B, X06C		21A	W04A, W04B
	21A	W04A, W04B		21B	X05A, X05B		21B	X04Z
	21B	X04Z		5t091.b↔	BOP, KVT, UOP4, VIAL	5t091.v↔		BOP, KVT, UOP4, VIAL
5t090.t↔		BOP, KVT, UOP4		08	I12A, I12B, I12C, I32A, I32B, I32C, I32D, I32E, I32F		08	I12A, I12B, I12C, I20A, I20B, I20C, I20D, I20E, I20F
	05	F27A, F27B, F27C		21A	W04A, W04B		21A	W04A, W04B
	08	I20A, I20B, I20C, I20D, I20E, I20F		21B	X06A, X06B, X06C		21B	X04Z
	10	K01Z		5t091.c↔	BOP, KVT, UOP4, VIAL	5t091.w↔		BOP, KVT, UOP4, VIAL
	21A	W04A, W04B		08	I12A, I12B, I12C, I32A, I32B, I32C, I32D, I32E, I32F		08	I12A, I12B, I12C, I20A, I20B, I20C, I20D, I20E, I20F
	21B	X04Z		21A	W04A, W04B		21A	W04A, W04B
5t090.u↔		BOP, KVT, UOP4		21B	X05A, X05B		21B	X04Z
	05	F27A, F27B, F27C		5t091.d	BOP, KVT, UOP4, VIAL	5t091.x		BOP, KVT, UOP4
	08	I20A, I20B, I20C, I20D, I20E, I20F		08	I08A, I08B, I08C, I08D, I08E, I08F, I12A, I12B, I12C		08	I12A, I12B, I12C, I28A, I28B
	10	K01Z		21A	W04A, W04B		21A	W04A, W04B
	21A	W04A, W04B		21B	X06A, X06B, X06C		21B	X06A, X06B, X06C
	21B	X04Z		5t091.e↔	BOP, KVT, UOP4, VIAL	5t091.z↔		BOP, KVT, UOP4
5t090.v↔		BOP, KVT, UOP4		01	B03A, B03B, B06A, B06B, B17A, B17B, B17C		08	I12A, I12B, I12C, I28A, I28B
	05	F27A, F27B, F27C		08	I08A, I08B, I08C, I08D, I08E, I08F, I12A, I12B, I12C		21A	W04A, W04B
	08	I20A, I20B, I20C, I20D, I20E, I20F		21A	W04A, W04B		21B	X06A, X06B, X06C
	10	K01Z		21B	X04Z	5t092.0↔		BOP, KVT, UOP4, VIAL
	21A	W04A, W04B		5t091.f↔	BOP, KVT, UOP4, VIAL		08	I28A, I28B
	21B	X04Z		01	B03A, B03B, B06A, B06B, B17A, B17B, B17C		21A	W04A, W04B
5t090.w↔		BOP, KVT, UOP4		08	I08A, I08B, I08C, I08D, I08E, I08F, I12A, I12B, I12C		21B	X06A, X06B, X06C
	08	I20A, I20B, I20C, I20D, I20E, I20F		21A	W04A, W04B	5t092.1↔		BOP, KVT, UOP4, VIAL
	21A	W04A, W04B		21B	X04Z		08	I08A, I08B, I08C, I08D, I08E, I08F, I13A, I13B, I13C, I13D, I13E
	21B	X04Z		5t091.g↔	BOP, KVT, UOP4, VIAL		21A	W04A, W04B
5t090.x		BOP, KVT, UOP4		01	B03A, B03B, B06A, B06B, B17A, B17B, B17C		21B	X06A, X06B, X06C
	01	B03A, B03B, B06A, B06B, B17A, B17B, B17C		08	I08A, I08B, I08C, I08D, I08E, I08F, I12A, I12B, I12C			
	08	I28A, I28B		21A	W04A, W04B			
	21A	W04A, W04B		21B	X04Z			
	21B	X06A, X06B, X06C		5t091.h↔	BOP, KVT, UOP4, VIAL			
5t090.z↔		BOP, KVT, UOP4		01	B03A, B03B, B06A, B06B, B17A, B17B, B17C			
	04	E02A, E02B, E02C		08	I08A, I08B, I08C, I08D, I08E, I08F, I12A, I12B, I12C			
	08	I28A, I28B		21A	W04A, W04B			
	21A	W04A, W04B		21B	X04Z			
	21B	X06A, X06B, X06C						

ZZV	MDC	DRG	ZZV	MDC	DRG	ZZV	MDC	DRG
5t092.3↔		BOP, KVT, UOP4, VIAL	5t092.p↔		BOP, KVT, UOP4, VIAL	5t093.7↔		BOP, KVT, UOP4, VIAL
	08	I08A, I08B, I08C, I08D, I08E, I08F, I13A, I13B, I13C, I13D, I13E		08	I13A, I13B, I13C, I13D, I13E		08	I08A, I08B, I08C, I08D, I08E, I08F, I21Z, I31Z
	21A	W04A, W04B		21A	W04A, W04B		21A	W04A, W04B
	21B	X06A, X06B, X06C		21B	X04Z		21B	X06A, X06B, X06C
5t092.4↔		BOP, KVT, UOP4, VIAL	5t092.r↔		BOP, KVT, UOP4, VIAL	5t093.9↔		BOP, KVT, UOP4, VIAL
	08	I08A, I08B, I08C, I08D, I08E, I08F, I21Z, I31Z		08	I13A, I13B, I13C, I13D, I13E		08	I08A, I08B, I08C, I08D, I08E, I08F, I21Z, I31Z
	21A	W04A, W04B		21A	W04A, W04B		21A	W04A, W04B
	21B	X06A, X06B, X06C		21B	X04Z		21B	X06A, X06B, X06C
5t092.6↔		BOP, KVT, UOP4, VIAL	5t092.s↔		BOP, KVT, UOP4, VIAL	5t093.b↔		BOP, KVT, UOP4, VIAL
	08	I08A, I08B, I08C, I08D, I08E, I08F, I21Z, I31Z		08	I20A, I20B, I20C, I20D, I20E, I20F		08	I32A, I32B, I32C, I32D, I32E, I32F
	21A	W04A, W04B		21A	W04A, W04B		21A	W04A, W04B
	21B	X06A, X06B, X06C		21B	X04Z		21B	X05A, X05B
5t092.7↔		BOP, KVT, UOP4, VIAL	5t092.t↔		BOP, KVT, UOP4, VIAL	5t093.c↔		BOP, KVT, UOP4, VIAL
	08	I08A, I08B, I08C, I08D, I08E, I08F, I21Z, I31Z		08	I20A, I20B, I20C, I20D, I20E, I20F		08	I32A, I32B, I32C, I32D, I32E, I32F
	21A	W04A, W04B		21A	W04A, W04B		21A	W04A, W04B
	21B	X06A, X06B, X06C		21B	X04Z		21B	X05A, X05B
5t092.9↔		BOP, KVT, UOP4, VIAL	5t092.u↔		BOP, KVT, UOP4, VIAL	5t093.d		BOP, KVT, UOP4, VIAL
	08	I08A, I08B, I08C, I08D, I08E, I08F, I21Z, I31Z		08	I20A, I20B, I20C, I20D, I20E, I20F		08	I08A, I08B, I08C, I08D, I08E, I08F
	21A	W04A, W04B		21A	W04A, W04B		21A	W04A, W04B
	21B	X06A, X06B, X06C		21B	X04Z		21B	X06A, X06B, X06C
5t092.b↔		BOP, KVT, UOP4, VIAL	5t092.v↔		BOP, KVT, UOP4, VIAL	5t093.e↔		BOP, KVT, UOP4, VIAL
	08	I32A, I32B, I32C, I32D, I32E, I32F		08	I20A, I20B, I20C, I20D, I20E, I20F		01	B03A, B03B, B06A, B06B, B17A, B17B, B17C
	21A	W04A, W04B		21A	W04A, W04B		08	I08A, I08B, I08C, I08D, I08E, I08F
	21B	X05A, X05B		21B	X04Z		21A	W01A, W01B, W01C, W02A, W02B
5t092.c↔		BOP, KVT, UOP4, VIAL	5t092.w↔		BOP, KVT, UOP4, VIAL		21B	X04Z
	08	I32A, I32B, I32C, I32D, I32E, I32F		08	I20A, I20B, I20C, I20D, I20E, I20F		5t093.f↔	BOP, KVT, UOP4, VIAL
	21A	W04A, W04B		21A	W04A, W04B		01	B03A, B03B, B06A, B06B, B17A, B17B, B17C
	21B	X05A, X05B		21B	X04Z		08	I08A, I08B, I08C, I08D, I08E, I08F
5t092.d		BOP, KVT, UOP4, VIAL	5t092.x		BOP, KVT, UOP4		21A	W01A, W01B, W01C, W02A, W02B
	08	I08A, I08B, I08C, I08D, I08E, I08F		08	I28A, I28B		21B	X04Z
	21A	W04A, W04B		21A	W04A, W04B		01	B03A, B03B, B06A, B06B, B17A, B17B, B17C
	21B	X06A, X06B, X06C		21B	X06A, X06B, X06C		08	I08A, I08B, I08C, I08D, I08E, I08F
5t092.e↔		BOP, KVT, UOP4, VIAL	5t092.z↔		BOP, KVT, UOP4, VIAL		21A	W01A, W01B, W01C, W02A, W02B
	01	B03A, B03B, B06A, B06B, B17A, B17B, B17C		08	I28A, I28B		21B	X04Z
	08	I08A, I08B, I08C, I08D, I08E, I08F		21A	W04A, W04B		5t093.h↔	BOP, KVT, UOP4, VIAL
	21A	W04A, W04B		21B	X06A, X06B, X06C		01	B03A, B03B, B06A, B06B, B17A, B17B, B17C
	21B	X04Z		5t093.0↔	BOP, KVT, UOP4, VIAL		08	I08A, I08B, I08C, I08D, I08E, I08F
5t092.f↔		BOP, KVT, UOP4, VIAL		04	E02A, E02B, E02C		21A	W01A, W01B, W01C, W02A, W02B
	01	B03A, B03B, B06A, B06B, B17A, B17B, B17C		08	I28A, I28B		21B	X04Z
	08	I08A, I08B, I08C, I08D, I08E, I08F		21A	W04A, W04B		5t093.i↔	BOP, KVT, UOP4, VIAL
	21A	W04A, W04B		21B	X06A, X06B, X06C		08	I13A, I13B, I13C, I13D, I13E
	21B	X04Z		5t093.1↔	BOP, KVT, UOP4, VIAL		21A	W04A, W04B
5t092.g↔		BOP, KVT, UOP4, VIAL		08	I08A, I08B, I08C, I08D, I08E, I08F, I13A, I13B, I13C, I13D, I13E		21B	X06A, X06B, X06C
	01	B03A, B03B, B06A, B06B, B17A, B17B, B17C		21A	W04A, W04B		5t093.j↔	BOP, KVT, UOP4, VIAL
	08	I08A, I08B, I08C, I08D, I08E, I08F		21B	X06A, X06B, X06C		08	I08A, I08B, I08C, I08D, I08E, I08F, I13A, I13B, I13C, I13D, I13E
	21A	W04A, W04B		5t093.2↔	BOP, KVT, UOP4, VIAL		21A	W04A, W04B
	21B	X04Z		08	I08A, I08B, I08C, I08D, I08E, I08F, I13A, I13B, I13C, I13D, I13E		21B	X04Z
5t092.h↔		BOP, KVT, UOP4, VIAL		21A	W04A, W04B		5t093.k↔	BOP, KVT, UOP4, VIAL
	01	B03A, B03B, B06A, B06B, B17A, B17B, B17C		21B	X06A, X06B, X06C		08	I13A, I13B, I13C, I13D, I13E
	08	I08A, I08B, I08C, I08D, I08E, I08F		5t093.3↔	BOP, KVT, UOP4, VIAL		21A	W04A, W04B
	21A	W04A, W04B		08	I08A, I08B, I08C, I08D, I08E, I08F, I13A, I13B, I13C, I13D, I13E		21B	X04Z
	21B	X04Z		5t093.4↔	BOP, KVT, UOP4, VIAL		5t093.l↔	BOP, KVT, UOP4, VIAL
5t092.i↔		BOP, KVT, UOP4, VIAL		08	I08A, I08B, I08C, I08D, I08E, I08F, I21Z, I31Z		08	I13A, I13B, I13C, I13D, I13E
	01	B03A, B03B, B06A, B06B, B17A, B17B, B17C		21A	W04A, W04B		21A	W04A, W04B
	08	I08A, I08B, I08C, I08D, I08E, I08F		21B	X06A, X06B, X06C		21B	X04Z
	21A	W04A, W04B		5t093.5↔	BOP, KVT, UOP4, VIAL		5t093.m↔	BOP, KVT, UOP4, VIAL
	21B	X04Z		08	I08A, I08B, I08C, I08D, I08E, I08F, I21Z, I31Z		08	I13A, I13B, I13C, I13D, I13E
5t092.j↔		BOP, KVT, UOP4, VIAL		21A	W04A, W04B		21A	W04A, W04B
	08	I13A, I13B, I13C, I13D, I13E		21B	X06A, X06B, X06C		21B	X04Z
	21A	W04A, W04B		5t093.6↔	BOP, KVT, UOP4, VIAL		5t093.n↔	BOP, KVT, UOP4, VIAL
	21B	X04Z		08	I08A, I08B, I08C, I08D, I08E, I08F, I21Z, I31Z		08	I13A, I13B, I13C, I13D, I13E
5t092.k↔		BOP, KVT, UOP4, VIAL		21A	W04A, W04B		21A	W04A, W04B
	08	I13A, I13B, I13C, I13D, I13E		21B	X06A, X06B, X06C		21B	X04Z
	21A	W04A, W04B		5t093.7↔	BOP, KVT, UOP4, VIAL		5t093.o↔	BOP, KVT, UOP4, VIAL
	21B	X04Z		08	I08A, I08B, I08C, I08D, I08E, I08F, I21Z, I31Z		08	I13A, I13B, I13C, I13D, I13E
5t092.l↔		BOP, KVT, UOP4, VIAL		21A	W04A, W04B		21A	W04A, W04B
	08	I13A, I13B, I13C, I13D, I13E		21B	X06A, X06B, X06C		21B	X04Z
	21A	W04A, W04B		5t093.8↔	BOP, KVT, UOP4, VIAL		5t093.p↔	BOP, KVT, UOP4, VIAL
	21B	X04Z		08	I08A, I08B, I08C, I08D, I08E, I08F, I21Z, I31Z		08	I13A, I13B, I13C, I13D, I13E
5t092.m↔		BOP, KVT, UOP4, VIAL		21A	W04A, W04B		21A	W04A, W04B
	08	I13A, I13B, I13C, I13D, I13E		21B	X06A, X06B, X06C		21B	X04Z
	21A	W04A, W04B		5t093.9↔	BOP, KVT, UOP4, VIAL		5t093.q↔	BOP, KVT, UOP4, VIAL
	21B	X04Z		08	I08A, I08B, I08C, I08D, I08E, I08F, I21Z, I31Z		08	I13A, I13B, I13C, I13D, I13E

ZZV	MDC	DRG	ZZV	MDC	DRG	ZZV	MDC	DRG
5t093.s↔		BOP, KVT, UOP4, VIAL	5t09x.5↔		BOP, UOP4	5t09x.h↔		BOP, UOP4
	05	F27A, F27B, F27C		08	I21Z, I31Z		01	B03A, B03B, B06A, B06B, B17A, B17B, B17C
	08	I20A, I20B, I20C, I20D, I20E, I20F		21A	W04A, W04B		08	I08A, I08B, I08C, I08D, I08E, I08F
	10	K01Z	5t09x.6↔		BOP, UOP4		21A	W01A, W01B, W01C, W02A, W02B
	21A	W04A, W04B		08	I18A, I18B, I30Z		21B	X04Z
	21B	X04Z		21A	W04A, W04B	5t09x.j↔		BOP, UOP4
5t093.t↔		BOP, KVT, UOP4, VIAL	5t09x.7↔		BOP, UOP4		01	B03A, B03B, B06A, B06B, B17A, B17B, B17C
	05	F27A, F27B, F27C		08	I18A, I18B, I30Z		08	I18A, I18B, I30Z
	08	I20A, I20B, I20C, I20D, I20E, I20F		21A	W04A, W04B		21A	W04A, W04B
	10	K01Z		21B	X06A, X06B, X06C		21B	X04Z
	21A	W04A, W04B	5t09x.8↔		BOP, UOP4	5t09x.k↔		BOP, UOP4
	21B	X04Z		08	I18A, I18B, I30Z		08	I13A, I13B, I13C, I13D, I13E
5t093.u↔		BOP, KVT, UOP4, VIAL		21A	W04A, W04B		21A	W04A, W04B
	05	F27A, F27B, F27C	5t09x.9↔		BOP, UOP4		21B	X04Z
	08	I20A, I20B, I20C, I20D, I20E, I20F		08	I18A, I18B, I30Z	5t09x.m↔		BOP, UOP4
	10	K01Z		21A	W04A, W04B		08	I13A, I13B, I13C, I13D, I13E
	21A	W04A, W04B		21B	X06A, X06B, X06C		21A	W04A, W04B
	21B	X04Z	5t09x.a↔		BOP, UOP4		21B	X04Z
5t093.v↔		BOP, KVT, UOP4, VIAL		08	I32A, I32B, I32C, I32D, I32E, I32F	5t09x.n↔		BOP, UOP4
	05	F27A, F27B, F27C		21A	W04A, W04B		08	I13A, I13B, I13C, I13D, I13E
	08	I20A, I20B, I20C, I20D, I20E, I20F		21B	X05A, X05B		21A	W04A, W04B
	10	K01Z	5t09x.b↔		BOP, UOP4		21B	X04Z
	21A	W04A, W04B		08	I32A, I32B, I32C, I32D, I32E, I32F	5t09x.p↔		BOP, UOP4
	21B	X04Z		21A	W04A, W04B		08	I13A, I13B, I13C, I13D, I13E
5t093.w↔		BOP, KVT, UOP4, VIAL		21B	X05A, X05B	5t09x.q↔		BOP, UOP4
	08	I20A, I20B, I20C, I20D, I20E, I20F	5t09x.c↔		BOP, UOP4		21A	W04A, W04B
	21A	W04A, W04B		08	I32A, I32B, I32C, I32D, I32E, I32F		21B	X04Z
	21B	X04Z		21A	W04A, W04B	5t09x.r↔		BOP, UOP4
5t093.x		BOP, KVT, UOP4		21B	X05A, X05B		08	I13A, I13B, I13C, I13D, I13E
	08	I28A, I28B	5t09x.d		BOP, UOP4		21A	W04A, W04B
	21A	W04A, W04B		01	B03A, B03B, B06A, B06B, B17A, B17B, B17C		21B	X04Z
	21B	X06A, X06B, X06C		08	I08A, I08B, I08C, I08D, I08E, I08F	5t09x.s↔		BOP, UOP4
5t093.z↔		BOP, KVT, UOP4, VIAL		21A	W01A, W01B, W01C, W02A, W02B		05	F27A, F27B, F27C
	04	E02A, E02B, E02C		21B	X04Z		08	I20A, I20B, I20C, I20D, I20E, I20F
	08	I28A, I28B	5t09x.e↔		BOP, UOP4		10	K01Z
	21A	W04A, W04B		01	B03A, B03B, B06A, B06B, B17A, B17B, B17C		21A	W04A, W04B
	21B	X06A, X06B, X06C		08	I08A, I08B, I08C, I08D, I08E, I08F		21B	X04Z
5t094.†↔		BOP, UOP4		21A	W01A, W01B, W01C, W02A, W02B	5t09x.t↔		BOP, UOP4
5t095.†↔		BOP, UOP4		21B	X04Z		05	F27A, F27B, F27C
5t096↔		BOP, UOP4		5t09x.f↔		BOP, UOP4		I20A, I20B, I20C, I20D, I20E, I20F
	08	I28A, I28B		01	B03A, B03B, B06A, B06B, B17A, B17B, B17C		10	K01Z
	21A	W04A, W04B		08	I08A, I08B, I08C, I08D, I08E, I08F	5t09x.u↔		W04A, W04B
	21B	X06A, X06B, X06C		21A	W01A, W01B, W01C, W02A, W02B		05	F27A, F27B, F27C
5t09x.0↔		BOP, UOP4		21B	X04Z		08	I20A, I20B, I20C, I20D, I20E, I20F
	08	I16Z		5t09x.g↔		BOP, UOP4		K01Z
	21A	W04A, W04B		01	B03A, B03B, B06A, B06B, B17A, B17B, B17C		21A	W04A, W04B
	21B	X06A, X06B, X06C		08	I08A, I08B, I08C, I08D, I08E, I08F		21B	X04Z
5t09x.1↔		BOP, UOP4		21A	W01A, W01B, W01C, W02A, W02B	5t09x.v↔		BOP, UOP4
	08	I13A, I13B, I13C, I13D, I13E		21B	X04Z		05	F27A, F27B, F27C
	21A	W04A, W04B		5t09x.h↔		BOP, UOP4		I20A, I20B, I20C, I20D, I20E, I20F
	21B	X06A, X06B, X06C		01	B03A, B03B, B06A, B06B, B17A, B17B, B17C		10	K01Z
5t09x.2↔		BOP, UOP4		08	I08A, I08B, I08C, I08D, I08E, I08F		21A	W04A, W04B
	08	I13A, I13B, I13C, I13D, I13E		21A	W01A, W01B, W01C, W02A, W02B		21B	X04Z
	21A	W04A, W04B		5t09x.i↔		BOP, UOP4		X04Z
	21B	X06A, X06B, X06C		01	B03A, B03B, B06A, B06B, B17A, B17B, B17C		05	F27A, F27B, F27C
5t09x.3↔		BOP, UOP4		08	I08A, I08B, I08C, I08D, I08E, I08F		08	I20A, I20B, I20C, I20D, I20E, I20F
	08	I13A, I13B, I13C, I13D, I13E		21A	W01A, W01B, W01C, W02A, W02B		10	K01Z
	21A	W04A, W04B		21B	X04Z		21A	W04A, W04B
	21B	X06A, X06B, X06C		5t09x.j↔		BOP, UOP4		X04Z
5t09x.4↔		BOP, UOP4		01	B03A, B03B, B06A, B06B, B17A, B17B, B17C		05	F27A, F27B, F27C
	08	I21Z, I31Z		08	I08A, I08B, I08C, I08D, I08E, I08F		08	I20A, I20B, I20C, I20D, I20E, I20F
	21A	W04A, W04B		21A	W01A, W01B, W01C, W02A, W02B		10	K01Z
	21B	X06A, X06B, X06C		21B	X04Z		21A	W04A, W04B

ZZV	MDC	DRG	ZZV	MDC	DRG	ZZV	MDC	DRG
5t09x.w↔		BOP, UOP4	5t101.m↔		BOP, KVT, UOP4, VIAL	5t104.g↔		BOP, KVT, UOP4, VIAL
	08	I20A, I20B, I20C, I20D, I20E, I20F		08	I13A, I13B, I13C, I13D		08	I08A, I08B, I08C, I08D, I08E, I08F
	21A	W04A, W04B		21A	W01A, W01B, W01C, W02A, W02B		10	K09A, K09B
	21B	X04Z		21B	X04Z		21A	W01A, W01B, W01C, W02A, W02B
5t09x.x		BOP, UOP4	5t101.q↔		BOP, KVT, UOP4, VIAL		21B	X04Z
	08	I28A, I28B		08	I13A, I13B, I13C, I13D	5t104.m↔		BOP, KVT, UOP4, VIAL
	21A	W04A, W04B		21A	W01A, W01B, W01C, W02A, W02B		08	I13A, I13B, I13C, I13D
	21B	X06A, X06B, X06C		21B	X04Z		21A	W01A, W01B, W01C, W02A, W02B
5t09x.z↔		BOP, UOP4	5t101.x		BOP, KVT, UOP4		21B	X04Z
	08	I16Z		08	I28A, I28B	5t104.q↔		BOP, KVT, UOP4, VIAL
	21A	W04A, W04B		21A	W04A, W04B		08	I13A, I13B, I13C, I13D
	21B	X06A, X06B, X06C		21B	X06A, X06B, X06C		21A	W01A, W01B, W01C, W02A, W02B
5t100.2↔		BOP, KVT, UOP4, VIAL	5t103.2↔		BOP, KVT, UOP4, VIAL		21B	X04Z
	08	I08A, I08B, I08C, I08D, I08E, I08F, I13A, I13B, I13C, I13D		08	I08A, I08B, I08C, I08D, I08E, I08F, I13A, I13B, I13C, I13D	5t104.x		BOP, KVT, UOP4
	21A	W04A, W04B		21A	W04A, W04B		08	I28A, I28B
	21B	X06A, X06B, X06C		21B	X06A, X06B, X06C		21A	W04A, W04B
5t100.5↔		BOP, KVT, UOP4, VIAL	5t103.5↔		BOP, KVT, UOP4, VIAL		21B	X06A, X06B, X06C
	08	I08A, I08B, I08C, I08D, I08E, I08F, I21Z, I31Z		08	I08A, I08B, I08C, I08D, I08E, I08F, I21Z, I31Z	5t105.2↔		BOP, KVT, UOP4, VIAL
	21A	W04A, W04B		21A	W04A, W04B		08	I08A, I08B, I08C, I08D, I08E, I08F, I13A, I13B, I13C, I13D
	21B	X06A, X06B, X06C		21B	X06A, X06B, X06C		08	BOP, KVT, UOP4, VIAL
5t100.8↔		BOP, KVT, UOP4, VIAL	5t103.8↔		BOP, KVT, UOP4, VIAL	5t105.g↔		BOP, KVT, UOP4, VIAL
	08	I08A, I08B, I08C, I08D, I08E, I08F, I21Z, I31Z		08	I08A, I08B, I08C, I08D, I08E, I08F, I21Z, I31Z		08	I08A, I08B, I08C, I08D, I08E, I08F
	21A	W04A, W04B		21A	W04A, W04B		10	K09A, K09B
	21B	X06A, X06B, X06C		21B	X06A, X06B, X06C		21A	W01A, W01B, W01C, W02A, W02B
5t100.g↔		BOP, KVT, UOP4, VIAL	5t103.g↔		BOP, KVT, UOP4, VIAL		21B	X04Z
	08	I08A, I08B, I08C, I08D, I08E, I08F		08	I08A, I08B, I08C, I08D, I08E, I08F	5t105.x		BOP, KVT, UOP4
	21A	W01A, W01B, W01C, W02A, W02B		10	K09A, K09B		08	I28A, I28B
	21B	X04Z		21A	W01A, W01B, W01C, W02A, W02B		21A	W04A, W04B
5t100.m↔		BOP, KVT, UOP4, VIAL	5t103.m↔		BOP, KVT, UOP4, VIAL		21B	X06A, X06B, X06C
	08	I13A, I13B, I13C, I13D		08	I13A, I13B, I13C, I13D	5t106.2↔		BOP, KVT, UOP4, VIAL
	21A	W04A, W04B		21A	W01A, W01B, W01C, W02A, W02B		08	I08A, I08B, I08C, I08D, I08E, I08F, I13A, I13B, I13C, I13D
	21B	X04Z		21B	X04Z		21A	W04A, W04B
5t100.q↔		BOP, KVT, UOP4, VIAL	5t103.q↔		BOP, KVT, UOP4, VIAL		21B	X06A, X06B, X06C
	08	I13A, I13B, I13C, I13D		08	I13A, I13B, I13C, I13D	5t106.5↔		BOP, KVT, UOP4, VIAL
	21A	W04A, W04B		21A	W01A, W01B, W01C, W02A, W02B		08	I08A, I08B, I08C, I08D, I08E, I08F, I21Z, I31Z
	21B	X04Z		21B	X04Z		21A	W04A, W04B
5t100.x		BOP, KVT, UOP4	5t103.x		BOP, KVT, UOP4		21B	X06A, X06B, X06C
	08	I28A, I28B		08	I28A, I28B	5t106.8↔		BOP, KVT, UOP4, VIAL
	21A	W04A, W04B		21A	W04A, W04B		08	I08A, I08B, I08C, I08D, I08E, I08F, I21Z, I31Z
	21B	X06A, X06B, X06C		21B	X06A, X06B, X06C		21A	W04A, W04B
5t101.2↔		BOP, KVT, UOP4, VIAL	5t104.2↔		BOP, KVT, UOP4, VIAL		21B	X06A, X06B, X06C
	08	I08A, I08B, I08C, I08D, I08E, I08F, I13A, I13B, I13C, I13D		08	I08A, I08B, I08C, I08D, I08E, I08F, I13A, I13B, I13C, I13D	5t106.g↔		BOP, KVT, UOP4, VIAL
	21A	W04A, W04B		08	I08A, I08B, I08C, I08D, I08E, I08F, I13A, I13B, I13C, I13D		08	I08A, I08B, I08C, I08D, I08E, I08F
	21B	X06A, X06B, X06C		21A	W04A, W04B		10	K09A, K09B
5t101.5↔		BOP, KVT, UOP4, VIAL	5t104.5↔		BOP, KVT, UOP4, VIAL		21A	W01A, W01B, W01C, W02A, W02B
	08	I08A, I08B, I08C, I08D, I08E, I08F, I21Z, I31Z		08	I08A, I08B, I08C, I08D, I08E, I08F, I21Z, I31Z		21B	X04Z
	21A	W04A, W04B		21A	W04A, W04B	5t106.m↔		BOP, KVT, UOP4, VIAL
	21B	X06A, X06B, X06C		21B	X06A, X06B, X06C		08	I13A, I13B, I13C, I13D
5t101.8↔		BOP, KVT, UOP4, VIAL	5t104.8↔		BOP, KVT, UOP4, VIAL		21A	W01A, W01B, W01C, W02A, W02B
	08	I08A, I08B, I08C, I08D, I08E, I08F, I21Z, I31Z		08	I08A, I08B, I08C, I08D, I08E, I08F, I21Z, I31Z		21B	X04Z
	21A	W04A, W04B		21A	W04A, W04B	5t106.q↔		BOP, KVT, UOP4, VIAL
	21B	X06A, X06B, X06C		21B	X06A, X06B, X06C		08	I13A, I13B, I13C, I13D
5t101.g↔		BOP, KVT, UOP4, VIAL		08	I08A, I08B, I08C, I08D, I08E, I08F, I21Z, I31Z	5t106.x		BOP, KVT, UOP4
	08	I08A, I08B, I08C, I08D, I08E, I08F		21A	W04A, W04B		08	I28A, I28B
	10	K09A, K09B		21B	X06A, X06B, X06C		21A	W04A, W04B
	21A	W01A, W01B, W01C, W02A, W02B					21B	X06A, X06B, X06C
	21B	X04Z						

VYK



ZZV	MDC	DRG	ZZV	MDC	DRG	ZZV	MDC	DRG
5t107.2↔		BOP, KVT, UOP4, VIAL	5t10a.2↔		BOP, KVT, UOP4, VIAL	5t10b.x		BOP, KVT, UOP4
	08	I08A, I08B, I08C, I08D, I08E, I08F, I13A, I13B, I13C, I13D		08	I08A, I08B, I08C, I08D, I08E, I08F, I13A, I13B, I13C, I13D		08	I28A, I28B
	21A	W04A, W04B		21A	W04A, W04B		21A	W04A, W04B
	21B	X06A, X06B, X06C		21B	X06A, X06B, X06C	5t10c.2↔		BOP, KVT, UOP4, VIAL
5t107.5↔		BOP, KVT, UOP4, VIAL	5t10a.5↔		BOP, KVT, UOP4, VIAL		08	I08A, I08B, I08C, I08D, I08E, I08F, I13A, I13B, I13C, I13D
	08	I08A, I08B, I08C, I08D, I08E, I08F, I21Z, I31Z		08	I08A, I08B, I08C, I08D, I08E, I08F, I21Z, I31Z		21A	W04A, W04B
	21A	W04A, W04B		21A	W04A, W04B		21B	X06A, X06B, X06C
	21B	X06A, X06B, X06C		21B	X06A, X06B, X06C	5t10c.g↔		BOP, KVT, UOP4, VIAL
5t107.8↔		BOP, KVT, UOP4, VIAL	5t10a.8↔		BOP, KVT, UOP4, VIAL		08	I08A, I08B, I08C, I08D, I08E, I08F
	08	I08A, I08B, I08C, I08D, I08E, I08F, I21Z, I31Z		08	I08A, I08B, I08C, I08D, I08E, I08F, I21Z, I31Z		10	K09A, K09B
	21A	W04A, W04B		21A	W04A, W04B		21A	W01A, W01B, W01C, W02A, W02B
	21B	X06A, X06B, X06C		21B	X06A, X06B, X06C		21B	X04Z
5t107.g↔		BOP, KVT, UOP4, VIAL	5t10a.g↔		BOP, KVT, UOP4, VIAL	5t10c.x		BOP, KVT, UOP4
	08	I08A, I08B, I08C, I08D, I08E, I08F		08	I08A, I08B, I08C, I08D, I08E, I08F		08	I28A, I28B
	10	K09A, K09B		10	K09A, K09B		21A	W04A, W04B
	21A	W01A, W01B, W01C, W02A, W02B		21A	W01A, W01B, W01C, W02A, W02B		21B	X06A, X06B, X06C
	21B	X04Z		21B	X04Z	5t10t.2↔		BOP, KVT, UOP4, VIAL
5t107.m↔		BOP, KVT, UOP4, VIAL	5t10a.m↔		BOP, KVT, UOP4, VIAL		08	I08A, I08B, I08C, I08D, I08E, I08F, I13A, I13B, I13C, I13D
	08	I13A, I13B, I13C, I13D		08	I13A, I13B, I13C, I13D		21A	W04A, W04B
	21A	W01A, W01B, W01C, W02A, W02B		21A	W01A, W01B, W01C, W02A, W02B		21B	X06A, X06B, X06C
	21B	X04Z		21B	X04Z	5t10t.5↔		BOP, KVT, UOP4, VIAL
5t107.q↔		BOP, KVT, UOP4, VIAL	5t10a.q↔		BOP, KVT, UOP4, VIAL		08	I08A, I08B, I08C, I08D, I08E, I08F, I21Z, I31Z
	08	I13A, I13B, I13C, I13D		08	I13A, I13B, I13C, I13D		21A	W04A, W04B
5t107.x		BOP, KVT, UOP4		21A	W01A, W01B, W01C, W02A, W02B		21B	X06A, X06B, X06C
	08	I28A, I28B		21B	X04Z	5t10t.8↔		BOP, KVT, UOP4, VIAL
	21A	W04A, W04B	5t10a.x		BOP, KVT, UOP4		08	I08A, I08B, I08C, I08D, I08E, I08F, I21Z, I31Z
	21B	X06A, X06B, X06C		08	I28A, I28B		21A	W04A, W04B
5t108.2↔		BOP, KVT, UOP4, VIAL		21A	W04A, W04B		21B	X06A, X06B, X06C
	08	I08A, I08B, I08C, I08D, I08E, I08F, I13A, I13B, I13C, I13D	5t10b.2↔		BOP, KVT, UOP4, VIAL	5t10t.g↔		BOP, KVT, UOP4, VIAL
	21A	W04A, W04B		08	I08A, I08B, I08C, I08D, I08E, I08F, I13A, I13B, I13C, I13D		08	I08A, I08B, I08C, I08D, I08E, I08F
	21B	X06A, X06B, X06C		21A	W04A, W04B		10	K09A, K09B
5t108.g↔		BOP, KVT, UOP4, VIAL		21B	X06A, X06B, X06C		21A	W01A, W01B, W01C, W02A, W02B
	08	I08A, I08B, I08C, I08D, I08E, I08F	5t10b.5↔		BOP, KVT, UOP4, VIAL		21B	X04Z
	10	K09A, K09B		08	I08A, I08B, I08C, I08D, I08E, I08F, I21Z, I31Z	5t10t.m↔		BOP, KVT, UOP4, VIAL
	21A	W01A, W01B, W01C, W02A, W02B		21A	W04A, W04B		08	I13A, I13B, I13C, I13D
	21B	X04Z		21B	X06A, X06B, X06C		21A	W01A, W01B, W01C, W02A, W02B
5t108.m↔		BOP, KVT, UOP4, VIAL	5t10b.8↔		BOP, KVT, UOP4, VIAL		21B	X04Z
	08	I13A, I13B, I13C, I13D		08	I08A, I08B, I08C, I08D, I08E, I08F, I21Z, I31Z	5t10t.q↔		BOP, KVT, UOP4, VIAL
	21A	W01A, W01B, W01C, W02A, W02B		21A	W04A, W04B		08	I13A, I13B, I13C, I13D
	21B	X04Z		21B	X06A, X06B, X06C		21A	W01A, W01B, W01C, W02A, W02B
5t108.x		BOP, KVT, UOP4	5t10b.g↔		BOP, KVT, UOP4, VIAL		21B	X04Z
	08	I28A, I28B		08	I08A, I08B, I08C, I08D, I08E, I08F	5t10t.x		BOP, KVT, UOP4
	21A	W04A, W04B		10	K09A, K09B		08	I28A, I28B
	21B	X06A, X06B, X06C		21A	W01A, W01B, W01C, W02A, W02B		21A	W04A, W04B
5t109.g↔		BOP, KVT, UOP4, VIAL		21B	X04Z		21B	X06A, X06B, X06C
	08	I08A, I08B, I08C, I08D, I08E, I08F	5t10b.m↔		BOP, KVT, UOP4, VIAL	5t10v.2↔		BOP, KVT, UOP4, VIAL
	10	K09A, K09B		08	I13A, I13B, I13C, I13D		08	I08A, I08B, I08C, I08D, I08E, I08F, I13A, I13B, I13C, I13D
	21A	W01A, W01B, W01C, W02A, W02B		21A	W01A, W01B, W01C, W02A, W02B		21A	W04A, W04B
	21B	X04Z		21B	X04Z		21B	X06A, X06B, X06C
5t109.m↔		BOP, KVT, UOP4, VIAL	5t10b.q↔		BOP, KVT, UOP4, VIAL	5t10v.5↔		BOP, KVT, UOP4, VIAL
	08	I13A, I13B, I13C, I13D		08	I13A, I13B, I13C, I13D		08	I08A, I08B, I08C, I08D, I08E, I08F, I13A, I21Z, I31Z
	21A	W01A, W01B, W01C, W02A, W02B		21A	W01A, W01B, W01C, W02A, W02B		21A	W04A, W04B
	21B	X04Z		21B	X04Z		21B	X06A, X06B, X06C
5t109.x		BOP, KVT, UOP4		08	I08A, I08B, I08C, I08D, I08E, I08F			
	08	I28A, I28B		21A	W01A, W01B, W01C, W02A, W02B			
	21A	W04A, W04B		21B	X04Z			
	21B	X06A, X06B, X06C						

ZZV	MDC	DRG	ZZV	MDC	DRG	ZZV	MDC	DRG
5t10v.8↔		BOP, KVT, UOP4, VIAL	5t10z.5↔		BOP, KVT, UOP4, VIAL	5t113.5↔		BOP, KVT, UOP4, VIAL
	08	I08A, I08B, I08C, I08D, I08E, I08F, I13A, I21Z, I31Z		08	I08A, I08B, I08C, I08D, I08E, I08F, I21Z, I31Z		08	I08A, I08B, I08C, I08D, I08E, I08F, I21Z, I31Z
	21A	W04A, W04B		21A	W04A, W04B		21A	W04A, W04B
	21B	X06A, X06B, X06C		21B	X06A, X06B, X06C		21B	X06A, X06B, X06C
5t10v.g↔		BOP, KVT, UOP4, VIAL	5t10z.8↔		BOP, KVT, UOP4, VIAL	5t113.8↔		BOP, KVT, UOP4, VIAL
	08	I08A, I08B, I08C, I08D, I08E, I08F, I13A		08	I08A, I08B, I08C, I08D, I08E, I08F, I21Z, I31Z		08	I08A, I08B, I08C, I08D, I08E, I08F, I21Z, I31Z
	10	K09A, K09B		21A	W04A, W04B		21A	W04A, W04B
	21A	W01A, W01B, W01C, W02A, W02B		21B	X06A, X06B, X06C		21B	X06A, X06B, X06C
	21B	X04Z	5t10z.g↔		BOP, KVT, UOP4, VIAL	5t113.g↔		BOP, KVT, UOP4, VIAL
5t10v.m↔		BOP, KVT, UOP4, VIAL		08	I08A, I08B, I08C, I08D, I08E, I08F		08	I08A, I08B, I08C, I08D, I08E, I08F
	08	I13A, I13B, I13C, I13D		10	K09A, K09B		10	K09A, K09B
	21A	W01A, W01B, W01C, W02A, W02B		21A	W01A, W01B, W01C, W02A, W02B		21A	W01A, W01B, W01C, W02A, W02B
	21B	X04Z		21B	X04Z		21B	X04Z
5t10v.q↔		BOP, KVT, UOP4, VIAL	5t10z.m↔		BOP, KVT, UOP4, VIAL	5t113.m↔		BOP, KVT, UOP4, VIAL
	08	I13A, I13B, I13C, I13D		08	I13A, I13B, I13C, I13D		08	I13A, I13B, I13C, I13D
	21A	W01A, W01B, W01C, W02A, W02B		21A	W01A, W01B, W01C, W02A, W02B		21A	W01A, W01B, W01C, W02A, W02B
	21B	X04Z		21B	X04Z		21B	X04Z
5t10v.x		BOP, KVT, UOP4	5t10z.q↔		BOP, KVT, UOP4, VIAL	5t113.q↔		BOP, KVT, UOP4, VIAL
	08	I13A, I28A, I28B		08	I13A, I13B, I13C, I13D		08	I13A, I13B, I13C, I13D
	21A	W04A, W04B		21A	W01A, W01B, W01C, W02A, W02B		21A	W04A, W04B
	21B	X06A, X06B, X06C		21B	X04Z		21B	X06A, X06B, X06C
5t10x.2↔		BOP, KVT, UOP4, VIAL	5t10z.x		BOP, KVT, UOP4	5t113.x		BOP, KVT, UOP4
	08	I08A, I08B, I08C, I08D, I08E, I08F, I13A, I13B, I13C, I13D		08	I28A, I28B		08	I28A, I28B
	21A	W04A, W04B		21A	W04A, W04B		21A	W04A, W04B
	21B	X06A, X06B, X06C		21B	X06A, X06B, X06C		21B	X06A, X06B, X06C
5t10x.5↔		BOP, KVT, UOP4, VIAL	5t110.2↔		BOP, KVT, UOP4, VIAL	5t114.2↔		BOP, KVT, UOP4, VIAL
	08	I08A, I08B, I08C, I08D, I08E, I08F, I21Z, I31Z		08	I08A, I08B, I08C, I08D, I08E, I08F, I13A, I13B, I13C, I13D		08	I08A, I08B, I08C, I08D, I08E, I08F, I13A, I13B, I13C, I13D
	21A	W04A, W04B		21A	W04A, W04B		21A	W04A, W04B
	21B	X06A, X06B, X06C		21B	X06A, X06B, X06C		21B	X06A, X06B, X06C
5t10x.8↔		BOP, KVT, UOP4, VIAL	5t110.5↔		BOP, KVT, UOP4, VIAL	5t114.5↔		BOP, KVT, UOP4, VIAL
	08	I08A, I08B, I08C, I08D, I08E, I08F, I21Z, I31Z		08	I08A, I08B, I08C, I08D, I08E, I08F, I21Z, I31Z		08	I08A, I08B, I08C, I08D, I08E, I08F, I21Z, I31Z
	21A	W04A, W04B		21A	W04A, W04B		21A	W04A, W04B
	21B	X06A, X06B, X06C		21B	X06A, X06B, X06C		21B	X06A, X06B, X06C
5t10x.g↔		BOP, KVT, UOP4, VIAL	5t110.8↔		BOP, KVT, UOP4, VIAL	5t114.8↔		BOP, KVT, UOP4, VIAL
	08	I08A, I08B, I08C, I08D, I08E, I08F		08	I08A, I08B, I08C, I08D, I08E, I08F, I21Z, I31Z		08	I08A, I08B, I08C, I08D, I08E, I08F, I21Z, I31Z
	10	K09A, K09B		21A	W04A, W04B		21A	W04A, W04B
	21A	W01A, W01B, W01C, W02A, W02B		21B	X06A, X06B, X06C		21B	X06A, X06B, X06C
	21B	X04Z	5t110.g↔		BOP, KVT, UOP4, VIAL	5t114.g↔		BOP, KVT, UOP4, VIAL
5t10x.m↔		BOP, KVT, UOP4, VIAL		08	I08A, I08B, I08C, I08D, I08E, I08F		08	I08A, I08B, I08C, I08D, I08E, I08F
	08	I13A, I13B, I13C, I13D		21A	W01A, W01B, W01C, W02A, W02B		10	K09A, K09B
	21A	W01A, W01B, W01C, W02A, W02B		21B	X04Z		21A	W01A, W01B, W01C, W02A, W02B
	21B	X04Z	5t110.m↔		BOP, KVT, UOP4, VIAL	5t114.m↔		BOP, KVT, UOP4, VIAL
5t10x.q↔		BOP, KVT, UOP4, VIAL		08	I13A, I13B, I13C, I13D		08	I13A, I13B, I13C, I13D
	08	I13A, I13B, I13C, I13D		21A	W04A, W04B		21A	W01A, W01B, W01C, W02A, W02B
	21A	W01A, W01B, W01C, W02A, W02B		21B	X04Z		21B	X04Z
	21B	X04Z	5t110.q↔		BOP, KVT, UOP4, VIAL	5t114.q↔		BOP, KVT, UOP4, VIAL
5t10x.x		BOP, KVT, UOP4		08	I13A, I13B, I13C, I13D		08	I13A, I13B, I13C, I13D, I13E
	08	I28A, I28B		21A	W04A, W04B		21A	W04A, W04B
	21A	W04A, W04B		21B	X04Z		21B	X06A, X06B, X06C
	21B	X06A, X06B, X06C	5t110.x		BOP, KVT, UOP4	5t114.x		BOP, KVT, UOP4
5t10z.2↔		BOP, KVT, UOP4, VIAL		08	I28A, I28B		08	I28A, I28B
	08	I08A, I08B, I08C, I08D, I08E, I08F, I13A, I13B, I13C, I13D		21A	W04A, W04B		21A	W04A, W04B
	21A	W04A, W04B		21B	X06A, X06B, X06C		21B	X06A, X06B, X06C
	21B	X06A, X06B, X06C	5t113.2↔		BOP, KVT, UOP4, VIAL	5t115.2↔		BOP, KVT, UOP4, VIAL
				08	I08A, I08B, I08C, I08D, I08E, I08F, I13A, I13B, I13C, I13D		08	I08A, I08B, I08C, I08D, I08E, I08F, I13A, I13B, I13C, I13D
				21A	W04A, W04B			
				21B	X06A, X06B, X06C			

ZZV	MDC	DRG	ZZV	MDC	DRG	ZZV	MDC	DRG
5t115.g↔		BOP, KVT, UOP4, VIAL	5t117.m↔		BOP, KVT, UOP4, VIAL	5t11b.5↔		BOP, KVT, UOP4, VIAL
	08	I08A, I08B, I08C, I08D, I08E, I08F		08	I13A, I13B, I13C, I13D		08	I08A, I08B, I08C, I08D, I08E, I08F, I21Z, I31Z
	10	K09A, K09B		21A	W01A, W01B, W01C, W02A, W02B		21A	W04A, W04B
	21A	W01A, W01B, W01C, W02A, W02B		21B	X04Z		21B	X06A, X06B, X06C
	21B	X04Z	5t117.q↔		BOP, KVT, UOP4, VIAL	5t11b.8↔		BOP, KVT, UOP4, VIAL
5t115.x		BOP, KVT, UOP4		08	I13A, I13B, I13C, I13D		08	I08A, I08B, I08C, I08D, I08E, I08F, I21Z, I31Z
	08	I28A, I28B		08	I28A, I28B		21A	W04A, W04B
	21A	W04A, W04B		21A	W04A, W04B		21B	X06A, X06B, X06C
	21B	X06A, X06B, X06C	5t117.x		BOP, KVT, UOP4	5t11b.g↔		BOP, KVT, UOP4, VIAL
5t116.2↔		BOP, KVT, UOP4, VIAL		08	I28A, I28B		08	I08A, I08B, I08C, I08D, I08E, I08F
	08	I08A, I08B, I08C, I08D, I08E, I08F, I13A, I13B, I13C, I13D	5t118.2↔		BOP, KVT, UOP4, VIAL		10	K09A, K09B
	21A	W04A, W04B		08	I08A, I08B, I08C, I08D, I08E, I08F, I13A, I13B, I13C, I13D		21A	W01A, W01B, W01C, W02A, W02B
	21B	X06A, X06B, X06C		21A	W04A, W04B		21A	W01A, W01B, W01C, W02A, W02B
5t116.5↔		BOP, KVT, UOP4, VIAL		21B	X06A, X06B, X06C	5t11b.m↔		BOP, KVT, UOP4, VIAL
	08	I08A, I08B, I08C, I08D, I08E, I08F, I21Z, I31Z	5t118.g↔		BOP, KVT, UOP4, VIAL		08	I13A, I13B, I13C, I13D
	21A	W04A, W04B		08	I08A, I08B, I08C, I08D, I08E, I08F		21A	W01A, W01B, W01C, W02A, W02B
	21B	X06A, X06B, X06C		10	K09A, K09B		21B	X04Z
5t116.8↔		BOP, KVT, UOP4, VIAL		21A	W01A, W01B, W01C, W02A, W02B	5t11b.q↔		BOP, KVT, UOP4, VIAL
	08	I08A, I08B, I08C, I08D, I08E, I08F, I21Z, I31Z		21B	X04Z		08	I13A, I13B, I13C, I13D
	21A	W04A, W04B	5t118.m↔		BOP, KVT, UOP4, VIAL		21A	W01A, W01B, W01C, W02A, W02B
	21B	X06A, X06B, X06C		08	I13A, I13B, I13C, I13D		21B	X06A, X06B, X06C
5t116.g↔		BOP, KVT, UOP4, VIAL		21A	W01A, W01B, W01C, W02A, W02B	5t11b.x		BOP, KVT, UOP4
	08	I08A, I08B, I08C, I08D, I08E, I08F		21B	X04Z		08	I28A, I28B
	10	K09A, K09B	5t118.x		BOP, KVT, UOP4		21A	W04A, W04B
	21A	W01A, W01B, W01C, W02A, W02B		08	I28A, I28B	5t11c.2↔		BOP, KVT, UOP4, VIAL
	21B	X04Z		21A	W04A, W04B		08	I08A, I08B, I08C, I08D, I08E, I08F, I13A, I13B, I13C, I13D
5t116.m↔		BOP, KVT, UOP4, VIAL		21B	X06A, X06B, X06C		21A	W04A, W04B
	08	I13A, I13B, I13C, I13D	5t11a.2↔		BOP, KVT, UOP4, VIAL		21B	X06A, X06B, X06C
	21A	W01A, W01B, W01C, W02A, W02B		08	I08A, I08B, I08C, I08D, I08E, I08F, I13A, I13B, I13C, I13D	5t11c.g↔		BOP, KVT, UOP4, VIAL
	21B	X04Z		21A	W04A, W04B		08	I08A, I08B, I08C, I08D, I08E, I08F
5t116.q↔		BOP, KVT, UOP4, VIAL		21B	X06A, X06B, X06C		10	K09A, K09B
	08	I13A, I13B, I13C, I13D	5t11a.5↔		BOP, KVT, UOP4, VIAL		21A	W01A, W01B, W01C, W02A, W02B
5t116.x		BOP, KVT, UOP4		08	I08A, I08B, I08C, I08D, I08E, I08F, I21Z, I31Z		21B	X04Z
	08	I28A, I28B		21A	W04A, W04B	5t11c.x		BOP, KVT, UOP4
	21A	W04A, W04B		21B	X06A, X06B, X06C		08	I28A, I28B
	21B	X06A, X06B, X06C	5t11a.8↔		BOP, KVT, UOP4, VIAL		21A	W04A, W04B
5t117.2↔		BOP, KVT, UOP4, VIAL		08	I08A, I08B, I08C, I08D, I08E, I08F, I21Z, I31Z		21B	X06A, X06B, X06C
	08	I08A, I08B, I08C, I08D, I08E, I08F, I13A, I13B, I13C, I13D		21A	W04A, W04B	5t11t.2↔		BOP, KVT, UOP4, VIAL
	21A	W04A, W04B		21B	X06A, X06B, X06C		08	I08A, I08B, I08C, I08D, I08E, I08F, I13A, I13B, I13C, I13D
	21B	X06A, X06B, X06C	5t11a.g↔		BOP, KVT, UOP4, VIAL		21A	W04A, W04B
5t117.5↔		BOP, KVT, UOP4, VIAL		08	I08A, I08B, I08C, I08D, I08E, I08F		21B	X06A, X06B, X06C
	08	I08A, I08B, I08C, I08D, I08E, I08F, I21Z, I31Z		10	K09A, K09B	5t11t.5↔		BOP, KVT, UOP4, VIAL
	21A	W04A, W04B		21A	W01A, W01B, W01C, W02A, W02B		08	I08A, I08B, I08C, I08D, I08E, I08F, I21Z, I31Z
	21B	X06A, X06B, X06C		21B	X04Z		21A	W04A, W04B
5t117.8↔		BOP, KVT, UOP4, VIAL	5t11a.m↔		BOP, KVT, UOP4, VIAL		21B	X06A, X06B, X06C
	08	I08A, I08B, I08C, I08D, I08E, I08F, I21Z, I31Z		08	I13A, I13B, I13C, I13D	5t11t.8↔		BOP, KVT, UOP4, VIAL
	21A	W04A, W04B		21A	W01A, W01B, W01C, W02A, W02B		08	I08A, I08B, I08C, I08D, I08E, I08F, I21Z, I31Z
	21B	X06A, X06B, X06C		21B	X04Z		21A	W04A, W04B
5t117.g↔		BOP, KVT, UOP4, VIAL	5t11a.q↔		BOP, KVT, UOP4, VIAL		21B	X06A, X06B, X06C
	08	I08A, I08B, I08C, I08D, I08E, I08F		08	I13A, I13B, I13C, I13D	5t11t.g↔		BOP, KVT, UOP4, VIAL
	10	K09A, K09B	5t11b.2↔		BOP, KVT, UOP4, VIAL		08	I08A, I08B, I08C, I08D, I08E, I08F
	21A	W01A, W01B, W01C, W02A, W02B		08	I08A, I08B, I08C, I08D, I08E, I08F, I13A, I13B, I13C, I13D		10	K09A, K09B
	21B	X04Z		21A	W04A, W04B		21A	W01A, W01B, W01C, W02A, W02B
				21B	X06A, X06B, X06C		21B	X04Z

VYK

ZZV	MDC	DRG	ZZV	MDC	DRG	ZZV	MDC	DRG
5t11t.m↔		BOP, KVT, UOP4, VIAL	5t11x.g↔		BOP, KVT, UOP4, VIAL	5t120.4↔		BOP, KVT, UOP4, VIAL
	08	I13A, I13B, I13C, I13D		08	I08A, I08B, I08C, I08D, I08E, I08F		08	I08A, I08B, I08C, I08D, I08E, I08F, I21Z, I31Z
	21A	W01A, W01B, W01C, W02A, W02B		10	K09A, K09B		21A	W04A, W04B
	21B	X04Z		21A	W01A, W01B, W01C, W02A, W02B	5t120.6↔		X06A, X06B, X06C
5t11t.q↔		BOP, KVT, UOP4, VIAL		21B	X04Z		08	BOP, KVT, UOP4, VIAL
	08	I13A, I13B, I13C, I13D, I13E	5t11x.m↔		BOP, KVT, UOP4, VIAL		08	I08A, I08B, I08C, I08D, I08E, I08F, I13A, I13B, I21Z, I31Z
	21A	W04A, W04B		08	I13A, I13B, I13C, I13D		21A	W04A, W04B
	21B	X06A, X06B, X06C		21A	W01A, W01B, W01C, W02A, W02B	5t120.7↔		X06A, X06B, X06C
5t11t.x		BOP, KVT, UOP4		21B	X04Z		08	BOP, KVT, UOP4, VIAL
	08	I28A, I28B	5t11x.q↔		BOP, KVT, UOP4, VIAL		08	I08A, I08B, I08C, I08D, I08E, I08F, I21Z, I31Z
	21A	W04A, W04B		08	I13A, I13B, I13C, I13D, I13E		21A	W04A, W04B
	21B	X06A, X06B, X06C		21A	W04A, W04B	5t120.9↔		X06A, X06B, X06C
5t11v.2↔		BOP, KVT, UOP4, VIAL		21B	X06A, X06B, X06C		08	BOP, KVT, UOP4, VIAL
	08	I08A, I08B, I08C, I08D, I08E, I08F, I13A, I13B, I13C, I13D	5t11x.x		BOP, KVT, UOP4		08	I08A, I08B, I08C, I08D, I08E, I08F, I21Z, I31Z
	21A	W04A, W04B		08	I28A, I28B		21A	W04A, W04B
	21B	X06A, X06B, X06C		21A	W04A, W04B	5t120.e↔		X06A, X06B, X06C
5t11v.5↔		BOP, KVT, UOP4, VIAL		21B	X06A, X06B, X06C		08	BOP, KVT, UOP4, VIAL
	08	I08A, I08B, I08C, I08D, I08E, I08F, I13A, I21Z, I31Z	5t11y.2↔		BOP, KVT, UOP4, VIAL		08	I08A, I08B, I08C, I08D, I08E, I08F
	21A	W04A, W04B		08	I08A, I08B, I08C, I08D, I08E, I08F, I13A, I13B, I13C, I13D		21A	W01A, W01B, W01C, W02A, W02B
	21B	X06A, X06B, X06C		21A	W04A, W04B	5t120.f↔		X04Z
5t11v.8↔		BOP, KVT, UOP4, VIAL		21B	X06A, X06B, X06C		08	BOP, KVT, UOP4, VIAL
	08	I08A, I08B, I08C, I08D, I08E, I08F, I13A, I21Z, I31Z	5t11y.5↔		BOP, KVT, UOP4, VIAL		08	I08A, I08B, I08C, I08D, I08E, I08F
	21A	W04A, W04B		08	I08A, I08B, I08C, I08D, I08E, I08F, I21Z, I31Z		21A	W01A, W01B, W01C, W02A, W02B
	21B	X06A, X06B, X06C		21A	W04A, W04B	5t120.g↔		X04Z
5t11v.g↔		BOP, KVT, UOP4, VIAL		21B	X06A, X06B, X06C		08	BOP, KVT, UOP4, VIAL
	08	I08A, I08B, I08C, I08D, I08E, I08F, I13A	5t11y.8↔		BOP, KVT, UOP4, VIAL		08	I08A, I08B, I08C, I08D, I08E, I08F
	10	K09A, K09B		08	I08A, I08B, I08C, I08D, I08E, I08F, I21Z, I31Z		21A	W01A, W01B, W01C, W02A, W02B
	21A	W01A, W01B, W01C, W02A, W02B		21A	W04A, W04B	5t120.h↔		X04Z
	21B	X04Z		21B	X06A, X06B, X06C		08	BOP, KVT, UOP4, VIAL
5t11v.m↔		BOP, KVT, UOP4, VIAL		21B	X06A, X06B, X06C		08	I08A, I08B, I08C, I08D, I08E, I08F
	08	I13A, I13B, I13C, I13D	5t11y.g↔		BOP, KVT, UOP4, VIAL		21A	W01A, W01B, W01C, W02A, W02B
	21A	W01A, W01B, W01C, W02A, W02B		08	I08A, I08B, I08C, I08D, I08E, I08F	5t120.j↔		X04Z
	21B	X04Z		10	K09A, K09B		08	BOP, KVT, UOP4, VIAL
5t11v.q↔		BOP, KVT, UOP4, VIAL		21A	W01A, W01B, W01C, W02A, W02B		08	I18A, I18B, I30Z
	08	I13A, I13B, I13C, I13D, I13E		21B	X04Z		21A	W04A, W04B
	21A	W04A, W04B	5t11y.m↔		BOP, KVT, UOP4, VIAL		21B	X04Z
	21B	X06A, X06B, X06C		08	I13A, I13B, I13C, I13D	5t120.k↔		BOP, KVT, UOP4, VIAL
5t11v.x		BOP, KVT, UOP4		21A	W01A, W01B, W01C, W02A, W02B		08	I13A, I13B, I13C, I13D, I13E
	08	I13A, I28A, I28B		21B	X04Z		21A	W04A, W04B
	21A	W04A, W04B		21B	X04Z	5t120.n↔		X04Z
	21B	X06A, X06B, X06C	5t11y.q↔		BOP, KVT, UOP4, VIAL		08	BOP, KVT, UOP4, VIAL
5t11x.2↔		BOP, KVT, UOP4, VIAL		08	I13A, I13B, I13C, I13D, I13E		08	I13A, I13B, I13C, I13D, I13E
	08	I08A, I08B, I08C, I08D, I08E, I08F, I13A, I13B, I13C, I13D		21A	W04A, W04B		21A	W04A, W04B
	21A	W04A, W04B		21B	X06A, X06B, X06C	5t120.p↔		X04Z
	21B	X06A, X06B, X06C	5t11y.x		BOP, KVT, UOP4		08	BOP, KVT, UOP4, VIAL
5t11x.5↔		BOP, KVT, UOP4, VIAL		08	I28A, I28B		08	I13A, I13B, I13C, I13D, I13E
	08	I08A, I08B, I08C, I08D, I08E, I08F, I21Z, I31Z		21A	W04A, W04B		21A	W04A, W04B
	21A	W04A, W04B	5t120.1↔		BOP, KVT, UOP4, VIAL	5t120.r↔		X04Z
	21B	X06A, X06B, X06C		08	I08A, I08B, I08C, I08D, I08E, I08F, I13A, I13B, I13C, I13D, I13E		08	BOP, KVT, UOP4, VIAL
5t11x.8↔		BOP, KVT, UOP4, VIAL		21A	W04A, W04B		08	I13A, I13B, I13C, I13D, I13E
	08	I08A, I08B, I08C, I08D, I08E, I08F, I21Z, I31Z		21B	X06A, X06B, X06C	5t120.x		W04A, W04B
	21A	W04A, W04B	5t120.3↔		BOP, KVT, UOP4, VIAL		08	X04Z
	21B	X06A, X06B, X06C		08	I08A, I08B, I08C, I08D, I08E, I08F, I13A, I13B, I13C, I13D, I13E		08	BOP, KVT, UOP4
				21A	W04A, W04B		08	I28A, I28B
				21B	X06A, X06B, X06C	5t121.1↔		W04A, W04B
							08	X06A, X06B, X06C
							08	BOP, KVT, UOP4, VIAL
							08	I08A, I08B, I08C, I08D, I08E, I08F, I13A, I13B, I13C, I13D, I13E
							21A	W04A, W04B
							21B	X06A, X06B, X06C

ZZV	MDC	DRG	ZZV	MDC	DRG	ZZV	MDC	DRG
5t121.3↔		BOP, KVT, UOP4, VIAL	5t121.p↔		BOP, KVT, UOP4, VIAL	5t123.k↔		BOP, KVT, UOP4, VIAL
	08	I08A, I08B, I08C, I08D, I08E, I08F, I13A, I13B, I13C, I13D, I13E		08	I13A, I13B, I13C, I13D, I13E		08	I13A, I13B, I13C, I13D
	21A	W04A, W04B		21A	W01A, W01B, W01C, W02A, W02B		21A	W01A, W01B, W01C, W02A, W02B
	21B	X06A, X06B, X06C		21B	X04Z		21B	X04Z
5t121.4↔		BOP, KVT, UOP4, VIAL	5t121.r↔		BOP, KVT, UOP4, VIAL	5t123.n↔		BOP, KVT, UOP4, VIAL
	08	I08A, I08B, I08C, I08D, I08E, I08F, I21Z, I31Z		08	I13A, I13B, I13C, I13D, I13E		08	I13A, I13B, I13C, I13D
	21A	W04A, W04B		21A	W01A, W01B, W01C, W02A, W02B		21A	W01A, W01B, W01C, W02A, W02B
	21B	X06A, X06B, X06C		21B	X04Z		21B	X04Z
5t121.6↔		BOP, KVT, UOP4, VIAL	5t121.x		BOP, KVT, UOP4	5t123.p↔		BOP, KVT, UOP4, VIAL
	08	I08A, I08B, I08C, I08D, I08E, I08F, I13A, I13B, I21Z, I31Z		08	I28A, I28B		08	I13A, I13B, I13C, I13D, I13E
	21A	W04A, W04B		21A	W04A, W04B		21A	W01A, W01B, W01C, W02A, W02B
	21B	X06A, X06B, X06C		21B	X06A, X06B, X06C		21B	X04Z
5t121.7↔		BOP, KVT, UOP4, VIAL	5t123.1↔		BOP, KVT, UOP4, VIAL	5t123.r↔		BOP, KVT, UOP4, VIAL
	08	I08A, I08B, I08C, I08D, I08E, I08F, I21Z, I31Z		08	I08A, I08B, I08C, I08D, I08E, I08F, I13A, I13B, I13C, I13D		08	I13A, I13B, I13C, I13D, I13E
	21A	W04A, W04B		21A	W04A, W04B		21A	W01A, W01B, W01C, W02A, W02B
	21B	X06A, X06B, X06C		21B	X06A, X06B, X06C		21B	X04Z
5t121.9↔		BOP, KVT, UOP4, VIAL	5t123.3↔		BOP, KVT, UOP4, VIAL	5t123.x		BOP, KVT, UOP4
	08	I08A, I08B, I08C, I08D, I08E, I08F, I21Z, I31Z		08	I08A, I08B, I08C, I08D, I08E, I08F, I13A, I13B, I13C, I13D		08	I28A, I28B
	21A	W04A, W04B		21A	W04A, W04B		21A	W04A, W04B
	21B	X06A, X06B, X06C		21B	X06A, X06B, X06C		21B	X06A, X06B, X06C
5t121.e↔		BOP, KVT, UOP4, VIAL	5t123.4↔		BOP, KVT, UOP4, VIAL	5t124.1↔		BOP, KVT, UOP4, VIAL
	01	B03A, B03B, B06A, B06B, B17A, B17B, B17C		08	I08A, I08B, I08C, I08D, I08E, I08F, I21Z, I31Z		08	I08A, I08B, I08C, I08D, I08E, I08F, I13A, I13B, I13C, I13D, I13E
	08	I08A, I08B, I08C, I08D, I08E, I08F		21A	W04A, W04B		21A	W04A, W04B
	10	K09A, K09B		21B	X06A, X06B, X06C		21B	X06A, X06B, X06C
	21A	W01A, W01B, W01C, W02A, W02B		5t123.6↔	BOP, KVT, UOP4, VIAL	5t124.3↔		BOP, KVT, UOP4, VIAL
	21B	X04Z		08	I08A, I08B, I08C, I08D, I08E, I08F, I13A, I13B, I21Z, I31Z		08	I08A, I08B, I08C, I08D, I08E, I08F, I13A, I13B, I13C, I13D, I13E
5t121.f↔		BOP, KVT, UOP4, VIAL		21A	W04A, W04B		21A	W04A, W04B
	01	B03A, B03B, B06A, B06B, B17A, B17B, B17C		21B	X06A, X06B, X06C		21B	X06A, X06B, X06C
	08	I08A, I08B, I08C, I08D, I08E, I08F		5t123.7↔	BOP, KVT, UOP4, VIAL	5t124.4↔		BOP, KVT, UOP4, VIAL
	10	K09A, K09B		08	I08A, I08B, I08C, I08D, I08E, I08F, I21Z, I31Z		08	I08A, I08B, I08C, I08D, I08E, I08F, I21Z, I31Z
	21A	W01A, W01B, W01C, W02A, W02B		21A	W04A, W04B		21A	W04A, W04B
	21B	X04Z		21B	X06A, X06B, X06C		21B	X06A, X06B, X06C
5t121.h↔		BOP, KVT, UOP4, VIAL		5t123.9↔	BOP, KVT, UOP4, VIAL	5t124.6↔		BOP, KVT, UOP4, VIAL
	01	B03A, B03B, B06A, B06B, B17A, B17B, B17C		08	I08A, I08B, I08C, I08D, I08E, I08F, I21Z, I31Z		08	I08A, I08B, I08C, I08D, I08E, I08F, I13A, I13B, I21Z, I31Z
	08	I08A, I08B, I08C, I08D, I08E, I08F		21A	W04A, W04B		21A	W04A, W04B
	21A	W01A, W01B, W01C, W02A, W02B		21B	X06A, X06B, X06C		21B	X06A, X06B, X06C
	21B	X04Z		5t123.e↔	BOP, KVT, UOP4, VIAL	5t124.7↔		BOP, KVT, UOP4, VIAL
	01	B03A, B03B, B06A, B06B, B17A, B17B, B17C		01	B03A, B03B, B06A, B06B, B17A, B17B, B17C		08	I08A, I08B, I08C, I08D, I08E, I08F, I21Z, I31Z
	08	I08A, I08B, I08C, I08D, I08E, I08F		08	I08A, I08B, I08C, I08D, I08E, I08F		21A	W04A, W04B
	21A	W01A, W01B, W01C, W02A, W02B		10	K09A, K09B		21B	X06A, X06B, X06C
	21B	X04Z		21A	W01A, W01B, W01C, W02A, W02B		5t124.9↔	BOP, KVT, UOP4, VIAL
5t121.j↔		BOP, KVT, UOP4, VIAL		21B	X04Z		08	I08A, I08B, I08C, I08D, I08E, I08F, I21Z, I31Z
	08	I18A, I18B, I30Z		5t123.f↔	BOP, KVT, UOP4, VIAL		21A	W04A, W04B
	21A	W04A, W04B		01	B03A, B03B, B06A, B06B, B17A, B17B, B17C		21B	X06A, X06B, X06C
	21B	X04Z		08	I08A, I08B, I08C, I08D, I08E, I08F		5t124.e↔	BOP, KVT, UOP4, VIAL
5t121.k↔		BOP, KVT, UOP4, VIAL		10	K09A, K09B		01	B03A, B03B, B06A, B06B, B17A, B17B, B17C
	08	I13A, I13B, I13C, I13D		21A	W01A, W01B, W01C, W02A, W02B		08	I08A, I08B, I08C, I08D, I08E, I08F
	21A	W01A, W01B, W01C, W02A, W02B		21B	X04Z		10	K09A, K09B
	21B	X04Z		5t123.h↔	BOP, KVT, UOP4, VIAL		21A	W01A, W01B, W01C, W02A, W02B
5t121.n↔		BOP, KVT, UOP4, VIAL		01	B03A, B03B, B06A, B06B, B17A, B17B, B17C		21B	X04Z
	08	I13A, I13B, I13C, I13D, I13E		08	I08A, I08B, I08C, I08D, I08E, I08F			
	21A	W01A, W01B, W01C, W02A, W02B		21A	W01A, W01B, W01C, W02A, W02B			
	21B	X04Z		21B	X04Z			

ZZV	MDC	DRG	ZZV	MDC	DRG	ZZV	MDC	DRG		
5t124.f↔		BOP, KVT, UOP4, VIAL	5t125.h↔		BOP, KVT, UOP4, VIAL	5t129.n↔		BOP, KVT, UOP4, VIAL		
	01	B03A, B03B, B06A, B06B, B17A, B17B, B17C		01	B03A, B03B, B06A, B06B, B17A, B17B, B17C		08	I13A, I13B, I13C, I13D		
	08	I08A, I08B, I08C, I08D, I08E, I08F		08	I08A, I08B, I08C, I08D, I08E, I08F		21A	W01A, W01B, W01C, W02A, W02B		
	10	K09A, K09B		21A	W01A, W01B, W01C, W02A, W02B		21B	X04Z		
	21A	W01A, W01B, W01C, W02A, W02B		21B	X04Z		5t129.x		BOP, KVT, UOP4	
5t124.h↔		BOP, KVT, UOP4, VIAL	5t125.k↔		BOP, KVT, UOP4, VIAL	08	I28A, I28B			
	01	B03A, B03B, B06A, B06B, B17A, B17B, B17C		08	I13A, I13B, I13C, I13D	21A	W04A, W04B			
	08	I08A, I08B, I08C, I08D, I08E, I08F		5t125.x		BOP, KVT, UOP4	21B	X06A, X06B, X06C		
	21A	W01A, W01B, W01C, W02A, W02B		08	I28A, I28B	5t12a.1↔		BOP, KVT, UOP4, VIAL		
	21B	X04Z		21A	W04A, W04B	08	I08A, I08B, I08C, I08D, I08E, I08F, I13A, I13B, I13C, I13D			
5t124.j↔		BOP, KVT, UOP4, VIAL	5t128.1↔		BOP, KVT, UOP4, VIAL	21A	W04A, W04B			
	08	I18A, I18B, I30Z		08	I08A, I08B, I08C, I08D, I08E, I08F, I13A, I13B, I13C, I13D	21B	X06A, X06B, X06C			
	21A	W04A, W04B		5t128.e↔		BOP, KVT, UOP4, VIAL	5t12a.3↔		BOP, KVT, UOP4, VIAL	
	21B	X04Z		01	B03A, B03B, B06A, B06B, B17A, B17B, B17C	08	I08A, I08B, I08C, I08D, I08E, I08F, I13A, I13B, I13C, I13D	21A	W04A, W04B	
	5t124.k↔			BOP, KVT, UOP4, VIAL	5t128.f↔		BOP, KVT, UOP4, VIAL	21B	X06A, X06B, X06C	
08		I13A, I13B, I13C, I13D	08	I08A, I08B, I08C, I08D, I08E, I08F		5t12a.4↔		BOP, KVT, UOP4, VIAL		
21A		W01A, W01B, W01C, W02A, W02B	10	K09A, K09B		08	I08A, I08B, I08C, I08D, I08E, I08F, I21Z, I31Z			
21B		X04Z	21A	W01A, W01B, W01C, W02A, W02B		21A	W04A, W04B			
5t124.n↔			BOP, KVT, UOP4, VIAL	5t128.g↔			BOP, KVT, UOP4, VIAL	21B	X06A, X06B, X06C	
	08	I13A, I13B, I13C, I13D, I13E	01		B03A, B03B, B06A, B06B, B17A, B17B, B17C	5t12a.6↔		BOP, KVT, UOP4, VIAL		
	21A	W01A, W01B, W01C, W02A, W02B	08		I08A, I08B, I08C, I08D, I08E, I08F	08	I08A, I08B, I08C, I08D, I08E, I08F, I13A, I13B, I21Z, I31Z			
	21B	X04Z	10		K09A, K09B	21A	W04A, W04B			
	5t124.p↔		BOP, KVT, UOP4, VIAL		5t128.h↔		BOP, KVT, UOP4, VIAL	21B	X06A, X06B, X06C	
08		I13A, I13B, I13C, I13D, I13E	01	B03A, B03B, B06A, B06B, B17A, B17B, B17C		5t12a.7↔		BOP, KVT, UOP4, VIAL		
21A		W01A, W01B, W01C, W02A, W02B	08	I08A, I08B, I08C, I08D, I08E, I08F		08	I08A, I08B, I08C, I08D, I08E, I08F, I21Z, I31Z			
21B		X04Z	10	K09A, K09B		21A	W04A, W04B			
5t124.r↔			BOP, KVT, UOP4, VIAL	5t128.i↔			BOP, KVT, UOP4, VIAL	21B	X06A, X06B, X06C	
	08	I13A, I13B, I13C, I13D, I13E	08		I28A, I28B	5t12a.9↔		BOP, KVT, UOP4, VIAL		
	21A	W01A, W01B, W01C, W02A, W02B	21A		W04A, W04B	08	I08A, I08B, I08C, I08D, I08E, I08F, I21Z, I31Z			
	21B	X04Z	21B		X06A, X06B, X06C	21A	W04A, W04B			
	5t124.x		BOP, KVT, UOP4		5t129.e↔		BOP, KVT, UOP4, VIAL	21B	X06A, X06B, X06C	
08		I28A, I28B	01	B03A, B03B, B06A, B06B, B17A, B17B, B17C		5t12a.e↔		BOP, KVT, UOP4, VIAL		
21A		W04A, W04B	08	I08A, I08B, I08C, I08D, I08E, I08F		01	B03A, B03B, B06A, B06B, B17A, B17B, B17C			
21B		X06A, X06B, X06C	10	K09A, K09B		08	I08A, I08B, I08C, I08D, I08E, I08F			
5t125.1↔			BOP, KVT, UOP4, VIAL	5t129.f↔			BOP, KVT, UOP4, VIAL	10	K09A, K09B	
	08	I08A, I08B, I08C, I08D, I08E, I08F, I13A, I13B, I13C, I13D	21A		W01A, W01B, W01C, W02A, W02B	21A	W01A, W01B, W01C, W02A, W02B			
	5t125.e↔		BOP, KVT, UOP4, VIAL		5t129.g↔		BOP, KVT, UOP4, VIAL	21B	X04Z	
		01	B03A, B03B, B06A, B06B, B17A, B17B, B17C			01	B03A, B03B, B06A, B06B, B17A, B17B, B17C	5t12a.f↔		BOP, KVT, UOP4, VIAL
		08	I08A, I08B, I08C, I08D, I08E, I08F			08	I08A, I08B, I08C, I08D, I08E, I08F	01	B03A, B03B, B06A, B06B, B17A, B17B, B17C	
10		K09A, K09B	10	K09A, K09B		08	I08A, I08B, I08C, I08D, I08E, I08F			
21A		W01A, W01B, W01C, W02A, W02B	21A	W01A, W01B, W01C, W02A, W02B		10	K09A, K09B			
5t125.f↔		BOP, KVT, UOP4, VIAL	5t129.h↔		BOP, KVT, UOP4, VIAL	21A	W01A, W01B, W01C, W02A, W02B			
	01	B03A, B03B, B06A, B06B, B17A, B17B, B17C		01	B03A, B03B, B06A, B06B, B17A, B17B, B17C	21B	X04Z			
	08	I08A, I08B, I08C, I08D, I08E, I08F		08	I08A, I08B, I08C, I08D, I08E, I08F	5t12a.h↔		BOP, KVT, UOP4, VIAL		
	10	K09A, K09B		21A	W01A, W01B, W01C, W02A, W02B	01	B03A, B03B, B06A, B06B, B17A, B17B, B17C			
	21A	W01A, W01B, W01C, W02A, W02B		21B	X04Z	08	I08A, I08B, I08C, I08D, I08E, I08F			
5t125.g↔		BOP, KVT, UOP4, VIAL	5t129.i↔		BOP, KVT, UOP4, VIAL	21A	W01A, W01B, W01C, W02A, W02B			
	01	B03A, B03B, B06A, B06B, B17A, B17B, B17C		01	B03A, B03B, B06A, B06B, B17A, B17B, B17C	21B	X04Z			
	08	I08A, I08B, I08C, I08D, I08E, I08F		08	I08A, I08B, I08C, I08D, I08E, I08F	5t12a.j↔		BOP, KVT, UOP4, VIAL		
	10	K09A, K09B		21A	W01A, W01B, W01C, W02A, W02B	08	I18A, I18B, I30Z			
	21A	W01A, W01B, W01C, W02A, W02B		21B	X04Z	21A	W04A, W04B			
5t125.h↔		BOP, KVT, UOP4, VIAL	5t129.k↔		BOP, KVT, UOP4, VIAL	21B	X04Z			
	01	B03A, B03B, B06A, B06B, B17A, B17B, B17C		08	I13A, I13B, I13C, I13D					
	08	I08A, I08B, I08C, I08D, I08E, I08F		21A	W01A, W01B, W01C, W02A, W02B					
	10	K09A, K09B		21B	X04Z					
	21A	W01A, W01B, W01C, W02A, W02B								

ZZV	MDC	DRG	ZZV	MDC	DRG	ZZV	MDC	DRG		
5t12a.k↔		BOP, KVT, UOP4, VIAL 08 I13A, I13B, I13C, I13D 21A W01A, W01B, W01C, W02A, W02B 21B X04Z	5t12b.f↔		BOP, KVT, UOP4, VIAL 01 B03A, B03B, B06A, B06B, B17A, B17B, B17C 08 I08A, I08B, I08C, I08D, I08E, I08F 10 K09A, K09B 21A W01A, W01B, W01C, W02A, W02B 21B X04Z	5t12c.h↔		BOP, KVT, UOP4, VIAL 01 B03A, B03B, B06A, B06B, B17A, B17B, B17C 08 I08A, I08B, I08C, I08D, I08E, I08F 21A W01A, W01B, W01C, W02A, W02B 21B X04Z		
5t12a.n↔		BOP, KVT, UOP4, VIAL 08 I13A, I13B, I13C, I13D 21A W01A, W01B, W01C, W02A, W02B 21B X04Z	5t12b.h↔		BOP, KVT, UOP4, VIAL 01 B03A, B03B, B06A, B06B, B17A, B17B, B17C 08 I08A, I08B, I08C, I08D, I08E, I08F 21A W01A, W01B, W01C, W02A, W02B 21B X04Z	5t12c.k↔		BOP, KVT, UOP4, VIAL 08 I13A, I13B, I13C, I13D 21A W01A, W01B, W01C, W02A, W02B 21B X04Z		
5t12a.p↔		BOP, KVT, UOP4, VIAL 08 I13A, I13B, I13C, I13D, I13E 21A W01A, W01B, W01C, W02A, W02B 21B X04Z	5t12b.k↔		BOP, KVT, UOP4, VIAL 08 I13A, I13B, I13C, I13D 21A W01A, W01B, W01C, W02A, W02B 21B X04Z	5t12c.x		BOP, KVT, UOP4 08 I28A, I28B 21A W04A, W04B 21B X06A, X06B, X06C		
5t12a.r↔		BOP, KVT, UOP4, VIAL 08 I13A, I13B, I13C, I13D, I13E 21A W01A, W01B, W01C, W02A, W02B 21B X04Z	5t12b.n↔		BOP, KVT, UOP4, VIAL 08 I13A, I13B, I13C, I13D 21A W01A, W01B, W01C, W02A, W02B 21B X04Z	5t12d.h↔		BOP, KVT, UOP4, VIAL 01 B03A, B03B, B06A, B06B, B17A, B17B, B17C 08 I08A, I08B, I08C, I08D, I08E, I08F 21A W01A, W01B, W01C, W02A, W02B 21B X04Z		
5t12a.x		BOP, KVT, UOP4 08 I28A, I28B 21A W04A, W04B 21B X06A, X06B, X06C	5t12b.p↔		BOP, KVT, UOP4, VIAL 08 I13A, I13B, I13C, I13D, I13E 21A W01A, W01B, W01C, W02A, W02B 21B X04Z	5t12d.j↔		BOP, KVT, UOP4, VIAL 08 I18A, I18B, I30Z 21A W04A, W04B 21B X04Z		
5t12b.1↔		BOP, KVT, UOP4, VIAL 08 I08A, I08B, I08C, I08D, I08E, I08F, I13A, I13B, I13C, I13D 21A W04A, W04B 21B X06A, X06B, X06C	5t12b.r↔		BOP, KVT, UOP4, VIAL 08 I13A, I13B, I13C, I13D, I13E 21A W01A, W01B, W01C, W02A, W02B 21B X04Z	5t12d.k↔		BOP, KVT, UOP4, VIAL 08 I13A, I13B, I13C, I13D 21A W01A, W01B, W01C, W02A, W02B 21B X04Z		
5t12b.3↔		BOP, KVT, UOP4, VIAL 08 I08A, I08B, I08C, I08D, I08E, I08F, I13A, I13B, I13C, I13D 21A W04A, W04B 21B X06A, X06B, X06C	5t12b.x		BOP, KVT, UOP4 08 I28A, I28B 21A W04A, W04B 21B X06A, X06B, X06C	5t12d.n↔		BOP, KVT, UOP4, VIAL 08 I13A, I13B, I13C, I13D 21A W01A, W01B, W01C, W02A, W02B 21B X04Z		
5t12b.4↔		BOP, KVT, UOP4, VIAL 08 I08A, I08B, I08C, I08D, I08E, I08F, I21Z, I31Z 21A W04A, W04B 21B X06A, X06B, X06C	5t12c.1↔		BOP, KVT, UOP4, VIAL 08 I08A, I08B, I08C, I08D, I08E, I08F, I13A, I13B, I13C, I13D 21A W04A, W04B 21B X06A, X06B, X06C	5t12d.p↔		BOP, KVT, UOP4, VIAL 08 I13A, I13B, I13C, I13D, I13E 21A W01A, W01B, W01C, W02A, W02B 21B X04Z		
5t12b.6↔		BOP, KVT, UOP4, VIAL 08 I08A, I08B, I08C, I08D, I08E, I08F, I13A, I13B, I21Z, I31Z 21A W04A, W04B 21B X06A, X06B, X06C	5t12c.3↔		BOP, KVT, UOP4, VIAL 08 I08A, I08B, I08C, I08D, I08E, I08F, I13A, I13B, I13C, I13D 21A W04A, W04B 21B X06A, X06B, X06C	5t12d.r↔		BOP, KVT, UOP4, VIAL 08 I13A, I13B, I13C, I13D, I13E 21A W01A, W01B, W01C, W02A, W02B 21B X04Z		
5t12b.7↔		BOP, KVT, UOP4, VIAL 08 I08A, I08B, I08C, I08D, I08E, I08F, I21Z, I31Z 21A W04A, W04B 21B X06A, X06B, X06C	5t12c.e↔		BOP, KVT, UOP4, VIAL 01 B03A, B03B, B06A, B06B, B17A, B17B, B17C 08 I08A, I08B, I08C, I08D, I08E, I08F 10 K09A, K09B 21A W01A, W01B, W01C, W02A, W02B 21B X04Z	5t12d.x		BOP, KVT, UOP4 08 I28A, I28B 21A W04A, W04B 21B X06A, X06B, X06C		
5t12b.9↔		BOP, KVT, UOP4, VIAL 08 I08A, I08B, I08C, I08D, I08E, I08F, I21Z, I31Z 21A W04A, W04B 21B X06A, X06B, X06C	5t12c.f↔		BOP, KVT, UOP4, VIAL 01 B03A, B03B, B06A, B06B, B17A, B17B, B17C 08 I08A, I08B, I08C, I08D, I08E, I08F 10 K09A, K09B 21A W01A, W01B, W01C, W02A, W02B 21B X04Z	5t12t.1↔		BOP, KVT, UOP4, VIAL 08 I08A, I08B, I08C, I08D, I08E, I08F, I13A, I13B, I13C, I13D 21A W04A, W04B 21B X06A, X06B, X06C		
5t12b.e↔		BOP, KVT, UOP4, VIAL 01 B03A, B03B, B06A, B06B, B17A, B17B, B17C 08 I08A, I08B, I08C, I08D, I08E, I08F 10 K09A, K09B 21A W01A, W01B, W01C, W02A, W02B 21B X04Z				5t12t.3↔		BOP, KVT, UOP4, VIAL 08 I08A, I08B, I08C, I08D, I08E, I08F, I13A, I13B, I13C, I13D 21A W04A, W04B 21B X06A, X06B, X06C		
						5t12t.4↔		BOP, KVT, UOP4, VIAL 08 I08A, I08B, I08C, I08D, I08E, I08F, I21Z, I31Z 21A W04A, W04B 21B X06A, X06B, X06C		

ZZV	MDC	DRG	ZZV	MDC	DRG	ZZV	MDC	DRG
5t12t.6↔		BOP, KVT, UOP4, VIAL	5t12v.1↔		BOP, KVT, UOP4, VIAL	5t12v.p↔		BOP, KVT, UOP4, VIAL
	08	I08A, I08B, I08C, I08D, I08E, I08F, I13A, I13B, I21Z, I31Z		08	I08A, I08B, I08C, I08D, I08E, I08F, I13A, I13B, I13C, I13D		08	I13A, I13B, I13C, I13D, I13E
	21A	W04A, W04B		21A	W04A, W04B		21A	W01A, W01B, W01C, W02A, W02B
	21B	X06A, X06B, X06C		21B	X06A, X06B, X06C		21B	X04Z
5t12t.7↔		BOP, KVT, UOP4, VIAL	5t12v.3↔		BOP, KVT, UOP4, VIAL	5t12v.r↔		BOP, KVT, UOP4, VIAL
	08	I08A, I08B, I08C, I08D, I08E, I08F, I21Z, I31Z		08	I08A, I08B, I08C, I08D, I08E, I08F, I13A, I13B, I13C, I13D		08	I13A, I13B, I13C, I13D, I13E
	21A	W04A, W04B		21A	W04A, W04B		21A	W01A, W01B, W01C, W02A, W02B
	21B	X06A, X06B, X06C		21B	X06A, X06B, X06C		21B	X04Z
5t12t.9↔		BOP, KVT, UOP4, VIAL	5t12v.4↔		BOP, KVT, UOP4, VIAL	5t12v.x		BOP, KVT, UOP4
	08	I08A, I08B, I08C, I08D, I08E, I08F, I21Z, I31Z		08	I08A, I08B, I08C, I08D, I08E, I08F, I13A, I21Z, I31Z		08	I13A, I28A, I28B
	21A	W04A, W04B		21A	W04A, W04B		21A	W04A, W04B
	21B	X06A, X06B, X06C		21B	X06A, X06B, X06C		21B	X06A, X06B, X06C
5t12t.e↔		BOP, KVT, UOP4, VIAL	5t12v.6↔		BOP, KVT, UOP4, VIAL	5t12x.1↔		BOP, KVT, UOP4, VIAL
	01	B03A, B03B, B06A, B06B, B17A, B17B, B17C		08	I08A, I08B, I08C, I08D, I08E, I08F, I13A, I21Z, I31Z		08	I08A, I08B, I08C, I08D, I08E, I08F, I13A, I13B, I13C, I13D
	08	I08A, I08B, I08C, I08D, I08E, I08F		21A	W04A, W04B		21A	W04A, W04B
	10	K09A, K09B		21B	X06A, X06B, X06C		21B	X06A, X06B, X06C
	21A	W01A, W01B, W01C, W02A, W02B	5t12v.7↔		BOP, KVT, UOP4, VIAL	5t12x.3↔		BOP, KVT, UOP4, VIAL
	21B	X04Z		08	I08A, I08B, I08C, I08D, I08E, I08F, I13A, I21Z, I31Z		08	I08A, I08B, I08C, I08D, I08E, I08F, I13A, I13B, I13C, I13D
5t12t.f↔		BOP, KVT, UOP4, VIAL		21A	W04A, W04B		21A	W04A, W04B
	01	B03A, B03B, B06A, B06B, B17A, B17B, B17C	5t12v.9↔		BOP, KVT, UOP4, VIAL	5t12x.4↔		BOP, KVT, UOP4, VIAL
	08	I08A, I08B, I08C, I08D, I08E, I08F		08	I08A, I08B, I08C, I08D, I08E, I08F, I13A, I21Z, I31Z		08	I08A, I08B, I08C, I08D, I08E, I08F, I21Z, I31Z
	10	K09A, K09B		21A	W04A, W04B		21A	W04A, W04B
	21A	W01A, W01B, W01C, W02A, W02B		21B	X06A, X06B, X06C	5t12x.6↔		BOP, KVT, UOP4, VIAL
	21B	X04Z	5t12v.e↔		BOP, KVT, UOP4, VIAL		08	I08A, I08B, I08C, I08D, I08E, I08F, I13A, I13B, I21Z, I31Z
5t12t.h↔		BOP, KVT, UOP4, VIAL		01	B03A, B03B, B06A, B06B, B17A, B17B, B17C		21A	W04A, W04B
	01	B03A, B03B, B06A, B06B, B17A, B17B, B17C		08	I08A, I08B, I08C, I08D, I08E, I08F, I13A	5t12x.7↔		BOP, KVT, UOP4, VIAL
	08	I08A, I08B, I08C, I08D, I08E, I08F		21A	W01A, W01B, W01C, W02A, W02B		08	I08A, I08B, I08C, I08D, I08E, I08F, I21Z, I31Z
	21A	W01A, W01B, W01C, W02A, W02B	5t12v.f↔		BOP, KVT, UOP4, VIAL		21A	W04A, W04B
	21B	X04Z		01	B03A, B03B, B06A, B06B, B17A, B17B, B17C	5t12x.9↔		BOP, KVT, UOP4, VIAL
5t12t.j↔		BOP, KVT, UOP4, VIAL		08	I08A, I08B, I08C, I08D, I08E, I08F, I13A		08	I08A, I08B, I08C, I08D, I08E, I08F, I21Z, I31Z
	08	I18A, I18B, I30Z		10	K09A, K09B	5t12x.e↔		BOP, KVT, UOP4, VIAL
	21A	W04A, W04B		21A	W01A, W01B, W01C, W02A, W02B		01	B03A, B03B, B06A, B06B, B17A, B17B, B17C
	21B	X04Z		21B	X04Z		08	I08A, I08B, I08C, I08D, I08E, I08F
5t12t.k↔		BOP, KVT, UOP4, VIAL	5t12v.h↔		BOP, KVT, UOP4, VIAL		10	K09A, K09B
	08	I13A, I13B, I13C, I13D		01	B03A, B03B, B06A, B06B, B17A, B17B, B17C		21A	W01A, W01B, W01C, W02A, W02B
	21A	W01A, W01B, W01C, W02A, W02B		08	I08A, I08B, I08C, I08D, I08E, I08F, I13A	5t12x.f↔		BOP, KVT, UOP4, VIAL
	21B	X04Z		21A	W01A, W01B, W01C, W02A, W02B		01	B03A, B03B, B06A, B06B, B17A, B17B, B17C
5t12t.n↔		BOP, KVT, UOP4, VIAL		21B	X04Z		08	I08A, I08B, I08C, I08D, I08E, I08F
	08	I13A, I13B, I13C, I13D	5t12v.j↔		BOP, KVT, UOP4, VIAL		10	K09A, K09B
	21A	W01A, W01B, W01C, W02A, W02B		08	I13A, I18A, I18B, I30Z		21A	W01A, W01B, W01C, W02A, W02B
	21B	X04Z		21A	W04A, W04B		21B	X04Z
5t12t.p↔		BOP, KVT, UOP4, VIAL		21B	X04Z	5t12v.k↔		BOP, KVT, UOP4, VIAL
	08	I13A, I13B, I13C, I13D, I13E		08	I13A, I13B, I13C, I13D		08	I13A, I13B, I13C, I13D
	21A	W01A, W01B, W01C, W02A, W02B		21A	W01A, W01B, W01C, W02A, W02B		21A	W01A, W01B, W01C, W02A, W02B
	21B	X04Z		21B	X04Z	5t12v.n↔		BOP, KVT, UOP4, VIAL
5t12t.r↔		BOP, KVT, UOP4, VIAL		08	I13A, I13B, I13C, I13D		08	I08A, I08B, I08C, I08D, I08E, I08F
	08	I13A, I13B, I13C, I13D, I13E		21A	W01A, W01B, W01C, W02A, W02B		21A	W01A, W01B, W01C, W02A, W02B
	21A	W01A, W01B, W01C, W02A, W02B		21B	X04Z		21B	X04Z
	21B	X04Z		08	I13A, I13B, I13C, I13D		21A	W01A, W01B, W01C, W02A, W02B
5t12t.x		BOP, KVT, UOP4		21A	W01A, W01B, W01C, W02A, W02B		21B	X04Z
	08	I28A, I28B		08	I13A, I13B, I13C, I13D		08	I08A, I08B, I08C, I08D, I08E, I08F
	21A	W04A, W04B		21A	W01A, W01B, W01C, W02A, W02B		21A	W01A, W01B, W01C, W02A, W02B
	21B	X06A, X06B, X06C		21B	X04Z		21B	X04Z



ZZV	MDC	DRG	ZZV	MDC	DRG	ZZV	MDC	DRG	
5t12x.j↔		BOP, KVT, UOP4, VIAL	5t12z.f↔		BOP, KVT, UOP4, VIAL	5t131.9↔		BOP, KVT, UOP4, VIAL	
	08	I18A, I18B, I30Z		01	B03A, B03B, B06A, B06B, B17A, B17B, B17C		08	I08A, I08B, I08C, I08D, I08E, I08F, I21Z, I31Z	
	21A	W04A, W04B		08	I08A, I08B, I08C, I08D, I08E, I08F		21A	W04A, W04B	
	21B	X04Z		10	K09A, K09B	5t131.e↔		X06A, X06B, X06C	
5t12x.k↔		BOP, KVT, UOP4, VIAL		21A	W01A, W01B, W01C, W02A, W02B		01	BOP, KVT, UOP4, VIAL	
	08	I13A, I13B, I13C, I13D		21B	X04Z		08	B03A, B03B, B06A, B06B, B17A, B17B, B17C	
	21A	W04A, W04B	5t12z.h↔		BOP, KVT, UOP4, VIAL		10	I08A, I08B, I08C, I08D, I08E, I08F	
	21B	X04Z		01	B03A, B03B, B06A, B06B, B17A, B17B, B17C		21A	K09A, K09B	
5t12x.n↔		BOP, KVT, UOP4, VIAL		08	I08A, I08B, I08C, I08D, I08E, I08F		21A	W01A, W01B, W01C, W02A, W02B	
	08	I13A, I13B, I13C, I13D		21A	W01A, W01B, W01C, W02A, W02B	5t131.f↔		21B	X04Z
	21A	W04A, W04B		21B	X04Z		01	BOP, KVT, UOP4, VIAL	
	21B	X04Z		08	I18A, I18B, I30Z		08	B03A, B03B, B06A, B06B, B17A, B17B, B17C	
5t12x.p↔		BOP, KVT, UOP4, VIAL		21A	W04A, W04B		10	I08A, I08B, I08C, I08D, I08E, I08F	
	08	I13A, I13B, I13C, I13D, I13E		21B	X04Z		21A	K09A, K09B	
	21A	W04A, W04B	5t12z.j↔		BOP, KVT, UOP4, VIAL		21A	W01A, W01B, W01C, W02A, W02B	
	21B	X04Z		08	I18A, I18B, I30Z		21B	X04Z	
5t12x.r↔		BOP, KVT, UOP4, VIAL		21A	W04A, W04B	5t131.g↔		BOP, KVT, UOP4, VIAL	
	08	I13A, I13B, I13C, I13D, I13E		21B	X04Z		01	B03A, B03B, B06A, B06B, B17A, B17B, B17C	
	21A	W04A, W04B		5t12z.k↔		BOP, KVT, UOP4, VIAL		08	I08A, I08B, I08C, I08D, I08E, I08F
	21B	X04Z		08	I13A, I13B, I13C, I13D, I13E		10	I08A, I08B, I08C, I08D, I08E, I08F	
5t12x.x		BOP, KVT, UOP4		21A	W01A, W01B, W01C, W02A, W02B		21A	W01A, W01B, W01C, W02A, W02B	
	08	I28A, I28B		21B	X04Z	5t131.h↔		21B	X04Z
	21A	W04A, W04B		5t12z.l↔		BOP, KVT, UOP4, VIAL		01	B03A, B03B, B06A, B06B, B17A, B17B, B17C
	21B	X06A, X06B, X06C		08	I13A, I13B, I13C, I13D, I13E		08	I08A, I08B, I08C, I08D, I08E, I08F	
5t12z.1↔		BOP, KVT, UOP4, VIAL		21A	W01A, W01B, W01C, W02A, W02B		21A	W01A, W01B, W01C, W02A, W02B	
	08	I08A, I08B, I08C, I08D, I08E, I08F, I13A, I13B, I13C, I13D		21B	X04Z		21B	X04Z	
	21A	W04A, W04B	5t12z.n↔		BOP, KVT, UOP4, VIAL		08	I08A, I08B, I08C, I08D, I08E, I08F	
	21B	X06A, X06B, X06C		08	I13A, I13B, I13C, I13D, I13E		21A	W01A, W01B, W01C, W02A, W02B	
5t12z.3↔		BOP, KVT, UOP4, VIAL		21A	W01A, W01B, W01C, W02A, W02B		21B	X04Z	
	08	I08A, I08B, I08C, I08D, I08E, I08F, I13A, I13B, I13C, I13D		21B	X04Z	5t131.i↔		BOP, KVT, UOP4, VIAL	
	21A	W04A, W04B		5t12z.p↔		BOP, KVT, UOP4, VIAL		08	I24Z, I30Z
	21B	X06A, X06B, X06C		08	I13A, I13B, I13C, I13D, I13E		21A	W04A, W04B	
5t12z.4↔		BOP, KVT, UOP4, VIAL		21A	W01A, W01B, W01C, W02A, W02B		21B	X04Z	
	08	I08A, I08B, I08C, I08D, I08E, I08F, I21Z, I31Z		21B	X04Z	5t131.k↔		BOP, KVT, UOP4, VIAL	
	21A	W04A, W04B		5t12z.r↔		BOP, KVT, UOP4, VIAL		08	I13A, I13B, I13C, I13D
	21B	X06A, X06B, X06C		08	I13A, I13B, I13C, I13D, I13E		21A	W01A, W01B, W01C, W02A, W02B	
5t12z.6↔		BOP, KVT, UOP4, VIAL		21A	W01A, W01B, W01C, W02A, W02B		21B	X04Z	
	08	I08A, I08B, I08C, I08D, I08E, I08F, I13A, I13B, I21Z, I31Z		21B	X04Z	5t131.l↔		BOP, KVT, UOP4, VIAL	
	21A	W04A, W04B		5t12z.x		BOP, KVT, UOP4		08	I13A, I13B, I13C, I13D
	21B	X06A, X06B, X06C		08	I28A, I28B		21A	W01A, W01B, W01C, W02A, W02B	
5t12z.7↔		BOP, KVT, UOP4, VIAL		21A	W04A, W04B		21B	X04Z	
	08	I08A, I08B, I08C, I08D, I08E, I08F, I21Z, I31Z		21B	X06A, X06B, X06C	5t131.p↔		BOP, KVT, UOP4, VIAL	
	21A	W04A, W04B		5t131.1↔		BOP, KVT, UOP4, VIAL		08	I13A, I13B, I13C, I13D
	21B	X06A, X06B, X06C		08	I08A, I08B, I08C, I08D, I08E, I08F, I13A, I13B, I13C, I13D		21A	W01A, W01B, W01C, W02A, W02B	
5t12z.9↔		BOP, KVT, UOP4, VIAL		21A	W04A, W04B		21B	X04Z	
	08	I08A, I08B, I08C, I08D, I08E, I08F, I21Z, I31Z		21B	X06A, X06B, X06C	5t131.r↔		BOP, KVT, UOP4, VIAL	
	21A	W04A, W04B		5t131.3↔		BOP, KVT, UOP4, VIAL		08	I13A, I13B, I13C, I13D
	21B	X06A, X06B, X06C		08	I08A, I08B, I08C, I08D, I08E, I08F, I13A, I13B, I13C, I13D		21A	W01A, W01B, W01C, W02A, W02B	
5t12z.e↔		BOP, KVT, UOP4, VIAL		21A	W04A, W04B		21B	X04Z	
	01	B03A, B03B, B06A, B06B, B17A, B17B, B17C		21B	X06A, X06B, X06C	5t131.x		BOP, KVT, UOP4	
	08	I08A, I08B, I08C, I08D, I08E, I08F		5t131.4↔		BOP, KVT, UOP4, VIAL		08	I28A, I28B
	10	K09A, K09B		08	I08A, I08B, I08C, I08D, I08E, I08F, I21Z, I31Z		21A	W04A, W04B	
	21A	W01A, W01B, W01C, W02A, W02B		21A	W04A, W04B		21B	X06A, X06B, X06C	
	21B	X04Z		21B	X06A, X06B, X06C	5t133.1↔		BOP, KVT, UOP4, VIAL	
				5t131.6↔		BOP, KVT, UOP4, VIAL		08	I08A, I08B, I08C, I08D, I08E, I08F, I13A, I13B, I13C, I13D
				08	I08A, I08B, I08C, I08D, I08E, I08F, I13A, I13B, I21Z, I31Z		21A	W04A, W04B	
				21A	W04A, W04B		21B	X06A, X06B, X06C	
				21B	X06A, X06B, X06C	5t133.3↔		BOP, KVT, UOP4, VIAL	
				5t131.7↔		BOP, KVT, UOP4, VIAL		08	I08A, I08B, I08C, I08D, I08E, I08F, I13A, I13B, I13C, I13D
				08	I08A, I08B, I08C, I08D, I08E, I08F, I21Z, I31Z		21A	W04A, W04B	
				21A	W04A, W04B		21B	X06A, X06B, X06C	
				21B	X06A, X06B, X06C				

VYK

ZZV	MDC	DRG	ZZV	MDC	DRG	ZZV	MDC	DRG
5t133.4↔		BOP, KVT, UOP4, VIAL	5t134.1↔		BOP, KVT, UOP4, VIAL	5t134.p↔		BOP, KVT, UOP4, VIAL
	08	I08A, I08B, I08C, I08D, I08E, I08F, I21Z, I31Z		08	I08A, I08B, I08C, I08D, I08E, I08F, I13A, I13B, I13C, I13D		08	I13A, I13B, I13C, I13D
	21A	W04A, W04B		21A	W04A, W04B		21A	W01A, W01B, W01C, W02A, W02B
	21B	X06A, X06B, X06C		21B	X06A, X06B, X06C		21B	X04Z
5t133.6↔		BOP, KVT, UOP4, VIAL	5t134.3↔		BOP, KVT, UOP4, VIAL	5t134.r↔		BOP, KVT, UOP4, VIAL
	08	I08A, I08B, I08C, I08D, I08E, I08F, I13A, I13B, I21Z, I31Z		08	I08A, I08B, I08C, I08D, I08E, I08F, I13A, I13B, I13C, I13D		08	I13A, I13B, I13C, I13D
	21A	W04A, W04B		21A	W04A, W04B		21A	W01A, W01B, W01C, W02A, W02B
	21B	X06A, X06B, X06C		21B	X06A, X06B, X06C		21B	X04Z
5t133.7↔		BOP, KVT, UOP4, VIAL	5t134.4↔		BOP, KVT, UOP4, VIAL	5t134.x		BOP, KVT, UOP4
	08	I08A, I08B, I08C, I08D, I08E, I08F, I21Z, I31Z		08	I08A, I08B, I08C, I08D, I08E, I08F, I21Z, I31Z		08	I28A, I28B
	21A	W04A, W04B		21A	W04A, W04B		21A	W04A, W04B
	21B	X06A, X06B, X06C		21B	X06A, X06B, X06C		21B	X06A, X06B, X06C
5t133.9↔		BOP, KVT, UOP4, VIAL	5t134.6↔		BOP, KVT, UOP4, VIAL	5t135.1↔		BOP, KVT, UOP4, VIAL
	08	I08A, I08B, I08C, I08D, I08E, I08F, I21Z, I31Z		08	I08A, I08B, I08C, I08D, I08E, I08F, I13A, I13B, I21Z, I31Z		08	I08A, I08B, I08C, I08D, I08E, I08F, I13A, I13B, I13C, I13D
	21A	W04A, W04B		21A	W04A, W04B		5t135.3↔	BOP, KVT, UOP4, VIAL
	21B	X06A, X06B, X06C		21B	X06A, X06B, X06C		08	I08A, I08B, I08C, I08D, I08E, I08F, I13A, I13B, I13C, I13D
5t133.e↔		BOP, KVT, UOP4, VIAL	5t134.7↔		BOP, KVT, UOP4, VIAL	5t135.e↔		BOP, KVT, UOP4, VIAL
	01	B03A, B03B, B06A, B06B, B17A, B17B, B17C		08	I08A, I08B, I08C, I08D, I08E, I08F, I21Z, I31Z		01	B03A, B03B, B06A, B06B, B17A, B17B, B17C
	08	I08A, I08B, I08C, I08D, I08E, I08F		21A	W04A, W04B		08	I08A, I08B, I08C, I08D, I08E, I08F
	10	K09A, K09B		21B	X06A, X06B, X06C		10	K09A, K09B
	21A	W01A, W01B, W01C, W02A, W02B	5t134.9↔		BOP, KVT, UOP4, VIAL		21A	W01A, W01B, W01C, W02A, W02B
	21B	X04Z		08	I08A, I08B, I08C, I08D, I08E, I08F, I21Z, I31Z		21B	X04Z
5t133.f↔		BOP, KVT, UOP4, VIAL		21A	W04A, W04B	5t135.f↔		BOP, KVT, UOP4, VIAL
	01	B03A, B03B, B06A, B06B, B17A, B17B, B17C	5t134.e↔		BOP, KVT, UOP4, VIAL		01	B03A, B03B, B06A, B06B, B17A, B17B, B17C
	08	I08A, I08B, I08C, I08D, I08E, I08F		01	B03A, B03B, B06A, B06B, B17A, B17B, B17C		08	I08A, I08B, I08C, I08D, I08E, I08F
	10	K09A, K09B		08	I08A, I08B, I08C, I08D, I08E, I08F		10	K09A, K09B
	21A	W01A, W01B, W01C, W02A, W02B		10	K09A, K09B		21A	W01A, W01B, W01C, W02A, W02B
	21B	X04Z		21A	W01A, W01B, W01C, W02A, W02B		21B	X04Z
5t133.h↔		BOP, KVT, UOP4, VIAL		21B	X04Z	5t135.h↔		BOP, KVT, UOP4, VIAL
	01	B03A, B03B, B06A, B06B, B17A, B17B, B17C	5t134.f↔		BOP, KVT, UOP4, VIAL		01	B03A, B03B, B06A, B06B, B17A, B17B, B17C
	08	I08A, I08B, I08C, I08D, I08E, I08F		01	B03A, B03B, B06A, B06B, B17A, B17B, B17C		08	I08A, I08B, I08C, I08D, I08E, I08F
	21A	W01A, W01B, W01C, W02A, W02B		08	I08A, I08B, I08C, I08D, I08E, I08F		21A	W01A, W01B, W01C, W02A, W02B
	21B	X04Z		10	K09A, K09B		21B	X04Z
5t133.k↔		BOP, KVT, UOP4, VIAL		21A	W01A, W01B, W01C, W02A, W02B	5t135.k↔		BOP, KVT, UOP4, VIAL
	08	I13A, I13B, I13C, I13D		21B	X04Z		08	I13A, I13B, I13C, I13D
	21A	W01A, W01B, W01C, W02A, W02B	5t134.h↔		BOP, KVT, UOP4, VIAL	5t135.x		BOP, KVT, UOP4
	21B	X04Z		01	B03A, B03B, B06A, B06B, B17A, B17B, B17C		08	I28A, I28B
5t133.n↔		BOP, KVT, UOP4, VIAL		08	I08A, I08B, I08C, I08D, I08E, I08F		21A	W04A, W04B
	08	I13A, I13B, I13C, I13D		21A	W01A, W01B, W01C, W02A, W02B		21B	X06A, X06B, X06C
	21A	W01A, W01B, W01C, W02A, W02B		21B	X04Z	5t138.1↔		BOP, KVT, UOP4, VIAL
	21B	X04Z		21B	X04Z		08	I08A, I08B, I08C, I08D, I08E, I08F, I13A, I13B, I13C, I13D
5t133.p↔		BOP, KVT, UOP4, VIAL	5t134.j↔		BOP, KVT, UOP4, VIAL		21A	W04A, W04B
	08	I13A, I13B, I13C, I13D		08	I24Z, I30Z		21B	X06A, X06B, X06C
	21A	W01A, W01B, W01C, W02A, W02B		21A	W04A, W04B	5t138.3↔		BOP, KVT, UOP4, VIAL
	21B	X04Z		21B	X04Z		08	I08A, I08B, I08C, I08D, I08E, I08F, I13A, I13B, I13C, I13D
5t133.r↔		BOP, KVT, UOP4, VIAL	5t134.k↔		BOP, KVT, UOP4, VIAL		21A	W04A, W04B
	08	I13A, I13B, I13C, I13D		08	I13A, I13B, I13C, I13D		21B	X06A, X06B, X06C
	21A	W01A, W01B, W01C, W02A, W02B		21A	W01A, W01B, W01C, W02A, W02B	5t138.4↔		BOP, KVT, UOP4, VIAL
	21B	X04Z		21B	X04Z		08	I08A, I08B, I08C, I08D, I08E, I08F, I21Z, I31Z
5t133.x		BOP, KVT, UOP4	5t134.n↔		BOP, KVT, UOP4, VIAL		21A	W04A, W04B
	08	I28A, I28B		08	I13A, I13B, I13C, I13D		21B	X06A, X06B, X06C
	21A	W04A, W04B		21A	W01A, W01B, W01C, W02A, W02B			
	21B	X06A, X06B, X06C		21B	X04Z			

ZZV	MDC	DRG	ZZV	MDC	DRG	ZZV	MDC	DRG
5t138.6↔		BOP, KVT, UOP4, VIAL	5t139.e↔		BOP, KVT, UOP4, VIAL	5t13a.e↔		BOP, KVT, UOP4, VIAL
	08	I08A, I08B, I08C, I08D, I08E, I08F, I13A, I13B, I21Z, I31Z		01	B03A, B03B, B06A, B06B, B17A, B17B, B17C		01	B03A, B03B, B06A, B06B, B17A, B17B, B17C
	21A	W04A, W04B		08	I08A, I08B, I08C, I08D, I08E, I08F		08	I08A, I08B, I08C, I08D, I08E, I08F
	21B	X06A, X06B, X06C		10	K09A, K09B		10	K09A, K09B
5t138.7↔		BOP, KVT, UOP4, VIAL		21A	W01A, W01B, W01C, W02A, W02B		21A	W01A, W01B, W01C, W02A, W02B
	08	I08A, I08B, I08C, I08D, I08E, I08F, I21Z, I31Z		21B	X04Z		21B	X04Z
	21A	W04A, W04B	5t139.f↔		BOP, KVT, UOP4, VIAL	5t13a.f↔		BOP, KVT, UOP4, VIAL
	21B	X06A, X06B, X06C		01	B03A, B03B, B06A, B06B, B17A, B17B, B17C		01	B03A, B03B, B06A, B06B, B17A, B17B, B17C
5t138.9↔		BOP, KVT, UOP4, VIAL		08	I08A, I08B, I08C, I08D, I08E, I08F, I21Z, I31Z		08	I08A, I08B, I08C, I08D, I08E, I08F
	08	I08A, I08B, I08C, I08D, I08E, I08F, I21Z, I31Z		10	K09A, K09B		10	K09A, K09B
	21A	W04A, W04B		21A	W01A, W01B, W01C, W02A, W02B		21A	W01A, W01B, W01C, W02A, W02B
	21B	X06A, X06B, X06C		21B	X04Z		21B	X04Z
5t138.e↔		BOP, KVT, UOP4, VIAL	5t139.h↔		BOP, KVT, UOP4, VIAL	5t13a.h↔		BOP, KVT, UOP4, VIAL
	01	B03A, B03B, B06A, B06B, B17A, B17B, B17C		01	B03A, B03B, B06A, B06B, B17A, B17B, B17C		01	B03A, B03B, B06A, B06B, B17A, B17B, B17C
	08	I08A, I08B, I08C, I08D, I08E, I08F		08	I08A, I08B, I08C, I08D, I08E, I08F		08	I08A, I08B, I08C, I08D, I08E, I08F
	10	K09A, K09B		21A	W01A, W01B, W01C, W02A, W02B		21A	W01A, W01B, W01C, W02A, W02B
	21A	W01A, W01B, W01C, W02A, W02B		21B	X04Z		21B	X04Z
	21B	X04Z	5t139.k↔		BOP, KVT, UOP4, VIAL	5t13a.j↔		BOP, KVT, UOP4, VIAL
5t138.f↔		BOP, KVT, UOP4, VIAL		08	I13A, I13B, I13C, I13D		08	I24Z, I30Z
	01	B03A, B03B, B06A, B06B, B17A, B17B, B17C		21A	W01A, W01B, W01C, W02A, W02B		21A	W04A, W04B
	08	I08A, I08B, I08C, I08D, I08E, I08F		21B	X04Z		21B	X04Z
	10	K09A, K09B	5t139.n↔		BOP, KVT, UOP4, VIAL	5t13a.k↔		BOP, KVT, UOP4, VIAL
	21A	W01A, W01B, W01C, W02A, W02B		08	I13A, I13B, I13C, I13D		08	I13A, I13B, I13C, I13D
	21B	X04Z		21A	W01A, W01B, W01C, W02A, W02B		21A	W01A, W01B, W01C, W02A, W02B
5t138.h↔		BOP, KVT, UOP4, VIAL		21B	X04Z	5t13a.n↔		BOP, KVT, UOP4, VIAL
	01	B03A, B03B, B06A, B06B, B17A, B17B, B17C	5t13a.1↔		BOP, KVT, UOP4		08	I13A, I13B, I13C, I13D
	08	I08A, I08B, I08C, I08D, I08E, I08F		08	I28A, I28B		21A	W01A, W01B, W01C, W02A, W02B
	21A	W01A, W01B, W01C, W02A, W02B		21A	W04A, W04B		21B	X04Z
	21B	X04Z	5t13a.3↔		BOP, KVT, UOP4, VIAL	5t13a.p↔		BOP, KVT, UOP4, VIAL
5t138.j↔		BOP, KVT, UOP4, VIAL		08	I08A, I08B, I08C, I08D, I08E, I08F, I13A, I13B, I13C, I13D		08	I13A, I13B, I13C, I13D
	08	I24Z, I30Z		21A	W04A, W04B		21A	W01A, W01B, W01C, W02A, W02B
	21A	W04A, W04B		21B	X06A, X06B, X06C		21B	X04Z
	21B	X04Z	5t13a.4↔		BOP, KVT, UOP4, VIAL	5t13a.r↔		BOP, KVT, UOP4, VIAL
5t138.k↔		BOP, KVT, UOP4, VIAL		08	I08A, I08B, I08C, I08D, I08E, I08F, I21Z, I31Z		08	I13A, I13B, I13C, I13D
	08	I13A, I13B, I13C, I13D		21A	W04A, W04B		21A	W01A, W01B, W01C, W02A, W02B
	21A	W01A, W01B, W01C, W02A, W02B		21B	X06A, X06B, X06C		21B	X04Z
	21B	X04Z	5t13a.6↔		BOP, KVT, UOP4, VIAL	5t13a.x		BOP, KVT, UOP4
5t138.n↔		BOP, KVT, UOP4, VIAL		08	I08A, I08B, I08C, I08D, I08E, I08F, I13A, I13B, I21Z, I31Z		08	I28A, I28B
	08	I13A, I13B, I13C, I13D		21A	W04A, W04B		21A	W04A, W04B
	21A	W01A, W01B, W01C, W02A, W02B		21B	X06A, X06B, X06C		21B	X06A, X06B, X06C
	21B	X04Z	5t13a.7↔		BOP, KVT, UOP4, VIAL	5t13b.1↔		BOP, KVT, UOP4, VIAL
5t138.p↔		BOP, KVT, UOP4, VIAL		08	I08A, I08B, I08C, I08D, I08E, I08F, I21Z, I31Z		08	I08A, I08B, I08C, I08D, I08E, I08F, I13A, I13B, I13C, I13D
	08	I13A, I13B, I13C, I13D		21A	W04A, W04B		21A	W04A, W04B
	21A	W01A, W01B, W01C, W02A, W02B		21B	X06A, X06B, X06C		21B	X06A, X06B, X06C
	21B	X04Z	5t13a.9↔		BOP, KVT, UOP4, VIAL	5t13b.3↔		BOP, KVT, UOP4, VIAL
5t138.r↔		BOP, KVT, UOP4, VIAL		08	I08A, I08B, I08C, I08D, I08E, I08F, I21Z, I31Z		08	I08A, I08B, I08C, I08D, I08E, I08F, I13A, I13B, I13C, I13D
	08	I13A, I13B, I13C, I13D		21A	W04A, W04B		21A	W04A, W04B
	21A	W01A, W01B, W01C, W02A, W02B		21B	X06A, X06B, X06C		21B	X06A, X06B, X06C
	21B	X04Z		21B	X06A, X06B, X06C	5t13b.4↔		BOP, KVT, UOP4, VIAL
5t138.x		BOP, KVT, UOP4					08	I08A, I08B, I08C, I08D, I08E, I08F, I21Z, I31Z
	08	I28A, I28B					21A	W04A, W04B
	21A	W04A, W04B					21B	X06A, X06B, X06C
	21B	X06A, X06B, X06C						

ZZV	MDC	DRG	ZZV	MDC	DRG	ZZV	MDC	DRG	
5t13b.6↔		BOP, KVT, UOP4, VIAL	5t13c.3↔		BOP, KVT, UOP4, VIAL	5t13d.r↔		BOP, KVT, UOP4, VIAL	
	08	I08A, I08B, I08C, I08D, I08E, I08F, I13A, I13B, I21Z, I31Z		08	I08A, I08B, I08C, I08D, I08E, I08F, I13A, I13B, I13C, I13D		08	I13A, I13B, I13C, I13D	
	21A	W04A, W04B		21A	W04A, W04B		21A	W01A, W01B, W01C, W02A, W02B	
	21B	X06A, X06B, X06C		21B	X06A, X06B, X06C		21B	X04Z	
5t13b.7↔		BOP, KVT, UOP4, VIAL	5t13c.e↔		BOP, KVT, UOP4, VIAL	5t13d.x		BOP, KVT, UOP4	
	08	I08A, I08B, I08C, I08D, I08E, I08F, I21Z, I31Z		01	B03A, B03B, B06A, B06B, B17A, B17B, B17C		08	I28A, I28B	
	21A	W04A, W04B		08	I08A, I08B, I08C, I08D, I08E, I08F		21A	W04A, W04B	
	21B	X06A, X06B, X06C		10	K09A, K09B		21B	X06A, X06B, X06C	
5t13b.9↔		BOP, KVT, UOP4, VIAL		21A	W01A, W01B, W01C, W02A, W02B	5t13v.1↔		BOP, KVT, UOP4, VIAL	
	08	I08A, I08B, I08C, I08D, I08E, I08F, I21Z, I31Z		21B	X04Z		08	I08A, I08B, I08C, I08D, I08E, I08F, I13A, I13B, I13C, I13D	
	21A	W04A, W04B	5t13c.f↔		BOP, KVT, UOP4, VIAL		21A	W04A, W04B	
	21B	X06A, X06B, X06C		01	B03A, B03B, B06A, B06B, B17A, B17B, B17C	5t13v.3↔		BOP, KVT, UOP4, VIAL	
5t13b.e↔		BOP, KVT, UOP4, VIAL		08	I08A, I08B, I08C, I08D, I08E, I08F		08	I08A, I08B, I08C, I08D, I08E, I08F, I13A, I13B, I13C, I13D	
	01	B03A, B03B, B06A, B06B, B17A, B17B, B17C		10	K09A, K09B		21A	W04A, W04B	
	08	I08A, I08B, I08C, I08D, I08E, I08F		21A	W01A, W01B, W01C, W02A, W02B		21B	X06A, X06B, X06C	
	10	K09A, K09B	5t13c.h↔		BOP, KVT, UOP4, VIAL	5t13v.4↔		BOP, KVT, UOP4, VIAL	
	21A	W01A, W01B, W01C, W02A, W02B		01	B03A, B03B, B06A, B06B, B17A, B17B, B17C		08	I08A, I08B, I08C, I08D, I08E, I08F, I13A, I21Z, I31Z	
	21B	X04Z		08	I08A, I08B, I08C, I08D, I08E, I08F		21A	W04A, W04B	
5t13b.f↔		BOP, KVT, UOP4, VIAL		21A	W01A, W01B, W01C, W02A, W02B	5t13v.6↔		BOP, KVT, UOP4, VIAL	
	01	B03A, B03B, B06A, B06B, B17A, B17B, B17C		21B	X04Z		08	I08A, I08B, I08C, I08D, I08E, I08F, I13A, I21Z, I31Z	
	08	I08A, I08B, I08C, I08D, I08E, I08F	5t13c.k↔		BOP, KVT, UOP4, VIAL		21A	W04A, W04B	
	10	K09A, K09B		08	I13A, I13B, I13C, I13D		21B	X06A, X06B, X06C	
	21A	W01A, W01B, W01C, W02A, W02B		21A	W01A, W01B, W01C, W02A, W02B	5t13v.7↔		BOP, KVT, UOP4, VIAL	
	21B	X04Z		21B	X04Z		08	I08A, I08B, I08C, I08D, I08E, I08F, I13A, I21Z, I31Z	
5t13b.h↔		BOP, KVT, UOP4, VIAL	5t13c.x		BOP, KVT, UOP4		21A	W04A, W04B	
	01	B03A, B03B, B06A, B06B, B17A, B17B, B17C		08	I28A, I28B	5t13v.9↔		BOP, KVT, UOP4, VIAL	
	08	I08A, I08B, I08C, I08D, I08E, I08F		21A	W04A, W04B		08	I08A, I08B, I08C, I08D, I08E, I08F, I13A, I21Z, I31Z	
	21A	W01A, W01B, W01C, W02A, W02B		21B	X06A, X06B, X06C		21A	W04A, W04B	
	21B	X04Z	5t13d.h↔		BOP, KVT, UOP4, VIAL	5t13v.e↔		BOP, KVT, UOP4, VIAL	
5t13b.k↔		BOP, KVT, UOP4, VIAL		01	B03A, B03B, B06A, B06B, B17A, B17B, B17C		01	B03A, B03B, B06A, B06B, B17A, B17B, B17C	
	08	I13A, I13B, I13C, I13D		08	I08A, I08B, I08C, I08D, I08E, I08F		08	I08A, I08B, I08C, I08D, I08E, I08F, I13A	
	21A	W01A, W01B, W01C, W02A, W02B	5t13d.j↔		BOP, KVT, UOP4, VIAL		10	K09A, K09B	
	21B	X04Z		08	I24Z, I30Z	5t13v.f↔		21A	W01A, W01B, W01C, W02A, W02B
5t13b.n↔		BOP, KVT, UOP4, VIAL		21A	W04A, W04B		21A	W01A, W01B, W01C, W02A, W02B	
	08	I13A, I13B, I13C, I13D		21B	X04Z		21B	X04Z	
	21A	W01A, W01B, W01C, W02A, W02B	5t13d.k↔		BOP, KVT, UOP4, VIAL		01	B03A, B03B, B06A, B06B, B17A, B17B, B17C	
	21B	X04Z		08	I13A, I13B, I13C, I13D		08	I08A, I08B, I08C, I08D, I08E, I08F, I13A	
5t13b.p↔		BOP, KVT, UOP4, VIAL		21A	W01A, W01B, W01C, W02A, W02B		10	K09A, K09B	
	08	I13A, I13B, I13C, I13D		21B	X04Z	5t13v.h↔		21A	W01A, W01B, W01C, W02A, W02B
	21A	W01A, W01B, W01C, W02A, W02B	5t13d.n↔		BOP, KVT, UOP4, VIAL		21B	X04Z	
	21B	X04Z		08	I13A, I13B, I13C, I13D		01	B03A, B03B, B06A, B06B, B17A, B17B, B17C	
5t13b.r↔		BOP, KVT, UOP4, VIAL		21A	W01A, W01B, W01C, W02A, W02B		08	I08A, I08B, I08C, I08D, I08E, I08F, I13A	
	08	I13A, I13B, I13C, I13D	5t13d.p↔		BOP, KVT, UOP4, VIAL		21A	W01A, W01B, W01C, W02A, W02B	
	21A	W01A, W01B, W01C, W02A, W02B		08	I13A, I13B, I13C, I13D	5t13v.j↔		BOP, KVT, UOP4, VIAL	
	21B	X04Z		21A	W01A, W01B, W01C, W02A, W02B		08	I13A, I24Z, I30Z	
5t13b.x		BOP, KVT, UOP4		21B	X04Z		21A	W04A, W04B	
	08	I28A, I28B		21B	X04Z		21B	X04Z	
	21A	W04A, W04B		21A	W01A, W01B, W01C, W02A, W02B				
	21B	X06A, X06B, X06C		21B	X04Z				
5t13c.1↔		BOP, KVT, UOP4, VIAL		21A	W01A, W01B, W01C, W02A, W02B				
	08	I08A, I08B, I08C, I08D, I08E, I08F, I13A, I13B, I13C, I13D		21B	X04Z				
	21A	W04A, W04B							
	21B	X06A, X06B, X06C							

VYK

ZZV	MDC	DRG	ZZV	MDC	DRG	ZZV	MDC	DRG
5t13v.k↔		BOP, KVT, UOP4, VIAL 08 I13A, I13B, I13C, I13D 21A W01A, W01B, W01C, W02A, W02B 21B X04Z	5t13x.f↔		BOP, KVT, UOP4, VIAL 01 B03A, B03B, B06A, B06B, B17A, B17B, B17C 08 I08A, I08B, I08C, I08D, I08E, I08F 10 K09A, K09B 21A W01A, W01B, W01C, W02A, W02B 21B X04Z	5t13z.9↔		BOP, KVT, UOP4, VIAL 08 I08A, I08B, I08C, I08D, I08E, I08F, I21Z, I31Z 21A W04A, W04B 21B X06A, X06B, X06C
5t13v.n↔		BOP, KVT, UOP4, VIAL 08 I13A, I13B, I13C, I13D 21A W01A, W01B, W01C, W02A, W02B 21B X04Z	5t13x.h↔		BOP, KVT, UOP4, VIAL 01 B03A, B03B, B06A, B06B, B17A, B17B, B17C 08 I08A, I08B, I08C, I08D, I08E, I08F 21A W01A, W01B, W01C, W02A, W02B 21B X04Z	5t13z.e↔		BOP, KVT, UOP4, VIAL 01 B03A, B03B, B06A, B06B, B17A, B17B, B17C 08 I08A, I08B, I08C, I08D, I08E, I08F 10 K09A, K09B 21A W01A, W01B, W01C, W02A, W02B 21B X04Z
5t13v.p↔		BOP, KVT, UOP4, VIAL 08 I13A, I13B, I13C, I13D 21A W01A, W01B, W01C, W02A, W02B 21B X04Z	5t13x.j↔		BOP, KVT, UOP4, VIAL 01 B03A, B03B, B06A, B06B, B17A, B17B, B17C 08 I08A, I08B, I08C, I08D, I08E, I08F 21A W01A, W01B, W01C, W02A, W02B 21B X04Z	5t13z.f↔		BOP, KVT, UOP4, VIAL 01 B03A, B03B, B06A, B06B, B17A, B17B, B17C 08 I08A, I08B, I08C, I08D, I08E, I08F 10 K09A, K09B 21A W01A, W01B, W01C, W02A, W02B 21B X04Z
5t13v.r↔		BOP, KVT, UOP4, VIAL 08 I13A, I13B, I13C, I13D 21A W01A, W01B, W01C, W02A, W02B 21B X04Z	5t13x.k↔		BOP, KVT, UOP4, VIAL 08 I13A, I13B, I13C, I13D 21A W01A, W01B, W01C, W02A, W02B 21B X04Z	5t13z.h↔		BOP, KVT, UOP4, VIAL 01 B03A, B03B, B06A, B06B, B17A, B17B, B17C 08 I08A, I08B, I08C, I08D, I08E, I08F 10 K09A, K09B 21A W01A, W01B, W01C, W02A, W02B 21B X04Z
5t13v.x		BOP, KVT, UOP4 08 I13A, I28A, I28B 21A W04A, W04B 21B X06A, X06B, X06C	5t13x.n↔		BOP, KVT, UOP4, VIAL 08 I13A, I13B, I13C, I13D 21A W01A, W01B, W01C, W02A, W02B 21B X04Z	5t13z.j↔		BOP, KVT, UOP4, VIAL 08 I24Z, I30Z 21A W04A, W04B 21B X04Z
5t13x.1↔		BOP, KVT, UOP4, VIAL 08 I08A, I08B, I08C, I08D, I08E, I08F, I13A, I13B, I13C, I13D 21A W04A, W04B 21B X06A, X06B, X06C	5t13x.p↔		BOP, KVT, UOP4, VIAL 08 I13A, I13B, I13C, I13D 21A W01A, W01B, W01C, W02A, W02B 21B X04Z	5t13z.k↔		BOP, KVT, UOP4, VIAL 08 I13A, I13B, I13C, I13D 21A W01A, W01B, W01C, W02A, W02B 21B X04Z
5t13x.3↔		BOP, KVT, UOP4, VIAL 08 I08A, I08B, I08C, I08D, I08E, I08F, I13A, I13B, I13C, I13D 21A W04A, W04B 21B X06A, X06B, X06C	5t13x.r↔		BOP, KVT, UOP4, VIAL 08 I13A, I13B, I13C, I13D 21A W01A, W01B, W01C, W02A, W02B 21B X04Z	5t13z.n↔		BOP, KVT, UOP4, VIAL 08 I13A, I13B, I13C, I13D 21A W01A, W01B, W01C, W02A, W02B 21B X04Z
5t13x.4↔		BOP, KVT, UOP4, VIAL 08 I08A, I08B, I08C, I08D, I08E, I08F, I21Z, I31Z 21A W04A, W04B 21B X06A, X06B, X06C	5t13x.x		BOP, KVT, UOP4 08 I28A, I28B 21A W04A, W04B 21B X06A, X06B, X06C	5t13z.p↔		BOP, KVT, UOP4, VIAL 08 I13A, I13B, I13C, I13D 21A W01A, W01B, W01C, W02A, W02B 21B X04Z
5t13x.6↔		BOP, KVT, UOP4, VIAL 08 I08A, I08B, I08C, I08D, I08E, I08F, I13A, I13B, I21Z, I31Z 21A W04A, W04B 21B X06A, X06B, X06C	5t13z.1↔		BOP, KVT, UOP4, VIAL 08 I08A, I08B, I08C, I08D, I08E, I08F, I13A, I13B, I13C, I13D 21A W04A, W04B 21B X06A, X06B, X06C	5t13z.r↔		BOP, KVT, UOP4, VIAL 08 I13A, I13B, I13C, I13D 21A W01A, W01B, W01C, W02A, W02B 21B X04Z
5t13x.7↔		BOP, KVT, UOP4, VIAL 08 I08A, I08B, I08C, I08D, I08E, I08F, I21Z, I31Z 21A W04A, W04B 21B X06A, X06B, X06C	5t13z.3↔		BOP, KVT, UOP4, VIAL 08 I08A, I08B, I08C, I08D, I08E, I08F, I13A, I13B, I13C, I13D 21A W04A, W04B 21B X06A, X06B, X06C	5t13z.x		BOP, KVT, UOP4 08 I28A, I28B 21A W04A, W04B 21B X06A, X06B, X06C
5t13x.9↔		BOP, KVT, UOP4, VIAL 08 I08A, I08B, I08C, I08D, I08E, I08F, I21Z, I31Z 21A W04A, W04B 21B X06A, X06B, X06C	5t13z.4↔		BOP, KVT, UOP4, VIAL 08 I08A, I08B, I08C, I08D, I08E, I08F, I21Z, I31Z 21A W04A, W04B 21B X06A, X06B, X06C	5t140.0↔		BOP, KVT, UOP4, VIAL 08 I29Z 21A W04A, W04B 21B X06A, X06B, X06C
5t13x.e↔		BOP, KVT, UOP4, VIAL 01 B03A, B03B, B06A, B06B, B17A, B17B, B17C 08 I08A, I08B, I08C, I08D, I08E, I08F 10 K09A, K09B 21A W01A, W01B, W01C, W02A, W02B 21B X04Z	5t13z.6↔		BOP, KVT, UOP4, VIAL 08 I08A, I08B, I08C, I08D, I08E, I08F, I13A, I13B, I21Z, I31Z 21A W04A, W04B 21B X06A, X06B, X06C	5t140.a↔		BOP, KVT, UOP4, VIAL 08 I32A, I32B, I32C, I32D, I32E, I32F 21A W04A, W04B 21B X05A
			5t13z.7↔		BOP, KVT, UOP4, VIAL 08 I08A, I08B, I08C, I08D, I08E, I08F, I21Z, I31Z 21A W04A, W04B 21B X06A, X06B, X06C			

VYK

ZZV	MDC	DRG	ZZV	MDC	DRG	ZZV	MDC	DRG
5t140.b↔		BOP, KVT, UOP4, VIAL	5t141.x		BOP, KVT, UOP4	5t144.u↔		BOP, KVT, UOP4, VIAL
	08	I32A, I32B, I32C, I32D, I32E, I32F		08	I28A, I28B		08	I20A, I20B, I20C, I20D, I20E, I20F
	21A	W04A, W04B		21A	W04A, W04B		21A	W04A, W04B
	21B	X05A		21B	X06A, X06B, X06C		21B	X04Z
5t140.c↔		BOP, KVT, UOP4, VIAL	5t141.z↔		BOP, KVT, UOP4, VIAL	5t144.v↔		BOP, KVT, UOP4, VIAL
	01	B03A, B03B, B06A, B06B, B07Z, B17A, B17B, B17C		08	I28A, I28B, I28C		08	I20A, I20B, I20C, I20D, I20E, I20F
	08	I32A, I32B, I32C, I32D, I32E, I32F		21A	W04A, W04B		21A	W04A, W04B
	21A	W04A, W04B		21B	X06A, X06B, X06C		21B	X04Z
	21B	X05A	5t143.0↔		BOP, KVT, UOP4, VIAL	5t144.w↔		BOP, KVT, UOP4, VIAL
5t140.u↔		BOP, KVT, UOP4, VIAL		08	I21Z		08	I20A, I20B, I20C, I20D, I20E, I20F
	08	I20A, I20B, I20C, I20D, I20E, I20F		21A	W04A, W04B		21A	W04A, W04B
	21A	W04A, W04B		21B	X06A, X06B, X06C		21B	X04Z
	21B	X04Z	5t143.a↔		BOP, KVT, UOP4, VIAL	5t144.x		BOP, KVT, UOP4
5t140.v↔		BOP, KVT, UOP4, VIAL		08	I32A, I32B, I32C, I32D, I32E, I32F		08	I28A, I28B
	08	I20A, I20B, I20C, I20D, I20E, I20F		21A	W04A, W04B		21A	W04A, W04B
	21A	W04A, W04B		21B	X05A		21B	X06A, X06B, X06C
	21B	X04Z	5t143.b↔		BOP, KVT, UOP4, VIAL	5t144.z↔		BOP, KVT, UOP4, VIAL
5t140.w↔		BOP, KVT, UOP4, VIAL		08	I32A, I32B, I32C, I32D, I32E, I32F		08	I28A, I28B, I28C
	08	I20A, I20B, I20C, I20D, I20E, I20F		21A	W04A, W04B		21A	W04A, W04B
	21A	W04A, W04B		21B	X05A		21B	X06A, X06B, X06C
	21B	X04Z	5t143.c↔		BOP, KVT, UOP4, VIAL	5t14a.0↔		BOP, KVT, UOP4, VIAL
5t140.x		BOP, KVT, UOP4		08	I32A, I32B, I32C, I32D, I32E, I32F		08	I21Z
	08	I28A, I28B		21A	W04A, W04B		21A	W04A, W04B
	21A	W04A, W04B		21B	X05A		21B	X06A, X06B, X06C
	21B	X06A, X06B, X06C	5t143.u↔		BOP, KVT, UOP4, VIAL	5t14a.x		BOP, KVT, UOP4
5t140.z↔		BOP, KVT, UOP4, VIAL		08	I20A, I20B, I20C, I20D, I20E, I20F		08	I28A, I28B
	08	I28A, I28B, I28C		21A	W04A, W04B		21A	W04A, W04B
	21A	W04A, W04B		21B	X04Z		21B	X06A, X06B, X06C
	21B	X06A, X06B, X06C	5t143.v↔		BOP, KVT, UOP4, VIAL	5t14b.0↔		BOP, KVT, UOP4, VIAL
5t141.0↔		BOP, KVT, UOP4, VIAL		08	I20A, I20B, I20C, I20D, I20E, I20F		08	I29Z
	08	I21Z		21A	W04A, W04B		21A	W04A, W04B
	21A	W04A, W04B		21B	X04Z		21B	X06A, X06B, X06C
	21B	X06A, X06B, X06C	5t143.w↔		BOP, KVT, UOP4, VIAL	5t14b.a↔		BOP, KVT, UOP4, VIAL
5t141.a↔		BOP, KVT, UOP4, VIAL		08	I20A, I20B, I20C, I20D, I20E, I20F		08	I32A, I32B, I32C, I32D, I32E, I32F
	08	I32A, I32B, I32C, I32D, I32E, I32F		21A	W04A, W04B		21A	W04A, W04B
	21A	W04A, W04B		21B	X04Z		21B	X05A
	21B	X05A	5t143.x		BOP, KVT, UOP4	5t14b.b↔		BOP, KVT, UOP4, VIAL
5t141.b↔		BOP, KVT, UOP4, VIAL		08	I28A, I28B		08	I32A, I32B, I32C, I32D, I32E, I32F
	08	I32A, I32B, I32C, I32D, I32E, I32F		21A	W04A, W04B		21A	W04A, W04B
	21A	W04A, W04B		21B	X04Z		21B	X05A
	21B	X05A	5t143.y↔		BOP, KVT, UOP4, VIAL	5t14b.c↔		BOP, KVT, UOP4, VIAL
5t141.c↔		BOP, KVT, UOP4, VIAL		08	I28A, I28B, I28C		08	I32A, I32B, I32C, I32D, I32E, I32F
	08	I32A, I32B, I32C, I32D, I32E, I32F		21A	W04A, W04B		21A	W04A, W04B
	21A	W04A, W04B		21B	X06A, X06B, X06C		21B	X05A
	21B	X05A	5t144.0↔		BOP, KVT, UOP4, VIAL	5t14b.u↔		BOP, KVT, UOP4, VIAL
5t141.d↔		BOP, KVT, UOP4, VIAL		08	I21Z		08	I20A, I20B, I20C, I20D, I20E, I20F
	08	I20A, I20B, I20C, I20D, I20E, I20F		21A	W04A, W04B		21A	W04A, W04B
	21A	W04A, W04B		21B	X06A, X06B, X06C		21B	X04Z
	21B	X04Z	5t144.a↔		BOP, KVT, UOP4, VIAL	5t14b.v↔		BOP, KVT, UOP4, VIAL
5t141.e↔		BOP, KVT, UOP4, VIAL		08	I32A, I32B, I32C, I32D, I32E, I32F		08	I20A, I20B, I20C, I20D, I20E, I20F
	08	I20A, I20B, I20C, I20D, I20E, I20F		21A	W04A, W04B		21A	W04A, W04B
	21A	W04A, W04B		21B	X05A		21B	X04Z
	21B	X04Z	5t144.b↔		BOP, KVT, UOP4, VIAL	5t14b.w↔		BOP, KVT, UOP4, VIAL
5t141.f↔		BOP, KVT, UOP4, VIAL		08	I32A, I32B, I32C, I32D, I32E, I32F		08	I20A, I20B, I20C, I20D, I20E, I20F
	08	I20A, I20B, I20C, I20D, I20E, I20F		21A	W04A, W04B		21A	W04A, W04B
	21A	W04A, W04B		21B	X05A		21B	X04Z
	21B	X04Z	5t144.c↔		BOP, KVT, UOP4, VIAL	5t14b.x		BOP, KVT, UOP4
5t141.g↔		BOP, KVT, UOP4, VIAL		08	I32A, I32B, I32C, I32D, I32E, I32F		08	I28A, I28B
	08	I20A, I20B, I20C, I20D, I20E, I20F		21A	W04A, W04B		21A	W04A, W04B
	21A	W04A, W04B		21B	X05A		21B	X06A, X06B, X06C
	21B	X04Z						

ZZV	MDC	DRG	ZZV	MDC	DRG	ZZV	MDC	DRG
5t14b.z↔		BOP, KVT, UOP4, VIAL	5t14v.a↔		BOP, KVT, UOP4, VIAL	5t14z.0↔		BOP, KVT, UOP4, VIAL
08		I28A, I28B, I28C	08		I13A, I32A, I32B, I32C, I32D, I32E, I32F	08		I29Z
21A		W04A, W04B	21A		W04A, W04B	21A		W04A, W04B
21B		X06A, X06B, X06C	21B		X05A	21B		X06A, X06B, X06C
5t14d.0↔		BOP, KVT, UOP4, VIAL	5t14v.b↔		BOP, KVT, UOP4, VIAL	5t14z.a↔		BOP, KVT, UOP4, VIAL
08		I29Z	08		I13A, I32A, I32B, I32C, I32D, I32E, I32F	08		I32A, I32B, I32C, I32D, I32E, I32F
21A		W04A, W04B	21A		W04A, W04B	21A		W04A, W04B
21B		X06A, X06B, X06C	21B		X05A	21B		X05A
5t14d.u↔		BOP, KVT, UOP4, VIAL	5t14v.u↔		BOP, KVT, UOP4, VIAL	5t14z.b↔		BOP, KVT, UOP4, VIAL
08		I20A, I20B, I20C, I20D, I20E, I20F	08		I13A, I20A, I20B, I20C, I20D, I20E, I20F	08		I32A, I32B, I32C, I32D, I32E, I32F
21A		W04A, W04B	21A		W04A, W04B	21A		W04A, W04B
21B		X04Z	21B		X04Z	21B		X05A
5t14d.v↔		BOP, KVT, UOP4, VIAL	5t14v.v↔		BOP, KVT, UOP4, VIAL	5t14z.c↔		BOP, KVT, UOP4, VIAL
08		I20A, I20B, I20C, I20D, I20E, I20F	08		I13A, I20A, I20B, I20C, I20D, I20E, I20F	08		I32A, I32B, I32C, I32D, I32E, I32F
21A		W04A, W04B	21A		W04A, W04B	21A		W04A, W04B
21B		X04Z	21B		X04Z	21B		X05A
5t14d.x		BOP, KVT, UOP4	5t14v.x		BOP, KVT, UOP4	5t14z.j↔		BOP, KVT, UOP4, VIAL
08		I28A, I28B	08		I13A, I28A, I28B	08		I20A, I20B, I20C, I20D, I20E, I20F
21A		W04A, W04B	21A		W04A, W04B	21A		W04A, W04B
21B		X06A, X06B, X06C	21B		X06A, X06B, X06C	21B		X04Z
5t14d.z↔		BOP, KVT, UOP4, VIAL	5t14x.0↔		BOP, KVT, UOP4, VIAL	5t14z.s↔		BOP, KVT, UOP4, VIAL
08		I28A, I28B, I28C	08		I29Z	08		I20A, I20B, I20C, I20D, I20E, I20F
21A		W04A, W04B	21A		W04A, W04B	21A		W04A, W04B
21B		X06A, X06B, X06C	21B		X06A, X06B, X06C	21B		X04Z
5t14t.0↔		BOP, KVT, UOP4, VIAL	5t14x.a↔		BOP, KVT, UOP4, VIAL	5t14z.t↔		BOP, KVT, UOP4, VIAL
08		I29Z	08		I32A, I32B, I32C, I32D, I32E, I32F	08		I20A, I20B, I20C, I20D, I20E, I20F
21A		W04A, W04B	21A		W04A, W04B	21A		W04A, W04B
21B		X06A, X06B, X06C	21B		X05A, X05B	21B		X04Z
5t14t.a↔		BOP, KVT, UOP4, VIAL	5t14x.b↔		BOP, KVT, UOP4, VIAL	5t14z.u↔		BOP, KVT, UOP4, VIAL
08		I32A, I32B, I32C, I32D, I32E, I32F	08		I32A, I32B, I32C, I32D, I32E, I32F	08		I20A, I20B, I20C, I20D, I20E, I20F
21A		W04A, W04B	21A		W04A, W04B	21A		W04A, W04B
21B		X05A	21B		X05A, X05B	21B		X04Z
5t14t.b↔		BOP, KVT, UOP4, VIAL	5t14x.c↔		BOP, KVT, UOP4, VIAL	5t14z.v↔		BOP, KVT, UOP4, VIAL
08		I32A, I32B, I32C, I32D, I32E, I32F	08		I32A, I32B, I32C, I32D, I32E, I32F	08		I20A, I20B, I20C, I20D, I20E, I20F
21A		W04A, W04B	21A		W04A, W04B	21A		W04A, W04B
21B		X05A	21B		X05A, X05B	21B		X04Z
5t14t.c↔		BOP, KVT, UOP4, VIAL	5t14x.u↔		BOP, KVT, UOP4, VIAL	5t14z.w↔		BOP, KVT, UOP4, VIAL
08		I32A, I32B, I32C, I32D, I32E, I32F	08		I20A, I20B, I20C, I20D, I20E, I20F	08		I20A, I20B, I20C, I20D, I20E, I20F
21A		W04A, W04B	21A		W04A, W04B	21A		W04A, W04B
21B		X05A	21B		X04Z	21B		X04Z
5t14t.u↔		BOP, KVT, UOP4, VIAL	5t14x.v↔		BOP, KVT, UOP4, VIAL	5t14z.x		BOP, KVT, UOP4
08		I20A, I20B, I20C, I20D, I20E, I20F	08		I20A, I20B, I20C, I20D, I20E, I20F	08		I28A, I28B
21A		W04A, W04B	21A		W04A, W04B	21A		W04A, W04B
21B		X04Z	21B		X04Z	21B		X06A, X06B, X06C
5t14t.v↔		BOP, KVT, UOP4, VIAL	5t14x.w↔		BOP, KVT, UOP4, VIAL	5t14z.z↔		BOP, KVT, UOP4, VIAL
08		I20A, I20B, I20C, I20D, I20E, I20F	08		I20A, I20B, I20C, I20D, I20E, I20F	08		I28A, I28B, I28C
21A		W04A, W04B	21A		W04A, W04B	21A		W04A, W04B
21B		X04Z	21B		X04Z	21B		X06A, X06B, X06C
5t14t.w↔		BOP, KVT, UOP4, VIAL	5t14x.x		BOP, KVT, UOP4	5t150.0↔		BOP, KVT, UOP4, VIAL
08		I20A, I20B, I20C, I20D, I20E, I20F	08		I28A, I28B	08		I28B, I29Z
21A		W04A, W04B	21A		W04A, W04B	21A		W04A, W04B
21B		X04Z	21B		X06A, X06B, X06C	21B		X05A, X06A, X06B, X06C
5t14t.x		BOP, KVT, UOP4	5t14x.z↔		BOP, KVT, UOP4, VIAL	5t150.a↔		BOP, KVT, UOP4, VIAL
08		I28A, I28B	08		I28A, I28B, I28C	08		I32A, I32B, I32C, I32D, I32E, I32F
21A		W04A, W04B	21A		W04A, W04B	21A		W04A, W04B
21B		X06A, X06B, X06C	21B		X06A, X06B, X06C	21B		X05A
5t14t.z↔		BOP, KVT, UOP4, VIAL						
08		I28A, I28B, I28C						
21A		W04A, W04B						
21B		X06A, X06B, X06C						

VYK

ZZV	MDC	DRG	ZZV	MDC	DRG	ZZV	MDC	DRG
5t150.b↔		BOP, KVT, UOP4, VIAL	5t151.z↔	08	I28A, I28B, I28C	5t154.v↔	08	I20A, I20B, I20C, I20D
	08	I32A, I32B, I32C, I32D, I32E, I32F		21A	W04A, W04B		21A	W04A, W04B
	21A	W04A, W04B		21B	X05A, X06A, X06B, X06C		21B	X04Z, X05A
5t150.c↔	21B	X05A	5t153.0↔		BOP, KVT, UOP4, VIAL	5t154.w↔		BOP, KVT, UOP4, VIAL
	01	B03A, B03B, B06A, B06B, B07Z, B17A, B17B, B17C		08	I21Z, I28B		08	I20A, I20B, I20C, I20D, I20E, I20F
	08	I32A, I32B, I32C, I32D, I32E, I32F		21A	W04A, W04B		21A	W04A, W04B
5t150.u↔	21B	X05A	5t153.a↔	08	I32A, I32B, I32C, I32D, I32E, I32F	5t154.x	21B	X04Z, X05A
	08	I20A, I20B, I20C, I20D		08	I32A, I32B, I32C, I32D, I32E, I32F		08	I28A, I28B
	21A	W04A, W04B		21A	W04A, W04B		21A	W04A, W04B
5t150.v↔	21B	X04Z, X05A	5t153.b↔	21B	X05A	5t154.z↔	21B	X06A, X06B, X06C
	08	I20A, I20B, I20C, I20D		08	I32A, I32B, I32C, I32D, I32E, I32F		08	I28A, I28B
	21A	W04A, W04B		21A	W04A, W04B		21A	W04A, W04B
5t150.w↔	21B	X04Z, X05A	5t153.c↔	21B	X05A	5t15b.0↔	21B	X05A, X06A, X06B, X06C
	08	I20A, I20B, I20C, I20D, I20E, I20F		08	I32A, I32B, I32C, I32D, I32E, I32F		08	I28B, I29Z
	21A	W04A, W04B		21A	W04A, W04B		21A	W04A, W04B
5t150.x	21B	X04Z, X05A	5t153.u↔	21B	X05A	5t15b.a↔	21B	X05A, X06A, X06B, X06C
	08	I28A, I28B		08	I20A, I20B, I20C, I20D		08	I32A, I32B, I32C, I32D, I32E, I32F
	21A	W04A, W04B		21A	W04A, W04B		21A	W04A, W04B
5t150.z↔	21B	X06A, X06B, X06C	5t153.v↔	21B	X04Z, X05A	5t15b.b↔	21B	X05A
	08	I28A, I28B		08	BOP, KVT, UOP4, VIAL		08	BOP, KVT, UOP4, VIAL
	21A	W04A, W04B		08	I20A, I20B, I20C, I20D, I20E, I20F		08	I32A, I32B, I32C, I32D, I32E, I32F
5t151.0↔	21B	X05A, X06A, X06B, X06C	5t153.w↔	21A	W04A, W04B	5t15b.c↔	21A	W04A, W04B
	08	BOP, KVT, UOP4, VIAL		21B	X04Z, X05A		21B	X05A
	08	I21Z		08	I20A, I20B, I20C, I20D, I20E, I20F		08	I32A, I32B, I32C, I32D, I32E, I32F
5t151.a↔	21A	W04A, W04B	5t153.x	21A	W04A, W04B	5t15b.u↔	21A	W04A, W04B
	21B	X05A, X06A, X06B, X06C		21B	X04Z, X05A		21B	X05A
	08	BOP, KVT, UOP4, VIAL		08	BOP, KVT, UOP4		08	I20A, I20B, I20C, I20D
5t151.b↔	08	I32A, I32B, I32C, I32D, I32E, I32F	5t153.z↔	08	I28A, I28B	5t15b.v↔	21A	W04A, W04B
	21A	W04A, W04B		21A	W04A, W04B		21A	W04A, W04B
	21B	X05A		21B	X06A, X06B, X06C		21B	X04Z, X05A
5t151.c↔	21B	X05A	5t154.0↔	08	BOP, KVT, UOP4, VIAL	5t15b.w↔	21B	X04Z, X05A
	08	I32A, I32B, I32C, I32D, I32E, I32F		08	I21Z, I28B		08	I20A, I20B, I20C, I20D, I20E, I20F
	21A	W04A, W04B		21A	W04A, W04B		21A	W04A, W04B
5t151.u↔	21B	X05A	5t154.a↔	21B	X04Z, X05A	5t15b.x	21B	X04Z, X05A
	08	I20A, I20B, I20C, I20D		08	I32A, I32B, I32C, I32D, I32E, I32F		08	I28A, I28B
	21A	W04A, W04B		21A	W04A, W04B		21A	W04A, W04B
5t151.v↔	21B	X04Z, X05A	5t154.b↔	21B	X05A	5t15b.z↔	21B	X06A, X06B, X06C
	08	BOP, KVT, UOP4, VIAL		08	BOP, KVT, UOP4, VIAL		08	I28A, I28B
	08	I20A, I20B, I20C, I20D		08	I32A, I32B, I32C, I32D, I32E, I32F		21A	W04A, W04B
5t151.w↔	21A	W04A, W04B	5t154.c↔	21A	W04A, W04B	5t15d.0↔	21B	X05A, X06A, X06B, X06C
	21B	X04Z, X05A		21B	X05A		08	I28B, I29Z
	08	I20A, I20B, I20C, I20D, I20E, I20F		08	I32A, I32B, I32C, I32D, I32E, I32F		21A	W04A, W04B
5t151.x	21A	W04A, W04B	5t154.u↔	21A	W04A, W04B	5t15d.u↔	21B	X05A, X06A, X06B, X06C
	21B	X04Z, X05A		21B	X05A		08	BOP, KVT, UOP4, VIAL
	08	BOP, KVT, UOP4		08	BOP, KVT, UOP4, VIAL		08	I20A, I20B, I20C, I20D
	08	I28A, I28B		08	I20A, I20B, I20C, I20D		21A	W04A, W04B
	21A	W04A, W04B		21A	W04A, W04B		21B	X04Z, X05A
	21B	X06A, X06B, X06C		21B	X04Z, X05A			



ZZV	MDC	DRG	ZZV	MDC	DRG	ZZV	MDC	DRG
5t15d.v↔		BOP, KVT, UOP4, VIAL 08 I20A, I20B, I20C, I20D 21A W04A, W04B 21B X04Z, X05A	5t15x.x		BOP, KVT, UOP4 08 I28A, I28B 21A W04A, W04B 21B X06A, X06B, X06C	5t16d.s↔		BOP, KVT, UOP4, VIAL 08 I20A, I20B, I20C, I20D 21A W04A, W04B 21B X04Z
5t15d.x		BOP, KVT, UOP4 08 I28A, I28B 21A W04A, W04B 21B X06A, X06B, X06C	5t15x.z↔		BOP, KVT, UOP4, VIAL 08 I28A, I28B 21A W04A, W04B 21B X06A, X06B, X06C	5t16v.s↔		BOP, KVT, UOP4, VIAL 08 I13A, I20A, I20B, I20C, I20D 21A W04A, W04B 21B X04Z
5t15d.z↔		BOP, KVT, UOP4, VIAL 08 I28A, I28B 21A W04A, W04B 21B X05A, X06A, X06B, X06C	5t15z.0↔		BOP, KVT, UOP4, VIAL 08 I28B, I29Z 21A W04A, W04B 21B X05A, X06A, X06B, X06C	5t16x.s↔		BOP, KVT, UOP4, VIAL 08 I20A, I20B, I20C, I20D, I20E, I20F 21A W04A, W04B 21B X04Z
5t15v.a↔		BOP, KVT, UOP4, VIAL 08 I13A, I32A, I32B, I32C, I32D, I32E, I32F 21A W04A, W04B 21B X05A	5t15z.a↔		BOP, KVT, UOP4, VIAL 08 I32A, I32B, I32C, I32D, I32E, I32F 21A W04A, W04B 21B X05A	5t16z.s↔		BOP, KVT, UOP4, VIAL 08 I20A, I20B, I20C, I20D 21A W04A, W04B 21B X04Z
5t15v.b↔		BOP, KVT, UOP4, VIAL 08 I13A, I32A, I32B, I32C, I32D, I32E, I32F 21A W04A, W04B 21B X05A	5t15z.b↔		BOP, KVT, UOP4, VIAL 08 I32A, I32B, I32C, I32D, I32E, I32F 21A W04A, W04B 21B X05A	5t172		BOP, KVT, UOP4, VIAL 08 I08A, I08B, I08C, I08D, I08E, I08F 21A W04A, W04B 21B X06A, X06B, X06C
5t15v.u↔		BOP, KVT, UOP4, VIAL 08 I13A, I20A, I20B, I20C, I20D 21A W04A, W04B 21B X04Z, X05A	5t15z.c↔		BOP, KVT, UOP4, VIAL 08 I32A, I32B, I32C, I32D, I32E, I32F 21A W04A, W04B 21B X05A	5t174		BOP, KVT, UOP4, VIAL 08 I08A, I08B, I08C, I08D, I08E, I08F 21A W04A, W04B 21B X06A, X06B, X06C
5t15v.v↔		BOP, KVT, UOP4, VIAL 08 I13A, I20A, I20B, I20C, I20D 21A W04A, W04B 21B X04Z, X05A	5t15z.u↔		BOP, KVT, UOP4, VIAL 08 I20A, I20B, I20C, I20D 21A W04A, W04B 21B X04Z, X05A	5t17g		BOP, KVT, UOP4, VIAL 08 I08A, I08B, I08C, I08D, I08E, I08F 21A W04A, W04B 21B X06A, X06B, X06C
5t15v.x		BOP, KVT, UOP4 08 I13A, I28A, I28B 21A W04A, W04B 21B X06A, X06B, X06C	5t15z.v↔		BOP, KVT, UOP4, VIAL 08 I20A, I20B, I20C, I20D 21A W04A, W04B 21B X04Z, X05A	5t17h		BOP, KVT, UOP4, VIAL 08 I08A, I08B, I08C, I08D, I08E, I08F 21A W04A, W04B 21B X06A, X06B, X06C
5t15x.0↔		BOP, KVT, UOP4, VIAL 08 I28B, I29Z 21A W04A, W04B 21B X06A, X06B, X06C	5t15z.w↔		BOP, KVT, UOP4, VIAL 08 I20A, I20B, I20C, I20D, I20E, I20F 21A W04A, W04B 21B X04Z, X05A	5t17k		BOP, KVT, UOP4, VIAL 08 I08A, I08B, I08C, I08D, I08E, I08F 21A W04A, W04B 21B X06A, X06B, X06C
5t15x.a↔		BOP, KVT, UOP4, VIAL 08 I32A, I32B, I32C, I32D, I32E, I32F 21A W04A, W04B 21B X05A, X05B	5t15z.x		BOP, KVT, UOP4 08 I28A, I28B 21A W04A, W04B 21B X06A, X06B, X06C	5t17n		BOP, KVT, UOP4, VIAL 08 I08A, I08B, I08C, I08D, I08E, I08F 21A W04A, W04B 21B X06A, X06B, X06C
5t15x.b↔		BOP, KVT, UOP4, VIAL 08 I32A, I32B, I32C, I32D, I32E, I32F 21A W04A, W04B 21B X05A, X05B	5t15z.z↔		BOP, KVT, UOP4, VIAL 08 I28A, I28B 21A W04A, W04B 21B X05A, X06A, X06B, X06C	5t17o		BOP, KVT, UOP4, VIAL 08 I08A, I08B, I08C, I08D, I08E, I08F 21A W04A, W04B 21B X06A, X06B, X06C
5t15x.c↔		BOP, KVT, UOP4, VIAL 08 I32A, I32B, I32C, I32D, I32E, I32F 21A W04A, W04B 21B X05A, X05B	5t160.s↔		BOP, KVT, UOP4, VIAL 08 I20A, I20B, I20C, I20D 21A W04A, W04B 21B X04Z	5t17r		BOP, KVT, UOP4, VIAL 08 I08A, I08B, I08C, I08D, I08E, I08F 21A W04A, W04B 21B X06A, X06B, X06C
5t15x.u↔		BOP, KVT, UOP4, VIAL 08 I20A, I20B, I20C, I20D, I20E, I20F 21A W04A, W04B 21B X04Z	5t161.s↔		BOP, KVT, UOP4, VIAL 08 I20A, I20B, I20C, I20D 21A W04A, W04B 21B X04Z	5t17s		BOP, KVT, UOP4, VIAL 08 I08A, I08B, I08C, I08D, I08E, I08F 21A W04A, W04B 21B X06A, X06B, X06C
5t15x.v↔		BOP, KVT, UOP4, VIAL 08 I20A, I20B, I20C, I20D, I20E, I20F 21A W04A, W04B 21B X04Z	5t164.s↔		BOP, KVT, UOP4, VIAL 08 I20A, I20B, I20C, I20D 21A W04A, W04B 21B X04Z	5t17t		BOP, KVT, UOP4, VIAL 08 I08A, I08B, I08C, I08D, I08E, I08F 21A W04A, W04B 21B X06A, X06B, X06C Pre B61A
5t15x.w↔		BOP, KVT, UOP4, VIAL 08 I20A, I20B, I20C, I20D, I20E, I20F 21A W04A, W04B 21B X04Z	5t16b.s↔		BOP, KVT, UOP4, VIAL 08 I20A, I20B, I20C, I20D 21A W04A, W04B 21B X04Z			

VYK

ZZV	MDC	DRG	ZZV	MDC	DRG	ZZV	MDC	DRG
5t17u		BOP, KVT, UOP4, VIAL	5t18t↔	01	BOP, KVT, UOP4, VIAL	5t190.b↔	08	BOP, KVT, UOP4, VIAL
	08	I08A, I08B, I08C, I08D, I08E, I08F		08	B03A, B03B, B06A, B06B, B17A, B17B, B17C		08	I32A, I32B, I32C, I32D, I32E, I32F
	21A	W04A, W04B		08	I08A, I08B, I08C, I08D, I08E, I08F		21A	W04A, W04B
5t17x	21B	X06A, X06B, X06C	5t18x↔	21A	W01A, W01B, W01C, W02A, W02B	5t190.c↔	21B	X05A, X05B
	08	BOP, KVT, UOP4, VIAL		21B	X04Z		08	BOP, KVT, UOP4, VIAL
		I08A, I08B, I08C, I08D, I08E, I08F			08			I32A, I32B, I32C, I32D, I32E, I32F
5t17z	21A	W04A, W04B	5t18y↔	08	BOP, KVT, UOP4, VIAL	5t190.d↔	21A	W04A, W04B
	21B	X06A, X06B, X06C		08	I08A, I08B, I08C, I08D, I08E, I08F		21B	X05A, X05B
	08	BOP, KVT, UOP4, VIAL			21A			W04A, W04B
I08A, I08B, I08C, I08D, I08E, I08F		21B	X06A, X06B, X06C	I32A, I32B, I32C, I32D, I32E, I32F				
5t18i↔	21A	W04A, W04B	5t190.0↔	01	BOP, KVT, UOP4, VIAL	5t190.e↔	21A	W04A, W04B
		X06A, X06B, X06C		08	B03A, B03B, B06A, B06B, B17A, B17B, B17C		21B	X05A, X05B
	01	BOP, KVT, UOP4, VIAL			08			I08A, I08B, I08C, I08D, I08E, I08F
B03A, B03B, B06A, B06B, B17A, B17B, B17C		21A	W01A, W01B, W01C, W02A, W02B	08		I08A, I08B, I08C, I08D, I08E, I08F		
5t18j↔	21A	W01A, W01B, W01C, W02A, W02B	5t190.1↔	21B	X04Z	5t190.f	21A	W01A, W01B, W01C, W02A, W02B
		X04Z			08			BOP, KVT, UOP4, VIAL
	01	BOP, KVT, UOP4, VIAL		08			I16Z	08
B03A, B03B, B06A, B06B, B17A, B17B, B17C		21A	W04A, W04B		01	B03A, B03B, B06A, B06B, B17A, B17B, B17C		
5t18k↔	08	I08A, I08B, I08C, I08D, I08E, I08F	5t190.2↔	21B	X06A, X06B, X06C	5t190.g↔	08	I28A, I28B
		21A			W01A, W01B, W01C, W02A, W02B			08
	I08A, I08B, I08C, I08D, I08E, I08F			21B	X06A, X06B, X06C		08	
5t18l↔	21A	W01A, W01B, W01C, W02A, W02B	5t190.3↔	08	I28A, I28B	5t190.h↔	21A	W04A, W04B
		X04Z			21A			W04A, W04B
	01	BOP, KVT, UOP4, VIAL		08			BOP, KVT, UOP4, VIAL	08
B03A, B03B, B06A, B06B, B17A, B17B, B17C		21A	W04A, W04B		21A	W04A, W04B		
5t18m↔	08	I08A, I08B, I08C, I08D, I08E, I08F	5t190.4↔	21B	X06A, X06B, X06C	5t190.i↔	21B	X04Z
		21A			W01A, W01B, W01C, W02A, W02B			08
	I08A, I08B, I08C, I08D, I08E, I08F			21A	W04A, W04B		08	
5t18n↔	21A	W01A, W01B, W01C, W02A, W02B	5t190.5↔	08	I08A, I08B, I08C, I08D, I08E, I08F, I21Z, I31Z	5t190.k↔	21A	W04A, W04B
		X04Z			21B			X06A, X06B, X06C
	01	BOP, KVT, UOP4, VIAL		08			BOP, KVT, UOP4, VIAL	08
B03A, B03B, B06A, B06B, B17A, B17B, B17C		21A	W04A, W04B		21A	W04A, W04B		
5t18o↔	08	I08A, I08B, I08C, I08D, I08E, I08F	5t190.6↔	21B	X06A, X06B, X06C	5t190.l↔	21B	X04Z
		21A			W01A, W01B, W01C, W02A, W02B			08
	I08A, I08B, I08C, I08D, I08E, I08F			21A	W04A, W04B		08	
5t18p↔	21A	W01A, W01B, W01C, W02A, W02B	5t190.7↔	08	I08A, I08B, I08C, I08D, I08E, I08F, I32A, I32B, I32C, I32D, I32E, I32F	5t190.m↔	21A	W04A, W04B
		X04Z			21B			X06A, X06B, X06C
	01	BOP, KVT, UOP4, VIAL		08			BOP, KVT, UOP4, VIAL	08
B03A, B03B, B06A, B06B, B17A, B17B, B17C		21A	W04A, W04B		21A	W04A, W04B		
5t18q↔	08	I08A, I08B, I08C, I08D, I08E, I08F	5t190.8↔	21B	X05A, X05B	5t190.n↔	21B	X04Z
		21A			W01A, W01B, W01C, W02A, W02B			08
	I08A, I08B, I08C, I08D, I08E, I08F			21A	W04A, W04B		08	
5t18r↔	21A	W01A, W01B, W01C, W02A, W02B	5t190.9↔	21B	X05A, X05B	5t190.o↔	21A	W04A, W04B
		X04Z			08			BOP, KVT, UOP4, VIAL
	01	BOP, KVT, UOP4, VIAL		08			I32A, I32B, I32C, I32D, I32E, I32F	08
B03A, B03B, B06A, B06B, B17A, B17B, B17C		21A	W04A, W04B		21A	W04A, W04B		
5t18s↔	08	I08A, I08B, I08C, I08D, I08E, I08F	5t190.a↔	21B	X05A, X05B	5t190.p↔	21B	X04Z
		21A			W01A, W01B, W01C, W02A, W02B			08
	I08A, I08B, I08C, I08D, I08E, I08F			21A	W04A, W04B		08	
	21B	X04Z		08	I32A, I32B, I32C, I32D, I32E, I32F		21A	W04A, W04B
				21B	X05A, X05B		21B	X04Z

ZZV	MDC	DRG	ZZV	MDC	DRG	ZZV	MDC	DRG
5t190.x		BOP, KVT, UOP4	5t191.e↔	08	BOP, KVT, UOP4, VIAL I08A, I08B, I08C, I08D, I08E, I08F	5t193.3↔	08	BOP, KVT, UOP4, VIAL I28A, I28B
	01	B03A, B03B, B06A, B06B, B17A, B17B, B17C		21A	W04A, W04B		21A	W04A, W04B
	08	I28A, I28B		21B	X06A, X06B, X06C	5t193.4↔	21B	X06A, X06B, X06C
	21A	W04A, W04B	5t191.f	21B	X06A, X06B, X06C		08	BOP, KVT, UOP4, VIAL I08A, I08B, I08C, I08D, I08E, I08F, I21Z, I31Z
5t191.0↔	21B	X06A, X06B, X06C		01	BOP, KVT, UOP4, VIAL B03A, B03B, B06A, B06B, B17A, B17B, B17C		21A	W04A, W04B
	08	I16Z		08	I28A, I28B	5t193.5↔	21B	X06A, X06B, X06C
	21A	W04A, W04B		21A	W04A, W04B		08	BOP, KVT, UOP4, VIAL I08A, I08B, I08C, I08D, I08E, I08F, I21Z, I31Z
5t191.1↔	21B	X06A, X06B, X06C	5t191.g↔	21B	X06A, X06B, X06C		21A	W04A, W04B
	08	I16Z		08	I08A, I08B, I08C, I08D, I08E, I08F		21B	X06A, X06B, X06C
	21A	W04A, W04B		21A	W01A, W01B, W01C, W02A, W02B	5t193.6↔	08	BOP, KVT, UOP4, VIAL I08A, I08B, I08C, I08D, I08E, I08F, I32A, I32B, I32C, I32D, I32E, I32F
5t191.2↔	21B	X06A, X06B, X06C		21B	X04Z		21A	W04A, W04B
	08	I28A, I28B	5t191.h↔	08	I18A, I18B, I30Z	5t193.8↔	21B	X05A, X05B
	21A	W04A, W04B		21A	W04A, W04B		08	BOP, KVT, UOP4, VIAL I32A, I32B, I32C, I32D, I32E, I32F
5t191.3↔	21B	X06A, X06B, X06C		21B	X04Z		21A	W04A, W04B
	08	I28A, I28B	5t191.j↔	08	I18A, I18B, I30Z		21B	X05A, X05B
	21A	W04A, W04B		21A	W04A, W04B	5t193.9↔	08	BOP, KVT, UOP4, VIAL I32A, I32B, I32C, I32D, I32E, I32F
5t191.4↔	21B	X06A, X06B, X06C		21B	X04Z		21A	W04A, W04B
	08	I28A, I28B	5t191.k↔	08	I13A, I13B, I13C, I13D, I13E		21B	X05A, X05B
	21A	W04A, W04B		21A	W04A, W04B	5t193.a↔	08	BOP, KVT, UOP4, VIAL I32A, I32B, I32C, I32D, I32E, I32F
5t191.5↔	21B	X06A, X06B, X06C		21B	X04Z		21A	W04A, W04B
	08	I28A, I28B	5t191.l↔	08	I20A, I20B, I20C, I20D		21B	X05A, X05B
	21A	W04A, W04B		21A	W04A, W04B	5t193.b↔	08	BOP, KVT, UOP4, VIAL I32A, I32B, I32C, I32D, I32E, I32F
5t191.6↔	21B	X06A, X06B, X06C		21B	X04Z		21A	W04A, W04B
	08	I28A, I28B	5t191.m↔	08	I20A, I20B, I20C, I20D		21B	X05A, X05B
	21A	W04A, W04B		21A	W04A, W04B	5t193.c↔	08	BOP, KVT, UOP4, VIAL I32A, I32B, I32C, I32D, I32E, I32F
5t191.7↔	21B	X06A, X06B, X06C		21B	X04Z		21A	W04A, W04B
	08	I28A, I28B	5t191.n↔	08	I20A, I20B, I20C, I20D		21B	X05A, X05B
	21A	W04A, W04B		21A	W04A, W04B	5t193.d↔	08	BOP, KVT, UOP4, VIAL I32A, I32B, I32C, I32D, I32E, I32F
5t191.8↔	21B	X06A, X06B, X06C		21B	X04Z		21A	W04A, W04B
	08	I28A, I28B	5t191.o↔	08	I20A, I20B, I20C, I20D		21B	X05A, X05B
	21A	W04A, W04B		21A	W04A, W04B	5t193.e↔	08	BOP, KVT, UOP4, VIAL I08A, I08B, I08C, I08D, I08E, I08F
5t191.9↔	21B	X06A, X06B, X06C		21B	X04Z		21A	W04A, W04B
	08	I28A, I28B	5t191.p↔	08	I20A, I20B, I20C, I20D		21B	X05A, X05B
	21A	W04A, W04B		21A	W04A, W04B	5t193.f	01	BOP, KVT, UOP4, VIAL B03A, B03B, B06A, B06B, B17A, B17B, B17C
5t191.a↔	21B	X06A, X06B, X06C		21B	X04Z		08	I28A, I28B
	08	I28A, I28B	5t191.q↔	08	I20A, I20B, I20C, I20D, I20E, I20F		21A	W04A, W04B
	21A	W04A, W04B		21A	W04A, W04B		21B	X06A, X06B, X06C
5t191.b↔	21B	X06A, X06B, X06C		21B	X04Z	5t193.g↔	08	BOP, KVT, UOP4, VIAL I08A, I08B, I08C, I08D, I08E, I08F
	08	I28A, I28B	5t191.r↔	08	I20A, I20B, I20C, I20D, I20E, I20F		21A	W01A, W01B, W01C, W02A, W02B
	21A	W04A, W04B		21A	W04A, W04B		21B	X04Z
5t191.c↔	21B	X06A, X06B, X06C		21B	X04Z			
	08	I28A, I28B	5t191.s↔	08	I20A, I20B, I20C, I20D, I20E, I20F			
	21A	W04A, W04B		21A	W04A, W04B			
5t191.d↔	21B	X06A, X06B, X06C		21B	X04Z			
	08	I28A, I28B	5t191.t↔	08	I20A, I20B, I20C, I20D, I20E, I20F			
	21A	W04A, W04B		21A	W04A, W04B			
	21B	X06A, X06B, X06C	5t191.u↔	08	I20A, I20B, I20C, I20D, I20E, I20F			
	08	I28A, I28B		21A	W04A, W04B			
	21A	W04A, W04B	5t191.v↔	21B	X06A, X06B, X06C			
	21B	X06A, X06B, X06C		01	BOP, KVT, UOP4 B03A, B03B, B06A, B06B, B17A, B17B, B17C			
	08	I28A, I28B	5t193.0↔	08	I28A, I28B			
	21A	W04A, W04B		21A	W04A, W04B			
	21B	X06A, X06B, X06C		21B	X06A, X06B, X06C			
	08	I16Z	5t193.1↔	08	I16Z			
	21A	W04A, W04B		21A	W04A, W04B			
	21B	X06A, X06B, X06C		21B	X06A, X06B, X06C			
	08	I16Z	5t193.2↔	08	I16Z			
	21A	W04A, W04B		21A	W04A, W04B			
	21B	X06A, X06B, X06C		21B	X06A, X06B, X06C			
	08	I16Z		08	I16Z			
	21A	W04A, W04B		21A	W04A, W04B			
	21B	X06A, X06B, X06C		21B	X06A, X06B, X06C			

ZZV	MDC	DRG	ZZV	MDC	DRG	ZZV	MDC	DRG
5t193.h↔		BOP, KVT, UOP4, VIAL	5t194.6↔		BOP, KVT, UOP4, VIAL	5t194.n↔		BOP, KVT, UOP4, VIAL
	08	I18A, I18B, I30Z		08	I08A, I08B, I08C, I08D, I08E, I08F, I32A, I32B, I32C, I32D, I32E, I32F		08	I20A, I20B, I20C, I20D
	21A	W04A, W04B		21A	W04A, W04B		21A	W04A, W04B
	21B	X04Z		21B	X05A, X05B		21B	X04Z
5t193.j↔		BOP, KVT, UOP4, VIAL	5t194.8↔		BOP, KVT, UOP4, VIAL	5t194.p↔		BOP, KVT, UOP4, VIAL
	08	I18A, I18B, I30Z		08	I32A, I32B, I32C, I32D, I32E, I32F		08	I20A, I20B, I20C, I20D
	21A	W04A, W04B		21A	W04A, W04B		21A	W04A, W04B
	21B	X04Z		21B	X05A, X05B		21B	X04Z
5t193.k↔		BOP, KVT, UOP4, VIAL	5t194.9↔		BOP, KVT, UOP4, VIAL	5t194.q↔		BOP, KVT, UOP4, VIAL
	08	I13A, I13B, I13C, I13D, I13E		08	I32A, I32B, I32C, I32D, I32E, I32F		08	I20A, I20B, I20C, I20D, I20E, I20F
	21A	W04A, W04B		21A	W04A, W04B		21A	W04A, W04B
	21B	X04Z		21B	X05A, X05B		21B	X04Z
5t193.m↔		BOP, KVT, UOP4, VIAL	5t194.a↔		BOP, KVT, UOP4, VIAL	5t194.r↔		BOP, KVT, UOP4, VIAL
	08	I20A, I20B, I20C, I20D		08	I32A, I32B, I32C, I32D, I32E, I32F		08	I20A, I20B, I20C, I20D, I20E, I20F
	21A	W04A, W04B		21A	W04A, W04B		21A	W04A, W04B
	21B	X04Z		21B	X05A, X05B		21B	X04Z
5t193.n↔		BOP, KVT, UOP4, VIAL	5t194.b↔		BOP, KVT, UOP4, VIAL	5t194.x		BOP, KVT, UOP4
	08	I20A, I20B, I20C, I20D		08	I32A, I32B, I32C, I32D, I32E, I32F		01	B03A, B03B, B06A, B06B, B17A, B17B, B17C
	21A	W04A, W04B		21A	W04A, W04B		08	I28A, I28B
	21B	X04Z		21B	X05A, X05B		21A	W04A, W04B
5t193.p↔		BOP, KVT, UOP4, VIAL	5t194.c↔		BOP, KVT, UOP4, VIAL	5t199.h↔		BOP, KVT, UOP4, VIAL
	08	I20A, I20B, I20C, I20D		08	I32A, I32B, I32C, I32D, I32E, I32F		08	I18A, I18B, I30Z
	21A	W04A, W04B		21A	W04A, W04B		21A	W04A, W04B
	21B	X04Z		21B	X05A, X05B		21B	X04Z
5t193.q↔		BOP, KVT, UOP4, VIAL	5t194.d↔		BOP, KVT, UOP4, VIAL	5t199.j↔		BOP, KVT, UOP4, VIAL
	08	I20A, I20B, I20C, I20D, I20E, I20F		08	I32A, I32B, I32C, I32D, I32E, I32F		08	I18A, I18B, I30Z
	21A	W04A, W04B		21A	W04A, W04B		21A	W04A, W04B
	21B	X04Z		21B	X05A, X05B		21B	X04Z
5t193.r↔		BOP, KVT, UOP4, VIAL	5t194.e↔		BOP, KVT, UOP4, VIAL	5t199.k↔		BOP, KVT, UOP4, VIAL
	08	I20A, I20B, I20C, I20D, I20E, I20F		08	I08A, I08B, I08C, I08D, I08E, I08F		08	I13A, I13B, I13C, I13D, I13E
	21A	W04A, W04B		21A	W04A, W04B		21A	W04A, W04B
	21B	X04Z		21B	X05A, X05B		21B	X04Z
5t193.x		BOP, KVT, UOP4	5t194.f		BOP, KVT, UOP4, VIAL	5t199.m↔		BOP, KVT, UOP4, VIAL
	01	B03A, B03B, B06A, B06B, B17A, B17B, B17C		01	B03A, B03B, B06A, B06B, B17A, B17B, B17C		08	I20A, I20B, I20C, I20D
	08	I28A, I28B		08	I28A, I28B		21A	W04A, W04B
	21A	W04A, W04B		21A	W04A, W04B		21B	X04Z
	21B	X06A, X06B, X06C		21B	X06A, X06B, X06C		21B	X04Z
5t194.0↔		BOP, KVT, UOP4, VIAL	5t194.g↔		BOP, KVT, UOP4, VIAL	5t199.x		BOP, KVT, UOP4
	08	I16Z		08	I08A, I08B, I08C, I08D, I08E, I08F		01	B03A, B03B, B06A, B06B, B17A, B17B, B17C
	21A	W04A, W04B		21A	W01A, W01B, W01C, W02A, W02B		08	I28A, I28B
	21B	X06A, X06B, X06C		21B	X04Z		21A	W04A, W04B
5t194.1↔		BOP, KVT, UOP4, VIAL	5t194.h↔		BOP, KVT, UOP4, VIAL	5t19a.0↔		BOP, KVT, UOP4, VIAL
	08	I16Z		08	I18A, I18B, I30Z		08	I16Z
	21A	W04A, W04B		21A	W04A, W04B		21A	W04A, W04B
	21B	X06A, X06B, X06C		21B	X06A, X06B, X06C		21B	X06A, X06B, X06C
5t194.2↔		BOP, KVT, UOP4, VIAL	5t194.i↔		BOP, KVT, UOP4, VIAL	5t19a.1↔		BOP, KVT, UOP4, VIAL
	08	I28A, I28B		08	I18A, I18B, I30Z		08	I28A, I28B
	21A	W04A, W04B		21A	W04A, W04B		21A	W04A, W04B
	21B	X06A, X06B, X06C		21B	X04Z		21B	X06A, X06B, X06C
5t194.3↔		BOP, KVT, UOP4, VIAL	5t194.j↔		BOP, KVT, UOP4, VIAL	5t19a.3↔		BOP, KVT, UOP4, VIAL
	08	I28A, I28B		08	I18A, I18B, I30Z		08	I28A, I28B
	21A	W04A, W04B		21A	W04A, W04B		21A	W04A, W04B
	21B	X06A, X06B, X06C		21B	X04Z		21B	X06A, X06B, X06C
5t194.4↔		BOP, KVT, UOP4, VIAL	5t194.k↔		BOP, KVT, UOP4, VIAL	5t19a.4↔		BOP, KVT, UOP4, VIAL
	08	I08A, I08B, I08C, I08D, I08E, I08F, I21Z, I31Z		08	I13A, I13B, I13C, I13D, I13E		08	I08A, I08B, I08C, I08D, I08E, I08F, I21Z, I31Z
	21A	W04A, W04B		21A	W04A, W04B		21A	W04A, W04B
	21B	X06A, X06B, X06C		21B	X04Z		21B	X06A, X06B, X06C
5t194.5↔		BOP, KVT, UOP4, VIAL	5t194.l↔		BOP, KVT, UOP4, VIAL	5t19a.5↔		BOP, KVT, UOP4, VIAL
	08	I08A, I08B, I08C, I08D, I08E, I08F, I21Z, I31Z		08	I20A, I20B, I20C, I20D		08	I08A, I08B, I08C, I08D, I08E, I08F, I21Z, I31Z
	21A	W04A, W04B		21A	W04A, W04B		21A	W04A, W04B
	21B	X06A, X06B, X06C		21B	X04Z		21B	X06A, X06B, X06C
			5t194.m↔		BOP, KVT, UOP4, VIAL		21B	X06A, X06B, X06C
				08	I20A, I20B, I20C, I20D			
				21A	W04A, W04B			
				21B	X04Z			

ZZV	MDC	DRG	ZZV	MDC	DRG	ZZV	MDC	DRG
5t19a.6↔		BOP, KVT, UOP4, VIAL	5t19a.r↔		BOP, KVT, UOP4, VIAL	5t19b.d↔		BOP, KVT, UOP4, VIAL
	08	I08A, I08B, I08C, I08D, I08E, I08F, I32A, I32B, I32C, I32D, I32E, I32F		08	I20A, I20B, I20C, I20D, I20E, I20F		08	I32A, I32B, I32C, I32D, I32E, I32F
	21A	W04A, W04B		21A	W04A, W04B		21A	W04A, W04B
	21B	X05A, X05B		21B	X04Z		21B	X05A, X05B
5t19a.8↔		BOP, KVT, UOP4, VIAL	5t19a.x		BOP, KVT, UOP4	5t19b.e↔		BOP, KVT, UOP4, VIAL
	08	I32A, I32B, I32C, I32D, I32E, I32F		01	B03A, B03B, B06A, B06B, B17A, B17B, B17C		08	I08A, I08B, I08C, I08D, I08E, I08F
	21A	W04A, W04B		08	I28A, I28B		21A	W04A, W04B
	21B	X05A, X05B		21A	W04A, W04B		21B	X06A, X06B, X06C
5t19a.9↔		BOP, KVT, UOP4, VIAL	5t19b.0↔		BOP, KVT, UOP4, VIAL	5t19b.f		BOP, KVT, UOP4, VIAL
	08	I32A, I32B, I32C, I32D, I32E, I32F		08	I16Z		01	B03A, B03B, B06A, B06B, B17A, B17B, B17C
	21A	W04A, W04B		21A	W04A, W04B		08	I28A, I28B
	21B	X05A, X05B		21B	X06A, X06B, X06C		21A	W04A, W04B
5t19a.a↔		BOP, KVT, UOP4, VIAL	5t19b.1↔		BOP, KVT, UOP4, VIAL	5t19b.g↔		BOP, KVT, UOP4, VIAL
	08	I32A, I32B, I32C, I32D, I32E, I32F		08	I16Z		08	I08A, I08B, I08C, I08D, I08E, I08F
	21A	W04A, W04B		21A	W04A, W04B		21A	W01A, W01B, W01C, W02A, W02B
	21B	X05A, X05B		21B	X06A, X06B, X06C		21B	X04Z
5t19a.b↔		BOP, KVT, UOP4, VIAL	5t19b.2↔		BOP, KVT, UOP4, VIAL	5t19b.h↔		BOP, KVT, UOP4, VIAL
	08	I32A, I32B, I32C, I32D, I32E, I32F		08	I28A, I28B		08	I18A, I18B, I30Z
	21A	W04A, W04B		21A	W04A, W04B		21A	W04A, W04B
	21B	X05A, X05B		21B	X06A, X06B, X06C		21B	X04Z
5t19a.c↔		BOP, KVT, UOP4, VIAL	5t19b.3↔		BOP, KVT, UOP4, VIAL	5t19b.j↔		BOP, KVT, UOP4, VIAL
	08	I32A, I32B, I32C, I32D, I32E, I32F		08	I28A, I28B		08	I18A, I18B, I30Z
	21A	W04A, W04B		21A	W04A, W04B		21A	W04A, W04B
	21B	X05A, X05B		21B	X06A, X06B, X06C		21B	X04Z
5t19a.d↔		BOP, KVT, UOP4, VIAL	5t19b.4↔		BOP, KVT, UOP4, VIAL	5t19b.k↔		BOP, KVT, UOP4, VIAL
	08	I32A, I32B, I32C, I32D, I32E, I32F		08	I08A, I08B, I08C, I08D, I08E, I08F, I21Z, I31Z		08	I13A, I13B, I13C, I13D, I13E
	21A	W04A, W04B		21A	W04A, W04B		21A	W04A, W04B
	21B	X05A, X05B		21B	X06A, X06B, X06C		21B	X04Z
5t19a.g↔		BOP, KVT, UOP4, VIAL	5t19b.5↔		BOP, KVT, UOP4, VIAL	5t19b.m↔		BOP, KVT, UOP4, VIAL
	08	I08A, I08B, I08C, I08D, I08E, I08F		08	I08A, I08B, I08C, I08D, I08E, I08F, I21Z, I31Z		08	I20A, I20B, I20C, I20D
	21A	W01A, W01B, W01C, W02A, W02B		21A	W04A, W04B		21A	W04A, W04B
	21B	X04Z		21B	X06A, X06B, X06C		21B	X04Z
5t19a.h↔		BOP, KVT, UOP4, VIAL	5t19b.6↔		BOP, KVT, UOP4, VIAL	5t19b.n↔		BOP, KVT, UOP4, VIAL
	08	I18A, I18B, I30Z		08	I08A, I08B, I08C, I08D, I08E, I08F, I32A, I32B, I32C, I32D, I32E, I32F		08	I20A, I20B, I20C, I20D
	21A	W04A, W04B		21A	W04A, W04B		21A	W04A, W04B
	21B	X04Z		21B	X05A, X05B		21B	X04Z
5t19a.j↔		BOP, KVT, UOP4, VIAL	5t19b.8↔		BOP, KVT, UOP4, VIAL	5t19b.p↔		BOP, KVT, UOP4, VIAL
	08	I18A, I18B, I30Z		08	I32A, I32B, I32C, I32D, I32E, I32F		08	I20A, I20B, I20C, I20D
	21A	W04A, W04B		21A	W04A, W04B		21A	W04A, W04B
	21B	X04Z		21B	X05A, X05B		21B	X04Z
5t19a.k↔		BOP, KVT, UOP4, VIAL	5t19b.9↔		BOP, KVT, UOP4, VIAL	5t19b.q↔		BOP, KVT, UOP4, VIAL
	08	I13A, I13B, I13C, I13D, I13E		08	I32A, I32B, I32C, I32D, I32E, I32F		08	I20A, I20B, I20C, I20D, I20E, I20F
	21A	W04A, W04B		21A	W04A, W04B		21A	W04A, W04B
	21B	X04Z		21B	X05A, X05B		21B	X04Z
5t19a.m↔		BOP, KVT, UOP4, VIAL	5t19b.a↔		BOP, KVT, UOP4, VIAL	5t19b.r↔		BOP, KVT, UOP4, VIAL
	08	I20A, I20B, I20C, I20D		08	I32A, I32B, I32C, I32D, I32E, I32F		08	I20A, I20B, I20C, I20D, I20E, I20F
	21A	W04A, W04B		21A	W04A, W04B		21A	W04A, W04B
	21B	X04Z		21B	X05A, X05B		21B	X04Z
5t19a.p↔		BOP, KVT, UOP4, VIAL	5t19b.b↔		BOP, KVT, UOP4, VIAL	5t19b.x		BOP, KVT, UOP4
	08	I20A, I20B, I20C, I20D		08	I32A, I32B, I32C, I32D, I32E, I32F		01	B03A, B03B, B06A, B06B, B17A, B17B, B17C
	21A	W04A, W04B		21A	W04A, W04B		08	I28A, I28B
	21B	X04Z		21B	X05A, X05B		21A	W04A, W04B
5t19a.q↔		BOP, KVT, UOP4, VIAL	5t19b.c↔		BOP, KVT, UOP4, VIAL	5t19d.0↔		BOP, KVT, UOP4, VIAL
	08	I20A, I20B, I20C, I20D, I20E, I20F		08	I32A, I32B, I32C, I32D, I32E, I32F		08	I16Z
	21A	W04A, W04B		21A	W04A, W04B		21A	W04A, W04B
	21B	X04Z		21B	X05A, X05B		21B	X06A, X06B, X06C

VYK

ZZV	MDC	DRG	ZZV	MDC	DRG	ZZV	MDC	DRG
5t19d.1↔		BOP, KVT, UOP4, VIAL	5t19d.g↔		BOP, KVT, UOP4, VIAL	5t19t.6↔		BOP, KVT, UOP4, VIAL
	08	I28A, I28B		08	I08A, I08B, I08C, I08D, I08E, I08F		08	I08A, I08B, I08C, I08D, I08E, I08F, I32A, I32B, I32C, I32D, I32E, I32F
	21A	W04A, W04B		21A	W01A, W01B, W01C, W02A, W02B		21A	W04A, W04B
	21B	X06A, X06B, X06C		21B	X04Z		21B	X05A, X05B
5t19d.2↔		BOP, KVT, UOP4, VIAL	5t19d.h↔		BOP, KVT, UOP4, VIAL	5t19t.8↔		BOP, KVT, UOP4, VIAL
	08	I28A, I28B		08	I18A, I18B, I30Z		08	I32A, I32B, I32C, I32D, I32E, I32F
	21A	W04A, W04B		21A	W04A, W04B		21A	W04A, W04B
	21B	X06A, X06B, X06C		21B	X04Z		21B	X05A, X05B
5t19d.3↔		BOP, KVT, UOP4, VIAL	5t19d.j↔		BOP, KVT, UOP4, VIAL	5t19t.9↔		BOP, KVT, UOP4, VIAL
	08	I28A, I28B		08	I18A, I18B, I30Z		08	I32A, I32B, I32C, I32D, I32E, I32F
	21A	W04A, W04B		21A	W04A, W04B		21A	W04A, W04B
	21B	X06A, X06B, X06C		21B	X04Z		21B	X05A, X05B
5t19d.4↔		BOP, KVT, UOP4, VIAL	5t19d.k↔		BOP, KVT, UOP4, VIAL	5t19t.a↔		BOP, KVT, UOP4, VIAL
	08	I08A, I08B, I08C, I08D, I08E, I08F, I21Z, I31Z		08	I13A, I13B, I13C, I13D, I13E		08	I32A, I32B, I32C, I32D, I32E, I32F
	21A	W04A, W04B		21A	W04A, W04B		21A	W04A, W04B
	21B	X06A, X06B, X06C		21B	X04Z		21B	X05A, X05B
5t19d.5↔		BOP, KVT, UOP4, VIAL	5t19d.m↔		BOP, KVT, UOP4, VIAL	5t19t.b↔		BOP, KVT, UOP4, VIAL
	08	I08A, I08B, I08C, I08D, I08E, I08F, I21Z, I31Z		08	I20A, I20B, I20C, I20D		08	I32A, I32B, I32C, I32D, I32E, I32F
	21A	W04A, W04B		21A	W04A, W04B		21A	W04A, W04B
	21B	X06A, X06B, X06C		21B	X04Z		21B	X05A, X05B
5t19d.6↔		BOP, KVT, UOP4, VIAL	5t19d.n↔		BOP, KVT, UOP4, VIAL	5t19t.c↔		BOP, KVT, UOP4, VIAL
	08	I08A, I08B, I08C, I08D, I08E, I08F, I32A, I32B, I32C, I32D, I32E, I32F		08	I20A, I20B, I20C, I20D		08	I32A, I32B, I32C, I32D, I32E, I32F
	21A	W04A, W04B		21A	W04A, W04B		21A	W04A, W04B
	21B	X05A, X05B		21B	X04Z		21B	X05A, X05B
5t19d.8↔		BOP, KVT, UOP4, VIAL	5t19d.p↔		BOP, KVT, UOP4, VIAL	5t19t.d↔		BOP, KVT, UOP4, VIAL
	08	I32A, I32B, I32C, I32D, I32E, I32F		08	I20A, I20B, I20C, I20D		08	I32A, I32B, I32C, I32D, I32E, I32F
	21A	W04A, W04B		21A	W04A, W04B		21A	W04A, W04B
	21B	X05A, X05B		21B	X04Z		21B	X05A, X05B
5t19d.9↔		BOP, KVT, UOP4, VIAL	5t19d.q↔		BOP, KVT, UOP4, VIAL	5t19t.e↔		BOP, KVT, UOP4, VIAL
	08	I32A, I32B, I32C, I32D, I32E, I32F		08	I20A, I20B, I20C, I20D, I20E, I20F		08	I08A, I08B, I08C, I08D, I08E, I08F
	21A	W04A, W04B		21A	W04A, W04B		21A	W04A, W04B
	21B	X05A, X05B		21B	X04Z		21B	X06A, X06B, X06C
5t19d.a↔		BOP, KVT, UOP4, VIAL	5t19d.r↔		BOP, KVT, UOP4, VIAL	5t19t.f		BOP, KVT, UOP4, VIAL
	08	I32A, I32B, I32C, I32D, I32E, I32F		08	I20A, I20B, I20C, I20D, I20E, I20F		01	B03A, B03B, B06A, B06B, B17A, B17B, B17C
	21A	W04A, W04B		21A	W04A, W04B		08	I28A, I28B
	21B	X05A, X05B		21B	X04Z		21A	W04A, W04B
5t19d.b↔		BOP, KVT, UOP4, VIAL	5t19d.x		BOP, KVT, UOP4		21B	X06A, X06B, X06C
	08	I32A, I32B, I32C, I32D, I32E, I32F		01	B03A, B03B, B06A, B06B, B17A, B17B, B17C		5t19t.g↔	BOP, KVT, UOP4, VIAL
	21A	W04A, W04B		08	I28A, I28B		08	I08A, I08B, I08C, I08D, I08E, I08F
	21B	X05A, X05B		21A	W04A, W04B		21A	W01A, W01B, W01C, W02A, W02B
5t19d.c↔		BOP, KVT, UOP4, VIAL	5t19t.0↔		BOP, KVT, UOP4, VIAL		21B	X04Z
	08	I32A, I32B, I32C, I32D, I32E, I32F		08	I16Z		08	I08A, I08B, I08C, I08D, I08E, I08F
	21A	W04A, W04B		21A	W04A, W04B		21A	W01A, W01B, W01C, W02A, W02B
	21B	X05A, X05B		21B	X06A, X06B, X06C		21B	X04Z
5t19d.d↔		BOP, KVT, UOP4, VIAL	5t19t.1↔		BOP, KVT, UOP4, VIAL	5t19t.h↔		BOP, KVT, UOP4, VIAL
	08	I32A, I32B, I32C, I32D, I32E, I32F		08	I28A, I28B		08	I18A, I18B, I30Z
	21A	W04A, W04B		21A	W04A, W04B		21A	W04A, W04B
	21B	X05A, X05B		21B	X06A, X06B, X06C		21B	X04Z
5t19d.e↔		BOP, KVT, UOP4, VIAL	5t19t.4↔		BOP, KVT, UOP4, VIAL	5t19t.j↔		BOP, KVT, UOP4, VIAL
	08	I08A, I08B, I08C, I08D, I08E, I08F		08	I08A, I08B, I08C, I08D, I08E, I08F, I21Z, I31Z		08	I18A, I18B, I30Z
	21A	W04A, W04B		21A	W04A, W04B		21A	W04A, W04B
	21B	X06A, X06B, X06C		21B	X06A, X06B, X06C		21B	X04Z
5t19d.f		BOP, KVT, UOP4, VIAL	5t19t.5↔		BOP, KVT, UOP4, VIAL	5t19t.k↔		BOP, KVT, UOP4, VIAL
	01	B03A, B03B, B06A, B06B, B17A, B17B, B17C		08	I08A, I08B, I08C, I08D, I08E, I08F, I21Z, I31Z		08	I13A, I13B, I13C, I13D, I13E
	08	I28A, I28B		21A	W04A, W04B		21A	W04A, W04B
	21A	W04A, W04B		21B	X06A, X06B, X06C		21B	X04Z
	21B	X06A, X06B, X06C					5t19t.m↔	BOP, KVT, UOP4, VIAL
							08	I20A, I20B, I20C, I20D
							21A	W04A, W04B
							21B	X04Z

ZZV	MDC	DRG	ZZV	MDC	DRG	ZZV	MDC	DRG
5t19t.n↔		BOP, KVT, UOP4, VIAL 08 I20A, I20B, I20C, I20D 21A W04A, W04B 21B X04Z	5t19x.a↔		BOP, KVT, UOP4, VIAL 08 I32A, I32B, I32C, I32D, I32E, I32F 21A W04A, W04B 21B X05A, X05B	5t19x.r↔		BOP, KVT, UOP4, VIAL 08 I20A, I20B, I20C, I20D, I20E, I20F 21A W04A, W04B 21B X04Z
5t19t.p↔		BOP, KVT, UOP4, VIAL 08 I20A, I20B, I20C, I20D 21A W04A, W04B 21B X04Z	5t19x.b↔		BOP, KVT, UOP4, VIAL 08 I32A, I32B, I32C, I32D, I32E, I32F 21A W04A, W04B 21B X05A, X05B	5t19x.x		BOP, KVT, UOP4 01 B03A, B03B, B06A, B06B, B17A, B17B, B17C 08 I28A, I28B 21A W04A, W04B 21B X06A, X06B, X06C
5t19t.q↔		BOP, KVT, UOP4, VIAL 08 I20A, I20B, I20C, I20D, I20E, I20F 21A W04A, W04B 21B X04Z	5t19x.c↔		BOP, KVT, UOP4, VIAL 08 I32A, I32B, I32C, I32D, I32E, I32F 21A W04A, W04B 21B X05A, X05B	5t19z.0↔		BOP, KVT, UOP4, VIAL 08 I16Z 21A W04A, W04B 21B X06A, X06B, X06C
5t19t.r↔		BOP, KVT, UOP4, VIAL 08 I20A, I20B, I20C, I20D, I20E, I20F 21A W04A, W04B 21B X04Z	5t19x.d↔		BOP, KVT, UOP4, VIAL 08 I32A, I32B, I32C, I32D, I32E, I32F 21A W04A, W04B 21B X05A, X05B	5t19z.1↔		BOP, KVT, UOP4, VIAL 08 I16Z 21A W04A, W04B 21B X06A, X06B, X06C
5t19t.x		BOP, KVT, UOP4 01 B03A, B03B, B06A, B06B, B17A, B17B, B17C 08 I28A, I28B 21A W04A, W04B 21B X06A, X06B, X06C	5t19x.e↔		BOP, KVT, UOP4, VIAL 08 I08A, I08B, I08C, I08D, I08E, I08F 21A W04A, W04B 21B X06A, X06B, X06C	5t19z.2↔		BOP, KVT, UOP4, VIAL 08 I28A, I28B 21A W04A, W04B 21B X06A, X06B, X06C
5t19x.0↔		BOP, KVT, UOP4, VIAL 08 I16Z 21A W04A, W04B 21B X06A, X06B, X06C	5t19x.f		BOP, KVT, UOP4, VIAL 08 I28A, I28B 21A W04A, W04B 21B X06A, X06B, X06C	5t19z.3↔		BOP, KVT, UOP4, VIAL 08 I28A, I28B 21A W04A, W04B 21B X06A, X06B, X06C
5t19x.1↔		BOP, KVT, UOP4, VIAL 08 I28A, I28B 21A W04A, W04B 21B X06A, X06B, X06C	5t19x.g↔		BOP, KVT, UOP4, VIAL 08 I08A, I08B, I08C, I08D, I08E, I08F 21A W01A, W01B, W01C, W02A, W02B 21B X04Z	5t19z.4↔		BOP, KVT, UOP4, VIAL 08 I08A, I08B, I08C, I08D, I08E, I08F, I21Z, I31Z 21A W04A, W04B 21B X06A, X06B, X06C
5t19x.2↔		BOP, KVT, UOP4, VIAL 08 I28A, I28B 21A W04A, W04B 21B X06A, X06B, X06C	5t19x.h↔		BOP, KVT, UOP4, VIAL 08 I18A, I18B, I30Z 21A W04A, W04B 21B X04Z	5t19z.5↔		BOP, KVT, UOP4, VIAL 08 I08A, I08B, I08C, I08D, I08E, I08F, I21Z, I31Z 21A W04A, W04B 21B X06A, X06B, X06C
5t19x.3↔		BOP, KVT, UOP4, VIAL 08 I28A, I28B 21A W04A, W04B 21B X06A, X06B, X06C	5t19x.j↔		BOP, KVT, UOP4, VIAL 08 I18A, I18B, I30Z 21A W04A, W04B 21B X04Z	5t19z.6↔		BOP, KVT, UOP4, VIAL 08 I08A, I08B, I08C, I08D, I08E, I08F, I32A, I32B, I32C, I32D, I32E, I32F 21A W04A, W04B 21B X05A, X05B
5t19x.4↔		BOP, KVT, UOP4, VIAL 08 I08A, I08B, I08C, I08D, I08E, I08F, I21Z, I31Z 21A W04A, W04B 21B X06A, X06B, X06C	5t19x.k↔		BOP, KVT, UOP4, VIAL 08 I13A, I13B, I13C, I13D, I13E 21A W04A, W04B 21B X04Z	5t19z.8↔		BOP, KVT, UOP4, VIAL 08 I32A, I32B, I32C, I32D, I32E, I32F 21A W04A, W04B 21B X05A, X05B
5t19x.5↔		BOP, KVT, UOP4, VIAL 08 I08A, I08B, I08C, I08D, I08E, I08F, I21Z, I31Z 21A W04A, W04B 21B X06A, X06B, X06C	5t19x.m↔		BOP, KVT, UOP4, VIAL 08 I20A, I20B, I20C, I20D, I20E, I20F 21A W04A, W04B 21B X04Z	5t19z.9↔		BOP, KVT, UOP4, VIAL 08 I32A, I32B, I32C, I32D, I32E, I32F 21A W04A, W04B 21B X05A, X05B
5t19x.6↔		BOP, KVT, UOP4, VIAL 08 I08A, I08B, I08C, I08D, I08E, I08F, I32A, I32B, I32C, I32D, I32E, I32F 21A W04A, W04B 21B X05A, X05B	5t19x.n↔		BOP, KVT, UOP4, VIAL 08 I20A, I20B, I20C, I20D 21A W04A, W04B 21B X04Z	5t19z.a↔		BOP, KVT, UOP4, VIAL 08 I32A, I32B, I32C, I32D, I32E, I32F 21A W04A, W04B 21B X05A, X05B
5t19x.8↔		BOP, KVT, UOP4, VIAL 08 I32A, I32B, I32C, I32D, I32E, I32F 21A W04A, W04B 21B X05A, X05B	5t19x.p↔		BOP, KVT, UOP4, VIAL 08 I20A, I20B, I20C, I20D 21A W04A, W04B 21B X04Z	5t19z.b↔		BOP, KVT, UOP4, VIAL 08 I32A, I32B, I32C, I32D, I32E, I32F 21A W04A, W04B 21B X05A, X05B
5t19x.9↔		BOP, KVT, UOP4, VIAL 08 I32A, I32B, I32C, I32D, I32E, I32F 21A W04A, W04B 21B X05A, X05B	5t19x.q↔		BOP, KVT, UOP4, VIAL 08 I20A, I20B, I20C, I20D, I20E, I20F 21A W04A, W04B 21B X04Z	5t19z.c↔		BOP, KVT, UOP4, VIAL 08 I32A, I32B, I32C, I32D, I32E, I32F 21A W04A, W04B 21B X05A, X05B

ZZV	MDC	DRG	ZZV	MDC	DRG	ZZV	MDC	DRG
5t19z.d↔		BOP, KVT, UOP4, VIAL	5t211.1↔		BOP, KVT, UOP4, VIAL	5t211.e↔		BOP, KVT, UOP4, VIAL
	08	I32A, I32B, I32C, I32D, I32E, I32F		08	I08A, I08B, I08C, I08D, I08E, I08F, I13A, I13B, I13C, I13D, I13E		08	I08A, I08B, I08C, I08D, I08E, I08F
	21A	W04A, W04B		21A	W04A, W04B		21A	W01A, W01B, W01C, W02A, W02B
	21B	X05A, X05B		21B	X06A, X06B, X06C		21B	X04Z
5t19z.e↔		BOP, KVT, UOP4, VIAL	5t211.2↔		BOP, KVT, UOP4, VIAL	5t211.f↔		BOP, KVT, UOP4, VIAL
	08	I08A, I08B, I08C, I08D, I08E, I08F		08	I08A, I08B, I08C, I08D, I08E, I08F, I13A, I13B, I13C, I13D, I13E		08	I08A, I08B, I08C, I08D, I08E, I08F
	21A	W04A, W04B		21A	W04A, W04B		21A	W01A, W01B, W01C, W02A, W02B
	21B	X06A, X06B, X06C		21B	X06A, X06B, X06C		21B	X04Z
5t19z.f		BOP, KVT, UOP4, VIAL	5t211.3↔		BOP, KVT, UOP4, VIAL	5t211.g↔		BOP, KVT, UOP4, VIAL
	01	B03A, B03B, B06A, B06B, B17A, B17B, B17C		08	I08A, I08B, I08C, I08D, I08E, I08F, I13A, I13B, I13C, I13D, I13E		08	I08A, I08B, I08C, I08D, I08E, I08F
	08	I28A, I28B		21A	W04A, W04B		21A	W01A, W01B, W01C, W02A, W02B
	21A	W04A, W04B		21B	X06A, X06B, X06C		21B	X04Z
	21B	X06A, X06B, X06C		21A	W04A, W04B		21A	W01A, W01B, W01C, W02A, W02B
5t19z.g↔		BOP, KVT, UOP4, VIAL	5t211.4↔		BOP, KVT, UOP4, VIAL	5t211.h↔		BOP, KVT, UOP4, VIAL
	08	I08A, I08B, I08C, I08D, I08E, I08F		08	I08A, I08B, I08C, I08D, I08E, I08F, I18A, I18B, I30Z		01	B03A, B03B, B06A, B06B, B17A, B17B, B17C
	21A	W01A, W01B, W01C, W02A, W02B		21A	W04A, W04B		08	I08A, I08B, I08C, I08D, I08E, I08F
	21B	X04Z		21B	X06A, X06B, X06C		21A	W01A, W01B, W01C, W02A, W02B
5t19z.h↔		BOP, KVT, UOP4, VIAL	5t211.5↔		BOP, KVT, UOP4, VIAL		21B	X04Z
	08	I18A, I18B, I30Z		08	I08A, I08B, I08C, I08D, I08E, I08F, I18A, I18B, I30Z		21A	W01A, W01B, W01C, W02A, W02B
	21A	W04A, W04B		21A	W04A, W04B		21B	X04Z
	21B	X04Z		21B	X06A, X06B, X06C		5t211.j↔	BOP, KVT, UOP4, VIAL
5t19z.j↔		BOP, KVT, UOP4, VIAL		21A	W04A, W04B		08	I18A, I18B, I30Z
	08	I18A, I18B, I30Z		21B	X06A, X06B, X06C		21A	W04A, W04B
	21A	W04A, W04B		5t211.6↔	BOP, KVT, UOP4, VIAL		21B	X04Z
	21B	X04Z		08	I08A, I08B, I08C, I08D, I08E, I08F, I13A, I13B, I18A, I18B, I30Z		5t211.k↔	BOP, KVT, UOP4, VIAL
5t19z.k↔		BOP, KVT, UOP4, VIAL		21A	W04A, W04B		08	I13A, I13B, I13C, I13D, I13E
	08	I13A, I13B, I13C, I13D, I13E		21B	X06A, X06B, X06C		21A	W04A, W04B
	21A	W04A, W04B		5t211.7↔	BOP, KVT, UOP4, VIAL		21B	X04Z
	21B	X04Z		08	I08A, I08B, I08C, I08D, I08E, I08F, I18A, I18B, I30Z		5t211.m↔	BOP, KVT, UOP4, VIAL
5t19z.m↔		BOP, KVT, UOP4, VIAL		21A	W04A, W04B		08	I13A, I13B, I13C, I13D, I13E
	08	I20A, I20B, I20C, I20D		21B	X06A, X06B, X06C		21A	W04A, W04B
	21A	W04A, W04B		5t211.8↔	BOP, KVT, UOP4, VIAL		21B	X04Z
	21B	X04Z		08	I08A, I08B, I08C, I08D, I08E, I08F, I18A, I18B, I30Z		5t211.n↔	BOP, KVT, UOP4, VIAL
5t19z.n↔		BOP, KVT, UOP4, VIAL		21A	W04A, W04B		08	I13A, I13B, I13C, I13D, I13E
	08	I20A, I20B, I20C, I20D		21B	X06A, X06B, X06C		21A	W04A, W04B
	21A	W04A, W04B		5t211.9↔	BOP, KVT, UOP4, VIAL		21B	X04Z
	21B	X04Z		08	I08A, I08B, I08C, I08D, I08E, I08F, I18A, I18B, I30Z		5t211.p↔	BOP, KVT, UOP4, VIAL
5t19z.p↔		BOP, KVT, UOP4, VIAL		21A	W04A, W04B		08	I13A, I13B, I13C, I13D, I13E
	08	I20A, I20B, I20C, I20D		21B	X06A, X06B, X06C		21A	W04A, W04B
	21A	W04A, W04B		5t211.a↔	BOP, KVT, UOP4, VIAL		21B	X04Z
	21B	X04Z		08	I32A, I32B, I32C, I32D, I32E, I32F, I32G		5t211.q↔	BOP, KVT, UOP4, VIAL
5t19z.q↔		BOP, KVT, UOP4, VIAL		21A	W04A, W04B		08	I13A, I13B, I13C, I13D, I13E
	08	I20A, I20B, I20C, I20D, I20E, I20F		21B	X06A, X06B, X06C		21A	W04A, W04B
	21A	W04A, W04B		5t211.b↔	BOP, KVT, UOP4, VIAL		21B	X04Z
	21B	X04Z		08	I32A, I32B, I32C, I32D, I32E, I32F, I32G		5t211.r↔	BOP, KVT, UOP4, VIAL
5t19z.r↔		BOP, KVT, UOP4, VIAL		21A	W04A, W04B		08	I13A, I13B, I13C, I13D, I13E
	08	I20A, I20B, I20C, I20D, I20E, I20F		21B	X05A, X05B		21A	W04A, W04B
	21A	W04A, W04B		5t211.c↔	BOP, KVT, UOP4, VIAL		21B	X04Z
	21B	X04Z		08	I32A, I32B, I32C, I32D, I32E, I32F, I32G		5t211.s↔	BOP, KVT, UOP4, VIAL
5t19z.x		BOP, KVT, UOP4		21A	W04A, W04B		08	I20A, I20B, I20C, I20D, I20E, I20F
	01	B03A, B03B, B06A, B06B, B17A, B17B, B17C		21B	X05A, X05B		21A	W04A, W04B
	08	I28A, I28B		5t211.d	BOP, KVT, UOP4, VIAL		21B	X04Z
	21A	W04A, W04B		08	I32A, I32B, I32C, I32D, I32E, I32F, I32G		5t211.t↔	BOP, KVT, UOP4, VIAL
	21B	X06A, X06B, X06C		21A	W04A, W04B		08	I20A, I20B, I20C, I20D, I20E, I20F
5t211.0↔		BOP, KVT, UOP4, VIAL		21B	X05A, X05B		21A	W04A, W04B
	08	I16Z		5t211.e↔	BOP, KVT, UOP4, VIAL		21B	X04Z
	21A	W04A, W04B		08	I08A, I08B, I08C, I08D, I08E, I08F		5t211.u↔	BOP, KVT, UOP4, VIAL
	21B	X06A, X06B, X06C		21A	W04A, W04B		08	I20A, I20B, I20C, I20D, I20E, I20F
				21B	X06A, X06B, X06C		21A	W04A, W04B
							21B	X04Z



ZZV	MDC	DRG	ZZV	MDC	DRG	ZZV	MDC	DRG
5t211.v↔		BOP, KVT, UOP4, VIAL	5t213.9↔		BOP, KVT, UOP4, VIAL	5t213.p↔		BOP, KVT, UOP4, VIAL
	08	I20A, I20B, I20C, I20D, I20E, I20F		08	I08A, I08B, I08C, I08D, I08E, I08F, I18A, I18B, I30Z		08	I13A, I13B, I13C, I13D, I13E
	21A	W04A, W04B		21A	W04A, W04B		21A	W04A, W04B
	21B	X04Z		21B	X06A, X06B, X06C		21B	X04Z
5t211.w↔		BOP, KVT, UOP4, VIAL	5t213.a↔		BOP, KVT, UOP4, VIAL	5t213.q↔		BOP, KVT, UOP4, VIAL
	08	I20A, I20B, I20C, I20D, I20E, I20F		08	I32A, I32B, I32C, I32D, I32E, I32F, I32G		08	I13A, I13B, I13C, I13D, I13E
	21A	W04A, W04B		21A	W04A, W04B		21A	W04A, W04B
	21B	X04Z		21B	X05A, X05B		21B	X04Z
5t211.x		BOP, KVT, UOP4	5t213.b↔		BOP, KVT, UOP4, VIAL	5t213.r↔		BOP, KVT, UOP4, VIAL
	08	I28A, I28B		08	I32A, I32B, I32C, I32D, I32E, I32F, I32G		08	I13A, I13B, I13C, I13D, I13E
	21A	W04A, W04B		21A	W04A, W04B		21A	W04A, W04B
	21B	X06A, X06B, X06C		21B	X05A, X05B		21B	X04Z
5t211.z↔		BOP, KVT, UOP4, VIAL	5t213.c↔		BOP, KVT, UOP4, VIAL	5t213.s↔		BOP, KVT, UOP4, VIAL
	08	I28A, I28B, I28C		08	I32A, I32B, I32C, I32D, I32E, I32F, I32G		08	I20A, I20B, I20C, I20D, I20E, I20F
	21A	W04A, W04B		21A	W04A, W04B		21A	W04A, W04B
	21B	X06A, X06B, X06C		21B	X05A, X05B		21B	X04Z
5t213.0↔		BOP, KVT, UOP4, VIAL	5t213.d		BOP, KVT, UOP4, VIAL	5t213.t↔		BOP, KVT, UOP4, VIAL
	08	I16Z		08	I08A, I08B, I08C, I08D, I08E, I08F		08	I20A, I20B, I20C, I20D, I20E, I20F
	21A	W04A, W04B		21A	W04A, W04B		21A	W04A, W04B
	21B	X06A, X06B, X06C		21B	X06A, X06B, X06C		21B	X04Z
5t213.1↔		BOP, KVT, UOP4, VIAL	5t213.e↔		BOP, KVT, UOP4, VIAL	5t213.u↔		BOP, KVT, UOP4, VIAL
	08	I08A, I08B, I08C, I08D, I08E, I08F, I13A, I13B, I13C, I13D, I13E		08	I08A, I08B, I08C, I08D, I08E, I08F		08	I20A, I20B, I20C, I20D, I20E, I20F
	21A	W04A, W04B		21A	W04A, W04B		21A	W04A, W04B
	21B	X06A, X06B, X06C		21B	X06A, X06B, X06C		21B	X04Z
5t213.2↔		BOP, KVT, UOP4, VIAL	5t213.f↔		BOP, KVT, UOP4, VIAL	5t213.v↔		BOP, KVT, UOP4, VIAL
	08	I08A, I08B, I08C, I08D, I08E, I08F, I13A, I13B, I13C, I13D, I13E		08	I08A, I08B, I08C, I08D, I08E, I08F		08	I20A, I20B, I20C, I20D, I20E, I20F
	21A	W04A, W04B		21A	W01A, W01B, W01C, W02A, W02B		21A	W04A, W04B
	21B	X06A, X06B, X06C		21B	X04Z		21B	X04Z
5t213.3↔		BOP, KVT, UOP4, VIAL	5t213.g↔		BOP, KVT, UOP4, VIAL	5t213.w↔		BOP, KVT, UOP4, VIAL
	08	I08A, I08B, I08C, I08D, I08E, I08F, I13A, I13B, I13C, I13D, I13E		08	I08A, I08B, I08C, I08D, I08E, I08F		08	I20A, I20B, I20C, I20D, I20E, I20F
	21A	W04A, W04B		21A	W01A, W01B, W01C, W02A, W02B		21A	W04A, W04B
	21B	X06A, X06B, X06C		21B	X04Z		21B	X04Z
5t213.4↔		BOP, KVT, UOP4, VIAL	5t213.h↔		BOP, KVT, UOP4, VIAL	5t213.x		BOP, KVT, UOP4
	08	I08A, I08B, I08C, I08D, I08E, I08F, I18A, I18B, I30Z		08	I08A, I08B, I08C, I08D, I08E, I08F		08	I28A, I28B
	21A	W04A, W04B		21A	W01A, W01B, W01C, W02A, W02B		21A	W04A, W04B
	21B	X06A, X06B, X06C		21B	X04Z		21B	X06A, X06B, X06C
5t213.5↔		BOP, KVT, UOP4, VIAL	5t213.i↔	01	B03A, B03B, B06A, B06B, B17A, B17B, B17C	5t213.z↔		BOP, KVT, UOP4, VIAL
	08	I08A, I08B, I08C, I08D, I08E, I08F, I18A, I18B, I30Z		08	I08A, I08B, I08C, I08D, I08E, I08F		08	I28A, I28B, I28C
	21A	W04A, W04B		21A	W01A, W01B, W01C, W02A, W02B		21A	W04A, W04B
	21B	X06A, X06B, X06C		21B	X04Z		21B	X06A, X06B, X06C
5t213.6↔		BOP, KVT, UOP4, VIAL	5t213.j↔		BOP, KVT, UOP4, VIAL	5t214.0↔		BOP, KVT, UOP4, VIAL
	08	I08A, I08B, I08C, I08D, I08E, I08F, I13A, I13B, I18A, I18B, I30Z		08	I18A, I18B, I30Z		08	I16Z
	21A	W04A, W04B		21A	W04A, W04B		21A	W04A, W04B
	21B	X06A, X06B, X06C		21B	X04Z		21B	X06A, X06B, X06C
5t213.7↔		BOP, KVT, UOP4, VIAL	5t213.k↔		BOP, KVT, UOP4, VIAL	5t214.1↔		BOP, KVT, UOP4, VIAL
	08	I08A, I08B, I08C, I08D, I08E, I08F, I18A, I18B, I30Z		08	I13A, I13B, I13C, I13D, I13E		08	I08A, I08B, I08C, I08D, I08E, I08F, I13A, I13B, I13C, I13D, I13E
	21A	W04A, W04B		21A	W04A, W04B		21A	W04A, W04B
	21B	X06A, X06B, X06C		21B	X04Z		21B	X06A, X06B, X06C
5t213.8↔		BOP, KVT, UOP4, VIAL	5t213.l↔		BOP, KVT, UOP4, VIAL	5t214.2↔		BOP, KVT, UOP4, VIAL
	08	I08A, I08B, I08C, I08D, I08E, I08F, I18A, I18B, I30Z		08	I13A, I13B, I13C, I13D, I13E		08	I08A, I08B, I08C, I08D, I08E, I08F, I13A, I13B, I13C, I13D, I13E
	21A	W04A, W04B		21A	W04A, W04B		21A	W04A, W04B
	21B	X06A, X06B, X06C		21B	X04Z		21B	X06A, X06B, X06C
			5t213.m↔		BOP, KVT, UOP4, VIAL	5t214.3↔		BOP, KVT, UOP4, VIAL
				08	I13A, I13B, I13C, I13D, I13E		08	I08A, I08B, I08C, I08D, I08E, I08F, I13A, I13B, I13C, I13D, I13E
				21A	W04A, W04B		21A	W04A, W04B
				21B	X04Z		21B	X06A, X06B, X06C
			5t213.n↔		BOP, KVT, UOP4, VIAL			
				08	I13A, I13B, I13C, I13D, I13E			
				21A	W04A, W04B			
				21B	X04Z			

ZZV	MDC	DRG	ZZV	MDC	DRG	ZZV	MDC	DRG
5t214.4↔		BOP, KVT, UOP4, VIAL	5t214.h↔		BOP, KVT, UOP4, VIAL	5t215.1↔		BOP, KVT, UOP4, VIAL
	08	I08A, I08B, I08C, I08D, I08E, I08F, I18A, I18B, I24Z		01	B03A, B03B, B06A, B06B, B17A, B17B, B17C		08	I08A, I08B, I08C, I08D, I08E, I08F, I13A, I13B, I13C, I13D
	21A	W04A, W04B		08	I08A, I08B, I08C, I08D, I08E, I08F	5t215.2↔		BOP, KVT, UOP4, VIAL
	21B	X06A, X06B, X06C		21A	W01A, W01B, W01C, W02A, W02B		08	I08A, I08B, I08C, I08D, I08E, I08F, I13A, I13B, I13C, I13D
5t214.5↔		BOP, KVT, UOP4, VIAL		21B	X04Z	5t215.e↔		BOP, KVT, UOP4, VIAL
	08	I08A, I08B, I08C, I08D, I08E, I08F, I18A, I18B, I24Z	5t214.j↔		BOP, KVT, UOP4, VIAL		08	I08A, I08B, I08C, I08D, I08E, I08F
	21A	W04A, W04B		08	I24Z, I30Z		21A	W01A, W01B, W01C, W02A, W02B
	21B	X06A, X06B, X06C		21A	W04A, W04B		21B	X04Z
5t214.6↔		BOP, KVT, UOP4, VIAL		21B	X04Z	5t215.f↔		BOP, KVT, UOP4, VIAL
	08	I08A, I08B, I08C, I08D, I08E, I08F, I13A, I13B, I18A, I18B, I24Z	5t214.k↔		BOP, KVT, UOP4, VIAL		08	I08A, I08B, I08C, I08D, I08E, I08F
	21A	W04A, W04B		08	I13A, I13B, I13C, I13D, I13E		21A	W01A, W01B, W01C, W02A, W02B
	21B	X06A, X06B, X06C		21A	W04A, W04B		21B	X04Z
5t214.7↔		BOP, KVT, UOP4, VIAL		21B	X04Z	5t215.g↔		BOP, KVT, UOP4, VIAL
	08	I08A, I08B, I08C, I08D, I08E, I08F, I18A, I18B, I24Z	5t214.m↔		BOP, KVT, UOP4, VIAL		08	I08A, I08B, I08C, I08D, I08E, I08F
	21A	W04A, W04B		08	I13A, I13B, I13C, I13D, I13E		21A	W01A, W01B, W01C, W02A, W02B
	21B	X06A, X06B, X06C		21A	W04A, W04B		21B	X04Z
5t214.8↔		BOP, KVT, UOP4, VIAL		21B	X04Z	5t215.h↔		BOP, KVT, UOP4, VIAL
	08	I08A, I08B, I08C, I08D, I08E, I08F, I18A, I18B, I24Z	5t214.n↔		BOP, KVT, UOP4, VIAL		01	B03A, B03B, B06A, B06B, B17A, B17B, B17C
	21A	W04A, W04B		08	I13A, I13B, I13C, I13D, I13E		08	I08A, I08B, I08C, I08D, I08E, I08F
	21B	X06A, X06B, X06C		21A	W04A, W04B		21A	W01A, W01B, W01C, W02A, W02B
5t214.9↔		BOP, KVT, UOP4, VIAL		21B	X04Z		21B	X04Z
	08	I08A, I08B, I08C, I08D, I08E, I08F, I18A, I18B, I24Z	5t214.p↔		BOP, KVT, UOP4, VIAL		01	B03A, B03B, B06A, B06B, B17A, B17B, B17C
	21A	W04A, W04B		08	I13A, I13B, I13C, I13D, I13E		08	I08A, I08B, I08C, I08D, I08E, I08F
	21B	X06A, X06B, X06C		21A	W04A, W04B		21A	W01A, W01B, W01C, W02A, W02B
5t214.a↔		BOP, KVT, UOP4, VIAL		21B	X04Z		21B	X04Z
	08	I32A, I32B, I32C, I32D, I32E, I32F, I32G	5t214.q↔		BOP, KVT, UOP4, VIAL		08	I08A, I08B, I08C, I08D, I08E, I08F
	21A	W04A, W04B		08	I13A, I13B, I13C, I13D, I13E		21A	W01A, W01B, W01C, W02A, W02B
	21B	X05A, X05B		21A	W04A, W04B		21B	X04Z
5t214.b↔		BOP, KVT, UOP4, VIAL		21B	X04Z	5t215.k↔		BOP, KVT, UOP4, VIAL
	08	I32A, I32B, I32C, I32D, I32E, I32F, I32G	5t214.r↔		BOP, KVT, UOP4, VIAL		08	I13A, I13B, I13C, I13D
	21A	W04A, W04B		08	I13A, I13B, I13C, I13D, I13E		08	BOP, KVT, UOP4
	21B	X05A, X05B		21A	W04A, W04B		08	I28A, I28B
5t214.c↔		BOP, KVT, UOP4, VIAL		21B	X04Z		21A	W04A, W04B
	08	I32A, I32B, I32C, I32D, I32E, I32F, I32G	5t214.s↔		BOP, KVT, UOP4, VIAL		21B	X06A, X06B, X06C
	21A	W04A, W04B		08	I20A, I20B, I20C, I20D, I20E, I20F	5t216.1↔		BOP, KVT, UOP4, VIAL
	21B	X05A, X05B		21A	W04A, W04B		08	I08A, I08B, I08C, I08D, I08E, I08F, I13A, I13B, I13C, I13D
5t214.d		BOP, KVT, UOP4, VIAL		21B	X04Z		21A	W04A, W04B
	08	I08A, I08B, I08C, I08D, I08E, I08F	5t214.t↔		BOP, KVT, UOP4, VIAL		21B	X06A, X06B, X06C
	21A	W04A, W04B		08	I20A, I20B, I20C, I20D, I20E, I20F	5t216.2↔		BOP, KVT, UOP4, VIAL
	21B	X05A, X05B		21A	W04A, W04B		08	I08A, I08B, I08C, I08D, I08E, I08F, I13A, I13B, I13C, I13D
5t214.e↔		BOP, KVT, UOP4, VIAL		21B	X04Z		21A	W04A, W04B
	08	I08A, I08B, I08C, I08D, I08E, I08F	5t214.u↔		BOP, KVT, UOP4, VIAL		21B	X06A, X06B, X06C
	21A	W01A, W01B, W01C, W02A, W02B		08	I20A, I20B, I20C, I20D, I20E, I20F	5t216.3↔		BOP, KVT, UOP4, VIAL
	21B	X04Z		21A	W04A, W04B		08	I08A, I08B, I08C, I08D, I08E, I08F, I13A, I13B, I13C, I13D
5t214.f↔		BOP, KVT, UOP4, VIAL		21B	X04Z		21A	W04A, W04B
	08	I08A, I08B, I08C, I08D, I08E, I08F	5t214.v↔		BOP, KVT, UOP4, VIAL		21B	X06A, X06B, X06C
	21A	W01A, W01B, W01C, W02A, W02B		08	I20A, I20B, I20C, I20D, I20E, I20F	5t216.4↔		BOP, KVT, UOP4, VIAL
	21B	X04Z		21A	W04A, W04B		08	I08A, I08B, I08C, I08D, I08E, I08F, I18A, I18B, I21Z, I31Z
5t214.g↔		BOP, KVT, UOP4, VIAL		21B	X04Z		21A	W04A, W04B
	08	I08A, I08B, I08C, I08D, I08E, I08F	5t214.w↔		BOP, KVT, UOP4, VIAL		21B	X06A, X06B, X06C
	21A	W01A, W01B, W01C, W02A, W02B		08	I20A, I20B, I20C, I20D, I20E, I20F	5t216.5↔		BOP, KVT, UOP4, VIAL
	21B	X04Z		21A	W04A, W04B		08	I08A, I08B, I08C, I08D, I08E, I08F, I18A, I18B, I21Z, I31Z
	08	I08A, I08B, I08C, I08D, I08E, I08F	5t214.x		BOP, KVT, UOP4		21A	W04A, W04B
	21A	W01A, W01B, W01C, W02A, W02B		08	I28A, I28B	5t216.6↔		BOP, KVT, UOP4, VIAL
	21B	X04Z		21A	W04A, W04B		08	I08A, I08B, I08C, I08D, I08E, I08F, I13A, I13B, I18A, I18B, I21Z, I31Z
	08	I08A, I08B, I08C, I08D, I08E, I08F		21B	X06A, X06B, X06C		21A	W04A, W04B
	21A	W01A, W01B, W01C, W02A, W02B	5t214.z↔		BOP, KVT, UOP4, VIAL		21B	X06A, X06B, X06C
	21B	X04Z		08	I28A, I28B, I28C			
				21A	W04A, W04B			
				21B	X06A, X06B, X06C			

ZZV	MDC	DRG	ZZV	MDC	DRG	ZZV	MDC	DRG
5t216.7↔		BOP, KVT, UOP4, VIAL	5t217.1↔		BOP, KVT, UOP4, VIAL	5t217.h↔		BOP, KVT, UOP4, VIAL
	08	I08A, I08B, I08C, I08D, I08E, I08F, I18A, I18B, I21Z, I31Z		08	I08A, I08B, I08C, I08D, I08E, I08F, I13A, I13B, I13C, I13D		01	B03A, B03B, B06A, B06B, B17A, B17B, B17C
	21A	W04A, W04B		21A	W04A, W04B		08	I08A, I08B, I08C, I08D, I08E, I08F
	21B	X06A, X06B, X06C		21B	X06A, X06B, X06C		21A	W01A, W01B, W01C, W02A, W02B
5t216.8↔		BOP, KVT, UOP4, VIAL	5t217.2↔		BOP, KVT, UOP4, VIAL		21B	X04Z
	08	I08A, I08B, I08C, I08D, I08E, I08F, I18A, I18B, I21Z, I31Z		08	I08A, I08B, I08C, I08D, I08E, I08F, I13A, I13B, I13C, I13D	5t217.k↔		BOP, KVT, UOP4, VIAL
	21A	W04A, W04B		21A	W04A, W04B		08	I13A, I13B, I13C, I13D
	21B	X06A, X06B, X06C		21B	X06A, X06B, X06C		21A	W04A, W04B
5t216.9↔		BOP, KVT, UOP4, VIAL	5t217.3↔		BOP, KVT, UOP4, VIAL		21B	X04Z
	08	I08A, I08B, I08C, I08D, I08E, I08F, I18A, I18B, I21Z, I31Z		08	I08A, I08B, I08C, I08D, I08E, I08F, I13A, I13B, I13C, I13D	5t217.m↔		BOP, KVT, UOP4, VIAL
	21A	W04A, W04B		21A	W04A, W04B		08	I13A, I13B, I13C, I13D
	21B	X06A, X06B, X06C		21B	X06A, X06B, X06C		21A	W04A, W04B
5t216.e↔		BOP, KVT, UOP4, VIAL	5t217.4↔		BOP, KVT, UOP4, VIAL		21B	X04Z
	08	I08A, I08B, I08C, I08D, I08E, I08F		08	I08A, I08B, I08C, I08D, I08E, I08F, I18A, I18B, I21Z, I31Z	5t217.n↔		BOP, KVT, UOP4, VIAL
	21A	W01A, W01B, W01C, W02A, W02B		21A	W04A, W04B		08	I13A, I13B, I13C, I13D
	21B	X04Z		21B	X06A, X06B, X06C		21A	W04A, W04B
5t216.f↔		BOP, KVT, UOP4, VIAL	5t217.5↔		BOP, KVT, UOP4, VIAL		21B	X04Z
	08	I08A, I08B, I08C, I08D, I08E, I08F		08	I08A, I08B, I08C, I08D, I08E, I08F, I18A, I18B, I21Z, I31Z	5t217.p↔		BOP, KVT, UOP4, VIAL
	21A	W01A, W01B, W01C, W02A, W02B		21A	W04A, W04B		08	I13A, I13B, I13C, I13D
	21B	X04Z		21B	X06A, X06B, X06C	5t217.q↔		BOP, KVT, UOP4, VIAL
5t216.g↔		BOP, KVT, UOP4, VIAL	5t217.6↔		BOP, KVT, UOP4, VIAL		08	I13A, I13B, I13C, I13D
	08	I08A, I08B, I08C, I08D, I08E, I08F		08	I08A, I08B, I08C, I08D, I08E, I08F, I13A, I13B, I18A, I18B, I21Z, I31Z	5t217.r↔		BOP, KVT, UOP4, VIAL
	21A	W01A, W01B, W01C, W02A, W02B		21A	W04A, W04B		08	I13A, I13B, I13C, I13D
	21B	X04Z		21B	X06A, X06B, X06C	5t217.x		BOP, KVT, UOP4
5t216.h↔		BOP, KVT, UOP4, VIAL	5t217.7↔		BOP, KVT, UOP4, VIAL		08	I28A, I28B
	01	B03A, B03B, B06A, B06B, B17A, B17B, B17C		08	I08A, I08B, I08C, I08D, I08E, I08F, I18A, I18B, I21Z, I31Z		21A	W04A, W04B
	08	I08A, I08B, I08C, I08D, I08E, I08F		21A	W04A, W04B	5t218.1↔		BOP, KVT, UOP4, VIAL
	21A	W01A, W01B, W01C, W02A, W02B		21B	X06A, X06B, X06C		08	I08A, I08B, I08C, I08D, I08E, I08F, I13A, I13B, I13C, I13D
	21B	X04Z		21B	X06A, X06B, X06C		21A	W04A, W04B
5t216.k↔		BOP, KVT, UOP4, VIAL	5t217.8↔		BOP, KVT, UOP4, VIAL		21B	X06A, X06B, X06C
	08	I13A, I13B, I13C, I13D		08	I08A, I08B, I08C, I08D, I08E, I08F, I18A, I18B, I21Z, I31Z	5t218.2↔		BOP, KVT, UOP4, VIAL
	21A	W04A, W04B		21A	W04A, W04B		08	I08A, I08B, I08C, I08D, I08E, I08F, I13A, I13B, I13C, I13D
	21B	X04Z		21B	X06A, X06B, X06C		21A	W04A, W04B
5t216.m↔		BOP, KVT, UOP4, VIAL	5t217.9↔		BOP, KVT, UOP4, VIAL		21B	X06A, X06B, X06C
	08	I13A, I13B, I13C, I13D		08	I08A, I08B, I08C, I08D, I08E, I08F, I18A, I18B, I21Z, I31Z	5t218.3↔		BOP, KVT, UOP4, VIAL
	21A	W04A, W04B		21A	W04A, W04B		08	I08A, I08B, I08C, I08D, I08E, I08F, I13A, I13B, I13C, I13D
	21B	X04Z		21B	X06A, X06B, X06C		21A	W04A, W04B
5t216.n↔		BOP, KVT, UOP4, VIAL	5t217.e↔		BOP, KVT, UOP4, VIAL		21B	X06A, X06B, X06C
	08	I13A, I13B, I13C, I13D		08	I08A, I08B, I08C, I08D, I08E, I08F	5t218.4↔		BOP, KVT, UOP4, VIAL
	21A	W04A, W04B		21A	W01A, W01B, W01C, W02A, W02B		08	I08A, I08B, I08C, I08D, I08E, I08F, I18A, I18B, I30Z
	21B	X04Z		21B	X04Z		21A	W04A, W04B
5t216.p↔		BOP, KVT, UOP4, VIAL	5t217.f↔		BOP, KVT, UOP4, VIAL		21B	X06A, X06B, X06C
	08	I13A, I13B, I13C, I13D		08	I08A, I08B, I08C, I08D, I08E, I08F	5t218.5↔		BOP, KVT, UOP4, VIAL
5t216.q↔		BOP, KVT, UOP4, VIAL		21A	W01A, W01B, W01C, W02A, W02B		08	I08A, I08B, I08C, I08D, I08E, I08F, I18A, I18B, I30Z
	08	I13A, I13B, I13C, I13D		21B	X04Z	5t218.6↔		BOP, KVT, UOP4, VIAL
5t216.r↔		BOP, KVT, UOP4, VIAL	5t217.g↔		BOP, KVT, UOP4, VIAL		08	I08A, I08B, I08C, I08D, I08E, I08F, I13A, I13B, I18A, I18B, I30Z
	08	I13A, I13B, I13C, I13D		08	I08A, I08B, I08C, I08D, I08E, I08F		21A	W04A, W04B
5t216.t↔		BOP, KVT, UOP4, VIAL		21A	W01A, W01B, W01C, W02A, W02B		21B	X06A, X06B, X06C
	08	I20A, I20B, I20C, I20D, I20E, I20F		21B	X04Z	5t218.7↔		BOP, KVT, UOP4, VIAL
	21A	W04A, W04B					08	I08A, I08B, I08C, I08D, I08E, I08F, I18A, I18B, I30Z
	21B	X04Z					21A	W04A, W04B
5t216.x		BOP, KVT, UOP4					21B	X06A, X06B, X06C
	08	I28A, I28B						
	21A	W04A, W04B						
	21B	X06A, X06B, X06C						

ZZV	MDC	DRG	ZZV	MDC	DRG	ZZV	MDC	DRG
5t218.8↔		BOP, KVT, UOP4, VIAL	5t219.g↔		BOP, KVT, UOP4, VIAL	5t21a.6↔		BOP, KVT, UOP4, VIAL
	08	I08A, I08B, I08C, I08D, I08E, I08F, I18A, I18B, I30Z		08	I08A, I08B, I08C, I08D, I08E, I08F		08	I08A, I08B, I08C, I08D, I08E, I08F, I13A, I13B, I18A, I18B, I30Z, I59Z
	21A	W04A, W04B		21A	W01A, W01B, W01C, W02A, W02B		21A	W04A, W04B
	21B	X06A, X06B, X06C		21B	X04Z		21B	X06A, X06B, X06C
5t218.9↔		BOP, KVT, UOP4, VIAL	5t219.h↔		BOP, KVT, UOP4, VIAL	5t21a.7↔		BOP, KVT, UOP4, VIAL
	08	I08A, I08B, I08C, I08D, I08E, I08F, I18A, I18B, I30Z		01	B03A, B03B, B06A, B06B, B17A, B17B, B17C		08	I08A, I08B, I08C, I08D, I08E, I08F, I18A, I18B, I30Z, I59Z
	21A	W04A, W04B		08	I08A, I08B, I08C, I08D, I08E, I08F		21A	W04A, W04B
	21B	X06A, X06B, X06C		21A	W01A, W01B, W01C, W02A, W02B		21B	X06A, X06B, X06C
5t218.e↔		BOP, KVT, UOP4, VIAL	5t219.k↔		BOP, KVT, UOP4, VIAL	5t21a.8↔		BOP, KVT, UOP4, VIAL
	08	I08A, I08B, I08C, I08D, I08E, I08F		08	I13A, I13B, I13C, I13D		08	I08A, I08B, I08C, I08D, I08E, I08F, I18A, I18B, I30Z, I59Z
	21A	W01A, W01B, W01C, W02A, W02B		21A	W04A, W04B		21A	W04A, W04B
	21B	X04Z		21B	X04Z		21B	X06A, X06B, X06C
5t218.f↔		BOP, KVT, UOP4, VIAL	5t219.m↔		BOP, KVT, UOP4, VIAL	5t21a.9↔		BOP, KVT, UOP4, VIAL
	08	I08A, I08B, I08C, I08D, I08E, I08F		08	I13A, I13B, I13C, I13D		08	I08A, I08B, I08C, I08D, I08E, I08F, I18A, I18B, I21Z, I31Z
	21A	W01A, W01B, W01C, W02A, W02B		21A	W04A, W04B		21A	W04A, W04B
	21B	X04Z		21B	X04Z		21B	X06A, X06B, X06C
5t218.g↔		BOP, KVT, UOP4, VIAL	5t219.n↔		BOP, KVT, UOP4, VIAL	5t21a.b↔		BOP, KVT, UOP4, VIAL
	08	I08A, I08B, I08C, I08D, I08E, I08F		08	I13A, I13B, I13C, I13D		08	I32A, I32B, I32C, I32D, I32E, I32F, I32G
	21A	W01A, W01B, W01C, W02A, W02B		21A	W04A, W04B		21A	W04A, W04B
	21B	X04Z		21B	X04Z		21B	X05A, X05B
5t218.h↔		BOP, KVT, UOP4, VIAL	5t219.s↔		BOP, KVT, UOP4, VIAL	5t21a.c↔		BOP, KVT, UOP4, VIAL
	01	B03A, B03B, B06A, B06B, B17A, B17B, B17C		08	I20A, I20B, I20C, I20D, I20E, I20F		08	I32A, I32B, I32C, I32D, I32E, I32F, I32G
	08	I08A, I08B, I08C, I08D, I08E, I08F		5t219.t↔	BOP, KVT, UOP4, VIAL		21A	W04A, W04B
	21A	W01A, W01B, W01C, W02A, W02B		08	I20A, I20B, I20C, I20D, I20E, I20F		21B	X05A, X05B
	21B	X04Z		5t219.x	BOP, KVT, UOP4	5t21a.e↔		BOP, KVT, UOP4, VIAL
5t218.k↔		BOP, KVT, UOP4, VIAL		08	I28A, I28B		08	I08A, I08B, I08C, I08D, I08E, I08F
	08	I13A, I13B, I13C, I13D		21A	W04A, W04B		21A	W01A, W01B, W01C, W02A, W02B
	21A	W04A, W04B		21B	X06A, X06B, X06C		21B	X04Z
	21B	X04Z	5t21a.0↔		BOP, KVT, UOP4, VIAL	5t21a.f↔		BOP, KVT, UOP4, VIAL
5t218.m↔		BOP, KVT, UOP4, VIAL		08	I16Z		08	I08A, I08B, I08C, I08D, I08E, I08F
	08	I13A, I13B, I13C, I13D		21A	W04A, W04B		21A	W01A, W01B, W01C, W02A, W02B
	21A	W04A, W04B	5t21a.1↔		X06A, X06B, X06C		21B	X04Z
	21B	X04Z		08	BOP, KVT, UOP4, VIAL		08	I08A, I08B, I08C, I08D, I08E, I08F, I13A, I13B, I13C, I13D, I13E
5t218.n↔		BOP, KVT, UOP4, VIAL		21A	W04A, W04B	5t21a.g↔		BOP, KVT, UOP4, VIAL
	08	I13A, I13B, I13C, I13D		21B	X06A, X06B, X06C		08	I08A, I08B, I08C, I08D, I08E, I08F
	21A	W04A, W04B	5t21a.2↔		BOP, KVT, UOP4, VIAL		21A	W01A, W01B, W01C, W02A, W02B
	21B	X04Z		08	I08A, I08B, I08C, I08D, I08E, I08F, I13A, I13B, I13C, I13D, I13E		21B	X04Z
5t218.p↔		BOP, KVT, UOP4, VIAL		21A	W04A, W04B	5t21a.h↔		BOP, KVT, UOP4, VIAL
	08	I13A, I13B, I13C, I13D		21B	X06A, X06B, X06C		01	B03A, B03B, B06A, B06B, B17A, B17B, B17C
5t218.q↔		BOP, KVT, UOP4, VIAL		5t21a.3↔	BOP, KVT, UOP4, VIAL		08	I08A, I08B, I08C, I08D, I08E, I08F
	08	I13A, I13B, I13C, I13D		08	I08A, I08B, I08C, I08D, I08E, I08F, I13A, I13B, I13C, I13D, I13E		21A	W01A, W01B, W01C, W02A, W02B
5t218.r↔		BOP, KVT, UOP4, VIAL		21A	W04A, W04B		21B	X04Z
	08	I13A, I13B, I13C, I13D		21B	X06A, X06B, X06C	5t21a.k↔		BOP, KVT, UOP4, VIAL
5t218.x		BOP, KVT, UOP4		5t21a.4↔	BOP, KVT, UOP4, VIAL		08	I13A, I13B, I13C, I13D, I13E
	08	I28A, I28B		08	I08A, I08B, I08C, I08D, I08E, I08F, I18A, I18B, I30Z, I59Z		21A	W04A, W04B
	21A	W04A, W04B		21A	W04A, W04B	5t21a.m↔		BOP, KVT, UOP4, VIAL
	21B	X06A, X06B, X06C		21B	X06A, X06B, X06C		08	I13A, I13B, I13C, I13D, I13E
5t219.d		BOP, KVT, UOP4, VIAL		5t21a.5↔	BOP, KVT, UOP4, VIAL		21A	W04A, W04B
	08	I08A, I08B, I08C, I08D, I08E, I08F		08	I08A, I08B, I08C, I08D, I08E, I08F, I18A, I18B, I30Z, I59Z		21B	X04Z
5t219.e↔		BOP, KVT, UOP4, VIAL		21A	W04A, W04B	5t21a.n↔		BOP, KVT, UOP4, VIAL
	08	I08A, I08B, I08C, I08D, I08E, I08F		21B	X06A, X06B, X06C		08	I13A, I13B, I13C, I13D, I13E
5t219.f↔		BOP, KVT, UOP4, VIAL		5t21a.6↔	BOP, KVT, UOP4, VIAL		21A	W04A, W04B
	08	I08A, I08B, I08C, I08D, I08E, I08F		08	I08A, I08B, I08C, I08D, I08E, I08F, I18A, I18B, I30Z, I59Z		21B	X04Z
	21A	W01A, W01B, W01C, W02A, W02B		21A	W04A, W04B		21A	W04A, W04B
	21B	X04Z		21B	X06A, X06B, X06C		21B	X04Z

ZZV	MDC	DRG	ZZV	MDC	DRG	ZZV	MDC	DRG
5t21a.p↔		BOP, KVT, UOP4, VIAL	5t21b.7↔		BOP, KVT, UOP4, VIAL	5t21b.m↔		BOP, KVT, UOP4, VIAL
08		I13A, I13B, I13C, I13D, I13E	08		I08A, I08B, I08C, I08D, I08E, I08F, I18A, I18B, I30Z	08		I13A, I13B, I13C, I13D, I13E
21A		W04A, W04B	21A		W04A, W04B	21A		W04A, W04B
21B		X04Z	21B		X06A, X06B, X06C	21B		X04Z
5t21a.q↔		BOP, KVT, UOP4, VIAL	5t21b.8↔		BOP, KVT, UOP4, VIAL	5t21b.n↔		BOP, KVT, UOP4, VIAL
08		I13A, I13B, I13C, I13D, I13E	08		I08A, I08B, I08C, I08D, I08E, I08F, I18A, I18B, I30Z	08		I13A, I13B, I13C, I13D, I13E
21A		W04A, W04B	21A		W04A, W04B	21A		W04A, W04B
21B		X04Z	21B		X06A, X06B, X06C	21B		X04Z
5t21a.r↔		BOP, KVT, UOP4, VIAL	5t21b.9↔		BOP, KVT, UOP4, VIAL	5t21b.p↔		BOP, KVT, UOP4, VIAL
08		I13A, I13B, I13C, I13D, I13E	08		I08A, I08B, I08C, I08D, I08E, I08F, I18A, I18B, I30Z	08		I13A, I13B, I13C, I13D, I13E
21A		W04A, W04B	21A		W04A, W04B	21A		W04A, W04B
21B		X04Z	21B		X06A, X06B, X06C	21B		X04Z
5t21a.v↔		BOP, KVT, UOP4, VIAL	5t21b.a↔		BOP, KVT, UOP4, VIAL	5t21b.q↔		BOP, KVT, UOP4, VIAL
08		I20A, I20B, I20C, I20D, I20E, I20F	08		I32A, I32B, I32C, I32D, I32E, I32F	08		I13A, I13B, I13C, I13D, I13E
21A		W04A, W04B	21A		W04A, W04B	21A		W04A, W04B
21B		X04Z	21B		X05A, X05B	21B		X04Z
5t21a.w↔		BOP, KVT, UOP4, VIAL	5t21b.b↔		BOP, KVT, UOP4, VIAL	5t21b.r↔		BOP, KVT, UOP4, VIAL
08		I20A, I20B, I20C, I20D, I20E, I20F	08		I32A, I32B, I32C, I32D, I32E, I32F	08		I13A, I13B, I13C, I13D, I13E
21A		W04A, W04B	21A		W04A, W04B	21A		W04A, W04B
21B		X04Z	21B		X05A, X05B	21B		X04Z
5t21a.x		BOP, KVT, UOP4	5t21b.c↔		BOP, KVT, UOP4, VIAL	5t21b.s↔		BOP, KVT, UOP4, VIAL
08		I28A, I28B	08		I32A, I32B, I32C, I32D, I32E, I32F	08		I20A, I20B, I20C, I20D, I20E, I20F
21A		W04A, W04B	21A		W04A, W04B	21A		W04A, W04B
21B		X06A, X06B, X06C	21B		X05A, X05B	21B		X04Z
5t21a.z↔		BOP, KVT, UOP4, VIAL	5t21b.d		BOP, KVT, UOP4, VIAL	5t21b.t↔		BOP, KVT, UOP4, VIAL
08		I28A, I28B, I28C	08		I08A, I08B, I08C, I08D, I08E, I08F	08		I20A, I20B, I20C, I20D
21A		W04A, W04B	21A		W04A, W04B	21A		W04A, W04B
21B		X06A, X06B, X06C	21B		X05A, X05B	21B		X04Z
5t21b.0↔		BOP, KVT, UOP4, VIAL	5t21b.e↔		BOP, KVT, UOP4, VIAL	5t21b.u↔		BOP, KVT, UOP4, VIAL
08		I16Z	08		I08A, I08B, I08C, I08D, I08E, I08F	08		I20A, I20B, I20C, I20D, I20E, I20F
21A		W04A, W04B	21A		W04A, W04B	21A		W04A, W04B
21B		X06A, X06B, X06C	21B		X06A, X06B, X06C	21B		X04Z
5t21b.1↔		BOP, KVT, UOP4, VIAL	5t21b.f↔		BOP, KVT, UOP4, VIAL	5t21b.v↔		BOP, KVT, UOP4, VIAL
08		I08A, I08B, I08C, I08D, I08E, I08F, I13A, I13B, I13C, I13D, I13E	08		I08A, I08B, I08C, I08D, I08E, I08F	08		I20A, I20B, I20C, I20D, I20E, I20F
21A		W04A, W04B	21A		W01A, W01B, W01C, W02A, W02B	21A		W04A, W04B
21B		X06A, X06B, X06C	21B		X04Z	21B		X04Z
5t21b.2↔		BOP, KVT, UOP4, VIAL	5t21b.g↔		BOP, KVT, UOP4, VIAL	5t21b.w↔		BOP, KVT, UOP4, VIAL
08		I08A, I08B, I08C, I08D, I08E, I08F, I13A, I13B, I13C, I13D, I13E	08		I08A, I08B, I08C, I08D, I08E, I08F	08		I20A, I20B, I20C, I20D, I20E, I20F
21A		W04A, W04B	21A		W01A, W01B, W01C, W02A, W02B	21A		W04A, W04B
21B		X06A, X06B, X06C	21B		X04Z	21B		X04Z
5t21b.3↔		BOP, KVT, UOP4, VIAL	5t21b.h↔		BOP, KVT, UOP4, VIAL	5t21b.x		BOP, KVT, UOP4
08		I08A, I08B, I08C, I08D, I08E, I08F, I13A, I13B, I13C, I13D, I13E	08		I08A, I08B, I08C, I08D, I08E, I08F	08		I28A, I28B
21A		W04A, W04B	21A		W01A, W01B, W01C, W02A, W02B	21A		W04A, W04B
21B		X06A, X06B, X06C	21B		X04Z	21B		X06A, X06B, X06C
5t21b.4↔		BOP, KVT, UOP4, VIAL	5t21b.i↔		BOP, KVT, UOP4, VIAL	5t21b.y		BOP, KVT, UOP4, VIAL
08		I08A, I08B, I08C, I08D, I08E, I08F, I18A, I18B, I30Z	01		B03A, B03B, B06A, B06B, B17A, B17B, B17C	08		I08A, I08B, I08C, I08D, I08E, I08F, I13A, I13B, I13C, I13D
21A		W04A, W04B	08		I08A, I08B, I08C, I08D, I08E, I08F	21A		W04A, W04B
21B		X06A, X06B, X06C	21A		W01A, W01B, W01C, W02A, W02B	21B		X06A, X06B, X06C
5t21b.5↔		BOP, KVT, UOP4, VIAL	5t21b.j↔		BOP, KVT, UOP4, VIAL	5t21c.1↔		BOP, KVT, UOP4, VIAL
08		I08A, I08B, I08C, I08D, I08E, I08F, I18A, I18B, I30Z	08		I18A, I18B, I30Z	08		I08A, I08B, I08C, I08D, I08E, I08F, I13A, I13B, I13C, I13D
21A		W04A, W04B	21A		W04A, W04B	21A		W04A, W04B
21B		X06A, X06B, X06C	21B		X04Z	21B		X06A, X06B, X06C
5t21b.6↔		BOP, KVT, UOP4, VIAL	5t21b.k↔		BOP, KVT, UOP4, VIAL	5t21c.2↔		BOP, KVT, UOP4, VIAL
08		I08A, I08B, I08C, I08D, I08E, I08F, I13A, I13B, I18A, I18B, I30Z	08		I13A, I13B, I13C, I13D, I13E	08		I08A, I08B, I08C, I08D, I08E, I08F, I13A, I13B, I13C, I13D
21A		W04A, W04B	21A		W04A, W04B	21A		W04A, W04B
21B		X06A, X06B, X06C	21B		X04Z	21B		X06A, X06B, X06C
						5t21c.3↔		BOP, KVT, UOP4, VIAL
						08		I08A, I08B, I08C, I08D, I08E, I08F, I13A, I13B, I13C, I13D
						21A		W04A, W04B
						21B		X06A, X06B, X06C
						5t21c.4↔		BOP, KVT, UOP4, VIAL
						08		I08A, I08B, I08C, I08D, I08E, I08F
						21A		W01A, W01B, W01C, W02A, W02B
						21B		X04Z

ZZV	MDC	DRG	ZZV	MDC	DRG	ZZV	MDC	DRG
5t21c.f↔		BOP, KVT, UOP4, VIAL	5t21t.8↔		BOP, KVT, UOP4, VIAL	5t21t.n↔		BOP, KVT, UOP4, VIAL
	08	I08A, I08B, I08C, I08D, I08E, I08F		08	I08A, I08B, I08C, I08D, I08E, I08F, I18A, I18B, I30Z, I59Z		08	I13A, I13B, I13C, I13D
	21A	W01A, W01B, W01C, W02A, W02B		21A	W04A, W04B		21A	W04A, W04B
	21B	X04Z		21B	X06A, X06B, X06C	5t21t.p↔		BOP, KVT, UOP4, VIAL
5t21c.g↔		BOP, KVT, UOP4, VIAL	5t21t.9↔		BOP, KVT, UOP4, VIAL		08	I13A, I13B, I13C, I13D
	08	I08A, I08B, I08C, I08D, I08E, I08F		08	I08A, I08B, I08C, I08D, I08E, I08F, I18A, I18B, I30Z, I59Z		21A	W04A, W04B
	21A	W04A, W04B		21A	W04A, W04B		21B	X04Z
	21B	X06A, X06B, X06C		21B	X06A, X06B, X06C	5t21t.q↔		BOP, KVT, UOP4, VIAL
5t21c.h↔		BOP, KVT, UOP4, VIAL	5t21t.a↔		BOP, KVT, UOP4, VIAL		08	I13A, I13B, I13C, I13D
	01	B03A, B03B, B06A, B06B, B17A, B17B, B17C		08	I32A, I32B, I32C, I32D, I32E, I32F		21A	W04A, W04B
	08	I08A, I08B, I08C, I08D, I08E, I08F		21A	W04A, W04B		21A	W04A, W04B
	21A	W01A, W01B, W01C, W02A, W02B		21B	X05A, X05B		21B	X04Z
	21B	X04Z	5t21t.b↔		BOP, KVT, UOP4, VIAL	5t21t.r↔		BOP, KVT, UOP4, VIAL
5t21c.k↔		BOP, KVT, UOP4, VIAL		08	I32A, I32B, I32C, I32D, I32E, I32F		08	I13A, I13B, I13C, I13D
	08	I13A, I13B, I13C, I13D		21A	W04A, W04B		21A	W04A, W04B
	21A	W04A, W04B		21B	X05A, X05B		21B	X04Z
	21B	X04Z	5t21t.c↔		BOP, KVT, UOP4, VIAL	5t21t.s↔		BOP, KVT, UOP4, VIAL
5t21c.n↔		BOP, KVT, UOP4, VIAL		08	I32A, I32B, I32C, I32D, I32E, I32F		08	I20A, I20B, I20C, I20D, I20E, I20F
	08	I13A, I13B, I13C, I13D		21A	W04A, W04B		21A	W04A, W04B
	21A	W04A, W04B		21B	X05A, X05B		21B	X04Z
	21B	X04Z	5t21t.d		BOP, KVT, UOP4, VIAL	5t21t.t↔		BOP, KVT, UOP4, VIAL
5t21c.x		BOP, KVT, UOP4		08	I08A, I08B, I08C, I08D, I08E, I08F		08	I20A, I20B, I20C, I20D, I20E, I20F
	08	I28A, I28B		21A	W04A, W04B		21A	W04A, W04B
	21A	W04A, W04B		21B	X06A, X06B, X06C		21B	X04Z
	21B	X06A, X06B, X06C	5t21t.e↔		BOP, KVT, UOP4, VIAL	5t21t.v↔		BOP, KVT, UOP4, VIAL
5t21t.0↔		BOP, KVT, UOP4, VIAL		08	I08A, I08B, I08C, I08D, I08E, I08F		08	I20A, I20B, I20C, I20D, I20E, I20F
	08	I16Z		21A	W01A, W01B, W01C, W02A, W02B		21A	W04A, W04B
	21A	W04A, W04B		21B	X04Z		21B	X04Z
	21B	X06A, X06B, X06C	5t21t.f↔		BOP, KVT, UOP4, VIAL	5t21t.w↔		BOP, KVT, UOP4, VIAL
5t21t.1↔		BOP, KVT, UOP4, VIAL		08	I08A, I08B, I08C, I08D, I08E, I08F		08	I20A, I20B, I20C, I20D, I20E, I20F
	08	I08A, I08B, I08C, I08D, I08E, I08F, I13A, I13B, I13C, I13D		21A	W01A, W01B, W01C, W02A, W02B		21A	W04A, W04B
	21A	W04A, W04B		21B	X04Z		21B	X04Z
	21B	X06A, X06B, X06C	5t21t.g↔		BOP, KVT, UOP4, VIAL	5t21t.x		BOP, KVT, UOP4
5t21t.2↔		BOP, KVT, UOP4, VIAL		08	I08A, I08B, I08C, I08D, I08E, I08F		08	I28A, I28B
	08	I08A, I08B, I08C, I08D, I08E, I08F, I13A, I13B, I13C, I13D		21A	W01A, W01B, W01C, W02A, W02B		21A	W04A, W04B
	21A	W04A, W04B		21B	X04Z		21B	X06A, X06B, X06C
	21B	X06A, X06B, X06C	5t21t.h↔		BOP, KVT, UOP4, VIAL	5t21t.z↔		BOP, KVT, UOP4, VIAL
5t21t.3↔		BOP, KVT, UOP4, VIAL		01	B03A, B03B, B06A, B06B, B17A, B17B, B17C		08	I28A, I28B, I28C
	08	I08A, I08B, I08C, I08D, I08E, I08F, I13A, I13B, I13C, I13D		08	I08A, I08B, I08C, I08D, I08E, I08F		21A	W04A, W04B
	21A	W04A, W04B		21A	W01A, W01B, W01C, W02A, W02B		21A	W04A, W04B
	21B	X06A, X06B, X06C		21B	X04Z		21B	X06A, X06B, X06C
5t21t.4↔		BOP, KVT, UOP4, VIAL		21A	W01A, W01B, W01C, W02A, W02B	5t21v.1↔		BOP, KVT, UOP4, VIAL
	08	I08A, I08B, I08C, I08D, I08E, I08F, I18A, I18B, I30Z, I59Z		08	I08A, I08B, I08C, I08D, I08E, I08F		08	I08A, I08B, I08C, I08D, I08E, I08F, I13A, I13B, I13C, I13D
	21A	W04A, W04B		21A	W01A, W01B, W01C, W02A, W02B		21A	W04A, W04B
	21B	X06A, X06B, X06C		21B	X04Z		21B	X06A, X06B, X06C
5t21t.5↔		BOP, KVT, UOP4, VIAL		21A	W04A, W04B	5t21v.2↔		BOP, KVT, UOP4, VIAL
	08	I08A, I08B, I08C, I08D, I08E, I08F, I18A, I18B, I30Z, I59Z		21B	X04Z		08	I08A, I08B, I08C, I08D, I08E, I08F, I13A, I13B, I13C, I13D
	21A	W04A, W04B	5t21t.j↔		BOP, KVT, UOP4, VIAL		21A	W04A, W04B
	21B	X06A, X06B, X06C		08	I13A, I13B, I30Z, I59Z		21B	X06A, X06B, X06C
5t21t.6↔		BOP, KVT, UOP4, VIAL		21A	W04A, W04B	5t21v.3↔		BOP, KVT, UOP4, VIAL
	08	I08A, I08B, I08C, I08D, I08E, I08F, I13A, I13B, I18A, I18B, I30Z, I59Z		21B	X04Z		08	I08A, I08B, I08C, I08D, I08E, I08F, I13A, I13B, I13C, I13D
	21A	W04A, W04B	5t21t.k↔		BOP, KVT, UOP4, VIAL		21A	W04A, W04B
	21B	X06A, X06B, X06C		08	I13A, I13B, I13C, I13D		21B	X06A, X06B, X06C
5t21t.7↔		BOP, KVT, UOP4, VIAL		21A	W04A, W04B	5t21v.4↔		BOP, KVT, UOP4, VIAL
	08	I08A, I08B, I08C, I08D, I08E, I08F, I18A, I18B, I30Z, I59Z		21B	X04Z		08	I08A, I08B, I08C, I08D, I08E, I08F, I13A, I18A, I18B, I30Z, I59Z
	21A	W04A, W04B		21A	W04A, W04B		21A	W04A, W04B
	21B	X06A, X06B, X06C		21B	X04Z		21B	X06A, X06B, X06C

ZZV	MDC	DRG	ZZV	MDC	DRG	ZZV	MDC	DRG
5t21v.5↔		BOP, KVT, UOP4, VIAL	5t21v.m↔		BOP, KVT, UOP4, VIAL	5t21x.4↔		BOP, KVT, UOP4, VIAL
	08	I08A, I08B, I08C, I08D, I08E, I08F, I13A, I18A, I18B, I30Z, I59Z		08	I13A, I13B, I13C, I13D		08	I08A, I08B, I08C, I08D, I08E, I08F, I18A, I18B, I30Z
	21A	W04A, W04B		21A	W04A, W04B		21A	W04A, W04B
	21B	X06A, X06B, X06C		21B	X04Z		21B	X06A, X06B, X06C
5t21v.6↔		BOP, KVT, UOP4, VIAL	5t21v.n↔		BOP, KVT, UOP4, VIAL	5t21x.5↔		BOP, KVT, UOP4, VIAL
	08	I08A, I08B, I08C, I08D, I08E, I08F, I13A, I18A, I18B, I30Z, I59Z		08	I13A, I13B, I13C, I13D		08	I08A, I08B, I08C, I08D, I08E, I08F, I18A, I18B, I30Z
	21A	W04A, W04B		21A	W04A, W04B		21A	W04A, W04B
	21B	X06A, X06B, X06C		21B	X04Z		21B	X06A, X06B, X06C
5t21v.7↔		BOP, KVT, UOP4, VIAL	5t21v.p↔		BOP, KVT, UOP4, VIAL	5t21x.6↔		BOP, KVT, UOP4, VIAL
	08	I08A, I08B, I08C, I08D, I08E, I08F, I13A, I18A, I18B, I30Z, I59Z		08	I13A, I13B, I13C, I13D		08	I08A, I08B, I08C, I08D, I08E, I08F, I13A, I13B, I18A, I18B, I30Z
	21A	W04A, W04B		21A	W04A, W04B		21A	W04A, W04B
	21B	X06A, X06B, X06C		21B	X04Z		21B	X06A, X06B, X06C
5t21v.8↔		BOP, KVT, UOP4, VIAL	5t21v.q↔		BOP, KVT, UOP4, VIAL	5t21x.7↔		BOP, KVT, UOP4, VIAL
	08	I08A, I08B, I08C, I08D, I08E, I08F, I13A, I18A, I18B, I30Z, I59Z		08	I13A, I13B, I13C, I13D		08	I08A, I08B, I08C, I08D, I08E, I08F, I18A, I18B, I30Z
	21A	W04A, W04B		21A	W04A, W04B		21A	W04A, W04B
	21B	X06A, X06B, X06C		21B	X04Z		21B	X06A, X06B, X06C
5t21v.9↔		BOP, KVT, UOP4, VIAL	5t21v.r↔		BOP, KVT, UOP4, VIAL	5t21x.8↔		BOP, KVT, UOP4, VIAL
	08	I08A, I08B, I08C, I08D, I08E, I08F, I13A, I18A, I18B, I30Z, I59Z		08	I13A, I13B, I13C, I13D		08	I08A, I08B, I08C, I08D, I08E, I08F, I18A, I18B, I30Z
	21A	W04A, W04B		21A	W04A, W04B		21A	W04A, W04B
	21B	X06A, X06B, X06C		21B	X04Z		21B	X06A, X06B, X06C
5t21v.a↔		BOP, KVT, UOP4, VIAL	5t21v.s↔		BOP, KVT, UOP4, VIAL	5t21x.9↔		BOP, KVT, UOP4, VIAL
	08	I13A, I32A, I32B, I32C, I32D, I32E, I32F		08	I13A, I20A, I20B, I20C, I20D, I20E, I20F		08	I08A, I08B, I08C, I08D, I08E, I08F, I18A, I18B, I30Z
	21A	W04A, W04B		21A	W04A, W04B		21A	W04A, W04B
	21B	X05A, X05B		21B	X04Z		21B	X06A, X06B, X06C
5t21v.b↔		BOP, KVT, UOP4, VIAL	5t21v.t↔		BOP, KVT, UOP4, VIAL	5t21x.a↔		BOP, KVT, UOP4, VIAL
	08	I13A, I32A, I32B, I32C, I32D, I32E, I32F		08	I13A, I20A, I20B, I20C, I20D		08	I32A, I32B, I32C, I32D, I32E, I32F, I32G
	21A	W04A, W04B		21A	W04A, W04B		21A	W04A, W04B
	21B	X05A, X05B		21B	X04Z		21B	X05A, X05B
5t21v.d		BOP, KVT, UOP4, VIAL	5t21v.u↔		BOP, KVT, UOP4, VIAL	5t21x.b↔		BOP, KVT, UOP4, VIAL
	08	I08A, I08B, I08C, I08D, I08E, I08F, I13A		08	I13A, I20A, I20B, I20C, I20D, I20E, I20F		08	I32A, I32B, I32C, I32D, I32E, I32F, I32G
	21A	W04A, W04B		21A	W04A, W04B		21A	W04A, W04B
	21B	X06A, X06B, X06C		21B	X04Z		21B	X05A, X05B
5t21v.f↔		BOP, KVT, UOP4, VIAL	5t21v.v↔		BOP, KVT, UOP4, VIAL	5t21x.c↔		BOP, KVT, UOP4, VIAL
	08	I08A, I08B, I08C, I08D, I08E, I08F, I13A		08	I13A, I20A, I20B, I20C, I20D, I20E, I20F		08	I32A, I32B, I32C, I32D, I32E, I32F, I32G
	21A	W01A, W01B, W01C, W02A, W02B		21A	W04A, W04B		21A	W04A, W04B
	21B	X04Z		21B	X04Z		21B	X05A, X05B
5t21v.g↔		BOP, KVT, UOP4, VIAL	5t21v.x		BOP, KVT, UOP4	5t21x.d		BOP, KVT, UOP4, VIAL
	08	I08A, I08B, I08C, I08D, I08E, I08F, I13A		08	I13A, I28A, I28B		08	I08A, I08B, I08C, I08D, I08E, I08F
	21A	W01A, W01B, W01C, W02A, W02B		21A	W04A, W04B		21A	W04A, W04B
	21B	X04Z		21B	X06A, X06B, X06C		21B	X06A, X06B, X06C
5t21v.h↔		BOP, KVT, UOP4, VIAL	5t21x.0↔		BOP, KVT, UOP4, VIAL	5t21x.e↔		BOP, KVT, UOP4, VIAL
	01	B03A, B03B, B06A, B06B, B17A, B17B, B17C		08	I16Z		08	I08A, I08B, I08C, I08D, I08E, I08F
	08	I08A, I08B, I08C, I08D, I08E, I08F, I13A		21A	W04A, W04B		21A	W01A, W01B, W01C, W02A, W02B
	21A	W01A, W01B, W01C, W02A, W02B		21B	X06A, X06B, X06C		21B	X04Z
	21B	X04Z		5t21x.1↔		5t21x.f↔		BOP, KVT, UOP4, VIAL
5t21v.k↔		BOP, KVT, UOP4, VIAL		08	I08A, I08B, I08C, I08D, I08E, I08F, I13A, I13B, I13C, I13D, I13E		08	I08A, I08B, I08C, I08D, I08E, I08F
	08	I13A, I13B, I13C, I13D		21A	W04A, W04B		21A	W01A, W01B, W01C, W02A, W02B
	21A	W04A, W04B		21B	X06A, X06B, X06C		21B	X04Z
	21B	X04Z		5t21x.2↔		5t21x.g↔		BOP, KVT, UOP4, VIAL
				08	I08A, I08B, I08C, I08D, I08E, I08F, I13A, I13B, I13C, I13D, I13E		08	I08A, I08B, I08C, I08D, I08E, I08F
				21A	W04A, W04B		21A	W01A, W01B, W01C, W02A, W02B
				21B	X06A, X06B, X06C		21B	X04Z

ZZV	MDC	DRG	ZZV	MDC	DRG	ZZV	MDC	DRG
5t21x.h↔		BOP, KVT, UOP4, VIAL	5t21z.0↔		BOP, KVT, UOP4, VIAL	5t21z.d		BOP, KVT, UOP4, VIAL
	01	B03A, B03B, B06A, B06B, B17A, B17B, B17C		08	I16Z		08	I08A, I08B, I08C, I08D, I08E, I08F
	08	I08A, I08B, I08C, I08D, I08E, I08F		21A	W04A, W04B		21A	W04A, W04B
	21A	W01A, W01B, W01C, W02A, W02B		21B	X06A, X06B, X06C		21B	X06A, X06B, X06C
	21B	X04Z	5t21z.1↔		BOP, KVT, UOP4, VIAL	5t21z.e↔		BOP, KVT, UOP4, VIAL
5t21x.j↔		BOP, KVT, UOP4, VIAL		08	I08A, I08B, I08C, I08D, I08E, I08F, I13A, I13B, I13C, I13D, I13E		08	I08A, I08B, I08C, I08D, I08E, I08F
	08	I18A, I18B, I30Z		21A	W04A, W04B		21A	W01A, W01B, W01C, W02A, W02B
	21A	W04A, W04B		21B	X06A, X06B, X06C		21B	X04Z
	21B	X04Z	5t21z.2↔		BOP, KVT, UOP4, VIAL	5t21z.f↔		BOP, KVT, UOP4, VIAL
5t21x.k↔		BOP, KVT, UOP4, VIAL		08	I08A, I08B, I08C, I08D, I08E, I08F, I13A, I13B, I13C, I13D, I13E		08	I08A, I08B, I08C, I08D, I08E, I08F
	08	I13A, I13B, I13C, I13D, I13E		21A	W04A, W04B		21A	W01A, W01B, W01C, W02A, W02B
	21A	W04A, W04B		21B	X06A, X06B, X06C		21B	X04Z
	21B	X04Z	5t21z.3↔		BOP, KVT, UOP4, VIAL	5t21z.g↔		BOP, KVT, UOP4, VIAL
5t21x.m↔		BOP, KVT, UOP4, VIAL		08	I08A, I08B, I08C, I08D, I08E, I08F, I13A, I13B, I13C, I13D, I13E		08	I08A, I08B, I08C, I08D, I08E, I08F
	08	I13A, I13B, I13C, I13D, I13E		21A	W04A, W04B		21A	W01A, W01B, W01C, W02A, W02B
	21A	W04A, W04B		21B	X06A, X06B, X06C		21B	X04Z
	21B	X04Z	5t21z.4↔		BOP, KVT, UOP4, VIAL	5t21z.h↔		BOP, KVT, UOP4, VIAL
5t21x.n↔		BOP, KVT, UOP4, VIAL		08	I08A, I08B, I08C, I08D, I08E, I08F, I18A, I18B, I30Z		01	B03A, B03B, B06A, B06B, B17A, B17B, B17C
	08	I13A, I13B, I13C, I13D, I13E		21A	W04A, W04B		08	I08A, I08B, I08C, I08D, I08E, I08F
	21A	W04A, W04B		21B	X06A, X06B, X06C		21A	W01A, W01B, W01C, W02A, W02B
	21B	X04Z	5t21z.5↔		BOP, KVT, UOP4, VIAL		21B	X04Z
5t21x.p↔		BOP, KVT, UOP4, VIAL		08	I08A, I08B, I08C, I08D, I08E, I08F, I18A, I18B, I30Z		08	I08A, I08B, I08C, I08D, I08E, I08F
	08	I13A, I13B, I13C, I13D, I13E		21A	W04A, W04B		21A	W01A, W01B, W01C, W02A, W02B
	21A	W04A, W04B		21B	X06A, X06B, X06C		21B	X04Z
	21B	X04Z	5t21z.6↔		BOP, KVT, UOP4, VIAL	5t21z.j↔		BOP, KVT, UOP4, VIAL
5t21x.q↔		BOP, KVT, UOP4, VIAL		08	I08A, I08B, I08C, I08D, I08E, I08F, I18A, I18B, I30Z		08	I18A, I18B, I30Z
	08	I13A, I13B, I13C, I13D, I13E		21A	W04A, W04B		21A	W04A, W04B
	21A	W04A, W04B		21B	X06A, X06B, X06C		21B	X04Z
	21B	X04Z	5t21z.7↔		BOP, KVT, UOP4, VIAL	5t21z.k↔		BOP, KVT, UOP4, VIAL
5t21x.r↔		BOP, KVT, UOP4, VIAL		08	I08A, I08B, I08C, I08D, I08E, I08F, I13A, I13B, I18A, I18B, I30Z		08	I13A, I13B, I13C, I13D, I13E
	08	I13A, I13B, I13C, I13D, I13E		21A	W04A, W04B		21A	W04A, W04B
	21A	W04A, W04B		21B	X06A, X06B, X06C		21B	X04Z
	21B	X04Z	5t21z.8↔		BOP, KVT, UOP4, VIAL	5t21z.l↔		BOP, KVT, UOP4, VIAL
5t21x.s↔		BOP, KVT, UOP4, VIAL		08	I08A, I08B, I08C, I08D, I08E, I08F, I18A, I18B, I30Z		08	I13A, I13B, I13C, I13D, I13E
	08	I20A, I20B, I20C, I20D, I20E, I20F		21A	W04A, W04B		21A	W04A, W04B
	21A	W04A, W04B		21B	X06A, X06B, X06C		21B	X04Z
	21B	X04Z	5t21z.9↔		BOP, KVT, UOP4, VIAL	5t21z.m↔		BOP, KVT, UOP4, VIAL
5t21x.t↔		BOP, KVT, UOP4, VIAL		08	I08A, I08B, I08C, I08D, I08E, I08F, I18A, I18B, I30Z		08	I13A, I13B, I13C, I13D, I13E
	08	I20A, I20B, I20C, I20D, I20E, I20F		21A	W04A, W04B		21A	W04A, W04B
	21A	W04A, W04B		21B	X06A, X06B, X06C		21B	X04Z
	21B	X04Z	5t21z.a↔		BOP, KVT, UOP4, VIAL	5t21z.n↔		BOP, KVT, UOP4, VIAL
5t21x.u↔		BOP, KVT, UOP4, VIAL		08	I08A, I08B, I08C, I08D, I08E, I08F, I18A, I18B, I30Z		08	I13A, I13B, I13C, I13D, I13E
	08	I20A, I20B, I20C, I20D, I20E, I20F		21A	W04A, W04B		21A	W04A, W04B
	21A	W04A, W04B		21B	X06A, X06B, X06C		21B	X04Z
	21B	X04Z	5t21z.b↔		BOP, KVT, UOP4, VIAL	5t21z.o↔		BOP, KVT, UOP4, VIAL
5t21x.v↔		BOP, KVT, UOP4, VIAL		08	I32A, I32B, I32C, I32D, I32E, I32F, I32G		08	I13A, I13B, I13C, I13D, I13E
	08	I20A, I20B, I20C, I20D, I20E, I20F		21A	W04A, W04B		21A	W04A, W04B
	21A	W04A, W04B		21B	X05A, X05B		21B	X04Z
	21B	X04Z	5t21z.c↔		BOP, KVT, UOP4, VIAL	5t21z.p↔		BOP, KVT, UOP4, VIAL
5t21x.w↔		BOP, KVT, UOP4, VIAL		08	I32A, I32B, I32C, I32D, I32E, I32F, I32G		08	I13A, I13B, I13C, I13D, I13E
	08	I20A, I20B, I20C, I20D, I20E, I20F		21A	W04A, W04B		21A	W04A, W04B
	21A	W04A, W04B		21B	X05A, X05B		21B	X04Z
	21B	X04Z	5t21z.d↔		BOP, KVT, UOP4, VIAL	5t21z.q↔		BOP, KVT, UOP4, VIAL
5t21x.x		BOP, KVT, UOP4		08	I32A, I32B, I32C, I32D, I32E, I32F, I32G		08	I13A, I13B, I13C, I13D, I13E
	08	I28A, I28B		21A	W04A, W04B		21A	W04A, W04B
	21A	W04A, W04B		21B	X05A, X05B		21B	X04Z
	21B	X06A, X06B, X06C		08	I32A, I32B, I32C, I32D, I32E, I32F, I32G		08	I20A, I20B, I20C, I20D, I20E, I20F
5t21x.z↔		BOP, KVT, UOP4, VIAL		21A	W04A, W04B		21A	W04A, W04B
	08	I28A, I28B, I28C		21B	X05A, X05B		21B	X04Z
	21A	W04A, W04B						
	21B	X06A, X06B, X06C						



ZZV	MDC	DRG	ZZV	MDC	DRG	ZZV	MDC	DRG
5t21z.u↔		BOP, KVT, UOP4, VIAL	5t22a.h↔		BOP, KVT, UOP4, VIAL	5t22x.p↔		BOP, KVT, UOP4, VIAL
	08	I20A, I20B, I20C, I20D, I20E, I20F		08	I18A, I18B, I30Z		08	I20A, I20B, I20C, I20D, I20E, I20F
	21A	W04A, W04B	5t22a.j↔		BOP, KVT, UOP4, VIAL	5t22x.q↔		BOP, KVT, UOP4, VIAL
	21B	X04Z		08	I59Z		08	I20A, I20B, I20C, I20D, I20E, I20F
5t21z.v↔		BOP, KVT, UOP4, VIAL	5t22a.k↔		BOP, KVT, UOP4, VIAL	5t22x.r↔		BOP, KVT, UOP4, VIAL
	08	I20A, I20B, I20C, I20D, I20E, I20F		08	I59Z		08	I20A, I20B, I20C, I20D, I20E, I20F
	21A	W04A, W04B	5t22a.n↔		BOP, KVT, UOP4, VIAL	5t22z.e↔		BOP, KVT, UOP4, VIAL
	21B	X04Z		08	I20A, I20B, I20C, I20D, I20E, I20F		08	I08A, I08B, I08C, I08D, I08E, I08F
5t21z.w↔		BOP, KVT, UOP4, VIAL	5t22a.p↔		BOP, KVT, UOP4, VIAL		21A	W04A, W04B
	08	I20A, I20B, I20C, I20D, I20E, I20F		08	I20A, I20B, I20C, I20D, I20E, I20F		21B	X06A, X06B, X06C
	21A	W04A, W04B	5t22a.q↔		BOP, KVT, UOP4, VIAL	5t22z.h↔		BOP, KVT, UOP4, VIAL
	21B	X04Z		08	I20A, I20B, I20C, I20D, I20E, I20F		08	I18A, I18B, I30Z
5t21z.x		BOP, KVT, UOP4	5t22a.r↔		BOP, KVT, UOP4, VIAL	5t22z.j↔		BOP, KVT, UOP4, VIAL
	08	I28A, I28B		08	I20A, I20B, I20C, I20D, I20E, I20F		08	I59Z
	21A	W04A, W04B	5t22d.h↔		BOP, KVT, UOP4, VIAL	5t22z.k↔		BOP, KVT, UOP4, VIAL
	21B	X06A, X06B, X06C		08	I18A, I18B, I30Z		08	I59Z
5t21z.z↔		BOP, KVT, UOP4, VIAL	5t22d.j↔		BOP, KVT, UOP4, VIAL	5t22z.m↔		BOP, KVT, UOP4, VIAL
	08	I28A, I28B, I28C		08	I59Z		08	I59Z
	21A	W04A, W04B	5t22d.k↔		BOP, KVT, UOP4, VIAL	5t22z.n↔		BOP, KVT, UOP4, VIAL
	21B	X06A, X06B, X06C		08	I59Z		08	I20A, I20B, I20C, I20D, I20E, I20F
5t221.e↔		BOP, KVT, UOP4, VIAL	5t22d.n↔		BOP, KVT, UOP4, VIAL	5t22z.p↔		BOP, KVT, UOP4, VIAL
	08	I08A, I08B, I08C, I08D, I08E, I08F		08	I20A, I20B, I20C, I20D, I20E, I20F		08	I20A, I20B, I20C, I20D, I20E, I20F
	21A	W04A, W04B	5t22d.p↔		BOP, KVT, UOP4, VIAL	5t22z.q↔		BOP, KVT, UOP4, VIAL
	21B	X06A, X06B, X06C		08	I20A, I20B, I20C, I20D, I20E, I20F		08	I20A, I20B, I20C, I20D, I20E, I20F
5t221.k↔		BOP, KVT, UOP4, VIAL	5t22d.q↔		BOP, KVT, UOP4, VIAL	5t22z.r↔		BOP, KVT, UOP4, VIAL
	08	I59Z		08	I20A, I20B, I20C, I20D, I20E, I20F		08	I20A, I20B, I20C, I20D, I20E, I20F
5t221.n↔		BOP, KVT, UOP4, VIAL	5t22t.e↔		BOP, KVT, UOP4, VIAL	5t300.0↔		BOP, KVT, UOP4, VIAL
	08	I20A, I20B, I20C, I20D, I20E, I20F		08	I08A, I08B, I08C, I08D, I08E, I08F		05	F13A
5t221.p↔		BOP, KVT, UOP4, VIAL		21A	W04A, W04B		08	I12A, I12B, I12C, I16Z
	08	I20A, I20B, I20C, I20D, I20E, I20F	5t22t.h↔		BOP, KVT, UOP4, VIAL		21A	W04A, W04B
5t221.q↔		BOP, KVT, UOP4, VIAL		08	I18A, I18B, I30Z	5t300.1↔		BOP, KVT, UOP4, VIAL
	08	I20A, I20B, I20C, I20D, I20E, I20F	5t22t.j↔		BOP, KVT, UOP4, VIAL		05	F13A
5t221.r↔		BOP, KVT, UOP4, VIAL		08	I59Z		08	I12A, I12B, I12C, I16Z
	08	I20A, I20B, I20C, I20D, I20E, I20F	5t22t.k↔		BOP, KVT, UOP4, VIAL		21A	W04A, W04B
5t224.e↔		BOP, KVT, UOP4, VIAL		08	I59Z		21B	X06A, X06B, X06C
	08	I08A, I08B, I08C, I08D, I08E, I08F	5t22t.n↔		BOP, KVT, UOP4, VIAL	5t300.2↔		BOP, KVT, UOP4, VIAL
	21A	W04A, W04B		08	I20A, I20B, I20C, I20D, I20E, I20F		05	F13A
	21B	X06A, X06B, X06C	5t22t.p↔		BOP, KVT, UOP4, VIAL		08	I12A, I12B, I12C, I28A, I28B
5t224.h↔		BOP, KVT, UOP4, VIAL		08	I20A, I20B, I20C, I20D, I20E, I20F		10	K09A, K09B
	08	I18A, I18B, I30Z	5t22t.q↔		BOP, KVT, UOP4, VIAL		21A	W04A, W04B
5t224.j↔		BOP, KVT, UOP4, VIAL		08	I20A, I20B, I20C, I20D, I20E, I20F	5t300.3↔		X06A, X06B, X06C
	08	I59Z	5t22t.r↔		BOP, KVT, UOP4, VIAL		21B	BOP, KVT, UOP4, VIAL
5t224.k↔		BOP, KVT, UOP4, VIAL		08	I20A, I20B, I20C, I20D, I20E, I20F		05	F13A
	08	I59Z	5t22x.e↔		BOP, KVT, UOP4, VIAL		08	I12A, I12B, I12C, I28A, I28B
5t224.n↔		BOP, KVT, UOP4, VIAL		08	I08A, I08B, I08C, I08D, I08E, I08F		10	K09A, K09B
	08	I20A, I20B, I20C, I20D, I20E, I20F		21A	W04A, W04B		21A	W04A, W04B
5t224.p↔		BOP, KVT, UOP4, VIAL		21B	X06A, X06B, X06C	5t300.4↔		X06A, X06B, X06C
	08	I20A, I20B, I20C, I20D, I20E, I20F	5t22x.h↔		BOP, KVT, UOP4, VIAL		21B	BOP, KVT, UOP4, VIAL
5t224.q↔		BOP, KVT, UOP4, VIAL		08	I18A, I18B, I30Z		05	F13A
	08	I20A, I20B, I20C, I20D, I20E, I20F	5t22x.i↔		BOP, KVT, UOP4, VIAL		08	I08A, I08B, I08C, I08D, I08E, I08F, I12A, I12B, I12C, I21Z, I31Z
5t224.r↔		BOP, KVT, UOP4, VIAL		08	I59Z		10	K09A, K09B
	08	I20A, I20B, I20C, I20D, I20E, I20F	5t22x.j↔		BOP, KVT, UOP4, VIAL		21A	W04A, W04B
5t229.h↔		BOP, KVT, UOP4, VIAL		08	I59Z		21B	X06A, X06B, X06C
	08	I18A, I18B, I30Z	5t22x.k↔		BOP, KVT, UOP4, VIAL			
5t229.k↔		BOP, KVT, UOP4, VIAL		08	I59Z			
	08	I59Z	5t22x.n↔		BOP, KVT, UOP4, VIAL			
				08	I20A, I20B, I20C, I20D, I20E, I20F			

VYK

ZZV	MDC	DRG	ZZV	MDC	DRG	ZZV	MDC	DRG
5t300.5↔		BOP, KVT, UOP4, VIAL	5t300.m↔		BOP, KVT, UOP4, VIAL	5t301.4↔		BOP, KVT, UOP4, VIAL
05		F13A	05		F13A	05		F13A
08		I08A, I08B, I08C, I08D, I08E, I08F, I12A, I12B, I12C, I21Z, I31Z	08		I12A, I12B, I12C, I20A, I20B, I20C, I20D	08		I08A, I08B, I08C, I08D, I08E, I08F, I21Z, I31Z
10		K09A, K09B	10		K09A, K09B	10		K09A, K09B
21A		W04A, W04B	21A		W04A, W04B	21A		W04A, W04B
21B		X06A, X06B, X06C	21B		X04Z	21B		X06A, X06B, X06C
5t300.6↔		BOP, KVT, UOP4, VIAL	5t300.n↔		BOP, KVT, UOP4, VIAL	5t301.5↔		BOP, KVT, UOP4, VIAL
05		F13A	05		F13A	05		F13A
08		I08A, I08B, I08C, I08D, I08E, I08F, I12A, I12B, I12C, I32A, I32B, I32C, I32D, I32E, I32F	08		I12A, I12B, I12C, I20A, I20B, I20C, I20D	08		I08A, I08B, I08C, I08D, I08E, I08F, I21Z, I31Z
10		K09A, K09B	10		K09A, K09B	10		K09A, K09B
21A		W04A, W04B	21A		W04A, W04B	21A		W04A, W04B
21B		X05A, X05B	21B		X04Z	21B		X06A, X06B, X06C
5t300.8↔		BOP, KVT, UOP4, VIAL	5t300.p↔		BOP, KVT, UOP4, VIAL	5t301.6↔		BOP, KVT, UOP4, VIAL
05		F13A	05		F13A	05		F13A
08		I12A, I12B, I12C, I32A, I32B, I32C, I32D, I32E, I32F	08		I12A, I12B, I12C, I20A, I20B, I20C, I20D	08		I08A, I08B, I08C, I08D, I08E, I08F, I32A, I32B, I32C, I32D, I32E, I32F
10		K09A, K09B	10		K09A, K09B	10		K09A, K09B
21A		W04A, W04B	21A		W04A, W04B	21A		W04A, W04B
21B		X05A, X05B	21B		X04Z	21B		X05A, X05B
5t300.9↔		BOP, KVT, UOP4, VIAL	5t300.q↔		BOP, KVT, UOP4, VIAL	5t301.8↔		BOP, KVT, UOP4, VIAL
05		F13A	05		F13A	05		F13A
08		I12A, I12B, I12C, I32A, I32B, I32C, I32D, I32E, I32F	08		I12A, I12B, I12C, I20A, I20B, I20C, I20D, I20E, I20F	08		I32A, I32B, I32C, I32D, I32E, I32F
10		K09A, K09B	10		K09A, K09B	10		K09A, K09B
21A		W04A, W04B	21A		W04A, W04B	21A		W04A, W04B
21B		X05A, X05B	21B		X04Z	21B		X05A, X05B
5t300.e↔		BOP, KVT, UOP4, VIAL	5t300.r↔		BOP, KVT, UOP4, VIAL	5t301.9↔		BOP, KVT, UOP4, VIAL
05		F13A	05		F13A	05		F13A
08		I08A, I08B, I08C, I08D, I08E, I08F, I12A, I12B, I12C, I28A, I28B	08		I12A, I12B, I12C, I20A, I20B, I20C, I20D, I20E, I20F	08		I32A, I32B, I32C, I32D, I32E, I32F
10		K09A, K09B	10		K09A, K09B	10		K09A, K09B
21A		W04A, W04B	21A		W04A, W04B	21A		X05A, X05B
21B		X04Z, X06A, X06B, X06C	21B		X04Z	21B		BOP, KVT, UOP4, VIAL
5t300.f		BOP, KVT, UOP4, VIAL	5t300.x		BOP, KVT, UOP4	5t301.e↔		BOP, KVT, UOP4, VIAL
05		F13A	05		F13A	05		F13A
08		I12A, I12B, I12C, I28A, I28B	08		I12A, I12B, I12C, I28A, I28B	08		I08A, I08B, I08C, I08D, I08E, I08F, I28A, I28B
10		K09A, K09B	10		K09A, K09B	10		K09A, K09B
21A		W04A, W04B	21A		W04A, W04B	21A		W04A, W04B
21B		X04Z, X06A, X06B, X06C	21B		X06A, X06B, X06C	21B		X04Z, X06A, X06B, X06C
5t300.g↔		BOP, KVT, UOP4, VIAL	5t301.0↔		BOP, KVT, UOP4, VIAL	5t301.f		BOP, KVT, UOP4, VIAL
05		F13A	05		F13A	05		F13A
08		I08A, I08B, I08C, I08D, I08E, I08F	08		I16Z	08		I28A, I28B
10		K09A, K09B	10		K09A, K09B	10		K09A, K09B
21A		W01A, W01B, W01C, W02A, W02B	21A		W04A, W04B	21A		W04A, W04B
21B		X04Z	21B		X06A, X06B, X06C	21B		X04Z, X06A, X06B, X06C
5t300.h↔		BOP, KVT, UOP4, VIAL	5t301.1↔		BOP, KVT, UOP4, VIAL	5t301.g↔		BOP, KVT, UOP4, VIAL
05		F13A	05		F13A	05		F13A
08		I12A, I12B, I18A, I18B, I30Z	08		I16Z	08		I08A, I08B, I08C, I08D, I08E, I08F
10		K09A, K09B	10		K09A, K09B	10		K09A, K09B
21A		W04A, W04B	21A		W04A, W04B	21A		W01A, W01B, W01C, W02A, W02B
21B		X04Z	21B		X06A, X06B, X06C	21B		X04Z
5t300.j↔		BOP, KVT, UOP4, VIAL	5t301.2↔		BOP, KVT, UOP4, VIAL	5t301.h↔		BOP, KVT, UOP4, VIAL
05		F13A	05		F13A	05		F13A
08		I12A, I12B, I12C, I18A, I18B, I30Z	08		I28A, I28B	08		I18A, I18B, I30Z
10		K09A, K09B	10		K09A, K09B	10		K09A, K09B
21A		W04A, W04B	21A		W04A, W04B	21A		W04A, W04B
21B		X04Z	21B		X06A, X06B, X06C	21B		X04Z
5t300.k↔		BOP, KVT, UOP4, VIAL	5t301.3↔		BOP, KVT, UOP4, VIAL	5t301.j↔		BOP, KVT, UOP4, VIAL
05		F13A	05		F13A	05		F13A
08		I12A, I12B, I12C, I13A, I13B, I13C, I13D	08		I28A, I28B	08		I18A, I18B, I30Z
10		K09A, K09B	10		K09A, K09B	10		K09A, K09B
21A		W04A, W04B	21A		W04A, W04B	21A		W04A, W04B
21B		X04Z	21B		X06A, X06B, X06C	21B		X04Z

VYK

ZZV	MDC	DRG	ZZV	MDC	DRG	ZZV	MDC	DRG
5t301.m↔		BOP, KVT, UOP4, VIAL	5t302.4↔		BOP, KVT, UOP4, VIAL	5t302.k↔		BOP, KVT, UOP4, VIAL
	05	F13A		05	F13A		05	F13A
	08	I20A, I20B, I20C, I20D, I20E, I20F		08	I08A, I08B, I08C, I08D, I08E, I08F, I12A, I12B, I12C, I21Z, I31Z		08	I12A, I12B, I12C
	10	K09A, K09B		10	K09A, K09B		21A	W04A, W04B
	21A	W04A, W04B		21B	X06A, X06B, X06C		21B	X04Z
5t301.n↔		BOP, KVT, UOP4, VIAL	5t302.5↔		BOP, KVT, UOP4, VIAL	5t302.m↔		BOP, KVT, UOP4, VIAL
	05	F13A		05	F13A		05	F13A
	08	I20A, I20B, I20C, I20D, I20E, I20F		08	I08A, I08B, I08C, I08D, I08E, I08F, I12A, I12B, I12C, I21Z, I31Z		08	I12A, I12B, I12C, I20A, I20B, I20C, I20D, I20E, I20F
	10	K09A, K09B		10	K09A, K09B		10	K09A, K09B
	21A	W04A, W04B		21A	W04A, W04B		21A	W04A, W04B
5t301.p↔		BOP, KVT, UOP4, VIAL	5t302.6↔		BOP, KVT, UOP4, VIAL	5t302.n↔		BOP, KVT, UOP4, VIAL
	05	F13A		05	F13A		05	F13A
	08	I20A, I20B, I20C, I20D, I20E, I20F		08	I08A, I08B, I08C, I08D, I08E, I08F, I12A, I12B, I12C, I32A, I32B, I32C, I32D, I32E, I32F		08	I12A, I12B, I12C, I20A, I20B, I20C, I20D, I20E, I20F
	10	K09A, K09B		10	K09A, K09B		10	K09A, K09B
	21A	W04A, W04B		21A	W04A, W04B		21A	W04A, W04B
5t301.q↔		BOP, KVT, UOP4, VIAL	5t302.7↔		BOP, KVT, UOP4, VIAL	5t302.p↔		BOP, KVT, UOP4, VIAL
	05	F13A		05	F13A		05	F13A
	08	I20A, I20B, I20C, I20D, I20E, I20F		08	I12A, I12B, I12C, I32A, I32B, I32C, I32D, I32E, I32F		08	I12A, I12B, I12C, I20A, I20B, I20C, I20D, I20E, I20F
	10	K09A, K09B		10	K09A, K09B		10	K09A, K09B
	21A	W04A, W04B		21A	W04A, W04B		21A	W04A, W04B
5t301.r↔		BOP, KVT, UOP4, VIAL	5t302.8↔		BOP, KVT, UOP4, VIAL	5t302.q↔		BOP, KVT, UOP4, VIAL
	05	F13A		05	F13A		05	F13A
	08	I20A, I20B, I20C, I20D, I20E, I20F		08	I12A, I12B, I12C, I32A, I32B, I32C, I32D, I32E, I32F		08	I12A, I12B, I12C, I20A, I20B, I20C, I20D, I20E, I20F
	10	K09A, K09B		10	K09A, K09B		10	K09A, K09B
	21A	W04A, W04B		21A	W04A, W04B		21A	W04A, W04B
5t301.s↔		BOP, KVT, UOP4, VIAL	5t302.9↔		BOP, KVT, UOP4, VIAL	5t302.r↔		BOP, KVT, UOP4, VIAL
	05	F13A		05	F13A		05	F13A
	08	I20A, I20B, I20C, I20D, I20E, I20F		08	I12A, I12B, I12C, I32A, I32B, I32C, I32D, I32E, I32F		08	I12A, I12B, I12C, I20A, I20B, I20C, I20D, I20E, I20F
	10	K09A, K09B		10	K09A, K09B		10	K09A, K09B
	21A	W04A, W04B		21A	W04A, W04B		21A	W04A, W04B
5t301.x		BOP, KVT, UOP4	5t302.e↔		BOP, KVT, UOP4, VIAL	5t302.x		BOP, KVT, UOP4
	05	F13A		05	F13A		05	F13A
	08	I28A, I28B		08	I08A, I08B, I08C, I08D, I08E, I08F, I12A, I12B, I12C, I28A, I28B		08	I12A, I12B, I12C, I20A, I20B, I20C, I20D, I20E, I20F
	10	K09A, K09B		10	K09A, K09B		10	K09A, K09B
	21A	W04A, W04B		21A	W04A, W04B		21A	W04A, W04B
5t302.0↔		BOP, KVT, UOP4, VIAL	5t302.f		BOP, KVT, UOP4, VIAL	5t303.0↔		BOP, KVT, UOP4
	05	F13A		05	F13A		05	F13A
	08	I12A, I12B, I12C, I16Z		08	I12A, I12B, I12C, I28A, I28B		08	I12A, I12B, I12C, I28A, I28B
	21A	W04A, W04B		10	K09A, K09B		10	K09A, K09B
	21B	X06A, X06B, X06C		21A	W04A, W04B		21A	W04A, W04B
5t302.1↔		BOP, KVT, UOP4, VIAL	5t302.g↔		BOP, KVT, UOP4, VIAL	5t303.1↔		BOP, KVT, UOP4, VIAL
	05	F13A		05	F13A		05	F13A
	08	I12A, I12B, I12C, I16Z		08	I12A, I12B, I12C, I18A, I18B, I30Z		08	I12A, I12B, I12C, I16Z
	21A	W04A, W04B		21A	W04A, W04B		21A	W04A, W04B
	21B	X06A, X06B, X06C		21B	X06A, X06B, X06C		21B	X06A, X06B, X06C
5t302.2↔		BOP, KVT, UOP4, VIAL	5t302.h↔		BOP, KVT, UOP4, VIAL	5t303.2↔		BOP, KVT, UOP4, VIAL
	05	F13A		05	F13A		05	F13A
	08	I12A, I12B, I12C, I28A, I28B		08	I12A, I12B, I12C, I18A, I18B, I30Z		08	I12A, I12B, I12C, I16Z
	10	K09A, K09B		10	K09A, K09B		10	K09A, K09B
	21A	W04A, W04B		21A	W04A, W04B		21A	W04A, W04B
5t302.3↔		BOP, KVT, UOP4, VIAL	5t302.j↔		BOP, KVT, UOP4, VIAL	5t303.3↔		BOP, KVT, UOP4, VIAL
	05	F13A		05	F13A		05	F13A
	08	I12A, I12B, I12C, I28A, I28B		08	I12A, I12B, I12C, I18A, I18B, I30Z		08	I12A, I12B, I12C, I28A, I28B
	10	K09A, K09B		10	K09A, K09B		10	K09A, K09B
	21A	W04A, W04B		21A	W04A, W04B		21A	W04A, W04B
						21B	X06A, X06B, X06C	

ZZV	MDC	DRG	ZZV	MDC	DRG	ZZV	MDC	DRG
5t303.4↔		BOP, KVT, UOP4, VIAL	5t303.j↔		BOP, KVT, UOP4, VIAL	5t304.4↔		BOP, KVT, UOP4, VIAL
	05	F13A		05	F13A		05	F13A
	08	I08A, I08B, I08C, I08D, I08E, I08F, I12A, I12B, I12C, I21Z, I31Z		08	I12A, I12B, I12C, I18A, I18B, I30Z		08	I08A, I08B, I08C, I08D, I08E, I08F, I12A, I12B, I12C, I21Z, I31Z
	21A	W04A, W04B		21A	W04A, W04B		21A	W04A, W04B
	21B	X06A, X06B, X06C		21B	X04Z		21B	X06A, X06B, X06C
5t303.5↔		BOP, KVT, UOP4, VIAL	5t303.k↔		BOP, KVT, UOP4, VIAL	5t304.5↔		BOP, KVT, UOP4, VIAL
	05	F13A		05	F13A		05	F13A
	08	I08A, I08B, I08C, I08D, I08E, I08F, I12A, I12B, I12C, I21Z, I31Z		08	I12A, I12B, I12C, I13A, I13B, I13C, I13D		08	I08A, I08B, I08C, I08D, I08E, I08F, I12A, I12B, I12C, I21Z, I31Z
	21A	W04A, W04B		21A	W04A, W04B		21A	W04A, W04B
	21B	X06A, X06B, X06C		21B	X04Z		21B	X06A, X06B, X06C
5t303.6↔		BOP, KVT, UOP4, VIAL	5t303.m↔		BOP, KVT, UOP4, VIAL	5t304.6↔		BOP, KVT, UOP4, VIAL
	05	F13A		05	F13A		05	F13A
	08	I08A, I08B, I08C, I08D, I08E, I08F, I12A, I12B, I12C, I32A, I32B, I32C, I32D, I32E, I32F		08	I12A, I12B, I12C, I20A, I20B, I20C, I20D		08	I08A, I08B, I08C, I08D, I08E, I08F, I12A, I12B, I12C, I32A, I32B, I32C, I32D, I32E, I32F
	09	J03A, J03B, J04A, J04B, J08A, J08B, J08C, J11A, J11B, J16Z		09	F13A		09	J03A, J03B, J04A, J04B, J08A, J08B, J08C, J11A, J11B, J16Z
	21A	W04A, W04B		08	I12A, I12B, I12C, I20A, I20B, I20C, I20D		21A	W04A, W04B
	21B	X05A, X05B		21A	W04A, W04B		21B	X05A, X05B
5t303.8↔		BOP, KVT, UOP4, VIAL	5t303.p↔		BOP, KVT, UOP4, VIAL	5t304.8↔		BOP, KVT, UOP4, VIAL
	05	F13A		05	F13A		05	F13A
	08	I12A, I12B, I12C, I32A, I32B, I32C, I32D, I32E, I32F		08	I12A, I12B, I12C, I20A, I20B, I20C, I20D		08	I12A, I12B, I12C, I32A, I32B, I32C, I32D, I32E, I32F
	09	J03A, J03B, J04A, J04B, J08A, J08B, J08C, J11A, J11B, J16Z		21A	W04A, W04B		09	J03A, J03B, J04A, J04B, J08A, J08B, J08C, J11A, J11B, J16Z
	21A	W04A, W04B		21B	X04Z		21A	W04A, W04B
	21B	X05A, X05B		5t303.q↔	BOP, KVT, UOP4, VIAL		21B	X05A, X05B
5t303.9↔		BOP, KVT, UOP4, VIAL		05	F13A	5t304.9↔		BOP, KVT, UOP4, VIAL
	05	F13A		08	I12A, I12B, I12C, I20A, I20B, I20C, I20D, I20E, I20F		05	F13A
	08	I12A, I12B, I12C, I32A, I32B, I32C, I32D, I32E, I32F		21A	W04A, W04B		08	I12A, I12B, I12C, I32A, I32B, I32C, I32D, I32E, I32F
	09	J03A, J03B, J04A, J04B, J08A, J08B, J08C, J11A, J11B, J16Z		21B	X04Z		09	J03A, J03B, J04A, J04B, J08A, J08B, J08C, J11A, J11B, J16Z
	21A	W04A, W04B		5t303.r↔	BOP, KVT, UOP4, VIAL		21A	W04A, W04B
	21B	X05A, X05B		05	F13A		21B	X05A, X05B
5t303.e↔		BOP, KVT, UOP4, VIAL		08	I12A, I12B, I12C, I20A, I20B, I20C, I20D, I20E, I20F	5t304.e↔		BOP, KVT, UOP4, VIAL
	05	F13A		21A	W04A, W04B		05	F13A
	08	I08A, I08B, I08C, I08D, I08E, I08F, I12A, I12B, I12C, I28A, I28B		21B	X04Z		08	I12A, I12B, I12C, I32A, I32B, I32C, I32D, I32E, I32F
	21A	W04A, W04B		5t303.x	BOP, KVT, UOP4		09	J03A, J03B, J04A, J04B, J08A, J08B, J08C, J11A, J11B, J16Z
	21B	X04Z, X06A, X06B, X06C		05	F13A		21A	W04A, W04B
5t303.f		BOP, KVT, UOP4, VIAL		08	I12A, I12B, I12C, I28A, I28B		21B	X05A, X05B
	05	F13A		21A	W04A, W04B		5t304.f	BOP, KVT, UOP4, VIAL
	08	I12A, I12B, I12C, I28A, I28B		21B	X06A, X06B, X06C		05	F13A
	21A	W04A, W04B		5t304.0↔	BOP, KVT, UOP4, VIAL		08	I12A, I12B, I12C, I27A, I27B, I27C, I27D
	21B	X04Z, X06A, X06B, X06C		05	F13A		21A	W04A, W04B
5t303.g↔		BOP, KVT, UOP4, VIAL		08	I12A, I12B, I12C, I16Z		21B	X04Z, X06A, X06B, X06C
	05	F13A		5t304.1↔	BOP, KVT, UOP4, VIAL		5t304.g↔	BOP, KVT, UOP4, VIAL
	08	I08A, I08B, I08C, I08D, I08E, I08F		05	F13A		05	F13A
	21A	W01A, W01B, W01C, W02A, W02B		08	I12A, I12B, I12C, I16Z		08	I12A, I12B, I12C, I27A, I27B, I27C, I27D
	21B	X04Z		21A	W04A, W04B		21A	W04A, W04B
5t303.h↔		BOP, KVT, UOP4, VIAL		21B	X06A, X06B, X06C		21B	X04Z, X06A, X06B, X06C
	05	F13A		5t304.2↔	BOP, KVT, UOP4, VIAL		5t304.h↔	BOP, KVT, UOP4, VIAL
	08	I12A, I12B, I12C, I18A, I18B, I30Z		05	F13A		05	F13A
	21A	W04A, W04B		08	I12A, I12B, I12C, I27A, I27B, I27C, I27D		08	I12A, I12B, I12C, I18A, I18B, I30Z
	21B	X04Z		21A	W04A, W04B		21A	W04A, W04B
				21B	X06A, X06B, X06C		21B	X04Z
				5t304.3↔	BOP, KVT, UOP4, VIAL			
				05	F13A			
				08	I12A, I12B, I12C, I27A, I27B, I27C, I27D			
				21A	W04A, W04B			
				21B	X06A, X06B, X06C			

ZZV	MDC	DRG	ZZV	MDC	DRG	ZZV	MDC	DRG		
5t304.j↔		BOP, KVT, UOP4, VIAL	5t305.3↔		BOP, KVT, UOP4, VIAL	5t305.h↔		BOP, KVT, UOP4, VIAL		
	05	F13A		05	F13A		05	F13A		
	08	I12A, I12B, I12C, I18A, I18B, I30Z		08	I12A, I12B, I12C, I27A, I27B, I27C, I27D		08	I12A, I12B, I18A, I18B, I30Z		
	21A	W04A, W04B		21A	W04A, W04B		21A	W04A, W04B		
5t304.k↔	21B	X04Z	5t305.4↔	21B	X06A, X06B, X06C	5t305.j↔	21B	X04Z		
		BOP, KVT, UOP4, VIAL			BOP, KVT, UOP4, VIAL			BOP, KVT, UOP4, VIAL		
	05	F13A		05	F13A		05	F13A		
	08	I12A, I12B, I12C, I13A, I13B, I13C, I13D		08	I08A, I08B, I08C, I08D, I08E, I08F, I12A, I12B, I12C, I21Z, I31Z		08	I12A, I12B, I12C, I18A, I18B, I30Z		
5t304.m↔	21A	W04A, W04B	5t305.5↔	21A	W04A, W04B	5t305.k↔	21A	W04A, W04B		
	21B	X04Z		21B	X06A, X06B, X06C		21B	X04Z		
		BOP, KVT, UOP4, VIAL			BOP, KVT, UOP4, VIAL			BOP, KVT, UOP4, VIAL		
	05	F13A		05	F13A		05	F13A		
5t304.n↔	08	I12A, I12B, I12C, I20A, I20B, I20C, I20D, I20E, I20F	5t305.6↔	08	I08A, I08B, I08C, I08D, I08E, I08F, I12A, I12B, I12C, I21Z, I31Z	5t305.m↔	08	I12A, I12B, I12C, I13A, I13B, I13C, I13D		
	21A	W04A, W04B		5t305.7↔	21A		W04A, W04B	5t305.n↔	21A	W04A, W04B
	21B	X04Z			21B		X06A, X06B, X06C		21B	X04Z
		BOP, KVT, UOP4, VIAL					BOP, KVT, UOP4, VIAL			BOP, KVT, UOP4, VIAL
05	F13A	05	F13A		05	F13A				
5t304.p↔	08	I12A, I12B, I12C, I20A, I20B, I20C, I20D, I20E, I20F	5t305.8↔	08	I08A, I08B, I08C, I08D, I08E, I08F, I12A, I12B, I12C, I32A, I32B, I32C, I32D, I32E, I32F	5t305.p↔	08	I12A, I12B, I12C, I20A, I20B, I20C, I20D		
	21A	W04A, W04B		5t305.9↔	09		J03A, J03B, J04A, J04B, J08A, J08B, J08C, J11A, J11B, J16Z	5t305.q↔	21A	W04A, W04B
	21B	X04Z			21A		W04A, W04B		21B	X04Z
		BOP, KVT, UOP4, VIAL			21B		X05A, X05B			BOP, KVT, UOP4, VIAL
05	F13A	05	F13A		05	F13A				
5t304.q↔	08	I12A, I12B, I12C, I20A, I20B, I20C, I20D, I20E, I20F	5t305.e↔	08	I12A, I12B, I12C, I32A, I32B, I32C, I32D, I32E, I32F	5t305.r↔	08	I12A, I12B, I12C, I20A, I20B, I20C, I20D, I20E, I20F		
	21A	W04A, W04B		5t305.f	09		J03A, J03B, J04A, J04B, J08A, J08B, J08C, J11A, J11B, J16Z	5t305.x	21A	W04A, W04B
	21B	X04Z			21A		W04A, W04B		21B	X04Z
		BOP, KVT, UOP4, VIAL			21B		X05A, X05B			BOP, KVT, UOP4, VIAL
05	F13A	05	F13A		05	F13A				
5t304.r↔	08	I12A, I12B, I12C, I20A, I20B, I20C, I20D, I20E, I20F	5t305.g↔	08	I12A, I12B, I12C, I27A, I27B, I27C, I27D	5t306.0↔	08	I12A, I12B, I12C, I27A, I27B, I27C, I27D		
	21A	W04A, W04B		5t305.h↔	21A		W04A, W04B	5t306.1↔	21A	W04A, W04B
	21B	X04Z			21B		X04Z, X06A, X06B, X06C		21B	X06A, X06B, X06C
		BOP, KVT, UOP4, VIAL					BOP, KVT, UOP4, VIAL			BOP, KVT, UOP4, VIAL
05	F13A	05	F13A		05	F13A				
5t304.x	08	I12A, I12B, I12C, I27A, I27B, I27C, I27D	5t305.i↔	08	I12A, I12B, I12C, I27A, I27B, I27C, I27D	5t306.2↔	08	I12A, I12B, I12C, I28A, I28B		
	21A	W04A, W04B		5t305.j↔	21A		W04A, W04B	5t306.3↔	21A	W04A, W04B
	21B	X06A, X06B, X06C			21B		X04Z, X06A, X06B, X06C		21B	X06A, X06B, X06C
		BOP, KVT, UOP4, VIAL					BOP, KVT, UOP4, VIAL			BOP, KVT, UOP4, VIAL
05	F13A	05	F13A		05	F13A				
5t305.0↔	08	I12A, I12B, I12C, I16Z	5t305.k↔	08	I12A, I12B, I12C, I27A, I27B, I27C, I27D	5t306.4↔	08	I12A, I12B, I12C, I28A, I28B		
	21A	W04A, W04B		5t305.l↔	21A		W04A, W04B	5t306.5↔	21A	W04A, W04B
	21B	X06A, X06B, X06C			21B		X04Z, X06A, X06B, X06C		21B	X06A, X06B, X06C
		BOP, KVT, UOP4, VIAL					BOP, KVT, UOP4, VIAL			BOP, KVT, UOP4, VIAL
05	F13A	05	F13A		05	F13A				
5t305.1↔	08	I12A, I12B, I12C, I16Z	5t305.m↔	08	I12A, I12B, I12C, I27A, I27B, I27C, I27D	5t306.6↔	08	I12A, I12B, I12C, I28A, I28B		
	21A	W04A, W04B		5t305.n↔	21A		W04A, W04B	5t306.7↔	21A	W04A, W04B
	21B	X06A, X06B, X06C			21B		X04Z, X06A, X06B, X06C		21B	X06A, X06B, X06C
		BOP, KVT, UOP4, VIAL					BOP, KVT, UOP4, VIAL			BOP, KVT, UOP4, VIAL
05	F13A	05	F13A		05	F13A				
5t305.2↔	08	I12A, I12B, I12C, I27A, I27B, I27C, I27D	5t305.o↔	08	I12A, I12B, I12C, I27A, I27B, I27C, I27D	5t306.8↔	08	I12A, I12B, I12C, I28A, I28B		
	21A	W04A, W04B		5t305.p↔	21A		W04A, W04B	5t306.9↔	21A	W04A, W04B
	21B	X06A, X06B, X06C			21B		X04Z, X06A, X06B, X06C		21B	X06A, X06B, X06C
		BOP, KVT, UOP4, VIAL					BOP, KVT, UOP4, VIAL			BOP, KVT, UOP4, VIAL
05	F13A	05	F13A		05	F13A				

ZZV	MDC	DRG	ZZV	MDC	DRG	ZZV	MDC	DRG
5t306.4↔		BOP, KVT, UOP4, VIAL	5t306.q↔		BOP, KVT, UOP4, VIAL	5t307.e↔		BOP, KVT, UOP4, VIAL
	08	I08A, I08B, I08C, I08D, I08E, I08F, I12A, I12B, I12C, I21Z, I31Z		08	I12A, I12B, I12C, I20A, I20B, I20C, I20D, I20E, I20F		08	I08A, I08B, I08C, I08D, I08E, I08F, I12A, I12B, I12C, I23A
	21A	W04A, W04B		21A	W04A, W04B		21A	W04A, W04B
	21B	X06A, X06B, X06C		21B	X04Z		21B	X04Z, X06A, X06B, X06C
5t306.5↔		BOP, KVT, UOP4, VIAL	5t306.r↔		BOP, KVT, UOP4, VIAL	5t307.f		BOP, KVT, UOP4, VIAL
	08	I08A, I08B, I08C, I08D, I08E, I08F, I12A, I12B, I12C, I21Z, I31Z		08	I12A, I12B, I12C, I20A, I20B, I20C, I20D, I20E, I20F		08	I12A, I12B, I12C, I23A, I23B
	21A	W04A, W04B		21A	W04A, W04B		21A	W04A, W04B
	21B	X06A, X06B, X06C		21B	X04Z		21B	X04Z, X06A, X06B, X06C
5t306.6↔		BOP, KVT, UOP4, VIAL	5t306.x		BOP, KVT, UOP4	5t307.g↔		BOP, KVT, UOP4, VIAL
	08	I08A, I08B, I08C, I08D, I08E, I08F, I12A, I12B, I12C, I32A, I32B, I32C, I32D, I32E, I32F		08	I12A, I12B, I12C, I28A, I28B		08	I08A, I08B, I08C, I08D, I08E, I08F
	21A	W04A, W04B		21A	W04A, W04B		21A	W01A, W01B, W01C, W02A, W02B
	21B	X05A, X05B		21B	X06A, X06B, X06C		21B	X04Z
5t306.8↔		BOP, KVT, UOP4, VIAL	5t307.0↔		BOP, KVT, UOP4, VIAL	5t307.h↔		BOP, KVT, UOP4, VIAL
	08	I12A, I12B, I12C, I32A, I32B, I32C, I32D, I32E, I32F		08	I12A, I12B, I12C, I16Z		08	I12A, I12B, I12C, I18A, I18B, I30Z
	21A	W04A, W04B		21A	W04A, W04B		21A	W04A, W04B
	21B	X05A, X05B		21B	X06A, X06B, X06C		21B	X04Z
5t306.9↔		BOP, KVT, UOP4, VIAL	5t307.1↔		BOP, KVT, UOP4, VIAL	5t307.j↔		BOP, KVT, UOP4, VIAL
	08	I12A, I12B, I12C, I32A, I32B, I32C, I32D, I32E, I32F		08	I12A, I12B, I12C, I16Z		08	I12A, I12B, I12C, I18A, I18B, I30Z
	21A	W04A, W04B		21A	W04A, W04B		21A	W04A, W04B
	21B	X05A, X05B		21B	X06A, X06B, X06C		21B	X04Z
5t306.e↔		BOP, KVT, UOP4, VIAL	5t307.2↔		BOP, KVT, UOP4, VIAL	5t307.k↔		BOP, KVT, UOP4, VIAL
	08	I08A, I08B, I08C, I08D, I08E, I08F		08	I12A, I12B, I12C, I23A, I23B		08	I12A, I12B, I12C, I13A, I13B, I13C, I13D
	21A	W04A, W04B		21A	W04A, W04B		21A	W04A, W04B
	21B	X05A, X05B		21B	X06A, X06B, X06C		21B	X04Z
5t306.g↔		BOP, KVT, UOP4, VIAL	5t307.3↔		BOP, KVT, UOP4, VIAL	5t307.m↔		BOP, KVT, UOP4, VIAL
	08	I08A, I08B, I08C, I08D, I08E, I08F		08	I12A, I12B, I12C, I23A, I23B		08	I12A, I12B, I12C, I20A, I20B, I20C, I20D, I20E, I20F
	21A	W01A, W01B, W01C, W02A, W02B		21A	W04A, W04B		21A	W04A, W04B
	21B	X04Z		21B	X06A, X06B, X06C		21B	X04Z
5t306.h↔		BOP, KVT, UOP4, VIAL	5t307.4↔		BOP, KVT, UOP4, VIAL	5t307.n↔		BOP, KVT, UOP4, VIAL
	01	B03A, B03B, B06A, B06B, B17A, B17B, B17C		08	I08A, I08B, I08C, I08D, I08E, I08F, I12A, I12B, I12C, I21Z, I31Z		08	I12A, I12B, I12C, I20A, I20B, I20C, I20D, I20E, I20F
	08	I12A, I12B, I12C, I18A, I18B, I30Z		21A	W04A, W04B		21A	W04A, W04B
	21A	W04A, W04B		21B	X06A, X06B, X06C		21B	X04Z
	21B	X04Z		5t307.5↔	BOP, KVT, UOP4, VIAL	5t307.p↔		BOP, KVT, UOP4, VIAL
5t306.j↔		BOP, KVT, UOP4, VIAL		08	I08A, I08B, I08C, I08D, I08E, I08F, I12A, I12B, I12C, I32A, I32B, I32C, I32D, I32E, I32F		08	I12A, I12B, I12C, I20A, I20B, I20C, I20D, I20E, I20F
	08	I13A, I13B, I13C, I13D		21A	W04A, W04B		21A	W04A, W04B
5t306.k↔		BOP, KVT, UOP4, VIAL		21B	X06A, X06B, X06C		21B	X04Z
	01	B03A, B03B, B06A, B06B, B17A, B17B, B17C		08	I08A, I08B, I08C, I08D, I08E, I08F, I12A, I12B, I12C, I21Z, I31Z	5t307.q↔		BOP, KVT, UOP4, VIAL
	08	I12A, I12B, I12C, I13A, I13B, I13C, I13D		21A	W04A, W04B		08	I12A, I12B, I12C, I20A, I20B, I20C, I20D, I20E, I20F
	21A	W04A, W04B		21B	X05A, X05B		21A	W04A, W04B
	21B	X04Z		5t307.6↔	BOP, KVT, UOP4, VIAL		21B	X04Z
5t306.m↔		BOP, KVT, UOP4, VIAL		08	I08A, I08B, I08C, I08D, I08E, I08F, I12A, I12B, I12C, I32A, I32B, I32C, I32D, I32E, I32F	5t307.r↔		BOP, KVT, UOP4, VIAL
	08	I12A, I12B, I12C, I20A, I20B, I20C, I20D, I20E, I20F		21A	W04A, W04B		08	I12A, I12B, I12C, I20A, I20B, I20C, I20D, I20E, I20F
	21A	W04A, W04B		21B	X06A, X06B, X06C		21A	W04A, W04B
	21B	X04Z		08	I12A, I12B, I12C, I32A, I32B, I32C, I32D, I32E, I32F		21B	X04Z
5t306.n↔		BOP, KVT, UOP4, VIAL		09	J03A, J03B, J04A, J04B, J08A, J08B, J08C, J11A, J11B, J16Z	5t307.x		BOP, KVT, UOP4
	08	I12A, I12B, I12C, I20A, I20B, I20C, I20D, I20E, I20F		21A	W04A, W04B		08	I12A, I12B, I12C, I23A, I23B
	21A	W04A, W04B		21B	X05A, X05B		21A	W04A, W04B
	21B	X04Z		5t307.7↔	BOP, KVT, UOP4, VIAL		21B	X06A, X06B, X06C
5t306.p↔		BOP, KVT, UOP4, VIAL		08	I12A, I12B, I12C, I32A, I32B, I32C, I32D, I32E, I32F	5t308.0↔		BOP, KVT, UOP4, VIAL
	08	I12A, I12B, I12C, I20A, I20B, I20C, I20D, I20E, I20F		09	J03A, J03B, J04A, J04B, J08A, J08B, J08C, J11A, J11B, J16Z		08	I12A, I12B, I12C, I16Z
	21A	W04A, W04B		21A	W04A, W04B		21A	W04A, W04B
	21B	X04Z		21B	X05A, X05B		21B	X06A, X06B, X06C
	21B	X04Z		5t307.8↔	BOP, KVT, UOP4, VIAL	5t308.1↔		BOP, KVT, UOP4, VIAL
	21B	X04Z		08	I12A, I12B, I12C, I32A, I32B, I32C, I32D, I32E, I32F		08	I16Z
	21B	X04Z		09	J03A, J03B, J04A, J04B, J08A, J08B, J08C, J11A, J11B, J16Z		21A	W04A, W04B
	21B	X04Z		21A	W04A, W04B		21B	X06A, X06B, X06C
	21B	X04Z		21B	X05A, X05B			

ZZV	MDC	DRG	ZZV	MDC	DRG	ZZV	MDC	DRG
5t308.2↔		BOP, KVT, UOP4, VIAL	5t308.k↔		BOP, KVT, UOP4, VIAL	5t309.3↔		BOP, KVT, UOP4, VIAL
	08	I28A, I28B		08	I13A, I13B, I13C, I13D		01	B03A, B03B, B06A, B06B, B07Z, B17A, B17B, B17C
	10	K09A, K09B		10	K09A, K09B		08	I27A, I27B, I27C, I27D
	21A	W04A, W04B		21A	W04A, W04B		09	J03A, J03B, J04A, J04B, J08A, J08B, J08C, J11A, J11B, J16Z
	21B	X06A, X06B, X06C		21B	X04Z		10	K09A, K09B
5t308.3↔		BOP, KVT, UOP4, VIAL	5t308.m↔		BOP, KVT, UOP4, VIAL		21A	W04A, W04B
	08	I28A, I28B		08	I20A, I20B, I20C, I20D, I20E, I20F		21B	X06A, X06B, X06C
	10	K09A, K09B		10	K09A, K09B	5t309.4↔		BOP, KVT, UOP4, VIAL
	21A	W04A, W04B		21A	W04A, W04B		01	B03A, B03B, B06A, B06B, B07Z, B17A, B17B, B17C
	21B	X06A, X06B, X06C		21B	X04Z		08	I08A, I08B, I08C, I08D, I08E, I08F, I27A, I27B, I27C, I27D
5t308.4↔		BOP, KVT, UOP4, VIAL	5t308.n↔		BOP, KVT, UOP4, VIAL		09	J03A, J03B, J04A, J04B, J08A, J08B, J08C, J11A, J11B, J16Z
	08	I08A, I08B, I08C, I08D, I08E, I08F, I21Z, I31Z		08	I20A, I20B, I20C, I20D, I20E, I20F		10	K09A, K09B
	10	K09A, K09B		10	K09A, K09B		21A	W04A, W04B
	21A	W04A, W04B		21A	W04A, W04B		21B	X06A, X06B, X06C
	21B	X06A, X06B, X06C		21B	X04Z	5t309.5↔		BOP, KVT, UOP4, VIAL
5t308.5↔		BOP, KVT, UOP4, VIAL	5t308.p↔		BOP, KVT, UOP4, VIAL		01	B03A, B03B, B06A, B06B, B07Z, B17A, B17B, B17C
	08	I08A, I08B, I08C, I08D, I08E, I08F, I21Z, I31Z		08	I20A, I20B, I20C, I20D, I20E, I20F		08	I08A, I08B, I08C, I08D, I08E, I08F, I27A, I27B, I27C, I27D
	10	K09A, K09B		10	K09A, K09B		09	J03A, J03B, J04A, J04B, J08A, J08B, J08C, J11A, J11B, J16Z
	21A	W04A, W04B		21A	W04A, W04B		10	K09A, K09B
	21B	X06A, X06B, X06C		21B	X04Z		21A	W04A, W04B
5t308.6↔		BOP, KVT, UOP4, VIAL	5t308.q↔		BOP, KVT, UOP4, VIAL		21B	X06A, X06B, X06C
	08	I08A, I08B, I08C, I08D, I08E, I08F, I32A, I32B, I32C, I32D, I32E, I32F		08	I20A, I20B, I20C, I20D, I20E, I20F		01	B03A, B03B, B06A, B06B, B07Z, B17A, B17B, B17C
	21A	W04A, W04B		10	K09A, K09B		08	I08A, I08B, I08C, I08D, I08E, I08F, I27A, I27B, I27C, I27D
	21B	X05A, X05B		21A	W04A, W04B		09	J03A, J03B, J04A, J04B, J08A, J08B, J08C, J11A, J11B, J16Z
5t308.8↔		BOP, KVT, UOP4, VIAL		21B	X04Z		10	K09A, K09B
	08	I32A, I32B, I32C, I32D, I32E, I32F	5t308.r↔		BOP, KVT, UOP4, VIAL		21A	W04A, W04B
	21A	W04A, W04B		08	I20A, I20B, I20C, I20D, I20E, I20F		21B	X06A, X06B, X06C
	21B	X05A, X05B		10	K09A, K09B	5t309.6↔		BOP, KVT, UOP4, VIAL
5t308.9↔		BOP, KVT, UOP4, VIAL		21A	W04A, W04B		01	B03A, B03B, B06A, B06B, B07Z, B17A, B17B, B17C
	08	I32A, I32B, I32C, I32D, I32E, I32F		21B	X04Z		08	I08A, I08B, I08C, I08D, I08E, I08F, I27A, I27B, I27C, I27D
	21A	W04A, W04B	5t308.x		BOP, KVT, UOP4		09	J03A, J03B, J04A, J04B, J08A, J08B, J08C, J11A, J11B, J16Z
	21B	X05A, X05B		08	I28A, I28B		10	K09A, K09B
5t308.e↔		BOP, KVT, UOP4, VIAL		10	K09A, K09B		21A	W04A, W04B
	08	I08A, I08B, I08C, I08D, I08E, I08F, I28A, I28B		21A	W04A, W04B		21B	X05A, X05B, X06A, X06B, X06C
	10	K09A, K09B	5t309.0↔		BOP, KVT, UOP4, VIAL		01	B03A, B03B, B06A, B06B, B07Z, B17A, B17B, B17C
	21A	W04A, W04B		01	B03A, B03B, B06A, B06B, B07Z, B17A, B17B, B17C		08	I27A, I27B, I27C, I27D
	21B	X04Z, X06A, X06B, X06C		08	I27A, I27B, I27C, I27D		09	J03A, J03B, J04A, J04B, J08A, J08B, J08C, J11A, J11B, J16Z
5t308.f		BOP, KVT, UOP4, VIAL		09	J03A, J03B, J04A, J04B, J08A, J08B, J08C, J11A, J11B, J16Z		10	K09A, K09B
	08	I28A, I28B		10	K09A, K09B		21A	W04A, W04B
	10	K09A, K09B		21A	W04A, W04B	5t309.8↔		BOP, KVT, UOP4, VIAL
	21A	W04A, W04B		21B	X06A, X06B, X06C		01	B03A, B03B, B06A, B06B, B07Z, B17A, B17B, B17C
	21B	X04Z, X06A, X06B, X06C		21B	X06A, X06B, X06C		08	I27A, I27B, I27C, I27D
5t308.g↔		BOP, KVT, UOP4, VIAL		21B	X06A, X06B, X06C		09	J03A, J03B, J04A, J04B, J08A, J08B, J08C, J11A, J11B, J16Z
	08	I08A, I08B, I08C, I08D, I08E, I08F	5t309.1↔		BOP, KVT, UOP4, VIAL		10	K09A, K09B
	21A	W01A, W01B, W01C, W02A, W02B		01	B03A, B03B, B06A, B06B, B07Z, B17A, B17B, B17C		21A	W04A, W04B
	21B	X04Z		08	I27A, I27B, I27C, I27D		21B	X05A, X05B, X06A, X06B, X06C
5t308.h↔		BOP, KVT, UOP4, VIAL		09	J03A, J03B, J04A, J04B, J08A, J08B, J08C, J11A, J11B, J16Z	5t309.9↔		BOP, KVT, UOP4, VIAL
	08	I18A, I18B, I30Z		10	K09A, K09B		01	B03A, B03B, B06A, B06B, B07Z, B17A, B17B, B17C
	10	K09A, K09B		21A	W04A, W04B		08	I27A, I27B, I27C, I27D
	21A	W04A, W04B		21B	X06A, X06B, X06C		09	J03A, J03B, J04A, J04B, J08A, J08B, J08C, J11A, J11B, J16Z
	21B	X04Z		21B	X06A, X06B, X06C		10	K09A, K09B
5t308.j↔		BOP, KVT, UOP4, VIAL	5t309.2↔		BOP, KVT, UOP4, VIAL		21A	W04A, W04B
	08	I18A, I18B, I30Z		01	B03A, B03B, B06A, B06B, B07Z, B17A, B17B, B17C		21B	X05A, X05B, X06A, X06B, X06C
	10	K09A, K09B		08	I27A, I27B, I27C, I27D			
	21A	W04A, W04B		09	J03A, J03B, J04A, J04B, J08A, J08B, J08C, J11A, J11B, J16Z			
	21B	X04Z		10	K09A, K09B			
				21A	W04A, W04B			
				21B	X06A, X06B, X06C			

VYK

ZZV	MDC	DRG	ZZV	MDC	DRG	ZZV	MDC	DRG		
5t309.e↔		BOP, KVT, UOP4, VIAL	5t309.n↔		BOP, KVT, UOP4, VIAL	5t30a.3↔		BOP, KVT, UOP4, VIAL		
	01	B03A, B03B, B06A, B06B, B07Z, B17A, B17B, B17C		01	B03A, B03B, B06A, B06B, B07Z, B17A, B17B, B17C		05	F13A, F27A, F27B, F27C		
	08	I08A, I08B, I08C, I08D, I08E, I08F, I27A, I27B, I27C, I27D		08	I27A, I27B, I27C, I27D		08	I12A, I12B, I12C, I28A, I28B		
	09	J03A, J03B, J04A, J04B, J08A, J08B, J08C, J11A, J11B, J16Z		09	J03A, J03B, J04A, J04B, J08A, J08B, J08C, J11A, J11B, J16Z		10	K09A, K09B		
	10	K09A, K09B		10	K09A, K09B		21A	W04A, W04B		
	21A	W04A, W04B		21A	W04A, W04B		21B	X06A, X06B, X06C		
	21B	X04Z, X06A, X06B, X06C		21B	X04Z, X06A, X06B, X06C		5t30a.4↔	BOP, KVT, UOP4, VIAL		
	5t309.f			BOP, KVT, UOP4, VIAL	5t309.p↔			BOP, KVT, UOP4, VIAL	05	F13A, F27A, F27B, F27C
		01		B03A, B03B, B06A, B06B, B07Z, B17A, B17B, B17C			01	B03A, B03B, B06A, B06B, B07Z, B17A, B17B, B17C	08	I08A, I08B, I08C, I08D, I08E, I08F, I12A, I12B, I12C, I21Z, I31Z
		08		I27A, I27B, I27C, I27D			08	I27A, I27B, I27C, I27D	10	K09A, K09B
09		J03A, J03B, J04A, J04B, J08A, J08B, J08C, J11A, J11B, J16Z	09	J03A, J03B, J04A, J04B, J08A, J08B, J08C, J11A, J11B, J16Z		21A	W04A, W04B			
10		K09A, K09B	10	K09A, K09B		21B	X06A, X06B, X06C			
21A		W04A, W04B	21A	W04A, W04B		5t30a.5↔	BOP, KVT, UOP4, VIAL			
21B		X04Z, X06A, X06B, X06C	21B	X04Z, X06A, X06B, X06C		05	F13A, F27A, F27B, F27C			
5t309.g↔			BOP, KVT, UOP4, VIAL	5t309.q↔			BOP, KVT, UOP4, VIAL	08	I08A, I08B, I08C, I08D, I08E, I08F, I12A, I12B, I12C, I21Z, I31Z	
		01	B03A, B03B, B06A, B06B, B07Z, B17A, B17B, B17C			01	B03A, B03B, B06A, B06B, B07Z, B17A, B17B, B17C	10	K09A, K09B	
		08	I27A, I27B, I27C, I27D			08	I27A, I27B, I27C, I27D	21A	W04A, W04B	
	09	J03A, J03B, J04A, J04B, J08A, J08B, J08C, J11A, J11B, J16Z	09		J03A, J03B, J04A, J04B, J08A, J08B, J08C, J11A, J11B, J16Z	21B	X06A, X06B, X06C			
	10	K09A, K09B	10		K09A, K09B	5t30a.6↔	BOP, KVT, UOP4, VIAL			
	21A	W04A, W04B	21A		W04A, W04B	05	F13A			
	21B	X04Z, X06A, X06B, X06C	21B		X04Z, X06A, X06B, X06C	08	I08A, I08B, I08C, I08D, I08E, I08F, I12A, I12B, I12C, I32A, I32B, I32C, I32D, I32E, I32F			
	5t309.h↔		BOP, KVT, UOP4, VIAL		5t309.r↔		BOP, KVT, UOP4, VIAL	21A	W04A, W04B	
		01	B03A, B03B, B06A, B06B, B07Z, B17A, B17B, B17C			01	B03A, B03B, B06A, B06B, B07Z, B17A, B17B, B17C	21B	X05A, X05B	
		08	I27A, I27B, I27C, I27D			08	I27A, I27B, I27C, I27D	5t30a.8↔	BOP, KVT, UOP4, VIAL	
09		J03A, J03B, J04A, J04B, J08A, J08B, J08C, J11A, J11B, J16Z	09	J03A, J03B, J04A, J04B, J08A, J08B, J08C, J11A, J11B, J16Z		05	F13A			
10		K09A, K09B	10	K09A, K09B		08	I12A, I12B, I12C, I32A, I32B, I32C, I32D, I32E, I32F			
21A		W04A, W04B	21A	W04A, W04B		21A	W04A, W04B			
21B		X04Z, X06A, X06B, X06C	21B	X04Z, X06A, X06B, X06C		21B	X05A, X05B			
5t309.i↔			BOP, KVT, UOP4, VIAL	5t309.x			BOP, KVT, UOP4	5t30a.9↔	BOP, KVT, UOP4, VIAL	
		01	B03A, B03B, B06A, B06B, B07Z, B17A, B17B, B17C			01	B03A, B03B, B06A, B06B, B07Z, B17A, B17B, B17C	05	F13A	
		08	I27A, I27B, I27C, I27D			08	I27A, I27B, I27C, I27D	08	I12A, I12B, I12C, I32A, I32B, I32C, I32D, I32E, I32F	
	09	J03A, J03B, J04A, J04B, J08A, J08B, J08C, J11A, J11B, J16Z	09		J03A, J03B, J04A, J04B, J08A, J08B, J08C, J11A, J11B, J16Z	21A	W04A, W04B			
	10	K09A, K09B	10		K09A, K09B	21B	X05A, X05B			
	21A	W04A, W04B	21A		W04A, W04B	5t30a.e↔	BOP, KVT, UOP4, VIAL			
	21B	X04Z, X06A, X06B, X06C	21B		X04Z, X06A, X06B, X06C	05	F13A, F27A, F27B, F27C			
	5t309.j↔		BOP, KVT, UOP4, VIAL		5t30a.0↔		BOP, KVT, UOP4, VIAL	08	I08A, I08B, I08C, I08D, I08E, I08F, I12A, I12B, I12C, I28A, I28B	
		01	B03A, B03B, B06A, B06B, B07Z, B17A, B17B, B17C			05	F13A	10	K09A, K09B	
		08	I27A, I27B, I27C, I27D			08	I12A, I12B, I12C, I16Z	21A	W04A, W04B	
09		J03A, J03B, J04A, J04B, J08A, J08B, J08C, J11A, J11B, J16Z	21A	W04A, W04B		21B	X06A, X06B, X06C			
10		K09A, K09B	21B	X06A, X06B, X06C		5t30a.f	BOP, KVT, UOP4, VIAL			
21A		W04A, W04B	5t30a.1↔	BOP, KVT, UOP4, VIAL		05	F13A, F27A, F27B, F27C			
21B		X04Z, X06A, X06B, X06C	05	F13A		08	I12A, I12B, I12C, I28A, I28B			
5t309.k↔			BOP, KVT, UOP4, VIAL	5t30a.2↔			BOP, KVT, UOP4, VIAL	10	K09A, K09B	
		01	B03A, B03B, B06A, B06B, B07Z, B17A, B17B, B17C			05	F13A, F27A, F27B, F27C	21A	W04A, W04B	
		08	I27A, I27B, I27C, I27D			08	I12A, I12B, I12C, I28A, I28B	21B	X04Z, X06A, X06B, X06C	
	09	J03A, J03B, J04A, J04B, J08A, J08B, J08C, J11A, J11B, J16Z	10		K09A, K09B	5t30a.g↔	BOP, KVT, UOP4, VIAL			
	10	K09A, K09B	21A		W04A, W04B	05	F13A			
	21A	W04A, W04B	21B		X06A, X06B, X06C	08	I08A, I08B, I08C, I08D, I08E, I08F			
	21B	X04Z, X06A, X06B, X06C	5t30a.h↔		BOP, KVT, UOP4, VIAL	21A	W01A, W01B, W01C, W02A, W02B			
	5t309.m↔		BOP, KVT, UOP4, VIAL		5t30a.2↔		BOP, KVT, UOP4, VIAL	21B	X04Z	
		01	B03A, B03B, B06A, B06B, B07Z, B17A, B17B, B17C			05	F13A, F27A, F27B, F27C	5t30a.h↔	BOP, KVT, UOP4, VIAL	
		08	I27A, I27B, I27C, I27D			08	I12A, I12B, I12C, I28A, I28B	05	F13A, F27A, F27B, F27C	
09		J03A, J03B, J04A, J04B, J08A, J08B, J08C, J11A, J11B, J16Z	10	K09A, K09B		08	I12A, I12B, I18A, I18B, I30Z			
10		K09A, K09B	21A	W04A, W04B		10	K09A, K09B			
21A		W04A, W04B	21B	X06A, X06B, X06C		21A	W04A, W04B			
21B		X04Z, X06A, X06B, X06C	21B	X06A, X06B, X06C		21B	X04Z			



ZZV	MDC	DRG	ZZV	MDC	DRG	ZZV	MDC	DRG		
5t30a.j↔		BOP, KVT, UOP4, VIAL	5t30b.2↔		BOP, KVT, UOP4, VIAL	5t30b.h↔		BOP, KVT, UOP4, VIAL		
	05	F13A, F27A, F27B, F27C		05	F13A		05	F13A		
	08	I12A, I12B, I12C, I18A, I18B, I30Z		08	I12A, I12B, I12C, I28A, I28B		08	I12A, I12B, I12C, I18A, I18B, I30Z		
	10	K09A, K09B		10	K09A, K09B		10	K09A, K09B		
	21A	W04A, W04B		21A	W04A, W04B		21A	W04A, W04B		
5t30a.k↔	21B	X04Z	5t30b.3↔	21B	X06A, X06B, X06C	5t30b.j↔	21B	X04Z		
		BOP, KVT, UOP4, VIAL			BOP, KVT, UOP4, VIAL			BOP, KVT, UOP4, VIAL		
	05	F13A, F27A, F27B, F27C		05	F13A		05	F13A		
	08	I12A, I12B, I12C, I13A, I13B, I13C, I13D		08	I12A, I12B, I12C, I28A, I28B		08	I12A, I12B, I12C, I18A, I18B, I30Z		
	10	K09A, K09B		10	K09A, K09B		10	K09A, K09B		
5t30a.m↔	21A	W04A, W04B	5t30b.4↔	21A	W04A, W04B	5t30b.k↔	21A	W04A, W04B		
	21B	X04Z		21B	X06A, X06B, X06C		21B	X04Z		
		BOP, KVT, UOP4, VIAL			BOP, KVT, UOP4, VIAL			BOP, KVT, UOP4, VIAL		
	05	F13A, F27A, F27B, F27C		05	F13A		05	F13A		
	08	I12A, I12B, I12C, I20A, I20B, I20C, I20D, I20E, I20F		08	I08A, I08B, I08C, I08D, I08E, I08F, I12A, I12B, I12C, I21Z, I31Z		08	I12A, I12B, I12C, I13A, I13B, I13C, I13D		
5t30a.n↔	10	K09A, K09B	5t30b.5↔	10	K09A, K09B	5t30b.m↔	10	K09A, K09B		
	21A	W04A, W04B		21A	W04A, W04B		21A	W04A, W04B		
	21B	X04Z		21B	X06A, X06B, X06C		21A	W04A, W04B		
		BOP, KVT, UOP4, VIAL			BOP, KVT, UOP4, VIAL		21B	X04Z		
	05	F13A, F27A, F27B, F27C		05	F13A		05	F13A		
5t30a.p↔	08	I12A, I12B, I12C, I20A, I20B, I20C, I20D, I20E, I20F	5t30b.6↔	08	I08A, I08B, I08C, I08D, I08E, I08F, I12A, I12B, I12C, I21Z, I31Z	5t30b.n↔	08	I12A, I12B, I12C, I20A, I20B, I20C, I20D, I20E, I20F		
	10	K09A, K09B		5t30b.8↔	10		K09A, K09B	5t30b.p↔	10	K09A, K09B
	21A	W04A, W04B			21A		W04A, W04B		21A	W04A, W04B
	21B	X04Z			21B		X06A, X06B, X06C		21A	W04A, W04B
		BOP, KVT, UOP4, VIAL					BOP, KVT, UOP4, VIAL		21B	X04Z
05	F13A, F27A, F27B, F27C	05	F13A		05	F13A				
5t30a.q↔	08	I12A, I12B, I12C, I20A, I20B, I20C, I20D, I20E, I20F	5t30b.9↔	08	I08A, I08B, I08C, I08D, I08E, I08F, I12A, I12B, I12C, I32A, I32B, I32C, I32D, I32E, I32F	5t30b.q↔	08	I12A, I12B, I12C, I20A, I20B, I20C, I20D, I20E, I20F		
	10	K09A, K09B		5t30b.e↔	21A		W04A, W04B	5t30b.r↔	10	K09A, K09B
	21A	W04A, W04B			21A		W04A, W04B		21A	W04A, W04B
	21B	X04Z			21B		X05A, X05B		21A	W04A, W04B
		BOP, KVT, UOP4, VIAL					BOP, KVT, UOP4, VIAL		21B	X04Z
05	F13A, F27A, F27B, F27C	05	F13A		05	F13A				
5t30a.r↔	08	I12A, I12B, I12C, I20A, I20B, I20C, I20D, I20E, I20F	5t30b.f	08	I12A, I12B, I12C, I32A, I32B, I32C, I32D, I32E, I32F	5t30b.x	08	I12A, I12B, I12C, I20A, I20B, I20C, I20D, I20E, I20F		
	10	K09A, K09B		5t30b.g↔	21A		W04A, W04B	5t30c.0↔	10	K09A, K09B
	21A	W04A, W04B			21A		W04A, W04B		21A	W04A, W04B
	21B	X04Z			21B		X04Z, X06A, X06B, X06C		21A	W04A, W04B
		BOP, KVT, UOP4, VIAL					BOP, KVT, UOP4, VIAL		21B	X06A, X06B, X06C
05	F13A, F27A, F27B, F27C	05	F13A		05	F13A				
5t30a.x	08	I12A, I12B, I12C, I28A, I28B	5t30b.g↔	08	I08A, I08B, I08C, I08D, I08E, I08F, I12A, I12B, I12C, I28A, I28B	5t30c.0↔	08	I12A, I12B, I12C, I20A, I20B, I20C, I20D, I20E, I20F		
	10	K09A, K09B		5t30b.f	10		K09A, K09B	5t30b.x	10	K09A, K09B
	21A	W04A, W04B			21A		W04A, W04B		21A	W04A, W04B
	21B	X06A, X06B, X06C			21B		X04Z, X06A, X06B, X06C		21A	W04A, W04B
		BOP, KVT, UOP4, VIAL					BOP, KVT, UOP4, VIAL		21B	X06A, X06B, X06C
05	F13A	05	F13A		05	F13A				
5t30b.0↔	08	I12A, I12B, I12C, I16Z	5t30b.f	08	I12A, I12B, I12C, I28A, I28B	5t30b.x	08	I12A, I12B, I12C, I28A, I28B		
	21A	W04A, W04B		5t30b.g↔	10		K09A, K09B	5t30b.x	10	K09A, K09B
	21B	X06A, X06B, X06C			21A		W04A, W04B		21A	W04A, W04B
		BOP, KVT, UOP4, VIAL			21B		X04Z, X06A, X06B, X06C		21A	W04A, W04B
	05	F13A			05		F13A		21B	X06A, X06B, X06C
08	I12A, I12B, I12C, I16Z	08	I08A, I08B, I08C, I08D, I08E, I08F		08	I12A, I12B, I12C, I16Z				
5t30b.1↔	21A	W04A, W04B	5t30b.g↔	21A	W01A, W01B, W01C, W02A, W02B	5t30c.0↔	21A	W04A, W04B		
	21B	X06A, X06B, X06C		21B	X04Z		21B	X06A, X06B, X06C		

ZZV	MDC	DRG	ZZV	MDC	DRG	ZZV	MDC	DRG
5t30c.1↔		BOP, KVT, UOP4, VIAL 08 I12A, I12B, I12C, I16Z 21A W04A, W04B 21B X06A, X06B, X06C	5t30c.h↔		BOP, KVT, UOP4, VIAL 08 I12A, I12B, I12C, I18A, I18B, I30Z 21A W04A, W04B 21B X04Z	5t30x.2↔		BOP, KVT, UOP4, VIAL 01 B03A, B03B, B06A, B06B, B07Z, B17A, B17B, B17C 08 I27A, I27B, I27C, I27D 09 J03A, J03B, J04A, J04B, J08A, J08B, J08C, J11A, J11B, J16Z 10 K09A, K09B 21A W04A, W04B 21B X06A, X06B, X06C
5t30c.2↔		BOP, KVT, UOP4, VIAL 08 I12A, I12B, I12C, I27A, I27B, I27C, I27D 21A W04A, W04B 21B X06A, X06B, X06C	5t30c.j↔		BOP, KVT, UOP4, VIAL 08 I12A, I12B, I12C, I18A, I18B, I30Z 21A W04A, W04B 21B X04Z	5t30x.3↔		BOP, KVT, UOP4, VIAL 01 B03A, B03B, B06A, B06B, B07Z, B17A, B17B, B17C 08 I27A, I27B, I27C, I27D 09 J03A, J03B, J04A, J04B, J08A, J08B, J08C, J11A, J11B, J16Z 10 K09A, K09B 21A W04A, W04B 21B X06A, X06B, X06C
5t30c.3↔		BOP, KVT, UOP4, VIAL 08 I12A, I12B, I12C, I27A, I27B, I27C, I27D 21A W04A, W04B 21B X06A, X06B, X06C	5t30c.k↔		BOP, KVT, UOP4, VIAL 08 I12A, I12B, I12C, I13A, I13B, I13C, I13D 21A W04A, W04B 21B X04Z	5t30x.4↔		BOP, KVT, UOP4, VIAL 01 B03A, B03B, B06A, B06B, B07Z, B17A, B17B, B17C 08 I08A, I08B, I08C, I08D, I08E, I08F, I27A, I27B, I27C, I27D 09 J03A, J03B, J04A, J04B, J08A, J08B, J08C, J11A, J11B, J16Z 10 K09A, K09B 21A W04A, W04B 21B X06A, X06B, X06C
5t30c.4↔		BOP, KVT, UOP4, VIAL 08 I08A, I08B, I08C, I08D, I08E, I08F, I12A, I12B, I12C, I21Z, I31Z 21A W04A, W04B 21B X06A, X06B, X06C	5t30c.m↔		BOP, KVT, UOP4, VIAL 08 I12A, I12B, I12C, I20A, I20B, I20C, I20D 21A W04A, W04B 21B X04Z	5t30x.5↔		BOP, KVT, UOP4, VIAL 01 B03A, B03B, B06A, B06B, B07Z, B17A, B17B, B17C 08 I08A, I08B, I08C, I08D, I08E, I08F, I27A, I27B, I27C, I27D 09 J03A, J03B, J04A, J04B, J08A, J08B, J08C, J11A, J11B, J16Z 10 K09A, K09B 21A W04A, W04B 21B X06A, X06B, X06C
5t30c.5↔		BOP, KVT, UOP4, VIAL 08 I08A, I08B, I08C, I08D, I08E, I08F, I12A, I12B, I12C, I21Z, I31Z 21A W04A, W04B 21B X06A, X06B, X06C	5t30c.n↔		BOP, KVT, UOP4, VIAL 08 I12A, I12B, I12C, I20A, I20B, I20C, I20D 21A W04A, W04B 21B X04Z	5t30x.6↔		BOP, KVT, UOP4, VIAL 01 B03A, B03B, B06A, B06B, B07Z, B17A, B17B, B17C 08 I08A, I08B, I08C, I08D, I08E, I08F, I27A, I27B, I27C, I27D 09 J03A, J03B, J04A, J04B, J08A, J08B, J08C, J11A, J11B, J16Z 10 K09A, K09B 21A W04A, W04B 21B X06A, X06B, X06C
5t30c.6↔		BOP, KVT, UOP4, VIAL 08 I08A, I08B, I08C, I08D, I08E, I08F, I12A, I12B, I12C, I32A, I32B, I32C, I32D, I32E, I32F 09 J03A, J03B, J04A, J04B, J08A, J08B, J08C, J11A, J11B, J16Z 21A W04A, W04B 21B X05A, X05B	5t30c.p↔		BOP, KVT, UOP4, VIAL 08 I12A, I12B, I12C, I20A, I20B, I20C, I20D 21A W04A, W04B 21B X04Z	5t30x.7↔		BOP, KVT, UOP4, VIAL 01 B03A, B03B, B06A, B06B, B07Z, B17A, B17B, B17C 08 I08A, I08B, I08C, I08D, I08E, I08F, I27A, I27B, I27C, I27D 09 J03A, J03B, J04A, J04B, J08A, J08B, J08C, J11A, J11B, J16Z 10 K09A, K09B 21A W04A, W04B 21B X06A, X06B, X06C
5t30c.7↔		BOP, KVT, UOP4, VIAL 08 I12A, I12B, I12C, I32A, I32B, I32C, I32D, I32E, I32F 09 J03A, J03B, J04A, J04B, J08A, J08B, J08C, J11A, J11B, J16Z 21A W04A, W04B 21B X05A, X05B	5t30c.q↔		BOP, KVT, UOP4, VIAL 08 I12A, I12B, I12C, I20A, I20B, I20C, I20D, I20E, I20F 21A W04A, W04B 21B X04Z	5t30x.8↔		BOP, KVT, UOP4, VIAL 01 B03A, B03B, B06A, B06B, B07Z, B17A, B17B, B17C 08 I27A, I27B, I27C, I27D 09 J03A, J03B, J04A, J04B, J08A, J08B, J08C, J11A, J11B, J16Z 10 K09A, K09B 21A W04A, W04B 21B X06A, X06B, X06C
5t30c.8↔		BOP, KVT, UOP4, VIAL 08 I12A, I12B, I12C, I32A, I32B, I32C, I32D, I32E, I32F 09 J03A, J03B, J04A, J04B, J08A, J08B, J08C, J11A, J11B, J16Z 21A W04A, W04B 21B X05A, X05B	5t30c.r↔		BOP, KVT, UOP4, VIAL 08 I12A, I12B, I12C, I20A, I20B, I20C, I20D, I20E, I20F 21A W04A, W04B 21B X04Z			
5t30c.9↔		BOP, KVT, UOP4, VIAL 08 I12A, I12B, I12C, I32A, I32B, I32C, I32D, I32E, I32F 09 J03A, J03B, J04A, J04B, J08A, J08B, J08C, J11A, J11B, J16Z 21A W04A, W04B 21B X05A, X05B	5t30c.x		BOP, KVT, UOP4 08 I12A, I12B, I12C, I27A, I27B, I27C, I27D 21A W04A, W04B 21B X06A, X06B, X06C			
5t30c.e↔		BOP, KVT, UOP4, VIAL 08 I08A, I08B, I08C, I08D, I08E, I08F, I12A, I12B, I12C, I27A, I27B, I27C, I27D 21A W04A, W04B 21B X04Z, X06A, X06B, X06C	5t30x.0↔		BOP, KVT, UOP4, VIAL 01 B03A, B03B, B06A, B06B, B07Z, B17A, B17B, B17C 08 I27A, I27B, I27C, I27D 09 J03A, J03B, J04A, J04B, J08A, J08B, J08C, J11A, J11B, J16Z 10 K09A, K09B 21A W04A, W04B 21B X06A, X06B, X06C			
5t30c.f		BOP, KVT, UOP4, VIAL 08 I12A, I12B, I12C, I27A, I27B, I27C, I27D 21A W04A, W04B 21B X04Z, X06A, X06B, X06C	5t30x.1↔		BOP, KVT, UOP4, VIAL 01 B03A, B03B, B06A, B06B, B07Z, B17A, B17B, B17C 08 I27A, I27B, I27C, I27D 09 J03A, J03B, J04A, J04B, J08A, J08B, J08C, J11A, J11B, J16Z 10 K09A, K09B 21A W04A, W04B 21B X06A, X06B, X06C			
5t30c.g↔		BOP, KVT, UOP4, VIAL 08 I08A, I08B, I08C, I08D, I08E, I08F 21A W01A, W01B, W01C, W02A, W02B 21B X04Z						

VYK

ZZV	MDC	DRG	ZZV	MDC	DRG	ZZV	MDC	DRG	
5t30x.9↔		BOP, KVT, UOP4, VIAL	5t30x.m↔		BOP, KVT, UOP4, VIAL	5t310.3↔		BOP, KVT, UOP4, VIAL	
	01	B03A, B03B, B06A, B06B, B07Z, B17A, B17B, B17C		01	B03A, B03B, B06A, B06B, B07Z, B17A, B17B, B17C		08	I12A, I12B, I12C, I23A, I23B	
	08	I27A, I27B, I27C, I27D		08	I27A, I27B, I27C, I27D		21A	W04A, W04B	
	09	J03A, J03B, J04A, J04B, J08A, J08B, J08C, J11A, J11B, J16Z		09	J03A, J03B, J04A, J04B, J08A, J08B, J08C, J11A, J11B, J16Z		21B	X06A, X06B, X06C	
	10	K09A, K09B		10	K09A, K09B		5t310.4↔	08	I08A, I08B, I08C, I08D, I08E, I08F, I12A, I12B, I12C, I21Z, I31Z
	21A	W04A, W04B		21A	W04A, W04B			21A	W04A, W04B
5t30x.e↔		BOP, KVT, UOP4, VIAL	5t30x.n↔		BOP, KVT, UOP4, VIAL	5t310.5↔		BOP, KVT, UOP4, VIAL	
	01	B03A, B03B, B06A, B06B, B07Z, B17A, B17B, B17C		01	B03A, B03B, B06A, B06B, B07Z, B17A, B17B, B17C		08	I08A, I08B, I08C, I08D, I08E, I08F, I12A, I12B, I12C, I21Z, I31Z	
	08	I08A, I08B, I08C, I08D, I08E, I08F, I27A, I27B, I27C, I27D		08	I27A, I27B, I27C, I27D		21A	W04A, W04B	
	09	J03A, J03B, J04A, J04B, J08A, J08B, J08C, J11A, J11B, J16Z		09	J03A, J03B, J04A, J04B, J08A, J08B, J08C, J11A, J11B, J16Z		21B	X06A, X06B, X06C	
	10	K09A, K09B		10	K09A, K09B		5t310.6↔	08	I08A, I08B, I08C, I08D, I08E, I08F, I12A, I12B, I12C, I32A, I32B, I32C, I32D, I32E, I32F
	21A	W04A, W04B		21A	W04A, W04B			09	J03A, J03B, J04A, J04B, J08A, J08B, J08C, J11A, J11B, J16Z
5t30x.f		BOP, KVT, UOP4, VIAL	5t30x.p↔		BOP, KVT, UOP4, VIAL	5t310.7↔		BOP, KVT, UOP4, VIAL	
	01	B03A, B03B, B06A, B06B, B07Z, B17A, B17B, B17C		01	B03A, B03B, B06A, B06B, B07Z, B17A, B17B, B17C		08	I12A, I12B, I12C, I32A, I32B, I32C, I32D, I32E, I32F	
	08	I27A, I27B, I27C, I27D		08	I27A, I27B, I27C, I27D		5t310.8↔	08	I12A, I12B, I12C, I32A, I32B, I32C, I32D, I32E, I32F
	09	J03A, J03B, J04A, J04B, J08A, J08B, J08C, J11A, J11B, J16Z		09	J03A, J03B, J04A, J04B, J08A, J08B, J08C, J11A, J11B, J16Z			09	J03A, J03B, J04A, J04B, J08A, J08B, J08C, J11A, J11B, J16Z
	10	K09A, K09B		10	K09A, K09B		21A	W04A, W04B	
	21A	W04A, W04B		21A	W04A, W04B		21B	X05A, X05B	
5t30x.g↔		BOP, KVT, UOP4, VIAL	5t30x.q↔		BOP, KVT, UOP4, VIAL	5t310.9↔		BOP, KVT, UOP4, VIAL	
	01	B03A, B03B, B06A, B06B, B07Z, B17A, B17B, B17C		01	B03A, B03B, B06A, B06B, B07Z, B17A, B17B, B17C		08	I12A, I12B, I12C, I32A, I32B, I32C, I32D, I32E, I32F	
	08	I27A, I27B, I27C, I27D		08	I27A, I27B, I27C, I27D		5t310.e↔	08	I08A, I08B, I08C, I08D, I08E, I08F, I12A, I12B, I12C, I23A, I23B
	09	J03A, J03B, J04A, J04B, J08A, J08B, J08C, J11A, J11B, J16Z		09	J03A, J03B, J04A, J04B, J08A, J08B, J08C, J11A, J11B, J16Z			21A	W04A, W04B
	10	K09A, K09B		10	K09A, K09B		21B	X05A, X05B	
	21A	W04A, W04B		21A	W04A, W04B		5t310.f	08	I12A, I12B, I12C, I23A, I23B
21B	X04Z, X06A, X06B, X06C	21B	X04Z, X06A, X06B, X06C	21A	W04A, W04B				
5t30x.h↔		BOP, KVT, UOP4, VIAL	5t30x.r↔		BOP, KVT, UOP4, VIAL	5t310.g↔		BOP, KVT, UOP4, VIAL	
	01	B03A, B03B, B06A, B06B, B07Z, B17A, B17B, B17C		01	B03A, B03B, B06A, B06B, B07Z, B17A, B17B, B17C		01	B03A, B03B, B06A, B06B, B17A, B17B, B17C	
	08	I27A, I27B, I27C, I27D		08	I27A, I27B, I27C, I27D		08	I08A, I08B, I08C, I08D, I08E, I08F	
	09	J03A, J03B, J04A, J04B, J08A, J08B, J08C, J11A, J11B, J16Z		09	J03A, J03B, J04A, J04B, J08A, J08B, J08C, J11A, J11B, J16Z		21A	W01A, W01B, W01C, W02A, W02B	
	10	K09A, K09B		10	K09A, K09B		21B	X04Z	
	21A	W04A, W04B		21A	W04A, W04B				
5t30x.j↔		BOP, KVT, UOP4, VIAL	5t30x.x		BOP, KVT, UOP4				
	01	B03A, B03B, B06A, B06B, B07Z, B17A, B17B, B17C		01	B03A, B03B, B06A, B06B, B07Z, B17A, B17B, B17C				
	08	I27A, I27B, I27C, I27D		08	I27A, I27B, I27C, I27D				
	09	J03A, J03B, J04A, J04B, J08A, J08B, J08C, J11A, J11B, J16Z		09	J03A, J03B, J04A, J04B, J08A, J08B, J08C, J11A, J11B, J16Z				
	10	K09A, K09B		10	K09A, K09B				
	21A	W04A, W04B		21A	W04A, W04B				
5t30x.k↔		BOP, KVT, UOP4, VIAL	5t310.0↔		BOP, KVT, UOP4, VIAL				
	01	B03A, B03B, B06A, B06B, B07Z, B17A, B17B, B17C		01	B03A, B03B, B06A, B06B, B07Z, B17A, B17B, B17C				
	08	I27A, I27B, I27C, I27D		08	I12A, I12B, I12C, I16Z				
	09	J03A, J03B, J04A, J04B, J08A, J08B, J08C, J11A, J11B, J16Z		09	J03A, J03B, J04A, J04B, J08A, J08B, J08C, J11A, J11B, J16Z				
	10	K09A, K09B		10	K09A, K09B				
	21A	W04A, W04B		21A	W04A, W04B				
			5t310.1↔		BOP, KVT, UOP4, VIAL				
				08	I12A, I12B, I12C, I16Z				
				21A	W04A, W04B				
				21B	X06A, X06B, X06C				
				08	I12A, I12B, I12C, I16Z				
				21A	W04A, W04B				

VYK

ZZV	MDC	DRG	ZZV	MDC	DRG	ZZV	MDC	DRG
5t310.h↔		BOP, KVT, UOP4, VIAL	5t311.7↔		BOP, KVT, UOP4, VIAL	5t311.q↔		BOP, KVT, UOP4, VIAL
	08	I12A, I12B, I12C, I18A, I18B, I30Z		01	B03A, B03B, B06A, B06B, B07Z, B17A, B17B, B17C		08	I20A, I20B, I20C, I20D, I20E, I20F
	21A	W04A, W04B		08	I32A, I32B, I32C, I32D, I32E, I32F		21A	W04A, W04B
	21B	X04Z		21A	W04A, W04B		21B	X04Z
5t310.j↔		BOP, KVT, UOP4, VIAL	5t311.8↔		BOP, KVT, UOP4, VIAL	5t311.r↔		BOP, KVT, UOP4, VIAL
	08	I12A, I12B, I12C, I18A, I18B, I30Z		01	B03A, B03B, B06A, B06B, B07Z, B17A, B17B, B17C		08	I20A, I20B, I20C, I20D, I20E, I20F
	21A	W04A, W04B		08	I32A, I32B, I32C, I32D, I32E, I32F		21A	W04A, W04B
	21B	X04Z		21A	W04A, W04B		21B	X04Z
5t310.k↔		BOP, KVT, UOP4, VIAL	5t311.9↔		BOP, KVT, UOP4, VIAL	5t311.x		BOP, KVT, UOP4
	08	I12A, I12B, I12C, I13A, I13B, I13C, I13D, I13E		01	B03A, B03B, B06A, B06B, B07Z, B17A, B17B, B17C		08	I28A, I28B
	21A	W04A, W04B		08	I32A, I32B, I32C, I32D, I32E, I32F		21A	W04A, W04B
	21B	X04Z		21A	W04A, W04B		21B	X06A, X06B, X06C
5t310.m↔		BOP, KVT, UOP4, VIAL	5t311.e↔		BOP, KVT, UOP4, VIAL	5t312.0↔		BOP, KVT, UOP4, VIAL
	08	I12A, I12B, I12C, I20A, I20B, I20C, I20D, I20E, I20F		01	B03A, B03B, B06A, B06B, B07Z, B17A, B17B, B17C		08	I12A, I12B, I12C, I16Z
	21A	W04A, W04B		08	I08A, I08B, I08C, I08D, I08E, I08F, I28A, I28B		21A	W04A, W04B
	21B	X04Z		21A	W04A, W04B		21B	X06A, X06B, X06C
5t310.n↔		BOP, KVT, UOP4, VIAL	5t311.f		BOP, KVT, UOP4, VIAL	5t312.4↔		BOP, KVT, UOP4, VIAL
	08	I12A, I12B, I12C, I20A, I20B, I20C, I20D, I20E, I20F		08	I28A, I28B		08	I08A, I08B, I08C, I08D, I08E, I08F, I12A, I12B, I12C, I21Z, I31Z
	21A	W04A, W04B		21A	W04A, W04B		21A	W04A, W04B
	21B	X04Z		21B	X04Z, X06A, X06B, X06C		21B	X06A, X06B, X06C
5t310.p↔		BOP, KVT, UOP4, VIAL	5t311.g↔		BOP, KVT, UOP4, VIAL	5t312.5↔		BOP, KVT, UOP4, VIAL
	08	I12A, I12B, I12C, I20A, I20B, I20C, I20D, I20E, I20F		01	B03A, B03B, B06A, B06B, B17A, B17B, B17C		08	I08A, I08B, I08C, I08D, I08E, I08F, I12A, I12B, I12C, I21Z, I31Z
	21A	W04A, W04B		08	I08A, I08B, I08C, I08D, I08E, I08F		21A	W04A, W04B
	21B	X04Z		21A	W01A, W01B, W01C, W02A, W02B		21B	X06A, X06B, X06C
5t310.q↔		BOP, KVT, UOP4, VIAL	5t311.h↔		BOP, KVT, UOP4, VIAL	5t312.6↔		BOP, KVT, UOP4, VIAL
	08	I12A, I12B, I12C, I20A, I20B, I20C, I20D, I20E, I20F		01	B03A, B03B, B06A, B06B, B17A, B17B, B17C		01	B03A, B03B, B06A, B06B, B07Z, B17A, B17B, B17C
	21A	W04A, W04B		08	I18A, I30Z		08	I08A, I08B, I08C, I08D, I08E, I08F, I12A, I12B, I12C, I32A, I32B, I32C, I32D, I32E, I32F
	21B	X04Z		21A	W04A, W04B		21A	W04A, W04B
5t310.r↔		BOP, KVT, UOP4, VIAL	5t311.j↔		BOP, KVT, UOP4, VIAL	5t312.7↔		BOP, KVT, UOP4, VIAL
	08	I12A, I12B, I12C, I20A, I20B, I20C, I20D, I20E, I20F		01	B03A, B03B, B06A, B06B, B17A, B17B, B17C		01	B03A, B03B, B06A, B06B, B07Z, B17A, B17B, B17C
	21A	W04A, W04B		08	I18A, I30Z		08	I12A, I12B, I12C, I32A, I32B, I32C, I32D, I32E, I32F
	21B	X04Z		21A	W04A, W04B		21A	W04A, W04B
5t310.x		BOP, KVT, UOP4	5t311.k↔		BOP, KVT, UOP4, VIAL	5t312.8↔		BOP, KVT, UOP4, VIAL
	08	I12A, I12B, I12C, I23A, I23B		01	B03A, B03B, B06A, B06B, B17A, B17B, B17C		01	B03A, B03B, B06A, B06B, B07Z, B17A, B17B, B17C
	21A	W04A, W04B		08	F27A, F27B, F27C		08	I12A, I12B, I12C, I32A, I32B, I32C, I32D, I32E, I32F
	21B	X06A, X06B, X06C		10	K01Z		21A	W04A, W04B
5t311.0↔		BOP, KVT, UOP4, VIAL	5t311.l↔		BOP, KVT, UOP4, VIAL	5t312.9↔		BOP, KVT, UOP4, VIAL
	08	I16Z		05	F27A, F27B, F27C		01	B03A, B03B, B06A, B06B, B07Z, B17A, B17B, B17C
	21A	W04A, W04B		08	I13A, I13B, I13C, I13D, I13E		08	I12A, I12B, I12C, I32A, I32B, I32C, I32D, I32E, I32F
	21B	X06A, X06B, X06C		10	K01Z		21A	W04A, W04B
5t311.4↔		BOP, KVT, UOP4, VIAL	5t311.m↔		BOP, KVT, UOP4, VIAL	5t312.e↔		BOP, KVT, UOP4, VIAL
	08	I08A, I08B, I08C, I08D, I08E, I08F, I21Z, I31Z		08	I20A, I20B, I20C, I20D		08	I08A, I08B, I08C, I08D, I08E, I08F
	21A	W04A, W04B		21A	W04A, W04B		08	I08A, I08B, I08C, I08D, I08E, I08F
	21B	X06A, X06B, X06C		21B	X04Z		08	I08A, I08B, I08C, I08D, I08E, I08F
5t311.5↔		BOP, KVT, UOP4, VIAL	5t311.n↔		BOP, KVT, UOP4, VIAL	5t312.f		BOP, KVT, UOP4, VIAL
	08	I08A, I08B, I08C, I08D, I08E, I08F, I21Z, I31Z		08	I20A, I20B, I20C, I20D		08	I08A, I08B, I08C, I08D, I08E, I08F
	21A	W04A, W04B		21A	W04A, W04B			
	21B	X06A, X06B, X06C		21B	X04Z			
5t311.6↔		BOP, KVT, UOP4, VIAL	5t311.p↔		BOP, KVT, UOP4, VIAL			
	01	B03A, B03B, B06A, B06B, B07Z, B17A, B17B, B17C		08	I20A, I20B, I20C, I20D			
	08	I08A, I08B, I08C, I08D, I08E, I08F, I32A, I32B, I32C, I32D, I32E, I32F		21A	W04A, W04B			
	21A	W04A, W04B		21B	X04Z			
	21B	X05A, X05B						

ZZV	MDC	DRG	ZZV	MDC	DRG	ZZV	MDC	DRG
5t312.g↔		BOP, KVT, UOP4, VIAL	5t313.2↔		BOP, KVT, UOP4, VIAL	5t317.h↔		BOP, KVT, UOP4, VIAL
	01	B03A, B03B, B06A, B06B, B17A, B17B, B17C		01	B03A, B03B, B06A, B06B, B17A, B17B, B17C		01	B03A, B03B, B06A, B06B, B17A, B17B, B17C
	08	I08A, I08B, I08C, I08D, I08E, I08F		08	I12A, I12B, I12C, I18A, I18B, I30Z		08	I18A, I18B, I30Z
	21A	W01A, W01B, W01C, W02A, W02B		21A	W04A, W04B		21A	W04A, W04B
	21B	X04Z		21B	X04Z		21B	X04Z
5t312.h↔		BOP, KVT, UOP4, VIAL	5t313.3↔		BOP, KVT, UOP4, VIAL	5t317.j↔		BOP, KVT, UOP4, VIAL
	08	I12A, I12B, I12C, I18A, I30Z		08	I12A, I12B, I12C, I18A, I18B, I30Z		08	I13A, I13B, I13C, I13D, I13E
	21A	W04A, W04B		10	K09A, K09B		01	B03A, B03B, B06A, B06B, B17A, B17B, B17C
	21B	X04Z		21A	W04A, W04B		05	F27A, F27B, F27C
5t312.j↔		BOP, KVT, UOP4, VIAL		21B	X04Z		08	I13A, I13B, I13C, I13D, I13E
5t312.k↔		BOP, KVT, UOP4, VIAL	5t313.4↔		BOP, KVT, UOP4, VIAL		10	K01Z
	08	I13A, I13B, I13C, I13D, I13E		01	B03A, B03B, B06A, B06B, B17A, B17B, B17C		21A	W04A, W04B
	01	B03A, B03B, B06A, B06B, B17A, B17B, B17C		08	I12A, I12B, I12C, I18A, I18B, I30Z		21B	X04Z
	05	F27A, F27B, F27C		21A	W04A, W04B	5t317.n↔		BOP, KVT, UOP4, VIAL
	08	I12A, I12B, I12C, I13A, I13B, I13C, I13D, I13E		21B	X04Z		08	I20A, I20B, I20C, I20D
	10	K01Z	5t313.5↔		BOP, KVT, UOP4, VIAL	5t317.p↔		BOP, KVT, UOP4, VIAL
	21A	W04A, W04B		08	I18A, I18B, I24Z, I30Z		08	I20A, I20B, I20C, I20D
	21B	X04Z		21A	W04A, W04B	5t317.q↔		BOP, KVT, UOP4, VIAL
5t312.m↔		BOP, KVT, UOP4, VIAL		21B	X04Z		08	I20A, I20B, I20C, I20D, I20E, I20F
	08	I12A, I12B, I12C, I20A, I20B, I20C, I20D	5t313.6↔		BOP, KVT, UOP4, VIAL	5t317.r↔		BOP, KVT, UOP4, VIAL
	21A	W04A, W04B		08	I18A, I18B, I30Z		08	I20A, I20B, I20C, I20D, I20E, I20F
	21B	X04Z		21A	W04A, W04B	5t317.x		BOP, KVT, UOP4
5t312.n↔		BOP, KVT, UOP4, VIAL		21B	X04Z		08	I28A, I28B
	08	I12A, I12B, I12C, I20A, I20B, I20C, I20D	5t317.0↔		BOP, KVT, UOP4, VIAL		21A	W04A, W04B
	21A	W04A, W04B		08	I16Z		21B	X06A, X06B, X06C
	21B	X04Z		21A	W04A, W04B	5t318.0↔		BOP, KVT, UOP4, VIAL
5t312.p↔		BOP, KVT, UOP4, VIAL		21B	X06A, X06B, X06C		08	I16Z
	08	I12A, I12B, I12C, I20A, I20B, I20C, I20D	5t317.4↔		BOP, KVT, UOP4, VIAL		21A	W04A, W04B
	21A	W04A, W04B		08	I08A, I08B, I08C, I08D, I08E, I08F, I21Z, I31Z		21B	X06A, X06B, X06C
	21B	X04Z		21A	W04A, W04B	5t318.4↔		BOP, KVT, UOP4, VIAL
5t312.q↔		BOP, KVT, UOP4, VIAL		21B	X06A, X06B, X06C		08	I08A, I08B, I08C, I08D, I08E, I08F, I21Z, I31Z
	08	I12A, I12B, I12C, I20A, I20B, I20C, I20D, I20E, I20F	5t317.5↔		BOP, KVT, UOP4, VIAL		21A	W04A, W04B
	21A	W04A, W04B		08	I08A, I08B, I08C, I08D, I08E, I08F, I21Z, I31Z		21B	X06A, X06B, X06C
	21B	X04Z		21A	W04A, W04B	5t318.7↔		BOP, KVT, UOP4, VIAL
5t312.r↔		BOP, KVT, UOP4, VIAL		21B	X06A, X06B, X06C		08	I32A, I32B, I32C, I32D, I32E, I32F
	08	I12A, I12B, I12C, I20A, I20B, I20C, I20D, I20E, I20F	5t317.7↔		BOP, KVT, UOP4, VIAL		09	J03A, J03B, J04A, J04B, J08A, J08B, J08C, J11A, J11B, J16Z
	21A	W04A, W04B		01	B03A, B03B, B06A, B06B, B07Z, B17A, B17B, B17C		21A	W04A, W04B
	21B	X04Z		08	I32A, I32B, I32C, I32D, I32E, I32F		21B	X05A, X05B
5t312.x		BOP, KVT, UOP4		21A	W04A, W04B	5t318.g↔		BOP, KVT, UOP4, VIAL
	08	I12A, I12B, I12C, I28A, I28B	5t317.8↔		BOP, KVT, UOP4, VIAL		08	I08A, I08B, I08C, I08D, I08E, I08F
	21A	W04A, W04B		01	B03A, B03B, B06A, B06B, B07Z, B17A, B17B, B17C		21A	W01A, W01B, W01C, W02A, W02B
	21B	X06A, X06B, X06C		08	I32A, I32B, I32C, I32D, I32E, I32F		21B	X04Z
5t313.0↔		BOP, KVT, UOP4, VIAL		21A	W04A, W04B	5t318.h↔		BOP, KVT, UOP4, VIAL
	08	I12A, I12B, I12C, I18A, I18B, I30Z		21B	X05A, X05B		08	I18A, I18B, I30Z
	10	K09A, K09B	5t317.e↔		BOP, KVT, UOP4, VIAL		10	K09A, K09B
	21A	W04A, W04B		08	I08A, I08B, I08C, I08D, I08E, I08F		21A	W04A, W04B
	21B	X04Z		08	I08A, I08B, I08C, I08D, I08E, I08F		21B	X04Z
5t313.1↔		BOP, KVT, UOP4, VIAL	5t317.g↔		BOP, KVT, UOP4, VIAL	5t318.k↔		BOP, KVT, UOP4, VIAL
	08	I12A, I12B, I12C, I18A, I18B, I30Z		01	B03A, B03B, B06A, B06B, B17A, B17B, B17C		08	I13A, I13B, I13C, I13D, I13E
	10	K09A, K09B		08	I08A, I08B, I08C, I08D, I08E, I08F		21A	W04A, W04B
	21A	W04A, W04B		21A	W01A, W01B, W01C, W02A, W02B		21B	X04Z
	21B	X04Z		21B	X04Z	5t318.x		BOP, KVT, UOP4
							08	I28A, I28B
							21A	W04A, W04B
							21B	X06A, X06B, X06C

VYK

ZZV	MDC	DRG	ZZV	MDC	DRG	ZZV	MDC	DRG
5t319↔		BOP, KVT, UOP4, VIAL	5t31a.q↔		BOP, KVT, UOP4, VIAL	5t31c.g↔		BOP, KVT, UOP4, VIAL
	08	I32A, I32B, I32C, I32D, I32E, I32F, I32G		08	I20A, I20B, I20C, I20D, I20E, I20F		01	B03A, B03B, B06A, B06B, B17A, B17B, B17C
	09	J03A, J03B, J04A, J04B, J08A, J08B, J08C, J11A, J11B, J16Z	5t31a.r↔		BOP, KVT, UOP4, VIAL		08	I08A, I08B, I08C, I08D, I08E, I08F
	21A	W04A, W04B		08	I20A, I20B, I20C, I20D, I20E, I20F	21A	W01A, W01B, W01C, W02A, W02B	
	21B	X05A, X05B	5t31a.x		BOP, KVT, UOP4	21B	X04Z	
5t31a.0↔		BOP, KVT, UOP4, VIAL		08	I28A, I28B	5t31c.h↔		BOP, KVT, UOP4, VIAL
	08	I16Z		21A	W04A, W04B		01	B03A, B03B, B06A, B06B, B17A, B17B, B17C
	21A	W04A, W04B	5t31c.0↔		X06A, X06B, X06C		08	I18A, I18B, I30Z
	21B	X06A, X06B, X06C		08	I16Z	21A	W04A, W04B	
5t31a.4↔		BOP, KVT, UOP4, VIAL		21A	W04A, W04B	21B	X04Z	
	08	I08A, I08B, I08C, I08D, I08E, I08F, I21Z, I31Z	5t31c.1↔		BOP, KVT, UOP4, VIAL	5t31c.j↔		BOP, KVT, UOP4, VIAL
	21A	W04A, W04B		08	I16Z		01	B03A, B03B, B06A, B06B, B17A, B17B, B17C
	21B	X06A, X06B, X06C		21A	W04A, W04B		08	I18A, I18B, I30Z
5t31a.5↔		BOP, KVT, UOP4, VIAL	5t31c.3↔		BOP, KVT, UOP4, VIAL	21A	W04A, W04B	
	08	I08A, I08B, I08C, I08D, I08E, I08F, I21Z, I31Z		08	I23A, I23B	21B	X04Z	
	21A	W04A, W04B		21A	W04A, W04B	5t31c.k↔		BOP, KVT, UOP4, VIAL
	21B	X06A, X06B, X06C	5t31c.4↔		X06A, X06B, X06C		08	I13A, I13B, I13C, I13D, I13E
5t31a.7↔		BOP, KVT, UOP4, VIAL		08	I08A, I08B, I08C, I08D, I08E, I08F, I21Z, I31Z	21A	W04A, W04B	
	01	B03A, B03B, B06A, B06B, B07Z, B17A, B17B, B17C		21A	W04A, W04B	21B	X04Z	
	08	I32A, I32B, I32C, I32D, I32E, I32F	5t31c.5↔		BOP, KVT, UOP4, VIAL	5t31c.m↔		BOP, KVT, UOP4, VIAL
	21A	W04A, W04B		08	I08A, I08B, I08C, I08D, I08E, I08F, I21Z, I31Z		08	I20A, I20B, I20C, I20D, I20E, I20F
	21B	X05A, X05B		21A	W04A, W04B	21A	W04A, W04B	
5t31a.8↔		BOP, KVT, UOP4, VIAL		21B	X06A, X06B, X06C	21B	X04Z	
	01	B03A, B03B, B06A, B06B, B07Z, B17A, B17B, B17C	5t31c.6↔		BOP, KVT, UOP4, VIAL	5t31c.n↔		BOP, KVT, UOP4, VIAL
	08	I32A, I32B, I32C, I32D, I32E, I32F		08	I08A, I08B, I08C, I08D, I08E, I08F, I32A, I32B, I32C, I32D, I32E, I32F		08	I20A, I20B, I20C, I20D, I20E, I20F
	21A	W04A, W04B		21A	W04A, W04B	21A	W04A, W04B	
	21B	X05A, X05B	5t31c.7↔		BOP, KVT, UOP4, VIAL	21B	X04Z	
5t31a.e↔		BOP, KVT, UOP4, VIAL		08	I32A, I32B, I32C, I32D, I32E, I32F	5t31c.p↔		BOP, KVT, UOP4, VIAL
	08	I08A, I08B, I08C, I08D, I08E, I08F		09	J03A, J03B, J04A, J04B, J08A, J08B, J08C, J11A, J11B, J16Z		08	I20A, I20B, I20C, I20D, I20E, I20F
5t31a.g↔		BOP, KVT, UOP4, VIAL		21A	W04A, W04B	21A	W04A, W04B	
	01	B03A, B03B, B06A, B06B, B17A, B17B, B17C	5t31c.8↔		X05A, X05B	21B	X04Z	
	08	I08A, I08B, I08C, I08D, I08E, I08F		08	I32A, I32B, I32C, I32D, I32E, I32F	5t31c.x		BOP, KVT, UOP4
	21A	W01A, W01B, W01C, W02A, W02B		09	J03A, J03B, J04A, J04B, J08A, J08B, J08C, J11A, J11B, J16Z		08	I23A, I23B
	21B	X04Z		21A	W04A, W04B	21A	W04A, W04B	
5t31a.h↔		BOP, KVT, UOP4, VIAL		21B	X05A, X05B	21B	X06A, X06B, X06C	
	01	B03A, B03B, B06A, B06B, B17A, B17B, B17C	5t31c.9↔		BOP, KVT, UOP4, VIAL	5t31d.0↔		BOP, KVT, UOP4, VIAL
	08	I08A, I08B, I08C, I08D, I08E, I08F		08	I32A, I32B, I32C, I32D, I32E, I32F		08	I16Z
	21A	W04A, W04B		09	J03A, J03B, J04A, J04B, J08A, J08B, J08C, J11A, J11B, J16Z	21A	W04A, W04B	
	21B	X04Z		21A	W04A, W04B	21B	X06A, X06B, X06C	
5t31a.j↔		BOP, KVT, UOP4, VIAL		21B	X05A, X05B	5t31d.1↔		BOP, KVT, UOP4, VIAL
	08	I13A, I13B, I13C, I13D, I13E		08	I32A, I32B, I32C, I32D, I32E, I32F		08	I16Z
5t31a.k↔		BOP, KVT, UOP4, VIAL		09	J03A, J03B, J04A, J04B, J08A, J08B, J08C, J11A, J11B, J16Z	21A	W04A, W04B	
	01	B03A, B03B, B06A, B06B, B17A, B17B, B17C	5t31c.e↔		BOP, KVT, UOP4, VIAL	21B	X06A, X06B, X06C	
	05	F27A, F27B, F27C		08	I08A, I08B, I08C, I08D, I08E, I08F, I23A, I23B	5t31d.3↔		BOP, KVT, UOP4, VIAL
	08	I13A, I13B, I13C, I13D, I13E		21A	W04A, W04B		08	I28A, I28B
	10	K01Z		21B	X05A, X05B	21A	W04A, W04B	
	21A	W04A, W04B		21B	X06A, X06B, X06C	21B	X06A, X06B, X06C	
	21B	X04Z		08	I08A, I08B, I08C, I08D, I08E, I08F, I23A, I23B		21A	W04A, W04B
5t31a.n↔		BOP, KVT, UOP4, VIAL		21A	W04A, W04B		21B	X06A, X06B, X06C
	08	I20A, I20B, I20C, I20D		21B	X04Z, X06A, X06B, X06C			
5t31a.p↔		BOP, KVT, UOP4, VIAL						
	08	I20A, I20B, I20C, I20D						

ZZV	MDC	DRG	ZZV	MDC	DRG	ZZV	MDC	DRG
5t31d.4↔		BOP, KVT, UOP4, VIAL	5t31d.m↔		BOP, KVT, UOP4, VIAL	5t31h.h↔		BOP, KVT, UOP4, VIAL
	08	I08A, I08B, I08C, I08D, I08E, I08F, I21Z, I31Z		08	I20A, I20B, I20C, I20D		01	B03A, B03B, B06A, B06B, B17A, B17B, B17C
	21A	W04A, W04B		21A	W04A, W04B		08	I08A, I08B, I08C, I08D, I08E, I08F
	21B	X06A, X06B, X06C	5t31d.n↔		BOP, KVT, UOP4, VIAL		21A	W04A, W04B
5t31d.5↔		BOP, KVT, UOP4, VIAL		08	I20A, I20B, I20C, I20D		21B	X04Z
	08	I08A, I08B, I08C, I08D, I08E, I08F, I21Z, I31Z		21A	W04A, W04B	5t31h.j↔		BOP, KVT, UOP4, VIAL
	21A	W04A, W04B		21B	X04Z		08	I13A, I13B, I13C, I13D, I13E
	21B	X06A, X06B, X06C	5t31d.p↔		BOP, KVT, UOP4, VIAL	5t31h.k↔		BOP, KVT, UOP4, VIAL
5t31d.6↔		BOP, KVT, UOP4, VIAL		08	I20A, I20B, I20C, I20D		01	B03A, B03B, B06A, B06B, B17A, B17B, B17C
	01	B03A, B03B, B06A, B06B, B07Z, B17A, B17B, B17C		21A	W04A, W04B		05	F27A, F27B, F27C
	08	I08A, I08B, I08C, I08D, I08E, I08F, I32A, I32B, I32C, I32D, I32E, I32F	5t31d.q↔		BOP, KVT, UOP4, VIAL		08	I13A, I13B, I13C, I13D, I13E
	21A	W04A, W04B		08	I20A, I20B, I20C, I20D, I20E, I20F		10	K01Z
	21B	X05A, X05B		21A	W04A, W04B		21A	W04A, W04B
5t31d.7↔		BOP, KVT, UOP4, VIAL	5t31d.r↔		BOP, KVT, UOP4, VIAL	5t31h.n↔		BOP, KVT, UOP4, VIAL
	01	B03A, B03B, B06A, B06B, B07Z, B17A, B17B, B17C		08	I20A, I20B, I20C, I20D, I20E, I20F		08	I20A, I20B, I20C, I20D
	08	I32A, I32B, I32C, I32D, I32E, I32F		21A	W04A, W04B	5t31h.p↔		BOP, KVT, UOP4, VIAL
	21A	W04A, W04B		21B	X04Z		08	I20A, I20B, I20C, I20D
	21B	X05A, X05B	5t31d.x		BOP, KVT, UOP4	5t31h.q↔		BOP, KVT, UOP4, VIAL
5t31d.8↔		BOP, KVT, UOP4, VIAL		08	I28A, I28B		08	I20A, I20B, I20C, I20D, I20E, I20F
	01	B03A, B03B, B06A, B06B, B07Z, B17A, B17B, B17C		21A	W04A, W04B	5t31h.r↔		BOP, KVT, UOP4, VIAL
	08	I32A, I32B, I32C, I32D, I32E, I32F	5t31g↔		BOP, KVT, UOP4, VIAL		08	I20A, I20B, I20C, I20D, I20E, I20F
	21A	W04A, W04B		08	I18A, I18B, I30Z	5t31h.x		BOP, KVT, UOP4
	21B	X05A, X05B		21A	W04A, W04B		08	I28A, I28B
5t31d.9↔		BOP, KVT, UOP4, VIAL		21B	X06A, X06B, X06C		21A	W04A, W04B
	01	B03A, B03B, B06A, B06B, B07Z, B17A, B17B, B17C		08	I16Z		21B	X06A, X06B, X06C
	08	I32A, I32B, I32C, I32D, I32E, I32F	5t31h.0↔		BOP, KVT, UOP4, VIAL	5t31j.0↔		BOP, KVT, UOP4, VIAL
	21A	W04A, W04B		08	I16Z		08	I16Z
	21B	X05A, X05B		21A	W04A, W04B		21A	W04A, W04B
5t31d.e↔		BOP, KVT, UOP4, VIAL		21B	X06A, X06B, X06C	5t31j.1↔		BOP, KVT, UOP4, VIAL
	08	I08A, I08B, I08C, I08D, I08E, I08F	5t31h.4↔		BOP, KVT, UOP4, VIAL		08	I16Z
5t31d.g↔		BOP, KVT, UOP4, VIAL		08	I08A, I08B, I08C, I08D, I08E, I08F, I21Z, I31Z		21A	W04A, W04B
	01	B03A, B03B, B06A, B06B, B17A, B17B, B17C		21A	W04A, W04B		21B	X06A, X06B, X06C
	08	I08A, I08B, I08C, I08D, I08E, I08F		21B	X06A, X06B, X06C	5t31j.2↔		BOP, KVT, UOP4, VIAL
	21A	W01A, W01B, W01C, W02A, W02B	5t31h.7↔		BOP, KVT, UOP4, VIAL		08	I23A, I23B
	21B	X04Z		01	B03A, B03B, B06A, B06B, B07Z, B17A, B17B, B17C		21A	W04A, W04B
5t31d.h↔		BOP, KVT, UOP4, VIAL		08	I32A, I32B, I32C, I32D, I32E, I32F	5t31j.3↔		BOP, KVT, UOP4, VIAL
	01	B03A, B03B, B06A, B06B, B17A, B17B, B17C		21A	W04A, W04B		08	I23A, I23B
	08	I18A, I18B, I30Z		21B	X05A, X05B		21A	W04A, W04B
	21A	W04A, W04B	5t31h.8↔		BOP, KVT, UOP4, VIAL		21B	X06A, X06B, X06C
	21B	X04Z		01	B03A, B03B, B06A, B06B, B07Z, B17A, B17B, B17C	5t31j.4↔		BOP, KVT, UOP4, VIAL
5t31d.j↔		BOP, KVT, UOP4, VIAL		08	I32A, I32B, I32C, I32D, I32E, I32F		08	I08A, I08B, I08C, I08D, I08E, I08F, I21Z, I31Z
	01	B03A, B03B, B06A, B06B, B17A, B17B, B17C		21A	W04A, W04B		21A	W04A, W04B
	08	I18A, I18B, I30Z		21B	X05A, X05B	5t31j.5↔		BOP, KVT, UOP4, VIAL
	21A	W04A, W04B	5t31h.e↔		BOP, KVT, UOP4, VIAL		08	I08A, I08B, I08C, I08D, I08E, I08F, I21Z, I31Z
	21B	X04Z		08	I08A, I08B, I08C, I08D, I08E, I08F		21A	W04A, W04B
5t31d.k↔		BOP, KVT, UOP4, VIAL		01	B03A, B03B, B06A, B06B, B17A, B17B, B17C	5t31j.6↔		BOP, KVT, UOP4, VIAL
	01	B03A, B03B, B06A, B06B, B17A, B17B, B17C		08	I08A, I08B, I08C, I08D, I08E, I08F		08	I08A, I08B, I08C, I08D, I08E, I08F, I32A, I32B, I32C, I32D, I32E, I32F
	05	F27A, F27B, F27C		08	I08A, I08B, I08C, I08D, I08E, I08F		09	J03A, J03B, J04A, J04B, J08A, J08B, J08C, J11A, J11B, J16Z
	08	I13A, I13B, I13C, I13D, I13E		21A	W01A, W01B, W01C, W02A, W02B		21A	W04A, W04B
	10	K01Z		21B	X04Z		21B	X05A, X05B
	21A	W04A, W04B						
	21B	X04Z						

VYK

ZZV	MDC	DRG	ZZV	MDC	DRG	ZZV	MDC	DRG
5t31j.7↔		BOP, KVT, UOP4, VIAL	5t31j.q↔		BOP, KVT, UOP4, VIAL	5t31k.g↔		BOP, KVT, UOP4, VIAL
	08	I32A, I32B, I32C, I32D, I32E, I32F		08	I20A, I20B, I20C, I20D, I20E, I20F		01	B03A, B03B, B06A, B06B, B17A, B17B, B17C
	09	J03A, J03B, J04A, J04B, J08A, J08B, J08C, J11A, J11B, J16Z		21A	W04A, W04B		08	I08A, I08B, I08C, I08D, I08E, I08F
	21A	W04A, W04B	5t31j.r↔		BOP, KVT, UOP4, VIAL		21A	W01A, W01B, W01C, W02A, W02B
	21B	X05A, X05B		08	I20A, I20B, I20C, I20D, I20E, I20F		21B	X04Z
5t31j.8↔		BOP, KVT, UOP4, VIAL		21A	W04A, W04B	5t31k.h↔		BOP, KVT, UOP4, VIAL
	08	I32A, I32B, I32C, I32D, I32E, I32F	5t31j.x		BOP, KVT, UOP4		01	B03A, B03B, B06A, B06B, B17A, B17B, B17C
	09	J03A, J03B, J04A, J04B, J08A, J08B, J08C, J11A, J11B, J16Z		08	I23A, I23B		08	I18A, I18B, I30Z
	21A	W04A, W04B		21A	W04A, W04B		21A	W04A, W04B
	21B	X05A, X05B		21B	X06A, X06B, X06C		21B	X04Z
5t31j.9↔		BOP, KVT, UOP4, VIAL	5t31k.0↔		BOP, KVT, UOP4, VIAL	5t31k.j↔		BOP, KVT, UOP4, VIAL
	08	I32A, I32B, I32C, I32D, I32E, I32F		08	I16Z		01	B03A, B03B, B06A, B06B, B17A, B17B, B17C
	09	J03A, J03B, J04A, J04B, J08A, J08B, J08C, J11A, J11B, J16Z		21A	W04A, W04B		08	I18A, I18B, I30Z
	21A	W04A, W04B		21B	X06A, X06B, X06C		21A	W04A, W04B
	21B	X05A, X05B	5t31k.1↔		BOP, KVT, UOP4, VIAL		21B	X04Z
5t31j.e↔		BOP, KVT, UOP4, VIAL		08	I16Z	5t31k.k↔		BOP, KVT, UOP4, VIAL
	08	I08A, I08B, I08C, I08D, I08E, I08F, I23A, I23B		21A	W04A, W04B		01	B03A, B03B, B06A, B06B, B17A, B17B, B17C
	21A	W04A, W04B	5t31k.3↔		BOP, KVT, UOP4, VIAL		05	F27A, F27B, F27C
	21B	X04Z, X06A, X06B, X06C		08	I28A, I28B		08	I13A, I13B, I13C, I13D, I13E
5t31j.f		BOP, KVT, UOP4, VIAL		21A	W04A, W04B		10	K01Z
	08	I23A, I23B	5t31k.4↔		BOP, KVT, UOP4, VIAL		21A	W04A, W04B
	21A	W04A, W04B		08	I08A, I08B, I08C, I08D, I08E, I08F, I21Z, I31Z		21B	X04Z
	21B	X04Z, X06A, X06B, X06C		21A	W04A, W04B	5t31k.m↔		BOP, KVT, UOP4, VIAL
5t31j.g↔		BOP, KVT, UOP4, VIAL	5t31k.5↔		BOP, KVT, UOP4, VIAL		08	I20A, I20B, I20C, I20D
	01	B03A, B03B, B06A, B06B, B17A, B17B, B17C		08	I08A, I08B, I08C, I08D, I08E, I08F, I21Z, I31Z		21A	W04A, W04B
	08	I08A, I08B, I08C, I08D, I08E, I08F		21A	W04A, W04B		21A	W04A, W04B
	21A	W01A, W01B, W01C, W02A, W02B	5t31k.6↔		BOP, KVT, UOP4, VIAL		21B	X04Z
	21B	X04Z		01	B03A, B03B, B06A, B06B, B07Z, B17A, B17B, B17C	5t31k.p↔		BOP, KVT, UOP4, VIAL
5t31j.h↔		BOP, KVT, UOP4, VIAL		08	I08A, I08B, I08C, I08D, I08E, I08F, I32A, I32B, I32C, I32D, I32E, I32F		08	I20A, I20B, I20C, I20D
	08	I18A, I18B, I30Z	5t31k.7↔		BOP, KVT, UOP4, VIAL		21A	W04A, W04B
	21A	W04A, W04B		01	B03A, B03B, B06A, B06B, B07Z, B17A, B17B, B17C		21A	W04A, W04B
	21B	X04Z		08	I32A, I32B, I32C, I32D, I32E, I32F	5t31k.q↔		BOP, KVT, UOP4, VIAL
5t31j.i↔		BOP, KVT, UOP4, VIAL		21A	W04A, W04B		08	I20A, I20B, I20C, I20D, I20E, I20F
	08	I18A, I18B, I30Z	5t31k.8↔		BOP, KVT, UOP4, VIAL		21A	W04A, W04B
	21A	W04A, W04B		01	B03A, B03B, B06A, B06B, B07Z, B17A, B17B, B17C		21B	X04Z
	21B	X04Z		08	I32A, I32B, I32C, I32D, I32E, I32F	5t31k.r↔		BOP, KVT, UOP4, VIAL
5t31j.k↔		BOP, KVT, UOP4, VIAL		21A	W04A, W04B		08	I20A, I20B, I20C, I20D, I20E, I20F
	08	I13A, I13B, I13C, I13D, I13E		21B	X05A, X05B		21A	W04A, W04B
	21A	W04A, W04B	5t31k.9↔		BOP, KVT, UOP4, VIAL		21B	X04Z
	21B	X04Z		01	B03A, B03B, B06A, B06B, B07Z, B17A, B17B, B17C	5t31k.x		BOP, KVT, UOP4
5t31j.m↔		BOP, KVT, UOP4, VIAL		08	I32A, I32B, I32C, I32D, I32E, I32F		08	I28A, I28B
	08	I20A, I20B, I20C, I20D, I20E, I20F		21A	W04A, W04B		21A	W04A, W04B
	21A	W04A, W04B	5t31k.e↔		BOP, KVT, UOP4, VIAL		21B	X06A, X06B, X06C
	21B	X04Z		01	B03A, B03B, B06A, B06B, B07Z, B17A, B17B, B17C	5t31x.0↔		BOP, KVT, UOP4, VIAL
5t31j.n↔		BOP, KVT, UOP4, VIAL		08	I32A, I32B, I32C, I32D, I32E, I32F		08	I16Z
	08	I20A, I20B, I20C, I20D, I20E, I20F		21A	W04A, W04B		21A	W04A, W04B
	21A	W04A, W04B		21B	X05A, X05B	5t31x.1↔		BOP, KVT, UOP4, VIAL
	21B	X04Z		01	B03A, B03B, B06A, B06B, B07Z, B17A, B17B, B17C		08	I16Z
5t31j.p↔		BOP, KVT, UOP4, VIAL		08	I32A, I32B, I32C, I32D, I32E, I32F		21A	W04A, W04B
	08	I20A, I20B, I20C, I20D, I20E, I20F		21A	W04A, W04B	5t31x.2↔		BOP, KVT, UOP4, VIAL
	21A	W04A, W04B		21B	X05A, X05B		08	I23A, I23B
	21B	X04Z		08	I08A, I08B, I08C, I08D, I08E, I08F		21A	W04A, W04B
							21B	X06A, X06B, X06C



ZZV	MDC	DRG	ZZV	MDC	DRG	ZZV	MDC	DRG
5t31x.3↔		BOP, KVT, UOP4, VIAL	5t31x.j↔		BOP, KVT, UOP4, VIAL	5t325↔		BOP, KVT, UOP4, VIAL
08		I23A, I23B	08		I18A, I18B, I30Z	01		B03A, B03B, B06A, B06B, B17A, B17B, B17C
21A		W04A, W04B	21A		W04A, W04B	08		I18A, I18B, I30Z
21B		X06A, X06B, X06C	21B		X04Z	21A		W04A, W04B
5t31x.4↔		BOP, KVT, UOP4, VIAL	5t31x.k↔		BOP, KVT, UOP4, VIAL	21B		X04Z
08		I08A, I08B, I08C, I08D, I08E, I08F, I21Z, I31Z	08		I13A, I13B, I13C, I13D, I13E	5t326↔		BOP, KVT, UOP4, VIAL
21A		W04A, W04B	21A		W04A, W04B	01		B03A, B03B, B06A, B06B, B17A, B17B, B17C
21B		X06A, X06B, X06C	21B		X04Z	08		I18A, I18B, I30Z
5t31x.5↔		BOP, KVT, UOP4, VIAL	5t31x.m↔		BOP, KVT, UOP4, VIAL	21A		W04A, W04B
08		I08A, I08B, I08C, I08D, I08E, I08F, I21Z, I31Z	08		I20A, I20B, I20C, I20D, I20E, I20F	21B		X04Z
21A		W04A, W04B	21A		W04A, W04B	5t327↔		BOP, KVT, UOP4, VIAL
21B		X06A, X06B, X06C	21B		X04Z	01		B03A, B03B, B06A, B06B, B17A, B17B, B17C
5t31x.6↔		BOP, KVT, UOP4, VIAL	5t31x.n↔		BOP, KVT, UOP4, VIAL	08		I18A, I18B, I30Z
08		I08A, I08B, I08C, I08D, I08E, I08F, I32A, I32B, I32C, I32D, I32E, I32F	08		I20A, I20B, I20C, I20D, I20E, I20F	21A		W04A, W04B
09		J03A, J03B, J04A, J04B, J08A, J08B, J08C, J11A, J11B, J16Z	21A		W04A, W04B	21B		X04Z
21A		W04A, W04B	21B		X04Z	5t328↔		BOP, KVT, UOP4, VIAL
21B		X05A, X05B	5t31x.p↔		BOP, KVT, UOP4, VIAL	01		B03A, B03B, B06A, B06B, B17A, B17B, B17C
5t31x.7↔		BOP, KVT, UOP4, VIAL	08		I20A, I20B, I20C, I20D, I20E, I20F	08		I18A, I18B, I30Z
08		I32A, I32B, I32C, I32D, I32E, I32F	21A		W04A, W04B	21A		W04A, W04B
09		J03A, J03B, J04A, J04B, J08A, J08B, J08C, J11A, J11B, J16Z	21B		X04Z	21B		X04Z
21A		W04A, W04B	5t31x.q↔		BOP, KVT, UOP4, VIAL	5t329↔		BOP, KVT, UOP4, VIAL
21B		X05A, X05B	08		I20A, I20B, I20C, I20D, I20E, I20F	01		B03A, B03B, B06A, B06B, B17A, B17B, B17C
5t31x.8↔		BOP, KVT, UOP4, VIAL	21A		W04A, W04B	08		I18A, I18B, I30Z
08		I32A, I32B, I32C, I32D, I32E, I32F	21B		X04Z	21A		W04A, W04B
09		J03A, J03B, J04A, J04B, J08A, J08B, J08C, J11A, J11B, J16Z	5t31x.r↔		BOP, KVT, UOP4, VIAL	21B		X04Z
21A		W04A, W04B	08		I20A, I20B, I20C, I20D, I20E, I20F	5t32x↔		BOP, KVT, UOP4
21B		X05A, X05B	21A		W04A, W04B	01		B03A, B03B, B06A, B06B, B17A, B17B, B17C
5t31x.9↔		BOP, KVT, UOP4, VIAL	21B		X04Z	08		I18A, I18B, I30Z
08		I32A, I32B, I32C, I32D, I32E, I32F	5t31x.x		BOP, KVT, UOP4	10		K09A, K09B
09		J03A, J03B, J04A, J04B, J08A, J08B, J08C, J11A, J11B, J16Z	08		I23A, I23B	21A		W04A, W04B
21A		W04A, W04B	21A		W04A, W04B	21B		X04Z
21B		X05A, X05B	21B		X06A, X06B, X06C	5t330↔		BOP, KVT, UOP4, VIAL
5t31x.e↔		BOP, KVT, UOP4, VIAL	5t320↔		BOP, KVT, UOP4, VIAL	01		B03A, B03B, B06A, B06B, B07Z, B17A, B17B, B17C
08		I08A, I08B, I08C, I08D, I08E, I08F, I23A, I23B	01		B03A, B03B, B06A, B06B, B17A, B17B, B17C	08		I18A, I18B, I30Z
21A		W04A, W04B	08		I18A, I18B, I30Z	10		K09A, K09B
21B		X04Z, X06A, X06B, X06C	21A		W04A, W04B	21A		W04A, W04B
5t31x.f		BOP, KVT, UOP4, VIAL	21B		X04Z	21B		X04Z
08		I23A, I23B	5t321↔		BOP, KVT, UOP4, VIAL	5t331↔		BOP, KVT, UOP4, VIAL
21A		W04A, W04B	01		B03A, B03B, B06A, B06B, B17A, B17B, B17C	01		B03A, B03B, B06A, B06B, B07Z, B17A, B17B, B17C
21B		X04Z, X06A, X06B, X06C	08		I18A, I18B, I30Z	08		I18A, I18B, I30Z
5t31x.g↔		BOP, KVT, UOP4, VIAL	21A		W04A, W04B	21A		W04A, W04B
01		B03A, B03B, B06A, B06B, B17A, B17B, B17C	21B		X04Z	21B		X04Z
08		I08A, I08B, I08C, I08D, I08E, I08F	5t322↔		BOP, KVT, UOP4, VIAL	5t332↔		BOP, KVT, UOP4, VIAL
21A		W01A, W01B, W01C, W02A, W02B	01		B03A, B03B, B06A, B06B, B17A, B17B, B17C	01		B03A, B03B, B06A, B06B, B07Z, B17A, B17B, B17C
21B		X04Z	08		I18A, I18B, I30Z	08		I18A, I18B, I30Z
5t31x.h↔		BOP, KVT, UOP4, VIAL	21A		W04A, W04B	10		K09A, K09B
08		I18A, I18B, I30Z	21B		X04Z	21A		W04A, W04B
21A		W04A, W04B	5t323↔		BOP, KVT, UOP4, VIAL	21B		X04Z
21B		X04Z	01		B03A, B03B, B06A, B06B, B17A, B17B, B17C	5t333↔		BOP, KVT, UOP4, VIAL
			08		I18A, I18B, I30Z	01		B03A, B03B, B06A, B06B, B07Z, B17A, B17B, B17C
			21A		W04A, W04B	08		I18A, I18B, I30Z
			21B		X04Z	10		K09A, K09B
			5t324↔		BOP, KVT, UOP4, VIAL	21A		W04A, W04B
			01		B03A, B03B, B06A, B06B, B17A, B17B, B17C	21B		X04Z
			08		I18A, I18B, I30Z	5t334↔		BOP, KVT, UOP4, VIAL
			21A		W04A, W04B	01		B03A, B03B, B06A, B06B, B07Z, B17A, B17B, B17C
			21B		X04Z	08		I18A, I18B, I30Z
						21A		W04A, W04B
						21B		X04Z

VYK

ZZV	MDC	DRG	ZZV	MDC	DRG	ZZV	MDC	DRG
5t335↔		BOP, KVT, UOP4, VIAL	5t343↔		BOP, KVT, UOP4, VIAL	5t35a↔		BOP, KVT, UOP4, VIAL
	01	B03A, B03B, B06A, B06B, B07Z, B17A, B17B, B17C		01	B03A, B03B, B06A, B06B, B07Z, B17A, B17B, B17C		08	I12A, I12B, I12C, I29Z
	08	I18A, I18B, I30Z		08	I18A, I18B, I30Z		21A	W04A, W04B
	21A	W04A, W04B		10	K09A, K09B	5t35x↔		X06A, X06B, X06C
	21B	X04Z		21A	W04A, W04B			BOP, KVT, UOP4, VIAL
5t336↔		BOP, KVT, UOP4, VIAL	5t344↔		BOP, KVT, UOP4, VIAL		08	I12A, I12B, I12C, I29Z
	01	B03A, B03B, B06A, B06B, B17A, B17B, B17C		01	B03A, B03B, B06A, B06B, B17A, B17B, B17C	5t360↔		BOP, KVT, UOP4, VIAL
	08	I18A, I30Z		08	I18A, I18B, I30Z		01	B03A, B03B, B06A, B06B, B17A, B17B, B17C
	21A	W04A, W04B		21A	W04A, W04B		05	F27A, F27B, F27C
	21B	X04Z		21B	X04Z		08	I12A, I12B, I12C, I59Z
5t337↔		BOP, KVT, UOP4, VIAL	5t345↔		BOP, KVT, UOP4, VIAL		10	K01Z
	01	B03A, B03B, B06A, B06B, B17A, B17B, B17C		08	I12A, I12B, I12C, I18A, I18B, I30Z		21A	W04A, W04B
	08	I18A, I30Z		21A	W04A, W04B	5t361↔		X04Z
	21A	W04A, W04B		21B	X04Z			BOP, KVT, UOP4, VIAL
	21B	X04Z	5t346↔		BOP, KVT, UOP4, VIAL		01	B03A, B03B, B06A, B06B, B17A, B17B, B17C
5t338↔		BOP, KVT, UOP4, VIAL		08	I12A, I12B, I12C, I18A, I18B, I30Z		05	F27A, F27B, F27C
	01	B03A, B03B, B06A, B06B, B17A, B17B, B17C		21A	W04A, W04B		08	I12A, I12B, I12C, I59Z
	08	I18A, I30Z		21B	X04Z		10	K01Z
	21A	W04A, W04B	5t34x↔		BOP, KVT, UOP4, VIAL		21A	W04A, W04B
	21B	X04Z		08	I12A, I12B, I12C, I18A, I18B, I30Z		21B	X04Z
5t339↔		BOP, KVT, UOP4, VIAL		21A	W04A, W04B	5t362↔		BOP, KVT, UOP4, VIAL
	01	B03A, B03B, B06A, B06B, B17A, B17B, B17C		21B	X04Z		01	B03A, B03B, B06A, B06B, B17A, B17B, B17C
	08	I18A, I30Z	5t350↔		BOP, KVT, UOP4, VIAL		05	F27A, F27B, F27C
	21A	W04A, W04B		08	I29Z		08	I12A, I12B, I12C, I59Z
	21B	X04Z		21A	W04A, W04B		10	K01Z
5t33a↔		BOP, KVT, UOP4, VIAL		21B	X06A, X06B, X06C		21A	W04A, W04B
	01	B03A, B03B, B06A, B06B, B17A, B17B, B17C	5t351↔		BOP, KVT, UOP4, VIAL		21B	X04Z
	08	I18A, I30Z		08	I29Z	5t363↔		BOP, KVT, UOP4, VIAL
	21A	W04A, W04B		21A	W04A, W04B		01	B03A, B03B, B06A, B06B, B17A, B17B, B17C
	21B	X04Z		21B	X06A, X06B, X06C		05	F27A, F27B, F27C
5t33x↔		BOP, KVT, UOP4, VIAL	5t352↔		BOP, KVT, UOP4, VIAL		08	I12A, I12B, I12C, I59Z
	01	B03A, B03B, B06A, B06B, B17A, B17B, B17C		08	I29Z		10	K01Z
	08	I18A, I18B, I30Z		21A	W04A, W04B		21A	W04A, W04B
	21A	W04A, W04B		21B	X06A, X06B, X06C		21B	X04Z
	21B	X04Z	5t353↔		BOP, KVT, UOP4, VIAL	5t364↔		BOP, KVT, UOP4, VIAL
5t340↔		BOP, KVT, UOP4, VIAL		08	I29Z		01	B03A, B03B, B06A, B06B, B17A, B17B, B17C
	01	B03A, B03B, B06A, B06B, B17A, B17B, B17C		21A	W04A, W04B		05	F27A, F27B, F27C
	08	I12A, I12B, I12C, I18A, I18B, I30Z	5t354↔		BOP, KVT, UOP4, VIAL		08	I12A, I12B, I12C, I59Z
	21A	W04A, W04B		08	I12A, I12B, I12C, I29Z		10	K01Z
	21B	X04Z		21A	W04A, W04B		21A	W04A, W04B
5t341↔		BOP, KVT, UOP4, VIAL		21B	X06A, X06B, X06C		21B	X04Z
	01	B03A, B03B, B06A, B06B, B17A, B17B, B17C	5t355↔		BOP, KVT, UOP4, VIAL	5t365↔		BOP, KVT, UOP4, VIAL
	08	I12A, I12B, I12C, I18A, I18B, I30Z		08	I12A, I12B, I12C, I29Z		01	B03A, B03B, B06A, B06B, B17A, B17B, B17C
	21A	W04A, W04B		21A	W04A, W04B		05	F27A, F27B, F27C
	21B	X04Z		21B	X06A, X06B, X06C		08	I12A, I12B, I12C, I59Z
5t342↔		BOP, KVT, UOP4, VIAL	5t356↔		BOP, KVT, UOP4, VIAL		10	K01Z
	01	B03A, B03B, B06A, B06B, B07Z, B17A, B17B, B17C		08	I12A, I12B, I12C, I29Z		21A	W04A, W04B
	08	I12A, I12B, I12C, I18A, I18B, I30Z		21A	W04A, W04B		21B	X04Z
	10	K09A, K09B		21B	X06A, X06B, X06C	5t366↔		BOP, KVT, UOP4, VIAL
	21A	W04A, W04B	5t357↔		BOP, KVT, UOP4, VIAL		01	B03A, B03B, B06A, B06B, B17A, B17B, B17C
	21B	X04Z		08	I12A, I12B, I12C, I29Z		05	F27A, F27B, F27C
				21A	W04A, W04B		08	I12A, I12B, I12C, I59Z
				21B	X06A, X06B, X06C		10	K01Z
							21A	W04A, W04B
							21B	X04Z
			5t358↔		BOP, KVT, UOP4, VIAL			
				08	I12A, I12B, I12C, I29Z			
				21A	W04A, W04B			
				21B	X06A, X06B, X06C			
			5t359↔		BOP, KVT, UOP4, VIAL			
				08	I12A, I12B, I12C, I29Z			
				21A	W04A, W04B			
				21B	X06A, X06B, X06C			

ZZV	MDC	DRG	ZZV	MDC	DRG	ZZV	MDC	DRG
5t367↔		BOP, KVT, UOP4, VIAL	5t380		BOP, KOP, KOPV, KVT, UOP4, VIAL	5t387.0↔		BOP, KOP, KOPV, KVT, UOP4, VIAL
	01	B03A, B03B, B06A, B06B, B17A, B17B, B17C		01	B03A, B03B, B18Z		01	B03A, B03B, B06A, B06B, B17A, B17B, B17C
	05	F27A, F27B, F27C		06	G33Z		05	F27A, F27B, F27C
	08	I12A, I12B, I12C, I59Z		07	H33Z, H38Z		06	G33Z
	10	K01Z		08	I06A, I06B, I06C, I06D, I06E, I08A, I08B, I08C, I08D, I08E, I08F, I09A, I09B, I09C, I09D, I09E, I12A, I12B, I12C		07	H33Z, H38Z
	21A	W04A, W04B		11	L33Z		08	I01Z, I03A, I03B, I12A, I12B, I12C, I13A, I13B, I13C, I13D
	21B	X04Z		21A	W04A, W04B		10	K01Z
				21B	X06A, X06B, X06C, X33Z		11	L33Z
5t36x↔		BOP, KVT, UOP4, VIAL	5t381		BOP, KVT, UOP4, VIAL	5t387.1↔		BOP, KOP, KOPV, KVT, UOP4, VIAL
	01	B03A, B03B, B06A, B06B, B17A, B17B, B17C		01	B03A, B03B, B06A, B06B, B17A, B17B, B17C		01	B03A, B03B, B06A, B06B, B17A, B17B, B17C
	05	F27A, F27B, F27C		08	I12A, I12B, I12C, I28A, I28B		05	F27A, F27B, F27C
	08	I12A, I12B, I12C, I59Z		21A	W04A, W04B		06	G33Z
	10	K01Z		21B	X04Z, X06A, X06B, X06C		07	H33Z, H38Z
	21A	W04A, W04B			BOP, KVT, UOP4, VIAL		08	I01Z, I03A, I03B, I12A, I12B, I12C, I13A, I13B, I13C, I13D, I20A, I20B, I20C, I20D
	21B	X04Z		01	B03A, B03B, B06A, B06B, B17A, B17B, B17C		10	K01Z
				08	I03A, I03B, I08A, I08B, I08C, I08D, I08E, I08F		11	L33Z
5t370↔		BOP, KVT, UOP4	5t382↔		BOP, KVT, UOP4, VIAL	5t387.2↔		BOP, KOP, KOPV, KVT, UOP4, VIAL
	01	B03A, B03B, B06A, B06B, B17A, B17B, B17C		01	B03A, B03B, B06A, B06B, B17A, B17B, B17C		01	B03A, B03B, B06A, B06B, B17A, B17B, B17C
	08	I12A, I12B, I12C, I27A, I27B, I27C, I27D		08	I03A, I03B, I08A, I08B, I08C, I08D, I08E, I08F		05	F27A, F27B, F27C
	21A	W04A, W04B		21A	W01A, W01B, W01C, W02A, W02B		06	G33Z
	21B	X04Z, X05A, X05B, X06A, X06B, X06C		21B	X04Z		07	H33Z, H38Z
					BOP, KOP, KOPV, KVT, UOP4, VIAL		08	I01Z, I03A, I03B, I12A, I12B, I12C, I13A, I13B, I13C, I13D, I20A, I20B, I20C, I20D
				01	B03A, B03B, B06A, B06B, B17A, B17B, B17C		10	K01Z
				06	G33Z		11	L33Z
5t371↔		BOP, KVT, UOP4	5t383↔		BOP, KOP, KOPV, KVT, UOP4, VIAL	5t388.1↔		BOP, KOP, KOPV, KVT, UOP4, VIAL
	01	B03A, B03B, B06A, B06B, B17A, B17B, B17C		01	B03A, B03B, B06A, B06B, B17A, B17B, B17C		01	B03A, B03B, B06A, B06B, B17A, B17B, B17C
	08	I12A, I12B, I12C, I27A, I27B, I27C, I27D		08	I12A, I12B, I12C, I16Z		05	F27A, F27B, F27C
	21A	W04A, W04B		10	K09A, K09B		06	G33Z
	21B	X04Z, X05A, X05B, X06A, X06B, X06C		21A	W04A, W04B		07	H33Z, H38Z
				21B	X06A, X06B, X06C		08	I01Z, I03A, I03B, I12A, I12B, I12C, I13A, I13B, I13C, I13D, I20A, I20B, I20C, I20D
					BOP, KVT, UOP4, VIAL		10	K01Z
				01	B03A, B03B, B06A, B06B, B17A, B17B, B17C		11	L33Z
5t372↔		BOP, KVT, UOP4, VIAL	5t384↔		BOP, KVT, UOP4, VIAL	5t388.2↔		BOP, KOP, KOPV, KVT, UOP4, VIAL
	08	I08A, I08B, I08C, I08D, I08E, I08F, I21Z, I31Z		01	B03A, B03B, B06A, B06B, B17A, B17B, B17C		01	B03A, B03B, B06A, B06B, B17A, B17B, B17C
	21A	W04A, W04B		08	I12A, I12B, I12C, I16Z		05	F27A, F27B, F27C
	21B	X06A, X06B, X06C		10	K09A, K09B		06	G33Z
				21A	W04A, W04B		07	H33Z, H38Z
				21B	X04Z, X33Z		08	I01Z, I03A, I03B, I12A, I12B, I12C, I13A, I13B, I13C, I13D, I20A, I20B, I20C, I20D
				23	Z01A		10	K01Z
				Pre	A07A		11	L33Z
5t373.0↔		BOP, KVT, UOP4, VIAL	5t385↔		BOP, KVT, UOP4, VIAL	5t388.3↔		BOP, KOP, KOPV, KVT, UOP4, VIAL
	01	B03A, B03B, B06A, B06B, B07Z, B17A, B17B, B17C		01	B03A, B03B, B06A, B06B, B17A, B17B, B17C		01	B03A, B03B, B06A, B06B, B17A, B17B, B17C
	08	I08A, I08B, I08C, I08D, I08E, I08F, I32A, I32B, I32C, I32D, I32E, I32F		08	I08A, I08B, I08C, I08D, I08E, I08F, I12A, I12B, I12C, I21Z, I31Z		05	F27A, F27B, F27C
	21A	W04A, W04B		21A	W04A, W04B		06	G33Z
	21B	X05A, X05B		21B	X06A, X06B, X06C		07	H33Z, H38Z
					BOP, KVT, UOP4, VIAL		08	I01Z, I03A, I03B, I12A, I12B, I12C, I13A, I13B, I13C, I13D, I20A, I20B, I20C, I20D
					BOP, KOP, KOPV, KVT, UOP4, VIAL		10	K01Z
				01	B03A, B03B, B06A, B06B, B17A, B17B, B17C		11	L33Z
5t374↔		BOP, KVT, UOP4, VIAL	5t386↔		BOP, KVT, UOP4, VIAL	5t388.4↔		BOP, KOP, KOPV, KVT, UOP4, VIAL
	08	I12A, I12B, I12C, I16Z		01	B03A, B03B, B06A, B06B, B17A, B17B, B17C		01	B03A, B03B, B06A, B06B, B17A, B17B, B17C
	21A	W04A, W04B		08	I08A, I08B, I08C, I08D, I08E, I08F, I12A, I12B, I12C, I21Z, I31Z		05	F27A, F27B, F27C
	21B	X06A, X06B, X06C		21A	W04A, W04B		06	G33Z
				21B	X06A, X06B, X06C		07	H33Z, H38Z
					BOP, KVT, UOP4, VIAL		08	I01Z, I03A, I03B, I12A, I12B, I12C, I13A, I13B, I13C, I13D, I20A, I20B, I20C, I20D
					BOP, KOP, KOPV, KVT, UOP4, VIAL		10	K01Z
				01	B03A, B03B, B06A, B06B, B17A, B17B, B17C		11	L33Z
5t375↔		BOP, KVT, UOP4, VIAL	5t387↔		BOP, KVT, UOP4, VIAL	5t388.5↔		BOP, KOP, KOPV, KVT, UOP4, VIAL
	08	I12A, I12B, I12C, I16Z		01	B03A, B03B, B06A, B06B, B17A, B17B, B17C		01	B03A, B03B, B06A, B06B, B17A, B17B, B17C
	21A	W04A, W04B		08	I08A, I08B, I08C, I08D, I08E, I08F, I12A, I12B, I12C, I21Z, I31Z		05	F27A, F27B, F27C
	21B	X06A, X06B, X06C		21A	W04A, W04B		06	G33Z
				21B	X06A, X06B, X06C		07	H33Z, H38Z
					BOP, KVT, UOP4, VIAL		08	I01Z, I03A, I03B, I12A, I12B, I12C, I13A, I13B, I13C, I13D, I20A, I20B, I20C, I20D
					BOP, KOP, KOPV, KVT, UOP4, VIAL		10	K01Z
				01	B03A, B03B, B06A, B06B, B17A, B17B, B17C		11	L33Z
5t376↔		BOP, KVT, UOP4, VIAL	5t388↔		BOP, KVT, UOP4, VIAL	5t388.6↔		BOP, KOP, KOPV, KVT, UOP4, VIAL
	08	I12A, I12B, I12C, I16Z		01	B03A, B03B, B06A, B06B, B17A, B17B, B17C		01	B03A, B03B, B06A, B06B, B17A, B17B, B17C
	21A	W04A, W04B		08	I08A, I08B, I08C, I08D, I08E, I08F, I12A, I12B, I12C, I21Z, I31Z		05	F27A, F27B, F27C
	21B	X06A, X06B, X06C		21A	W04A, W04B		06	G33Z
				21B	X06A, X06B, X06C		07	H33Z, H38Z
					BOP, KVT, UOP4, VIAL		08	I01Z, I03A, I03B, I12A, I12B, I12C, I13A, I13B, I13C, I13D, I20A, I20B, I20C, I20D
					BOP, KOP, KOPV, KVT, UOP4, VIAL		10	K01Z
				01	B03A, B03B, B06A, B06B, B17A, B17B, B17C		11	L33Z
5t37x↔		BOP, KVT, UOP4	5t389↔		BOP, KVT, UOP4, VIAL	5t388.7↔		BOP, KOP, KOPV, KVT, UOP4, VIAL
	01	B03A, B03B, B06A, B06B, B17A, B17B, B17C		01	B03A, B03B, B06A, B06B, B17A, B17B, B17C		01	B03A, B03B, B06A, B06B, B17A, B17B, B17C
	08	I12A, I12B, I12C, I27A, I27B, I27C, I27D		08	I12A, I12B, I12C, I32A, I32B, I32C, I32D, I32E, I32F		05	F27A, F27B, F27C
	21A	W04A, W04B		21A	W04A, W04B		06	G33Z
	21B	X06A, X06B, X06C		21B	X05A, X05B		07	H33Z, H38Z
					BOP, KVT, UOP4, VIAL		08	I01Z, I03A, I03B, I12A, I12B, I12C, I13A, I13B, I13C, I13D, I20A, I20B, I20C, I20D
					BOP, KOP, KOPV, KVT, UOP4, VIAL		10	K01Z
				01	B03A, B03B, B06A, B06B, B17A, B17B, B17C		11	L33Z

ZZV	MDC	DRG	ZZV	MDC	DRG	ZZV	MDC	DRG
5t388.2↔		BOP, KOP, KOPV, KVT, UOP4, VIAL	5t38a.a↔		BOP, KVT, UOP4, VIAL	5t390.g↔		BOP, KVT, UOP4, VIAL
	01	B03A, B03B, B06A, B06B, B17A, B17B, B17C		08	I20A, I20B, I20C, I20D, I20E, I20F		08	I08A, I08B, I08C, I08D, I08E, I08F
	05	F27A, F27B, F27C	5t38a.b↔		BOP, KVT, UOP4, VIAL		21A	W01A, W01B, W01C, W02A, W02B
	06	G33Z		08	I20A, I20B, I20C, I20D, I20E, I20F	5t390.h↔		BOP, KVT, UOP4, VIAL
	07	H33Z, H38Z		21B	X04Z		01	B03A, B03B, B06A, B06B, B17A, B17B, B17C
	08	I01Z, I03A, I03B, I12A, I12B, I12C, I13A, I13B, I13C, I13D, I20A, I20B, I20C, I20D	5t38x		BOP, KVT, UOP4		08	I12A, I12B, I12C, I18A, I18B, I30Z
	10	K01Z		01	B03A, B03B, B06A, B06B, B17A, B17B, B17C	5t390.i↔		BOP, KVT, UOP4, VIAL
	11	L33Z		08	I12A, I12B, I12C, I28A, I28B		01	B03A, B03B, B06A, B06B, B17A, B17B, B17C
	21A	W04A, W04B		21A	W04A, W04B	5t390.j↔		BOP, KVT, UOP4, VIAL
	21B	X04Z, X33Z		21B	X06A, X06B, X06C		01	B03A, B03B, B06A, B06B, B17A, B17B, B17C
	23	Z01A	5t390.0↔		BOP, KVT, UOP4, VIAL		08	I12A, I12B, I12C, I18A, I18B, I30Z
	Pre	A07A		08	I12A, I12B, I12C, I16Z	5t390.k↔		BOP, KVT, UOP4, VIAL
5t388.3↔		BOP, KOP, KOPV, KVT, UOP4, VIAL	5t390.1↔		BOP, KVT, UOP4, VIAL		01	B03A, B03B, B06A, B06B, B17A, B17B, B17C
	01	B03A, B03B, B06A, B06B, B17A, B17B, B17C		08	I12A, I12B, I12C, I16Z	5t390.l↔		BOP, KVT, UOP4, VIAL
	05	F27A, F27B, F27C		21A	W04A, W04B		01	B03A, B03B, B06A, B06B, B17A, B17B, B17C
	06	G33Z	5t390.3↔		BOP, KVT, UOP4, VIAL		08	I12A, I12B, I12C, I13A, I13B, I13C, I13D, I13E
	07	H33Z, H38Z		08	I12A, I12B, I12C, I28A, I28B	5t390.m↔		BOP, KVT, UOP4, VIAL
	08	I01Z, I03A, I03B, I12A, I12B, I12C, I13A, I13B, I13C, I13D, I20A, I20B, I20C, I20D		21A	W04A, W04B		08	I12A, I12B, I12C, I20A, I20B, I20C, I20D, I20E, I20F
	10	K01Z	5t390.4↔		BOP, KVT, UOP4, VIAL		21A	W04A, W04B
	11	L33Z		08	I08A, I08B, I08C, I08D, I08E, I08F, I12A, I12B, I12C, I21Z, I31Z	5t390.n↔		BOP, KVT, UOP4, VIAL
	21A	W04A, W04B		21A	W04A, W04B		08	I12A, I12B, I12C, I20A, I20B, I20C, I20D, I20E, I20F
	21B	X04Z, X33Z	5t390.5↔		BOP, KVT, UOP4, VIAL	5t390.o↔		BOP, KVT, UOP4, VIAL
	23	Z01A		08	I08A, I08B, I08C, I08D, I08E, I08F, I12A, I12B, I12C, I21Z, I31Z		08	I12A, I12B, I12C, I20A, I20B, I20C, I20D, I20E, I20F
	Pre	A07A		21A	W04A, W04B	5t390.p↔		BOP, KVT, UOP4, VIAL
5t389.1↔		BOP, KVT, UOP4, VIAL	5t390.6↔		BOP, KVT, UOP4, VIAL		08	I12A, I12B, I12C, I20A, I20B, I20C, I20D, I20E, I20F
	01	B03A, B03B, B06A, B06B, B17A, B17B, B17C		08	I08A, I08B, I08C, I08D, I08E, I08F, I12A, I12B, I12C, I32A, I32B, I32C, I32D, I32E, I32F	5t390.q↔		BOP, KVT, UOP4, VIAL
	05	F27A, F27B		21A	W04A, W04B		08	I12A, I12B, I12C, I20A, I20B, I20C, I20D, I20E, I20F
	08	I12A, I12B, I12C, I20A, I20B, I20C, I20D	5t390.7↔		BOP, KVT, UOP4, VIAL	5t390.r↔		BOP, KVT, UOP4, VIAL
	10	K01Z		08	I12A, I12B, I12C, I32A, I32B, I32C, I32D, I32E, I32F		08	I12A, I12B, I12C, I20A, I20B, I20C, I20D, I20E, I20F
	21A	W04A, W04B	5t390.8↔		BOP, KVT, UOP4, VIAL	5t390.s↔		BOP, KVT, UOP4, VIAL
	21B	X04Z		08	I12A, I12B, I12C, I32A, I32B, I32C, I32D, I32E, I32F		08	I12A, I12B, I12C, I20A, I20B, I20C, I20D, I20E, I20F
5t389.3↔		BOP, KVT, UOP4, VIAL	5t390.9↔		BOP, KVT, UOP4, VIAL	5t390.t↔		BOP, KVT, UOP4, VIAL
	01	B03A, B03B, B06A, B06B, B17A, B17B, B17C		08	I12A, I12B, I12C, I32A, I32B, I32C, I32D, I32E, I32F	5t390.x		BOP, KVT, UOP4, VIAL
	05	F27A, F27B		21A	W04A, W04B		08	I12A, I12B, I12C, I28A, I28B
	08	I12A, I12B, I12C, I20A, I20B, I20C, I20D	5t390.e↔		BOP, KVT, UOP4, VIAL	5t391.0↔		BOP, KVT, UOP4, VIAL
	10	K01Z		08	I08A, I08B, I08C, I08D, I08E, I08F, I12A, I12B, I12C, I28A, I28B		08	I12A, I12B, I12C, I16Z
	21A	W04A, W04B		21A	W04A, W04B	5t391.1↔		BOP, KVT, UOP4, VIAL
	21B	X04Z	5t390.f		BOP, KVT, UOP4, VIAL		01	B03A, B03B, B06A, B06B, B17A, B17B, B17C
5t38a.1↔		BOP, KVT, UOP4, VIAL		08	I12A, I12B, I12C, I28A, I28B	5t391.2↔		BOP, KVT, UOP4, VIAL
	08	I20A, I20B, I20C, I20D, I20E, I20F		21A	W04A, W04B		08	I12A, I12B, I12C, I28A, I28B
	21B	X04Z		21B	X04Z, X06A, X06B, X06C		21A	W04A, W04B
5t38a.2↔		BOP, KVT, UOP4, VIAL		21B	X06A, X06B, X06C		21B	X06A, X06B, X06C
	08	I20A, I20B, I20C, I20D, I20E, I20F		08	I12A, I12B, I12C, I32A, I32B, I32C, I32D, I32E, I32F		01	B03A, B03B, B06A, B06B, B17A, B17B, B17C
	21B	X04Z		21A	W04A, W04B		08	I12A, I12B, I12C, I28A, I28B
5t38a.3↔		BOP, KVT, UOP4, VIAL		21B	X05A, X05B		21A	W04A, W04B
	08	I20A, I20B, I20C, I20D, I20E, I20F		08	I08A, I08B, I08C, I08D, I08E, I08F, I12A, I12B, I12C, I28A, I28B		21B	X06A, X06B, X06C
	21B	X04Z		21A	W04A, W04B		01	B03A, B03B, B06A, B06B, B17A, B17B, B17C
5t38a.4↔		BOP, KVT, UOP4, VIAL		21B	X04Z, X06A, X06B, X06C		08	I12A, I12B, I12C, I28A, I28B
	08	I20A, I20B, I20C, I20D, I20E, I20F		08	I12A, I12B, I12C, I28A, I28B		21A	W04A, W04B
	21B	X04Z		21A	W04A, W04B		21B	X06A, X06B, X06C
5t38a.5↔		BOP, KVT, UOP4, VIAL		21B	X06A, X06B, X06C		01	B03A, B03B, B06A, B06B, B17A, B17B, B17C
	08	I20A, I20B, I20C, I20D, I20E, I20F		08	I12A, I12B, I12C, I28A, I28B		08	I12A, I12B, I12C, I28A, I28B
	21B	X04Z		21A	W04A, W04B		21A	W04A, W04B
				21B	X04Z, X06A, X06B, X06C		21B	X06A, X06B, X06C

ZZV	MDC	DRG	ZZV	MDC	DRG	ZZV	MDC	DRG
5t391.3↔		BOP, KVT, UOP4, VIAL	5t391.h↔		BOP, KVT, UOP4, VIAL	5t392.4↔		BOP, KVT, UOP4, VIAL
	01	B03A, B03B, B06A, B06B, B17A, B17B, B17C		01	B03A, B03B, B06A, B06B, B17A, B17B, B17C		08	I08A, I08B, I08C, I08D, I08E, I08F, I12A, I12B, I12C, I21Z, I31Z
	08	I12A, I12B, I12C, I28A, I28B		08	I12A, I12B, I12C, I18A, I18B, I30Z		21A	W04A, W04B
	21A	W04A, W04B		21A	W04A, W04B		21B	X06A, X06B, X06C
	21B	X06A, X06B, X06C		21B	X04Z	5t392.5↔		BOP, KVT, UOP4, VIAL
5t391.4↔		BOP, KVT, UOP4, VIAL	5t391.j↔		BOP, KVT, UOP4, VIAL		08	I08A, I08B, I08C, I08D, I08E, I08F, I12A, I12B, I12C, I21Z, I31Z
	08	I08A, I08B, I08C, I08D, I08E, I08F, I12A, I12B, I12C, I21Z, I31Z		01	B03A, B03B, B06A, B06B, B17A, B17B, B17C		21A	W04A, W04B
	21A	W04A, W04B		08	I12A, I12B, I12C, I18A, I18B, I30Z		21B	X06A, X06B, X06C
	21B	X06A, X06B, X06C		21A	W04A, W04B	5t392.6↔		BOP, KVT, UOP4, VIAL
5t391.5↔		BOP, KVT, UOP4, VIAL	5t391.k↔		BOP, KVT, UOP4, VIAL		01	B03A, B03B, B06A, B06B, B07Z, B17A, B17B, B17C
	08	I08A, I08B, I08C, I08D, I08E, I08F, I12A, I12B, I12C, I21Z, I31Z		01	B03A, B03B, B06A, B06B, B17A, B17B, B17C		08	I08A, I08B, I08C, I08D, I08E, I08F, I12A, I12B, I12C, I32A, I32B, I32C, I32D, I32E, I32F
	21A	W04A, W04B		05	F27A, F27B, F27C		21A	W04A, W04B
	21B	X06A, X06B, X06C		08	I12A, I12B, I12C, I13A, I13B, I13C, I13D, I13E		21B	X05A, X05B
5t391.6↔		BOP, KVT, UOP4, VIAL	5t391.l↔		BOP, KVT, UOP4, VIAL	5t392.7↔		BOP, KVT, UOP4, VIAL
	01	B03A, B03B, B06A, B06B, B07Z, B17A, B17B, B17C		01	B03A, B03B, B06A, B06B, B17A, B17B, B17C		01	B03A, B03B, B06A, B06B, B07Z, B17A, B17B, B17C
	08	I08A, I08B, I08C, I08D, I08E, I08F, I12A, I12B, I12C, I32A, I32B, I32C, I32D, I32E, I32F		10	K01Z		08	I12A, I12B, I12C, I32A, I32B, I32C, I32D, I32E, I32F
	21A	W04A, W04B	5t391.m↔		BOP, KVT, UOP4, VIAL		21A	W04A, W04B
	21B	X05A, X05B		08	I12A, I12B, I12C, I20A, I20B, I20C, I20D, I20E, I20F		21B	X05A, X05B
5t391.7↔		BOP, KVT, UOP4, VIAL	5t391.n↔		BOP, KVT, UOP4, VIAL	5t392.8↔		BOP, KVT, UOP4, VIAL
	01	B03A, B03B, B06A, B06B, B07Z, B17A, B17B, B17C		01	B03A, B03B, B06A, B06B, B07Z, B17A, B17B, B17C		01	B03A, B03B, B06A, B06B, B07Z, B17A, B17B, B17C
	08	I12A, I12B, I12C, I32A, I32B, I32C, I32D, I32E, I32F		08	I12A, I12B, I12C, I20A, I20B, I20C, I20D, I20E, I20F		08	I12A, I12B, I12C, I32A, I32B, I32C, I32D, I32E, I32F
	21A	W04A, W04B	5t391.o↔		BOP, KVT, UOP4, VIAL		21A	W04A, W04B
	21B	X05A, X05B		08	I12A, I12B, I12C, I20A, I20B, I20C, I20D, I20E, I20F		21B	X05A, X05B
5t391.8↔		BOP, KVT, UOP4, VIAL	5t391.p↔		BOP, KVT, UOP4, VIAL	5t392.9↔		BOP, KVT, UOP4, VIAL
	01	B03A, B03B, B06A, B06B, B07Z, B17A, B17B, B17C		08	I12A, I12B, I12C, I20A, I20B, I20C, I20D, I20E, I20F		01	B03A, B03B, B06A, B06B, B07Z, B17A, B17B, B17C
	08	I12A, I12B, I12C, I32A, I32B, I32C, I32D, I32E, I32F	5t391.q↔		BOP, KVT, UOP4, VIAL		08	I12A, I12B, I12C, I32A, I32B, I32C, I32D, I32E, I32F
	21A	W04A, W04B		08	I12A, I12B, I12C, I20A, I20B, I20C, I20D, I20E, I20F		21A	W04A, W04B
	21B	X05A, X05B	5t391.r↔		BOP, KVT, UOP4, VIAL		21B	X05A, X05B
5t391.9↔		BOP, KVT, UOP4, VIAL	5t391.s↔		BOP, KVT, UOP4, VIAL	5t392.e↔		BOP, KVT, UOP4, VIAL
	01	B03A, B03B, B06A, B06B, B07Z, B17A, B17B, B17C		08	I12A, I12B, I12C, I20A, I20B, I20C, I20D, I20E, I20F		01	B03A, B03B, B06A, B06B, B07Z, B17A, B17B, B17C
	08	I12A, I12B, I12C, I32A, I32B, I32C, I32D, I32E, I32F	5t391.t↔		BOP, KVT, UOP4, VIAL		08	I08A, I08B, I08C, I08D, I08E, I08F, I12A, I12B, I12C, I28A, I28B
	21A	W04A, W04B		08	I12A, I12B, I12C, I20A, I20B, I20C, I20D, I20E, I20F		21A	W04A, W04B
	21B	X05A, X05B	5t391.u↔		BOP, KVT, UOP4, VIAL		21B	X04Z, X06A, X06B, X06C
5t391.e↔		BOP, KVT, UOP4, VIAL	5t391.x		BOP, KVT, UOP4	5t392.f		BOP, KVT, UOP4, VIAL
	01	B03A, B03B, B06A, B06B, B17A, B17B, B17C		01	B03A, B03B, B06A, B06B, B17A, B17B, B17C		01	B03A, B03B, B06A, B06B, B17A, B17B, B17C
	08	I08A, I08B, I08C, I08D, I08E, I08F, I12A, I12B, I12C, I28A, I28B		08	I12A, I12B, I12C, I28A, I28B		08	I12A, I12B, I12C, I28A, I28B
	21A	W04A, W04B	5t392.0↔		BOP, KVT, UOP4, VIAL		21A	W04A, W04B
	21B	X04Z, X06A, X06B, X06C		01	B03A, B03B, B06A, B06B, B17A, B17B, B17C		21B	X04Z, X06A, X06B, X06C
5t391.f		BOP, KVT, UOP4, VIAL	5t392.1↔		BOP, KVT, UOP4, VIAL	5t392.g↔		BOP, KVT, UOP4, VIAL
	01	B03A, B03B, B06A, B06B, B17A, B17B, B17C		08	I12A, I12B, I12C, I16Z		01	B03A, B03B, B06A, B06B, B17A, B17B, B17C
	08	I12A, I12B, I12C, I28A, I28B	5t392.2↔		BOP, KVT, UOP4, VIAL		08	I08A, I08B, I08C, I08D, I08E, I08F
	21A	W04A, W04B		01	B03A, B03B, B06A, B06B, B17A, B17B, B17C		21A	W01A, W01B, W01C, W02A, W02B
	21B	X04Z, X06A, X06B, X06C	5t392.3↔		BOP, KVT, UOP4, VIAL		21B	X04Z
5t391.g↔		BOP, KVT, UOP4, VIAL		08	I12A, I12B, I12C, I28A, I28B	5t392.h↔		BOP, KVT, UOP4, VIAL
	01	B03A, B03B, B06A, B06B, B17A, B17B, B17C		21A	W04A, W04B		01	B03A, B03B, B06A, B06B, B17A, B17B, B17C
	08	I08A, I08B, I08C, I08D, I08E, I08F		21B	X06A, X06B, X06C		08	I12A, I12B, I12C, I18A, I18B, I30Z
	21A	W01A, W01B, W01C, W02A, W02B		01	B03A, B03B, B06A, B06B, B17A, B17B, B17C		21A	W04A, W04B
	21B	X04Z		08	I12A, I12B, I12C, I28A, I28B		21B	X04Z
				21A	W04A, W04B			
				21B	X06A, X06B, X06C			

VYK

ZZV	MDC	DRG	ZZV	MDC	DRG	ZZV	MDC	DRG
5t392.j↔		BOP, KVT, UOP4, VIAL	5t39x.5↔		BOP, KVT, UOP4, VIAL	5t39x.p↔		BOP, KVT, UOP4, VIAL
	01	B03A, B03B, B06A, B06B, B17A, B17B, B17C		08	I08A, I08B, I08C, I08D, I08E, I08F, I21Z, I31Z		08	I20A, I20B, I20C, I20D, I20E, I20F
	08	I12A, I12B, I12C, I18A, I18B, I30Z		21A	W04A, W04B		21A	W04A, W04B
	21A	W04A, W04B		21B	X06A, X06B, X06C		21B	X04Z
	21B	X04Z	5t39x.6↔		BOP, KVT, UOP4, VIAL	5t39x.q↔		BOP, KVT, UOP4, VIAL
5t392.k↔		BOP, KVT, UOP4, VIAL		08	I08A, I08B, I08C, I08D, I08E, I08F, I32A, I32B, I32C, I32D, I32E, I32F		08	I20A, I20B, I20C, I20D, I20E, I20F
	01	B03A, B03B, B06A, B06B, B17A, B17B, B17C		21A	W04A, W04B		21A	W04A, W04B
	05	F27A, F27B, F27C		21B	X05A, X05B		21B	X04Z
	08	I12A, I12B, I12C, I13A, I13B, I13C, I13D, I13E	5t39x.7↔		BOP, KVT, UOP4, VIAL	5t39x.r↔		BOP, KVT, UOP4, VIAL
	10	K01Z		08	I32A, I32B, I32C, I32D, I32E, I32F		08	I20A, I20B, I20C, I20D, I20E, I20F
	21A	W04A, W04B		21A	W04A, W04B		21A	W04A, W04B
	21B	X04Z		21B	X05A, X05B		21B	X04Z
5t392.m↔		BOP, KVT, UOP4, VIAL	5t39x.8↔		BOP, KVT, UOP4, VIAL	5t39x.x		BOP, KVT, UOP4
	08	I12A, I12B, I12C, I20A, I20B, I20C, I20D, I20E, I20F		08	I32A, I32B, I32C, I32D, I32E, I32F		08	I28A, I28B
	21A	W04A, W04B		21A	W04A, W04B		21A	W04A, W04B
	21B	X04Z		21B	X05A, X05B		21B	X06A, X06B, X06C
5t392.n↔		BOP, KVT, UOP4, VIAL	5t39x.9↔		BOP, KVT, UOP4, VIAL	5t400.0↔		BOP, KVT, UOP4, VIAL
	08	I12A, I12B, I12C, I20A, I20B, I20C, I20D		08	I32A, I32B, I32C, I32D, I32E, I32F		05	F13A
	21A	W04A, W04B		21A	W04A, W04B		08	I12A, I12B, I12C, I24Z
	21B	X04Z		21B	X05A, X05B		21A	W04A, W04B
5t392.p↔		BOP, KVT, UOP4, VIAL	5t39x.e↔		BOP, KVT, UOP4, VIAL	5t400.1↔		BOP, KVT, UOP4, VIAL
	08	I12A, I12B, I12C, I20A, I20B, I20C, I20D, I20E, I20F		08	I08A, I08B, I08C, I08D, I08E, I08F, I28A, I28B		05	F13A
	21A	W04A, W04B		21A	W04A, W04B		08	I12A, I12B, I12C, I24Z
	21B	X04Z		21B	X04Z, X06A, X06B, X06C		21A	W04A, W04B
5t392.q↔		BOP, KVT, UOP4, VIAL	5t39x.f		BOP, KVT, UOP4, VIAL	5t400.2↔		BOP, KVT, UOP4, VIAL
	08	I12A, I12B, I12C, I20A, I20B, I20C, I20D, I20E, I20F		08	I28A, I28B		05	F13A
	21A	W04A, W04B		21A	W04A, W04B		08	I12A, I12B, I12C, I24Z
	21B	X04Z		21B	X04Z, X06A, X06B, X06C		21A	W04A, W04B
5t392.r↔		BOP, KVT, UOP4, VIAL	5t39x.g↔		BOP, KVT, UOP4, VIAL	5t400.3↔		BOP, KVT, UOP4, VIAL
	08	I12A, I12B, I12C, I20A, I20B, I20C, I20D, I20E, I20F		08	I08A, I08B, I08C, I08D, I08E, I08F		05	F13A
	21A	W04A, W04B		21A	W01A, W01B, W01C, W02A, W02B		08	I12A, I12B, I12C, I24Z
	21B	X04Z		21B	X04Z		21A	W04A, W04B
5t392.x		BOP, KVT, UOP4	5t39x.h↔		BOP, KVT, UOP4, VIAL	5t400.4↔		BOP, KVT, UOP4, VIAL
	01	B03A, B03B, B06A, B06B, B17A, B17B, B17C		08	I18A, I18B, I30Z		05	F13A
	08	I12A, I12B, I12C, I28A, I28B		10	K09A, K09B		08	I08A, I08B, I08C, I08D, I08E, I08F, I12A, I12B, I12C, I24Z
	21A	W04A, W04B		21A	W04A, W04B		21A	W04A, W04B
	21B	X06A, X06B, X06C		21B	X04Z		21B	X06A, X06B, X06C
5t39x.0↔		BOP, KVT, UOP4, VIAL	5t39x.j↔		BOP, KVT, UOP4, VIAL	5t400.5↔		BOP, KVT, UOP4, VIAL
	08	I16Z		08	I18A, I18B, I30Z		05	F13A
	21A	W04A, W04B		10	K09A, K09B		08	I08A, I08B, I08C, I08D, I08E, I08F, I12A, I12B, I12C, I24Z
	21B	X06A, X06B, X06C		21A	W04A, W04B		21A	W04A, W04B
5t39x.1↔		BOP, KVT, UOP4, VIAL		21B	X04Z		21B	X06A, X06B, X06C
	08	I16Z	5t39x.k↔		BOP, KVT, UOP4, VIAL	5t400.6↔		BOP, KVT, UOP4, VIAL
	21A	W04A, W04B		08	I13A, I13B, I13C, I13D, I13E		05	F13A
	21B	X06A, X06B, X06C		10	K09A, K09B		08	I08A, I08B, I08C, I08D, I08E, I08F, I12A, I12B, I12C, I24Z
5t39x.2↔		BOP, KVT, UOP4, VIAL		21A	W04A, W04B		21A	W04A, W04B
	08	I28A, I28B	5t39x.m↔		BOP, KVT, UOP4, VIAL	5t400.8↔		BOP, KVT, UOP4, VIAL
	21B	X05A, X05B, X06A, X06B, X06C		08	I20A, I20B, I20C, I20D, I20E, I20F		05	F13A
5t39x.3↔		BOP, KVT, UOP4, VIAL		21A	W04A, W04B		08	I12A, I12B, I12C, I32A, I32B, I32C, I32D, I32E, I32F, I32G
	08	I28A, I28B		21B	X04Z		21A	W04A, W04B
	21B	X05A, X05B, X06A, X06B, X06C	5t39x.n↔		BOP, KVT, UOP4, VIAL	5t400.9↔		BOP, KVT, UOP4, VIAL
5t39x.4↔		BOP, KVT, UOP4, VIAL		08	I20A, I20B, I20C, I20D, I20E, I20F		05	F13A
	08	I08A, I08B, I08C, I08D, I08E, I08F, I21Z, I31Z		21A	W04A, W04B		08	I12A, I12B, I12C, I32A, I32B, I32C, I32D, I32E, I32F, I32G
	21A	W04A, W04B		21B	X04Z		21A	W04A, W04B
	21B	X06A, X06B, X06C					21B	X05A, X05B

ZZV	MDC	DRG	ZZV	MDC	DRG	ZZV	MDC	DRG
5t400.e↔		BOP, KVT, UOP4, VIAL	5t401.2↔		BOP, KVT, UOP4, VIAL	5t401.k↔		BOP, KVT, UOP4, VIAL
	05	F13A		05	F13A		05	F13A
	08	I08A, I08B, I08C, I08D, I08E, I08F, I12A, I12B, I12C, I24Z		08	I12A, I12B, I12C, I24Z		08	I12A, I12B, I12C, I24Z
	21A	W04A, W04B		21A	W04A, W04B		21A	W04A, W04B
	21B	X04Z, X06A, X06B, X06C		21B	X06A, X06B, X06C		21B	X04Z
5t400.f		BOP, KVT, UOP4, VIAL	5t401.3↔		BOP, KVT, UOP4, VIAL	5t401.m↔		BOP, KVT, UOP4, VIAL
	05	F13A		05	F13A		05	F13A
	08	I12A, I12B, I12C, I24Z		08	I12A, I12B, I12C, I24Z		08	I12A, I12B, I12C, I24Z
	21A	W04A, W04B		21A	W04A, W04B		21A	W04A, W04B
	21B	X04Z, X06A, X06B, X06C		21B	X06A, X06B, X06C		21B	X04Z, X06A, X06B, X06C
5t400.g↔		BOP, KVT, UOP4, VIAL	5t401.4↔		BOP, KVT, UOP4, VIAL	5t401.n↔		BOP, KVT, UOP4, VIAL
	05	F13A		05	F13A		05	F13A
	08	I12A, I12B, I12C, I24Z		08	I08A, I08B, I08C, I08D, I08E, I08F, I12A, I12B, I12C, I24Z		08	I12A, I12B, I12C, I24Z
	21A	W04A, W04B		21A	W04A, W04B		21A	W04A, W04B
	21B	X04Z		21B	X06A, X06B, X06C		21B	X04Z, X06A, X06B, X06C
5t400.h↔		BOP, KVT, UOP4, VIAL	5t401.5↔		BOP, KVT, UOP4, VIAL	5t401.p↔		BOP, KVT, UOP4, VIAL
	05	F13A		05	F13A		05	F13A
	08	I12A, I12B, I12C, I24Z		08	I08A, I08B, I08C, I08D, I08E, I08F, I12A, I12B, I12C, I24Z		08	I20A, I20B, I20C, I20D, I20E, I20F
	10	K09A, K09B		21A	W04A, W04B		21A	W04A, W04B
	21A	W04A, W04B		21B	X06A, X06B, X06C		21B	X04Z, X06A, X06B, X06C
	21B	X04Z		21B	X06A, X06B, X06C		21B	X04Z, X06A, X06B, X06C
5t400.j↔		BOP, KVT, UOP4, VIAL	5t401.6↔		BOP, KVT, UOP4, VIAL	5t401.q↔		BOP, KVT, UOP4, VIAL
	05	F13A		05	F13A		05	F13A
	08	I59Z		08	I08A, I08B, I08C, I08D, I08E, I08F, I12A, I12B, I12C, I24Z		08	I12A, I12B, I12C, I24Z
5t400.k↔		BOP, KVT, UOP4, VIAL		21A	W04A, W04B		21A	W04A, W04B
	05	F13A		21B	X05A, X05B		21A	W04A, W04B
	08	I12A, I12B, I12C, I24Z		21B	X06A, X06B, X06C		21B	X04Z, X06A, X06B, X06C
	21A	W04A, W04B	5t401.8↔		BOP, KVT, UOP4, VIAL	5t401.r↔		BOP, KVT, UOP4, VIAL
	21B	X04Z		05	F13A		05	F13A
5t400.m↔		BOP, KVT, UOP4, VIAL		08	I12A, I12B, I12C, I32A, I32B, I32C, I32D, I32E, I32F, I32G		08	I12A, I12B, I12C, I24Z
	05	F13A		21A	W04A, W04B		21A	W04A, W04B
	08	I12A, I12B, I12C, I24Z		21B	X05A, X05B		21A	W04A, W04B
	21A	W04A, W04B		21B	X06A, X06B, X06C		21B	X06A, X06B, X06C
	21B	X04Z, X06A, X06B, X06C	5t401.9↔		BOP, KVT, UOP4, VIAL	5t402.0↔		BOP, KVT, UOP4, VIAL
5t400.n↔		BOP, KVT, UOP4, VIAL		05	F13A		08	I12A, I12B, I12C, I16Z
	05	F13A		08	I12A, I12B, I12C, I32A, I32B, I32C, I32D, I32E, I32F, I32G		21A	W04A, W04B
	08	I12A, I12B, I12C, I24Z		21A	W04A, W04B		21B	X06A, X06B, X06C
	21A	W04A, W04B		21B	X05A, X05B	5t402.1↔		BOP, KVT, UOP4, VIAL
	21B	X04Z, X06A, X06B, X06C		21B	X06A, X06B, X06C		08	I12A, I12B, I12C, I16Z
5t400.p↔		BOP, KVT, UOP4, VIAL	5t401.e↔		BOP, KVT, UOP4, VIAL		21A	W04A, W04B
	05	F13A		05	F13A		21B	X06A, X06B, X06C
	08	I20A, I20B, I20C, I20D, I20E, I20F		08	I08A, I08B, I08C, I08D, I08E, I08F, I12A, I12B, I12C, I24Z	5t402.2↔		BOP, KVT, UOP4, VIAL
5t400.q↔		BOP, KVT, UOP4, VIAL		21A	W04A, W04B		08	I12A, I12B, I12C, I28A, I28B
	05	F13A		21B	X04Z, X06A, X06B, X06C		21A	W04A, W04B
	08	I12A, I12B, I12C, I24Z	5t401.f		BOP, KVT, UOP4, VIAL		21B	X06A, X06B, X06C
	21A	W04A, W04B		05	F13A	5t402.4↔		BOP, KVT, UOP4, VIAL
	21B	X04Z, X06A, X06B, X06C		08	I12A, I12B, I12C, I24Z		08	I08A, I08B, I08C, I08D, I08E, I08F, I12A, I12B, I12C, I21Z, I31Z
5t400.r↔		BOP, KVT, UOP4, VIAL		21A	W04A, W04B		21A	W04A, W04B
	05	F13A		21B	X04Z, X06A, X06B, X06C		21B	X06A, X06B, X06C
	08	I12A, I12B, I12C, I24Z	5t401.g↔		BOP, KVT, UOP4, VIAL	5t402.5↔		BOP, KVT, UOP4, VIAL
	21A	W04A, W04B		05	F13A		08	I08A, I08B, I08C, I08D, I08E, I08F, I12A, I12B, I12C, I21Z, I31Z
	21B	X04Z, X06A, X06B, X06C		08	I12A, I12B, I12C, I24Z		21A	W04A, W04B
5t400.x		BOP, KVT, UOP4		21A	W04A, W04B		21B	X06A, X06B, X06C
	05	F13A	5t401.h↔		BOP, KVT, UOP4, VIAL	5t402.6↔		BOP, KVT, UOP4, VIAL
	08	I12A, I12B, I12C, I24Z		05	F13A		08	I08A, I08B, I08C, I08D, I08E, I08F, I12A, I12B, I12C, I32A, I32B, I32C, I32D, I32E, I32F
	21A	W04A, W04B		08	I12A, I12B, I12C, I24Z		21A	W04A, W04B
	21B	X05A, X05B		10	K09A, K09B		21B	X05A, X05B
5t401.0↔		BOP, KVT, UOP4, VIAL		21A	W04A, W04B	5t402.8↔		BOP, KVT, UOP4, VIAL
	05	F13A		21B	X04Z		08	I12A, I12B, I12C, I32A, I32B, I32C, I32D, I32E, I32F
	08	I12A, I12B, I12C, I24Z		21B	X06A, X06B, X06C		21A	W04A, W04B
	21A	W04A, W04B	5t401.j↔		BOP, KVT, UOP4, VIAL		21B	X05A, X05B
	21B	X06A, X06B, X06C		05	F13A		21B	X06A, X06B, X06C
5t401.1↔		BOP, KVT, UOP4, VIAL		08	I59Z		21B	X05A, X05B
	05	F13A						
	08	I12A, I12B, I12C, I24Z						
	21A	W04A, W04B						
	21B	X06A, X06B, X06C						

ZZV	MDC	DRG	ZZV	MDC	DRG	ZZV	MDC	DRG
5t402.9↔		BOP, KVT, UOP4, VIAL	5t403.4↔		BOP, KVT, UOP4, VIAL	5t403.x		BOP, KVT, UOP4
	08	I12A, I12B, I12C, I32A, I32B, I32C, I32D, I32E, I32F		01	B03A, B03B, B06A, B06B, B17A, B17B, B17C		01	B03A, B03B, B06A, B06B, B17A, B17B, B17C
	21A	W04A, W04B		08	I08A, I08B, I08C, I08D, I08E, I08F, I12A, I12B, I12C, I23A, I23B		08	I12A, I12B, I12C, I23A, I23B
	21B	X05A, X05B					21A	W04A, W04B
5t402.e↔		BOP, KVT, UOP4, VIAL					21B	X06A, X06B, X06C
	08	I08A, I08B, I08C, I08D, I08E, I08F, I12A, I12B, I12C, I28A, I28B		21A	W04A, W04B	5t404.0↔		BOP, KVT, UOP4, VIAL
				21B	X06A, X06B, X06C		08	I12A, I12B, I12C, I16Z
	21A	W04A, W04B	5t403.5↔		BOP, KVT, UOP4, VIAL		21A	W04A, W04B
	21B	X04Z, X06A, X06B, X06C		01	B03A, B03B, B06A, B06B, B17A, B17B, B17C		21B	X06A, X06B, X06C
5t402.g↔		BOP, KVT, UOP4, VIAL		08	I08A, I08B, I08C, I08D, I08E, I08F, I12A, I12B, I12C, I23A, I23B	5t404.1↔		BOP, KVT, UOP4, VIAL
	08	I08A, I08B, I08C, I08D, I08E, I30Z					08	I12A, I12B, I12C, I16Z
	21A	W01A, W01B, W01C, W02A, W02B		21A	W04A, W04B		21A	W04A, W04B
	21B	X04Z		21B	X06A, X06B, X06C		21B	X06A, X06B, X06C
5t402.h↔		BOP, KVT, UOP4, VIAL	5t403.8↔		BOP, KVT, UOP4, VIAL	5t404.3↔		BOP, KVT, UOP4, VIAL
	08	I12A, I12B, I12C, I18A, I18B, I30Z		01	B03A, B03B, B06A, B06B, B17A, B17B, B17C		08	I12A, I12B, I12C, I28A, I28B
				08	I12A, I12B, I12C, I23A, I23B		21A	W04A, W04B
	21A	W04A, W04B					21B	X06A, X06B, X06C
	21B	X04Z		08	I12A, I12B, I12C, I23A, I23B	5t404.4↔		BOP, KVT, UOP4, VIAL
5t402.i↔		BOP, KVT, UOP4, VIAL		21A	W04A, W04B		08	I08A, I08B, I08C, I08D, I08E, I08F, I12A, I12B, I12C, I21Z, I31Z
	08	I12A, I12B, I12C, I18A, I18B, I30Z		21B	X05A, X05B, X06A, X06B, X06C			
			5t403.9↔		BOP, KVT, UOP4, VIAL		10	K09A, K09B
	21A	W04A, W04B		01	B03A, B03B, B06A, B06B, B17A, B17B, B17C		21A	W04A, W04B
	21B	X04Z		08	I12A, I12B, I12C, I23A, I23B	5t404.5↔		X06A, X06B, X06C
5t402.k↔		BOP, KVT, UOP4, VIAL					21B	BOP, KVT, UOP4, VIAL
	08	I12A, I12B, I12C, I59Z		21A	W04A, W04B		08	I08A, I08B, I08C, I08D, I08E, I08F, I12A, I12B, I12C, I21Z, I31Z
				21B	X05A, X05B, X06A, X06B, X06C			
	21A	W04A, W04B	5t403.g↔		BOP, KVT, UOP4, VIAL		10	K09A, K09B
	21B	X04Z		08	I12A, I12B, I12C, I21Z		21A	W04A, W04B
5t402.l↔		BOP, KVT, UOP4, VIAL					21B	X06A, X06B, X06C
	08	I12A, I12B, I12C, I20A, I20B, I20C, I20D, I20E, I20F		21A	W04A, W04B	5t404.6↔		BOP, KVT, UOP4, VIAL
				21B	X04Z		08	I08A, I08B, I08C, I08D, I08E, I08F, I12A, I12B, I12C, I32A, I32B, I32C, I32D, I32E, I32F
	21A	W04A, W04B	5t403.h↔		BOP, KVT, UOP4, VIAL		21A	W04A, W04B
	21B	X04Z		01	B03A, B03B, B06A, B06B, B17A, B17B, B17C	5t404.8↔		BOP, KVT, UOP4, VIAL
5t402.m↔		BOP, KVT, UOP4, VIAL		08	I12A, I12B, I12C, I23A, I23B		08	I12A, I12B, I12C, I32A, I32B, I32C, I32D, I32E, I32F
	08	I12A, I12B, I12C, I20A, I20B, I20C, I20D, I20E, I20F					21A	W04A, W04B
				21A	W04A, W04B		21B	X05A, X05B
	21A	W04A, W04B	5t403.i↔		BOP, KVT, UOP4, VIAL	5t404.9↔		BOP, KVT, UOP4, VIAL
	21B	X04Z		08	I59Z		08	I12A, I12B, I12C, I32A, I32B, I32C, I32D, I32E, I32F
5t402.n↔		BOP, KVT, UOP4, VIAL					21A	W04A, W04B
	08	I12A, I12B, I12C, I20A, I20B, I20C, I20D, I20E, I20F		5t403.k↔			21B	X05A, X05B
				01	B03A, B03B, B06A, B06B, B17A, B17B, B17C	5t404.g↔		BOP, KVT, UOP4, VIAL
	21A	W04A, W04B		08	I12A, I12B, I12C, I23A, I23B		08	I08A, I08B, I08C, I08D, I08E, I30Z
	21B	X04Z					21A	W01A, W01B, W01C, W02A, W02B
5t402.o↔		BOP, KVT, UOP4, VIAL		08	I12A, I12B, I12C, I23A, I23B	5t404.8↔		BOP, KVT, UOP4, VIAL
	08	I20A, I20B, I20C, I20D, I20E, I20F					08	I12A, I12B, I12C, I32A, I32B, I32C, I32D, I32E, I32F
				21A	W04A, W04B		21A	W04A, W04B
	21A	W04A, W04B	5t403.j↔		BOP, KVT, UOP4, VIAL		21B	X05A, X05B
	21B	X04Z		08	I59Z	5t404.g↔		BOP, KVT, UOP4, VIAL
5t402.p↔		BOP, KVT, UOP4, VIAL					08	I08A, I08B, I08C, I08D, I08E, I30Z
	08	I20A, I20B, I20C, I20D, I20E, I20F		5t403.l↔			21A	W01A, W01B, W01C, W02A, W02B
				01	B03A, B03B, B06A, B06B, B17A, B17B, B17C	5t404.8↔		X04Z
				08	I12A, I12B, I12C, I23A, I23B		08	I12A, I12B, I12C, I32A, I32B, I32C, I32D, I32E, I32F
	21A	W04A, W04B					21A	W04A, W04B
	21B	X04Z		21A	W04A, W04B	5t404.g↔		X05A, X05B
5t402.q↔		BOP, KVT, UOP4, VIAL		21B	X04Z, X06A, X06B, X06C			BOP, KVT, UOP4, VIAL
	08	I12A, I12B, I12C, I20A, I20B, I20C, I20D, I20E, I20F					08	I08A, I08B, I08C, I08D, I08E, I30Z
				5t403.m↔			21A	W01A, W01B, W01C, W02A, W02B
	21A	W04A, W04B		01	B03A, B03B, B06A, B06B, B17A, B17B, B17C	5t404.h↔		X04Z
	21B	X04Z		08	I12A, I12B, I12C, I23A, I23B		08	I12A, I12B, I12C, I18A, I18B, I30Z
5t402.r↔		BOP, KVT, UOP4, VIAL					10	K09A, K09B
	08	I12A, I12B, I12C, I20A, I20B, I20C, I20D, I20E, I20F		5t403.n↔			21A	W04A, W04B
				08	I20A, I20B, I20C, I20D, I20E, I20F	5t404.h↔		X04Z
	21A	W04A, W04B					08	I12A, I12B, I12C, I18A, I18B, I30Z
	21B	X04Z		5t403.o↔			21A	W04A, W04B
5t402.x		BOP, KVT, UOP4		08	I20A, I20B, I20C, I20D, I20E, I20F	5t404.g↔		BOP, KVT, UOP4, VIAL
	08	I12A, I12B, I12C, I28A, I28B					08	I12A, I12B, I12C, I18A, I18B, I30Z
				5t403.p↔			10	K09A, K09B
	21A	W04A, W04B		08	I20A, I20B, I20C, I20D, I20E, I20F	5t404.j↔		W04A, W04B
	21B	X06A, X06B, X06C					21A	W04A, W04B
5t403.0↔		BOP, KVT, UOP4, VIAL		5t403.q↔			21B	X04Z
	01	B03A, B03B, B06A, B06B, B17A, B17B, B17C		01	BOP, KVT, UOP4, VIAL			BOP, KVT, UOP4, VIAL
				08	B03A, B03B, B06A, B06B, B17A, B17B, B17C		08	I12A, I12B, I12C, I18A, I18B, I30Z
	08	I12A, I12B, I12C, I23A, I23B					10	K09A, K09B
	21A	W04A, W04B		08	I12A, I12B, I12C, I23A, I23B		21A	W04A, W04B
	21B	X06A, X06B, X06C					21B	X04Z
				5t403.r↔				
				08	I20A, I20B, I20C, I20D, I20E, I20F			



ZZV	MDC	DRG	ZZV	MDC	DRG	ZZV	MDC	DRG
5t404.k↔		BOP, KVT, UOP4, VIAL 08 I12A, I12B, I12C, I59Z 10 K09A, K09B 21A W04A, W04B 21B X04Z	5t405.9↔		BOP, KVT, UOP4, VIAL 08 I12A, I12B, I12C, I32A, I32B, I32C, I32D, I32E, I32F 09 J03A, J03B, J04A, J04B, J08A, J08B, J08C, J11A, J11B, J16Z 21A W04A, W04B 21B X05A, X05B	5t406.5↔		BOP, KVT, UOP4, VIAL 08 I08A, I08B, I08C, I08D, I08E, I08F, I12A, I12B, I12C, I24Z 21A W04A, W04B 21B X06A, X06B, X06C
5t404.m↔		BOP, KVT, UOP4, VIAL 08 I12A, I12B, I12C, I20A, I20B, I20C, I20D, I20E, I20F 21A W04A, W04B 21B X04Z	5t405.e↔		BOP, KVT, UOP4, VIAL 08 I08A, I08B, I08C, I08D, I08E, I08F, I12A, I12B, I12C, I28A, I28B 21A W04A, W04B 21B X04Z, X06A, X06B, X06C	5t406.6↔		BOP, KVT, UOP4, VIAL 08 I08A, I08B, I08C, I08D, I08E, I08F, I12A, I12B, I12C, I24Z 21A W04A, W04B 21B X05A, X05B
5t404.n↔		BOP, KVT, UOP4, VIAL 08 I12A, I12B, I12C, I20A, I20B, I20C, I20D, I20E, I20F 21A W04A, W04B 21B X04Z	5t405.f		BOP, KVT, UOP4, VIAL 08 I12A, I12B, I12C, I28A, I28B 21A W04A, W04B 21B X04Z, X06A, X06B, X06C	5t406.8↔		BOP, KVT, UOP4, VIAL 08 I12A, I12B, I12C, I32A, I32B, I32C, I32D, I32E, I32F, I32G 21A W04A, W04B 21B X05A, X05B
5t404.p↔		BOP, KVT, UOP4, VIAL 08 I12A, I12B, I12C, I20A, I20B, I20C, I20D, I20E, I20F 21A W04A, W04B 21B X04Z	5t405.g↔		BOP, KVT, UOP4, VIAL 08 I08A, I08B, I08C, I08D, I08E, I30Z 21A W01A, W01B, W01C, W02A, W02B 21B X04Z	5t406.9↔		BOP, KVT, UOP4, VIAL 08 I12A, I12B, I12C, I32A, I32B, I32C, I32D, I32E, I32F, I32G 21A W04A, W04B 21B X05A, X05B
5t404.q↔		BOP, KVT, UOP4, VIAL 08 I12A, I12B, I12C, I20A, I20B, I20C, I20D, I20E, I20F 21A W04A, W04B 21B X04Z	5t405.h↔		BOP, KVT, UOP4, VIAL 08 I12A, I12B, I12C, I18A, I18B, I30Z 21A W04A, W04B 21B X04Z	5t406.g↔		BOP, KVT, UOP4, VIAL 08 I12A, I12B, I12C, I24Z 21A W04A, W04B 21B X04Z
5t404.r↔		BOP, KVT, UOP4, VIAL 08 I12A, I12B, I12C, I20A, I20B, I20C, I20D, I20E, I20F 21A W04A, W04B 21B X04Z	5t405.i↔		BOP, KVT, UOP4, VIAL 08 I59Z 21A W04A, W04B 21B X04Z	5t406.h↔		BOP, KVT, UOP4, VIAL 08 I12A, I12B, I12C, I24Z 10 K09A, K09B 21A W04A, W04B 21B X04Z
5t404.x		BOP, KVT, UOP4 08 I12A, I12B, I12C, I28A, I28B 21A W04A, W04B 21B X06A, X06B, X06C	5t405.j↔		BOP, KVT, UOP4, VIAL 08 I59Z 21A W04A, W04B 21B X04Z	5t406.k↔		BOP, KVT, UOP4, VIAL 08 I12A, I12B, I12C, I24Z 21A W04A, W04B 21B X04Z
5t405.0↔		BOP, KVT, UOP4, VIAL 08 I12A, I12B, I12C, I16Z 21A W04A, W04B 21B X06A, X06B, X06C	5t405.k↔		BOP, KVT, UOP4, VIAL 08 I12A, I12B, I12C, I59Z 21A W04A, W04B 21B X04Z	5t406.l↔		BOP, KVT, UOP4, VIAL 08 I20A, I20B, I20C, I20D, I20E, I20F 21A W04A, W04B 21B X04Z
5t405.4↔		BOP, KVT, UOP4, VIAL 08 I08A, I08B, I08C, I08D, I08E, I08F, I12A, I12B, I12C, I21Z, I31Z 21A W04A, W04B 21B X06A, X06B, X06C	5t405.m↔		BOP, KVT, UOP4, VIAL 08 I12A, I12B, I12C, I20A, I20B, I20C, I20D, I20E, I20F 21A W04A, W04B 21B X04Z	5t406.m↔		BOP, KVT, UOP4, VIAL 08 I20A, I20B, I20C, I20D, I20E, I20F 21A W04A, W04B 21B X04Z
5t405.5↔		BOP, KVT, UOP4, VIAL 08 I08A, I08B, I08C, I08D, I08E, I08F, I12A, I12B, I12C, I21Z, I31Z 21A W04A, W04B 21B X06A, X06B, X06C	5t405.n↔		BOP, KVT, UOP4, VIAL 08 I12A, I12B, I12C, I20A, I20B, I20C, I20D, I20E, I20F 21A W04A, W04B 21B X04Z	5t406.n↔		BOP, KVT, UOP4, VIAL 08 I20A, I20B, I20C, I20D, I20E, I20F 21A W04A, W04B 21B X04Z
5t405.6↔		BOP, KVT, UOP4, VIAL 08 I08A, I08B, I08C, I08D, I08E, I08F, I12A, I12B, I12C, I32A, I32B, I32C, I32D, I32E, I32F 09 J03A, J03B, J04A, J04B, J08A, J08B, J08C, J11A, J11B, J16Z 21A W04A, W04B 21B X05A, X05B	5t405.p↔		BOP, KVT, UOP4, VIAL 08 I12A, I12B, I12C, I20A, I20B, I20C, I20D, I20E, I20F 21A W04A, W04B 21B X04Z	5t406.o↔		BOP, KVT, UOP4, VIAL 08 I12A, I12B, I12C, I24Z 21A W04A, W04B 21B X06A, X06B, X06C
5t405.8↔		BOP, KVT, UOP4, VIAL 08 I12A, I12B, I12C, I32A, I32B, I32C, I32D, I32E, I32F 09 J03A, J03B, J04A, J04B, J08A, J08B, J08C, J11A, J11B, J16Z 21A W04A, W04B 21B X05A, X05B	5t405.q↔		BOP, KVT, UOP4, VIAL 08 I20A, I20B, I20C, I20D, I20E, I20F 21A W04A, W04B 21B X06A, X06B, X06C	5t407.0↔		BOP, KVT, UOP4, VIAL 05 F13A 08 I12A, I12B, I12C, I16Z 21A W04A, W04B 21B X06A, X06B, X06C
			5t405.r↔		BOP, KVT, UOP4, VIAL 08 I20A, I20B, I20C, I20D, I20E, I20F 21A W04A, W04B 21B X06A, X06B, X06C	5t407.1↔		BOP, KVT, UOP4, VIAL 05 F13A 08 I12A, I12B, I12C, I16Z 21A W04A, W04B 21B X06A, X06B, X06C
			5t405.x		BOP, KVT, UOP4 08 I12A, I12B, I12C, I28A, I28B 21A W04A, W04B 21B X06A, X06B, X06C	5t407.2↔		BOP, KVT, UOP4, VIAL 05 F13A 08 I12A, I12B, I12C, I28A, I28B 21A W04A, W04B 21B X06A, X06B, X06C
			5t406.0↔		BOP, KVT, UOP4, VIAL 08 I12A, I12B, I12C, I24Z 21A W04A, W04B 21B X06A, X06B, X06C	5t407.3↔		BOP, KVT, UOP4, VIAL 05 F13A 08 I12A, I12B, I12C, I28A, I28B 21A W04A, W04B 21B X06A, X06B, X06C
			5t406.4↔		BOP, KVT, UOP4, VIAL 08 I08A, I08B, I08C, I08D, I08E, I08F, I12A, I12B, I12C, I24Z 21A W04A, W04B 21B X06A, X06B, X06C			

ZZV	MDC	DRG	ZZV	MDC	DRG	ZZV	MDC	DRG
5t407.4↔		BOP, KVT, UOP4, VIAL	5t407.j↔		BOP, KVT, UOP4, VIAL	5t408.4↔		BOP, KVT, UOP4, VIAL
05		F13A	05		F13A	05		F13A
08		I08A, I08B, I08C, I08D, I08E, I08F, I12A, I12B, I12C, I21Z, I31Z	08		I12A, I12B, I12C, I18A, I18B, I30Z	08		I08A, I08B, I08C, I08D, I08E, I08F, I12A, I12B, I12C, I18A, I18B, I30Z
21A		W04A, W04B	21A		W04A, W04B	21A		W04A, W04B
21B		X06A, X06B, X06C	21B		X04Z	21B		X06A, X06B, X06C
5t407.5↔		BOP, KVT, UOP4, VIAL	5t407.k↔		BOP, KVT, UOP4, VIAL	5t408.5↔		BOP, KVT, UOP4, VIAL
05		F13A	05		F13A	05		F13A
08		I08A, I08B, I08C, I08D, I08E, I08F, I12A, I12B, I12C, I18A, I18B, I30Z	08		I12A, I12B, I12C, I59Z	08		I08A, I08B, I08C, I08D, I08E, I08F, I12A, I12B, I12C, I18A, I18B, I30Z
21A		W04A, W04B	21A		W04A, W04B	21A		W04A, W04B
21B		X06A, X06B, X06C	21B		X04Z	21B		X06A, X06B, X06C
5t407.6↔		BOP, KVT, UOP4, VIAL	5t407.m↔		BOP, KVT, UOP4, VIAL	5t408.6↔		BOP, KVT, UOP4, VIAL
05		F13A	05		F13A	05		F13A
08		I08A, I08B, I08C, I08D, I08E, I08F, I12A, I12B, I12C, I32A, I32B, I32C, I32D, I32E, I32F	08		I12A, I12B, I12C, I20A, I20B, I20C, I20D, I20E, I20F	08		I08A, I08B, I08C, I08D, I08E, I08F, I12A, I12B, I12C, I32A, I32B, I32C, I32D, I32E, I32F
09		J03A, J03B, J04A, J04B, J08A, J08B, J08C, J11A, J11B, J16Z	09		J03A, J03B, J04A, J04B, J08A, J08B, J08C, J11A, J11B, J16Z	09		J03A, J03B, J04A, J04B, J08A, J08B, J08C, J11A, J11B, J16Z
21A		W04A, W04B	21A		W04A, W04B	21A		W04A, W04B
21B		X05A, X05B	21B		X04Z	21B		X05A, X05B
5t407.8↔		BOP, KVT, UOP4, VIAL	5t407.p↔		BOP, KVT, UOP4, VIAL	5t408.8↔		BOP, KVT, UOP4, VIAL
05		F13A	05		F13A	05		F13A
08		I12A, I12B, I12C, I32A, I32B, I32C, I32D, I32E, I32F	08		I12A, I12B, I12C, I20A, I20B, I20C, I20D, I20E, I20F	08		I12A, I12B, I12C, I32A, I32B, I32C, I32D, I32E, I32F
09		J03A, J03B, J04A, J04B, J08A, J08B, J08C, J11A, J11B, J16Z	09		J03A, J03B, J04A, J04B, J08A, J08B, J08C, J11A, J11B, J16Z	09		J03A, J03B, J04A, J04B, J08A, J08B, J08C, J11A, J11B, J16Z
21A		W04A, W04B	21A		W04A, W04B	21A		W04A, W04B
21B		X05A, X05B	21B		X04Z	21B		X05A, X05B
5t407.9↔		BOP, KVT, UOP4, VIAL	5t407.q↔		BOP, KVT, UOP4, VIAL	5t408.9↔		BOP, KVT, UOP4, VIAL
05		F13A	05		F13A	05		F13A
08		I12A, I12B, I12C, I32A, I32B, I32C, I32D, I32E, I32F	08		I12A, I12B, I12C, I20A, I20B, I20C, I20D, I20E, I20F	08		I12A, I12B, I12C, I32A, I32B, I32C, I32D, I32E, I32F
09		J03A, J03B, J04A, J04B, J08A, J08B, J08C, J11A, J11B, J16Z	09		J03A, J03B, J04A, J04B, J08A, J08B, J08C, J11A, J11B, J16Z	09		J03A, J03B, J04A, J04B, J08A, J08B, J08C, J11A, J11B, J16Z
21A		W04A, W04B	21A		W04A, W04B	21A		W04A, W04B
21B		X05A, X05B	21B		X04Z	21B		X05A, X05B
5t407.e↔		BOP, KVT, UOP4, VIAL	5t407.r↔		BOP, KVT, UOP4, VIAL	5t408.e↔		BOP, KVT, UOP4, VIAL
05		F13A	05		F13A	05		F13A
08		I08A, I08B, I08C, I08D, I08E, I08F, I12A, I12B, I12C, I28A, I28B	08		I12A, I12B, I12C, I20A, I20B, I20C, I20D, I20E, I20F	08		I08A, I08B, I08C, I08D, I08E, I08F, I12A, I12B, I12C, I28A, I28B
21A		W04A, W04B	21A		W04A, W04B	21A		W04A, W04B
21B		X04Z, X06A, X06B, X06C	21B		X04Z	21B		X04Z, X06A, X06B, X06C
5t407.f		BOP, KVT, UOP4, VIAL	5t407.x		BOP, KVT, UOP4	5t408.f		BOP, KVT, UOP4, VIAL
05		F13A	05		F13A	05		F13A
08		I12A, I12B, I12C, I28A, I28B	08		I12A, I12B, I12C, I28A, I28B	08		I12A, I12B, I12C, I28A, I28B
21A		W04A, W04B	21A		W04A, W04B	21A		W04A, W04B
21B		X04Z, X06A, X06B, X06C	21B		X06A, X06B, X06C	21B		X04Z, X06A, X06B, X06C
5t407.g↔		BOP, KVT, UOP4, VIAL	5t408.0↔		BOP, KVT, UOP4, VIAL	5t408.g↔		BOP, KVT, UOP4, VIAL
05		F13A	05		F13A	05		F13A
08		I08A, I08B, I08C, I08D, I08E, I30Z	08		I12A, I12B, I12C, I16Z	08		I08A, I08B, I08C, I08D, I08E, I30Z
21A		W01A, W01B, W01C, W02A, W02B	21A		W04A, W04B	21A		W01A, W01B, W01C, W02A, W02B
21B		X04Z	21B		X06A, X06B, X06C	21B		X04Z
5t407.h↔		BOP, KVT, UOP4, VIAL	5t408.1↔		BOP, KVT, UOP4, VIAL	5t408.h↔		BOP, KVT, UOP4, VIAL
05		F13A	05		F13A	05		F13A
08		I12A, I12B, I12C, I18A, I30Z	08		I12A, I12B, I12C, I28A, I28B	08		I12A, I12B, I12C, I18A, I18B, I30Z
21A		W04A, W04B	21A		W04A, W04B	21A		W04A, W04B
21B		X04Z	21B		X06A, X06B, X06C	21B		X04Z

VYK

ZZV	MDC	DRG	ZZV	MDC	DRG	ZZV	MDC	DRG
5t408.j↔		BOP, KVT, UOP4, VIAL	5t409.5↔		BOP, KVT, UOP4, VIAL	5t409.n↔		BOP, KVT, UOP4, VIAL
	05	F13A		08	I08A, I08B, I08C, I08D, I08E, I08F, I12A, I12B, I12C, I18A, I18B, I30Z		08	I12A, I12B, I12C, I20A, I20B, I20C, I20D, I20E, I20F
	08	I12A, I12B, I12C, I18A, I18B, I30Z		21A	W04A, W04B		21A	W04A, W04B
	21A	W04A, W04B		21B	X06A, X06B, X06C	5t409.p↔		BOP, KVT, UOP4, VIAL
	21B	X04Z	5t409.6↔		BOP, KVT, UOP4, VIAL		08	I12A, I12B, I12C, I20A, I20B, I20C, I20D, I20E, I20F
5t408.k↔		BOP, KVT, UOP4, VIAL		08	I08A, I08B, I08C, I08D, I08E, I08F, I12A, I12B, I12C, I32A, I32B, I32C, I32D, I32E, I32F		21A	W04A, W04B
	05	F13A		09	J03A, J03B, J04A, J04B, J08A, J08B, J08C, J11A, J11B, J16Z		21B	X04Z
	08	I12A, I12B, I12C, I59Z		21A	W04A, W04B	5t409.q↔		BOP, KVT, UOP4, VIAL
	21A	W04A, W04B	5t409.8↔		BOP, KVT, UOP4, VIAL		08	I12A, I12B, I12C, I20A, I20B, I20C, I20D, I20E, I20F
	21B	X04Z		08	I12A, I12B, I12C, I32A, I32B, I32C, I32D, I32E, I32F, I32G		21A	W04A, W04B
5t408.m↔		BOP, KVT, UOP4, VIAL		09	J03A, J03B, J04A, J04B, J08A, J08B, J08C, J11A, J11B, J16Z		21B	X04Z
	05	F13A		21A	W04A, W04B	5t409.r↔		BOP, KVT, UOP4, VIAL
	08	I12A, I12B, I12C, I20A, I20B, I20C, I20D, I20E, I20F		21B	X05A, X05B		08	I12A, I12B, I12C, I20A, I20B, I20C, I20D, I20E, I20F
	21A	W04A, W04B	5t409.9↔		BOP, KVT, UOP4, VIAL		21A	W04A, W04B
	21B	X04Z		08	I12A, I12B, I12C, I32A, I32B, I32C, I32D, I32E, I32F, I32G		21B	X04Z
5t408.n↔		BOP, KVT, UOP4, VIAL		09	J03A, J03B, J04A, J04B, J08A, J08B, J08C, J11A, J11B, J16Z	5t409.x		BOP, KVT, UOP4
	05	F13A		21A	W04A, W04B		08	I12A, I12B, I12C, I28A, I28B
	08	I12A, I12B, I12C, I20A, I20B, I20C, I20D, I20E, I20F		21B	X05A, X05B		21A	W04A, W04B
	21A	W04A, W04B	5t409.e↔		BOP, KVT, UOP4, VIAL		21B	X06A, X06B, X06C
	21B	X04Z		08	I08A, I08B, I08C, I08D, I08E, I08F, I12A, I12B, I12C, I28A, I28B	5t40x.0↔		BOP, KVT, UOP4, VIAL
5t408.p↔		BOP, KVT, UOP4, VIAL		21A	W04A, W04B		08	I24Z
	05	F13A		21B	X04Z, X06A, X06B, X06C		21A	W04A, W04B
	08	I12A, I12B, I12C, I20A, I20B, I20C, I20D, I20E, I20F	5t409.f		BOP, KVT, UOP4, VIAL		21B	X06A, X06B, X06C
	21A	W04A, W04B		08	I12A, I12B, I12C, I28A, I28B	5t40x.1↔		BOP, KVT, UOP4, VIAL
	21B	X04Z		21A	W04A, W04B		08	I24Z
5t408.q↔		BOP, KVT, UOP4, VIAL		21B	X05A, X05B		21A	W04A, W04B
	05	F13A	5t409.g↔		BOP, KVT, UOP4, VIAL		21B	X06A, X06B, X06C
	08	I12A, I12B, I12C, I20A, I20B, I20C, I20D, I20E, I20F		08	I08A, I08B, I08C, I08D, I08E, I30Z	5t40x.2↔		BOP, KVT, UOP4, VIAL
	21A	W04A, W04B		21A	W01A, W01B, W01C, W02A, W02B		08	I24Z
	21B	X04Z		21B	X04Z		21A	W04A, W04B
5t408.r↔		BOP, KVT, UOP4, VIAL	5t409.h↔		BOP, KVT, UOP4, VIAL		21B	X06A, X06B, X06C
	05	F13A		08	I12A, I12B, I12C, I18A, I18B, I30Z	5t40x.3↔		BOP, KVT, UOP4, VIAL
	08	I12A, I12B, I12C, I20A, I20B, I20C, I20D, I20E, I20F		21A	W04A, W04B		08	I24Z
	21A	W04A, W04B		21B	X04Z, X06A, X06B, X06C		21A	W04A, W04B
	21B	X04Z	5t409.i↔		BOP, KVT, UOP4, VIAL		21B	X06A, X06B, X06C
5t408.s↔		BOP, KVT, UOP4		08	I12A, I12B, I12C, I18A, I18B, I30Z	5t40x.4↔		BOP, KVT, UOP4, VIAL
	05	F13A		21A	W04A, W04B		08	I08A, I08B, I08C, I08D, I08E, I08F, I24Z
	08	I12A, I12B, I12C, I28A, I28B		21B	X04Z		21A	W04A, W04B
	21A	W04A, W04B	5t409.j↔		BOP, KVT, UOP4, VIAL		21B	X06A, X06B, X06C
	21B	X06A, X06B, X06C		08	I12A, I12B, I12C, I18A, I18B, I30Z	5t40x.5↔		BOP, KVT, UOP4, VIAL
5t409.0↔		BOP, KVT, UOP4, VIAL		21A	W04A, W04B		08	I08A, I08B, I08C, I08D, I08E, I08F, I24Z
	08	I12A, I12B, I12C, I16Z		21B	X04Z		21A	W04A, W04B
	21A	W04A, W04B	5t409.k↔		BOP, KVT, UOP4, VIAL		21B	X06A, X06B, X06C
	21B	X06A, X06B, X06C		08	I12A, I12B, I12C, I59Z	5t40x.6↔		BOP, KVT, UOP4, VIAL
5t409.1↔		BOP, KVT, UOP4, VIAL		21A	W04A, W04B		08	I08A, I08B, I08C, I08D, I08E, I08F, I24Z
	08	I12A, I12B, I12C, I16Z		21B	X04Z		21A	W04A, W04B
	21A	W04A, W04B	5t409.l↔		BOP, KVT, UOP4, VIAL		21B	X05A, X05B
	21B	X06A, X06B, X06C		08	I12A, I12B, I12C, I32A, I32B, I32C, I32D, I32E, I32F, I32G	5t40x.8↔		BOP, KVT, UOP4, VIAL
5t409.3↔		BOP, KVT, UOP4, VIAL		21A	W04A, W04B		08	I32A, I32B, I32C, I32D, I32E, I32F, I32G
	08	I12A, I12B, I12C, I28A, I28B		21B	X04Z		21A	W04A, W04B
	21A	W04A, W04B	5t409.m↔		BOP, KVT, UOP4, VIAL		21B	X05A, X05B
	21B	X06A, X06B, X06C		08	I12A, I12B, I12C, I20A, I20B, I20C, I20D, I20E, I20F	5t40x.9↔		BOP, KVT, UOP4, VIAL
5t409.4↔		BOP, KVT, UOP4, VIAL		21A	W04A, W04B		08	I32A, I32B, I32C, I32D, I32E, I32F, I32G
	08	I08A, I08B, I08C, I08D, I08E, I08F, I12A, I12B, I12C, I18A, I18B, I30Z		21B	X04Z		21A	W04A, W04B
	21A	W04A, W04B		21B	X04Z		21B	X05A, X05B
	21B	X06A, X06B, X06C						

ZZV	MDC	DRG	ZZV	MDC	DRG	ZZV	MDC	DRG
5t40x.e↔		BOP, KVT, UOP4, VIAL	5t411.x		BOP, KVT, UOP4	5t412.h↔		BOP, KVT, UOP4, VIAL
	08	I08A, I08B, I08C, I08D, I08E, I08F, I24Z		08	I24Z		05	F13A
	21A	W04A, W04B		21A	W04A, W04B		08	I12A, I12B, I12C, I18A, I18B, I30Z
	21B	X04Z, X06A, X06B, X06C	5t412.0↔		BOP, KVT, UOP4, VIAL		21A	W04A, W04B
5t40x.f		BOP, KVT, UOP4, VIAL		05	F13A		21B	X04Z
	08	I24Z		08	I12A, I12B, I12C, I16Z	5t412.j↔		BOP, KVT, UOP4, VIAL
	21A	W04A, W04B		21A	W04A, W04B		05	F13A
	21B	X04Z, X06A, X06B, X06C		21B	X06A, X06B, X06C		08	I12A, I12B, I12C, I18A, I18B, I30Z
5t40x.g↔		BOP, KVT, UOP4, VIAL	5t412.1↔		BOP, KVT, UOP4, VIAL		21A	W04A, W04B
	08	I24Z		05	F13A		21B	X04Z
	21A	W04A, W04B		08	I12A, I12B, I12C, I16Z	5t412.k↔		BOP, KVT, UOP4, VIAL
	21B	X04Z		21A	W04A, W04B		05	F13A
5t40x.h↔		BOP, KVT, UOP4, VIAL		21B	X06A, X06B, X06C		08	I12A, I12B, I12C, I59Z
	08	I24Z	5t412.3↔		BOP, KVT, UOP4, VIAL		21A	W04A, W04B
	10	K09A, K09B		05	F13A		21B	X04Z
	21A	W04A, W04B		08	I12A, I12B, I12C, I28A, I28B	5t412.m↔		BOP, KVT, UOP4, VIAL
	21B	X04Z		21A	W04A, W04B		05	F13A
5t40x.j↔		BOP, KVT, UOP4, VIAL		21B	X06A, X06B, X06C		08	I12A, I12B, I12C, I20A, I20B, I20C, I20D, I20E, I20F
	08	I24Z	5t412.4↔		BOP, KVT, UOP4, VIAL		21A	W04A, W04B
	21A	W04A, W04B		05	F13A		21B	X04Z
	21B	X04Z, X06A, X06B, X06C		08	I08A, I08B, I08C, I08D, I08E, I08F, I12A, I12B, I12C, I18A, I18B, I30Z	5t412.n↔		BOP, KVT, UOP4, VIAL
5t40x.k↔		BOP, KVT, UOP4, VIAL		21A	W04A, W04B		05	F13A
	08	I24Z		21B	X06A, X06B, X06C		08	I12A, I12B, I12C, I20A, I20B, I20C, I20D, I20E, I20F
	21A	W04A, W04B	5t412.5↔		BOP, KVT, UOP4, VIAL		21A	W04A, W04B
	21B	X04Z		05	F13A		21B	X04Z
5t40x.m↔		BOP, KVT, UOP4, VIAL		08	I08A, I08B, I08C, I08D, I08E, I08F, I12A, I12B, I12C, I18A, I18B, I30Z	5t412.p↔		BOP, KVT, UOP4, VIAL
	08	I24Z		21A	W04A, W04B		05	F13A
	21A	W04A, W04B		21B	X06A, X06B, X06C		08	I12A, I12B, I12C, I20A, I20B, I20C, I20D, I20E, I20F
	21B	X04Z, X06A, X06B, X06C	5t412.6↔		BOP, KVT, UOP4, VIAL		21A	W04A, W04B
5t40x.n↔		BOP, KVT, UOP4, VIAL		05	F13A		21B	X04Z
	08	I24Z		08	I08A, I08B, I08C, I08D, I08E, I08F, I12A, I12B, I12C, I32A, I32B, I32C, I32D, I32E, I32F	5t412.q↔		BOP, KVT, UOP4, VIAL
	21A	W04A, W04B		09	J03A, J03B, J04A, J04B, J08A, J08B, J08C, J11A, J11B, J16Z		05	F13A
	21B	X04Z, X06A, X06B, X06C		21A	W04A, W04B		08	I12A, I12B, I12C, I20A, I20B, I20C, I20D, I20E, I20F
5t40x.p↔		BOP, KVT, UOP4, VIAL		21B	X05A, X05B		21A	W04A, W04B
	08	I24Z	5t412.8↔		BOP, KVT, UOP4, VIAL		21B	X04Z
	21A	W04A, W04B		05	F13A	5t412.r↔		BOP, KVT, UOP4, VIAL
	21B	X04Z, X06A, X06B, X06C		08	I12A, I12B, I12C, I32A, I32B, I32C, I32D, I32E, I32F, I32G		05	F13A
5t40x.q↔		BOP, KVT, UOP4, VIAL		09	J03A, J03B, J04A, J04B, J08A, J08B, J08C, J11A, J11B, J16Z		08	I12A, I12B, I12C, I20A, I20B, I20C, I20D, I20E, I20F
	08	I24Z		21A	W04A, W04B		21A	W04A, W04B
	21A	W04A, W04B		21B	X05A, X05B		21B	X04Z
	21B	X04Z, X06A, X06B, X06C	5t412.9↔		BOP, KVT, UOP4, VIAL	5t412.x		BOP, KVT, UOP4
5t40x.r↔		BOP, KVT, UOP4, VIAL		05	F13A		05	F13A
	08	I24Z		08	I12A, I12B, I12C, I32A, I32B, I32C, I32D, I32E, I32F, I32G		08	I12A, I12B, I12C, I28A, I28B
	21A	W04A, W04B		09	J03A, J03B, J04A, J04B, J08A, J08B, J08C, J11A, J11B, J16Z		21A	W04A, W04B
	21B	X04Z, X06A, X06B, X06C		21A	W04A, W04B		21B	X06A, X06B, X06C
5t40x.x		BOP, KVT, UOP4		21B	X05A, X05B	5t413.0↔		BOP, KVT, UOP4, VIAL
	08	I24Z		05	F13A		05	F13A
	21A	W04A, W04B		08	I12A, I12B, I12C, I32A, I32B, I32C, I32D, I32E, I32F, I32G		08	I12A, I12B, I12C, I16Z
	21B	X06A, X06B, X06C		09	J03A, J03B, J04A, J04B, J08A, J08B, J08C, J11A, J11B, J16Z		21A	W04A, W04B
5t410.h↔		BOP, KVT, UOP4, VIAL		21A	W04A, W04B		21B	X06A, X06B, X06C
	08	I24Z, I30Z	5t412.g↔		BOP, KVT, UOP4, VIAL		05	F13A
	21A	W04A, W04B		05	F13A		08	I12A, I12B, I12C, I16Z
	21B	X04Z		08	I08A, I08B, I08C, I08D, I08E, I30Z		21A	W04A, W04B
5t410.x		BOP, KVT, UOP4		08	I08A, I08B, I08C, I08D, I08E, I30Z	5t413.1↔		BOP, KVT, UOP4, VIAL
	08	I28A, I28B		21A	W01A, W01B, W01C, W02A, W02B		05	F13A
	21A	W04A, W04B		21B	X04Z		08	I12A, I12B, I12C, I16Z
	21B	X06A, X06B, X06C		08	I08A, I08B, I08C, I08D, I08E, I30Z		21A	W04A, W04B
5t411.g↔		BOP, KVT, UOP4, VIAL		21A	W01A, W01B, W01C, W02A, W02B	5t413.3↔		BOP, KVT, UOP4, VIAL
	08	I08A, I08B, I08C, I08D, I08E, I30Z		21B	X04Z		05	F13A
	21A	W01A, W01B, W01C, W02A, W02B		08	I08A, I08B, I08C, I08D, I08E, I30Z		08	I12A, I12B, I12C, I28A, I28B
	21B	X04Z		21A	W01A, W01B, W01C, W02A, W02B		21A	W04A, W04B
5t411.h↔		BOP, KVT, UOP4, VIAL		21B	X04Z		21B	X06A, X06B, X06C
	08	I24Z, I30Z						
	21A	W04A, W04B						
	21B	X04Z						

ZZV	MDC	DRG	ZZV	MDC	DRG	ZZV	MDC	DRG
5t413.4↔		BOP, KVT, UOP4, VIAL	5t413.m↔		BOP, KVT, UOP4, VIAL	5t414.6↔		BOP, KVT, UOP4, VIAL
	05	F13A		05	F13A		08	I08A, I08B, I08C, I08D, I08E, I08F, I32A, I32B, I32C, I32D, I32E, I32F
	08	I08A, I08B, I08C, I08D, I08E, I08F, I12A, I12B, I12C, I21Z, I31Z		08	I12A, I12B, I12C, I20A, I20B, I20C, I20D, I20E, I20F		09	J03A, J03B, J04A, J04B, J08A, J08B, J08C, J11A, J11B, J16Z
	21A	W04A, W04B		21A	W04A, W04B		21A	W04A, W04B
	21B	X06A, X06B, X06C	5t413.n↔		BOP, KVT, UOP4, VIAL		21B	X05A, X05B
5t413.5↔		BOP, KVT, UOP4, VIAL		05	F13A	5t414.8↔		BOP, KVT, UOP4, VIAL
	05	F13A		08	I12A, I12B, I12C, I20A, I20B, I20C, I20D, I20E, I20F		08	I32A, I32B, I32C, I32D, I32E, I32F, I32G
	08	I08A, I08B, I08C, I08D, I08E, I08F, I12A, I12B, I12C, I21Z, I31Z		21A	W04A, W04B		09	J03A, J03B, J04A, J04B, J08A, J08B, J08C, J11A, J11B, J16Z
	21A	W04A, W04B		21B	X04Z		21A	W04A, W04B
	21B	X06A, X06B, X06C	5t413.p↔		BOP, KVT, UOP4, VIAL		21B	X05A, X05B
5t413.6↔		BOP, KVT, UOP4, VIAL		05	F13A	5t414.9↔		BOP, KVT, UOP4, VIAL
	05	F13A		08	I12A, I12B, I12C, I20A, I20B, I20C, I20D, I20E, I20F		08	I32A, I32B, I32C, I32D, I32E, I32F, I32G
	08	I08A, I08B, I08C, I08D, I08E, I08F, I12A, I12B, I12C, I32A, I32B, I32C, I32D, I32E, I32F		21A	W04A, W04B		09	J03A, J03B, J04A, J04B, J08A, J08B, J08C, J11A, J11B, J16Z
	09	J03A, J03B, J04A, J04B, J08A, J08B, J08C, J11A, J11B, J16Z		21B	X04Z		21A	W04A, W04B
	21A	W04A, W04B	5t413.q↔		BOP, KVT, UOP4, VIAL		21B	X05A, X05B
	21B	X05A, X05B		05	F13A	5t414.e↔		BOP, KVT, UOP4, VIAL
5t413.8↔		BOP, KVT, UOP4, VIAL		08	I12A, I12B, I12C, I20A, I20B, I20C, I20D, I20E, I20F		08	I08A, I08B, I08C, I08D, I08E, I08F, I28A, I28B
	05	F13A		21A	W04A, W04B		21A	W04A, W04B
	08	I12A, I12B, I12C, I32A, I32B, I32C, I32D, I32E, I32F, I32G		21B	X04Z		21B	X04Z, X06A, X06B, X06C
	09	J03A, J03B, J04A, J04B, J08A, J08B, J08C, J11A, J11B, J16Z	5t413.r↔		BOP, KVT, UOP4, VIAL	5t414.f		BOP, KVT, UOP4, VIAL
	21A	W04A, W04B		05	F13A		08	I28A, I28B
	21B	X05A, X05B		08	I12A, I12B, I12C, I20A, I20B, I20C, I20D, I20E, I20F		21A	W04A, W04B
5t413.9↔		BOP, KVT, UOP4, VIAL		21A	W04A, W04B		21B	X04Z, X06A, X06B, X06C
	05	F13A	5t413.x		BOP, KVT, UOP4	5t414.g↔		BOP, KVT, UOP4, VIAL
	08	I12A, I12B, I12C, I32A, I32B, I32C, I32D, I32E, I32F, I32G		05	F13A		08	I08A, I08B, I08C, I08D, I08E, I30Z
	09	J03A, J03B, J04A, J04B, J08A, J08B, J08C, J11A, J11B, J16Z		08	I12A, I12B, I12C, I28A, I28B		21A	W01A, W01B, W01C, W02A, W02B
	21A	W04A, W04B		21A	W04A, W04B		21B	X04Z
	21B	X05A, X05B		21B	X04Z	5t414.h↔		BOP, KVT, UOP4, VIAL
5t413.g↔		BOP, KVT, UOP4, VIAL		21A	W04A, W04B		08	I24Z, I30Z
	05	F13A		21B	X06A, X06B, X06C		21A	W04A, W04B
	08	I08A, I08B, I08C, I08D, I08E, I30Z	5t414.0↔		BOP, KVT, UOP4, VIAL		21B	X04Z
	21A	W01A, W01B, W01C, W02A, W02B		08	I16Z	5t414.j↔		BOP, KVT, UOP4, VIAL
	21B	X04Z		21A	W04A, W04B		08	I18A, I18B, I30Z
5t413.h↔		BOP, KVT, UOP4, VIAL		21B	X06A, X06B, X06C		21A	W04A, W04B
	05	F13A	5t414.1↔		BOP, KVT, UOP4, VIAL		21B	X04Z
	08	I12A, I12B, I12C, I18A, I18B, I30Z		08	I16Z	5t414.k↔		BOP, KVT, UOP4, VIAL
	21A	W04A, W04B		21A	W04A, W04B		08	I59Z
	21B	X04Z		21B	X06A, X06B, X06C		21A	W04A, W04B
5t413.j↔		BOP, KVT, UOP4, VIAL	5t414.2↔		BOP, KVT, UOP4, VIAL		21B	X04Z
	05	F13A		08	I28A, I28B	5t414.l↔		BOP, KVT, UOP4, VIAL
	08	I12A, I12B, I12C, I18A, I18B, I30Z		21A	W04A, W04B		08	I20A, I20B, I20C, I20D, I20E, I20F
	21A	W04A, W04B		21B	X06A, X06B, X06C		21A	W04A, W04B
	21B	X04Z	5t414.3↔		BOP, KVT, UOP4, VIAL		21B	X04Z
5t413.k↔		BOP, KVT, UOP4, VIAL		08	I28A, I28B	5t414.m↔		BOP, KVT, UOP4, VIAL
	05	F13A		21A	W04A, W04B		08	I20A, I20B, I20C, I20D, I20E, I20F
	08	I12A, I12B, I12C, I59Z		21B	X06A, X06B, X06C		21A	W04A, W04B
	21A	W04A, W04B	5t414.4↔		BOP, KVT, UOP4, VIAL		21B	X04Z
	21B	X04Z		08	I08A, I08B, I08C, I08D, I08E, I08F, I18A, I18B, I30Z	5t414.n↔		BOP, KVT, UOP4, VIAL
				21A	W04A, W04B		08	I20A, I20B, I20C, I20D, I20E, I20F
				21B	X06A, X06B, X06C		21A	W04A, W04B
			5t414.5↔		BOP, KVT, UOP4, VIAL		21B	X04Z
				08	I08A, I08B, I08C, I08D, I08E, I08F, I18A, I18B, I30Z	5t414.p↔		BOP, KVT, UOP4, VIAL
				21A	W04A, W04B		08	I20A, I20B, I20C, I20D, I20E, I20F
				21B	X06A, X06B, X06C		21A	W04A, W04B
							21B	X04Z

VYK

ZZV	MDC	DRG	ZZV	MDC	DRG	ZZV	MDC	DRG
5t414.q↔		BOP, KVT, UOP4, VIAL	5t41x.f		BOP, KVT, UOP4, VIAL	5t420.5↔		BOP, KVT, UOP4, VIAL
	08	I20A, I20B, I20C, I20D, I20E, I20F		08	I28A, I28B		08	I08A, I08B, I08C, I08D, I08E, I08F, I12A, I12B, I12C, I18A, I18B, I30Z
	21A	W04A, W04B		21A	W04A, W04B		21A	W04A, W04B
	21B	X04Z		21B	X04Z, X06A, X06B, X06C		21B	X06A, X06B, X06C
5t414.r↔		BOP, KVT, UOP4, VIAL	5t41x.g↔		BOP, KVT, UOP4, VIAL	5t420.6↔		BOP, KVT, UOP4, VIAL
	08	I20A, I20B, I20C, I20D, I20E, I20F		08	I08A, I08B, I08C, I08D, I08E, I30Z		08	I08A, I08B, I08C, I08D, I08E, I08F, I12A, I12B, I12C, I32A, I32B, I32C, I32D, I32E, I32F
	21A	W04A, W04B		21A	W01A, W01B, W01C, W02A, W02B		09	J03A, J03B, J04A, J04B, J08A, J08B, J08C, J11A, J11B, J16Z
	21B	X04Z		21B	X04Z		21A	W04A, W04B
5t414.x		BOP, KVT, UOP4	5t41x.h↔		BOP, KVT, UOP4, VIAL		21B	X05A, X05B
	08	I28A, I28B		08	I24Z, I30Z	5t420.8↔		BOP, KVT, UOP4, VIAL
	21A	W04A, W04B		21A	W04A, W04B		08	I12A, I12B, I12C, I32A, I32B, I32C, I32D, I32E, I32F, I32G
	21B	X06A, X06B, X06C		21B	X04Z		09	J03A, J03B, J04A, J04B, J08A, J08B, J08C, J11A, J11B, J16Z
5t41x.0↔		BOP, KVT, UOP4, VIAL	5t41x.j↔		BOP, KVT, UOP4, VIAL		21A	W04A, W04B
	08	I16Z		08	I18A, I18B, I30Z		21B	X05A, X05B
	21A	W04A, W04B		21A	W04A, W04B		08	I12A, I12B, I12C, I32A, I32B, I32C, I32D, I32E, I32F, I32G
	21B	X06A, X06B, X06C		21B	X04Z		09	J03A, J03B, J04A, J04B, J08A, J08B, J08C, J11A, J11B, J16Z
5t41x.1↔		BOP, KVT, UOP4, VIAL	5t41x.k↔		BOP, KVT, UOP4, VIAL		21A	W04A, W04B
	08	I16Z		08	I59Z		21B	X05A, X05B
	21A	W04A, W04B		21A	W04A, W04B	5t420.9↔		BOP, KVT, UOP4, VIAL
	21B	X06A, X06B, X06C		21B	X04Z		08	I12A, I12B, I12C, I32A, I32B, I32C, I32D, I32E, I32F, I32G
5t41x.2↔		BOP, KVT, UOP4, VIAL	5t41x.m↔		BOP, KVT, UOP4, VIAL		09	J03A, J03B, J04A, J04B, J08A, J08B, J08C, J11A, J11B, J16Z
	08	I28A, I28B		08	I20A, I20B, I20C, I20D, I20E, I20F		21A	W04A, W04B
	21A	W04A, W04B		21A	W04A, W04B		21B	X05A, X05B
	21B	X06A, X06B, X06C		21B	X04Z		08	I12A, I12B, I12C, I32A, I32B, I32C, I32D, I32E, I32F, I32G
5t41x.3↔		BOP, KVT, UOP4, VIAL	5t41x.n↔		BOP, KVT, UOP4, VIAL		09	J03A, J03B, J04A, J04B, J08A, J08B, J08C, J11A, J11B, J16Z
	08	I28A, I28B		08	I20A, I20B, I20C, I20D, I20E, I20F		21A	W04A, W04B
	21A	W04A, W04B		21A	W04A, W04B	5t420.e↔		BOP, KVT, UOP4, VIAL
	21B	X06A, X06B, X06C		21B	X04Z		08	I08A, I08B, I08C, I08D, I08E, I08F, I12A, I12B, I12C, I28A, I28B
5t41x.4↔		BOP, KVT, UOP4, VIAL	5t41x.p↔		BOP, KVT, UOP4, VIAL		21A	W04A, W04B
	08	I08A, I08B, I08C, I08D, I08E, I08F, I18A, I18B, I30Z		08	I20A, I20B, I20C, I20D, I20E, I20F		21B	X04Z, X06A, X06B, X06C
	21A	W04A, W04B		21A	W04A, W04B	5t420.f		BOP, KVT, UOP4, VIAL
	21B	X06A, X06B, X06C		21B	X04Z		08	I12A, I12B, I12C, I28A, I28B
5t41x.5↔		BOP, KVT, UOP4, VIAL	5t41x.q↔		BOP, KVT, UOP4, VIAL		21A	W04A, W04B
	08	I08A, I08B, I08C, I08D, I08E, I08F, I18A, I18B, I30Z		08	I20A, I20B, I20C, I20D, I20E, I20F		21B	X04Z, X06A, X06B, X06C
	21A	W04A, W04B		21A	W04A, W04B	5t420.g↔		BOP, KVT, UOP4, VIAL
	21B	X06A, X06B, X06C		21B	X04Z		08	I08A, I08B, I08C, I08D, I08E, I30Z
5t41x.6↔		BOP, KVT, UOP4, VIAL	5t41x.r↔		BOP, KVT, UOP4, VIAL		21A	W01A, W01B, W01C, W02A, W02B
	08	I08A, I08B, I08C, I08D, I08E, I08F, I32A, I32B, I32C, I32D, I32E, I32F		08	I20A, I20B, I20C, I20D, I20E, I20F		21B	X04Z
	09	J03A, J03B, J04A, J04B, J08A, J08B, J08C, J11A, J11B, J16Z		21A	W04A, W04B	5t420.h↔		BOP, KVT, UOP4, VIAL
	21A	W04A, W04B		21B	X04Z		01	B03A, B03B, B06A, B06B, B17A, B17B, B17C
	21B	X05A, X05B	5t41x.x		BOP, KVT, UOP4		08	I12A, I12B, I12C, I24Z, I30Z
5t41x.8↔		BOP, KVT, UOP4, VIAL		08	I28A, I28B		21A	W04A, W04B
	08	I32A, I32B, I32C, I32D, I32E, I32F, I32G		21A	W04A, W04B		21B	X04Z
	09	J03A, J03B, J04A, J04B, J08A, J08B, J08C, J11A, J11B, J16Z	5t420.0↔		BOP, KVT, UOP4, VIAL	5t420.j↔		BOP, KVT, UOP4, VIAL
	21A	W04A, W04B		08	I12A, I12B, I12C, I16Z		01	B03A, B03B, B06A, B06B, B17A, B17B, B17C
	21B	X05A, X05B		21A	W04A, W04B		08	I12A, I12B, I12C, I18A, I18B, I30Z
5t41x.9↔		BOP, KVT, UOP4, VIAL	5t420.1↔		BOP, KVT, UOP4, VIAL		21A	W04A, W04B
	08	I32A, I32B, I32C, I32D, I32E, I32F, I32G		08	I12A, I12B, I12C, I16Z		21B	X04Z
	09	J03A, J03B, J04A, J04B, J08A, J08B, J08C, J11A, J11B, J16Z	5t420.3↔		BOP, KVT, UOP4, VIAL	5t420.k↔		BOP, KVT, UOP4, VIAL
	21A	W04A, W04B		08	I12A, I12B, I12C, I28A, I28B		08	I12A, I12B, I12C, I59Z
	21B	X05A, X05B		21A	W04A, W04B		21A	W04A, W04B
5t41x.e↔		BOP, KVT, UOP4, VIAL	5t420.4↔		BOP, KVT, UOP4, VIAL		21B	X04Z
	08	I08A, I08B, I08C, I08D, I08E, I08F, I28A, I28B		08	I08A, I08B, I08C, I08D, I08E, I08F, I12A, I12B, I12C, I18A, I18B, I30Z	5t420.m↔		BOP, KVT, UOP4, VIAL
	21A	W04A, W04B		21A	W04A, W04B		08	I12A, I12B, I12C, I20A, I20B, I20C, I20D, I20E, I20F
	21B	X04Z, X06A, X06B, X06C		21B	X06A, X06B, X06C		21A	W04A, W04B

ZZV	MDC	DRG	ZZV	MDC	DRG	ZZV	MDC	DRG
5t420.n↔		BOP, KVT, UOP4, VIAL	5t421.h↔		BOP, KVT, UOP4, VIAL	5t422.8↔		BOP, KVT, UOP4, VIAL
	08	I12A, I12B, I12C, I20A, I20B, I20C, I20D, I20E, I20F		08	I18A, I18B, I30Z		08	I12A, I12B, I12C, I32A, I32B, I32C, I32D, I32E, I32F
	21A	W04A, W04B		21A	W04A, W04B		21A	W04A, W04B
	21B	X04Z		21B	X04Z		21B	X05A, X05B
5t420.p↔		BOP, KVT, UOP4, VIAL	5t421.j↔		BOP, KVT, UOP4, VIAL	5t422.9↔		BOP, KVT, UOP4, VIAL
	08	I12A, I12B, I12C, I20A, I20B, I20C, I20D, I20E, I20F		08	I59Z		08	I12A, I12B, I12C, I32A, I32B, I32C, I32D, I32E, I32F
	21A	W04A, W04B		01	B03A, B03B, B06A, B06B, B17A, B17B, B17C		21A	W04A, W04B
	21B	X04Z		05	F27A, F27B, F27C		21B	X05A, X05B
5t420.q↔		BOP, KVT, UOP4, VIAL		08	I59Z	5t422.g↔		BOP, KVT, UOP4, VIAL
	08	I12A, I12B, I12C, I20A, I20B, I20C, I20D, I20E, I20F		10	K01Z		08	I08A, I08B, I08C, I08D, I08E, I30Z
	21A	W04A, W04B		21A	W04A, W04B		21A	W01A, W01B, W01C, W02A, W02B
	21B	X04Z		21B	X04Z		21B	X04Z
5t420.r↔		BOP, KVT, UOP4, VIAL	5t421.m↔		BOP, KVT, UOP4, VIAL	5t422.h↔		BOP, KVT, UOP4, VIAL
	08	I12A, I12B, I12C, I20A, I20B, I20C, I20D, I20E, I20F		08	I20A, I20B, I20C, I20D, I20E, I20F		08	I12A, I12B, I12C, I18A, I18B, I30Z
	21A	W04A, W04B		21A	W04A, W04B		21A	W04A, W04B
	21B	X04Z		21B	X04Z		21B	X04Z
5t420.x		BOP, KVT, UOP4	5t421.n↔		BOP, KVT, UOP4, VIAL	5t422.j↔		BOP, KVT, UOP4, VIAL
	08	I12A, I12B, I12C, I28A, I28B		08	I20A, I20B, I20C, I20D, I20E, I20F		08	I59Z
	21A	W04A, W04B		21A	W04A, W04B		5t422.k↔	BOP, KVT, UOP4, VIAL
	21B	X06A, X06B, X06C		21B	X04Z		08	I59Z
5t421.0↔		BOP, KVT, UOP4, VIAL	5t421.p↔		BOP, KVT, UOP4, VIAL		08	I12A, I12B, I12C, I59Z
	08	I16Z		08	I20A, I20B, I20C, I20D, I20E, I20F		21A	W04A, W04B
	21A	W04A, W04B		21A	W04A, W04B		21B	X04Z
	21B	X06A, X06B, X06C		21B	X04Z	5t422.m↔		BOP, KVT, UOP4, VIAL
5t421.1↔		BOP, KVT, UOP4, VIAL	5t421.q↔		BOP, KVT, UOP4, VIAL		08	I12A, I12B, I12C, I20A, I20B, I20C, I20D, I20E, I20F
	08	I16Z		08	I20A, I20B, I20C, I20D, I20E, I20F		21A	W04A, W04B
	21A	W04A, W04B		21A	W04A, W04B		21B	X04Z
	21B	X06A, X06B, X06C		21B	X04Z	5t422.n↔		BOP, KVT, UOP4, VIAL
5t421.4↔		BOP, KVT, UOP4, VIAL	5t421.r↔		BOP, KVT, UOP4, VIAL		08	I12A, I12B, I12C, I20A, I20B, I20C, I20D, I20E, I20F
	08	I08A, I08B, I08C, I08D, I08E, I08F, I21Z, I31Z		08	I20A, I20B, I20C, I20D, I20E, I20F		21A	W04A, W04B
	21A	W04A, W04B		21A	W04A, W04B		21B	X04Z
	21B	X06A, X06B, X06C	5t421.x		BOP, KVT, UOP4	5t422.p↔		BOP, KVT, UOP4, VIAL
5t421.5↔		BOP, KVT, UOP4, VIAL		08	I28A, I28B		08	I12A, I12B, I12C, I20A, I20B, I20C, I20D, I20E, I20F
	08	I08A, I08B, I08C, I08D, I08E, I08F, I21Z, I31Z		21A	W04A, W04B		21A	W04A, W04B
	21A	W04A, W04B		21B	X06A, X06B, X06C		21B	X04Z
	21B	X06A, X06B, X06C	5t422.0↔		BOP, KVT, UOP4, VIAL	5t422.q↔		BOP, KVT, UOP4, VIAL
5t421.6↔		BOP, KVT, UOP4, VIAL		08	I12A, I12B, I12C, I16Z		08	I12A, I12B, I12C, I20A, I20B, I20C, I20D, I20E, I20F
	08	I08A, I08B, I08C, I08D, I08E, I08F, I32A, I32B, I32C, I32D, I32E, I32F		21A	W04A, W04B		21A	W04A, W04B
	21A	W04A, W04B		21B	X06A, X06B, X06C		21B	X04Z
	21B	X05A, X05B	5t422.1↔		BOP, KVT, UOP4, VIAL	5t422.r↔		BOP, KVT, UOP4, VIAL
5t421.8↔		BOP, KVT, UOP4, VIAL		08	I12A, I12B, I12C, I16Z		08	I12A, I12B, I12C, I20A, I20B, I20C, I20D, I20E, I20F
	08	I32A, I32B, I32C, I32D, I32E, I32F		21A	W04A, W04B		21A	W04A, W04B
	21A	W04A, W04B		21B	X06A, X06B, X06C		21B	X04Z
	21B	X05A, X05B	5t422.4↔		BOP, KVT, UOP4, VIAL	5t422.x		BOP, KVT, UOP4
5t421.9↔		BOP, KVT, UOP4, VIAL		08	I08A, I08B, I08C, I08D, I08E, I08F, I12A, I12B, I12C, I21Z, I31Z		08	I12A, I12B, I12C, I28A, I28B
	08	I32A, I32B, I32C, I32D, I32E, I32F		21A	W04A, W04B		21A	W04A, W04B
	21A	W04A, W04B		21B	X06A, X06B, X06C		21B	X06A, X06B, X06C
	21B	X05A, X05B	5t422.5↔		BOP, KVT, UOP4, VIAL	5t423↔		BOP, KVT, UOP4, VIAL
5t421.e↔		BOP, KVT, UOP4, VIAL		08	I08A, I08B, I08C, I08D, I08E, I08F, I12A, I12B, I12C, I21Z, I31Z		08	I12A, I12B, I12C, I24Z, I30Z
	08	I08A, I08B, I08C, I08D, I08E, I08F, I28A, I28B		21A	W04A, W04B		10	K09A, K09B
	21A	W04A, W04B		21B	X06A, X06B, X06C		21A	W04A, W04B
	21B	X04Z, X06A, X06B, X06C	5t422.6↔		BOP, KVT, UOP4, VIAL		21B	X04Z
5t421.g↔		BOP, KVT, UOP4, VIAL		08	I08A, I08B, I08C, I08D, I08E, I08F, I12A, I12B, I12C, I32A, I32B, I32C, I32D, I32E, I32F	5t424↔		BOP, KVT, UOP4, VIAL
	08	I08A, I08B, I08C, I08D, I08E, I30Z		21A	W04A, W04B		08	I12A, I12B, I12C, I18A, I18B, I30Z
	21A	W01A, W01B, W01C, W02A, W02B		21B	X05A, X05B		10	K09A, K09B
	21B	X04Z					21A	W04A, W04B
							21B	X04Z

ZZV	MDC	DRG	ZZV	MDC	DRG	ZZV	MDC	DRG
5t425↔		BOP, KVT, UOP4, VIAL	5t427.g↔		BOP, KVT, UOP4, VIAL	5t428.9↔		BOP, KVT, UOP4, VIAL
	01	B03A, B03B, B06A, B06B, B17A, B17B, B17C		08	I08A, I08B, I08C, I08D, I08E, I30Z, I32A, I32B, I32C, I32D		08	I32A, I32B, I32C, I32D, I32E, I32F
	08	I18A, I30Z		21A	W01A, W01B, W01C, W02A, W02B		21A	W04A, W04B
	21A	W04A, W04B		21B	X04Z		21B	X05A, X05B
	21B	X04Z				5t428.e↔	08	I32A, I32B, I32C, I32D
5t426.0↔		BOP, KVT, UOP4, VIAL	5t427.h↔		BOP, KVT, UOP4, VIAL	5t428.f	08	I32A, I32B, I32C, I32D
	08	I16Z		01	B03A, B03B, B06A, B06B, B17A, B17B, B17C	5t428.g↔		BOP, KVT, UOP4, VIAL
	21A	W04A, W04B		08	I18A, I30Z, I32A, I32B, I32C, I32D		08	I08A, I08B, I08C, I08D, I08E, I30Z, I32A, I32B, I32C, I32D
	21B	X06A, X06B, X06C		21A	W04A, W04B		21A	W01A, W01B, W01C, W02A, W02B
5t426.4↔		BOP, KVT, UOP4, VIAL		21B	X04Z		21B	X04Z
	08	I08A, I08B, I08C, I08D, I08E, I08F, I18A, I18B, I30Z	5t427.j↔		BOP, KVT, UOP4, VIAL	5t428.h↔		BOP, KVT, UOP4, VIAL
	21A	W04A, W04B		08	I32A, I32B, I32C, I32D, I59Z		01	B03A, B03B, B06A, B06B, B17A, B17B, B17C
	21B	X06A, X06B, X06C	5t427.k↔		BOP, KVT, UOP4, VIAL		08	I18A, I30Z, I32A, I32B, I32C, I32D
5t426.g↔		BOP, KVT, UOP4, VIAL		08	I32A, I32B, I32C, I32D, I59Z		21A	W04A, W04B
	08	I08A, I08B, I08C, I08D, I08E, I30Z		21A	W04A, W04B		21B	X04Z
	21A	W01A, W01B, W01C, W02A, W02B	5t427.m↔	08	I32A, I32B, I32C, I32D	5t428.i↔		BOP, KVT, UOP4, VIAL
	21B	X04Z	5t427.n↔		BOP, KVT, UOP4, VIAL	5t428.j↔	08	I32A, I32B, I32C, I32D, I59Z
5t426.h↔		BOP, KVT, UOP4, VIAL		08	I20A, I20B, I20C, I20D, I20E, I20F, I32A, I32B, I32C, I32D	5t428.k↔		BOP, KVT, UOP4, VIAL
	08	I18A, I30Z					08	I32A, I32B, I32C, I32D, I59Z
	21A	W04A, W04B	5t427.p↔		BOP, KVT, UOP4, VIAL		21A	W04A, W04B
	21B	X04Z		08	I20A, I20B, I20C, I20D, I20E, I20F, I32A, I32B, I32C, I32D		21B	X04Z
5t426.k↔		BOP, KVT, UOP4, VIAL				5t428.m↔	08	I32A, I32B, I32C, I32D
	08	I59Z	5t427.q↔		BOP, KVT, UOP4, VIAL	5t428.n↔		BOP, KVT, UOP4, VIAL
	21A	W04A, W04B		08	I20A, I20B, I20C, I20D, I20E, I20F, I32A, I32B, I32C, I32D		08	I20A, I20B, I20C, I20D, I20E, I20F, I32A, I32B, I32C, I32D
	21B	X04Z						BOP, KVT, UOP4, VIAL
5t426.x		BOP, KVT, UOP4	5t427.r↔		BOP, KVT, UOP4, VIAL	5t428.p↔		BOP, KVT, UOP4, VIAL
	08	I28A, I28B		08	I20A, I20B, I20C, I20D, I20E, I20F, I32A, I32B, I32C, I32D		08	I20A, I20B, I20C, I20D, I20E, I20F, I32A, I32B, I32C, I32D
	21A	W04A, W04B						BOP, KVT, UOP4, VIAL
	21B	X06A, X06B, X06C	5t427.x		BOP, KVT, UOP4	5t428.q↔		BOP, KVT, UOP4, VIAL
5t427.0↔		BOP, KVT, UOP4, VIAL		08	I28A, I28B, I32A, I32B, I32C, I32D		08	I20A, I20B, I20C, I20D, I20E, I20F, I32A, I32B, I32C, I32D
	08	I16Z, I32A, I32B, I32C, I32D		21A	W04A, W04B	5t428.r↔		BOP, KVT, UOP4, VIAL
	21A	W04A, W04B		21B	X06A, X06B, X06C		08	I20A, I20B, I20C, I20D, I20E, I20F, I32A, I32B, I32C, I32D
	21B	X06A, X06B, X06C	5t428.0↔		BOP, KVT, UOP4, VIAL			BOP, KVT, UOP4, VIAL
5t427.1↔	08	I32A, I32B, I32C, I32D		08	I16Z, I32A, I32B, I32C, I32D	5t428.x		BOP, KVT, UOP4
5t427.3↔	08	I32A, I32B, I32C, I32D		21A	W04A, W04B		08	I28A, I28B, I32A, I32B, I32C, I32D
5t427.4↔		BOP, KVT, UOP4, VIAL		21B	X06A, X06B, X06C		21A	W04A, W04B
	08	I08A, I08B, I08C, I08D, I08E, I08F, I21Z, I31Z, I32A, I32B, I32C, I32D	5t428.1↔	08	I32A, I32B, I32C, I32D		21B	X06A, X06B, X06C
	21A	W04A, W04B	5t428.3↔	08	I32A, I32B, I32C, I32D			BOP, KVT, UOP4, VIAL
	21B	X06A, X06B, X06C	5t428.4↔	08	BOP, KVT, UOP4, VIAL	5t429↔		BOP, KVT, UOP4, VIAL
5t427.5↔		BOP, KVT, UOP4, VIAL					08	I32A, I32B, I32C, I32D, I32E, I32F, I32G
	08	I08A, I08B, I08C, I08D, I08E, I08F, I21Z, I31Z, I32A, I32B, I32C, I32D		21A	W04A, W04B		09	J03A, J03B, J04A, J04B, J08A, J08B, J08C, J11A, J11B, J16Z
	21A	W04A, W04B	5t428.5↔	21B	X06A, X06B, X06C		21A	W04A, W04B
	21B	X06A, X06B, X06C		08	I08A, I08B, I08C, I08D, I08E, I08F, I21Z, I31Z, I32A, I32B, I32C, I32D		21B	X05A, X05B
5t427.6↔		BOP, KVT, UOP4, VIAL				5t42a↔		BOP, KVT, UOP4, VIAL
	08	I08A, I08B, I08C, I08D, I08E, I08F, I32A, I32B, I32C, I32D, I32E, I32F		21A	W04A, W04B		01	B03A, B03B, B06A, B06B, B17A, B17B, B17C
	21A	W04A, W04B	5t428.6↔		BOP, KVT, UOP4, VIAL		08	I18A, I18B, I24Z, I30Z
	21B	X05A, X05B		08	I08A, I08B, I08C, I08D, I08E, I08F, I32A, I32B, I32C, I32D, I32E, I32F		21A	W04A, W04B
5t427.8↔		BOP, KVT, UOP4, VIAL		21A	W04A, W04B		21B	X04Z
	08	I32A, I32B, I32C, I32D, I32E, I32F		21B	X05A, X05B	5t42b↔		BOP, KVT, UOP4, VIAL
	21A	W04A, W04B	5t428.8↔		BOP, KVT, UOP4, VIAL		01	B03A, B03B, B06A, B06B, B17A, B17B, B17C
	21B	X05A, X05B		08	I32A, I32B, I32C, I32D, I32E, I32F		08	I24Z, I30Z
5t427.9↔		BOP, KVT, UOP4, VIAL		21A	W04A, W04B		21A	W04A, W04B
	08	I32A, I32B, I32C, I32D, I32E, I32F		21B	X05A, X05B	5t42c.0↔		BOP, KVT, UOP4, VIAL
	21A	W04A, W04B					08	I16Z
	21B	X05A, X05B					21A	W04A, W04B
5t427.e↔	08	I32A, I32B, I32C, I32D					21B	X06A, X06B, X06C
5t427.f	08	I32A, I32B, I32C, I32D						



ZZV	MDC	DRG	ZZV	MDC	DRG	ZZV	MDC	DRG
5t42c.1↔		BOP, KVT, UOP4, VIAL	5t42c.m↔		BOP, KVT, UOP4, VIAL	5t42d.9↔		BOP, KVT, UOP4, VIAL
	08	I16Z		08	I20A, I20B, I20C, I20D, I20E, I20F		08	I32A, I32B, I32C, I32D, I32E, I32F, I32G
	21A	W04A, W04B		21A	W04A, W04B		09	J03A, J03B, J04A, J04B, J08A, J08B, J08C, J11A, J11B, J16Z
	21B	X06A, X06B, X06C		21B	X04Z		21A	W04A, W04B
5t42c.3↔		BOP, KVT, UOP4, VIAL	5t42c.n↔		BOP, KVT, UOP4, VIAL		21B	X05A, X05B
	08	I28A, I28B		08	I20A, I20B, I20C, I20D, I20E, I20F	5t42d.e↔		BOP, KVT, UOP4, VIAL
	21A	W04A, W04B		21A	W04A, W04B		08	I08A, I08B, I08C, I08D, I08E, I08F, I28A, I28B
	21B	X06A, X06B, X06C		21B	X04Z		21A	W04A, W04B
5t42c.4↔		BOP, KVT, UOP4, VIAL	5t42c.p↔		BOP, KVT, UOP4, VIAL		21B	X04Z, X06A, X06B, X06C
	08	I08A, I08B, I08C, I08D, I08E, I08F, I18A, I18B, I30Z		08	I20A, I20B, I20C, I20D, I20E, I20F	5t42d.g↔		BOP, KVT, UOP4, VIAL
	21A	W04A, W04B		21A	W04A, W04B		08	I08A, I08B, I08C, I08D, I08E, I30Z
	21B	X06A, X06B, X06C		21B	X04Z		21A	W01A, W01B, W01C, W02A, W02B
5t42c.5↔		BOP, KVT, UOP4, VIAL	5t42c.q↔		BOP, KVT, UOP4, VIAL		21B	X04Z
	08	I08A, I08B, I08C, I08D, I08E, I08F, I18A, I18B, I30Z		08	I20A, I20B, I20C, I20D, I20E, I20F	5t42d.h↔		BOP, KVT, UOP4, VIAL
	21A	W04A, W04B		21A	W04A, W04B		01	B03A, B03B, B06A, B06B, B17A, B17B, B17C
	21B	X06A, X06B, X06C		21B	X04Z		08	I18A, I18B, I30Z
5t42c.6↔		BOP, KVT, UOP4, VIAL	5t42c.r↔		BOP, KVT, UOP4, VIAL		21A	W04A, W04B
	08	I08A, I08B, I08C, I08D, I08E, I08F, I32A, I32B, I32C, I32D, I32E, I32F		08	I20A, I20B, I20C, I20D, I20E, I20F		21B	X04Z
	09	J03A, J03B, J04A, J04B, J08A, J08B, J08C, J11A, J11B, J16Z		21A	W04A, W04B	5t42d.j↔		BOP, KVT, UOP4, VIAL
	21A	W04A, W04B		21B	X04Z		08	I59Z
	21B	X05A, X05B	5t42c.x		BOP, KVT, UOP4		5t42d.k↔	BOP, KVT, UOP4, VIAL
5t42c.8↔		BOP, KVT, UOP4, VIAL		08	I28A, I28B		08	I59Z
	08	I32A, I32B, I32C, I32D, I32E, I32F, I32G		21A	W04A, W04B		08	I59Z
	09	J03A, J03B, J04A, J04B, J08A, J08B, J08C, J11A, J11B, J16Z		21B	X06A, X06B, X06C		21A	W04A, W04B
	21A	W04A, W04B	5t42d.0↔		BOP, KVT, UOP4, VIAL		21B	X04Z
	21B	X05A, X05B		08	I16Z	5t42d.m↔		BOP, KVT, UOP4, VIAL
5t42c.9↔		BOP, KVT, UOP4, VIAL	5t42d.1↔		BOP, KVT, UOP4, VIAL		08	I20A, I20B, I20C, I20D, I20E, I20F
	08	I32A, I32B, I32C, I32D, I32E, I32F, I32G		08	I16Z		21A	W04A, W04B
	09	J03A, J03B, J04A, J04B, J08A, J08B, J08C, J11A, J11B, J16Z		21A	W04A, W04B	5t42d.n↔		BOP, KVT, UOP4, VIAL
	21A	W04A, W04B		21B	X06A, X06B, X06C		08	I20A, I20B, I20C, I20D, I20E, I20F
	21B	X05A, X05B	5t42d.3↔		BOP, KVT, UOP4, VIAL		21A	W04A, W04B
5t42c.e↔		BOP, KVT, UOP4, VIAL		08	I28A, I28B		21B	X04Z
	08	I08A, I08B, I08C, I08D, I08E, I08F, I28A, I28B		21A	W04A, W04B	5t42d.p↔		BOP, KVT, UOP4, VIAL
	21A	W04A, W04B		21B	X06A, X06B, X06C		08	I20A, I20B, I20C, I20D, I20E, I20F
	21B	X04Z, X06A, X06B, X06C	5t42d.4↔		BOP, KVT, UOP4, VIAL		21A	W04A, W04B
5t42c.g↔		BOP, KVT, UOP4, VIAL		08	I08A, I08B, I08C, I08D, I08E, I08F, I18A, I18B, I30Z		21B	X04Z
	08	I08A, I08B, I08C, I08D, I08E, I30Z		21A	W04A, W04B	5t42d.q↔		BOP, KVT, UOP4, VIAL
	21A	W01A, W01B, W01C, W02A, W02B		21B	X06A, X06B, X06C		08	I20A, I20B, I20C, I20D, I20E, I20F
	21B	X04Z	5t42d.5↔		BOP, KVT, UOP4, VIAL		21A	W04A, W04B
5t42c.h↔		BOP, KVT, UOP4, VIAL		08	I08A, I08B, I08C, I08D, I08E, I08F, I32A, I32B, I32C, I32D, I32E, I32F		21B	X04Z
	01	B03A, B03B, B06A, B06B, B17A, B17B, B17C	5t42d.6↔		BOP, KVT, UOP4, VIAL	5t42d.r↔		BOP, KVT, UOP4, VIAL
	08	I24Z, I30Z		08	I08A, I08B, I08C, I08D, I08E, I08F, I32A, I32B, I32C, I32D, I32E, I32F		08	I20A, I20B, I20C, I20D, I20E, I20F
	21A	W04A, W04B		09	J03A, J03B, J04A, J04B, J08A, J08B, J08C, J11A, J11B, J16Z		21A	W04A, W04B
	21B	X04Z		21A	W04A, W04B	5t42d.x		BOP, KVT, UOP4
5t42c.j↔		BOP, KVT, UOP4, VIAL		21B	X05A, X05B		08	I28A, I28B
	08	I59Z	5t42d.8↔		BOP, KVT, UOP4, VIAL		21A	W04A, W04B
5t42c.k↔		BOP, KVT, UOP4, VIAL		08	I32A, I32B, I32C, I32D, I32E, I32F, I32G	5t42e.0↔		BOP, KVT, UOP4, VIAL
	08	I59Z		09	J03A, J03B, J04A, J04B, J08A, J08B, J08C, J11A, J11B, J16Z		08	I16Z
	21A	W04A, W04B		21A	W04A, W04B		21A	W04A, W04B
	21B	X04Z		21B	X05A, X05B	5t42e.1↔		X06A, X06B, X06C
							08	I16Z
							21A	W04A, W04B
							21B	X06A, X06B, X06C

VYK

ZZV	MDC	DRG	ZZV	MDC	DRG	ZZV	MDC	DRG
5t42e.3↔		BOP, KVT, UOP4, VIAL	5t42e.q↔		BOP, KVT, UOP4, VIAL	5t42f.n↔		BOP, KVT, UOP4, VIAL
	08	I28A, I28B		08	I20A, I20B, I20C, I20D, I20E, I20F		08	I20A, I20B, I20C, I20D, I20E, I20F, I32A, I32B, I32C, I32D
	21A	W04A, W04B		21A	W04A, W04B	5t42f.p↔		BOP, KVT, UOP4, VIAL
	21B	X06A, X06B, X06C		21B	X04Z		08	I20A, I20B, I20C, I20D, I20E, I20F, I32A, I32B, I32C, I32D
5t42e.4↔		BOP, KVT, UOP4, VIAL	5t42e.r↔		BOP, KVT, UOP4, VIAL	5t42f.q↔		BOP, KVT, UOP4, VIAL
	08	I08A, I08B, I08C, I08D, I08E, I08F, I21Z, I31Z		08	I20A, I20B, I20C, I20D, I20E, I20F		08	I20A, I20B, I20C, I20D, I20E, I20F, I32A, I32B, I32C, I32D
	21A	W04A, W04B		21A	W04A, W04B	5t42f.r↔		BOP, KVT, UOP4, VIAL
	21B	X06A, X06B, X06C		21B	X04Z		08	I20A, I20B, I20C, I20D, I20E, I20F, I32A, I32B, I32C, I32D
5t42e.5↔		BOP, KVT, UOP4, VIAL	5t42e.x		BOP, KVT, UOP4	5t42f.x		BOP, KVT, UOP4
	08	I08A, I08B, I08C, I08D, I08E, I08F, I21Z, I31Z		08	I28A, I28B		08	I28A, I28B, I32A, I32B, I32C, I32D
	21A	W04A, W04B		21A	W04A, W04B		21A	W04A, W04B
	21B	X06A, X06B, X06C		21B	X06A, X06B, X06C		21B	X06A, X06B, X06C
5t42e.6↔		BOP, KVT, UOP4, VIAL	5t42f.0↔		BOP, KVT, UOP4, VIAL	5t42g↔		BOP, KVT, UOP4, VIAL
	08	I08A, I08B, I08C, I08D, I08E, I08F, I32A, I32B, I32C, I32D, I32E, I32F		08	I16Z, I32A, I32B, I32C, I32D		08	I32A, I32B, I32C, I32D, I32E, I32F
	21A	W04A, W04B		21A	W04A, W04B		21A	W04A, W04B
	21B	X05A, X05B		21B	X06A, X06B, X06C		21B	X06A, X06B, X06C
5t42e.8↔		BOP, KVT, UOP4, VIAL	5t42f.1↔		I32A, I32B, I32C, I32D		08	I32A, I32B, I32C, I32D, I32E, I32F
	08	I32A, I32B, I32C, I32D, I32E, I32F	5t42f.3↔		I32A, I32B, I32C, I32D		21A	W04A, W04B
	21A	W04A, W04B	5t42f.4↔		BOP, KVT, UOP4, VIAL		21B	X05A, X05B
	21B	X05A, X05B		08	I08A, I08B, I08C, I08D, I08E, I08F, I21Z, I31Z, I32A, I32B, I32C, I32D	5t42h.0↔		BOP, KVT, UOP4, VIAL
5t42e.9↔		BOP, KVT, UOP4, VIAL	5t42f.5↔		BOP, KVT, UOP4, VIAL		08	I16Z
	08	I32A, I32B, I32C, I32D, I32E, I32F		08	I08A, I08B, I08C, I08D, I08E, I08F, I21Z, I31Z, I32A, I32B, I32C, I32D		21A	W04A, W04B
	21A	W04A, W04B		21A	W04A, W04B		21B	X06A, X06B, X06C
	21B	X05A, X05B		21B	X06A, X06B, X06C	5t42h.1↔		BOP, KVT, UOP4, VIAL
5t42e.e↔		BOP, KVT, UOP4, VIAL	5t42f.6↔		BOP, KVT, UOP4, VIAL		08	I16Z
	08	I08A, I08B, I08C, I08D, I08E, I08F, I28A, I28B		08	I08A, I08B, I08C, I08D, I08E, I08F, I32A, I32B, I32C, I32D, I32E, I32F		21A	W04A, W04B
	21A	W04A, W04B		21A	W04A, W04B	5t42h.2↔		BOP, KVT, UOP4, VIAL
	21B	X04Z, X06A, X06B, X06C		21B	X06A, X06B, X06C		08	I28A, I28B
5t42e.g↔		BOP, KVT, UOP4, VIAL	5t42f.8↔		BOP, KVT, UOP4, VIAL		21A	W04A, W04B
	08	I18A, I18B, I30Z		08	I32A, I32B, I32C, I32D, I32E, I32F	5t42h.3↔		BOP, KVT, UOP4, VIAL
	10	K09A, K09B		21A	W04A, W04B		21B	X06A, X06B, X06C
	21A	W04A, W04B		21B	X05A, X05B	5t42h.4↔		BOP, KVT, UOP4, VIAL
	21B	X04Z		08	I32A, I32B, I32C, I32D, I32E, I32F		08	I08A, I08B, I08C, I08D, I08E, I08F, I21Z, I31Z
5t42e.h↔		BOP, KVT, UOP4, VIAL	5t42f.9↔		BOP, KVT, UOP4, VIAL		21A	W04A, W04B
	01	B03A, B03B, B06A, B06B, B17A, B17B, B17C		08	I32A, I32B, I32C, I32D, I32E, I32F	5t42h.5↔		BOP, KVT, UOP4, VIAL
	08	I18A, I18B, I24Z, I30Z		21A	W04A, W04B		08	I08A, I08B, I08C, I08D, I08E, I08F, I21Z, I31Z
	21A	W04A, W04B		21B	X05A, X05B		21A	W04A, W04B
	21B	X04Z		08	I32A, I32B, I32C, I32D, I32E, I32F	5t42h.6↔		BOP, KVT, UOP4, VIAL
5t42e.j↔		BOP, KVT, UOP4, VIAL	5t42f.e↔		I32A, I32B, I32C, I32D		08	I08A, I08B, I08C, I08D, I08E, I08F, I32A, I32B, I32C, I32D, I32E, I32F
	08	I28A, I28B	5t42f.f		I32A, I32B, I32C, I32D		21A	W04A, W04B
	21A	W04A, W04B	5t42f.g↔		BOP, KVT, UOP4, VIAL		21B	X06A, X06B, X06C
	21B	X04Z, X06A, X06B, X06C		08	I08A, I08B, I08C, I08D, I08E, I30Z, I32A, I32B, I32C, I32D	5t42h.8↔		BOP, KVT, UOP4, VIAL
5t42e.k↔		BOP, KVT, UOP4, VIAL		21A	W01A, W01B, W01C, W02A, W02B		08	I32A, I32B, I32C, I32D, I32E, I32F
	08	I59Z		21B	X04Z		21A	W04A, W04B
	21A	W04A, W04B	5t42f.h↔		BOP, KVT, UOP4, VIAL		21B	X05A, X05B
	21B	X04Z		01	B03A, B03B, B06A, B06B, B17A, B17B, B17C	5t42h.9↔		BOP, KVT, UOP4, VIAL
5t42e.m↔		BOP, KVT, UOP4, VIAL		08	I18A, I30Z, I32A, I32B, I32C, I32D		08	I32A, I32B, I32C, I32D, I32E, I32F
	08	I20A, I20B, I20C, I20D, I20E, I20F		21A	W04A, W04B		21A	W04A, W04B
	21A	W04A, W04B		21B	X04Z	5t42h.e↔		BOP, KVT, UOP4, VIAL
	21B	X04Z	5t42f.j↔		BOP, KVT, UOP4, VIAL		08	I08A, I08B, I08C, I08D, I08E, I08F, I28A, I28B
5t42e.n↔		BOP, KVT, UOP4, VIAL	5t42f.k↔		BOP, KVT, UOP4, VIAL		21A	W04A, W04B
	08	I20A, I20B, I20C, I20D, I20E, I20F		08	I32A, I32B, I32C, I32D, I59Z		21B	X04Z, X06A, X06B, X06C
	21A	W04A, W04B		21A	W04A, W04B			
	21B	X04Z		21B	X04Z			
5t42e.p↔		BOP, KVT, UOP4, VIAL	5t42f.m↔		I32A, I32B, I32C, I32D			
	08	I20A, I20B, I20C, I20D, I20E, I20F		08	I32A, I32B, I32C, I32D			
	21A	W04A, W04B						
	21B	X04Z						

ZZV	MDC	DRG	ZZV	MDC	DRG	ZZV	MDC	DRG
5t42h.f		BOP, KVT, UOP4, VIAL	5t42i.4↔		BOP, KVT, UOP4, VIAL	5t42i.q↔		BOP, KVT, UOP4, VIAL
	08	I28A, I28B		08	I08A, I08B, I08C, I08D, I08E, I08F, I21Z, I31Z		08	I20A, I20B, I20C, I20D, I20E, I20F
	21A	W04A, W04B		21A	W04A, W04B		21A	W04A, W04B
	21B	X04Z, X06A, X06B, X06C		21B	X06A, X06B, X06C		21B	X04Z
5t42h.g↔		BOP, KVT, UOP4, VIAL	5t42i.5↔		BOP, KVT, UOP4, VIAL	5t42i.r↔		BOP, KVT, UOP4, VIAL
	08	I18A, I18B, I30Z		08	I08A, I08B, I08C, I08D, I08E, I08F, I21Z, I31Z		08	I20A, I20B, I20C, I20D, I20E, I20F
	10	K09A, K09B		21A	W04A, W04B		21A	W04A, W04B
	21A	W04A, W04B		21B	X06A, X06B, X06C		21B	X04Z
	21B	X04Z		5t42i.6↔	BOP, KVT, UOP4, VIAL	5t42i.x		BOP, KVT, UOP4
5t42h.h↔		BOP, KVT, UOP4, VIAL		08	I08A, I08B, I08C, I08D, I08E, I08F, I32A, I32B, I32C, I32D, I32E, I32F		08	I28A, I28B
	01	B03A, B03B, B06A, B06B, B17A, B17B, B17C		21A	W04A, W04B		21A	W04A, W04B
	08	I24Z, I30Z		21B	X05A, X05B		21B	X06A, X06B, X06C
	21A	W04A, W04B		5t42i.8↔	BOP, KVT, UOP4, VIAL	5t430↔		BOP, KVT, UOP4, VIAL
	21B	X04Z		08	I32A, I32B, I32C, I32D, I32E, I32F		01	B03A, B03B, B06A, B06B, B17A, B17B, B17C
5t42h.j↔		BOP, KVT, UOP4, VIAL		21A	W04A, W04B		08	I18A, I18B, I30Z
	08	I28A, I28B		21B	X05A, X05B		21A	W04A, W04B
	21A	W04A, W04B		5t42i.9↔	BOP, KVT, UOP4, VIAL		21B	X04Z
	21B	X04Z, X06A, X06B, X06C		08	I32A, I32B, I32C, I32D, I32E, I32F	5t431↔		BOP, KVT, UOP4, VIAL
5t42h.k↔		BOP, KVT, UOP4, VIAL		21A	W04A, W04B		01	B03A, B03B, B06A, B06B, B17A, B17B, B17C
	08	I59Z		21B	X05A, X05B		08	I18A, I18B, I30Z
	21A	W04A, W04B		5t42i.e↔	BOP, KVT, UOP4, VIAL		21A	W04A, W04B
	21B	X04Z		08	I08A, I08B, I08C, I08D, I08E, I08F, I28A, I28B	5t432↔		BOP, KVT, UOP4, VIAL
5t42h.m↔		BOP, KVT, UOP4, VIAL		21A	W04A, W04B		01	B03A, B03B, B06A, B06B, B17A, B17B, B17C
	08	I20A, I20B, I20C, I20D, I20E, I20F		21B	X05A, X05B		08	I12A, I12B, I12C, I18A, I18B, I30Z
	21A	W04A, W04B		5t42i.f	BOP, KVT, UOP4, VIAL		21A	W04A, W04B
	21B	X04Z		08	I28A, I28B		21B	X04Z
5t42h.n↔		BOP, KVT, UOP4, VIAL		21A	W04A, W04B	5t433↔		BOP, KVT, UOP4, VIAL
	08	I20A, I20B, I20C, I20D, I20E, I20F		21B	X04Z, X06A, X06B, X06C		01	B03A, B03B, B06A, B06B, B17A, B17B, B17C
	21A	W04A, W04B		5t42i.g↔	BOP, KVT, UOP4, VIAL		08	I12A, I12B, I12C, I18A, I18B, I30Z
	21B	X04Z		08	I18A, I18B, I30Z		21A	W04A, W04B
5t42h.p↔		BOP, KVT, UOP4, VIAL		10	K09A, K09B		21B	X04Z
	08	I20A, I20B, I20C, I20D, I20E, I20F		21A	W04A, W04B	5t434↔		BOP, KVT, UOP4, VIAL
	21A	W04A, W04B		21B	X04Z		01	B03A, B03B, B06A, B06B, B17A, B17B, B17C
	21B	X04Z		5t42i.h↔	BOP, KVT, UOP4, VIAL		08	I12A, I12B, I12C, I18A, I18B, I30Z
5t42h.q↔		BOP, KVT, UOP4, VIAL		01	B03A, B03B, B06A, B06B, B17A, B17B, B17C		21A	W04A, W04B
	08	I20A, I20B, I20C, I20D, I20E, I20F		08	I24Z, I30Z		21B	X04Z
	21A	W04A, W04B		21A	W04A, W04B	5t435↔		BOP, KVT, UOP4, VIAL
	21B	X04Z		21B	X04Z		01	B03A, B03B, B06A, B06B, B17A, B17B, B17C
5t42h.r↔		BOP, KVT, UOP4, VIAL		5t42i.i↔	BOP, KVT, UOP4, VIAL		08	I12A, I12B, I12C, I18A, I18B, I30Z
	08	I20A, I20B, I20C, I20D, I20E, I20F		08	I28A, I28B		21A	W04A, W04B
	21A	W04A, W04B		21A	W04A, W04B		21B	X04Z
	21B	X04Z		21B	X04Z, X06A, X06B, X06C	5t436↔		BOP, KVT, UOP4, VIAL
5t42h.x		BOP, KVT, UOP4		5t42i.k↔	BOP, KVT, UOP4, VIAL		01	B03A, B03B, B06A, B06B, B17A, B17B, B17C
	08	I28A, I28B		08	I59Z		08	I12A, I12B, I12C, I18A, I18B, I30Z
	21A	W04A, W04B		21A	W04A, W04B		21A	W04A, W04B
	21B	X06A, X06B, X06C		21B	X04Z		21B	X04Z
5t42i.0↔		BOP, KVT, UOP4, VIAL		5t42i.m↔	BOP, KVT, UOP4, VIAL		01	B03A, B03B, B06A, B06B, B17A, B17B, B17C
	08	I16Z		08	I20A, I20B, I20C, I20D, I20E, I20F		08	I12A, I12B, I12C, I18A, I18B, I30Z
	21A	W04A, W04B		21A	W04A, W04B		21A	W04A, W04B
	21B	X06A, X06B, X06C		21B	X04Z	5t437↔		BOP, KVT, UOP4, VIAL
5t42i.1↔		BOP, KVT, UOP4, VIAL		5t42i.n↔	BOP, KVT, UOP4, VIAL		01	B03A, B03B, B06A, B06B, B17A, B17B, B17C
	08	I16Z		08	I20A, I20B, I20C, I20D, I20E, I20F		08	I12A, I12B, I12C, I18A, I18B, I30Z
	21A	W04A, W04B		21A	W04A, W04B		21A	W04A, W04B
	21B	X06A, X06B, X06C		21B	X04Z		21B	X04Z
5t42i.2↔		BOP, KVT, UOP4, VIAL		5t42i.p↔	BOP, KVT, UOP4, VIAL		01	B03A, B03B, B06A, B06B, B17A, B17B, B17C
	08	I28A, I28B		08	I20A, I20B, I20C, I20D, I20E, I20F		08	I12A, I12B, I12C, I18A, I18B, I30Z
	21A	W04A, W04B		21A	W04A, W04B		21A	W04A, W04B
	21B	X06A, X06B, X06C		21B	X04Z		21B	X04Z
5t42i.3↔		BOP, KVT, UOP4, VIAL						
	08	I28A, I28B						
	21A	W04A, W04B						
	21B	X06A, X06B, X06C						

ZZV	MDC	DRG	ZZV	MDC	DRG	ZZV	MDC	DRG
5t438↔		BOP, KVT, UOP4, VIAL	5t43x↔		BOP, KVT, UOP4, VIAL	5t44x↔		BOP, KVT, UOP4, VIAL
	01	B03A, B03B, B06A, B06B, B17A, B17B, B17C		01	B03A, B03B, B06A, B06B, B17A, B17B, B17C		08	I16Z
	08	I18A, I18B, I30Z		08	I12A, I12B, I12C, I18A, I18B, I30Z		21A	W04A, W04B
	21A	W04A, W04B		21A	W04A, W04B	5t450↔	21B	X06A, X06B, X06C
	21B	X04Z		21B	X04Z		01	BOP, KVT, UOP4, VIAL
5t439↔		BOP, KVT, UOP4, VIAL	5t440↔		BOP, KVT, UOP4, VIAL		08	B03A, B03B, B06A, B06B, B17A, B17B, B17C
	01	B03A, B03B, B06A, B06B, B17A, B17B, B17C		01	B03A, B03B, B06A, B06B, B17A, B17B, B17C		21A	I18A, I18B, I30Z
	08	I12A, I12B, I12C, I18A, I18B, I30Z		08	I29Z	5t451↔	21A	W04A, W04B
	21A	W04A, W04B		10	K09A, K09B		21B	X04Z
	21B	X04Z		21A	W04A, W04B		01	BOP, KVT, UOP4, VIAL
5t43a↔		BOP, KVT, UOP4, VIAL	5t441↔		BOP, KVT, UOP4, VIAL		08	B03A, B03B, B06A, B06B, B17A, B17B, B17C
	01	B03A, B03B, B06A, B06B, B17A, B17B, B17C		01	B03A, B03B, B06A, B06B, B17A, B17B, B17C		21A	I18A, I18B, I30Z
	08	I12A, I12B, I12C, I18A, I18B, I30Z		08	I29Z	5t452.0↔	21A	W04A, W04B
	21A	W04A, W04B		10	K09A, K09B		21B	X04Z
	21B	X04Z		21A	W04A, W04B		01	BOP, KVT, UOP4, VIAL
5t43b↔		BOP, KVT, UOP4, VIAL	5t442↔		BOP, KVT, UOP4, VIAL		08	B03A, B03B, B06A, B06B, B17A, B17B, B17C
	01	B03A, B03B, B06A, B06B, B17A, B17B, B17C		01	B03A, B03B, B06A, B06B, B17A, B17B, B17C	5t452.1↔	21A	W04A, W04B
	08	I12A, I12B, I12C, I18A, I18B, I30Z		08	I29Z		21B	X04Z
	21A	W04A, W04B		10	K09A, K09B		01	BOP, KVT, UOP4, VIAL
	21B	X04Z		21A	W04A, W04B		08	B03A, B03B, B06A, B06B, B17A, B17B, B17C
5t43c↔		BOP, KVT, UOP4, VIAL	5t443↔		BOP, KVT, UOP4, VIAL		21A	I12A, I12B, I12C, I18A, I18B, I30Z
	01	B03A, B03B, B06A, B06B, B17A, B17B, B17C		08	I12A, I12B, I12C, I16Z	5t452.2↔	21A	W04A, W04B
	08	I12A, I12B, I12C, I18A, I18B, I30Z		21A	W04A, W04B		21B	X04Z
	21A	W04A, W04B	5t444↔		BOP, KVT, UOP4, VIAL		01	BOP, KVT, UOP4, VIAL
	21B	X04Z		08	I12A, I12B, I12C, I29Z		08	B03A, B03B, B06A, B06B, B17A, B17B, B17C
5t43d↔		BOP, KVT, UOP4, VIAL	5t445↔		BOP, KVT, UOP4, VIAL		21A	I12A, I12B, I12C, I18A, I18B, I30Z
	01	B03A, B03B, B06A, B06B, B17A, B17B, B17C		01	B03A, B03B, B06A, B06B, B17A, B17B, B17C	5t452.3↔	21A	W04A, W04B
	08	I12A, I12B, I12C, I18A, I18B, I30Z		08	I29Z		21B	X04Z
	21A	W04A, W04B		10	K09A, K09B		01	BOP, KVT, UOP4, VIAL
	21B	X04Z		21A	W04A, W04B		08	B03A, B03B, B06A, B06B, B17A, B17B, B17C
5t43e↔		BOP, KVT, UOP4, VIAL	5t446↔		BOP, KVT, UOP4, VIAL		21A	I12A, I12B, I12C, I18A, I18B, I30Z
	01	B03A, B03B, B06A, B06B, B17A, B17B, B17C		08	I29Z	5t452.x↔	21A	W04A, W04B
	08	I12A, I12B, I12C, I18A, I18B, I30Z		21A	W04A, W04B		21B	X04Z
	21A	W04A, W04B	5t447↔		BOP, KVT, UOP4, VIAL		01	BOP, KVT, UOP4, VIAL
	21B	X04Z		08	I16Z		08	B03A, B03B, B06A, B06B, B17A, B17B, B17C
5t43f↔		BOP, KVT, UOP4, VIAL	5t448↔		BOP, KVT, UOP4, VIAL		21A	I12A, I12B, I12C, I18A, I18B, I30Z
	01	B03A, B03B, B06A, B06B, B17A, B17B, B17C		08	I16Z	5t453.0↔	21A	W04A, W04B
	08	I12A, I12B, I12C, I18A, I18B, I30Z		21A	W04A, W04B		21B	X04Z
	21A	W04A, W04B	5t449↔		BOP, KVT, UOP4, VIAL		01	BOP, KVT, UOP4, VIAL
	21B	X04Z		08	I16Z		08	B03A, B03B, B06A, B06B, B17A, B17B, B17C
5t43g↔		BOP, KVT, UOP4, VIAL	5t44a↔		BOP, KVT, UOP4, VIAL		21A	I12A, I12B, I12C, I18A, I18B, I30Z
	01	B03A, B03B, B06A, B06B, B17A, B17B, B17C		08	I16Z	5t453.1↔	21A	W04A, W04B
	08	I12A, I12B, I12C, I18A, I18B, I30Z		21A	W04A, W04B		21B	X04Z
	21A	W04A, W04B	5t44b↔		BOP, KVT, UOP4, VIAL		01	BOP, KVT, UOP4, VIAL
	21B	X04Z		08	I16Z		08	B03A, B03B, B06A, B06B, B17A, B17B, B17C
5t43h↔		BOP, KVT, UOP4, VIAL		21A	W04A, W04B		21A	I12A, I12B, I12C, I18A, I18B, I30Z
	01	B03A, B03B, B06A, B06B, B17A, B17B, B17C		21B	X06A, X06B, X06C		21A	W04A, W04B
	08	I12A, I12B, I12C, I18A, I18B, I30Z		21B	X06A, X06B, X06C		21B	X04Z
	21A	W04A, W04B		08	I16Z			
	21B	X04Z		21A	W04A, W04B			
				21B	X06A, X06B, X06C			

ZZV	MDC	DRG	ZZV	MDC	DRG	ZZV	MDC	DRG
5t453.2↔		BOP, KVT, UOP4, VIAL	5t490.g↔		BOP, KVT, UOP4, VIAL	5t492.0↔		BOP, KVT, UOP4, VIAL
	01	B03A, B03B, B06A, B06B, B17A, B17B, B17C		08	I08A, I08B, I08C, I08D, I08E, I30Z		08	I16Z
	08	I18A, I18B, I30Z		21A	W01A, W01B, W01C, W02A, W02B		21A	W04A, W04B
	21A	W04A, W04B		21B	X04Z	5t492.h↔	21B	X06A, X06B, X06C
	21B	X04Z						BOP, KVT, UOP4, VIAL
5t453.3↔		BOP, KVT, UOP4, VIAL	5t490.h↔		BOP, KVT, UOP4, VIAL		01	B03A, B03B, B06A, B06B, B17A, B17B, B17C
	01	B03A, B03B, B06A, B06B, B17A, B17B, B17C		01	B03A, B03B, B06A, B06B, B17A, B17B, B17C		08	I18A, I18B, I30Z
	08	I12A, I12B, I12C, I18A, I18B, I30Z		08	I12A, I12B, I12C, I18A, I18B, I30Z		21A	W04A, W04B
	21A	W04A, W04B		21A	W04A, W04B	5t492.x↔	21B	X04Z
	21B	X04Z		21B	X04Z			BOP, KVT, UOP4
5t453.x↔		BOP, KVT, UOP4, VIAL	5t490.j↔		BOP, KVT, UOP4, VIAL		08	I28A, I28B
	01	B03A, B03B, B06A, B06B, B17A, B17B, B17C		08	I59Z		21A	W04A, W04B
	08	I12A, I12B, I12C, I18A, I18B, I30Z	5t490.k↔		BOP, KVT, UOP4, VIAL	5t49x.0↔	21B	X06A, X06B, X06C
	21A	W04A, W04B		08	I12A, I12B, I12C, I59Z			BOP, KVT, UOP4, VIAL
	21B	X04Z		21A	W04A, W04B		08	I16Z
5t45x↔		BOP, KVT, UOP4, VIAL	5t490.m↔		BOP, KVT, UOP4, VIAL		21A	W04A, W04B
	01	B03A, B03B, B06A, B06B, B17A, B17B, B17C		08	I12A, I12B, I12C, I20A, I20B, I20C, I20D, I20E, I20F	5t49x.1↔	21B	X06A, X06B, X06C
	08	I18A, I18B, I30Z		21A	W04A, W04B			BOP, KVT, UOP4, VIAL
	21A	W04A, W04B		21B	X04Z		08	I16Z
	21B	X04Z	5t490.n↔		BOP, KVT, UOP4, VIAL	5t49x.2↔	21A	W04A, W04B
5t490.0↔		BOP, KVT, UOP4, VIAL		08	I20A, I20B, I20C, I20D, I20E, I20F		21B	X06A, X06B, X06C
	08	I12A, I12B, I12C, I16Z	5t490.p↔		BOP, KVT, UOP4, VIAL			BOP, KVT, UOP4, VIAL
	21A	W04A, W04B		08	I20A, I20B, I20C, I20D, I20E, I20F	5t49x.3↔	08	I28A, I28B
	21B	X06A, X06B, X06C					21A	W04A, W04B
5t490.1↔		BOP, KVT, UOP4, VIAL	5t490.q↔		BOP, KVT, UOP4, VIAL		21B	X06A, X06B, X06C
	08	I12A, I12B, I12C, I16Z		08	I20A, I20B, I20C, I20D, I20E, I20F	5t49x.4↔		BOP, KVT, UOP4, VIAL
	21A	W04A, W04B					08	I08A, I08B, I08C, I08D, I08E, I08F, I18A, I18B, I30Z
	21B	X06A, X06B, X06C	5t490.r↔		BOP, KVT, UOP4, VIAL		21A	W04A, W04B
5t490.3↔		BOP, KVT, UOP4, VIAL		08	I20A, I20B, I20C, I20D, I20E, I20F	5t49x.5↔	21B	X06A, X06B, X06C
	08	I12A, I12B, I12C, I28A, I28B	5t490.x		BOP, KVT, UOP4			BOP, KVT, UOP4, VIAL
	21A	W04A, W04B		08	I12A, I12B, I12C, I28A, I28B		08	I08A, I08B, I08C, I08D, I08E, I08F, I18A, I18B, I30Z
	21B	X06A, X06B, X06C		21A	W04A, W04B		21A	W04A, W04B
5t490.4↔		BOP, KVT, UOP4, VIAL		21B	X06A, X06B, X06C	5t49x.6↔	21B	X06A, X06B, X06C
	08	I08A, I08B, I08C, I08D, I08E, I08F, I12A, I12B, I12C, I18A, I18B, I30Z	5t491.0↔		BOP, KVT, UOP4, VIAL			BOP, KVT, UOP4, VIAL
	21A	W04A, W04B		08	I16Z		08	I08A, I08B, I08C, I08D, I08E, I08F, I32A, I32B, I32C, I32D, I32E, I32F
	21B	X06A, X06B, X06C		21A	W04A, W04B		21A	W04A, W04B
5t490.5↔		BOP, KVT, UOP4, VIAL	5t491.4↔		BOP, KVT, UOP4, VIAL		21B	X05A, X05B
	08	I08A, I08B, I08C, I08D, I08E, I08F, I12A, I12B, I12C, I18A, I18B, I30Z		08	I08A, I08B, I08C, I08D, I08E, I08F, I18A, I18B, I30Z	5t49x.8↔		BOP, KVT, UOP4, VIAL
	21A	W04A, W04B		21A	W04A, W04B		08	I32A, I32B, I32C, I32D, I32E, I32F
	21B	X06A, X06B, X06C	5t491.5↔		BOP, KVT, UOP4, VIAL		21A	W04A, W04B
5t490.6↔		BOP, KVT, UOP4, VIAL		08	I08A, I08B, I08C, I08D, I08E, I08F, I18A, I18B, I30Z	5t49x.9↔	21B	X05A, X05B
	08	I08A, I08B, I08C, I08D, I08E, I08F, I12A, I12B, I12C, I32A, I32B, I32C, I32D, I32E, I32F		21A	W04A, W04B			BOP, KVT, UOP4, VIAL
	21A	W04A, W04B		21B	X06A, X06B, X06C		08	I32A, I32B, I32C, I32D, I32E, I32F
	21B	X05A, X05B	5t491.h↔		BOP, KVT, UOP4, VIAL		21A	W04A, W04B
5t490.8↔		BOP, KVT, UOP4, VIAL		01	B03A, B03B, B06A, B06B, B17A, B17B, B17C	5t49x.e↔	21B	X05A, X05B
	08	I12A, I12B, I12C, I32A, I32B, I32C, I32D, I32E, I32F		08	I18A, I18B, I30Z			BOP, KVT, UOP4, VIAL
	21A	W04A, W04B		21A	W04A, W04B		08	I08A, I08B, I08C, I08D, I08E, I08F, I28A, I28B
	21B	X05A, X05B	5t491.k↔		BOP, KVT, UOP4, VIAL		21A	W04A, W04B
5t490.9↔		BOP, KVT, UOP4, VIAL		08	I59Z	5t49x.f	21B	X04Z, X06A, X06B, X06C
	08	I12A, I12B, I12C, I32A, I32B, I32C, I32D, I32E, I32F		21A	W04A, W04B			BOP, KVT, UOP4, VIAL
	21A	W04A, W04B	5t491.x↔		BOP, KVT, UOP4		08	I28A, I28B
	21B	X05A, X05B		08	I28A, I28B		21A	W04A, W04B
				21A	W04A, W04B		21B	X04Z, X06A, X06B, X06C
				21B	X06A, X06B, X06C			

VYK

ZZV	MDC	DRG	ZZV	MDC	DRG	ZZV	MDC	DRG
5t49x.g↔		BOP, KVT, UOP4, VIAL	5t500.1↔		BOP, KOP, KOPV, KVT, UOP4, VIAL	5t503.0↔		BOP, KOP, KOPV, KVT, UOP4, VIAL
	08	I30Z		06	G33Z		06	G33Z
	21A	W01A, W01B, W01C, W02A, W02B		07	H33Z, H38Z		07	H33Z, H38Z
	21B	X04Z		08	I01Z, I03A, I03B, I05Z, I08A, I08B, I08C, I08D, I08E, I08F, I12A, I12B, I12C, I36Z, I47A, I47B		08	I01Z, I03A, I03B, I05Z, I08A, I08B, I08C, I08D, I08E, I08F, I12A, I12B, I12C, I36Z, I47A, I47B
5t49x.h↔		BOP, KVT, UOP4, VIAL		11	L33Z		10	K09A, K09B
	01	B03A, B03B, B06A, B06B, B17A, B17B, B17C		21A	W01A, W01B, W01C, W02A, W02B		11	L33Z
	08	I18A, I18B, I30Z		21B	X04Z, X33Z		21A	W01A, W01B, W01C, W02A, W02B
	21A	W04A, W04B		23	Z01A		21B	X04Z, X33Z
	21B	X04Z		Pre	A07A		23	Z01A
5t49x.j↔		BOP, KVT, UOP4, VIAL	5t500.2↔		BOP, KOP, KOPV, KVT, UOP4, VIAL	5t503.1↔		BOP, KOP, KOPV, KVT, UOP4, VIAL
	01	B03A, B03B, B06A, B06B, B17A, B17B, B17C		06	G33Z		06	G33Z
	08	I18A, I18B, I30Z		07	H33Z, H38Z		07	H33Z, H38Z
	21A	W04A, W04B		08	I01Z, I03A, I03B, I05Z, I08A, I08B, I08C, I08D, I08E, I08F, I12A, I12B, I12C, I36Z, I47A, I47B		08	I01Z, I03A, I03B, I05Z, I08A, I08B, I08C, I08D, I08E, I08F, I12A, I12B, I12C, I36Z, I47A, I47B
	21B	X04Z		11	L33Z		10	K09A, K09B
5t49x.k↔		BOP, KVT, UOP4, VIAL		21A	W01A, W01B, W01C, W02A, W02B		11	L33Z
	08	I59Z		21B	X04Z, X33Z		21A	W01A, W01B, W01C, W02A, W02B
	21A	W04A, W04B		23	Z01A		21B	X04Z, X33Z
	21B	X04Z		Pre	A07A		23	Z01A
5t49x.m↔		BOP, KVT, UOP4, VIAL	5t502.0↔		BOP, KOP, KOPV, KVT, UOP4, VIAL	5t504.0↔		BOP, KOP, KOPV, KVT, UOP4, VIAL
	08	I20A, I20B, I20C, I20D, I20E, I20F		06	G33Z		06	G33Z
	21A	W04A, W04B		07	H33Z, H38Z		07	H33Z, H38Z
	21B	X04Z		08	I01Z, I03A, I03B, I05Z, I08A, I08B, I08C, I08D, I08E, I08F, I12A, I12B, I12C, I36Z, I47A, I47B		08	I01Z, I03A, I03B, I05Z, I08A, I08B, I08C, I08D, I08E, I08F, I12A, I12B, I12C, I36Z, I47A, I47B
5t49x.n↔		BOP, KVT, UOP4, VIAL		11	L33Z		10	K09A, K09B
	08	I20A, I20B, I20C, I20D, I20E, I20F		21A	W01A, W01B, W01C, W02A, W02B		11	L33Z
	21A	W04A, W04B		21B	X04Z, X33Z		21A	W01A, W01B, W01C, W02A, W02B
	21B	X04Z		23	Z01A		21B	X04Z, X33Z
5t49x.p↔		BOP, KVT, UOP4, VIAL		Pre	A07A		23	Z01A
	08	I20A, I20B, I20C, I20D, I20E, I20F	5t502.1↔		BOP, KOP, KOPV, KVT, UOP4, VIAL	5t504.1↔		BOP, KOP, KOPV, KVT, UOP4, VIAL
	21A	W04A, W04B		06	G33Z		06	G33Z
	21B	X04Z		07	H33Z, H38Z		07	H33Z, H38Z
5t49x.q↔		BOP, KVT, UOP4, VIAL		08	I01Z, I03A, I03B, I05Z, I08A, I08B, I08C, I08D, I08E, I08F, I12A, I12B, I12C, I36Z, I47A, I47B		08	I01Z, I03A, I03B, I05Z, I08A, I08B, I08C, I08D, I08E, I08F, I12A, I12B, I12C, I36Z, I47A, I47B
	08	I20A, I20B, I20C, I20D, I20E, I20F		11	L33Z		10	K09A, K09B
	10	K09A, K09B		21A	W01A, W01B, W01C, W02A, W02B		11	L33Z
	21A	W04A, W04B		21B	X04Z, X33Z		21A	W01A, W01B, W01C, W02A, W02B
	21B	X04Z		23	Z01A		21B	X04Z, X33Z
5t49x.r↔		BOP, KVT, UOP4, VIAL		Pre	A07A		23	Z01A
	08	I20A, I20B, I20C, I20D, I20E, I20F	5t502.2↔		BOP, KOP, KOPV, KVT, UOP4, VIAL	5t505.0↔		BOP, KVT, UOP4, VIAL
	10	K09A, K09B		06	G33Z		08	I03A, I03B, I05Z, I08A, I08B, I08C, I08D, I08E, I08F, I12A, I12B, I12C, I36Z, I47A, I47B
	21A	W04A, W04B		07	H33Z, H38Z		10	K09A, K09B
	21B	X04Z		08	I01Z, I03A, I03B, I05Z, I08A, I08B, I08C, I08D, I08E, I08F, I12A, I12B, I12C, I36Z, I47A, I47B		11	L33Z
5t49x.x		BOP, KVT, UOP4		11	L33Z		21A	W01A, W01B, W01C, W02A, W02B
	08	I28A, I28B		21A	W01A, W01B, W01C, W02A, W02B		21B	X04Z, X33Z
	21A	W04A, W04B		21B	X04Z, X33Z		23	Z01A
	21B	X06A, X06B, X06C		Pre	A07A		Pre	A07A
5t500.0↔		BOP, KOP, KOPV, KVT, UOP4, VIAL		06	G33Z		21A	W01A, W01B, W01C, W02A, W02B
	06	G33Z		07	H33Z, H38Z		21B	X04Z, X33Z
	07	H33Z, H38Z		08	I01Z, I03A, I03B, I05Z, I08A, I08B, I08C, I08D, I08E, I08F, I12A, I12B, I12C, I36Z, I47A, I47B		23	Z01A
	08	I01Z, I03A, I03B, I05Z, I08A, I08B, I08C, I08D, I08E, I08F, I12A, I12B, I12C, I36Z, I47A, I47B		11	L33Z		Pre	A07A
	11	L33Z		21A	W01A, W01B, W01C, W02A, W02B		21A	W01A, W01B, W01C, W02A, W02B
	21A	W01A, W01B, W01C, W02A, W02B		21B	X04Z, X33Z		21B	X04Z
	21B	X04Z, X33Z		23	Z01A			
	23	Z01A		Pre	A07A			
	Pre	A07A						

ZZV	MDC	DRG	ZZV	MDC	DRG	ZZV	MDC	DRG		
5t505.1↔	08	BOP, KVT, UOP4, VIAL	5t508.2↔	06	BOP, KOP, KOPV, KVT, UOP4, VIAL	5t509.11↔	06	BOP, KOP, KOPV, KVT, UOP4, VIAL		
		I03A, I03B, I05Z, I08A, I08B, I08C, I08D, I08E, I08F, I12A, I12B, I12C, I47A, I47B			07			G33Z	07	G33Z
	10	K09A, K09B		08	H33Z, H38Z		08	H33Z, H38Z		
	21A	W01A, W01B, W01C, W02A, W02B		11	I01Z, I03A, I03B, I05Z, I08A, I08B, I08C, I08D, I08E, I08F, I12A, I12B, I12C, I36Z, I47A, I47B		11	L33Z	11	L33Z
21B	X04Z	21A	W01A, W01B, W01C, W02A, W02B	21A	W01A, W01B, W01C, W02A, W02B	21A	W01A, W01B, W01C, W02A, W02B			
5t507.0↔	08	BOP, KVT, UOP4, VIAL	5t509.00↔	21B	X04Z, X33Z	5t509.12↔	21B	X04Z, X33Z		
		I03A, I03B, I05Z, I08A, I08B, I08C, I08D, I08E, I08F, I12A, I12B, I12C, I47A, I47B			23			Z01A	23	Z01A
	10	K09A, K09B		Pre	A07A		Pre	A07A		
	21A	W01A, W01B, W01C, W02A, W02B		06	BOP, KOP, KOPV, KVT, UOP4, VIAL		06	BOP, KOP, KOPV, KVT, UOP4, VIAL		
21B	X04Z	06	G33Z	06	G33Z					
5t507.1↔	08	BOP, KVT, UOP4, VIAL	5t509.01↔	07	H33Z, H38Z	5t50x.0↔	07	H33Z, H38Z		
		I03A, I03B, I05Z, I08A, I08B, I08C, I08D, I08E, I08F, I12A, I12B, I12C, I47A, I47B			08			I01Z, I03A, I03B, I05Z, I08A, I08B, I08C, I08D, I08E, I08F, I12A, I12B, I12C, I36Z, I47A, I47B	08	I01Z, I03A, I03B, I05Z, I08A, I08B, I08C, I08D, I08E, I08F, I12A, I12B, I12C, I36Z, I47A, I47B
	10	K09A, K09B		10	K09A, K09B		11	L33Z	11	L33Z
	21A	W01A, W01B, W01C, W02A, W02B		11	L33Z		21A	W01A, W01B, W01C, W02A, W02B	21A	W01A, W01B, W01C, W02A, W02B
21B	X04Z	21A	W01A, W01B, W01C, W02A, W02B	21B	X04Z, X33Z	21B	X04Z, X33Z			
5t507.2↔	08	BOP, KVT, UOP4, VIAL	5t509.10↔	23	Z01A	5t50x.1↔	23	Z01A		
		I03A, I03B, I05Z, I08A, I08B, I08C, I08D, I08E, I08F, I12A, I12B, I12C, I47A, I47B			Pre			A07A	Pre	A07A
	10	K09A, K09B		06	BOP, KOP, KOPV, KVT, UOP4, VIAL		06	BOP, KOP, KOPV, KVT, UOP4, VIAL		
	21A	W01A, W01B, W01C, W02A, W02B		06	G33Z		07	H33Z, H38Z		
21B	X04Z	07	H33Z, H38Z	08	I01Z, I03A, I03B, I05Z, I08A, I08B, I08C, I08D, I08E, I08F, I12A, I12B, I12C, I36Z, I47A, I47B	08	I01Z, I03A, I03B, I05Z, I08A, I08B, I08C, I08D, I08E, I08F, I12A, I12B, I12C, I36Z, I47A, I47B			
5t508.0↔	06	BOP, KOP, KOPV, KVT, UOP4, VIAL	5t509.10↔	08	I01Z, I03A, I03B, I05Z, I08A, I08B, I08C, I08D, I08E, I08F, I12A, I12B, I12C, I36Z, I47A, I47B	5t50x.2↔	08	I01Z, I03A, I03B, I05Z, I08A, I08B, I08C, I08D, I08E, I08F, I12A, I12B, I12C, I36Z, I47A, I47B		
		G33Z			10			K09A, K09B	11	L33Z
	07	H33Z, H38Z		11	L33Z		21A	W01A, W01B, W01C, W02A, W02B	21A	W01A, W01B, W01C, W02A, W02B
	08	I01Z, I03A, I03B, I05Z, I08A, I08B, I08C, I08D, I08E, I08F, I12A, I12B, I12C, I36Z, I47A, I47B		21A	W01A, W01B, W01C, W02A, W02B		21B	X04Z, X33Z	21B	X04Z, X33Z
	11	L33Z	21B	X04Z, X33Z	23	Z01A	23	Z01A		
	21A	W01A, W01B, W01C, W02A, W02B	Pre	A07A	Pre	A07A				
	21B	X04Z, X33Z	06	BOP, KOP, KOPV, KVT, UOP4, VIAL	06	BOP, KOP, KOPV, KVT, UOP4, VIAL				
	23	Z01A	07	H33Z, H38Z	07	H33Z, H38Z				
	Pre	A07A	08	I01Z, I03A, I03B, I05Z, I08A, I08B, I08C, I08D, I08E, I08F, I12A, I12B, I12C, I36Z, I47A, I47B	08	I01Z, I03A, I03B, I05Z, I08A, I08B, I08C, I08D, I08E, I08F, I12A, I12B, I12C, I36Z, I47A, I47B				
	5t508.1↔	06	BOP, KOP, KOPV, KVT, UOP4, VIAL	5t509.10↔	08	I01Z, I03A, I03B, I05Z, I08A, I08B, I08C, I08D, I08E, I08F, I12A, I12B, I12C, I36Z, I47A, I47B	5t50x.2↔	08	I01Z, I03A, I03B, I05Z, I08A, I08B, I08C, I08D, I08E, I08F, I12A, I12B, I12C, I36Z, I47A, I47B	
G33Z			11			L33Z			11	L33Z
07		H33Z, H38Z	21A		W01A, W01B, W01C, W02A, W02B	21A		W01A, W01B, W01C, W02A, W02B		
08		I01Z, I03A, I03B, I05Z, I08A, I08B, I08C, I08D, I08E, I08F, I12A, I12B, I12C, I36Z, I47A, I47B	21B		X04Z, X33Z	21B		X04Z, X33Z		
11		L33Z	23	Z01A	23	Z01A				
21A		W01A, W01B, W01C, W02A, W02B	Pre	A07A	Pre	A07A				
21B	X04Z, X33Z	06	BOP, KOP, KOPV, KVT, UOP4, VIAL	06	BOP, KOP, KOPV, KVT, UOP4, VIAL					
23	Z01A	07	H33Z, H38Z	07	H33Z, H38Z					
Pre	A07A	08	I01Z, I03A, I03B, I05Z, I08A, I08B, I08C, I08D, I08E, I08F, I12A, I12B, I12C, I36Z, I47A, I47B	08	I01Z, I03A, I03B, I05Z, I08A, I08B, I08C, I08D, I08E, I08F, I12A, I12B, I12C, I36Z, I47A, I47B					

VYK

ZZV	MDC	DRG	ZZV	MDC	DRG	ZZV	MDC	DRG			
5t510↔		BOP, KOP, KOPV, KVT, UOP4, VIAL	5t511.4↔		BOP, KOP, KOPV, KVT, UOP4, VIAL	5t512.10↔		BOP, KOP, KOPV, KVT, UOP4, VIAL			
	05	F13A		05	F13A		05	F13A			
	06	G33Z		06	G33Z		06	G33Z			
	07	H33Z, H38Z		07	H33Z, H38Z		07	H33Z, H38Z			
	08	I01Z, I03A, I03B, I05Z, I12A, I12B, I12C, I47A, I47B		08	I01Z, I03A, I03B, I08A, I08B, I08C, I08D, I08E, I08F, I12A, I12B, I12C, I46A, I46B		08	I01Z, I03A, I03B, I08A, I08B, I08C, I08D, I08E, I08F, I12A, I12B, I12C, I46A, I46B			
	10	K09A, K09B		10	K09A, K09B		10	K09A, K09B			
	11	L33Z		11	L33Z		11	L33Z			
	21A	W04A, W04B		21A	W04A, W04B		21A	W04A, W04B			
	21B	X04Z, X33Z		21B	X04Z, X33Z		21B	X04Z, X33Z			
	23	Z01A		23	Z01A		23	Z01A			
	Pre	A07A		Pre	A07A		Pre	A07A			
	5t511.00↔			BOP, KOP, KOPV, KVT, UOP4, VIAL	5t511.80↔			BOP, KOP, KOPV, KVT, UOP4, VIAL	5t512.11↔		BOP, KOP, KOPV, KVT, UOP4, VIAL
		05		F13A			05	F13A		05	F13A
		06		G33Z			06	G33Z		06	G33Z
07		H33Z, H38Z	07	H33Z, H38Z		07	H33Z, H38Z				
08		I12A, I12B, I12C, I46A, I46B	08	I01Z, I03A, I03B, I08A, I08B, I08C, I08D, I08E, I08F, I12A, I12B, I12C, I46A, I46B		08	I01Z, I03A, I03B, I08A, I08B, I08C, I08D, I08E, I08F, I12A, I12B, I12C, I46A, I46B				
10		K09A, K09B	10	K09A, K09B		10	K09A, K09B				
11		L33Z	11	L33Z		11	L33Z				
21A		W04A, W04B	21A	W04A, W04B		21A	W04A, W04B				
21B		X04Z, X33Z	21B	X04Z, X33Z		21B	X04Z, X33Z				
23		Z01A	23	Z01A		23	Z01A				
Pre		A07A	Pre	A07A		Pre	A07A				
5t511.01↔			BOP, KOP, KOPV, KVT, UOP4, VIAL	5t511.81↔			BOP, KOP, KOPV, KVT, UOP4, VIAL	5t512.20↔			BOP, KOP, KOPV, KVT, UOP4, VIAL
		05	F13A			05	F13A			05	F13A
		06	G33Z			06	G33Z			06	G33Z
	07	H33Z, H38Z	07		H33Z, H38Z	07	H33Z, H38Z				
	08	I12A, I12B, I12C, I46A, I46B	08		I01Z, I03A, I03B, I08A, I08B, I08C, I08D, I08E, I08F, I12A, I12B, I12C, I46A, I46B	08	I01Z, I03A, I03B, I08A, I08B, I08C, I08D, I08E, I08F, I12A, I12B, I12C, I46A, I46B				
	10	K09A, K09B	10		K09A, K09B	10	K09A, K09B				
	11	L33Z	11		L33Z	11	L33Z				
	21A	W04A, W04B	21A		W04A, W04B	21A	W04A, W04B				
	21B	X04Z, X33Z	21B		X04Z, X33Z	21B	X04Z, X33Z				
	23	Z01A	23		Z01A	23	Z01A				
	Pre	A07A	Pre		A07A	Pre	A07A				
	5t511.2↔		BOP, KOP, KOPV, KVT, UOP4, VIAL		5t511.82↔		BOP, KOP, KOPV, KVT, UOP4, VIAL		5t512.21↔		BOP, KOP, KOPV, KVT, UOP4, VIAL
		05	F13A			05	F13A			05	F13A
		06	G33Z			06	G33Z			06	G33Z
07		H33Z, H38Z	07	H33Z, H38Z		07	H33Z, H38Z				
08		I01Z, I03A, I03B, I08A, I08B, I08C, I08D, I08E, I08F, I12A, I12B, I12C, I46A, I46B	08	I01Z, I03A, I03B, I08A, I08B, I08C, I08D, I08E, I08F, I12A, I12B, I12C, I46A, I46B		08	I01Z, I03A, I03B, I08A, I08B, I08C, I08D, I08E, I08F, I12A, I12B, I12C, I46A, I46B				
10		K09A, K09B	10	K09A, K09B		10	K09A, K09B				
11		L33Z	11	L33Z		11	L33Z				
21A		W04A, W04B	21A	W04A, W04B		21A	W04A, W04B				
21B		X04Z, X33Z	21B	X04Z, X33Z		21B	X04Z, X33Z				
23		Z01A	23	Z01A		23	Z01A				
Pre		A07A	Pre	A07A		Pre	A07A				
5t511.3↔			BOP, KOP, KOPV, KVT, UOP4, VIAL	5t511.x↔			BOP, KOP, KOPV, KVT, UOP4, VIAL	5t512.3↔			BOP, KOP, KOPV, KVT, UOP4, VIAL
		05	F13A			05	F13A			05	F13A
		06	G33Z			06	G33Z			06	G33Z
	07	H33Z, H38Z	07		H33Z, H38Z	07	H33Z, H38Z				
	08	I01Z, I03A, I03B, I08A, I08B, I08C, I08D, I08E, I08F, I12A, I12B, I12C, I46A, I46B	08		I01Z, I03A, I03B, I08A, I08B, I08C, I08D, I08E, I08F, I12A, I12B, I12C, I46A, I46B	08	I01Z, I03A, I03B, I08A, I08B, I08C, I08D, I08E, I08F, I12A, I12B, I12C, I46A, I46B				
	10	K09A, K09B	10		K09A, K09B	10	K09A, K09B				
	11	L33Z	11		L33Z	11	L33Z				
	21A	W04A, W04B	21A		W04A, W04B	21A	W04A, W04B				
	21B	X04Z, X33Z	21B		X04Z, X33Z	21B	X04Z, X33Z				
	23	Z01A	23		Z01A	23	Z01A				
	Pre	A07A	Pre		A07A	Pre	A07A				

VYK





ZZV	MDC	DRG	ZZV	MDC	DRG	ZZV	MDC	DRG
5t514.x↔		BOP, KOP, KOPV, KVT, UOP4, VIAL	5t515.x↔		BOP, KOP, KOPV, KVT, UOP4, VIAL	5t516.x↔		BOP, KOP, KOPV, KVT, UOP4, VIAL
	05	F13A		05	F13A		05	F13A
	06	G33Z		06	G33Z		06	G33Z
	07	H33Z, H38Z		07	H33Z, H38Z		07	H33Z, H38Z
	08	I01Z, I03A, I03B, I08A, I08B, I08C, I08D, I08E, I08F, I12A, I12B, I12C, I46A, I46B		08	I01Z, I03A, I03B, I08A, I08B, I08C, I08D, I08E, I08F, I12A, I12B, I12C, I46A, I46B		08	I01Z, I03A, I03B, I08A, I08B, I08C, I08D, I08E, I08F, I12A, I12B, I12C, I46A, I46B
	10	K09A, K09B		10	K09A, K09B		10	K09A, K09B
	11	L33Z		11	L33Z		11	L33Z
	21A	W04A, W04B		21A	W04A, W04B		21A	W04A, W04B
	21B	X04Z, X33Z		21B	X04Z, X33Z		21B	X04Z, X33Z
	23	Z01A		23	Z01A		23	Z01A
	Pre	A07A		Pre	A07A		Pre	A07A
5t515.2↔		BOP, KOP, KOPV, KVT, UOP4, VIAL	5t516.2↔		BOP, KOP, KOPV, KVT, UOP4, VIAL	5t517↔		BOP, KVT, UOP4, VIAL
	05	F13A		05	F13A		01	B03A, B03B, B06A, B06B, B17A, B17B, B17C
	06	G33Z		06	G33Z		05	F13A
	07	H33Z, H38Z		07	H33Z, H38Z		08	I03A, I03B, I05Z, I47A, I47B
	08	I01Z, I03A, I03B, I08A, I08B, I08C, I08D, I08E, I08F, I12A, I12B, I12C, I46A, I46B		08	I01Z, I03A, I03B, I08A, I08B, I08C, I08D, I08E, I08F, I12A, I12B, I12C, I46A, I46B		21A	W01A, W01B, W01C, W02A, W02B
	10	K09A, K09B		10	K09A, K09B		21B	X04Z
	11	L33Z		11	L33Z	5t518↔		BOP, KVT, UOP4, VIAL
	21A	W04A, W04B		21A	W04A, W04B		01	B03A, B03B, B06A, B06B, B17A, B17B, B17C
	21B	X04Z, X33Z		21B	X04Z, X33Z		05	F13A
	23	Z01A		23	Z01A		08	I03A, I03B, I05Z, I47A, I47B
	Pre	A07A		Pre	A07A		21A	W01A, W01B, W01C, W02A, W02B
5t515.80↔		BOP, KOP, KOPV, KVT, UOP4, VIAL	5t516.80↔		BOP, KOP, KOPV, KVT, UOP4, VIAL		21B	X04Z
	05	F13A		05	F13A	5t519↔		BOP, KVT, UOP4, VIAL
	06	G33Z		06	G33Z		01	B03A, B03B, B06A, B06B, B17A, B17B, B17C
	07	H33Z, H38Z		07	H33Z, H38Z		05	F13A
	08	I01Z, I03A, I03B, I08A, I08B, I08C, I08D, I08E, I08F, I12A, I12B, I12C, I46A, I46B		08	I01Z, I03A, I03B, I08A, I08B, I08C, I08D, I08E, I08F, I12A, I12B, I12C, I46A, I46B		08	I03A, I03B, I05Z, I47A, I47B
	10	K09A, K09B		10	K09A, K09B		21A	W01A, W01B, W01C, W02A, W02B
	11	L33Z		11	L33Z		21B	X04Z
	21A	W04A, W04B		21A	W04A, W04B	5t51a↔		BOP, KVT, UOP4, VIAL
	21B	X04Z, X33Z		21B	X04Z, X33Z		01	B03A, B03B, B06A, B06B, B17A, B17B, B17C
	23	Z01A		23	Z01A		05	F13A
	Pre	A07A		Pre	A07A		08	I08A, I08B, I08C, I08D, I08E, I08F
5t515.81↔		BOP, KOP, KOPV, KVT, UOP4, VIAL	5t516.81↔		BOP, KOP, KOPV, KVT, UOP4, VIAL		21A	W01A, W01B, W01C, W02A, W02B
	05	F13A		05	F13A		21B	X04Z
	06	G33Z		06	G33Z	5t51b↔		BOP, KVT, UOP4, VIAL
	07	H33Z, H38Z		07	H33Z, H38Z		01	B03A, B03B, B06A, B06B, B17A, B17B, B17C
	08	I01Z, I03A, I03B, I08A, I08B, I08C, I08D, I08E, I08F, I12A, I12B, I12C, I46A, I46B		08	I01Z, I03A, I03B, I08A, I08B, I08C, I08D, I08E, I08F, I12A, I12B, I12C, I46A, I46B		05	F13A
	10	K09A, K09B		10	K09A, K09B		08	I08A, I08B, I08C, I08D, I08E, I08F
	11	L33Z		11	L33Z		21A	W01A, W01B, W01C, W02A, W02B
	21A	W04A, W04B		21A	W04A, W04B		21B	X04Z
	21B	X04Z, X33Z		21B	X04Z, X33Z			
	23	Z01A		23	Z01A			
	Pre	A07A		Pre	A07A			
5t515.82↔		BOP, KOP, KOPV, KVT, UOP4, VIAL	5t516.82↔		BOP, KOP, KOPV, KVT, UOP4, VIAL	5t51c↔		BOP, KVT, UOP4, VIAL
	05	F13A		05	F13A		01	B03A, B03B, B06A, B06B, B17A, B17B, B17C
	06	G33Z		06	G33Z		05	F13A
	07	H33Z, H38Z		07	H33Z, H38Z		08	I08A, I08B, I08C, I08D, I08E, I08F
	08	I01Z, I03A, I03B, I08A, I08B, I08C, I08D, I08E, I08F, I12A, I12B, I12C, I46A, I46B		08	I01Z, I03A, I03B, I08A, I08B, I08C, I08D, I08E, I08F, I12A, I12B, I12C, I46A, I46B		21A	W01A, W01B, W01C, W02A, W02B
	10	K09A, K09B		10	K09A, K09B		21B	X04Z
	11	L33Z		11	L33Z			
	21A	W04A, W04B		21A	W04A, W04B			
	21B	X04Z, X33Z		21B	X04Z, X33Z			
	23	Z01A		23	Z01A			
	Pre	A07A		Pre	A07A			

VYK

ZZV	MDC	DRG	ZZV	MDC	DRG	ZZV	MDC	DRG
5t51d↔		BOP, KVT, UOP4, VIAL	5t51f.x↔		BOP, KVT, UOP4, VIAL	5t51g.x↔		BOP, KVT, UOP4, VIAL
	01	B03A, B03B, B06A, B06B, B17A, B17B, B17C		01	B03A, B03B, B06A, B06B, B17A, B17B, B17C		01	B03A, B03B, B06A, B06B, B17A, B17B, B17C
	05	F13A		05	F13A		05	F13A
	08	I08A, I08B, I08C, I08D, I08E, I08F		08	I01Z, I03A, I03B, I08A, I08B, I08C, I08D, I08E, I08F, I12A, I12B, I12C, I46A, I46B		08	I01Z, I03A, I03B, I08A, I08B, I08C, I08D, I08E, I08F, I12A, I12B, I12C, I46A, I46B
	21A	W01A, W01B, W01C, W02A, W02B		21A	W01A, W01B, W01C, W02A, W02B		21A	W01A, W01B, W01C, W02A, W02B
5t51e↔		BOP, KVT, UOP4, VIAL	5t51g.2↔		BOP, KVT, UOP4, VIAL	5t51h↔		BOP, KVT, UOP4, VIAL
	01	B03A, B03B, B06A, B06B, B17A, B17B, B17C		01	B03A, B03B, B06A, B06B, B17A, B17B, B17C		01	B03A, B03B, B06A, B06B, B17A, B17B, B17C
	05	F13A		05	F13A		05	F13A
	08	I03A, I03B, I05Z, I47A, I47B		08	I01Z, I03A, I03B, I08A, I08B, I08C, I08D, I08E, I08F, I12A, I12B, I12C, I46A, I46B		08	I08A, I08B, I08C, I08D, I08E, I08F
	21A	W01A, W01B, W01C, W02A, W02B		21A	W01A, W01B, W01C, W02A, W02B		21A	W01A, W01B, W01C, W02A, W02B
5t51f.2↔		BOP, KVT, UOP4, VIAL	5t51g.50↔		BOP, KVT, UOP4, VIAL	5t51j.2↔		BOP, KOP, KOPV, KVT, UOP4, VIAL
	01	B03A, B03B, B06A, B06B, B17A, B17B, B17C		01	B03A, B03B, B06A, B06B, B17A, B17B, B17C		05	F13A
	05	F13A		05	F13A		06	G33Z
	08	I01Z, I03A, I03B, I08A, I08B, I08C, I08D, I08E, I08F, I12A, I12B, I12C, I46A, I46B		08	I01Z, I03A, I03B, I08A, I08B, I08C, I08D, I08E, I08F, I12A, I12B, I12C, I46A, I46B		07	H33Z, H38Z
	21A	W01A, W01B, W01C, W02A, W02B		21A	W01A, W01B, W01C, W02A, W02B		08	I01Z, I03A, I03B, I08A, I08B, I08C, I08D, I08E, I08F, I12A, I12B, I12C, I46A, I46B
5t51f.31↔		BOP, KVT, UOP4, VIAL	5t51g.51↔		BOP, KVT, UOP4, VIAL	5t51j.80↔		K09A, K09B
	01	B03A, B03B, B06A, B06B, B17A, B17B, B17C		01	B03A, B03B, B06A, B06B, B17A, B17B, B17C		11	L33Z
	05	F13A		05	F13A		21A	W04A, W04B
	08	I01Z, I03A, I03B, I08A, I08B, I08C, I08D, I08E, I08F, I12A, I12B, I12C, I46A, I46B		08	I01Z, I03A, I03B, I08A, I08B, I08C, I08D, I08E, I08F, I12A, I12B, I12C, I46A, I46B		21B	X04Z, X33Z
	21A	W01A, W01B, W01C, W02A, W02B		21A	W01A, W01B, W01C, W02A, W02B		23	Z01A
5t51f.80↔		BOP, KVT, UOP4, VIAL	5t51g.80↔		BOP, KVT, UOP4, VIAL	5t51j.81↔		BOP, KOP, KOPV, KVT, UOP4, VIAL
	01	B03A, B03B, B06A, B06B, B17A, B17B, B17C		01	B03A, B03B, B06A, B06B, B17A, B17B, B17C		05	F13A
	05	F13A		05	F13A		06	G33Z
	08	I01Z, I03A, I03B, I08A, I08B, I08C, I08D, I08E, I08F, I12A, I12B, I12C, I46A, I46B		08	I01Z, I03A, I03B, I08A, I08B, I08C, I08D, I08E, I08F, I12A, I12B, I12C, I46A, I46B		07	H33Z, H38Z
	21A	W01A, W01B, W01C, W02A, W02B		21A	W01A, W01B, W01C, W02A, W02B		08	I01Z, I03A, I03B, I08A, I08B, I08C, I08D, I08E, I08F, I12A, I12B, I12C, I46A, I46B
5t51f.81↔		BOP, KVT, UOP4, VIAL	5t51g.81↔		BOP, KVT, UOP4, VIAL	5t51j.81↔		K09A, K09B
	01	B03A, B03B, B06A, B06B, B17A, B17B, B17C		01	B03A, B03B, B06A, B06B, B17A, B17B, B17C		11	L33Z
	05	F13A		05	F13A		21A	W04A, W04B
	08	I01Z, I03A, I03B, I08A, I08B, I08C, I08D, I08E, I08F, I12A, I12B, I12C, I46A, I46B		08	I01Z, I03A, I03B, I08A, I08B, I08C, I08D, I08E, I08F, I12A, I12B, I12C, I46A, I46B		21B	X04Z, X33Z
	21A	W01A, W01B, W01C, W02A, W02B		21A	W01A, W01B, W01C, W02A, W02B		23	Z01A
5t51f.82↔		BOP, KVT, UOP4, VIAL	5t51g.82↔		BOP, KVT, UOP4, VIAL	5t51j.81↔		BOP, KOP, KOPV, KVT, UOP4, VIAL
	01	B03A, B03B, B06A, B06B, B17A, B17B, B17C		01	B03A, B03B, B06A, B06B, B17A, B17B, B17C		05	F13A
	05	F13A		05	F13A		06	G33Z
	08	I01Z, I03A, I03B, I08A, I08B, I08C, I08D, I08E, I08F, I12A, I12B, I12C, I46A, I46B		08	I01Z, I03A, I03B, I08A, I08B, I08C, I08D, I08E, I08F, I12A, I12B, I12C, I46A, I46B		07	H33Z, H38Z
	21A	W01A, W01B, W01C, W02A, W02B		21A	W01A, W01B, W01C, W02A, W02B		08	I01Z, I03A, I03B, I08A, I08B, I08C, I08D, I08E, I08F, I12A, I12B, I12C, I46A, I46B
5t51f.82↔		BOP, KVT, UOP4, VIAL	5t51g.82↔		BOP, KVT, UOP4, VIAL	5t51j.81↔		K09A, K09B
	01	B03A, B03B, B06A, B06B, B17A, B17B, B17C		01	B03A, B03B, B06A, B06B, B17A, B17B, B17C		11	L33Z
	05	F13A		05	F13A		21A	W04A, W04B
	08	I01Z, I03A, I03B, I08A, I08B, I08C, I08D, I08E, I08F, I12A, I12B, I12C, I46A, I46B		08	I01Z, I03A, I03B, I08A, I08B, I08C, I08D, I08E, I08F, I12A, I12B, I12C, I46A, I46B		21B	X04Z, X33Z
	21A	W01A, W01B, W01C, W02A, W02B		21A	W01A, W01B, W01C, W02A, W02B		23	Z01A
			21B	X04Z			Pre	A07A

VYK

ZZV	MDC	DRG	ZZV	MDC	DRG	ZZV	MDC	DRG
5t51j.82↔		BOP, KOP, KOPV, KVT, UOP4, VIAL	5t520.2↔		BOP, KOP, KOPV, KVT, UOP4, VIAL	5t522.2↔		BOP, KOP, KOPV, KVT, UOP4, VIAL
	05	F13A		06	G33Z		06	G33Z
	06	G33Z		07	H33Z, H38Z		07	H33Z, H38Z
	07	H33Z, H38Z		08	I01Z, I03A, I03B, I04Z, I12A, I12B, I12C, I36Z, I44A, I44B, I44C		08	I01Z, I03A, I03B, I04Z, I12A, I12B, I12C, I36Z, I44A, I44B
	08	I01Z, I03A, I03B, I08A, I08B, I08C, I08D, I08E, I08F, I12A, I12B, I12C, I46A, I46B		11	L33Z		11	L33Z
	10	K09A, K09B		21A	W04A, W04B		21A	W04A, W04B
	11	L33Z		21B	X04Z, X33Z		21B	X04Z, X33Z
	21A	W04A, W04B		23	Z01A		23	Z01A
	21B	X04Z, X33Z		Pre	A07A		Pre	A07A
	23	Z01A	5t521.0↔		BOP, KOP, KOPV, KVT, UOP4, VIAL	5t523.0↔		BOP, KOP, KOPV, KVT, UOP4, VIAL
	Pre	A07A		06	G33Z		06	G33Z
5t51j.x↔		BOP, KOP, KOPV, KVT, UOP4, VIAL		07	H33Z, H38Z		07	H33Z, H38Z
	05	F13A		08	I01Z, I03A, I03B, I04Z, I12A, I12B, I12C, I36Z, I44A, I44B		08	I01Z, I03A, I03B, I04Z, I12A, I12B, I12C, I36Z, I44A, I44B
	06	G33Z		11	L33Z		11	L33Z
	07	H33Z, H38Z		21A	W04A, W04B		21A	W04A, W04B
	08	I01Z, I03A, I03B, I08A, I08B, I08C, I08D, I08E, I08F, I12A, I12B, I12C, I46A, I46B		21B	X04Z, X33Z		21B	X04Z, X33Z
	10	K09A, K09B		23	Z01A		23	Z01A
	11	L33Z		Pre	A07A		Pre	A07A
	21A	W04A, W04B	5t521.1↔		BOP, KOP, KOPV, KVT, UOP4, VIAL	5t523.1↔		BOP, KOP, KOPV, KVT, UOP4, VIAL
	21B	X04Z, X33Z		06	G33Z		06	G33Z
	23	Z01A		07	H33Z, H38Z		07	H33Z, H38Z
	Pre	A07A		08	I01Z, I03A, I03B, I04Z, I12A, I12B, I12C, I36Z, I44A, I44B		08	I01Z, I03A, I03B, I04Z, I12A, I12B, I12C, I36Z, I44A, I44B
5t51k↔		BOP, KVT, UOP4, VIAL		11	L33Z		11	L33Z
	01	B03A, B03B, B06A, B06B, B17A, B17B, B17C		21A	W04A, W04B		21A	W04A, W04B
	05	F13A		21B	X04Z, X33Z		21B	X04Z, X33Z
	08	I03A, I03B, I05Z, I47A, I47B		23	Z01A		23	Z01A
	21A	W01A, W01B, W01C, W02A, W02B		Pre	A07A		Pre	A07A
	21B	X04Z	5t521.2↔		BOP, KOP, KOPV, KVT, UOP4, VIAL	5t523.2↔		BOP, KOP, KOPV, KVT, UOP4, VIAL
5t51x↔		BOP, KVT, UOP4, VIAL		06	G33Z		06	G33Z
	01	B03A, B03B, B06A, B06B, B17A, B17B, B17C		07	H33Z, H38Z		07	H33Z, H38Z
	05	F13A		08	I01Z, I03A, I03B, I04Z, I12A, I12B, I12C, I36Z, I44A, I44B		08	I01Z, I03A, I03B, I04Z, I12A, I12B, I12C, I36Z, I44A, I44B
	08	I08A, I08B, I08C, I08D, I08E, I08F		11	L33Z		11	L33Z
	21A	W01A, W01B, W01C, W02A, W02B		21A	W04A, W04B		21A	W04A, W04B
	21B	X04Z		21B	X04Z, X33Z		21B	X04Z, X33Z
5t520.0↔		BOP, KOP, KOPV, KVT, UOP4, VIAL		23	Z01A		23	Z01A
	06	G33Z		Pre	A07A		Pre	A07A
	07	H33Z, H38Z	5t522.0↔		BOP, KOP, KOPV, KVT, UOP4, VIAL	5t524.0↔		BOP, KOP, KOPV, KVT, UOP4, VIAL
	08	I01Z, I03A, I03B, I04Z, I12A, I12B, I12C, I36Z, I44A, I44B, I44C		06	G33Z		06	G33Z
	11	L33Z		07	H33Z, H38Z		07	H33Z, H38Z
	21A	W04A, W04B		08	I01Z, I03A, I03B, I04Z, I12A, I12B, I12C, I36Z, I44A, I44B		08	I01Z, I03A, I03B, I04Z, I12A, I12B, I12C, I36Z, I44A, I44B
	21B	X04Z, X33Z		11	L33Z		11	L33Z
	23	Z01A		21A	W04A, W04B		21A	W04A, W04B
	Pre	A07A		21B	X04Z, X33Z		21B	X04Z, X33Z
5t520.1↔		BOP, KOP, KOPV, KVT, UOP4, VIAL		23	Z01A		23	Z01A
	06	G33Z		Pre	A07A		Pre	A07A
	07	H33Z, H38Z	5t522.1↔		BOP, KOP, KOPV, KVT, UOP4, VIAL	5t524.1↔		BOP, KOP, KOPV, KVT, UOP4, VIAL
	08	I01Z, I03A, I03B, I04Z, I12A, I12B, I12C, I36Z, I44A, I44B, I44C		06	G33Z		06	G33Z
	11	L33Z		07	H33Z, H38Z		07	H33Z, H38Z
	21A	W04A, W04B		08	I01Z, I03A, I03B, I04Z, I12A, I12B, I12C, I36Z, I44A, I44B		08	I01Z, I03A, I03B, I04Z, I12A, I12B, I12C, I36Z, I44A, I44B
	21B	X04Z, X33Z		11	L33Z		11	L33Z
	23	Z01A		21A	W04A, W04B		21A	W04A, W04B
	Pre	A07A		21B	X04Z, X33Z		21B	X04Z, X33Z
				23	Z01A		23	Z01A
				Pre	A07A		Pre	A07A

ZZV	MDC	DRG	ZZV	MDC	DRG	ZZV	MDC	DRG
5t524.2↔		BOP, KOP, KOPV, KVT, UOP4, VIAL	5t526.2↔		BOP, KOP, KOPV, KVT, UOP4, VIAL	5t527.22↔		BOP, KOP, KOPV, KVT, UOP4, VIAL
	06	G33Z		06	G33Z		06	G33Z
	07	H33Z, H38Z		07	H33Z, H38Z		07	H33Z, H38Z
	08	I01Z, I03A, I03B, I04Z, I12A, I12B, I12C, I36Z, I43A, I43B		08	I01Z, I03A, I03B, I04Z, I12A, I12B, I12C, I36Z, I43A, I43B		08	I01Z, I03A, I03B, I04Z, I12A, I12B, I12C, I36Z, I44A, I44B, I44C
	11	L33Z		11	L33Z		11	L33Z
	21A	W04A, W04B		21A	W04A, W04B		21A	W04A, W04B
	21B	X04Z, X33Z		21B	X04Z, X33Z		21B	X04Z, X33Z
	23	Z01A		23	Z01A		23	Z01A
	Pre	A07A		Pre	A07A		Pre	A07A
5t525.0↔		BOP, KOP, KOPV, KVT, UOP4, VIAL	5t527.10↔		BOP, KOP, KOPV, KVT, UOP4, VIAL	5t527.30↔		BOP, KOP, KOPV, KVT, UOP4, VIAL
	06	G33Z		06	G33Z		06	G33Z
	07	H33Z, H38Z		07	H33Z, H38Z		07	H33Z, H38Z
	08	I01Z, I03A, I03B, I04Z, I12A, I12B, I12C, I36Z, I43A, I43B		08	I01Z, I03A, I03B, I04Z, I12A, I12B, I12C, I36Z, I44A, I44B, I44C		08	I01Z, I03A, I03B, I04Z, I12A, I12B, I12C, I36Z, I44A, I44B, I44C
	11	L33Z		11	L33Z		11	L33Z
	21A	W04A, W04B		21A	W04A, W04B		21A	W04A, W04B
	21B	X04Z, X33Z		21B	X04Z, X33Z		21B	X04Z, X33Z
	23	Z01A		23	Z01A		23	Z01A
	Pre	A07A		Pre	A07A		Pre	A07A
5t525.1↔		BOP, KOP, KOPV, KVT, UOP4, VIAL	5t527.11↔		BOP, KOP, KOPV, KVT, UOP4, VIAL	5t527.31↔		BOP, KOP, KOPV, KVT, UOP4, VIAL
	06	G33Z		06	G33Z		06	G33Z
	07	H33Z, H38Z		07	H33Z, H38Z		07	H33Z, H38Z
	08	I01Z, I03A, I03B, I04Z, I12A, I12B, I12C, I36Z, I43A, I43B		08	I01Z, I03A, I03B, I04Z, I12A, I12B, I12C, I36Z, I44A, I44B, I44C		08	I01Z, I03A, I03B, I04Z, I12A, I12B, I12C, I36Z, I44A, I44B, I44C
	11	L33Z		11	L33Z		11	L33Z
	21A	W04A, W04B		21A	W04A, W04B		21A	W04A, W04B
	21B	X04Z, X33Z		21B	X04Z, X33Z		21B	X04Z, X33Z
	23	Z01A		23	Z01A		23	Z01A
	Pre	A07A		Pre	A07A		Pre	A07A
5t525.2↔		BOP, KOP, KOPV, KVT, UOP4, VIAL	5t527.20↔		BOP, KOP, KOPV, KVT, UOP4, VIAL	5t528.0↔		BOP, KOP, KOPV, KVT, UOP4, VIAL
	06	G33Z		06	G33Z		06	G33Z
	07	H33Z, H38Z		07	H33Z, H38Z		07	H33Z, H38Z
	08	I01Z, I03A, I03B, I04Z, I12A, I12B, I12C, I36Z, I43A, I43B		08	I01Z, I03A, I03B, I04Z, I12A, I12B, I12C, I36Z, I44A, I44B, I44C		08	I01Z, I03A, I03B, I04Z, I12A, I12B, I12C, I36Z, I43A, I43B
	11	L33Z		11	L33Z		11	L33Z
	21A	W04A, W04B		21A	W04A, W04B		21A	W04A, W04B
	21B	X04Z, X33Z		21B	X04Z, X33Z		21B	X04Z, X33Z
	23	Z01A		23	Z01A		23	Z01A
	Pre	A07A		Pre	A07A		Pre	A07A
5t526.0↔		BOP, KOP, KOPV, KVT, UOP4, VIAL	5t527.21↔		BOP, KOP, KOPV, KVT, UOP4, VIAL	5t528.1↔		BOP, KOP, KOPV, KVT, UOP4, VIAL
	06	G33Z		06	G33Z		06	G33Z
	07	H33Z, H38Z		07	H33Z, H38Z		07	H33Z, H38Z
	08	I01Z, I03A, I03B, I04Z, I12A, I12B, I12C, I36Z, I43A, I43B		08	I01Z, I03A, I03B, I04Z, I12A, I12B, I12C, I36Z, I44A, I44B, I44C		08	I01Z, I03A, I03B, I04Z, I12A, I12B, I12C, I36Z, I43A, I43B
	11	L33Z		11	L33Z		11	L33Z
	21A	W04A, W04B		21A	W04A, W04B		21A	W04A, W04B
	21B	X04Z, X33Z		21B	X04Z, X33Z		21B	X04Z, X33Z
	23	Z01A		23	Z01A		23	Z01A
	Pre	A07A		Pre	A07A		Pre	A07A
5t526.1↔		BOP, KOP, KOPV, KVT, UOP4, VIAL	5t528.2↔		BOP, KOP, KOPV, KVT, UOP4, VIAL	5t528.2↔		BOP, KOP, KOPV, KVT, UOP4, VIAL
	06	G33Z		06	G33Z		06	G33Z
	07	H33Z, H38Z		07	H33Z, H38Z		07	H33Z, H38Z
	08	I01Z, I03A, I03B, I04Z, I12A, I12B, I12C, I36Z, I43A, I43B		08	I01Z, I03A, I03B, I04Z, I12A, I12B, I12C, I36Z, I43A, I43B		08	I01Z, I03A, I03B, I04Z, I12A, I12B, I12C, I36Z, I43A, I43B
	11	L33Z		11	L33Z		11	L33Z
	21A	W04A, W04B		21A	W04A, W04B		21A	W04A, W04B
	21B	X04Z, X33Z		21B	X04Z, X33Z		21B	X04Z, X33Z
	23	Z01A		23	Z01A		23	Z01A
	Pre	A07A		Pre	A07A		Pre	A07A

ZZV	MDC	DRG	ZZV	MDC	DRG	ZZV	MDC	DRG
5t529.1↔		BOP, KOP, KOPV, KVT, UOP4, VIAL	5t52c.1↔		BOP, KOP, KOPV, KVT, UOP4, VIAL	5t52e.1↔		BOP, KOP, KOPV, KVT, UOP4, VIAL
	06	G33Z		06	G33Z		06	G33Z
	07	H33Z, H38Z		07	H33Z, H38Z		07	H33Z, H38Z
	08	I01Z, I03A, I03B, I04Z, I12A, I12B, I12C, I36Z, I44A, I44B		08	I01Z, I03A, I03B, I04Z, I12A, I12B, I12C, I36Z, I44A, I44B		08	I01Z, I03A, I03B, I04Z, I12A, I12B, I12C, I36Z, I44A, I44B
	11	L33Z		11	L33Z		11	L33Z
	21A	W04A, W04B		21A	W04A, W04B		21A	W04A, W04B
	21B	X04Z, X33Z		21B	X04Z, X33Z		21B	X04Z, X33Z
	23	Z01A		23	Z01A		23	Z01A
	Pre	A07A		Pre	A07A		Pre	A07A
5t529.2↔		BOP, KOP, KOPV, KVT, UOP4, VIAL	5t52c.2↔		BOP, KOP, KOPV, KVT, UOP4, VIAL	5t52e.2↔		BOP, KOP, KOPV, KVT, UOP4, VIAL
	06	G33Z		06	G33Z		06	G33Z
	07	H33Z, H38Z		07	H33Z, H38Z		07	H33Z, H38Z
	08	I01Z, I03A, I03B, I04Z, I12A, I12B, I12C, I36Z, I44A, I44B		08	I01Z, I03A, I03B, I04Z, I12A, I12B, I12C, I36Z, I44A, I44B		08	I01Z, I03A, I03B, I04Z, I12A, I12B, I12C, I36Z, I44A, I44B
	11	L33Z		11	L33Z		11	L33Z
	21A	W04A, W04B		21A	W04A, W04B		21A	W04A, W04B
	21B	X04Z, X33Z		21B	X04Z, X33Z		21B	X04Z, X33Z
	23	Z01A		23	Z01A		23	Z01A
	Pre	A07A		Pre	A07A		Pre	A07A
5t52a.1↔		BOP, KOP, KOPV, KVT, UOP4, VIAL	5t52d.0↔		BOP, KOP, KOPV, KVT, UOP4, VIAL	5t52x.0↔		BOP, KOP, KOPV, KVT, UOP4, VIAL
	06	G33Z		06	G33Z		06	G33Z
	07	H33Z, H38Z		07	H33Z, H38Z		07	H33Z, H38Z
	08	I01Z, I03A, I03B, I04Z, I12A, I12B, I12C, I36Z, I44A, I44B		08	I01Z, I03A, I03B, I04Z, I12A, I12B, I12C, I36Z, I44A, I44B		08	I01Z, I03A, I03B, I04Z, I12A, I12B, I12C, I36Z, I44A, I44B
	11	L33Z		11	L33Z		11	L33Z
	21A	W04A, W04B		21A	W04A, W04B		21A	W04A, W04B
	21B	X04Z, X33Z		21B	X04Z, X33Z		21B	X04Z, X33Z
	23	Z01A		23	Z01A		23	Z01A
	Pre	A07A		Pre	A07A		Pre	A07A
5t52a.2↔		BOP, KOP, KOPV, KVT, UOP4, VIAL	5t52d.1↔		BOP, KOP, KOPV, KVT, UOP4, VIAL	5t52x.1↔		BOP, KOP, KOPV, KVT, UOP4, VIAL
	06	G33Z		06	G33Z		06	G33Z
	07	H33Z, H38Z		07	H33Z, H38Z		07	H33Z, H38Z
	08	I01Z, I03A, I03B, I04Z, I12A, I12B, I12C, I36Z, I44A, I44B		08	I01Z, I03A, I03B, I04Z, I12A, I12B, I12C, I36Z, I44A, I44B		08	I01Z, I03A, I03B, I04Z, I12A, I12B, I12C, I36Z, I44A, I44B
	11	L33Z		11	L33Z		11	L33Z
	21A	W04A, W04B		21A	W04A, W04B		21A	W04A, W04B
	21B	X04Z, X33Z		21B	X04Z, X33Z		21B	X04Z, X33Z
	23	Z01A		23	Z01A		23	Z01A
	Pre	A07A		Pre	A07A		Pre	A07A
5t52b↔		BOP, KOP, KOPV, KVT, UOP4, VIAL	5t52d.2↔		BOP, KOP, KOPV, KVT, UOP4, VIAL	5t52x.2↔		BOP, KOP, KOPV, KVT, UOP4, VIAL
	06	G33Z		06	G33Z		06	G33Z
	07	H33Z, H38Z		07	H33Z, H38Z		07	H33Z, H38Z
	08	I01Z, I03A, I03B, I04Z, I12A, I12B, I12C, I36Z, I44A, I44B		08	I01Z, I03A, I03B, I04Z, I12A, I12B, I12C, I36Z, I44A, I44B		08	I01Z, I03A, I03B, I04Z, I12A, I12B, I12C, I36Z, I44A, I44B
	11	L33Z		11	L33Z		11	L33Z
	21A	W04A, W04B		21A	W04A, W04B		21A	W04A, W04B
	21B	X04Z, X33Z		21B	X04Z, X33Z		21B	X04Z, X33Z
	23	Z01A		23	Z01A		23	Z01A
	Pre	A07A		Pre	A07A		Pre	A07A
5t52c.0↔		BOP, KOP, KOPV, KVT, UOP4, VIAL	5t52e.0↔		BOP, KOP, KOPV, KVT, UOP4, VIAL	5t530↔		BOP, KOP, KOPV, KVT, UOP4, VIAL
	06	G33Z		06	G33Z		05	F13A
	07	H33Z, H38Z		07	H33Z, H38Z		06	G33Z
	08	I01Z, I03A, I03B, I04Z, I12A, I12B, I12C, I36Z, I44A, I44B		08	I01Z, I03A, I03B, I04Z, I12A, I12B, I12C, I36Z, I44A, I44B		07	H33Z, H38Z
	11	L33Z		11	L33Z		08	I01Z, I03A, I03B, I12A, I12B, I12C, I44A, I44B, I44C
	21A	W04A, W04B		21A	W04A, W04B		11	L33Z
	21B	X04Z, X33Z		21B	X04Z, X33Z		21A	W04A, W04B
	23	Z01A		23	Z01A		21B	X04Z, X33Z
	Pre	A07A		Pre	A07A		23	Z01A
				Pre	A07A			

ZZV	MDC	DRG	ZZV	MDC	DRG	ZZV	MDC	DRG
5t531.10↔		BOP, KOP, KOPV, KVT, UOP4, VIAL	5t531.31↔		BOP, KOP, KOPV, KVT, UOP4, VIAL	5t531.x↔		BOP, KOP, KOPV, KVT, UOP4, VIAL
	05	F13A		05	F13A		05	F13A
	06	G33Z		06	G33Z		06	G33Z
	07	H33Z, H38Z		07	H33Z, H38Z		07	H33Z, H38Z
	08	I01Z, I03A, I03B, I04Z, I12A, I12B, I12C, I43A, I43B		08	I01Z, I03A, I03B, I04Z, I12A, I12B, I12C, I43A, I43B		08	I01Z, I03A, I03B, I04Z, I12A, I12B, I12C, I43A, I43B
	11	L33Z		11	L33Z		11	L33Z
	21A	W04A, W04B		21A	W04A, W04B		21A	W04A, W04B
	21B	X04Z, X33Z		21B	X04Z, X33Z		21B	X04Z, X33Z
	23	Z01A		23	Z01A		23	Z01A
	Pre	A07A		Pre	A07A		Pre	A07A
	5t531.11↔			BOP, KOP, KOPV, KVT, UOP4, VIAL	5t531.50↔			BOP, KOP, KOPV, KVT, UOP4, VIAL
05		F13A	05	F13A		05	F13A	
06		G33Z	06	G33Z		06	G33Z	
07		H33Z, H38Z	07	H33Z, H38Z		07	H33Z, H38Z	
08		I01Z, I03A, I03B, I04Z, I12A, I12B, I12C, I43A, I43B	08	I01Z, I03A, I03B, I04Z, I12A, I12B, I12C, I43A, I43B		08	I01Z, I03A, I03B, I04Z, I12A, I12B, I12C, I43A, I43B	
11		L33Z	11	L33Z		11	L33Z	
21A		W04A, W04B	21A	W04A, W04B		21A	W04A, W04B	
21B		X04Z, X33Z	21B	X04Z, X33Z		21B	X04Z, X33Z	
23		Z01A	23	Z01A		23	Z01A	
Pre		A07A	Pre	A07A		Pre	A07A	
5t531.20↔			BOP, KOP, KOPV, KVT, UOP4, VIAL	5t531.51↔			BOP, KOP, KOPV, KVT, UOP4, VIAL	5t532.40↔
	05	F13A	05		F13A	05	F13A	
	06	G33Z	06		G33Z	06	G33Z	
	07	H33Z, H38Z	07		H33Z, H38Z	07	H33Z, H38Z	
	08	I01Z, I03A, I03B, I04Z, I12A, I12B, I12C, I43A, I43B	08		I01Z, I03A, I03B, I04Z, I12A, I12B, I12C, I43A, I43B	08	I01Z, I03A, I03B, I04Z, I12A, I12B, I12C, I43A, I43B	
	11	L33Z	11		L33Z	11	L33Z	
	21A	W04A, W04B	21A		W04A, W04B	21A	W04A, W04B	
	21B	X04Z, X33Z	21B		X04Z, X33Z	21B	X04Z, X33Z	
	23	Z01A	23		Z01A	23	Z01A	
	Pre	A07A	Pre		A07A	Pre	A07A	
	5t531.21↔		BOP, KOP, KOPV, KVT, UOP4, VIAL		5t531.52↔		BOP, KOP, KOPV, KVT, UOP4, VIAL	
05		F13A	05	F13A		05	F13A	
06		G33Z	06	G33Z		06	G33Z	
07		H33Z, H38Z	07	H33Z, H38Z		07	H33Z, H38Z	
08		I01Z, I03A, I03B, I04Z, I12A, I12B, I12C, I43A, I43B	08	I01Z, I03A, I03B, I04Z, I12A, I12B, I12C, I43A, I43B		08	I01Z, I03A, I03B, I04Z, I12A, I12B, I12C, I43A, I43B	
11		L33Z	11	L33Z		11	L33Z	
21A		W04A, W04B	21A	W04A, W04B		21A	W04A, W04B	
21B		X04Z, X33Z	21B	X04Z, X33Z		21B	X04Z, X33Z	
23		Z01A	23	Z01A		23	Z01A	
Pre		A07A	Pre	A07A		Pre	A07A	
5t531.30↔			BOP, KOP, KOPV, KVT, UOP4, VIAL	5t531.6↔			BOP, KOP, KOPV, KVT, UOP4, VIAL	5t532.50↔
	05	F13A	05		F13A	05	F13A	
	06	G33Z	06		G33Z	06	G33Z	
	07	H33Z, H38Z	07		H33Z, H38Z	07	H33Z, H38Z	
	08	I01Z, I03A, I03B, I04Z, I12A, I12B, I12C, I43A, I43B	08		I01Z, I03A, I03B, I04Z, I12A, I12B, I12C, I43A, I43B	08	I01Z, I03A, I03B, I04Z, I12A, I12B, I12C, I43A, I43B	
	11	L33Z	11		L33Z	11	L33Z	
	21A	W04A, W04B	21A		W04A, W04B	21A	W04A, W04B	
	21B	X04Z, X33Z	21B		X04Z, X33Z	21B	X04Z, X33Z	
	23	Z01A	23		Z01A	23	Z01A	
	Pre	A07A	Pre		A07A	Pre	A07A	

ZZV	MDC	DRG	ZZV	MDC	DRG	ZZV	MDC	DRG
5t532.52↔		BOP, KOP, KOPV, KVT, UOP4, VIAL	5t532.a1↔		BOP, KOP, KOPV, KVT, UOP4, VIAL	5t533.7↔		BOP, KOP, KOPV, KVT, UOP4, VIAL
	05	F13A		05	F13A		05	F13A
	06	G33Z		06	G33Z		06	G33Z
	07	H33Z, H38Z		07	H33Z, H38Z		07	H33Z, H38Z
	08	I01Z, I03A, I03B, I04Z, I12A, I12B, I12C, I43A, I43B		08	I01Z, I03A, I03B, I04Z, I12A, I12B, I12C, I43A, I43B		08	I01Z, I03A, I03B, I04Z, I12A, I12B, I12C, I43A, I43B
	11	L33Z		11	L33Z		11	L33Z
	21A	W04A, W04B		21A	W04A, W04B		21A	W04A, W04B
	21B	X04Z, X33Z		21B	X04Z, X33Z		21B	X04Z, X33Z
	23	Z01A		23	Z01A		23	Z01A
	Pre	A07A		Pre	A07A		Pre	A07A
5t532.6↔		BOP, KOP, KOPV, KVT, UOP4, VIAL	5t532.x↔		BOP, KOP, KOPV, KVT, UOP4, VIAL	5t533.8↔		BOP, KOP, KOPV, KVT, UOP4, VIAL
	05	F13A		05	F13A		05	F13A
	06	G33Z		06	G33Z		06	G33Z
	07	H33Z, H38Z		07	H33Z, H38Z		07	H33Z, H38Z
	08	I01Z, I03A, I03B, I04Z, I12A, I12B, I12C, I44A, I44B		08	I01Z, I03A, I03B, I04Z, I12A, I12B, I12C, I43A, I43B		08	I01Z, I03A, I03B, I04Z, I12A, I12B, I12C, I43A, I43B
	11	L33Z		11	L33Z		11	L33Z
	21A	W04A, W04B		21A	W04A, W04B		21A	W04A, W04B
	21B	X04Z, X33Z		21B	X04Z, X33Z		21B	X04Z, X33Z
	23	Z01A		23	Z01A		23	Z01A
	Pre	A07A		Pre	A07A		Pre	A07A
5t532.7↔		BOP, KOP, KOPV, KVT, UOP4, VIAL	5t533.0↔		BOP, KOP, KOPV, KVT, UOP4, VIAL	5t533.9↔		BOP, KOP, KOPV, KVT, UOP4, VIAL
	05	F13A		05	F13A		05	F13A
	06	G33Z		06	G33Z		06	G33Z
	07	H33Z, H38Z		07	H33Z, H38Z		07	H33Z, H38Z
	08	I01Z, I03A, I03B, I04Z, I12A, I12B, I12C, I43A, I43B		08	I01Z, I03A, I03B, I04Z, I12A, I12B, I12C, I43A, I43B		08	I01Z, I03A, I03B, I04Z, I12A, I12B, I12C, I43A, I43B
	11	L33Z		11	L33Z		11	L33Z
	21A	W04A, W04B		21A	W04A, W04B		21A	W04A, W04B
	21B	X04Z, X33Z		21B	X04Z, X33Z		21B	X04Z, X33Z
	23	Z01A		23	Z01A		23	Z01A
	Pre	A07A		Pre	A07A		Pre	A07A
5t532.8↔		BOP, KOP, KOPV, KVT, UOP4, VIAL	5t533.50↔		BOP, KOP, KOPV, KVT, UOP4, VIAL	5t533.a0↔		BOP, KOP, KOPV, KVT, UOP4, VIAL
	05	F13A		05	F13A		05	F13A
	06	G33Z		06	G33Z		06	G33Z
	07	H33Z, H38Z		07	H33Z, H38Z		07	H33Z, H38Z
	08	I01Z, I03A, I03B, I04Z, I12A, I12B, I12C, I43A, I43B		08	I01Z, I03A, I03B, I04Z, I12A, I12B, I12C, I43A, I43B		08	I01Z, I03A, I03B, I04Z, I12A, I12B, I12C, I43A, I43B
	11	L33Z		11	L33Z		11	L33Z
	21A	W04A, W04B		21A	W04A, W04B		21A	W04A, W04B
	21B	X04Z, X33Z		21B	X04Z, X33Z		21B	X04Z, X33Z
	23	Z01A		23	Z01A		23	Z01A
	Pre	A07A		Pre	A07A		Pre	A07A
5t532.a0↔		BOP, KOP, KOPV, KVT, UOP4, VIAL	5t533.52↔		BOP, KOP, KOPV, KVT, UOP4, VIAL	5t533.a1↔		BOP, KOP, KOPV, KVT, UOP4, VIAL
	05	F13A		05	F13A		05	F13A
	06	G33Z		06	G33Z		06	G33Z
	07	H33Z, H38Z		07	H33Z, H38Z		07	H33Z, H38Z
	08	I01Z, I03A, I03B, I04Z, I12A, I12B, I12C, I43A, I43B		08	I01Z, I03A, I03B, I04Z, I12A, I12B, I12C, I43A, I43B		08	I01Z, I03A, I03B, I04Z, I12A, I12B, I12C, I43A, I43B
	11	L33Z		11	L33Z		11	L33Z
	21A	W04A, W04B		21A	W04A, W04B		21A	W04A, W04B
	21B	X04Z, X33Z		21B	X04Z, X33Z		21B	X04Z, X33Z
	23	Z01A		23	Z01A		23	Z01A
	Pre	A07A		Pre	A07A		Pre	A07A

VYK



ZZV	MDC	DRG	ZZV	MDC	DRG	ZZV	MDC	DRG
5t533.x↔		BOP, KOP, KOPV, KVT, UOP4, VIAL	5t534.x↔		BOP, KOP, KOPV, KVT, UOP4, VIAL	5t535.22↔		BOP, KOP, KOPV, KVT, UOP4, VIAL
	05	F13A		05	F13A		05	F13A
	06	G33Z		06	G33Z		06	G33Z
	07	H33Z, H38Z		07	H33Z, H38Z		07	H33Z, H38Z
	08	I01Z, I03A, I03B, I04Z, I12A, I12B, I12C, I43A, I43B		08	I01Z, I03A, I03B, I04Z, I12A, I12B, I12C, I43A, I43B		08	I01Z, I03A, I03B, I04Z, I12A, I12B, I12C, I44A, I44B, I44C
	11	L33Z		11	L33Z		11	L33Z
	21A	W04A, W04B		21A	W04A, W04B		21A	W04A, W04B
	21B	X04Z, X33Z		21B	X04Z, X33Z		21B	X04Z, X33Z
	23	Z01A		23	Z01A		23	Z01A
	Pre	A07A		Pre	A07A		Pre	A07A
	5t534.0↔			BOP, KOP, KOPV, KVT, UOP4, VIAL	5t535.10↔			BOP, KOP, KOPV, KVT, UOP4, VIAL
05		F13A	05	F13A		05	F13A	
06		G33Z	06	G33Z		06	G33Z	
07		H33Z, H38Z	07	H33Z, H38Z		07	H33Z, H38Z	
08		I01Z, I03A, I03B, I04Z, I12A, I12B, I12C, I43A, I43B	08	I01Z, I03A, I03B, I04Z, I12A, I12B, I12C, I44A, I44B, I44C		08	I01Z, I03A, I03B, I04Z, I12A, I12B, I12C, I44A, I44B, I44C	
11		L33Z	11	L33Z		11	L33Z	
21A		W04A, W04B	21A	W04A, W04B		21A	W04A, W04B	
21B		X04Z, X33Z	21B	X04Z, X33Z		21B	X04Z, X33Z	
23		Z01A	23	Z01A		23	Z01A	
Pre		A07A	Pre	A07A		Pre	A07A	
5t534.7↔			BOP, KOP, KOPV, KVT, UOP4, VIAL	5t535.11↔			BOP, KOP, KOPV, KVT, UOP4, VIAL	5t535.31↔
	05	F13A	05		F13A	05	F13A	
	06	G33Z	06		G33Z	06	G33Z	
	07	H33Z, H38Z	07		H33Z, H38Z	07	H33Z, H38Z	
	08	I01Z, I03A, I03B, I04Z, I12A, I12B, I12C, I43A, I43B	08		I01Z, I03A, I03B, I04Z, I12A, I12B, I12C, I44A, I44B, I44C	08	I01Z, I03A, I03B, I04Z, I12A, I12B, I12C, I44A, I44B, I44C	
	11	L33Z	11		L33Z	11	L33Z	
	21A	W04A, W04B	21A		W04A, W04B	21A	W04A, W04B	
	21B	X04Z, X33Z	21B		X04Z, X33Z	21B	X04Z, X33Z	
	23	Z01A	23		Z01A	23	Z01A	
	Pre	A07A	Pre		A07A	Pre	A07A	
	5t534.8↔		BOP, KOP, KOPV, KVT, UOP4, VIAL		5t535.20↔		BOP, KOP, KOPV, KVT, UOP4, VIAL	
05		F13A	05	F13A		05	F13A	
06		G33Z	06	G33Z		06	G33Z	
07		H33Z, H38Z	07	H33Z, H38Z		07	H33Z, H38Z	
08		I01Z, I03A, I03B, I04Z, I12A, I12B, I12C, I43A, I43B	08	I01Z, I03A, I03B, I04Z, I12A, I12B, I12C, I44A, I44B, I44C		08	I01Z, I03A, I03B, I04Z, I12A, I12B, I12C, I43A, I43B	
11		L33Z	11	L33Z		11	L33Z	
21A		W04A, W04B	21A	W04A, W04B		21A	W04A, W04B	
21B		X04Z, X33Z	21B	X04Z, X33Z		21B	X04Z, X33Z	
23		Z01A	23	Z01A		23	Z01A	
Pre		A07A	Pre	A07A		Pre	A07A	
5t534.9↔			BOP, KOP, KOPV, KVT, UOP4, VIAL	5t535.21↔			BOP, KOP, KOPV, KVT, UOP4, VIAL	5t536.52↔
	05	F13A	05		F13A	05	F13A	
	06	G33Z	06		G33Z	06	G33Z	
	07	H33Z, H38Z	07		H33Z, H38Z	07	H33Z, H38Z	
	08	I01Z, I03A, I03B, I04Z, I12A, I12B, I12C, I43A, I43B	08		I01Z, I03A, I03B, I04Z, I12A, I12B, I12C, I44A, I44B, I44C	08	I01Z, I03A, I03B, I04Z, I12A, I12B, I12C, I43A, I43B	
	11	L33Z	11		L33Z	11	L33Z	
	21A	W04A, W04B	21A		W04A, W04B	21A	W04A, W04B	
	21B	X04Z, X33Z	21B		X04Z, X33Z	21B	X04Z, X33Z	
	23	Z01A	23		Z01A	23	Z01A	
	Pre	A07A	Pre		A07A	Pre	A07A	

ZZV	MDC	DRG	ZZV	MDC	DRG	ZZV	MDC	DRG			
5t536.60↔		BOP, KOP, KOPV, KVT, UOP4, VIAL	5t536.92↔		BOP, KOP, KOPV, KVT, UOP4, VIAL	5t538.72↔		BOP, KVT, UOP4, VIAL			
	05	F13A		05	F13A		05	F13A			
	06	G33Z		06	G33Z		08	I12A, I12B, I12C, I44A, I44B			
	07	H33Z, H38Z		07	H33Z, H38Z		21A	W04A, W04B			
	08	I01Z, I03A, I03B, I04Z, I12A, I12B, I12C, I43A, I43B		08	I01Z, I03A, I03B, I04Z, I12A, I12B, I12C, I43A, I43B		21B	X04Z			
	11	L33Z		11	L33Z		5t538.8↔		BOP, KVT, UOP4, VIAL		
	21A	W04A, W04B		21A	W04A, W04B		05	F13A			
	21B	X04Z, X33Z		21B	X04Z, X33Z		08	I12A, I12B, I12C, I44A, I44B			
	23	Z01A		23	Z01A		21A	W04A, W04B			
	Pre	A07A		Pre	A07A		21B	X04Z			
	5t536.61↔			BOP, KOP, KOPV, KVT, UOP4, VIAL	5t536.x↔			BOP, KOP, KOPV, KVT, UOP4, VIAL	5t538.9↔		BOP, KVT, UOP4, VIAL
		05		F13A			05	F13A		05	F13A
		06		G33Z			06	G33Z		08	I12A, I12B, I12C, I44A, I44B
		07		H33Z, H38Z			07	H33Z, H38Z		21A	W04A, W04B
08		I01Z, I03A, I03B, I04Z, I12A, I12B, I12C, I43A, I43B	08	I01Z, I03A, I03B, I04Z, I12A, I12B, I12C, I43A, I43B		21B	X04Z				
11		L33Z	11	L33Z		5t538.a↔		BOP, KVT, UOP4, VIAL			
21A		W04A, W04B	21A	W04A, W04B		05	F13A				
21B		X04Z, X33Z	21B	X04Z, X33Z		08	I12A, I12B, I12C, I44A, I44B				
23		Z01A	23	Z01A		21A	W04A, W04B				
Pre		A07A	Pre	A07A		21B	X04Z				
5t536.70↔			BOP, KOP, KOPV, KVT, UOP4, VIAL	5t537↔			BOP, KVT, UOP4, VIAL	5t538.b↔			BOP, KVT, UOP4, VIAL
		05	F13A			05	F13A			05	F13A
		06	G33Z			08	I04Z, I12A, I12B, I12C, I44A, I44B			08	I12A, I12B, I12C, I44A, I44B
		07	H33Z, H38Z			21A	W04A, W04B			21A	W04A, W04B
	08	I01Z, I03A, I03B, I04Z, I12A, I12B, I12C, I43A, I43B	21B		X04Z	21B	X04Z				
	11	L33Z	5t538.20↔			BOP, KVT, UOP4, VIAL	5t538.c↔			BOP, KVT, UOP4, VIAL	
	21A	W04A, W04B	05		F13A	05	F13A				
	21B	X04Z, X33Z	08		I12A, I12B, I12C, I44A, I44B	08	I12A, I12B, I12C, I44A, I44B				
	23	Z01A	21A		W04A, W04B	21A	W04A, W04B				
	Pre	A07A	21B		X04Z	21B	X04Z				
	5t536.71↔		BOP, KOP, KOPV, KVT, UOP4, VIAL		5t538.22↔		BOP, KVT, UOP4, VIAL		5t538.x↔		BOP, KVT, UOP4, VIAL
		05	F13A			05	F13A			05	F13A
		06	G33Z			08	I12A, I12B, I12C, I44A, I44B			08	I12A, I12B, I12C, I44A, I44B
		07	H33Z, H38Z			21A	W04A, W04B			21A	W04A, W04B
08		I01Z, I03A, I03B, I04Z, I12A, I12B, I12C, I43A, I43B	21B	X04Z		21B	X04Z				
11		L33Z	5t538.30↔			BOP, KVT, UOP4, VIAL	5t539.0↔			BOP, KVT, UOP4, VIAL	
21A		W04A, W04B	05	F13A		05	F13A				
21B		X04Z, X33Z	08	I12A, I12B, I12C, I44A, I44B		08	I12A, I12B, I12C, I44A, I44B				
23		Z01A	21A	W04A, W04B		21A	W04A, W04B				
Pre		A07A	21B	X04Z		21B	X04Z				
5t536.90↔			BOP, KOP, KOPV, KVT, UOP4, VIAL	5t538.32↔			BOP, KVT, UOP4, VIAL	5t539.1↔			BOP, KVT, UOP4, VIAL
		05	F13A			05	F13A			05	F13A
		06	G33Z			08	I12A, I12B, I12C, I44A, I44B			08	I12A, I12B, I12C, I44A, I44B
		07	H33Z, H38Z			21A	W04A, W04B			21A	W04A, W04B
	08	I01Z, I03A, I03B, I04Z, I12A, I12B, I12C, I43A, I43B	21B		X04Z	21B	X04Z				
	11	L33Z	5t538.60↔			BOP, KVT, UOP4, VIAL	5t539.a↔			BOP, KVT, UOP4, VIAL	
	21A	W04A, W04B	05		F13A	05	F13A				
	21B	X04Z, X33Z	08		I12A, I12B, I12C, I44A, I44B	08	I04Z, I12A, I12B, I12C, I44A, I44B, I44C				
	23	Z01A	21A		W04A, W04B	21A	W04A, W04B				
	Pre	A07A	21B		X04Z	21B	X04Z				
	5t536.90↔		BOP, KOP, KOPV, KVT, UOP4, VIAL		5t538.62↔		BOP, KVT, UOP4, VIAL		5t53b↔		BOP, KVT, UOP4, VIAL
		05	F13A			05	F13A			05	F13A
		06	G33Z			08	I12A, I12B, I12C, I44A, I44B			08	I04Z, I12A, I12B, I12C, I44A, I44B, I44C
		07	H33Z, H38Z			21A	W04A, W04B			21A	W04A, W04B
08		I01Z, I03A, I03B, I04Z, I12A, I12B, I12C, I43A, I43B	21B	X04Z		21B	X04Z				
11		L33Z	5t538.70↔			BOP, KVT, UOP4, VIAL	5t53c↔			BOP, KVT, UOP4, VIAL	
21A		W04A, W04B	05	F13A		05	F13A				
21B		X04Z, X33Z	08	I12A, I12B, I12C, I44A, I44B		08	I04Z, I12A, I12B, I12C, I44A, I44B, I44C				
23		Z01A	21A	W04A, W04B		21A	W04A, W04B				
Pre		A07A	21B	X04Z		21B	X04Z				
5t536.90↔			BOP, KOP, KOPV, KVT, UOP4, VIAL	5t538.70↔			BOP, KVT, UOP4, VIAL	5t53d↔			BOP, KVT, UOP4, VIAL
		05	F13A			05	F13A			05	F13A
		06	G33Z			08	I12A, I12B, I12C, I44A, I44B			08	I04Z, I12A, I12B, I12C, I44A, I44B, I44C
		07	H33Z, H38Z			21A	W04A, W04B			21A	W04A, W04B
	08	I01Z, I03A, I03B, I04Z, I12A, I12B, I12C, I43A, I43B	21B		X04Z	21B	X04Z				
	11	L33Z	5t538.70↔			BOP, KVT, UOP4, VIAL	5t53d↔			BOP, KVT, UOP4, VIAL	
	21A	W04A, W04B	05		F13A	05	F13A				
	21B	X04Z, X33Z	08		I12A, I12B, I12C, I44A, I44B	08	I04Z, I12A, I12B, I12C, I44A, I44B, I44C				
	23	Z01A	21A		W04A, W04B	21A	W04A, W04B				
	Pre	A07A	21B		X04Z	21B	X04Z				

VYK

ZZV	MDC	DRG	ZZV	MDC	DRG	ZZV	MDC	DRG
5t53e↔		BOP, KVT, UOP4, VIAL	5t545↔		BOP, KVT, UOP4, VIAL	5t54x↔		BOP, KVT, UOP4
	05	F13A		08	I05Z, I08A, I08B, I08C, I08D, I08E, I08F, I12A, I12B, I12C		08	I12A, I12B, I12C, I28A, I28B
	08	I04Z, I12A, I12B, I12C, I44A, I44B, I44C		21A	W04A, W04B		21A	W04A, W04B
	21A	W04A, W04B		21B	X06A, X06B, X06C		21B	X05A, X05B, X06A, X06B, X06C
	21B	X04Z	5t546↔		BOP, KVT, UOP4, VIAL	5t550.0↔		BOP, KVT, UOP4
5t53f↔		BOP, KVT, UOP4, VIAL		08	I05Z, I08A, I08B, I08C, I08D, I08E, I08F, I12A, I12B, I12C		05	F13A
	05	F13A		21A	W04A, W04B		08	I05Z, I12A, I12B, I12C
	08	I04Z, I12A, I12B, I12C, I44A, I44B		21B	X06A, X06B, X06C		21A	W04A, W04B
	21A	W04A, W04B	5t547↔		BOP, KVT, UOP4, VIAL		21B	X06A, X06B, X06C
	21B	X04Z		08	I08A, I08B, I08C, I08D, I08E, I08F, I12A, I12B, I12C, I21Z, I31Z, I32A, I32B, I32C, I32D, I32E, I32F	5t550.4↔		BOP, KVT, UOP4
5t53g↔		BOP, KVT, UOP4, VIAL		21A	W04A, W04B		05	F13A
	05	F13A		21B	X06A, X06B, X06C		08	I05Z, I12A, I12B, I12C
	08	I04Z, I12A, I12B, I12C, I44A, I44B	5t548↔		BOP, KVT, UOP4, VIAL		21A	W04A, W04B
	21A	W04A, W04B		08	I05Z, I12A, I12B, I12C		21B	X06A, X06B, X06C
	21B	X04Z		21A	W04A, W04B	5t550.7↔		BOP, KVT, UOP4
5t53h↔		BOP, KVT, UOP4, VIAL		21B	X05A, X05B		05	F13A
	05	F13A	5t549.1↔		BOP, KVT, UOP4, VIAL		08	I05Z, I12A, I12B, I12C
	08	I04Z, I12A, I12B, I12C, I44A, I44B, I44C		01	B03A, B03B, B06A, B06B, B07Z, B17A, B17B, B17C		21A	W04A, W04B
	21A	W04A, W04B		08	I12A, I12B, I12C, I32A, I32B, I32C, I32D, I32E, I32F		21B	X06A, X06B, X06C
	21B	X04Z		21A	W04A, W04B	5t550.v↔		BOP, KVT, UOP4
5t53j↔		BOP, KVT, UOP4, VIAL		21B	X05A, X05B		05	F13A
	05	F13A	5t549.2↔		BOP, KVT, UOP4, VIAL		08	I05Z, I12A, I12B, I12C
	08	I04Z, I12A, I12B, I12C, I44A, I44B, I44C		01	B03A, B03B, B06A, B06B, B07Z, B17A, B17B, B17C		21A	W04A, W04B
	21A	W04A, W04B		08	I12A, I12B, I12C, I32A, I32B, I32C, I32D, I32E, I32F		21B	X06A, X06B, X06C
	21B	X04Z		21A	W04A, W04B	5t551↔		BOP, KVT, UOP4, VIAL
5t53x↔		BOP, KVT, UOP4, VIAL		21B	X05A, X05B		05	F13A
	05	F13A	5t549.3↔		BOP, KVT, UOP4, VIAL		08	I05Z, I08A, I08B, I08C, I08D, I08E, I08F, I12A, I12B, I12C
	08	I12A, I12B, I12C, I44A, I44B		01	B03A, B03B, B06A, B06B, B07Z, B17A, B17B, B17C		21A	W04A, W04B
	21A	W04A, W04B		08	I12A, I12B, I12C, I32A, I32B, I32C, I32D, I32E, I32F		21B	X06A, X06B, X06C
	21B	X04Z		21A	W04A, W04B	5t552.0↔		BOP, KVT, UOP4, VIAL
5t540.0↔		BOP, KVT, UOP4, VIAL		21B	X05A, X05B		05	F13A
	08	I05Z, I12A, I12B, I12C		01	B03A, B03B, B06A, B06B, B07Z, B17A, B17B, B17C		08	I05Z, I12A, I12B, I12C, I43A, I43B
	21A	W04A, W04B		08	I12A, I12B, I12C, I32A, I32B, I32C, I32D, I32E, I32F		21A	W04A, W04B
	21B	X06A, X06B, X06C		21A	W04A, W04B		21B	X06A, X06B, X06C
5t540.1↔		BOP, KVT, UOP4, VIAL		21B	X05A, X05B	5t552.1↔		BOP, KVT, UOP4, VIAL
	08	I05Z, I12A, I12B, I12C		01	B03A, B03B, B06A, B06B, B07Z, B17A, B17B, B17C		05	F13A
	21A	W04A, W04B		08	I12A, I12B, I12C, I32A, I32B, I32C, I32D, I32E, I32F		08	I05Z, I12A, I12B, I12C, I43A, I43B
	21B	X06A, X06B, X06C		21A	W04A, W04B		21A	W04A, W04B
5t540.x↔		BOP, KVT, UOP4, VIAL		21B	X05A, X05B		21B	X06A, X06B, X06C
	08	I05Z, I12A, I12B, I12C	5t549.4↔		BOP, KVT, UOP4, VIAL			
	21A	W04A, W04B		01	B03A, B03B, B06A, B06B, B07Z, B17A, B17B, B17C			
	21B	X06A, X06B, X06C		08	I12A, I12B, I12C, I32A, I32B, I32C, I32D, I32E, I32F			
5t541↔		BOP, KVT, UOP4, VIAL		21A	W04A, W04B			
	08	I05Z, I12A, I12B, I12C		21B	X05A, X05B	5t553↔		BOP, KVT, UOP4, VIAL
	21A	W04A, W04B		01	B03A, B03B, B06A, B06B, B07Z, B17A, B17B, B17C		05	F13A
	21B	X06A, X06B, X06C		08	I12A, I12B, I12C, I32A, I32B, I32C, I32D, I32E, I32F		08	I05Z, I08A, I08B, I08C, I08D, I08E, I08F, I12A, I12B, I12C
5t542.0↔		BOP, KVT, UOP4, VIAL		21A	W04A, W04B		21A	W04A, W04B
	08	I05Z, I12A, I12B, I12C		21B	X05A, X05B		21B	X06A, X06B, X06C
	21A	W04A, W04B	5t549.5↔		BOP, KVT, UOP4, VIAL	5t554↔		BOP, KVT, UOP4, VIAL
	21B	X06A, X06B, X06C		01	B03A, B03B, B06A, B06B, B07Z, B17A, B17B, B17C		05	F13A
5t542.1↔		BOP, KVT, UOP4, VIAL		08	I12A, I12B, I12C, I32A, I32B, I32C, I32D, I32E, I32F		08	I05Z, I08A, I08B, I08C, I08D, I08E, I08F, I12A, I12B, I12C
	08	I05Z, I12A, I12B, I12C		21A	W04A, W04B		21A	W04A, W04B
	21A	W04A, W04B		21B	X05A, X05B		21B	X06A, X06B, X06C
	21B	X06A, X06B, X06C	5t549.6↔		BOP, KVT, UOP4, VIAL			
5t542.1↔		BOP, KVT, UOP4, VIAL		01	B03A, B03B, B06A, B06B, B07Z, B17A, B17B, B17C			
	08	I05Z, I12A, I12B, I12C		08	I12A, I12B, I12C, I32A, I32B, I32C, I32D, I32E, I32F			
	21A	W04A, W04B		21A	W04A, W04B	5t555↔		BOP, KVT, UOP4, VIAL
	21B	X06A, X06B, X06C		21B	X05A, X05B		05	F13A
5t543↔		BOP, KVT, UOP4, VIAL		08	I12A, I12B, I12C, I28A, I28B, I32A, I32B, I32C, I32D, I32E, I32F		08	I05Z, I12A, I12B, I12C
	08	I05Z, I08A, I08B, I08C, I08D, I08E, I08F, I12A, I12B, I12C	5t54a↔		BOP, KVT, UOP4		21A	W04A, W04B
	21A	W04A, W04B		08	I12A, I12B, I12C, I28A, I28B, I32A, I32B, I32C, I32D, I32E, I32F		21B	X06A, X06B, X06C
	21B	X06A, X06B, X06C		21A	W04A, W04B			
5t544↔		BOP, KVT, UOP4, VIAL		21B	X05A, X05B, X06A, X06B, X06C			
	08	I05Z, I08A, I08B, I08C, I08D, I08E, I08F, I12A, I12B, I12C						
	21A	W04A, W04B						
	21B	X06A, X06B, X06C						

ZZV	MDC	DRG	ZZV	MDC	DRG	ZZV	MDC	DRG
5t556↔		BOP, KVT, UOP4, VIAL	5t55g↔		BOP, KVT, UOP4, VIAL	5t561↔		BOP, KVT, UOP4, VIAL
	01	B03A, B03B, B06A, B06B, B07Z, B17A, B17B, B17C		05	F13A		08	I12A, I12B, I12C, I20A, I20B, I20C, I20D
	05	F13A		08	I08A, I08B, I08C, I08D, I08E, I08F, I12A, I12B, I12C, I23A, I23B		21A	W04A, W04B
	08	I12A, I12B, I12C, I32A, I32B, I32C, I32D, I32E, I32F		21A	W04A, W04B		21B	X04Z
	21A	W04A, W04B		21B	X06A, X06B, X06C	5t562↔		BOP, KVT, UOP4, VIAL
	21B	X05A, X05B	5t55h↔		BOP, KVT, UOP4, VIAL		08	I12A, I12B, I12C, I20A, I20B, I20C, I20D
5t557↔		BOP, KVT, UOP4, VIAL		08	I05Z, I12A, I12B, I12C		21A	W04A, W04B
	05	F13A		21A	W04A, W04B		21B	X04Z
	08	I08A, I08B, I08C, I08D, I08E, I08F, I12A, I12B, I12C, I23A, I23B	5t55j↔		X06A, X06B, X06C	5t56x↔		BOP, KVT, UOP4
	21A	W04A, W04B		05	F13A		08	I12A, I12B, I12C, I28A, I28B
	21B	X06A, X06B, X06C		08	I12A, I12B, I12C, I28A, I28B		21A	W04A, W04B
5t558↔		BOP, KVT, UOP4, VIAL		21A	W04A, W04B		21B	X04Z, X06A, X06B, X06C
	05	F13A	5t55k.1↔		BOP, KVT, UOP4, VIAL	5t570↔		BOP, KVT, UOP4
	08	I12A, I12B, I12C, I23A		08	I05Z, I12A, I12B, I12C		05	F13A
	21A	W04A, W04B		21A	W04A, W04B		08	I12A, I12B, I12C, I28A, I28B
	21B	X06A, X06B, X06C		21B	X06A, X06B, X06C		21A	W04A, W04B
5t559↔		BOP, KVT, UOP4, VIAL	5t55k.2↔		BOP, KVT, UOP4, VIAL	5t571.00↔		BOP, KOP, KOPV, KVT, UOP4, VIAL
	05	F13A		08	I05Z, I12A, I12B, I12C		05	F13A
	08	I08A, I08B, I08C, I08D, I08E, I08F, I12A, I12B, I12C, I23A, I23B		21A	W04A, W04B		06	G33Z
	21A	W04A, W04B		21B	X06A, X06B, X06C		07	H33Z, H38Z
	21B	X06A, X06B, X06C	5t55k.3↔		BOP, KVT, UOP4, VIAL		08	I01Z, I03A, I03B, I12A, I12B, I12C, I43A, I43B
5t55a↔		BOP, KVT, UOP4, VIAL		08	I05Z, I12A, I12B, I12C		11	L33Z
	05	F13A		21A	W04A, W04B		21A	W04A, W04B
	08	I08A, I08B, I08C, I08D, I08E, I08F, I12A, I12B, I12C, I23A, I23B		21B	X06A, X06B, X06C		21B	X04Z, X33Z
	21A	W04A, W04B	5t55x↔		BOP, KVT, UOP4		23	Z01A
	21B	X06A, X06B, X06C		05	F13A		Pre	A07A
5t55b↔		BOP, KVT, UOP4, VIAL		08	I12A, I12B, I12C, I28A, I28B	5t571.01↔		BOP, KOP, KOPV, KVT, UOP4, VIAL
	05	F13A		21A	W04A, W04B		05	F13A
	08	I12A, I12B, I12C, I23A	5t560.0↔		BOP, KOP, KOPV, KVT, UOP4, VIAL		06	G33Z
	21A	W04A, W04B		06	G33Z		07	H33Z, H38Z
	21B	X05A, X05B, X06A, X06B, X06C		07	H33Z, H38Z		08	I01Z, I03A, I03B, I12A, I12B, I12C, I43A, I43B
5t55c↔		BOP, KVT, UOP4, VIAL		08	I01Z, I03A, I03B, I05Z, I12A, I12B, I12C		11	L33Z
	05	F13A		11	L33Z		21A	W04A, W04B
	08	I12A, I12B, I12C, I23A, I23B		21A	W04A, W04B		21B	X04Z, X33Z
	21A	W04A, W04B		21B	X04Z, X33Z		23	Z01A
	21B	X05A, X05B, X06A, X06B, X06C		Pre	A07A	5t571.1↔		BOP, KVT, UOP4
5t55d↔		BOP, KVT, UOP4	5t560.1↔		BOP, KOP, KOPV, KVT, UOP4, VIAL		05	F13A
	05	F13A		06	G33Z		08	I12A, I12B, I12C, I23A
	08	I12A, I12B, I12C, I28A, I28B, I32A, I32B, I32C, I32D, I32E, I32F		07	H33Z, H38Z		21A	W04A, W04B
	21A	W04A, W04B		08	I01Z, I03A, I03B, I05Z, I12A, I12B, I12C	5t571.2↔		BOP, KVT, UOP4
	21B	X05A, X05B, X06A, X06B, X06C		11	L33Z		05	F13A
5t55e↔		BOP, KVT, UOP4		21A	W04A, W04B		08	I12A, I12B, I12C, I23A
	05	F13A		21B	X04Z, X33Z		21A	W04A, W04B
	08	I12A, I12B, I12C, I28A, I28B		23	Z01A		21B	X04Z, X06A, X06B, X06C
	21A	W04A, W04B	5t560.2↔		BOP, KOP, KOPV, KVT, UOP4, VIAL	5t571.3↔		BOP, KVT, UOP4
	21B	X05A, X05B, X06A, X06B, X06C		06	G33Z		05	F13A
5t55f↔		BOP, KVT, UOP4, VIAL		07	H33Z, H38Z		08	I12A, I12B, I12C, I23A
	05	F13A		08	I01Z, I03A, I03B, I05Z, I12A, I12B, I12C		21A	W04A, W04B
	08	I05Z, I08A, I08B, I08C, I08D, I08E, I08F, I12A, I12B, I12C		11	L33Z		21B	X04Z, X06A, X06B, X06C
	21A	W04A, W04B		21A	W04A, W04B	5t572↔		BOP, KVT, UOP4, VIAL
	21B	X06A, X06B, X06C		21B	X04Z, X33Z		05	F13A
				23	Z01A		08	I12A, I12B, I12C, I20A, I20B, I20C, I20D
				Pre	A07A		21A	W04A, W04B
							21B	X04Z

VYK

ZZV	MDC	DRG	ZZV	MDC	DRG	ZZV	MDC	DRG		
5t573↔		BOP, KVT, UOP4, VIAL	5t584.2	04	E02A, E02B, E02C	5t591↔	08	I08A, I08B, I08C, I08D, I08E, I12A, I12B, I12C, I27B, I37Z, I47A		
	05	F13A		08	I12A, I12B, I12C, I28A, I28B		21A	W04A, W04B		
	08	I12A, I12B, I12C, I20A, I20B, I20C, I20D		21A	W04A, W04B		21B	X04Z, X05A, X05B, X06A, X06B, X06C		
	21A	W04A, W04B		21B	X04Z, X05A, X05B, X06A, X06B, X06C					
5t575↔		BOP, KVT, UOP4, VIAL	5t584.g		BOP, KOP, KVT, UOP4	5t592↔		BOP, KVT, UOP4, VIAL		
	05	F13A		04	E02A, E02B, E02C, E36Z		01	B03A, B03B, B06A, B06B, B17A, B17B, B17C		
	08	I12A, I12B, I12C, I23A		06	G36Z		08	I08A, I08B, I08C, I08D, I08E, I08F		
	21A	W04A, W04B		08	I12A, I12B, I12C, I26Z, I28A, I28B, I95Z		21A	W01A, W01B, W01C, W02A, W02B		
5t576↔		BOP, KVT, UOP4, VIAL			21B	X04Z	5t593↔		BOP, KVT, UOP4, VIAL	
	05	F13A	11	L33Z	08	I12A, I12B, I12C, I16Z				
	08	I12A, I12B, I12C, I23A, I23B	21A	W04A, W04B	21A	W04A, W04B				
	21A	W04A, W04B	21B	X04Z, X05A, X05B, X06A, X06B, X06C	21B	X06A, X06B, X06C				
5t577↔		BOP, KVT, UOP4, VIAL	5t584.x	Pre	A06A, A07A, A09A, A11A, A13A	5t594↔		BOP, KVT, UOP4, VIAL		
	05	F13A			BOP, KVT, UOP4		08	I08A, I08B, I08C, I08D, I08E, I08F, I12A, I12B, I12C, I21Z, I31Z		
	08	I12A, I12B, I12C, I23A, I23B		04	E02A, E02B, E02C		21A	W04A, W04B		
	21A	W04A, W04B		08	I12A, I12B, I12C, I28A, I28B		21B	X06A, X06B, X06C		
5t57x↔		BOP, KVT, UOP4			5t585		BOP, KVT, UOP4	5t595↔		BOP, KVT, UOP4, VIAL
	05	F13A	08	I12A, I12B, I12C, I23A		08	I12A, I12B, I12C, I28A, I28B		08	I12A, I12B, I12C, I32A, I32B, I32C, I32D, I32E, I32F
	08	I12A, I12B, I12C, I23A	21A	W04A, W04B		21A	W04A, W04B		21A	W04A, W04B
	21A	W04A, W04B	21B	X04Z, X06A, X06B, X06C		21B	X04Z, X05A, X05B, X06A, X06B, X06C		21B	X05A, X05B
5t580		BOP, KVT, UOP4	5t586.2		BOP, KVT, UOP4	5t596↔		BOP, KVT, UOP4, VIAL		
	04	E02A, E02B, E02C		08	I12A, I12B, I12C, I28A, I28B		01	B03A, B03B, B06A, B06B, B17A, B17B, B17C		
	08	I12A, I12B, I12C, I28A, I28B		21A	W04A, W04B		08	I12A, I12B, I12C, I18A, I30Z		
	21A	W04A, W04B		21B	X04Z, X05A, X05B, X06A, X06B, X06C		21A	W04A, W04B		
5t581.2		BOP, KVT, UOP4	5t586.g		BOP, KVT, UOP4	5t597↔		BOP, KVT, UOP4, VIAL		
	04	E02A, E02B, E02C		08	I12A, I12B, I12C, I28A, I28B		01	B03A, B03B, B06A, B06B, B17A, B17B, B17C		
	08	I12A, I12B, I12C, I28A, I28B		21A	W04A, W04B		05	F27A, F27B, F27C		
	21A	W04A, W04B		21B	X04Z, X05A, X05B, X06A, X06B, X06C		08	I12A, I12B, I12C, I59Z		
5t581.g		BOP, KOP, KVT, UOP4	5t586.x		BOP, KVT, UOP4	5t598↔		BOP, KVT, UOP4, VIAL		
	04	E02A, E02B, E02C		08	I12A, I12B, I12C, I28A, I28B		08	I12A, I12B, I12C, I20A, I20B, I20C, I20D		
	06	G36Z		21A	W04A, W04B		21A	W04A, W04B		
	08	I12A, I12B, I12C, I26Z, I28A, I28B, I95Z		21B	X04Z, X05A, X05B, X06A, X06B, X06C		21B	X04Z		
5t581.x		BOP, KVT, UOP4	5t587		BOP, KVT, UOP4	5t599		BOP, KVT, UOP4		
	04	E02A, E02B, E02C		04	E02A, E02B, E02C		08	I12A, I12B, I12C, I28A, I28B		
	08	I12A, I12B, I12C, I28A, I28B		08	I12A, I12B, I12C, I28A, I28B		21A	W04A, W04B		
	21A	W04A, W04B		21A	W04A, W04B		21B	X04Z, X05A, X05B, X06A, X06B, X06C		
5t582		BOP, KVT, UOP4	5t58x		BOP, KVT, UOP4	5t59a		BOP, KVT, UOP4		
	04	E02A, E02B, E02C		08	I28A, I28B		08	I12A, I12B, I12C, I28A, I28B, I47A		
	08	I12A, I12B, I12C, I28A, I28B		21A	W04A, W04B		21A	W04A, W04B		
	21A	W04A, W04B		21B	X04Z, X05A, X05B, X06A, X06B, X06C		21B	X04Z, X05A, X05B, X06A, X06B, X06C		
5t583		BOP, KVT, UOP4	5t590.0↔		BOP, KVT, UOP4, VIAL	5t59b		BOP, KVT, UOP4		
	04	E02A, E02B, E02C		08	I08A, I08B, I08C, I08D, I08E, I12A, I12B, I12C, I27B, I37Z		08	I12A, I12B, I12C, I28A, I28B		
	08	I12A, I12B, I12C, I28A, I28B		21A	W04A, W04B		21A	W04A, W04B		
	21A	W04A, W04B		21B	X06A, X06B, X06C		21B	X04Z, X05A, X05B, X06A, X06B, X06C		
5t583		BOP, KVT, UOP4	5t590.1↔		BOP, KVT, UOP4, VIAL	5t59c†		KOP		
	04	E02A, E02B, E02C		08	I08A, I08B, I08C, I08D, I08E, I12A, I12B, I12C, I27B, I37Z		04	E36Z		
	08	I12A, I12B, I12C, I28A, I28B		21A	W04A, W04B		06	G36Z		
	21A	W04A, W04B		21B	X06A, X06B, X06C		08	I26Z, I95Z		
5t583		BOP, KVT, UOP4	5t590.x↔		BOP, KVT, UOP4, VIAL	5t59c†		L33Z		
	04	E02A, E02B, E02C		08	I08A, I08B, I08C, I08D, I08E, I12A, I12B, I12C, I27B, I37Z					
	08	I12A, I12B, I12C, I28A, I28B		21A	W04A, W04B					
	21A	W04A, W04B		21B	X06A, X06B, X06C					

VYK

ZZV	MDC	DRG	ZZV	MDC	DRG	ZZV	MDC	DRG					
5t59f		BOP, KVT, UOP4	5t605		BOP, KVT, UOP4, VIAL	5t614		BOP, KVT, UOP4, VIAL					
	08	I12A, I12B, I12C, I28A, I28B		01	B03A, B03B, B18Z		01	B03A, B03B, B18Z					
	21A	W04A, W04B		05	F13A		08	I08A, I08B, I08C, I08D, I08E, I08F, I10A, I10B, I10C, I10D, I10E, I10F					
5t59g	21B	X04Z, X05A, X05B, X06A, X06B, X06C	08	I08A, I08B, I08C, I08D, I08E, I08F, I10A, I10B, I10C, I10D, I10E, I12A, I12B, I12C, I23A, I23B	08	I08A, I08B, I08C, I08D, I08E, I08F, I10A, I10B, I10C, I10D, I10E, I10F							
	08	I12A, I12B, I12C, I28A, I28B	11	L09A, L38Z	11	L09A, L38Z							
	21A	W04A, W04B	21A	W04A, W04B	21A	W04A, W04B							
5t59h↔	21B	X06A, X06B, X06C	21B	X04Z, X05A, X05B, X06A, X06B, X06C	21B	X06A, X06B, X06C							
	08	I08A, I08B, I08C, I08D, I08E, I12A, I12B, I12C, I27B, I37Z, I47A	5t606		BOP, KVT, UOP4, VIAL	5t615		BOP, KVT, UOP4, VIAL					
	21A	W04A, W04B		01	B03A, B03B, B18Z		01	B03A, B03B, B18Z					
21B	X06A, X06B, X06C	05		F13A	08		I08A, I08B, I08C, I08D, I08E, I08F, I10A, I10B, I10C, I10D, I10E, I10F						
5t59x	08	I12A, I12B, I12C, I28A, I28B	08	I08A, I08B, I08C, I08D, I08E, I08F, I10A, I10B, I10C, I10D, I10E, I12A, I12B, I12C, I23A	11	L09A, L38Z	5t616		BOP, KVT, UOP4, VIAL				
	21A	W04A, W04B	11	L09A, L38Z	11	L09A, L38Z		01	B03A, B03B, B18Z				
	21B	X06A, X06B, X06C	21A	W04A, W04B	21A	W04A, W04B		08	I08A, I08B, I08C, I08D, I08E, I08F, I10A, I10B, I10C, I10D, I10E				
5t600		BOP, KVT, UOP4, VIAL	21B	X04Z, X05A, X05B, X06A, X06B, X06C	5t60x		BOP, KVT, UOP4, VIAL	5t617		BOP, KVT, UOP4, VIAL			
	01	B03A, B03B, B18Z	01	B03A, B03B, B18Z		01	B03A, B03B, B18Z		11	L09A, L38Z	01	B03A, B03B, B18Z	
	05	F13A	08	I08A, I08B, I08C, I08D, I08E, I08F, I10A, I10B, I10C, I10D, I10E, I12A, I12B, I12C		08	I08A, I08B, I08C, I08D, I08E, I08F, I10A, I10B, I10C, I10D, I10E, I12A, I12B, I12C		17	R01A, R01B, R01C, R01D, R02Z, R12A, R12B, R12C	08	I08A, I08B, I08C, I08D, I08E, I08F, I10A, I10B, I10C, I10D, I10E	
5t601	11	L09A, L38Z	5t610		BOP, KVT, UOP4, VIAL	5t611		BOP, KVT, UOP4, VIAL	5t618		BOP, KVT, UOP4, VIAL		
	17	R01A, R01B, R01C, R01D, R02Z, R12A, R12B, R12C		01	B03A, B03B, B18Z		01	B03A, B03B, B18Z		01	B03A, B03B, B18Z		
	21A	W04A, W04B		08	I08A, I08B, I08C, I08D, I08E, I08F, I10A, I10B, I10C, I10D, I10E		08	I08A, I08B, I08C, I08D, I08E, I08F, I10A, I10B, I10C, I10D, I10E		08	I08A, I08B, I08C, I08D, I08E, I08F, I10A, I10B, I10C, I10D, I10E, I10F		
5t602	21B	X06A, X06B, X06C	11	L09A, L38Z	11	L09A, L38Z	11	L09A, L38Z	11	L09A, L38Z	5t61x		BOP, KVT, UOP4, VIAL
	01	B03A, B03B, B18Z	21A	W04A, W04B	21A	W04A, W04B	21A	W04A, W04B	21A	W04A, W04B		01	B03A, B03B, B18Z
	08	I08A, I08B, I08C, I08D, I08E, I08F, I10A, I10B, I10C, I10D, I10E, I10F	21B	X06A, X06B, X06C	21B	X06A, X06B, X06C	21B	X06A, X06B, X06C	21B	X06A, X06B, X06C		08	I08A, I08B, I08C, I08D, I08E, I08F, I10A, I10B, I10C, I10D, I10E, I10F
5t603	11	L09A, L38Z	5t612		BOP, KVT, UOP4, VIAL	5t613		BOP, KVT, UOP4, VIAL	5t620		BOP, KVT, UOP4, VIAL		
	01	B03A, B03B, B18Z		01	B03A, B03B, B18Z		01	B03A, B03B, B18Z		01	B03A, B03B, B18Z		
	08	I08A, I08B, I08C, I08D, I08E, I08F, I10A, I10B, I10C, I10D, I10E, I23A, I23B		08	I08A, I08B, I08C, I08D, I08E, I08F, I10A, I10B, I10C, I10D, I10E		08	I08A, I08B, I08C, I08D, I08E, I08F, I10A, I10B, I10C, I10D, I10E		08	I08A, I08B, I08C, I08D, I08E, I08F, I10A, I10B, I10C, I10D, I10E		
5t604	11	L09A, L38Z	11	L09A, L38Z	11	L09A, L38Z	11	L09A, L38Z	11	L09A, L38Z	5t621		BOP, KVT, UOP4, VIAL
	17	R01A, R01B, R01C, R01D, R02Z, R12A, R12B, R12C	21A	W04A, W04B	21A	W04A, W04B	21A	W04A, W04B	17	R01A, R01B, R01C, R01D, R02Z, R12A, R12B, R12C		01	B03A, B03B, B18Z
	21A	W04A, W04B	21B	X06A, X06B, X06C	21B	X06A, X06B, X06C	21B	X06A, X06B, X06C	21A	W04A, W04B		08	I08A, I08B, I08C, I08D, I08E, I08F, I10A, I10B, I10C, I10D, I10E
5t604	21B	X06A, X06B, X06C	5t613		BOP, KVT, UOP4, VIAL	5t613		BOP, KVT, UOP4, VIAL	5t620		BOP, KVT, UOP4, VIAL		
	Pre	B61A		01	B03A, B03B, B18Z		01	B03A, B03B, B18Z		01	B03A, B03B, B18Z		
	01	B03A, B03B, B18Z		08	I08A, I08B, I08C, I08D, I08E, I08F, I10A, I10B, I10C, I10D, I10E		08	I08A, I08B, I08C, I08D, I08E, I08F, I10A, I10B, I10C, I10D, I10E		08	I08A, I08B, I08C, I08D, I08E, I08F, I10A, I10B, I10C, I10D, I10E		
5t604	05	F13A	11	L09A, L38Z	11	L09A, L38Z	11	L09A, L38Z	11	L09A, L38Z	5t621		BOP, KVT, UOP4, VIAL
	08	I08A, I08B, I08C, I08D, I08E, I08F, I10A, I10B, I10C, I10D, I10E, I12A, I12B, I12C, I23A, I23B	21A	W04A, W04B	21A	W04A, W04B	21A	W04A, W04B	17	R01A, R01B, R01C, R01D, R02Z, R12A, R12B, R12C		01	B03A, B03B, B18Z
	11	L09A, L38Z	21B	X06A, X06B, X06C	21B	X06A, X06B, X06C	21B	X06A, X06B, X06C	21A	W04A, W04B		08	I08A, I08B, I08C, I08D, I08E, I08F, I10A, I10B, I10C, I10D, I10E
5t604	21A	W04A, W04B	5t613		BOP, KVT, UOP4, VIAL	5t613		BOP, KVT, UOP4, VIAL	5t620		BOP, KVT, UOP4, VIAL		
	21B	X04Z, X05A, X05B, X06A, X06B, X06C		01	B03A, B03B, B18Z		01	B03A, B03B, B18Z		01	B03A, B03B, B18Z		
				08	I08A, I08B, I08C, I08D, I08E, I08F, I10A, I10B, I10C, I10D, I10E		08	I08A, I08B, I08C, I08D, I08E, I08F, I10A, I10B, I10C, I10D, I10E		08	I08A, I08B, I08C, I08D, I08E, I08F, I10A, I10B, I10C, I10D, I10E		

VYK

ZZV	MDC	DRG	ZZV	MDC	DRG	ZZV	MDC	DRG			
5t622	01	BOP, KVT, UOP4, VIAL	5t628	01	BOP, KVT, UOP4, VIAL	5t641.2	01	BOP, KOP, KOPV, KVT, UOP4, VIAL			
		B02A, B02B, B02C, B02D, B20A, B20B, B20C, B20D, B20E, B39A, B39B			08			B03A, B03B, B18Z	06	B03A, B03B, B18Z	
		I08A, I08B, I08C, I08D, I08E, I08F, I10A, I10B, I10C, I10D, I10E			11			I08A, I08B, I08C, I08D, I08E, I08F, I10A, I10B, I10C, I10D, I10E	07	H33Z, H38Z	
		L09A, L38Z			17			L09A, L38Z	08	I06A, I06B, I06C, I06D, I06E, I08A, I08B, I08C, I08D, I08E, I08F, I09A, I09B, I09C, I09D, I09E	
		R01A, R01B, R01C, R01D, R02Z, R12A, R12B, R12C			21A			R01A, R01B, R01C, R01D, R02Z, R12A, R12B, R12C	09	J26Z	
		W04A, W04B			21B			W04A, W04B	11	L33Z	
		X06A, X06B, X06C			5t629			X06A, X06B, X06C	17	R01A, R01B, R01C, R01D, R02Z, R12A, R12B, R12C	
		BOP, KVT, UOP4, VIAL						01	B03A, B03B, B18Z	21A	W04A, W04B
		B02A, B02B, B02C, B02D, B20A, B20B, B20C, B20D, B20E, B39A, B39B						08	I08A, I08B, I08C, I08D, I08E, I08F, I10A, I10B, I10C, I10D, I10E	21B	X06A, X06B, X06C, X33Z
		I08A, I08B, I08C, I08D, I08E, I08F, I10A, I10B, I10C, I10D, I10E						11	L09A, L38Z	23	Z01A
L09A, L38Z	17	R01A, R01B, R01C, R01D, R02Z, R12A, R12B, R12C	Pre	A07A							
R01A, R01B, R01C, R01D, R02Z, R12A, R12B, R12C	21A	W04A, W04B	5t641.3	BOP, KOP, KOPV, KVT, UOP4, VIAL							
W04A, W04B	21B	X06A, X06B, X06C		01		B02A, B02B, B02C, B02D, B20A, B20B, B20C, B20D, B20E, B39A, B39B					
X06A, X06B, X06C	5t62x	BOP, KVT, UOP4, VIAL		06		G33Z					
BOP, KVT, UOP4, VIAL		01		B03A, B03B, B18Z		07	H33Z, H38Z				
B02A, B02B, B02C, B02D, B20A, B20B, B20C, B20D, B20E, B39A, B39B		08		I08A, I08B, I08C, I08D, I08E, I08F, I10A, I10B, I10C, I10D, I10E		08	I06A, I06B, I06C, I06D, I06E, I08A, I08B, I08C, I08D, I08E, I08F, I09A, I09B, I09C, I09D				
I08A, I08B, I08C, I08D, I08E, I08F, I10A, I10B, I10C, I10D, I10E		11		L09A, L38Z	09	J26Z					
L09A, L38Z		17		R01A, R01B, R01C, R01D, R02Z, R12A, R12B, R12C	11	L33Z					
R01A, R01B, R01C, R01D, R02Z, R12A, R12B, R12C		21A		W04A, W04B	17	R01A, R01B, R01C, R01D, R02Z, R12A, R12B, R12C					
W04A, W04B		5t639		W04A, W04B	21A	W04A, W04B					
X06A, X06B, X06C				09	J26Z	21B	X06A, X06B, X06C, X33Z				
BOP, KVT, UOP4, VIAL			Pre	B61A	23	Z01A					
B03A, B03B, B18Z			5t63c†	I09C	Pre	A07A					
I08A, I08B, I08C, I08D, I08E, I08F, I10A, I10B, I10C, I10D, I10E	5t63d†		I09C	5t641.4	BOP, KOP, KOPV, KVT, UOP4, VIAL						
L09A, L38Z	5t63e†		I09C		01	B02A, B02B, B02C, B02D, B20A, B20B, B20C, B20D, B20E, B39A, B39B					
R01A, R01B, R01C, R01D, R02Z, R12A, R12B, R12C	5t63x		BOP, KOP, KOPV, KVT, UOP4, VIAL		06	G33Z					
W04A, W04B	01		B03A, B03B, B18Z		07	H33Z, H38Z					
X06A, X06B, X06C	06		G33Z		08	I06A, I06B, I06C, I06D, I06E, I08A, I08B, I08C, I08D, I08E, I08F, I09A, I09B, I09C, I09D, I09E					
BOP, KVT, UOP4, VIAL	07		H33Z, H38Z		09	J26Z					
B03A, B03B, B18Z	08	I06A, I06B, I06C, I06D, I06E, I08A, I08B, I08C, I08D, I08E, I08F, I09A, I09B, I09C, I09D, I10E	11		L33Z						
I08A, I08B, I08C, I08D, I08E, I08F, I10A, I10B, I10C, I10D, I10E	09	J26Z	17		R01A, R01B, R01C, R01D, R02Z, R12A, R12B, R12C						
L09A, L38Z	11	L33Z	21A		W04A, W04B						
R01A, R01B, R01C, R01D, R02Z, R12A, R12B, R12C	21A	W01A, W01B, W01C, W02A, W02B	21B		X06A, X06B, X06C, X33Z						
W04A, W04B	5t641.1	W04A, W04B	23	Z01A							
X06A, X06B, X06C		Pre	A07A	Pre	A07A						
BOP, KVT, UOP4, VIAL		01	B03A, B03B, B18Z	5t627	BOP, KVT, UOP4, VIAL						
B03A, B03B, B18Z		06	G33Z		01	B03A, B03B, B18Z					
I08A, I08B, I08C, I08D, I08E, I08F, I10A, I10B, I10C, I10D, I10E		07	H33Z, H38Z		08	I08A, I08B, I08C, I08D, I08E, I08F, I10A, I10B, I10C, I10D, I10E					
L09A, L38Z		08	I06A, I06B, I06C, I06D, I06E, I08A, I08B, I08C, I08D, I08E, I08F, I09A, I09B, I09C, I09D, I09E		11	L09A, L38Z					
R01A, R01B, R01C, R01D, R02Z, R12A, R12B, R12C		09	J26Z		17	R01A, R01B, R01C, R01D, R02Z, R12A, R12B, R12C					
W04A, W04B		11	L33Z		21A	W04A, W04B					
X06A, X06B, X06C		17	R01A, R01B, R01C, R01D, R02Z, R12A, R12B, R12C		21B	X06A, X06B, X06C					
BOP, KVT, UOP4, VIAL		21A	W04A, W04B		Pre	B61A					
B03A, B03B, B18Z	21B	X06A, X06B, X06C, X33Z									
I08A, I08B, I08C, I08D, I08E, I08F, I10A, I10B, I10C, I10D, I10E	23	Z01A									
L09A, L38Z	Pre	A07A									
R01A, R01B, R01C, R01D, R02Z, R12A, R12B, R12C											
W04A, W04B											
X06A, X06B, X06C											
B61A											

ZZV	MDC	DRG	ZZV	MDC	DRG	ZZV	MDC	DRG			
5t641.5		BOP, KOP, KOPV, KVT, UOP4, VIAL	5t642.3		BOP, KOP, KOPV, KVT, UOP4, VIAL	5t643.1		BOP, KOP, KOPV, KVT, UOP4, VIAL			
	01	B02A, B02B, B02C, B02D, B20A, B20B, B20C, B20D, B20E, B39A, B39B		01	B03A, B03B, B18Z		01	B03A, B03B, B18Z			
	06	G33Z		06	G33Z		06	G33Z			
	07	H33Z, H38Z		07	H33Z, H38Z		07	H33Z, H38Z			
	08	I06A, I06B, I06C, I06D, I06E, I08A, I08B, I08C, I08D, I08E, I08F, I09A, I09B, I09C, I09D		08	I06A, I06B, I06C, I06D, I06E, I08A, I08B, I08C, I08D, I08E, I08F, I09A, I09B, I09C, I09D, I09E		08	I06A, I06B, I06C, I06D, I06E, I08A, I08B, I08C, I08D, I08E, I08F, I09A, I09B, I09C, I09D, I09E			
	09	J26Z		09	J26Z		09	J26Z			
	11	L33Z		11	L33Z		11	L33Z			
	17	R01A, R01B, R01C, R01D, R02Z, R12A, R12B, R12C		17	R01A, R01B, R01C, R01D, R02Z, R12A, R12B, R12C		17	R01A, R01B, R01C, R01D, R02Z, R12A, R12B, R12C			
	21A	W04A, W04B		21A	W04A, W04B		21A	W04A, W04B			
	21B	X06A, X06B, X06C, X33Z		21B	X06A, X06B, X06C, X33Z		21B	X06A, X06B, X06C, X33Z			
	23	Z01A		23	Z01A		23	Z01A			
	Pre	A07A		Pre	A07A		Pre	A07A			
	5t641.6			BOP, KOP, KOPV, KVT, UOP4, VIAL	5t642.4			BOP, KOP, KOPV, KVT, UOP4, VIAL	5t643.2		BOP, KOP, KOPV, KVT, UOP4, VIAL
		01		B02A, B02B, B02C, B02D, B20A, B20B, B20C, B20D, B20E, B39A, B39B			01	B03A, B03B, B18Z		01	B03A, B03B, B18Z
		06		G33Z			06	G33Z		06	G33Z
07		H33Z, H38Z	07	H33Z, H38Z		07	H33Z, H38Z				
08		I06A, I06B, I06C, I08A, I08B, I08C, I08D, I08E, I08F	08	I06A, I06B, I06C, I06D, I06E, I08A, I08B, I08C, I08D, I08E, I08F, I09A, I09B, I09C, I09D, I09E		08	I06A, I06B, I06C, I06D, I06E, I08A, I08B, I08C, I08D, I08E, I08F, I09A, I09B, I09C, I09D, I09E				
09		J26Z	09	J26Z		09	J26Z				
11		L33Z	11	L33Z		11	L33Z				
17		R01A, R01B, R01C, R01D, R02Z, R12A, R12B, R12C	17	R01A, R01B, R01C, R01D, R02Z, R12A, R12B, R12C		17	R01A, R01B, R01C, R01D, R02Z, R12A, R12B, R12C				
21A		W04A, W04B	21A	W04A, W04B		21A	W04A, W04B				
21B		X06A, X06B, X06C, X33Z	21B	X06A, X06B, X06C, X33Z		21B	X06A, X06B, X06C, X33Z				
23		Z01A	23	Z01A		23	Z01A				
Pre		A07A	Pre	A07A		Pre	A07A				
5t642.1			BOP, KOP, KOPV, KVT, UOP4, VIAL	5t642.5			BOP, KOP, KOPV, KVT, UOP4, VIAL	5t643.3			BOP, KOP, KOPV, KVT, UOP4, VIAL
		01	B03A, B03B, B18Z			01	B03A, B03B, B18Z			01	B02A, B02B, B02C, B02D, B20A, B20B, B20C, B20D, B20E, B39A, B39B
		06	G33Z			06	G33Z			06	G33Z
	07	H33Z, H38Z	07		H33Z, H38Z	07	H33Z, H38Z				
	08	I06A, I06B, I06C, I06D, I06E, I08A, I08B, I08C, I08D, I08E, I08F, I09A, I09B, I09C, I09D, I09E	08		I06A, I06B, I06C, I06D, I06E, I08A, I08B, I08C, I08D, I08E, I08F, I09A, I09B, I09C, I09D, I09E	08	I06A, I06B, I06C, I06D, I06E, I08A, I08B, I08C, I08D, I08E, I08F, I09A, I09B, I09C, I09D				
	09	J26Z	09		J26Z	09	J26Z				
	11	L33Z	11		L33Z	11	L33Z				
	17	R01A, R01B, R01C, R01D, R02Z, R12A, R12B, R12C	17		R01A, R01B, R01C, R01D, R02Z, R12A, R12B, R12C	17	R01A, R01B, R01C, R01D, R02Z, R12A, R12B, R12C				
	21A	W04A, W04B	21A		W04A, W04B	21A	W04A, W04B				
	21B	X06A, X06B, X06C, X33Z	21B		X06A, X06B, X06C, X33Z	21B	X06A, X06B, X06C, X33Z				
	23	Z01A	23		Z01A	23	Z01A				
	Pre	A07A	Pre		A07A	Pre	A07A				
	5t642.2		BOP, KOP, KOPV, KVT, UOP4, VIAL		5t642.6		BOP, KOP, KOPV, KVT, UOP4, VIAL		5t643.4		BOP, KOP, KOPV, KVT, UOP4, VIAL
		01	B03A, B03B, B18Z			01	B03A, B03B, B18Z			01	B02A, B02B, B02C, B02D, B20A, B20B, B20C, B20D, B20E, B39A, B39B
		06	G33Z			06	G33Z			06	G33Z
07		H33Z, H38Z	07	H33Z, H38Z		07	H33Z, H38Z				
08		I06A, I06B, I06C, I06D, I06E, I08A, I08B, I08C, I08D, I08E, I08F, I09A, I09B, I09C, I09D, I09E	08	I06A, I06B, I06C, I06D, I06E, I08A, I08B, I08C, I08D, I08E, I08F, I09A, I09B, I09C, I09D, I09E		08	I06A, I06B, I06C, I06D, I06E, I08A, I08B, I08C, I08D, I08E, I08F, I09A, I09B, I09C, I09D				
09		J26Z	09	J26Z		09	J26Z				
11		L33Z	11	L33Z		11	L33Z				
17		R01A, R01B, R01C, R01D, R02Z, R12A, R12B, R12C	17	R01A, R01B, R01C, R01D, R02Z, R12A, R12B, R12C		17	R01A, R01B, R01C, R01D, R02Z, R12A, R12B, R12C				
21A		W04A, W04B	21A	W04A, W04B		21A	W04A, W04B				
21B		X06A, X06B, X06C, X33Z	21B	X06A, X06B, X06C, X33Z		21B	X06A, X06B, X06C, X33Z				
23		Z01A	23	Z01A		23	Z01A				
Pre		A07A	Pre	A07A		Pre	A07A				

VYK



ZZV	MDC	DRG	ZZV	MDC	DRG	ZZV	MDC	DRG			
5t643.5		BOP, KOP, KOPV, KVT, UOP4, VIAL	5t650.2		BOP, KOP, KOPV, KVT, UOP4, VIAL	5t651.2		BOP, KOP, KOPV, KVT, UOP4, VIAL			
	01	B02A, B02B, B02C, B02D, B20A, B20B, B20C, B20D, B20E, B39A, B39B		01	B03A, B03B, B18Z		01	B03A, B03B, B18Z			
	06	G33Z		06	G33Z		06	G33Z			
	07	H33Z, H38Z		07	H33Z, H38Z		07	H33Z, H38Z			
	08	I06A, I06B, I06C, I06D, I06E, I08A, I08B, I08C, I08D, I08E, I08F, I09A, I09B, I09C, I09D		08	I06A, I06B, I06C, I06D, I06E, I08A, I08B, I08C, I08D, I08E, I08F, I09A, I09B, I09C, I09D		08	I06A, I06B, I06C, I06D, I06E, I08A, I08B, I08C, I08D, I08E, I08F, I09A, I09B, I09C, I09D			
	09	J26Z		09	J26Z		09	J26Z			
	11	L33Z		11	L33Z		11	L33Z			
	17	R01A, R01B, R01C, R01D, R02Z, R12A, R12B, R12C		17	R01A, R01B, R01C, R01D, R02Z, R12A, R12B, R12C		17	R01A, R01B, R01C, R01D, R02Z, R12A, R12B, R12C			
	21A	W04A, W04B		21A	W04A, W04B		21A	W04A, W04B			
	21B	X06A, X06B, X06C, X33Z		21B	X06A, X06B, X06C, X33Z		21B	X06A, X06B, X06C, X33Z			
	23	Z01A		23	Z01A		23	Z01A			
	Pre	A07A		Pre	A07A		Pre	A07A			
	5t643.6			BOP, KOP, KOPV, KVT, UOP4, VIAL	5t650.3			BOP, KOP, KOPV, KVT, UOP4, VIAL	5t651.3		BOP, KOP, KOPV, KVT, UOP4, VIAL
		01		B02A, B02B, B02C, B02D, B20A, B20B, B20C, B20D, B20E, B39A, B39B			01	B03A, B03B, B18Z		01	B03A, B03B, B18Z
		06		G33Z			06	G33Z		06	G33Z
		07		H33Z, H38Z			07	H33Z, H38Z		07	H33Z, H38Z
		08		I06A, I06B, I06C, I06D, I06E, I08A, I08B, I08C, I08D, I08E, I08F			08	I06A, I06B, I06C, I06D, I06E, I08A, I08B, I08C, I08D, I08E, I08F, I09A, I09B, I09C, I09D		08	I06A, I06B, I06C, I06D, I06E, I08A, I08B, I08C, I08D, I08E, I08F, I09A, I09B, I09C, I09D
09		J26Z	09	J26Z		09	J26Z				
11		L33Z	11	L33Z		11	L33Z				
17		R01A, R01B, R01C, R01D, R02Z, R12A, R12B, R12C	17	R01A, R01B, R01C, R01D, R02Z, R12A, R12B, R12C		17	R01A, R01B, R01C, R01D, R02Z, R12A, R12B, R12C				
21A		W04A, W04B	21A	W04A, W04B		21A	W04A, W04B				
21B		X06A, X06B, X06C, X33Z	21B	X06A, X06B, X06C, X33Z		21B	X06A, X06B, X06C, X33Z				
23		Z01A	23	Z01A		23	Z01A				
Pre		A07A	Pre	A07A		Pre	A07A				
5t64x			BOP, KOP, KOPV, KVT, UOP4, VIAL	5t650.4			BOP, KOP, KOPV, KVT, UOP4, VIAL	5t651.4			BOP, KOP, KOPV, KVT, UOP4, VIAL
		01	B03A, B03B, B18Z			01	B03A, B03B, B18Z			01	B03A, B03B, B18Z
		06	G33Z			06	G33Z			06	G33Z
		07	H33Z, H38Z			07	H33Z, H38Z			07	H33Z, H38Z
		08	I06A, I06B, I06C, I06D, I06E, I08A, I08B, I08C, I08D, I08E, I08F, I09A, I09B, I09C, I09D, I09E			08	I06A, I06B, I06C, I06D, I06E, I08A, I08B, I08C, I08D, I08E, I08F, I09A, I09B, I09C, I09D			08	I06A, I06B, I06C, I06D, I06E, I08A, I08B, I08C, I08D, I08E, I08F, I09A, I09B, I09C, I09D
	09	J26Z	09		J26Z	09	J26Z				
	11	L33Z	11		L33Z	11	L33Z				
	17	R01A, R01B, R01C, R01D, R02Z, R12A, R12B, R12C	17		R01A, R01B, R01C, R01D, R02Z, R12A, R12B, R12C	17	R01A, R01B, R01C, R01D, R02Z, R12A, R12B, R12C				
	21A	W04A, W04B	21A		W04A, W04B	21A	W04A, W04B				
	21B	X06A, X06B, X06C	21B		X06A, X06B, X06C, X33Z	21B	X06A, X06B, X06C, X33Z				
	23	Z01A	23		Z01A	23	Z01A				
	Pre	A07A	Pre		A07A	Pre	A07A				
	5t650.1		BOP, KOP, KOPV, KVT, UOP4, VIAL		5t650.5		BOP, KOP, KOPV, KVT, UOP4, VIAL		5t651.5		BOP, KOP, KOPV, KVT, UOP4, VIAL
		01	B03A, B03B, B18Z			01	B03A, B03B, B18Z			01	B03A, B03B, B18Z
		06	G33Z			06	G33Z			06	G33Z
		07	H33Z, H38Z			07	H33Z, H38Z			07	H33Z, H38Z
		08	I06A, I06B, I06C, I06D, I06E, I08A, I08B, I08C, I08D, I08E, I08F, I09A, I09B, I09C, I09D			08	I06A, I06B, I06C, I06D, I06E, I08A, I08B, I08C, I08D, I08E, I08F, I09A, I09B, I09C, I09D			08	I06A, I06B, I06C, I06D, I06E, I08A, I08B, I08C, I08D, I08E, I08F, I09A, I09B, I09C, I09D
09		J26Z	09	J26Z		09	J26Z				
11		L33Z	11	L33Z		11	L33Z				
21A		W04A, W04B	21A	W04A, W04B		21A	W04A, W04B				
21B		X06A, X06B, X06C, X33Z	21B	X06A, X06B, X06C, X33Z		21B	X06A, X06B, X06C, X33Z				
23		Z01A	23	Z01A		23	Z01A				
Pre		A07A	Pre	A07A		Pre	A07A				
5t650.1			BOP, KOP, KOPV, KVT, UOP4, VIAL	5t651.1			BOP, KOP, KOPV, KVT, UOP4, VIAL	5t652			BOP, KOP, KOPV, KVT, UOP4, VIAL
		01	B03A, B03B, B18Z			01	B03A, B03B, B18Z			01	B03A, B03B, B18Z
		06	G33Z			06	G33Z			06	G33Z
		07	H33Z, H38Z			07	H33Z, H38Z			07	H33Z, H38Z
		08	I06A, I06B, I06C, I06D, I06E, I08A, I08B, I08C, I08D, I08E, I08F, I09A, I09B, I09C, I09D			08	I06A, I06B, I06C, I06D, I06E, I08A, I08B, I08C, I08D, I08E, I08F, I09A, I09B, I09C, I09D			08	I06A, I06B, I06C, I06D, I06E, I08A, I08B, I08C, I08D, I08E, I08F, I09A, I09B, I09C, I09D
		09	J26Z			09	J26Z			09	J26Z
	11	L33Z	11		L33Z	11	L33Z				
	21A	W04A, W04B	21A		W04A, W04B	21A	W04A, W04B				
	21B	X06A, X06B, X06C, X33Z	21B		X06A, X06B, X06C, X33Z	21B	X06A, X06B, X06C, X33Z				
	23	Z01A	23		Z01A	23	Z01A				
	Pre	A07A	Pre		A07A	Pre	A07A				

VYK

ZZV	MDC	DRG	ZZV	MDC	DRG	ZZV	MDC	DRG			
5t653		BOP, KOP, KOPV, KVT, UOP4, VIAL	5t657		BOP, KOP, KOPV, KVT, UOP4, VIAL	5t65c		BOP, KOP, KOPV, KVT, UOP4, VIAL			
	01	B03A, B03B, B18Z		01	B02A, B02B, B02C, B02D, B20A, B20B, B20C, B20D, B20E, B39A, B39B		01	B03A, B03B, B18Z			
	06	G33Z		06	G33Z		06	G33Z			
	07	H33Z, H38Z		07	H33Z, H38Z		07	H33Z, H38Z			
	08	I06A, I06B, I06C, I06D, I06E, I08A, I08B, I08C, I08D, I08E, I08F, I09A, I09B, I09C, I09D		08	I06A, I06B, I06C, I06D, I06E, I08A, I08B, I08C, I08D, I08E, I08F, I09A, I09B, I09C, I09D		08	I06A, I06B, I06C, I06D, I06E, I08A, I08B, I08C, I08D, I08E, I08F, I09A, I09B, I09C, I09D, I09E			
	09	J26Z		09	J26Z		09	J26Z			
	11	L33Z		11	L33Z		11	L33Z			
	21A	W04A, W04B		21A	W04A, W04B		21A	W04A, W04B			
	21B	X06A, X06B, X06C, X33Z		21B	X06A, X06B, X06C, X33Z		21B	X06A, X06B, X06C, X33Z			
	23	Z01A		23	Z01A		23	Z01A			
	Pre	A07A		Pre	A07A		Pre	A07A			
	5t654			BOP, KOP, KOPV, KVT, UOP4, VIAL	5t658			BOP, KOP, KOPV, KVT, UOP4, VIAL	5t65d		BOP, KOP, KOPV, KVT, UOP4, VIAL
		01		B03A, B03B, B18Z			01	B03A, B03B, B18Z		01	B03A, B03B, B18Z
		06		G33Z			06	G33Z		06	G33Z
07		H33Z, H38Z	07	H33Z, H38Z		07	H33Z, H38Z				
08		I06A, I06B, I06C, I06D, I06E, I08A, I08B, I08C, I08D, I08E, I08F	08	I06A, I06B, I06C, I06D, I06E, I08A, I08B, I08C, I08D, I08E, I08F, I09A, I09B, I09C, I09D		08	I06A, I06B, I06C, I06D, I06E, I08A, I08B, I08C, I08D, I08E, I08F, I09A, I09B, I09C, I09D, I09E				
09		J26Z	09	J26Z		09	J26Z				
11		L33Z	11	L33Z		11	L33Z				
21A		W04A, W04B	21A	W04A, W04B		21A	W04A, W04B				
21B		X06A, X06B, X06C, X33Z	21B	X06A, X06B, X06C, X33Z		21B	X06A, X06B, X06C, X33Z				
23		Z01A	23	Z01A		23	Z01A				
Pre		A07A	Pre	A07A		Pre	A07A				
5t655			BOP, KOP, KOPV, KVT, UOP4, VIAL	5t659			BOP, KOP, KOPV, KVT, UOP4, VIAL	5t65e.1			BOP, KOP, KOPV, KVT, UOP4, VIAL
		01	B02A, B02B, B02C, B02D, B20A, B20B, B20C, B20D, B20E, B39A, B39B			01	B03A, B03B, B18Z			01	B03A, B03B, B18Z
		06	G33Z			06	G33Z			06	G33Z
	07	H33Z, H38Z	07		H33Z, H38Z	07	H33Z, H38Z				
	08	I06A, I06B, I06C, I06D, I06E, I08A, I08B, I08C, I08D, I08E, I08F, I09A, I09B, I09C, I09D, I09E	08		I06A, I06B, I06C, I06D, I06E, I08A, I08B, I08C, I08D, I08E, I08F, I09A, I09B, I09C, I09D	08	I06A, I06B, I06C, I06D, I06E, I08A, I08B, I08C, I08D, I08E, I08F, I09A, I09B, I09C, I09D, I09E				
	09	J26Z	09		J26Z	09	J26Z				
	11	L33Z	11		L33Z	11	L33Z				
	21A	W04A, W04B	21A		W04A, W04B	21A	W04A, W04B				
	21B	X06A, X06B, X06C, X33Z	21B		X06A, X06B, X06C, X33Z	21B	X06A, X06B, X06C				
	23	Z01A	23		Z01A	23	Z01A				
	Pre	A07A	Pre		A07A	Pre	A07A				
	5t656		BOP, KOP, KOPV, KVT, UOP4, VIAL		5t65a		BOP, KOP, KOPV, KVT, UOP4, VIAL		5t65e.2		BOP, KOP, KOPV, KVT, UOP4, VIAL
		01	B02A, B02B, B02C, B02D, B20A, B20B, B20C, B20D, B20E, B39A, B39B			01	B03A, B03B, B18Z			01	B03A, B03B, B18Z
		06	G33Z			06	G33Z			06	G33Z
07		H33Z, H38Z	07	H33Z, H38Z		07	H33Z, H38Z				
08		I06A, I06B, I06C, I06D, I06E, I08A, I08B, I08C, I08D, I08E, I08F	08	I06A, I06B, I06C, I06D, I06E, I08A, I08B, I08C, I08D, I08E, I08F, I09A, I09B, I09C, I09D		08	I06A, I06B, I06C, I06D, I06E, I08A, I08B, I08C, I08D, I08E, I08F, I09A, I09B, I09C, I09D, I09E				
09		J26Z	09	J26Z		09	J26Z				
11		L33Z	11	L33Z		11	L33Z				
21A		W04A, W04B	21A	W04A, W04B		21A	W04A, W04B				
21B		X06A, X06B, X06C, X33Z	21B	X06A, X06B, X06C, X33Z		21B	X06A, X06B, X06C				
23		Z01A	23	Z01A		23	Z01A				
Pre		A07A	Pre	A07A		Pre	A07A				
5t65b			BOP, KVT, UOP4, VIAL	5t65b			BOP, KVT, UOP4, VIAL	5t65b			BOP, KVT, UOP4, VIAL
		08	I08A, I08B, I08C, I08D, I08E, I08F, I28A, I28B			08	I08A, I08B, I08C, I08D, I08E, I08F, I28A, I28B			08	I08A, I08B, I08C, I08D, I08E, I08F, I28A, I28B
		09	J26Z			09	J26Z			09	J26Z
	21A	W04A, W04B	21A		W04A, W04B	21A	W04A, W04B				
	21B	X06A, X06B, X06C	21B		X06A, X06B, X06C	21B	X06A, X06B, X06C				

VYK

ZZV	MDC	DRG	ZZV	MDC	DRG	ZZV	MDC	DRG
5t65e.3		BOP, KOP, KOPV, KVT, UOP4, VIAL	5t65e.8		BOP, KOP, KOPV, KVT, UOP4, VIAL	5t65e.d		BOP, KOP, KOPV, KVT, UOP4, VIAL
	01	B03A, B03B, B18Z		01	B03A, B03B, B18Z		01	B03A, B03B, B18Z
	06	G33Z		06	G33Z		06	G33Z
	07	H33Z, H38Z		07	H33Z, H38Z		07	H33Z, H38Z
	08	I06A, I06B, I06C, I06D, I06E, I08A, I08B, I08C, I08D, I08E, I08F, I09A, I09B, I09C, I09D, I09E		08	I06A, I06B, I06C, I06D, I06E, I08A, I08B, I08C, I08D, I08E, I08F, I09A, I09B, I09C, I09D, I09E		08	I06A, I06B, I06C, I06D, I06E, I08A, I08B, I08C, I08D, I08E, I08F, I09A, I09B, I09C, I09D, I09E
	09	J26Z		09	J26Z		09	J26Z
	11	L33Z		11	L33Z		11	L33Z
	21A	W04A, W04B		21A	W04A, W04B		21A	W04A, W04B
	21B	X06A, X06B, X06C		21B	X06A, X06B, X06C		21B	X06A, X06B, X06C
	Pre	A07A		Pre	A07A		Pre	A07A
	5t65e.4			BOP, KOP, KOPV, KVT, UOP4, VIAL	5t65e.9			BOP, KOP, KOPV, KVT, UOP4, VIAL
01		B03A, B03B, B18Z	01	B03A, B03B, B18Z		01	B03A, B03B, B18Z	
06		G33Z	06	G33Z		06	G33Z	
07		H33Z, H38Z	07	H33Z, H38Z		07	H33Z, H38Z	
08		I06A, I06B, I06C, I06D, I06E, I08A, I08B, I08C, I08D, I08E, I08F, I09A, I09B, I09C, I09D, I09E	08	I06A, I06B, I06C, I06D, I06E, I08A, I08B, I08C, I08D, I08E, I08F, I09A, I09B, I09C, I09D, I09E		08	I06A, I06B, I06C, I06D, I06E, I08A, I08B, I08C, I08D, I08E, I08F, I09A, I09B, I09C, I09D, I09E	
09		J26Z	09	J26Z		09	J26Z	
11		L33Z	11	L33Z		11	L33Z	
21A		W04A, W04B	21A	W04A, W04B		21A	W04A, W04B	
21B		X06A, X06B, X06C	21B	X06A, X06B, X06C		21B	X06A, X06B, X06C, X33Z	
Pre		A07A	Pre	A07A		23	Z01A	
5t65e.5			BOP, KOP, KOPV, KVT, UOP4, VIAL	5t65e.a			BOP, KOP, KOPV, KVT, UOP4, VIAL	5t65g.a0
	01	B03A, B03B, B18Z	01		B03A, B03B, B18Z	01	B03A, B03B, B18Z	
	06	G33Z	06		G33Z	06	G33Z	
	07	H33Z, H38Z	07		H33Z, H38Z	07	H33Z, H38Z	
	08	I06A, I06B, I06C, I06D, I06E, I08A, I08B, I08C, I08D, I08E, I08F, I09A, I09B, I09C, I09D, I09E	08		I06A, I06B, I06C, I06D, I06E, I08A, I08B, I08C, I08D, I08E, I08F, I09A, I09B, I09C, I09D, I09E	08	I06A, I06B, I06C, I06D, I06E, I08A, I08B, I08C, I08D, I08E, I08F, I09A, I09B, I09C, I09D, I09E	
	09	J26Z	09		J26Z	09	J26Z	
	11	L33Z	11		L33Z	11	L33Z	
	21A	W04A, W04B	21A		W04A, W04B	21A	W04A, W04B	
	21B	X06A, X06B, X06C	21B		X06A, X06B, X06C	21B	X06A, X06B, X06C, X33Z	
	Pre	A07A	Pre		A07A	23	Z01A	
	5t65e.6		BOP, KOP, KOPV, KVT, UOP4, VIAL		5t65e.b		BOP, KOP, KOPV, KVT, UOP4, VIAL	
01		B03A, B03B, B18Z	01	B03A, B03B, B18Z		01	B03A, B03B, B18Z	
06		G33Z	06	G33Z		06	G33Z	
07		H33Z, H38Z	07	H33Z, H38Z		07	H33Z, H38Z	
08		I06A, I06B, I06C, I06D, I06E, I08A, I08B, I08C, I08D, I08E, I08F, I09A, I09B, I09C, I09D, I09E	08	I06A, I06B, I06C, I06D, I06E, I08A, I08B, I08C, I08D, I08E, I08F, I09A, I09B, I09C, I09D, I09E		08	I06A, I06B, I06C, I06D, I06E, I08A, I08B, I08C, I08D, I08E, I08F, I09A, I09B, I09C, I09D, I09E	
09		J26Z	09	J26Z		09	J26Z	
11		L33Z	11	L33Z		11	L33Z	
21A		W04A, W04B	21A	W04A, W04B		21A	W04A, W04B	
21B		X06A, X06B, X06C	21B	X06A, X06B, X06C		21B	X06A, X06B, X06C, X33Z	
Pre		A07A	Pre	A07A		23	Z01A	
5t65e.7			BOP, KOP, KOPV, KVT, UOP4, VIAL	5t65e.c			BOP, KOP, KOPV, KVT, UOP4, VIAL	
	01	B03A, B03B, B18Z	01		B03A, B03B, B18Z			
	06	G33Z	06		G33Z			
	07	H33Z, H38Z	07		H33Z, H38Z			
	08	I06A, I06B, I06C, I06D, I06E, I08A, I08B, I08C, I08D, I08E, I08F, I09A, I09B, I09C, I09D, I09E	08		I06A, I06B, I06C, I06D, I06E, I08A, I08B, I08C, I08D, I08E, I08F, I09A, I09B, I09C, I09D, I09E			
	09	J26Z	09		J26Z			
	11	L33Z	11		L33Z			
	21A	W04A, W04B	21A		W04A, W04B			
	21B	X06A, X06B, X06C	21B		X06A, X06B, X06C			
	Pre	A07A	Pre		A07A			

ZZV	MDC	DRG	ZZV	MDC	DRG	ZZV	MDC	DRG			
5t65g.b0		BOP, KOP, KOPV, KVT, UOP4, VIAL	5t65h.a0		BOP, KOP, KOPV, KVT, UOP4, VIAL	5t65h.c0		BOP, KOP, KOPV, KVT, UOP4, VIAL			
	01	B03A, B03B, B18Z		01	B03A, B03B, B18Z		01	B03A, B03B, B18Z			
	06	G33Z		06	G33Z		06	G33Z			
	07	H33Z, H38Z		07	H33Z, H38Z		07	H33Z, H38Z			
	08	I06A, I06B, I06C, I06D, I06E, I08A, I08B, I08C, I08D, I08E, I08F, I09A, I09B, I09C, I09D		08	I06A, I06B, I06C, I06D, I06E, I08A, I08B, I08C, I08D, I08E, I08F, I09A, I09B, I09C, I09D, I09E		08	I06A, I06B, I06C, I06D, I06E, I08A, I08B, I08C, I08D, I08E, I08F, I09A, I09B, I09C, I09D, I09E			
	09	J26Z		09	J26Z		09	J26Z			
	11	L33Z		11	L33Z		11	L33Z			
	21A	W04A, W04B		21A	W04A, W04B		21A	W04A, W04B			
	21B	X06A, X06B, X06C, X33Z		21B	X06A, X06B, X06C, X33Z		21B	X06A, X06B, X06C, X33Z			
	23	Z01A		23	Z01A		23	Z01A			
	Pre	A07A		Pre	A07A		Pre	A07A			
	5t65g.b1			BOP, KOP, KOPV, KVT, UOP4, VIAL	5t65h.a1			BOP, KOP, KOPV, KVT, UOP4, VIAL	5t65h.c1		BOP, KOP, KOPV, KVT, UOP4, VIAL
		01		B03A, B03B, B18Z			01	B03A, B03B, B18Z		01	B03A, B03B, B18Z
06		G33Z	06	G33Z		06	G33Z				
07		H33Z, H38Z	07	H33Z, H38Z		07	H33Z, H38Z				
08		I06A, I06B, I06C, I06D, I06E, I08A, I08B, I08C, I08D, I08E, I08F, I09A, I09B, I09C, I09D	08	I06A, I06B, I06C, I06D, I06E, I08A, I08B, I08C, I08D, I08E, I08F, I09A, I09B, I09C, I09D, I09E		08	I06A, I06B, I06C, I06D, I06E, I08A, I08B, I08C, I08D, I08E, I08F, I09A, I09B, I09C, I09D, I09E				
09		J26Z	09	J26Z		09	J26Z				
11		L33Z	11	L33Z		11	L33Z				
21A		W04A, W04B	21A	W04A, W04B		21A	W04A, W04B				
21B		X06A, X06B, X06C, X33Z	21B	X06A, X06B, X06C, X33Z		21B	X06A, X06B, X06C, X33Z				
23		Z01A	23	Z01A		23	Z01A				
Pre		A07A	Pre	A07A		Pre	A07A				
5t65g.c0			BOP, KOP, KOPV, KVT, UOP4, VIAL	5t65h.b0			BOP, KOP, KOPV, KVT, UOP4, VIAL	5t65j.a0			BOP, KOP, KOPV, KVT, UOP4, VIAL
		01	B03A, B03B, B18Z			01	B03A, B03B, B18Z			01	B03A, B03B, B18Z
	06	G33Z	06		G33Z	06	G33Z				
	07	H33Z, H38Z	07		H33Z, H38Z	07	H33Z, H38Z				
	08	I06A, I06B, I06C, I06D, I06E, I08A, I08B, I08C, I08D, I08E, I08F, I09A, I09B, I09C, I09D	08		I06A, I06B, I06C, I06D, I06E, I08A, I08B, I08C, I08D, I08E, I08F, I09A, I09B, I09C, I09D, I09E	08	I06A, I06B, I06C, I06D, I06E, I08A, I08B, I08C, I08D, I08E, I08F, I09A, I09B, I09C, I09D, I09E				
	09	J26Z	09		J26Z	09	J26Z				
	11	L33Z	11		L33Z	11	L33Z				
	21A	W04A, W04B	21A		W04A, W04B	21A	W04A, W04B				
	21B	X06A, X06B, X06C, X33Z	21B		X06A, X06B, X06C, X33Z	21B	X06A, X06B, X06C, X33Z				
	23	Z01A	23		Z01A	23	Z01A				
	Pre	A07A	Pre		A07A	Pre	A07A				
	5t65g.c1		BOP, KOP, KOPV, KVT, UOP4, VIAL		5t65h.b1		BOP, KOP, KOPV, KVT, UOP4, VIAL		5t65j.a1		BOP, KOP, KOPV, KVT, UOP4, VIAL
		01	B03A, B03B, B18Z			01	B03A, B03B, B18Z			01	B03A, B03B, B18Z
06		G33Z	06	G33Z		06	G33Z				
07		H33Z, H38Z	07	H33Z, H38Z		07	H33Z, H38Z				
08		I06A, I06B, I06C, I06D, I06E, I08A, I08B, I08C, I08D, I08E, I08F, I09A, I09B, I09C, I09D	08	I06A, I06B, I06C, I06D, I06E, I08A, I08B, I08C, I08D, I08E, I08F, I09A, I09B, I09C, I09D, I09E		08	I06A, I06B, I06C, I06D, I06E, I08A, I08B, I08C, I08D, I08E, I08F, I09A, I09B, I09C, I09D, I09E				
09		J26Z	09	J26Z		09	J26Z				
11		L33Z	11	L33Z		11	L33Z				
21A		W04A, W04B	21A	W04A, W04B		21A	W04A, W04B				
21B		X06A, X06B, X06C, X33Z	21B	X06A, X06B, X06C, X33Z		21B	X06A, X06B, X06C, X33Z				
23		Z01A	23	Z01A		23	Z01A				
Pre		A07A	Pre	A07A		Pre	A07A				

VYK

ZZV	MDC	DRG	ZZV	MDC	DRG	ZZV	MDC	DRG			
5t65j.b0		BOP, KOP, KOPV, KVT, UOP4, VIAL	5t65k.2		BOP, KOP, KOPV, KVT, UOP4, VIAL	5t660.3	01	B03A, B03B, B18Z			
	01	B03A, B03B, B18Z		01	B03A, B03B, B18Z		08	I08A, I08B, I08C, I08D, I08E, I08F, I10A, I10B, I10C, I10D, I10E			
	06	G33Z		06	G33Z		09	J26Z			
	07	H33Z, H38Z		07	H33Z, H38Z		17	R01A, R01B, R01C, R01D, R02Z, R12A, R12B, R12C			
	08	I06A, I06B, I06C, I06D, I06E, I08A, I08B, I08C, I08D, I08E, I08F, I09A, I09B, I09C, I09D		08	I06A, I06B, I06C		21A	W01A, W01B, W01C, W02A, W02B			
	09	J26Z		09	J26Z		21B	X06A, X06B, X06C			
	11	L33Z		11	L33Z		5t660.4	01	B03A, B03B, B18Z		
	21A	W04A, W04B		21A	W04A, W04B			08	I08A, I08B, I08C, I08D, I08E, I08F, I10A, I10B, I10C, I10D, I10E		
	21B	X06A, X06B, X06C, X33Z		21B	X06A, X06B, X06C		09	J26Z			
	23	Z01A		Pre	A07A		17	R01A, R01B, R01C, R01D, R02Z, R12A, R12B, R12C			
	Pre	A07A		5t65k.3			BOP, KOP, KOPV, KVT, UOP4, VIAL	21A	W01A, W01B, W01C, W02A, W02B		
	5t65j.b1				BOP, KOP, KOPV, KVT, UOP4, VIAL		01	B03A, B03B, B18Z	21B	X06A, X06B, X06C	
		01			B03A, B03B, B18Z		06	G33Z	5t661.1	01	B03A, B03B, B18Z
		06			G33Z		07	H33Z, H38Z		08	I08A, I08B, I08C, I08D, I08E, I08F, I10A, I10B, I10C, I10D, I10E
07		H33Z, H38Z	08		I06A, I06B, I06C	09	J26Z				
08		I06A, I06B, I06C, I06D, I06E, I08A, I08B, I08C, I08D, I08E, I08F, I09A, I09B, I09C, I09D	09		J26Z	17	R01A, R01B, R01C, R01D, R02Z, R12A, R12B, R12C				
09		J26Z	11		L33Z	21A	W01A, W01B, W01C, W02A, W02B				
11		L33Z	21A		W04A, W04B	21B	X06A, X06B, X06C				
21A		W04A, W04B	21B		X06A, X06B, X06C	Pre	B61A				
21B		X06A, X06B, X06C, X33Z	Pre		A07A	5t661.2	01	B03A, B03B, B18Z			
23		Z01A	5t65k.4				BOP, KOP, KOPV, KVT, UOP4, VIAL	08	I08A, I08B, I08C, I08D, I08E, I08F, I10A, I10B, I10C, I10D, I10E		
Pre		A07A			01	B03A, B03B, B18Z	09	J26Z			
5t65j.c0					BOP, KOP, KOPV, KVT, UOP4, VIAL	06	G33Z	17	R01A, R01B, R01C, R01D, R02Z, R12A, R12B, R12C		
		01			B03A, B03B, B18Z	07	H33Z, H38Z	21A	W01A, W01B, W01C, W02A, W02B		
		06		G33Z	08	I06A, I06B, I06C	21B	X06A, X06B, X06C			
	07	H33Z, H38Z		09	J26Z	Pre	B61A				
	08	I06A, I06B, I06C, I06D, I06E, I08A, I08B, I08C, I08D, I08E, I08F, I09A, I09B, I09C, I09D		11	L33Z	5t661.3	01	B03A, B03B, B18Z			
	09	J26Z		21A	W04A, W04B		08	I08A, I08B, I08C, I08D, I08E, I08F, I10A, I10B, I10C, I10D, I10E			
	11	L33Z		21B	X06A, X06B, X06C	09	J26Z				
	21A	W04A, W04B		Pre	A07A	17	R01A, R01B, R01C, R01D, R02Z, R12A, R12B, R12C				
	21B	X06A, X06B, X06C, X33Z		5t65x		BOP, KOP, KOPV, KVT, UOP4, VIAL	21A	W01A, W01B, W01C, W02A, W02B			
	23	Z01A			01	B03A, B03B, B18Z	21B	X06A, X06B, X06C			
	Pre	A07A			06	G33Z	Pre	B61A			
	5t65j.c1				BOP, KOP, KOPV, KVT, UOP4, VIAL	07	H33Z, H38Z	5t661.4	01	B03A, B03B, B18Z	
		01	B03A, B03B, B18Z		08	I06A, I06B, I06C, I06D, I06E, I08A, I08B, I08C, I08D, I08E, I08F, I09A, I09B, I09C, I09D, I09E	08		I08A, I08B, I08C, I08D, I08E, I08F, I10A, I10B, I10C, I10D, I10E		
		06	G33Z		09	J26Z	09	J26Z			
07		H33Z, H38Z	11		L33Z	17	R01A, R01B, R01C, R01D, R02Z, R12A, R12B, R12C				
08		I06A, I06B, I06C, I06D, I06E, I08A, I08B, I08C, I08D, I08E, I08F, I09A, I09B, I09C, I09D	21A		W04A, W04B	21A	W01A, W01B, W01C, W02A, W02B				
09		J26Z	21B		X06A, X06B, X06C	21B	X06A, X06B, X06C				
11		L33Z	Pre		A07A	Pre	B61A				
21A		W04A, W04B	5t660.1			B03A, B03B, B18Z	5t661.3	01	B03A, B03B, B18Z		
21B		X06A, X06B, X06C, X33Z			01	B03A, B03B, B18Z		08	I08A, I08B, I08C, I08D, I08E, I08F, I10A, I10B, I10C, I10D, I10E		
23		Z01A			08	I08A, I08B, I08C, I08D, I08E, I08F, I10A, I10B, I10C, I10D, I10E	09	J26Z			
Pre		A07A			08	I08A, I08B, I08C, I08D, I08E, I08F, I10A, I10B, I10C, I10D, I10E	17	R01A, R01B, R01C, R01D, R02Z, R12A, R12B, R12C			
5t65k.1				BOP, KOP, KOPV, KVT, UOP4, VIAL	09	J26Z	21A	W01A, W01B, W01C, W02A, W02B			
		01		B03A, B03B, B18Z	11	L33Z	21B	X06A, X06B, X06C			
		06		G33Z	21A	W04A, W04B	Pre	B61A			
	07	H33Z, H38Z		21B	X06A, X06B, X06C	5t661.4	01	B03A, B03B, B18Z			
	08	I06A, I06B, I06C		Pre	A07A		08	I08A, I08B, I08C, I08D, I08E, I08F, I10A, I10B, I10C, I10D, I10E			
	09	J26Z		5t660.2		B03A, B03B, B18Z	09	J26Z			
	11	L33Z			01	B03A, B03B, B18Z	17	R01A, R01B, R01C, R01D, R02Z, R12A, R12B, R12C			
	21A	W04A, W04B			08	I08A, I08B, I08C, I08D, I08E, I08F, I10A, I10B, I10C, I10D, I10E	21A	W01A, W01B, W01C, W02A, W02B			
	21B	X06A, X06B, X06C			09	J26Z	21B	X06A, X06B, X06C			
	Pre	A07A			17	R01A, R01B, R01C, R01D, R02Z, R12A, R12B, R12C	Pre	B61A			
			21A		W01A, W01B, W01C, W02A, W02B						
			21B		X06A, X06B, X06C						
			21B		X06A, X06B, X06C						
			21B		X06A, X06B, X06C						
		21B	X06A, X06B, X06C								
		21B	X06A, X06B, X06C								
		21B	X06A, X06B, X06C								
		21B	X06A, X06B, X06C								
		21B	X06A, X06B, X06C								

VYK



ZZV	MDC	DRG	ZZV	MDC	DRG	ZZV	MDC	DRG
5t666.3	01	B03A, B03B, B18Z	5t668.1	01	B03A, B03B, B18Z	5t66x.3	01	B03A, B03B, B18Z
	08	I06A, I08A, I08B, I08C, I08D, I08E, I08F, I09A, I10A, I10B, I10C, I10D, I10E		08	I06A, I06B, I06C, I06D, I06E, I08A, I08B, I08C, I08D, I08E, I08F, I09A, I09B, I09C, I09D, I10A, I10B, I10C, I10D, I10E		08	I08A, I08B, I08C, I08D, I08E, I08F, I10A, I10B, I10C, I10D, I10E
	09	J26Z		09	J26Z		09	J26Z
	17	R01A, R01B, R01C, R01D, R02Z, R12A, R12B, R12C		17	R01A, R01B, R01C, R01D, R02Z, R12A, R12B, R12C		17	R01A, R01B, R01C, R01D, R02Z, R12A, R12B, R12C
	21A	W01A, W01B, W01C, W02A, W02B		21A	W01A, W01B, W01C, W02A, W02B		21A	W01A, W01B, W01C, W02A, W02B
	21B	X06A, X06B, X06C		21B	X06A, X06B, X06C		21B	X06A, X06B, X06C
5t666.4	Pre	B61A	5t668.2	Pre	B61A	5t66x.4	01	B03A, B03B, B18Z
	01	B03A, B03B, B18Z		01	B03A, B03B, B18Z		08	I08A, I08B, I08C, I08D, I08E, I08F, I10A, I10B, I10C, I10D, I10E
	08	I06A, I08A, I08B, I08C, I08D, I08E, I08F, I09A, I10A, I10B, I10C, I10D, I10E		08	I06A, I06B, I06C, I06D, I06E, I08A, I08B, I08C, I08D, I08E, I08F, I09A, I09B, I09C, I09D, I10A, I10B, I10C, I10D, I10E		09	J26Z
	09	J26Z		09	J26Z		17	R01A, R01B, R01C, R01D, R02Z, R12A, R12B, R12C
	17	R01A, R01B, R01C, R01D, R02Z, R12A, R12B, R12C		17	R01A, R01B, R01C, R01D, R02Z, R12A, R12B, R12C		21A	W01A, W01B, W01C, W02A, W02B
	21A	W01A, W01B, W01C, W02A, W02B		21A	W01A, W01B, W01C, W02A, W02B		21B	X06A, X06B, X06C
5t667.1	21B	X06A, X06B, X06C	5t668.3	21A	W01A, W01B, W01C, W02A, W02B	5t690	BOP, KVT, UOP4, VIAL	
	Pre	B61A		21B	X06A, X06B, X06C		01	B03A, B03B, B18Z
	01	B03A, B03B, B18Z		Pre	B61A		08	I08A, I08B, I08C, I08D, I08E, I08F, I10C, I10D, I12A, I12B, I12C, I23A
	08	I06A, I06B, I06C, I06D, I06E, I08A, I08B, I08C, I08D, I08E, I08F, I09A, I09B, I09C, I09D, I09E, I10A, I10B, I10C, I10D, I10E		01	B03A, B03B, B18Z		09	J26Z
	09	J26Z		08	I06A, I06B, I06C, I06D, I06E, I08A, I08B, I08C, I08D, I08E, I08F, I09A, I09B, I09C, I09D, I10A, I10B, I10C, I10D, I10E		11	L09A, L38Z
	21A	W01A, W01B, W01C, W02A, W02B		09	J26Z		21A	W04A, W04B
5t667.2	21B	X06A, X06B, X06C, X33Z	5t668.4	17	R01A, R01B, R01C, R01D, R02Z, R12A, R12B, R12C	5t691.1	21B	X06A, X06B, X06C
	01	B03A, B03B, B18Z		17	R01A, R01B, R01C, R01D, R02Z, R12A, R12B, R12C		BOP, KVT, UOP4, VIAL	
	08	I06A, I06B, I06C, I06D, I06E, I08A, I08B, I08C, I08D, I08E, I08F, I09A, I09B, I09C, I09D, I09E, I10A, I10B, I10C, I10D, I10E		21A	W01A, W01B, W01C, W02A, W02B		01	B03A, B03B, B18Z
	09	J26Z		21B	X06A, X06B, X06C		08	I08A, I08B, I08C, I08D, I08E, I08F, I10C, I10D, I45A, I45B
	21A	W01A, W01B, W01C, W02A, W02B		Pre	B61A		09	J26Z
	21B	X06A, X06B, X06C, X33Z		01	B03A, B03B, B18Z		11	L09A, L38Z
5t667.3	01	B03A, B03B, B18Z	5t66x.1	08	I06A, I06B, I06C, I06D, I06E, I08A, I08B, I08C, I08D, I08E, I08F, I10A, I10B, I10C, I10D, I10E	5t691.2	21A	W04A, W04B
	08	I06A, I06B, I06C, I06D, I06E, I08A, I08B, I08C, I08D, I08E, I08F, I09A, I09B, I09C, I09D, I09E, I10A, I10B, I10C, I10D, I10E		09	J26Z		01	B03A, B03B, B18Z
	09	J26Z		17	R01A, R01B, R01C, R01D, R02Z, R12A, R12B, R12C		08	I08A, I08B, I08C, I08D, I08E, I08F, I10C, I10D, I45A
	21A	W01A, W01B, W01C, W02A, W02B		21A	W01A, W01B, W01C, W02A, W02B		09	J26Z
	21B	X06A, X06B, X06C, X33Z		21B	X06A, X06B, X06C		11	L09A, L38Z
	5t667.4	01		B03A, B03B, B18Z	5t66x.2		Pre	B61A
08		I06A, I06B, I06C, I06D, I06E, I08A, I08B, I08C, I08D, I08E, I08F, I09A, I09B, I09C, I09D, I09E, I10A, I10B, I10C, I10D, I10E	01	B03A, B03B, B18Z		21B	X06A, X06B, X06C	
09		J26Z	08	I08A, I08B, I08C, I08D, I08E, I08F, I10A, I10B, I10C, I10D, I10E		Pre	B61A	
21A		W01A, W01B, W01C, W02A, W02B	09	J26Z		BOP, KVT, UOP4, VIAL		
21B		X06A, X06B, X06C, X33Z	17	R01A, R01B, R01C, R01D, R02Z, R12A, R12B, R12C		01	B03A, B03B, B18Z	
5t667.4		01	B03A, B03B, B18Z	5t66x.2		21A	W01A, W01B, W01C, W02A, W02B	08
	08	I06A, I06B, I06C, I06D, I06E, I08A, I08B, I08C, I08D, I08E, I08F, I09A, I09B, I09C, I09D, I09E, I10A, I10B, I10C, I10D, I10E	21B		X06A, X06B, X06C	09	J26Z	
	09	J26Z	01		B03A, B03B, B18Z	11	L09A, L38Z	
	21A	W01A, W01B, W01C, W02A, W02B	08		I08A, I08B, I08C, I08D, I08E, I08F, I10A, I10B, I10C, I10D, I10E	21A	W04A, W04B	
	21B	X06A, X06B, X06C, X33Z	09		J26Z	21B	X06A, X06B, X06C	
			17		R01A, R01B, R01C, R01D, R02Z, R12A, R12B, R12C	Pre	B61A	
		21A	W01A, W01B, W01C, W02A, W02B			5t691.4	BOP, KVT, UOP4, VIAL	
		21B	X06A, X06B, X06C				01	B03A, B03B, B18Z
							08	I08A, I08B, I08C, I08D, I08E, I08F, I10C, I10D, I45A
							09	J26Z
							11	L09A, L38Z
							21A	W04A, W04B

ZZV	MDC	DRG	ZZV	MDC	DRG	ZZV	MDC	DRG
5t692		BOP, KVT, UOP4, VIAL	5t696.3		BOP, KVT, UOP4, VIAL	5t699.4		BOP, KVT, UOP4, VIAL
	01	B03A, B03B, B18Z		01	B03A, B03B, B18Z		01	B03A, B03B, B18Z
	05	F13A		08	I08A, I08B, I08C, I08D, I08E, I08F, I10A, I10B, I10C, I10D, I10E		08	I08A, I08B, I08C, I08D, I08E, I08F, I10A, I10B, I10C, I10D, I10E
	08	I08A, I08B, I08C, I08D, I08E, I08F, I10A, I10B, I10C, I10D, I10E		09	J26Z		11	L09A, L38Z
	09	J26Z		11	L09A, L38Z		21A	W04A, W04B
	11	L09A, L38Z		21A	W04A, W04B		21B	X06A, X06B, X06C
	17	R01A, R01B, R01C, R01D, R02Z, R12A, R12B, R12C		21B	X06A, X06B, X06C		Pre	B61A
	21A	W04A, W04B		Pre	B61A		5t69a.1	BOP, KVT, UOP4, VIAL
	21B	X06A, X06B, X06C		5t696.4	BOP, KVT, UOP4, VIAL		01	B03A, B03B, B18Z
	5t693			BOP, KVT, UOP4, VIAL	01		B03A, B03B, B18Z	08
01		B03A, B03B, B18Z	08	I08A, I08B, I08C, I08D, I08E, I08F, I10A, I10B, I10C, I10D, I10E	09	J26Z		
08		I08A, I08B, I08C, I08D, I08E, I08F, I10C, I10D, I45A, I45B	09	J26Z	11	L09A, L38Z		
09		J26Z	11	L09A, L38Z	21A	W04A, W04B		
11		L09A, L38Z	21A	W04A, W04B	21B	X06A, X06B, X06C		
21A		W04A, W04B	21B	X06A, X06B, X06C	5t69a.2	BOP, KVT, UOP4, VIAL		
21B		X06A, X06B, X06C	Pre	B61A	01	B03A, B03B, B18Z		
5t694			BOP, KVT, UOP4, VIAL	5t697	BOP, KVT, UOP4, VIAL	08	I08A, I08B, I08C, I08D, I08E, I08F, I09A, I09B, I09C, I09D	
		01	B03A, B03B, B18Z	01	B03A, B03B, B18Z	09	J26Z	
		05	F13A	08	I06A, I06B, I06C, I08A, I08B, I08C, I08D, I08E, I08F, I10A, I10B, I10C, I10D, I10E	11	L09A, L38Z	
	08	I08A, I08B, I08C, I08D, I08E, I08F, I10A, I10B, I10C, I10D, I10E	09	J26Z	21A	W04A, W04B		
	09	J26Z	11	L09A, L38Z	21B	X06A, X06B, X06C		
	11	L09A, L38Z	21A	W04A, W04B	5t69a.3	BOP, KVT, UOP4, VIAL		
	21A	W04A, W04B	21B	X06A, X06B, X06C	01	B03A, B03B, B18Z		
	21B	X06A, X06B, X06C	Pre	B61A	08	I06A, I06B, I06C, I06D, I06E, I08A, I08B, I08C, I08D, I08E, I08F, I09A, I09B, I09C, I09D		
	5t695		BOP, KVT, UOP4, VIAL	5t698	BOP, KVT, UOP4, VIAL	09	J26Z	
		01	B03A, B03B, B18Z	01	B03A, B03B, B18Z	11	L09A, L38Z	
05		F13A	08	I08A, I08B, I08C, I08D, I08E, I08F, I10A, I10B, I10C, I10D, I10E	21A	W04A, W04B		
08		I08A, I08B, I08C, I08D, I08E, I08F, I09A, I09B, I09C, I09D, I09E, I10A, I10B, I10C, I10D, I10E	09	J26Z	21B	X06A, X06B, X06C		
09		J26Z	11	L09A, L38Z	5t69a.4	BOP, KVT, UOP4, VIAL		
11		L09A, L38Z	21A	W04A, W04B	01	B03A, B03B, B18Z		
17		R01A, R01B, R01C, R01D, R02Z, R12A, R12B, R12C	21A	W04A, W04B	08	I06A, I06B, I06C, I06D, I06E, I08A, I08B, I08C, I08D, I08E, I08F, I09A, I09B, I09C, I09D		
21A		W04A, W04B	21B	X06A, X06B, X06C	09	J26Z		
21B		X06A, X06B, X06C	Pre	B61A	11	L09A, L38Z		
5t696.1			BOP, KVT, UOP4, VIAL	5t699.1	BOP, KVT, UOP4, VIAL	21A	W04A, W04B	
	01	B03A, B03B, B18Z	01	B03A, B03B, B18Z	21B	X06A, X06B, X06C		
	05	F13A	08	I08A, I08B, I08C, I08D, I08E, I08F, I10A, I10B, I10C, I10D, I10E	Pre	B61A		
	08	I08A, I08B, I08C, I08D, I08E, I08F, I09A, I09B, I09C, I09D, I09E, I10A, I10B, I10C, I10D, I10E	08	I08A, I08B, I08C, I08D, I08E, I08F, I10A, I10B, I10C, I10D, I10E	5t69b.1	BOP, KVT, UOP4		
	09	J26Z	11	L09A, L38Z	08	I10A, I10B, I10C, I10D, I10E, I10F		
	11	L09A, L38Z	21A	W04A, W04B	11	L09A, L38Z		
	17	R01A, R01B, R01C, R01D, R02Z, R12A, R12B, R12C	21A	W04A, W04B	5t69b.2	BOP, KVT, UOP4		
	21A	W04A, W04B	21B	X06A, X06B, X06C	08	I10A, I10B, I10C, I10D, I10E, I10F		
	21B	X06A, X06B, X06C	Pre	B61A	11	L09A, L38Z		
	5t696.2		BOP, KVT, UOP4, VIAL	5t699.2	BOP, KVT, UOP4, VIAL	5t69b.3	BOP, KVT, UOP4	
01		B03A, B03B, B18Z	01	B03A, B03B, B18Z	08	I10A, I10B, I10C, I10D, I10E, I10F		
08		I08A, I08B, I08C, I08D, I08E, I08F, I10A, I10B, I10C, I10D, I10E	08	I08A, I08B, I08C, I08D, I08E, I08F, I10A, I10B, I10C, I10D, I10E	11	L09A, L38Z		
09		J26Z	11	L09A, L38Z	5t69c.1	BOP, KVT, UOP4		
11		L09A, L38Z	21A	W04A, W04B	08	I10A, I10B, I10C, I10D, I10E, I10F		
21A		W04A, W04B	21A	W04A, W04B	11	L09A, L38Z		
21B		X06A, X06B, X06C	21B	X06A, X06B, X06C	5t69c.2	BOP, KVT, UOP4		
Pre		B61A	Pre	B61A	08	I10A, I10B, I10C, I10D, I10E, I10F		
5t696.3			BOP, KVT, UOP4, VIAL	5t699.3	BOP, KVT, UOP4, VIAL	11	L09A, L38Z	
		01	B03A, B03B, B18Z	01	B03A, B03B, B18Z	5t69c.3	BOP, KVT, UOP4	
	08	I08A, I08B, I08C, I08D, I08E, I08F, I10A, I10B, I10C, I10D, I10E	08	I08A, I08B, I08C, I08D, I08E, I08F, I10A, I10B, I10C, I10D, I10E	08	I10A, I10B, I10C, I10D, I10E, I10F		
	09	J26Z	11	L09A, L38Z	11	L09A, L38Z		
	11	L09A, L38Z	21A	W04A, W04B	5t69c.2	BOP, KVT, UOP4		
	21A	W04A, W04B	21A	W04A, W04B	08	I10A, I10B, I10C, I10D, I10E, I10F		
	21B	X06A, X06B, X06C	21B	X06A, X06B, X06C	11	L09A, L38Z		
	Pre	B61A	Pre	B61A	5t69c.3	BOP, KVT, UOP4		
	5t699.1		BOP, KVT, UOP4, VIAL	5t699.4	BOP, KVT, UOP4, VIAL	08	I10A, I10B, I10C, I10D, I10E, I10F	
		01	B03A, B03B, B18Z	01	B03A, B03B, B18Z	11	L09A, L38Z	
05		F13A	08	I08A, I08B, I08C, I08D, I08E, I08F, I10A, I10B, I10C, I10D, I10E	5t69c.2	BOP, KVT, UOP4		
08		I08A, I08B, I08C, I08D, I08E, I08F, I10A, I10B, I10C, I10D, I10E	09	J26Z	08	I10A, I10B, I10C, I10D, I10E, I10F		
09		J26Z	11	L09A, L38Z	11	L09A, L38Z		
11		L09A, L38Z	21A	W04A, W04B	5t69c.3	BOP, KVT, UOP4		
17		R01A, R01B, R01C, R01D, R02Z, R12A, R12B, R12C	21A	W04A, W04B	08	I10A, I10B, I10C, I10D, I10E, I10F		
21A		W04A, W04B	21B	X06A, X06B, X06C	11	L09A, L38Z		
21B		X06A, X06B, X06C	Pre	B61A	5t69c.2	BOP, KVT, UOP4		
Pre		B61A	Pre	B61A	08	I10A, I10B, I10C, I10D, I10E, I10F		



ZZV	MDC	DRG	ZZV	MDC	DRG	ZZV	MDC	DRG
5t69d.1		BOP, KVT, UOP4, VIAL	5t701.0↔	08	BOP, KVT, UOP4, VIAL	5t702.0↔	08	BOP, KVT, UOP4, VIAL
	01	B03A, B03B, B18Z		08	I32A, I32B, I32C, I32D, I32E, I32F		08	I32A, I32B, I32C, I32D, I32E, I32F, I32G
	08	I08A, I08B, I08C, I08D, I08E, I08F, I10A, I10B, I10C, I10D, I10E		09	J03A, J03B, J04A, J04B, J08A, J08B, J08C, J11A, J11B, J16Z		21A	W04A, W04B
	11	L09A, L38Z		21A	W04A, W04B		21B	X05A
	21A	W04A, W04B		21B	X05A		5t702.1↔	BOP, KVT, UOP4, VIAL
	21B	X06A, X06B, X06C		5t701.1↔	BOP, KVT, UOP4, VIAL		08	I32A, I32B, I32C, I32D, I32E, I32F, I32G
5t69d.2		BOP, KVT, UOP4, VIAL	5t701.1↔	08	BOP, KVT, UOP4, VIAL	5t702.2↔	21A	W04A, W04B
	01	B03A, B03B, B18Z		08	I32A, I32B, I32C, I32D, I32E, I32F		21B	X05A
	08	I08A, I08B, I08C, I08D, I08E, I08F, I10A, I10B, I10C, I10D, I10E		09	J03A, J03B, J04A, J04B, J08A, J08B, J08C, J11A, J11B, J16Z		5t702.2↔	BOP, KVT, UOP4, VIAL
	11	L09A, L38Z		21A	W04A, W04B		08	I32A, I32B, I32C, I32D, I32E, I32F, I32G
	21A	W04A, W04B		21A	W04A, W04B		21A	W04A, W04B
	21B	X06A, X06B, X06C		21B	X05A		21B	X05A
5t69d.3		BOP, KVT, UOP4, VIAL	5t701.2↔	BOP, KVT, UOP4, VIAL	5t702.3↔	BOP, KVT, UOP4, VIAL		
	01	B03A, B03B, B18Z		08		I32A, I32B, I32C, I32D, I32E, I32F	08	I32A, I32B, I32C, I32D, I32E, I32F, I32G
	08	I08A, I08B, I08C, I08D, I08E, I08F, I10A, I10B, I10C, I10D, I10E		09		J03A, J03B, J04A, J04B, J08A, J08B, J08C, J11A, J11B, J16Z	21A	W04A, W04B
	11	L09A, L38Z		21A		W04A, W04B	21B	X05A
	21A	W04A, W04B		21B		X05A	5t702.4↔	BOP, KVT, UOP4, VIAL
	21B	X06A, X06B, X06C		5t701.3↔		BOP, KVT, UOP4, VIAL	08	I32A, I32B, I32C, I32D, I32E, I32F, I32G
5t69e		BOP, KVT, UOP4, VIAL	5t701.3↔	08	BOP, KVT, UOP4, VIAL	5t702.5↔	BOP, KVT, UOP4, VIAL	
	01	B03A, B03B, B18Z		08	I32A, I32B, I32C, I32D, I32E, I32F		08	I32A, I32B, I32C, I32D, I32E, I32F, I32G
	08	I08A, I08B, I08C, I08D, I08E, I08F, I10A, I10B, I10C, I10D, I10E		09	J03A, J03B, J04A, J04B, J08A, J08B, J08C, J11A, J11B, J16Z		21A	W04A, W04B
	11	L09A, L38Z		21A	W04A, W04B		21B	X05A
	21A	W04A, W04B		21B	X05A		5t702.6↔	BOP, KVT, UOP4, VIAL
	21B	X06A, X06B, X06C		5t701.4↔	BOP, KVT, UOP4, VIAL		08	I32A, I32B, I32C, I32D, I32E, I32F, I32G
5t69f.1		BOP, KVT, UOP4, VIAL	5t701.4↔	08	BOP, KVT, UOP4, VIAL	5t702.7↔	BOP, KVT, UOP4, VIAL	
	01	B03A, B03B, B18Z		08	I32A, I32B, I32C, I32D, I32E, I32F		08	I32A, I32B, I32C, I32D, I32E, I32F, I32G
	08	I08A, I08B, I08C, I08D, I08E, I08F, I10A, I10B, I10C, I10D, I10E		09	J03A, J03B, J04A, J04B, J08A, J08B, J08C, J11A, J11B, J16Z		21A	W04A, W04B
	11	L09A, L38Z		21A	W04A, W04B		21B	X05A
	21A	W04A, W04B		21B	X05A		5t702.8↔	BOP, KVT, UOP4, VIAL
	21B	X06A, X06B, X06C		5t701.5↔	BOP, KVT, UOP4, VIAL		08	I32A, I32B, I32C, I32D, I32E, I32F, I32G
5t69f.2		BOP, KVT, UOP4, VIAL	5t701.5↔	08	BOP, KVT, UOP4, VIAL	5t702.9↔	BOP, KVT, UOP4, VIAL	
	01	B03A, B03B, B18Z		08	I32A, I32B, I32C, I32D, I32E, I32F		08	I32A, I32B, I32C, I32D, I32E, I32F, I32G
	08	I08A, I08B, I08C, I08D, I08E, I08F, I10A, I10B, I10C, I10D, I10E		09	J03A, J03B, J04A, J04B, J08A, J08B, J08C, J11A, J11B, J16Z		21A	W04A, W04B
	11	L09A, L38Z		21A	W04A, W04B		21B	X05A
	21A	W04A, W04B		21B	X05A		5t703.0↔	BOP, KVT, UOP4, VIAL
	21B	X06A, X06B, X06C		5t701.6↔	BOP, KVT, UOP4, VIAL		08	I12A, I12B, I12C, I32A, I32B, I32C, I32D, I32E, I32F
5t69f.3		BOP, KVT, UOP4, VIAL	5t701.6↔	08	BOP, KVT, UOP4, VIAL	5t703.1↔	BOP, KVT, UOP4, VIAL	
	01	B03A, B03B, B18Z		08	I32A, I32B, I32C, I32D, I32E, I32F		09	J03A, J03B, J04A, J04B, J08A, J08B, J08C, J11A, J11B, J16Z
	08	I08A, I08B, I08C, I08D, I08E, I08F, I10A, I10B, I10C, I10D, I10E		21A	W04A, W04B		21A	W04A, W04B
	11	L09A, L38Z		21B	X05A		21B	X05A
	21A	W04A, W04B		5t701.7↔	BOP, KVT, UOP4, VIAL		08	I12A, I12B, I12C, I32A, I32B, I32C, I32D, I32E, I32F
	21B	X06A, X06B, X06C		08	I32A, I32B, I32C, I32D, I32E, I32F		09	J03A, J03B, J04A, J04B, J08A, J08B, J08C, J11A, J11B, J16Z
5t69x		BOP, KVT, UOP4, VIAL	5t701.8↔	21A	W04A, W04B	5t703.1↔	21A	W04A, W04B
	01	B03A, B03B, B18Z		21B	X05A		21B	X05A
	08	I08A, I08B, I08C, I08D, I08E, I08F, I10A, I10B, I10C, I10D, I10E		5t701.8↔	BOP, KVT, UOP4, VIAL		08	I12A, I12B, I12C, I32A, I32B, I32C, I32D, I32E, I32F
	21A	W04A, W04B		08	I32A, I32B, I32C, I32D, I32E, I32F		09	J03A, J03B, J04A, J04B, J08A, J08B, J08C, J11A, J11B, J16Z
	21B	X06A, X06B, X06C		21A	W04A, W04B		21A	W04A, W04B
				21B	X05A		21B	X05A
		5t701.9↔	BOP, KVT, UOP4, VIAL	08	I32A, I32B, I32C, I32D, I32E, I32F			
		08	I32A, I32B, I32C, I32D, I32E, I32F	21A	W04A, W04B			
		21A	W04A, W04B	21B	X05A			
		21B	X05A					













ZZV	MDC	DRG	ZZV	MDC	DRG	ZZV	MDC	DRG	
5t711.0↔		BOP, KVT, UOP4, VIAL	5t711.7↔		BOP, KVT, UOP4, VIAL	5t713.1↔		BOP, KVT, UOP4, VIAL	
	08	I32A, I32B, I32C, I32D, I32E, I32F		08	I32A, I32B, I32C, I32D, I32E, I32F, I32G		08	I32A, I32B, I32C, I32D, I32E, I32F	
	09	J03A, J03B, J04A, J04B, J08A, J08B, J08C, J11A, J11B, J16Z		09	J03A, J03B, J04A, J04B, J08A, J08B, J08C, J11A, J11B, J16Z		09	J03A, J03B, J04A, J04B, J08A, J08B, J08C, J11A, J11B, J16Z	
	21A	W04A, W04B		21A	W04A, W04B		21A	W04A, W04B	
	21B	X05A		21B	X05A		21B	X05A	
5t711.10↔		BOP, KVT, UOP4, VIAL	5t712.0↔		BOP, KVT, UOP4, VIAL	5t713.2↔		BOP, KVT, UOP4, VIAL	
	01	B05Z		08	I32A, I32B, I32C, I32D, I32E, I32F		08	I32A, I32B, I32C, I32D, I32E, I32F	
	08	I32A, I32B, I32C, I32D, I32E, I32F		09	J03A, J03B, J04A, J04B, J08A, J08B, J08C, J11A, J11B, J16Z		09	J03A, J03B, J04A, J04B, J08A, J08B, J08C, J11A, J11B, J16Z	
	09	J03A, J03B, J04A, J04B, J08A, J08B, J08C, J11A, J11B, J16Z		21A	W04A, W04B		21A	W04A, W04B	
	21A	W04A, W04B		21B	X05A		21B	X05A	
	21B	X05A	5t712.1↔		BOP, KVT, UOP4, VIAL	5t713.3↔		BOP, KVT, UOP4, VIAL	
5t711.11↔		BOP, KVT, UOP4, VIAL		08	I32A, I32B, I32C, I32D, I32E, I32F		08	I32A, I32B, I32C, I32D, I32E, I32F	
	01	B05Z		09	J03A, J03B, J04A, J04B, J08A, J08B, J08C, J11A, J11B, J16Z		09	J03A, J03B, J04A, J04B, J08A, J08B, J08C, J11A, J11B, J16Z	
	08	I32A, I32B, I32C, I32D, I32E, I32F		21A	W04A, W04B		21A	W04A, W04B	
	09	J03A, J03B, J04A, J04B, J08A, J08B, J08C, J11A, J11B, J16Z		21B	X05A		21B	X05A	
	21A	W04A, W04B	5t712.2↔		BOP, KVT, UOP4, VIAL	5t713.4↔		BOP, KVT, UOP4, VIAL	
	21B	X05A		08	I32A, I32B, I32C, I32D, I32E, I32F		08	I32A, I32B, I32C, I32D, I32E, I32F	
5t711.2↔		BOP, KVT, UOP4, VIAL		09	J03A, J03B, J04A, J04B, J08A, J08B, J08C, J11A, J11B, J16Z		21A	W04A, W04B	
	08	I32A, I32B, I32C, I32D, I32E, I32F		21B	X05A		21B	X05A	
	09	J03A, J03B, J04A, J04B, J08A, J08B, J08C, J11A, J11B, J16Z		5t712.3↔			BOP, KVT, UOP4, VIAL	5t713.5↔	
		21A	W04A, W04B		08	I32A, I32B, I32C, I32D, I32E, I32F	08		I32A, I32B, I32C, I32D, I32E, I32F
		21B	X05A		09	J03A, J03B, J04A, J04B, J08A, J08B, J08C, J11A, J11B, J16Z	21A		W04A, W04B
5t711.3↔		BOP, KVT, UOP4, VIAL	21B		X05A	21B	X05A		
	08	I32A, I32B, I32C, I32D, I32E, I32F	5t712.4↔			BOP, KVT, UOP4, VIAL	5t713.6↔		
	09	J03A, J03B, J04A, J04B, J08A, J08B, J08C, J11A, J11B, J16Z		08	I32A, I32B, I32C, I32D, I32E, I32F	08		I32A, I32B, I32C, I32D, I32E, I32F	
		21A		W04A, W04B	09	J03A, J03B, J04A, J04B, J08A, J08B, J08C, J11A, J11B, J16Z		21A	W04A, W04B
		21B		X05A	21B	X05A		21B	X05A
5t711.4↔		BOP, KVT, UOP4, VIAL		5t712.5↔		BOP, KVT, UOP4, VIAL		5t713.7↔	
	08	I32A, I32B, I32C, I32D, I32E, I32F, I32G	08		I32A, I32B, I32C, I32D, I32E, I32F	08	I32A, I32B, I32C, I32D, I32E, I32F		
	09	J03A, J03B, J04A, J04B, J08A, J08B, J08C, J11A, J11B, J16Z	21A		W04A, W04B	21A	W04A, W04B		
		21A	W04A, W04B		21B	X05A	21B		X05A
		21B	X05A		5t712.6↔		BOP, KVT, UOP4, VIAL		5t714.0↔
5t711.5↔		BOP, KVT, UOP4, VIAL	08	I32A, I32B, I32C, I32D, I32E, I32F		01	B03A, B03B, B06A, B06B, B07Z, B17A, B17B, B17C, B17D		
	08	I32A, I32B, I32C, I32D, I32E, I32F, I32G	21A	W04A, W04B		08	I32A, I32B, I32C, I32D, I32E, I32F		
	09	J03A, J03B, J04A, J04B, J08A, J08B, J08C, J11A, J11B, J16Z	21B	X05A		09	J03A, J03B, J04A, J04B, J08A, J08B, J08C, J11A, J11B, J16Z		
		21A	W04A, W04B	5t712.7↔			BOP, KVT, UOP4, VIAL	5t714.1↔	
		21B	X05A		08	I32A, I32B, I32C, I32D, I32E, I32F	01		B03A, B03B, B06A, B06B, B07Z, B17A, B17B, B17C
5t711.6↔		BOP, KVT, UOP4, VIAL	21A		W04A, W04B	08	I32A, I32B, I32C, I32D, I32E, I32F		
	08	I32A, I32B, I32C, I32D, I32E, I32F, I32G	21B		X05A	09	J03A, J03B, J04A, J04B, J08A, J08B, J08C, J11A, J11B, J16Z		
	09	J03A, J03B, J04A, J04B, J08A, J08B, J08C, J11A, J11B, J16Z	5t713.0↔			BOP, KVT, UOP4, VIAL	21A		W04A, W04B
		21A		W04A, W04B	08	I32A, I32B, I32C, I32D, I32E, I32F	21B	X05A	
		21B		X05A	09	J03A, J03B, J04A, J04B, J08A, J08B, J08C, J11A, J11B, J16Z			
				21A	W04A, W04B				
				21B	X05A				







ZZV	MDC	DRG	ZZV	MDC	DRG	ZZV	MDC	DRG
5t71a.2↔		BOP, KVT, UOP4, VIAL	5t71x.4↔		BOP, KVT, UOP4, VIAL	5t722.0↔		BOP, KVT, UOP4, VIAL
	01	B03A, B03B, B06A, B06B, B07Z, B17A, B17B, B17C		08	I32A, I32B, I32C, I32D, I32E, I32F		08	I32A, I32B, I32C, I32D, I32E, I32F, I32G
	08	I32A, I32B, I32C, I32D, I32E, I32F		21A	W04A, W04B		09	J03A, J03B, J04A, J04B, J08A, J08B, J08C, J11A, J11B, J16Z
	09	J03A, J03B, J04A, J04B, J08A, J08B, J08C, J10A, J10B, J16Z	5t71x.5↔		BOP, KVT, UOP4, VIAL		21A	W04A, W04B
	21A	W04A, W04B		08	I32A, I32B, I32C, I32D, I32E, I32F	5t722.3↔		BOP, KVT, UOP4, VIAL
	21B	X05A		21A	W04A, W04B		08	I32A, I32B, I32C, I32D, I32E, I32F, I32G
5t71a.3↔		BOP, KVT, UOP4, VIAL	5t71x.6↔		BOP, KVT, UOP4, VIAL		09	J03A, J03B, J04A, J04B, J08A, J08B, J08C, J11A, J11B, J16Z
	01	B03A, B03B, B06A, B06B, B07Z, B17A, B17B, B17C		08	I32A, I32B, I32C, I32D, I32E, I32F		21A	W04A, W04B
	08	I32A, I32B, I32C, I32D, I32E, I32F		21A	W04A, W04B		21B	X05A
	09	J03A, J03B, J04A, J04B, J08A, J08B, J08C, J10A, J10B, J16Z	5t71x.7↔		BOP, KVT, UOP4, VIAL	5t723.0↔		BOP, KVT, UOP4, VIAL
	21A	W04A, W04B		08	I32A, I32B, I32C, I32D, I32E, I32F		08	I32A, I32B, I32C, I32D, I32E, I32F, I32G
	21B	X05A		21A	W04A, W04B		09	J03A, J03B, J04A, J04B, J08A, J08B, J08C, J11A, J11B, J16Z
5t71a.4↔		BOP, KVT, UOP4, VIAL	5t720.1↔		BOP, KVT, UOP4, VIAL		21A	W04A, W04B
	01	B03A, B03B, B06A, B06B, B07Z, B17A, B17B, B17C		01	B03A, B03B, B06A, B06B, B07Z, B17A, B17B, B17C, B17D	5t723.4↔		BOP, KVT, UOP4, VIAL
	08	I32A, I32B, I32C, I32D, I32E, I32F		08	I32A, I32B, I32C, I32D, I32E, I32F, I32G		08	I32A, I32B, I32C, I32D, I32E, I32F, I32G
	21A	W04A, W04B		09	J03A, J03B, J04A, J04B, J08A, J08B, J08C, J11A, J11B, J16Z		09	J03A, J03B, J04A, J04B, J08A, J08B, J08C, J11A, J11B, J16Z
	21B	X05A		21A	W04A, W04B		21A	W04A, W04B
5t71a.5↔		BOP, KVT, UOP4, VIAL	5t720.2↔		BOP, KVT, UOP4, VIAL		21B	X05A
	01	B03A, B03B, B06A, B06B, B07Z, B17A, B17B, B17C		01	B03A, B03B, B06A, B06B, B07Z, B17A, B17B, B17C, B17D	5t724.1↔		BOP, KVT, UOP4, VIAL
	08	I32A, I32B, I32C, I32D, I32E, I32F		08	I32A, I32B, I32C, I32D, I32E, I32F, I32G		01	B03A, B03B, B06A, B06B, B07Z, B17A, B17B, B17C, B17D
	21A	W04A, W04B		09	J03A, J03B, J04A, J04B, J08A, J08B, J08C, J11A, J11B, J16Z		08	I32A, I32B, I32C, I32D, I32E, I32F
	21B	X05A		21A	W04A, W04B		09	J03A, J03B, J04A, J04B, J08A, J08B, J08C, J11A, J11B, J16Z
5t71a.6↔		BOP, KVT, UOP4, VIAL	5t721.1↔		BOP, KVT, UOP4, VIAL		21A	W04A, W04B
	01	B03A, B03B, B06A, B06B, B07Z, B17A, B17B, B17C		01	B03A, B03B, B06A, B06B, B07Z, B17A, B17B, B17C, B17D	5t724.2↔		BOP, KVT, UOP4, VIAL
	08	I32A, I32B, I32C, I32D, I32E, I32F		08	I32A, I32B, I32C, I32D, I32E, I32F, I32G		01	B03A, B03B, B06A, B06B, B07Z, B17A, B17B, B17C, B17D
	21A	W04A, W04B		09	J03A, J03B, J04A, J04B, J08A, J08B, J08C, J11A, J11B, J16Z		08	I32A, I32B, I32C, I32D, I32E, I32F
	21B	X05A		21A	W04A, W04B		09	J03A, J03B, J04A, J04B, J08A, J08B, J08C, J11A, J11B, J16Z
5t71a.7↔		BOP, KVT, UOP4, VIAL	5t721.2↔		BOP, KVT, UOP4, VIAL		21A	W04A, W04B
	01	B03A, B03B, B06A, B06B, B07Z, B17A, B17B, B17C		01	B03A, B03B, B06A, B06B, B07Z, B17A, B17B, B17C, B17D	5t725.1↔		BOP, KVT, UOP4, VIAL
	08	I32A, I32B, I32C, I32D, I32E, I32F		08	I32A, I32B, I32C, I32D, I32E, I32F, I32G		01	B03A, B03B, B06A, B06B, B07Z, B17A, B17B, B17C, B17D
	21A	W04A, W04B		09	J03A, J03B, J04A, J04B, J08A, J08B, J08C, J11A, J11B, J16Z		08	I32A, I32B, I32C, I32D, I32E, I32F
	21B	X05A		21A	W04A, W04B		09	J03A, J03B, J04A, J04B, J08A, J08B, J08C, J11A, J11B, J16Z
5t71x.0↔		BOP, KVT, UOP4, VIAL		21B	X05A		21A	W04A, W04B
	08	I32A, I32B, I32C, I32D, I32E, I32F					21B	X05A
	21A	W04A, W04B		5t721.2↔				
	21B	X05A, X05B		01	B03A, B03B, B06A, B06B, B07Z, B17A, B17B, B17C, B17D			
5t71x.1↔		BOP, KVT, UOP4, VIAL		08	I32A, I32B, I32C, I32D, I32E, I32F, I32G			
	08	I32A, I32B, I32C, I32D, I32E, I32F		09	J03A, J03B, J04A, J04B, J08A, J08B, J08C, J11A, J11B, J16Z			
	21A	W04A, W04B		21A	W04A, W04B			
	21B	X05A, X05B		21B	X05A			
5t71x.2↔		BOP, KVT, UOP4, VIAL						
	08	I32A, I32B, I32C, I32D, I32E, I32F						
	21A	W04A, W04B						
	21B	X05A, X05B						
5t71x.3↔		BOP, KVT, UOP4, VIAL						
	08	I32A, I32B, I32C, I32D, I32E, I32F						
	21A	W04A, W04B						
	21B	X05A, X05B						

VYK



ZZV	MDC	DRG	ZZV	MDC	DRG	ZZV	MDC	DRG		
5t736↔		BOP, KVT, UOP4, VIAL	5t740.0↔	08	BOP, KVT, UOP4, VIAL I32A, I32B, I32C, I32D, I32E, I32F	5t741.3↔	08	BOP, KVT, UOP4, VIAL I32A, I32B, I32C, I32D, I32E, I32F		
	01	B03A, B03B, B06A, B06B, B07Z, B17A, B17B, B17C		21A	W04A, W04B		09	J03A, J03B, J04A, J04B, J08A, J08B, J08C, J11A, J11B, J16Z		
	08	I32A, I32B, I32C, I32D, I32E, I32F		21B	X05A		21A	W04A, W04B		
	09	J03A, J03B, J04A, J04B, J08A, J08B, J08C, J10A, J10B, J16Z		5t740.1↔	08		BOP, KVT, UOP4, VIAL I32A, I32B, I32C, I32D, I32E, I32F	21B	X05A	
	10	K09A, K09B		21A	W04A, W04B		5t741.4↔	08	BOP, KVT, UOP4, VIAL I32A, I32B, I32C, I32D, I32E, I32F	
21A	W04A, W04B	21B	X05A	09	J03A, J03B, J04A, J04B, J08A, J08B, J08C, J11A, J11B, J16Z					
21B	X05A	5t740.2↔	08	BOP, KVT, UOP4, VIAL I32A, I32B, I32C, I32D, I32E, I32F	21A	W04A, W04B				
5t737↔			BOP, KVT, UOP4, VIAL	21B	X05A	21B		X05A		
	01		B03A, B03B, B06A, B06B, B07Z, B17A, B17B, B17C	5t740.3↔	08	BOP, KVT, UOP4, VIAL I32A, I32B, I32C, I32D, I32E, I32F		5t741.5↔	08	BOP, KVT, UOP4, VIAL I32A, I32B, I32C, I32D, I32E, I32F
	08		I32A, I32B, I32C, I32D, I32E, I32F		21A	W04A, W04B	09		J03A, J03B, J04A, J04B, J08A, J08B, J08C, J11A, J11B, J16Z	
	09		J03A, J03B, J04A, J04B, J08A, J08B, J08C, J10A, J10B, J16Z		21B	X05A	21A		W04A, W04B	
	21A	W04A, W04B	5t740.4↔		08	BOP, KVT, UOP4, VIAL I32A, I32B, I32C, I32D, I32E, I32F	21B		X05A	
21B	X05A	21A			W04A, W04B	5t741.6↔	08		BOP, KVT, UOP4, VIAL I32A, I32B, I32C, I32D, I32E, I32F	
5t738↔		BOP, KVT, UOP4, VIAL		21B	X05A		09	J03A, J03B, J04A, J04B, J08A, J08B, J08C, J11A, J11B, J16Z		
	01	B03A, B03B, B06A, B06B, B07Z, B17A, B17B, B17C		5t740.5↔	08		BOP, KVT, UOP4, VIAL I32A, I32B, I32C, I32D, I32E, I32F	21A	W04A, W04B	
	08	I32A, I32B, I32C, I32D, I32E, I32F			21B		X05A	21B	X05A	
	09	J03A, J03B, J04A, J04B, J08A, J08B, J08C, J10A, J10B, J16Z	5t740.6↔		08		BOP, KVT, UOP4, VIAL I32A, I32B, I32C, I32D, I32E, I32F	5t741.7↔	08	BOP, KVT, UOP4, VIAL I32A, I32B, I32C, I32D, I32E, I32F
	10	K09A, K09B			21A	W04A, W04B	09		J03A, J03B, J04A, J04B, J08A, J08B, J08C, J11A, J11B, J16Z	
21A	W04A, W04B	21B			X05A	21A	W04A, W04B			
21B	X05A	5t740.7↔		08	BOP, KVT, UOP4, VIAL I32A, I32B, I32C, I32D, I32E, I32F	21B	X05A			
5t739↔				BOP, KVT, UOP4, VIAL	21A	W04A, W04B	5t741.x↔		08	BOP, KVT, UOP4, VIAL I32A, I32B, I32C, I32D, I32E, I32F
	01		B03A, B03B, B06A, B06B, B07Z, B17A, B17B, B17C	21B	X05A	09		J03A, J03B, J04A, J04B, J08A, J08B, J08C, J11A, J11B, J16Z		
	08		I32A, I32B, I32C, I32D, I32E, I32F	5t741.0↔	08	BOP, KVT, UOP4, VIAL I32A, I32B, I32C, I32D, I32E, I32F		21A	W04A, W04B	
	09		J03A, J03B, J04A, J04B, J08A, J08B, J08C, J10A, J10B, J16Z		21B	X05A, X05B		21B	X05A, X05B	
	10	K09A, K09B	5t741.1↔		08	BOP, KVT, UOP4, VIAL I32A, I32B, I32C, I32D, I32E, I32F		5t742.0↔	08	BOP, KVT, UOP4, VIAL I32A, I32B, I32C, I32D, I32E, I32F
21A	W04A, W04B	09			J03A, J03B, J04A, J04B, J08A, J08B, J08C, J11A, J11B, J16Z	21A	W04A, W04B			
21B	X05A	21A			W04A, W04B	21B	X05A			
5t73a↔		BOP, KVT, UOP4, VIAL		21B	X05A	5t742.1↔	08		BOP, KVT, UOP4, VIAL I32A, I32B, I32C, I32D, I32E, I32F	
	01	B03A, B03B, B06A, B06B, B07Z, B17A, B17B, B17C		5t741.2↔	08		BOP, KVT, UOP4, VIAL I32A, I32B, I32C, I32D, I32E, I32F		21A	W04A, W04B
	08	I32A, I32B, I32C, I32D, I32E, I32F	09		J03A, J03B, J04A, J04B, J08A, J08B, J08C, J11A, J11B, J16Z		21B	X05A		
	09	J03A, J03B, J04A, J04B, J08A, J08B, J08C, J10A, J10B, J16Z	21A		W04A, W04B		5t742.2↔	08	BOP, KVT, UOP4, VIAL I32A, I32B, I32C, I32D, I32E, I32F	
	10	K09A, K09B	21B		X05A			21A	W04A, W04B	
21A	W04A, W04B	5t73b↔	21B		X05A	21B		X05A		
21B	X05A		5t73x↔	08	BOP, KVT, UOP4, VIAL I32A, I32B, I32C, I32D, I32E, I32F	5t742.3↔		08	BOP, KVT, UOP4, VIAL I32A, I32B, I32C, I32D, I32E, I32F	
5t73b↔				BOP, KVT, UOP4, VIAL	09			J03A, J03B, J04A, J04B, J08A, J08B, J08C, J11A, J11B, J16Z	21A	W04A, W04B
	01			B03A, B03B, B06A, B06B, B07Z, B17A, B17B, B17C	21A		W04A, W04B	21B	X05A	
	08			I32A, I32B, I32C, I32D, I32E, I32F	5t741.1↔		08	BOP, KVT, UOP4, VIAL I32A, I32B, I32C, I32D, I32E, I32F	5t742.3↔	08
	09	J03A, J03B, J04A, J04B, J08A, J08B, J08C, J10A, J10B, J16Z		09			J03A, J03B, J04A, J04B, J08A, J08B, J08C, J11A, J11B, J16Z	21A		W04A, W04B
	10	K09A, K09B	21A	W04A, W04B		21B	X05A			
21A	W04A, W04B	5t741.2↔	08	BOP, KVT, UOP4, VIAL I32A, I32B, I32C, I32D, I32E, I32F		5t742.3↔	08	BOP, KVT, UOP4, VIAL I32A, I32B, I32C, I32D, I32E, I32F		
21B	X05A		09	J03A, J03B, J04A, J04B, J08A, J08B, J08C, J11A, J11B, J16Z			21A	W04A, W04B		
5t73x↔			BOP, KVT, UOP4, VIAL	21A	W04A, W04B		21B	X05A		
	08		I32A, I32B, I32C, I32D, I32E, I32F	21B	X05A					
	21A		W04A, W04B							
	21B	X05A, X05B								

VYK

ZZV	MDC	DRG	ZZV	MDC	DRG	ZZV	MDC	DRG
5t742.4↔		BOP, KVT, UOP4, VIAL	5t743.7↔		BOP, KVT, UOP4, VIAL	5t745.3↔		BOP, KVT, UOP4, VIAL
	08	I32A, I32B, I32C, I32D, I32E, I32F		08	I32A, I32B, I32C, I32D, I32E, I32F		08	I32A, I32B, I32C, I32D, I32E, I32F
	21A	W04A, W04B		21A	W04A, W04B		21A	W04A, W04B
	21B	X05A		21B	X05A		21B	X05A
5t742.5↔		BOP, KVT, UOP4, VIAL	5t743.x↔		BOP, KVT, UOP4, VIAL	5t745.4↔		BOP, KVT, UOP4, VIAL
	08	I32A, I32B, I32C, I32D, I32E, I32F		08	I32A, I32B, I32C, I32D, I32E, I32F		08	I32A, I32B, I32C, I32D, I32E, I32F
	21A	W04A, W04B		21A	W04A, W04B		21A	W04A, W04B
	21B	X05A		21B	X05A, X05B		21B	X05A
5t742.6↔		BOP, KVT, UOP4, VIAL	5t744.0↔		BOP, KVT, UOP4, VIAL	5t745.5↔		BOP, KVT, UOP4, VIAL
	08	I32A, I32B, I32C, I32D, I32E, I32F		08	I32A, I32B, I32C, I32D, I32E, I32F		08	I32A, I32B, I32C, I32D, I32E, I32F
	21A	W04A, W04B		21A	W04A, W04B		21A	W04A, W04B
	21B	X05A		21B	X05A		21B	X05A
5t742.7↔		BOP, KVT, UOP4, VIAL	5t744.1↔		BOP, KVT, UOP4, VIAL	5t745.6↔		BOP, KVT, UOP4, VIAL
	08	I32A, I32B, I32C, I32D, I32E, I32F		08	I32A, I32B, I32C, I32D, I32E, I32F		08	I32A, I32B, I32C, I32D, I32E, I32F
	21A	W04A, W04B		21A	W04A, W04B		21A	W04A, W04B
	21B	X05A		21B	X05A		21B	X05A
5t742.x↔		BOP, KVT, UOP4, VIAL	5t744.2↔		BOP, KVT, UOP4, VIAL	5t745.7↔		BOP, KVT, UOP4, VIAL
	08	I32A, I32B, I32C, I32D, I32E, I32F		08	I32A, I32B, I32C, I32D, I32E, I32F		08	I32A, I32B, I32C, I32D, I32E, I32F
	21A	W04A, W04B		21A	W04A, W04B		21A	W04A, W04B
	21B	X05A, X05B		21B	X05A		21B	X05A
5t743.0↔		BOP, KVT, UOP4, VIAL	5t744.3↔		BOP, KVT, UOP4, VIAL	5t745.x↔		BOP, KVT, UOP4, VIAL
	08	I32A, I32B, I32C, I32D, I32E, I32F		08	I32A, I32B, I32C, I32D, I32E, I32F		08	I32A, I32B, I32C, I32D, I32E, I32F
	09	J03A, J03B, J04A, J04B, J08A, J08B, J08C, J11A, J11B, J16Z		21A	W04A, W04B		21A	W04A, W04B
	21A	W04A, W04B		21B	X05A		21B	X05A, X05B
	21B	X05A	5t744.4↔		BOP, KVT, UOP4, VIAL	5t746.0↔		BOP, KVT, UOP4, VIAL
5t743.1↔		BOP, KVT, UOP4, VIAL		08	I32A, I32B, I32C, I32D, I32E, I32F		08	I32A, I32B, I32C, I32D, I32E, I32F
	08	I32A, I32B, I32C, I32D, I32E, I32F		21A	W04A, W04B		21A	W04A, W04B
	09	J03A, J03B, J04A, J04B, J08A, J08B, J08C, J11A, J11B, J16Z		21B	X05A		21B	X05A
	21A	W04A, W04B	5t744.5↔		BOP, KVT, UOP4, VIAL	5t746.1↔		BOP, KVT, UOP4, VIAL
	21B	X05A		08	I32A, I32B, I32C, I32D, I32E, I32F		08	I32A, I32B, I32C, I32D, I32E, I32F
5t743.2↔		BOP, KVT, UOP4, VIAL		21A	W04A, W04B		21A	W04A, W04B
	08	I32A, I32B, I32C, I32D, I32E, I32F		21B	X05A		21B	X05A
	21A	W04A, W04B	5t744.6↔		BOP, KVT, UOP4, VIAL	5t746.2↔		BOP, KVT, UOP4, VIAL
	21B	X05A		08	I32A, I32B, I32C, I32D, I32E, I32F		08	I32A, I32B, I32C, I32D, I32E, I32F
5t743.3↔		BOP, KVT, UOP4, VIAL		21A	W04A, W04B		21A	W04A, W04B
	08	I32A, I32B, I32C, I32D, I32E, I32F		21B	X05A		21B	X05A
	21A	W04A, W04B	5t744.7↔		BOP, KVT, UOP4, VIAL	5t746.3↔		BOP, KVT, UOP4, VIAL
	21B	X05A		08	I32A, I32B, I32C, I32D, I32E, I32F		08	I32A, I32B, I32C, I32D, I32E, I32F
5t743.4↔		BOP, KVT, UOP4, VIAL		21A	W04A, W04B		21A	W04A, W04B
	08	I32A, I32B, I32C, I32D, I32E, I32F		21B	X05A		21B	X05A
	21A	W04A, W04B	5t744.x↔		BOP, KVT, UOP4, VIAL	5t746.4↔		BOP, KVT, UOP4, VIAL
	21B	X05A		08	I32A, I32B, I32C, I32D, I32E, I32F		08	I32A, I32B, I32C, I32D, I32E, I32F
5t743.5↔		BOP, KVT, UOP4, VIAL		21A	W04A, W04B		21A	W04A, W04B
	08	I32A, I32B, I32C, I32D, I32E, I32F		21B	X05A, X05B		21B	X05A
	21A	W04A, W04B	5t745.0↔		BOP, KVT, UOP4, VIAL	5t746.5↔		BOP, KVT, UOP4, VIAL
	21B	X05A		08	I32A, I32B, I32C, I32D, I32E, I32F		08	I32A, I32B, I32C, I32D, I32E, I32F
5t743.6↔		BOP, KVT, UOP4, VIAL		21A	W04A, W04B		21A	W04A, W04B
	08	I32A, I32B, I32C, I32D, I32E, I32F		21B	X05A		21B	X05A
	21A	W04A, W04B	5t745.1↔		BOP, KVT, UOP4, VIAL	5t746.6↔		BOP, KVT, UOP4, VIAL
	21B	X05A		08	I32A, I32B, I32C, I32D, I32E, I32F		08	I32A, I32B, I32C, I32D, I32E, I32F
				21A	W04A, W04B		21A	W04A, W04B
				21B	X05A		21B	X05A
			5t745.2↔		BOP, KVT, UOP4, VIAL	5t746.7↔		BOP, KVT, UOP4, VIAL
				08	I32A, I32B, I32C, I32D, I32E, I32F		08	I32A, I32B, I32C, I32D, I32E, I32F
				21A	W04A, W04B		21A	W04A, W04B
				21B	X05A		21B	X05A

ZZV	MDC	DRG	ZZV	MDC	DRG	ZZV	MDC	DRG
5t746.x↔		BOP, KVT, UOP4, VIAL	5t74x.4↔		BOP, KVT, UOP4, VIAL	5t751.0↔		BOP, KVT, UOP4, VIAL
	08	I32A, I32B, I32C, I32D, I32E, I32F		08	I32A, I32B, I32C, I32D, I32E, I32F		08	I32A, I32B, I32C, I32D, I32E, I32F
	21A	W04A, W04B		21A	W04A, W04B		10	K09A, K09B
	21B	X05A, X05B		21B	X05A, X05B		21A	W04A, W04B
5t747.0↔		BOP, KVT, UOP4, VIAL	5t74x.5↔		BOP, KVT, UOP4, VIAL	5t751.1↔		BOP, KVT, UOP4, VIAL
	08	I32A, I32B, I32C, I32D, I32E, I32F		08	I32A, I32B, I32C, I32D, I32E, I32F		08	I32A, I32B, I32C, I32D, I32E, I32F, I32G
	21A	W04A, W04B		21A	W04A, W04B		10	K09A, K09B
	21B	X05A		21B	X05A, X05B		21A	W04A, W04B
5t747.1↔		BOP, KVT, UOP4, VIAL	5t74x.6↔		BOP, KVT, UOP4, VIAL	5t751.2↔		BOP, KVT, UOP4, VIAL
	08	I32A, I32B, I32C, I32D, I32E, I32F		08	I32A, I32B, I32C, I32D, I32E, I32F		08	I32A, I32B, I32C, I32D, I32E, I32F, I32G
	21A	W04A, W04B		21A	W04A, W04B		10	K09A, K09B
	21B	X05A		21B	X05A, X05B		21A	W04A, W04B
5t747.2↔		BOP, KVT, UOP4, VIAL	5t74x.7↔		BOP, KVT, UOP4, VIAL	5t751.3↔		BOP, KVT, UOP4, VIAL
	08	I32A, I32B, I32C, I32D, I32E, I32F		08	I32A, I32B, I32C, I32D, I32E, I32F		08	I32A, I32B, I32C, I32D, I32E, I32F
	21A	W04A, W04B		21A	W04A, W04B		10	K09A, K09B
	21B	X05A		21B	X05A, X05B		21A	W04A, W04B
5t747.3↔		BOP, KVT, UOP4, VIAL	5t74x.x↔		BOP, KVT, UOP4, VIAL	5t751.4↔		BOP, KVT, UOP4, VIAL
	08	I32A, I32B, I32C, I32D, I32E, I32F		08	I32A, I32B, I32C, I32D, I32E, I32F		08	I32A, I32B, I32C, I32D, I32E, I32F, I32G
	21A	W04A, W04B		21A	W04A, W04B		10	K09A, K09B
	21B	X05A		21B	X05A, X05B		21A	W04A, W04B
5t747.4↔		BOP, KVT, UOP4, VIAL	5t750.0↔		BOP, KVT, UOP4, VIAL	5t751.5↔		BOP, KVT, UOP4, VIAL
	08	I32A, I32B, I32C, I32D, I32E, I32F		08	I32A, I32B, I32C, I32D, I32E, I32F, I32G		08	I32A, I32B, I32C, I32D, I32E, I32F, I32G
	21A	W04A, W04B		10	K09A, K09B		10	K09A, K09B
	21B	X05A		21A	W04A, W04B		21A	W04A, W04B
5t747.5↔		BOP, KVT, UOP4, VIAL	5t750.1↔		BOP, KVT, UOP4, VIAL	5t751.x↔		BOP, KVT, UOP4, VIAL
	08	I32A, I32B, I32C, I32D, I32E, I32F		08	I32A, I32B, I32C, I32D, I32E, I32F, I32G		08	I32A, I32B, I32C, I32D, I32E, I32F, I32G
	21A	W04A, W04B		10	K09A, K09B		10	K09A, K09B
	21B	X05A		21A	W04A, W04B		21A	W04A, W04B
5t747.6↔		BOP, KVT, UOP4, VIAL	5t750.2↔		BOP, KVT, UOP4, VIAL	5t752↔		BOP, KVT, UOP4, VIAL
	08	I32A, I32B, I32C, I32D, I32E, I32F		08	I32A, I32B, I32C, I32D, I32E, I32F, I32G		08	I32A, I32B, I32C, I32D, I32E, I32F
	21A	W04A, W04B		10	K09A, K09B		21A	W04A, W04B
	21B	X05A		21A	W04A, W04B		21B	X05A, X05B
5t747.7↔		BOP, KVT, UOP4, VIAL	5t750.3↔		BOP, KVT, UOP4, VIAL	5t753↔		BOP, KVT, UOP4, VIAL
	08	I32A, I32B, I32C, I32D, I32E, I32F		08	I32A, I32B, I32C, I32D, I32E, I32F, I32G		08	I32A, I32B, I32C, I32D, I32E, I32F
	21A	W04A, W04B		10	K09A, K09B		21A	W04A, W04B
	21B	X05A		21A	W04A, W04B		21B	X05A, X05B
5t747.x↔		BOP, KVT, UOP4, VIAL	5t750.4↔		BOP, KVT, UOP4, VIAL	5t754↔		BOP, KVT, UOP4, VIAL
	08	I32A, I32B, I32C, I32D, I32E, I32F		08	I32A, I32B, I32C, I32D, I32E, I32F, I32G		08	I32A, I32B, I32C, I32D, I32E, I32F
	21A	W04A, W04B		10	K09A, K09B		21A	W04A, W04B
	21B	X05A, X05B		21A	W04A, W04B		21B	X05A, X05B
5t74x.0↔		BOP, KVT, UOP4, VIAL	5t750.5↔		BOP, KVT, UOP4, VIAL	5t755↔		BOP, KVT, UOP4, VIAL
	08	I32A, I32B, I32C, I32D, I32E, I32F		08	I32A, I32B, I32C, I32D, I32E, I32F, I32G		08	I32A, I32B, I32C, I32D, I32E, I32F
	21A	W04A, W04B		10	K09A, K09B		21A	W04A, W04B
	21B	X05A, X05B		21A	W04A, W04B		21B	X05A, X05B
5t74x.1↔		BOP, KVT, UOP4, VIAL	5t750.x↔		BOP, KVT, UOP4, VIAL	5t756↔		BOP, KVT, UOP4, VIAL
	08	I32A, I32B, I32C, I32D, I32E, I32F		08	I32A, I32B, I32C, I32D, I32E, I32F, I32G		08	I32A, I32B, I32C, I32D, I32E, I32F
	21A	W04A, W04B		10	K09A, K09B		21A	W04A, W04B
	21B	X05A, X05B		21A	W04A, W04B		21B	X05A, X05B
5t74x.2↔		BOP, KVT, UOP4, VIAL						
	08	I32A, I32B, I32C, I32D, I32E, I32F						
	21A	W04A, W04B						
	21B	X05A, X05B						
5t74x.3↔		BOP, KVT, UOP4, VIAL						
	08	I32A, I32B, I32C, I32D, I32E, I32F						
	21A	W04A, W04B						
	21B	X05A, X05B						

VYK







ZZV	MDC	DRG	ZZV	MDC	DRG	ZZV	MDC	DRG		
5t775.3↔		BOP, KVT, UOP4, VIAL	5t776.4↔		BOP, KVT, UOP4, VIAL	5t77x.5↔		BOP, KVT, UOP4, VIAL		
	01	B03A, B03B, B06A, B06B, B07Z, B17A, B17B, B17C		01	B03A, B03B, B06A, B06B, B07Z, B17A, B17B, B17C		01	B03A, B03B, B06A, B06B, B07Z, B17A, B17B, B17C		
	08	I32A, I32B, I32C, I32D, I32E, I32F		08	I32A, I32B, I32C, I32D, I32E, I32F		08	I32A, I32B, I32C, I32D, I32E, I32F		
	21A	W04A, W04B		21A	W04A, W04B		21A	W04A, W04B		
	21B	X05A, X05B		21B	X05A, X05B		21B	X05A, X05B		
5t775.4↔		BOP, KVT, UOP4, VIAL	5t776.5↔		BOP, KVT, UOP4, VIAL	5t77x.6↔		BOP, KVT, UOP4, VIAL		
	01	B03A, B03B, B06A, B06B, B07Z, B17A, B17B, B17C		01	B03A, B03B, B06A, B06B, B07Z, B17A, B17B, B17C		01	B03A, B03B, B06A, B06B, B07Z, B17A, B17B, B17C		
	08	I32A, I32B, I32C, I32D, I32E, I32F		08	I32A, I32B, I32C, I32D, I32E, I32F		08	I32A, I32B, I32C, I32D, I32E, I32F		
	21A	W04A, W04B		21A	W04A, W04B		21A	W04A, W04B		
	21B	X05A, X05B		21B	X05A, X05B		21B	X05A, X05B		
5t775.5↔		BOP, KVT, UOP4, VIAL	5t776.6↔		BOP, KVT, UOP4, VIAL	5t77x.7↔		BOP, KVT, UOP4, VIAL		
	01	B03A, B03B, B06A, B06B, B07Z, B17A, B17B, B17C		01	B03A, B03B, B06A, B06B, B07Z, B17A, B17B, B17C		01	B03A, B03B, B06A, B06B, B07Z, B17A, B17B, B17C		
	08	I32A, I32B, I32C, I32D, I32E, I32F		08	I32A, I32B, I32C, I32D, I32E, I32F		08	I32A, I32B, I32C, I32D, I32E, I32F		
	21A	W04A, W04B		21A	W04A, W04B		21A	W04A, W04B		
	21B	X05A, X05B		21B	X05A, X05B		21B	X05A, X05B		
5t775.6↔		BOP, KVT, UOP4, VIAL	5t776.7↔		BOP, KVT, UOP4, VIAL	5t77x.x↔		BOP, KVT, UOP4, VIAL		
	01	B03A, B03B, B06A, B06B, B07Z, B17A, B17B, B17C		01	B03A, B03B, B06A, B06B, B07Z, B17A, B17B, B17C		01	B03A, B03B, B06A, B06B, B07Z, B17A, B17B, B17C		
	08	I32A, I32B, I32C, I32D, I32E, I32F		08	I32A, I32B, I32C, I32D, I32E, I32F		08	I32A, I32B, I32C, I32D, I32E, I32F		
	21A	W04A, W04B		21A	W04A, W04B		21A	W04A, W04B		
	21B	X05A, X05B		21B	X05A, X05B		21B	X05A, X05B		
5t775.7↔		BOP, KVT, UOP4, VIAL	5t776.x↔		BOP, KVT, UOP4, VIAL	5t780.0↔		BOP, KVT, UOP4, VIAL		
	01	B03A, B03B, B06A, B06B, B07Z, B17A, B17B, B17C		01	B03A, B03B, B06A, B06B, B07Z, B17A, B17B, B17C		01	B03A, B03B, B06A, B06B, B07Z, B17A, B17B, B17C		
	08	I32A, I32B, I32C, I32D, I32E, I32F		08	I32A, I32B, I32C, I32D, I32E, I32F		08	I31Z, I32A, I32B, I32C, I32D, I32E, I32F		
	21A	W04A, W04B		21A	W04A, W04B		09	J03A, J03B, J04A, J04B, J08A, J08B, J08C, J10A, J10B, J16Z		
	21B	X05A, X05B		21B	X05A, X05B		21A	W04A, W04B		
5t775.x↔		BOP, KVT, UOP4, VIAL	5t77x.0↔		BOP, KVT, UOP4, VIAL	5t780.1↔		BOP, KVT, UOP4, VIAL		
	01	B03A, B03B, B06A, B06B, B07Z, B17A, B17B, B17C		01	B03A, B03B, B06A, B06B, B07Z, B17A, B17B, B17C		01	B03A, B03B, B06A, B06B, B07Z, B17A, B17B, B17C		
	08	I32A, I32B, I32C, I32D, I32E, I32F		08	I32A, I32B, I32C, I32D, I32E, I32F		08	I31Z, I32A, I32B, I32C, I32D, I32E, I32F		
	21A	W04A, W04B		21A	W04A, W04B		09	J03A, J03B, J04A, J04B, J08A, J08B, J08C, J10A, J10B, J16Z		
	21B	X05A, X05B		21B	X05A, X05B		21A	W04A, W04B		
5t776.0↔		BOP, KVT, UOP4, VIAL	5t77x.1↔		BOP, KVT, UOP4, VIAL	5t781.0↔		BOP, KVT, UOP4, VIAL		
	01	B03A, B03B, B06A, B06B, B07Z, B17A, B17B, B17C		01	B03A, B03B, B06A, B06B, B07Z, B17A, B17B, B17C		08	I21Z, I31Z, I32A		
	08	I32A, I32B, I32C, I32D, I32E, I32F		08	I32A, I32B, I32C, I32D, I32E, I32F		21A	W04A, W04B		
	21A	W04A, W04B		21A	W04A, W04B		21B	X06A, X06B, X06C		
	21B	X05A, X05B		21B	X05A, X05B		01	BOP, KVT, UOP4, VIAL		
5t776.1↔		BOP, KVT, UOP4, VIAL	5t77x.2↔		BOP, KVT, UOP4, VIAL	5t782.0↔		BOP, KVT, UOP4, VIAL		
	01	B03A, B03B, B06A, B06B, B07Z, B17A, B17B, B17C		01	B03A, B03B, B06A, B06B, B07Z, B17A, B17B, B17C		01	B03A, B03B, B06A, B06B, B07Z, B17A, B17B, B17C		
	08	I32A, I32B, I32C, I32D, I32E, I32F		08	I32A, I32B, I32C, I32D, I32E, I32F		05	F21A, F21B		
	21A	W04A, W04B		21A	W04A, W04B		08	I32A, I32B, I32C, I32D, I32E, I32F		
	21B	X05A, X05B		21B	X05A, X05B		09	J02A, J02B, J02C, J04A, J04B, J08A, J08B, J08C, J16Z, J21Z, J22A, J22B		
5t776.2↔		BOP, KVT, UOP4, VIAL	5t77x.3↔		BOP, KVT, UOP4, VIAL			21A	W04A, W04B	
	01	B03A, B03B, B06A, B06B, B07Z, B17A, B17B, B17C		01	B03A, B03B, B06A, B06B, B07Z, B17A, B17B, B17C		21B	X01A, X01B, X01C		
	08	I32A, I32B, I32C, I32D, I32E, I32F		08	I32A, I32B, I32C, I32D, I32E, I32F					
	21A	W04A, W04B		21A	W04A, W04B					
	21B	X05A, X05B		21B	X05A, X05B					
5t776.3↔		BOP, KVT, UOP4, VIAL	5t77x.4↔		BOP, KVT, UOP4, VIAL					
	01	B03A, B03B, B06A, B06B, B07Z, B17A, B17B, B17C		01	B03A, B03B, B06A, B06B, B07Z, B17A, B17B, B17C					
	08	I32A, I32B, I32C, I32D, I32E, I32F		08	I32A, I32B, I32C, I32D, I32E, I32F					
	21A	W04A, W04B		21A	W04A, W04B					
	21B	X05A, X05B		21B	X05A, X05B					

VYK





ZZV	MDC	DRG	ZZV	MDC	DRG	ZZV	MDC	DRG	
5t78a.1↔		BOP, KVT, UOP4, VIAL	5t78x.0↔		BOP, KVT, UOP4, VIAL	5t795↔	08	BOP, KVT, UOP4, VIAL	
	01	B03A, B03B, B06A, B06B, B07Z, B17A, B17B, B17C		01	B03A, B03B, B06A, B06B, B07Z, B17A, B17B, B17C		08	I32A, I32B, I32C, I32D, I32E, I32F	
	08	I32A, I32B, I32C, I32D, I32E, I32F		08	I32A, I32B, I32C, I32D, I32E, I32F		21A	W04A, W04B	
	09	J03A, J03B, J04A, J04B, J08A, J08B, J08C, J10A, J10B, J16Z		09	J03A, J03B, J04A, J04B, J08A, J08B, J08C, J10A, J10B, J16Z		21B	X05A, X05B	
	21A	W04A, W04B		21A	W04A, W04B		5t796↔		BOP, KVT, UOP4, VIAL
5t78b.00↔		BOP, KVT, UOP4, VIAL	5t78x.1↔		BOP, KVT, UOP4, VIAL	5t797.0↔	01	B03A, B03B, B06A, B06B, B07Z, B17A, B17B, B17C	
	01	B03A, B03B, B06A, B06B, B07Z, B17A, B17B, B17C		01	B03A, B03B, B06A, B06B, B07Z, B17A, B17B, B17C		08	I32A, I32B, I32C, I32D, I32E, I32F	
	08	I32A, I32B, I32C, I32D, I32E, I32F		08	I32A, I32B, I32C, I32D, I32E, I32F		21A	W04A, W04B	
	09	J03A, J03B, J04A, J04B, J08A, J08B, J08C, J10A, J10B, J16Z		09	J03A, J03B, J04A, J04B, J08A, J08B, J08C, J10A, J10B, J16Z		21B	X07A, X07B	
	21A	W04A, W04B		21A	W04A, W04B		5t797.1↔		BOP, KVT, UOP4, VIAL
5t78b.01↔		BOP, KVT, UOP4, VIAL	5t790↔		BOP, KVT, UOP4, VIAL	5t798↔	01	B03A, B03B, B06A, B06B, B07Z, B17A, B17B, B17C	
	01	B03A, B03B, B06A, B06B, B07Z, B17A, B17B, B17C		08	I32A, I32B, I32C, I32D, I32E, I32F, I32G		08	I32A, I32B, I32C, I32D, I32E, I32F	
	08	I32A, I32B, I32C, I32D, I32E, I32F		09	J03A, J03B, J04A, J04B, J08A, J08B, J08C, J11A, J11B, J16Z		21A	W04A, W04B	
	09	J03A, J03B, J04A, J04B, J08A, J08B, J08C, J10A, J10B, J16Z		10	K09A, K09B		21B	X07A, X07B	
	21A	W04A, W04B		21A	W04A, W04B		5t799↔		BOP, KVT, UOP4, VIAL
5t78b.10↔		BOP, KVT, UOP4, VIAL	5t791↔		BOP, KVT, UOP4, VIAL	5t799↔	01	B03A, B03B, B06A, B06B, B07Z, B17A, B17B, B17C	
	01	B03A, B03B, B06A, B06B, B07Z, B17A, B17B, B17C		08	I32A, I32B, I32C, I32D, I32E, I32F		08	I32A, I32B, I32C, I32D, I32E, I32F	
	08	I32A, I32B, I32C, I32D, I32E, I32F		21A	W04A, W04B		21A	W04A, W04B	
	09	J03A, J03B, J04A, J04B, J08A, J08B, J08C, J10A, J10B, J16Z		21B	X05A, X05B		21B	X07A, X07B	
	21A	W04A, W04B		5t792↔			BOP, KVT, UOP4, VIAL	5t79x↔	
5t78b.11↔		BOP, KVT, UOP4, VIAL	5t793↔		BOP, KVT, UOP4, VIAL	5t800.0↔	01		B03A, B03B, B06A, B06B, B07Z, B17A, B17B, B17C
	01	B03A, B03B, B06A, B06B, B07Z, B17A, B17B, B17C		01	B03A, B03B, B06A, B06B, B07Z, B17A, B17B, B17C		05		F01A, F01B, F01D, F05Z, F07A, F07B, F14A, F14B, F28A, F42Z, F54Z, F59A, F59B
	08	I32A, I32B, I32C, I32D, I32E, I32F		05	F01A, F01B, F01D, F05Z, F07A, F07B, F14A, F14B, F28A, F42Z, F54Z, F59A, F59B		08		I28A, I28B, I28C
	09	J03A, J03B, J04A, J04B, J08A, J08B, J08C, J10A, J10B, J16Z		08	I28A, I28B, I28C		08		I27A, I27B, I27C, I27D
	21A	W04A, W04B		09	J03A, J03B, J04A, J04B, J08A, J08B, J08C, J11A, J11B, J16Z		09	J03A, J03B, J04A, J04B, J08A, J08B, J08C, J11A, J11B, J16Z	
5t78c.0↔		BOP, KVT, UOP4, VIAL	5t794↔		BOP, KVT, UOP4, VIAL	5t800.1↔	21A	W04A, W04B	
	01	B03A, B03B, B06A, B06B, B07Z, B17A, B17B, B17C		01	B03A, B03B, B06A, B06B, B07Z, B17A, B17B, B17C		21B	X06A, X06B, X06C	
	08	I32A, I32B, I32C, I32D, I32E, I32F		05	F01A, F01B, F01D, F05Z, F07A, F07B, F14A, F14B, F28A, F42Z, F54Z, F59A, F59B		01	B03A, B03B, B06A, B06B, B17A, B17B, B17C	
	09	J03A, J03B, J04A, J04B, J08A, J08B, J08C, J10A, J10B, J16Z		08	I28A, I28B, I28C		08	I27A, I27B, I27C, I27D	
	21A	W04A, W04B		09	J03A, J03B, J04A, J04B, J08A, J08B, J08C, J11A, J11B, J16Z		09	J03A, J03B, J04A, J04B, J08A, J08B, J08C, J11A, J11B, J16Z	
5t78c.1↔		BOP, KVT, UOP4, VIAL							
	01	B03A, B03B, B06A, B06B, B07Z, B17A, B17B, B17C							
	08	I32A, I32B, I32C, I32D, I32E, I32F							
	09	J03A, J03B, J04A, J04B, J08A, J08B, J08C, J10A, J10B, J16Z							
	21A	W04A, W04B							

VYK

ZZV	MDC	DRG	ZZV	MDC	DRG	ZZV	MDC	DRG
5t800.2↔		BOP, KVT, UOP4	5t800.a↔		BOP, KVT, UOP4	5t801.4↔		BOP, KVT, UOP4
	01	B03A, B03B, B06A, B06B, B17A, B17B, B17C		01	B03A, B03B, B06A, B06B, B17A, B17B, B17C		01	B03A, B03B, B06A, B06B, B17A, B17B, B17C
	08	I27A, I27B, I27C, I27D		08	I27A, I27B, I27C, I27D		08	I27A, I27B, I27C, I27D
	09	J03A, J03B, J04A, J04B, J08A, J08B, J08C, J11A, J11B, J16Z		09	J03A, J03B, J04A, J04B, J08A, J08B, J08C, J11A, J11B, J16Z		09	J03A, J03B, J04A, J04B, J08A, J08B, J08C, J11A, J11B, J16Z
	21A	W04A, W04B		21A	W04A, W04B		21A	W04A, W04B
5t800.3↔	21B	X06A, X06B, X06C	5t800.b	21B	X04Z, X06A, X06B, X06C	5t801.5↔	21B	X06A, X06B, X06C
		BOP, KVT, UOP4			BOP, KVT, UOP4			BOP, KVT, UOP4
	01	B03A, B03B, B06A, B06B, B17A, B17B, B17C		01	B03A, B03B, B06A, B06B, B17A, B17B, B17C		01	B03A, B03B, B06A, B06B, B17A, B17B, B17C
08	I27A, I27B, I27C, I27D	08		I27A, I27B, I27C, I27D	08		I27A, I27B, I27C, I27D	
09	J03A, J03B, J04A, J04B, J08A, J08B, J08C, J11A, J11B, J16Z	09		J03A, J03B, J04A, J04B, J08A, J08B, J08C, J11A, J11B, J16Z	09		J03A, J03B, J04A, J04B, J08A, J08B, J08C, J11A, J11B, J16Z	
5t800.4↔	21A	W04A, W04B	5t800.x↔	21A	W04A, W04B	5t801.6↔	21A	W04A, W04B
	21B	X05A, X05B, X06A, X06B, X06C		21B	X04Z, X06A, X06B, X06C		21B	X06A, X06B, X06C
		BOP, KVT, UOP4			BOP, KVT, UOP4			BOP, KVT, UOP4
	01	B03A, B03B, B06A, B06B, B17A, B17B, B17C		01	B03A, B03B, B06A, B06B, B17A, B17B, B17C		01	B03A, B03B, B06A, B06B, B17A, B17B, B17C
	08	I27A, I27B, I27C, I27D		08	I27A, I27B, I27C, I27D		08	I27A, I27B, I27C, I27D
5t800.5↔	09	J03A, J03B, J04A, J04B, J08A, J08B, J08C, J11A, J11B, J16Z	5t801.0↔	09	J03A, J03B, J04A, J04B, J08A, J08B, J08C, J11A, J11B, J16Z	5t801.7↔	09	J03A, J03B, J04A, J04B, J08A, J08B, J08C, J11A, J11B, J16Z
	21A	W04A, W04B		21A	W04A, W04B		21A	W04A, W04B
	21B	X06A, X06B, X06C		21B	X06A, X06B, X06C		21B	X04Z, X06A, X06B, X06C
		BOP, KVT, UOP4			BOP, KVT, UOP4			BOP, KVT, UOP4
	01	B03A, B03B, B06A, B06B, B17A, B17B, B17C		01	B03A, B03B, B06A, B06B, B07Z, B17A, B17B, B17C		01	B03A, B03B, B06A, B06B, B17A, B17B, B17C
5t800.6↔	08	I27A, I27B, I27C, I27D	5t801.1↔	03	D18Z, D28Z, D29Z	5t801.8↔	08	I27A, I27B, I27C, I27D
	09	J03A, J03B, J04A, J04B, J08A, J08B, J08C, J11A, J11B, J16Z		08	I27A, I27B, I27C, I27D		09	J03A, J03B, J04A, J04B, J08A, J08B, J08C, J11A, J11B, J16Z
	21A	W04A, W04B		21A	W04A, W04B		21A	W04A, W04B
	21B	X06A, X06B, X06C		21B	X06A, X06B, X06C		21B	X04Z, X06A, X06B, X06C
		BOP, KVT, UOP4			BOP, KVT, UOP4			BOP, KVT, UOP4
5t800.7↔	01	B03A, B03B, B06A, B06B, B17A, B17B, B17C	5t801.2↔	01	B03A, B03B, B06A, B06B, B17A, B17B, B17C	5t801.a↔	01	B03A, B03B, B06A, B06B, B17A, B17B, B17C
	08	I27A, I27B, I27C, I27D		08	I27A, I27B, I27C, I27D		08	I27A, I27B, I27C, I27D
	09	J03A, J03B, J04A, J04B, J08A, J08B, J08C, J11A, J11B, J16Z		09	J03A, J03B, J04A, J04B, J08A, J08B, J08C, J11A, J11B, J16Z		09	J03A, J03B, J04A, J04B, J08A, J08B, J08C, J11A, J11B, J16Z
	21A	W04A, W04B		21A	W04A, W04B		21A	W04A, W04B
	21B	X04Z, X06A, X06B, X06C		21B	X06A, X06B, X06C		21B	X04Z, X06A, X06B, X06C
5t800.8↔		BOP, KVT, UOP4	5t801.3↔		BOP, KVT, UOP4	5t801.b↔		BOP, KVT, UOP4
	01	B03A, B03B, B06A, B06B, B17A, B17B, B17C		01	B03A, B03B, B06A, B06B, B17A, B17B, B17C		01	B03A, B03B, B06A, B06B, B17A, B17B, B17C
	08	I27A, I27B, I27C, I27D		08	I27A, I27B, I27C, I27D		08	I27A, I27B, I27C, I27D
	09	J03A, J03B, J04A, J04B, J08A, J08B, J08C, J11A, J11B, J16Z		09	J03A, J03B, J04A, J04B, J08A, J08B, J08C, J11A, J11B, J16Z		09	J03A, J03B, J04A, J04B, J08A, J08B, J08C, J11A, J11B, J16Z
	21A	W04A, W04B		21A	W04A, W04B		21A	W04A, W04B
	X04Z, X06A, X06B, X06C	21B	X05A, X05B, X06A, X06B, X06C	21B	X04Z, X06A, X06B, X06C			

VYK

ZZV	MDC	DRG	ZZV	MDC	DRG	ZZV	MDC	DRG
5t801.x		BOP, KVT, UOP4	5t802.8↔		BOP, KVT, UOP4	5t803.5↔		BOP, KVT, UOP4
	01	B03A, B03B, B06A, B06B, B17A, B17B, B17C		01	B03A, B03B, B06A, B06B, B07Z, B17A, B17B, B17C		01	B03A, B03B, B06A, B06B, B07Z, B17A, B17B, B17C
	08	I27A, I27B, I27C, I27D		08	I27A, I27B, I27C, I27D		08	I27A, I27B, I27C, I27D
	09	J03A, J03B, J04A, J04B, J08A, J08B, J08C, J11A, J11B, J16Z		10	K09A, K09B		10	K09A, K09B
	21A	W04A, W04B		21A	W04A, W04B		21A	W04A, W04B
	21B	X06A, X06B, X06C		21B	X04Z, X06A, X06B, X06C		21B	X06A, X06B, X06C
5t802.0↔		BOP, KVT, UOP4	5t802.a↔		BOP, KVT, UOP4	5t803.6↔		BOP, KVT, UOP4
	01	B03A, B03B, B06A, B06B, B07Z, B17A, B17B, B17C		01	B03A, B03B, B06A, B06B, B07Z, B17A, B17B, B17C		01	B03A, B03B, B06A, B06B, B07Z, B17A, B17B, B17C
	08	I27A, I27B, I27C, I27D		08	I27A, I27B, I27C, I27D		08	I27A, I27B, I27C, I27D
	10	K09A, K09B		10	K09A, K09B		10	K09A, K09B
	21A	W04A, W04B		21A	W04A, W04B		21A	W04A, W04B
	21B	X06A, X06B, X06C		21B	X04Z		21B	X04Z, X06A, X06B, X06C
5t802.1↔		BOP, KVT, UOP4	5t802.b↔		BOP, KVT, UOP4	5t803.7↔		BOP, KVT, UOP4
	01	B03A, B03B, B06A, B06B, B07Z, B17A, B17B, B17C		01	B03A, B03B, B06A, B06B, B07Z, B17A, B17B, B17C		01	B03A, B03B, B06A, B06B, B07Z, B17A, B17B, B17C
	08	I27A, I27B, I27C, I27D		08	I27A, I27B, I27C, I27D		08	I27A, I27B, I27C, I27D
	10	K09A, K09B		10	K09A, K09B		10	K09A, K09B
	21A	W04A, W04B		21A	W04A, W04B		21A	W04A, W04B
	21B	X06A, X06B, X06C		21B	X04Z		21B	X04Z, X06A, X06B, X06C
5t802.2↔		BOP, KVT, UOP4	5t802.x		BOP, KVT, UOP4	5t803.8↔		BOP, KVT, UOP4
	01	B03A, B03B, B06A, B06B, B07Z, B17A, B17B, B17C		01	B03A, B03B, B06A, B06B, B07Z, B17A, B17B, B17C		01	B03A, B03B, B06A, B06B, B07Z, B17A, B17B, B17C
	08	I27A, I27B, I27C, I27D		08	I27A, I27B, I27C, I27D		08	I27A, I27B, I27C, I27D
	10	K09A, K09B		10	K09A, K09B		10	K09A, K09B
	21A	W04A, W04B		21A	W04A, W04B		21A	W04A, W04B
	21B	X06A, X06B, X06C		21B	X06A, X06B, X06C		21B	X04Z, X06A, X06B, X06C
5t802.3↔		BOP, KVT, UOP4	5t803.0↔		BOP, KVT, UOP4	5t803.a↔		BOP, KVT, UOP4
	01	B03A, B03B, B06A, B06B, B07Z, B17A, B17B, B17C		01	B03A, B03B, B06A, B06B, B07Z, B17A, B17B, B17C		01	B03A, B03B, B06A, B06B, B07Z, B17A, B17B, B17C
	08	I27A, I27B, I27C, I27D		08	I27A, I27B, I27C, I27D		08	I27A, I27B, I27C, I27D
	10	K09A, K09B		10	K09A, K09B		10	K09A, K09B
	21A	W04A, W04B		21A	W04A, W04B		21A	W04A, W04B
	21B	X05A, X05B, X06A, X06B, X06C		21B	X06A, X06B, X06C		21B	X04Z
5t802.4↔		BOP, KVT, UOP4	5t803.1↔		BOP, KVT, UOP4	5t803.b↔		BOP, KVT, UOP4
	01	B03A, B03B, B06A, B06B, B07Z, B17A, B17B, B17C		01	B03A, B03B, B06A, B06B, B07Z, B17A, B17B, B17C		01	B03A, B03B, B06A, B06B, B07Z, B17A, B17B, B17C
	08	I27A, I27B, I27C, I27D		08	I27A, I27B, I27C, I27D		08	I27A, I27B, I27C, I27D
	10	K09A, K09B		10	K09A, K09B		10	K09A, K09B
	21A	W04A, W04B		21A	W04A, W04B		21A	W04A, W04B
	21B	X06A, X06B, X06C		21B	X06A, X06B, X06C		21B	X04Z
5t802.5↔		BOP, KVT, UOP4	5t803.2↔		BOP, KVT, UOP4	5t803.x		BOP, KVT, UOP4
	01	B03A, B03B, B06A, B06B, B07Z, B17A, B17B, B17C		01	B03A, B03B, B06A, B06B, B07Z, B17A, B17B, B17C		01	B03A, B03B, B06A, B06B, B07Z, B17A, B17B, B17C
	08	I27A, I27B, I27C, I27D		08	I27A, I27B, I27C, I27D		08	I27A, I27B, I27C, I27D
	10	K09A, K09B		10	K09A, K09B		10	K09A, K09B
	21A	W04A, W04B		21A	W04A, W04B		21A	W04A, W04B
	21B	X06A, X06B, X06C		21B	X06A, X06B, X06C		21B	X06A, X06B, X06C
5t802.6↔		BOP, KVT, UOP4	5t803.3↔		BOP, KVT, UOP4	5t804.0↔		BOP, KVT, UOP4
	01	B03A, B03B, B06A, B06B, B07Z, B17A, B17B, B17C		01	B03A, B03B, B06A, B06B, B07Z, B17A, B17B, B17C		08	I27A, I27B, I27C, I27D
	08	I27A, I27B, I27C, I27D		08	I27A, I27B, I27C, I27D		21A	W04A, W04B
	10	K09A, K09B		10	K09A, K09B		21B	X06A, X06B, X06C
	21A	W04A, W04B		21A	W04A, W04B			BOP, KVT, UOP4
	21B	X04Z, X06A, X06B, X06C		21B	X05A, X05B, X06A, X06B, X06C		08	I27A, I27B, I27C, I27D
5t802.7↔		BOP, KVT, UOP4	5t803.4↔		BOP, KVT, UOP4	5t804.1↔		BOP, KVT, UOP4
	01	B03A, B03B, B06A, B06B, B07Z, B17A, B17B, B17C		01	B03A, B03B, B06A, B06B, B07Z, B17A, B17B, B17C		08	I27A, I27B, I27C, I27D
	08	I27A, I27B, I27C, I27D		08	I27A, I27B, I27C, I27D		21A	W04A, W04B
	10	K09A, K09B		10	K09A, K09B		21B	X06A, X06B, X06C
	21A	W04A, W04B		21A	W04A, W04B			BOP, KVT, UOP4
	21B	X04Z, X06A, X06B, X06C		21B	X06A, X06B, X06C		08	I27A, I27B, I27C, I27D
							21A	W04A, W04B
							21B	X06A, X06B, X06C
								BOP, KVT, UOP4
							08	I27A, I27B, I27C, I27D
							21A	W04A, W04B
							21B	X05A, X05B, X06A, X06B, X06C

VYK

ZZV	MDC	DRG	ZZV	MDC	DRG	ZZV	MDC	DRG
5t804.4↔		BOP, KVT, UOP4	5t805.x		BOP, KVT, UOP4	5t806.7↔		BOP, KVT, UOP4
	08	I27A, I27B, I27C, I27D		08	I27A, I27B, I27C, I27D		01	B03A, B03B, B06A, B06B, B07Z, B17A, B17B, B17C
	21A	W04A, W04B		21A	W04A, W04B		08	I27A, I27B, I27C, I27D
	21B	X06A, X06B, X06C		21B	X06A, X06B, X06C		09	J03A, J03B, J04A, J04B, J08A, J08B, J08C, J11A, J11B, J16Z
5t804.6↔		BOP, KVT, UOP4	5t806.0↔		BOP, KVT, UOP4		21A	W04A, W04B
	08	I27A, I27B, I27C, I27D		01	B03A, B03B, B06A, B06B, B07Z, B17A, B17B, B17C		21B	X04Z, X06A, X06B, X06C
	21A	W04A, W04B		08	I27A, I27B, I27C, I27D	5t806.8↔		BOP, KVT, UOP4
	21B	X04Z, X06A, X06B, X06C		09	J03A, J03B, J04A, J04B, J08A, J08B, J08C, J11A, J11B, J16Z		01	B03A, B03B, B06A, B06B, B07Z, B17A, B17B, B17C
5t804.7↔		BOP, KVT, UOP4		21A	W04A, W04B		08	I27A, I27B, I27C, I27D
	08	I27A, I27B, I27C, I27D		21B	X06A, X06B, X06C		09	J03A, J03B, J04A, J04B, J08A, J08B, J08C, J11A, J11B, J16Z
	21A	W04A, W04B	5t806.1↔		BOP, KVT, UOP4		21A	W04A, W04B
	21B	X04Z, X06A, X06B, X06C		01	B03A, B03B, B06A, B06B, B07Z, B17A, B17B, B17C		21B	X04Z
5t804.8↔		BOP, KVT, UOP4		08	I27A, I27B, I27C, I27D	5t806.a↔		BOP, KVT, UOP4
	08	I27A, I27B, I27C, I27D		09	J03A, J03B, J04A, J04B, J08A, J08B, J08C, J11A, J11B, J16Z		01	B03A, B03B, B06A, B06B, B07Z, B17A, B17B, B17C
	21A	W04A, W04B		21A	W04A, W04B		08	I27A, I27B, I27C, I27D
	21B	X04Z, X06A, X06B, X06C		21B	X06A, X06B, X06C		09	J03A, J03B, J04A, J04B, J08A, J08B, J08C, J11A, J11B, J16Z
5t804.a↔		BOP, KVT, UOP4	5t806.2↔		BOP, KVT, UOP4		21A	W04A, W04B
	08	I27A, I27B, I27C, I27D		01	B03A, B03B, B06A, B06B, B07Z, B17A, B17B, B17C		21B	X04Z
	21A	W04A, W04B		08	I27A, I27B, I27C, I27D	5t806.b↔		BOP, KVT, UOP4
	21B	X04Z, X06A, X06B, X06C		09	J03A, J03B, J04A, J04B, J08A, J08B, J08C, J11A, J11B, J16Z		01	B03A, B03B, B06A, B06B, B07Z, B17A, B17B, B17C
5t804.b↔		BOP, KVT, UOP4		21A	W04A, W04B		08	I27A, I27B, I27C, I27D
	08	I27A, I27B, I27C, I27D		21B	X06A, X06B, X06C		09	J03A, J03B, J04A, J04B, J08A, J08B, J08C, J11A, J11B, J16Z
	21A	W04A, W04B	5t806.3↔		BOP, KVT, UOP4		21A	W04A, W04B
	21B	X04Z, X06A, X06B, X06C		01	B03A, B03B, B06A, B06B, B07Z, B17A, B17B, B17C		21B	X04Z
5t804.x		BOP, KVT, UOP4		08	I27A, I27B, I27C, I27D	5t806.x		BOP, KVT, UOP4
	08	I27A, I27B, I27C, I27D		09	J03A, J03B, J04A, J04B, J08A, J08B, J08C, J11A, J11B, J16Z		01	B03A, B03B, B06A, B06B, B07Z, B17A, B17B, B17C
	21A	W04A, W04B		21A	W04A, W04B		08	I27A, I27B, I27C, I27D
	21B	X06A, X06B, X06C		21B	X05A, X05B, X06A, X06B, X06C		09	J03A, J03B, J04A, J04B, J08A, J08B, J08C, J11A, J11B, J16Z
5t805.0↔		BOP, KVT, UOP4	5t806.4↔		BOP, KVT, UOP4		21A	W04A, W04B
	08	I27A, I27B, I27C, I27D		01	B03A, B03B, B06A, B06B, B07Z, B17A, B17B, B17C		21B	X06A, X06B, X06C
	21A	W04A, W04B		08	I27A, I27B, I27C, I27D	5t807.0↔		BOP, KVT, UOP4
	21B	X06A, X06B, X06C		09	J03A, J03B, J04A, J04B, J08A, J08B, J08C, J11A, J11B, J16Z		01	B03A, B03B, B06A, B06B, B07Z, B17A, B17B, B17C
5t805.1↔		BOP, KVT, UOP4		21A	W04A, W04B		08	I27A, I27B, I27C, I27D
	08	I27A, I27B, I27C, I27D		21B	X06A, X06B, X06C		09	J03A, J03B, J04A, J04B, J08A, J08B, J08C, J11A, J11B, J16Z
	21A	W04A, W04B	5t806.5↔		BOP, KVT, UOP4		21A	W04A, W04B
	21B	X06A, X06B, X06C		01	B03A, B03B, B06A, B06B, B07Z, B17A, B17B, B17C		21B	X06A, X06B, X06C
5t805.2↔		BOP, KVT, UOP4		08	I27A, I27B, I27C, I27D	5t807.1↔		BOP, KVT, UOP4
	08	I27A, I27B, I27C, I27D		09	J03A, J03B, J04A, J04B, J08A, J08B, J08C, J11A, J11B, J16Z		01	B03A, B03B, B06A, B06B, B07Z, B17A, B17B, B17C
	21A	W04A, W04B		21A	W04A, W04B		08	I27A, I27B, I27C, I27D
	21B	X06A, X06B, X06C		21B	X06A, X06B, X06C		09	J03A, J03B, J04A, J04B, J08A, J08B, J08C, J11A, J11B, J16Z
5t805.3↔		BOP, KVT, UOP4	5t806.6↔		BOP, KVT, UOP4		21A	W04A, W04B
	08	I27A, I27B, I27C, I27D		01	B03A, B03B, B06A, B06B, B07Z, B17A, B17B, B17C		21B	X06A, X06B, X06C
	21A	W04A, W04B		08	I27A, I27B, I27C, I27D			
	21B	X05A, X05B, X06A, X06B, X06C		09	J03A, J03B, J04A, J04B, J08A, J08B, J08C, J11A, J11B, J16Z			
5t805.4↔		BOP, KVT, UOP4		21A	W04A, W04B			
	08	I27A, I27B, I27C, I27D		21B	X06A, X06B, X06C			
	21A	W04A, W04B	5t806.7↔		BOP, KVT, UOP4			
	21B	X06A, X06B, X06C		01	B03A, B03B, B06A, B06B, B07Z, B17A, B17B, B17C			
5t805.6↔		BOP, KVT, UOP4		08	I27A, I27B, I27C, I27D			
	08	I27A, I27B, I27C, I27D		09	J03A, J03B, J04A, J04B, J08A, J08B, J08C, J11A, J11B, J16Z			
	21A	W04A, W04B		21A	W04A, W04B			
	21B	X04Z, X06A, X06B, X06C		21B	X06A, X06B, X06C			
5t805.7↔		BOP, KVT, UOP4		08	I27A, I27B, I27C, I27D			
	08	I27A, I27B, I27C, I27D		09	J03A, J03B, J04A, J04B, J08A, J08B, J08C, J11A, J11B, J16Z			
	21A	W04A, W04B		21A	W04A, W04B			
	21B	X04Z, X06A, X06B, X06C		21B	X06A, X06B, X06C			
5t805.8↔		BOP, KVT, UOP4		01	B03A, B03B, B06A, B06B, B07Z, B17A, B17B, B17C			
	08	I27A, I27B, I27C, I27D		08	I27A, I27B, I27C, I27D			
	21A	W04A, W04B		09	J03A, J03B, J04A, J04B, J08A, J08B, J08C, J11A, J11B, J16Z			
	21B	X04Z, X06A, X06B, X06C		21A	W04A, W04B			
5t805.a↔		BOP, KVT, UOP4		21B	X06A, X06B, X06C			
	08	I27A, I27B, I27C, I27D		08	I27A, I27B, I27C, I27D			
	21A	W04A, W04B		09	J03A, J03B, J04A, J04B, J08A, J08B, J08C, J11A, J11B, J16Z			
	21B	X04Z, X06A, X06B, X06C		21A	W04A, W04B			
5t805.b↔		BOP, KVT, UOP4		21B	X04Z, X06A, X06B, X06C			
	08	I27A, I27B, I27C, I27D						
	21A	W04A, W04B						
	21B	X04Z, X06A, X06B, X06C						



ZZV	MDC	DRG	ZZV	MDC	DRG	ZZV	MDC	DRG
5t807.2↔		BOP, KVT, UOP4	5t807.9↔		BOP, KVT, UOP4	5t808.5↔		BOP, KVT, UOP4
	01	B03A, B03B, B06A, B06B, B07Z, B17A, B17B, B17C		01	B03A, B03B, B06A, B06B, B07Z, B17A, B17B, B17C		01	B03A, B03B, B06A, B06B, B07Z, B17A, B17B, B17C
	08	I27A, I27B, I27C, I27D		08	I27A, I27B, I27C, I27D		08	I12A, I12B, I12C, I27A, I27B, I27C, I27D
	09	J03A, J03B, J04A, J04B, J08A, J08B, J08C, J11A, J11B, J16Z		09	J03A, J03B, J04A, J04B, J08A, J08B, J08C, J11A, J11B, J16Z		09	J03A, J03B, J04A, J04B, J08A, J08B, J08C, J11A, J11B, J16Z
	21A	W04A, W04B		21A	W04A, W04B		21A	W04A, W04B
5t807.3↔	21B	X06A, X06B, X06C	5t807.x	21B	X04Z	5t808.6↔	21A	W04A, W04B
		BOP, KVT, UOP4			BOP, KVT, UOP4		21B	X06A, X06B, X06C
	01	B03A, B03B, B06A, B06B, B07Z, B17A, B17B, B17C		01	B03A, B03B, B06A, B06B, B07Z, B17A, B17B, B17C		01	B03A, B03B, B06A, B06B, B07Z, B17A, B17B, B17C
	08	I27A, I27B, I27C, I27D		08	I27A, I27B, I27C, I27D		08	I12A, I12B, I12C, I27A, I27B, I27C, I27D
	09	J03A, J03B, J04A, J04B, J08A, J08B, J08C, J11A, J11B, J16Z		09	J03A, J03B, J04A, J04B, J08A, J08B, J08C, J11A, J11B, J16Z		09	J03A, J03B, J04A, J04B, J08A, J08B, J08C, J11A, J11B, J16Z
5t807.4↔	21A	W04A, W04B	5t808.0↔	21A	W04A, W04B	5t808.7↔	21A	W04A, W04B
	21B	X05A, X05B, X06A, X06B, X06C		21B	X06A, X06B, X06C		21B	X04Z, X06A, X06B, X06C
		BOP, KVT, UOP4			BOP, KVT, UOP4			BOP, KVT, UOP4
	01	B03A, B03B, B06A, B06B, B07Z, B17A, B17B, B17C		01	B03A, B03B, B06A, B06B, B07Z, B17A, B17B, B17C		01	B03A, B03B, B06A, B06B, B07Z, B17A, B17B, B17C
	08	I27A, I27B, I27C, I27D		08	I12A, I12B, I12C, I27A, I27B, I27C, I27D		08	I12A, I12B, I12C, I27A, I27B, I27C, I27D
5t807.5↔	09	J03A, J03B, J04A, J04B, J08A, J08B, J08C, J11A, J11B, J16Z	5t808.1↔	09	J03A, J03B, J04A, J04B, J08A, J08B, J08C, J11A, J11B, J16Z	5t808.8↔	09	J03A, J03B, J04A, J04B, J08A, J08B, J08C, J11A, J11B, J16Z
	21A	W04A, W04B		21A	W04A, W04B		21A	W04A, W04B
	21B	X06A, X06B, X06C		21B	X06A, X06B, X06C		21B	X04Z, X06A, X06B, X06C
		BOP, KVT, UOP4			BOP, KVT, UOP4			BOP, KVT, UOP4
	01	B03A, B03B, B06A, B06B, B07Z, B17A, B17B, B17C		01	B03A, B03B, B06A, B06B, B07Z, B17A, B17B, B17C		01	B03A, B03B, B06A, B06B, B07Z, B17A, B17B, B17C
5t807.6↔	08	I27A, I27B, I27C, I27D	5t808.2↔	08	I12A, I12B, I12C, I27A, I27B, I27C, I27D	5t808.9↔	08	I12A, I12B, I12C, I27A, I27B, I27C, I27D
	09	J03A, J03B, J04A, J04B, J08A, J08B, J08C, J11A, J11B, J16Z		09	J03A, J03B, J04A, J04B, J08A, J08B, J08C, J11A, J11B, J16Z		09	J03A, J03B, J04A, J04B, J08A, J08B, J08C, J11A, J11B, J16Z
	21A	W04A, W04B		21A	W04A, W04B		21A	W04A, W04B
	21B	X06A, X06B, X06C		21B	X06A, X06B, X06C		21B	X04Z, X06A, X06B, X06C
		BOP, KVT, UOP4			BOP, KVT, UOP4			BOP, KVT, UOP4
5t807.7↔	01	B03A, B03B, B06A, B06B, B07Z, B17A, B17B, B17C	5t808.3↔	01	B03A, B03B, B06A, B06B, B07Z, B17A, B17B, B17C	5t808.x	01	B03A, B03B, B06A, B06B, B07Z, B17A, B17B, B17C
	08	I27A, I27B, I27C, I27D		08	I12A, I12B, I12C, I27A, I27B, I27C, I27D		08	I12A, I12B, I12C, I27A, I27B, I27C, I27D
	09	J03A, J03B, J04A, J04B, J08A, J08B, J08C, J11A, J11B, J16Z		09	J03A, J03B, J04A, J04B, J08A, J08B, J08C, J11A, J11B, J16Z		09	J03A, J03B, J04A, J04B, J08A, J08B, J08C, J11A, J11B, J16Z
	21A	W04A, W04B		21A	W04A, W04B		21A	W04A, W04B
	21B	X04Z, X06A, X06B, X06C		21B	X06A, X06B, X06C		21B	X06A, X06B, X06C
5t807.8↔		BOP, KVT, UOP4	5t808.4↔		BOP, KVT, UOP4	5t809.0↔		BOP, KVT, UOP4
	01	B03A, B03B, B06A, B06B, B07Z, B17A, B17B, B17C		01	B03A, B03B, B06A, B06B, B07Z, B17A, B17B, B17C		01	B03A, B03B, B06A, B06B, B07Z, B17A, B17B, B17C
	08	I27A, I27B, I27C, I27D		08	I12A, I12B, I12C, I27A, I27B, I27C, I27D		08	I12A, I12B, I12C, I27A, I27B, I27C, I27D
	09	J03A, J03B, J04A, J04B, J08A, J08B, J08C, J11A, J11B, J16Z		09	J03A, J03B, J04A, J04B, J08A, J08B, J08C, J11A, J11B, J16Z		09	J03A, J03B, J04A, J04B, J08A, J08B, J08C, J11A, J11B, J16Z
	21A	W04A, W04B		21A	W04A, W04B		21A	W04A, W04B
	X04Z	21B	X06A, X06B, X06C	21B	X06A, X06B, X06C			



ZZV	MDC	DRG	ZZV	MDC	DRG	ZZV	MDC	DRG
5t80b.0↔		BOP, KVT, UOP4	5t80b.3↔		BOP, KVT, UOP4	5t80b.6↔		BOP, KVT, UOP4
	01	B03A, B03B, B06A, B06B, B07Z, B17A, B17B, B17C		01	B03A, B03B, B06A, B06B, B07Z, B17A, B17B, B17C		01	B03A, B03B, B06A, B06B, B07Z, B17A, B17B, B17C
	03	D12A, D12B		03	D12A, D12B		03	D12A, D12B
	04	E02A, E02B, E02C		04	E02A, E02B, E02C		04	E02A, E02B, E02C
	05	F21A, F21B, F21C		05	F21A, F21B, F21C		05	F21A, F21B, F21C, F27A, F27B, F27C
	06	G10Z, G12A, G12B, G12C		06	G10Z, G12A, G12B, G12C		06	G10Z, G12A, G12B, G12C
	07	H06A, H06B, H06C		07	H06A, H06B, H06C		07	H06A, H06B, H06C
	08	I12A, I12B, I12C, I28A, I28B		08	I12A, I12B, I12C, I28A, I28B		08	I12A, I12B, I12C, I28A, I28B
	09	J03A, J03B, J04A, J04B, J08A, J08B, J08C, J16Z, J21Z, J22A, J22B		09	J03A, J03B, J04A, J04B, J08A, J08B, J08C, J16Z, J21Z, J22A, J22B		09	J03A, J03B, J04A, J04B, J08A, J08B, J08C, J16Z, J21Z, J22A, J22B
	10	K09A, K09B		10	K09A, K09B		10	K01Z
	11	L09A, L09B, L09C, L09D, L38Z		11	L09A, L09B, L09C, L09D, L38Z		11	L09A, L09B, L09C, L09D, L38Z
	13	N11A, N11B		13	N11A, N11B		13	N11A, N11B
	21A	W04A, W04B		21A	W04A, W04B		21A	W04A, W04B
	21B	X06A, X06B, X06C		21B	X06A, X06B, X06C		21B	X06A, X06B, X06C
5t80b.1↔		BOP, KVT, UOP4	5t80b.4↔		BOP, KVT, UOP4	5t80b.7↔		BOP, KVT, UOP4
	01	B03A, B03B, B06A, B06B, B07Z, B17A, B17B, B17C		01	B03A, B03B, B06A, B06B, B07Z, B17A, B17B, B17C		01	B03A, B03B, B06A, B06B, B07Z, B17A, B17B, B17C
	03	D12A, D12B		03	D12A, D12B		03	D12A, D12B
	04	E02A, E02B, E02C		04	E02A, E02B, E02C		04	E02A, E02B, E02C
	05	F21A, F21B, F21C		05	F21A, F21B, F21C		05	F21A, F21B, F21C, F27A, F27B, F27C
	06	G10Z, G12A, G12B, G12C		06	G10Z, G12A, G12B, G12C		06	G10Z, G12A, G12B, G12C
	07	H06A, H06B, H06C		07	H06A, H06B, H06C		07	H06A, H06B, H06C
	08	I12A, I12B, I12C, I28A, I28B		08	I12A, I12B, I12C, I28A, I28B		08	I12A, I12B, I12C, I28A, I28B
	09	J03A, J03B, J04A, J04B, J08A, J08B, J08C, J16Z, J21Z, J22A, J22B		09	J03A, J03B, J04A, J04B, J08A, J08B, J08C, J16Z, J21Z, J22A, J22B		09	J03A, J03B, J04A, J04B, J08A, J08B, J08C, J16Z, J21Z, J22A, J22B
	10	K09A, K09B		10	K09A, K09B		10	K01Z
	11	L09A, L09B, L09C, L09D, L38Z		11	L09A, L09B, L09C, L09D, L38Z		11	L09A, L09B, L09C, L09D, L38Z
	13	N11A, N11B		13	N11A, N11B		13	N11A, N11B
	21A	W04A, W04B		21A	W04A, W04B		21A	W04A, W04B
	21B	X06A, X06B, X06C		21B	X06A, X06B, X06C		21B	X06A, X06B, X06C
5t80b.2↔		BOP, KVT, UOP4	5t80b.5↔		BOP, KVT, UOP4	5t80b.8↔		BOP, KVT, UOP4
	01	B03A, B03B, B06A, B06B, B07Z, B17A, B17B, B17C		01	B03A, B03B, B06A, B06B, B07Z, B17A, B17B, B17C		01	B03A, B03B, B06A, B06B, B07Z, B17A, B17B, B17C
	03	D12A, D12B		03	D12A, D12B		03	D12A, D12B
	04	E02A, E02B, E02C		04	E02A, E02B, E02C		04	E02A, E02B, E02C
	05	F21A, F21B, F21C		05	F21A, F21B, F21C		05	F21A, F21B, F21C, F27A, F27B, F27C
	06	G10Z, G12A, G12B, G12C		06	G10Z, G12A, G12B, G12C		06	G10Z, G12A, G12B, G12C
	07	H06A, H06B, H06C		07	H06A, H06B, H06C		07	H06A, H06B, H06C
	08	I12A, I12B, I12C, I28A, I28B		08	I12A, I12B, I12C, I28A, I28B		08	I12A, I12B, I12C, I28A, I28B
	09	J03A, J03B, J04A, J04B, J08A, J08B, J08C, J16Z, J21Z, J22A, J22B		09	J03A, J03B, J04A, J04B, J08A, J08B, J08C, J16Z, J21Z, J22A, J22B		09	J03A, J03B, J04A, J04B, J08A, J08B, J08C, J16Z, J21Z, J22A, J22B
	10	K09A, K09B		10	K09A, K09B		10	K01Z
	11	L09A, L09B, L09C, L09D, L38Z		11	L09A, L09B, L09C, L09D, L38Z		11	L09A, L09B, L09C, L09D, L38Z
	13	N11A, N11B		13	N11A, N11B		13	N11A, N11B
	21A	W04A, W04B		21A	W04A, W04B		21A	W04A, W04B
	21B	X06A, X06B, X06C		21B	X06A, X06B, X06C		21B	X06A, X06B, X06C

ZZV	MDC	DRG	ZZV	MDC	DRG	ZZV	MDC	DRG
5t80b.9↔		BOP, KVT, UOP4	5t80c.1↔		BOP, KVT, UOP4	5t80c.4↔		BOP, KVT, UOP4
	01	B03A, B03B, B06A, B06B, B07Z, B17A, B17B, B17C		01	B03A, B03B, B06A, B06B, B07Z, B17A, B17B, B17C		01	B03A, B03B, B06A, B06B, B07Z, B17A, B17B, B17C
	03	D12A, D12B		03	D12A, D12B		03	D12A, D12B
	04	E02A, E02B, E02C		04	E02A, E02B, E02C		04	E02A, E02B, E02C
	05	F21A, F21B, F21C, F27A, F27B, F27C		05	F21A, F21B, F21C		05	F21A, F21B, F21C
	06	G10Z, G12A, G12B, G12C		06	G10Z, G12A, G12B, G12C		06	G10Z, G12A, G12B, G12C
	07	H06A, H06B, H06C		07	H06A, H06B, H06C		07	H06A, H06B, H06C
	08	I12A, I12B, I12C, I28A, I28B		08	I12A, I12B, I12C, I28A, I28B		08	I12A, I12B, I12C, I28A, I28B
	09	J03A, J03B, J04A, J04B, J08A, J08B, J08C, J16Z, J21Z, J22A, J22B		09	J03A, J03B, J04A, J04B, J08A, J08B, J08C, J16Z, J21Z, J22A, J22B		09	J03A, J03B, J04A, J04B, J08A, J08B, J08C, J16Z, J21Z, J22A, J22B
	10	K01Z		10	K09A, K09B		10	K09A, K09B
	11	L09A, L09B, L09C, L09D, L38Z		11	L09A, L09B, L09C, L09D, L38Z		11	L09A, L09B, L09C, L09D, L38Z
	13	N11A, N11B		13	N11A, N11B		13	N11A, N11B
	21A	W04A, W04B		21A	W04A, W04B		21A	W04A, W04B
21B	X06A, X06B, X06C	21B	X06A, X06B, X06C	21B	X06A, X06B, X06C			
5t80b.x		BOP, KVT, UOP4	5t80c.2↔		BOP, KVT, UOP4	5t80c.5↔		BOP, KVT, UOP4
	01	B03A, B03B, B06A, B06B, B07Z, B17A, B17B, B17C		01	B03A, B03B, B06A, B06B, B07Z, B17A, B17B, B17C		01	B03A, B03B, B06A, B06B, B07Z, B17A, B17B, B17C
	03	D12A, D12B		03	D12A, D12B		03	D12A, D12B
	04	E02A, E02B, E02C		04	E02A, E02B, E02C		04	E02A, E02B, E02C
	05	F21A, F21B, F21C		05	F21A, F21B, F21C		05	F21A, F21B, F21C
	06	G10Z, G12A, G12B, G12C		06	G10Z, G12A, G12B, G12C		06	G10Z, G12A, G12B, G12C
	07	H06A, H06B, H06C		07	H06A, H06B, H06C		07	H06A, H06B, H06C
	08	I12A, I12B, I12C, I28A, I28B		08	I12A, I12B, I12C, I28A, I28B		08	I12A, I12B, I12C, I28A, I28B
	09	J03A, J03B, J04A, J04B, J08A, J08B, J08C, J16Z, J21Z, J22A, J22B		09	J03A, J03B, J04A, J04B, J08A, J08B, J08C, J16Z, J21Z, J22A, J22B		09	J03A, J03B, J04A, J04B, J08A, J08B, J08C, J16Z, J21Z, J22A, J22B
	10	K09A, K09B		10	K09A, K09B		10	K09A, K09B
	11	L09A, L09B, L09C, L09D, L38Z		11	L09A, L09B, L09C, L09D, L38Z		11	L09A, L09B, L09C, L09D, L38Z
	13	N11A, N11B		13	N11A, N11B		13	N11A, N11B
	21A	W04A, W04B		21A	W04A, W04B		21A	W04A, W04B
21B	X06A, X06B, X06C	21B	X06A, X06B, X06C	21B	X06A, X06B, X06C			
5t80c.0↔		BOP, KVT, UOP4	5t80c.3↔		BOP, KVT, UOP4	5t80c.6↔		BOP, KVT, UOP4
	01	B03A, B03B, B06A, B06B, B07Z, B17A, B17B, B17C		01	B03A, B03B, B06A, B06B, B07Z, B17A, B17B, B17C		01	B03A, B03B, B06A, B06B, B07Z, B17A, B17B, B17C
	03	D12A, D12B		03	D12A, D12B		03	D12A, D12B
	04	E02A, E02B, E02C		04	E02A, E02B, E02C		04	E02A, E02B, E02C
	05	F21A, F21B, F21C		05	F21A, F21B, F21C		05	F21A, F21B, F21C, F27A, F27B, F27C
	06	G10Z, G12A, G12B, G12C		06	G10Z, G12A, G12B, G12C		06	G10Z, G12A, G12B, G12C
	07	H06A, H06B, H06C		07	H06A, H06B, H06C		07	H06A, H06B, H06C
	08	I12A, I12B, I12C, I28A, I28B		08	I12A, I12B, I12C, I28A, I28B		08	I12A, I12B, I12C, I28A, I28B
	09	J03A, J03B, J04A, J04B, J08A, J08B, J08C, J16Z, J21Z, J22A, J22B		09	J03A, J03B, J04A, J04B, J08A, J08B, J08C, J16Z, J21Z, J22A, J22B		09	J03A, J03B, J04A, J04B, J08A, J08B, J08C, J16Z, J21Z, J22A, J22B
	10	K09A, K09B		10	K09A, K09B		10	K01Z
	11	L09A, L09B, L09C, L09D, L38Z		11	L09A, L09B, L09C, L09D, L38Z		11	L09A, L09B, L09C, L09D, L38Z
	13	N11A, N11B		13	N11A, N11B		13	N11A, N11B
	21A	W04A, W04B		21A	W04A, W04B		21A	W04A, W04B
21B	X06A, X06B, X06C	21B	X06A, X06B, X06C	21B	X06A, X06B, X06C			

VYK

ZZV	MDC	DRG	ZZV	MDC	DRG	ZZV	MDC	DRG
5t80c.7↔		BOP, KVT, UOP4	5t80c.x		BOP, KVT, UOP4	5t80d.2↔		BOP, KVT, UOP4
	01	B03A, B03B, B06A, B06B, B07Z, B17A, B17B, B17C		01	B03A, B03B, B06A, B06B, B07Z, B17A, B17B, B17C		01	B03A, B03B, B06A, B06B, B07Z, B17A, B17B, B17C
	03	D12A, D12B		03	D12A, D12B		03	D12A, D12B
	04	E02A, E02B, E02C		04	E02A, E02B, E02C		04	E02A, E02B, E02C
	05	F21A, F21B, F21C, F27A, F27B, F27C		05	F21A, F21B, F21C		05	F21A, F21B, F21C
	06	G10Z, G12A, G12B, G12C		06	G10Z, G12A, G12B, G12C		06	G10Z, G12A, G12B, G12C
	07	H06A, H06B, H06C		07	H06A, H06B, H06C		07	H06A, H06B, H06C
	08	I12A, I12B, I12C, I28A, I28B		08	I12A, I12B, I12C, I28A, I28B		08	I12A, I12B, I12C, I28A, I28B
	09	J03A, J03B, J04A, J04B, J08A, J08B, J08C, J16Z, J21Z, J22A, J22B		09	J03A, J03B, J04A, J04B, J08A, J08B, J08C, J16Z, J21Z, J22A, J22B		09	J03A, J03B, J04A, J04B, J08A, J08B, J08C, J16Z, J21Z, J22A, J22B
	10	K01Z		11	L09A, L09B, L09C, L09D, L38Z		10	K09A, K09B
	11	L09A, L09B, L09C, L09D, L38Z		13	N11A, N11B		11	L09A, L09B, L09C, L09D, L38Z
	13	N11A, N11B		21A	W04A, W04B		13	N11A, N11B
	21A	W04A, W04B		21B	X06A, X06B, X06C		21A	W04A, W04B
	21B	X06A, X06B, X06C					21B	X06A, X06B, X06C
5t80c.8↔		BOP, KVT, UOP4	5t80d.0↔		BOP, KVT, UOP4	5t80d.3↔		BOP, KVT, UOP4
	01	B03A, B03B, B06A, B06B, B07Z, B17A, B17B, B17C		01	B03A, B03B, B06A, B06B, B07Z, B17A, B17B, B17C		01	B03A, B03B, B06A, B06B, B07Z, B17A, B17B, B17C
	03	D12A, D12B		03	D12A, D12B		03	D12A, D12B
	04	E02A, E02B, E02C		04	E02A, E02B, E02C		04	E02A, E02B, E02C
	05	F21A, F21B, F21C, F27A, F27B, F27C		05	F21A, F21B, F21C		05	F21A, F21B, F21C
	06	G10Z, G12A, G12B, G12C		06	G10Z, G12A, G12B, G12C		06	G10Z, G12A, G12B, G12C
	07	H06A, H06B, H06C		07	H06A, H06B, H06C		07	H06A, H06B, H06C
	08	I12A, I12B, I12C, I28A, I28B		08	I12A, I12B, I12C, I28A, I28B		08	I12A, I12B, I12C, I28A, I28B
	09	J03A, J03B, J04A, J04B, J08A, J08B, J08C, J16Z, J21Z, J22A, J22B		09	J03A, J03B, J04A, J04B, J08A, J08B, J08C, J16Z, J21Z, J22A, J22B		09	J03A, J03B, J04A, J04B, J08A, J08B, J08C, J16Z, J21Z, J22A, J22B
	10	K01Z		10	K09A, K09B		10	K09A, K09B
	11	L09A, L09B, L09C, L09D, L38Z		11	L09A, L09B, L09C, L09D, L38Z		11	L09A, L09B, L09C, L09D, L38Z
	13	N11A, N11B		13	N11A, N11B		13	N11A, N11B
	21A	W04A, W04B		21A	W04A, W04B		21A	W04A, W04B
	21B	X06A, X06B, X06C		21B	X06A, X06B, X06C		21B	X06A, X06B, X06C
5t80c.9↔		BOP, KVT, UOP4	5t80d.1↔		BOP, KVT, UOP4	5t80d.4↔		BOP, KVT, UOP4
	01	B03A, B03B, B06A, B06B, B07Z, B17A, B17B, B17C		01	B03A, B03B, B06A, B06B, B07Z, B17A, B17B, B17C		01	B03A, B03B, B06A, B06B, B07Z, B17A, B17B, B17C
	03	D12A, D12B		03	D12A, D12B		03	D12A, D12B
	04	E02A, E02B, E02C		04	E02A, E02B, E02C		04	E02A, E02B, E02C
	05	F21A, F21B, F21C, F27A, F27B, F27C		05	F21A, F21B, F21C		05	F21A, F21B, F21C
	06	G10Z, G12A, G12B, G12C		06	G10Z, G12A, G12B, G12C		06	G10Z, G12A, G12B, G12C
	07	H06A, H06B, H06C		07	H06A, H06B, H06C		06	G10Z, G12A, G12B, G12C
	08	I12A, I12B, I12C, I20D, I28A, I28B		08	I12A, I12B, I12C, I28A, I28B		07	H06A, H06B, H06C
	09	J03A, J03B, J04A, J04B, J08A, J08B, J08C, J16Z, J21Z, J22A, J22B		09	J03A, J03B, J04A, J04B, J08A, J08B, J08C, J16Z, J21Z, J22A, J22B		08	I12A, I12B, I12C, I28A, I28B
	10	K01Z		10	K09A, K09B		09	J03A, J03B, J04A, J04B, J08A, J08B, J08C, J16Z, J21Z, J22A, J22B
	11	L09A, L09B, L09C, L09D, L38Z		11	L09A, L09B, L09C, L09D, L38Z		10	K09A, K09B
	13	N11A, N11B		13	N11A, N11B		11	L09A, L09B, L09C, L09D, L38Z
	21A	W04A, W04B		21A	W04A, W04B		13	N11A, N11B
	21B	X06A, X06B, X06C		21B	X06A, X06B, X06C		21A	W04A, W04B
				21B	X06A, X06B, X06C			

ZZV	MDC	DRG	ZZV	MDC	DRG	ZZV	MDC	DRG		
5t80d.5↔		BOP, KVT, UOP4	5t80d.8↔		BOP, KVT, UOP4	5t80x.1↔		BOP, KVT, UOP4		
	01	B03A, B03B, B06A, B06B, B07Z, B17A, B17B, B17C		01	B03A, B03B, B06A, B06B, B07Z, B17A, B17B, B17C		01	B03A, B03B, B06A, B06B, B07Z, B17A, B17B, B17C		
	03	D12A, D12B		03	D12A, D12B		08	I27A, I27B, I27C, I27D		
	04	E02A, E02B, E02C		04	E02A, E02B, E02C		09	J03A, J03B, J04A, J04B, J08A, J08B, J08C, J11A, J11B, J16Z		
	05	F21A, F21B, F21C		05	F21A, F21B, F21C, F27A, F27B, F27C		21A	W04A, W04B		
	06	G10Z, G12A, G12B, G12C		06	G10Z, G12A, G12B, G12C		21B	X06A, X06B, X06C		
	07	H06A, H06B, H06C		07	H06A, H06B, H06C			BOP, KVT, UOP4		
	08	I12A, I12B, I12C, I28A, I28B		08	I12A, I12B, I12C, I28A, I28B		5t80x.2↔	01	B03A, B03B, B06A, B06B, B07Z, B17A, B17B, B17C	
	09	J03A, J03B, J04A, J04B, J08A, J08B, J08C, J16Z, J21Z, J22A, J22B		09	J03A, J03B, J04A, J04B, J08A, J08B, J08C, J16Z, J21Z, J22A, J22B			08	I27A, I27B, I27C, I27D	
	10	K09A, K09B		10	K01Z			09	J03A, J03B, J04A, J04B, J08A, J08B, J08C, J11A, J11B, J16Z	
	11	L09A, L09B, L09C, L09D, L38Z		11	L09A, L09B, L09C, L09D, L38Z			21A	W04A, W04B	
	13	N11A, N11B		13	N11A, N11B			21B	X06A, X06B, X06C	
	21A	W04A, W04B		21A	W04A, W04B				BOP, KVT, UOP4	
	21B	X06A, X06B, X06C		21B	X06A, X06B, X06C			5t80x.3↔	01	B03A, B03B, B06A, B06B, B07Z, B17A, B17B, B17C
5t80d.6↔		BOP, KVT, UOP4	5t80d.9↔		BOP, KVT, UOP4	08			I27A, I27B, I27C, I27D	
	01	B03A, B03B, B06A, B06B, B07Z, B17A, B17B, B17C		01	B03A, B03B, B06A, B06B, B07Z, B17A, B17B, B17C	09			J03A, J03B, J04A, J04B, J08A, J08B, J08C, J11A, J11B, J16Z	
	03	D12A, D12B		03	D12A, D12B	21A			W04A, W04B	
	04	E02A, E02B, E02C		04	E02A, E02B, E02C	21B			X05A, X05B, X06A, X06B, X06C	
	05	F21A, F21B, F21C, F27A, F27B, F27C		05	F21A, F21B, F21C, F27A, F27B, F27C				BOP, KVT, UOP4	
	06	G10Z, G12A, G12B, G12C		06	G10Z, G12A, G12B, G12C	5t80x.4↔			01	B03A, B03B, B06A, B06B, B07Z, B17A, B17B, B17C
	07	H06A, H06B, H06C		07	H06A, H06B, H06C				08	I27A, I27B, I27C, I27D
	08	I12A, I12B, I12C, I28A, I28B		08	I12A, I12B, I12C, I28A, I28B		09		J03A, J03B, J04A, J04B, J08A, J08B, J08C, J11A, J11B, J16Z	
	09	J03A, J03B, J04A, J04B, J08A, J08B, J08C, J16Z, J21Z, J22A, J22B		09	J03A, J03B, J04A, J04B, J08A, J08B, J08C, J16Z, J21Z, J22A, J22B		21A		W04A, W04B	
	10	K01Z		10	K01Z		21B		X06A, X06B, X06C	
	11	L09A, L09B, L09C, L09D, L38Z		11	L09A, L09B, L09C, L09D, L38Z				BOP, KVT, UOP4	
	13	N11A		13	N11A, N11B		5t80x.5		01	B03A, B03B, B06A, B06B, B07Z, B17A, B17B, B17C
	21A	W04A, W04B		21A	W04A, W04B				08	I27A, I27B, I27C, I27D
	21B	X06A, X06B, X06C		21B	X06A, X06B, X06C			09	J03A, J03B, J04A, J04B, J08A, J08B, J08C, J11A, J11B, J16Z	
5t80d.7↔		BOP, KVT, UOP4	5t80d.x		BOP, KVT, UOP4			21A	W04A, W04B	
	01	B03A, B03B, B06A, B06B, B07Z, B17A, B17B, B17C		01	B03A, B03B, B06A, B06B, B07Z, B17A, B17B, B17C			21B	X06A, X06B, X06C	
	03	D12A, D12B		03	D12A, D12B				BOP, KVT, UOP4	
	04	E02A, E02B, E02C		04	E02A, E02B, E02C			5t80x.6↔	01	B03A, B03B, B06A, B06B, B07Z, B17A, B17B, B17C
	05	F21A, F21B, F21C, F27A, F27B, F27C		05	F21A, F21B, F21C				08	I27A, I27B, I27C, I27D
	06	G10Z, G12A, G12B, G12C		06	G10Z, G12A, G12B, G12C	09			J03A, J03B, J04A, J04B, J08A, J08B, J08C, J11A, J11B, J16Z	
	07	H06A, H06B, H06C		07	H06A, H06B, H06C	21A			W04A, W04B	
	08	I12A, I12B, I12C, I28A, I28B		08	I12A, I12B, I12C, I28A, I28B	21B			X04Z, X06A, X06B, X06C	
	09	J03A, J03B, J04A, J04B, J08A, J08B, J08C, J16Z, J21Z, J22A, J22B		09	J03A, J03B, J04A, J04B, J08A, J08B, J08C, J16Z, J21Z, J22A, J22B				BOP, KVT, UOP4	
	10	K01Z		10	K09A, K09B	5t80x.7↔			01	B03A, B03B, B06A, B06B, B07Z, B17A, B17B, B17C
	11	L09A, L09B, L09C, L09D, L38Z		11	L09A, L09B, L09C, L09D, L38Z				08	I27A, I27B, I27C, I27D
	13	N11A, N11B		13	N11A, N11B		09		J03A, J03B, J04A, J04B, J08A, J08B, J08C, J11A, J11B, J16Z	
	21A	W04A, W04B		21A	W04A, W04B		21A		W04A, W04B	
	21B	X06A, X06B, X06C		21B	X06A, X06B, X06C		21B		X04Z, X06A, X06B, X06C	
5t80x.0↔		BOP, KVT, UOP4	5t80x.0↔		BOP, KVT, UOP4		5t80x.7↔			BOP, KVT, UOP4
	01	B03A, B03B, B06A, B06B, B07Z, B17A, B17B, B17C		01	B03A, B03B, B06A, B06B, B07Z, B17A, B17B, B17C				01	B03A, B03B, B06A, B06B, B07Z, B17A, B17B, B17C
	08	I27A, I27B, I27C, I27D		08	I27A, I27B, I27C, I27D				08	I27A, I27B, I27C, I27D
	09	J03A, J03B, J04A, J04B, J08A, J08B, J08C, J11A, J11B, J16Z		09	J03A, J03B, J04A, J04B, J08A, J08B, J08C, J11A, J11B, J16Z			09	J03A, J03B, J04A, J04B, J08A, J08B, J08C, J11A, J11B, J16Z	
	21A	W04A, W04B		21A	W04A, W04B			21A	W04A, W04B	
	21B	X06A, X06B, X06C		21B	X06A, X06B, X06C			21B	X04Z, X06A, X06B, X06C	

ZZV	MDC	DRG	ZZV	MDC	DRG	ZZV	MDC	DRG
5t80x.8↔		BOP, KVT, UOP4	5t810.4↔		BOP, KVT, UOP4	5t811.0↔		BOP, KVT, UOP4
	01	B03A, B03B, B06A, B06B, B07Z, B17A, B17B, B17C		01	B03A, B03B, B06A, B06B, B17A, B17B, B17C		01	B03A, B03B, B06A, B06B, B07Z, B17A, B17B, B17C
	08	I27A, I27B, I27C, I27D		08	I27A, I27B, I27C, I27D		05	F27A, F27B, F27C
	09	J03A, J03B, J04A, J04B, J08A, J08B, J08C, J11A, J11B, J16Z		09	J03A, J03B, J04A, J04B, J08A, J08B, J11A, J11B, J16Z		08	I12A, I12B, I12C, I27A, I27B, I27C, I27D
	21A	W04A, W04B		21A	W04A, W04B		09	J08A
	21B	X04Z, X06A, X06B, X06C		21B	X06A, X06B, X06C		10	K09A, K09B
5t80x.9↔		BOP, KVT, UOP4	5t810.5↔		BOP, KVT, UOP4	5t811.1↔		BOP, KVT, UOP4
	01	B03A, B03B, B06A, B06B, B07Z, B17A, B17B, B17C		01	B03A, B03B, B06A, B06B, B17A, B17B, B17C		01	B03A, B03B, B06A, B06B, B07Z, B17A, B17B, B17C
	08	I27A, I27B, I27C, I27D		08	I27A, I27B, I27C, I27D		05	F27A, F27B, F27C
	09	J03A, J03B, J04A, J04B, J08A, J08B, J08C, J11A, J11B, J16Z		09	J03A, J03B, J04A, J04B, J08A, J08B, J11A, J11B, J16Z		08	I12A, I12B, I12C, I27A, I27B, I27C, I27D
	21A	W04A, W04B		21A	W04A, W04B		09	J08A
	21B	X04Z, X06A, X06B, X06C		21B	X06A, X06B, X06C		10	K09A, K09B
5t80x.x		BOP, KVT, UOP4	5t810.6↔		BOP, KVT, UOP4	5t811.2↔		BOP, KVT, UOP4
	01	B03A, B03B, B06A, B06B, B07Z, B17A, B17B, B17C		01	B03A, B03B, B06A, B06B, B17A, B17B, B17C		01	B03A, B03B, B06A, B06B, B07Z, B17A, B17B, B17C
	08	I27A, I27B, I27C, I27D		08	I27A, I27B, I27C, I27D		05	F27A, F27B, F27C
	09	J03A, J03B, J04A, J04B, J08A, J08B, J08C, J11A, J11B, J16Z		09	J03A, J03B, J04A, J04B, J08A, J08B, J11A, J11B, J16Z		08	I12A, I12B, I12C, I27A, I27B, I27C, I27D
	21A	W04A, W04B		21A	W04A, W04B		09	J08A
	21B	X06A, X06B, X06C		21B	X04Z, X06A, X06B, X06C		10	K09A, K09B
5t810.0↔		BOP, KVT, UOP4	5t810.7↔		BOP, KVT, UOP4	5t811.3↔		BOP, KVT, UOP4
	01	B03A, B03B, B06A, B06B, B17A, B17B, B17C		01	B03A, B03B, B06A, B06B, B17A, B17B, B17C		01	B03A, B03B, B06A, B06B, B07Z, B17A, B17B, B17C
	03	D18Z, D28Z, D29Z		08	I27A, I27B, I27C, I27D		05	F27A, F27B, F27C
	08	I27A, I27B, I27C, I27D		09	J03A, J03B, J04A, J04B, J08A, J08B, J11A, J11B, J16Z		08	I12A, I12B, I12C, I27A, I27B, I27C, I27D
	09	J03A, J03B, J04A, J04B, J08A, J08B, J11A, J11B, J16Z		21A	W04A, W04B		09	J08A
	21A	W04A, W04B		21B	X04Z, X06A, X06B, X06C		10	K09A, K09B
5t810.1↔		BOP, KVT, UOP4	5t810.8↔		BOP, KVT, UOP4	5t811.4↔		BOP, KVT, UOP4
	01	B03A, B03B, B06A, B06B, B17A, B17B, B17C		01	B03A, B03B, B06A, B06B, B17A, B17B, B17C		01	B03A, B03B, B06A, B06B, B07Z, B17A, B17B, B17C
	08	I27A, I27B, I27C, I27D		08	I27A, I27B, I27C, I27D		05	F27A, F27B, F27C
	09	J03A, J03B, J04A, J04B, J08A, J08B, J11A, J11B, J16Z		09	J03A, J03B, J04A, J04B, J08A, J08B, J11A, J11B, J16Z		08	I12A, I12B, I12C, I27A, I27B, I27C, I27D
	21A	W04A, W04B		21A	W04A, W04B		09	J08A
	21B	X06A, X06B, X06C		21B	X04Z, X06A, X06B, X06C		10	K09A, K09B
5t810.2↔		BOP, KVT, UOP4	5t810.9↔		BOP, KVT, UOP4	5t811.5↔		BOP, KVT, UOP4
	01	B03A, B03B, B06A, B06B, B17A, B17B, B17C		01	B03A, B03B, B06A, B06B, B17A, B17B, B17C		01	B03A, B03B, B06A, B06B, B07Z, B17A, B17B, B17C
	08	I27A, I27B, I27C, I27D		08	I27A, I27B, I27C, I27D		05	F27A, F27B, F27C
	09	J03A, J03B, J04A, J04B, J08A, J08B, J11A, J11B, J16Z		09	J03A, J03B, J04A, J04B, J08A, J08B, J11A, J11B, J16Z		08	I12A, I12B, I12C, I27A, I27B, I27C, I27D
	21A	W04A, W04B		21A	W04A, W04B		09	J08A
	21B	X06A, X06B, X06C		21B	X04Z, X06A, X06B, X06C		10	K09A, K09B
5t810.3↔		BOP, KVT, UOP4	5t810.x		BOP, KVT, UOP4			BOP, KVT, UOP4
	01	B03A, B03B, B06A, B06B, B17A, B17B, B17C		01	B03A, B03B, B06A, B06B, B17A, B17B, B17C		01	B03A, B03B, B06A, B06B, B07Z, B17A, B17B, B17C
	08	I27A, I27B, I27C, I27D		08	I27A, I27B, I27C, I27D		05	F27A, F27B, F27C
	09	J03A, J03B, J04A, J04B, J08A, J08B, J11A, J11B, J16Z		09	J03A, J03B, J04A, J04B, J08A, J08B, J11A, J11B, J16Z		08	I12A, I12B, I12C, I27A, I27B, I27C, I27D
	21A	W04A, W04B		21A	W04A, W04B		09	J08A
	21B	X05A, X05B, X06A, X06B, X06C		21B	X06A, X06B, X06C		10	K09A, K09B







ZZV	MDC	DRG	ZZV	MDC	DRG	ZZV	MDC	DRG
5t816.3↔		BOP, KVT, UOP4	5t816.x		BOP, KVT, UOP4	5t817.6↔		BOP, KVT, UOP4
	01	B03A, B03B, B06A, B06B, B07Z, B17A, B17B, B17C		01	B03A, B03B, B06A, B06B, B07Z, B17A, B17B, B17C		01	B03A, B03B, B06A, B06B, B07Z, B17A, B17B, B17C
	08	I12A, I12B, I12C, I27A, I27B, I27C, I27D		08	I12A, I12B, I12C, I27A, I27B, I27C, I27D		08	I12A, I12B, I12C, I27A, I27B, I27C, I27D
	09	J03A, J03B, J04A, J04B, J08A, J08B, J11A, J11B, J16Z		09	J03A, J03B, J04A, J04B, J08A, J08B, J11A, J11B, J16Z		09	J03A, J03B, J04A, J04B, J08A, J08B, J11A, J11B, J16Z
	21A	W04A, W04B		21A	W04A, W04B		21A	W04A, W04B
5t816.4↔	21B	X04Z, X06A, X06B, X06C	5t817.0↔	21B	X06A, X06B, X06C	5t817.7↔	21B	X04Z, X06A, X06B, X06C
		BOP, KVT, UOP4			BOP, KVT, UOP4			BOP, KVT, UOP4
	01	B03A, B03B, B06A, B06B, B07Z, B17A, B17B, B17C		01	B03A, B03B, B06A, B06B, B07Z, B17A, B17B, B17C		01	B03A, B03B, B06A, B06B, B07Z, B17A, B17B, B17C
	08	I12A, I12B, I12C, I27A, I27B, I27C, I27D		08	I12A, I12B, I12C, I27A, I27B, I27C, I27D		08	I12A, I12B, I12C, I27A, I27B, I27C, I27D
	09	J03A, J03B, J04A, J04B, J08A, J08B, J11A, J11B, J16Z		09	J03A, J03B, J04A, J04B, J08A, J08B, J11A, J11B, J16Z		09	J03A, J03B, J04A, J04B, J08A, J08B, J11A, J11B, J16Z
5t816.5↔	21A	W04A, W04B	5t817.1↔	21A	W04A, W04B	5t817.8↔	21A	W04A, W04B
	21B	X06A, X06B, X06C		21B	X06A, X06B, X06C		21B	X04Z, X06A, X06B, X06C
		BOP, KVT, UOP4			BOP, KVT, UOP4			BOP, KVT, UOP4
	01	B03A, B03B, B06A, B06B, B07Z, B17A, B17B, B17C		01	B03A, B03B, B06A, B06B, B07Z, B17A, B17B, B17C		01	B03A, B03B, B06A, B06B, B07Z, B17A, B17B, B17C
	08	I12A, I12B, I12C, I27A, I27B, I27C, I27D		08	I12A, I12B, I12C, I27A, I27B, I27C, I27D		08	I12A, I12B, I12C, I27A, I27B, I27C, I27D
5t816.6↔	09	J03A, J03B, J04A, J04B, J08A, J08B, J11A, J11B, J16Z	5t817.2↔	09	J03A, J03B, J04A, J04B, J08A, J08B, J11A, J11B, J16Z	5t817.9↔	09	J03A, J03B, J04A, J04B, J08A, J08B, J11A, J11B, J16Z
	21A	W04A, W04B		21A	W04A, W04B		21A	W04A, W04B
	21B	X04Z, X06A, X06B, X06C		21B	X06A, X06B, X06C		21B	X04Z, X06A, X06B, X06C
		BOP, KVT, UOP4			BOP, KVT, UOP4			BOP, KVT, UOP4
	01	B03A, B03B, B06A, B06B, B07Z, B17A, B17B, B17C		01	B03A, B03B, B06A, B06B, B07Z, B17A, B17B, B17C		01	B03A, B03B, B06A, B06B, B07Z, B17A, B17B, B17C
5t816.7↔	08	I12A, I12B, I12C, I27A, I27B, I27C, I27D	5t817.3↔	08	I12A, I12B, I12C, I27A, I27B, I27C, I27D	5t817.x	08	I12A, I12B, I12C, I27A, I27B, I27C, I27D
	09	J03A, J03B, J04A, J04B, J08A, J08B, J11A, J11B, J16Z		09	J03A, J03B, J04A, J04B, J08A, J08B, J11A, J11B, J16Z		09	J03A, J03B, J04A, J04B, J08A, J08B, J11A, J11B, J16Z
	21A	W04A, W04B		21A	W04A, W04B		21A	W04A, W04B
	21B	X04Z, X06A, X06B, X06C		21B	X06A, X06B, X06C		21B	X06A, X06B, X06C
		BOP, KVT, UOP4			BOP, KVT, UOP4			BOP, KVT, UOP4
5t816.8↔	01	B03A, B03B, B06A, B06B, B07Z, B17A, B17B, B17C	5t817.4↔	01	B03A, B03B, B06A, B06B, B07Z, B17A, B17B, B17C	5t818.0↔	01	B03A, B03B, B06A, B06B, B07Z, B17A, B17B, B17C
	08	I12A, I12B, I12C, I27A, I27B, I27C, I27D		08	I12A, I12B, I12C, I27A, I27B, I27C, I27D		08	I12A, I12B, I12C, I27A, I27B, I27C, I27D
	09	J03A, J03B, J04A, J04B, J08A, J08B, J11A, J11B, J16Z		09	J03A, J03B, J04A, J04B, J08A, J08B, J11A, J11B, J16Z		09	J03A, J03B, J04A, J04B, J08A, J08B, J11A, J11B, J16Z
	21A	W04A, W04B		21A	W04A, W04B		21A	W04A, W04B
	21B	X04Z, X06A, X06B, X06C		21B	X06A, X06B, X06C		21B	X06A, X06B, X06C
5t816.9↔		BOP, KVT, UOP4	5t817.5↔		BOP, KVT, UOP4	5t818.1↔		BOP, KVT, UOP4
	01	B03A, B03B, B06A, B06B, B07Z, B17A, B17B, B17C		01	B03A, B03B, B06A, B06B, B07Z, B17A, B17B, B17C		01	B03A, B03B, B06A, B06B, B07Z, B17A, B17B, B17C
	08	I12A, I12B, I12C, I27A, I27B, I27C, I27D		08	I12A, I12B, I12C, I27A, I27B, I27C, I27D		08	I12A, I12B, I12C, I27A, I27B, I27C, I27D
	09	J03A, J03B, J04A, J04B, J08A, J08B, J11A, J11B, J16Z		09	J03A, J03B, J04A, J04B, J08A, J08B, J11A, J11B, J16Z		09	J03A, J03B, J04A, J04B, J08A, J08B, J11A, J11B, J16Z
	21A	W04A, W04B		21A	W04A, W04B		21A	W04A, W04B
21B	X04Z	21B	X06A, X06B, X06C	21B	X06A, X06B, X06C			

ZZV	MDC	DRG	ZZV	MDC	DRG	ZZV	MDC	DRG
5t818.2↔		BOP, KVT, UOP4	5t818.9↔		BOP, KVT, UOP4	5t819.5↔		BOP, KVT, UOP4
	01	B03A, B03B, B06A, B06B, B07Z, B17A, B17B, B17C		01	B03A, B03B, B06A, B06B, B07Z, B17A, B17B, B17C		01	B03A, B03B, B06A, B06B, B07Z, B17A, B17B, B17C
	08	I12A, I12B, I12C, I27A, I27B, I27C, I27D		08	I12A, I12B, I12C, I27A, I27B, I27C, I27D		08	I12A, I12B, I12C, I27A, I27B, I27C, I27D
	09	J03A, J03B, J04A, J04B, J08A, J08B, J11A, J11B, J16Z		09	J03A, J03B, J04A, J04B, J08A, J08B, J11A, J11B, J16Z		09	J03A, J03B, J04A, J04B, J08A, J08B, J11A, J11B, J16Z
	21A	W04A, W04B		21A	W04A, W04B		21A	W04A, W04B
5t818.3↔	21B	X06A, X06B, X06C	5t818.x	21B	X04Z	5t819.6↔	21B	X06A, X06B, X06C
		BOP, KVT, UOP4			BOP, KVT, UOP4			BOP, KVT, UOP4
	01	B03A, B03B, B06A, B06B, B07Z, B17A, B17B, B17C		01	B03A, B03B, B06A, B06B, B07Z, B17A, B17B, B17C		01	B03A, B03B, B06A, B06B, B07Z, B17A, B17B, B17C
	08	I12A, I12B, I12C, I27A, I27B, I27C, I27D		08	I12A, I12B, I12C, I27A, I27B, I27C, I27D		08	I12A, I12B, I12C, I27A, I27B, I27C, I27D
	09	J03A, J03B, J04A, J04B, J08A, J08B, J11A, J11B, J16Z		09	J03A, J03B, J04A, J04B, J08A, J08B, J11A, J11B, J16Z		09	J03A, J03B, J04A, J04B, J08A, J08B, J11A, J11B, J16Z
5t818.4↔	21A	W04A, W04B	5t819.0↔	21A	W04A, W04B	5t819.7↔	21A	W04A, W04B
	21B	X05A, X05B, X06A, X06B, X06C		21B	X06A, X06B, X06C		21B	X04Z, X06A, X06B, X06C
		BOP, KVT, UOP4			BOP, KVT, UOP4			BOP, KVT, UOP4
	01	B03A, B03B, B06A, B06B, B07Z, B17A, B17B, B17C		01	B03A, B03B, B06A, B06B, B07Z, B17A, B17B, B17C		01	B03A, B03B, B06A, B06B, B07Z, B17A, B17B, B17C
	08	I12A, I12B, I12C, I27A, I27B, I27C, I27D		08	I12A, I12B, I12C, I27A, I27B, I27C, I27D		08	I12A, I12B, I12C, I27A, I27B, I27C, I27D
5t818.5↔	09	J03A, J03B, J04A, J04B, J08A, J08B, J11A, J11B, J16Z	5t819.1↔	09	J03A, J03B, J04A, J04B, J08A, J08B, J11A, J11B, J16Z	5t819.8↔	09	J03A, J03B, J04A, J04B, J08A, J08B, J11A, J11B, J16Z
	21A	W04A, W04B		21A	W04A, W04B		21A	W04A, W04B
	21B	X06A, X06B, X06C		21B	X06A, X06B, X06C		21B	X04Z, X06A, X06B, X06C
		BOP, KVT, UOP4			BOP, KVT, UOP4			BOP, KVT, UOP4
	01	B03A, B03B, B06A, B06B, B07Z, B17A, B17B, B17C		01	B03A, B03B, B06A, B06B, B07Z, B17A, B17B, B17C		01	B03A, B03B, B06A, B06B, B07Z, B17A, B17B, B17C
5t818.6↔	08	I12A, I12B, I12C, I27A, I27B, I27C, I27D	5t819.2↔	08	I12A, I12B, I12C, I27A, I27B, I27C, I27D	5t819.9↔	08	I12A, I12B, I12C, I27A, I27B, I27C, I27D
	09	J03A, J03B, J04A, J04B, J08A, J08B, J11A, J11B, J16Z		09	J03A, J03B, J04A, J04B, J08A, J08B, J11A, J11B, J16Z		09	J03A, J03B, J04A, J04B, J08A, J08B, J11A, J11B, J16Z
	21A	W04A, W04B		21A	W04A, W04B		21A	W04A, W04B
	21B	X04Z, X06A, X06B, X06C		21B	X06A, X06B, X06C		21B	X04Z, X06A, X06B, X06C
		BOP, KVT, UOP4			BOP, KVT, UOP4			BOP, KVT, UOP4
5t818.7↔	01	B03A, B03B, B06A, B06B, B07Z, B17A, B17B, B17C	5t819.3↔	01	B03A, B03B, B06A, B06B, B07Z, B17A, B17B, B17C	5t819.x	01	B03A, B03B, B06A, B06B, B07Z, B17A, B17B, B17C
	08	I12A, I12B, I12C, I27A, I27B, I27C, I27D		08	I12A, I12B, I12C, I27A, I27B, I27C, I27D		08	I12A, I12B, I12C, I27A, I27B, I27C, I27D
	09	J03A, J03B, J04A, J04B, J08A, J08B, J11A, J11B, J16Z		09	J03A, J03B, J04A, J04B, J08A, J08B, J11A, J11B, J16Z		09	J03A, J03B, J04A, J04B, J08A, J08B, J11A, J11B, J16Z
	21A	W04A, W04B		21A	W04A, W04B		21A	W04A, W04B
	21B	X04Z, X06A, X06B, X06C		21B	X05A, X05B, X06A, X06B, X06C		21B	X06A, X06B, X06C
5t818.8↔		BOP, KVT, UOP4	5t819.4↔		BOP, KVT, UOP4	5t81a.0↔		BOP, KVT, UOP4
	01	B03A, B03B, B06A, B06B, B07Z, B17A, B17B, B17C		01	B03A, B03B, B06A, B06B, B07Z, B17A, B17B, B17C		01	B03A, B03B, B06A, B06B, B07Z, B17A, B17B, B17C
	08	I12A, I12B, I12C, I27A, I27B, I27C, I27D		08	I12A, I12B, I12C, I27A, I27B, I27C, I27D		08	I12A, I12B, I12C, I27A, I27B, I27C, I27D
	09	J03A, J03B, J04A, J04B, J08A, J08B, J11A, J11B, J16Z		09	J03A, J03B, J04A, J04B, J08A, J08B, J11A, J11B, J16Z		09	J03A, J03B, J04A, J04B, J08A, J08B, J11A, J11B, J16Z
	21A	W04A, W04B		21A	W04A, W04B		21A	W04A, W04B
21B	X04Z, X06A, X06B, X06C	21B	X06A, X06B, X06C	21B	X06A, X06B, X06C			



ZZV	MDC	DRG	ZZV	MDC	DRG	ZZV	MDC	DRG
5t81c.0↔		BOP, KVT, UOP4	5t81c.6↔		BOP, KVT, UOP4	5t81d.2↔		BOP, KVT, UOP4
	01	B03A, B03B, B06A, B06B, B07Z, B17A, B17B, B17C		01	B03A, B03B, B06A, B06B, B07Z, B17A, B17B, B17C		01	B03A, B03B, B06A, B06B, B07Z, B17A, B17B, B17C
	08	I12A, I12B, I12C, I27A, I27B, I27C, I27D		08	I12A, I12B, I12C, I27A, I27B, I27C, I27D		08	I27A, I27B, I27C, I27D
	09	J03A, J03B, J04A, J04B, J08A, J08B, J11A, J11B, J16Z		09	J03A, J03B, J04A, J04B, J08A, J08B, J11A, J11B, J16Z		09	J03A, J03B, J04A, J04B, J08A, J08B, J11A, J11B, J16Z
	21A	W04A, W04B		21A	W04A, W04B		21A	W04A, W04B
5t81c.1↔	21B	X06A, X06B, X06C	5t81c.7↔	21B	X05A, X05B, X06A, X06B, X06C	5t81d.3↔	21B	X05A, X05B, X06A, X06B, X06C
		BOP, KVT, UOP4			BOP, KVT, UOP4			BOP, KVT, UOP4
	01	B03A, B03B, B06A, B06B, B07Z, B17A, B17B, B17C		01	B03A, B03B, B06A, B06B, B07Z, B17A, B17B, B17C		01	B03A, B03B, B06A, B06B, B07Z, B17A, B17B, B17C
	08	I12A, I12B, I12C, I27A, I27B, I27C, I27D		08	I12A, I12B, I12C, I27A, I27B, I27C, I27D		08	I27A, I27B, I27C, I27D
	09	J03A, J03B, J04A, J04B, J08A, J08B, J11A, J11B, J16Z		09	J03A, J03B, J04A, J04B, J08A, J08B, J11A, J11B, J16Z		09	J03A, J03B, J04A, J04B, J08A, J08B, J11A, J11B, J16Z
5t81c.2↔	21A	W04A, W04B	5t81c.8↔	21A	W04A, W04B	5t81d.4↔	21A	W04A, W04B
	21B	X06A, X06B, X06C		21B	X04Z, X06A, X06B, X06C		21B	X06A, X06B, X06C
		BOP, KVT, UOP4			BOP, KVT, UOP4			BOP, KVT, UOP4
	01	B03A, B03B, B06A, B06B, B07Z, B17A, B17B, B17C		01	B03A, B03B, B06A, B06B, B07Z, B17A, B17B, B17C		01	B03A, B03B, B06A, B06B, B07Z, B17A, B17B, B17C
	08	I12A, I12B, I12C, I27A, I27B, I27C, I27D		08	I12A, I12B, I12C, I27A, I27B, I27C, I27D		08	I27A, I27B, I27C, I27D
5t81c.3↔	09	J03A, J03B, J04A, J04B, J08A, J08B, J11A, J11B, J16Z	5t81c.9↔	09	J03A, J03B, J04A, J04B, J08A, J08B, J11A, J11B, J16Z	5t81d.5↔	09	J03A, J03B, J04A, J04B, J08A, J08B, J11A, J11B, J16Z
	21A	W04A, W04B		21A	W04A, W04B		21A	W04A, W04B
	21B	X06A, X06B, X06C		21B	X04Z, X06A, X06B, X06C		21B	X06A, X06B, X06C
		BOP, KVT, UOP4			BOP, KVT, UOP4			BOP, KVT, UOP4
	01	B03A, B03B, B06A, B06B, B07Z, B17A, B17B, B17C		01	B03A, B03B, B06A, B06B, B07Z, B17A, B17B, B17C		01	B03A, B03B, B06A, B06B, B07Z, B17A, B17B, B17C
5t81c.4↔	08	I12A, I12B, I12C, I27A, I27B, I27C, I27D	5t81c.x	08	I12A, I12B, I12C, I27A, I27B, I27C, I27D	5t81d.6↔	08	I27A, I27B, I27C, I27D
	09	J03A, J03B, J04A, J04B, J08A, J08B, J11A, J11B, J16Z		09	J03A, J03B, J04A, J04B, J08A, J08B, J11A, J11B, J16Z		09	J03A, J03B, J04A, J04B, J08A, J08B, J11A, J11B, J16Z
	21A	W04A, W04B		21A	W04A, W04B		21A	W04A, W04B
	21B	X05A, X05B, X06A, X06B, X06C		21B	X04Z		21B	X06A, X06B, X06C
		BOP, KVT, UOP4			BOP, KVT, UOP4			BOP, KVT, UOP4
5t81c.5↔	01	B03A, B03B, B06A, B06B, B07Z, B17A, B17B, B17C	5t81d.0↔	01	B03A, B03B, B06A, B06B, B07Z, B17A, B17B, B17C	5t81d.7↔	01	B03A, B03B, B06A, B06B, B07Z, B17A, B17B, B17C
	08	I12A, I12B, I12C, I27A, I27B, I27C, I27D		08	I27A, I27B, I27C, I27D		08	I27A, I27B, I27C, I27D
	09	J03A, J03B, J04A, J04B, J08A, J08B, J11A, J11B, J16Z		09	J03A, J03B, J04A, J04B, J08A, J08B, J11A, J11B, J16Z		09	J03A, J03B, J04A, J04B, J08A, J08B, J11A, J11B, J16Z
	21A	W04A, W04B		21A	W04A, W04B		21A	W04A, W04B
	21B	X06A, X06B, X06C		21B	X06A, X06B, X06C		21B	X04Z, X06A, X06B, X06C
	BOP, KVT, UOP4		BOP, KVT, UOP4		BOP, KVT, UOP4			
5t81c.6↔	01	B03A, B03B, B06A, B06B, B07Z, B17A, B17B, B17C	5t81d.1↔	01	B03A, B03B, B06A, B06B, B07Z, B17A, B17B, B17C	5t81d.8↔	01	B03A, B03B, B06A, B06B, B07Z, B17A, B17B, B17C
	08	I12A, I12B, I12C, I27A, I27B, I27C, I27D		08	I27A, I27B, I27C, I27D		08	I27A, I27B, I27C, I27D
	09	J03A, J03B, J04A, J04B, J08A, J08B, J11A, J11B, J16Z		09	J03A, J03B, J04A, J04B, J08A, J08B, J11A, J11B, J16Z		09	J03A, J03B, J04A, J04B, J08A, J08B, J11A, J11B, J16Z
	21A	W04A, W04B		21A	W04A, W04B		21A	W04A, W04B
	21B	X06A, X06B, X06C		21B	X06A, X06B, X06C		21B	X04Z, X06A, X06B, X06C

VYK





ZZV	MDC	DRG	ZZV	MDC	DRG	ZZV	MDC	DRG
5t824.5↔		BOP, KVT, UOP4	5t825.1↔		BOP, KVT, UOP4	5t825.8↔		BOP, KVT, UOP4
	01	B03A, B03B, B06A, B06B, B07Z, B17A, B17B, B17C		01	B03A, B03B, B06A, B06B, B07Z, B17A, B17B, B17C		01	B03A, B03B, B06A, B06B, B07Z, B17A, B17B, B17C
	08	I12A, I12B, I12C, I27A, I27B, I27C, I27D		08	I12A, I12B, I12C, I27A, I27B, I27C, I27D		08	I12A, I12B, I12C, I27A, I27B, I27C, I27D
	09	J03A, J03B, J04A, J04B, J08A, J08B, J08C, J11A, J11B, J16Z		09	J03A, J03B, J04A, J04B, J08A, J08B, J08C, J11A, J11B, J16Z		09	J03A, J03B, J04A, J04B, J08A, J08B, J08C, J11A, J11B, J16Z
	21A	W04A, W04B		21A	W04A, W04B		21A	W04A, W04B
5t824.6↔	21B	X06A, X06B, X06C	5t825.2↔	21B	X06A, X06B, X06C	5t825.9↔	21B	X04Z, X06A, X06B, X06C
		BOP, KVT, UOP4			BOP, KVT, UOP4			BOP, KVT, UOP4
	01	B03A, B03B, B06A, B06B, B07Z, B17A, B17B, B17C		01	B03A, B03B, B06A, B06B, B07Z, B17A, B17B, B17C		01	B03A, B03B, B06A, B06B, B07Z, B17A, B17B, B17C
	08	I12A, I12B, I12C, I27A, I27B, I27C, I27D		08	I12A, I12B, I12C, I27A, I27B, I27C, I27D		08	I12A, I12B, I12C, I27A, I27B, I27C, I27D
	09	J03A, J03B, J04A, J04B, J08A, J08B, J08C, J11A, J11B, J16Z		09	J03A, J03B, J04A, J04B, J08A, J08B, J08C, J11A, J11B, J16Z		09	J03A, J03B, J04A, J04B, J08A, J08B, J08C, J11A, J11B, J16Z
5t824.7↔	21A	W04A, W04B	5t825.3↔	21A	W04A, W04B	5t825.x	21A	W04A, W04B
	21B	X04Z, X06A, X06B, X06C		21B	X06A, X06B, X06C		21B	X04Z, X06A, X06B, X06C
		BOP, KVT, UOP4			BOP, KVT, UOP4			BOP, KVT, UOP4
	01	B03A, B03B, B06A, B06B, B07Z, B17A, B17B, B17C		01	B03A, B03B, B06A, B06B, B07Z, B17A, B17B, B17C		01	B03A, B03B, B06A, B06B, B07Z, B17A, B17B, B17C
	08	I12A, I12B, I12C, I27A, I27B, I27C, I27D		08	I12A, I12B, I12C, I27A, I27B, I27C, I27D		08	I12A, I12B, I12C, I27A, I27B, I27C, I27D
5t824.8↔	09	J03A, J03B, J04A, J04B, J08A, J08B, J08C, J11A, J11B, J16Z	5t825.4↔	09	J03A, J03B, J04A, J04B, J08A, J08B, J08C, J11A, J11B, J16Z	5t826.0↔	09	J03A, J03B, J04A, J04B, J08A, J08B, J08C, J11A, J11B, J16Z
	21A	W04A, W04B		21A	W04A, W04B		21A	W04A, W04B
	21B	X04Z, X06A, X06B, X06C		21B	X05A, X05B, X06A, X06B, X06C		21B	X06A, X06B, X06C
		BOP, KVT, UOP4			BOP, KVT, UOP4			BOP, KVT, UOP4
	01	B03A, B03B, B06A, B06B, B07Z, B17A, B17B, B17C		01	B03A, B03B, B06A, B06B, B07Z, B17A, B17B, B17C		01	B03A, B03B, B06A, B06B, B07Z, B17A, B17B, B17C
5t824.9↔	08	I12A, I12B, I12C, I27A, I27B, I27C, I27D	5t825.5↔	08	I12A, I12B, I12C, I27A, I27B, I27C, I27D	5t826.1↔	08	I12A, I12B, I12C, I27A, I27B, I27C, I27D
	09	J03A, J03B, J04A, J04B, J08A, J08B, J08C, J11A, J11B, J16Z		09	J03A, J03B, J04A, J04B, J08A, J08B, J08C, J11A, J11B, J16Z		09	J03A, J03B, J04A, J04B, J08A, J08B, J08C, J11A, J11B, J16Z
	21A	W04A, W04B		21A	W04A, W04B		21A	W04A, W04B
	21B	X04Z, X06A, X06B, X06C		21B	X06A, X06B, X06C		21B	X06A, X06B, X06C
		BOP, KVT, UOP4			BOP, KVT, UOP4			BOP, KVT, UOP4
5t824.x	01	B03A, B03B, B06A, B06B, B07Z, B17A, B17B, B17C	5t825.6↔	01	B03A, B03B, B06A, B06B, B07Z, B17A, B17B, B17C	5t826.2↔	01	B03A, B03B, B06A, B06B, B07Z, B17A, B17B, B17C
	08	I12A, I12B, I12C, I27A, I27B, I27C, I27D		08	I12A, I12B, I12C, I27A, I27B, I27C, I27D		08	I12A, I12B, I12C, I27A, I27B, I27C, I27D
	09	J03A, J03B, J04A, J04B, J08A, J08B, J08C, J11A, J11B, J16Z		09	J03A, J03B, J04A, J04B, J08A, J08B, J08C, J11A, J11B, J16Z		09	J03A, J03B, J04A, J04B, J08A, J08B, J08C, J11A, J11B, J16Z
	21A	W04A, W04B		21A	W04A, W04B		21A	W04A, W04B
	21B	X06A, X06B, X06C		21B	X04Z, X06A, X06B, X06C		21B	X06A, X06B, X06C
5t825.0↔		BOP, KVT, UOP4	5t825.7↔		BOP, KVT, UOP4	5t826.3↔		BOP, KVT, UOP4
	01	B03A, B03B, B06A, B06B, B07Z, B17A, B17B, B17C		01	B03A, B03B, B06A, B06B, B07Z, B17A, B17B, B17C		01	B03A, B03B, B06A, B06B, B07Z, B17A, B17B, B17C
	08	I12A, I12B, I12C, I27A, I27B, I27C, I27D		08	I12A, I12B, I12C, I27A, I27B, I27C, I27D		08	I12A, I12B, I12C, I27A, I27B, I27C, I27D
	09	J03A, J03B, J04A, J04B, J08A, J08B, J08C, J11A, J11B, J16Z		09	J03A, J03B, J04A, J04B, J08A, J08B, J08C, J11A, J11B, J16Z		09	J03A, J03B, J04A, J04B, J08A, J08B, J08C, J11A, J11B, J16Z
	21A	W04A, W04B		21A	W04A, W04B		21A	W04A, W04B
21B	X06A, X06B, X06C	21B	X04Z, X06A, X06B, X06C	21B	X05A, X05B, X06A, X06B, X06C			



ZZV	MDC	DRG	ZZV	MDC	DRG	ZZV	MDC	DRG
5t826.4↔		BOP, KVT, UOP4	5t827.0↔		BOP, KVT, UOP4	5t827.7↔		BOP, KVT, UOP4
	01	B03A, B03B, B06A, B06B, B07Z, B17A, B17B, B17C		01	B03A, B03B, B06A, B06B, B07Z, B17A, B17B, B17C		01	B03A, B03B, B06A, B06B, B07Z, B17A, B17B, B17C
	08	I12A, I12B, I12C, I27A, I27B, I27C, I27D		08	I12A, I12B, I12C, I27A, I27B, I27C, I27D		08	I12A, I12B, I12C, I27A, I27B, I27C, I27D
	09	J03A, J03B, J04A, J04B, J08A, J08B, J08C, J11A, J11B, J16Z		09	J03A, J03B, J04A, J04B, J08A, J08B, J08C, J11A, J11B, J16Z		09	J03A, J03B, J04A, J04B, J08A, J08B, J08C, J11A, J11B, J16Z
	21A	W04A, W04B		21A	W04A, W04B		21A	W04A, W04B
5t826.5↔	21B	X06A, X06B, X06C	5t827.1↔	21B	X06A, X06B, X06C	5t827.8↔	21B	X04Z, X06A, X06B, X06C
		BOP, KVT, UOP4			BOP, KVT, UOP4			BOP, KVT, UOP4
	01	B03A, B03B, B06A, B06B, B07Z, B17A, B17B, B17C		01	B03A, B03B, B06A, B06B, B07Z, B17A, B17B, B17C		01	B03A, B03B, B06A, B06B, B07Z, B17A, B17B, B17C
	08	I12A, I12B, I12C, I27A, I27B, I27C, I27D		08	I12A, I12B, I12C, I27A, I27B, I27C, I27D		08	I12A, I12B, I12C, I27A, I27B, I27C, I27D
	09	J03A, J03B, J04A, J04B, J08A, J08B, J08C, J11A, J11B, J16Z		09	J03A, J03B, J04A, J04B, J08A, J08B, J08C, J11A, J11B, J16Z		09	J03A, J03B, J04A, J04B, J08A, J08B, J08C, J11A, J11B, J16Z
5t826.6↔	21A	W04A, W04B	5t827.2↔	21A	W04A, W04B	5t827.9↔	21A	W04A, W04B
	21B	X06A, X06B, X06C		21B	X06A, X06B, X06C		21B	X04Z, X06A, X06B, X06C
		BOP, KVT, UOP4			BOP, KVT, UOP4			BOP, KVT, UOP4
	01	B03A, B03B, B06A, B06B, B07Z, B17A, B17B, B17C		01	B03A, B03B, B06A, B06B, B07Z, B17A, B17B, B17C		01	B03A, B03B, B06A, B06B, B07Z, B17A, B17B, B17C
	08	I12A, I12B, I12C, I27A, I27B, I27C, I27D		08	I12A, I12B, I12C, I27A, I27B, I27C, I27D		08	I12A, I12B, I12C, I27A, I27B, I27C, I27D
5t826.7↔	09	J03A, J03B, J04A, J04B, J08A, J08B, J08C, J11A, J11B, J16Z	5t827.3↔	09	J03A, J03B, J04A, J04B, J08A, J08B, J08C, J11A, J11B, J16Z	5t827.x	09	J03A, J03B, J04A, J04B, J08A, J08B, J08C, J11A, J11B, J16Z
	21A	W04A, W04B		21A	W04A, W04B		21A	W04A, W04B
	21B	X04Z, X06A, X06B, X06C		21B	X06A, X06B, X06C		21B	X04Z, X06A, X06B, X06C
		BOP, KVT, UOP4			BOP, KVT, UOP4			BOP, KVT, UOP4
	01	B03A, B03B, B06A, B06B, B07Z, B17A, B17B, B17C		01	B03A, B03B, B06A, B06B, B07Z, B17A, B17B, B17C		01	B03A, B03B, B06A, B06B, B07Z, B17A, B17B, B17C
5t826.8↔	08	I12A, I12B, I12C, I27A, I27B, I27C, I27D	5t827.4↔	08	I12A, I12B, I12C, I27A, I27B, I27C, I27D	5t828.0↔	08	I12A, I12B, I12C, I27A, I27B, I27C, I27D
	09	J03A, J03B, J04A, J04B, J08A, J08B, J08C, J11A, J11B, J16Z		09	J03A, J03B, J04A, J04B, J08A, J08B, J08C, J11A, J11B, J16Z		09	J03A, J03B, J04A, J04B, J08A, J08B, J08C, J11A, J11B, J16Z
	21A	W04A, W04B		21A	W04A, W04B		21A	W04A, W04B
	21B	X04Z, X06A, X06B, X06C		21B	X05A, X05B, X06A, X06B, X06C		21B	X06A, X06B, X06C
		BOP, KVT, UOP4			BOP, KVT, UOP4			BOP, KVT, UOP4
5t826.9↔	01	B03A, B03B, B06A, B06B, B07Z, B17A, B17B, B17C	5t827.5↔	01	B03A, B03B, B06A, B06B, B07Z, B17A, B17B, B17C	5t828.1↔	01	B03A, B03B, B06A, B06B, B07Z, B17A, B17B, B17C
	08	I12A, I12B, I12C, I27A, I27B, I27C, I27D		08	I12A, I12B, I12C, I27A, I27B, I27C, I27D		08	I12A, I12B, I12C, I27A, I27B, I27C, I27D
	09	J03A, J03B, J04A, J04B, J08A, J08B, J08C, J11A, J11B, J16Z		09	J03A, J03B, J04A, J04B, J08A, J08B, J08C, J11A, J11B, J16Z		09	J03A, J03B, J04A, J04B, J08A, J08B, J08C, J11A, J11B, J16Z
	21A	W04A, W04B		21A	W04A, W04B		21A	W04A, W04B
	21B	X04Z, X06A, X06B, X06C		21B	X06A, X06B, X06C		21B	X06A, X06B, X06C
5t826.x		BOP, KVT, UOP4	5t827.6↔		BOP, KVT, UOP4	5t828.2↔		BOP, KVT, UOP4
	01	B03A, B03B, B06A, B06B, B07Z, B17A, B17B, B17C		01	B03A, B03B, B06A, B06B, B07Z, B17A, B17B, B17C		01	B03A, B03B, B06A, B06B, B07Z, B17A, B17B, B17C
	08	I12A, I12B, I12C, I27A, I27B, I27C, I27D		08	I12A, I12B, I12C, I27A, I27B, I27C, I27D		08	I12A, I12B, I12C, I27A, I27B, I27C, I27D
	09	J03A, J03B, J04A, J04B, J08A, J08B, J08C, J11A, J11B, J16Z		09	J03A, J03B, J04A, J04B, J08A, J08B, J08C, J11A, J11B, J16Z		09	J03A, J03B, J04A, J04B, J08A, J08B, J08C, J11A, J11B, J16Z
	21A	W04A, W04B		21A	W04A, W04B		21A	W04A, W04B
	X06A, X06B, X06C	21B	X04Z, X06A, X06B, X06C	21B	X06A, X06B, X06C			

VYK



ZZV	MDC	DRG	ZZV	MDC	DRG	ZZV	MDC	DRG
5t82a.4↔		BOP, KVT, UOP4	5t82b.3↔		BOP, KVT, UOP4	5t82b.9↔		BOP, KVT, UOP4
	08	I12A, I12B, I12C, I27A, I27B, I27C, I27D		01	B03A, B03B, B06A, B06B, B07Z, B17A, B17B, B17C		01	B03A, B03B, B06A, B06B, B07Z, B17A, B17B, B17C
	21A	W04A, W04B		08	I12A, I12B, I12C, I27A, I27B, I27C, I27D		08	I12A, I12B, I12C, I27A, I27B, I27C, I27D
	21B	X06A, X06B, X06C		09	J03A, J03B, J04A, J04B, J08A, J08B, J08C, J11A, J11B, J16Z		09	J03A, J03B, J04A, J04B, J08A, J08B, J08C, J11A, J11B, J16Z
5t82a.5↔		BOP, KVT, UOP4		10	K09A, K09B		10	K09A, K09B
	08	I12A, I12B, I12C, I27A, I27B, I27C, I27D		21A	W04A, W04B		21A	W04A, W04B
	21A	W04A, W04B		21B	X05A, X05B, X06A, X06B, X06C	5t82b.x		BOP, KVT, UOP4
	21B	X06A, X06B, X06C					01	B03A, B03B, B06A, B06B, B07Z, B17A, B17B, B17C
5t82a.6↔		BOP, KVT, UOP4	5t82b.4↔		BOP, KVT, UOP4		08	I12A, I12B, I12C, I27A, I27B, I27C, I27D
	08	I12A, I12B, I12C, I27A, I27B, I27C, I27D		01	B03A, B03B, B06A, B06B, B07Z, B17A, B17B, B17C		09	J03A, J03B, J04A, J04B, J08A, J08B, J08C, J11A, J11B, J16Z
	21A	W04A, W04B		08	I12A, I12B, I12C, I27A, I27B, I27C, I27D		10	K09A, K09B
	21B	X04Z, X06A, X06B, X06C		09	J03A, J03B, J04A, J04B, J08A, J08B, J08C, J11A, J11B, J16Z		21A	W04A, W04B
5t82a.7↔		BOP, KVT, UOP4		10	K09A, K09B		21B	X06A, X06B, X06C
	08	I12A, I12B, I12C, I27A, I27B, I27C, I27D	5t82b.5↔		BOP, KVT, UOP4	5t82c.0↔		BOP, KVT, UOP4
	21A	W04A, W04B		01	B03A, B03B, B06A, B06B, B07Z, B17A, B17B, B17C		01	B03A, B03B, B06A, B06B, B07Z, B17A, B17B, B17C
	21B	X04Z, X06A, X06B, X06C		08	I12A, I12B, I12C, I27A, I27B, I27C, I27D		03	D12A
5t82a.8↔		BOP, KVT, UOP4		09	J03A, J03B, J04A, J04B, J08A, J08B, J08C, J11A, J11B, J16Z		08	I12A, I12B, I12C, I27A, I27B, I27C, I27D
	08	I12A, I12B, I12C, I27A, I27B, I27C, I27D		10	K09A, K09B		09	J03A, J03B, J04A, J04B, J08A, J08B, J08C, J11A, J11B, J16Z
	21A	W04A, W04B		21A	W04A, W04B		10	K09A, K09B
	21B	X04Z, X06A, X06B, X06C		21B	X06A, X06B, X06C		21A	W04A, W04B
5t82a.9↔		BOP, KVT, UOP4					21B	X06A, X06B, X06C
	08	I12A, I12B, I12C, I27A, I27B, I27C, I27D	5t82b.6↔		BOP, KVT, UOP4	5t82c.1↔		BOP, KVT, UOP4
	21A	W04A, W04B		01	B03A, B03B, B06A, B06B, B07Z, B17A, B17B, B17C		01	B03A, B03B, B06A, B06B, B07Z, B17A, B17B, B17C
	21B	X04Z		08	I12A, I12B, I12C, I27A, I27B, I27C, I27D		08	I12A, I12B, I12C, I27A, I27B, I27C, I27D
5t82a.x		BOP, KVT, UOP4		09	J03A, J03B, J04A, J04B, J08A, J08B, J08C, J11A, J11B, J16Z		09	J03A, J03B, J04A, J04B, J08A, J08B, J08C, J11A, J11B, J16Z
	08	I12A, I12B, I12C, I27A, I27B, I27C, I27D		10	K09A, K09B		10	K09A, K09B
	21A	W04A, W04B		21A	W04A, W04B		21A	W04A, W04B
	21B	X06A, X06B, X06C		21B	X04Z, X06A, X06B, X06C		21B	X06A, X06B, X06C
5t82b.0↔		BOP, KVT, UOP4				5t82c.2↔		BOP, KVT, UOP4
	01	B03A, B03B, B06A, B06B, B07Z, B17A, B17B, B17C	5t82b.7↔		BOP, KVT, UOP4		01	B03A, B03B, B06A, B06B, B07Z, B17A, B17B, B17C
	03	D12A		01	B03A, B03B, B06A, B06B, B07Z, B17A, B17B, B17C		08	I12A, I12B, I12C, I27A, I27B, I27C, I27D
	08	I12A, I12B, I12C, I27A, I27B, I27C, I27D		08	I12A, I12B, I12C, I27A, I27B, I27C, I27D		09	J03A, J03B, J04A, J04B, J08A, J08B, J08C, J11A, J11B, J16Z
	09	J03A, J03B, J04A, J04B, J08A, J08B, J08C, J11A, J11B, J16Z		09	J03A, J03B, J04A, J04B, J08A, J08B, J08C, J11A, J11B, J16Z		10	K09A, K09B
	10	K09A, K09B		10	K09A, K09B		21A	W04A, W04B
	21A	W04A, W04B		21A	W04A, W04B		21B	X06A, X06B, X06C
	21B	X06A, X06B, X06C	5t82b.8↔		BOP, KVT, UOP4	5t82c.3↔		BOP, KVT, UOP4
5t82b.1↔		BOP, KVT, UOP4		01	B03A, B03B, B06A, B06B, B07Z, B17A, B17B, B17C		01	B03A, B03B, B06A, B06B, B07Z, B17A, B17B, B17C
	01	B03A, B03B, B06A, B06B, B07Z, B17A, B17B, B17C		08	I12A, I12B, I12C, I27A, I27B, I27C, I27D		08	I12A, I12B, I12C, I27A, I27B, I27C, I27D
	08	I12A, I12B, I12C, I27A, I27B, I27C, I27D		09	J03A, J03B, J04A, J04B, J08A, J08B, J08C, J11A, J11B, J16Z		09	J03A, J03B, J04A, J04B, J08A, J08B, J08C, J11A, J11B, J16Z
	09	J03A, J03B, J04A, J04B, J08A, J08B, J08C, J11A, J11B, J16Z		10	K09A, K09B		10	K09A, K09B
	10	K09A, K09B		21A	W04A, W04B		21A	W04A, W04B
	21A	W04A, W04B		21B	X04Z, X06A, X06B, X06C		21B	X06A, X06B, X06C
	21B	X06A, X06B, X06C						
5t82b.2↔		BOP, KVT, UOP4						
	01	B03A, B03B, B06A, B06B, B07Z, B17A, B17B, B17C		01	B03A, B03B, B06A, B06B, B07Z, B17A, B17B, B17C		01	B03A, B03B, B06A, B06B, B07Z, B17A, B17B, B17C
	08	I12A, I12B, I12C, I27A, I27B, I27C, I27D		08	I12A, I12B, I12C, I27A, I27B, I27C, I27D		08	I12A, I12B, I12C, I27A, I27B, I27C, I27D
	09	J03A, J03B, J04A, J04B, J08A, J08B, J08C, J11A, J11B, J16Z		09	J03A, J03B, J04A, J04B, J08A, J08B, J08C, J11A, J11B, J16Z		09	J03A, J03B, J04A, J04B, J08A, J08B, J08C, J11A, J11B, J16Z
	10	K09A, K09B		10	K09A, K09B		10	K09A, K09B
	21A	W04A, W04B		21A	W04A, W04B		21A	W04A, W04B
	21B	X06A, X06B, X06C		21B	X04Z, X06A, X06B, X06C		21B	X05A, X05B, X06A, X06B, X06C

VYK

ZZV	MDC	DRG	ZZV	MDC	DRG	ZZV	MDC	DRG	
5t82c.4↔		BOP, KVT, UOP4	5t82c.x		BOP, KVT, UOP4	5t82d.5↔		BOP, KVT, UOP4	
	01	B03A, B03B, B06A, B06B, B07Z, B17A, B17B, B17C		01	B03A, B03B, B06A, B06B, B07Z, B17A, B17B, B17C		01	B03A, B03B, B06A, B06B, B07Z, B17A, B17B, B17C	
	08	I12A, I12B, I12C, I27A, I27B, I27C, I27D		08	I12A, I12B, I12C, I27A, I27B, I27C, I27D		08	I12A, I12B, I12C, I27A, I27B, I27C, I27D	
	09	J03A, J03B, J04A, J04B, J08A, J08B, J08C, J11A, J11B, J16Z		09	J03A, J03B, J04A, J04B, J08A, J08B, J08C, J11A, J11B, J16Z		09	J03A, J03B, J04A, J04B, J08A, J08B, J08C, J11A, J11B, J16Z	
	10	K09A, K09B		10	K09A, K09B		10	K09A, K09B	
	21A	W04A, W04B		21A	W04A, W04B		21A	W04A, W04B	
5t82c.5↔	21B	X06A, X06B, X06C	5t82d.0↔	21B	X06A, X06B, X06C	5t82d.6↔	21B	X06A, X06B, X06C	
		BOP, KVT, UOP4			BOP, KVT, UOP4			BOP, KVT, UOP4	
	01	B03A, B03B, B06A, B06B, B07Z, B17A, B17B, B17C		01	B03A, B03B, B06A, B06B, B07Z, B17A, B17B, B17C		01	B03A, B03B, B06A, B06B, B07Z, B17A, B17B, B17C	
	08	I12A, I12B, I12C, I27A, I27B, I27C, I27D		03	D12A		08	I12A, I12B, I12C, I27A, I27B, I27C, I27D	
	09	J03A, J03B, J04A, J04B, J08A, J08B, J08C, J11A, J11B, J16Z		08	I12A, I12B, I12C, I27A, I27B, I27C, I27D		09	J03A, J03B, J04A, J04B, J08A, J08B, J08C, J11A, J11B, J16Z	
	10	K09A, K09B		09	J03A, J03B, J04A, J04B, J08A, J08B, J08C, J11A, J11B, J16Z		10	K09A, K09B	
5t82c.6↔	21A	W04A, W04B	5t82d.1↔	10	K09A, K09B	5t82d.7↔	21A	W04A, W04B	
	21B	X06A, X06B, X06C		21A	W04A, W04B		5t82d.8↔	21B	X04Z, X06A, X06B, X06C
		BOP, KVT, UOP4		21B	X06A, X06B, X06C				BOP, KVT, UOP4
	01	B03A, B03B, B06A, B06B, B07Z, B17A, B17B, B17C		01	B03A, B03B, B06A, B06B, B07Z, B17A, B17B, B17C			01	B03A, B03B, B06A, B06B, B07Z, B17A, B17B, B17C
	08	I12A, I12B, I12C, I27A, I27B, I27C, I27D		08	I12A, I12B, I12C, I27A, I27B, I27C, I27D			08	I12A, I12B, I12C, I27A, I27B, I27C, I27D
	09	J03A, J03B, J04A, J04B, J08A, J08B, J08C, J11A, J11B, J16Z		09	J03A, J03B, J04A, J04B, J08A, J08B, J08C, J11A, J11B, J16Z			09	J03A, J03B, J04A, J04B, J08A, J08B, J08C, J11A, J11B, J16Z
5t82c.7↔	10	K09A, K09B	5t82d.2↔	10	K09A, K09B	5t82d.9↔		10	K09A, K09B
	21A	W04A, W04B		21A	W04A, W04B		5t82d.x	21A	W04A, W04B
	21B	X04Z, X06A, X06B, X06C		21B	X06A, X06B, X06C			21B	X04Z, X06A, X06B, X06C
		BOP, KVT, UOP4			BOP, KVT, UOP4				BOP, KVT, UOP4
	01	B03A, B03B, B06A, B06B, B07Z, B17A, B17B, B17C		01	B03A, B03B, B06A, B06B, B07Z, B17A, B17B, B17C			01	B03A, B03B, B06A, B06B, B07Z, B17A, B17B, B17C
	08	I12A, I12B, I12C, I27A, I27B, I27C, I27D		08	I12A, I12B, I12C, I27A, I27B, I27C, I27D			08	I12A, I12B, I12C, I27A, I27B, I27C, I27D
5t82c.8↔	09	J03A, J03B, J04A, J04B, J08A, J08B, J08C, J11A, J11B, J16Z	5t82d.3↔	09	J03A, J03B, J04A, J04B, J08A, J08B, J08C, J11A, J11B, J16Z	5t82d.4↔		09	J03A, J03B, J04A, J04B, J08A, J08B, J08C, J11A, J11B, J16Z
	10	K09A, K09B		10	K09A, K09B		10	K09A, K09B	
	21A	W04A, W04B		21A	W04A, W04B		21A	W04A, W04B	
	21B	X04Z, X06A, X06B, X06C		21B	X06A, X06B, X06C		21B	X06A, X06B, X06C	
		BOP, KVT, UOP4			BOP, KVT, UOP4			BOP, KVT, UOP4	
	01	B03A, B03B, B06A, B06B, B07Z, B17A, B17B, B17C		01	B03A, B03B, B06A, B06B, B07Z, B17A, B17B, B17C		01	B03A, B03B, B06A, B06B, B07Z, B17A, B17B, B17C	
5t82c.9↔	08	I12A, I12B, I12C, I27A, I27B, I27C, I27D	5t82d.4↔	08	I12A, I12B, I12C, I27A, I27B, I27C, I27D	5t82d.x	08	I12A, I12B, I12C, I27A, I27B, I27C, I27D	
	09	J03A, J03B, J04A, J04B, J08A, J08B, J08C, J11A, J11B, J16Z		08	I12A, I12B, I12C, I27A, I27B, I27C, I27D		09	J03A, J03B, J04A, J04B, J08A, J08B, J08C, J11A, J11B, J16Z	
	10	K09A, K09B		09	J03A, J03B, J04A, J04B, J08A, J08B, J08C, J11A, J11B, J16Z		10	K09A, K09B	
	21A	W04A, W04B		10	K09A, K09B		21A	W04A, W04B	
	21B	X04Z, X06A, X06B, X06C		21A	W04A, W04B		21B	X06A, X06B, X06C	
		BOP, KVT, UOP4		21B	X06A, X06B, X06C			BOP, KVT, UOP4	
01	B03A, B03B, B06A, B06B, B07Z, B17A, B17B, B17C	01	B03A, B03B, B06A, B06B, B07Z, B17A, B17B, B17C	01	B03A, B03B, B06A, B06B, B07Z, B17A, B17B, B17C				
08	I12A, I12B, I12C, I27A, I27B, I27C, I27D	08	I12A, I12B, I12C, I27A, I27B, I27C, I27D	08	I12A, I12B, I12C, I27A, I27B, I27C, I27D				
09	J03A, J03B, J04A, J04B, J08A, J08B, J08C, J11A, J11B, J16Z	09	J03A, J03B, J04A, J04B, J08A, J08B, J08C, J11A, J11B, J16Z	09	J03A, J03B, J04A, J04B, J08A, J08B, J08C, J11A, J11B, J16Z				
10	K09A, K09B	10	K09A, K09B	10	K09A, K09B				
21A	W04A, W04B	21A	W04A, W04B	21A	W04A, W04B				
21B	X04Z, X06A, X06B, X06C	21B	X06A, X06B, X06C	21B	X06A, X06B, X06C				

VYK





ZZV	MDC	DRG	ZZV	MDC	DRG	ZZV	MDC	DRG
5t82x.8↔		BOP, KVT, UOP4	5t830.8↔	01	B03A, B03B, B06A, B06B, B07Z, B17A, B17B, B17C	5t831.5↔	08	I12A, I12B, I12C, I27A, I27B, I27C, I27D
	08	I27A, I27B, I27C, I27D		08	I12A, I12B, I12C, I27A, I27B, I27C, I27D		09	J03A, J03B, J04A, J04B, J08A, J08B, J08C, J11A, J11B, J16Z
	21A	W04A, W04B		21A	W04A, W04B		10	K09A, K09B
5t82x.9↔	21B	X04Z, X06A, X06B, X06C	5t830.9↔	21B	X04Z, X06A, X06B, X06C	5t831.6↔	21A	W04A, W04B
		BOP, KVT, UOP4		01	B03A, B03B, B06A, B06B, B07Z, B17A, B17B, B17C		21B	X06A, X06B, X06C
	08	I27A, I27B, I27C, I27D		08	I12A, I12B, I12C, I27A, I27B, I27C, I27D		08	I12A, I12B, I12C, I27A, I27B, I27C, I27D
5t82x.x	21A	W04A, W04B	5t830.x	21A	W04A, W04B	5t831.7↔	09	J03A, J03B, J04A, J04B, J08A, J08B, J08C, J11A, J11B, J16Z
	21B	X04Z, X06A, X06B, X06C		21B	X04Z, X06A, X06B, X06C		08	I12A, I12B, I12C, I27A, I27B, I27C, I27D
		BOP, KVT, UOP4		01	B03A, B03B, B06A, B06B, B07Z, B17A, B17B, B17C		09	J03A, J03B, J04A, J04B, J08A, J08B, J08C, J11A, J11B, J16Z
5t830.0↔	08	I27A, I27B, I27C, I27D	5t830.x	08	I12A, I12B, I12C, I27A, I27B, I27C, I27D	5t831.8↔	10	K09A, K09B
	21A	W04A, W04B		21A	W04A, W04B		21A	W04A, W04B
	21B	X06A, X06B, X06C		21B	X06A, X06B, X06C		21B	X04Z, X06A, X06B, X06C
5t830.1↔		BOP, KVT, UOP4	5t831.0↔		BOP, KVT, UOP4	5t831.9↔		BOP, KVT, UOP4
	01	B03A, B03B, B06A, B06B, B07Z, B17A, B17B, B17C		08	I12A, I12B, I12C, I27A, I27B, I27C, I27D		08	I12A, I12B, I12C, I27A, I27B, I27C, I27D
	08	I12A, I12B, I12C, I27A, I27B, I27C, I27D		09	J03A, J03B, J04A, J04B, J08A, J08B, J08C, J11A, J11B, J16Z		09	J03A, J03B, J04A, J04B, J08A, J08B, J08C, J11A, J11B, J16Z
5t830.2↔	21A	W04A, W04B	5t831.1↔	10	K09A, K09B	5t831.x	10	K09A, K09B
	21B	X06A, X06B, X06C		21A	W04A, W04B		21A	W04A, W04B
		BOP, KVT, UOP4		21B	X06A, X06B, X06C		21B	X04Z, X06A, X06B, X06C
5t830.3↔	01	B03A, B03B, B06A, B06B, B07Z, B17A, B17B, B17C	5t831.2↔	08	I12A, I12B, I12C, I27A, I27B, I27C, I27D	5t832.0↔	01	B03A, B03B, B06A, B06B, B07Z, B17A, B17B, B17C
	08	I12A, I12B, I12C, I27A, I27B, I27C, I27D		09	J03A, J03B, J04A, J04B, J08A, J08B, J08C, J11A, J11B, J16Z		08	I08A, I08B, I08C, I08D, I12A, I12B, I12C, I13A, I13B, I27A, I27B, I27C, I27D
	21A	W04A, W04B		10	K09A, K09B		21A	W04A, W04B
5t830.4↔	21B	X06A, X06B, X06C	5t831.3↔	08	I12A, I12B, I12C, I27A, I27B, I27C, I27D	5t832.1↔	21B	X06A, X06B, X06C
		BOP, KVT, UOP4		09	J03A, J03B, J04A, J04B, J08A, J08B, J08C, J11A, J11B, J16Z		01	B03A, B03B, B06A, B06B, B07Z, B17A, B17B, B17C
	01	B03A, B03B, B06A, B06B, B07Z, B17A, B17B, B17C		10	K09A, K09B		08	I08A, I08B, I08C, I08D, I12A, I12B, I12C, I13A, I13B, I27A, I27B, I27C, I27D
5t830.5↔	08	I12A, I12B, I12C, I27A, I27B, I27C, I27D	5t831.4↔	21A	W04A, W04B	5t832.1↔	21A	W04A, W04B
	21A	W04A, W04B		08	I12A, I12B, I12C, I27A, I27B, I27C, I27D		21B	X06A, X06B, X06C
	21B	X06A, X06B, X06C		09	J03A, J03B, J04A, J04B, J08A, J08B, J08C, J11A, J11B, J16Z		21B	X06A, X06B, X06C
5t830.6↔		BOP, KVT, UOP4	5t831.4↔	10	K09A, K09B	5t832.1↔	01	B03A, B03B, B06A, B06B, B07Z, B17A, B17B, B17C
	01	B03A, B03B, B06A, B06B, B07Z, B17A, B17B, B17C		21A	W04A, W04B		08	I08A, I08B, I08C, I08D, I12A, I12B, I12C, I13A, I13B, I27A, I27B, I27C, I27D
	08	I12A, I12B, I12C, I27A, I27B, I27C, I27D		21B	X06A, X06B, X06C		21A	W04A, W04B
5t830.7↔	21A	W04A, W04B	5t831.4↔	08	I12A, I12B, I12C, I27A, I27B, I27C, I27D	5t832.1↔	21B	X06A, X06B, X06C
	21B	X04Z, X06A, X06B, X06C		09	J03A, J03B, J04A, J04B, J08A, J08B, J08C, J11A, J11B, J16Z		01	B03A, B03B, B06A, B06B, B07Z, B17A, B17B, B17C
		BOP, KVT, UOP4		10	K09A, K09B		08	I08A, I08B, I08C, I08D, I12A, I12B, I12C, I13A, I13B, I27A, I27B, I27C, I27D
5t830.8↔	01	B03A, B03B, B06A, B06B, B07Z, B17A, B17B, B17C	5t831.4↔	21A	W04A, W04B	5t832.1↔	21A	W04A, W04B
	08	I12A, I12B, I12C, I27A, I27B, I27C, I27D		21B	X06A, X06B, X06C		21B	X06A, X06B, X06C
	21A	W04A, W04B						
5t830.9↔	21B	X04Z, X06A, X06B, X06C	5t831.4↔			5t832.1↔		
		BOP, KVT, UOP4						
	01	B03A, B03B, B06A, B06B, B07Z, B17A, B17B, B17C						

VYK

ZZV	MDC	DRG	ZZV	MDC	DRG	ZZV	MDC	DRG
5t832.2↔		BOP, KVT, UOP4	5t832.x		BOP, KVT, UOP4	5t833.5↔		BOP, KVT, UOP4
01		B03A, B03B, B06A, B06B, B07Z, B17A, B17B, B17C	01		B03A, B03B, B06A, B06B, B07Z, B17A, B17B, B17C	01		B03A, B03B, B06A, B06B, B07Z, B17A, B17B, B17C
08		I08A, I08B, I08C, I08D, I12A, I12B, I12C, I13A, I13B, I27A, I27B, I27C, I27D	08		I08A, I08B, I08C, I08D, I12A, I12B, I12C, I13A, I13B, I27A, I27B, I27C, I27D	08		I08A, I08B, I08C, I08D, I12A, I12B, I12C, I13A, I13B, I27A, I27B, I27C, I27D
21A		W04A, W04B	21A		W04A, W04B	09		J03A, J03B, J04A, J04B, J08A, J08B, J08C, J11A, J11B, J16Z
21B		X06A, X06B, X06C	21B		X06A, X06B, X06C	21A		W04A, W04B
5t832.3↔		BOP, KVT, UOP4	5t833.0↔		BOP, KVT, UOP4	21B		X06A, X06B, X06C
01		B03A, B03B, B06A, B06B, B07Z, B17A, B17B, B17C	01		B03A, B03B, B06A, B06B, B07Z, B17A, B17B, B17C	5t833.6↔		BOP, KVT, UOP4
08		I08A, I08B, I08C, I08D, I12A, I12B, I12C, I13A, I13B, I27A, I27B, I27C, I27D	08		I08A, I08B, I08C, I08D, I12A, I12B, I12C, I13A, I13B, I27A, I27B, I27C, I27D	01		B03A, B03B, B06A, B06B, B07Z, B17A, B17B, B17C
21A		W04A, W04B	09		J03A, J03B, J04A, J04B, J08A, J08B, J08C, J11A, J11B, J16Z	08		I08A, I08B, I08C, I08D, I12A, I12B, I12C, I13A, I13B, I27A, I27B, I27C, I27D
21B		X05A, X05B, X06A, X06B, X06C	21A		W04A, W04B	09		J03A, J03B, J04A, J04B, J08A, J08B, J08C, J11A, J11B, J16Z
5t832.4↔		BOP, KVT, UOP4	21B		X06A, X06B, X06C	21A		W04A, W04B
01		B03A, B03B, B06A, B06B, B07Z, B17A, B17B, B17C	5t833.1↔		BOP, KVT, UOP4	21B		X06A, X06B, X06C
08		I08A, I08B, I08C, I08D, I12A, I12B, I12C, I13A, I13B, I27A, I27B, I27C, I27D	01		B03A, B03B, B06A, B06B, B07Z, B17A, B17B, B17C	5t833.7↔		BOP, KVT, UOP4
21A		W04A, W04B	08		I08A, I08B, I08C, I08D, I12A, I12B, I12C, I13A, I13B, I27A, I27B, I27C, I27D	01		B03A, B03B, B06A, B06B, B07Z, B17A, B17B, B17C
21B		X06A, X06B, X06C	09		J03A, J03B, J04A, J04B, J08A, J08B, J08C, J11A, J11B, J16Z	08		I08A, I08B, I08C, I08D, I12A, I12B, I12C, I13A, I13B, I27A, I27B, I27C, I27D
5t832.5↔		BOP, KVT, UOP4	5t833.2↔		BOP, KVT, UOP4	09		J03A, J03B, J04A, J04B, J08A, J08B, J08C, J11A, J11B, J16Z
01		B03A, B03B, B06A, B06B, B07Z, B17A, B17B, B17C	01		B03A, B03B, B06A, B06B, B07Z, B17A, B17B, B17C	21A		W04A, W04B
08		I08A, I08B, I08C, I08D, I12A, I12B, I12C, I13A, I13B, I27A, I27B, I27C, I27D	08		I08A, I08B, I08C, I08D, I12A, I12B, I12C, I13A, I13B, I27A, I27B, I27C, I27D	21B		X06A, X06B, X06C
21A		W04A, W04B	09		J03A, J03B, J04A, J04B, J08A, J08B, J08C, J11A, J11B, J16Z	5t833.8↔		BOP, KVT, UOP4
21B		X06A, X06B, X06C	5t833.3↔		BOP, KVT, UOP4	01		B03A, B03B, B06A, B06B, B07Z, B17A, B17B, B17C
5t832.6↔		BOP, KVT, UOP4	01		B03A, B03B, B06A, B06B, B07Z, B17A, B17B, B17C	08		I08A, I08B, I08C, I08D, I12A, I12B, I12C, I13A, I13B, I27A, I27B, I27C, I27D
01		B03A, B03B, B06A, B06B, B07Z, B17A, B17B, B17C	08		I08A, I08B, I08C, I08D, I12A, I12B, I12C, I13A, I13B, I27A, I27B, I27C, I27D	09		J03A, J03B, J04A, J04B, J08A, J08B, J08C, J11A, J11B, J16Z
08		I08A, I08B, I08C, I08D, I12A, I12B, I12C, I13A, I13B, I27A, I27B, I27C, I27D	21A		W04A, W04B	21A		W04A, W04B
21A		W04A, W04B	21B		X06A, X06B, X06C	21B		X04Z, X06A, X06B, X06C
21B		X06A, X06B, X06C	5t833.4↔		BOP, KVT, UOP4	5t833.9↔		BOP, KVT, UOP4
5t832.7↔		BOP, KVT, UOP4	01		B03A, B03B, B06A, B06B, B07Z, B17A, B17B, B17C	01		B03A, B03B, B06A, B06B, B07Z, B17A, B17B, B17C
01		B03A, B03B, B06A, B06B, B07Z, B17A, B17B, B17C	08		I08A, I08B, I08C, I08D, I12A, I12B, I12C, I13A, I13B, I27A, I27B, I27C, I27D	08		I08A, I08B, I08C, I08D, I12A, I12B, I12C, I13A, I13B, I27A, I27B, I27C, I27D
08		I08A, I08B, I08C, I08D, I12A, I12B, I12C, I13A, I13B, I27A, I27B, I27C, I27D	09		J03A, J03B, J04A, J04B, J08A, J08B, J08C, J11A, J11B, J16Z	09		J03A, J03B, J04A, J04B, J08A, J08B, J08C, J11A, J11B, J16Z
21A		W04A, W04B	21A		W04A, W04B	21A		W04A, W04B
21B		X04Z, X06A, X06B, X06C	21B		X05A, X05B, X06A, X06B, X06C	21B		X04Z, X06A, X06B, X06C
5t832.8↔		BOP, KVT, UOP4	5t833.4↔		BOP, KVT, UOP4	5t833.x		BOP, KVT, UOP4
01		B03A, B03B, B06A, B06B, B07Z, B17A, B17B, B17C	01		B03A, B03B, B06A, B06B, B07Z, B17A, B17B, B17C	01		B03A, B03B, B06A, B06B, B07Z, B17A, B17B, B17C
08		I08A, I08B, I08C, I08D, I12A, I12B, I12C, I13A, I13B, I27A, I27B, I27C, I27D	08		I08A, I08B, I08C, I08D, I12A, I12B, I12C, I13A, I13B, I27A, I27B, I27C, I27D	08		I08A, I08B, I08C, I08D, I12A, I12B, I12C, I13A, I13B, I27A, I27B, I27C, I27D
21A		W04A, W04B	09		J03A, J03B, J04A, J04B, J08A, J08B, J08C, J11A, J11B, J16Z	09		J03A, J03B, J04A, J04B, J08A, J08B, J08C, J11A, J11B, J16Z
21B		X04Z, X06A, X06B, X06C	21A		W04A, W04B	21A		W04A, W04B
5t832.9↔		BOP, KVT, UOP4	21B		X06A, X06B, X06C	21B		X06A, X06B, X06C
01		B03A, B03B, B06A, B06B, B07Z, B17A, B17B, B17C	01		B03A, B03B, B06A, B06B, B07Z, B17A, B17B, B17C	01		B03A, B03B, B06A, B06B, B07Z, B17A, B17B, B17C
08		I08A, I08B, I08C, I08D, I12A, I12B, I12C, I13A, I13B, I27A, I27B, I27C, I27D	08		I08A, I08B, I08C, I08D, I12A, I12B, I12C, I13A, I13B, I27A, I27B, I27C, I27D	08		I08A, I08B, I08C, I08D, I12A, I12B, I12C, I13A, I13B, I27A, I27B, I27C, I27D
21A		W04A, W04B	09		J03A, J03B, J04A, J04B, J08A, J08B, J08C, J11A, J11B, J16Z	09		J03A, J03B, J04A, J04B, J08A, J08B, J08C, J11A, J11B, J16Z
21B		X04Z, X06A, X06B, X06C	21A		W04A, W04B	21A		W04A, W04B
			21B		X06A, X06B, X06C	21B		X06A, X06B, X06C





ZZV	MDC	DRG	ZZV	MDC	DRG	ZZV	MDC	DRG
5t835.8↔		BOP, KVT, UOP4	5t836.4↔		BOP, KVT, UOP4	5t837.0↔		BOP, KVT, UOP4
	01	B03A, B03B, B06A, B06B, B07Z, B17A, B17B, B17C		01	B03A, B03B, B06A, B06B, B07Z, B17A, B17B, B17C		01	B03A, B03B, B06A, B06B, B07Z, B17A, B17B, B17C
	08	I08A, I08B, I08C, I08D, I12A, I12B, I12C, I13A, I13B, I27A, I27B, I27C, I27D		08	I08A, I08B, I08C, I08D, I08E, I12A, I12B, I12C, I13A, I13B, I27A, I27B, I27C, I27D		08	I08A, I08B, I08C, I08D, I08E, I12A, I12B, I12C, I13A, I13B, I27A, I27B, I27C, I27D
	10	K09A, K09B		10	K09A, K09B		10	K09A, K09B
	21A	W04A, W04B		21A	W04A, W04B		21A	W04A, W04B
5t835.9↔	21B	X04Z, X06A, X06B, X06C	5t836.5↔	21B	X06A, X06B, X06C	5t837.1↔	21B	X06A, X06B, X06C
		BOP, KVT, UOP4			BOP, KVT, UOP4			BOP, KVT, UOP4
	01	B03A, B03B, B06A, B06B, B07Z, B17A, B17B, B17C		01	B03A, B03B, B06A, B06B, B07Z, B17A, B17B, B17C		01	B03A, B03B, B06A, B06B, B07Z, B17A, B17B, B17C
	08	I08A, I08B, I08C, I08D, I12A, I12B, I12C, I13A, I13B, I27A, I27B, I27C, I27D		08	I08A, I08B, I08C, I08D, I08E, I12A, I12B, I12C, I13A, I13B, I27A, I27B, I27C, I27D		08	I08A, I08B, I08C, I08D, I08E, I12A, I12B, I12C, I13A, I13B, I27A, I27B, I27C, I27D
	10	K09A, K09B		10	K09A, K09B		10	K09A, K09B
5t835.x	21A	W04A, W04B	5t836.6↔	21A	W04A, W04B	5t837.2↔	21A	W04A, W04B
	21B	X04Z, X06A, X06B, X06C		21B	X06A, X06B, X06C		21B	X06A, X06B, X06C
		BOP, KVT, UOP4			BOP, KVT, UOP4			BOP, KVT, UOP4
	01	B03A, B03B, B06A, B06B, B07Z, B17A, B17B, B17C		01	B03A, B03B, B06A, B06B, B07Z, B17A, B17B, B17C		01	B03A, B03B, B06A, B06B, B07Z, B17A, B17B, B17C
	08	I08A, I08B, I08C, I08D, I12A, I12B, I12C, I13A, I13B, I27A, I27B, I27C, I27D		08	I08A, I08B, I08C, I08D, I08E, I12A, I12B, I12C, I13A, I13B, I27A, I27B, I27C, I27D		08	I08A, I08B, I08C, I08D, I08E, I12A, I12B, I12C, I13A, I13B, I27A, I27B, I27C, I27D
5t836.0↔	10	K09A, K09B	5t836.7↔	10	K09A, K09B	5t837.3↔	10	K09A, K09B
	21A	W04A, W04B		21A	W04A, W04B		21A	W04A, W04B
	21B	X06A, X06B, X06C		21B	X04Z, X06A, X06B, X06C		21B	X06A, X06B, X06C
		BOP, KVT, UOP4			BOP, KVT, UOP4			BOP, KVT, UOP4
	01	B03A, B03B, B06A, B06B, B07Z, B17A, B17B, B17C		01	B03A, B03B, B06A, B06B, B07Z, B17A, B17B, B17C		01	B03A, B03B, B06A, B06B, B07Z, B17A, B17B, B17C
5t836.1↔	08	I08A, I08B, I08C, I08D, I08E, I13A, I13B, I27A, I27B, I27C, I27D	5t836.8↔	08	I08A, I08B, I08C, I08D, I08E, I12A, I12B, I12C, I13A, I13B, I27A, I27B, I27C, I27D	5t837.4↔	08	I08A, I08B, I08C, I08D, I08E, I12A, I12B, I12C, I13A, I13B, I27A, I27B, I27C, I27D
	10	K09A, K09B		10	K09A, K09B		10	K09A, K09B
	21A	W04A, W04B		21A	W04A, W04B		21A	W04A, W04B
	21B	X06A, X06B, X06C		21B	X04Z, X06A, X06B, X06C		21B	X05A, X05B, X06A, X06B, X06C
		BOP, KVT, UOP4			BOP, KVT, UOP4			BOP, KVT, UOP4
5t836.2↔	01	B03A, B03B, B06A, B06B, B07Z, B17A, B17B, B17C	5t836.9↔	01	B03A, B03B, B06A, B06B, B07Z, B17A, B17B, B17C	5t837.5↔	01	B03A, B03B, B06A, B06B, B07Z, B17A, B17B, B17C
	08	I08A, I08B, I08C, I08D, I08E, I12A, I12B, I12C, I13A, I13B, I27A, I27B, I27C, I27D		08	I08A, I08B, I08C, I08D, I08E, I12A, I12B, I12C, I13A, I13B, I27A, I27B, I27C, I27D		08	I08A, I08B, I08C, I08D, I08E, I12A, I12B, I12C, I13A, I13B, I27A, I27B, I27C, I27D
	10	K09A, K09B		10	K09A, K09B		10	K09A, K09B
	21A	W04A, W04B		21A	W04A, W04B		21A	W04A, W04B
	21B	X06A, X06B, X06C		21B	X04Z, X06A, X06B, X06C		21B	X06A, X06B, X06C
5t836.3↔		BOP, KVT, UOP4	5t836.x		BOP, KVT, UOP4	5t837.6↔		BOP, KVT, UOP4
	01	B03A, B03B, B06A, B06B, B07Z, B17A, B17B, B17C		01	B03A, B03B, B06A, B06B, B07Z, B17A, B17B, B17C		01	B03A, B03B, B06A, B06B, B07Z, B17A, B17B, B17C
	08	I08A, I08B, I08C, I08D, I08E, I12A, I12B, I12C, I13A, I13B, I27A, I27B, I27C, I27D		08	I08A, I08B, I08C, I08D, I08E, I12A, I12B, I12C, I13A, I13B, I27A, I27B, I27C, I27D		08	I08A, I08B, I08C, I08D, I08E, I12A, I12B, I12C, I13A, I13B, I27A, I27B, I27C, I27D
	10	K09A, K09B		10	K09A, K09B		10	K09A, K09B
	21A	W04A, W04B		21A	W04A, W04B		21A	W04A, W04B
	X05A, X05B, X06A, X06B, X06C		X06A, X06B, X06C		X04Z, X06A, X06B, X06C			

ZZV	MDC	DRG	ZZV	MDC	DRG	ZZV	MDC	DRG
5t837.7↔		BOP, KVT, UOP4	5t838.3↔		BOP, KVT, UOP4	5t838.x		BOP, KVT, UOP4
	01	B03A, B03B, B06A, B06B, B07Z, B17A, B17B, B17C		01	B03A, B03B, B06A, B06B, B07Z, B17A, B17B, B17C		01	B03A, B03B, B06A, B06B, B07Z, B17A, B17B, B17C
	08	I08A, I08B, I08C, I08D, I08E, I12A, I12B, I12C, I13A, I13B, I27A, I27B, I27C, I27D		08	I08A, I08B, I08C, I08D, I08E, I12A, I12B, I12C, I13A, I13B, I27A, I27B, I27C, I27D		08	I08A, I08B, I08C, I08D, I08E, I12A, I12B, I12C, I13A, I13B, I27A, I27B, I27C, I27D
	10	K09A, K09B		10	K09A, K09B		10	K09A, K09B
	21A	W04A, W04B		21A	W04A, W04B		21A	W04A, W04B
5t837.8↔	21B	X04Z, X06A, X06B, X06C	5t838.4↔	21B	X05A, X05B, X06A, X06B, X06C	5t839.0↔	21B	X06A, X06B, X06C
		BOP, KVT, UOP4			BOP, KVT, UOP4			BOP, KVT, UOP4
	01	B03A, B03B, B06A, B06B, B07Z, B17A, B17B, B17C		01	B03A, B03B, B06A, B06B, B07Z, B17A, B17B, B17C		01	B03A, B03B, B06A, B06B, B07Z, B17A, B17B, B17C
	08	I08A, I08B, I08C, I08D, I08E, I12A, I12B, I12C, I13A, I13B, I27A, I27B, I27C, I27D		08	I08A, I08B, I08C, I08D, I08E, I12A, I12B, I12C, I13A, I13B, I27A, I27B, I27C, I27D		08	I12A, I12B, I12C, I27A, I27B, I27C, I27D
	10	K09A, K09B		10	K09A, K09B		09	J03A, J03B, J04A, J04B, J08A, J08B, J08C, J11A, J11B, J16Z
5t837.9↔	21A	W04A, W04B	5t838.5↔	21A	W04A, W04B	5t839.1↔	21A	W04A, W04B
	21B	X04Z, X06A, X06B, X06C		21B	X06A, X06B, X06C		21B	X06A, X06B, X06C
		BOP, KVT, UOP4			BOP, KVT, UOP4			BOP, KVT, UOP4
	01	B03A, B03B, B06A, B06B, B07Z, B17A, B17B, B17C		01	B03A, B03B, B06A, B06B, B07Z, B17A, B17B, B17C		01	B03A, B03B, B06A, B06B, B07Z, B17A, B17B, B17C
	08	I08A, I08B, I08C, I08D, I08E, I12A, I12B, I12C, I13A, I13B, I27A, I27B, I27C, I27D		08	I08A, I08B, I08C, I08D, I08E, I12A, I12B, I12C, I13A, I13B, I27A, I27B, I27C, I27D		08	I12A, I12B, I12C, I27A, I27B, I27C, I27D
5t837.x	10	K09A, K09B	5t838.6↔	10	K09A, K09B	5t839.2↔	09	J03A, J03B, J04A, J04B, J08A, J08B, J08C, J11A, J11B, J16Z
	21A	W04A, W04B		21A	W04A, W04B		21A	W04A, W04B
	21B	X06A, X06B, X06C		21B	X06A, X06B, X06C		21B	X06A, X06B, X06C
		BOP, KVT, UOP4			BOP, KVT, UOP4			BOP, KVT, UOP4
	01	B03A, B03B, B06A, B06B, B07Z, B17A, B17B, B17C		01	B03A, B03B, B06A, B06B, B07Z, B17A, B17B, B17C		01	B03A, B03B, B06A, B06B, B07Z, B17A, B17B, B17C
5t838.0↔	08	I08A, I08B, I08C, I08D, I08E, I12A, I12B, I12C, I13A, I13B, I27A, I27B, I27C, I27D	5t838.7↔	08	I08A, I08B, I08C, I08D, I08E, I12A, I12B, I12C, I13A, I13B, I27A, I27B, I27C, I27D	5t839.3↔	08	I12A, I12B, I12C, I27A, I27B, I27C, I27D
	10	K09A, K09B		10	K09A, K09B		09	J03A, J03B, J04A, J04B, J08A, J08B, J08C, J11A, J11B, J16Z
	21A	W04A, W04B		21A	W04A, W04B		21A	W04A, W04B
	21B	X06A, X06B, X06C		21B	X04Z, X06A, X06B, X06C		21B	X06A, X06B, X06C
		BOP, KVT, UOP4			BOP, KVT, UOP4			BOP, KVT, UOP4
5t838.1↔	01	B03A, B03B, B06A, B06B, B07Z, B17A, B17B, B17C	5t838.8↔	01	B03A, B03B, B06A, B06B, B07Z, B17A, B17B, B17C	5t839.4↔	01	B03A, B03B, B06A, B06B, B07Z, B17A, B17B, B17C
	08	I08A, I08B, I08C, I08D, I08E, I12A, I12B, I12C, I13A, I13B, I27A, I27B, I27C, I27D		08	I08A, I08B, I08C, I08D, I08E, I12A, I12B, I12C, I13A, I13B, I27A, I27B, I27C, I27D		08	I12A, I12B, I12C, I27A, I27B, I27C, I27D
	10	K09A, K09B		10	K09A, K09B		09	J03A, J03B, J04A, J04B, J08A, J08B, J08C, J11A, J11B, J16Z
	21A	W04A, W04B		21A	W04A, W04B		21A	W04A, W04B
	21B	X06A, X06B, X06C		21B	X04Z, X06A, X06B, X06C		21B	X05A, X05B, X06A, X06B, X06C
5t838.2↔		BOP, KVT, UOP4	5t838.9↔		BOP, KVT, UOP4	5t839.5↔		BOP, KVT, UOP4
	01	B03A, B03B, B06A, B06B, B07Z, B17A, B17B, B17C		01	B03A, B03B, B06A, B06B, B07Z, B17A, B17B, B17C		01	B03A, B03B, B06A, B06B, B07Z, B17A, B17B, B17C
	08	I08A, I08B, I08C, I08D, I08E, I12A, I12B, I12C, I13A, I13B, I27A, I27B, I27C, I27D		08	I08A, I08B, I08C, I08D, I08E, I12A, I12B, I12C, I13A, I13B, I27A, I27B, I27C, I27D		08	I12A, I12B, I12C, I27A, I27B, I27C, I27D
	10	K09A, K09B		10	K09A, K09B		09	J03A, J03B, J04A, J04B, J08A, J08B, J08C, J11A, J11B, J16Z
	21A	W04A, W04B		21A	W04A, W04B		21A	W04A, W04B
	X06A, X06B, X06C	21B	X04Z, X06A, X06B, X06C	21B	X06A, X06B, X06C			

VYK



ZZV	MDC	DRG	ZZV	MDC	DRG	ZZV	MDC	DRG
5t840.a↔		BOP, KVT, UOP4	5t841.4↔		BOP, KVT, UOP4	5t841.b↔		BOP, KVT, UOP4
	01	B03A, B03B, B06A, B06B, B07Z, B17A, B17B, B17C		01	B03A, B03B, B06A, B06B, B07Z, B17A, B17B, B17C		01	B03A, B03B, B06A, B06B, B07Z, B17A, B17B, B17C
	08	I08A, I08B, I08C, I08D, I12A, I12B, I12C, I13A, I13B, I20D, I27A, I27B, I27C, I27D		08	I08A, I08B, I08C, I08D, I12A, I12B, I12C, I13A, I13B, I27A, I27B, I27C, I27D		08	I08A, I08B, I08C, I08D, I12A, I12B, I12C, I13A, I13B, I20D, I27A, I27B, I27C, I27D
	21A	W04A, W04B		09	J03A, J03B, J04A, J04B, J08A, J08B, J08C, J11A, J11B, J16Z		09	J03A, J03B, J04A, J04B, J08A, J08B, J08C, J11A, J11B, J16Z
5t840.b↔	21B	X04Z, X06A, X06B, X06C	5t841.5↔	21A	W04A, W04B	5t841.x	21A	W04A, W04B
		BOP, KVT, UOP4		21B	X06A, X06B, X06C		21B	X04Z, X06A, X06B, X06C
	01	B03A, B03B, B06A, B06B, B07Z, B17A, B17B, B17C		01	B03A, B03B, B06A, B06B, B07Z, B17A, B17B, B17C		01	B03A, B03B, B06A, B06B, B07Z, B17A, B17B, B17C
	08	I08A, I08B, I08C, I08D, I12A, I12B, I12C, I13A, I13B, I20D, I27A, I27B, I27C, I27D		08	I08A, I08B, I08C, I08D, I12A, I12B, I12C, I13A, I13B, I27A, I27B, I27C, I27D		08	I08A, I08B, I08C, I08D, I12A, I12B, I12C, I13A, I13B, I27A, I27B, I27C, I27D
5t840.x	21A	W04A, W04B	5t841.6↔	21A	W04A, W04B	5t842.0↔	21A	W04A, W04B
	21B	X04Z, X06A, X06B, X06C		21B	X06A, X06B, X06C		21B	X06A, X06B, X06C
		BOP, KVT, UOP4		01	B03A, B03B, B06A, B06B, B07Z, B17A, B17B, B17C		01	B03A, B03B, B06A, B06B, B07Z, B17A, B17B, B17C
	01	B03A, B03B, B06A, B06B, B07Z, B17A, B17B, B17C		08	I08A, I08B, I08C, I08D, I12A, I12B, I12C, I13A, I13B, I27A, I27B, I27C, I27D		08	I08A, I08B, I08C, I08D, I12A, I12B, I12C, I13A, I13B, I27A, I27B, I27C, I27D
5t841.0↔	08	I08A, I08B, I08C, I08D, I12A, I12B, I12C, I13A, I13B, I27A, I27B, I27C, I27D	5t841.7↔	09	J03A, J03B, J04A, J04B, J08A, J08B, J08C, J11A, J11B, J16Z	5t842.1↔	21A	W04A, W04B
	21A	W04A, W04B		21A	W04A, W04B		21B	X06A, X06B, X06C
	21B	X06A, X06B, X06C		21B	X04Z, X06A, X06B, X06C		01	B03A, B03B, B06A, B06B, B07Z, B17A, B17B, B17C
		BOP, KVT, UOP4		01	B03A, B03B, B06A, B06B, B07Z, B17A, B17B, B17C		08	I08A, I08B, I08C, I08D, I12A, I12B, I12C, I13A, I13B, I27A, I27B, I27C, I27D
5t841.1↔	01	B03A, B03B, B06A, B06B, B07Z, B17A, B17B, B17C	5t841.8↔	08	I08A, I08B, I08C, I08D, I12A, I12B, I12C, I13A, I13B, I27A, I27B, I27C, I27D	5t842.2↔	21A	W04A, W04B
	08	I08A, I08B, I08C, I08D, I12A, I12B, I12C, I13A, I13B, I27A, I27B, I27C, I27D		09	J03A, J03B, J04A, J04B, J08A, J08B, J08C, J11A, J11B, J16Z		01	B03A, B03B, B06A, B06B, B07Z, B17A, B17B, B17C
	09	J03A, J03B, J04A, J04B, J08A, J08B, J08C, J11A, J11B, J16Z		21A	W04A, W04B		08	I08A, I08B, I08C, I08D, I12A, I12B, I12C, I13A, I13B, I27A, I27B, I27C, I27D
	21A	W04A, W04B		21B	X04Z, X06A, X06B, X06C		21A	W04A, W04B
5t841.2↔	21B	X06A, X06B, X06C	5t841.a↔		BOP, KVT, UOP4	5t842.3↔	21B	X06A, X06B, X06C
		BOP, KVT, UOP4		01	B03A, B03B, B06A, B06B, B07Z, B17A, B17B, B17C		01	B03A, B03B, B06A, B06B, B07Z, B17A, B17B, B17C
	01	B03A, B03B, B06A, B06B, B07Z, B17A, B17B, B17C		08	I08A, I08B, I08C, I08D, I12A, I12B, I12C, I13A, I13B, I27A, I27B, I27C, I27D		08	I08A, I08B, I08C, I08D, I12A, I12B, I12C, I13A, I13B, I27A, I27B, I27C, I27D
	08	I08A, I08B, I08C, I08D, I12A, I12B, I12C, I13A, I13B, I27A, I27B, I27C, I27D		09	J03A, J03B, J04A, J04B, J08A, J08B, J08C, J11A, J11B, J16Z		21A	W04A, W04B
5t841.3↔	09	J03A, J03B, J04A, J04B, J08A, J08B, J08C, J11A, J11B, J16Z	5t842.4↔	21A	W04A, W04B	5t842.6↔	21B	X05A, X05B, X06A, X06B, X06C
	21A	W04A, W04B		01	B03A, B03B, B06A, B06B, B07Z, B17A, B17B, B17C		01	B03A, B03B, B06A, B06B, B07Z, B17A, B17B, B17C
	21B	X06A, X06B, X06C		08	I08A, I08B, I08C, I08D, I12A, I12B, I12C, I13A, I13B, I20D, I27A, I27B, I27C, I27D		08	I08A, I08B, I08C, I08D, I12A, I12B, I12C, I13A, I13B, I27A, I27B, I27C, I27D
		BOP, KVT, UOP4		09	J03A, J03B, J04A, J04B, J08A, J08B, J08C, J11A, J11B, J16Z		21A	W04A, W04B
5t841.3↔	01	B03A, B03B, B06A, B06B, B07Z, B17A, B17B, B17C	5t842.5↔	21A	W04A, W04B	5t842.6↔	21B	X06A, X06B, X06C
	08	I08A, I08B, I08C, I08D, I12A, I12B, I12C, I13A, I13B, I27A, I27B, I27C, I27D		01	B03A, B03B, B06A, B06B, B07Z, B17A, B17B, B17C		01	B03A, B03B, B06A, B06B, B07Z, B17A, B17B, B17C
	09	J03A, J03B, J04A, J04B, J08A, J08B, J08C, J11A, J11B, J16Z		08	I08A, I08B, I08C, I08D, I12A, I12B, I12C, I13A, I13B, I20D, I27A, I27B, I27C, I27D		08	I08A, I08B, I08C, I08D, I12A, I12B, I12C, I13A, I13B, I27A, I27B, I27C, I27D
	21A	W04A, W04B		21A	W04A, W04B		21A	W04A, W04B
	BOP, KVT, UOP4	21B	X04Z, X06A, X06B, X06C	21B	X04Z, X06A, X06B, X06C	21B	X04Z, X06A, X06B, X06C	

VYK

ZZV	MDC	DRG	ZZV	MDC	DRG	ZZV	MDC	DRG
5t842.7↔		BOP, KVT, UOP4	5t843.2↔		BOP, KVT, UOP4	5t843.8↔		BOP, KVT, UOP4
	01	B03A, B03B, B06A, B06B, B07Z, B17A, B17B, B17C		01	B03A, B03B, B06A, B06B, B07Z, B17A, B17B, B17C		01	B03A, B03B, B06A, B06B, B07Z, B17A, B17B, B17C
	08	I08A, I08B, I08C, I08D, I12A, I12B, I12C, I13A, I13B, I27A, I27B, I27C, I27D		08	I08A, I08B, I08C, I08D, I12A, I12B, I12C, I13A, I13B, I27A, I27B, I27C, I27D		08	I08A, I08B, I08C, I08D, I12A, I12B, I12C, I13A, I13B, I27A, I27B, I27C, I27D
	21A	W04A, W04B		09	J03A, J03B, J04A, J04B, J08A, J08B, J08C, J11A, J11B, J16Z		09	J03A, J03B, J04A, J04B, J08A, J08B, J08C, J11A, J11B, J16Z
	21B	X04Z, X06A, X06B, X06C					21A	W04A, W04B
5t842.8↔		BOP, KVT, UOP4	5t843.3↔		BOP, KVT, UOP4	5t843.a↔		BOP, KVT, UOP4
	01	B03A, B03B, B06A, B06B, B07Z, B17A, B17B, B17C		21A	W04A, W04B		21A	W04A, W04B
	08	I08A, I08B, I08C, I08D, I12A, I12B, I12C, I13A, I13B, I27A, I27B, I27C, I27D		21B	X06A, X06B, X06C		21B	X04Z, X06A, X06B, X06C
	21A	W04A, W04B						
	21B	X04Z, X06A, X06B, X06C						
5t842.a↔		BOP, KVT, UOP4	5t843.4↔		BOP, KVT, UOP4	5t843.b↔		BOP, KVT, UOP4
	01	B03A, B03B, B06A, B06B, B07Z, B17A, B17B, B17C		01	B03A, B03B, B06A, B06B, B07Z, B17A, B17B, B17C		01	B03A, B03B, B06A, B06B, B07Z, B17A, B17B, B17C
	08	I08A, I08B, I08C, I08D, I12A, I12B, I12C, I13A, I13B, I20D, I27A, I27B, I27C, I27D		08	I08A, I08B, I08C, I08D, I12A, I12B, I12C, I13A, I13B, I27A, I27B, I27C, I27D		08	I08A, I08B, I08C, I08D, I12A, I12B, I12C, I13A, I13B, I20D, I27A, I27B, I27C, I27D
	21A	W04A, W04B		09	J03A, J03B, J04A, J04B, J08A, J08B, J08C, J11A, J11B, J16Z		09	J03A, J03B, J04A, J04B, J08A, J08B, J08C, J11A, J11B, J16Z
	21B	X04Z, X06A, X06B, X06C		21A	W04A, W04B		21A	W04A, W04B
5t842.b↔		BOP, KVT, UOP4	5t843.5↔		BOP, KVT, UOP4	5t843.x		BOP, KVT, UOP4
	01	B03A, B03B, B06A, B06B, B07Z, B17A, B17B, B17C		01	B03A, B03B, B06A, B06B, B07Z, B17A, B17B, B17C		01	B03A, B03B, B06A, B06B, B07Z, B17A, B17B, B17C
	08	I08A, I08B, I08C, I08D, I12A, I12B, I12C, I13A, I13B, I20D, I27A, I27B, I27C, I27D		08	I08A, I08B, I08C, I08D, I12A, I12B, I12C, I13A, I13B, I27A, I27B, I27C, I27D		08	I08A, I08B, I08C, I08D, I12A, I12B, I12C, I13A, I13B, I27A, I27B, I27C, I27D
	21A	W04A, W04B		09	J03A, J03B, J04A, J04B, J08A, J08B, J08C, J11A, J11B, J16Z		09	J03A, J03B, J04A, J04B, J08A, J08B, J08C, J11A, J11B, J16Z
	21B	X04Z, X06A, X06B, X06C		21A	W04A, W04B		21A	W04A, W04B
5t842.x		BOP, KVT, UOP4	5t843.6↔		BOP, KVT, UOP4	5t844.0↔		BOP, KVT, UOP4
	01	B03A, B03B, B06A, B06B, B07Z, B17A, B17B, B17C		01	B03A, B03B, B06A, B06B, B07Z, B17A, B17B, B17C		01	B03A, B03B, B06A, B06B, B07Z, B17A, B17B, B17C
	08	I08A, I08B, I08C, I08D, I12A, I12B, I12C, I13A, I13B, I27A, I27B, I27C, I27D		08	I08A, I08B, I08C, I08D, I12A, I12B, I12C, I13A, I13B, I27A, I27B, I27C, I27D		08	I08A, I08B, I08C, I08D, I12A, I12B, I12C, I13A, I13B, I27A, I27B, I27C, I27D
	21A	W04A, W04B		09	J03A, J03B, J04A, J04B, J08A, J08B, J08C, J11A, J11B, J16Z		09	J03A, J03B, J04A, J04B, J08A, J08B, J08C, J11A, J11B, J16Z
	21B	X06A, X06B, X06C		21A	W04A, W04B		21A	W04A, W04B
5t843.0↔		BOP, KVT, UOP4	5t843.7↔		BOP, KVT, UOP4	5t844.1↔		BOP, KVT, UOP4
	01	B03A, B03B, B06A, B06B, B07Z, B17A, B17B, B17C		01	B03A, B03B, B06A, B06B, B07Z, B17A, B17B, B17C		01	B03A, B03B, B06A, B06B, B07Z, B17A, B17B, B17C
	08	I08A, I08B, I08C, I08D, I12A, I12B, I12C, I13A, I13B, I27A, I27B, I27C, I27D		08	I08A, I08B, I08C, I08D, I12A, I12B, I12C, I13A, I13B, I27A, I27B, I27C, I27D		08	I08A, I08B, I08C, I08D, I12A, I12B, I12C, I13A, I13B, I27A, I27B, I27C, I27D
	09	J03A, J03B, J04A, J04B, J08A, J08B, J08C, J11A, J11B, J16Z		09	J03A, J03B, J04A, J04B, J08A, J08B, J08C, J11A, J11B, J16Z		09	J03A, J03B, J04A, J04B, J08A, J08B, J08C, J11A, J11B, J16Z
	21A	W04A, W04B		21A	W04A, W04B		21A	W04A, W04B
5t843.1↔		BOP, KVT, UOP4			21B	X06A, X06B, X06C		
	01	B03A, B03B, B06A, B06B, B07Z, B17A, B17B, B17C						
	08	I08A, I08B, I08C, I08D, I12A, I12B, I12C, I13A, I13B, I27A, I27B, I27C, I27D						
	09	J03A, J03B, J04A, J04B, J08A, J08B, J08C, J11A, J11B, J16Z						
	21A	W04A, W04B						
21B	X06A, X06B, X06C							

VYK

ZZV	MDC	DRG	ZZV	MDC	DRG	ZZV	MDC	DRG
5t844.2↔		BOP, KVT, UOP4	5t844.8↔		BOP, KVT, UOP4	5t845.2↔		BOP, KVT, UOP4
	01	B03A, B03B, B06A, B06B, B07Z, B17A, B17B, B17C		01	B03A, B03B, B06A, B06B, B07Z, B17A, B17B, B17C		01	B03A, B03B, B06A, B06B, B07Z, B17A, B17B, B17C
	08	I08A, I08B, I08C, I08D, I12A, I12B, I12C, I13A, I13B, I27A, I27B, I27C, I27D		08	I08A, I08B, I08C, I08D, I12A, I12B, I12C, I13A, I13B, I27A, I27B, I27C, I27D		08	I08A, I08B, I08C, I08D, I12A, I12B, I12C, I13A, I13B, I27A, I27B, I27C, I27D
	09	J03A, J03B, J04A, J04B, J08A, J08B, J08C, J11A, J11B, J16Z		09	J03A, J03B, J04A, J04B, J08A, J08B, J08C, J11A, J11B, J16Z		09	J03A, J03B, J04A, J04B, J08A, J08B, J08C, J11A, J11B, J16Z
	21A	W04A, W04B		21A	W04A, W04B		21A	W04A, W04B
5t844.3↔	21B	X06A, X06B, X06C	5t844.a↔	21B	X04Z, X06A, X06B, X06C	5t845.3↔	21B	X06A, X06B, X06C
		BOP, KVT, UOP4			BOP, KVT, UOP4			BOP, KVT, UOP4
	01	B03A, B03B, B06A, B06B, B07Z, B17A, B17B, B17C		01	B03A, B03B, B06A, B06B, B07Z, B17A, B17B, B17C		01	B03A, B03B, B06A, B06B, B07Z, B17A, B17B, B17C
	08	I08A, I08B, I08C, I08D, I12A, I12B, I12C, I13A, I13B, I27A, I27B, I27C, I27D		08	I08A, I08B, I08C, I08D, I12A, I12B, I12C, I13A, I13B, I20D, I27A, I27B, I27C, I27D		08	I08A, I08B, I08C, I08D, I12A, I12B, I12C, I13A, I13B, I27A, I27B, I27C, I27D
	09	J03A, J03B, J04A, J04B, J08A, J08B, J08C, J11A, J11B, J16Z		09	J03A, J03B, J04A, J04B, J08A, J08B, J08C, J11A, J11B, J16Z		09	J03A, J03B, J04A, J04B, J08A, J08B, J08C, J11A, J11B, J16Z
5t844.4↔	21A	W04A, W04B	5t844.b↔	21A	W04A, W04B	5t845.4↔	21A	W04A, W04B
	21B	X05A, X05B, X06A, X06B, X06C		21B	X04Z, X06A, X06B, X06C		21B	X05A, X05B, X06A, X06B, X06C
		BOP, KVT, UOP4			BOP, KVT, UOP4			BOP, KVT, UOP4
	01	B03A, B03B, B06A, B06B, B07Z, B17A, B17B, B17C		01	B03A, B03B, B06A, B06B, B07Z, B17A, B17B, B17C		01	B03A, B03B, B06A, B06B, B07Z, B17A, B17B, B17C
	08	I08A, I08B, I08C, I08D, I12A, I12B, I12C, I13A, I13B, I27A, I27B, I27C, I27D		08	I08A, I08B, I08C, I08D, I12A, I12B, I12C, I13A, I13B, I20D, I27A, I27B, I27C, I27D		08	I08A, I08B, I08C, I08D, I12A, I12B, I12C, I13A, I13B, I27A, I27B, I27C, I27D
5t844.5↔	09	J03A, J03B, J04A, J04B, J08A, J08B, J08C, J11A, J11B, J16Z	5t844.x	09	J03A, J03B, J04A, J04B, J08A, J08B, J08C, J11A, J11B, J16Z	5t845.5↔	09	J03A, J03B, J04A, J04B, J08A, J08B, J08C, J11A, J11B, J16Z
	21A	W04A, W04B		21A	W04A, W04B		21A	W04A, W04B
	21B	X06A, X06B, X06C		21B	X04Z, X06A, X06B, X06C		21B	X06A, X06B, X06C
		BOP, KVT, UOP4			BOP, KVT, UOP4			BOP, KVT, UOP4
	01	B03A, B03B, B06A, B06B, B07Z, B17A, B17B, B17C		01	B03A, B03B, B06A, B06B, B07Z, B17A, B17B, B17C		01	B03A, B03B, B06A, B06B, B07Z, B17A, B17B, B17C
5t844.6↔	08	I08A, I08B, I08C, I08D, I12A, I12B, I12C, I13A, I13B, I27A, I27B, I27C, I27D	5t845.0↔	08	I08A, I08B, I08C, I08D, I12A, I12B, I12C, I13A, I13B, I27A, I27B, I27C, I27D	5t845.6↔	08	I08A, I08B, I08C, I08D, I12A, I12B, I12C, I13A, I13B, I27A, I27B, I27C, I27D
	09	J03A, J03B, J04A, J04B, J08A, J08B, J08C, J11A, J11B, J16Z		09	J03A, J03B, J04A, J04B, J08A, J08B, J08C, J11A, J11B, J16Z		09	J03A, J03B, J04A, J04B, J08A, J08B, J08C, J11A, J11B, J16Z
	21A	W04A, W04B		21A	W04A, W04B		21A	W04A, W04B
	21B	X04Z, X06A, X06B, X06C		21B	X06A, X06B, X06C		21B	X06A, X06B, X06C
		BOP, KVT, UOP4			BOP, KVT, UOP4			BOP, KVT, UOP4
5t844.7↔	01	B03A, B03B, B06A, B06B, B07Z, B17A, B17B, B17C	5t845.1↔	01	B03A, B03B, B06A, B06B, B07Z, B17A, B17B, B17C	5t845.7↔	01	B03A, B03B, B06A, B06B, B07Z, B17A, B17B, B17C
	08	I08A, I08B, I08C, I08D, I12A, I12B, I12C, I13A, I13B, I27A, I27B, I27C, I27D		08	I08A, I08B, I08C, I08D, I12A, I12B, I12C, I13A, I13B, I27A, I27B, I27C, I27D		08	I08A, I08B, I08C, I08D, I12A, I12B, I12C, I13A, I13B, I27A, I27B, I27C, I27D
	09	J03A, J03B, J04A, J04B, J08A, J08B, J08C, J11A, J11B, J16Z		09	J03A, J03B, J04A, J04B, J08A, J08B, J08C, J11A, J11B, J16Z		09	J03A, J03B, J04A, J04B, J08A, J08B, J08C, J11A, J11B, J16Z
	21A	W04A, W04B		21A	W04A, W04B		21A	W04A, W04B
	21B	X04Z, X06A, X06B, X06C		21B	X06A, X06B, X06C		21B	X04Z, X06A, X06B, X06C









ZZV	MDC	DRG	ZZV	MDC	DRG	ZZV	MDC	DRG
5t850.6↔		BOP, KVT, UOP4	5t851.6↔	08	I12A, I12B, I12C, I27A, I27B, I27C, I27D	5t852.8↔	08	I12A, I12B, I12C, I27A, I27B, I27C, I27D
	01	B03A, B03B, B06A, B06B, B07Z, B17A, B17B, B17C		21A	W04A, W04B		21A	W04A, W04B
	08	I12A, I12B, I12C, I27A, I27B, I27C, I27D		21B	X04Z, X06A, X06B, X06C		21B	X04Z, X06A, X06B, X06C
	21A	W04A, W04B						
5t850.7↔	21B	X05A, X05B, X06A, X06B, X06C	5t851.7↔	08	I12A, I12B, I12C, I27A, I27B, I27C, I27D	5t852.9↔	08	I12A, I12B, I12C, I20D, I27A, I27B, I27C, I27D
				21A	W04A, W04B		21A	W04A, W04B
	01	B03A, B03B, B06A, B06B, B07Z, B17A, B17B, B17C		21B	X04Z, X06A, X06B, X06C		21B	X04Z, X06A, X06B, X06C
	08	I12A, I12B, I12C, I27A, I27B, I27C, I27D						
5t850.8↔	21A	W04A, W04B	5t851.8↔	08	I12A, I12B, I12C, I27A, I27B, I27C, I27D	5t852.x	08	I12A, I12B, I12C, I27A, I27B, I27C, I27D
	21B	X04Z, X06A, X06B, X06C		21A	W04A, W04B		21A	W04A, W04B
				21B	X04Z, X06A, X06B, X06C		21B	X06A, X06B, X06C
	01	B03A, B03B, B06A, B06B, B07Z, B17A, B17B, B17C						
5t850.9↔	08	I12A, I12B, I12C, I27A, I27B, I27C, I27D	5t851.9↔	08	I12A, I12B, I12C, I20D, I27A, I27B, I27C, I27D	5t853.0↔	08	I12A, I12B, I12C, I27A, I27B, I27C, I27D
	21A	W04A, W04B		21A	W04A, W04B		21A	W04A, W04B
	21B	X04Z, X06A, X06B, X06C		21B	X04Z, X06A, X06B, X06C		21B	X06A, X06B, X06C
5t850.x		BOP, KVT, UOP4	5t851.x	08	I12A, I12B, I12C, I27A, I27B, I27C, I27D	5t853.1↔	08	I12A, I12B, I12C, I27A, I27B, I27C, I27D
	01	B03A, B03B, B06A, B06B, B07Z, B17A, B17B, B17C		21A	W04A, W04B		21A	W04A, W04B
	08	I12A, I12B, I12C, I27A, I27B, I27C, I27D		21B	X06A, X06B, X06C		21B	X06A, X06B, X06C
	21A	W04A, W04B						
5t851.0↔	21B	X04Z, X06A, X06B, X06C	5t852.0↔	08	I12A, I12B, I12C, I27A, I27B, I27C, I27D	5t853.2↔	08	I12A, I12B, I12C, I27A, I27B, I27C, I27D
				21A	W04A, W04B		21A	W04A, W04B
	01	B03A, B03B, B06A, B06B, B07Z, B17A, B17B, B17C		21B	X06A, X06B, X06C		21B	X06A, X06B, X06C
	08	I12A, I12B, I12C, I27A, I27B, I27C, I27D						
5t851.1↔	21A	W04A, W04B	5t852.1↔	08	I12A, I12B, I12C, I27A, I27B, I27C, I27D	5t853.3↔	08	I12A, I12B, I12C, I27A, I27B, I27C, I27D
	21B	X06A, X06B, X06C		21A	W04A, W04B		21A	W04A, W04B
				21B	X06A, X06B, X06C		21B	X06A, X06B, X06C
	01	B03A, B03B, B06A, B06B, B07Z, B17A, B17B, B17C						
5t851.2↔	08	I12A, I12B, I12C, I27A, I27B, I27C, I27D	5t852.2↔	08	I12A, I12B, I12C, I27A, I27B, I27C, I27D	5t853.4↔	08	I12A, I12B, I12C, I27A, I27B, I27C, I27D
	21A	W04A, W04B		21A	W04A, W04B		21A	W04A, W04B
	21B	X06A, X06B, X06C		21B	X05A, X05B, X06A, X06B, X06C		21B	X06A, X06B, X06C
5t851.3↔		BOP, KVT, UOP4	5t852.3↔	08	I12A, I12B, I12C, I27A, I27B, I27C, I27D	5t853.5↔	08	I12A, I12B, I12C, I27A, I27B, I27C, I27D
	08	I12A, I12B, I12C, I27A, I27B, I27C, I27D		21A	W04A, W04B		21A	W04A, W04B
	21A	W04A, W04B		21B	X05A, X05B, X06A, X06B, X06C		21B	X06A, X06B, X06C
	21B	X06A, X06B, X06C						
5t851.4↔		BOP, KVT, UOP4	5t852.4↔	08	I12A, I12B, I12C, I27A, I27B, I27C, I27D	5t853.6↔	08	I12A, I12B, I12C, I27A, I27B, I27C, I27D
	08	I12A, I12B, I12C, I27A, I27B, I27C, I27D		21A	W04A, W04B		21A	W04A, W04B
	21A	W04A, W04B		21B	X05A, X05B, X06A, X06B, X06C		21B	X06A, X06B, X06C
	21B	X06A, X06B, X06C						
5t851.5↔		BOP, KVT, UOP4	5t852.5↔	08	I12A, I12B, I12C, I27A, I27B, I27C, I27D	5t853.7↔	08	I12A, I12B, I12C, I27A, I27B, I27C, I27D
	08	I12A, I12B, I12C, I27A, I27B, I27C, I27D		21A	W04A, W04B		21A	W04A, W04B
	21A	W04A, W04B		21B	X06A, X06B, X06C		21B	X04Z, X06A, X06B, X06C
	21B	X06A, X06B, X06C						
5t851.6↔		BOP, KVT, UOP4	5t852.6↔	08	I12A, I12B, I12C, I27A, I27B, I27C, I27D	5t853.8↔	08	I12A, I12B, I12C, I27A, I27B, I27C, I27D
	08	I12A, I12B, I12C, I27A, I27B, I27C, I27D		21A	W04A, W04B		21A	W04A, W04B
	21A	W04A, W04B		21B	X04Z, X06A, X06B, X06C		21B	X04Z, X06A, X06B, X06C
	21B	X06A, X06B, X06C						
5t851.7↔		BOP, KVT, UOP4	5t852.7↔	08	I12A, I12B, I12C, I27A, I27B, I27C, I27D	5t853.9↔	08	I12A, I12B, I12C, I27A, I27B, I27C, I27D
	08	I12A, I12B, I12C, I27A, I27B, I27C, I27D		21A	W04A, W04B		21A	W04A, W04B
	21A	W04A, W04B		21B	X04Z, X06A, X06B, X06C		21B	X04Z, X06A, X06B, X06C
	21B	X06A, X06B, X06C						

ZZV	MDC	DRG	ZZV	MDC	DRG	ZZV	MDC	DRG
5t853.x		BOP, KVT, UOP4	5t855.2↔		BOP, KVT, UOP4	5t856.6↔		BOP, KVT, UOP4
	08	I12A, I12B, I12C, I27A, I27B, I27C, I27D		08	I27A, I27B, I27C, I27D		08	I27A, I27B, I27C, I27D
	21A	W04A, W04B		21A	W04A, W04B		21A	W04A, W04B
	21B	X06A, X06B, X06C	5t855.3↔		BOP, KVT, UOP4	5t856.7↔		BOP, KVT, UOP4
5t854.0↔		BOP, KVT, UOP4		08	I32A, I32B, I32C, I32D, I32E, I32F		08	I27A, I27B, I27C, I27D
	08	I12A, I12B, I12C, I27A, I27B, I27C, I27D		09	J03A, J03B, J04A, J04B, J08A, J08B, J08C, J11A, J11B, J16Z		21A	W04A, W04B
	21A	W04A, W04B				5t856.8↔		BOP, KVT, UOP4
	21B	X06A, X06B, X06C		21A	W04A, W04B		08	I27A, I27B, I27C, I27D
5t854.1↔		BOP, KVT, UOP4		21B	X05A, X05B		21A	W04A, W04B
	08	I12A, I12B, I12C, I27A, I27B, I27C, I27D	5t855.4↔		BOP, KVT, UOP4	5t856.9↔		BOP, KVT, UOP4
	21A	W04A, W04B		08	I27A, I27B, I27C, I27D		08	I20D, I27A, I27B, I27C, I27D
	21B	X06A, X06B, X06C		21A	W04A, W04B		21A	W04A, W04B
5t854.2↔		BOP, KVT, UOP4		21B	X06A, X06B, X06C		21B	X04Z
	08	I12A, I12B, I12C, I27A, I27B, I27C, I27D	5t855.5↔		BOP, KVT, UOP4	5t856.x		BOP, KVT, UOP4
	21A	W04A, W04B		08	I27A, I27B, I27C, I27D		08	I27A, I27B, I27C, I27D
	21B	X06A, X06B, X06C		21A	W04A, W04B		21A	W04A, W04B
5t854.3↔		BOP, KVT, UOP4		21B	X06A, X06B, X06C	5t857.0↔		BOP, KVT, UOP4
	08	I12A, I12B, I12C, I27A, I27B, I27C, I27D	5t855.6↔		BOP, KVT, UOP4		01	B03A, B03B, B06A, B06B, B07Z, B17A, B17B, B17C
	21A	W04A, W04B		08	I27A, I27B, I27C, I27D		08	I12A, I12B, I12C, I27A, I27B, I27C, I27D
	21B	X05A, X05B, X06A, X06B, X06C		21A	W04A, W04B		09	J03A, J03B, J04A, J04B, J08A, J08B, J08C, J11A, J11B, J16Z
5t854.4↔		BOP, KVT, UOP4		21B	X04Z, X06A, X06B, X06C		21A	W04A, W04B
	08	I12A, I12B, I12C, I27A, I27B, I27C, I27D	5t855.7↔		BOP, KVT, UOP4	5t857.1↔		BOP, KVT, UOP4
	21A	W04A, W04B		08	I27A, I27B, I27C, I27D		01	B03A, B03B, B06A, B06B, B07Z, B17A, B17B, B17C
	21B	X06A, X06B, X06C		21A	W04A, W04B		08	I12A, I12B, I12C, I27A, I27B, I27C, I27D
5t854.5↔		BOP, KVT, UOP4		21B	X04Z		09	J03A, J03B, J04A, J04B, J08A, J08B, J08C, J11A, J11B, J16Z
	08	I12A, I12B, I12C, I27A, I27B, I27C, I27D	5t855.8↔		BOP, KVT, UOP4		21A	W04A, W04B
	21A	W04A, W04B		08	I27A, I27B, I27C, I27D		21B	X06A, X06B, X06C
	21B	X06A, X06B, X06C		21A	W04A, W04B			BOP, KVT, UOP4
5t854.6↔		BOP, KVT, UOP4		21B	X04Z		01	B03A, B03B, B06A, B06B, B07Z, B17A, B17B, B17C
	08	I12A, I12B, I12C, I27A, I27B, I27C, I27D	5t855.9↔		BOP, KVT, UOP4		08	I12A, I12B, I12C, I27A, I27B, I27C, I27D
	21A	W04A, W04B		08	I20D, I27A, I27B, I27C, I27D		09	J03A, J03B, J04A, J04B, J08A, J08B, J08C, J11A, J11B, J16Z
	21B	X06A, X06B, X06C		21A	W04A, W04B		21A	W04A, W04B
5t854.7↔		BOP, KVT, UOP4		21B	X04Z	5t857.2↔		BOP, KVT, UOP4
	08	I12A, I12B, I12C, I27A, I27B, I27C, I27D	5t855.x		BOP, KVT, UOP4		01	B03A, B03B, B06A, B06B, B07Z, B17A, B17B, B17C
	21A	W04A, W04B		08	I27A, I27B, I27C, I27D		08	I12A, I12B, I12C, I27A, I27B, I27C, I27D
	21B	X04Z, X06A, X06B, X06C		21A	W04A, W04B		09	J03A, J03B, J04A, J04B, J08A, J08B, J08C, J11A, J11B, J16Z
5t854.8↔		BOP, KVT, UOP4		21B	X06A, X06B, X06C		21A	W04A, W04B
	08	I12A, I12B, I12C, I27A, I27B, I27C, I27D	5t856.0↔		BOP, KVT, UOP4	5t857.3↔		BOP, KVT, UOP4
	21A	W04A, W04B		08	I27A, I27B, I27C, I27D		01	B03A, B03B, B06A, B06B, B07Z, B17A, B17B, B17C
	21B	X04Z, X06A, X06B, X06C		21A	W04A, W04B		08	I12A, I12B, I12C, I27A, I27B, I27C, I27D
5t854.9↔		BOP, KVT, UOP4		21B	X06A, X06B, X06C		09	J03A, J03B, J04A, J04B, J08A, J08B, J08C, J11A, J11B, J16Z
	08	I12A, I12B, I12C, I27A, I27B, I27C, I27D	5t856.1↔		BOP, KVT, UOP4		21A	W04A, W04B
	21A	W04A, W04B		08	I27A, I27B, I27C, I27D		21B	X06A, X06B, X06C
	21B	X04Z, X06A, X06B, X06C		21A	W04A, W04B			BOP, KVT, UOP4
5t854.x		BOP, KVT, UOP4		21B	X06A, X06B, X06C		01	B03A, B03B, B06A, B06B, B07Z, B17A, B17B, B17C
	08	I12A, I12B, I12C, I27A, I27B, I27C, I27D	5t856.2↔		BOP, KVT, UOP4		08	I12A, I12B, I12C, I27A, I27B, I27C, I27D
	21A	W04A, W04B		08	I27A, I27B, I27C, I27D		09	J03A, J03B, J04A, J04B, J08A, J08B, J08C, J11A, J11B, J16Z
	21B	X06A, X06B, X06C		21A	W04A, W04B		21A	W04A, W04B
5t855.0↔		BOP, KVT, UOP4		21B	X06A, X06B, X06C		21B	X05A, X05B, X06A, X06B, X06C
	08	I27A, I27B, I27C, I27D	5t856.3↔		BOP, KVT, UOP4			
	21A	W04A, W04B		08	I32A, I32B, I32C, I32D, I32E, I32F			
	21B	X06A, X06B, X06C		09	J03A, J03B, J04A, J04B, J08A, J08B, J08C, J11A, J11B, J16Z			
5t855.1↔		BOP, KVT, UOP4		21A	W04A, W04B			
	08	I27A, I27B, I27C, I27D	5t856.4↔		BOP, KVT, UOP4			
	21A	W04A, W04B		08	I27A, I27B, I27C, I27D			
	21B	X06A, X06B, X06C		21A	W04A, W04B			
			5t856.5↔		BOP, KVT, UOP4			
				08	I27A, I27B, I27C, I27D			
				21A	W04A, W04B			
				21B	X06A, X06B, X06C			

ZZV	MDC	DRG	ZZV	MDC	DRG	ZZV	MDC	DRG
5t857.4↔		BOP, KVT, UOP4	5t858.0↔		BOP, KVT, UOP4	5t858.7↔		BOP, KVT, UOP4
	01	B03A, B03B, B06A, B06B, B07Z, B17A, B17B, B17C		01	B03A, B03B, B06A, B06B, B07Z, B17A, B17B, B17C		01	B03A, B03B, B06A, B06B, B07Z, B17A, B17B, B17C
	08	I12A, I12B, I12C, I27A, I27B, I27C, I27D		08	I12A, I12B, I12C, I27A, I27B, I27C, I27D		08	I12A, I12B, I12C, I27A, I27B, I27C, I27D
	09	J03A, J03B, J04A, J04B, J08A, J08B, J08C, J11A, J11B, J16Z		09	J03A, J03B, J04A, J04B, J08A, J08B, J08C, J11A, J11B, J16Z		09	J03A, J03B, J04A, J04B, J08A, J08B, J08C, J11A, J11B, J16Z
	21A	W04A, W04B		21A	W04A, W04B		21A	W04A, W04B
5t857.5↔	21B	X06A, X06B, X06C	5t858.1↔	21B	X06A, X06B, X06C	5t858.8↔	21B	X04Z, X06A, X06B, X06C
		BOP, KVT, UOP4			BOP, KVT, UOP4			BOP, KVT, UOP4
	01	B03A, B03B, B06A, B06B, B07Z, B17A, B17B, B17C		01	B03A, B03B, B06A, B06B, B07Z, B17A, B17B, B17C		01	B03A, B03B, B06A, B06B, B07Z, B17A, B17B, B17C
	08	I12A, I12B, I12C, I20D, I27A, I27B, I27C, I27D		08	I12A, I12B, I12C, I27A, I27B, I27C, I27D		08	I12A, I12B, I12C, I27A, I27B, I27C, I27D
	09	J03A, J03B, J04A, J04B, J08A, J08B, J08C, J11A, J11B, J16Z		09	J03A, J03B, J04A, J04B, J08A, J08B, J08C, J11A, J11B, J16Z		09	J03A, J03B, J04A, J04B, J08A, J08B, J08C, J11A, J11B, J16Z
5t857.6↔	21A	W04A, W04B	5t858.2↔	21A	W04A, W04B	5t858.9↔	21A	W04A, W04B
	21B	X04Z, X06A, X06B, X06C		21B	X06A, X06B, X06C		21B	X04Z, X06A, X06B, X06C
		BOP, KVT, UOP4			BOP, KVT, UOP4			BOP, KVT, UOP4
	01	B03A, B03B, B06A, B06B, B07Z, B17A, B17B, B17C		01	B03A, B03B, B06A, B06B, B07Z, B17A, B17B, B17C		01	B03A, B03B, B06A, B06B, B07Z, B17A, B17B, B17C
	08	I12A, I12B, I12C, I27A, I27B, I27C, I27D		08	I12A, I12B, I12C, I27A, I27B, I27C, I27D		08	I12A, I12B, I12C, I20D, I27A, I27B, I27C, I27D
5t857.7↔	09	J03A, J03B, J04A, J04B, J08A, J08B, J08C, J11A, J11B, J16Z	5t858.3↔	09	J03A, J03B, J04A, J04B, J08A, J08B, J08C, J11A, J11B, J16Z	5t858.x	09	J03A, J03B, J04A, J04B, J08A, J08B, J08C, J11A, J11B, J16Z
	21A	W04A, W04B		21A	W04A, W04B		21A	W04A, W04B
	21B	X04Z, X06A, X06B, X06C		21B	X06A, X06B, X06C		21B	X04Z, X06A, X06B, X06C
		BOP, KVT, UOP4			BOP, KVT, UOP4			BOP, KVT, UOP4
	01	B03A, B03B, B06A, B06B, B07Z, B17A, B17B, B17C		01	B03A, B03B, B06A, B06B, B07Z, B17A, B17B, B17C		01	B03A, B03B, B06A, B06B, B07Z, B17A, B17B, B17C
5t857.8↔	08	I12A, I12B, I12C, I27A, I27B, I27C, I27D	5t858.4↔	08	I12A, I12B, I12C, I27A, I27B, I27C, I27D	5t859.0↔	08	I12A, I12B, I12C, I27A, I27B, I27C, I27D
	09	J03A, J03B, J04A, J04B, J08A, J08B, J08C, J11A, J11B, J16Z		09	J03A, J03B, J04A, J04B, J08A, J08B, J08C, J11A, J11B, J16Z		09	J03A, J03B, J04A, J04B, J08A, J08B, J08C, J11A, J11B, J16Z
	21A	W04A, W04B		21A	W04A, W04B		21A	W04A, W04B
	21B	X04Z, X06A, X06B, X06C		21B	X05A, X05B, X06A, X06B, X06C		21B	X06A, X06B, X06C
		BOP, KVT, UOP4			BOP, KVT, UOP4			BOP, KVT, UOP4
5t857.9↔	01	B03A, B03B, B06A, B06B, B07Z, B17A, B17B, B17C	5t858.5↔	01	B03A, B03B, B06A, B06B, B07Z, B17A, B17B, B17C	5t859.1↔	01	B03A, B03B, B06A, B06B, B07Z, B17A, B17B, B17C
	08	I12A, I12B, I12C, I20D, I27A, I27B, I27C, I27D		08	I12A, I12B, I12C, I20D, I27A, I27B, I27C, I27D		08	I12A, I12B, I12C, I27A, I27B, I27C, I27D
	09	J03A, J03B, J04A, J04B, J08A, J08B, J08C, J11A, J11B, J16Z		09	J03A, J03B, J04A, J04B, J08A, J08B, J08C, J11A, J11B, J16Z		09	J03A, J03B, J04A, J04B, J08A, J08B, J08C, J11A, J11B, J16Z
	21A	W04A, W04B		21A	W04A, W04B		21A	W04A, W04B
	21B	X04Z, X06A, X06B, X06C		21B	X06A, X06B, X06C		21B	X06A, X06B, X06C
5t857.x		BOP, KVT, UOP4	5t858.6↔		BOP, KVT, UOP4	5t859.2↔		BOP, KVT, UOP4
	01	B03A, B03B, B06A, B06B, B07Z, B17A, B17B, B17C		01	B03A, B03B, B06A, B06B, B07Z, B17A, B17B, B17C		01	B03A, B03B, B06A, B06B, B07Z, B17A, B17B, B17C
	08	I12A, I12B, I12C, I27A, I27B, I27C, I27D		08	I12A, I12B, I12C, I27A, I27B, I27C, I27D		08	I12A, I12B, I12C, I27A, I27B, I27C, I27D
	09	J03A, J03B, J04A, J04B, J08A, J08B, J08C, J11A, J11B, J16Z		09	J03A, J03B, J04A, J04B, J08A, J08B, J08C, J11A, J11B, J16Z		09	J03A, J03B, J04A, J04B, J08A, J08B, J08C, J11A, J11B, J16Z
	21A	W04A, W04B		21A	W04A, W04B		21A	W04A, W04B
	X06A, X06B, X06C	21B	X04Z, X06A, X06B, X06C	21B	X06A, X06B, X06C			

VYK



ZZV	MDC	DRG	ZZV	MDC	DRG	ZZV	MDC	DRG
5t85b.5↔		BOP, KVT, UOP4	5t85x.7↔		BOP, KVT, UOP4	5t860.5↔		BOP, KVT, UOP4
	08	I12A, I12B, I12C, I27A, I27B, I27C, I27D		08	I12A, I12B, I12C, I27A, I27B, I27C, I27D		08	I12A, I12B, I12C, I27A, I27B, I27C, I27D
	21A	W04A, W04B		21A	W04A, W04B		09	J03A, J03B, J04A, J04B, J08A, J08B, J08C, J11A, J11B, J16Z
5t85b.6↔	21B	X06A, X06B, X06C	5t85x.8↔	21B	X04Z, X06A, X06B, X06C	5t860.6↔	21B	X06A, X06B, X06C
		BOP, KVT, UOP4			BOP, KVT, UOP4			BOP, KVT, UOP4
	08	I12A, I12B, I12C, I27A, I27B, I27C, I27D		08	I12A, I12B, I12C, I27A, I27B, I27C, I27D		08	I12A, I12B, I12C, I27A, I27B, I27C, I27D
5t85b.7↔	21A	W04A, W04B	5t85x.9↔	21A	W04A, W04B	5t860.7↔	09	J03A, J03B, J04A, J04B, J08A, J08B, J08C, J11A, J11B, J16Z
	21B	X04Z, X06A, X06B, X06C		21B	X04Z, X06A, X06B, X06C		10	K09A, K09B
		BOP, KVT, UOP4			BOP, KVT, UOP4		21A	W04A, W04B
5t85b.8↔	08	I12A, I12B, I12C, I27A, I27B, I27C, I27D	5t85x.x	08	I12A, I12B, I12C, I27A, I27B, I27C, I27D	5t860.8↔	21B	X04Z, X06A, X06B, X06C
	21A	W04A, W04B		21A	W04A, W04B		08	I12A, I12B, I12C, I27A, I27B, I27C, I27D
	21B	X04Z, X06A, X06B, X06C		21B	X06A, X06B, X06C		09	J03A, J03B, J04A, J04B, J08A, J08B, J08C, J11A, J11B, J16Z
5t85b.9↔		BOP, KVT, UOP4	5t860.0↔		BOP, KVT, UOP4	5t860.9↔		BOP, KVT, UOP4
	08	I12A, I12B, I12C, I27A, I27B, I27C, I27D		08	I12A, I12B, I12C, I27A, I27B, I27C, I27D		08	I12A, I12B, I12C, I27A, I27B, I27C, I27D
	21A	W04A, W04B		09	J03A, J03B, J04A, J04B, J08A, J08B, J08C, J11A, J11B, J16Z		09	J03A, J03B, J04A, J04B, J08A, J08B, J08C, J11A, J11B, J16Z
5t85b.x	21B	X04Z, X06A, X06B, X06C	5t860.1↔	10	K09A, K09B	5t860.x↔	01	B03A, B03B, B06A, B06B, B07Z, B17A, B17B, B17C
		BOP, KVT, UOP4		21A	W04A, W04B		08	I08A, I08B, I08C, I08D, I08E, I12A, I12B, I12C, I13A, I13B, I27A, I27B, I27C, I27D
	08	I12A, I12B, I12C, I27A, I27B, I27C, I27D		21B	X06A, X06B, X06C		09	J03A, J03B, J04A, J04B, J08A, J08B, J08C, J11A, J11B, J16Z
5t85x.0↔	21A	W04A, W04B	5t860.2↔	08	I12A, I12B, I12C, I27A, I27B, I27C, I27D	5t861.0↔	21A	W04A, W04B
	21B	X06A, X06B, X06C		09	J03A, J03B, J04A, J04B, J08A, J08B, J08C, J11A, J11B, J16Z		01	B03A, B03B, B06A, B06B, B07Z, B17A, B17B, B17C
		BOP, KVT, UOP4		10	K09A, K09B		08	I08A, I08B, I08C, I08D, I08E, I12A, I12B, I12C, I13A, I13B, I27A, I27B, I27C, I27D
5t85x.1↔	08	I12A, I12B, I12C, I27A, I27B, I27C, I27D	5t860.3↔	21A	W04A, W04B	5t861.0↔	09	J03A, J03B, J04A, J04B, J08A, J08B, J08C, J11A, J11B, J16Z
	21A	W04A, W04B		21B	X06A, X06B, X06C		21A	W04A, W04B
	21B	X06A, X06B, X06C			BOP, KVT, UOP4		21B	X06A, X06B, X06C
5t85x.2↔		BOP, KVT, UOP4	5t860.4↔		BOP, KVT, UOP4	5t861.0↔		BOP, KVT, UOP4
	08	I12A, I12B, I12C, I27A, I27B, I27C, I27D		08	I12A, I12B, I12C, I27A, I27B, I27C, I27D		01	B03A, B03B, B06A, B06B, B07Z, B17A, B17B, B17C
	21A	W04A, W04B		09	J03A, J03B, J04A, J04B, J08A, J08B, J08C, J11A, J11B, J16Z		08	I08A, I08B, I08C, I08D, I08E, I12A, I12B, I12C, I13A, I13B, I27A, I27B, I27C, I27D
5t85x.3↔	21B	X06A, X06B, X06C	5t860.3↔	10	K09A, K09B	5t861.0↔	09	J03A, J03B, J04A, J04B, J08A, J08B, J08C, J11A, J11B, J16Z
		BOP, KVT, UOP4		21A	W04A, W04B		21A	W04A, W04B
	08	I12A, I12B, I12C, I27A, I27B, I27C, I27D		21B	X06A, X06B, X06C		21B	X06A, X06B, X06C
5t85x.4	21A	W04A, W04B	5t860.3↔	08	I12A, I12B, I12C, I27A, I27B, I27C, I27D	5t861.0↔	01	B03A, B03B, B06A, B06B, B07Z, B17A, B17B, B17C
	21B	X05A, X05B, X06A, X06B, X06C		09	J03A, J03B, J04A, J04B, J08A, J08B, J08C, J11A, J11B, J16Z		08	I08A, I08B, I08C, I08D, I08E, I12A, I12B, I12C, I13A, I13B, I27A, I27B, I27C, I27D
		BOP, KVT, UOP4		10	K09A, K09B		09	J03A, J03B, J04A, J04B, J08A, J08B, J08C, J11A, J11B, J16Z
5t85x.5	08	I12A, I12B, I12C, I27A, I27B, I27C, I27D	5t860.4↔	21A	W04A, W04B	5t861.0↔	21A	W04A, W04B
	21A	W04A, W04B		21B	X05A, X05B, X06A, X06B, X06C		21B	X06A, X06B, X06C
	21B	X06A, X06B, X06C			BOP, KVT, UOP4		01	B03A, B03B, B06A, B06B, B07Z, B17A, B17B, B17C
5t85x.6		BOP, KVT, UOP4	5t860.4↔		BOP, KVT, UOP4	5t861.0↔		BOP, KVT, UOP4
	08	I12A, I12B, I12C, I27A, I27B, I27C, I27D		08	I12A, I12B, I12C, I27A, I27B, I27C, I27D		08	I08A, I08B, I08C, I08D, I08E, I12A, I12B, I12C, I13A, I13B, I27A, I27B, I27C, I27D
	21A	W04A, W04B		09	J03A, J03B, J04A, J04B, J08A, J08B, J08C, J11A, J11B, J16Z		09	J03A, J03B, J04A, J04B, J08A, J08B, J08C, J11A, J11B, J16Z
5t85x.6	21B	X06A, X06B, X06C	5t860.4↔	10	K09A, K09B	5t861.0↔	21A	W04A, W04B
		BOP, KVT, UOP4		21A	W04A, W04B		21B	X06A, X06B, X06C
	08	I12A, I12B, I12C, I27A, I27B, I27C, I27D		21B	X06A, X06B, X06C			

VYK





ZZV	MDC	DRG	ZZV	MDC	DRG	ZZV	MDC	DRG
5t862.8↔		BOP, KVT, UOP4	5t863.3↔		BOP, KVT, UOP4	5t863.9↔		BOP, KVT, UOP4
	01	B03A, B03B, B06A, B06B, B07Z, B17A, B17B, B17C		01	B03A, B03B, B06A, B06B, B07Z, B17A, B17B, B17C		01	B03A, B03B, B06A, B06B, B07Z, B17A, B17B, B17C
	08	I08A, I08B, I08C, I08D, I08E, I12A, I12B, I12C, I13A, I13B, I27A, I27B, I27C, I27D		08	I08A, I08B, I08C, I08D, I08E, I12A, I12B, I12C, I13A, I13B, I27A, I27B, I27C, I27D		08	I08A, I08B, I08C, I08D, I08E, I12A, I12B, I12C, I13A, I13B, I27A, I27B, I27C, I27D
	09	J03A, J03B, J04A, J04B, J08A, J08B, J08C, J11A, J11B, J16Z		09	J03A, J03B, J04A, J04B, J08A, J08B, J08C, J11A, J11B, J16Z		09	J03A, J03B, J04A, J04B, J08A, J08B, J08C, J11A, J11B, J16Z
	21A	W04A, W04B		21A	W04A, W04B		21A	W04A, W04B
5t862.9↔	21B	X04Z, X06A, X06B, X06C	5t863.4↔	21B	X05A, X05B, X06A, X06B, X06C	5t863.x	21B	X04Z, X06A, X06B, X06C
		BOP, KVT, UOP4			BOP, KVT, UOP4			BOP, KVT, UOP4
	01	B03A, B03B, B06A, B06B, B07Z, B17A, B17B, B17C		01	B03A, B03B, B06A, B06B, B07Z, B17A, B17B, B17C		01	B03A, B03B, B06A, B06B, B07Z, B17A, B17B, B17C
	08	I08A, I08B, I08C, I08D, I08E, I12A, I12B, I12C, I13A, I13B, I27A, I27B, I27C, I27D		08	I08A, I08B, I08C, I08D, I08E, I12A, I12B, I12C, I13A, I13B, I27A, I27B, I27C, I27D		08	I08A, I08B, I08C, I08D, I08E, I12A, I12B, I12C, I13A, I13B, I27A, I27B, I27C, I27D
	09	J03A, J03B, J04A, J04B, J08A, J08B, J08C, J11A, J11B, J16Z		09	J03A, J03B, J04A, J04B, J08A, J08B, J08C, J11A, J11B, J16Z		09	J03A, J03B, J04A, J04B, J08A, J08B, J08C, J11A, J11B, J16Z
5t862.x	21A	W04A, W04B	5t863.5↔	21A	W04A, W04B	5t864.0↔	21A	W04A, W04B
	21B	X04Z, X06A, X06B, X06C		21B	X06A, X06B, X06C		21B	X06A, X06B, X06C
		BOP, KVT, UOP4			BOP, KVT, UOP4			BOP, KVT, UOP4
	01	B03A, B03B, B06A, B06B, B07Z, B17A, B17B, B17C		01	B03A, B03B, B06A, B06B, B07Z, B17A, B17B, B17C		01	B03A, B03B, B06A, B06B, B07Z, B17A, B17B, B17C
	08	I08A, I08B, I08C, I08D, I08E, I12A, I12B, I12C, I13A, I13B, I27A, I27B, I27C, I27D		08	I08A, I08B, I08C, I08D, I08E, I12A, I12B, I12C, I13A, I13B, I27A, I27B, I27C, I27D		08	I08A, I08B, I08C, I08D, I08E, I12A, I12B, I12C, I13A, I13B, I27A, I27B, I27C, I27D
5t863.0↔	09	J03A, J03B, J04A, J04B, J08A, J08B, J08C, J11A, J11B, J16Z	5t863.6↔	09	J03A, J03B, J04A, J04B, J08A, J08B, J08C, J11A, J11B, J16Z	5t864.1↔	09	J02A, J02B, J02C, J04A, J04B, J08A, J08B, J08C, J16Z, J21Z, J22A, J22B
	21A	W04A, W04B		21A	W04A, W04B		21A	W04A, W04B
	21B	X06A, X06B, X06C		21B	X06A, X06B, X06C		21B	X06A, X06B, X06C
		BOP, KVT, UOP4			BOP, KVT, UOP4			BOP, KVT, UOP4
	01	B03A, B03B, B06A, B06B, B07Z, B17A, B17B, B17C		01	B03A, B03B, B06A, B06B, B07Z, B17A, B17B, B17C		01	B03A, B03B, B06A, B06B, B07Z, B17A, B17B, B17C
5t863.1↔	08	I08A, I08B, I08C, I08D, I08E, I12A, I12B, I12C, I13A, I13B, I27A, I27B, I27C, I27D	5t863.7↔	08	I08A, I08B, I08C, I08D, I08E, I12A, I12B, I12C, I13A, I13B, I27A, I27B, I27C, I27D	5t864.2↔	08	I08A, I08B, I08C, I08D, I08E, I12A, I12B, I12C, I13A, I13B, I27A, I27B, I27C, I27D
	09	J03A, J03B, J04A, J04B, J08A, J08B, J08C, J11A, J11B, J16Z		09	J03A, J03B, J04A, J04B, J08A, J08B, J08C, J11A, J11B, J16Z		09	J02A, J02B, J02C, J04A, J04B, J08A, J08B, J08C, J16Z, J21Z, J22A, J22B
	21A	W04A, W04B		21A	W04A, W04B		21A	W04A, W04B
	21B	X06A, X06B, X06C		21B	X04Z, X06A, X06B, X06C		21B	X06A, X06B, X06C
		BOP, KVT, UOP4			BOP, KVT, UOP4			BOP, KVT, UOP4
5t863.2↔	01	B03A, B03B, B06A, B06B, B07Z, B17A, B17B, B17C	5t863.8↔	01	B03A, B03B, B06A, B06B, B07Z, B17A, B17B, B17C	5t864.3↔	01	B03A, B03B, B06A, B06B, B07Z, B17A, B17B, B17C
	08	I08A, I08B, I08C, I08D, I08E, I12A, I12B, I12C, I13A, I13B, I27A, I27B, I27C, I27D		08	I08A, I08B, I08C, I08D, I08E, I12A, I12B, I12C, I13A, I13B, I27A, I27B, I27C, I27D		08	I08A, I08B, I08C, I08D, I08E, I12A, I12B, I12C, I13A, I13B, I27A, I27B, I27C, I27D
	09	J03A, J03B, J04A, J04B, J08A, J08B, J08C, J11A, J11B, J16Z		09	J03A, J03B, J04A, J04B, J08A, J08B, J08C, J11A, J11B, J16Z		09	J02A, J02B, J02C, J04A, J04B, J08A, J08B, J08C, J16Z, J21Z, J22A, J22B
	21A	W04A, W04B		21A	W04A, W04B		21A	W04A, W04B
	21B	X06A, X06B, X06C		21B	X04Z, X06A, X06B, X06C		21B	X05A, X05B, X06A, X06B, X06C











ZZV	MDC	DRG	ZZV	MDC	DRG	ZZV	MDC	DRG
5t871.5↔		BOP, KVT, UOP4	5t872.0↔		BOP, KVT, UOP4	5t872.6↔		BOP, KVT, UOP4
	01	B03A, B03B, B06A, B06B, B07Z, B17A, B17B, B17C		01	B03A, B03B, B06A, B06B, B07Z, B17A, B17B, B17C		01	B03A, B03B, B06A, B06B, B07Z, B17A, B17B, B17C
	08	I08A, I08B, I08C, I08D, I08E, I12A, I12B, I12C, I13A, I13B, I27A, I27B, I27C, I27D		08	I08A, I08B, I08C, I08D, I08E, I12A, I12B, I12C, I13A, I13B, I27A, I27B, I27C, I27D		08	I08A, I08B, I08C, I08D, I08E, I12A, I12B, I12C, I13A, I13B, I27A, I27B, I27C, I27D
	09	J02A, J02B, J04A, J04B, J08A, J08B, J08C, J16Z, J21Z, J22A, J22B		09	J02A, J02B, J04A, J04B, J08A, J08B, J08C, J16Z, J21Z, J22A, J22B		09	J02A, J02B, J04A, J04B, J08A, J08B, J08C, J16Z, J21Z, J22A, J22B
	21A	W04A, W04B		21A	W04A, W04B		21A	W04A, W04B
5t871.6↔	21B	X06A, X06B, X06C	5t872.1↔	21B	X06A, X06B, X06C	5t872.7↔	21B	X04Z, X06A, X06B, X06C
		BOP, KVT, UOP4			BOP, KVT, UOP4			BOP, KVT, UOP4
	01	B03A, B03B, B06A, B06B, B07Z, B17A, B17B, B17C		01	B03A, B03B, B06A, B06B, B07Z, B17A, B17B, B17C		01	B03A, B03B, B06A, B06B, B07Z, B17A, B17B, B17C
	08	I08A, I08B, I08C, I08D, I08E, I12A, I12B, I12C, I13A, I13B, I27A, I27B, I27C, I27D		08	I08A, I08B, I08C, I08D, I08E, I12A, I12B, I12C, I13A, I13B, I27A, I27B, I27C, I27D		08	I08A, I08B, I08C, I08D, I08E, I12A, I12B, I12C, I13A, I13B, I27A, I27B, I27C, I27D
	09	J02A, J02B, J04A, J04B, J08A, J08B, J08C, J16Z, J21Z, J22A, J22B		09	J02A, J02B, J04A, J04B, J08A, J08B, J08C, J16Z, J21Z, J22A, J22B		09	J02A, J02B, J04A, J04B, J08A, J08B, J08C, J16Z, J21Z, J22A, J22B
5t871.7↔	21A	W04A, W04B	5t872.2↔	21A	W04A, W04B	5t872.8↔	21A	W04A, W04B
	21B	X04Z, X06A, X06B, X06C		21B	X06A, X06B, X06C		21B	X04Z, X06A, X06B, X06C
		BOP, KVT, UOP4			BOP, KVT, UOP4			BOP, KVT, UOP4
	01	B03A, B03B, B06A, B06B, B07Z, B17A, B17B, B17C		01	B03A, B03B, B06A, B06B, B07Z, B17A, B17B, B17C		01	B03A, B03B, B06A, B06B, B07Z, B17A, B17B, B17C
	08	I08A, I08B, I08C, I08D, I08E, I12A, I12B, I12C, I13A, I13B, I27A, I27B, I27C, I27D		08	I08A, I08B, I08C, I08D, I08E, I12A, I12B, I12C, I13A, I13B, I27A, I27B, I27C, I27D		08	I08A, I08B, I08C, I08D, I08E, I12A, I12B, I12C, I13A, I13B, I27A, I27B, I27C, I27D
5t871.8↔	09	J02A, J02B, J04A, J04B, J08A, J08B, J08C, J16Z, J21Z, J22A, J22B	5t872.3↔	09	J02A, J02B, J04A, J04B, J08A, J08B, J08C, J16Z, J21Z, J22A, J22B	5t872.9↔	09	J02A, J02B, J04A, J04B, J08A, J08B, J08C, J16Z, J21Z, J22A, J22B
	21A	W04A, W04B		21A	W04A, W04B		21A	W04A, W04B
	21B	X04Z, X06A, X06B, X06C		21B	X06A, X06B, X06C		21B	X04Z, X06A, X06B, X06C
		BOP, KVT, UOP4			BOP, KVT, UOP4			BOP, KVT, UOP4
	01	B03A, B03B, B06A, B06B, B07Z, B17A, B17B, B17C		01	B03A, B03B, B06A, B06B, B07Z, B17A, B17B, B17C		01	B03A, B03B, B06A, B06B, B07Z, B17A, B17B, B17C
5t871.9↔	08	I08A, I08B, I08C, I08D, I08E, I12A, I12B, I12C, I13A, I13B, I27A, I27B, I27C, I27D	5t872.4↔	08	I08A, I08B, I08C, I08D, I08E, I12A, I12B, I12C, I13A, I13B, I27A, I27B, I27C, I27D	5t872.x	08	I08A, I08B, I08C, I08D, I08E, I12A, I12B, I12C, I13A, I13B, I27A, I27B, I27C, I27D
	09	J02A, J02B, J04A, J04B, J08A, J08B, J08C, J16Z, J21Z, J22A, J22B		09	J02A, J02B, J04A, J04B, J08A, J08B, J08C, J16Z, J21Z, J22A, J22B		09	J02A, J02B, J04A, J04B, J08A, J08B, J08C, J16Z, J21Z, J22A, J22B
	21A	W04A, W04B		21A	W04A, W04B		21A	W04A, W04B
	21B	X04Z, X06A, X06B, X06C		21B	X05A, X05B, X06A, X06B, X06C		21B	X04Z, X06A, X06B, X06C
		BOP, KVT, UOP4			BOP, KVT, UOP4			BOP, KVT, UOP4
5t871.x	01	B03A, B03B, B06A, B06B, B07Z, B17A, B17B, B17C	5t872.5↔	01	B03A, B03B, B06A, B06B, B07Z, B17A, B17B, B17C	5t873.0↔	01	B03A, B03B, B06A, B06B, B07Z, B17A, B17B, B17C
	08	I08A, I08B, I08C, I08D, I08E, I12A, I12B, I12C, I13A, I13B, I27A, I27B, I27C, I27D		08	I08A, I08B, I08C, I08D, I08E, I12A, I12B, I12C, I13A, I13B, I27A, I27B, I27C, I27D		08	I08A, I08B, I08C, I08D, I08E, I12A, I12B, I12C, I13A, I13B, I27A, I27B, I27C, I27D
	09	J02A, J02B, J04A, J04B, J08A, J08B, J08C, J16Z, J21Z, J22A, J22B		09	J02A, J02B, J04A, J04B, J08A, J08B, J08C, J16Z, J21Z, J22A, J22B		09	J02A, J02B, J04A, J04B, J08A, J08B, J08C, J16Z, J21Z, J22A, J22B
	21A	W04A, W04B		21A	W04A, W04B		21A	W04A, W04B
	21B	X06A, X06B, X06C		21B	X06A, X06B, X06C		21B	X06A, X06B, X06C

VYK





ZZV	MDC	DRG	ZZV	MDC	DRG	ZZV	MDC	DRG
5t874.8↔		BOP, KVT, UOP4	5t875.3↔		BOP, KVT, UOP4	5t875.9↔		BOP, KVT, UOP4
	01	B03A, B03B, B06A, B06B, B07Z, B17A, B17B, B17C		01	B03A, B03B, B06A, B06B, B07Z, B17A, B17B, B17C		01	B03A, B03B, B06A, B06B, B07Z, B17A, B17B, B17C
	08	I08A, I08B, I08C, I08D, I08E, I12A, I12B, I12C, I13A, I13B, I27A, I27B, I27C, I27D		08	I08A, I08B, I08C, I08D, I08E, I12A, I12B, I12C, I13A, I13B, I27A, I27B, I27C		08	I08A, I08B, I08C, I08D, I08E, I12A, I12B, I12C, I13A, I13B, I27A, I27B, I27C
	09	J02A, J02B, J04A, J04B, J08A, J08B, J08C, J16Z, J21Z, J22A, J22B		09	J02A, J02B, J04A, J04B, J08A, J08B, J08C, J16Z, J21Z, J22A, J22B		09	J02A, J02B, J04A, J04B, J08A, J08B, J08C, J16Z, J21Z, J22A, J22B
	21A	W04A, W04B		21A	W04A, W04B		21A	W04A, W04B
5t874.9↔	21B	X04Z, X06A, X06B, X06C	5t875.4↔	21B	X05A, X05B, X06A, X06B, X06C	5t875.x	21B	X04Z, X06A, X06B, X06C
		BOP, KVT, UOP4			BOP, KVT, UOP4			BOP, KVT, UOP4
	01	B03A, B03B, B06A, B06B, B07Z, B17A, B17B, B17C		01	B03A, B03B, B06A, B06B, B07Z, B17A, B17B, B17C		01	B03A, B03B, B06A, B06B, B07Z, B17A, B17B, B17C
	08	I08A, I08B, I08C, I08D, I08E, I12A, I12B, I12C, I13A, I13B, I27A, I27B, I27C, I27D		08	I08A, I08B, I08C, I08D, I08E, I12A, I12B, I12C, I13A, I13B, I27A, I27B, I27C		08	I08A, I08B, I08C, I08D, I08E, I12A, I12B, I12C, I13A, I13B, I27A, I27B, I27C
	09	J02A, J02B, J04A, J04B, J08A, J08B, J08C, J16Z, J21Z, J22A, J22B		09	J02A, J02B, J04A, J04B, J08A, J08B, J08C, J16Z, J21Z, J22A, J22B		09	J02A, J02B, J04A, J04B, J08A, J08B, J08C, J16Z, J21Z, J22A, J22B
5t874.x	21A	W04A, W04B	5t875.5↔	21A	W04A, W04B	5t876.0↔	21A	W04A, W04B
	21B	X04Z, X06A, X06B, X06C		21B	X06A, X06B, X06C		21B	X06A, X06B, X06C
		BOP, KVT, UOP4			BOP, KVT, UOP4			BOP, KVT, UOP4
	01	B03A, B03B, B06A, B06B, B07Z, B17A, B17B, B17C		01	B03A, B03B, B06A, B06B, B07Z, B17A, B17B, B17C		01	B03A, B03B, B06A, B06B, B07Z, B17A, B17B, B17C
	08	I08A, I08B, I08C, I08D, I08E, I12A, I12B, I12C, I13A, I13B, I27A, I27B, I27C, I27D		08	I08A, I08B, I08C, I08D, I08E, I12A, I12B, I12C, I13A, I13B, I27A, I27B, I27C		08	I08A, I08B, I08C, I08D, I08E, I12A, I12B, I12C, I13A, I13B, I27A, I27B, I27C
5t875.0↔	09	J02A, J02B, J04A, J04B, J08A, J08B, J08C, J16Z, J21Z, J22A, J22B	5t875.6↔	09	J02A, J02B, J04A, J04B, J08A, J08B, J08C, J16Z, J21Z, J22A, J22B	5t876.1↔	09	J02A, J02B, J04A, J04B, J08A, J08B, J08C, J16Z, J21Z, J22A, J22B
	21A	W04A, W04B		21A	W04A, W04B		21A	W04A, W04B
	21B	X06A, X06B, X06C		21B	X06A, X06B, X06C		21B	X06A, X06B, X06C
		BOP, KVT, UOP4			BOP, KVT, UOP4			BOP, KVT, UOP4
	01	B03A, B03B, B06A, B06B, B07Z, B17A, B17B, B17C		01	B03A, B03B, B06A, B06B, B07Z, B17A, B17B, B17C		01	B03A, B03B, B06A, B06B, B07Z, B17A, B17B, B17C
5t875.1↔	08	I08A, I08B, I08C, I08D, I08E, I12A, I12B, I12C, I13A, I13B, I27A, I27B, I27C	5t875.7↔	08	I08A, I08B, I08C, I08D, I08E, I12A, I12B, I12C, I13A, I13B, I27A, I27B, I27C	5t876.2↔	08	I08A, I08B, I08C, I08D, I08E, I12A, I12B, I12C, I13A, I13B, I27A, I27B, I27C
	09	J02A, J02B, J04A, J04B, J08A, J08B, J08C, J16Z, J21Z, J22A, J22B		09	J02A, J02B, J04A, J04B, J08A, J08B, J08C, J16Z, J21Z, J22A, J22B		09	J02A, J02B, J04A, J04B, J08A, J08B, J08C, J16Z, J21Z, J22A, J22B
	21A	W04A, W04B		21A	W04A, W04B		21A	W04A, W04B
	21B	X06A, X06B, X06C		21B	X04Z, X06A, X06B, X06C		21B	X06A, X06B, X06C
		BOP, KVT, UOP4			BOP, KVT, UOP4			BOP, KVT, UOP4
5t875.2↔	01	B03A, B03B, B06A, B06B, B07Z, B17A, B17B, B17C	5t875.8↔	01	B03A, B03B, B06A, B06B, B07Z, B17A, B17B, B17C	5t876.3↔	01	B03A, B03B, B06A, B06B, B07Z, B17A, B17B, B17C
	08	I08A, I08B, I08C, I08D, I08E, I12A, I12B, I12C, I13A, I13B, I27A, I27B, I27C		08	I08A, I08B, I08C, I08D, I08E, I12A, I12B, I12C, I13A, I13B, I27A, I27B, I27C		08	I08A, I08B, I08C, I08D, I08E, I12A, I12B, I12C, I13A, I13B, I27A, I27B, I27C
	09	J02A, J02B, J04A, J04B, J08A, J08B, J08C, J16Z, J21Z, J22A, J22B		09	J02A, J02B, J04A, J04B, J08A, J08B, J08C, J16Z, J21Z, J22A, J22B		09	J02A, J02B, J04A, J04B, J08A, J08B, J08C, J16Z, J21Z, J22A, J22B
	21A	W04A, W04B		21A	W04A, W04B		21A	W04A, W04B
	21B	X06A, X06B, X06C		21B	X04Z, X06A, X06B, X06C		21B	X05A, X05B, X06A, X06B, X06C

VYK





ZZV	MDC	DRG	ZZV	MDC	DRG	ZZV	MDC	DRG
5t879.7↔		BOP, KVT, UOP4	5t87a.1↔		BOP, KVT, UOP4	5t87a.5↔		BOP, KVT, UOP4
	01	B03A, B03B, B06A, B06B, B07Z, B17A, B17B, B17C		01	B03A, B03B, B06A, B06B, B07Z, B17A, B17B, B17C		01	B03A, B03B, B06A, B06B, B07Z, B17A, B17B, B17C
	08	I08A, I08B, I08C, I08D, I08E, I12A, I12B, I12C, I13A, I13B, I27A, I27B, I27C		05	F21A, F21B, F21C		05	F21A, F21B, F21C
	09	J02A, J02B, J04A, J04B, J08A, J08B, J08C, J16Z, J21Z, J22A, J22B		08	I02A, I02B, I02C, I02D, I08A, I08B, I08C, I08D, I08E, I12A, I12B, I12C, I13A, I13B, I22A, I32A, I32B, I32C, I32D, I32E, I32F, I50Z		06	G10Z, G12A, G12B
	21A	W04A, W04B		09	J02A, J02B, J04A, J04B, J08A, J08B, J08C, J16Z, J21Z, J22A, J22B		08	I02A, I02B, I02C, I02D, I08A, I08B, I08C, I08D, I08E, I12A, I12B, I12C, I13A, I13B, I22A, I32A, I32B, I32C, I32D, I32E, I32F, I50Z
21B	X05A, X05B, X06A, X06B, X06C		21A	W04A, W04B	09	J02A, J02B, J04A, J04B, J08A, J08B, J08C, J16Z, J21Z, J22A, J22B		
5t879.8↔		BOP, KVT, UOP4	5t87a.2↔		BOP, KVT, UOP4	5t87a.6↔		BOP, KVT, UOP4
	01	B03A, B03B, B06A, B06B, B07Z, B17A, B17B, B17C		01	B03A, B03B, B06A, B06B, B07Z, B17A, B17B, B17C		01	B03A, B03B, B06A, B06B, B07Z, B17A, B17B, B17C
	08	I08A, I08B, I08C, I08D, I08E, I12A, I12B, I12C, I13A, I13B, I27A, I27B, I27C		05	F21A, F21B, F21C		05	F21A, F21B, F21C
	09	J02A, J02B, J04A, J04B, J08A, J08B, J08C, J16Z, J21Z, J22A, J22B		08	I02A, I02B, I02C, I02D, I08A, I08B, I08C, I08D, I08E, I12A, I12B, I12C, I13A, I13B, I22A, I32A, I32B, I32C, I32D, I32E, I32F, I50Z		06	G10Z, G12A, G12B
	21A	W04A, W04B		09	J02A, J02B, J04A, J04B, J08A, J08B, J08C, J16Z, J21Z, J22A, J22B		08	I02A, I02B, I02C, I02D, I08A, I08B, I08C, I08D, I08E, I12A, I12B, I12C, I13A, I13B, I22A, I32A, I32B, I32C, I32D, I32E, I32F, I50Z
21B	X05A, X05B, X06A, X06B, X06C		21A	W04A, W04B	09	J02A, J02B, J04A, J04B, J08A, J08B, J08C, J16Z, J21Z, J22A, J22B		
5t879.9↔		BOP, KVT, UOP4	5t87a.3↔		BOP, KVT, UOP4	5t87a.7↔		BOP, KVT, UOP4
	01	B03A, B03B, B06A, B06B, B07Z, B17A, B17B, B17C		01	B03A, B03B, B06A, B06B, B07Z, B17A, B17B, B17C		01	B03A, B03B, B06A, B06B, B07Z, B17A, B17B, B17C
	08	I08A, I08B, I08C, I08D, I08E, I12A, I12B, I12C, I13A, I13B, I27A, I27B, I27C		05	F21A, F21B, F21C		05	F21A, F21B, F21C, F27A, F27B, F27C
	09	J02A, J02B, J04A, J04B, J08A, J08B, J08C, J16Z, J21Z, J22A, J22B		08	I02A, I02B, I02C, I02D, I08A, I08B, I08C, I08D, I08E, I12A, I12B, I12C, I13A, I13B, I22A, I32A, I32B, I32C, I32D, I32E, I32F, I50Z		08	I02A, I02B, I02C, I02D, I08A, I08B, I08C, I08D, I08E, I12A, I12B, I12C, I13A, I13B, I22A, I32A, I32B, I32C, I32D, I32E, I32F, I50Z
	21A	W04A, W04B		09	J02A, J02B, J04A, J04B, J08A, J08B, J08C, J16Z, J21Z, J22A, J22B		09	J02A, J02B, J04A, J04B, J08A, J08B, J08C, J16Z, J21Z, J22A, J22B
21B	X05A, X05B, X06A, X06B, X06C		21A	W04A, W04B	10	K01Z		
5t879.x		BOP, KVT, UOP4	5t87a.4↔		BOP, KVT, UOP4	5t87a.8↔		BOP, KVT, UOP4
	01	B03A, B03B, B06A, B06B, B07Z, B17A, B17B, B17C		01	B03A, B03B, B06A, B06B, B07Z, B17A, B17B, B17C		01	B03A, B03B, B06A, B06B, B07Z, B17A, B17B, B17C
	08	I08A, I08B, I08C, I08D, I08E, I12A, I12B, I12C, I13A, I13B, I27A, I27B, I27C		05	F21A, F21B, F21C		05	F21A, F21B, F21C, F27A, F27B, F27C
	09	J02A, J02B, J04A, J04B, J08A, J08B, J08C, J16Z, J21Z, J22A, J22B		08	I02A, I02B, I02C, I02D, I08A, I08B, I08C, I08D, I08E, I12A, I12B, I12C, I13A, I13B, I22A, I32A, I32B, I32C, I32D, I32E, I32F, I50Z		08	I02A, I02B, I02C, I02D, I08A, I08B, I08C, I08D, I08E, I12A, I12B, I12C, I13A, I13B, I22A, I32A, I32B, I32C, I32D, I32E, I32F, I50Z
	21A	W04A, W04B		09	J02A, J02B, J04A, J04B, J08A, J08B, J08C, J16Z, J21Z, J22A, J22B		09	J02A, J02B, J04A, J04B, J08A, J08B, J08C, J16Z, J21Z, J22A, J22B
21B	X06A, X06B, X06C		21A	W04A, W04B	10	K01Z		
5t87a.0↔		BOP, KVT, UOP4						
	01	B03A, B03B, B06A, B06B, B07Z, B17A, B17B, B17C						
	03	D12A						
	05	F21A, F21B, F21C						
	08	I02A, I02B, I02C, I02D, I08A, I08B, I08C, I08D, I08E, I12A, I12B, I12C, I13A, I13B, I22A, I32A, I32B, I32C, I32D, I32E, I32F, I50Z						
	09	J02A, J02B, J04A, J04B, J08A, J08B, J08C, J16Z, J21Z, J22A, J22B						
	21A	W04A, W04B						
	21B	X01A, X01B, X01C						

VYK

ZZV	MDC	DRG	ZZV	MDC	DRG	ZZV	MDC	DRG
5t87a.9↔		BOP, KVT, UOP4	5t87x.3↔		BOP, KVT, UOP4	5t87x.9↔		BOP, KVT, UOP4
	01	B03A, B03B, B06A, B06B, B07Z, B17A, B17B, B17C		01	B03A, B03B, B06A, B06B, B07Z, B17A, B17B, B17C		01	B03A, B03B, B06A, B06B, B07Z, B17A, B17B, B17C
	05	F21A, F21B, F21C, F27A, F27B, F27C		08	I08A, I08B, I08C, I08D, I08E, I12A, I12B, I12C, I13A, I13B, I27A, I27B, I27C, I27D		08	I08A, I08B, I08C, I08D, I08E, I12A, I12B, I12C, I13A, I13B, I27A, I27B, I27C, I27D
	08	I02A, I02B, I02C, I02D, I08A, I08B, I08C, I08D, I08E, I12A, I12B, I12C, I13A, I13B, I22A, I32A, I32B, I32C, I32D, I32E, I32F, I50Z		09	J02A, J02B, J02C, J04A, J04B, J08A, J08B, J08C, J16Z, J21Z, J22A, J22B		09	J02A, J02B, J02C, J04A, J04B, J08A, J08B, J08C, J16Z, J21Z, J22A, J22B
	09	J02A, J02B, J04A, J04B, J08A, J08B, J08C, J16Z, J21Z, J22A, J22B		21A	W04A, W04B		21A	W04A, W04B
	10	K01Z		21B	X05A, X05B, X06A, X06B, X06C		21B	X06A, X06B, X06C
	21A	W04A, W04B		5t87x.4			BOP, KVT, UOP4	5t87x.x
21B	X01A, X01B, X01C	01	B03A, B03B, B06A, B06B, B07Z, B17A, B17B, B17C		01	B03A, B03B, B06A, B06B, B07Z, B17A, B17B, B17C		
5t87a.x↔		BOP, KVT, UOP4	08		I08A, I08B, I08C, I08D, I08E, I12A, I12B, I12C, I13A, I13B, I27A, I27B, I27C, I27D	08	I08A, I08B, I08C, I08D, I08E, I12A, I12B, I12C, I13A, I13B, I27A, I27B, I27C, I27D	
	01	B03A, B03B, B06A, B06B, B07Z, B17A, B17B, B17C	09	J02A, J02B, J02C, J04A, J04B, J08A, J08B, J08C, J16Z, J21Z, J22A, J22B	09	J02A, J02B, J02C, J04A, J04B, J08A, J08B, J08C, J16Z, J21Z, J22A, J22B		
	05	F21A, F21B, F21C	21A	W04A, W04B	21A	W04A, W04B		
	08	I02A, I02B, I02C, I02D, I08A, I08B, I08C, I08D, I08E, I12A, I12B, I12C, I13A, I13B, I22A, I32A, I32B, I32C, I32D, I32E, I32F, I50Z	21B	X06A, X06B, X06C	21B	X06A, X06B, X06C		
	09	J02A, J02B, J04A, J04B, J08A, J08B, J08C, J16Z, J21Z, J22A, J22B	5t87x.5		BOP, KVT, UOP4	5t880.0↔		BOP, KVT, UOP4
	21A	W04A, W04B		01	B03A, B03B, B06A, B06B, B07Z, B17A, B17B, B17C		01	B03A, B03B, B06A, B06B, B07Z, B17A, B17B, B17C
	21B	X01A, X01B, X01C		08	I08A, I08B, I08C, I08D, I08E, I12A, I12B, I12C, I13A, I13B, I27A, I27B, I27C, I27D		03	D12A
	5t87x.0↔		BOP, KVT, UOP4	09	J02A, J02B, J02C, J04A, J04B, J08A, J08B, J08C, J16Z, J21Z, J22A, J22B	05	F21A, F21B, F21C, F27A, F27B, F27C	
		01	B03A, B03B, B06A, B06B, B07Z, B17A, B17B, B17C	21A	W04A, W04B	08	I08A, I08B, I08C, I08D, I08E, I12A, I12B, I12C, I13A, I13B, I32A, I32B, I32C, I32D	
		08	I08A, I08B, I08C, I08D, I08E, I12A, I12B, I12C, I13A, I13B, I27A, I27B, I27C, I27D	21B	X06A, X06B, X06C	09	J02A, J02B, J02C, J04A, J04B, J08A, J08B, J08C, J16Z, J21Z, J22A, J22B	
09		J02A, J02B, J02C, J04A, J04B, J08A, J08B, J08C, J16Z, J21Z, J22A, J22B	5t87x.6		BOP, KVT, UOP4	10	K01Z	
21A		W04A, W04B		01	B03A, B03B, B06A, B06B, B07Z, B17A, B17B, B17C	21A	W04A, W04B	
21B		X06A, X06B, X06C		08	I08A, I08B, I08C, I08D, I08E, I12A, I12B, I12C, I13A, I13B, I27A, I27B, I27C, I27D	21B	X04Z, X05A, X05B, X06A, X06B, X06C	
5t87x.1↔			BOP, KVT, UOP4	09	J02A, J02B, J02C, J04A, J04B, J08A, J08B, J08C, J16Z, J21Z, J22A, J22B	22	Y01Z, Y03A, Y03B	
	01	B03A, B03B, B06A, B06B, B07Z, B17A, B17B, B17C	21A	W04A, W04B	5t880.1↔		BOP, KVT, UOP4	
	08	I08A, I08B, I08C, I08D, I08E, I12A, I12B, I12C, I13A, I13B, I27A, I27B, I27C, I27D	21B	X04Z, X06A, X06B, X06C		01	B03A, B03B, B06A, B06B, B07Z, B17A, B17B, B17C	
	09	J02A, J02B, J02C, J04A, J04B, J08A, J08B, J08C, J16Z, J21Z, J22A, J22B	5t87x.7↔			BOP, KVT, UOP4	03	D12A
	21A	W04A, W04B		01		B03A, B03B, B06A, B06B, B07Z, B17A, B17B, B17C	05	F21A, F21B, F21C, F27A, F27B, F27C
21B	X06A, X06B, X06C	08		I08A, I08B, I08C, I08D, I08E, I12A, I12B, I12C, I13A, I13B, I27A, I27B, I27C, I27D		08	I08A, I08B, I08C, I08D, I08E, I12A, I12B, I12C, I13A, I13B, I32A, I32B, I32C, I32D	
5t87x.2↔		BOP, KVT, UOP4	09	J02A, J02B, J02C, J04A, J04B, J08A, J08B, J08C, J16Z, J21Z, J22A, J22B	09	J02A, J02B, J02C, J04A, J04B, J08A, J08B, J08C, J16Z, J21Z, J22A, J22B		
	01	B03A, B03B, B06A, B06B, B07Z, B17A, B17B, B17C	21A	W04A, W04B	10	K01Z		
	08	I08A, I08B, I08C, I08D, I08E, I12A, I12B, I12C, I13A, I13B, I27A, I27B, I27C, I27D	21B	X04Z, X06A, X06B, X06C	21A	W04A, W04B		
	09	J02A, J02B, J02C, J04A, J04B, J08A, J08B, J08C, J16Z, J21Z, J22A, J22B	5t87x.8↔		BOP, KVT, UOP4	21B	X04Z, X05A, X05B, X06A, X06B, X06C	
	21A	W04A, W04B		01	B03A, B03B, B06A, B06B, B07Z, B17A, B17B, B17C	22	Y01Z, Y03A, Y03B	
21B	X06A, X06B, X06C	08		I08A, I08B, I08C, I08D, I08E, I12A, I12B, I12C, I13A, I13B, I27A, I27B, I27C, I27D				











ZZV	MDC	DRG	ZZV	MDC	DRG	ZZV	MDC	DRG			
5t884.6↔		BOP, KVT, UOP4	5t884.x		BOP, KVT, UOP4	5t885.5↔		KOP, KOPV			
	01	B03A, B03B, B06A, B06B, B07Z, B17A, B17B, B17C		01	B03A, B03B, B06A, B06B, B07Z, B17A, B17B, B17C		06	G33Z			
	03	D12A		03	D12A		07	H33Z, H38Z			
	05	F21A, F21B, F21C, F27A, F27B, F27C		05	F21A, F21B, F21C, F27A, F27B, F27C		08	I02A, I02B, I02C, I02D, I22A, I32A, I32B, I32C, I32D, I34Z, I50Z			
	08	I08A, I08B, I08C, I08D, I08E, I12A, I12B, I12C, I13A, I13B, I32A, I32B, I32C, I32D		08	I08A, I08B, I08C, I08D, I08E, I12A, I12B, I12C, I13A, I13B, I32A, I32B, I32C, I32D		09	J01Z, J02A, J02B			
	09	J02A, J02B, J02C, J04A, J04B, J08A, J08B, J08C, J16Z, J21Z, J22A, J22B		09	J02A, J02B, J02C, J04A, J04B, J08A, J08B, J08C, J16Z, J21Z, J22A, J22B		11	L33Z			
	10	K01Z		10	K01Z		21B	X01A, X01B, X01C, X33Z			
	21A	W04A, W04B		21A	W04A, W04B		Pre	A07A			
	21B	X04Z, X05A, X05B, X06A, X06B, X06C		21B	X04Z, X05A, X05B, X06A, X06B, X06C		5t885.6↔	KOP, KOPV			
	22	Y01Z, Y03A, Y03B		22	Y01Z, Y03A, Y03B		06	G33Z			
	5t884.7↔			BOP, KVT, UOP4	5t885.0↔			KOP, KOPV	5t885.7↔		KOP, KOPV
		01		B03A, B03B, B06A, B06B, B07Z, B17A, B17B, B17C			03	D02A, D02B		06	G33Z
03		D12A	06	G33Z		07	H33Z, H38Z				
05		F21A, F21B, F21C, F27A, F27B, F27C	07	H33Z, H38Z		08	I02A, I02B, I02C, I02D, I22A, I32A, I32B, I32C, I32D, I34Z, I50Z				
08		I08A, I08B, I08C, I08D, I08E, I12A, I12B, I12C, I13A, I13B, I32A, I32B, I32C, I32D	08	I02A, I02B, I02C, I02D, I22A, I32A, I32B, I32C, I32D, I34Z, I50Z		09	J01Z, J02A, J02B				
09		J02A, J02B, J02C, J04A, J04B, J08A, J08B, J08C, J16Z, J21Z, J22A, J22B	09	J01Z, J02A, J02B		11	L33Z				
10		K01Z	11	L33Z		21B	X01A, X01B, X01C, X33Z				
21A		W04A, W04B	21B	X01A, X01B, X01C, X33Z		Pre	A07A				
21B		X04Z, X05A, X05B, X06A, X06B, X06C	Pre	A07A		5t885.8↔	KOP, KOPV				
22		Y01Z, Y03A, Y03B	5t885.1↔	KOP, KOPV		06	G33Z				
5t884.8↔			BOP, KVT, UOP4	5t885.2↔			KOP, KOPV	5t885.9↔			KOP, KOPV
		01	B03A, B03B, B06A, B06B, B07Z, B17A, B17B, B17C			06	G33Z			06	G33Z
	03	D12A	07		H33Z, H38Z	07	H33Z, H38Z				
	05	F21A, F21B, F21C, F27A, F27B, F27C	08		I02A, I02B, I02C, I02D, I22A, I32A, I32B, I32C, I32D, I34Z, I50Z	08	I02A, I02B, I02C, I02D, I22A, I32A, I32B, I32C, I32D, I34Z, I50Z				
	08	I08A, I08B, I08C, I08D, I08E, I12A, I12B, I12C, I13A, I13B, I32A, I32B, I32C, I32D	09		J01Z, J02A, J02B	09	J01Z, J02A, J02B				
	09	J02A, J02B, J02C, J04A, J04B, J08A, J08B, J08C, J16Z, J21Z, J22A, J22B	11		L33Z	11	L33Z				
	10	K01Z	21B		X01A, X01B, X01C, X33Z	21B	X01A, X01B, X01C, X33Z				
	21A	W04A, W04B	Pre		A07A	Pre	A07A				
	21B	X04Z, X05A, X05B, X06A, X06B, X06C	5t885.3↔		KOP, KOPV	5t885.9↔	KOP, KOPV				
	22	Y01Z, Y03A, Y03B	06		G33Z	06	G33Z				
	5t884.9↔		BOP, KVT, UOP4		5t885.3↔		KOP, KOPV		5t885.x↔		KOP, KOPV
		01	B03A, B03B, B06A, B06B, B07Z, B17A, B17B, B17C			06	G33Z			06	G33Z
03		D12A	07	H33Z, H38Z		07	H33Z, H38Z				
05		F21A, F21B, F21C, F27A, F27B, F27C	08	I02A, I02B, I02C, I02D, I22A, I32A, I32B, I32C, I32D, I32E, I32F, I34Z, I50Z		08	I02A, I02B, I02C, I02D, I22A, I32A, I32B, I32C, I32D, I32E, I32F, I34Z, I50Z				
08		I08A, I08B, I08C, I08D, I08E, I12A, I12B, I12C, I13A, I13B, I32A, I32B, I32C, I32D	09	J01Z, J02A, J02B		09	J01Z, J02A, J02B				
09		J02A, J02B, J02C, J04A, J04B, J08A, J08B, J08C, J16Z, J21Z, J22A, J22B	11	L33Z		11	L33Z				
10		K01Z	21B	X01A, X01B, X01C, X33Z		21B	X01A, X01B, X01C, X33Z				
21A		W04A, W04B	Pre	A07A		Pre	A07A				
21B		X04Z, X05A, X05B, X06A, X06B, X06C	5t885.4↔	KOP, KOPV		5t885.x↔	KOP, KOPV				
22		Y01Z, Y03A, Y03B	06	G33Z		06	G33Z				
			07	H33Z, H38Z		07	H33Z, H38Z				
			08	I02A, I02B, I02C, I02D, I22A, I32A, I32B, I32C, I32D, I34Z, I50Z		08	I02A, I02B, I02C, I02D, I22A, I32A, I32B, I32C, I32D, I32E, I32F, I34Z, I50Z				
		09	J01Z, J02A, J02B	09	J01Z, J02A, J02B						
		11	L33Z	11	L33Z						
		21B	X01A, X01B, X01C, X33Z	21B	X01A, X01B, X01C, X33Z						
		Pre	A07A	Pre	A07A						

VYK



ZZV	MDC	DRG	ZZV	MDC	DRG	ZZV	MDC	DRG
5t887.8↔		KOP, KOPV	5t888.2↔		BOP, KOP, KOPV, KVT, UOP4	5t888.6↔		BOP, KOP, KOPV, KVT, UOP4
	06	G33Z		06	G33Z		04	E02A, E02B, E02C
	07	H33Z, H38Z		07	H33Z, H38Z		06	G33Z
	08	I02A, I02B, I02C, I02D, I22A, I32A, I32B, I32C, I32D, I34Z, I50Z		08	I02A, I02B, I02C, I02D, I08A, I08B, I08C, I08D, I08E, I12A, I12B, I12C, I13A, I13B, I22A, I28A, I28B, I32A, I32B, I32C, I32D, I50Z		07	H33Z, H38Z
	09	J01Z, J02A, J02B		09	J01Z, J02A, J02B, J16Z		08	I02A, I02B, I02C, I02D, I08A, I08B, I08C, I08D, I08E, I12A, I12B, I12C, I13A, I13B, I22A, I28A, I28B, I32A, I32B, I32C, I32D, I50Z
	11	L33Z		11	L33Z		09	J01Z, J02A, J02B, J16Z
	21B	X01A, X01B, X01C, X33Z		21A	W04A, W04B		11	L33Z
	Pre	A07A		21B	X01A, X01B, X01C, X33Z		21A	W04A, W04B
				Pre	A07A		21B	X01A, X01B, X01C, X33Z
							Pre	A07A
5t887.9↔		KOP, KOPV	5t888.3↔		BOP, KOP, KOPV, KVT, UOP4	5t888.7↔		BOP, KOP, KOPV, KVT, UOP4
	06	G33Z		06	G33Z		06	G33Z
	07	H33Z, H38Z		07	H33Z, H38Z		07	H33Z, H38Z
	08	I02A, I02B, I02C, I02D, I22A, I32A, I32B, I32C, I32D, I34Z, I50Z		08	I02A, I02B, I02C, I02D, I08A, I08B, I08C, I08D, I08E, I12A, I12B, I12C, I13A, I13B, I22A, I28A, I28B, I32A, I32B, I32C, I32D, I32E, I32F, I50Z		08	I02A, I02B, I02C, I02D, I08A, I08B, I08C, I08D, I08E, I12A, I12B, I12C, I13A, I13B, I22A, I28A, I28B, I32A, I32B, I32C, I32D, I50Z
	09	J01Z, J02A, J02B		09	J01Z, J02A, J02B, J16Z		09	J01Z, J02A, J02B, J16Z
	11	L33Z		11	L33Z		11	L33Z
	21B	X01A, X01B, X01C, X33Z		21A	W04A, W04B		21A	W04A, W04B
	Pre	A07A		21B	X01A, X01B, X01C, X33Z		21B	X01A, X01B, X01C, X33Z
				Pre	A07A		Pre	A07A
5t887.x↔		KOP, KOPV	5t888.4↔		BOP, KOP, KOPV, KVT, UOP4	5t888.8↔		BOP, KOP, KOPV, KVT, UOP4
	06	G33Z		04	E02A, E02B, E02C		06	G33Z
	07	H33Z, H38Z		06	G33Z		07	H33Z, H38Z
	08	I02A, I02B, I02C, I02D, I22A, I32A, I32B, I32C, I32D, I32E, I32F, I34Z, I50Z		07	H33Z, H38Z		08	I02A, I02B, I02C, I02D, I08A, I08B, I08C, I08D, I08E, I12A, I12B, I12C, I13A, I13B, I22A, I28A, I28B, I32A, I32B, I32C, I32D, I50Z
	09	J01Z, J02A, J02B		08	I02A, I02B, I02C, I02D, I08A, I08B, I08C, I08D, I08E, I12A, I12B, I12C, I13A, I13B, I22A, I28A, I28B, I32A, I32B, I32C, I32D, I50Z		09	J01Z, J02A, J02B, J16Z
	11	L33Z		11	L33Z		11	L33Z
	21B	X01A, X01B, X01C, X33Z		21A	W04A, W04B		21A	W04A, W04B
	Pre	A07A		21B	X01A, X01B, X01C, X33Z		21B	X01A, X01B, X01C, X33Z
				Pre	A07A		Pre	A07A
5t888.0↔		BOP, KOP, KOPV, KVT, UOP4	5t888.5↔		BOP, KOP, KOPV, KVT, UOP4	5t888.9↔		BOP, KOP, KOPV, KVT, UOP4
	03	D02A		04	E02A, E02B, E02C		06	G33Z
	06	G33Z		06	G33Z		07	H33Z, H38Z
	07	H33Z, H38Z		07	H33Z, H38Z		08	I02A, I02B, I02C, I02D, I08A, I08B, I08C, I08D, I08E, I12A, I12B, I12C, I13A, I13B, I22A, I28A, I28B, I32A, I32B, I32C, I32D, I50Z
	08	I02A, I02B, I02C, I02D, I08A, I08B, I08C, I08D, I08E, I12A, I12B, I12C, I13A, I13B, I22A, I28A, I28B, I32A, I32B, I32C, I32D, I50Z		08	I02A, I02B, I02C, I02D, I08A, I08B, I08C, I08D, I08E, I12A, I12B, I12C, I13A, I13B, I22A, I28A, I28B, I32A, I32B, I32C, I32D, I50Z		09	J01Z, J02A, J02B, J16Z
	09	J01Z, J02A, J02B, J16Z		09	J01Z, J02A, J02B, J16Z		11	L33Z
	11	L33Z		11	L33Z		11	L33Z
	21A	W04A, W04B		21A	W04A, W04B		21A	W04A, W04B
	21B	X01A, X01B, X01C, X33Z		21B	X01A, X01B, X01C, X33Z		21B	X01A, X01B, X01C, X33Z
	Pre	A07A		Pre	A07A		Pre	A07A
5t888.1↔		BOP, KOP, KOPV, KVT, UOP4		E02A, E02B, E02C	5t888.x↔		BOP, KOP, KOPV, KVT, UOP4	
	06	G33Z	06	G33Z		06	G33Z	
	07	H33Z, H38Z	07	H33Z, H38Z		07	H33Z, H38Z	
	08	I02A, I02B, I02C, I02D, I08A, I08B, I08C, I08D, I08E, I12A, I12B, I12C, I13A, I13B, I22A, I28A, I28B, I32A, I32B, I32C, I32D, I50Z	08	I02A, I02B, I02C, I02D, I08A, I08B, I08C, I08D, I08E, I12A, I12B, I12C, I13A, I13B, I22A, I28A, I28B, I32A, I32B, I32C, I32D, I50Z		08	I02A, I02B, I02C, I02D, I08A, I08B, I08C, I08D, I08E, I12A, I12B, I12C, I13A, I13B, I22A, I28A, I28B, I32A, I32B, I32C, I32D, I50Z	
	09	J01Z, J02A, J02B, J16Z	09	J01Z, J02A, J02B, J16Z		09	J01Z, J02A, J02B, J16Z	
	11	L33Z	11	L33Z		11	L33Z	
	21A	W04A, W04B	21A	W04A, W04B		21A	W04A, W04B	
	21B	X01A, X01B, X01C, X33Z	21B	X01A, X01B, X01C, X33Z		21B	X01A, X01B, X01C, X33Z	
	Pre	A07A	Pre	A07A		Pre	A07A	

VYK

ZZV	MDC	DRG	ZZV	MDC	DRG	ZZV	MDC	DRG		
5t889.0↔		KOP, KOPV	5t889.6↔	06	G33Z	5t88x.2↔	06	G33Z		
	03	D02A, D02B		07	H33Z, H38Z		07	H33Z, H38Z		
	06	G33Z		08	I02A, I02B, I02C, I02D, I22A, I32A, I32B, I32C, I32D, I34Z, I50Z		08	I02A, I02B, I02C, I02D, I22A, I32A, I32B, I32C, I32D, I34Z, I50Z		
	07	H33Z, H38Z		09	J01Z, J02A, J02B		09	J01Z, J02A, J02B		
	08	I02A, I02B, I02C, I02D, I22A, I32A, I32B, I32C, I32D, I34Z, I50Z		11	L33Z		11	L33Z		
	09	J01Z, J02A, J02B		21B	X01A, X01B, X01C, X33Z		21B	X01A, X01B, X01C, X33Z		
	11	L33Z		Pre	A07A		Pre	A07A		
	21B	X01A, X01B, X01C, X33Z		5t889.7↔	06		G33Z	5t88x.3↔	06	G33Z
	Pre	A07A			07		H33Z, H38Z		07	H33Z, H38Z
	5t889.1↔				KOP, KOPV		08		I02A, I02B, I02C, I02D, I22A, I32A, I32B, I32C, I32D, I34Z, I50Z	08
06		G33Z	09		J01Z, J02A, J02B	09	J01Z, J02A, J02B			
07		H33Z, H38Z	11		L33Z	11	L33Z			
08		I02A, I02B, I02C, I02D, I22A, I32A, I32B, I32C, I32D, I34Z, I50Z	21B		X01A, X01B, X01C, X33Z	21B	X01A, X01B, X01C, X33Z			
09		J01Z, J02A, J02B	Pre		A07A	Pre	A07A			
11		L33Z	5t889.8↔		06	G33Z	5t88x.4		06	G33Z
21B		X01A, X01B, X01C, X33Z			07	H33Z, H38Z			07	H33Z, H38Z
Pre		A07A			08	I02A, I02B, I02C, I02D, I22A, I32A, I32B, I32C, I32D, I34Z, I50Z			08	I02A, I02B, I02C, I02D, I22A, I32A, I32B, I32C, I32D, I34Z, I50Z
5t889.2↔				KOP, KOPV	09	J01Z, J02A, J02B		09	J01Z, J02A, J02B	
		06		G33Z	11	L33Z		11	L33Z	
	07	H33Z, H38Z		21B	X01A, X01B, X01C, X33Z	21B		X01A, X01B, X01C, X33Z		
	08	I02A, I02B, I02C, I02D, I22A, I32A, I32B, I32C, I32D, I34Z, I50Z		Pre	A07A	Pre		A07A		
	09	J01Z, J02A, J02B		5t889.9↔	06	G33Z		5t88x.5	06	G33Z
	11	L33Z			07	H33Z, H38Z			07	H33Z, H38Z
	21B	X01A, X01B, X01C, X33Z			08	I02A, I02B, I02C, I02D, I22A, I32A, I32B, I32C, I32D, I34Z, I50Z			08	I02A, I02B, I02C, I02D, I22A, I32A, I32B, I32C, I32D, I34Z, I50Z
	Pre	A07A	09		J01Z, J02A, J02B	09	J01Z, J02A, J02B			
	5t889.3↔		KOP, KOPV		11	L33Z	11		L33Z	
		06	G33Z		21B	X01A, X01B, X01C, X33Z	21B		X01A, X01B, X01C, X33Z	
07		H33Z, H38Z	Pre		A07A	Pre	A07A			
08		I02A, I02B, I02C, I02D, I22A, I32A, I32B, I32C, I32D, I34Z, I50Z	5t889.x↔		06	G33Z	5t88x.6		06	G33Z
09		J01Z, J02A, J02B			07	H33Z, H38Z			07	H33Z, H38Z
11		L33Z			08	I02A, I02B, I02C, I02D, I22A, I32A, I32B, I32C, I32D, I32E, I32F, I34Z, I50Z			08	I02A, I02B, I02C, I02D, I22A, I32A, I32B, I32C, I32D, I34Z, I50Z
21B		X01A, X01B, X01C, X33Z		09	J01Z, J02A, J02B	09		J01Z, J02A, J02B		
Pre		A07A		11	L33Z	11		L33Z		
5t889.4↔				KOP, KOPV	21B	X01A, X01B, X01C, X33Z		21B	X01A, X01B, X01C, X33Z	
		06		G33Z	Pre	A07A		Pre	A07A	
	07	H33Z, H38Z		5t88x.0↔	06	G33Z		5t88x.7↔	06	G33Z
	08	I02A, I02B, I02C, I02D, I22A, I32A, I32B, I32C, I32D, I34Z, I50Z			07	H33Z, H38Z			07	H33Z, H38Z
	09	J01Z, J02A, J02B			08	I02A, I02B, I02C, I02D, I22A, I32A, I32B, I32C, I32D, I34Z, I50Z			08	I02A, I02B, I02C, I02D, I22A, I32A, I32B, I32C, I32D, I34Z, I50Z
	11	L33Z	09		J01Z, J02A, J02B	09	J01Z, J02A, J02B			
	21B	X01A, X01B, X01C, X33Z	11		L33Z	11	L33Z			
	Pre	A07A	21B		X01A, X01B, X01C, X33Z	21B	X01A, X01B, X01C, X33Z			
	5t889.5↔		KOP, KOPV		Pre	A07A	Pre		A07A	
		06	G33Z		5t88x.1↔	06	G33Z		5t88x.8↔	06
07		H33Z, H38Z	07			H33Z, H38Z	07			H33Z, H38Z
08		I02A, I02B, I02C, I02D, I22A, I32A, I32B, I32C, I32D, I34Z, I50Z	08			I02A, I02B, I02C, I02D, I22A, I32A, I32B, I32C, I32D, I34Z, I50Z	08			I02A, I02B, I02C, I02D, I22A, I32A, I32B, I32C, I32D, I34Z, I50Z
09		J01Z, J02A, J02B	09	J01Z, J02A, J02B		09	J01Z, J02A, J02B			
11		L33Z	11	L33Z		11	L33Z			
21B		X01A, X01B, X01C, X33Z	21B	X01A, X01B, X01C, X33Z		21B	X01A, X01B, X01C, X33Z			
Pre		A07A	Pre	A07A		Pre	A07A			

ZZV	MDC	DRG	ZZV	MDC	DRG	ZZV	MDC	DRG
5t88x.9↔		KOP, KOPV	5t891.6↔		BOP, KVT, UOP4	5t892.6↔		BOP, KVT, UOP4
	06	G33Z		01	B03A, B03B, B06A, B06B, B17A, B17B, B17C		08	I12A, I12B, I12C, I27A, I27B, I27C, I27D
	07	H33Z, H38Z		08	I12A, I12B, I12C, I27A, I27B, I27C, I27D		21A	W04A, W04B
	08	I02A, I02B, I02C, I02D, I22A, I32A, I32B, I32C, I32D, I34Z, I50Z		21A	W04A, W04B	5t892.7↔	21B	X04Z, X06A, X06B, X06C
	09	J01Z, J02A, J02B		21B	X04Z, X06A, X06B, X06C			BOP, KVT, UOP4
	11	L33Z	5t891.7↔		BOP, KVT, UOP4		08	I12A, I12B, I12C, I27A, I27B, I27C, I27D
	21B	X01A, X01B, X01C, X33Z		01	B03A, B03B, B06A, B06B, B17A, B17B, B17C		21A	W04A, W04B
	Pre	A07A		08	I12A, I12B, I12C, I27A, I27B, I27C, I27D	5t892.8↔	21B	X04Z, X06A, X06B, X06C
5t88x.x↔		KOP, KOPV		01	B03A, B03B, B06A, B06B, B17A, B17B, B17C			BOP, KVT, UOP4
	06	G33Z		08	I12A, I12B, I12C, I27A, I27B, I27C, I27D		08	I12A, I12B, I12C, I27A, I27B, I27C, I27D
	07	H33Z, H38Z		21A	W04A, W04B		21A	W04A, W04B
	08	I02A, I02B, I02C, I02D, I22A, I32A, I32B, I32C, I32D, I32E, I32F, I34Z, I50Z	5t891.8↔		BOP, KVT, UOP4		21B	X04Z, X06A, X06B, X06C
	09	J01Z, J02A, J02B		01	B03A, B03B, B06A, B06B, B17A, B17B, B17C	5t892.9↔		BOP, KVT, UOP4
	11	L33Z		08	I12A, I12B, I12C, I27A, I27B, I27C, I27D		08	I12A, I12B, I12C, I27A, I27B, I27C, I27D
	21B	X01A, X01B, X01C, X33Z		21A	W04A, W04B		21A	W04A, W04B
	Pre	A07A		21B	X04Z, X06A, X06B, X06C		21B	X04Z, X06A, X06B, X06C
5t891.0↔		BOP, KVT, UOP4	5t891.9↔		BOP, KVT, UOP4	5t892.x		BOP, KVT, UOP4
	01	B03A, B03B, B06A, B06B, B17A, B17B, B17C		01	B03A, B03B, B06A, B06B, B17A, B17B, B17C		08	I12A, I12B, I12C, I27A, I27B, I27C, I27D
	08	I12A, I12B, I12C, I27A, I27B, I27C, I27D		08	I12A, I12B, I12C, I27A, I27B, I27C, I27D		21A	W04A, W04B
	21A	W04A, W04B		21A	W04A, W04B		21B	X06A, X06B, X06C
	21B	X06A, X06B, X06C		21B	X04Z, X06A, X06B, X06C	5t893.0↔		BOP, KVT, UOP4
5t891.1↔		BOP, KVT, UOP4		21B	X04Z, X06A, X06B, X06C		08	I12A, I12B, I12C, I27A, I27B, I27C, I27D
	01	B03A, B03B, B06A, B06B, B17A, B17B, B17C	5t891.x		BOP, KVT, UOP4		21A	W04A, W04B
	08	I12A, I12B, I12C, I27A, I27B, I27C, I27D		01	B03A, B03B, B06A, B06B, B17A, B17B, B17C		21B	X06A, X06B, X06C
	21A	W04A, W04B		08	I12A, I12B, I12C, I27A, I27B, I27C, I27D	5t893.1↔		BOP, KVT, UOP4
	21B	X06A, X06B, X06C		21A	W04A, W04B		08	I12A, I12B, I12C, I27A, I27B, I27C, I27D
5t891.2↔		BOP, KVT, UOP4		21B	X06A, X06B, X06C		21A	W04A, W04B
	01	B03A, B03B, B06A, B06B, B17A, B17B, B17C	5t892.0↔		BOP, KVT, UOP4		21B	X06A, X06B, X06C
	08	I12A, I12B, I12C, I27A, I27B, I27C, I27D		08	I12A, I12B, I12C, I27A, I27B, I27C, I27D	5t893.2↔		BOP, KVT, UOP4
	21A	W04A, W04B		21A	W04A, W04B		08	I12A, I12B, I12C, I27A, I27B, I27C, I27D
	21B	X06A, X06B, X06C	5t892.1↔		BOP, KVT, UOP4		21A	W04A, W04B
5t891.3↔		BOP, KVT, UOP4		08	I12A, I12B, I12C, I27A, I27B, I27C, I27D	5t893.3↔		BOP, KVT, UOP4
	01	B03A, B03B, B06A, B06B, B17A, B17B, B17C		21A	W04A, W04B		08	I12A, I12B, I12C, I27A, I27B, I27C, I27D
	08	I12A, I12B, I12C, I27A, I27B, I27C, I27D		21B	X06A, X06B, X06C		21A	W04A, W04B
	21A	W04A, W04B	5t892.2↔		BOP, KVT, UOP4		21B	X05A, X05B, X06A, X06B, X06C
	21B	X05A, X05B, X06A, X06B, X06C		08	I12A, I12B, I12C, I27A, I27B, I27C, I27D	5t893.4↔		BOP, KVT, UOP4
5t891.4↔		BOP, KVT, UOP4		21A	W04A, W04B		08	I12A, I12B, I12C, I27A, I27B, I27C, I27D
	01	B03A, B03B, B06A, B06B, B17A, B17B, B17C	5t892.3↔		BOP, KVT, UOP4		21A	W04A, W04B
	08	I12A, I12B, I12C, I27A, I27B, I27C, I27D		08	I12A, I12B, I12C, I27A, I27B, I27C, I27D	5t893.5↔		BOP, KVT, UOP4
	21A	W04A, W04B		21A	W04A, W04B		08	I12A, I12B, I12C, I27A, I27B, I27C, I27D
	21B	X05A, X05B, X06A, X06B, X06C		21B	X05A, X05B, X06A, X06B, X06C		21A	W04A, W04B
5t891.5↔		BOP, KVT, UOP4	5t892.4↔		BOP, KVT, UOP4		21B	X06A, X06B, X06C
	01	B03A, B03B, B06A, B06B, B17A, B17B, B17C		08	I12A, I12B, I12C, I27A, I27B, I27C, I27D	5t893.6↔		BOP, KVT, UOP4
	08	I12A, I12B, I12C, I27A, I27B, I27C, I27D		21A	W04A, W04B		08	I12A, I12B, I12C, I27A, I27B, I27C, I27D
	21A	W04A, W04B		21B	X06A, X06B, X06C		21A	W04A, W04B
	21B	X06A, X06B, X06C	5t892.5↔		BOP, KVT, UOP4		21B	X04Z, X06A, X06B, X06C
				08	I12A, I12B, I12C, I27A, I27B, I27C, I27D	5t893.7↔		BOP, KVT, UOP4
				21A	W04A, W04B		08	I12A, I12B, I12C, I27A, I27B, I27C, I27D
				21B	X06A, X06B, X06C		21A	W04A, W04B
							21B	X04Z, X06A, X06B, X06C

ZZV	MDC	DRG	ZZV	MDC	DRG	ZZV	MDC	DRG
5t893.8↔		BOP, KVT, UOP4	5t89x.x		BOP, KVT, UOP4	5t90x↔		BOP, KVT, UOP4
	08	I12A, I12B, I12C, I27A, I27B, I27C, I27D		08	I12A, I12B, I12C, I27A, I27B, I27C, I27D		05	F13A
	21A	W04A, W04B		21A	W04A, W04B		08	I28A, I28B, I32A, I32B, I32C, I32D, I32E, I32F
	21B	X04Z, X06A, X06B, X06C		21B	X06A, X06B, X06C		11	L09A, L38Z
5t893.9↔		BOP, KVT, UOP4	5t900↔		BOP, KVT, UOP4, VIAL	5t910↔		BOP, KVT, UOP4, VIAL
	08	I12A, I12B, I12C, I27A, I27B, I27C, I27D		05	F13A		05	F13A
	21A	W04A, W04B		08	I02A, I02B, I02C, I02D, I08A, I08B, I08C, I08D, I08E, I08F, I22A, I50Z		08	I02A, I02B, I02C, I02D, I08A, I08B, I08C, I08D, I08E, I08F, I22A, I50Z
	21B	X04Z, X06A, X06B, X06C		11	L09A, L38Z		11	L09A, L38Z
5t893.x		BOP, KVT, UOP4		21A	W04A, W04B		21A	W01A, W01B, W01C, W02A, W02B
	08	I12A, I12B, I12C, I27A, I27B, I27C, I27D	5t901↔		BOP, KVT, UOP4, VIAL		21B	X01A, X01B, X01C, X04Z, X07A
	21A	W04A, W04B		05	F13A			BOP, KVT, UOP4, VIAL
	21B	X06A, X06B, X06C		08	I02A, I02B, I02C, I02D, I08A, I08B, I08C, I08D, I08E, I08F, I22A, I50Z	5t911↔		F13A
5t89x.0↔		BOP, KVT, UOP4		11	L09A, L38Z		05	F13A
	08	I12A, I12B, I12C, I27A, I27B, I27C, I27D		21A	W04A, W04B		08	I02A, I02B, I02C, I02D, I18A, I18B, I22A, I30Z, I50Z
	21A	W04A, W04B	5t902↔		BOP, KVT, UOP4, VIAL		11	L09A, L38Z
	21B	X06A, X06B, X06C		05	F13A		21A	W04A, W04B
5t89x.1↔		BOP, KVT, UOP4		08	I02A, I02B, I02C, I02D, I08A, I08B, I08C, I08D, I08E, I08F, I22A, I50Z	5t912↔		BOP, KVT, UOP4, VIAL
	08	I12A, I12B, I12C, I27A, I27B, I27C, I27D		11	L09A, L38Z		05	F13A
	21A	W04A, W04B	5t903↔		BOP, KVT, UOP4, VIAL		08	I02A, I02B, I02C, I02D, I22A, I50Z
	21B	X06A, X06B, X06C		05	F13A		11	L09A, L38Z
5t89x.2↔		BOP, KVT, UOP4		08	I02A, I02B, I02C, I02D, I22A, I32A, I32B, I32C, I32D, I32E, I32F, I50Z	5t913↔		BOP, KVT, UOP4, VIAL
	08	I12A, I12B, I12C, I27A, I27B, I27C, I27D		11	L09A, L38Z		05	F13A
	21A	W04A, W04B		21A	W04A, W04B		08	I02A, I02B, I02C, I02D, I20A, I20B, I20C, I20D, I22A, I50Z
	21B	X06A, X06B, X06C	5t904↔		BOP, KVT, UOP4, VIAL		11	L09A, L38Z
5t89x.3↔		BOP, KVT, UOP4		05	F13A	5t914↔		BOP, KVT, UOP4, VIAL
	08	I12A, I12B, I12C, I27A, I27B, I27C, I27D		08	I02A, I02B, I02C, I02D, I22A, I32A, I32B, I32C, I32D, I32E, I32F, I50Z		05	F13A
	21A	W04A, W04B		11	L09A, L38Z		08	I02A, I02B, I02C, I02D, I20A, I20B, I20C, I20D, I22A, I50Z
	21B	X05A, X05B, X06A, X06B, X06C		21A	W04A, W04B		11	L09A, L38Z
5t89x.4		BOP, KVT, UOP4		21B	X01A, X01B, X01C, X05A, X05B, X07A	5t915↔		BOP, KVT, UOP4, VIAL
	08	I12A, I12B, I12C, I27A, I27B, I27C, I27D	5t905↔		BOP, KVT, UOP4, VIAL		05	F13A
	21A	W04A, W04B		05	F13A		08	I02A, I02B, I02C, I02D, I22A, I22B, I32A, I32B, I32C, I32D, I32E, I32F, I50Z
	21B	X06A, X06B, X06C		08	I02A, I02B, I02C, I02D, I22A, I32A, I32B, I32C, I32D, I32E, I32F, I50Z		11	L09A, L38Z
5t89x.5		BOP, KVT, UOP4		11	L09A, L38Z	5t916↔		BOP, KVT, UOP4, VIAL
	08	I12A, I12B, I12C, I27A, I27B, I27C, I27D		21A	W04A, W04B		05	F13A
	21A	W04A, W04B	5t906↔		BOP, KVT, UOP4, VIAL		08	I02A, I02B, I02C, I02D, I20A, I20B, I20C, I20D, I22A, I22B, I50Z
	21B	X06A, X06B, X06C		05	F13A		11	L09A, L38Z
5t89x.6		BOP, KVT, UOP4		08	I02A, I02B, I02C, I02D, I22A, I32A, I32B, I32C, I32D, I32E, I32F, I50Z	5t917↔		BOP, KVT, UOP4, VIAL
	08	I12A, I12B, I12C, I27A, I27B, I27C, I27D		11	L09A, L38Z		05	F13A
	21A	W04A, W04B		21A	W04A, W04B		08	I02A, I02B, I02C, I02D, I20A, I20B, I20C, I20D, I22A, I22B, I50Z
	21B	X04Z, X06A, X06B, X06C		21B	X01A, X01B, X01C, X05A, X05B, X07A, X07B		11	L09A, L38Z
5t89x.7↔		BOP, KVT, UOP4		08	I02A, I02B, I02C, I02D, I22A, I32A, I32B, I32C, I32D, I32E, I32F, I50Z	5t918↔		BOP, KVT, UOP4, VIAL
	08	I12A, I12B, I12C, I27A, I27B, I27C, I27D		11	L09A, L38Z		05	F13A
	21A	W04A, W04B		21A	W04A, W04B		08	I02A, I02B, I02C, I02D, I22A, I22B, I28A, I28B, I50Z
	21B	X04Z, X06A, X06B, X06C	5t907↔		BOP, KVT, UOP4, VIAL		11	L09A, L38Z
5t89x.8↔		BOP, KVT, UOP4		05	F13A	5t919↔		BOP, KVT, UOP4, VIAL
	08	I12A, I12B, I12C, I27A, I27B, I27C, I27D		08	I02A, I02B, I02C, I02D, I22A, I22B, I32A, I32B, I32C, I32D, I32E, I32F, I50Z		05	F13A
	21A	W04A, W04B		11	L09A, L38Z		08	I02A, I02B, I02C, I02D, I22A, I22B, I28A, I28B, I50Z
	21B	X04Z, X06A, X06B, X06C		21A	W04A, W04B		11	L09A, L38Z
5t89x.9↔		BOP, KVT, UOP4		21B	X01A, X01B, X01C, X05A, X05B, X07A, X07B	5t920↔		BOP, KVT, UOP4, VIAL
	08	I12A, I12B, I12C, I27A, I27B, I27C, I27D		05	F13A		05	F13A
	21A	W04A, W04B		08	I02A, I02B, I02C, I02D, I22A, I22B, I32A, I32B, I32C, I32D, I32E, I32F, I50Z		08	I02A, I02B, I02C, I02D, I22A, I22B, I28A, I28B, I50Z
	21B	X04Z, X06A, X06B, X06C		11	L09A, L38Z		11	L09A, L38Z
				21A	W04A, W04B		21A	W04A, W04B
				21B	X01A, X01B, X01C, X05A, X05B, X07A, X07B		21B	X01A, X01B, X01C, X04Z, X07A, X07B

VYK

ZZV	MDC	DRG	ZZV	MDC	DRG	ZZV	MDC	DRG
5t920↔		BOP, KVT, UOP4	5t930↔		BOP, KVT, UOP4	5t936↔		BOP, KVT, UOP4
	05	F13A, F13C		05	F13A, F13C		05	F13A, F13C
	08	I07Z		08	I07Z		08	I32A, I32B, I32C, I32D, I32E, I32F
	09	J03A, J03B, J04A, J04B, J08A, J08B, J08C, J11A, J11B, J16Z		09	J03A, J03B, J04A, J04B, J08A, J08B, J08C, J11A, J11B, J16Z		09	J03A, J03B, J04A, J04B, J08A, J08B, J08C, J11A, J11B, J16Z
	11	L09A, L38Z		11	L09A, L38Z		21A	W04A, W04B
	21A	W04A, W04B		21A	W04A, W04B		21B	X05A, X05B
	21B	X06A, X06B, X06C		21B	X05A, X05B		22	Y01Z, Y02A, Y02B, Y03A, Y03B
	22	Y01Z, Y02A, Y02B, Y03A, Y03B		22	Y01Z, Y02A, Y02B, Y03A, Y03B			
5t921↔		BOP, KVT, UOP4	5t931↔		BOP, KVT, UOP4	5t937↔		BOP, KVT, UOP4
	05	F13A, F13C		05	F13A, F13C		05	F13A, F13C
	08	I07Z		08	I07Z		08	I32A, I32B, I32C, I32D, I32E, I32F
	09	J03A, J03B, J04A, J04B, J08A, J08B, J08C, J11A, J11B, J16Z		09	J03A, J03B, J04A, J04B, J08A, J08B, J08C, J11A, J11B, J16Z		09	J03A, J03B, J04A, J04B, J08A, J08B, J08C, J11A, J11B, J16Z
	11	L09A, L38Z		21A	W04A, W04B		21A	W04A, W04B
	21A	W04A, W04B		21B	X05A, X05B		21B	X05A, X05B
	21B	X06A, X06B, X06C		22	Y01Z, Y02A, Y02B, Y03A, Y03B		22	Y01Z, Y02A, Y02B, Y03A, Y03B
	22	Y01Z, Y02A, Y02B, Y03A, Y03B						
5t922↔		BOP, KVT, UOP4	5t932↔		BOP, KVT, UOP4	5t938↔		BOP, KVT, UOP4
	05	F13A, F13C		05	F13A, F13C		05	F13A, F13C
	08	I07Z		08	I07Z		08	I32A, I32B, I32C, I32D, I32E, I32F
	09	J03A, J03B, J04A, J04B, J08A, J08B, J08C, J11A, J11B, J16Z		09	J03A, J03B, J04A, J04B, J08A, J08B, J08C, J11A, J11B, J16Z		09	J03A, J03B, J04A, J04B, J08A, J08B, J08C, J11A, J11B, J16Z
	11	L09A, L38Z		21A	W04A, W04B		21A	W04A, W04B
	21A	W04A, W04B		21B	X05A, X05B		21B	X05A, X05B
	21B	X06A, X06B, X06C		22	Y01Z, Y02A, Y02B, Y03A, Y03B		22	Y01Z, Y02A, Y02B, Y03A, Y03B
	22	Y01Z, Y02A, Y02B, Y03A, Y03B						
5t923↔		BOP, KVT, UOP4	5t933↔		BOP, KVT, UOP4	5t939↔		BOP, KVT, UOP4
	05	F13A, F13C		05	F13A, F13C		05	F13A, F13C
	08	I07Z		08	I32A, I32B, I32C, I32D, I32E, I32F		08	I32A, I32B, I32C, I32D, I32E, I32F
	09	J03A, J03B, J04A, J04B, J08A, J08B, J08C, J11A, J11B, J16Z		09	J03A, J03B, J04A, J04B, J08A, J08B, J08C, J11A, J11B, J16Z		09	J03A, J03B, J04A, J04B, J08A, J08B, J08C, J11A, J11B, J16Z
	11	L09A, L38Z		21A	W04A, W04B		21A	W04A, W04B
	21A	W04A, W04B		21B	X05A, X05B		21B	X05A, X05B
	21B	X06A, X06B, X06C		22	Y01Z, Y02A, Y02B, Y03A, Y03B		22	Y01Z, Y02A, Y02B, Y03A, Y03B
	22	Y01Z, Y02A, Y02B, Y03A, Y03B						
5t924↔		BOP, KVT, UOP4	5t934↔		BOP, KVT, UOP4	5t93a↔		BOP, KVT, UOP4
	05	F13A, F13C		05	F13A, F13C		05	F13A, F13C
	08	I07Z		08	I32A, I32B, I32C, I32D, I32E, I32F		08	I07Z
	09	J03A, J03B, J04A, J04B, J08A, J08B, J08C, J11A, J11B, J16Z		09	J03A, J03B, J04A, J04B, J08A, J08B, J08C, J11A, J11B, J16Z		09	J03A, J03B, J04A, J04B, J08A, J08B, J08C, J11A, J11B, J16Z
	11	L09A, L38Z		21A	W04A, W04B		21A	W04A, W04B
	21A	W04A, W04B		21B	X05A, X05B		21B	X05A, X05B
	21B	X06A, X06B, X06C		22	Y01Z, Y02A, Y02B, Y03A, Y03B		22	Y01Z, Y02A, Y02B, Y03A, Y03B
	22	Y01Z, Y02A, Y02B, Y03A, Y03B						
5t92x↔		BOP, KVT, UOP4	5t935↔		BOP, KVT, UOP4	5t93x↔		BOP, KVT, UOP4
	05	F13A, F13C		05	F13A, F13C		05	F13A, F13C
	08	I07Z		08	I32A, I32B, I32C, I32D, I32E, I32F		08	I32A, I32B, I32C, I32D, I32E, I32F
	09	J03A, J03B, J04A, J04B, J08A, J08B, J08C, J11A, J11B, J16Z		09	J03A, J03B, J04A, J04B, J08A, J08B, J08C, J11A, J11B, J16Z		09	J03A, J03B, J04A, J04B, J08A, J08B, J08C, J11A, J11B, J16Z
	21A	W04A, W04B		21A	W04A, W04B		21A	W04A, W04B
	21B	X06A, X06B, X06C		21B	X05A, X05B		21B	X05A, X05B
	22	Y01Z, Y02A, Y02B, Y03A, Y03B		22	Y01Z, Y02A, Y02B, Y03A, Y03B		22	Y01Z, Y02A, Y02B, Y03A, Y03B

VYK



ZZV	MDC	DRG	ZZV	MDC	DRG	ZZV	MDC	DRG			
5t940↔		BOP, KVT, UOP4	5t945↔		BOP, KVT, UOP4	5t94a↔		BOP, KVT, UOP4			
	05	F13A, F28A, F28B, F28C		05	F13A, F27A, F27B, F27C, F28A, F28B, F28C		05	F13A, F27A, F27B, F27C, F28A, F28B, F28C			
	08	I07Z, I37Z		08	I07Z		08	I07Z			
	09	J03A, J03B, J04A, J04B, J08A, J08B, J08C, J11A, J11B, J16Z		09	J03A, J03B, J04A, J04B, J08A, J08B, J08C, J11A, J11B, J16Z		09	J03A, J03B, J04A, J04B, J08A, J08B, J08C, J11A, J11B, J16Z			
	11	L09A, L38Z		10	K01Z		10	K01Z			
	21A	W01A, W01B, W01C, W02A, W02B		11	L09A, L38Z		11	L09A, L38Z			
	21B	X04Z		21A	W01A, W01B, W01C, W02A, W02B		21A	W04A, W04B			
	22	Y01Z, Y02A, Y02B, Y03A, Y03B		21B	X04Z		21B	X04Z			
	5t941↔			BOP, KVT, UOP4	5t946↔			BOP, KVT, UOP4	5t94x↔		BOP, KVT, UOP4
		05		F13A, F28A, F28B, F28C			05	F13A, F27A, F27B, F27C, F28A, F28B, F28C		05	F13A, F27A, F27B, F27C, F28A, F28B, F28C
08		I07Z, I37Z	08	I07Z		08	I07Z				
09		J03A, J03B, J04A, J04B, J08A, J08B, J08C, J11A, J11B, J16Z	09	J03A, J03B, J04A, J04B, J08A, J08B, J08C, J11A, J11B, J16Z		09	J03A, J03B, J04A, J04B, J08A, J08B, J08C, J11A, J11B, J16Z				
11		L09A, L38Z	10	K01Z		10	K01Z				
21A		W01A, W01B, W01C, W02A, W02B	11	L09A, L38Z		21A	W04A, W04B				
21B		X04Z	21A	W01A, W01B, W01C, W02A, W02B		21B	X04Z				
22		Y01Z, Y02A, Y02B, Y03A, Y03B	21B	X04Z		22	Y01Z, Y02A, Y02B, Y03A, Y03B				
5t942↔			BOP, KVT, UOP4	5t947↔			BOP, KVT, UOP4	5t950↔			BOP, KVT, UOP4
		05	F13A, F28A, F28B, F28C			05	F13A, F27A, F27B, F27C, F28A, F28B, F28C			05	F13A, F27A, F27B, F27C, F28A, F28B, F28C
	08	I07Z	08		I07Z	08	I07Z				
	09	J03A, J03B, J04A, J04B, J08A, J08B, J08C, J11A, J11B, J16Z	09		J03A, J03B, J04A, J04B, J08A, J08B, J08C, J11A, J11B, J16Z	09	J03A, J03B, J04A, J04B, J08A, J08B, J08C, J11A, J11B, J16Z				
	11	L09A, L38Z	10		K01Z	10	K01Z				
	21A	W01A, W01B, W01C, W02A, W02B	11		L09A, L38Z	21A	W04A, W04B				
	21B	X04Z	21A		W04A, W04B	21B	X04Z				
	22	Y01Z, Y02A, Y02B, Y03A, Y03B	21B		X04Z	22	Y01Z, Y02A, Y02B, Y03A, Y03B				
	5t943↔		BOP, KVT, UOP4		5t948↔		BOP, KVT, UOP4		5t951↔		BOP, KVT, UOP4
		05	F13A, F27A, F27B, F27C, F28A, F28B, F28C			05	F13A, F27A, F27B, F27C, F28A, F28B, F28C			05	F13A, F27A, F27B, F27C, F28A, F28B, F28C
08		I07Z	08	I07Z		08	I07Z				
09		J03A, J03B, J04A, J04B, J08A, J08B, J08C, J11A, J11B, J16Z	09	J03A, J03B, J04A, J04B, J08A, J08B, J08C, J11A, J11B, J16Z		09	J03A, J03B, J04A, J04B, J08A, J08B, J08C, J11A, J11B, J16Z				
10		K01Z	10	K01Z		10	K01Z				
11		L09A, L38Z	11	L09A, L38Z		21A	W04A, W04B				
21A		W01A, W01B, W01C, W02A, W02B	21A	W04A, W04B		21B	X04Z				
21B		X04Z	21B	X04Z		22	Y01Z, Y02A, Y02B, Y03A, Y03B				
22		Y01Z, Y02A, Y02B, Y03A, Y03B	22	Y01Z, Y02A, Y02B, Y03A, Y03B		5t952↔		BOP, KVT, UOP4			
5t944↔			BOP, KVT, UOP4	5t949↔			BOP, KVT, UOP4	5t952↔			BOP, KVT, UOP4
	05	F13A, F27A, F27B, F27C, F28A, F28B, F28C	05		F13A, F27A, F27B, F27C, F28A, F28B, F28C	05	F13A, F27A, F27B, F27C, F28A, F28B, F28C				
	08	I07Z	08		I07Z	08	I07Z				
	09	J03A, J03B, J04A, J04B, J08A, J08B, J08C, J11A, J11B, J16Z	09		J03A, J03B, J04A, J04B, J08A, J08B, J08C, J11A, J11B, J16Z	09	J03A, J03B, J04A, J04B, J08A, J08B, J08C, J11A, J11B, J16Z				
	10	K01Z	10		K01Z	10	K01Z				
	11	L09A, L38Z	11		L09A, L38Z	21A	W04A, W04B				
	21A	W01A, W01B, W01C, W02A, W02B	21A		W04A, W04B	21B	X04Z				
	21B	X04Z	21B		X04Z	22	Y01Z, Y02A, Y02B, Y03A, Y03B				
	22	Y01Z, Y02A, Y02B, Y03A, Y03B	22		Y01Z, Y02A, Y02B, Y03A, Y03B						

ZZV	MDC	DRG	ZZV	MDC	DRG	ZZV	MDC	DRG
5t953↔		BOP, KVT, UOP4	5t958↔		BOP, KVT, UOP4	5t963↔		BOP, KVT, UOP4
	05	F13A, F27A, F27B, F27C, F28A, F28B, F28C		05	F13A, F13C, F27A, F27B, F27C		05	F13A, F13C, F27A, F27B, F27C
	08	I07Z		08	I20A, I20B, I20C, I20D, I20E, I20F		08	I14Z
	09	J03A, J03B, J04A, J04B, J08A, J08B, J08C, J11A, J11B, J16Z		09	J03A, J03B, J04A, J04B, J08A, J08B, J08C, J11A, J11B, J16Z		09	J03A, J03B, J04A, J04B, J08A, J08B, J08C, J11A, J11B, J16Z
	10	K01Z		10	K01Z		10	K01Z
	21A	W04A, W04B		21A	W04A, W04B		21A	W04A, W04B
	21B	X04Z		21B	X04Z		21B	X04Z, X06A, X06B, X06C
	22	Y01Z, Y02A, Y02B, Y03A, Y03B		22	Y01Z, Y02A, Y02B, Y03A, Y03B		22	Y01Z, Y03A, Y03B
	5t954↔			BOP, KVT, UOP4	5t95x↔			BOP, KVT, UOP4
05		F13A, F27A, F27B, F27C, F28A, F28B, F28C	05	F13A, F13C, F27A, F27B, F27C		05	F13A, F13C, F27A, F27B, F27C	
08		I07Z	08	I20A, I20B, I20C, I20D, I20E, I20F		08	I14Z	
09		J03A, J03B, J04A, J04B, J08A, J08B, J08C, J11A, J11B, J16Z	09	J03A, J03B, J04A, J04B, J08A, J08B, J08C, J11A, J11B, J16Z		09	J03A, J03B, J04A, J04B, J08A, J08B, J08C, J11A, J11B, J16Z	
10		K01Z	10	K01Z		10	K01Z	
21A		W04A, W04B	21A	W04A, W04B		21A	W04A, W04B	
21B		X04Z	21B	X04Z		21B	X04Z, X06A, X06B, X06C	
22		Y01Z, Y02A, Y02B, Y03A, Y03B	22	Y01Z, Y02A, Y02B, Y03A, Y03B		22	Y01Z, Y03A, Y03B	
5t955↔			BOP, KVT, UOP4	5t960↔			BOP, KVT, UOP4	5t965↔
	05	F13A, F27A, F27B, F27C, F28A, F28B, F28C	05		F13A, F13C, F27A, F27B, F27C	05	F13A, F13C, F27A, F27B, F27C	
	08	I07Z	08		I14Z	08	I14Z	
	09	J03A, J03B, J04A, J04B, J08A, J08B, J08C, J11A, J11B, J16Z	09		J03A, J03B, J04A, J04B, J08A, J08B, J08C, J11A, J11B, J16Z	09	J03A, J03B, J04A, J04B, J08A, J08B, J08C, J11A, J11B, J16Z	
	10	K01Z	10		K01Z	10	K01Z	
	21A	W04A, W04B	21A		W04A, W04B	21A	W04A, W04B	
	21B	X04Z	21B		X04Z	21B	X04Z, X06A, X06B, X06C	
	22	Y01Z, Y02A, Y02B, Y03A, Y03B	22		Y01Z, Y03A, Y03B	22	Y01Z, Y03A, Y03B	
	5t956↔		BOP, KVT, UOP4		5t961↔		BOP, KVT, UOP4	
05		F13A, F27A, F27B, F27C, F28A, F28B, F28C	05	F13A, F13C, F27A, F27B, F27C		05	F13A, F13C, F27A, F27B, F27C	
08		I07Z	08	I14Z		08	I14Z	
09		J03A, J03B, J04A, J04B, J08A, J08B, J08C, J11A, J11B, J16Z	09	J03A, J03B, J04A, J04B, J08A, J08B, J08C, J11A, J11B, J16Z		09	J03A, J03B, J04A, J04B, J08A, J08B, J08C, J11A, J11B, J16Z	
10		K01Z	10	K01Z		10	K01Z	
21A		W04A, W04B	21A	W04A, W04B		21A	W04A, W04B	
21B		X04Z	21B	X05A, X05B, X06A, X06B, X06C		21B	X06A, X06B, X06C	
22		Y01Z, Y02A, Y02B, Y03A, Y03B	22	Y01Z, Y03A, Y03B		22	Y01Z, Y03A, Y03B	
5t957↔			BOP, KVT, UOP4	5t962↔			BOP, KVT, UOP4	5t970↔
	05	F13A, F13C, F27A, F27B, F27C	05		F13A, F13C, F27A, F27B, F27C	05	F13A, F13C, F27A, F27B, F27C	
	08	I20A, I20B, I20C, I20D, I20E, I20F	08		I14Z	08	I20A, I20B, I20C, I20D	
	09	J03A, J03B, J04A, J04B, J08A, J08B, J08C, J11A, J11B, J16Z	09		J03A, J03B, J04A, J04B, J08A, J08B, J08C, J11A, J11B, J16Z	09	J03A, J03B, J04A, J04B, J08A, J08B, J08C, J11A, J11B, J16Z	
	10	K01Z	10		K01Z	10	K01Z	
	21A	W04A, W04B	21A		W04A, W04B	21A	W04A, W04B	
	21B	X04Z	21B		X05A, X05B	21B	X04Z, X06A, X06B, X06C	
	22	Y01Z, Y02A, Y02B, Y03A, Y03B	22		Y01Z, Y03A, Y03B	22	Y01Z, Y03A, Y03B	
	5t959↔		BOP, KVT, UOP4				5t971	
05		F13A, F13C, F27A, F27B, F27C			08	I28A, I28B		
08		I20A, I20B, I20C, I20D, I20E, I20F			Pre	A22Z		
09		J03A, J03B, J04A, J04B, J08A, J08B, J08C, J11A, J11B, J16Z				BOP, KVT, UOP4		
10		K01Z				I28A, I28B		
21A		W04A, W04B				BOP, KVT, UOP4		
21B		X04Z				I08A, I08B, I08C, I08D, I08E, I08F		
22		Y01Z, Y02A, Y02B, Y03A, Y03B				L09A, L38Z		
						W01A, W01B, W01C, W02A, W02B		
					X04Z			

VYK

ZZV	MDC	DRG	ZZV	MDC	DRG	ZZV	MDC	DRG	
5t991		BOP, KVT, UOP4	5t994.6↔	01	BOP, KVT, UOP4, VIAL	5u113↔	09	BOP, KVT, UOP4	
	01	B03A, B03B, B06A, B06B, B07Z, B17A, B17B, B17C		01	B03A, B03B, B06A, B06B, B07Z, B17A, B17B, B17C		09	J03A, J03B, J04A, J04B, J06Z, J07A, J07B, J08A, J08B, J08C, J16Z, J24A, J24B, J24C, J24D, J25Z	
	03	D12A		08	I32A, I32B, I32C, I32D, I32E, I32F		21A	W04A, W04B	
	04	E02A, E02B, E02C		09	J03A, J03B, J04A, J04B, J08A, J08B, J08C, J10A, J10B, J16Z		21B	X06A, X06B, X06C	
	05	F21A, F21B, F21C, F27A, F27B, F27C		21A	W04A, W04B		21B	X06A, X06B, X06C	
	06	G10Z, G12A, G12B		21B	X04Z, X06A, X06B, X06C			BOP, KVT, UOP4	
	07	H06A, H06B, H06C		5t995.2↔	08		I20A, I20B, I20C	09	J03A, J03B, J04A, J04B, J06Z, J07A, J07B, J08A, J08B, J08C, J16Z, J24A, J24B, J24C, J24D, J25Z
	08	I28A, I28B		21A	W04A, W04B		10	K09A, K09B	
	09	J03A, J03B, J04A, J04B, J08A, J08B, J08C, J16Z, J21Z, J22A, J22B		21B	X04Z, X06A, X06B, X06C		21A	W04A, W04B	
	10	K01Z		5t995.3↔	08		I20A, I20B, I20C	21B	X06A, X06B, X06C
	11	L09A, L09B, L09C, L09D, L38Z		08	I20A, I20B, I20C			BOP, KVT, UOP4	
	13	N11A, N11B		21A	W04A, W04B		09	J03A, J03B, J04A, J04B, J08A, J08B, J08C, J16Z, J23Z, J24A, J24B, J24C, J24D, J26Z	
	21A	W04A, W04B		21B	X04Z, X06A, X06B, X06C		10	K07Z	
	21B	X06A, X06B, X06C		5t995.4↔	08		I20A, I20B, I20C	21A	W04A, W04B
	5t992			BOP, KVT, UOP4	21A		W04A, W04B	21B	X06A, X06B, X06C
		08		I28A, I28B	21B		X04Z, X06A, X06B, X06C		BOP, KVT, UOP4
		21A		W04A, W04B	5t995.5↔		08	I20A, I20B, I20C	09
21B		X04Z, X05A, X05B, X06A, X06B, X06C	08	I20A, I20B, I20C	10	K07Z			
5t993		BOP, KVT, UOP4	21A	W04A, W04B	21A	W04A, W04B			
	08	I28A, I28B	21B	X04Z, X06A, X06B, X06C	21B	X06A, X06B, X06C			
	11	L09A, L38Z	5t995.6↔	08	I20A, I20B, I20C		BOP, KVT, UOP4		
	21A	W04A, W04B	08	I20A, I20B, I20C	09	J03A, J03B, J04A, J04B, J08A, J08B, J08C, J16Z, J23Z, J24A, J24B, J24C, J24D, J26Z			
21B	X04Z, X05A, X05B, X06A, X06B, X06C	21A	W04A, W04B	10	K07Z				
5t994.2↔		BOP, KVT, UOP4, VIAL	21B	X04Z, X06A, X06B, X06C	21A	W04A, W04B			
	01	B03A, B03B, B06A, B06B, B07Z, B17A, B17B, B17C	5u110.0↔	09	J03A, J03B, J04A, J04B, J06Z, J07A, J07B, J08A, J08B, J08C, J16Z, J24A, J24B, J24C, J24D, J25Z	21B	X06A, X06B, X06C		
	08	I32A, I32B, I32C, I32D, I32E, I32F	09	J03A, J03B, J04A, J04B, J06Z, J07A, J07B, J08A, J08B, J08C, J16Z, J24A, J24B, J24C, J24D, J25Z		BOP, KVT, UOP4			
	09	J03A, J03B, J04A, J04B, J08A, J08B, J08C, J10A, J10B, J16Z	10	K09A, K09B	09	J03A, J03B, J04A, J04B, J06Z, J08A, J08B, J08C, J16Z, J23Z, J24A, J24B, J24C, J24D, J26Z			
5t994.3↔		BOP, KVT, UOP4, VIAL	16	Q03A, Q03B	11	L09A, L38Z			
	01	B03A, B03B, B06A, B06B, B07Z, B17A, B17B, B17C	21A	W04A, W04B	19	U01Z			
	08	I32A, I32B, I32C, I32D, I32E, I32F	21A	W04A, W04B	21A	W04A, W04B			
	09	J03A, J03B, J04A, J04B, J08A, J08B, J08C, J10A, J10B, J16Z	21B	X06A, X06B, X06C	21B	X06A, X06B, X06C			
5t994.4↔		BOP, KVT, UOP4, VIAL	5u110.1↔	09	J03A, J03B, J04A, J04B, J06Z, J07A, J07B, J08A, J08B, J08C, J16Z, J24A, J24B, J24C, J24D, J25Z		BOP, KVT, UOP4		
	01	B03A, B03B, B06A, B06B, B07Z, B17A, B17B, B17C	09	J03A, J03B, J04A, J04B, J06Z, J07A, J07B, J08A, J08B, J08C, J16Z, J24A, J24B, J24C, J24D, J25Z	09	J03A, J03B, J04A, J04B, J06Z, J08A, J08B, J08C, J16Z, J23Z, J24A, J24B, J24C, J24D, J26Z			
	08	I32A, I32B, I32C, I32D, I32E, I32F	10	K09A, K09B	11	L09A, L38Z			
	09	J03A, J03B, J04A, J04B, J08A, J08B, J08C, J10A, J10B, J16Z	16	Q03A, Q03B	21A	W04A, W04B			
5t994.5↔		BOP, KVT, UOP4, VIAL	21A	W04A, W04B	21B	X06A, X06B, X06C			
	01	B03A, B03B, B06A, B06B, B07Z, B17A, B17B, B17C	21B	X06A, X06B, X06C		BOP, KVT, UOP4			
	08	I32A, I32B, I32C, I32D, I32E, I32F	5u111↔	09	J03A, J03B, J04A, J04B, J06Z, J07A, J07B, J08A, J08B, J08C, J16Z, J24A, J24B, J24C, J24D, J25Z	09	J03A, J03B, J04A, J04B, J06Z, J08A, J08B, J08C, J16Z, J23Z, J24A, J24B, J24C, J24D, J26Z		
	09	J03A, J03B, J04A, J04B, J08A, J08B, J08C, J10A, J10B, J16Z	10	K09A, K09B	11	L09A, L38Z			
5t994.6↔		BOP, KVT, UOP4, VIAL	16	Q03A, Q03B	21A	W04A, W04B			
	01	B03A, B03B, B06A, B06B, B07Z, B17A, B17B, B17C	21A	W04A, W04B	21B	X06A, X06B, X06C			
	08	I32A, I32B, I32C, I32D, I32E, I32F	21B	X06A, X06B, X06C		BOP, KVT, UOP4			
	09	J03A, J03B, J04A, J04B, J08A, J08B, J08C, J10A, J10B, J16Z	5u112↔	09	J03A, J03B, J04A, J04B, J06Z, J07A, J07B, J08A, J08B, J08C, J16Z, J24A, J24B, J24C, J24D, J25Z	09	J03A, J03B, J04A, J04B, J06Z, J08A, J08B, J08C, J14A, J16Z, J23Z, J24A, J24B, J24C, J26Z		
5t994.7↔		BOP, KVT, UOP4, VIAL	10	K09A, K09B	11	L09A, L38Z			
	01	B03A, B03B, B06A, B06B, B07Z, B17A, B17B, B17C	21A	W04A, W04B	21A	W04A, W04B			
	08	I32A, I32B, I32C, I32D, I32E, I32F	21B	X06A, X06B, X06C	21B	X06A, X06B, X06C			
	09	J03A, J03B, J04A, J04B, J08A, J08B, J08C, J10A, J10B, J16Z		BOP, KVT, UOP4		BOP, KVT, UOP4			

VYK

ZZV	MDC	DRG	ZZV	MDC	DRG	ZZV	MDC	DRG
5u141.1↔		BOP, KVT, UOP4	5u211.1↔		BOP, KVT, UOP4	5u213.1↔		BOP, KVT, UOP4
	09	J03A, J03B, J04A, J04B, J06Z, J08A, J08B, J08C, J14A, J16Z, J23Z, J24A, J24B, J24C, J26Z		09	J03A, J03B, J04A, J04B, J07A, J07B, J08A, J08B, J08C, J16Z, J24A, J24B, J24C, J25Z		09	J03A, J03B, J04A, J04B, J08A, J08B, J08C, J14A, J14B, J16Z, J23Z, J24A, J24B, J24C, J26Z
	11	L09A, L38Z		21A	W04A, W04B		11	L09A, L38Z
	21A	W04A, W04B		21B	X06A, X06B		19	U01Z
	21B	X06A, X06B, X06C	5u211.2↔		BOP, KVT, UOP4		21A	W04A, W04B
5u141.x↔		BOP, KVT, UOP4		09	J03A, J03B, J04A, J04B, J08A, J08B, J08C, J16Z, J23Z, J24A, J24B, J24C, J26Z	5u213.2↔		BOP, KVT, UOP4
	09	J03A, J03B, J04A, J04B, J06Z, J08A, J08B, J08C, J16Z, J23Z, J24A, J24B, J24C, J26Z		21A	W04A, W04B		09	J03A, J03B, J04A, J04B, J08A, J08B, J08C, J14A, J14B, J16Z, J23Z, J24A, J24B, J24C, J26Z
	11	L09A, L38Z		21B	X06A, X06B		11	L09A, L38Z
	21A	W04A, W04B	5u211.3↔		BOP, KVT, UOP4		19	U01Z
	21B	X06A, X06B, X06C		09	J03A, J03B, J04A, J04B, J08A, J08B, J08C, J14A, J14B, J16Z, J23Z, J24A, J24B, J24C, J26Z		21A	W04A, W04B
5u142↔		BOP, KVT, UOP4		11	L09A, L38Z	5u213.3↔		BOP, KVT, UOP4
	09	J03A, J03B, J04A, J04B, J06Z, J08A, J08B, J08C, J16Z, J23Z, J24A, J24B, J24C, J26Z		19	U01Z		09	J14A, J26Z
	11	L09A, L38Z		21A	W04A, W04B		11	L09A, L38Z
	21A	W04A, W04B		21B	X06A, X06B		19	U01Z
	21B	X06A, X06B, X06C	5u211.4↔		BOP, KVT, UOP4		21A	W04A, W04B
5u191↔		BOP, KVT, UOP4		09	J03A, J03B, J04A, J04B, J08A, J08B, J08C, J14A, J14B, J16Z, J23Z, J24A, J24B, J24C, J26Z	5u213.4↔		BOP, KVT, UOP4
	09	J03A, J03B, J04A, J04B, J07A, J07B, J08A, J08B, J08C, J16Z, J24A, J24B, J24C, J24D, J25Z		11	L09A, L38Z		09	J03A, J03B, J04A, J04B, J08A, J08B, J08C, J14A, J14B, J16Z, J23Z, J24A, J24B, J24C, J26Z
	21A	W04A, W04B		19	U01Z		11	L09A, L38Z
	21B	X06A, X06B, X06C		21A	W04A, W04B		19	U01Z
5u210.1↔		BOP, KVT, UOP4		21B	X06A, X06B	5u213.5↔		BOP, KVT, UOP4
	09	J03A, J03B, J04A, J04B, J06Z, J08A, J08B, J08C, J16Z, J23Z, J24A, J24B, J24C, J26Z	5u211.5↔		BOP, KVT, UOP4		09	J03A, J03B, J04A, J04B, J08A, J08B, J08C, J14A, J14B, J16Z, J23Z, J24A, J24B, J24C, J26Z
	11	L09A, L38Z		09	J03A, J03B, J04A, J04B, J08A, J08B, J08C, J14A, J14B, J16Z, J23Z, J24A, J24B, J24C, J26Z		11	L09A, L38Z
	19	U01Z		11	L09A, L38Z		19	U01Z
	21A	W04A, W04B		19	U01Z		21A	W04A, W04B
	21B	X06A, X06B		21A	W04A, W04B		21B	X06A, X06B
5u210.2↔		BOP, KVT, UOP4	5u211.7↔		BOP, KVT, UOP4	5u213.5↔		BOP, KVT, UOP4
	09	J03A, J03B, J04A, J04B, J06Z, J08A, J08B, J08C, J16Z, J23Z, J24A, J24B, J24C, J26Z		09	J01Z, J02A, J02B, J14A		09	J03A, J03B, J04A, J04B, J08A, J08B, J08C, J14A, J14B, J16Z, J23Z, J24A, J24B, J24C, J26Z
	11	L09A, L38Z		11	L09A, L38Z		11	L09A, L38Z
	19	U01Z		19	U01Z		19	U01Z
	21A	W04A, W04B		21A	W04A, W04B		21A	W04A, W04B
	21B	X06A, X06B		21B	X06A, X06B		21B	X06A, X06B
5u210.3↔		BOP, KVT, UOP4	5u211.x↔		BOP, KVT, UOP4	5u214.1↔		BOP, KVT, UOP4
	09	J03A, J03B, J04A, J04B, J06Z, J08A, J08B, J08C, J16Z, J23Z, J24A, J24B, J24C, J26Z		09	J03A, J03B, J04A, J04B, J08A, J08B, J08C, J14A, J14B, J16Z, J23Z, J24A, J24B, J24C, J26Z		09	J03A, J03B, J04A, J04B, J06Z, J08A, J08B, J08C, J16Z, J23Z, J24A, J24B, J24C, J26Z
	10	K07Z		11	L09A, L38Z		10	K07Z
	21A	W04A, W04B		19	U01Z		21A	W04A, W04B
	21B	X06A, X06B		21A	W04A, W04B		21B	X06A, X06B
5u210.4↔		BOP, KVT, UOP4	5u212.1↔		BOP, KVT, UOP4	5u214.2↔		BOP, KVT, UOP4
	09	J03A, J03B, J04A, J04B, J06Z, J08A, J08B, J08C, J16Z, J23Z, J24A, J24B, J24C, J26Z		09	J01Z, J02A, J02B, J14A		09	J03A, J03B, J04A, J04B, J06Z, J08A, J08B, J08C, J16Z, J23Z, J24A, J24B, J24C, J26Z
	10	K07Z		11	L09A, L38Z		10	K07Z
	21A	W04A, W04B		19	U01Z		11	L09A, L38Z
	21B	X06A, X06B		21A	W04A, W04B		21A	W04A, W04B
5u210.7↔		BOP, KVT, UOP4	5u212.2↔		BOP, KVT, UOP4	5u215↔		BOP, KVT, UOP4
	09	J01Z, J02A, J02B, J14A		09	J03A, J03B, J04A, J04B, J08A, J08B, J08C, J14A, J14B, J16Z, J23Z, J24A, J24B, J24C, J26Z		09	J03A, J03B, J04A, J04B, J08A, J08B, J08C, J16Z, J23Z, J24A, J24B, J24C, J26Z
	11	L09A, L38Z		19	U01Z		21A	W04A, W04B
	19	U01Z		21A	W04A, W04B		21B	X06A, X06B
	21A	W04A, W04B		21B	X06A, X06B			
	21B	X06A, X06B		19	U01Z			
				21A	W04A, W04B			
				21B	X06A, X06B			

ZZV	MDC	DRG	ZZV	MDC	DRG	ZZV	MDC	DRG
5u216.1↔		BOP, KVT, UOP4	5u222.0↔		BOP, KVT, UOP4	5u224↔		BOP, KVT, UOP4
	09	J03A, J03B, J04A, J04B, J06Z, J08A, J08B, J08C, J16Z, J23Z, J24A, J24B, J24C, J26Z		09	J03A, J03B, J04A, J04B, J07A, J07B, J08A, J08B, J08C, J16Z, J24A, J24B, J24C, J24D, J25Z		09	J03A, J03B, J04A, J04B, J08A, J08B, J08C, J16Z, J23Z, J24A, J24B, J24C, J26Z
	11	L09A, L38Z		10	K09A, K09B		21A	W04A, W04B
	19	U01Z		21A	W04A, W04B		21B	X06A, X06B
	21A	W04A, W04B		21B	X06A, X06B	5u230.1↔		BOP, KVT, UOP4
	21B	X06A, X06B	5u222.1↔		BOP, KVT, UOP4		09	J03A, J03B, J04A, J04B, J07A, J07B, J08A, J08B, J08C, J16Z, J24A, J24B, J24C, J24D, J25Z
5u216.7		BOP, KVT, UOP4		09	J03A, J03B, J04A, J04B, J07A, J07B, J08A, J08B, J08C, J16Z, J24A, J24B, J24C, J24D, J25Z		19	U01Z
	09	J01Z, J02A, J02B, J14A		10	K09A, K09B		21A	W04A, W04B
	11	L09A, L38Z		21A	W04A, W04B		21B	X06A, X06B
	19	U01Z		21B	X06A, X06B	5u230.2↔		BOP, KVT, UOP4
	21A	W04A, W04B		21B	X06A, X06B		09	J03A, J03B, J04A, J04B, J07A, J07B, J08A, J08B, J08C, J16Z, J24A, J24B, J24C, J24D, J25Z
	21B	X06A, X06B	5u222.2↔		BOP, KVT, UOP4		19	U01Z
5u217.0↔		BOP, KVT, UOP4		09	J03A, J03B, J04A, J04B, J08A, J08B, J08C, J16Z, J24A, J24B, J24C, J25Z		21A	W04A, W04B
	09	J03A, J03B, J04A, J04B, J06Z, J07A, J07B, J08A, J08B, J08C, J16Z, J24A, J24B, J24C, J25Z		09	J03A, J03B, J04A, J04B, J08A, J08B, J08C, J16Z, J23Z, J24A, J24B, J24C, J26Z		21B	X06A, X06B
	21A	W04A, W04B		21A	W04A, W04B	5u921↔		BOP, KVT, UOP4
	21B	X06A, X06B		21B	X06A, X06B		09	J03A, J03B, J04A, J04B, J07A, J07B, J08A, J08B, J08C, J16Z, J24A, J24B, J24C, J24D, J25Z
5u217.1↔		BOP, KVT, UOP4	5u222.3↔		BOP, KVT, UOP4		19	U01Z
	09	J03A, J03B, J04A, J04B, J06Z, J07A, J07B, J08A, J08B, J08C, J16Z, J24A, J24B, J24C, J25Z		09	J03A, J03B, J04A, J04B, J08A, J08B, J08C, J16Z, J23Z, J24A, J24B, J24C, J26Z		21A	W04A, W04B
	21A	W04A, W04B		21A	W04A, W04B		21B	X06A, X06B
	21B	X06A, X06B		21B	X06A, X06B	5u922↔		BOP, KVT, UOP4
5u220.1↔		BOP, KVT, UOP4	5u222.4↔		BOP, KVT, UOP4		09	J03A, J03B, J04A, J04B, J07A, J07B, J08A, J08B, J08C, J16Z, J24A, J24B, J24C, J25Z
	09	J03A, J03B, J04A, J04B, J08A, J08B, J08C, J16Z, J23Z, J24A, J24B, J24C, J26Z		09	J03A, J03B, J04A, J04B, J08A, J08B, J08C, J16Z, J23Z, J24A, J24B, J24C, J26Z		19	U01Z
	21A	W04A, W04B		21A	W04A, W04B		21A	W04A, W04B
	21B	X06A, X06B		21B	X06A, X06B		21B	X06A, X06B
5u220.2↔		BOP, KVT, UOP4	5u222.5↔		BOP, KVT, UOP4	5u923↔		BOP, KVT, UOP4
	09	J03A, J03B, J04A, J04B, J08A, J08B, J08C, J16Z, J23Z, J24A, J24B, J24C, J26Z		09	J03A, J03B, J04A, J04B, J08A, J08B, J08C, J16Z, J23Z, J24A, J24B, J24C, J26Z		09	J03A, J03B, J04A, J04B, J07A, J07B, J08A, J08B, J08C, J16Z, J24A, J24B, J24C, J24D, J25Z
	21A	W04A, W04B		21A	W04A, W04B		19	U01Z
	21B	X06A, X06B		21B	X06A, X06B		21A	W04A, W04B
5u220.3↔		BOP, KVT, UOP4	5u222.6↔		BOP, KVT, UOP4		21B	X06A, X06B
	09	J03A, J03B, J04A, J04B, J08A, J08B, J08C, J16Z, J23Z, J24A, J24B, J24C, J26Z		09	J03A, J03B, J04A, J04B, J08A, J08B, J08C, J16Z, J23Z, J24A, J24B, J24C, J26Z	5v110‡	03	D40Z
	21A	W04A, W04B		21A	W04A, W04B	5v111.4‡	02	C14Z
	21B	X06A, X06B		21B	X06A, X06B	5v112.4‡	02	C14Z
5u221.0↔		BOP, KVT, UOP4	5u223.1↔		BOP, KVT, UOP4	5v113.0‡	09	J11A, J11B
	09	J03A, J03B, J04A, J04B, J08A, J08B, J08C, J16Z, J23Z, J24A, J24B, J24C, J26Z		09	J03A, J03B, J04A, J04B, J08A, J08B, J08C, J16Z, J23Z, J24A, J24B, J24C, J26Z	5v113.4‡	02	C14Z
	21A	W04A, W04B		21A	W04A, W04B		09	J11A, J11B
	21B	X06A, X06B		21B	X06A, X06B		09	J11A, J11B
5u221.1↔		BOP, KVT, UOP4	5u223.2↔		BOP, KVT, UOP4	5v113.5‡	09	J11A, J11B
	09	J03A, J03B, J04A, J04B, J08A, J08B, J08C, J16Z, J23Z, J24A, J24B, J24C, J26Z		09	J03A, J03B, J04A, J04B, J08A, J08B, J08C, J16Z, J23Z, J24A, J24B, J24C, J26Z	5v113.6‡↔	09	J11A, J11B, J11C
	21A	W04A, W04B		21A	W04A, W04B	5v113.7‡↔	09	J11A, J11B
	21B	X06A, X06B		21B	X06A, X06B	5v113.8‡↔	09	J11A, J11B
	21B	X06A, X06B		21B	X06A, X06B	5v113.9‡↔	09	J11A, J11B
	21A	W04A, W04B		21A	W04A, W04B	5v113.a‡	09	J11A, J11B, J11C
	21B	X06A, X06B		21B	X06A, X06B	5v113.b‡	09	J11A, J11B
	21A	W04A, W04B		21A	W04A, W04B	5v113.c‡	09	J11A, J11B
	21B	X06A, X06B		21B	X06A, X06B	5v113.d‡	09	J11A, J11B, J11C
	21A	W04A, W04B		21A	W04A, W04B	5v113.e‡↔	09	J11A, J11B
	21B	X06A, X06B		21B	X06A, X06B	5v113.ft↔	09	J11A, J11B
						5v113.g‡↔	09	J11A, J11B
						5v113.x‡	09	J11A, J11B
						5v114.4‡	02	C14Z

VYK

ZZV	MDC	DRG	ZZV	MDC	DRG	ZZV	MDC	DRG
5v130.0	03	D08A, D08B, D18Z, D22A, D22B, D30A, D30B	5v141.0		BOP, KVT, UOP4	5v141.8↔		BOP, KVT, UOP4
	05	F13A		01	B03A, B03B, B06A, B06B, B07Z, B17A, B17B, B17C		01	B03A, B03B, B06A, B06B, B07Z, B17A, B17B, B17C
	09	J03A, J03B, J04A, J04B, J08A, J08B, J08C, J11A, J11B, J11C, J16Z		03	D12A		05	F13A, F21A, F21B, F21C
5v130.4‡	02	C14Z		05	F13A, F21A, F21B, F21C		08	I27A, I27B, I27C, I27D
	09	J11A, J11B, J11C		09	J03A, J03B, J04A, J04B, J08A, J08B, J08C, J11A, J11B, J11C, J16Z, J21Z		09	J03A, J03B, J04A, J04B, J08A, J08B, J08C, J11A, J11B, J11C, J16Z, J21Z
5v130.5‡	09	J11A, J11B, J11C		10	K09A, K09B		10	K09A, K09B
5v130.6‡↔	09	J11A, J11B, J11C		21A	W04A, W04B		21A	W04A, W04B
5v130.7‡↔	09	J11A, J11B, J11C		21B	X06A, X06B, X06C		21B	X05A, X05B, X06A, X06B, X06C
5v130.8‡↔	09	J11A, J11B, J11C		22	Y01Z, Y03A, Y03B		22	Y01Z, Y03A, Y03B
5v130.9‡↔	09	J11A, J11B, J11C	5v141.4		BOP, KVT, UOP4	5v141.9↔		BOP, KVT, UOP4
5v130.a‡	09	J11A, J11B, J11C		01	B03A, B03B, B06A, B06B, B07Z, B17A, B17B, B17C		01	B03A, B03B, B06A, B06B, B07Z, B17A, B17B, B17C
5v130.b‡	09	J11A, J11B, J11C		02	C20A, C20B		05	F13A, F21A, F21B, F21C
5v130.c‡	09	J11A, J11B, J11C		03	D12A		08	I27A, I27B, I27C, I27D
5v130.d‡	09	J11A, J11B, J11C		05	F13A, F21A, F21B, F21C		09	J03A, J03B, J04A, J04B, J08A, J08B, J08C, J11A, J11B, J11C, J16Z, J21Z
5v130.e‡↔	09	J11A, J11B, J11C		08	I27A, I27B, I27C, I27D		10	K09A, K09B
5v130.f‡↔	09	J11A, J11B, J11C		09	J03A, J03B, J04A, J04B, J08A, J08B, J08C, J11A, J11B, J11C, J16Z, J21Z		21A	W04A, W04B
5v130.g‡↔	09	J11A, J11B, J11C		10	K09A, K09B		21B	X05A, X05B, X06A, X06B, X06C
5v130.x‡	09	J11A, J11B, J11C		21A	W04A, W04B		22	Y01Z, Y03A, Y03B
5v131.0	03	D08A, D08B, D18Z, D22A, D22B, D30A, D30B		21B	X06A, X06B, X06C	5v141.a		BOP, KVT, UOP4
	05	F13A		22	Y01Z, Y03A, Y03B		01	B03A, B03B, B06A, B06B, B07Z, B17A, B17B, B17C
	09	J03A, J03B, J04A, J04B, J08A, J08B, J08C, J11A, J11B, J11C, J16Z	5v141.5		BOP, KVT, UOP4		05	F13A, F21A, F21B, F21C
5v131.4‡	02	C14Z		01	B03A, B03B, B06A, B06B, B07Z, B17A, B17B, B17C		08	I27A, I27B, I27C, I27D
	09	J11A, J11B, J11C		03	D12A		09	J03A, J03B, J04A, J04B, J08A, J08B, J08C, J11A, J11B, J11C, J16Z, J21Z
5v131.5‡	09	J11A, J11B, J11C		05	F13A, F21A, F21B, F21C		10	K09A, K09B
5v131.6‡↔	09	J11A, J11B, J11C		08	I27A, I27B, I27C, I27D		21A	W04A, W04B
5v131.7‡↔	09	J11A, J11B, J11C		09	J03A, J03B, J04A, J04B, J08A, J08B, J08C, J11A, J11B, J11C, J16Z, J21Z		21B	X06A, X06B, X06C
5v131.8‡↔	09	J11A, J11B, J11C		10	K09A, K09B	5v141.b		Y01Z, Y03A, Y03B
5v131.9‡↔	09	J11A, J11B, J11C		21A	W04A, W04B		01	B03A, B03B, B06A, B06B, B07Z, B17A, B17B, B17C
5v131.a‡	09	J11A, J11B, J11C		21B	X06A, X06B, X06C		05	F13A, F21A, F21B, F21C
5v131.b‡	09	J11A, J11B, J11C		22	Y01Z, Y03A, Y03B		08	I27A, I27B, I27C, I27D
5v131.c‡	09	J11A, J11B, J11C	5v141.6↔		BOP, KVT, UOP4		09	J03A, J03B, J04A, J04B, J08A, J08B, J08C, J11A, J11B, J11C, J16Z, J21Z
5v131.d‡	09	J11A, J11B, J11C		01	B03A, B03B, B06A, B06B, B07Z, B17A, B17B, B17C		10	K09A, K09B
5v131.e‡↔	09	J11A, J11B, J11C		05	F13A, F21A, F21B, F21C		21A	W04A, W04B
5v131.f‡↔	09	J11A, J11B, J11C		08	I27A, I27B, I27C, I27D		21B	X06A, X06B, X06C
5v131.g‡↔	09	J11A, J11B, J11C		09	J03A, J03B, J04A, J04B, J08A, J08B, J08C, J11A, J11B, J11C, J16Z, J21Z	5v141.c		Y01Z, Y03A, Y03B
5v131.x‡	09	J11A, J11B, J11C		10	K09A, K09B		01	B03A, B03B, B06A, B06B, B07Z, B17A, B17B, B17C
5v132.4‡	02	C14Z		21A	W04A, W04B		05	F13A, F21A, F21B, F21C
5v132.6‡↔	09	J11A, J11B, J11C		21B	X06A, X06B, X06C		08	I27A, I27B, I27C, I27D
5v132.c‡	09	J11A, J11B, J11C		22	Y01Z, Y03A, Y03B		09	J03A, J03B, J04A, J04B, J08A, J08B, J08C, J11A, J11B, J11C, J16Z, J21Z
5v132.x‡	09	J11A, J11B			BOP, KVT, UOP4		10	K09A, K09B
5v13x.x‡	09	J11A, J11B		01	B03A, B03B, B06A, B06B, B07Z, B17A, B17B, B17C		21A	W04A, W04B
5v140.0		BOP, KVT, UOP4		05	F13A, F21A, F21B, F21C		21B	X06A, X06B, X06C
	03	D08A, D08B, D18Z, D22A, D22B, D30A, D30B		08	I27A, I27B, I27C, I27D		22	Y01Z, Y03A, Y03B
	05	F13A	5v141.7↔		BOP, KVT, UOP4		01	B03A, B03B, B06A, B06B, B07Z, B17A, B17B, B17C
	09	J03A, J03B, J04A, J04B, J08A, J08B, J08C, J11A, J11B, J11C, J16Z		01	B03A, B03B, B06A, B06B, B07Z, B17A, B17B, B17C		05	F13A, F21A, F21B, F21C
5v140.4‡	02	C20A, C20B		05	F13A, F21A, F21B, F21C		08	I27A, I27B, I27C, I27D
	09	J11A, J11B, J11C		08	I27A, I27B, I27C, I27D		09	J03A, J03B, J04A, J04B, J08A, J08B, J08C, J11A, J11B, J11C, J16Z, J21Z
5v140.5‡	09	J11A, J11B, J11C		09	J03A, J03B, J04A, J04B, J08A, J08B, J08C, J11A, J11B, J11C, J16Z, J21Z		10	K09A, K09B
5v140.6‡↔	09	J11A, J11B, J11C		10	K09A, K09B		21A	W04A, W04B
5v140.7‡↔	09	J11A, J11B, J11C		21A	W04A, W04B		21B	X04Z, X06A, X06B, X06C
5v140.8‡↔	09	J11A, J11B, J11C		21B	X06A, X06B, X06C		22	Y01Z, Y03A, Y03B
5v140.9‡↔	09	J11A, J11B, J11C		22	Y01Z, Y03A, Y03B			
5v140.a‡	09	J11A, J11B, J11C			BOP, KVT, UOP4			
5v140.b‡	09	J11A, J11B, J11C		01	B03A, B03B, B06A, B06B, B07Z, B17A, B17B, B17C			
5v140.c‡	09	J11A, J11B, J11C		05	F13A, F21A, F21B, F21C			
5v140.d‡	09	J11A, J11B, J11C		08	I27A, I27B, I27C, I27D			
5v140.e‡↔	09	J11A, J11B, J11C		09	J03A, J03B, J04A, J04B, J08A, J08B, J08C, J11A, J11B, J11C, J16Z, J21Z			
5v140.f‡↔	09	J11A, J11B, J11C		10	K09A, K09B			
5v140.g‡↔	09	J11A, J11B, J11C		21A	W04A, W04B			
5v140.x‡	09	J11A, J11B, J11C		21B	X06A, X06B, X06C			
	09	J11A, J11B, J11C		22	Y01Z, Y03A, Y03B			

ZZV	MDC	DRG	ZZV	MDC	DRG	ZZV	MDC	DRG						
5v141.d		BOP, KVT, UOP4	5v142.6†↔	09	J11A, J11B, J11C	5v143.7↔		BOP, KVT, UOP4						
	01	B03A, B03B, B06A, B06B, B07Z, B17A, B17B, B17C	5v142.7†↔	09	J11A, J11B, J11C		01	B03A, B03B, B06A, B06B, B07Z, B17A, B17B, B17C						
	05	F13A, F21A, F21B, F21C	5v142.8†↔	09	J11A, J11B, J11C		05	F13A, F21A, F21B, F21C						
	08	I27A, I27B, I27C, I27D	5v142.9†↔	09	J11A, J11B, J11C		08	I27A, I27B, I27C, I27D						
	09	J03A, J03B, J04A, J04B, J08A, J08B, J08C, J11A, J11B, J11C, J16Z, J21Z	5v142.a†	08	I10A, I10B, I10C, I10D, I10E		09	J03A, J03B, J04A, J04B, J08A, J08B, J08C, J11A, J11B, J11C, J16Z, J21Z						
	10	K09A, K09B	5v142.b†	09	J11A, J11B, J11C		10	K09A, K09B						
	21A	W04A, W04B	5v142.c†	09	J11A, J11B, J11C		21A	W04A, W04B						
	21B	X04Z, X06A, X06B, X06C	5v142.d†↔	09	J11A, J11B, J11C		21B	X06A, X06B, X06C						
	22	Y01Z, Y03A, Y03B	5v142.e†↔	09	J11A, J11B, J11C		22	Y01Z, Y03A, Y03B						
	5v141.e↔		BOP, KVT, UOP4	5v142.f†↔	09		J11A, J11B, J11C	5v143.8↔		BOP, KVT, UOP4				
		01	B03A, B03B, B06A, B06B, B07Z, B17A, B17B, B17C	5v142.g†↔	09		J11A, J11B, J11C		01	B03A, B03B, B06A, B06B, B07Z, B17A, B17B, B17C				
		05	F13A, F21A, F21B, F21C	5v142.x†	09		J11A, J11B, J11C		05	F13A, F21A, F21B, F21C				
		08	I27A, I27B, I27C, I27D	5v143.0			BOP, KVT, UOP4		08	I27A, I27B, I27C, I27D				
		09	J03A, J03B, J04A, J04B, J08A, J08B, J08C, J11A, J11B, J11C, J16Z, J21Z		01		B03A, B03B, B06A, B06B, B07Z, B17A, B17B, B17C		09	J03A, J03B, J04A, J04B, J08A, J08B, J08C, J11A, J11B, J11C, J16Z, J21Z				
		10	K09A, K09B		03		D12A		10	K09A, K09B				
		21A	W04A, W04B		05		F13A, F21A, F21B, F21C		21A	W04A, W04B				
		21B	X04Z, X06A, X06B, X06C		09		J03A, J03B, J04A, J04B, J08A, J08B, J08C, J11A, J11B, J11C, J16Z, J21Z		21B	X05A, X05B, X06A, X06B, X06C				
		22	Y01Z, Y03A, Y03B		10		K09A, K09B		22	Y01Z, Y03A, Y03B				
		5v141.f↔		BOP, KVT, UOP4	5v143.4				BOP, KVT, UOP4	5v143.9↔		BOP, KVT, UOP4		
			01	B03A, B03B, B06A, B06B, B07Z, B17A, B17B, B17C			01		B03A, B03B, B06A, B06B, B07Z, B17A, B17B, B17C		01	B03A, B03B, B06A, B06B, B07Z, B17A, B17B, B17C		
			05	F13A, F21A, F21B, F21C			02		C20A, C20B		05	F13A, F21A, F21B, F21C		
			08	I27A, I27B, I27C, I27D			03		D12A		08	I27A, I27B, I27C, I27D		
09			J03A, J03B, J04A, J04B, J08A, J08B, J08C, J11A, J11B, J11C, J16Z, J21Z	05		F13A, F21A, F21B, F21C	09		J03A, J03B, J04A, J04B, J08A, J08B, J08C, J11A, J11B, J11C, J16Z, J21Z					
10			K09A, K09B	08		I27A, I27B, I27C, I27D	10		K09A, K09B					
21A			W04A, W04B	09		J03A, J03B, J04A, J04B, J08A, J08B, J08C, J11A, J11B, J11C, J16Z, J21Z	21A		W04A, W04B					
21B			X04Z, X06A, X06B, X06C	10		K09A, K09B	21B		X05A, X05B, X06A, X06B, X06C					
22			Y01Z, Y03A, Y03B	21A		W04A, W04B	22		Y01Z, Y03A, Y03B					
5v141.g↔				BOP, KVT, UOP4		5v143.5			BOP, KVT, UOP4		5v143.a		BOP, KVT, UOP4	
			01	B03A, B03B, B06A, B06B, B07Z, B17A, B17B, B17C			01		B03A, B03B, B06A, B06B, B07Z, B17A, B17B, B17C			01	B03A, B03B, B06A, B06B, B07Z, B17A, B17B, B17C	
			05	F13A, F21A, F21B, F21C			03		D12A			05	F13A, F21A, F21B, F21C	
			08	I27A, I27B, I27C, I27D			05		F13A, F21A, F21B, F21C			08	I27A, I27B, I27C, I27D	
	09		J03A, J03B, J04A, J04B, J08A, J08B, J08C, J11A, J11B, J11C, J16Z, J21Z	08			I27A, I27B, I27C, I27D	09	J03A, J03B, J04A, J04B, J08A, J08B, J08C, J11A, J11B, J11C, J16Z, J21Z					
	10		K09A, K09B	09			J03A, J03B, J04A, J04B, J08A, J08B, J08C, J11A, J11B, J11C, J16Z, J21Z	10	K09A, K09B					
	21A		W04A, W04B	10			K09A, K09B	21A	W04A, W04B					
	21B		X04Z, X06A, X06B, X06C	21A			W04A, W04B	21B	X06A, X06B, X06C					
	22		Y01Z, Y03A, Y03B	21B			X06A, X06B, X06C	22	Y01Z, Y03A, Y03B					
	5v141.x			BOP, KVT, UOP4			5v143.6↔		BOP, KVT, UOP4			5v143.b		BOP, KVT, UOP4
			01	B03A, B03B, B06A, B06B, B07Z, B17A, B17B, B17C				01	B03A, B03B, B06A, B06B, B07Z, B17A, B17B, B17C				01	B03A, B03B, B06A, B06B, B07Z, B17A, B17B, B17C
			05	F13A, F21A, F21B, F21C				05	F13A, F21A, F21B, F21C				05	F13A, F21A, F21B, F21C
			08	I27A, I27B, I27C, I27D				08	I27A, I27B, I27C, I27D				08	I27A, I27B, I27C, I27D
		09	J03A, J03B, J04A, J04B, J08A, J08B, J08C, J11A, J11B, J11C, J16Z, J21Z	09	J03A, J03B, J04A, J04B, J08A, J08B, J08C, J11A, J11B, J11C, J16Z, J21Z			09	J03A, J03B, J04A, J04B, J08A, J08B, J08C, J11A, J11B, J11C, J16Z, J21Z					
		10	K09A, K09B	10	K09A, K09B			10	K09A, K09B					
		21A	W04A, W04B	21A	W04A, W04B			21A	W04A, W04B					
		21B	X06A, X06B, X06C	21B	X06A, X06B, X06C			21B	X06A, X06B, X06C					
		22	Y01Z, Y03A, Y03B	22	Y01Z, Y03A, Y03B			22	Y01Z, Y03A, Y03B					
		5v142.0		BOP, KVT, UOP4	5v142.4†				C20A, C20B	5v142.5†				BOP, KVT, UOP4
			03	D08A, D08B, D18Z, D22A, D22B, D30A, D30B				09	J11A, J11B, J11C				03	D08A, D08B, D18Z, D22A, D22B, D30A, D30B
			05	F13A				09	J11A, J11B, J11C				05	F13A
			09	J03A, J03B, J04A, J04B, J08A, J08B, J08C, J11A, J11B, J11C, J16Z				09	J11A, J11B, J11C				09	J03A, J03B, J04A, J04B, J08A, J08B, J08C, J11A, J11B, J11C, J16Z
09			J03A, J03B, J04A, J04B, J08A, J08B, J08C, J11A, J11B, J11C, J16Z, J21Z					09	J03A, J03B, J04A, J04B, J08A, J08B, J08C, J11A, J11B, J11C, J16Z, J21Z					

VYK

ZZV	MDC	DRG	ZZV	MDC	DRG	ZZV	MDC	DRG			
5v143.c		BOP, KVT, UOP4	5v144.4		BOP, KVT, UOP4	5v144.9↔		BOP, KVT, UOP4			
	01	B03A, B03B, B06A, B06B, B07Z, B17A, B17B, B17C		01	B03A, B03B, B06A, B06B, B07Z, B17A, B17B, B17C		01	B03A, B03B, B06A, B06B, B07Z, B17A, B17B, B17C			
	05	F13A, F21A, F21B, F21C		02	C20A, C20B		05	F13A, F21A, F21B			
	08	I27A, I27B, I27C, I27D		03	D12A		08	I32A, I32B, I32C, I32D, I32E, I32F			
	09	J03A, J03B, J04A, J04B, J08A, J08B, J08C, J11A, J11B, J11C, J16Z, J21Z		05	F13A, F21A, F21B		09	J03A, J03B, J04A, J04B, J08A, J08B, J08C, J16Z, J21Z, J22A, J22B			
	10	K09A, K09B		08	I02A, I02B, I02C, I02D, I22A, I22B, I50Z		21A	W04A, W04B			
	21A	W04A, W04B		09	J02A, J02B, J02C, J04A, J04B, J08A, J08B, J08C, J16Z, J21Z, J22A, J22B		21B	X01A, X01B, X01C			
	21B	X04Z, X06A, X06B, X06C		21A	W04A, W04B		5v144.a	BOP, KVT, UOP4			
	22	Y01Z, Y03A, Y03B		21B	X01A, X01B, X01C			01	B03A, B03B, B06A, B06B, B07Z, B17A, B17B, B17C		
	5v143.d			BOP, KVT, UOP4	5v144.5				BOP, KVT, UOP4	05	F13A, F21A, F21B
		01		B03A, B03B, B06A, B06B, B07Z, B17A, B17B, B17C				01	B03A, B03B, B06A, B06B, B07Z, B17A, B17B, B17C	06	G10Z, G12A, G12B
		05		F13A, F21A, F21B, F21C				03	D12A	08	I02A, I02B, I02C, I02D, I22A, I22B, I50Z
08		I27A, I27B, I27C, I27D	05	F13A, F21A, F21B		09		J02A, J02B, J02C, J04A, J04B, J08A, J08B, J08C, J14A, J16Z, J21Z, J22A, J22B			
09		J03A, J03B, J04A, J04B, J08A, J08B, J08C, J11A, J11B, J11C, J16Z, J21Z	06	G10Z, G12A, G12B		21A		W04A, W04B			
10		K09A, K09B	08	I28A, I28B		21B		X01A, X01B, X01C			
21A		W04A, W04B	09	J02A, J02B, J02C, J04A, J04B, J08A, J08B, J08C, J16Z, J21Z, J22A, J22B		BOP, KVT, UOP4					
21B		X04Z, X06A, X06B, X06C	21A	W04A, W04B		01		B03A, B03B, B06A, B06B, B07Z, B17A, B17B, B17C			
22		Y01Z, Y03A, Y03B	21B	X01A, X01B, X01C		05		F13A, F21A, F21B			
5v143.e↔			BOP, KVT, UOP4	5v144.6↔				BOP, KVT, UOP4	06	G10Z, G12A, G12B	
		01	B03A, B03B, B06A, B06B, B07Z, B17A, B17B, B17C			01	B03A, B03B, B06A, B06B, B07Z, B17A, B17B, B17C	08	I02A, I02B, I02C, I02D, I22A, I22B, I50Z		
		05	F13A, F21A, F21B, F21C			05	F13A, F21A, F21B, F27A, F27B, F27C	09	J02A, J02B, J02C, J04A, J04B, J08A, J08B, J08C, J16Z, J21Z, J22A, J22B		
	08	I27A, I27B, I27C, I27D	08		I02A, I02B, I02C, I02D, I22A, I22B, I50Z	21A	W04A, W04B				
	09	J03A, J03B, J04A, J04B, J08A, J08B, J08C, J11A, J11B, J11C, J16Z, J21Z	09		J02A, J02B, J02C, J04A, J04B, J08A, J08B, J08C, J16Z, J21Z, J22A, J22B	21B	X01A, X01B, X01C				
	10	K09A, K09B	10		K01Z	BOP, KVT, UOP4					
	21A	W04A, W04B	21A		W04A, W04B	01	B03A, B03B, B06A, B06B, B07Z, B17A, B17B, B17C				
	21B	X04Z, X06A, X06B, X06C	21B		X01A, X01B, X01C	05	F13A, F21A, F21B				
	22	Y01Z, Y03A, Y03B	5v144.7↔			BOP, KVT, UOP4	06	G10Z, G12A, G12B			
	5v143.f↔				BOP, KVT, UOP4	01	B03A, B03B, B06A, B06B, B07Z, B17A, B17B, B17C	08	I02A, I02B, I02C, I02D, I22A, I22B, I50Z		
		01			B03A, B03B, B06A, B06B, B07Z, B17A, B17B, B17C	05	F13A, F21A, F21B	09	J02A, J02B, J02C, J04A, J04B, J08A, J08B, J08C, J16Z, J21Z, J22A, J22B		
		05			F13A, F21A, F21B, F21C	08	I02A, I02B, I02C, I02D, I22A, I22B, I50Z	10	K09A, K09B		
08		I27A, I27B, I27C, I27D		09	J02A, J02B, J02C, J04A, J04B, J08A, J08B, J08C, J16Z, J21Z, J22A, J22B	12	M04A, M04B, M04C, M04D, M37Z, M38Z				
09		J03A, J03B, J04A, J04B, J08A, J08B, J08C, J11A, J11B, J11C, J16Z, J21Z		21A	W04A, W04B	21A	W04A, W04B				
10		K09A, K09B		21B	X01A, X01B, X01C	21B	X01A, X01B, X01C				
21A		W04A, W04B		5v144.8↔		BOP, KVT, UOP4	BOP, KVT, UOP4				
21B		X04Z, X06A, X06B, X06C			01	B03A, B03B, B06A, B06B, B07Z, B17A, B17B, B17C	01	B03A, B03B, B06A, B06B, B07Z, B17A, B17B, B17C			
22		Y01Z, Y03A, Y03B			05	F13A, F21A, F21B	05	F13A, F21A, F21B			
5v143.g↔					BOP, KVT, UOP4	08	I02A, I02B, I02C, I02D, I22A, I22B, I32A, I32B, I32C, I32D, I32E, I32F, I50Z	06	G10Z, G12A, G12B		
		01			B03A, B03B, B06A, B06B, B07Z, B17A, B17B, B17C	08	I02A, I02B, I02C, I02D, I22A, I22B, I50Z	08	I02A, I02B, I02C, I02D, I22A, I22B, I50Z		
		05	F13A, F21A, F21B, F21C		09	J02A, J02B, J02C, J04A, J04B, J08A, J08B, J08C, J16Z, J21Z, J22A, J22B	09	J02A, J02B, J02C, J04A, J04B, J08A, J08B, J08C, J16Z, J21Z, J22A, J22B			
	08	I27A, I27B, I27C, I27D	21A		W04A, W04B	21A	W04A, W04B				
	09	J03A, J03B, J04A, J04B, J08A, J08B, J08C, J11A, J11B, J11C, J16Z, J21Z	21B		X01A, X01B, X01C	21B	X01A, X01B, X01C				
	10	K09A, K09B	5v144.0			BOP, KVT, UOP4	01	B03A, B03B, B06A, B06B, B07Z, B17A, B17B, B17C			
	21A	W04A, W04B			03	D08A, D08B, D18Z, D22A, D22B, D30A, D30B	05	F13A, F21A, F21B			
	21B	X04Z, X06A, X06B, X06C			05	F13A	06	G10Z, G12A, G12B			
	22	Y01Z, Y03A, Y03B			09	J03A, J03B, J04A, J04B, J08A, J08B, J08C, J10A, J10B, J16Z	08	I02A, I02B, I02C, I02D, I22A, I22B, I50Z			
	5v144.0			BOP, KVT, UOP4	21A	W04A, W04B	09	J02A, J02B, J02C, J04A, J04B, J08A, J08B, J08C, J16Z, J21Z, J22A, J22B			
		03		D08A, D08B, D18Z, D22A, D22B, D30A, D30B	21B	X01A, X01B, X01C	21A	W04A, W04B			
		05		F13A			21B	X01A, X01B, X01C			
09		J03A, J03B, J04A, J04B, J08A, J08B, J08C, J10A, J10B, J16Z									
21A		W04A, W04B									
21B		X06A, X06B, X06C									





## Príloha B: Index Výkon-MDC-DRG

ZZV	MDC	DRG	ZZV	MDC	DRG	ZZV	MDC	DRG									
5v145.e↔		BOP, KVT, UOP4	5v146.ft↔	09	J11A, J11B, J11C	5v150.7↔	01	B03A, B03B, B06A, B06B, B07Z, B17A, B17B, B17C, B17D									
	01	B03A, B03B, B06A, B06B, B07Z, B17A, B17B, B17C	5v146.gt↔	09	J11A, J11B, J11C		03	D13Z									
	05	F13A, F21A, F21B, F27A, F27B, F27C	5v146.x†	09	J11A, J11B, J11C		04	E02A, E02B, E02C									
	08	I02A, I02B, I02C, I02D, I22A, I22B, I50Z	5v14x.x†	09	J11A, J11B, J11C		05	F21A, F21B, F21C									
	09	J02A, J02B, J02C, J04A, J04B, J08A, J08B, J08C, J16Z, J21Z, J22A, J22B	5v150.0	01	B03A, B03B, B06A, B06B, B07Z, B17A, B17B, B17C, B17D		06	G10Z, G12A, G12B									
	10	K01Z		03	D13Z		07	H06A, H06B, H06C									
	21A	W04A, W04B		04	E02A, E02B, E02C		08	I28A, I28B, I28C									
	21B	X01A, X01B, X01C		05	F21A, F21B, F21C		09	J11A, J11B, J11C									
	5v145.f↔		BOP, KVT, UOP4	06	G10Z, G12A, G12B		10	K09A, K09B									
		01	B03A, B03B, B06A, B06B, B07Z, B17A, B17B, B17C	07	H06A, H06B, H06C		11	L09A, L09B, L09C, L09D, L38Z									
		05	F13A, F21A, F21B, F27A, F27B, F27C	08	I28A, I28B, I28C		5v150.8↔	01	B03A, B03B, B06A, B06B, B07Z, B17A, B17B, B17C, B17D								
08		I02A, I02B, I02C, I02D, I22A, I22B, I50Z	09	J11A, J11B, J11C	03	D13Z											
09		J02A, J02B, J02C, J04A, J04B, J08A, J08B, J08C, J16Z, J21Z, J22A, J22B	10	K09A, K09B	04	E02A, E02B, E02C											
10		K01Z	11	L09A, L09B, L09C, L09D, L38Z	05	F21A, F21B, F21C											
21A		W04A, W04B	13	N11A, N11B	06	G10Z, G12A, G12B											
21B		X01A, X01B, X01C	21A	W04A, W04B	07	H06A, H06B, H06C											
5v145.g↔			BOP, KVT, UOP4	21B	X06A, X06B, X06C	08		I28A, I28B, I28C									
		01	B03A, B03B, B06A, B06B, B07Z, B17A, B17B, B17C	5v150.4	01	B03A, B03B, B06A, B06B, B07Z, B17A, B17B, B17C, B17D		09	J11A, J11B, J11C								
		05	F13A, F21A, F21B, F27A, F27B, F27C		02	C14Z		10	K09A, K09B								
	08	I02A, I02B, I02C, I02D, I22A, I22B, I50Z		03	D13Z	11		L09A, L09B, L09C, L09D, L38Z									
	09	J02A, J02B, J02C, J04A, J04B, J08A, J08B, J08C, J16Z, J21Z, J22A, J22B		04	E02A, E02B, E02C	5v150.9↔		01	B03A, B03B, B06A, B06B, B07Z, B17A, B17B, B17C, B17D								
	10	K01Z		05	F21A, F21B, F21C		03	D13Z									
	21A	W04A, W04B		06	G10Z, G12A, G12B		04	E02A, E02B, E02C									
	21B	X01A, X01B, X01C		07	H06A, H06B, H06C		05	F21A, F21B, F21C									
	5v145.x↔		BOP, KVT, UOP4		08		I28A, I28B, I28C	06	G10Z, G12A, G12B								
		01	B03A, B03B, B06A, B06B, B07Z, B17A, B17B, B17C		09		J11A, J11B, J11C	07	H06A, H06B, H06C								
		05	F13A, F21A, F21B		10		K09A, K09B	08	I28A, I28B, I28C								
08		I02A, I02B, I02C, I02D, I22A, I22B, I32A, I32B, I32C, I32D, I32E, I32F, I50Z		11	L09A, L09B, L09C, L09D, L38Z		09	J22A, J22B									
09		J02A, J02B, J02C, J04A, J04B, J08A, J08B, J08C, J16Z, J21Z, J22A, J22B		13	N11A, N11B		10	K09A, K09B									
10		K01Z		21A	W04A, W04B		11	L09A, L09B, L09C, L09D, L38Z									
21A		W04A, W04B		21B	X06A, X06B, X06C		5v150.a	01	B03A, B03B, B06A, B06B, B07Z, B17A, B17B, B17C, B17D								
21B		X01A, X01B, X01C	5v150.5	01	B03A, B03B, B06A, B06B, B07Z, B17A, B17B, B17C, B17D	03		D13Z									
5v146.0			BOP, KVT, UOP4		03	D13Z		04	E02A, E02B, E02C								
		03	D08A, D08B, D18Z, D22A, D22B, D30A, D30B		04	E02A, E02B, E02C		05	F21A, F21B, F21C								
		05	F13A		05	F21A, F21B, F21C		06	G10Z, G12A, G12B								
	09	J03A, J03B, J04A, J04B, J08A, J08B, J08C, J11A, J11B, J11C, J16Z		06	G10Z, G12A, G12B	07		H06A, H06B, H06C									
	5v146.4†	02	C20A, C20B		07	H06A, H06B, H06C		08	I28A, I28B, I28C								
		09	J11A, J11B, J11C		08	I28A, I28B, I28C		09	J11A, J11B, J11C								
		5v146.5†	09	J11A, J11B, J11C		09		J11A, J11B, J11C	10	K09A, K09B							
			5v146.6†↔	09	J11A, J11B, J11C			10	K09A, K09B	11	L09A, L09B, L09C, L09D, L38Z						
				5v146.7†↔	09	J11A, J11B, J11C			11	L09A, L09B, L09C, L09D, L38Z	5v150.6↔	01	B03A, B03B, B06A, B06B, B07Z, B17A, B17B, B17C, B17D				
					5v146.8†↔	09	J11A, J11B, J11C		03	D13Z		03	D13Z				
						5v146.9†↔	09	J11A, J11B, J11C		04		E02A, E02B, E02C	04	E02A, E02B, E02C			
5v146.a†							09	J11A, J11B, J11C		05		F21A, F21B, F21C	05	F21A, F21B, F21C			
							5v146.b†	09	J11A, J11B, J11C			06	G10Z, G12A, G12B	06	G10Z, G12A, G12B		
								5v146.c†	09	J11A, J11B, J11C			07	H06A, H06B, H06C	07	H06A, H06B, H06C	
									5v146.d†	09		J11A, J11B, J11C		08	I28A, I28B, I28C	08	I28A, I28B, I28C
	5v146.e†↔									09		J11A, J11B, J11C		09	J11A, J11B, J11C	09	J11A, J11B, J11C
														10	K09A, K09B	10	K09A, K09B
													11	L09A, L09B, L09C, L09D, L38Z	11	L09A, L09B, L09C, L09D, L38Z	
												13	N11A, N11B	13	N11A, N11B		
										21A	W04A, W04B	21A	W04A, W04B				
					21B					X06A, X06B, X06C	21B	X06A, X06B, X06C					

VYK

ZZV	MDC	DRG	ZZV	MDC	DRG	ZZV	MDC	DRG					
5v150.b	01	B03A, B03B, B06A, B06B, B07Z, B17A, B17B, B17C, B17D	5v150.f↔	01	B03A, B03B, B06A, B06B, B07Z, B17A, B17B, B17C, B17D	5v151.4	01	B03A, B03B, B06A, B06B, B07Z, B17A, B17B, B17C, B17D					
	03	D13Z		03	D13Z		02	C14Z					
	04	E02A, E02B, E02C		04	E02A, E02B, E02C		03	D13Z					
	05	F21A, F21B, F21C		05	F21A, F21B, F21C		04	E02A, E02B, E02C					
	06	G10Z, G12A, G12B		06	G10Z, G12A, G12B		05	F13A, F21A, F21B, F21C					
	07	H06A, H06B, H06C		07	H06A, H06B, H06C		06	G10Z, G12A, G12B					
	08	I28A, I28B, I28C		08	I28A, I28B, I28C		07	H06A, H06B, H06C					
	09	J11A, J11B, J11C		09	J11A, J11B, J11C		08	I12A, I12B, I12C, I28A, I28B					
	10	K09A, K09B		10	K09A, K09B, K09C		09	J03A, J03B, J04A, J04B, J08A, J08B, J08C, J16Z, J21Z, J22A, J22B					
	11	L09A, L09B, L09C, L09D, L38Z		11	L09A, L09B, L09C, L09D, L38Z		10	K09A, K09B					
	13	N11A, N11B		13	N11A, N11B		11	L09A, L09B, L09C, L09D, L38Z					
	21A	W04A, W04B		21A	W04A, W04B		13	N11A, N11B					
	21B	X06A, X06B, X06C		21B	X06A, X06B, X06C		21A	W04A, W04B					
	5v150.c	01		B03A, B03B, B06A, B06B, B07Z, B17A, B17B, B17C, B17D	5v150.g↔		01	B03A, B03B, B06A, B06B, B07Z, B17A, B17B, B17C, B17D	5v151.5	21B	X06A, X06B, X06C		
		03		D13Z			03	D13Z		01	B03A, B03B, B06A, B06B, B07Z, B17A, B17B, B17C, B17D		
		04		E02A, E02B, E02C			04	E02A, E02B, E02C		03	D13Z		
		05		F21A, F21B, F21C			05	F21A, F21B, F21C		04	E02A, E02B, E02C		
06		G10Z, G12A, G12B	06	G10Z, G12A, G12B		05	F13A, F21A, F21B, F21C						
07		H06A, H06B, H06C	07	H06A, H06B, H06C		06	G10Z, G12A, G12B						
08		I28A, I28B, I28C	08	I28A, I28B, I28C		07	H06A, H06B, H06C						
09		J11A, J11B, J11C	09	J11A, J11B, J11C		08	I12A, I12B, I12C, I28A, I28B						
10		K09A, K09B	10	K09A, K09B, K09C		09	J03A, J03B, J04A, J04B, J08A, J08B, J08C, J16Z, J21Z, J22A, J22B						
11		L09A, L09B, L09C, L09D, L38Z	11	L09A, L09B, L09C, L09D, L38Z		10	K09A, K09B						
12		M06Z, M09A, M09B, M38Z	13	N11A, N11B		11	L09A, L09B, L09C, L09D, L38Z						
13		N11A, N11B	21A	W04A, W04B		13	N11A, N11B						
21A		W04A, W04B	21B	X06A, X06B, X06C		21A	W04A, W04B						
21B		X06A, X06B, X06C	5v150.x	01		B03A, B03B, B06A, B06B, B07Z, B17A, B17B, B17C, B17D	5v151.6↔	21B		X06A, X06B, X06C			
5v150.d		01		B03A, B03B, B06A, B06B, B07Z, B17A, B17B, B17C, B17D		5v151.0		01		B03A, B03B, B06A, B06B, B07Z, B17A, B17B, B17C, B17D	5v151.6↔	01	B03A, B03B, B06A, B06B, B07Z, B17A, B17B, B17C, B17D
		03		D13Z				03		D13Z		03	D13Z
		04		E02A, E02B, E02C				04		E02A, E02B, E02C		04	E02A, E02B, E02C
	05	F21A, F21B, F21C		05	F21A, F21B, F21C			05	F13A, F21A, F21B, F21C				
	06	G10Z, G12A, G12B		06	G10Z, G12A, G12B			06	G10Z, G12A, G12B				
	07	H06A, H06B, H06C		07	H06A, H06B, H06C			07	H06A, H06B, H06C				
	08	I28A, I28B, I28C		08	I28A, I28B, I28C			08	I12A, I12B, I12C, I28A, I28B				
	09	J11A, J11B, J11C		09	J11A, J11B, J11C			09	J03A, J03B, J04A, J04B, J08A, J08B, J08C, J16Z, J21Z, J22A, J22B				
	10	K09A, K09B		10	K09A, K09B			10	K09A, K09B				
	11	L09A, L09B, L09C, L09D, L38Z		11	L09A, L09B, L09C, L09D, L38Z			11	L09A, L09B, L09C, L09D, L38Z				
	13	N11A, N11B		13	N11A, N11B			13	N11A, N11B				
	21A	W04A, W04B		21A	W04A, W04B			21A	W04A, W04B				
	21B	X06A, X06B, X06C		21B	X06A, X06B, X06C			21B	X06A, X06B, X06C				
	5v150.e↔	01		B03A, B03B, B06A, B06B, B07Z, B17A, B17B, B17C, B17D	5v151.0			01	B03A, B03B, B06A, B06B, B07Z, B17A, B17B, B17C, B17D	5v151.6↔		01	B03A, B03B, B06A, B06B, B07Z, B17A, B17B, B17C, B17D
		03		D13Z				03	D13Z			03	D13Z
		04		E02A, E02B, E02C				04	E02A, E02B, E02C			04	E02A, E02B, E02C
		05	F21A, F21B, F21C	05			F13A, F21A, F21B, F21C	05	F13A, F21A, F21B, F21C				
06		G10Z, G12A, G12B	06	G10Z, G12A, G12B		06	G10Z, G12A, G12B						
07		H06A, H06B, H06C	07	H06A, H06B, H06C		07	H06A, H06B, H06C						
08		I28A, I28B, I28C	08	I12A, I12B, I12C, I28A, I28B		08	I12A, I12B, I12C, I28A, I28B						
09		J11A, J11B, J11C	09	J03A, J03B, J04A, J04B, J08A, J08B, J08C, J16Z, J21Z, J22A, J22B		09	J03A, J03B, J04A, J04B, J08A, J08B, J08C, J16Z, J21Z, J22A, J22B						
10		K09A, K09B, K09C	10	K09A, K09B		10	K09A, K09B						
11		L09A, L09B, L09C, L09D, L38Z	11	L09A, L09B, L09C, L09D, L38Z		11	L09A, L09B, L09C, L09D, L38Z						
13		N11A, N11B	13	N11A, N11B		13	N11A, N11B						
21A		W04A, W04B	21A	W04A, W04B		21A	W04A, W04B						
21B		X06A, X06B, X06C	21B	X06A, X06B, X06C		21B	X06A, X06B, X06C						

VYK

ZZV	MDC	DRG	ZZV	MDC	DRG	ZZV	MDC	DRG
5v151.7↔	01	B03A, B03B, B06A, B06B, B07Z, B17A, B17B, B17C, B17D	5v151.a	01	B03A, B03B, B06A, B06B, B07Z, B17A, B17B, B17C, B17D	5v151.d	01	B03A, B03B, B06A, B06B, B07Z, B17A, B17B, B17C, B17D
	03	D13Z		03	D13Z		03	D13Z
	04	E02A, E02B, E02C		04	E02A, E02B, E02C		04	E02A, E02B, E02C
	05	F13A, F21A, F21B, F21C		05	F13A, F21A, F21B, F21C		05	F13A, F21A, F21B, F21C
	06	G10Z, G12A, G12B		06	G10Z, G12A, G12B		06	G10Z, G12A, G12B
	07	H06A, H06B, H06C		07	H06A, H06B, H06C		07	H06A, H06B, H06C
	08	I12A, I12B, I12C, I28A, I28B		08	I12A, I12B, I12C, I28A, I28B		08	I12A, I12B, I12C, I28A, I28B
	09	J03A, J03B, J04A, J04B, J08A, J08B, J08C, J16Z, J21Z, J22A, J22B		09	J03A, J03B, J04A, J04B, J08A, J08B, J08C, J16Z, J21Z, J22A, J22B		09	J03A, J03B, J04A, J04B, J08A, J08B, J08C, J16Z, J21Z, J22A, J22B
	10	K09A, K09B		10	K09A, K09B		10	K09A, K09B
	11	L09A, L09B, L09C, L09D, L38Z		11	L09A, L09B, L09C, L09D, L38Z		11	L09A, L09B, L09C, L09D, L38Z
	13	N11A, N11B		13	N11A, N11B		13	N11A, N11B
	21A	W04A, W04B		21A	W04A, W04B		21A	W04A, W04B
	21B	X06A, X06B, X06C		21B	X06A, X06B, X06C		21B	X06A, X06B, X06C
5v151.8↔	01	B03A, B03B, B06A, B06B, B07Z, B17A, B17B, B17C, B17D	5v151.b	01	B03A, B03B, B06A, B06B, B07Z, B17A, B17B, B17C, B17D	5v151.e↔	01	B03A, B03B, B06A, B06B, B07Z, B17A, B17B, B17C, B17D
	03	D13Z		03	D13Z		03	D13Z
	04	E02A, E02B, E02C		04	E02A, E02B, E02C		04	E02A, E02B, E02C
	05	F13A, F21A, F21B, F21C		05	F13A, F21A, F21B, F21C		05	F13A, F21A, F21B, F21C, F27A, F27B, F27C
	06	G10Z, G12A, G12B		06	G10Z, G12A, G12B		06	G10Z, G12A, G12B
	07	H06A, H06B, H06C		07	H06A, H06B, H06C		07	H06A, H06B, H06C
	08	I12A, I12B, I12C, I28A, I28B		08	I12A, I12B, I12C, I28A, I28B		08	I12A, I12B, I12C, I28A, I28B
	09	J03A, J03B, J04A, J04B, J08A, J08B, J08C, J16Z, J21Z, J22A, J22B		09	J03A, J03B, J04A, J04B, J08A, J08B, J08C, J16Z, J21Z, J22A, J22B		09	J03A, J03B, J04A, J04B, J08A, J08B, J08C, J16Z, J21Z, J22A, J22B
	10	K09A, K09B		10	K09A, K09B		10	K01Z
	11	L09A, L09B, L09C, L09D, L38Z		11	L09A, L09B, L09C, L09D, L38Z		11	L09A, L09B, L09C, L09D, L38Z
	13	N11A, N11B		13	N11A, N11B		13	N11A, N11B
	21A	W04A, W04B		21A	W04A, W04B		21A	W04A, W04B
	21B	X06A, X06B, X06C		21B	X06A, X06B, X06C		21B	X06A, X06B, X06C
5v151.9↔	01	B03A, B03B, B06A, B06B, B07Z, B17A, B17B, B17C, B17D	5v151.c	01	B03A, B03B, B06A, B06B, B07Z, B17A, B17B, B17C, B17D	5v151.f↔	01	B03A, B03B, B06A, B06B, B07Z, B17A, B17B, B17C, B17D
	03	D13Z		03	D13Z		03	D13Z
	04	E02A, E02B, E02C		04	E02A, E02B, E02C		04	E02A, E02B, E02C
	05	F13A, F21A, F21B, F21C		05	F13A, F21A, F21B, F21C		05	F13A, F21A, F21B, F21C, F27A, F27B, F27C
	06	G10Z, G12A, G12B		06	G10Z, G12A, G12B		06	G10Z, G12A, G12B
	07	H06A, H06B, H06C		07	H06A, H06B, H06C		07	H06A, H06B, H06C
	08	I12A, I12B, I12C, I28A, I28B		08	I12A, I12B, I12C, I28A, I28B		08	I12A, I12B, I12C, I28A, I28B
	09	J03A, J03B, J04A, J04B, J08A, J08B, J08C, J16Z, J21Z, J22A, J22B		09	J03A, J03B, J04A, J04B, J08A, J08B, J08C, J16Z, J21Z, J22A, J22B		09	J03A, J03B, J04A, J04B, J08A, J08B, J08C, J16Z, J21Z, J22A, J22B
	10	K09A, K09B		10	K09A, K09B		10	K01Z
	11	L09A, L09B, L09C, L09D, L38Z		11	L09A, L09B, L09C, L09D, L38Z		11	L09A, L09B, L09C, L09D, L38Z
	13	N11A, N11B		12	M06Z, M09A, M09B, M38Z		13	N11A, N11B
	21A	W04A, W04B		13	N11A, N11B		21A	W04A, W04B
	21B	X06A, X06B, X06C		21B	X06A, X06B, X06C		21B	X06A, X06B, X06C

VYK

ZZV	MDC	DRG	ZZV	MDC	DRG	ZZV	MDC	DRG
5v151.g↔	01	B03A, B03B, B06A, B06B, B07Z, B17A, B17B, B17C, B17D	5v152.4	01	B03A, B03B, B06A, B06B, B07Z, B17A, B17B, B17C	5v152.8↔	01	B03A, B03B, B06A, B06B, B07Z, B17A, B17B, B17C
	03	D13Z		02	C14Z		03	D13Z
	04	E02A, E02B, E02C		03	D13Z		04	E02A, E02B, E02C
	05	F13A, F21A, F21B, F21C, F27A, F27B, F27C		04	E02A, E02B, E02C		05	F13A, F21A, F21B, F21C
	06	G10Z, G12A, G12B		05	F13A, F21A, F21B, F21C		06	G10Z, G12A, G12B
	07	H06A, H06B, H06C		06	G10Z, G12A, G12B		07	H06A, H06B, H06C
	08	I12A, I12B, I12C, I28A, I28B		07	H06A, H06B, H06C		08	I12A, I12B, I12C, I28A, I28B
	09	J03A, J03B, J04A, J04B, J08A, J08B, J08C, J16Z, J21Z, J22A, J22B		08	I12A, I12B, I12C, I28A, I28B		09	J03A, J03B, J04A, J04B, J08A, J08B, J08C, J16Z, J21Z, J22A, J22B
	10	K01Z		09	J03A, J03B, J04A, J04B, J08A, J08B, J08C, J16Z, J21Z, J22A, J22B		10	K09A, K09B
	11	L09A, L09B, L09C, L09D, L38Z		10	K09A, K09B		11	L09A, L09B, L09C, L09D, L38Z
	13	N11A, N11B		11	L09A, L09B, L09C, L09D, L38Z		13	N11A, N11B
	21A	W04A, W04B		13	N11A, N11B		21A	W04A, W04B
	21B	X06A, X06B, X06C		21A	W04A, W04B		21B	X06A, X06B, X06C
5v151.x	01	B03A, B03B, B06A, B06B, B07Z, B17A, B17B, B17C, B17D	5v152.5	01	B03A, B03B, B06A, B06B, B07Z, B17A, B17B, B17C	5v152.9↔	01	B03A, B03B, B06A, B06B, B07Z, B17A, B17B, B17C
	03	D13Z		03	D13Z		03	D13Z
	04	E02A, E02B, E02C		04	E02A, E02B, E02C		04	E02A, E02B, E02C
	05	F13A, F21A, F21B, F21C		05	F13A, F21A, F21B, F21C		05	F13A, F21A, F21B, F21C
	06	G10Z, G12A, G12B		06	G10Z, G12A, G12B		06	G10Z, G12A, G12B
	07	H06A, H06B, H06C		07	H06A, H06B, H06C		07	H06A, H06B, H06C
	08	I12A, I12B, I12C, I28A, I28B		08	I12A, I12B, I12C, I28A, I28B		08	I12A, I12B, I12C, I28A, I28B
	09	J03A, J03B, J04A, J04B, J08A, J08B, J08C, J16Z, J21Z, J22A, J22B		09	J03A, J03B, J04A, J04B, J08A, J08B, J08C, J16Z, J21Z, J22A, J22B		09	J03A, J03B, J04A, J04B, J08A, J08B, J08C, J16Z, J21Z, J22A, J22B
	10	K09A, K09B		10	K09A, K09B		10	K09A, K09B
	11	L09A, L09B, L09C, L09D, L38Z		11	L09A, L09B, L09C, L09D, L38Z		11	L09A, L09B, L09C, L09D, L38Z
	13	N11A, N11B		13	N11A, N11B		13	N11A, N11B
	21A	W04A, W04B		21A	W04A, W04B		21A	W04A, W04B
	21B	X06A, X06B, X06C		21B	X06A, X06B, X06C		21B	X06A, X06B, X06C
5v152.0	01	B03A, B03B, B06A, B06B, B07Z, B17A, B17B, B17C	5v152.6↔	01	B03A, B03B, B06A, B06B, B07Z, B17A, B17B, B17C	5v152.a	01	B03A, B03B, B06A, B06B, B07Z, B17A, B17B, B17C
	03	D13Z		03	D13Z		03	D13Z
	04	E02A, E02B, E02C		04	E02A, E02B, E02C		04	E02A, E02B, E02C
	05	F13A, F21A, F21B, F21C		05	F13A, F21A, F21B, F21C		05	F13A, F21A, F21B, F21C
	06	G10Z, G12A, G12B		06	G10Z, G12A, G12B		06	G10Z, G12A, G12B
	07	H06A, H06B, H06C		07	H06A, H06B, H06C		07	H06A, H06B, H06C
	08	I12A, I12B, I12C, I28A, I28B		08	I12A, I12B, I12C, I28A, I28B		08	I12A, I12B, I12C, I28A, I28B
	09	J03A, J03B, J04A, J04B, J08A, J08B, J08C, J16Z, J21Z, J22A, J22B		09	J03A, J03B, J04A, J04B, J08A, J08B, J08C, J16Z, J21Z, J22A, J22B		09	J03A, J03B, J04A, J04B, J08A, J08B, J08C, J16Z, J21Z, J22A, J22B
	10	K09A, K09B		10	K09A, K09B		10	K09A, K09B
	11	L09A, L09B, L09C, L09D, L38Z		11	L09A, L09B, L09C, L09D, L38Z		11	L09A, L09B, L09C, L09D, L38Z
	13	N11A, N11B		13	N11A, N11B		13	N11A, N11B
	21A	W04A, W04B		21A	W04A, W04B		21A	W04A, W04B
	21B	X06A, X06B, X06C		21B	X06A, X06B, X06C		21B	X06A, X06B, X06C
5v152.7↔	01	B03A, B03B, B06A, B06B, B07Z, B17A, B17B, B17C	5v152.7↔	01	B03A, B03B, B06A, B06B, B07Z, B17A, B17B, B17C	5v152.b	01	B03A, B03B, B06A, B06B, B07Z, B17A, B17B, B17C
	03	D13Z		03	D13Z		03	D13Z
	04	E02A, E02B, E02C		04	E02A, E02B, E02C		04	E02A, E02B, E02C
	05	F13A, F21A, F21B, F21C		05	F13A, F21A, F21B, F21C		05	F13A, F21A, F21B, F21C
	06	G10Z, G12A, G12B		06	G10Z, G12A, G12B		06	G10Z, G12A, G12B
	07	H06A, H06B, H06C		07	H06A, H06B, H06C		07	H06A, H06B, H06C
	08	I12A, I12B, I12C, I28A, I28B		08	I12A, I12B, I12C, I28A, I28B		08	I12A, I12B, I12C, I28A, I28B
	09	J03A, J03B, J04A, J04B, J08A, J08B, J08C, J16Z, J21Z, J22A, J22B		09	J03A, J03B, J04A, J04B, J08A, J08B, J08C, J16Z, J21Z, J22A, J22B		09	J03A, J03B, J04A, J04B, J08A, J08B, J08C, J16Z, J21Z, J22A, J22B
	10	K09A, K09B		10	K09A, K09B		10	K09A, K09B
	11	L09A, L09B, L09C, L09D, L38Z		11	L09A, L09B, L09C, L09D, L38Z		11	L09A, L09B, L09C, L09D, L38Z
	13	N11A, N11B		13	N11A, N11B		13	N11A, N11B
	21A	W04A, W04B		21A	W04A, W04B		21A	W04A, W04B
	21B	X06A, X06B, X06C		21B	X06A, X06B, X06C		21B	X06A, X06B, X06C

ZZV	MDC	DRG	ZZV	MDC	DRG	ZZV	MDC	DRG
5v152.c	01	B03A, B03B, B06A, B06B, B07Z, B17A, B17B, B17C	5v152.f↔	01	B03A, B03B, B06A, B06B, B07Z, B17A, B17B, B17C	5v15x.x	01	B03A, B03B, B06A, B06B, B07Z, B17A, B17B, B17C, B17D
	03	D13Z		03	D13Z		03	D13Z
	04	E02A, E02B, E02C		04	E02A, E02B, E02C		04	E02A, E02B, E02C
	05	F13A, F21A, F21B, F21C		05	F13A, F21A, F21B, F21C, F27A, F27B, F27C		05	F21A, F21B, F21C
	06	G10Z, G12A, G12B		06	G10Z, G12A, G12B		06	G10Z, G12A, G12B
	07	H06A, H06B, H06C		07	H06A, H06B, H06C		07	H06A, H06B, H06C
	08	I12A, I12B, I12C, I28A, I28B		08	I12A, I12B, I12C, I28A, I28B		08	I28A, I28B
	09	J03A, J03B, J04A, J04B, J08A, J08B, J08C, J16Z, J21Z, J22A, J22B		09	J03A, J03B, J04A, J04B, J08A, J08B, J08C, J16Z, J21Z, J22A, J22B		09	J11A, J11B
	10	K09A, K09B		10	K01Z		10	K09A, K09B
	11	L09A, L09B, L09C, L09D, L38Z		11	L09A, L09B, L09C, L09D, L38Z		11	L09A, L09B, L09C, L09D, L38Z
	12	M06Z, M09A, M09B, M38Z		13	N11A, N11B		13	N11A, N11B
	13	N11A, N11B		21A	W04A, W04B		21A	W04A, W04B
	21A	W04A, W04B		21B	X06A, X06B, X06C		21B	X06A, X06B, X06C
5v152.d	01	B03A, B03B, B06A, B06B, B07Z, B17A, B17B, B17C	5v152.g↔	01	B03A, B03B, B06A, B06B, B07Z, B17A, B17B, B17C	5v171↔	08	I32A, I32B, I32C, I32D, I32E, I32F, I32G
	03	D13Z		03	D13Z		09	J03A, J03B, J04A, J04B, J08A, J08B, J08C, J11A, J11B, J11C, J16Z
	04	E02A, E02B, E02C		04	E02A, E02B, E02C		21A	W04A, W04B
	05	F13A, F21A, F21B, F21C		05	F13A, F21A, F21B, F21C, F27A, F27B, F27C		21B	X05A, X05B
	06	G10Z, G12A, G12B		06	G10Z, G12A, G12B		5v173↔	BOP, KVT, UOP4
	07	H06A, H06B, H06C		07	H06A, H06B, H06C			08
	08	I12A, I12B, I12C, I28A, I28B		08	I12A, I12B, I12C, I28A, I28B		09	J03A, J03B, J04A, J04B, J08A, J08B, J08C, J11A, J11B, J11C, J16Z
	09	J03A, J03B, J04A, J04B, J08A, J08B, J08C, J16Z, J21Z, J22A, J22B		09	J03A, J03B, J04A, J04B, J08A, J08B, J08C, J16Z, J21Z, J22A, J22B		21A	W04A, W04B
	10	K09A, K09B		10	K01Z		21B	X05A, X05B
	11	L09A, L09B, L09C, L09D, L38Z		11	L09A, L09B, L09C, L09D, L38Z		5v177↔	BOP, KVT, UOP4
	13	N11A, N11B		13	N11A, N11B			08
	21A	W04A, W04B		21A	W04A, W04B		09	J03A, J03B, J04A, J04B, J08A, J08B, J08C, J11A, J11B, J11C, J16Z
	21B	X06A, X06B, X06C		21B	X06A, X06B, X06C		21A	W04A, W04B
5v152.e↔	01	B03A, B03B, B06A, B06B, B07Z, B17A, B17B, B17C	5v152.x	01	B03A, B03B, B06A, B06B, B07Z, B17A, B17B, B17C	5v178↔	21B	X05A, X05B
	03	D13Z		03	D13Z		BOP, KVT, UOP4	
	04	E02A, E02B, E02C		04	E02A, E02B, E02C		08	I32A, I32B, I32C, I32D, I32E, I32F
	05	F13A, F21A, F21B, F21C, F27A, F27B, F27C		05	F13A, F21A, F21B, F21C		09	J03A, J03B, J04A, J04B, J08A, J08B, J08C, J11A, J11B, J11C, J16Z
	06	G10Z, G12A, G12B		06	G10Z, G12A, G12B		21A	W04A, W04B
	07	H06A, H06B, H06C		07	H06A, H06B, H06C		21B	X05A, X05B
	08	I12A, I12B, I12C, I28A, I28B		08	I12A, I12B, I12C, I28A, I28B		5v179↔	BOP, KVT, UOP4
	09	J03A, J03B, J04A, J04B, J08A, J08B, J08C, J16Z, J21Z, J22A, J22B		09	J03A, J03B, J04A, J04B, J08A, J08B, J08C, J16Z, J21Z, J22A, J22B			08
	10	K01Z		10	K09A, K09B		09	J03A, J03B, J04A, J04B, J08A, J08B, J08C, J11A, J11B, J11C, J16Z
	11	L09A, L09B, L09C, L09D, L38Z		11	L09A, L09B, L09C, L09D, L38Z		21A	W04A, W04B
	13	N11A, N11B		13	N11A, N11B		21B	X05A, X05B
	21A	W04A, W04B		21A	W04A, W04B		5v191	BOP, KVT, UOP4
	21B	X06A, X06B, X06C		21B	X06A, X06B, X06C			09
5v153	01	B03A, B03B, B06A, B06B, B07Z, B17A, B17B, B17C, B17D	5v153	01	B03A, B03B, B06A, B06B, B07Z, B17A, B17B, B17C, B17D	5v192	21A	W04A, W04B
	03	D13Z		03	D13Z		21B	X05A, X05B
	04	E02A, E02B, E02C		04	E02A, E02B, E02C		BOP, KVT, UOP4	
	05	F21A, F21B, F21C		05	F21A, F21B, F21C		09	J03A, J03B, J04A, J04B, J08A, J08B, J08C, J09A, J09B, J16Z
	06	G10Z, G12A, G12B		06	G10Z, G12A, G12B		21A	W04A, W04B
	07	H06A, H06B, H06C		07	H06A, H06B, H06C		21B	X06A, X06B, X06C
	08	I28A, I28B		08	I28A, I28B		BOP, KVT, UOP4	
	09	J11A, J11B		09	J11A, J11B		09	J03A, J03B, J04A, J04B, J08A, J08B, J08C, J09A, J09B, J16Z
	10	K09A, K09B		10	K09A, K09B		21A	W04A, W04B
	11	L09A, L09B, L09C, L09D, L38Z		11	L09A, L09B, L09C, L09D, L38Z		21B	X06A, X06B, X06C
	13	N11A, N11B		13	N11A, N11B			
	21A	W04A, W04B		21A	W04A, W04B			
	21B	X06A, X06B, X06C		21B	X06A, X06B, X06C			

VYK

ZZV	MDC	DRG	ZZV	MDC	DRG	ZZV	MDC	DRG	
5v193		BOP, KVT, UOP4	5v210.7↔		BOP, KVT, UOP4	5v210.c		BOP, KVT, UOP4	
	09	J03A, J03B, J04A, J04B, J08A, J08B, J08C, J09A, J09B, J16Z		01	B03A, B03B, B06A, B06B, B07Z, B17A, B17B, B17C		01	B03A, B03B, B06A, B06B, B07Z, B17A, B17B, B17C	
	21A	W04A, W04B		03	D12A, D12B		03	D12A, D12B	
	21B	X06A, X06B, X06C		05	F13A, F21A, F21B, F21C, F27A, F27B, F27C		05	F13A, F21A, F21B, F21C, F27A, F27B, F27C	
	5v194‡	09		J09A, J09B	08		I12A, I12B, I12C	08	I12A, I12B, I12C
		5v201.1‡		05	F13A		09	J02A, J02B, J02C, J04A, J04B, J08A, J08B, J08C, J16Z, J21Z, J22A, J22B	09
	5v210.0				BOP, KVT, UOP4			BOP, KVT, UOP4	
		01		B03A, B03B, B06A, B06B, B07Z, B17A, B17B, B17C	10		K01Z	10	K01Z
		03		D12A, D12B	21A		W04A, W04B	21A	W04A, W04B
		05		F13A, F21A, F21B, F21C, F27A, F27B, F27C	21B		X04Z, X05A, X05B, X06A, X06B, X06C	21B	X04Z, X05A, X05B, X06A, X06B, X06C
08		I12A, I12B, I12C	5v210.8↔		BOP, KVT, UOP4	5v210.d		BOP, KVT, UOP4	
09		J02A, J02B, J02C, J04A, J04B, J08A, J08B, J08C, J16Z, J21Z, J22A, J22B		01	B03A, B03B, B06A, B06B, B07Z, B17A, B17B, B17C		01	B03A, B03B, B06A, B06B, B07Z, B17A, B17B, B17C	
10		K01Z		03	D12A, D12B		03	D12A, D12B	
21A		W04A, W04B		05	F13A, F21A, F21B, F21C, F27A, F27B, F27C		05	F13A, F21A, F21B, F21C, F27A, F27B, F27C	
21B		X04Z, X05A, X05B, X06A, X06B, X06C		08	I12A, I12B, I12C		08	I12A, I12B, I12C	
5v210.4				BOP, KVT, UOP4	09		J02A, J02B, J02C, J04A, J04B, J08A, J08B, J08C, J16Z, J21Z, J22A, J22B	09	J02A, J02B, J02C, J04A, J04B, J08A, J08B, J08C, J16Z, J21Z, J22A, J22B
	01	B03A, B03B, B06A, B06B, B07Z, B17A, B17B, B17C		10	K01Z		10	K01Z	
	03	D12A, D12B		21A	W04A, W04B		21A	W04A, W04B	
	05	F13A, F21A, F21B, F21C, F27A, F27B, F27C		21B	X04Z, X05A, X05B, X06A, X06B, X06C		21B	X04Z, X05A, X05B, X06A, X06B, X06C	
	08	I12A, I12B, I12C		5v210.9↔			BOP, KVT, UOP4	5v210.e↔	
	09	J02A, J02B, J02C, J04A, J04B, J08A, J08B, J08C, J16Z, J21Z, J22A, J22B	01		B03A, B03B, B06A, B06B, B07Z, B17A, B17B, B17C	01	B03A, B03B, B06A, B06B, B07Z, B17A, B17B, B17C		
	10	K01Z	03		D12A, D12B	03	D12A, D12B		
	21A	W04A, W04B	05		F13A, F21A, F21B, F21C, F27A, F27B, F27C	05	F13A, F21A, F21B, F21C, F27A, F27B, F27C		
	21B	X04Z, X05A, X05B, X06A, X06B, X06C	08		I12A, I12B, I12C	08	I12A, I12B, I12C		
	5v210.5		BOP, KVT, UOP4		09	J02A, J02B, J02C, J04A, J04B, J08A, J08B, J08C, J16Z, J21Z, J22A, J22B	09		J02A, J02B, J02C, J04A, J04B, J08A, J08B, J08C, J16Z, J21Z, J22A, J22B
01		B03A, B03B, B06A, B06B, B07Z, B17A, B17B, B17C	10		K01Z	10	K01Z		
03		D12A, D12B	21A		W04A, W04B	21A	W04A, W04B		
05		F13A, F21A, F21B, F21C, F27A, F27B, F27C	21B		X04Z, X05A, X05B, X06A, X06B, X06C	21B	X04Z, X05A, X05B, X06A, X06B, X06C		
08		I12A, I12B, I12C	5v210.a			BOP, KVT, UOP4	5v210.f↔		
09		J02A, J02B, J02C, J04A, J04B, J08A, J08B, J08C, J16Z, J21Z, J22A, J22B		01	B03A, B03B, B06A, B06B, B07Z, B17A, B17B, B17C	01		B03A, B03B, B06A, B06B, B07Z, B17A, B17B, B17C	
10		K01Z		03	D12A, D12B	03		D12A, D12B	
21A		W04A, W04B		05	F13A, F21A, F21B, F21C, F27A, F27B, F27C	05		F13A, F21A, F21B, F21C, F27A, F27B, F27C	
21B		X04Z, X05A, X05B, X06A, X06B, X06C		08	I12A, I12B, I12C	08		I12A, I12B, I12C	
5v210.6↔				BOP, KVT, UOP4	09	J02A, J02B, J02C, J04A, J04B, J08A, J08B, J08C, J16Z, J21Z, J22A, J22B		09	J02A, J02B, J02C, J04A, J04B, J08A, J08B, J08C, J16Z, J21Z, J22A, J22B
	01	B03A, B03B, B06A, B06B, B07Z, B17A, B17B, B17C		10	K01Z	10		K01Z	
	03	D12A, D12B		21A	W04A, W04B	21A		W04A, W04B	
	05	F13A, F21A, F21B, F21C, F27A, F27B, F27C		21B	X04Z, X05A, X05B, X06A, X06B, X06C	21B		X04Z, X05A, X05B, X06A, X06B, X06C	
	08	I12A, I12B, I12C		5v210.b		BOP, KVT, UOP4		5v210.g↔	
	09	J02A, J02B, J02C, J04A, J04B, J08A, J08B, J08C, J16Z, J21Z, J22A, J22B	01		B03A, B03B, B06A, B06B, B07Z, B17A, B17B, B17C	01	B03A, B03B, B06A, B06B, B07Z, B17A, B17B, B17C		
	10	K01Z	03		D12A, D12B	03	D12A, D12B		
	21A	W04A, W04B	05		F13A, F21A, F21B, F21C, F27A, F27B, F27C	05	F13A, F21A, F21B, F21C, F27A, F27B, F27C		
	21B	X04Z, X05A, X05B, X06A, X06B, X06C	08		I12A, I12B, I12C	08	I12A, I12B, I12C		
			09		J02A, J02B, J02C, J04A, J04B, J08A, J08B, J08C, J16Z, J21Z, J22A, J22B	09	J02A, J02B, J02C, J04A, J04B, J08A, J08B, J08C, J16Z, J21Z, J22A, J22B		
		10	K01Z		10	K01Z			
		21A	W04A, W04B		21A	W04A, W04B			
		21B	X04Z, X05A, X05B, X06A, X06B, X06C		21B	X04Z, X05A, X05B, X06A, X06B, X06C			

VYK







ZZV	MDC	DRG	ZZV	MDC	DRG	ZZV	MDC	DRG			
5v212.x		BOP, KVT, UOP4	5v220.6↔		BOP, KVT, UOP4	5v220.c		BOP, KVT, UOP4			
	01	B03A, B03B, B06A, B06B, B07Z, B17A, B17B, B17C		01	B03A, B03B, B06A, B06B, B07Z, B17A, B17B, B17C		01	B03A, B03B, B06A, B06B, B07Z, B17A, B17B, B17C			
	03	D12A, D12B		05	F13A, F21A, F21B, F28A		05	F13A, F21A, F21B, F28A			
	05	F13A, F21A, F21B, F21C, F27A, F27B, F27C		08	I02A, I02B, I02C, I02D, I22A, I22B, I50Z		06	G10Z, G12A, G12B			
	08	I12A, I12B, I12C		09	J02A, J02B, J02C, J04A, J04B, J08A, J08B, J08C, J16Z, J21Z, J22A, J22B		08	I02A, I02B, I02C, I02D, I22A, I22B, I50Z			
	09	J02A, J02B, J02C, J04A, J04B, J08A, J08B, J08C, J16Z, J21Z, J22A, J22B		21A	W04A, W04B		09	J02A, J02B, J02C, J04A, J04B, J08A, J08B, J08C, J16Z, J21Z, J22A, J22B			
	10	K01Z		21B	X01A, X01B, X01C		10	K09A, K09B			
	21A	W04A, W04B			BOP, KVT, UOP4		12	M04A, M04B, M04C, M04D, M37Z, M38Z			
	21B	X04Z, X05A, X05B, X06A, X06B, X06C		01	B03A, B03B, B06A, B06B, B07Z, B17A, B17B, B17C		21A	W04A, W04B			
	5v21x.x			BOP, KVT, UOP4	5v220.7↔			BOP, KVT, UOP4	5v220.d		BOP, KVT, UOP4
		01		B03A, B03B, B06A, B06B, B07Z, B17A, B17B, B17C			05	F13A, F21A, F21B, F28A		01	B03A, B03B, B06A, B06B, B07Z, B17A, B17B, B17C
03		D12A, D12B	08	I02A, I02B, I02C, I02D, I22A, I22B, I50Z		05	F13A, F21A, F21B, F28A				
05		F13A, F21A, F21B, F21C, F27A, F27B, F27C	09	J02A, J02B, J02C, J04A, J04B, J08A, J08B, J08C, J16Z, J21Z, J22A, J22B		06	G10Z, G12A, G12B				
09		J02A, J02B, J02C, J04A, J04B, J08A, J08B, J08C, J16Z, J21Z, J22A, J22B	21A	W04A, W04B		08	I02A, I02B, I02C, I02D, I22A, I22B, I50Z				
10		K01Z	21B	X01A, X01B, X01C		09	J02A, J02B, J02C, J04A, J04B, J08A, J08B, J08C, J16Z, J21Z, J22A, J22B				
21A		W04A, W04B		BOP, KVT, UOP4		21A	W04A, W04B				
21B		X04Z, X05A, X05B, X06A, X06B, X06C	01	B03A, B03B, B06A, B06B, B07Z, B17A, B17B, B17C		21B	X01A, X01B, X01C				
5v220.0			BOP, KVT, UOP4	5v220.8↔			BOP, KVT, UOP4	5v220.e↔			BOP, KVT, UOP4
		03	D08A, D08B, D18Z, D22A, D22B, D30A, D30B			05	F13A, F21A, F21B, F28A			01	B03A, B03B, B06A, B06B, B07Z, B17A, B17B, B17C
		05	F13A, F28A			08	I02A, I02B, I02C, I02D, I22A, I22B, I32A, I32B, I32C, I32D, I32E, I32F, I50Z			05	F13A, F21A, F21B, F27A, F27B, F27C, F28A
	09	J03A, J03B, J04A, J04B, J08A, J08B, J08C, J10A, J10B, J16Z	09		J02A, J02B, J02C, J04A, J04B, J08A, J08B, J08C, J16Z, J21Z, J22A, J22B	08	I02A, I02B, I02C, I02D, I22A, I22B, I50Z				
	21A	W04A, W04B	21A		W04A, W04B	09	J02A, J02B, J02C, J04A, J04B, J08A, J08B, J08C, J16Z, J21Z, J22A, J22B				
	21B	X06A, X06B, X06C	21B		X01A, X01B, X01C	10	K01Z				
	5v220.4		BOP, KVT, UOP4		5v220.9↔		BOP, KVT, UOP4		5v220.f↔		BOP, KVT, UOP4
		01	B03A, B03B, B06A, B06B, B07Z, B17A, B17B, B17C			01	B03A, B03B, B06A, B06B, B07Z, B17A, B17B, B17C			01	B03A, B03B, B06A, B06B, B07Z, B17A, B17B, B17C
		02	C20A, C20B			05	F13A, F21A, F21B, F28A			05	F13A, F21A, F21B, F27A, F27B, F27C, F28A
		03	D18Z, D28Z, D29Z			08	I12A, I12B, I12C, I32A, I32B, I32C, I32D, I32E, I32F			08	I02A, I02B, I02C, I02D, I22A, I22B, I50Z
		05	F13A, F21A, F21B, F28A			09	J03A, J03B, J04A, J04B, J08A, J08B, J08C, J16Z, J21Z, J22A, J22B			09	J02A, J02B, J02C, J04A, J04B, J08A, J08B, J08C, J16Z, J21Z, J22A, J22B
08		I02A, I02B, I02C, I02D, I22A, I22B, I50Z	21A	W04A, W04B		10	K01Z				
09		J02A, J02B, J02C, J04A, J04B, J08A, J08B, J08C, J16Z, J21Z, J22A, J22B	21B	X01A, X01B, X01C		21A	W04A, W04B				
21A		W04A, W04B		BOP, KVT, UOP4		21B	X01A, X01B, X01C				
21B		X01A, X01B, X01C	01	B03A, B03B, B06A, B06B, B07Z, B17A, B17B, B17C		01	B03A, B03B, B06A, B06B, B07Z, B17A, B17B, B17C				
5v220.5			BOP, KVT, UOP4	5v220.a			BOP, KVT, UOP4	5v220.g↔			BOP, KVT, UOP4
		01	B03A, B03B, B06A, B06B, B07Z, B17A, B17B, B17C			05	F13A, F21A, F21B, F28A			01	B03A, B03B, B06A, B06B, B07Z, B17A, B17B, B17C
	03	D18Z, D28Z, D29Z	06		G10Z, G12A, G12B	05	F13A, F21A, F21B, F27A, F27B, F27C, F28A				
	05	F13A, F21A, F21B, F28A	08		I02A, I02B, I02C, I02D, I22A, I22B, I50Z	08	I02A, I02B, I02C, I02D, I22A, I22B, I50Z				
	06	G10Z, G12A, G12B	09		J02A, J02B, J02C, J04A, J04B, J08A, J08B, J08C, J16Z, J21Z, J22A, J22B	09	J02A, J02B, J02C, J04A, J04B, J08A, J08B, J08C, J16Z, J21Z, J22A, J22B				
	08	I28A, I28B	21A		W04A, W04B	10	K01Z				
	09	J02A, J02B, J02C, J04A, J04B, J08A, J08B, J08C, J16Z, J21Z, J22A, J22B	21B		X01A, X01B, X01C	21A	W04A, W04B				
	21A	W04A, W04B			BOP, KVT, UOP4	21B	X01A, X01B, X01C				
	21B	X01A, X01B, X01C	01		B03A, B03B, B06A, B06B, B07Z, B17A, B17B, B17C	01	B03A, B03B, B06A, B06B, B07Z, B17A, B17B, B17C				
	5v220.x		BOP, KVT, UOP4		5v220.b		BOP, KVT, UOP4				BOP, KVT, UOP4
		01	B03A, B03B, B06A, B06B, B07Z, B17A, B17B, B17C			05	F13A, F21A, F21B, F28A			01	B03A, B03B, B06A, B06B, B07Z, B17A, B17B, B17C
03		D18Z, D28Z, D29Z	06	G10Z, G12A, G12B		05	F13A, F21A, F21B, F28A				
05		F13A, F21A, F21B, F28A	08	I02A, I02B, I02C, I02D, I22A, I22B, I50Z		06	G10Z, G12A, G12B				
06		G10Z, G12A, G12B	08	I02A, I02B, I02C, I02D, I22A, I22B, I50Z		08	I02A, I02B, I02C, I02D, I22A, I22B, I50Z				
08		I28A, I28B	09	J02A, J02B, J02C, J04A, J04B, J08A, J08B, J08C, J16Z, J21Z, J22A, J22B		09	J02A, J02B, J02C, J04A, J04B, J08A, J08B, J08C, J16Z, J21Z, J22A, J22B				
09		J02A, J02B, J02C, J04A, J04B, J08A, J08B, J08C, J16Z, J21Z, J22A, J22B	21A	W04A, W04B		10	K01Z				
21A		W04A, W04B	21B	X01A, X01B, X01C		21A	W04A, W04B				
21B		X01A, X01B, X01C		BOP, KVT, UOP4		21B	X01A, X01B, X01C				

VYK

ZZV	MDC	DRG	ZZV	MDC	DRG	ZZV	MDC	DRG			
5v220.x↔		BOP, KVT, UOP4	5v221.8↔		BOP, KVT, UOP4	5v221.e↔		BOP, KVT, UOP4			
	01	B03A, B03B, B06A, B06B, B07Z, B17A, B17B, B17C		01	B03A, B03B, B06A, B06B, B07Z, B17A, B17B, B17C		01	B03A, B03B, B06A, B06B, B07Z, B17A, B17B, B17C			
	05	F13A, F21A, F21B, F28A		05	F13A, F21A, F21B, F28A		05	F13A, F21A, F21B, F27A, F27B, F27C, F28A			
	08	I02A, I02B, I02C, I02D, I22A, I22B, I32A, I32B, I32C, I32D, I32E, I32F, I50Z		08	I02A, I02B, I02C, I02D, I22A, I22B, I32A, I32B, I32C, I32D, I32E, I32F, I50Z		08	I02A, I02B, I02C, I02D, I22A, I22B, I50Z			
	09	J02A, J02B, J02C, J04A, J04B, J08A, J08B, J08C, J16Z, J21Z, J22A, J22B		09	J02A, J02B, J02C, J04A, J04B, J08A, J08B, J08C, J16Z, J21Z, J22A, J22B		09	J02A, J02B, J02C, J04A, J04B, J08A, J08B, J08C, J16Z, J21Z, J22A, J22B			
	21A	W04A, W04B		21A	W04A, W04B		10	K01Z			
	21B	X01A, X01B, X01C		21B	X01A, X01B, X01C		21A	W04A, W04B			
	5v221.0			BOP, KVT, UOP4	5v221.9↔			BOP, KVT, UOP4	5v221.f↔		BOP, KVT, UOP4
		01		B03A, B03B, B06A, B06B, B07Z, B17A, B17B, B17C			01	B03A, B03B, B06A, B06B, B07Z, B17A, B17B, B17C		01	B03A, B03B, B06A, B06B, B07Z, B17A, B17B, B17C
		03		D18Z, D28Z, D29Z			05	F13A, F21A, F21B, F28A		05	F13A, F21A, F21B, F27A, F27B, F27C, F28A
05		F13A, F21A, F21B, F28A	08	I12A, I12B, I12C, I32A, I32B, I32C, I32D, I32E, I32F		08	I02A, I02B, I02C, I02D, I22A, I22B, I50Z				
09		J02A, J02B, J02C, J04A, J04B, J08A, J08B, J08C, J16Z, J21Z, J22A, J22B	09	J02A, J02B, J02C, J04A, J04B, J08A, J08B, J08C, J16Z, J21Z, J22A, J22B		09	J02A, J02B, J02C, J04A, J04B, J08A, J08B, J08C, J16Z, J21Z, J22A, J22B				
21A		W04A, W04B	21A	W04A, W04B		10	K01Z				
21B		X01A, X01B, X01C	21B	X01A, X01B, X01C		21A	W04A, W04B				
5v221.4			BOP, KVT, UOP4	5v221.a			BOP, KVT, UOP4	5v221.g↔			BOP, KVT, UOP4
		01	B03A, B03B, B06A, B06B, B07Z, B17A, B17B, B17C			01	B03A, B03B, B06A, B06B, B07Z, B17A, B17B, B17C			01	B03A, B03B, B06A, B06B, B07Z, B17A, B17B, B17C
		02	C20A, C20B			05	F13A, F21A, F21B, F28A			05	F13A, F21A, F21B, F27A, F27B, F27C, F28A
	03	D18Z, D28Z, D29Z	06		G10Z, G12A, G12B	08	I02A, I02B, I02C, I02D, I22A, I22B, I50Z				
	05	F13A, F21A, F21B, F28A	08		I02A, I02B, I02C, I02D, I22A, I22B, I50Z	09	J02A, J02B, J02C, J04A, J04B, J08A, J08B, J08C, J16Z, J21Z, J22A, J22B				
	08	I02A, I02B, I02C, I02D, I22A, I22B, I50Z	09		J02A, J02B, J02C, J04A, J04B, J08A, J08B, J08C, J16Z, J21Z, J22A, J22B	21A	W04A, W04B				
	09	J02A, J02B, J02C, J04A, J04B, J08A, J08B, J08C, J16Z, J21Z, J22A, J22B	21A		W04A, W04B	21B	X01A, X01B, X01C				
	21A	W04A, W04B	21B		X01A, X01B, X01C	10	K01Z				
	21B	X01A, X01B, X01C	21B		X01A, X01B, X01C	21A	W04A, W04B				
	5v221.5		BOP, KVT, UOP4		5v221.b		BOP, KVT, UOP4		5v221.x↔		BOP, KVT, UOP4
01		B03A, B03B, B06A, B06B, B07Z, B17A, B17B, B17C	01	B03A, B03B, B06A, B06B, B07Z, B17A, B17B, B17C		01	B03A, B03B, B06A, B06B, B07Z, B17A, B17B, B17C				
03		D18Z, D28Z, D29Z	05	F13A, F21A, F21B, F28A		05	F13A, F21A, F21B, F28A				
05		F13A, F21A, F21B, F28A	06	G10Z, G12A, G12B		08	I02A, I02B, I02C, I02D, I22A, I22B, I50Z				
08		I02A, I02B, I02C, I02D, I22A, I22B, I50Z	08	I02A, I02B, I02C, I02D, I22A, I22B, I50Z		09	J02A, J02B, J02C, J04A, J04B, J08A, J08B, J08C, J16Z, J21Z, J22A, J22B				
09		J02A, J02B, J02C, J04A, J04B, J08A, J08B, J08C, J16Z, J21Z, J22A, J22B	09	J02A, J02B, J02C, J04A, J04B, J08A, J08B, J08C, J16Z, J21Z, J22A, J22B		21A	W04A, W04B				
21A		W04A, W04B	21A	W04A, W04B		21B	X01A, X01B, X01C				
21B		X01A, X01B, X01C	21B	X01A, X01B, X01C		10	K01Z				
5v221.6↔			BOP, KVT, UOP4	5v221.c			BOP, KVT, UOP4	5v222.0			BOP, KVT, UOP4
		01	B03A, B03B, B06A, B06B, B07Z, B17A, B17B, B17C			01	B03A, B03B, B06A, B06B, B07Z, B17A, B17B, B17C			01	B03A, B03B, B06A, B06B, B07Z, B17A, B17B, B17C
	05	F13A, F21A, F21B, F28A	05		F13A, F21A, F21B, F28A	05	F13A, F21A, F21B, F28A				
	08	I02A, I02B, I02C, I02D, I22A, I22B, I50Z	06		G10Z, G12A, G12B	08	I02A, I02B, I02C, I02D, I22A, I22B, I50Z				
	09	J02A, J02B, J02C, J04A, J04B, J08A, J08B, J08C, J16Z, J21Z, J22A, J22B	08		I02A, I02B, I02C, I02D, I22A, I22B, I50Z	09	J02A, J02B, J02C, J04A, J04B, J08A, J08B, J08C, J16Z, J21Z, J22A, J22B				
	21A	W04A, W04B	09		J02A, J02B, J02C, J04A, J04B, J08A, J08B, J08C, J16Z, J21Z, J22A, J22B	21A	W04A, W04B				
	21B	X01A, X01B, X01C	21A		W04A, W04B	21B	X01A, X01B, X01C				
	5v221.7↔		BOP, KVT, UOP4		5v221.d		BOP, KVT, UOP4				BOP, KVT, UOP4
		01	B03A, B03B, B06A, B06B, B07Z, B17A, B17B, B17C			01	B03A, B03B, B06A, B06B, B07Z, B17A, B17B, B17C			01	B03A, B03B, B06A, B06B, B07Z, B17A, B17B, B17C
		05	F13A, F21A, F21B, F28A			05	F13A, F21A, F21B, F28A			05	F13A, F21A, F21B, F28A
08		I02A, I02B, I02C, I02D, I22A, I22B, I50Z	06	G10Z, G12A, G12B		06	G10Z, G12A, G12B				
09		J02A, J02B, J02C, J04A, J04B, J08A, J08B, J08C, J16Z, J21Z, J22A, J22B	08	I02A, I02B, I02C, I02D, I22A, I22B, I50Z		08	I02A, I02B, I02C, I02D, I22A, I22B, I50Z				
21A		W04A, W04B	09	J02A, J02B, J02C, J04A, J04B, J08A, J08B, J08C, J16Z, J21Z, J22A, J22B		09	J02A, J02B, J02C, J04A, J04B, J08A, J08B, J08C, J16Z, J21Z, J22A, J22B				
21B		X01A, X01B, X01C	21A	W04A, W04B		21A	W04A, W04B				
			21B	X01A, X01B, X01C		21B	X06A, X06B, X06C				

VYK

ZZV	MDC	DRG	ZZV	MDC	DRG	ZZV	MDC	DRG
5v222.4		BOP, KVT, UOP4	5v222.a		BOP, KVT, UOP4	5v222.f↔		BOP, KVT, UOP4
	01	B03A, B03B, B06A, B06B, B07Z, B17A, B17B, B17C		01	B03A, B03B, B06A, B06B, B07Z, B17A, B17B, B17C		01	B03A, B03B, B06A, B06B, B07Z, B17A, B17B, B17C
	02	C20A, C20B		05	F13A, F21A, F21B, F21C		05	F13A, F21A, F21B, F21C, F27A, F27B, F27C
	03	D12A, D12B		06	G10Z, G12A, G12B		08	I02A, I02B, I02C, I02D, I22A, I22B, I50Z
	05	F13A, F21A, F21B, F21C		08	I02A, I02B, I02C, I02D, I22A, I22B, I50Z		08	I02A, I02B, I02C, I02D, I22A, I22B, I50Z
	08	I02A, I02B, I02C, I02D, I22A, I22B, I50Z		09	J02A, J02B, J02C, J04A, J04B, J08A, J08B, J08C, J16Z, J21Z, J22A, J22B		09	J02A, J02B, J02C, J04A, J04B, J08A, J08B, J08C, J16Z, J21Z, J22A, J22B
	09	J02A, J02B, J02C, J04A, J04B, J08A, J08B, J08C, J16Z, J21Z, J22A, J22B		21A	W04A, W04B		10	K01Z
	21A	W04A, W04B		21B	X01A, X01B, X01C		21A	W04A, W04B
	21B	X01A, X01B, X01C			BOP, KVT, UOP4		21B	X01A, X01B, X01C
	5v222.5			BOP, KVT, UOP4	5v222.b			BOP, KVT, UOP4
01		B03A, B03B, B06A, B06B, B07Z, B17A, B17B, B17C	01	B03A, B03B, B06A, B06B, B07Z, B17A, B17B, B17C		01	B03A, B03B, B06A, B06B, B07Z, B17A, B17B, B17C	
03		D12A, D12B	05	F13A, F21A, F21B, F21C		05	F13A, F21A, F21B, F21C, F27A, F27B, F27C	
05		F13A, F21A, F21B, F21C	06	G10Z, G12A, G12B		08	I02A, I02B, I02C, I02D, I22A, I22B, I50Z	
06		G10Z, G12A, G12B	08	I02A, I02B, I02C, I02D, I22A, I22B, I50Z		08	I02A, I02B, I02C, I02D, I12A, I12B, I12C, I22A, I22B, I50Z	
08		I28A, I28B	09	J02A, J02B, J02C, J04A, J04B, J08A, J08B, J08C, J16Z, J21Z, J22A, J22B		09	J02A, J02B, J02C, J04A, J04B, J08A, J08B, J08C, J16Z, J21Z, J22A, J22B	
09		J02A, J02B, J02C, J04A, J04B, J08A, J08B, J08C, J16Z, J21Z, J22A, J22B	21A	W04A, W04B		10	K01Z	
21A		W04A, W04B	21B	X01A, X01B, X01C		21A	W04A, W04B	
21B		X01A, X01B, X01C		BOP, KVT, UOP4		21B	X01A, X01B, X01C	
5v222.6↔			BOP, KVT, UOP4	5v222.c			BOP, KVT, UOP4	5v222.x↔
	01	B03A, B03B, B06A, B06B, B07Z, B17A, B17B, B17C	01		B03A, B03B, B06A, B06B, B07Z, B17A, B17B, B17C	01	B03A, B03B, B06A, B06B, B07Z, B17A, B17B, B17C	
	05	F13A, F21A, F21B, F21C	05		F13A, F21A, F21B, F21C	05	F13A, F21A, F21B, F21C	
	08	I02A, I02B, I02C, I02D, I22A, I22B, I50Z	06		G10Z, G12A, G12B	08	I02A, I02B, I02C, I02D, I22A, I22B, I50Z	
	09	J02A, J02B, J02C, J04A, J04B, J08A, J08B, J08C, J16Z, J21Z, J22A, J22B	08		I02A, I02B, I02C, I02D, I22A, I22B, I50Z	08	I02A, I02B, I02C, I02D, I22A, I22B, I32A, I32B, I32C, I32D, I32E, I32F, I50Z	
	21A	W04A, W04B	09		J02A, J02B, J02C, J04A, J04B, J08A, J08B, J08C, J16Z, J21Z, J22A, J22B	09	J02A, J02B, J02C, J04A, J04B, J08A, J08B, J08C, J16Z, J21Z, J22A, J22B	
	21B	X01A, X01B, X01C	10		K09A, K09B	21A	W04A, W04B	
		BOP, KVT, UOP4	12		M04A, M04B, M04C, M04D, M37Z, M38Z	21B	X01A, X01B, X01C	
	01	B03A, B03B, B06A, B06B, B07Z, B17A, B17B, B17C	21A		W04A, W04B	09	J11A, J11B	
	05	F13A, F21A, F21B, F21C	21B		X01A, X01B, X01C	02	C20A, C20B	
5v222.7↔		BOP, KVT, UOP4	5v222.d		BOP, KVT, UOP4	5v223.0‡		BOP, KVT, UOP4
	01	B03A, B03B, B06A, B06B, B07Z, B17A, B17B, B17C		01	B03A, B03B, B06A, B06B, B07Z, B17A, B17B, B17C		02	C20A, C20B
	05	F13A, F21A, F21B, F21C		05	F13A, F21A, F21B, F21C		09	J11A, J11B
	08	I02A, I02B, I02C, I02D, I22A, I22B, I50Z		06	G10Z, G12A, G12B		09	J11A, J11B
	09	J02A, J02B, J02C, J04A, J04B, J08A, J08B, J08C, J16Z, J21Z, J22A, J22B		08	I02A, I02B, I02C, I02D, I22A, I22B, I50Z		09	J11A, J11B
	21A	W04A, W04B		09	J02A, J02B, J02C, J04A, J04B, J08A, J08B, J08C, J16Z, J21Z, J22A, J22B		09	J11A, J11B
	21B	X01A, X01B, X01C		09	J02A, J02B, J02C, J04A, J04B, J08A, J08B, J08C, J16Z, J21Z, J22A, J22B		09	J11A, J11B
		BOP, KVT, UOP4		21A	W04A, W04B		09	J11A, J11B
	01	B03A, B03B, B06A, B06B, B07Z, B17A, B17B, B17C		21B	X01A, X01B, X01C		09	J11A, J11B
	05	F13A, F21A, F21B, F21C			BOP, KVT, UOP4		09	J11A, J11B
5v222.8↔		BOP, KVT, UOP4	5v222.e↔		BOP, KVT, UOP4	5v223.1‡↔		BOP, KVT, UOP4
	01	B03A, B03B, B06A, B06B, B07Z, B17A, B17B, B17C		01	B03A, B03B, B06A, B06B, B07Z, B17A, B17B, B17C		01	B03A, B03B, B06A, B06B, B07Z, B17A, B17B, B17C
	05	F13A, F21A, F21B, F21C		05	F13A, F21A, F21B, F21C, F27A, F27B, F27C		05	F13A, F21A, F21B, F21C, F27A, F27B, F27C
	08	I02A, I02B, I02C, I02D, I22A, I22B, I32A, I32B, I32C, I32D, I32E, I32F, I50Z		08	I02A, I02B, I02C, I02D, I22A, I22B, I50Z		08	I02A, I02B, I02C, I02D, I22A, I22B, I50Z
	09	J02A, J02B, J02C, J04A, J04B, J08A, J08B, J08C, J16Z, J21Z, J22A, J22B		09	J02A, J02B, J02C, J04A, J04B, J08A, J08B, J08C, J16Z, J21Z, J22A, J22B		08	I02A, I02B, I02C, I02D, I22A, I22B, I50Z
	21A	W04A, W04B		09	J02A, J02B, J02C, J04A, J04B, J08A, J08B, J08C, J16Z, J21Z, J22A, J22B		09	J02A, J02B, J02C, J04A, J04B, J08A, J08B, J08C, J16Z, J21Z, J22A, J22B
	21B	X01A, X01B, X01C		10	K01Z		03	D18Z, D25A, D25B, D25C, D25D
		BOP, KVT, UOP4		21A	W04A, W04B		05	F13A, F21A, F21B, F28A
	01	B03A, B03B, B06A, B06B, B07Z, B17A, B17B, B17C		21B	X01A, X01B, X01C		08	I12A, I12B, I12C
	05	F13A, F21A, F21B, F21C			BOP, KVT, UOP4		09	J02A, J02B, J02C, J04A, J04B, J08A, J08B, J08C, J16Z, J21Z, J22A, J22B
5v222.9↔		BOP, KVT, UOP4	5v222.9↔		BOP, KVT, UOP4	5v224.0		BOP, KVT, UOP4
	01	B03A, B03B, B06A, B06B, B07Z, B17A, B17B, B17C		01	B03A, B03B, B06A, B06B, B07Z, B17A, B17B, B17C		01	B03A, B03B, B06A, B06B, B07Z, B17A, B17B, B17C
	05	F13A, F21A, F21B, F21C		05	F13A, F21A, F21B, F21C, F27A, F27B, F27C		03	D18Z, D25A, D25B, D25C, D25D
	08	I12A, I12B, I12C, I32A, I32B, I32C, I32D, I32E, I32F		08	I02A, I02B, I02C, I02D, I22A, I22B, I50Z		05	F13A, F21A, F21B, F28A
	09	J03A, J03B, J04A, J04B, J08A, J08B, J08C, J16Z, J21Z, J22A, J22B		09	J02A, J02B, J02C, J04A, J04B, J08A, J08B, J08C, J16Z, J21Z, J22A, J22B		08	I12A, I12B, I12C
	21A	W04A, W04B		10	K01Z		09	J02A, J02B, J02C, J04A, J04B, J08A, J08B, J08C, J16Z, J21Z, J22A, J22B
	21B	X01A, X01B, X01C		21A	W04A, W04B		21A	W04A, W04B
		BOP, KVT, UOP4		21B	X01A, X01B, X01C		21B	X01A, X01B
	01	B03A, B03B, B06A, B06B, B07Z, B17A, B17B, B17C			BOP, KVT, UOP4			BOP, KVT, UOP4
	05	F13A, F21A, F21B, F21C			BOP, KVT, UOP4			BOP, KVT, UOP4

ZZV	MDC	DRG	ZZV	MDC	DRG	ZZV	MDC	DRG			
5v224.4		BOP, KVT, UOP4	5v224.9↔		BOP, KVT, UOP4	5v224.e↔		BOP, KVT, UOP4			
	01	B03A, B03B, B06A, B06B, B07Z, B17A, B17B, B17C		01	B03A, B03B, B06A, B06B, B07Z, B17A, B17B, B17C		01	B03A, B03B, B06A, B06B, B07Z, B17A, B17B, B17C			
	02	C20A, C20B		05	F13A, F21A, F21B, F28A		05	F13A, F21A, F21B, F27A, F27B, F27C, F28A			
	03	D18Z, D25A, D25B, D25C, D25D		08	I12A, I12B, I12C, I32A, I32B, I32C, I32D, I32E, I32F		08	I02A, I02B, I02C, I02D, I12A, I12B, I12C, I22A, I50Z			
	05	F13A, F21A, F21B, F28A		09	J02A, J02B, J02C, J04A, J04B, J08A, J08B, J08C, J16Z, J21Z, J22A, J22B		09	J02A, J02B, J02C, J04A, J04B, J08A, J08B, J08C, J16Z, J21Z, J22A, J22B			
	08	I02A, I02B, I02C, I02D, I12A, I12B, I12C, I22A, I50Z		21A	W04A, W04B		10	K01Z			
	09	J02A, J02B, J02C, J04A, J04B, J08A, J08B, J08C, J16Z, J21Z, J22A, J22B		21B	X01A, X01B		21A	W04A, W04B			
	21A	W04A, W04B		01	B03A, B03B, B06A, B06B, B07Z, B17A, B17B, B17C		21B	X01A, X01B			
	21B	X01A, X01B		05	F13A, F21A, F21B, F28A		5v224.f↔		BOP, KVT, UOP4		
	5v224.5			BOP, KVT, UOP4	5v224.a				BOP, KVT, UOP4	5v224.f↔	
01		B03A, B03B, B06A, B06B, B07Z, B17A, B17B, B17C	01	B03A, B03B, B06A, B06B, B07Z, B17A, B17B, B17C		01		B03A, B03B, B06A, B06B, B07Z, B17A, B17B, B17C			
03		D18Z, D25A, D25B, D25C, D25D	05	F13A, F21A, F21B, F28A		05		F13A, F21A, F21B, F27A, F27B, F27C, F28A			
05		F13A, F21A, F21B, F28A	06	G10Z, G12A, G12B		08		I02A, I02B, I02C, I02D, I12A, I12B, I12C, I22A, I50Z			
08		I02A, I02B, I02C, I02D, I12A, I12B, I12C, I22A, I50Z	08	I02A, I02B, I02C, I02D, I12A, I12B, I12C, I22A, I50Z		08		I02A, I02B, I02C, I02D, I12A, I12B, I12C, I22A, I50Z			
09		J02A, J02B, J02C, J04A, J04B, J08A, J08B, J08C, J16Z, J21Z, J22A, J22B	09	J02A, J02B, J02C, J04A, J04B, J08A, J08B, J08C, J16Z, J21Z, J22A, J22B		09		J02A, J02B, J02C, J04A, J04B, J08A, J08B, J08C, J16Z, J21Z, J22A, J22B			
21A		W04A, W04B	21A	W04A, W04B		10		K01Z			
21B		X01A, X01B	21B	X01A, X01B		21A		W04A, W04B			
5v224.6↔			BOP, KVT, UOP4	5v224.b				BOP, KVT, UOP4	5v224.g↔		
		01	B03A, B03B, B06A, B06B, B07Z, B17A, B17B, B17C			01	B03A, B03B, B06A, B06B, B07Z, B17A, B17B, B17C	01			B03A, B03B, B06A, B06B, B07Z, B17A, B17B, B17C
	05	F13A, F21A, F21B, F28A	05		F13A, F21A, F21B, F28A	05	F13A, F21A, F21B, F27A, F27B, F27C, F28A				
	08	I02A, I02B, I02C, I02D, I12A, I12B, I12C, I22A, I50Z	06		G10Z, G12A, G12B	08	I02A, I02B, I02C, I02D, I12A, I12B, I12C, I22A, I50Z				
	09	J02A, J02B, J02C, J04A, J04B, J08A, J08B, J08C, J16Z, J21Z, J22A, J22B	08		I02A, I02B, I02C, I02D, I12A, I12B, I12C, I22A, I50Z	08	I02A, I02B, I02C, I02D, I12A, I12B, I12C, I22A, I50Z				
	21A	W04A, W04B	09		J02A, J02B, J02C, J04A, J04B, J08A, J08B, J08C, J16Z, J21Z, J22A, J22B	09	J02A, J02B, J02C, J04A, J04B, J08A, J08B, J08C, J16Z, J21Z, J22A, J22B				
	21B	X01A, X01B	21A		W04A, W04B	10	K01Z				
	5v224.7↔		BOP, KVT, UOP4		5v224.c		BOP, KVT, UOP4	5v224.x↔			BOP, KVT, UOP4
		01	B03A, B03B, B06A, B06B, B07Z, B17A, B17B, B17C			01	B03A, B03B, B06A, B06B, B07Z, B17A, B17B, B17C			01	B03A, B03B, B06A, B06B, B07Z, B17A, B17B, B17C
		05	F13A, F21A, F21B, F28A			05	F13A, F21A, F21B, F28A			05	F13A, F21A, F21B, F27A, F27B, F27C, F28A
08		I02A, I02B, I02C, I02D, I12A, I12B, I12C, I22A, I50Z	06	G10Z, G12A, G12B		08	I02A, I02B, I02C, I02D, I12A, I12B, I12C, I22A, I32A, I32B, I32C, I32D, I32E, I32F, I50Z				
09		J02A, J02B, J02C, J04A, J04B, J08A, J08B, J08C, J16Z, J21Z, J22A, J22B	08	I02A, I02B, I02C, I02D, I12A, I12B, I12C, I22A, I50Z		08	I02A, I02B, I02C, I02D, I12A, I12B, I12C, I22A, I32A, I32B, I32C, I32D, I32E, I32F, I50Z				
21A		W04A, W04B	09	J02A, J02B, J02C, J04A, J04B, J08A, J08B, J08C, J16Z, J21Z, J22A, J22B		09	J02A, J02B, J02C, J04A, J04B, J08A, J08B, J08C, J16Z, J21Z, J22A, J22B				
21B		X01A, X01B	21A	W04A, W04B		10	K01Z				
5v224.8↔			BOP, KVT, UOP4	5v224.d			BOP, KVT, UOP4		5v225.0		BOP, KVT, UOP4
		01	B03A, B03B, B06A, B06B, B07Z, B17A, B17B, B17C			01	B03A, B03B, B06A, B06B, B07Z, B17A, B17B, B17C			01	B03A, B03B, B06A, B06B, B07Z, B17A, B17B, B17C
		05	F13A, F21A, F21B, F28A			05	F13A, F21A, F21B, F28A			03	D18Z, D25A, D25B, D25C, D25D
	08	I02A, I02B, I02C, I02D, I12A, I12B, I12C, I22A, I32A, I32B, I32C, I32D, I32E, I32F, I50Z	06		G10Z, G12A, G12B	05	F13A, F21A, F21B, F28A				
	09	J02A, J02B, J02C, J04A, J04B, J08A, J08B, J08C, J16Z, J21Z, J22A, J22B	08		I02A, I02B, I02C, I02D, I12A, I12B, I12C, I22A, I50Z	08	I12A, I12B, I12C				
	21A	W04A, W04B	09		J02A, J02B, J02C, J04A, J04B, J08A, J08B, J08C, J16Z, J21Z, J22A, J22B	09	J02A, J02B, J02C, J04A, J04B, J08A, J08B, J08C, J16Z, J21Z, J22A, J22B				
	21B	X01A, X01B	21A		W04A, W04B	21A	W04A, W04B				
			21B		X01A, X01B	21B	X01A, X01B				

VYK

ZZV	MDC	DRG	ZZV	MDC	DRG	ZZV	MDC	DRG			
5v225.4		BOP, KVT, UOP4	5v225.9↔		BOP, KVT, UOP4	5v225.e↔		BOP, KVT, UOP4			
	01	B03A, B03B, B06A, B06B, B07Z, B17A, B17B, B17C		01	B03A, B03B, B06A, B06B, B07Z, B17A, B17B, B17C		01	B03A, B03B, B06A, B06B, B07Z, B17A, B17B, B17C			
	02	C20A, C20B		05	F13A, F21A, F21B, F28A		05	F13A, F21A, F21B, F27A, F27B, F27C, F28A			
	03	D18Z, D25A, D25B, D25C, D25D		08	I12A, I12B, I12C, I32A, I32B, I32C, I32D, I32E, I32F		08	I02A, I02B, I02C, I02D, I12A, I12B, I12C, I22A, I50Z			
	05	F13A, F21A, F21B, F28A		09	J02A, J02B, J02C, J04A, J04B, J08A, J08B, J08C, J16Z, J21Z, J22A, J22B		09	J02A, J02B, J02C, J04A, J04B, J08A, J08B, J08C, J16Z, J21Z, J22A, J22B			
	08	I02A, I02B, I02C, I02D, I12A, I12B, I12C, I22A, I50Z		21A	W04A, W04B		10	K01Z			
	09	J02A, J02B, J02C, J04A, J04B, J08A, J08B, J08C, J16Z, J21Z, J22A, J22B		21B	X01A, X01B		21A	W04A, W04B			
	21A	W04A, W04B		01	B03A, B03B, B06A, B06B, B07Z, B17A, B17B, B17C		21B	X01A, X01B			
	21B	X01A, X01B		05	F13A, F21A, F21B, F28A		5v225.f↔	BOP, KVT, UOP4			
	5v225.5			BOP, KVT, UOP4	5v225.a				BOP, KVT, UOP4	5v225.g↔	
01		B03A, B03B, B06A, B06B, B07Z, B17A, B17B, B17C	05	F13A, F21A, F21B, F28A		01		B03A, B03B, B06A, B06B, B07Z, B17A, B17B, B17C			
03		D18Z, D25A, D25B, D25C, D25D	06	G10Z, G12A, G12B		05		F13A, F21A, F21B, F27A, F27B, F27C, F28A			
05		F13A, F21A, F21B, F28A	08	I02A, I02B, I02C, I02D, I12A, I12B, I12C, I22A, I50Z		08		I02A, I02B, I02C, I02D, I12A, I12B, I12C, I22A, I50Z			
08		I02A, I02B, I02C, I02D, I12A, I12B, I12C, I22A, I50Z	09	J02A, J02B, J02C, J04A, J04B, J08A, J08B, J08C, J16Z, J21Z, J22A, J22B		09		J02A, J02B, J02C, J04A, J04B, J08A, J08B, J08C, J16Z, J21Z, J22A, J22B			
09		J02A, J02B, J02C, J04A, J04B, J08A, J08B, J08C, J16Z, J21Z, J22A, J22B	21A	W04A, W04B		10		K01Z			
21A		W04A, W04B	21B	X01A, X01B		21A		W04A, W04B			
21B		X01A, X01B	01	B03A, B03B, B06A, B06B, B07Z, B17A, B17B, B17C		21B		X01A, X01B			
5v225.6↔			BOP, KVT, UOP4	5v225.b				BOP, KVT, UOP4	5v225.h↔		
		01	B03A, B03B, B06A, B06B, B07Z, B17A, B17B, B17C			05	F13A, F21A, F21B, F28A	01			B03A, B03B, B06A, B06B, B07Z, B17A, B17B, B17C
	05	F13A, F21A, F21B, F28A	06		G10Z, G12A, G12B	05	F13A, F21A, F21B, F27A, F27B, F27C, F28A				
	08	I02A, I02B, I02C, I02D, I12A, I12B, I12C, I22A, I50Z	08		I02A, I02B, I02C, I02D, I12A, I12B, I12C, I22A, I50Z	08	I02A, I02B, I02C, I02D, I12A, I12B, I12C, I22A, I50Z				
	09	J02A, J02B, J02C, J04A, J04B, J08A, J08B, J08C, J16Z, J21Z, J22A, J22B	09		J02A, J02B, J02C, J04A, J04B, J08A, J08B, J08C, J16Z, J21Z, J22A, J22B	09	J02A, J02B, J02C, J04A, J04B, J08A, J08B, J08C, J16Z, J21Z, J22A, J22B				
	21A	W04A, W04B	21A		W04A, W04B	10	K01Z				
	21B	X01A, X01B	21B		X01A, X01B	21A	W04A, W04B				
	5v225.7↔		BOP, KVT, UOP4		5v225.c		BOP, KVT, UOP4	5v225.i↔			BOP, KVT, UOP4
		01	B03A, B03B, B06A, B06B, B07Z, B17A, B17B, B17C			01	B03A, B03B, B06A, B06B, B07Z, B17A, B17B, B17C			01	B03A, B03B, B06A, B06B, B07Z, B17A, B17B, B17C
		05	F13A, F21A, F21B, F28A			05	F13A, F21A, F21B, F28A			05	F13A, F21A, F21B, F28A
08		I02A, I02B, I02C, I02D, I12A, I12B, I12C, I22A, I50Z	06	G10Z, G12A, G12B		08	I02A, I02B, I02C, I02D, I12A, I12B, I12C, I22A, I32A, I32B, I32C, I32D, I32E, I32F, I50Z				
09		J02A, J02B, J02C, J04A, J04B, J08A, J08B, J08C, J16Z, J21Z, J22A, J22B	08	I02A, I02B, I02C, I02D, I12A, I12B, I12C, I22A, I50Z		09	J02A, J02B, J02C, J04A, J04B, J08A, J08B, J08C, J16Z, J21Z, J22A, J22B				
21A		W04A, W04B	09	J02A, J02B, J02C, J04A, J04B, J08A, J08B, J08C, J16Z, J21Z, J22A, J22B		10	K01Z				
21B		X01A, X01B	21A	W04A, W04B		21A	W04A, W04B				
5v225.8↔			BOP, KVT, UOP4	5v225.d			BOP, KVT, UOP4		5v225.j↔		BOP, KVT, UOP4
		01	B03A, B03B, B06A, B06B, B07Z, B17A, B17B, B17C			01	B03A, B03B, B06A, B06B, B07Z, B17A, B17B, B17C			01	B03A, B03B, B06A, B06B, B07Z, B17A, B17B, B17C
		05	F13A, F21A, F21B, F28A			05	F13A, F21A, F21B, F28A			05	F13A, F21A, F21B, F28A
	08	I02A, I02B, I02C, I02D, I12A, I12B, I12C, I22A, I32A, I32B, I32C, I32D, I32E, I32F, I50Z	06		G10Z, G12A, G12B	08	I02A, I02B, I02C, I02D, I12A, I12B, I12C, I22A, I32A, I32B, I32C, I32D, I32E, I32F, I50Z				
	09	J02A, J02B, J02C, J04A, J04B, J08A, J08B, J08C, J16Z, J21Z, J22A, J22B	08		I02A, I02B, I02C, I02D, I12A, I12B, I12C, I22A, I50Z	09	J02A, J02B, J02C, J04A, J04B, J08A, J08B, J08C, J16Z, J21Z, J22A, J22B				
	21A	W04A, W04B	09		J02A, J02B, J02C, J04A, J04B, J08A, J08B, J08C, J16Z, J21Z, J22A, J22B	10	K01Z				
	21B	X01A, X01B	21A		W04A, W04B	21A	W04A, W04B				
	5v225.9↔		BOP, KVT, UOP4		5v225.e↔		BOP, KVT, UOP4	5v226.0			BOP, KVT, UOP4
		01	B03A, B03B, B06A, B06B, B07Z, B17A, B17B, B17C			01	B03A, B03B, B06A, B06B, B07Z, B17A, B17B, B17C			03	D08A, D08B, D18Z, D22A, D22B, D30A, D30B
		05	F13A, F21A, F21B, F28A			05	F13A, F21A, F21B, F28A			05	F13A, F28A
08		I02A, I02B, I02C, I02D, I12A, I12B, I12C, I22A, I50Z	08	I02A, I02B, I02C, I02D, I12A, I12B, I12C, I22A, I50Z		08	I12A, I12B, I12C				
09		J02A, J02B, J02C, J04A, J04B, J08A, J08B, J08C, J16Z, J21Z, J22A, J22B	09	J02A, J02B, J02C, J04A, J04B, J08A, J08B, J08C, J16Z, J21Z, J22A, J22B		09	J03A, J03B, J04A, J04B, J08A, J08B, J08C, J10A, J10B, J16Z				
21A		W04A, W04B	21A	W04A, W04B		21A	W04A, W04B				
21B		X01A, X01B	21B	X01A, X01B		21B	X01A, X01B, X06A, X06B, X06C				

ZZV	MDC	DRG	ZZV	MDC	DRG	ZZV	MDC	DRG	
5v226.4		BOP, KVT, UOP4	5v226.a		BOP, KVT, UOP4	5v226.f↔		BOP, KVT, UOP4	
	01	B03A, B03B, B06A, B06B, B07Z, B17A, B17B, B17C		01	B03A, B03B, B06A, B06B, B07Z, B17A, B17B, B17C		01	B03A, B03B, B06A, B06B, B07Z, B17A, B17B, B17C	
	02	C20A, C20B		05	F13A, F21A, F21B, F28A		05	F13A, F21A, F21B, F27A, F27B, F27C, F28A	
	03	D12A, D12B		06	G10Z, G12A, G12B		08	I02A, I02B, I02C, I02D, I12A, I12B, I12C, I22A, I50Z	
	05	F13A, F21A, F21B, F28A		08	I02A, I02B, I02C, I02D, I12A, I12B, I12C, I22A, I50Z		08	I02A, I02B, I02C, I02D, I12A, I12B, I12C, I22A, I50Z	
	08	I02A, I02B, I02C, I02D, I12A, I12B, I12C, I22A, I50Z		09	J02A, J02B, J02C, J04A, J04B, J08A, J08B, J08C, J16Z, J21Z, J22A		09	J02A, J02B, J02C, J04A, J04B, J08A, J08B, J08C, J16Z, J21Z, J22A, J22B	
	09	J02A, J02B, J02C, J04A, J04B, J08A, J08B, J08C, J16Z, J21Z, J22A		21A	W04A, W04B		10	K01Z	
	21A	W04A, W04B		21B	X01A, X01B		21A	W04A, W04B	
	21B	X01A, X01B			BOP, KVT, UOP4		21B	X01A, X01B	
	5v226.5			BOP, KVT, UOP4	5v226.b			BOP, KVT, UOP4	5v226.g↔
01		B03A, B03B, B06A, B06B, B07Z, B17A, B17B, B17C	01	B03A, B03B, B06A, B06B, B07Z, B17A, B17B, B17C		01	B03A, B03B, B06A, B06B, B07Z, B17A, B17B, B17C		
03		D12A, D12B	05	F13A, F21A, F21B, F28A		05	F13A, F21A, F21B, F27A, F27B, F27C, F28A		
05		F13A, F21A, F21B, F28A	06	G10Z, G12A, G12B		08	I02A, I02B, I02C, I02D, I12A, I12B, I12C, I22A, I50Z		
06		G10Z, G12A, G12B	08	I02A, I02B, I02C, I02D, I12A, I12B, I12C, I22A, I50Z		08	I02A, I02B, I02C, I02D, I12A, I12B, I12C, I22A, I50Z		
08		I12A, I12B, I12C, I28A, I28B	09	J02A, J02B, J02C, J04A, J04B, J08A, J08B, J08C, J16Z, J21Z, J22A, J22B		09	J02A, J02B, J02C, J04A, J04B, J08A, J08B, J08C, J16Z, J21Z, J22A, J22B		
09		J02A, J02B, J02C, J04A, J04B, J08A, J08B, J08C, J16Z, J21Z, J22A, J22B	21A	W04A, W04B		10	K01Z		
21A		W04A, W04B	21B	X01A, X01B		21A	W04A, W04B		
21B		X01A, X01B		BOP, KVT, UOP4		21B	X01A, X01B		
5v226.6↔			BOP, KVT, UOP4	5v226.c			BOP, KVT, UOP4	5v226.x↔	
	01	B03A, B03B, B06A, B06B, B07Z, B17A, B17B, B17C	01		B03A, B03B, B06A, B06B, B07Z, B17A, B17B, B17C	01	B03A, B03B, B06A, B06B, B07Z, B17A, B17B, B17C		
	05	F13A, F21A, F21B, F28A	05		F13A, F21A, F21B, F28A	05	F13A, F21A, F21B, F28A		
	08	I02A, I02B, I02C, I02D, I12A, I12B, I12C, I22A, I50Z	06		G10Z, G12A, G12B	08	I02A, I02B, I02C, I02D, I12A, I12B, I12C, I22A, I50Z		
	08	I02A, I02B, I02C, I02D, I12A, I12B, I12C, I22A, I50Z	08		I02A, I02B, I02C, I02D, I12A, I12B, I12C, I22A, I50Z	08	I02A, I02B, I02C, I02D, I12A, I12B, I12C, I22A, I32C, I32D, I32E, I32F, I50Z		
	09	J02A, J02B, J02C, J04A, J04B, J08A, J08B, J08C, J16Z, J21Z, J22A, J22B	09		J02A, J02B, J02C, J04A, J04B, J08A, J08B, J08C, J16Z, J21Z, J22A, J22B	09	J02A, J02B, J02C, J04A, J04B, J08A, J08B, J08C, J16Z, J21Z, J22A, J22B		
	21A	W04A, W04B	10		K09A, K09B	09	J02A, J02B, J02C, J04A, J04B, J08A, J08B, J08C, J16Z, J21Z, J22A, J22B		
	21B	X01A, X01B	12		M04A, M04B, M04C, M04D, M37Z, M38Z	21A	W04A, W04B		
		BOP, KVT, UOP4	21A		W04A, W04B	21B	X01A, X01B		
	5v226.7↔		BOP, KVT, UOP4		5v226.d		BOP, KVT, UOP4		5v227.0‡
01		B03A, B03B, B06A, B06B, B07Z, B17A, B17B, B17C	01	B03A, B03B, B06A, B06B, B07Z, B17A, B17B, B17C		5v227.4‡	02	C20A, C20B	
05		F13A, F21A, F21B, F28A	05	F13A, F21A, F21B, F28A		09	J11A, J11B		
08		I02A, I02B, I02C, I02D, I12A, I12B, I12C, I22A, I50Z	06	G10Z, G12A, G12B		5v227.5‡	09	J11A, J11B	
08		I02A, I02B, I02C, I02D, I12A, I12B, I12C, I22A, I50Z	05	F13A, F21A, F21B, F28A		5v227.6‡↔	09	J11A, J11B	
09		J02A, J02B, J02C, J04A, J04B, J08A, J08B, J08C, J16Z, J21Z, J22A, J22B	06	G10Z, G12A, G12B		5v227.7‡↔	09	J11A, J11B	
21A		W04A, W04B	08	I02A, I02B, I02C, I02D, I12A, I12B, I12C, I22A, I50Z		5v227.8‡↔	09	J11A, J11B	
21B		X01A, X01B	09	J02A, J02B, J02C, J04A, J04B, J08A, J08B, J08C, J16Z, J21Z, J22A, J22B		5v227.9↔	08	I32A, I32B, I32C, I32D	
		BOP, KVT, UOP4	21A	W04A, W04B		09	J11A, J11B		
5v226.8↔			BOP, KVT, UOP4	5v226.e↔			BOP, KVT, UOP4	5v227.a‡	
	01	B03A, B03B, B06A, B06B, B07Z, B17A, B17B, B17C	01		B03A, B03B, B06A, B06B, B07Z, B17A, B17B, B17C	5v227.b‡	09		J11A, J11B
	05	F13A, F21A, F21B, F28A	05		F13A, F21A, F21B, F27A, F27B, F27C, F28A	5v227.c‡	09		J11A, J11B
	08	I02A, I02B, I02C, I02D, I12A, I12B, I12C, I22A, I32B, I32C, I32D, I32E, I32F, I50Z	08		I02A, I02B, I02C, I02D, I12A, I12B, I12C, I22A, I50Z	5v227.d‡	09		J11A, J11B
	08	I02A, I02B, I02C, I02D, I12A, I12B, I12C, I22A, I32B, I32C, I32D, I32E, I32F, I50Z	05		F13A, F21A, F21B, F27A, F27B, F27C, F28A	5v227.e‡↔	09		J11A, J11B
	09	J02A, J02B, J02C, J04A, J04B, J08A, J08B, J08C, J16Z, J21Z, J22A, J22B	08		I02A, I02B, I02C, I02D, I12A, I12B, I12C, I22A, I50Z	5v227.f‡↔	09		J11A, J11B
	21A	W04A, W04B	09		J02A, J02B, J02C, J04A, J04B, J08A, J08B, J08C, J16Z, J21Z, J22A, J22B	5v227.g‡↔	09		J11A, J11B
	21B	X01A, X01B	10		K01Z	5v227.x‡	09		J11A, J11B
		BOP, KVT, UOP4	21A		W04A, W04B	5v228.0‡	09		J11A, J11B
	5v226.9↔		BOP, KVT, UOP4		5v226.e↔		BOP, KVT, UOP4		5v228.4‡
01		B03A, B03B, B06A, B06B, B07Z, B17A, B17B, B17C	01	B03A, B03B, B06A, B06B, B07Z, B17A, B17B, B17C		5v228.5‡	09	J11A, J11B	
05		F13A, F21A, F21B, F28A	05	F13A, F21A, F21B, F27A, F27B, F27C, F28A		5v228.6‡↔	09	J11A, J11B	
08		I12A, I12B, I12C, I32A, I32B, I32C, I32D, I32E, I32F	08	I02A, I02B, I02C, I02D, I12A, I12B, I12C, I22A, I50Z		5v228.7‡↔	09	J11A, J11B	
08		I12A, I12B, I12C, I32A, I32B, I32C, I32D, I32E, I32F	09	J02A, J02B, J02C, J04A, J04B, J08A, J08B, J08C, J16Z, J21Z, J22A, J22B		5v228.8‡↔	09	J11A, J11B	
09		J03A, J03B, J04A, J04B, J08A, J08B, J08C, J16Z, J21Z, J22A, J22B	10	K01Z		5v228.9‡↔	09	J11A, J11B	
21A		W04A, W04B	21A	W04A, W04B		5v228.a‡	09	J11A, J11B	
21B		X01A, X01B	21B	X01A, X01B		5v228.b‡	09	J11A, J11B	
		BOP, KVT, UOP4		BOP, KVT, UOP4		5v228.c‡	09	J11A, J11B	
		BOP, KVT, UOP4		BOP, KVT, UOP4		5v228.d‡	09	J11A, J11B	

ZZV	MDC	DRG	ZZV	MDC	DRG	ZZV	MDC	DRG
5v228.g†↔	09	J11A, J11B	5v22a.7↔		BOP, KVT, UOP4	5v22a.d		BOP, KVT, UOP4
5v228.x†	09	J11A, J11B	01		B03A, B03B, B06A, B06B, B07Z, B17A, B17B, B17C	01		B03A, B03B, B06A, B06B, B07Z, B17A, B17B, B17C
5v229.0†	09	J11A, J11B	05		F13A, F21A, F21B, F21C	05		F13A, F21A, F21B, F21C
5v229.4†	02	C20A, C20B	08		I02A, I02B, I02C, I02D, I22A, I22B, I50Z	06		G10Z, G12A, G12B
5v229.5†	09	J11A, J11B	09		J02A, J02B, J02C, J04A, J04B, J08A, J08B, J08C, J16Z, J21Z, J22A, J22B	08		I02A, I02B, I02C, I02D, I22A, I22B, I50Z
5v229.6†↔	09	J11A, J11B	21A		W04A, W04B	09		J02A, J02B, J02C, J04A, J04B, J08A, J08B, J08C, J16Z, J21Z, J22A, J22B
5v229.7†↔	09	J11A, J11B	21B		X01A, X01B, X01C	21A		W04A, W04B
5v229.8†↔	09	J11A, J11B	5v22a.8↔		BOP, KVT, UOP4	21B		X01A, X01B, X01C
5v229.9†↔	09	J11A, J11B	01		B03A, B03B, B06A, B06B, B07Z, B17A, B17B, B17C	5v22a.e↔		BOP, KVT, UOP4
5v229.a†	09	J11A, J11B	05		F13A, F21A, F21B, F21C	01		B03A, B03B, B06A, B06B, B07Z, B17A, B17B, B17C
5v229.b†	09	J11A, J11B	08		I02A, I02B, I02C, I02D, I22A, I22B, I32A, I32B, I32C, I32D, I32E, I32F, I50Z	05		F13A, F21A, F21B, F21C
5v229.c†	09	J11A, J11B	09		J02A, J02B, J02C, J04A, J04B, J08A, J08B, J08C, J16Z, J21Z, J22A, J22B	08		I02A, I02B, I02C, I02D, I22A, I22B, I50Z
5v229.d†	09	J11A, J11B	21A		W04A, W04B	09		J02A, J02B, J02C, J04A, J04B, J08A, J08B, J08C, J16Z, J21Z, J22A, J22B
5v229.e†↔	09	J11A, J11B	21B		X01A, X01B, X01C	21A		W04A, W04B
5v229.f†↔	09	J11A, J11B	5v22a.9↔		BOP, KVT, UOP4	21B		X01A, X01B, X01C
5v229.g†↔	09	J11A, J11B	01		B03A, B03B, B06A, B06B, B07Z, B17A, B17B, B17C	5v22a.f↔		BOP, KVT, UOP4
5v229.x†	09	J11A, J11B	05		F13A, F21A, F21B, F21C	01		B03A, B03B, B06A, B06B, B07Z, B17A, B17B, B17C
5v22a.0		BOP, KVT, UOP4	08		I02A, I02B, I02C, I02D, I22A, I22B, I50Z	05		F13A, F21A, F21B, F21C
	01	B03A, B03B, B06A, B06B, B07Z, B17A, B17B, B17C	09		J02A, J02B, J02C, J04A, J04B, J08A, J08B, J08C, J16Z, J21Z, J22A, J22B	08		I02A, I02B, I02C, I02D, I22A, I22B, I50Z
	03	D12A	21A		W04A, W04B	09		J02A, J02B, J02C, J04A, J04B, J08A, J08B, J08C, J16Z, J21Z, J22A, J22B
	05	F13A, F21A, F21B, F21C	21B		X01A, X01B, X01C	21A		W04A, W04B
	09	J02A, J02B, J02C, J04A, J04B, J08A, J08B, J08C, J16Z, J21Z, J22A, J22B	5v22a.a		BOP, KVT, UOP4	21B		X01A, X01B, X01C
5v22a.4		W04A, W04B	01		B03A, B03B, B06A, B06B, B07Z, B17A, B17B, B17C	5v22a.g↔		BOP, KVT, UOP4
	21B	X01A, X01B, X01C	05		F13A, F21A, F21B, F21C	01		B03A, B03B, B06A, B06B, B07Z, B17A, B17B, B17C
	01	B03A, B03B, B06A, B06B, B07Z, B17A, B17B, B17C	06		G10Z, G12A, G12B	05		F13A, F21A, F21B, F21C
	02	C20A, C20B	08		I02A, I02B, I02C, I02D, I22A, I22B, I50Z	08		I02A, I02B, I02C, I02D, I12A, I12B, I12C, I22A, I22B, I50Z
	03	D12A	09		J02A, J02B, J02C, J04A, J04B, J08A, J08B, J08C, J16Z, J21Z, J22A, J22B	09		J02A, J02B, J02C, J04A, J04B, J08A, J08B, J08C, J16Z, J21Z, J22A, J22B
	05	F13A, F21A, F21B, F21C	21A		W04A, W04B	21A		W04A, W04B
	08	I02A, I02B, I02C, I02D, I22A, I22B, I50Z	21B		X01A, X01B, X01C	21B		X01A, X01B, X01C
	09	J02A, J02B, J02C, J04A, J04B, J08A, J08B, J08C, J16Z, J21Z, J22A, J22B	5v22a.b		BOP, KVT, UOP4	5v22a.h↔		BOP, KVT, UOP4
5v22a.5		BOP, KVT, UOP4	01		B03A, B03B, B06A, B06B, B07Z, B17A, B17B, B17C	01		B03A, B03B, B06A, B06B, B07Z, B17A, B17B, B17C
	01	B03A, B03B, B06A, B06B, B07Z, B17A, B17B, B17C	05		F13A, F21A, F21B, F21C	05		F13A, F21A, F21B, F21C
	03	D12A	06		G10Z, G12A, G12B	08		I02A, I02B, I02C, I02D, I22A, I22B, I32A, I32B, I32C, I32D, I32E, I32F, I50Z
	05	F13A, F21A, F21B, F21C	08		I02A, I02B, I02C, I02D, I22A, I22B, I50Z	09		J02A, J02B, J02C, J04A, J04B, J08A, J08B, J08C, J16Z, J21Z, J22A, J22B
	08	I02A, I02B, I02C, I02D, I22A, I22B, I50Z	09		J02A, J02B, J02C, J04A, J04B, J08A, J08B, J08C, J16Z, J21Z, J22A, J22B	21A		W04A, W04B
	09	J02A, J02B, J02C, J04A, J04B, J08A, J08B, J08C, J16Z, J21Z, J22A, J22B	21A		W04A, W04B	21B		X01A, X01B, X01C
	21A	W04A, W04B	21B		X01A, X01B, X01C	5v22a.i↔		BOP, KVT, UOP4
5v22a.6↔		BOP, KVT, UOP4	5v22a.c		BOP, KVT, UOP4	01		B03A, B03B, B06A, B06B, B07Z, B17A, B17B, B17C
	01	B03A, B03B, B06A, B06B, B07Z, B17A, B17B, B17C	01		B03A, B03B, B06A, B06B, B07Z, B17A, B17B, B17C	05		F13A, F21A, F21B, F21C
	05	F13A, F21A, F21B, F21C	05		F13A, F21A, F21B, F21C	08		I02A, I02B, I02C, I02D, I22A, I22B, I50Z
	08	I02A, I02B, I02C, I02D, I22A, I22B, I50Z	06		G10Z, G12A, G12B	09		J02A, J02B, J02C, J04A, J04B, J08A, J08B, J08C, J16Z, J21Z, J22A, J22B
	09	J02A, J02B, J02C, J04A, J04B, J08A, J08B, J08C, J16Z, J21Z, J22A, J22B	08		I02A, I02B, I02C, I02D, I22A, I22B, I50Z	21A		W04A, W04B
	21A	W04A, W04B	09		J02A, J02B, J02C, J04A, J04B, J08A, J08B, J08C, J16Z, J21Z, J22A, J22B	21B		X01A, X01B, X01C
	21B	X01A, X01B, X01C	21A		W04A, W04B	5v22b.0		BOP, KVT, UOP4
	01	B03A, B03B, B06A, B06B, B07Z, B17A, B17B, B17C	21B		X01A, X01B, X01C	01		B03A, B03B, B06A, B06B, B07Z, B17A, B17B, B17C
	05	F13A, F21A, F21B, F21C	01		B03A, B03B, B06A, B06B, B07Z, B17A, B17B, B17C	03		D12A
	08	I02A, I02B, I02C, I02D, I22A, I22B, I50Z	05		F13A, F21A, F21B, F21C	05		F13A, F21A, F21B
	09	J02A, J02B, J02C, J04A, J04B, J08A, J08B, J08C, J16Z, J21Z, J22A, J22B	06		G10Z, G12A, G12B	08		I12A, I12B, I12C
	21A	W04A, W04B	08		I02A, I02B, I02C, I02D, I22A, I22B, I50Z	09		J02A, J02B, J02C, J04A, J04B, J08A, J08B, J08C, J16Z, J21Z, J22A, J22B
	21B	X01A, X01B, X01C	09		J02A, J02B, J02C, J04A, J04B, J08A, J08B, J08C, J16Z, J21Z, J22A, J22B	21A		W04A, W04B
	01	B03A, B03B, B06A, B06B, B07Z, B17A, B17B, B17C	21A		W04A, W04B	21B		X01A, X01B, X01C
	03	D12A	21B		X01A, X01B, X01C			
	05	F13A, F21A, F21B, F21C						
	08	I02A, I02B, I02C, I02D, I22A, I22B, I50Z						
	09	J02A, J02B, J02C, J04A, J04B, J08A, J08B, J08C, J16Z, J21Z, J22A, J22B						
	21A	W04A, W04B						
	21B	X01A, X01B, X01C						



ZZV	MDC	DRG	ZZV	MDC	DRG	ZZV	MDC	DRG			
5v22b.4		BOP, KVT, UOP4	5v22b.a		BOP, KVT, UOP4	5v22b.g↔		BOP, KVT, UOP4			
	01	B03A, B03B, B06A, B06B, B07Z, B17A, B17B, B17C		01	B03A, B03B, B06A, B06B, B07Z, B17A, B17B, B17C		01	B03A, B03B, B06A, B06B, B07Z, B17A, B17B, B17C			
	02	C20A, C20B		05	F13A, F21A, F21B		05	F13A, F21A, F21B			
	03	D12A		06	G10Z, G12A, G12B		08	I02A, I02B, I02C, I02D, I12A, I12B, I12C, I22A, I22B, I50Z			
	05	F13A, F21A, F21B		08	I02A, I02B, I02C, I02D, I12A, I12B, I12C, I22A, I22B, I50Z		09	J02A, J02B, J02C, J04A, J04B, J08A, J08B, J08C, J16Z, J21Z, J22A, J22B			
	08	I02A, I02B, I02C, I02D, I12A, I12B, I12C, I22A, I22B, I50Z		09	J02A, J02B, J02C, J04A, J04B, J08A, J08B, J08C, J16Z, J21Z, J22A, J22B		21A	W04A, W04B			
	09	J02A, J02B, J02C, J04A, J04B, J08A, J08B, J08C, J16Z, J21Z, J22A, J22B		21A	W04A, W04B		21B	X01A, X01B, X01C			
	21A	W04A, W04B		21B	X01A, X01B, X01C						
	21B	X01A, X01B, X01C									
	5v22b.5			BOP, KVT, UOP4	5v22b.b			BOP, KVT, UOP4	5v22b.x↔		BOP, KVT, UOP4
01		B03A, B03B, B06A, B06B, B07Z, B17A, B17B, B17C	01	B03A, B03B, B06A, B06B, B07Z, B17A, B17B, B17C		01	B03A, B03B, B06A, B06B, B07Z, B17A, B17B, B17C				
03		D12A	05	F13A, F21A, F21B		05	F13A, F21A, F21B				
05		F13A, F21A, F21B	06	G10Z, G12A, G12B		08	I02A, I02B, I02C, I02D, I12A, I12B, I12C, I22A, I22B, I50Z				
08		I02A, I02B, I02C, I02D, I12A, I12B, I12C, I22A, I22B, I50Z	08	I02A, I02B, I02C, I02D, I12A, I12B, I12C, I22A, I22B, I50Z		09	J02A, J02B, J02C, J04A, J04B, J08A, J08B, J08C, J16Z, J21Z, J22A, J22B				
09		J02A, J02B, J02C, J04A, J04B, J08A, J08B, J08C, J16Z, J21Z, J22A, J22B	09	J02A, J02B, J02C, J04A, J04B, J08A, J08B, J08C, J16Z, J21Z, J22A, J22B		21A	W04A, W04B				
21A		W04A, W04B	21A	W04A, W04B		21B	X01A, X01B, X01C				
21B		X01A, X01B, X01C	21B	X01A, X01B, X01C							
5v22b.6↔			BOP, KVT, UOP4	5v22b.c			BOP, KVT, UOP4	5v22c.0‡			BOP, KVT, UOP4
		01	B03A, B03B, B06A, B06B, B07Z, B17A, B17B, B17C			01	B03A, B03B, B06A, B06B, B07Z, B17A, B17B, B17C			5v22c.4‡	C20A, C20B
	05	F13A, F21A, F21B	05		F13A, F21A, F21B	09	J11A, J11B				
	08	I02A, I02B, I02C, I02D, I12A, I12B, I12C, I22A, I22B, I50Z	06		G10Z, G12A, G12B	5v22c.5‡	J11A, J11B				
	09	J02A, J02B, J02C, J04A, J04B, J08A, J08B, J08C, J16Z, J21Z, J22A, J22B	08		I02A, I02B, I02C, I02D, I12A, I12B, I12C, I22A, I22B, I50Z	5v22c.6‡↔	J11A, J11B				
	21A	W04A, W04B	09		J02A, J02B, J02C, J04A, J04B, J08A, J08B, J08C, J16Z, J21Z, J22A, J22B	5v22c.7‡↔	J11A, J11B				
	21B	X01A, X01B, X01C	21A		W04A, W04B	5v22c.8‡↔	J11A, J11B				
	5v22b.7↔		BOP, KVT, UOP4		5v22b.d		BOP, KVT, UOP4		5v22c.9‡↔	J11A, J11B	
		01	B03A, B03B, B06A, B06B, B07Z, B17A, B17B, B17C			01	B03A, B03B, B06A, B06B, B07Z, B17A, B17B, B17C		5v22c.a‡	J11A, J11B	
		05	F13A, F21A, F21B			05	F13A, F21A, F21B		5v22c.b‡	J11A, J11B	
08		I02A, I02B, I02C, I02D, I12A, I12B, I12C, I22A, I22B, I50Z	06	G10Z, G12A, G12B		5v22c.c‡	J11A, J11B				
09		J02A, J02B, J02C, J04A, J04B, J08A, J08B, J08C, J16Z, J21Z, J22A, J22B	08	I02A, I02B, I02C, I02D, I12A, I12B, I12C, I22A, I22B, I50Z		5v22c.d‡	J11A, J11B				
21A		W04A, W04B	09	J02A, J02B, J02C, J04A, J04B, J08A, J08B, J08C, J16Z, J21Z, J22A, J22B		5v22c.e‡↔	J11A, J11B				
21B		X01A, X01B, X01C	21A	W04A, W04B		5v22c.f‡↔	J11A, J11B				
5v22b.8↔			BOP, KVT, UOP4	5v22b.e↔			BOP, KVT, UOP4	5v22c.g‡↔	J11A, J11B		
		01	B03A, B03B, B06A, B06B, B07Z, B17A, B17B, B17C			01	B03A, B03B, B06A, B06B, B07Z, B17A, B17B, B17C	5v22c.x‡	J11A, J11B		
		05	F13A, F21A, F21B			05	F13A, F21A, F21B	5v22d.0‡	J11A, J11B		
	08	I02A, I02B, I02C, I02D, I12A, I12B, I12C, I22A, I22B, I50Z	06		G10Z, G12A, G12B	5v22d.4‡	C20A, C20B				
	09	J02A, J02B, J02C, J04A, J04B, J08A, J08B, J08C, J16Z, J21Z, J22A, J22B	08		I02A, I02B, I02C, I02D, I12A, I12B, I12C, I22A, I22B, I50Z	09	J11A, J11B				
	21A	W04A, W04B	09		J02A, J02B, J02C, J04A, J04B, J08A, J08B, J08C, J16Z, J21Z, J22A, J22B	5v22d.5‡	J11A, J11B				
	21B	X01A, X01B, X01C	21A		W04A, W04B	5v22d.6‡↔	J11A, J11B				
	5v22b.9↔		BOP, KVT, UOP4		5v22b.f↔		BOP, KVT, UOP4	5v22d.7‡↔	J11A, J11B		
		01	B03A, B03B, B06A, B06B, B07Z, B17A, B17B, B17C			01	B03A, B03B, B06A, B06B, B07Z, B17A, B17B, B17C	5v22d.8‡↔	J11A, J11B		
		05	F13A, F21A, F21B			05	F13A, F21A, F21B	5v22d.9‡↔	J11A, J11B		
08		I12A, I12B, I12C, I32A, I32B, I32C, I32D, I32E, I32F	06	G10Z, G12A, G12B		5v22d.a‡	J11A, J11B				
09		J02A, J02B, J02C, J04A, J04B, J08A, J08B, J08C, J16Z, J21Z, J22A, J22B	08	I02A, I02B, I02C, I02D, I12A, I12B, I12C, I22A, I22B, I50Z		5v22d.b‡	J11A, J11B				
21A		W04A, W04B	09	J02A, J02B, J02C, J04A, J04B, J08A, J08B, J08C, J16Z, J21Z, J22A, J22B		5v22d.c‡	J11A, J11B				
21B		X01A, X01B, X01C	21A	W04A, W04B		5v22d.d‡	J11A, J11B				
5v22b.9↔			BOP, KVT, UOP4	5v22b.f↔			BOP, KVT, UOP4	5v22d.e‡↔	J11A, J11B		
		01	B03A, B03B, B06A, B06B, B07Z, B17A, B17B, B17C			01	B03A, B03B, B06A, B06B, B07Z, B17A, B17B, B17C	5v22d.f‡↔	J11A, J11B		
		05	F13A, F21A, F21B			05	F13A, F21A, F21B	5v22d.g‡↔	J11A, J11B		
	08	I12A, I12B, I12C, I32A, I32B, I32C, I32D, I32E, I32F	08		I02A, I02B, I02C, I02D, I12A, I12B, I12C, I22A, I22B, I50Z	5v22d.x‡	J11A, J11B				
	09	J02A, J02B, J02C, J04A, J04B, J08A, J08B, J08C, J16Z, J21Z, J22A, J22B	09		J02A, J02B, J02C, J04A, J04B, J08A, J08B, J08C, J16Z, J21Z, J22A, J22B	5v22e‡	J11A, J11B				
	21A	W04A, W04B	21A		W04A, W04B	5v22x.x‡	J11A, J11B				
	21B	X01A, X01B, X01C	21B		X01A, X01B, X01C	5v230.0	BOP, KVT, UOP4				
	5v22b.9↔		BOP, KVT, UOP4		5v22b.f↔		BOP, KVT, UOP4	03	D18Z, D28Z, D29Z		
		01	B03A, B03B, B06A, B06B, B07Z, B17A, B17B, B17C			01	B03A, B03B, B06A, B06B, B07Z, B17A, B17B, B17C	05	F13A		
		05	F13A, F21A, F21B			05	F13A, F21A, F21B	09	J03A, J03B, J04A, J04B, J08A, J08B, J08C, J11A, J11B, J11C, J16Z		
08		I12A, I12B, I12C, I32A, I32B, I32C, I32D, I32E, I32F	08	I02A, I02B, I02C, I02D, I12A, I12B, I12C, I22A, I22B, I50Z		21A	W04A, W04B				
09		J02A, J02B, J02C, J04A, J04B, J08A, J08B, J08C, J16Z, J21Z, J22A, J22B	09	J02A, J02B, J02C, J04A, J04B, J08A, J08B, J08C, J16Z, J21Z, J22A, J22B		21B	X06A, X06B, X06C				
21A		W04A, W04B	21A	W04A, W04B							
21B		X01A, X01B, X01C	21B	X01A, X01B, X01C							

VYK



ZZV	MDC	DRG	ZZV	MDC	DRG	ZZV	MDC	DRG
5v231.4		BOP, KVT, UOP4	5v231.9↔		BOP, KVT, UOP4	5v231.e↔		BOP, KVT, UOP4
	01	B03A, B03B, B06A, B06B, B07Z, B17A, B17B, B17C		01	B03A, B03B, B06A, B06B, B07Z, B17A, B17B, B17C		01	B03A, B03B, B06A, B06B, B07Z, B17A, B17B, B17C
	02	C20A, C20B		05	F13A, F21A, F21B		05	F13A, F21A, F21B, F27A, F27B, F27C
	03	D12A, D12B		08	I12A, I12B, I12C, I32A, I32B, I32C, I32D, I32E, I32F		08	I02A, I02B, I02C, I02D, I22A, I22B, I50Z
	05	F13A, F21A, F21B		09	J03A, J03B, J04A, J04B, J08A, J08B, J08C, J16Z, J21Z, J22A, J22B		09	J02A, J02B, J02C, J04A, J04B, J08A, J08B, J08C, J16Z, J21Z, J22A, J22B
	08	I02A, I02B, I02C, I02D, I22A, I22B, I50Z		21A	W04A, W04B		10	K01Z
	09	J02A, J02B, J02C, J04A, J04B, J08A, J08B, J08C, J16Z, J21Z, J22A, J22B		21B	X01A, X01B, X01C		21A	W04A, W04B
	21A	W04A, W04B			BOP, KVT, UOP4		21B	X01A, X01B, X01C
	21B	X01A, X01B, X01C		01	B03A, B03B, B06A, B06B, B07Z, B17A, B17B, B17C			BOP, KVT, UOP4
	5v231.5			BOP, KVT, UOP4	5v231.a			BOP, KVT, UOP4
01		B03A, B03B, B06A, B06B, B07Z, B17A, B17B, B17C	01	B03A, B03B, B06A, B06B, B07Z, B17A, B17B, B17C		01	B03A, B03B, B06A, B06B, B07Z, B17A, B17B, B17C	
03		D12A, D12B	05	F13A, F21A, F21B		05	F13A, F21A, F21B, F27A, F27B, F27C	
05		F13A, F21A, F21B, F27A, F27B, F27C	06	G10Z, G12A, G12B		08	I02A, I02B, I02C, I02D, I22A, I22B, I50Z	
06		G10Z, G12A, G12B	08	I02A, I02B, I02C, I02D, I22A, I22B, I50Z		08	I02A, I02B, I02C, I02D, I22A, I22B, I50Z	
08		I28A, I28B	09	J02A, J02B, J02C, J04A, J04B, J08A, J08B, J08C, J16Z, J21Z, J22A, J22B		08	I02A, I02B, I02C, I02D, I22A, I22B, I50Z	
09		J02A, J02B, J02C, J04A, J04B, J08A, J08B, J08C, J16Z, J21Z, J22A, J22B	21A	W04A, W04B		09	J02A, J02B, J02C, J04A, J04B, J08A, J08B, J08C, J16Z, J21Z, J22A, J22B	
10		K01Z	21B	X01A, X01B, X01C		10	K01Z	
21A		W04A, W04B		BOP, KVT, UOP4		21A	W04A, W04B	
21B		X01A, X01B, X01C	01	B03A, B03B, B06A, B06B, B07Z, B17A, B17B, B17C		21B	X01A, X01B, X01C	
5v231.6↔		BOP, KVT, UOP4	5v231.b		BOP, KVT, UOP4	5v231.g↔		BOP, KVT, UOP4
	01	B03A, B03B, B06A, B06B, B07Z, B17A, B17B, B17C		01	B03A, B03B, B06A, B06B, B07Z, B17A, B17B, B17C		01	B03A, B03B, B06A, B06B, B07Z, B17A, B17B, B17C
	05	F13A, F21A, F21B		05	F13A, F21A, F21B		05	F13A, F21A, F21B, F27A, F27B, F27C
	08	I02A, I02B, I02C, I02D, I22A, I22B, I50Z		06	G10Z, G12A, G12B		08	I02A, I02B, I02C, I02D, I22A, I22B, I32A, I32B, I32C, I32D, I32E, I32F, I50Z
	09	J02A, J02B, J02C, J04A, J04B, J08A, J08B, J08C, J16Z, J21Z, J22A, J22B		08	I02A, I02B, I02C, I02D, I22A, I22B, I32A, I32B, I32C, I32D, I32E, I32F, I50Z		08	I02A, I02B, I02C, I02D, I12A, I12B, I12C, I22A, I22B, I50Z
	21A	W04A, W04B		09	J02A, J02B, J02C, J04A, J04B, J08A, J08B, J08C, J16Z, J21Z, J22A, J22B		09	J02A, J02B, J02C, J04A, J04B, J08A, J08B, J08C, J16Z, J21Z, J22A, J22B
	21B	X01A, X01B, X01C		21A	W04A, W04B		10	K01Z
		BOP, KVT, UOP4		21B	X01A, X01B, X01C		21A	W04A, W04B
	01	B03A, B03B, B06A, B06B, B07Z, B17A, B17B, B17C			BOP, KVT, UOP4		21B	X01A, X01B, X01C
	05	F13A, F21A, F21B		01	B03A, B03B, B06A, B06B, B07Z, B17A, B17B, B17C			BOP, KVT, UOP4
5v231.7↔		BOP, KVT, UOP4	5v231.c		BOP, KVT, UOP4	5v231.x↔		BOP, KVT, UOP4
	01	B03A, B03B, B06A, B06B, B07Z, B17A, B17B, B17C		01	B03A, B03B, B06A, B06B, B07Z, B17A, B17B, B17C		01	B03A, B03B, B06A, B06B, B07Z, B17A, B17B, B17C
	05	F13A, F21A, F21B		05	F13A, F21A, F21B		05	F13A, F21A, F21B
	08	I02A, I02B, I02C, I02D, I22A, I22B, I50Z		06	G10Z, G12A, G12B		08	I02A, I02B, I02C, I02D, I22A, I22B, I50Z
	09	J02A, J02B, J02C, J04A, J04B, J08A, J08B, J08C, J16Z, J21Z, J22A, J22B		08	I02A, I02B, I02C, I02D, I22A, I22B, I50Z		08	I02A, I02B, I02C, I02D, I22A, I22B, I32A, I32B, I32C, I32D, I32E, I32F, I50Z
	21A	W04A, W04B		09	J02A, J02B, J02C, J04A, J04B, J08A, J08B, J08C, J16Z, J21Z, J22A, J22B		09	J02A, J02B, J02C, J04A, J04B, J08A, J08B, J08C, J16Z, J21Z, J22A, J22B
	21B	X01A, X01B, X01C		10	K09A, K09B		10	K01Z
		BOP, KVT, UOP4		12	M04A, M04B, M04C, M04D, M37Z, M38Z		21A	W04A, W04B
	01	B03A, B03B, B06A, B06B, B07Z, B17A, B17B, B17C		21A	W04A, W04B		21B	X01A, X01B, X01C
	05	F13A, F21A, F21B		21B	X01A, X01B, X01C			BOP, KVT, UOP4
5v231.8↔		BOP, KVT, UOP4	5v231.d		BOP, KVT, UOP4	5v232.0		BOP, KVT, UOP4
	01	B03A, B03B, B06A, B06B, B07Z, B17A, B17B, B17C		01	B03A, B03B, B06A, B06B, B07Z, B17A, B17B, B17C		03	D18Z, D28Z, D29Z
	05	F13A, F21A, F21B		05	F13A, F21A, F21B		05	F13A
	08	I02A, I02B, I02C, I02D, I22A, I22B, I32A, I32B, I32C, I32D, I32E, I32F, I50Z		05	F13A, F21A, F21B		09	J03A, J03B, J04A, J04B, J08A, J08B, J08C, J11A, J11B, J16Z
	09	J02A, J02B, J02C, J04A, J04B, J08A, J08B, J08C, J16Z, J21Z, J22A, J22B		06	G10Z, G12A, G12B			
	21A	W04A, W04B		08	I02A, I02B, I02C, I02D, I22A, I22B, I50Z		21A	W04A, W04B
	21B	X01A, X01B, X01C		08	I02A, I02B, I02C, I02D, I22A, I22B, I50Z		21B	X06A, X06B, X06C
		BOP, KVT, UOP4		09	J02A, J02B, J02C, J04A, J04B, J08A, J08B, J08C, J16Z, J21Z, J22A, J22B			
	01	B03A, B03B, B06A, B06B, B07Z, B17A, B17B, B17C		09	J02A, J02B, J02C, J04A, J04B, J08A, J08B, J08C, J16Z, J21Z, J22A, J22B			
	05	F13A, F21A, F21B		21A	W04A, W04B			
08	I02A, I02B, I02C, I02D, I22A, I22B, I32A, I32B, I32C, I32D, I32E, I32F, I50Z	21B	X01A, X01B, X01C					

VYK



ZZV	MDC	DRG	ZZV	MDC	DRG	ZZV	MDC	DRG			
5v233.4		BOP, KVT, UOP4	5v233.a		BOP, KVT, UOP4	5v233.f↔		BOP, KVT, UOP4			
	01	B03A, B03B, B06A, B06B, B07Z, B17A, B17B, B17C		01	B03A, B03B, B06A, B06B, B07Z, B17A, B17B, B17C		01	B03A, B03B, B06A, B06B, B07Z, B17A, B17B, B17C			
	02	C20A, C20B		05	F13A, F21A, F21B, F21C		05	F13A, F21A, F21B, F21C, F27A, F27B, F27C			
	03	D12A, D12B		06	G10Z, G12A, G12B		08	I02A, I02B, I02C, I02D, I22A, I22B, I50Z			
	05	F13A, F21A, F21B, F21C		08	I02A, I02B, I02C, I02D, I22A, I22B, I50Z		09	J02A, J02B, J02C, J04A, J04B, J08A, J08B, J08C, J16Z, J21Z, J22A, J22B			
	08	I02A, I02B, I02C, I02D, I22A, I22B, I50Z		09	J02A, J02B, J02C, J04A, J04B, J08A, J08B, J08C, J16Z, J21Z, J22A, J22B		10	K01Z			
	09	J02A, J02B, J02C, J04A, J04B, J08A, J08B, J08C, J16Z, J21Z, J22A, J22B		21A	W04A, W04B		21A	W04A, W04B			
	21A	W04A, W04B		21B	X01A, X01B, X01C		21A	W04A, W04B			
	21B	X01A, X01B, X01C			BOP, KVT, UOP4		21B	X01A, X01B, X01C			
	5v233.5			BOP, KVT, UOP4	5v233.b			BOP, KVT, UOP4	5v233.g↔		BOP, KVT, UOP4
		01		B03A, B03B, B06A, B06B, B07Z, B17A, B17B, B17C			01	B03A, B03B, B06A, B06B, B07Z, B17A, B17B, B17C		01	B03A, B03B, B06A, B06B, B07Z, B17A, B17B, B17C
03		D12A, D12B	05	F13A, F21A, F21B, F21C		05	F13A, F21A, F21B, F21C, F27A, F27B, F27C				
05		F13A, F21A, F21B, F21C	06	G10Z, G12A, G12B		08	I02A, I02B, I02C, I02D, I22A, I22B, I50Z				
08		I02A, I02B, I02C, I02D, I22A, I22B, I50Z	08	I02A, I02B, I02C, I02D, I22A, I22B, I50Z		09	J02A, J02B, J02C, J04A, J04B, J08A, J08B, J08C, J16Z, J21Z, J22A, J22B				
09		J02A, J02B, J02C, J04A, J04B, J08A, J08B, J08C, J16Z, J21Z, J22A, J22B	09	J02A, J02B, J02C, J04A, J04B, J08A, J08B, J08C, J16Z, J21Z, J22A, J22B		10	K01Z				
21A		W04A, W04B	21A	W04A, W04B		21A	W04A, W04B				
21B		X01A, X01B, X01C	21B	X01A, X01B, X01C		21B	X01A, X01B, X01C				
5v233.6↔			BOP, KVT, UOP4	5v233.c			BOP, KVT, UOP4	5v233.x↔			BOP, KVT, UOP4
		01	B03A, B03B, B06A, B06B, B07Z, B17A, B17B, B17C			01	B03A, B03B, B06A, B06B, B07Z, B17A, B17B, B17C			01	B03A, B03B, B06A, B06B, B07Z, B17A, B17B, B17C
		05	F13A, F21A, F21B, F21C			05	F13A, F21A, F21B, F21C			05	F13A, F21A, F21B, F21C
	08	I02A, I02B, I02C, I02D, I22A, I22B, I50Z	06		G10Z, G12A, G12B	08	I02A, I02B, I02C, I02D, I22A, I22B, I50Z				
	09	J02A, J02B, J02C, J04A, J04B, J08A, J08B, J08C, J16Z, J21Z, J22A, J22B	08		I02A, I02B, I02C, I02D, I22A, I22B, I50Z	09	J02A, J02B, J02C, J04A, J04B, J08A, J08B, J08C, J16Z, J21Z, J22A, J22B				
	21A	W04A, W04B	09		J02A, J02B, J02C, J04A, J04B, J08A, J08B, J08C, J16Z, J21Z, J22A, J22B	09	J02A, J02B, J02C, J04A, J04B, J08A, J08B, J08C, J16Z, J21Z, J22A, J22B				
	21B	X01A, X01B, X01C	21A		W04A, W04B	21A	W04A, W04B				
	5v233.7↔		BOP, KVT, UOP4		5v233.d		BOP, KVT, UOP4		5v234.0		BOP, KVT, UOP4
		01	B03A, B03B, B06A, B06B, B07Z, B17A, B17B, B17C			01	B03A, B03B, B06A, B06B, B07Z, B17A, B17B, B17C			03	D18Z, D28Z, D29Z
		05	F13A, F21A, F21B, F21C			05	F13A, F21A, F21B, F21C			05	F13A
		08	I02A, I02B, I02C, I02D, I22A, I22B, I50Z			06	G10Z, G12A, G12B			09	J03A, J03B, J04A, J04B, J08A, J08B, J08C, J11A, J11B, J16Z
09		J02A, J02B, J02C, J04A, J04B, J08A, J08B, J08C, J16Z, J21Z, J22A, J22B	08	I02A, I02B, I02C, I02D, I22A, I22B, I50Z		21A	W04A, W04B				
21A		W04A, W04B	09	J02A, J02B, J02C, J04A, J04B, J08A, J08B, J08C, J16Z, J21Z, J22A, J22B		21B	X06A, X06B, X06C				
21B		X01A, X01B, X01C	21A	W04A, W04B			BOP, KVT, UOP4				
5v233.8↔			BOP, KVT, UOP4	5v233.e↔			BOP, KVT, UOP4	5v234.4			BOP, KVT, UOP4
		01	B03A, B03B, B06A, B06B, B07Z, B17A, B17B, B17C			01	B03A, B03B, B06A, B06B, B07Z, B17A, B17B, B17C			01	B03A, B03B, B06A, B06B, B07Z, B17A, B17B, B17C
		05	F13A, F21A, F21B, F21C			05	F13A, F21A, F21B, F21C			02	C20A, C20B
		08	I02A, I02B, I02C, I02D, I22A, I22B, I32A, I32B, I32C, I32D, I32E, I32F, I50Z			05	F13A, F21A, F21B, F21C, F27A, F27B, F27C			03	D12A, D12B
	09	J02A, J02B, J02C, J04A, J04B, J08A, J08B, J08C, J16Z, J21Z, J22A, J22B	08		I02A, I02B, I02C, I02D, I22A, I22B, I50Z	05	F13A, F21A, F21B, F21C				
	21A	W04A, W04B	08		I02A, I02B, I02C, I02D, I22A, I22B, I50Z	08	I02A, I02B, I02C, I02D, I22A, I22B, I50Z				
	21B	X01A, X01B, X01C	09		J02A, J02B, J02C, J04A, J04B, J08A, J08B, J08C, J16Z, J21Z, J22A, J22B	09	J02A, J02B, J02C, J04A, J04B, J08A, J08B, J08C, J16Z, J21Z, J22A, J22B				
	5v233.9↔		BOP, KVT, UOP4		5v233.e↔		BOP, KVT, UOP4		5v234.4		BOP, KVT, UOP4
		01	B03A, B03B, B06A, B06B, B07Z, B17A, B17B, B17C			01	B03A, B03B, B06A, B06B, B07Z, B17A, B17B, B17C			21A	W04A, W04B
		05	F13A, F21A, F21B, F21C			05	F13A, F21A, F21B, F21C, F27A, F27B, F27C			21B	X01A, X01B, X01C
		08	I12A, I12B, I12C, I32A, I32B, I32C, I32D, I32E, I32F			08	I02A, I02B, I02C, I02D, I22A, I22B, I50Z				
09		J02A, J02B, J02C, J03A, J03B, J04A, J04B, J08A, J08B, J08C, J16Z, J21Z, J22A, J22B	09	J02A, J02B, J02C, J04A, J04B, J08A, J08B, J08C, J16Z, J21Z, J22A, J22B							
21A		W04A, W04B	10	K01Z							
21B		X01A, X01B, X01C	21A	W04A, W04B							
			21B	X01A, X01B, X01C							

VYK

ZZV	MDC	DRG	ZZV	MDC	DRG	ZZV	MDC	DRG		
5v234.5		BOP, KVT, UOP4	5v234.b		BOP, KVT, UOP4	5v234.g↔		BOP, KVT, UOP4		
	01	B03A, B03B, B06A, B06B, B07Z, B17A, B17B, B17C		01	B03A, B03B, B06A, B06B, B07Z, B17A, B17B, B17C		01	B03A, B03B, B06A, B06B, B07Z, B17A, B17B, B17C		
	03	D12A, D12B		05	F13A, F21A, F21B, F21C		05	F13A, F21A, F21B, F21C, F27A, F27B, F27C		
	05	F13A, F21A, F21B, F21C, F27A, F27B, F27C		06	G10Z, G12A, G12B		08	I02A, I02B, I02C, I02D, I22A, I22B, I32A, I32B, I32C, I32D, I32E, I32F, I50Z		
	06	G10Z, G12A, G12B		08	I02A, I02B, I02C, I02D, I22A, I22B, I32A, I32B, I32C, I32D, I32E, I32F, I50Z		09	J02A, J02B, J02C, J04A, J04B, J08A, J08B, J08C, J16Z, J21Z, J22A, J22B		
	08	I28A, I28B		09	J02A, J02B, J02C, J04A, J04B, J08A, J08B, J08C, J16Z, J21Z, J22A, J22B		10	K01Z		
	09	J02A, J02B, J02C, J04A, J04B, J08A, J08B, J08C, J16Z, J21Z, J22A, J22B		21A	W04A, W04B		21A	W04A, W04B		
	10	K01Z		21B	X01A, X01B, X01C		21B	X01A, X01B, X01C		
	21A	W04A, W04B								
	21B	X01A, X01B, X01C		5v234.c			BOP, KVT, UOP4	5v234.x↔		BOP, KVT, UOP4
	5v234.6↔				BOP, KVT, UOP4		01		B03A, B03B, B06A, B06B, B07Z, B17A, B17B, B17C	01
01	B03A, B03B, B06A, B06B, B07Z, B17A, B17B, B17C	05	F13A, F21A, F21B, F21C		05	F13A, F21A, F21B, F21C				
05	F13A, F21A, F21B, F21C	06	G10Z, G12A, G12B		08	I02A, I02B, I02C, I02D, I22A, I22B, I50Z				
08	I02A, I02B, I02C, I02D, I22A, I22B, I50Z	08	I02A, I02B, I02C, I02D, I22A, I22B, I50Z		09	J02A, J02B, J02C, J04A, J04B, J08A, J08B, J08C, J16Z, J21Z, J22A, J22B				
09	J02A, J02B, J02C, J04A, J04B, J08A, J08B, J08C, J16Z, J21Z, J22A, J22B	09	J02A, J02B, J02C, J04A, J04B, J08A, J08B, J08C, J16Z, J21Z, J22A, J22B		21A	W04A, W04B				
21A	W04A, W04B	10	K09A, K09B		21B	X01A, X01B, X01C				
21B	X01A, X01B, X01C	12	M04A, M04B, M04C, M04D, M37Z, M38Z		5v235.0	BOP, KVT, UOP4				
5v234.7↔		BOP, KVT, UOP4	21A		W04A, W04B	03	D18Z, D25A, D25B, D25C, D25D			
01	B03A, B03B, B06A, B06B, B07Z, B17A, B17B, B17C	21B	X01A, X01B, X01C		05	F13A				
05	F13A, F21A, F21B, F21C	5v234.d			BOP, KVT, UOP4	08	I12A, I12B, I12C			
08	I02A, I02B, I02C, I02D, I22A, I22B, I50Z		01	B03A, B03B, B06A, B06B, B07Z, B17A, B17B, B17C	09	J03A, J03B, J04A, J04B, J08A, J08B, J08C, J11A, J11B, J11C, J16Z				
09	J02A, J02B, J02C, J04A, J04B, J08A, J08B, J08C, J16Z, J21Z, J22A, J22B		05	F13A, F21A, F21B, F21C	21A	W04A, W04B				
21A	W04A, W04B		06	G10Z, G12A, G12B	21B	X01A, X01B, X06A, X06B, X06C				
21B	X01A, X01B, X01C		08	I02A, I02B, I02C, I02D, I22A, I22B, I50Z	5v235.4	BOP, KVT, UOP4				
5v234.8↔			BOP, KVT, UOP4	09	J02A, J02B, J02C, J04A, J04B, J08A, J08B, J08C, J16Z, J21Z, J22A, J22B	01	B03A, B03B, B06A, B06B, B07Z, B17A, B17B, B17C			
01	B03A, B03B, B06A, B06B, B07Z, B17A, B17B, B17C		21A	W04A, W04B	02	C20A, C20B				
05	F13A, F21A, F21B, F21C		21B	X01A, X01B, X01C	03	D12A, D12B				
08	I02A, I02B, I02C, I02D, I22A, I22B, I32A, I32B, I32C, I32D, I32E, I32F, I50Z		5v234.e↔		BOP, KVT, UOP4	05	F13A, F21A, F21B			
09	J02A, J02B, J02C, J04A, J04B, J08A, J08B, J08C, J16Z, J21Z, J22A, J22B			01	B03A, B03B, B06A, B06B, B07Z, B17A, B17B, B17C	08	I02A, I02B, I02C, I02D, I12A, I12B, I12C, I22A, I22B, I32A, I32B, I32C, I32D, I50Z			
21A	W04A, W04B			05	F13A, F21A, F21B, F21C, F27A, F27B, F27C	09	J02A, J02B, J02C, J04A, J04B, J08A, J08B, J08C, J16Z, J21Z, J22A, J22B			
21B	X01A, X01B, X01C	08		I02A, I02B, I02C, I02D, I22A, I22B, I50Z	21A	W04A, W04B				
5v234.9↔		BOP, KVT, UOP4		09	J02A, J02B, J02C, J04A, J04B, J08A, J08B, J08C, J16Z, J21Z, J22A, J22B	21B	X01A, X01B			
01	B03A, B03B, B06A, B06B, B07Z, B17A, B17B, B17C	10		K01Z	5v235.5	BOP, KVT, UOP4				
05	F13A, F21A, F21B, F21C	21A		W04A, W04B	01	B03A, B03B, B06A, B06B, B07Z, B17A, B17B, B17C				
08	I12A, I12B, I12C, I32A, I32B, I32C, I32D, I32E, I32F	21B		X01A, X01B, X01C	03	D12A, D12B				
09	J03A, J03B, J04A, J04B, J08A, J08B, J08C, J16Z, J21Z, J22A, J22B	5v234.f↔			BOP, KVT, UOP4	05	F13A, F21A, F21B			
21A	W04A, W04B			01	B03A, B03B, B06A, B06B, B07Z, B17A, B17B, B17C	08	I02A, I02B, I02C, I02D, I12A, I12B, I12C, I22A, I22B, I50Z			
21B	X01A, X01B, X01C			05	F13A, F21A, F21B, F21C, F27A, F27B, F27C	09	J02A, J02B, J02C, J04A, J04B, J08A, J08B, J08C, J16Z, J21Z, J22A, J22B			
5v234.a			BOP, KVT, UOP4	08	I02A, I02B, I02C, I02D, I22A, I22B, I50Z	21A	W04A, W04B			
01	B03A, B03B, B06A, B06B, B07Z, B17A, B17B, B17C		09	J02A, J02B, J02C, J04A, J04B, J08A, J08B, J08C, J16Z, J21Z, J22A, J22B	21B	X01A, X01B				
05	F13A, F21A, F21B, F21C		10	K01Z						
06	G10Z, G12A, G12B		21A	W04A, W04B						
08	I02A, I02B, I02C, I02D, I22A, I22B, I50Z		21B	X01A, X01B, X01C						
09	J02A, J02B, J02C, J04A, J04B, J08A, J08B, J08C, J16Z, J21Z, J22A, J22B									
21A	W04A, W04B									
21B	X01A, X01B, X01C									

ZZV	MDC	DRG	ZZV	MDC	DRG	ZZV	MDC	DRG			
5v235.6↔		BOP, KVT, UOP4	5v235.b		BOP, KVT, UOP4	5v235.g↔		BOP, KVT, UOP4			
	01	B03A, B03B, B06A, B06B, B07Z, B17A, B17B, B17C		01	B03A, B03B, B06A, B06B, B07Z, B17A, B17B, B17C		01	B03A, B03B, B06A, B06B, B07Z, B17A, B17B, B17C			
	05	F13A, F21A, F21B		05	F13A, F21A, F21B		05	F13A, F21A, F21B, F27A, F27B, F27C			
	08	I02A, I02B, I02C, I02D, I12A, I12B, I12C, I22A, I22B, I50Z		06	G10Z, G12A, G12B		08	I02A, I02B, I02C, I02D, I12A, I12B, I12C, I22A, I22B, I50Z			
	09	J02A, J02B, J02C, J04A, J04B, J08A, J08B, J08C, J16Z, J21Z, J22A, J22B		08	I02A, I02B, I02C, I02D, I12A, I12B, I12C, I22A, I22B, I50Z		09	J02A, J02B, J02C, J04A, J04B, J08A, J08B, J08C, J16Z, J21Z, J22A, J22B			
	21A	W04A, W04B		09	J02A, J02B, J02C, J04A, J04B, J08A, J08B, J08C, J16Z, J21Z, J22A, J22B		09	J02A, J02B, J02C, J04A, J04B, J08A, J08B, J08C, J16Z, J21Z, J22A, J22B			
	21B	X01A, X01B		21A	W04A, W04B		10	K01Z			
	5v235.7↔			BOP, KVT, UOP4	5v235.c			BOP, KVT, UOP4	5v235.x↔		BOP, KVT, UOP4
		01		B03A, B03B, B06A, B06B, B07Z, B17A, B17B, B17C			01	B03A, B03B, B06A, B06B, B07Z, B17A, B17B, B17C		01	B03A, B03B, B06A, B06B, B07Z, B17A, B17B, B17C
		05		F13A, F21A, F21B			05	F13A, F21A, F21B		05	F13A, F21A, F21B
08		I02A, I02B, I02C, I02D, I12A, I12B, I12C, I22A, I22B, I32A, I32B, I32C, I32D, I32E, I32F, I50Z	06	G10Z, G12A, G12B		08	I02A, I02B, I02C, I02D, I12A, I12B, I12C, I22A, I22B, I50Z				
09		J02A, J02B, J02C, J04A, J04B, J08A, J08B, J08C, J16Z, J21Z, J22A, J22B	08	I02A, I02B, I02C, I02D, I12A, I12B, I12C, I22A, I22B, I50Z		08	I02A, I02B, I02C, I02D, I12A, I12B, I12C, I22A, I22B, I32A, I32B, I32C, I32D, I32E, I32F, I50Z				
21A		W04A, W04B	09	J02A, J02B, J02C, J04A, J04B, J08A, J08B, J08C, J16Z, J21Z, J22A, J22B		09	J02A, J02B, J02C, J04A, J04B, J08A, J08B, J08C, J16Z, J21Z, J22A, J22B				
21B		X01A, X01B	21A	W04A, W04B		21A	W04A, W04B				
5v235.8↔			BOP, KVT, UOP4	5v235.d			BOP, KVT, UOP4	5v236.0			BOP, KVT, UOP4
		01	B03A, B03B, B06A, B06B, B07Z, B17A, B17B, B17C			01	B03A, B03B, B06A, B06B, B07Z, B17A, B17B, B17C			03	D18Z, D25A, D25B, D25C, D25D
		05	F13A, F21A, F21B			05	F13A, F21A, F21B			05	F13A
	08	I02A, I02B, I02C, I02D, I12A, I12B, I12C, I22A, I22B, I32A, I32B, I32C, I32D, I32E, I32F, I50Z	06		G10Z, G12A, G12B	08	I12A, I12B, I12C				
	09	J02A, J02B, J02C, J04A, J04B, J08A, J08B, J08C, J16Z, J21Z, J22A, J22B	08		I02A, I02B, I02C, I02D, I12A, I12B, I12C, I22A, I22B, I50Z	09	J03A, J03B, J04A, J04B, J08A, J08B, J08C, J11A, J11B, J16Z				
	21A	W04A, W04B	09		J02A, J02B, J02C, J04A, J04B, J08A, J08B, J08C, J16Z, J21Z, J22A, J22B	21A	W04A, W04B				
	21B	X01A, X01B	21A		W04A, W04B	21B	X01A, X01B, X06A, X06B, X06C				
	5v235.9↔		BOP, KVT, UOP4		5v235.e↔		BOP, KVT, UOP4		5v236.4		BOP, KVT, UOP4
		01	B03A, B03B, B06A, B06B, B07Z, B17A, B17B, B17C			01	B03A, B03B, B06A, B06B, B07Z, B17A, B17B, B17C			01	B03A, B03B, B06A, B06B, B07Z, B17A, B17B, B17C
		05	F13A, F21A, F21B			05	F13A, F21A, F21B, F27A, F27B, F27C			02	C20A, C20B
08		I12A, I12B, I12C, I32A, I32B, I32C, I32D, I32E, I32F	08	I02A, I02B, I02C, I02D, I12A, I12B, I12C, I22A, I22B, I50Z		03	D12A, D12B				
09		J02A, J02B, J02C, J04A, J04B, J08A, J08B, J08C, J16Z, J21Z, J22A, J22B	09	J02A, J02B, J02C, J04A, J04B, J08A, J08B, J08C, J16Z, J21Z, J22A, J22B		05	F13A, F21A, F21B				
21A		W04A, W04B	10	K01Z		08	I02A, I02B, I02C, I02D, I12A, I12B, I12C, I22A, I22B, I50Z				
21B		X01A, X01B	21A	W04A, W04B		09	J02A, J02B, J04A, J04B, J08A, J08B, J08C, J16Z, J21Z, J22A				
5v235.a			BOP, KVT, UOP4	5v235.f↔			BOP, KVT, UOP4	5v236.5			BOP, KVT, UOP4
		01	B03A, B03B, B06A, B06B, B07Z, B17A, B17B, B17C			01	B03A, B03B, B06A, B06B, B07Z, B17A, B17B, B17C			01	B03A, B03B, B06A, B06B, B07Z, B17A, B17B, B17C
		05	F13A, F21A, F21B			05	F13A, F21A, F21B, F27A, F27B, F27C			03	D12A
	06	G10Z, G12A, G12B	08		I02A, I02B, I02C, I02D, I12A, I12B, I12C, I22A, I22B, I50Z	05	F13A, F21A, F21B				
	08	I02A, I02B, I02C, I02D, I12A, I12B, I12C, I22A, I22B, I50Z	08		I02A, I02B, I02C, I02D, I12A, I12B, I12C, I22A, I22B, I50Z	08	I02A, I02B, I02C, I02D, I12A, I12B, I12C, I22A, I22B, I50Z				
	09	J02A, J02B, J02C, J04A, J04B, J08A, J08B, J08C, J16Z, J21Z, J22A, J22B	09		J02A, J02B, J02C, J04A, J04B, J08A, J08B, J08C, J16Z, J21Z, J22A, J22B	09	J02A, J02B, J04A, J04B, J08A, J08B, J08C, J16Z, J21Z, J22A, J22B				
	21A	W04A, W04B	10		K01Z	21A	W04A, W04B				
	21B	X01A, X01B	21A		W04A, W04B	21B	X01A, X01B				

VYK

ZZV	MDC	DRG	ZZV	MDC	DRG	ZZV	MDC	DRG	
5v236.6↔		BOP, KVT, UOP4	5v236.b		BOP, KVT, UOP4	5v236.g↔		BOP, KVT, UOP4	
	01	B03A, B03B, B06A, B06B, B07Z, B17A, B17B, B17C		01	B03A, B03B, B06A, B06B, B07Z, B17A, B17B, B17C		01	B03A, B03B, B06A, B06B, B07Z, B17A, B17B, B17C	
	05	F13A, F21A, F21B		05	F13A, F21A, F21B		05	F13A, F21A, F21B, F27A, F27B, F27C	
	08	I02A, I02B, I02C, I02D, I12A, I12B, I12C, I22A, I22B, I50Z		06	G10Z, G12A, G12B		08	I02A, I02B, I02C, I02D, I12A, I12B, I12C, I22A, I22B, I50Z	
	09	J02A, J02B, J04A, J04B, J08A, J08B, J08C, J16Z, J21Z, J22A, J22B		08	I02A, I02B, I02C, I02D, I12A, I12B, I12C, I22A, I22B, I50Z		09	J02A, J02B, J04A, J04B, J08A, J08B, J08C, J16Z, J21Z, J22A, J22B	
	21A	W04A, W04B		09	J02A, J02B, J04A, J04B, J08A, J08B, J08C, J16Z, J21Z, J22A, J22B		10	K01Z	
	21B	X01A, X01B		13	N11A		21A	W04A, W04B	
	5v236.7↔			BOP, KVT, UOP4	21A		W04A, W04B	21A	W04A, W04B
		01		B03A, B03B, B06A, B06B, B07Z, B17A, B17B, B17C	21B		X01A, X01B	21B	X01A, X01B
		05		F13A, F21A, F21B	5v236.c			5v236.x↔	
08		I02A, I02B, I02C, I02D, I12A, I12B, I12C, I22A, I22B, I32A, I32B, I32C, I32D, I32E, I32F, I50Z	01	B03A, B03B, B06A, B06B, B07Z, B17A, B17B, B17C		01	B03A, B03B, B06A, B06B, B07Z, B17A, B17B, B17C		
09		J02A, J02B, J04A, J04B, J08A, J08B, J08C, J16Z, J21Z, J22A, J22B	05	F13A, F21A, F21B		05	F13A, F21A, F21B		
21A		W04A, W04B	06	G10Z, G12A, G12B		08	I02A, I02B, I02C, I02D, I12A, I12B, I12C, I22A, I22B, I32A, I32B, I32C, I32D, I32E, I32F, I50Z		
21B		X01A, X01B	08	I02A, I02B, I02C, I02D, I12A, I12B, I12C, I22A, I22B, I50Z		09	J02A, J02B, J04A, J04B, J08A, J08B, J08C, J16Z, J21Z, J22A, J22B		
5v236.8↔			BOP, KVT, UOP4	09		J02A, J02B, J04A, J04B, J08A, J08B, J08C, J16Z, J21Z, J22A, J22B	21A		W04A, W04B
		01	B03A, B03B, B06A, B06B, B07Z, B17A, B17B, B17C	13		N11A	21B		X01A, X01B
		05	F13A, F21A, F21B	21A		W04A, W04B	5v237.0		
	08	I02A, I02B, I02C, I02D, I12A, I12B, I12C, I22A, I22B, I32A, I32B, I32C, I32D, I32E, I32F, I50Z	21B	X01A, X01B		03			D18Z, D25A, D25B, D25C, D25D
	09	J02A, J02B, J04A, J04B, J08A, J08B, J08C, J16Z, J21Z, J22A, J22B	5v236.d			05			F13A
	21A	W04A, W04B		01	B03A, B03B, B06A, B06B, B07Z, B17A, B17B, B17C	08		I12A, I12B, I12C	
	21B	X01A, X01B		05	F13A, F21A, F21B	09		J03A, J03B, J04A, J04B, J08A, J08B, J08C, J11A, J11B, J16Z	
	5v236.9↔			BOP, KVT, UOP4	06	G10Z, G12A, G12B		21A	W04A, W04B
		01		B03A, B03B, B06A, B06B, B07Z, B17A, B17B, B17C	08	I02A, I02B, I02C, I02D, I12A, I12B, I12C, I22A, I22B, I50Z		21B	X01A, X01B, X06A, X06B, X06C
		05		F13A, F21A, F21B	09	J02A, J02B, J04A, J04B, J08A, J08B, J08C, J16Z, J21Z, J22A, J22B		5v237.4	
08		I12A, I12B, I12C, I32A, I32B, I32C, I32D, I32E, I32F		13	N11A	01			B03A, B03B, B06A, B06B, B07Z, B17A, B17B, B17C
09		J02A, J02B, J04A, J04B, J08A, J08B, J08C, J16Z, J21Z, J22A, J22B		21A	W04A, W04B	02			C20A, C20B
21A		W04A, W04B		21B	X01A, X01B	03	D12A, D12B		
21B		X01A, X01B		5v236.e↔		05	F13A, F21A, F21B		
5v236.a			BOP, KVT, UOP4		01	B03A, B03B, B06A, B06B, B07Z, B17A, B17B, B17C	08		I02A, I02B, I02C, I02D, I12A, I12B, I12C, I22A, I50Z
		01	B03A, B03B, B06A, B06B, B07Z, B17A, B17B, B17C		05	F13A, F21A, F21B, F27A, F27B, F27C	09		J02A, J02B, J04A, J04B, J08A, J08B, J08C, J16Z, J21Z, J22A, J22B
		05	F13A, F21A, F21B		08	I02A, I02B, I02C, I02D, I12A, I12B, I12C, I22A, I22B, I50Z	21A		W04A, W04B
	06	G10Z, G12A, G12B	09		J02A, J02B, J04A, J04B, J08A, J08B, J08C, J16Z, J21Z, J22A, J22B	21B	X01A, X01B		
	08	I02A, I02B, I02C, I02D, I12A, I12B, I12C, I22A, I22B, I50Z	10		K01Z	5v237.5			BOP, KVT, UOP4
	09	J02A, J02B, J04A, J04B, J08A, J08B, J08C, J16Z, J21Z, J22A, J22B	21A		W04A, W04B		01	B03A, B03B, B06A, B06B, B07Z, B17A, B17B, B17C	
	21A	W04A, W04B	21B		X01A, X01B		03	D12A, D12B	
	21B	X01A, X01B	5v236.f↔				05	F13A, F21A, F21B	
	5v236.b				BOP, KVT, UOP4		01	B03A, B03B, B06A, B06B, B07Z, B17A, B17B, B17C	08
		01		B03A, B03B, B06A, B06B, B07Z, B17A, B17B, B17C	05		F13A, F21A, F21B, F27A, F27B, F27C	09	J02A, J02B, J04A, J04B, J08A, J08B, J08C, J16Z, J21Z, J22A, J22B
05		F13A, F21A, F21B		08	I02A, I02B, I02C, I02D, I12A, I12B, I12C, I22A, I22B, I50Z		21A	W04A, W04B	
06		G10Z, G12A, G12B		09	J02A, J02B, J04A, J04B, J08A, J08B, J08C, J16Z, J21Z, J22A, J22B		21B	X01A, X01B	
08		I02A, I02B, I02C, I02D, I12A, I12B, I12C, I22A, I22B, I50Z		10	K01Z				
09		J02A, J02B, J04A, J04B, J08A, J08B, J08C, J16Z, J21Z, J22A, J22B		21A	W04A, W04B				
21A		W04A, W04B		21B	X01A, X01B				
21B		X01A, X01B							

VYK



ZZV	MDC	DRG	ZZV	MDC	DRG	ZZV	MDC	DRG		
5v237.6↔		BOP, KVT, UOP4	5v237.c		BOP, KVT, UOP4	5v237.x↔		BOP, KVT, UOP4		
	01	B03A, B03B, B06A, B06B, B07Z, B17A, B17B, B17C		01	B03A, B03B, B06A, B06B, B07Z, B17A, B17B, B17C		01	B03A, B03B, B06A, B06B, B07Z, B17A, B17B, B17C		
	05	F13A, F21A, F21B		05	F13A, F21A, F21B		05	F13A, F21A, F21B		
	08	I02A, I02B, I02C, I02D, I12A, I12B, I12C, I22A, I50Z		06	G10Z, G12A, G12B		08	I02A, I02B, I02C, I02D, I12A, I12B, I12C, I22A, I50Z		
	09	J02A, J02B, J04A, J04B, J08A, J08B, J08C, J16Z, J21Z, J22A, J22B		08	I02A, I02B, I02C, I02D, I12A, I12B, I12C, I22A, I50Z		09	J02A, J02B, J04A, J04B, J08A, J08B, J08C, J16Z, J21Z, J22A, J22B		
	21A	W04A, W04B		09	J02A, J02B, J04A, J04B, J08A, J08B, J08C, J16Z, J21Z, J22A, J22B		09	J02A, J02B, J04A, J04B, J08A, J08B, J08C, J16Z, J21Z, J22A, J22B		
	21B	X01A, X01B		13	N11A		21A	W04A, W04B		
	5v237.7↔			BOP, KVT, UOP4	21A		W04A, W04B	21B	X01A, X01B	
		01		B03A, B03B, B06A, B06B, B07Z, B17A, B17B, B17C	21B		X01A, X01B	5v238.0		BOP, KVT, UOP4
		05		F13A, F21A, F21B	5v237.d				BOP, KVT, UOP4	
08		I02A, I02B, I02C, I02D, I12A, I12B, I12C, I22A, I32A, I32B, I32C, I32D, I32E, I32F, I50Z	01	B03A, B03B, B06A, B06B, B07Z, B17A, B17B, B17C		03	D18Z, D25A, D25B, D25C, D25D			
09		J02A, J02B, J04A, J04B, J08A, J08B, J08C, J16Z, J21Z, J22A, J22B	05	F13A, F21A, F21B		05	F13A			
21A		W04A, W04B	06	G10Z, G12A, G12B		08	I12A, I12B, I12C			
21B		X01A, X01B	08	I02A, I02B, I02C, I02D, I12A, I12B, I12C, I22A, I50Z		09	J03A, J03B, J04A, J04B, J08A, J08B, J08C, J11A, J11B, J16Z			
5v237.8↔			BOP, KVT, UOP4	09		J02A, J02B, J04A, J04B, J08A, J08B, J08C, J16Z, J21Z, J22A, J22B	21A		W04A, W04B	
		01	B03A, B03B, B06A, B06B, B07Z, B17A, B17B, B17C	13		N11A	21B		X01A, X01B, X06A, X06B, X06C	
		05	F13A, F21A, F21B	21A		W04A, W04B	5v238.4			BOP, KVT, UOP4
	08	I02A, I02B, I02C, I02D, I12A, I12B, I12C, I22A, I32A, I32B, I32C, I32D, I32E, I32F, I50Z	21B	X01A, X01B		01			B03A, B03B, B06A, B06B, B07Z, B17A, B17B, B17C	
	09	J02A, J02B, J04A, J04B, J08A, J08B, J08C, J16Z, J21Z, J22A, J22B	5v237.e↔			BOP, KVT, UOP4		02	C20A, C20B	
	21A	W04A, W04B		01	B03A, B03B, B06A, B06B, B07Z, B17A, B17B, B17C	03		D12A, D12B		
	21B	X01A, X01B		05	F13A, F21A, F21B, F27A, F27B, F27C	05		F13A, F21A, F21B		
	5v237.9↔			BOP, KVT, UOP4	08	I02A, I02B, I02C, I02D, I12A, I12B, I12C, I22A, I50Z		08	I02A, I02B, I02C, I02D, I12A, I12B, I12C, I22A, I50Z	
		01		B03A, B03B, B06A, B06B, B07Z, B17A, B17B, B17C	09	J02A, J02B, J04A, J04B, J08A, J08B, J08C, J16Z, J21Z, J22A, J22B		09	J02A, J02B, J04A, J04B, J08A, J08B, J08C, J16Z, J21Z, J22A, J22B	
		05		F13A, F21A, F21B	10	K01Z		21A	W04A, W04B	
08		I12A, I12B, I12C, I32A, I32B, I32C, I32D, I32E, I32F		21A	W04A, W04B	21B		X01A, X01B		
09		J02A, J02B, J04A, J04B, J08A, J08B, J08C, J16Z, J21Z, J22A, J22B		5v237.f↔		BOP, KVT, UOP4		5v238.5		BOP, KVT, UOP4
21A		W04A, W04B			01	B03A, B03B, B06A, B06B, B07Z, B17A, B17B, B17C	01		B03A, B03B, B06A, B06B, B07Z, B17A, B17B, B17C	
21B		X01A, X01B			05	F13A, F21A, F21B, F27A, F27B, F27C	03		D12A, D12B	
5v237.a			BOP, KVT, UOP4		08	I02A, I02B, I02C, I02D, I12A, I12B, I12C, I22A, I50Z	05		F13A, F21A, F21B	
		01	B03A, B03B, B06A, B06B, B07Z, B17A, B17B, B17C		09	J02A, J02B, J04A, J04B, J08A, J08B, J08C, J16Z, J21Z, J22A, J22B	08		I02A, I02B, I02C, I02D, I12A, I12B, I12C, I22A, I50Z	
		05	F13A, F21A, F21B		10	K01Z	09		J02A, J02B, J04A, J04B, J08A, J08B, J08C, J16Z, J21Z, J22A, J22B	
	06	G10Z, G12A, G12B	21A		W04A, W04B	21A	W04A, W04B			
	08	I02A, I02B, I02C, I02D, I12A, I12B, I12C, I22A, I50Z	21B		X01A, X01B	21B	X01A, X01B			
	09	J02A, J02B, J04A, J04B, J08A, J08B, J08C, J16Z, J21Z, J22A, J22B	5v237.g↔			BOP, KVT, UOP4	5v238.6↔			BOP, KVT, UOP4
	21A	W04A, W04B			01	B03A, B03B, B06A, B06B, B07Z, B17A, B17B, B17C			01	B03A, B03B, B06A, B06B, B07Z, B17A, B17B, B17C
	21B	X01A, X01B		05	F13A, F21A, F21B, F27A, F27B, F27C	05		F13A, F21A, F21B		
	5v237.b			BOP, KVT, UOP4	08	I02A, I02B, I02C, I02D, I12A, I12B, I12C, I22A, I50Z		08	I02A, I02B, I02C, I02D, I12A, I12B, I12C, I22A, I50Z	
		01		B03A, B03B, B06A, B06B, B07Z, B17A, B17B, B17C	09	J02A, J02B, J04A, J04B, J08A, J08B, J08C, J16Z, J21Z, J22A, J22B		08	I02A, I02B, I02C, I02D, I12A, I12B, I12C, I22A, I50Z	
05		F13A, F21A, F21B		10	K01Z	09		J02A, J02B, J04A, J04B, J08A, J08B, J08C, J16Z, J21Z, J22A, J22B		
06		G10Z, G12A, G12B		21A	W04A, W04B	21A		W04A, W04B		
08		I02A, I02B, I02C, I02D, I12A, I12B, I12C, I22A, I50Z		21B	X01A, X01B	21B		X01A, X01B		
09		J02A, J02B, J04A, J04B, J08A, J08B, J08C, J16Z, J21Z, J22A, J22B		5v237.h↔		BOP, KVT, UOP4		5v238.7↔		BOP, KVT, UOP4
13		N11A			01	B03A, B03B, B06A, B06B, B07Z, B17A, B17B, B17C			01	B03A, B03B, B06A, B06B, B07Z, B17A, B17B, B17C
21A		W04A, W04B	05		F13A, F21A, F21B, F27A, F27B, F27C	05	F13A, F21A, F21B			
21B		X01A, X01B	08		I02A, I02B, I02C, I02D, I12A, I12B, I12C, I22A, I50Z	08	I02A, I02B, I02C, I02D, I12A, I12B, I12C, I22A, I50Z			

VYK

ZZV	MDC	DRG	ZZV	MDC	DRG	ZZV	MDC	DRG			
5v238.8↔		BOP, KVT, UOP4	5v238.d		BOP, KVT, UOP4	5v239.0		BOP, KVT, UOP4			
	01	B03A, B03B, B06A, B06B, B07Z, B17A, B17B, B17C		01	B03A, B03B, B06A, B06B, B07Z, B17A, B17B, B17C		03	D18Z, D25A, D25B, D25C, D25D			
	05	F13A, F21A, F21B		05	F13A, F21A, F21B		05	F13A			
	08	I02A, I02B, I02C, I02D, I12A, I12B, I12C, I22A, I32A, I32B, I32C, I32D, I32E, I32F, I50Z		06	G10Z, G12A, G12B		08	I12A, I12B, I12C			
	09	J02A, J02B, J04A, J04B, J08A, J08B, J08C, J16Z, J21Z, J22A, J22B		08	I02A, I02B, I02C, I02D, I12A, I12B, I12C, I22A, I50Z		09	J03A, J03B, J04A, J04B, J08A, J08B, J08C, J11A, J11B, J16Z			
	21A	W04A, W04B		09	J02A, J02B, J04A, J04B, J08A, J08B, J08C, J16Z, J21Z, J22A, J22B		21A	W04A, W04B			
	21B	X01A, X01B		13	N11A		21B	X01A, X01B, X06A, X06B, X06C			
	5v238.9↔			BOP, KVT, UOP4	5v238.e↔			BOP, KVT, UOP4	5v239.4		BOP, KVT, UOP4
		01		B03A, B03B, B06A, B06B, B07Z, B17A, B17B, B17C			01	B03A, B03B, B06A, B06B, B07Z, B17A, B17B, B17C		01	B03A, B03B, B06A, B06B, B07Z, B17A, B17B, B17C
		05		F13A, F21A, F21B			05	F13A, F21A, F21B, F27A, F27B, F27C		02	C20A, C20B
08		I12A, I12B, I12C, I32A, I32B, I32C, I32D, I32E, I32F	08	I02A, I02B, I02C, I02D, I12A, I12B, I12C, I22A, I50Z		03	D12A, D12B				
09		J02A, J02B, J03A, J03B, J04A, J04B, J08A, J08B, J08C, J16Z, J21Z, J22A, J22B	09	J02A, J02B, J04A, J04B, J08A, J08B, J08C, J16Z, J21Z, J22A, J22B		05	F13A, F21A, F21B				
21A		W04A, W04B	10	K01Z		08	I02A, I02B, I02C, I02D, I12A, I12B, I12C, I22A, I22B, I50Z				
21B		X01A, X01B	21A	W04A, W04B		09	J02A, J02B, J04A, J04B, J08A, J08B, J08C, J16Z, J21Z, J22A, J22B				
5v238.a			BOP, KVT, UOP4	5v238.f↔			BOP, KVT, UOP4	5v239.5			BOP, KVT, UOP4
		01	B03A, B03B, B06A, B06B, B07Z, B17A, B17B, B17C			01	B03A, B03B, B06A, B06B, B07Z, B17A, B17B, B17C			01	B03A, B03B, B06A, B06B, B07Z, B17A, B17B, B17C
		05	F13A, F21A, F21B			05	F13A, F21A, F21B, F27A, F27B, F27C			03	D12A, D12B
	06	G10Z, G12A, G12B	08		I02A, I02B, I02C, I02D, I12A, I12B, I12C, I22A, I50Z	05	F13A, F21A, F21B				
	08	I02A, I02B, I02C, I02D, I12A, I12B, I12C, I22A, I50Z	08		I02A, I02B, I02C, I02D, I12A, I12B, I12C, I22A, I50Z	08	I02A, I02B, I02C, I02D, I12A, I12B, I12C, I22A, I22B, I50Z				
	09	J02A, J02B, J04A, J04B, J08A, J08B, J08C, J16Z, J21Z, J22A, J22B	09		J02A, J02B, J04A, J04B, J08A, J08B, J08C, J16Z, J21Z, J22A, J22B	09	J02A, J02B, J04A, J04B, J08A, J08B, J08C, J16Z, J21Z, J22A, J22B				
	21A	W04A, W04B	10		K01Z	21A	W04A, W04B				
	21B	X01A, X01B	21A		W04A, W04B	21B	X01A, X01B				
	5v238.b		BOP, KVT, UOP4		5v238.g↔		BOP, KVT, UOP4		5v239.6↔		BOP, KVT, UOP4
		01	B03A, B03B, B06A, B06B, B07Z, B17A, B17B, B17C			01	B03A, B03B, B06A, B06B, B07Z, B17A, B17B, B17C			01	B03A, B03B, B06A, B06B, B07Z, B17A, B17B, B17C
05		F13A, F21A, F21B	05	F13A, F21A, F21B, F27A, F27B, F27C		05	F13A, F21A, F21B				
06		G10Z, G12A, G12B	08	I02A, I02B, I02C, I02D, I12A, I12B, I12C, I22A, I50Z		08	I02A, I02B, I02C, I02D, I12A, I12B, I12C, I22A, I22B, I50Z				
08		I02A, I02B, I02C, I02D, I12A, I12B, I12C, I22A, I50Z	08	I02A, I02B, I02C, I02D, I12A, I12B, I12C, I22A, I50Z		09	J02A, J02B, J04A, J04B, J08A, J08B, J08C, J16Z, J21Z, J22A, J22B				
09		J02A, J02B, J04A, J04B, J08A, J08B, J08C, J16Z, J21Z, J22A, J22B	09	J02A, J02B, J04A, J04B, J08A, J08B, J08C, J16Z, J21Z, J22A, J22B		21A	W04A, W04B				
13		N11A	09	J02A, J02B, J04A, J04B, J08A, J08B, J08C, J16Z, J21Z, J22A, J22B		21B	X01A, X01B				
21A		W04A, W04B	10	K01Z		21A	W04A, W04B				
21B		X01A, X01B	21A	W04A, W04B		21B	X01A, X01B				
5v238.c			BOP, KVT, UOP4	5v238.x↔			BOP, KVT, UOP4	5v239.7↔			BOP, KVT, UOP4
	01	B03A, B03B, B06A, B06B, B07Z, B17A, B17B, B17C	01		B03A, B03B, B06A, B06B, B07Z, B17A, B17B, B17C	01	B03A, B03B, B06A, B06B, B07Z, B17A, B17B, B17C				
	05	F13A, F21A, F21B	05		F13A, F21A, F21B	05	F13A, F21A, F21B				
	06	G10Z, G12A, G12B	08		I02A, I02B, I02C, I02D, I12A, I12B, I12C, I22A, I50Z	08	I02A, I02B, I02C, I02D, I12A, I12B, I12C, I22A, I22B, I32A, I32B, I32C, I32D, I32E, I32F, I50Z				
	08	I02A, I02B, I02C, I02D, I12A, I12B, I12C, I22A, I50Z	08		I02A, I02B, I02C, I02D, I12A, I12B, I12C, I22A, I32A, I32B, I32C, I32D, I32E, I32F, I50Z	09	J02A, J02B, J04A, J04B, J08A, J08B, J08C, J16Z, J21Z, J22A, J22B				
	09	J02A, J02B, J04A, J04B, J08A, J08B, J08C, J16Z, J21Z, J22A, J22B	09		J02A, J02B, J04A, J04B, J08A, J08B, J08C, J16Z, J21Z, J22A, J22B	21A	W04A, W04B				
	13	N11A	09		J02A, J02B, J04A, J04B, J08A, J08B, J08C, J16Z, J21Z, J22A, J22B	21B	X01A, X01B				
	21A	W04A, W04B	21A		W04A, W04B						
	21B	X01A, X01B	21B		X01A, X01B						

VYK

ZZV	MDC	DRG	ZZV	MDC	DRG	ZZV	MDC	DRG
5v239.8↔		BOP, KVT, UOP4	5v239.d		BOP, KVT, UOP4	5v23a.0		BOP, KVT, UOP4
	01	B03A, B03B, B06A, B06B, B07Z, B17A, B17B, B17C		01	B03A, B03B, B06A, B06B, B07Z, B17A, B17B, B17C		03	D18Z, D28Z, D29Z
	05	F13A, F21A, F21B		05	F13A, F21A, F21B		05	F13A
	08	I02A, I02B, I02C, I02D, I12A, I12B, I12C, I22A, I22B, I32A, I32B, I32C, I32D, I32E, I32F, I50Z		06	G10Z, G12A, G12B		09	J03A, J03B, J04A, J04B, J08A, J08B, J08C, J11A, J11B, J16Z
	09	J02A, J02B, J04A, J04B, J08A, J08B, J08C, J16Z, J21Z, J22A, J22B		08	I02A, I02B, I02C, I02D, I12A, I12B, I12C, I22A, I22B, I50Z		21A	W04A, W04B
	21A	W04A, W04B		09	J02A, J02B, J04A, J04B, J08A, J08B, J08C, J16Z, J21Z, J22A, J22B		21B	X06A, X06B, X06C
	21B	X01A, X01B		13	N11A			BOP, KVT, UOP4
				21A	W04A, W04B		01	B03A, B03B, B06A, B06B, B07Z, B17A, B17B, B17C
				21B	X01A, X01B		02	C20A, C20B
							03	D12A, D12B
5v239.9↔		BOP, KVT, UOP4	5v239.e↔		BOP, KVT, UOP4	5v23a.4		BOP, KVT, UOP4
	01	B03A, B03B, B06A, B06B, B07Z, B17A, B17B, B17C		01	B03A, B03B, B06A, B06B, B07Z, B17A, B17B, B17C		01	B03A, B03B, B06A, B06B, B07Z, B17A, B17B, B17C
	05	F13A, F21A, F21B		05	F13A, F21A, F21B, F27A, F27B, F27C		02	C20A, C20B
	08	I12A, I12B, I12C, I32A, I32B, I32C, I32D, I32E, I32F		08	I02A, I02B, I02C, I02D, I12A, I12B, I12C, I22A, I22B, I50Z		03	D12A, D12B
	09	J02A, J02B, J04A, J04B, J08A, J08B, J08C, J16Z, J21Z, J22A, J22B		09	J02A, J02B, J04A, J04B, J08A, J08B, J08C, J16Z, J21Z, J22A, J22B		05	F13A, F21A, F21B, F21C
	21A	W04A, W04B		08	I02A, I02B, I02C, I02D, I12A, I12B, I12C, I22A, I22B, I50Z		08	I02A, I02B, I02C, I02D, I22A, I22B, I50Z
	21B	X01A, X01B		09	J02A, J02B, J04A, J04B, J08A, J08B, J08C, J16Z, J21Z, J22A, J22B		09	J02A, J02B, J02C, J04A, J04B, J08A, J08B, J08C, J16Z, J21Z, J22A, J22B
				10	K01Z		21A	W04A, W04B
				21A	W04A, W04B		21B	X01A, X01B, X01C
				21B	X01A, X01B			BOP, KVT, UOP4
5v239.a		BOP, KVT, UOP4	5v239.f↔		BOP, KVT, UOP4	5v23a.5		BOP, KVT, UOP4
	01	B03A, B03B, B06A, B06B, B07Z, B17A, B17B, B17C		01	B03A, B03B, B06A, B06B, B07Z, B17A, B17B, B17C		01	B03A, B03B, B06A, B06B, B07Z, B17A, B17B, B17C
	05	F13A, F21A, F21B		05	F13A, F21A, F21B, F27A, F27B, F27C		03	D12A, D12B
	06	G10Z, G12A, G12B		08	I02A, I02B, I02C, I02D, I12A, I12B, I12C, I22A, I22B, I50Z		05	F13A, F21A, F21B, F21C, F27A, F27B, F27C
	08	I02A, I02B, I02C, I02D, I12A, I12B, I12C, I22A, I22B, I50Z		08	I02A, I02B, I02C, I02D, I12A, I12B, I12C, I22A, I22B, I50Z		06	G10Z, G12A, G12B
	09	J02A, J02B, J04A, J04B, J08A, J08B, J08C, J16Z, J21Z, J22A, J22B		09	J02A, J02B, J04A, J04B, J08A, J08B, J08C, J16Z, J21Z, J22A, J22B		08	I28A, I28B
	21A	W04A, W04B		09	J02A, J02B, J04A, J04B, J08A, J08B, J08C, J16Z, J21Z, J22A, J22B		09	J02A, J02B, J02C, J04A, J04B, J08A, J08B, J08C, J16Z, J21Z, J22A, J22B
	21B	X01A, X01B		10	K01Z		10	K01Z
				21A	W04A, W04B		21A	W04A, W04B
				21B	X01A, X01B		21B	X01A, X01B, X01C
5v239.b		BOP, KVT, UOP4	5v239.g↔		BOP, KVT, UOP4	5v23a.6↔		BOP, KVT, UOP4
	01	B03A, B03B, B06A, B06B, B07Z, B17A, B17B, B17C		01	B03A, B03B, B06A, B06B, B07Z, B17A, B17B, B17C		01	B03A, B03B, B06A, B06B, B07Z, B17A, B17B, B17C
	05	F13A, F21A, F21B		05	F13A, F21A, F21B, F27A, F27B, F27C		05	F13A, F21A, F21B, F21C
	06	G10Z, G12A, G12B		08	I02A, I02B, I02C, I02D, I12A, I12B, I12C, I22A, I22B, I50Z		08	I02A, I02B, I02C, I02D, I22A, I22B, I50Z
	08	I02A, I02B, I02C, I02D, I12A, I12B, I12C, I22A, I22B, I50Z		08	I02A, I02B, I02C, I02D, I12A, I12B, I12C, I22A, I22B, I50Z		09	J02A, J02B, J02C, J04A, J04B, J08A, J08B, J08C, J16Z, J21Z, J22A, J22B
	09	J02A, J02B, J04A, J04B, J08A, J08B, J08C, J16Z, J21Z, J22A, J22B		09	J02A, J02B, J04A, J04B, J08A, J08B, J08C, J16Z, J21Z, J22A, J22B		21A	W04A, W04B
	13	N11A		09	J02A, J02B, J04A, J04B, J08A, J08B, J08C, J16Z, J21Z, J22A, J22B		21B	X01A, X01B, X01C
	21A	W04A, W04B		10	K01Z			BOP, KVT, UOP4
	21B	X01A, X01B		21A	W04A, W04B		01	B03A, B03B, B06A, B06B, B07Z, B17A, B17B, B17C
				21B	X01A, X01B		05	F13A, F21A, F21B, F21C
5v239.c		BOP, KVT, UOP4	5v239.x↔		BOP, KVT, UOP4	5v23a.7↔		BOP, KVT, UOP4
	01	B03A, B03B, B06A, B06B, B07Z, B17A, B17B, B17C		01	B03A, B03B, B06A, B06B, B07Z, B17A, B17B, B17C		01	B03A, B03B, B06A, B06B, B07Z, B17A, B17B, B17C
	05	F13A, F21A, F21B		05	F13A, F21A, F21B		05	F13A, F21A, F21B, F21C
	06	G10Z, G12A, G12B		08	I02A, I02B, I02C, I02D, I12A, I12B, I12C, I22A, I22B, I50Z		08	I02A, I02B, I02C, I02D, I22A, I22B, I50Z
	08	I02A, I02B, I02C, I02D, I12A, I12B, I12C, I22A, I22B, I50Z		08	I02A, I02B, I02C, I02D, I12A, I12B, I12C, I22A, I22B, I32A, I32B, I32C, I32D, I32E, I32F, I50Z		09	J02A, J02B, J02C, J04A, J04B, J08A, J08B, J08C, J16Z, J21Z, J22A, J22B
	09	J02A, J02B, J04A, J04B, J08A, J08B, J08C, J16Z, J21Z, J22A, J22B		09	J02A, J02B, J04A, J04B, J08A, J08B, J08C, J16Z, J21Z, J22A, J22B		21A	W04A, W04B
	13	N11A		09	J02A, J02B, J04A, J04B, J08A, J08B, J08C, J16Z, J21Z, J22A, J22B		21B	X01A, X01B, X01C
	21A	W04A, W04B		21A	W04A, W04B			BOP, KVT, UOP4
	21B	X01A, X01B		21B	X01A, X01B		01	B03A, B03B, B06A, B06B, B07Z, B17A, B17B, B17C
							05	F13A, F21A, F21B, F21C
				08	I02A, I02B, I02C, I02D, I22A, I22B, I50Z			
				09	J02A, J02B, J02C, J04A, J04B, J08A, J08B, J08C, J16Z, J21Z, J22A, J22B			
				21A	W04A, W04B			
				21B	X01A, X01B, X01C			
					BOP, KVT, UOP4			
				01	B03A, B03B, B06A, B06B, B07Z, B17A, B17B, B17C			
				05	F13A, F21A, F21B, F21C			
				08	I02A, I02B, I02C, I02D, I22A, I22B, I32A, I32B, I32C, I32D, I32E, I32F, I50Z			
				09	J02A, J02B, J02C, J04A, J04B, J08A, J08B, J08C, J16Z, J21Z, J22A, J22B			
				21A	W04A, W04B			
				21B	X01A, X01B, X01C			

ZZV	MDC	DRG	ZZV	MDC	DRG	ZZV	MDC	DRG				
5v23a.9↔		BOP, KVT, UOP4	5v23a.e↔		BOP, KVT, UOP4	5v23b.4		BOP, KVT, UOP4				
	01	B03A, B03B, B06A, B06B, B07Z, B17A, B17B, B17C		01	B03A, B03B, B06A, B06B, B07Z, B17A, B17B, B17C		01	B03A, B03B, B06A, B06B, B07Z, B17A, B17B, B17C				
	05	F13A, F21A, F21B, F21C		05	F13A, F21A, F21B, F21C, F27A, F27B, F27C		02	C20A, C20B				
	08	I12A, I12B, I12C, I32A, I32B, I32C, I32D, I32E, I32F		08	I02A, I02B, I02C, I02D, I22A, I22B, I50Z		03	D12A, D12B				
	09	J03A, J03B, J04A, J04B, J08A, J08B, J08C, J16Z, J21Z, J22A, J22B		09	J02A, J02B, J02C, J04A, J04B, J08A, J08B, J08C, J16Z, J21Z, J22A, J22B		05	F13A, F21A, F21B				
	21A	W04A, W04B		10	K01Z		08	I02A, I02B, I02C, I02D, I12A, I12B, I12C, I22A, I22B, I50Z				
	21B	X01A, X01B, X01C		21A	W04A, W04B		09	J02A, J02B, J04A, J04B, J08A, J08B, J08C, J16Z, J21Z, J22A, J22B				
	5v23a.a			BOP, KVT, UOP4	5v23a.f↔			BOP, KVT, UOP4	5v23b.5		BOP, KVT, UOP4	
		01		B03A, B03B, B06A, B06B, B07Z, B17A, B17B, B17C			01	B03A, B03B, B06A, B06B, B07Z, B17A, B17B, B17C		01	B03A, B03B, B06A, B06B, B07Z, B17A, B17B, B17C	
		05		F13A, F21A, F21B, F21C			05	F13A, F21A, F21B, F21C, F27A, F27B, F27C		03	D12A, D12B	
06		G10Z, G12A, G12B	08	I02A, I02B, I02C, I02D, I22A, I22B, I50Z		05	F13A, F21A, F21B					
08		I02A, I02B, I02C, I02D, I22A, I22B, I50Z	09	J02A, J02B, J02C, J04A, J04B, J08A, J08B, J08C, J16Z, J21Z, J22A, J22B		08	I02A, I02B, I02C, I02D, I12A, I12B, I12C, I22A, I22B, I50Z					
09		J02A, J02B, J02C, J04A, J04B, J08A, J08B, J08C, J16Z, J21Z, J22A, J22B	10	K01Z		09	J02A, J02B, J04A, J04B, J08A, J08B, J08C, J16Z, J21Z, J22A, J22B					
21A		W04A, W04B	21A	W04A, W04B		21A	W04A, W04B					
21B		X01A, X01B, X01C	21B	X01A, X01B, X01C		21B	X01A, X01B					
5v23a.b			BOP, KVT, UOP4	5v23a.g↔			BOP, KVT, UOP4	5v23b.6↔			BOP, KVT, UOP4	
		01	B03A, B03B, B06A, B06B, B07Z, B17A, B17B, B17C			01	B03A, B03B, B06A, B06B, B07Z, B17A, B17B, B17C			01	B03A, B03B, B06A, B06B, B07Z, B17A, B17B, B17C	
	05	F13A, F21A, F21B, F21C	05		F13A, F21A, F21B, F21C, F27A, F27B, F27C	05	F13A, F21A, F21B					
	06	G10Z, G12A, G12B	08		I02A, I02B, I02C, I02D, I12A, I12B, I12C, I22A, I22B, I50Z	08	I02A, I02B, I02C, I02D, I12A, I12B, I12C, I22A, I22B, I50Z					
	08	I02A, I02B, I02C, I02D, I22A, I22B, I32A, I32B, I32C, I32D, I32E, I32F, I50Z	09		J02A, J02B, J02C, J04A, J04B, J08A, J08B, J08C, J16Z, J21Z, J22A, J22B	09	J02A, J02B, J04A, J04B, J08A, J08B, J08C, J16Z, J21Z, J22A, J22B					
	09	J02A, J02B, J02C, J04A, J04B, J08A, J08B, J08C, J16Z, J21Z, J22A, J22B	10		K01Z	21A	W04A, W04B					
	21A	W04A, W04B	21A		W04A, W04B	21B	X01A, X01B					
	21B	X01A, X01B, X01C	21B		X01A, X01B, X01C	5v23b.7↔			BOP, KVT, UOP4			
	5v23a.c		BOP, KVT, UOP4		5v23a.x↔				BOP, KVT, UOP4	5v23b.8↔		BOP, KVT, UOP4
		01	B03A, B03B, B06A, B06B, B07Z, B17A, B17B, B17C				01		B03A, B03B, B06A, B06B, B07Z, B17A, B17B, B17C		01	B03A, B03B, B06A, B06B, B07Z, B17A, B17B, B17C
05		F13A, F21A, F21B, F21C	05	F13A, F21A, F21B, F21C			05	F13A, F21A, F21B				
06		G10Z, G12A, G12B	08	I02A, I02B, I02C, I02D, I22A, I22B, I32A, I32B, I32C, I32D, I32E, I32F, I50Z			08	I02A, I02B, I02C, I02D, I12A, I12B, I12C, I22A, I22B, I32A, I32B, I32C, I32D, I32E, I32F, I50Z				
08		I02A, I02B, I02C, I02D, I22A, I22B, I50Z	09	J02A, J02B, J02C, J04A, J04B, J08A, J08B, J08C, J16Z, J21Z, J22A, J22B			09	J02A, J02B, J04A, J04B, J08A, J08B, J08C, J16Z, J21Z, J22A, J22B				
09		J02A, J02B, J02C, J04A, J04B, J08A, J08B, J08C, J16Z, J21Z, J22A, J22B	09	J02A, J02B, J02C, J04A, J04B, J08A, J08B, J08C, J16Z, J21Z, J22A, J22B			21A	W04A, W04B				
10		K09A, K09B	21A	W04A, W04B			21B	X01A, X01B				
12		M04A, M04B, M04C, M04D, M37Z, M38Z	21B	X01A, X01B, X01C			5v23b.0		BOP, KVT, UOP4			
21A		W04A, W04B	5v23b.0									
21B		X01A, X01B, X01C		03		D18Z, D25A, D25B, D25C, D25D		05	F13A			
5v23a.d		BOP, KVT, UOP4		05	F13A	08		I12A, I12B, I12C				
	01	B03A, B03B, B06A, B06B, B07Z, B17A, B17B, B17C		08	I12A, I12B, I12C	09		J03A, J03B, J04A, J04B, J08A, J08B, J08C, J11A, J11B, J16Z				
	05	F13A, F21A, F21B, F21C		09	J03A, J03B, J04A, J04B, J08A, J08B, J08C, J11A, J11B, J16Z	21A		W04A, W04B				
	06	G10Z, G12A, G12B		21B	X01A, X01B, X06A, X06B, X06C	21B		X01A, X01B				
	08	I02A, I02B, I02C, I02D, I22A, I22B, I50Z										
	09	J02A, J02B, J02C, J04A, J04B, J08A, J08B, J08C, J16Z, J21Z, J22A, J22B										
	21A	W04A, W04B										
	21B	X01A, X01B, X01C										

ZZV	MDC	DRG	ZZV	MDC	DRG	ZZV	MDC	DRG
5v23b.9↔		BOP, KVT, UOP4	5v23b.e↔		BOP, KVT, UOP4	5v240.0		BOP, KVT, UOP4
	01	B03A, B03B, B06A, B06B, B07Z, B17A, B17B, B17C		01	B03A, B03B, B06A, B06B, B07Z, B17A, B17B, B17C		01	B03A, B03B, B06A, B06B, B07Z, B17A, B17B, B17C
	05	F13A, F21A, F21B		05	F13A, F21A, F21B, F27A, F27B, F27C		03	D12A
	08	I12A, I12B, I12C, I32A, I32B, I32C, I32D, I32E, I32F		08	I02A, I02B, I02C, I02D, I12A, I12B, I12C, I22A, I22B, I50Z		05	F13A, F21A, F21B, F21C, F27A, F27B, F27C
	09	J02A, J02B, J04A, J04B, J08A, J08B, J08C, J16Z, J21Z, J22A, J22B		09	J02A, J02B, J04A, J04B, J08A, J08B, J08C, J16Z, J21Z, J22A, J22B		08	I12A, I12B, I12C
	21A	W04A, W04B		10	K01Z		09	J02A, J02B, J02C, J04A, J04B, J08A, J08B, J08C, J16Z, J21Z, J22A, J22B
	21B	X01A, X01B		21A	W04A, W04B		10	K01Z
5v23b.a		BOP, KVT, UOP4		21A	W04A, W04B		21A	W04A, W04B
	01	B03A, B03B, B06A, B06B, B07Z, B17A, B17B, B17C		21B	X01A, X01B		21B	X04Z, X05A, X05B, X06A, X06B, X06C
	05	F13A, F21A, F21B	5v23b.f↔		BOP, KVT, UOP4	5v240.4		BOP, KVT, UOP4
	06	G10Z, G12A, G12B		01	B03A, B03B, B06A, B06B, B07Z, B17A, B17B, B17C		01	B03A, B03B, B06A, B06B, B07Z, B17A, B17B, B17C
	08	I02A, I02B, I02C, I02D, I12A, I12B, I12C, I22A, I22B, I50Z		05	F13A, F21A, F21B, F27A, F27B, F27C		03	D12A
	09	J02A, J02B, J04A, J04B, J08A, J08B, J08C, J16Z, J21Z, J22A, J22B		08	I02A, I02B, I02C, I02D, I12A, I12B, I12C, I22A, I22B, I50Z		05	F13A, F21A, F21B, F21C, F27A, F27B, F27C
	21A	W04A, W04B		09	J02A, J02B, J04A, J04B, J08A, J08B, J08C, J16Z, J21Z, J22A, J22B		08	I12A, I12B, I12C
	21B	X01A, X01B		10	K01Z		09	J02A, J02B, J02C, J04A, J04B, J08A, J08B, J08C, J16Z, J21Z, J22A, J22B
5v23b.b		BOP, KVT, UOP4		21A	W04A, W04B		10	K01Z
	01	B03A, B03B, B06A, B06B, B07Z, B17A, B17B, B17C		21B	X01A, X01B		21A	W04A, W04B
	05	F13A, F21A, F21B	5v23b.g↔		BOP, KVT, UOP4	5v240.5		BOP, KVT, UOP4
	06	G10Z, G12A, G12B		01	B03A, B03B, B06A, B06B, B07Z, B17A, B17B, B17C		01	B03A, B03B, B06A, B06B, B07Z, B17A, B17B, B17C
	08	I02A, I02B, I02C, I02D, I12A, I12B, I12C, I22A, I22B, I50Z		05	F13A, F21A, F21B, F27A, F27B, F27C		03	D12A
	09	J02A, J02B, J04A, J04B, J08A, J08B, J08C, J16Z, J21Z, J22A, J22B		08	I02A, I02B, I02C, I02D, I12A, I12B, I12C, I22A, I22B, I50Z		05	F13A, F21A, F21B, F21C, F27A, F27B, F27C
	13	N11A		09	J02A, J02B, J04A, J04B, J08A, J08B, J08C, J16Z, J21Z, J22A, J22B		08	I12A, I12B, I12C
	21A	W04A, W04B		10	K01Z		09	J02A, J02B, J02C, J04A, J04B, J08A, J08B, J08C, J16Z, J21Z, J22A, J22B
	21B	X01A, X01B		21A	W04A, W04B		10	K01Z
5v23b.c		BOP, KVT, UOP4		21B	X01A, X01B		21A	W04A, W04B
	01	B03A, B03B, B06A, B06B, B07Z, B17A, B17B, B17C	5v23b.x↔		BOP, KVT, UOP4	5v240.6↔		BOP, KVT, UOP4
	05	F13A, F21A, F21B		01	B03A, B03B, B06A, B06B, B07Z, B17A, B17B, B17C		01	B03A, B03B, B06A, B06B, B07Z, B17A, B17B, B17C
	06	G10Z, G12A, G12B		05	F13A, F21A, F21B		03	D12A
	08	I02A, I02B, I02C, I02D, I12A, I12B, I12C, I22A, I22B, I50Z		08	I02A, I02B, I02C, I02D, I12A, I12B, I12C, I22A, I22B, I32A, I32B, I32C, I32D, I32E, I32F, I50Z		05	F13A, F21A, F21B, F21C, F27A, F27B, F27C
	09	J02A, J02B, J04A, J04B, J08A, J08B, J08C, J16Z, J21Z, J22A, J22B		09	J02A, J02B, J04A, J04B, J08A, J08B, J08C, J16Z, J21Z, J22A, J22B		08	I12A, I12B, I12C
	13	N11A		21A	W04A, W04B		09	J02A, J02B, J02C, J04A, J04B, J08A, J08B, J08C, J16Z, J21Z, J22A, J22B
	21A	W04A, W04B		21B	X01A, X01B		10	K01Z
	21B	X01A, X01B	5v23x.x↔		BOP, KVT, UOP4	5v240.7↔		BOP, KVT, UOP4
5v23b.d		BOP, KVT, UOP4		01	B03A, B03B, B06A, B06B, B07Z, B17A, B17B, B17C		01	B03A, B03B, B06A, B06B, B07Z, B17A, B17B, B17C
	01	B03A, B03B, B06A, B06B, B07Z, B17A, B17B, B17C		05	F13A, F21A, F21B, F21C		03	D12A
	05	F13A, F21A, F21B		08	I02A, I02B, I02C, I02D, I22A, I22B, I32A, I32B, I32C, I32D, I32E, I32F, I50Z		05	F13A, F21A, F21B, F21C, F27A, F27B, F27C
	06	G10Z, G12A, G12B		09	J02A, J02B, J02C, J04A, J04B, J08A, J08B, J08C, J16Z, J21Z, J22A, J22B		08	I12A, I12B, I12C
	08	I02A, I02B, I02C, I02D, I12A, I12B, I12C, I22A, I22B, I50Z		21A	W04A, W04B		09	J02A, J02B, J02C, J04A, J04B, J08A, J08B, J08C, J16Z, J21Z, J22A, J22B
	09	J02A, J02B, J04A, J04B, J08A, J08B, J08C, J16Z, J21Z, J22A, J22B		21B	X01A, X01B, X01C		10	K01Z
	13	N11A					21A	W04A, W04B
	21A	W04A, W04B					21B	X04Z, X05A, X05B, X06A, X06B, X06C
	21B	X01A, X01B						

VYK





ZZV	MDC	DRG	ZZV	MDC	DRG	ZZV	MDC	DRG			
5v242.8↔		BOP, KVT, UOP4	5v242.d		BOP, KVT, UOP4	5v250.0		KOP, KOPV			
	01	B03A, B03B, B06A, B06B, B07Z, B17A, B17B, B17C		01	B03A, B03B, B06A, B06B, B07Z, B17A, B17B, B17C		03	D02A, D02B, D18Z, D24A, D24B			
	03	D12A		03	D12A		06	G33Z			
	05	F13A, F21A, F21B, F21C, F27A, F27B, F27C		05	F13A, F21A, F21B, F21C, F27A, F27B, F27C		07	H33Z, H38Z			
	08	I12A, I12B, I12C		08	I12A, I12B, I12C		08	I32A, I32B, I32C, I32D			
	09	J02A, J02B, J02C, J04A, J04B, J08A, J08B, J08C, J16Z, J21Z, J22A, J22B		09	J02A, J02B, J02C, J04A, J04B, J08A, J08B, J08C, J16Z, J21Z, J22A, J22B		09	J01Z, J02A, J02B			
	10	K01Z		10	K01Z		11	L33Z			
	21A	W04A, W04B		21A	W04A, W04B		21B	X01A, X01B, X33Z			
	21B	X04Z, X05A, X05B, X06A, X06B, X06C		21B	X04Z, X05A, X05B, X06A, X06B, X06C		Pre	A07A			
	5v242.9↔			BOP, KVT, UOP4	5v242.e↔			BOP, KVT, UOP4	5v250.4		KOP, KOPV
		01		B03A, B03B, B06A, B06B, B07Z, B17A, B17B, B17C			01	B03A, B03B, B06A, B06B, B07Z, B17A, B17B, B17C		02	C20A, C20B
03		D12A	03	D12A		03	D02A, D02B, D18Z, D24A, D24B				
05		F13A, F21A, F21B, F21C, F27A, F27B, F27C	05	F13A, F21A, F21B, F21C, F27A, F27B, F27C		06	G33Z				
08		I12A, I12B, I12C	08	I12A, I12B, I12C		07	H33Z, H38Z				
09		J02A, J02B, J02C, J04A, J04B, J08A, J08B, J08C, J16Z, J21Z, J22A, J22B	09	J02A, J02B, J02C, J04A, J04B, J08A, J08B, J08C, J16Z, J21Z, J22A, J22B		08	I02A, I02B, I02C, I02D, I22A, I32A, I32B, I32C, I32D, I34Z, I50Z				
10		K01Z	10	K01Z		09	J01Z, J02A, J02B				
21A		W04A, W04B	21A	W04A, W04B		11	L33Z				
21B		X04Z, X05A, X05B, X06A, X06B, X06C	21B	X04Z, X05A, X05B, X06A, X06B, X06C		21B	X01A, X01B, X33Z				
5v242.a			BOP, KVT, UOP4	5v242.f↔			BOP, KVT, UOP4	5v250.5			KOP, KOPV
		01	B03A, B03B, B06A, B06B, B07Z, B17A, B17B, B17C			01	B03A, B03B, B06A, B06B, B07Z, B17A, B17B, B17C			03	D02A, D02B, D18Z, D24A, D24B
	03	D12A	03		D12A	06	G33Z				
	05	F13A, F21A, F21B, F21C, F27A, F27B, F27C	05		F13A, F21A, F21B, F21C, F27A, F27B, F27C	07	H33Z, H38Z				
	08	I12A, I12B, I12C	08		I12A, I12B, I12C	08	I02A, I02B, I02C, I02D, I22A, I32A, I32B, I32C, I32D, I34Z, I50Z				
	09	J02A, J02B, J02C, J04A, J04B, J08A, J08B, J08C, J16Z, J21Z, J22A, J22B	09		J02A, J02B, J02C, J04A, J04B, J08A, J08B, J08C, J16Z, J21Z, J22A, J22B	09	J01Z, J02A, J02B				
	10	K01Z	10		K01Z	11	L33Z				
	21A	W04A, W04B	21A		W04A, W04B	21B	X01A, X01B, X33Z				
	21B	X04Z, X05A, X05B, X06A, X06B, X06C	21B		X04Z, X05A, X05B, X06A, X06B, X06C	Pre	A07A				
	5v242.b		BOP, KVT, UOP4		5v242.g↔		BOP, KVT, UOP4		5v250.6↔		KOP, KOPV
		01	B03A, B03B, B06A, B06B, B07Z, B17A, B17B, B17C			01	B03A, B03B, B06A, B06B, B07Z, B17A, B17B, B17C			06	G33Z
03		D12A	03	D12A		07	H33Z, H38Z				
05		F13A, F21A, F21B, F21C, F27A, F27B, F27C	05	F13A, F21A, F21B, F21C, F27A, F27B, F27C		08	I02A, I02B, I02C, I02D, I22A, I32A, I32B, I32C, I32D, I34Z, I50Z				
08		I12A, I12B, I12C	08	I12A, I12B, I12C		09	J01Z, J02A, J02B				
09		J02A, J02B, J02C, J04A, J04B, J08A, J08B, J08C, J16Z, J21Z, J22A, J22B	09	J02A, J02B, J02C, J04A, J04B, J08A, J08B, J08C, J16Z, J21Z, J22A, J22B		11	L33Z				
10		K01Z	10	K01Z		21B	X01A, X01B, X33Z				
21A		W04A, W04B	21A	W04A, W04B		Pre	A07A				
21B		X04Z, X05A, X05B, X06A, X06B, X06C	21B	X04Z, X05A, X05B, X06A, X06B, X06C		5v250.7↔	KOP, KOPV				
5v242.c			BOP, KVT, UOP4	5v242.x				BOP, KVT, UOP4		06	G33Z
		01	B03A, B03B, B06A, B06B, B07Z, B17A, B17B, B17C			01	B03A, B03B, B06A, B06B, B07Z, B17A, B17B, B17C	07		H33Z, H38Z	
	03	D12A	03		D12A	08	I02A, I02B, I02C, I02D, I22A, I32A, I32B, I32C, I32D, I34Z, I50Z				
	05	F13A, F21A, F21B, F21C, F27A, F27B, F27C	05		F13A, F21A, F21B, F21C, F27A, F27B, F27C	09	J01Z, J02A, J02B				
	08	I12A, I12B, I12C	08		I12A, I12B, I12C	11	L33Z				
	09	J02A, J02B, J02C, J04A, J04B, J08A, J08B, J08C, J16Z, J21Z, J22A, J22B	09		J02A, J02B, J02C, J04A, J04B, J08A, J08B, J08C, J16Z, J21Z, J22A, J22B	21B	X01A, X01B, X33Z				
	10	K01Z	10		K01Z	Pre	A07A				
	21A	W04A, W04B	21A		W04A, W04B	5v250.8↔	KOP, KOPV				
	21B	X04Z, X05A, X05B, X06A, X06B, X06C	21B		X04Z, X05A, X05B, X06A, X06B, X06C		06	G33Z			
	5v242.c		BOP, KVT, UOP4		5v242.x		BOP, KVT, UOP4	07	H33Z, H38Z		
		01	B03A, B03B, B06A, B06B, B07Z, B17A, B17B, B17C			01	B03A, B03B, B06A, B06B, B07Z, B17A, B17B, B17C	08	I02A, I02B, I02C, I02D, I22A, I32A, I32B, I32C, I32D, I32E, I32F, I34Z, I50Z		
03		D12A	03	D12A		09	J01Z, J02A, J02B				
05		F13A, F21A, F21B, F21C, F27A, F27B, F27C	05	F13A, F21A, F21B, F21C, F27A, F27B, F27C		11	L33Z				
08		I12A, I12B, I12C	08	I12A, I12B, I12C		21B	X01A, X01B, X33Z				
09		J02A, J02B, J02C, J04A, J04B, J08A, J08B, J08C, J16Z, J21Z, J22A, J22B	09	J02A, J02B, J02C, J04A, J04B, J08A, J08B, J08C, J16Z, J21Z, J22A, J22B		Pre	A07A				
10		K01Z	10	K01Z							
21A		W04A, W04B	21A	W04A, W04B							
21B		X04Z, X05A, X05B, X06A, X06B, X06C	21B	X04Z, X05A, X05B, X06A, X06B, X06C							

VYK



ZZV	MDC	DRG	ZZV	MDC	DRG	ZZV	MDC	DRG			
5v250.9↔		KOP, KOPV	5v250.g↔		KOP, KOPV	5v251.7↔		BOP, KVT, UOP4			
	06	G33Z		06	G33Z		01	B03A, B03B, B06A, B06B, B07Z, B17A, B17B, B17C			
	07	H33Z, H38Z		07	H33Z, H38Z		05	F13A, F21A, F21B			
	08	I32A, I32B, I32C, I32D, I32E, I32F, I34Z		08	I02A, I02B, I02C, I02D, I22A, I32A, I32B, I32C, I32D, I34Z, I50Z		08	I02A, I02B, I02C, I02D, I12A, I12B, I12C, I22A, I50Z			
	09	J01Z, J02A, J02B		09	J01Z, J02A, J02B		09	J02A, J02B, J04A, J04B, J08A, J08B, J08C, J16Z, J21Z, J22A, J22B			
	11	L33Z		11	L33Z		21A	W04A, W04B			
	21B	X01A, X01B, X33Z		21B	X01A, X01B, X33Z		21B	X01A, X01B			
	Pre	A07A		Pre	A07A						
	5v250.a			KOP, KOPV	5v250.x↔			KOP, KOPV	5v251.8↔		BOP, KVT, UOP4
		06		G33Z			06	G33Z		01	B03A, B03B, B06A, B06B, B07Z, B17A, B17B, B17C
07		H33Z, H38Z	07	H33Z, H38Z		05	F13A, F21A, F21B				
08		I02A, I02B, I02C, I02D, I22A, I32A, I32B, I32C, I32D, I34Z, I50Z	08	I02A, I02B, I02C, I02D, I22A, I32A, I32B, I32C, I32D, I32E, I32F, I34Z, I50Z		08	I02A, I02B, I02C, I02D, I12A, I12B, I12C, I22A, I32A, I32B, I32C, I32D, I32E, I32F, I50Z				
09		J01Z, J02A, J02B	09	J01Z, J02A, J02B		09	J02A, J02B, J04A, J04B, J08A, J08B, J08C, J16Z, J21Z, J22A, J22B				
11		L33Z	11	L33Z		21A	W04A, W04B				
21B		X01A, X01B, X33Z	21B	X01A, X01B, X33Z		21B	X01A, X01B				
Pre		A07A	Pre	A07A							
5v250.b			KOP, KOPV	5v251.0			BOP, KVT, UOP4	5v251.9↔			BOP, KVT, UOP4
		06	G33Z			03	D02A, D02B, D18Z, D24A, D24B			01	B03A, B03B, B06A, B06B, B07Z, B17A, B17B, B17C
	07	H33Z, H38Z	05		F13A	05	F13A, F21A, F21B				
	08	I02A, I02B, I02C, I02D, I22A, I32A, I32B, I32C, I32D, I34Z, I50Z	08		I12A, I12B, I12C	08	I12A, I12B, I12C, I32A, I32B, I32C, I32D, I32E, I32F				
	09	J01Z, J02A, J02B	09		J03A, J03B, J04A, J04B, J08A, J08B, J08C, J11A, J11B, J16Z	09	J02A, J02B, J04A, J04B, J08A, J08B, J08C, J16Z, J21Z, J22A, J22B				
	11	L33Z	21A		W04A, W04B	21A	W04A, W04B				
	21B	X01A, X01B, X33Z	21B		X01A, X01B, X06A, X06B, X06C	21B	X01A, X01B				
	Pre	A07A									
	5v250.c		KOP, KOPV		5v251.4		BOP, KVT, UOP4		5v251.a		BOP, KVT, UOP4
		06	G33Z			01	B03A, B03B, B06A, B06B, B07Z, B17A, B17B, B17C			01	B03A, B03B, B06A, B06B, B07Z, B17A, B17B, B17C
07		H33Z, H38Z	02	C20A, C20B		05	F13A, F21A, F21B				
08		I02A, I02B, I02C, I02D, I22A, I32A, I32B, I32C, I32D, I34Z, I50Z	03	D02A, D02B, D18Z, D24A, D24B		06	G10Z, G12A, G12B				
09		J01Z, J02A, J02B	05	F13A, F21A, F21B		08	I02A, I02B, I02C, I02D, I12A, I12B, I12C, I22A, I50Z				
11		L33Z	08	I02A, I02B, I02C, I02D, I12A, I12B, I12C, I22A, I50Z		09	J02A, J02B, J04A, J04B, J08A, J08B, J08C, J16Z, J21Z, J22A, J22B				
21B		X01A, X01B, X33Z	09	J02A, J02B, J04A, J04B, J08A, J08B, J08C, J16Z, J21Z, J22A, J22B		21A	W04A, W04B				
Pre		A07A	21B	X01A, X01B		21B	X01A, X01B				
5v250.d			KOP, KOPV	5v251.5			BOP, KVT, UOP4	5v251.b			BOP, KVT, UOP4
		06	G33Z			01	B03A, B03B, B06A, B06B, B07Z, B17A, B17B, B17C			01	B03A, B03B, B06A, B06B, B07Z, B17A, B17B, B17C
	07	H33Z, H38Z	03		D02A, D02B, D18Z, D24A, D24B	05	F13A, F21A, F21B				
	08	I02A, I02B, I02C, I02D, I22A, I32A, I32B, I32C, I32D, I34Z, I50Z	05		F13A, F21A, F21B	06	G10Z, G12A, G12B				
	09	J01Z, J02A, J02B	08		I02A, I02B, I02C, I02D, I12A, I12B, I12C, I22A, I50Z	08	I02A, I02B, I02C, I02D, I12A, I12B, I12C, I22A, I50Z				
	11	L33Z	09		J02A, J02B, J04A, J04B, J08A, J08B, J08C, J16Z, J21Z, J22A, J22B	09	J02A, J02B, J04A, J04B, J08A, J08B, J08C, J16Z, J21Z, J22A, J22B				
	21B	X01A, X01B, X33Z	21A		W04A, W04B	21A	W04A, W04B				
	Pre	A07A	21B		X01A, X01B	21B	X01A, X01B				
	5v250.e↔		KOP, KOPV		5v251.6↔		BOP, KVT, UOP4		5v251.c		BOP, KVT, UOP4
		06	G33Z			01	B03A, B03B, B06A, B06B, B07Z, B17A, B17B, B17C			01	B03A, B03B, B06A, B06B, B07Z, B17A, B17B, B17C
07		H33Z, H38Z	05	F13A, F21A, F21B		05	F13A, F21A, F21B				
08		I02A, I02B, I02C, I02D, I22A, I32A, I32B, I32C, I32D, I34Z, I50Z	08	I02A, I02B, I02C, I02D, I12A, I12B, I12C, I22A, I50Z		06	G10Z, G12A, G12B				
09		J01Z, J02A, J02B	09	J02A, J02B, J04A, J04B, J08A, J08B, J08C, J16Z, J21Z, J22A, J22B		08	I02A, I02B, I02C, I02D, I12A, I12B, I12C, I22A, I50Z				
11		L33Z	21A	W04A, W04B		09	J02A, J02B, J04A, J04B, J08A, J08B, J08C, J16Z, J21Z, J22A, J22B				
21B		X01A, X01B, X33Z	21B	X01A, X01B		21A	W04A, W04B				
Pre		A07A				21B	X01A, X01B				
5v250.f↔			KOP, KOPV	5v251.7↔			BOP, KVT, UOP4	5v251.c			BOP, KVT, UOP4
		06	G33Z			01	B03A, B03B, B06A, B06B, B07Z, B17A, B17B, B17C			01	B03A, B03B, B06A, B06B, B07Z, B17A, B17B, B17C
	07	H33Z, H38Z	05		F13A, F21A, F21B	05	F13A, F21A, F21B				
	08	I02A, I02B, I02C, I02D, I22A, I32A, I32B, I32C, I32D, I34Z, I50Z	08		I02A, I02B, I02C, I02D, I12A, I12B, I12C, I22A, I50Z	06	G10Z, G12A, G12B				
	09	J01Z, J02A, J02B	09		J02A, J02B, J04A, J04B, J08A, J08B, J08C, J16Z, J21Z, J22A, J22B	08	I02A, I02B, I02C, I02D, I12A, I12B, I12C, I22A, I50Z				
	11	L33Z	21A		W04A, W04B	09	J02A, J02B, J04A, J04B, J08A, J08B, J08C, J16Z, J21Z, J22A, J22B				
	21B	X01A, X01B, X33Z	21B		X01A, X01B	21A	W04A, W04B				
	Pre	A07A				21B	X01A, X01B				

VYK

## Príloha B: Index Výkon-MDC-DRG

ZZV	MDC	DRG	ZZV	MDC	DRG	ZZV	MDC	DRG			
5v251.d		BOP, KVT, UOP4	5v252.0		BOP, KVT, UOP4	5v252.8↔		BOP, KVT, UOP4			
	01	B03A, B03B, B06A, B06B, B07Z, B17A, B17B, B17C		03	D02A, D02B, D18Z, D24A, D24B		01	B03A, B03B, B06A, B06B, B07Z, B17A, B17B, B17C			
	05	F13A, F21A, F21B		05	F13A		05	F13A, F21A, F21B			
	06	G10Z, G12A, G12B		08	I12A, I12B, I12C		08	I02A, I02B, I02C, I02D, I12A, I12B, I12C, I22A, I50Z			
	08	I02A, I02B, I02C, I02D, I12A, I12B, I12C, I22A, I50Z		09	J03A, J03B, J04A, J04B, J08A, J08B, J08C, J11A, J11B, J16Z		09	J02A, J02B, J04A, J04B, J08A, J08B, J08C, J16Z, J21Z, J22A, J22B			
	09	J02A, J02B, J04A, J04B, J08A, J08B, J08C, J16Z, J21Z, J22A, J22B		21A	W04A, W04B		21A	W04A, W04B			
	21A	W04A, W04B		21B	X01A, X01B, X06A, X06B, X06C		21A	W04A, W04B			
	21B	X01A, X01B			BOP, KVT, UOP4		21B	X01A, X01B			
	5v251.e↔			BOP, KVT, UOP4	5v252.4			BOP, KVT, UOP4	5v252.9↔		BOP, KVT, UOP4
		01		B03A, B03B, B06A, B06B, B07Z, B17A, B17B, B17C			01	B03A, B03B, B06A, B06B, B07Z, B17A, B17B, B17C		01	B03A, B03B, B06A, B06B, B07Z, B17A, B17B, B17C
		05		F13A, F21A, F21B, F27A, F27B, F27C			02	C20A, C20B		05	F13A, F21A, F21B
08		I02A, I02B, I02C, I02D, I12A, I12B, I12C, I22A, I50Z	03	D02A, D02B, D18Z, D24A, D24B		08	I12A, I12B, I12C, I32A, I32B, I32C, I32D, I32E, I32F				
09		J02A, J02B, J04A, J04B, J08A, J08B, J08C, J16Z, J21Z, J22A, J22B	05	F13A, F21A, F21B		09	J02A, J02B, J04A, J04B, J08A, J08B, J08C, J16Z, J21Z, J22A, J22B				
10		K01Z	08	I02A, I02B, I02C, I02D, I12A, I12B, I12C, I22A, I50Z		21A	W04A, W04B				
21A		W04A, W04B	09	J02A, J02B, J04A, J04B, J08A, J08B, J08C, J16Z, J21Z, J22A, J22B		21B	X01A, X01B				
21B		X01A, X01B	21A	W04A, W04B			BOP, KVT, UOP4				
5v251.f↔			BOP, KVT, UOP4	5v252.5			BOP, KVT, UOP4	5v252.a			BOP, KVT, UOP4
		01	B03A, B03B, B06A, B06B, B07Z, B17A, B17B, B17C			01	B03A, B03B, B06A, B06B, B07Z, B17A, B17B, B17C			01	B03A, B03B, B06A, B06B, B07Z, B17A, B17B, B17C
		05	F13A, F21A, F21B, F27A, F27B, F27C			03	D02A, D02B, D18Z, D24A, D24B			05	F13A, F21A, F21B
	08	I02A, I02B, I02C, I02D, I12A, I12B, I12C, I22A, I50Z	05		F13A, F21A, F21B	06	G10Z, G12A, G12B				
	09	J02A, J02B, J04A, J04B, J08A, J08B, J08C, J16Z, J21Z, J22A, J22B	08		I02A, I02B, I02C, I02D, I12A, I12B, I12C, I22A, I50Z	08	I02A, I02B, I02C, I02D, I12A, I12B, I12C, I22A, I50Z				
	10	K01Z	09		J02A, J02B, J04A, J04B, J08A, J08B, J08C, J16Z, J21Z, J22A, J22B	09	J02A, J02B, J04A, J04B, J08A, J08B, J08C, J16Z, J21Z, J22A, J22B				
	21A	W04A, W04B	09		J02A, J02B, J04A, J04B, J08A, J08B, J08C, J16Z, J21Z, J22A, J22B	21A	W04A, W04B				
	21B	X01A, X01B	21A		W04A, W04B	21B	X01A, X01B				
	5v251.g↔		BOP, KVT, UOP4		5v252.6↔		BOP, KVT, UOP4		5v252.b		BOP, KVT, UOP4
		01	B03A, B03B, B06A, B06B, B07Z, B17A, B17B, B17C			01	B03A, B03B, B06A, B06B, B07Z, B17A, B17B, B17C			01	B03A, B03B, B06A, B06B, B07Z, B17A, B17B, B17C
		05	F13A, F21A, F21B, F27A, F27B, F27C			05	F13A, F21A, F21B			05	F13A, F21A, F21B
08		I02A, I02B, I02C, I02D, I12A, I12B, I12C, I22A, I50Z	08	I02A, I02B, I02C, I02D, I12A, I12B, I12C, I22A, I50Z		06	G10Z, G12A, G12B				
09		J02A, J02B, J04A, J04B, J08A, J08B, J08C, J16Z, J21Z, J22A, J22B	08	I02A, I02B, I02C, I02D, I12A, I12B, I12C, I22A, I50Z		08	I02A, I02B, I02C, I02D, I12A, I12B, I12C, I22A, I50Z				
10		K01Z	09	J02A, J02B, J04A, J04B, J08A, J08B, J08C, J16Z, J21Z, J22A, J22B		09	J02A, J02B, J04A, J04B, J08A, J08B, J08C, J16Z, J21Z, J22A, J22B				
21A		W04A, W04B	21A	W04A, W04B		21A	W04A, W04B				
21B		X01A, X01B	21B	X01A, X01B		21B	X01A, X01B				
5v251.x↔			BOP, KVT, UOP4	5v252.7↔			BOP, KVT, UOP4	5v252.c			BOP, KVT, UOP4
		01	B03A, B03B, B06A, B06B, B07Z, B17A, B17B, B17C			01	B03A, B03B, B06A, B06B, B07Z, B17A, B17B, B17C			01	B03A, B03B, B06A, B06B, B07Z, B17A, B17B, B17C
		05	F13A, F21A, F21B			05	F13A, F21A, F21B			05	F13A, F21A, F21B
	08	I02A, I02B, I02C, I02D, I12A, I12B, I12C, I22A, I50Z	08		I02A, I02B, I02C, I02D, I12A, I12B, I12C, I22A, I50Z	06	G10Z, G12A, G12B				
	09	J02A, J02B, J04A, J04B, J08A, J08B, J08C, J16Z, J21Z, J22A, J22B	08		I02A, I02B, I02C, I02D, I12A, I12B, I12C, I22A, I50Z	08	I02A, I02B, I02C, I02D, I12A, I12B, I12C, I22A, I50Z				
	10	K01Z	09		J02A, J02B, J04A, J04B, J08A, J08B, J08C, J16Z, J21Z, J22A, J22B	09	J02A, J02B, J04A, J04B, J08A, J08B, J08C, J16Z, J21Z, J22A, J22B				
	21A	W04A, W04B	21A		W04A, W04B	21A	W04A, W04B				
	21B	X01A, X01B	21B		X01A, X01B	21B	X01A, X01B				
	5v251.y↔		BOP, KVT, UOP4		5v252.8↔		BOP, KVT, UOP4		5v252.d		BOP, KVT, UOP4
		01	B03A, B03B, B06A, B06B, B07Z, B17A, B17B, B17C			01	B03A, B03B, B06A, B06B, B07Z, B17A, B17B, B17C			01	B03A, B03B, B06A, B06B, B07Z, B17A, B17B, B17C
		05	F13A, F21A, F21B			05	F13A, F21A, F21B			05	F13A, F21A, F21B
08		I02A, I02B, I02C, I02D, I12A, I12B, I12C, I22A, I50Z	08	I02A, I02B, I02C, I02D, I12A, I12B, I12C, I22A, I50Z		06	G10Z, G12A, G12B				
09		J02A, J02B, J04A, J04B, J08A, J08B, J08C, J16Z, J21Z, J22A, J22B	08	I02A, I02B, I02C, I02D, I12A, I12B, I12C, I22A, I50Z		08	I02A, I02B, I02C, I02D, I12A, I12B, I12C, I22A, I50Z				
10		K01Z	09	J02A, J02B, J04A, J04B, J08A, J08B, J08C, J16Z, J21Z, J22A, J22B		09	J02A, J02B, J04A, J04B, J08A, J08B, J08C, J16Z, J21Z, J22A, J22B				
21A		W04A, W04B	21A	W04A, W04B		21A	W04A, W04B				
21B		X01A, X01B	21B	X01A, X01B		21B	X01A, X01B				

VYK

ZZV	MDC	DRG	ZZV	MDC	DRG	ZZV	MDC	DRG			
5v252.e↔		BOP, KVT, UOP4	5v260.4		BOP, KVT, UOP4	5v260.a		BOP, KVT, UOP4			
	01	B03A, B03B, B06A, B06B, B07Z, B17A, B17B, B17C		01	B03A, B03B, B06A, B06B, B07Z, B17A, B17B, B17C		01	B03A, B03B, B06A, B06B, B07Z, B17A, B17B, B17C			
	05	F13A, F21A, F21B, F27A, F27B, F27C		02	C20A, C20B		05	F13A, F21A, F21B			
	08	I02A, I02B, I02C, I02D, I12A, I12B, I12C, I22A, I50Z		03	D12A		06	G10Z, G12A, G12B			
	09	J02A, J02B, J04A, J04B, J08A, J08B, J08C, J16Z, J21Z, J22A, J22B		05	F13A, F21A, F21B		08	I02A, I02B, I02C, I02D, I12A, I12B, I12C, I22A, I50Z			
	10	K01Z		08	I02A, I02B, I02C, I02D, I12A, I12B, I12C, I22A, I50Z		09	J02A, J02B, J04A, J04B, J08A, J08B, J16Z, J21Z, J22A, J22B			
	21A	W04A, W04B		09	J02A, J02B, J04A, J04B, J08A, J08B, J16Z, J21Z, J22A, J22B		21A	W04A, W04B			
	21B	X01A, X01B		21A	W04A, W04B		21B	X01A, X01B			
	5v252.f↔			BOP, KVT, UOP4	5v260.5			BOP, KVT, UOP4	5v260.b		BOP, KVT, UOP4
		01		B03A, B03B, B06A, B06B, B07Z, B17A, B17B, B17C			01	B03A, B03B, B06A, B06B, B07Z, B17A, B17B, B17C		01	B03A, B03B, B06A, B06B, B07Z, B17A, B17B, B17C
05		F13A, F21A, F21B, F27A, F27B, F27C	03	D12A		05	F13A, F21A, F21B				
08		I02A, I02B, I02C, I02D, I12A, I12B, I12C, I22A, I50Z	05	F13A, F21A, F21B		06	G10Z, G12A, G12B				
09		J02A, J02B, J04A, J04B, J08A, J08B, J08C, J16Z, J21Z, J22A, J22B	08	I02A, I02B, I02C, I02D, I12A, I12B, I12C, I22A, I50Z		08	I02A, I02B, I02C, I02D, I12A, I12B, I12C, I22A, I50Z				
10		K01Z	09	J02A, J02B, J04A, J04B, J08A, J08B, J16Z, J21Z, J22A, J22B		09	J02A, J02B, J04A, J04B, J08A, J08B, J16Z, J21Z, J22A, J22B				
21A		W04A, W04B	21A	W04A, W04B		21A	W04A, W04B				
21B		X01A, X01B	21B	X01A, X01B		21B	X01A, X01B				
5v252.g↔			BOP, KVT, UOP4	5v260.6↔			BOP, KVT, UOP4	5v260.c			BOP, KVT, UOP4
		01	B03A, B03B, B06A, B06B, B07Z, B17A, B17B, B17C			01	B03A, B03B, B06A, B06B, B07Z, B17A, B17B, B17C			01	B03A, B03B, B06A, B06B, B07Z, B17A, B17B, B17C
	05	F13A, F21A, F21B, F27A, F27B, F27C	05		F13A, F21A, F21B	05	F13A, F21A, F21B				
	08	I02A, I02B, I02C, I02D, I12A, I12B, I12C, I22A, I50Z	08		I02A, I02B, I02C, I02D, I12A, I12B, I12C, I22A, I50Z	06	G10Z, G12A, G12B				
	09	J02A, J02B, J04A, J04B, J08A, J08B, J08C, J16Z, J21Z, J22A, J22B	09		J02A, J02B, J04A, J04B, J08A, J08B, J16Z, J21Z, J22A, J22B	08	I02A, I02B, I02C, I02D, I12A, I12B, I12C, I22A, I50Z				
	10	K01Z	21A		W04A, W04B	09	J02A, J02B, J04A, J04B, J08A, J08B, J16Z, J21Z, J22A, J22B				
	21A	W04A, W04B	21B		X01A, X01B	10	K09A, K09B				
	21B	X01A, X01B	5v260.7↔			12	M04A, M04B, M04C, M04D, M37Z, M38Z				
	5v252.x↔		BOP, KVT, UOP4		5v260.7↔		BOP, KVT, UOP4		5v260.d		BOP, KVT, UOP4
		01	B03A, B03B, B06A, B06B, B07Z, B17A, B17B, B17C			01	B03A, B03B, B06A, B06B, B07Z, B17A, B17B, B17C			21A	W04A, W04B
05		F13A, F21A, F21B	05	F13A, F21A, F21B		21B	X01A, X01B				
08		I02A, I02B, I02C, I02D, I12A, I12B, I12C, I22A, I32A, I32B, I32C, I32D, I32E, I32F, I50Z	08	I02A, I02B, I02C, I02D, I12A, I12B, I12C, I22A, I50Z		01	B03A, B03B, B06A, B06B, B07Z, B17A, B17B, B17C				
09		J02A, J02B, J04A, J04B, J08A, J08B, J08C, J16Z, J21Z, J22A, J22B	09	J02A, J02B, J04A, J04B, J08A, J08B, J16Z, J21Z, J22A, J22B		05	F13A, F21A, F21B				
21A		W04A, W04B	21A	W04A, W04B		06	G10Z, G12A, G12B				
21B		X01A, X01B	21B	X01A, X01B		08	I02A, I02B, I02C, I02D, I12A, I12B, I12C, I22A, I50Z				
5v260.0			BOP, KVT, UOP4	5v260.8↔			BOP, KVT, UOP4	5v260.e↔			BOP, KVT, UOP4
		03	D18Z, D25A, D25B, D25C, D25D			01	B03A, B03B, B06A, B06B, B07Z, B17A, B17B, B17C			01	B03A, B03B, B06A, B06B, B07Z, B17A, B17B, B17C
		05	F13A			05	F13A, F21A, F21B			05	F13A, F21A, F21B, F27A, F27B, F27C
	08	I12A, I12B, I12C	08		I02A, I02B, I02C, I02D, I12A, I12B, I12C, I22A, I32A, I32B, I32C, I32D, I32E, I32F, I50Z	08	I02A, I02B, I02C, I02D, I12A, I12B, I12C, I22A, I50Z				
	09	J03A, J03B, J04A, J04B, J08A, J08B, J11A, J11B, J16Z	09		J02A, J02B, J04A, J04B, J08A, J08B, J16Z, J21Z, J22A, J22B	08	I02A, I02B, I02C, I02D, I12A, I12B, I12C, I22A, I50Z				
	21A	W04A, W04B	21A		W04A, W04B	09	J02A, J02B, J04A, J04B, J08A, J08B, J16Z, J21Z, J22A, J22B				
	21B	X01A, X01B, X06A, X06B, X06C	21B		X01A, X01B	10	K01Z				
	5v260.0		BOP, KVT, UOP4		5v260.9↔		BOP, KVT, UOP4		5v260.e↔		BOP, KVT, UOP4
		03	D18Z, D25A, D25B, D25C, D25D			01	B03A, B03B, B06A, B06B, B07Z, B17A, B17B, B17C			21A	W04A, W04B
		05	F13A			05	F13A, F21A, F21B			21B	X01A, X01B
08		I12A, I12B, I12C	08	I12A, I12B, I12C, I32A, I32B, I32C, I32D, I32E, I32F		01	B03A, B03B, B06A, B06B, B07Z, B17A, B17B, B17C				
09		J03A, J03B, J04A, J04B, J08A, J08B, J11A, J11B, J16Z	09	J02A, J02B, J04A, J04B, J08A, J08B, J16Z, J21Z, J22A, J22B		05	F13A, F21A, F21B, F27A, F27B, F27C				
21A		W04A, W04B	21A	W04A, W04B		08	I02A, I02B, I02C, I02D, I12A, I12B, I12C, I22A, I50Z				
21B		X01A, X01B, X06A, X06B, X06C	21B	X01A, X01B		09	J02A, J02B, J04A, J04B, J08A, J08B, J16Z, J21Z, J22A, J22B				
5v260.0			BOP, KVT, UOP4	5v260.9↔			BOP, KVT, UOP4	5v260.e↔			BOP, KVT, UOP4
		03	D18Z, D25A, D25B, D25C, D25D			01	B03A, B03B, B06A, B06B, B07Z, B17A, B17B, B17C			10	K01Z
		05	F13A			05	F13A, F21A, F21B			21A	W04A, W04B
	08	I12A, I12B, I12C	08		I12A, I12B, I12C, I32A, I32B, I32C, I32D, I32E, I32F	21B	X01A, X01B				
	09	J03A, J03B, J04A, J04B, J08A, J08B, J11A, J11B, J16Z	09		J02A, J02B, J04A, J04B, J08A, J08B, J16Z, J21Z, J22A, J22B						
	21A	W04A, W04B	21A		W04A, W04B						
	21B	X01A, X01B, X06A, X06B, X06C	21B		X01A, X01B						

ZZV	MDC	DRG	ZZV	MDC	DRG	ZZV	MDC	DRG			
5v260.f↔		BOP, KVT, UOP4	5v261.5		BOP, KVT, UOP4	5v261.b		BOP, KVT, UOP4			
	01	B03A, B03B, B06A, B06B, B07Z, B17A, B17B, B17C		01	B03A, B03B, B06A, B06B, B07Z, B17A, B17B, B17C		01	B03A, B03B, B06A, B06B, B07Z, B17A, B17B, B17C			
	05	F13A, F21A, F21B, F27A, F27B, F27C		03	D12A		05	F13A, F21A, F21B			
	08	I02A, I02B, I02C, I02D, I12A, I12B, I12C, I22A, I50Z		08	I02A, I02B, I02C, I02D, I12A, I12B, I12C, I22A, I50Z		08	I02A, I02B, I02C, I02D, I12A, I12B, I12C, I22A, I50Z			
	09	J02A, J02B, J04A, J04B, J08A, J08B, J16Z, J21Z, J22A, J22B		09	J02A, J02B, J04A, J04B, J08A, J08B, J16Z, J21Z, J22A, J22B		09	J02A, J02B, J04A, J04B, J08A, J08B, J16Z, J21Z, J22A, J22B			
	10	K01Z		21A	W04A, W04B		21A	W04A, W04B			
	21A	W04A, W04B		21B	X01A, X01B, X33Z		21B	X01A, X01B, X33Z			
	21B	X01A, X01B			BOP, KVT, UOP4			BOP, KVT, UOP4			
	5v260.g↔			BOP, KVT, UOP4	5v261.6↔			BOP, KVT, UOP4	5v261.c		BOP, KVT, UOP4
		01		B03A, B03B, B06A, B06B, B07Z, B17A, B17B, B17C			01	B03A, B03B, B06A, B06B, B07Z, B17A, B17B, B17C		01	B03A, B03B, B06A, B06B, B07Z, B17A, B17B, B17C
05		F13A, F21A, F21B, F27A, F27B, F27C	05	F13A, F21A, F21B		05	F13A, F21A, F21B				
08		I02A, I02B, I02C, I02D, I12A, I12B, I12C, I22A, I50Z	08	I02A, I02B, I02C, I02D, I12A, I12B, I12C, I22A, I50Z		08	I02A, I02B, I02C, I02D, I12A, I12B, I12C, I22A, I50Z				
09		J02A, J02B, J04A, J04B, J08A, J08B, J16Z, J21Z, J22A, J22B	09	J02A, J02B, J04A, J04B, J08A, J08B, J16Z, J21Z, J22A, J22B		09	J02A, J02B, J04A, J04B, J08A, J08B, J16Z, J21Z, J22A, J22B				
10		K01Z	21A	W04A, W04B		10	K09A, K09B				
21A		W04A, W04B	21B	X01A, X01B, X33Z		12	M04A, M04B, M04C, M04D, M37Z, M38Z				
21B		X01A, X01B		BOP, KVT, UOP4		21A	W04A, W04B				
5v260.x↔			BOP, KVT, UOP4	5v261.7↔			BOP, KVT, UOP4	5v261.d			BOP, KVT, UOP4
		01	B03A, B03B, B06A, B06B, B07Z, B17A, B17B, B17C			01	B03A, B03B, B06A, B06B, B07Z, B17A, B17B, B17C			01	B03A, B03B, B06A, B06B, B07Z, B17A, B17B, B17C
	05	F13A, F21A, F21B	05		F13A, F21A, F21B	05	F13A, F21A, F21B				
	08	I02A, I02B, I02C, I02D, I12A, I12B, I12C, I22A, I32A, I32B, I32C, I32D, I32E, I32F, I50Z	08		I02A, I02B, I02C, I02D, I12A, I12B, I12C, I22A, I50Z	08	I02A, I02B, I02C, I02D, I12A, I12B, I12C, I22A, I50Z				
	09	J02A, J02B, J04A, J04B, J08A, J08B, J16Z, J21Z, J22A, J22B	09		J02A, J02B, J04A, J04B, J08A, J08B, J16Z, J21Z, J22A, J22B	09	J02A, J02B, J04A, J04B, J08A, J08B, J16Z, J21Z, J22A, J22B				
	21A	W04A, W04B	21A		W04A, W04B	08	I02A, I02B, I02C, I02D, I12A, I12B, I12C, I22A, I50Z				
	21B	X01A, X01B	21B		X01A, X01B, X33Z	09	J02A, J02B, J04A, J04B, J08A, J08B, J16Z, J21Z, J22A, J22B				
	5v261.0		BOP, KVT, UOP4		5v261.8↔		BOP, KVT, UOP4		5v261.e↔		BOP, KVT, UOP4
		03	D18Z, D25A, D25B, D25C, D25D			01	B03A, B03B, B06A, B06B, B07Z, B17A, B17B, B17C			01	B03A, B03B, B06A, B06B, B07Z, B17A, B17B, B17C
		05	F13A			05	F13A, F21A, F21B			05	F13A, F21A, F21B
08		I12A, I12B, I12C	08	I02A, I02B, I02C, I02D, I12A, I12B, I12C, I22A, I32A, I32B, I32C, I32D, I32E, I32F, I50Z		08	I02A, I02B, I02C, I02D, I12A, I12B, I12C, I22A, I50Z				
09		J03A, J03B, J04A, J04B, J08A, J08B, J10A, J10B, J16Z	09	J02A, J02B, J04A, J04B, J08A, J08B, J16Z, J21Z, J22A, J22B		09	J02A, J02B, J04A, J04B, J08A, J08B, J16Z, J21Z, J22A, J22B				
21A		W04A, W04B	21A	W04A, W04B		21A	W04A, W04B				
21B		X01A, X01B, X06A, X06B, X06C, X33Z	21B	X01A, X01B, X33Z		21B	X01A, X01B, X33Z				
5v261.4			BOP, KVT, UOP4	5v261.9↔			BOP, KVT, UOP4	5v261.f↔			BOP, KVT, UOP4
		01	B03A, B03B, B06A, B06B, B07Z, B17A, B17B, B17C			01	B03A, B03B, B06A, B06B, B07Z, B17A, B17B, B17C			01	B03A, B03B, B06A, B06B, B07Z, B17A, B17B, B17C
		02	C20A, C20B			05	F13A, F21A, F21B			05	F13A, F21A, F21B, F27A, F27B, F27C
	03	D12A	08		I12A, I12B, I12C, I32A, I32B, I32C, I32D, I32E, I32F	08	I02A, I02B, I02C, I02D, I12A, I12B, I12C, I22A, I50Z				
	05	F13A, F21A, F21B	09		J02A, J02B, J04A, J04B, J08A, J08B, J16Z, J21Z, J22A, J22B	08	I02A, I02B, I02C, I02D, I12A, I12B, I12C, I22A, I50Z				
	08	I02A, I02B, I02C, I02D, I12A, I12B, I12C, I22A, I50Z	21A		W04A, W04B	09	J02A, J02B, J04A, J04B, J08A, J08B, J16Z, J21Z, J22A, J22B				
	09	J02A, J02B, J04A, J04B, J08A, J08B, J16Z, J21Z, J22A, J22B	21B		X01A, X01B, X33Z	10	K01Z				
	21A	W04A, W04B			BOP, KVT, UOP4	21A	W04A, W04B				
	21B	X01A, X01B, X33Z			BOP, KVT, UOP4	21B	X01A, X01B, X33Z				
	5v261.4		BOP, KVT, UOP4		5v261.a		BOP, KVT, UOP4		5v261.f↔		BOP, KVT, UOP4
01		B03A, B03B, B06A, B06B, B07Z, B17A, B17B, B17C	01	B03A, B03B, B06A, B06B, B07Z, B17A, B17B, B17C		01	B03A, B03B, B06A, B06B, B07Z, B17A, B17B, B17C				
02		C20A, C20B	05	F13A, F21A, F21B		05	F13A, F21A, F21B, F27A, F27B, F27C				
03		D12A	08	I12A, I12B, I12C, I32A, I32B, I32C, I32D, I32E, I32F		08	I02A, I02B, I02C, I02D, I12A, I12B, I12C, I22A, I50Z				
05		F13A, F21A, F21B	09	J02A, J02B, J04A, J04B, J08A, J08B, J16Z, J21Z, J22A, J22B		09	J02A, J02B, J04A, J04B, J08A, J08B, J16Z, J21Z, J22A, J22B				
08		I02A, I02B, I02C, I02D, I12A, I12B, I12C, I22A, I50Z	21A	W04A, W04B		10	K01Z				
09		J02A, J02B, J04A, J04B, J08A, J08B, J16Z, J21Z, J22A, J22B	21B	X01A, X01B, X33Z		21A	W04A, W04B				
21A		W04A, W04B		BOP, KVT, UOP4		21B	X01A, X01B, X33Z				
21B		X01A, X01B, X33Z		BOP, KVT, UOP4			BOP, KVT, UOP4				
				BOP, KVT, UOP4			BOP, KVT, UOP4				

VYK

ZZV	MDC	DRG	ZZV	MDC	DRG	ZZV	MDC	DRG			
5v261.g↔		BOP, KVT, UOP4	5v262.6↔		BOP, KVT, UOP4	5v262.c		BOP, KVT, UOP4			
	01	B03A, B03B, B06A, B06B, B07Z, B17A, B17B, B17C		01	B03A, B03B, B06A, B06B, B07Z, B17A, B17B, B17C		01	B03A, B03B, B06A, B06B, B07Z, B17A, B17B, B17C			
	05	F13A, F21A, F21B, F27A, F27B, F27C		05	F13A, F21A, F21B		05	F13A, F21A, F21B			
	08	I02A, I02B, I02C, I02D, I12A, I12B, I12C, I22A, I50Z		08	I02A, I02B, I02C, I02D, I12A, I12B, I12C, I22A, I50Z		06	G10Z, G12A, G12B			
	09	J02A, J02B, J04A, J04B, J08A, J08B, J16Z, J21Z, J22A, J22B		09	J02A, J02B, J04A, J04B, J08A, J08B, J16Z, J21Z, J22A, J22B		08	I02A, I02B, I02C, I02D, I12A, I12B, I12C, I22A, I50Z			
	10	K01Z		21A	W04A, W04B		09	J02A, J02B, J04A, J04B, J08A, J08B, J16Z, J21Z, J22A, J22B			
	21A	W04A, W04B		21B	X01A, X01B, X33Z		10	K09A, K09B			
	21B	X01A, X01B, X33Z			BOP, KVT, UOP4		12	M04A, M04B, M04C, M04D, M37Z, M38Z			
	5v261.x↔			BOP, KVT, UOP4	5v262.7↔			BOP, KVT, UOP4	5v262.d		BOP, KVT, UOP4
		01		B03A, B03B, B06A, B06B, B07Z, B17A, B17B, B17C			01	B03A, B03B, B06A, B06B, B07Z, B17A, B17B, B17C		21A	W04A, W04B
05		F13A, F21A, F21B	05	F13A, F21A, F21B		21B	X01A, X01B, X33Z				
08		I02A, I02B, I02C, I02D, I12A, I12B, I12C, I22A, I32A, I32B, I32C, I32D, I32E, I32F, I50Z	08	I02A, I02B, I02C, I02D, I12A, I12B, I12C, I22A, I50Z		01	B03A, B03B, B06A, B06B, B07Z, B17A, B17B, B17C				
09		J02A, J02B, J04A, J04B, J08A, J08B, J16Z, J21Z, J22A, J22B	09	J02A, J02B, J04A, J04B, J08A, J08B, J16Z, J21Z, J22A, J22B		05	F13A, F21A, F21B				
21A		W04A, W04B	21A	W04A, W04B		06	G10Z, G12A, G12B				
21B		X01A, X01B, X33Z	21B	X01A, X01B, X33Z		08	I02A, I02B, I02C, I02D, I12A, I12B, I12C, I22A, I50Z				
5v262.0			BOP, KVT, UOP4	5v262.8↔			BOP, KVT, UOP4	5v262.e↔			BOP, KVT, UOP4
		03	D02A, D02B, D18Z, D24A, D24B			01	B03A, B03B, B06A, B06B, B07Z, B17A, B17B, B17C			01	B03A, B03B, B06A, B06B, B07Z, B17A, B17B, B17C
		05	F13A			05	F13A, F21A, F21B			05	F13A, F21A, F21B, F27A, F27B, F27C
	08	I12A, I12B, I12C	08		I02A, I02B, I02C, I02D, I12A, I12B, I12C, I22A, I32A, I32B, I32C, I32D, I32E, I32F, I50Z	08	I02A, I02B, I02C, I02D, I12A, I12B, I12C, I22A, I50Z				
	09	J03A, J03B, J04A, J04B, J08A, J08B, J11A, J11B, J16Z	09		J02A, J02B, J04A, J04B, J08A, J08B, J16Z, J21Z, J22A, J22B	09	J02A, J02B, J04A, J04B, J08A, J08B, J16Z, J21Z, J22A, J22B				
	21A	W04A, W04B	21A		W04A, W04B	21A	W04A, W04B				
	21B	X01A, X01B, X06A, X06B, X06C, X33Z	21B		X01A, X01B, X33Z	21B	X01A, X01B, X33Z				
	5v262.4		BOP, KVT, UOP4		5v262.9↔		BOP, KVT, UOP4		5v262.f↔		BOP, KVT, UOP4
		01	B03A, B03B, B06A, B06B, B07Z, B17A, B17B, B17C			01	B03A, B03B, B06A, B06B, B07Z, B17A, B17B, B17C			01	B03A, B03B, B06A, B06B, B07Z, B17A, B17B, B17C
		02	C20A, C20B			05	F13A, F21A, F21B			05	F13A, F21A, F21B, F27A, F27B, F27C
03		D12A	08	I12A, I12B, I12C, I32A, I32B, I32C, I32D, I32E, I32F		08	I02A, I02B, I02C, I02D, I12A, I12B, I12C, I22A, I50Z				
05		F13A, F21A, F21B	09	J02A, J02B, J04A, J04B, J08A, J08B, J16Z, J21Z, J22A, J22B		09	J02A, J02B, J04A, J04B, J08A, J08B, J16Z, J21Z, J22A, J22B				
08		I02A, I02B, I02C, I02D, I12A, I12B, I12C, I22A, I50Z	21A	W04A, W04B		10	K01Z				
09		J02A, J02B, J04A, J04B, J08A, J08B, J16Z, J21Z, J22A, J22B	21B	X01A, X01B, X33Z		21A	W04A, W04B				
21A		W04A, W04B		BOP, KVT, UOP4		21B	X01A, X01B, X33Z				
21B		X01A, X01B, X33Z	5v262.a			BOP, KVT, UOP4	5v262.g↔			BOP, KVT, UOP4	
5v262.5				BOP, KVT, UOP4		01		B03A, B03B, B06A, B06B, B07Z, B17A, B17B, B17C		01	B03A, B03B, B06A, B06B, B07Z, B17A, B17B, B17C
	01	B03A, B03B, B06A, B06B, B07Z, B17A, B17B, B17C		05	F13A, F21A, F21B	05		F13A, F21A, F21B, F27A, F27B, F27C			
	03	D12A		06	G10Z, G12A, G12B	08		I02A, I02B, I02C, I02D, I12A, I12B, I12C, I22A, I50Z			
	05	F13A, F21A, F21B		08	I02A, I02B, I02C, I02D, I12A, I12B, I12C, I22A, I50Z	09		J02A, J02B, J04A, J04B, J08A, J08B, J16Z, J21Z, J22A, J22B			
	08	I02A, I02B, I02C, I02D, I12A, I12B, I12C, I22A, I50Z		09	J02A, J02B, J04A, J04B, J08A, J08B, J16Z, J21Z, J22A, J22B	10		K01Z			
	09	J02A, J02B, J04A, J04B, J08A, J08B, J16Z, J21Z, J22A, J22B		21A	W04A, W04B	21A		W04A, W04B			
	21A	W04A, W04B		21B	X01A, X01B, X33Z	21B		X01A, X01B, X33Z			
	21B	X01A, X01B, X33Z		5v262.b		BOP, KVT, UOP4		5v262.h↔		BOP, KVT, UOP4	
	5v262.6				BOP, KVT, UOP4	01			B03A, B03B, B06A, B06B, B07Z, B17A, B17B, B17C	01	B03A, B03B, B06A, B06B, B07Z, B17A, B17B, B17C
		01	B03A, B03B, B06A, B06B, B07Z, B17A, B17B, B17C		05	F13A, F21A, F21B	05		F13A, F21A, F21B, F27A, F27B, F27C		
03		D12A	06		G10Z, G12A, G12B	08	I02A, I02B, I02C, I02D, I12A, I12B, I12C, I22A, I50Z				
05		F13A, F21A, F21B	08		I02A, I02B, I02C, I02D, I12A, I12B, I12C, I22A, I50Z	09	J02A, J02B, J04A, J04B, J08A, J08B, J16Z, J21Z, J22A, J22B				
08		I02A, I02B, I02C, I02D, I12A, I12B, I12C, I22A, I50Z	09		J02A, J02B, J04A, J04B, J08A, J08B, J16Z, J21Z, J22A, J22B	10	K01Z				
09		J02A, J02B, J04A, J04B, J08A, J08B, J16Z, J21Z, J22A, J22B	21A		W04A, W04B	21A	W04A, W04B				
21A		W04A, W04B	21B		X01A, X01B, X33Z	21B	X01A, X01B, X33Z				
21B		X01A, X01B, X33Z			BOP, KVT, UOP4		BOP, KVT, UOP4				
					01	B03A, B03B, B06A, B06B, B07Z, B17A, B17B, B17C			BOP, KVT, UOP4		
				05	F13A, F21A, F21B		BOP, KVT, UOP4				
			06	G10Z, G12A, G12B		BOP, KVT, UOP4					
			08	I02A, I02B, I02C, I02D, I12A, I12B, I12C, I22A, I50Z		BOP, KVT, UOP4					
			09	J02A, J02B, J04A, J04B, J08A, J08B, J16Z, J21Z, J22A, J22B		BOP, KVT, UOP4					
			21A	W04A, W04B		BOP, KVT, UOP4					
			21B	X01A, X01B, X33Z		BOP, KVT, UOP4					

VYK

ZZV	MDC	DRG	ZZV	MDC	DRG	ZZV	MDC	DRG			
5v262.x↔		BOP, KVT, UOP4	5v263.8↔		BOP, KVT, UOP4	5v263.d		BOP, KVT, UOP4			
	01	B03A, B03B, B06A, B06B, B07Z, B17A, B17B, B17C		01	B03A, B03B, B06A, B06B, B07Z, B17A, B17B, B17C		01	B03A, B03B, B06A, B06B, B07Z, B17A, B17B, B17C			
	05	F13A, F21A, F21B		05	F13A, F21A, F21B		05	F13A, F21A, F21B			
	08	I02A, I02B, I02C, I02D, I12A, I12B, I12C, I22A, I32A, I32B, I32C, I32D, I32E, I32F, I50Z		08	I02A, I02B, I02C, I02D, I12A, I12B, I12C, I22A, I32A, I32B, I32C, I32D, I32E, I32F, I50Z		06	G10Z, G12A, G12B			
	09	J02A, J02B, J04A, J04B, J08A, J08B, J16Z, J21Z, J22A, J22B		09	J02A, J02B, J04A, J04B, J08A, J08B, J16Z, J21Z, J22A, J22B		08	I02A, I02B, I02C, I02D, I12A, I12B, I12C, I22A, I50Z			
	21A	W04A, W04B		21A	W04A, W04B		09	J02A, J02B, J04A, J04B, J08A, J08B, J16Z, J21Z, J22A, J22B			
	21B	X01A, X01B, X33Z		21B	X01A, X01B, X33Z		21A	W04A, W04B			
	5v263.0			BOP, KVT, UOP4	5v263.9↔			BOP, KVT, UOP4	5v263.e↔		BOP, KVT, UOP4
		03		D02A, D02B, D18Z, D24A, D24B			01	B03A, B03B, B06A, B06B, B07Z, B17A, B17B, B17C		01	B03A, B03B, B06A, B06B, B07Z, B17A, B17B, B17C
		05		F13A			05	F13A, F21A, F21B		05	F13A, F21A, F21B
08		I12A, I12B, I12C	08	I12A, I12B, I12C, I32A, I32B, I32C, I32D, I32E, I32F		08	I02A, I02B, I02C, I02D, I12A, I12B, I12C, I22A, I50Z				
09		J03A, J03B, J04A, J04B, J08A, J08B, J10A, J10B, J16Z	09	J02A, J02B, J04A, J04B, J08A, J08B, J16Z, J21Z, J22A, J22B		09	J02A, J02B, J04A, J04B, J08A, J08B, J16Z, J21Z, J22A, J22B				
21A		W04A, W04B	21A	W04A, W04B		10	K01Z				
21B		X01A, X01B, X06A, X06B, X06C, X33Z	21B	X01A, X01B, X33Z		21A	W04A, W04B				
5v263.4			BOP, KVT, UOP4	5v263.a			BOP, KVT, UOP4	5v263.f↔			BOP, KVT, UOP4
		01	B03A, B03B, B06A, B06B, B07Z, B17A, B17B, B17C			01	B03A, B03B, B06A, B06B, B07Z, B17A, B17B, B17C			01	B03A, B03B, B06A, B06B, B07Z, B17A, B17B, B17C
		02	C20A, C20B			05	F13A, F21A, F21B			05	F13A, F21A, F21B, F27A, F27B, F27C
	03	D12A	06		G10Z, G12A, G12B	08	I02A, I02B, I02C, I02D, I12A, I12B, I12C, I22A, I50Z				
	05	F13A, F21A, F21B	08		I02A, I02B, I02C, I02D, I12A, I12B, I12C, I22A, I50Z	09	J02A, J02B, J04A, J04B, J08A, J08B, J16Z, J21Z, J22A, J22B				
	08	I02A, I02B, I02C, I02D, I12A, I12B, I12C, I22A, I50Z	09		J02A, J02B, J04A, J04B, J08A, J08B, J16Z, J21Z, J22A, J22B	08	I02A, I02B, I02C, I02D, I12A, I12B, I12C, I22A, I50Z				
	09	J02A, J02B, J04A, J04B, J08A, J08B, J16Z, J21Z, J22A, J22B	21A		W04A, W04B	09	J02A, J02B, J04A, J04B, J08A, J08B, J16Z, J21Z, J22A, J22B				
	21A	W04A, W04B	21B		X01A, X01B, X33Z	10	K01Z				
	21B	X01A, X01B, X33Z	21B		X01A, X01B, X33Z	21A	W04A, W04B				
	5v263.5		BOP, KVT, UOP4		5v263.b		BOP, KVT, UOP4		5v263.g↔		BOP, KVT, UOP4
01		B03A, B03B, B06A, B06B, B07Z, B17A, B17B, B17C	01	B03A, B03B, B06A, B06B, B07Z, B17A, B17B, B17C		21B	X01A, X01B, X33Z				
03		D12A	05	F13A, F21A, F21B		01	B03A, B03B, B06A, B06B, B07Z, B17A, B17B, B17C				
05		F13A, F21A, F21B	06	G10Z, G12A, G12B		05	F13A, F21A, F21B, F27A, F27B, F27C				
08		I02A, I02B, I02C, I02D, I12A, I12B, I12C, I22A, I50Z	08	I02A, I02B, I02C, I02D, I12A, I12B, I12C, I22A, I50Z		08	I02A, I02B, I02C, I02D, I12A, I12B, I12C, I22A, I50Z				
09		J02A, J02B, J04A, J04B, J08A, J08B, J16Z, J21Z, J22A, J22B	09	J02A, J02B, J04A, J04B, J08A, J08B, J16Z, J21Z, J22A, J22B		09	J02A, J02B, J04A, J04B, J08A, J08B, J16Z, J21Z, J22A, J22B				
21A		W04A, W04B	21A	W04A, W04B		10	K01Z				
21B		X01A, X01B, X33Z	21B	X01A, X01B, X33Z		21A	W04A, W04B				
5v263.6↔			BOP, KVT, UOP4	5v263.c			BOP, KVT, UOP4	5v263.x↔			BOP, KVT, UOP4
		01	B03A, B03B, B06A, B06B, B07Z, B17A, B17B, B17C			01	B03A, B03B, B06A, B06B, B07Z, B17A, B17B, B17C			21B	X01A, X01B, X33Z
	05	F13A, F21A, F21B	05		F13A, F21A, F21B	01	B03A, B03B, B06A, B06B, B07Z, B17A, B17B, B17C				
	08	I02A, I02B, I02C, I02D, I12A, I12B, I12C, I22A, I50Z	06		G10Z, G12A, G12B	05	F13A, F21A, F21B				
	09	J02A, J02B, J04A, J04B, J08A, J08B, J16Z, J21Z, J22A, J22B	08		I02A, I02B, I02C, I02D, I12A, I12B, I12C, I22A, I50Z	08	I02A, I02B, I02C, I02D, I12A, I12B, I12C, I22A, I50Z				
	21A	W04A, W04B	09		J02A, J02B, J04A, J04B, J08A, J08B, J16Z, J21Z, J22A, J22B	09	J02A, J02B, J04A, J04B, J08A, J08B, J16Z, J21Z, J22A, J22B				
	21B	X01A, X01B, X33Z	10		K09A, K09B	09	J02A, J02B, J04A, J04B, J08A, J08B, J16Z, J21Z, J22A, J22B				
	5v263.7↔		BOP, KVT, UOP4		5v263.c		BOP, KVT, UOP4		5v263.x↔		BOP, KVT, UOP4
		01	B03A, B03B, B06A, B06B, B07Z, B17A, B17B, B17C			12	M04A, M04B, M04C, M04D, M37Z, M38Z			21A	W04A, W04B
		05	F13A, F21A, F21B			21A	W04A, W04B			21B	X01A, X01B, X33Z
08		I02A, I02B, I02C, I02D, I12A, I12B, I12C, I22A, I50Z	21B	X01A, X01B, X33Z							
09		J02A, J02B, J04A, J04B, J08A, J08B, J16Z, J21Z, J22A, J22B									
21A		W04A, W04B									
21B		X01A, X01B, X33Z									

ZZV	MDC	DRG	ZZV	MDC	DRG	ZZV	MDC	DRG	
5v26x.x↔		BOP, KVT, UOP4	5v270.a		BOP, KVT, UOP4	5v272.0		BOP, KVT, UOP4	
	01	B03A, B03B, B06A, B06B, B07Z, B17A, B17B, B17C		05	F13A		01	B03A, B03B, B06A, B06B, B07Z, B17A, B17B, B17C	
	05	F13A, F21A, F21B		09	J03A, J03B, J04A, J04B, J08A, J08B, J08C, J10A, J10B, J16Z		03	D12A, D12B	
	08	I02A, I02B, I02C, I02D, I22A, I32A, I32B, I32C, I32D, I32E, I32F, I50Z		21A	W04A, W04B		05	F13A, F21A, F21B, F21C	
				21B	X06A, X06B, X06C		08	I12A, I12B, I12C	
				5v270.b			BOP, KVT, UOP4	09	J02A, J02B, J02C, J04A, J04B, J08A, J08B, J08C, J16Z, J21Z, J22A, J22B
	09	J02A, J02B, J02C, J04A, J04B, J08A, J08B, J16Z, J21Z, J22A, J22B			05		F13A	21A	W04A, W04B
	21A	W04A, W04B			09		J03A, J03B, J04A, J04B, J08A, J08B, J08C, J10A, J10B, J16Z	21B	X01A, X01B
	21B	X01A, X01B						5v272.4	
	5v270.0			BOP, KVT, UOP4	5v270.c				BOP, KVT, UOP4
03		D12A, D12B	21A	W04A, W04B		03	D12A, D12B		
05		F13A	21B	X06A, X06B, X06C		05	F13A, F21A, F21B, F21C		
09		J03A, J03B, J04A, J04B, J08A, J08B, J08C, J10A, J10B, J16Z	05	F13A		08	I02A, I02B, I02C, I02D, I12A, I12B, I12C, I22A, I50Z		
			09	J03A, J03B, J04A, J04B, J08A, J08B, J08C, J10A, J10B, J16Z		09	J02A, J02B, J02C, J04A, J04B, J08A, J08B, J08C, J16Z, J21Z, J22A, J22B		
5v270.4		BOP, KVT, UOP4	5v270.d		BOP, KVT, UOP4	21A	W04A, W04B		
	03	D12A, D12B		05	F13A	21B	X01A, X01B		
	05	F13A		09	J03A, J03B, J04A, J04B, J08A, J08B, J08C, J10A, J10B, J16Z		BOP, KVT, UOP4		
	09	J03A, J03B, J04A, J04B, J08A, J08B, J08C, J10A, J10B, J16Z		21A	W04A, W04B	01	B03A, B03B, B06A, B06B, B07Z, B17A, B17B, B17C		
				21B	X04Z, X06A, X06B, X06C	03	D12A, D12B		
5v270.5		BOP, KVT, UOP4	5v270.e↔		BOP, KVT, UOP4	05	F13A, F21A, F21B, F21C		
	03	D12A, D12B		05	F13A	08	I02A, I02B, I02C, I02D, I12A, I12B, I12C, I22A, I50Z		
	05	F13A		09	J03A, J03B, J04A, J04B, J08A, J08B, J08C, J10A, J10B, J16Z	09	J02A, J02B, J02C, J04A, J04B, J08A, J08B, J08C, J16Z, J21Z, J22A, J22B		
	09	J03A, J03B, J04A, J04B, J08A, J08B, J08C, J10A, J10B, J16Z		21A	W04A, W04B	21A	W04A, W04B		
				21B	X04Z, X06A, X06B, X06C	21B	X01A, X01B		
5v270.6↔		BOP, KVT, UOP4	5v270.f↔		BOP, KVT, UOP4	5v272.5		BOP, KVT, UOP4	
	05	F13A		05	F13A		01	B03A, B03B, B06A, B06B, B07Z, B17A, B17B, B17C	
	09	J03A, J03B, J04A, J04B, J08A, J08B, J08C, J10A, J10B, J16Z		09	J03A, J03B, J04A, J04B, J08A, J08B, J08C, J10A, J10B, J16Z		03	D12A, D12B	
	21A	W04A, W04B		21A	W04A, W04B		05	F13A, F21A, F21B, F21C	
	21B	X06A, X06B, X06C		21B	X04Z, X06A, X06B, X06C		08	I02A, I02B, I02C, I02D, I12A, I12B, I12C, I22A, I50Z	
5v270.7↔		BOP, KVT, UOP4	5v270.g↔		BOP, KVT, UOP4		09	J02A, J02B, J02C, J04A, J04B, J08A, J08B, J08C, J16Z, J21Z, J22A, J22B	
	05	F13A		05	F13A		21A	W04A, W04B	
	09	J03A, J03B, J04A, J04B, J08A, J08B, J08C, J10A, J10B, J16Z		09	J03A, J03B, J04A, J04B, J08A, J08B, J08C, J10A, J10B, J16Z		21B	X01A, X01B	
	21A	W04A, W04B		21A	W04A, W04B			BOP, KVT, UOP4	
	21B	X06A, X06B, X06C		21B	X04Z, X06A, X06B, X06C		01	B03A, B03B, B06A, B06B, B07Z, B17A, B17B, B17C	
5v270.8↔		BOP, KVT, UOP4	5v270.x		BOP, KVT, UOP4	5v272.6↔		BOP, KVT, UOP4	
	05	F13A		05	F13A		01	B03A, B03B, B06A, B06B, B07Z, B17A, B17B, B17C	
	09	J03A, J03B, J04A, J04B, J08A, J08B, J08C, J10A, J10B, J16Z		09	J03A, J03B, J04A, J04B, J08A, J08B, J08C, J10A, J10B, J16Z		05	F13A, F21A, F21B, F21C	
	21A	W04A, W04B		21A	W04A, W04B		08	I02A, I02B, I02C, I02D, I12A, I12B, I12C, I22A, I50Z	
	21B	X06A, X06B, X06C		21B	X06A, X06B, X06C		09	J02A, J02B, J02C, J04A, J04B, J08A, J08B, J08C, J16Z, J21Z, J22A, J22B	
5v270.9↔		BOP, KVT, UOP4	5v271		BOP, KVT, UOP4		5v272.7↔		BOP, KVT, UOP4
	05	F13A		05	F13A			01	B03A, B03B, B06A, B06B, B07Z, B17A, B17B, B17C
	09	J03A, J03B, J04A, J04B, J08A, J08B, J08C, J10A, J10B, J16Z		09	J03A, J03B, J04A, J04B, J08A, J08B, J08C, J10A, J10B, J16Z			05	F13A, F21A, F21B, F21C
	21A	W04A, W04B		21A	W04A, W04B			08	I02A, I02B, I02C, I02D, I12A, I12B, I12C, I22A, I50Z
	21B	X05A, X05B, X06A, X06B, X06C		21B	X06A, X06B, X06C			09	J02A, J02B, J02C, J04A, J04B, J08A, J08B, J08C, J16Z, J21Z, J22A, J22B
5v270.9↔		BOP, KVT, UOP4			5v272.8↔			BOP, KVT, UOP4	
	05	F13A				01		B03A, B03B, B06A, B06B, B07Z, B17A, B17B, B17C	
	09	J03A, J03B, J04A, J04B, J08A, J08B, J08C, J10A, J10B, J16Z				05		F13A, F21A, F21B, F21C	
	21A	W04A, W04B				08		I02A, I02B, I02C, I02D, I12A, I12B, I12C, I22A, I32A, I32B, I32C, I32D, I32E, I32F, I50Z	
	21B	X05A, X05B, X06A, X06B, X06C				09		J02A, J02B, J02C, J04A, J04B, J08A, J08B, J08C, J16Z, J21Z, J22A, J22B	
				21A		W04A, W04B			
				21B		X01A, X01B			

ZZV	MDC	DRG	ZZV	MDC	DRG	ZZV	MDC	DRG					
5v272.9↔		BOP, KVT, UOP4	5v272.e↔		BOP, KVT, UOP4	5v273.4		BOP, KVT, UOP4					
	01	B03A, B03B, B06A, B06B, B07Z, B17A, B17B, B17C		01	B03A, B03B, B06A, B06B, B07Z, B17A, B17B, B17C		01	B03A, B03B, B06A, B06B, B07Z, B17A, B17B, B17C					
	05	F13A, F21A, F21B, F21C		05	F13A, F21A, F21B, F21C, F27A, F27B, F27C		03	D12A, D12B					
	08	I12A, I12B, I12C, I32A, I32B, I32C, I32D, I32E, I32F		08	I02A, I02B, I02C, I02D, I12A, I12B, I12C, I22A, I50Z		05	F13A, F21A, F21B, F21C					
	09	J02A, J02B, J02C, J04A, J04B, J08A, J08B, J08C, J16Z, J21Z, J22A, J22B		09	J02A, J02B, J02C, J04A, J04B, J08A, J08B, J08C, J16Z, J21Z, J22A, J22B		08	I02A, I02B, I02C, I02D, I12A, I12B, I12C, I22A, I50Z					
	21A	W04A, W04B		10	K01Z		09	J02A, J02B, J02C, J04A, J04B, J08A, J08B, J08C, J16Z, J21Z, J22A, J22B					
	21B	X01A, X01B		21A	W04A, W04B		21A	W04A, W04B					
	5v272.a			BOP, KVT, UOP4	5v272.f↔			BOP, KVT, UOP4	5v273.5		BOP, KVT, UOP4		
		01		B03A, B03B, B06A, B06B, B07Z, B17A, B17B, B17C			01	B03A, B03B, B06A, B06B, B07Z, B17A, B17B, B17C		01	B03A, B03B, B06A, B06B, B07Z, B17A, B17B, B17C		
		05		F13A, F21A, F21B, F21C			05	F13A, F21A, F21B, F21C, F27A, F27B, F27C		03	D12A, D12B		
06		G10Z, G12A, G12B	08	I02A, I02B, I02C, I02D, I12A, I12B, I12C, I22A, I50Z		05	F13A, F21A, F21B, F21C						
08		I02A, I02B, I02C, I02D, I12A, I12B, I12C, I22A, I50Z	09	J02A, J02B, J02C, J04A, J04B, J08A, J08B, J08C, J16Z, J21Z, J22A, J22B		08	I02A, I02B, I02C, I02D, I12A, I12B, I12C, I22A, I50Z						
09		J02A, J02B, J02C, J04A, J04B, J08A, J08B, J08C, J16Z, J21Z, J22A, J22B	10	K01Z		09	J02A, J02B, J02C, J04A, J04B, J08A, J08B, J08C, J16Z, J21Z, J22A, J22B						
21A		W04A, W04B	21A	W04A, W04B		21A	W04A, W04B						
21B		X01A, X01B	21B	X01A, X01B		21B	X01A, X01B						
5v272.b			BOP, KVT, UOP4	5v272.g↔			BOP, KVT, UOP4	5v273.6↔			BOP, KVT, UOP4		
		01	B03A, B03B, B06A, B06B, B07Z, B17A, B17B, B17C			01	B03A, B03B, B06A, B06B, B07Z, B17A, B17B, B17C			01	B03A, B03B, B06A, B06B, B07Z, B17A, B17B, B17C		
	05	F13A, F21A, F21B, F21C	05		F13A, F21A, F21B, F21C, F27A, F27B, F27C	05	F13A, F21A, F21B, F21C						
	06	G10Z, G12A, G12B	08		I02A, I02B, I02C, I02D, I12A, I12B, I12C, I22A, I50Z	08	I02A, I02B, I02C, I02D, I12A, I12B, I12C, I22A, I50Z						
	08	I02A, I02B, I02C, I02D, I12A, I12B, I12C, I22A, I50Z	09		J02A, J02B, J02C, J04A, J04B, J08A, J08B, J08C, J16Z, J21Z, J22A, J22B	09	J02A, J02B, J02C, J04A, J04B, J08A, J08B, J08C, J16Z, J21Z, J22A, J22B						
	09	J02A, J02B, J02C, J04A, J04B, J08A, J08B, J08C, J16Z, J21Z, J22A, J22B	10		K01Z	21A	W04A, W04B						
	21A	W04A, W04B	21A		W04A, W04B	21B	X01A, X01B						
	21B	X01A, X01B	21B		X01A, X01B	5v273.7↔			BOP, KVT, UOP4				
	5v272.c		BOP, KVT, UOP4		5v272.x↔				BOP, KVT, UOP4	5v273.8↔		BOP, KVT, UOP4	
		01	B03A, B03B, B06A, B06B, B07Z, B17A, B17B, B17C				01		B03A, B03B, B06A, B06B, B07Z, B17A, B17B, B17C		01	B03A, B03B, B06A, B06B, B07Z, B17A, B17B, B17C	
05		F13A, F21A, F21B, F21C	05	F13A, F21A, F21B, F21C			05	F13A, F21A, F21B, F21C					
06		G10Z, G12A, G12B	08	I02A, I02B, I02C, I02D, I12A, I12B, I12C, I22A, I32A, I32B, I32C, I32D, I32E, I32F, I50Z			08	I02A, I02B, I02C, I02D, I12A, I12B, I12C, I22A, I50Z					
08		I02A, I02B, I02C, I02D, I12A, I12B, I12C, I22A, I50Z	09	J02A, J02B, J02C, J04A, J04B, J08A, J08B, J08C, J16Z, J21Z, J22A, J22B			09	J02A, J02B, J02C, J04A, J04B, J08A, J08B, J08C, J16Z, J21Z, J22A, J22B					
09		J02A, J02B, J02C, J04A, J04B, J08A, J08B, J08C, J16Z, J21Z, J22A, J22B	21A	W04A, W04B			21A	W04A, W04B					
21A		W04A, W04B	21B	X01A, X01B			21B	X01A, X01B					
21B		X01A, X01B	5v273.0				BOP, KVT, UOP4	5v273.9↔			BOP, KVT, UOP4		
5v272.d				BOP, KVT, UOP4			5v273.0				BOP, KVT, UOP4	5v273.9↔	
		01		B03A, B03B, B06A, B06B, B07Z, B17A, B17B, B17C		01			B03A, B03B, B06A, B06B, B07Z, B17A, B17B, B17C		01		B03A, B03B, B06A, B06B, B07Z, B17A, B17B, B17C
	05	F13A, F21A, F21B, F21C		03	D12A, D12B	05			F13A, F21A, F21B, F21C				
	06	G10Z, G12A, G12B		05	F13A, F21A, F21B, F21C	08			I12A, I12B, I12C, I32A, I32B, I32C, I32D, I32E, I32F				
	08	I02A, I02B, I02C, I02D, I12A, I12B, I12C, I22A, I50Z		08	I12A, I12B, I12C	09			J02A, J02B, J02C, J04A, J04B, J08A, J08B, J08C, J16Z, J21Z, J22A, J22B				
	09	J02A, J02B, J02C, J04A, J04B, J08A, J08B, J08C, J16Z, J21Z, J22A, J22B		09	J02A, J02B, J02C, J04A, J04B, J08A, J08B, J08C, J16Z, J21Z, J22A, J22B	21A			W04A, W04B				
	21A	W04A, W04B		21A	W04A, W04B	21B			X01A, X01B				
	21B	X01A, X01B		21B	X01A, X01B	5v273.9↔				BOP, KVT, UOP4			
									5v273.9↔		BOP, KVT, UOP4		
					01			B03A, B03B, B06A, B06B, B07Z, B17A, B17B, B17C					
				05	F13A, F21A, F21B, F21C								
				08	I12A, I12B, I12C, I32A, I32B, I32C, I32D, I32E, I32F								
				09	J02A, J02B, J02C, J04A, J04B, J08A, J08B, J08C, J16Z, J21Z, J22A, J22B								
				21A	W04A, W04B								
				21B	X01A, X01B								

VYK



ZZV	MDC	DRG	ZZV	MDC	DRG	ZZV	MDC	DRG				
5v273.a		BOP, KVT, UOP4	5v273.f↔		BOP, KVT, UOP4	5v274.5		BOP, KVT, UOP4				
	01	B03A, B03B, B06A, B06B, B07Z, B17A, B17B, B17C		01	B03A, B03B, B06A, B06B, B07Z, B17A, B17B, B17C		01	B03A, B03B, B06A, B06B, B07Z, B17A, B17B, B17C				
	05	F13A, F21A, F21B, F21C		05	F13A, F21A, F21B, F21C, F27A, F27B, F27C		03	D12A, D12B				
	06	G10Z, G12A, G12B		08	I02A, I02B, I02C, I02D, I12A, I12B, I12C, I22A, I50Z		05	F13A, F21A, F21B, F21C				
	08	I02A, I02B, I02C, I02D, I12A, I12B, I12C, I22A, I50Z		08	I02A, I02B, I02C, I02D, I12A, I12B, I12C, I22A, I50Z		08	I02A, I02B, I02C, I02D, I12A, I12B, I12C, I22A, I50Z				
	09	J02A, J02B, J02C, J04A, J04B, J08A, J08B, J08C, J16Z, J21Z, J22A, J22B		09	J02A, J02B, J02C, J04A, J04B, J08A, J08B, J08C, J16Z, J21Z, J22A, J22B		09	J02A, J02B, J02C, J04A, J04B, J08A, J08B, J08C, J16Z, J21Z, J22A, J22B				
	21A	W04A, W04B		10	K01Z		21A	W04A, W04B				
	21B	X01A, X01B		21A	W04A, W04B		21B	X01A, X01B				
	5v273.b			BOP, KVT, UOP4	5v273.g↔			BOP, KVT, UOP4	5v274.6↔		BOP, KVT, UOP4	
		01		B03A, B03B, B06A, B06B, B07Z, B17A, B17B, B17C			01	B03A, B03B, B06A, B06B, B07Z, B17A, B17B, B17C		01	B03A, B03B, B06A, B06B, B07Z, B17A, B17B, B17C	
05		F13A, F21A, F21B, F21C	05	F13A, F21A, F21B, F21C, F27A, F27B, F27C		05	F13A, F21A, F21B, F21C					
06		G10Z, G12A, G12B	08	I02A, I02B, I02C, I02D, I12A, I12B, I12C, I22A, I50Z		08	I02A, I02B, I02C, I02D, I12A, I12B, I12C, I22A, I50Z					
08		I02A, I02B, I02C, I02D, I12A, I12B, I12C, I22A, I50Z	08	I02A, I02B, I02C, I02D, I12A, I12B, I12C, I22A, I50Z		09	J02A, J02B, J02C, J04A, J04B, J08A, J08B, J08C, J16Z, J21Z, J22A, J22B					
09		J02A, J02B, J02C, J04A, J04B, J08A, J08B, J08C, J16Z, J21Z, J22A, J22B	09	J02A, J02B, J02C, J04A, J04B, J08A, J08B, J08C, J16Z, J21Z, J22A, J22B		21A	W04A, W04B					
21A		W04A, W04B	10	K01Z		21B	X01A, X01B					
21B		X01A, X01B	21A	W04A, W04B		5v274.7↔		BOP, KVT, UOP4				
5v273.c			BOP, KVT, UOP4	5v273.x↔				BOP, KVT, UOP4		5v274.8↔		BOP, KVT, UOP4
		01	B03A, B03B, B06A, B06B, B07Z, B17A, B17B, B17C				01	B03A, B03B, B06A, B06B, B07Z, B17A, B17B, B17C			01	B03A, B03B, B06A, B06B, B07Z, B17A, B17B, B17C
	05	F13A, F21A, F21B, F21C	05		F13A, F21A, F21B, F21C		05	F13A, F21A, F21B, F21C				
	06	G10Z, G12A, G12B	08		I02A, I02B, I02C, I02D, I12A, I12B, I12C, I22A, I50Z		08	I02A, I02B, I02C, I02D, I12A, I12B, I12C, I22A, I50Z				
	08	I02A, I02B, I02C, I02D, I12A, I12B, I12C, I22A, I50Z	08		I02A, I02B, I02C, I02D, I12A, I12B, I12C, I22A, I32A, I32B, I32C, I32D, I32E, I32F, I50Z		09	J02A, J02B, J02C, J04A, J04B, J08A, J08B, J08C, J16Z, J21Z, J22A, J22B				
	09	J02A, J02B, J02C, J04A, J04B, J08A, J08B, J08C, J16Z, J21Z, J22A, J22B	09		J02A, J02B, J02C, J04A, J04B, J08A, J08B, J08C, J16Z, J21Z, J22A, J22B		21A	W04A, W04B				
	21A	W04A, W04B	21A		W04A, W04B		21B	X01A, X01B				
	21B	X01A, X01B	21B		X01A, X01B		5v274.9↔		BOP, KVT, UOP4			
	5v273.d		BOP, KVT, UOP4		5v274.0				BOP, KVT, UOP4		5v274.a	
		01	B03A, B03B, B06A, B06B, B07Z, B17A, B17B, B17C			01		B03A, B03B, B06A, B06B, B07Z, B17A, B17B, B17C	01			B03A, B03B, B06A, B06B, B07Z, B17A, B17B, B17C
05		F13A, F21A, F21B, F21C	03	D12A, D12B		05		F13A, F21A, F21B, F21C				
06		G10Z, G12A, G12B	05	F13A, F21A, F21B, F21C		08		I12A, I12B, I12C				
08		I02A, I02B, I02C, I02D, I12A, I12B, I12C, I22A, I50Z	08	I12A, I12B, I12C		09		J02A, J02B, J02C, J04A, J04B, J08A, J08B, J08C, J16Z, J21Z, J22A, J22B				
09		J02A, J02B, J02C, J04A, J04B, J08A, J08B, J08C, J16Z, J21Z, J22A, J22B	09	J02A, J02B, J02C, J04A, J04B, J08A, J08B, J08C, J16Z, J21Z, J22A, J22B		21A		W04A, W04B				
21A		W04A, W04B	21A	W04A, W04B		21B		X01A, X01B				
21B		X01A, X01B	21B	X01A, X01B		5v274.a			BOP, KVT, UOP4			
5v273.e↔			BOP, KVT, UOP4	5v274.4					BOP, KVT, UOP4	5v274.a		
		01	B03A, B03B, B06A, B06B, B07Z, B17A, B17B, B17C				01	B03A, B03B, B06A, B06B, B07Z, B17A, B17B, B17C	01			B03A, B03B, B06A, B06B, B07Z, B17A, B17B, B17C
	05	F13A, F21A, F21B, F21C, F27A, F27B, F27C	03		D12A, D12B		05	F13A, F21A, F21B, F21C				
	08	I02A, I02B, I02C, I02D, I12A, I12B, I12C, I22A, I50Z	05		F13A, F21A, F21B, F21C		08	I02A, I02B, I02C, I02D, I12A, I12B, I12C, I22A, I50Z				
	09	J02A, J02B, J02C, J04A, J04B, J08A, J08B, J08C, J16Z, J21Z, J22A, J22B	08		I02A, I02B, I02C, I02D, I12A, I12B, I12C, I22A, I50Z		09	J02A, J02B, J02C, J04A, J04B, J08A, J08B, J08C, J16Z, J21Z, J22A, J22B				
	10	K01Z	09		J02A, J02B, J02C, J04A, J04B, J08A, J08B, J08C, J16Z, J21Z, J22A, J22B		21A	W04A, W04B				
	21A	W04A, W04B	21A		W04A, W04B		21B	X01A, X01B				
	21B	X01A, X01B	21B		X01A, X01B		01	B03A, B03B, B06A, B06B, B07Z, B17A, B17B, B17C				
							05	F13A, F21A, F21B, F21C				
						06	G10Z, G12A, G12B					
				08	I02A, I02B, I02C, I02D, I12A, I12B, I12C, I22A, I50Z							
				09	J02A, J02B, J02C, J04A, J04B, J08A, J08B, J08C, J16Z, J21Z, J22A, J22B							
				21A	W04A, W04B							
				21B	X01A, X01B							





ZZV	MDC	DRG	ZZV	MDC	DRG	ZZV	MDC	DRG		
5v276.e↔		BOP, KVT, UOP4	5v282	03	D08A, D08B, D18Z, D22A, D22B, D30A, D30B	5v290.8↔		BOP, KVT, UOP4		
	01	B03A, B03B, B06A, B06B, B07Z, B17A, B17B, B17C		05	F13A		01	B03A, B03B, B06A, B06B, B07Z, B17A, B17B, B17C		
	05	F13A, F21A, F21B, F21C, F27A, F27B, F27C		09	J03A, J03B, J04A, J04B, J08A, J08B, J08C, J10A, J10B, J16Z		05	F21A, F21B, F21C		
	08	I02A, I02B, I02C, I02D, I12A, I12B, I12C, I22A, I50Z		21A	W04A, W04B		08	I02A, I02B, I02C, I02D, I22A, I22B, I32A, I32B, I32C, I32D, I32E, I32F, I50Z		
	09	J02A, J02B, J02C, J04A, J04B, J08A, J08B, J08C, J16Z, J21Z, J22A, J22B		21B	X06A, X06B, X06C		09	J02A, J02B, J02C, J04A, J04B, J08A, J08B, J08C, J16Z, J21Z, J22A, J22B		
	10	K01Z		22	Y01Z, Y03A, Y03B		21A	W04A, W04B		
	21A	W04A, W04B		5v283			21B	X01A, X01B, X01C		
	21B	X01A, X01B		03	D08A, D08B, D18Z, D22A, D22B, D30A, D30B		22	Y01Z, Y02A, Y02B, Y02C		
	5v276.f↔			BOP, KVT, UOP4	05		F13A	5v290.9↔		BOP, KVT, UOP4
		01		B03A, B03B, B06A, B06B, B07Z, B17A, B17B, B17C	09		J03A, J03B, J04A, J04B, J08A, J08B, J08C, J10A, J10B, J16Z		01	B03A, B03B, B06A, B06B, B07Z, B17A, B17B, B17C
05		F13A, F21A, F21B, F21C, F27A, F27B, F27C	21A	W04A, W04B	05	F21A, F21B, F21C				
08		I02A, I02B, I02C, I02D, I12A, I12B, I12C, I22A, I50Z	21B	X06A, X06B, X06C	08	I32A, I32B, I32C, I32D, I32E, I32F				
09		J02A, J02B, J02C, J04A, J04B, J08A, J08B, J08C, J16Z, J21Z, J22A, J22B	22	Y01Z, Y03A, Y03B	09	J02A, J02B, J02C, J04A, J04B, J08A, J08B, J08C, J16Z, J21Z, J22A, J22B				
10		K01Z	5v290.0		21A	W04A, W04B				
21A		W04A, W04B	01	B03A, B03B, B06A, B06B, B07Z, B17A, B17B, B17C	21B	X01A, X01B, X01C				
21B		X01A, X01B	03	D12A	22	Y01Z, Y02A, Y02B, Y02C				
5v276.g↔			BOP, KVT, UOP4	05	F21A, F21B, F21C	5v290.a			BOP, KVT, UOP4	
		01	B03A, B03B, B06A, B06B, B07Z, B17A, B17B, B17C	09	J02A, J02B, J02C, J04A, J04B, J08A, J08B, J08C, J16Z, J21Z, J22A, J22B		01		B03A, B03B, B06A, B06B, B07Z, B17A, B17B, B17C	
	05	F13A, F21A, F21B, F21C, F27A, F27B, F27C	21A	W04A, W04B	05		F21A, F21B, F21C			
	08	I02A, I02B, I02C, I02D, I12A, I12B, I12C, I22A, I50Z	21B	X01A, X01B, X01C	06		G10Z, G12A, G12B			
	09	J02A, J02B, J02C, J04A, J04B, J08A, J08B, J08C, J16Z, J21Z, J22A, J22B	22	Y01Z, Y02A, Y02B, Y02C	08		I02A, I02B, I02C, I02D, I22A, I22B, I50Z			
	10	K01Z	5v290.5		09		J02A, J02B, J02C, J04A, J04B, J08A, J08B, J08C, J16Z, J21Z, J22A, J22B			
	21A	W04A, W04B	01	B03A, B03B, B06A, B06B, B07Z, B17A, B17B, B17C	21A		W04A, W04B			
	21B	X01A, X01B	03	D12A	21B		X01A, X01B, X01C			
	5v276.x↔		BOP, KVT, UOP4	05	F21A, F21B, F21C		5v290.b		BOP, KVT, UOP4	
		01	B03A, B03B, B06A, B06B, B07Z, B17A, B17B, B17C	08	I02A, I02B, I02C, I02D, I22A, I22B, I50Z			01	B03A, B03B, B06A, B06B, B07Z, B17A, B17B, B17C	
05		F13A, F21A, F21B, F21C	09	J02A, J02B, J02C, J04A, J04B, J08A, J08B, J08C, J16Z, J21Z, J22A, J22B	05	F21A, F21B, F21C				
08		I02A, I02B, I02C, I02D, I12A, I12B, I12C, I22A, I32A, I32B, I32C, I32D, I32E, I32F, I50Z	21A	W04A, W04B	06	G10Z, G12A, G12B				
09		J02A, J02B, J02C, J04A, J04B, J08A, J08B, J08C, J16Z, J21Z, J22A, J22B	21B	X01A, X01B, X01C	08	I02A, I02B, I02C, I02D, I22A, I22B, I50Z				
21A		W04A, W04B	22	Y01Z, Y02A, Y02B, Y02C	09	J02A, J02B, J02C, J04A, J04B, J08A, J08B, J08C, J16Z, J21Z, J22A, J22B				
21B		X01A, X01B	5v290.6↔		21A	W04A, W04B				
5v27x.x			BOP, KVT, UOP4	01	B03A, B03B, B06A, B06B, B07Z, B17A, B17B, B17C	5v290.c			BOP, KVT, UOP4	
		05	F13A	05	F21A, F21B, F21C			01	B03A, B03B, B06A, B06B, B07Z, B17A, B17B, B17C	
		08	I12A, I12B, I12C	08	I02A, I02B, I02C, I02D, I22A, I22B, I50Z			05	F21A, F21B, F21C	
	09	J03A, J03B, J04A, J04B, J08A, J08B, J08C, J10A, J10B, J16Z	09	J02A, J02B, J02C, J04A, J04B, J08A, J08B, J08C, J16Z, J21Z, J22A, J22B	06		G10Z, G12A, G12B			
	21A	W04A, W04B	5v290.7↔		08		I02A, I02B, I02C, I02D, I22A, I22B, I50Z			
	21B	X06A, X06B, X06C	01	B03A, B03B, B06A, B06B, B07Z, B17A, B17B, B17C	09		J02A, J02B, J02C, J04A, J04B, J08A, J08B, J08C, J16Z, J21Z, J22A, J22B			
	5v281		BOP, KVT, UOP4	05	F21A, F21B, F21C		5v290.c		BOP, KVT, UOP4	
		03	D08A, D08B, D18Z, D22A, D22B, D30A, D30B	08	I02A, I02B, I02C, I02D, I22A, I22B, I50Z			01	B03A, B03B, B06A, B06B, B07Z, B17A, B17B, B17C	
		05	F13A	09	J02A, J02B, J02C, J04A, J04B, J08A, J08B, J08C, J16Z, J21Z, J22A, J22B			05	F21A, F21B, F21C	
		09	J03A, J03B, J04A, J04B, J08A, J08B, J08C, J10A, J10B, J16Z	21A	W04A, W04B			06	G10Z, G12A, G12B	
21A		W04A, W04B	21B	X01A, X01B, X01C	08	I02A, I02B, I02C, I02D, I22A, I22B, I50Z				
21B		X06A, X06B, X06C	22	Y01Z, Y02A, Y02B, Y02C	09	J02A, J02B, J02C, J04A, J04B, J08A, J08B, J08C, J16Z, J21Z, J22A, J22B				
22		Y01Z, Y03A, Y03B	5v290.7↔		21A	W04A, W04B				
			01	B03A, B03B, B06A, B06B, B07Z, B17A, B17B, B17C	21B	X01A, X01B, X01C				
			05	F21A, F21B, F21C	22	Y01Z, Y02A, Y02B, Y02C				
			08	I02A, I02B, I02C, I02D, I22A, I22B, I50Z						

ZZV	MDC	DRG	ZZV	MDC	DRG	ZZV	MDC	DRG
5v290.d		BOP, KVT, UOP4	5v292.0		BOP, KVT, UOP4	5v292.8↔		BOP, KVT, UOP4
	01	B03A, B03B, B06A, B06B, B07Z, B17A, B17B, B17C		01	B03A, B03B, B06A, B06B, B07Z, B17A, B17B, B17C		01	B03A, B03B, B06A, B06B, B07Z, B17A, B17B, B17C
	05	F21A, F21B, F21C		03	D12A		05	F13A, F21A, F21B, F21C
	06	G10Z, G12A, G12B		05	F13A, F21A, F21B, F21C		08	I02A, I02B, I02C, I02D, I22A, I22B, I32A, I32B, I32C, I32D, I32E, I32F, I50Z
	08	I02A, I02B, I02C, I02D, I22A, I22B, I50Z		09	J02A, J02B, J02C, J04A, J04B, J08A, J08B, J08C, J16Z, J21Z, J22A, J22B		09	J02A, J02B, J02C, J04A, J04B, J08A, J08B, J08C, J16Z, J21Z, J22A, J22B
	09	J02A, J02B, J02C, J04A, J04B, J08A, J08B, J08C, J16Z, J21Z, J22A, J22B		21A	W04A, W04B		21A	W04A, W04B
	21A	W04A, W04B		21B	X01A, X01B, X01C		21B	X01A, X01B, X01C
	21B	X01A, X01B, X01C			BOP, KVT, UOP4			BOP, KVT, UOP4
	22	Y01Z, Y02A, Y02B, Y02C		01	B03A, B03B, B06A, B06B, B07Z, B17A, B17B, B17C		01	B03A, B03B, B06A, B06B, B07Z, B17A, B17B, B17C
		BOP, KVT, UOP4		03	D12A		03	D12A
		BOP, KVT, UOP4		05	F13A, F21A, F21B, F21C		05	F13A, F21A, F21B, F21C
		BOP, KVT, UOP4		08	I02A, I02B, I02C, I02D, I22A, I22B, I50Z		08	I32A, I32B, I32C, I32D, I32E, I32F
5v290.e↔	01	B03A, B03B, B06A, B06B, B07Z, B17A, B17B, B17C		J02A, J02B, J02C, J04A, J04B, J08A, J08B, J08C, J16Z, J21Z, J22A, J22B	09	J02A, J02B, J02C, J04A, J04B, J08A, J08B, J08C, J16Z, J21Z, J22A, J22B		
	05	F21A, F21B, F21C, F27A, F27B, F27C		21A	W04A, W04B	21A	W04A, W04B	
	08	I02A, I02B, I02C, I02D, I22A, I22B, I50Z		21B	X01A, X01B, X01C	21B	X01A, X01B, X01C	
	09	J02A, J02B, J02C, J04A, J04B, J08A, J08B, J08C, J16Z, J21Z, J22A, J22B		01	B03A, B03B, B06A, B06B, B07Z, B17A, B17B, B17C	01	B03A, B03B, B06A, B06B, B07Z, B17A, B17B, B17C	
	10	K01Z		03	D12A	03	D12A	
	21A	W04A, W04B		05	F13A, F21A, F21B, F21C	05	F13A, F21A, F21B, F21C, F27A, F27B, F27C	
	21B	X01A, X01B, X01C		08	I02A, I02B, I02C, I02D, I22A, I22B, I50Z	06	G10Z, G12A, G12B	
	22	Y01Z, Y02A, Y02B, Y02C		09	J02A, J02B, J02C, J04A, J04B, J08A, J08B, J08C, J16Z, J21Z, J22A, J22B	08	I02A, I02B, I02C, I02D, I22A, I22B, I32A, I32B, I32C, I32D, I32E, I32F, I50Z	
		BOP, KVT, UOP4		21A	W04A, W04B	09	J02A, J02B, J02C, J04A, J04B, J08A, J08B, J08C, J16Z, J21Z, J22A, J22B	
		BOP, KVT, UOP4		21B	X01A, X01B, X01C	10	K01Z	
		BOP, KVT, UOP4		01	B03A, B03B, B06A, B06B, B07Z, B17A, B17B, B17C	21A	W04A, W04B	
		BOP, KVT, UOP4		03	D12A	21B	X01A, X01B, X01C	
5v290.f↔	01	B03A, B03B, B06A, B06B, B07Z, B17A, B17B, B17C		05	F13A, F21A, F21B, F21C		BOP, KVT, UOP4	
	05	F21A, F21B, F21C, F27A, F27B, F27C		06	G10Z, G12A, G12B		BOP, KVT, UOP4	
	08	I02A, I02B, I02C, I02D, I22A, I22B, I50Z		08	I02A, I02B, I02C, I02D, I22A, I22B, I32A, I32B, I32C, I32D, I32E, I32F, I50Z		BOP, KVT, UOP4	
	09	J02A, J02B, J02C, J04A, J04B, J08A, J08B, J08C, J16Z, J21Z, J22A, J22B		09	J02A, J02B, J02C, J04A, J04B, J08A, J08B, J08C, J16Z, J21Z, J22A, J22B		BOP, KVT, UOP4	
	10	K01Z		21A	W04A, W04B		BOP, KVT, UOP4	
	21A	W04A, W04B		21B	X01A, X01B, X01C		BOP, KVT, UOP4	
	21B	X01A, X01B, X01C		01	B03A, B03B, B06A, B06B, B07Z, B17A, B17B, B17C		BOP, KVT, UOP4	
	22	Y01Z, Y02A, Y02B, Y02C		03	D12A		BOP, KVT, UOP4	
		BOP, KVT, UOP4		05	F13A, F21A, F21B, F21C		BOP, KVT, UOP4	
		BOP, KVT, UOP4		06	G10Z, G12A, G12B		BOP, KVT, UOP4	
		BOP, KVT, UOP4		08	I02A, I02B, I02C, I02D, I22A, I22B, I32A, I32B, I32C, I32D, I32E, I32F, I50Z		BOP, KVT, UOP4	
		BOP, KVT, UOP4		09	J02A, J02B, J02C, J04A, J04B, J08A, J08B, J08C, J16Z, J21Z, J22A, J22B		BOP, KVT, UOP4	
5v290.g↔	01	B03A, B03B, B06A, B06B, B07Z, B17A, B17B, B17C		21A	W04A, W04B		BOP, KVT, UOP4	
	05	F21A, F21B, F21C, F27A, F27B, F27C		21B	X01A, X01B, X01C		BOP, KVT, UOP4	
	08	I02A, I02B, I02C, I02D, I22A, I22B, I50Z		01	B03A, B03B, B06A, B06B, B07Z, B17A, B17B, B17C		BOP, KVT, UOP4	
	09	J02A, J02B, J02C, J04A, J04B, J08A, J08B, J08C, J16Z, J21Z, J22A, J22B		03	D12A		BOP, KVT, UOP4	
	10	K01Z		05	F13A, F21A, F21B, F21C		BOP, KVT, UOP4	
	21A	W04A, W04B		08	I02A, I02B, I02C, I02D, I22A, I22B, I32A, I32B, I32C, I32D, I32E, I32F, I50Z		BOP, KVT, UOP4	
	21B	X01A, X01B, X01C		09	J02A, J02B, J02C, J04A, J04B, J08A, J08B, J08C, J16Z, J21Z, J22A, J22B		BOP, KVT, UOP4	
	22	Y01Z, Y02A, Y02B, Y02C		21A	W04A, W04B		BOP, KVT, UOP4	
		BOP, KVT, UOP4		21B	X01A, X01B, X01C		BOP, KVT, UOP4	
		BOP, KVT, UOP4		01	B03A, B03B, B06A, B06B, B07Z, B17A, B17B, B17C		BOP, KVT, UOP4	
		BOP, KVT, UOP4		03	D12A		BOP, KVT, UOP4	
		BOP, KVT, UOP4		05	F13A, F21A, F21B, F21C		BOP, KVT, UOP4	
5v290.x↔	01	B03A, B03B, B06A, B06B, B07Z, B17A, B17B, B17C		08	I02A, I02B, I02C, I02D, I22A, I22B, I32A, I32B, I32C, I32D, I32E, I32F, I50Z		BOP, KVT, UOP4	
	05	F21A, F21B, F21C		09	J02A, J02B, J02C, J04A, J04B, J08A, J08B, J08C, J16Z, J21Z, J22A, J22B		BOP, KVT, UOP4	
	08	I02A, I02B, I02C, I02D, I22A, I22B, I32A, I32B, I32C, I32D, I32E, I32F, I50Z		21A	W04A, W04B		BOP, KVT, UOP4	
	09	J02A, J02B, J02C, J04A, J04B, J08A, J08B, J08C, J16Z, J21Z, J22A, J22B		21B	X01A, X01B, X01C		BOP, KVT, UOP4	
	21A	W04A, W04B					BOP, KVT, UOP4	
	21B	X01A, X01B, X01C					BOP, KVT, UOP4	
	22	Y01Z, Y02A, Y02B, Y02C					BOP, KVT, UOP4	
		BOP, KVT, UOP4					BOP, KVT, UOP4	
		BOP, KVT, UOP4					BOP, KVT, UOP4	
		BOP, KVT, UOP4					BOP, KVT, UOP4	
		BOP, KVT, UOP4					BOP, KVT, UOP4	
		BOP, KVT, UOP4					BOP, KVT, UOP4	

VYK



ZZV	MDC	DRG	ZZV	MDC	DRG	ZZV	MDC	DRG
5v400.6↔		BOP, KVT, UOP4	5v400.f↔		BOP, KVT, UOP4	5v401.9↔		BOP, KVT, UOP4
	09	J03A, J03B, J04A, J04B, J08A, J08B, J08C, J10A, J10B, J16Z		09	J03A, J03B, J04A, J04B, J08A, J08B, J08C, J10A, J10B, J16Z		09	J03A, J03B, J04A, J04B, J08A, J08B, J08C, J10A, J10B, J16Z
	10	K07Z		10	K07Z		10	K07Z
	21A	W04A, W04B		21A	W04A, W04B		21A	W04A, W04B
5v400.7↔	21B	X06A, X06B, X06C	5v400.g↔	21B	X04Z, X06A, X06B, X06C	5v401.a	21B	X05A, X05B, X06A, X06B, X06C
		BOP, KVT, UOP4			BOP, KVT, UOP4			BOP, KVT, UOP4
	09	J03A, J03B, J04A, J04B, J08A, J08B, J08C, J10A, J10B, J16Z		09	J03A, J03B, J04A, J04B, J08A, J08B, J08C, J10A, J10B, J16Z		09	J03A, J03B, J04A, J04B, J08A, J08B, J08C, J10A, J10B, J16Z
	10	K07Z		10	K07Z		10	K07Z
5v400.8↔	21A	W04A, W04B	5v400.x	21A	W04A, W04B	5v401.b	21A	W04A, W04B
	21B	X06A, X06B, X06C		21B	X04Z, X06A, X06B, X06C		21B	X06A, X06B, X06C
		BOP, KVT, UOP4			BOP, KVT, UOP4			BOP, KVT, UOP4
	09	J03A, J03B, J04A, J04B, J08A, J08B, J08C, J10A, J10B, J16Z		09	J03A, J03B, J04A, J04B, J08A, J08B, J08C, J10A, J10B, J16Z		09	J03A, J03B, J04A, J04B, J08A, J08B, J08C, J10A, J10B, J16Z
5v400.9↔	10	K07Z	5v401.0	10	K07Z	5v401.c	10	K07Z
	21A	W04A, W04B		21A	W04A, W04B		21A	W04A, W04B
	21B	X05A, X05B, X06A, X06B, X06C		21B	X06A, X06B, X06C		21B	X06A, X06B, X06C
		BOP, KVT, UOP4			BOP, KVT, UOP4			BOP, KVT, UOP4
5v400.a	09	J03A, J03B, J04A, J04B, J08A, J08B, J08C, J10A, J10B, J16Z	5v401.4	09	J03A, J03B, J04A, J04B, J08A, J08B, J08C, J10A, J10B, J16Z	5v401.d	09	J03A, J03B, J04A, J04B, J08A, J08B, J08C, J10A, J10B, J16Z
	10	K07Z		10	K07Z		10	K07Z
	21A	W04A, W04B		21A	W04A, W04B		21A	W04A, W04B
	21B	X06A, X06B, X06C		21B	X06A, X06B, X06C		21B	X04Z, X06A, X06B, X06C
5v400.b		BOP, KVT, UOP4	5v401.5		BOP, KVT, UOP4	5v401.e↔		BOP, KVT, UOP4
	09	J03A, J03B, J04A, J04B, J08A, J08B, J08C, J10A, J10B, J16Z		09	J03A, J03B, J04A, J04B, J08A, J08B, J08C, J10A, J10B, J16Z		09	J03A, J03B, J04A, J04B, J08A, J08B, J08C, J10A, J10B, J16Z
	10	K07Z		10	K07Z		10	K07Z
	21A	W04A, W04B		21A	W04A, W04B		21A	W04A, W04B
5v400.c	21B	X06A, X06B, X06C	5v401.6↔	21B	X06A, X06B, X06C	5v401.f↔	21B	X04Z, X06A, X06B, X06C
		BOP, KVT, UOP4			BOP, KVT, UOP4			BOP, KVT, UOP4
	09	J03A, J03B, J04A, J04B, J08A, J08B, J08C, J10A, J10B, J16Z		09	J03A, J03B, J04A, J04B, J08A, J08B, J08C, J10A, J10B, J16Z		09	J03A, J03B, J04A, J04B, J08A, J08B, J08C, J10A, J10B, J16Z
	10	K07Z		10	K07Z		10	K07Z
5v400.d	21A	W04A, W04B	5v401.7↔	21A	W04A, W04B	5v401.g↔	21A	W04A, W04B
	21B	X04Z, X06A, X06B, X06C		21B	X06A, X06B, X06C		21B	X04Z, X06A, X06B, X06C
		BOP, KVT, UOP4			BOP, KVT, UOP4			BOP, KVT, UOP4
	09	J03A, J03B, J04A, J04B, J08A, J08B, J08C, J10A, J10B, J16Z		09	J03A, J03B, J04A, J04B, J08A, J08B, J08C, J10A, J10B, J16Z		09	J03A, J03B, J04A, J04B, J08A, J08B, J08C, J10A, J10B, J16Z
5v400.e↔	10	K07Z	5v401.8↔	10	K07Z	5v401.n	10	K07Z
	21A	W04A, W04B		21A	W04A, W04B		21A	W04A, W04B
	21B	X04Z, X06A, X06B, X06C		21B	X06A, X06B, X06C		21B	X04Z, X06A, X06B, X06C
		BOP, KVT, UOP4			BOP, KVT, UOP4			BOP, KVT, UOP4
	09	J03A, J03B, J04A, J04B, J08A, J08B, J08C, J10A, J10B, J16Z		09	J03A, J03B, J04A, J04B, J08A, J08B, J08C, J10A, J10B, J16Z		09	J03A, J03B, J04A, J04B, J08A, J08B, J08C, J10A, J10B, J16Z
	10	K07Z		10	K07Z		10	K07Z
	21A	W04A, W04B		21A	W04A, W04B		21A	W04A, W04B
	21B	X04Z, X06A, X06B, X06C		21B	X05A, X05B, X06A, X06B, X06C		21B	X06A, X06B, X06C

VYK

ZZV	MDC	DRG	ZZV	MDC	DRG	ZZV	MDC	DRG
5v401.x		BOP, KVT, UOP4	5v402.b		BOP, KVT, UOP4	5v420.a†	09	J11A, J11B
	09	J03A, J03B, J04A, J04B, J08A, J08B, J08C, J10A, J10B, J16Z		09	J03A, J03B, J04A, J04B, J08A, J08B, J08C, J10A, J10B, J16Z	5v420.b†	09	J11A, J11B
	10	K07Z		10	K07Z	5v420.c†	09	J11A, J11B
	21A	W04A, W04B		21A	W04A, W04B	5v420.d†	09	J11A, J11B
	21B	X06A, X06B, X06C		21B	X06A, X06B, X06C	5v420.e†↔	09	J11A, J11B
5v402.0		BOP, KVT, UOP4	5v402.c		BOP, KVT, UOP4	5v420.f†↔	09	J11A, J11B
	09	J03A, J03B, J04A, J04B, J08A, J08B, J08C, J10A, J10B, J16Z		09	J03A, J03B, J04A, J04B, J08A, J08B, J08C, J10A, J10B, J16Z	5v420.g†↔	09	J11A, J11B
	10	K07Z		10	K07Z	5v420.x†	09	J11A, J11B
	21A	W04A, W04B		21A	W04A, W04B	5v421.0†	09	J11A, J11B
	21B	X06A, X06B, X06C		21B	X04Z, X06A, X06B, X06C	5v421.4†	02	C14Z
5v402.4		BOP, KVT, UOP4	5v402.d		BOP, KVT, UOP4	5v421.5†	09	J11A, J11B
	09	J03A, J03B, J04A, J04B, J08A, J08B, J08C, J10A, J10B, J16Z		09	J03A, J03B, J04A, J04B, J08A, J08B, J08C, J10A, J10B, J16Z	5v421.6†↔	09	J11A, J11B
	10	K07Z		10	K07Z	5v421.7†↔	09	J11A, J11B
	21A	W04A, W04B		21A	W04A, W04B	5v421.8†↔	09	J11A, J11B
	21B	X06A, X06B, X06C		21B	X04Z, X06A, X06B, X06C	5v421.9†↔	09	J11A, J11B
5v402.5		BOP, KVT, UOP4	5v402.e↔		BOP, KVT, UOP4	5v421.a†	09	J11A, J11B
	09	J03A, J03B, J04A, J04B, J08A, J08B, J08C, J10A, J10B, J16Z		09	J03A, J03B, J04A, J04B, J08A, J08B, J08C, J10A, J10B, J16Z	5v421.b†	09	J11A, J11B
	10	K07Z		10	K07Z	5v421.c†	09	J11A, J11B
	21A	W04A, W04B		21A	W04A, W04B	5v421.d†	09	J11A, J11B
	21B	X06A, X06B, X06C		21B	X04Z, X06A, X06B, X06C	5v421.e†↔	09	J11A, J11B
5v402.6↔		BOP, KVT, UOP4	5v402.f↔		BOP, KVT, UOP4	5v421.f†↔	09	J11A, J11B
	09	J03A, J03B, J04A, J04B, J08A, J08B, J08C, J10A, J10B, J16Z		09	J03A, J03B, J04A, J04B, J08A, J08B, J08C, J10A, J10B, J16Z	5v421.g†↔	09	J11A, J11B
	10	K07Z		10	K07Z	5v421.x†	09	J11A, J11B
	21A	W04A, W04B		21A	W04A, W04B	5v422.0†	09	J11A, J11B
	21B	X06A, X06B, X06C		21B	X04Z, X06A, X06B, X06C	5v422.4†	02	C14Z
5v402.7↔		BOP, KVT, UOP4	5v402.g↔		BOP, KVT, UOP4	5v422.5†	09	J11A, J11B, J11C
	09	J03A, J03B, J04A, J04B, J08A, J08B, J08C, J10A, J10B, J16Z		09	J03A, J03B, J04A, J04B, J08A, J08B, J08C, J10A, J10B, J16Z	5v422.6†↔	09	J11A, J11B, J11C
	10	K07Z		10	K07Z	5v422.7†↔	09	J11A, J11B, J11C
	21A	W04A, W04B		21A	W04A, W04B	5v422.8†↔	09	J11A, J11B, J11C
	21B	X06A, X06B, X06C		21B	X04Z, X06A, X06B, X06C	5v422.9†↔	09	J11A, J11B, J11C
5v402.8↔		BOP, KVT, UOP4	5v402.x		BOP, KVT, UOP4	5v422.a†	09	J11A, J11B, J11C
	09	J03A, J03B, J04A, J04B, J08A, J08B, J08C, J10A, J10B, J16Z		09	J03A, J03B, J04A, J04B, J08A, J08B, J08C, J10A, J10B, J16Z	5v422.b†	09	J11A, J11B, J11C
	10	K07Z		10	K07Z	5v422.c†	09	J11A, J11B, J11C
	21A	W04A, W04B		21A	W04A, W04B	5v422.d†	09	J11A, J11B, J11C
	21B	X05A, X05B, X06A, X06B, X06C		21B	X04Z, X06A, X06B, X06C	5v422.e†↔	09	J11A, J11B, J11C
5v402.9↔		BOP, KVT, UOP4	5v403		BOP, KVT, UOP4	5v422.f†↔	09	J11A, J11B, J11C
	09	J03A, J03B, J04A, J04B, J08A, J08B, J08C, J10A, J10B, J16Z		09	J03A, J03B, J04A, J04B, J08A, J08B, J08C, J10A, J10B, J16Z	5v422.g†↔	09	J11A, J11B, J11C
	10	K07Z		10	K07Z	5v422.x†	09	J11A, J11B
	21A	W04A, W04B		21A	W04A, W04B	5v423.4†	02	C14Z
	21B	X05A, X05B, X06A, X06B, X06C		21B	X06A, X06B, X06C	5v424.0†	09	J11A, J11B, J11C
5v402.a		BOP, KVT, UOP4	5v40x.x		BOP, KVT, UOP4	5v424.4†	02	C14Z
	09	J03A, J03B, J04A, J04B, J08A, J08B, J08C, J10A, J10B, J16Z		09	J03A, J03B, J04A, J04B, J08A, J08B, J08C, J10A, J10B, J16Z	5v424.5†	09	J11A, J11B
	10	K07Z		10	K07Z	5v424.6†↔	09	J11A, J11B
	21A	W04A, W04B		21A	W04A, W04B	5v424.7†↔	09	J11A, J11B
	21B	X06A, X06B, X06C		21B	X06A, X06B, X06C	5v424.8†↔	09	J11A, J11B
5v420.0†		BOP, KVT, UOP4	5v420.0†		BOP, KVT, UOP4	5v424.9†↔	09	J11A, J11B, J11C
	09	J03A, J03B, J04A, J04B, J08A, J08B, J08C, J10A, J10B, J16Z		09	J03A, J03B, J04A, J04B, J08A, J08B, J08C, J10A, J10B, J16Z	5v424.a†	09	J11A, J11B, J11C
	10	K07Z		10	K07Z	5v424.b†	09	J11A, J11B
	21A	W04A, W04B		21A	W04A, W04B	5v424.c†	09	J11A, J11B
	21B	X06A, X06B, X06C		21B	X06A, X06B, X06C	5v424.d†	09	J11A, J11B
	03	D08A, D08B, D18Z, D22A, D22B, D30A, D30B		03	D08A, D08B, D18Z, D22A, D22B, D30A, D30B	5v424.e†↔	09	J11A, J11B
	09	J11A, J11B		09	J11A, J11B	5v424.f†↔	09	J11A, J11B
	02	C14Z		02	C14Z	5v424.g†↔	09	J11A, J11B, J11C
	09	J11A, J11B, J11C		09	J11A, J11B, J11C	5v424.x†	09	J11A, J11B
	09	J11A, J11B		09	J11A, J11B	5v425.0†	09	J11A, J11B, J11C
	09	J11A, J11B		09	J11A, J11B	5v425.4†	02	C14Z
	09	J11A, J11B		09	J11A, J11B	5v425.5†	09	J11A, J11B, J11C
	09	J11A, J11B		09	J11A, J11B	5v425.6†↔	09	J11A, J11B, J11C
	09	J11A, J11B		09	J11A, J11B	5v425.7†↔	09	J11A, J11B, J11C
	09	J11A, J11B		09	J11A, J11B	5v425.8†↔	09	J11A, J11B, J11C
09	J11A, J11B	09	J11A, J11B	5v425.9†↔	09	J11A, J11B, J11C		
09	J11A, J11B	09	J11A, J11B	5v425.a†	09	J11A, J11B, J11C		
09	J11A, J11B	09	J11A, J11B	5v425.b†	09	J11A, J11B, J11C		





ZZV	MDC	DRG	ZZV	MDC	DRG	ZZV	MDC	DRG
5v428.8↔		BOP, KVT, UOP4	5v42a.5		BOP, KVT, UOP4	5v42b.0		BOP, KVT, UOP4
	09	J03A, J03B, J04A, J04B, J08A, J08B, J08C, J10A, J10B, J16Z		09	J03A, J03B, J04A, J04B, J08A, J08B, J08C, J10A, J10B, J16Z		09	J03A, J03B, J04A, J04B, J08A, J08B, J08C, J10A, J10B, J16Z
	22	Y01Z, Y03A, Y03B		22	Y01Z, Y03A, Y03B		22	Y01Z, Y03A, Y03B
5v428.9↔		BOP, KVT, UOP4	5v42a.6↔		BOP, KVT, UOP4	5v42b.4		BOP, KVT, UOP4
	09	J03A, J03B, J04A, J04B, J08A, J08B, J08C, J10A, J10B, J16Z		09	J03A, J03B, J04A, J04B, J08A, J08B, J08C, J10A, J10B, J16Z		02	C20A, C20B
	22	Y01Z, Y03A, Y03B		22	Y01Z, Y03A, Y03B		09	J03A, J03B, J04A, J04B, J08A, J08B, J08C, J10A, J10B, J16Z
5v428.a		BOP, KVT, UOP4	5v42a.7↔		BOP, KVT, UOP4	5v42b.5		Y01Z, Y03A, Y03B
	09	J03A, J03B, J04A, J04B, J08A, J08B, J08C, J10A, J10B, J16Z		09	J03A, J03B, J04A, J04B, J08A, J08B, J08C, J10A, J10B, J16Z		09	J03A, J03B, J04A, J04B, J08A, J08B, J08C, J10A, J10B, J16Z
	22	Y01Z, Y03A, Y03B		22	Y01Z, Y03A, Y03B		22	Y01Z, Y03A, Y03B
5v428.b		BOP, KVT, UOP4	5v42a.8↔		BOP, KVT, UOP4	5v42b.6↔		BOP, KVT, UOP4
	09	J03A, J03B, J04A, J04B, J08A, J08B, J08C, J10A, J10B, J16Z		09	J03A, J03B, J04A, J04B, J08A, J08B, J08C, J10A, J10B, J16Z		09	J03A, J03B, J04A, J04B, J08A, J08B, J08C, J10A, J10B, J16Z
	22	Y01Z, Y03A, Y03B		22	Y01Z, Y03A, Y03B		22	Y01Z, Y03A, Y03B
5v428.c		BOP, KVT, UOP4	5v42a.9↔		BOP, KVT, UOP4	5v42b.7↔		BOP, KVT, UOP4
	06	G26Z		09	J03A, J03B, J04A, J04B, J08A, J08B, J08C, J10A, J10B, J16Z		09	J03A, J03B, J04A, J04B, J08A, J08B, J08C, J10A, J10B, J16Z
	09	J03A, J03B, J04A, J04B, J08A, J08B, J08C, J10A, J10B, J16Z		22	Y01Z, Y03A, Y03B		22	Y01Z, Y03A, Y03B
	13	N09A, N09B	5v42a.a		BOP, KVT, UOP4	5v42b.8↔		BOP, KVT, UOP4
	22	Y01Z, Y03A, Y03B		09	J03A, J03B, J04A, J04B, J08A, J08B, J08C, J10A, J10B, J16Z		09	J03A, J03B, J04A, J04B, J08A, J08B, J08C, J10A, J10B, J16Z
5v428.d		BOP, KVT, UOP4	5v42a.b		BOP, KVT, UOP4	5v42b.9↔		BOP, KVT, UOP4
	06	G26Z		09	J03A, J03B, J04A, J04B, J08A, J08B, J08C, J10A, J10B, J16Z		09	J03A, J03B, J04A, J04B, J08A, J08B, J08C, J10A, J10B, J16Z
	09	J03A, J03B, J04A, J04B, J08A, J08B, J08C, J10A, J10B, J16Z		22	Y01Z, Y03A, Y03B		22	Y01Z, Y03A, Y03B
	13	N09A, N09B	5v42a.c		BOP, KVT, UOP4	5v42b.a		BOP, KVT, UOP4
	22	Y01Z, Y03A, Y03B		06	G26Z		09	J03A, J03B, J04A, J04B, J08A, J08B, J08C, J10A, J10B, J16Z
5v428.e↔		BOP, KVT, UOP4	5v42a.d		BOP, KVT, UOP4	5v42b.b		Y01Z, Y03A, Y03B
	09	J03A, J03B, J04A, J04B, J08A, J08B, J08C, J10A, J10B, J16Z		06	G26Z		09	J03A, J03B, J04A, J04B, J08A, J08B, J08C, J10A, J10B, J16Z
	22	Y01Z, Y03A, Y03B		13	N09A, N09B		22	Y01Z, Y03A, Y03B
5v428.f↔		BOP, KVT, UOP4	5v42a.e↔		BOP, KVT, UOP4	5v42b.c		BOP, KVT, UOP4
	09	J03A, J03B, J04A, J04B, J08A, J08B, J08C, J10A, J10B, J16Z		09	J03A, J03B, J04A, J04B, J08A, J08B, J08C, J10A, J10B, J16Z		06	G26Z
	22	Y01Z, Y03A, Y03B		22	Y01Z, Y03A, Y03B		09	J03A, J03B, J04A, J04B, J08A, J08B, J08C, J10A, J10B, J16Z
5v428.g↔		BOP, KVT, UOP4	5v42a.f↔		BOP, KVT, UOP4	5v42b.d		BOP, KVT, UOP4
	09	J03A, J03B, J04A, J04B, J08A, J08B, J08C, J10A, J10B, J16Z		09	J03A, J03B, J04A, J04B, J08A, J08B, J08C, J10A, J10B, J16Z		06	G26Z
	22	Y01Z, Y03A, Y03B		22	Y01Z, Y03A, Y03B		09	J03A, J03B, J04A, J04B, J08A, J08B, J08C, J10A, J10B, J16Z
5v428.x		BOP, KVT, UOP4	5v42a.g↔		BOP, KVT, UOP4	5v42b.e↔		BOP, KVT, UOP4
	06	G26Z		09	J03A, J03B, J04A, J04B, J08A, J08B, J08C, J10A, J10B, J16Z		09	J03A, J03B, J04A, J04B, J08A, J08B, J08C, J10A, J10B, J16Z
	09	J03A, J03B, J04A, J04B, J08A, J08B, J08C, J10A, J10B, J16Z		22	Y01Z, Y03A, Y03B		22	Y01Z, Y03A, Y03B
	13	N09A, N09B	5v42a.x		BOP, KVT, UOP4	5v42b.f↔		BOP, KVT, UOP4
	22	Y01Z, Y03A, Y03B		06	G26Z		09	J03A, J03B, J04A, J04B, J08A, J08B, J08C, J10A, J10B, J16Z
5v429.4‡		C20A, C20B		09	J03A, J03B, J04A, J04B, J08A, J08B, J08C, J10A, J10B, J16Z		22	Y01Z, Y03A, Y03B
5v429.c‡		G26Z		22	Y01Z, Y03A, Y03B		13	N09A, N09B
5v429.d‡		G26Z		22	Y01Z, Y03A, Y03B		22	Y01Z, Y03A, Y03B
5v429.x‡		G26Z		22	Y01Z, Y03A, Y03B		22	Y01Z, Y03A, Y03B
5v42a.0		BOP, KVT, UOP4		09	J03A, J03B, J04A, J04B, J08A, J08B, J08C, J10A, J10B, J16Z		09	J03A, J03B, J04A, J04B, J08A, J08B, J08C, J10A, J10B, J16Z
	09	J03A, J03B, J04A, J04B, J08A, J08B, J08C, J10A, J10B, J16Z		22	Y01Z, Y03A, Y03B		22	Y01Z, Y03A, Y03B
	22	Y01Z, Y03A, Y03B		06	G26Z		09	J03A, J03B, J04A, J04B, J08A, J08B, J08C, J10A, J10B, J16Z
5v42a.4		BOP, KVT, UOP4		09	J03A, J03B, J04A, J04B, J08A, J08B, J08C, J10A, J10B, J16Z		22	Y01Z, Y03A, Y03B
	02	C20A, C20B		13	N09A, N09B		09	J03A, J03B, J04A, J04B, J08A, J08B, J08C, J10A, J10B, J16Z
	09	J03A, J03B, J04A, J04B, J08A, J08B, J08C, J10A, J10B, J16Z		22	Y01Z, Y03A, Y03B		22	Y01Z, Y03A, Y03B
	22	Y01Z, Y03A, Y03B		22	Y01Z, Y03A, Y03B		22	Y01Z, Y03A, Y03B



ZZV	MDC	DRG	ZZV	MDC	DRG	ZZV	MDC	DRG
5v446.4		BOP, KVT, UOP4	5v447.4		BOP, KVT, UOP4	5v448.a†	09	J11A, J11B
	02	C20A, C20B		02	C20A, C20B	5v448.b†	09	J11A, J11B
	09	J03A, J03B, J04A, J04B, J08A, J08B, J08C, J11A, J11B, J11C, J16Z		09	J03A, J03B, J04A, J04B, J08A, J08B, J08C, J10A, J10B, J16Z	5v448.c†	09	J11A, J11B
5v446.5		BOP, KVT, UOP4	5v447.5		BOP, KVT, UOP4	5v448.d†	09	J11A, J11B
	09	J03A, J03B, J04A, J04B, J08A, J08B, J08C, J11A, J11B, J11C, J16Z		09	J03A, J03B, J04A, J04B, J08A, J08B, J08C, J10A, J10B, J16Z	5v448.e†↔	09	J11A, J11B
5v446.6↔		BOP, KVT, UOP4	5v447.6↔		BOP, KVT, UOP4	5v448.f†↔	09	J11A, J11B
	09	J03A, J03B, J04A, J04B, J08A, J08B, J08C, J11A, J11B, J11C, J16Z		09	J03A, J03B, J04A, J04B, J08A, J08B, J08C, J10A, J10B, J16Z	5v448.g†↔	09	J11A, J11B
5v446.7↔		BOP, KVT, UOP4	5v447.7↔		BOP, KVT, UOP4	5v448.x†	09	J11A, J11B
	09	J03A, J03B, J04A, J04B, J08A, J08B, J08C, J11A, J11B, J11C, J16Z		09	J03A, J03B, J04A, J04B, J08A, J08B, J08C, J10A, J10B, J16Z	5v449.0†	09	J11A, J11B
5v446.8↔		BOP, KVT, UOP4	5v447.8↔		BOP, KVT, UOP4	5v449.4†	02	C20A, C20B
	09	J03A, J03B, J04A, J04B, J08A, J08B, J08C, J11A, J11B, J11C, J16Z		09	J03A, J03B, J04A, J04B, J08A, J08B, J08C, J10A, J10B, J16Z		09	J11A, J11B, J11C
5v446.9↔		BOP, KVT, UOP4	5v447.9↔		BOP, KVT, UOP4	5v449.5†	09	J11A, J11B
	09	J03A, J03B, J04A, J04B, J08A, J08B, J08C, J11A, J11B, J11C, J16Z		09	J03A, J03B, J04A, J04B, J08A, J08B, J08C, J10A, J10B, J16Z	5v449.6†↔	09	J11A, J11B
5v446.a		BOP, KVT, UOP4	5v447.a		BOP, KVT, UOP4	5v449.7†↔	09	J11A, J11B
	09	J03A, J03B, J04A, J04B, J08A, J08B, J08C, J11A, J11B, J11C, J16Z		09	J03A, J03B, J04A, J04B, J08A, J08B, J08C, J10A, J10B, J16Z	5v449.8†↔	09	J11A, J11B
5v446.b		BOP, KVT, UOP4	5v447.b		BOP, KVT, UOP4	5v449.9†↔	09	J11A, J11B
	09	J03A, J03B, J04A, J04B, J08A, J08B, J08C, J11A, J11B, J11C, J16Z		09	J03A, J03B, J04A, J04B, J08A, J08B, J08C, J10A, J10B, J16Z	5v449.a†	09	J11A, J11B
5v446.c		BOP, KVT, UOP4	5v447.c		BOP, KVT, UOP4	5v449.b†	09	J11A, J11B
	06	G26Z		06	G26Z	5v449.c†	09	J11A, J11B
	09	J03A, J03B, J04A, J04B, J08A, J08B, J08C, J11A, J11B, J11C, J16Z		09	J03A, J03B, J04A, J04B, J08A, J08B, J08C, J10A, J10B, J16Z	5v449.d†	09	J11A, J11B
	13	N09A, N09B		13	N09A, N09B	5v449.e†↔	09	J11A, J11B
5v446.d		BOP, KVT, UOP4	5v447.d		BOP, KVT, UOP4	5v449.f†↔	09	J11A, J11B
	06	G26Z		06	G26Z	5v449.g†↔	09	J11A, J11B
	09	J03A, J03B, J04A, J04B, J08A, J08B, J08C, J11A, J11B, J11C, J16Z		09	J03A, J03B, J04A, J04B, J08A, J08B, J08C, J10A, J10B, J16Z	5v449.x†	09	J11A, J11B
	13	N09A, N09B		13	N09A, N09B	5v450.0		BOP, KVT, UOP4
5v446.e↔		BOP, KVT, UOP4	5v447.e↔		BOP, KVT, UOP4		01	B03A, B03B, B06A, B06B, B07Z, B17A, B17B, B17C
	09	J03A, J03B, J04A, J04B, J08A, J08B, J08C, J11A, J11B, J11C, J16Z		09	J03A, J03B, J04A, J04B, J08A, J08B, J08C, J10A, J10B, J16Z		03	D12A
5v446.f↔		BOP, KVT, UOP4	5v447.f↔		BOP, KVT, UOP4		05	F13A, F21A, F21B, F21C
	09	J03A, J03B, J04A, J04B, J08A, J08B, J08C, J11A, J11B, J11C, J16Z		09	J03A, J03B, J04A, J04B, J08A, J08B, J08C, J10A, J10B, J16Z		09	J02A, J02B, J02C, J04A, J04B, J08A, J08B, J08C, J16Z, J21Z, J22A, J22B
5v446.g↔		BOP, KVT, UOP4	5v447.g↔		BOP, KVT, UOP4		21A	W04A, W04B
	09	J03A, J03B, J04A, J04B, J08A, J08B, J08C, J11A, J11B, J11C, J16Z		09	J03A, J03B, J04A, J04B, J08A, J08B, J08C, J10A, J10B, J16Z		21B	X01A, X01B, X01C
5v446.x		BOP, KVT, UOP4	5v447.x		BOP, KVT, UOP4	5v450.4		BOP, KVT, UOP4
	06	G26Z		06	G26Z		01	B03A, B03B, B06A, B06B, B07Z, B17A, B17B, B17C
	09	J03A, J03B, J04A, J04B, J08A, J08B, J08C, J11A, J11B, J11C, J16Z		09	J03A, J03B, J04A, J04B, J08A, J08B, J08C, J10A, J10B, J16Z		02	C20A, C20B
	13	N09A, N09B		13	N09A, N09B		03	D12A
5v447.0		BOP, KVT, UOP4	5v448.0†		J11A, J11B		05	F13A, F21A, F21B, F21C
	09	J03A, J03B, J04A, J04B, J08A, J08B, J08C, J10A, J10B, J16Z	5v448.4†		C20A, C20B		08	I02A, I02B, I02C, I02D, I22A, I22B, I50Z
					J11A, J11B, J11C		09	J02A, J02B, J02C, J04A, J04B, J08A, J08B, J08C, J16Z, J21Z, J22A, J22B
			5v448.5†		J11A, J11B		21A	W04A, W04B
			5v448.6†↔		J11A, J11B		21B	X01A, X01B, X01C
			5v448.7†↔		J11A, J11B	5v450.5		BOP, KVT, UOP4
			5v448.8†↔		J11A, J11B		01	B03A, B03B, B06A, B06B, B07Z, B17A, B17B, B17C
			5v448.9†↔		J11A, J11B		03	D12A
							05	F13A, F21A, F21B, F21C
							08	I02A, I02B, I02C, I02D, I22A, I22B, I50Z
							09	J02A, J02B, J02C, J04A, J04B, J08A, J08B, J08C, J16Z, J21Z, J22A, J22B
							21A	W04A, W04B
							21B	X01A, X01B, X01C
						5v450.6↔		BOP, KVT, UOP4
							01	B03A, B03B, B06A, B06B, B07Z, B17A, B17B, B17C
							05	F13A, F21A, F21B, F21C
							08	I02A, I02B, I02C, I02D, I22A, I22B, I50Z
							09	J02A, J02B, J02C, J04A, J04B, J08A, J08B, J08C, J16Z, J21Z, J22A, J22B
							21A	W04A, W04B
							21B	X01A, X01B, X01C

ZZV	MDC	DRG	ZZV	MDC	DRG	ZZV	MDC	DRG					
5v450.7↔		BOP, KVT, UOP4	5v450.d		BOP, KVT, UOP4	5v451.5		BOP, KVT, UOP4					
	01	B03A, B03B, B06A, B06B, B07Z, B17A, B17B, B17C		01	B03A, B03B, B06A, B06B, B07Z, B17A, B17B, B17C		01	B03A, B03B, B06A, B06B, B07Z, B17A, B17B, B17C					
	05	F13A, F21A, F21B, F21C		05	F13A, F21A, F21B, F21C		02	C20A, C20B					
	08	I02A, I02B, I02C, I02D, I22A, I22B, I50Z		06	G10Z, G12A, G12B		05	F13A, F21A, F21B, F21C					
	09	J02A, J02B, J02C, J04A, J04B, J08A, J08B, J08C, J16Z, J21Z, J22A, J22B		08	I02A, I02B, I02C, I02D, I22A, I22B, I50Z		08	I02A, I02B, I02C, I02D, I22A, I22B, I50Z					
	21A	W04A, W04B		09	J02A, J02B, J02C, J04A, J04B, J08A, J08B, J08C, J16Z, J21Z, J22A, J22B		09	J02A, J02B, J02C, J04A, J04B, J08A, J08B, J08C, J16Z, J21Z, J22A, J22B					
	21B	X01A, X01B, X01C		21A	W04A, W04B		21A	W04A, W04B					
	5v450.8↔			BOP, KVT, UOP4	5v450.e↔			BOP, KVT, UOP4	5v451.6↔		BOP, KVT, UOP4		
		01		B03A, B03B, B06A, B06B, B07Z, B17A, B17B, B17C			01	B03A, B03B, B06A, B06B, B07Z, B17A, B17B, B17C		01	B03A, B03B, B06A, B06B, B07Z, B17A, B17B, B17C		
		05		F13A, F21A, F21B, F21C			05	F13A, F21A, F21B, F21C		05	F13A, F21A, F21B, F21C		
08		I02A, I02B, I02C, I02D, I22A, I22B, I32A, I32B, I32C, I32D, I32E, I32F, I50Z	08	I02A, I02B, I02C, I02D, I22A, I22B, I50Z		08	I02A, I02B, I02C, I02D, I22A, I22B, I50Z						
09		J02A, J02B, J02C, J04A, J04B, J08A, J08B, J08C, J16Z, J21Z, J22A, J22B	09	J02A, J02B, J02C, J04A, J04B, J08A, J08B, J08C, J16Z, J21Z, J22A, J22B		09	J02A, J02B, J02C, J04A, J04B, J08A, J08B, J08C, J16Z, J21Z, J22A, J22B						
21A		W04A, W04B	21A	W04A, W04B		21A	W04A, W04B						
21B		X01A, X01B, X01C	21B	X01A, X01B, X01C		21B	X01A, X01B, X01C						
5v450.9↔			BOP, KVT, UOP4	5v450.f↔			BOP, KVT, UOP4	5v451.7↔			BOP, KVT, UOP4		
		01	B03A, B03B, B06A, B06B, B07Z, B17A, B17B, B17C			01	B03A, B03B, B06A, B06B, B07Z, B17A, B17B, B17C			01	B03A, B03B, B06A, B06B, B07Z, B17A, B17B, B17C		
		05	F13A, F21A, F21B, F21C			05	F13A, F21A, F21B, F21C			05	F13A, F21A, F21B, F21C		
	08	I12A, I12B, I12C, I32A, I32B, I32C, I32D, I32E, I32F	08		I02A, I02B, I02C, I02D, I22A, I22B, I50Z	08	I02A, I02B, I02C, I02D, I22A, I22B, I50Z						
	09	J02A, J02B, J02C, J04A, J04B, J08A, J08B, J08C, J16Z, J21Z, J22A, J22B	09		J02A, J02B, J02C, J04A, J04B, J08A, J08B, J08C, J16Z, J21Z, J22A, J22B	09	J02A, J02B, J02C, J04A, J04B, J08A, J08B, J08C, J16Z, J21Z, J22A, J22B						
	21A	W04A, W04B	21A		W04A, W04B	21A	W04A, W04B						
	21B	X01A, X01B, X01C	21B		X01A, X01B, X01C	21B	X01A, X01B, X01C						
	5v450.a		BOP, KVT, UOP4		5v450.g↔		BOP, KVT, UOP4		5v451.8↔		BOP, KVT, UOP4		
		01	B03A, B03B, B06A, B06B, B07Z, B17A, B17B, B17C			01	B03A, B03B, B06A, B06B, B07Z, B17A, B17B, B17C			01	B03A, B03B, B06A, B06B, B07Z, B17A, B17B, B17C		
		05	F13A, F21A, F21B, F21C			05	F13A, F21A, F21B, F21C			05	F13A, F21A, F21B, F21C		
06		G10Z, G12A, G12B	08	I02A, I02B, I02C, I02D, I12A, I12B, I12C, I22A, I22B, I50Z		08	I02A, I02B, I02C, I02D, I22A, I22B, I32A, I32B, I32C, I32D, I32E, I32F, I50Z						
08		I02A, I02B, I02C, I02D, I22A, I22B, I50Z	09	J02A, J02B, J02C, J04A, J04B, J08A, J08B, J08C, J16Z, J21Z, J22A, J22B		09	J02A, J02B, J02C, J04A, J04B, J08A, J08B, J08C, J16Z, J21Z, J22A, J22B						
09		J02A, J02B, J02C, J04A, J04B, J08A, J08B, J08C, J16Z, J21Z, J22A, J22B	21A	W04A, W04B		21A	W04A, W04B						
21A		W04A, W04B	21B	X01A, X01B, X01C		21A	W04A, W04B						
21B		X01A, X01B, X01C	5v450.x↔			BOP, KVT, UOP4	5v451.9↔			BOP, KVT, UOP4			
5v450.b				BOP, KVT, UOP4		5v451.0				BOP, KVT, UOP4	5v451.a		BOP, KVT, UOP4
		01		B03A, B03B, B06A, B06B, B07Z, B17A, B17B, B17C				01		B03A, B03B, B06A, B06B, B07Z, B17A, B17B, B17C		01	B03A, B03B, B06A, B06B, B07Z, B17A, B17B, B17C
	05	F13A, F21A, F21B, F21C		05	F13A, F21A, F21B, F21C			05	F13A, F21A, F21B, F21C				
	06	G10Z, G12A, G12B		08	I02A, I02B, I02C, I02D, I22A, I22B, I32A, I32B, I32C, I32D, I32E, I32F, I50Z			06	G10Z, G12A, G12B				
	08	I02A, I02B, I02C, I02D, I22A, I22B, I50Z		09	J02A, J02B, J02C, J04A, J04B, J08A, J08B, J08C, J16Z, J21Z, J22A, J22B			08	I02A, I02B, I02C, I02D, I22A, I22B, I50Z				
	09	J02A, J02B, J02C, J04A, J04B, J08A, J08B, J08C, J16Z, J21Z, J22A, J22B		21A	W04A, W04B			09	J02A, J02B, J02C, J04A, J04B, J08A, J08B, J08C, J16Z, J21Z, J22A, J22B				
	21A	W04A, W04B		21A	W04A, W04B			21A	W04A, W04B				
	21B	X01A, X01B, X01C		21B	X01A, X01B, X01C			21B	X01A, X01B, X01C				
	5v450.c			BOP, KVT, UOP4	5v451.1				BOP, KVT, UOP4	5v451.2			BOP, KVT, UOP4
		01	B03A, B03B, B06A, B06B, B07Z, B17A, B17B, B17C	01			B03A, B03B, B06A, B06B, B07Z, B17A, B17B, B17C	01	B03A, B03B, B06A, B06B, B07Z, B17A, B17B, B17C				
05		F13A, F21A, F21B, F21C	05	F13A, F21A, F21B, F21C		05	F13A, F21A, F21B, F21C						
06		G10Z, G12A, G12B	09	J02A, J02B, J02C, J04A, J04B, J08A, J08B, J08C, J16Z, J21Z, J22A, J22B		06	G10Z, G12A, G12B						
08		I02A, I02B, I02C, I02D, I22A, I22B, I50Z	21A	W04A, W04B		08	I02A, I02B, I02C, I02D, I22A, I22B, I50Z						
09		J02A, J02B, J02C, J04A, J04B, J08A, J08B, J08C, J16Z, J21Z, J22A, J22B	21B	X01A, X01B, X01C		09	J02A, J02B, J02C, J04A, J04B, J08A, J08B, J08C, J16Z, J21Z, J22A, J22B						
21A		W04A, W04B				21A	W04A, W04B						
21B		X01A, X01B, X01C				21B	X01A, X01B, X01C						

ZZV	MDC	DRG	ZZV	MDC	DRG	ZZV	MDC	DRG			
5v451.b		BOP, KVT, UOP4	5v451.x↔		BOP, KVT, UOP4	5v452.8↔		BOP, UOP4			
	01	B03A, B03B, B06A, B06B, B07Z, B17A, B17B, B17C		01	B03A, B03B, B06A, B06B, B07Z, B17A, B17B, B17C		01	B03A, B03B, B06A, B06B, B07Z, B17A, B17B, B17C			
	05	F13A, F21A, F21B, F21C		05	F13A, F21A, F21B, F21C		05	F13A, F21A, F21B, F21C			
	06	G10Z, G12A, G12B		08	I02A, I02B, I02C, I02D, I22A, I22B, I32A, I32B, I32C, I32D, I32E, I32F, I50Z		08	I02A, I02B, I02C, I02D, I22A, I22B, I32A, I32B, I32C, I32D, I32E, I32F, I50Z			
	08	I02A, I02B, I02C, I02D, I22A, I22B, I50Z		09	J02A, J02B, J02C, J04A, J04B, J08A, J08B, J08C, J16Z, J21Z, J22A, J22B		09	J02A, J02B, J02C, J04A, J04B, J08A, J08B, J08C, J16Z, J21Z, J22A, J22B			
	09	J02A, J02B, J02C, J04A, J04B, J08A, J08B, J08C, J16Z, J21Z, J22A, J22B		21A	W04A, W04B		21A	W04A, W04B			
	21A	W04A, W04B		21B	X01A, X01B, X01C		21B	X01A, X01B, X01C			
	21B	X01A, X01B, X01C			BOP, UOP4			BOP, UOP4			
	5v451.c			BOP, KVT, UOP4	5v452.0			BOP, UOP4	5v452.9↔		BOP, UOP4
		01		B03A, B03B, B06A, B06B, B07Z, B17A, B17B, B17C			01	B03A, B03B, B06A, B06B, B07Z, B17A, B17B, B17C		01	B03A, B03B, B06A, B06B, B07Z, B17A, B17B, B17C
05		F13A, F21A, F21B, F21C	03	D18Z, D28Z, D29Z		05	F13A, F21A, F21B, F21C				
06		G10Z, G12A, G12B	05	F13A, F21A, F21B, F21C		08	I12A, I12B, I12C, I32A, I32B, I32C, I32D, I32E, I32F				
08		I02A, I02B, I02C, I02D, I22A, I22B, I50Z	09	J02A, J02B, J02C, J04A, J04B, J08A, J08B, J08C, J16Z, J21Z, J22A, J22B		09	J02A, J02B, J02C, J04A, J04B, J08A, J08B, J08C, J16Z, J21Z, J22A, J22B				
09		J02A, J02B, J02C, J04A, J04B, J08A, J08B, J08C, J16Z, J21Z, J22A, J22B	21A	W04A, W04B		21A	W04A, W04B				
21A		W04A, W04B	21B	X01A, X01B, X01C		21A	W04A, W04B				
21B		X01A, X01B, X01C		BOP, UOP4		21B	X01A, X01B, X01C				
5v451.d			BOP, KVT, UOP4	5v452.4			BOP, UOP4	5v452.a			BOP, UOP4
		01	B03A, B03B, B06A, B06B, B07Z, B17A, B17B, B17C			01	B03A, B03B, B06A, B06B, B07Z, B17A, B17B, B17C			01	B03A, B03B, B06A, B06B, B07Z, B17A, B17B, B17C
	05	F13A, F21A, F21B, F21C	02		C20A, C20B	05	F13A, F21A, F21B, F21C				
	06	G10Z, G12A, G12B	03		D18Z, D28Z, D29Z	06	G10Z, G12A, G12B				
	08	I02A, I02B, I02C, I02D, I22A, I22B, I50Z	05		F13A, F21A, F21B, F21C	08	I02A, I02B, I02C, I02D, I22A, I22B, I50Z				
	09	J02A, J02B, J02C, J04A, J04B, J08A, J08B, J08C, J16Z, J21Z, J22A, J22B	08		I02A, I02B, I02C, I02D, I22A, I22B, I50Z	09	J02A, J02B, J02C, J04A, J04B, J08A, J08B, J08C, J16Z, J21Z, J22A, J22B				
	21A	W04A, W04B	09		J02A, J02B, J02C, J04A, J04B, J08A, J08B, J08C, J16Z, J21Z, J22A, J22B	21A	W04A, W04B				
	21B	X01A, X01B, X01C	21A		W04A, W04B	21A	W04A, W04B				
	5v451.e↔		BOP, KVT, UOP4		5v452.5		BOP, UOP4		5v452.b		BOP, UOP4
		01	B03A, B03B, B06A, B06B, B07Z, B17A, B17B, B17C			01	B03A, B03B, B06A, B06B, B07Z, B17A, B17B, B17C			01	B03A, B03B, B06A, B06B, B07Z, B17A, B17B, B17C
05		F13A, F21A, F21B, F21C	03	D18Z, D28Z, D29Z		05	F13A, F21A, F21B, F21C				
08		I02A, I02B, I02C, I02D, I22A, I22B, I50Z	05	F13A, F21A, F21B, F21C		06	G10Z, G12A, G12B				
09		J02A, J02B, J02C, J04A, J04B, J08A, J08B, J08C, J16Z, J21Z, J22A, J22B	08	I02A, I02B, I02C, I02D, I22A, I22B, I50Z		08	I02A, I02B, I02C, I02D, I22A, I22B, I50Z				
21A		W04A, W04B	09	J02A, J02B, J02C, J04A, J04B, J08A, J08B, J08C, J16Z, J21Z, J22A, J22B		09	J02A, J02B, J02C, J04A, J04B, J08A, J08B, J08C, J16Z, J21Z, J22A, J22B				
21B		X01A, X01B, X01C	21A	W04A, W04B		21A	W04A, W04B				
5v451.f↔			BOP, KVT, UOP4	5v452.6↔			BOP, UOP4	5v452.c			BOP, UOP4
		01	B03A, B03B, B06A, B06B, B07Z, B17A, B17B, B17C			01	B03A, B03B, B06A, B06B, B07Z, B17A, B17B, B17C			01	B03A, B03B, B06A, B06B, B07Z, B17A, B17B, B17C
		05	F13A, F21A, F21B, F21C			03	D18Z, D28Z, D29Z			05	F13A, F21A, F21B, F21C
	08	I02A, I02B, I02C, I02D, I22A, I22B, I50Z	05		F13A, F21A, F21B, F21C	06	G10Z, G12A, G12B				
	09	J02A, J02B, J02C, J04A, J04B, J08A, J08B, J08C, J16Z, J21Z, J22A, J22B	08		I02A, I02B, I02C, I02D, I22A, I22B, I50Z	08	I02A, I02B, I02C, I02D, I22A, I22B, I50Z				
	21A	W04A, W04B	09		J02A, J02B, J02C, J04A, J04B, J08A, J08B, J08C, J16Z, J21Z, J22A, J22B	09	J02A, J02B, J02C, J04A, J04B, J08A, J08B, J08C, J16Z, J21Z, J22A, J22B				
	21B	X01A, X01B, X01C	21A		W04A, W04B	21A	W04A, W04B				
	5v451.g↔		BOP, KVT, UOP4		5v452.7↔		BOP, UOP4		5v452.d		BOP, UOP4
		01	B03A, B03B, B06A, B06B, B07Z, B17A, B17B, B17C			01	B03A, B03B, B06A, B06B, B07Z, B17A, B17B, B17C			01	B03A, B03B, B06A, B06B, B07Z, B17A, B17B, B17C
		05	F13A, F21A, F21B, F21C			03	D18Z, D28Z, D29Z			05	F13A, F21A, F21B, F21C
08		I02A, I02B, I02C, I02D, I12A, I12B, I12C, I22A, I22B, I50Z	05	F13A, F21A, F21B, F21C		06	G10Z, G12A, G12B				
09		J02A, J02B, J02C, J04A, J04B, J08A, J08B, J08C, J16Z, J21Z, J22A, J22B	08	I02A, I02B, I02C, I02D, I22A, I22B, I50Z		08	I02A, I02B, I02C, I02D, I22A, I22B, I50Z				
21A		W04A, W04B	09	J02A, J02B, J02C, J04A, J04B, J08A, J08B, J08C, J16Z, J21Z, J22A, J22B		09	J02A, J02B, J02C, J04A, J04B, J08A, J08B, J08C, J16Z, J21Z, J22A, J22B				
21B		X01A, X01B, X01C	21A	W04A, W04B		21A	W04A, W04B				
		BOP, KVT, UOP4	21B	X01A, X01B, X01C		21B	X01A, X01B, X01C				
		BOP, UOP4		BOP, UOP4			BOP, UOP4				
		BOP, UOP4		BOP, UOP4			BOP, UOP4				

ZZV	MDC	DRG	ZZV	MDC	DRG	ZZV	MDC	DRG			
5v452.e↔		BOP, UOP4	5v453.4		BOP, KVT, UOP4	5v453.a		BOP, KVT, UOP4			
	01	B03A, B03B, B06A, B06B, B07Z, B17A, B17B, B17C		01	B03A, B03B, B06A, B06B, B07Z, B17A, B17B, B17C		01	B03A, B03B, B06A, B06B, B07Z, B17A, B17B, B17C			
	05	F13A, F21A, F21B, F21C, F27A, F27B, F27C		02	C20A, C20B		05	F13A, F21A, F21B, F21C			
	08	I02A, I02B, I02C, I02D, I22A, I22B, I50Z		03	D12A		06	G10Z, G12A, G12B			
	09	J02A, J02B, J02C, J04A, J04B, J08A, J08B, J08C, J16Z, J21Z, J22A, J22B		05	F13A, F21A, F21B, F21C		08	I02A, I02B, I02C, I02D, I22A, I22B, I50Z			
	10	K01Z		08	I02A, I02B, I02C, I02D, I22A, I22B, I50Z		09	J02A, J02B, J02C, J04A, J04B, J08A, J08B, J08C, J16Z, J21Z, J22A, J22B			
	21A	W04A, W04B		09	J02A, J02B, J02C, J04A, J04B, J08A, J08B, J08C, J16Z, J21Z, J22A, J22B		21A	W04A, W04B			
	21B	X01A, X01B, X01C		21A	W04A, W04B		21B	X01A, X01B, X01C			
	5v452.f↔			BOP, UOP4	5v453.5			BOP, KVT, UOP4	5v453.b		BOP, KVT, UOP4
		01		B03A, B03B, B06A, B06B, B07Z, B17A, B17B, B17C			01	B03A, B03B, B06A, B06B, B07Z, B17A, B17B, B17C		01	B03A, B03B, B06A, B06B, B07Z, B17A, B17B, B17C
05		F13A, F21A, F21B, F21C, F27A, F27B, F27C	03	D12A		05	F13A, F21A, F21B, F21C				
08		I02A, I02B, I02C, I02D, I22A, I22B, I50Z	05	F13A, F21A, F21B, F21C		06	G10Z, G12A, G12B				
09		J02A, J02B, J02C, J04A, J04B, J08A, J08B, J08C, J16Z, J21Z, J22A, J22B	08	I02A, I02B, I02C, I02D, I22A, I22B, I50Z		08	I02A, I02B, I02C, I02D, I22A, I22B, I50Z				
10		K01Z	09	J02A, J02B, J02C, J04A, J04B, J08A, J08B, J08C, J16Z, J21Z, J22A, J22B		09	J02A, J02B, J02C, J04A, J04B, J08A, J08B, J08C, J16Z, J21Z, J22A, J22B				
21A		W04A, W04B	21A	W04A, W04B		21A	W04A, W04B				
21B		X01A, X01B, X01C	21B	X01A, X01B, X01C		21B	X01A, X01B, X01C				
5v452.g↔			BOP, UOP4	5v453.6↔			BOP, KVT, UOP4	5v453.c			BOP, KVT, UOP4
		01	B03A, B03B, B06A, B06B, B07Z, B17A, B17B, B17C			01	B03A, B03B, B06A, B06B, B07Z, B17A, B17B, B17C			01	B03A, B03B, B06A, B06B, B07Z, B17A, B17B, B17C
	05	F13A, F21A, F21B, F21C, F27A, F27B, F27C	05		F13A, F21A, F21B, F21C	05	F13A, F21A, F21B, F21C				
	08	I02A, I02B, I02C, I02D, I12A, I12B, I12C, I22A, I22B, I50Z	08		I02A, I02B, I02C, I02D, I22A, I22B, I50Z	06	G10Z, G12A, G12B				
	09	J02A, J02B, J02C, J04A, J04B, J08A, J08B, J08C, J16Z, J21Z, J22A, J22B	09		J02A, J02B, J02C, J04A, J04B, J08A, J08B, J08C, J16Z, J21Z, J22A, J22B	08	I02A, I02B, I02C, I02D, I22A, I22B, I50Z				
	10	K01Z	21A		W04A, W04B	09	J02A, J02B, J02C, J04A, J04B, J08A, J08B, J08C, J16Z, J21Z, J22A, J22B				
	21A	W04A, W04B	21B		X01A, X01B, X01C	21A	W04A, W04B				
	21B	X01A, X01B, X01C	21B		X01A, X01B, X01C	21B	X01A, X01B, X01C				
	5v452.x↔		BOP, UOP4		5v453.7↔		BOP, KVT, UOP4		5v453.d		BOP, KVT, UOP4
		01	B03A, B03B, B06A, B06B, B07Z, B17A, B17B, B17C			01	B03A, B03B, B06A, B06B, B07Z, B17A, B17B, B17C			01	B03A, B03B, B06A, B06B, B07Z, B17A, B17B, B17C
05		F13A, F21A, F21B, F21C	05	F13A, F21A, F21B, F21C		05	F13A, F21A, F21B, F21C				
08		I02A, I02B, I02C, I02D, I22A, I22B, I50Z	08	I02A, I02B, I02C, I02D, I22A, I22B, I50Z		06	G10Z, G12A, G12B				
09		J02A, J02B, J02C, J04A, J04B, J08A, J08B, J08C, J16Z, J21Z, J22A, J22B	09	J02A, J02B, J02C, J04A, J04B, J08A, J08B, J08C, J16Z, J21Z, J22A, J22B		08	I02A, I02B, I02C, I02D, I22A, I22B, I50Z				
21A		W04A, W04B	21A	W04A, W04B		09	J02A, J02B, J02C, J04A, J04B, J08A, J08B, J08C, J16Z, J21Z, J22A, J22B				
21B		X01A, X01B, X01C	21B	X01A, X01B, X01C		21A	W04A, W04B				
5v453.0			BOP, KVT, UOP4	5v453.8↔			BOP, KVT, UOP4	5v453.e↔			BOP, KVT, UOP4
		01	B03A, B03B, B06A, B06B, B07Z, B17A, B17B, B17C			01	B03A, B03B, B06A, B06B, B07Z, B17A, B17B, B17C			01	B03A, B03B, B06A, B06B, B07Z, B17A, B17B, B17C
		03	D12A			05	F13A, F21A, F21B, F21C			05	F13A, F21A, F21B, F21C
	05	F13A, F21A, F21B, F21C	08		I02A, I02B, I02C, I02D, I22A, I22B, I32A, I32B, I32C, I32D, I32E, I32F, I50Z	08	I02A, I02B, I02C, I02D, I22A, I22B, I50Z				
	09	J02A, J02B, J02C, J04A, J04B, J08A, J08B, J08C, J16Z, J21Z, J22A, J22B	09		J02A, J02B, J02C, J04A, J04B, J08A, J08B, J08C, J16Z, J21Z, J22A, J22B	09	J02A, J02B, J02C, J04A, J04B, J08A, J08B, J08C, J16Z, J21Z, J22A, J22B				
	21A	W04A, W04B	21A		W04A, W04B	21A	W04A, W04B				
	21B	X01A, X01B, X01C	21B		X01A, X01B, X01C	21B	X01A, X01B, X01C				
	5v453.0		BOP, KVT, UOP4		5v453.9↔		BOP, KVT, UOP4		5v453.f↔		BOP, KVT, UOP4
		01	B03A, B03B, B06A, B06B, B07Z, B17A, B17B, B17C			01	B03A, B03B, B06A, B06B, B07Z, B17A, B17B, B17C			01	B03A, B03B, B06A, B06B, B07Z, B17A, B17B, B17C
		03	D12A			05	F13A, F21A, F21B, F21C			05	F13A, F21A, F21B, F21C
05		F13A, F21A, F21B, F21C	08	I12A, I12B, I12C, I32A, I32B, I32C, I32D, I32E, I32F		08	I02A, I02B, I02C, I02D, I22A, I22B, I50Z				
09		J02A, J02B, J02C, J04A, J04B, J08A, J08B, J08C, J16Z, J21Z, J22A, J22B	09	J02A, J02B, J02C, J04A, J04B, J08A, J08B, J08C, J16Z, J21Z, J22A, J22B		09	J02A, J02B, J02C, J04A, J04B, J08A, J08B, J08C, J16Z, J21Z, J22A, J22B				
21A		W04A, W04B	21A	W04A, W04B		21A	W04A, W04B				
21B		X01A, X01B, X01C	21B	X01A, X01B, X01C		21B	X01A, X01B, X01C				

VYK

ZZV	MDC	DRG	ZZV	MDC	DRG	ZZV	MDC	DRG
5v453.g↔		BOP, KVT, UOP4	5v454.7↔		BOP, KVT, UOP4	5v454.c		BOP, KVT, UOP4
	01	B03A, B03B, B06A, B06B, B07Z, B17A, B17B, B17C		01	B03A, B03B, B06A, B06B, B07Z, B17A, B17B, B17C		01	B03A, B03B, B06A, B06B, B07Z, B17A, B17B, B17C
	05	F13A, F21A, F21B, F21C		05	F13A, F21A, F21B, F21C		05	F13A, F21A, F21B, F21C, F27A, F27B, F27C
	08	I02A, I02B, I02C, I02D, I12A, I12B, I12C, I22A, I22B, I50Z		08	I02A, I02B, I02C, I02D, I22A, I22B, I50Z		06	G10Z, G12A, G12B
	09	J02A, J02B, J02C, J04A, J04B, J08A, J08B, J08C, J16Z, J21Z, J22A, J22B		09	J02A, J02B, J02C, J04A, J04B, J08A, J08B, J08C, J16Z, J21Z, J22A, J22B		08	I02A, I02B, I02C, I02D, I22A, I22B, I50Z
	21A	W04A, W04B		21A	W04A, W04B		09	J02A, J02B, J02C, J04A, J04B, J08A, J08B, J08C, J16Z, J21Z, J22A, J22B
	21B	X01A, X01B, X01C		21B	X01A, X01B, X01C		10	K01Z
5v453.x↔		BOP, KVT, UOP4	5v454.8↔		BOP, KVT, UOP4	5v454.d		BOP, KVT, UOP4
	01	B03A, B03B, B06A, B06B, B07Z, B17A, B17B, B17C		01	B03A, B03B, B06A, B06B, B07Z, B17A, B17B, B17C		01	B03A, B03B, B06A, B06B, B07Z, B17A, B17B, B17C
	05	F13A, F21A, F21B, F21C		05	F13A, F21A, F21B, F21C		05	F13A, F21A, F21B, F21C
	08	I02A, I02B, I02C, I02D, I22A, I22B, I32A, I32B, I32C, I32D, I32E, I32F, I50Z		08	I02A, I02B, I02C, I02D, I22A, I22B, I32A, I32B, I32C, I32D, I32E, I32F, I50Z		06	G10Z, G12A, G12B
	09	J02A, J02B, J02C, J04A, J04B, J08A, J08B, J08C, J16Z, J21Z, J22A, J22B		09	J02A, J02B, J02C, J04A, J04B, J08A, J08B, J08C, J16Z, J21Z, J22A, J22B		08	I02A, I02B, I02C, I02D, I22A, I22B, I50Z
	21A	W04A, W04B		21A	W04A, W04B		09	J02A, J02B, J02C, J04A, J04B, J08A, J08B, J08C, J16Z, J21Z, J22A, J22B
	21B	X01A, X01B, X01C		21B	X01A, X01B, X01C		21A	W04A, W04B
5v454.0		BOP, KVT, UOP4	5v454.9↔		BOP, KVT, UOP4	5v454.e↔		BOP, KVT, UOP4
	01	B03A, B03B, B06A, B06B, B07Z, B17A, B17B, B17C		01	B03A, B03B, B06A, B06B, B07Z, B17A, B17B, B17C		01	B03A, B03B, B06A, B06B, B07Z, B17A, B17B, B17C
	03	D18Z, D28Z, D29Z		05	F13A, F21A, F21B, F21C		05	F13A, F21A, F21B, F21C, F27A, F27B, F27C
	05	F13A, F21A, F21B, F21C		08	I12A, I12B, I12C, I32A, I32B, I32C, I32D, I32E, I32F		08	I02A, I02B, I02C, I02D, I22A, I22B, I50Z
	09	J02A, J02B, J02C, J04A, J04B, J08A, J08B, J08C, J16Z, J21Z, J22A, J22B		09	J02A, J02B, J02C, J04A, J04B, J08A, J08B, J08C, J16Z, J21Z, J22A, J22B		09	J02A, J02B, J02C, J04A, J04B, J08A, J08B, J08C, J16Z, J21Z, J22A, J22B
	21A	W04A, W04B		21A	W04A, W04B		10	K01Z
	21B	X01A, X01B, X01C		21B	X01A, X01B, X01C		21A	W04A, W04B
5v454.4		BOP, KVT, UOP4	5v454.a		BOP, KVT, UOP4	5v454.f↔		BOP, KVT, UOP4
	01	B03A, B03B, B06A, B06B, B07Z, B17A, B17B, B17C		01	B03A, B03B, B06A, B06B, B07Z, B17A, B17B, B17C		01	B03A, B03B, B06A, B06B, B07Z, B17A, B17B, B17C
	02	C20A, C20B		05	F13A, F21A, F21B, F21C		05	F13A, F21A, F21B, F21C, F27A, F27B, F27C
	03	D18Z, D28Z, D29Z		06	G10Z, G12A, G12B		08	I02A, I02B, I02C, I02D, I22A, I22B, I50Z
	05	F13A, F21A, F21B, F21C		08	I02A, I02B, I02C, I02D, I22A, I22B, I50Z		09	J02A, J02B, J02C, J04A, J04B, J08A, J08B, J08C, J16Z, J21Z, J22A, J22B
	08	I02A, I02B, I02C, I02D, I22A, I22B, I50Z		09	J02A, J02B, J02C, J04A, J04B, J08A, J08B, J08C, J16Z, J21Z, J22A, J22B		10	K01Z
	09	J02A, J02B, J02C, J04A, J04B, J08A, J08B, J08C, J16Z, J21Z, J22A, J22B		21A	W04A, W04B		21A	W04A, W04B
	21A	W04A, W04B		21B	X01A, X01B, X01C		21B	X01A, X01B, X01C
	21B	X01A, X01B, X01C	5v454.b		BOP, KVT, UOP4	5v454.g↔		BOP, KVT, UOP4
5v454.5		BOP, KVT, UOP4			BOP, KVT, UOP4			01
	01	B03A, B03B, B06A, B06B, B07Z, B17A, B17B, B17C	01	B03A, B03B, B06A, B06B, B07Z, B17A, B17B, B17C	01	B03A, B03B, B06A, B06B, B07Z, B17A, B17B, B17C		
	03	D18Z, D28Z, D29Z		05	F13A, F21A, F21B, F21C		05	F13A, F21A, F21B, F21C, F27A, F27B, F27C
	05	F13A, F21A, F21B, F21C		06	G10Z, G12A, G12B		08	I02A, I02B, I02C, I02D, I22A, I22B, I50Z
	08	I02A, I02B, I02C, I02D, I22A, I22B, I50Z		08	I02A, I02B, I02C, I02D, I22A, I22B, I50Z		09	J02A, J02B, J02C, J04A, J04B, J08A, J08B, J08C, J16Z, J21Z, J22A, J22B
	09	J02A, J02B, J02C, J04A, J04B, J08A, J08B, J08C, J16Z, J21Z, J22A, J22B		09	J02A, J02B, J02C, J04A, J04B, J08A, J08B, J08C, J16Z, J21Z, J22A, J22B		10	K01Z
	21A	W04A, W04B		21A	W04A, W04B		21A	W04A, W04B
	21B	X01A, X01B, X01C		21B	X01A, X01B, X01C		21B	X01A, X01B, X01C
5v454.6↔		BOP, KVT, UOP4						
	01	B03A, B03B, B06A, B06B, B07Z, B17A, B17B, B17C						
	05	F13A, F21A, F21B, F21C						
	08	I02A, I02B, I02C, I02D, I22A, I22B, I50Z						
	09	J02A, J02B, J02C, J04A, J04B, J08A, J08B, J08C, J16Z, J21Z, J22A, J22B						
	21A	W04A, W04B						
	21B	X01A, X01B, X01C						





## Príloha B: Index Výkon-MDC-DRG

ZZV	MDC	DRG	ZZV	MDC	DRG	ZZV	MDC	DRG			
5v456.4		BOP, KVT, UOP4	5v456.a		BOP, KVT, UOP4	5v456.g↔		BOP, KVT, UOP4			
	01	B03A, B03B, B06A, B06B, B07Z, B17A, B17B, B17C		01	B03A, B03B, B06A, B06B, B07Z, B17A, B17B, B17C		01	B03A, B03B, B06A, B06B, B07Z, B17A, B17B, B17C			
	02	C20A, C20B		05	F13A, F21A, F21B, F21C		05	F13A, F21A, F21B, F21C			
	05	F13A, F21A, F21B, F21C		06	G10Z, G12A, G12B		08	I02A, I02B, I02C, I02D, I12A, I12B, I12C, I22A, I22B, I50Z			
	08	I02A, I02B, I02C, I02D, I12A, I12B, I12C, I22A, I22B, I50Z		08	I02A, I02B, I02C, I02D, I12A, I12B, I12C, I22A, I22B, I50Z		09	J02A, J02B, J02C, J04A, J04B, J08A, J08B, J08C, J16Z, J21Z, J22A, J22B			
	09	J02A, J02B, J02C, J04A, J04B, J08A, J08B, J08C, J16Z, J21Z, J22A, J22B		09	J02A, J02B, J02C, J04A, J04B, J08A, J08B, J08C, J16Z, J21Z, J22A, J22B		21A	W04A, W04B			
	21A	W04A, W04B		21A	W04A, W04B		21B	X01A, X01B, X01C			
	21B	X01A, X01B, X01C		21B	X01A, X01B, X01C			BOP, KVT, UOP4			
	5v456.5			BOP, KVT, UOP4	5v456.b			BOP, KVT, UOP4	5v456.x↔	01	B03A, B03B, B06A, B06B, B07Z, B17A, B17B, B17C
		01		B03A, B03B, B06A, B06B, B07Z, B17A, B17B, B17C			01	B03A, B03B, B06A, B06B, B07Z, B17A, B17B, B17C		05	F13A, F21A, F21B, F21C
05		F13A, F21A, F21B, F21C	05	F13A, F21A, F21B, F21C		08	I02A, I02B, I02C, I02D, I12A, I12B, I12C, I22A, I22B, I32A, I32B, I32C, I32D, I32E, I32F, I50Z				
08		I02A, I02B, I02C, I02D, I12A, I12B, I12C, I22A, I22B, I50Z	06	G10Z, G12A, G12B		09	J02A, J02B, J02C, J04A, J04B, J08A, J08B, J08C, J16Z, J21Z, J22A, J22B				
09		J02A, J02B, J02C, J04A, J04B, J08A, J08B, J08C, J16Z, J21Z, J22A, J22B	08	I02A, I02B, I02C, I02D, I12A, I12B, I12C, I22A, I22B, I50Z		21A	W04A, W04B				
21A		W04A, W04B	09	J02A, J02B, J02C, J04A, J04B, J08A, J08B, J08C, J16Z, J21Z, J22A, J22B		21B	X01A, X01B, X01C				
21B		X01A, X01B, X01C	21A	W04A, W04B			BOP, KVT, UOP4				
5v456.6↔			BOP, KVT, UOP4	5v456.c			BOP, KVT, UOP4	5v457.0		01	B03A, B03B, B06A, B06B, B07Z, B17A, B17B, B17C
		01	B03A, B03B, B06A, B06B, B07Z, B17A, B17B, B17C			01	B03A, B03B, B06A, B06B, B07Z, B17A, B17B, B17C			03	D18Z, D25A, D25B, D25C, D25D
		05	F13A, F21A, F21B, F21C			05	F13A, F21A, F21B, F21C			05	F13A, F21A, F21B
	08	I02A, I02B, I02C, I02D, I12A, I12B, I12C, I22A, I22B, I50Z	06		G10Z, G12A, G12B	08	I12A, I12B, I12C				
	09	J02A, J02B, J02C, J04A, J04B, J08A, J08B, J08C, J16Z, J21Z, J22A, J22B	08		I02A, I02B, I02C, I02D, I12A, I12B, I12C, I22A, I22B, I50Z	09	J02A, J02B, J02C, J04A, J04B, J08A, J08B, J08C, J16Z, J21Z, J22A, J22B				
	21A	W04A, W04B	09		J02A, J02B, J02C, J04A, J04B, J08A, J08B, J08C, J16Z, J21Z, J22A, J22B	21A	W04A, W04B				
	21B	X01A, X01B, X01C	21A		W04A, W04B	21B	X01A, X01B, X01C				
	5v456.7↔		BOP, KVT, UOP4		5v456.d		BOP, KVT, UOP4		5v457.4		BOP, UOP4
		01	B03A, B03B, B06A, B06B, B07Z, B17A, B17B, B17C			01	B03A, B03B, B06A, B06B, B07Z, B17A, B17B, B17C			01	B03A, B03B, B06A, B06B, B07Z, B17A, B17B, B17C
		05	F13A, F21A, F21B, F21C			05	F13A, F21A, F21B, F21C			02	C20A, C20B
08		I02A, I02B, I02C, I02D, I12A, I12B, I12C, I22A, I22B, I50Z	06	G10Z, G12A, G12B		03	D18Z, D25A, D25B, D25C, D25D				
09		J02A, J02B, J02C, J04A, J04B, J08A, J08B, J08C, J16Z, J21Z, J22A, J22B	08	I02A, I02B, I02C, I02D, I12A, I12B, I12C, I22A, I22B, I50Z		05	F13A, F21A, F21B				
21A		W04A, W04B	09	J02A, J02B, J02C, J04A, J04B, J08A, J08B, J08C, J16Z, J21Z, J22A, J22B		08	I02A, I02B, I02C, I02D, I12A, I12B, I12C, I22A, I22B, I50Z				
21B		X01A, X01B, X01C	21A	W04A, W04B		09	J02A, J02B, J02C, J04A, J04B, J08A, J08B, J08C, J16Z, J21Z, J22A				
5v456.8↔			BOP, KVT, UOP4	5v456.e↔			BOP, KVT, UOP4	5v457.5		21A	W04A, W04B
		01	B03A, B03B, B06A, B06B, B07Z, B17A, B17B, B17C			01	B03A, B03B, B06A, B06B, B07Z, B17A, B17B, B17C			21B	X01A, X01B, X01C
		05	F13A, F21A, F21B, F21C			05	F13A, F21A, F21B, F21C				BOP, UOP4
	08	I02A, I02B, I02C, I02D, I12A, I12B, I12C, I22A, I22B, I32A, I32B, I32C, I32D, I50Z	08		I02A, I02B, I02C, I02D, I12A, I12B, I12C, I22A, I22B, I50Z	01	B03A, B03B, B06A, B06B, B07Z, B17A, B17B, B17C				
	09	J02A, J02B, J02C, J04A, J04B, J08A, J08B, J08C, J16Z, J21Z, J22A, J22B	09		J02A, J02B, J02C, J04A, J04B, J08A, J08B, J08C, J16Z, J21Z, J22A, J22B	03	D18Z, D25A, D25B, D25C, D25D				
	21A	W04A, W04B	21A		W04A, W04B	05	F13A, F21A, F21B				
	21B	X01A, X01B, X01C	21B		X01A, X01B, X01C	08	I02A, I02B, I02C, I02D, I12A, I12B, I12C, I22A, I22B, I50Z				
	5v456.9↔		BOP, KVT, UOP4		5v456.f↔		BOP, KVT, UOP4			09	J02A, J02B, J02C, J04A, J04B, J08A, J08B, J08C, J16Z, J21Z, J22A, J22B
		01	B03A, B03B, B06A, B06B, B07Z, B17A, B17B, B17C			01	B03A, B03B, B06A, B06B, B07Z, B17A, B17B, B17C			21A	W04A, W04B
		05	F13A, F21A, F21B, F21C			05	F13A, F21A, F21B, F21C			21B	X01A, X01B, X01C
08		I12A, I12B, I12C, I32A, I32B, I32C, I32D, I32E, I32F	08	I02A, I02B, I02C, I02D, I12A, I12B, I12C, I22A, I22B, I50Z			BOP, UOP4				
09		J02A, J02B, J02C, J04A, J04B, J08A, J08B, J08C, J16Z, J21Z, J22A, J22B	09	J02A, J02B, J02C, J04A, J04B, J08A, J08B, J08C, J16Z, J21Z, J22A, J22B		01	B03A, B03B, B06A, B06B, B07Z, B17A, B17B, B17C				
21A		W04A, W04B	21A	W04A, W04B		03	D18Z, D25A, D25B, D25C, D25D				
21B		X01A, X01B, X01C	21B	X01A, X01B, X01C		05	F13A, F21A, F21B				

ZZV	MDC	DRG	ZZV	MDC	DRG	ZZV	MDC	DRG			
5v457.6↔		BOP, UOP4	5v457.c		BOP, UOP4	5v457.x↔		BOP, UOP4			
	01	B03A, B03B, B06A, B06B, B07Z, B17A, B17B, B17C		01	B03A, B03B, B06A, B06B, B07Z, B17A, B17B, B17C		01	B03A, B03B, B06A, B06B, B07Z, B17A, B17B, B17C			
	05	F13A, F21A, F21B		05	F13A, F21A, F21B		05	F13A, F21A, F21B			
	08	I02A, I02B, I02C, I02D, I12A, I12B, I12C, I22A, I22B, I50Z		06	G10Z, G12A, G12B		08	I02A, I02B, I02C, I02D, I12A, I12B, I12C, I22A, I22B, I32A, I32B, I32C, I32D, I32E, I32F, I50Z			
	09	J02A, J02B, J02C, J04A, J04B, J08A, J08B, J08C, J16Z, J21Z, J22A, J22B		08	I02A, I02B, I02C, I02D, I12A, I12B, I12C, I22A, I22B, I50Z		09	J02A, J02B, J02C, J04A, J04B, J08A, J08B, J08C, J16Z, J21Z, J22A, J22B			
	21A	W04A, W04B		09	J02A, J02B, J02C, J04A, J04B, J08A, J08B, J08C, J16Z, J21Z, J22A, J22B		09	J02A, J02B, J02C, J04A, J04B, J08A, J08B, J08C, J16Z, J21Z, J22A, J22B			
	21B	X01A, X01B, X01C		21A	W04A, W04B		21A	W04A, W04B			
	5v457.7↔			BOP, UOP4	5v457.d			BOP, UOP4	5v458.0		BOP, KVT, UOP4
		01		B03A, B03B, B06A, B06B, B07Z, B17A, B17B, B17C			01	B03A, B03B, B06A, B06B, B07Z, B17A, B17B, B17C		01	B03A, B03B, B06A, B06B, B07Z, B17A, B17B, B17C
		05		F13A, F21A, F21B			05	F13A, F21A, F21B		03	D12A
08		I02A, I02B, I02C, I02D, I12A, I12B, I12C, I22A, I22B, I50Z	06	G10Z, G12A, G12B		05	F13A, F21A, F21B				
09		J02A, J02B, J02C, J04A, J04B, J08A, J08B, J08C, J16Z, J21Z, J22A, J22B	08	I02A, I02B, I02C, I02D, I12A, I12B, I12C, I22A, I22B, I50Z		08	I12A, I12B, I12C				
21A		W04A, W04B	09	J02A, J02B, J02C, J04A, J04B, J08A, J08B, J08C, J16Z, J21Z, J22A, J22B		09	J02A, J02B, J02C, J04A, J04B, J08A, J08B, J08C, J16Z, J21Z, J22A, J22B				
21B		X01A, X01B, X01C	21A	W04A, W04B		21A	W04A, W04B				
5v457.8↔			BOP, UOP4	5v457.e↔			BOP, UOP4	5v458.4			BOP, KVT, UOP4
		01	B03A, B03B, B06A, B06B, B07Z, B17A, B17B, B17C			01	B03A, B03B, B06A, B06B, B07Z, B17A, B17B, B17C			01	B03A, B03B, B06A, B06B, B07Z, B17A, B17B, B17C
		05	F13A, F21A, F21B			05	F13A, F21A, F21B, F27A, F27B, F27C			02	C20A, C20B
	08	I02A, I02B, I02C, I02D, I12A, I12B, I12C, I22A, I22B, I32A, I32B, I32C, I32D, I32E, I32F, I50Z	08		I02A, I02B, I02C, I02D, I12A, I12B, I12C, I22A, I22B, I50Z	03	D12A				
	09	J02A, J02B, J02C, J04A, J04B, J08A, J08B, J08C, J16Z, J21Z, J22A, J22B	09		J02A, J02B, J02C, J04A, J04B, J08A, J08B, J08C, J16Z, J21Z, J22A, J22B	05	F13A, F21A, F21B				
	21A	W04A, W04B	10		K01Z	08	I02A, I02B, I02C, I02D, I12A, I12B, I12C, I22A, I22B, I50Z				
	21B	X01A, X01B, X01C	21A		W04A, W04B	09	J02A, J02B, J02C, J04A, J04B, J08A, J08B, J08C, J16Z, J21Z, J22A, J22B				
	5v457.9↔		BOP, UOP4		5v457.f↔		BOP, UOP4		5v458.5		BOP, KVT, UOP4
		01	B03A, B03B, B06A, B06B, B07Z, B17A, B17B, B17C			01	B03A, B03B, B06A, B06B, B07Z, B17A, B17B, B17C			01	B03A, B03B, B06A, B06B, B07Z, B17A, B17B, B17C
		05	F13A, F21A, F21B			05	F13A, F21A, F21B, F27A, F27B, F27C			03	D12A
08		I12A, I12B, I12C, I32A, I32B, I32C, I32D, I32E, I32F	08	I02A, I02B, I02C, I02D, I12A, I12B, I12C, I22A, I22B, I50Z		05	F13A, F21A, F21B				
09		J02A, J02B, J02C, J04A, J04B, J08A, J08B, J08C, J16Z, J21Z, J22A, J22B	09	J02A, J02B, J02C, J04A, J04B, J08A, J08B, J08C, J16Z, J21Z, J22A, J22B		08	I02A, I02B, I02C, I02D, I12A, I12B, I12C, I22A, I22B, I50Z				
21A		W04A, W04B	09	J02A, J02B, J02C, J04A, J04B, J08A, J08B, J08C, J16Z, J21Z, J22A, J22B		09	J02A, J02B, J02C, J04A, J04B, J08A, J08B, J08C, J16Z, J21Z, J22A, J22B				
21B		X01A, X01B, X01C	10	K01Z		21A	W04A, W04B				
5v457.a			BOP, UOP4	5v457.g↔			BOP, UOP4	5v458.6↔			BOP, KVT, UOP4
		01	B03A, B03B, B06A, B06B, B07Z, B17A, B17B, B17C			01	B03A, B03B, B06A, B06B, B07Z, B17A, B17B, B17C			01	B03A, B03B, B06A, B06B, B07Z, B17A, B17B, B17C
		05	F13A, F21A, F21B			05	F13A, F21A, F21B, F27A, F27B, F27C			05	F13A, F21A, F21B
	06	G10Z, G12A, G12B	08		I02A, I02B, I02C, I02D, I12A, I12B, I12C, I22A, I22B, I50Z	08	I02A, I02B, I02C, I02D, I12A, I12B, I12C, I22A, I22B, I50Z				
	08	I02A, I02B, I02C, I02D, I12A, I12B, I12C, I22A, I22B, I50Z	09		J02A, J02B, J02C, J04A, J04B, J08A, J08B, J08C, J16Z, J21Z, J22A, J22B	09	J02A, J02B, J02C, J04A, J04B, J08A, J08B, J08C, J16Z, J21Z, J22A, J22B				
	09	J02A, J02B, J02C, J04A, J04B, J08A, J08B, J08C, J16Z, J21Z, J22A, J22B	09		J02A, J02B, J02C, J04A, J04B, J08A, J08B, J08C, J16Z, J21Z, J22A, J22B	09	J02A, J02B, J02C, J04A, J04B, J08A, J08B, J08C, J16Z, J21Z, J22A, J22B				
	21A	W04A, W04B	10		K01Z	21A	W04A, W04B				
	21B	X01A, X01B, X01C	21A		W04A, W04B	21B	X01A, X01B, X01C				
	5v457.b		BOP, UOP4		5v457.h↔		BOP, UOP4		5v458.7↔		BOP, KVT, UOP4
		01	B03A, B03B, B06A, B06B, B07Z, B17A, B17B, B17C			01	B03A, B03B, B06A, B06B, B07Z, B17A, B17B, B17C			01	B03A, B03B, B06A, B06B, B07Z, B17A, B17B, B17C
05		F13A, F21A, F21B	05	F13A, F21A, F21B, F27A, F27B, F27C		05	F13A, F21A, F21B				
06		G10Z, G12A, G12B	08	I02A, I02B, I02C, I02D, I12A, I12B, I12C, I22A, I22B, I50Z		08	I02A, I02B, I02C, I02D, I12A, I12B, I12C, I22A, I22B, I50Z				
08		I02A, I02B, I02C, I02D, I12A, I12B, I12C, I22A, I22B, I50Z	09	J02A, J02B, J02C, J04A, J04B, J08A, J08B, J08C, J16Z, J21Z, J22A, J22B		09	J02A, J02B, J02C, J04A, J04B, J08A, J08B, J08C, J16Z, J21Z, J22A, J22B				
09		J02A, J02B, J02C, J04A, J04B, J08A, J08B, J08C, J16Z, J21Z, J22A, J22B	09	J02A, J02B, J02C, J04A, J04B, J08A, J08B, J08C, J16Z, J21Z, J22A, J22B		09	J02A, J02B, J02C, J04A, J04B, J08A, J08B, J08C, J16Z, J21Z, J22A, J22B				
21A		W04A, W04B	10	K01Z		21A	W04A, W04B				
21B		X01A, X01B, X01C	21A	W04A, W04B		21B	X01A, X01B, X01C				

ZZV	MDC	DRG	ZZV	MDC	DRG	ZZV	MDC	DRG			
5v458.8↔		BOP, KVT, UOP4	5v458.e↔		BOP, KVT, UOP4	5v459.4		BOP, KVT, UOP4			
	01	B03A, B03B, B06A, B06B, B07Z, B17A, B17B, B17C		01	B03A, B03B, B06A, B06B, B07Z, B17A, B17B, B17C		01	B03A, B03B, B06A, B06B, B07Z, B17A, B17B, B17C			
	05	F13A, F21A, F21B		05	F13A, F21A, F21B		02	C20A, C20B			
	08	I02A, I02B, I02C, I02D, I12A, I12B, I12C, I22A, I22B, I50Z		08	I02A, I02B, I02C, I02D, I12A, I12B, I12C, I22A, I22B, I50Z		03	D18Z, D25A, D25B, D25C, D25D			
	09	J02A, J02B, J02C, J04A, J04B, J08A, J08B, J08C, J16Z, J21Z, J22A, J22B		09	J02A, J02B, J02C, J04A, J04B, J08A, J08B, J08C, J16Z, J21Z, J22A, J22B		05	F13A, F21A, F21B			
	21A	W04A, W04B		21A	W04A, W04B		08	I02A, I02B, I02C, I02D, I12A, I12B, I12C, I22A, I22B, I50Z			
	21B	X01A, X01B, X01C		21B	X01A, X01B, X01C		09	J02A, J02B, J02C, J04A, J04B, J08A, J08B, J08C, J16Z, J21Z, J22A, J22B			
	5v458.9↔			BOP, KVT, UOP4	5v458.f↔			BOP, KVT, UOP4	5v459.5	21A	W04A, W04B
		01		B03A, B03B, B06A, B06B, B07Z, B17A, B17B, B17C			01	B03A, B03B, B06A, B06B, B07Z, B17A, B17B, B17C		21B	X01A, X01B, X01C
		05		F13A, F21A, F21B			05	F13A, F21A, F21B			BOP, KVT, UOP4
08		I12A, I12B, I12C, I32A, I32B, I32C, I32D, I32E, I32F	08	I02A, I02B, I02C, I02D, I12A, I12B, I12C, I22A, I22B, I50Z		01	B03A, B03B, B06A, B06B, B07Z, B17A, B17B, B17C				
09		J02A, J02B, J02C, J04A, J04B, J08A, J08B, J08C, J16Z, J21Z, J22A, J22B	09	J02A, J02B, J02C, J04A, J04B, J08A, J08B, J08C, J16Z, J21Z, J22A, J22B		03	D18Z, D25A, D25B, D25C, D25D				
21A		W04A, W04B	21A	W04A, W04B		05	F13A, F21A, F21B				
21B		X01A, X01B, X01C	21B	X01A, X01B, X01C		08	I02A, I02B, I02C, I02D, I12A, I12B, I12C, I22A, I22B, I50Z				
5v458.a			BOP, KVT, UOP4	5v458.g↔			BOP, KVT, UOP4	5v459.6↔		09	J02A, J02B, J02C, J04A, J04B, J08A, J08B, J08C, J16Z, J21Z, J22A, J22B
		01	B03A, B03B, B06A, B06B, B07Z, B17A, B17B, B17C			01	B03A, B03B, B06A, B06B, B07Z, B17A, B17B, B17C			21A	W04A, W04B
		05	F13A, F21A, F21B			05	F13A, F21A, F21B			21B	X01A, X01B, X01C
	06	G10Z, G12A, G12B	08		I02A, I02B, I02C, I02D, I12A, I12B, I12C, I22A, I22B, I50Z		BOP, KVT, UOP4				
	08	I02A, I02B, I02C, I02D, I12A, I12B, I12C, I22A, I22B, I50Z	09		J02A, J02B, J02C, J04A, J04B, J08A, J08B, J08C, J16Z, J21Z, J22A, J22B	01	B03A, B03B, B06A, B06B, B07Z, B17A, B17B, B17C				
	09	J02A, J02B, J02C, J04A, J04B, J08A, J08B, J08C, J16Z, J21Z, J22A, J22B	21A		W04A, W04B	05	F13A, F21A, F21B				
	21A	W04A, W04B	21B		X01A, X01B, X01C	08	I02A, I02B, I02C, I02D, I12A, I12B, I12C, I22A, I22B, I50Z				
	21B	X01A, X01B, X01C			BOP, KVT, UOP4	09	J02A, J02B, J02C, J04A, J04B, J08A, J08B, J08C, J16Z, J21Z, J22A, J22B				
	5v458.b		BOP, KVT, UOP4		5v458.x↔		BOP, KVT, UOP4		5v459.7↔	21A	W04A, W04B
		01	B03A, B03B, B06A, B06B, B07Z, B17A, B17B, B17C			01	B03A, B03B, B06A, B06B, B07Z, B17A, B17B, B17C			21B	X01A, X01B, X01C
05		F13A, F21A, F21B	05	F13A, F21A, F21B			BOP, KVT, UOP4				
06		G10Z, G12A, G12B	08	I02A, I02B, I02C, I02D, I12A, I12B, I12C, I22A, I22B, I32A, I32B, I32C, I32D, I32E, I32F, I50Z		01	B03A, B03B, B06A, B06B, B07Z, B17A, B17B, B17C				
08		I02A, I02B, I02C, I02D, I12A, I12B, I12C, I22A, I22B, I50Z	09	J02A, J02B, J02C, J04A, J04B, J08A, J08B, J08C, J16Z, J21Z, J22A, J22B		05	F13A, F21A, F21B				
09		J02A, J02B, J02C, J04A, J04B, J08A, J08B, J08C, J16Z, J21Z, J22A, J22B	21A	W04A, W04B		08	I02A, I02B, I02C, I02D, I12A, I12B, I12C, I22A, I22B, I50Z				
21A		W04A, W04B	21B	X01A, X01B, X01C		09	J02A, J02B, J02C, J04A, J04B, J08A, J08B, J08C, J16Z, J21Z, J22A, J22B				
21B		X01A, X01B, X01C		BOP, KVT, UOP4		21A	W04A, W04B				
5v458.c			BOP, KVT, UOP4	5v459.0			BOP, KVT, UOP4	5v459.8↔		21B	X01A, X01B, X01C
		01	B03A, B03B, B06A, B06B, B07Z, B17A, B17B, B17C			01	B03A, B03B, B06A, B06B, B07Z, B17A, B17B, B17C				BOP, KVT, UOP4
	05	F13A, F21A, F21B	03		D18Z, D25A, D25B, D25C, D25D	01	B03A, B03B, B06A, B06B, B07Z, B17A, B17B, B17C				
	06	G10Z, G12A, G12B	05		F13A, F21A, F21B	05	F13A, F21A, F21B				
	08	I02A, I02B, I02C, I02D, I12A, I12B, I12C, I22A, I22B, I50Z	08		I12A, I12B, I12C	08	I02A, I02B, I02C, I02D, I12A, I12B, I12C, I22A, I22B, I32A, I32B, I32C, I32D, I32E, I32F, I50Z				
	09	J02A, J02B, J02C, J04A, J04B, J08A, J08B, J08C, J16Z, J21Z, J22A, J22B	09		J02A, J02B, J02C, J04A, J04B, J08A, J08B, J08C, J16Z, J21Z, J22A, J22B	09	J02A, J02B, J02C, J04A, J04B, J08A, J08B, J08C, J16Z, J21Z, J22A, J22B				
	21A	W04A, W04B	21A		W04A, W04B	21A	W04A, W04B				
	21B	X01A, X01B, X01C	21B		X01A, X01B, X01C	21B	X01A, X01B, X01C				
	5v458.d		BOP, KVT, UOP4								
		01	B03A, B03B, B06A, B06B, B07Z, B17A, B17B, B17C								
05		F13A, F21A, F21B									
06		G10Z, G12A, G12B									
08		I02A, I02B, I02C, I02D, I12A, I12B, I12C, I22A, I22B, I50Z									
09		J02A, J02B, J02C, J04A, J04B, J08A, J08B, J08C, J16Z, J21Z, J22A, J22B									
21A		W04A, W04B									
21B		X01A, X01B, X01C									

VYK

ZZV	MDC	DRG	ZZV	MDC	DRG	ZZV	MDC	DRG			
5v459.9↔		BOP, KVT, UOP4	5v459.e↔		BOP, KVT, UOP4	5v45a.2		BOP, KK11, KKI, KKII, KKP, KVT, UOP4			
	01	B03A, B03B, B06A, B06B, B07Z, B17A, B17B, B17C		01	B03A, B03B, B06A, B06B, B07Z, B17A, B17B, B17C		01	B03A, B03B, B06A, B06B, B07Z, B17A, B17B, B17C			
	05	F13A, F21A, F21B		05	F13A, F21A, F21B, F27A, F27B, F27C		05	F13A, F21A, F21B, F21C			
	08	I12A, I12B, I12C, I32A, I32B, I32C, I32D, I32E, I32F		08	I02A, I02B, I02C, I02D, I12A, I12B, I12C, I22A, I22B, I50Z		06	G10Z, G12A, G12B			
	09	J02A, J02B, J02C, J04A, J04B, J08A, J08B, J08C, J16Z, J21Z, J22A, J22B		09	J02A, J02B, J02C, J04A, J04B, J08A, J08B, J08C, J16Z, J21Z, J22A, J22B		08	I02A, I02B, I02C, I02D, I12A, I12B, I12C, I22A, I22B, I50Z			
	21A	W04A, W04B		10	K01Z		09	J02A, J02B, J02C, J04A, J04B, J08A, J08B, J08C, J16Z, J21Z, J22A, J22B			
	21B	X01A, X01B, X01C		21A	W04A, W04B		21A	W04A, W04B			
	5v459.a			BOP, KVT, UOP4	5v459.f↔			BOP, KVT, UOP4	5v45a.3		BOP, KVT, UOP4
		01		B03A, B03B, B06A, B06B, B07Z, B17A, B17B, B17C			01	B03A, B03B, B06A, B06B, B07Z, B17A, B17B, B17C		01	B03A, B03B, B06A, B06B, B07Z, B17A, B17B, B17C
		05		F13A, F21A, F21B			05	F13A, F21A, F21B, F27A, F27B, F27C		05	F13A, F21A, F21B, F21C
06		G10Z, G12A, G12B	08	I02A, I02B, I02C, I02D, I12A, I12B, I12C, I22A, I22B, I50Z		06	G10Z, G12A, G12B				
08		I02A, I02B, I02C, I02D, I12A, I12B, I12C, I22A, I22B, I50Z	09	J02A, J02B, J02C, J04A, J04B, J08A, J08B, J08C, J16Z, J21Z, J22A, J22B		08	I02A, I02B, I02C, I02D, I12A, I12B, I12C, I22A, I22B, I50Z				
09		J02A, J02B, J02C, J04A, J04B, J08A, J08B, J08C, J16Z, J21Z, J22A, J22B	10	K01Z		09	J02A, J02B, J02C, J04A, J04B, J08A, J08B, J08C, J16Z, J21Z, J22A, J22B				
21A		W04A, W04B	21A	W04A, W04B		21A	W04A, W04B				
21B		X01A, X01B, X01C	21B	X01A, X01B, X01C		21B	X01A, X01B				
5v459.b			BOP, KVT, UOP4	5v459.g↔			BOP, KVT, UOP4	5v45a.4			BOP, KVT, UOP4
		01	B03A, B03B, B06A, B06B, B07Z, B17A, B17B, B17C			01	B03A, B03B, B06A, B06B, B07Z, B17A, B17B, B17C			01	B03A, B03B, B06A, B06B, B07Z, B17A, B17B, B17C
	05	F13A, F21A, F21B	05		F13A, F21A, F21B, F27A, F27B, F27C	05	F13A, F21A, F21B, F21C				
	06	G10Z, G12A, G12B	08		I02A, I02B, I02C, I02D, I12A, I12B, I12C, I22A, I22B, I50Z	06	G10Z, G12A, G12B				
	08	I02A, I02B, I02C, I02D, I12A, I12B, I12C, I22A, I22B, I50Z	09		J02A, J02B, J02C, J04A, J04B, J08A, J08B, J08C, J16Z, J21Z, J22A, J22B	08	I02A, I02B, I02C, I02D, I12A, I12B, I12C, I22A, I22B, I32A, I32B, I32C, I32D, I32E, I32F, I50Z				
	09	J02A, J02B, J02C, J04A, J04B, J08A, J08B, J08C, J16Z, J21Z, J22A, J22B	10		K01Z	09	J02A, J02B, J02C, J04A, J04B, J08A, J08B, J08C, J16Z, J21Z, J22A, J22B				
	21A	W04A, W04B	21A		W04A, W04B	21A	W04A, W04B				
	21B	X01A, X01B, X01C	21B		X01A, X01B, X01C	21B	X01A, X01B				
	5v459.c		BOP, KVT, UOP4		5v459.x↔		BOP, KVT, UOP4		5v45a.x		BOP, KVT, UOP4
		01	B03A, B03B, B06A, B06B, B07Z, B17A, B17B, B17C			01	B03A, B03B, B06A, B06B, B07Z, B17A, B17B, B17C			01	B03A, B03B, B06A, B06B, B07Z, B17A, B17B, B17C
05		F13A, F21A, F21B, F27A, F27B, F27C	05	F13A, F21A, F21B		05	F13A, F21A, F21B, F21C				
06		G10Z, G12A, G12B	08	I02A, I02B, I02C, I02D, I12A, I12B, I12C, I22A, I22B, I32A, I32B, I32C, I32D, I32E, I32F, I50Z		08	I02A, I02B, I02C, I02D, I12A, I12B, I12C, I22A, I22B, I32A, I32B, I32C, I32D, I32E, I32F, I50Z				
08		I02A, I02B, I02C, I02D, I12A, I12B, I12C, I22A, I22B, I50Z	09	J02A, J02B, J02C, J04A, J04B, J08A, J08B, J08C, J16Z, J21Z, J22A, J22B		08	I02A, I02B, I02C, I02D, I12A, I12B, I12C, I22A, I22B, I32A, I32B, I32C, I32D, I32E, I32F, I50Z				
09		J02A, J02B, J02C, J04A, J04B, J08A, J08B, J08C, J16Z, J21Z, J22A, J22B	10	K01Z		09	J02A, J02B, J02C, J04A, J04B, J08A, J08B, J08C, J16Z, J21Z, J22A, J22B				
10		K01Z	21A	W04A, W04B		21A	W04A, W04B				
21A		W04A, W04B	21B	X01A, X01B, X01C		21B	X01A, X01B				
21B		X01A, X01B, X01C	5v45a.1			BOP, KVT, UOP4	5v45x.x↔			BOP, KVT, UOP4	
5v459.d				BOP, KVT, UOP4		5v45a.1				BOP, KVT, UOP4	5v45x.x↔
	01	B03A, B03B, B06A, B06B, B07Z, B17A, B17B, B17C		01	B03A, B03B, B06A, B06B, B07Z, B17A, B17B, B17C			01	B03A, B03B, B06A, B06B, B07Z, B17A, B17B, B17C		
	05	F13A, F21A, F21B		05	F13A, F21A, F21B, F21C, F27A, F27B, F27C			05	F13A, F21A, F21B, F21C		
	06	G10Z, G12A, G12B		08	I02A, I02B, I02C, I02D, I12A, I12B, I12C, I22A, I22B, I32A, I32B, I32C, I32D, I50Z			08	I02A, I02B, I02C, I02D, I12A, I12B, I12C, I22A, I22B, I32A, I32B, I32C, I32D, I50Z		
	08	I02A, I02B, I02C, I02D, I12A, I12B, I12C, I22A, I22B, I50Z		09	J02A, J02B, J02C, J04A, J04B, J08A, J08B, J08C, J16Z, J21Z, J22A, J22B			08	I02A, I02B, I02C, I02D, I12A, I12B, I12C, I22A, I22B, I32A, I32B, I32C, I32D, I50Z		
	09	J02A, J02B, J02C, J04A, J04B, J08A, J08B, J08C, J16Z, J21Z, J22A, J22B		10	K01Z			09	J02A, J02B, J02C, J04A, J04B, J08A, J08B, J08C, J16Z, J21Z, J22A, J22B		
	21A	W04A, W04B		21A	W04A, W04B			21A	W04A, W04B		
	21B	X01A, X01B, X01C		21B	X01A, X01B			21B	X01A, X01B, X01C		

VYK



ZZV	MDC	DRG	ZZV	MDC	DRG	ZZV	MDC	DRG
5v501.9↔		BOP, KVT, UOP4	5v502.g↔		BOP, KVT, UOP4	5v511.4		BOP, KVT, UOP4
	09	J08A, J08B, J08C, J16Z, J21Z, J22A, J22B		09	J08A, J08B, J08C, J16Z, J21Z, J22A, J22B		05	F13A
	22	Y01Z, Y03A, Y03B		22	Y01Z, Y03A, Y03B		09	J08A, J08B, J08C, J16Z, J21Z, J22A, J22B
5v501.a		BOP, KVT, UOP4	5v503.6↔		BOP, KVT, UOP4		22	Y01Z, Y03A, Y03B
	09	J08A, J08B, J08C, J16Z, J21Z, J22A, J22B		09	J08A, J08B, J08C, J16Z, J21Z, J22A, J22B	5v511.5		BOP, KVT, UOP4
	22	Y01Z, Y03A, Y03B		22	Y01Z, Y03A, Y03B		05	F13A
5v501.b		BOP, KVT, UOP4	5v503.7↔		BOP, KVT, UOP4		09	J08A, J08B, J08C, J16Z, J21Z, J22A, J22B
	09	J08A, J08B, J08C, J16Z, J21Z, J22A, J22B		09	J08A, J08B, J08C, J16Z, J21Z, J22A, J22B		22	Y01Z, Y03A, Y03B
	22	Y01Z, Y03A, Y03B		22	Y01Z, Y03A, Y03B	5v511.6↔		BOP, KVT, UOP4
5v501.e↔		BOP, KVT, UOP4	5v503.8↔		BOP, KVT, UOP4		05	F13A
	09	J08A, J08B, J08C, J16Z, J21Z, J22A, J22B		09	J08A, J08B, J08C, J16Z, J21Z, J22A, J22B		09	J08A, J08B, J08C, J16Z, J21Z, J22A, J22B
	22	Y01Z, Y03A, Y03B		22	Y01Z, Y03A, Y03B		22	Y01Z, Y03A, Y03B
5v501.f↔		BOP, KVT, UOP4	5v503.9↔		BOP, KVT, UOP4	5v511.7↔		BOP, KVT, UOP4
	09	J08A, J08B, J08C, J16Z, J21Z, J22A, J22B		09	J08A, J08B, J08C, J16Z, J21Z, J22A, J22B		05	F13A
	22	Y01Z, Y03A, Y03B		22	Y01Z, Y03A, Y03B		09	J08A, J08B, J08C, J16Z, J21Z, J22A, J22B
5v501.g↔		BOP, KVT, UOP4	5v503.c		BOP, KVT, UOP4	5v511.8↔		BOP, KVT, UOP4
	09	J08A, J08B, J08C, J16Z, J21Z, J22A, J22B		09	J08A, J08B, J08C, J16Z, J21Z, J22A, J22B		05	F13A
	22	Y01Z, Y03A, Y03B		22	Y01Z, Y03A, Y03B		09	J08A, J08B, J08C, J16Z, J21Z, J22A, J22B
5v501.j		BOP, KVT, UOP4	5v503.e↔		BOP, KVT, UOP4		22	Y01Z, Y03A, Y03B
	09	J08A, J08B, J08C, J16Z, J21Z, J22A, J22B		09	J08A, J08B, J08C, J16Z, J21Z, J22A, J22B	5v511.9↔		BOP, KVT, UOP4
	22	Y01Z, Y03A, Y03B		22	Y01Z, Y03A, Y03B		05	F13A
5v502.5		BOP, KVT, UOP4	5v503.f↔		BOP, KVT, UOP4		09	J08A, J08B, J08C, J16Z, J21Z, J22A, J22B
	09	J08A, J08B, J08C, J16Z, J21Z, J22A, J22B		09	J08A, J08B, J08C, J16Z, J21Z, J22A, J22B		22	Y01Z, Y03A, Y03B
	22	Y01Z, Y03A, Y03B		22	Y01Z, Y03A, Y03B	5v511.a		BOP, KVT, UOP4
5v502.6↔		BOP, KVT, UOP4	5v503.g↔		BOP, KVT, UOP4		05	F13A
	09	J08A, J08B, J08C, J16Z, J21Z, J22A, J22B		09	J08A, J08B, J08C, J16Z, J21Z, J22A, J22B		09	J08A, J08B, J08C, J16Z, J21Z, J22A, J22B
	22	Y01Z, Y03A, Y03B		22	Y01Z, Y03A, Y03B		22	Y01Z, Y03A, Y03B
5v502.7↔		BOP, KVT, UOP4	5v503.k		BOP, KVT, UOP4	5v511.b		BOP, KVT, UOP4
	09	J08A, J08B, J08C, J16Z, J21Z, J22A, J22B		09	J08A, J08B, J08C, J16Z, J21Z, J22A, J22B		05	F13A
	22	Y01Z, Y03A, Y03B		22	Y01Z, Y03A, Y03B		09	J08A, J08B, J08C, J16Z, J21Z, J22A, J22B
5v502.8↔		BOP, KVT, UOP4	5v503.m		BOP, KVT, UOP4		22	Y01Z, Y03A, Y03B
	09	J08A, J08B, J08C, J16Z, J21Z, J22A, J22B		09	J08A, J08B, J08C, J16Z, J21Z, J22A, J22B	5v511.c		BOP, KVT, UOP4
	22	Y01Z, Y03A, Y03B		22	Y01Z, Y03A, Y03B		05	F13A
5v502.9↔		BOP, KVT, UOP4	5v50x.x		BOP, KVT, UOP4		09	J08A, J08B, J08C, J16Z, J21Z, J22A, J22B
	09	J08A, J08B, J08C, J16Z, J21Z, J22A, J22B		09	J08A, J08B, J08C, J16Z, J21Z, J22A, J22B		22	Y01Z, Y03A, Y03B
	22	Y01Z, Y03A, Y03B		22	Y01Z, Y03A, Y03B	5v511.d		BOP, KVT, UOP4
5v502.a		BOP, KVT, UOP4	5v511.0		BOP, KVT, UOP4		05	F13A
	09	J08A, J08B, J08C, J16Z, J21Z, J22A, J22B		05	F13A		09	J08A, J08B, J08C, J16Z, J21Z, J22A, J22B
	22	Y01Z, Y03A, Y03B		09	J08A, J08B, J08C, J16Z, J21Z, J22A, J22B		22	Y01Z, Y03A, Y03B
5v502.b		BOP, KVT, UOP4	5v511.1		BOP, KVT, UOP4	5v511.e↔		BOP, KVT, UOP4
	09	J08A, J08B, J08C, J16Z, J21Z, J22A, J22B		05	F13A		05	F13A
	22	Y01Z, Y03A, Y03B		09	J08A, J08B, J08C, J16Z, J21Z, J22A, J22B		09	J08A, J08B, J08C, J16Z, J21Z, J22A, J22B
5v502.c		BOP, KVT, UOP4	5v511.2↔		BOP, KVT, UOP4		22	Y01Z, Y03A, Y03B
	09	J08A, J08B, J08C, J16Z, J21Z, J22A, J22B		05	F13A	5v511.f↔		BOP, KVT, UOP4
	22	Y01Z, Y03A, Y03B		09	J08A, J08B, J08C, J16Z, J21Z, J22A, J22B		05	F13A
5v502.e↔		BOP, KVT, UOP4	5v511.3↔		BOP, KVT, UOP4		09	J08A, J08B, J08C, J16Z, J21Z, J22A, J22B
	09	J08A, J08B, J08C, J16Z, J21Z, J22A, J22B		05	F13A	5v511.g↔		Y01Z, Y03A, Y03B
	22	Y01Z, Y03A, Y03B		09	J08A, J08B, J08C, J16Z, J21Z, J22A, J22B		05	F13A
5v502.f↔		BOP, KVT, UOP4		09	J08A, J08B, J08C, J16Z, J21Z, J22A, J22B		09	J08A, J08B, J08C, J16Z, J21Z, J22A, J22B
	09	J08A, J08B, J08C, J16Z, J21Z, J22A, J22B		22	Y01Z, Y03A, Y03B	5v511.h		BOP, KVT, UOP4
	22	Y01Z, Y03A, Y03B		22	Y01Z, Y03A, Y03B		05	F13A
							09	J08A, J08B, J08C, J16Z, J21Z, J22A, J22B
							22	Y01Z, Y03A, Y03B

VYK

ZZV	MDC	DRG	ZZV	MDC	DRG	ZZV	MDC	DRG
5v511.j		BOP, KVT, UOP4	5v512.a		BOP, KVT, UOP4	5v513.2↔		BOP, KVT, UOP4
	05	F13A		05	F13A		05	F13A
	09	J08A, J08B, J08C, J16Z, J21Z, J22A, J22B		09	J08A, J08B, J08C, J16Z, J21Z, J22A, J22B		09	J08A, J08B, J08C, J16Z, J21Z, J22A, J22B
5v511.k	22	Y01Z, Y03A, Y03B	5v512.b	22	Y01Z, Y03A, Y03B	5v513.3↔	22	Y01Z, Y03A, Y03B
		BOP, KVT, UOP4			BOP, KVT, UOP4			BOP, KVT, UOP4
	05	F13A		05	F13A		05	F13A
5v511.m	09	J08A, J08B, J08C, J16Z, J21Z, J22A, J22B	5v512.c	09	J08A, J08B, J08C, J16Z, J21Z, J22A, J22B	5v513.4	09	J08A, J08B, J08C, J16Z, J21Z, J22A, J22B
	22	Y01Z, Y03A, Y03B		22	Y01Z, Y03A, Y03B		22	Y01Z, Y03A, Y03B
		BOP, KVT, UOP4			BOP, KVT, UOP4			BOP, KVT, UOP4
5v511.x	05	F13A	5v512.d	05	F13A	5v513.5	05	F13A
	09	J08A, J08B, J08C, J16Z, J21Z, J22A, J22B		09	J08A, J08B, J08C, J16Z, J21Z, J22A, J22B		09	J08A, J08B, J08C, J16Z, J21Z, J22A, J22B
	22	Y01Z, Y03A, Y03B		22	Y01Z, Y03A, Y03B		22	Y01Z, Y03A, Y03B
5v512.0		BOP, KVT, UOP4	5v512.e↔		BOP, KVT, UOP4	5v513.6↔		BOP, KVT, UOP4
	05	F13A		05	F13A		05	F13A
	09	J08A, J08B, J08C, J16Z, J21Z, J22A, J22B		09	J08A, J08B, J08C, J16Z, J21Z, J22A, J22B		09	J08A, J08B, J08C, J16Z, J21Z, J22A, J22B
5v512.1	22	Y01Z, Y03A, Y03B	5v512.f↔	22	Y01Z, Y03A, Y03B	5v513.7↔	22	Y01Z, Y03A, Y03B
		BOP, KVT, UOP4			BOP, KVT, UOP4			BOP, KVT, UOP4
	05	F13A		05	F13A		05	F13A
5v512.2↔	09	J08A, J08B, J08C, J16Z, J21Z, J22A, J22B	5v512.g↔	09	J08A, J08B, J08C, J16Z, J21Z, J22A, J22B	5v513.8↔	09	J08A, J08B, J08C, J16Z, J21Z, J22A, J22B
	22	Y01Z, Y03A, Y03B		22	Y01Z, Y03A, Y03B		22	Y01Z, Y03A, Y03B
		BOP, KVT, UOP4			BOP, KVT, UOP4			BOP, KVT, UOP4
5v512.3↔	05	F13A	5v512.h	05	F13A	5v513.9↔	05	F13A
	09	J08A, J08B, J08C, J16Z, J21Z, J22A, J22B		09	J08A, J08B, J08C, J16Z, J21Z, J22A, J22B		09	J08A, J08B, J08C, J16Z, J21Z, J22A, J22B
	22	Y01Z, Y03A, Y03B		22	Y01Z, Y03A, Y03B		22	Y01Z, Y03A, Y03B
5v512.4		BOP, KVT, UOP4	5v512.j		BOP, KVT, UOP4	5v513.a		BOP, KVT, UOP4
	05	F13A		05	F13A		05	F13A
	09	J08A, J08B, J08C, J16Z, J21Z, J22A, J22B		09	J08A, J08B, J08C, J16Z, J21Z, J22A, J22B		09	J08A, J08B, J08C, J16Z, J21Z, J22A, J22B
5v512.5	22	Y01Z, Y03A, Y03B	5v512.k	22	Y01Z, Y03A, Y03B	5v513.b	22	Y01Z, Y03A, Y03B
		BOP, KVT, UOP4			BOP, KVT, UOP4			BOP, KVT, UOP4
	05	F13A		05	F13A		05	F13A
5v512.6↔	09	J08A, J08B, J08C, J16Z, J21Z, J22A, J22B	5v512.l	09	J08A, J08B, J08C, J16Z, J21Z, J22A, J22B	5v513.c	09	J08A, J08B, J08C, J16Z, J21Z, J22A, J22B
	22	Y01Z, Y03A, Y03B		22	Y01Z, Y03A, Y03B		22	Y01Z, Y03A, Y03B
		BOP, KVT, UOP4			BOP, KVT, UOP4			BOP, KVT, UOP4
5v512.7↔	05	F13A	5v512.m	05	F13A	5v513.d	05	F13A
	09	J08A, J08B, J08C, J16Z, J21Z, J22A, J22B		09	J08A, J08B, J08C, J16Z, J21Z, J22A, J22B		09	J08A, J08B, J08C, J16Z, J21Z, J22A, J22B
	22	Y01Z, Y03A, Y03B		22	Y01Z, Y03A, Y03B		22	Y01Z, Y03A, Y03B
5v512.8↔		BOP, KVT, UOP4	5v513.0		BOP, KVT, UOP4	5v513.e↔		BOP, KVT, UOP4
	05	F13A		05	F13A		05	F13A
	09	J08A, J08B, J08C, J16Z, J21Z, J22A, J22B		09	J08A, J08B, J08C, J16Z, J21Z, J22A, J22B		09	J08A, J08B, J08C, J16Z, J21Z, J22A, J22B
5v512.9↔	22	Y01Z, Y03A, Y03B	5v513.1	22	Y01Z, Y03A, Y03B	5v513.f↔	22	Y01Z, Y03A, Y03B
		BOP, KVT, UOP4			BOP, KVT, UOP4			BOP, KVT, UOP4
	05	F13A		05	F13A		05	F13A
	09	J08A, J08B, J08C, J16Z, J21Z, J22A, J22B		09	J08A, J08B, J08C, J16Z, J21Z, J22A, J22B		09	J08A, J08B, J08C, J16Z, J21Z, J22A, J22B
	22	Y01Z, Y03A, Y03B		22	Y01Z, Y03A, Y03B		22	Y01Z, Y03A, Y03B



ZZV	MDC	DRG	ZZV	MDC	DRG	ZZV	MDC	DRG
5v513.g↔		BOP, KVT, UOP4	5v514.8↔		BOP, KVT, UOP4	5v522		BOP, KVT, UOP4
	05	F13A		05	F13A		05	F13A
	09	J08A, J08B, J08C, J16Z, J21Z, J22A, J22B		09	J08A, J08B, J08C, J16Z, J21Z, J22A, J22B		09	J08A, J08B, J08C, J16Z, J21Z, J22A, J22B
	22	Y01Z, Y03A, Y03B		22	Y01Z, Y03A, Y03B		22	Y01Z, Y03A, Y03B
5v513.h		BOP, KVT, UOP4	5v514.9↔		BOP, KVT, UOP4	5v523		BOP, KVT, UOP4
	05	F13A		05	F13A		05	F13A
	09	J08A, J08B, J08C, J16Z, J21Z, J22A, J22B		09	J08A, J08B, J08C, J16Z, J21Z, J22A, J22B		09	J08A, J08B, J08C, J16Z, J21Z, J22A, J22B
	22	Y01Z, Y03A, Y03B		22	Y01Z, Y03A, Y03B		22	Y01Z, Y03A, Y03B
5v513.j		BOP, KVT, UOP4	5v514.a		BOP, KVT, UOP4	5v52x		BOP, KVT, UOP4
	05	F13A		05	F13A		05	F13A
	09	J08A, J08B, J08C, J16Z, J21Z, J22A, J22B		09	J08A, J08B, J08C, J16Z, J21Z, J22A, J22B		09	J08A, J08B, J08C, J16Z, J21Z, J22A, J22B
	22	Y01Z, Y03A, Y03B		22	Y01Z, Y03A, Y03B		22	Y01Z, Y03A, Y03B
5v513.k		BOP, KVT, UOP4	5v514.b		BOP, KVT, UOP4	5v530.0		BOP, KVT, UOP4
	05	F13A		05	F13A		05	F13A
	09	J08A, J08B, J08C, J16Z, J21Z, J22A, J22B		09	J08A, J08B, J08C, J16Z, J21Z, J22A, J22B		09	J08A, J08B, J08C, J16Z, J21Z, J22A, J22B
	22	Y01Z, Y03A, Y03B		22	Y01Z, Y03A, Y03B		22	Y01Z, Y02A, Y02B, Y02C
5v513.m		BOP, KVT, UOP4	5v514.c		BOP, KVT, UOP4	5v530.1		BOP, KVT, UOP4
	05	F13A		05	F13A		05	F13A
	09	J08A, J08B, J08C, J16Z, J21Z, J22A, J22B		09	J08A, J08B, J08C, J16Z, J21Z, J22A, J22B		08	I02A, I02B, I02C, I02D, I22A, I22B, I50Z
	22	Y01Z, Y03A, Y03B		22	Y01Z, Y03A, Y03B		09	J08A, J08B, J08C, J16Z, J21Z, J22A, J22B
5v513.x		BOP, KVT, UOP4	5v514.d		BOP, KVT, UOP4		21B	X01A, X01B, X01C
	05	F13A		05	F13A		22	Y01Z, Y02A, Y02B, Y02C
	09	J08A, J08B, J08C, J16Z, J21Z, J22A, J22B		09	J08A, J08B, J08C, J16Z, J21Z, J22A, J22B	5v530.2↔		BOP, KVT, UOP4
	22	Y01Z, Y03A, Y03B		22	Y01Z, Y03A, Y03B		05	F13A
5v514.0		BOP, KVT, UOP4	5v514.e↔		BOP, KVT, UOP4		08	I02A, I02B, I02C, I02D, I22A, I22B, I50Z
	05	F13A		05	F13A		09	J08A, J08B, J08C, J16Z, J21Z, J22A, J22B
	09	J08A, J08B, J08C, J16Z, J21Z, J22A, J22B		09	J08A, J08B, J08C, J16Z, J21Z, J22A, J22B		21B	X01A, X01B, X01C
	22	Y01Z, Y03A, Y03B		22	Y01Z, Y03A, Y03B		22	Y01Z, Y02A, Y02B, Y02C
5v514.1		BOP, KVT, UOP4	5v514.f↔		BOP, KVT, UOP4	5v530.3↔		BOP, KVT, UOP4
	05	F13A		05	F13A		05	F13A
	09	J08A, J08B, J08C, J16Z, J21Z, J22A, J22B		09	J08A, J08B, J08C, J16Z, J21Z, J22A, J22B		08	I02A, I02B, I02C, I02D, I22A, I22B, I50Z
	22	Y01Z, Y03A, Y03B		22	Y01Z, Y03A, Y03B		09	J08A, J08B, J08C, J16Z, J21Z, J22A, J22B
5v514.2↔		BOP, KVT, UOP4	5v514.g↔		BOP, KVT, UOP4		21B	X01A, X01B, X01C
	05	F13A		05	F13A		22	Y01Z, Y02A, Y02B, Y02C
	09	J08A, J08B, J08C, J16Z, J21Z, J22A, J22B		09	J08A, J08B, J08C, J16Z, J21Z, J22A, J22B	5v530.4		BOP, KVT, UOP4
	22	Y01Z, Y03A, Y03B		22	Y01Z, Y03A, Y03B		05	F13A
5v514.3↔		BOP, KVT, UOP4	5v514.h		BOP, KVT, UOP4		08	I02A, I02B, I02C, I02D, I22A, I22B, I50Z
	05	F13A		05	F13A		09	J08A, J08B, J08C, J16Z, J21Z, J22A, J22B
	09	J08A, J08B, J08C, J16Z, J21Z, J22A, J22B		09	J08A, J08B, J08C, J16Z, J21Z, J22A, J22B		21B	X01A, X01B, X01C
	22	Y01Z, Y03A, Y03B		22	Y01Z, Y03A, Y03B		22	Y01Z, Y02A, Y02B, Y02C
5v514.4		BOP, KVT, UOP4	5v514.j		BOP, KVT, UOP4	5v530.5		BOP, KVT, UOP4
	05	F13A		05	F13A		05	F13A
	09	J08A, J08B, J08C, J16Z, J21Z, J22A, J22B		09	J08A, J08B, J08C, J16Z, J21Z, J22A, J22B		08	I02A, I02B, I02C, I02D, I22A, I22B, I50Z
	22	Y01Z, Y03A, Y03B		22	Y01Z, Y03A, Y03B		09	J08A, J08B, J08C, J16Z, J21Z, J22A, J22B
5v514.5		BOP, KVT, UOP4	5v514.k		BOP, KVT, UOP4		21B	X01A, X01B, X01C
	05	F13A		05	F13A		22	Y01Z, Y02A, Y02B, Y02C
	09	J08A, J08B, J08C, J16Z, J21Z, J22A, J22B		09	J08A, J08B, J08C, J16Z, J21Z, J22A, J22B	5v530.6↔		BOP, KVT, UOP4
	22	Y01Z, Y03A, Y03B		22	Y01Z, Y03A, Y03B		05	F13A
5v514.6↔		BOP, KVT, UOP4	5v520		BOP, KVT, UOP4		08	I02A, I02B, I02C, I02D, I22A, I22B, I50Z
	05	F13A		05	F13A		09	J08A, J08B, J08C, J16Z, J21Z, J22A, J22B
	09	J08A, J08B, J08C, J16Z, J21Z, J22A, J22B		09	J08A, J08B, J08C, J16Z, J21Z, J22A, J22B		21B	X01A, X01B, X01C
	22	Y01Z, Y03A, Y03B		22	Y01Z, Y03A, Y03B		22	Y01Z, Y02A, Y02B, Y02C
5v514.7↔		BOP, KVT, UOP4	5v521		BOP, KVT, UOP4		05	F13A
	05	F13A		05	F13A		08	I02A, I02B, I02C, I02D, I22A, I22B, I50Z
	09	J08A, J08B, J08C, J16Z, J21Z, J22A, J22B		09	J08A, J08B, J08C, J16Z, J21Z, J22A, J22B		09	J08A, J08B, J08C, J16Z, J21Z, J22A, J22B
	22	Y01Z, Y03A, Y03B		22	Y01Z, Y03A, Y03B		21B	X01A, X01B, X01C
	05	F13A		05	F13A		22	Y01Z, Y02A, Y02B, Y02C
	09	J08A, J08B, J08C, J16Z, J21Z, J22A, J22B		09	J08A, J08B, J08C, J16Z, J21Z, J22A, J22B			
	22	Y01Z, Y03A, Y03B		22	Y01Z, Y03A, Y03B			



ZZV	MDC	DRG	ZZV	MDC	DRG	ZZV	MDC	DRG
5v531.e↔		BOP, KVT, UOP4	5v532.5		BOP, KVT, UOP4	5v532.d		BOP, KVT, UOP4
	05	F13A		05	F13A		05	F13A
	08	I02A, I02B, I02C, I02D, I22A, I22B, I50Z		08	I02A, I02B, I02C, I02D, I22A, I22B, I50Z		08	I02A, I02B, I02C, I02D, I22A, I22B, I50Z
	09	J08A, J08B, J08C, J16Z, J21Z, J22A, J22B		09	J08A, J08B, J08C, J16Z, J21Z, J22A, J22B		09	J08A, J08B, J08C, J16Z, J21Z, J22A, J22B
	21B	X01A, X01B, X01C		21B	X01A, X01B, X01C		21B	X01A, X01B, X01C
5v531.f↔	22	Y01Z, Y02A, Y02B, Y02C	5v532.6↔	22	Y01Z, Y02A, Y02B, Y02C	5v532.e↔	22	Y01Z, Y02A, Y02B, Y02C
		BOP, KVT, UOP4			BOP, KVT, UOP4			BOP, KVT, UOP4
	05	F13A		05	F13A		05	F13A
	08	I02A, I02B, I02C, I02D, I22A, I22B, I50Z		08	I02A, I02B, I02C, I02D, I22A, I22B, I50Z		08	I02A, I02B, I02C, I02D, I22A, I22B, I50Z
	09	J08A, J08B, J08C, J16Z, J21Z, J22A, J22B		09	J08A, J08B, J08C, J16Z, J21Z, J22A, J22B		09	J08A, J08B, J08C, J16Z, J21Z, J22A, J22B
5v531.g↔	21B	X01A, X01B, X01C	5v532.7↔	21B	X01A, X01B, X01C	5v532.f↔	21B	X01A, X01B, X01C
	22	Y01Z, Y02A, Y02B, Y02C		22	Y01Z, Y02A, Y02B, Y02C		22	Y01Z, Y02A, Y02B, Y02C
		BOP, KVT, UOP4			BOP, KVT, UOP4			BOP, KVT, UOP4
	05	F13A		05	F13A		05	F13A
	08	I02A, I02B, I02C, I02D, I22A, I22B, I50Z		08	I02A, I02B, I02C, I02D, I22A, I22B, I50Z		08	I02A, I02B, I02C, I02D, I22A, I22B, I50Z
5v531.h	09	J08A, J08B, J08C, J16Z, J21Z, J22A, J22B	5v532.8↔	09	J08A, J08B, J08C, J16Z, J21Z, J22A, J22B	5v532.g↔	09	J08A, J08B, J08C, J16Z, J21Z, J22A, J22B
	21B	X01A, X01B, X01C		21B	X01A, X01B, X01C		21B	X01A, X01B, X01C
	22	Y01Z, Y02A, Y02B, Y02C		22	Y01Z, Y02A, Y02B, Y02C		22	Y01Z, Y02A, Y02B, Y02C
		BOP, KVT, UOP4			BOP, KVT, UOP4			BOP, KVT, UOP4
	05	F13A		05	F13A		05	F13A
5v532.0	08	I02A, I02B, I02C, I02D, I22A, I22B, I50Z	5v532.9↔	08	I02A, I02B, I02C, I02D, I22A, I22B, I32A, I32B, I32C, I32D, I32E, I32F, I50Z	5v532.x↔	08	I02A, I02B, I02C, I02D, I22A, I22B, I50Z
	09	J08A, J08B, J08C, J16Z, J21Z, J22A, J22B		09	J08A, J08B, J08C, J16Z, J21Z, J22A, J22B		09	J08A, J08B, J08C, J16Z, J21Z, J22A, J22B
	21B	X01A, X01B, X01C		21B	X01A, X01B, X01C		21B	X01A, X01B, X01C
	22	Y01Z, Y02A, Y02B, Y02C		22	Y01Z, Y02A, Y02B, Y02C		22	Y01Z, Y02A, Y02B, Y02C
		BOP, KVT, UOP4			BOP, KVT, UOP4			BOP, KVT, UOP4
5v532.1	05	F13A	5v532.a	05	F13A	5v533.0	05	F13A
	08	I02A, I02B, I02C, I02D, I22A, I22B, I50Z		08	I02A, I02B, I02C, I02D, I22A, I22B, I50Z		08	I02A, I02B, I02C, I02D, I22A, I22B, I50Z
	09	J08A, J08B, J08C, J16Z, J21Z, J22A, J22B		09	J08A, J08B, J08C, J16Z, J21Z, J22A, J22B		09	J08A, J08B, J08C, J16Z, J21Z, J22A, J22B
	21B	X01A, X01B, X01C		21B	X01A, X01B, X01C		21B	X01A, X01B, X01C
	22	Y01Z, Y02A, Y02B, Y02C		22	Y01Z, Y02A, Y02B, Y02C		22	Y01Z, Y02A, Y02B, Y02C
5v532.2↔		BOP, KVT, UOP4	5v532.b		BOP, KVT, UOP4	5v533.1		BOP, KVT, UOP4
	05	F13A		05	F13A		05	F13A
	08	I02A, I02B, I02C, I02D, I22A, I22B, I50Z		08	I02A, I02B, I02C, I02D, I22A, I22B, I50Z		08	I02A, I02B, I02C, I02D, I22A, I22B, I50Z
	09	J08A, J08B, J08C, J16Z, J21Z, J22A, J22B		09	J08A, J08B, J08C, J16Z, J21Z, J22A, J22B		09	J08A, J08B, J08C, J16Z, J21Z, J22A, J22B
	21B	X01A, X01B, X01C		21B	X01A, X01B, X01C		21B	X01A, X01B, X01C
5v532.3↔	22	Y01Z, Y02A, Y02B, Y02C	5v532.c	22	Y01Z, Y02A, Y02B, Y02C	5v533.2↔	22	Y01Z, Y02A, Y02B, Y02C
		BOP, KVT, UOP4			BOP, KVT, UOP4			BOP, KVT, UOP4
	05	F13A		05	F13A		05	F13A
	08	I02A, I02B, I02C, I02D, I22A, I22B, I50Z		08	I02A, I02B, I02C, I02D, I22A, I22B, I50Z		08	I02A, I02B, I02C, I02D, I22A, I22B, I50Z
	09	J08A, J08B, J08C, J16Z, J21Z, J22A, J22B		09	J08A, J08B, J08C, J16Z, J21Z, J22A, J22B		09	J08A, J08B, J08C, J16Z, J21Z, J22A, J22B
5v532.4	21B	X01A, X01B, X01C		21B	X01A, X01B, X01C	5v533.3↔	21B	X01A, X01B, X01C
	22	Y01Z, Y02A, Y02B, Y02C		22	Y01Z, Y02A, Y02B, Y02C		22	Y01Z, Y02A, Y02B, Y02C
		BOP, KVT, UOP4			BOP, KVT, UOP4			BOP, KVT, UOP4
	05	F13A					05	F13A
	08	I02A, I02B, I02C, I02D, I22A, I22B, I50Z					08	I02A, I02B, I02C, I02D, I22A, I22B, I50Z
	J08A, J08B, J08C, J16Z, J21Z, J22A, J22B			09	J08A, J08B, J08C, J16Z, J21Z, J22A, J22B			
21B	X01A, X01B, X01C			21B	X01A, X01B, X01C			
22	Y01Z, Y02A, Y02B, Y02C			22	Y01Z, Y02A, Y02B, Y02C			

VYK

ZZV	MDC	DRG	ZZV	MDC	DRG	ZZV	MDC	DRG
5v533.4		BOP, KVT, UOP4	5v533.c		BOP, KVT, UOP4	5v534.3↔		BOP, KVT, UOP4
	05	F13A		05	F13A		05	F13A
	08	I02A, I02B, I02C, I02D, I22A, I22B, I50Z		08	I02A, I02B, I02C, I02D, I22A, I22B, I50Z		08	I02A, I02B, I02C, I02D, I22A, I22B, I50Z
	09	J08A, J08B, J08C, J16Z, J21Z, J22A, J22B		09	J08A, J08B, J08C, J16Z, J21Z, J22A, J22B		09	J08A, J08B, J08C, J16Z, J21Z, J22A, J22B
	21B	X01A, X01B, X01C		21B	X01A, X01B, X01C		21B	X01A, X01B, X01C
	22	Y01Z, Y02A, Y02B, Y02C		22	Y01Z, Y02A, Y02B, Y02C		22	Y01Z, Y02A, Y02B, Y02C
5v533.5		BOP, KVT, UOP4	5v533.d		BOP, KVT, UOP4	5v534.4		BOP, KVT, UOP4
	05	F13A		05	F13A		05	F13A
	08	I02A, I02B, I02C, I02D, I22A, I22B, I50Z		08	I02A, I02B, I02C, I02D, I22A, I22B, I50Z		08	I02A, I02B, I02C, I02D, I22A, I22B, I50Z
	09	J08A, J08B, J08C, J16Z, J21Z, J22A, J22B		09	J08A, J08B, J08C, J16Z, J21Z, J22A, J22B		09	J08A, J08B, J08C, J16Z, J21Z, J22A, J22B
	21B	X01A, X01B, X01C		21B	X01A, X01B, X01C		21B	X01A, X01B, X01C
	22	Y01Z, Y02A, Y02B, Y02C		22	Y01Z, Y02A, Y02B, Y02C		22	Y01Z, Y02A, Y02B, Y02C
5v533.6↔		BOP, KVT, UOP4	5v533.e↔		BOP, KVT, UOP4	5v534.5		BOP, KVT, UOP4
	05	F13A		05	F13A		05	F13A
	08	I02A, I02B, I02C, I02D, I22A, I22B, I50Z		08	I02A, I02B, I02C, I02D, I22A, I22B, I50Z		08	I02A, I02B, I02C, I02D, I22A, I22B, I50Z
	09	J08A, J08B, J08C, J16Z, J21Z, J22A, J22B		09	J08A, J08B, J08C, J16Z, J21Z, J22A, J22B		09	J08A, J08B, J08C, J16Z, J21Z, J22A, J22B
	21B	X01A, X01B, X01C		21B	X01A, X01B, X01C		21B	X01A, X01B, X01C
	22	Y01Z, Y02A, Y02B, Y02C		22	Y01Z, Y02A, Y02B, Y02C		22	Y01Z, Y02A, Y02B, Y02C
5v533.7↔		BOP, KVT, UOP4	5v533.f↔		BOP, KVT, UOP4	5v534.6↔		BOP, KVT, UOP4
	05	F13A		05	F13A		05	F13A
	08	I02A, I02B, I02C, I02D, I22A, I22B, I50Z		08	I02A, I02B, I02C, I02D, I22A, I22B, I50Z		08	I02A, I02B, I02C, I02D, I22A, I22B, I50Z
	09	J08A, J08B, J08C, J16Z, J21Z, J22A, J22B		09	J08A, J08B, J08C, J16Z, J21Z, J22A, J22B		09	J08A, J08B, J08C, J16Z, J21Z, J22A, J22B
	21B	X01A, X01B, X01C		21B	X01A, X01B, X01C		21B	X01A, X01B, X01C
	22	Y01Z, Y02A, Y02B, Y02C		22	Y01Z, Y02A, Y02B, Y02C		22	Y01Z, Y02A, Y02B, Y02C
5v533.8↔		BOP, KVT, UOP4	5v533.g↔		BOP, KVT, UOP4	5v534.7↔		BOP, KVT, UOP4
	05	F13A		05	F13A		05	F13A
	08	I02A, I02B, I02C, I02D, I22A, I22B, I32A, I32B, I32C, I32D, I32E, I32F, I50Z		08	I02A, I02B, I02C, I02D, I22A, I22B, I50Z		08	I02A, I02B, I02C, I02D, I22A, I22B, I50Z
	09	J08A, J08B, J08C, J16Z, J21Z, J22A, J22B		09	J08A, J08B, J08C, J16Z, J21Z, J22A, J22B		09	J08A, J08B, J08C, J16Z, J21Z, J22A, J22B
	21B	X01A, X01B, X01C		21B	X01A, X01B, X01C		21B	X01A, X01B, X01C
	22	Y01Z, Y02A, Y02B, Y02C		22	Y01Z, Y02A, Y02B, Y02C		22	Y01Z, Y02A, Y02B, Y02C
5v533.9↔		BOP, KVT, UOP4	5v533.x↔		BOP, KVT, UOP4	5v534.8↔		BOP, KVT, UOP4
	05	F13A		05	F13A		05	F13A
	08	I32A, I32B, I32C, I32D, I32E, I32F		08	I02A, I02B, I02C, I02D, I22A, I22B, I32A, I32B, I32C, I32D, I32E, I32F, I50Z		08	I02A, I02B, I02C, I02D, I22A, I22B, I32A, I32B, I32C, I32D, I32E, I32F, I50Z
	09	J08A, J08B, J08C, J16Z, J21Z, J22A, J22B		09	J08A, J08B, J08C, J16Z, J21Z, J22A, J22B		09	J08A, J08B, J08C, J16Z, J21Z, J22A, J22B
	22	Y01Z, Y02A, Y02B, Y02C		21B	X01A, X01B, X01C		21B	X01A, X01B, X01C
5v533.a		BOP, KVT, UOP4		22	Y01Z, Y02A, Y02B, Y02C		22	Y01Z, Y02A, Y02B, Y02C
	05	F13A	5v534.0		BOP, KVT, UOP4	5v534.9↔		BOP, KVT, UOP4
	08	I02A, I02B, I02C, I02D, I22A, I22B, I50Z		05	F13A		05	F13A
	09	J08A, J08B, J08C, J16Z, J21Z, J22A, J22B		09	J08A, J08B, J08C, J16Z, J21Z, J22A, J22B		08	I32A, I32B, I32C, I32D, I32E, I32F
	21B	X01A, X01B, X01C		22	Y01Z, Y02A, Y02B, Y02C		09	J08A, J08B, J08C, J16Z, J21Z, J22A, J22B
	22	Y01Z, Y02A, Y02B, Y02C	5v534.1		BOP, KVT, UOP4		22	Y01Z, Y02A, Y02B, Y02C
5v533.b		BOP, KVT, UOP4		05	F13A	5v534.a		BOP, KVT, UOP4
	05	F13A		08	I02A, I02B, I02C, I02D, I22A, I22B, I50Z		05	F13A
	08	I02A, I02B, I02C, I02D, I22A, I22B, I50Z		09	J08A, J08B, J08C, J16Z, J21Z, J22A, J22B		08	I02A, I02B, I02C, I02D, I22A, I22B, I50Z
	09	J08A, J08B, J08C, J16Z, J21Z, J22A, J22B		21B	X01A, X01B, X01C		09	J08A, J08B, J08C, J16Z, J21Z, J22A, J22B
	21B	X01A, X01B, X01C		22	Y01Z, Y02A, Y02B, Y02C		21B	X01A, X01B, X01C
	22	Y01Z, Y02A, Y02B, Y02C	5v534.2↔		BOP, KVT, UOP4		22	Y01Z, Y02A, Y02B, Y02C
				05	F13A			
				08	I02A, I02B, I02C, I02D, I22A, I22B, I50Z			
				09	J08A, J08B, J08C, J16Z, J21Z, J22A, J22B			
				21B	X01A, X01B, X01C			
				22	Y01Z, Y02A, Y02B, Y02C			

ZZV	MDC	DRG	ZZV	MDC	DRG	ZZV	MDC	DRG
5v534.b		BOP, KVT, UOP4	5v535.2↔		BOP, KVT, UOP4	5v535.a		BOP, KVT, UOP4
	05	F13A		05	F13A		05	F13A
	08	I02A, I02B, I02C, I02D, I22A, I22B, I50Z		08	I02A, I02B, I02C, I02D, I22A, I22B, I50Z		08	I02A, I02B, I02C, I02D, I22A, I22B, I50Z
	09	J08A, J08B, J08C, J16Z, J21Z, J22A, J22B		09	J08A, J08B, J08C, J16Z, J21Z, J22A, J22B		09	J08A, J08B, J08C, J16Z, J21Z, J22A, J22B
	21B	X01A, X01B, X01C		21B	X01A, X01B, X01C		21B	X01A, X01B, X01C
5v534.c	22	Y01Z, Y02A, Y02B, Y02C	5v535.3↔	22	Y01Z, Y02A, Y02B, Y02C	5v535.b	22	Y01Z, Y02A, Y02B, Y02C
		BOP, KVT, UOP4			BOP, KVT, UOP4			BOP, KVT, UOP4
	05	F13A		05	F13A		05	F13A
	08	I02A, I02B, I02C, I02D, I22A, I22B, I50Z		08	I02A, I02B, I02C, I02D, I22A, I22B, I50Z		08	I02A, I02B, I02C, I02D, I22A, I22B, I50Z
	09	J08A, J08B, J08C, J16Z, J21Z, J22A, J22B		09	J08A, J08B, J08C, J16Z, J21Z, J22A, J22B		09	J08A, J08B, J08C, J16Z, J21Z, J22A, J22B
5v534.d	21B	X01A, X01B, X01C	5v535.4	21B	X01A, X01B, X01C	5v535.c	21B	X01A, X01B, X01C
	22	Y01Z, Y02A, Y02B, Y02C		22	Y01Z, Y02A, Y02B, Y02C		22	Y01Z, Y02A, Y02B, Y02C
		BOP, KVT, UOP4			BOP, KVT, UOP4			BOP, KVT, UOP4
	05	F13A		05	F13A		05	F13A
	08	I02A, I02B, I02C, I02D, I22A, I22B, I50Z		08	I02A, I02B, I02C, I02D, I22A, I22B, I50Z		08	I02A, I02B, I02C, I02D, I22A, I22B, I50Z
5v534.e↔	09	J08A, J08B, J08C, J16Z, J21Z, J22A, J22B	5v535.5	09	J08A, J08B, J08C, J16Z, J21Z, J22A, J22B	5v535.d	09	J08A, J08B, J08C, J16Z, J21Z, J22A, J22B
	21B	X01A, X01B, X01C		21B	X01A, X01B, X01C		21B	X01A, X01B, X01C
	22	Y01Z, Y02A, Y02B, Y02C		22	Y01Z, Y02A, Y02B, Y02C		22	Y01Z, Y02A, Y02B, Y02C
		BOP, KVT, UOP4			BOP, KVT, UOP4			BOP, KVT, UOP4
	05	F13A		05	F13A		05	F13A
5v534.f↔	08	I02A, I02B, I02C, I02D, I22A, I22B, I50Z	5v535.6↔	08	I02A, I02B, I02C, I02D, I22A, I22B, I50Z	5v535.e↔	08	I02A, I02B, I02C, I02D, I22A, I22B, I50Z
	09	J08A, J08B, J08C, J16Z, J21Z, J22A, J22B		09	J08A, J08B, J08C, J16Z, J21Z, J22A, J22B		09	J08A, J08B, J08C, J16Z, J21Z, J22A, J22B
	21B	X01A, X01B, X01C		21B	X01A, X01B, X01C		21B	X01A, X01B, X01C
	22	Y01Z, Y02A, Y02B, Y02C		22	Y01Z, Y02A, Y02B, Y02C		22	Y01Z, Y02A, Y02B, Y02C
		BOP, KVT, UOP4			BOP, KVT, UOP4			BOP, KVT, UOP4
5v534.g↔	05	F13A	5v535.7↔	05	F13A	5v535.f↔	05	F13A
	08	I02A, I02B, I02C, I02D, I22A, I22B, I50Z		08	I02A, I02B, I02C, I02D, I22A, I22B, I50Z		08	I02A, I02B, I02C, I02D, I22A, I22B, I50Z
	09	J08A, J08B, J08C, J16Z, J21Z, J22A, J22B		09	J08A, J08B, J08C, J16Z, J21Z, J22A, J22B		09	J08A, J08B, J08C, J16Z, J21Z, J22A, J22B
	21B	X01A, X01B, X01C		21B	X01A, X01B, X01C		21B	X01A, X01B, X01C
	22	Y01Z, Y02A, Y02B, Y02C		22	Y01Z, Y02A, Y02B, Y02C		22	Y01Z, Y02A, Y02B, Y02C
5v534.x↔		BOP, KVT, UOP4	5v535.8↔		BOP, KVT, UOP4	5v535.g↔		BOP, KVT, UOP4
	05	F13A		05	F13A		05	F13A
	08	I02A, I02B, I02C, I02D, I22A, I22B, I32A, I32B, I32C, I32D, I32E, I32F, I50Z		08	I02A, I02B, I02C, I02D, I22A, I22B, I50Z		08	I02A, I02B, I02C, I02D, I22A, I22B, I50Z
	09	J08A, J08B, J08C, J16Z, J21Z, J22A, J22B		09	J08A, J08B, J08C, J16Z, J21Z, J22A, J22B		09	J08A, J08B, J08C, J16Z, J21Z, J22A, J22B
	21B	X01A, X01B, X01C		21B	X01A, X01B, X01C		21B	X01A, X01B, X01C
5v535.0	22	Y01Z, Y02A, Y02B, Y02C	5v535.9↔	22	Y01Z, Y02A, Y02B, Y02C	5v535.x↔	22	Y01Z, Y02A, Y02B, Y02C
		BOP, KVT, UOP4			BOP, KVT, UOP4			BOP, KVT, UOP4
	05	F13A		05	F13A		05	F13A
	08	I02A, I02B, I02C, I02D, I22A, I22B, I32A, I32B, I32C, I32D, I32E, I32F, I50Z		08	I32A, I32B, I32C, I32D, I32E, I32F		08	I02A, I02B, I02C, I02D, I22A, I22B, I32A, I32B, I32C, I32D, I32E, I32F, I50Z
	09	J08A, J08B, J08C, J16Z, J21Z, J22A, J22B		09	J08A, J08B, J08C, J16Z, J21Z, J22A, J22B		09	J08A, J08B, J08C, J16Z, J21Z, J22A, J22B
5v535.1	21B	X01A, X01B, X01C		21B	X01A, X01B, X01C	5v536.0	21B	X01A, X01B, X01C
	22	Y01Z, Y02A, Y02B, Y02C		22	Y01Z, Y02A, Y02B, Y02C		22	Y01Z, Y02A, Y02B, Y02C
		BOP, KVT, UOP4						BOP, KVT, UOP4
	05	F13A					05	F13A
	08	I02A, I02B, I02C, I02D, I22A, I22B, I50Z					08	I02A, I02B, I02C, I02D, I22A, I22B, I50Z
	09	J08A, J08B, J08C, J16Z, J21Z, J22A, J22B			09	J08A, J08B, J08C, J16Z, J21Z, J22A, J22B		
	21B	X01A, X01B, X01C			21B	X01A, X01B, X01C		
	22	Y01Z, Y02A, Y02B, Y02C			22	Y01Z, Y02A, Y02B, Y02C		
		BOP, KVT, UOP4				BOP, KVT, UOP4		

ZZV	MDC	DRG	ZZV	MDC	DRG	ZZV	MDC	DRG
5v536.1		BOP, KVT, UOP4	5v536.9↔		BOP, KVT, UOP4	5v536.x↔		BOP, KVT, UOP4
	05	F13A		05	F13A		05	F13A
	08	I02A, I02B, I02C, I02D, I22A, I22B, I50Z		08	I32A, I32B, I32C, I32D, I32E, I32F		08	I02A, I02B, I02C, I02D, I22A, I22B, I32A, I32B, I32C, I32D, I32E, I32F, I50Z
	09	J08A, J08B, J08C, J16Z, J21Z, J22A, J22B		09	J08A, J08B, J08C, J16Z, J21Z, J22A, J22B		09	J08A, J08B, J08C, J16Z, J21Z, J22A, J22B
	21B	X01A, X01B, X01C		22	Y01Z, Y02A, Y02B, Y02C		21B	X01A, X01B, X01C
5v536.2↔	22	Y01Z, Y02A, Y02B, Y02C	5v536.a		BOP, KVT, UOP4	5v537.0	21B	X01A, X01B, X01C
		BOP, KVT, UOP4		05	F13A		22	Y01Z, Y02A, Y02B, Y02C
	05	F13A		08	I02A, I02B, I02C, I02D, I22A, I22B, I50Z		05	F13A
	08	I02A, I02B, I02C, I02D, I22A, I22B, I50Z		09	J08A, J08B, J08C, J16Z, J21Z, J22A, J22B		09	J08A, J08B, J08C, J16Z, J21Z, J22A, J22B
	09	J08A, J08B, J08C, J16Z, J21Z, J22A, J22B		21B	X01A, X01B, X01C		22	Y01Z, Y02A, Y02B, Y02C
5v536.3↔	21B	X01A, X01B, X01C	5v536.b	22	Y01Z, Y02A, Y02B, Y02C	5v537.1	22	Y01Z, Y02A, Y02B, Y02C
	22	Y01Z, Y02A, Y02B, Y02C			BOP, KVT, UOP4		05	F13A
		BOP, KVT, UOP4		05	F13A		08	I02A, I02B, I02C, I02D, I22A, I22B, I50Z
	05	F13A		08	I02A, I02B, I02C, I02D, I22A, I22B, I50Z		09	J08A, J08B, J08C, J16Z, J21Z, J22A, J22B
	08	I02A, I02B, I02C, I02D, I22A, I22B, I50Z		09	J08A, J08B, J08C, J16Z, J21Z, J22A, J22B		21B	X01A, X01B, X01C
5v536.4	09	J08A, J08B, J08C, J16Z, J21Z, J22A, J22B	5v536.c	21B	X01A, X01B, X01C	5v537.2↔	22	Y01Z, Y02A, Y02B, Y02C
	21B	X01A, X01B, X01C		22	Y01Z, Y02A, Y02B, Y02C		05	F13A
	22	Y01Z, Y02A, Y02B, Y02C			BOP, KVT, UOP4		08	I02A, I02B, I02C, I02D, I22A, I22B, I50Z
		BOP, KVT, UOP4		05	F13A		09	J08A, J08B, J08C, J16Z, J21Z, J22A, J22B
	05	F13A		08	I02A, I02B, I02C, I02D, I22A, I22B, I50Z		21B	X01A, X01B, X01C
5v536.5	08	I02A, I02B, I02C, I02D, I22A, I22B, I50Z	5v536.d	09	J08A, J08B, J08C, J16Z, J21Z, J22A, J22B	5v537.3↔	22	Y01Z, Y02A, Y02B, Y02C
	09	J08A, J08B, J08C, J16Z, J21Z, J22A, J22B		21B	X01A, X01B, X01C		05	F13A
	21B	X01A, X01B, X01C		22	Y01Z, Y02A, Y02B, Y02C		08	I02A, I02B, I02C, I02D, I22A, I22B, I50Z
	22	Y01Z, Y02A, Y02B, Y02C			BOP, KVT, UOP4		09	J08A, J08B, J08C, J16Z, J21Z, J22A, J22B
		BOP, KVT, UOP4		05	F13A		21B	X01A, X01B, X01C
5v536.6↔	05	F13A	5v536.e↔	08	I02A, I02B, I02C, I02D, I22A, I22B, I50Z	5v537.4	22	Y01Z, Y02A, Y02B, Y02C
	08	I02A, I02B, I02C, I02D, I22A, I22B, I50Z		09	J08A, J08B, J08C, J16Z, J21Z, J22A, J22B		05	F13A
	09	J08A, J08B, J08C, J16Z, J21Z, J22A, J22B		21B	X01A, X01B, X01C		08	I02A, I02B, I02C, I02D, I22A, I22B, I50Z
	21B	X01A, X01B, X01C		22	Y01Z, Y02A, Y02B, Y02C		09	J08A, J08B, J08C, J16Z, J21Z, J22A, J22B
	22	Y01Z, Y02A, Y02B, Y02C			BOP, KVT, UOP4		21B	X01A, X01B, X01C
5v536.7↔		BOP, KVT, UOP4	5v536.f↔		BOP, KVT, UOP4	5v537.5	22	Y01Z, Y02A, Y02B, Y02C
	05	F13A		05	F13A		05	F13A
	08	I02A, I02B, I02C, I02D, I22A, I22B, I50Z		08	I02A, I02B, I02C, I02D, I22A, I22B, I50Z		08	I02A, I02B, I02C, I02D, I22A, I22B, I50Z
	09	J08A, J08B, J08C, J16Z, J21Z, J22A, J22B		09	J08A, J08B, J08C, J16Z, J21Z, J22A, J22B		09	J08A, J08B, J08C, J16Z, J21Z, J22A, J22B
	21B	X01A, X01B, X01C		21B	X01A, X01B, X01C		21B	X01A, X01B, X01C
5v536.8↔	22	Y01Z, Y02A, Y02B, Y02C	5v536.g↔	22	Y01Z, Y02A, Y02B, Y02C	5v537.6↔	22	Y01Z, Y02A, Y02B, Y02C
		BOP, KVT, UOP4			BOP, KVT, UOP4		05	F13A
	05	F13A		05	F13A		08	I02A, I02B, I02C, I02D, I22A, I22B, I50Z
	08	I02A, I02B, I02C, I02D, I22A, I22B, I32A, I32B, I32C, I32D, I32E, I32F, I50Z		08	I02A, I02B, I02C, I02D, I22A, I22B, I50Z		09	J08A, J08B, J08C, J16Z, J21Z, J22A, J22B
	09	J08A, J08B, J08C, J16Z, J21Z, J22A, J22B		09	J08A, J08B, J08C, J16Z, J21Z, J22A, J22B		21B	X01A, X01B, X01C
	21B	X01A, X01B, X01C		21B	X01A, X01B, X01C	5v537.7↔	22	Y01Z, Y02A, Y02B, Y02C
	22	Y01Z, Y02A, Y02B, Y02C		22	Y01Z, Y02A, Y02B, Y02C		05	F13A
		BOP, KVT, UOP4			BOP, KVT, UOP4		08	I02A, I02B, I02C, I02D, I22A, I22B, I50Z
	05	F13A		05	F13A		09	J08A, J08B, J08C, J16Z, J21Z, J22A, J22B
	08	I02A, I02B, I02C, I02D, I22A, I22B, I50Z		08	I02A, I02B, I02C, I02D, I22A, I22B, I50Z		21B	X01A, X01B, X01C

ZZV	MDC	DRG	ZZV	MDC	DRG	ZZV	MDC	DRG	
5v537.8↔		BOP, KVT, UOP4	5v537.g↔		BOP, KVT, UOP4	5v538.7↔		BOP, KVT, UOP4	
	05	F13A		05	F13A		05	F13A	
	08	I02A, I02B, I02C, I02D, I22A, I22B, I32A, I32B, I32C, I32D, I32E, I32F, I50Z		08	I02A, I02B, I02C, I02D, I22A, I22B, I50Z		08	I02A, I02B, I02C, I02D, I22A, I22B, I50Z	
	09	J08A, J08B, J08C, J16Z, J21Z, J22A, J22B		09	J08A, J08B, J08C, J16Z, J21Z, J22A, J22B		09	J08A, J08B, J08C, J16Z, J21Z, J22A, J22B	
	21B	X01A, X01B, X01C		21B	X01A, X01B, X01C		21B	X01A, X01B, X01C	
5v537.9↔	22	Y01Z, Y02A, Y02B, Y02C	5v537.x↔	22	Y01Z, Y02A, Y02B, Y02C	5v538.8↔	22	Y01Z, Y02A, Y02B, Y02C	
		BOP, KVT, UOP4			BOP, KVT, UOP4			BOP, KVT, UOP4	
	05	F13A		05	F13A		05	F13A	
	08	I32A, I32B, I32C, I32D, I32E, I32F		08	I02A, I02B, I02C, I02D, I22A, I22B, I32A, I32B, I32C, I32D, I32E, I32F, I50Z		08	I02A, I02B, I02C, I02D, I22A, I22B, I32A, I32B, I32C, I32D, I32E, I32F, I50Z	
	09	J08A, J08B, J08C, J16Z, J21Z, J22A, J22B		09	J08A, J08B, J08C, J16Z, J21Z, J22A, J22B		09	J08A, J08B, J08C, J16Z, J21Z, J22A, J22B	
5v537.a	22	Y01Z, Y02A, Y02B, Y02C	5v538.0	21B	X01A, X01B, X01C	5v538.9↔	21B	X01A, X01B, X01C	
		BOP, KVT, UOP4		22	Y01Z, Y02A, Y02B, Y02C		22	Y01Z, Y02A, Y02B, Y02C	
	05	F13A			BOP, KVT, UOP4			BOP, KVT, UOP4	
	08	I02A, I02B, I02C, I02D, I22A, I22B, I50Z		05	F13A		05	F13A	
	09	J08A, J08B, J08C, J16Z, J21Z, J22A, J22B		09	J08A, J08B, J08C, J16Z, J21Z, J22A, J22B		08	I32A, I32B, I32C, I32D, I32E, I32F	
5v537.b	21B	X01A, X01B, X01C	5v538.1	22	Y01Z, Y02A, Y02B, Y02C	5v538.a	09	J08A, J08B, J08C, J16Z, J21Z, J22A, J22B	
	22	Y01Z, Y02A, Y02B, Y02C		05	F13A		22	Y01Z, Y02A, Y02B, Y02C	
		BOP, KVT, UOP4		08	I02A, I02B, I02C, I02D, I22A, I22B, I50Z			BOP, KVT, UOP4	
	05	F13A		5v538.2↔	05		F13A	05	F13A
	08	I02A, I02B, I02C, I02D, I22A, I22B, I50Z			08		I02A, I02B, I02C, I02D, I22A, I22B, I50Z	08	I02A, I02B, I02C, I02D, I22A, I22B, I50Z
09	J08A, J08B, J08C, J16Z, J21Z, J22A, J22B	09	J08A, J08B, J08C, J16Z, J21Z, J22A, J22B		09	J08A, J08B, J08C, J16Z, J21Z, J22A, J22B			
21B	X01A, X01B, X01C	21B	X01A, X01B, X01C		21B	X01A, X01B, X01C			
22	Y01Z, Y02A, Y02B, Y02C	22	Y01Z, Y02A, Y02B, Y02C		22	Y01Z, Y02A, Y02B, Y02C			
5v537.c		BOP, KVT, UOP4	5v538.3↔		BOP, KVT, UOP4	5v538.b		BOP, KVT, UOP4	
	05	F13A		05	F13A		05	F13A	
	08	I02A, I02B, I02C, I02D, I22A, I22B, I50Z		08	I02A, I02B, I02C, I02D, I22A, I22B, I50Z		08	I02A, I02B, I02C, I02D, I22A, I22B, I50Z	
	09	J08A, J08B, J08C, J16Z, J21Z, J22A, J22B		21B	X01A, X01B, X01C		09	J08A, J08B, J08C, J16Z, J21Z, J22A, J22B	
	21B	X01A, X01B, X01C		22	Y01Z, Y02A, Y02B, Y02C		21B	X01A, X01B, X01C	
5v537.d	22	Y01Z, Y02A, Y02B, Y02C	5v538.4	22	Y01Z, Y02A, Y02B, Y02C	5v538.c	22	Y01Z, Y02A, Y02B, Y02C	
		BOP, KVT, UOP4			BOP, KVT, UOP4			BOP, KVT, UOP4	
	05	F13A		05	F13A		05	F13A	
	08	I02A, I02B, I02C, I02D, I22A, I22B, I50Z		08	I02A, I02B, I02C, I02D, I22A, I22B, I50Z		08	I02A, I02B, I02C, I02D, I22A, I22B, I50Z	
	09	J08A, J08B, J08C, J16Z, J21Z, J22A, J22B		09	J08A, J08B, J08C, J16Z, J21Z, J22A, J22B		09	J08A, J08B, J08C, J16Z, J21Z, J22A, J22B	
5v537.e↔	21B	X01A, X01B, X01C	5v538.5	21B	X01A, X01B, X01C	5v538.d	21B	X01A, X01B, X01C	
	22	Y01Z, Y02A, Y02B, Y02C		22	Y01Z, Y02A, Y02B, Y02C		22	Y01Z, Y02A, Y02B, Y02C	
		BOP, KVT, UOP4			BOP, KVT, UOP4			BOP, KVT, UOP4	
	05	F13A		05	F13A		05	F13A	
	08	I02A, I02B, I02C, I02D, I22A, I22B, I50Z		08	I02A, I02B, I02C, I02D, I22A, I22B, I50Z		08	I02A, I02B, I02C, I02D, I22A, I22B, I50Z	
5v537.f↔	09	J08A, J08B, J08C, J16Z, J21Z, J22A, J22B	5v538.6↔	09	J08A, J08B, J08C, J16Z, J21Z, J22A, J22B	5v538.e↔	09	J08A, J08B, J08C, J16Z, J21Z, J22A, J22B	
	21B	X01A, X01B, X01C		21B	X01A, X01B, X01C		21B	X01A, X01B, X01C	
	22	Y01Z, Y02A, Y02B, Y02C		22	Y01Z, Y02A, Y02B, Y02C		22	Y01Z, Y02A, Y02B, Y02C	
		BOP, KVT, UOP4		05	F13A			BOP, KVT, UOP4	
	05	F13A		08	I02A, I02B, I02C, I02D, I22A, I22B, I50Z		05	F13A	
		09	J08A, J08B, J08C, J16Z, J21Z, J22A, J22B	08	I02A, I02B, I02C, I02D, I22A, I22B, I50Z				
		21B	X01A, X01B, X01C	09	J08A, J08B, J08C, J16Z, J21Z, J22A, J22B				
		22	Y01Z, Y02A, Y02B, Y02C	21B	X01A, X01B, X01C				
			BOP, KVT, UOP4	22	Y01Z, Y02A, Y02B, Y02C				
			F13A						
			I02A, I02B, I02C, I02D, I22A, I22B, I50Z						
			J08A, J08B, J08C, J16Z, J21Z, J22A, J22B						
			X01A, X01B, X01C						
			Y01Z, Y02A, Y02B, Y02C						

VYK

ZZV	MDC	DRG	ZZV	MDC	DRG	ZZV	MDC	DRG
5v538.f↔		BOP, KVT, UOP4	5v539.6↔		BOP, KVT, UOP4	5v539.e↔		BOP, KVT, UOP4
	05	F13A		05	F13A		05	F13A
	08	I02A, I02B, I02C, I02D, I22A, I22B, I50Z		08	I02A, I02B, I02C, I02D, I22A, I22B, I50Z		08	I02A, I02B, I02C, I02D, I22A, I22B, I50Z
	09	J08A, J08B, J08C, J16Z, J21Z, J22A, J22B		09	J08A, J08B, J08C, J16Z, J21Z, J22A, J22B		09	J08A, J08B, J08C, J16Z, J21Z, J22A, J22B
	21B	X01A, X01B, X01C		21B	X01A, X01B, X01C		21B	X01A, X01B, X01C
	22	Y01Z, Y02A, Y02B, Y02C		22	Y01Z, Y02A, Y02B, Y02C		22	Y01Z, Y02A, Y02B, Y02C
5v538.g↔		BOP, KVT, UOP4	5v539.7↔		BOP, KVT, UOP4	5v539.f↔		BOP, KVT, UOP4
	05	F13A		05	F13A		05	F13A
	08	I02A, I02B, I02C, I02D, I22A, I22B, I50Z		08	I02A, I02B, I02C, I02D, I22A, I22B, I50Z		08	I02A, I02B, I02C, I02D, I22A, I22B, I50Z
	09	J08A, J08B, J08C, J16Z, J21Z, J22A, J22B		09	J08A, J08B, J08C, J16Z, J21Z, J22A, J22B		09	J08A, J08B, J08C, J16Z, J21Z, J22A, J22B
	21B	X01A, X01B, X01C		21B	X01A, X01B, X01C		21B	X01A, X01B, X01C
	22	Y01Z, Y02A, Y02B, Y02C		22	Y01Z, Y02A, Y02B, Y02C		22	Y01Z, Y02A, Y02B, Y02C
5v538.x↔		BOP, KVT, UOP4	5v539.8↔		BOP, KVT, UOP4	5v539.g↔		BOP, KVT, UOP4
	05	F13A		05	F13A		05	F13A
	08	I02A, I02B, I02C, I02D, I22A, I22B, I32A, I32B, I32C, I32D, I32E, I32F, I50Z		08	I02A, I02B, I02C, I02D, I22A, I22B, I32A, I32B, I32C, I32D, I32E, I32F, I50Z		08	I02A, I02B, I02C, I02D, I22A, I22B, I50Z
	09	J08A, J08B, J08C, J16Z, J21Z, J22A, J22B		09	J08A, J08B, J08C, J16Z, J21Z, J22A, J22B		09	J08A, J08B, J08C, J16Z, J21Z, J22A, J22B
	21B	X01A, X01B, X01C		21B	X01A, X01B, X01C		21B	X01A, X01B, X01C
	22	Y01Z, Y02A, Y02B, Y02C		22	Y01Z, Y02A, Y02B, Y02C		22	Y01Z, Y02A, Y02B, Y02C
5v539.0		BOP, KVT, UOP4	5v539.9↔		BOP, KVT, UOP4	5v539.x↔		BOP, KVT, UOP4
	05	F13A		05	F13A		05	F13A
	09	J08A, J08B, J08C, J16Z, J21Z, J22A, J22B		08	I32A, I32B, I32C, I32D, I32E, I32F		08	I02A, I02B, I02C, I02D, I22A, I22B, I32A, I32B, I32C, I32D, I32E, I32F, I50Z
	22	Y01Z, Y02A, Y02B, Y02C		09	J08A, J08B, J08C, J16Z, J21Z, J22A, J22B		09	J08A, J08B, J08C, J16Z, J21Z, J22A, J22B
5v539.1		BOP, KVT, UOP4		22	Y01Z, Y02A, Y02B, Y02C		21B	X01A, X01B, X01C
	05	F13A	5v539.a		BOP, KVT, UOP4		22	Y01Z, Y02A, Y02B, Y02C
	08	I02A, I02B, I02C, I02D, I22A, I22B, I50Z		05	F13A	5v53x.x↔		BOP, KVT, UOP4
	09	J08A, J08B, J08C, J16Z, J21Z, J22A, J22B		08	I02A, I02B, I02C, I02D, I22A, I22B, I50Z		05	F13A
	21B	X01A, X01B, X01C		09	J08A, J08B, J08C, J16Z, J21Z, J22A, J22B		08	I02A, I02B, I02C, I02D, I22A, I22B, I32A, I32B, I32C, I32D, I32E, I32F, I50Z
	22	Y01Z, Y02A, Y02B, Y02C		21B	X01A, X01B, X01C		09	J08A, J08B, J08C, J16Z, J21Z, J22A, J22B
5v539.2↔		BOP, KVT, UOP4		22	Y01Z, Y02A, Y02B, Y02C		21B	X01A, X01B, X01C
	05	F13A	5v539.b		BOP, KVT, UOP4		22	Y01Z, Y02A, Y02B, Y02C
	08	I02A, I02B, I02C, I02D, I22A, I22B, I50Z		05	F13A	5v540.6↔		BOP, KVT, UOP4
	09	J08A, J08B, J08C, J16Z, J21Z, J22A, J22B		08	I02A, I02B, I02C, I02D, I22A, I22B, I50Z		05	F13A
	21B	X01A, X01B, X01C		09	J08A, J08B, J08C, J16Z, J21Z, J22A, J22B		09	J02A, J02B, J02C, J04A, J04B, J08A, J08B, J08C, J16Z, J21Z, J22A, J22B
	22	Y01Z, Y02A, Y02B, Y02C		21B	X01A, X01B, X01C		22	Y01Z, Y03A, Y03B
5v539.3↔		BOP, KVT, UOP4		22	Y01Z, Y02A, Y02B, Y02C		22	Y01Z, Y03A, Y03B
	05	F13A	5v539.c		BOP, KVT, UOP4	5v540.7↔		BOP, KVT, UOP4
	08	I02A, I02B, I02C, I02D, I22A, I22B, I50Z		05	F13A		05	F13A
	09	J08A, J08B, J08C, J16Z, J21Z, J22A, J22B		08	I02A, I02B, I02C, I02D, I22A, I22B, I50Z		09	J02A, J02B, J02C, J04A, J04B, J08A, J08B, J08C, J16Z, J21Z, J22A, J22B
	21B	X01A, X01B, X01C		09	J08A, J08B, J08C, J16Z, J21Z, J22A, J22B		22	Y01Z, Y03A, Y03B
	22	Y01Z, Y02A, Y02B, Y02C		21B	X01A, X01B, X01C	5v540.8↔		BOP, KVT, UOP4
5v539.4		BOP, KVT, UOP4		22	Y01Z, Y02A, Y02B, Y02C		05	F13A
	05	F13A	5v539.d		BOP, KVT, UOP4		09	J02A, J02B, J02C, J04A, J04B, J08A, J08B, J08C, J16Z, J21Z, J22A, J22B
	08	I02A, I02B, I02C, I02D, I22A, I22B, I50Z		05	F13A		22	Y01Z, Y03A, Y03B
	09	J08A, J08B, J08C, J16Z, J21Z, J22A, J22B		08	I02A, I02B, I02C, I02D, I22A, I22B, I50Z	5v540.a		BOP, KVT, UOP4
	21B	X01A, X01B, X01C		09	J08A, J08B, J08C, J16Z, J21Z, J22A, J22B		05	F13A
	22	Y01Z, Y02A, Y02B, Y02C		21B	X01A, X01B, X01C		09	J02A, J02B, J02C, J04A, J04B, J08A, J08B, J08C, J16Z, J21Z, J22A, J22B
5v539.5		BOP, KVT, UOP4		22	Y01Z, Y02A, Y02B, Y02C		22	Y01Z, Y03A, Y03B
	05	F13A						
	08	I02A, I02B, I02C, I02D, I22A, I22B, I50Z						
	09	J08A, J08B, J08C, J16Z, J21Z, J22A, J22B						
	21B	X01A, X01B, X01C						
	22	Y01Z, Y02A, Y02B, Y02C						



ZZV	MDC	DRG	ZZV	MDC	DRG	ZZV	MDC	DRG
5v540.b		BOP, KVT, UOP4	5v541.7↔		BOP, KVT, UOP4	5v541.x		BOP, KVT, UOP4
	05	F13A		05	F13A		05	F13A
	09	J02A, J02B, J02C, J04A, J04B, J08A, J08B, J08C, J16Z, J21Z, J22A, J22B		09	J02A, J02B, J02C, J04A, J04B, J08A, J08B, J08C, J16Z, J21Z, J22A, J22B		09	J02A, J02B, J02C, J04A, J04B, J08A, J08B, J08C, J16Z, J21Z, J22A, J22B
5v540.c	22	Y01Z, Y03A, Y03B	5v541.8↔	22	Y01Z, Y03A, Y03B	5v542.1	22	Y01Z, Y03A, Y03B
		BOP, KVT, UOP4			BOP, KVT, UOP4			BOP, KVT, UOP4
	05	F13A		05	F13A		05	F13A
5v540.d	09	J02A, J02B, J02C, J04A, J04B, J08A, J08B, J08C, J16Z, J21Z, J22A, J22B	5v541.a	09	J02A, J02B, J02C, J04A, J04B, J08A, J08B, J08C, J16Z, J21Z, J22A, J22B	5v542.2↔	09	J02A, J02B, J02C, J04A, J04B, J08A, J08B, J08C, J16Z, J21Z, J22A, J22B
	22	Y01Z, Y03A, Y03B		22	Y01Z, Y03A, Y03B		22	Y01Z, Y03A, Y03B
		BOP, KVT, UOP4			BOP, KVT, UOP4			BOP, KVT, UOP4
5v540.e↔	05	F13A	5v541.b	05	F13A	5v542.h	05	F13A
	09	J02A, J02B, J02C, J04A, J04B, J08A, J08B, J08C, J16Z, J21Z, J22A, J22B		09	J02A, J02B, J02C, J04A, J04B, J08A, J08B, J08C, J16Z, J21Z, J22A, J22B		09	J02A, J02B, J02C, J04A, J04B, J08A, J08B, J08C, J16Z, J21Z, J22A, J22B
	22	Y01Z, Y03A, Y03B		22	Y01Z, Y03A, Y03B		22	Y01Z, Y03A, Y03B
5v540.f↔		BOP, KVT, UOP4	5v541.c		BOP, KVT, UOP4	5v542.x		BOP, KVT, UOP4
	05	F13A		05	F13A		05	F13A
	09	J02A, J02B, J02C, J04A, J04B, J08A, J08B, J08C, J16Z, J21Z, J22A, J22B		09	J02A, J02B, J02C, J04A, J04B, J08A, J08B, J08C, J16Z, J21Z, J22A, J22B		09	J02A, J02B, J02C, J04A, J04B, J08A, J08B, J08C, J16Z, J21Z, J22A, J22B
5v540.h	22	Y01Z, Y03A, Y03B	5v541.d	22	Y01Z, Y03A, Y03B	5v543.4	22	Y01Z, Y03A, Y03B
		BOP, KVT, UOP4			BOP, KVT, UOP4			BOP, KVT, UOP4
	05	F13A		05	F13A		05	F13A
5v540.k	09	J02A, J02B, J02C, J04A, J04B, J08A, J08B, J08C, J16Z, J21Z, J22A, J22B	5v541.e↔	09	J02A, J02B, J02C, J04A, J04B, J08A, J08B, J08C, J16Z, J21Z, J22A, J22B	5v543.5	09	J02A, J02B, J02C, J04A, J04B, J08A, J08B, J08C, J16Z, J21Z, J22A, J22B
	22	Y01Z, Y03A, Y03B		22	Y01Z, Y03A, Y03B		22	Y01Z, Y03A, Y03B
		BOP, KVT, UOP4			BOP, KVT, UOP4			BOP, KVT, UOP4
5v540.m	05	F13A	5v541.f↔	05	F13A	5v543.6↔	05	F13A
	09	J02A, J02B, J02C, J04A, J04B, J08A, J08B, J08C, J16Z, J21Z, J22A, J22B		09	J02A, J02B, J02C, J04A, J04B, J08A, J08B, J08C, J16Z, J21Z, J22A, J22B		09	J02A, J02B, J02C, J04A, J04B, J08A, J08B, J08C, J16Z, J21Z, J22A, J22B
	22	Y01Z, Y03A, Y03B		22	Y01Z, Y03A, Y03B		22	Y01Z, Y03A, Y03B
5v540.x		BOP, KVT, UOP4	5v541.h		BOP, KVT, UOP4	5v543.7↔		BOP, KVT, UOP4
	05	F13A		05	F13A		05	F13A
	09	J02A, J02B, J02C, J04A, J04B, J08A, J08B, J08C, J16Z, J21Z, J22A, J22B		09	J02A, J02B, J02C, J04A, J04B, J08A, J08B, J08C, J16Z, J21Z, J22A, J22B		09	J02A, J02B, J02C, J04A, J04B, J08A, J08B, J08C, J16Z, J21Z, J22A, J22B
5v541.5	22	Y01Z, Y03A, Y03B	5v541.k	22	Y01Z, Y03A, Y03B	5v543.8↔	22	Y01Z, Y03A, Y03B
		BOP, KVT, UOP4			BOP, KVT, UOP4			BOP, KVT, UOP4
	05	F13A		05	F13A		05	F13A
5v541.6↔	09	J02A, J02B, J02C, J04A, J04B, J08A, J08B, J08C, J16Z, J21Z, J22A, J22B	5v541.m	09	J02A, J02B, J02C, J04A, J04B, J08A, J08B, J08C, J16Z, J21Z, J22A, J22B	5v543.9↔	09	J02A, J02B, J02C, J04A, J04B, J08A, J08B, J08C, J16Z, J21Z, J22A, J22B
	22	Y01Z, Y03A, Y03B		22	Y01Z, Y03A, Y03B		22	Y01Z, Y03A, Y03B
		BOP, KVT, UOP4			BOP, KVT, UOP4			BOP, KVT, UOP4
	05	F13A		05	F13A		05	F13A
	09	J02A, J02B, J02C, J04A, J04B, J08A, J08B, J08C, J16Z, J21Z, J22A, J22B		09	J02A, J02B, J02C, J04A, J04B, J08A, J08B, J08C, J16Z, J21Z, J22A, J22B		09	J02A, J02B, J02C, J04A, J04B, J08A, J08B, J08C, J16Z, J21Z, J22A, J22B
	22	Y01Z, Y03A, Y03B		22	Y01Z, Y03A, Y03B		22	Y01Z, Y03A, Y03B

VYK

ZZV	MDC	DRG	ZZV	MDC	DRG	ZZV	MDC	DRG
5v543.a		BOP, KVT, UOP4	5v544.5		BOP, KVT, UOP4	5v544.g↔		BOP, KVT, UOP4
	05	F13A		05	F13A		05	F13A
	09	J02A, J02B, J02C, J04A, J04B, J08A, J08B, J08C, J16Z, J21Z, J22A, J22B		09	J02A, J02B, J02C, J04A, J04B, J08A, J08B, J08C, J16Z, J21Z, J22A, J22B		09	J02A, J02B, J02C, J04A, J04B, J08A, J08B, J08C, J16Z, J21Z, J22A, J22B
5v543.b	22	Y01Z, Y03A, Y03B	5v544.6↔	22	Y01Z, Y03A, Y03B	5v544.h	22	Y01Z, Y03A, Y03B
		BOP, KVT, UOP4			BOP, KVT, UOP4			BOP, KVT, UOP4
	05	F13A		05	F13A		05	F13A
5v543.c	09	J02A, J02B, J02C, J04A, J04B, J08A, J08B, J08C, J16Z, J21Z, J22A, J22B	5v544.7↔	09	J02A, J02B, J02C, J04A, J04B, J08A, J08B, J08C, J16Z, J21Z, J22A, J22B	5v544.j	09	J02A, J02B, J02C, J04A, J04B, J08A, J08B, J08C, J16Z, J21Z, J22A, J22B
	22	Y01Z, Y03A, Y03B		22	Y01Z, Y03A, Y03B		22	Y01Z, Y03A, Y03B
		BOP, KVT, UOP4			BOP, KVT, UOP4			BOP, KVT, UOP4
5v543.d	05	F13A	5v544.8↔	05	F13A	5v544.k	05	F13A
	09	J02A, J02B, J02C, J04A, J04B, J08A, J08B, J08C, J16Z, J21Z, J22A, J22B		09	J02A, J02B, J02C, J04A, J04B, J08A, J08B, J08C, J16Z, J21Z, J22A, J22B		09	J02A, J02B, J02C, J04A, J04B, J08A, J08B, J08C, J16Z, J21Z, J22A, J22B
	22	Y01Z, Y03A, Y03B		22	Y01Z, Y03A, Y03B		22	Y01Z, Y03A, Y03B
5v543.e↔		BOP, KVT, UOP4	5v544.9↔		BOP, KVT, UOP4	5v544.m		BOP, KVT, UOP4
	05	F13A		05	F13A		05	F13A
	09	J02A, J02B, J02C, J04A, J04B, J08A, J08B, J08C, J16Z, J21Z, J22A, J22B		09	J02A, J02B, J02C, J04A, J04B, J08A, J08B, J08C, J16Z, J21Z, J22A, J22B		09	J02A, J02B, J02C, J04A, J04B, J08A, J08B, J08C, J16Z, J21Z, J22A, J22B
5v543.f↔	22	Y01Z, Y03A, Y03B	5v544.a	22	Y01Z, Y03A, Y03B	5v544.x	22	Y01Z, Y03A, Y03B
		BOP, KVT, UOP4			BOP, KVT, UOP4			BOP, KVT, UOP4
	05	F13A		05	F13A		05	F13A
5v543.g↔	09	J02A, J02B, J02C, J04A, J04B, J08A, J08B, J08C, J16Z, J21Z, J22A, J22B	5v544.b	09	J02A, J02B, J02C, J04A, J04B, J08A, J08B, J08C, J16Z, J21Z, J22A, J22B	5v545.4	09	J02A, J02B, J02C, J04A, J04B, J08A, J08B, J08C, J16Z, J21Z, J22A, J22B
	22	Y01Z, Y03A, Y03B		22	Y01Z, Y03A, Y03B		22	Y01Z, Y03A, Y03B
		BOP, KVT, UOP4			BOP, KVT, UOP4			BOP, KVT, UOP4
5v543.h	05	F13A	5v544.c	05	F13A	5v545.5	05	F13A
	09	J02A, J02B, J02C, J04A, J04B, J08A, J08B, J08C, J16Z, J21Z, J22A, J22B		09	J02A, J02B, J02C, J04A, J04B, J08A, J08B, J08C, J16Z, J21Z, J22A, J22B		09	J02A, J02B, J02C, J04A, J04B, J08A, J08B, J08C, J16Z, J21Z, J22A, J22B
	22	Y01Z, Y03A, Y03B		22	Y01Z, Y03A, Y03B		22	Y01Z, Y03A, Y03B
5v543.j		BOP, KVT, UOP4	5v544.d		BOP, KVT, UOP4	5v545.6↔		BOP, KVT, UOP4
	05	F13A		05	F13A		05	F13A
	09	J02A, J02B, J02C, J04A, J04B, J08A, J08B, J08C, J16Z, J21Z, J22A, J22B		09	J02A, J02B, J02C, J04A, J04B, J08A, J08B, J08C, J16Z, J21Z, J22A, J22B		09	J02A, J02B, J02C, J04A, J04B, J08A, J08B, J08C, J16Z, J21Z, J22A, J22B
5v543.x	22	Y01Z, Y03A, Y03B	5v544.e↔	22	Y01Z, Y03A, Y03B	5v545.7↔	22	Y01Z, Y03A, Y03B
		BOP, KVT, UOP4			BOP, KVT, UOP4			BOP, KVT, UOP4
	05	F13A		05	F13A		05	F13A
5v544.4	09	J02A, J02B, J02C, J04A, J04B, J08A, J08B, J08C, J16Z, J21Z, J22A, J22B	5v544.f↔	09	J02A, J02B, J02C, J04A, J04B, J08A, J08B, J08C, J16Z, J21Z, J22A, J22B	5v545.8↔	09	J02A, J02B, J02C, J04A, J04B, J08A, J08B, J08C, J16Z, J21Z, J22A, J22B
	22	Y01Z, Y03A, Y03B		22	Y01Z, Y03A, Y03B		22	Y01Z, Y03A, Y03B
		BOP, KVT, UOP4			BOP, KVT, UOP4			BOP, KVT, UOP4

VYK

ZZV	MDC	DRG	ZZV	MDC	DRG	ZZV	MDC	DRG
5v545.9↔		BOP, KVT, UOP4	5v545.m		BOP, KVT, UOP4	5v551.7↔		BOP, KVT, UOP4
	05	F13A		05	F13A		05	F13A
	09	J02A, J02B, J02C, J04A, J04B, J08A, J08B, J08C, J16Z, J21Z, J22A, J22B		09	J02A, J02B, J02C, J04A, J04B, J08A, J08B, J08C, J16Z, J21Z, J22A, J22B		08	I02A, I02B, I02C, I02D, I22A, I22B, I50Z
	22	Y01Z, Y03A, Y03B		22	Y01Z, Y03A, Y03B		09	J08A, J08B, J08C, J16Z, J21Z, J22A, J22B
5v545.a		BOP, KVT, UOP4	5v545.x		BOP, KVT, UOP4		21B	X01A, X01B, X01C
	05	F13A		05	F13A		22	Y01Z, Y02A, Y02B, Y02C
	09	J02A, J02B, J02C, J04A, J04B, J08A, J08B, J08C, J16Z, J21Z, J22A, J22B		09	J02A, J02B, J02C, J04A, J04B, J08A, J08B, J08C, J16Z, J21Z, J22A, J22B	5v551.8↔		BOP, KVT, UOP4
	22	Y01Z, Y03A, Y03B		22	Y01Z, Y03A, Y03B		05	F13A
5v545.b		BOP, KVT, UOP4	5v54x		BOP, KVT, UOP4		08	I02A, I02B, I02C, I02D, I22A, I22B, I32A, I32B, I32C, I32D, I32E, I32F, I50Z
	05	F13A		05	F13A		09	J08A, J08B, J08C, J16Z, J21Z, J22A, J22B
	09	J02A, J02B, J02C, J04A, J04B, J08A, J08B, J08C, J16Z, J21Z, J22A, J22B		09	J02A, J02B, J02C, J04A, J04B, J08A, J08B, J08C, J16Z, J21Z, J22A, J22B		21B	X01A, X01B, X01C
	22	Y01Z, Y03A, Y03B		22	Y01Z, Y03A, Y03B		22	Y01Z, Y02A, Y02B, Y02C
5v545.c		BOP, KVT, UOP4	5v551.0		BOP, KVT, UOP4	5v551.9↔		BOP, KVT, UOP4
	05	F13A		03	D08A, D08B, D18Z, D22A, D22B, D30A, D30B		05	F13A
	09	J02A, J02B, J02C, J04A, J04B, J08A, J08B, J08C, J16Z, J21Z, J22A, J22B		05	F13A		08	I32A, I32B, I32C, I32D, I32E, I32F
	22	Y01Z, Y03A, Y03B		09	J03A, J03B, J04A, J04B, J08A, J08B, J08C, J10A, J10B, J16Z, J21Z, J22A, J22B		09	J08A, J08B, J08C, J16Z, J21Z, J22A, J22B
5v545.d		BOP, KVT, UOP4		21A	W04A, W04B	5v551.a		BOP, KVT, UOP4
	05	F13A		21B	X06A, X06B, X06C		05	F13A
	09	J02A, J02B, J02C, J04A, J04B, J08A, J08B, J08C, J16Z, J21Z, J22A, J22B		22	Y01Z, Y03A, Y03B		08	I02A, I02B, I02C, I02D, I22A, I22B, I50Z
	22	Y01Z, Y03A, Y03B	5v551.1		BOP, KVT, UOP4		09	J08A, J08B, J08C, J16Z, J21Z, J22A, J22B
5v545.e↔		BOP, KVT, UOP4		05	F13A		21B	X01A, X01B, X01C
	05	F13A		09	J08A, J08B, J08C, J16Z, J21Z, J22A, J22B		22	Y01Z, Y02A, Y02B, Y02C
	09	J02A, J02B, J02C, J04A, J04B, J08A, J08B, J08C, J16Z, J21Z, J22A, J22B		22	Y01Z, Y02A, Y02B, Y03A, Y03B	5v551.b		BOP, KVT, UOP4
	22	Y01Z, Y03A, Y03B		5v551.2↔	BOP, KVT, UOP4		05	F13A
5v545.f↔		BOP, KVT, UOP4		05	F13A		08	I02A, I02B, I02C, I02D, I22A, I22B, I50Z
	05	F13A		09	J08A, J08B, J08C, J16Z, J21Z, J22A, J22B		09	J08A, J08B, J08C, J16Z, J21Z, J22A, J22B
	09	J02A, J02B, J02C, J04A, J04B, J08A, J08B, J08C, J16Z, J21Z, J22A, J22B		22	Y01Z, Y03A, Y03B		21B	X01A, X01B, X01C
	22	Y01Z, Y03A, Y03B	5v551.3↔		BOP, KVT, UOP4		22	Y01Z, Y02A, Y02B, Y02C
5v545.g↔		BOP, KVT, UOP4		05	F13A	5v551.c		BOP, KVT, UOP4
	05	F13A		09	J08A, J08B, J08C, J16Z, J21Z, J22A, J22B		05	F13A
	09	J02A, J02B, J02C, J04A, J04B, J08A, J08B, J08C, J16Z, J21Z, J22A, J22B		22	Y01Z, Y03A, Y03B		09	J08A, J08B, J08C, J16Z, J21Z, J22A, J22B
	22	Y01Z, Y03A, Y03B	5v551.4		BOP, KVT, UOP4		10	K09A, K09B
5v545.h		BOP, KVT, UOP4		05	F13A		12	M04A, M04B, M04C, M04D, M37Z, M38Z
	05	F13A		08	I02A, I02B, I02C, I02D, I22A, I22B, I50Z		21A	W04A, W04B
	09	J02A, J02B, J02C, J04A, J04B, J08A, J08B, J08C, J16Z, J21Z, J22A, J22B		09	J08A, J08B, J08C, J16Z, J21Z, J22A, J22B		21B	X06A, X06B, X06C
	22	Y01Z, Y03A, Y03B		21B	X01A, X01B, X01C		22	Y01Z, Y03A, Y03B
5v545.j		BOP, KVT, UOP4	5v551.5		BOP, KVT, UOP4	5v551.d		BOP, KVT, UOP4
	05	F13A		05	F13A		05	F13A
	09	J02A, J02B, J02C, J04A, J04B, J08A, J08B, J08C, J16Z, J21Z, J22A, J22B		08	I02A, I02B, I02C, I02D, I22A, I22B, I50Z		08	I02A, I02B, I02C, I02D, I22A, I22B, I50Z
	22	Y01Z, Y03A, Y03B		09	J08A, J08B, J08C, J16Z, J21Z, J22A, J22B		09	J08A, J08B, J08C, J16Z, J21Z, J22A, J22B
5v545.k		BOP, KVT, UOP4		21B	X01A, X01B, X01C		21B	X01A, X01B, X01C
	05	F13A	5v551.6↔		Y01Z, Y02A, Y02B, Y02C		22	Y01Z, Y02A, Y02B, Y02C
	09	J02A, J02B, J02C, J04A, J04B, J08A, J08B, J08C, J16Z, J21Z, J22A, J22B		05	F13A	5v551.e↔		BOP, KVT, UOP4
	22	Y01Z, Y03A, Y03B		08	I02A, I02B, I02C, I02D, I22A, I22B, I50Z		05	F13A
				09	J08A, J08B, J08C, J16Z, J21Z, J22A, J22B		08	I02A, I02B, I02C, I02D, I22A, I22B, I50Z
				21B	X01A, X01B, X01C		09	J08A, J08B, J08C, J16Z, J21Z, J22A, J22B
				22	Y01Z, Y02A, Y02B, Y02C		21B	X01A, X01B, X01C
							22	Y01Z, Y02A, Y02B, Y02C

VYK

ZZV	MDC	DRG	ZZV	MDC	DRG	ZZV	MDC	DRG	
5v551.f↔		BOP, KVT, UOP4	5v552.0		BOP, KVT, UOP4	5v552.9↔		BOP, KVT, UOP4	
	05	F13A		03	D08A, D08B, D18Z, D22A, D22B, D30A, D30B		05	F13A	
	08	I02A, I02B, I02C, I02D, I22A, I22B, I50Z		05	F13A		08	I32A, I32B, I32C, I32D, I32E, I32F	
	09	J08A, J08B, J08C, J16Z, J21Z, J22A, J22B		09	J03A, J03B, J04A, J04B, J08A, J08B, J08C, J10A, J10B, J16Z, J21Z, J22A, J22B		09	J08A, J08B, J08C, J16Z, J21Z, J22A, J22B	
	21B	X01A, X01B, X01C		21A	W04A, W04B	5v552.a		22	Y01Z, Y02A, Y02B, Y02C
	22	Y01Z, Y02A, Y02B, Y02C		21B	X06A, X06B, X06C		05	F13A	
5v551.g↔		BOP, KVT, UOP4		22	Y01Z, Y03A, Y03B		08	I02A, I02B, I02C, I02D, I22A, I22B, I50Z	
	05	F13A	5v552.1		BOP, KVT, UOP4		09	J08A, J08B, J08C, J16Z, J21Z, J22A, J22B	
	08	I02A, I02B, I02C, I02D, I22A, I22B, I50Z		05	F13A		21B	X01A, X01B, X01C	
	09	J08A, J08B, J08C, J16Z, J21Z, J22A, J22B		09	J08A, J08B, J08C, J16Z, J21Z, J22A, J22B		22	Y01Z, Y02A, Y02B, Y02C	
	21B	X01A, X01B, X01C		22	Y01Z, Y02A, Y02B, Y03A, Y03B	5v552.b		BOP, KVT, UOP4	
	22	Y01Z, Y02A, Y02B, Y02C			BOP, KVT, UOP4		05	F13A	
5v551.h		BOP, KVT, UOP4	5v552.2↔		BOP, KVT, UOP4		08	I02A, I02B, I02C, I02D, I22A, I22B, I50Z	
	05	F13A		05	F13A		09	J08A, J08B, J08C, J16Z, J21Z, J22A, J22B	
	08	I02A, I02B, I02C, I02D, I22A, I22B, I50Z		09	J08A, J08B, J08C, J16Z, J21Z, J22A, J22B		21B	X01A, X01B, X01C	
	09	J08A, J08B, J08C, J16Z, J21Z, J22A, J22B		22	Y01Z, Y03A, Y03B		22	Y01Z, Y02A, Y02B, Y02C	
	21B	X01A, X01B, X01C	5v552.3↔		BOP, KVT, UOP4	5v552.c		BOP, KVT, UOP4	
	22	Y01Z, Y02A, Y02B, Y02C		05	F13A		05	F13A	
5v551.j		BOP, KVT, UOP4		09	J08A, J08B, J08C, J16Z, J21Z, J22A, J22B		09	J08A, J08B, J08C, J16Z, J21Z, J22A, J22B	
	05	F13A		22	Y01Z, Y03A, Y03B		21B	X01A, X01B, X01C	
	08	I02A, I02B, I02C, I02D, I22A, I22B, I50Z	5v552.4		BOP, KVT, UOP4		22	Y01Z, Y02A, Y02B, Y02C	
	09	J08A, J08B, J08C, J16Z, J21Z, J22A, J22B		05	F13A		BOP, KVT, UOP4		
	21B	X01A, X01B, X01C		08	I02A, I02B, I02C, I02D, I22A, I22B, I50Z	5v552.d		05	F13A
	22	Y01Z, Y02A, Y02B, Y02C		09	J08A, J08B, J08C, J16Z, J21Z, J22A, J22B		08	I02A, I02B, I02C, I02D, I22A, I22B, I50Z	
5v551.k		BOP, KVT, UOP4		21B	X01A, X01B, X01C		09	J08A, J08B, J08C, J16Z, J21Z, J22A, J22B	
	05	F13A		22	Y01Z, Y02A, Y02B, Y02C		21B	X01A, X01B, X01C	
	09	J08A, J08B, J08C, J16Z, J21Z, J22A, J22B	5v552.5		BOP, KVT, UOP4		22	Y01Z, Y02A, Y02B, Y02C	
	10	K09A, K09B		05	F13A	5v552.e↔		BOP, KVT, UOP4	
	12	M04A, M04B, M04C, M04D, M37Z, M38Z		08	I02A, I02B, I02C, I02D, I22A, I22B, I50Z		05	F13A	
	21A	W04A, W04B		09	J08A, J08B, J08C, J16Z, J21Z, J22A, J22B		08	I02A, I02B, I02C, I02D, I22A, I22B, I50Z	
	21B	X06A, X06B, X06C		21B	X01A, X01B, X01C		09	J08A, J08B, J08C, J16Z, J21Z, J22A, J22B	
	22	Y01Z, Y03A, Y03B		22	Y01Z, Y02A, Y02B, Y02C		21B	X01A, X01B, X01C	
5v551.m		BOP, KVT, UOP4			BOP, KVT, UOP4		22	Y01Z, Y02A, Y02B, Y02C	
	05	F13A	5v552.6↔		BOP, KVT, UOP4		BOP, KVT, UOP4		
	08	I02A, I02B, I02C, I02D, I22A, I22B, I32A, I32B, I32C, I32D, I32E, I32F, I50Z		05	F13A		05	F13A	
	09	J08A, J08B, J08C, J16Z, J21Z, J22A, J22B		08	I02A, I02B, I02C, I02D, I22A, I22B, I50Z		08	I02A, I02B, I02C, I02D, I22A, I22B, I50Z	
	21B	X01A, X01B, X01C		09	J08A, J08B, J08C, J16Z, J21Z, J22A, J22B		09	J08A, J08B, J08C, J16Z, J21Z, J22A, J22B	
	22	Y01Z, Y02A, Y02B, Y02C		21B	X01A, X01B, X01C	5v552.f↔		21B	X01A, X01B, X01C
5v551.x↔		BOP, KVT, UOP4		22	Y01Z, Y02A, Y02B, Y02C		22	Y01Z, Y02A, Y02B, Y02C	
	05	F13A	5v552.7↔		BOP, KVT, UOP4		BOP, KVT, UOP4		
	08	I02A, I02B, I02C, I02D, I22A, I22B, I32A, I32B, I32C, I32D, I32E, I32F, I50Z		05	F13A		05	F13A	
	09	J08A, J08B, J08C, J16Z, J21Z, J22A, J22B		08	I02A, I02B, I02C, I02D, I22A, I22B, I50Z		08	I02A, I02B, I02C, I02D, I22A, I22B, I50Z	
	21B	X01A, X01B, X01C		09	J08A, J08B, J08C, J16Z, J21Z, J22A, J22B		09	J08A, J08B, J08C, J16Z, J21Z, J22A, J22B	
	22	Y01Z, Y02A, Y02B, Y02C		21B	X01A, X01B, X01C		21B	X01A, X01B, X01C	
				22	Y01Z, Y02A, Y02B, Y02C	5v552.g↔		22	Y01Z, Y02A, Y02B, Y02C
			5v552.8↔		BOP, KVT, UOP4		05	F13A	
				05	F13A		08	I02A, I02B, I02C, I02D, I22A, I22B, I50Z	
				08	I02A, I02B, I02C, I02D, I22A, I22B, I32A, I32B, I32C, I32D, I32E, I32F, I50Z		09	J08A, J08B, J08C, J16Z, J21Z, J22A, J22B	
				09	J08A, J08B, J08C, J16Z, J21Z, J22A, J22B		21B	X01A, X01B, X01C	
				21B	X01A, X01B, X01C		22	Y01Z, Y02A, Y02B, Y02C	
				22	Y01Z, Y02A, Y02B, Y02C				

ZZV	MDC	DRG	ZZV	MDC	DRG	ZZV	MDC	DRG	
5v552.h		BOP, KVT, UOP4	5v553.3↔	02	BOP, KVT, UOP4	5v554.2↔	06	KOP, KOPV	
	05	F13A			05		F13A	07	G33Z
	08	I02A, I02B, I02C, I02D, I22A, I22B, I50Z			08		I17Z	08	H33Z, H38Z
	09	J08A, J08B, J08C, J16Z, J21Z, J22A, J22B			09		J03A, J03B, J04A, J04B, J08A, J08B, J08C, J10A, J10B, J16Z, J21Z, J22A, J22B	09	I02A, I02B, I02C, I02D, I22A, I22B, I32A, I32B, I32C, I32D, I34Z, I50Z
	21B	X01A, X01B, X01C			10		K09A, K09B	11	J01Z, J02A, J02B
5v552.j	22	Y01Z, Y02A, Y02B, Y02C		21A	W04A, W04B	21B	L33Z		
		BOP, KVT, UOP4		21B	X06A, X06B, X06C	Pre	X01A, X01B, X01C, X33Z		
	05	F13A	5v553.4‡	09	J11A, J11B	06	Y01Z, Y03A, Y03B		
	08	I02A, I02B, I02C, I02D, I22A, I22B, I50Z	5v553.5‡	09	J11A, J11B	Pre	A07A		
	09	J08A, J08B, J08C, J16Z, J21Z, J22A, J22B	5v553.6‡↔	09	J11A, J11B	5v554.3↔	KOP, KOPV		
5v552.k	21B	X01A, X01B, X01C		09	J11A, J11B	06	G33Z		
	22	Y01Z, Y02A, Y02B, Y02C	5v553.7‡↔	09	J11A, J11B	07	H33Z, H38Z		
		BOP, KVT, UOP4	5v553.8‡↔	09	J11A, J11B	08	I02A, I02B, I02C, I02D, I22A, I22B, I32A, I32B, I32C, I32D, I34Z, I50Z		
	05	F13A	5v553.9‡↔	09	J11A, J11B	09	J01Z, J02A, J02B		
	09	J08A, J08B, J08C, J16Z, J21Z, J22A, J22B	5v553.a‡	09	J11A, J11B	11	L33Z		
5v552.l	10	K09A, K09B	5v553.b‡	09	J11A, J11B	21B	X01A, X01B, X01C, X33Z		
	12	M04A, M04B, M04C, M04D, M37Z, M38Z	5v553.c‡	09	J11A, J11B	22	Y01Z, Y03A, Y03B		
	21A	W04A, W04B	5v553.d‡	09	J11A, J11B	Pre	A07A		
	21B	X06A, X06B, X06C	5v553.e‡↔	09	J11A, J11B	5v554.4	KOP, KOPV		
	22	Y01Z, Y03A, Y03B	5v553.f‡↔	09	J11A, J11B	06	G33Z		
5v552.m		BOP, KVT, UOP4	5v553.g‡↔	09	J11A, J11B	07	H33Z, H38Z		
	05	F13A	5v553.h‡	09	J11A, J11B	08	I02A, I02B, I02C, I02D, I22A, I22B, I32A, I32B, I32C, I32D, I34Z, I50Z		
	08	I02A, I02B, I02C, I02D, I22A, I22B, I32A, I32B, I32C, I32D, I32E, I32F, I50Z	5v553.i‡	09	J11A, J11B	09	J01Z, J02A, J02B		
	09	J08A, J08B, J08C, J16Z, J21Z, J22A, J22B	5v553.j‡	09	J11A, J11B	11	L33Z		
	21B	X01A, X01B, X01C	5v553.k‡	09	J11A, J11B	21B	X01A, X01B, X01C, X33Z		
5v552.n	22	Y01Z, Y02A, Y02B, Y02C	5v553.l‡	09	J11A, J11B	22	Y01Z, Y02A, Y02B, Y02C		
		BOP, KVT, UOP4	5v553.m‡	09	J11A, J11B	Pre	A07A		
	05	F13A	5v553.n‡	09	J11A, J11B	5v554.5	KOP, KOPV		
	08	I02A, I02B, I02C, I02D, I22A, I22B, I32A, I32B, I32C, I32D, I32E, I32F, I50Z	5v553.x‡	09	J11A, J11B	06	G33Z		
	09	J08A, J08B, J08C, J16Z, J21Z, J22A, J22B	5v554.0	06	KOP, KOPV	07	H33Z, H38Z		
5v552.o	21B	X01A, X01B, X01C		07	G33Z	08	I02A, I02B, I02C, I02D, I22A, I22B, I32A, I32B, I32C, I32D, I34Z, I50Z		
	22	Y01Z, Y02A, Y02B, Y02C		08	H33Z, H38Z	09	J01Z, J02A, J02B		
	09	J11A, J11B		08	I32A, I32B, I32C, I32D	11	L33Z		
	22	Y01Z, Y03A, Y03B		09	J01Z, J02A, J02B	21B	X01A, X01B, X01C, X33Z		
		BOP, KVT, UOP4		11	L33Z	22	Y01Z, Y02A, Y02B, Y02C		
5v552.p	03	D09Z, D30A		21B	X01A, X01B, X01C, X33Z	Pre	A07A		
	05	F13A		Pre	A07A	5v554.6↔	KOP, KOPV		
	08	I28A, I28B		Pre	A07A	06	G33Z		
	09	J03A, J03B, J04A, J04B, J08A, J08B, J08C, J10A, J10B, J16Z, J21Z, J22A, J22B		Pre	A07A	07	H33Z, H38Z		
	21A	W04A, W04B		Pre	A07A	08	I02A, I02B, I02C, I02D, I22A, I22B, I32A, I32B, I32C, I32D, I34Z, I50Z		
5v552.q	21B	X06A, X06B, X06C		Pre	A07A	09	J01Z, J02A, J02B		
	22	Y01Z, Y02A, Y02B, Y03A, Y03B		Pre	A07A	11	L33Z		
		BOP, KVT, UOP4		Pre	A07A	21B	X01A, X01B, X01C, X33Z		
	03	D09Z, D30A	5v554.1	06	KOP, KOPV	22	Y01Z, Y02A, Y02B, Y02C		
	05	F13A		06	G33Z	Pre	A07A		
5v552.r	09	J03A, J03B, J04A, J04B, J08A, J08B, J08C, J10A, J10B, J16Z, J21Z, J22A, J22B		07	H33Z, H38Z	5v554.7↔	KOP, KOPV		
	21A	W04A, W04B		08	I02A, I02B, I02C, I02D, I22A, I22B, I32A, I32B, I32C, I32D, I34Z, I50Z	06	G33Z		
	21B	X06A, X06B, X06C		09	J01Z, J02A, J02B	07	H33Z, H38Z		
	22	Y01Z, Y03A, Y03B		11	L33Z	08	I02A, I02B, I02C, I02D, I22A, I22B, I32A, I32B, I32C, I32D, I34Z, I50Z		
		BOP, KVT, UOP4		21B	X01A, X01B, X01C, X33Z	09	J01Z, J02A, J02B		
5v552.s	03	D09Z, D30A		Pre	A07A	11	L33Z		
	05	F13A		Pre	A07A	21B	X01A, X01B, X01C, X33Z		
	09	J03A, J03B, J04A, J04B, J08A, J08B, J08C, J10A, J10B, J16Z, J21Z, J22A, J22B		Pre	A07A	22	Y01Z, Y02A, Y02B, Y02C		
	21A	W04A, W04B		Pre	A07A	Pre	A07A		
	21B	X06A, X06B, X06C		Pre	A07A				
5v552.t	22	Y01Z, Y03A, Y03B		Pre	A07A				
		BOP, KVT, UOP4		Pre	A07A				
	03	D09Z, D30A		Pre	A07A				
	05	F13A		Pre	A07A				
	09	J03A, J03B, J04A, J04B, J08A, J08B, J08C, J10A, J10B, J16Z, J21Z, J22A, J22B		Pre	A07A				
5v552.u	21A	W04A, W04B		Pre	A07A				
	21B	X06A, X06B, X06C		Pre	A07A				
	22	Y01Z, Y03A, Y03B		Pre	A07A				
		BOP, KVT, UOP4		Pre	A07A				
	03	D09Z, D30A		Pre	A07A				

ZZV	MDC	DRG	ZZV	MDC	DRG	ZZV	MDC	DRG			
5v554.8↔		KOP, KOPV	5v554.e↔		KOP, KOPV	5v555.2↔		BOP, KVT, UOP4			
	06	G33Z		06	G33Z		03	D12A			
	07	H33Z, H38Z		07	H33Z, H38Z		05	F13A			
	08	I02A, I02B, I02C, I02D, I22A, I22B, I32A, I32B, I32C, I32D, I32E, I32F, I34Z, I50Z		08	I02A, I02B, I02C, I02D, I22A, I22B, I32A, I32B, I32C, I32D, I34Z, I50Z		09	J02A, J02B, J02C, J04A, J04B, J08A, J08B, J08C, J16Z, J21Z, J22A, J22B			
	09	J01Z, J02A, J02B		09	J01Z, J02A, J02B		21A	W04A, W04B			
	11	L33Z		11	L33Z		21B	X01A, X01B, X01C			
	21B	X01A, X01B, X01C, X33Z		21B	X01A, X01B, X01C, X33Z		22	Y01Z, Y03A, Y03B			
	22	Y01Z, Y02A, Y02B, Y02C		22	Y01Z, Y02A, Y02B, Y02C			BOP, KVT, UOP4			
	Pre	A07A		Pre	A07A		5v555.3↔	02	C01A, C01B, C16Z, C20A, C20B		
	5v554.9↔			KOP, KOPV	5v554.f↔			KOP, KOPV	5v555.4		F13A
		06		G33Z			06	G33Z		05	F13A
		07		H33Z, H38Z			07	H33Z, H38Z		08	I17Z
		08		I32A, I32B, I32C, I32D, I32E, I32F, I34Z			08	I02A, I02B, I02C, I02D, I22A, I22B, I32A, I32B, I32C, I32D, I34Z, I50Z		09	J03A, J03B, J04A, J04B, J08A, J08B, J08C, J10A, J10B, J16Z, J21Z, J22A, J22B
09		J01Z, J02A, J02B	09	J01Z, J02A, J02B		21A	W04A, W04B				
11		L33Z	11	L33Z		21B	X06A, X06B, X06C				
21B		X01A, X01B, X01C, X33Z	21B	X01A, X01B, X01C, X33Z		22	Y01Z, Y03A, Y03B				
22		Y01Z, Y02A, Y02B, Y02C	22	Y01Z, Y02A, Y02B, Y02C			BOP, KVT, UOP4				
Pre		A07A	Pre	A07A		5v555.5	03	D12A			
5v554.a			KOP, KOPV	5v554.g↔			KOP, KOPV	5v555.5			F13A
		06	G33Z			06	G33Z			05	F13A
		07	H33Z, H38Z			07	H33Z, H38Z			08	I02A, I02B, I02C, I02D, I22A, I22B, I50Z
		08	I02A, I02B, I02C, I02D, I22A, I22B, I32A, I32B, I32C, I32D, I34Z, I50Z			08	I02A, I02B, I02C, I02D, I22A, I22B, I32A, I32B, I32C, I32D, I34Z, I50Z			09	J02A, J02B, J02C, J04A, J04B, J08A, J08B, J08C, J16Z, J21Z, J22A, J22B
	09	J01Z, J02A, J02B	09		J01Z, J02A, J02B	21A	W04A, W04B				
	11	L33Z	11		L33Z	21B	X01A, X01B, X01C				
	21B	X01A, X01B, X01C, X33Z	21B		X01A, X01B, X01C, X33Z	22	Y01Z, Y02A, Y02B, Y02C				
	22	Y01Z, Y02A, Y02B, Y02C	22		Y01Z, Y02A, Y02B, Y02C		BOP, KVT, UOP4				
	Pre	A07A	Pre		A07A	5v555.6↔	03		D12A		
	5v554.b		KOP, KOPV		5v554.x↔		KOP, KOPV		5v555.6↔		F13A
		06	G33Z			06	G33Z			05	F13A
		07	H33Z, H38Z			07	H33Z, H38Z			08	I02A, I02B, I02C, I02D, I22A, I22B, I50Z
		08	I02A, I02B, I02C, I02D, I22A, I22B, I32A, I32B, I32C, I32D, I34Z, I50Z			08	I02A, I02B, I02C, I02D, I22A, I22B, I32A, I32B, I32C, I32D, I32E, I32F, I34Z, I50Z			09	J02A, J02B, J02C, J04A, J04B, J08A, J08B, J08C, J16Z, J21Z, J22A, J22B
09		J01Z, J02A, J02B	09	J01Z, J02A, J02B		21A	W04A, W04B				
11		L33Z	11	L33Z		21B	X01A, X01B, X01C				
21B		X01A, X01B, X01C, X33Z	21B	X01A, X01B, X01C, X33Z		22	Y01Z, Y02A, Y02B, Y02C				
22		Y01Z, Y02A, Y02B, Y02C	22	Y01Z, Y03A, Y03B			BOP, KVT, UOP4				
Pre		A07A	Pre	A07A		5v555.7↔	05	F13A			
5v554.c			KOP, KOPV	5v555.0			BOP, KVT, UOP4	5v555.7↔			F13A
		06	G33Z			03	D18Z, D25A, D25B, D25C, D25D			05	F13A
		07	H33Z, H38Z			05	F13A			08	I02A, I02B, I02C, I02D, I22A, I22B, I50Z
		08	I02A, I02B, I02C, I02D, I22A, I22B, I32A, I32B, I32C, I32D, I34Z, I50Z			09	J03A, J03B, J04A, J04B, J08A, J08B, J08C, J11A, J11B, J16Z, J21Z, J22A, J22B			09	J02A, J02B, J02C, J04A, J04B, J08A, J08B, J08C, J16Z, J21Z, J22A, J22B
	09	J01Z, J02A, J02B				21A	W04A, W04B				
	11	L33Z				21B	X01A, X01B, X01C				
	21B	X01A, X01B, X01C, X33Z	21A		W04A, W04B	22	Y01Z, Y02A, Y02B, Y02C				
	22	Y01Z, Y03A, Y03B	21B		X06A, X06B, X06C		BOP, KVT, UOP4				
	Pre	A07A	22		Y01Z, Y03A, Y03B	05	F13A				
	5v554.d		KOP, KOPV		5v555.1		BOP, KVT, UOP4		5v555.7↔		F13A
		06	G33Z			03	D12A			08	I02A, I02B, I02C, I02D, I22A, I22B, I50Z
		07	H33Z, H38Z			05	F13A			09	J02A, J02B, J02C, J04A, J04B, J08A, J08B, J08C, J16Z, J21Z, J22A, J22B
		08	I02A, I02B, I02C, I02D, I22A, I22B, I32A, I32B, I32C, I32D, I34Z, I50Z			09	J02A, J02B, J02C, J04A, J04B, J08A, J08B, J08C, J16Z, J21Z, J22A, J22B			21A	W04A, W04B
09		J01Z, J02A, J02B				21B	X01A, X01B, X01C				
11		L33Z	21A	W04A, W04B		22	Y01Z, Y02A, Y02B, Y02C				
21B		X01A, X01B, X01C, X33Z	21B	X01A, X01B, X01C							
22		Y01Z, Y03A, Y03B	22	Y01Z, Y02A, Y02B, Y03A, Y03B							
Pre		A07A	Pre	A07A							

ZZV	MDC	DRG	ZZV	MDC	DRG	ZZV	MDC	DRG
5v555.8↔		BOP, KVT, UOP4	5v555.e↔		BOP, KVT, UOP4	5v556.2↔		BOP, KVT, UOP4
	05	F13A		05	F13A		03	D12A
	08	I02A, I02B, I02C, I02D, I22A, I22B, I32A, I32B, I32C, I32D, I32E, I32F, I50Z		08	I02A, I02B, I02C, I02D, I22A, I22B, I50Z		05	F13A
	09	J02A, J02B, J02C, J04A, J04B, J08A, J08B, J08C, J16Z, J21Z, J22A, J22B		09	J02A, J02B, J02C, J04A, J04B, J08A, J08B, J08C, J16Z, J21Z, J22A, J22B		09	J02A, J02B, J02C, J04A, J04B, J08A, J08B, J08C, J16Z, J21Z, J22A, J22B
	21A	W04A, W04B		21A	W04A, W04B		21A	W04A, W04B
	21B	X01A, X01B, X01C		21B	X01A, X01B, X01C		21B	X01A, X01B, X01C
	22	Y01Z, Y02A, Y02B, Y02C		22	Y01Z, Y02A, Y02B, Y02C		22	Y01Z, Y03A, Y03B
								BOP, KVT, UOP4
5v555.9↔		BOP, KVT, UOP4	5v555.f↔		BOP, KVT, UOP4	5v556.3↔		C01A, C01B, C16Z, C20A, C20B
	05	F13A		05	F13A		05	F13A
	08	I32A, I32B, I32C, I32D, I32E, I32F		08	I02A, I02B, I02C, I02D, I22A, I22B, I50Z		08	I17Z
	09	J02A, J02B, J02C, J04A, J04B, J08A, J08B, J08C, J16Z, J21Z, J22A, J22B		09	J02A, J02B, J02C, J04A, J04B, J08A, J08B, J08C, J16Z, J21Z, J22A, J22B		09	J03A, J03B, J04A, J04B, J08A, J08B, J08C, J10A, J10B, J16Z, J21Z, J22A, J22B
	21A	W04A, W04B		21A	W04A, W04B		10	K09A, K09B
	21B	X01A, X01B, X01C		21B	X01A, X01B, X01C		21A	W04A, W04B
	22	Y01Z, Y02A, Y02B, Y02C		22	Y01Z, Y02A, Y02B, Y02C		21B	X06A, X06B, X06C
							22	Y01Z, Y03A, Y03B
5v555.a		BOP, KVT, UOP4	5v555.g↔		BOP, KVT, UOP4	5v556.4		BOP, KVT, UOP4
	05	F13A		05	F13A		03	D12A
	08	I02A, I02B, I02C, I02D, I22A, I22B, I50Z		08	I02A, I02B, I02C, I02D, I22A, I22B, I50Z		05	F13A
	09	J02A, J02B, J02C, J04A, J04B, J08A, J08B, J08C, J16Z, J21Z, J22A, J22B		09	J02A, J02B, J02C, J04A, J04B, J08A, J08B, J08C, J16Z, J21Z, J22A, J22B		08	I02A, I02B, I02C, I02D, I22A, I22B, I50Z
	21A	W04A, W04B		21A	W04A, W04B		09	J02A, J02B, J02C, J04A, J04B, J08A, J08B, J08C, J16Z, J21Z, J22A, J22B
	21B	X01A, X01B, X01C		21B	X01A, X01B, X01C		21A	W04A, W04B
	22	Y01Z, Y02A, Y02B, Y02C		22	Y01Z, Y02A, Y02B, Y02C		21B	X01A, X01B, X01C
							22	Y01Z, Y02A, Y02B, Y02C
5v555.b		BOP, KVT, UOP4	5v555.x↔		BOP, KVT, UOP4	5v556.5		BOP, KVT, UOP4
	05	F13A		05	F13A		03	D12A
	08	I02A, I02B, I02C, I02D, I22A, I22B, I50Z		08	I02A, I02B, I02C, I02D, I22A, I22B, I32A, I32B, I32C, I32D, I32E, I32F, I50Z		05	F13A
	09	J02A, J02B, J02C, J04A, J04B, J08A, J08B, J08C, J16Z, J21Z, J22A, J22B		09	J02A, J02B, J02C, J04A, J04B, J08A, J08B, J08C, J16Z, J21Z, J22A, J22B		08	I02A, I02B, I02C, I02D, I22A, I22B, I50Z
	21A	W04A, W04B		21A	W04A, W04B		09	J02A, J02B, J02C, J04A, J04B, J08A, J08B, J08C, J16Z, J21Z, J22A, J22B
	21B	X01A, X01B, X01C		21B	X01A, X01B, X01C		21A	W04A, W04B
	22	Y01Z, Y02A, Y02B, Y02C		22	Y01Z, Y02A, Y02B, Y02C		21B	X01A, X01B, X01C
							22	Y01Z, Y02A, Y02B, Y02C
5v555.c		BOP, KVT, UOP4	5v556.0		BOP, KVT, UOP4	5v556.6↔		BOP, KVT, UOP4
	05	F13A		03	D02A, D02B, D18Z, D24A, D24B		05	F13A
	08	I02A, I02B, I02C, I02D, I22A, I22B, I50Z		05	F13A		08	I02A, I02B, I02C, I02D, I22A, I22B, I50Z
	09	J02A, J02B, J02C, J04A, J04B, J08A, J08B, J08C, J16Z, J21Z, J22A, J22B		09	J03A, J03B, J04A, J04B, J08A, J08B, J08C, J11A, J11B, J16Z, J21Z, J22A, J22B		09	J02A, J02B, J02C, J04A, J04B, J08A, J08B, J08C, J16Z, J21Z, J22A, J22B
	21A	W04A, W04B		21A	W04A, W04B		21A	W04A, W04B
	21B	X01A, X01B, X01C		21B	X01A, X01B, X01C		21B	X01A, X01B, X01C
	22	Y01Z, Y03A, Y03B		22	Y01Z, Y03A, Y03B		22	Y01Z, Y02A, Y02B, Y02C
								BOP, KVT, UOP4
5v555.d		BOP, KVT, UOP4	5v556.1		BOP, KVT, UOP4	5v556.7↔		BOP, KVT, UOP4
	05	F13A		03	D12A		05	F13A
	08	I02A, I02B, I02C, I02D, I22A, I22B, I50Z		05	F13A		08	I02A, I02B, I02C, I02D, I22A, I22B, I50Z
	09	J02A, J02B, J02C, J04A, J04B, J08A, J08B, J08C, J16Z, J21Z, J22A, J22B		09	J02A, J02B, J02C, J04A, J04B, J08A, J08B, J08C, J16Z, J21Z, J22A, J22B		09	J02A, J02B, J02C, J04A, J04B, J08A, J08B, J08C, J16Z, J21Z, J22A, J22B
	21A	W04A, W04B		21A	W04A, W04B		21A	W04A, W04B
	21B	X01A, X01B, X01C		21B	X01A, X01B, X01C		21B	X01A, X01B, X01C
	22	Y01Z, Y03A, Y03B		22	Y01Z, Y02A, Y02B, Y03A, Y03B		22	Y01Z, Y02A, Y02B, Y02C
								BOP, KVT, UOP4

ZZV	MDC	DRG	ZZV	MDC	DRG	ZZV	MDC	DRG
5v556.8↔		BOP, KVT, UOP4	5v556.e↔		BOP, KVT, UOP4	5v557.3↔		BOP, KVT, UOP4
	05	F13A		05	F13A		02	C01A, C01B, C16Z, C20A, C20B
	08	I02A, I02B, I02C, I02D, I22A, I22B, I32A, I32B, I32C, I32D, I32E, I32F, I50Z		08	I02A, I02B, I02C, I02D, I22A, I22B, I50Z		05	F13A
	09	J02A, J02B, J02C, J04A, J04B, J08A, J08B, J08C, J16Z, J21Z, J22A, J22B		09	J02A, J02B, J02C, J04A, J04B, J08A, J08B, J08C, J16Z, J21Z, J22A, J22B		08	I17Z
	21A	W04A, W04B		21A	W04A, W04B		09	J03A, J03B, J04A, J04B, J08A, J08B, J08C, J10A, J10B, J16Z, J21Z, J22A, J22B
	21B	X01A, X01B, X01C		21B	X01A, X01B, X01C		10	K09A, K09B
	22	Y01Z, Y02A, Y02B, Y02C		22	Y01Z, Y02A, Y02B, Y02C		21A	W04A, W04B
				22			21B	X06A, X06B, X06C
				22			22	Y01Z, Y03A, Y03B
				22			09	J11A, J11B
5v556.9↔		BOP, KVT, UOP4	5v556.f↔		BOP, KVT, UOP4	5v557.4‡		
	05	F13A		05	F13A		09	J11A, J11B
	08	I32A, I32B, I32C, I32D, I32E, I32F		08	I02A, I02B, I02C, I02D, I22A, I22B, I50Z		22	Y01Z, Y02A, Y02B, Y02C
	09	J02A, J02B, J02C, J04A, J04B, J08A, J08B, J08C, J16Z, J21Z, J22A, J22B		09	J02A, J02B, J02C, J04A, J04B, J08A, J08B, J08C, J16Z, J21Z, J22A, J22B		09	J11A, J11B
	21A	W04A, W04B		21A	W04A, W04B		22	Y01Z, Y02A, Y02B, Y02C
	21B	X01A, X01B, X01C		21B	X01A, X01B, X01C		09	J11A, J11B
	22	Y01Z, Y02A, Y02B, Y02C		22	Y01Z, Y02A, Y02B, Y02C		22	Y01Z, Y02A, Y02B, Y02C
				22			09	J11A, J11B
				22			22	Y01Z, Y02A, Y02B, Y02C
				22			09	J11A, J11B
5v556.a		BOP, KVT, UOP4	5v556.g↔		BOP, KVT, UOP4	5v557.5‡		
	05	F13A		05	F13A		09	J11A, J11B
	08	I02A, I02B, I02C, I02D, I22A, I22B, I50Z		08	I02A, I02B, I02C, I02D, I22A, I22B, I50Z		22	Y01Z, Y02A, Y02B, Y02C
	09	J02A, J02B, J02C, J04A, J04B, J08A, J08B, J08C, J16Z, J21Z, J22A, J22B		09	J02A, J02B, J02C, J04A, J04B, J08A, J08B, J08C, J16Z, J21Z, J22A, J22B		09	J11A, J11B
	21A	W04A, W04B		21A	W04A, W04B		22	Y01Z, Y02A, Y02B, Y02C
	21B	X01A, X01B, X01C		21B	X01A, X01B, X01C		09	J11A, J11B
	22	Y01Z, Y02A, Y02B, Y02C		22	Y01Z, Y02A, Y02B, Y02C		22	Y01Z, Y02A, Y02B, Y02C
				22			09	J11A, J11B
				22			22	Y01Z, Y02A, Y02B, Y02C
				22			09	J11A, J11B
5v556.b		BOP, KVT, UOP4	5v556.x↔		BOP, KVT, UOP4	5v557.6‡↔		
	05	F13A		05	F13A		22	Y01Z, Y02A, Y02B, Y02C
	08	I02A, I02B, I02C, I02D, I22A, I22B, I50Z		08	I02A, I02B, I02C, I02D, I22A, I22B, I50Z		09	J11A, J11B
	09	J02A, J02B, J02C, J04A, J04B, J08A, J08B, J08C, J16Z, J21Z, J22A, J22B		09	J02A, J02B, J02C, J04A, J04B, J08A, J08B, J08C, J16Z, J21Z, J22A, J22B		22	Y01Z, Y02A, Y02B, Y02C
	21A	W04A, W04B		21A	W04A, W04B		09	J11A, J11B
	21B	X01A, X01B, X01C		21B	X01A, X01B, X01C		22	Y01Z, Y02A, Y02B, Y02C
	22	Y01Z, Y02A, Y02B, Y02C		22	Y01Z, Y02A, Y02B, Y02C		09	J11A, J11B
				22			22	Y01Z, Y02A, Y02B, Y02C
				22			09	J11A, J11B
				22			22	Y01Z, Y02A, Y02B, Y02C
5v556.c		BOP, KVT, UOP4	5v557.0‡		BOP, KVT, UOP4	5v557.7‡↔		
	05	F13A		05	F13A		09	J11A, J11B
	08	I02A, I02B, I02C, I02D, I22A, I22B, I50Z		08	I02A, I02B, I02C, I02D, I22A, I22B, I50Z		22	Y01Z, Y02A, Y02B, Y02C
	09	J02A, J02B, J02C, J04A, J04B, J08A, J08B, J08C, J16Z, J21Z, J22A, J22B		09	J02A, J02B, J02C, J04A, J04B, J08A, J08B, J08C, J16Z, J21Z, J22A, J22B		09	J11A, J11B
	21A	W04A, W04B		21A	W04A, W04B		22	Y01Z, Y02A, Y02B, Y02C
	21B	X01A, X01B, X01C		21B	X01A, X01B, X01C		09	J11A, J11B
	22	Y01Z, Y02A, Y02B, Y02C		22	Y01Z, Y02A, Y02B, Y02C		22	Y01Z, Y02A, Y02B, Y02C
				22			09	J11A, J11B
				22			22	Y01Z, Y02A, Y02B, Y02C
				22			09	J11A, J11B
5v556.d		BOP, KVT, UOP4	5v557.1		BOP, KVT, UOP4	5v557.8‡↔		
	05	F13A		03	D09Z, D30A		09	J11A, J11B
	08	I02A, I02B, I02C, I02D, I22A, I22B, I50Z		05	F13A		22	Y01Z, Y02A, Y02B, Y02C
	09	J02A, J02B, J02C, J04A, J04B, J08A, J08B, J08C, J16Z, J21Z, J22A, J22B		08	I28A, I28B		09	J11A, J11B
	21A	W04A, W04B		09	J03A, J03B, J04A, J04B, J08A, J08B, J08C, J10A, J10B, J16Z, J21Z, J22A, J22B		22	Y01Z, Y02A, Y02B, Y02C
	21B	X01A, X01B, X01C					09	J11A, J11B
	22	Y01Z, Y03A, Y03B					22	Y01Z, Y02A, Y02B, Y02C
				21A	W04A, W04B		09	J11A, J11B
				21B	X06A, X06B, X06C		22	Y01Z, Y02A, Y02B, Y02C
				22	Y01Z, Y02A, Y02B, Y03A, Y03B		09	J11A, J11B
5v556.e↔		BOP, KVT, UOP4	5v557.2↔		BOP, KVT, UOP4	5v558.0‡		
	03	D09Z, D30A		03	D09Z, D30A		22	Y01Z, Y02A, Y03A, Y03B
	05	F13A		05	F13A		09	J11A, J11B
	09	J03A, J03B, J04A, J04B, J08A, J08B, J08C, J10A, J10B, J16Z, J21Z, J22A, J22B		09	J03A, J03B, J04A, J04B, J08A, J08B, J08C, J10A, J10B, J16Z, J21Z, J22A, J22B		22	Y01Z, Y02A, Y03A, Y03B
	21A	W04A, W04B		21A	W04A, W04B		09	J11A, J11B
	21B	X06A, X06B, X06C		21B	X06A, X06B, X06C		22	Y01Z, Y02A, Y03A, Y03B
	22	Y01Z, Y02A, Y02B, Y02C		22	Y01Z, Y02A, Y02B, Y02C		09	J11A, J11B
				22			22	Y01Z, Y02A, Y03A, Y03B
				22			09	J11A, J11B
				22			22	Y01Z, Y02A, Y03A, Y03B
		22		09	J11A, J11B			



ZZV	MDC	DRG	ZZV	MDC	DRG	ZZV	MDC	DRG
5v558.3↔		BOP, KVT, UOP4	5v559.3↔		BOP, KVT, UOP4	5v55a.3↔		BOP, KVT, UOP4
	02	C01A, C01B, C16Z, C20A, C20B		02	C01A, C01B, C16Z, C20A, C20B		02	C01A, C01B, C16Z, C20A, C20B
	05	F13A		05	F13A		05	F13A
	08	I17Z		08	I17Z		08	I17Z
	09	J03A, J03B, J04A, J04B, J08A, J08B, J08C, J10A, J10B, J16Z, J21Z, J22A, J22B		09	J03A, J03B, J04A, J04B, J08A, J08B, J08C, J10A, J10B, J16Z, J21Z, J22A, J22B		09	J03A, J03B, J04A, J04B, J08A, J08B, J08C, J10A, J10B, J16Z, J21Z, J22A, J22B
	10	K09A, K09B		10	K09A, K09B		10	K09A, K09B
	21A	W04A, W04B		21A	W04A, W04B		21A	W04A, W04B
	21B	X06A, X06B, X06C		21B	X06A, X06B, X06C		21B	X06A, X06B, X06C
	22	Y01Z, Y02A, Y03A, Y03B		22	Y01Z, Y02A, Y03A, Y03B		22	Y01Z, Y03A, Y03B
5v558.4‡	09	J11A, J11B	5v559.4‡	09	J11A, J11B	5v55a.4‡	09	J11A, J11B
	22	Y01Z, Y02A, Y02B, Y02C		22	Y01Z, Y02A, Y02B, Y02C		22	Y01Z, Y02A, Y02B, Y02C
5v558.5‡	09	J11A, J11B	5v559.5‡	09	J11A, J11B	5v55a.5‡	09	J11A, J11B
	22	Y01Z, Y02A, Y02B, Y02C		22	Y01Z, Y02A, Y02B, Y02C		22	Y01Z, Y02A, Y02B, Y02C
5v558.6‡↔	09	J11A, J11B	5v559.6‡↔	09	J11A, J11B	5v55a.6‡↔	09	J11A, J11B
	22	Y01Z, Y02A, Y02B, Y02C		22	Y01Z, Y02A, Y02B, Y02C		22	Y01Z, Y02A, Y02B, Y02C
5v558.7‡↔	09	J11A, J11B	5v559.7‡↔	09	J11A, J11B	5v55a.7‡↔	09	J11A, J11B
	22	Y01Z, Y02A, Y02B, Y02C		22	Y01Z, Y02A, Y02B, Y02C		22	Y01Z, Y02A, Y02B, Y02C
5v558.8‡↔	09	J11A, J11B	5v559.8‡↔	09	J11A, J11B	5v55a.8‡↔	09	J11A, J11B
	22	Y01Z, Y02A, Y02B, Y02C		22	Y01Z, Y02A, Y02B, Y02C		22	Y01Z, Y02A, Y02B, Y02C
5v558.9‡↔	09	J11A, J11B	5v559.9‡↔	09	J11A, J11B	5v55a.9‡↔	09	J11A, J11B
	22	Y01Z, Y02A, Y02B, Y02C		22	Y01Z, Y02A, Y02B, Y02C		22	Y01Z, Y02A, Y02B, Y02C
5v558.a‡	09	J11A, J11B	5v559.a‡	09	J11A, J11B	5v55a.a‡	09	J11A, J11B
	22	Y01Z, Y02A, Y02B, Y02C		22	Y01Z, Y02A, Y02B, Y02C		22	Y01Z, Y02A, Y02B, Y02C
5v558.b‡	09	J11A, J11B	5v559.b‡	09	J11A, J11B	5v55a.b‡	09	J11A, J11B
	22	Y01Z, Y02A, Y02B, Y02C		22	Y01Z, Y02A, Y02B, Y02C		22	Y01Z, Y02A, Y02B, Y02C
5v558.c‡	09	J11A, J11B	5v559.c‡	09	J11A, J11B	5v55a.c‡	09	J11A, J11B
	22	Y01Z, Y02A, Y03A, Y03B		22	Y01Z, Y02A, Y03A, Y03B		22	Y01Z, Y03A, Y03B
5v558.d‡	09	J11A, J11B	5v559.d‡	09	J11A, J11B	5v55a.d‡	09	J11A, J11B
	22	Y01Z, Y02A, Y02B, Y02C		22	Y01Z, Y02A, Y02B, Y02C		22	Y01Z, Y02A, Y02B, Y02C
5v558.e‡↔	09	J11A, J11B	5v559.e‡↔	09	J11A, J11B	5v55a.e‡↔	09	J11A, J11B
	22	Y01Z, Y02A, Y02B, Y02C		22	Y01Z, Y02A, Y02B, Y02C		22	Y01Z, Y02A, Y02B, Y02C
5v558.f‡↔	09	J11A, J11B	5v559.f‡↔	09	J11A, J11B	5v55a.f‡↔	09	J11A, J11B
	22	Y01Z, Y02A, Y02B, Y02C		22	Y01Z, Y02A, Y02B, Y02C		22	Y01Z, Y02A, Y02B, Y02C
5v558.g‡↔	09	J11A, J11B	5v559.g‡↔	09	J11A, J11B	5v55a.g‡↔	09	J11A, J11B
	22	Y01Z, Y02A, Y02B, Y02C		22	Y01Z, Y02A, Y02B, Y02C		22	Y01Z, Y02A, Y02B, Y02C
5v558.x‡	09	J11A, J11B	5v559.x‡	09	J11A, J11B	5v55a.x‡	09	J11A, J11B
	22	Y01Z, Y02A, Y02B, Y02C		22	Y01Z, Y02A, Y02B, Y02C		22	Y01Z, Y02A, Y02B, Y02C
5v559.0‡	09	J11A, J11B	5v55a.0‡	09	J11A, J11B	5v55b.0‡	09	J11A, J11B
	22	Y01Z, Y02A, Y03A, Y03B		22	Y01Z, Y03A, Y03B		22	Y01Z, Y03A, Y03B
5v559.1		BOP, KVT, UOP4	5v55a.1		BOP, KVT, UOP4	5v55b.1		BOP, KVT, UOP4
	03	D09Z, D30A		03	D09Z, D30A		03	D09Z, D30A
	05	F13A		05	F13A		05	F13A
	08	I28A, I28B		08	I28A, I28B		08	I28A, I28B
	09	J03A, J03B, J04A, J04B, J08A, J08B, J08C, J10A, J10B, J16Z, J21Z, J22A, J22B		09	J03A, J03B, J04A, J04B, J08A, J08B, J08C, J10A, J10B, J16Z, J21Z, J22A, J22B		09	J03A, J03B, J04A, J04B, J08A, J08B, J08C, J10A, J10B, J16Z, J21Z, J22A, J22B
	21A	W04A, W04B		21A	W04A, W04B		21A	W04A, W04B
	21B	X06A, X06B, X06C		21B	X06A, X06B, X06C		21B	X06A, X06B, X06C
	22	Y01Z, Y02A, Y03A, Y03B		22	Y01Z, Y02A, Y02B, Y03A, Y03B		22	Y01Z, Y02A, Y02B, Y03A, Y03B
5v559.2↔		BOP, KVT, UOP4	5v55a.2↔		BOP, KVT, UOP4	5v55b.2↔		BOP, KVT, UOP4
	03	D09Z, D30A		03	D09Z, D30A		03	D09Z, D30A
	05	F13A		05	F13A		05	F13A
	09	J03A, J03B, J04A, J04B, J08A, J08B, J08C, J10A, J10B, J16Z, J21Z, J22A, J22B		09	J03A, J03B, J04A, J04B, J08A, J08B, J08C, J10A, J10B, J16Z, J21Z, J22A, J22B		09	J03A, J03B, J04A, J04B, J08A, J08B, J08C, J10A, J10B, J16Z, J21Z, J22A, J22B
	21A	W04A, W04B		21A	W04A, W04B		21A	W04A, W04B
	21B	X06A, X06B, X06C		21B	X06A, X06B, X06C		21B	X06A, X06B, X06C
	22	Y01Z, Y02A, Y03A, Y03B		22	Y01Z, Y03A, Y03B		22	Y01Z, Y03A, Y03B

ZZV	MDC	DRG	ZZV	MDC	DRG	ZZV	MDC	DRG
5v55b.3↔		BOP, KVT, UOP4	5v55c.3↔		BOP, KVT, UOP4	5v55d.3↔		BOP, KVT, UOP4
	02	C01A, C01B, C16Z, C20A, C20B		02	C01A, C01B, C16Z, C20A, C20B		02	C01A, C01B, C16Z, C20A, C20B
	05	F13A		05	F13A		05	F13A
	08	I17Z		08	I17Z		08	I17Z
	09	J03A, J03B, J04A, J04B, J08A, J08B, J08C, J10A, J10B, J16Z, J21Z, J22A, J22B		09	J03A, J03B, J04A, J04B, J08A, J08B, J08C, J10A, J10B, J16Z, J21Z, J22A, J22B		09	J03A, J03B, J04A, J04B, J08A, J08B, J08C, J10A, J10B, J16Z, J21Z, J22A, J22B
	10	K09A, K09B		10	K09A, K09B		10	K09A, K09B
	21A	W04A, W04B		21A	W04A, W04B		21A	W04A, W04B
	21B	X06A, X06B, X06C		21B	X06A, X06B, X06C		21B	X06A, X06B, X06C
	22	Y01Z, Y03A, Y03B		22	Y01Z, Y03A, Y03B		22	Y01Z, Y03A, Y03B
5v55b.4‡	09	J11A, J11B	5v55c.4‡	09	J11A, J11B	5v55d.4‡	09	J11A, J11B
	22	Y01Z, Y02A, Y02B, Y02C		22	Y01Z, Y02A, Y02B, Y02C		22	Y01Z, Y02A, Y02B, Y02C
5v55b.5‡	09	J11A, J11B	5v55c.5‡	09	J11A, J11B	5v55d.5‡	09	J11A, J11B
	22	Y01Z, Y02A, Y02B, Y02C		22	Y01Z, Y02A, Y02B, Y02C		22	Y01Z, Y02A, Y02B, Y02C
5v55b.6‡↔	09	J11A, J11B	5v55c.6‡↔	09	J11A, J11B	5v55d.6‡↔	09	J11A, J11B
	22	Y01Z, Y02A, Y02B, Y02C		22	Y01Z, Y02A, Y02B, Y02C		22	Y01Z, Y02A, Y02B, Y02C
5v55b.7‡↔	09	J11A, J11B	5v55c.7‡↔	09	J11A, J11B	5v55d.7‡↔	09	J11A, J11B
	22	Y01Z, Y02A, Y02B, Y02C		22	Y01Z, Y02A, Y02B, Y02C		22	Y01Z, Y02A, Y02B, Y02C
5v55b.8‡↔	09	J11A, J11B	5v55c.8‡↔	09	J11A, J11B	5v55d.8‡↔	09	J11A, J11B
	22	Y01Z, Y02A, Y02B, Y02C		22	Y01Z, Y02A, Y02B, Y02C		22	Y01Z, Y02A, Y02B, Y02C
5v55b.9‡↔	09	J11A, J11B	5v55c.9‡↔	09	J11A, J11B	5v55d.9‡↔	09	J11A, J11B
	22	Y01Z, Y02A, Y02B, Y02C		22	Y01Z, Y02A, Y02B, Y02C		22	Y01Z, Y02A, Y02B, Y02C
5v55b.a‡	09	J11A, J11B	5v55c.a‡	09	J11A, J11B	5v55d.a‡	09	J11A, J11B
	22	Y01Z, Y02A, Y02B, Y02C		22	Y01Z, Y02A, Y02B, Y02C		22	Y01Z, Y02A, Y02B, Y02C
5v55b.b‡	09	J11A, J11B	5v55c.b‡	09	J11A, J11B	5v55d.b‡	09	J11A, J11B
	22	Y01Z, Y02A, Y02B, Y02C		22	Y01Z, Y02A, Y02B, Y02C		22	Y01Z, Y02A, Y02B, Y02C
5v55b.c‡	09	J11A, J11B	5v55c.c‡	09	J11A, J11B	5v55d.c‡	09	J11A, J11B
	22	Y01Z, Y03A, Y03B		22	Y01Z, Y03A, Y03B		22	Y01Z, Y03A, Y03B
5v55b.d‡	09	J11A, J11B	5v55c.d‡	09	J11A, J11B	5v55d.d‡	09	J11A, J11B
	22	Y01Z, Y02A, Y02B, Y02C		22	Y01Z, Y02A, Y02B, Y02C		22	Y01Z, Y02A, Y02B, Y02C
5v55b.e‡↔	09	J11A, J11B	5v55c.e‡↔	09	J11A, J11B	5v55d.e‡↔	09	J11A, J11B
	22	Y01Z, Y02A, Y02B, Y02C		22	Y01Z, Y02A, Y02B, Y02C		22	Y01Z, Y02A, Y02B, Y02C
5v55b.f‡	09	J11A, J11B	5v55c.f‡↔	09	J11A, J11B	5v55d.f‡↔	09	J11A, J11B
	22	Y01Z, Y02A, Y02B, Y02C		22	Y01Z, Y02A, Y02B, Y02C		22	Y01Z, Y02A, Y02B, Y02C
5v55b.g‡↔	09	J11A, J11B	5v55c.g‡↔	09	J11A, J11B	5v55d.g‡↔	09	J11A, J11B
	22	Y01Z, Y02A, Y02B, Y02C		22	Y01Z, Y02A, Y02B, Y02C		22	Y01Z, Y02A, Y02B, Y02C
5v55b.x‡	09	J11A, J11B	5v55c.x‡	09	J11A, J11B	5v55d.x‡	09	J11A, J11B
	22	Y01Z, Y02A, Y02B, Y02C		22	Y01Z, Y02A, Y02B, Y02C		22	Y01Z, Y02A, Y02B, Y02C
5v55c.0‡	09	J11A, J11B	5v55d.0‡	09	J11A, J11B	5v560.0		BOP, KVT, UOP4
	22	Y01Z, Y03A, Y03B		22	Y01Z, Y03A, Y03B		03	D18Z, D25A, D25B, D25C, D25D
5v55c.1		BOP, KVT, UOP4	5v55d.1		BOP, KVT, UOP4		05	F13A
	03	D09Z, D30A		03	D09Z, D30A		09	J03A, J03B, J04A, J04B, J08A, J08B, J08C, J11A, J11B, J16Z, J21Z, J22A, J22B
	05	F13A		05	F13A		21A	W04A, W04B
	08	I28A, I28B		08	I28A, I28B		21B	X06A, X06B, X06C
	09	J03A, J03B, J04A, J04B, J08A, J08B, J08C, J10A, J10B, J16Z, J21Z, J22A, J22B		09	J03A, J03B, J04A, J04B, J08A, J08B, J08C, J10A, J10B, J16Z, J21Z, J22A, J22B		22	Y01Z, Y03A, Y03B
	21A	W04A, W04B		21A	W04A, W04B	5v560.1		BOP, KVT, UOP4
	21B	X06A, X06B, X06C		21B	X06A, X06B, X06C		03	D12A
	22	Y01Z, Y02A, Y02B, Y03A, Y03B		22	Y01Z, Y02A, Y02B, Y03A, Y03B		05	F13A
5v55c.2↔		BOP, KVT, UOP4	5v55d.2↔		BOP, KVT, UOP4		09	J02A, J02B, J02C, J04A, J04B, J08A, J08B, J08C, J16Z, J21Z, J22A, J22B
	03	D09Z, D30A		03	D09Z, D30A		21A	W04A, W04B
	05	F13A		05	F13A		21B	X01A, X01B, X01C
	09	J03A, J03B, J04A, J04B, J08A, J08B, J08C, J10A, J10B, J16Z, J21Z, J22A, J22B		09	J03A, J03B, J04A, J04B, J08A, J08B, J08C, J10A, J10B, J16Z, J21Z, J22A, J22B		22	Y01Z, Y02A, Y02B, Y03A, Y03B
	21A	W04A, W04B		21A	W04A, W04B			
	21B	X06A, X06B, X06C		21B	X06A, X06B, X06C			
	22	Y01Z, Y03A, Y03B		22	Y01Z, Y03A, Y03B			

VYK

ZZV	MDC	DRG	ZZV	MDC	DRG	ZZV	MDC	DRG			
5v560.2↔		BOP, KVT, UOP4	5v560.8↔		BOP, KVT, UOP4	5v560.f↔		BOP, KVT, UOP4			
	03	D12A		05	F13A		05	F13A			
	05	F13A		08	I02A, I02B, I02C, I02D, I22A, I22B, I32A, I32B, I32C, I32D, I32E, I32F, I50Z		08	I02A, I02B, I02C, I02D, I22A, I22B, I50Z			
	09	J02A, J02B, J02C, J04A, J04B, J08A, J08B, J08C, J16Z, J21Z, J22A, J22B		09	J02A, J02B, J02C, J04A, J04B, J08A, J08B, J08C, J16Z, J21Z, J22A, J22B		09	J02A, J02B, J02C, J04A, J04B, J08A, J08B, J08C, J16Z, J21Z, J22A, J22B			
	21A	W04A, W04B		21A	W04A, W04B		21A	W04A, W04B			
	21B	X01A, X01B, X01C		21B	X01A, X01B, X01C		21B	X01A, X01B, X01C			
	22	Y01Z, Y03A, Y03B		22	Y01Z, Y02A, Y02B, Y02C		22	Y01Z, Y02A, Y02B, Y02C			
	5v560.3↔			BOP, KVT, UOP4	5v560.9↔			BOP, KVT, UOP4	5v560.g↔		BOP, KVT, UOP4
		02		C01A, C01B, C16Z, C20A, C20B			05	F13A		05	F13A
		05		F13A			08	I32A, I32B, I32C, I32D, I32E, I32F		08	I02A, I02B, I02C, I02D, I22A, I22B, I50Z
08		I17Z	09	J02A, J02B, J02C, J04A, J04B, J08A, J08B, J08C, J16Z, J21Z, J22A, J22B		09	J02A, J02B, J02C, J04A, J04B, J08A, J08B, J08C, J16Z, J21Z, J22A, J22B				
09		J03A, J03B, J04A, J04B, J08A, J08B, J08C, J10A, J10B, J16Z, J21Z, J22A, J22B	21A	W04A, W04B		21A	W04A, W04B				
10		K09A, K09B	21B	X01A, X01B, X01C		21B	X01A, X01B, X01C				
21A		W04A, W04B	22	Y01Z, Y02A, Y02B, Y02C		22	Y01Z, Y02A, Y02B, Y02C				
21B		X06A, X06B, X06C	5v560.a			BOP, KVT, UOP4	5v560.x↔			BOP, KVT, UOP4	
22		Y01Z, Y03A, Y03B		05		F13A		05		F13A	
5v560.4				BOP, KVT, UOP4		08		I02A, I02B, I02C, I02D, I22A, I22B, I50Z		08	I02A, I02B, I02C, I02D, I22A, I22B, I32A, I32B, I32C, I32D, I32E, I32F, I50Z
	03	D12A		09	J02A, J02B, J02C, J04A, J04B, J08A, J08B, J08C, J16Z, J21Z, J22A, J22B	09		J02A, J02B, J02C, J04A, J04B, J08A, J08B, J08C, J16Z, J21Z, J22A, J22B			
	05	F13A		21A	W04A, W04B	21A		W04A, W04B			
	08	I02A, I02B, I02C, I02D, I22A, I22B, I50Z		21B	X01A, X01B, X01C	21B		X01A, X01B, X01C			
	09	J02A, J02B, J02C, J04A, J04B, J08A, J08B, J08C, J16Z, J21Z, J22A, J22B		22	Y01Z, Y02A, Y02B, Y02C	22		Y01Z, Y02A, Y02B, Y02C			
	21A	W04A, W04B		5v560.b		BOP, KVT, UOP4		5v561.0		BOP, KVT, UOP4	
	21B	X01A, X01B, X01C			05	F13A			03	D18Z, D25A, D25B, D25C, D25D	
	22	Y01Z, Y02A, Y02B, Y02C			08	I02A, I02B, I02C, I02D, I22A, I22B, I50Z			05	F13A	
	5v560.5		BOP, KVT, UOP4		09	J02A, J02B, J02C, J04A, J04B, J08A, J08B, J08C, J16Z, J21Z, J22A, J22B	09		J03A, J03B, J04A, J04B, J08A, J08B, J08C, J11A, J11B, J16Z, J21Z, J22A, J22B		
		03	D12A		21A	W04A, W04B	21A		W04A, W04B		
05		F13A	21B		X01A, X01B, X01C	21B	X01A, X01B, X01C				
08		I02A, I02B, I02C, I02D, I22A, I22B, I50Z	22		Y01Z, Y02A, Y02B, Y02C	22	Y01Z, Y03A, Y03B				
09		J02A, J02B, J02C, J04A, J04B, J08A, J08B, J08C, J16Z, J21Z, J22A, J22B	5v560.c			BOP, KVT, UOP4	5v561.1			BOP, KVT, UOP4	
21A		W04A, W04B			05	F13A			03	D12A	
21B		X01A, X01B, X01C			08	I02A, I02B, I02C, I02D, I22A, I22B, I50Z			05	F13A	
22		Y01Z, Y02A, Y02B, Y02C		09	J02A, J02B, J02C, J04A, J04B, J08A, J08B, J08C, J16Z, J21Z, J22A, J22B	09		J02A, J02B, J02C, J04A, J04B, J08A, J08B, J08C, J16Z, J21Z, J22A, J22B			
5v560.6↔				BOP, KVT, UOP4	21A	W04A, W04B		21A	W04A, W04B		
		05		F13A	21B	X01A, X01B, X01C		21B	X01A, X01B, X01C		
	08	I02A, I02B, I02C, I02D, I22A, I22B, I50Z		22	Y01Z, Y02A, Y02B, Y02C	22		Y01Z, Y02A, Y02B, Y03A, Y03B			
	09	J02A, J02B, J02C, J04A, J04B, J08A, J08B, J08C, J16Z, J21Z, J22A, J22B		5v560.d		BOP, KVT, UOP4		5v561.2↔		BOP, KVT, UOP4	
	21A	W04A, W04B			05	F13A			03	D12A	
	21B	X01A, X01B, X01C			08	I02A, I02B, I02C, I02D, I22A, I22B, I50Z			05	F13A	
	22	Y01Z, Y02A, Y02B, Y02C	09		J02A, J02B, J02C, J04A, J04B, J08A, J08B, J08C, J16Z, J21Z, J22A, J22B	09	J02A, J02B, J02C, J04A, J04B, J08A, J08B, J08C, J16Z, J21Z, J22A, J22B				
	5v560.7↔		BOP, KVT, UOP4		21A	W04A, W04B	21A		W04A, W04B		
		05	F13A		21B	X01A, X01B, X01C	21B		X01A, X01B, X01C		
		08	I02A, I02B, I02C, I02D, I22A, I22B, I50Z		22	Y01Z, Y02A, Y02B, Y02C	22		Y01Z, Y03A, Y03B		
09		J02A, J02B, J02C, J04A, J04B, J08A, J08B, J08C, J16Z, J21Z, J22A, J22B	5v560.e↔			BOP, KVT, UOP4					
21A		W04A, W04B			05	F13A					
21B		X01A, X01B, X01C			09	J02A, J02B, J02C, J04A, J04B, J08A, J08B, J08C, J16Z, J21Z, J22A, J22B					
22		Y01Z, Y02A, Y02B, Y02C		21A	W04A, W04B						
				21B	X01A, X01B, X01C						
				22	Y01Z, Y02A, Y02B, Y02C						

VYK

ZZV	MDC	DRG	ZZV	MDC	DRG	ZZV	MDC	DRG			
5v561.3↔		BOP, KVT, UOP4	5v561.9↔	05	F13A	5v561.g↔	05	F13A			
	02	C01A, C01B, C16Z, C20A, C20B		08	I32A, I32B, I32C, I32D, I32E, I32F		08	I02A, I02B, I02C, I02D, I22A, I22B, I50Z			
	05	F13A		09	J02A, J02B, J02C, J04A, J04B, J08A, J08B, J08C, J16Z, J21Z, J22A, J22B		09	J02A, J02B, J02C, J04A, J04B, J08A, J08B, J08C, J16Z, J21Z, J22A, J22B			
	08	I17Z		21A	W04A, W04B		21A	W04A, W04B			
	09	J03A, J03B, J04A, J04B, J08A, J08B, J08C, J10A, J10B, J16Z, J21Z, J22A, J22B		21B	X01A, X01B, X01C		21B	X01A, X01B, X01C			
	10	K09A, K09B		22	Y01Z, Y02A, Y02B, Y02C		22	Y01Z, Y02A, Y02B, Y02C			
	21A	W04A, W04B		5v561.a	BOP, KVT, UOP4		5v561.x↔	BOP, KVT, UOP4			
	21B	X06A, X06B, X06C		05	F13A		05	F13A			
	22	Y01Z, Y03A, Y03B		08	I02A, I02B, I02C, I02D, I22A, I22B, I50Z		08	I02A, I02B, I02C, I02D, I22A, I22B, I32A, I32B, I32C, I32D, I32E, I32F, I50Z			
	5v561.4			BOP, KVT, UOP4	5v561.b		09	J02A, J02B, J02C, J04A, J04B, J08A, J08B, J08C, J16Z, J21Z, J22A, J22B	5v562.0	09	J02A, J02B, J02C, J04A, J04B, J08A, J08B, J08C, J16Z, J21Z, J22A, J22B
		03		D12A			21A	W04A, W04B		21A	W04A, W04B
05		F13A	21B	X01A, X01B, X01C		21B	X01A, X01B, X01C				
08		I02A, I02B, I02C, I02D, I22A, I22B, I50Z	22	Y01Z, Y02A, Y02B, Y02C		22	Y01Z, Y02A, Y02B, Y02C				
09		J02A, J02B, J02C, J04A, J04B, J08A, J08B, J08C, J16Z, J21Z, J22A, J22B	5v561.b	BOP, KVT, UOP4		5v562.0	BOP, KVT, UOP4				
21A		W04A, W04B	05	F13A		03	D18Z, D25A, D25B, D25C, D25D				
21B		X01A, X01B, X01C	08	I02A, I02B, I02C, I02D, I22A, I22B, I50Z		05	F13A				
22		Y01Z, Y02A, Y02B, Y02C	09	J02A, J02B, J02C, J04A, J04B, J08A, J08B, J08C, J16Z, J21Z, J22A, J22B		09	J03A, J03B, J04A, J04B, J08A, J08B, J08C, J11A, J11B, J16Z, J21Z, J22A, J22B				
5v561.5			BOP, KVT, UOP4	5v561.c		21A	W04A, W04B	5v562.1		21A	W04A, W04B
		03	D12A			21B	X01A, X01B, X01C			21B	X06A, X06B, X06C
		05	F13A			22	Y01Z, Y02A, Y02B, Y02C			22	Y01Z, Y03A, Y03B
	08	I02A, I02B, I02C, I02D, I22A, I22B, I50Z	5v561.c		BOP, KVT, UOP4	22	BOP, KVT, UOP4				
	09	J02A, J02B, J02C, J04A, J04B, J08A, J08B, J08C, J16Z, J21Z, J22A, J22B	05		F13A	03	D12A				
	21A	W04A, W04B	08		I02A, I02B, I02C, I02D, I22A, I22B, I50Z	05	F13A				
	21B	X01A, X01B, X01C	09		J02A, J02B, J02C, J04A, J04B, J08A, J08B, J08C, J16Z, J21Z, J22A, J22B	09	J02A, J02B, J02C, J04A, J04B, J08A, J08B, J08C, J16Z, J21Z, J22A, J22B				
	22	Y01Z, Y02A, Y02B, Y02C	21A		W04A, W04B	21A	W04A, W04B				
	5v561.6↔		BOP, KVT, UOP4		5v561.d	21B	X01A, X01B, X01C		5v562.2↔	21B	X01A, X01B, X01C
		05	F13A			22	Y01Z, Y02A, Y02B, Y02C			22	Y01Z, Y02A, Y02B, Y03A, Y03B
		08	I02A, I02B, I02C, I02D, I22A, I22B, I50Z			5v561.d	BOP, KVT, UOP4			5v562.2↔	BOP, KVT, UOP4
09		J02A, J02B, J02C, J04A, J04B, J08A, J08B, J08C, J16Z, J21Z, J22A, J22B	05	F13A		03	D12A				
21A		W04A, W04B	08	I02A, I02B, I02C, I02D, I22A, I22B, I50Z		05	F13A				
21B		X01A, X01B, X01C	09	J02A, J02B, J02C, J04A, J04B, J08A, J08B, J08C, J16Z, J21Z, J22A, J22B		09	J02A, J02B, J02C, J04A, J04B, J08A, J08B, J08C, J16Z, J21Z, J22A, J22B				
22		Y01Z, Y02A, Y02B, Y02C	21A	W04A, W04B		21A	W04A, W04B				
5v561.7↔			BOP, KVT, UOP4	5v561.e↔		21B	X01A, X01B, X01C	5v562.3↔		21B	X01A, X01B, X01C
		05	F13A			22	Y01Z, Y02A, Y02B, Y02C			22	Y01Z, Y03A, Y03B
		08	I02A, I02B, I02C, I02D, I22A, I22B, I50Z			5v561.e↔	BOP, KVT, UOP4			5v562.3↔	BOP, KVT, UOP4
		09	J02A, J02B, J02C, J04A, J04B, J08A, J08B, J08C, J16Z, J21Z, J22A, J22B			05	F13A			02	C01A, C01B, C16Z, C20A, C20B
	21A	W04A, W04B	08		I02A, I02B, I02C, I02D, I22A, I22B, I50Z	05	F13A				
	21B	X01A, X01B, X01C	09		J02A, J02B, J02C, J04A, J04B, J08A, J08B, J08C, J16Z, J21Z, J22A, J22B	08	I17Z				
	22	Y01Z, Y02A, Y02B, Y02C	21A		W04A, W04B	09	J03A, J03B, J04A, J04B, J08A, J08B, J08C, J10A, J10B, J16Z, J21Z, J22A, J22B				
	5v561.8↔		BOP, KVT, UOP4		5v561.f↔	21B	X01A, X01B, X01C			10	K09A, K09B
		05	F13A			22	Y01Z, Y02A, Y02B, Y02C			21A	W04A, W04B
		08	I02A, I02B, I02C, I02D, I22A, I22B, I32A, I32B, I32C, I32D, I32E, I32F, I50Z			5v561.f↔	BOP, KVT, UOP4			21B	X06A, X06B, X06C
		09	J02A, J02B, J02C, J04A, J04B, J08A, J08B, J08C, J16Z, J21Z, J22A, J22B			05	F13A			22	Y01Z, Y03A, Y03B
21A		W04A, W04B	08	I02A, I02B, I02C, I02D, I22A, I22B, I50Z							
21B		X01A, X01B, X01C	09	J02A, J02B, J02C, J04A, J04B, J08A, J08B, J08C, J16Z, J21Z, J22A, J22B							
22		Y01Z, Y02A, Y02B, Y02C	21A	W04A, W04B							
			21B	X01A, X01B, X01C							
			22	Y01Z, Y02A, Y02B, Y02C							

VYK



ZZV	MDC	DRG	ZZV	MDC	DRG	ZZV	MDC	DRG
5v563.5		BOP, KVT, UOP4	5v563.c		BOP, KVT, UOP4	5v564.0		BOP, KVT, UOP4
	03	D12A		05	F13A		03	D18Z, D25A, D25B, D25C, D25D
	05	F13A		08	I02A, I02B, I02C, I02D, I22A, I22B, I50Z		05	F13A
	08	I02A, I02B, I02C, I02D, I22A, I22B, I50Z		09	J02A, J02B, J02C, J04A, J04B, J08A, J08B, J08C, J16Z, J21Z, J22A, J22B		09	J03A, J03B, J04A, J04B, J08A, J08B, J08C, J11A, J11B, J16Z, J21Z, J22A, J22B
	09	J02A, J02B, J02C, J04A, J04B, J08A, J08B, J08C, J16Z, J21Z, J22A, J22B		21A	W04A, W04B		21A	W04A, W04B
	21A	W04A, W04B		21B	X01A, X01B, X01C		21B	X06A, X06B, X06C
	21B	X01A, X01B, X01C		22	Y01Z, Y02A, Y02B, Y02C		22	Y01Z, Y03A, Y03B
	22	Y01Z, Y02A, Y02B, Y02C						
5v563.6↔		BOP, KVT, UOP4	5v563.d		BOP, KVT, UOP4	5v564.1		BOP, KVT, UOP4
	05	F13A, F21A, F21B		05	F13A		03	D12A
	09	J02A, J02B, J02C, J04A, J04B, J08A, J08B, J08C, J16Z, J21Z, J22A, J22B		08	I02A, I02B, I02C, I02D, I22A, I22B, I50Z		05	F13A
	21A	W04A, W04B		09	J02A, J02B, J02C, J04A, J04B, J08A, J08B, J08C, J16Z, J21Z, J22A, J22B		09	J02A, J02B, J02C, J04A, J04B, J08A, J08B, J08C, J16Z, J21Z, J22A, J22B
	21B	X01A, X01B, X01C		21A	W04A, W04B		21A	W04A, W04B
	22	Y01Z, Y02A, Y02B, Y02C		21B	X01A, X01B, X01C		21B	X01A, X01B, X01C
				22	Y01Z, Y02A, Y02B, Y02C		22	Y01Z, Y02A, Y02B, Y03A, Y03B
5v563.7↔		BOP, KVT, UOP4	5v563.e↔		BOP, KVT, UOP4	5v564.2↔		BOP, KVT, UOP4
	05	F13A		05	F13A		03	D12A
	08	I02A, I02B, I02C, I02D, I22A, I22B, I50Z		08	I02A, I02B, I02C, I02D, I22A, I22B, I50Z		05	F13A
	09	J02A, J02B, J02C, J04A, J04B, J08A, J08B, J08C, J16Z, J21Z, J22A, J22B		09	J02A, J02B, J02C, J04A, J04B, J08A, J08B, J08C, J16Z, J21Z, J22A, J22B		09	J02A, J02B, J02C, J04A, J04B, J08A, J08B, J08C, J16Z, J21Z, J22A, J22B
	21A	W04A, W04B		21A	W04A, W04B		21A	W04A, W04B
	21B	X01A, X01B, X01C		21B	X01A, X01B, X01C		21B	X01A, X01B, X01C
	22	Y01Z, Y02A, Y02B, Y02C		22	Y01Z, Y02A, Y02B, Y02C		22	Y01Z, Y03A, Y03B
5v563.8↔		BOP, KVT, UOP4	5v563.f↔		BOP, KVT, UOP4	5v564.3↔		BOP, KVT, UOP4
	05	F13A		05	F13A		02	C01A, C01B, C16Z, C20A, C20B
	08	I02A, I02B, I02C, I02D, I22A, I22B, I32A, I32B, I32C, I32D, I32E, I32F, I50Z		08	I02A, I02B, I02C, I02D, I22A, I22B, I50Z		05	F13A
	09	J02A, J02B, J02C, J04A, J04B, J08A, J08B, J08C, J16Z, J21Z, J22A, J22B		09	J02A, J02B, J02C, J04A, J04B, J08A, J08B, J08C, J16Z, J21Z, J22A, J22B		08	I17Z
	21A	W04A, W04B		21A	W04A, W04B		09	J03A, J03B, J04A, J04B, J08A, J08B, J08C, J10A, J10B, J16Z, J21Z, J22A, J22B
	21B	X01A, X01B, X01C		21B	X01A, X01B, X01C		10	K09A, K09B
	22	Y01Z, Y02A, Y02B, Y02C		22	Y01Z, Y02A, Y02B, Y02C		21A	W04A, W04B
							21B	X06A, X06B, X06C
5v563.9↔		BOP, KVT, UOP4	5v563.g↔		BOP, KVT, UOP4	5v564.4		BOP, KVT, UOP4
	05	F13A		05	F13A		03	D12A
	08	I32A, I32B, I32C, I32D, I32E, I32F		08	I02A, I02B, I02C, I02D, I22A, I22B, I50Z		05	F13A
	09	J02A, J02B, J02C, J04A, J04B, J08A, J08B, J08C, J16Z, J21Z, J22A, J22B		09	J02A, J02B, J02C, J04A, J04B, J08A, J08B, J08C, J16Z, J21Z, J22A, J22B		08	I02A, I02B, I02C, I02D, I22A, I22B, I50Z
	21A	W04A, W04B		21A	W04A, W04B		09	J02A, J02B, J02C, J04A, J04B, J08A, J08B, J08C, J16Z, J21Z, J22A, J22B
	21B	X01A, X01B, X01C		21B	X01A, X01B, X01C		21A	W04A, W04B
	22	Y01Z, Y02A, Y02B, Y02C		22	Y01Z, Y02A, Y02B, Y02C		21B	X01A, X01B, X01C
							22	Y01Z, Y03A, Y03B
5v563.a		BOP, KVT, UOP4	5v563.x↔		BOP, KVT, UOP4	5v564.5		BOP, KVT, UOP4
	05	F13A		05	F13A		03	D12A
	08	I02A, I02B, I02C, I02D, I22A, I22B, I50Z		08	I02A, I02B, I02C, I02D, I22A, I22B, I32A, I32B, I32C, I32D, I32E, I32F, I50Z		05	F13A
	09	J02A, J02B, J02C, J04A, J04B, J08A, J08B, J08C, J16Z, J21Z, J22A, J22B		09	J02A, J02B, J02C, J04A, J04B, J08A, J08B, J08C, J16Z, J21Z, J22A, J22B		08	I02A, I02B, I02C, I02D, I22A, I22B, I50Z
	21A	W04A, W04B		21A	W04A, W04B		09	J02A, J02B, J02C, J04A, J04B, J08A, J08B, J08C, J16Z, J21Z, J22A, J22B
	21B	X01A, X01B, X01C		21B	X01A, X01B, X01C		21A	W04A, W04B
	22	Y01Z, Y02A, Y02B, Y02C		22	Y01Z, Y02A, Y02B, Y02C		21B	X01A, X01B, X01C
							22	Y01Z, Y02A, Y02B, Y02C
5v563.b		BOP, KVT, UOP4						
	05	F13A						
	08	I02A, I02B, I02C, I02D, I22A, I22B, I50Z						
	09	J02A, J02B, J02C, J04A, J04B, J08A, J08B, J08C, J16Z, J21Z, J22A, J22B						
	21A	W04A, W04B						
	21B	X01A, X01B, X01C						
	22	Y01Z, Y02A, Y02B, Y02C						

ZZV	MDC	DRG	ZZV	MDC	DRG	ZZV	MDC	DRG
5v564.6↔		BOP, KVT, UOP4	5v564.c		BOP, KVT, UOP4	5v565.0		BOP, KVT, UOP4
	05	F13A		05	F13A		03	D18Z, D25A, D25B, D25C, D25D
	08	I02A, I02B, I02C, I02D, I22A, I22B, I50Z		08	I02A, I02B, I02C, I02D, I22A, I22B, I50Z		05	F13A
	09	J02A, J02B, J02C, J04A, J04B, J08A, J08B, J08C, J16Z, J21Z, J22A, J22B		09	J02A, J02B, J02C, J04A, J04B, J08A, J08B, J08C, J16Z, J21Z, J22A, J22B		09	J03A, J03B, J04A, J04B, J08A, J08B, J08C, J11A, J11B, J16Z, J21Z, J22A, J22B
	21A	W04A, W04B		21A	W04A, W04B		21A	W04A, W04B
	21B	X01A, X01B, X01C		21B	X01A, X01B, X01C		21B	X06A, X06B, X06C
	22	Y01Z, Y02A, Y02B, Y02C		22	Y01Z, Y02A, Y02B, Y02C		22	Y01Z, Y03A, Y03B
5v564.7↔		BOP, KVT, UOP4	5v564.d		BOP, KVT, UOP4	5v565.1		BOP, KVT, UOP4
	05	F13A		05	F13A		03	D12A
	08	I02A, I02B, I02C, I02D, I22A, I22B, I50Z		08	I02A, I02B, I02C, I02D, I22A, I22B, I50Z		05	F13A
	09	J02A, J02B, J02C, J04A, J04B, J08A, J08B, J08C, J16Z, J21Z, J22A, J22B		09	J02A, J02B, J02C, J04A, J04B, J08A, J08B, J08C, J16Z, J21Z, J22A, J22B		09	J02A, J02B, J02C, J04A, J04B, J08A, J08B, J08C, J16Z, J21Z, J22A, J22B
	21A	W04A, W04B		21A	W04A, W04B		21A	W04A, W04B
	21B	X01A, X01B, X01C		21B	X01A, X01B, X01C		21B	X01A, X01B, X01C
	22	Y01Z, Y02A, Y02B, Y02C		22	Y01Z, Y02A, Y02B, Y02C		22	Y01Z, Y02A, Y02B, Y03A, Y03B
5v564.8↔		BOP, KVT, UOP4	5v564.e↔		BOP, KVT, UOP4	5v565.2↔		BOP, KVT, UOP4
	05	F13A		05	F13A		03	D12A
	08	I02A, I02B, I02C, I02D, I22A, I22B, I32A, I32B, I32C, I32D, I32E, I32F, I50Z		08	I02A, I02B, I02C, I02D, I22A, I22B, I50Z		05	F13A
	09	J02A, J02B, J02C, J04A, J04B, J08A, J08B, J08C, J16Z, J21Z, J22A, J22B		09	J02A, J02B, J02C, J04A, J04B, J08A, J08B, J08C, J16Z, J21Z, J22A, J22B		09	J02A, J02B, J02C, J04A, J04B, J08A, J08B, J08C, J16Z, J21Z, J22A, J22B
	21A	W04A, W04B		21A	W04A, W04B		21A	W04A, W04B
	21B	X01A, X01B, X01C		21B	X01A, X01B, X01C		21B	X01A, X01B, X01C
	22	Y01Z, Y02A, Y02B, Y02C		22	Y01Z, Y02A, Y02B, Y02C		22	Y01Z, Y03A, Y03B
5v564.9↔		BOP, KVT, UOP4	5v564.f↔		BOP, KVT, UOP4	5v565.3↔		BOP, KVT, UOP4
	05	F13A		05	F13A		02	C01A, C01B, C16Z, C20A, C20B
	08	I32A, I32B, I32C, I32D, I32E, I32F		08	I02A, I02B, I02C, I02D, I22A, I22B, I50Z		05	F13A
	09	J02A, J02B, J02C, J04A, J04B, J08A, J08B, J08C, J16Z, J21Z, J22A, J22B		09	J02A, J02B, J02C, J04A, J04B, J08A, J08B, J08C, J16Z, J21Z, J22A, J22B		08	I17Z
	21A	W04A, W04B		21A	W04A, W04B		09	J03A, J03B, J04A, J04B, J08A, J08B, J08C, J10A, J10B, J16Z, J21Z, J22A, J22B
	21B	X01A, X01B, X01C		21B	X01A, X01B, X01C		10	K09A, K09B
	22	Y01Z, Y02A, Y02B, Y02C		22	Y01Z, Y02A, Y02B, Y02C		21A	W04A, W04B
5v564.a		BOP, KVT, UOP4	5v564.g↔		BOP, KVT, UOP4	5v565.4		BOP, KVT, UOP4
	05	F13A		05	F13A		03	D12A
	08	I02A, I02B, I02C, I02D, I22A, I22B, I50Z		08	I02A, I02B, I02C, I02D, I22A, I22B, I50Z		05	F13A
	09	J02A, J02B, J02C, J04A, J04B, J08A, J08B, J08C, J16Z, J21Z, J22A, J22B		09	J02A, J02B, J02C, J04A, J04B, J08A, J08B, J08C, J16Z, J21Z, J22A, J22B		08	I02A, I02B, I02C, I02D, I22A, I22B, I50Z
	21A	W04A, W04B		21A	W04A, W04B		09	J02A, J02B, J02C, J04A, J04B, J08A, J08B, J08C, J16Z, J21Z, J22A, J22B
	21B	X01A, X01B, X01C		21B	X01A, X01B, X01C		21A	W04A, W04B
	22	Y01Z, Y02A, Y02B, Y02C		22	Y01Z, Y02A, Y02B, Y02C		21B	X01A, X01B, X01C
5v564.b		BOP, KVT, UOP4	5v564.x↔		BOP, KVT, UOP4	5v565.5		BOP, KVT, UOP4
	05	F13A		05	F13A		03	D12A
	08	I02A, I02B, I02C, I02D, I22A, I22B, I50Z		08	I02A, I02B, I02C, I02D, I22A, I22B, I32A, I32B, I32C, I32D, I32E, I32F, I50Z		05	F13A
	09	J02A, J02B, J02C, J04A, J04B, J08A, J08B, J08C, J16Z, J21Z, J22A, J22B		09	J02A, J02B, J02C, J04A, J04B, J08A, J08B, J08C, J16Z, J21Z, J22A, J22B		08	I02A, I02B, I02C, I02D, I22A, I22B, I50Z
	21A	W04A, W04B		21A	W04A, W04B		09	J02A, J02B, J02C, J04A, J04B, J08A, J08B, J08C, J16Z, J21Z, J22A, J22B
	21B	X01A, X01B, X01C		21B	X01A, X01B, X01C		21A	W04A, W04B
	22	Y01Z, Y02A, Y02B, Y02C		22	Y01Z, Y02A, Y02B, Y02C		21B	X01A, X01B, X01C

VYK

ZZV	MDC	DRG	ZZV	MDC	DRG	ZZV	MDC	DRG
5v565.6↔		BOP, KVT, UOP4	5v565.c		BOP, KVT, UOP4	5v570.0		BOP, KVT, UOP4
	05	F13A		05	F13A		03	D18Z, D25A, D25B, D25C, D25D
	08	I02A, I02B, I02C, I02D, I22A, I22B, I50Z		08	I02A, I02B, I02C, I02D, I22A, I22B, I50Z		05	F13A
	09	J02A, J02B, J02C, J04A, J04B, J08A, J08B, J08C, J16Z, J21Z, J22A, J22B		09	J02A, J02B, J02C, J04A, J04B, J08A, J08B, J08C, J16Z, J21Z, J22A, J22B		09	J03A, J03B, J04A, J04B, J08A, J08B, J08C, J11A, J11B, J16Z, J21Z, J22A, J22B
	21A	W04A, W04B		21A	W04A, W04B		21A	W04A, W04B
	21B	X01A, X01B, X01C		21B	X01A, X01B, X01C		21B	X06A, X06B, X06C
	22	Y01Z, Y02A, Y02B, Y02C		22	Y01Z, Y03A, Y03B		22	Y01Z, Y03A, Y03B
5v565.7↔		BOP, KVT, UOP4	5v565.d		BOP, KVT, UOP4	5v570.1		BOP, KVT, UOP4
	05	F13A		05	F13A		03	D12A
	08	I02A, I02B, I02C, I02D, I22A, I22B, I50Z		08	I02A, I02B, I02C, I02D, I22A, I22B, I50Z		05	F13A
	09	J02A, J02B, J02C, J04A, J04B, J08A, J08B, J08C, J16Z, J21Z, J22A, J22B		09	J02A, J02B, J02C, J04A, J04B, J08A, J08B, J08C, J16Z, J21Z, J22A, J22B		09	J02A, J02B, J02C, J04A, J04B, J08A, J08B, J08C, J16Z, J21Z, J22A, J22B
	21A	W04A, W04B		21A	W04A, W04B		21A	W04A, W04B
	21B	X01A, X01B, X01C		21B	X01A, X01B, X01C		21B	X01A, X01B, X01C
	22	Y01Z, Y02A, Y02B, Y02C		22	Y01Z, Y02A, Y02B, Y02C		22	Y01Z, Y02A, Y02B, Y03A, Y03B
5v565.8↔		BOP, KVT, UOP4	5v565.e↔		BOP, KVT, UOP4	5v570.2↔		BOP, KVT, UOP4
	05	F13A		05	F13A		03	D12A
	08	I02A, I02B, I02C, I02D, I22A, I22B, I32A, I32B, I32C, I32D, I32E, I32F, I50Z		08	I02A, I02B, I02C, I02D, I22A, I22B, I50Z		05	F13A
	09	J02A, J02B, J02C, J04A, J04B, J08A, J08B, J08C, J16Z, J21Z, J22A, J22B		09	J02A, J02B, J02C, J04A, J04B, J08A, J08B, J08C, J16Z, J21Z, J22A, J22B		09	J02A, J02B, J02C, J04A, J04B, J08A, J08B, J08C, J16Z, J21Z, J22A, J22B
	21A	W04A, W04B		21A	W04A, W04B		21A	W04A, W04B
	21B	X01A, X01B, X01C		21B	X01A, X01B, X01C		21B	X01A, X01B, X01C
	22	Y01Z, Y02A, Y02B, Y02C		22	Y01Z, Y02A, Y02B, Y02C		22	Y01Z, Y03A, Y03B
5v565.9↔		BOP, KVT, UOP4	5v565.f↔		BOP, KVT, UOP4	5v570.3↔		BOP, KVT, UOP4
	05	F13A		05	F13A		02	C01A, C01B, C16Z, C20A, C20B
	08	I32A, I32B, I32C, I32D, I32E, I32F		08	I02A, I02B, I02C, I02D, I22A, I22B, I50Z		05	F13A
	09	J02A, J02B, J02C, J04A, J04B, J08A, J08B, J08C, J16Z, J21Z, J22A, J22B		09	J02A, J02B, J02C, J04A, J04B, J08A, J08B, J08C, J16Z, J21Z, J22A, J22B		08	I17Z
	21A	W04A, W04B		21A	W04A, W04B		09	J03A, J03B, J04A, J04B, J08A, J08B, J08C, J10A, J10B, J16Z, J21Z, J22A, J22B
	21B	X01A, X01B, X01C		21B	X01A, X01B, X01C		10	K09A, K09B
	22	Y01Z, Y02A, Y02B, Y02C		22	Y01Z, Y02A, Y02B, Y02C		21A	W04A, W04B
5v565.a		BOP, KVT, UOP4	5v565.g↔		BOP, KVT, UOP4	5v570.4		BOP, KVT, UOP4
	05	F13A		05	F13A		03	D12A
	08	I02A, I02B, I02C, I02D, I22A, I22B, I50Z		08	I02A, I02B, I02C, I02D, I22A, I22B, I50Z		05	F13A
	09	J02A, J02B, J02C, J04A, J04B, J08A, J08B, J08C, J16Z, J21Z, J22A, J22B		09	J02A, J02B, J02C, J04A, J04B, J08A, J08B, J08C, J16Z, J21Z, J22A, J22B		08	I02A, I02B, I02C, I02D, I22A, I22B, I50Z
	21A	W04A, W04B		21A	W04A, W04B		09	J02A, J02B, J02C, J04A, J04B, J08A, J08B, J08C, J16Z, J21Z, J22A, J22B
	21B	X01A, X01B, X01C		21B	X01A, X01B, X01C		21A	W04A, W04B
	22	Y01Z, Y02A, Y02B, Y02C		22	Y01Z, Y02A, Y02B, Y02C		21B	X01A, X01B, X01C
5v565.b		BOP, KVT, UOP4	5v565.x↔		BOP, KVT, UOP4	5v570.5		BOP, KVT, UOP4
	05	F13A		05	F13A		03	D12A
	08	I02A, I02B, I02C, I02D, I22A, I22B, I50Z		08	I02A, I02B, I02C, I02D, I22A, I22B, I32A, I32B, I32C, I32D, I32E, I32F, I50Z		05	F13A
	09	J02A, J02B, J02C, J04A, J04B, J08A, J08B, J08C, J16Z, J21Z, J22A, J22B		09	J02A, J02B, J02C, J04A, J04B, J08A, J08B, J08C, J16Z, J21Z, J22A, J22B		08	I02A, I02B, I02C, I02D, I22A, I22B, I50Z
	21A	W04A, W04B		21A	W04A, W04B		09	J02A, J02B, J02C, J04A, J04B, J08A, J08B, J08C, J16Z, J21Z, J22A, J22B
	21B	X01A, X01B, X01C		21B	X01A, X01B, X01C		21A	W04A, W04B
	22	Y01Z, Y02A, Y02B, Y02C		22	Y01Z, Y02A, Y02B, Y02C		21B	X01A, X01B, X01C



ZZV	MDC	DRG	ZZV	MDC	DRG	ZZV	MDC	DRG
5v570.6↔		BOP, KVT, UOP4	5v570.c		BOP, KVT, UOP4	5v571.0		BOP, KVT, UOP4
	05	F13A		05	F13A		03	D18Z, D25A, D25B, D25C, D25D
	08	I02A, I02B, I02C, I02D, I22A, I22B, I50Z		08	I02A, I02B, I02C, I02D, I22A, I22B, I50Z		05	F13A
	09	J02A, J02B, J02C, J04A, J04B, J08A, J08B, J08C, J16Z, J21Z, J22A, J22B		09	J02A, J02B, J02C, J04A, J04B, J08A, J08B, J08C, J16Z, J21Z, J22A, J22B		09	J03A, J03B, J04A, J04B, J08A, J08B, J08C, J11A, J11B, J16Z, J21Z, J22A, J22B
	21A	W04A, W04B		21A	W04A, W04B		21A	W04A, W04B
	21B	X01A, X01B, X01C		21B	X01A, X01B, X01C		21B	X06A, X06B, X06C
	22	Y01Z, Y02A, Y02B, Y02C		22	Y01Z, Y03A, Y03B		22	Y01Z, Y03A, Y03B
5v570.7↔		BOP, KVT, UOP4	5v570.d		BOP, KVT, UOP4	5v571.1		BOP, KVT, UOP4
	05	F13A		05	F13A		03	D12A
	08	I02A, I02B, I02C, I02D, I22A, I22B, I50Z		08	I02A, I02B, I02C, I02D, I22A, I22B, I50Z		05	F13A
	09	J02A, J02B, J02C, J04A, J04B, J08A, J08B, J08C, J16Z, J21Z, J22A, J22B		09	J02A, J02B, J02C, J04A, J04B, J08A, J08B, J08C, J16Z, J21Z, J22A, J22B		09	J02A, J02B, J02C, J04A, J04B, J08A, J08B, J08C, J16Z, J21Z, J22A, J22B
	21A	W04A, W04B		21A	W04A, W04B		21A	W04A, W04B
	21B	X01A, X01B, X01C		21B	X01A, X01B, X01C		21B	X01A, X01B, X01C
	22	Y01Z, Y02A, Y02B, Y02C		22	Y01Z, Y02A, Y02B, Y02C		22	Y01Z, Y02A, Y02B, Y03A, Y03B
5v570.8↔		BOP, KVT, UOP4	5v570.e↔		BOP, KVT, UOP4	5v571.2↔		BOP, KVT, UOP4
	05	F13A		05	F13A		03	D12A
	08	I02A, I02B, I02C, I02D, I22A, I22B, I32A, I32B, I32C, I32D, I32E, I32F, I50Z		08	I02A, I02B, I02C, I02D, I22A, I22B, I50Z		05	F13A
	09	J02A, J02B, J02C, J04A, J04B, J08A, J08B, J08C, J16Z, J21Z, J22A, J22B		09	J02A, J02B, J02C, J04A, J04B, J08A, J08B, J08C, J16Z, J21Z, J22A, J22B		09	J02A, J02B, J02C, J04A, J04B, J08A, J08B, J08C, J16Z, J21Z, J22A, J22B
	21A	W04A, W04B		21A	W04A, W04B		21A	W04A, W04B
	21B	X01A, X01B, X01C		21B	X01A, X01B, X01C		21B	X01A, X01B, X01C
	22	Y01Z, Y02A, Y02B, Y02C		22	Y01Z, Y02A, Y02B, Y02C		22	Y01Z, Y03A, Y03B
5v570.9↔		BOP, KVT, UOP4	5v570.f↔		BOP, KVT, UOP4	5v571.3↔		BOP, KVT, UOP4
	05	F13A		05	F13A		02	C01A, C01B, C16Z, C20A, C20B
	08	I32A, I32B, I32C, I32D, I32E, I32F		08	I02A, I02B, I02C, I02D, I22A, I22B, I50Z		05	F13A
	09	J02A, J02B, J02C, J04A, J04B, J08A, J08B, J08C, J16Z, J21Z, J22A, J22B		09	J02A, J02B, J02C, J04A, J04B, J08A, J08B, J08C, J16Z, J21Z, J22A, J22B		08	I17Z
	21A	W04A, W04B		21A	W04A, W04B		09	J03A, J03B, J04A, J04B, J08A, J08B, J08C, J10A, J10B, J16Z, J21Z, J22A, J22B
	21B	X01A, X01B, X01C		21B	X01A, X01B, X01C		10	K09A, K09B
	22	Y01Z, Y02A, Y02B, Y02C		22	Y01Z, Y02A, Y02B, Y02C		21A	W04A, W04B
5v570.a		BOP, KVT, UOP4	5v570.g↔		BOP, KVT, UOP4	5v571.4		BOP, KVT, UOP4
	05	F13A		05	F13A		03	D12A
	08	I02A, I02B, I02C, I02D, I22A, I22B, I50Z		08	I02A, I02B, I02C, I02D, I22A, I22B, I50Z		05	F13A
	09	J02A, J02B, J02C, J04A, J04B, J08A, J08B, J08C, J16Z, J21Z, J22A, J22B		09	J02A, J02B, J02C, J04A, J04B, J08A, J08B, J08C, J16Z, J21Z, J22A, J22B		08	I02A, I02B, I02C, I02D, I22A, I22B, I50Z
	21A	W04A, W04B		21A	W04A, W04B		09	J02A, J02B, J02C, J04A, J04B, J08A, J08B, J08C, J16Z, J21Z, J22A, J22B
	21B	X01A, X01B, X01C		21B	X01A, X01B, X01C		21A	W04A, W04B
	22	Y01Z, Y02A, Y02B, Y02C		22	Y01Z, Y02A, Y02B, Y02C		21B	X01A, X01B, X01C
5v570.b		BOP, KVT, UOP4	5v570.x↔		BOP, KVT, UOP4	5v571.5		BOP, KVT, UOP4
	05	F13A		05	F13A		03	D12A
	08	I02A, I02B, I02C, I02D, I22A, I22B, I50Z		08	I02A, I02B, I02C, I02D, I22A, I22B, I32A, I32B, I32C, I32D, I32E, I32F, I50Z		05	F13A
	09	J02A, J02B, J02C, J04A, J04B, J08A, J08B, J08C, J16Z, J21Z, J22A, J22B		09	J02A, J02B, J02C, J04A, J04B, J08A, J08B, J08C, J16Z, J21Z, J22A, J22B		08	I02A, I02B, I02C, I02D, I22A, I22B, I50Z
	21A	W04A, W04B		21A	W04A, W04B		09	J02A, J02B, J02C, J04A, J04B, J08A, J08B, J08C, J16Z, J21Z, J22A, J22B
	21B	X01A, X01B, X01C		21B	X01A, X01B, X01C		21A	W04A, W04B
	22	Y01Z, Y02A, Y02B, Y02C		22	Y01Z, Y02A, Y02B, Y02C		21B	X01A, X01B, X01C

VYK

ZZV	MDC	DRG	ZZV	MDC	DRG	ZZV	MDC	DRG
5v571.6↔		BOP, KVT, UOP4	5v571.c		BOP, KVT, UOP4	5v572.0		BOP, KVT, UOP4
	05	F13A		05	F13A		03	D02A, D02B, D18Z, D24A, D24B
	08	I02A, I02B, I02C, I02D, I22A, I22B, I50Z		08	I02A, I02B, I02C, I02D, I22A, I22B, I50Z		05	F13A
	09	J02A, J02B, J02C, J04A, J04B, J08A, J08B, J08C, J16Z, J21Z, J22A, J22B		09	J02A, J02B, J02C, J04A, J04B, J08A, J08B, J08C, J16Z, J21Z, J22A, J22B		09	J03A, J03B, J04A, J04B, J08A, J08B, J08C, J11A, J11B, J16Z, J21Z, J22A, J22B
	21A	W04A, W04B		21A	W04A, W04B		21A	W04A, W04B
	21B	X01A, X01B, X01C		21B	X01A, X01B, X01C		21B	X06A, X06B, X06C
	22	Y01Z, Y02A, Y02B, Y02C		22	Y01Z, Y03A, Y03B		22	Y01Z, Y03A, Y03B
5v571.7↔		BOP, KVT, UOP4	5v571.d		BOP, KVT, UOP4	5v572.1		BOP, KVT, UOP4
	05	F13A		05	F13A		03	D12A
	08	I02A, I02B, I02C, I02D, I22A, I22B, I50Z		08	I02A, I02B, I02C, I02D, I22A, I22B, I50Z		05	F13A
	09	J02A, J02B, J02C, J04A, J04B, J08A, J08B, J08C, J16Z, J21Z, J22A, J22B		09	J02A, J02B, J02C, J04A, J04B, J08A, J08B, J08C, J16Z, J21Z, J22A, J22B		09	J02A, J02B, J02C, J04A, J04B, J08A, J08B, J08C, J16Z, J21Z, J22A, J22B
	21A	W04A, W04B		21A	W04A, W04B		21A	W04A, W04B
	21B	X01A, X01B, X01C		21B	X01A, X01B, X01C		21B	X01A, X01B, X01C
	22	Y01Z, Y02A, Y02B, Y02C		22	Y01Z, Y02A, Y02B, Y02C		22	Y01Z, Y02A, Y02B, Y03A, Y03B
5v571.8↔		BOP, KVT, UOP4	5v571.e↔		BOP, KVT, UOP4	5v572.2↔		BOP, KVT, UOP4
	05	F13A		05	F13A		03	D12A
	08	I02A, I02B, I02C, I02D, I22A, I22B, I32A, I32B, I32C, I32D, I32E, I32F, I50Z		08	I02A, I02B, I02C, I02D, I22A, I22B, I50Z		05	F13A
	09	J02A, J02B, J02C, J04A, J04B, J08A, J08B, J08C, J16Z, J21Z, J22A, J22B		09	J02A, J02B, J02C, J04A, J04B, J08A, J08B, J08C, J16Z, J21Z, J22A, J22B		09	J02A, J02B, J02C, J04A, J04B, J08A, J08B, J08C, J16Z, J21Z, J22A, J22B
	21A	W04A, W04B		21A	W04A, W04B		21A	W04A, W04B
	21B	X01A, X01B, X01C		21B	X01A, X01B, X01C		21B	X01A, X01B, X01C
	22	Y01Z, Y02A, Y02B, Y02C		22	Y01Z, Y02A, Y02B, Y02C		22	Y01Z, Y03A, Y03B
5v571.9↔		BOP, KVT, UOP4	5v571.f↔		BOP, KVT, UOP4	5v572.3↔		BOP, KVT, UOP4
	05	F13A		05	F13A		02	C01A, C01B, C16Z, C20A, C20B
	08	I32A, I32B, I32C, I32D, I32E, I32F		08	I02A, I02B, I02C, I02D, I22A, I22B, I50Z		05	F13A
	09	J02A, J02B, J02C, J04A, J04B, J08A, J08B, J08C, J16Z, J21Z, J22A, J22B		09	J02A, J02B, J02C, J04A, J04B, J08A, J08B, J08C, J16Z, J21Z, J22A, J22B		08	I17Z
	21A	W04A, W04B		21A	W04A, W04B		09	J03A, J03B, J04A, J04B, J08A, J08B, J08C, J10A, J10B, J16Z, J21Z, J22A, J22B
	21B	X01A, X01B, X01C		21B	X01A, X01B, X01C		10	K09A, K09B
	22	Y01Z, Y02A, Y02B, Y02C		22	Y01Z, Y02A, Y02B, Y02C		21A	W04A, W04B
5v571.a		BOP, KVT, UOP4	5v571.g↔		BOP, KVT, UOP4	5v572.4		BOP, KVT, UOP4
	05	F13A		05	F13A		03	D12A
	08	I02A, I02B, I02C, I02D, I22A, I22B, I50Z		08	I02A, I02B, I02C, I02D, I22A, I22B, I50Z		05	F13A
	09	J02A, J02B, J02C, J04A, J04B, J08A, J08B, J08C, J16Z, J21Z, J22A, J22B		09	J02A, J02B, J02C, J04A, J04B, J08A, J08B, J08C, J16Z, J21Z, J22A, J22B		08	I02A, I02B, I02C, I02D, I22A, I22B, I50Z
	21A	W04A, W04B		21A	W04A, W04B		09	J02A, J02B, J02C, J04A, J04B, J08A, J08B, J08C, J16Z, J21Z, J22A, J22B
	21B	X01A, X01B, X01C		21B	X01A, X01B, X01C		21A	W04A, W04B
	22	Y01Z, Y02A, Y02B, Y02C		22	Y01Z, Y02A, Y02B, Y02C		21B	X01A, X01B, X01C
5v571.b		BOP, KVT, UOP4	5v571.x↔		BOP, KVT, UOP4	5v572.5		BOP, KVT, UOP4
	05	F13A		05	F13A		03	D12A
	08	I02A, I02B, I02C, I02D, I22A, I22B, I50Z		08	I02A, I02B, I02C, I02D, I22A, I22B, I32A, I32B, I32C, I32D, I32E, I32F, I50Z		05	F13A
	09	J02A, J02B, J02C, J04A, J04B, J08A, J08B, J08C, J16Z, J21Z, J22A, J22B		09	J02A, J02B, J02C, J04A, J04B, J08A, J08B, J08C, J16Z, J21Z, J22A, J22B		08	I02A, I02B, I02C, I02D, I22A, I22B, I50Z
	21A	W04A, W04B		21A	W04A, W04B		09	J02A, J02B, J02C, J04A, J04B, J08A, J08B, J08C, J16Z, J21Z, J22A, J22B
	21B	X01A, X01B, X01C		21B	X01A, X01B, X01C		21A	W04A, W04B
	22	Y01Z, Y02A, Y02B, Y02C		22	Y01Z, Y02A, Y02B, Y02C		21B	X01A, X01B, X01C

VYK

ZZV	MDC	DRG	ZZV	MDC	DRG	ZZV	MDC	DRG
5v572.6↔		BOP, KVT, UOP4	5v572.c		BOP, KVT, UOP4	5v573.0		BOP, KVT, UOP4
	05	F13A		05	F13A		03	D02A, D02B, D18Z, D24A, D24B
	08	I02A, I02B, I02C, I02D, I22A, I22B, I50Z		08	I02A, I02B, I02C, I02D, I22A, I22B, I50Z		05	F13A
	09	J02A, J02B, J02C, J04A, J04B, J08A, J08B, J08C, J16Z, J21Z, J22A, J22B		09	J02A, J02B, J02C, J04A, J04B, J08A, J08B, J08C, J16Z, J21Z, J22A, J22B		09	J03A, J03B, J04A, J04B, J08A, J08B, J08C, J11A, J11B, J16Z, J21Z, J22A, J22B
	21A	W04A, W04B		21A	W04A, W04B		21A	W04A, W04B
	21B	X01A, X01B, X01C		21B	X01A, X01B, X01C		21B	X06A, X06B, X06C
	22	Y01Z, Y02A, Y02B, Y02C		22	Y01Z, Y03A, Y03B		22	Y01Z, Y03A, Y03B
5v572.7↔		BOP, KVT, UOP4	5v572.d		BOP, KVT, UOP4	5v573.1		BOP, KVT, UOP4
	05	F13A		05	F13A		03	D12A
	08	I02A, I02B, I02C, I02D, I22A, I22B, I50Z		08	I02A, I02B, I02C, I02D, I22A, I22B, I50Z		05	F13A
	09	J02A, J02B, J02C, J04A, J04B, J08A, J08B, J08C, J16Z, J21Z, J22A, J22B		09	J02A, J02B, J02C, J04A, J04B, J08A, J08B, J08C, J16Z, J21Z, J22A, J22B		09	J02A, J02B, J02C, J04A, J04B, J08A, J08B, J08C, J16Z, J21Z, J22A, J22B
	21A	W04A, W04B		21A	W04A, W04B		21A	W04A, W04B
	21B	X01A, X01B, X01C		21B	X01A, X01B, X01C		21B	X01A, X01B, X01C
	22	Y01Z, Y02A, Y02B, Y02C		22	Y01Z, Y02A, Y02B, Y02C		22	Y01Z, Y02A, Y02B, Y03A, Y03B
5v572.8↔		BOP, KVT, UOP4	5v572.e↔		BOP, KVT, UOP4	5v573.2↔		BOP, KVT, UOP4
	05	F13A		05	F13A		03	D12A
	08	I02A, I02B, I02C, I02D, I22A, I22B, I32A, I32B, I32C, I32D, I32E, I32F, I50Z		08	I02A, I02B, I02C, I02D, I22A, I22B, I50Z		05	F13A
	09	J02A, J02B, J02C, J04A, J04B, J08A, J08B, J08C, J16Z, J21Z, J22A, J22B		09	J02A, J02B, J02C, J04A, J04B, J08A, J08B, J08C, J16Z, J21Z, J22A, J22B		09	J02A, J02B, J02C, J04A, J04B, J08A, J08B, J08C, J16Z, J21Z, J22A, J22B
	21A	W04A, W04B		21A	W04A, W04B		21A	W04A, W04B
	21B	X01A, X01B, X01C		21B	X01A, X01B, X01C		21B	X01A, X01B, X01C
	22	Y01Z, Y02A, Y02B, Y02C		22	Y01Z, Y02A, Y02B, Y02C		22	Y01Z, Y03A, Y03B
5v572.9↔		BOP, KVT, UOP4	5v572.f↔		BOP, KVT, UOP4	5v573.3↔		BOP, KVT, UOP4
	05	F13A		05	F13A		02	C01A, C01B, C16Z, C20A, C20B
	08	I32A, I32B, I32C, I32D, I32E, I32F		08	I02A, I02B, I02C, I02D, I22A, I22B, I50Z		05	F13A
	09	J02A, J02B, J02C, J04A, J04B, J08A, J08B, J08C, J16Z, J21Z, J22A, J22B		09	J02A, J02B, J02C, J04A, J04B, J08A, J08B, J08C, J16Z, J21Z, J22A, J22B		08	I17Z
	21A	W04A, W04B		21A	W04A, W04B		09	J03A, J03B, J04A, J04B, J08A, J08B, J08C, J10A, J10B, J16Z, J21Z, J22A, J22B
	21B	X01A, X01B, X01C		21B	X01A, X01B, X01C		10	K09A, K09B
	22	Y01Z, Y02A, Y02B, Y02C		22	Y01Z, Y02A, Y02B, Y02C		21A	W04A, W04B
5v572.a		BOP, KVT, UOP4	5v572.g↔		BOP, KVT, UOP4	5v573.4		BOP, KVT, UOP4
	05	F13A		05	F13A		03	D12A
	08	I02A, I02B, I02C, I02D, I22A, I22B, I50Z		08	I02A, I02B, I02C, I02D, I22A, I22B, I50Z		05	F13A
	09	J02A, J02B, J02C, J04A, J04B, J08A, J08B, J08C, J16Z, J21Z, J22A, J22B		09	J02A, J02B, J02C, J04A, J04B, J08A, J08B, J08C, J16Z, J21Z, J22A, J22B		08	I02A, I02B, I02C, I02D, I22A, I22B, I50Z
	21A	W04A, W04B		21A	W04A, W04B		09	J02A, J02B, J02C, J04A, J04B, J08A, J08B, J08C, J16Z, J21Z, J22A, J22B
	21B	X01A, X01B, X01C		21B	X01A, X01B, X01C		21A	W04A, W04B
	22	Y01Z, Y02A, Y02B, Y02C		22	Y01Z, Y02A, Y02B, Y02C		21B	X01A, X01B, X01C
5v572.b		BOP, KVT, UOP4	5v572.x↔		BOP, KVT, UOP4	5v573.5		BOP, KVT, UOP4
	05	F13A		05	F13A		03	D12A
	08	I02A, I02B, I02C, I02D, I22A, I22B, I50Z		08	I02A, I02B, I02C, I02D, I22A, I22B, I32A, I32B, I32C, I32D, I32E, I32F, I50Z		05	F13A
	09	J02A, J02B, J02C, J04A, J04B, J08A, J08B, J08C, J16Z, J21Z, J22A, J22B		09	J02A, J02B, J02C, J04A, J04B, J08A, J08B, J08C, J16Z, J21Z, J22A, J22B		08	I02A, I02B, I02C, I02D, I22A, I22B, I50Z
	21A	W04A, W04B		21A	W04A, W04B		09	J02A, J02B, J02C, J04A, J04B, J08A, J08B, J08C, J16Z, J21Z, J22A, J22B
	21B	X01A, X01B, X01C		21B	X01A, X01B, X01C		21A	W04A, W04B
	22	Y01Z, Y02A, Y02B, Y02C		22	Y01Z, Y02A, Y02B, Y02C		21B	X01A, X01B, X01C

VYK

ZZV	MDC	DRG	ZZV	MDC	DRG	ZZV	MDC	DRG
5v573.6↔		BOP, KVT, UOP4	5v573.c		BOP, KVT, UOP4	5v580.3↔		BOP, KVT, UOP4
	05	F13A		05	F13A		02	C01A, C01B, C16Z, C20A, C20B
	08	I02A, I02B, I02C, I02D, I22A, I22B, I50Z		08	I02A, I02B, I02C, I02D, I22A, I22B, I50Z		05	F13A
	09	J02A, J02B, J02C, J04A, J04B, J08A, J08B, J08C, J16Z, J21Z, J22A, J22B		09	J02A, J02B, J02C, J04A, J04B, J08A, J08B, J08C, J16Z, J21Z, J22A, J22B		08	I17Z
	21A	W04A, W04B		21A	W04A, W04B		09	J03A, J03B, J04A, J04B, J08A, J08B, J08C, J10A, J10B, J16Z, J21Z, J22A, J22B
	21B	X01A, X01B, X01C		21B	X01A, X01B, X01C		21A	W04A, W04B
	22	Y01Z, Y02A, Y02B, Y02C		22	Y01Z, Y03A, Y03B		21B	X06A, X06B, X06C
5v573.7↔		BOP, KVT, UOP4	5v573.d		BOP, KVT, UOP4	5v581.3↔		BOP, KVT, UOP4
	05	F13A		05	F13A		02	C01A, C01B, C16Z, C20A, C20B
	08	I02A, I02B, I02C, I02D, I22A, I22B, I50Z		08	I02A, I02B, I02C, I02D, I22A, I22B, I50Z		05	F13A
	09	J02A, J02B, J02C, J04A, J04B, J08A, J08B, J08C, J16Z, J21Z, J22A, J22B		09	J02A, J02B, J02C, J04A, J04B, J08A, J08B, J08C, J16Z, J21Z, J22A, J22B		08	I17Z
	21A	W04A, W04B		21A	W04A, W04B		09	J03A, J03B, J04A, J04B, J08A, J08B, J08C, J10A, J10B, J16Z, J21Z, J22A, J22B
	21B	X01A, X01B, X01C		21B	X01A, X01B, X01C		21A	W04A, W04B
	22	Y01Z, Y02A, Y02B, Y02C		22	Y01Z, Y02A, Y02B, Y02C		21B	X06A, X06B, X06C
5v573.8↔		BOP, KVT, UOP4	5v573.e↔		BOP, KVT, UOP4	5v582.3↔		BOP, KVT, UOP4
	05	F13A		05	F13A		02	C01A, C01B, C16Z, C20A, C20B
	08	I02A, I02B, I02C, I02D, I22A, I22B, I32A, I32B, I32C, I32D, I32E, I32F, I50Z		08	I02A, I02B, I02C, I02D, I22A, I22B, I50Z		05	F13A
	09	J02A, J02B, J02C, J04A, J04B, J08A, J08B, J08C, J16Z, J21Z, J22A, J22B		09	J02A, J02B, J02C, J04A, J04B, J08A, J08B, J08C, J16Z, J21Z, J22A, J22B		08	I17Z
	21A	W04A, W04B		21A	W04A, W04B		09	J03A, J03B, J04A, J04B, J08A, J08B, J08C, J10A, J10B, J16Z, J21Z, J22A, J22B
	21B	X01A, X01B, X01C		21B	X01A, X01B, X01C		21A	W04A, W04B
	22	Y01Z, Y02A, Y02B, Y02C		22	Y01Z, Y02A, Y02B, Y02C		21B	X06A, X06B, X06C
5v573.9↔		BOP, KVT, UOP4	5v573.f↔		BOP, KVT, UOP4	5v584.0		BOP, KVT, UOP4
	05	F13A		05	F13A		03	D12A, D12B
	08	I32A, I32B, I32C, I32D, I32E, I32F		08	I02A, I02B, I02C, I02D, I22A, I22B, I50Z		05	F13A
	09	J02A, J02B, J02C, J04A, J04B, J08A, J08B, J08C, J16Z, J21Z, J22A, J22B		09	J02A, J02B, J02C, J04A, J04B, J08A, J08B, J08C, J16Z, J21Z, J22A, J22B		09	J02A, J02B, J02C, J04A, J04B, J08A, J08B, J08C, J16Z, J21Z, J22A, J22B
	21A	W04A, W04B		21A	W04A, W04B		21A	W04A, W04B
	21B	X01A, X01B, X01C		21B	X01A, X01B, X01C		21B	X01A, X01B, X01C
	22	Y01Z, Y02A, Y02B, Y02C		22	Y01Z, Y02A, Y02B, Y02C		22	Y01Z, Y02A, Y02B, Y02C
5v573.a		BOP, KVT, UOP4	5v573.g↔		BOP, KVT, UOP4	5v584.1		BOP, KVT, UOP4
	05	F13A		05	F13A		03	D12A, D12B
	08	I02A, I02B, I02C, I02D, I22A, I22B, I50Z		08	I02A, I02B, I02C, I02D, I22A, I22B, I50Z		05	F13A
	09	J02A, J02B, J02C, J04A, J04B, J08A, J08B, J08C, J16Z, J21Z, J22A, J22B		09	J02A, J02B, J02C, J04A, J04B, J08A, J08B, J08C, J16Z, J21Z, J22A, J22B		09	J02A, J02B, J02C, J04A, J04B, J08A, J08B, J08C, J16Z, J21Z, J22A, J22B
	21A	W04A, W04B		21A	W04A, W04B		21A	W04A, W04B
	21B	X01A, X01B, X01C		21B	X01A, X01B, X01C		21B	X01A, X01B, X01C
	22	Y01Z, Y02A, Y02B, Y02C		22	Y01Z, Y02A, Y02B, Y02C		22	Y01Z, Y02A, Y02B, Y02C
5v573.b		BOP, KVT, UOP4	5v573.x↔		BOP, KVT, UOP4	5v584.2↔		BOP, KVT, UOP4
	05	F13A		05	F13A		03	D12A, D12B
	08	I02A, I02B, I02C, I02D, I22A, I22B, I50Z		08	I02A, I02B, I02C, I02D, I22A, I22B, I32A, I32B, I32C, I32D, I32E, I32F, I50Z		05	F13A
	09	J02A, J02B, J02C, J04A, J04B, J08A, J08B, J08C, J16Z, J21Z, J22A, J22B		09	J02A, J02B, J02C, J04A, J04B, J08A, J08B, J08C, J16Z, J21Z, J22A, J22B		09	J02A, J02B, J02C, J04A, J04B, J08A, J08B, J08C, J16Z, J21Z, J22A, J22B
	21A	W04A, W04B		21A	W04A, W04B		21A	W04A, W04B
	21B	X01A, X01B, X01C		21B	X01A, X01B, X01C		21B	X01A, X01B, X01C
	22	Y01Z, Y02A, Y02B, Y02C		22	Y01Z, Y02A, Y02B, Y02C		22	Y01Z, Y02A, Y02B, Y02C

ZZV	MDC	DRG	ZZV	MDC	DRG	ZZV	MDC	DRG
5v584.3↔		BOP, KVT, UOP4	5v584.9↔		BOP, KVT, UOP4	5v584.g↔		BOP, KVT, UOP4
	03	D12A, D12B		05	F13A		05	F13A
	05	F13A		08	I32A, I32B, I32C, I32D, I32E, I32F		08	I02A, I02B, I02C, I02D, I22A, I22B, I50Z
	08	I02A, I02B, I02C, I02D, I22A, I22B, I50Z		09	J02A, J02B, J02C, J04A, J04B, J08A, J08B, J08C, J16Z, J21Z, J22A, J22B		09	J02A, J02B, J02C, J04A, J04B, J08A, J08B, J08C, J16Z, J21Z, J22A, J22B
	09	J02A, J02B, J02C, J04A, J04B, J08A, J08B, J08C, J16Z, J21Z, J22A, J22B		21A	W04A, W04B		21A	W04A, W04B
	21A	W04A, W04B		21B	X01A, X01B, X01C		21B	X01A, X01B, X01C
	21B	X01A, X01B, X01C		22	Y01Z, Y02A, Y02B, Y02C		22	Y01Z, Y02A, Y02B, Y02C
	22	Y01Z, Y02A, Y02B, Y02C	5v584.a		BOP, KVT, UOP4	5v584.x		BOP, KVT, UOP4
5v584.4		BOP, KVT, UOP4		05	F13A		05	F13A
	03	D12A, D12B		08	I02A, I02B, I02C, I02D, I22A, I22B, I50Z		08	I02A, I02B, I02C, I02D, I22A, I22B, I50Z
	05	F13A		09	J02A, J02B, J02C, J04A, J04B, J08A, J08B, J08C, J16Z, J21Z, J22A, J22B		09	J02A, J02B, J02C, J04A, J04B, J08A, J08B, J08C, J16Z, J21Z, J22A, J22B
	08	I02A, I02B, I02C, I02D, I22A, I22B, I50Z		21A	W04A, W04B		21A	W04A, W04B
	09	J02A, J02B, J02C, J04A, J04B, J08A, J08B, J08C, J16Z, J21Z, J22A, J22B		21B	X01A, X01B, X01C		21B	X01A, X01B, X01C
	21A	W04A, W04B		22	Y01Z, Y02A, Y02B, Y02C		22	Y01Z, Y02A, Y02B, Y02C
	21B	X01A, X01B, X01C	5v584.b		BOP, KVT, UOP4	5v585.0		BOP, KVT, UOP4
	21B	X01A, X01B, X01C		05	F13A		03	D12A, D12B
	22	Y01Z, Y02A, Y02B, Y02C		08	I02A, I02B, I02C, I02D, I22A, I22B, I50Z		05	F13A
5v584.5		BOP, KVT, UOP4		09	J02A, J02B, J02C, J04A, J04B, J08A, J08B, J08C, J16Z, J21Z, J22A, J22B		09	J02A, J02B, J02C, J04A, J04B, J08A, J08B, J08C, J16Z, J21Z, J22A, J22B
	03	D12A, D12B		21A	W04A, W04B		21A	W04A, W04B
	05	F13A		21B	X01A, X01B, X01C		21B	X01A, X01B, X01C
	08	I02A, I02B, I02C, I02D, I22A, I22B, I50Z		22	Y01Z, Y02A, Y02B, Y02C		22	Y01Z, Y02A, Y02B, Y02C
	09	J02A, J02B, J02C, J04A, J04B, J08A, J08B, J08C, J16Z, J21Z, J22A, J22B	5v584.c		BOP, KVT, UOP4	5v585.1		BOP, KVT, UOP4
	21B	X01A, X01B, X01C		05	F13A		03	D12A, D12B
	22	Y01Z, Y02A, Y02B, Y02C		08	I02A, I02B, I02C, I02D, I22A, I22B, I50Z		05	F13A
5v584.6↔		BOP, KVT, UOP4		09	J02A, J02B, J02C, J04A, J04B, J08A, J08B, J08C, J16Z, J21Z, J22A, J22B		09	J02A, J02B, J02C, J04A, J04B, J08A, J08B, J08C, J16Z, J21Z, J22A, J22B
	05	F13A		21A	W04A, W04B		21A	W04A, W04B
	08	I02A, I02B, I02C, I02D, I22A, I22B, I50Z		21B	X01A, X01B, X01C		21B	X01A, X01B, X01C
	09	J02A, J02B, J02C, J04A, J04B, J08A, J08B, J08C, J16Z, J21Z, J22A, J22B		22	Y01Z, Y02A, Y02B, Y02C		22	Y01Z, Y02A, Y02B, Y02C
	21A	W04A, W04B	5v584.d		BOP, KVT, UOP4	5v585.2↔		BOP, KVT, UOP4
	21B	X01A, X01B, X01C		05	F13A		03	D12A, D12B
	22	Y01Z, Y02A, Y02B, Y02C		08	I02A, I02B, I02C, I02D, I22A, I22B, I50Z		05	F13A
5v584.7↔		BOP, KVT, UOP4		09	J02A, J02B, J02C, J04A, J04B, J08A, J08B, J08C, J16Z, J21Z, J22A, J22B		09	J02A, J02B, J02C, J04A, J04B, J08A, J08B, J08C, J16Z, J21Z, J22A, J22B
	05	F13A		21A	W04A, W04B		21A	W04A, W04B
	08	I02A, I02B, I02C, I02D, I22A, I22B, I50Z		21B	X01A, X01B, X01C		21B	X01A, X01B, X01C
	09	J02A, J02B, J02C, J04A, J04B, J08A, J08B, J08C, J16Z, J21Z, J22A, J22B		22	Y01Z, Y02A, Y02B, Y02C		22	Y01Z, Y02A, Y02B, Y02C
	21A	W04A, W04B	5v584.e↔		BOP, KVT, UOP4	5v585.3↔		BOP, KVT, UOP4
	21B	X01A, X01B, X01C		05	F13A		03	D12A, D12B
	22	Y01Z, Y02A, Y02B, Y02C		08	I02A, I02B, I02C, I02D, I22A, I22B, I50Z		05	F13A
5v584.8↔		BOP, KVT, UOP4		09	J02A, J02B, J02C, J04A, J04B, J08A, J08B, J08C, J16Z, J21Z, J22A, J22B		08	I02A, I02B, I02C, I02D, I22A, I22B, I50Z
	05	F13A		21A	W04A, W04B		09	J02A, J02B, J02C, J04A, J04B, J08A, J08B, J08C, J16Z, J21Z, J22A, J22B
	08	I02A, I02B, I02C, I02D, I22A, I22B, I32A, I32B, I32C, I32D, I32E, I32F, I50Z		21B	X01A, X01B, X01C		21A	W04A, W04B
	09	J02A, J02B, J02C, J04A, J04B, J08A, J08B, J08C, J16Z, J21Z, J22A, J22B		22	Y01Z, Y02A, Y02B, Y02C		21B	X01A, X01B, X01C
	21A	W04A, W04B	5v584.f↔		BOP, KVT, UOP4	5v585.4		BOP, KVT, UOP4
	21B	X01A, X01B, X01C		05	F13A		03	D12A, D12B
	22	Y01Z, Y02A, Y02B, Y02C		08	I02A, I02B, I02C, I02D, I22A, I22B, I50Z		05	F13A
				09	J02A, J02B, J02C, J04A, J04B, J08A, J08B, J08C, J16Z, J21Z, J22A, J22B		08	I02A, I02B, I02C, I02D, I22A, I22B, I50Z
				21A	W04A, W04B		09	J02A, J02B, J02C, J04A, J04B, J08A, J08B, J08C, J16Z, J21Z, J22A, J22B
				21B	X01A, X01B, X01C		21A	W04A, W04B
				22	Y01Z, Y02A, Y02B, Y02C		21B	X01A, X01B, X01C
							22	Y01Z, Y02A, Y02B, Y02C













ZZV	MDC	DRG	ZZV	MDC	DRG	ZZV	MDC	DRG			
5v591.d		BOP, KVT, UOP4	5v611.20		BOP, KVT, UOP4	5v620.6↔		BOP, KVT, UOP4			
	05	F13A		09	J03A, J03B, J04A, J04B, J08A, J08B, J08C, J10A, J10B, J16Z		01	B03A, B03B, B06A, B06B, B07Z, B17A, B17B, B17C			
	08	I02A, I02B, I02C, I02D, I22A, I22B, I50Z		10	K07Z		05	F13A, F21A, F21B, F28A			
	09	J02A, J02B, J02C, J04A, J04B, J08A, J08B, J08C, J16Z, J21Z, J22A, J22B		21A	W04A, W04B		08	I02A, I02B, I02C, I02D, I22A, I22B, I50Z			
	21A	W04A, W04B		21B	X06A, X06B, X06C		09	J02A, J02B, J02C, J04A, J04B, J08A, J08B, J08C, J16Z, J21Z, J22A, J22B			
	21B	X01A, X01B, X01C		5v611.21			BOP, KVT, UOP4	21A	W04A, W04B		
	22	Y01Z, Y03A, Y03B			09		J03A, J03B, J04A, J04B, J08A, J08B, J08C, J10A, J10B, J16Z	21B	X01A, X01B, X01C		
	5v591.e↔				BOP, KVT, UOP4		10	K07Z	5v620.7↔		BOP, KVT, UOP4
		05			F13A		21A	W04A, W04B		01	B03A, B03B, B06A, B06B, B07Z, B17A, B17B, B17C
		08			I02A, I02B, I02C, I02D, I22A, I22B, I50Z		21B	X06A, X06B, X06C		05	F13A, F21A, F21B, F28A
09		J02A, J02B, J02C, J04A, J04B, J08A, J08B, J08C, J16Z, J21Z, J22A, J22B	5v611.30			BOP, KVT, UOP4	08	I02A, I02B, I02C, I02D, I22A, I22B, I50Z			
21A		W04A, W04B			09	J03A, J03B, J04A, J04B, J08A, J08B, J08C, J10A, J10B, J16Z	09	J02A, J02B, J02C, J04A, J04B, J08A, J08B, J08C, J16Z, J21Z, J22A, J22B			
21B		X01A, X01B, X01C			10	K07Z	21A	W04A, W04B			
22		Y01Z, Y03A, Y03B			21A	W04A, W04B	21B	X01A, X01B, X01C			
5v591.f↔					BOP, KVT, UOP4	21B	X06A, X06B, X06C	5v620.8↔			BOP, KVT, UOP4
		05		F13A	5v611.31		BOP, KVT, UOP4			01	B03A, B03B, B06A, B06B, B07Z, B17A, B17B, B17C
		08		I02A, I02B, I02C, I02D, I22A, I22B, I50Z		09	J03A, J03B, J04A, J04B, J08A, J08B, J08C, J10A, J10B, J16Z			05	F13A, F21A, F21B, F28A
	09	J02A, J02B, J02C, J04A, J04B, J08A, J08B, J08C, J16Z, J21Z, J22A, J22B		10		K07Z	08		I02A, I02B, I02C, I02D, I22A, I22B, I32A, I32B, I32C, I32D, I32E, I32F, I50Z		
	21A	W04A, W04B		21A		W04A, W04B	09		J02A, J02B, J02C, J04A, J04B, J08A, J08B, J08C, J16Z, J21Z, J22A, J22B		
	21B	X01A, X01B, X01C		5v611.x0			BOP, KVT, UOP4		21A	W04A, W04B	
	22	Y01Z, Y03A, Y03B	09			J03A, J03B, J04A, J04B, J08A, J08B, J08C, J10A, J10B, J16Z	21B		X01A, X01B, X01C		
	5v591.g↔		BOP, KVT, UOP4			10	K07Z		5v620.9↔		BOP, KVT, UOP4
		05	F13A			21A	W04A, W04B			01	B03A, B03B, B06A, B06B, B07Z, B17A, B17B, B17C
		08	I02A, I02B, I02C, I02D, I22A, I22B, I50Z			21B	X06A, X06B, X06C			05	F13A, F21A, F21B, F28A
09		J02A, J02B, J02C, J04A, J04B, J08A, J08B, J08C, J16Z, J21Z, J22A, J22B	5v611.x1				BOP, KVT, UOP4	08		I12A, I12B, I12C, I32A, I32B, I32C, I32D, I32E, I32F	
21A		W04A, W04B			09	J03A, J03B, J04A, J04B, J08A, J08B, J08C, J10A, J10B, J16Z	09	J03A, J03B, J04A, J04B, J08A, J08B, J08C, J16Z, J21Z, J22A, J22B			
21B		X01A, X01B, X01C			10	K07Z	21A	W04A, W04B			
22		Y01Z, Y03A, Y03B			21A	W04A, W04B	21B	X01A, X01B, X01C			
5v591.x↔					BOP, KVT, UOP4	21B	X06A, X06B, X06C	5v620.a			BOP, KVT, UOP4
		05		F13A	5v620.4		BOP, KVT, UOP4			01	B03A, B03B, B06A, B06B, B07Z, B17A, B17B, B17C
		08		I02A, I02B, I02C, I02D, I22A, I22B, I32A, I32B, I32C, I32D, I32E, I32F, I50Z		01	B03A, B03B, B06A, B06B, B07Z, B17A, B17B, B17C			05	F13A, F21A, F21B, F28A
	09	J02A, J02B, J02C, J04A, J04B, J08A, J08B, J08C, J16Z, J21Z, J22A, J22B		02		C20A, C20B	06		G10Z, G12A, G12B		
	21A	W04A, W04B		03		D18Z, D28Z, D29Z	08		I02A, I02B, I02C, I02D, I22A, I22B, I50Z		
	21B	X01A, X01B, X01C		05		F13A, F21A, F21B, F28A	09		J02A, J02B, J02C, J04A, J04B, J08A, J08B, J08C, J16Z, J21Z, J22A, J22B		
	22	Y01Z, Y03A, Y03B	08	I02A, I02B, I02C, I02D, I22A, I22B, I50Z		21A	W04A, W04B				
	5v611.10		BOP, KVT, UOP4	09		J02A, J02B, J02C, J04A, J04B, J08A, J08B, J08C, J16Z, J21Z, J22A, J22B	21B		X01A, X01B, X01C		
		09	J03A, J03B, J04A, J04B, J08A, J08B, J08C, J10A, J10B, J16Z	5v620.5			BOP, KVT, UOP4		01	B03A, B03B, B06A, B06B, B07Z, B17A, B17B, B17C	
		10	K07Z			01	B03A, B03B, B06A, B06B, B07Z, B17A, B17B, B17C		05	F13A, F21A, F21B, F28A	
21A		W04A, W04B	03			D18Z, D28Z, D29Z	06	G10Z, G12A, G12B			
21B		X06A, X06B, X06C	05		F13A, F21A, F21B, F28A	08	I02A, I02B, I02C, I02D, I22A, I22B, I50Z				
5v611.11			BOP, KVT, UOP4		06	G10Z, G12A, G12B	5v620.b		BOP, KVT, UOP4		
		09	J03A, J03B, J04A, J04B, J08A, J08B, J08C, J10A, J10B, J16Z		08	I28A, I28B		01	B03A, B03B, B06A, B06B, B07Z, B17A, B17B, B17C		
		10	K07Z		09	J02A, J02B, J02C, J04A, J04B, J08A, J08B, J08C, J16Z, J21Z, J22A, J22B		05	F13A, F21A, F21B, F28A		
		21A	W04A, W04B		5v620.6↔			BOP, KVT, UOP4	06	G10Z, G12A, G12B	
		21B	X06A, X06B, X06C			08		I02A, I02B, I02C, I02D, I22A, I22B, I50Z	08	I02A, I02B, I02C, I02D, I22A, I22B, I50Z	
			09			J02A, J02B, J02C, J04A, J04B, J08A, J08B, J08C, J16Z, J21Z, J22A, J22B		09	J02A, J02B, J02C, J04A, J04B, J08A, J08B, J08C, J16Z, J21Z, J22A, J22B		
			21A	W04A, W04B		21A		W04A, W04B			
			21B	X01A, X01B, X01C		21B		X01A, X01B, X01C			
						01		B03A, B03B, B06A, B06B, B07Z, B17A, B17B, B17C			
						05		F13A, F21A, F21B, F28A			
				06		G10Z, G12A, G12B					
				08		I02A, I02B, I02C, I02D, I22A, I22B, I50Z					
				09		J02A, J02B, J02C, J04A, J04B, J08A, J08B, J08C, J16Z, J21Z, J22A, J22B					
				21A	W04A, W04B						
				21B	X01A, X01B, X01C						

VYK

ZZV	MDC	DRG	ZZV	MDC	DRG	ZZV	MDC	DRG			
5v620.c		BOP, KVT, UOP4	5v620.s↔		BOP, KVT, UOP4	5v621.e↔		BOP, KVT, UOP4			
	01	B03A, B03B, B06A, B06B, B07Z, B17A, B17B, B17C		01	B03A, B03B, B06A, B06B, B07Z, B17A, B17B, B17C		01	B03A, B03B, B06A, B06B, B07Z, B17A, B17B, B17C			
	05	F13A, F21A, F21B, F28A		05	F13A, F21A, F21B, F28A		05	F13A, F21A, F21B, F27A, F27B, F27C, F28A			
	06	G10Z, G12A, G12B		08	I02A, I02B, I02C, I02D, I22A, I22B, I50Z		08	I02A, I02B, I02C, I02D, I22A, I22B, I50Z			
	08	I02A, I02B, I02C, I02D, I22A, I22B, I50Z		09	J02A, J02B, J02C, J04A, J04B, J08A, J08B, J08C, J16Z, J21Z, J22A, J22B		09	J02A, J02B, J02C, J04A, J04B, J08A, J08B, J08C, J16Z, J21Z, J22A, J22B			
	09	J02A, J02B, J02C, J04A, J04B, J08A, J08B, J08C, J16Z, J21Z, J22A, J22B		21A	W04A, W04B		10	K01Z			
	10	K09A, K09B		21B	X01A, X01B, X01C		21A	W04A, W04B			
	12	M04A, M04B, M04C, M04D, M37Z, M38Z		5v620.x↔			BOP, KVT, UOP4	21B	X01A, X01B, X01C		
	21A	W04A, W04B			01		B03A, B03B, B06A, B06B, B07Z, B17A, B17B, B17C	5v621.f↔		BOP, KVT, UOP4	
	21B	X01A, X01B, X01C		05	F13A, F21A, F21B, F28A		01		B03A, B03B, B06A, B06B, B07Z, B17A, B17B, B17C		
	5v620.d			BOP, KVT, UOP4	5v621.6↔			BOP, KVT, UOP4	5v621.g↔		BOP, KVT, UOP4
		01		B03A, B03B, B06A, B06B, B07Z, B17A, B17B, B17C			01	B03A, B03B, B06A, B06B, B07Z, B17A, B17B, B17C		01	B03A, B03B, B06A, B06B, B07Z, B17A, B17B, B17C
05		F13A, F21A, F21B, F28A	05	F13A, F21A, F21B, F28A		05	F13A, F21A, F21B, F27A, F27B, F27C, F28A				
06		G10Z, G12A, G12B	08	I02A, I02B, I02C, I02D, I22A, I22B, I50Z		08	I02A, I02B, I02C, I02D, I12A, I12B, I12C, I22A, I22B, I50Z				
08		I02A, I02B, I02C, I02D, I22A, I22B, I50Z	09	J02A, J02B, J02C, J04A, J04B, J08A, J08B, J08C, J16Z, J21Z, J22A, J22B		09	J02A, J02B, J02C, J04A, J04B, J08A, J08B, J08C, J16Z, J21Z, J22A, J22B				
09		J02A, J02B, J02C, J04A, J04B, J08A, J08B, J08C, J16Z, J21Z, J22A, J22B	21A	W04A, W04B		10	K01Z				
21A		W04A, W04B	21B	X01A, X01B, X01C		21A	W04A, W04B				
21B		X01A, X01B, X01C	5v621.7↔			BOP, KVT, UOP4	21B	X01A, X01B, X01C			
5v620.e↔				BOP, KVT, UOP4		01	B03A, B03B, B06A, B06B, B07Z, B17A, B17B, B17C	5v621.x↔			BOP, KVT, UOP4
		01	B03A, B03B, B06A, B06B, B07Z, B17A, B17B, B17C	05		F13A, F21A, F21B, F28A	01			B03A, B03B, B06A, B06B, B07Z, B17A, B17B, B17C	
		05	F13A, F21A, F21B, F27A, F27B, F27C, F28A	08		I02A, I02B, I02C, I02D, I22A, I22B, I50Z	05			F13A, F21A, F21B, F27A, F27B, F27C, F28A	
		08	I02A, I02B, I02C, I02D, I22A, I22B, I50Z	09		J02A, J02B, J02C, J04A, J04B, J08A, J08B, J08C, J16Z, J21Z, J22A, J22B	08			I02A, I02B, I02C, I02D, I12A, I12B, I12C, I22A, I22B, I50Z	
	09	J02A, J02B, J02C, J04A, J04B, J08A, J08B, J08C, J16Z, J21Z, J22A, J22B	21A	W04A, W04B	09	J02A, J02B, J02C, J04A, J04B, J08A, J08B, J08C, J16Z, J21Z, J22A, J22B					
	10	K01Z	21B	X01A, X01B, X01C	10	K01Z					
	21A	W04A, W04B	5v621.8↔		BOP, KVT, UOP4	21A	W04A, W04B				
	21B	X01A, X01B, X01C		01	B03A, B03B, B06A, B06B, B07Z, B17A, B17B, B17C	21B	X01A, X01B, X01C				
	5v620.f↔		BOP, KVT, UOP4	05	F13A, F21A, F21B, F28A	5v622.4			BOP, KVT, UOP4		
		01	B03A, B03B, B06A, B06B, B07Z, B17A, B17B, B17C	08	I02A, I02B, I02C, I02D, I22A, I22B, I50Z		01		B03A, B03B, B06A, B06B, B07Z, B17A, B17B, B17C		
		05	F13A, F21A, F21B, F27A, F27B, F27C, F28A	09	J02A, J02B, J02C, J04A, J04B, J08A, J08B, J08C, J16Z, J21Z, J22A, J22B		02		C20A, C20B		
		08	I02A, I02B, I02C, I02D, I22A, I22B, I50Z	21A	W04A, W04B		03		D18Z, D28Z, D29Z		
09		J02A, J02B, J02C, J04A, J04B, J08A, J08B, J08C, J16Z, J21Z, J22A, J22B	21B	X01A, X01B, X01C	05		F13A, F21A, F21B, F28A				
10		K01Z	5v621.9↔		BOP, KVT, UOP4		08	I02A, I02B, I02C, I02D, I22A, I22B, I50Z			
21A		W04A, W04B		01	B03A, B03B, B06A, B06B, B07Z, B17A, B17B, B17C		09	J02A, J02B, J02C, J04A, J04B, J08A, J08B, J08C, J16Z, J21Z, J22A, J22B			
21B		X01A, X01B, X01C	05	F13A, F21A, F21B, F28A	21A		W04A, W04B				
5v620.g↔			BOP, KVT, UOP4	08	I02A, I02B, I02C, I02D, I22A, I22B, I32A, I32B, I32C, I32D, I32E, I32F, I50Z		21B	X01A, X01B, X01C			
		01	B03A, B03B, B06A, B06B, B07Z, B17A, B17B, B17C	09	J02A, J02B, J02C, J04A, J04B, J08A, J08B, J08C, J16Z, J21Z, J22A, J22B						
		05	F13A, F21A, F21B, F27A, F27B, F27C, F28A	21A	W04A, W04B						
		08	I02A, I02B, I02C, I02D, I12A, I12B, I12C, I22A, I22B, I50Z	21B	X01A, X01B, X01C						
	09	J02A, J02B, J02C, J04A, J04B, J08A, J08B, J08C, J16Z, J21Z, J22A, J22B	5v621.9↔		BOP, KVT, UOP4						
	10	K01Z		01	B03A, B03B, B06A, B06B, B07Z, B17A, B17B, B17C						
	21A	W04A, W04B	05	F13A, F21A, F21B, F28A							
	21B	X01A, X01B, X01C	08	I12A, I12B, I12C, I32A, I32B, I32C, I32D, I32E, I32F							
			09	J03A, J03B, J04A, J04B, J08A, J08B, J08C, J16Z, J21Z, J22A, J22B							
			21A	W04A, W04B							
			21B	X01A, X01B, X01C							

VYK

ZZV	MDC	DRG	ZZV	MDC	DRG	ZZV	MDC	DRG			
5v622.5		BOP, KVT, UOP4	5v622.b		BOP, KVT, UOP4	5v622.g↔		BOP, KVT, UOP4			
	01	B03A, B03B, B06A, B06B, B07Z, B17A, B17B, B17C		01	B03A, B03B, B06A, B06B, B07Z, B17A, B17B, B17C		01	B03A, B03B, B06A, B06B, B07Z, B17A, B17B, B17C			
	03	D18Z, D28Z, D29Z		05	F13A, F21A, F21B, F28A		05	F13A, F21A, F21B, F27A, F27B, F27C, F28A			
	05	F13A, F21A, F21B, F28A		06	G10Z, G12A, G12B		08	I02A, I02B, I02C, I02D, I22A, I22B, I50Z			
	06	G10Z, G12A, G12B		08	I02A, I02B, I02C, I02D, I22A, I22B, I50Z		08	I02A, I02B, I02C, I02D, I12A, I12B, I12C, I22A, I22B, I50Z			
	08	I28A, I28B		09	J02A, J02B, J02C, J04A, J04B, J08A, J08B, J08C, J16Z, J21Z, J22A, J22B		09	J02A, J02B, J02C, J04A, J04B, J08A, J08B, J08C, J16Z, J21Z, J22A, J22B			
	09	J02A, J02B, J02C, J04A, J04B, J08A, J08B, J08C, J16Z, J21Z, J22A, J22B		21A	W04A, W04B		10	K01Z			
	21A	W04A, W04B		21A	W04A, W04B		21A	W04A, W04B			
	21B	X01A, X01B, X01C		21B	X01A, X01B, X01C		21A	W04A, W04B			
	5v622.6↔			BOP, KVT, UOP4	5v622.c			BOP, KVT, UOP4	5v622.s↔		BOP, KVT, UOP4
01		B03A, B03B, B06A, B06B, B07Z, B17A, B17B, B17C	01	B03A, B03B, B06A, B06B, B07Z, B17A, B17B, B17C		01	B03A, B03B, B06A, B06B, B07Z, B17A, B17B, B17C				
05		F13A, F21A, F21B, F28A	05	F13A, F21A, F21B, F28A		05	F13A, F21A, F21B, F28A				
08		I02A, I02B, I02C, I02D, I22A, I22B, I50Z	06	G10Z, G12A, G12B		08	I02A, I02B, I02C, I02D, I22A, I22B, I32A, I32B, I32C, I32D, I32E, I32F, I50Z				
09		J02A, J02B, J02C, J04A, J04B, J08A, J08B, J08C, J16Z, J21Z, J22A, J22B	08	I02A, I02B, I02C, I02D, I22A, I22B, I50Z		08	I02A, I02B, I02C, I02D, I22A, I22B, I32A, I32B, I32C, I32D, I32E, I32F, I50Z				
21A		W04A, W04B	09	J02A, J02B, J02C, J04A, J04B, J08A, J08B, J08C, J16Z, J21Z, J22A, J22B		09	J02A, J02B, J02C, J04A, J04B, J08A, J08B, J08C, J16Z, J21Z, J22A, J22B				
21B		X01A, X01B, X01C	10	K09A, K09B		21A	W04A, W04B				
5v622.7↔			BOP, KVT, UOP4	5v622.d			BOP, KVT, UOP4	5v622.x↔			BOP, KVT, UOP4
		01	B03A, B03B, B06A, B06B, B07Z, B17A, B17B, B17C			12	M04A, M04B, M04C, M04D, M37Z, M38Z			01	B03A, B03B, B06A, B06B, B07Z, B17A, B17B, B17C
		05	F13A, F21A, F21B, F28A			21A	W04A, W04B			05	F13A, F21A, F21B, F28A
	08	I02A, I02B, I02C, I02D, I22A, I22B, I50Z	21B		X01A, X01B, X01C	08	I02A, I02B, I02C, I02D, I22A, I22B, I32A, I32B, I32C, I32D, I32E, I32F, I50Z				
	09	J02A, J02B, J02C, J04A, J04B, J08A, J08B, J08C, J16Z, J21Z, J22A, J22B	01		B03A, B03B, B06A, B06B, B07Z, B17A, B17B, B17C	08	I02A, I02B, I02C, I02D, I22A, I22B, I32A, I32B, I32C, I32D, I32E, I32F, I50Z				
	21A	W04A, W04B	05		F13A, F21A, F21B, F28A	09	J02A, J02B, J02C, J04A, J04B, J08A, J08B, J08C, J16Z, J21Z, J22A, J22B				
	21B	X01A, X01B, X01C	06		G10Z, G12A, G12B	21A	W04A, W04B				
	5v622.8↔		BOP, KVT, UOP4		5v622.e↔		BOP, KVT, UOP4		5v623.6↔		BOP, KVT, UOP4
		01	B03A, B03B, B06A, B06B, B07Z, B17A, B17B, B17C			01	B03A, B03B, B06A, B06B, B07Z, B17A, B17B, B17C			01	B03A, B03B, B06A, B06B, B07Z, B17A, B17B, B17C
		05	F13A, F21A, F21B, F28A			05	F13A, F21A, F21B, F28A			05	F13A, F21A, F21B, F28A
08		I02A, I02B, I02C, I02D, I22A, I22B, I32A, I32B, I32C, I32D, I32E, I32F, I50Z	06	G10Z, G12A, G12B		08	I02A, I02B, I02C, I02D, I22A, I22B, I50Z				
09		J02A, J02B, J02C, J04A, J04B, J08A, J08B, J08C, J16Z, J21Z, J22A, J22B	08	I02A, I02B, I02C, I02D, I22A, I22B, I50Z		08	I02A, I02B, I02C, I02D, I22A, I22B, I50Z				
21A		W04A, W04B	09	J02A, J02B, J02C, J04A, J04B, J08A, J08B, J08C, J16Z, J21Z, J22A, J22B		09	J02A, J02B, J02C, J04A, J04B, J08A, J08B, J08C, J16Z, J21Z, J22A, J22B				
21B		X01A, X01B, X01C	21A	W04A, W04B		21A	W04A, W04B				
5v622.9↔			BOP, KVT, UOP4	5v622.f↔			BOP, KVT, UOP4	5v623.7↔			BOP, KVT, UOP4
		01	B03A, B03B, B06A, B06B, B07Z, B17A, B17B, B17C			01	B03A, B03B, B06A, B06B, B07Z, B17A, B17B, B17C			01	B03A, B03B, B06A, B06B, B07Z, B17A, B17B, B17C
		05	F13A, F21A, F21B, F28A			05	F13A, F21A, F21B, F27A, F27B, F27C, F28A			05	F13A, F21A, F21B, F28A
	08	I12A, I12B, I12C, I32A, I32B, I32C, I32D, I32E, I32F	08		I02A, I02B, I02C, I02D, I22A, I22B, I50Z	08	I02A, I02B, I02C, I02D, I22A, I22B, I50Z				
	09	J03A, J03B, J04A, J04B, J08A, J08B, J08C, J16Z, J21Z, J22A, J22B	09		J02A, J02B, J02C, J04A, J04B, J08A, J08B, J08C, J16Z, J21Z, J22A, J22B	09	J02A, J02B, J02C, J04A, J04B, J08A, J08B, J08C, J16Z, J21Z, J22A, J22B				
	21A	W04A, W04B	10		K01Z	21A	W04A, W04B				
	21B	X01A, X01B, X01C	21A		W04A, W04B	21B	X01A, X01B, X01C				
	5v622.a↔		BOP, KVT, UOP4		5v622.g↔		BOP, KVT, UOP4		5v623.8↔		BOP, KVT, UOP4
		01	B03A, B03B, B06A, B06B, B07Z, B17A, B17B, B17C			01	B03A, B03B, B06A, B06B, B07Z, B17A, B17B, B17C			01	B03A, B03B, B06A, B06B, B07Z, B17A, B17B, B17C
		05	F13A, F21A, F21B, F28A			05	F13A, F21A, F21B, F28A			05	F13A, F21A, F21B, F28A
06		G10Z, G12A, G12B	06	G10Z, G12A, G12B		05	F13A, F21A, F21B, F28A				
08		I02A, I02B, I02C, I02D, I22A, I22B, I50Z	08	I02A, I02B, I02C, I02D, I22A, I22B, I50Z		08	I02A, I02B, I02C, I02D, I22A, I22B, I32A, I32B, I32C, I32D, I32E, I32F, I50Z				
09		J02A, J02B, J02C, J04A, J04B, J08A, J08B, J08C, J16Z, J21Z, J22A, J22B	09	J02A, J02B, J02C, J04A, J04B, J08A, J08B, J08C, J16Z, J21Z, J22A, J22B		08	I02A, I02B, I02C, I02D, I22A, I22B, I32A, I32B, I32C, I32D, I32E, I32F, I50Z				
21A		W04A, W04B	10	K01Z		09	J02A, J02B, J02C, J04A, J04B, J08A, J08B, J08C, J16Z, J21Z, J22A, J22B				
21B		X01A, X01B, X01C	21A	W04A, W04B		21A	W04A, W04B				
			21B	X01A, X01B, X01C		21B	X01A, X01B, X01C				

VYK

ZZV	MDC	DRG	ZZV	MDC	DRG	ZZV	MDC	DRG				
5v623.9↔		BOP, KVT, UOP4	5v624.1		BOP, KVT, UOP4	5v624.8↔		BOP, KVT, UOP4				
	01	B03A, B03B, B06A, B06B, B07Z, B17A, B17B, B17C		01	B03A, B03B, B06A, B06B, B07Z, B17A, B17B, B17C		01	B03A, B03B, B06A, B06B, B07Z, B17A, B17B, B17C				
	05	F13A, F21A, F21B, F28A		02	C20A, C20B		05	F13A, F21A, F21B, F28A				
	08	I12A, I12B, I12C, I32A, I32B, I32C, I32D, I32E, I32F		03	D18Z, D28Z, D29Z		08	I02A, I02B, I02C, I02D, I22A, I22B, I50Z				
	09	J03A, J03B, J04A, J04B, J08A, J08B, J08C, J16Z, J21Z, J22A, J22B		05	F13A, F21A, F21B, F28A		09	J02A, J02B, J02C, J04A, J04B, J08A, J08B, J08C, J16Z, J21Z, J22A, J22B				
	21A	W04A, W04B		08	I02A, I02B, I02C, I02D, I22A, I22B, I50Z		21A	W04A, W04B				
	21B	X01A, X01B, X01C		09	J02A, J02B, J02C, J04A, J04B, J08A, J08B, J08C, J16Z, J21Z, J22A, J22B		21B	X01A, X01B, X01C				
	5v623.e↔			BOP, KVT, UOP4	5v624.4			BOP, KVT, UOP4	5v624.9↔		BOP, KVT, UOP4	
		01		B03A, B03B, B06A, B06B, B07Z, B17A, B17B, B17C			01	B03A, B03B, B06A, B06B, B07Z, B17A, B17B, B17C		01	B03A, B03B, B06A, B06B, B07Z, B17A, B17B, B17C	
		05		F13A, F21A, F21B, F27A, F27B, F27C, F28A			02	C20A, C20B		05	F13A, F21A, F21B, F28A	
08		I02A, I02B, I02C, I02D, I22A, I22B, I50Z	03	D18Z, D28Z, D29Z		08	I12A, I12B, I12C, I32A, I32B, I32C, I32D, I32E, I32F					
09		J02A, J02B, J02C, J04A, J04B, J08A, J08B, J08C, J16Z, J21Z, J22A, J22B	05	F13A, F21A, F21B, F28A		09	J03A, J03B, J04A, J04B, J08A, J08B, J08C, J16Z, J21Z, J22A, J22B					
10		K01Z	08	I02A, I02B, I02C, I02D, I22A, I22B, I50Z		21A	W04A, W04B					
21A		W04A, W04B	09	J02A, J02B, J02C, J04A, J04B, J08A, J08B, J08C, J16Z, J21Z, J22A, J22B		21B	X01A, X01B, X01C					
21B		X01A, X01B, X01C	21A	W04A, W04B		5v624.a		BOP, KVT, UOP4				
5v623.f↔			BOP, KVT, UOP4	5v624.5				BOP, KVT, UOP4		5v624.b		BOP, KVT, UOP4
		01	B03A, B03B, B06A, B06B, B07Z, B17A, B17B, B17C				01	B03A, B03B, B06A, B06B, B07Z, B17A, B17B, B17C			01	B03A, B03B, B06A, B06B, B07Z, B17A, B17B, B17C
	05	F13A, F21A, F21B, F27A, F27B, F27C, F28A	03		D18Z, D28Z, D29Z		05	F13A, F21A, F21B, F28A				
	08	I02A, I02B, I02C, I02D, I22A, I22B, I50Z	06		G10Z, G12A, G12B		06	G10Z, G12A, G12B				
	09	J02A, J02B, J02C, J04A, J04B, J08A, J08B, J08C, J16Z, J21Z, J22A, J22B	08		I28A, I28B		08	I02A, I02B, I02C, I02D, I22A, I22B, I50Z				
	10	K01Z	09		J02A, J02B, J02C, J04A, J04B, J08A, J08B, J08C, J16Z, J21Z, J22A, J22B		09	J02A, J02B, J02C, J04A, J04B, J08A, J08B, J08C, J16Z, J21Z, J22A, J22B				
	21A	W04A, W04B	21A		W04A, W04B		21A	W04A, W04B				
	21B	X01A, X01B, X01C	21B		X01A, X01B, X01C		21B	X01A, X01B, X01C				
	5v623.g↔		BOP, KVT, UOP4		5v624.6↔			BOP, KVT, UOP4	5v624.c			BOP, KVT, UOP4
		01	B03A, B03B, B06A, B06B, B07Z, B17A, B17B, B17C			01	B03A, B03B, B06A, B06B, B07Z, B17A, B17B, B17C	01			B03A, B03B, B06A, B06B, B07Z, B17A, B17B, B17C	
05		F13A, F21A, F21B, F27A, F27B, F27C, F28A	05	F13A, F21A, F21B, F28A		05	F13A, F21A, F21B, F28A					
08		I02A, I02B, I02C, I02D, I12A, I12B, I12C, I22A, I22B, I50Z	08	I02A, I02B, I02C, I02D, I22A, I22B, I50Z		08	I02A, I02B, I02C, I02D, I22A, I22B, I50Z					
09		J02A, J02B, J02C, J04A, J04B, J08A, J08B, J08C, J16Z, J21Z, J22A, J22B	09	J02A, J02B, J02C, J04A, J04B, J08A, J08B, J08C, J16Z, J21Z, J22A, J22B		09	J02A, J02B, J02C, J04A, J04B, J08A, J08B, J08C, J16Z, J21Z, J22A, J22B					
10		K01Z	09	J02A, J02B, J02C, J04A, J04B, J08A, J08B, J08C, J16Z, J21Z, J22A, J22B		21A	W04A, W04B					
21A		W04A, W04B	21A	W04A, W04B		21B	X01A, X01B, X01C					
21B		X01A, X01B, X01C	21B	X01A, X01B, X01C		5v624.7↔		BOP, KVT, UOP4				
5v623.x↔			BOP, KVT, UOP4	5v624.7↔				BOP, KVT, UOP4		5v624.7↔		BOP, KVT, UOP4
		01	B03A, B03B, B06A, B06B, B07Z, B17A, B17B, B17C				01	B03A, B03B, B06A, B06B, B07Z, B17A, B17B, B17C			01	B03A, B03B, B06A, B06B, B07Z, B17A, B17B, B17C
	05	F13A, F21A, F21B, F28A	05		F13A, F21A, F21B, F28A		05	F13A, F21A, F21B, F28A				
	08	I02A, I02B, I02C, I02D, I22A, I22B, I32A, I32B, I32C, I32D, I32E, I32F, I50Z	08		I02A, I02B, I02C, I02D, I22A, I22B, I50Z		08	I02A, I02B, I02C, I02D, I22A, I22B, I50Z				
	09	J02A, J02B, J02C, J04A, J04B, J08A, J08B, J08C, J16Z, J21Z, J22A, J22B	09		J02A, J02B, J02C, J04A, J04B, J08A, J08B, J08C, J16Z, J21Z, J22A, J22B		09	J02A, J02B, J02C, J04A, J04B, J08A, J08B, J08C, J16Z, J21Z, J22A, J22B				
	21A	W04A, W04B	21A		W04A, W04B		10	K09A, K09B				
	21B	X01A, X01B, X01C	21B		X01A, X01B, X01C		12	M04A, M04B, M04C, M04D, M37Z, M38Z				
	5v624.0		BOP, KVT, UOP4		5v624.7↔			BOP, KVT, UOP4	5v624.7↔			BOP, KVT, UOP4
		03	D08A, D08B, D18Z, D22A, D22B, D30A, D30B				21A	W04A, W04B			21A	W04A, W04B
		05	F13A, F28A			21B	X01A, X01B, X01C	21B			X01A, X01B, X01C	
09		J03A, J03B, J04A, J04B, J08A, J08B, J08C, J10A, J10B, J16Z										
21A		W04A, W04B										
21B		X06A, X06B, X06C										

ZZV	MDC	DRG	ZZV	MDC	DRG	ZZV	MDC	DRG			
5v624.d		BOP, KVT, UOP4	5v624.n↔		BOP, KVT, UOP4	5v624.u↔		BOP, KVT, UOP4			
	01	B03A, B03B, B06A, B06B, B07Z, B17A, B17B, B17C		01	B03A, B03B, B06A, B06B, B07Z, B17A, B17B, B17C		01	B03A, B03B, B06A, B06B, B07Z, B17A, B17B, B17C			
	05	F13A, F21A, F21B, F28A		05	F13A, F21A, F21B, F28A		05	F13A, F21A, F21B, F28A			
	06	G10Z, G12A, G12B		06	G10Z, G12A, G12B		08	I02A, I02B, I02C, I02D, I22A, I22B, I50Z			
	08	I02A, I02B, I02C, I02D, I22A, I22B, I50Z		08	I02A, I02B, I02C, I02D, I22A, I22B, I50Z		09	J02A, J02B, J02C, J04A, J04B, J08A, J08B, J08C, J16Z, J21Z, J22A, J22B			
	09	J02A, J02B, J02C, J04A, J04B, J08A, J08B, J08C, J16Z, J21Z, J22A, J22B		09	J02A, J02B, J02C, J04A, J04B, J08A, J08B, J08C, J16Z, J21Z, J22A, J22B		21A	W04A, W04B			
	21A	W04A, W04B		21A	W04A, W04B		21B	X01A, X01B, X01C			
	21B	X01A, X01B, X01C		21B	X01A, X01B, X01C			BOP, KVT, UOP4			
	5v624.e↔			BOP, KVT, UOP4	5v624.p↔			BOP, KVT, UOP4	5v624.v↔		BOP, KVT, UOP4
		01		B03A, B03B, B06A, B06B, B07Z, B17A, B17B, B17C			01	B03A, B03B, B06A, B06B, B07Z, B17A, B17B, B17C		01	B03A, B03B, B06A, B06B, B07Z, B17A, B17B, B17C
05		F13A, F21A, F21B, F27A, F27B, F27C, F28A	05	F13A, F21A, F21B, F28A		05	F13A, F21A, F21B, F28A				
08		I02A, I02B, I02C, I02D, I22A, I22B, I50Z	08	I02A, I02B, I02C, I02D, I22A, I22B, I32A, I32B, I32C, I32D, I32E, I32F, I50Z		08	I02A, I02B, I02C, I02D, I22A, I22B, I32A, I32B, I32C, I32D, I32E, I32F, I50Z				
09		J02A, J02B, J02C, J04A, J04B, J08A, J08B, J08C, J16Z, J21Z, J22A, J22B	09	J02A, J02B, J02C, J04A, J04B, J08A, J08B, J08C, J16Z, J21Z, J22A, J22B		09	J02A, J02B, J02C, J04A, J04B, J08A, J08B, J08C, J16Z, J21Z, J22A, J22B				
10		K01Z	21A	W04A, W04B		21A	W04A, W04B				
21A		W04A, W04B	21B	X01A, X01B, X01C		21B	X01A, X01B, X01C				
21B		X01A, X01B, X01C		BOP, KVT, UOP4			BOP, KVT, UOP4				
5v624.f↔			BOP, KVT, UOP4	5v624.r			BOP, KVT, UOP4	5v624.w↔			BOP, KVT, UOP4
		01	B03A, B03B, B06A, B06B, B07Z, B17A, B17B, B17C			01	B03A, B03B, B06A, B06B, B07Z, B17A, B17B, B17C			01	B03A, B03B, B06A, B06B, B07Z, B17A, B17B, B17C
	05	F13A, F21A, F21B, F27A, F27B, F27C, F28A	02		C20A, C20B	05	F13A, F21A, F21B, F28A				
	08	I02A, I02B, I02C, I02D, I22A, I22B, I50Z	03		D18Z, D28Z, D29Z	08	I02A, I02B, I02C, I02D, I22A, I22B, I32A, I32B, I32C, I32D, I32E, I32F, I50Z				
	09	J02A, J02B, J02C, J04A, J04B, J08A, J08B, J08C, J16Z, J21Z, J22A, J22B	05		F13A, F21A, F21B, F28A	09	J02A, J02B, J02C, J04A, J04B, J08A, J08B, J08C, J16Z, J21Z, J22A, J22B				
	10	K01Z	08		I02A, I02B, I02C, I02D, I22A, I22B, I50Z	21A	W04A, W04B				
	21A	W04A, W04B	09		J02A, J02B, J02C, J04A, J04B, J08A, J08B, J08C, J16Z, J21Z, J22A, J22B	21B	X01A, X01B, X01C				
	21B	X01A, X01B, X01C	21A		W04A, W04B		BOP, KVT, UOP4				
	5v624.g↔		BOP, KVT, UOP4		5v624.s↔		BOP, KVT, UOP4		5v624.x↔		BOP, KVT, UOP4
		01	B03A, B03B, B06A, B06B, B07Z, B17A, B17B, B17C			01	B03A, B03B, B06A, B06B, B07Z, B17A, B17B, B17C			01	B03A, B03B, B06A, B06B, B07Z, B17A, B17B, B17C
05		F13A, F21A, F21B, F27A, F27B, F27C, F28A	05	F13A, F21A, F21B, F28A		05	F13A, F21A, F21B, F28A				
08		I02A, I02B, I02C, I02D, I12A, I12B, I12C, I22A, I22B, I50Z	08	I02A, I02B, I02C, I02D, I22A, I22B, I32A, I32B, I32C, I32D, I32E, I32F, I50Z		08	I02A, I02B, I02C, I02D, I22A, I22B, I32A, I32B, I32C, I32D, I32E, I32F, I50Z				
09		J02A, J02B, J02C, J04A, J04B, J08A, J08B, J08C, J16Z, J21Z, J22A, J22B	09	J02A, J02B, J02C, J04A, J04B, J08A, J08B, J08C, J16Z, J21Z, J22A, J22B		09	J02A, J02B, J02C, J04A, J04B, J08A, J08B, J08C, J16Z, J21Z, J22A, J22B				
10		K01Z	21A	W04A, W04B		21A	W04A, W04B				
21A		W04A, W04B	21B	X01A, X01B, X01C		21B	X01A, X01B, X01C				
21B		X01A, X01B, X01C		BOP, KVT, UOP4			BOP, KVT, UOP4				
5v624.h			BOP, KVT, UOP4	5v624.t↔			BOP, KVT, UOP4	5v625.0			BOP, KVT, UOP4
		01	B03A, B03B, B06A, B06B, B07Z, B17A, B17B, B17C			01	B03A, B03B, B06A, B06B, B07Z, B17A, B17B, B17C			03	D08A, D08B, D18Z, D22A, D22B, D30A, D30B
	02	C20A, C20B	05		F13A, F21A, F21B, F28A	05	F13A, F28A				
	03	D18Z, D28Z, D29Z	08		I02A, I02B, I02C, I02D, I22A, I22B, I32A, I32B, I32C, I32D, I32E, I32F, I50Z	09	J03A, J03B, J04A, J04B, J08A, J08B, J08C, J10A, J10B, J16Z				
	05	F13A, F21A, F21B, F28A	09		J02A, J02B, J02C, J04A, J04B, J08A, J08B, J08C, J16Z, J21Z, J22A, J22B	21A	W04A, W04B				
	08	I02A, I02B, I02C, I02D, I22A, I22B, I50Z	21A		W04A, W04B	21B	X01A, X01B, X01C				
	09	J02A, J02B, J02C, J04A, J04B, J08A, J08B, J08C, J16Z, J21Z, J22A, J22B	21B		X01A, X01B, X01C		BOP, KVT, UOP4				
	21A	W04A, W04B			BOP, KVT, UOP4		BOP, KVT, UOP4				
	21B	X01A, X01B, X01C			BOP, KVT, UOP4		BOP, KVT, UOP4				
	5v624.i		BOP, KVT, UOP4		5v625.1		BOP, KVT, UOP4		5v625.1		BOP, KVT, UOP4
01		B03A, B03B, B06A, B06B, B07Z, B17A, B17B, B17C	01	B03A, B03B, B06A, B06B, B07Z, B17A, B17B, B17C		01	B03A, B03B, B06A, B06B, B07Z, B17A, B17B, B17C				
02		C20A, C20B	05	F13A, F21A, F21B, F28A		02	C20A, C20B				
03		D18Z, D28Z, D29Z	08	I02A, I02B, I02C, I02D, I22A, I22B, I32A, I32B, I32C, I32D, I32E, I32F, I50Z		03	D18Z, D28Z, D29Z				
05		F13A, F21A, F21B, F28A	09	J02A, J02B, J02C, J04A, J04B, J08A, J08B, J08C, J16Z, J21Z, J22A, J22B		05	F13A, F21A, F21B, F28A				
08		I02A, I02B, I02C, I02D, I22A, I22B, I50Z	21A	W04A, W04B		08	I02A, I02B, I02C, I02D, I22A, I22B, I50Z				
09		J02A, J02B, J02C, J04A, J04B, J08A, J08B, J08C, J16Z, J21Z, J22A, J22B	21B	X01A, X01B, X01C		09	J02A, J02B, J02C, J04A, J04B, J08A, J08B, J08C, J16Z, J21Z, J22A, J22B				
21A		W04A, W04B		BOP, KVT, UOP4		21A	W04A, W04B				
21B		X01A, X01B, X01C		BOP, KVT, UOP4		21B	X01A, X01B, X01C				

VYK

ZZV	MDC	DRG	ZZV	MDC	DRG	ZZV	MDC	DRG			
5v625.4		BOP, KVT, UOP4	5v625.a		BOP, KVT, UOP4	5v625.f↔		BOP, KVT, UOP4			
	01	B03A, B03B, B06A, B06B, B07Z, B17A, B17B, B17C		01	B03A, B03B, B06A, B06B, B07Z, B17A, B17B, B17C		01	B03A, B03B, B06A, B06B, B07Z, B17A, B17B, B17C			
	02	C20A, C20B		05	F13A, F21A, F21B, F28A		05	F13A, F21A, F21B, F27A, F27B, F27C, F28A			
	03	D18Z, D28Z, D29Z		06	G10Z, G12A, G12B		08	I02A, I02B, I02C, I02D, I22A, I22B, I50Z			
	05	F13A, F21A, F21B, F28A		08	I02A, I02B, I02C, I02D, I22A, I22B, I50Z		08	I02A, I02B, I02C, I02D, I22A, I22B, I50Z			
	08	I02A, I02B, I02C, I02D, I22A, I22B, I50Z		09	J02A, J02B, J02C, J04A, J04B, J08A, J08B, J08C, J16Z, J21Z, J22A, J22B		09	J02A, J02B, J02C, J04A, J04B, J08A, J08B, J08C, J16Z, J21Z, J22A, J22B			
	09	J02A, J02B, J02C, J04A, J04B, J08A, J08B, J08C, J16Z, J21Z, J22A, J22B		21A	W04A, W04B		10	K01Z			
	21A	W04A, W04B		21B	X01A, X01B, X01C		21A	W04A, W04B			
	21B	X01A, X01B, X01C			BOP, KVT, UOP4		21B	X01A, X01B, X01C			
	5v625.5			BOP, KVT, UOP4	5v625.b			BOP, KVT, UOP4	5v625.g↔		BOP, KVT, UOP4
		01		B03A, B03B, B06A, B06B, B07Z, B17A, B17B, B17C			01	B03A, B03B, B06A, B06B, B07Z, B17A, B17B, B17C		01	B03A, B03B, B06A, B06B, B07Z, B17A, B17B, B17C
03		D18Z, D28Z, D29Z	05	F13A, F21A, F21B, F28A		05	F13A, F21A, F21B, F27A, F27B, F27C, F28A				
05		F13A, F21A, F21B, F28A	06	G10Z, G12A, G12B		08	I02A, I02B, I02C, I02D, I12A, I12B, I12C, I22A, I22B, I50Z				
06		G10Z, G12A, G12B	08	I02A, I02B, I02C, I02D, I22A, I22B, I50Z		08	I02A, I02B, I02C, I02D, I12A, I12B, I12C, I22A, I22B, I50Z				
08		I28A, I28B	09	J02A, J02B, J02C, J04A, J04B, J08A, J08B, J08C, J16Z, J21Z, J22A, J22B		09	J02A, J02B, J02C, J04A, J04B, J08A, J08B, J08C, J16Z, J21Z, J22A, J22B				
09		J02A, J02B, J02C, J04A, J04B, J08A, J08B, J08C, J16Z, J21Z, J22A, J22B	21A	W04A, W04B		10	K01Z				
21A		W04A, W04B	21B	X01A, X01B, X01C		21A	W04A, W04B				
21B		X01A, X01B, X01C		BOP, KVT, UOP4		21B	X01A, X01B, X01C				
5v625.6↔			BOP, KVT, UOP4	5v625.c			BOP, KVT, UOP4	5v625.h			BOP, KVT, UOP4
		01	B03A, B03B, B06A, B06B, B07Z, B17A, B17B, B17C			01	B03A, B03B, B06A, B06B, B07Z, B17A, B17B, B17C			01	B03A, B03B, B06A, B06B, B07Z, B17A, B17B, B17C
	05	F13A, F21A, F21B, F28A	05		F13A, F21A, F21B, F28A	02	C20A, C20B				
	08	I02A, I02B, I02C, I02D, I22A, I22B, I50Z	06		G10Z, G12A, G12B	03	D18Z, D28Z, D29Z				
	09	J02A, J02B, J02C, J04A, J04B, J08A, J08B, J08C, J16Z, J21Z, J22A, J22B	08		I02A, I02B, I02C, I02D, I22A, I22B, I50Z	05	F13A, F21A, F21B, F28A				
	21A	W04A, W04B	09		J02A, J02B, J02C, J04A, J04B, J08A, J08B, J08C, J16Z, J21Z, J22A, J22B	08	I02A, I02B, I02C, I02D, I22A, I22B, I50Z				
	21B	X01A, X01B, X01C	10		K09A, K09B	09	J02A, J02B, J02C, J04A, J04B, J08A, J08B, J08C, J16Z, J21Z, J22A, J22B				
	5v625.7↔		BOP, KVT, UOP4		5v625.d		BOP, KVT, UOP4		5v625.n↔		BOP, KVT, UOP4
		01	B03A, B03B, B06A, B06B, B07Z, B17A, B17B, B17C			01	B03A, B03B, B06A, B06B, B07Z, B17A, B17B, B17C			01	B03A, B03B, B06A, B06B, B07Z, B17A, B17B, B17C
		05	F13A, F21A, F21B, F28A			05	F13A, F21A, F21B, F28A			05	F13A, F21A, F21B, F28A
		08	I02A, I02B, I02C, I02D, I22A, I22B, I50Z			06	G10Z, G12A, G12B			06	G10Z, G12A, G12B
09		J02A, J02B, J02C, J04A, J04B, J08A, J08B, J08C, J16Z, J21Z, J22A, J22B	08	I02A, I02B, I02C, I02D, I22A, I22B, I50Z		08	I02A, I02B, I02C, I02D, I22A, I22B, I50Z				
21A		W04A, W04B	09	J02A, J02B, J02C, J04A, J04B, J08A, J08B, J08C, J16Z, J21Z, J22A, J22B		09	J02A, J02B, J02C, J04A, J04B, J08A, J08B, J08C, J16Z, J21Z, J22A, J22B				
21B		X01A, X01B, X01C	21A	W04A, W04B		21A	W04A, W04B				
5v625.8↔			BOP, KVT, UOP4	5v625.e↔			BOP, KVT, UOP4	5v625.p↔			BOP, KVT, UOP4
		01	B03A, B03B, B06A, B06B, B07Z, B17A, B17B, B17C			01	B03A, B03B, B06A, B06B, B07Z, B17A, B17B, B17C			01	B03A, B03B, B06A, B06B, B07Z, B17A, B17B, B17C
		05	F13A, F21A, F21B, F28A			05	F13A, F21A, F21B, F27A, F27B, F27C, F28A			05	F13A, F21A, F21B, F28A
		08	I02A, I02B, I02C, I02D, I22A, I22B, I32A, I32B, I32C, I32D, I32E, I32F, I50Z			08	I02A, I02B, I02C, I02D, I22A, I22B, I50Z			08	I02A, I02B, I02C, I02D, I22A, I22B, I32A, I32B, I32C, I32D, I32E, I32F, I50Z
	09	J02A, J02B, J02C, J04A, J04B, J08A, J08B, J08C, J16Z, J21Z, J22A, J22B	09		J02A, J02B, J02C, J04A, J04B, J08A, J08B, J08C, J16Z, J21Z, J22A, J22B	08	I02A, I02B, I02C, I02D, I22A, I22B, I32A, I32B, I32C, I32D, I32E, I32F, I50Z				
	21A	W04A, W04B	21A		W04A, W04B	09	J02A, J02B, J02C, J04A, J04B, J08A, J08B, J08C, J16Z, J21Z, J22A, J22B				
	21B	X01A, X01B, X01C	21B		X01A, X01B, X01C	21A	W04A, W04B				
	5v625.9↔		BOP, KVT, UOP4		5v625.9↔		BOP, KVT, UOP4		5v625.9↔		BOP, KVT, UOP4
		01	B03A, B03B, B06A, B06B, B07Z, B17A, B17B, B17C			01	B03A, B03B, B06A, B06B, B07Z, B17A, B17B, B17C			01	B03A, B03B, B06A, B06B, B07Z, B17A, B17B, B17C
		05	F13A, F21A, F21B, F28A			05	F13A, F21A, F21B, F28A			05	F13A, F21A, F21B, F28A
		08	I12A, I12B, I12C, I32A, I32B, I32C, I32D, I32E, I32F			08	I02A, I02B, I02C, I02D, I22A, I22B, I50Z			08	I02A, I02B, I02C, I02D, I22A, I22B, I32A, I32B, I32C, I32D, I32E, I32F, I50Z
09		J03A, J03B, J04A, J04B, J08A, J08B, J08C, J16Z, J21Z, J22A, J22B	09	J02A, J02B, J02C, J04A, J04B, J08A, J08B, J08C, J16Z, J21Z, J22A, J22B		09	J02A, J02B, J02C, J04A, J04B, J08A, J08B, J08C, J16Z, J21Z, J22A, J22B				
21A		W04A, W04B	10	K01Z		21A	W04A, W04B				
21B		X01A, X01B, X01C	21A	W04A, W04B		21B	X01A, X01B, X01C				
			21B	X01A, X01B, X01C							



ZZV	MDC	DRG	ZZV	MDC	DRG	ZZV	MDC	DRG
5v625.q↔		BOP, KVT, UOP4	5v625.w↔		BOP, KVT, UOP4	5v626.5		BOP, KVT, UOP4
	01	B03A, B03B, B06A, B06B, B07Z, B17A, B17B, B17C		01	B03A, B03B, B06A, B06B, B07Z, B17A, B17B, B17C		01	B03A, B03B, B06A, B06B, B07Z, B17A, B17B, B17C
	05	F13A, F21A, F21B, F28A		05	F13A, F21A, F21B, F28A		03	D18Z, D28Z, D29Z
	08	I02A, I02B, I02C, I02D, I22A, I22B, I32A, I32B, I32C, I32D, I32E, I32F, I50Z		08	I02A, I02B, I02C, I02D, I22A, I22B, I32A, I32B, I32C, I32D, I32E, I32F, I50Z		05	F13A, F21A, F21B, F28A
5v625.r	09	J02A, J02B, J02C, J04A, J04B, J08A, J08B, J08C, J16Z, J21Z, J22A, J22B	09	J02A, J02B, J02C, J04A, J04B, J08A, J08B, J08C, J16Z, J21Z, J22A, J22B	06	G10Z, G12A, G12B		
	21A	W04A, W04B	21A	W04A, W04B	08	I28A, I28B		
	21B	X01A, X01B, X01C	21B	X01A, X01B, X01C	09	J02A, J02B, J02C, J04A, J04B, J08A, J08B, J08C, J16Z, J21Z, J22A, J22B		
		BOP, KVT, UOP4		BOP, KVT, UOP4	21A	W04A, W04B		
5v625.s↔	01	B03A, B03B, B06A, B06B, B07Z, B17A, B17B, B17C	5v625.x↔	01	B03A, B03B, B06A, B06B, B07Z, B17A, B17B, B17C	5v626.6↔	01	B03A, B03B, B06A, B06B, B07Z, B17A, B17B, B17C
	02	C20A, C20B		05	F13A, F21A, F21B, F28A		05	F13A, F21A, F21B, F28A
	03	D18Z, D28Z, D29Z		08	I02A, I02B, I02C, I02D, I22A, I22B, I32A, I32B, I32C, I32D, I32E, I32F, I50Z		08	I02A, I02B, I02C, I02D, I22A, I22B, I50Z
	05	F13A, F21A, F21B, F28A		09	J02A, J02B, J02C, J04A, J04B, J08A, J08B, J08C, J16Z, J21Z, J22A, J22B		09	J02A, J02B, J02C, J04A, J04B, J08A, J08B, J08C, J16Z, J21Z, J22A, J22B
5v625.t↔	08	I02A, I02B, I02C, I02D, I22A, I22B, I32A, I32B, I32C, I32D, I32E, I32F, I50Z	5v625.y	21A	W04A, W04B	5v626.7↔	21A	W04A, W04B
	09	J02A, J02B, J02C, J04A, J04B, J08A, J08B, J08C, J16Z, J21Z, J22A, J22B		21B	X01A, X01B, X01C		21B	X01A, X01B, X01C
	21A	W04A, W04B			BOP, KVT, UOP4		01	B03A, B03B, B06A, B06B, B07Z, B17A, B17B, B17C
	21B	X01A, X01B, X01C		01	B03A, B03B, B06A, B06B, B07Z, B17A, B17B, B17C		05	F13A, F21A, F21B, F28A
5v625.u↔	01	B03A, B03B, B06A, B06B, B07Z, B17A, B17B, B17C	5v626.1	02	C20A, C20B	5v626.8↔	08	I02A, I02B, I02C, I02D, I22A, I22B, I50Z
	05	F13A, F21A, F21B, F28A		03	D18Z, D28Z, D29Z		09	J02A, J02B, J02C, J04A, J04B, J08A, J08B, J08C, J16Z, J21Z, J22A, J22B
	08	I02A, I02B, I02C, I02D, I22A, I22B, I32A, I32B, I32C, I32D, I32E, I32F, I50Z		05	F13A, F21A, F21B, F28A		21A	W04A, W04B
	09	J02A, J02B, J02C, J04A, J04B, J08A, J08B, J08C, J16Z, J21Z, J22A, J22B		08	I02A, I02B, I02C, I02D, I22A, I22B, I50Z		21B	X01A, X01B, X01C
5v625.v↔	21A	W04A, W04B	5v626.4	09	J02A, J02B, J02C, J04A, J04B, J08A, J08B, J08C, J16Z, J21Z, J22A, J22B	5v626.9↔	01	B03A, B03B, B06A, B06B, B07Z, B17A, B17B, B17C
	21B	X01A, X01B, X01C		21A	W04A, W04B		05	F13A, F21A, F21B, F28A
		BOP, KVT, UOP4		21B	X01A, X01B, X01C		08	I12A, I12B, I12C, I32A, I32B, I32C, I32D, I32E, I32F
	01	B03A, B03B, B06A, B06B, B07Z, B17A, B17B, B17C		01	B03A, B03B, B06A, B06B, B07Z, B17A, B17B, B17C		09	J03A, J03B, J04A, J04B, J08A, J08B, J08C, J16Z, J21Z, J22A, J22B
5v625.w↔	05	F13A, F21A, F21B, F28A	5v626.4	02	C20A, C20B	5v626.a	21A	W04A, W04B
	08	I02A, I02B, I02C, I02D, I22A, I22B, I32A, I32B, I32C, I32D, I32E, I32F, I50Z		03	D18Z, D28Z, D29Z		21B	X01A, X01B, X01C
	09	J02A, J02B, J02C, J04A, J04B, J08A, J08B, J08C, J16Z, J21Z, J22A, J22B		05	F13A, F21A, F21B, F28A		01	B03A, B03B, B06A, B06B, B07Z, B17A, B17B, B17C
	21A	W04A, W04B		08	I02A, I02B, I02C, I02D, I22A, I22B, I50Z		05	F13A, F21A, F21B, F28A
5v625.x↔	21B	X01A, X01B, X01C	5v626.4	09	J02A, J02B, J02C, J04A, J04B, J08A, J08B, J08C, J16Z, J21Z, J22A, J22B	5v626.a	06	G10Z, G12A, G12B
		BOP, KVT, UOP4		21A	W04A, W04B		08	I02A, I02B, I02C, I02D, I22A, I22B, I50Z
	01	B03A, B03B, B06A, B06B, B07Z, B17A, B17B, B17C		21B	X01A, X01B, X01C		09	J02A, J02B, J02C, J04A, J04B, J08A, J08B, J08C, J16Z, J21Z, J22A, J22B
	05	F13A, F21A, F21B, F28A			BOP, KVT, UOP4		21A	W04A, W04B
5v625.y	08	I02A, I02B, I02C, I02D, I22A, I22B, I32A, I32B, I32C, I32D, I32E, I32F, I50Z	5v626.4	01	B03A, B03B, B06A, B06B, B07Z, B17A, B17B, B17C	5v626.a	21B	X01A, X01B, X01C
	09	J02A, J02B, J02C, J04A, J04B, J08A, J08B, J08C, J16Z, J21Z, J22A, J22B		02	C20A, C20B		01	B03A, B03B, B06A, B06B, B07Z, B17A, B17B, B17C
	21A	W04A, W04B		03	D18Z, D28Z, D29Z		05	F13A, F21A, F21B, F28A
	21B	X01A, X01B, X01C		05	F13A, F21A, F21B, F28A		08	I02A, I02B, I02C, I02D, I22A, I22B, I50Z
5v625.z↔	01	B03A, B03B, B06A, B06B, B07Z, B17A, B17B, B17C	5v626.4	08	I02A, I02B, I02C, I02D, I22A, I22B, I50Z	5v626.a	09	J02A, J02B, J02C, J04A, J04B, J08A, J08B, J08C, J16Z, J21Z, J22A, J22B
	05	F13A, F21A, F21B, F28A		09	J02A, J02B, J02C, J04A, J04B, J08A, J08B, J08C, J16Z, J21Z, J22A, J22B		21A	W04A, W04B
	08	I02A, I02B, I02C, I02D, I22A, I22B, I32A, I32B, I32C, I32D, I32E, I32F, I50Z		21A	W04A, W04B		21B	X01A, X01B, X01C
	09	J02A, J02B, J02C, J04A, J04B, J08A, J08B, J08C, J16Z, J21Z, J22A, J22B		21B	X01A, X01B, X01C			

ZZV	MDC	DRG	ZZV	MDC	DRG	ZZV	MDC	DRG			
5v626.b		BOP, KVT, UOP4	5v626.g↔		BOP, KVT, UOP4	5v626.r		BOP, KVT, UOP4			
	01	B03A, B03B, B06A, B06B, B07Z, B17A, B17B, B17C		01	B03A, B03B, B06A, B06B, B07Z, B17A, B17B, B17C		01	B03A, B03B, B06A, B06B, B07Z, B17A, B17B, B17C			
	05	F13A, F21A, F21B, F28A		05	F13A, F21A, F21B, F27A, F27B, F27C, F28A		02	C20A, C20B			
	06	G10Z, G12A, G12B		08	I02A, I02B, I02C, I02D, I12A, I12B, I12C, I22A, I22B, I50Z		03	D18Z, D28Z, D29Z			
	08	I02A, I02B, I02C, I02D, I22A, I22B, I50Z		09	J02A, J02B, J02C, J04A, J04B, J08A, J08B, J08C, J16Z, J21Z, J22A, J22B		05	F13A, F21A, F21B, F28A			
	09	J02A, J02B, J02C, J04A, J04B, J08A, J08B, J08C, J16Z, J21Z, J22A, J22B		10	K01Z		08	I02A, I02B, I02C, I02D, I22A, I22B, I50Z			
	21A	W04A, W04B		21A	W04A, W04B		09	J02A, J02B, J02C, J04A, J04B, J08A, J08B, J08C, J16Z, J21Z, J22A, J22B			
	21B	X01A, X01B, X01C		21A	X01A, X01B, X01C		21A	W04A, W04B			
	5v626.c			BOP, KVT, UOP4	5v626.h			BOP, KVT, UOP4	5v626.s↔		BOP, KVT, UOP4
		01		B03A, B03B, B06A, B06B, B07Z, B17A, B17B, B17C			01	B03A, B03B, B06A, B06B, B07Z, B17A, B17B, B17C		01	B03A, B03B, B06A, B06B, B07Z, B17A, B17B, B17C
05		F13A, F21A, F21B, F28A	02	C20A, C20B		05	F13A, F21A, F21B, F28A				
06		G10Z, G12A, G12B	03	D18Z, D28Z, D29Z		08	I02A, I02B, I02C, I02D, I22A, I22B, I32A, I32B, I32C, I32D, I32E, I32F, I50Z				
08		I02A, I02B, I02C, I02D, I22A, I22B, I50Z	05	F13A, F21A, F21B, F28A		09	J02A, J02B, J02C, J04A, J04B, J08A, J08B, J08C, J16Z, J21Z, J22A, J22B				
09		J02A, J02B, J02C, J04A, J04B, J08A, J08B, J08C, J16Z, J21Z, J22A, J22B	08	I02A, I02B, I02C, I02D, I22A, I22B, I50Z		21A	W04A, W04B				
10		K09A, K09B	09	J02A, J02B, J02C, J04A, J04B, J08A, J08B, J08C, J16Z, J21Z, J22A, J22B		21B	X01A, X01B, X01C				
12		M04A, M04B, M04C, M04D, M37Z, M38Z	21A	W04A, W04B		5v626.t↔		BOP, KVT, UOP4			
21A		W04A, W04B	21B	X01A, X01B, X01C			01	B03A, B03B, B06A, B06B, B07Z, B17A, B17B, B17C			
21B		X01A, X01B, X01C	5v626.n↔			BOP, KVT, UOP4	05	F13A, F21A, F21B, F28A			
5v626.d		BOP, KVT, UOP4		01	B03A, B03B, B06A, B06B, B07Z, B17A, B17B, B17C	08	I02A, I02B, I02C, I02D, I22A, I22B, I32A, I32B, I32C, I32D, I32E, I32F, I50Z				
	01	B03A, B03B, B06A, B06B, B07Z, B17A, B17B, B17C		05	F13A, F21A, F21B, F28A	09	J02A, J02B, J02C, J04A, J04B, J08A, J08B, J08C, J16Z, J21Z, J22A, J22B				
	05	F13A, F21A, F21B, F28A		06	G10Z, G12A, G12B	21A	W04A, W04B				
	06	G10Z, G12A, G12B		08	I02A, I02B, I02C, I02D, I22A, I22B, I50Z	21B	X01A, X01B, X01C				
	08	I02A, I02B, I02C, I02D, I22A, I22B, I50Z		09	J02A, J02B, J02C, J04A, J04B, J08A, J08B, J08C, J16Z, J21Z, J22A, J22B	5v626.u↔		BOP, KVT, UOP4			
	09	J02A, J02B, J02C, J04A, J04B, J08A, J08B, J08C, J16Z, J21Z, J22A, J22B		21A	W04A, W04B		01	B03A, B03B, B06A, B06B, B07Z, B17A, B17B, B17C			
	21A	W04A, W04B		21B	X01A, X01B, X01C	05	F13A, F21A, F21B, F28A				
	21B	X01A, X01B, X01C		5v626.p↔		BOP, KVT, UOP4	08	I02A, I02B, I02C, I02D, I22A, I22B, I32A, I32B, I32C, I32D, I32E, I32F, I50Z			
	5v626.e↔				BOP, KVT, UOP4	01	B03A, B03B, B06A, B06B, B07Z, B17A, B17B, B17C	09	J02A, J02B, J02C, J04A, J04B, J08A, J08B, J08C, J16Z, J21Z, J22A, J22B		
		01	B03A, B03B, B06A, B06B, B07Z, B17A, B17B, B17C		05	F13A, F21A, F21B, F28A	21A	W04A, W04B			
05		F13A, F21A, F21B, F27A, F27B, F27C, F28A	08		I02A, I02B, I02C, I02D, I22A, I22B, I32A, I32B, I32C, I32D, I32E, I32F, I50Z	21B	X01A, X01B, X01C				
08		I02A, I02B, I02C, I02D, I22A, I22B, I50Z	09		J02A, J02B, J02C, J04A, J04B, J08A, J08B, J08C, J16Z, J21Z, J22A, J22B	5v626.w↔		BOP, KVT, UOP4			
09		J02A, J02B, J02C, J04A, J04B, J08A, J08B, J08C, J16Z, J21Z, J22A, J22B	21A		W04A, W04B		01	B03A, B03B, B06A, B06B, B07Z, B17A, B17B, B17C			
10		K01Z	21B		X01A, X01B, X01C	05	F13A, F21A, F21B, F28A				
21A		W04A, W04B	5v626.q↔			BOP, KVT, UOP4	08	I02A, I02B, I02C, I02D, I22A, I22B, I32A, I32B, I32C, I32D, I32E, I32F, I50Z			
21B		X01A, X01B, X01C			01	B03A, B03B, B06A, B06B, B07Z, B17A, B17B, B17C	09	J02A, J02B, J02C, J04A, J04B, J08A, J08B, J08C, J16Z, J21Z, J22A, J22B			
5v626.f↔					BOP, KVT, UOP4	05	F13A, F21A, F21B, F28A	21A	W04A, W04B		
		01		B03A, B03B, B06A, B06B, B07Z, B17A, B17B, B17C	08	I02A, I02B, I02C, I02D, I22A, I22B, I32A, I32B, I32C, I32D, I32E, I32F, I50Z	21B	X01A, X01B, X01C			
	05	F13A, F21A, F21B, F27A, F27B, F27C, F28A		09	J02A, J02B, J02C, J04A, J04B, J08A, J08B, J08C, J16Z, J21Z, J22A, J22B						
	08	I02A, I02B, I02C, I02D, I22A, I22B, I50Z		21A	W04A, W04B						
	09	J02A, J02B, J02C, J04A, J04B, J08A, J08B, J08C, J16Z, J21Z, J22A, J22B		21B	X01A, X01B, X01C						
	10	K01Z									
	21A	W04A, W04B									
	21B	X01A, X01B, X01C									

VYK

ZZV	MDC	DRG	ZZV	MDC	DRG	ZZV	MDC	DRG
5v626.x↔		BOP, KVT, UOP4	5v627.5		BOP, KVT, UOP4	5v627.b		BOP, KVT, UOP4
	01	B03A, B03B, B06A, B06B, B07Z, B17A, B17B, B17C		01	B03A, B03B, B06A, B06B, B07Z, B17A, B17B, B17C		01	B03A, B03B, B06A, B06B, B07Z, B17A, B17B, B17C
	05	F13A, F21A, F21B, F28A		03	D18Z, D28Z, D29Z		05	F13A, F21A, F21B, F28A
	08	I02A, I02B, I02C, I02D, I22A, I22B, I32A, I32B, I32C, I32D, I32E, I32F, I50Z		05	F13A, F21A, F21B, F28A		06	G10Z, G12A, G12B
	09	J02A, J02B, J02C, J04A, J04B, J08A, J08B, J08C, J16Z, J21Z, J22A, J22B		06	G10Z, G12A, G12B		08	I02A, I02B, I02C, I02D, I22A, I22B, I50Z
	21A	W04A, W04B		08	I28A, I28B		09	J02A, J02B, J02C, J04A, J04B, J08A, J08B, J08C, J16Z, J21Z, J22A, J22B
	21B	X01A, X01B, X01C		09	J02A, J02B, J02C, J04A, J04B, J08A, J08B, J08C, J16Z, J21Z, J22A, J22B		21A	W04A, W04B
		BOP, KVT, UOP4		21A	W04A, W04B		21B	X01A, X01B, X01C
		B03A, B03B, B06A, B06B, B07Z, B17A, B17B, B17C		21B	X01A, X01B, X01C			BOP, KVT, UOP4
		C20A, C20B			BOP, KVT, UOP4			B03A, B03B, B06A, B06B, B07Z, B17A, B17B, B17C
5v626.y	01	B03A, B03B, B06A, B06B, B07Z, B17A, B17B, B17C	5v627.6↔	01	B03A, B03B, B06A, B06B, B07Z, B17A, B17B, B17C	5v627.c	01	B03A, B03B, B06A, B06B, B07Z, B17A, B17B, B17C
	02	C20A, C20B		05	F13A, F21A, F21B, F28A		05	F13A, F21A, F21B, F28A
	03	D18Z, D28Z, D29Z		08	I02A, I02B, I02C, I02D, I22A, I22B, I50Z		06	G10Z, G12A, G12B
	05	F13A, F21A, F21B, F28A		09	J02A, J02B, J02C, J04A, J04B, J08A, J08B, J08C, J16Z, J21Z, J22A, J22B		08	I02A, I02B, I02C, I02D, I22A, I22B, I50Z
	08	I02A, I02B, I02C, I02D, I22A, I22B, I50Z		21A	W04A, W04B		09	J02A, J02B, J02C, J04A, J04B, J08A, J08B, J08C, J16Z, J21Z, J22A, J22B
	09	J02A, J02B, J02C, J04A, J04B, J08A, J08B, J08C, J16Z, J21Z, J22A, J22B		21B	X01A, X01B, X01C		10	K09A, K09B
	21A	W04A, W04B			BOP, KVT, UOP4		12	M04A, M04B, M04C, M04D, M37Z, M38Z
	21B	X01A, X01B, X01C			B03A, B03B, B06A, B06B, B07Z, B17A, B17B, B17C		21A	W04A, W04B
		BOP, KVT, UOP4			F13A, F21A, F21B, F28A		21B	X01A, X01B, X01C
		D08A, D08B, D18Z, D22A, D22B, D30A, D30B			I02A, I02B, I02C, I02D, I22A, I22B, I50Z			BOP, KVT, UOP4
5v627.0	03	D08A, D08B, D18Z, D22A, D22B, D30A, D30B	5v627.7↔	01	B03A, B03B, B06A, B06B, B07Z, B17A, B17B, B17C	5v627.d	01	B03A, B03B, B06A, B06B, B07Z, B17A, B17B, B17C
	05	F13A, F28A		05	F13A, F21A, F21B, F28A		05	F13A, F21A, F21B, F28A
	09	J03A, J03B, J04A, J04B, J08A, J08B, J08C, J10A, J10B, J16Z		08	I02A, I02B, I02C, I02D, I22A, I22B, I50Z		06	G10Z, G12A, G12B
	21A	W04A, W04B		09	J02A, J02B, J02C, J04A, J04B, J08A, J08B, J08C, J16Z, J21Z, J22A, J22B		08	I02A, I02B, I02C, I02D, I22A, I22B, I50Z
	21B	X06A, X06B, X06C		21A	W04A, W04B		09	J02A, J02B, J02C, J04A, J04B, J08A, J08B, J08C, J16Z, J21Z, J22A, J22B
		BOP, KVT, UOP4		21B	X01A, X01B, X01C		21A	W04A, W04B
	01	B03A, B03B, B06A, B06B, B07Z, B17A, B17B, B17C			BOP, KVT, UOP4		21B	X01A, X01B, X01C
	02	C20A, C20B			B03A, B03B, B06A, B06B, B07Z, B17A, B17B, B17C			BOP, KVT, UOP4
	03	D18Z, D28Z, D29Z			F13A, F21A, F21B, F28A			B03A, B03B, B06A, B06B, B07Z, B17A, B17B, B17C
	05	F13A, F21A, F21B, F28A			I02A, I02B, I02C, I02D, I22A, I22B, I32A, I32B, I32C, I32D, I32E, I32F, I50Z			F13A, F21A, F21B, F28A
08	I02A, I02B, I02C, I02D, I22A, I22B, I50Z		J02A, J02B, J02C, J04A, J04B, J08A, J08B, J08C, J16Z, J21Z, J22A, J22B		I02A, I02B, I02C, I02D, I22A, I22B, I50Z			
09	J02A, J02B, J02C, J04A, J04B, J08A, J08B, J08C, J16Z, J21Z, J22A, J22B		21A	W04A, W04B		J02A, J02B, J02C, J04A, J04B, J08A, J08B, J08C, J16Z, J21Z, J22A, J22B		
21A	W04A, W04B		21B	X01A, X01B, X01C		21A	W04A, W04B	
21B	X06A, X06B, X06C			BOP, KVT, UOP4		21B	X01A, X01B, X01C	
5v627.1		BOP, KVT, UOP4	5v627.8↔		BOP, KVT, UOP4	5v627.e↔		BOP, KVT, UOP4
	01	B03A, B03B, B06A, B06B, B07Z, B17A, B17B, B17C		01	B03A, B03B, B06A, B06B, B07Z, B17A, B17B, B17C		01	B03A, B03B, B06A, B06B, B07Z, B17A, B17B, B17C
	02	C20A, C20B		05	F13A, F21A, F21B, F28A		05	F13A, F21A, F21B, F28A
	03	D18Z, D28Z, D29Z		08	I02A, I02B, I02C, I02D, I22A, I22B, I32A, I32B, I32C, I32D, I32E, I32F, I50Z		08	I02A, I02B, I02C, I02D, I22A, I22B, I50Z
	05	F13A, F21A, F21B, F28A		09	J02A, J02B, J02C, J04A, J04B, J08A, J08B, J08C, J16Z, J21Z, J22A, J22B		09	J02A, J02B, J02C, J04A, J04B, J08A, J08B, J08C, J16Z, J21Z, J22A, J22B
	08	I02A, I02B, I02C, I02D, I22A, I22B, I50Z		21A	W04A, W04B		08	I02A, I02B, I02C, I02D, I22A, I22B, I50Z
	09	J02A, J02B, J02C, J04A, J04B, J08A, J08B, J08C, J16Z, J21Z, J22A, J22B		21B	X01A, X01B, X01C		09	J02A, J02B, J02C, J04A, J04B, J08A, J08B, J08C, J16Z, J21Z, J22A, J22B
	21A	W04A, W04B			BOP, KVT, UOP4		21A	W04A, W04B
	21B	X01A, X01B, X01C			B03A, B03B, B06A, B06B, B07Z, B17A, B17B, B17C		21B	X01A, X01B, X01C
		BOP, KVT, UOP4			F13A, F21A, F21B, F28A			BOP, KVT, UOP4
5v627.4	01	B03A, B03B, B06A, B06B, B07Z, B17A, B17B, B17C	5v627.9↔	01	B03A, B03B, B06A, B06B, B07Z, B17A, B17B, B17C	5v627.f↔	01	B03A, B03B, B06A, B06B, B07Z, B17A, B17B, B17C
	02	C20A, C20B		05	F13A, F21A, F21B, F28A		05	F13A, F21A, F21B, F28A
	03	D18Z, D28Z, D29Z		08	I12A, I12B, I12C, I32A, I32B, I32C, I32D, I32E, I32F		08	I02A, I02B, I02C, I02D, I22A, I22B, I50Z
	05	F13A, F21A, F21B, F28A		09	J03A, J03B, J04A, J04B, J08A, J08B, J08C, J16Z, J21Z, J22A, J22B		09	J02A, J02B, J02C, J04A, J04B, J08A, J08B, J08C, J16Z, J21Z, J22A, J22B
	08	I02A, I02B, I02C, I02D, I22A, I22B, I50Z		21A	W04A, W04B		08	I02A, I02B, I02C, I02D, I22A, I22B, I50Z
	09	J02A, J02B, J02C, J04A, J04B, J08A, J08B, J08C, J16Z, J21Z, J22A, J22B		21B	X01A, X01B, X01C		09	J02A, J02B, J02C, J04A, J04B, J08A, J08B, J08C, J16Z, J21Z, J22A, J22B
	21A	W04A, W04B			BOP, KVT, UOP4		10	K01Z
	21B	X01A, X01B, X01C			B03A, B03B, B06A, B06B, B07Z, B17A, B17B, B17C		21A	W04A, W04B
		BOP, KVT, UOP4			F13A, F21A, F21B, F28A		21B	X01A, X01B, X01C
		B03A, B03B, B06A, B06B, B07Z, B17A, B17B, B17C			I02A, I02B, I02C, I02D, I22A, I22B, I50Z			BOP, KVT, UOP4
	C20A, C20B		J02A, J02B, J02C, J04A, J04B, J08A, J08B, J08C, J16Z, J21Z, J22A, J22B		B03A, B03B, B06A, B06B, B07Z, B17A, B17B, B17C			
	D18Z, D28Z, D29Z		21A	W04A, W04B		F13A, F21A, F21B, F28A, F27A, F27B, F27C, F28A		
	F13A, F21A, F21B, F28A		21B	X01A, X01B, X01C		I02A, I02B, I02C, I02D, I22A, I22B, I50Z		
	I02A, I02B, I02C, I02D, I22A, I22B, I50Z			BOP, KVT, UOP4		J02A, J02B, J02C, J04A, J04B, J08A, J08B, J08C, J16Z, J21Z, J22A, J22B		
	J02A, J02B, J02C, J04A, J04B, J08A, J08B, J08C, J16Z, J21Z, J22A, J22B			B03A, B03B, B06A, B06B, B07Z, B17A, B17B, B17C		K01Z		
	21A	W04A, W04B		21A	W04A, W04B		21A	W04A, W04B
	21B	X01A, X01B, X01C		21B	X01A, X01B, X01C		21B	X01A, X01B, X01C

ZZV	MDC	DRG	ZZV	MDC	DRG	ZZV	MDC	DRG			
5v627.g↔		BOP, KVT, UOP4	5v627.r		BOP, KVT, UOP4	5v627.x↔		BOP, KVT, UOP4			
	01	B03A, B03B, B06A, B06B, B07Z, B17A, B17B, B17C		01	B03A, B03B, B06A, B06B, B07Z, B17A, B17B, B17C		01	B03A, B03B, B06A, B06B, B07Z, B17A, B17B, B17C			
	05	F13A, F21A, F21B, F27A, F27B, F27C, F28A		02	C20A, C20B		05	F13A, F21A, F21B, F28A			
	08	I02A, I02B, I02C, I02D, I12A, I12B, I12C, I22A, I22B, I50Z		03	D18Z, D28Z, D29Z		08	I02A, I02B, I02C, I02D, I22A, I22B, I50Z			
	09	J02A, J02B, J02C, J04A, J04B, J08A, J08B, J08C, J16Z, J21Z, J22A, J22B		05	F13A, F21A, F21B, F28A		09	J02A, J02B, J02C, J04A, J04B, J08A, J08B, J08C, J16Z, J21Z, J22A, J22B			
	10	K01Z		08	I02A, I02B, I02C, I02D, I22A, I22B, I50Z		21A	W04A, W04B			
	21A	W04A, W04B		09	J02A, J02B, J02C, J04A, J04B, J08A, J08B, J08C, J16Z, J21Z, J22A, J22B		21B	X01A, X01B, X01C			
	21B	X01A, X01B, X01C		21A	W04A, W04B			BOP, KVT, UOP4			
	5v627.h			BOP, KVT, UOP4	5v627.s↔			BOP, KVT, UOP4	5v627.y		BOP, KVT, UOP4
		01		B03A, B03B, B06A, B06B, B07Z, B17A, B17B, B17C			01	B03A, B03B, B06A, B06B, B07Z, B17A, B17B, B17C		01	B03A, B03B, B06A, B06B, B07Z, B17A, B17B, B17C
02		C20A, C20B	05	F13A, F21A, F21B, F28A		02	C20A, C20B				
03		D18Z, D28Z, D29Z	08	I02A, I02B, I02C, I02D, I22A, I22B, I32A, I32B, I32C, I32D, I32E, I32F, I50Z		03	D18Z, D28Z, D29Z				
05		F13A, F21A, F21B, F28A	09	J02A, J02B, J02C, J04A, J04B, J08A, J08B, J08C, J16Z, J21Z, J22A, J22B		05	F13A, F21A, F21B, F28A				
08		I02A, I02B, I02C, I02D, I22A, I22B, I50Z	21A	W04A, W04B		08	I02A, I02B, I02C, I02D, I22A, I22B, I50Z				
09		J02A, J02B, J02C, J04A, J04B, J08A, J08B, J08C, J16Z, J21Z, J22A, J22B	21B	X01A, X01B, X01C		09	J02A, J02B, J02C, J04A, J04B, J08A, J08B, J08C, J16Z, J21Z, J22A, J22B				
21A		W04A, W04B		BOP, KVT, UOP4		21A	W04A, W04B				
21B		X01A, X01B, X01C	5v627.t↔			BOP, KVT, UOP4	21B	X01A, X01B, X01C			
5v627.n↔				BOP, KVT, UOP4		5v627.u↔		BOP, KVT, UOP4		5v628.y	
	01	B03A, B03B, B06A, B06B, B07Z, B17A, B17B, B17C		01	B03A, B03B, B06A, B06B, B07Z, B17A, B17B, B17C		01	B03A, B03B, B06A, B06B, B07Z, B17A, B17B, B17C			
	05	F13A, F21A, F21B, F28A		05	F13A, F21A, F21B, F28A		02	C20A, C20B			
	06	G10Z, G12A, G12B		08	I02A, I02B, I02C, I02D, I22A, I22B, I32A, I32B, I32C, I32D, I32E, I32F, I50Z		03	D18Z, D28Z, D29Z			
	08	I02A, I02B, I02C, I02D, I22A, I22B, I50Z		09	J02A, J02B, J02C, J04A, J04B, J08A, J08B, J08C, J16Z, J21Z, J22A, J22B		05	F13A, F21A, F21B, F28A			
	09	J02A, J02B, J02C, J04A, J04B, J08A, J08B, J08C, J16Z, J21Z, J22A, J22B		21A	W04A, W04B		08	I02A, I02B, I02C, I02D, I22A, I22B, I50Z			
	21A	W04A, W04B		21B	X01A, X01B, X01C		09	J02A, J02B, J02C, J04A, J04B, J08A, J08B, J08C, J16Z, J21Z, J22A, J22B			
	21B	X01A, X01B, X01C			BOP, KVT, UOP4		21A	W04A, W04B			
	5v627.p↔			BOP, KVT, UOP4	5v627.w↔			BOP, KVT, UOP4	5v62x.0		
		01	B03A, B03B, B06A, B06B, B07Z, B17A, B17B, B17C	01			B03A, B03B, B06A, B06B, B07Z, B17A, B17B, B17C	03			D08A, D08B, D18Z, D22A, D22B, D30A, D30B
05		F13A, F21A, F21B, F28A	05	F13A, F21A, F21B, F28A		05	F13A, F28A				
08		I02A, I02B, I02C, I02D, I22A, I22B, I32A, I32B, I32C, I32D, I32E, I32F, I50Z	08	I02A, I02B, I02C, I02D, I22A, I22B, I32A, I32B, I32C, I32D, I32E, I32F, I50Z		09	J03A, J03B, J04A, J04B, J08A, J08B, J08C, J10A, J10B, J16Z				
09		J02A, J02B, J02C, J04A, J04B, J08A, J08B, J08C, J16Z, J21Z, J22A, J22B	09	J02A, J02B, J02C, J04A, J04B, J08A, J08B, J08C, J16Z, J21Z, J22A, J22B		21A	W04A, W04B				
21A		W04A, W04B	21A	W04A, W04B		21B	X06A, X06B, X06C				
21B		X01A, X01B, X01C	21B	X01A, X01B, X01C			BOP, KVT, UOP4				
5v627.q↔			BOP, KVT, UOP4	5v627.x↔			BOP, KVT, UOP4	5v62x.1			BOP, KVT, UOP4
		01	B03A, B03B, B06A, B06B, B07Z, B17A, B17B, B17C			01	B03A, B03B, B06A, B06B, B07Z, B17A, B17B, B17C			01	B03A, B03B, B06A, B06B, B07Z, B17A, B17B, B17C
		05	F13A, F21A, F21B, F28A			05	F13A, F21A, F21B, F28A			02	C20A, C20B
	08	I02A, I02B, I02C, I02D, I22A, I22B, I32A, I32B, I32C, I32D, I32E, I32F, I50Z	08		I02A, I02B, I02C, I02D, I22A, I22B, I32A, I32B, I32C, I32D, I32E, I32F, I50Z	03	D18Z, D28Z, D29Z				
	09	J02A, J02B, J02C, J04A, J04B, J08A, J08B, J08C, J16Z, J21Z, J22A, J22B	09		J02A, J02B, J02C, J04A, J04B, J08A, J08B, J08C, J16Z, J21Z, J22A, J22B	05	F13A, F21A, F21B, F28A				
	21A	W04A, W04B	21A		W04A, W04B	08	I02A, I02B, I02C, I02D, I22A, I22B, I50Z				
	21B	X01A, X01B, X01C	21B		X01A, X01B, X01C	09	J02A, J02B, J02C, J04A, J04B, J08A, J08B, J08C, J16Z, J21Z, J22A, J22B				
		BOP, KVT, UOP4			BOP, KVT, UOP4	21A	W04A, W04B				
		BOP, KVT, UOP4			BOP, KVT, UOP4	21B	X01A, X01B, X01C				
		BOP, KVT, UOP4			BOP, KVT, UOP4		BOP, KVT, UOP4				

VYK

ZZV	MDC	DRG	ZZV	MDC	DRG	ZZV	MDC	DRG			
5v62x.4		BOP, KVT, UOP4	5v62x.a		BOP, KVT, UOP4	5v62x.f↔		BOP, KVT, UOP4			
	01	B03A, B03B, B06A, B06B, B07Z, B17A, B17B, B17C		01	B03A, B03B, B06A, B06B, B07Z, B17A, B17B, B17C		01	B03A, B03B, B06A, B06B, B07Z, B17A, B17B, B17C			
	02	C20A, C20B		05	F13A, F21A, F21B, F28A		05	F13A, F21A, F21B, F27A, F27B, F27C, F28A			
	03	D18Z, D28Z, D29Z		06	G10Z, G12A, G12B		08	I02A, I02B, I02C, I02D, I22A, I22B, I50Z			
	05	F13A, F21A, F21B, F28A		08	I02A, I02B, I02C, I02D, I22A, I22B, I50Z		09	J02A, J02B, J02C, J04A, J04B, J08A, J08B, J08C, J16Z, J21Z, J22A, J22B			
	08	I02A, I02B, I02C, I02D, I22A, I22B, I50Z		09	J02A, J02B, J02C, J04A, J04B, J08A, J08B, J08C, J16Z, J21Z, J22A, J22B		10	K01Z			
	09	J02A, J02B, J02C, J04A, J04B, J08A, J08B, J08C, J16Z, J21Z, J22A, J22B		21A	W04A, W04B		21A	W04A, W04B			
	21A	W04A, W04B		21B	X01A, X01B, X01C		21A	W04A, W04B			
	21B	X01A, X01B, X01C			BOP, KVT, UOP4		21B	X01A, X01B, X01C			
	5v62x.5			BOP, KVT, UOP4	5v62x.b			BOP, KVT, UOP4	5v62x.g↔		BOP, KVT, UOP4
		01		B03A, B03B, B06A, B06B, B07Z, B17A, B17B, B17C			01	B03A, B03B, B06A, B06B, B07Z, B17A, B17B, B17C		01	B03A, B03B, B06A, B06B, B07Z, B17A, B17B, B17C
03		D18Z, D28Z, D29Z	05	F13A, F21A, F21B, F28A		05	F13A, F21A, F21B, F27A, F27B, F27C, F28A				
05		F13A, F21A, F21B, F28A	06	G10Z, G12A, G12B		08	I02A, I02B, I02C, I02D, I12A, I12B, I12C, I22A, I22B, I50Z				
06		G10Z, G12A, G12B	08	I02A, I02B, I02C, I02D, I22A, I22B, I50Z		08	I02A, I02B, I02C, I02D, I12A, I12B, I12C, I22A, I22B, I50Z				
08		I28A, I28B	09	J02A, J02B, J02C, J04A, J04B, J08A, J08B, J08C, J16Z, J21Z, J22A, J22B		09	J02A, J02B, J02C, J04A, J04B, J08A, J08B, J08C, J16Z, J21Z, J22A, J22B				
09		J02A, J02B, J02C, J04A, J04B, J08A, J08B, J08C, J16Z, J21Z, J22A, J22B	21A	W04A, W04B		10	K01Z				
21A		W04A, W04B	21B	X01A, X01B, X01C		21A	W04A, W04B				
21B		X01A, X01B, X01C		BOP, KVT, UOP4		21B	X01A, X01B, X01C				
5v62x.6↔			BOP, KVT, UOP4	5v62x.c			BOP, KVT, UOP4	5v62x.h			BOP, KVT, UOP4
		01	B03A, B03B, B06A, B06B, B07Z, B17A, B17B, B17C			01	B03A, B03B, B06A, B06B, B07Z, B17A, B17B, B17C			01	B03A, B03B, B06A, B06B, B07Z, B17A, B17B, B17C
	05	F13A, F21A, F21B, F28A	05		F13A, F21A, F21B, F28A	02	C20A, C20B				
	08	I02A, I02B, I02C, I02D, I22A, I22B, I50Z	06		G10Z, G12A, G12B	03	D18Z, D28Z, D29Z				
	09	J02A, J02B, J02C, J04A, J04B, J08A, J08B, J08C, J16Z, J21Z, J22A, J22B	08		I02A, I02B, I02C, I02D, I22A, I22B, I50Z	05	F13A, F21A, F21B, F28A				
	21A	W04A, W04B	09		J02A, J02B, J02C, J04A, J04B, J08A, J08B, J08C, J16Z, J21Z, J22A, J22B	08	I02A, I02B, I02C, I02D, I22A, I22B, I50Z				
	21B	X01A, X01B, X01C	10		K09A, K09B	09	J02A, J02B, J02C, J04A, J04B, J08A, J08B, J08C, J16Z, J21Z, J22A, J22B				
	5v62x.7↔		BOP, KVT, UOP4		5v62x.d		BOP, KVT, UOP4		5v62x.n↔		BOP, KVT, UOP4
		01	B03A, B03B, B06A, B06B, B07Z, B17A, B17B, B17C			01	B03A, B03B, B06A, B06B, B07Z, B17A, B17B, B17C			01	B03A, B03B, B06A, B06B, B07Z, B17A, B17B, B17C
		05	F13A, F21A, F21B, F28A			05	F13A, F21A, F21B, F28A			05	F13A, F21A, F21B, F28A
		08	I02A, I02B, I02C, I02D, I22A, I22B, I50Z			06	G10Z, G12A, G12B			06	G10Z, G12A, G12B
09		J02A, J02B, J02C, J04A, J04B, J08A, J08B, J08C, J16Z, J21Z, J22A, J22B	08	I02A, I02B, I02C, I02D, I22A, I22B, I50Z		08	I02A, I02B, I02C, I02D, I22A, I22B, I50Z				
21A		W04A, W04B	09	J02A, J02B, J02C, J04A, J04B, J08A, J08B, J08C, J16Z, J21Z, J22A, J22B		09	J02A, J02B, J02C, J04A, J04B, J08A, J08B, J08C, J16Z, J21Z, J22A, J22B				
21B		X01A, X01B, X01C	21A	W04A, W04B		21A	W04A, W04B				
5v62x.8↔			BOP, KVT, UOP4	5v62x.e↔			BOP, KVT, UOP4	5v62x.p↔			BOP, KVT, UOP4
		01	B03A, B03B, B06A, B06B, B07Z, B17A, B17B, B17C			01	B03A, B03B, B06A, B06B, B07Z, B17A, B17B, B17C			01	B03A, B03B, B06A, B06B, B07Z, B17A, B17B, B17C
		05	F13A, F21A, F21B, F28A			05	F13A, F21A, F21B, F27A, F27B, F27C, F28A			05	F13A, F21A, F21B, F28A
		08	I02A, I02B, I02C, I02D, I22A, I22B, I32A, I32B, I32C, I32D, I32E, I32F, I50Z			08	I02A, I02B, I02C, I02D, I22A, I22B, I50Z			08	I02A, I02B, I02C, I02D, I22A, I22B, I32A, I32B, I32C, I32D, I32E, I32F, I50Z
	09	J02A, J02B, J02C, J04A, J04B, J08A, J08B, J08C, J16Z, J21Z, J22A, J22B	09		J02A, J02B, J02C, J04A, J04B, J08A, J08B, J08C, J16Z, J21Z, J22A, J22B	09	J02A, J02B, J02C, J04A, J04B, J08A, J08B, J08C, J16Z, J21Z, J22A, J22B				
	21A	W04A, W04B	21A		W04A, W04B	21A	W04A, W04B				
	21B	X01A, X01B, X01C	21B		X01A, X01B, X01C	21B	X01A, X01B, X01C				
	5v62x.9↔		BOP, KVT, UOP4		5v62x.9↔		BOP, KVT, UOP4		5v62x.9↔		BOP, KVT, UOP4
		01	B03A, B03B, B06A, B06B, B07Z, B17A, B17B, B17C			01	B03A, B03B, B06A, B06B, B07Z, B17A, B17B, B17C			01	B03A, B03B, B06A, B06B, B07Z, B17A, B17B, B17C
		05	F13A, F21A, F21B, F28A			05	F13A, F21A, F21B, F28A			05	F13A, F21A, F21B, F28A
		08	I12A, I12B, I12C, I32A, I32B, I32C, I32D, I32E, I32F			08	I02A, I02B, I02C, I02D, I22A, I22B, I50Z			08	I02A, I02B, I02C, I02D, I22A, I22B, I32A, I32B, I32C, I32D, I32E, I32F, I50Z
09		J03A, J03B, J04A, J04B, J08A, J08B, J08C, J16Z, J21Z, J22A, J22B	09	J02A, J02B, J02C, J04A, J04B, J08A, J08B, J08C, J16Z, J21Z, J22A, J22B		09	J02A, J02B, J02C, J04A, J04B, J08A, J08B, J08C, J16Z, J21Z, J22A, J22B				
21A		W04A, W04B	10	K01Z		21A	W04A, W04B				
21B		X01A, X01B, X01C	21A	W04A, W04B		21B	X01A, X01B, X01C				
			21B	X01A, X01B, X01C							

VYK

ZZV	MDC	DRG	ZZV	MDC	DRG	ZZV	MDC	DRG
5v62x.r		BOP, KVT, UOP4	5v62x.w↔		BOP, KVT, UOP4	5v630.4		BOP, KVT, UOP4
	01	B03A, B03B, B06A, B06B, B07Z, B17A, B17B, B17C		01	B03A, B03B, B06A, B06B, B07Z, B17A, B17B, B17C		01	B03A, B03B, B06A, B06B, B07Z, B17A, B17B, B17C
	02	C20A, C20B		05	F13A, F21A, F21B, F28A		02	C20A, C20B
	03	D18Z, D28Z, D29Z		08	I02A, I02B, I02C, I02D, I22A, I22B, I32A, I32B, I32C, I32D, I32E, I32F, I50Z		03	D18Z, D25A, D25B, D25C, D25D
	05	F13A, F21A, F21B, F28A		09	J02A, J02B, J02C, J04A, J04B, J08A, J08B, J08C, J16Z, J21Z, J22A, J22B		05	F13A, F21A, F21B, F28A
	08	I02A, I02B, I02C, I02D, I22A, I22B, I50Z		21A	W04A, W04B		08	I02A, I02B, I02C, I02D, I12A, I12B, I12C, I22A, I50Z
	09	J02A, J02B, J02C, J04A, J04B, J08A, J08B, J08C, J16Z, J21Z, J22A, J22B		21B	X01A, X01B, X01C		09	J02A, J02B, J02C, J04A, J04B, J08A, J08B, J08C, J16Z, J21Z, J22A, J22B
	21A	W04A, W04B					21A	W04A, W04B
	21B	X01A, X01B, X01C					21B	X01A, X01B
	5v62x.s↔			BOP, KVT, UOP4	5v62x.x↔			BOP, KVT, UOP4
01		B03A, B03B, B06A, B06B, B07Z, B17A, B17B, B17C	01	B03A, B03B, B06A, B06B, B07Z, B17A, B17B, B17C		01	B03A, B03B, B06A, B06B, B07Z, B17A, B17B, B17C	
05		F13A, F21A, F21B, F28A	05	F13A, F21A, F21B, F28A		03	D18Z, D25A, D25B, D25C, D25D	
08		I02A, I02B, I02C, I02D, I22A, I22B, I32A, I32B, I32C, I32D, I32E, I32F, I50Z	08	I02A, I02B, I02C, I02D, I22A, I22B, I32A, I32B, I32C, I32D, I32E, I32F, I50Z		05	F13A, F21A, F21B, F28A	
09		J02A, J02B, J02C, J04A, J04B, J08A, J08B, J08C, J16Z, J21Z, J22A, J22B	09	J02A, J02B, J02C, J04A, J04B, J08A, J08B, J08C, J16Z, J21Z, J22A, J22B		08	I02A, I02B, I02C, I02D, I12A, I12B, I12C, I22A, I50Z	
21A		W04A, W04B	21A	W04A, W04B		09	J02A, J02B, J02C, J04A, J04B, J08A, J08B, J08C, J16Z, J21Z, J22A, J22B	
21B		X01A, X01B, X01C	21B	X01A, X01B, X01C		21A	W04A, W04B	
						21B	X01A, X01B	
5v62x.t↔		BOP, KVT, UOP4	5v62x.y		BOP, KVT, UOP4	5v630.6↔		BOP, KVT, UOP4
	01	B03A, B03B, B06A, B06B, B07Z, B17A, B17B, B17C		01	B03A, B03B, B06A, B06B, B07Z, B17A, B17B, B17C		01	B03A, B03B, B06A, B06B, B07Z, B17A, B17B, B17C
	05	F13A, F21A, F21B, F28A		02	C20A, C20B		05	F13A, F21A, F21B, F28A
	08	I02A, I02B, I02C, I02D, I22A, I22B, I32A, I32B, I32C, I32D, I32E, I32F, I50Z		03	D18Z, D28Z, D29Z		08	I02A, I02B, I02C, I02D, I22A, I22B, I50Z
	09	J02A, J02B, J02C, J04A, J04B, J08A, J08B, J08C, J16Z, J21Z, J22A, J22B		05	F13A, F21A, F21B, F28A		09	J02A, J02B, J02C, J04A, J04B, J08A, J08B, J08C, J16Z, J21Z, J22A, J22B
	21A	W04A, W04B		08	I02A, I02B, I02C, I02D, I22A, I22B, I50Z		08	I02A, I02B, I02C, I02D, I12A, I12B, I12C, I22A, I50Z
	21B	X01A, X01B, X01C		09	J02A, J02B, J02C, J04A, J04B, J08A, J08B, J08C, J16Z, J21Z, J22A, J22B		09	J02A, J02B, J02C, J04A, J04B, J08A, J08B, J08C, J16Z, J21Z, J22A, J22B
				21A	W04A, W04B		21A	W04A, W04B
				21B	X01A, X01B, X01C		21B	X01A, X01B
5v62x.u↔		BOP, KVT, UOP4	5v630.0		BOP, KVT, UOP4	5v630.7↔		BOP, KVT, UOP4
	01	B03A, B03B, B06A, B06B, B07Z, B17A, B17B, B17C		01	B03A, B03B, B06A, B06B, B07Z, B17A, B17B, B17C		01	B03A, B03B, B06A, B06B, B07Z, B17A, B17B, B17C
	05	F13A, F21A, F21B, F28A		03	D18Z, D25A, D25B, D25C, D25D		05	F13A, F21A, F21B, F28A
	08	I02A, I02B, I02C, I02D, I22A, I22B, I32A, I32B, I32C, I32D, I32E, I32F, I50Z		05	F13A, F21A, F21B, F28A		08	I02A, I02B, I02C, I02D, I12A, I12B, I12C, I22A, I50Z
	09	J02A, J02B, J02C, J04A, J04B, J08A, J08B, J08C, J16Z, J21Z, J22A, J22B		08	I12A, I12B, I12C		09	J02A, J02B, J02C, J04A, J04B, J08A, J08B, J08C, J16Z, J21Z, J22A, J22B
	21A	W04A, W04B		09	J02A, J02B, J02C, J04A, J04B, J08A, J08B, J08C, J16Z, J21Z, J22A, J22B		21A	W04A, W04B
	21B	X01A, X01B, X01C		21A	W04A, W04B		21B	X01A, X01B
				21B	X01A, X01B			
5v62x.v↔		BOP, KVT, UOP4	5v630.1		BOP, KVT, UOP4	5v630.8↔		BOP, KVT, UOP4
	01	B03A, B03B, B06A, B06B, B07Z, B17A, B17B, B17C		01	B03A, B03B, B06A, B06B, B07Z, B17A, B17B, B17C		01	B03A, B03B, B06A, B06B, B07Z, B17A, B17B, B17C
	05	F13A, F21A, F21B, F28A		02	C20A, C20B		05	F13A, F21A, F21B, F28A
	08	I02A, I02B, I02C, I02D, I22A, I22B, I32A, I32B, I32C, I32D, I32E, I32F, I50Z		03	D18Z, D25A, D25B, D25C, D25D		08	I02A, I02B, I02C, I02D, I12A, I12B, I12C, I22A, I32A, I32B, I32C, I32D, I32E, I32F, I50Z
	09	J02A, J02B, J02C, J04A, J04B, J08A, J08B, J08C, J16Z, J21Z, J22A, J22B		05	F13A, F21A, F21B, F28A		09	J02A, J02B, J02C, J04A, J04B, J08A, J08B, J08C, J16Z, J21Z, J22A, J22B
	21A	W04A, W04B		08	I02A, I02B, I02C, I02D, I12A, I12B, I12C, I22A, I50Z		21A	W04A, W04B
	21B	X01A, X01B, X01C		09	J02A, J02B, J02C, J04A, J04B, J08A, J08B, J08C, J16Z, J21Z, J22A, J22B		21B	X01A, X01B
				21A	W04A, W04B			
				21B	X01A, X01B			



ZZV	MDC	DRG	ZZV	MDC	DRG	ZZV	MDC	DRG		
5v630.u↔		BOP, KVT, UOP4	5v631.1		BOP, KVT, UOP4	5v631.8↔		BOP, KVT, UOP4		
	01	B03A, B03B, B06A, B06B, B07Z, B17A, B17B, B17C		01	B03A, B03B, B06A, B06B, B07Z, B17A, B17B, B17C		01	B03A, B03B, B06A, B06B, B07Z, B17A, B17B, B17C		
	05	F13A, F21A, F21B, F27A, F27B, F27C, F28A		02	C20A, C20B		05	F13A, F21A, F21B, F28A		
	08	I02A, I02B, I02C, I02D, I12A, I12B, I12C, I22A, I32A, I32B, I32C, I32D, I32E, I32F, I50Z		03	D18Z, D25A, D25B, D25C, D25D		08	I02A, I02B, I02C, I02D, I12A, I12B, I12C, I22A, I50Z		
	09	J02A, J02B, J02C, J04A, J04B, J08A, J08B, J08C, J16Z, J21Z, J22A, J22B		05	F13A, F21A, F21B, F28A		09	J02A, J02B, J02C, J04A, J04B, J08A, J08B, J08C, J16Z, J21Z, J22A, J22B		
	10	K01Z		08	I02A, I02B, I02C, I02D, I12A, I12B, I12C, I22A, I50Z		21A	W04A, W04B		
	21A	W04A, W04B		09	J02A, J02B, J02C, J04A, J04B, J08A, J08B, J08C, J16Z, J21Z, J22A, J22B		21B	X01A, X01B		
	21B	X01A, X01B		21A	W04A, W04B		5v631.9↔		BOP, KVT, UOP4	
	5v630.w↔			BOP, KVT, UOP4	5v631.4				BOP, KVT, UOP4	01
		01		B03A, B03B, B06A, B06B, B07Z, B17A, B17B, B17C			01	B03A, B03B, B06A, B06B, B07Z, B17A, B17B, B17C	05	F13A, F21A, F21B, F28A
		05		F13A, F21A, F21B, F27A, F27B, F27C, F28A			02	C20A, C20B	08	I12A, I12B, I12C, I32A, I32B, I32C, I32D, I32E, I32F
08		I02A, I02B, I02C, I02D, I12A, I12B, I12C, I22A, I32A, I32B, I32C, I32D, I32E, I32F, I50Z	03	D18Z, D25A, D25B, D25C, D25D		09	J02A, J02B, J02C, J04A, J04B, J08A, J08B, J08C, J16Z, J21Z, J22A, J22B			
09		J02A, J02B, J02C, J04A, J04B, J08A, J08B, J08C, J16Z, J21Z, J22A, J22B	05	F13A, F21A, F21B, F28A		21A	W04A, W04B			
10		K01Z	08	I02A, I02B, I02C, I02D, I12A, I12B, I12C, I22A, I50Z		21B	X01A, X01B			
21A		W04A, W04B	09	J02A, J02B, J02C, J04A, J04B, J08A, J08B, J08C, J16Z, J21Z, J22A, J22B		5v631.a		BOP, KVT, UOP4		
21B		X01A, X01B	21A	W04A, W04B			01	B03A, B03B, B06A, B06B, B07Z, B17A, B17B, B17C		
5v630.x↔			BOP, KVT, UOP4	5v631.5			BOP, KVT, UOP4	05	F13A, F21A, F21B, F28A	
		01	B03A, B03B, B06A, B06B, B07Z, B17A, B17B, B17C			01	B03A, B03B, B06A, B06B, B07Z, B17A, B17B, B17C	06	G10Z, G12A, G12B	
		05	F13A, F21A, F21B, F27A, F27B, F27C, F28A			03	D18Z, D25A, D25B, D25C, D25D	08	I02A, I02B, I02C, I02D, I12A, I12B, I12C, I22A, I50Z	
	08	I02A, I02B, I02C, I02D, I12A, I12B, I12C, I22A, I32A, I32B, I32C, I32D, I32E, I32F, I50Z	05		F13A, F21A, F21B, F28A	09	J02A, J02B, J02C, J04A, J04B, J08A, J08B, J08C, J16Z, J21Z, J22A, J22B			
	09	J02A, J02B, J02C, J04A, J04B, J08A, J08B, J08C, J16Z, J21Z, J22A, J22B	08		I02A, I02B, I02C, I02D, I12A, I12B, I12C, I22A, I50Z	21A	W04A, W04B			
	10	K01Z	09		J02A, J02B, J02C, J04A, J04B, J08A, J08B, J08C, J16Z, J21Z, J22A, J22B	21B	X01A, X01B			
	21A	W04A, W04B	21A		W04A, W04B	5v631.b		BOP, KVT, UOP4		
	21B	X01A, X01B	21B		X01A, X01B		01	B03A, B03B, B06A, B06B, B07Z, B17A, B17B, B17C		
	5v630.y		BOP, KVT, UOP4		5v631.6↔		BOP, KVT, UOP4	05	F13A, F21A, F21B, F28A	
		01	B03A, B03B, B06A, B06B, B07Z, B17A, B17B, B17C			01	B03A, B03B, B06A, B06B, B07Z, B17A, B17B, B17C	06	G10Z, G12A, G12B	
		02	C20A, C20B			05	F13A, F21A, F21B, F28A	08	I02A, I02B, I02C, I02D, I12A, I12B, I12C, I22A, I50Z	
03		D18Z, D25A, D25B, D25C, D25D	08	I02A, I02B, I02C, I02D, I12A, I12B, I12C, I22A, I50Z		09	J02A, J02B, J02C, J04A, J04B, J08A, J08B, J08C, J16Z, J21Z, J22A, J22B			
05		F13A, F21A, F21B, F28A	09	J02A, J02B, J02C, J04A, J04B, J08A, J08B, J08C, J16Z, J21Z, J22A, J22B		21A	W04A, W04B			
08		I02A, I02B, I02C, I02D, I12A, I12B, I12C, I22A, I50Z	21A	W04A, W04B		21B	X01A, X01B			
09		J02A, J02B, J02C, J04A, J04B, J08A, J08B, J08C, J16Z, J21Z, J22A, J22B	5v631.7↔			BOP, KVT, UOP4	5v631.c		BOP, KVT, UOP4	
21A		W04A, W04B		01		B03A, B03B, B06A, B06B, B07Z, B17A, B17B, B17C		01	B03A, B03B, B06A, B06B, B07Z, B17A, B17B, B17C	
21B		X01A, X01B	05	F13A, F21A, F21B, F28A		05	F13A, F21A, F21B, F28A			
5v631.0			BOP, KVT, UOP4	5v631.7↔			BOP, KVT, UOP4	06	G10Z, G12A, G12B	
		01	B03A, B03B, B06A, B06B, B07Z, B17A, B17B, B17C			01	B03A, B03B, B06A, B06B, B07Z, B17A, B17B, B17C	08	I02A, I02B, I02C, I02D, I12A, I12B, I12C, I22A, I50Z	
	03	D18Z, D25A, D25B, D25C, D25D	05		F13A, F21A, F21B, F28A	09	J02A, J02B, J02C, J04A, J04B, J08A, J08B, J08C, J16Z, J21Z, J22A, J22B			
	05	F13A, F21A, F21B, F28A	08		I02A, I02B, I02C, I02D, I12A, I12B, I12C, I22A, I50Z	21A	W04A, W04B			
	08	I12A, I12B, I12C	09		J02A, J02B, J02C, J04A, J04B, J08A, J08B, J08C, J16Z, J21Z, J22A, J22B	21B	X01A, X01B			
	09	J02A, J02B, J02C, J04A, J04B, J08A, J08B, J08C, J16Z, J21Z, J22A, J22B	21A		W04A, W04B	5v631.d		BOP, KVT, UOP4		
	21A	W04A, W04B	21B		X01A, X01B		01	B03A, B03B, B06A, B06B, B07Z, B17A, B17B, B17C		
	21B	X01A, X01B				05	F13A, F21A, F21B, F28A			
						06	G10Z, G12A, G12B			
						08	I02A, I02B, I02C, I02D, I12A, I12B, I12C, I22A, I50Z			
						09	J02A, J02B, J02C, J04A, J04B, J08A, J08B, J08C, J16Z, J21Z, J22A, J22B			
				21A	W04A, W04B					
				21B	X01A, X01B					

VYK



ZZV	MDC	DRG	ZZV	MDC	DRG	ZZV	MDC	DRG			
5v631.e↔		BOP, KVT, UOP4	5v631.p↔		BOP, KVT, UOP4	5v631.u↔		BOP, KVT, UOP4			
	01	B03A, B03B, B06A, B06B, B07Z, B17A, B17B, B17C		01	B03A, B03B, B06A, B06B, B07Z, B17A, B17B, B17C		01	B03A, B03B, B06A, B06B, B07Z, B17A, B17B, B17C			
	05	F13A, F21A, F21B, F27A, F27B, F27C, F28A		05	F13A, F21A, F21B, F27A, F27B, F27C, F28A		05	F13A, F21A, F21B, F27A, F27B, F27C, F28A			
	08	I02A, I02B, I02C, I02D, I12A, I12B, I12C, I22A, I50Z		08	I02A, I02B, I02C, I02D, I12A, I12B, I12C, I22A, I32A, I32B, I32C, I32D, I32E, I32F, I50Z		08	I02A, I02B, I02C, I02D, I12A, I12B, I12C, I22A, I32A, I32B, I32C, I32D, I32E, I32F, I50Z			
	09	J02A, J02B, J02C, J04A, J04B, J08A, J08B, J08C, J16Z, J21Z, J22A, J22B		09	J02A, J02B, J02C, J04A, J04B, J08A, J08B, J08C, J16Z, J21Z, J22A, J22B		09	J02A, J02B, J02C, J04A, J04B, J08A, J08B, J08C, J16Z, J21Z, J22A, J22B			
	10	K01Z		10	K01Z		10	K01Z			
	21A	W04A, W04B		21A	W04A, W04B		21A	W04A, W04B			
	21B	X01A, X01B		21B	X01A, X01B		21B	X01A, X01B			
	5v631.f↔			BOP, KVT, UOP4	5v631.q↔			BOP, KVT, UOP4	5v631.w↔		BOP, KVT, UOP4
		01		B03A, B03B, B06A, B06B, B07Z, B17A, B17B, B17C			01	B03A, B03B, B06A, B06B, B07Z, B17A, B17B, B17C		01	B03A, B03B, B06A, B06B, B07Z, B17A, B17B, B17C
05		F13A, F21A, F21B, F27A, F27B, F27C, F28A	05	F13A, F21A, F21B, F27A, F27B, F27C, F28A		05	F13A, F21A, F21B, F27A, F27B, F27C, F28A				
08		I02A, I02B, I02C, I02D, I12A, I12B, I12C, I22A, I50Z	08	I02A, I02B, I02C, I02D, I12A, I12B, I12C, I22A, I32A, I32B, I32C, I32D, I32E, I32F, I50Z		08	I02A, I02B, I02C, I02D, I12A, I12B, I12C, I22A, I32A, I32B, I32C, I32D, I32E, I32F, I50Z				
09		J02A, J02B, J02C, J04A, J04B, J08A, J08B, J08C, J16Z, J21Z, J22A, J22B	09	J02A, J02B, J02C, J04A, J04B, J08A, J08B, J08C, J16Z, J21Z, J22A, J22B		09	J02A, J02B, J02C, J04A, J04B, J08A, J08B, J08C, J16Z, J21Z, J22A, J22B				
10		K01Z	10	K01Z		10	K01Z				
21A		W04A, W04B	21A	W04A, W04B		21A	W04A, W04B				
21B		X01A, X01B	21B	X01A, X01B		21B	X01A, X01B				
5v631.g↔			BOP, KVT, UOP4	5v631.r↔			BOP, KVT, UOP4	5v631.x↔			BOP, KVT, UOP4
		01	B03A, B03B, B06A, B06B, B07Z, B17A, B17B, B17C			01	B03A, B03B, B06A, B06B, B07Z, B17A, B17B, B17C			01	B03A, B03B, B06A, B06B, B07Z, B17A, B17B, B17C
	05	F13A, F21A, F21B, F27A, F27B, F27C, F28A	05		F13A, F21A, F21B, F27A, F27B, F27C, F28A	05	F13A, F21A, F21B, F27A, F27B, F27C, F28A				
	08	I02A, I02B, I02C, I02D, I12A, I12B, I12C, I22A, I50Z	08		I02A, I02B, I02C, I02D, I12A, I12B, I12C, I22A, I32A, I32B, I32C, I32D, I32E, I32F, I50Z	08	I02A, I02B, I02C, I02D, I12A, I12B, I12C, I22A, I32A, I32B, I32C, I32D, I32E, I32F, I50Z				
	09	J02A, J02B, J02C, J04A, J04B, J08A, J08B, J08C, J16Z, J21Z, J22A, J22B	09		J02A, J02B, J02C, J04A, J04B, J08A, J08B, J08C, J16Z, J21Z, J22A, J22B	09	J02A, J02B, J02C, J04A, J04B, J08A, J08B, J08C, J16Z, J21Z, J22A, J22B				
	10	K01Z	10		K01Z	10	K01Z				
	21A	W04A, W04B	21A		W04A, W04B	21A	W04A, W04B				
	21B	X01A, X01B	21B		X01A, X01B	21B	X01A, X01B				
	5v631.h		BOP, KVT, UOP4		5v631.s↔		BOP, KVT, UOP4		5v631.y		BOP, KVT, UOP4
		01	B03A, B03B, B06A, B06B, B07Z, B17A, B17B, B17C			01	B03A, B03B, B06A, B06B, B07Z, B17A, B17B, B17C			01	B03A, B03B, B06A, B06B, B07Z, B17A, B17B, B17C
02		C20A, C20B	02	C20A, C20B		02	C20A, C20B				
03		D18Z, D25A, D25B, D25C, D25D	03	D18Z, D25A, D25B, D25C, D25D		03	D18Z, D25A, D25B, D25C, D25D				
05		F13A, F21A, F21B, F28A	05	F13A, F21A, F21B, F27A, F27B, F27C, F28A		05	F13A, F21A, F21B, F28A				
08		I02A, I02B, I02C, I02D, I12A, I12B, I12C, I22A, I50Z	08	I02A, I02B, I02C, I02D, I12A, I12B, I12C, I22A, I32A, I32B, I32C, I32D, I32E, I32F, I50Z		08	I02A, I02B, I02C, I02D, I12A, I12B, I12C, I22A, I50Z				
09		J02A, J02B, J02C, J04A, J04B, J08A, J08B, J08C, J16Z, J21Z, J22A, J22B	09	J02A, J02B, J02C, J04A, J04B, J08A, J08B, J08C, J16Z, J21Z, J22A, J22B		09	J02A, J02B, J02C, J04A, J04B, J08A, J08B, J08C, J16Z, J21Z, J22A, J22B				
21A		W04A, W04B	10	K01Z		21A	W04A, W04B				
21B		X01A, X01B	21A	W04A, W04B		21B	X01A, X01B				
5v631.n↔			BOP, KVT, UOP4	5v631.t↔			BOP, KVT, UOP4	5v632.0			BOP, KVT, UOP4
	01	B03A, B03B, B06A, B06B, B07Z, B17A, B17B, B17C	01		B03A, B03B, B06A, B06B, B07Z, B17A, B17B, B17C	01	B03A, B03B, B06A, B06B, B07Z, B17A, B17B, B17C				
	05	F13A, F21A, F21B, F28A	05		F13A, F21A, F21B, F27A, F27B, F27C, F28A	03	D18Z, D25A, D25B, D25C, D25D				
	06	G10Z, G12A, G12B	08		I02A, I02B, I02C, I02D, I12A, I12B, I12C, I22A, I50Z	05	F13A, F21A, F21B, F28A				
	08	I02A, I02B, I02C, I02D, I12A, I12B, I12C, I22A, I50Z	09		J02A, J02B, J02C, J04A, J04B, J08A, J08B, J08C, J16Z, J21Z, J22A, J22B	08	I12A, I12B, I12C				
	09	J02A, J02B, J02C, J04A, J04B, J08A, J08B, J08C, J16Z, J21Z, J22A, J22B	21A		W04A, W04B	09	J02A, J02B, J02C, J04A, J04B, J08A, J08B, J08C, J16Z, J21Z, J22A, J22B				
	21A	W04A, W04B	10		K01Z	21A	W04A, W04B				
	21B	X01A, X01B	21A		W04A, W04B	21B	X01A, X01B				
			21B		X01A, X01B						

VYK



ZZV	MDC	DRG	ZZV	MDC	DRG	ZZV	MDC	DRG			
5v632.p↔		BOP, KVT, UOP4	5v632.u↔		BOP, KVT, UOP4	5v633.1		BOP, KVT, UOP4			
	01	B03A, B03B, B06A, B06B, B07Z, B17A, B17B, B17C		01	B03A, B03B, B06A, B06B, B07Z, B17A, B17B, B17C		01	B03A, B03B, B06A, B06B, B07Z, B17A, B17B, B17C			
	05	F13A, F21A, F21B, F27A, F27B, F27C, F28A		05	F13A, F21A, F21B, F27A, F27B, F27C, F28A		02	C20A, C20B			
	08	I02A, I02B, I02C, I02D, I12A, I12B, I12C, I22A, I32A, I32B, I32C, I32D, I32E, I32F, I50Z		08	I02A, I02B, I02C, I02D, I12A, I12B, I12C, I22A, I32A, I32B, I32C, I32D, I32E, I32F, I50Z		03	D18Z, D25A, D25B, D25C, D25D			
	09	J02A, J02B, J02C, J04A, J04B, J08A, J08B, J08C, J16Z, J21Z, J22A, J22B		09	J02A, J02B, J02C, J04A, J04B, J08A, J08B, J08C, J16Z, J21Z, J22A, J22B		05	F13A, F21A, F21B, F28A			
	10	K01Z		10	K01Z		08	I02A, I02B, I02C, I02D, I12A, I12B, I12C, I22A, I50Z			
	21A	W04A, W04B		21A	W04A, W04B		09	J02A, J02B, J02C, J04A, J04B, J08A, J08B, J08C, J16Z, J21Z, J22A, J22B			
	21B	X01A, X01B		21B	X01A, X01B		21A	W04A, W04B			
	5v632.q↔			BOP, KVT, UOP4	5v632.w↔			BOP, KVT, UOP4	5v633.4		BOP, KVT, UOP4
		01		B03A, B03B, B06A, B06B, B07Z, B17A, B17B, B17C			01	B03A, B03B, B06A, B06B, B07Z, B17A, B17B, B17C		01	B03A, B03B, B06A, B06B, B07Z, B17A, B17B, B17C
05		F13A, F21A, F21B, F27A, F27B, F27C, F28A	05	F13A, F21A, F21B, F27A, F27B, F27C, F28A		02	C20A, C20B				
08		I02A, I02B, I02C, I02D, I12A, I12B, I12C, I22A, I32A, I32B, I32C, I32D, I32E, I32F, I50Z	08	I02A, I02B, I02C, I02D, I12A, I12B, I12C, I22A, I32A, I32B, I32C, I32D, I32E, I32F, I50Z		03	D18Z, D25A, D25B, D25C, D25D				
09		J02A, J02B, J02C, J04A, J04B, J08A, J08B, J08C, J16Z, J21Z, J22A, J22B	09	J02A, J02B, J02C, J04A, J04B, J08A, J08B, J08C, J16Z, J21Z, J22A, J22B		05	F13A, F21A, F21B, F28A				
10		K01Z	10	K01Z		08	I02A, I02B, I02C, I02D, I12A, I12B, I12C, I22A, I50Z				
21A		W04A, W04B	21A	W04A, W04B		09	J02A, J02B, J02C, J04A, J04B, J08A, J08B, J08C, J16Z, J21Z, J22A, J22B				
21B		X01A, X01B	21B	X01A, X01B		21A	W04A, W04B				
5v632.r↔			BOP, KVT, UOP4	5v632.x↔			BOP, KVT, UOP4	5v633.5			BOP, KVT, UOP4
		01	B03A, B03B, B06A, B06B, B07Z, B17A, B17B, B17C			01	B03A, B03B, B06A, B06B, B07Z, B17A, B17B, B17C			01	B03A, B03B, B06A, B06B, B07Z, B17A, B17B, B17C
	05	F13A, F21A, F21B, F27A, F27B, F27C, F28A	05		F13A, F21A, F21B, F27A, F27B, F27C, F28A	03	D18Z, D25A, D25B, D25C, D25D				
	08	I02A, I02B, I02C, I02D, I12A, I12B, I12C, I22A, I32A, I32B, I32C, I32D, I32E, I32F, I50Z	08		I02A, I02B, I02C, I02D, I12A, I12B, I12C, I22A, I32A, I32B, I32C, I32D, I32E, I32F, I50Z	05	F13A, F21A, F21B, F28A				
	09	J02A, J02B, J02C, J04A, J04B, J08A, J08B, J08C, J16Z, J21Z, J22A, J22B	09		J02A, J02B, J02C, J04A, J04B, J08A, J08B, J08C, J16Z, J21Z, J22A, J22B	08	I02A, I02B, I02C, I02D, I12A, I12B, I12C, I22A, I50Z				
	10	K01Z	10		K01Z	09	J02A, J02B, J02C, J04A, J04B, J08A, J08B, J08C, J16Z, J21Z, J22A, J22B				
	21A	W04A, W04B	21A		W04A, W04B	21A	W04A, W04B				
	21B	X01A, X01B	21B		X01A, X01B	21B	X01A, X01B				
	5v632.s↔		BOP, KVT, UOP4		5v632.y		BOP, KVT, UOP4		5v633.6↔		BOP, KVT, UOP4
		01	B03A, B03B, B06A, B06B, B07Z, B17A, B17B, B17C			01	B03A, B03B, B06A, B06B, B07Z, B17A, B17B, B17C			01	B03A, B03B, B06A, B06B, B07Z, B17A, B17B, B17C
05		F13A, F21A, F21B, F27A, F27B, F27C, F28A	02	C20A, C20B		05	F13A, F21A, F21B, F28A				
08		I02A, I02B, I02C, I02D, I12A, I12B, I12C, I22A, I32A, I32B, I32C, I32D, I32E, I32F, I50Z	03	D18Z, D25A, D25B, D25C, D25D		08	I02A, I02B, I02C, I02D, I12A, I12B, I12C, I22A, I50Z				
09		J02A, J02B, J02C, J04A, J04B, J08A, J08B, J08C, J16Z, J21Z, J22A, J22B	05	F13A, F21A, F21B, F28A		09	J02A, J02B, J02C, J04A, J04B, J08A, J08B, J08C, J16Z, J21Z, J22A, J22B				
10		K01Z	08	I02A, I02B, I02C, I02D, I12A, I12B, I12C, I22A, I50Z		21A	W04A, W04B				
21A		W04A, W04B	09	J02A, J02B, J02C, J04A, J04B, J08A, J08B, J08C, J16Z, J21Z, J22A, J22B		21B	X01A, X01B				
21B		X01A, X01B	21A	W04A, W04B		5v633.7↔		BOP, KVT, UOP4			
5v632.t↔			BOP, KVT, UOP4	5v633.0				BOP, KVT, UOP4		01	B03A, B03B, B06A, B06B, B07Z, B17A, B17B, B17C
		01	B03A, B03B, B06A, B06B, B07Z, B17A, B17B, B17C			01	B03A, B03B, B06A, B06B, B07Z, B17A, B17B, B17C	05		F13A, F21A, F21B, F28A	
	05	F13A, F21A, F21B, F27A, F27B, F27C, F28A	03		D18Z, D25A, D25B, D25C, D25D	08	I02A, I02B, I02C, I02D, I12A, I12B, I12C, I22A, I50Z				
	08	I02A, I02B, I02C, I02D, I12A, I12B, I12C, I22A, I32A, I32B, I32C, I32D, I32E, I32F, I50Z	05		F13A, F21A, F21B, F28A	09	J02A, J02B, J02C, J04A, J04B, J08A, J08B, J08C, J16Z, J21Z, J22A, J22B				
	09	J02A, J02B, J02C, J04A, J04B, J08A, J08B, J08C, J16Z, J21Z, J22A, J22B	08		I12A, I12B, I12C	21A	W04A, W04B				
	10	K01Z	09		J02A, J02B, J02C, J04A, J04B, J08A, J08B, J08C, J16Z, J21Z, J22A, J22B	21B	X01A, X01B				
	21A	W04A, W04B	21A		W04A, W04B						
	21B	X01A, X01B	21B		X01A, X01B						

VYK

ZZV	MDC	DRG	ZZV	MDC	DRG	ZZV	MDC	DRG			
5v633.8↔		BOP, KVT, UOP4	5v633.e↔		BOP, KVT, UOP4	5v633.p↔		BOP, KVT, UOP4			
	01	B03A, B03B, B06A, B06B, B07Z, B17A, B17B, B17C		01	B03A, B03B, B06A, B06B, B07Z, B17A, B17B, B17C		01	B03A, B03B, B06A, B06B, B07Z, B17A, B17B, B17C			
	05	F13A, F21A, F21B, F28A		05	F13A, F21A, F21B, F27A, F27B, F27C, F28A		05	F13A, F21A, F21B, F27A, F27B, F27C, F28A			
	08	I02A, I02B, I02C, I02D, I12A, I12B, I12C, I22A, I32A, I32B, I32C, I32D, I32E, I32F, I50Z		08	I02A, I02B, I02C, I02D, I12A, I12B, I12C, I22A, I50Z		08	I02A, I02B, I02C, I02D, I12A, I12B, I12C, I22A, I32A, I32B, I32C, I32D, I32E, I32F, I50Z			
	09	J02A, J02B, J02C, J04A, J04B, J08A, J08B, J08C, J16Z, J21Z, J22A, J22B		09	J02A, J02B, J02C, J04A, J04B, J08A, J08B, J08C, J16Z, J21Z, J22A, J22B		09	J02A, J02B, J02C, J04A, J04B, J08A, J08B, J08C, J16Z, J21Z, J22A, J22B			
	21A	W04A, W04B		10	K01Z		10	K01Z			
	21B	X01A, X01B		21A	W04A, W04B		21A	W04A, W04B			
	5v633.9↔			BOP, KVT, UOP4	5v633.f↔			BOP, KVT, UOP4	5v633.q↔		BOP, KVT, UOP4
		01		B03A, B03B, B06A, B06B, B07Z, B17A, B17B, B17C			01	B03A, B03B, B06A, B06B, B07Z, B17A, B17B, B17C		01	B03A, B03B, B06A, B06B, B07Z, B17A, B17B, B17C
		05		F13A, F21A, F21B, F28A			05	F13A, F21A, F21B, F27A, F27B, F27C, F28A		05	F13A, F21A, F21B, F27A, F27B, F27C, F28A
08		I12A, I12B, I12C, I32A, I32B, I32C, I32D, I32E, I32F	08	I02A, I02B, I02C, I02D, I12A, I12B, I12C, I22A, I50Z		08	I02A, I02B, I02C, I02D, I12A, I12B, I12C, I22A, I32A, I32B, I32C, I32D, I32E, I32F, I50Z				
09		J02A, J02B, J02C, J04A, J04B, J08A, J08B, J08C, J16Z, J21Z, J22A, J22B	09	J02A, J02B, J02C, J04A, J04B, J08A, J08B, J08C, J16Z, J21Z, J22A, J22B		09	J02A, J02B, J02C, J04A, J04B, J08A, J08B, J08C, J16Z, J21Z, J22A, J22B				
21A		W04A, W04B	10	K01Z		10	K01Z				
21B		X01A, X01B	21A	W04A, W04B		21A	W04A, W04B				
5v633.a			BOP, KVT, UOP4	5v633.g↔			BOP, KVT, UOP4	5v633.r↔			BOP, KVT, UOP4
		01	B03A, B03B, B06A, B06B, B07Z, B17A, B17B, B17C			01	B03A, B03B, B06A, B06B, B07Z, B17A, B17B, B17C			01	B03A, B03B, B06A, B06B, B07Z, B17A, B17B, B17C
		05	F13A, F21A, F21B, F28A			05	F13A, F21A, F21B, F27A, F27B, F27C, F28A			05	F13A, F21A, F21B, F27A, F27B, F27C, F28A
	06	G10Z, G12A, G12B	08		I02A, I02B, I02C, I02D, I12A, I12B, I12C, I22A, I50Z	08	I02A, I02B, I02C, I02D, I12A, I12B, I12C, I22A, I32A, I32B, I32C, I32D, I32E, I32F, I50Z				
	08	I02A, I02B, I02C, I02D, I12A, I12B, I12C, I22A, I50Z	09		J02A, J02B, J02C, J04A, J04B, J08A, J08B, J08C, J16Z, J21Z, J22A, J22B	09	J02A, J02B, J02C, J04A, J04B, J08A, J08B, J08C, J16Z, J21Z, J22A, J22B				
	09	J02A, J02B, J02C, J04A, J04B, J08A, J08B, J08C, J16Z, J21Z, J22A, J22B	10		K01Z	10	K01Z				
	21A	W04A, W04B	21A		W04A, W04B	21A	W04A, W04B				
	21B	X01A, X01B	21B		X01A, X01B	21B	X01A, X01B				
	5v633.b		BOP, KVT, UOP4		5v633.h		BOP, KVT, UOP4		5v633.s↔		BOP, KVT, UOP4
		01	B03A, B03B, B06A, B06B, B07Z, B17A, B17B, B17C			01	B03A, B03B, B06A, B06B, B07Z, B17A, B17B, B17C			01	B03A, B03B, B06A, B06B, B07Z, B17A, B17B, B17C
05		F13A, F21A, F21B, F28A	02	C20A, C20B		05	F13A, F21A, F21B, F27A, F27B, F27C, F28A				
06		G10Z, G12A, G12B	03	D18Z, D25A, D25B, D25C, D25D		08	I02A, I02B, I02C, I02D, I12A, I12B, I12C, I22A, I50Z				
08		I02A, I02B, I02C, I02D, I12A, I12B, I12C, I22A, I50Z	05	F13A, F21A, F21B, F28A		08	I02A, I02B, I02C, I02D, I12A, I12B, I12C, I22A, I32A, I32B, I32C, I32D, I32E, I32F, I50Z				
09		J02A, J02B, J02C, J04A, J04B, J08A, J08B, J08C, J16Z, J21Z, J22A, J22B	08	I02A, I02B, I02C, I02D, I12A, I12B, I12C, I22A, I50Z		09	J02A, J02B, J02C, J04A, J04B, J08A, J08B, J08C, J16Z, J21Z, J22A, J22B				
21A		W04A, W04B	21A	W04A, W04B		10	K01Z				
21B		X01A, X01B	21B	X01A, X01B		21A	W04A, W04B				
5v633.c			BOP, KVT, UOP4	5v633.n↔			BOP, KVT, UOP4	5v633.t↔			BOP, KVT, UOP4
		01	B03A, B03B, B06A, B06B, B07Z, B17A, B17B, B17C			01	B03A, B03B, B06A, B06B, B07Z, B17A, B17B, B17C			01	B03A, B03B, B06A, B06B, B07Z, B17A, B17B, B17C
	05	F13A, F21A, F21B, F28A	05		F13A, F21A, F21B, F28A	05	F13A, F21A, F21B, F27A, F27B, F27C, F28A				
	06	G10Z, G12A, G12B	06		G10Z, G12A, G12B	08	I02A, I02B, I02C, I02D, I12A, I12B, I12C, I22A, I50Z				
	08	I02A, I02B, I02C, I02D, I12A, I12B, I12C, I22A, I50Z	08		I02A, I02B, I02C, I02D, I12A, I12B, I12C, I22A, I50Z	08	I02A, I02B, I02C, I02D, I12A, I12B, I12C, I22A, I32A, I32B, I32C, I32D, I32E, I32F, I50Z				
	09	J02A, J02B, J02C, J04A, J04B, J08A, J08B, J08C, J16Z, J21Z, J22A, J22B	09		J02A, J02B, J02C, J04A, J04B, J08A, J08B, J08C, J16Z, J21Z, J22A, J22B	09	J02A, J02B, J02C, J04A, J04B, J08A, J08B, J08C, J16Z, J21Z, J22A, J22B				
	21A	W04A, W04B	21A		W04A, W04B	10	K01Z				
	21B	X01A, X01B	21B		X01A, X01B	21A	W04A, W04B				
	5v633.d		BOP, KVT, UOP4				5v633.u↔			BOP, KVT, UOP4	
		01	B03A, B03B, B06A, B06B, B07Z, B17A, B17B, B17C						01	B03A, B03B, B06A, B06B, B07Z, B17A, B17B, B17C	
05		F13A, F21A, F21B, F28A			05	F13A, F21A, F21B, F27A, F27B, F27C, F28A					
06		G10Z, G12A, G12B			08	I02A, I02B, I02C, I02D, I12A, I12B, I12C, I22A, I32A, I32B, I32C, I32D, I32E, I32F, I50Z					
08		I02A, I02B, I02C, I02D, I12A, I12B, I12C, I22A, I50Z			09	J02A, J02B, J02C, J04A, J04B, J08A, J08B, J08C, J16Z, J21Z, J22A, J22B					
09		J02A, J02B, J02C, J04A, J04B, J08A, J08B, J08C, J16Z, J21Z, J22A, J22B			10	K01Z					
21A		W04A, W04B			21A	W04A, W04B					
21B		X01A, X01B			21B	X01A, X01B					

ZZV	MDC	DRG	ZZV	MDC	DRG	ZZV	MDC	DRG		
5v633.u↔		BOP, KVT, UOP4	5v63x.1		BOP, KVT, UOP4	5v63x.8↔		BOP, KVT, UOP4		
	01	B03A, B03B, B06A, B06B, B07Z, B17A, B17B, B17C		01	B03A, B03B, B06A, B06B, B07Z, B17A, B17B, B17C		01	B03A, B03B, B06A, B06B, B07Z, B17A, B17B, B17C		
	05	F13A, F21A, F21B, F27A, F27B, F27C, F28A		02	C20A, C20B		05	F13A, F21A, F21B, F28A		
	08	I02A, I02B, I02C, I02D, I12A, I12B, I12C, I22A, I32A, I32B, I32C, I32D, I32E, I32F, I50Z		03	D18Z, D25A, D25B, D25C, D25D		08	I02A, I02B, I02C, I02D, I12A, I12B, I12C, I22A, I50Z		
	09	J02A, J02B, J02C, J04A, J04B, J08A, J08B, J08C, J16Z, J21Z, J22A, J22B		05	F13A, F21A, F21B, F28A		09	J02A, J02B, J02C, J04A, J04B, J08A, J08B, J08C, J16Z, J21Z, J22A, J22B		
	10	K01Z		08	I02A, I02B, I02C, I02D, I12A, I12B, I12C, I22A, I50Z		21A	W04A, W04B		
	21A	W04A, W04B		09	J02A, J02B, J02C, J04A, J04B, J08A, J08B, J08C, J16Z, J21Z, J22A, J22B		21B	X01A, X01B		
	21B	X01A, X01B		21A	W04A, W04B		5v63x.9↔		BOP, KVT, UOP4	
	5v633.w↔			BOP, KVT, UOP4	5v63x.4				BOP, KVT, UOP4	01
		01		B03A, B03B, B06A, B06B, B07Z, B17A, B17B, B17C			01	B03A, B03B, B06A, B06B, B07Z, B17A, B17B, B17C	05	F13A, F21A, F21B, F28A
		05		F13A, F21A, F21B, F27A, F27B, F27C, F28A			02	C20A, C20B	08	I12A, I12B, I12C, I32A, I32B, I32C, I32D, I32E, I32F
08		I02A, I02B, I02C, I02D, I12A, I12B, I12C, I22A, I32A, I32B, I32C, I32D, I32E, I32F, I50Z	03	D18Z, D25A, D25B, D25C, D25D		09	J02A, J02B, J02C, J04A, J04B, J08A, J08B, J08C, J16Z, J21Z, J22A, J22B			
09		J02A, J02B, J02C, J04A, J04B, J08A, J08B, J08C, J16Z, J21Z, J22A, J22B	05	F13A, F21A, F21B, F28A		21A	W04A, W04B			
10		K01Z	08	I02A, I02B, I02C, I02D, I12A, I12B, I12C, I22A, I50Z		21B	X01A, X01B			
21A		W04A, W04B	09	J02A, J02B, J02C, J04A, J04B, J08A, J08B, J08C, J16Z, J21Z, J22A, J22B		5v63x.a		BOP, KVT, UOP4		
21B		X01A, X01B	21A	W04A, W04B			01	B03A, B03B, B06A, B06B, B07Z, B17A, B17B, B17C		
5v633.x↔			BOP, KVT, UOP4	5v63x.5			BOP, KVT, UOP4	05	F13A, F21A, F21B, F28A	
		01	B03A, B03B, B06A, B06B, B07Z, B17A, B17B, B17C			01	B03A, B03B, B06A, B06B, B07Z, B17A, B17B, B17C	06	G10Z, G12A, G12B	
		05	F13A, F21A, F21B, F27A, F27B, F27C, F28A			03	D18Z, D25A, D25B, D25C, D25D	08	I02A, I02B, I02C, I02D, I12A, I12B, I12C, I22A, I50Z	
	08	I02A, I02B, I02C, I02D, I12A, I12B, I12C, I22A, I32A, I32B, I32C, I32D, I32E, I32F, I50Z	05		F13A, F21A, F21B, F28A	09	J02A, J02B, J02C, J04A, J04B, J08A, J08B, J08C, J16Z, J21Z, J22A, J22B			
	09	J02A, J02B, J02C, J04A, J04B, J08A, J08B, J08C, J16Z, J21Z, J22A, J22B	08		I02A, I02B, I02C, I02D, I12A, I12B, I12C, I22A, I50Z	21A	W04A, W04B			
	10	K01Z	09		J02A, J02B, J02C, J04A, J04B, J08A, J08B, J08C, J16Z, J21Z, J22A, J22B	21B	X01A, X01B			
	21A	W04A, W04B	21A		W04A, W04B	5v63x.b		BOP, KVT, UOP4		
	21B	X01A, X01B	21B		X01A, X01B		01	B03A, B03B, B06A, B06B, B07Z, B17A, B17B, B17C		
	5v633.y		BOP, KVT, UOP4		5v63x.6↔		BOP, KVT, UOP4	05	F13A, F21A, F21B, F28A	
		01	B03A, B03B, B06A, B06B, B07Z, B17A, B17B, B17C			01	B03A, B03B, B06A, B06B, B07Z, B17A, B17B, B17C	06	G10Z, G12A, G12B	
		02	C20A, C20B			05	F13A, F21A, F21B, F28A	08	I02A, I02B, I02C, I02D, I12A, I12B, I12C, I22A, I50Z	
03		D18Z, D25A, D25B, D25C, D25D	08	I02A, I02B, I02C, I02D, I12A, I12B, I12C, I22A, I50Z		09	J02A, J02B, J02C, J04A, J04B, J08A, J08B, J08C, J16Z, J21Z, J22A, J22B			
05		F13A, F21A, F21B, F28A	09	J02A, J02B, J02C, J04A, J04B, J08A, J08B, J08C, J16Z, J21Z, J22A, J22B		21A	W04A, W04B			
08		I02A, I02B, I02C, I02D, I12A, I12B, I12C, I22A, I50Z	21A	W04A, W04B		21B	X01A, X01B			
09		J02A, J02B, J02C, J04A, J04B, J08A, J08B, J08C, J16Z, J21Z, J22A, J22B	5v63x.7↔			BOP, KVT, UOP4	5v63x.c		BOP, KVT, UOP4	
21A		W04A, W04B		01		B03A, B03B, B06A, B06B, B07Z, B17A, B17B, B17C		01	B03A, B03B, B06A, B06B, B07Z, B17A, B17B, B17C	
21B		X01A, X01B	05	F13A, F21A, F21B, F28A		05	F13A, F21A, F21B, F28A			
5v63x.0			BOP, KVT, UOP4	5v63x.7↔			BOP, KVT, UOP4	06	G10Z, G12A, G12B	
		01	B03A, B03B, B06A, B06B, B07Z, B17A, B17B, B17C			01	B03A, B03B, B06A, B06B, B07Z, B17A, B17B, B17C	08	I02A, I02B, I02C, I02D, I12A, I12B, I12C, I22A, I50Z	
	03	D18Z, D25A, D25B, D25C, D25D	05		F13A, F21A, F21B, F28A	09	J02A, J02B, J02C, J04A, J04B, J08A, J08B, J08C, J16Z, J21Z, J22A, J22B			
	05	F13A, F21A, F21B, F28A	08		I02A, I02B, I02C, I02D, I12A, I12B, I12C, I22A, I50Z	21A	W04A, W04B			
	08	I12A, I12B, I12C	09		J02A, J02B, J02C, J04A, J04B, J08A, J08B, J08C, J16Z, J21Z, J22A, J22B	21B	X01A, X01B			
	09	J02A, J02B, J02C, J04A, J04B, J08A, J08B, J08C, J16Z, J21Z, J22A, J22B	21A		W04A, W04B	5v63x.d		BOP, KVT, UOP4		
	21A	W04A, W04B	21B		X01A, X01B		01	B03A, B03B, B06A, B06B, B07Z, B17A, B17B, B17C		
	21B	X01A, X01B				05	F13A, F21A, F21B, F28A			
						06	G10Z, G12A, G12B			
						08	I02A, I02B, I02C, I02D, I12A, I12B, I12C, I22A, I50Z			
						09	J02A, J02B, J02C, J04A, J04B, J08A, J08B, J08C, J16Z, J21Z, J22A, J22B			
				21A	W04A, W04B					
				21B	X01A, X01B					

VYK

ZZV	MDC	DRG	ZZV	MDC	DRG	ZZV	MDC	DRG			
5v63x.e↔		BOP, KVT, UOP4	5v63x.p↔		BOP, KVT, UOP4	5v63x.u↔		BOP, KVT, UOP4			
	01	B03A, B03B, B06A, B06B, B07Z, B17A, B17B, B17C		01	B03A, B03B, B06A, B06B, B07Z, B17A, B17B, B17C		01	B03A, B03B, B06A, B06B, B07Z, B17A, B17B, B17C			
	05	F13A, F21A, F21B, F27A, F27B, F27C, F28A		05	F13A, F21A, F21B, F27A, F27B, F27C, F28A		05	F13A, F21A, F21B, F27A, F27B, F27C, F28A			
	08	I02A, I02B, I02C, I02D, I12A, I12B, I12C, I22A, I50Z		08	I02A, I02B, I02C, I02D, I12A, I12B, I12C, I22A, I32A, I32B, I32C, I32D, I32E, I32F, I50Z		08	I02A, I02B, I02C, I02D, I12A, I12B, I12C, I22A, I32A, I32B, I32C, I32D, I32E, I32F, I50Z			
	09	J02A, J02B, J02C, J04A, J04B, J08A, J08B, J08C, J16Z, J21Z, J22A, J22B		09	J02A, J02B, J02C, J04A, J04B, J08A, J08B, J08C, J16Z, J21Z, J22A, J22B		09	J02A, J02B, J02C, J04A, J04B, J08A, J08B, J08C, J16Z, J21Z, J22A, J22B			
	10	K01Z		10	K01Z		10	K01Z			
	21A	W04A, W04B		21A	W04A, W04B		21A	W04A, W04B			
	21B	X01A, X01B		21B	X01A, X01B		21B	X01A, X01B			
	5v63x.f↔			BOP, KVT, UOP4	5v63x.q↔			BOP, KVT, UOP4	5v63x.w↔		BOP, KVT, UOP4
		01		B03A, B03B, B06A, B06B, B07Z, B17A, B17B, B17C			01	B03A, B03B, B06A, B06B, B07Z, B17A, B17B, B17C		01	B03A, B03B, B06A, B06B, B07Z, B17A, B17B, B17C
05		F13A, F21A, F21B, F27A, F27B, F27C, F28A	05	F13A, F21A, F21B, F27A, F27B, F27C, F28A		05	F13A, F21A, F21B, F27A, F27B, F27C, F28A				
08		I02A, I02B, I02C, I02D, I12A, I12B, I12C, I22A, I50Z	08	I02A, I02B, I02C, I02D, I12A, I12B, I12C, I22A, I32A, I32B, I32C, I32D, I32E, I32F, I50Z		08	I02A, I02B, I02C, I02D, I12A, I12B, I12C, I22A, I32A, I32B, I32C, I32D, I32E, I32F, I50Z				
09		J02A, J02B, J02C, J04A, J04B, J08A, J08B, J08C, J16Z, J21Z, J22A, J22B	09	J02A, J02B, J02C, J04A, J04B, J08A, J08B, J08C, J16Z, J21Z, J22A, J22B		09	J02A, J02B, J02C, J04A, J04B, J08A, J08B, J08C, J16Z, J21Z, J22A, J22B				
10		K01Z	10	K01Z		10	K01Z				
21A		W04A, W04B	21A	W04A, W04B		21A	W04A, W04B				
21B		X01A, X01B	21B	X01A, X01B		21B	X01A, X01B				
5v63x.g↔			BOP, KVT, UOP4	5v63x.r↔			BOP, KVT, UOP4	5v63x.x↔			BOP, KVT, UOP4
		01	B03A, B03B, B06A, B06B, B07Z, B17A, B17B, B17C			01	B03A, B03B, B06A, B06B, B07Z, B17A, B17B, B17C			01	B03A, B03B, B06A, B06B, B07Z, B17A, B17B, B17C
	05	F13A, F21A, F21B, F27A, F27B, F27C, F28A	05		F13A, F21A, F21B, F27A, F27B, F27C, F28A	05	F13A, F21A, F21B, F27A, F27B, F27C, F28A				
	08	I02A, I02B, I02C, I02D, I12A, I12B, I12C, I22A, I50Z	08		I02A, I02B, I02C, I02D, I12A, I12B, I12C, I22A, I32A, I32B, I32C, I32D, I32E, I32F, I50Z	08	I02A, I02B, I02C, I02D, I12A, I12B, I12C, I22A, I32A, I32B, I32C, I32D, I32E, I32F, I50Z				
	09	J02A, J02B, J02C, J04A, J04B, J08A, J08B, J08C, J16Z, J21Z, J22A, J22B	09		J02A, J02B, J02C, J04A, J04B, J08A, J08B, J08C, J16Z, J21Z, J22A, J22B	09	J02A, J02B, J02C, J04A, J04B, J08A, J08B, J08C, J16Z, J21Z, J22A, J22B				
	10	K01Z	10		K01Z	10	K01Z				
	21A	W04A, W04B	21A		W04A, W04B	21A	W04A, W04B				
	21B	X01A, X01B	21B		X01A, X01B	21B	X01A, X01B				
	5v63x.h		BOP, KVT, UOP4		5v63x.s↔		BOP, KVT, UOP4		5v63x.y		BOP, KVT, UOP4
		01	B03A, B03B, B06A, B06B, B07Z, B17A, B17B, B17C			01	B03A, B03B, B06A, B06B, B07Z, B17A, B17B, B17C			01	B03A, B03B, B06A, B06B, B07Z, B17A, B17B, B17C
02		C20A, C20B	02	C20A, C20B		02	C20A, C20B				
03		D18Z, D25A, D25B, D25C, D25D	03	D18Z, D25A, D25B, D25C, D25D		03	D18Z, D25A, D25B, D25C, D25D				
05		F13A, F21A, F21B, F28A	05	F13A, F21A, F21B, F27A, F27B, F27C, F28A		05	F13A, F21A, F21B, F28A				
08		I02A, I02B, I02C, I02D, I12A, I12B, I12C, I22A, I50Z	08	I02A, I02B, I02C, I02D, I12A, I12B, I12C, I22A, I32A, I32B, I32C, I32D, I32E, I32F, I50Z		08	I02A, I02B, I02C, I02D, I12A, I12B, I12C, I22A, I50Z				
09		J02A, J02B, J02C, J04A, J04B, J08A, J08B, J08C, J16Z, J21Z, J22A, J22B	09	J02A, J02B, J02C, J04A, J04B, J08A, J08B, J08C, J16Z, J21Z, J22A, J22B		09	J02A, J02B, J02C, J04A, J04B, J08A, J08B, J08C, J16Z, J21Z, J22A, J22B				
21A		W04A, W04B	10	K01Z		21A	W04A, W04B				
21B		X01A, X01B	21A	W04A, W04B		21B	X01A, X01B				
5v63x.n↔			BOP, KVT, UOP4	5v63x.t↔			BOP, KVT, UOP4	5z110.0†			L20B
	01	B03A, B03B, B06A, B06B, B07Z, B17A, B17B, B17C	01		B03A, B03B, B06A, B06B, B07Z, B17A, B17B, B17C	5z110.1†	11		L20B		
	05	F13A, F21A, F21B, F28A	05		F13A, F21A, F21B, F27A, F27B, F27C, F28A	5z110.2†	11		L20B		
	06	G10Z, G12A, G12B	08		I02A, I02B, I02C, I02D, I12A, I12B, I12C, I22A, I50Z	5z110.3†	11		L20B		
	08	I02A, I02B, I02C, I02D, I12A, I12B, I12C, I22A, I50Z	09		J02A, J02B, J02C, J04A, J04B, J08A, J08B, J08C, J16Z, J21Z, J22A, J22B	5z110.4†	11		L20B		
	09	J02A, J02B, J02C, J04A, J04B, J08A, J08B, J08C, J16Z, J21Z, J22A, J22B	10		K01Z	5z110.5†	11		L20B		
	21A	W04A, W04B	21A		W04A, W04B	5z110.6†	11		L20B		
	21B	X01A, X01B	21B		X01A, X01B	5z110.x†	11		L20B		
			09		J02A, J02B, J02C, J04A, J04B, J08A, J08B, J08C, J16Z, J21Z, J22A, J22B	5z112.4†	05		F30Z, F42Z		
			10		K01Z	5z113†			KVT		
		21A	W04A, W04B	5z121.21†	Pre	A17A					
		21B	X01A, X01B	5z136.0†	Pre	B61A					
				5z136.1†	Pre	B61A					
				5z136.2†	Pre	B61A					

VYK

ZZV	MDC	DRG	ZZV	MDC	DRG	ZZV	MDC	DRG
5z142‡	02	C10A	8d301‡	06	G40Z, G46A, G46B, G46C, G47Z, G50Z	8f103.0		KKI, KKP
	05	F13A				05		F21A, F21B, F21C
8a210.1‡	15	P66C, P67B, P67C	8f100.11‡↔		KKI, KKP	06		G10Z, G12A, G12B
8a210.2‡	15	P66C, P67B, P67C	8f101.0		KKI, KKP	07		H12A, H12B
8a210.3‡	15	P66C, P67B, P67C		05	F21A, F21B, F21C	11		L09A, L09B, L09C, L09D, L38Z
8a220.1‡	15	P66C, P67B, P67C		06	G10Z, G12A, G12B	13		N11A, N11B
8a220.2‡	15	P66C, P67B, P67C		07	H12A, H12B	17		R01A, R01B, R01C, R01D, R02Z, R12A, R12B, R12C
8a220.3‡	15	P66C, P67B, P67C		11	L09A, L09B, L09C, L09D, L38Z	21A		W04A, W04B
8a974		BOP, KVT, UOP4		13	N11A, N11B	21B		X06A, X06B, X06C
	02	C01A, C01B, C10A, C10B, C10C, C16Z		17	R01A, R01B, R01C, R01D, R02Z, R12A, R12B, R12C	22		Y01Z, Y03A, Y03B
8c104‡	06	G40Z, G48A, G48B, G48C		21A	W04A, W04B	8f103.1		KK11, KKI, KKII, KKP
8c105‡	06	G40Z, G46A, G46B, G46C, G47Z, G50Z		21B	X06A, X06B, X06C	05		F21A, F21B, F21C
8c106‡	06	G40Z, G46A, G46B, G46C, G47Z, G50Z		22	Y01Z, Y03A, Y03B	06		G10Z, G12A, G12B
8c107‡	06	G40Z, G46A, G46B, G46C, G47Z, G50Z	8f101.1		KKI, KKP	07		H12A, H12B
8c108‡	06	G40Z, G46A, G46B, G46C, G47Z, G50Z		05	F21A, F21B, F21C	10		K09A, K09B
8c109‡	06	G40Z, G48A, G48B, G48C		06	G10Z, G12A, G12B	11		L09A, L09B, L09C, L09D, L38Z
8c220.1	01	B12Z		07	H12A, H12B	13		N11A, N11B
	05	F01A, F01B, F01D, F05Z, F06C, F06D, F06E, F12A, F12B, F15Z, F24A, F24B, F36A, F36B, F52A, F52B, F56A, F56B, F58A, F58B		11	L09A, L09B, L09C, L09D, L38Z	17		R01A, R01B, R01C, R01D, R02Z, R12A, R12B, R12C
	Pre	A13F		13	N11A, N11B	21A		W04A, W04B
8c220.x	05	F01A, F01B, F01D, F15Z, F24A, F24B, F28A, F36A, F36B, F54Z, F59A, F59B	8f101.2		KKI, KKP	21B		X06A, X06B, X06C
	10	K09A, K09B		05	F21A, F21B, F21C	8f103.x		F21A, F21B, F21C
8c221	01	B12Z		06	G10Z, G12A, G12B	06		G10Z, G12A, G12B
	05	F01A, F01B, F01D, F05Z, F06C, F06D, F06E, F12A, F12B, F15Z, F24A, F24B, F36A, F36B, F52A, F52B, F56A, F56B, F58A, F58B		07	H12A, H12B	07		H12A, H12B
	Pre	A13F		11	L09A, L09B, L09C, L09D, L38Z	11		L09A, L09B, L09C, L09D, L38Z
8c223	01	B12Z		13	N11A, N11B	13		N11A, N11B
	05	F01A, F01B, F01D, F05Z, F06C, F06D, F06E, F12A, F12B, F15Z, F24A, F24B, F36A, F36B, F52A, F52B, F56A, F56B, F58A, F58B		17	R01A, R01B, R01C, R01D, R02Z, R12A, R12B, R12C	17		R01A, R01B, R01C, R01D, R02Z, R12A, R12B, R12C
	Pre	A13F		21A	W04A, W04B	21A		W04A, W04B
8c225	01	B12Z		21B	X06A, X06B, X06C	21B		X06A, X06B, X06C
	05	F01A, F01B, F01D, F05Z, F06C, F06D, F06E, F12A, F12B, F15Z, F24A, F24B, F36A, F36B, F52A, F52B, F56A, F56B, F58A, F58B	8f101.x		Y01Z, Y03A, Y03B	22		Y01Z, Y03A, Y03B
	Pre	A13F		05	F21A, F21B, F21C	8f108.0↔		C01A, C01B, C13Z, C16Z
8c22x	05	F01A, F01B, F01D, F15Z, F24A, F24B, F28A, F36A, F36B, F54Z, F59A, F59B		06	G10Z, G12A, G12B	8f108.1↔		D06A, D06B, D06C
	10	K09A, K09B		07	H12A, H12B	8f108.2‡↔		N10Z
8c320.1‡↔	11	L11Z, L19Z, L42A, L42B		11	L09A, L09B, L09C, L09D, L38Z	8f108.3↔		C01A, C01B, C13Z, C16Z
8c320.2‡↔	11	L11Z, L19Z, L42A, L42B		13	N11A, N11B	8f300.5↔		C14Z
8c322‡	07	H41A, H41B, H41C		17	R01A, R01B, R01C, R01D, R02Z, R12A, R12B, R12C	21A		W04A, W04B
8c323‡	11	L11Z, L19Z, L42A, L42B		21A	W04A, W04B	21B		X06A, X06B, X06C
8c324‡↔	11	L11Z, L19Z, L42A, L42B		21B	X06A, X06B, X06C	8f300.6↔		C01A, C01B, C15Z, C16Z
8d102‡	11	L42A	8f102.0↔		Y01Z, Y03A, Y03B	10		K09A, K09B
8d103‡	11	L42A, L64A, L74Z		05	F21A, F21B, F21C	21A		W04A, W04B
8d104‡	11	L42A, L64A, L74Z		06	G10Z, G12A, G12B	21B		X06A, X06B, X06C
8d117‡	11	L42A		07	H12A, H12B	22		Y01Z, Y03A, Y03B
8d119‡	11	L42A		11	L09A, L09B, L09C, L09D, L38Z	8f304.0‡↔		L42A
8d125‡	11	L42A		13	N11A, N11B	8f304.1‡↔		L42A
8d210‡	15	P66C, P67B, P67C		17	R01A, R01B, R01C, R01D, R02Z, R12A, R12B, R12C	8f306.0↔		N25Z
8d220‡	07	H41A, H41B, H41C		21A	W04A, W04B	8f400.0↔		C01A, C01B, C13Z, C16Z
8d221‡	07	H41A, H41B, H41C		21B	X06A, X06B, X06C	02		D12A, D12B
				22	Y01Z, Y03A, Y03B	04		E02A, E02B, E02C
						8f403.0		BOP, KVT, UOP4
						8f608.40		L18A, L18B, L19Z, L20A, L20B, L20C, L38Z
						8f608.41		BOP, KVT, UOP4
						8f608.42		L18A, L18B, L19Z, L20A, L20B, L20C, L38Z
						8f608.50		BOP, KVT, UOP4
								L18A, L18B, L19Z, L20A, L20B, L20C, L38Z

ZZV	MDC	DRG	ZZV	MDC	DRG	ZZV	MDC	DRG
8f608.51		BOP, KVT, UOP4	8g115	01	B03A, B03B, B06A, B06B, B07Z, B17A, B17B, B17C, B17D	8g121.2	01	B03A, B03B, B06A, B06B, B07Z, B17A, B17B, B17C, B17D
	11	L18A, L18B, L19Z, L20A, L20B, L20C, L38Z		03	D13Z		03	D13Z
8f608.52		BOP, KVT, UOP4		04	E02A, E02B, E02C		04	E02A, E02B, E02C
	11	L18A, L18B, L19Z, L20A, L20B, L20C, L38Z		05	F13A, F21A, F21B, F21C		05	F13A, F21A, F21B, F21C
8f608.60		BOP, KVT, UOP4		06	G10Z, G12A, G12B		06	G10Z, G12A, G12B
	11	L18A, L18B, L19Z, L20A, L20B, L20C, L38Z		07	H06A, H06B, H06C		07	H06A, H06B, H06C
8f608.61		BOP, KVT, UOP4		08	I12A, I12B, I12C, I28A, I28B		08	I12A, I12B, I12C, I28A, I28B
	11	L18A, L18B, L19Z, L20A, L20B, L20C, L38Z		09	J03A, J03B, J04A, J04B, J08A, J08B, J08C, J16Z, J21Z, J22A, J22B		09	J03A, J03B, J04A, J04B, J08A, J08B, J08C, J16Z, J21Z, J22A, J22B
8f608.62		BOP, KVT, UOP4		10	K09A, K09B		10	K09A, K09B
	11	L18A, L18B, L19Z, L20A, L20B, L20C, L38Z		11	L09A, L09B, L09C, L09D, L38Z		11	L09A, L09B, L09C, L09D, L38Z
8f608.70		BOP, KVT, UOP4		13	N11A, N11B		13	N11A, N11B
	11	L18A, L18B, L19Z, L20A, L20B, L20C, L38Z		21A	W04A, W04B		21A	W04A, W04B
8f608.71		BOP, KVT, UOP4		21B	X06A, X06B, X06C		21B	X06A, X06B, X06C
	11	L18A, L18B, L19Z, L20A, L20B, L20C, L38Z	8g121.0	01	B03A, B03B, B06A, B06B, B07Z, B17A, B17B, B17C, B17D	8g121.3	01	B03A, B03B, B06A, B06B, B07Z, B17A, B17B, B17C, B17D
8f608.72		BOP, KVT, UOP4		03	D13Z		03	D13Z
	11	L18A, L18B, L19Z, L20A, L20B, L20C, L38Z		04	E02A, E02B, E02C		04	E02A, E02B, E02C
8f608.8		BOP, KVT, UOP4		05	F13A, F21A, F21B, F21C		05	F13A, F21A, F21B, F21C
	11	L18A, L18B, L19Z, L20A, L20B, L20C, L38Z		06	G10Z, G12A, G12B		06	G10Z, G12A, G12B
8g113	01	B03A, B03B, B06A, B06B, B07Z, B17A, B17B, B17C, B17D		07	H06A, H06B, H06C		07	H06A, H06B, H06C
	03	D13Z		08	I12A, I12B, I12C, I28A, I28B		08	I12A, I12B, I12C, I28A, I28B
	04	E02A, E02B, E02C		09	J03A, J03B, J04A, J04B, J08A, J08B, J08C, J16Z, J21Z, J22A, J22B		09	J03A, J03B, J04A, J04B, J08A, J08B, J08C, J16Z, J21Z, J22A, J22B
	05	F13A, F21A, F21B, F21C		10	K09A, K09B		10	K09A, K09B
	06	G10Z, G12A, G12B		11	L09A, L09B, L09C, L09D, L38Z		11	L09A, L09B, L09C, L09D, L38Z
	07	H06A, H06B, H06C		13	N11A, N11B		13	N11A, N11B
	08	I12A, I12B, I12C, I28A, I28B		21A	W04A, W04B		21A	W04A, W04B
	09	J03A, J03B, J04A, J04B, J08A, J08B, J08C, J16Z, J21Z, J22A, J22B	8g121.1	21B	X06A, X06B, X06C	8g121.4	21B	X06A, X06B, X06C
	10	K09A, K09B		01	B03A, B03B, B06A, B06B, B07Z, B17A, B17B, B17C, B17D		01	B03A, B03B, B06A, B06B, B07Z, B17A, B17B, B17C, B17D
	11	L09A, L09B, L09C, L09D, L38Z		03	D13Z		03	D13Z
	13	N11A, N11B		04	E02A, E02B, E02C		04	E02A, E02B, E02C
	21A	W04A, W04B		05	F13A, F21A, F21B, F21C		05	F13A, F21A, F21B, F21C
	21B	X06A, X06B, X06C		06	G10Z, G12A, G12B		06	G10Z, G12A, G12B
8g114	01	B03A, B03B, B06A, B06B, B07Z, B17A, B17B, B17C, B17D		07	H06A, H06B, H06C		07	H06A, H06B, H06C
	03	D13Z		08	I12A, I12B, I12C, I28A, I28B		08	I12A, I12B, I12C, I28A, I28B
	04	E02A, E02B, E02C		09	J03A, J03B, J04A, J04B, J08A, J08B, J08C, J16Z, J21Z, J22A, J22B		09	J03A, J03B, J04A, J04B, J08A, J08B, J08C, J16Z, J21Z, J22A, J22B
	05	F13A, F21A, F21B, F21C		10	K09A, K09B		10	K09A, K09B
	06	G10Z, G12A, G12B		11	L09A, L09B, L09C, L09D, L38Z		11	L09A, L09B, L09C, L09D, L38Z
	07	H06A, H06B, H06C		13	N11A, N11B		13	N11A, N11B
	08	I12A, I12B, I12C, I28A, I28B		21A	W04A, W04B		21A	W04A, W04B
	09	J03A, J03B, J04A, J04B, J08A, J08B, J08C, J16Z, J21Z, J22A, J22B		21B	X06A, X06B, X06C		21B	X06A, X06B, X06C
	10	K09A, K09B						
	11	L09A, L09B, L09C, L09D, L38Z						
	13	N11A, N11B						
	21A	W04A, W04B						
	21B	X06A, X06B, X06C						

VYK



ZZV	MDC	DRG	ZZV	MDC	DRG	ZZV	MDC	DRG
8g121.5	01	B03A, B03B, B06A, B06B, B07Z, B17A, B17B, B17C, B17D	8m131.1		BOP, KK11, KKI, KKII, KKP, KVT, UOP4	8m132.01		BOP, KK11, KKI, KKII, KKP, KVT, UOP4
	03	D13Z		01	B02A, B02B, B02C, B15Z, B16Z, B39A, B39B		01	B02A, B02B, B02C, B15Z, B16Z, B39A, B39B
	04	E02A, E02B, E02C		02	C02A, C02B, C16Z		02	C02A, C02B, C16Z
	05	F13A, F21A, F21B, F21C		03	D18Z, D19Z, D20A, D20B		03	D18Z, D19Z, D20A, D20B
	06	G10Z, G12A, G12B		04	E08A, E08B, E08C		04	E08A, E08B, E08C
	07	H06A, H06B, H06C		06	G15Z, G27A, G27B, G29A, G29B		06	G15Z, G27A, G27B, G29A, G29B
	08	I12A, I12B, I12C, I28A, I28B		07	H01A, H01B, H15Z, H16Z		07	H01A, H01B, H15Z, H16Z
	09	J03A, J03B, J04A, J04B, J08A, J08B, J08C, J16Z, J21Z, J22A, J22B		08	I39Z, I54Z		08	I39Z, I54Z
	10	K09A, K09B		09	J16Z, J17Z, J18Z		09	J16Z, J17Z, J18Z
	11	L09A, L09B, L09C, L09D, L38Z		10	K15A, K15B, K15C		10	K15A, K15B, K15C
	13	N11A, N11B		11	L12Z		11	L12Z
	21A	W04A, W04B		12	M10A, M10B, M60A		12	M10A, M10B, M60A
	8g210	21B		X06A, X06B, X06C	8m131.2		13	N15Z, N16Z, N60A
01		B03A, B03B, B06A, B06B, B07Z, B17A, B17B, B17C	17	R05Z, R06Z, R07A, R07B		17	R05Z, R06Z, R07A, R07B	
03		D13Z		BOP, KK11, KKI, KKII, KKP, KVT, UOP4			BOP, KK11, KKI, KKII, KKP, KVT, UOP4	
04		E02A, E02B, E02C	01	B02A, B02B, B02C, B15Z, B16Z, B39A, B39B		01	B02A, B02B, B02C, B15Z, B16Z, B39A, B39B	
05		F21A, F21B, F21C	02	C02A, C02B, C16Z		02	C02A, C02B, C16Z	
06		G10Z, G12A, G12B	03	D18Z, D19Z, D20A, D20B		03	D18Z, D19Z, D20A, D20B	
07		H06A, H06B, H06C	04	E08A, E08B, E08C		04	E08A, E08B, E08C	
08		I28A, I28B	06	G15Z, G27A, G27B, G29A, G29B		06	G15Z, G27A, G27B, G29A, G29B	
09		J11A, J11B	07	H01A, H01B, H15Z, H16Z		07	H01A, H01B, H15Z, H16Z	
10		K09A, K09B	08	I39Z, I54Z		08	I39Z, I54Z	
11		L09A, L09B, L09C, L09D, L38Z	09	J16Z, J17Z, J18Z		09	J16Z, J17Z, J18Z	
13		N11A, N11B	10	K15A, K15B, K15C		10	K15A, K15B, K15C	
21A		W04A, W04B	11	L12Z		11	L12Z	
21B	X06A, X06B, X06C	12	M10A, M10B, M60A	12	M10A, M10B, M60A			
8i105†	06	G40Z, G46A, G46B, G46C, G47Z	8m131.4	13	N15Z, N16Z, N60A	8m132.11	13	N15Z, N16Z, N60A
				17	R05Z, R06Z, R07A, R07B		17	R05Z, R06Z, R07A, R07B
8m110		BOP, KK11, KKI, KKII, KKP, KVT, UOP4	8m131.0		BOP, KK11, KKI, KKII, KKP, KVT, UOP4	8m133.00		BOP, KK11, KKI, KKII, KKP, KVT, UOP4
	01	B02A, B02B, B02C, B16Z, B39A, B39B		01	B02A, B02B, B02C, B15Z, B16Z, B39A, B39B		01	B02A, B02B, B02C, B15Z, B16Z, B39A, B39B
	02	C02A, C02B, C16Z		02	C02A, C02B, C16Z		02	C02A, C02B, C16Z
	03	D18Z, D20A, D20B		03	D18Z, D19Z, D20A, D20B		03	D18Z, D19Z, D20A, D20B
	04	E08A, E08B, E08C		04	E08A, E08B, E08C		04	E08A, E08B, E08C
	06	G15Z, G29A, G29B		06	G15Z, G27A, G27B, G29A, G29B		06	G15Z, G27A, G27B, G29A, G29B
	07	H01A, H01B, H16Z		07	H01A, H01B, H15Z, H16Z		07	H01A, H01B, H15Z, H16Z
	08	I54Z		08	I39Z, I54Z		08	I39Z, I54Z
	09	J16Z, J18Z		09	J16Z, J17Z, J18Z		09	J16Z, J17Z, J18Z
	10	K15A, K15B, K15C		10	K15A, K15B, K15C		10	K15A, K15B, K15C
	11	L12Z		11	L12Z		11	L12Z
	12	M10A, M10B, M60A		12	M10A, M10B, M60A		12	M10A, M10B, M60A
	13	N16Z, N60A		13	N15Z, N16Z, N60A		13	N15Z, N16Z, N60A
17	R05Z, R06Z, R07A, R07B	17	R05Z, R06Z, R07A, R07B	17	R05Z, R06Z, R07A, R07B			
8m131.0		BOP, KK11, KKI, KKII, KKP, KVT, UOP4	8m132.00		BOP, KK11, KKI, KKII, KKP, KVT, UOP4	8m133.00		BOP, KK11, KKI, KKII, KKP, KVT, UOP4
	01	B02A, B02B, B02C, B15Z, B16Z, B39A, B39B		01	B02A, B02B, B02C, B15Z, B16Z, B39A, B39B		01	B02A, B02B, B02C, B15Z, B16Z, B39A, B39B
	02	C02A, C02B, C16Z		02	C02A, C02B, C16Z		02	C02A, C02B, C16Z
	03	D18Z, D19Z, D20A, D20B		03	D18Z, D19Z, D20A, D20B		03	D18Z, D19Z, D20A, D20B
	04	E08A, E08B, E08C		04	E08A, E08B, E08C		04	E08A, E08B, E08C
	06	G15Z, G27A, G27B, G29A, G29B		06	G15Z, G27A, G27B, G29A, G29B		06	G15Z, G27A, G27B, G29A, G29B
	07	H01A, H01B, H15Z, H16Z		07	H01A, H01B, H15Z, H16Z		07	H01A, H01B, H15Z, H16Z
	08	I39Z, I54Z		08	I39Z, I54Z		08	I39Z, I54Z
	09	J16Z, J17Z, J18Z		09	J16Z, J17Z, J18Z		09	J16Z, J17Z, J18Z
	10	K15A, K15B, K15C		10	K15A, K15B, K15C		10	K15A, K15B, K15C
	11	L12Z		11	L12Z		11	L12Z
	12	M10A, M10B, M60A		12	M10A, M10B, M60A		12	M10A, M10B, M60A
	13	N15Z, N16Z, N60A		13	N15Z, N16Z, N60A		13	N15Z, N16Z, N60A
17	R05Z, R06Z, R07A, R07B	17	R05Z, R06Z, R07A, R07B	17	R05Z, R06Z, R07A, R07B			

ZZV	MDC	DRG	ZZV	MDC	DRG	ZZV	MDC	DRG					
8m133.01		BOP, KK11, KKI, KKII, KKP, KVT, UOP4	8m134.1		BOP, KK11, KKI, KKII, KKP, KVT, UOP4	8m140.2		BOP, KK11, KKI, KKII, KKP, KVT, UOP4					
	01	B02A, B02B, B02C, B15Z, B16Z, B39A, B39B		01	B02A, B02B, B02C, B15Z, B16Z, B39A, B39B		01	B02A, B02B, B02C, B15Z, B16Z, B39A, B39B					
	02	C02A, C02B, C16Z		02	C02A, C02B, C16Z		02	C02A, C02B, C16Z					
	03	D18Z, D19Z, D20A, D20B		03	D18Z, D19Z, D20A, D20B		03	D18Z, D19Z, D20A, D20B					
	04	E08A, E08B, E08C		04	E08A, E08B, E08C		04	E08A, E08B, E08C					
	06	G15Z, G27A, G27B, G29A, G29B		06	G15Z, G27A, G27B, G29A, G29B		06	G15Z, G27A, G27B, G29A, G29B					
	07	H01A, H01B, H15Z, H16Z		07	H01A, H01B, H15Z, H16Z		07	H01A, H01B, H15Z, H16Z					
	08	I39Z, I54Z		08	I39Z, I54Z		08	I39Z, I54Z					
	09	J16Z, J17Z, J18Z		09	J16Z, J17Z, J18Z		09	J16Z, J17Z, J18Z					
	10	K15A, K15B, K15C		10	K15A, K15B, K15C		10	K15A, K15B, K15C					
	11	L12Z		11	L12Z		11	L12Z					
	12	M10A, M10B, M60A		12	M10A, M10B, M60A		12	M10A, M10B, M60A					
	13	N15Z, N16Z, N60A		13	N15Z, N16Z, N60A		13	N15Z, N16Z, N60A					
	17	R05Z, R06Z, R07A, R07B		17	R05Z, R06Z, R07A, R07B		17	R05Z, R06Z, R07A, R07B					
	8m133.10			BOP, KK11, KKI, KKII, KKP, KVT, UOP4	8m13x			BOP, KK11, KKI, KKII, KKP, KVT, UOP4	8m141.1		BOP, KK11, KKI, KKII, KKP, KVT, UOP4		
		01		B02A, B02B, B02C, B15Z, B16Z, B39A, B39B			01	B02A, B02B, B02C, B15Z, B16Z, B39A, B39B		01	B02A, B02B, B02C, B15Z, B16Z, B39A, B39B		
		02		C02A, C02B, C16Z			02	C02A, C02B, C16Z		02	C02A, C02B, C16Z		
03		D18Z, D19Z, D20A, D20B	03	D18Z, D19Z, D20A, D20B		03	D18Z, D19Z, D20A, D20B						
04		E08A, E08B, E08C	04	E08A, E08B, E08C		04	E08A, E08B, E08C						
06		G15Z, G27A, G27B, G29A, G29B	06	G15Z, G27A, G27B, G29A, G29B		06	G15Z, G27A, G27B, G29A, G29B						
07		H01A, H01B, H15Z, H16Z	07	H01A, H01B, H15Z, H16Z		07	H01A, H01B, H15Z, H16Z						
08		I39Z, I54Z	08	I39Z, I54Z		08	I39Z, I54Z						
09		J16Z, J17Z, J18Z	09	J16Z, J17Z, J18Z		09	J16Z, J17Z, J18Z						
10		K15A, K15B, K15C	10	K15A, K15B, K15C		10	K15A, K15B, K15C						
11		L12Z	11	L12Z		11	L12Z						
12		M10A, M10B, M60A	12	M10A, M10B, M60A		12	M10A, M10B, M60A						
13		N15Z, N16Z, N60A	13	N15Z, N16Z, N60A		13	N15Z, N16Z, N60A						
17		R05Z, R06Z, R07A, R07B	17	R05Z, R06Z, R07A, R07B		17	R05Z, R06Z, R07A, R07B						
8m133.11			BOP, KK11, KKI, KKII, KKP, KVT, UOP4	8m140.1			BOP, KK11, KKI, KKII, KKP, KVT, UOP4	8m141.2			BOP, KK11, KKI, KKII, KKP, KVT, UOP4		
		01	B02A, B02B, B02C, B15Z, B16Z, B39A, B39B			01	B02A, B02B, B02C, B15Z, B16Z, B39A, B39B			01	B02A, B02B, B02C, B15Z, B16Z, B39A, B39B		
		02	C02A, C02B, C16Z			02	C02A, C02B, C16Z			02	C02A, C02B, C16Z		
	03	D18Z, D19Z, D20A, D20B	03		D18Z, D19Z, D20A, D20B	03	D18Z, D19Z, D20A, D20B						
	04	E08A, E08B, E08C	04		E08A, E08B, E08C	04	E08A, E08B, E08C						
	06	G15Z, G27A, G27B, G29A, G29B	06		G15Z, G27A, G27B, G29A, G29B	06	G15Z, G27A, G27B, G29A, G29B						
	07	H01A, H01B, H15Z, H16Z	07		H01A, H01B, H15Z, H16Z	07	H01A, H01B, H15Z, H16Z						
	08	I39Z, I54Z	08		I39Z, I54Z	08	I39Z, I54Z						
	09	J16Z, J17Z, J18Z	09		J16Z, J17Z, J18Z	09	J16Z, J17Z, J18Z						
	10	K15A, K15B, K15C	10		K15A, K15B, K15C	10	K15A, K15B, K15C						
	11	L12Z	11		L12Z	11	L12Z						
	12	M10A, M10B, M60A	12		M10A, M10B, M60A	12	M10A, M10B, M60A						
	13	N15Z, N16Z, N60A	13		N15Z, N16Z, N60A	13	N15Z, N16Z, N60A						
	17	R05Z, R06Z, R07A, R07B	17		R05Z, R06Z, R07A, R07B	17	R05Z, R06Z, R07A, R07B						
	8m134.0		BOP, KK11, KKI, KKII, KKP, KVT, UOP4		21A	W01A, W01B, W01C, W36Z	21B		X06A, X06B, X06C	21A	W01A, W01B, W01C, W36Z	21B	X06A, X06B, X06C
		01	B02A, B02B, B02C, B15Z, B16Z, B39A, B39B		01	B02A, B02B, B02C, B15Z, B16Z, B39A, B39B	01		B02A, B02B, B02C, B15Z, B16Z, B39A, B39B				
		02	C02A, C02B, C16Z		02	C02A, C02B, C16Z	02		C02A, C02B, C16Z				
03		D18Z, D19Z, D20A, D20B	03	D18Z, D19Z, D20A, D20B	03	D18Z, D19Z, D20A, D20B							
04		E08A, E08B, E08C	04	E08A, E08B, E08C	04	E08A, E08B, E08C							
06		G15Z, G27A, G27B, G29A, G29B	06	G15Z, G27A, G27B, G29A, G29B	06	G15Z, G27A, G27B, G29A, G29B							
07		H01A, H01B, H15Z, H16Z	07	H01A, H01B, H15Z, H16Z	07	H01A, H01B, H15Z, H16Z							
08		I39Z, I54Z	08	I39Z, I54Z	08	I39Z, I54Z							
09		J16Z, J17Z, J18Z	09	J16Z, J17Z, J18Z	09	J16Z, J17Z, J18Z							
10		K15A, K15B, K15C	10	K15A, K15B, K15C	10	K15A, K15B, K15C							
11		L12Z	11	L12Z	11	L12Z							
12		M10A, M10B, M60A	12	M10A, M10B, M60A	12	M10A, M10B, M60A							
13		N15Z, N16Z, N60A	13	N15Z, N16Z, N60A	13	N15Z, N16Z, N60A							
17		R05Z, R06Z, R07A, R07B	17	R05Z, R06Z, R07A, R07B	17	R05Z, R06Z, R07A, R07B							

VYK

ZZV	MDC	DRG	ZZV	MDC	DRG	ZZV	MDC	DRG		
8m143		BOP, KK11, KKI, KKII, KKP, KVT, UOP4	8m145.1		BOP, KK11, KKI, KKII, KKP, KVT, UOP4	8m147		BOP, KK11, KKI, KKII, KKP, KVT, UOP4		
	01	B02A, B02B, B02C, B15Z, B16Z, B39A, B39B		01	B02A, B02B, B02C, B15Z, B16Z, B39A, B39B		01	B02A, B02B, B02C, B15Z, B16Z, B39A, B39B		
	02	C02A, C02B, C16Z		02	C02A, C02B, C16Z		02	C02A, C02B, C16Z		
	03	D18Z, D19Z, D20A, D20B		03	D18Z, D19Z, D20A, D20B		03	D18Z, D19Z, D20A, D20B		
	04	E08A, E08B, E08C		04	E08A, E08B, E08C		04	E08A, E08B, E08C		
	06	G15Z, G27A, G27B, G29A, G29B		06	G15Z, G27A, G27B, G29A, G29B		06	G15Z, G27A, G27B, G29A, G29B		
	07	H01A, H01B, H15Z, H16Z		07	H01A, H01B, H15Z, H16Z		07	H01A, H01B, H15Z, H16Z		
	08	I39Z, I54Z		08	I39Z, I54Z		08	I39Z, I54Z		
	09	J16Z, J17Z, J18Z		09	J16Z, J17Z, J18Z		09	J16Z, J17Z, J18Z		
	10	K15A, K15B, K15C		10	K15A, K15B, K15C		10	K15A, K15B, K15C		
	11	L12Z		11	L12Z		11	L12Z		
	12	M10A, M10B, M60A		12	M10A, M10B, M60A		12	M10A, M10B, M60A		
	13	N15Z, N16Z, N60A		13	N15Z, N16Z, N60A		13	N15Z, N16Z, N60A		
	17	R05Z, R06Z, R07A, R07B		17	R05Z, R06Z, R07A, R07B		17	R05Z, R06Z, R07A, R07B		
	21A	W01A, W01B, W01C, W36Z		21A	W01A, W01B, W01C, W36Z		8m148		BOP, KK11, KKI, KKII, KKP, KVT, UOP4	
	21B	X06A, X06B, X06C		21B	X06A, X06B, X06C			01	B02A, B02B, B02C, B15Z, B16Z, B39A, B39B	
	8m144			BOP, KK11, KKI, KKII, KKP, KVT, UOP4	8m145.2			BOP, KK11, KKI, KKII, KKP, KVT, UOP4	02	C02A, C02B, C16Z
		01		B02A, B02B, B02C, B15Z, B16Z, B39A, B39B			01	B02A, B02B, B02C, B15Z, B16Z, B39A, B39B	03	D18Z, D19Z, D20A, D20B
		02		C02A, C02B, C16Z			02	C02A, C02B, C16Z	04	E08A, E08B, E08C
		03		D18Z, D19Z, D20A, D20B			03	D18Z, D19Z, D20A, D20B	06	G15Z, G27A, G27B, G29A, G29B
		04		E08A, E08B, E08C			04	E08A, E08B, E08C	07	H01A, H01B, H15Z, H16Z
06		G15Z, G27A, G27B, G29A, G29B	06	G15Z, G27A, G27B, G29A, G29B		08	I39Z, I54Z			
07		H01A, H01B, H15Z, H16Z	07	H01A, H01B, H15Z, H16Z		09	J16Z, J17Z, J18Z			
08		I39Z, I54Z	08	I39Z, I54Z		10	K15A, K15B, K15C			
09		J16Z, J17Z, J18Z	09	J16Z, J17Z, J18Z		11	L12Z			
10		K15A, K15B, K15C	10	K15A, K15B, K15C		12	M10A, M10B, M60A			
11		L12Z	11	L12Z		13	N15Z, N16Z, N60A			
12		M10A, M10B, M60A	12	M10A, M10B, M60A		17	R05Z, R06Z, R07A, R07B			
13		N15Z, N16Z, N60A	13	N15Z, N16Z, N60A		8m14x		BOP, KK11, KKI, KKII, KKP, KVT, UOP4		
17		R05Z, R06Z, R07A, R07B	17	R05Z, R06Z, R07A, R07B			01	B02A, B02B, B02C, B15Z, B16Z, B39A, B39B		
21A		W01A, W01B, W01C, W36Z	21A	W01A, W01B, W01C, W36Z		02	C02A, C02B, C16Z			
21B		X06A, X06B, X06C	21B	X06A, X06B, X06C		03	D18Z, D19Z, D20A, D20B			
8m145.0			BOP, KK11, KKI, KKII, KKP, KVT, UOP4	8m146			BOP, KK11, KKI, KKII, KKP, KVT, UOP4	04	E08A, E08B, E08C	
		01	B02A, B02B, B02C, B15Z, B16Z, B39A, B39B			01	B02A, B02B, B02C, B15Z, B16Z, B39A, B39B	06	G15Z, G27A, G27B, G29A, G29B	
		02	C02A, C02B, C16Z			02	C02A, C02B, C16Z	07	H01A, H01B, H15Z, H16Z	
		03	D18Z, D19Z, D20A, D20B			03	D18Z, D19Z, D20A, D20B	08	I39Z, I54Z	
		04	E08A, E08B, E08C			04	E08A, E08B, E08C	09	J16Z, J17Z, J18Z	
	06	G15Z, G27A, G27B, G29A, G29B	06		G15Z, G27A, G27B, G29A, G29B	10	K15A, K15B, K15C			
	07	H01A, H01B, H15Z, H16Z	07		H01A, H01B, H15Z, H16Z	11	L12Z			
	08	I39Z, I54Z	08		I39Z, I54Z	12	M10A, M10B, M60A			
	09	J16Z, J17Z, J18Z	09		J16Z, J17Z, J18Z	13	N15Z, N16Z, N60A			
	10	K15A, K15B, K15C	10		K15A, K15B, K15C	17	R05Z, R06Z, R07A, R07B			
	11	L12Z	11		L12Z	8m150.00		BOP, KK11, KKI, KKII, KKP, KVT, UOP4		
	12	M10A, M10B, M60A	12		M10A, M10B, M60A		01	B02A, B02B, B02C, B15Z, B16Z, B39A, B39B		
	13	N15Z, N16Z, N60A	13		N15Z, N16Z, N60A	02	C02A, C02B, C16Z			
	17	R05Z, R06Z, R07A, R07B	17		R05Z, R06Z, R07A, R07B	03	D18Z, D19Z, D20A, D20B			
	21A	W01A, W01B, W01C, W36Z	21A		W01A, W01B, W01C, W36Z	04	E08A, E08B, E08C			
	21B	X06A, X06B, X06C	21B		X06A, X06B, X06C	06	G15Z, G27A, G27B, G29A, G29B			
						07	H01A, H01B, H15Z, H16Z			
						08	I39Z, I54Z			
						09	J16Z, J17Z, J18Z			
						10	K15A, K15B, K15C			
						11	L12Z			
				12	M10A, M10B, M60A					
				13	N15Z, N16Z, N60A					
				17	R05Z, R06Z, R07A, R07B					

ZZV	MDC	DRG	ZZV	MDC	DRG	ZZV	MDC	DRG			
8m150.01		BOP, KK11, KKI, KKII, KKP, KVT, UOP4	8m152		BOP, KK11, KKI, KKII, KKP, KVT, UOP4	8m161.x		BOP, KK11, KKI, KKII, KKP, KVT, UOP4			
	01	B02A, B02B, B02C, B15Z, B16Z, B39A, B39B		01	B02A, B02B, B02C, B15Z, B16Z, B39A, B39B		01	B02A, B02B, B02C, B03A, B03B, B06A, B06B, B07Z, B16Z, B17A, B17B, B17C, B39A, B39B			
	02	C02A, C02B, C16Z		02	C02A, C02B, C16Z		02	C02A, C02B, C16Z			
	03	D18Z, D19Z, D20A, D20B		03	D18Z, D19Z, D20A, D20B		03	D12A, D18Z, D20A, D20B			
	04	E08A, E08B, E08C		04	E08A, E08B, E08C		04	E03Z, E08A, E08B, E08C			
	06	G15Z, G27A, G27B, G29A, G29B		06	G15Z, G27A, G27B, G29A, G29B		06	G10Z, G12A, G12B, G15Z, G29A, G29B			
	07	H01A, H01B, H15Z, H16Z		07	H01A, H01B, H15Z, H16Z		07	H01A, H01B, H16Z			
	08	I39Z, I54Z		08	I39Z, I54Z		08	I54Z			
	09	J16Z, J17Z, J18Z		09	J16Z, J17Z, J18Z		09	J03A, J03B, J04A, J04B, J08A, J08B, J08C, J11A, J11B, J16Z, J18Z			
	10	K15A, K15B, K15C		10	K15A, K15B, K15C		10	K15A, K15B, K15C			
	11	L12Z		11	L12Z		11	L12Z			
	12	M10A, M10B, M60A		12	M10A, M10B, M60A		12	M10A, M10B, M60A			
	13	N15Z, N16Z, N60A		13	N15Z, N16Z, N60A		13	N09A, N14Z, N16Z			
	17	R05Z, R06Z, R07A, R07B		17	R05Z, R06Z, R07A, R07B		17	R05Z, R06Z, R07A, R07B			
	8m150.10			BOP, KK11, KKI, KKII, KKP, KVT, UOP4	8m161.0			BOP, KK11, KKI, KKII, KKP, KVT, UOP4	8m162		BOP, KK11, KKI, KKII, KKP, KVT, UOP4
		01		B02A, B02B, B02C, B15Z, B16Z, B39A, B39B			01	B02A, B02B, B02C, B16Z, B39A, B39B		01	B02A, B02B, B02C, B03A, B03B, B06A, B06B, B07Z, B16Z, B17A, B17B, B17C, B39A, B39B
		02		C02A, C02B, C16Z			02	C02A, C02B, C16Z		02	C02A, C02B, C16Z
03		D18Z, D19Z, D20A, D20B	03	D18Z, D20A, D20B		03	D12A, D18Z, D20A, D20B				
04		E08A, E08B, E08C	04	E08A, E08B, E08C		04	E03Z, E08A, E08B, E08C				
06		G15Z, G27A, G27B, G29A, G29B	06	G15Z, G29A, G29B		05	F15Z, F24A, F24B, F36A, F36B, F52A, F52B, F56A, F56B				
07		H01A, H01B, H15Z, H16Z	07	H01A, H01B, H16Z		06	G10Z, G12A, G12B, G15Z, G29A, G29B				
08		I39Z, I54Z	08	I54Z		07	H01A, H01B, H16Z				
09		J16Z, J17Z, J18Z	09	J16Z, J18Z		08	I54Z				
10		K15A, K15B, K15C	10	K15A, K15B, K15C		09	J03A, J03B, J04A, J04B, J08A, J08B, J08C, J11A, J11B, J16Z, J18Z				
11		L12Z	11	L12Z		10	K15A, K15B, K15C				
12		M10A, M10B, M60A	12	M10A, M10B, M60A		11	L12Z				
13		N15Z, N16Z, N60A	13	N09A, N14Z, N16Z		12	M10A, M10B, M60A				
17		R05Z, R06Z, R07A, R07B	17	R05Z, R06Z, R07A, R07B		13	N09A, N14Z, N16Z				
8m150.11			BOP, KK11, KKI, KKII, KKP, KVT, UOP4	8m161.1			BOP, KK11, KKI, KKII, KKP, KVT, UOP4	8m163.0			BOP, KK11, KKI, KKII, KKP, KVT, UOP4
		01	B02A, B02B, B02C, B15Z, B16Z, B39A, B39B			01	B02A, B02B, B02C, B16Z, B39A, B39B			01	B02A, B02B, B02C, B16Z, B39A, B39B
		02	C02A, C02B, C16Z			02	C02A, C02B, C16Z			02	C02A, C02B, C16Z
	03	D18Z, D19Z, D20A, D20B	03		D18Z, D20A, D20B	03	D18Z, D20A, D20B				
	04	E08A, E08B, E08C	04		E08A, E08B, E08C	04	E08A, E08B, E08C				
	06	G15Z, G27A, G27B, G29A, G29B	06		G15Z, G29A, G29B	06	G15Z, G29A, G29B				
	07	H01A, H01B, H15Z, H16Z	07		H01A, H01B, H16Z	07	H01A, H01B, H16Z				
	08	I39Z, I54Z	08		I54Z	08	I54Z				
	09	J16Z, J17Z, J18Z	09		J16Z, J18Z	09	J16Z, J18Z				
	10	K15A, K15B, K15C	10		K15A, K15B, K15C	10	K15A, K15B, K15C				
	11	L12Z	11		L12Z	11	L12Z				
	12	M10A, M10B, M60A	12		M10A, M10B, M60A	12	M10A, M10B, M60A				
	13	N15Z, N16Z, N60A	13		N09A, N14Z, N16Z	13	N09A, N14Z, N16Z				
	17	R05Z, R06Z, R07A, R07B	17		R05Z, R06Z, R07A, R07B	17	R05Z, R06Z, R07A, R07B				
	8m151		BOP, KK11, KKI, KKII, KKP, KVT, UOP4		8m161.2		BOP, KK11, KKI, KKII, KKP, KVT, UOP4		8m163.0		BOP, KK11, KKI, KKII, KKP, KVT, UOP4
		01	B02A, B02B, B02C, B15Z, B16Z, B39A, B39B			01	B02A, B02B, B02C, B16Z, B39A, B39B			01	B02A, B02B, B02C, B16Z, B39A, B39B
		02	C02A, C02B, C16Z			02	C02A, C02B, C16Z			02	C02A, C02B, C16Z
03		D18Z, D19Z, D20A, D20B	03	D18Z, D20A, D20B		03	D18Z, D20A, D20B				
04		E08A, E08B, E08C	04	E08A, E08B, E08C		04	E08A, E08B, E08C				
06		G15Z, G27A, G27B, G29A, G29B	06	G15Z, G29A, G29B		06	G15Z, G29A, G29B				
07		H01A, H01B, H15Z, H16Z	07	H01A, H01B, H16Z		07	H01A, H01B, H16Z				
08		I39Z, I54Z	08	I54Z		08	I54Z				
09		J16Z, J17Z, J18Z	09	J16Z, J18Z		09	J16Z, J18Z				
10		K15A, K15B, K15C	10	K15A, K15B, K15C		10	K15A, K15B, K15C				
11		L12Z	11	L12Z		11	L12Z				
12		M10A, M10B, M60A	12	M10A, M10B, M60A		12	M10A, M10B, M60A				
13		N15Z, N16Z, N60A	13	N09A, N14Z, N16Z		13	N09A, N14Z, N16Z				
17		R05Z, R06Z, R07A, R07B	17	R05Z, R06Z, R07A, R07B		17	R05Z, R06Z, R07A, R07B				

VYK

ZZV	MDC	DRG	ZZV	MDC	DRG	ZZV	MDC	DRG			
8m163.1		BOP, KK11, KKI, KKII, KKP, KVT, UOP4	8m165.01		BOP, KK11, KKI, KKII, KKP, KVT, UOP4	8m165.03		BOP, KK11, KKI, KKII, KKP, KVT, UOP4			
	01	B02A, B02B, B02C, B16Z, B39A, B39B		01	B02A, B02B, B02C, B03A, B03B, B06A, B06B, B07Z, B16Z, B17A, B17B, B17C, B39A, B39B		01	B02A, B02B, B02C, B03A, B03B, B06A, B06B, B07Z, B16Z, B17A, B17B, B17C, B39A, B39B			
	02	C02A, C02B, C16Z		02	C02A, C02B, C16Z		02	C02A, C02B, C16Z			
	03	D18Z, D20A, D20B		03	D12A, D18Z, D20A, D20B		03	D12A, D18Z, D20A, D20B			
	04	E08A, E08B, E08C		04	E03Z, E08A, E08B, E08C		04	E03Z, E08A, E08B, E08C			
	06	G15Z, G29A, G29B		06	G10Z, G12A, G12B, G15Z, G29A, G29B		06	G10Z, G12A, G12B, G15Z, G29A, G29B			
	07	H01A, H01B, H16Z		07	H01A, H01B, H16Z		07	H01A, H01B, H16Z			
	08	I54Z		08	I54Z		08	I54Z			
	09	J16Z, J18Z		09	J03A, J03B, J04A, J04B, J08A, J08B, J08C, J11A, J11B, J16Z, J18Z		09	J03A, J03B, J04A, J04B, J08A, J08B, J08C, J11A, J11B, J16Z, J18Z			
	10	K15A, K15B, K15C		10	K15A, K15B, K15C		10	K15A, K15B, K15C			
	11	L12Z		11	L12Z		11	L12Z			
	12	M10A, M10B, M60A		12	M10A, M10B, M60A		12	M10A, M10B, M60A			
	13	N09A, N14Z, N16Z		13	N09A, N14Z, N16Z		13	N09A, N14Z, N16Z			
	17	R05Z, R06Z, R07A, R07B		17	R05Z, R06Z, R07A, R07B		17	R05Z, R06Z, R07A, R07B			
	8m164.1			BOP, KK11, KKI, KKII, KKP, KVT, UOP4	8m165.02			BOP, KK11, KKI, KKII, KKP, KVT, UOP4	8m165.0x		BOP, KK11, KKI, KKII, KKP, KVT, UOP4
		01		B02A, B02B, B02C, B03A, B03B, B06A, B06B, B07Z, B16Z, B17A, B17B, B17C, B39A, B39B			01	B02A, B02B, B02C, B03A, B03B, B06A, B06B, B07Z, B16Z, B17A, B17B, B17C, B39A, B39B		01	B02A, B02B, B02C, B03A, B03B, B06A, B06B, B07Z, B16Z, B17A, B17B, B17C, B39A, B39B
		02		C02A, C02B, C16Z			02	C02A, C02B, C16Z		02	C02A, C02B, C16Z
03		D12A, D18Z, D20A, D20B	03	D12A, D18Z, D20A, D20B		03	D12A, D18Z, D20A, D20B				
04		E03Z, E08A, E08B, E08C	04	E03Z, E08A, E08B, E08C		04	E03Z, E08A, E08B, E08C				
05		F15Z, F24A, F24B, F36A, F36B, F52A, F52B, F56A, F56B	06	G10Z, G12A, G12B, G15Z, G29A, G29B		06	G10Z, G12A, G12B, G15Z, G29A, G29B				
06		G10Z, G12A, G12B, G15Z, G29A, G29B	07	H01A, H01B, H16Z		07	H01A, H01B, H16Z				
07		H01A, H01B, H16Z	08	I54Z		08	I54Z				
08		I54Z	09	J03A, J03B, J04A, J04B, J08A, J08B, J08C, J11A, J11B, J16Z, J18Z		09	J03A, J03B, J04A, J04B, J08A, J08B, J08C, J11A, J11B, J16Z, J18Z				
09		J03A, J03B, J04A, J04B, J08A, J08B, J08C, J11A, J11B, J16Z, J18Z	10	K15A, K15B, K15C		10	K15A, K15B, K15C				
10		K15A, K15B, K15C	11	L12Z		11	L12Z				
11		L12Z	12	M10A, M10B, M60A		12	M10A, M10B, M60A				
12		M10A, M10B, M60A	13	N09A, N14Z, N16Z		13	N09A, N14Z, N16Z				
13		N09A, N14Z, N16Z	17	R05Z, R06Z, R07A, R07B		17	R05Z, R06Z, R07A, R07B				
17		R05Z, R06Z, R07A, R07B	21A	W04A, W04B		21A	W04A, W04B				
21A		W04A, W04B	21B	X04Z, X05A, X05B, X06A, X06B, X06C		21B	X04Z, X05A, X05B, X06A, X06B, X06C				
21B		X04Z, X05A, X05B, X06A, X06B, X06C									
8m164.2		BOP, KK11, KKI, KKII, KKP, KVT, UOP4									
	01	B02A, B02B, B02C, B03A, B03B, B06A, B06B, B07Z, B16Z, B17A, B17B, B17C, B39A, B39B									
	02	C02A, C02B, C16Z									
	03	D12A, D18Z, D20A, D20B									
	04	E03Z, E08A, E08B, E08C									
	05	F15Z, F24A, F24B, F36A, F36B, F52A, F52B, F56A, F56B									
	06	G10Z, G12A, G12B, G15Z, G29A, G29B									
	07	H01A, H01B, H16Z									
	08	I54Z									
	09	J03A, J03B, J04A, J04B, J08A, J08B, J08C, J11A, J11B, J16Z, J18Z									
	10	K15A, K15B, K15C									
	11	L12Z									
	12	M10A, M10B, M60A									
	13	N09A, N14Z, N16Z									
	17	R05Z, R06Z, R07A, R07B									
	21A	W04A, W04B									
	21B	X04Z, X05A, X05B, X06A, X06B, X06C									

ZZV	MDC	DRG	ZZV	MDC	DRG	ZZV	MDC	DRG			
8m165.11		BOP, KK11, KKI, KKII, KKP, KVT, UOP4	8m165.13		BOP, KK11, KKI, KKII, KKP, KVT, UOP4	8m165.21		BOP, KK11, KKI, KKII, KKP, KVT, UOP4			
	01	B02A, B02B, B02C, B03A, B03B, B06A, B06B, B07Z, B16Z, B17A, B17B, B17C, B39A, B39B		01	B02A, B02B, B02C, B03A, B03B, B06A, B06B, B07Z, B16Z, B17A, B17B, B17C, B39A, B39B		01	B02A, B02B, B02C, B03A, B03B, B06A, B06B, B07Z, B16Z, B17A, B17B, B17C, B39A, B39B			
	02	C02A, C02B, C16Z		02	C02A, C02B, C16Z		02	C02A, C02B, C16Z			
	03	D12A, D18Z, D20A, D20B		03	D12A, D18Z, D20A, D20B		03	D12A, D18Z, D20A, D20B			
	04	E03Z, E08A, E08B, E08C		04	E03Z, E08A, E08B, E08C		04	E03Z, E08A, E08B, E08C			
	06	G10Z, G12A, G12B, G15Z, G29A, G29B		06	G10Z, G12A, G12B, G15Z, G29A, G29B		06	G10Z, G12A, G12B, G15Z, G29A, G29B			
	07	H01A, H01B, H16Z		07	H01A, H01B, H16Z		07	H01A, H01B, H16Z			
	08	I54Z		08	I54Z		08	I54Z			
	09	J03A, J03B, J04A, J04B, J08A, J08B, J08C, J11A, J11B, J16Z, J18Z		09	J03A, J03B, J04A, J04B, J08A, J08B, J08C, J11A, J11B, J16Z, J18Z		09	J03A, J03B, J04A, J04B, J08A, J08B, J08C, J11A, J11B, J16Z, J18Z			
	10	K15A, K15B, K15C		10	K15A, K15B, K15C		10	K15A, K15B, K15C			
	11	L12Z		11	L12Z		11	L12Z			
	12	M10A, M10B, M60A		12	M10A, M10B, M60A		12	M10A, M10B, M60A			
	13	N09A, N14Z, N16Z		13	N09A, N14Z, N16Z		13	N09A, N14Z, N16Z			
	17	R05Z, R06Z, R07A, R07B		17	R05Z, R06Z, R07A, R07B		17	R05Z, R06Z, R07A, R07B			
	21A	W04A, W04B		21A	W04A, W04B		21A	W04A, W04B			
	21B	X04Z, X05A, X05B, X06A, X06B, X06C		21B	X04Z, X05A, X05B, X06A, X06B, X06C		21B	X04Z, X05A, X05B, X06A, X06B, X06C			
	8m165.12			BOP, KK11, KKI, KKII, KKP, KVT, UOP4	8m165.1x			BOP, KK11, KKI, KKII, KKP, KVT, UOP4	8m165.22		BOP, KK11, KKI, KKII, KKP, KVT, UOP4
		01		B02A, B02B, B02C, B03A, B03B, B06A, B06B, B07Z, B16Z, B17A, B17B, B17C, B39A, B39B			01	B02A, B02B, B02C, B03A, B03B, B06A, B06B, B07Z, B16Z, B17A, B17B, B17C, B39A, B39B		01	B02A, B02B, B02C, B03A, B03B, B06A, B06B, B07Z, B16Z, B17A, B17B, B17C, B39A, B39B
		02		C02A, C02B, C16Z			02	C02A, C02B, C16Z		02	C02A, C02B, C16Z
		03		D12A, D18Z, D20A, D20B			03	D12A, D18Z, D20A, D20B		03	D12A, D18Z, D20A, D20B
		04		E03Z, E08A, E08B, E08C			04	E03Z, E08A, E08B, E08C		04	E03Z, E08A, E08B, E08C
06		G10Z, G12A, G12B, G15Z, G29A, G29B	06	G10Z, G12A, G12B, G15Z, G29A, G29B		06	G10Z, G12A, G12B, G15Z, G29A, G29B				
07		H01A, H01B, H16Z	07	H01A, H01B, H16Z		07	H01A, H01B, H16Z				
08		I54Z	08	I54Z		08	I54Z				
09		J03A, J03B, J04A, J04B, J08A, J08B, J08C, J11A, J11B, J16Z, J18Z	09	J03A, J03B, J04A, J04B, J08A, J08B, J08C, J11A, J11B, J16Z, J18Z		09	J03A, J03B, J04A, J04B, J08A, J08B, J08C, J11A, J11B, J16Z, J18Z				
10		K15A, K15B, K15C	10	K15A, K15B, K15C		10	K15A, K15B, K15C				
11		L12Z	11	L12Z		11	L12Z				
12		M10A, M10B, M60A	12	M10A, M10B, M60A		12	M07Z, M10A, M10B, M60A				
13		N09A, N14Z, N16Z	13	N09A, N14Z, N16Z		13	N09A, N14Z, N16Z				
17		R05Z, R06Z, R07A, R07B	17	R05Z, R06Z, R07A, R07B		17	R05Z, R06Z, R07A, R07B				
21A		W04A, W04B	21A	W04A, W04B		21A	W04A, W04B				
21B		X04Z, X05A, X05B, X06A, X06B, X06C	21B	X04Z, X05A, X05B, X06A, X06B, X06C		21B	X04Z, X05A, X05B, X06A, X06B, X06C				
						8m166	BOP, KK11, KKI, KKII, KKP, KVT, UOP4				
						01	B02A, B02B, B02C, B16Z, B39A, B39B				
						02	C02A, C02B, C16Z				
						03	D18Z, D20A, D20B				
						04	E08A, E08B, E08C				
				06	G15Z, G29A, G29B						
				07	H01A, H01B, H16Z						
				08	I54Z						
				09	J16Z, J18Z						
				10	K15A, K15B, K15C						
				11	L12Z						
				12	M10A, M10B, M60A						
				13	N09A, N14Z, N16Z						
				17	R05Z, R06Z, R07A, R07B						

ZZV	MDC	DRG	ZZV	MDC	DRG	ZZV	MDC	DRG			
8m167		BOP, KK11, KKI, KKII, KKP, KVT, UOP4	8m170.1		BOP, KK11, KKI, KKII, KKP, KVT, UOP4	8m171.2		BOP, KK11, KKI, KKII, KKP, KVT, UOP4			
	01	B02A, B02B, B02C, B16Z, B39A, B39B		01	B02A, B02B, B02C, B16Z, B39A, B39B		01	B02A, B02B, B02C, B16Z, B39A, B39B			
	02	C02A, C02B, C16Z		02	C02A, C02B, C16Z		02	C02A, C02B, C16Z			
	03	D18Z, D20A, D20B		03	D18Z, D20A, D20B		03	D18Z, D20A, D20B			
	04	E08A, E08B, E08C		04	E08A, E08B, E08C		04	E08A, E08B, E08C			
	06	G15Z, G29A, G29B		06	G15Z, G29A, G29B		06	G15Z, G29A, G29B			
	07	H01A, H01B, H16Z		07	H01A, H01B, H16Z		07	H01A, H01B, H16Z			
	08	I54Z		08	I54Z		08	I54Z			
	09	J16Z, J18Z		09	J16Z, J18Z		09	J16Z, J18Z			
	10	K15A, K15B, K15C		10	K15A, K15B, K15C		10	K15A, K15B, K15C			
	11	L12Z		11	L12Z		11	L12Z			
	12	M10A, M10B, M60A		12	M10A, M10B, M60A		12	M10A, M10B, M60A			
	13	N09A, N14Z, N16Z		13	N16Z, N60A		13	N16Z, N60A			
	17	R05Z, R06Z, R07A, R07B		17	R05Z, R06Z, R07A, R07B		17	R05Z, R06Z, R07A, R07B			
	8m16x			BOP, KK11, KKI, KKII, KKP, KVT, UOP4	8m170.2			BOP, KK11, KKI, KKII, KKP, KVT, UOP4	8m171.3		BOP, KK11, KKI, KKII, KKP, KVT, UOP4
		01		B02A, B02B, B02C, B03A, B03B, B06A, B06B, B07Z, B16Z, B17A, B17B, B17C, B39A, B39B			01	B02A, B02B, B02C, B16Z, B39A, B39B		01	B02A, B02B, B02C, B16Z, B39A, B39B
		02		C02A, C02B, C16Z			02	C02A, C02B, C16Z		02	C02A, C02B, C16Z
03		D12A, D18Z, D20A, D20B	03	D18Z, D20A, D20B		03	D18Z, D20A, D20B				
04		E03Z, E08A, E08B, E08C	04	E08A, E08B, E08C		04	E08A, E08B, E08C				
06		G10Z, G12A, G12B, G15Z, G29A, G29B	06	G15Z, G29A, G29B		06	G15Z, G29A, G29B				
07		H01A, H01B, H16Z	07	H01A, H01B, H16Z		07	H01A, H01B, H16Z				
08		I54Z	08	I54Z		08	I54Z				
09		J03A, J03B, J04A, J04B, J08A, J08B, J08C, J11A, J11B, J16Z, J18Z	09	J16Z, J18Z		09	J16Z, J18Z				
10		K15A, K15B, K15C	10	K15A, K15B, K15C		10	K15A, K15B, K15C				
11		L12Z	11	L12Z		11	L12Z				
12		M10A, M10B, M60A	12	M10A, M10B, M60A		12	M10A, M10B, M60A				
13		N09A, N14Z, N16Z	13	N16Z, N60A		13	N16Z, N60A				
17		R05Z, R06Z, R07A, R07B	17	R05Z, R06Z, R07A, R07B		17	R05Z, R06Z, R07A, R07B				
21A		W04A, W04B									
21B		X04Z, X05A, X05B, X06A, X06B, X06C									
8m170.0			BOP, KK11, KKI, KKII, KKP, KVT, UOP4	8m170.x			BOP, KK11, KKI, KKII, KKP, KVT, UOP4	8m171.4			BOP, KK11, KKI, KKII, KKP, KVT, UOP4
		01	B02A, B02B, B02C, B16Z, B39A, B39B		01	B02A, B02B, B02C, B16Z, B39A, B39B	01		B02A, B02B, B02C, B16Z, B39A, B39B		
		02	C02A, C02B, C16Z		02	C02A, C02B, C16Z	02		C02A, C02B, C16Z		
		03	D18Z, D20A, D20B		03	D18Z, D20A, D20B	03		D18Z, D20A, D20B		
		04	E08A, E08B, E08C		04	E08A, E08B, E08C	04		E08A, E08B, E08C		
	06	G15Z, G29A, G29B	06		G15Z, G29A, G29B	06	G15Z, G29A, G29B				
	07	H01A, H01B, H16Z	07		H01A, H01B, H16Z	07	H01A, H01B, H16Z				
	08	I54Z	08		I54Z	08	I54Z				
	09	J16Z, J18Z	09		J16Z, J18Z	09	J16Z, J18Z				
	10	K15A, K15B, K15C	10		K15A, K15B, K15C	10	K15A, K15B, K15C				
	11	L12Z	11		L12Z	11	L12Z				
	12	M10A, M10B, M60A	12		M10A, M10B, M60A	12	M10A, M10B, M60A				
	13	N16Z, N60A	13		N16Z, N60A	13	N16Z, N60A				
	17	R05Z, R06Z, R07A, R07B	17		R05Z, R06Z, R07A, R07B	17	R05Z, R06Z, R07A, R07B				
	8m170.0		BOP, KK11, KKI, KKII, KKP, KVT, UOP4		8m171.1		BOP, KK11, KKI, KKII, KKP, KVT, UOP4		8m171.x		BOP, KK11, KKI, KKII, KKP, KVT, UOP4
		01	B02A, B02B, B02C, B16Z, B39A, B39B			01	B02A, B02B, B02C, B16Z, B39A, B39B			01	B02A, B02B, B02C, B16Z, B39A, B39B
		02	C02A, C02B, C16Z			02	C02A, C02B, C16Z			02	C02A, C02B, C16Z
03		D18Z, D20A, D20B	03	D18Z, D20A, D20B		03	D18Z, D20A, D20B				
04		E08A, E08B, E08C	04	E08A, E08B, E08C		04	E08A, E08B, E08C				
06		G15Z, G29A, G29B	06	G15Z, G29A, G29B		06	G15Z, G29A, G29B				
07		H01A, H01B, H16Z	07	H01A, H01B, H16Z		07	H01A, H01B, H16Z				
08		I54Z	08	I54Z		08	I54Z				
09		J16Z, J18Z	09	J16Z, J18Z		09	J16Z, J18Z				
10		K15A, K15B, K15C	10	K15A, K15B, K15C		10	K15A, K15B, K15C				
11		L12Z	11	L12Z		11	L12Z				
12		M10A, M10B, M60A	12	M10A, M10B, M60A		12	M10A, M10B, M60A				
13		N16Z, N60A	13	N16Z, N60A		13	N16Z, N60A				
17		R05Z, R06Z, R07A, R07B	17	R05Z, R06Z, R07A, R07B		17	R05Z, R06Z, R07A, R07B				

ZZV	MDC	DRG	ZZV	MDC	DRG	ZZV	MDC	DRG			
8m172.0		BOP, KK11, KKI, KKII, KKP, KVT, UOP4	8m172.21		BOP, KK11, KKI, KKII, KKP, KVT, UOP4	8m180.x		BOP, KK11, KKI, KKII, KVT, UOP4			
	01	B02A, B02B, B02C, B16Z, B39A, B39B		01	B02A, B02B, B02C, B16Z, B39A, B39B		01	B02A, B02B, B02C, B16Z, B39A, B39B			
	02	C02A, C02B, C16Z		02	C02A, C02B, C16Z		02	C02A, C02B, C16Z			
	03	D18Z, D20A, D20B		03	D18Z, D20A, D20B		03	D18Z, D20A, D20B			
	04	E08A, E08B, E08C		04	E08A, E08B, E08C		04	E08A, E08B, E08C			
	06	G15Z, G29A, G29B		06	G15Z, G29A, G29B		06	G15Z, G29A, G29B			
	07	H01A, H01B, H16Z		07	H01A, H01B, H16Z		07	H01A, H01B, H16Z			
	08	I54Z		08	I54Z		08	I54Z			
	09	J16Z, J18Z		09	J16Z, J18Z		09	J16Z, J18Z			
	10	K15A, K15B, K15C		10	K15A, K15B, K15C		10	K15A, K15B, K15C			
	11	L12Z		11	L12Z		11	L12Z			
	12	M10A, M10B, M60A		12	M10A, M10B, M60A		12	M10A, M10B, M60A			
	13	N16Z, N60A		13	N16Z, N60A		13	N16Z, N60A			
	17	R05Z, R06Z, R07A, R07B		17	R05Z, R06Z, R07A, R07B		17	R05Z, R06Z, R07A, R07B			
	8m172.10			BOP, KK11, KKI, KKII, KKP, KVT, UOP4	8m172.3			BOP, KK11, KKI, KKII, KKP, KVT, UOP4	8m181.0		BOP, KK11, KKI, KKII, KVT, UOP4
		01		B02A, B02B, B02C, B16Z, B39A, B39B			01	B02A, B02B, B02C, B16Z, B39A, B39B		01	B02A, B02B, B02C, B16Z, B39A, B39B
		02		C02A, C02B, C16Z			02	C02A, C02B, C16Z		02	C02A, C02B, C16Z
03		D18Z, D20A, D20B	03	D18Z, D20A, D20B		03	D18Z, D20A, D20B				
04		E08A, E08B, E08C	04	E08A, E08B, E08C		04	E08A, E08B, E08C				
06		G15Z, G29A, G29B	06	G15Z, G29A, G29B		06	G15Z, G29A, G29B				
07		H01A, H01B, H16Z	07	H01A, H01B, H16Z		07	H01A, H01B, H16Z				
08		I54Z	08	I54Z		08	I54Z				
09		J16Z, J18Z	09	J16Z, J18Z		09	J16Z, J18Z				
10		K15A, K15B, K15C	10	K15A, K15B, K15C		10	K15A, K15B, K15C				
11		L12Z	11	L12Z		11	L12Z				
12		M10A, M10B, M60A	12	M10A, M10B, M60A		12	M10A, M10B, M60A				
13		N16Z, N60A	13	N16Z, N60A		13	N16Z, N60A				
17		R05Z, R06Z, R07A, R07B	17	R05Z, R06Z, R07A, R07B		17	R05Z, R06Z, R07A, R07B				
8m172.11			BOP, KK11, KKI, KKII, KKP, KVT, UOP4	8m180.0			BOP, KK11, KKI, KKII, KVT, UOP4	8m181.1			BOP, KK11, KKI, KKII, KVT, UOP4
		01	B02A, B02B, B02C, B16Z, B39A, B39B			01	B02A, B02B, B02C, B16Z, B39A, B39B			01	B02A, B02B, B02C, B16Z, B39A, B39B
		02	C02A, C02B, C16Z			02	C02A, C02B, C16Z			02	C02A, C02B, C16Z
	03	D18Z, D20A, D20B	03		D18Z, D20A, D20B	03	D18Z, D20A, D20B				
	04	E08A, E08B, E08C	04		E08A, E08B, E08C	04	E08A, E08B, E08C				
	06	G15Z, G29A, G29B	06		G15Z, G29A, G29B	06	G15Z, G29A, G29B				
	07	H01A, H01B, H16Z	07		H01A, H01B, H16Z	07	H01A, H01B, H16Z				
	08	I54Z	08		I54Z	08	I54Z				
	09	J16Z, J18Z	09		J16Z, J18Z	09	J16Z, J18Z				
	10	K15A, K15B, K15C	10		K15A, K15B, K15C	10	K15A, K15B, K15C				
	11	L12Z	11		L12Z	11	L12Z				
	12	M10A, M10B, M60A	12		M10A, M10B, M60A	12	M10A, M10B, M60A				
	13	N16Z, N60A	13		N16Z, N60A	13	N16Z, N60A				
	17	R05Z, R06Z, R07A, R07B	17		R05Z, R06Z, R07A, R07B	17	R05Z, R06Z, R07A, R07B				
	8m172.20		BOP, KK11, KKI, KKII, KKP, KVT, UOP4		8m180.1		BOP, KK11, KKI, KKII, KVT, UOP4		8m181.x		BOP, KK11, KKI, KKII, KVT, UOP4
		01	B02A, B02B, B02C, B16Z, B39A, B39B			01	B02A, B02B, B02C, B16Z, B39A, B39B			01	B02A, B02B, B02C, B16Z, B39A, B39B
		02	C02A, C02B, C16Z			02	C02A, C02B, C16Z			02	C02A, C02B, C16Z
03		D18Z, D20A, D20B	03	D18Z, D20A, D20B		03	D18Z, D20A, D20B				
04		E08A, E08B, E08C	04	E08A, E08B, E08C		04	E08A, E08B, E08C				
06		G15Z, G29A, G29B	06	G15Z, G29A, G29B		06	G15Z, G29A, G29B				
07		H01A, H01B, H16Z	07	H01A, H01B, H16Z		07	H01A, H01B, H16Z				
08		I54Z	08	I54Z		08	I54Z				
09		J16Z, J18Z	09	J16Z, J18Z		09	J16Z, J18Z				
10		K15A, K15B, K15C	10	K15A, K15B, K15C		10	K15A, K15B, K15C				
11		L12Z	11	L12Z		11	L12Z				
12		M10A, M10B, M60A	12	M10A, M10B, M60A		12	M10A, M10B, M60A				
13		N16Z, N60A	13	N16Z, N60A		13	N16Z, N60A				
17		R05Z, R06Z, R07A, R07B	17	R05Z, R06Z, R07A, R07B		17	R05Z, R06Z, R07A, R07B				



ZZV	MDC	DRG	ZZV	MDC	DRG	ZZV	MDC	DRG		
8m183.1		BOP, KK11, KKI, KKII, KVT, UOP4	8m183.5		BOP, KK11, KKI, KKII, KVT, UOP4	8m301.x†		KK11, KKI, KKII, KKP		
	01	B02A, B02B, B02C, B16Z, B39A, B39B		01	B02A, B02B, B02C, B16Z, B39A, B39B		17	R60F, R63D, R63I		
	02	C02A, C02B, C16Z		02	C02A, C02B, C16Z	Pre	A42A			
	03	D18Z, D20A, D20B		03	D18Z, D20A, D20B	8m302.11†	17	R60C, R60D, R60E, R60F, R63D, R63E, R63H		
	04	E08A, E08B, E08C		04	E08A, E08B, E08C	Pre	A42A			
	06	G15Z, G29A, G29B		06	G15Z, G29A, G29B	8m302.12†	17	R60C, R60D, R60E, R60F, R63D, R63E, R63H		
	07	H01A, H01B, H16Z		07	H01A, H01B, H16Z	Pre	A42A			
	08	I54Z		08	I54Z	8m302.13†	17	R60C, R60D, R60E, R60F, R63D, R63E, R63H		
	09	J16Z, J18Z		09	J16Z, J18Z	Pre	A42A			
	10	K15A, K15B, K15C		10	K15A, K15B, K15C	17	KKI, KKP			
	11	L12Z		11	L12Z	17	R60C, R60D, R60E, R60F, R63D, R63E, R63H			
	12	M10A, M10B, M60A		12	M10A, M10B, M60A	Pre	A42A			
	13	N16Z, N60A		13	N16Z, N60A	8m302.14†	17	KKI, KKP		
	17	R05Z, R06Z, R07A, R07B		17	R05Z, R06Z, R07A, R07B	17	R60C, R60D, R60E, R60F, R63D, R63E, R63H			
	8m183.2			BOP, KK11, KKI, KKII, KVT, UOP4	8m183.7		BOP, KK11, KKI, KKII, KVT, UOP4	Pre	A42A	
		01		B02A, B02B, B02C, B16Z, B39A, B39B		01	B02A, B02B, B02C, B16Z, B39A, B39B	8m302.21†	17	R60C, R60D, R60E, R60F, R63D, R63E, R63H
		02		C02A, C02B, C16Z		02	C02A, C02B, C16Z	Pre	A42A	
03		D18Z, D20A, D20B	03	D18Z, D20A, D20B		8m302.22†	17	R60C, R60D, R60E, R60F, R63D, R63E, R63H		
04		E08A, E08B, E08C	04	E08A, E08B, E08C		Pre	A42A			
06		G15Z, G29A, G29B	06	G15Z, G29A, G29B		8m302.23†	17	R60C, R60D, R60E, R60F, R63D, R63E, R63H		
07		H01A, H01B, H16Z	07	H01A, H01B, H16Z		Pre	A42A			
08		I54Z	08	I54Z		8m302.24†	17	R60C, R60D, R60E, R60F, R63D, R63E, R63H		
09		J16Z, J18Z	09	J16Z, J18Z		Pre	A42A			
10		K15A, K15B, K15C	10	K15A, K15B, K15C		8m302.31†	17	R60C, R60D, R60E, R60F, R63D, R63E, R63H		
11		L12Z	11	L12Z		Pre	A42A			
12		M10A, M10B, M60A	12	M10A, M10B, M60A		8m302.32†	17	R60C, R60D, R60E, R60F, R63D, R63E, R63H		
13		N16Z, N60A	13	N16Z, N60A		Pre	A42A			
17		R05Z, R06Z, R07A, R07B	17	R05Z, R06Z, R07A, R07B		8m302.33†	17	R60C, R60D, R60E, R60F, R63D, R63E, R63H		
8m183.3			BOP, KK11, KKI, KKII, KVT, UOP4	8m183.x			BOP, KK11, KKI, KKII, KVT, UOP4	Pre	A42A	
		01	B02A, B02B, B02C, B16Z, B39A, B39B			01	B02A, B02B, B02C, B16Z, B39A, B39B	8m302.34†	17	R60C, R60D, R60E, R60F, R63D, R63E, R63H
		02	C02A, C02B, C16Z			02	C02A, C02B, C16Z	Pre	A42A	
	03	D18Z, D20A, D20B	03		D18Z, D20A, D20B	8m302.41†	17	R60C, R60D, R60E, R60F, R63D, R63E, R63H		
	04	E08A, E08B, E08C	04		E08A, E08B, E08C	Pre	A42A			
	06	G15Z, G29A, G29B	06		G15Z, G29A, G29B	8m302.42†	17	R60C, R60D, R60E, R60F, R63D, R63E, R63H		
	07	H01A, H01B, H16Z	07		H01A, H01B, H16Z	Pre	A42A			
	08	I54Z	08		I54Z	8m302.43†	17	R60C, R60D, R60E, R60F, R63D, R63E, R63H		
	09	J16Z, J18Z	09		J16Z, J18Z	Pre	A42A			
	10	K15A, K15B, K15C	10		K15A, K15B, K15C	8m302.44†	17	R60C, R60D, R60E, R60F, R63D, R63E, R63H		
	11	L12Z	11		L12Z	Pre	A42A			
	12	M10A, M10B, M60A	12		M10A, M10B, M60A	8m302.51†	17	R60C, R60D, R60E, R60F, R63D, R63E, R63H		
	13	N16Z, N60A	13		N16Z, N60A	Pre	A42A			
	17	R05Z, R06Z, R07A, R07B	17		R05Z, R06Z, R07A, R07B	8m302.52†	17	R60C, R60D, R60E, R60F, R63D, R63E, R63H		
	8m183.4		BOP, KK11, KKI, KKII, KVT, UOP4		8m301.0†		BOP, KK11, KKI, KKII, KKP	Pre	A42A	
		01	B02A, B02B, B02C, B16Z, B39A, B39B			17	R60F, R63D, R63I			
		02	C02A, C02B, C16Z		Pre	A42A	8m302.44†	17	R60C, R60D, R60E, R60F, R63D, R63E, R63H	
03		D18Z, D20A, D20B	8m301.1†	17	KK11, KKI, KKII, KKP	Pre	A42A			
04		E08A, E08B, E08C	Pre	A42A	8m302.51†	17	R60C, R60D, R60E, R60F, R63D, R63E, R63H			
06		G15Z, G29A, G29B	8m301.2†↔	17	KK11, KKI, KKII, KKP	Pre	A42A			
07		H01A, H01B, H16Z	Pre	A42A	8m302.52†	17	R60C, R60D, R60E, R60F, R63D, R63E, R63H			
08		I54Z	8m301.3†	17	KK11, KKI, KKII, KKP	Pre	A42A			
09		J16Z, J18Z	Pre	A42A	8m302.53†	17	R60C, R60D, R60E, R60F, R63D, R63E, R63H			
10		K15A, K15B, K15C	8m301.4†	17	R60F, R63D, R63I	Pre	A42A			
11		L12Z	Pre	A42A	8m302.54†	17	R60C, R60D, R60E, R60F, R63D, R63E, R63H			
12		M10A, M10B, M60A	8m301.5†↔	17	KK11, KKI, KKII, KKP	Pre	A42A			
13		N16Z, N60A	Pre	A42A	8m302.61†	17	R60C, R60D, R60E, R60F, R63D, R63E, R63H			
17		R05Z, R06Z, R07A, R07B	8m301.6†	17	R60F, R63D, R63I	Pre	A42A			
				Pre	A42A					



ZZV	MDC	DRG	ZZV	MDC	DRG	ZZV	MDC	DRG
8m303.66‡		KKP	8m303.92‡		KKP	8m400.1		BOP, KK11, KKI, KKII, KKP, KVT, UOP4
	17	R60C, R60D, R60E, R60F, R63D, R63E, R63H		17	R60C, R60D, R60E, R60F, R63D, R63E, R63H		01	B02A, B02B, B02C, B16Z, B39A, B39B
	Pre	A42A		Pre	A42A		02	C02A, C02B, C16Z
8m303.67‡		KKP	8m303.93‡		KKP		03	D18Z, D20A, D20B
	17	R60C, R60D, R60E, R60F, R63D, R63E, R63H		17	R60C, R60D, R60E, R60F, R63D, R63E, R63H		04	E03Z, E08A, E08B, E08C
	Pre	A42A		Pre	A42A		06	G15Z, G29A, G29B
8m303.71‡		KKP	8m303.94‡		KKP		07	H01A, H01B, H16Z
	17	R60C, R60D, R60E, R60F, R63D, R63E, R63H		17	R60C, R60D, R60E, R60F, R63D, R63E, R63H		08	I54Z
	Pre	A42A		Pre	A42A		09	J16Z, J18Z
8m303.72‡		KKP	8m303.95‡		KKP		10	K15A, K15B, K15C
	17	R60C, R60D, R60E, R60F, R63D, R63E, R63H		17	R60C, R60D, R60E, R60F, R63D, R63E, R63H		11	L12Z
	Pre	A42A		Pre	A42A		12	M10A, M10B, M60A
8m303.73‡		KKP	8m303.96‡		KKP	8m401.0		BOP, KK11, KKI, KKII, KKP, KVT, UOP4
	17	R60C, R60D, R60E, R60F, R63D, R63E, R63H		17	R60C, R60D, R60E, R60F, R63D, R63E, R63H		01	B02A, B02B, B02C, B16Z, B39A, B39B
	Pre	A42A		Pre	A42A		02	C02A, C02B, C16Z
8m303.74‡		KKP	8m303.97‡		KKP		03	D18Z, D20A, D20B
	17	R60C, R60D, R60E, R60F, R63D, R63E, R63H		17	R60C, R60D, R60E, R60F, R63D, R63E, R63H		04	E03Z, E08A, E08B, E08C
	Pre	A42A		Pre	A42A		06	G15Z, G29A, G29B
8m303.75‡		KKP	8m304.1‡		KKP		07	H01A, H01B, H16Z
	17	R60C, R60D, R60E, R60F, R63D, R63E, R63H		08	I65A		08	I54Z
	Pre	A42A		12	M60B		09	J16Z, J18Z
8m303.76‡		KKP		17	R16Z, R60A, R60B, R60C, R60D, R60E, R61A, R63A, R63B, R63C, R63E, R63G		10	K15A, K15B, K15C
	17	R60C, R60D, R60E, R60F, R63D, R63E, R63H		Pre	A42A		11	L12Z
	Pre	A42A	8m304.2‡		KKP		12	M10A, M10B, M60A
8m303.77‡		KKP		08	I65A	8m401.1		BOP, KK11, KKI, KKII, KKP, KVT, UOP4
	17	R60C, R60D, R60E, R60F, R63D, R63E, R63H		12	M60B		01	B02A, B02B, B02C, B16Z, B39A, B39B
	Pre	A42A		17	R16Z, R60A, R61A, R63A		02	C02A, C02B, C16Z
8m303.81‡		KKP	8m305.0‡		KK11, KKII, KKP		03	D18Z, D20A, D20B
	17	R60C, R60D, R60E, R60F, R63D, R63E, R63H		17	R60F, R63D, R63I		04	E03Z, E08A, E08B, E08C
	Pre	A42A		Pre	A42A		06	G15Z, G29A, G29B
8m303.82‡		KKP	8m305.1‡		KK11, KKII, KKP		07	H01A, H01B, H16Z
	17	R60C, R60D, R60E, R60F, R63D, R63E, R63H		17	R60F, R63D, R63I		08	I54Z
	Pre	A42A	8m305.x‡		KK11, KKII, KKP		09	J16Z, J18Z
8m303.83‡		KKP		17	R60F, R63D, R63I		10	K15A, K15B, K15C
	17	R60C, R60D, R60E, R60F, R63D, R63E, R63H	8m311.0‡		KK11, KKI, KKII, KKP		11	L12Z
	Pre	A42A		17	R60F, R63D, R63I		12	M10A, M10B, M60A
8m303.84‡		KKP	8m311.1‡		KK11, KKII, KKP		13	N16Z, N60A
	17	R60C, R60D, R60E, R60F, R63D, R63E, R63H		Pre	A42A		17	R14Z
	Pre	A42A	8m400.0		BOP, KK11, KKI, KKII, KKP, KVT, UOP4	8m402.0		BOP, KK11, KKI, KKII, KKP, KVT, UOP4
8m303.85‡		KKP		01	B02A, B02B, B02C, B16Z, B39A, B39B		01	B02A, B02B, B02C, B16Z, B39A, B39B
	17	R60C, R60D, R60E, R60F, R63D, R63E, R63H		02	C02A, C02B, C16Z		02	C02A, C02B, C16Z
	Pre	A42A		03	D18Z, D20A, D20B		03	D18Z, D20A, D20B
8m303.86‡		KKP		04	E03Z, E08A, E08B, E08C		04	E03Z, E08A, E08B, E08C
	17	R60C, R60D, R60E, R60F, R63D, R63E, R63H		06	G15Z, G29A, G29B		06	G15Z, G29A, G29B
	Pre	A42A		07	H01A, H01B, H16Z		07	H01A, H01B, H16Z
8m303.87‡		KKP		08	I54Z		08	I54Z
	17	R60C, R60D, R60E, R60F, R63D, R63E, R63H		09	J16Z, J18Z		09	J16Z, J18Z
	Pre	A42A		10	K15A, K15B, K15C, K15D		10	K15A, K15B, K15C
8m303.91‡		KKP		11	L12Z		11	L12Z
	17	R60C, R60D, R60E, R60F, R63D, R63E, R63H		12	M10A, M10B, M60A		12	M10A, M10B, M60A
	Pre	A42A		13	N16Z, N60A		13	N16Z, N60A
	17	R60C, R60D, R60E, R60F, R63D, R63E, R63H		17	R14Z		17	R14Z
	Pre	A42A						

ZZV	MDC	DRG	ZZV	MDC	DRG	ZZV	MDC	DRG			
8m402.1		BOP, KK11, KKI, KKII, KKP, KVT, UOP4	8m414.1		BOP, KK11, KKI, KKII, KKP, KVT, UOP4	8m416.02		BOP, KK11, KKI, KKII, KKP, KVT, UOP4			
	01	B02A, B02B, B02C, B16Z, B39A, B39B		01	B02A, B02B, B02C, B16Z, B39A, B39B		01	B02A, B02B, B02C, B16Z, B39A, B39B			
	02	C02A, C02B, C16Z		02	C02A, C02B, C16Z		02	C02A, C02B, C16Z			
	03	D18Z, D20A, D20B		03	D18Z, D20A, D20B		03	D18Z, D20A, D20B			
	04	E03Z, E08A, E08B, E08C		04	E03Z, E08A, E08B, E08C		04	E03Z, E08A, E08B, E08C			
	06	G15Z, G29A, G29B		06	G15Z, G29A, G29B		06	G15Z, G29A, G29B			
	07	H01A, H01B, H16Z		07	H01A, H01B, H16Z		07	H01A, H01B, H16Z			
	08	I54Z		08	I54Z		08	I54Z			
	09	J16Z, J18Z		09	J16Z, J18Z		09	J16Z, J18Z			
	10	K15A, K15B, K15C		10	K15A, K15B, K15C		10	K15A, K15B, K15C			
	11	L12Z		11	L12Z		11	L12Z			
	12	M10A, M10B, M60A		12	M10A, M10B, M60A		12	M10A, M10B, M60A			
	13	N16Z, N60A		13	N16Z, N60A		13	N16Z, N60A			
	17	R14Z		17	R14Z		17	R14Z			
	8m403			BOP, KK11, KKI, KKII, KKP, KVT, UOP4	8m414.2			BOP, KK11, KKI, KKII, KKP, KVT, UOP4	8m416.1		BOP, KK11, KKI, KKII, KKP, KVT, UOP4
		01		B02A, B02B, B02C, B16Z, B39A, B39B			01	B02A, B02B, B02C, B16Z, B39A, B39B		01	B02A, B02B, B02C, B16Z, B39A, B39B
		02		C02A, C02B, C16Z			02	C02A, C02B, C16Z		02	C02A, C02B, C16Z
03		D18Z, D20A, D20B	03	D18Z, D20A, D20B		03	D18Z, D20A, D20B				
04		E03Z, E08A, E08B, E08C	04	E03Z, E08A, E08B, E08C		04	E03Z, E08A, E08B, E08C				
06		G15Z, G29A, G29B	06	G15Z, G29A, G29B		06	G15Z, G29A, G29B				
07		H01A, H01B, H16Z	07	H01A, H01B, H16Z		07	H01A, H01B, H16Z				
08		I54Z	08	I54Z		08	I54Z				
09		J16Z, J18Z	09	J16Z, J18Z		09	J16Z, J18Z				
10		K15A, K15B, K15C, K15D	10	K15A, K15B, K15C		10	K15A, K15B, K15C				
11		L12Z	11	L12Z		11	L12Z				
12		M10A, M10B, M60A	12	M10A, M10B, M60A		12	M10A, M10B, M60A				
13		N16Z, N60A	13	N16Z, N60A		13	N16Z, N60A				
17		R14Z	17	R14Z		17	R14Z				
8m411			BOP, KK11, KKI, KKII, KVT, UOP4	8m415			BOP, KK11, KKI, KKII, KKP, KVT, UOP4	8m416.2			BOP, KK11, KKI, KKII, KKP, KVT, UOP4
		01	B02A, B02B, B02C, B16Z, B39A, B39B			01	B02A, B02B, B02C, B16Z, B39A, B39B			01	B02A, B02B, B02C, B16Z, B39A, B39B
		02	C02A, C02B, C16Z			02	C02A, C02B, C16Z			02	C02A, C02B, C16Z
	03	D18Z, D20A, D20B	03		D18Z, D20A, D20B	03	D18Z, D20A, D20B				
	04	E03Z	04		E03Z, E08A, E08B, E08C	04	E03Z, E08A, E08B, E08C				
	06	G15Z, G29A, G29B	06		G15Z, G29A, G29B	06	G15Z, G29A, G29B				
	07	H01A, H01B, H16Z	07		H01A, H01B, H16Z	07	H01A, H01B, H16Z				
	08	I54Z	08		I54Z	08	I54Z				
	09	J16Z, J18Z	09		J16Z, J18Z	09	J16Z, J18Z				
	10	K15A, K15B, K15C	10		K15A, K15B, K15C	10	K15A, K15B, K15C				
	11	L12Z	11		L12Z	11	L12Z				
	12	M10A, M10B, M60A	12		M10A, M10B, M60A	12	M10A, M10B, M60A				
	13	N16Z, N60A	13		N16Z, N60A	13	N16Z, N60A				
	17	R14Z	17		R14Z	17	R14Z				
	8m412		BOP, KK11, KKI, KKII, KKP, KVT, UOP4		8m416.01		BOP, KK11, KKI, KKII, KKP, KVT, UOP4		8m416.3		BOP, KK11, KKI, KKII, KKP, KVT, UOP4
		01	B02A, B02B, B02C, B16Z, B39A, B39B			01	B02A, B02B, B02C, B16Z, B39A, B39B			01	B02A, B02B, B02C, B16Z, B39A, B39B
		02	C02A, C02B, C16Z			02	C02A, C02B, C16Z			02	C02A, C02B, C16Z
03		D18Z, D20A, D20B	03	D18Z, D20A, D20B		03	D18Z, D20A, D20B				
04		E03Z, E08A, E08B, E08C	04	E03Z, E08A, E08B, E08C		04	E03Z, E08A, E08B, E08C				
06		G15Z, G29A, G29B	06	G15Z, G29A, G29B		06	G15Z, G29A, G29B				
07		H01A, H01B, H16Z	07	H01A, H01B, H16Z		07	H01A, H01B, H16Z				
08		I54Z	08	I54Z		08	I54Z				
09		J16Z, J18Z	09	J16Z, J18Z		09	J16Z, J18Z				
10		K15A, K15B, K15C	10	K15A, K15B, K15C		10	K15A, K15B, K15C				
11		L12Z	11	L12Z		11	L12Z				
12		M10A, M10B, M60A	12	M10A, M10B, M60A		12	M10A, M10B, M60A				
13		N16Z, N60A	13	N16Z, N60A		13	N16Z, N60A				
17		R14Z	17	R14Z		17	R14Z				

ZZV	MDC	DRG	ZZV	MDC	DRG	ZZV	MDC	DRG		
8m416.x		BOP, KK11, KKI, KKII, KKP, KVT, UOP4	8m418.2		BOP, KK11, KKI, KKII, KKP, KVT, UOP4	8n121.3†		VRH		
	01	B02A, B02B, B02C, B16Z, B39A, B39B		01	B02A, B02B, B02C, B16Z, B39A, B39B	8n121.4†	01	B42A, B42B, B48Z		
	02	C02A, C02B, C16Z		02	C02A, C02B, C16Z	8n122.1†	01	VRH		
	03	D18Z, D20A, D20B		03	D18Z, D20A, D20B	8n122.1†	01	B42A, B42B, B48Z		
	04	E03Z, E08A, E08B, E08C		04	E03Z, E08A, E08B, E08C	8n122.2†	08	I96Z		
	06	G15Z, G29A, G29B		06	G15Z, G29A, G29B	8n122.2†		VRH		
	07	H01A, H01B, H16Z		07	H01A, H01B, H16Z	8n122.3†	01	B42A, B42B, B48Z		
	08	I54Z		08	I54Z	8n122.3†	08	I96Z		
	09	J16Z, J18Z		09	J16Z, J18Z	8n122.3†		VRH		
	10	K15A, K15B, K15C		10	K15A, K15B, K15C	8n122.4†	01	B42A, B42B, B48Z		
	11	L12Z		11	L12Z	8n122.4†	08	I96Z		
	12	M10A, M10B, M60A		12	M10A, M10B, M60A	8n122.4†		VRH		
	13	N16Z, N60A		13	N16Z, N60A	8n123.1†	01	B42A, B42B, B48Z		
	17	R14Z		17	R14Z	8n123.1†	08	I96Z		
	8m417			BOP, KK11, KKI, KKII, KKP, KVT, UOP4	8m419		BOP, KK11, KKI, KKII, KKP, KVT, UOP4	8n123.2†		VRH
		01		B02A, B02B, B02C, B16Z, B39A, B39B		01	B02A, B02B, B02C, B16Z, B39A, B39B	8n123.2†	01	B42A, B42B, B48Z
		02		C02A, C02B, C16Z		02	C02A, C02B, C16Z	8n123.2†	08	I96Z
03		D18Z, D20A, D20B	03	D18Z, D20A, D20B		8n123.3†	01	B42A, B42B, B48Z		
04		E03Z, E08A, E08B, E08C	04	E03Z, E08A, E08B, E08C		8n123.3†	08	I96Z		
06		G15Z, G29A, G29B	06	G15Z, G29A, G29B		8n123.4†	01	B42A, B42B, B48Z		
07		H01A, H01B, H16Z	07	H01A, H01B, H16Z		8n123.4†	08	I96Z		
08		I54Z	08	I54Z		8n123.4†		VRH		
09		J16Z, J18Z	09	J16Z, J18Z		8n124.1†	01	B42A, B42B, B48Z		
10		K15A, K15B, K15C	10	K15A, K15B, K15C		8n124.1†	08	I96Z		
11		L12Z	11	L12Z		8n124.2†		VRH		
12		M10A, M10B, M60A	12	M10A, M10B, M60A		8n124.2†	01	B42A, B42B, B48Z		
13		N16Z, N60A	13	N16Z, N60A		8n124.2†	08	I96Z		
17		R14Z	17	R14Z		8n124.3†		VRH		
8m418.0			BOP, KK11, KKI, KKII, KKP, KVT, UOP4	8m41a			BOP, KK11, KKI, KKII, KKP, KVT, UOP4	8n124.3†	01	B42A, B42B, B48Z
		01	B02A, B02B, B02C, B16Z, B39A, B39B			01	B02A, B02B, B02C, B16Z, B39A, B39B	8n124.3†	08	I96Z
		02	C02A, C02B, C16Z			02	C02A, C02B, C16Z	8n124.4†	01	B42A, B42B, B48Z
	03	D18Z, D20A, D20B	03		D18Z, D20A, D20B	8n124.4†	08	I96Z		
	04	E03Z, E08A, E08B, E08C	04		E03Z, E08A, E08B, E08C	8n125.1†	01	B42A, B42B, B48Z		
	06	G15Z, G29A, G29B	06		G15Z, G29A, G29B	8n125.1†	08	I96Z		
	07	H01A, H01B, H16Z	07		H01A, H01B, H16Z	8n125.2†		VRH		
	08	I54Z	08		I54Z	8n125.2†	01	B42A, B42B, B48Z		
	09	J16Z, J18Z	09		J16Z, J18Z	8n125.2†	08	I96Z		
	10	K15A, K15B, K15C	10		K15A, K15B, K15C	8n125.3†	01	B42A, B42B, B48Z		
	11	L12Z	11		L12Z	8n125.3†	08	I96Z		
	12	M10A, M10B, M60A	12		M10A, M10B, M60A	8n125.4†		VRH		
	13	N16Z, N60A	13		N16Z, N60A	8n125.4†	01	B42A, B42B, B48Z		
	17	R14Z	17		R14Z	8n125.4†	08	I96Z		
	8m418.1		BOP, KK11, KKI, KKII, KKP, KVT, UOP4		8n101†		GVRH	8n202.1†	15	P65C, P66C, P67B, P67C
		01	B02A, B02B, B02C, B16Z, B39A, B39B		8n102†		GVRH	8n202.2†	15	P65C, P66C, P67B, P67C
		02	C02A, C02B, C16Z		8n110.2†		VRH	8n202.3†	15	P65C, P66C, P67B, P67C
03		D18Z, D20A, D20B	8n110.3†	01	B11Z, B42A, B42B	8n219.1†	15	P65C, P66C, P67B, P67C		
04		E03Z, E08A, E08B, E08C	8n110.3†		VRH	8n219.2†	15	P65C, P66C, P67B, P67C		
06		G15Z, G29A, G29B	8n110.4†	01	B11Z, B43Z	8n21d†		KVT		
07		H01A, H01B, H16Z	8n110.4†	08	I96Z	8p100†	15	P65A, P65B, P66A, P66B, P67A, P67B		
08		I54Z	8n110.5†		VRH	8p101†	15	P65A, P65B, P66A, P66B, P67A, P67B		
09		J16Z, J18Z	8n110.5†	01	B11Z, B43Z	8p102.1†	15	P65A, P65B, P66A, P66B, P67A, P67B		
10		K15A, K15B, K15C	8n110.6†	08	I96Z	8p102.2†	15	P65A, P65B, P66A, P66B, P67A, P67B		
11		L12Z	8n110.6†		VRH	8p102.a†	15	P65A, P65B, P66A, P66B, P67A, P67B		
12		M10A, M10B, M60A	8n121.1†	01	B11Z, B43Z					
13		N16Z, N60A	8n121.1†	08	I96Z					
17		R14Z	8n121.2†	01	B42A, B42B, B48Z					
			8n121.2†	01	VRH					
				01	B42A, B42B, B48Z					

ZZV	MDC	DRG	ZZV	MDC	DRG	ZZV	MDC	DRG
8p102.b†	15	P65A, P65B, P66A, P66B, P67A, P67B	8r124.0a†		DIAL, KK11, KKI, KKII, KKP	8r144.0k†		DIAL, KK11, KKI, KKII, KKP
8p102.c†	15	P65A, P65B, P66A, P66B, P67A, P67B	8r124.0b†		DIAL, KK11, KKI, KKII, KKP	8r144.0m†	11	L02B, L09A, L09B, L38Z
8p107†	15	P65A, P65B, P66A, P66B, P67A, P67B	8r124.0c†	11	L02B, L09A, L09B, L38Z	8r144.0n†	11	L02B, L09A, L09B, L38Z
8p141†	03	D15A, D15B, D18Z	8r124.0d†	11	DIAL, KK11, KKI, KKII, KKP	8r144.0o†	11	DIAL, KK11, KKI, KKII, KKP
	04	E02A, E02B, E02C	8r124.0e†	11	L02B, L09A, L09B, L38Z	8r144.1a†		DIAL, KK11, KKI, KKII, KKP
	21A	W01A, W01B, W01C, W36Z	8r124.0f†	11	DIAL, KK11, KKI, KKII, KKP	8r144.1b†		DIAL, KK11, KKI, KKII, KKP
8q111†		KK11, KKI, KKII, KKP	8r124.0g†	11	L02B, L09A, L09B, L38Z	8r144.1c†	11	L02B, L09A, L09B, L38Z
8q121†	05	F62A	8r124.0h†	11	DIAL, KK11, KKI, KKII, KKP	8r144.1d†	11	DIAL, KK11, KKI, KKII, KKP
	05	F62A	8r124.0i†	11	L02B, L09A, L09B, L38Z	8r144.1e†	11	L02B, L09A, L09B, L38Z
8q122		BOP, KOP, KOPV, KVT, UOP4	8r124.0j†	11	DIAL, KK11, KKI, KKII, KKP	8r144.1f†	11	L02B, L09A, L09B, L38Z
	04	E05A, E05B, E05C, E08A, E08B, E08C	8r124.0k†	11	L02B, L09A, L09B, L38Z	8r144.1g†	11	DIAL, KK11, KKI, KKII, KKP
	05	F01A, F01B, F01D, F05Z, F07A, F07B, F09A, F09B, F09C, F30Z, F36A, F36B, F42Z	8r124.0l†	11	L02B, L09A, L09B, L38Z	8r144.1h†	11	DIAL, KK11, KKI, KKII, KKP
	06	G33Z	8r124.0m†	11	DIAL, KK11, KKI, KKII, KKP	8r144.1i†	11	DIAL, KK11, KKI, KKII, KKP
	07	H33Z, H38Z	8r124.0n†	11	L02B, L09A, L09B, L38Z	8r144.1j†	11	L02B, L09A, L09B, L38Z
	11	L33Z	8r124.1a†		DIAL, KK11, KKI, KKII, KKP	8r144.1k†	11	DIAL, KK11, KKI, KKII, KKP
	15	P02A, P02B, P02C	8r124.1b†		DIAL, KK11, KKI, KKII, KKP	8r144.1l†	11	L02B, L09A, L09B, L38Z
	21B	X33Z	8r124.1c†		DIAL, KK11, KKI, KKII, KKP	8r144.1m†	11	L02B, L09A, L09B, L38Z
	23	Z01A	8r124.1d†	11	DIAL, KK11, KKI, KKII, KKP	8r144.1n†	11	L02B, L09A, L09B, L38Z
	Pre	A07A	8r124.1e†	11	L02B, L09A, L09B, L38Z	8r145.0a†		DIAL, KK11, KKI, KKII, KKP
8q123†		KK11, KKI, KKII, KKP	8r124.1f†	11	L02B, L09A, L09B, L38Z	8r145.0b†		DIAL, KK11, KKI, KKII, KKP
	05	F62A	8r124.1g†	11	L02B, L09A, L09B, L38Z	8r145.0c†	11	L02B, L09A, L09B, L38Z
8q124†		KK11, KKI, KKII, KKP	8r124.1h†	11	DIAL, KK11, KKI, KKII, KKP	8r145.0d†	11	L02B, L09A, L09B, L38Z
	05	F62A	8r124.1i†	11	L02B, L09A, L09B, L38Z	8r145.0e†	11	L02B, L09A, L09B, L38Z
8q901†	01	B70C, B70E	8r124.1j†	11	DIAL, KK11, KKI, KKII, KKP	8r145.0f†	11	L02B, L09A, L09B, L38Z
	Pre	A13F	8r124.1k†	11	L02B, L09A, L09B, L38Z	8r145.0g†	11	L02B, L09A, L09B, L38Z
8q902†	15	P05A, P05B, P05C, P66A, P66B, P66C, P66D, P67A	8r124.1l†	11	DIAL, KK11, KKI, KKII, KKP	8r145.0h†	11	DIAL, KK11, KKI, KKII, KKP
		DIAL, KKI, KKP	8r124.1m†	11	L02B, L09A, L09B, L38Z	8r145.0i†	11	L02B, L09A, L09B, L38Z
8r110†		DIAL, KK11, KKI, KKII, KKP	8r124.1n†	11	DIAL, KK11, KKI, KKII, KKP	8r145.0j†	11	L02B, L09A, L09B, L38Z
8r113.0†		DIAL, KK11, KKI, KKII, KKP	8r124.1o†	11	L02B, L09A, L09B, L38Z	8r145.0k†	11	L02B, L09A, L09B, L38Z
8r113.2†	11	L02B, L09A, L09B, L38Z	8r124.1p†	11	L02B, L09A, L09B, L38Z	8r145.0l†	11	L02B, L09A, L09B, L38Z
8r113.3†	11	L02B, L09A, L09B, L38Z	8r124.1q†	11	L02B, L09A, L09B, L38Z	8r145.0m†	11	DIAL, KK11, KKI, KKII, KKP
8r113.4†	11	L02B, L09A, L09B, L38Z	8r124.1r†	11	L02B, L09A, L09B, L38Z	8r145.0n†	11	L02B, L09A, L09B, L38Z
8r113.5†	11	L02B, L09A, L09B, L38Z	8r124.1s†	11	L02B, L09A, L09B, L38Z	8r151.1†	11	L02B, L09A, L09B, L38Z
8r113.7†	11	L02B, L09A, L09B, L38Z	8r124.1t†	11	L02B, L09A, L09B, L38Z	8r151.2†	11	L02B, L09A, L09B, L38Z
8r113.8†	11	L02B, L09A, L09B, L38Z	8r124.1u†	11	L02B, L09A, L09B, L38Z	8r152.2†	11	L02B, L09A, L09B, L38Z
8r113.9†	11	L02B, L09A, L09B, L38Z	8r124.1v†	11	L02B, L09A, L09B, L38Z	8r154.0a†		DIAL, KK11, KKI, KKII, KKP
8r113.a†	11	L02B, L09A, L09B, L38Z	8r124.1w†	11	L02B, L09A, L09B, L38Z	8r154.0b†		DIAL, KK11, KKI, KKII, KKP
8r113.b†	11	L02B, L09A, L09B, L38Z	8r124.1x†	11	L02B, L09A, L09B, L38Z	8r154.0c†		DIAL, KK11, KKI, KKII, KKP
8r113.c†	11	L02B, L09A, L09B, L38Z	8r124.1y†	11	L02B, L09A, L09B, L38Z	8r154.0d†	11	L02B, L09A, L09B, L38Z
8r114.0†		DIAL, KK11, KKI, KKII, KKP	8r124.1z†	11	L02B, L09A, L09B, L38Z	8r154.0e†	11	L02B, L09A, L09B, L38Z
8r114.2†	11	L02B, L09A, L09B, L38Z	8r143.1†		DIAL, KKI, KKP	8r154.0f†	11	DIAL, KK11, KKI, KKII, KKP
8r114.3†	11	L02B, L09A, L09B, L38Z	8r143.2†		DIAL, KKI, KKP	8r154.0g†	11	L02B, L09A, L09B, L38Z
8r114.4†	11	L02B, L09A, L09B, L38Z	8r143.3†		DIAL, KKI, KKP	8r154.0h†	11	L02B, L09A, L09B, L38Z
8r114.5†	11	L02B, L09A, L09B, L38Z	8r143.4†		DIAL, KKI, KKP	8r154.0i†	11	L02B, L09A, L09B, L38Z
8r114.7†	11	L02B, L09A, L09B, L38Z	8r144.0a†		DIAL, KK11, KKI, KKII, KKP	8r154.0j†	11	L02B, L09A, L09B, L38Z
8r114.8†	11	L02B, L09A, L09B, L38Z	8r144.0b†		DIAL, KK11, KKI, KKII, KKP	8r154.0k†	11	L02B, L09A, L09B, L38Z
8r114.9†	11	L02B, L09A, L09B, L38Z	8r144.0c†		DIAL, KK11, KKI, KKII, KKP	8r154.0l†	11	L02B, L09A, L09B, L38Z
8r114.a†	11	L02B, L09A, L09B, L38Z	8r144.0d†		DIAL, KK11, KKI, KKII, KKP	8r154.0m†	11	L02B, L09A, L09B, L38Z
8r114.b†	11	L02B, L09A, L09B, L38Z	8r144.0e†		DIAL, KK11, KKI, KKII, KKP	8r154.0n†	11	L02B, L09A, L09B, L38Z
8r114.c†	11	L02B, L09A, L09B, L38Z	8r144.0f†		DIAL, KK11, KKI, KKII, KKP	8r154.0o†	11	L02B, L09A, L09B, L38Z
8r121.1†		DIAL, KKI, KKP	8r144.0g†		DIAL, KK11, KKI, KKII, KKP	8r154.0p†	11	L02B, L09A, L09B, L38Z
8r121.2†	11	L02B, L09A, L09B, L38Z	8r144.0h†		DIAL, KK11, KKI, KKII, KKP	8r154.0q†	11	L02B, L09A, L09B, L38Z
8r122.1†	11	L02B, L09A, L09B, L38Z	8r144.0i†		DIAL, KK11, KKI, KKII, KKP	8r154.0r†	11	L02B, L09A, L09B, L38Z
8r122.2†	11	L02B, L09A, L09B, L38Z	8r144.0j†		DIAL, KK11, KKI, KKII, KKP	8r154.0s†	11	L02B, L09A, L09B, L38Z
8r123.1†		DIAL, KKI, KKP	8r144.0k†		DIAL, KK11, KKI, KKII, KKP	8r154.0t†	11	L02B, L09A, L09B, L38Z
	11	L02B, L09A, L09B, L38Z	8r144.0l†		DIAL, KK11, KKI, KKII, KKP	8r154.0u†	11	L02B, L09A, L09B, L38Z
8r123.2†		DIAL, KKI, KKP	8r144.0m†		DIAL, KK11, KKI, KKII, KKP	8r154.0v†	11	L02B, L09A, L09B, L38Z
	11	L02B, L09A, L09B, L38Z	8r144.0n†		DIAL, KK11, KKI, KKII, KKP	8r154.0w†	11	L02B, L09A, L09B, L38Z
8r123.3†		DIAL, KKI, KKP	8r144.0o†		DIAL, KK11, KKI, KKII, KKP	8r154.0x†	11	L02B, L09A, L09B, L38Z
	11	L02B, L09A, L09B, L38Z	8r144.0p†		DIAL, KK11, KKI, KKII, KKP	8r154.0y†	11	L02B, L09A, L09B, L38Z
	11	L02B, L09A, L09B, L38Z	8r144.0q†		DIAL, KK11, KKI, KKII, KKP	8r154.0z†	11	L02B, L09A, L09B, L38Z

ZZV	MDC	DRG	ZZV	MDC	DRG	ZZV	MDC	DRG
8r154.0j‡		DIAL, KK11, KKI, KKII, KKP	8r176.05‡		KK11, KKI, KKII, KKP	8r20a.3‡	15	P65C, P66C, P67B, P67C
	11	L02B, L09A, L09B, L38Z	8r176.06‡		KK11, KKI, KKII, KKP	8r20a.4‡	15	P65C, P66C, P67B, P67C
8r154.0k‡		DIAL, KK11, KKI, KKII, KKP	8r176.07‡		KK11, KKI, KKII, KKP	8r20a.5‡	15	P65C, P66C, P67B, P67C
	11	L02B, L09A, L09B, L38Z	8r176.08‡		KK11, KKI, KKII, KKP	8r20a.6‡	15	P65C, P66C, P67B, P67C
8r154.0m‡		DIAL, KK11, KKI, KKII, KKP	8r176.09‡		KK11, KKI, KKII, KKP	8r20a.7‡	15	P65C, P66C, P67B, P67C
	11	L02B, L09A, L09B, L38Z	8r176.0a‡		KK11, KKI, KKII, KKP	8r20a.8‡	15	P65C, P66C, P67B, P67C
8r154.0n‡		DIAL, KK11, KKI, KKII, KKP	8r176.0b‡		KK11, KKI, KKII, KKP	8r20a.9‡	15	P65C, P66C, P67B, P67C
	11	L02B, L09A, L09B, L38Z	8r176.0c‡		KK11, KKI, KKII, KKP	8r20a.a‡	15	P65C, P66C, P67B, P67C
8r154.1a‡		DIAL, KK11, KKI, KKII, KKP	8r176.0d‡		KK11, KKI, KKII, KKP	8r20a.b‡	15	P65C, P66C, P67B, P67C
8r154.1b‡		DIAL, KK11, KKI, KKII, KKP	8r176.0e‡		KK11, KKI, KKII, KKP	8r20a.c‡	15	P65C, P66C, P67B, P67C
8r154.1c‡		DIAL, KK11, KKI, KKII, KKP	8r176.11‡		KK11, KKI, KKII, KKP	8r20b.1‡	15	P65C, P66C, P67B, P67C
	11	L02B, L09A, L09B, L38Z	8r176.12‡		KK11, KKI, KKII, KKP	8r20b.2‡	15	P65C, P66C, P67B, P67C
8r154.1d‡		DIAL, KK11, KKI, KKII, KKP	8r176.13‡		KK11, KKI, KKII, KKP	8r20b.3‡	15	P65C, P66C, P67B, P67C
	11	L02B, L09A, L09B, L38Z	8r176.14‡		KK11, KKI, KKII, KKP	8r20c.1‡	15	P65C, P66C, P67B, P67C
8r154.1e‡		DIAL, KK11, KKI, KKII, KKP	8r176.15‡		KK11, KKI, KKII, KKP	8r20c.2‡	15	P65C, P66C, P67B, P67C
	11	L02B, L09A, L09B, L38Z	8r176.16‡		KK11, KKI, KKII, KKP	8r20c.3‡	15	P65C, P66C, P67B, P67C
8r154.1f‡		DIAL, KK11, KKI, KKII, KKP	8r176.17‡		KK11, KKI, KKII, KKP	8r20c.4‡	15	P65C, P66C, P67B, P67C
	11	L02B, L09A, L09B, L38Z	8r176.18‡		KK11, KKI, KKII, KKP	8r20c.5‡	15	P65C, P66C, P67B, P67C
8r154.1g‡		DIAL, KK11, KKI, KKII, KKP	8r176.19‡		KK11, KKI, KKII, KKP	8r20c.6‡	15	P65C, P66C, P67B, P67C
	11	L02B, L09A, L09B, L38Z	8r176.1a‡		KK11, KKI, KKII, KKP	8r20c.7‡	15	P65C, P66C, P67B, P67C
8r154.1h‡		DIAL, KK11, KKI, KKII, KKP	8r176.1b‡		KK11, KKI, KKII, KKP	8r20c.8‡	15	P65C, P66C, P67B, P67C
	11	L02B, L09A, L09B, L38Z	8r176.1c‡		KK11, KKI, KKII, KKP	8r20c.9‡	15	P65C, P66C, P67B, P67C
8r154.1j‡		DIAL, KK11, KKI, KKII, KKP	8r176.1d‡		KK11, KKI, KKII, KKP	8r20c.a‡	15	P65C, P66C, P67B, P67C
	11	L02B, L09A, L09B, L38Z	8r176.1e‡		KK11, KKI, KKII, KKP	8r20c.b‡	15	P65C, P66C, P67B, P67C
8r154.1k‡		DIAL, KK11, KKI, KKII, KKP	8r176.21‡		KK11, KKI, KKII, KKP	8r20c.c‡	15	P65C, P66C, P67B, P67C
	11	L02B, L09A, L09B, L38Z	8r176.22‡		KK11, KKI, KKII, KKP	8r20c.d‡	15	P65C, P66C, P67B, P67C
8r154.1m‡		DIAL, KK11, KKI, KKII, KKP	8r176.23‡		KK11, KKI, KKII, KKP	8r20c.e‡	15	P65C, P66C, P67B, P67C
	11	L02B, L09A, L09B, L38Z	8r176.24‡		KK11, KKI, KKII, KKP	8r222.0	05	F96Z
8r154.1n‡		DIAL, KK11, KKI, KKII, KKP	8r176.25‡		KK11, KKI, KKII, KKP	8r222.1	05	F96Z
	11	L02B, L09A, L09B, L38Z	8r176.26‡		KK11, KKI, KKII, KKP	8r222.2		BOP, KVT, UOP4
8r155.0a‡		DIAL, KK11, KKI, KKII, KKP	8r176.27‡		KK11, KKI, KKII, KKP		11	L06A, L06B
8r155.0b‡		DIAL, KK11, KKI, KKII, KKP	8r176.28‡		KK11, KKI, KKII, KKP		12	M06Z, M09A, M09B, M38Z
8r155.0c‡		DIAL, KK11, KKI, KKII, KKP	8r176.29‡		KK11, KKI, KKII, KKP		13	N13A, N13B
	11	L02B, L09A, L09B, L38Z	8r176.2a‡		KK11, KKI, KKII, KKP	8r22a.0	Pre	A09A, A11A, A13A, A15A, A15B, A15C, A15D, A18Z
8r155.0d‡		DIAL, KK11, KKI, KKII, KKP	8r176.2b‡		KK11, KKI, KKII, KKP			
	11	L02B, L09A, L09B, L38Z	8r176.2c‡		KK11, KKI, KKII, KKP	8r22a.1	Pre	A09A, A11A, A13A, A15A, A15C, A15D, A18Z
8r155.0e‡		DIAL, KK11, KKI, KKII, KKP	8r176.2d‡		KK11, KKI, KKII, KKP			
	11	L02B, L09A, L09B, L38Z	8r176.2e‡		KK11, KKI, KKII, KKP	8r22b.00	Pre	A04A, A04B, A04D, A09A, A18Z
8r155.0f‡		DIAL, KK11, KKI, KKII, KKP	8r176.31‡		KK11, KKI, KKII, KKP			
	11	L02B, L09A, L09B, L38Z	8r176.32‡		KK11, KKI, KKII, KKP	8r22b.02	Pre	A04A, A04B, A04D, A09A, A18Z
8r155.0g‡		DIAL, KK11, KKI, KKII, KKP	8r176.33‡		KK11, KKI, KKII, KKP			
	11	L02B, L09A, L09B, L38Z	8r176.34‡		KK11, KKI, KKII, KKP	8r22b.03	Pre	A04A, A04B, A04D, A09A, A18Z
8r155.0h‡		DIAL, KK11, KKI, KKII, KKP	8r176.35‡		KK11, KKI, KKII, KKP			
	11	L02B, L09A, L09B, L38Z	8r176.36‡		KK11, KKI, KKII, KKP	8r22b.10	Pre	A04A, A04B, A04C, A04D, A09A, A18Z
8r155.0j‡		DIAL, KK11, KKI, KKII, KKP	8r176.37‡		KK11, KKI, KKII, KKP			
	11	L02B, L09A, L09B, L38Z	8r176.38‡		KK11, KKI, KKII, KKP	8r22b.11	Pre	A04A, A04B, A04D, A09A, A18Z
8r155.0k‡		DIAL, KK11, KKI, KKII, KKP	8r176.39‡		KK11, KKI, KKII, KKP			
	11	L02B, L09A, L09B, L38Z	8r176.3a‡		KK11, KKI, KKII, KKP	8r22c.00	Pre	A04A, A04B, A04D, A09A, A18Z
8r155.0m‡		DIAL, KK11, KKI, KKII, KKP	8r176.3b‡		KK11, KKI, KKII, KKP			
	11	L02B, L09A, L09B, L38Z	8r176.3c‡		KK11, KKI, KKII, KKP	8r22c.01	Pre	A04A, A04B, A04D, A09A, A18Z
8r155.0n‡		DIAL, KK11, KKI, KKII, KKP	8r176.3d‡		KK11, KKI, KKII, KKP			
	11	L02B, L09A, L09B, L38Z	8r176.3e‡		KK11, KKI, KKII, KKP	8r22c.10	Pre	A04A, A04B, A04C, A04D, A09A, A18Z
8r170‡		KK11, KKI, KKII, KKP	8r209.3‡	15	P65C, P66C, P67B, P67C	8r22c.11	Pre	A04A, A04B, A04D, A09A, A18Z
	10	K60A	8r209.4‡	15	P65C, P66C, P67B, P67C			
8r171.1‡		KK11, KKI, KKII, KKP	8r209.5‡	15	P65C, P66C, P67B, P67C	8r24c.2‡		KK11, KKI, KKII, KKP
8r171.20‡		KK11, KKI, KKII, KKP	8r209.6‡	15	P65C, P66C, P67B, P67C	8r250.60‡		KK11, KKI, KKII, KKP
8r171.21‡		KK11, KKI, KKII, KKP	8r209.7‡	15	P65C, P66C, P67B, P67C		15	P65C, P66C, P67B, P67C
8r171.2x‡		KK11, KKI, KKII, KKP	8r209.8‡	15	P65C, P66C, P67B, P67C	8r250.61‡		KK11, KKI, KKII, KKP
8r173‡		KK11, KKI, KKII, KKP	8r209.9‡	15	P65C, P66C, P67B, P67C		15	P65C, P66C, P67B, P67C
8r175.0‡		KK11, KKI, KKII, KKP	8r209.a‡	15	P65C, P66C, P67B, P67C	8r250.62‡		KK11, KKI, KKII, KKP
	Pre	A17A	8r209.b‡	15	P65C, P66C, P67B, P67C		15	P65C, P66C, P67B, P67C
8r175.11‡		KK11, KKI, KKII, KKP	8r209.c‡	15	P65C, P66C, P67B, P67C	8r250.70‡		KK11, KKI, KKII, KKP
	Pre	A17A	8r209.d‡	15	P65C, P66C, P67B, P67C		15	P65C, P66C, P67B, P67C
8r175.12‡		KK11, KKI, KKII, KKP	8r209.e‡	15	P65C, P66C, P67B, P67C	8r250.71‡		KK11, KKI, KKII, KKP
	Pre	A17A	8r209.f‡	15	P65C, P66C, P67B, P67C		15	P65C, P66C, P67B, P67C
8r176.01‡		KK11, KKI, KKII, KKP	8r209.g‡	15	P65C, P66C, P67B, P67C	8r250.72‡		KK11, KKI, KKII, KKP
8r176.02‡		KK11, KKI, KKII, KKP	8r209.h‡	15	P65C, P66C, P67B, P67C		15	P65C, P66C, P67B, P67C
8r176.03‡		KK11, KKI, KKII, KKP	8r20a.1‡	15	P65C, P66C, P67B, P67C			
8r176.04‡		KK11, KKI, KKII, KKP	8r20a.2‡	15	P65C, P66C, P67B, P67C			





ZZV	MDC	DRG	ZZV	MDC	DRG	ZZV	MDC	DRG		
8r303.73↔	05	F01A, F01B, F01D, F14A, F14B, F15Z, F24A, F24B, F28A, F36A, F36B, F54Z, F59A, F59B	8r303.7c↔	05	F01A, F01B, F01D, F14A, F14B, F15Z, F24A, F24B, F28A, F36A, F36B, F54Z, F59A, F59B	8r303.81		BOP, KOP, UOP4		
	09	J11A, J11B, J11C		09	J11A, J11B, J11C		01	B02A, B02B, B02C, B02D, B20A, B20B, B20C, B20D, B20E, B39A, B39B		
	10	K09A, K09B		10	K09A, K09B		05	F01A, F01B, F01D, F14A, F14B, F15Z, F24A, F24B, F28A, F36A, F36B, F54Z, F59A, F59B		
	21A	W04A, W04B		21A	W04A, W04B		10	K09A, K09B		
	21B	X06A, X06B, X06C		21B	X04Z		21B	X33Z		
8r303.74	05	F01A, F01B, F01D, F15Z, F19A, F19B, F19C, F24A, F24B, F36A, F36B	8r303.7d	01	B03A, B03B, B06A, B06B, B07Z, B17A, B17B, B17C	8r304.01	01	B12Z		
8r303.75	09	J11A, J11B, J11C	03	D12A	05	F01A, F01B, F01D, F03B, F03C, F03D, F03E, F05Z, F06A, F06B, F06C, F06D, F06E, F06F, F12A, F12B, F15Z, F24A, F24B, F36A, F36B, F52A, F52B, F56A, F56B, F58A, F58B	05	F01A, F01B, F01D, F03B, F03C, F03D, F03E, F05Z, F06A, F06B, F06C, F06D, F06E, F06F, F12A, F12B, F15Z, F24A, F24B, F36A, F36B, F52A, F52B, F56A, F56B, F58A, F58B		
	05	F01A, F01B, F01D, F15Z, F19A, F19B, F19C, F24A, F24B, F36A, F36B	05	F01A, F01B, F01D, F14A, F14B, F15Z, F24A, F24B, F28A, F36A, F36B, F54Z, F59A, F59B	06	G10Z, G12A, G12B	Pre	A13F		
8r303.76	09	J11A, J11B, J11C	09	J11A, J11B, J11C	09	J11A, J11B, J11C	01	B12Z		
	05	F01A, F01B, F01D, F15Z, F19A, F19B, F19C, F24A, F24B, F36A, F36B	10	K09A, K09B	11	L09A, L09B, L09C, L09D, L38Z	05	F01A, F01B, F01D, F03B, F03C, F03D, F03E, F05Z, F06A, F06B, F06C, F06D, F06E, F06F, F12A, F12B, F15Z, F24A, F24B, F36A, F36B, F52A, F52B, F56A, F56B, F58A, F58B		
8r303.77	09	J11A, J11B, J11C	8r303.7e	21A	W04A, W04B	8r304.02	01	B12Z		
	05	F01A, F01B, F01D, F14A, F14B, F15Z, F24A, F24B, F28A, F36A, F36B, F54Z, F59A, F59B		21B	X04Z, X05A, X05B, X06A, X06B, X06C	05	F01A, F01B, F01D, F03B, F03C, F03D, F03E, F05Z, F06A, F06B, F06C, F06D, F06E, F06F, F12A, F12B, F15Z, F24A, F24B, F36A, F36B, F52A, F52B, F56A, F56B, F58A, F58B			
8r303.78↔	05	F01A, F01B, F01D, F14A, F14B, F15Z, F24A, F24B, F28A, F36A, F36B, F54Z, F59A, F59B	8r303.7f	05	F01A, F01B, F01D, F14A, F14B, F15Z, F24A, F24B, F28A, F36A, F36B, F54Z, F59A, F59B	8r304.10	Pre	A13F		
	09	J11A, J11B, J11C		09	J11A, J11B, J11C		01	B12Z		
	10	K09A, K09B		01	B03A, B03B, B06A, B06B, B07Z, B17A, B17B, B17C		05	F01A, F01B, F01D, F05Z, F06C, F06D, F06E, F12A, F12B, F15Z, F19A, F19B, F19C, F24A, F24B, F36A, F36B, F56A, F56B		
	21A	W04A, W04B		05	F01A, F01B, F01D, F14A, F14B, F15Z, F24A, F24B, F28A, F36A, F36B, F54Z, F59A, F59B		Pre	A13F		
	21B	X06A, X06B, X06C		09	J11A, J11B, J11C		01	B12Z		
8r303.79↔	05	F01A, F01B, F01D, F14A, F14B, F15Z, F24A, F24B, F28A, F36A, F36B, F54Z, F59A, F59B	8r303.7g	10	K09A, K09B	8r304.11	05	F01A, F01B, F01D, F05Z, F06C, F06D, F06E, F12A, F12B, F15Z, F19A, F19B, F19C, F24A, F24B, F36A, F36B, F56A, F56B		
	06	G10Z, G12A, G12B		21A	W04A, W04B		Pre	A13F		
	07	H06A, H06B		21B	X06A, X06B, X06C		01	B12Z		
	09	J11A, J11B, J11C		05	F01A, F01B, F01D, F14A, F14B, F15Z, F24A, F24B, F28A, F36A, F36B, F54Z, F59A, F59B		05	F01A, F01B, F01D, F05Z, F06C, F06D, F06E, F12A, F12B, F15Z, F19A, F19B, F19C, F24A, F24B, F36A, F36B, F56A, F56B		
	11	L09A, L09B, L09C, L09D, L38Z		06	G10Z, G12A, G12B		Pre	A13F		
	12	M06Z, M09A, M09B, M38Z		07	H06A, H06B		01	B12Z		
	13	N04Z		09	J11A, J11B, J11C		05	F01A, F01B, F01D, F12A, F12B, F19A, F19B, F19C		
	21A	W04A, W04B		11	L09A, L09B, L09C, L09D, L38Z		Pre	A13F		
	21B	X06A, X06B, X06C		21A	W04A, W04B		01	B12Z		
	8r303.7a	05		F01A, F01B, F01D, F14A, F14B, F15Z, F24A, F24B, F28A, F36A, F36B, F54Z, F59A, F59B	8r303.7h		21B	X06A, X06B, X06C	05	F01A, F01B, F01D, F12A, F12B, F19A, F19B, F19C
		06		G10Z, G12A, G12B			05	F01A, F01B, F01D, F14A, F14B, F15Z, F24A, F24B, F28A, F36A, F36B, F54Z, F59A, F59B	Pre	A13F
		07		H06A, H06B			09	J11A, J11B, J11C	01	B12Z
		09		J11A, J11B, J11C			10	K09A, K09B	05	F01A, F01B, F01D, F12A, F12B, F15Z, F24A, F24B, F36A, F36B, F52A, F52B, F56A, F56B, F58A, F58B
11		L09A, L09B, L09C, L09D, L38Z	21A	W04A, W04B		Pre	A13F			
8r303.7b↔	21A	W04A, W04B	8r303.7x↔	21B	X04Z	8r304.31	01	B12Z		
	21B	X06A, X06B, X06C		05	F01A, F01B, F01D, F14A, F14B, F15Z, F24A, F24B, F28A, F36A, F36B, F54Z, F59A, F59B		05	F01A, F01B, F01D, F12A, F12B, F15Z, F24A, F24B, F36A, F36B, F52A, F52B, F56A, F56B, F58A, F58B		
	05	F01A, F01B, F01D, F14A, F14B, F15Z, F24A, F24B, F28A, F36A, F36B, F54Z, F59A, F59B		09	J11A, J11B, J11C		Pre	A13F		
	09	J11A, J11B, J11C		10	K09A, K09B		01	B12Z		
	10	K09A, K09B		21A	W04A, W04B		05	F01A, F01B, F01D, F12A, F12B, F15Z, F24A, F24B, F36A, F36B, F52A, F52B, F56A, F56B, F58A, F58B		
21A	W04A, W04B	21B	X04Z	Pre	A13F					
21B	X04Z			8r304.32	01	B12Z				
				09	J11A, J11B, J11C	05	F01A, F01B, F01D, F12A, F12B, F15Z, F24A, F24B, F36A, F36B, F52A, F52B, F56A, F56B, F58A, F58B			
				10	K09A, K09B	Pre	A13F			
				21A	W04A, W04B	01	B12Z			
				21B	X04Z	05	F01A, F01B, F01D, F12A, F12B, F15Z, F24A, F24B, F36A, F36B, F52A, F52B, F56A, F56B, F58A, F58B			
						Pre	A13F			
						8r304.33	01	B12Z		
						05	F01A, F01B, F01D, F12A, F12B, F15Z, F24A, F24B, F36A, F36B, F52A, F52B, F56A, F56B, F58A, F58B			
						Pre	A13F			

VYK

ZZV	MDC	DRG	ZZV	MDC	DRG	ZZV	MDC	DRG
8r304.34	01	B12Z	8r304.51	04	E02A, E02B, E02C	8r304.72	04	E02A, E02B, E02C
	05	F01A, F01B, F01D, F12A, F12B, F15Z, F24A, F24B, F36A, F36B, F52A, F52B, F56A, F56B, F58A, F58B		05	F01A, F01B, F01D, F19A, F19B, F19C		05	F01A, F01B, F01D, F19A, F19B, F19C
	Pre	A13F		10	K09A, K09B		10	K09A, K09B
8r304.35	Pre	A13F	8r304.52	Pre	A13F	8r304.73	Pre	A13F
	01	B12Z		04	E02A, E02B, E02C		05	F01A, F01B, F01D, F14A, F14B, F15Z, F19A, F19B, F19C, F24A, F24B, F36A, F36B, F54Z
	05	F01A, F01B, F01D, F12A, F12B, F15Z, F24A, F24B, F36A, F36B, F52A, F52B, F56A, F56B, F58A, F58B		05	F01A, F01B, F01D, F19A, F19B, F19C		09	J03A, J03B, J04A, J04B, J08A, J08B, J08C, J11A, J11B, J16Z
8r304.36	Pre	A13F	8r304.53	10	K09A, K09B	8r304.74	10	K09A, K09B
	01	B12Z		09	J03A, J03B, J04A, J04B, J08A, J08B, J08C, J11A, J11B, J16Z		21A	W04A, W04B
	05	F01A, F01B, F01D, F12A, F12B, F15Z, F24A, F24B, F36A, F36B, F52A, F52B, F56A, F56B, F58A, F58B		10	K09A, K09B		21B	X06A, X06B, X06C
8r304.37	Pre	A13F	8r304.54	21A	W04A, W04B	8r304.75	05	F01A, F01B, F01D, F14A, F14B, F15Z, F19A, F19B, F19C, F24A, F24B, F36A, F36B, F54Z, F59A, F59B
	01	B12Z		21B	X06A, X06B, X06C		09	J03A, J03B, J04A, J04B, J08A, J08B, J08C, J11A, J11B, J16Z
	05	F01A, F01B, F01D, F12A, F12B, F15Z, F24A, F24B, F36A, F36B, F52A, F52B, F56A, F56B, F58A, F58B		05	F01A, F01B, F01D, F14A, F14B, F15Z, F24A, F24B, F28A, F36A, F36B, F54Z, F59A, F59B		10	K09A, K09B
8r304.41	Pre	A13F	8r304.60	09	J03A, J03B, J04A, J04B, J08A, J08B, J08C, J11A, J11B, J16Z	8r304.80	21A	W04A, W04B
	01	B12Z		10	K09A, K09B		04	E02A, E02B, E02C
	05	F01A, F01B, F01D, F12A, F12B, F15Z, F24A, F24B, F36A, F36B, F52A, F52B, F56A, F56B, F58A, F58B		21B	X06A, X06B, X06C		05	F01A, F01B, F01D, F19A, F19B, F19C
8r304.42	Pre	A13F	8r304.61	04	E02A, E02B, E02C	8r304.81	Pre	A13F
	01	B12Z		05	F01A, F01B, F01D, F19A, F19B, F19C		04	E02A, E02B, E02C
	05	F01A, F01B, F01D, F12A, F12B, F15Z, F24A, F24B, F36A, F36B, F52A, F52B, F56A, F56B, F58A, F58B		10	K09A, K09B		05	F01A, F01B, F01D, F19A, F19B, F19C
8r304.43	Pre	A13F	8r304.63	Pre	A13F	8r304.83	Pre	A13F
	01	B12Z		05	F01A, F01B, F01D, F14A, F14B, F15Z, F19A, F19B, F19C, F24A, F24B, F36A, F36B, F54Z		04	E02A, E02B, E02C
	05	F01A, F01B, F01D, F12A, F12B, F15Z, F24A, F24B, F36A, F36B, F52A, F52B, F56A, F56B, F58A, F58B		09	J03A, J03B, J04A, J04B, J08A, J08B, J08C, J11A, J11B, J16Z		05	F01A, F01B, F01D, F19A, F19B, F19C
8r304.44	Pre	A13F	8r304.64	10	K09A, K09B	8r304.84	10	K09A, K09B
	01	B12Z		21A	W04A, W04B		05	F01A, F01B, F01D, F14A, F14B, F15Z, F19A, F19B, F19C, F24A, F24B, F36A, F36B, F54Z
	05	F01A, F01B, F01D, F12A, F12B, F15Z, F24A, F24B, F36A, F36B, F52A, F52B, F56A, F56B, F58A, F58B		21B	X06A, X06B, X06C		09	J03A, J03B, J04A, J04B, J08A, J08B, J08C, J11A, J11B, J16Z
8r304.45	Pre	A13F	8r304.70	05	F01A, F01B, F01D, F14A, F14B, F15Z, F24A, F24B, F28A, F36A, F36B, F54Z, F59A, F59B	8r304.84	10	K09A, K09B
	01	B12Z		09	J03A, J03B, J04A, J04B, J08A, J08B, J08C, J11A, J11B, J16Z		21A	W04A, W04B
	05	F01A, F01B, F01D, F12A, F12B, F15Z, F24A, F24B, F36A, F36B, F52A, F52B, F56A, F56B, F58A, F58B		10	K09A, K09B		21B	X06A, X06B, X06C
8r304.46	Pre	A13F	8r304.71	21A	W04A, W04B	8r304.84	05	F01A, F01B, F01D, F14A, F14B, F15Z, F24A, F24B, F28A, F36A, F36B, F54Z, F59A, F59B
	01	B12Z		21B	X06A, X06B, X06C		09	J03A, J03B, J04A, J04B, J08A, J08B, J08C, J11A, J11B, J16Z
	05	F01A, F01B, F01D, F12A, F12B, F15Z, F24A, F24B, F36A, F36B, F52A, F52B, F56A, F56B, F58A, F58B		04	E02A, E02B, E02C		10	K09A, K09B
8r304.47	Pre	A13F	8r304.71	05	F01A, F01B, F01D, F19A, F19B, F19C	8r304.84	21A	W04A, W04B
	01	B12Z		10	K09A, K09B		21B	X06A, X06B, X06C
	05	F01A, F01B, F01D, F12A, F12B, F15Z, F24A, F24B, F36A, F36B, F52A, F52B, F56A, F56B, F58A, F58B		Pre	A13F			
8r304.50	Pre	A13F	8r304.71	Pre	A13F	8r304.84		
	04	E02A, E02B, E02C		04	E02A, E02B, E02C			
	05	F01A, F01B, F01D, F19A, F19B, F19C		05	F01A, F01B, F01D, F19A, F19B, F19C			
	10	K09A, K09B	10	K09A, K09B				
	Pre	A13F	Pre	A13F				

ZZV	MDC	DRG	ZZV	MDC	DRG	ZZV	MDC	DRG
8r304.85	05	F01A, F01B, F01D, F14A, F14B, F15Z, F19A, F19B, F19C, F24A, F24B, F36A, F36B, F54Z	8r305.32	04	E02A, E02B, E02C	8r306.02		BOP, KOP, KOPV, KVT, UOP4
	09	J03A, J03B, J04A, J04B, J08A, J08B, J08C, J11A, J11B, J16Z		05	F01A, F01B, F01D, F19A, F19B, F19C	01		B02A, B02B, B02C, B20A, B20B, B20C, B20D, B20E, B39A, B39B
	10	K09A, K09B	8r305.34	04	E02A, E02B, E02C	05		F01A, F01B, F01D, F05Z, F07A, F07B, F08A, F08B, F08C, F08D, F08E, F28A, F42Z
8r304.a	21A	W04A, W04B		05	F01A, F01B, F01D, F19A, F19B, F19C	06		G33Z
	21B	X06A, X06B, X06C	8r305.35	04	E02A, E02B, E02C	07		H33Z, H38Z
	04	E02A, E02B, E02C		05	F01A, F01B, F01D, F19A, F19B, F19C	11		L33Z
	05	F01A, F01B, F01D, F19A, F19B, F19C		10	K09A, K09B	21B		X33Z
	10	K09A, K09B	8r305.3x↔	04	E02A, E02B, E02C	23		Z01A
	Pre	A13F		05	F01A, F01B, F01D, F19A, F19B, F19C	Pre		A07A
8r305.12	04	E02A, E02B, E02C	8r305.40	04	E02A, E02B, E02C	8r306.03		BOP, KOP, KOPV, KVT, UOP4
	05	F01A, F01B, F01D, F19A, F19B, F19C		05	F01A, F01B, F01D, F19A, F19B, F19C	01		B02A, B02B, B02C, B20A, B20B, B20C, B20D, B20E, B39A, B39B
	10	K09A, K09B	8r305.41↔	04	E02A, E02B, E02C	05		F01A, F01B, F01D, F05Z, F07A, F07B, F08A, F08B, F08C, F08D, F08E, F28A, F42Z
	Pre	A13F		05	F01A, F01B, F01D, F19A, F19B, F19C	06		G33Z
8r305.13	04	E02A, E02B, E02C	8r305.42	04	E02A, E02B, E02C	07		H33Z, H38Z
	05	F01A, F01B, F01D, F19A, F19B, F19C		05	F01A, F01B, F01D, F19A, F19B, F19C	11		L33Z
	10	K09A, K09B	8r305.44	04	E02A, E02B, E02C	21B		X33Z
	Pre	A13F		05	F01A, F01B, F01D, F19A, F19B, F19C	23		Z01A
8r305.1x↔	04	E02A, E02B, E02C	8r305.45	04	E02A, E02B, E02C	Pre		A07A
	05	F01A, F01B, F01D, F19A, F19B, F19C		05	F01A, F01B, F01D, F19A, F19B, F19C	8r306.04		BOP, KOP, KOPV, KVT, UOP4
	10	K09A, K09B	8r305.46	04	E02A, E02B, E02C	01		B02A, B02B, B02C, B20A, B20B, B20C, B20D, B20E, B39A, B39B
	Pre	A13F		05	F01A, F01B, F01D, F19A, F19B, F19C	05		F01A, F01B, F01D, F05Z, F07A, F07B, F08A, F08B, F08C, F08D, F08E, F28A, F42Z
8r305.20	04	E02A, E02B, E02C	8r305.4x↔	04	E02A, E02B, E02C	06		G33Z
	05	F01A, F01B, F01D, F19A, F19B, F19C		05	F01A, F01B, F01D, F19A, F19B, F19C	07		H33Z, H38Z
	10	K09A, K09B	8r306.01	04	E02A, E02B, E02C	11		L33Z
	Pre	A13F		05	F01A, F01B, F01D, F19A, F19B, F19C	21B		X33Z
8r305.21↔	04	E02A, E02B, E02C		10	K09A, K09B	23		Z01A
	05	F01A, F01B, F01D, F19A, F19B, F19C		Pre	A13F	Pre		A07A
	10	K09A, K09B	8r305.4x↔	04	E02A, E02B, E02C	8r306.05		BOP, KOP, KOPV, KVT, UOP4
	Pre	A13F		05	F01A, F01B, F01D, F19A, F19B, F19C	01		B02A, B02B, B02C, B20A, B20B, B20C, B20D, B20E, B39A, B39B
8r305.23	04	E02A, E02B, E02C	8r305.4x↔	04	E02A, E02B, E02C	05		F01A, F01B, F01D, F05Z, F07A, F07B, F08A, F08B, F08C, F08D, F08E, F28A, F42Z
	05	F01A, F01B, F01D, F19A, F19B, F19C		05	F01A, F01B, F01D, F19A, F19B, F19C	06		G33Z
	10	K09A, K09B		10	K09A, K09B	07		H33Z, H38Z
	Pre	A13F		Pre	A13F	11		L33Z
8r305.24	04	E02A, E02B, E02C	8r305.4x↔	04	E02A, E02B, E02C	21B		X33Z
	05	F01A, F01B, F01D, F19A, F19B, F19C		05	F01A, F01B, F01D, F19A, F19B, F19C	23		Z01A
	10	K09A, K09B		10	K09A, K09B	Pre		A07A
	Pre	A13F		Pre	A13F	8r306.05		BOP, KOP, KOPV, KVT, UOP4
8r305.25	04	E02A, E02B, E02C	8r305.4x↔	04	E02A, E02B, E02C	01		B02A, B02B, B02C, B20A, B20B, B20C, B20D, B20E, B39A, B39B
	05	F01A, F01B, F01D, F19A, F19B, F19C		05	F01A, F01B, F01D, F19A, F19B, F19C	05		F01A, F01B, F01D, F05Z, F07A, F07B, F08A, F08B, F08C, F08D, F08E, F28A, F42Z
	10	K09A, K09B		10	K09A, K09B	06		G33Z
	Pre	A13F		Pre	A13F	07		H33Z, H38Z
8r305.2x↔	04	E02A, E02B, E02C	8r306.01	04	E02A, E02B, E02C	11		L33Z
	05	F01A, F01B, F01D, F19A, F19B, F19C		05	F01A, F01B, F01D, F19A, F19B, F19C	21B		X33Z
	10	K09A, K09B		10	K09A, K09B	23		Z01A
	Pre	A13F		Pre	A13F	Pre		A07A
8r305.30	04	E02A, E02B, E02C		05	F01A, F01B, F01D, F19A, F19B, F19C			
	05	F01A, F01B, F01D, F19A, F19B, F19C		05	F01A, F01B, F01D, F19A, F19B, F19C			
	10	K09A, K09B		06	G33Z			
	Pre	A13F		07	H33Z, H38Z			
8r305.31↔	04	E02A, E02B, E02C		11	L33Z			
	05	F01A, F01B, F01D, F19A, F19B, F19C		21B	X33Z			
	10	K09A, K09B		23	Z01A			
	Pre	A13F		Pre	A07A			

ZZV	MDC	DRG	ZZV	MDC	DRG	ZZV	MDC	DRG	
8r306.06		BOP, KOP, KOPV, KVT, UOP4	8r313.0		BOP, UOP4	8r411↔		BOP, UOP4	
	01	B02A, B02B, B02C, B20A, B20B, B20C, B20D, B20E, B39A, B39B		01	B04A, B04B, B04C, B04D		01	B04A, B04B, B04C, B04D	
	05	F01A, F01B, F01D, F05Z, F07A, F07B, F08A, F08B, F08C, F08D, F08E, F28A, F42Z		05	F01A, F01B, F01D, F14A, F14B, F15Z, F24A, F24B, F28A, F36A, F36B, F54Z, F59A, F59B		05	F01A, F01B, F01D, F14A, F14B, F15Z, F24A, F24B, F28A, F36A, F36B, F54Z, F59A, F59B	
	06	G33Z	8r313.1		BOP, UOP4		09	J03A, J03B, J04A, J04B, J08A, J08B, J08C, J11A, J11B, J16Z	
	07	H33Z, H38Z		01	B04A, B04B, B04C, B04D		10	K09A, K09B	
	11	L33Z		05	F01A, F01B, F01D, F14A, F14B, F15Z, F24A, F24B, F28A, F36A, F36B, F54Z, F59A, F59B		21A	W04A, W04B	
	21B	X33Z		23	Z01A	8r412↔	21B	X06A, X06B, X06C	
	23	Z01A	8r314		B12Z		05	F01A, F01B, F01D, F14A, F14B, F15Z, F24A, F24B, F28A, F36A, F36B, F54Z, F59A, F59B	
	Pre	A07A		01	B12Z		09	J03A, J03B, J04A, J04B, J08A, J08B, J08C, J11A, J11B, J16Z	
8r306.0x		BOP, KOP, KOPV, KVT, UOP4		05	F01A, F01B, F01D, F05Z, F06C, F06D, F06E, F12A, F12B, F15Z, F24A, F24B, F36A, F36B, F52A, F52B, F56A, F56B, F58A, F58B		10	K09A, K09B	
	01	B02A, B02B, B02C, B20A, B20B, B20C, B20D, B20E, B39A, B39B	8r315		Pre A13F	8r413	21A	W04A, W04B	
	05	F01A, F01B, F01D, F05Z, F07A, F07B, F08A, F08B, F08C, F08D, F08E, F28A, F42Z		01	B12Z		21B	X06A, X06B, X06C	
	06	G33Z		05	F01A, F01B, F01D, F12A, F12B, F15Z, F24A, F24B, F36A, F36B, F52A, F52B, F56A, F56B, F58A, F58B		05	F01A, F01B, F01D, F14A, F14B, F15Z, F19A, F19B, F19C, F24A, F24B, F36A, F36B, F54Z	
	07	H33Z, H38Z	8r316		Pre A13F		09	J03A, J03B, J04A, J04B, J08A, J08B, J08C, J11A, J11B, J16Z	
	11	L33Z		01	B12Z		10	K09A, K09B	
	21B	X33Z		05	F01A, F01B, F01D, F12A, F12B, F15Z, F24A, F24B, F36A, F36B, F52A, F52B, F56A, F56B, F58A, F58B	8r414	21A	W04A, W04B	
	23	Z01A	8r317		Pre A13F		21B	X06A, X06B, X06C	
	Pre	A07A		05	F01A, F01B, F01D, F14A, F14B, F15Z, F24A, F24B, F36A, F36B, F52A, F52B, F56A, F56B, F58A, F58B	8r414.0	05	F01A, F01B, F01D, F15Z, F19A, F19B, F19C, F24A, F24B, F36A, F36B	
8r307.0		KKP		Pre	A13F	8r414.1	05	F01A, F01B, F01D, F14A, F14B, F15Z, F24A, F24B, F28A, F36A, F36B, F54Z, F59A, F59B	
	05	F01A, F01B, F01D, F05Z, F07A, F07B, F09A, F09B, F09C, F42Z	8r318		06 G10Z, G12A, G12B		06	G10Z, G12A, G12B	
	23	Z01A		11	L09A, L09B, L09C, L09D, L38Z		11	L09A, L09B, L09C, L09D, L38Z	
8r307.10		KKP		05	F01A, F01B, F01D, F14A, F14B, F15Z, F24A, F24B, F28A, F36A, F36B, F54Z, F59A, F59B	8r415↔	05	F01A, F01B, F01D, F14A, F14B, F15Z, F24A, F24B, F28A, F36A, F36B, F54Z, F59A, F59B	
	05	F01A, F01B, F01D, F05Z, F07A, F07B, F09A, F09B, F09C, F42Z	8r319		06 G10Z, G12A, G12B		09	J03A, J03B, J04A, J04B, J08A, J08B, J08C, J11A, J11B, J16Z	
	23	Z01A		11	L09A, L09B, L09C, L09D, L38Z		10	K09A, K09B	
8r307.11		KKP	8r31a		05	F01A, F01B, F01D, F15Z, F24A, F24B, F28A, F36A, F36B, F54Z, F59A, F59B	21A	W04A, W04B	
	05	F01A, F01B, F01D, F05Z, F07A, F07B, F09A, F09B, F09C, F42Z		05	F01A, F01B, F01D, F15Z, F24A, F24B, F28A, F36A, F36B, F54Z, F59A, F59B	21B	X06A, X06B, X06C		
	23	Z01A	8r31b		05	F01A, F01B, F01D, F15Z, F24A, F24B, F28A, F36A, F36B, F54Z, F59A, F59B	8r416↔	05	F01A, F01B, F01D, F14A, F14B, F15Z, F24A, F24B, F28A, F36A, F36B, F54Z, F59A, F59B
8r308.1		KOP	8r410		05	F01A, F01B, F01D, F14A, F14B, F15Z, F24A, F24B, F28A, F36A, F36B, F54Z, F59A, F59B		09	J03A, J03B, J04A, J04B, J08A, J08B, J08C, J11A, J11B, J16Z
	05	F01A, F01B, F01D, F14A, F14B, F28A, F54Z, F59A, F59B		06	G10Z, G12A, G12B		10	K09A, K09B	
	06	G15Z, G19A, G19B, G38Z		09	J03A, J03B, J04A, J04B, J08A, J08B, J08C, J11A, J11B, J16Z		21A	W04A, W04B	
	07	H01A, H01B, H09A, H09B, H09C, H38Z		11	L09A, L09B, L09C, L09D, L38Z		21B	X06A, X06B, X06C	
	23	Z01A		21A	W04A, W04B		05	F01A, F01B, F01D, F14A, F14B, F15Z, F24A, F24B, F28A, F36A, F36B, F54Z, F59A, F59B	
8r310		KOP		21B	X06A, X06B, X06C		09	J03A, J03B, J04A, J04B, J08A, J08B, J08C, J11A, J11B, J16Z	
	05	F01A, F01B, F01D, F15Z, F19A, F19B, F19C, F24A, F24B, F36A, F36B					10	K09A, K09B	
8r311.0		KOP					21A	W04A, W04B	
	05	F01A, F01B, F01D, F15Z, F19A, F19B, F19C, F24A, F24B, F36A, F36B					21B	X06A, X06B, X06C	
8r311.1		KOP							
	05	F01A, F01B, F01D, F14A, F14B, F15Z, F24A, F24B, F28A, F36A, F36B, F54Z, F59A, F59B							
	06	G10Z, G12A, G12B							
	11	L09A, L09B, L09C, L09D, L38Z							

ZZV	MDC	DRG	ZZV	MDC	DRG	ZZV	MDC	DRG	
8r417		BOP, KOP, KVT, UOP4	8r421		BOP, KOP, KVT, UOP4	8r430.14	05	F01A, F01B, F01D, F14A, F14B, F15Z, F19A, F19B, F19C, F24A, F24B, F36A, F36B, F54Z	
	04	E36Z		04	E36Z		09	J03A, J03B, J04A, J04B, J08A, J08B, J08C, J11A, J11B, J16Z	
	05	F01A, F01B, F01D, F05Z, F07A, F07B, F08A, F08B, F08C, F08D, F08E, F27A, F28A, F36A, F42Z, F51A, F51B		05	F01A, F01B, F01D, F05Z, F07A, F07B, F08A, F08B, F08C, F08D, F08E, F27A, F28A, F36A, F42Z, F51A, F51B		10	K09A, K09B	
	06	G36Z		06	G36Z		21A	W04A, W04B	
	08	I08A, I08B, I08C, I08D, I08E, I13A, I13B, I26Z		08	I08A, I08B, I08C, I08D, I08E, I13A, I13B, I26Z		21B	X06A, X06B, X06C	
	11	L33Z		11	L33Z		8r430.15	05	F01A, F01B, F01D, F14A, F14B, F15Z, F19A, F19B, F19C, F24A, F24B, F36A, F36B, F54Z
	21A	W36Z		21A	W36Z			09	J03A, J03B, J04A, J04B, J08A, J08B, J08C, J11A, J11B, J16Z
	21B	X33Z		21B	X33Z			10	K09A, K09B
	23	Z01A		23	Z01A			21A	W04A, W04B
	Pre	A06A, A07A, A09A, A11A, A13A		Pre	A06A, A07A, A09A, A11A, A13A			21B	X06A, X06B, X06C
	8r419.0	01		B12Z	8r424			BOP, KVT, UOP4	8r430.16
05		F01A, F01B, F01D, F12A, F12B, F15Z, F24A, F24B, F36A, F36B, F52A, F52B, F56A, F56B, F58A, F58B	05	F01A, F01B, F01D, F05Z, F07A, F07B, F08A, F08B, F08C, F08D, F08E, F27A, F28A, F42Z		09	J03A, J03B, J04A, J04B, J08A, J08B, J08C, J11A, J11B, J16Z		
Pre		A13F	08	I08A, I08B, I08C, I08D, I08E, I13A, I13B		10	K09A, K09B		
8r41b		BOP, KOP, UOP4	8r427	21B	X33Z	8r430.17	09	J03A, J03B, J04A, J04B, J08A, J08B, J08C, J11A, J11B, J16Z	
	01	B02A, B02B, B02C, B20A, B20B, B20C, B20D, B20E, B39A, B39B		01	B12Z		10	K09A, K09B	
	05	F01A, F01B, F01D, F14A, F14B, F15Z, F24A, F24B, F28A, F36A, F36B, F54Z, F59A, F59B		05	F01A, F01B, F01D, F12A, F12B, F19A, F19B, F19C		21A	W04A, W04B	
8r41c	09	J03A, J03B, J04A, J04B, J08A, J08B, J08C, J11A, J11B, J16Z	8r430.10	Pre	A13F	8r430.18↔	21B	X06A, X06B, X06C	
	10	K09A, K09B		01	BOP, KOP, UOP4		05	F01A, F01B, F01D, F14A, F14B, F15Z, F24A, F24B, F28A, F36A, F36B, F54Z, F59A, F59B	
	21A	W04A, W04B		05	B02A, B02B, B02C, B20A, B20B, B20C, B20D, B20E, B39A, B39B		09	J03A, J03B, J04A, J04B, J08A, J08B, J08C, J11A, J11B, J16Z	
	21B	X06A, X06B, X06C, X33Z		05	F01A, F01B, F01D, F14A, F14B, F15Z, F24A, F24B, F28A, F36A, F36B, F54Z, F59A, F59B		10	K09A, K09B	
	01	B12Z		09	J03A, J03B, J04A, J04B, J08A, J08B, J08C, J11A, J11B, J16Z		21A	W04A, W04B	
8r41d	05	F01A, F01B, F01D, F12A, F12B, F15Z, F24A, F24B, F36A, F36B, F52A, F52B, F56A, F56B, F58A, F58B	8r430.12↔	10	K09A, K09B	8r430.19↔	21B	X06A, X06B, X06C	
	Pre	A13F		21A	W04A, W04B		05	F01A, F01B, F01D, F14A, F14B, F15Z, F24A, F24B, F28A, F36A, F36B, F54Z, F59A, F59B	
	05	F01A, F01B, F01D, F14A, F14B, F15Z, F24A, F24B, F28A, F36A, F36B, F54Z, F59A, F59B		21B	X06A, X06B, X06C, X33Z		09	J03A, J03B, J04A, J04B, J08A, J08B, J08C, J11A, J11B, J16Z	
	09	J03A, J03B, J04A, J04B, J08A, J08B, J08C, J11A, J11B, J16Z		05	F01A, F01B, F01D, F14A, F14B, F15Z, F24A, F24B, F28A, F36A, F36B, F54Z, F59A, F59B		10	K09A, K09B	
	10	K09A, K09B		09	J03A, J03B, J04A, J04B, J08A, J08B, J08C, J11A, J11B, J16Z		21A	W04A, W04B	
8r420	21A	W04A, W04B	8r430.13↔	10	K09A, K09B	8r430.19↔	21B	X06A, X06B, X06C	
	21B	X04Z, X06A, X06B, X06C		21A	W04A, W04B		05	F01A, F01B, F01D, F14A, F14B, F15Z, F24A, F24B, F28A, F36A, F36B, F54Z, F59A, F59B	
	05	F01A, F01B, F01D, F14A, F14B, F15Z, F19A, F19B, F19C, F24A, F24B, F36A, F36B, F54Z		21B	X06A, X06B, X06C		09	J03A, J03B, J04A, J04B, J08A, J08B, J08C, J11A, J11B, J16Z	
	09	J03A, J03B, J04A, J04B, J08A, J08B, J08C, J11A, J11B, J16Z		05	F01A, F01B, F01D, F14A, F14B, F15Z, F24A, F24B, F28A, F36A, F36B, F54Z, F59A, F59B		10	K09A, K09B	
	10	K09A, K09B		09	J03A, J03B, J04A, J04B, J08A, J08B, J08C, J11A, J11B, J16Z		21A	W04A, W04B	
	21A	W04A, W04B		10	K09A, K09B		21B	X06A, X06B, X06C	
	21B	X06A, X06B, X06C		21A	W04A, W04B				
				21B	X05A, X05B, X06A, X06B, X06C				

VYK

ZZV	MDC	DRG	ZZV	MDC	DRG	ZZV	MDC	DRG								
8r430.1a	05	F01A, F01B, F01D, F14A, F14B, F15Z, F24A, F24B, F28A, F36A, F36B, F54Z, F59A, F59B	8r430.1g	05	F01A, F01B, F01D, F14A, F14B, F15Z, F24A, F24B, F28A, F36A, F36B, F54Z, F59A, F59B	8r430.1n↔		BOP, UOP4								
		06			G10Z, G12A, G12B			06	G10Z, G12A, G12B	01	B04A, B04B, B04C, B04D					
					09				J03A, J03B, J04A, J04B, J08A, J08B, J08C, J11A, J11B, J16Z	09	J03A, J03B, J04A, J04B, J08A, J08B, J08C, J11A, J11B, J16Z	05	F01A, F01B, F01D, F14A, F14B, F15Z, F24A, F24B, F28A, F36A, F36B, F54Z, F59A, F59B			
									10		K09A, K09B	10	K09A, K09B	09	J03A, J03B, J04A, J04B, J08A, J08B, J08C, J11A, J11B, J16Z	
		11			L09A, L09B, L09C, L09D, L38Z			11		L09A, L09B, L09C, L09D, L38Z	10		K09A, K09B			
	21A			W04A, W04B	21A		W04A, W04B		21A	W04A, W04B						
	8r430.1b↔	05		F01A, F01B, F01D, F14A, F14B, F15Z, F24A, F24B, F28A, F36A, F36B, F54Z, F59A, F59B	8r430.1h↔		05	F01A, F01B, F01D, F14A, F14B, F15Z, F24A, F24B, F28A, F36A, F36B, F54Z, F59A, F59B	8r430.1x↔		BOP, UOP4					
				09				J03A, J03B, J04A, J04B, J08A, J08B, J08C, J11A, J11B, J16Z			09	J03A, J03B, J04A, J04B, J08A, J08B, J08C, J11A, J11B, J16Z	01	B04A, B04B, B04C, B04D		
								10				K09A, K09B	10	K09A, K09B	05	F01A, F01B, F01D, F14A, F14B, F15Z, F24A, F24B, F28A, F36A, F36B, F54Z, F59A, F59B
												21A		W04A, W04B	21A	W04A, W04B
21B			X06A, X06B, X06C	21B		X06A, X06B, X06C		10			K09A, K09B					
8r430.1c↔		05	F01A, F01B, F01D, F14A, F14B, F15Z, F24A, F24B, F28A, F36A, F36B, F54Z, F59A, F59B	8r430.1j↔		05	F01A, F01B, F01D, F14A, F14B, F15Z, F24A, F24B, F28A, F36A, F36B, F54Z, F59A, F59B	8r430.20			KOP					
			09				J03A, J03B, J04A, J04B, J08A, J08B, J08C, J11A, J11B, J16Z				09	J03A, J03B, J04A, J04B, J08A, J08B, J08C, J11A, J11B, J16Z	01	B02A, B02B, B02C, B20A, B20B, B20C, B20D, B20E, B39A, B39B		
							10					K09A, K09B	10	K09A, K09B	05	F01A, F01B, F01D, F14A, F14B, F15Z, F24A, F24B, F28A, F36A, F36B, F54Z, F59A, F59B
												21A		W04A, W04B	21A	W04A, W04B
			21B				X04Z, X06A, X06B, X06C				21B		X06A, X06B, X06C	10		K09A, K09B
	8r430.1d	05	F01A, F01B, F01D, F14A, F14B, F15Z, F24A, F24B, F28A, F36A, F36B, F54Z, F59A, F59B		8r430.1k↔	05	F01A, F01B, F01D, F14A, F14B, F15Z, F24A, F24B, F28A, F36A, F36B, F54Z, F59A, F59B		8r430.22↔		KOP					
			09				J03A, J03B, J04A, J04B, J08A, J08B, J08C, J11A, J11B, J16Z				09	J03A, J03B, J04A, J04B, J08A, J08B, J08C, J11A, J11B, J16Z	01	B02A, B02B, B02C, B20A, B20B, B20C, B20D, B20E, B39A, B39B		
							10					K09A, K09B	10	K09A, K09B	05	F01A, F01B, F01D, F14A, F14B, F15Z, F24A, F24B, F28A, F36A, F36B, F54Z, F59A, F59B
												21A		W04A, W04B	21A	W04A, W04B
			21B				X04Z, X05A, X05B, X06A, X06B, X06C				21B		X06A, X06B, X06C	10		K09A, K09B
8r430.1e		05	F01A, F01B, F01D, F14A, F14B, F15Z, F24A, F24B, F28A, F36A, F36B, F54Z, F59A, F59B	8r430.1m↔		05	F01A, F01B, F01D, F14A, F14B, F15Z, F24A, F24B, F28A, F36A, F36B, F54Z, F59A, F59B	8r430.23↔			KOP					
			09				J03A, J03B, J04A, J04B, J08A, J08B, J08C, J11A, J11B, J16Z				09	J03A, J03B, J04A, J04B, J08A, J08B, J08C, J11A, J11B, J16Z	01	B04A, B04B, B04C, B04D		
							10					K09A, K09B	10	K09A, K09B	05	F01A, F01B, F01D, F14A, F14B, F15Z, F24A, F24B, F28A, F36A, F36B, F54Z, F59A, F59B
												21A		W04A, W04B	21A	W04A, W04B
			21B				X04Z, X05A, X05B, X06A, X06B, X06C				21B		X06A, X06B, X06C	10		K09A, K09B
	8r430.1f	05	F01A, F01B, F01D, F14A, F14B, F15Z, F24A, F24B, F28A, F36A, F36B, F54Z, F59A, F59B		8r430.1n↔	05	F01A, F01B, F01D, F14A, F14B, F15Z, F24A, F24B, F28A, F36A, F36B, F54Z, F59A, F59B		8r430.24		KOP					
			09				J03A, J03B, J04A, J04B, J08A, J08B, J08C, J11A, J11B, J16Z				09	J03A, J03B, J04A, J04B, J08A, J08B, J08C, J11A, J11B, J16Z	01	B04A, B04B, B04C, B04D		
							10					K09A, K09B	10	K09A, K09B	05	F01A, F01B, F01D, F14A, F14B, F15Z, F24A, F24B, F28A, F36A, F36B, F54Z, F59A, F59B
												21A		W04A, W04B	21A	W04A, W04B
			21B				X04Z, X05A, X05B, X06A, X06B, X06C				21B		X06A, X06B, X06C	10		K09A, K09B

VYK

ZZV	MDC	DRG	ZZV	MDC	DRG	ZZV	MDC	DRG
8r430.25	05	F01A, F01B, F01D, F15Z, F19A, F19B, F19C, F24A, F24B, F36A, F36B	8r430.2c↔	05	F01A, F01B, F01D, F14A, F14B, F15Z, F24A, F24B, F28A, F36A, F36B, F54Z, F59A, F59B	8r430.2j↔		BOP, UOP4
	09	J03A, J03B, J04A, J04B, J08A, J08B, J08C, J11A, J11B, J16Z		09	J03A, J03B, J04A, J04B, J08A, J08B, J08C, J11A, J11B, J16Z		01	B04A, B04B, B04C, B04D
	10	K09A, K09B		10	K09A, K09B		05	F01A, F01B, F01D, F14A, F14B, F15Z, F24A, F24B, F28A, F36A, F36B, F54Z, F59A, F59B
	21A	W04A, W04B		21A	W04A, W04B		09	J03A, J03B, J04A, J04B, J08A, J08B, J08C, J11A, J11B, J16Z
	21B	X06A, X06B, X06C		21B	X04Z, X06A, X06B, X06C		10	K09A, K09B
8r430.26	05	F01A, F01B, F01D, F15Z, F19A, F19B, F19C, F24A, F24B, F36A, F36B	8r430.2d	05	F01A, F01B, F01D, F14A, F14B, F15Z, F24A, F24B, F28A, F36A, F36B, F54Z, F59A, F59B	8r430.2k↔	21A	W04A, W04B
	09	J03A, J03B, J04A, J04B, J08A, J08B, J08C, J11A, J11B, J16Z		09	J03A, J03B, J04A, J04B, J08A, J08B, J08C, J11A, J11B, J16Z		21B	X06A, X06B, X06C
	10	K09A, K09B		10	K09A, K09B		01	B04A, B04B, B04C, B04D
	21A	W04A, W04B		21A	W04A, W04B		05	F01A, F01B, F01D, F14A, F14B, F15Z, F24A, F24B, F28A, F36A, F36B, F54Z, F59A, F59B
	21B	X06A, X06B, X06C		21B	X04Z, X05A, X05B, X06A, X06B, X06C		09	J03A, J03B, J04A, J04B, J08A, J08B, J08C, J11A, J11B, J16Z
8r430.27	05	F01A, F01B, F01D, F14A, F14B, F15Z, F24A, F24B, F28A, F36A, F36B, F54Z, F59A, F59B	8r430.2e	05	F01A, F01B, F01D, F14A, F14B, F15Z, F24A, F24B, F28A, F36A, F36B, F54Z, F59A, F59B	8r430.2m↔	21A	W04A, W04B
	09	J03A, J03B, J04A, J04B, J08A, J08B, J08C, J11A, J11B, J16Z		09	J03A, J03B, J04A, J04B, J08A, J08B, J08C, J11A, J11B, J16Z		21B	X06A, X06B, X06C
	10	K09A, K09B		10	K09A, K09B		BOP, UOP4	
	21A	W04A, W04B		21A	W04A, W04B		01	B04A, B04B, B04C, B04D
	21B	X06A, X06B, X06C		21B	X04Z, X05A, X05B, X06A, X06B, X06C		05	F01A, F01B, F01D, F14A, F14B, F15Z, F24A, F24B, F28A, F36A, F36B, F54Z, F59A, F59B
8r430.28↔	05	F01A, F01B, F01D, F14A, F14B, F15Z, F24A, F24B, F28A, F36A, F36B, F54Z, F59A, F59B	8r430.2f	05	F01A, F01B, F01D, F14A, F14B, F15Z, F24A, F24B, F28A, F36A, F36B, F54Z, F59A, F59B	8r430.2n↔	09	J03A, J03B, J04A, J04B, J08A, J08B, J08C, J11A, J11B, J16Z
	09	J03A, J03B, J04A, J04B, J08A, J08B, J08C, J11A, J11B, J16Z		09	J03A, J03B, J04A, J04B, J08A, J08B, J08C, J11A, J11B, J16Z		10	K09A, K09B
	10	K09A, K09B		10	K09A, K09B		21A	W04A, W04B
	21A	W04A, W04B		21A	W04A, W04B		21B	X06A, X06B, X06C
	21B	X06A, X06B, X06C		21B	X04Z, X05A, X05B, X06A, X06B, X06C		BOP, UOP4	
8r430.29↔	05	F01A, F01B, F01D, F14A, F14B, F15Z, F24A, F24B, F28A, F36A, F36B, F54Z, F59A, F59B	8r430.2g	05	F01A, F01B, F01D, F14A, F14B, F15Z, F24A, F24B, F28A, F36A, F36B, F54Z, F59A, F59B	8r430.2x↔	01	B04A, B04B, B04C, B04D
	09	J03A, J03B, J04A, J04B, J08A, J08B, J08C, J11A, J11B, J16Z		09	J03A, J03B, J04A, J04B, J08A, J08B, J08C, J11A, J11B, J16Z		05	F01A, F01B, F01D, F14A, F14B, F15Z, F24A, F24B, F28A, F36A, F36B, F54Z, F59A, F59B
	10	K09A, K09B		10	K09A, K09B		09	J03A, J03B, J04A, J04B, J08A, J08B, J08C, J11A, J11B, J16Z
	21A	W04A, W04B		11	L09A, L09B, L09C, L09D, L38Z		10	K09A, K09B
	21B	X06A, X06B, X06C		21A	W04A, W04B		21A	W04A, W04B
8r430.2a	05	F01A, F01B, F01D, F14A, F14B, F15Z, F24A, F24B, F28A, F36A, F36B, F54Z, F59A, F59B	8r430.2h↔	05	F01A, F01B, F01D, F14A, F14B, F15Z, F24A, F24B, F28A, F36A, F36B, F54Z, F59A, F59B	8r430.2y↔	21B	X06A, X06B, X06C
	06	G10Z, G12A, G12B		06	G10Z, G12A, G12B		05	F01A, F01B, F01D, F14A, F14B, F15Z, F24A, F24B, F28A, F36A, F36B, F54Z, F59A, F59B
	09	J03A, J03B, J04A, J04B, J08A, J08B, J08C, J11A, J11B, J16Z		09	J03A, J03B, J04A, J04B, J08A, J08B, J08C, J11A, J11B, J16Z		09	J03A, J03B, J04A, J04B, J08A, J08B, J08C, J11A, J11B, J16Z
	10	K09A, K09B		10	K09A, K09B		10	K09A, K09B
	11	L09A, L09B, L09C, L09D, L38Z		21A	W04A, W04B		21A	W04A, W04B
8r430.2b↔	21A	W04A, W04B	8r430.2i↔	01	B04A, B04B, B04C, B04D	8r430.2z↔	21B	X06A, X06B, X06C
	21B	X06A, X06B, X06C		05	F01A, F01B, F01D, F14A, F14B, F15Z, F24A, F24B, F28A, F36A, F36B, F54Z, F59A, F59B		05	F01A, F01B, F01D, F14A, F14B, F15Z, F24A, F24B, F28A, F36A, F36B, F54Z, F59A, F59B
	05	F01A, F01B, F01D, F14A, F14B, F15Z, F24A, F24B, F28A, F36A, F36B, F54Z, F59A, F59B		09	J03A, J03B, J04A, J04B, J08A, J08B, J08C, J11A, J11B, J16Z		09	J03A, J03B, J04A, J04B, J08A, J08B, J08C, J11A, J11B, J16Z
	09	J03A, J03B, J04A, J04B, J08A, J08B, J08C, J11A, J11B, J16Z		10	K09A, K09B		10	K09A, K09B
	10	K09A, K09B		21A	W04A, W04B		21A	W04A, W04B
21A	W04A, W04B	21B	X06A, X06B, X06C	21B	X06A, X06B, X06C			

VYK

ZZV	MDC	DRG	ZZV	MDC	DRG	ZZV	MDC	DRG						
8r430.30	01	BOP, KOP, UOP4	8r430.37	05	F01A, F01B, F01D, F14A, F14B, F15Z, F24A, F24B, F28A, F36A, F36B, F54Z, F59A, F59B	8r430.3d	05	F01A, F01B, F01D, F14A, F14B, F15Z, F24A, F24B, F28A, F36A, F36B, F54Z, F59A, F59B						
		B02A, B02B, B02C, B20A, B20B, B20C, B20D, B20E, B39A, B39B			09			J03A, J03B, J04A, J04B, J08A, J08B, J08C, J11A, J11B, J16Z	09	J03A, J03B, J04A, J04B, J08A, J08B, J08C, J11A, J11B, J16Z				
	05	F01A, F01B, F01D, F14A, F14B, F15Z, F24A, F24B, F28A, F36A, F36B, F54Z, F59A, F59B		10			K09A, K09B	10		K09A, K09B				
		09			J03A, J03B, J04A, J04B, J08A, J08B, J08C, J11A, J11B, J16Z		21A		W04A, W04B	21A	W04A, W04B			
	10			K09A, K09B	21B			X06A, X06B, X06C	21B		X04Z, X05A, X05B, X06A, X06B, X06C			
		21A		W04A, W04B			8r430.38↔	05		F01A, F01B, F01D, F14A, F14B, F15Z, F24A, F24B, F28A, F36A, F36B, F54Z, F59A, F59B	8r430.3e	05	F01A, F01B, F01D, F14A, F14B, F15Z, F24A, F24B, F28A, F36A, F36B, F54Z, F59A, F59B	
	21B			X06A, X06B, X06C, X33Z	09				J03A, J03B, J04A, J04B, J08A, J08B, J08C, J11A, J11B, J16Z	09			J03A, J03B, J04A, J04B, J08A, J08B, J08C, J11A, J11B, J16Z	
		8r430.32↔		05			F01A, F01B, F01D, F14A, F14B, F15Z, F24A, F24B, F28A, F36A, F36B, F54Z, F59A, F59B	10	K09A, K09B		8r430.39↔	05	F01A, F01B, F01D, F14A, F14B, F15Z, F24A, F24B, F28A, F36A, F36B, F54Z, F59A, F59B	8r430.3f
	09				J03A, J03B, J04A, J04B, J08A, J08B, J08C, J11A, J11B, J16Z		21A		W04A, W04B	09			J03A, J03B, J04A, J04B, J08A, J08B, J08C, J11A, J11B, J16Z	
				10	K09A, K09B			21B	X06A, X06B, X06C			10	K09A, K09B	10
21A	W04A, W04B		8r430.3a		05	F01A, F01B, F01D, F14A, F14B, F15Z, F24A, F24B, F28A, F36A, F36B, F54Z, F59A, F59B	21A		W04A, W04B	21A			W04A, W04B	
	21B			X06A, X06B, X06C		09		J03A, J03B, J04A, J04B, J08A, J08B, J08C, J11A, J11B, J16Z	21B			X06A, X06B, X06C	21B	X04Z, X05A, X05B, X06A, X06B, X06C
8r430.33↔			05	F01A, F01B, F01D, F14A, F14B, F15Z, F24A, F24B, F28A, F36A, F36B, F54Z, F59A, F59B	10		K09A, K09B	8r430.3b↔		05		F01A, F01B, F01D, F14A, F14B, F15Z, F24A, F24B, F28A, F36A, F36B, F54Z, F59A, F59B		8r430.3g
	09			J03A, J03B, J04A, J04B, J08A, J08B, J08C, J11A, J11B, J16Z		21A	W04A, W04B		06			G10Z, G12A, G12B	06	
			10	K09A, K09B	21B		X06A, X06B, X06C			09		J03A, J03B, J04A, J04B, J08A, J08B, J08C, J11A, J11B, J16Z		
	21A			W04A, W04B		8r430.3c↔	05		F01A, F01B, F01D, F14A, F14B, F15Z, F24A, F24B, F28A, F36A, F36B, F54Z, F59A, F59B			10	K09A, K09B	
			21B	X06A, X06B, X06C	09				J03A, J03B, J04A, J04B, J08A, J08B, J08C, J11A, J11B, J16Z	21A			W04A, W04B	
	8r430.34	05		F01A, F01B, F01D, F15Z, F19A, F19B, F19C, F24A, F24B, F36A, F36B		10	K09A, K09B		8r430.3h↔		05	F01A, F01B, F01D, F14A, F14B, F15Z, F24A, F24B, F28A, F36A, F36B, F54Z, F59A, F59B	21A	
			09	J03A, J03B, J04A, J04B, J08A, J08B, J08C, J11A, J11B, J16Z	21B		X06A, X06B, X06C			09		J03A, J03B, J04A, J04B, J08A, J08B, J08C, J11A, J11B, J16Z		
		10		K09A, K09B		8r430.3j↔	05				F01A, F01B, F01D, F14A, F14B, F15Z, F24A, F24B, F28A, F36A, F36B, F54Z, F59A, F59B	01	B04A, B04B, B04C, B04D	
			21A	W04A, W04B	09					J03A, J03B, J04A, J04B, J08A, J08B, J08C, J11A, J11B, J16Z	05		F01A, F01B, F01D, F14A, F14B, F15Z, F24A, F24B, F28A, F36A, F36B, F54Z, F59A, F59B	
		21B		X06A, X06B, X06C		10	K09A, K09B			09		J03A, J03B, J04A, J04B, J08A, J08B, J08C, J11A, J11B, J16Z	10	
8r430.35			05	F01A, F01B, F01D, F15Z, F19A, F19B, F19C, F24A, F24B, F36A, F36B	21A		W04A, W04B	8r430.3i↔			05	F01A, F01B, F01D, F14A, F14B, F15Z, F24A, F24B, F28A, F36A, F36B, F54Z, F59A, F59B		21A
		09		J03A, J03B, J04A, J04B, J08A, J08B, J08C, J11A, J11B, J16Z		21B	X06A, X06B, X06C			01		BOP, UOP4	05	
			10	K09A, K09B	8r430.3k↔		05				F01A, F01B, F01D, F14A, F14B, F15Z, F24A, F24B, F28A, F36A, F36B, F54Z, F59A, F59B	05		F01A, F01B, F01D, F14A, F14B, F15Z, F24A, F24B, F28A, F36A, F36B, F54Z, F59A, F59B
		21A		W04A, W04B		09				J03A, J03B, J04A, J04B, J08A, J08B, J08C, J11A, J11B, J16Z	09		J03A, J03B, J04A, J04B, J08A, J08B, J08C, J11A, J11B, J16Z	
			21B	X06A, X06B, X06C	10		K09A, K09B			10		K09A, K09B		
	8r430.36	05		F01A, F01B, F01D, F15Z, F19A, F19B, F19C, F24A, F24B, F36A, F36B		21A	W04A, W04B		8r430.3l↔		05	F01A, F01B, F01D, F14A, F14B, F15Z, F24A, F24B, F28A, F36A, F36B, F54Z, F59A, F59B	05	F01A, F01B, F01D, F14A, F14B, F15Z, F24A, F24B, F28A, F36A, F36B, F54Z, F59A, F59B
			09	J03A, J03B, J04A, J04B, J08A, J08B, J08C, J11A, J11B, J16Z	21B		X06A, X06B, X06C			09		J03A, J03B, J04A, J04B, J08A, J08B, J08C, J11A, J11B, J16Z		09
		10		K09A, K09B		10	K09A, K09B				10	K09A, K09B		
			21A	W04A, W04B	21A		W04A, W04B			21A		W04A, W04B		
		21B		X06A, X06B, X06C		21B	X04Z, X06A, X06B, X06C				21B	X06A, X06B, X06C		

VYK



ZZV	MDC	DRG	ZZV	MDC	DRG	ZZV	MDC	DRG			
8r430.3k↔		BOP, UOP4	8r430.43↔	05	F01A, F01B, F01D, F14A, F14B, F15Z, F24A, F24B, F28A, F36A, F36B, F54Z, F59A, F59B	8r430.4a	05	F01A, F01B, F01D, F14A, F14B, F15Z, F24A, F24B, F28A, F36A, F36B, F54Z, F59A, F59B			
	01	B04A, B04B, B04C, B04D		09	J03A, J03B, J04A, J04B, J08A, J08B, J08C, J11A, J11B, J16Z		06	G10Z, G12A, G12B			
	05	F01A, F01B, F01D, F14A, F14B, F15Z, F24A, F24B, F28A, F36A, F36B, F54Z, F59A, F59B		10	K09A, K09B		09	J03A, J03B, J04A, J04B, J08A, J08B, J08C, J11A, J11B, J16Z			
	09	J03A, J03B, J04A, J04B, J08A, J08B, J08C, J11A, J11B, J16Z		21A	W04A, W04B		10	K09A, K09B			
	10	K09A, K09B		21B	X06A, X06B, X06C		11	L09A, L09B, L09C, L09D, L38Z			
	21A	W04A, W04B		8r430.44	05		F01A, F01B, F01D, F15Z, F19A, F19B, F19C, F24A, F24B, F36A, F36B	21A	W04A, W04B		
	21B	X06A, X06B, X06C			09		J03A, J03B, J04A, J04B, J08A, J08B, J08C, J11A, J11B, J16Z	21B	X06A, X06B, X06C		
	8r430.3m↔				BOP, UOP4		10	K09A, K09B	8r430.4b↔	05	F01A, F01B, F01D, F14A, F14B, F15Z, F24A, F24B, F28A, F36A, F36B, F54Z, F59A, F59B
		01			B04A, B04B, B04C, B04D		21A	W04A, W04B		09	J03A, J03B, J04A, J04B, J08A, J08B, J08C, J11A, J11B, J16Z
		05			F01A, F01B, F01D, F14A, F14B, F15Z, F24A, F24B, F28A, F36A, F36B, F54Z, F59A, F59B		21B	X06A, X06B, X06C		10	K09A, K09B
09		J03A, J03B, J04A, J04B, J08A, J08B, J08C, J11A, J11B, J16Z	8r430.45		05	F01A, F01B, F01D, F15Z, F19A, F19B, F19C, F24A, F24B, F36A, F36B	21A	W04A, W04B			
10		K09A, K09B			09	J03A, J03B, J04A, J04B, J08A, J08B, J08C, J11A, J11B, J16Z	21B	X04Z, X06A, X06B, X06C			
21A		W04A, W04B			10	K09A, K09B	8r430.4c↔	05		F01A, F01B, F01D, F14A, F14B, F15Z, F24A, F24B, F28A, F36A, F36B, F54Z, F59A, F59B	
21B		X06A, X06B, X06C			21A	W04A, W04B		09		J03A, J03B, J04A, J04B, J08A, J08B, J08C, J11A, J11B, J16Z	
8r430.3n↔					BOP, UOP4	21B		X06A, X06B, X06C		10	K09A, K09B
		01		B04A, B04B, B04C, B04D	8r430.46	05		F01A, F01B, F01D, F15Z, F19A, F19B, F19C, F24A, F24B, F36A, F36B		21A	W04A, W04B
		05		F01A, F01B, F01D, F14A, F14B, F15Z, F24A, F24B, F28A, F36A, F36B, F54Z, F59A, F59B		09		J03A, J03B, J04A, J04B, J08A, J08B, J08C, J11A, J11B, J16Z		21B	X04Z, X06A, X06B, X06C
	09	J03A, J03B, J04A, J04B, J08A, J08B, J08C, J11A, J11B, J16Z		10		K09A, K09B		8r430.4d	05	F01A, F01B, F01D, F14A, F14B, F15Z, F24A, F24B, F28A, F36A, F36B, F54Z, F59A, F59B	
	10	K09A, K09B		21A		W04A, W04B			09	J03A, J03B, J04A, J04B, J08A, J08B, J08C, J11A, J11B, J16Z	
	21A	W04A, W04B		21B		X06A, X06B, X06C			10	K09A, K09B	
	21B	X06A, X06B, X06C	8r430.47	05		F01A, F01B, F01D, F14A, F14B, F15Z, F24A, F24B, F28A, F36A, F36B, F54Z, F59A, F59B			21A	W04A, W04B	
	8r430.3x↔			BOP, UOP4		09			J03A, J03B, J04A, J04B, J08A, J08B, J08C, J11A, J11B, J16Z	21B	X04Z, X05A, X05B, X06A, X06B, X06C
		05		F01A, F01B, F01D, F14A, F14B, F15Z, F24A, F24B, F28A, F36A, F36B, F54Z, F59A, F59B		10	K09A, K09B		8r430.4e	05	F01A, F01B, F01D, F14A, F14B, F15Z, F24A, F24B, F28A, F36A, F36B, F54Z, F59A, F59B
		09		J03A, J03B, J04A, J04B, J08A, J08B, J08C, J11A, J11B, J16Z		21A	W04A, W04B			09	J03A, J03B, J04A, J04B, J08A, J08B, J08C, J11A, J11B, J16Z
10		K09A, K09B		21B		X06A, X06B, X06C	10			K09A, K09B	
21A		W04A, W04B		8r430.48↔	05	F01A, F01B, F01D, F14A, F14B, F15Z, F24A, F24B, F28A, F36A, F36B, F54Z, F59A, F59B	21A			W04A, W04B	
21B		X06A, X06B, X06C			09	J03A, J03B, J04A, J04B, J08A, J08B, J08C, J11A, J11B, J16Z	21B			X04Z, X05A, X05B, X06A, X06B, X06C	
8r430.40					BOP, KOP, UOP4	10	K09A, K09B	8r430.4f		05	F01A, F01B, F01D, F14A, F14B, F15Z, F24A, F24B, F28A, F36A, F36B, F54Z, F59A, F59B
		01			B02A, B02B, B02C, B20A, B20B, B20C, B20D, B20E, B39A, B39B	21A	W04A, W04B			09	J03A, J03B, J04A, J04B, J08A, J08B, J08C, J11A, J11B, J16Z
		05			F01A, F01B, F01D, F14A, F14B, F15Z, F24A, F24B, F28A, F36A, F36B, F54Z, F59A, F59B	21B	X06A, X06B, X06C			10	K09A, K09B
		09	J03A, J03B, J04A, J04B, J08A, J08B, J08C, J11A, J11B, J16Z		8r430.49↔	05	F01A, F01B, F01D, F14A, F14B, F15Z, F24A, F24B, F28A, F36A, F36B, F54Z, F59A, F59B			21A	W04A, W04B
	10	K09A, K09B	09			J03A, J03B, J04A, J04B, J08A, J08B, J08C, J11A, J11B, J16Z	21B			X04Z, X05A, X05B, X06A, X06B, X06C	
	21A	W04A, W04B	10			K09A, K09B	8r430.42↔		05	F01A, F01B, F01D, F14A, F14B, F15Z, F24A, F24B, F28A, F36A, F36B, F54Z, F59A, F59B	
	21B	X06A, X06B, X06C, X33Z	21A			W04A, W04B			09	J03A, J03B, J04A, J04B, J08A, J08B, J08C, J11A, J11B, J16Z	
	8r430.42↔		BOP, UOP4			21B			X06A, X06B, X06C	10	K09A, K09B
		05	F01A, F01B, F01D, F14A, F14B, F15Z, F24A, F24B, F28A, F36A, F36B, F54Z, F59A, F59B	8r430.49↔		05			F01A, F01B, F01D, F14A, F14B, F15Z, F24A, F24B, F28A, F36A, F36B, F54Z, F59A, F59B	21A	W04A, W04B
		09	J03A, J03B, J04A, J04B, J08A, J08B, J08C, J11A, J11B, J16Z			09			J03A, J03B, J04A, J04B, J08A, J08B, J08C, J11A, J11B, J16Z	21B	X04Z, X05A, X05B, X06A, X06B, X06C
10		K09A, K09B	10			K09A, K09B		8r430.42↔	05	F01A, F01B, F01D, F14A, F14B, F15Z, F24A, F24B, F28A, F36A, F36B, F54Z, F59A, F59B	
21A		W04A, W04B	21A			W04A, W04B			09	J03A, J03B, J04A, J04B, J08A, J08B, J08C, J11A, J11B, J16Z	
21B		X06A, X06B, X06C	21B			X06A, X06B, X06C			10	K09A, K09B	

VYK



ZZV	MDC	DRG	ZZV	MDC	DRG	ZZV	MDC	DRG					
8r430.5c↔	05	F01A, F01B, F01D, F14A, F14B, F15Z, F24A, F24B, F28A, F36A, F36B, F54Z, F59A, F59B	8r430.5j↔	01	BOP, UOP4	8r430.60	01	BOP, KOP, UOP4					
		09			J03A, J03B, J04A, J04B, J08A, J08B, J08C, J11A, J11B, J16Z			05	F01A, F01B, F01D, F14A, F14B, F15Z, F24A, F24B, F28A, F36A, F36B, F54Z, F59A, F59B	05	F01A, F01B, F01D, F14A, F14B, F15Z, F24A, F24B, F28A, F36A, F36B, F54Z, F59A, F59B		
					10			K09A, K09B	09	J03A, J03B, J04A, J04B, J08A, J08B, J08C, J11A, J11B, J16Z	09	J03A, J03B, J04A, J04B, J08A, J08B, J08C, J11A, J11B, J16Z	
								21A	W04A, W04B	10	K09A, K09B	10	K09A, K09B
								21B	X04Z, X06A, X06B, X06C	21A	W04A, W04B	21A	W04A, W04B
8r430.5d	05	F01A, F01B, F01D, F14A, F14B, F15Z, F24A, F24B, F28A, F36A, F36B, F54Z, F59A, F59B	8r430.5k↔	01	BOP, UOP4	8r430.62↔	05	F01A, F01B, F01D, F14A, F14B, F15Z, F24A, F24B, F28A, F36A, F36B, F54Z, F59A, F59B					
		09			J03A, J03B, J04A, J04B, J08A, J08B, J08C, J11A, J11B, J16Z			05	F01A, F01B, F01D, F14A, F14B, F15Z, F24A, F24B, F28A, F36A, F36B, F54Z, F59A, F59B	09	J03A, J03B, J04A, J04B, J08A, J08B, J08C, J11A, J11B, J16Z		
					10			K09A, K09B	09	J03A, J03B, J04A, J04B, J08A, J08B, J08C, J11A, J11B, J16Z	10	K09A, K09B	
								21A	W04A, W04B	10	K09A, K09B	21A	W04A, W04B
								21B	X04Z, X05A, X05B, X06A, X06B, X06C	21B	X06A, X06B, X06C	21B	X06A, X06B, X06C
8r430.5e	05	F01A, F01B, F01D, F14A, F14B, F15Z, F24A, F24B, F28A, F36A, F36B, F54Z, F59A, F59B	8r430.5m↔	01	BOP, UOP4	8r430.63↔	05	F01A, F01B, F01D, F14A, F14B, F15Z, F24A, F24B, F28A, F36A, F36B, F54Z, F59A, F59B					
		09			J03A, J03B, J04A, J04B, J08A, J08B, J08C, J11A, J11B, J16Z			05	F01A, F01B, F01D, F14A, F14B, F15Z, F24A, F24B, F28A, F36A, F36B, F54Z, F59A, F59B	09	J03A, J03B, J04A, J04B, J08A, J08B, J08C, J11A, J11B, J16Z		
					10			K09A, K09B	09	J03A, J03B, J04A, J04B, J08A, J08B, J08C, J11A, J11B, J16Z	10	K09A, K09B	
								21A	W04A, W04B	10	K09A, K09B	21A	W04A, W04B
								21B	X04Z, X05A, X05B, X06A, X06B, X06C	21B	X06A, X06B, X06C	21B	X06A, X06B, X06C
8r430.5f	05	F01A, F01B, F01D, F14A, F14B, F15Z, F24A, F24B, F28A, F36A, F36B, F54Z, F59A, F59B	8r430.5n↔	01	BOP, UOP4	8r430.64	05	F01A, F01B, F01D, F15Z, F19A, F19B, F19C, F24A, F24B, F36A, F36B					
		09			J03A, J03B, J04A, J04B, J08A, J08B, J08C, J11A, J11B, J16Z			05	F01A, F01B, F01D, F14A, F14B, F15Z, F24A, F24B, F28A, F36A, F36B, F54Z, F59A, F59B	09	J03A, J03B, J04A, J04B, J08A, J08B, J08C, J11A, J11B, J16Z		
					10			K09A, K09B	09	J03A, J03B, J04A, J04B, J08A, J08B, J08C, J11A, J11B, J16Z	10	K09A, K09B	
								21A	W04A, W04B	10	K09A, K09B	21A	W04A, W04B
								21B	X04Z, X05A, X05B, X06A, X06B, X06C	21B	X06A, X06B, X06C	21B	X06A, X06B, X06C
8r430.5g	05	F01A, F01B, F01D, F14A, F14B, F15Z, F24A, F24B, F28A, F36A, F36B, F54Z, F59A, F59B	8r430.5x↔	01	BOP, UOP4	8r430.65	05	F01A, F01B, F01D, F15Z, F19A, F19B, F19C, F24A, F24B, F36A, F36B					
		06			G10Z, G12A, G12B			05	F01A, F01B, F01D, F14A, F14B, F15Z, F24A, F24B, F28A, F36A, F36B, F54Z, F59A, F59B	09	J03A, J03B, J04A, J04B, J08A, J08B, J08C, J11A, J11B, J16Z		
					09			J03A, J03B, J04A, J04B, J08A, J08B, J08C, J11A, J11B, J16Z	09	J03A, J03B, J04A, J04B, J08A, J08B, J08C, J11A, J11B, J16Z	10	K09A, K09B	
								10	K09A, K09B	10	K09A, K09B	21A	W04A, W04B
									11	L09A, L09B, L09C, L09D, L38Z	09	J03A, J03B, J04A, J04B, J08A, J08B, J08C, J11A, J11B, J16Z	21B
8r430.5h↔	01	B04A, B04B, B04C, B04D	8r430.5y↔	01	B04A, B04B, B04C, B04D	8r430.66	05	F01A, F01B, F01D, F15Z, F19A, F19B, F19C, F24A, F24B, F36A, F36B					
		05			F01A, F01B, F01D, F14A, F14B, F15Z, F24A, F24B, F28A, F36A, F36B, F54Z, F59A, F59B			05	F01A, F01B, F01D, F14A, F14B, F15Z, F24A, F24B, F28A, F36A, F36B, F54Z, F59A, F59B	09	J03A, J03B, J04A, J04B, J08A, J08B, J08C, J11A, J11B, J16Z		
					09			J03A, J03B, J04A, J04B, J08A, J08B, J08C, J11A, J11B, J16Z	09	J03A, J03B, J04A, J04B, J08A, J08B, J08C, J11A, J11B, J16Z	10	K09A, K09B	
								10	K09A, K09B	10	K09A, K09B	21A	W04A, W04B
									21A	W04A, W04B	21A	W04A, W04B	21B
21B	X06A, X06B, X06C	21B	X06A, X06B, X06C	21B	X06A, X06B, X06C								

VYK

ZZV	MDC	DRG	ZZV	MDC	DRG	ZZV	MDC	DRG			
8r430.67	05	F01A, F01B, F01D, F14A, F14B, F15Z, F24A, F24B, F28A, F36A, F36B, F54Z, F59A, F59B	8r430.6d	05	F01A, F01B, F01D, F14A, F14B, F15Z, F24A, F24B, F28A, F36A, F36B, F54Z, F59A, F59B	8r430.6k↔		BOP, UOP4			
	09	J03A, J03B, J04A, J04B, J08A, J08B, J08C, J11A, J11B, J16Z		09	J03A, J03B, J04A, J04B, J08A, J08B, J08C, J11A, J11B, J16Z		01	B04A, B04B, B04C, B04D			
	10	K09A, K09B		10	K09A, K09B		05	F01A, F01B, F01D, F14A, F14B, F15Z, F24A, F24B, F28A, F36A, F36B, F54Z, F59A, F59B			
	21A	W04A, W04B		21A	W04A, W04B		09	J03A, J03B, J04A, J04B, J08A, J08B, J08C, J11A, J11B, J16Z			
	21B	X06A, X06B, X06C		21B	X04Z, X05A, X05B, X06A, X06B, X06C		10	K09A, K09B			
8r430.68↔	05	F01A, F01B, F01D, F14A, F14B, F15Z, F24A, F24B, F28A, F36A, F36B, F54Z, F59A, F59B	8r430.6e	05	F01A, F01B, F01D, F14A, F14B, F15Z, F24A, F24B, F28A, F36A, F36B, F54Z, F59A, F59B	8r430.6m↔	21A	W04A, W04B			
	09	J03A, J03B, J04A, J04B, J08A, J08B, J08C, J11A, J11B, J16Z		09	J03A, J03B, J04A, J04B, J08A, J08B, J08C, J11A, J11B, J16Z		21B	X06A, X06B, X06C			
	10	K09A, K09B		10	K09A, K09B			BOP, UOP4			
	21A	W04A, W04B		21A	W04A, W04B		01	B04A, B04B, B04C, B04D			
	21B	X06A, X06B, X06C		21B	X04Z, X05A, X05B, X06A, X06B, X06C		05	F01A, F01B, F01D, F14A, F14B, F15Z, F24A, F24B, F28A, F36A, F36B, F54Z, F59A, F59B			
8r430.69↔	05	F01A, F01B, F01D, F14A, F14B, F15Z, F24A, F24B, F28A, F36A, F36B, F54Z, F59A, F59B	8r430.6f	05	F01A, F01B, F01D, F14A, F14B, F15Z, F24A, F24B, F28A, F36A, F36B, F54Z, F59A, F59B	8r430.6n↔	09	J03A, J03B, J04A, J04B, J08A, J08B, J08C, J11A, J11B, J16Z			
	09	J03A, J03B, J04A, J04B, J08A, J08B, J08C, J11A, J11B, J16Z		09	J03A, J03B, J04A, J04B, J08A, J08B, J08C, J11A, J11B, J16Z		10	K09A, K09B			
	10	K09A, K09B		10	K09A, K09B		21A	W04A, W04B			
	21A	W04A, W04B		21A	W04A, W04B		21B	X06A, X06B, X06C			
	21B	X06A, X06B, X06C		21B	X04Z, X05A, X05B, X06A, X06B, X06C			BOP, UOP4			
8r430.6a	05	F01A, F01B, F01D, F14A, F14B, F15Z, F24A, F24B, F28A, F36A, F36B, F54Z, F59A, F59B	8r430.6g	05	F01A, F01B, F01D, F14A, F14B, F15Z, F24A, F24B, F28A, F36A, F36B, F54Z, F59A, F59B	8r430.6x↔	01	B04A, B04B, B04C, B04D			
	06	G10Z, G12A, G12B		06	G10Z, G12A, G12B		05	F01A, F01B, F01D, F14A, F14B, F15Z, F24A, F24B, F28A, F36A, F36B, F54Z, F59A, F59B			
	09	J03A, J03B, J04A, J04B, J08A, J08B, J08C, J11A, J11B, J16Z		09	J03A, J03B, J04A, J04B, J08A, J08B, J08C, J11A, J11B, J16Z		09	J03A, J03B, J04A, J04B, J08A, J08B, J08C, J11A, J11B, J16Z			
	10	K09A, K09B		10	K09A, K09B		10	K09A, K09B			
	11	L09A, L09B, L09C, L09D, L38Z		11	L09A, L09B, L09C, L09D, L38Z		21A	W04A, W04B			
	21A	W04A, W04B		21A	W04A, W04B		21B	X06A, X06B, X06C			
	21B	X06A, X06B, X06C		21B	X06A, X06B, X06C			BOP, UOP4			
	8r430.6b↔	05		F01A, F01B, F01D, F14A, F14B, F15Z, F24A, F24B, F28A, F36A, F36B, F54Z, F59A, F59B	8r430.6h↔		01	B04A, B04B, B04C, B04D	8r431.10	01	B02A, B02B, B02C, B20A, B20B, B20C, B20D, B20E, B39A, B39B
		09		J03A, J03B, J04A, J04B, J08A, J08B, J08C, J11A, J11B, J16Z			05	F01A, F01B, F01D, F14A, F14B, F15Z, F24A, F24B, F28A, F36A, F36B, F54Z, F59A, F59B		05	F01A, F01B, F01D, F14A, F14B, F15Z, F24A, F24B, F28A, F36A, F36B, F54Z, F59A, F59B
		10		K09A, K09B			09	J03A, J03B, J04A, J04B, J08A, J08B, J08C, J11A, J11B, J16Z		09	J03A, J03B, J04A, J04B, J08A, J08B, J08C, J11A, J11B, J16Z
		21A		W04A, W04B			10	K09A, K09B		10	K09A, K09B
21B		X04Z, X06A, X06B, X06C	21A	W04A, W04B		21A	W04A, W04B				
8r430.6c↔	05	F01A, F01B, F01D, F14A, F14B, F15Z, F24A, F24B, F28A, F36A, F36B, F54Z, F59A, F59B	8r430.6j↔	01	B04A, B04B, B04C, B04D	8r431.12↔	21B	X06A, X06B, X06C			
	09	J03A, J03B, J04A, J04B, J08A, J08B, J08C, J11A, J11B, J16Z		05	F01A, F01B, F01D, F14A, F14B, F15Z, F24A, F24B, F28A, F36A, F36B, F54Z, F59A, F59B		05	F01A, F01B, F01D, F14A, F14B, F15Z, F24A, F24B, F28A, F36A, F36B, F54Z, F59A, F59B			
	10	K09A, K09B		09	J03A, J03B, J04A, J04B, J08A, J08B, J08C, J11A, J11B, J16Z		09	J03A, J03B, J04A, J04B, J08A, J08B, J08C, J11A, J11B, J16Z			
	21A	W04A, W04B		10	K09A, K09B		10	K09A, K09B			
	21B	X04Z, X06A, X06B, X06C		21A	W04A, W04B		21A	W04A, W04B			

VYK

ZZV	MDC	DRG	ZZV	MDC	DRG	ZZV	MDC	DRG
8r431.13↔	05	F01A, F01B, F01D, F14A, F14B, F15Z, F24A, F24B, F28A, F36A, F36B, F54Z, F59A, F59B	8r431.1a	05	F01A, F01B, F01D, F14A, F14B, F15Z, F24A, F24B, F28A, F36A, F36B, F54Z, F59A, F59B	8r431.1g	05	F01A, F01B, F01D, F14A, F14B, F15Z, F24A, F24B, F28A, F36A, F36B, F54Z, F59A, F59B
	09	J03A, J03B, J04A, J04B, J08A, J08B, J08C, J11A, J11B, J16Z		06	G10Z, G12A, G12B		06	G10Z, G12A, G12B
	10	K09A, K09B		09	J03A, J03B, J04A, J04B, J08A, J08B, J08C, J11A, J11B, J16Z		09	J03A, J03B, J04A, J04B, J08A, J08B, J08C, J11A, J11B, J16Z
	21A	W04A, W04B		10	K09A, K09B		10	K09A, K09B
	21B	X05A, X05B, X06A, X06B, X06C		11	L09A, L09B, L09C, L09D, L38Z		11	L09A, L09B, L09C, L09D, L38Z
8r431.14	05	F01A, F01B, F01D, F15Z, F19A, F19B, F19C, F24A, F24B, F36A, F36B	8r431.1b↔	21A	W04A, W04B	8r431.1h↔	21A	W04A, W04B
	09	J03A, J03B, J04A, J04B, J08A, J08B, J08C, J11A, J11B, J16Z		21B	X06A, X06B, X06C		21B	X06A, X06B, X06C
	10	K09A, K09B		05	F01A, F01B, F01D, F14A, F14B, F15Z, F24A, F24B, F28A, F36A, F36B, F54Z, F59A, F59B		01	B04A, B04B, B04C, B04D
	21A	W04A, W04B		09	J03A, J03B, J04A, J04B, J08A, J08B, J08C, J11A, J11B, J16Z		05	F01A, F01B, F01D, F14A, F14B, F15Z, F24A, F24B, F28A, F36A, F36B, F54Z, F59A, F59B
	21B	X06A, X06B, X06C		10	K09A, K09B		09	J03A, J03B, J04A, J04B, J08A, J08B, J08C, J11A, J11B, J16Z
8r431.15	05	F01A, F01B, F01D, F15Z, F19A, F19B, F19C, F24A, F24B, F36A, F36B	8r431.1c↔	21A	W04A, W04B	8r431.1j↔	10	K09A, K09B
	09	J03A, J03B, J04A, J04B, J08A, J08B, J08C, J11A, J11B, J16Z		21B	X04Z, X06A, X06B, X06C		21A	W04A, W04B
	10	K09A, K09B		05	F01A, F01B, F01D, F14A, F14B, F15Z, F24A, F24B, F28A, F36A, F36B, F54Z, F59A, F59B		21B	X06A, X06B, X06C
	21A	W04A, W04B		09	J03A, J03B, J04A, J04B, J08A, J08B, J08C, J11A, J11B, J16Z		BOP, UOP4	
	21B	X06A, X06B, X06C		10	K09A, K09B		01	B04A, B04B, B04C, B04D
8r431.16	05	F01A, F01B, F01D, F15Z, F19A, F19B, F19C, F24A, F24B, F36A, F36B	8r431.1d	21A	W04A, W04B	8r431.1k↔	05	F01A, F01B, F01D, F14A, F14B, F15Z, F24A, F24B, F28A, F36A, F36B, F54Z, F59A, F59B
	09	J03A, J03B, J04A, J04B, J08A, J08B, J08C, J11A, J11B, J16Z		21B	X04Z, X06A, X06B, X06C		09	J03A, J03B, J04A, J04B, J08A, J08B, J08C, J11A, J11B, J16Z
	10	K09A, K09B		05	F01A, F01B, F01D, F14A, F14B, F15Z, F24A, F24B, F28A, F36A, F36B, F54Z, F59A, F59B		10	K09A, K09B
	21A	W04A, W04B		09	J03A, J03B, J04A, J04B, J08A, J08B, J08C, J11A, J11B, J16Z		21A	W04A, W04B
	21B	X06A, X06B, X06C		10	K09A, K09B		21B	X06A, X06B, X06C
8r431.17	05	F01A, F01B, F01D, F14A, F14B, F15Z, F24A, F24B, F28A, F36A, F36B, F54Z, F59A, F59B	8r431.1e	09	J03A, J03B, J04A, J04B, J08A, J08B, J08C, J11A, J11B, J16Z	8r431.1m↔	BOP, UOP4	
	09	J03A, J03B, J04A, J04B, J08A, J08B, J08C, J11A, J11B, J16Z		10	K09A, K09B		01	B04A, B04B, B04C, B04D
	10	K09A, K09B		21A	W04A, W04B		05	F01A, F01B, F01D, F14A, F14B, F15Z, F24A, F24B, F28A, F36A, F36B, F54Z, F59A, F59B
	21A	W04A, W04B		21B	X04Z, X05A, X05B, X06A, X06B, X06C		09	J03A, J03B, J04A, J04B, J08A, J08B, J08C, J11A, J11B, J16Z
	21B	X06A, X06B, X06C		05	F01A, F01B, F01D, F14A, F14B, F15Z, F24A, F24B, F28A, F36A, F36B, F54Z, F59A, F59B		10	K09A, K09B
8r431.18↔	05	F01A, F01B, F01D, F14A, F14B, F15Z, F24A, F24B, F28A, F36A, F36B, F54Z, F59A, F59B	8r431.1f	09	J03A, J03B, J04A, J04B, J08A, J08B, J08C, J11A, J11B, J16Z	8r431.1n↔	21A	W04A, W04B
	09	J03A, J03B, J04A, J04B, J08A, J08B, J08C, J11A, J11B, J16Z		10	K09A, K09B		05	F01A, F01B, F01D, F14A, F14B, F15Z, F24A, F24B, F28A, F36A, F36B, F54Z, F59A, F59B
	10	K09A, K09B		21A	W04A, W04B		09	J03A, J03B, J04A, J04B, J08A, J08B, J08C, J11A, J11B, J16Z
	21A	W04A, W04B		21B	X04Z, X05A, X05B, X06A, X06B, X06C		10	K09A, K09B
	21B	X06A, X06B, X06C		05	F01A, F01B, F01D, F14A, F14B, F15Z, F24A, F24B, F28A, F36A, F36B, F54Z, F59A, F59B		21A	W04A, W04B
8r431.19↔	05	F01A, F01B, F01D, F14A, F14B, F15Z, F24A, F24B, F28A, F36A, F36B, F54Z, F59A, F59B	8r431.1g	09	J03A, J03B, J04A, J04B, J08A, J08B, J08C, J11A, J11B, J16Z	8r431.1o↔	21B	X06A, X06B, X06C
	09	J03A, J03B, J04A, J04B, J08A, J08B, J08C, J11A, J11B, J16Z		10	K09A, K09B		01	B04A, B04B, B04C, B04D
	10	K09A, K09B		21A	W04A, W04B		05	F01A, F01B, F01D, F14A, F14B, F15Z, F24A, F24B, F28A, F36A, F36B, F54Z, F59A, F59B
	21A	W04A, W04B		21B	X04Z, X05A, X05B, X06A, X06B, X06C		09	J03A, J03B, J04A, J04B, J08A, J08B, J08C, J11A, J11B, J16Z
	21B	X06A, X06B, X06C		05	F01A, F01B, F01D, F14A, F14B, F15Z, F24A, F24B, F28A, F36A, F36B, F54Z, F59A, F59B		10	K09A, K09B

VYK

ZZV	MDC	DRG	ZZV	MDC	DRG	ZZV	MDC	DRG			
8r431.1n↔		BOP, UOP4	8r431.25	05	F01A, F01B, F01D, F15Z, F19A, F19B, F19C, F24A, F24B, F36A, F36B	8r431.2c↔	05	F01A, F01B, F01D, F14A, F14B, F15Z, F24A, F24B, F28A, F36A, F36B, F54Z, F59A, F59B			
	01	B04A, B04B, B04C, B04D		09	J03A, J03B, J04A, J04B, J08A, J08B, J08C, J11A, J11B, J16Z		09	J03A, J03B, J04A, J04B, J08A, J08B, J08C, J11A, J11B, J16Z			
	05	F01A, F01B, F01D, F14A, F14B, F15Z, F24A, F24B, F28A, F36A, F36B, F54Z, F59A, F59B		10	K09A, K09B		10	K09A, K09B			
	09	J03A, J03B, J04A, J04B, J08A, J08B, J08C, J11A, J11B, J16Z		21A	W04A, W04B		10	K09A, K09B			
	10	K09A, K09B		21B	X06A, X06B, X06C		21A	W04A, W04B			
	21A	W04A, W04B		8r431.26	05		F01A, F01B, F01D, F15Z, F19A, F19B, F19C, F24A, F24B, F36A, F36B	8r431.2d	21B	X04Z, X06A, X06B, X06C	
	21B	X06A, X06B, X06C			09		J03A, J03B, J04A, J04B, J08A, J08B, J08C, J11A, J11B, J16Z		05	F01A, F01B, F01D, F14A, F14B, F15Z, F24A, F24B, F28A, F36A, F36B, F54Z, F59A, F59B	
	8r431.1x↔	05			F01A, F01B, F01D, F14A, F14B, F15Z, F24A, F24B, F28A, F36A, F36B, F54Z, F59A, F59B		10		K09A, K09B	09	J03A, J03B, J04A, J04B, J08A, J08B, J08C, J11A, J11B, J16Z
		09			J03A, J03B, J04A, J04B, J08A, J08B, J08C, J11A, J11B, J16Z		21A		W04A, W04B	10	K09A, K09B
		10			K09A, K09B		21B		X06A, X06B, X06C	21A	W04A, W04B
21A		W04A, W04B	8r431.27		05	F01A, F01B, F01D, F14A, F14B, F15Z, F24A, F24B, F28A, F36A, F36B, F54Z, F59A, F59B	8r431.2e		21B	X04Z, X05A, X05B, X06A, X06B, X06C	
21B		X06A, X06B, X06C			09	J03A, J03B, J04A, J04B, J08A, J08B, J08C, J11A, J11B, J16Z			05	F01A, F01B, F01D, F14A, F14B, F15Z, F24A, F24B, F28A, F36A, F36B, F54Z, F59A, F59B	
8r431.20					BOP, KOP, UOP4	10			K09A, K09B	09	J03A, J03B, J04A, J04B, J08A, J08B, J08C, J11A, J11B, J16Z
		01			B02A, B02B, B02C, B20A, B20B, B20C, B20D, B20E, B39A, B39B	21A			W04A, W04B	10	K09A, K09B
		05			F01A, F01B, F01D, F14A, F14B, F15Z, F24A, F24B, F28A, F36A, F36B, F54Z, F59A, F59B	21B			X06A, X06B, X06C	21A	W04A, W04B
		09		J03A, J03B, J04A, J04B, J08A, J08B, J08C, J11A, J11B, J16Z	8r431.28↔	05		F01A, F01B, F01D, F14A, F14B, F15Z, F24A, F24B, F28A, F36A, F36B, F54Z, F59A, F59B	8r431.2f	21B	X04Z, X05A, X05B, X06A, X06B, X06C
		10		K09A, K09B		09		J03A, J03B, J04A, J04B, J08A, J08B, J08C, J11A, J11B, J16Z		05	F01A, F01B, F01D, F14A, F14B, F15Z, F24A, F24B, F28A, F36A, F36B, F54Z, F59A, F59B
	21A	W04A, W04B		10		K09A, K09B		09		J03A, J03B, J04A, J04B, J08A, J08B, J08C, J11A, J11B, J16Z	
	21B	X06A, X06B, X06C, X33Z		21A		W04A, W04B		10		K09A, K09B	
	8r431.22↔	05		F01A, F01B, F01D, F14A, F14B, F15Z, F24A, F24B, F28A, F36A, F36B, F54Z, F59A, F59B		21B		X06A, X06B, X06C		8r431.2g	05
		09	J03A, J03B, J04A, J04B, J08A, J08B, J08C, J11A, J11B, J16Z	8r431.29↔		05	F01A, F01B, F01D, F14A, F14B, F15Z, F24A, F24B, F28A, F36A, F36B, F54Z, F59A, F59B	06			G10Z, G12A, G12B
		10	K09A, K09B			09	J03A, J03B, J04A, J04B, J08A, J08B, J08C, J11A, J11B, J16Z	09			J03A, J03B, J04A, J04B, J08A, J08B, J08C, J11A, J11B, J16Z
21A		W04A, W04B	10			K09A, K09B	10	K09A, K09B			
21B		X06A, X06B, X06C	21A			W04A, W04B	11	L09A, L09B, L09C, L09D, L38Z			
8r431.23↔		05	F01A, F01B, F01D, F14A, F14B, F15Z, F24A, F24B, F28A, F36A, F36B, F54Z, F59A, F59B			21B	X06A, X06B, X06C	8r431.2a			21A
		09	J03A, J03B, J04A, J04B, J08A, J08B, J08C, J11A, J11B, J16Z		05	F01A, F01B, F01D, F14A, F14B, F15Z, F24A, F24B, F28A, F36A, F36B, F54Z, F59A, F59B	06		G10Z, G12A, G12B		
		10	K09A, K09B		09	J03A, J03B, J04A, J04B, J08A, J08B, J08C, J11A, J11B, J16Z	09		J03A, J03B, J04A, J04B, J08A, J08B, J08C, J11A, J11B, J16Z		
		21A	W04A, W04B		10	K09A, K09B	10		K09A, K09B		
		21B	X05A, X05B, X06A, X06B, X06C		11	L09A, L09B, L09C, L09D, L38Z	21A		W04A, W04B		
	8r431.24	05	F01A, F01B, F01D, F15Z, F19A, F19B, F19C, F24A, F24B, F36A, F36B		8r431.2b↔	21B	X06A, X06B, X06C		8r431.2h↔		BOP, UOP4
		09	J03A, J03B, J04A, J04B, J08A, J08B, J08C, J11A, J11B, J16Z	05		F01A, F01B, F01D, F14A, F14B, F15Z, F24A, F24B, F28A, F36A, F36B, F54Z, F59A, F59B	01			B04A, B04B, B04C, B04D	
		10	K09A, K09B	09		J03A, J03B, J04A, J04B, J08A, J08B, J08C, J11A, J11B, J16Z	05			F01A, F01B, F01D, F14A, F14B, F15Z, F24A, F24B, F28A, F36A, F36B, F54Z, F59A, F59B	
		21A	W04A, W04B	10		K09A, K09B	09			J03A, J03B, J04A, J04B, J08A, J08B, J08C, J11A, J11B, J16Z	
		21B	X06A, X06B, X06C	21A		W04A, W04B	10			K09A, K09B	
			21B	X06A, X06B, X06C		21A	W04A, W04B				
						21B	X06A, X06B, X06C				

ZZV	MDC	DRG	ZZV	MDC	DRG	ZZV	MDC	DRG			
8r431.2j↔		BOP, UOP4	8r431.30		BOP, KOP, UOP4	8r431.37	05	F01A, F01B, F01D, F14A, F14B, F15Z, F24A, F24B, F28A, F36A, F36B, F54Z, F59A, F59B			
	01	B04A, B04B, B04C, B04D		01	B02A, B02B, B02C, B20A, B20B, B20C, B20D, B20E, B39A, B39B		09	J03A, J03B, J04A, J04B, J08A, J08B, J08C, J11A, J11B, J16Z			
	05	F01A, F01B, F01D, F14A, F14B, F15Z, F24A, F24B, F28A, F36A, F36B, F54Z, F59A, F59B		05	F01A, F01B, F01D, F14A, F14B, F15Z, F24A, F24B, F28A, F36A, F36B, F54Z, F59A, F59B		10	K09A, K09B			
	09	J03A, J03B, J04A, J04B, J08A, J08B, J08C, J11A, J11B, J16Z		09	J03A, J03B, J04A, J04B, J08A, J08B, J08C, J11A, J11B, J16Z		21A	W04A, W04B			
	10	K09A, K09B		10	K09A, K09B		21B	X06A, X06B, X06C			
	21A	W04A, W04B		21A	W04A, W04B		8r431.38↔	05	F01A, F01B, F01D, F14A, F14B, F15Z, F24A, F24B, F28A, F36A, F36B, F54Z, F59A, F59B		
	21B	X06A, X06B, X06C		21B	X06A, X06B, X06C, X33Z			09	J03A, J03B, J04A, J04B, J08A, J08B, J08C, J11A, J11B, J16Z		
	8r431.2k↔			BOP, UOP4	8r431.32↔			BOP, UOP4	8r431.39↔	05	F01A, F01B, F01D, F14A, F14B, F15Z, F24A, F24B, F28A, F36A, F36B, F54Z, F59A, F59B
		01		B04A, B04B, B04C, B04D			05	F01A, F01B, F01D, F14A, F14B, F15Z, F24A, F24B, F28A, F36A, F36B, F54Z, F59A, F59B		10	K09A, K09B
		05		F01A, F01B, F01D, F14A, F14B, F15Z, F24A, F24B, F28A, F36A, F36B, F54Z, F59A, F59B			09	J03A, J03B, J04A, J04B, J08A, J08B, J08C, J11A, J11B, J16Z		21A	W04A, W04B
09		J03A, J03B, J04A, J04B, J08A, J08B, J08C, J11A, J11B, J16Z	10	K09A, K09B		21B	X06A, X06B, X06C				
10		K09A, K09B	10	K09A, K09B		8r431.39↔	05	F01A, F01B, F01D, F14A, F14B, F15Z, F24A, F24B, F28A, F36A, F36B, F54Z, F59A, F59B			
21A		W04A, W04B	21A	W04A, W04B			09	J03A, J03B, J04A, J04B, J08A, J08B, J08C, J11A, J11B, J16Z			
21B		X06A, X06B, X06C	21B	X06A, X06B, X06C		8r431.3a	05	F01A, F01B, F01D, F14A, F14B, F15Z, F24A, F24B, F28A, F36A, F36B, F54Z, F59A, F59B			
8r431.2m↔			BOP, UOP4	8r431.33↔				BOP, UOP4		06	G10Z, G12A, G12B
		01	B04A, B04B, B04C, B04D			05	F01A, F01B, F01D, F14A, F14B, F15Z, F24A, F24B, F28A, F36A, F36B, F54Z, F59A, F59B	09		J03A, J03B, J04A, J04B, J08A, J08B, J08C, J11A, J11B, J16Z	
		05	F01A, F01B, F01D, F14A, F14B, F15Z, F24A, F24B, F28A, F36A, F36B, F54Z, F59A, F59B			09	J03A, J03B, J04A, J04B, J08A, J08B, J08C, J11A, J11B, J16Z	10		K09A, K09B	
	09	J03A, J03B, J04A, J04B, J08A, J08B, J08C, J11A, J11B, J16Z	10		K09A, K09B	21A	W04A, W04B				
	10	K09A, K09B	21A		W04A, W04B	21B	X06A, X06B, X06C				
	21A	W04A, W04B	21B		X05A, X05B, X06A, X06B, X06C	8r431.3a	05	F01A, F01B, F01D, F14A, F14B, F15Z, F24A, F24B, F28A, F36A, F36B, F54Z, F59A, F59B			
	21B	X06A, X06B, X06C	8r431.34		05		F01A, F01B, F01D, F15Z, F19A, F19B, F19C, F24A, F24B, F36A, F36B	09	J03A, J03B, J04A, J04B, J08A, J08B, J08C, J11A, J11B, J16Z		
	8r431.2n↔				BOP, UOP4	8r431.35		BOP, UOP4	10	K09A, K09B	
		01	B04A, B04B, B04C, B04D		09		J03A, J03B, J04A, J04B, J08A, J08B, J08C, J11A, J11B, J16Z	21A	W04A, W04B		
		05	F01A, F01B, F01D, F14A, F14B, F15Z, F24A, F24B, F28A, F36A, F36B, F54Z, F59A, F59B		10		K09A, K09B	21B	X06A, X06B, X06C		
09		J03A, J03B, J04A, J04B, J08A, J08B, J08C, J11A, J11B, J16Z	05	F01A, F01B, F01D, F15Z, F19A, F19B, F19C, F24A, F24B, F36A, F36B	8r431.3b↔		05	F01A, F01B, F01D, F14A, F14B, F15Z, F24A, F24B, F28A, F36A, F36B, F54Z, F59A, F59B			
10		K09A, K09B	09	J03A, J03B, J04A, J04B, J08A, J08B, J08C, J11A, J11B, J16Z			09	J03A, J03B, J04A, J04B, J08A, J08B, J08C, J11A, J11B, J16Z			
21A		W04A, W04B	10	K09A, K09B	10		K09A, K09B				
21B		X06A, X06B, X06C	21A	W04A, W04B	21A		W04A, W04B				
8r431.2x↔			BOP, UOP4	8r431.36			BOP, UOP4	21B	X04Z, X06A, X06B, X06C		
		01	B04A, B04B, B04C, B04D		05		F01A, F01B, F01D, F15Z, F19A, F19B, F19C, F24A, F24B, F36A, F36B	8r431.3c↔	05	F01A, F01B, F01D, F14A, F14B, F15Z, F24A, F24B, F28A, F36A, F36B, F54Z, F59A, F59B	
		05	F01A, F01B, F01D, F14A, F14B, F15Z, F24A, F24B, F28A, F36A, F36B, F54Z, F59A, F59B		09		J03A, J03B, J04A, J04B, J08A, J08B, J08C, J11A, J11B, J16Z		09	J03A, J03B, J04A, J04B, J08A, J08B, J08C, J11A, J11B, J16Z	
	09	J03A, J03B, J04A, J04B, J08A, J08B, J08C, J11A, J11B, J16Z	10		K09A, K09B	10	K09A, K09B				
	10	K09A, K09B	21A		W04A, W04B	21A	W04A, W04B				
	21A	W04A, W04B	21B		X06A, X06B, X06C	21B	X04Z, X06A, X06B, X06C				
	21B	X06A, X06B, X06C	8r431.36		05	F01A, F01B, F01D, F15Z, F19A, F19B, F19C, F24A, F24B, F36A, F36B	05	F01A, F01B, F01D, F14A, F14B, F15Z, F24A, F24B, F28A, F36A, F36B, F54Z, F59A, F59B			
	8r431.2x↔					09	J03A, J03B, J04A, J04B, J08A, J08B, J08C, J11A, J11B, J16Z	09	J03A, J03B, J04A, J04B, J08A, J08B, J08C, J11A, J11B, J16Z		
		05	F01A, F01B, F01D, F14A, F14B, F15Z, F24A, F24B, F28A, F36A, F36B, F54Z, F59A, F59B		10	K09A, K09B	10	K09A, K09B			
	09	J03A, J03B, J04A, J04B, J08A, J08B, J08C, J11A, J11B, J16Z	21A		W04A, W04B	21A	W04A, W04B				
10	K09A, K09B	21B	X06A, X06B, X06C	21B	X04Z, X06A, X06B, X06C						
21A	W04A, W04B										
21B	X06A, X06B, X06C										

VYK

ZZV	MDC	DRG	ZZV	MDC	DRG	ZZV	MDC	DRG
8r431.3d	05	F01A, F01B, F01D, F14A, F14B, F15Z, F24A, F24B, F28A, F36A, F36B, F54Z, F59A, F59B	8r431.3k↔	01	B0P, UOP4	8r431.43↔	05	F01A, F01B, F01D, F14A, F14B, F15Z, F24A, F24B, F28A, F36A, F36B, F54Z, F59A, F59B
		09			J03A, J03B, J04A, J04B, J08A, J08B, J08C, J11A, J11B, J16Z			09
	10	K09A, K09B		10	K09A, K09B		10	K09A, K09B
	21A	W04A, W04B		21A	W04A, W04B		21A	W04A, W04B
	21B	X04Z, X05A, X05B, X06A, X06B, X06C		21B	X06A, X06B, X06C		21B	X05A, X05B, X06A, X06B, X06C
8r431.3e	05	F01A, F01B, F01D, F14A, F14B, F15Z, F24A, F24B, F28A, F36A, F36B, F54Z, F59A, F59B	8r431.3m↔	01	B0P, UOP4	8r431.44	05	F01A, F01B, F01D, F15Z, F19A, F19B, F19C, F24A, F24B, F36A, F36B
		09			J03A, J03B, J04A, J04B, J08A, J08B, J08C, J11A, J11B, J16Z			09
	10	K09A, K09B		10	K09A, K09B		10	K09A, K09B
	21A	W04A, W04B		21A	W04A, W04B		21A	W04A, W04B
	21B	X04Z, X05A, X05B, X06A, X06B, X06C		21B	X06A, X06B, X06C		21B	X06A, X06B, X06C
8r431.3f	05	F01A, F01B, F01D, F14A, F14B, F15Z, F24A, F24B, F28A, F36A, F36B, F54Z, F59A, F59B	8r431.3n↔	01	B0P, UOP4	8r431.45	05	F01A, F01B, F01D, F15Z, F19A, F19B, F19C, F24A, F24B, F36A, F36B
		09			J03A, J03B, J04A, J04B, J08A, J08B, J08C, J11A, J11B, J16Z			09
	10	K09A, K09B		10	K09A, K09B		10	K09A, K09B
	21A	W04A, W04B		21A	W04A, W04B		21A	W04A, W04B
	21B	X04Z, X05A, X05B, X06A, X06B, X06C		21B	X06A, X06B, X06C		21B	X06A, X06B, X06C
8r431.3g	05	F01A, F01B, F01D, F14A, F14B, F15Z, F24A, F24B, F28A, F36A, F36B, F54Z, F59A, F59B	8r431.3o↔	01	B0P, UOP4	8r431.46	05	F01A, F01B, F01D, F15Z, F19A, F19B, F19C, F24A, F24B, F36A, F36B
		09			J03A, J03B, J04A, J04B, J08A, J08B, J08C, J11A, J11B, J16Z			09
	10	K09A, K09B		10	K09A, K09B		10	K09A, K09B
	21A	W04A, W04B		21A	W04A, W04B		21A	W04A, W04B
	21B	X06A, X06B, X06C		21B	X06A, X06B, X06C		21B	X06A, X06B, X06C
8r431.3h↔	01	B0P, UOP4	8r431.3p↔	01	B0P, UOP4	8r431.47	05	F01A, F01B, F01D, F14A, F14B, F15Z, F24A, F24B, F28A, F36A, F36B, F54Z, F59A, F59B
		05			F01A, F01B, F01D, F14A, F14B, F15Z, F24A, F24B, F28A, F36A, F36B, F54Z, F59A, F59B			05
	09	J03A, J03B, J04A, J04B, J08A, J08B, J08C, J11A, J11B, J16Z		09	J03A, J03B, J04A, J04B, J08A, J08B, J08C, J11A, J11B, J16Z		09	J03A, J03B, J04A, J04B, J08A, J08B, J08C, J11A, J11B, J16Z
	10	K09A, K09B		10	K09A, K09B		10	K09A, K09B
	21A	W04A, W04B		21A	W04A, W04B		21A	W04A, W04B
8r431.3i↔	01	B0P, UOP4	8r431.40	01	B0P, KOP, UOP4	8r431.48↔	05	F01A, F01B, F01D, F14A, F14B, F15Z, F24A, F24B, F28A, F36A, F36B, F54Z, F59A, F59B
		05			F01A, F01B, F01D, F14A, F14B, F15Z, F24A, F24B, F28A, F36A, F36B, F54Z, F59A, F59B			05
	09	J03A, J03B, J04A, J04B, J08A, J08B, J08C, J11A, J11B, J16Z		09	J03A, J03B, J04A, J04B, J08A, J08B, J08C, J11A, J11B, J16Z		09	J03A, J03B, J04A, J04B, J08A, J08B, J08C, J11A, J11B, J16Z
	10	K09A, K09B		10	K09A, K09B		10	K09A, K09B
	21A	W04A, W04B		21A	W04A, W04B		21A	W04A, W04B
8r431.3j↔	01	B0P, UOP4	8r431.42↔	01	B0P, UOP4	8r431.49↔	05	F01A, F01B, F01D, F14A, F14B, F15Z, F24A, F24B, F28A, F36A, F36B, F54Z, F59A, F59B
		05			F01A, F01B, F01D, F14A, F14B, F15Z, F24A, F24B, F28A, F36A, F36B, F54Z, F59A, F59B			05
	09	J03A, J03B, J04A, J04B, J08A, J08B, J08C, J11A, J11B, J16Z		09	J03A, J03B, J04A, J04B, J08A, J08B, J08C, J11A, J11B, J16Z		09	J03A, J03B, J04A, J04B, J08A, J08B, J08C, J11A, J11B, J16Z
	10	K09A, K09B		10	K09A, K09B		10	K09A, K09B
	21A	W04A, W04B		21A	W04A, W04B		21A	W04A, W04B
21B	X06A, X06B, X06C	21B	X06A, X06B, X06C	21B	X06A, X06B, X06C			



ZZV	MDC	DRG	ZZV	MDC	DRG	ZZV	MDC	DRG			
8r431.4a	05	F01A, F01B, F01D, F14A, F14B, F15Z, F24A, F24B, F28A, F36A, F36B, F54Z, F59A, F59B	8r431.4g	05	F01A, F01B, F01D, F14A, F14B, F15Z, F24A, F24B, F28A, F36A, F36B, F54Z, F59A, F59B	8r431.4n↔		BOP, UOP4			
		06			G10Z, G12A, G12B			06	G10Z, G12A, G12B	01	B04A, B04B, B04C, B04D
	09	J03A, J03B, J04A, J04B, J08A, J08B, J08C, J11A, J11B, J16Z		09	J03A, J03B, J04A, J04B, J08A, J08B, J08C, J11A, J11B, J16Z		05	F01A, F01B, F01D, F14A, F14B, F15Z, F24A, F24B, F28A, F36A, F36B, F54Z, F59A, F59B			
	10	K09A, K09B		10	K09A, K09B		09	J03A, J03B, J04A, J04B, J08A, J08B, J08C, J11A, J11B, J16Z			
	11	L09A, L09B, L09C, L09D, L38Z		11	L09A, L09B, L09C, L09D, L38Z		10	K09A, K09B			
	21A	W04A, W04B		21A	W04A, W04B		21A	W04A, W04B			
	21B	X06A, X06B, X06C		21B	X06A, X06B, X06C		21B	X06A, X06B, X06C			
	8r431.4b↔	05		F01A, F01B, F01D, F14A, F14B, F15Z, F24A, F24B, F28A, F36A, F36B, F54Z, F59A, F59B	8r431.4h↔		01	B04A, B04B, B04C, B04D	8r431.4x↔	05	F01A, F01B, F01D, F14A, F14B, F15Z, F24A, F24B, F28A, F36A, F36B, F54Z, F59A, F59B
				09				J03A, J03B, J04A, J04B, J08A, J08B, J08C, J11A, J11B, J16Z			05
		10		K09A, K09B			09	J03A, J03B, J04A, J04B, J08A, J08B, J08C, J11A, J11B, J16Z		09	J03A, J03B, J04A, J04B, J08A, J08B, J08C, J11A, J11B, J16Z
21A		W04A, W04B	10	K09A, K09B		10	K09A, K09B				
21B		X04Z, X06A, X06B, X06C	21A	W04A, W04B		21A	W04A, W04B				
8r431.4c↔		05	F01A, F01B, F01D, F14A, F14B, F15Z, F24A, F24B, F28A, F36A, F36B, F54Z, F59A, F59B	8r431.4j↔		01	B04A, B04B, B04C, B04D	8r431.50		01	B02A, B02B, B02C, B20A, B20B, B20C, B20D, B20E, B39A, B39B
			09				J03A, J03B, J04A, J04B, J08A, J08B, J08C, J11A, J11B, J16Z				05
		10	K09A, K09B			09	J03A, J03B, J04A, J04B, J08A, J08B, J08C, J11A, J11B, J16Z			09	J03A, J03B, J04A, J04B, J08A, J08B, J08C, J11A, J11B, J16Z
		21A	W04A, W04B			10	K09A, K09B			10	K09A, K09B
		21B	X04Z, X06A, X06B, X06C			21A	W04A, W04B			21A	W04A, W04B
	8r431.4d	05	F01A, F01B, F01D, F14A, F14B, F15Z, F24A, F24B, F28A, F36A, F36B, F54Z, F59A, F59B		8r431.4k↔	01	B04A, B04B, B04C, B04D		8r431.52↔	05	F01A, F01B, F01D, F14A, F14B, F15Z, F24A, F24B, F28A, F36A, F36B, F54Z, F59A, F59B
			09				J03A, J03B, J04A, J04B, J08A, J08B, J08C, J11A, J11B, J16Z				05
		10	K09A, K09B			09	J03A, J03B, J04A, J04B, J08A, J08B, J08C, J11A, J11B, J16Z			09	J03A, J03B, J04A, J04B, J08A, J08B, J08C, J11A, J11B, J16Z
		21A	W04A, W04B			10	K09A, K09B			10	K09A, K09B
		21B	X04Z, X05A, X05B, X06A, X06B, X06C			21A	W04A, W04B			21A	W04A, W04B
8r431.4e		05	F01A, F01B, F01D, F14A, F14B, F15Z, F24A, F24B, F28A, F36A, F36B, F54Z, F59A, F59B	8r431.4m↔		01	B04A, B04B, B04C, B04D	8r431.53↔		05	F01A, F01B, F01D, F14A, F14B, F15Z, F24A, F24B, F28A, F36A, F36B, F54Z, F59A, F59B
			09				J03A, J03B, J04A, J04B, J08A, J08B, J08C, J11A, J11B, J16Z				05
		10	K09A, K09B			09	J03A, J03B, J04A, J04B, J08A, J08B, J08C, J11A, J11B, J16Z			09	J03A, J03B, J04A, J04B, J08A, J08B, J08C, J11A, J11B, J16Z
		21A	W04A, W04B			10	K09A, K09B			10	K09A, K09B
		21B	X04Z, X05A, X05B, X06A, X06B, X06C			21A	W04A, W04B			21A	W04A, W04B
	8r431.4f	05	F01A, F01B, F01D, F14A, F14B, F15Z, F24A, F24B, F28A, F36A, F36B, F54Z, F59A, F59B		8r431.4n↔	01	B04A, B04B, B04C, B04D		8r431.54	05	F01A, F01B, F01D, F15Z, F19A, F19B, F19C, F24A, F24B, F36A, F36B
			09				J03A, J03B, J04A, J04B, J08A, J08B, J08C, J11A, J11B, J16Z				05
		10	K09A, K09B			09	J03A, J03B, J04A, J04B, J08A, J08B, J08C, J11A, J11B, J16Z			09	J03A, J03B, J04A, J04B, J08A, J08B, J08C, J11A, J11B, J16Z
		21A	W04A, W04B			10	K09A, K09B			10	K09A, K09B
		21B	X04Z, X05A, X05B, X06A, X06B, X06C			21A	W04A, W04B			21A	W04A, W04B
			21B	X06A, X06B, X06C		21B	X06A, X06B, X06C				

ZZV	MDC	DRG	ZZV	MDC	DRG	ZZV	MDC	DRG
8r431.55	05	F01A, F01B, F01D, F15Z, F19A, F19B, F19C, F24A, F24B, F36A, F36B	8r431.5c↔	05	F01A, F01B, F01D, F14A, F14B, F15Z, F24A, F24B, F28A, F36A, F36B, F54Z, F59A, F59B	8r431.5j↔		BOP, UOP4
	09	J03A, J03B, J04A, J04B, J08A, J08B, J08C, J11A, J11B, J16Z		09	J03A, J03B, J04A, J04B, J08A, J08B, J08C, J11A, J11B, J16Z		01	B04A, B04B, B04C, B04D
	10	K09A, K09B		10	K09A, K09B		05	F01A, F01B, F01D, F14A, F14B, F15Z, F24A, F24B, F28A, F36A, F36B, F54Z, F59A, F59B
	21A	W04A, W04B		21A	W04A, W04B		09	J03A, J03B, J04A, J04B, J08A, J08B, J08C, J11A, J11B, J16Z
	21B	X06A, X06B, X06C		21B	X04Z, X06A, X06B, X06C		10	K09A, K09B
8r431.56	05	F01A, F01B, F01D, F15Z, F19A, F19B, F19C, F24A, F24B, F36A, F36B	8r431.5d	05	F01A, F01B, F01D, F14A, F14B, F15Z, F24A, F24B, F28A, F36A, F36B, F54Z, F59A, F59B	8r431.5k↔	21A	W04A, W04B
	09	J03A, J03B, J04A, J04B, J08A, J08B, J08C, J11A, J11B, J16Z		09	J03A, J03B, J04A, J04B, J08A, J08B, J08C, J11A, J11B, J16Z		21B	X06A, X06B, X06C
	10	K09A, K09B		10	K09A, K09B		01	B04A, B04B, B04C, B04D
	21A	W04A, W04B		21A	W04A, W04B		05	F01A, F01B, F01D, F14A, F14B, F15Z, F24A, F24B, F28A, F36A, F36B, F54Z, F59A, F59B
	21B	X06A, X06B, X06C		21B	X04Z, X05A, X05B, X06A, X06B, X06C		09	J03A, J03B, J04A, J04B, J08A, J08B, J08C, J11A, J11B, J16Z
8r431.57	05	F01A, F01B, F01D, F14A, F14B, F15Z, F24A, F24B, F28A, F36A, F36B, F54Z, F59A, F59B	8r431.5e	05	F01A, F01B, F01D, F14A, F14B, F15Z, F24A, F24B, F28A, F36A, F36B, F54Z, F59A, F59B	8r431.5m↔	10	K09A, K09B
	09	J03A, J03B, J04A, J04B, J08A, J08B, J08C, J11A, J11B, J16Z		09	J03A, J03B, J04A, J04B, J08A, J08B, J08C, J11A, J11B, J16Z		21A	W04A, W04B
	10	K09A, K09B		10	K09A, K09B		21B	X06A, X06B, X06C
	21A	W04A, W04B		21A	W04A, W04B		01	B04A, B04B, B04C, B04D
	21B	X06A, X06B, X06C		21B	X04Z, X05A, X05B, X06A, X06B, X06C		05	F01A, F01B, F01D, F14A, F14B, F15Z, F24A, F24B, F28A, F36A, F36B, F54Z, F59A, F59B
8r431.58↔	05	F01A, F01B, F01D, F14A, F14B, F15Z, F24A, F24B, F28A, F36A, F36B, F54Z, F59A, F59B	8r431.5f	05	F01A, F01B, F01D, F14A, F14B, F15Z, F24A, F24B, F28A, F36A, F36B, F54Z, F59A, F59B	8r431.5n↔	09	J03A, J03B, J04A, J04B, J08A, J08B, J08C, J11A, J11B, J16Z
	09	J03A, J03B, J04A, J04B, J08A, J08B, J08C, J11A, J11B, J16Z		09	J03A, J03B, J04A, J04B, J08A, J08B, J08C, J11A, J11B, J16Z		10	K09A, K09B
	10	K09A, K09B		10	K09A, K09B		21A	W04A, W04B
	21A	W04A, W04B		21A	W04A, W04B		21B	X06A, X06B, X06C
	21B	X06A, X06B, X06C		21B	X04Z, X05A, X05B, X06A, X06B, X06C		01	B04A, B04B, B04C, B04D
8r431.59↔	05	F01A, F01B, F01D, F14A, F14B, F15Z, F24A, F24B, F28A, F36A, F36B, F54Z, F59A, F59B	8r431.5g	05	F01A, F01B, F01D, F14A, F14B, F15Z, F24A, F24B, F28A, F36A, F36B, F54Z, F59A, F59B	8r431.5x↔	05	F01A, F01B, F01D, F14A, F14B, F15Z, F24A, F24B, F28A, F36A, F36B, F54Z, F59A, F59B
	09	J03A, J03B, J04A, J04B, J08A, J08B, J08C, J11A, J11B, J16Z		09	J03A, J03B, J04A, J04B, J08A, J08B, J08C, J11A, J11B, J16Z		09	J03A, J03B, J04A, J04B, J08A, J08B, J08C, J11A, J11B, J16Z
	10	K09A, K09B		10	K09A, K09B		10	K09A, K09B
	21A	W04A, W04B		11	L09A, L09B, L09C, L09D, L38Z		21A	W04A, W04B
	21B	X06A, X06B, X06C		21A	W04A, W04B		21B	X06A, X06B, X06C
8r431.5a	05	F01A, F01B, F01D, F14A, F14B, F15Z, F24A, F24B, F28A, F36A, F36B, F54Z, F59A, F59B	8r431.5h↔	01	B04A, B04B, B04C, B04D	8r431.5x↔	05	F01A, F01B, F01D, F14A, F14B, F15Z, F24A, F24B, F28A, F36A, F36B, F54Z, F59A, F59B
	06	G10Z, G12A, G12B		05	F01A, F01B, F01D, F14A, F14B, F15Z, F24A, F24B, F28A, F36A, F36B, F54Z, F59A, F59B		09	J03A, J03B, J04A, J04B, J08A, J08B, J08C, J11A, J11B, J16Z
	09	J03A, J03B, J04A, J04B, J08A, J08B, J08C, J11A, J11B, J16Z		21A	W04A, W04B		10	K09A, K09B
	10	K09A, K09B		21B	X06A, X06B, X06C		21A	W04A, W04B
	11	L09A, L09B, L09C, L09D, L38Z		01	B04A, B04B, B04C, B04D		21B	X06A, X06B, X06C
8r431.5b↔	21A	W04A, W04B	8r431.5i↔	05	F01A, F01B, F01D, F14A, F14B, F15Z, F24A, F24B, F28A, F36A, F36B, F54Z, F59A, F59B	8r431.5x↔	09	J03A, J03B, J04A, J04B, J08A, J08B, J08C, J11A, J11B, J16Z
	21B	X06A, X06B, X06C		09	J03A, J03B, J04A, J04B, J08A, J08B, J08C, J11A, J11B, J16Z		10	K09A, K09B
	05	F01A, F01B, F01D, F14A, F14B, F15Z, F24A, F24B, F28A, F36A, F36B, F54Z, F59A, F59B		10	K09A, K09B		21A	W04A, W04B
	09	J03A, J03B, J04A, J04B, J08A, J08B, J08C, J11A, J11B, J16Z		21A	W04A, W04B		21B	X06A, X06B, X06C
	10	K09A, K09B		21B	X06A, X06B, X06C			

VYK

ZZV	MDC	DRG	ZZV	MDC	DRG	ZZV	MDC	DRG					
8r431.60	01	BOP, KOP, UOP4	8r431.67	05	F01A, F01B, F01D, F14A, F14B, F15Z, F24A, F24B, F28A, F36A, F36B, F54Z, F59A, F59B	8r431.6d	05	F01A, F01B, F01D, F14A, F14B, F15Z, F24A, F24B, F28A, F36A, F36B, F54Z, F59A, F59B					
		B02A, B02B, B02C, B20A, B20B, B20C, B20D, B20E, B39A, B39B			09			J03A, J03B, J04A, J04B, J08A, J08B, J08C, J11A, J11B, J16Z	09	J03A, J03B, J04A, J04B, J08A, J08B, J08C, J11A, J11B, J16Z			
	05	F01A, F01B, F01D, F14A, F14B, F15Z, F24A, F24B, F28A, F36A, F36B, F54Z, F59A, F59B		10			K09A, K09B	10		K09A, K09B			
		09			J03A, J03B, J04A, J04B, J08A, J08B, J08C, J11A, J11B, J16Z		21A		W04A, W04B	21A	W04A, W04B		
	10			K09A, K09B	21B			X06A, X06B, X06C	21B		X04Z, X05A, X05B, X06A, X06B, X06C		
		21A		W04A, W04B			8r431.68↔	05		F01A, F01B, F01D, F14A, F14B, F15Z, F24A, F24B, F28A, F36A, F36B, F54Z, F59A, F59B	8r431.6e	05	F01A, F01B, F01D, F14A, F14B, F15Z, F24A, F24B, F28A, F36A, F36B, F54Z, F59A, F59B
	21B			X06A, X06B, X06C, X33Z	09				J03A, J03B, J04A, J04B, J08A, J08B, J08C, J11A, J11B, J16Z	09			J03A, J03B, J04A, J04B, J08A, J08B, J08C, J11A, J11B, J16Z
		8r431.62↔		05			F01A, F01B, F01D, F14A, F14B, F15Z, F24A, F24B, F28A, F36A, F36B, F54Z, F59A, F59B	10	K09A, K09B		8r431.69↔	05	F01A, F01B, F01D, F14A, F14B, F15Z, F24A, F24B, F28A, F36A, F36B, F54Z, F59A, F59B
	09				J03A, J03B, J04A, J04B, J08A, J08B, J08C, J11A, J11B, J16Z		21A		W04A, W04B	09			J03A, J03B, J04A, J04B, J08A, J08B, J08C, J11A, J11B, J16Z
				10	K09A, K09B			21B	X06A, X06B, X06C			10	K09A, K09B
21A	W04A, W04B		8r431.6a		05	F01A, F01B, F01D, F14A, F14B, F15Z, F24A, F24B, F28A, F36A, F36B, F54Z, F59A, F59B	21A		W04A, W04B	21A			W04A, W04B
	21B			X06A, X06B, X06C		09		J03A, J03B, J04A, J04B, J08A, J08B, J08C, J11A, J11B, J16Z	21B			X06A, X06B, X06C	21B
8r431.63↔			05	F01A, F01B, F01D, F14A, F14B, F15Z, F24A, F24B, F28A, F36A, F36B, F54Z, F59A, F59B	10		K09A, K09B	8r431.6g		05		F01A, F01B, F01D, F14A, F14B, F15Z, F24A, F24B, F28A, F36A, F36B, F54Z, F59A, F59B	
	09			J03A, J03B, J04A, J04B, J08A, J08B, J08C, J11A, J11B, J16Z		21A	W04A, W04B		06			G10Z, G12A, G12B	06
			10	K09A, K09B	21B		X06A, X06B, X06C			09		J03A, J03B, J04A, J04B, J08A, J08B, J08C, J11A, J11B, J16Z	
	21A			W04A, W04B		8r431.6b↔	05		F01A, F01B, F01D, F14A, F14B, F15Z, F24A, F24B, F28A, F36A, F36B, F54Z, F59A, F59B			21A	W04A, W04B
			21B	X05A, X05B, X06A, X06B, X06C	09				J03A, J03B, J04A, J04B, J08A, J08B, J08C, J11A, J11B, J16Z	21B			X06A, X06B, X06C
	8r431.64	05		F01A, F01B, F01D, F15Z, F19A, F19B, F19C, F24A, F24B, F36A, F36B		10	K09A, K09B		8r431.6h↔		05	F01A, F01B, F01D, F14A, F14B, F15Z, F24A, F24B, F28A, F36A, F36B, F54Z, F59A, F59B	8r431.6h↔
			09	J03A, J03B, J04A, J04B, J08A, J08B, J08C, J11A, J11B, J16Z	21A		W04A, W04B			09		J03A, J03B, J04A, J04B, J08A, J08B, J08C, J11A, J11B, J16Z	
		10		K09A, K09B		21B	X06A, X06B, X06C				10	K09A, K09B	09
			21A	W04A, W04B	8r431.6c↔		05			F01A, F01B, F01D, F14A, F14B, F15Z, F24A, F24B, F28A, F36A, F36B, F54Z, F59A, F59B		21A	
		21B		X06A, X06B, X06C		09				J03A, J03B, J04A, J04B, J08A, J08B, J08C, J11A, J11B, J16Z	21B		X06A, X06B, X06C
8r431.65			05	F01A, F01B, F01D, F15Z, F19A, F19B, F19C, F24A, F24B, F36A, F36B	10		K09A, K09B	8r431.6i↔		05		F01A, F01B, F01D, F14A, F14B, F15Z, F24A, F24B, F28A, F36A, F36B, F54Z, F59A, F59B	8r431.6i↔
		09		J03A, J03B, J04A, J04B, J08A, J08B, J08C, J11A, J11B, J16Z		21A	W04A, W04B				09	J03A, J03B, J04A, J04B, J08A, J08B, J08C, J11A, J11B, J16Z	
			10	K09A, K09B	21B		X06A, X06B, X06C			10		K09A, K09B	09
		21A		W04A, W04B		8r431.6j↔	05				F01A, F01B, F01D, F14A, F14B, F15Z, F24A, F24B, F28A, F36A, F36B, F54Z, F59A, F59B	21A	
			21B	X06A, X06B, X06C	09					J03A, J03B, J04A, J04B, J08A, J08B, J08C, J11A, J11B, J16Z	21B		X06A, X06B, X06C
	8r431.66	05		F01A, F01B, F01D, F15Z, F19A, F19B, F19C, F24A, F24B, F36A, F36B		10	K09A, K09B		8r431.6j↔	05		F01A, F01B, F01D, F14A, F14B, F15Z, F24A, F24B, F28A, F36A, F36B, F54Z, F59A, F59B	8r431.6j↔
			09	J03A, J03B, J04A, J04B, J08A, J08B, J08C, J11A, J11B, J16Z	21A		W04A, W04B				09	J03A, J03B, J04A, J04B, J08A, J08B, J08C, J11A, J11B, J16Z	
		10		K09A, K09B		21B	X06A, X06B, X06C			10		K09A, K09B	10
			21A	W04A, W04B	8r431.6k↔		05				F01A, F01B, F01D, F14A, F14B, F15Z, F24A, F24B, F28A, F36A, F36B, F54Z, F59A, F59B	21A	
		21B		X06A, X06B, X06C		09				J03A, J03B, J04A, J04B, J08A, J08B, J08C, J11A, J11B, J16Z	21B		X06A, X06B, X06C

VYK

## Príloha B: Index Výkon-MDC-DRG

ZZV	MDC	DRG	ZZV	MDC	DRG	ZZV	MDC	DRG
8r431.6k↔		BOP, UOP4	8r432.13↔	05	F01A, F01B, F01D, F14A, F14B, F15Z, F24A, F24B, F28A, F36A, F36B, F54Z, F59A, F59B	8r432.1a	05	F01A, F01B, F01D, F14A, F14B, F15Z, F24A, F24B, F28A, F36A, F36B, F54Z, F59A, F59B
	01	B04A, B04B, B04C, B04D		09	J03A, J03B, J04A, J04B, J08A, J08B, J08C, J11A, J11B, J16Z		06	G10Z, G12A, G12B
	05	F01A, F01B, F01D, F14A, F14B, F15Z, F24A, F24B, F28A, F36A, F36B, F54Z, F59A, F59B		10	K09A, K09B		09	J03A, J03B, J04A, J04B, J08A, J08B, J08C, J11A, J11B, J16Z
	09	J03A, J03B, J04A, J04B, J08A, J08B, J08C, J11A, J11B, J16Z		21A	W04A, W04B		10	K09A, K09B
	10	K09A, K09B		21B	X05A, X05B, X06A, X06B, X06C		11	L09A, L09B, L09C, L09D, L38Z
	21A	W04A, W04B	8r432.14	05	F01A, F01B, F01D, F14A, F14B, F15Z, F19A, F19B, F19C, F24A, F24B, F36A, F36B, F54Z		21A	W04A, W04B
	21B	X06A, X06B, X06C		09	J03A, J03B, J04A, J04B, J08A, J08B, J08C, J11A, J11B, J16Z	8r432.1b↔	05	F01A, F01B, F01D, F14A, F14B, F15Z, F24A, F24B, F28A, F36A, F36B, F54Z, F59A, F59B
8r431.6m↔		BOP, UOP4		10	K09A, K09B		09	J03A, J03B, J04A, J04B, J08A, J08B, J08C, J11A, J11B, J16Z
	01	B04A, B04B, B04C, B04D		21A	W04A, W04B		10	K09A, K09B
	05	F01A, F01B, F01D, F14A, F14B, F15Z, F24A, F24B, F28A, F36A, F36B, F54Z, F59A, F59B		21B	X06A, X06B, X06C		21A	W04A, W04B
	09	J03A, J03B, J04A, J04B, J08A, J08B, J08C, J11A, J11B, J16Z	8r432.15	05	F01A, F01B, F01D, F14A, F14B, F15Z, F19A, F19B, F19C, F24A, F24B, F36A, F36B, F54Z		21B	X04Z, X06A, X06B, X06C
	10	K09A, K09B		09	J03A, J03B, J04A, J04B, J08A, J08B, J08C, J11A, J11B, J16Z	8r432.1c↔	05	F01A, F01B, F01D, F14A, F14B, F15Z, F24A, F24B, F28A, F36A, F36B, F54Z, F59A, F59B
	21A	W04A, W04B		10	K09A, K09B		09	J03A, J03B, J04A, J04B, J08A, J08B, J08C, J11A, J11B, J16Z
	21B	X06A, X06B, X06C		21A	W04A, W04B		10	K09A, K09B
8r431.6n↔		BOP, UOP4		21B	X06A, X06B, X06C		21A	W04A, W04B
	01	B04A, B04B, B04C, B04D	8r432.16	05	F01A, F01B, F01D, F14A, F14B, F15Z, F19A, F19B, F19C, F24A, F24B, F36A, F36B, F54Z		21B	X04Z, X06A, X06B, X06C
	05	F01A, F01B, F01D, F14A, F14B, F15Z, F24A, F24B, F28A, F36A, F36B, F54Z, F59A, F59B		09	J03A, J03B, J04A, J04B, J08A, J08B, J08C, J11A, J11B, J16Z	8r432.1d	05	F01A, F01B, F01D, F14A, F14B, F15Z, F24A, F24B, F28A, F36A, F36B, F54Z, F59A, F59B
	09	J03A, J03B, J04A, J04B, J08A, J08B, J08C, J11A, J11B, J16Z		10	K09A, K09B		09	J03A, J03B, J04A, J04B, J08A, J08B, J08C, J11A, J11B, J16Z
	10	K09A, K09B		21A	W04A, W04B		10	K09A, K09B
	21A	W04A, W04B		21B	X06A, X06B, X06C		21A	W04A, W04B
	21B	X06A, X06B, X06C		05	F01A, F01B, F01D, F14A, F14B, F15Z, F24A, F24B, F28A, F36A, F36B, F54Z, F59A, F59B		21B	X04Z, X05A, X05B, X06A, X06B, X06C
8r431.6x↔	05	F01A, F01B, F01D, F14A, F14B, F15Z, F24A, F24B, F28A, F36A, F36B, F54Z, F59A, F59B	8r432.17	05	F01A, F01B, F01D, F14A, F14B, F15Z, F24A, F24B, F28A, F36A, F36B, F54Z, F59A, F59B		05	F01A, F01B, F01D, F14A, F14B, F15Z, F24A, F24B, F28A, F36A, F36B, F54Z, F59A, F59B
	09	J03A, J03B, J04A, J04B, J08A, J08B, J08C, J11A, J11B, J16Z		09	J03A, J03B, J04A, J04B, J08A, J08B, J08C, J11A, J11B, J16Z	8r432.1e	05	F01A, F01B, F01D, F14A, F14B, F15Z, F24A, F24B, F28A, F36A, F36B, F54Z, F59A, F59B
	10	K09A, K09B		10	K09A, K09B		09	J03A, J03B, J04A, J04B, J08A, J08B, J08C, J11A, J11B, J16Z
	21A	W04A, W04B		21A	W04A, W04B		10	K09A, K09B
	21B	X06A, X06B, X06C		21B	X06A, X06B, X06C		21A	W04A, W04B
8r432.10		BOP, KOP, UOP4		05	F01A, F01B, F01D, F14A, F14B, F15Z, F24A, F24B, F28A, F36A, F36B, F54Z, F59A, F59B		21B	X04Z, X05A, X05B, X06A, X06B, X06C
	01	B02A, B02B, B02C, B02D, B20A, B20B, B20C, B20D, B20E, B39A, B39B	8r432.18↔	05	F01A, F01B, F01D, F14A, F14B, F15Z, F24A, F24B, F28A, F36A, F36B, F54Z, F59A, F59B		05	F01A, F01B, F01D, F14A, F14B, F15Z, F24A, F24B, F28A, F36A, F36B, F54Z, F59A, F59B
	05	F01A, F01B, F01D, F14A, F14B, F15Z, F24A, F24B, F28A, F36A, F36B, F54Z, F59A, F59B		09	J03A, J03B, J04A, J04B, J08A, J08B, J08C, J11A, J11B, J16Z	8r432.1f	05	F01A, F01B, F01D, F14A, F14B, F15Z, F24A, F24B, F28A, F36A, F36B, F54Z, F59A, F59B
	09	J03A, J03B, J04A, J04B, J08A, J08B, J08C, J11A, J11B, J16Z		10	K09A, K09B		09	J03A, J03B, J04A, J04B, J08A, J08B, J08C, J11A, J11B, J16Z
	10	K09A, K09B		21A	W04A, W04B		10	K09A, K09B
	21A	W04A, W04B		21B	X06A, X06B, X06C		21A	W04A, W04B
	21B	X06A, X06B, X06C, X33Z		05	F01A, F01B, F01D, F14A, F14B, F15Z, F24A, F24B, F28A, F36A, F36B, F54Z, F59A, F59B		21B	X04Z, X05A, X05B, X06A, X06B, X06C
8r432.12↔	05	F01A, F01B, F01D, F14A, F14B, F15Z, F24A, F24B, F28A, F36A, F36B, F54Z, F59A, F59B	8r432.19↔	05	F01A, F01B, F01D, F14A, F14B, F15Z, F24A, F24B, F28A, F36A, F36B, F54Z, F59A, F59B		05	F01A, F01B, F01D, F14A, F14B, F15Z, F24A, F24B, F28A, F36A, F36B, F54Z, F59A, F59B
	09	J03A, J03B, J04A, J04B, J08A, J08B, J08C, J11A, J11B, J16Z		09	J03A, J03B, J04A, J04B, J08A, J08B, J08C, J11A, J11B, J16Z		09	J03A, J03B, J04A, J04B, J08A, J08B, J08C, J11A, J11B, J16Z
	10	K09A, K09B		10	K09A, K09B		10	K09A, K09B
	21A	W04A, W04B		21A	W04A, W04B		21A	W04A, W04B
	21B	X06A, X06B, X06C		21B	X06A, X06B, X06C		21B	X04Z, X05A, X05B, X06A, X06B, X06C

ZZV	MDC	DRG	ZZV	MDC	DRG	ZZV	MDC	DRG			
8r432.1g	05	F01A, F01B, F01D, F14A, F14B, F15Z, F24A, F24B, F28A, F36A, F36B, F54Z, F59A, F59B	8r432.1n↔	01	BOP, UOP4	8r432.25	05	F01A, F01B, F01D, F15Z, F19A, F19B, F19C, F24A, F24B, F36A, F36B			
		06			G10Z, G12A, G12B			05	F01A, F01B, F01D, F14A, F14B, F15Z, F24A, F24B, F28A, F36A, F36B, F54Z, F59A, F59B		
	09	J03A, J03B, J04A, J04B, J08A, J08B, J08C, J11A, J11B, J16Z		09	J03A, J03B, J04A, J04B, J08A, J08B, J08C, J11A, J11B, J16Z		09	J03A, J03B, J04A, J04B, J08A, J08B, J08C, J11A, J11B, J16Z			
	10	K09A, K09B		10	K09A, K09B		10	K09A, K09B			
	11	L09A, L09B, L09C, L09D, L38Z		10	K09A, K09B		21A	W04A, W04B			
	21A	W04A, W04B		21A	W04A, W04B		21A	W04A, W04B			
	21B	X06A, X06B, X06C		21B	X06A, X06B, X06C		21B	X06A, X06B, X06C			
	8r432.1h↔	01		B04A, B04B, B04C, B04D	8r432.1x↔		05	F01A, F01B, F01D, F14A, F14B, F15Z, F24A, F24B, F28A, F36A, F36B, F54Z, F59A, F59B	8r432.26	05	F01A, F01B, F01D, F15Z, F19A, F19B, F19C, F24A, F24B, F36A, F36B
				05				F01A, F01B, F01D, F14A, F14B, F15Z, F24A, F24B, F28A, F36A, F36B, F54Z, F59A, F59B			05
		09		J03A, J03B, J04A, J04B, J08A, J08B, J08C, J11A, J11B, J16Z			09	J03A, J03B, J04A, J04B, J08A, J08B, J08C, J11A, J11B, J16Z		09	J03A, J03B, J04A, J04B, J08A, J08B, J08C, J11A, J11B, J16Z
		10		K09A, K09B			10	K09A, K09B		10	K09A, K09B
21A		W04A, W04B	21A	W04A, W04B		21A	W04A, W04B				
21B		X06A, X06B, X06C	21B	X06A, X06B, X06C		21B	X06A, X06B, X06C				
8r432.1j↔		01	B04A, B04B, B04C, B04D	8r432.20		01	BOP, KOP, UOP4	8r432.27		05	F01A, F01B, F01D, F14A, F14B, F15Z, F24A, F24B, F28A, F36A, F36B, F54Z, F59A, F59B
			05				F01A, F01B, F01D, F14A, F14B, F15Z, F24A, F24B, F28A, F36A, F36B, F54Z, F59A, F59B				05
		09	J03A, J03B, J04A, J04B, J08A, J08B, J08C, J11A, J11B, J16Z			09	J03A, J03B, J04A, J04B, J08A, J08B, J08C, J11A, J11B, J16Z			09	J03A, J03B, J04A, J04B, J08A, J08B, J08C, J11A, J11B, J16Z
		10	K09A, K09B			10	K09A, K09B			10	K09A, K09B
		21A	W04A, W04B			21A	W04A, W04B			21A	W04A, W04B
	21B	X06A, X06B, X06C	21B		X06A, X06B, X06C	21B	X06A, X06B, X06C				
	8r432.1k↔	01	B04A, B04B, B04C, B04D		8r432.22↔	05	F01A, F01B, F01D, F14A, F14B, F15Z, F24A, F24B, F28A, F36A, F36B, F54Z, F59A, F59B		8r432.28↔	05	F01A, F01B, F01D, F14A, F14B, F15Z, F24A, F24B, F28A, F36A, F36B, F54Z, F59A, F59B
			05				F01A, F01B, F01D, F14A, F14B, F15Z, F24A, F24B, F28A, F36A, F36B, F54Z, F59A, F59B				05
		09	J03A, J03B, J04A, J04B, J08A, J08B, J08C, J11A, J11B, J16Z			09	J03A, J03B, J04A, J04B, J08A, J08B, J08C, J11A, J11B, J16Z			09	J03A, J03B, J04A, J04B, J08A, J08B, J08C, J11A, J11B, J16Z
		10	K09A, K09B			10	K09A, K09B			10	K09A, K09B
		21A	W04A, W04B			21A	W04A, W04B			21A	W04A, W04B
21B		X06A, X06B, X06C	21B	X06A, X06B, X06C, X33Z		21B	X06A, X06B, X06C				
8r432.1m↔		01	B04A, B04B, B04C, B04D	8r432.23↔		05	F01A, F01B, F01D, F14A, F14B, F15Z, F24A, F24B, F28A, F36A, F36B, F54Z, F59A, F59B	8r432.29↔		05	F01A, F01B, F01D, F14A, F14B, F15Z, F24A, F24B, F28A, F36A, F36B, F54Z, F59A, F59B
			05				F01A, F01B, F01D, F14A, F14B, F15Z, F24A, F24B, F28A, F36A, F36B, F54Z, F59A, F59B				05
		09	J03A, J03B, J04A, J04B, J08A, J08B, J08C, J11A, J11B, J16Z			09	J03A, J03B, J04A, J04B, J08A, J08B, J08C, J11A, J11B, J16Z			09	J03A, J03B, J04A, J04B, J08A, J08B, J08C, J11A, J11B, J16Z
		10	K09A, K09B			10	K09A, K09B			10	K09A, K09B
		21A	W04A, W04B			21A	W04A, W04B			21A	W04A, W04B
	21B	X06A, X06B, X06C	21B		X06A, X06B, X06C	21B	X06A, X06B, X06C				
	8r432.1n↔	01	B04A, B04B, B04C, B04D		8r432.24	09	J03A, J03B, J04A, J04B, J08A, J08B, J08C, J11A, J11B, J16Z		8r432.2a	05	F01A, F01B, F01D, F14A, F14B, F15Z, F24A, F24B, F28A, F36A, F36B, F54Z, F59A, F59B
			05				F01A, F01B, F01D, F14A, F14B, F15Z, F24A, F24B, F28A, F36A, F36B, F54Z, F59A, F59B				05
		09	J03A, J03B, J04A, J04B, J08A, J08B, J08C, J11A, J11B, J16Z			09	J03A, J03B, J04A, J04B, J08A, J08B, J08C, J11A, J11B, J16Z			06	G10Z, G12A, G12B
		10	K09A, K09B			10	K09A, K09B			09	J03A, J03B, J04A, J04B, J08A, J08B, J08C, J11A, J11B, J16Z
		21A	W04A, W04B			21A	W04A, W04B			10	K09A, K09B
21B		X06A, X06B, X06C	21B	X05A, X05B, X06A, X06B, X06C		11	L09A, L09B, L09C, L09D, L38Z				
8r432.1o↔		05	F01A, F01B, F01D, F14A, F14B, F15Z, F24A, F24B, F28A, F36A, F36B, F54Z, F59A, F59B	8r432.2b↔		05	F01A, F01B, F01D, F15Z, F19A, F19B, F19C, F24A, F24B, F36A, F36B	8r432.2b↔		05	F01A, F01B, F01D, F14A, F14B, F15Z, F24A, F24B, F28A, F36A, F36B, F54Z, F59A, F59B
			09				J03A, J03B, J04A, J04B, J08A, J08B, J08C, J11A, J11B, J16Z				05
		10	K09A, K09B			09	J03A, J03B, J04A, J04B, J08A, J08B, J08C, J11A, J11B, J16Z			09	J03A, J03B, J04A, J04B, J08A, J08B, J08C, J11A, J11B, J16Z
		21A	W04A, W04B			10	K09A, K09B			10	K09A, K09B
		21B	X06A, X06B, X06C			21A	W04A, W04B			21A	W04A, W04B
			21B		X06A, X06B, X06C	21B	X06A, X06B, X06C				

VYK

ZZV	MDC	DRG	ZZV	MDC	DRG	ZZV	MDC	DRG									
8r432.2c↔	05	F01A, F01B, F01D, F14A, F14B, F15Z, F24A, F24B, F28A, F36A, F36B, F54Z, F59A, F59B	8r432.2j↔	01	BOP, UOP4	8r432.30	01	BOP, KOP, UOP4									
		09			J03A, J03B, J04A, J04B, J08A, J08B, J08C, J11A, J11B, J16Z			05	B04A, B04B, B04C, B04D	05	B02A, B02B, B02C, B02D, B20A, B20B, B20C, B20D, B20E, B39A, B39B						
					10				K09A, K09B		09	F01A, F01B, F01D, F14A, F14B, F15Z, F24A, F24B, F28A, F36A, F36B, F54Z, F59A, F59B	09	F01A, F01B, F01D, F14A, F14B, F15Z, F24A, F24B, F28A, F36A, F36B, F54Z, F59A, F59B			
									21A			W04A, W04B		10	K09A, K09B	09	J03A, J03B, J04A, J04B, J08A, J08B, J08C, J11A, J11B, J16Z
												21B			X04Z, X06A, X06B, X06C		21A
8r432.2d	05	F01A, F01B, F01D, F14A, F14B, F15Z, F24A, F24B, F28A, F36A, F36B, F54Z, F59A, F59B	8r432.2k↔	01	BOP, UOP4	8r432.32↔	05	F01A, F01B, F01D, F14A, F14B, F15Z, F24A, F24B, F28A, F36A, F36B, F54Z, F59A, F59B									
		09			J03A, J03B, J04A, J04B, J08A, J08B, J08C, J11A, J11B, J16Z			05	F01A, F01B, F01D, F14A, F14B, F15Z, F24A, F24B, F28A, F36A, F36B, F54Z, F59A, F59B	09	J03A, J03B, J04A, J04B, J08A, J08B, J08C, J11A, J11B, J16Z						
					10				K09A, K09B		09	J03A, J03B, J04A, J04B, J08A, J08B, J08C, J11A, J11B, J16Z	10	K09A, K09B			
									21A			W04A, W04B		21A	W04A, W04B	21B	X06A, X06B, X06C
												21B			X04Z, X05A, X05B, X06A, X06B, X06C		21B
8r432.2e	05	F01A, F01B, F01D, F14A, F14B, F15Z, F24A, F24B, F28A, F36A, F36B, F54Z, F59A, F59B	8r432.2m↔	01	B04A, B04B, B04C, B04D	8r432.33↔	05	F01A, F01B, F01D, F14A, F14B, F15Z, F24A, F24B, F28A, F36A, F36B, F54Z, F59A, F59B									
		09			J03A, J03B, J04A, J04B, J08A, J08B, J08C, J11A, J11B, J16Z			05	F01A, F01B, F01D, F14A, F14B, F15Z, F24A, F24B, F28A, F36A, F36B, F54Z, F59A, F59B	09	J03A, J03B, J04A, J04B, J08A, J08B, J08C, J11A, J11B, J16Z						
					10				K09A, K09B		09	J03A, J03B, J04A, J04B, J08A, J08B, J08C, J11A, J11B, J16Z	10	K09A, K09B			
									21A			W04A, W04B		21A	W04A, W04B	21B	X06A, X06B, X06C
												21B			X04Z, X05A, X05B, X06A, X06B, X06C		21B
8r432.2f	05	F01A, F01B, F01D, F14A, F14B, F15Z, F24A, F24B, F28A, F36A, F36B, F54Z, F59A, F59B	8r432.2n↔	01	B04A, B04B, B04C, B04D	8r432.34	05	F01A, F01B, F01D, F15Z, F19A, F19B, F19C, F24A, F24B, F36A, F36B									
		09			J03A, J03B, J04A, J04B, J08A, J08B, J08C, J11A, J11B, J16Z			05	F01A, F01B, F01D, F14A, F14B, F15Z, F24A, F24B, F28A, F36A, F36B, F54Z, F59A, F59B	09	J03A, J03B, J04A, J04B, J08A, J08B, J08C, J11A, J11B, J16Z						
					10				K09A, K09B		09	J03A, J03B, J04A, J04B, J08A, J08B, J08C, J11A, J11B, J16Z	10	K09A, K09B			
									21A			W04A, W04B		21A	W04A, W04B	21B	X06A, X06B, X06C
												21B			X04Z, X05A, X05B, X06A, X06B, X06C		21B
8r432.2g	05	F01A, F01B, F01D, F14A, F14B, F15Z, F24A, F24B, F28A, F36A, F36B, F54Z, F59A, F59B	8r432.2o↔	01	B04A, B04B, B04C, B04D	8r432.35	05	F01A, F01B, F01D, F15Z, F19A, F19B, F19C, F24A, F24B, F36A, F36B									
		06			G10Z, G12A, G12B			05	F01A, F01B, F01D, F14A, F14B, F15Z, F24A, F24B, F28A, F36A, F36B, F54Z, F59A, F59B	09	J03A, J03B, J04A, J04B, J08A, J08B, J08C, J11A, J11B, J16Z						
					09				J03A, J03B, J04A, J04B, J08A, J08B, J08C, J11A, J11B, J16Z		09	J03A, J03B, J04A, J04B, J08A, J08B, J08C, J11A, J11B, J16Z	10	K09A, K09B			
									10			K09A, K09B		21A	W04A, W04B	21B	X06A, X06B, X06C
												11			L09A, L09B, L09C, L09D, L38Z		21B
8r432.2h↔	01	B04A, B04B, B04C, B04D	8r432.2p↔	01	B04A, B04B, B04C, B04D	8r432.36	05	F01A, F01B, F01D, F15Z, F19A, F19B, F19C, F24A, F24B, F36A, F36B									
		05			F01A, F01B, F01D, F14A, F14B, F15Z, F24A, F24B, F28A, F36A, F36B, F54Z, F59A, F59B			05	F01A, F01B, F01D, F14A, F14B, F15Z, F24A, F24B, F28A, F36A, F36B, F54Z, F59A, F59B	09	J03A, J03B, J04A, J04B, J08A, J08B, J08C, J11A, J11B, J16Z						
					09				J03A, J03B, J04A, J04B, J08A, J08B, J08C, J11A, J11B, J16Z		09	J03A, J03B, J04A, J04B, J08A, J08B, J08C, J11A, J11B, J16Z	10	K09A, K09B			
									10			K09A, K09B		21A	W04A, W04B	21B	X06A, X06B, X06C
												21A			W04A, W04B		21B
8r432.2i↔	01	B04A, B04B, B04C, B04D	8r432.2q↔	01	B04A, B04B, B04C, B04D	8r432.37↔	05	F01A, F01B, F01D, F15Z, F19A, F19B, F19C, F24A, F24B, F36A, F36B									
		05			F01A, F01B, F01D, F14A, F14B, F15Z, F24A, F24B, F28A, F36A, F36B, F54Z, F59A, F59B			05	F01A, F01B, F01D, F14A, F14B, F15Z, F24A, F24B, F28A, F36A, F36B, F54Z, F59A, F59B	09	J03A, J03B, J04A, J04B, J08A, J08B, J08C, J11A, J11B, J16Z						
					09				J03A, J03B, J04A, J04B, J08A, J08B, J08C, J11A, J11B, J16Z		09	J03A, J03B, J04A, J04B, J08A, J08B, J08C, J11A, J11B, J16Z	10	K09A, K09B			
									10			K09A, K09B		21A	W04A, W04B	21B	X06A, X06B, X06C
												21A			W04A, W04B		21B

VYK



ZZV	MDC	DRG	ZZV	MDC	DRG	ZZV	MDC	DRG
8r432.43↔	05	F01A, F01B, F01D, F14A, F14B, F15Z, F24A, F24B, F28A, F36A, F36B, F54Z, F59A, F59B	8r432.4a	05	F01A, F01B, F01D, F14A, F14B, F15Z, F24A, F24B, F28A, F36A, F36B, F54Z, F59A, F59B	8r432.4g	05	F01A, F01B, F01D, F14A, F14B, F15Z, F24A, F24B, F28A, F36A, F36B, F54Z, F59A, F59B
	09	J03A, J03B, J04A, J04B, J08A, J08B, J08C, J11A, J11B, J16Z		06	G10Z, G12A, G12B		06	G10Z, G12A, G12B
	10	K09A, K09B		09	J03A, J03B, J04A, J04B, J08A, J08B, J08C, J11A, J11B, J16Z		09	J03A, J03B, J04A, J04B, J08A, J08B, J08C, J11A, J11B, J16Z
	21A	W04A, W04B		10	K09A, K09B		10	K09A, K09B
	21B	X05A, X05B, X06A, X06B, X06C		11	L09A, L09B, L09C, L09D, L38Z		11	L09A, L09B, L09C, L09D, L38Z
8r432.44	05	F01A, F01B, F01D, F15Z, F19A, F19B, F19C, F24A, F24B, F36A, F36B	8r432.4b↔	21A	W04A, W04B	8r432.4h↔	21A	W04A, W04B
	09	J03A, J03B, J04A, J04B, J08A, J08B, J08C, J11A, J11B, J16Z		21B	X06A, X06B, X06C		21B	X06A, X06B, X06C
	10	K09A, K09B		05	F01A, F01B, F01D, F14A, F14B, F15Z, F24A, F24B, F28A, F36A, F36B, F54Z, F59A, F59B		01	B04A, B04B, B04C, B04D
	21A	W04A, W04B		09	J03A, J03B, J04A, J04B, J08A, J08B, J08C, J11A, J11B, J16Z		05	F01A, F01B, F01D, F14A, F14B, F15Z, F24A, F24B, F28A, F36A, F36B, F54Z, F59A, F59B
	21B	X06A, X06B, X06C		10	K09A, K09B		09	J03A, J03B, J04A, J04B, J08A, J08B, J08C, J11A, J11B, J16Z
8r432.45	05	F01A, F01B, F01D, F15Z, F19A, F19B, F19C, F24A, F24B, F36A, F36B	8r432.4c↔	21A	W04A, W04B	8r432.4j↔	10	K09A, K09B
	09	J03A, J03B, J04A, J04B, J08A, J08B, J08C, J11A, J11B, J16Z		21B	X04Z, X06A, X06B, X06C		21A	W04A, W04B
	10	K09A, K09B		05	F01A, F01B, F01D, F14A, F14B, F15Z, F24A, F24B, F28A, F36A, F36B, F54Z, F59A, F59B		21B	X06A, X06B, X06C
	21A	W04A, W04B		09	J03A, J03B, J04A, J04B, J08A, J08B, J08C, J11A, J11B, J16Z		BOP, UOP4	
	21B	X06A, X06B, X06C		10	K09A, K09B		01	B04A, B04B, B04C, B04D
8r432.46	05	F01A, F01B, F01D, F15Z, F19A, F19B, F19C, F24A, F24B, F36A, F36B	8r432.4d	21A	W04A, W04B	8r432.4k↔	05	F01A, F01B, F01D, F14A, F14B, F15Z, F24A, F24B, F28A, F36A, F36B, F54Z, F59A, F59B
	09	J03A, J03B, J04A, J04B, J08A, J08B, J08C, J11A, J11B, J16Z		21B	X04Z, X06A, X06B, X06C		09	J03A, J03B, J04A, J04B, J08A, J08B, J08C, J11A, J11B, J16Z
	10	K09A, K09B		05	F01A, F01B, F01D, F14A, F14B, F15Z, F24A, F24B, F28A, F36A, F36B, F54Z, F59A, F59B		10	K09A, K09B
	21A	W04A, W04B		09	J03A, J03B, J04A, J04B, J08A, J08B, J08C, J11A, J11B, J16Z		21A	W04A, W04B
	21B	X06A, X06B, X06C		10	K09A, K09B		21B	X06A, X06B, X06C
8r432.47	05	F01A, F01B, F01D, F14A, F14B, F15Z, F24A, F24B, F28A, F36A, F36B, F54Z, F59A, F59B	8r432.4e	09	J03A, J03B, J04A, J04B, J08A, J08B, J08C, J11A, J11B, J16Z	8r432.4m↔	01	B04A, B04B, B04C, B04D
	09	J03A, J03B, J04A, J04B, J08A, J08B, J08C, J11A, J11B, J16Z		05	F01A, F01B, F01D, F14A, F14B, F15Z, F24A, F24B, F28A, F36A, F36B, F54Z, F59A, F59B		05	F01A, F01B, F01D, F14A, F14B, F15Z, F24A, F24B, F28A, F36A, F36B, F54Z, F59A, F59B
	10	K09A, K09B		09	J03A, J03B, J04A, J04B, J08A, J08B, J08C, J11A, J11B, J16Z		09	J03A, J03B, J04A, J04B, J08A, J08B, J08C, J11A, J11B, J16Z
	21A	W04A, W04B		10	K09A, K09B		10	K09A, K09B
	21B	X06A, X06B, X06C		21A	W04A, W04B		21A	W04A, W04B
8r432.48↔	05	F01A, F01B, F01D, F14A, F14B, F15Z, F24A, F24B, F28A, F36A, F36B, F54Z, F59A, F59B	8r432.4f	21B	X04Z, X05A, X05B, X06A, X06B, X06C	8r432.4m↔	21B	X06A, X06B, X06C
	09	J03A, J03B, J04A, J04B, J08A, J08B, J08C, J11A, J11B, J16Z		05	F01A, F01B, F01D, F14A, F14B, F15Z, F24A, F24B, F28A, F36A, F36B, F54Z, F59A, F59B		01	B04A, B04B, B04C, B04D
	10	K09A, K09B		09	J03A, J03B, J04A, J04B, J08A, J08B, J08C, J11A, J11B, J16Z		05	F01A, F01B, F01D, F14A, F14B, F15Z, F24A, F24B, F28A, F36A, F36B, F54Z, F59A, F59B
	21A	W04A, W04B		10	K09A, K09B		09	J03A, J03B, J04A, J04B, J08A, J08B, J08C, J11A, J11B, J16Z
	21B	X06A, X06B, X06C		21A	W04A, W04B		10	K09A, K09B
8r432.49↔	05	F01A, F01B, F01D, F14A, F14B, F15Z, F24A, F24B, F28A, F36A, F36B, F54Z, F59A, F59B	8r432.4f	21B	X04Z, X05A, X05B, X06A, X06B, X06C	8r432.4m↔	21B	X06A, X06B, X06C
	09	J03A, J03B, J04A, J04B, J08A, J08B, J08C, J11A, J11B, J16Z		05	F01A, F01B, F01D, F14A, F14B, F15Z, F24A, F24B, F28A, F36A, F36B, F54Z, F59A, F59B		01	B04A, B04B, B04C, B04D
	10	K09A, K09B		09	J03A, J03B, J04A, J04B, J08A, J08B, J08C, J11A, J11B, J16Z		05	F01A, F01B, F01D, F14A, F14B, F15Z, F24A, F24B, F28A, F36A, F36B, F54Z, F59A, F59B
	21A	W04A, W04B		10	K09A, K09B		09	J03A, J03B, J04A, J04B, J08A, J08B, J08C, J11A, J11B, J16Z
	21B	X06A, X06B, X06C		21A	W04A, W04B		10	K09A, K09B



ZZV	MDC	DRG	ZZV	MDC	DRG	ZZV	MDC	DRG			
8r432.4n↔		BOP, UOP4	8r432.55	05	F01A, F01B, F01D, F15Z, F19A, F19B, F19C, F24A, F24B, F36A, F36B	8r432.5c↔	05	F01A, F01B, F01D, F14A, F14B, F15Z, F24A, F24B, F28A, F36A, F36B, F54Z, F59A, F59B			
	01	B04A, B04B, B04C, B04D		09	J03A, J03B, J04A, J04B, J08A, J08B, J08C, J11A, J11B, J16Z		09	J03A, J03B, J04A, J04B, J08A, J08B, J08C, J11A, J11B, J16Z			
	05	F01A, F01B, F01D, F14A, F14B, F15Z, F24A, F24B, F28A, F36A, F36B, F54Z, F59A, F59B		10	K09A, K09B		10	K09A, K09B			
	09	J03A, J03B, J04A, J04B, J08A, J08B, J08C, J11A, J11B, J16Z		21A	W04A, W04B		21A	W04A, W04B			
	10	K09A, K09B		21B	X06A, X06B, X06C		21A	W04A, W04B			
	21A	W04A, W04B		8r432.56	05		F01A, F01B, F01D, F15Z, F19A, F19B, F19C, F24A, F24B, F36A, F36B	8r432.5d	21B	X04Z, X05A, X05B, X06A, X06B, X06C	
	21B	X06A, X06B, X06C			09		J03A, J03B, J04A, J04B, J08A, J08B, J08C, J11A, J11B, J16Z		05	F01A, F01B, F01D, F14A, F14B, F15Z, F24A, F24B, F28A, F36A, F36B, F54Z, F59A, F59B	
	8r432.4x↔	05			F01A, F01B, F01D, F14A, F14B, F15Z, F24A, F24B, F28A, F36A, F36B, F54Z, F59A, F59B		10		K09A, K09B	09	J03A, J03B, J04A, J04B, J08A, J08B, J08C, J11A, J11B, J16Z
		09			J03A, J03B, J04A, J04B, J08A, J08B, J08C, J11A, J11B, J16Z		21A		W04A, W04B	10	K09A, K09B
		10			K09A, K09B		21B		X06A, X06B, X06C	21A	W04A, W04B
21A		W04A, W04B	8r432.57		05	F01A, F01B, F01D, F14A, F14B, F15Z, F24A, F24B, F28A, F36A, F36B, F54Z, F59A, F59B	8r432.5e		21B	X04Z, X05A, X05B, X06A, X06B, X06C	
21B		X06A, X06B, X06C			09	J03A, J03B, J04A, J04B, J08A, J08B, J08C, J11A, J11B, J16Z			05	F01A, F01B, F01D, F14A, F14B, F15Z, F24A, F24B, F28A, F36A, F36B, F54Z, F59A, F59B	
8r432.50		BOP, KOP, UOP4			10	K09A, K09B			10	K09A, K09B	
		01			B02A, B02B, B02C, B02D, B20A, B20B, B20C, B20D, B20E, B39A, B39B	21A			W04A, W04B	09	J03A, J03B, J04A, J04B, J08A, J08B, J08C, J11A, J11B, J16Z
		05			F01A, F01B, F01D, F14A, F14B, F15Z, F24A, F24B, F28A, F36A, F36B, F54Z, F59A, F59B	21B			X06A, X06B, X06C	10	K09A, K09B
		09		J03A, J03B, J04A, J04B, J08A, J08B, J08C, J11A, J11B, J16Z	8r432.58↔	05		F01A, F01B, F01D, F14A, F14B, F15Z, F24A, F24B, F28A, F36A, F36B, F54Z, F59A, F59B	8r432.5f	21A	W04A, W04B
		10		K09A, K09B		09		J03A, J03B, J04A, J04B, J08A, J08B, J08C, J11A, J11B, J16Z		21B	X04Z, X05A, X05B, X06A, X06B, X06C
	21A	W04A, W04B		10		K09A, K09B		05		F01A, F01B, F01D, F14A, F14B, F15Z, F24A, F24B, F28A, F36A, F36B, F54Z, F59A, F59B	
	21B	X06A, X06B, X06C, X33Z		21A		W04A, W04B		09		J03A, J03B, J04A, J04B, J08A, J08B, J08C, J11A, J11B, J16Z	
	8r432.52↔	05		F01A, F01B, F01D, F14A, F14B, F15Z, F24A, F24B, F28A, F36A, F36B, F54Z, F59A, F59B		21B		X06A, X06B, X06C		10	K09A, K09B
		09	J03A, J03B, J04A, J04B, J08A, J08B, J08C, J11A, J11B, J16Z	8r432.59↔		05	F01A, F01B, F01D, F14A, F14B, F15Z, F24A, F24B, F28A, F36A, F36B, F54Z, F59A, F59B	8r432.5g		21A	W04A, W04B
		10	K09A, K09B			09	J03A, J03B, J04A, J04B, J08A, J08B, J08C, J11A, J11B, J16Z			21B	X04Z, X05A, X05B, X06A, X06B, X06C
21A		W04A, W04B	10			K09A, K09B	05			F01A, F01B, F01D, F14A, F14B, F15Z, F24A, F24B, F28A, F36A, F36B, F54Z, F59A, F59B	
21B		X06A, X06B, X06C	21A			W04A, W04B	06			G10Z, G12A, G12B	
8r432.53↔		05	F01A, F01B, F01D, F14A, F14B, F15Z, F24A, F24B, F28A, F36A, F36B, F54Z, F59A, F59B			21B	X06A, X06B, X06C			09	J03A, J03B, J04A, J04B, J08A, J08B, J08C, J11A, J11B, J16Z
		09	J03A, J03B, J04A, J04B, J08A, J08B, J08C, J11A, J11B, J16Z		8r432.5a	05	F01A, F01B, F01D, F14A, F14B, F15Z, F24A, F24B, F28A, F36A, F36B, F54Z, F59A, F59B		10	K09A, K09B	
		10	K09A, K09B			06	G10Z, G12A, G12B		11	L09A, L09B, L09C, L09D, L38Z	
		21A	W04A, W04B			09	J03A, J03B, J04A, J04B, J08A, J08B, J08C, J11A, J11B, J16Z		21A	W04A, W04B	
		21B	X05A, X05B, X06A, X06B, X06C			10	K09A, K09B		21B	X06A, X06B, X06C	
	8r432.54	05	F01A, F01B, F01D, F15Z, F19A, F19B, F19C, F24A, F24B, F36A, F36B			11	L09A, L09B, L09C, L09D, L38Z		8r432.5h↔	BOP, UOP4	
		09	J03A, J03B, J04A, J04B, J08A, J08B, J08C, J11A, J11B, J16Z	21A		W04A, W04B	01	B04A, B04B, B04C, B04D			
		10	K09A, K09B	21B		X06A, X06B, X06C	05	F01A, F01B, F01D, F14A, F14B, F15Z, F24A, F24B, F28A, F36A, F36B, F54Z, F59A, F59B			
		21A	W04A, W04B	8r432.5b↔		05	F01A, F01B, F01D, F14A, F14B, F15Z, F24A, F24B, F28A, F36A, F36B, F54Z, F59A, F59B	09		J03A, J03B, J04A, J04B, J08A, J08B, J08C, J11A, J11B, J16Z	
		21B	X06A, X06B, X06C			09	J03A, J03B, J04A, J04B, J08A, J08B, J08C, J11A, J11B, J16Z	10		K09A, K09B	
8r432.55		05	F01A, F01B, F01D, F15Z, F19A, F19B, F19C, F24A, F24B, F36A, F36B			10	K09A, K09B	21A		W04A, W04B	
		09	J03A, J03B, J04A, J04B, J08A, J08B, J08C, J11A, J11B, J16Z		21A	W04A, W04B	21B	X06A, X06B, X06C			
		10	K09A, K09B		21B	X04Z, X06A, X06B, X06C					
		21A	W04A, W04B								
		21B	X06A, X06B, X06C								

VYK

ZZV	MDC	DRG	ZZV	MDC	DRG	ZZV	MDC	DRG				
8r432.5j↔		BOP, UOP4	8r432.60		BOP, KOP, UOP4	8r432.67	05	F01A, F01B, F01D, F14A, F14B, F15Z, F24A, F24B, F28A, F36A, F36B, F54Z, F59A, F59B				
	01	B04A, B04B, B04C, B04D		01	B02A, B02B, B02C, B02D, B20A, B20B, B20C, B20D, B20E, B39A, B39B		09	J03A, J03B, J04A, J04B, J08A, J08B, J08C, J11A, J11B, J16Z				
	05	F01A, F01B, F01D, F14A, F14B, F15Z, F24A, F24B, F28A, F36A, F36B, F54Z, F59A, F59B		05	F01A, F01B, F01D, F14A, F14B, F15Z, F24A, F24B, F28A, F36A, F36B, F54Z, F59A, F59B		10	K09A, K09B				
	09	J03A, J03B, J04A, J04B, J08A, J08B, J08C, J11A, J11B, J16Z		09	J03A, J03B, J04A, J04B, J08A, J08B, J08C, J11A, J11B, J16Z		21A	W04A, W04B				
	10	K09A, K09B		10	K09A, K09B		21B	X06A, X06B, X06C				
	21A	W04A, W04B		21A	W04A, W04B		8r432.68↔	05	F01A, F01B, F01D, F14A, F14B, F15Z, F24A, F24B, F28A, F36A, F36B, F54Z, F59A, F59B			
	21B	X06A, X06B, X06C		21B	X06A, X06B, X06C, X33Z			09	J03A, J03B, J04A, J04B, J08A, J08B, J08C, J11A, J11B, J16Z			
	8r432.5k↔			BOP, UOP4	8r432.62↔				F01A, F01B, F01D, F14A, F14B, F15Z, F24A, F24B, F28A, F36A, F36B, F54Z, F59A, F59B	10	K09A, K09B	
		01		B04A, B04B, B04C, B04D				05	F01A, F01B, F01D, F14A, F14B, F15Z, F24A, F24B, F28A, F36A, F36B, F54Z, F59A, F59B	21A	W04A, W04B	
		05		F01A, F01B, F01D, F14A, F14B, F15Z, F24A, F24B, F28A, F36A, F36B, F54Z, F59A, F59B				09	J03A, J03B, J04A, J04B, J08A, J08B, J08C, J11A, J11B, J16Z	21B	X06A, X06B, X06C	
09		J03A, J03B, J04A, J04B, J08A, J08B, J08C, J11A, J11B, J16Z	10	K09A, K09B		8r432.69↔		05	F01A, F01B, F01D, F14A, F14B, F15Z, F24A, F24B, F28A, F36A, F36B, F54Z, F59A, F59B			
10		K09A, K09B	21A	W04A, W04B				09	J03A, J03B, J04A, J04B, J08A, J08B, J08C, J11A, J11B, J16Z			
21A		W04A, W04B	21A	W04A, W04B				10	K09A, K09B			
21B		X06A, X06B, X06C	21B	X06A, X06B, X06C				21A	W04A, W04B			
8r432.5m↔			BOP, UOP4	8r432.63↔					F01A, F01B, F01D, F14A, F14B, F15Z, F24A, F24B, F28A, F36A, F36B, F54Z, F59A, F59B	21B	X06A, X06B, X06C	
		01	B04A, B04B, B04C, B04D				05	F01A, F01B, F01D, F14A, F14B, F15Z, F24A, F24B, F28A, F36A, F36B, F54Z, F59A, F59B	05	F01A, F01B, F01D, F14A, F14B, F15Z, F24A, F24B, F28A, F36A, F36B, F54Z, F59A, F59B		
		05	F01A, F01B, F01D, F14A, F14B, F15Z, F24A, F24B, F28A, F36A, F36B, F54Z, F59A, F59B				09	J03A, J03B, J04A, J04B, J08A, J08B, J08C, J11A, J11B, J16Z	06	G10Z, G12A, G12B		
	09	J03A, J03B, J04A, J04B, J08A, J08B, J08C, J11A, J11B, J16Z	10		K09A, K09B		09	J03A, J03B, J04A, J04B, J08A, J08B, J08C, J11A, J11B, J16Z				
	10	K09A, K09B	21A		W04A, W04B		10	K09A, K09B				
	21A	W04A, W04B	21B		X05A, X05B, X06A, X06B, X06C		11	L09A, L09B, L09C, L09D, L38Z				
	21B	X06A, X06B, X06C	8r432.64			F01A, F01B, F01D, F15Z, F19A, F19B, F19C, F24A, F24B, F36A, F36B	21A	W04A, W04B				
	8r432.5n↔				BOP, UOP4	8r432.65		F01A, F01B, F01D, F15Z, F19A, F19B, F19C, F24A, F24B, F36A, F36B	21B	X06A, X06B, X06C		
		01			B04A, B04B, B04C, B04D		05	F01A, F01B, F01D, F15Z, F19A, F19B, F19C, F24A, F24B, F36A, F36B	05	F01A, F01B, F01D, F14A, F14B, F15Z, F24A, F24B, F28A, F36A, F36B, F54Z, F59A, F59B		
		05			F01A, F01B, F01D, F14A, F14B, F15Z, F24A, F24B, F28A, F36A, F36B, F54Z, F59A, F59B		09	J03A, J03B, J04A, J04B, J08A, J08B, J08C, J11A, J11B, J16Z	09	J03A, J03B, J04A, J04B, J08A, J08B, J08C, J11A, J11B, J16Z		
09		J03A, J03B, J04A, J04B, J08A, J08B, J08C, J11A, J11B, J16Z		10	K09A, K09B		10	K09A, K09B				
10		K09A, K09B		21A	W04A, W04B		21A	W04A, W04B				
21A		W04A, W04B		21B	X06A, X06B, X06C		21B	X04Z				
21B		X06A, X06B, X06C		8r432.66			F01A, F01B, F01D, F15Z, F19A, F19B, F19C, F24A, F24B, F36A, F36B	8r432.6c↔	05	F01A, F01B, F01D, F14A, F14B, F15Z, F24A, F24B, F28A, F36A, F36B, F54Z, F59A, F59B		
8r432.5x↔					BOP, UOP4		8r432.66			F01A, F01B, F01D, F15Z, F19A, F19B, F19C, F24A, F24B, F36A, F36B	09	J03A, J03B, J04A, J04B, J08A, J08B, J08C, J11A, J11B, J16Z
		01			B04A, B04B, B04C, B04D				05	F01A, F01B, F01D, F15Z, F19A, F19B, F19C, F24A, F24B, F36A, F36B	10	K09A, K09B
		05	F01A, F01B, F01D, F14A, F14B, F15Z, F24A, F24B, F28A, F36A, F36B, F54Z, F59A, F59B		09				J03A, J03B, J04A, J04B, J08A, J08B, J08C, J11A, J11B, J16Z	21A	W04A, W04B	
	09	J03A, J03B, J04A, J04B, J08A, J08B, J08C, J11A, J11B, J16Z	10		K09A, K09B	21B			X04Z			
	10	K09A, K09B	21A		W04A, W04B	05			F01A, F01B, F01D, F14A, F14B, F15Z, F24A, F24B, F28A, F36A, F36B, F54Z, F59A, F59B			
	21A	W04A, W04B	21B		X06A, X06B, X06C	09			J03A, J03B, J04A, J04B, J08A, J08B, J08C, J11A, J11B, J16Z			
	21B	X06A, X06B, X06C	10		K09A, K09B	10			K09A, K09B			
			21A		W04A, W04B	21A			W04A, W04B			
			21B		X06A, X06B, X06C	21B			X04Z, X06A, X06B, X06C			

ZZV	MDC	DRG	ZZV	MDC	DRG	ZZV	MDC	DRG	
8r432.6d	05	F01A, F01B, F01D, F14A, F14B, F15Z, F24A, F24B, F28A, F36A, F36B, F54Z, F59A, F59B	8r432.6k↔	01	BOP, UOP4	8r433.13↔	05	F01A, F01B, F01D, F14A, F14B, F15Z, F24A, F24B, F28A, F36A, F36B, F54Z, F59A, F59B	
		09			J03A, J03B, J04A, J04B, J08A, J08B, J08C, J11A, J11B, J16Z			09	J03A, J03B, J04A, J04B, J08A, J08B, J08C, J11A, J11B, J16Z
		10			K09A, K09B			10	K09A, K09B
		21A			W04A, W04B			21A	W04A, W04B
		21B			X04Z, X05A, X05B, X06A, X06B, X06C			21B	X05A, X05B, X06A, X06B, X06C
8r432.6e	05	F01A, F01B, F01D, F14A, F14B, F15Z, F24A, F24B, F28A, F36A, F36B, F54Z, F59A, F59B	8r432.6m↔	01	BOP, UOP4	8r433.14	05	F01A, F01B, F01D, F14A, F14B, F15Z, F19A, F19B, F19C, F24A, F24B, F36A, F36B, F54Z	
		09			J03A, J03B, J04A, J04B, J08A, J08B, J08C, J11A, J11B, J16Z			09	J03A, J03B, J04A, J04B, J08A, J08B, J08C, J11A, J11B, J16Z
		10			K09A, K09B			10	K09A, K09B
		21A			W04A, W04B			21A	W04A, W04B
		21B			X04Z, X05A, X05B, X06A, X06B, X06C			21B	X06A, X06B, X06C
8r432.6f	05	F01A, F01B, F01D, F14A, F14B, F15Z, F24A, F24B, F28A, F36A, F36B, F54Z, F59A, F59B	8r432.6n↔	01	BOP, UOP4	8r433.15	05	F01A, F01B, F01D, F14A, F14B, F15Z, F19A, F19B, F19C, F24A, F24B, F36A, F36B, F54Z	
		09			J03A, J03B, J04A, J04B, J08A, J08B, J08C, J11A, J11B, J16Z			09	J03A, J03B, J04A, J04B, J08A, J08B, J08C, J11A, J11B, J16Z
		10			K09A, K09B			10	K09A, K09B
		21A			W04A, W04B			21A	W04A, W04B
		21B			X04Z, X05A, X05B, X06A, X06B, X06C			21B	X06A, X06B, X06C
8r432.6g	05	F01A, F01B, F01D, F14A, F14B, F15Z, F24A, F24B, F28A, F36A, F36B, F54Z, F59A, F59B	8r432.6x↔	01	B04A, B04B, B04C, B04D	8r433.16	05	F01A, F01B, F01D, F14A, F14B, F15Z, F19A, F19B, F19C, F24A, F24B, F36A, F36B, F54Z	
		06			G10Z, G12A, G12B			06	G10Z, G12A, G12B
		09			J03A, J03B, J04A, J04B, J08A, J08B, J08C, J11A, J11B, J16Z			09	J03A, J03B, J04A, J04B, J08A, J08B, J08C, J11A, J11B, J16Z
		10			K09A, K09B			10	K09A, K09B
		11			L09A, L09B, L09C, L09D, L38Z			11	L09A, L09B, L09C, L09D, L38Z
8r432.6h↔	01	B04A, B04B, B04C, B04D	8r433.10	01	B02A, B02B, B02C, B02D, B20A, B20B, B20C, B20D, B20E, B39A, B39B	8r433.17	05	F01A, F01B, F01D, F14A, F14B, F15Z, F24A, F24B, F28A, F36A, F36B, F54Z, F59A, F59B	
		05			F01A, F01B, F01D, F14A, F14B, F15Z, F24A, F24B, F28A, F36A, F36B, F54Z, F59A, F59B			05	F01A, F01B, F01D, F14A, F14B, F15Z, F24A, F24B, F28A, F36A, F36B, F54Z, F59A, F59B
		09			J03A, J03B, J04A, J04B, J08A, J08B, J08C, J11A, J11B, J16Z			09	J03A, J03B, J04A, J04B, J08A, J08B, J08C, J11A, J11B, J16Z
		10			K09A, K09B			10	K09A, K09B
		21A			W04A, W04B			21A	W04A, W04B
8r432.6j↔	01	B04A, B04B, B04C, B04D	8r433.12↔	01	B02A, B02B, B02C, B02D, B20A, B20B, B20C, B20D, B20E, B39A, B39B	8r433.18↔	05	F01A, F01B, F01D, F14A, F14B, F15Z, F24A, F24B, F28A, F36A, F36B, F54Z, F59A, F59B	
		05			F01A, F01B, F01D, F14A, F14B, F15Z, F24A, F24B, F28A, F36A, F36B, F54Z, F59A, F59B			05	F01A, F01B, F01D, F14A, F14B, F15Z, F24A, F24B, F28A, F36A, F36B, F54Z, F59A, F59B
		09			J03A, J03B, J04A, J04B, J08A, J08B, J08C, J11A, J11B, J16Z			09	J03A, J03B, J04A, J04B, J08A, J08B, J08C, J11A, J11B, J16Z
		10			K09A, K09B			10	K09A, K09B
		21A			W04A, W04B			21A	W04A, W04B
8r432.6k↔	01	B04A, B04B, B04C, B04D	8r433.13↔	01	B02A, B02B, B02C, B02D, B20A, B20B, B20C, B20D, B20E, B39A, B39B	8r433.19↔	05	F01A, F01B, F01D, F14A, F14B, F15Z, F24A, F24B, F28A, F36A, F36B, F54Z, F59A, F59B	
		05			F01A, F01B, F01D, F14A, F14B, F15Z, F24A, F24B, F28A, F36A, F36B, F54Z, F59A, F59B			05	F01A, F01B, F01D, F14A, F14B, F15Z, F24A, F24B, F28A, F36A, F36B, F54Z, F59A, F59B
		09			J03A, J03B, J04A, J04B, J08A, J08B, J08C, J11A, J11B, J16Z			09	J03A, J03B, J04A, J04B, J08A, J08B, J08C, J11A, J11B, J16Z
		10			K09A, K09B			10	K09A, K09B
		21A			W04A, W04B			21A	W04A, W04B
8r432.6l↔	01	B04A, B04B, B04C, B04D	8r433.14	01	B02A, B02B, B02C, B02D, B20A, B20B, B20C, B20D, B20E, B39A, B39B	8r433.20↔	05	F01A, F01B, F01D, F14A, F14B, F15Z, F24A, F24B, F28A, F36A, F36B, F54Z, F59A, F59B	
		05			F01A, F01B, F01D, F14A, F14B, F15Z, F24A, F24B, F28A, F36A, F36B, F54Z, F59A, F59B			05	F01A, F01B, F01D, F14A, F14B, F15Z, F24A, F24B, F28A, F36A, F36B, F54Z, F59A, F59B
		09			J03A, J03B, J04A, J04B, J08A, J08B, J08C, J11A, J11B, J16Z			09	J03A, J03B, J04A, J04B, J08A, J08B, J08C, J11A, J11B, J16Z
		10			K09A, K09B			10	K09A, K09B
		21A			W04A, W04B			21A	W04A, W04B

ZZV	MDC	DRG	ZZV	MDC	DRG	ZZV	MDC	DRG			
8r433.1a	05	F01A, F01B, F01D, F14A, F14B, F15Z, F24A, F24B, F28A, F36A, F36B, F54Z, F59A, F59B	8r433.1g	05	F01A, F01B, F01D, F14A, F14B, F15Z, F24A, F24B, F28A, F36A, F36B, F54Z, F59A, F59B	8r433.1n↔		BOP, UOP4			
	06	G10Z, G12A, G12B		06	G10Z, G12A, G12B		01	B04A, B04B, B04C, B04D			
	09	J03A, J03B, J04A, J04B, J08A, J08B, J08C, J11A, J11B, J16Z		09	J03A, J03B, J04A, J04B, J08A, J08B, J08C, J11A, J11B, J16Z		05	F01A, F01B, F01D, F14A, F14B, F15Z, F24A, F24B, F28A, F36A, F36B, F54Z, F59A, F59B			
	10	K09A, K09B		10	K09A, K09B		09	J03A, J03B, J04A, J04B, J08A, J08B, J08C, J11A, J11B, J16Z			
	11	L09A, L09B, L09C, L09D, L38Z		11	L09A, L09B, L09C, L09D, L38Z		10	K09A, K09B			
	21A	W04A, W04B		21A	W04A, W04B		21A	W04A, W04B			
	21B	X06A, X06B, X06C		21B	X06A, X06B, X06C		21B	X06A, X06B, X06C			
	8r433.1b↔	05		F01A, F01B, F01D, F14A, F14B, F15Z, F24A, F24B, F28A, F36A, F36B, F54Z, F59A, F59B	8r433.1h↔			BOP, UOP4	8r433.1x↔	05	F01A, F01B, F01D, F14A, F14B, F15Z, F24A, F24B, F28A, F36A, F36B, F54Z, F59A, F59B
		09		J03A, J03B, J04A, J04B, J08A, J08B, J08C, J11A, J11B, J16Z			01	B04A, B04B, B04C, B04D		09	J03A, J03B, J04A, J04B, J08A, J08B, J08C, J11A, J11B, J16Z
		10		K09A, K09B			05	F01A, F01B, F01D, F14A, F14B, F15Z, F24A, F24B, F28A, F36A, F36B, F54Z, F59A, F59B		10	K09A, K09B
21A		W04A, W04B	09	J03A, J03B, J04A, J04B, J08A, J08B, J08C, J11A, J11B, J16Z		21A	W04A, W04B				
21B		X04Z, X06A, X06B, X06C	10	K09A, K09B		21B	X06A, X06B, X06C				
8r433.1c↔		05	F01A, F01B, F01D, F14A, F14B, F15Z, F24A, F24B, F28A, F36A, F36B, F54Z, F59A, F59B	8r433.1j↔		21A	W04A, W04B	8r433.20		01	B02A, B02B, B02C, B02D, B20A, B20B, B20C, B20D, B20E, B39A, B39B
		09	J03A, J03B, J04A, J04B, J08A, J08B, J08C, J11A, J11B, J16Z			21B	X06A, X06B, X06C			05	F01A, F01B, F01D, F14A, F14B, F15Z, F24A, F24B, F28A, F36A, F36B, F54Z, F59A, F59B
		10	K09A, K09B				BOP, UOP4			09	J03A, J03B, J04A, J04B, J08A, J08B, J08C, J11A, J11B, J16Z
		21A	W04A, W04B			01	B04A, B04B, B04C, B04D			10	K09A, K09B
		21B	X04Z, X06A, X06B, X06C			05	F01A, F01B, F01D, F14A, F14B, F15Z, F24A, F24B, F28A, F36A, F36B, F54Z, F59A, F59B			21A	W04A, W04B
	8r433.1d	05	F01A, F01B, F01D, F14A, F14B, F15Z, F24A, F24B, F28A, F36A, F36B, F54Z, F59A, F59B		8r433.1k↔	09	J03A, J03B, J04A, J04B, J08A, J08B, J08C, J11A, J11B, J16Z		8r433.22↔	21B	X06A, X06B, X06C, X33Z
		09	J03A, J03B, J04A, J04B, J08A, J08B, J08C, J11A, J11B, J16Z			01	B04A, B04B, B04C, B04D			05	F01A, F01B, F01D, F14A, F14B, F15Z, F24A, F24B, F28A, F36A, F36B, F54Z, F59A, F59B
		10	K09A, K09B			05	F01A, F01B, F01D, F14A, F14B, F15Z, F24A, F24B, F28A, F36A, F36B, F54Z, F59A, F59B			09	J03A, J03B, J04A, J04B, J08A, J08B, J08C, J11A, J11B, J16Z
		21A	W04A, W04B			09	J03A, J03B, J04A, J04B, J08A, J08B, J08C, J11A, J11B, J16Z			10	K09A, K09B
		21B	X04Z, X05A, X05B, X06A, X06B, X06C			10	K09A, K09B			21A	W04A, W04B
8r433.1e		05	F01A, F01B, F01D, F14A, F14B, F15Z, F24A, F24B, F28A, F36A, F36B, F54Z, F59A, F59B	8r433.1m↔		21A	W04A, W04B	8r433.23↔		21B	X06A, X06B, X06C
		09	J03A, J03B, J04A, J04B, J08A, J08B, J08C, J11A, J11B, J16Z			21B	X06A, X06B, X06C			05	F01A, F01B, F01D, F14A, F14B, F15Z, F24A, F24B, F28A, F36A, F36B, F54Z, F59A, F59B
		10	K09A, K09B				BOP, UOP4			09	J03A, J03B, J04A, J04B, J08A, J08B, J08C, J11A, J11B, J16Z
		21A	W04A, W04B			01	B04A, B04B, B04C, B04D			10	K09A, K09B
		21B	X04Z, X05A, X05B, X06A, X06B, X06C			05	F01A, F01B, F01D, F14A, F14B, F15Z, F24A, F24B, F28A, F36A, F36B, F54Z, F59A, F59B			21A	W04A, W04B
	8r433.1f	05	F01A, F01B, F01D, F14A, F14B, F15Z, F24A, F24B, F28A, F36A, F36B, F54Z, F59A, F59B		8r433.1n↔	09	J03A, J03B, J04A, J04B, J08A, J08B, J08C, J11A, J11B, J16Z		8r433.24	21B	X05A, X05B, X06A, X06B, X06C
		09	J03A, J03B, J04A, J04B, J08A, J08B, J08C, J11A, J11B, J16Z			10	K09A, K09B			05	F01A, F01B, F01D, F15Z, F19A, F19B, F19C, F24A, F24B, F36A, F36B
		10	K09A, K09B			21A	W04A, W04B			09	J03A, J03B, J04A, J04B, J08A, J08B, J08C, J11A, J11B, J16Z
		21A	W04A, W04B			21B	X06A, X06B, X06C			10	K09A, K09B
		21B	X04Z, X05A, X05B, X06A, X06B, X06C				BOP, UOP4			21A	W04A, W04B

VYK

ZZV	MDC	DRG	ZZV	MDC	DRG	ZZV	MDC	DRG
8r433.25	05	F01A, F01B, F01D, F15Z, F19A, F19B, F19C, F24A, F24B, F36A, F36B	8r433.2c↔	05	F01A, F01B, F01D, F14A, F14B, F15Z, F24A, F24B, F28A, F36A, F36B, F54Z, F59A, F59B	8r433.2j↔		BOP, UOP4
	09	J03A, J03B, J04A, J04B, J08A, J08B, J08C, J11A, J11B, J16Z		09	J03A, J03B, J04A, J04B, J08A, J08B, J08C, J11A, J11B, J16Z		01	B04A, B04B, B04C, B04D
	10	K09A, K09B		10	K09A, K09B		05	F01A, F01B, F01D, F14A, F14B, F15Z, F24A, F24B, F28A, F36A, F36B, F54Z, F59A, F59B
	21A	W04A, W04B		21A	W04A, W04B		09	J03A, J03B, J04A, J04B, J08A, J08B, J08C, J11A, J11B, J16Z
	21B	X06A, X06B, X06C		21B	X04Z, X06A, X06B, X06C		10	K09A, K09B
8r433.26	05	F01A, F01B, F01D, F15Z, F19A, F19B, F19C, F24A, F24B, F36A, F36B	8r433.2d	05	F01A, F01B, F01D, F14A, F14B, F15Z, F24A, F24B, F28A, F36A, F36B, F54Z, F59A, F59B	8r433.2k↔	21A	W04A, W04B
	09	J03A, J03B, J04A, J04B, J08A, J08B, J08C, J11A, J11B, J16Z		09	J03A, J03B, J04A, J04B, J08A, J08B, J08C, J11A, J11B, J16Z		21B	X06A, X06B, X06C
	10	K09A, K09B		10	K09A, K09B		01	B04A, B04B, B04C, B04D
	21A	W04A, W04B		21A	W04A, W04B		05	F01A, F01B, F01D, F14A, F14B, F15Z, F24A, F24B, F28A, F36A, F36B, F54Z, F59A, F59B
	21B	X06A, X06B, X06C		21B	X04Z, X05A, X05B, X06A, X06B, X06C		09	J03A, J03B, J04A, J04B, J08A, J08B, J08C, J11A, J11B, J16Z
8r433.27	05	F01A, F01B, F01D, F14A, F14B, F15Z, F24A, F24B, F28A, F36A, F36B, F54Z, F59A, F59B	8r433.2e	05	F01A, F01B, F01D, F14A, F14B, F15Z, F24A, F24B, F28A, F36A, F36B, F54Z, F59A, F59B	8r433.2m↔	21A	W04A, W04B
	09	J03A, J03B, J04A, J04B, J08A, J08B, J08C, J11A, J11B, J16Z		09	J03A, J03B, J04A, J04B, J08A, J08B, J08C, J11A, J11B, J16Z		21B	X06A, X06B, X06C
	10	K09A, K09B		10	K09A, K09B		BOP, UOP4	
	21A	W04A, W04B		21A	W04A, W04B		01	B04A, B04B, B04C, B04D
	21B	X06A, X06B, X06C		21B	X04Z, X05A, X05B, X06A, X06B, X06C		05	F01A, F01B, F01D, F14A, F14B, F15Z, F24A, F24B, F28A, F36A, F36B, F54Z, F59A, F59B
8r433.28↔	05	F01A, F01B, F01D, F14A, F14B, F15Z, F24A, F24B, F28A, F36A, F36B, F54Z, F59A, F59B	8r433.2f	05	F01A, F01B, F01D, F14A, F14B, F15Z, F24A, F24B, F28A, F36A, F36B, F54Z, F59A, F59B	8r433.2n↔	09	J03A, J03B, J04A, J04B, J08A, J08B, J08C, J11A, J11B, J16Z
	09	J03A, J03B, J04A, J04B, J08A, J08B, J08C, J11A, J11B, J16Z		09	J03A, J03B, J04A, J04B, J08A, J08B, J08C, J11A, J11B, J16Z		10	K09A, K09B
	10	K09A, K09B		10	K09A, K09B		21A	W04A, W04B
	21A	W04A, W04B		21A	W04A, W04B		21B	X06A, X06B, X06C
	21B	X06A, X06B, X06C		21B	X04Z, X05A, X05B, X06A, X06B, X06C		BOP, UOP4	
8r433.29↔	05	F01A, F01B, F01D, F14A, F14B, F15Z, F24A, F24B, F28A, F36A, F36B, F54Z, F59A, F59B	8r433.2g	05	F01A, F01B, F01D, F14A, F14B, F15Z, F24A, F24B, F28A, F36A, F36B, F54Z, F59A, F59B	8r433.2x↔	01	B04A, B04B, B04C, B04D
	09	J03A, J03B, J04A, J04B, J08A, J08B, J08C, J11A, J11B, J16Z		09	J03A, J03B, J04A, J04B, J08A, J08B, J08C, J11A, J11B, J16Z		05	F01A, F01B, F01D, F14A, F14B, F15Z, F24A, F24B, F28A, F36A, F36B, F54Z, F59A, F59B
	10	K09A, K09B		10	K09A, K09B		09	J03A, J03B, J04A, J04B, J08A, J08B, J08C, J11A, J11B, J16Z
	21A	W04A, W04B		11	L09A, L09B, L09C, L09D, L38Z		10	K09A, K09B
	21B	X06A, X06B, X06C		21A	W04A, W04B		21A	W04A, W04B
8r433.2a	05	F01A, F01B, F01D, F14A, F14B, F15Z, F24A, F24B, F28A, F36A, F36B, F54Z, F59A, F59B	8r433.2h↔	05	F01A, F01B, F01D, F14A, F14B, F15Z, F24A, F24B, F28A, F36A, F36B, F54Z, F59A, F59B	8r433.2y↔	21B	X06A, X06B, X06C
	06	G10Z, G12A, G12B		06	G10Z, G12A, G12B		05	F01A, F01B, F01D, F14A, F14B, F15Z, F24A, F24B, F28A, F36A, F36B, F54Z, F59A, F59B
	09	J03A, J03B, J04A, J04B, J08A, J08B, J08C, J11A, J11B, J16Z		09	J03A, J03B, J04A, J04B, J08A, J08B, J08C, J11A, J11B, J16Z		09	J03A, J03B, J04A, J04B, J08A, J08B, J08C, J11A, J11B, J16Z
	10	K09A, K09B		10	K09A, K09B		10	K09A, K09B
	11	L09A, L09B, L09C, L09D, L38Z		21A	W04A, W04B		21A	W04A, W04B
8r433.2b↔	21A	W04A, W04B	8r433.2i↔	01	B04A, B04B, B04C, B04D	8r433.2z↔	21B	X06A, X06B, X06C
	21B	X06A, X06B, X06C		05	F01A, F01B, F01D, F14A, F14B, F15Z, F24A, F24B, F28A, F36A, F36B, F54Z, F59A, F59B		05	F01A, F01B, F01D, F14A, F14B, F15Z, F24A, F24B, F28A, F36A, F36B, F54Z, F59A, F59B
	05	F01A, F01B, F01D, F14A, F14B, F15Z, F24A, F24B, F28A, F36A, F36B, F54Z, F59A, F59B		09	J03A, J03B, J04A, J04B, J08A, J08B, J08C, J11A, J11B, J16Z		09	J03A, J03B, J04A, J04B, J08A, J08B, J08C, J11A, J11B, J16Z
	09	J03A, J03B, J04A, J04B, J08A, J08B, J08C, J11A, J11B, J16Z		10	K09A, K09B		10	K09A, K09B
	10	K09A, K09B		21A	W04A, W04B		21A	W04A, W04B
21A	W04A, W04B	21B	X06A, X06B, X06C	21B	X06A, X06B, X06C			

VYK



ZZV	MDC	DRG	ZZV	MDC	DRG	ZZV	MDC	DRG			
8r433.3k↔		BOP, UOP4	8r433.43↔	05	F01A, F01B, F01D, F14A, F14B, F15Z, F24A, F24B, F28A, F36A, F36B, F54Z, F59A, F59B	8r433.4a	05	F01A, F01B, F01D, F14A, F14B, F15Z, F24A, F24B, F28A, F36A, F36B, F54Z, F59A, F59B			
	01	B04A, B04B, B04C, B04D		09	J03A, J03B, J04A, J04B, J08A, J08B, J08C, J11A, J11B, J16Z		06	G10Z, G12A, G12B			
	05	F01A, F01B, F01D, F14A, F14B, F15Z, F24A, F24B, F28A, F36A, F36B, F54Z, F59A, F59B		10	K09A, K09B		09	J03A, J03B, J04A, J04B, J08A, J08B, J08C, J11A, J11B, J16Z			
	09	J03A, J03B, J04A, J04B, J08A, J08B, J08C, J11A, J11B, J16Z		21A	W04A, W04B		10	K09A, K09B			
	10	K09A, K09B		21B	X06A, X06B, X06C		11	L09A, L09B, L09C, L09D, L38Z			
	21A	W04A, W04B		8r433.44	05		F01A, F01B, F01D, F15Z, F19A, F19B, F19C, F24A, F24B, F36A, F36B	21A	W04A, W04B		
	21B	X06A, X06B, X06C			09		J03A, J03B, J04A, J04B, J08A, J08B, J08C, J11A, J11B, J16Z	21B	X06A, X06B, X06C		
	8r433.3m↔				BOP, UOP4		10	K09A, K09B	8r433.4b↔	05	F01A, F01B, F01D, F14A, F14B, F15Z, F24A, F24B, F28A, F36A, F36B, F54Z, F59A, F59B
		01			B04A, B04B, B04C, B04D		21A	W04A, W04B		09	J03A, J03B, J04A, J04B, J08A, J08B, J08C, J11A, J11B, J16Z
		05			F01A, F01B, F01D, F14A, F14B, F15Z, F24A, F24B, F28A, F36A, F36B, F54Z, F59A, F59B		21B	X06A, X06B, X06C		10	K09A, K09B
09		J03A, J03B, J04A, J04B, J08A, J08B, J08C, J11A, J11B, J16Z	8r433.45		05	F01A, F01B, F01D, F15Z, F19A, F19B, F19C, F24A, F24B, F36A, F36B	21A	W04A, W04B			
10		K09A, K09B			09	J03A, J03B, J04A, J04B, J08A, J08B, J08C, J11A, J11B, J16Z	21B	X04Z, X06A, X06B, X06C			
21A		W04A, W04B			10	K09A, K09B	8r433.4c↔	05		F01A, F01B, F01D, F14A, F14B, F15Z, F24A, F24B, F28A, F36A, F36B, F54Z, F59A, F59B	
21B		X06A, X06B, X06C			21A	W04A, W04B		09		J03A, J03B, J04A, J04B, J08A, J08B, J08C, J11A, J11B, J16Z	
8r433.3n↔					BOP, UOP4	21B		X06A, X06B, X06C		10	K09A, K09B
		01		B04A, B04B, B04C, B04D	8r433.46	05		F01A, F01B, F01D, F15Z, F19A, F19B, F19C, F24A, F24B, F36A, F36B		21A	W04A, W04B
		05		F01A, F01B, F01D, F14A, F14B, F15Z, F24A, F24B, F28A, F36A, F36B, F54Z, F59A, F59B		09		J03A, J03B, J04A, J04B, J08A, J08B, J08C, J11A, J11B, J16Z		21B	X04Z, X06A, X06B, X06C
	09	J03A, J03B, J04A, J04B, J08A, J08B, J08C, J11A, J11B, J16Z		10		K09A, K09B		8r433.4d	05	F01A, F01B, F01D, F14A, F14B, F15Z, F24A, F24B, F28A, F36A, F36B, F54Z, F59A, F59B	
	10	K09A, K09B		21A		W04A, W04B			09	J03A, J03B, J04A, J04B, J08A, J08B, J08C, J11A, J11B, J16Z	
	21A	W04A, W04B		21B		X06A, X06B, X06C			10	K09A, K09B	
	21B	X06A, X06B, X06C	8r433.47	05		F01A, F01B, F01D, F14A, F14B, F15Z, F24A, F24B, F28A, F36A, F36B, F54Z, F59A, F59B			21A	W04A, W04B	
	8r433.3x↔			BOP, UOP4		09			J03A, J03B, J04A, J04B, J08A, J08B, J08C, J11A, J11B, J16Z	21B	X04Z, X05A, X05B, X06A, X06B, X06C
		05		F01A, F01B, F01D, F14A, F14B, F15Z, F24A, F24B, F28A, F36A, F36B, F54Z, F59A, F59B		10	K09A, K09B		8r433.4e	05	F01A, F01B, F01D, F14A, F14B, F15Z, F24A, F24B, F28A, F36A, F36B, F54Z, F59A, F59B
		09		J03A, J03B, J04A, J04B, J08A, J08B, J08C, J11A, J11B, J16Z		21A	W04A, W04B			09	J03A, J03B, J04A, J04B, J08A, J08B, J08C, J11A, J11B, J16Z
10		K09A, K09B		21B		X06A, X06B, X06C	10			K09A, K09B	
21A		W04A, W04B		8r433.48↔	05	F01A, F01B, F01D, F14A, F14B, F15Z, F24A, F24B, F28A, F36A, F36B, F54Z, F59A, F59B	21A			W04A, W04B	
21B		X06A, X06B, X06C			09	J03A, J03B, J04A, J04B, J08A, J08B, J08C, J11A, J11B, J16Z	21B			X04Z, X05A, X05B, X06A, X06B, X06C	
8r433.40					BOP, KOP, UOP4	10	K09A, K09B	8r433.4f		05	F01A, F01B, F01D, F14A, F14B, F15Z, F24A, F24B, F28A, F36A, F36B, F54Z, F59A, F59B
		01			B02A, B02B, B02C, B02D, B20A, B20B, B20C, B20D, B20E, B39A, B39B	21A	W04A, W04B			09	J03A, J03B, J04A, J04B, J08A, J08B, J08C, J11A, J11B, J16Z
		05			F01A, F01B, F01D, F14A, F14B, F15Z, F24A, F24B, F28A, F36A, F36B, F54Z, F59A, F59B	21B	X06A, X06B, X06C			10	K09A, K09B
		09	J03A, J03B, J04A, J04B, J08A, J08B, J08C, J11A, J11B, J16Z		8r433.49↔	05	F01A, F01B, F01D, F14A, F14B, F15Z, F24A, F24B, F28A, F36A, F36B, F54Z, F59A, F59B			21A	W04A, W04B
	10	K09A, K09B	09			J03A, J03B, J04A, J04B, J08A, J08B, J08C, J11A, J11B, J16Z	21B			X04Z, X05A, X05B, X06A, X06B, X06C	
	21A	W04A, W04B	10			K09A, K09B	8r433.42↔		05	F01A, F01B, F01D, F14A, F14B, F15Z, F24A, F24B, F28A, F36A, F36B, F54Z, F59A, F59B	
	21B	X06A, X06B, X06C, X33Z	21A			W04A, W04B			09	J03A, J03B, J04A, J04B, J08A, J08B, J08C, J11A, J11B, J16Z	
	8r433.42↔		BOP, UOP4			21B			X06A, X06B, X06C	10	K09A, K09B
		05	F01A, F01B, F01D, F14A, F14B, F15Z, F24A, F24B, F28A, F36A, F36B, F54Z, F59A, F59B	8r433.49↔		05			F01A, F01B, F01D, F14A, F14B, F15Z, F24A, F24B, F28A, F36A, F36B, F54Z, F59A, F59B	21A	W04A, W04B
		09	J03A, J03B, J04A, J04B, J08A, J08B, J08C, J11A, J11B, J16Z			09			J03A, J03B, J04A, J04B, J08A, J08B, J08C, J11A, J11B, J16Z	21B	X04Z, X05A, X05B, X06A, X06B, X06C
10		K09A, K09B	10			K09A, K09B		8r433.42↔	05	F01A, F01B, F01D, F14A, F14B, F15Z, F24A, F24B, F28A, F36A, F36B, F54Z, F59A, F59B	
21A		W04A, W04B	21A			W04A, W04B			09	J03A, J03B, J04A, J04B, J08A, J08B, J08C, J11A, J11B, J16Z	
21B		X06A, X06B, X06C	21B			X06A, X06B, X06C			10	K09A, K09B	

VYK

ZZV	MDC	DRG	ZZV	MDC	DRG	ZZV	MDC	DRG							
8r433.4g	05	F01A, F01B, F01D, F14A, F14B, F15Z, F24A, F24B, F28A, F36A, F36B, F54Z, F59A, F59B	8r433.4n↔	01	BOP, UOP4	8r433.55	05	F01A, F01B, F01D, F15Z, F19A, F19B, F19C, F24A, F24B, F36A, F36B							
		06			G10Z, G12A, G12B			05	F01A, F01B, F01D, F14A, F14B, F15Z, F24A, F24B, F28A, F36A, F36B, F54Z, F59A, F59B	09	J03A, J03B, J04A, J04B, J08A, J08B, J08C, J11A, J11B, J16Z				
		09			J03A, J03B, J04A, J04B, J08A, J08B, J08C, J11A, J11B, J16Z			09	J03A, J03B, J04A, J04B, J08A, J08B, J08C, J11A, J11B, J16Z	10	K09A, K09B				
		10			K09A, K09B			10	K09A, K09B	21A	W04A, W04B				
		11			L09A, L09B, L09C, L09D, L38Z			10	K09A, K09B	21B	X06A, X06B, X06C				
		21A			W04A, W04B			21A	W04A, W04B	8r433.56	05	F01A, F01B, F01D, F15Z, F19A, F19B, F19C, F24A, F24B, F36A, F36B			
		21B			X06A, X06B, X06C			21B	X06A, X06B, X06C			09	J03A, J03B, J04A, J04B, J08A, J08B, J08C, J11A, J11B, J16Z		
		8r433.4h↔			01			B04A, B04B, B04C, B04D	8r433.4x↔	05	F01A, F01B, F01D, F14A, F14B, F15Z, F24A, F24B, F28A, F36A, F36B, F54Z, F59A, F59B	8r433.57	05	F01A, F01B, F01D, F14A, F14B, F15Z, F24A, F24B, F28A, F36A, F36B, F54Z, F59A, F59B	
								05			F01A, F01B, F01D, F14A, F14B, F15Z, F24A, F24B, F28A, F36A, F36B, F54Z, F59A, F59B			09	J03A, J03B, J04A, J04B, J08A, J08B, J08C, J11A, J11B, J16Z
								09			J03A, J03B, J04A, J04B, J08A, J08B, J08C, J11A, J11B, J16Z			10	K09A, K09B
								10			K09A, K09B			21A	W04A, W04B
21A	W04A, W04B		21B	X06A, X06B, X06C											
21B	X06A, X06B, X06C		8r433.50	01		B02A, B02B, B02C, B02D, B20A, B20B, B20C, B20D, B20E, B39A, B39B									
8r433.4j↔	01					B04A, B04B, B04C, B04D	05	F01A, F01B, F01D, F14A, F14B, F15Z, F24A, F24B, F28A, F36A, F36B, F54Z, F59A, F59B			8r433.58↔			05	F01A, F01B, F01D, F14A, F14B, F15Z, F24A, F24B, F28A, F36A, F36B, F54Z, F59A, F59B
			05	F01A, F01B, F01D, F14A, F14B, F15Z, F24A, F24B, F28A, F36A, F36B, F54Z, F59A, F59B		09		J03A, J03B, J04A, J04B, J08A, J08B, J08C, J11A, J11B, J16Z							
			09	J03A, J03B, J04A, J04B, J08A, J08B, J08C, J11A, J11B, J16Z		10		K09A, K09B							
			10	K09A, K09B		21A		W04A, W04B							
			21A	W04A, W04B		21B		X06A, X06B, X06C, X33Z							
		21B	X06A, X06B, X06C	8r433.52↔	05	F01A, F01B, F01D, F14A, F14B, F15Z, F24A, F24B, F28A, F36A, F36B, F54Z, F59A, F59B									
		8r433.4k↔	01			B04A, B04B, B04C, B04D		09	J03A, J03B, J04A, J04B, J08A, J08B, J08C, J11A, J11B, J16Z	8r433.59↔		05	F01A, F01B, F01D, F14A, F14B, F15Z, F24A, F24B, F28A, F36A, F36B, F54Z, F59A, F59B		
				05	F01A, F01B, F01D, F14A, F14B, F15Z, F24A, F24B, F28A, F36A, F36B, F54Z, F59A, F59B	09			J03A, J03B, J04A, J04B, J08A, J08B, J08C, J11A, J11B, J16Z						
				09	J03A, J03B, J04A, J04B, J08A, J08B, J08C, J11A, J11B, J16Z	10			K09A, K09B						
				10	K09A, K09B	21A			W04A, W04B						
				21A	W04A, W04B	21B			X06A, X06B, X06C						
21B	X06A, X06B, X06C			8r433.53↔	05	F01A, F01B, F01D, F14A, F14B, F15Z, F24A, F24B, F28A, F36A, F36B, F54Z, F59A, F59B									
8r433.4m↔	01					B04A, B04B, B04C, B04D	09		J03A, J03B, J04A, J04B, J08A, J08B, J08C, J11A, J11B, J16Z		8r433.5a		05	F01A, F01B, F01D, F14A, F14B, F15Z, F24A, F24B, F28A, F36A, F36B, F54Z, F59A, F59B	
				05	F01A, F01B, F01D, F14A, F14B, F15Z, F24A, F24B, F28A, F36A, F36B, F54Z, F59A, F59B	06			G10Z, G12A, G12B						
				09	J03A, J03B, J04A, J04B, J08A, J08B, J08C, J11A, J11B, J16Z	09			J03A, J03B, J04A, J04B, J08A, J08B, J08C, J11A, J11B, J16Z						
				10	K09A, K09B	10			K09A, K09B						
				21A	W04A, W04B	11			L09A, L09B, L09C, L09D, L38Z						
		21B	X06A, X06B, X06C	21A	W04A, W04B										
		8r433.5b↔	05	F01A, F01B, F01D, F14A, F14B, F15Z, F24A, F24B, F28A, F36A, F36B, F54Z, F59A, F59B	8r433.54	05		F01A, F01B, F01D, F15Z, F19A, F19B, F19C, F24A, F24B, F36A, F36B	8r433.5b↔	05		F01A, F01B, F01D, F14A, F14B, F15Z, F24A, F24B, F28A, F36A, F36B, F54Z, F59A, F59B			
				09				J03A, J03B, J04A, J04B, J08A, J08B, J08C, J11A, J11B, J16Z				09		J03A, J03B, J04A, J04B, J08A, J08B, J08C, J11A, J11B, J16Z	
				10				K09A, K09B				10		K09A, K09B	
				21A				W04A, W04B				21A		W04A, W04B	
				21B				X06A, X06B, X06C				21B		X06A, X06B, X06C	

VYK



ZZV	MDC	DRG	ZZV	MDC	DRG	ZZV	MDC	DRG				
8r433.5c↔	05	F01A, F01B, F01D, F14A, F14B, F15Z, F24A, F24B, F28A, F36A, F36B, F54Z, F59A, F59B	8r433.5j↔	01	BOP, UOP4	8r433.60	01	BOP, KOP, UOP4				
		05			B04A, B04B, B04C, B04D			01	B02A, B02B, B02C, B02D, B20A, B20B, B20C, B20D, B20E, B39A, B39B			
	09	J03A, J03B, J04A, J04B, J08A, J08B, J08C, J11A, J11B, J16Z		05	F01A, F01B, F01D, F14A, F14B, F15Z, F24A, F24B, F28A, F36A, F36B, F54Z, F59A, F59B		09	J03A, J03B, J04A, J04B, J08A, J08B, J08C, J11A, J11B, J16Z	05	F01A, F01B, F01D, F14A, F14B, F15Z, F24A, F24B, F28A, F36A, F36B, F54Z, F59A, F59B		
		10			K09A, K09B			09		J03A, J03B, J04A, J04B, J08A, J08B, J08C, J11A, J11B, J16Z		
		21A			W04A, W04B			10		K09A, K09B	09	J03A, J03B, J04A, J04B, J08A, J08B, J08C, J11A, J11B, J16Z
21B	X04Z, X06A, X06B, X06C	21A	W04A, W04B	21A	W04A, W04B	10	K09A, K09B					
8r433.5d	05	F01A, F01B, F01D, F14A, F14B, F15Z, F24A, F24B, F28A, F36A, F36B, F54Z, F59A, F59B	8r433.5k↔	01	BOP, UOP4	8r433.62↔	01	W04A, W04B				
		05			B04A, B04B, B04C, B04D			05	F01A, F01B, F01D, F14A, F14B, F15Z, F24A, F24B, F28A, F36A, F36B, F54Z, F59A, F59B			
	09	J03A, J03B, J04A, J04B, J08A, J08B, J08C, J11A, J11B, J16Z		05	F01A, F01B, F01D, F14A, F14B, F15Z, F24A, F24B, F28A, F36A, F36B, F54Z, F59A, F59B		09	J03A, J03B, J04A, J04B, J08A, J08B, J08C, J11A, J11B, J16Z	09	J03A, J03B, J04A, J04B, J08A, J08B, J08C, J11A, J11B, J16Z		
		10			K09A, K09B			10		K09A, K09B		
		21A			W04A, W04B			21A		W04A, W04B	21A	W04A, W04B
21B	X04Z, X05A, X05B, X06A, X06B, X06C	21B	X06A, X06B, X06C	21B	X06A, X06B, X06C	21B	X06A, X06B, X06C					
8r433.5e	05	F01A, F01B, F01D, F14A, F14B, F15Z, F24A, F24B, F28A, F36A, F36B, F54Z, F59A, F59B	8r433.5m↔	01	BOP, UOP4	8r433.63↔	05	F01A, F01B, F01D, F14A, F14B, F15Z, F24A, F24B, F28A, F36A, F36B, F54Z, F59A, F59B				
		05			B04A, B04B, B04C, B04D			05	F01A, F01B, F01D, F14A, F14B, F15Z, F24A, F24B, F28A, F36A, F36B, F54Z, F59A, F59B			
	09	J03A, J03B, J04A, J04B, J08A, J08B, J08C, J11A, J11B, J16Z		05	F01A, F01B, F01D, F14A, F14B, F15Z, F24A, F24B, F28A, F36A, F36B, F54Z, F59A, F59B		09	J03A, J03B, J04A, J04B, J08A, J08B, J08C, J11A, J11B, J16Z	09	J03A, J03B, J04A, J04B, J08A, J08B, J08C, J11A, J11B, J16Z		
		10			K09A, K09B			10		K09A, K09B		
		21A			W04A, W04B			21A		W04A, W04B	21A	W04A, W04B
21B	X04Z, X05A, X05B, X06A, X06B, X06C	21B	X06A, X06B, X06C	21B	X06A, X06B, X06C	21B	X06A, X06B, X06C					
8r433.5f	05	F01A, F01B, F01D, F14A, F14B, F15Z, F24A, F24B, F28A, F36A, F36B, F54Z, F59A, F59B	8r433.5n↔	01	BOP, UOP4	8r433.64	05	F01A, F01B, F01D, F14A, F14B, F15Z, F24A, F24B, F28A, F36A, F36B, F54Z, F59A, F59B				
		05			B04A, B04B, B04C, B04D			05	F01A, F01B, F01D, F14A, F14B, F15Z, F24A, F24B, F28A, F36A, F36B, F54Z, F59A, F59B			
	09	J03A, J03B, J04A, J04B, J08A, J08B, J08C, J11A, J11B, J16Z		05	F01A, F01B, F01D, F14A, F14B, F15Z, F24A, F24B, F28A, F36A, F36B, F54Z, F59A, F59B		09	J03A, J03B, J04A, J04B, J08A, J08B, J08C, J11A, J11B, J16Z	09	J03A, J03B, J04A, J04B, J08A, J08B, J08C, J11A, J11B, J16Z		
		10			K09A, K09B			10		K09A, K09B		
		21A			W04A, W04B			21A		W04A, W04B	21A	W04A, W04B
21B	X04Z, X05A, X05B, X06A, X06B, X06C	21B	X06A, X06B, X06C	21B	X06A, X06B, X06C	21B	X06A, X06B, X06C					
8r433.5g	05	F01A, F01B, F01D, F14A, F14B, F15Z, F24A, F24B, F28A, F36A, F36B, F54Z, F59A, F59B	8r433.5x↔	01	BOP, UOP4	8r433.65	05	F01A, F01B, F01D, F14A, F14B, F15Z, F24A, F24B, F28A, F36A, F36B, F54Z, F59A, F59B				
		05			B04A, B04B, B04C, B04D			05	F01A, F01B, F01D, F14A, F14B, F15Z, F24A, F24B, F28A, F36A, F36B, F54Z, F59A, F59B			
	06	G10Z, G12A, G12B		05	F01A, F01B, F01D, F14A, F14B, F15Z, F24A, F24B, F28A, F36A, F36B, F54Z, F59A, F59B		09	J03A, J03B, J04A, J04B, J08A, J08B, J08C, J11A, J11B, J16Z	09	J03A, J03B, J04A, J04B, J08A, J08B, J08C, J11A, J11B, J16Z		
		09			J03A, J03B, J04A, J04B, J08A, J08B, J08C, J11A, J11B, J16Z			10		K09A, K09B	10	K09A, K09B
		10			K09A, K09B			10		K09A, K09B	10	K09A, K09B
11	L09A, L09B, L09C, L09D, L38Z	11	L09A, L09B, L09C, L09D, L38Z	11	L09A, L09B, L09C, L09D, L38Z	11	L09A, L09B, L09C, L09D, L38Z					
21A	W04A, W04B	21A	W04A, W04B	21A	W04A, W04B	21A	W04A, W04B					
21B	X06A, X06B, X06C	21B	X06A, X06B, X06C	21B	X06A, X06B, X06C	21B	X06A, X06B, X06C					
8r433.5h↔	01	BOP, UOP4	8r433.5y↔	01	B04A, B04B, B04C, B04D	8r433.66	05	F01A, F01B, F01D, F14A, F14B, F15Z, F24A, F24B, F28A, F36A, F36B, F54Z, F59A, F59B				
		05			F01A, F01B, F01D, F14A, F14B, F15Z, F24A, F24B, F28A, F36A, F36B, F54Z, F59A, F59B			05	F01A, F01B, F01D, F14A, F14B, F15Z, F24A, F24B, F28A, F36A, F36B, F54Z, F59A, F59B			
	09	J03A, J03B, J04A, J04B, J08A, J08B, J08C, J11A, J11B, J16Z		05	F01A, F01B, F01D, F14A, F14B, F15Z, F24A, F24B, F28A, F36A, F36B, F54Z, F59A, F59B		09	J03A, J03B, J04A, J04B, J08A, J08B, J08C, J11A, J11B, J16Z	09	J03A, J03B, J04A, J04B, J08A, J08B, J08C, J11A, J11B, J16Z		
		10			K09A, K09B			10		K09A, K09B		
		21A			W04A, W04B			21A		W04A, W04B	21A	W04A, W04B
21B	X06A, X06B, X06C	21B	X06A, X06B, X06C	21B	X06A, X06B, X06C	21B	X06A, X06B, X06C					

VYK

ZZV	MDC	DRG	ZZV	MDC	DRG	ZZV	MDC	DRG			
8r433.67	05	F01A, F01B, F01D, F14A, F14B, F15Z, F24A, F24B, F28A, F36A, F36B, F54Z, F59A, F59B	8r433.6d	05	F01A, F01B, F01D, F14A, F14B, F15Z, F24A, F24B, F28A, F36A, F36B, F54Z, F59A, F59B	8r433.6k↔		BOP, UOP4			
	09	J03A, J03B, J04A, J04B, J08A, J08B, J08C, J11A, J11B, J16Z		09	J03A, J03B, J04A, J04B, J08A, J08B, J08C, J11A, J11B, J16Z		01	B04A, B04B, B04C, B04D			
	10	K09A, K09B		10	K09A, K09B		05	F01A, F01B, F01D, F14A, F14B, F15Z, F24A, F24B, F28A, F36A, F36B, F54Z, F59A, F59B			
	21A	W04A, W04B		21A	W04A, W04B		09	J03A, J03B, J04A, J04B, J08A, J08B, J08C, J11A, J11B, J16Z			
	21B	X06A, X06B, X06C		21B	X04Z, X05A, X05B, X06A, X06B, X06C		10	K09A, K09B			
8r433.68↔	05	F01A, F01B, F01D, F14A, F14B, F15Z, F24A, F24B, F28A, F36A, F36B, F54Z, F59A, F59B	8r433.6e	05	F01A, F01B, F01D, F14A, F14B, F15Z, F24A, F24B, F28A, F36A, F36B, F54Z, F59A, F59B	8r433.6m↔	21A	W04A, W04B			
	09	J03A, J03B, J04A, J04B, J08A, J08B, J08C, J11A, J11B, J16Z		09	J03A, J03B, J04A, J04B, J08A, J08B, J08C, J11A, J11B, J16Z		21B	X06A, X06B, X06C			
	10	K09A, K09B		10	K09A, K09B			BOP, UOP4			
	21A	W04A, W04B		21A	W04A, W04B		01	B04A, B04B, B04C, B04D			
	21B	X06A, X06B, X06C		21B	X04Z, X05A, X05B, X06A, X06B, X06C		05	F01A, F01B, F01D, F14A, F14B, F15Z, F24A, F24B, F28A, F36A, F36B, F54Z, F59A, F59B			
8r433.69↔	05	F01A, F01B, F01D, F14A, F14B, F15Z, F24A, F24B, F28A, F36A, F36B, F54Z, F59A, F59B	8r433.6f	05	F01A, F01B, F01D, F14A, F14B, F15Z, F24A, F24B, F28A, F36A, F36B, F54Z, F59A, F59B	8r433.6n↔	09	J03A, J03B, J04A, J04B, J08A, J08B, J08C, J11A, J11B, J16Z			
	09	J03A, J03B, J04A, J04B, J08A, J08B, J08C, J11A, J11B, J16Z		09	J03A, J03B, J04A, J04B, J08A, J08B, J08C, J11A, J11B, J16Z		10	K09A, K09B			
	10	K09A, K09B		10	K09A, K09B		21A	W04A, W04B			
	21A	W04A, W04B		21A	W04A, W04B		21B	X06A, X06B, X06C			
	21B	X06A, X06B, X06C		21B	X04Z, X05A, X05B, X06A, X06B, X06C			BOP, UOP4			
8r433.6a	05	F01A, F01B, F01D, F14A, F14B, F15Z, F24A, F24B, F28A, F36A, F36B, F54Z, F59A, F59B	8r433.6g	05	F01A, F01B, F01D, F14A, F14B, F15Z, F24A, F24B, F28A, F36A, F36B, F54Z, F59A, F59B	8r433.6x↔	01	B04A, B04B, B04C, B04D			
	06	G10Z, G12A, G12B		06	G10Z, G12A, G12B		05	F01A, F01B, F01D, F14A, F14B, F15Z, F24A, F24B, F28A, F36A, F36B, F54Z, F59A, F59B			
	09	J03A, J03B, J04A, J04B, J08A, J08B, J08C, J11A, J11B, J16Z		09	J03A, J03B, J04A, J04B, J08A, J08B, J08C, J11A, J11B, J16Z		09	J03A, J03B, J04A, J04B, J08A, J08B, J08C, J11A, J11B, J16Z			
	10	K09A, K09B		10	K09A, K09B		10	K09A, K09B			
	11	L09A, L09B, L09C, L09D, L38Z		11	L09A, L09B, L09C, L09D, L38Z		21A	W04A, W04B			
	21A	W04A, W04B		21A	W04A, W04B		21B	X06A, X06B, X06C			
	21B	X06A, X06B, X06C		21B	X06A, X06B, X06C			BOP, UOP4			
	8r433.6b↔	05		F01A, F01B, F01D, F14A, F14B, F15Z, F24A, F24B, F28A, F36A, F36B, F54Z, F59A, F59B	8r433.6h↔		01	B04A, B04B, B04C, B04D	8r434.00	01	B02A, B02B, B02C, B02D, B20A, B20B, B20C, B20D, B20E, B39A, B39B
		09		J03A, J03B, J04A, J04B, J08A, J08B, J08C, J11A, J11B, J16Z			05	F01A, F01B, F01D, F14A, F14B, F15Z, F24A, F24B, F28A, F36A, F36B, F54Z, F59A, F59B		05	F01A, F01B, F01D, F14A, F14B, F15Z, F24A, F24B, F28A, F36A, F36B, F54Z, F59A, F59B
		10		K09A, K09B			09	J03A, J03B, J04A, J04B, J08A, J08B, J08C, J11A, J11B, J16Z		09	J03A, J03B, J04A, J04B, J08A, J08B, J08C, J11A, J11B, J16Z
		21A		W04A, W04B			10	K09A, K09B		10	K09A, K09B
21B		X04Z, X06A, X06B, X06C	21A	W04A, W04B		21A	W04A, W04B				
8r433.6c↔	05	F01A, F01B, F01D, F14A, F14B, F15Z, F24A, F24B, F28A, F36A, F36B, F54Z, F59A, F59B	8r433.6j↔	01	B04A, B04B, B04C, B04D	8r434.02↔	21B	X06A, X06B, X06C			
	09	J03A, J03B, J04A, J04B, J08A, J08B, J08C, J11A, J11B, J16Z		05	F01A, F01B, F01D, F14A, F14B, F15Z, F24A, F24B, F28A, F36A, F36B, F54Z, F59A, F59B		05	F01A, F01B, F01D, F14A, F14B, F15Z, F24A, F24B, F28A, F36A, F36B, F54Z, F59A, F59B			
	10	K09A, K09B		09	J03A, J03B, J04A, J04B, J08A, J08B, J08C, J11A, J11B, J16Z		09	J03A, J03B, J04A, J04B, J08A, J08B, J08C, J11A, J11B, J16Z			
	21A	W04A, W04B		10	K09A, K09B		10	K09A, K09B			
	21B	X04Z, X06A, X06B, X06C		21A	W04A, W04B		21A	W04A, W04B			
				21B	X06A, X06B, X06C						

ZZV	MDC	DRG	ZZV	MDC	DRG	ZZV	MDC	DRG
8r434.03↔	05	F01A, F01B, F01D, F14A, F14B, F15Z, F24A, F24B, F28A, F36A, F36B, F54Z, F59A, F59B	8r434.0a	05	F01A, F01B, F01D, F14A, F14B, F15Z, F24A, F24B, F28A, F36A, F36B, F54Z, F59A, F59B	8r434.0g	05	F01A, F01B, F01D, F14A, F14B, F15Z, F24A, F24B, F28A, F36A, F36B, F54Z, F59A, F59B
	09	J03A, J03B, J04A, J04B, J08A, J08B, J08C, J11A, J11B, J16Z		06	G10Z, G12A, G12B		06	G10Z, G12A, G12B
	10	K09A, K09B		09	J03A, J03B, J04A, J04B, J08A, J08B, J08C, J11A, J11B, J16Z		09	J03A, J03B, J04A, J04B, J08A, J08B, J08C, J11A, J11B, J16Z
	21A	W04A, W04B		10	K09A, K09B		10	K09A, K09B
	21B	X05A, X05B, X06A, X06B, X06C		11	L09A, L09B, L09C, L09D, L38Z		11	L09A, L09B, L09C, L09D, L38Z
8r434.04	05	F01A, F01B, F01D, F14A, F14B, F15Z, F19A, F19B, F19C, F24A, F24B, F36A, F36B, F54Z	8r434.0b↔	21A	W04A, W04B	8r434.0h↔	21A	W04A, W04B
	09	J03A, J03B, J04A, J04B, J08A, J08B, J08C, J11A, J11B, J16Z		21B	X06A, X06B, X06C		21B	X06A, X06B, X06C
	10	K09A, K09B		05	F01A, F01B, F01D, F14A, F14B, F15Z, F24A, F24B, F28A, F36A, F36B, F54Z, F59A, F59B		01	B04A, B04B, B04C, B04D
	21A	W04A, W04B		09	J03A, J03B, J04A, J04B, J08A, J08B, J08C, J11A, J11B, J16Z		05	F01A, F01B, F01D, F14A, F14B, F15Z, F24A, F24B, F28A, F36A, F36B, F54Z, F59A, F59B
	21B	X06A, X06B, X06C		10	K09A, K09B		09	J03A, J03B, J04A, J04B, J08A, J08B, J08C, J11A, J11B, J16Z
8r434.05	05	F01A, F01B, F01D, F14A, F14B, F15Z, F19A, F19B, F19C, F24A, F24B, F36A, F36B, F54Z	8r434.0c↔	21A	W04A, W04B	8r434.0j↔	10	K09A, K09B
	09	J03A, J03B, J04A, J04B, J08A, J08B, J08C, J11A, J11B, J16Z		21B	X04Z, X06A, X06B, X06C		21A	W04A, W04B
	10	K09A, K09B		05	F01A, F01B, F01D, F14A, F14B, F15Z, F24A, F24B, F28A, F36A, F36B, F54Z, F59A, F59B		21B	X06A, X06B, X06C
	21A	W04A, W04B		09	J03A, J03B, J04A, J04B, J08A, J08B, J08C, J11A, J11B, J16Z		01	B04A, B04B, B04C, B04D
	21B	X06A, X06B, X06C		10	K09A, K09B		05	F01A, F01B, F01D, F14A, F14B, F15Z, F24A, F24B, F28A, F36A, F36B, F54Z, F59A, F59B
8r434.06	05	F01A, F01B, F01D, F14A, F14B, F15Z, F19A, F19B, F19C, F24A, F24B, F36A, F36B, F54Z	8r434.0d	21A	W04A, W04B	8r434.0k↔	09	J03A, J03B, J04A, J04B, J08A, J08B, J08C, J11A, J11B, J16Z
	09	J03A, J03B, J04A, J04B, J08A, J08B, J08C, J11A, J11B, J16Z		21B	X04Z, X06A, X06B, X06C		10	K09A, K09B
	10	K09A, K09B		05	F01A, F01B, F01D, F14A, F14B, F15Z, F24A, F24B, F28A, F36A, F36B, F54Z, F59A, F59B		21A	W04A, W04B
	21A	W04A, W04B		09	J03A, J03B, J04A, J04B, J08A, J08B, J08C, J11A, J11B, J16Z		21B	X06A, X06B, X06C
	21B	X06A, X06B, X06C		10	K09A, K09B		01	B04A, B04B, B04C, B04D
8r434.07	05	F01A, F01B, F01D, F14A, F14B, F15Z, F24A, F24B, F28A, F36A, F36B, F54Z, F59A, F59B	8r434.0e	21A	W04A, W04B	8r434.0m↔	05	F01A, F01B, F01D, F14A, F14B, F15Z, F24A, F24B, F28A, F36A, F36B, F54Z, F59A, F59B
	09	J03A, J03B, J04A, J04B, J08A, J08B, J08C, J11A, J11B, J16Z		21B	X04Z, X05A, X05B, X06A, X06B, X06C		09	J03A, J03B, J04A, J04B, J08A, J08B, J08C, J11A, J11B, J16Z
	10	K09A, K09B		05	F01A, F01B, F01D, F14A, F14B, F15Z, F24A, F24B, F28A, F36A, F36B, F54Z, F59A, F59B		10	K09A, K09B
	21A	W04A, W04B		09	J03A, J03B, J04A, J04B, J08A, J08B, J08C, J11A, J11B, J16Z		21A	W04A, W04B
	21B	X06A, X06B, X06C		10	K09A, K09B		21B	X06A, X06B, X06C
8r434.08↔	05	F01A, F01B, F01D, F14A, F14B, F15Z, F24A, F24B, F28A, F36A, F36B, F54Z, F59A, F59B	8r434.0f	21A	W04A, W04B	8r434.0n↔	01	B04A, B04B, B04C, B04D
	09	J03A, J03B, J04A, J04B, J08A, J08B, J08C, J11A, J11B, J16Z		21B	X04Z, X05A, X05B, X06A, X06B, X06C		05	F01A, F01B, F01D, F14A, F14B, F15Z, F24A, F24B, F28A, F36A, F36B, F54Z, F59A, F59B
	10	K09A, K09B		05	F01A, F01B, F01D, F14A, F14B, F15Z, F24A, F24B, F28A, F36A, F36B, F54Z, F59A, F59B		09	J03A, J03B, J04A, J04B, J08A, J08B, J08C, J11A, J11B, J16Z
	21A	W04A, W04B		09	J03A, J03B, J04A, J04B, J08A, J08B, J08C, J11A, J11B, J16Z		10	K09A, K09B
	21B	X06A, X06B, X06C		10	K09A, K09B		21A	W04A, W04B
8r434.09↔	05	F01A, F01B, F01D, F14A, F14B, F15Z, F24A, F24B, F28A, F36A, F36B, F54Z, F59A, F59B	8r434.0g	21B	X04Z, X05A, X05B, X06A, X06B, X06C	8r434.0o↔	21B	X06A, X06B, X06C
	09	J03A, J03B, J04A, J04B, J08A, J08B, J08C, J11A, J11B, J16Z		10	K09A, K09B		01	B04A, B04B, B04C, B04D
	10	K09A, K09B		21A	W04A, W04B		05	F01A, F01B, F01D, F14A, F14B, F15Z, F24A, F24B, F28A, F36A, F36B, F54Z, F59A, F59B
	21A	W04A, W04B		21B	X06A, X06B, X06C		09	J03A, J03B, J04A, J04B, J08A, J08B, J08C, J11A, J11B, J16Z
	21B	X06A, X06B, X06C		10	K09A, K09B		10	K09A, K09B

VYK

ZZV	MDC	DRG	ZZV	MDC	DRG	ZZV	MDC	DRG			
8r434.0n↔		BOP, UOP4	8r434.15	05	F01A, F01B, F01D, F14A, F14B, F15Z, F19A, F19B, F19C, F24A, F24B, F36A, F36B, F54Z	8r434.1b↔	05	F01A, F01B, F01D, F14A, F14B, F15Z, F24A, F24B, F28A, F36A, F36B, F54Z, F59A, F59B			
	01	B04A, B04B, B04C, B04D		09	J03A, J03B, J04A, J04B, J08A, J08B, J08C, J11A, J11B, J16Z		09	J03A, J03B, J04A, J04B, J08A, J08B, J08C, J11A, J11B, J16Z			
	05	F01A, F01B, F01D, F14A, F14B, F15Z, F24A, F24B, F28A, F36A, F36B, F54Z, F59A, F59B		10	K09A, K09B		10	K09A, K09B			
	09	J03A, J03B, J04A, J04B, J08A, J08B, J08C, J11A, J11B, J16Z		21A	W04A, W04B		21A	W04A, W04B			
	10	K09A, K09B		21B	X06A, X06B, X06C		21B	X04Z, X06A, X06B, X06C			
	21A	W04A, W04B		8r434.16	05		F01A, F01B, F01D, F14A, F14B, F15Z, F19A, F19B, F19C, F24A, F24B, F36A, F36B, F54Z	8r434.1c↔	05	F01A, F01B, F01D, F14A, F14B, F15Z, F24A, F24B, F28A, F36A, F36B, F54Z, F59A, F59B	
	21B	X06A, X06B, X06C			09		J03A, J03B, J04A, J04B, J08A, J08B, J08C, J11A, J11B, J16Z		09	J03A, J03B, J04A, J04B, J08A, J08B, J08C, J11A, J11B, J16Z	
	8r434.0x↔	05			F01A, F01B, F01D, F14A, F14B, F15Z, F24A, F24B, F28A, F36A, F36B, F54Z, F59A, F59B		10		K09A, K09B	10	K09A, K09B
		09			J03A, J03B, J04A, J04B, J08A, J08B, J08C, J11A, J11B, J16Z		21A		W04A, W04B	21A	W04A, W04B
		10			K09A, K09B		21B		X06A, X06B, X06C	21B	X04Z, X06A, X06B, X06C
21A		W04A, W04B	8r434.17		05	F01A, F01B, F01D, F14A, F14B, F15Z, F24A, F24B, F28A, F36A, F36B, F54Z, F59A, F59B	8r434.1d		05	F01A, F01B, F01D, F14A, F14B, F15Z, F24A, F24B, F28A, F36A, F36B, F54Z, F59A, F59B	
21B		X06A, X06B, X06C			09	J03A, J03B, J04A, J04B, J08A, J08B, J08C, J11A, J11B, J16Z			09	J03A, J03B, J04A, J04B, J08A, J08B, J08C, J11A, J11B, J16Z	
8r434.10		BOP, KOP, UOP4			10	K09A, K09B			10	K09A, K09B	
		01			B02A, B02B, B02C, B02D, B20A, B20B, B20C, B20D, B20E, B39A, B39B	21A			W04A, W04B	21A	W04A, W04B
		05			F01A, F01B, F01D, F14A, F14B, F15Z, F24A, F24B, F28A, F36A, F36B, F54Z, F59A, F59B	21B			X06A, X06B, X06C	21B	X04Z, X05A, X05B, X06A, X06B, X06C
		09		J03A, J03B, J04A, J04B, J08A, J08B, J08C, J11A, J11B, J16Z	8r434.18↔	05		F01A, F01B, F01D, F14A, F14B, F15Z, F24A, F24B, F28A, F36A, F36B, F54Z, F59A, F59B	8r434.1e	05	F01A, F01B, F01D, F14A, F14B, F15Z, F24A, F24B, F28A, F36A, F36B, F54Z, F59A, F59B
		10		K09A, K09B		09		J03A, J03B, J04A, J04B, J08A, J08B, J08C, J11A, J11B, J16Z		09	J03A, J03B, J04A, J04B, J08A, J08B, J08C, J11A, J11B, J16Z
	21A	W04A, W04B		10		K09A, K09B		10		K09A, K09B	
	21B	X06A, X06B, X06C, X33Z		21A		W04A, W04B		21A		W04A, W04B	
	8r434.12↔	05		F01A, F01B, F01D, F14A, F14B, F15Z, F24A, F24B, F28A, F36A, F36B, F54Z, F59A, F59B		21B		X06A, X06B, X06C		21B	X04Z, X05A, X05B, X06A, X06B, X06C
		09	J03A, J03B, J04A, J04B, J08A, J08B, J08C, J11A, J11B, J16Z	8r434.19↔		05	F01A, F01B, F01D, F14A, F14B, F15Z, F24A, F24B, F28A, F36A, F36B, F54Z, F59A, F59B	8r434.1f		05	F01A, F01B, F01D, F14A, F14B, F15Z, F24A, F24B, F28A, F36A, F36B, F54Z, F59A, F59B
		10	K09A, K09B			09	J03A, J03B, J04A, J04B, J08A, J08B, J08C, J11A, J11B, J16Z			09	J03A, J03B, J04A, J04B, J08A, J08B, J08C, J11A, J11B, J16Z
21A		W04A, W04B	10			K09A, K09B	10			K09A, K09B	
21B		X06A, X06B, X06C	21A			W04A, W04B	21A			W04A, W04B	
8r434.13↔		05	F01A, F01B, F01D, F14A, F14B, F15Z, F24A, F24B, F28A, F36A, F36B, F54Z, F59A, F59B			21B	X06A, X06B, X06C			21B	X04Z, X05A, X05B, X06A, X06B, X06C
		09	J03A, J03B, J04A, J04B, J08A, J08B, J08C, J11A, J11B, J16Z		8r434.1a	05	F01A, F01B, F01D, F14A, F14B, F15Z, F24A, F24B, F28A, F36A, F36B, F54Z, F59A, F59B		8r434.1g	05	F01A, F01B, F01D, F14A, F14B, F15Z, F24A, F24B, F28A, F36A, F36B, F54Z, F59A, F59B
		10	K09A, K09B			06	G10Z, G12A, G12B			06	G10Z, G12A, G12B
		21A	W04A, W04B			09	J03A, J03B, J04A, J04B, J08A, J08B, J08C, J11A, J11B, J16Z			09	J03A, J03B, J04A, J04B, J08A, J08B, J08C, J11A, J11B, J16Z
		21B	X05A, X05B, X06A, X06B, X06C			10	K09A, K09B			10	K09A, K09B
	8r434.14	05	F01A, F01B, F01D, F14A, F14B, F15Z, F19A, F19B, F19C, F24A, F24B, F36A, F36B, F54Z			11	L09A, L09B, L09C, L09D, L38Z			11	L09A, L09B, L09C, L09D, L38Z
		09	J03A, J03B, J04A, J04B, J08A, J08B, J08C, J11A, J11B, J16Z	21A		W04A, W04B	10	K09A, K09B			
		10	K09A, K09B	21B		X06A, X06B, X06C	11	L09A, L09B, L09C, L09D, L38Z			
		21A	W04A, W04B				21A	W04A, W04B			
		21B	X06A, X06B, X06C				21B	X06A, X06B, X06C			



ZZV	MDC	DRG	ZZV	MDC	DRG	ZZV	MDC	DRG	
8r435.0d	05	F01A, F01B, F01D, F14A, F14B, F15Z, F24A, F24B, F28A, F36A, F36B, F54Z, F59A, F59B	8r435.0k↔	01	BOP, UOP4	8r435.13↔	05	F01A, F01B, F01D, F14A, F14B, F15Z, F24A, F24B, F28A, F36A, F36B, F54Z, F59A, F59B	
		09			J03A, J03B, J04A, J04B, J08A, J08B, J08C, J11A, J11B, J16Z			09	J03A, J03B, J04A, J04B, J08A, J08B, J08C, J11A, J11B, J16Z
		10			K09A, K09B			10	K09A, K09B
		21A			W04A, W04B			21A	W04A, W04B
		21B			X04Z, X05A, X05B, X06A, X06B, X06C			21B	X05A, X05B, X06A, X06B, X06C
8r435.0e	05	F01A, F01B, F01D, F14A, F14B, F15Z, F24A, F24B, F28A, F36A, F36B, F54Z, F59A, F59B	8r435.0m↔	01	BOP, UOP4	8r435.14	05	F01A, F01B, F01D, F14A, F14B, F15Z, F19A, F19B, F19C, F24A, F24B, F36A, F36B, F54Z	
		09			J03A, J03B, J04A, J04B, J08A, J08B, J08C, J11A, J11B, J16Z			09	J03A, J03B, J04A, J04B, J08A, J08B, J08C, J11A, J11B, J16Z
		10			K09A, K09B			10	K09A, K09B
		21A			W04A, W04B			21A	W04A, W04B
		21B			X04Z, X05A, X05B, X06A, X06B, X06C			21B	X06A, X06B, X06C
8r435.0f	05	F01A, F01B, F01D, F14A, F14B, F15Z, F24A, F24B, F28A, F36A, F36B, F54Z, F59A, F59B	8r435.0n↔	01	BOP, UOP4	8r435.15	05	F01A, F01B, F01D, F14A, F14B, F15Z, F19A, F19B, F19C, F24A, F24B, F36A, F36B, F54Z	
		09			J03A, J03B, J04A, J04B, J08A, J08B, J08C, J11A, J11B, J16Z			09	J03A, J03B, J04A, J04B, J08A, J08B, J08C, J11A, J11B, J16Z
		10			K09A, K09B			10	K09A, K09B
		21A			W04A, W04B			21A	W04A, W04B
		21B			X04Z, X05A, X05B, X06A, X06B, X06C			21B	X06A, X06B, X06C
8r435.0g	05	F01A, F01B, F01D, F14A, F14B, F15Z, F24A, F24B, F28A, F36A, F36B, F54Z, F59A, F59B	8r435.0o↔	01	B04A, B04B, B04C, B04D	8r435.16	05	F01A, F01B, F01D, F14A, F14B, F15Z, F19A, F19B, F19C, F24A, F24B, F36A, F36B, F54Z	
		06			G10Z, G12A, G12B			06	G10Z, G12A, G12B
		09			J03A, J03B, J04A, J04B, J08A, J08B, J08C, J11A, J11B, J16Z			09	J03A, J03B, J04A, J04B, J08A, J08B, J08C, J11A, J11B, J16Z
		10			K09A, K09B			10	K09A, K09B
		11			L09A, L09B, L09C, L09D, L38Z			11	L09A, L09B, L09C, L09D, L38Z
8r435.0h↔	01	B04A, B04B, B04C, B04D	8r435.10	01	B02A, B02B, B02C, B02D, B20A, B20B, B20C, B20D, B20E, B39A, B39B	8r435.17	05	F01A, F01B, F01D, F14A, F14B, F15Z, F24A, F24B, F28A, F36A, F36B, F54Z, F59A, F59B	
		05			F01A, F01B, F01D, F14A, F14B, F15Z, F24A, F24B, F28A, F36A, F36B, F54Z, F59A, F59B			05	F01A, F01B, F01D, F14A, F14B, F15Z, F24A, F24B, F28A, F36A, F36B, F54Z, F59A, F59B
		09			J03A, J03B, J04A, J04B, J08A, J08B, J08C, J11A, J11B, J16Z			09	J03A, J03B, J04A, J04B, J08A, J08B, J08C, J11A, J11B, J16Z
		10			K09A, K09B			10	K09A, K09B
		21A			W04A, W04B			21A	W04A, W04B
8r435.0j↔	01	BOP, UOP4	8r435.12↔	01	BOP, KOP, UOP4	8r435.18↔	05	F01A, F01B, F01D, F14A, F14B, F15Z, F24A, F24B, F28A, F36A, F36B, F54Z, F59A, F59B	
		05			F01A, F01B, F01D, F14A, F14B, F15Z, F24A, F24B, F28A, F36A, F36B, F54Z, F59A, F59B			05	F01A, F01B, F01D, F14A, F14B, F15Z, F24A, F24B, F28A, F36A, F36B, F54Z, F59A, F59B
		09			J03A, J03B, J04A, J04B, J08A, J08B, J08C, J11A, J11B, J16Z			09	J03A, J03B, J04A, J04B, J08A, J08B, J08C, J11A, J11B, J16Z
		10			K09A, K09B			10	K09A, K09B
		21A			W04A, W04B			21A	W04A, W04B
8r435.0k↔	01	B04A, B04B, B04C, B04D	8r435.13↔	01	B02A, B02B, B02C, B02D, B20A, B20B, B20C, B20D, B20E, B39A, B39B	8r435.19↔	05	F01A, F01B, F01D, F14A, F14B, F15Z, F24A, F24B, F28A, F36A, F36B, F54Z, F59A, F59B	
		05			F01A, F01B, F01D, F14A, F14B, F15Z, F24A, F24B, F28A, F36A, F36B, F54Z, F59A, F59B			05	F01A, F01B, F01D, F14A, F14B, F15Z, F24A, F24B, F28A, F36A, F36B, F54Z, F59A, F59B
		09			J03A, J03B, J04A, J04B, J08A, J08B, J08C, J11A, J11B, J16Z			09	J03A, J03B, J04A, J04B, J08A, J08B, J08C, J11A, J11B, J16Z
		10			K09A, K09B			10	K09A, K09B
		21A			W04A, W04B			21A	W04A, W04B
8r435.0l↔	01	B04A, B04B, B04C, B04D	8r435.14	01	B02A, B02B, B02C, B02D, B20A, B20B, B20C, B20D, B20E, B39A, B39B	8r435.20↔	05	F01A, F01B, F01D, F14A, F14B, F15Z, F24A, F24B, F28A, F36A, F36B, F54Z, F59A, F59B	
		05			F01A, F01B, F01D, F14A, F14B, F15Z, F24A, F24B, F28A, F36A, F36B, F54Z, F59A, F59B			05	F01A, F01B, F01D, F14A, F14B, F15Z, F24A, F24B, F28A, F36A, F36B, F54Z, F59A, F59B
		09			J03A, J03B, J04A, J04B, J08A, J08B, J08C, J11A, J11B, J16Z			09	J03A, J03B, J04A, J04B, J08A, J08B, J08C, J11A, J11B, J16Z
		10			K09A, K09B			10	K09A, K09B
		21A			W04A, W04B			21A	W04A, W04B

ZZV	MDC	DRG	ZZV	MDC	DRG	ZZV	MDC	DRG			
8r435.1a	05	F01A, F01B, F01D, F14A, F14B, F15Z, F24A, F24B, F28A, F36A, F36B, F54Z, F59A, F59B	8r435.1g	05	F01A, F01B, F01D, F14A, F14B, F15Z, F24A, F24B, F28A, F36A, F36B, F54Z, F59A, F59B	8r435.1n↔		BOP, UOP4			
		06			G10Z, G12A, G12B			06	G10Z, G12A, G12B	01	B04A, B04B, B04C, B04D
	09	J03A, J03B, J04A, J04B, J08A, J08B, J08C, J11A, J11B, J16Z		09	J03A, J03B, J04A, J04B, J08A, J08B, J08C, J11A, J11B, J16Z		05	F01A, F01B, F01D, F14A, F14B, F15Z, F24A, F24B, F28A, F36A, F36B, F54Z, F59A, F59B			
	10	K09A, K09B		10	K09A, K09B		09	J03A, J03B, J04A, J04B, J08A, J08B, J08C, J11A, J11B, J16Z			
	11	L09A, L09B, L09C, L09D, L38Z		11	L09A, L09B, L09C, L09D, L38Z		10	K09A, K09B			
	21A	W04A, W04B		21A	W04A, W04B		21A	W04A, W04B			
	21B	X06A, X06B, X06C		21B	X06A, X06B, X06C		21B	X06A, X06B, X06C			
	8r435.1b↔	05		F01A, F01B, F01D, F14A, F14B, F15Z, F24A, F24B, F28A, F36A, F36B, F54Z, F59A, F59B	8r435.1h↔		01	B04A, B04B, B04C, B04D	8r435.1x↔	05	F01A, F01B, F01D, F14A, F14B, F15Z, F24A, F24B, F28A, F36A, F36B, F54Z, F59A, F59B
				09				J03A, J03B, J04A, J04B, J08A, J08B, J08C, J11A, J11B, J16Z			05
		10		K09A, K09B			09	J03A, J03B, J04A, J04B, J08A, J08B, J08C, J11A, J11B, J16Z		09	J03A, J03B, J04A, J04B, J08A, J08B, J08C, J11A, J11B, J16Z
		21A		W04A, W04B			10	K09A, K09B		10	K09A, K09B
21B		X04Z, X06A, X06B, X06C	21A	W04A, W04B		21A	W04A, W04B				
8r435.1c↔		05	F01A, F01B, F01D, F14A, F14B, F15Z, F24A, F24B, F28A, F36A, F36B, F54Z, F59A, F59B	8r435.1j↔		01	B04A, B04B, B04C, B04D	8r436.5a		05	F01A, F01B, F01D, F15Z, F19A, F19B, F19C, F24A, F24B, F36A, F36B
			09				J03A, J03B, J04A, J04B, J08A, J08B, J08C, J11A, J11B, J16Z				05
	10	K09A, K09B	09		J03A, J03B, J04A, J04B, J08A, J08B, J08C, J11A, J11B, J16Z	09	J03A, J03B, J04A, J04B, J08A, J08B, J08C, J11A, J11B, J16Z				
	21A	W04A, W04B	10		K09A, K09B	10	K09A, K09B				
	21B	X04Z, X06A, X06B, X06C	21A		W04A, W04B	21A	W04A, W04B				
	8r435.1d	05	F01A, F01B, F01D, F14A, F14B, F15Z, F24A, F24B, F28A, F36A, F36B, F54Z, F59A, F59B		8r435.1k↔	01	B04A, B04B, B04C, B04D			8r436.5b	05
			09				J03A, J03B, J04A, J04B, J08A, J08B, J08C, J11A, J11B, J16Z		05		
10		K09A, K09B	09	J03A, J03B, J04A, J04B, J08A, J08B, J08C, J11A, J11B, J16Z		09	J03A, J03B, J04A, J04B, J08A, J08B, J08C, J11A, J11B, J16Z				
21A		W04A, W04B	10	K09A, K09B		10	K09A, K09B				
21B		X04Z, X05A, X05B, X06A, X06B, X06C	21A	W04A, W04B		21A	W04A, W04B				
8r435.1e		05	F01A, F01B, F01D, F14A, F14B, F15Z, F24A, F24B, F28A, F36A, F36B, F54Z, F59A, F59B	8r435.1m↔		01	B04A, B04B, B04C, B04D		8r436.5d		05
			09				J03A, J03B, J04A, J04B, J08A, J08B, J08C, J11A, J11B, J16Z	05			
	10	K09A, K09B	09		J03A, J03B, J04A, J04B, J08A, J08B, J08C, J11A, J11B, J16Z	09	J03A, J03B, J04A, J04B, J08A, J08B, J08C, J11A, J11B, J16Z				
	21A	W04A, W04B	10		K09A, K09B	10	K09A, K09B				
	21B	X04Z, X05A, X05B, X06A, X06B, X06C	21A		W04A, W04B	21A	W04A, W04B				
	8r435.1f	05	F01A, F01B, F01D, F14A, F14B, F15Z, F24A, F24B, F28A, F36A, F36B, F54Z, F59A, F59B		8r435.1n↔	01	B04A, B04B, B04C, B04D	8r436.5e			05
			09				J03A, J03B, J04A, J04B, J08A, J08B, J08C, J11A, J11B, J16Z			05	
10		K09A, K09B	09	J03A, J03B, J04A, J04B, J08A, J08B, J08C, J11A, J11B, J16Z		09	J03A, J03B, J04A, J04B, J08A, J08B, J08C, J11A, J11B, J16Z				
21A		W04A, W04B	10	K09A, K09B		10	K09A, K09B				
21B		X04Z, X05A, X05B, X06A, X06B, X06C	21A	W04A, W04B		21A	W04A, W04B				
			21B	X06A, X06B, X06C		21B	X06A, X06B, X06C				

VYK

ZZV	MDC	DRG	ZZV	MDC	DRG	ZZV	MDC	DRG	
8r436.5f	05	F01A, F01B, F01D, F15Z, F19A, F19B, F19C, F24A, F24B, F36A, F36B	8r510		BOP, KOP, UOP4	8r516	05	F01A, F01B, F01D, F14A, F14B, F15Z, F24A, F24B, F28A, F36A, F36B, F54Z, F59A, F59B	
	09	J03A, J03B, J04A, J04B, J08A, J08B, J08C, J11A, J11B, J16Z		01	B02A, B02B, B02C, B02D, B20A, B20B, B20C, B20D, B20E, B20F, B39A, B39B		09	J11A, J11B, J11C	
	10	K09A, K09B		05	F01A, F01B, F01D, F14A, F14B, F15Z, F24A, F24B, F28A, F36A, F36B, F54Z, F59A, F59B		10	K09A, K09B	
	21A	W04A, W04B		09	J11A, J11B, J11C		21A	W04A, W04B	
	21B	X06A, X06B, X06C		21A	W01A, W01B, W01C, W36Z		21B	X06A, X06B, X06C	
8r437.6a	05	F01A, F01B, F01D, F14A, F14B, F15Z, F19A, F19B, F19C, F24A, F24B, F36A, F36B, F54Z	8r511	21B	X06A, X06B, X06C, X33Z	8r517	01	B03A, B03B, B06A, B06B, B07Z, B17A, B17B, B17C	
	09	J03A, J03B, J04A, J04B, J08A, J08B, J08C, J11A, J11B, J16Z		01	B02A, B02B, B02C, B02D, B20A, B20B, B20C, B20D, B20E, B20F, B39A, B39B		05	F01A, F01B, F01D, F14A, F14B, F15Z, F24A, F24B, F28A, F36A, F36B, F54Z, F59A, F59B	
	10	K09A, K09B		05	F01A, F01B, F01D, F14A, F14B, F15Z, F24A, F24B, F28A, F36A, F36B, F54Z, F59A, F59B		09	J11A, J11B, J11C	
	21A	W04A, W04B		09	J11A, J11B, J11C		10	K09A, K09B	
	21B	X06A, X06B, X06C		21A	W01A, W01B, W01C, W36Z		21A	W04A, W04B	
8r437.6b	05	F01A, F01B, F01D, F15Z, F19A, F19B, F19C, F24A, F24B, F36A, F36B	8r512	21B	X06A, X06B, X06C, X33Z	8r518	21B	X06A, X06B, X06C	
	09	J03A, J03B, J04A, J04B, J08A, J08B, J08C, J11A, J11B, J16Z		01	BOP, KOP, UOP4		05	F01A, F01B, F01D, F14A, F14B, F15Z, F24A, F24B, F28A, F36A, F36B, F54Z, F59A, F59B	
	10	K09A, K09B		01	B02A, B02B, B02C, B02D, B20A, B20B, B20C, B20D, B20E, B20F, B39A, B39B		06	G10Z, G12A, G12B	
	21A	W04A, W04B		05	F01A, F01B, F01D, F14A, F14B, F15Z, F24A, F24B, F28A, F36A, F36B, F54Z, F59A, F59B		07	H06A, H06B	
	21B	X06A, X06B, X06C		09	J11A, J11B, J11C		09	J11A, J11B, J11C	
8r438.6c	05	F01A, F01B, F01D, F14A, F14B, F15Z, F19A, F19B, F19C, F24A, F24B, F36A, F36B, F54Z	8r513	21A	W01A, W01B, W01C, W36Z	8r519	11	L09A, L09B, L09C, L09D, L38Z	
	09	J03A, J03B, J04A, J04B, J08A, J08B, J08C, J11A, J11B, J16Z		21B	X06A, X06B, X06C, X33Z		21A	W04A, W04B	
	10	K09A, K09B		01	BOP, UOP4		21B	X06A, X06B, X06C	
	21A	W04A, W04B		03	D12A		01	B04A, B04B, B04C, B04D	
	21B	X06A, X06B, X06C		05	F01A, F01B, F01D, F14A, F14B, F15Z, F24A, F24B, F28A, F36A, F36B, F54Z, F59A, F59B		10	K09A, K09B	
8r438.6d	05	F01A, F01B, F01D, F15Z, F19A, F19B, F19C, F24A, F24B, F36A, F36B	8r514	09	J11A, J11B, J11C	8r51a	21A	W04A, W04B	
	09	J03A, J03B, J04A, J04B, J08A, J08B, J08C, J11A, J11B, J16Z		21A	W04A, W04B		01	B04A, B04B, B04C, B04D	
	10	K09A, K09B		21B	X06A, X06B, X06C		03	D12A	
	21A	W04A, W04B		05	F01A, F01B, F01D, F14A, F14B, F15Z, F24A, F24B, F28A, F36A, F36B, F54Z, F59A, F59B		05	F01A, F01B, F01D, F14A, F14B, F15Z, F24A, F24B, F28A, F36A, F36B, F54Z, F59A, F59B	
	21B	X06A, X06B, X06C		09	J11A, J11B, J11C		09	J11A, J11B, J11C	
8r439.6e	05	F01A, F01B, F01D, F14A, F14B, F15Z, F19A, F19B, F19C, F24A, F24B, F36A, F36B, F54Z	8r515	21A	W04A, W04B	8r520.01‡	21A	W04A, W04B	
	09	J03A, J03B, J04A, J04B, J08A, J08B, J08C, J11A, J11B, J16Z		21B	X06A, X06B, X06C		21B	X06A, X06B, X06C	
	10	K09A, K09B		05	F01A, F01B, F01D, F14A, F14B, F15Z, F24A, F24B, F28A, F36A, F36B, F54Z, F59A, F59B		07	H06B	
	21A	W04A, W04B		06	G10Z, G12A, G12B		8r520.02‡	07	H06B
	21B	X06A, X06B, X06C		07	H06A, H06B		8r520.03‡	07	H06B
8r439.6f	05	F01A, F01B, F01D, F15Z, F19A, F19B, F19C, F24A, F24B, F36A, F36B	8r515	09	J11A, J11B, J11C	8r520.04‡	07	H06B	
	09	J03A, J03B, J04A, J04B, J08A, J08B, J08C, J11A, J11B, J16Z		11	L09A, L09B, L09C, L09D, L38Z	8r520.3‡	07	H06B	
	10	K09A, K09B		21A	W04A, W04B	8r610.00	07	H06B	
	21A	W04A, W04B		21B	X06A, X06B, X06C		BOP, KVT, UOP4		
	21B	X06A, X06B, X06C		05	F01A, F01B, F01D, F14A, F14B, F15Z, F24A, F24B, F28A, F36A, F36B, F54Z, F59A, F59B	05	F01A, F01B, F01D, F12A, F12B, F50A, F50B, F50C, F50D		
8r439.6f	05	F01A, F01B, F01D, F15Z, F19A, F19B, F19C, F24A, F24B, F36A, F36B	8r515	06	G10Z, G12A, G12B	8r610.01	05	F01A, F01B, F01D, F12A, F12B, F50A, F50B, F50C	
	09	J03A, J03B, J04A, J04B, J08A, J08B, J08C, J11A, J11B, J16Z		07	H06A, H06B			BOP, KVT, UOP4	
	10	K09A, K09B		09	J11A, J11B, J11C		8r610.1	05	F01A, F01B, F01D, F12A, F12B, F50A, F50B, F50C
	21A	W04A, W04B		11	L09A, L09B, L09C, L09D, L38Z				BOP, KVT, UOP4
	21B	X06A, X06B, X06C		12	M06Z, M09A, M09B, M38Z			8r610.20	05
		13	N04Z		BOP, KVT, UOP4				
		21A	W04A, W04B	8r610.21	05	F01A, F01B, F01D, F12A, F12B, F50A, F50B, F50C			
		21B	X06A, X06B, X06C			BOP, KVT, UOP4			
						F01A, F01B, F01D, F12A, F12B, F50A, F50B, F50C			



ZZV	MDC	DRG	ZZV	MDC	DRG	ZZV	MDC	DRG
8r610.22		BOP, KVT, UOP4	8r620.32		BOP, KVT, UOP4	8r731		BOP, UOP4
	05	F01A, F01B, F01D, F12A, F12B, F50A, F50B, F50C, F50D		05	F01A, F01B, F01D, F12A, F12B, F50A, F50B, F50C		01	B04A, B04B, B04C, B04D
8r610.3		BOP, KVT, UOP4	8r620.40		BOP, KVT, UOP4		05	F01A, F01B, F01D, F14A, F14B, F15Z, F24A, F24B, F28A, F36A, F36B, F54Z, F59A, F59B
	05	F01A, F01B, F01D, F12A, F12B, F50A, F50B, F50C		05	F01A, F01B, F01D, F12A, F12B, F50A, F50B, F50C, F50D		10	K09A, K09B
8r610.40		BOP, KVT, UOP4	8r620.41		BOP, KVT, UOP4	8r732		F01A, F01B, F01D, F14A, F14B, F15Z, F24A, F24B, F28A, F36A, F36B, F54Z, F59A, F59B
	05	F01A, F01B, F01D, F12A, F12B, F50A, F50B, F50C, F50D		05	F01A, F01B, F01D, F12A, F12B, F50A, F50B, F50C, F50D		05	F01A, F01B, F01D, F14A, F14B, F15Z, F24A, F24B, F28A, F36A, F36B, F54Z, F59A, F59B
8r610.41		BOP, KVT, UOP4	8r620.6		BOP, KVT, UOP4		10	K09A, K09B
	05	F01A, F01B, F01D, F12A, F12B, F50A, F50B, F50C		05	F01A, F01B, F01D, F12A, F12B, F50A, F50B, F50C, F50D	8r741.0		B02A, B02B, B02C, B02D, B20A, B20B, B20C, B20D, B20E, B39A, B39B
8r610.42		BOP, KVT, UOP4	8r716		KKP		05	F01A, F01B, F01D, F14A, F14B, F15Z, F24A, F24B, F28A, F36A, F36B, F54Z, F59A, F59B
	05	F01A, F01B, F01D, F12A, F12B, F50A, F50B, F50C, F50D		05	F01A, F01B, F01D, F05Z, F07A, F07B, F09A, F09B, F09C, F42Z		09	J11A, J11B, J11C
8r610.50		BOP, KVT, UOP4		23	Z01A		21A	W01A, W01B, W01C, W36Z
	05	F01A, F01B, F01D, F12A, F12B, F50A, F50B, F50C, F50D	8r717.0		KOP, KOPV	8r741.1		B03A, B03B, B06A, B06B, B07Z, B17A, B17B, B17C
8r610.51		BOP, KVT, UOP4		05	F05Z, F07A, F07B, F42Z		01	F01A, F01B, F01D, F14A, F14B, F15Z, F24A, F24B, F28A, F36A, F36B, F54Z, F59A, F59B
	05	F01A, F01B, F01D, F12A, F12B, F50A, F50B, F50C		06	G33Z		05	F01A, F01B, F01D, F14A, F14B, F15Z, F24A, F24B, F28A, F36A, F36B, F54Z, F59A, F59B
8r610.5x		BOP, KVT, UOP4		07	H33Z, H38Z		09	J11A, J11B, J11C
	05	F01A, F01B, F01D, F12A, F12B, F50A, F50B, F50C, F50D	8r717.1		A07A		01	B03A, B03B, B06A, B06B, B07Z, B17A, B17B, B17C
8r610.6		BOP, KVT, UOP4		05	F05Z, F07A, F07B, F42Z	8r741.2		F01A, F01B, F01D, F14A, F14B, F15Z, F24A, F24B, F28A, F36A, F36B, F54Z, F59A, F59B
	05	F01A, F01B, F01D, F12A, F12B, F50A, F50B, F50C, F50D		06	G33Z		05	F01A, F01B, F01D, F14A, F14B, F15Z, F24A, F24B, F28A, F36A, F36B, F54Z, F59A, F59B
8r610.7		BOP, KVT, UOP4	8r717.2		H33Z, H38Z		09	J11A, J11B, J11C
	05	F01A, F01B, F01D, F12A, F12B, F50A, F50B, F50C, F50D		07	H33Z, H38Z	8r741.5		F01A, F01B, F01D, F14A, F14B, F15Z, F24A, F24B, F28A, F36A, F36B, F54Z, F59A, F59B
8r610.8		BOP, KVT, UOP4		11	L33Z		05	F01A, F01B, F01D, F14A, F14B, F15Z, F24A, F24B, F28A, F36A, F36B, F54Z, F59A, F59B
	05	F01A, F01B, F01D, F12A, F12B, F50A, F50B, F50C, F50D	8r717.3		A07A		06	G10Z, G12A, G12B
8r61b		F01A, F01B, F01D, F14A, F14B, F15Z, F24A, F24B, F28A, F36A, F36B, F54Z, F59A, F59B		05	F03B, F05Z, F07A, F07B, F42Z		07	H06A, H06B, H06C
	05	F01A, F01B, F01D, F14A, F14B, F15Z, F24A, F24B, F28A, F36A, F36B, F54Z, F59A, F59B		06	G33Z		09	J11A, J11B, J11C
	06	G10Z, G12A, G12B		07	H33Z, H38Z		11	L09A, L09B, L09C, L09D, L38Z
	11	L09A, L09B, L09C, L09D, L38Z	8r717.4		A07A		21A	W04A, W04B
8r620.01		BOP, KVT, UOP4		Pre	A07A	8r750‡		X06A, X06B, X06C
	05	F01A, F01B, F01D, F12A, F12B, F50A, F50B, F50C		05	F03B, F05Z, F07A, F07B, F42Z	8r751.00‡		A09E, A11F, A13F
8r620.02		BOP, KVT, UOP4		06	G33Z	8r751.01‡		A09E, A11F, A13F
	05	F01A, F01B, F01D, F12A, F12B, F50A, F50B, F50C, F50D	8r717.x		H33Z, H38Z	8r751.02‡		A09E, A11F, A13F
8r620.1		BOP, KVT, UOP4		11	L33Z	8r751.20‡		A09E, A11F, A13F
	05	F01A, F01B, F01D, F12A, F12B, F50A, F50B, F50C, F50D		Pre	A07A	8r751.21‡		A09E, A11F, A13F
8r620.20		BOP, KVT, UOP4	8r721		KOP, KOPV	8r751.22‡		A09E, A11F, A13F
	05	F01A, F01B, F01D, F12A, F12B, F50A, F50B, F50C, F50D		05	F05Z, F07A, F07B, F42Z	8r751.23‡		A09E, A11F, A13F
8r620.21		BOP, KVT, UOP4		06	G33Z	8r751.24‡		A09E, A11F, A13F
	05	F01A, F01B, F01D, F12A, F12B, F50A, F50B, F50C, F50D		07	H33Z, H38Z	8r751.25‡		A09E, A11F, A13F
8r620.31		BOP, KVT, UOP4	8r730		L33Z	8r751.30‡		A09E, A11F, A13F
	05	F01A, F01B, F01D, F12A, F12B, F50A, F50B, F50C		11	L33Z	8r751.31‡		A09E, A11F, A13F
				Pre	A07A	8r751.32‡		A09E, A11F, A13F
					KKP	8r752		F01A, F01B, F01D, F14A, F14B, F15Z, F24A, F24B, F28A, F36A, F36B, F54Z, F56A, F56B, F59A, F59B
					F01A, F01B, F01D, F05Z, F07A, F07B, F09A, F09B, F09C, F42Z	8r914.0		B12Z
					Z01A		05	F12A, F12B, F95A, F95B
					B12Z		15	P02A, P02B, P02C
					F01A, F01B, F01D, F12A, F12B, F15Z, F24A, F24B, F36A, F36B, F52A, F52B, F56A, F56B, F58A, F58B	8r914.1		A13F
					A13F		01	B12Z
							05	F12A, F12B, F95A, F95B
							15	P02A, P02B, P02C
							Pre	A13F

VYK

ZZV	MDC	DRG	ZZV	MDC	DRG	ZZV	MDC	DRG
8r914.20	01	B12Z	8r926	01	B12Z	8u104		KK11, KKI, KKII, KKP
	05	F12A, F12B, F95A, F95B		05	F01A, F01B, F01D, F12A, F12B, F19A, F19B, F19C		01	B09A, B09B
	15	P02A, P02B, P02C		Pre	A13F		17	R01A, R01B, R01C, R01D, R02Z, R12A, R12B, R12C
	Pre	A13F		01	B12Z		21A	W04A, W04B
8r914.21	01	B12Z	8r928	05	F01A, F01B, F01D, F05Z, F06C, F06D, F06E, F12A, F12B, F15Z, F24A, F24B, F36A, F36B, F52A, F52B, F56A, F56B, F58A, F58B		21B	X06A, X06B, X06C
	05	F12A, F12B, F95A, F95B		Pre	A13F	8u105		KK11, KKI, KKII, KKP
	15	P02A, P02B, P02C		01	B12Z		01	B09A, B09B
	Pre	A13F		05	F01A, F01B, F01D, F05Z, F06C, F06D, F06E, F12A, F12B, F15Z, F24A, F24B, F36A, F36B, F52A, F52B, F56A, F56B, F58A, F58B		17	R01A, R01B, R01C, R01D, R02Z, R12A, R12B, R12C
8r914.4	01	B12Z	8r929	Pre	A13F		21A	W04A, W04B
	05	F12A, F12B, F95A, F95B		01	B12Z		21B	X06A, X06B, X06C
	15	P02A, P02B, P02C		05	F01A, F01B, F01D, F05Z, F06C, F06D, F06E, F12A, F12B, F15Z, F24A, F24B, F36A, F36B, F52A, F52B, F56A, F56B, F58A, F58B	8u106		KK11, KKI, KKII, KKP
	Pre	A13F		Pre	A13F		01	B09A, B09B
8r915.0	05	F01A, F01B, F01D, F14A, F14B, F15Z, F24A, F24B, F28A, F36A, F36B, F54Z, F59A, F59B		01	B12Z		17	R01A, R01B, R01C, R01D, R02Z, R12A, R12B, R12C
	10	K09A, K09B		05	F01A, F01B, F01D, F05Z, F06C, F06D, F06E, F12A, F12B, F15Z, F24A, F24B, F36A, F36B, F52A, F52B, F56A, F56B, F58A, F58B		21A	W04A, W04B
8r915.1	05	F01A, F01B, F01D, F14A, F14B, F15Z, F24A, F24B, F28A, F36A, F36B, F54Z, F59A, F59B	8r930	Pre	A13F		21B	X06A, X06B, X06C
	10	K09A, K09B		01	B12Z	8u110†	01	B76C, B76D, B76E
8r915.x	05	F01A, F01B, F01D, F14A, F14B, F15Z, F24A, F24B, F28A, F36A, F36B, F54Z, F59A, F59B		05	F01A, F01B, F01D, F05Z, F06C, F06D, F06E, F12A, F12B, F15Z, F24A, F24B, F36A, F36B, F52A, F52B, F56A, F56B, F58A, F58B	8u130†		KK11, KKI, KKII, KKP
	10	K09A, K09B		Pre	A13F	8u133†		KK11, KKI, KKII, KKP
8r917.0	05	F01A, F01B, F01D, F15Z, F24A, F24B, F28A, F36A, F36B, F54Z, F59A, F59B	8r931	05	F01A, F01B, F01D, F15Z, F24A, F24B, F28A, F36A, F36B, F54Z, F59A, F59B	8u161†	01	B02A, B02B, B02C, B20B
	10	K09A, K09B		Pre	A13F	8u162†	01	B02A, B02B, B02C, B20B
8r917.1	05	F01A, F01B, F01D, F15Z, F24A, F24B, F28A, F36A, F36B, F54Z, F59A, F59B		01	B12Z	8u163†	01	B02A, B02B, B02C, B20B
	10	K09A, K09B		05	F01A, F01B, F01D, F15Z, F24A, F24B, F28A, F36A, F36B, F54Z, F59A, F59B	8u901.1		BOP, KOP, KVT, UOP4
8r917.2	05	F01A, F01B, F01D, F15Z, F24A, F24B, F28A, F36A, F36B, F54Z, F59A, F59B	8r932	10	K09A, K09B		01	B09A, B09B
	10	K09A, K09B		01	B12Z		08	I15A, I15B
8r918	05	F01A, F01B, F01D, F14A, F14B, F15Z, F24A, F24B, F28A, F36A, F36B, F54Z, F59A, F59B		05	F01A, F01B, F01D, F12A, F12B, F15Z, F24A, F24B, F36A, F36B, F52A, F52B, F56A, F56B, F58A, F58B	8u901.2	21A	W01A, W01B, W01C, W36Z
	10	K09A, K09B	8r936	Pre	A13F		01	B09A, B09B
8r921	04	E02A, E02B, E02C		01	B12Z		08	I15A, I15B
	05	F01A, F01B, F01D, F14A, F14B, F28A, F54Z, F59A, F59B	8r938†	01	B04C		17	R01A, R01B, R01C, R01D, R02Z, R12A, R12B, R12C
	14	962Z, O02A, O02B	8r939	05	F59A		21A	W01A, W01B, W01C, W36Z
	21A	W04A, W04B	8r980	01	B12Z	8u901.3	01	B09A, B09B
	21B	X06A, X06B, X06C		05	F01A, F01B, F01D, F05Z, F06C, F06D, F06E, F12A, F12B, F15Z, F24A, F24B, F36A, F36B, F52A, F52B, F56A, F56B, F58A, F58B		08	I15A, I15B
8r925		BOP, KOP, KOPV, KVT, UOP4	8t250†	Pre	A13F	8u904†	06	G40Z, G46A, G46B, G46C, G47Z, G50Z
	04	E05A, E05B, E05C, E08A, E08B, E08C		01	B47Z	8u906†		KK11, KKI, KKII, KKP
	05	F01A, F01B, F01D, F05Z, F07A, F07B, F09A, F09B, F09C, F30Z, F42Z		08	I42Z		05	F62A
	06	G15Z, G19A, G19B, G33Z, G38Z		19	U42Z	8v111†	01	B76A
	07	H33Z, H38Z		23	Z44Z	8v112†	01	B76A
	08	I08A, I08B, I08C, I08D, I08E, I13A, I13B	8t910†	05	F49A, F49D	8v113†	01	B76A
	11	L09A, L33Z, L38Z		06	G40Z, G46A, G46B, G48A, G48B, G48C	8v121.0†	Pre	B61A, B61B
	15	P02A, P02B, P02C		05	F49A, F49D	8v121.1†	Pre	B61A, B61B
	21A	W04A, W04B		06	G40Z, G46A, G46B, G48A, G48B, G48C	8v121.2†	Pre	B61A, B61B
	21B	X06A, X06B, X06C, X33Z	8t911†	05	F49A, F49D	8v121.3†	Pre	B61A, B61B
	23	Z01A		06	G40Z, G46A, G46B, G48A, G48B, G48C	8v122.2†	Pre	B61A, B61B
	Pre	A07A		05	F49A, F49D	8v122.3†	Pre	B61A, B61B
			8t914†	06	G40Z, G46A, G46B, G48A, G48B, G48C	8v122.4†	Pre	B61A, B61B
				06	F49A, F49D	8v131†	01	B02A, B02B, B02C, B02D, B20A, B20B, B20D, B70B
			8u103	01	B09A, B09B	8v132†	01	B02A, B02B, B02C, B02D, B20A, B20B, B20D, B70B
				17	R01A, R01B, R01C, R01D, R02Z, R12A, R12B, R12C	8v133†	01	B02A, B02B, B02C, B02D, B20A, B20B, B20D, B70B
				21A	W04A, W04B	8v151.2†	01	B49Z
				21B	X06A, X06B, X06C	8v151.3†	01	B49Z
						8v161.1†	01	B39A, B39B, B39C, B42A, B44A, B44C, B69B, B69C, B70A, B70B, B70C, B70D, B70G

ZZV	MDC	DRG	ZZV	MDC	DRG	ZZV	MDC	DRG
8v161.2‡	01	B39A, B39B, B42A, B44A, B44C, B69A, B70A, B70B, B70G	8v224.x‡		PTX	8v31j‡		S1105, S553
	Pre	A09E, A11F, A13F	8v225.0‡		PTX	01		B36A
8v162.0‡	01	B69C, B70C, B70D, B70G	8v225.1‡		PTX	Pre		A06A, A07A, A07C, A09A, A09B, A09C, A11A, A13A, A36A
8v162.1‡	01	B69C, B70C, B70D, B70G	8v225.2‡		PTX	8v31k‡		S1105, S553
8v163.0‡	01	B69C, B70C, B70G	8v225.3‡		PTX	01		B36A
8v163.1‡	01	B69C, B70C, B70G	8v225.4‡		PTX	Pre		A06A, A07A, A07C, A09A, A09B, A09C, A11A, A13A, A36A
8v172.1‡	08	I97Z	8v225.5‡		PTX	8v31l‡		S1105, S553
8v172.2‡	08	I97Z	8v225.6‡		PTX	01		B36A
8v173.1‡	08	I97Z	8v225.x‡		PTX	Pre		A06A, A07A, A07C, A09A, A09B, A09C, A11A, A13A, A36A
8v173.2‡	08	I97Z	8v226.0‡		PTX	8v31m‡		S1105, S553
8v181‡	10	K60A	8v226.1‡		PTX	01		B36A
8v182‡	10	K60A	8v226.2‡		PTX	Pre		A06A, A07A, A07C, A09A, A09B, A09C, A11A, A13A, A36A
8v183‡	10	K60A	8v226.3‡		PTX	8v31n‡		S1105, S553
8v192‡	01	B71A, B71B	8v226.4‡		PTX	01		B36A
8v193‡	01	B71A, B71B	8v226.5‡		PTX	Pre		A06A, A07A, A07C, A09A, A09B, A09C, A11A, A13A, A36A
	08	I32A	8v226.6‡		PTX	01		B36A
8v194‡	01	B71A, B71B	8v226.x‡		PTX	Pre		A06A, A07A, A07C, A09A, A09B, A09C, A11A, A13A, A36A
	08	I32A	8v314‡		S553	8v31o‡		S1105, S553
8v1a2.1‡	04	E77B	8v315‡		S553	01		B36A
	05	F77Z		17	R36Z	Pre		A06A, A07A, A07C, A09A, A09B, A09C, A11A, A13A, A36A
	06	G77Z	8v316‡	21A	W36Z	01		B36A
	09	J77Z	8v317‡		S1105, S553	Pre		A06A, A07A, A07C, A09A, A09B, A09C, A11A, A13A, A36A
	10	K25Z, K77Z		Pre	A09D	01		B36A
	11	L63A	8v318‡		S1105, S553	Pre		A09D, A11A, A13A, A36A
	18B	T77Z		01	B36A	01		B36A
8v1a2.2‡	04	E77B	8v319‡		S1105, S553	Pre		A07C, A09C, A11A, A13A, A36A
	05	F77Z		01	B36A	01		B36A
	06	G77Z	8v31a‡		A09D, A11A, A13A, A36A	Pre		A07C, A09C, A11A, A13A, A36A
	09	J77Z		01	B36A	01		B36A
	10	K25Z, K77Z		Pre	A07C, A09C, A11A, A13A, A36A	Pre		A07C, A09C, A11A, A13A, A36A
	11	L63A	8v31b‡		S1105, S553	01		B36A
	18B	T77Z		01	B36A	Pre		A07C, A09C, A11A, A13A, A36A
8v1a3.1‡	04	E77B	8v31c‡		S1105, S553	01		B36A
	05	F77Z		Pre	A07C, A09C, A11A, A13A, A36A	Pre		A07C, A09C, A11A, A13A, A36A
	06	G77Z	8v31d‡		S1105, S553	01		B36A
	09	J77Z		01	B36A	Pre		A07C, A09C, A11A, A13A, A36A
	10	K25Z, K77Z	8v31e‡		S1105, S553	01		B36A
	11	L63A		Pre	A06A, A07A, A07C, A09A, A09B, A09C, A11A, A13A, A36A	Pre		A06A, A07A, A07C, A09A, A09B, A09C, A11A, A13A, A36A
	18B	T77Z		01	B36A	01		B36A
8v1a3.2‡	04	E77B	8v31f‡		S1105, S553	Pre		A06A, A07A, A07C, A09A, A09B, A09C, A11A, A13A, A36A
	05	F77Z		01	B36A	01		B36A
	06	G77Z	8v31g‡		S1105, S553	Pre		A06A, A07A, A07C, A09A, A09B, A09C, A11A, A13A, A36A
	09	J77Z		01	B36A	01		B36A
	10	K25Z, K77Z		Pre	A06A, A07A, A07C, A09A, A09B, A09C, A11A, A13A, A36A	Pre		A06A, A07A, A07C, A09A, A09B, A09C, A11A, A13A, A36A
	11	L63A	8v31h‡		S1105, S553	01		B36A
	18B	T77Z		01	B36A	Pre		A06A, A07A, A07C, A09A, A09B, A09C, A11A, A13A, A36A
8v1a4.1‡	04	E77B		01	B36A	01		B36A
	05	F77Z		Pre	A06A, A07A, A07C, A09A, A09B, A09C, A11A, A13A, A36A	Pre		A06A, A07A, A07C, A09A, A09B, A09C, A11A, A13A, A36A
	06	G77Z	8v31i‡		S1105, S553	01		B36A
	09	J77Z		01	B36A	Pre		A06A, A07A, A07C, A09A, A09B, A09C, A11A, A13A, A36A
	10	K25Z, K77Z		Pre	A06A, A07A, A07C, A09A, A09B, A09C, A11A, A13A, A36A	01		B36A
	11	L63A	8v31j‡		S1105, S553	01		B36A
	18B	T77Z		01	B36A	Pre		A06A, A07A, A07C, A09A, A09B, A09C, A11A, A13A, A36A
8v1a4.2‡	04	E77B		01	B36A	01		B36A
	05	F77Z		Pre	A06A, A07A, A07C, A09A, A09B, A09C, A11A, A13A, A36A	Pre		A06A, A07A, A07C, A09A, A09B, A09C, A11A, A13A, A36A
	06	G77Z	8v31k‡		S1105, S553	01		B36A
	09	J77Z		01	B36A	Pre		A06A, A07A, A07C, A09A, A09B, A09C, A11A, A13A, A36A
	10	K25Z, K77Z		Pre	A06A, A07A, A07C, A09A, A09B, A09C, A11A, A13A, A36A	01		B36A
	11	L63A	8v31l‡		S1105, S553	01		B36A
	18B	T77Z		01	B36A	Pre		A06A, A07A, A07C, A09A, A09B, A09C, A11A, A13A, A36A
8v224.0‡		PTX		Pre	A06A, A07A, A07C, A09A, A09B, A09C, A11A, A13A, A36A	01		B36A
8v224.1‡		PTX		01	B36A	Pre		A06A, A07A, A07C, A09A, A09B, A09C, A11A, A13A, A36A
8v224.2‡		PTX		01	B36A	01		B36A
8v224.3‡		PTX		Pre	A06A, A07A, A07C, A09A, A09B, A09C, A11A, A13A, A36A	01		B36A
8v224.4‡		PTX		01	B36A	Pre		A06A, A07A, A07C, A09A, A09B, A09C, A11A, A13A, A36A
8v224.5‡		PTX		01	B36A	01		B36A
8v224.6‡		PTX		Pre	A06A, A07A, A07C, A09A, A09B, A09C, A11A, A13A, A36A	01		B36A

VYK

ZZV	MDC	DRG	ZZV	MDC	DRG	ZZV	MDC	DRG
8v32p†	04	E40A, E77A	91516	13	N11A, N11B	99700†	01	B46Z
	06	G01Z	91518	13	N11A, N11B		19	U41Z
8v32q†	04	E40A, E77A	91519	13	N11A, N11B	99701†	19	U43Z
	06	G01Z	91520	13	N01A, N01B, N01C, N01D, N01E, N02A, N02B, N02C, N03A, N03B, N07Z, N25Z, N38Z			
8v412†	20	V40Z	91521	13	N11A, N11B			
8v413†	20	V40Z	91522†	13	N11A, N11B			
8v414†	20	V40Z						
8z211†	09	J11A, J11B						
91515	13	N11A, N11B						

## Globálne tabuľky výkonov

Tabuľky výkonov používané vo viacerých MDC

### Všetky OP výkony

Všetky OP výkony

MDC	DRG
01	B03A, B03B
05	F13A
10	K25Z
12	M60B, M60C
13	N60B
14	O01A, O01B, O01C, O01D, O01E, O01F, O01G, O01H, O04A, O04B
15	P01Z, P03A, P03B, P03C, P04A, P04B, P04C, P05A, P05B, P05C, P06A, P06B, P06C, P61A, P61C, P62A

MDC	DRG
16	Q02A, Q02B, Q02C
17	R03Z, R04A, R04B, R11A, R11B, R11C, R13Z, R14Z, R16Z
18A	S01Z
18B	T01A, T01B, T01C
21A	W05Z
23	Z01A, Z01B

## Prehľad funkcií

Tento prehľad obsahuje zoznam funkcií s uvedením DRG, v ktorých sú tieto funkcie používané. Presná definícia funkcií vrátane prislúchajúcich zoznamov kódov sa nachádza na konci zväzku 4 Definičnej príručky

### Určité OP-výkony [BOP]

MDC	DRG
01	B11Z, B36A, B36B, B39A, B39B, B39C
05	F29Z, F36A, F36B, F43B
06	G14Z, G38Z

MDC	DRG
08	I34Z, I96Z
14	O05A, O05B
Pre	A11A, A11C, A11E, A13A, A13B, A13C, A13E, A13G

### Komplexné OP-výkony [KOP]

MDC	DRG
06	G10Z, G12A
07	H06A
08	I02A, I02B, I02C
11	L09A, L38Z
17	R01A, R01C, R02Z, R12B

MDC	DRG
18B	T01A
21B	X01A, X01B, X06B
22	Y02A, Y02B
Pre	A06A, A06B, A07A, A07B, A07C, A09A, A09B, A09C, A11A, A11B, A11D, A13A, A13B, A13D, B61A

### Komplikujúce konštelácie I [KKI]

MDC	DRG
01	B02A, B02B, B02C, B02D, B39A, B66A
04	E01A, E62A, E62B
05	F03A, F05Z, F06A, F06C, F07A, F08A, F09A, F14A, F14B, F15Z, F36A, F36B, F42Z, F43B, F61A
07	H06A, H07A
08	I02A, I02B, I02C, I02D, I22A, I22B
14	O01A, O01B, O01C, O01D, O01F, O02A
17	R61A

MDC	DRG
18B	T01A, T60A, T60B, T60C, T61A
21A	W01A, W01B, W01C, W02A, W04A
21B	X01A
22	Y02A, Y02B
23	Z01A
Pre	A36A, A36B

### Dialýza [DIAL]

MDC	DRG
05	F49A, F49D, F62A
06	G67A, G67B
07	H06A

MDC	DRG
11	L60A, L60B, L60C, L71Z
17	R60B, R60C, R60D, R60E, R62A, R63B, R63C, R63D, R63F
22	Y02A, Y02B

### Polytrauma [PTR]

MDC	DRG
Pre	A06A, A06B, A07A, A07B, A07C, A09A, A09B, A09C

MDC	DRG
-----	-----

### Výkon na viacerých lokalizáciach [VIAL]

MDC	DRG
08	I02A, I02B, I02C, I02D, I08A, I08B, I08C, I08D, I08E, I13A, I13B, I22A, I22B
21A	W01A, W01B, W01C, W02A, W04A

MDC	DRG
21B	X01A

**Intenzívna komplexná ZS > 1104 bodov [S1105]****MDC DRG**

01	B36A, B36B
05	F36A
06	G36Z

**MDC DRG**

17	R36Z
21A	W36Z
Pre	A11E, A13A, A13B, A13C, A13G

**Intenzívna komplexná ZS > 552 bodov [S553]****MDC DRG**

01	B36A, B36B
04	E36Z
05	F36A, F36B
07	H36Z
08	I26Z

**MDC DRG**

11	L36Z
18B	T36Z
22	Y02A, Y02B
Pre	A13E, A13G, A36A, A36B

**Geriatrická včasná rehabilitačná ZS [GFK]****MDC DRG**

01	B44A, B44B, B44C, B44D
04	E42Z
05	F48Z
06	G14Z, G38Z, G52Z
07	H44Z

**MDC DRG**

08	I34Z, I41Z
09	J44Z
10	K01Z, K44Z
11	L44Z
19	U40Z

**Včasná rehabilitácia [VRH]****MDC DRG**

04	E41Z
05	F29Z, F45Z
06	G51Z
08	I40Z

**MDC DRG**

10	K01Z, K43Z
21A	W01A, W05Z, W40Z
Pre	A43Z

**Komplexné OP-výkony vo viacerých dňoch [KOPV]****MDC DRG**

01	B01Z
03	D33Z
05	F06A, F06B
07	H33Z, H38Z

**MDC DRG**

10	K33Z
13	N33Z
15	P03A, P03B, P04A, P04B, P05A, P05B, P06A

**Určité OP-výkony v štyroch dňoch [UOP4]****MDC DRG**

22	Y02A
----	------

**MDC DRG****Predtransplantačná hospitalizácia [PTX]****MDC DRG**

04	E37Z
05	F37Z

**MDC DRG**

07	H37Z
----	------

**Ťažké problémy u novorodencov [TPN]****MDC DRG**

15	P65A, P65B, P66A, P66B, P67A, P67B
----	------------------------------------

**MDC DRG**

**Viaceré ťažké problémy u novorodencov [VTPN]****MDC DRG**

15 P03A, P03B, P04A, P04B, P05A, P05B, P05C, P06A, P06B, P65A, P66A, P66B, P66C, P66D, P67A

**MDC DRG****Komplikujúce konštelácie pred-MDC [KKP]****MDC DRG**

Pre A07B, A09B, A09C, A11A, A11B, A11C, A11E, A13A, A13B, A13C, A13E, A13G

**MDC DRG****Komplikujúce konštelácie II [KKII]****MDC DRG**06 G03A, G16A, G19A, G38Z, G40Z, G46A, G46B, G46C, G48A, G48B, G48C  
07 H38Z, H78Z**MDC DRG**12 M38Z  
13 N01A, N38Z**Komplikujúce konštelácie MDC 11 [KK11]****MDC DRG**

11 L38Z

**MDC DRG****Komplexná vákuová terapia [KVT]****MDC DRG**06 G35Z  
08 I02B, I98Z**MDC DRG**09 J35Z  
21A W01A, W01B, W01C**Multiviscerálny výkon [MVV]****MDC DRG**06 G37Z, G38Z  
11 L02A, L02B, L02C, L37Z, L38Z**MDC DRG**

13 N01B, N38Z

**Bez úmrtia alebo preloženia [Not EP]****MDC DRG**

Pre A13C, A13E

**MDC DRG****Exitus alebo preloženie [EP]****MDC DRG**

15 P60A, P60B, P60C

**MDC DRG**



# Príloha C

## Prítomnosť CC, vyradenie CC, stanovenie CCL a PCCL

### C.1 Úvod

Prítomnosť komplikácií a/alebo komorbidít (CC) môže zdravotnú starostlivosť komplikovať a predražovať. Preto je pre klasifikáciu DRG dôležitá ich prítomnosť identifikovať a vziať do úvahy.

**Komplikácie a/alebo komorbidity (CC)** CC- kódy komplikácií a/alebo komorbidít reprezentujú vedľajšie diagnózy, ktoré spravidla vedú k signifikantne vyššej spotrebe zdrojov

Táto príloha sa zaoberá komplikáciami a komorbiditami (CC) a postupmi, ktorými Grouper priraduje k jednotlivým záznamom hodnoty PCCL. Prítomnosť platí hodnota CCL uvedená pri diagnózach s označením „m“ len pre mužské pohlavie a s označením „ž“ len pre ženské pohlavie. Kódy diagnóz označené s „n“ sú priradované v závislosti od pohlavia k odlišným riadkom CCL-matice. Ku kódom označeným znakom „•“ sa nepriraduje žiadna hodnota CCL pri prepustení na vlastnú žiadosť bez odporúčenia lekára.

### C.2 Komplikácie a komorbidity

Vo verzii SK-DRG systém 2018 sú v tejto prílohe vymenované kódy diagnóz posudzované ako CC pre všetky prípady okrem neonatologickej starostlivosti.

Kód diagnózy môže stratiť svoj status CC, (i) keď je v úzkej súvislosti s hlavnou diagnózou hospitalizačného prípadu, alebo (ii) keď sa ten istý kód už nachádza na inom mieste v tom istom zázname.

Vo verzii SK-DRG systém 2018 majú aj iné faktory, ako napr. pohlavie pacientov alebo príčina prepustenia, vplyv na CC status kódu diagnózy. Zoznam CC, ktorý tvorí prevažnú časť tejto prílohy, obsahuje všetky CC a tomu zodpovedajúce CCL.

### C.3 Stupeň komplikácií a komorbidít (CCL) a stupeň klinickej závažnosti prípadu (PCCL)

**Stupne závažnosti komplikácií a/alebo komorbidít (CCL)** sú stupne, ktoré sú priradené ku všetkým vedľajším diagnózam. Ich hodnota môže byť medzi 0 až 4 pri operačných a neonatologických hospitalizačných prípadoch a 0 až 3 pri hospitalizačných prípadoch v medicínskom segmente. V rôznych základných-DRG môžu nadobúdať tie isté diagnózy rôzne hodnoty CCL. Napríklad diagnóza J96.00 Akútna respiračná insuficiencia, inde neklasifikovaná: typ1[hypoxická] v základnej-DRG B70 Apoplexia má hodnotu CCL 2, zatiaľ čo v základnej-DRG B71 Ochorenia mozgových nervov a periférnych nervov má hodnotu CCL 3.

Aká hodnota CCL bude skutočne priradená k diagnóze závisí od toho, či ide pri danom kóde o platnú CC a či je vo vzťahu k základnej-DRG záznamu považovaná za ľahkú, stredne ťažkú, ťažkú alebo veľmi ťažkú CC.

Možné hodnoty pre CCL sú definované nasledovne:

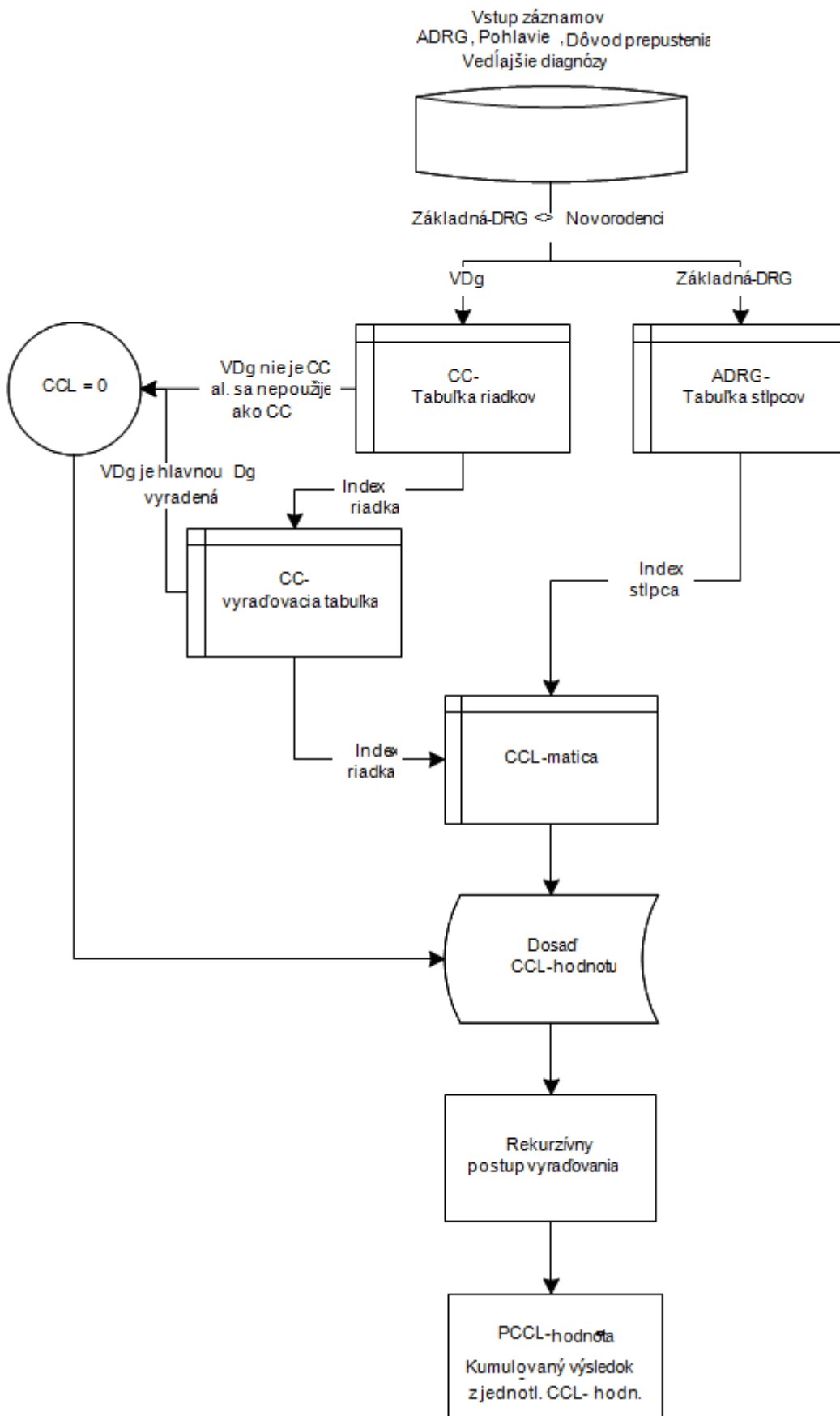
CCL = 0	Kód nie je žiadnou komplikáciou alebo komorbiditou, alebo kód označuje komplikáciu alebo komorbiditu úzko zviazanú s hlavnou diagnózou alebo ten istý kód je už obsiahnutý v zázname na inom mieste
CCL = 1	Hodnota vyjadruje ľahkú CC
CCL = 2	Hodnota vyjadruje stredne ťažkú CC
CCL = 3	Hodnota vyjadruje ťažkú CC
CCL = 4	Hodnota vyjadruje veľmi ťažkú CC

Grouper priraduje každej diagnóze v zázname hodnotu CCL automaticky, avšak pri novorodencoch a v prípadoch mimo novorodencov používa odlišné postupy. V prípadoch, v ktorých nejde o novorodencov, postupuje Grouper nasledovne:

1. Grouper identifikuje základnú-DRG, ktorej hospitalizačný prípad prislúcha.
2. Grouper overuje, či základná-DRG obsahuje diagnózy Polytrauma (základná-DRG W01-61) alebo HIV (základná-DRG S01-65). Nakoľko diagnóza Trauma je zohľadnená už pri zaradovaní do MDC 21, nie je vedľajšia diagnóza Trauma rozpoznaná ako CC a jej CCL hodnota je 0. Podobne sa postupuje aj pri diagnózach HIV v MDC 18.
3. Grouper overuje, či diagnóza nie je duplikátom hlavnej diagnózy alebo už predtým spracovanej inej vedľajšej diagnózy. Pokiaľ je, priradí sa kódu CCL hodnota 0.
4. Grouper overuje, či kód vzhľadom na úzky vzťah k hlavnej diagnóze nemá byť ako CC vyradený. Pokiaľ je tomu tak, CC má hodnotu 0.
5. Grouper na základe čísla základnej-DRG určí číslo stĺpca z ADRG-tabuľky stĺpcov. Ak je toto priradené číslo nula, obdrží príslušný kód pre CC hodnotu 0.
6. Grouper s prihliadnutím na faktory pohlavie pacienta a/alebo dôvod prepustenia určí z CC-tabuľky riadkov číslo riadku.
7. Grouper určí hodnotu CCL podľa CCL-Matice pomocou čísla riadku a stĺpca.

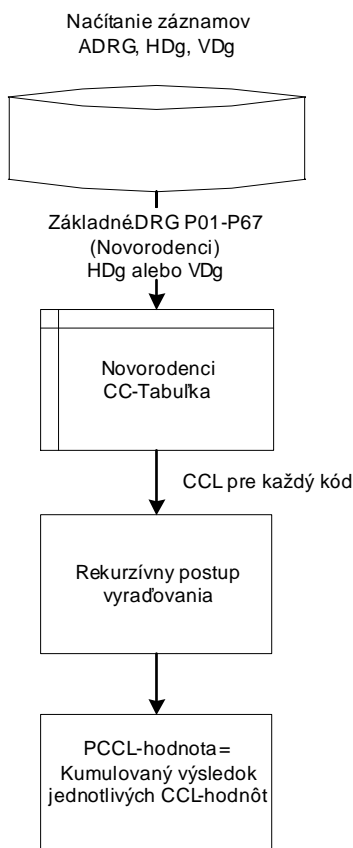
Obrázok č. 1 zobrazuje postupnosť krokov pri priradovaní hodnôt CCL okrem prípadov novorodencov. (Pozn: hoci Grouper určuje CCL hodnoty aj v týchto prípadoch, nepoužíva ich ku kalkulácii PCCL.)

**OBRÁZOK C.1** Postup pre určenie PCCL pre prípady okrem novorodencov



Pre hospitalizačné prípady novorodencov - t.zn. prípady priradené k základnej-DRG P01-P67 - sú používané iné postupy. Všetky kódy diagnóz sú tu použité ako vedľajšie diagnózy. Detaily k hodnotám CC a PCCL sú uvádzané podľa samostatnej tabuľky CC pre novorodencov. Diagnózy, ktoré sa v tejto tabuľke nenachádzajú, majú nulovú hodnotu CC. Obrázok č. 2 poskytuje prehľad o postupnosti jednotlivých krokov v priradovaní hodnôt CC u novorodencov [Pozn.: Hodnoty CCL a PCCL stanovené pre novorodencov neslúžia k zaradovaniu do DRG-skupín. Hospitalizačné prípady novorodencov sú zaradované do DRG na základe zoznamu vážnych problémov prostredníctvom MDC 15 (pozri zväzok 2)].

## OBRÁZOK C.2 Postup pre určenie PCCL u novorodencov



**Stupeň klinickej závažnosti prípadu (PCCL):** PCCL je stupeň klinickej komplexnosti prípadu – je vyjadrením miery kumulatívneho efektu CC každého hospitalizačného prípadu. Stanovuje sa komplexným postupom tak, aby sa zabránilo viacnásobnému zhodnoteniu podobných „obtiaží“. PCCL môže nadobúdať nasledovné hodnoty:

- 0 = žiadne CC
- 1 = ľahké CC
- 2 = stredne ťažké CC
- 3 = ťažké CC
- 4 = veľmi ťažké CC

Potom, ako bola ku každej diagnóze záznamu stanovená hodnota CCL (nezávisle na tom, či ide o novorodencov alebo iný hospitalizačný prípad), zotriedi Grouper zostupne podľa hodnoty CCL všetky vedľajšie diagnózy a spustí proces vyradovania. V tomto procese, ktorý zabezpečuje vyradenie nesignifikantných diagnóz a zohľadnenie podobných diagnóz iba jedenkrát, je každá diagnóza v poradí posudzovaná tak, akoby bola hlavnou diagnózou. To znamená, že každá diagnóza je jedna po druhej posudzovaná ako „kotviaca diagnóza“ a status CC iných diagnóz je posudzovaný vo vzťahu k tejto „kotviacej diagnóze“. Výsledkom procesu je, že niektoré vedľajšie diagnózy sú ako CC vyradené (hodnota CCL= nula).

Je potrebné si uvedomiť, že Grouperom vymedzené hodnoty CCL sú tie, ktoré boli priradené pred procesom vyradovania.

Na konci rekurzívneho postupu vyradovania vypočíta Grouper pomocou vzorca na základe zostávajúcich hodnôt CCL hodnotu PCCL.

#### Vzorec pre výpočet PCCL

Pokiaľ je {CCL(i)} zotriedený zoznam CCL hodnôt po ukončení vyradovacieho postupu, je vzorec na výpočet PCCL nasledovný:

$$PCCL = \begin{cases} 0 & \text{v prípade, že neexistujú žiadne VD} \\ 4 & \text{ak } x > 4 \\ x & \text{vo všetkých iných prípadoch} \end{cases}$$

$$\text{Pričom } x = \text{round} \left\{ \frac{\ln \left\{ \sum_{i=k}^{\infty} CCL(i) * \exp(-\alpha * (i-k)) \right\}}{\ln(3/\alpha) / 4} \right\}$$

Parameter  $\alpha = 0,4$

$k = 1$  pre základné-DRG P01 - P67,  $k = 2$  pre všetky ostatné základné-DRG

Tento algoritmus vyvinul Dr. Xichuan (Mark) Zhang v rámci CCL Refinement projektu.

Nasledujúca tabuľka obsahuje hodnoty pre PCCL, ktoré vzniknú pri rozličných kombináciách CCL-hodnôt.

**TABUĽKA C.1 Kombinácie CCL-hodnôt k dosiahnutiu PCCL od 1 do 4**

PCCL	CCL1	CCL2	CCL3	CCL4	CCL5	CCL6
4	4	3				
3	4	2				
3	4	1	1			
3	3	3				
3	3	2	2			
3	3	2	1	1		
3	2	2	2	2		
3	2	2	2	1	1	1
3	4					
3	4	1				
3	3	2				
3	3	2	1			
3	2	2				
3	2	2	2			
2	2	2				
2	2	1				
2	3					
2	1	1	1	1	1	
1	2					
1	1	1				
0	1					

ICD	Text	OP. CCL	Med. CCL	ICD	Text	OP. CCL	Med. CCL
A02.0	Salmonelová enteritída	2	2	A19.9	Miliárna tuberkulóza, bližšie neurčená	3,4	3
A02.1	Salmonelová sepsa	2	2	A31.0	Pľúcna mykobakteriáza	3,4	3
A04.3	Infekcia zapríčinená enterohemoragickou Escherichia coli	3,4	3	A31.80	Diseminovaná atypická mykobakteriáza	3,4	3
A04.7	Enterokolitída zapríčinená Clostridium difficile	2,3,4	1,2,3	A32.1	Listériová meningitída a meningoencefalitída	3,4	3
A04.9	Baktériová črevná infekcia, bližšie neurčená	2	2	A32.7	Listériová sepsa	3,4	3
A07.1	Giardiáza [lambliaza]	2	2	A34	Tetanus počas gravidity, pôrodu a v šestonedelí	2	2
A07.3	Izosporiáza	2	2	A35	Iný tetanus	3,4	3
A08.0	Rotavirusová enteritída	1,2	2	A39.0	Meningokoková meningitída (G01*)	3,4	3
A08.1	Akútna gastroenteritída zapríčinená norovírusom [Norwalk]	1,2,3,4	1,2,3	A39.1	Waterhouseov-Friderichsenov syndróm (E35.1*)	3,4	3
A09.0	Iná a bliž. neurč. gastroenteritída a kolitída infekčného pôvodu	1,2	2	A39.2	Akútna meningokoková sepsa	3,4	3
A15.0	TBC pľúc, potvrd. mikros. vyš. spúta s a bez dők. kultiv./mol-biol.	3,4	3	A39.3	Chronická meningokoková sepsa	3,4	3
A15.1	Tuberkulóza pľúc, potvrdená len kultivačne	3,4	3	A39.4	Meningokoková sepsa, bližšie neurčená	3,4	3
A15.2	Tuberkulóza pľúc, potvrdená histologicky	3,4	3	A39.5	Meningokokové ochorenie srdca	1,2,3	1,2
A15.3	TBC pľúc, potvrdená inými a bliž. neurč. metódami	3,4	3	A39.8	Iná meningokoková infekcia	3,4	3
A15.4	TBC vnútrohrud. lymf. uzlín, potvrd. bakter. molekul. biolog. /hist.	3,4	3	A39.9	Meningokoková infekcia, bližšie neurčená	3,4	3
A15.5	TBC hrtana, priedušnice a prieduš. potv. bakter. molekul. biolog. /hist.	3,4	3	A40.0	Sepsa zapríčinená streptokokom zo skupiny A	3,4	1,3
A15.6	TBC pleuritída, potvrd. bakteriolog. molekul. biolog. /hist.	3,4	3	A40.1	Sepsa zapríčinená streptokokom zo skupiny B	3,4	1,3
A15.7	Primárna TBC dých. org. potv. bakter. molekul. biolog. /hist.	3,4	3	A40.2	Sepsa zapríčinená streptokokom zo skupiny D	3,4	1,3
A15.8	Iná TBC dých. org. potvrd. bakter. molekul. biolog. /hist.	3,4	3	A40.3	Sepsa zapríčinená Streptococcus pneumoniae	3,4	1,3
A15.9	TBC dých. súst. potvrdená bakter. molekul. biolog. /hist., b.n	3,4	3	A40.8	Iná streptokoková sepsa	3,4	1,3
A16.0	TBC pľúc, bakter. molekul. biolog. a hist. negat.	3,4	3	A40.9	Sepsa zapríčinená streptokokmi, bližšie neurčená	3,4	1,3
A16.1	TBC pľúc, bez vyk. bakter. molekul. biolog. a hist. vyš.	3,4	3	A41.0	Sepsa zapríčinená Staphylococcus aureus	3,4	1,3
A16.2	TBC pľúc, bez úd. o bakter. molekul. biolog. /hist. potvrdená	3,4	3	A41.1	Sepsa zapríčinená iným bližšie určeným stafylokokom	3,4	1,3
A16.3	TBC vnútrohr. lymf. uzl. bez úd. o bakter. molekul. biolog. /hist. pot.	3,4	3	A41.2	Sepsa zapríčinená bližšie neurčeným stafylokokom	3,4	1,3
A16.4	TBC hrt., priedušn. a prieduš. bez úd. o bakt. mol-bio. /hist. pot.	3,4	3	A41.3	Sepsa zapríčinená Haemophilus influenzae	3,4	1,3
A16.5	TBC pleuritída, bez úd. o bakter. molekul. biolog. /hist. pot.	3,4	3	A41.4	Sepsa zapríčinená anaeróbnou baktériou	3,4	1,3
A16.7	Prim. TBC dých. súst. bez úd. o bakter. molekul. biolog. /hist. pot.	3,4	3	A41.51	Sepsa zapríčinená Escherichia coli [E. coli]	3,4	1,3
A16.8	Iná TBC dých. súst., bez úd. o bakter. molekul. biolog. /hist. pot.	3,4	3	A41.52	Sepsa zapríčinená pseudomonas	3,4	1,3
A16.9	TBC dých. súst., bez úd. o bakter. molekul. biolog. /hist. pot., b.n	3,4	3	A41.58	Sepsa zapríčinená inou gramnegatívnou baktériou	3,4	1,3
A17.0	Tuberkulóza meningitída (G01*)	3,4	3	A41.8	Iná sepsa, bližšie určená	3,4	1,3
A17.1	Meningový tuberkulóm (G07*)	3,4	3	A41.9	Sepsa, bližšie neurčená	3,4	1,3
A17.8	Iná tuberkulóza nervovej sústavy	3,4	3	A42.0	Pľúcna aktinomykóza	3,4	3
A17.9	Tuberkulóza nervovej sústavy, bližšie neurčená	3,4	3	A42.1	Brušná aktinomykóza	3,4	3
A18.0	Tuberkulóza kostí a kĺbov	2	2	A42.7	Aktinomykotická sepsa	3,4	3
A18.1	Tuberkulóza močovo-pohlavnej sústavy	2,3,4	2,3	A43.0	Pľúcna nokardióza	3,4	3
A18.2	Tuberkulóza periférna lymfadenopatia	2,3,4	1,2,3	A48.0	Plynová gangréna	3,4	3
A18.3	TBC čriev, peritonea a mezenterických lymfatických uzlín	3,4	3	A48.1	Legionelóza s pneumóniou [Legionárska choroba]	3,4	3
A18.5	Tuberkulóza oka	2,3,4	2	A48.2	Legionelóza bez pneumónie [Pontiacka horúčka]	3,4	3
A18.6	Tuberkulóza ucha	2	2	A48.3	Syndróm toxického šoku	3,4	3
A18.7	Tuberkulóza nadobličiek (E35.1*)	2	1,2	A49.0	Stafylokoková infekcia bez bližšieho určenia miesta	3,4	3
A18.8	Tuberkulóza iných bližšie určených orgánov	2	2	A49.1	Streptokoková infekcia bez bližšieho určenia miesta	3,4	3
A19.0	Akútna miliárna TBC na jedinom bliž. urč. mieste	3,4	3	A49.2	Infekcia haemophilus influenzae na b.n.m.	3,4	3
A19.1	Akútna miliárna tuberkulóza na viacerých miestach	3,4	3	A50.4	Neskorý vrodený neurosyfilis [Juvenilný neurosyfilis]	3,4	3
A19.2	Akútna miliárna tuberkulóza, bližšie neurčená	3,4	3	A52.0	Kardiovaskulárny syfilis	1,2,3	1,2
A19.8	Iná miliárna tuberkulóza	3,4	3	A52.1	Neurosyfilis, symptomatický	2,3	1,2,3
				A52.2	Neurosyfilis, asymptomatický	3,4	3
				A52.3	Neurosyfilis, bližšie neurčený	2,3	1,2,3
				A54.0	Gonok. inf. dol. časti moč-pohl. súst. bez abs. uretr. /preds. žliaz	2	2
				A54.1	Gonok. inf. dol. časti moč-pohl. súst. s abs. uretr. a preds. žliaz	2	2
				A54.2	Gonok. pelveoperitonitída a iná gonokok. moč-pohl. infekcia	2	2
				A81.1	Subakútna sklerotizujúca panencefalitída	2,3	1,2,3

ICD	Text	OP. CCL	Med. CCL	ICD	Text	OP. CCL	Med. CCL
A81.2	Progresívna multifokálna leukoencefalopatia	2,3	1,2,3	B20.7	Choroba HIV s následnými viacpočetnými infekciami	1,2,3	1,2,3
A84.1	Stredo európska kliešťová encefalitída	2,3	1,2,3	B20.8	Choroba HIV následnými iných infekčnými a parazit. chorobami	1,2,3	1,2,3
A85.0	Enterovírusová encefalitída (G05.1*)	2,3	1,2,3	B20.9	Choroba HIV následnými infekčnými/paraz. chor. bliž. neurč.	1,2,3	1,2,3
A85.8	Iná vírusová encefalitída, bližšie určená	2,3	1,2,3	B21.0	Choroba HIV s následným Kaposiho sarkómom	1,2,3	1,2,3
A86	Vírusová encefalitída, bližšie neurčená	2,3	1,2,3	B21.1	Choroba HIV s následným Burkittovým lymfómom	1,2,3	1,2,3
A87.0	Enterovírusová meningitída (G02.0*)	2,3	1,2,3	B21.2	Choroba HIV násled. inými typmi ne Hodgkinovho lymfómu	1,2,3	1,2,3
A98.5	Hemoragická horúčka s renálnym syndrómom	3,4	2,3	B21.3	Choroba HIV násled. inými zhub. nád. lymf. krvotv. a príb. tkan.	1,2,3	1,2,3
B00.1	Herpetická vezikulárna dermatitída	2,4	2	B21.7	Choroba HIV násled. viacpočetnými zhub. nádormi	1,2,3	1,2,3
B00.3	Herpetická meningitída (G02.0*)	3,4	3	B21.8	Choroba HIV s následnými inými zhubnými nádormi	1,2,3	1,2,3
B00.4	Herpetická encefalitída (G05.1*)	3,4	3	B21.9	Choroba HIV následnými zhubnými nádormi, bliž. neur.	1,2,3	1,2,3
B00.7	Diseminovaná herpetická choroba	2,3,4	3	B22.0	Choroba HIV s následnou encefalopatiou	1,2,3	1,2,3
B00.8	Iná forma herpetickej infekcie	2,4	2	B22.1	Choroba HIV s následnou lymfoidnou intersticiálnou pneumoniídou	1,2,3	1,2,3
B01.0	Varicelová meningitída (G02.0*)	2,4	2	B22.2	Choroba HIV s následným syndrómom celkového upadania	1,2,3	1,2,3
B01.1	Varicelová encefalitída (G05.1*)	3,4	3	B22.7	Choroba HIV s následnými rozličnými chorobami zatried. inde	1,2,3	1,2,3
B01.2	Varicelový zápal pľúc (J17.1*)	3,4	3	B23.0	Syndróm akútnej infekcie HIV	1,2,3	1,2,3
B01.8	Varicela s inými komplikáciami	2,4	2	B23.8	Choroba HIV s inými následnými, bliž. urč. stavmi	1,2,3	1,2,3
B01.9	Varicela bez komplikácií	2,4	2	B24	Choroba HIV, bližšie neurčená	1,2,3	1,2,3
B02.0	Zosterová encefalitída (G05.1*)	3,4	3	B25.0	Cytomegalovírusová pneumónia (J17.1*)	3,4	3
B02.1	Zosterová meningitída (G02.0*)	3,4	3	B25.1	Cytomegalovírusová hepatitída (K77.0*)	3,4	3
B02.2	Zoster s postihnutím iných častí nervovej sústavy	3,4	3	B25.2	Cytomegalovírusová pankreatitída (K87.1*)	3,4	3
B02.7	Diseminovaný zoster	2,4	2	B25.80	Cytomegalovírusová infekcia tráviacej trubice	3,4	3
B02.8	Zoster s inými komplikáciami	2,4	2	B25.88	Iná cytomegalovírusová choroba	3,4	3
B05.0	Osýpky komplikované encefalítidou (G05.1*)	3,4	3	B25.9	Cytomegalovírusová choroba, bližšie neurčená	3,4	3
B05.1	Osýpky komplikované meningitídou (G05.1*)	2,4	2	B26.0	Parotitická orchitída (N51.1*)	2	2
B05.2	Osýpky komplikované pneumóniou (J17.1*)	3,4	3	B26.1	Parotitická meningitída (G02.0*)	3,4	3
B05.3	Osýpky komplikované zápalom stredného ucha	2	2	B26.2	Parotitická encefalitída (G05.1*)	3,4	3
B05.4	Osýpky s črevnými komplikáciami	2,4	2	B26.3	Parotitická pankreatitída (K87.1*)	2,3	2
B05.8	Osýpky s inými komplikáciami	2,4	2	B26.8	Parotitída s inými komplikáciami	2,4	2
B06.0	Ružienka s nervovými komplikáciami	2	2	B37.0	Kandidová stomatitída	2,3	2,3
B06.8	Ružienka s inými komplikáciami	2,4	2	B37.1	Pľúcna kandidóza	3,4	3
B16.0	Akútna hepatit. B s Delta vírusom (koinfekcia), s pečeň. kómou	1,2,3,4	1,2,3	B37.4	Kandidóza iných častí močovopohlavnej sústavy	2	2
B16.1	Akútna hepatit. B s Delta vírusom (koinfekcia), bez pečeň. kómy	1,2,3,4	1,2,3	B37.5	Kandidová meningitída (G02.1*)	3,4	3
B16.2	Akútna hepatit. B bez Delta vírusu, s pečeňovou kómou	1,2,3,4	1,2,3	B37.6	Kandidová endokarditída (I39.8*)	3,4	3
B16.9	Akútna hepatit. B bez Delta vírusu, bez pečeňovej kómy	1,2,3,4	1,2,3	B37.7	Kandidová sepsa	3,4	3
B17.0	Akútna Delta-vírus. (super)infekcia nosiča vírusu hepatit. B	1,2,3,4	1,2,3	B37.81	Kandidová ezofagitída	2,4	2,3
B17.1	Akútna hepatitída C	1,2,3,4	1,2,3	B37.88	Kandidóza na iných miestach	3,4	2,3
B17.2	Akútna hepatitída E	1,2,3,4	1,2,3	B38.0	Akútna kokcidioidomykóza pľúc	3,4	3
B17.8	Iná akútna vírusová hepatitída, bližšie určená	1,2,3,4	1,2,3	B38.1	Chronická kokcidioidomykóza pľúc	3,4	3
B17.9	Akútna vírusová hepatitída, bližšie neurčená	1,2,3,4	1,2,3	B38.2	Kokcidioidomykóza pľúc, bližšie neurčená	3,4	3
B18.0	Chronická hepatitída B s Delta vírusom	1,2,3,4	1,2	B38.4	Kokcidioidomykotická meningitída (G02.1*)	3,4	3
B18.1	Chronická hepatitída B bez Delta vírusu	1,2,3,4	1,2	B38.7	Diseminovaná kokcidioidomykóza	3,4	3
B18.2	Chronická hepatitída C	1,2,3,4	1,2	B38.8	Iná forma kokcidioidomykózy	3,4	3
B18.8	Iná chronická vírusová hepatitída	1,2,3,4	1,2	B38.9	Kokcidioidomykóza, bližšie neurčená	2	2
B18.9	Chronická vírusová hepatitída, bližšie neurčená	1,2,3,4	1,2	B39.0	Akútna histoplazmóza pľúc zapríčinená Histoplasma capsulatum	2	2
B19.0	Vírusová hepatit. s pečeňovou kómou, bliž. neurč.	1,2,3,4	1,2,3	B39.1	Chronická histoplazmóza pľúc zapríč. Histoplasma capsulatum	2	2
B19.9	Vírusová hepatit. bez pečeňovej kómy, bliž. neurč.	1,2,3,4	1,2,3	B39.2	Histoplazmóza pľúc zapríč. Histoplasma capsulatum, bliž. neurč.	2	2
B20.0	Choroba HIV následnými mykobakteriovými infekciami	1,2,3	1,2,3	B39.3	Diseminovaná histoplazmóza zapríč. Histoplasma capsulatum	2	2
B20.1	Choroba HIV následnými inými bakteriálnymi infekciami	1,2,3	1,2,3	B39.4	Histoplazmóza zapríč. Histoplasma capsulatum, bliž. neurč.	2	2
B20.2	Choroba HIV následnými cytomegalovírusovou chorobou	1,2,3	1,2,3				
B20.3	Choroba HIV následnými do inými vírusovými infekciami	1,2,3	1,2,3				
B20.4	Choroba HIV s následnými kandidózami	1,2,3	1,2,3				
B20.5	Choroba HIV s následnými inými mykózami	1,2,3	1,2,3				
B20.6	Choroba HIV s následnou pneumocystovou pneumóniou	1,2,3	1,2,3				

ICD	Text	OP. CCL	Med. CCL	ICD	Text	OP. CCL	Med. CCL
B39.5	Histoplazmóza zapríčinená Histoplasma duboisii	2	2	B95.3	Streptococcus pneumoniae ako príčina chorôb zatried.inde	1,2	1,2
B39.9	Histoplazmóza, bližšie neurčená	2	2	B95.42	Streptokok skupiny G ako príčina chorôb zatried.inde	1,2	1,2
B40.0	Akútna blastomykóza pľúc	2	2	B95.48	Iný streptokok, bliž. urč. ako príčina chorôb zatried.inde	1,2	1,2
B40.1	Chronická blastomykóza pľúc	2	2	B95.5	Streptokok, bliž. neurč., ako príčina chorôb zatried.inde	1,2	1,2
B40.2	Blastomykóza pľúc, bližšie neurčená	2	2	B95.6	Staphylococcus aureus ako príčina chorôb zatried.inde	1,2	1,2
B40.3	Blastomykóza kože	2	2	B95.7	Iný stafylokok ako príčina chorôb zatriedených inde	1,2	1,2
B40.7	Diseminovaná blastomykóza	2	2	B95.8	Stafylokok, bliž. neurč., ako príčina chorôb zatried.inde	1,2	1,2
B40.8	Iná forma blastomykózy	2	2	B96.3	Haemophilus a Moraxella ako príčina chorôb zatried.inde	3,4	3
B40.9	Blastomykóza, bližšie neurčená	2	2	B96.5	Pseudomonas a iná neferment. baktéria ako príč. chorôb. z. i.	2,3,4	2,3
B41.0	Parakokcidioidomykóza pľúc	2	2	C15.0	Zhubný nádor krčnej časti pažeráka	1,2,3	1,2
B41.7	Diseminovaná parakokcidioidomykóza	2	2	C15.1	Zhubný nádor hrudníkovej časti pažeráka	1,2,3	1,2
B41.8	Iná forma parakokcidioidomykózy	2	2	C15.2	Zhubný nádor brušnej časti pažeráka	1,2,3	1,2
B41.9	Parakokcidioidomykóza, bližšie neurčená	2	2	C15.3	Zhubný nádor hornej tretiny pažeráka	1,2,3	1,2
B44.0	Invazívna aspergilóza pľúc	3,4	3	C15.4	Zhubný nádor strednej tretiny pažeráka	1,2,3	1,2
B44.1	Iná aspergilóza pľúc	3,4	3	C15.5	Zhubný nádor dolnej tretiny pažeráka	1,2,3	1,2
B44.2	Aspergilóza tonzíl	3,4	3	C15.8	Zhubný nádor pažeráka presahujúci viaceré oblasti	1,2,3	1,2
B44.7	Diseminovaná aspergilóza	3,4	3	C15.9	Zhubný nádor pažeráka, bližšie neurčený	1,2,3	1,2
B44.8	Iná forma aspergilózy	3,4	3	C16.0	Zhubný nádor kardie	1,2,3	1,2
B44.9	Aspergilóza, bližšie neurčená	3,4	3	C16.1	Zhubný nádor fundu žalúdka	1,2,3	1,2
B45.0	Kryptokokóza pľúc	3,4	3	C16.2	Zhubný nádor tela žalúdka	1,2,3	1,2
B45.1	Kryptokokóza mozgu	3,4	3	C16.3	Zhubný nádor antra pyloru	1,2,3	1,2
B45.2	Kryptokokóza kože	3,4	3	C16.4	Zhubný nádor pyloru	1,2,3	1,2
B45.3	Kryptokokóza kostí	3,4	3	C16.5	Zhub. nádor malej kurvatury žalúdka, bliž. neurč.	1,2,3	1,2
B45.7	Diseminovaná kryptokokóza	3,4	3	C16.6	Zhub. nádor veľkej kurvatury žalúdka, bliž. neurč.	1,2,3	1,2
B45.8	Iná forma kryptokokózy	3,4	3	C16.8	Zhubný nádor žalúdka presahujúci viaceré oblasti	1,2,3	1,2
B45.9	Kryptokokóza, bližšie neurčená	3,4	3	C16.9	Zhubný nádor žalúdka, bližšie neurčený	1,2,3	1,2
B46.0	Mukormykóza pľúc	2	2	C17.0	Zhubný nádor dvanástnika	1,2,3	1,2
B46.1	Rinocerebrálna mukormykóza	2	2	C17.1	Zhubný nádor jejúna	1,2,3	1,2
B46.2	Mukormykóza tráviacej trubice	2	2	C17.2	Zhubný nádor ilea	1,2,3	1,2
B46.3	Mukormykóza kože	2	2	C17.3	Zhubný nádor Meckelovho divertikula	1,2,3	1,2
B46.4	Diseminovaná mukormykóza	2	2	C17.8	Zhubný nádor tenkého čreva presah. viac. obl.	1,2,3	1,2
B46.5	Mukormykóza, bližšie neurčená	2	2	C17.9	Zhubný nádor tenkého čreva, bližšie neurčený	1,2,3	1,2
B46.8	Iná zygomykóza	2	2	C18.0	Zhubný nádor slepého čreva	1,2,3	1,2
B46.9	Zygomykóza, bližšie neurčená	2	2	C18.1	Zhubný nádor červovitého príviesku slepého čreva	1,2,3	1,2
B47.0	Eumycetóm	3,4	3	C18.2	Zhubný nádor vzostupnej časti hrubého čreva	1,2,3	1,2
B47.1	Aktinomycetóm	3,4	3	C18.3	Zhubný nádor pečenevého ohybu hrubého čreva	1,2,3	1,2
B48.2	Allescheriáza	2	2	C18.4	Zhubný nádor priečnej časti hrubého čreva	1,2,3	1,2
B48.7	Mykóza zapríčinená oportunistickým patogénom	3,4	3	C18.5	Zhubný nádor slezinového ohybu hrubého čreva	1,2,3	1,2
B57.0	Akútna Chagasova choroba s postihnutím srdca	1,2,3	1,2	C18.6	Zhubný nádor zostupnej časti hrubého čreva	1,2,3	1,2
B57.2	Chagasova choroba (chronická) s postihnutím srdca	1,2,3	1,2	C18.7	Zhubný nádor esovitej časti hrubého čreva	1,2,3	1,2
B58.0	Toxoplazmová okulopatia	1,2,3,4	1,2	C18.8	Zhubný nádor hrubého čreva presah. viac. obl.	1,2,3	1,2
B58.1	Toxoplazmová hepatitída (K77.0*)	1,2,3,4	1,2,3	C18.9	Zhubný nádor hrubého čreva, bližšie neurčený	1,2,3	1,2
B58.2	Toxoplazmová meningoencefalitída (G05.2*)	3,4	3	C19	Zhubný nádor rektosigmoidového spojenia hrubého čreva	1,2,3	1,2
B58.3	Toxoplazmóza pľúc (J17.3*)	3,4	3	C20	Zhubný nádor konečníka	1,2,3	1,2
B58.8	Toxoplazmóza s postihnutím iných orgánov	2	2	C21.0	Zhubný nádor anusu, bližšie neurčený	1,2,3	1,2
B59	Pneumocystóza (J17.3*)	3,4	3	C21.1	Zhubný nádor análneho kanála	1,2,3	1,2
B60.0	Babezióza	2	2	C21.2	Zhubný nádor kloakovej oblasti	1,2,3	1,2
B60.1	Akantamebóza	2	2	C21.8	Zhubný nádor rekta, anusu a análneho kanála presah. viac. obl.	1,2,3	1,2
B60.2	Naeglerióza	2	2	C22.0	Hepatocelulárny karcinóm	1,2,3,4	1,2
B60.8	Iná protozoárna choroba, bližšie určená	2	2	C22.1	Karcinóm vnútropečeňových žilových ciest	1,2,3,4	1,2
B78.0	Črevná strongyloidóza	2	2	C22.2	Hepatoblastóm	1,2,3,4	1,2
B78.1	Kožná strongyloidóza	2	2				
B78.7	Diseminovaná strongyloidóza	2	2				
B78.9	Strongyloidóza, bližšie neurčená	2	2				
B79	Trichuridóza	2	2				
B90.0	Následky tuberkulózy centrálnej nervovej sústavy	1,2	2				
B90.1	Následky tuberkulózy močovopohlavnej sústavy	2,3,4	2,3				
B90.9	Následky respiračnej a bliž. nerč. TBC	2	2				
B91	Následky poliomyelitídy	1,2	2				
B95.2	Streptokok skupiny D ako príčina chorôb zatried.inde	1,2	1,2				



ICD	Text	OP. CCL	Med. CCL	ICD	Text	OP. CCL	Med. CCL
C22.3	Angiosarkóm pečene	1,2,3,4	1,2	C41.8	Zhubný nádor kosti a kĺbovej chrupky presah.viac.obl.	1,2,3,4	1,2,3
C22.4	Iný sarkóm pečene	1,2,3,4	1,2	C45.0	Mezotelióm pľúc	1,2,3,4	1,2
C22.7	Iný karcinóm pečene, bližšie určený	1,2,3,4	1,2	C45.1	Mezotelióm pobrušnice	1,2,3	1,2
C22.9	Zhubný nádor pečene, bližšie neurčený	1,2,3,4	1,2	C45.2	Mezotelióm osrdcovníka	1,2,3	1,2
C23	Zhubný nádor žľazy	1,2,3,4	1,2	C45.7	Mezotelióm na inom mieste	2,3,4	1,2,3
C24.0	Zhubný nádor mimopečenných žľazových ciest	1,2,3,4	1,2	C45.9	Mezotelióm, bližšie neurčený	2,3,4	1,2,3
C24.1	Zhubný nádor ampulla Vateri	1,2,3,4	1,2	C46.3	Kaposiho sarkóm lymfatických uzlín	1,2,3	1,2
C24.8	Zhubný nádor žľazových ciest presah.viac.obl.	1,2,3,4	1,2	C46.8	Kaposiho sarkóm viacerých orgánov	2	2
C24.9	Zhubný nádor žľazových ciest, bližšie neurčený	1,2,3,4	1,2	C50.0	Zhubný nádor prsníkovej bradavky a dvorčeka	2,3	2
C25.0	Zhubný nádor hlavy podžalúdkovej žľazy	1,2,3,4	1,2	C64	Zhubný nádor obličky okrem obličkovej panvičky	2	2
C25.1	Zhubný nádor tela podžalúdkovej žľazy	1,2,3,4	1,2	C65	Zhubný nádor obličkovej panvičky	2	2
C25.2	Zhubný nádor chvosta podžalúdkovej žľazy	1,2,3,4	1,2	C66	Zhubný nádor močovodu	2	2
C25.3	Zhubný nádor vývodu podžalúdkovej žľazy	1,2,3,4	1,2	C70.0	Zhubný nádor mozgovomiechových obalov: mozog	1,2,3	1,2,3
C25.4	Zhubný nádor endokrinnnej časti podžalúdkovej žľazy	1,2,3,4	1,2	C70.1	Zhubný nádor mozgovomiechových obalov: miecha	1,2,3	1,2,3
C25.7	Zhubný nádor iných častí podžalúdkovej žľazy	1,2,3,4	1,2	C70.9	Zhubný nádor mozgovomiechových obalov, bližšie neurčený	1,2,3	1,2,3
C25.8	Zhubný nádor podžalúdkovej žľazy presah.viac.obl.	1,2,3,4	1,2	C71.0	Zhubný nádor mozgu okrem lalokov a komôr	1,2,3	1,2,3
C25.9	Zhubný nádor podžalúdkovej žľazy, bližšie neurčený	1,2,3,4	1,2	C71.1	Zhubný nádor čelového laloka mozgu	1,2,3	1,2,3
C26.8	Zhubný nádor tráviacej sústavy presah.viac.obl.	1,2,3	1,2	C71.2	Zhubný nádor spánkového laloka mozgu	1,2,3	1,2,3
C33	Zhubný nádor priedušnice	1,2,3,4	1,2	C71.3	Zhubný nádor temného laloka mozgu	1,2,3	1,2,3
C34.0	Zhubný nádor hlavnej priedušky	1,2,3,4	1,2	C71.4	Zhubný nádor záhlavového laloka mozgu	1,2,3	1,2,3
C34.1	Zhubný nádor priedušky alebo pľúc v hornom laloku	1,2,3,4	1,2	C71.5	Zhubný nádor mozgovej komory mozgu	1,2,3	1,2,3
C34.2	Zhubný nádor priedušky alebo pľúc v strednom laloku	1,2,3,4	1,2	C71.6	Zhubný nádor mozočka	1,2,3	1,2,3
C34.3	Zhubný nádor priedušky alebo pľúc v dolnom laloku	1,2,3,4	1,2	C71.7	Zhubný nádor mozgového kmeňa	1,2,3	1,2,3
C34.8	Zhubný nádor priedušky alebo pľúc, presah.viac.obl.	1,2,3,4	1,2	C71.8	Zhubný nádor mozgu presahujúci viaceré oblasti	1,2,3	1,2,3
C34.9	Zhubný nádor priedušky alebo pľúc, bližšie neurčený	1,2,3,4	1,2	C71.9	Zhubný nádor mozgu, bližšie neurčený	1,2,3	1,2,3
C37	Zhubný nádor týmsu	1,2,3,4	1,2	C72.0	Zhubný nádor miechy	1,2,3	1,2,3
C38.0	Zhubný nádor srdca	1,2,3	1,2	C72.1	Zhubný nádor cauda equina	1,2,3	1,2,3
C38.1	Zhubný nádor predného mediastína	1,2,3,4	1,2	C72.2	Zhubný nádor čuchového nervu [n. olfactorii]	1,2,3	1,2,3
C38.2	Zhubný nádor zadného mediastína	1,2,3,4	1,2	C72.3	Zhubný nádor zrakového nervu [n. opticus]	1,2,3	1,2,3
C38.3	Zhubný nádor bližšie neurčenej časti mediastína	1,2,3,4	1,2	C72.4	Zhubný nádor sluchového nervu	1,2,3	1,2,3
C38.4	Zhubný nádor pľúc	1,2,3,4	1,2	C72.5	Zhubný nádor iných a bliž. neurč. hlavových nervov	1,2,3	1,2,3
C38.8	Zhubný nádor srdca, mediastína a pľúc presah.viac.obl.	1,2,3,4	1,2	C72.8	Zhubný nádor, lézia presahujúca mozog a iné časti CNS	1,2,3	1,2,3
C40.0	Zhubný nádor kosti a kĺb. chrupky lopatky a dlhých kostí HK	1,2,3,4	1,2,3	C77.0	Sekundár. a bliž. neu. zhub. nádor lymf. uzliny hlavy, tváre a krku	1,2,3,4	1,2,3
C40.1	Zhubný nádor kosti a kĺbovej chrupky krátkych kostí HK	1,2,3,4	1,2,3	C77.1	Sekundárny a bliž. neu. zhub. nádor vnútrohruď. lymf. uzliny	1,2	1,2
C40.2	Zhubný nádor kosti a kĺbovej chrupky dlhých kostí DK	1,2,3,4	1,2,3	C77.2	Sekundárny a bliž. neu. zhub. nádor vnútrobruš. lymf. uzliny	1,2	1,2
C40.3	Zhubný nádor kosti a kĺbovej chrupky krátkych kostí DK	1,2,3,4	1,2,3	C77.3	Sekundárny a bliž. neu. zhub. nádor lymf. uzliny pazuchy a HK	1,2	1,2
C40.8	Zhubný nádor kosti a kĺb. chrupky končatín, presah.viac.obl.	1,2,3,4	1,2,3	C77.4	Sekundárny a bliž. neu. zhub. nádor lymf. uzliny slabiny a DK	1,2	1,2
C41.01	Zhubný nádor kosti a kĺbovej chrupky v kraniofaciálnej obl.	1,2,3,4	1,2,3	C77.5	Sekundárny a bliž. neu. zhub. nádor vnútropanv. lymf. uzliny	1,2	1,2
C41.02	Zhubný nádor kosti a kĺbovej chrupky v maxilofaciálnej obl.	1,2,3,4	1,2,3	C77.8	Sekundárny a bliž. neu. zhub. nádor lymf. uzliny viac.obl.	1,2	1,2
C41.1	Zhubný nádor kosti a kĺbovej chrupky dolnej čeľuste (sánky)	1,2,3,4	1,2,3	C77.9	Sekundárny a bliž. neu. zhub. nádor bliž. neurč. lymf. uzlín	1,2	1,2
C41.2	Zhubný nádor kosti a kĺbovej chrupky chrčnice	1,2,3,4	1,2,3	C78.0	Sekundárny zhubný nádor pľúc	2,3	1,2,3
C41.30	Zhubný nádor kosti a kĺbovej chrupky rebra	1,2,3,4	1,2,3	C78.1	Sekundárny zhubný nádor mediastína	2,3	1,2,3
C41.31	Zhubný nádor kosti a kĺbovej chrupky hrudnej kosti	1,2,3,4	1,2,3	C78.2	Sekundárny zhubný nádor pľúc	1,2,3	1,2,3
C41.32	Zhubný nádor kosti a kĺbovej chrupky kľúčnej kosti	1,2,3,4	1,2,3	C78.3	Sekundárny zhubný nádor iných a bliž. neurč. dýchacích orgánov	1,2,3,4	1,2
C41.4	Zhubný nádor kosti a kĺbovej chrupky panvovej kosti	1,2,3,4	1,2,3	C78.4	Sekundárny zhubný nádor tenkého čreva	1,2,3	1,2
				C78.5	Sekundárny zhubný nádor hrubého čreva a konečníka	1,2,3	1,2
				C78.6	Sekundárny zhubný nádor retroperitonea a pobrušnice	1,2,3	1,2
				C78.7	Sekundárny zhubný nádor pečene a vnútropeč. žľazovodov	1,2,3,4	1,2

ICD	Text	OP. CCL	Med. CCL	ICD	Text	OP. CCL	Med. CCL
C78.8	Sekundárny zhubný nádor i.a bliž.neurč.tráviacích orgánov	1,2,3	1,2	C85.7	Iný bližšie určený typ non-Hodgkinovho lymfómu	1,2,3	1,2
C79.0	Sekundárny zhubný nádor obličky a obličkovej panvičky	1,2,3,4	1,2,3	C85.9	Non-Hodgkinov lymfóm,bližšie neurčený	1,2,3	1,2
C79.1	Sekundárny zhubný nádor moč.mechúra a i.a b.neurč.moč.org.	1,2,3,4	1,2	C86.0	Extranodálny lymfóm z NK/T- buniek,nosový typ	1,2,3	1,2
C79.2	Sekundárny zhubný nádor kože	2,3	2	C86.1	Hepatosplenický lymfóm z T-buniek	1,2,3	1,2
C79.3	Sekundárny zhubný nádor mozgu a mozgových plien	1,2,3	1,2	C86.2	Enteropatický (intestinálny) lymfóm z T-buniek	1,2,3	1,2
C79.4	Sekundárny zhubný nádor i.a bliž.neu.častí nervov.súst.	1,2,3	1,2	C86.3	Podkožný panikulitíde podobný lymfóm z T-buniek	1,2,3	1,2
C79.5	Sekundárny zhubný nádor kosti a kostnej drene	1,2,3,4	1,2,3	C86.4	Blastový lymfóm z NK-buniek	1,2,3	1,2
C79.6	Sekundárny zhubný nádor vaječníka	3,4	3	C86.5	Angioimunoblastový lymfóm z T-buniek	1,2,3	1,2
C79.7	Sekundárny zhubný nádor nadobličky	1,2,3,4	1,2,3	C86.6	Primárna kožná CD30-pozitívna lymfoprolif.chor.z T-buniek	1,2,3	1,2
C79.81	Sekundárny zhubný nádor prsníka	2,3	2	C88.00	Waldenströmova makroglobulinémia,bez komplet.remisie	1,2,3	1,2
C79.82	Sekundárny zhubný nádor pohlavných orgánov	3,4	3	C88.01	Waldenströmova makroglobulinémia,v komplet.remisie	1,2,3	1,2
C79.83	Sekundárny zhubný nádor perikardu	1,2,3,4	1,2	C88.30	Imunoproliferatívna choroba tenkého čreva,bez komplet.rem.	1,2,3	1,2
C79.84	Iné sekundárne zhubné nádory srdca	1,2,3,4	1,2	C88.31	Imunoproliferatívna choroba tenkého čreva,v komplet.remisii	1,2,3	1,2
C79.88	Sekundárny zhubný nádor na iných bliž.urč.miestach	1,2,3,4	1,2	C88.40	Extranod.lymf.z B-bun.marginál.zóny lymf.tka.sliz.bez kompl.r.	1,2,3	1,2
C79.9	Sekundárny zhubný nádor bez bliž.urč.miesta	1,2,3,4	1,2	C88.41	Extranod.lymf.z B-bun.marginál.zóny lymf.tka.sliz.,v kompl.r.	1,2,3	1,2
C80.0	Zhubný nádor,bliž.neznámej primárnej lokalizácie,tak označený	1,2,3,4	1,2	C88.70	Iná zhubná imunoproliferatívna choroba,bez komplet.rem.	1,2,3	1,2
C80.9	Zhubný nádor,bližšie neurčenej primárnej lokalizácie	1,2,3,4	1,2	C88.71	Iná zhubná imunoproliferatívna choroba,v komplet.rem.	1,2,3	1,2
C81.0	Nodulárny Hodgkinov lymfóm s prevahou lymfocytov	1,2,3	1,2	C88.90	Zhubná imunoproliferatívna choroba,bliž.neurč.,bez kompl.rem.	1,2,3	1,2
C81.1	Klasický Hodgkinov lymfóm s nodulárnou sklerózou	1,2,3	1,2	C88.91	Zhubná imunoproliferatívna choroba,bliž.neurč.,v kompl.rem.	1,2,3	1,2
C81.2	Klasický Hodgkinov lymfóm so zmiešanou celularitou	1,2,3	1,2	C90.00	Mnohopočetný myelóm,bez kompletnej remisie	1,2,3	1,2
C81.3	Klasický Hodgkinov lymfóm chudobný na lymfocyty	1,2,3	1,2	C90.01	Mnohopočetný myelóm,v kompletnej remisii	1,2,3	1,2
C81.4	Klasický Hodgkinov lymfóm bohatý na lymfocyty	1,2,3	1,2	C90.10	Plazmocytová leukémia,bez kompletnej remisie	1,2,3	1,2
C81.7	Iný klasický Hodgkinov lymfóm	1,2,3	1,2	C90.11	Plazmocytová leukémia,v kompletnej remisii	1,2,3	1,2
C81.9	Hodgkinov lymfóm,bližšie neurčený	1,2,3	1,2	C90.20	Extramedulárny plazmocytóm,bez kompletnej remisie	1,2,3	1,2
C82.0	Folikulový lymfóm,štádium I	1,2,3	1,2	C90.21	Extramedulárny plazmocytóm,v kompletnej remisii	1,2,3	1,2
C82.1	Folikulový lymfóm,štádium II	1,2,3	1,2	C90.30	Solitárny plazmocytóm,bez kompletnej remisie	1,2,3	1,2
C82.2	Folikulový lymfóm,štádium III,bližšie neurčený	1,2,3	1,2	C90.31	Solitárny plazmocytóm,v kompletnej remisii	1,2,3	1,2
C82.3	Folikulový lymfóm,štádium IIIa	1,2,3	1,2	C91.00	Akútna lymfoblastová leukémia,bez komplet.remisie	1,2,3,4	1,2,3
C82.4	Folikulový lymfóm,štádium IIIb	1,2,3	1,2	C91.01	Akútna lymfoblastová leukémia,v komplet.remisii	1,2,3,4	1,2,3
C82.5	Difúzny lymfóm folikulového centra	1,2,3	1,2	C91.10	Chronická lymfatická leukémia,bez komplet.remisie	1,2,3	1,2
C82.6	Kožný lymfóm folikulového centra	1,2,3	1,2	C91.11	Chronická lymfatická leukémia,v kompletnej remisii	1,2,3	1,2
C82.7	Iný typ folikulového lymfómu	1,2,3	1,2	C91.30	Prolymfocytová leukémia z B-buniek,bez komplet.remisie	1,2,3	1,2
C82.9	Folikulový lymfóm,bližšie neurčený	1,2,3	1,2	C91.31	Prolymfocytová leukémia z B-buniek,v komplet.remisii	1,2,3	1,2
C83.0	Malobunkový lymfóm z B-buniek	1,2,3	1,2	C91.40	Vlasatobunková leukémia,bez kompletnej remisie	1,2,3	1,2
C83.1	Lymfóm z plášťových buniek	1,2,3	1,2	C91.41	Vlasatobunková leukémia,v kompletnej remisii	1,2,3	1,2
C83.3	Difúzny veľkobunkový lymfóm z B-buniek	1,2,3	1,2	C91.50	Leukém./lymf.z dos.T-buniek spoj.s infek.HTLV-1,b.kompl.rem.	1,2,3	1,2
C83.5	Lymfoblastový lymfóm	1,2,3	1,2	C91.51	Leukém./lymf.z dos.T-buniek spoj.s infek.HTLV-1,v kompl.rem.	1,2,3	1,2
C83.7	Burkittov lymfóm	1,2,3	1,2	C91.60	Prolymfocytová leukémia z T-buniek,bez kompl.rem.	1,2,3	1,2
C83.8	Iný nefolikulový lymfóm	1,2,3	1,2				
C83.9	Nefolikulový lymfóm,bližšie neurčený	1,2,3	1,2				
C84.0	Mycosis fungoides	1,2,3	1,2				
C84.1	Sézaryho choroba	1,2,3	1,2				
C84.4	Periférny lymfóm z T-buniek,nezatriedený	1,2,3	1,2				
C84.5	Iný lymfóm zo zreých T/NK-buniek	1,2,3	1,2				
C84.6	Anaplastický veľkobunkový lymfóm,ALK-pozitívny	1,2,3	1,2				
C84.7	Anaplastický veľkobunkový lymfóm,ALK-negatívny	1,2,3	1,2				
C84.8	Kožný lymfóm z T-buniek,bližšie neurčený	1,2,3	1,2				
C84.9	Lymfóm zo zreých T/NK-buniek,bližšie neurčený	1,2,3	1,2				
C85.1	Lymfóm z B-buniek,bližšie neurčený	1,2,3	1,2				
C85.2	Mediastinálny (týmusový) veľkobunkový lymfóm z B-buniek	1,2,3	1,2				

ICD	Text	OP. CCL	Med. CCL	ICD	Text	OP. CCL	Med. CCL
C91.61	Prolymfocytová leukémia z T-buniek,v komplet.rem.	1,2,3	1,2	C94.01	Akútna erytroleukémia,v kompletnej remisii	1,2,3,4	1,2,3
C91.70	Iná lymfatická leukémia,bez kompletnej remisie	1,2,3	1,2	C94.20	Akútna megakaryoblastová leukémia,bez komplet.rem.	1,2,3	1,2
C91.71	Iná lymfatická leukémia,v kompletnej remisii	1,2,3	1,2	C94.21	Akútna megakaryoblastová leukémia,v komplet.rem.	1,2,3	1,2
C91.80	Leukémia zo zrelých B-buniek Burkittovho typu,bez kompl.rem.	1,2,3,4	1,2,3	C94.30	Mastocytová leukémia,bez kompletnej remisie	1,2,3	1,2
C91.81	Leukémia zo zrelých B-buniek Burkittovho typu,v kompl.rem.	1,2,3,4	1,2,3	C94.31	Mastocytová leukémia,v kompletnej remisii	1,2,3	1,2
C91.90	Lymfatická leukémia,blíž.neurč.,bez kompl.rem.	1,2,3	1,2	C94.40	Akút.panmyelóza s myelofibrózou,bez komplet.rem.	1,2,3	1,2
C91.91	Lymfatická leukémia,blíž.neurč.,v kompl.rem.	1,2,3	1,2	C94.41	Akút.panmyelóza s myelofibrózou,v kompl.rem.	1,2,3	1,2
C92.00	Akútna myeloblastová leukémia (AML),bez kompl.rem.	1,2,3,4	1,2,3	C94.70	Iná bližšie určená leukémia,bez kompletnej remisie	1,2,3	1,2
C92.01	Akútna myeloblastová leukémia (AML),v kompl.rem.	1,2,3,4	1,2,3	C94.71	Iná bližšie určená leukémia,v kompletnej remisii	1,2,3	1,2
C92.10	Chronická myeloická leukémia BCR/ABL-pozit.,b.komplet.rem.	1,2,3	1,2	C95.00	Akútna leukémia bliž.neurč.bunkového typu,bez komplet.rem.	1,2,3,4	1,2,3
C92.11	Chronická myeloická leukémia BCR/ABL-pozit.,v kompl.rem.	1,2,3	1,2	C95.01	Akútna leukémia bliž.neurč.bunkového typu,v kompl.rem.	1,2,3,4	1,2,3
C92.20	Atypická chron.myeloická leuk.,BCR/ABL-neg.,b.komplet.rem.	1,2,3	1,2	C95.10	Chronická leukémia bliž.neurč.bunkového typu,bez komplet.rem.	1,2,3	1,2
C92.21	Atypická chron.myeloická leuk. BCR/ABL-neg.,v kompl.rem.	1,2,3	1,2	C95.11	Chronická leukémia bliž.neurč.bunkového typu,v kompl.rem.	1,2,3	1,2
C92.30	Myelosarkóm,bez kompletnej remisie	1,2,3	1,2	C95.70	Iná leukémia bliž.neurč.bunkového typu,bez komplet.rem.	1,2,3	1,2
C92.31	Myelosarkóm,v kompletnej remisii	1,2,3	1,2	C95.71	Iná leukémia bliž.neurč.bunkového typu,v kompl.rem.	1,2,3	1,2
C92.40	Akútna promyelocytová leukémia,bez komplet.rem.	1,2,3,4	1,2,3	C95.90	Leukémia,bližšie neurčená,bez kompletnej remisie	1,2,3	1,2
C92.41	Akútna promyelocytová leukémia,v kompl.rem.	1,2,3,4	1,2,3	C95.91	Leukémia,bližšie neurčená,v kompletnej remisii	1,2,3	1,2
C92.50	Akútna myelomonocytová leukémia,b.komplet.rem.	1,2,3,4	1,2,3	C96.0	Multifokálna a multisyst.histiocytóza z Langerhansových bun.	1,2,3,4	1,2
C92.51	Akútna myelomonocytová leukémia,v kompl.rem.	1,2,3,4	1,2,3	C96.2	Zhubný mastocytový nádor	1,2,3	1,2
C92.60	Akútna myeloická leukémia s 11q23 abnormal.,bez komplet.rem.	1,2,3,4	1,2,3	C96.4	Sarkóm z dendritických buniek (akcesórnych buniek)	1,2,3	1,2
C92.61	Akútna myeloická leukémia s 11q23 abnormal.,v kompl.rem.	1,2,3,4	1,2,3	C96.7	Iný bliž.ur.zhub.nád.lymf.,hematopoetic.a príbuz.tkan.	1,2,3	1,2
C92.70	Iná myeloická leukémia,bez kompletnej remisie	1,2,3	1,2	C96.8	Histiocytový sarkóm	1,2,3	1,2
C92.71	Iná myeloická leukémia,v kompletnej remisii	1,2,3	1,2	C96.9	Zhubný nádor lymf.,hematopoetického a príbuz.tkan.,bliž.n.	1,2,3	1,2
C92.80	Akútna myeloická leukém.s multilineár.dyspl.,bez komplet.rem.	1,2,3,4	1,2,3	C97	Zhubné nádory s primárnym výskytom na roz.m.	1,2,3,4	1,2
C92.81	Akútna myeloická leukém.s multilineár.dyspl.,v kompl.rem.	1,2,3,4	1,2,3	D44.8	Nádor s neurčitým/neznam.správaním:viac.endokrinné žľazy	2	1,2
C92.90	Myeloická leukémia bliž.neurč.,bez kompl.remisie	1,2,3	1,2	D46.2	Refraktérna anémia s veľkým množstvom blastov	1,2,3	1,2
C92.91	Myeloická leukémia bliž.neurč.,v kompl.remisii	1,2,3	1,2	D50.0	Anémia z nedostatku železa pri chronických stratách krvi(D50.0)	1,2,3	1,2
C93.00	Akút.monoblastová/monocytová leukémia,bez komplet.remisie	1,2,3,4	1,2,3	D50.1	Sideropenická dysfágia	2,3	1,2,3
C93.01	Akút.monoblastová/monocytová leukémia,v kompl.rem.	1,2,3,4	1,2,3	D50.8	Iná anémia z nedostatku železa	1,2,3	1,2
C93.10	Chronická myelomonocytová leukémia bez.komplet.remisie	1,2,3	1,2	D50.9	Bližšie neurčená anémia z nedostatku železa	1,2,3	1,2
C93.11	Chronická myelomonocytová leukémia,v kompl.rem.	1,2,3	1,2	D52.0	Anémia z nedostatku kyseliny listovej v potrave	2,3	1,2,3
C93.30	Juvenilná myelomonocytová leukémia,bez kompl.rem.	1,2,3	1,2	D52.1	Anémia z nedostatku kyseliny listovej zapríč.liekmi	2,3	1,2,3
C93.31	Juvenilná myelomonocytová leukémia,v kompl.rem.	1,2,3	1,2	D52.8	Iná anémia z nedostatku kyseliny listovej	2,3	1,2,3
C93.70	Iná monocytová leukémia,bez kompletnej remisie	1,2,3	1,2	D52.9	Anémia z nedostatku kyseliny listovej,blíž.neurč.	2,3	1,2,3
C93.71	Iná monocytová leukémia,v kompletnej remisii	1,2,3	1,2	D53.0	Anémia z nedostatku bielkovín	2,3	1,2,3
C93.90	Monocytová leukémia,blíž.neurč.,bez kompl.rem.	1,2,3	1,2	D53.1	Iná megaloblastová anémia,nezatriedená inde	2,3	1,2,3
C93.91	Monocytová leukémia,blíž.neurč.,v kompl.rem.	1,2,3	1,2	D53.2	Skorbutová anémia	2,3	1,2,3
C94.00	Akútna erytroleukémia,bez kompletnej remisie	1,2,3,4	1,2,3	D53.8	Iná bližšie určená nutričná anémia	2,3	1,2,3
				D53.9	Bližšie neurčená nutričná anémia	2,3	1,2,3
				D56.0	Alfa-talasémia	2,3	1,2,3
				D56.1	Beta-talasémia	2,3	1,2,3
				D56.2	Delta-beta-talasémia	2,3	1,2,3
				D56.3	Talasemická črta	2,3	1,2,3

ICD	Text	OP. CCL	Med. CCL	ICD	Text	OP. CCL	Med. CCL
D56.4	Dedičné pretrvávanie fetálneho hemoglobínu	2,3	1,2,3	D69.1	Kvalitatívna porucha doštičiek	2,3	1,2,3
D56.8	Iná talasémia	2,3	1,2,3	D69.2	Iná netrombocytopenická purpura	2,3	1,2,3
D56.9	Talasémia, bližšie neurčená	2,3	1,2,3	D69.3	Idiopatická trombocytopenická purpura	2,3	1,2,3
D57.0	Kosáčikovitá anémia s krízou	2,3	1,2,3	D69.40	Iná primárna trombocytop.nereag.na transf.lieč.	2,3	1,2,3
D57.1	Kosáčikovitá anémia bez krízy	2,3	1,2,3	D69.41	Iná primárna trombocytop.reag.na transf.lieč.	2,3	1,2,3
D57.2	Zdvojená heterozygotná kosáčikovitá choroba	2,3	1,2,3	D69.52	Trombocytopénia indukovaná heparínom, typ I	2,3	1,2,3
D57.8	Iná kosáčikovitá porucha	2,3	1,2,3	D69.53	Trombocytopénia zapríčinená heparínom, typ II	2,3	1,2,3
D58.9	Dedičná hemolytická anémia, bližšie neurčená	2,3	1,2,3	D69.57	Iná sekundár.trombocytop., označ. ako refrakt.na transf.lieč.	2,3	1,2,3
D59.0	Autoimunitná hemolytická anémia zapríčinená liekmi	2,3	1,2,3	D69.58	Iná sekundár.trombocytop., neozn. ako refrak.na transf.lieč.	2,3	1,2,3
D59.1	Iná autoimunitná hemolytická anémia	2,3	1,2,3	D69.59	Sekundárna trombocytopénia, bližšie neurčená	2,3	1,2,3
D59.2	Neautoimunitná hemolytická anémia zapr.liek.	2,3	1,2,3	D69.60	Trombocytop., bliž.neu.označ. ako nereag.na transf.lieč.	2,3	1,2,3
D59.3	Hemolyticko-uremický syndróm	2,3	1,2,3	D69.61	Trombocytop., bliž.neu.neozn. ako nereag.na transf.lieč.	2,3	1,2,3
D59.4	Iná neautoimunitná hemolytická anémia	2,3	1,2,3	D69.8	Iný stav krvácanosti, bližšie určený	2,3	1,2,3
D59.5	Paroxyzmálna nočná hemoglobinúria	2,3	1,2,3	D69.9	Stav krvácanosti, bližšie neurčený	2,3	1,2,3
D59.6	Hemoglobinúria zapríč.hemolýzou z iných vonk.pričin	2,3	1,2,3	D70.0	Vrodená agranulocytóza a neutropénia	2,3,4	1,2,3
D59.8	Iná získaná hemolytická anémia	2,3	1,2,3	D70.10	Agranulocytóza a neutrop.zapr.liek.s krit.f.do 4 dni	2,3,4	0,1,2,3
D59.9	Získaná hemolytická anémia, bližšie neurčená	2,3	1,2,3	D70.11	Agranulocytóz a neutrop.zapr.liek.s krit.f.10 do 20 dní	2,3,4	0,1,2,3
D60.0	Chronická získaná čistá aplázia červených krviniek	2,3	1,2,3	D70.12	Agranulocytóz a neutrop.zapr.liek.s krit.f.20 a viac dní	2,3,4	1,2,3
D60.1	Prechodná získaná čistá aplázia červených krviniek	2,3	1,2,3	D70.13	Agranulocytóz a neutrop.zapr.liek.s krit.f.4 do7 dní	2,3,4	0,1,2,3
D60.8	Iná získaná čistá aplázia červených krviniek	2,3	1,2,3	D70.14	Agranulocytóz a neutrop.zapr.liek.s krit.f.7 do10 dní	2,3,4	0,1,2,3
D60.9	Získaná čistá aplázia červených krviniek, bližšie neurčená	2,3	1,2,3	D70.18	Agranulocytóz a neutrop.zapr.liek.s i.priebehom	2,3,4	0,1,2,3
D61.0	Vrodená aplastická anémia	2,3	1,2,3	D70.19	Agranulocytóz a neutrop.zapr.liek., b.n.	2,3,4	0,1,2,3
D61.10	Aplastická anémia zapríčinená cytostatickou liečbou	2,3	1,2,3	D70.3	Iná agranulocytóza	2,3,4	0,1,2,3
D61.18	Iná aplastická anémia zapríčinená liekmi	2,3	1,2,3	D70.5	Cyklická neutropénia	2,3,4	1,2,3
D61.19	Aplastická anémia zapríčinená liekmi, bližšie neurčená	2,3	1,2,3	D70.6	Iná neutropénia	2,3,4	0,1,2,3
D61.2	Aplastická anémia z iných vonkajších príčin	2,3	1,2,3	D70.7	Neutropénia, bližšie neurčená	2,3,4	0,1,2,3
D61.3	Idiopatická aplastická anémia	2,3	1,2,3	D71	Funkčná porucha polymorfonukleárných neutrofilov	2,3,4	1,2,3
D61.8	Iná aplastická anémia, bližšie určená	2,3	1,2,3	D73.1	Hypersplenizmus	2	2
D61.9	Aplastická anémia, bližšie neurčená	2,3	1,2,3	D73.3	Absces sleziny	2	2
D62	Akútna posthemoragická anémia	1,2,3,4	1,2	D73.5	Infarkt sleziny	2	2
D63.0	Anémia pri nádorových chorobách	1,2,3,4	0,1,2	D80.0	Dedičná hypogamaglobulinémia	2,3,4	1,2,3
D64.0	Dedičná sideroplastová [sideroachrestická] anémia	2,3	1,2,3	D80.3	Selektívny nedostatok podtried imunoglobulínu G(IgG)	2,3,4	1,2,3
D64.1	Sekundárna sideroplastová anémia zapríč.ochorením	2,3	1,2,3	D80.4	Selektívny nedostatok imunoglobulínu M[IgM]	2,3,4	1,2,3
D64.2	Sekundárna sideroplastová anémia zapríč.liekmi toxic.lát.	2,3	1,2,3	D80.5	Imunodeficit so zvýšeným imunoglobulínu M [IgM]	2,3,4	1,2,3
D64.3	Iná sideroplastová [sideroachrestická] anémia	2,3	1,2,3	D80.6	Deficit protil.s takmer norm.imunoglob./s hyperimunog.	2,3,4	1,2,3
D65.0	Získaná afibrinogénémia	2,3	1,2,3	D80.7	Prechodná hypogamaglobulinémia v detstve	2,3,4	1,2,3
D65.1	Diseminovaná intravaskulárna koagulácia [DIK, DIC]	2,3	1,2,3	D80.8	Iný imunodeficit s prevahou nedostatku protilátok	2,3,4	1,2,3
D65.2	Získané fibrinolytické krvácanie	2,3	1,2,3	D80.9	Imunodef.bliž.neurč s prevahou nedostatku protilátok	2,3,4	1,2,3
D65.9	Defibrinačný syndróm, bližšie neurčený	2,3	1,2,3	D81.0	Ťažký komb.imunodef.(SCID)s retikulovou dysgenézou	2,3,4	1,2,3
D66	Dedičný nedostatok faktora VIII	2,3	1,2,3	D81.1	Ťažký komb.imunodef.(SCID)s malým počtom T-bun.a B-buniek	2,3,4	1,2,3
D67	Dedičný nedostatok faktora IX	2,3	1,2,3	D81.2	Ťažký komb.imunodef.(SCID)s malým/norm.počtom B-buniek	2,3,4	1,2,3
D68.0	Von Willebrandova choroba	2,3	1,2,3	D81.4	Nezelofov syndróm	2,3,4	1,2,3
D68.1	Dedičný nedostatok faktora XI	2,3	1,2,3	D81.6	Deficit hlavného komplexu histokompatibility I.triedy	2,3,4	1,2,3
D68.2	Dedičný nedostatok iných koagulačných faktorov	2,3	1,2,3	D81.7	Deficit hlavného komplexu histokompatibility II.triedy	2,3,4	1,2,3
D68.30	Stav krvácanosti zapríčinený antikoagulantami	1,2,3	1,2,3	D81.8	Iný kombinovaný imunodeficit	2,3,4	1,2,3
D68.31	Stav krvácanosti zapríč.zvýš.protilátok proti faktoru VIII	2,3	1,2,3				
D68.32	Stav krvác.zapr.zvýš.plazma.konc.protil.proti i.fak.zráž.krvi	2,3	1,2,3				
D68.38	Iný stav krvác.zapr.i.a b.n.protilátkami	2,3	1,2,3				
D68.4	Získaný nedostatok koagulačného faktora	1,2,3	1,2,3				
D68.5	Primárny trombofilný stav (trombofília)	2,3	1,2,3				
D68.6	Iný trombofilný stav (trombofília)	2,3	1,2,3				
D68.8	Iná porucha zrážanlivosti krvi, bližšie určená	1,2,3	1,2,3				
D68.9	Porucha zrážanlivosti krvi, bližšie neurčená	1,2,3	1,2,3				
D69.0	Alergická purpura	2,3	1,2,3				

ICD	Text	OP. CCL	Med. CCL	ICD	Text	OP. CCL	Med. CCL
D81.9	Kombinovaný imunodeficit, bližšie neurčený	2,3,4	1,2,3	E11.40	DM 2. typu: s nervovými kompl., kompenz.	1,2	2
D82.0	Wiskottov-Aldrichov syndróm	2,3,4	1,2,3	E11.41	DM 2. typu: s nervovými kompl., dekomp.	1,2	2
D82.1	Di Georgeov syndróm	2,3,4	1,2,3	E11.50	DM 2. typu: s perif. cievnymi kompl., kompenz.	2,3,4	2,3
D82.2	Imunodeficit spojený s disproporčným malým vzrastom	2,3,4	1,2,3	E11.51	DM 2. typu: s perif. cievnymi kompl., dekomp.	2,3,4	2,3
D82.3	Imunodef. spoj. s vrod. defektnou odpov. na EBV	2,3,4	1,2,3	E11.60	DM 2. typu: s i. bliž. urč. kompl., kompenz.	1,2	1,2,3
D82.4	Syndróm nadbytku imunoglobulínu E [IgE]	2,3,4	1,2,3	E11.61	DM 2. typu: s i. bliž. urč. kompl., dekomp.	1,2	1,2,3
D82.8	Imunodef. spojený s i. ťažkými poruchami, b.u.	2,3,4	1,2,3	E11.72	DM 2. typu: s i. mnohopočet. kompl., kompenz.	1,2	2,3
D82.9	Imunodef. spojený s ťažkou poruchou, b.n.	2,3,4	1,2,3	E11.73	DM 2. typu: s i. mnohopočet. kompl., dekomp.	1,2	2,3
D83.0	Bežný premen. imunodef. s prev. abnor. v počte a funkcii B-buniek	2,3,4	1,2,3	E11.74	DM 2. typu: s mnohopočet. kompl., so synd. diab. nohy, kompenz.	1,2	2,3
D83.1	Bežný premen. imunodeficit s prevaž. poruch. imunoreg. T-buniek	2,3,4	1,2,3	E11.75	DM 2. typu: s mnohopočet. kompl., so synd. diab. nohy, dekomp.	1,2	2,3
D83.2	Bežný premen. imunodeficit s autoprotil. proti B-/T-bunkám	2,3,4	1,2,3	E11.80	DM 2. typu: s bliž. neurč. kompl., kompenz.	1,2	1,2,3
D83.8	Iný bežný premenlivý imunodeficit	2,3,4	1,2,3	E11.81	DM 2. typu: s bliž. neurč. kompl., dekomp.	1,2	1,2,3
D83.9	Bežný premenlivý imunodeficit, bližšie neurčený	2,3,4	1,2,3	E11.91	DM 2. typu: bez kompl., dekomp.	1,2	1,2,3
D84.0	Porucha lymfocytového funkčného antigénu 1 [LFA-1]	2,3,4	1,2,3	E12.01	DM spojený s podvýž.: s kómu, dekomp.	2	2,3
D84.1	Porucha komplementového systému	2,3,4	1,2,3	E12.11	DM spojený s podvýž.: s ketoacidózou, dekomp.	2	2,3
D84.8	Iný imunodeficit, bližšie určený	2,3,4	1,2,3	E12.20	DM spojený s podvýž.: s obličk. kompl., kompenz.	2,3,4	1,2
D84.9	Imunodeficit, bližšie neurčený	2,3,4	1,2,3	E12.21	DM spojený s podvýž.: s obličk. kompl., dekomp.	2,3,4	1,2
D86.0	Sarkoidóza pľúc	2	2	E12.30	DM spojený s podvýž.: s očnými kompl., kompenz.	1,2,3,4	1,2
D86.1	Sarkoidóza lymfatických uzlín	2	2	E12.31	DM spojený s podvýž.: s očnými kompl., dekomp.	1,2,3,4	1,2
D86.2	Sarkoidóza pľúc so sarkoidózou lymfatických uzlín	2	2	E12.40	DM spojený s podvýž.: s nervovými kompl., kompenz.	2	2
D86.3	Sarkoidóza kože	2	2	E12.41	DM spojený s podvýž.: s nervovými kompl., dekomp.	2	2
D86.8	Sarkoidóza na iných a viacerých miestach	2	2	E12.50	DM spojený s podvýž.: s perif. cievn. kompl., kompenz.	2,3,4	2,3
D86.9	Sarkoidóza, bližšie neurčená	2	2	E12.51	DM spojený s podvýž.: s perif. cievn. kompl., dekomp.	2,3,4	2,3
E03.5	Myxedémová kóma	3,4	3	E12.60	DM spojený s podvýž.: s i. b. u. kompl., kompenz.	2	2,3
E05.0	Hypertyreóza s difúznou strumou	2	1,2	E12.61	DM spojený s podvýž.: s i. b. u. kompl., dekomp.	2	2,3
E05.1	Hypertyreóza s jedným toxickým tyreoidálnym uzlom	2	1,2	E12.72	DM spojený s podvýž.: s viac. kompl., kompenz.	2	2,3
E05.2	Hypertyreóza s toxickou viacuzlovou strumou	2	1,2	E12.73	DM spojený s podvýž.: s viac. kompl., dekomp.	2	2,3
E05.3	Hypertyreóza zapríč. ektopickým tkan. ŠŽ	2	1,2	E12.74	DM spo. s pod.: s viac. kompl., so synd. diab. nohy, kompenz.	2	2,3
E05.4	Hypertyreóza zapríč. umelo (hyperthyreosis factitia)	2	1,2	E12.75	DM spo. s pod.: s viac. kompl., so synd. diab. nohy, dekom.	2	2,3
E05.5	Tyreotoxická kríza	2	1,2	E12.80	DM spojený s podvýž.: s bliž. neu. kompl., kompenz.	2	2,3
E10.01	Diabetes mellitus 1. typu: s kómu, dekompenzovaný	2	2,3	E12.81	DM spojený s podvýž.: s bliž. neu. kompl., dekomp.	2	2,3
E10.11	DM 1. typu: s ketoacidózou, dekomp.	2	2,3	E12.90	DM spojený s podvýž.: bez kompl., kompenz.	2	2,3
E10.20	DM 1. typu: s obličk. kompl., kompenz.	2,3,4	1,2	E12.91	DM spojený s podvýž.: bez kompl., dekomp.	2	2,3
E10.21	DM 1. typu: s obličk. kompl., dekomp.	2,3,4	1,2	E13.01	Iný DM, bliž. ur.: s kómu, dekomp.	2	2,3
E10.30	DM 1. typu: s očnými kompl., kompenz.	1,2,3,4	1,2	E13.11	Iný DM, bliž. ur.: s ketoacidózou, dekomp.	2	2,3
E10.31	DM 1. typu: s očnými kompl., dekomp.	1,2,3,4	1,2	E13.20	Iný DM, bliž. ur.: s obličk. kompl., kompez.	2,3,4	1,2
E10.40	DM 1. typu: s nervovými kompl., kompenz.	2	2	E13.21	Iný DM, bliž. ur.: s obličk. kompl., dekomp.	2,3,4	1,2
E10.41	DM 1. typu: s nervovými kompl., dekomp.	2	2	E13.30	Iný DM, bliž. ur.: s očnými kompl., kompenz.	1,2,3,4	1,2
E10.50	DM 1. typu: s perif. cievnymi kompl., kompenz.	2,3,4	2,3	E13.31	Iný DM, bliž. ur.: s očnými kompl., dekomp.	1,2,3,4	1,2
E10.51	DM 1. typu: s perif. cievnymi kompl., dekomp.	2,3,4	2,3	E13.40	Iný DM, bliž. ur.: s nervovými kompl., kompenz.	2	2
E10.60	DM 1. typu: s i. bliž. ur. kompl., kompenz.	2	2,3	E13.41	Iný DM, bliž. ur.: s nervovými kompl., dekomp.	2	2
E10.61	DM 1. typu: s i. bliž. ur. kompl., dekomp.	2	2,3	E13.50	Iný DM, bliž. ur.: s perif. cievnymi kompl., kompenz.	2,3,4	2,3
E10.72	DM 1. typu: s i. mnohopočet. kompl., kompenz.	2	2,3	E13.51	Iný DM, bliž. ur.: s perif. cievnymi kompl., dekomp.	2,3,4	2,3
E10.73	DM 1. typu: s i. mnohopočet. kompl., dekomp.	2	2,3	E13.60	Iný DM, bliž. ur.: s i. bliž. ur. kompl., kompenz.	2	2,3
E10.74	DM 1. typu: s mnohopočet. kompl., so synd. diab. nohy, kompenz.	2	2,3	E13.61	Iný DM, bliž. ur.: s i. bliž. ur. kompl., dekomp.	2	2,3
E10.75	DM 1. typu: s mnohopočet. kompl., so synd. diab. nohy, dekomp.	2	2,3	E13.72	Iný DM, bliž. ur.: s i. mnohopočet. kompl., kompenz.	2	2,3
E10.80	DM 1. typu: s bliž. neu. kompl., kompenz.	2	2,3	E13.73	Iný DM, bliž. ur.: s i. mnohopočet. kompl., dekomp.	2	2,3
E10.81	DM 1. typu: s bliž. neu. kompl., dekomp.	2	2,3				
E10.90	DM 1. typu: bez kompl., kompenz.	2	2,3				
E10.91	DM 1. typu: bez kompl., dekomp.	2	2,3				
E11.01	DM 2. typu: s kómu, dekompenzovaný	1,2	2,3				
E11.11	DM 2. typu: s ketoacidózou, dekomp.	1,2	2,3				
E11.20	DM 2. typu: s obličk. kompl., kompenz.	1,2,3,4	1,2				
E11.21	DM 2. typu: s obličk. kompl., dekomp.	1,2,3,4	1,2				
E11.30	DM 2. typu: s očnými kompl., kompenz.	1,2,3,4	1,2				
E11.31	DM 2. typu: s očnými kompl., dekomp.	1,2,3,4	1,2				

ICD	Text	OP. CCL	Med. CCL	ICD	Text	OP. CCL	Med. CCL
E13.74	Iný DM,blíž.ur.:s mnohop.kompl.,so synd.diabet.nohy,kompenz.	2	2,3	E61.7	Nedostatok viacerých stopových prvkov	2,3,4	2,3
E13.75	Iný DM,blíž.ur.:s mnohop.kompl.,so synd.diabet.nohy,dekomp.	2	2,3	E63.0	Nedostatok esenciálnych mastných kyselín	2,3,4	2,3
E13.80	Iný DM,blíž.ur.:s bliž.neurč.kompl.,kompenz.	2	2,3	E64.0	Následky proteínovo-energetickej podvýživy	2,3,4	2,3
E13.81	Iný DM,blíž.ur.:s bliž.neurč.kompl.,dekomp.	2	2,3	E64.1	Následky nedostatku vitamínu A	2,3,4	2,3
E13.90	Iný DM,blížšie určený:bez kompl.,kompenz.	2	2,3	E64.2	Následky nedostatku vitamínu C	2,3,4	2,3
E13.91	Iný DM,blížšie určený:bez kompl.,dekomp.	2	2,3	E64.8	Následky iných nedostatkov vo výžive	2,3,4	2,3
E14.30	DM,blíž.neu.:s očnými kompl.,kompenz.	1,2,3,4	1,2	E64.9	Následky bližšie neurčených nedostatkov vo výžive	2,3,4	2,3
E14.31	DM,blíž.neu.:s očnými kompl.,dekomp.	1,2,3,4	1,2	E84.0	Cystická fibróza s pľúcnymi prejavmi	2,3	2
E14.60	DM,blíž.neu.:s i.bliž.ur.kompl.,kompenz.	1,2	1,2,3	E84.1	Cystická fibróza s črevnými prejavmi	2,4	2,3
E14.61	DM,blíž.neu.:s i.bliž.ur.kompl.,dekomp.	1,2	1,2,3	E84.80	Cystická fibróza s pľúcnymi a črevnými prejavmi	2,3	2
E14.72	DM,blíž.neu.:s i.mnohopočet.kompl.,kompenz.	1,2	2,3	E84.87	Cystická fibróza s inými mnohopočetnými prejavmi	2,3	2
E14.73	DM,blíž.neu.:s mnohopočet.kompl.,dekomp.	1,2	2,3	E84.88	Cystická fibróza s inými prejavmi	2,3	2
E14.74	DM,blíž.neu.:s mnohop.kompl.,so synd.diab..nohy,kompenz.	1,2	2,3	E84.9	Cystická fibróza,blížšie neurčená	2,3	2
E14.75	DM,blíž.neu.:s mnohop.kompl.,so synd.diab.nohy,dekomp.	1,2	2,3	E87.0	Hyperosmolalita a hypernatriémia	1,2,3	2,3
E15	Nediabetická hypoglykemická kóma	2,3,4	2,3	E87.1	Hypoosmolalita a hyponatriémia	0,1,2	0
E20.0	Idiopatická hypoparatyreóza	2	1,2	E87.4	Zmiešaná porucha acidobázickej rovnováhy	0,1,2	0
E20.1	Pseudohypoparatyreóza	2,3,4	2,3	E87.5	Hyperkaliémia	0,1	0,1
E20.8	Iná hypoparatyreóza	2	1,2	E87.6	Hypokaliémia	0,1,2	0,1
E20.9	Hypoparatyreóza,blížšie neurčená	2	1,2	E88.3	Syndróm z rozpadu nádoru (tumor lysis syndrome)	3,4	3
E21.0	Primárna hyperparatyreóza	2	1,2	E89.1	Hypoinzulínémia po lekárskom výkone	2,3,4	2,3
E21.1	Sekundárna hyperparatyreóza,nezatriedená inde	2	1,2	E89.2	Hypoparatyreóza po lekárskom výkone	2	1,2
E21.2	Iná hyperparatyreóza	2	1,2	E89.6	Hypofunkcia kôry nadoblič./drene nadoblič.po lek.výkone	2	1,2
E21.3	Hyperparatyreóza,blížšie neurčená	2	1,2	F00.0	Demencia pri Alzheimerovej chor.so skorým začiat.(typ 2)	2,3,4	1,2,3
E23.0	Hypopituitarizmus	2	1,2	F00.1	Demencia pri Alzheimerovej chor.s neskorým začiat.(typ 1)	2,3,4	1,2,3
E23.2	Diabetes insipidus	2	1,2	F00.2	Demencia pri Alzheimerovej chor.,atypická/zmiešaná forma	2,3,4	1,2,3
E24.0	Centrálny Cushingov syndróm	2	1,2	F00.9	Demencia pri Alzheimerovej chorobe,b.n.	2,3,4	1,2,3
E24.1	Nelsonov syndróm	2	1,2	F01.0	Vaskulárna demencia s akútnym začiatkom	2,3,4	1,2,3
E24.2	Cushingov syndróm zapríčinený liekom	2	1,2	F01.1	Mnohofarktová demencia	2,3,4	1,2,3
E24.3	Ektopický ACTH-syndróm	2	1,2	F01.2	Subkortikálna vaskulárna demencia	2,3,4	1,2,3
E24.4	Pseudo-Cushingov syndróm zapríčinený alkoholom	2	1,2	F01.3	Zmiešaná kortikálna a subkortikálna vaskul.demencia	2,3,4	1,2,3
E24.8	Iný Cushingov syndróm	2	1,2	F01.8	Iná vaskulárna demencia	2,3,4	1,2,3
E24.9	Cushingov syndróm,blížšie neurčený	2	1,2	F01.9	Vaskulárna demencia,blížšie neurčená	2,3,4	1,2,3
E27.0	Iná hyperfunkcia kôry nadobličiek	2	1,2	F02.0	Demencia pri Pickovej chorobe (G31.0†)	2,3,4	1,2,3
E27.1	Prim.nedostatočnosť kôry nadoblič.(Addisonova chor.)	2	1,2	F02.1	Demencia pri Creutzfeldtovej-Jakobovej chorobe	2,3,4	1,2,3
E27.2	Addisonova kríza	2	1,2	F02.2	Demencia pri Huntingtonovej chorobe (G10†)	2,3,4	1,2,3
E27.3	Nedostatočnosť kôry nadobličiek zapríčinená liekmi	2	1,2	F02.3	Demencia pri Parkinsonovej chorobe (G20.-†)	2,3,4	1,2,3
E27.4	Iná a bliž.neu.nedostatočnosť kôry nadobličiek	2	1,2	F02.4	Demencia pri chorobe HIV (B22†)	2,3,4	1,2,3
E27.5	Hyperfunkcia drene nadobličiek	2	1,2	F04	Org.amnestický synd.,nezaprič.alkoh./i.psychoakt.lát.	2,3,4	1,2,3
E31.0	Autoimunitná polyglandulárna insuficiencia	2	1,2	F05.0	Delírium bez demencie	2,3,4	1,2,3
E31.1	Polyglandulárna hyperfunkcia	2	1,2	F05.1	Delírium pri demencii	2,3,4	1,2,3
E31.8	Iná polyglandulárna dysfunkcia	2	1,2	F05.8	Iné delírium	2,3,4	1,2,3
E31.9	Polyglandulárna dysfunkcia,blížšie neurčená	2	1,2	F05.9	Delírium,blížšie neurčené	2,3,4	1,2,3
E32.1	Absces týmusu	2,3,4	1,2,3	F06.0	Organická halucinóza	2,3,4	1,2,3
E34.0	Karcinoidový syndróm	2	1,2	F06.1	Organická katatonická porucha	2,3,4	1,2,3
E40	Kvašiorkor	2,3,4	2,3	F06.2	Organická porucha s bludmi [podobná schizofrénií]	2,3,4	1,2,3
E41	Nutričný marasmus	2,3,4	2,3	F06.3	Organická afektívna porucha	2,3,4	1,2,3
E42	Marantický kvašiorkor	2,3,4	2,3	F06.4	Organická úzkostná porucha	2,3,4	1,2,3
E43	Ťažká proteínovo-energetická podvýživa,b.n.	2,3,4	2,3	F06.5	Organická disociatívna porucha	2,3,4	1,2,3
E44.0	Proteínovo-energetická podvýživa stredného stupňa	2,3,4	2,3	F06.6	Emočná labilita [asténia] na organickom podklade	2,3,4	1,2,3
E44.1	Proteínovo-energetická podvýživa mierneho stupňa	2,3,4	2,3	F07.0	Porucha osobnosti na organickom podklade	2,3,4	1,2,3
E45	Zaostávanie vo výv.v dôsl.proteínovo-energet.podvýživy	2,3,4	2,3	F10.1*	Porucha psych.a správ.zaprič.uživ.alkoholu:škod.uživ.	1,2	0,1,2
E46	Proteínovo-energetická podvýživa,blížšie neurčená	1,2,3,4	1,2,3	F10.2*	Porucha psych.a správ.zaprič.uživ.alkoholu:ynd.závisl.	1,2	0,1,2
E53.8	Nedost.iného bliž.urč.vit.skupiny B	1,2,3,4	1,2,3	F10.3*	Porucha psych.a správ.zaprič.uživ.alkoholu:abstin.synd.	1,2	0,1,2
E56.1	Nedostatok vitamínu K	2,3,4	2,3				
E61.1	Nedostatok železa	2,3,4	2,3				

ICD	Text	OP. CCL	Med. CCL	ICD	Text	OP. CCL	Med. CCL
F10.4•	Porucha psych.a správ.zaprič.uživ.alkoholu:ab.synd.s delír.	2,3,4	1,2,3	F14.3•	Porucha psych.a správ.zaprič.uživ.kokai.:bstin.synd.	2	2
F10.5•	Porucha psych.a správ.zaprič.uživ.alkoholu:psych.por.	1,2	1,2	F14.4•	Porucha psych.a správ.zaprič.uživ.kokai.:ab.synd.s delír.	2	2
F10.6•	Porucha psych.a správ.zaprič.uživ.alkoholu:amne.synd.	2,3,4	1,2,3	F14.5•	Porucha psych.a správ.zaprič.uživ.kokai.:psych.porucha	2	2
F10.7•	Porucha psych.a správ.zaprič.uživ.alkoh.:rez.a nesk.psych.p.	1,2	1,2	F14.6•	Porucha psych.a správ.zaprič.uživ.kokai.:amne.synd.	2	2
F10.8•	Iná porucha psychiky a správania zaprič.uživ.alkoholu	1,2	1,2	F14.7•	Porucha psych.a správ.zaprič.uživ.kokai.:rez.a nesk.psych.p.	2	2
F11.0•	Porucha psych.a správ.zaprič.uživ.opiát.:akút.intox.	2	1,2	F14.8•	Iná porucha psychiky a správ.zaprič.uživ.kokainu	2	2
F11.1•	Porucha psych.a správ.zaprič.uživ.opiát.:škod.uživ.	2	1,2	F14.9•	Porucha psych.a správ.zaprič.uživ.kokai.,bliž.neurč.	2	2
F11.2•	Porucha psych.a správ.zaprič.uživ.opiát.:synd.závisl.	2	1,2	F15.0•	Porucha psych.a správ.zaprič.uživ.i.stim.vr.kof.:akút.intox.	2	1,2
F11.3•	Porucha psych.a správ.zaprič.uživ.opiát.:abstin.synd.	2	2	F15.1•	Porucha psych.a správ.zaprič.uživ.i.stim.vr.kof.:škod.uživ.	2	1,2
F11.4•	Porucha psych.a správ.zaprič.uživ.opiát.:ab.synd.s delír.	2	2	F15.2•	Porucha psych.a správ.zaprič.uživ.i.stim.vr.kof.:synd.závisl.	2	1,2
F11.5•	Porucha psych.a správ.zaprič.uživ.opiát.:psych.porucha	2	2	F15.3•	Porucha psych.a správ.zaprič.uživ.i.stim.vr.kof.:abstin.synd.	2	2
F11.6•	Porucha psych.a správ.zaprič.uživ.opiát.:amne.synd.	2	2	F15.4•	Porucha psych.a správ.zaprič.uživ.i.stim.vr.kof.:ab.synd.s del.	2	2
F11.7•	Porucha psych.a správ.zaprič.uživ.opiát.:rez.a nesk.psych.p.	2	2	F15.5•	Porucha psych.a správ.zaprič.uživ.i.stim.vr.kof.:psych.porucha	2	2
F11.8•	Iná porucha psych.a správ.zaprič.uživ.opiátov	2	2	F15.6•	Porucha psych.a správ.zaprič.uživ.i.stim.vr.kof.:amne.synd.	2	2
F11.9•	Porucha psych.a správ.zapr.uživ.opiát.,b.n.	2	2	F15.7•	Porucha psych.a správ.zapr.uží.i.stim.vr.kof.:rez./nesk.psy.p.	2	2
F12.3•	Porucha psych.a správ.zaprič.uživ.kanab.:abstin.synd.	2	2	F15.8•	Iná porucha psych.a správ.zaprič.uživ.i.stim.vr.kof.	2	2
F12.4•	Porucha psych.a správ.zaprič.uživ.kanab.:ab.synd.s delír.	2	2	F15.9•	Porucha psych.a správ.zaprič.uživ.i.stimul.vrát.kof.,b.n.	2	2
F12.5•	Porucha psych.a správ.zaprič.uživ.kanab.:psych.porucha	2	2	F16.0•	Porucha psych.a správ.zaprič.uživ.haluc.:akút.intox.	2	1,2
F12.6•	Porucha psych.a správ.zaprič.uživ.kanab.:amne.synd.	2	2	F16.1•	Porucha psych.a správ.zaprič.uživ.haluc.:škod.uživ.	2	1,2
F12.7•	Porucha psych.a správ.zaprič.uživ.kanab.:rez.a nesk.psych.p.	2	2	F16.2•	Porucha psych.a správ.zaprič.uživ.haluc.:synd.závisl.	2	1,2
F12.8•	Iná porucha psych.a správ.,zaprič.uživ.kanabinooidov	2	2	F16.3•	Porucha psych.a správ.zaprič.uživ.haluc.:abstin.synd.	2	2
F12.9•	Porucha psych.a správ.,zaprič.uživ.kanab.,b.n.	2	1,2	F16.4•	Porucha psych.a správ.zaprič.uživ.haluc.:ab.synd.s del.	2	2
F13.0•	Porucha psych.a správ.zaprič.uživ.sedat./hypno.:akút.intox.	2	1,2	F16.5•	Porucha psych.a správ.zaprič.uživ.haluc.:psych.porucha	2	2
F13.1•	Porucha psych.a správ.zaprič.uživ.sedat./hypno.:škod.uživ.	2	1,2	F16.6•	Porucha psych.a správ.zaprič.uživ.haluc.:amne.synd.	2	2
F13.2•	Porucha psych.a správ.zaprič.uživ.sedat./hypno.:synd.závisl.	2	1,2	F16.7•	Porucha psych.a správ.zaprič.uživ.haluc.:rez.a nesk.psy.p.	2	2
F13.3•	Porucha psych.a správ.zaprič.uživ.sedat./hypno.:abstin.synd.	2	2	F16.8•	Iná porucha psych.a správ.zaprič.uživ.haluc.	2	2
F13.4•	Porucha psych.a správ.zapr.uživ.sedat./hypno.:ab.synd.s delír.	2	2	F16.9•	Porucha psych.a správ.zaprič.uživ.haluc.,b.n.	2	2
F13.5•	Porucha psych.a správ.zaprič.uživ.sedat./hypno.:psych.poruch a	2	2	F18.0•	Porucha psych.a správ.zaprič.uživ.prch.rozp.:akút.intox.	2	1,2
F13.6•	Porucha psych.a správ.zaprič.uživ.sedat./hypno.:amne.synd.	2	2	F18.1•	Porucha psych.a správ.zaprič.uživ.prch.rozp.:škod.uživ.	2	1,2
F13.7•	Porucha psych.a správ.zaprič.uživ.sed./hyp.:rez.a nesk.psych.p.	2	2	F18.2•	Porucha psych.a správ.zaprič.uživ.prch.rozp.:synd.závisl.	2	1,2
F13.8•	Iná Porucha psych.a správ ,zapr.uživ.sedat./hypno	2	2	F18.3•	Porucha psych.a správ.zaprič.uživ.prch.rozp.:abstin.synd.	2	2
F13.9•	Porucha psych.a správ.zapr.uživ.sedat./hypno.,b.n.	2	2	F18.4•	Porucha psych.a správ.zaprič.uživ.prch.rozp.:abs.synd.s del.	2	2
F14.0•	Porucha psych.a správ.zapr.uživ.kokai.:akút.intox.	2	1,2	F18.5•	Porucha psych.a správ.zaprič.uživ.prch.rozp.:psych.porucha	2	2
F14.1•	Porucha psych.a správ.zaprič.uživ.kokai.:škod.uživ.	2	1,2	F18.6•	Porucha psych.a správ.zaprič.uživ.prch.rozp.:amne.synd.	2	2
F14.2•	Porucha psych.a správ.zaprič.uživ.kokai.:synd.závisl.	2	1,2	F18.7•	Porucha psych.a správ.zapr.uží.prch.rozp.:rezid./nesk.psych.p.	2	2
				F18.8•	Iná porucha psych.a správ.zaprič.uživ.prchav.rozpúš.	2	2

ICD	Text	OP. CCL	Med. CCL	ICD	Text	OP. CCL	Med. CCL
F18.9•	Porucha psych.a správ.zaprič.uživ.prchav.rozpúš.,b.n.	2	2	F32.3	Epizóda ťažkej depresie s psychotickými príznakmi	2	2
F19.0•	Porucha psych.a správ.zaprič.uží.drog,i.psych.l.:akút.intox.	2	1,2	F33.2	Recidivujúca depres.porucha,terajš.ťaž.epiz.bez psychot.príz.	2	2
F19.1•	Porucha psych.a správ.zaprič.uží.drog,i.psych.l.:škod.uživ.	2	1,2	F33.3	Recidivujúca depres.porucha,terajš.ťaž.epiz.s psychot.príz.	2	2
F19.2•	Porucha psych.a správ.zaprič.uží.drog,i.psych.l.:synd.závisl.	2	1,2	F33.8	Iná recidivujúca depresívna porucha	2	2
F19.3•	Porucha psych.a správ.zaprič.uží.drog,i.psych.l.:abstin.synd.	2	2	F33.9	Recidivujúca depresívna porucha,blížšie neurčená	2	2
F19.4•	Porucha psych.a správ.zapri.uží.drog,i.psych.l.:abs.synd.s del	2	2	F50.0	Mentálna anorexia	1,2	1,2
F19.5•	Porucha psych.a správ.zapri.uží.drog,i.psych.l.:psych.porucha	2	2	F50.1	Atypická mentálna anorexia	1,2	1,2
F19.6•	Porucha psych.a správ.zaprič.uží.drog,i.psych.l.:amne. synd.	2	2	F50.2	Mentálna bulímia	1,2	1,2
F19.7•	Porucha psych.a správ.zaprič.uží.drog,i.psych.l.:rez./nes.psych.p.	2	2	F50.3	Atypická mentálna bulímia	1,2	1,2
F19.8•	Iná porucha psych.a správ.zaprič.uživ.v.drog,i.psych.l.	2	2	F50.4	Prejedanie spojené s inými psychickými poruchami	1,2	1,2
F19.9•	Porucha psych.a správ.zaprič.uživ.v.drog,i.psych.l.,b.n.	2	2	F50.8	Iná porucha príjmu potravy	1,2	1,2
F20.0	Paranoidná schizofrénia	2	2	F50.9	Porucha príjmu potravy,blížšie neurčená	1,2	1,2
F20.1	Hebefrénna schizofrénia	2	2	F84.0	Detský autizmus	1,2	1,2
F20.2	Katatónická schizofrénia	2	2	F84.1	Atypický autizmus	1,2	1,2
F20.3	Nediferencovaná schizofrénia	2	2	F84.2	Rettov syndróm	2,3	1,2,3
F20.5	Reziduálna schizofrénia	2	2	F84.3	Iná detská dezintegračná porucha	1,2	1,2
F20.6	Jednoduchá schizofrénia	2	2	F84.4	Hyperakt.por.spojená s duševnou zaost.a stereot.pohybmi	1,2	1,2
F20.8	Iná schizofrénia	2	2	F84.5	Aspergerov syndróm	1,2	1,2
F20.9	Schizofrénia, bližšie neurčená	2	2	F84.8	Iná pervazívna vývinová porucha	1,2	1,2
F23.0	Akút.polymorfna psychotická por.bez prízn.schizofrénie	2	2	F84.9	Pervazívna vývinová porucha, bližšie neurčená	1,2	1,2
F23.1	Akút.polymorfna psychotická por.s prízn.schizofrénie	2	2	F98.2	Porucha príjmu potravy v ranom detstve	1,2	1,2
F23.2	Akútna psychotická porucha podobná schizofrénii	2	2	G00.0	Meningitída zapríčinená Haemophilus influenzae	3,4	3
F23.3	Iné akútne psychotické poruchy s prevahou bludov	2	2	G00.1	Pneumokoková meningitída	3,4	3
F23.8	Iné akútne a prechodné psychotické poruchy	2	2	G00.2	Streptokoková meningitída	3,4	3
F23.9	Akút.psychotická por.a prech.psychotická por.,b.n.	2	2	G00.3	Stafylokoková meningitída	3,4	3
F25.0	Schizoafektívna porucha,manický typ	2	2	G00.8	Iná baktériová meningitída	3,4	3
F25.1	Schizoafektívna porucha,depresívny typ	2	2	G00.9	Baktériová meningitída,blížšie neurčená	3,4	3
F25.2	Schizoafektívna porucha,zmiešaný typ	2	2	G01	Meningitída pri baktériových chorobách zatried.inde	3,4	3
F25.8	Iná schizoafektívna porucha	2	2	G02.0	Meningitída pri vírusových chorobách zatried.inde	3,4	3
F25.9	Schizoafektívna porucha, bližšie neurčená	2	2	G02.1	Meningitída pri mykózach zatriedených inde	3,4	3
F29	Neorganická psychóza,blížšie neurčená	2	2	G02.8	Meningitída pri iných bliž.urč.infekč.a parazit.chor.z.i.	3,4	3
F30.0	Hypománia	2	2	G03.0	Nehnisová meningitída	3,4	3
F30.1	Mánia bez psychotických príznakov	2	2	G03.1	Chronická meningitída	3,4	3
F30.2	Mánia s psychotickými príznakmi	2	2	G03.2	Benigna recidivujúca meningitída [Mollaretova]	3,4	3
F30.8	Iná manická epizóda	2	2	G03.8	Meningitída zapríčinená inými bliž.urč.príčinami	3,4	3
F30.9	Manická epizóda, bližšie neurčená	2	2	G03.9	Meningitída,blížšie neurčená	3,4	3
F31.0	Bipolárna afekt.porucha,terajš.hypomanická epizóda	2	2	G04.0	Akútna diseminovaná encefalitída	3,4	3
F31.1	Bipolárna afekt.porucha,terajš.manic.epiz.bez psychot.príz.	2	2	G04.1	Tropická spastická paraplégia	3,4	3
F31.2	Bipolárna afekt.porucha,terajš.manic.epiz.s psychot.príz.	2	2	G04.2	Baktériová meningoencefalitída a meningomyelitída,n.i.	3,4	3
F31.4	Bipolárna afekt.porucha,terajš.epiz.ťaž.depre.b.psych.príz.	2	2	G04.8	Iná encefalitída,myelitída a encefalomyelitída	3,4	3
F31.5	Bipolárna afekt.porucha,terajš.epiz.ťaž.depre.s psych.príz.	2	2	G04.9	Encefalitída,myelit.a encefalomyelit.,b.n.	3,4	3
F31.6	Bipolárna afekt.porucha,terajš.zmiešaná epizóda	2	2	G05.0	Encefalitída,myelitída a encefalomyelit.pri bakt.chor.z.i.	3,4	3
F31.8	Iná bipolárna afektívna porucha	2	2	G05.1	Encefalitída,myelitída a encefalomyelit.pri vír.chor.z.i.	3,4	3
F31.9	Bipolárna afektívna porucha,blížšie neurčená	2	2	G05.2	Encefalitída,myelit.a encefalomy.pri i.inf.a paraz.chor.z.i.	3,4	3
F32.2	Epizóda ťažkej depresie bez psychotických príznakov	2	2	G05.8	Encefalitída,myelitída a encefalomyelit.pri i.chor.z.i.	3,4	3
				G06.0	Intrakraniálny absces a granulóm	3,4	3
				G06.1	Intraspinalný absces a granulóm	3,4	3
				G06.2	Extradurálny a subdurálny absces,blížšie neurčený	3,4	3



ICD	Text	OP. CCL	Med. CCL	ICD	Text	OP. CCL	Med. CCL
G07	Intrakran.a intrasp.in.absces a granulóm pri chor.z.i.	3,4	3	G73.6	Myopatia pri metabolických chorobách	3,4	3
G08	Intrakran.a intrasp.in.flebitída a tromboflebitída	1,2	2	G80.0	Spastická tetraplegická detská mozgová obrna	2,4	2,3
G12.0	Detská spinálna svalová atrofia,typ I	2,3	1,2,3	G80.1	Spastická diplegická detská mozgová obrna	2,4	2,3
G12.1	Iná zdedená spinálna svalová atrofia	2,3	1,2,3	G80.2	Spastická hemiplegická detská mozgová obrna	2,4	2,3
G12.2	Choroba motorického neurónu	2,3	1,2,3	G80.3	Dyskinetická detská mozgová obrna	2,4	2,3
G12.8	Iná spinálna svalová atrofia a príbuzný syndróm	2,3	1,2,3	G80.4	Ataktická detská mozgová obrna	2,4	2,3
G12.9	Spinálna svalová atrofia,blížšie neurčená	2,3	1,2,3	G80.8	Iná detská mozgová obrna	2,4	2,3
G14	Postpoliomyelitický syndróm	1,2	2	G80.9	Detská mozgová obrna,blížšie neurčená	2,4	2,3
G20.00	Parkinson.chor.bez obm./s min.obm.,bez mot.fluktuácie	2,3	1,2,3	G81.0	Chabá hemiparéza a hemiplegia	2,3	1,2,3
G20.01	Parkinson.chor.bez obm./s min.obm.,s mot.fluktuáciou	2,3	1,2,3	G81.1	Spastická hemiparéza a hemiplegia	2,3	1,2,3
G20.10	Parkinson.chor.s mier.až str.ťaž.obm.,b.mot.fluktuácie	2,3	1,2,3	G81.9	Hemiparéza a hemiplegia,blížšie neurčená	2,3	1,2,3
G20.11	Parkinson.chor.s mier.až str.ťaž.pbm.,s mot.fluktuáciou	2,3	1,2,3	G82.00	Chabá parapar.a parapl.,ak.komplet.prieč.poš.miechy n.pôv.	2,4	2,3
G20.20	Parkinson.chor.s veľmi ťaž.obm.,bez mot.fluktuácie	2,3	1,2,3	G82.01	Chabá parapar.parapl.akút.nekompet.prieč.poš.miechy n.pôv.	2,4	2,3
G20.21	Parkinson.chor.s veľmi ťaž.obm.,s motoric.fluktuáciou	2,3	1,2,3	G82.02	Chabá parapar.a parapl.,chron.komplet.prieč.pošk.miechy	2,4	2,3
G20.90	Parkinson.chor.blíž.neu.,bez motoric.fluktuácie	2,3	1,2,3	G82.03	Chabá parapar.a parapl.,chron.nekomplet.prieč.pošk.miechy	2,4	2,3
G20.91	Parkinson.chor.blíž.neu.,s motoric.fluktuáciou	2,3	1,2,3	G82.09	Chabá paraparéza a paraplégia,blížšie neurčená	2,4	2,3
G35.0	Roztrúsená skleróza,prvá manifestácia	2	2	G82.10	Spast.parapar.a parapl.,ak.komplet.prieč.poš.miechy neur.pôv.	2,4	2,3
G35.10	SM s relaps-remitujúcim prieb.,bez prejav.relapsu/progr.	2	2	G82.11	Spast.parapar.a parapl.ak.nekomplet.prieč.poš.miechy neur.pôv.	2,4	2,3
G35.11	SM s relaps-remitujúcim prieb.,s prejav.relapsu/progr.	2	2	G82.12	Spast.parapar.a parapl.,chron.komplet.prieč.pošk.miechy	2,4	2,3
G35.20	SM s primár.progresívnym prieb.,bez prejav.relapsu/progr.	2	2	G82.13	Spast.parapar.a parapl.,chron.nekomplet.prieč.pošk.miechy	2,4	2,3
G35.21	SM s primár.progresívnym prieb.,s prejav.relapsu/progr.	2	2	G82.19	Spastická paraparéza a paraplégia,blížšie neurčená	2,4	2,3
G35.30	SM so sekund.progresívnym prieb.,bez prejav.relapsu/progr.	2	2	G82.20	Parapar.a parapl.b.n.akút.komplet.prieč.poš.miechy neur.pôv.	2,4	2,3
G35.31	SM so sekund.progresívnym prieb.,s prejav.elapsu/progr.	2	2	G82.21	Parapar.a parapl.b.n.akút.nekomplet.prieč.poš.miechy neur.pôv.	2,4	2,3
G35.9	Roztrúsená skleróza, blížšie neurčená	2	2	G82.22	Parapar.a parapl.blíž.neu.chron.komplet.prieč.poš.miechy	2,4	2,3
G40.3	Generalizovaná idiopatická epilepsia a epileptický syndróm	1,2,3,4	1,2	G82.23	Parapar.a parapl.blíž.neu.chron.nekomplet.prieč.poš.miechy	2,4	2,3
G40.6	Záchvaty grand mal,blíž.neurč.so záchv./bez záchv. petít mal	1,2,3,4	1,2	G82.29	Paraparéza a paraplégia,blížšie neurčená	2,4	2,3
G41.0	Status epilepticus grand mal	1,2,3,4	1,2	G82.30	Chabá tetrap.a tetrapl.akút.komplet.prieč.poš.miechy neur.pôv.	2,4	2,3
G41.1	Status epilepticus petít mal	1,2,3,4	1,2	G82.31	Chabá tetrap.a tetrapl.akút.nekompl.prieč.poš.miechy neur.pôv.	2,4	2,3
G41.2	Komplexný čiastkový epileptický stav	1,2,3,4	1,2	G82.32	Chabá tetrap.a tetrapl.chron.komplet.prieč.poš.miechy	2,4	2,3
G41.8	Iný status epilepticus	1,2,3,4	1,2	G82.33	Chabá tetrap.a tetrapl.chron.nekomplet.prieč.poš.miechy	2,4	2,3
G41.9	Status epilepticus,blížšie neurčený	1,2,3,4	1,2	G82.39	Chabá tetraparéza a tetraplégia, blížšie neurčená	2,4	2,3
G46.3	Syndróm cievného postihnutia mozgového kmeňa	3,4	2,3	G82.40	Spast.tetrap.a tetrapl.akút.komplet.prieč.poš.miechy neur.pôv.	2,4	2,3
G46.4	Syndróm cievného postihnutia mozočka	3,4	2,3	G82.41	Spast.tetrap.a tetrapl.akút.nekompl.prieč.poš.miechy neur.pôv.	2,4	2,3
G61.0	Guillainov-Barrého syndróm	2	2	G82.42	Spast.tetrap.a tetrapl.chron.komplet.prieč.poš.miechy	2,4	2,3
G70.0	Myasthenia gravis	2,3	1,2,3				
G70.2	Vrodená a vývinová myasténia	2,3	1,2,3				
G71.0	Svalová dystrofia	2,3	1,2,3				
G71.2	Vrodená myopatia	2,3	1,2,3				
G71.3	Mitochondriová myopatia,nezatriedená inde	2,3	1,2,3				
G71.8	Iná primárna choroba svalov	2,3	1,2,3				
G71.9	Primárna choroba svalov,blížšie neurčená	2,3	1,2,3				
G72.0	Myopatia zapríčinená liekmi	3,4	3				
G72.1	Alkoholová myopatia	3,4	3				
G72.2	Myopatia zapríčinená inými toxickými látkami	3,4	3				
G72.4	Zápalová myopatia,nezatriedená inde	2,3	1,2,3				
G73.0	Myastenický syndróm pri endokrinných chorobách	2,3	1,2,3				
G73.1	Eatonov-Lambertov myastenický syndróm (C00-D48†)	2,3	1,2,3				
G73.2	Iný myastenický synd. pri nádorovej chor.	2,3	1,2,3				
G73.3	Myastenický syndróm pri iných chor.z.i.	2,3	1,2,3				

ICD	Text	OP. CCL	Med. CCL	ICD	Text	OP. CCL	Med. CCL
G82.43	Spast.tetrap.a tetrapl.chron.nekomplet.prieč.poš.miechy	2,4	2,3	I08.1	Súčasná choroba mitrálnej a trikuspid.chlopne	1,2,3	1,2,3
G82.49	Spastická tetraparéza a tetraplégia,blíž.neurč.	2,4	2,3	I08.2	Súčasná choroba aortálnej a trikuspid.chlopne	2,3	2,3
G82.50	Tetrapa.a tetrapl.b.n.akút.komplet.prieč.poš.miechy neur.pöv.	2,4	2,3	I08.3	Súčasná choroba mitrálnej,aortál.a trikuspidál.chlopne	2,3	2,3
G82.51	Tetrapa.a tetrapl.b.n.akút.nekompl..prieč.poš.miechy netr.pöv.	2,4	2,3	I08.8	Iná choroba viacerých chlopni	2,3	2,3
G82.52	Tetrapar.a tetrapl.b.n.chron.komplet.prieč.poš.miechy	2,4	2,3	I08.9	Choroba viacerých chlopni,blížšie neurčená	1,2,3	1,2,3
G82.53	Tetrapar.a tetrapl.b.n.chron.nekomplet.prieč.poš.miechy	2,4	2,3	I09.0	Reumatická myokarditída	1,2,3	1,2
G82.59	Tetraparéza a tetraplégia, bližšie neurčená	2,4	2,3	I09.1	Reumatická choroba endokardu blíž.neurč.chlopne	2,3	2,3
G83.0	Diparéza a diplégia horných končatín	2,3	1,2,3	I09.8	Iná reumatická choroba srdca,blížšie určená	1,2,3	1,2
G83.40	Syndróm cauda equina,kompletný	2,3	1,2,3	I11.00	Hyperten.chor.srdca s kong.srdc.zlyh.bez prej.hypert.kríz.	0,1,2	1,2,3
G83.41	Syndróm cauda equina,nekompletný	2,3	1,2,3	I11.01	Hyperten.chor.srdca s kong.srdc.zlyh.s hypert.kríz.	0,1,2	1,2,3
G83.49	Syndróm cauda equina,blížšie neurčený	2,3	1,2,3	I13.00	Hypert.chor.srd.a oblič.s kong.srdc.zlyh.,b.hyper.kríz.	1,2	2,3
G83.80	Locked-in syndróm	2,3	1,2,3	I13.01	Hypert.chor.srd.a oblič.s kong.srdc.zlyh.,s hyper.kríz.	1,2	2,3
G83.88	Iný paralytický syndróm,blížšie určený	2,3	1,2,3	I13.20	Hypert.chor.srdca a oblič.s kong.srdc.a obl.zlyh.bez hyp.kríz.	1,2	2,3
G91.1	Obštrukčný hydrocefalus	2,3	1,2,3	I13.21	Hypert.chor.srdca a oblič.s kong.srdc.a obl.zlyh.s hyp.kríz.	1,2	2,3
G91.20	Idiopatický normotenzný hydrocefalus	2,3	1,2,3	I20.0	Nestabilná angina pectoris	2	2,3
G91.21	Sekundárny normotenzný hydrocefalus	2,3	1,2,3	I20.1	Angina pectoris s dokázaným krčom vencovitých tepien	2	2,3
G91.29	Normotenzný hydrocefalus,blížšie neurčený	2,3	1,2,3	I21.0	Akútny transmuralný infarkt myokardu prednej steny	3,4	2,3
G91.3	Pouřazový hydrocefalus,blížšie neurčený	2,3	1,2,3	I21.1	Akútny transmuralný infarkt myokardu spodnej stený	3,4	2,3
G91.8	Iný hydrocefalus	2,3	1,2,3	I21.2	Akútny transmuralný IM na i.miestach	3,4	2,3
G91.9	Hydrocefalus,blížšie neurčený	2,3	1,2,3	I21.3	Akútny transmuralný IM bez blíž.urč.miesta	3,4	2,3
G92	Toxická encefalopatia	3,4	3	I21.4	Akútny subendokardiálny infarkt myokardu	3,4	2,3
G93.1	Anoxické poškodenie mozgu,nezatriedené inde	2,3	1,2,3	I21.9	Akútny infarkt myokardu,blížšie neurčený	3,4	2,3
G94.0	Hydrocefalus pri infekčných a parazitových chor.z.i	2,3	1,2,3	I23.0	Hemoperikard ako akútna komplikácia po akútnom IM	2,3,4	3
G94.1	Hydrocefalus pri nádorovej chorobe (C00- D48†)	2,3	1,2,3	I23.1	Defekt predsieň.septa ako akútna komplikácia po akútnom IM	1,2,3	1,2
G94.2	Hydrocefalus pri iných chorobách zatriedených inde	2,3	1,2,3	I23.2	Defekt komorovej priehradky ako akútna komplikácia po akút. IM	1,2,3	1,2
G96.0	Presakovanie mozgovomiechového moku	1,3,4	3	I23.3	Ruptúra srdc.steny bez hemoperik.ako akútna kompl.po akút.IM	1,2,3	1,2
G97.0	Presakovanie mozgovomiechového moku po spinálnej punkcii	1,3,4	1,3	I23.4	Ruptúra chordae tendinae ako akútna kompl.po akút.IM	2,3	2,3
G97.1	Iná reakcia na spinálnu a lumbálnu punkciu	1,3,4	1,3	I23.5	Ruptúra papilárneho svalú ako akútna kompl.po akút.IM	2,3	2,3
G97.2	Vnútrolebková hypotenzia po komorovom skrate	1,2,3	1,2	I23.6	Trombóza preds,preds.uška a komory ako ak.kompl.po ak.IM	1,2,3	1,2
G97.80	Pooperačná likvorea	3,4	3	I23.8	Iná akútna komplikácia po akútnom infarkte myokardu	1,2,3	1,2
H47.1	Opuch papily zrakového nervu,blížšie neurčený	1,2	2	I24.0	Koronárna trombóza,ktorá nevedla k IM	2	2,3
H59.0	Afakická bulózna keratopatia po operácii katarakty	2,3,4	2,3	I24.1	Poinfarktový syndróm	1,2,3	1,2
H60.1	Flegmóna vonkajšieho ucha	2	2	I24.8	Iná forma akútnej ischemickej choroby srdca	2	2,3
H95.0	Recidivujúci cholesteatóm v dutine po mastoidektómii	2	2	I26.0	Pľúcna embólia s prejavmi akútneho cor pulmonale	3,4	2,3
H95.1	Iná choroba po mastoidektómii	2	2	I26.9	Pľúcna embólia bez prejavov akútneho cor pulmonale	3,4	2,3
H95.8	Iná choroba ucha a hlávkového výbežku	2	2	I27.0	Primárna pľúcna hypertenzia	1,2,3	1,2
H95.9	Choroba ucha a hlávkového výbežku po lek.výk.,b.n.	2	2	I30.0	Akútna nešpecifická idiopatická perikarditída	1,2,3	1,2
I05.0	Mitrálna stenóza	2,3	2,3	I30.1	Infekčná perikarditída	2,3,4	3
I05.1	Reumatická mitrálna insuficiencia	2,3	2,3	I30.8	Iná forma akútnej perikarditídy	2,3,4	3
I05.2	Mitrálna stenóza s insuficienciou	2,3	2,3	I30.9	Akútna perikarditída,blížšie neurčená	1,2,3	1,2
I05.8	Iná choroba mitrálnej chlopne	2,3	2,3	I31.0	Chronická adhezívna perikarditída	2,3,4	3
I06.0	Reumatická aortálna stenóza	2,3	2,3	I31.1	Chronická konstriktívna perikarditída	2,3,4	3
I06.1	Reumatická aortálna insuficiencia	2,3	2,3	I31.2	Hemoperikard,nezatriedený inde	2,3,4	3
I06.2	Reumatická aortálna stenóza s insuficienciou	2,3	2,3	I31.3	Perikardový výpotok (nezápalový)	1,2,3	1,2
I06.8	Iná reumatická choroba aortálnej chlopne	2,3	2,3	I32.0	Perikarditída pri bakt.chor.z.i.	1,2,3	1,2
I07.0	Trikuspidálna stenóza	2,3	2,3	I32.1	Perikarditída pri i.infekč.a parazit.chor.z.i.	1,2,3	1,2
I07.1	Trikuspidálna insuficiencia	1,2,3	1,2,3				
I07.2	Trikuspidálna stenóza s insuficienciou	2,3	2,3				
I07.8	Iná choroba trikuspidálnej chlopne	2,3	2,3				
I08.0	Kombinovaná choroba mitrálnej a aortálnej chlopne	2,3	2,3				

ICD	Text	OP. CCL	Med. CCL	ICD	Text	OP. CCL	Med. CCL
I32.8	Perikarditída pri iných chorobách zatriedených inde	1,2,3	1,2	I50.00	Primárne zlyhávanie pravej komory	2,3,4	1,2,3
I33.0	Akútna a subakútna infekčná endokarditída	3,4	3	I50.01	Sekundárne zlyhávanie pravej komory	2,3,4	1,2,3
I33.9	Akútna endokarditída, bližšie neurčená	3,4	3	I50.13	Zlyhávanie ľavej komory, s ťažkosťami pri malom zaťažení	2,3,4	1,2,3
I34.1	Prolaps mitrálnej chlopne	2,3	2,3	I50.14	Zlyhávanie ľavej komory, s ťažkosťami v pokoji	2,3,4	2,3
I34.2	Nereumatická mitrálna stenóza	1	1	I51.0	Získaný defekt srdcovej priehradky	1,2,3	1,2
I34.80	Nereumatická mitrálna stenóza a insuficiencia	1,2	1,2	I51.1	Ruptúra chordae tendineae, nezatriedená inde	1,2,3	2,3
I35.0	Aortálna stenóza	2,3	2,3	I51.2	Ruptúra papilárneho svalu, nezatriedená inde	1,2,3	2,3
I35.2	Aortálna stenóza s aortálnou insuficienciou	2,3	2,3	I51.3	Vnútroštrcová trombóza, nezatriedená inde	1,2,3	1,2
I36.0	Nereumatická trikuspidálna stenóza	2,3	2,3	I60.0	Subarachnoidálne krvácanie z karotického sifónu a bifurkácie	3,4	2,3
I36.1	Nereumatická trikuspidálna insuficiencia	2,3	2,3	I60.1	Subarachnoidálne krvácanie z a. cerebri media	3,4	2,3
I36.2	Nereumatická trikuspidálna stenóza a insuficiencia	2,3	2,3	I60.2	Subarachnoidálne krvácanie z a. communicans anterior	3,4	2,3
I36.8	Iná nereumatická choroba trikuspidálnej chlopne	2,3	2,3	I60.3	Subarachnoidálne krvácanie z a. communicans posterior	3,4	2,3
I37.0	Pulmonálna stenóza	2,3	2,3	I60.4	Subarachnoidálne krvácanie z a. basilaris	3,4	2,3
I37.1	Pulmonálna insuficiencia	2,3	2,3	I60.5	Subarachnoidálne krvácanie z a. vertebralis	3,4	2,3
I37.2	Pulmonálna stenóza a insuficiencia	2,3	2,3	I60.6	Subarachnoidálne krvácanie z i. intrakraniálnych tep.	3,4	2,3
I37.8	Iná choroba pulmonálnej chlopne	2,3	2,3	I60.7	Subarachnoidálne krvácanie z intrakraniálnej tepny, b.n.	3,4	2,3
I39.0	Choroba mitrál. chlopne pri chorobách zatried. i.	2,3	2,3	I60.8	Iné subarachnoidálne krvácanie	3,4	2,3
I39.1	Choroba aortál. chlopne pri chorobách zatried. i.	2,3	2,3	I60.9	Subarachnoidálne krvácanie, bližšie neurčené	3,4	2,3
I39.2	Choroba trikuspid. chlopne pri chorobách zatried. i.	2,3	2,3	I61.0	Vnútroštrcové krvácanie do mozg. hemisféry, subkortikálne	3,4	2,3
I39.3	Choroba pulmonál. chlopne pri chorobách zatried. i.	2,3	2,3	I61.1	Vnútroštrcové krvácanie do hemisféry, kortikálne	3,4	2,3
I39.4	Choroba viacerých chlopní pri chorobách zatried. i.	2,3	2,3	I61.2	Vnútroštrcové krvácanie do hemisféry, bližšie neurčené	3,4	2,3
I40.0	Infekčná myokarditída	1,2,3	1,2	I61.3	Vnútroštrcové krvácanie do mozgového kmeňa	3,4	2,3
I40.1	Izolovaná myokarditída	1,2,3	1,2	I61.4	Vnútroštrcové krvácanie do mozočka (cerebela)	3,4	2,3
I40.8	Iná akútna myokarditída	1,2,3	1,2	I61.5	Vnútroštrcové vnútrokomorové (intraventrik.) krvácanie	3,4	2,3
I40.9	Akútna myokarditída, bližšie neurčená	1,2,3	1,2	I61.6	Vnútroštrcové krvácanie na viacerých miestach	3,4	2,3
I41.0	Myokarditída pri bakteriálnych chor. z. i.	1,2,3	1,2	I61.8	Iné vnútroštrcové krvácanie	3,4	2,3
I41.1	Myokarditída pri vírusových chor. z. i.	1,2,3	1,2	I61.9	Vnútroštrcové krvácanie, bližšie neurčené	3,4	2,3
I41.2	Myokarditída pri i. infekč. a parazit. chorobách zatried. i.	1,2,3	1,2	I62.00	Subdurálne krvácanie (neúrazové), akútne	3,4	2,3
I41.8	Myokarditída pri iných chorobách zatriedených inde	1,2,3	1,2	I62.01	Subdurálne krvácanie (neúrazové), subakútne	3,4	2,3
I42.0	Dilatačná kardiomyopatia	1,2,3	1,2	I62.02	Subdurálne krvácanie (neúrazové), chronické	3,4	2,3
I42.1	Obštrukčná hypertrofická kardiomyopatia	1,2,3	1,2	I62.09	Subdurálne krvácanie (neúrazové), bližšie neurčené	3,4	2,3
I42.2	Iná hypertrofická kardiomyopatia	1,2,3	1,2	I62.1	Neúrazové extradurálne krvácanie	3,4	2,3
I42.3	Endomyokardová (eozinofilná) choroba	1,2,3	1,2	I62.9	Intrakraniálne krvácanie (neúrazové), b.n.	3,4	2,3
I42.4	Endokardová fibroelastóza	1,2,3	1,2	I63.0	Mozgový infarkt, zapríč. trombózou priv. mozg. tep.	3,4	2,3
I42.5	Iná reštrikčná kardiomyopatia	1,2,3	1,2	I63.1	Mozgový infarkt, zapríč. embolizáciou priv. mozg. tep.	3,4	2,3
I42.6	Alkoholová kardiomyopatia	1,2,3	1,2	I63.2	Mozgový infarkt, zapríč. bliž. n. záverom/zúž. privod. mozg. tep.	3,4	2,3
I42.7	Kardiomyopatia zapríč. liekmi a inými vpk. faktormi	1,2,3	1,2	I63.3	Mozgový infarkt, zapríč. trombózou mozg. tep.	3,4	2,3
I42.80	Arytmogénna pravokomorová kardiomyopatia [ARVCM]	1,2,3	1,2	I63.4	Mozgový infarkt, zapríč. embóliou mozg. tep.	3,4	2,3
I42.88	Iná kardiomyopatia	1,2,3	1,2	I63.5	Mozgový infarkt, zapríč. b.n. uzáverom/zúž. mozg. tep.	3,4	2,3
I42.9	Kardiomyopatia, bližšie neurčená	1,2,3	1,2	I63.6	Mozgový infarkt, zapríč. nehnis. mozg. žilovou trombózou	1,2	2
I43.0	Kardiomyopatia pri infekč. a parazit. chorobách zatried. i.	1,2,3	1,2	I63.8	Iný mozgový infarkt	3,4	2,3
I43.1	Kardiomyopatia pri metabolických chorobách	2,3,4	3	I63.9	Mozgový infarkt, bližšie neurčený	1,2	2
I43.2	Kardiomyopatia pri poruchách výživy	2,3,4	3	I64	Cievna mozgová príhoda bliž. neurč. ako krvácanie/infarkt	3,4	1,2,3
I43.8	Kardiomyopatia pri iných chorobách zatried. i.	1,2,3	1,2	I65.0	Uzáver a zúženie a. vertebralis	2,3,4	1,2,3
I44.1	Atrioventrikulárna blokáda 2. stupňa	2,3	1,2,3	I65.1	Uzáver a zúženie a. basilaris	2,3,4	1,2,3
I44.2	Atrioventrikulárna blokáda 3. stupňa	2,3	1,2,3	I65.2	Uzáver a zúženie a. carotis	1,2,3	2,3
I44.3	Trifascikulárna blokáda	2,3	1,2,3				
I45.5	Iná bližšie určená srdcová blokáda	2,3	1,2,3				
I45.6	Syndróm preexcitácie	2,3	1,2,3				
I45.8	Iné poruchy vedenia srdcových vzruchov, b.n.	2,3	2,3				
I45.9	Porucha vedenia srdcových vzruchov, b.n.	2,3	1,2,3				
I46.0	Zastavenie srdca s úspešnou resuscitáciou	2,3	1,2,3				
I47.1	Supraventrikulárna tachykardia	2,3	2,3				
I47.2	Komorová tachykardia	2,3	1,2,3				
I47.9	Paroxyzmálna tachykardia, bližšie neurčená	2,3	1,2,3				
I49.0	Flater komôr a fibrilácia komôr	2,3	1,2,3				

ICD	Text	OP. CCL	Med. CCL	ICD	Text	OP. CCL	Med. CCL
I65.3	Uzáver a zúženie viac.prívod.mozgových tepien,obojsstranne	2,3,4	1,2,3	I82.1	Migrujúca tromboflebitída	2,3,4	2,3
I66.0	Uzáver a zúženie a.cerebri media	2,3,4	2,3	I82.2	Embólia a trombóza v.cava	2,3,4	2,3
I66.1	Uzáver a zúženie a.cerebri anterior	2,3	2,3	I82.3	Embólia a trombóza obličkovej žily	2,3,4	1,2
I66.2	Uzáver a zúženie a.cerebri posterior	2,3	2,3	I82.8	Embólia a trombóza iných bližšie určených žil	2,3,4	2,3
I66.3	Uzáver a zúženie mozočkových tepien	2,3	2,3	I82.9	Embólia a trombóza bližšie neurčenej žily	1,2,4	1,2
I66.4	Uzáver a zúženie viac.mozgových tepien,obojsstranne	2,3,4	2,3	I83.0	Varixy dolných končatín s vredom	1,2,3	1,2
I66.8	Uzáver a zúženie inej mozgovej tepny	2,3,4	2,3	I83.2	Varixy dolných končatín s vredom a zápalom	1,2,3	1,2
I67.0	Disekcia mozgovej tepny	1,2	1,2	I85.0	Varixy pažeráka s krvácaním	1,2,3,4	2,3
I67.11	Získaná mozgová artériovenózna fistula	3,4	2,3	I97.0	Postkardiotomický syndróm	1,2,3	1,2
I67.4	Hypertenzná encefalopatia	2	1,2	I97.1	Iná funkčná porucha po operácii srdca	1,2,3	1,2
I67.5	Syndróm moyamoya	1,2	2	I97.8	Iná komplikácia obeh.súst.po lekář. výkone,n.i	1,2,3,4	1,2,3
I67.6	Nehnisová trombóza intrakraniálneho žilového systému	1,2	2	I97.9	Komplikácia obeh.súst.po lekář. výkone,b.n.	1,2,3	1,2
I67.7	Mozgová arteritída,nezatriedená inde	1,2,3,4	1,2	I98.2	Varixy pažeráka a žalúdka pri chorobách zatried.i.bez krvác.	3,4	1,2,3
I67.80	Vazospazmy pri subarachnoidálnom krvácaní	3,4	2,3	I98.3	Varixy pažeráka a žalúdka pri choribách zatried.i.s krvác.	3,4	1,3
I68.1	Mozgová arteritída pri infekč.a parazit.chorobách z.i.	1,2,3,4	1,2	J01.0	Akútny zápal čelustnej dutiny	2	2
I68.2	Mozgová arteritída pri iných chorobách .zatried.i.	1,2,3,4	1,2	J01.1	Akútny zápal čelovej dutiny	2	2
I69.0	Následky subarachnoidálneho krvácania	0,1,2,3,4	0,1,2,3	J01.2	Akútny zápal čuchovej dutiny	2	2
I69.1	Následky vnútromozgového krvácania	0,1,2,3,4	0,1,2,3	J01.3	Akútny zápal klinovitej dutiny	2	2
I69.2	Následky iného neúrazového intrakraniálneho krvácania	0,1,2,3,4	0,1,2,3	J01.4	Akútna pansinusitída	2	2
I69.3	Následky mozgového infarktu	0,1,2,3,4	0,1,2,3	J01.8	Iný akútny zápal prínosových dutín	2	2
I70.23	Ateroskleróza končat.tep.s postih.panvy a DK,s ulceráciami	1,2,3,4	1,2,3	J01.9	Zápal prínosových dutín,bližšie neurčený	2	2
I70.24	Ateroskleróza končat.tep.s postih.panvy a DK,s gangrén.	1,2,3,4	1,2,3	J05.0	Akútny obštrukčný zápal hrtana[krup]	2	2
I71.00	Disekcia aorty bez bliž.urč.miesta bez prej.ruptúry	3,4	3	J05.1	Akútny zápal hrtanovej príklopky[epiglotitída]	2	2
I71.01	Disekcia hrudníkovej aorty,bez prejavov ruptúry	3,4	3	J09	Chríпка zaprič.určitým identifikov.vírusom chrípky	2,3,4	1,2,3
I71.02	Disekcia brušnej aorty,bez prejavov ruptúry	3,4	3	J10.0	Chríпка zaprič.i.identifikov.vírus.chrícky so zápalom pľúc	2,3,4	1,2,3
I71.03	Disekcia hrudník.-bruš.aorty,bez prejav.ruptúry	3,4	3	J10.1	Chríпка zaprič.i.identifikov.vírus.chrícky s i.respir.prejav.	2	2
I71.04	Disekcia aorty bez bliž.urč.miesta,s ruptúrou	3,4	3	J11.0	Chríпка zaprič.neidentifovan.vírusom so zápalom pľúc	2,3,4	1,2,3
I71.05	Disekcia hrudníkovej aorty,s ruptúrou	3,4	3	J11.1	Chríпка zaprič.neidentifovan.vírusom s i.respir.prejav.	2	2
I71.06	Disekcia brušnej aorty,s ruptúrou	3,4	3	J13	Zápal pľúc zapričinený Streptococcus pneumoniae	2,3,4	1,2,3
I71.07	Disekcia hrudníkovo-brušnej aorty,s ruptúrou	3,4	3	J14	Zápal pľúc zapričinený Haemophilus influenzae	2,3,4	1,2,3
I71.1	Aneurizma hrudníkovej aorty,s ruptúrou	3,4	3	J15.0	Zápal pľúc zapričinený Klebsiella pneumoniae	3,4	3
I71.3	Aneurizma brušnej aorty,s ruptúrou	3,4	3	J15.1	Zápal pľúc zapričinený pseudomonas	3,4	3
I71.5	Aneurizma hrudníkovo-brušnej aorty,s ruptúrou	3,4	3	J15.2	Zápal pľúc zapričinený stafylokokom	3,4	3
I71.8	Aneurizma aorty bez bliž.urč.miesta,s ruptúrou	3,4	3	J15.3	Zápal pľúc zapričinený streptokokom skupiny B	2,3,4	1,2,3
I72.0	Aneurizma a disekcia krčnej tepny	3,4	3	J15.4	Zápal pľúc zapričinený iným streptokokom	2,3,4	1,2,3
I73.0	Raynaudov syndróm	1,2	1,2	J15.5	Zápal pľúc zapričinený Escherichia coli	3,4	3
I74.0	Embólia a trombóza brušnej aorty	2,3,4	2,3	J15.6	Zápal pľúc,zapr.i.aeróbnou gramnegat.baktériou	3,4	3
I74.1	Embólia a trombóza i.a bliž.ne.časti aorty	2,3,4	2,3	J15.7	Zápal pľúc zapričinený Mycoplasma pneumoniae	2,3,4	1,2,3
I74.2	Embólia a trombóza tepien horných končatín	2,3,4	2,3	J15.8	Iný baktériový zápal pľúc	3,4	3
I74.3	Embólia a trombóza tepien dolných končatín	2,3,4	2,3	J15.9	Baktériový zápal pľúc,bližšie neurčený	2,3,4	1,2,3
I74.4	Embólia a trombóza tepien končatín,b.n.	2,3,4	2,3	J16.0	Zápal pľúc zapričinený chlamýdiami	2,3,4	1,2,3
I74.5	Embólia a trombóza a.iliaca	2,3,4	2,3	J16.8	Zápal pľúc zaprič.iným bliž.urč.infekčným organ.	2,3,4	1,2,3
I74.8	Embólia a trombóza iných tepien	2,3,4	2,3	J17.0	Zápal pľúc pri baktériových chorobách z.i.	3,4	3
I74.9	Embólia a trombóza bližšie neurčenej tepny	2,3,4	2,3	J17.1	Zápal pľúc pri vírusových chorobách z.i.	3,4	3
I80.0	Trombóza,flebitída a tromboflebit.povrch.žil DK	1,2,3,4	1,2,3	J17.2	Zápal pľúc pri mykózach zatriedených inde	3,4	3
I80.1	Trombóza,flebitída a tromboflebitída v.femoralis	2,3,4	1,2,3	J17.3	Zápal pľúc pri parazitových chorobách	3,4	3
I80.2	Trombóza,flebitída a tromboflebit.i.hlbkových žil DK	2,3,4	1,2,3	J18.0	Bronchopneumónia,bližšie neurčená	2,3,4	1,2,3
I80.3	Trombóza,flebitída a tromboflebit. DK, b.n.	2,3,4	1,2,3	J18.1	Lobárny zápal pľúc,bližšie neurčený	2,3,4	1,2,3
I81	Trombóza v. portae	1,2,3,4	1,2,3	J18.2	Hypostatický zápal pľúc,bližšie neurčený	2,3,4	2,3
I82.0	Buddov-Chiariho syndróm	1,2,3,4	1,2,3	J18.8	Iný zápal pľúc,zapríč.bliž.neurč.organizmom	2,3,4	1,2,3
				J18.9	Zápal pľúc,bližšie neurčený	2,3,4	1,2,3
				J20.0	Akútna bronchitída zaprič.Mycoplasma pneumoniae	2	1,2
				J20.1	Akútna bronchitída zaprič.Haemophilus influenzae	2	1,2
				J20.2	Akútna bronchitída zapričinená streptokokom	2	1,2

ICD	Text	OP. CCL	Med. CCL	ICD	Text	OP. CCL	Med. CCL
J20.3	Akútna bronchitída zapríčinená vírusom Coxsackie	2	1,2	J68.0	Bronchit.a pneumonit.,zaprič.chem.,plyn.,dym.a výpar.	2,3	1,2
J20.4	Akút.bronchitída zaprič.vírusom parainfluenzy	2	1,2	J68.1	Akútny pľúcny edém,zaprič.chemikál.plyn.dym.a výparmi	2,3,4	2,3
J20.5	Akút.bronchitída zaprič.respirač.syncyciálnym vírusom	2	1,2	J69.0	Zápal pľúc,zaprič.vdýchnutím potravy a zvratkov	3,4	3
J20.6	Akútna bronchitída zapríčinená rinovírusom	2	1,2	J69.1	Zápal pľúc,zapričinený olejmi a esenciami	3,4	3
J20.7	Akútna bronchitída zapríčinená vírusom ECHO	2	1,2	J69.8	Zápal pľúc,zaprič.i.tuhými látkami a tekutinami	3,4	3
J20.8	Akút.bronchitída zaprič.iným.bliž.urč.organ.	2	1,2	J70.0	Akútne pľúcne prejavy zapríčinené žiarením	2,3	1,2
J20.9	Akútna bronchitída,bližšie neurčená	2	1,2	J70.1	Chronické a iné pľúcne prejavy zapríčinené žiarením	2	2
J36	Peritonzilárny absces	2	2	J70.2	Akútna pľúcna intersticiálna choroba zaprič.liekmí	2,3	1,2
J38.00	Obrna hlasiviek a hrtana, bližšie neurčená	2	2	J70.3	Chronická pľúcna intersticiálna choroba zaprič.liekmí	2,3	1,2
J38.01	Jednostranná čiastočná obrna hlasiviek a hrtana	2	2	J70.4	Pľúcna intersticiálna choroba zaprič.liekmí,b.n.	2,3	1,2
J38.02	Jednostranná kompletná obrna hlasiviek a hrtana	2	2	J80	Syndróm respiračnej tiesne [ARDS]	1,2	1,2
J38.03	Obojstranná čiastočná obrna hlasiviek a hrtana	2	2	J81	Pľúcny opuch	2,3,4	2,3
J38.4	Opuch hrtana	2	2	J84.0	Alveolové a parietoalveolové stavy	2	2
J39.0	Retrofaryngový a parafaryngový absces	2	2	J84.1	Iná choroba interstícia pľúc s fibrózou	2	2
J41.1	Hlienovohnisová chronická bronchitída	1,2,3	1,2,3	J84.8	Iná choroba interstícia pľúc,bližšie určená	2	2
J41.8	Zmiešaná jednod.a hlienovohnis.chron.bronchitída	1,2,3	1,2,3	J84.9	Choroba interstícia pľúc,bližšie neurčená	2	2
J42	Chronická bronchitída,bližšie neurčená	0,1	1	J85.0	Gangréna a nekróza pľúc	3,4	3
J43.0	MacLeodov syndróm	2,3	1,2,3	J85.1	Absces pľúc so zápalom pľúc	3,4	3
J43.1	Panlobulárny emfyzém	2,3	1,2,3	J85.2	Absces pľúc bez zápalu pľúc	3,4	3
J43.2	Centrilobulárny emfyzém	2,3	1,2,3	J85.3	Absces mediastína	3,4	3
J43.8	Iný emfyzém	2,3	1,2,3	J86.0	Pyotorax s fistulou	3,4	3
J43.9	Emfyzém, bližšie neurčený	1,2,3	1,2,3	J86.9	Pyotorax bez fistuly	3,4	3
J44.00	CHOCHP s akútnou infek.dolných DC,FEV1 < 35 % pris.hodn.	1,2,3	1,2,3	J90	Pohrudnicový výpotok,nezatriedený inde	1,2,3,4	1,2,3
J44.01	CHOCHP s ak.infekc.dolných DC,FEV1 >= 35 < 50 %pris.h.	1,2,3	1,2,3	J91	Pohrudnicový výpotok pri chor.z.i.	2,3,4	1,2,3
J44.02	CHOCHP s ak.infek.dol.DC,FEV1 >= 50 % a < 70 % pris.hodn.	1,2,3	1,2,3	J93.0	Spontánny tenzný pneumotorax	2,3,4	2,3
J44.03	CHOCHP s ak.infek.dolných DC,FEV1 >= 70 % pris.hodn.	1,2	1,2	J93.1	Iný spontánny pneumotorax	2,3,4	2,3
J44.09	CHOCHP s akútnou infek.dolných DC,hodn.FEV1 bliž.neurč.	1,2	1,2	J93.8	Iný pneumotorax	2,3,4	2,3
J44.10	CHOCHP s akút.exacer.chor.bliž.neurč.FEV1<35 % pris.hodn.	1,2,3	1,2,3	J93.9	Pneumotorax,bližšie neurčený	2,3,4	2,3
J44.11	CHOCHP s ak.exacer.chor.bl.neu.FEV1 >= 35% a <50 %pris.h.	1,2,3	1,2,3	J94.0	Chylózný pohrudnicový výpotok	2,3,4	2,3
J44.12	CHOCHP s ak.exacer.chor.bl.neu.FEV1>= 50 % a <70 %pris.h.	1,2,3	1,2,3	J94.1	Fibrotorax	2,3,4	1,2,3
J44.13	CHOCHP s ak.exacer.chor.bliž.neurč.FEV1 >= 70 % prísluš.h.	1,2	1,2	J94.2	Hemotorax	2,3,4	2,3
J44.19	CHOCHP s ak.exacer.chor.bliž.neurč.,hodnota FEV1 b.n.	1,2	1,2	J95.0	Porucha funkcie tracheostómie	3,4	1,3
J44.80	Iná CHOCHP,bliž.urč.FEV1 < 35 % pris.hodnoty	1,2,3	1,2,3	J95.1	Akútna pulmonálna insuficien.po hrudníkovej operácii	2,3,4	2,3
J44.81	Iná CHOCHP,bliž.urč.FEV1 >= 35 % a < 50 % pris.hodnoty	1,2,3	1,2,3	J95.2	Akútna pulmonálna insuficien.po mimohrudník.chir.výkone	2,3,4	2,3
J46	Status asthmaticus	2	1,2	J95.3	Chronická pulmonálna insuficien.po chir.výkone	2,3,4	2,3
J47	Bronchiektázie	2,3	1,2,3	J95.4	Mendelsonov syndróm	3,4	1,3
J67.0	Farmárske pľúca	2	2	J95.5	Subglotická stenóza po chirurgickom výkone	3,4	1,3
J67.1	Bagasóza	2	2	J95.80	Iatrogénny pneumotorax	3,4	1,3
J67.2	Pľúcna choroba chovateľov vtákov	2	2	J95.81	Stenóza priedušnice po lekárskom výkone	3,4	1,3
J67.3	Suberóza	2	2	J95.88	Iná porucha dýchacích orgánov po lekárskom výkone	3,4	1,3
J67.4	Sladovnicke pľúca	2	2	J96.00	Akútna respirač.insuficien.n.i.,typ I(hypoxém.)	2,3,4	1,2,3
J67.5	Pľúcna choroba pestovateľov húb	2	2	J96.01	Akútna respirač.insuficien.n.i.,typ II (hypoxém.-hyperkap.typ)	2,3,4	1,2,3
J67.6	Pľúcna choroba lúpačov javorovej kôry	2	2	J96.09	Akútna respirač.insuficien.n.i.,typ bliž.neurč.	2,3,4	1,2,3
J67.7	Pľúcna choroba zaprič.ventilačnými a zvlhčovacími zariad.	2	2	J96.10	Chronická respirač.insuficien.,nezat.i.,typ I (hypoxém.)	2,3,4	1,2,3
J67.8	Alergická alveolitída zaprič.i.organickým prachom	2	2	J96.11	Chronická respirač.insuficien.,n.i.,typ II (hypoxém.-hyperkap.)	2,3,4	1,2,3
J67.9	Alergická alveolitída zaprič.bliž.neurč.organickým prachom	2	2	J96.19	Chronická respirač.insuficien.,nezat.i.,typ bliž.neurč.	2,3,4	1,2,3
				J98.1	Kolaps pľúc	3,4	1,3
				J98.2	Intersticiálny emfyzém	2,3,4	2,3
				J98.50	Mediastinitída	2,3,4	1,2,3
				J99.0	Reumatoidná choroba pľúc (M05.1-t)	2	2
				J99.1	Choroba dýchac.súst.pri i.difúzných chor.spojiv.tkan.	2	2
				J99.8	Choroba dýchac.súst.pri iných chorobách z.i.	2	2

ICD	Text	OP. CCL	Med. CCL	ICD	Text	OP. CCL	Med. CCL
K11.3	Absces slinnej žľazy	2	2	K40.00	Obojstran.slabin.prietrž s obšt.bez gang.neozn.ako recid.	2,4	2,3
K11.4	Fistula slinnej žľazy	2	2	K40.01	Obojstranná slabin.prietrž s obšt.bez gang.recidiv.	2,4	2,3
K12.20	Flegmóna ústnej spodiny	2,3	2,3	K40.10	Obojstranná slabinová prietrž s gang.neozn.ako recidiv.	2,4	2,3
K12.21	Submandib.absces bez rozšír.do mediast.,parafaryn./cerv.pries.	2,3	2,3	K40.11	Obojstranná slabinová prietrž s gang.recidivujúca	2,4	2,3
K12.22	Submandib.absces s rozšír.do mediast.,parafaryn./cerv.pries.	2,3	2,3	K40.30	Jednostr./neurč.slab.prietrž s obšt.bez gang.neozn.ako recid.	2,4	2,3
K12.23	Absces líca	2,3	2,3	K40.31	Jednostr./neurč.slab.prietrž s obšt.bez gang.recid.	2,4	2,3
K12.28	Iná flegmóna a absces úst	2,3	2,3	K40.40	Jednostran./neurč.slab.prietrž s gang.neozn.ako recid.	2,4	2,3
K12.29	Flegmóna a absces úst,blížšie neurčený	2,3	2,3	K40.41	Jednostran./neurč.slab.prietrž s gang.recid.	2,4	2,3
K22.3	Prederavenie pažeráka	2,4	2,3	K41.0	Obojstranná stehnová prietrž s obšt.bez gang.	2,4	2,3
K22.6	Malloryho-Weissovo syndróm	1,2,3,4	2,3	K41.1	Obojstranná stehnová prietrž s gangrénou	2,4	2,3
K23.0	Tuberkulóza pažeráka (A18.8†)	2,4	2,3	K41.3	Jednostran./bliž.neu.stehno.prietrž s obšt.bez gang.	2,4	2,3
K25.0	Vred žalúdka,akútny s krvácaním	1,2,3,4	2,3	K41.4	Jednostran./bliž.neu.stehno.prietrž s gang.	2,4	2,3
K25.1	Vred žalúdka,akútny s perforáciou	2,3,4	2	K42.0	Pupková prietrž s obštrukciou bez gangrény	2,4	2,3
K25.2	Vred žalúdka,akútny s krvácaním a perforáciou	1,2,3,4	2,3	K42.1	Pupková prietrž s gangrénou	2,4	2,3
K25.4	Vred žalúdka,chron./bliž.neurč.s krvácaním	1,2,3,4	2,3	K43.0	Prietrž v jazve s obštrukciou bez gangrény	2,4	2,3
K25.5	Vred žalúdka,chron./bliž.neurč.s perforáciou	2,3,4	2	K43.1	Prietrž v jazve s gangrénou	2,4	2,3
K25.6	Vred žalúdka,chron./bliž.neurč.s krvác.a perfor.	1,2,3,4	2,3	K43.3	Parastomická prietrž s obštrukciou bez gangrény	2,4	2,3
K26.0	Vred dvanástnika,akútny s krvácaním	1,2,3,4	2,3	K43.4	Parastomická prietrž s gangrénou	2,4	2,3
K26.1	Vred dvanástnika,akútny s perforáciou	2,3,4	2	K44.0	Bránicová prietrž s obštrukciou bez gangrény	2,4	2,3
K26.2	Vred dvanástnika,akútny s krvácaním a perforáciou	1,2,3,4	2,3	K44.1	Bránicová prietrž s gangrénou	2,4	2,3
K26.4	Vred dvanástnika,chron./bliž.neurč.s krvácaním	1,2,3,4	2,3	K45.0	Iná brušná prietrž,bliž.urč.s obštruk.bez gangrény	2,4	2,3
K26.5	Vred dvanástnika,chron./bliž.neurč.s perforáciou	2,3,4	2	K45.1	Iná brušná prietrž,blížšie určená s gangrénou	2,4	2,3
K26.6	Vred dvanástnika,chron./bliž.neurč.s krvác.a perfor.	1,2,3,4	2,3	K46.0	Brušná prietrž,bliž.neurč.s obštruk.bez gangrény	2,4	2,3
K27.0	Peptický vred bez bliž.urč.miesta,akút.s krvácaním	1,2,3,4	2,3	K46.1	Brušná prietrž,blížšie neurčená s gangrénou	2,4	2,3
K27.1	Peptický vred bez bliž.urč.miesta,akút.s perforáciou	2,3,4	2	K52.0	Gastroenteritída a kolitída zapríč.radiáciou (postradiač.)	2,4	2,3
K27.2	Peptický vred bez bliž.urč.miesta,akút.s krvác.a perfor.	1,2,3,4	2,3	K52.1	Toxická gastroenteritída a kolitída	2,4	2,3
K27.4	Peptický vred bez bliž.urč.m.,chron./bli.neu.s krvác.a perfor.	1,2,3,4	2,3	K55.0	Akútna cievna choroba čreva	3,4	3
K27.5	Peptický vred bez bliž.urč.miesta,chron./bliž.neurč.s perfor.	2,3,4	2	K55.22	Angiodysplázia hrubého čreva,s krvácaním	1,2,3,4	2,3
K27.6	Peptický vred bez bliž.urč.m.,chron./bli.neu.s krvác.a perfor.	1,2,3,4	2,3	K55.82	Angiodysplázia tenkého čreva,s krvácaním	1,2,3,4	2,3
K28.0	Peptický vred jejuná, akútny s krvácaním	1,2,3,4	2,3	K56.0	Paralytický ileus	2,3,4	2,3
K28.1	Peptický vred jejuná, akútny s perforáciou	2,3,4	2	K56.1	Invaginácia	2,3,4	2,3
K28.2	Peptický vred jejuná,akútny s krvácaním a perforáciou	1,2,3,4	2,3	K56.2	Volvulus	2,3,4	2,3
K28.4	Peptický vred jejuná,chron./bliž.neurč.s krvácaním	1,2,3,4	2,3	K56.3	Ileus zapríčinený žľčovým kameňom	2,3,4	2,3
K28.5	Peptický vred jejuná,chron./bliž.neurč.s perforáciou	2,3,4	2	K56.4	Iná obturácia čreva	2,3,4	2,3
K28.6	Peptický vred jejuná,chron./bliž.neurč.s krvác.a perfor.	1,2,3,4	2,3	K56.5	Črevné adhézie[zrasty] s nepriechodnosťou	2,3,4	2,3
K29.0	Akútna hemoragická gastritída	1,2,3,4	2,3	K56.6	Iný a bližšie neurčený mechanický ileus	2,3,4	2,3
K31.0	Akútna dilatácia žalúdka	2,4	2,3	K56.7	Ileus,blížšie neurčený	2,3,4	2,3
K31.1	Hypertrofická pylorostenóza dospelých	2,3,4	2	K57.00	Divertikulóza tenkého čreva s perfor.a abs.,bez prej.krv.	2,4	2,3
K31.5	Nepriechodnosť dvanástnika	2,3,4	2	K57.01	Divertikulóza tenkého čreva s perfor.abscesom a krvác.	1,2,3,4	2,3
K31.6	Fistula žalúdka a dvanástnika	2,4	2,3	K57.02	Divertikulitída tenkého čreva s perfor.a absc.bez.prej.krvác.	2,4	2,3
K31.82	Angiodysplázia žalúdka a dvanástnika s prejavmi krvác.	1,2,3,4	2,3	K57.03	Divertikulitída tenkého čreva s perfor.absc.a krvácaním	1,2,3,4	2,3
K35.2	Akútna apendicitída s generalizovanou peritonitídou	3,4	3	K57.11	Divertikulóza tenkého čreva bez perfor.a abs.s krvác.	1,2,3,4	2,3
K35.30	Akútna apendicitída s lokaliz.peritonitídou,bez perfor./rupt.	2,4	2,3	K57.13	Divertikulitída tenkého čreva bez perfor.a abs.s krvác.	1,2,3,4	2,3
K35.31	Akút.apendicitída s lokaliz.peritonitídou,s perfor./ruptúrou	3,4	3	K57.21	Divertikulóza hrubého čreva s perfor.absc.a krvácaním	1,2,3,4	2,3
K35.32	Akútna apendicitída s abscesom pobrušnice	2,4	2,3	K57.23	Divertikulitída hrubého čreva s perfor.absc.a krvác.	1,2,3,4	2,3
K35.8	Akútna apendicitída,blížšie neurčená	2,4	2,3	K57.31	Divertikulóza hrubého čreva bez perfor./absc.s krv.	1,2,3,4	2,3

ICD	Text	OP. CCL	Med. CCL	ICD	Text	OP. CCL	Med. CCL
K57.33	Divertikulitída hrubého čreva bez perfor./absc.s krvác.	1,2,3,4	2,3	K72.74	Pečeňová encefalopatia,4.stupeň	1,2,3,4	1,2,3
K57.40	Divertik.tenk.-hrub.čreva s perfor.a absc.bez prej.krv.	2,4	2,3	K72.79	Pečeňová encefalopatia neurčeného stupňa	1,2,3,4	1,2
K57.41	Divertikulóza tenk.-hrub.čreva s perfor.absc.a krvác.	1,2,3,4	2,3	K72.9	Pečeňové zlyhávanie,blížšie neurčené	1,2,3,4	1,2,3
K57.42	Divertikulitída tenk.-hrub.čreva s perfor.a absc.bez prej.krv.	2,4	2,3	K73.1	Chronická lobulárna hepatitída, nezatriedená inde	1,2,3,4	1,2,3
K57.43	Divertikulitída tenk.-hrub.čreva s perfor.absc.a krvác.	1,2,3,4	2,3	K73.2	Chronická aktívna hepatitída,nezatriedená inde	1,2,3,4	1,2,3
K57.51	Divertikulóza tenk.-hrub.čreva bez perfor./absc.s krvác.	1,2,3,4	2,3	K73.8	Iná chronická hepatitída,nezatriedená inde	1,2,3,4	1,2,3
K57.53	Divertikulitída tenk.-hrub.čreva bez perfor./absc.s krvác	1,2,3,4	2,3	K74.0	Fibróza pečene	2,3	2
K57.80	Divertikulóza čreva,časť bliž.ne.s perfor.a absc.bez prej.krv.	2,4	2,3	K74.2	Fibróza pečene so sklerózou pečene	2,3	2
K57.81	Divertikulóza čreva,časť bliž.neurč.s perfor.absc.a krvác.	1,2,3,4	2,3	K74.3	Primárna biliárna cirhóza	2,3	2
K57.82	Divertikulitída čreva,časť bliž.ne.s perf.a absc.bez prej.krv.	2,4	2,3	K74.4	Sekundárna biliárna cirhóza	2,3	2
K57.83	Divertikulitída čreva,časť bliž.neurč.s perfor.absc.a krvác.	1,2,3,4	2,3	K74.5	Biliárna cirhóza,blížšie neurčená	2,3	2
K57.91	Divertikulóza čreva,časť bliž.neurč.bez perfor./absc.s krvác.	1,2,3,4	2,3	K74.6	Iná a bližšie neurčená cirhóza pečene	1,2,3	1,2
K57.93	Divertikulitída čreva,časť bliž.neur.bez perfor./absc.s krv.	1,2,3,4	2,3	K75.0	Absces pečene	1,2,3,4	1,2,3
K61.0	Análny absces	2,4	2,3	K75.1	Flebitída vrátnice (v. portae)	1,2,3,4	1,2,3
K61.1	Rektálny absces	2,4	2,3	K75.2	Nešpecifická reaktívna hepatitída	1,2,3,4	1,2,3
K61.2	Anorektálny absces	2,4	2,3	K75.3	Granulomatózna hepatitída,nezatriedená inde	1,2,3,4	1,2,3
K61.3	Ischiorektálny absces	2,4	2,3	K75.4	Autoimunitná hepatitída	1,2,3,4	1,2,3
K61.4	Vnútrosfinkterový absces	2,4	2,3	K75.8	Iná zápalová choroba pečene,blížšie určená	1,2,3,4	1,2,3
K62.5	Krvácanie z anusu a konečníka	1,2,3,4	2,3	K75.9	Zápalová choroba pečene,blížšie neurčená	1,2,3,4	1,2,3
K63.0	Absces čreva	2,4	2,3	K76.2	Centrálna hemoragická nekroza pečene	1,2,3,4	1,2,3
K63.1	Perforácia čreva (neúrazová)	3,4	3	K76.3	Infarkt pečene	1,2,3,4	1,2,3
K65.0	Akútny zápal pobrušnice	3,4	3	K76.4	Pelióza pečene	1,2,3,4	1,2,3
K65.8	Iný zápal pobrušnice	3,4	3	K76.5	Venookluzívna choroba pečene(Stuartov-Brasov syndróm)	1,2,3,4	1,2,3
K65.9	Zápal pobrušnice,blížšie neurčený	3,4	3	K76.7	Hepatorenálny syndróm	1,2,3,4	1,2,3
K66.1	Hemoperitoneum	2,4	2,3	K77.0	Pečeňová porucha pri infekč./parazit.chor.z.i.	1,2,3,4	1,2,3
K67.0	Zápal pobrušnice,zapríčinený chlamýdiami (A74.8†)	3,4	3	K77.11	Postihnutie pečene pri akút.chor.štepou proti host.GvH,1.štád.	1,2,3,4	1,2,3
K67.1	Gonokokový zápal pobrušnice (A54.8†)	3,4	3	K77.12	Postihnutie pečene pri akút.chor.štepou proti host.GvH,2.štád.	1,2,3,4	1,2,3
K67.2	Syfilitický zápal pobrušnice (A52.7†)	3,4	3	K77.13	Postihnutie pečene pri akút.chor.štepou proti host.GvH,3.štád.	1,2,3,4	1,2,3
K67.3	Tuberkulózný zápal pobrušnice (A18.3†)	3,4	3	K77.14	Postihnutie pečene pri akút.chor.štepou proti host.GvH,4.štád.	1,2,3,4	1,2,3
K67.8	Iná choroba pobrušnice pri infekč.chor.z.i.	3,4	3	K77.8	Pečeňová porucha pri iných chorobách.z.i.	1,2,3,4	1,2,3
K70.2	Alkoholová fibróza a skleróza pečene	2,3	2	K80.00	Kameň žlčníka s akút.cholecystitídou,bez prej.obštr.žlč.ciest	2,3,4	2,3
K70.3	Alkoholová cirhóza pečene	2,3	1,2	K80.01	Kameň žlčníka s akút.cholecystitídou,s obštr.žlč.ciest	2,3,4	2,3
K70.4	Alkoholové zlyhávanie pečene	2,3	2	K80.10	Kameň žlčníka s i.cholecystitídou,bez prej.obštr.žlč.ciest	2,3,4	2,3
K71.0	Toxická choroba pečene s cholestázou	1,2,3,4	1,2,3	K80.11	Kameň žlčníka s i.cholecystitídou,s obštr.žlč.ciest	2,3,4	2,3
K71.1	Toxická choroba pečene s pečeňovou nekrozou	1,2,3,4	1,2,3	K80.21	Kameň žlčníka bez cholecystitídou,s obštr.žlč.ciest	2,3,4	2,3
K71.2	Toxická choroba pečene s akútnou hepatitídou	1,2,3,4	1,2,3	K80.30	Kameň žlč.výv.s cholecystitídou,bez prej.obštr.žlč.ciest	2,3,4	2,3
K71.3	Toxická chor.pečene s chronick.perzistujúcou hepatitídou	1,2,3,4	1,2,3	K80.31	Kameň žlč.výv.s cholecystitídou,s obštr.žlč.ciest	2,3,4	2,3
K71.4	Toxická chor.pečene s chronick.lobulárnou hepatitídou	1,2,3,4	1,2,3	K80.40	Kameň žlč.výv.s cholecystitídou,bez prej.obštr.žlč.ciest	2,3,4	2,3
K71.5	Toxická choroba pečene s chron.aktívnou hepatitídou	1,2,3,4	1,2,3	K80.41	Kameň žlč.výv.s cholecystitídou,s obštr.žlč.ciest	2,3,4	2,3
K71.6	Toxická choroba pečene s hepatitídou,n.i.	1,2,3,4	1,2,3	K80.50	Kameň žlč.výv.bez cholan./cholecy.bez prej.obštr.žlč.ciest	2,3,4	2,3
K71.7	Toxická choroba pečene s fibrózou a cirhózou pečene	2,3	2	K80.51	Kameň žlč.výv.bez cholangit./cholecyst.s obš.žlč.ciest	2,3,4	2,3
K71.8	Toxická choroba pečene s inými poruchami pečene	1,2,3,4	1,2,3	K80.80	Iná cholelitiáza,bez prejavov obšt. žlč.ciest	2,3,4	2,3
K71.9	Toxická choroba pečene,blížšie neurčená	1,2,3	1,2	K80.81	Iná cholelitiáza,s obštrukciou žlčových ciest	2,3,4	2,3
K72.0	Akútne a subakútne pečeňové zlyhávanie	1,2,3,4	1,2,3	K81.0	Akútna cholecystitída	2,3,4	2,3
K72.1	Chronické pečeňové zlyhávanie	1,2,3,4	1,2,3	K82.0	Obštrukcia žlčníka	2,3,4	2,3
K72.71	Pečeňová encefalopatia,1.stupeň	1,2,3,4	1,2	K82.1	Hydrops žlčníka	2,3,4	2,3
K72.72	Pečeňová encefalopatia,2.stupeň	1,2,3,4	1,2,3	K82.2	Perforácia žlčníka	2,3,4	2,3
K72.73	Pečeňová encefalopatia,3.stupeň	1,2,3,4	1,2,3	K82.3	Fistula žlčníka	2,3,4	2,3
				K83.0	Zápal žlčových ciest	2,3,4	2,3
				K83.2	Perforácia žlčových ciest	2,3,4	2,3
				K83.3	Fistula žlčových ciest	2,3,4	2,3

ICD	Text	OP. CCL	Med. CCL	ICD	Text	OP. CCL	Med. CCL
K85.00	Idiopatická akútna pankreatitída,bez org.kompl.	2,3	2	L53.3	Iný chronický obrazcový erytém	2	2
K85.01	Idiopatická akútna pankreatitída,s org.kompl.	2,3	2	L89.10	Dekubitus 2.stupňa: Hlava	3,4	2,3
K85.10	Akútna biliárna pankreatitída,bez org.kompl.	2,3	2	L89.11	Dekubitus 2.stupňa: Horná končatina	3,4	2,3
K85.11	Akútna biliárna pankreatitída,s org.kompl.	2,3	2	L89.12	Dekubitus 2.stupňa: Tŕňový výbežok	3,4	2,3
K85.20	Akút.pankreatitída zapr.alkoholom,bez org.kompl.	2,3	2	L89.13	Dekubitus 2.stupňa: Lopata bedrovej kosti	3,4	2,3
K85.21	Akút.pankreatitída zapr.alkoholom,s org.kompl.	2,3	2	L89.14	Dekubitus 2.stupňa: Křížová oblasť	3,4	2,3
K85.30	Akútna pankreatitída zaprič.liekom,bez org.kompl.	2,3	2	L89.15	Dekubitus 2.stupňa: Sedacia oblasť	3,4	2,3
K85.31	Akútna pankreatitída zaprič.liekom,s org.kompl.	2,3	2	L89.16	Dekubitus 2.stupňa: Trochanter	3,4	2,3
K85.80	Iná akútna pankreatitída,bez orgánovej komplikácie	2,3	2	L89.17	Dekubitus 2.stupňa: Päta	3,4	2,3
K85.81	Iná akútna pankreatitída,s orgánovou komplikáciou	2,3	2	L89.18	Dekubitus 2.stupňa: Iná oblasť dolnej končatiny	3,4	2,3
K85.90	Akútna pankreatitída,blíž.neurč.bez org.kompl.	2,3	2	L89.19	Dekubitus 2 stupňa: Bližšie neurčené miesto	3,4	2,3
K85.91	Akútna pankreatitída,blíž.neurč.s org.kompl.	2,3	2	L89.20	Dekubitus 3.stupňa: Hlava	3,4	2,3
K86.0	Chronická pankreatitída zapríčinená alkoholom	2,3	1,2	L89.21	Dekubitus 3.stupňa: Horná končatina	3,4	2,3
K86.1	Iná chronická pankreatitída	2,3	1,2	L89.22	Dekubitus 3.stupňa: Tŕňový výbežok	3,4	2,3
K86.2	Cysta pankreasu	2,3	2	L89.23	Dekubitus 3.stupňa: Lopata bedrovej kosti	3,4	2,3
K86.3	Pseudocysta pankreasu	2,3	2	L89.24	Dekubitus 3.stupňa: Křížová oblasť	3,4	2,3
K91.2	Malabsorpcia po chirurgickom výkone,n.i.	2,4	2,3	L89.25	Dekubitus 3.stupňa: Sedacia oblasť	3,4	2,3
K91.3	Mechanická črevná nepriechodnosť po chir.výk.	2,3,4	3	L89.26	Dekubitus 3.stupňa: Trochanter	3,4	2,3
K91.4	Porucha funkcie kolostómie a enterostómie	1,2	1	L89.27	Dekubitus 3.stupňa: Päta	3,4	2,3
K91.80	Generalizovaná mukozitída pri imunokompromitácii	3,4	3	L89.28	Dekubitus 3.stupňa: Iná oblasť dolnej končatiny	3,4	2,3
K91.88	Iná porucha tráviacej súst.po lekár.výkone,n.i.	1,2	1	L89.29	Dekubitus 3.stupňa: Bližšie neurčené miesto	3,4	2,3
K92.0	Hemateméza	1,2,3,4	2,3	L89.30	Dekubitus 4.stupňa: Hlava	3,4	2,3
K92.1	Meléna	1,2,3,4	2,3	L89.31	Dekubitus 4.stupňa: Horná končatina	3,4	2,3
K92.2	Gastrointestinálne krvácanie,blížšie neurčené	1,2,3,4	2,3	L89.32	Dekubitus 4.stupňa: Tŕňový výbežok	3,4	2,3
K93.0	TBC čriev,pobrušnice a lymfatických uzlín mezenteria	2,4	2,3	L89.33	Dekubitus 4.stupňa: Lopata bedrovej kosti	3,4	2,3
L01.0	Kontaktné impetigo akejkoľ.lok.zaprič.ktorýmkoľ.organiz.	2,3,4	2,3	L89.34	Dekubitus 4.stupňa: Křížová oblasť	3,4	2,3
L01.1	Sekundárna impetiginizácia inej choroby kože	2,3,4	2,3	L89.35	Dekubitus 4.stupňa: Sedacia oblasť	3,4	2,3
L03.10	Flegmóna hornej končatiny	2,3,4	2,3	L89.36	Dekubitus 4.stupňa: Trochanter	3,4	2,3
L03.11	Flegmóna dolnej končatiny	2,3,4	2,3	L89.37	Dekubitus 4.stupňa: Päta	3,4	2,3
L03.2	Flegmóna tváre	2,3,4	2,3	L89.38	Dekubitus 4.stupňa: Iná oblasť dolnej končatiny	3,4	2,3
L03.3	Flegmóna trupu	2,3,4	2,3	L89.39	Dekubitus 4.stupňa: Bližšie neurčené miesto	3,4	2,3
L03.8	Flegmóna na inom mieste	2,3,4	2,3	L94.4	Gottronov syndróm	1,2	1,2
L03.9	Flegmóna,blížšie neurčená	2,3,4	2,3	L98.3	Eozinofilná celulitída(Wellsov syndróm)	2,3,4	2,3
L05.0	Pilonidálna cysta s abscesom	2,3,4	2,3	M00.00	Artritída a polyartrit.zaprič.stafylo. na viac.m.	2,4	2
L10.0	Pemfigus vulgaris	2	2	M00.01	Artritída a polyartrit.zaprič.stafylok v obl.pleca	2,4	2
L10.1	Pemfigus vegetans	2	2	M00.02	Artritída a polyartrit.zaprič.stafylok.v obl.nadlaktia	2,4	2
L10.2	Pemfigus foliaceus	2	2	M00.03	Artritída a polyartrit.zaprič.stafylok.v obl.predlak.	2,4	2
L10.3	Brazílsky pemfigus [fogo selvagem]	2	2	M00.04	Artritída a polyartrit.zaprič.stafylok.v obl.ruky	2,4	2
L10.4	Pemfigus erythematosus	2	2	M00.05	Artritída a polyartrit.zaprič.stafylok.panv.obl.a stehna	2,4	2
L10.5	Pemfigus, zapríčinený liekom	2	2	M00.06	Artritída a polyartrit.zaprič.stafylok.v obl.predkol.	2,4	2
L10.8	Iný pemfigus	2	2	M00.07	Artritída a polyartrit.zaprič.stafylok.v obl.čl.a nohy	2,4	2
L10.9	Pemfigus, bližšie neurčený	2	2	M00.08	Artritída a polyartrit.zaprič.stafylok.na i.mieste	2,4	2
L12.0	Pluzgierový(bulózny)pemfigoid	2	2	M00.09	Artritída a polyartrit.zaprič.stafylok.na n.mieste	2,4	2
L12.1	Jazvový pemfigoid	2	2	M00.10	Artritída a polyartrit.zaprič.pneumok.,na viac.m.	2,4	2
L12.2	Chronická pluzgierová(bulózna)choroba detského veku	2	2	M00.11	Artritída a polyartrit.zaprič.pneumok.v obl.pleca	2,4	2
L12.3	Získaná pluzgierová (bulózna) epidermolýza	2	2	M00.12	Artritída a polyartrit.zaprič.pneumok.v obl.nadlaktia	2,4	2
L12.8	Iný pemfigoid	2	2	M00.13	Artritída a polyartrit.zaprič.pneumok.v obl.predlak.	2,4	2
L12.9	Pemfigoid,blížšie neurčený	2	2	M00.14	Artritída a polyartrit.zaprič.pneumok.v obl.ruky	2,4	2
L40.5	Artropatická psoriáza (M07.0-M07.3*, M09.0-*)	1,2	1,2	M00.15	Artritída a polyartrit.zaprič.pneumok.panv.obl.a stehna	2,4	2
L44.4	Detská papulárna akrodermatitída(Giannotti-Crosti synd.)	2	2	M00.16	Artritída a polyartrit.zaprič.pneumok.v obl.predkol.	2,4	2
L53.0	Toxický erytém	2	2	M00.17	Artritída a polyartrit.zaprič.pneumok.v obl.čl.a nohy	2,4	2
L53.1	Erythema annulare centrifugum	2	2	M00.18	Artritída a polyartrit.zaprič.pneumok.na i.mieste	2,4	2
L53.2	Erythema marginatum	2	2				



ICD	Text	OP. CCL	Med. CCL	ICD	Text	OP. CCL	Med. CCL
M00.19	Artritída a polyartrit. zaprič. pneumok. na n. mieste	2,4	2	M05.25	Reumat.artritída s vaskulitídou, v obl. panv. a stehna	1,2	1,2
M00.20	Artritída a polyartrit. zaprič. i. streptok. na viac.m.	2,4	2	M05.26	Reumat.artritída s vaskulitídou, v obl. predkol.	1,2	1,2
M00.21	Artritída a polyartrit. zaprič. i. streptok. v obl. pleca	2,4	2	M05.27	Reumat.artritída s vaskulitídou, v obl. čl. a nohy	1,2	1,2
M00.22	Artritída a polyartrit. zaprič. i. streptok. v obl. nadlaktia	2,4	2	M05.28	Reumat.artritída s vaskulitídou, na i. mieste	1,2	1,2
M00.23	Artritída a polyartrit. zaprič. i. streptok. v obl. predlak.	2,4	2	M05.29	Reumat.artritída s vaskulitídou, miesto bliž. neurč.	1,2	1,2
M00.24	Artritída a polyartrit. zaprič. i. streptok. v obl. ruky	2,4	2	M05.30	Reumatoidná artritída s postih. i. org. a súst., na viac. miest.	1,2	1,2
M00.25	Artritída a polyartrit. zaprič. i. streptok. panv. obl. a stehna	2,4	2	M05.31	Reumatoidná artritída s postih. i. org. a súst., v obl. pleca	1,2	1,2
M00.26	Artritída a polyartrit. zaprič. i. streptok. v obl. predkol.	2,4	2	M05.32	Reumatoidná artritída s postih. i. org. a súst., v obl. nadlaktia	1,2	1,2
M00.27	Artritída a polyartrit. zaprič. i. streptok. v obl. čl. a nohy	2,4	2	M05.33	Reumatoidná artritída s postih. i. org. a súst., v obl. predlak.	1,2	1,2
M00.28	Artritída a polyartrit. zaprič. i. streptok. na i. mieste	2,4	2	M05.34	Reumatoidná artritída s postih. i. org. a súst., v obl. ruky	1,2	1,2
M00.29	Artritída a polyartrit. zaprič. i. streptok. na n. mieste	2,4	2	M05.35	Reumat.artritída s postih. i. org. a súst., v obl. panv. a steh.	1,2	1,2
M00.90	Pyogénna artritída, bliž. neurč. na viac. miestach	2,4	2	M05.36	Reumatoidná artritída s postih. i. org. a súst., v obl. predkol.	1,2	1,2
M00.91	Pyogénna artritída, bliž. neurč. v obl. pleca	2,4	2	M05.37	Reumatoidná artritída s postih. i. org. a súst., v obl. čl. a nohy	1,2	1,2
M00.92	Pyogénna artritída, bliž. neurč. v obl. nadlaktia	2,4	2	M05.38	Reumatoidná artritída s postih. i. org. a súst., na i. mieste	1,2	1,2
M00.93	Pyogénna artritída, bliž. neurč. v obl. predlak.	2,4	2	M05.39	Reumatoidná artritída s postih. i. org. a súst., miesto b. n.	1,2	1,2
M00.94	Pyogénna artritída, bliž. neurč. v obl. ruky	2,4	2	M06.10	Stilova chor. dospelých s postih. kíbov na viac. miestach	1,2	1,2
M00.95	Pyogénna artritída, bliž. neurč. v panv. obl. a stehna	2,4	2	M06.11	Stilova chor. dospelých s postih. kíbov v pleca	1,2	1,2
M00.96	Pyogénna artritída, bliž. neurč. v obl. predkol.	2,4	2	M06.12	Stilova chor. dospelých s postih. kíbov nadlaktia	1,2	1,2
M00.97	Pyogénna artritída, bliž. neurč. v obl. čl. a nohy	2,4	2	M06.13	Stilova chor. dospelých s postih. kíbov predlak.	1,2	1,2
M00.98	Pyogénna artritída, bliž. neurč. na i. mieste	2,4	2	M06.14	Stilova chor. dospelých s postih. kíbov ruky	1,2	1,2
M00.99	Pyogénna artritída, bliž. neurč., miesto bliž. neurč.	2,4	2	M06.15	Stilova chor. dospelých s postih. kíbov panvy a stehna	1,2	1,2
M01.00	Artritída zaprič. meningok. na viac. m.	2,4	2	M06.16	Stilova chor. dospelých s postih. kíbov predkol.	1,2	1,2
M01.01	Artritída zaprič. meningok. v obl. pleca	2,4	2	M06.17	Stilova chor. dospelých s postih. kíbov čl. a nohy	1,2	1,2
M01.02	Artritída zaprič. meningok. v obl. nadlaktia	2,4	2	M06.18	Stilova chor. dospelých s postih. kíbov na i. mieste	1,2	1,2
M01.03	Artritída zaprič. meningok. v obl. predlak.	2,4	2	M06.19	Stilova chor. dospelých s postih. kíbov na n. mieste	1,2	1,2
M01.04	Artritída zaprič. meningok. v obl. ruky	2,4	2	M07.04	Distálna psoriatická artritída ruky	1,2	1,2
M01.05	Artritída zaprič. meningok. panv. obl. a stehna	2,4	2	M07.07	Distálna psoriatická artritída čl. a nohy	1,2	1,2
M01.06	Artritída zaprič. meningok. v obl. predkol.	2,4	2	M07.09	Distálna psoriatická artritída na n. mieste	1,2	1,2
M01.07	Artritída zaprič. meningok. v obl. čl. a nohy	2,4	2	M07.10	Arthritis mutilans, na viacerých miestach (L40.5†)	1,2	1,2
M01.08	Artritída zaprič. meningok. na i. mieste	2,4	2	M07.11	Arthritis mutilans v obl. pleca	1,2	1,2
M01.09	Artritída zaprič. meningok. na n. mieste	2,4	2	M07.12	Arthritis mutilans v obl. nadlaktia	1,2	1,2
M01.60	Artritída pri mykózach na viac. m.	2,4	2	M07.13	Arthritis mutilans v obl. predlak.	1,2	1,2
M01.61	Artritída pri mykózach v obl. pleca	2,4	2	M07.14	Arthritis mutilans v obl. ruky	1,2	1,2
M01.62	Artritída pri mykózach v obl. nadlaktia	2,4	2	M07.15	Arthritis mutilans panv. obl. a stehna	1,2	1,2
M01.63	Artritída pri mykózach v obl. predlak.	2,4	2	M07.16	Arthritis mutilans v obl. predkol.	1,2	1,2
M01.64	Artritída pri mykózach v obl. ruky	2,4	2	M07.17	Arthritis mutilans v obl. čl. a nohy	1,2	1,2
M01.65	Artritída pri mykózach panv. obl. a stehna	2,4	2	M07.18	Arthritis mutilans na i. mieste	1,2	1,2
M01.66	Artritída pri mykózach v obl. predkol.	2,4	2	M07.19	Arthritis mutilans na n. mieste	1,2	1,2
M01.67	Artritída pri mykózach v obl. čl. a nohy	2,4	2	M07.2	Psoriatická spondylitída (L40.5†)	1,2	1,2
M01.68	Artritída pri mykózach na i. mieste	2,4	2	M07.30	Iná psoriatická artritída na viac. m.	1,2	1,2
M01.69	Artritída pri mykózach na n. mieste	2,4	2	M07.31	Iná psoriatická artritída v obl. pleca	1,2	1,2
M05.00	Feltyho syndróm na viacerých miestach	1,2	1,2	M07.32	Iná psoriatická artritída v obl. nadlaktia	1,2	1,2
M05.01	Feltyho syndróm v obl. pleca	1,2	1,2	M07.33	Iná psoriatická artritída v obl. predlak.	1,2	1,2
M05.02	Feltyho syndróm nadlaktia	1,2	1,2	M07.34	Iná psoriatická artritída v obl. ruky	1,2	1,2
M05.03	Feltyho syndróm predlak.	1,2	1,2	M07.35	Iná psoriatická artritída v obl. panv. a stehna	1,2	1,2
M05.04	Feltyho syndróm ruky	1,2	1,2	M07.36	Iná psoriatická artritída v obl. predkol.	1,2	1,2
M05.05	Feltyho syndróm panv. obl. a stehna	1,2	1,2	M07.37	Iná psoriatická artritída v obl. čl. a nohy	1,2	1,2
M05.06	Feltyho syndróm predkol.	1,2	1,2	M07.38	Iná psoriatická artritída na i. mieste	1,2	1,2
M05.07	Feltyho syndróm čl. a nohy	1,2	1,2	M07.39	Iná psoriatická artritída na n. mieste	1,2	1,2
M05.08	Feltyho syndróm na i. mieste	1,2	1,2				
M05.09	Feltyho syndróm, miesto bližšie neurčené	1,2	1,2				
M05.20	Reumat.artritída s vaskulitídou, na viac. m.	1,2	1,2				
M05.21	Reumat.artritída s vaskulitídou, v obl. pleca	1,2	1,2				
M05.22	Reumat.artritída s vaskulitídou, v obl. nadlaktia	1,2	1,2				
M05.23	Reumat.artritída s vaskulitídou, v obl. predlak.	1,2	1,2				
M05.24	Reumat.artritída s vaskulitídou, v obl. ruky	1,2	1,2				

ICD	Text	OP. CCL	Med. CCL	ICD	Text	OP. CCL	Med. CCL
M07.40	Artritída pri Crohn.chor. s postih.kĺbov na viac.m.	1,2	1,2	M08.21	Juven.chron.artritída so systém.začiat.,v obl.pleca	1,2	1,2
M07.41	Artritída pri Crohn.chor.s postih.kĺbov v obl.pleca	1,2	1,2	M08.22	Juven.chron.artritída so systém.začiat.,v o.nadlaktia	1,2	1,2
M07.42	Artritída pri Crohn.chor.s postih.kĺbov nadlaktia	1,2	1,2	M08.23	Juven.chron.artritída so systém.začiat.,v o.predlak.	1,2	1,2
M07.43	Artritída pri Crohn.chor.s postih.kĺbov predlak.	1,2	1,2	M08.24	Juven.chron.artritída so systém.začiat.,v o.ruky	1,2	1,2
M07.44	Artritída pri Crohn.chor.s postih.kĺbov ruky	1,2	1,2	M08.25	Juven.chron.artritída so systém.začiat.,v o.panvy a stehna	1,2	1,2
M07.45	Artritída pri Crohn.chor.s postih.kĺbov panvy a stehna	1,2	1,2	M08.26	Juven.chron.artritída so systém.začiat.,v o.predkol.	1,2	1,2
M07.46	Artritída pri Crohn.chor.s postih.kĺbov predkol.	1,2	1,2	M08.27	Juven.chron.artritída so systém.začiat.,v o.čl.a nohy	1,2	1,2
M07.47	Artritída pri Crohn.chor.s postih.kĺbov čl.a nohy	1,2	1,2	M08.28	Juven.chron.artritída so systém.začiat.,na i.mieste	1,2	1,2
M07.48	Artritída pri Crohn.chor.s postih.kĺbov na i.mieste	1,2	1,2	M08.29	Juven.chron.artritída so systém.začiat.,na n.mieste	1,2	1,2
M07.49	Artritída pri Crohn.chor.s postih.kĺbov na n.mieste	1,2	1,2	M08.3	Juven.chron.artritída (séronegatívna),polyartikulárna forma	1,2	1,2
M07.50	Artritída pri ulcer.kolitíde s postih.kĺbov na viac.m.	1,2	1,2	M08.40	Juven.chron.artritída,oligoart.forma,s postih.na viac.m.	1,2	1,2
M07.51	Artritída pri ulcer.kolitíde s postih.kĺbov v obl.pleca	1,2	1,2	M08.41	Juven.chron.artritída,oligoart.forma,s postih.v obl.pleca	1,2	1,2
M07.52	Artritída pri ulcer.kolitíde s postih.kĺbov nadlaktia	1,2	1,2	M08.42	Juven.chron.artritída,oligoart.forma,s postih.nadlaktia	1,2	1,2
M07.53	Artritída pri ulcer.kolitíde s postih.kĺbov predlak.	1,2	1,2	M08.43	Juven.chron.artritída,oligoart.forma,s postih.predlak.	1,2	1,2
M07.54	Artritída pri ulcer.kolitíde s postih.kĺbov ruky	1,2	1,2	M08.44	Juven.chron.artritída,oligoart.forma,s postih.ruky	1,2	1,2
M07.55	Artritída pri ulcer.kolitíde s postih.kĺbov pan.a stehna	1,2	1,2	M08.45	Juven.chron.artritída,oligoart.forma,s postih.pan.a stehna	1,2	1,2
M07.56	Artritída pri ulcer.kolitíde s postih.kĺbov predkol.	1,2	1,2	M08.46	Juven.chron.artritída,oligoart.forma,s postih.predkol.	1,2	1,2
M07.57	Artritída pri ulcer.kolitíde s postih.kĺbov čl.a nohy	1,2	1,2	M08.47	Juven.chron.artritída,oligoart.forma,s postih.čl.a nohy	1,2	1,2
M07.58	Artritída pri ulcer.kolitíde s postih.kĺbov na i.mieste	1,2	1,2	M08.48	Juven.chron.artritída,oligoart.forma,s postih.na i.mieste	1,2	1,2
M07.59	Artritída pri ulcer.kolitíde s postih.kĺbov na n.mieste	1,2	1,2	M08.49	Juven.chron.artritída,oligoart.forma,s postih.na n.mieste	1,2	1,2
M08.00	Juvenilná reumatoid.artritída dospelých na viac.m.	1,2	1,2	M08.70	Juven.artritída s vaskulit.s postih.kĺb.na viac.m.	1,2	1,2
M08.01	Juvenilná reumatoid.artritída dospelých v obl.pleca	1,2	1,2	M08.71	Juven.artritída s vaskulit.s postih.kĺb.v obl.pleca	1,2	1,2
M08.02	Juvenilná reumatoid.artritída dospelých v obl.nadlaktia	1,2	1,2	M08.72	Juven.artritída s vaskulit.s postih.kĺb.v obl.nadlaktia	1,2	1,2
M08.03	Juvenilná reumatoid.artritída dospelých v obl.predlak.	1,2	1,2	M08.73	Juven.artritída s vaskulit.s postih.kĺb.v obl.predlak.	1,2	1,2
M08.04	Juvenilná reumatoid.artritída dospelých v obl.ruky	1,2	1,2	M08.74	Juven.artritída s vaskulit.s postih.kĺb.v obl.ruky	1,2	1,2
M08.05	Juvenilná reumatoid.artritída dospelých v obl.panvy a stehna	1,2	1,2	M08.75	Juven.artritída s vaskulit.s postih.kĺb.v obl.panvy a stehna	1,2	1,2
M08.06	Juvenilná reumatoid.artritída dospelých v obl.predkol.	1,2	1,2	M08.76	Juven.artritída s vaskulit.s postih.kĺb.v obl.predkol.	1,2	1,2
M08.07	Juvenilná reumatoid.artritída dospelých v obl.čl.a nohy	1,2	1,2	M08.77	Juven.artritída s vaskulit.s postih.kĺb.v obl.čl.a nohy	1,2	1,2
M08.08	Juvenilná reumatoid.artritída dospelých na i.mieste	1,2	1,2	M08.78	Juven.artritída s vaskulit.s postih.kĺb.na i.mieste	1,2	1,2
M08.09	Juvenilná reumatoid.artritída dospelých,miesto bliž.neurč.	1,2	1,2	M08.79	Juven.artritída s vaskulit.s postih.kĺb.,miesto bliž.neurč.	1,2	1,2
M08.10	Juven.ankylozujúca spondylitída na viac.miestach	1,2	1,2	M08.80	Iná juvenilná artritída na viacerých miestach	1,2	1,2
M08.11	Juven.ankylozujúca spondylitída v obl.pleca	1,2	1,2	M08.81	Iná juvenilná artritída v obl.pleca	1,2	1,2
M08.12	Juven.ankylozujúca spondylitída nadlaktia	1,2	1,2	M08.82	Iná juvenilná artritída nadlaktia	1,2	1,2
M08.13	Juven.ankylozujúca spondylitída predlak.	1,2	1,2	M08.83	Iná juvenilná artritída predlak.	1,2	1,2
M08.14	Juven.ankylozujúca spondylitída ruky	1,2	1,2	M08.84	Iná juvenilná artritída ruky	1,2	1,2
M08.15	Juven.ankylozujúca spondylitída panv.obl.a stehna	1,2	1,2	M08.85	Iná juvenilná artritída panv.obl.a stehna	1,2	1,2
M08.16	Juven.ankylozujúca spondylitída predkol.	1,2	1,2	M08.86	Iná juvenilná artritída predkol.	1,2	1,2
M08.17	Juven.ankylozujúca spondylitída čl.a nohy	1,2	1,2	M08.87	Iná juvenilná artritída čl.a nohy	1,2	1,2
M08.18	Juven.ankylozujúca spondylitída na i.mieste	1,2	1,2	M08.88	Iná juvenilná artritída na i.mieste	1,2	1,2
M08.19	Juven.ankylozujúca spondylitída na n.mieste	1,2	1,2	M08.89	Iná juvenilná artritída,miesto bližšie neurčené	1,2	1,2
M08.20	Juven.chron.artritída so systém.začiat.,na v.miest.	1,2	1,2				

ICD	Text	OP. CCL	Med. CCL	ICD	Text	OP. CCL	Med. CCL
M08.90	Juven.artritída,blíž.neurč.na viac.m.	1,2	1,2	M09.80	Juven.artritída pri i.chor.zatr.i.s postih.kĺb.na viac.m.	1,2	1,2
M08.91	Juven.artritída,blíž.neurč.v obl.pleca	1,2	1,2	M09.81	Juven.artritída pri i.chor.zatr.i.s postih.kĺb.v obl.pleca	1,2	1,2
M08.92	Juven.artritída,blíž.neurč.v obl.nadlaktia	1,2	1,2	M09.82	Juven.artritída pri i.chor.zatr.i.s postih.kĺb.nadlaktia	1,2	1,2
M08.93	Juven.artritída,blíž.neurč.v obl.predlak.	1,2	1,2	M09.83	Juven.artritída pri i.chor.zatr.i.s postih.kĺb.predlak.	1,2	1,2
M08.94	Juven.artritída,blíž.neurč.v obl.ruky	1,2	1,2	M09.84	Juven.artritída pri i.chor.zatr.i.s postih.kĺb.ruky	1,2	1,2
M08.95	Juven.artritída,blíž.neurč.panv.obl.a stehna	1,2	1,2	M09.85	Juven.artritída pri i.chor.zatr.i.s postih.kĺb.panvy a stehna	1,2	1,2
M08.96	Juven.artritída,blíž.neurč.v obl.predkol.	1,2	1,2	M09.86	Juven.artritída pri i.chor.zatr.i.s postih.kĺb.predkol.	1,2	1,2
M08.97	Juven.artritída,blíž.neurč.v obl.čl.a nohy	1,2	1,2	M09.87	Juven.artritída pri i.chor.zatr.i.s postih.kĺb.čl.a nohy	1,2	1,2
M08.98	Juven.artritída,blíž.neurč.na i.mieste	1,2	1,2	M09.88	Juven.artritída pri i.chor.zatr.i.s postih.kĺb.na i.mieste	1,2	1,2
M08.99	Juven.artritída,blíž.neurč.,miesto blíž.neurč.	1,2	1,2	M09.89	Juven.artritída pri i.chor.zatr.i.s postih.kĺb.,m.blíž.neurč.	1,2	1,2
M09.00	Juven.artritída pri psoriáze,s postih.kĺb.na viac.m.	1,2	1,2	M30.0	Polyarteriitis nodosa	1,2	1,2
M09.01	Juven.artritída pri psoriáze,s postih.kĺb.v obl.pleca	1,2	1,2	M30.1	Polyarteritída s postihnutím pľúc	1,2	1,2
M09.02	Juven.artritída pri psoriáze,s postih.kĺb.nadlaktia	1,2	1,2	M30.2	Juvenilná polyarteritída	1,2	1,2
M09.03	Juven.artritída pri psoriáze,s postih.kĺb.predlak.	1,2	1,2	M30.8	Iné choroby príbuzné polyarteriitis nodosa	1,2	1,2
M09.04	Juven.artritída pri psoriáze,s postih.kĺb.ruky	1,2	1,2	M31.0	Hypersenzitívna vaskulitída	1,2	1,2
M09.05	Juven.artritída pri psoriáze,s postih.kĺb.panvy a stehna	1,2	1,2	M31.1	Trombotická mikroangiopatia	1,2	1,2
M09.06	Juven.artritída pri psoriáze,s postih.kĺb.predkol.	1,2	1,2	M31.2	Letálny granulóm strednej čiary	2,3,4	1,2,3
M09.07	Juven.artritída pri psoriáze,s postih.kĺb.čl.a nohy	1,2	1,2	M31.3	Wegenerova granulomatóza	1,2	1,2
M09.08	Juven.artritída pri psoriáze,s postih.kĺb.na i.mieste	1,2	1,2	M31.4	Syndróm aortálneho oblúka [Takayasu syndrom]	1,2	1,2
M09.09	Juven.artritída pri psoriáze,s postih.kĺb.na n.mieste	1,2	1,2	M31.5	Obrovskobunková arteritída s polymyalgia rheumatica	1,2	1,2
M09.10	Juven.artritída pri Crohn.chor.,s postih.kĺb.na viac.m.	1,2	1,2	M31.6	Iná obrovskobunková arteritída	1,2	1,2
M09.11	Juven.artritída pri Crohn.chor.,s postih.kĺb.v obl.pleca	1,2	1,2	M31.7	Mikroskopická polyangiitída	1,2	1,2
M09.12	Juven.artritída pri Crohn.chor.,s postih.kĺb.nadlaktia	1,2	1,2	M31.8	Iná nekrotizujúca vaskulopatia,blížšie určená	1,2	1,2
M09.13	Juven.artritída pri Crohn.chor.,s postih.kĺb.predlak.	1,2	1,2	M31.9	Nekrotizujúca vaskulopatia,blížšie neurčená	1,2	1,2
M09.14	Juven.artritída pri Crohn.chor.,s postih.kĺb.ruky	1,2	1,2	M32.0	Lupus erythematosus, zapríčinený liekmi	1,2	1,2
M09.15	Juven.artritída pri Crohn.chor.,s postih.kĺb.panvy a stehna	1,2	1,2	M32.1	Systémový lupus erythematosus s postih.org./systémov	1,2	1,2
M09.16	Juven.artritída pri Crohn.chor.,s postih.kĺb.predkol.	1,2	1,2	M32.8	Iná forma systémového lupus erythematosus	1,2	1,2
M09.17	Juven.artritída pri Crohn.chor.,s postih.kĺb.čl.a nohy	1,2	1,2	M32.9	Systémový lupus erythematosus,blížšie neurčený	1,2	1,2
M09.18	Juven.artritída pri Crohn.chor.,s postih.kĺb.na i.mieste	1,2	1,2	M33.0	Juvenilná dermatomyozitída	1,2	1,2
M09.19	Juven.artritída pri Crohn.chor.,s postih.kĺb.na n.mieste	1,2	1,2	M33.1	Iná dermatomyozitída	1,2	1,2
M09.20	Juven.artritída pri ulcer.kolitíde,s postih.kĺb.na viac.m.	1,2	1,2	M33.2	Polymyozitída	1,2	1,2
M09.21	Juven.artritída pri ulcer.kolitíde,s postih.kĺb.v obl.pleca	1,2	1,2	M33.9	Dermatopolymyozitída,blížšie neurčená	1,2	1,2
M09.22	Juven.artritída pri ulcer.kolitíde,s postih.kĺb.nadlaktia	1,2	1,2	M34.0	Progresívna systémová skleróza	1,2	1,2
M09.23	Juven.artritída pri ulcer.kolitíde,s postih.kĺb.predlak.	1,2	1,2	M34.1	Syndróm CR(E)ST	1,2	1,2
M09.24	Juven.artritída pri ulcer.kolitíde,s postih.kĺb.ruky	1,2	1,2	M34.2	Systémová skleróza,zapríčinená liekmi/chemickými lát.	1,2	1,2
M09.25	Juven.artritída pri ulcer.kolit.,s post.kĺb.panvy a stehna	1,2	1,2	M34.8	Iná forma systémovej sklerózy	1,2	1,2
M09.26	Juven.artritída pri ulcer.kolitíde,s postih.kĺb.predkol.	1,2	1,2	M34.9	Systémová skleróza,blížšie neurčená	1,2	1,2
M09.27	Juven.artritída pri ulcer.kolitíde,s postih.kĺb.čl.a nohy	1,2	1,2	M35.1	Iné prekrývajúce sa syndrómy	1,2	1,2
M09.28	Juven.artritída pri ulcer.kolitíde,s postih.kĺb.na i.mieste	1,2	1,2	M35.4	Difúzna (eozinofilná) fasciitída	2	2
M09.29	Juven.artritída pri ulcer.kolitíde,s postih.kĺb.na n.mieste	1,2	1,2	M35.5	Multifokálna fibroskleróza	1,2	1,2
				M35.8	Iné systémove postihnutie spojiva,blížšie určené	1,2	1,2
				M36.0	Dermatomyozitída – polymyozitída pri nádorovej chorobe	1,2	1,2
				M48.40	Únavová zlomenina stavca na viac.m.chrbt.	2,3,4	1,2,3
				M48.41	Únavová zlomenina stavca v okcip.atl.axiál.obl.	2,3,4	1,2,3
				M48.42	Únavová zlomenina stavca v krčnej oblasti	2,3,4	1,2,3
				M48.43	Únavová zlomenina stavca v krčnrohudníkovej oblasti	2,3,4	1,2,3
				M48.44	Únavová zlomenina stavca v hrudníkovej oblasti	2,3,4	1,2,3
				M48.45	Únavová zlomenina stavca v hrudníkovodriek.obl.	2,3,4	1,2,3
				M48.46	Únavová zlomenina stavca v driekovej oblasti	2,3,4	1,2,3

ICD	Text	OP. CCL	Med. CCL	ICD	Text	OP. CCL	Med. CCL
M48.47	Únavová zlomenina stavca v driekovokrížovej oblasti	2,3,4	1,2,3	M62.15	Iné roztrhnutie svalu (neúraz.)v obl.panvy a stehna	2	2
M48.48	Únavová zlomenina stavca v križ.a križovokostrč.obl.	2,3,4	1,2,3	M62.16	Iné roztrhnutie svalu (neúraz.)v obl.predkol.	2	2
M48.49	Únavová zlomenina stavca: oblasť bližšie neurčená	2,3,4	1,2,3	M62.17	Iné roztrhnutie svalu (neúraz.)v obl.čl. a nohy	2	2
M48.50	Kompresia tela stavca na v.miest. chrbt.,nezatr.inde	2,3,4	1,2,3	M62.18	Iné roztrhnutie svalu (neúraz.)na i.mieste	2	2
M48.51	Kompresia tela stavca v okcip.-atl.-axiál.obl.,nezatr.inde	2,3,4	1,2,3	M62.19	Iné roztrhnutie svalu (neúrazové),miesto bliž.neurč.	2	2
M48.52	Kompresia tela stavca v krčnej obl.,nezatr.inde	2,3,4	1,2,3	M62.20	Ischemický infarkt svalu na viac.m.	2	2
M48.53	Kompresia tela stavca v krč.hrud.obl.,nezatr.inde	2,3,4	1,2,3	M62.21	Ischemický infarkt svalu v obl.pleca	2	2
M48.54	Kompresia tela stavca v hrud.obl.,nezatr.inde	2,3,4	1,2,3	M62.22	Ischemický infarkt svalu nadlaktia	2	2
M48.55	Kompresia tela stavca v hrud.driek.obl.,nezatr.inde	2,3,4	1,2,3	M62.23	Ischemický infarkt svalu predlak.	2	2
M48.56	Kompresia tela stavca v driek.obl.,nezatr.inde	2,3,4	1,2,3	M62.24	Ischemický infarkt svalu ruky	2	2
M48.57	Kompresia tela stavca v driek.križ.obl.,nezatr.inde	2,3,4	1,2,3	M62.25	Ischemický infarkt svalu panv.obl.a stehna	2	2
M48.58	Kompresia tela stavca v križ.a križ.kostrč.obl.,nezatr.inde	2,3,4	1,2,3	M62.26	Ischemický infarkt svalu predkol.	2	2
M48.59	Kompresia tela stavca : oblasť bliž.neurč.,nezatr.inde.	2,3,4	1,2,3	M62.27	Ischemický infarkt svalu čl.a nohy	2	2
M49.50	Kompresia tela stavca pri chorobe zatried.i.,na viac.m.chrbt.	2,3,4	1,2,3	M62.28	Ischemický infarkt svalu na i.mieste	2	2
M49.51	Kompresia tela stavca pri chorobe zatr.i.,okcip.-atl.axiál.o.	2,3,4	1,2,3	M62.29	Ischemický infarkt svalu na n.mieste	2	2
M49.52	Kompresia tela stavca pri chorobe zatr.i.,v krčnej obl.	2,3,4	1,2,3	M62.30	Syndróm nehybnosti (paraplegický) na viac.m.	2	2
M49.53	Kompresia tela stavca pri chorobe zatr.i.,v krčnohrud.obl.	2,3,4	1,2,3	M62.31	Syndróm nehybnosti (paraplegický)v obl.pleca	2	2
M49.54	Kompresia tela stavca pri chorobe zatr.i.,v hrudník.obl.	2,3,4	1,2,3	M62.32	Syndróm nehybnosti (paraplegický)v obl.nadlaktia	2	2
M49.55	Kompresia tela stavca pri chor.zatr.i.,v hrudník.driek.obl.	2,3,4	1,2,3	M62.33	Syndróm nehybnosti (paraplegický)v obl.predlak.	2	2
M49.56	Kompresia tela stavca pri chorobe zatr.i.,v driekovej obl.	2,3,4	1,2,3	M62.34	Syndróm nehybnosti (paraplegický)v obl.ruky	2	2
M49.57	Kompresia tela stavca pri chorobe zatr.i.,v driek.križ.obl.	2,3,4	1,2,3	M62.35	Syndróm nehybnosti (paraplegický)v obl.panvy a stehna	2	2
M49.58	Kompresia tela stavca pri chor.zatr.i.,križ.a križ.kostrč.obl.	2,3,4	1,2,3	M62.36	Syndróm nehybnosti (paraplegický)v obl.predkol.	2	2
M49.59	Kompresia tela stavca pri chor.zatr.i.:oblasť bliž.neurč.	2,3,4	1,2,3	M62.37	Syndróm nehybnosti (paraplegický)v obl.čl.a nohy	2	2
M60.00	Infekčná myozitída na viacerých miestach	2	2	M62.38	Syndróm nehybnosti (paraplegický)na i.mieste	2	2
M60.01	Inf.myozitída v obl.pleca	2	2	M62.39	Syndróm nehybnosti (paraplegický),miesto bliž.neurč.	2	2
M60.02	Infekčná myozitída nadlaktia	2	2	M62.40	Kontraktúra svalu na viacerých miestach	2	2
M60.03	Infekčná myozitída predlak.	2	2	M62.41	Kontraktúra svalu v obl.pleca	2	2
M60.04	Infekčná myozitída ruky	2	2	M62.42	Kontraktúra svalu nadlaktia	2	2
M60.05	Infekčná myozitída panv.obl.a stehna	2	2	M62.43	Kontraktúra svalu predlak.	2	2
M60.06	Infekčná myozitída predkol.	2	2	M62.44	Kontraktúra svalu ruky	2	2
M60.07	Infekčná myozitída čl.a nohy	2	2	M62.45	Kontraktúra svalu panv.obl.a stehna	2	2
M60.08	Infekčná myozitída na i.mieste	2	2	M62.46	Kontraktúra svalu predkol.	2	2
M60.09	Infekčná myozitída,miesto bližšie neurčené	2	2	M62.47	Kontraktúra svalu čl.a nohy	2	2
M62.00	Diastáza svalu na viacerých miestach	2	2	M62.48	Kontraktúra svalu na i.mieste	2	2
M62.01	Diastáza svalu v obl.pleca	2	2	M62.49	Kontraktúra svalu,miesto bližšie neurčené	2	2
M62.02	Diastáza svalu nadlaktia	2	2	M62.50	Zmenšenie a atrofia svalu,nezatr.i.na viac.m.	2	2
M62.03	Diastáza svalu predlak.	2	2	M62.51	Zmenšenie a atrofia svalu,nezatr.i.v obl.pleca	2	2
M62.04	Diastáza svalu ruky	2	2	M62.52	Zmenšenie a atrofia svalu,nezatr.i.v obl.nadlaktia	2	2
M62.05	Diastáza svalu panv.obl.a stehna	2	2	M62.53	Zmenšenie a atrofia svalu,nezatr.i.v obl.predlak.	2	2
M62.06	Diastáza svalu predkolenia	2	2	M62.54	Zmenšenie a atrofia svalu,nezatr.i.v obl.ruky	2	2
M62.07	Diastáza svalu čl.a nohy	2	2	M62.55	Zmenšenie a atrofia svalu,nezatr.i.v obl.panvy a stehna	2	2
M62.08	Diastáza svalu na i.mieste	2	2	M62.56	Zmenšenie a atrofia svalu,nezatr.i.v obl.predkol.	2	2
M62.09	Diastáza svalu,miesto bližšie neurčené	2	2	M62.57	Zmenšenie a atrofia svalu,nezatr.i.v obl.čl.a nohy	2	2
M62.10	Iné roztrhnutie svalu (neúrazové) na viac.m.	2	2	M62.58	Zmenšenie a atrofia svalu,nezatr.i.na i.mieste	2	2
M62.11	Iné roztrhnutie svalu (neúraz.)v obl.pleca	2	2	M62.59	Zmenšenie a atrofia svalu,nezatr.i.,miesto bliž.neurč.	2	2
M62.12	Iné roztrhnutie svalu (neúraz.)v obl.nadlaktia	2	2	M62.80	Iné choroby svalov,bliž.urč.na viac.m.	2	2
M62.13	Iné roztrhnutie svalu (neúraz.)v obl.predlak.	2	2	M62.81	Iné choroby svalov,bliž.urč.v obl.pleca	2	2
M62.14	Iné roztrhnutie svalu (neúraz.)v obl.ruky	2	2	M62.82	Iné choroby svalov,bliž.urč.v obl.nadlaktia	2	2
				M62.83	Iné choroby svalov,bliž.urč.v obl.predlak.	2	2
				M62.84	Iné choroby svalov,bliž.urč.v obl.ruky	2	2
				M62.85	Iné choroby svalov,bliž.urč.v obl.panvy a stehna	2	2

ICD	Text	OP. CCL	Med. CCL	ICD	Text	OP. CCL	Med. CCL
M62.86	Iné choroby svalov,blíž.urč.v obl.predkol.	2	2	M63.37	Myozitída pri sarkoidóze,v obl.čl. a nohy	2	2
M62.87	Iné choroby svalov,blíž.urč.v obl.čl.a nohy	2	2	M63.38	Myozitída pri sarkoidóze,na i.mieste	2	2
M62.88	Iné choroby svalov,blíž.urč.na i.mieste	2	2	M63.39	Myozitída pri sarkoidóze,miesto blíž.neurč.	2	2
M63.00	Myozitída pri baktériovej chorobe zatried.i.na viac.m.	2	2	M63.80	Iné choroby svalov pri chor.zatried.i.na viac.m.	2	2
M63.01	Myozitída pri baktériovej chorobe zatried.i.v obl.pleca	2	2	M63.81	Iné choroby svalov pri chor.zatried.i.v obl.pleca	2	2
M63.02	Myozitída pri baktériovej chorobe zatried.i.v obl.nadlaktia	2	2	M63.82	Iné choroby svalov pri chor.zatried.i.v obl.nadlaktia	2	2
M63.03	Myozitída pri baktériovej chorobe zatried.i.v obl.predlak.	2	2	M63.83	Iné choroby svalov pri chor.zatried.i.v obl.predlak.	2	2
M63.04	Myozitída pri baktériovej chorobe zatried.i.v obl.ruky	2	2	M63.84	Iné choroby svalov pri chor.zatried.i.v obl.ruky	2	2
M63.05	Myozitída pri baktériovej chor.zatried.i.v obl.panvy a stehna	2	2	M63.85	Iné choroby svalov pri chor.zatried.i.v obl.pan.a stehna	2	2
M63.06	Myozitída pri baktériovej chorobe zatried.i.v obl.predkol.	2	2	M63.86	Iné choroby svalov pri chor.zatried.i.v obl.predkol.	2	2
M63.07	Myozitída pri baktériovej chorobe zatried.i.v obl.čl.a nohy	2	2	M63.87	Iné choroby svalov pri chor.zatried.i.v obl.čl.a nohy	2	2
M63.08	Myozitída pri baktériovej chorobe zatried.i.na i.mieste	2	2	M63.88	Iné choroby svalov pri chor.zatried.i.na i.mieste	2	2
M63.09	Myozitída pri baktériovej chorobe zatried.i.,miesto blíž.neurč	2	2	M63.89	Iné choroby svalov pri chor.zatried.i.,miesto blíž.neurč.	2	2
M63.10	Myozitída pri prvoko.a parazit.infek.zatried.i.na viac.m.	2	2	M84.00	Zle zahojená zlomenina na viacerých miestach	2,3	2
M63.11	Myozitída pri prvoko.a parazit.infek.zatried.i.v obl.pleca	2	2	M84.01	Zle zahojená zlomenina v obl.pleca	2,3	2
M63.12	Myozitída pri prvoko.a parazit.infek.zatried.i.v obl.nadlaktia	2	2	M84.02	Zle zahojená zlomenina nadlaktia	2,3	2
M63.13	Myozitída pri prvoko.a parazit.infek.zatried.i.v obl.predlak.	2	2	M84.03	Zle zahojená zlomenina predlak.	2,3	2
M63.14	Myozitída pri prvoko.a parazit.infek.zatried.i.v obl.ruky	2	2	M84.04	Zle zahojená zlomenina ruky	2,3	2
M63.15	Myozitída pri prvoko.a parazit.infek.zatr.i.v obl.pan.a steh.	2	2	M84.05	Zle zahojená zlomenina panv.obl.a stehna	2,3	2
M63.16	Myozitída pri prvoko.a parazit.infek.zatried.i.v obl.predkol.	2	2	M84.06	Zle zahojená zlomenina predkol.	2,3	2
M63.17	Myozitída pri prvoko.a parazit.infek.zatried.i.v obl.čl.a nohy	2	2	M84.07	Zle zahojená zlomenina čl.a nohy	2,3	2
M63.18	Myozitída pri prvoko.a parazit.infek.zatried.i.na i.mieste	2	2	M84.08	Zle zahojená zlomenina na i.mieste	2,3	2
M63.19	Myozitída pri prvoko.a parazit.infek.zatr.i.,miesto blíž.neurč.	2	2	M84.09	Zle zahojená zlomenina,miesto blíž.neurč.	2,3	2
M63.20	Myozitída pri inej infek.chorobe zatried.i.na viac.m.	2	2	M84.10	Pseudoartróza po zlomenine na viacerých miestach	2,3	2
M63.21	Myozitída pri inej infek.chorobe zatried.i.v obl.pleca	2	2	M84.11	Pseudoartróza po zlomenine v obl.pleca	2,3	2
M63.22	Myozitída pri inej infek.chorobe zatried.i.v obl.nadlaktia	2	2	M84.12	Pseudoartróza po zlomenine nadlaktia	2,3	2
M63.23	Myozitída pri inej infek.chorobe zatried.i.v obl.predlak.	2	2	M84.13	Pseudoartróza po zlomenine predlak.	2,3	2
M63.24	Myozitída pri inej infek.chorobe zatried.i.v obl.ruky	2	2	M84.14	Pseudoartróza po zlomenine ruky	2,3	2
M63.25	Myozitída pri inej infek.chorobe zatried.i.v obl.pan.a stehna	2	2	M84.15	Pseudoartróza po zlomenine panv.obl.a stehna	2,3	2
M63.26	Myozitída pri inej infek.chorobe zatried.i.v obl.predkol.	2	2	M84.16	Pseudoartróza po zlomenine predkol.	2,3	2
M63.27	Myozitída pri inej infek.chorobe zatried.i.v obl.čl.a nohy	2	2	M84.17	Pseudoartróza po zlomenine čl. a nohy	2,3	2
M63.28	Myozitída pri inej infek.chorobe zatried.i.na i.mieste	2	2	M84.18	Pseudoartróza po zlomenine na i.mieste	2,3	2
M63.29	Myozitída pri inej infek.chorobe zatried.i.,miesto blíž.neurč.	2	2	M84.19	Pseudoartróza po zlomenine,miesto blíž.neurč.	2,3	2
M63.30	Myozitída pri sarkoidóze na viac.m.	2	2	M84.20	Predĺžené hojenie zlomeniny na viacerých miestach	2,3	2
M63.31	Myozitída pri sarkoidóze,v obl.pleca	2	2	M84.21	Predĺžené zahojenie zlomeniny v obl.pleca	2,3	2
M63.32	Myozitída pri sarkoidóze,v obl.nadlaktia	2	2	M84.22	Predĺžené zahojenie zlomeniny nadlaktia	2,3	2
M63.33	Myozitída pri sarkoidóze,v obl.predlak.	2	2	M84.23	Predĺžené zahojenie zlomeniny predlak.	2,3	2
M63.34	Myozitída pri sarkoidóze,v obl.ruky	2	2	M84.24	Predĺžené zahojenie zlomeniny ruky	2,3	2
M63.35	Myozitída pri sarkoidóze,v obl.panv.a stehna	2	2	M84.25	Predĺžené zahojenie zlomeniny panv.obl.a stehna	2,3	2
M63.36	Myozitída pri sarkoidóze,v obl.predkol.	2	2	M84.26	Predĺžené zahojenie zlomeniny predkol.	2,3	2
				M84.27	Predĺžené zahojenie zlomeniny čl.a nohy	2,3	2
				M84.28	Predĺžené zahojenie zlomeniny na i.mieste	2,3	2
				M84.29	Predĺžené zahojenie zlomeniny na n.mieste	2,3	2
				M84.30	Únavová zlomenina,nezatr.i.na viac.m.	2,3,4	1,2,3
				M84.31	Únavová zlomenina,nezatr.i.v obl.pleca	2,3,4	1,2,3
				M84.32	Únavová zlomenina,nezatr.i.v obl.nadlaktia	2,3,4	1,2,3
				M84.33	Únavová zlomenina,nezatr.i.v obl.predlak.	2,3,4	1,2,3
				M84.34	Únavová zlomenina,nezatr.i.v obl.ruky	2,3,4	1,2,3
				M84.35	Únavová zlomenina,nezatr.i.v obl.panvy a stehna	2,3,4	1,2,3
				M84.36	Únavová zlomenina,nezatr.i.v obl.predkol.	2,3,4	1,2,3
				M84.37	Únavová zlomenina,nezatr.i.v obl.čl.a nohy	2,3,4	1,2,3
				M84.38	Únavová zlomenina,nezatr.i.na i.mieste	2,3,4	1,2,3

ICD	Text	OP. CCL	Med. CCL	ICD	Text	OP. CCL	Med. CCL
M84.39	Únavová zlomenina, nezatr. i., miesto bliž. neurč.	2,3,4	1,2,3	M86.43	Chronická osteomyelitída s fistulou predlak.	2,3,4	2
M84.40	Patologická zlomenina, nezatr. i. na viac. m.	2,3,4	1,2,3	M86.44	Chronická osteomyelitída s fistulou ruky	2,3,4	2
M84.41	Patologická zlomenina, nezatr. i. v obl. pleca	2,3,4	1,2,3	M86.45	Chronická osteomyelitída s fistulou panv. obl. a stehna	2,3,4	2
M84.42	Patologická zlomenina, nezatr. i. v obl. nadlaktia	2,3,4	1,2,3	M86.46	Chronická osteomyelitída s fistulou predkol.	2,3,4	2
M84.43	Patologická zlomenina, nezatr. i. v obl. predlak.	2,3,4	1,2,3	M86.47	Chronická osteomyelitída s fistulou čl. a nohy	2,3,4	2
M84.44	Patologická zlomenina, nezatr. i. v obl. ruky	2,3,4	1,2,3	M86.48	Chronická osteomyelitída s fistulou na i. mieste	2,3,4	2
M84.45	Patologická zlomenina, nezatr. i. v obl. panv. obl. a stehna	2,3,4	1,2,3	M86.49	Chronická osteomyelitída s fistulou, miesto bliž. neurč.	2,3,4	2
M84.46	Patologická zlomenina, nezatr. i. v obl. predkol.	2,3,4	1,2,3	M86.50	Iná chronická hematogénna osteomyelit. na viac. m.	2,3,4	2
M84.47	Patologická zlomenina, nezatr. i. v obl. čl. a nohy	2,3,4	1,2,3	M86.51	Iná chronická hematogénna osteomyelit. v obl. pleca	2,3,4	2
M84.48	Patologická zlomenina, nezatr. i. na i. mieste	2,3,4	1,2,3	M86.52	Iná chronická hematogénna osteomyelit. nadlaktia	2,3,4	2
M84.49	Patologická zlomenina, nezatr. i., miesto bliž. neurč.	2,3,4	1,2,3	M86.53	Iná chronická hematogénna osteomyelit. predlak.	2,3,4	2
M86.00	Akútna hematogénna osteomyelitída na viac. m.	2,3,4	2	M86.54	Iná chronická hematogénna osteomyelit. ruky	2,3,4	2
M86.01	Akútna hematogénna osteomyelitída v obl. pleca	2,3,4	2	M86.55	Iná chronická hematogénna osteomyelit. panv. obl. a stehna	2,3,4	2
M86.02	Akútna hematogénna osteomyelitída nadlaktia	2,3,4	2	M86.56	Iná chronická hematogénna osteomyelit. predkol.	2,3,4	2
M86.03	Akútna hematogénna osteomyelitída predlak.	2,3,4	2	M86.57	Iná chronická hematogénna osteomyelit. čl. a nohy	2,3,4	2
M86.04	Akútna hematogénna osteomyelitída ruky	2,3,4	2	M86.58	Iná chronická hematogénna osteomyelit. na i. mieste	2,3,4	2
M86.05	Akútna hematogénna osteomyelitída panv. obl. a stehna	2,3,4	2	M86.59	Iná chronická hematogénna osteomyelit., miesto bliž. neurč.	2,3,4	2
M86.06	Akútna hematogénna osteomyelitída predkol.	2,3,4	2	M90.00	Tuberkulóza kosti na viacerých miestach (A18.0†)	2,4	2
M86.07	Akútna hematogénna osteomyelitída čl. a nohy	2,3,4	2	M90.01	TBC kosti v obl. pleca	2,4	2
M86.08	Akútna hematogénna osteomyelitída na i. mieste	2,3,4	2	M90.02	TBC kosti nadlaktia	2,4	2
M86.09	Akútna hematogénna osteomyelitída, miesto bliž. neurč.	2,3,4	2	M90.03	TBC kosti predlak.	2,4	2
M86.10	Iná akútna osteomyelitída na viacerých miestach	2,3,4	2	M90.04	TBC kosti ruky	2,4	2
M86.11	Iná akútna osteomyelitída v obl. pleca	2,3,4	2	M90.05	TBC kosti panv. obl. a stehna	2,4	2
M86.12	Iná akútna osteomyelitída nadlaktia	2,3,4	2	M90.06	TBC kosti predkol.	2,4	2
M86.13	Iná akútna osteomyelitída predlakútna	2,3,4	2	M90.07	TBC kosti čl. a nohy	2,4	2
M86.14	Iná akútna osteomyelitída ruky	2,3,4	2	M90.08	TBC kosti na i. mieste	2,4	2
M86.15	Iná akútna osteomyelitída panv. obl. a stehna	2,3,4	2	M90.09	Tuberkulóza kosti, miesto bližšie neurčené (A18.0†)	2,4	2
M86.16	Iná akútna osteomyelitída predkol.	2,3,4	2	M90.10	Periostitída pri i. infekč. chor. zatried. i. na viac. m.	2,4	2
M86.17	Iná akútna osteomyelitída čl. a nohy	2,3,4	2	M90.11	Periostitída pri i. infekč. chor. zatried. i. v obl. pleca	2,4	2
M86.18	Iná akútna osteomyelitída na i. mieste	2,3,4	2	M90.12	Periostitída pri i. infekč. chor. zatried. i. v obl. nadlaktia	2,4	2
M86.19	Iná akútna osteomyelitída, miesto bliž. neurč.	2,3,4	2	M90.13	Periostitída pri i. infekč. chor. zatried. i. v obl. predlak.	2,4	2
M86.20	Subakútna osteomyelitída na viacerých miestach	2,3,4	2	M90.14	Periostitída pri i. infekč. chor. zatried. i. v obl. ruky	2,4	2
M86.21	Subakútna osteomyelitída v obl. pleca	2,3,4	2	M90.15	Periostitída pri i. infekč. chor. zatried. i. v obl. panvy a stehna	2,4	2
M86.22	Subakútna osteomyelitída nadlaktia	2,3,4	2	M90.16	Periostitída pri i. infekč. chor. zatried. i. v obl. predkol.	2,4	2
M86.23	Subakútna osteomyelitída predlak.	2,3,4	2	M90.17	Periostitída pri i. infekč. chor. zatried. i. v obl. čl. a nohy	2,4	2
M86.24	Subakútna osteomyelitída ruky	2,3,4	2	M90.18	Periostitída pri i. infekč. chor. zatried. i. na i. mieste	2,4	2
M86.25	Subakútna osteomyelitída panv. obl. a stehna	2,3,4	2	M90.19	Periostitída pri i. infekč. chor. zatried. i., miesto bliž. neurč.	2,4	2
M86.26	Subakútna osteomyelitída predkol.	2,3,4	2	M90.20	Osteopatia pri i. infekč. chor. zatried. i. na viac. m.	2,4	2
M86.27	Subakútna osteomyelitída čl. a nohy	2,3,4	2	M90.21	Osteopatia pri i. infekč. chor. zatried. i. v obl. pleca	2,4	2
M86.28	Subakútna osteomyelitída na i. mieste	2,3,4	2	M90.22	Osteopatia pri i. infekč. chor. zatried. i. v obl. nadlaktia	2,4	2
M86.29	Subakútna osteomyelitída, miesto bliž. neurč.	2,3,4	2	M90.23	Osteopatia pri i. infekč. chor. zatried. i. v obl. predlak.	2,4	2
M86.30	Chron. multifokálna osteomyelitída na viac. m.	2,3,4	2	M90.24	Osteopatia pri i. infekč. chor. zatried. i. v obl. ruky	2,4	2
M86.31	Chron. multifokálna osteomyelitída v obl. pleca	2,3,4	2				
M86.32	Chron. multifokálna osteomyelitída nadlaktia	2,3,4	2				
M86.33	Chron. multifokálna osteomyelitída predlak.	2,3,4	2				
M86.34	Chron. multifokálna osteomyelitída ruky	2,3,4	2				
M86.35	Chron. multifokálna osteomyelitída panv. obl. a stehna	2,3,4	2				
M86.36	Chron. multifokálna osteomyelitída predkol.	2,3,4	2				
M86.37	Chron. multifokálna osteomyelitída čl. a nohy	2,3,4	2				
M86.38	Chron. multifokálna osteomyelitída na i. mieste	2,3,4	2				
M86.39	Chron. multifokálna osteomyelitída, miesto bliž. neurč.	2,3,4	2				
M86.40	Chronická osteomyelitída s fistulou na viac. m.	2,3,4	2				
M86.41	Chronická osteomyelitída s fistulou v obl. pleca	2,3,4	2				
M86.42	Chronická osteomyelitída s fistulou nadlaktia	2,3,4	2				

ICD	Text	OP. CCL	Med. CCL	ICD	Text	OP. CCL	Med. CCL
M90.25	Osteopatia pri i.infekč.chor.zatried.i.v obl.panvy a stehna	2,4	2	M90.75	Zlomenina kosti pri nádore,v obl.panvy a stehna	2,3,4	1,2,3
M90.26	Osteopatia pri i.infekč.chor.zatried.i.v obl.predkol.	2,4	2	M90.76	Zlomenina kosti pri nádore,v obl.predkol.	2,3,4	1,2,3
M90.27	Osteopatia pri i.infekč.chor.zatried.i. obl.čl.a nohy	2,4	2	M90.77	Zlomenina kosti pri nádore,v obl.čl.a nohy	2,3,4	1,2,3
M90.28	Osteopatia pri i.infekč.chor.zatried.i.na i.mieste	2,4	2	M90.78	Zlomenina kosti pri nádore,na i.mieste	2,3,4	1,2,3
M90.29	Osteopatia pri i.infekč.chor.zatried.i.miasto bliž.neurč.	2,4	2	M90.79	Zlomenina kosti pri nádore,miesto bliž.neurč.	2,3,4	1,2,3
M90.30	Osteonekróza pri kesónovej chor.na viac.m.	2,4	2	M96.0	Pseudoartróza po fúzii alebo artrodéze	2,3	2
M90.31	Osteonekróza pri kesónovej chor.v obl.pleca	2,4	2	M96.6	Zlomen.kostí po vlož.ortop.impl.,kĺb.protézy/kostnej platničky	2,3	2,3
M90.32	Osteonekróza pri kesónovej chor.v obl.nadlaktia	2,4	2	M96.80	Elektívne ponechané otvor.sternum po chirurg.výk.na hrudníku	2,3	2,3
M90.33	Osteonekróza pri kesónovej chor.v obl.predlak.	2,4	2	M96.81	Nestabilný hrudný kôš po chir.výk. na hrudníku	2,3	2,3
M90.34	Osteonekróza pri kesónovej chor.v obl.ruky	2,4	2	M96.88	Iná choroba sústavy sval.a kostí po lek.výk.	2,3	2,3
M90.35	Osteonekróza pri kesónovej chor.v obl.panvy a stehna	2,4	2	M96.9	Choroba svalovej a kostrovej sústavy po lekár.výk.bliž.neurč.	2,3	2
M90.36	Osteonekróza pri kesónovej chor.v obl.predkol.	2,4	2	N00.0	Akútny nefritický syndróm:malé abnormality glomerulov	2,3,4	2,3
M90.37	Osteonekróza pri kesónovej chor.v obl.čl.a nohy	2,4	2	N00.1	Akútny nefritický synd.:fok.a segm.lézie glomerulov	2,3,4	2,3
M90.38	Osteonekróza pri kesónovej chor.na i.mieste	2,4	2	N00.2	Akútny nefritický synd.:dif.membránová glomerulonefrit.	2,3,4	2,3
M90.39	Osteonekróza pri kesónovej chor.miasto bliž.neurč.	2,4	2	N00.3	Akútny nefritický synd.:dif.mezangioprolif.glomerulonefrit.	2,3,4	2,3
M90.40	Osteonekróza zapríč.hemoglobinopatiou,na viac.m.(D50-D64†)	2,4	2	N00.4	Akútny nefritický synd.:dif.endokap.prolif.glomerulonefrit.	2,3,4	2,3
M90.41	Osteonekróza zapríč.hemoglobinopat.v obl.pleca	2,4	2	N00.5	Akútny nefritický synd.:dif.mezangiokap.glomerulonefrit.	2,3,4	2,3
M90.42	Osteonekróza zapríč.hemoglobinopat.v obl.nadlaktia	2,4	2	N00.6	Akútny nefritický synd.:chor.denzných depozitov	2,3,4	2,3
M90.43	Osteonekróza zapríč.hemoglobinopat.v obl.predlak.	2,4	2	N00.7	Akútny nefritický synd.:dif.glomerulonefrit.s výrastkami	2,3,4	2,3
M90.44	Osteonekróza zapríč.hemoglobinopat.v obl.ruky	2,4	2	N00.8	Akútny nefritický synd.:iné morfológické zmeny	2,3,4	2,3
M90.45	Osteonekróza zapríč.hemoglobinopat.v obl.panvy a stehna	2,4	2	N00.9	Akútny nefritický synd.:morfol.zmena,bliž.neurč.	2,3,4	2,3
M90.46	Osteonekróza zapríč.hemoglobinopat.v obl.predkol.	2,4	2	N01.0	Rýchlo progred.nefritický synd.:malé abn.glomerulov	2,3,4	2,3
M90.47	Osteonekróza zapríč.hemoglobinopat.v obl.čl.a nohy	2,4	2	N01.1	Rýchlo progred.nefrit.synd.:fok.a segm.lézie glomer.	2,3,4	2,3
M90.48	Osteonekróza zapríč.hemoglobinopat.,na i.mieste	2,4	2	N01.2	Rýchlo progred.nefrit.ynd.:dif.membránová glom.nefrit.	2,3,4	2,3
M90.49	Osteonekróza zapríč.hemoglobinopat.,miasto bliž.neurč.	2,4	2	N01.3	Rýchlo progred.nefrit.synd.:dif.mezangioprolif glom.nefrit.	2,3,4	2,3
M90.60	Deform.osteodystrofia pri nádoroch,na viac.m.	2,4	2	N01.4	Rýchlo progred.nefrit.synd.:dif.endokap.prolif.glom.ne frit.	2,3,4	2,3
M90.61	Deform.osteodystrofia pri nádoroch,v obl.pleca	2,4	2	N01.5	Rýchlo progred.nefrit.synd.:dif.mezangiokap.glomerul onefrit.	2,3,4	2,3
M90.62	Deform.osteodystrofia pri nádoroch,v obl.nadlaktia	2,4	2	N01.6	Rýchlo progred.nefritický synd.:chor.denzných depozitov	2,3,4	2,3
M90.63	Deform.osteodystrofia pri nádoroch,v obl.predlak.	2,4	2	N01.7	Rýchlo progred.nefritický synd.:dif.glomerulonefrit.s výras.	2,3,4	2,3
M90.64	Deform.osteodystrofia pri nádoroch,v obl.ruky	2,4	2	N01.8	Rýchlo progred.nefritický synd.:i.morfol.zemny	2,3,4	2,3
M90.65	Deform. osteodystrofia pri nádoroch,v obl.panvy a stehna	2,4	2	N01.9	Rýchlo progred.nefritický synd.:morfol.zmena,b.n.	2,3,4	2,3
M90.66	Deform.osteodystrofia pri nádoroch,v obl.predkol.	2,4	2	N02.0	Recid.a pretrv.hematúria:malé abn.glomerulov	2,3	2,3
M90.67	Deform.osteodystrofia pri nádoroch,v obl.čl.a nohy	2,4	2	N02.1	Recid.a pretrv.hematúria:fok.a segm.lézie glomerulov	2,3	2,3
M90.68	Deform.osteodystrofia pri nádoroch,na i.mieste	2,4	2	N02.2	Recid.a pretrv.hematúria:dif.membránová glomerulonefrit.	2,3	2,3
M90.69	Deform.osteodystrofia pri nádoroch,miasto bliž.neurč.	2,4	2	N02.3	Recid.a pretrv.hematúria:dif.mezangioprolif glomerulonefrit.	2,3	2,3
M90.70	Zlomenina kosti pri nádore,na viac.m.t.	2,3,4	1,2,3	N02.4	Recid.a pretrv.hematúria:dif.endokap.prolif glomerulonefrit.	2,3	2,3
M90.71	Zlomenina kosti pri nádore,v obl.pleca	2,3,4	1,2,3	N02.5	Recid.a pretrv.hematúria:dif.mezangiokap glomerulonefrit.	2,3	2,3
M90.72	Zlomenina kosti pri nádore,v obl.nadlaktia	2,3,4	1,2,3				
M90.73	Zlomenina kosti pri nádore,v obl.predlak.	2,3,4	1,2,3				
M90.74	Zlomenina kosti pri nádore,v obl.ruky	2,3,4	1,2,3				

ICD	Text	OP. CCL	Med. CCL	ICD	Text	OP. CCL	Med. CCL
N02.6	Recid.a pretrv.hematúria:chor.denzných depozítov	2,3	2,3	N39.3	Stresová inkontinencia moču	0,1	0,1
N02.7	Recid.a pretrv.hematúria:dif.glomerulonefrit.s výrastkami	2,3	2,3	N39.40	Reflexná inkontinencia moču	0,1	0,1
N02.8	Recid.a.pretrv.hematúria:iné morfol.zmeny	2,3	2,3	N39.41	Inkontinencia moču z pretekania	0,1	0,1
N02.9	Recid.a pretrv.hematúria:morfol.zmena,blíž.neurč.	2,3	2,3	N39.42	Nutková inkontinencia moču	0,1	0,1
N03.6	Chron.nefritický synd.:chor.denzných depozítov	2,3,4	1,2	N39.43	Extrauretrálna inkontinencia moču	0,1	0,1
N04.0	Nefrotický syndróm:malé abnormality glomerulov	2,3,4	2,3	N39.47	Recidivujúca inkontinencia moču	0,1	0,1
N04.1	Nefrotický synd.:fok.a segm.lézie glomerulov	2,3,4	1,2	N39.48	Iná inkontinencia moču,blížšie určená	0,1	0,1
N04.2	Nefrotický synd.:dif.membránová glomerulonefrit.	2,3,4	1,2	N41.0	Akútna prostatitída	2	2
N04.3	Nefrotický synd.:dif.mezangioprofil.glomerulonefrit.	2,3,4	2,3	N41.2	Absces prostaty	2	2
N04.4	Nefrotický synd.:dif.endokap.prolif.glomerulonefrit.	2,3,4	2,3	N41.3	Prostatocystitída	2	2
N04.5	Nefrotický synd.:dif.mezangiokap.glomerulonefrit.	2,3,4	2,3	N42.1	Kongescia a krvácanie z prostaty	1,2	1,2
N04.6	Nefrotický syndróm: choroba denzných depozítov	2,3,4	2,3	N43.1	Infikovaná hydrokéla	2	2
N04.7	Nefrotický synd.:dif.glomerulonefrit.s výrastkami	2,3,4	1,2	N45.0	Orchitída,epididymitída a epididymoorchitída s abscesom	2	2
N04.8	Nefrotický syndróm: iné morfológické zmeny	2,3,4	1,2	N63	Hrčka v prsníku,blížšie neurčená	1,2	2
N04.9	Nefrotický synd.:morfol.zmena,blíž.neurč.	2,3,4	1,2	N70.0	Akútna salpingitída a ooforitída	2	2
N10	Akútna tubulointerstiálna nefritída	2,3,4	2,3	N71.0	Akútna zápalová choroba maternice	2	2
N12	Tubulointerstiálna nefritída,n.ako akút./chron.	2,3,4	2,3	N73.0	Akútna parametritída a panvová celulitída	2	2
N13.0	Hydronefróza s obštrukciou pyeloureterového prechodu	2,3,4	1,2,3	N73.3	Akútna pelveoperitonitída u žien	2	2
N13.1	Hydronefróza so striktúrou močovodu,n.i.	2,3,4	1,2,3	N73.5	Pelveoperitonitída u žien,blížšie neurčená	2	2
N13.2	Hydronefróza pri obštrukcii kameňom obličky a močovodu	2,3,4	1,2,3	N74.0	Tuberkulózná infekcia krčka maternice (A18.1†)	2	2
N13.3	Iná a bližšie neurčená hydronefróza	2,3,4	1,2,3	N74.1	Tuberkulózný zápal ženských panvov.org.	2	2
N13.4	Hydroureter	2,3,4	1,2,3	N75.1	Absces Bartholinovej žľazy	2	2
N13.6	Pyonefros	2,3,4	1,2,3	N76.4	Absces vulvy	2	2
N13.9	Obštrukčná a refluxová uropatia, bližšie neurčená	2	1,2	N82.2	Fistula medzi pošvou a tenkým črevom	2,4	2,3
N15.10	Absces obličky	2,3,4	2,3	N82.3	Fistula medzi pošvou a hrubým črevom	2,4	2,3
N15.11	Perinefritický absces	2,3,4	2,3	N82.4	Iná fistula medzi ženskými pohlav.org.a črevom	2,4	2,3
N17.0	Akútne zlyhanie obličiek s tubulovou nekrózou	2,3,4	2,3	N83.7	Hematóm širokého väzu maternice	1,2	1
N17.1	Akútne zlyhanie obličiek s akútnou kortikálnou nekrózou	2,3,4	2,3	N98.0	Infekcia spojená s umelým oplodnením	2,3,4	2,3
N17.2	Akútne zlyhanie obličiek s dreňovou nekrózou	2,3,4	2,3	N98.2	Komplikácie pri pokuse zaviesť oplod.vajíčko po oplod.in vitro	2,3,4	2,3
N17.8	Iné akútne zlyhanie obličiek	2,3,4	2,3	N98.3	Komplikácie pri pokuse zaviesť embryo pri prenose embrya	2,3,4	2,3
N17.9	Akútne zlyhanie obličiek,blížšie neurčené	2,3,4	2,3	N98.8	Iné komplikácie spojené s umelým oplodnením	2,3,4	2,3
N18.1	Chronická choroba obličiek,1.štádium	1,2	0,1,2,3	N98.9	Komplikácie spojené s umelým oplodnením,b.n.	2,3,4	2,3
N18.2	Chronická choroba obličiek,2.štádium	1,2	0,1,2,3	N99.3	Prolaps pošvovej klenby po hysterektómii	1,2	1
N18.3	Chronická choroba obličiek,3.štádium	1,2,3,4	1,2,3	O03.0	Spont.potrat:nekomplet.potrat,kompl.infekc.po hl.a panv.org.	2	2
N18.4	Chronická choroba obličiek,4.štádium	2,3,4	2,3	O03.1	Spont.potrat:nekomplet.potrat,kompl.oneskor./nadmer.krvác.	2	2
N18.5	Chronická choroba obličiek,5.štádium	2,3,4	2,3	O03.2	Spont.potrat:nekomplet.potrat,komplikovaný embóliou	2	2
N18.80	Jednostranná chronická porucha funkcie obličky	1,2	0,1,2,3	O03.3	Spont.potrat:nekomplet.potrat s i.a blíž.neurč.kompl.	2	2
N20.1	Konkrement močovodu	2,3,4	1,2,3	O03.4	Spont.potrat:nekomplet.potrat bez kompl.	2	2
N30.0	Akútna cystitída	1	1	O03.5	Spont.potrat:komplet./bliž.n.potrat,kompl.inf.p ohl.a panv.org.	2	2
N30.1	Interstiálna cystitída (chronická)	2,3,4	2,3	O03.6	Spont.potrat:komplet./bliž.n.potrat,kompl.oneskor./nadm.krvác.	2	2
N30.4	Postradiačná cystitída	2,3,4	1,2	O03.7	Spont.potrat:komplet./bliž.neurč.potrat,kompl.embóliou	2	2
N31.2	Atonický neurogénny močový mechúr,nezatr.í.	2,3,4	1,2	O03.8	Spont.potrat:komplet./bliž.neurč.potrat s i.a blíž.neur.kompl.	2	2
N32.0	Obštrukcia krčka močového mechúra	2,3,4	1,2	O03.9	Spont.potrat:komplet./bliž.n.eurč.potrat bez kompl.	2	2
N32.1	Vezikointestinálna fistula	2,3,4	2,3	O08.0	Infekcia pohlav.a panv.org.po potrate,mimomat.gr.a gr.s MH	2	2
N32.2	Fistula močového mechúra,nezatriedená inde	2,3,4	2,3	O08.1	Onesk./nadm.krvác.po potr.mimomat.gr.a grav.s malou hydati.	2	2
N32.4	Ruptúra močového mechúra,neúrazová	2,3,4	2,3	O08.2	Embólia po potrate,mimomat.grav.a grav.s molou hydratidos	2	2
N33.0	Tuberkulózná cystitída (A18.1†)	2,3,4	2,3	O08.3	Šok po potrate,mimomat.grav.a grav.s molou hydratidos	2	2
N33.8	Choroba močového mechúra pri iných chor.z.í	2,3,4	2,3				
N34.0	Absces močovej rúry	2,3,4	2,3				
N35.0	Pouřazová striktúra uretry	2	2				



ICD	Text	OP. CCL	Med. CCL	ICD	Text	OP. CCL	Med. CCL
O08.4	Zlyháv.obličiek po potrate,mimomat.grav.a grav.s mal.hydati.	2	2	O45.0	Predčasné odlupovanie placenty s poruchou koagulácie	2	2
O08.5	Metabické poruchy po potrate,mimomat.gr.a gr.s mal.hydati.	2	2	O46.0	Krvácanie pred pôrodom s poruchou zrážanlivosti	2	2
O08.6	Pošk.panv.org.a tk.po potr,mimomat.gr.a grav.s malou hydati.	2	2	O46.8	Iné krvácanie pred pôrodom	2	2
O08.7	Iné žil.kompl.po potrate,mimomat.grav.a grav.s malou hydati.	2	2	O46.9	Krvácanie pred pôrodom, bližšie neurčené	2	2
O08.8	Iné kompl.po potrate,mimomat.grav.a grav.s molou hydaticid.	2	2	O47.0	Falošná pôr.činnosť pred ukonč.37.týž.gravidity	2	2
O08.9	Kompl.po potrate,mimomat.grav.a grav.s molou hydaticid.b.n.	2	2	O67.0	Krvácanie pri pôrode s poruchou koagulácie	2	2
O11	Pred.exi.art.hypert.,kompl.grav.,pôr.a šest.,s nas.preek.	2	2	O67.8	Iné krvácanie pri pôrode	1,2	2
O13	Gestačná artér.hypert.bez významnej proteinúrie	2	2	O67.9	Krvácanie pri pôrode,bližšie neurčené	1,2	2
O14.0	Mierna a stredne ťažká preeklampsia	2	2	O71.0	Ruptúra maternice pred začiatkom pôrodnej činnosti	2	2
O14.1	Ťažká preeklampsia	2	2	O71.1	Ruptúra maternice počas pôrodnej činnosti	2	2
O14.2	Syndróm HELLP	2	2	O72.3	Poruchy zrážanlivosti krvi po pôrode	2	2
O14.9	Preeklampsia,bližšie neurčená	2	2	O74.0	Aspiračná pneumónia zapríč.anestéziou počas pôr.č. a pôrodu	2	2
O15.0	Eklampsia v gravidite	2	2	O74.1	Iné pľúcne kompl.anestézie počas pôrod čin.a pôrodu	2	2
O15.1	Eklampsia pri pôrode	2	2	O74.2	Srdcové kompl.anestézie počas pôrod.čin.a pôrodu	2	2
O15.2	Eklampsia v šestonedelí	2	2	O74.3	Komplik.CNS s spojení s anestéziou počas pôrod čin.	2	2
O15.9	Eklampsia,časovo bližšie neurčená	2	2	O74.4	Toxická reakcia na lokálnu anestéziu počas pôr.čin.a pôrodu	2	2
O20.0	Hroziaci potrat (abortus imminens)	2	2	O74.5	Bolesť hlavy,zapr.spinál.a epidurál.anest.pocas pôr.čin.a pôr.	2	2
O20.8	Iné krvácanie vo včasnej gravidite	2	2	O74.6	Iné kompl.spinál.a epidurál.anestézie počas pôr.čin.a pôrodu	2	2
O20.9	Krvácanie vo včasnej gravidite,bližšie neurčené	2	2	O74.7	Neúspešná/sťažená intubácia počas pôr.čin.a pôrodu	2	2
O22.2	Povrchová tromboflebitída v gravidite	2	2	O74.8	Iné komplik.anestézie počas pôr.čin.a pôrodu	2	2
O22.3	Hĺbková flebotrombóza v gravidite	2	2	O74.9	Komplik.anestézie počas pôr.čin.a pôrodu,b.n.	2	2
O22.5	Trombóza mozgových žíl v gravidite	2	2	O75.1	Šok počas pôrodnej činnosti,po nej a po pôrode	2	2
O23.0	Infekcia obličiek v gravidite	2	2	O75.3	Iná infekcia počas pôrodnej činnosti	2	2
O23.1	Infekcia močového mechúra v gravidite	2	2	O85	Puerperálna sepsa	2	2
O23.2	Infekcia močovej rúry v gravidite	2	2	O86.0	Infekcia pôrodnicej operačnej rany	2	2
O23.3	Infekcia iných častí močovej sústavy v gravidite	2	2	O86.1	Iná infekcia pohlavných orgánov po pôrode	2	2
O23.4	Infekcia moč.sústavy v gravidite,b.n.	2	2	O86.3	Iná infekcia močovopohlavnej sústavy po pôrode	2	2
O23.5	Infekcia pohlavných orgánov v gravidite	2	2	O86.8	Iná puerperálna infekcia,bližšie určená	2	2
O23.9	Iná a bliž.neu.infekcia močovopohl.org.v grav.	2	2	O87.0	Povrchová tromboflebitída v šestonedelí	2	2
O24.0	DM v gravidite predtým existuj.DM,typ 1	1,2	1,2	O87.1	Hĺbková žilová trombóza (flebotrombóza) v šestonedelí	2	2
O24.1	DM v gravidite predtým existuj.DM,typ 2	1,2	1,2	O87.3	Trombóza mozgových žíl v šestonedelí	2	2
O24.2	DM v gravidite predtým existuj.DM súvis.s podvýživou	1,2	1,2	O88.0	Vzduchová embólia v gestačnom období	2	2
O24.3	DM v gravidite predtým existuj.DM,b.n.	1,2	1,2	O88.1	Embólia plodovou vodou	2	2
O24.4	Diabetes mellitus so vznikom v gravidite	1,2	1,2	O88.20	Tromboembólia pľúc v gestačnom období	2	2
O24.9	Diabetes mellitus v gravidite,bližšie neurčený	1,2	1,2	O88.28	Iná tromboembólia v gestačnom období	2	2
O26.6	Choroba pečene v gravidite,pri pôrode a v šestonedelí	2	2	O88.3	Pyemická a septická embólia v gestačnom období	2	2
O29.0	Pľúcne komplikácie anestézie v gravidite	2	2	O88.8	Iná embólia v gestačnom období	2	2
O29.1	Srdcové komplikácie anestézie v gravidite	2	2	O89.0	Pľúcne komplikácie anestézie v šestonedelí	2	2
O29.2	Komplikácie v CNS v spoj.s anestéziou v gavidite	2	2	O89.1	Srdcové komplikácie anestézie v šestonedelí	2	2
O29.3	Toxická reakcia na lokálnu anestéziu v gravidite	2	2	O89.2	Komplikácie CNS v spojení s anestéziou v šestonedelí	2	2
O29.4	Bolesť hlavy,po spinál.a epidurál.anest.v grav.	2	2	O89.3	Toxická reakcia na lokálnu anestéziu v šestonedelí	2	2
O29.5	Iná komplikácia spinál.a epidurál.anestézie v grav.	2	2	O89.4	Bolesť hlavy,zapríč.spinál.a epidurál.anest.v šeston.	2	2
O29.6	Neúspešná alebo sťažená intubácia v gravidite	2	2	O89.5	Iné kompl.spin.a epid.anestézie v šeston.	2	2
O29.8	Iné komplikácie anestézie v gravidite	2	2	O89.6	Neúspešná alebo sťažená intubácia v šestonedelí	2	2
O29.9	Komplikácia anestézie v gravidite,bližšie neurčená	2	2	O89.8	Iné komplikácie anestézie v šestonedelí	2	2
O44.00	Nízko uložená placenta bez krvácania	1,2	2	O89.9	Kompl.anestézie v šestonedelí,b.n.	2	2
O44.01	Placenta praevia bez krvácania	1,2	2	O90.1	Dehiscencia pôrodnicej rany hrádze	2	2
O44.10	Nízko uložená placenta s prebiehajúcim krvácaním	1,2	2	O90.3	Kardiomyopatia v šestonedelí	2	2
O44.11	Placenta praevia s prebiehajúcim krvácaním	1,2	2				

CCL

ICD	Text	OP. CCL	Med. CCL	ICD	Text	OP. CCL	Med. CCL
O90.4	Akútne poškodenie obličiek po pôrode	2	2	P76.2	Črevná nepriechod.zaprič.zahusteným mliekom	2,3,4	2,3
O98.0	TBC,kompl.graviditu,pôrod a šestonedelie	2	2	P77	Nekrotizujúca enterokolitída plodu a novorodenca	2,4	2,3
O99.0	Anémia,komplikujúca graviditu,pôrod a šestonedelie	2	2	P90	Krčče [konvulzie] u novorodenca	1,2,3,4	1,2
O99.4	Choroba obeh.súst.kompl.grav.pôrod a šeston.	2	2	P91.3	Mozgová dráždivosť novorodencov	1,2	2
P07.00	Novorodenec s pôrod.hmotnosť.menej ako 500 gr.	2,3,4	1,2,3	P91.5	Kóma u novorodenca	3,4	3
P07.01	Novorodenec s pôrod.hmotnosť.od 500 do 750 gr.	2,3,4	1,2,3	P92.0	Vracanie u novorodenca	1,2	1,2,3
P07.02	Novorodenec s pôrod.hmotnosť.od 750 do 1000 gr.	2,3,4	1,2,3	P92.1	Regurgitácia a ruminácia u novorodenca	2,3,4	2,3
P07.2	Novorodenec s extrémnou nezrelosťou	2,3,4	1,2,3	P92.2	Pomalý príjem potravy u novorodenca	1,2	1,2,3
P11.50	Pôrodné poran.chrbtice a miechy s akút. ochrnutím	2,4	2,3	P92.3	Podvýživa (znižený príjem potravy) u novorodenca	2,3,4	2,3
P11.51	Pôrodné poran.chrbtice a miechy s chron.ochrnutím	2,4	2,3	P92.4	Nadmerná výživa u novorodenca	2,3,4	2,3
P11.59	Pôrodné poran.chrbtice a miechy,b.n.	2,4	2,3	P92.5	Problém s dojčením u novorodenca	2,3,4	2,3
P21.0	Ťažká pôrodná asfyxia	1,2	2	P94.0	Prechodná myasthenia gravis u novorodenca	2,3	1,2,3
P27.0	Wilsonov-Mikityho syndróm	2,3	2	Q00.0	Anencefália	3,4	3
P27.1	Bronchopulmonálna dysplázia so vznik.v perin.obd.	2,3	2	Q00.1	Kraniorachischíza	3,4	3
P27.8	Iná chronická respirač.chor.so vznik.v perinat.obd.	2,3	2	Q00.2	Iniencefália	3,4	3
P27.9	Bliž.neurč.chron.respirač.choroba so vznikom v perinat.období	2,3	2	Q01.0	Čelová encefalokéla	3,4	3
P35.0	Rubeolová embryopatia	2,4	2	Q01.1	Nosovočelová encefalokéla	3,4	3
P35.1	Vrodená cytomegalovírusová infekcia	2,4	2	Q01.2	Okcipitálna encefalokéla	3,4	3
P35.2	Vrodená infekcia vírusom herpes simplex	2	2	Q01.8	Encefalokéla na inom mieste	3,4	3
P35.3	Vrodená vírusová hepatitída	1,2,3,4	1,2,3	Q02	Mikrocefália	3,4	3
P35.8	Iná vrodená vírusová choroba	2	2	Q03.0	Chyby mozgového mokovodu	3,4	3
P35.9	Vrodená vírusová choroba,bližšie neurčená	2	2	Q03.1	Atrézia prístredného a boč.otvoru štvrtej komory	3,4	3
P52.2	Vnútrokomorové(neúraz.)krvác.plodu a novorod.3.st.	2,3,4	1,2,3	Q03.8	Iný vrodený hydrocefalus	2,3	1,2,3
P53	Hemoragická choroba plodu a novorodenca	2,3	1,2,3	Q03.9	Vrodený hydrocefalus, bližšie neurčený	2,3	1,2,3
P55.0	Rh izoimunizácia plodu a novorodenca	2,3	1,2,3	Q04.0	Vrodená chyba corpus callosum	3,4	3
P55.1	ABO izoimunizácia plodu a novorodenca	2,3	1,2,3	Q04.1	Aniencefália	3,4	3
P55.8	Iná hemolytická choroba plodu a novorodenca	2,3	1,2,3	Q04.2	Holoprocencefália	3,4	3
P55.9	Hemolytická chor.plodu a novorod.,b.n.	2,3	1,2,3	Q04.3	Iná redukčná deformita mozgu	3,4	3
P59.1	Syndróm hustej žilce	1,2,3,4	1,2,3	Q04.4	Septooptická dysplázia	3,4	3
P59.2	Novorod.žltáčka z iného a bliž.neurč.pošk.pečeňových buniek	1,2,3,4	1,2,3	Q04.5	Megalencefália	3,4	3
P60	Diseminovaná intravaskulárna koagul.plodu a novorod.	2,3	1,2,3	Q04.6	Vrodená cysta mozgu	3,4	3
P61.0	Prechodná novorodenecká trombocytopénia	2,3	1,2,3	Q05.0	Krčná spina bifida s hydrocefalom	3,4	3
P61.6	Iná prechodná novorodenecká porucha zrážania	2,3	1,2,3	Q05.1	Hrudníková spina bifida s hydrocefalom	3,4	3
P70.2	Diabetes mellitus u novorodenca	2	2,3	Q05.2	Drieková spina bifida s hydrocefalom	3,4	3
P70.3	Iatrogénna hypoglykémia u novorodenca	2,3	2	Q05.3	Krížová spina bifida s hydrocefalom	3,4	3
P70.4	Iná hypoglykémia u novorodenca	2,3	2	Q05.4	Spina bifida s hydrocefalom,b.n.	3,4	3
P71.0	Hypokalcémia z kravského mlieka u novorodenca	2,3,4	2,3	Q05.5	Krčná spina bifida bez hydrocefalu	3,4	3
P71.1	Iná hypokalcémia u novorodenca	2,3,4	2,3	Q05.6	Hrudníková spina bifida bez hydrocefalu	3,4	3
P71.2	Hypomagneziémia u novorodenca	2,3,4	2,3	Q05.7	Drieková spina bifida bez hydrocefalu	3,4	3
P71.3	Novorod.tetania bez nedost.kalcia/magnézia	2,3,4	2,3	Q05.8	Krížová spina bifida bez hydrocefalu	3,4	3
P71.4	Prechodná hypoparatyreóza u novorodenca	2,3,4	2,3	Q05.9	Spina bifida (rázštep chrbtice),bližšie neurčená	1,2	2
P71.8	Iná prech.porucha metabol.vápnika a horčika u novorod.	2,3,4	2,3	Q06.0	Amyélie	3,4	3
P71.9	Prechodná porucha metabol.vápnika a horčika u novorod.,b.n.	2,3,4	2,3	Q06.1	Hypoplázia a dysplázia miechy	3,4	3
P72.0	Struma u novorodenca,nezatriedená inde	2,3,4	2,3	Q06.2	Diastematomyélie	3,4	3
P74.0	Neskorá metabolická acidóza u novorodenca	2,3,4	2,3	Q06.3	Iná vrodená chyba konského chvosta (cauda equina)	3,4	3
P74.1	Dehydratácia u novorodenca	2,3,4	2,3	Q06.4	Hydromyélie	3,4	3
P74.2	Porucha rovnováhy sodíka u novorodenca	2,3,4	2,3	Q06.8	Iná vrodená chyba miechy,bližšie určená	3,4	3
P74.3	Porucha rovnováhy draslíka u novorodenca	2,3,4	2,3	Q07.0	Arnoldov-Chiariho syndróm	3,4	3
P74.4	Iná prechodná elektrolytová porucha u novorodenca	2,3,4	2,3	Q07.8	Iná vrodená chyba nervovej sústavy,bližšie určená	3,4	3
				Q11.0	Cystická očná guľa	3,4	3
				Q11.1	Iný anoftalmus	3,4	3
				Q11.2	Mikroftalmus	3,4	3
				Q11.3	Makroftalmus	3,4	3
				Q20.0	Spoločný tepnový kmeň [truncus arteriosus communis]	3,4	3
				Q20.1	Dvojvrtková pravá komora	3,4	3
				Q20.2	Dvojvrtková ľavá komora	3,4	3
				Q20.3	Nezhodné [diskordantné] komorovotepnové spojenie	3,4	3
				Q20.4	Dvojvrtková komora	3,4	3

ICD	Text	OP. CCL	Med. CCL	ICD	Text	OP. CCL	Med. CCL
Q20.5	Nezhodné (diskordantné) predsieňovokomorové spojenie	3,4	3	Q28.30	Vrodená aneuryzma cerebrálnych ciev	3,4	3
Q20.6	Súmernosť [izomerizmus] predsieňových ušík	3,4	3	Q28.31	Vrodená fistula cerebrálnych ciev	3,4	3
Q20.8	Iná vrodená chyba srdcových dutín a ich spojení	3,4	3	Q31.0	Diafragma hrtana	3,4	3
Q20.9	Vrod.chyba srdcových dutín a ich spojení,b.n.	3,4	3	Q31.1	Vrodená subglotická stenóza	3,4	3
Q21.0	Defekt medzikomorovej priehradky	3,4	3	Q31.2	Hypoplázia hrtana	3,4	3
Q21.2	Defekt predsieňovo-komorovej priehradky	3,4	3	Q31.3	Laryngokéla	3,4	3
Q21.3	Fallotova tetralógia	3,4	3	Q31.5	Vrodená laryngomalácia	3,4	3
Q21.4	Defekt aortopulmonálneho septa	3,4	3	Q31.8	Iná vrodená chyba hrtana	3,4	3
Q21.80	Fallotova pentalógia	3,4	3	Q32.0	Vrodená tracheomalácia	3,4	3
Q21.88	Iná vrodená chyba srdcových priehradiek	3,4	3	Q32.1	Iná vrodená chyba priedušnice	3,4	3
Q22.0	Atrézia pulmonálnej chlopne	3,4	3	Q32.2	Vrodená malácia priedušky	3,4	3
Q22.1	Vrodené zúženie pulmonálnej chlopne	3,4	3	Q32.3	Vrodené zúženie priedušky	3,4	3
Q22.2	Vrodená pulmonálna insuficiencia	1,2,3	1,2	Q32.4	Iná vrodená chyba priedušiek	3,4	3
Q22.3	Iná vrodená chyba pulmonálnej chlopne	1,2,3	1,2	Q33.0	Vrodené cystické pľúca	3,4	3
Q22.4	Vrodená trikuspidálna stenóza	1,2,3	1,2	Q33.1	Pridavný lalok pľúc	3,4	3
Q22.5	Ebsteinova anomália	2,3	2,3	Q33.2	Sekvestrácia pľúc	3,4	3
Q22.6	Hypoplastický pravokomorový syndróm	3,4	3	Q33.3	Nevyvinutie pľúc	3,4	3
Q22.8	Iná vrodená chyba trikuspidálnej chlopne	1,2,3	1,2	Q33.4	Vrodené bronchiektázie	3,4	3
Q22.9	Vrod.chyba trikuspidálnej chlopne,b.n.	1,2,3	1,2	Q33.5	Ektopické tkanivo v pľúcach	3,4	3
Q23.0	Vrodená aortálna stenóza	3,4	3	Q33.6	Hypoplázia a dysplázia pľúc	3,4	3
Q23.1	Vrodená aortálna insuficiencia	1,2,3	1,2	Q33.8	Iná vrodená chyba pľúc	3,4	3
Q23.2	Vrodená mitrálna stenóza	1,2,3	1,2	Q35.1	Rázštep tvrdého podnebia	3,4	3
Q23.3	Vrodená mitrálna insuficiencia	1,2,3	1,2	Q35.5	Rázštep tvrdého podnebia s rázštep.mäkk. podn.	3,4	3
Q23.4	Hypoplastický ľavokomorový syndróm	3,4	3	Q37.0	Rázštep tvrd.podnebia s obojstr.rázštep.pery	3,4	3
Q23.8	Iná vrodená chyba aortálnej a mitrálnej chlopne	1,2,3	1,2	Q37.1	Rázštep tvrd.podnebia s jednostr.rázštep.pery	3,4	3
Q23.9	Vrod.hyba aortálnej a mitrálnej chlopne,b.n.	1,2,3	1,2	Q37.2	Rázštep mäkk.podnebia s obojstr.rázštep.pery	3,4	3
Q24.0	Dextrokardia	3,4	3	Q37.3	Rázštep mäkk.podnebia s jednostr.rázštep.pery	3,4	3
Q24.1	Levokardia	3,4	3	Q37.4	Rázštep tvrd.a mäkk.podnebia s obojstr.rázštep.pery	3,4	3
Q24.2	Cor triatriatum (trojpredsieňové srdce)	3,4	3	Q37.5	Rázštep tvrd.a mäkk.podnebia s jednostr.rázštep.pery	3,4	3
Q24.3	Infundibulárna stenóza pľúcnice	3,4	3	Q39.0	Atrézia pažeráka bez fistuly	3,4	3
Q24.4	Vrodená subaortálna stenóza	1,2,3	1,2	Q39.1	Atrézia pažeráka s fistulou medzi priedušn.a pažerákom	3,4	3
Q24.6	Vrodená srdcová blokáda	3,4	3	Q39.2	Vrod.fistula m.priedušn.a pažerákom bez atrézie	3,4	3
Q25.0	Otvorený tepnový spoj [Ductus arteriosus patens]	3,4	3	Q39.4	Pažeráková membrána	2,4	2,3
Q25.1	Koarktácia aorty	3,4	3	Q40.0	Vrodená hypertrofická pylorostenóza	3,4	3
Q25.2	Atrézia aorty	3,4	3	Q41.0	Vrodené chýbanie,atrézia a stenóza dvanástnika	3,4	3
Q25.3	Stenóza aorty	1,2,3	1,2	Q41.1	Vrodené chýbanie,atrézia a stenóza jejúna	3,4	3
Q25.5	Atrézia pľúcnej tepny	3,4	3	Q41.2	Vrodené chýbanie,atrézia a stenóza ilea	3,4	3
Q25.6	Stenóza pľúcnej tepny	3,4	3	Q41.8	Vrod.chýbanie,atrézia a stenóza bliž.urč.častí ten.čreva	3,4	3
Q25.7	Iná vrodená chyba pľúcnej tepny	3,4	3	Q42.0	Vrod.chýbanie,atrézia a stenóza konečníka s fistulou	3,4	3
Q26.0	Vrodená stenóza dutej žily	3,4	3	Q42.1	Vrod.chýbanie,atrézia a stenóza konečníka bez fistuly	3,4	3
Q26.1	Pretrvávajúca ľavá horná dutá žila	3,4	3	Q42.2	Vrod.chýbanie,atrézia a stenóza anusu s fistulou	3,4	3
Q26.2	Kompletný anomálny návrat pľúcnych žíl	3,4	3	Q42.3	Vrod.chýbanie,atrézia a stenóza anusu bez fistuly	3,4	3
Q26.3	Čiastočný anomálny návrat pľúcnych žíl	3,4	3	Q42.8	Vrod.chýbanie,atrézia a stenóza č.hrub.čreva	3,4	3
Q26.4	Anomálny návrat pľúcnych žíl,blížšie neurčený	3,4	3	Q42.9	Vrod.chýbanie,atrézia a stenóza bliž.neurč.č.hrub.čreva	3,4	3
Q26.5	Anomálny návrat v. portae	3,4	3	Q43.1	Hirschprungova choroba	3,4	3
Q26.6	Fistula medzi v. portae a a.hepatica	3,4	3	Q43.40	Zdvojenie tenkého čreva	3,4	3
Q27.0	Vrodené chýbanie a hypoplázia pupkovej tepny	3,4	3	Q43.41	Zdvojenie hrubého čreva	3,4	3
Q28.00	Vrod.artériovenózna aneuryzma precerebrálnych ciev	3,4	3	Q43.42	Zdvojenie rekta	3,4	3
Q28.01	Vrodená artériovenózna fistula precerebrálnych ciev	3,4	3	Q43.5	Ektopický anus	3,4	3
Q28.08	Iná vrod.artériovenózna chyba precerebrálnych ciev	3,4	3	Q43.6	Vrodená fistula rekta a anusu	3,4	3
Q28.10	Vrodená aneuryzma precerebrálnych ciev	3,4	3	Q43.7	Pretrvávajúca kloaka	3,4	3
Q28.11	Vrodená fistula precerebrálnych ciev	3,4	3	Q44.0	Agenéza,aplázia a hypoplázia žľčníka	3,4	3
Q28.18	Iná vrodená chyba precerebrálnych ciev	3,4	3	Q44.2	Atrézia žľčových ciest	3,4	3
Q28.20	Vrodená artériovenózna aneuryzma cerebrálnych ciev	3,4	3	Q44.3	Vrodené stenóza alebo striktúra žľčových ciest	3,4	3
Q28.21	Vrodená artériovenózna fistula cerebrálnych ciev	3,4	3				
Q28.28	Iná vrodená artériovenózna chyba cerebrálnych ciev	3,4	3				

CCL

ICD	Text	OP. CCL	Med. CCL	ICD	Text	OP. CCL	Med. CCL
Q44.4	Cysta žľčovodu	3,4	3	Q72.0	Vrod.kompletné chýbanie DK (končatín)	3,4	3
Q44.5	Iná vrodená chyba žľčových ciest	2,3,4	2,3	Q72.1	Vrod.chýbanie stehna a predkolenia s prítomnou nohou	3,4	3
Q44.6	Cystická choroba pečene	3,4	3	Q72.2	Vrodené chýbanie predkolenia a nohy	3,4	3
Q45.0	Agenéza, aplázia a hypoplázia podžalúdkovej žľazy	3,4	3	Q72.3	Vrodené chýbanie nohy a prstov	3,4	3
Q50.0	Vrodené chýbanie vaječníka	3,4	3	Q72.4	Skrátenie stehnovej kosti	3,4	3
Q50.2	Vrodená torzia vaječníka	3,4	3	Q72.5	Skrátenie píšťaly	3,4	3
Q51.0	Agenéza a aplázia maternice	3,4	3	Q72.6	Skrátenie ihlice	3,4	3
Q51.1	Dvojitá maternica s dvoj.krčkom a dvoj.pošvou	3,4	3	Q72.7	Rázštep nohy	3,4	3
Q51.2	Iné zdvojenie maternice	3,4	3	Q72.8	Iný redukčný defekt dolnej končatiny (končatín)	3,4	3
Q51.5	Agenéza a aplázia krčka maternice	3,4	3	Q74.3	Arthrogryposis multiplex congenita	3,4	3
Q51.7	Vrod. fistula medzi maternicou, tráviacim a moč.traktom	3,4	3	Q75.0	Kraniosynostóza	3,4	3
Q52.0	Vrodené chýbanie pošvy	3,4	3	Q75.1	Kraniofaciálna dyzostóza	3,4	3
Q52.1	Zdvojenie pošvy	3,4	3	Q75.2	Hypertelizmus	3,4	3
Q52.2	Vrodená fistula medzi konečníkom a pošvou	3,4	3	Q75.3	Makrocefália	3,4	3
Q54.0	Hypospádia žaluďa [balanická]	3,4	3	Q75.4	Mandibulofaciálna dyzostóza	3,4	3
Q54.1	Hypospádia penisu [penilná]	3,4	3	Q75.5	Okulomandibulárna dyzostóza	3,4	3
Q54.2	Hypospádia penisu a skróta [penoskrotálna]	3,4	3	Q75.8	Iná vrod.chyba kostí lebky a tvárových kostí, b.u.	3,4	3
Q54.3	Hypospádia perineálna	3,4	3	Q76.1	Klippelov-Feilov syndróm	3,4	3
Q55.0	Chýbanie a aplázia semenníka	3,4	3	Q76.3	Vrodená skolióza zapríčinená vrodenou chybou kostí	3,4	3
Q55.1	Hypoplázia semenníka a mieška	3,4	3	Q77.0	Achondrogenéza	3,4	3
Q55.3	Atrézia semenovodu	3,4	3	Q77.1	Letálny nanizmus	3,4	3
Q55.4	Iná vrod.chyba semenov., nadsemen., semen.vač.a prostaty	3,4	3	Q77.2	Syndróm krátkeho rebra	3,4	3
Q55.5	Vrodené chýbanie a aplázia penisu	3,4	3	Q77.3	Chondrodysplasia punctata	3,4	3
Q55.6	Iná vrodená chyba penisu	3,4	3	Q77.4	Achondroplázia	3,4	3
Q56.0	Hermafroditizmus, nezatriedený inde	3,4	3	Q77.5	Diastrofická dysplázia	3,4	3
Q56.1	Mužský pseudohermafroditizmus, nezatriedený inde	3,4	3	Q77.6	Chondroektodermálna dysplázia	3,4	3
Q56.2	Ženský pseudohermafroditizmus, nezatriedený inde	3,4	3	Q77.7	Spondyloepifyzová dysplázia	3,4	3
Q56.3	Pseudohermafroditizmus, bližšie neurčený	3,4	3	Q77.8	Iná osteochondrodyspl.s por.rastu dlhých kostí a chrbt.	3,4	3
Q56.4	Neurčité pohlavie, bližšie neurčené	3,4	3	Q78.0	Osteogenesis imperfecta	3,4	3
Q60.1	Obojstranná agenéza obličky	3,4	3	Q78.1	Polyostotická fibrózna dysplázia	3,4	3
Q60.6	Potterovej syndróm	3,4	3	Q78.2	Osteopetróza	3,4	3
Q61.1	Polycystické obličky, autozomálne recesívne	3,4	3	Q78.3	Progresívna diafyzová dysplázia	3,4	3
Q61.2	Polycystické obličky, autozomálne dominantné	3,4	3	Q78.4	Enchondromatóza	3,4	3
Q62.0	Vrodená hydronefróza	3,4	3	Q78.5	Metafyzová dysplázia	3,4	3
Q62.1	Atrézia a vrodená stenóza močovodu	3,4	3	Q78.6	Mnohopočetné vrodené exostózy	3,4	3
Q62.2	Vrodený megaureter	3,4	3	Q78.8	Iná osteochondrodysplázia, bližšie určená	3,4	3
Q62.3	Iná obštrukčná chyba obličkovej panvičky a močovodu	3,4	3	Q79.0	Vrodená diafragmatická hernia (bránicová prietrž)	3,4	3
Q62.4	Agenéza močovodu	3,4	3	Q79.1	Iná vrodená chyba bránice	3,4	3
Q62.7	Vrodený veziko-uretero-renálny reflux	3,4	3	Q79.2	Exomfalus	3,4	3
Q64.0	Epispádia	3,4	3	Q79.3	Gastroschíza	3,4	3
Q64.1	Exstrofia močového mechúra	3,4	3	Q79.4	Agenéza brušných svalov [Prune belly syndróm]	3,4	3
Q64.4	Chyba urachu [prvomočovodu]	3,4	3	Q79.6	Ehlersov-Danlosov syndróm	3,4	3
Q64.5	Vrodené chýbanie mechúra a močovej rúry	3,4	3	Q79.8	Iná vrodená chyba svalov a kostí	3,4	3
Q65.0	Jednostranné vrodené vyklbenie bedra	3,4	3	Q81.0	Jednoduchá bulózna epidermolýza	3,4	3
Q65.1	Obojstranné vrodené vyklbenie bedra	3,4	3	Q81.1	Letálna bulózna epidermolýza	3,4	3
Q65.3	Jednostranná vrodená sublúxácia bedra	3,4	3	Q81.2	Dystrofická bulózna epidermolýza	3,4	3
Q65.4	Obojstranná vrodená sublúxácia bedra	3,4	3	Q81.8	Iná bulózna epidermolýza	3,4	3
Q65.6	Nestabilné bedro	3,4	3	Q85.0	Neurofibromatóza (benígna)	3,4	3
Q67.2	Dolichocefália	3,4	3	Q85.1	Tuberózna skleróza	3,4	3
Q67.3	Plagiocefália	3,4	3	Q85.8	Iná fakomatóza, nezatriedená inde	3,4	3
Q71.0	Vrod.kompletné chýbanie HK (končatín)	3,4	3	Q86.0	Alkoholový syndróm plodu (dysmorfický)	3,4	3
Q71.1	Vrod.chýbanie ramena a predlaktia s prítomnosťou ruky	3,4	3	Q86.1	Hydantoínový syndróm plodu	3,4	3
Q71.2	Vrodené chýbanie predlaktia a ruky	3,4	3	Q86.2	Dysmorfizmus, zapríčinený warfarínom	3,4	3
Q71.3	Vrodené chýbanie ruky a prsta (prstov)	3,4	3	Q86.8	Iný syndróm vrod.chýb zapríč.známymi vonk.príčinami	3,4	3
Q71.4	Pozdĺžny redukčný defekt vretenovitej kosti (radius)	3,4	3	Q87.0	Syndróm vrod.chýb postih.najmä výzor tváre	3,4	3
Q71.5	Skrátenie lakt'ovej kosti	3,4	3	Q87.1	Syndróm vrod.chýb spojený najmä s nízkym vzrastom	3,4	3
Q71.6	Klepetovitá ruka	3,4	3	Q87.2	Syndrómy vrodených chýb zahŕňajúce najmä končatiny	3,4	3
Q71.8	Iný redukčný defekt hornej končatiny (končatín)	3,4	3				

ICD	Text	OP. CCL	Med. CCL	ICD	Text	OP. CCL	Med. CCL
Q87.3	Syndróm vrod.chýb zahŕňajúci skorý nadmerný rast	3,4	3	Q97.3	Ženský fenotyp s karyotypom 46,XY	3,4	3
Q87.4	Marfanov syndróm	3,4	3	Q97.8	Iná abnormál.pohlav.chromoz.so žensk.fenotypom,b.u.	3,4	3
Q87.5	Iné syndrómy vrodených chýb s inými zmenami kostí	3,4	3	Q98.0	Klinefelterov syndróm karyotyp 47,XXY	3,4	3
Q87.8	Iné syndróm vrodených chýb,nezat.inde.,b.u.	3,4	3	Q98.1	Klinefelterov syndróm.muž.fenotyp s viac ako dvoma chromoz.X	3,4	3
Q89.4	Spojené (zrastené) dvojčatá	3,4	3	Q98.2	Klinefelterov syndróm muž.fenotyp s karyotypom 46,XX	3,4	3
Q90.0	Trizómia 21,meiotická nondisjunkcia	3,4	3	Q98.3	Iný mužský fenotyp s karyotypom 46,XX	3,4	3
Q90.1	Trizómia 21,mozaicizmus (mitotická nondisjunkcia)	3,4	3	Q98.5	Karyotyp 47,XYY	3,4	3
Q90.2	Trizómia 21,translokácia	3,4	3	Q98.6	Mužský fenotyp so štruktúrnou abnormal.pohl.chromoz.	3,4	3
Q90.9	Downov syndróm,blížšie neurčený	3,4	3	Q98.7	Mužský fenotyp s mozaicizmom pohlavných chromozómov	3,4	3
Q91.0	Trizómia 18,meiotická nondisjunkcia	3,4	3	Q98.8	Iná abnorml.pohlav.chromoz.s mužsk.fenotypom,b.u.	3,4	3
Q91.1	Trizómia 18,mozaicizmus (mitotická nondisjunkcia)	3,4	3	Q99.0	Chiméra 46,XX/46,XY	3,4	3
Q91.2	Trizómia 18,translokácia	3,4	3	Q99.1	Pravý hermafrodit 46,XX	3,4	3
Q91.3	Edwardsov syndróm,blížšie neurčený	3,4	3	Q99.2	Fragilný chromozóm X	3,4	3
Q91.4	Trizómia 13,meiotická nondisjunkcia	3,4	3	Q99.8	Iná chromozómová abnormalita,blížšie určená	3,4	3
Q91.5	Trizómia 13,mozaicizmus (mitotická nondisjunkcia)	3,4	3	R04.2	Hemoptýza	1,2	1,2
Q91.6	Trizómia 13,translokácia	3,4	3	R04.8	Krvácanie z iných miest v dýchacích cestách	1,2	1,2
Q91.7	Patauov syndróm,blížšie neurčený	3,4	3	R04.9	Krvácanie z dýchacích ciest,blížšie neurčené	1,2	1,2
Q92.0	Kompletná chromoz.trizómia,meiotická nondisjunkcia	3,4	3	R09.2	Zastavenie dýchania	3,4	1,3
Q92.1	Kompletná chromoz.trizómia,mozaicizmus	3,4	3	R15	Inkontinencia stolice	1	1
Q92.2	Veľká čiastočná trizómia	3,4	3	R18	Ascites	1,2,3	1,2,3
Q92.3	Malá čiastočná trizómia	3,4	3	R29.0	Tetania	2,3,4	2,3
Q92.4	Duplikácie viditeľné iba v prometafáze	3,4	3	R31	Hematúria,blížšie neurčená	1,2	1,2
Q92.5	Duplikácie s inou komplexnou prestavbou	3,4	3	R40.2	Kóma, blížšie neurčená	3,4	3
Q92.6	Nadpočetné (marker) chromozómy	3,4	3	R47.0	Dysfázia a afázia	1	1
Q92.7	Triploidia a polyploidia	3,4	3	R47.1	Dysartria a anartria	1,2	1,2
Q92.8	Iná trizómia a čiast.trizómia autozómov,n.i.	3,4	3	R47.8	Iná a blížšie neurčená porucha reči	1	1
Q93.0	Kompletná chromoz. monozómia,meiotická nondisjunkcia	3,4	3	R56.0	Febrilné krčce	1,2	1,2
Q93.1	Kompletná chromoz.monozómia,mozaicizmus	3,4	3	R56.8	Iné krčce,blížšie neurčené	1	1
Q93.2	Prsteňovitý alebo dicentrický chromozóm	3,4	3	R57.0	Kardiogénny šok	2,3,4	2,3
Q93.3	Delécia krátkeho ramena chromozómu 4	3,4	3	R57.1	Hypovolemický šok	3,4	3
Q93.4	Delécia krátkeho ramena chromozómu 5	3,4	3	R57.2	Septický šok	3,4	3
Q93.5	Iná delécia časti chromozómu	3,4	3	R57.8	Iný šok	3,4	2,3
Q93.6	Delécia viditeľná iba v prometafáze	3,4	3	R57.9	Šok,blížšie neurčený	2,3,4	2,3
Q93.7	Delécia s inou komplexnou prestavbou	3,4	3	R58	Krvácanie, nezatriedené inde	1,2,3	1,2
Q93.8	Iná delécia autozómov	3,4	3	R63.3	Ťažkosti s výživou a nesprávne usmerňovanie výživy	0,1,2	0,1,2
Q95.0	Vyvážená translokácia a inercia u normálneho jednotlivca	3,4	3	R64	Kachexia (vycivenosť)	1,2,3	1,2,3
Q95.1	Chromozómová inverzia u normálneho jednotlivca	3,4	3	R65.0	SIRS infekčného pôvodu bez orgánového zlyh.	3,4	1,3
Q95.2	Vyváž.autozóm.prestavba u abnormál.jednotlivca	3,4	3	R65.1	SIRS infekčnej genézy s orgánovým zlyh.	3,4	1,3
Q95.3	Vyváž.prest.medzi pohlav.a autozóm.chromoz.u abn.jednotlivca	3,4	3	R65.2	SIRS neinfekčnej genézy bez orgánového zlyh.	3,4	1,3
Q95.4	Jednotlivec s nadpočetným (marker) heterochromatínom	3,4	3	R65.3	SIRS neinfekčnej genézy s orgánovým zlyh.	3,4	1,3
Q95.5	Jednotlivec s fragilnými miestami na autozómoch	3,4	3	R65.9	Syndróm systémovej zápalovej odpovede (SIRS),bliž.neurč.	3,4	1,3
Q95.8	Iné vyváž.prestavba a štrukt.markery (abn.chromozómy)	3,4	3	R82.0	Chylúria	2,3	2,3
Q96.0	Karyotyp 45,X	3,4	3	R82.1	Myoglobinúria	2,3,4	2,3
Q96.1	Karyotyp 46,X izo (Xq)	3,4	3	S02.0	Zlomenina lebkovej klenby	2,3	2
Q96.2	Karyotyp 46,X s pat.pohl.chrom.,s výnimkou izo (Xq)	3,4	3	S02.1	Zlomenina spodiny lebky	2,3	2
Q96.3	Mozaicizmus, 45,X/46, XX alebo XY	3,4	3	S02.2	Zlomenina spodiny očnice	1,2,3,4	1,2
Q96.4	Mozaicizmus,45,X/i.bunková línia (e)s pat.pohl.chromoz.	3,4	3	S02.4	Zlomenina jarmovej kosti a hornej čeluste	2,3	2,3
Q96.8	Iný variant Turnerovho syndrómu	3,4	3	S02.60	Zlomenina sánky: blížšie neurčená časť	2,3	2,3
Q97.0	Karyotyp 47,XXX	3,4	3	S02.61	Zlomenina sánky: processus condylaris	2,3	2,3
Q97.1	Ženský fenotyp s viac ako troma chromozómami X	3,4	3	S02.62	Zlomenina sánky: subkondylóva	2,3	2,3
Q97.2	Mozaicizmus, línie s rozličným počtom X chromozómov	3,4	3	S02.63	Zlomenina sánky: processus coronoideus	2,3	2,3
				S02.64	Zlomenina sánky: ramus mandibulae, blížšie neurčený	2,3	2,3
				S02.65	Zlomenina sánky: angulus mandibulae	2,3	2,3
				S02.66	Zlomenina sánky: symphysis mandibulae	2,3	2,3
				S02.67	Zlomenina sánky: pars alveolaris	2,3	2,3
				S02.68	Zlom.sánky:corpus mandibulae,iné a blížšie neurčené časti	2,3	2,3
				S02.69	Zlomenina sánky: viaceré časti	2,3	2,3

ICD	Text	OP. CCL	Med. CCL	ICD	Text	OP. CCL	Med. CCL
S02.7	Viacere zlomeniny lebky a tvárových kostí	2,3	2	S13.17	Vykĺbenie krčného stavca v úrovni C7/Th1	2,3	2
S02.8	Zlomenina inej kosti lebky a tváre	2,3	2	S13.18	Vykĺbenie krčného stavca v inej úrovni	2,3	2
S02.9	Zlomenina kosti lebky a tváre, bližšie neurčená časť	1,2,3	1,2	S13.2	Vykĺbenie inej a bližšie neurčenej časti krku	2,3	2
S05.2	Tržná rana, roztrhnutie oka s prolapsom/stratou vnútrooč. tk.	1,2,3,4	1,2	S13.3	Viacere vykĺbenia v oblasti krku	2,3	2
S05.3	Tržná rana oka bez prolapsu al. straty vnútroočného tkaniva	1,2,3,4	1,2	S14.0	Otras a opuch krčnej miechy	2,4	2,3
S05.4	Penetrujúca rana očné s cudzím telesom/bez cudzieh. telesa	1,2,3,4	1,2	S14.10	Poranenie krčnej miechy, bližšie neurčené	2,4	2,3
S05.7	Avulzia (vytrhnutie) oka	1,2,3,4	1,2	S14.11	Kompletné priečne poranenie krčnej miechy	2,4	2,3
S05.8	Iné poranenie oka a očné	1,2,3,4	1,2	S14.12	Poranenie centr. časti krč. miechy (nekompletné prieč. poranenie)	2,4	2,3
S06.1	Poúrazový opuch mozgu	2,3,4	2	S14.13	Iné nekompletné priečne poranenie krčnej miechy	2,4	2,3
S06.20	Difúzne poranenie mozgu a mozočka, bližšie neurčené	2,3,4	2	S14.2	Poranenie krčného nervového koreňa	2	2
S06.21	Difúzne pomliaždenie mozgu	2,3,4	2	S14.3	Poranenie plexus brachialis	2	2
S06.22	Difúzne pomliaždenie mozočka	2,3,4	2	S14.70	Funkčná úroveň pri poranení krčnej miechy; bližšie neurčená	2,4	2,3
S06.23	Viacere vnútro mozgové a mozočkové hematómy	2,3,4	2	S14.71	Funkčná úroveň pri poranení krčnej miechy: C1	2,4	2,3
S06.28	Iné difúzne poranenie mozgu a mozočka	2,3,4	2	S14.72	Funkčná úroveň pri poranení krčnej miechy: C2	2,4	2,3
S06.30	Ložiskové poranenie mozgu a mozočka; bližšie neurčené	2,3,4	2	S14.73	Funkčná úroveň pri poranení krčnej miechy: C3	2,4	2,3
S06.31	Ložiskové pomliaždenie mozgu	2,3,4	2	S14.74	Funkčná úroveň pri poranení krčnej miechy: C4	2,4	2,3
S06.32	Ložiskové pomliaždenie mozočka	2,3,4	2	S14.75	Funkčná úroveň pri poranení krčnej miechy: C5	2,4	2,3
S06.33	Ložiskový hematóm mozgu	2,3,4	2	S14.76	Funkčná úroveň pri poranení krčnej miechy: C6	2,4	2,3
S06.34	Ložiskový hematóm mozočka	2,3,4	2	S14.77	Funkčná úroveň pri poranení krčnej miechy: C7	2,4	2,3
S06.38	Iné ložiskové poranenie mozgu a mozočka	2,3,4	2	S14.78	Funkčná úroveň pri poranení krčnej miechy: C8	2,4	2,3
S06.4	Epidurálne krvácanie	2,3,4	2	S15.00	Poranenie a. carotis, časť bližšie neurčená	2,3	2
S06.5	Subdurálne krvácanie po úraze	2,3,4	2	S15.01	Poranenie a. carotis communis	2,3	2
S06.6	Subarachnoidálne krvácanie po úraze	2,3,4	2	S15.02	Poranenie a. carotis externa	2,3	2
S06.70	Bezvedomie pri poranení lebky a mozgu, menej ako 30 min.	1,2	1,2	S15.03	Poranenie a. carotis interna	2,3	2
S06.71	Bezvedomie pri poranení lebky a mozgu, 30 min. až 24 hod.	2,3,4	2	S15.1	Poranenie a. vertebralis	2,3	2
S06.72	Bezvedom. s poran. lebky a mozgu, viac ako 24 h, návrat pôv. st. v.	2,3,4	2	S15.2	Poranenie v. jugularis externa	2,3	2
S06.73	Bezvedom., poranenie leb. a mozgu, >24 hod., bez náv. p. s. v.	2,3,4	2	S15.3	Poranenie v. jugularis interna	2,3	2
S06.79	Bezvedomie pri poranení lebky a mozgu bliž. neurčeného trvania	1,2	1,2	S15.7	Poranenie viacerých krvných ciev v úrovni krku	2,3	2
S06.8	Iné vnútrolebkové poranenie	2,3,4	2	S15.8	Poranenie iných krvných ciev v úrovni krku	2,3	2
S07.0	Drvivé poranenie tváre	2,3	2	S15.9	Poranenie krvných ciev v úrovni krku, bližšie neurčených	2,3	2
S07.1	Drvivé poranenie lebky	2,3	2	S17.0	Drvivé poranenie hrtana a priedušnice	2,3	2
S07.8	Drvivé poranenie iných častí hlavy	2,3	2	S17.8	Drvivé poranenie inej časti krku	2,3	2
S07.9	Drvivé poranenie hlavy, časť bližšie neurčená	2,3	2	S17.9	Drvivé poranenie bližšie neurčenej časti krku	2,3	2
S08.8	Úrazová amputácia inej časti hlavy	2,3	2	S22.00	Zlomenina hrudníkového stavca, úroveň bližšie neurčená	2,3	2
S09.0	Poranenie cievy hlavy, nezatriedené inde	2,3	2	S22.01	Zlomenina hrudníkového stavca Th1 a Th2	2,3	2
S11.01	Otvorená rana hrtana	2	2	S22.02	Zlomenina hrudníkového stavca Th3 a Th4	2,3	2
S11.02	Otvorená rana krčnej časti priedušnice	2,3,4	2	S22.03	Zlomenina hrudníkového stavca Th5 a Th6	2,3	2
S12.0	Zlomenina 1. krčného stavca	2,3	2	S22.04	Zlomenina hrudníkového stavca Th7 a Th8	2,3	2
S12.1	Zlomenina 2. krčného stavca	2,3	2	S22.05	Zlomenina hrudníkového stavca Th9 a Th10	2,3	2
S12.21	Zlomenina 3. krčného stavca	2,3	2	S22.06	Zlomenina hrudníkového stavca Th11 a Th12	2,3	2
S12.22	Zlomenina 4. krčného stavca	2,3	2	S22.1	Viacere zlomeniny hrudníkovej chrbtice	2,3	2
S12.23	Zlomenina 5. krčného stavca	2,3	2	S22.2	Zlomenina mostika (sterna)	2,3,4	2
S12.24	Zlomenina 6. krčného stavca	2,3	2	S22.40	Sériová zlomenina rebier, bližšie neurčená	2,3,4	2
S12.25	Zlomenina 7. krčného stavca	2,3	2	S22.41	Sériová zlomenina rebier s postihnutím prvého rebra	2,3,4	2
S12.7	Viacere zlomeniny krčnej chrbtice	2,3	2	S22.42	Sériová zlomenina rebier s postihnutím dvoch rebier	2,3,4	2
S12.8	Zlomenina iných častí krku	2	2	S22.43	Sériová zlomenina rebier s postihnutím troch rebier	2,3,4	2
S12.9	Zlomenina krku, bližšie neurčenej časti	2	2	S22.44	Sériová zlomen. rebier s postih. štyroch a viac rebier	2,3,4	2
S13.0	Úrazové natrhnutie krčnej medzistavcovej platničky	2,3	2	S22.5	Instabilný (vlajúci) hrudník	2,3,4	2
S13.10	Vykĺbenie krčného stavca v bližšie neurčenej úrovni	2,3	2	S24.0	Otras a opuch hrudníkovej miechy	2,4	2,3
S13.11	Vykĺbenie krčného stavca v úrovni C1/C2	2,3	2	S24.10	Poranenie hrudníkovej miechy, bližšie neurčené	2,4	2,3
S13.12	Vykĺbenie krčného stavca v úrovni C2/C3	2,3	2				
S13.13	Vykĺbenie krčného stavca v úrovni C3/C4	2,3	2				
S13.14	Vykĺbenie krčného stavca v úrovni C4/C5	2,3	2				
S13.15	Vykĺbenie krčného stavca v úrovni C5/C6	2,3	2				
S13.16	Vykĺbenie krčného stavca v úrovni C6/C7	2,3	2				

ICD	Text	OP. CCL	Med. CCL	ICD	Text	OP. CCL	Med. CCL
S24.11	Kompletné priečne poranenie hrudníkovej miechy	2,4	2,3	S34.2	Poranenie driekového a krížového nervového koreňa	2	2
S24.12	Nekompletné priečne poranenie hrudníkovej miechy	2,4	2,3	S34.30	Kompletný úrazový syndróm cauda equina	2,4	2,3
S24.2	Poranenie hrudníkoveho nervového koreňa	2	2	S34.31	Nekompletný úrazový syndróm cauda equina	2,4	2,3
S24.70	Funkčná výška pri poranení hrudníkovej miechy: úroveň b.n.	2,4	2,3	S34.38	Iné a bližšie neurčené poranenie cauda equina	2,4	2,3
S24.71	Funkčná výška pri poranení hrudníkovej miechy:Th1	2,4	2,3	S34.4	Poranenie plexus lumbosacralis	2	2
S24.72	Funkčná výška pri poranení hrudníkovej miechy:Th2/Th3	2,4	2,3	S34.70	Funkčná úroveň pri poranení driekovokrížovej miechy: b.ne.	2,4	2,3
S24.73	Funkčná výška pri poranení hrudníkovej miechy:Th4/Th5	2,4	2,3	S34.71	Funkčná úroveň pri poranení driekovokrížovej miechy: L1	2,4	2,3
S24.74	Funkčná výška pri poranení hrudníkovej miechy:Th6/Th7	2,4	2,3	S34.72	Funkčná úroveň pri poranení driekovokrížovej miechy: L2	2,4	2,3
S24.75	Funkčná výška pri poranení hrudníkovej miechy:Th8/Th9	2,4	2,3	S34.73	Funkčná úroveň pri poranení driekovokrížovej miechy: L3	2,4	2,3
S24.76	Funkčná výška pri poranení hrudníkovej miechy:Th10/Th11	2,4	2,3	S34.74	Funkčná úroveň pri poranení driekovokrížovej miechy: L4	2,4	2,3
S24.77	Funkčná výška pri poranení hrudníkovej miechy:Th12	2,4	2,3	S34.75	Funkčná úroveň pri poranení driekovokrížovej miechy: L5	2,4	2,3
S25.0	Poranenie hrudníkovej aorty	2,3	2	S34.76	Funkčná úroveň pri poranení driekovokrížovej miechy: S1	2,4	2,3
S25.1	Poranenie truncus brachiocephalicus alebo a.subclavia	2,3	2	S34.77	Funkčná úroveň pri poranení driekovokrížovej miechy: S2 – S5	2,4	2,3
S25.2	Poranenie hornej dutej žily	2,3	2	S35.0	Poranenie brušnej aorty	2,3	2
S25.3	Poran. v.innominata(v.brachiocephalica)alebo v.subclavia	2,3	2	S35.1	Poranenie dolnej dutej žily	2,3	2
S25.4	Poranenie pľúcnych krvných ciev	2,3	2	S35.2	Poranenie truncus coeliacus alebo a.mesenterica	2,3	2
S25.7	Poranenie viacerých krvných ciev hrudníka	2,3	2	S35.3	Poranenie v. portae alebo v. lienalis	2,3	2
S26.0	Poran.srdca so zakrvc.do osrdcovnik.vaku	1,2,3	1,2	S35.4	Poranenie krvných ciev obličky	2,3	2
S26.81	Pomliaždenie srdca	1,2,3	1,2	S35.5	Poranenie iliakálnych krvných ciev	2,3	2
S26.82	Tržné poranenie srdca bez otvorenia srdcovej dutiny	1,2,3	1,2	S35.7	Poranenie viacerých krvných ciev brucha,drieku a panvy	2,3	2
S26.83	Tržné poranenie srdca s otvorením srdcovej dutiny	1,2,3	1,2	S36.00	Poranenie slezinybližšie neurčené	2,3,4	1,2,3
S26.9	Poranenie srdca,bližšie neurčené	1,2,3	1,2	S36.01	Hematóm sleziny	2,3,4	1,2,3
S27.0	Úrazový pneumotorax	2,3,4	2,3	S36.02	Roztrhnutie puzdra sleziny,bez väčších trhlín parenchýmu	2,3,4	1,2,3
S27.1	Úrazový hemotorax	2,3,4	2,3	S36.03	Tržné poranenie sleziny vrátane parenchýmu	2,3,4	1,2,3
S27.2	Úrazový hemopneumotorax	2,3,4	2,3	S36.04	Masívna ruptúra parenchýmu sleziny	2,3,4	1,2,3
S27.32	Tržné poranenie pľúc	2,3,4	2	S36.08	Iné poranenie sleziny	2,3,4	1,2,3
S27.4	Poranenie priedušky	2,3,4	2	S36.10	Poranenie pečene,bližšie neurčené	1,2,3,4	1,2,3
S27.5	Poranenie priedušnice v oblasti hrudníka	2,3	1,2	S36.11	Pomliaždenie a hematóm pečene	1,2,3,4	1,2,3
S27.6	Poranenie pohrudnice	2,3	1,2	S36.12	Tržné poranenie pečene,bližšie neurčené	1,2,3,4	1,2,3
S27.82	Poranenie ductus thoracicus	2,3	1,2	S36.13	Lahké tržné poranenie pečene	1,2,3,4	1,2,3
S27.83	Poranenie hrudnej časti pažeráka	2,4	2,3	S36.14	Stredne ťažké poranenie pečene	1,2,3,4	1,2,3
S27.84	Poranenie dojčenskej žlazy [týmusu]	2,3	1,2	S36.15	Ťažké tržné poranenie pečene	1,2,3,4	1,2,3
S28.0	Rozdrvený hrudník	2,3	2	S36.16	Iné poranenie pečene	1,2,3,4	1,2,3
S28.1	Úrazová amputácia časti hrudníka	2,3	2	S36.17	Poranenie žľčníka	2,3,4	2,3
S32.00	Zlomenina driekového stavca,úroveň bližšie neurčená	2,3	2	S36.18	Poranenie žľčových ciest	2,3,4	2,3
S32.01	Zlomenina driekového stavca L1	2,3	2	S36.81	Poranenie pobrušnice	2,4	2,3
S32.02	Zlomenina driekového stavca L2	2,3	2	S36.83	Poranenie retroperitonea	2,3,4	2,3
S32.03	Zlomenina driekového stavca L3	2,3	2	S36.88	Poranenie iných vnútrobrušných orgánov	2,4	2,3
S32.04	Zlomenina driekového stavca L4	2,3	2	S36.9	Poranenie bližšie neurčeného vnútrobrušného orgánu	2,4	2,3
S32.05	Zlomenina driekového stavca L5	2,3	2	S37.00	Poranenie obličky,bližšie neurčené	2,3,4	1,2
S32.1	Zlomenina krížovej kosti	2,3	2	S37.01	Pomliaždenie a hematóm obličky	2,3,4	1,2
S32.2	Zlomenina kostrče	2,3	2	S37.02	Tržné poranenie obličky	2,3,4	1,2
S32.4	Zlomenina acetabula	3,4	2,3	S37.03	Kompletná ruptúra parenchýmu obličky	2,3,4	1,2
S32.5	Zlomenina os pubis	3,4	2,3	S37.1	Poranenie močovodu	2,3,4	2,3
S32.82	Zlomenina driekovej chrbtice a krížovej kosti,bl.neurč.časť	2,3	2	S37.20	Poranenie močového mechúra,bližšie neurčené	2,3,4	2,3
S32.83	Zlomenina panvy,bližšie neurčená časť	2,3	2	S37.21	Pomliaždenie močového mechúra	2,3,4	2,3
S32.89	Zlomenina iných a viacerých častí panvy	3,4	2,3	S37.22	Roztrhnutie močového mechúra	2,3,4	2,3
S34.0	Otras a opuch driekovej časti miechy	2,4	2,3	S37.28	Iné poranenie močového mechúra	2,3,4	2,3
S34.10	Kompletné priečne poranenie driekovej časti miechy	2,4	2,3	S37.30	Poranenie močovej rúry,bližšie neurčené	2,3,4	2,3
S34.11	Nekompletné priečne poranenie driekovej časti miechy	2,4	2,3	S37.31	Poranenie močovej rúry,pars membranacea	2,3,4	2,3
S34.18	Iné poranenie driekovej časti miechy	2,4	2,3	S37.32	Poranenie močovej rúry,pars spongiosa	2,3,4	2,3
				S37.33	Poranenie močovej rúry,pars prostatica	2,3,4	2,3
				S37.38	Poranenie močovej rúry,iná časť	2,3,4	2,3
				S37.4	Poranenie vaječníka	1,2	1

ICD	Text	OP. CCL	Med. CCL	ICD	Text	OP. CCL	Med. CCL
S37.5	Poranenie vajíčkovodu	1,2	1	T02.00	Zlomeniny postih.hlavu aj krk,zatv./bez b.u.	2,3	2
S37.6	Poranenie maternice	1,2	1	T02.01	Zlomeniny postihujúce hlavu aj krk, otvorené	2,3	2
S37.7	Poranenie viacerých panvových orgánov	1,2	1,2	T04.0	Drvivé poranenie postihujúce hlavu aj krk	2,3	2
S37.81	Poranenie nadobličky	1,2	1	T04.4	Drvivé poran.postih.viac.obl.HK.aj DK	2,3	2
S37.82	Poranenie prostaty	1,2	1,2	T04.7	Drv.por.pos.hr.,bru.a konč.,/hr.,drie.a konč.,/hr.,pan.a kon.	2,3	2
S37.83	Poranenie semenného vďaka	1,2	1,2	T04.8	Drvivé poran.postih.i.komb.telesných obl.	2,3	2
S37.84	Poranenie semenovodu	1,2	1,2	T04.9	Viaceré drvivé poranenia,blížšie neurčené	2,3	2
S37.9	Poranenie bližšie neurčeného panvového orgánu	1,2	1	T05.0	Úrazová amputácia oboch rúk	2,3	2
S39.6	Poranenie vnútrobruš.orgánov s poranením panvových orgánov	1,2	1,2	T05.1	Úrazová amput.jednej ruky a druhej HK (okr.ruky)	2,3	2
S39.7	Viaceré poranenia brucha, drieku a panvy	2,3	2	T05.2	Úrazová amput.oboch HK (ktorákoľvek úr.)	2,3	2
S42.22	Zlomenina hor.konca ramennej kosti,collum chirurgicum	2,3	2	T05.3	Úrazová amputácia oboch nôh	2,3	2
S42.23	Zlomenina hor.konca ramennej kosti,collum anatomicum	2,3	2	T05.4	Úrazová amput.jednej nohy a druhej DK (okr.nohy)	2,3	2
S48.0	Úrazová amputácia v plecovom kĺbe	2,3	2	T05.5	Úrazová amput.oboch DK	2,3	2
S48.1	Úrazová amputácia v úrovni medzi plecóm a lakťom	2,3	2	T05.6	Úrazová amput.HK.aj DKv akejkoľvek komb.	2,3	2
S48.9	Úrazová amputácia v obl.pleca a ram.,úroveň b.n.	2,3	2	T06.0	Poran.mozg.a hlav.nerv.komb.s por.nerv.a miechy v úr.krku	2,4	2,3
S58.0	Úrazová amputácia v lakti	2,3	2	T06.1	Poran.nervov a miechy postih.i.viac.telesné obl.	2,4	2,3
S58.1	Úrazová amputácia medzi lakťom a zápästím	2,3	2	T06.5	Poran.vnútrohrud.aj vnútrobruš.org./vn-hrud.aj panv.org.	2,3	2
S58.9	Úraz.amput.predlak.,úroveň b.n.	2,3	2	T08.0	Zlomenina chrbtice v bliž.neuč.úrovni,zatvor./bez b.u.	2,3	2
S68.3	Kombinovaná úraz.amput.(č.)prsta (prstov)s i.č.zápäs.a ruky	2,3	2	T08.1	Zlomenina chrbtice v bliž.neuč.úrovni,otvorená	2,3	2
S68.4	Úrazová amputácia ruky v úrovni zápästia	2,3	2	T09.3	Poranenie miechy v bližšie neurčenej úrovni	2,4	2,3
S68.8	Úrazová amputácia inej časti zápästia a ruky	2,3	2	T09.4	Poran.bliž.neuč.nervu,miech.koreňa a nerv.spleti trupu	2	2
S68.9	Úraz.amput.zápäs.a ruky v b.n.úr.	2,3	2	T11.6	Úrazová amputácia HK,v bliž.neuč.úrovni	2,3	2
S72.00	Zlomenina krčka stehn.kosti,časť b.n.	2,3,4	2,3	T13.6	Úrazová amputácia DK,v bliž.neuč.úrovni	2,3	2
S72.01	Zlomenina krčka stehnovej kosti, intrakapsulárna	2,3,4	2,3	T27.1	Popálenie hrtana a priedušnice s pľúcami	3,4	3
S72.02	Zlomenina krčka stehn.kosti,prox.epifýza (rozp.epifýzy)	2,3,4	2,3	T27.5	Poleptanie hrtana a priedušnice s pľúcami	3,4	3
S72.03	Zlomenina krčka stehnovej kosti,subkapitálna	2,3,4	2,3	T79.0	Vzduchová embólia (pourazová)	1,3,4	2,3
S72.04	Zlomenina krčka stehnovej kosti,mediocervikálna	2,3,4	2,3	T79.1	Tuková embólia (pourazová)	1,3,4	2,3
S72.05	Zlomenina krčka stehnovej kosti,báza	2,3,4	2,3	T79.2	Pourazové druhotné a opakované krvácanie	1,2,4	1,2
S72.08	Zlomenina krčka stehnovej kosti,iná časť	2,3,4	2,3	T79.3	Pourazová infekcia rany,nezatriedená inde	1,2,3,4	2,3
S72.10	Zlomenina stehnovej kosti,trochanterová,b.n.	2,3,4	2,3	T79.4	Úrazový šok	1,2,4	1,2
S72.11	Zlomenina stehnovej kosti, intertrochanterová	2,3,4	2,3	T79.5	Úrazová anúria	1,3,4	2,3
S72.2	Subtrochanterová zlomenina	2,3,4	2,3	T79.7	Pourazový podkožný emfyzém	1,2,3,4	2,3
S72.3	Zlomenina diafýzy stehnovej kosti	2,3,4	2,3	T80.0	Vzduchová embólia po infúzii,transf.a liečebnej injekcii	3,4	2,3
S72.40	Zlomen.dolného konca stehn.kosti,č.b.n.	2,3,4	2,3	T80.3	Reakcia zapríčinená inkompatibilitou v systéme ABO	2,3	1,2,3
S72.41	Zlomen.dolné.konca stehn.kosti,condylus (lateralis)(medialis)	2,3,4	2,3	T80.4	Reakcia zapríčinená inkompatibilitou v systéme Rh	2,3	1,2,3
S72.42	Zlomen.dolného konca stehn.kosti,epifýza (rozpustenie epifýzy)	2,3,4	2,3	T80.5	Anafylaktický šok, zapríčinený sérom	2	2
S72.43	Zlomen.dolného konca stehn.kosti,suprakondylová	2,3,4	2,3	T80.6	Iná reakcia na sérum	2	2
S72.44	Zlomen.dolného konca stehn.kosti,interkondylová	2,3,4	2,3	T81.0	Krvácanie a hematóm,komplikujúci výk.,n.i.	0,1	0,1
S72.8	Zlomenina inej časti stehnovej kosti	2,3,4	2,3	T81.1	Šok počas výkonu alebo po výkone,nezatriedený inde	2,3,4	1,2,3
S72.9	Zlomenina stehnovej kosti,časť bližšie neurčená	2,3,4	2,3	T81.2	Náhodné naštiepenie a natrhnutie poč.výkonu,n.i.	2,3,4	1,2,3
S75.0	Poranenie a.femoralis	2,3	2	T81.3	Rozpad operačnej rany,nezatriedený inde	1,2,3,4	1,2,3
S78.0	Úrazová amputácia v bedrovom kĺbe	2,3	2	T81.5	Cudz.teleso náhodne ponech.v tel.dutine/oper.rane po výk.	2,3,4	1,2,3
S78.1	Úrazová amputácia v úrovni medzi bedrom a kolenom	2,3	2	T81.6	Akút.reakcia na cudziu látku,ponech.náhodne poč.výk.	2,3,4	1,2,3
S78.9	Úrazová amput.bedra a stehna v b.n.úrovni	2,3	2	T81.7	Cievna komplikácia po výkone, nezatriedená inde	0,1	0,1
S88.0	Úrazová amputácia v úrovni kolena	2,3	2	T81.8	Iná komplikácia výkonu, nezatriedená inde	0,1	0,1
S88.1	Úrazová amputácia v úrovni medzi kolenom a členkom	2,3	2	T82.0	Mechanická komplik.zaprič.srdc.chlop.protézou	2,3	2,3
S88.9	Úrazová amputácia predkol.v bliž.neuč.úrovni	2,3	2	T82.1	Mechanická komplik.zaprič.srdc.elektronickou pomôc.	2,3	2,3
S98.0	Úrazová amputácia nohy v úrovni členka	2,3	2	T82.2	Mechanická komplik.zaprič.obch.venc.tepy a chlop.náhr.	1,2,3	1,2
S98.3	Úrazová amputácia inej časti nohy	2,3	2	T82.3	Mechanická komplik.zaprič.i.cievnym transpl.	1,2,3	1,2
S98.4	Úrazová amputácia nohy v bližšie neurčenej úrovni	2,3	2				



ICD	Text	OP. CCL	Med. CCL	ICD	Text	OP. CCL	Med. CCL
T82.4	Mechanická komplik.zaprič.cievnym dialyzačným katétrom	2,3,4	3	T86.10	Akútne zhoršenie funkcie transplantovanej obličky	3,4	3
T82.5	Mechanická komplik.zaprič.i.srdc.a ciev.pom.a impl.	1,2,3	1,2	T86.11	Chron.zhoršenie funkcie transpl.obličky	3,4	3
T82.6	Infekcia a zápal.reakcia zaprič.srdc.chlop.protézou	2,3,4	3	T86.12	Predĺžené prijatie funkcie transplantátu	3,4	3
T82.7	Infekcia a zápal.reak.zaprič.i.srdc.a ciev.prot.,impl.a transpl.	2,3,4	3	T86.19	Iná a bliž.neurč.funkč.porucha zlyháv.odvrh.transpl.obličky	3,4	3
T82.8	Iná kompl.zapr.srdc.a ciev.prot.,impl.a transpl.,b.u.	1,2,3	1,2	T86.2	Zlyhávanie a odvrhnutie transplantovaného srdca	3,4	3
T83.2	Mechanická komplik.zaprič.transpl.moč.org.	2,3,4	1,2	T86.3	Zlyhávanie a odvrhnutie súčasne transpl.srdca a pľúc	3,4	3
T83.5	Infekcia a zápal.reak.zaprič.proté.impl.a transpl.v moč.súst.	1	0,1	T86.40	Akútne zhoršenie funkcie transplantovanej pečene	3,4	3
T83.6	Infekcia a zápal.reak.zaprič.proté.impl.a transpl.v pohl.súst	1	1	T86.41	Chronické zhoršenie funkcie transplantovanej pečene	3,4	3
T84.0	Mechanická komplik.zaprič.kĺbovou endoprotézou	2,3	2,3	T86.49	Iná a bliž.neurč.por.funkcie,zlyh. a odvrh.transpl.pečene	3,4	3
T84.1	Mechanická komplik.zaprič.pomôc.na vnút.fixáciu kostí konč.	1,2,3	2,3	T86.50	Porucha prekrvenia transplantovanej kože	2,3,4	2,3
T84.2	Mechanická komplik.zaprič.pomôc.na vnút.fixáciu i.kostí	1,2,3	2,3	T86.51	Nekróza transplantovanej kože	2,3,4	2,3
T84.3	Mechanická komplik.zaprič.i.kostnou pomôc.,impl.a transpl.	2,3	2,3	T86.52	Strata kožného transplantátu	2,3,4	2,3
T84.4	Mechanická komplik.zaprič.i.vnút.ortop.pomôc.,impl.a transpl.	2,3	2,3	T86.59	Iná a bliž.neurč.por.funkcie,zlyh.a odvrh.transpl.kože	2,3,4	2,3
T84.5	Infekcia a zápal.reak.zaprič.kĺbovou endoprot.	2,3	2,3	T86.81	Zlyhanie a odvrhnutie transplantovaných pľúc	3,4	3
T84.6	Infekcia a zápal.reak.zaprič.vnút.kostnou fixačnou pomôc.	2,3	2,3	T86.82	Zlyhanie a odvrhnutie transplantovaného pankreasu	3,4	3
T84.7	Infekcia a zápal.reak.zaprič.i.ortop.endoprot.,impl.a štepom	2,3	2,3	T86.88	Zlyh.a odvrhnutie i.transpl.orgánu a tkan.	3,4	3
T84.8	Iná kompl.zaprič.ortop.endoprot.impl.a štepom	1,2,3	2,3	T86.9	Zlyhávanie a odvrhnutie b.n.orgánu a tkan.	2,3,4	2,3
T84.9	Bliž.neu.kompl.vnút.ortoped.protet.pomôc.,im pl. a štepu	1,2,3	2,3	T87.0	Kompl.súvisiaca so znovupripojením (č.)HK	2,3	2,3
T85.0	Mechanická komplik.zaprič.vnútrolebkovou komor.skratkou	3,4	3	T87.1	Kompl.súvisiaca so znovupripojením (č.)DK	2,3	2,3
T85.1	Mechanická komplik.zaprič.implant.elekt.n.stim.nerv.súst.	3,4	3	T87.2	Komplikácia inej znovupripojenej časti tela	2,3	2,3
T85.2	Mechanická komplik.zaprič.vnútroočnou šošovkou	1,2,3,4	1,2	T87.4	Infekcia kýpťa po amputácii	2,3,4	3
T85.3	Mechanická komplik.zaprič.i.očnou protet.pom.,impl.a transpl.	1,2,3,4	1,2	T87.5	Nekróza kýpťa po amputácii	3,4	3
T85.4	Mechanická komplik.zaprič.prot./impl.prsníka	1,2	2	T88.0	Infekcia po imunizácii	3,4	3
T85.5	Mechanická komplik.zaprič.gastroint.prot.,impl.a transpl.	2,3,4	2,3	T88.2	Šok,zapričinený anestéziou	2,4	1,2
T85.6	Mechanická komplik.zap.i.gastroint.prot.impl.a transpl.,b.u.	2,3,4	2,3	T88.3	Maligna hypertermia zapričinená anestéziou	2,3,4	2,3
T85.71	Inf.a zápal.reak.zapr.katétrom na peritoneálnu dialýzu	2,3,4	1,2	T88.6	Anafyl.šok ako nežiad.úč.spr.ind.a spr.pod.lieku/lieč.	2	2
T85.78	Inf.a zápal.reak.zapr.i.vnút.prot.,impl./transpl.	2,3,4	2,3	T91.3	Neskoré následky poranenia miechy	2,4	2,3
T85.81	Iná kompl.zapr.vnút.prot.,impl./transpl.,v nerv.súst.	1,2	2	U60.1	Klinické kategórie choroby HIV: kategória A	3,4	3
T85.82	Kapsulová fibróza prsníka,zapr.prot./impl.prsníka	2,3,4	2,3	U60.2	Klinické kategórie choroby HIV: kategória B	3,4	3
T85.88	Iná kompl.zapr.vnút.prot.,impl./transpl.,n.i.	1,2	2	U60.3	Klinické kategórie choroby HIV: kategória C	3,4	3
T86.00	Zlyha.transpl.krv.kmeň.buniek	3,4	3	U61.1	Počet pomocných T-buniek pri chorobe HIV	3,4	3
T86.01	Akút.choroba graft versus host[GVDH]:1.a 2.st.	3,4	3	U61.2	Počet pomocných T-buniek pri chorobe HIV	3,4	3
T86.02	Akút.choroba graft versus host[GVDH]:3.a 4.st.	3,4	3	U61.3	Počet pomocných T-buniek pri chorobe HIV	3,4	3
T86.03	Chron.choroba graft versus host,ohraničená forma	3,4	3	U80.0	Staph.aur.rez.na OXA,glp.ATB,chin.,streptogr./oxazolid.	1,3,4	1,2,3
T86.04	Chron.choroba graft versus host,rozšírená forma	3,4	3	U80.1	Str.pn.rez.na PNC,OXA,makrolid.ATB,oxazolid./streptogr.	3,4	3
T86.09	Choroba graft versus host [GVHD]: bližšie neurčená	3,4	3	U80.2	Ent.faecalis rez.na glp.ATB,oxazolid.streptogr./v.úr.amg.rez.	1,2,3,4	1,2,3
				U80.3	Ent.faecium rez.na glp.ATB,oxazolid.,streptogr./v.úr.amg.rez.	2,3	1,2,3
				U80.4	Esch.klebs.prot.rez.chin.karbab.amik./dok.rez.vš.btl.ATB	3,4	1,2,3
				U80.5	Enterobacter,citrobacter a serratia rez.-karbab.,chin./amik.	2,3	1,2,3
				U80.6	Ps.aer.a i.non-ferm.p.rez.karbab.chin.amik.ceft./pip.s tazob.	3,4	2,3
				U80.7	Burkh.a stenotroph.rez.-chin.,amik.,ceft.,pip.s tazob./CTM	3,4	3
				U82.0	Myc.tbc s rez.pr.jed./viac.antituberk.prv.radu	2,3	1,2,3
				U82.1	Multirezistentná tuberkulóza [MDR-TB]	2,3	1,2,3
				U82.2	Atyp.mykobakt./nocardia s rez.na jed./viac.liek.prv.radu	2,3	1,2,3
				U83	Kandida s rezistenciou na flukonazol/vorikonazol	1,2,3,4	1,2,3
				U84	Herpesvírusy s rezistenciou na virostatiká	2,3	1,2,3
				U85	Vírus HIV s rezistenciou na virostatiká/inhib.proteináz	3,4	3
				U99.01	Inkontinencia moču, 2. stupeň	0,1	0,1

## Príloha C: CC, CC-výnimky, CCL a výpočet PCCL

ICD	Text	OP. CCL	Med. CCL	ICD	Text	OP. CCL	Med. CCL
U99.02	Inkontinencia moču a stolice, 3. stupeň, trvalá	1	1	Z94.3	Stav po transplantácii srdca a pľúc	3,4	2,3
U99.03	Inkont.moču a stolice, 3. stupeň, trvalá a nezvratná	1	1	Z94.4	Stav po transplantácii pečene	3,4	2,3
Z43.0	Ošetrovanie tracheostómie	2,3	1,2	Z94.80	Stav po traspl.krvotv.(kmeň.)bun.,bez súč.imunosupr.	3,4	2,3
Z93.0	Stav s predtým vytvorenou tracheostómiou	2,3	1,2	Z94.81	Stav po traspl.krvotv.(kmeň.)bun.,so súč.imunosupr.	3,4	2,3
Z94.0	Stav po transplantácii obličky	3,4	2,3	Z94.88	Stav po transplantácii iného orgánu alebo tkaniva	3,4	2,3
Z94.1	Stav po transplantácii srdca	3,4	2,3				
Z94.2	Stav po transplantácii pľúc	3,4	2,3				

CCL

# Slovník pojmov

## Australian Refined Diagnosis Related Groups (AR-DRG)

Druhý národný DRG-klasifikačný systém v Austrálii, vyvíjaný spoločnosťou Commonwealth Department of Health and Family Services.

### Dátum prijatia

Dátum prijatia pacienta do nemocnice.

## Diagnosis Related Group (DRG)

Skupiny súvisiacich diagnóz, do ktorých sú zaradované prípady s klinickou a nákladovou podobnosťou.

## DRG-klasifikačný systém

Je klasifikačný systém, zaradujúci pacientov do čo najhomogénnejších skupín vo vzťahu k spotrebe zdrojov nemocnice a to podľa klinicky preukázateľných druhov a počtov hospitalizačných prípadov, na základe medicínskych a ďalších kritérií.

### Funkcie

Funkcie sú zaraďovacie algoritmy, prípadne kódy diagnóz alebo výkonov, ktoré sa používajú vo viacerých MDC alebo základných DRG v rámci MDC.

## German Diagnosis Related Groups (G-DRG)

Nemecký DRG-klasifikačný systém, vyvíjaný spoločnosťou Institut für das Entgeltsystem im Krankenhaus GmbH (InEK GmbH).

### Grouper

Grouper (gruper) je SW-nástroj (počítačový program), ktorý zabezpečuje zaradenie hospitalizačného prípadu do konkrétnej DRG.

## Hlavná diagnostická kategória (MDC)

Je založená na podobnosti prípadov predovšetkým z hľadiska orgánových systémov, prípadne etiológie ochorenia, ktorého liečba je naviazaná na špeciálnu medicínsku odbornosť.

## Hlavná diagnóza (HDg)

Je diagnóza, ktorá bola analýzou stanovená ako hlavná príčina vedúca k hospitalizácii pacienta.

## Hmotnosť pri prijatí

Hmotnosť v čase prijatia do nemocnice pre deti vo veku menej ako 1 rok.

## Chybové a ostatné DRG

Záznam údajov o hospitalizácii s klinicky netypickými alebo neplatnými informáciami sa zaradí do chybovej alebo ostatnej DRG. Bližšie informácie pozri kapitolu 4.10, zväzok 1.

## Jeden ošetrovací deň

Jeden ošetrovací deň je definovaný ako deň prijatia na hospitalizáciu v kalendárny deň a prepustenie v ten istý

## Komorbidity

Je súčasný výskyt dvoch alebo viacerých chorobných procesov bez vzájomného vzťahu, ktoré boli prítomné pri prijatí.

## Komplikácia

Je chorobný proces (alebo udalosť), objaviaci sa počas ochorenia (po prijatí), ktorý však nie je esenciálnou súčasťou tohto ochorenia, aj keď z tohto ochorenia môže vychádzať alebo môže mať nezávislé príčiny.

## Komplikácia a/alebo komorbidity (CC)

Komplikácie a komorbidity sú vedľajšie diagnózy, ktoré spravidla vedú k signifikantne vyššej spotrebe zdrojov.

## Neoperačný výkon (nie-OP-výkon)

Výkon, ktorý je v rámci niektorých MDC signifikantný pre zatriedenie hospitalizačného prípadu. Neoperačné výkony v zmysle SK-DRG môžu byť aj výkony, ktoré sa prevádzajú na operačných sálach.

## Operačný, iný a medicínsky segment

MDC sú rozdelené maximálne do troch rozličných segmentov (operačný, iný, a medicínsky). Zaradenie prípadu do segmentu sa riadi podľa vykonania alebo nevykonania OP-výkonu a nie-OP-výkonu.

## Operačný výkon (OP-výkon)

Výkon, ktorý je signifikantný v rámci kompletnej systematiky SK-DRG.

## Ošetrovacía doba (OD)

Ošetrovacía doba pacienta sa vypočíta ako rozdiel medzi dátumom prepustenia z nemocnice a dátumom prijatia do nemocnice. Dni na priepustke vrátane dňa, kedy pacient na priepustku odchádza, sa do ošetrovacej doby nezapočítavajú. Pri prijatí a prepustení v ten istý kalendárny deň je ošetrovacía doba jeden deň.

## Slovak Diagnosis Related Groups (SK-DRG)

Slovenský DRG-klasifikačný systém. Bližšie informácie k SK-DRG sa nachádzajú v časti Úvod, zväzok 1.

## Stupeň klinickej obtiažnosti prípadu (PCCL)

Je miera kumulatívneho efektu komplikácií a komorbidít jedného pacienta vypočítavaná pre každú hospitalizáciu. Ide o komplexný výpočet, ktorý má zabrániť, aby rovnaké okolnosti boli viackrát zohľadnené.

## Stupeň závažnosti komplikácií a komorbidít (CCL)

Stupne závažnosti komplikácií a komorbidít sa pridelujú všetkým vedľajším diagnózam. Hodnoty CCL môžu byť 0 až 4 pre prípady s operáciami a pre novorodencov. V ostatných prípadoch môžu byť hodnoty CCL 0 až 3. CCL sa stanovuje kombinovaním medicínskeho hodnotenia a štatistických analýz.

kalendárny deň alebo v nasledujúci kalendárny deň.

1=ľahká komplikácia alebo komorbidita,

2=stredne ťažká komplikácia alebo komorbidita,

3=ťažká komplikácia alebo komorbidita,

4=veľmi ťažká komplikácia alebo komorbidita.

Hodnoty znamenajú:

#### **Vedľajšia diagnóza (VDg)**

Je ochorenie alebo poruchy (diagnóza), ktoré sa vyskytujú súčasne s hlavnou diagnózou alebo sa vyvinuli počas hospitalizácie.

#### **Základná DRG (ADRG)**

Jedna alebo viaceré DRG, ktoré sú definované vždy rovnakým zoznamom diagnóz a výkonov. DRG v rámci jednej základnej DRG sa rozlišujú spotrebou zdrojov a sú členené na základe rozličných faktorov ako napr. komplikujúce diagnózy/výkony, vek a/alebo stupeň klinickej obtiažnosti prípadu (PCCL).

<http://www.udzs-sk.sk/drg-klasifikacny-system>