

SK-DRG

**Slovak
Diagnosis
Related
Groups**

System 2020

Definičná príručka
Zväzok 5
Prílohy

© 2019 by Úrad pre dohľad nad zdravotnou starostlivosťou - Centrum pre klasifikačný systém a Institut für das Entgeltsystem im Krankenhaus GmbH (InEK), Siegburg, Nemecko

Všetky práva vyhradené.

Definičné príručky pre SK-DRG systém sú chránené podľa autorského zákona. Každé využitie presahujúce hranice medzinárodne platných zákonov o autorských právach a podmienok "Zmluvy o spolupráci pri zavádzaní systému DRG v Slovenskej republike" medzi Institut für das Entgeltsystem im Krankenhaus GmbH a Úradom pre dohľad nad zdravotnou starostlivosťou (ÚDZS) je bez písomného súhlasu ÚDZS neprípustné.

Obsah

1 Zväzok 5 Prílohy

Príloha A	Kódy diagnóz-/MDC-/DRG-Index	1
Príloha B	Kódy výkonov-/MDC-/DRG-Index	158
Globálne tabuľky výkonov		906
Prehľad funkcií		907
Príloha C	Prítomnosť CC, vyradenie CC, stanovenie CCL a PCCL	910
Príloha D	Overovanie demografických a klinických údajov	968
Slovník pojmov		1021

Príloha A

Kódy diagnóz-/MDC-/DRG-Index

Táto príloha obsahuje zoznam všetkých kódov diagnóz MKCH-10-SK-2020, ktoré sa používajú v SK-DRG systéme 2020 na definovanie hlavných diagnostických kategórií (MDC) a DRG-skupín. Hlavná alebo vedľajšia diagnóza môže byť relevantná pre zaraďovací algoritmus priamo (výskytom v tabuľke) alebo môže byť súčasťou niektorej funkcie (napr. Funkcia polytrauma [PTR]). Relevantnosť vedľajších diagnóz pre zaraďovanie v rámci CCL-systému nemá pre prílohu A žiaden význam. (porovnaj s prílohou C tejto publikácie).

V niektorých prípadoch je jeden kód priradený DRG skupinám viacerých základných-DRG. Vyskytuje sa to predovšetkým vtedy, keď sa diagnóza použije na stanovenie stupňa obtiažnosti operačnej základnej-DRG, kedy je základná-DRG bližšie definovaná diagnózami, aby bolo možné zaznamenať údaje hospitalizačného prípadu správne zaradiť do jednej z viacerých operačných-DRG, alebo ak ide o MDC 18A alebo MDC 21A a diagnóza sa použije nielen pre jednu z týchto MDC, ale aj pre jednu medicínsku DRG inej MDC.

Zaraďovanie pri polytraume je ťažšie ako pri inom MDC-zaraďovaní.

ICD	MDC	DRG	ICD	MDC	DRG	ICD	MDC	DRG
A00.0	06	G46A, G46B, G46C, G50Z, G67A, G67B, G67C	A03.1	06	G46A, G46B, G46C, G50Z, G67A, G67B, G67C	A05.2	06	G46A, G46B, G46C, G50Z, G67A, G67B, G67C, G67D
	Pre	A07D, A09E, A11F, A13F		15	TPN, VTPN		15	TPN, VTPN
A00.1	06	G46A, G46B, G46C, G50Z, G67A, G67B, G67C	A03.2	06	G46A, G46B, G46C, G50Z, G67A, G67B, G67C	A05.3	06	G46A, G46B, G46C, G50Z, G67A, G67B, G67C, G67D
	Pre	A07D, A09E, A11F, A13F		15	TPN, VTPN		15	TPN, VTPN
A00.9	06	G46A, G46B, G46C, G50Z, G67A, G67B, G67C	A03.3	06	G46A, G46B, G46C, G50Z, G67A, G67B, G67C	A05.4	06	G46A, G46B, G46C, G50Z, G67A, G67B, G67C, G67D
	Pre	A07D, A09E, A11F, A13F		15	TPN, VTPN		06	G46A, G46B, G46C, G50Z, G67A, G67B, G67C, G67D
A01.0	05	F62A	A03.8	06	G46A, G46B, G46C, G50Z, G67A, G67B, G67C	A05.8	06	G46A, G46B, G46C, G50Z, G67A, G67B, G67C, G67D
	06	G67A		15	TPN, VTPN	A05.9	06	G46A, G46B, G46C, G50Z, G67A, G67B, G67C, G67D
	15	TPN, VTPN	A03.9	06	G46A, G46B, G46C, G50Z, G67A, G67B, G67C	A06.0	06	G46A, G46B, G46C, G50Z, G67A, G67B, G67C
	17	R60B, R60C, R61A, R62A, R63B, R63C, R63D, R63F		15	TPN, VTPN		Pre	A07D, A09E, A11F, A13F
	18B	T01B, T60A, T60B, T60C, T60D, T60E, T60F, T61A	A04.0	06	G46A, G46B, G46C, G50Z, G67A, G67B, G67C	A06.1	06	G46A, G46B, G46C, G50Z, G67A, G67B, G67C
	Pre	A07D, A09E, A11F, A13F		15	TPN, VTPN		Pre	A07D, A09E, A11F, A13F
A01.1	05	F62A		18A	S63A, S63B	A06.2	06	G46A, G46B, G46C, G50Z, G67A, G67B, G67C
	06	G67A	A04.1	06	G46A, G46B, G46C, G50Z, G67A, G67B, G67C		Pre	A07D, A09E, A11F, A13F
	15	TPN, VTPN		15	TPN, VTPN	A06.3	18B	T64A, T64B, T64C
	17	R60B, R60C, R61A, R62A, R63B, R63C, R63D, R63F		18A	S63A, S63B		Pre	A07D, A09E, A11F, A13F
	18B	T01B, T60A, T60B, T60C, T60D, T60E, T60F, T61A	A04.2	06	G46A, G46B, G46C, G50Z, G67A, G67B, G67C	A06.4	07	H63A, H63B, H63C, H78Z
	Pre	A07D, A09E, A11F, A13F		15	TPN, VTPN		Pre	A07D, A09E, A11F, A13F
A01.2	05	F62A		18A	S63A, S63B	A06.5	04	E62A, E62B, E77A, E77B, E77C, E77D, E77F
	06	G67A	A04.3	06	G40Z, G46A, G46B, G46C, G48A, G48B, G50Z, G67A, G67B, G67C		Pre	A07D, A09E, A11F, A13F
	15	TPN, VTPN		15	TPN, VTPN	A06.6	01	B72A, B72B
	17	R60B, R60C, R61A, R62A, R63B, R63C, R63D, R63F		18A	S63A, S63B		Pre	A07D, A09E, A11F, A13F
	18B	T01B, T60A, T60B, T60C, T60D, T60E, T60F, T61A	A04.4	06	G40Z, G46A, G46B, G46C, G48A, G48B, G50Z, G67A, G67B, G67C	A06.7	09	J61A, J61B, J61C, J68A, J68B
	Pre	A07D, A09E, A11F, A13F		15	TPN, VTPN		Pre	A07D, A09E, A11F, A13F
A01.3	05	F62A		18A	S63A, S63B	A06.8	18B	T64A, T64B, T64C
	06	G67A		06	G40Z, G46A, G46B, G46C, G48A, G48B, G50Z, G67A, G67B, G67C		Pre	A07D, A09E, A11F, A13F
	15	TPN, VTPN		15	TPN, VTPN	A06.9	18B	T64A, T64B, T64C
	17	R60B, R60C, R61A, R62A, R63B, R63C, R63D, R63F	A04.5	06	G40Z, G46A, G46B, G46C, G48A, G48B, G50Z, G67A, G67B, G67C		Pre	A07D, A09E, A11F, A13F
	18B	T01B, T60A, T60B, T60C, T60D, T60E, T60F, T61A		15	TPN, VTPN	A07.0	06	G46A, G46B, G46C, G50Z, G67A, G67B, G67C
	Pre	A07D, A09E, A11F, A13F		18A	S63A, S63B		Pre	A07D, A09E, A11F, A13F
A01.4	15	TPN, VTPN		Pre	A07D, A09E, A11F, A13F	A07.1	06	G46A, G46B, G46C, G50Z, G67A, G67B, G67C
	18B	T64A, T64B, T64C	A04.6	06	G40Z, G46A, G46B, G46C, G48A, G48B, G50Z, G67A, G67B, G67C		Pre	A07D, A09E, A11F, A13F
	Pre	A07D, A09E, A11F, A13F		15	TPN, VTPN	A07.2	06	G46A, G46B, G46C, G50Z, G67A, G67B, G67C
A02.0	06	G46A, G46B, G46C, G50Z, G67A, G67B, G67C		18A	S63A, S63B		18A	S63A, S63B
	15	TPN, VTPN		Pre	A07D, A09E, A11F, A13F	A07.3	06	G46A, G46B, G46C, G50Z, G67A, G67B, G67C
	18A	S63A, S63B	A04.7	06	G40Z, G46A, G46B, G46C, G48A, G48B, G50Z, G67A, G67B, G67C		18A	S63A, S63B
A02.1	05	F62A		15	TPN, VTPN		Pre	A07D, A09E, A11F, A13F
	06	G67A		17	R62A	A07.8	06	G46A, G46B, G46C, G50Z, G67A, G67B, G67C
	15	TPN, VTPN		18A	S63A, S63B		Pre	A07D, A09E, A11F, A13F
	17	R60B, R60C, R61A, R62A, R63B, R63C, R63D, R63F		Pre	A07D, A09E, A11F, A13F	A07.9	06	G46A, G46B, G46C, G50Z, G67A, G67B, G67C
	18A	S63A, S63B	A04.8	06	G46A, G46B, G46C, G50Z, G67A, G67B, G67C, G67D		Pre	A07D, A09E, A11F, A13F
	18B	T01B, T60A, T60B, T60C, T60D, T60E, T60F, T61A		15	TPN, VTPN	A08.0	06	G46A, G46B, G46C, G50Z, G67A, G67B, G67C
	Pre	A07D, A09E, A11F, A13F		18A	S63A, S63B		15	P65C, P66C, P67B, P67C
A02.2	15	TPN, VTPN		06	G46A, G46B, G46C, G50Z, G67A, G67B, G67C, G67D		18A	S63A, S63B
	18A	S63A, S63B	A04.9	06	G46A, G46B, G46C, G50Z, G67A, G67B, G67C, G67D	A08.1	06	G46A, G46B, G46C, G50Z, G67A, G67B, G67C
	18B	T64A, T64B, T64C		18A	S63A, S63B		15	TPN, VTPN
A02.8	15	TPN, VTPN		Pre	A07D, A09E, A11F, A13F		18A	S63A, S63B
	18A	S63A, S63B	A05.0	06	G46A, G46B, G46C, G50Z, G67A, G67B, G67C, G67D		06	G46A, G46B, G46C, G50Z, G67A, G67B, G67C
	18B	T64A, T64B, T64C		15	TPN, VTPN	A08.2	06	G46A, G46B, G46C, G50Z, G67A, G67B, G67C
A02.9	15	TPN, VTPN		15	TPN, VTPN		15	P65C, P66C, P67B, P67C
	18A	S63A, S63B	A05.1	15	TPN, VTPN		18A	S63A, S63B
	18B	T64A, T64B, T64C		18B	T64A, T64B, T64C			
A03.0	06	G46A, G46B, G46C, G50Z, G67A, G67B, G67C		Pre	A07D, A09E, A11F, A13F			
	15	TPN, VTPN						

ICD	MDC	DRG	ICD	MDC	DRG	ICD	MDC	DRG
A08.3	06	G46A, G46B, G46C, G50Z, G67A, G67B, G67C, G67D	A16.1	04	E41Z, E42Z, E76A, E76B, E76C	A18.3	06	G46A, G46B, G46C, G50Z, G64A, G64B, G64C, G70A, G70B
	18A	S63A, S63B		15	TPN, VTPN		18A	S63A, S63B
A08.4	06	G46A, G46B, G46C, G50Z, G67A, G67B, G67C, G67D		18A	S63A		Pre	A07D, A09E, A11F, A13F
	18A	S63A, S63B	A16.2	04	E41Z, E42Z, E76A, E76B, E76C	A18.4	09	J08A, J08B, J08C, J61A, J61B, J61C, J68A, J68B
A08.5	06	G46A, G46B, G46C, G50Z, G67A, G67B, G67C, G67D		15	TPN, VTPN		18A	S63A, S63B
	15	TPN, VTPN		18A	S63A		Pre	A07D, A09E, A11F, A13F
	18A	S63A, S63B	A16.3	04	E41Z, E42Z, E76A, E76B, E76C	A18.5	02	C60Z
A09.0	06	G46A, G46B, G46C, G50Z, G67A, G67B, G67C, G67D		18A	S63A		15	TPN, VTPN
	15	TPN, VTPN		Pre	A07D, A09E, A11F, A13F		18A	S63A, S63B
A09.9	06	G46A, G46B, G46C, G50Z, G67A, G67B, G67C, G67D	A16.4	04	E41Z, E42Z, E76A, E76B, E76C	A18.6	03	D66Z
	18A	S65A, S65B		18A	S63A		18A	S63A, S63B
A15.0	04	E41Z, E42Z, E76A, E76B, E76C		Pre	A07D, A09E, A11F, A13F	A18.7	10	K64A, K64B, K64C, K64D
	15	TPN, VTPN	A16.5	04	E41Z, E42Z, E76A, E76B, E76C		18A	S63A, S63B
	18A	S63A		18A	S63A	A18.8	04	E41Z, E42Z, E76A, E76B, E76C
Pre	A07D, A09E, A11F, A13F			Pre	A07D, A09E, A11F, A13F		18A	S63A
A15.1	04	E41Z, E42Z, E76A, E76B, E76C	A16.7	04	E41Z, E42Z, E76A, E76B, E76C		Pre	A07D, A09E, A11F, A13F
	15	TPN, VTPN		15	TPN, VTPN	A19.0	04	E41Z, E42Z, E76A, E76B, E76C
	18A	S63A		18A	S63A		05	F62A
Pre	A07D, A09E, A11F, A13F			Pre	A07D, A09E, A11F, A13F		06	G67A
A15.2	04	E41Z, E42Z, E76A, E76B, E76C	A16.8	04	E41Z, E42Z, E76A, E76B, E76C		17	R60B, R60C, R61A, R62A, R63B, R63C, R63D, R63F
	15	TPN, VTPN		18A	S63A		18A	S63A
	18A	S63A		Pre	A07D, A09E, A11F, A13F	A19.1	04	E41Z, E42Z, E76A, E76B, E76C
Pre	A07D, A09E, A11F, A13F		A16.9	04	E41Z, E42Z, E76A, E76B, E76C		05	F62A
A15.3	04	E41Z, E42Z, E76A, E76B, E76C		15	TPN, VTPN		06	G67A
	15	TPN, VTPN		18A	S63A		17	R60B, R60C, R61A, R62A, R63B, R63C, R63D, R63F
	18A	S63A		Pre	A07D, A09E, A11F, A13F		18A	S63A
Pre	A07D, A09E, A11F, A13F		A17.0	04	E41Z, E42Z, E76A, E76B, E76C	A19.2	04	E41Z, E42Z, E76A, E76B, E76C
A15.4	04	E41Z, E42Z, E76A, E76B, E76C		15	TPN, VTPN		05	F62A
	18A	S63A		18A	S63A		06	G67A
Pre	A07D, A09E, A11F, A13F			Pre	A07D, A09E, A11F, A13F		17	R60B, R60C, R61A, R62A, R63B, R63C, R63D, R63F
A15.5	04	E41Z, E42Z, E76A, E76B, E76C	A17.1	04	E41Z, E42Z, E76A, E76B, E76C		18A	S63A
	15	TPN, VTPN		15	TPN, VTPN		Pre	A07D, A09E, A11F, A13F
	18A	S63A		18A	S63A	A19.8	04	E41Z, E42Z, E76A, E76B, E76C
Pre	A07D, A09E, A11F, A13F			Pre	A07D, A09E, A11F, A13F		05	F62A
A15.6	04	E41Z, E42Z, E76A, E76B, E76C	A17.8	04	E41Z, E42Z, E76A, E76B, E76C		06	G67A
	15	TPN, VTPN		15	TPN, VTPN		17	R60B, R60C, R61A, R62A, R63B, R63C, R63D, R63F
	18A	S63A		18A	S63A		18A	S63A
Pre	A07D, A09E, A11F, A13F		A17.9	04	E41Z, E42Z, E76A, E76B, E76C	A19.9	04	E41Z, E42Z, E76A, E76B, E76C
A15.7	04	E41Z, E42Z, E76A, E76B, E76C		15	TPN, VTPN		05	F62A
	15	TPN, VTPN		18A	S63A		06	G67A
	18A	S63A		Pre	A07D, A09E, A11F, A13F		17	R60B, R60C, R61A, R62A, R63B, R63C, R63D, R63F
Pre	A07D, A09E, A11F, A13F			Pre	A07D, A09E, A11F, A13F		18A	S63A
A15.8	04	E41Z, E42Z, E76A, E76B, E76C	A18.0	08	I08A, I08B, I08C, I08D, I08E, I12A, I12B, I12C, I13A, I13B, I64A, I64B, I64C		Pre	A07D, A09E, A11F, A13F
	15	TPN, VTPN		15	TPN, VTPN	A20.0	18B	T64A, T64B, T64C
	18A	S63A		18A	S63A		Pre	A07D, A09E, A11F, A13F
Pre	A07D, A09E, A11F, A13F			Pre	A07D, A09E, A11F, A13F	A20.1	18B	T64A, T64B, T64C
A15.9	04	E41Z, E42Z, E76A, E76B, E76C	A18.1	11	L63A, L63B, L63C, L63D, L63E, L63F, L74Z		Pre	A07D, A09E, A11F, A13F
	15	TPN, VTPN		18A	S63A, S63B	A20.2	04	E62A, E62B, E77A, E77B, E77C, E77D, E77F
	18A	S63A		Pre	A07D, A09E, A11F, A13F		Pre	A07D, A09E, A11F, A13F
Pre	A07D, A09E, A11F, A13F		A18.2	04	E41Z, E42Z, E76A, E76B, E76C			
A16.0	04	E41Z, E42Z, E76A, E76B, E76C		15	TPN, VTPN			
	15	TPN, VTPN		18A	S63A			
	18A	S63A		Pre	A07D, A09E, A11F, A13F			
Pre	A07D, A09E, A11F, A13F							

ICD	MDC	DRG	ICD	MDC	DRG	ICD	MDC	DRG
A20.3	01	B72A, B72B	A24.0	05	F62A	A28.9	15	TPN, VTPN
	Pre	A07D, A09E, A11F, A13F		06	G67A		18B	T64A, T64B, T64C
A20.7	05	F62A		17	R60B, R60C, R61A, R62A, R63B, R63C, R63D, R63F		Pre	A07D, A09E, A11F, A13F
	06	G67A		18B	T01B, T60A, T60B, T60C, T60D, T60E, T60F, T61A	A30.0	18B	T64A, T64B, T64C
	17	R60B, R60C, R61A, R62A, R63B, R63C, R63D, R63F		Pre	A07D, A09E, A11F, A13F		Pre	A07D, A09E, A11F, A13F
	18B	T01B, T60A, T60B, T60C, T60D, T60E, T60F, T61A	A24.1	05	F62A	A30.1	18B	T64A, T64B, T64C
	Pre	A07D, A09E, A11F, A13F		06	G67A		Pre	A07D, A09E, A11F, A13F
A20.8	18B	T64A, T64B, T64C		17	R60B, R60C, R61A, R62A, R63B, R63C, R63D, R63F	A30.2	18B	T64A, T64B, T64C
	Pre	A07D, A09E, A11F, A13F		18B	T01B, T60A, T60B, T60C, T60D, T60E, T60F, T61A		Pre	A07D, A09E, A11F, A13F
A20.9	18B	T64A, T64B, T64C		Pre	A07D, A09E, A11F, A13F	A30.3	18B	T64A, T64B, T64C
	Pre	A07D, A09E, A11F, A13F		18B	T01B, T60A, T60B, T60C, T60D, T60E, T60F, T61A		Pre	A07D, A09E, A11F, A13F
A21.0	18B	T64A, T64B, T64C	A24.2	18B	T64A, T64B, T64C	A30.4	18B	T64A, T64B, T64C
	Pre	A07D, A09E, A11F, A13F		Pre	A07D, A09E, A11F, A13F		Pre	A07D, A09E, A11F, A13F
A21.1	18B	T64A, T64B, T64C	A24.3	18B	T64A, T64B, T64C	A30.5	18B	T64A, T64B, T64C
	Pre	A07D, A09E, A11F, A13F		Pre	A07D, A09E, A11F, A13F		Pre	A07D, A09E, A11F, A13F
A21.2	04	E62A, E62B, E77A, E77B, E77C, E77D, E77F	A24.4	18B	T64A, T64B, T64C	A30.8	18B	T64A, T64B, T64C
	Pre	A07D, A09E, A11F, A13F		Pre	A07D, A09E, A11F, A13F		Pre	A07D, A09E, A11F, A13F
A21.3	06	G46A, G46B, G46C, G50Z, G71Z	A25.0	18B	T64A, T64B, T64C	A30.9	18B	T64A, T64B, T64C
	Pre	A07D, A09E, A11F, A13F		Pre	A07D, A09E, A11F, A13F		Pre	A07D, A09E, A11F, A13F
A21.7	05	F62A	A25.1	18B	T64A, T64B, T64C	A31.0	04	E41Z, E42Z, E76A, E76B, E76C
	06	G67A		Pre	A07D, A09E, A11F, A13F		18A	S63A
	17	R60B, R60C, R61A, R62A, R63B, R63C, R63D, R63F		Pre	A07D, A09E, A11F, A13F		Pre	A07D, A09E, A11F, A13F
	18B	T01B, T60A, T60B, T60C, T60D, T60E, T60F, T61A	A25.9	18B	T64A, T64B, T64C	A31.1	09	J08A, J08B, J08C, J61A, J61B, J61C, J68A, J68B
	Pre	A07D, A09E, A11F, A13F		Pre	A07D, A09E, A11F, A13F		18A	S63A, S63B
A21.8	18B	T64A, T64B, T64C	A26.0	15	TPN, VTPN		Pre	A07D, A09E, A11F, A13F
	Pre	A07D, A09E, A11F, A13F		18B	T64A, T64B, T64C	A31.80	18A	S63A, S63B
A21.9	18B	T64A, T64B, T64C		Pre	A07D, A09E, A11F, A13F		18B	T64A, T64B, T64C
	Pre	A07D, A09E, A11F, A13F	A26.7	05	F62A		Pre	A07D, A09E, A11F, A13F
A22.0	09	J08A, J08B, J08C, J61A, J61B, J61C, J68A, J68B		06	G67A	A31.88	18A	S63A, S63B
	Pre	A07D, A09E, A11F, A13F		15	TPN, VTPN		18B	T64A, T64B, T64C
A22.1	04	E62A, E62B, E77A, E77B, E77C, E77D, E77F		17	R60B, R60C, R61A, R62A, R63B, R63C, R63D, R63F		Pre	A07D, A09E, A11F, A13F
	Pre	A07D, A09E, A11F, A13F		18B	T01B, T60A, T60B, T60C, T60D, T60E, T60F, T61A	A31.9	18A	S63A, S63B
A22.2	06	G46A, G46B, G46C, G50Z, G71Z		Pre	A07D, A09E, A11F, A13F		18B	T64A, T64B, T64C
	Pre	A07D, A09E, A11F, A13F	A26.8	15	TPN, VTPN		Pre	A07D, A09E, A11F, A13F
A22.7	05	F62A		18B	T64A, T64B, T64C	A32.0	15	TPN, VTPN
	06	G67A		Pre	A07D, A09E, A11F, A13F		18B	T64A, T64B, T64C
	17	R60B, R60C, R61A, R62A, R63B, R63C, R63D, R63F	A26.9	15	TPN, VTPN		Pre	A07D, A09E, A11F, A13F
	18B	T01B, T60A, T60B, T60C, T60D, T60E, T60F, T61A		18B	T64A, T64B, T64C	A32.1	01	B72A, B72B
	Pre	A07D, A09E, A11F, A13F		Pre	A07D, A09E, A11F, A13F		15	TPN, VTPN
A22.8	18B	T64A, T64B, T64C		Pre	A07D, A09E, A11F, A13F		Pre	A07D, A09E, A11F, A13F
	Pre	A07D, A09E, A11F, A13F	A27.0	05	F62A	A32.7	05	F62A
A22.9	18B	T64A, T64B, T64C		06	G67A		06	G67A
	Pre	A07D, A09E, A11F, A13F		15	TPN, VTPN		15	TPN, VTPN
A23.0	18B	T64A, T64B, T64C		17	R60B, R60C, R61A, R62A, R63B, R63C, R63D, R63F		17	R60B, R60C, R61A, R62A, R63B, R63C, R63D, R63F
	Pre	A07D, A09E, A11F, A13F		18B	T01B, T60A, T60B, T60C, T60D, T60E, T60F, T61A		18B	T01B, T60A, T60B, T60C, T60D, T60E, T60F, T61A
A23.1	18B	T64A, T64B, T64C		Pre	A07D, A09E, A11F, A13F		Pre	A07D, A09E, A11F, A13F
	Pre	A07D, A09E, A11F, A13F	A27.8	01	B72A, B72B	A32.8	15	TPN, VTPN
A23.2	18B	T64A, T64B, T64C		15	TPN, VTPN		18B	T64A, T64B, T64C
	Pre	A07D, A09E, A11F, A13F		Pre	A07D, A09E, A11F, A13F		Pre	A07D, A09E, A11F, A13F
A23.3	18B	T64A, T64B, T64C		Pre	A07D, A09E, A11F, A13F	A32.9	15	TPN, VTPN
	Pre	A07D, A09E, A11F, A13F		18B	T01B, T60A, T60B, T60C, T60D, T60E, T60F, T61A		18B	T64A, T64B, T64C
A23.8	18B	T64A, T64B, T64C		Pre	A07D, A09E, A11F, A13F		Pre	A07D, A09E, A11F, A13F
	Pre	A07D, A09E, A11F, A13F	A28.0	15	TPN, VTPN	A33	15	TPN, VTPN
A23.9	18B	T64A, T64B, T64C		18B	T64A, T64B, T64C		Pre	963Z, A07D, A09E, A11F, A13F
	Pre	A07D, A09E, A11F, A13F		Pre	A07D, A09E, A11F, A13F	A34	14	O04A, O04B, O61Z
				Pre	A07D, A09E, A11F, A13F		Pre	A07D, A09E, A11F, A13F
				15	TPN, VTPN	A35	15	TPN, VTPN
				16	Q60A, Q60B, Q60C		18B	T64A, T64B, T64C
				Pre	A07D, A09E, A11F, A13F		Pre	A07D, A09E, A11F, A13F
				15	TPN, VTPN	A36.0	03	D66Z
				18B	T64A, T64B, T64C		Pre	A07D, A09E, A11F, A13F
				Pre	A07D, A09E, A11F, A13F	A36.1	03	D66Z
				15	TPN, VTPN		Pre	A07D, A09E, A11F, A13F
				18B	T64A, T64B, T64C			
				Pre	A07D, A09E, A11F, A13F			

ICD	MDC	DRG	ICD	MDC	DRG	ICD	MDC	DRG
A36.2	03	D66Z	A39.9	05	F62A	A41.0	05	F62A
	Pre	A07D, A09E, A11F, A13F		06	G67A		06	G67A
A36.3	09	J61A, J61B, J61C, J68A, J68B		17	R60B, R60C, R61A, R62A, R63B, R63C, R63D, R63F		15	TPN, VTPN
	Pre	A07D, A09E, A11F, A13F		18B	T01B, T60A, T60B, T60C, T60F, T61A		17	R60B, R60C, R61A, R62A, R63B, R63C, R63D, R63F
A36.8	18B	T64A, T64B, T64C		Pre	A07D, A09E, A11F, A13F		18A	S63A, S63B
	Pre	A07D, A09E, A11F, A13F	A40.0	05	F62A		18B	T01B, T60A, T60B, T60C, T60D, T60E, T60F, T61A
A36.9	18B	T64A, T64B, T64C		06	G67A		22	Y02A
	Pre	A07D, A09E, A11F, A13F		15	TPN, VTPN	A41.1	Pre	A07D, A09E, A11F, A13F
A37.0	04	E70A, E70B		17	R60B, R60C, R61A, R62A, R63B, R63C, R63D, R63F		05	F62A
	Pre	A07D, A09E, A11F, A13F		18A	S63A, S63B		06	G67A
A37.1	04	E70A, E70B		18B	T01B, T60A, T60B, T60C, T60D, T60E, T60F, T61A		15	TPN, VTPN
	15	TPN, VTPN		22	Y02A		17	R60B, R60C, R61A, R62A, R63B, R63C, R63D, R63F
	Pre	A07D, A09E, A11F, A13F		Pre	A07D, A09E, A11F, A13F		18A	S63A, S63B
A37.8	04	E70A, E70B	A40.1	05	F62A		18B	T01B, T60A, T60B, T60C, T60D, T60E, T60F, T61A
	15	TPN, VTPN		06	G67A		22	Y02A
	Pre	A07D, A09E, A11F, A13F		15	TPN, VTPN	A41.2	Pre	A07D, A09E, A11F, A13F
A37.9	04	E70A, E70B		17	R60B, R60C, R61A, R62A, R63B, R63C, R63D, R63F		05	F62A
	15	TPN, VTPN		18A	S63A, S63B		06	G67A
	Pre	A07D, A09E, A11F, A13F		18B	T01B, T60A, T60B, T60C, T60D, T60E, T60F, T61A		15	TPN, VTPN
A38	18B	T64A, T64B, T64C		22	Y02A		17	R60B, R60C, R61A, R62A, R63B, R63C, R63D, R63F
	Pre	A07D, A09E, A11F, A13F		Pre	A07D, A09E, A11F, A13F		18A	S63A, S63B
A39.0	01	B72A, B72B	A40.2	05	F62A		18B	T01B, T60A, T60B, T60C, T60D, T60E, T60F, T61A
	15	TPN, VTPN		06	G67A		22	Y02A
	Pre	A07D, A09E, A11F, A13F		15	TPN, VTPN	A41.3	Pre	A07D, A09E, A11F, A13F
A39.1	05	F62A		17	R60B, R60C, R61A, R62A, R63B, R63C, R63D, R63F		05	F62A
	06	G67A		18A	S63A, S63B		06	G67A
	15	TPN, VTPN		18B	T01B, T60A, T60B, T60C, T60D, T60E, T60F, T61A		15	TPN, VTPN
	17	R60B, R60C, R61A, R62A, R63B, R63C, R63D, R63F		22	Y02A		17	R60B, R60C, R61A, R62A, R63B, R63C, R63D, R63F
	18B	T01B, T60A, T60B, T60C, T60F, T61A		Pre	A07D, A09E, A11F, A13F		18A	S63A, S63B
	Pre	A07D, A09E, A11F, A13F		05	F62A		18B	T01B, T60A, T60B, T60C, T60D, T60E, T60F, T61A
A39.2	05	F62A	A40.3	06	G67A		22	Y02A
	06	G67A		15	TPN, VTPN	A41.4	Pre	A07D, A09E, A11F, A13F
	15	TPN, VTPN		17	R60B, R60C, R61A, R62A, R63B, R63C, R63D, R63F		05	F62A
	17	R60B, R60C, R61A, R62A, R63B, R63C, R63D, R63F		18A	S63A, S63B		06	G67A
	18B	T01B, T60A, T60B, T60C, T60F, T61A		18B	T01B, T60A, T60B, T60C, T60D, T60E, T60F, T61A		15	TPN, VTPN
	Pre	A07D, A09E, A11F, A13F		22	Y02A		17	R60B, R60C, R61A, R62A, R63B, R63C, R63D, R63F
A39.3	05	F62A	A40.8	05	F62A		18A	S63A, S63B
	06	G67A		06	G67A		18B	T01B, T60A, T60B, T60C, T60D, T60E, T60F, T61A
	15	TPN, VTPN		15	TPN, VTPN		22	Y02A
	17	R60B, R60C, R61A, R62A, R63B, R63C, R63D, R63F		17	R60B, R60C, R61A, R62A, R63B, R63C, R63D, R63F		Pre	A07D, A09E, A11F, A13F
	18B	T01B, T60A, T60B, T60C, T60F, T61A		18A	S63A, S63B	A41.51	05	F62A
	Pre	A07D, A09E, A11F, A13F		18B	T01B, T60A, T60B, T60C, T60D, T60E, T60F, T61A		06	G67A
A39.4	05	F62A		22	Y02A		15	TPN, VTPN
	06	G67A		Pre	A07D, A09E, A11F, A13F		17	R60B, R60C, R61A, R62A, R63B, R63C, R63D, R63F
	15	TPN, VTPN		05	F62A		18A	S63A, S63B
	17	R60B, R60C, R61A, R62A, R63B, R63C, R63D, R63F		06	G67A		18B	T01B, T60A, T60B, T60C, T60D, T60E, T60F, T61A
	18B	T01B, T60A, T60B, T60C, T60F, T61A		15	TPN, VTPN		22	Y02A
	Pre	A07D, A09E, A11F, A13F		17	R60B, R60C, R61A, R62A, R63B, R63C, R63D, R63F		Pre	A07D, A09E, A11F, A13F
A39.5	05	F75A, F75B, F75C, F75D	A40.9	05	F62A		05	F62A
	15	TPN, VTPN		06	G67A		06	G67A
	Pre	A07D, A09E, A11F, A13F		15	TPN, VTPN		15	TPN, VTPN
A39.8	05	F62A		17	R60B, R60C, R61A, R62A, R63B, R63C, R63D, R63F		17	R60B, R60C, R61A, R62A, R63B, R63C, R63D, R63F
	06	G67A		18A	S63A, S63B		18A	S63A, S63B
	17	R60B, R60C, R61A, R62A, R63B, R63C, R63D, R63F		18B	T01B, T60A, T60B, T60C, T60D, T60E, T60F, T61A		18B	T01B, T60A, T60B, T60C, T60D, T60E, T60F, T61A
	18B	T01B, T60A, T60B, T60C, T60F, T61A		22	Y02A		22	Y02A
	Pre	A07D, A09E, A11F, A13F		Pre	A07D, A09E, A11F, A13F		Pre	A07D, A09E, A11F, A13F

ICD	MDC	DRG	ICD	MDC	DRG	ICD	MDC	DRG
A41.58	05	F62A	A44.1	18B	T64A, T64B, T64C	A51.2	18A	S63A, S63B
	06	G67A		Pre	A07D, A09E, A11F, A13F		18B	T64A, T64B, T64C
	15	TPN, VTPN	A44.8	18B	T64A, T64B, T64C	A51.3	09	J61A, J61B, J61C, J68A, J68B
	17	R60B, R60C, R61A, R62A, R63B, R63C, R63D, R63F		Pre	A07D, A09E, A11F, A13F		18A	S63A, S63B
	18A	S63A, S63B	A44.9	18B	T64A, T64B, T64C	A51.4	18A	S63A, S63B
	18B	T01B, T60A, T60B, T60C, T60D, T60E, T60F, T61A		Pre	A07D, A09E, A11F, A13F		18B	T64A, T64B, T64C
	22	Y02A	A46	09	J11A, J11B, J64A, J64B	A51.5	18A	S63A, S63B
	Pre	A07D, A09E, A11F, A13F		15	TPN, VTPN		18B	T64A, T64B, T64C
A41.8	05	F62A	A48.0	05	F62A	A51.9	18A	S63A, S63B
	06	G67A		06	G67A		18B	T64A, T64B, T64C
	15	TPN, VTPN		15	TPN, VTPN	A52.0	05	F75A, F75B, F75C, F75D
	17	R60B, R60C, R61A, R62A, R63B, R63C, R63D, R63F		17	R60B, R60C, R61A, R62A, R63B, R63C, R63D, R63F		18A	S63A, S63B
	18A	S63A, S63B		18B	T01B, T60A, T60B, T60C, T60D, T60E, T60F, T61A	A52.1	01	B72A, B72B
	18B	T01B, T60A, T60B, T60C, T60D, T60E, T60F, T61A		Pre	A07D, A09E, A11F, A13F		18A	S63A, S63B
	22	Y02A	A48.1	04	E62A, E62B, E77A, E77B, E77C, E77D, E77F	A52.2	01	B72A, B72B
	Pre	A07D, A09E, A11F, A13F		15	TPN, VTPN		18A	S63A, S63B
A41.9	05	F62A		18A	S63A, S63B	A52.3	01	B72A, B72B
	06	G67A		22	Y02A, Y02B		18A	S63A, S63B
	15	P65C, P66C, P67B, P67C		Pre	A07D, A09E, A11F, A13F	A52.7	18A	S63A, S63B
	18A	S63A, S63B	A48.2	04	E62A, E62B, E77A, E77B, E77C, E77D, E77E, E77F, E77G		18B	T64A, T64B, T64C
	18B	T01B, T60A, T60B, T60C, T60D, T60E, T60F, T61A		15	TPN, VTPN	A52.8	18A	S63A, S63B
	22	Y02A		18A	S63A, S63B		18B	T64A, T64B, T64C
	Pre	A07D, A09E, A11F, A13F		22	Y02A, Y02B	A52.9	18A	S63A, S63B
A42.0	04	E62A, E62B, E77A, E77B, E77C, E77D, E77F		Pre	A07D, A09E, A11F, A13F		18B	T64A, T64B, T64C
	Pre	A07D, A09E, A11F, A13F	A48.3	05	F62A	A53.0	18A	S63A, S63B
A42.1	06	G46A, G46B, G46C, G50Z, G71Z		06	G67A		18B	T64A, T64B, T64C
	Pre	A07D, A09E, A11F, A13F		17	R60B, R60C, R61A, R62A, R63B, R63C, R63D, R63F	A53.9	18A	S63A, S63B
A42.2	09	J08A, J08B, J08C, J61A, J61B, J61C, J68A, J68B		18B	T01B, T60A, T60B, T60C, T60D, T60E, T60F, T61A		18B	T64A, T64B, T64C
	Pre	A07D, A09E, A11F, A13F		Pre	A07D, A09E, A11F, A13F	A54.0	12	M62Z
A42.7	05	F62A	A48.4	18B	T64A, T64B, T64C		13	N04Z, N05A, N05B, N14Z, N21Z, N25Z, N61Z
	06	G67A		Pre	A07D, A09E, A11F, A13F	A54.1	12	M62Z
	17	R60B, R60C, R61A, R62A, R63B, R63C, R63D, R63F	A48.8	18B	T64A, T64B, T64C		13	N04Z, N05A, N05B, N14Z, N21Z, N25Z, N61Z
	18B	T01B, T60A, T60B, T60C, T60D, T60E, T60F, T61A	A49.0	18B	T64A, T64B, T64C	A54.2	12	M62Z
	Pre	A07D, A09E, A11F, A13F	A49.1	15	P65C, P66C, P67B, P67C		13	N04Z, N05A, N05B, N14Z, N21Z, N25Z, N61Z
A42.8	18B	T64A, T64B, T64C		18B	T64A, T64B, T64C	A54.3	02	C60Z
	Pre	A07D, A09E, A11F, A13F	A49.2	18B	T64A, T64B, T64C	A54.4	08	I08A, I08B, I08C, I08D, I08E, I13A, I13B, I76A, I76B
A42.9	18B	T64A, T64B, T64C	A49.3	18B	T64A, T64B, T64C	A54.5	03	D62Z, D63Z
	Pre	A07D, A09E, A11F, A13F	A49.8	18B	T64A, T64B, T64C	A54.6	06	G46A, G46B, G46C, G50Z, G71Z
A43.0	04	E41Z, E42Z, E76A, E76B, E76C	A49.9	18B	T64A, T64B, T64C	A54.8	18B	T64A, T64B, T64C
	18A	S63A, S63B	A50.0	15	TPN, VTPN	A54.9	18B	T64A, T64B, T64C
	Pre	A07D, A09E, A11F, A13F	A50.1	18B	T64A, T64B, T64C	A55	12	M62Z
A43.1	09	J08A, J08B, J08C, J61A, J61B, J61C, J68A, J68B		15	TPN, VTPN		13	N04Z, N05A, N05B, N14Z, N21Z, N25Z, N61Z
	18A	S63A, S63B	A50.2	18B	T64A, T64B, T64C	A56.0	12	M62Z
	Pre	A07D, A09E, A11F, A13F		18B	T64A, T64B, T64C		13	N04Z, N05A, N05B, N14Z, N21Z, N25Z, N61Z
A43.8	18A	S63A, S63B	A50.3	02	C60Z	A56.1	12	M62Z
	18B	T64A, T64B, T64C		15	TPN, VTPN		13	N04Z, N05A, N05B, N14Z, N21Z, N25Z, N61Z
	Pre	A07D, A09E, A11F, A13F	A50.4	01	B72A, B72B	A56.2	12	M62Z
A43.9	18A	S63A, S63B		15	TPN, VTPN		13	N04Z, N05A, N05B, N14Z, N21Z, N25Z, N61Z
	18B	T64A, T64B, T64C	A50.5	18B	T64A, T64B, T64C	A56.3	06	G46A, G46B, G46C, G50Z, G71Z
	Pre	A07D, A09E, A11F, A13F	A50.6	18B	T64A, T64B, T64C	A56.4	03	D62Z, D63Z
	18A	S63A, S63B	A50.7	18B	T64A, T64B, T64C	A56.8	12	M62Z
	18B	T64A, T64B, T64C	A50.9	18B	T64A, T64B, T64C		13	N04Z, N05A, N05B, N14Z, N21Z, N25Z, N61Z
	Pre	A07D, A09E, A11F, A13F	A51.0	12	M62Z	A57	12	M62Z
A44.0	05	F62A		13	N04Z, N05A, N05B, N14Z, N21Z, N25Z, N61Z		13	N04Z, N05A, N05B, N14Z, N21Z, N25Z, N61Z
	06	G67A		18A	S63A, S63B	A58	12	M62Z
	17	R60B, R60C, R61A, R62A, R63B, R63C, R63D, R63F		06	G46A, G46B, G46C, G50Z, G71Z		13	N04Z, N05A, N05B, N14Z, N21Z, N25Z, N61Z
	18B	T01B, T60A, T60B, T60C, T60D, T60E, T60F, T61A	A51.1	18A	S63A, S63B		13	N04Z, N05A, N05B, N14Z, N21Z, N25Z, N61Z
	Pre	A07D, A09E, A11F, A13F		18A	S63A, S63B		13	N04Z, N05A, N05B, N14Z, N21Z, N25Z, N61Z

ICD	MDC	DRG	ICD	MDC	DRG	ICD	MDC	DRG
A59.0	12	M62Z	A75.3	18B	T64A, T64B, T64C	A83.0	01	B72A, B72B
	13	N04Z, N05A, N05B, N14Z, N21Z, N25Z, N61Z	Pre	A07D, A09E, A11F, A13F	Pre	A07D, A09E, A11F, A13F		
A59.8	18B	T64A, T64B, T64C	A75.9	18B	T64A, T64B, T64C	A83.1	01	B72A, B72B
A59.9	18B	T64A, T64B, T64C	Pre	A07D, A09E, A11F, A13F	Pre	A07D, A09E, A11F, A13F		
A60.0	12	M62Z	A77.0	18B	T64A, T64B, T64C	A83.2	01	B72A, B72B
	13	N04Z, N05A, N05B, N14Z, N21Z, N25Z, N61Z	Pre	A07D, A09E, A11F, A13F	Pre	A07D, A09E, A11F, A13F		
	18A	S63A, S63B	A77.1	18B	T64A, T64B, T64C	A83.3	01	B72A, B72B
A60.1	12	M62Z	Pre	A07D, A09E, A11F, A13F	Pre	A07D, A09E, A11F, A13F		
	13	N04Z, N05A, N05B, N14Z, N21Z, N25Z, N61Z	A77.2	18B	T64A, T64B, T64C	A83.4	01	B72A, B72B
	18A	S63A, S63B	Pre	A07D, A09E, A11F, A13F	Pre	A07D, A09E, A11F, A13F		
A60.9	12	M62Z	A77.3	18B	T64A, T64B, T64C	A83.5	01	B72A, B72B
	13	N04Z, N05A, N05B, N14Z, N21Z, N25Z, N61Z	Pre	A07D, A09E, A11F, A13F	Pre	A07D, A09E, A11F, A13F		
	18A	S63A, S63B	A77.8	18B	T64A, T64B, T64C	A83.6	01	B72A, B72B
A63.8	12	M62Z	Pre	A07D, A09E, A11F, A13F	Pre	A07D, A09E, A11F, A13F		
	13	N04Z, N05A, N05B, N14Z, N21Z, N25Z, N61Z	A77.9	18B	T64A, T64B, T64C	A83.8	01	B72A, B72B
A64	12	M62Z	Pre	A07D, A09E, A11F, A13F	Pre	A07D, A09E, A11F, A13F		
	13	N04Z, N05A, N05B, N14Z, N21Z, N25Z, N61Z	A78	05	F62A	A83.9	01	B72A, B72B
A65	18B	T64A, T64B, T64C	06	G67A	Pre	A07D, A09E, A11F, A13F		
A66.0	09	J67A, J67B, J68A, J68B	17	R60B, R60C, R61A, R62A, R63B, R63C, R63D, R63F	A84.0	01	B72A, B72B	
A66.1	09	J67A, J67B, J68A, J68B			Pre	A07D, A09E, A11F, A13F		
A66.2	09	J61A, J61B, J61C, J68A, J68B	18B	T01B, T60A, T60B, T60C, T60F, T61A	A84.1	01	B72A, B72B	
A66.3	09	J61A, J61B, J61C, J68A, J68B	Pre	A07D, A09E, A11F, A13F	Pre	A07D, A09E, A11F, A13F		
A66.4	09	J61A, J61B, J61C, J68A, J68B	A79.0	18B	T64A, T64B, T64C	A84.8	01	B72A, B72B
A66.5	03	D66Z	Pre	A07D, A09E, A11F, A13F	Pre	A07D, A09E, A11F, A13F		
A66.6	08	I08A, I08B, I08C, I08D, I08E, I13A, I13B, I76A, I76B	A79.1	18B	T64A, T64B, T64C	A84.9	01	B72A, B72B
A66.7	18B	T64A, T64B, T64C	Pre	A07D, A09E, A11F, A13F	Pre	A07D, A09E, A11F, A13F		
A66.8	18B	T64A, T64B, T64C	A79.8	18B	T64A, T64B, T64C	A85.0	01	B72A, B72B
A66.9	18B	T64A, T64B, T64C	Pre	A07D, A09E, A11F, A13F	18A	S65A, S65B		
A67.0	09	J67A, J67B, J68A, J68B	A79.9	18B	T64A, T64B, T64C	Pre	A07D, A09E, A11F, A13F	
A67.1	09	J67A, J67B, J68A, J68B	Pre	A07D, A09E, A11F, A13F	A85.1	01	B72A, B72B	
A67.2	18B	T64A, T64B, T64C	A80.0	01	B72A, B72B	18A	S65A, S65B	
A67.3	09	J67A, J67B, J68A, J68B	Pre	A07D, A09E, A11F, A13F	Pre	A07D, A09E, A11F, A13F		
A67.9	18B	T64A, T64B, T64C	A80.1	01	B72A, B72B	A85.2	01	B72A, B72B
A68.0	18B	T64A, T64B, T64C	Pre	A07D, A09E, A11F, A13F	Pre	A07D, A09E, A11F, A13F		
A68.1	18B	T64A, T64B, T64C	A80.2	01	B72A, B72B	A85.8	01	B72A, B72B
A68.9	18B	T64A, T64B, T64C	Pre	A07D, A09E, A11F, A13F	18A	S65A, S65B		
A69.0	03	D62Z, D63Z	A80.3	01	B72A, B72B	Pre	A07D, A09E, A11F, A13F	
A69.1	03	D62Z, D63Z	Pre	A07D, A09E, A11F, A13F	A86	01	B72A, B72B	
A69.2	18B	T64A, T64B	A80.4	18B	T63A, T63B, T63C	15	TPN, VTPN	
A69.8	18B	T64A, T64B, T64C	Pre	A07D, A09E, A11F, A13F	18A	S65A, S65B		
A69.9	18B	T64A, T64B, T64C	A80.9	01	B72A, B72B	Pre	A07D, A09E, A11F, A13F	
A70	04	E62A, E62B, E77A, E77B, E77C, E77D, E77E, E77F, E77G	Pre	A07D, A09E, A11F, A13F	A87.0	01	B73Z	
A71.0	02	C60Z	A81.0	01	B17A, B48Z, B85A, B85B, B85C	15	TPN, VTPN	
A71.1	02	C60Z	Pre	A07D, A09E, A11F, A13F	18A	S63A, S63B		
	15	TPN, VTPN	A81.1	01	B17A, B48Z, B85A, B85B, B85C	Pre	A07D, A09E, A11F, A13F	
A71.9	02	C60Z	15	TPN, VTPN	A87.1	01	B73Z	
A74.0	02	C63Z	Pre	A07D, A09E, A11F, A13F	18A	S63A, S63B		
A74.8	18A	S63A, S63B	A81.2	01	B48Z, B85A, B85B, B85C, B85D	Pre	A07D, A09E, A11F, A13F	
	15	TPN, VTPN	18A	S63A, S63B	A87.2	01	B73Z	
	18A	S63A, S63B	Pre	A07D, A09E, A11F, A13F	Pre	A07D, A09E, A11F, A13F		
A74.9	18B	T63A, T63B, T63C	A81.8	01	B48Z, B85A, B85B, B85C, B85D	A87.8	01	B73Z
A75.0	18B	T64A, T64B, T64C	18A	S65A, S65B	18A	S63A, S63B		
Pre	A07D, A09E, A11F, A13F		Pre	A07D, A09E, A11F, A13F	Pre	A07D, A09E, A11F, A13F		
A75.1	18B	T64A, T64B, T64C	A81.9	01	B48Z, B85A, B85B, B85C, B85D	A87.9	01	B73Z
Pre	A07D, A09E, A11F, A13F		18A	S65A, S65B	18A	S63A, S63B		
A75.2	18B	T64A, T64B, T64C	Pre	A07D, A09E, A11F, A13F	Pre	A07D, A09E, A11F, A13F		
Pre	A07D, A09E, A11F, A13F		A82.0	01	B72A, B72B	A88.0	01	B72A, B72B
			Pre	A07D, A09E, A11F, A13F	Pre	A07D, A09E, A11F, A13F		
			A82.1	01	B72A, B72B	A88.1	01	B81A, B81B
			Pre	A07D, A09E, A11F, A13F	Pre	A07D, A09E, A11F, A13F		
			A82.9	01	B72A, B72B	A88.8	01	B72A, B72B
			Pre	A07D, A09E, A11F, A13F	18A	S65A, S65B		
					Pre	A07D, A09E, A11F, A13F		
					A89	01	B72A, B72B	
					15	TPN, VTPN		
					18A	S65A, S65B		
					Pre	A07D, A09E, A11F, A13F		
					18B	T63A, T63B, T63C		
					Pre	A07D, A09E, A11F, A13F		

ICD	MDC	DRG	ICD	MDC	DRG	ICD	MDC	DRG
A91	18B	T63A, T63B, T63C	B00.1	15	TPN, VTPN	B03	18B	T63A, T63B, T63C
	Pre	A07D, A09E, A11F, A13F		18A	S63A, S63B	B04	18B	T63A, T63B, T63C
A92.0	18B	T63A, T63B, T63C		18B	T63A, T63B, T63C	B05.0	01	B72A, B72B
	Pre	A07D, A09E, A11F, A13F	B00.2	03	D40Z, D67Z		15	TPN, VTPN
A92.1	18B	T63A, T63B, T63C		15	TPN, VTPN		18A	S63A, S63B
	Pre	A07D, A09E, A11F, A13F		18A	S63A, S63B	Pre	A07D, A09E, A11F, A13F	
A92.2	01	B72A, B72B	B00.3	01	B73Z	B05.1	01	B73Z
	Pre	A07D, A09E, A11F, A13F		15	TPN, VTPN		15	TPN, VTPN
A92.3	18B	T63A, T63B, T63C		18A	S63A, S63B		18A	S63A, S63B
	Pre	A07D, A09E, A11F, A13F	Pre	A07D, A09E, A11F, A13F		Pre	A07D, A09E, A11F, A13F	
A92.4	18B	T63A, T63B, T63C	B00.4	01	B72A, B72B	B05.2	04	E62A, E62B, E77A, E77B, E77C, E77D, E77E, E77F, E77G
	Pre	A07D, A09E, A11F, A13F		15	TPN, VTPN			
A92.8	18B	T63A, T63B, T63C		18A	S63A, S63B		15	TPN, VTPN
	Pre	A07D, A09E, A11F, A13F	Pre	A07D, A09E, A11F, A13F			18A	S63A, S63B
A92.9	18B	T63A, T63B, T63C	B00.5	02	C60Z	B05.3	03	D62Z, D63Z
	Pre	A07D, A09E, A11F, A13F		15	TPN, VTPN		15	TPN, VTPN
A93.0	18B	T63A, T63B, T63C		18A	S63A, S63B		18A	S63A, S63B
	Pre	A07D, A09E, A11F, A13F	B00.7	05	F62A	B05.4	15	TPN, VTPN
A93.1	18B	T63A, T63B, T63C		06	G67A		18A	S63A, S63B
	Pre	A07D, A09E, A11F, A13F		15	TPN, VTPN		18A	S63A, S63B
A93.2	18B	T63A, T63B, T63C		17	R60B, R60C, R61A, R62A, R63B, R63C, R63D, R63F	B05.8	15	TPN, VTPN
	Pre	A07D, A09E, A11F, A13F		18A	S63A, S63B		18A	S63A, S63B
A93.8	18B	T63A, T63B, T63C		18B	T01B, T60A, T60B, T60C, T60D, T60E, T60F, T61A		18B	T63A, T63B, T63C
	Pre	A07D, A09E, A11F, A13F				B05.9	18A	S63A, S63B
A94	18B	T63A, T63B, T63C	B00.8	15	TPN, VTPN		18B	T63A, T63B, T63C
	Pre	A07D, A09E, A11F, A13F		18A	S63A, S63B	B06.0	01	B72A, B72B
A95.0	18B	T63A, T63B, T63C		18B	T63A, T63B, T63C		15	TPN, VTPN
	Pre	A07D, A09E, A11F, A13F	B00.9	09	J61A, J61B, J61C, J68A, J68B	B06.8	15	TPN, VTPN
A95.1	18B	T63A, T63B, T63C		15	TPN, VTPN		18B	T63A, T63B, T63C
	Pre	A07D, A09E, A11F, A13F		18A	S63A, S63B	B06.9	18B	T63A, T63B, T63C
A95.9	18B	T63A, T63B, T63C	B01.0	01	B73Z	B07	09	J67A, J67B, J68A, J68B
	Pre	A07D, A09E, A11F, A13F		15	TPN, VTPN	B08.0	18B	T63A, T63B, T63C
A96.0	15	TPN, VTPN		Pre	A07D, A09E, A11F, A13F	B08.1	09	J67A, J67B, J68A, J68B
	18B	T63A, T63B, T63C	B01.1	01	B72A, B72B	B08.2	18B	T63A, T63B, T63C
	Pre	A07D, A09E, A11F, A13F		15	TPN, VTPN	B08.3	18B	T63A, T63B, T63C
A96.1	15	TPN, VTPN		Pre	A07D, A09E, A11F, A13F	B08.4	18B	T63A, T63B, T63C
	18B	T63A, T63B, T63C	B01.2	04	E62A, E62B, E77A, E77B, E77C, E77D, E77E, E77F, E77G	B08.5	03	D62Z, D63Z
	Pre	A07D, A09E, A11F, A13F		15	TPN, VTPN		15	TPN, VTPN
A96.2	15	TPN, VTPN		Pre	A07D, A09E, A11F, A13F	B08.8	18B	T63A, T63B, T63C
	18B	T63A, T63B, T63C	B01.8	15	TPN, VTPN	B09	15	P65C, P66C, P67B, P67C
	Pre	A07D, A09E, A11F, A13F		18B	T63A, T63B, T63C		18B	T63A, T63B, T63C
A96.8	15	TPN, VTPN	B01.9	15	TPN, VTPN	B15.0	07	H63A, H63B, H63C, H78Z
	18B	T63A, T63B, T63C		18B	T63A, T63B, T63C		15	TPN, VTPN
	Pre	A07D, A09E, A11F, A13F	B02.0	01	B72A, B72B	Pre	A07D, A09E, A11F, A13F	
A96.9	15	TPN, VTPN		15	TPN, VTPN	B15.9	07	H63A, H63B, H63C, H78Z
	18B	T63A, T63B, T63C		18A	S63A, S63B		15	TPN, VTPN
	Pre	A07D, A09E, A11F, A13F	B02.1	01	B73Z	B16.0	07	H63A, H63B, H63C, H78Z
A98.0	18B	T63A, T63B, T63C		15	TPN, VTPN		15	TPN, VTPN
	Pre	A07D, A09E, A11F, A13F		18A	S63A, S63B	Pre	A07D, A09E, A11F, A13F	
A98.1	18B	T63A, T63B, T63C	B02.2	01	B81A, B81B	B16.1	07	H63A, H63B, H63C, H78Z
	Pre	A07D, A09E, A11F, A13F		15	TPN, VTPN		15	TPN, VTPN
A98.2	18B	T63A, T63B, T63C		18A	S63A, S63B	B16.2	07	H63A, H63B, H63C, H78Z
	Pre	A07D, A09E, A11F, A13F	B02.3	02	C60Z		15	TPN, VTPN
A98.3	15	TPN, VTPN		15	TPN, VTPN	B16.9	07	H63A, H63B, H63C, H78Z
	18B	T63A, T63B, T63C		18A	S63A, S63B		15	TPN, VTPN
	Pre	A07D, A09E, A11F, A13F	B02.7	15	TPN, VTPN	B17.0	07	H63A, H63B, H63C, H78Z
A98.4	18B	T63A, T63B, T63C		18A	S63A, S63B		15	TPN, VTPN
	Pre	A07D, A09E, A11F, A13F		15	TPN, VTPN	Pre	A07D, A09E, A11F, A13F	
A98.5	11	L63A, L63B, L63C, L63D, L63E, L63F, L74Z	B02.8	15	TPN, VTPN	B17.1	07	H63A, H63B, H63C, H78Z
	15	TPN, VTPN		18A	S63A, S63B		15	TPN, VTPN
	Pre	A07D, A09E, A11F, A13F		18B	T63A, T63B, T63C	B17.2	07	H63A, H63B, H63C, H78Z
A98.8	18B	T63A, T63B, T63C		15	TPN, VTPN		15	TPN, VTPN
	Pre	A07D, A09E, A11F, A13F	B02.9	09	J64A, J64B, J68A, J68B	Pre	A07D, A09E, A11F, A13F	
A99	18B	T63A, T63B, T63C		15	TPN, VTPN	B17.8	07	H63A, H63B, H63C, H78Z
	Pre	A07D, A09E, A11F, A13F		18A	S63A, S63B		15	TPN, VTPN
B00.0	09	J61A, J61B, J61C, J68A, J68B						
	15	TPN, VTPN						
	18A	S63A, S63B						

ICD	MDC	DRG	ICD	MDC	DRG	ICD	MDC	DRG
B17.9	07	H63A, H63B, H63C, H78Z	B21.0	14	O01C, O01D, O01F	B23.2	14	O01C, O01D, O01F
	15	TPN, VTPN		15	TPN, VTPN		15	TPN, VTPN
B18.0	07	H63A, H63B, H63C, H78Z		18A	S62Z		18A	S65A, S65B
	15	TPN, VTPN		20	V60A, V60B		20	V60A, V60B
B18.1	07	H63A, H63B, H63C, H78Z		Pre	A07D, A09E, A11F, A13F		Pre	A07D, A09E, A11F, A13F
	15	TPN, VTPN	B21.1	14	O01C, O01D, O01F	B23.8	14	O01C, O01D, O01F
B18.2	07	H63A, H63B, H63C, H78Z		15	TPN, VTPN		15	TPN, VTPN
	15	TPN, VTPN		18A	S62Z		18A	S65A, S65B
	Pre	A07D, A09E, A11F, A13F		20	V60A, V60B		20	V60A, V60B
B18.8	07	H63A, H63B, H63C, H78Z		Pre	A07D, A09E, A11F, A13F		Pre	A07D, A09E, A11F, A13F
	15	TPN, VTPN	B21.2	14	O01C, O01D, O01F	B24	14	O01C, O01D, O01F
B18.9	07	H63A, H63B, H63C, H78Z		15	TPN, VTPN		15	TPN, VTPN
	15	TPN, VTPN		18A	S62Z		18A	S65A, S65B
B19.0	07	H63A, H63B, H63C, H78Z		20	V60A, V60B		20	V60A, V60B
	15	TPN, VTPN		Pre	A07D, A09E, A11F, A13F		Pre	A07D, A09E, A11F, A13F
B19.9	07	H63A, H63B, H63C, H78Z	B21.3	14	O01C, O01D, O01F	B25.0	04	E62A, E77A, E77B, E77C, E77D, E77F
	15	TPN, VTPN		15	TPN, VTPN		15	TPN, VTPN
B20.0	14	O01C, O01D, O01F		18A	S62Z		18A	S63A, S63B
	15	TPN, VTPN		20	V60A, V60B		Pre	A07D, A09E, A11F, A13F
	18A	S63A, S63B		Pre	A07D, A09E, A11F, A13F	B25.1	15	TPN, VTPN
	20	V60A, V60B	B21.7	14	O01C, O01D, O01F		18A	S63A, S63B
	Pre	A07D, A09E, A11F, A13F		15	TPN, VTPN		18B	T63A, T63B
B20.1	14	O01C, O01D, O01F		20	V60A, V60B		Pre	A07D, A09E, A11F, A13F
	15	TPN, VTPN		Pre	A07D, A09E, A11F, A13F	B25.2	15	TPN, VTPN
	18A	S63A, S63B	B21.8	14	O01C, O01D, O01F		18A	S63A, S63B
	20	V60A, V60B		15	TPN, VTPN		18B	T63A, T63B
	Pre	A07D, A09E, A11F, A13F		18A	S62Z		Pre	A07D, A09E, A11F, A13F
B20.2	14	O01C, O01D, O01F		20	V60A, V60B	B25.80	15	TPN, VTPN
	15	TPN, VTPN		Pre	A07D, A09E, A11F, A13F		18A	S63A, S63B
	18A	S63A, S63B	B21.9	14	O01C, O01D, O01F		18B	T63A, T63B
	20	V60A, V60B		15	TPN, VTPN	B25.88	15	TPN, VTPN
	Pre	A07D, A09E, A11F, A13F		18A	S62Z		18A	S63A, S63B
B20.3	14	O01C, O01D, O01F		20	V60A, V60B		18B	T63A, T63B
	15	TPN, VTPN		Pre	A07D, A09E, A11F, A13F	B25.9	15	TPN, VTPN
	18A	S63A, S63B	B22.0	14	O01C, O01D, O01F		18A	S63A, S63B
	20	V60A, V60B		15	TPN, VTPN		18B	T63A, T63B
	Pre	A07D, A09E, A11F, A13F		18A	S65A, S65B	B26.0	12	M62Z
B20.4	14	O01C, O01D, O01F		20	V60A, V60B		15	TPN, VTPN
	15	TPN, VTPN		Pre	A07D, A09E, A11F, A13F	B26.1	01	B73Z
	18A	S63A, S63B	B22.1	14	O01C, O01D, O01F		15	TPN, VTPN
	20	V60A, V60B		15	TPN, VTPN		Pre	A07D, A09E, A11F, A13F
	Pre	A07D, A09E, A11F, A13F		18A	S65A, S65B	B26.2	01	B72A, B72B
B20.5	14	O01C, O01D, O01F		20	V60A, V60B		15	TPN, VTPN
	15	TPN, VTPN		Pre	A07D, A09E, A11F, A13F		Pre	A07D, A09E, A11F, A13F
	18A	S63A, S63B	B22.2	14	O01C, O01D, O01F	B26.3	07	H62A, H62B, H62C
	20	V60A, V60B		15	TPN, VTPN		15	TPN, VTPN
	Pre	A07D, A09E, A11F, A13F		18A	S65A, S65B	B26.8	15	TPN, VTPN
B20.6	14	O01C, O01D, O01F		20	V60A, V60B		18B	T63A, T63B, T63C
	15	TPN, VTPN		Pre	A07D, A09E, A11F, A13F	B26.9	18B	T63A, T63B, T63C
	18A	S63A, S63B	B22.7	14	O01C, O01D, O01F	B27.0	15	TPN, VTPN
	20	V60A, V60B		15	TPN, VTPN		18B	T63A, T63B, T63C
	Pre	A07D, A09E, A11F, A13F		18A	S65A, S65B	B27.1	15	TPN, VTPN
B20.7	14	O01C, O01D, O01F		20	V60A, V60B		18B	T63A, T63B, T63C
	15	TPN, VTPN		Pre	A07D, A09E, A11F, A13F	B27.8	15	TPN, VTPN
	18A	S63A, S63B	B23.0	14	O01C, O01D, O01F		18B	T63A, T63B, T63C
	20	V60A, V60B		15	TPN, VTPN	B27.9	15	TPN, VTPN
	Pre	A07D, A09E, A11F, A13F		18A	S65A, S65B		18B	T63A, T63B, T63C
B20.8	14	O01C, O01D, O01F		20	V60A, V60B	B30.0	02	C63Z
	15	TPN, VTPN		Pre	A07D, A09E, A11F, A13F	B30.1	02	C63Z
	18A	S63A, S63B	B23.1	14	O01C, O01D, O01F		15	TPN, VTPN
	20	V60A, V60B		15	TPN, VTPN	B30.2	02	C63Z
	Pre	A07D, A09E, A11F, A13F		18A	S65A, S65B	B30.3	02	C63Z
B20.9	14	O01C, O01D, O01F		20	V60A, V60B		15	TPN, VTPN
	15	TPN, VTPN		Pre	A07D, A09E, A11F, A13F	B30.8	02	C63Z
	18A	S63A, S63B				B30.9	02	C63Z
	20	V60A, V60B				B33.0	04	E62A, E62B, E77A, E77B, E77C, E77D, E77E, E77F, E77G
	Pre	A07D, A09E, A11F, A13F						

Dg

ICD	MDC	DRG	ICD	MDC	DRG	ICD	MDC	DRG
B33.1	18B	T63A, T63B, T63C	B37.5	01	B72A, B72B	B39.1	04	E74Z
B33.2	05	F75A, F75B, F75C, F75D		15	TPN, VTPN		15	TPN, VTPN
	15	TPN, VTPN		18A	S63A, S63B		18A	S63A, S63B
	Pre	A07D, A09E, A11F, A13F		Pre	A07D, A09E, A11F, A13F		Pre	A07D, A09E, A11F, A13F
B33.3	18B	T63A, T63B, T63C	B37.6	05	F15Z, F36A, F36B, F61A, F61B	B39.2	04	E74Z
B33.4	18B	T63A, T63B, T63C		15	TPN, VTPN		15	TPN, VTPN
	Pre	A07D, A09E, A11F, A13F		18A	S63A, S63B		18A	S63A, S63B
B33.8	18B	T63A, T63B, T63C		Pre	A07D, A09E, A11F, A13F		Pre	A07D, A09E, A11F, A13F
B34.0	15	TPN, VTPN	B37.7	05	F62A	B39.3	05	F62A
	18B	T63A, T63B, T63C		06	G67A		06	G67A
B34.1	18B	T63A, T63B, T63C		17	R60B, R60C, R61A, R62A, R63B, R63C, R63D, R63F		17	R60B, R60C, R61A, R62A, R63B, R63C, R63D, R63F
B34.2	18B	T63A, T63B, T63C		18A	S63A, S63B		18A	S63A, S63B
B34.3	18B	T63A, T63B, T63C		18B	T01B, T60A, T60B, T60C, T60F, T61A		18B	T01B, T60A, T60B, T60C, T60F, T61A
B34.4	18A	S63A, S63B		Pre	A07D, A09E, A11F, A13F		Pre	A07D, A09E, A11F, A13F
	18B	T63A, T63B, T63C	B37.81	06	G46A, G46B, G46C, G50Z, G67A, G67B, G67C	B39.4	18A	S63A, S63B
B34.8	18B	T63A, T63B, T63C		15	TPN, VTPN		18B	T64A, T64B, T64C
B34.9	18A	S63A, S63B		18A	S63A, S63B	B39.5	18A	S63A, S63B
	18B	T63A, T63B, T63C	B37.88	18A	S63A, S63B		18B	T64A, T64B, T64C
B35.0	09	J67A, J67B, J68A, J68B		18B	T64A, T64B, T64C		Pre	A07D, A09E, A11F, A13F
	18A	S63A, S63B		18A	S63A, S63B	B39.9	18A	S63A, S63B
B35.1	09	J67A, J67B, J68A, J68B	B37.9	18A	S63A, S63B		18B	T64A, T64B, T64C
	18A	S63A, S63B		18B	T64A, T64B, T64C		Pre	A07D, A09E, A11F, A13F
B35.2	09	J67A, J67B, J68A, J68B	B38.0	04	E62A, E62B, E77A, E77B, E77C, E77D, E77E, E77F, E77G	B40.0	04	E62A, E62B, E77A, E77B, E77C, E77D, E77E, E77F, E77G
	18A	S63A, S63B		15	TPN, VTPN		15	TPN, VTPN
B35.3	09	J02A, J02B, J02C, J03A, J03B, J04A, J04B, J08A, J08B, J08C, J67A, J67B, J68A, J68B		18A	S63A, S63B		Pre	A07D, A09E, A11F, A13F
	18A	S63A, S63B	B38.1	04	E62A, E62B, E77A, E77B, E77C, E77D, E77E, E77F, E77G	B40.1	04	E62A, E62B, E77A, E77B, E77C, E77D, E77E, E77F, E77G
B35.4	09	J67A, J67B, J68A, J68B		15	TPN, VTPN		15	TPN, VTPN
	18A	S63A, S63B		18A	S63A, S63B		Pre	A07D, A09E, A11F, A13F
B35.5	09	J67A, J67B, J68A, J68B		Pre	A07D, A09E, A11F, A13F	B40.2	04	E62A, E62B, E77A, E77B, E77C, E77D, E77E, E77F, E77G
	18A	S63A, S63B	B38.2	04	E62A, E62B, E77A, E77B, E77C, E77D, E77E, E77F, E77G		15	TPN, VTPN
B35.6	09	J67A, J67B, J68A, J68B		15	TPN, VTPN		Pre	A07D, A09E, A11F, A13F
	18A	S63A, S63B		18A	S63A, S63B	B40.3	15	TPN, VTPN
B35.8	09	J67A, J67B, J68A, J68B		Pre	A07D, A09E, A11F, A13F		18B	T64A, T64B, T64C
	18A	S63A, S63B	B38.3	09	J61A, J61B, J61C, J68A, J68B	B40.7	15	TPN, VTPN
B35.9	09	J67A, J67B, J68A, J68B		15	TPN, VTPN		18B	T64A, T64B, T64C
	18A	S63A, S63B		18A	S63A, S63B		Pre	A07D, A09E, A11F, A13F
B36.0	09	J67A, J67B, J68A, J68B	B38.4	01	B72A, B72B	B40.8	15	TPN, VTPN
	18A	S63A, S63B		15	TPN, VTPN		18B	T64A, T64B, T64C
B36.1	09	J67A, J67B, J68A, J68B		18A	S63A, S63B	B40.9	15	TPN, VTPN
	18A	S63A, S63B		Pre	A07D, A09E, A11F, A13F		18B	T64A, T64B, T64C
B36.2	09	J67A, J67B, J68A, J68B	B38.7	05	F62A	B41.0	15	TPN, VTPN
	18A	S63A, S63B		06	G67A		18B	T64A, T64B, T64C
B36.3	09	J67A, J67B, J68A, J68B		15	TPN, VTPN		Pre	A07D, A09E, A11F, A13F
	18A	S63A, S63B		17	R60B, R60C, R61A, R62A, R63B, R63C, R63D, R63F	B41.7	05	F62A
B36.8	09	J67A, J67B, J68A, J68B		18A	S63A, S63B		06	G67A
	18A	S63A, S63B		18B	T01B, T60A, T60B, T60C, T60F, T61A		15	TPN, VTPN
B36.9	09	J67A, J67B, J68A, J68B		Pre	A07D, A09E, A11F, A13F		17	R60B, R60C, R61A, R62A, R63B, R63C, R63D, R63F
	18A	S63A, S63B	B38.8	15	TPN, VTPN		18B	T01B, T60A, T60B, T60C, T60F, T61A
B37.0	03	D40Z, D67Z		18A	S63A, S63B		Pre	A07D, A09E, A11F, A13F
	18A	S63A, S63B		18B	T64A, T64B, T64C	B41.8	15	TPN, VTPN
B37.1	04	E62A, E62B, E77A, E77B, E77C, E77D, E77F	B38.9	18A	S63A, S63B		18B	T64A, T64B, T64C
	15	TPN, VTPN		18B	T64A, T64B, T64C	B41.9	15	TPN, VTPN
	18A	S63A, S63B	B39.0	04	E74Z		18B	T64A, T64B, T64C
B37.2	09	J67A, J67B, J68A, J68B		15	TPN, VTPN	B42.0	04	E62A, E62B, E77A, E77B, E77C, E77D, E77E, E77F, E77G
	15	TPN, VTPN		18A	S63A, S63B		Pre	A07D, A09E, A11F, A13F
	18A	S63A, S63B		Pre	A07D, A09E, A11F, A13F	B42.1	18B	T64A, T64B, T64C
B37.3	13	N04Z, N05A, N05B, N14Z, N21Z, N25Z, N61Z		18B	T64A, T64B, T64C			
B37.4	12	M62Z		15	TPN, VTPN			
	13	N04Z, N05A, N05B, N14Z, N21Z, N25Z, N61Z		18A	S63A, S63B			
	15	TPN, VTPN		Pre	A07D, A09E, A11F, A13F			

ICD	MDC	DRG	ICD	MDC	DRG	ICD	MDC	DRG
B42.7	05	F62A	B45.8	15	TPN, VTPN	B51.0	05	F62A
	06	G67A		18A	S63A, S63B		06	G67A
	17	R60B, R60C, R61A, R62A, R63B, R63C, R63D, R63F		18B	T64A, T64B, T64C		15	TPN, VTPN
	18B	T01B, T60A, T60B, T60C, T60F, T61A	B45.9	15	TPN, VTPN		17	R60B, R60C, R61A, R62A, R63B, R63C, R63D, R63F
	Pre	A07D, A09E, A11F, A13F		18A	S63A, S63B		18B	T01B, T60A, T60B, T60C, T60D, T60E, T60F, T61A
B42.8	18B	T64A, T64B, T64C	B46.0	04	E62A, E62B, E77A, E77B, E77C, E77D, E77E, E77F, E77G		Pre	A07D, A09E, A11F, A13F
B42.9	18B	T64A, T64B, T64C		15	TPN, VTPN	B51.8	15	TPN, VTPN
B43.0	18B	T64A, T64B, T64C	Pre	A07D, A09E, A11F, A13F		18B	T64A, T64B, T64C	
B43.1	18B	T64A, T64B, T64C	B46.1	01	B72A, B72B	Pre	A07D, A09E, A11F, A13F	
	Pre	A07D, A09E, A11F, A13F		15	TPN, VTPN	B51.9	15	TPN, VTPN
B43.2	18B	T64A, T64B, T64C		Pre	A07D, A09E, A11F, A13F		18B	T64A, T64B, T64C
B43.8	18B	T64A, T64B, T64C	B46.2	15	TPN, VTPN	Pre	A07D, A09E, A11F, A13F	
B43.9	18B	T64A, T64B, T64C		18B	T64A, T64B, T64C	B52.0	15	TPN, VTPN
B44.0	04	E62A, E62B, E77A, E77B, E77C, E77D, E77E, E77F	Pre	A07D, A09E, A11F, A13F		18B	T64A, T64B, T64C	
	15	TPN, VTPN	B46.3	15	TPN, VTPN	Pre	A07D, A09E, A11F, A13F	
	18A	S63A, S63B		18B	T64A, T64B, T64C	B52.8	05	F62A
	Pre	A07D, A09E, A11F, A13F	B46.4	05	F62A		06	G67A
B44.1	04	E62A, E62B, E77A, E77B, E77C, E77D, E77E, E77F		06	G67A		15	TPN, VTPN
	15	TPN, VTPN		15	TPN, VTPN		17	R60B, R60C, R61A, R62A, R63B, R63C, R63D, R63F
	18A	S63A, S63B		17	R60B, R60C, R61A, R62A, R63B, R63C, R63D, R63F		18B	T01B, T60A, T60B, T60C, T60D, T60E, T60F, T61A
	Pre	A07D, A09E, A11F, A13F		18B	T01B, T60A, T60B, T60C, T60F, T61A		Pre	A07D, A09E, A11F, A13F
B44.2	15	TPN, VTPN	B46.5	15	TPN, VTPN	B52.9	15	TPN, VTPN
	18A	S63A, S63B		Pre	A07D, A09E, A11F, A13F		18B	T64A, T64B, T64C
	18B	T64A, T64B, T64C		15	TPN, VTPN	Pre	A07D, A09E, A11F, A13F	
B44.7	05	F62A	B46.8	15	TPN, VTPN	B53.0	15	TPN, VTPN
	06	G67A		18B	T64A, T64B, T64C		18B	T64A, T64B, T64C
	15	TPN, VTPN	B46.9	15	TPN, VTPN	Pre	A07D, A09E, A11F, A13F	
	17	R60B, R60C, R61A, R62A, R63B, R63C, R63D, R63F		18B	T64A, T64B, T64C	B53.1	15	TPN, VTPN
	18A	S63A, S63B	B47.0	15	TPN, VTPN		18B	T64A, T64B, T64C
	18B	T01B, T60A, T60B, T60C, T60F, T61A		18B	T64A, T64B, T64C	Pre	A07D, A09E, A11F, A13F	
	Pre	A07D, A09E, A11F, A13F	B47.1	15	TPN, VTPN	B53.8	15	TPN, VTPN
B44.8	15	TPN, VTPN		18B	T64A, T64B, T64C		18B	T64A, T64B, T64C
	18A	S63A, S63B	B47.9	18B	T64A, T64B, T64C	Pre	A07D, A09E, A11F, A13F	
	18B	T64A, T64B, T64C	B48.0	18B	T64A, T64B, T64C	B54	15	TPN, VTPN
B44.9	15	TPN, VTPN	B48.1	18B	T64A, T64B, T64C		18B	T64A, T64B, T64C
	18A	S63A, S63B	B48.2	15	TPN, VTPN	Pre	A07D, A09E, A11F, A13F	
	18B	T64A, T64B, T64C		18B	T64A, T64B, T64C	B55.0	05	F62A
B45.0	04	E62A, E62B, E77A, E77B, E77C, E77D, E77E, E77F, E77G	B48.3	18B	T64A, T64B, T64C		06	G67A
	15	TPN, VTPN	B48.4	18B	T64A, T64B, T64C		17	R60B, R60C, R61A, R62A, R63B, R63C, R63D, R63F
	18A	S63A, S63B	B48.7	15	TPN, VTPN		18A	S63A, S63B
	Pre	A07D, A09E, A11F, A13F		18A	S63A, S63B		18B	T01B, T60A, T60B, T60C, T60F, T61A
B45.1	01	B72A, B72B	B48.8	18B	T64A, T64B, T64C		Pre	A07D, A09E, A11F, A13F
	15	TPN, VTPN	B49	18B	T64A, T64B, T64C	B55.1	09	J61A, J61B, J61C, J68A, J68B
	18A	S63A, S63B	B50.0	01	B72A, B72B		Pre	A07D, A09E, A11F, A13F
	Pre	A07D, A09E, A11F, A13F		15	TPN, VTPN	B55.2	09	J61A, J61B, J61C, J68A, J68B
B45.2	15	TPN, VTPN		Pre	A07D, A09E, A11F, A13F		Pre	A07D, A09E, A11F, A13F
	18A	S63A, S63B	B50.8	05	F62A	B55.9	18B	T64A, T64B, T64C
	18B	T64A, T64B, T64C		06	G67A		Pre	A07D, A09E, A11F, A13F
B45.3	15	TPN, VTPN		15	TPN, VTPN	B56.0	18B	T64A, T64B, T64C
	18A	S63A, S63B		17	R60B, R60C, R61A, R62A, R63B, R63C, R63D, R63F		Pre	A07D, A09E, A11F, A13F
	18B	T64A, T64B, T64C		18B	T01B, T60A, T60B, T60C, T60D, T60E, T60F, T61A	B56.1	18B	T64A, T64B, T64C
	Pre	A07D, A09E, A11F, A13F		Pre	A07D, A09E, A11F, A13F	Pre	A07D, A09E, A11F, A13F	
B45.7	05	F62A	B50.9	15	TPN, VTPN	B56.9	18B	T64A, T64B, T64C
	06	G67A		18B	T64A, T64B, T64C	Pre	A07D, A09E, A11F, A13F	
	15	TPN, VTPN		Pre	A07D, A09E, A11F, A13F	B57.0	05	F75A, F75B, F75C, F75D
	17	R60B, R60C, R61A, R62A, R63B, R63C, R63D, R63F		Pre	A07D, A09E, A11F, A13F		Pre	A07D, A09E, A11F, A13F
	18A	S63A, S63B				B57.1	18B	T64A, T64B, T64C
	18B	T01B, T60A, T60B, T60C, T60F, T61A					Pre	A07D, A09E, A11F, A13F
	Pre	A07D, A09E, A11F, A13F				B57.2	05	F75A, F75B, F75C, F75D
							Pre	A07D, A09E, A11F, A13F
						B57.3	18B	T64A, T64B, T64C
							Pre	A07D, A09E, A11F, A13F

ICD	MDC	DRG	ICD	MDC	DRG	ICD	MDC	DRG
B57.4	18B	T64A, T64B, T64C	B67.1	04	E62A, E62B, E77A, E77B, E77C, E77D, E77E, E77F, E77G	B78.0	06	G46A, G46B, G46C, G50Z, G67A, G67B, G67C, G67D
B57.5	Pre	A07D, A09E, A11F, A13F		Pre	A07D, A09E, A11F, A13F	B78.1	18A	S63A, S63B
B58.0	18B	T64A, T64B, T64C	B67.2	18B	T64A, T64B, T64C	B78.1	06	G46A, G46B, G46C, G50Z, G67A, G67B, G67C, G67D
	Pre	A07D, A09E, A11F, A13F		Pre	A07D, A09E, A11F, A13F		18A	S63A, S63B
B58.1	02	C66Z	B67.3	18B	T64A, T64B, T64C	B78.7	06	G46A, G46B, G46C, G50Z, G67A, G67B, G67C, G67D
	15	TPN, VTPN		Pre	A07D, A09E, A11F, A13F		18A	S63A, S63B
	18A	S63A, S63B	B67.4	18B	T64A, T64B, T64C	B78.9	06	G46A, G46B, G46C, G50Z, G67A, G67B, G67C, G67D
B58.1	07	H63A, H63B, H63C, H78Z		Pre	A07D, A09E, A11F, A13F		18A	S63A, S63B
	15	TPN, VTPN	B67.5	07	H63A, H63B, H63C, H78Z	B79	06	G46A, G46B, G46C, G50Z, G67A, G67B, G67C, G67D
	18A	S63A, S63B		Pre	A07D, A09E, A11F, A13F	B80	06	G46A, G46B, G46C, G50Z, G67A, G67B, G67C, G67D
B58.2	Pre	A07D, A09E, A11F, A13F	B67.6	18B	T64A, T64B, T64C	B81.0	06	G46A, G46B, G46C, G50Z, G67A, G67B, G67C, G67D
	01	B72A, B72B		Pre	A07D, A09E, A11F, A13F	B81.1	06	G46A, G46B, G46C, G50Z, G67A, G67B, G67C, G67D
	15	TPN, VTPN	B67.7	18B	T64A, T64B, T64C	B81.2	06	G46A, G46B, G46C, G50Z, G67A, G67B, G67C, G67D
	18A	S63A, S63B		Pre	A07D, A09E, A11F, A13F	B81.3	06	G46A, G46B, G46C, G50Z, G67A, G67B, G67C, G67D
B58.3	Pre	A07D, A09E, A11F, A13F	B67.8	07	H63A, H63B, H63C, H78Z	B81.4	18B	T64A, T64B, T64C
	04	E62A, E62B, E77A, E77B, E77C, E77D, E77E, E77F, E77G		Pre	A07D, A09E, A11F, A13F	B81.8	06	G46A, G46B, G46C, G50Z, G67A, G67B, G67C, G67D
	15	TPN, VTPN	B67.9	18B	T64A, T64B, T64C	B82.0	06	G46A, G46B, G46C, G50Z, G67A, G67B, G67C, G67D
	18A	S63A, S63B		Pre	A07D, A09E, A11F, A13F	B82.9	06	G46A, G46B, G46C, G50Z, G67A, G67B, G67C, G67D
	Pre	A07D, A09E, A11F, A13F	B68.0	06	G46A, G46B, G46C, G50Z, G67A, G67B, G67C, G67D	B83.0	18B	T64A, T64B, T64C
B58.8	15	TPN, VTPN		06	G46A, G46B, G46C, G50Z, G67A, G67B, G67C, G67D	B83.1	18B	T64A, T64B, T64C
	18A	S63A, S63B	B68.1	06	G46A, G46B, G46C, G50Z, G67A, G67B, G67C, G67D	B83.2	18B	T64A, T64B, T64C
	18B	T64A, T64B, T64C		06	G46A, G46B, G46C, G50Z, G67A, G67B, G67C, G67D	B83.3	18B	T64A, T64B, T64C
	Pre	A07D, A09E, A11F, A13F	B68.9	06	G46A, G46B, G46C, G50Z, G67A, G67B, G67C, G67D	B83.4	18B	T64A, T64B, T64C
B58.9	15	TPN, VTPN		06	G46A, G46B, G46C, G50Z, G67A, G67B, G67C, G67D	B83.8	18B	T64A, T64B, T64C
	18A	S63A, S63B	B69.0	01	B72A, B72B	B83.9	18B	T64A, T64B, T64C
	18B	T64A, T64B, T64C		Pre	A07D, A09E, A11F, A13F	B85.0	09	J67A, J67B, J68A, J68B
	Pre	A07D, A09E, A11F, A13F	B69.1	02	C63Z	B85.1	09	J67A, J67B, J68A, J68B
B59	04	E62A, E77A, E77B, E77C, E77D, E77F		Pre	A07D, A09E, A11F, A13F	B85.2	09	J67A, J67B, J68A, J68B
	15	TPN, VTPN	B69.8	06	G46A, G46B, G46C, G50Z, G67A, G67B, G67C, G67D	B85.3	09	J67A, J67B, J68A, J68B
	18A	S63A, S63B		06	G46A, G46B, G46C, G50Z, G67A, G67B, G67C, G67D	B85.4	09	J67A, J67B, J68A, J68B
	Pre	A07D, A09E, A11F, A13F	B69.9	06	G46A, G46B, G46C, G50Z, G67A, G67B, G67C, G67D	B86	09	J67A, J67B, J68A, J68B
B60.0	18A	S63A, S63B		06	G46A, G46B, G46C, G50Z, G67A, G67B, G67C, G67D	B87.0	09	J67A, J67B, J68A, J68B
	18B	T64A, T64B, T64C	B70.0	06	G46A, G46B, G46C, G50Z, G67A, G67B, G67C, G67D	B87.1	09	J67A, J67B, J68A, J68B
	Pre	A07D, A09E, A11F, A13F		06	G46A, G46B, G46C, G50Z, G67A, G67B, G67C, G67D	B87.2	09	J67A, J67B, J68A, J68B
B60.1	18A	S63A, S63B	B70.1	06	G46A, G46B, G46C, G50Z, G67A, G67B, G67C, G67D	B87.3	09	J67A, J67B, J68A, J68B
	18B	T64A, T64B, T64C		06	G46A, G46B, G46C, G50Z, G67A, G67B, G67C, G67D	B87.4	09	J67A, J67B, J68A, J68B
	Pre	A07D, A09E, A11F, A13F	B71.0	06	G46A, G46B, G46C, G50Z, G67A, G67B, G67C, G67D	B87.8	09	J67A, J67B, J68A, J68B
B60.2	18A	S63A, S63B		06	G46A, G46B, G46C, G50Z, G67A, G67B, G67C, G67D	B87.9	09	J67A, J67B, J68A, J68B
	18B	T64A, T64B, T64C	B71.1	06	G46A, G46B, G46C, G50Z, G67A, G67B, G67C, G67D	B88.0	09	J67A, J67B, J68A, J68B
	Pre	A07D, A09E, A11F, A13F		06	G46A, G46B, G46C, G50Z, G67A, G67B, G67C, G67D	B88.1	09	J67A, J67B, J68A, J68B
B60.8	18A	S63A, S63B	B71.8	06	G46A, G46B, G46C, G50Z, G67A, G67B, G67C, G67D	B88.2	09	J67A, J67B, J68A, J68B
	18B	T64A, T64B, T64C		06	G46A, G46B, G46C, G50Z, G67A, G67B, G67C, G67D	B88.3	09	J67A, J67B, J68A, J68B
B64	18B	T64A, T64B, T64C	B71.9	06	G46A, G46B, G46C, G50Z, G67A, G67B, G67C, G67D	B88.8	18A	S63A, S63B
B65.0	11	L63A, L63B, L63C, L63D, L63E, L63F, L74Z		06	G46A, G46B, G46C, G50Z, G67A, G67B, G67C, G67D		18B	T64A, T64B, T64C
	Pre	A07D, A09E, A11F, A13F	B72	18B	T64A, T64B, T64C	B88.9	09	J67A, J67B, J68A, J68B
B65.1	07	H63A, H63B, H63C, H78Z		18B	T64A, T64B, T64C	B89	18B	T64A, T64B, T64C
	Pre	A07D, A09E, A11F, A13F	B74.0	18B	T64A, T64B, T64C	B97.0	15	TPN, VTPN
B65.2	18B	T64A, T64B, T64C		18B	T64A, T64B, T64C	B97.1	15	TPN, VTPN
	Pre	A07D, A09E, A11F, A13F	B74.1	18B	T64A, T64B, T64C	B97.4	04	E65A, E65B, E65C, E69B
B65.3	09	J61A, J61B, J61C, J68A, J68B		18B	T64A, T64B, T64C	B99	15	P65C, P66C, P67B, P67C
B65.8	18B	T64A, T64B, T64C	B74.2	18B	T64A, T64B, T64C		18B	T64A, T64B, T64C
B65.9	18B	T64A, T64B, T64C		18B	T64A, T64B, T64C			
B66.0	07	H63A, H63B, H63C, H78Z	B74.3	18B	T64A, T64B, T64C			
B66.1	07	H63A, H63B, H63C, H78Z		18B	T64A, T64B, T64C			
B66.2	18B	T64A, T64B, T64C	B74.4	18B	T64A, T64B, T64C			
B66.3	07	H63A, H63B, H63C, H78Z		18B	T64A, T64B, T64C			
B66.4	04	E62A, E62B, E77A, E77B, E77C, E77D, E77E, E77F, E77G	B74.8	18B	T64A, T64B, T64C			
	07	H63A, H63B, H63C, H78Z		18B	T64A, T64B, T64C			
B66.5	07	H63A, H63B, H63C, H78Z	B74.9	18B	T64A, T64B, T64C			
B66.8	18B	T64A, T64B, T64C		18B	T64A, T64B, T64C			
B66.9	18B	T64A, T64B, T64C	B75	18B	T64A, T64B, T64C			
B67.0	07	H63A, H63B, H63C, H78Z		06	G46A, G46B, G46C, G50Z, G67A, G67B, G67C, G67D			
	Pre	A07D, A09E, A11F, A13F	B76.0	06	G46A, G46B, G46C, G50Z, G67A, G67B, G67C, G67D			
				06	G46A, G46B, G46C, G50Z, G67A, G67B, G67C, G67D			
			B76.1	06	G46A, G46B, G46C, G50Z, G67A, G67B, G67C, G67D			
				06	G46A, G46B, G46C, G50Z, G67A, G67B, G67C, G67D			
			B76.8	06	G46A, G46B, G46C, G50Z, G67A, G67B, G67C, G67D			
				06	G46A, G46B, G46C, G50Z, G67A, G67B, G67C, G67D			
			B76.9	06	G46A, G46B, G46C, G50Z, G67A, G67B, G67C, G67D			
				06	G46A, G46B, G46C, G50Z, G67A, G67B, G67C, G67D			
			B77.0	06	G46A, G46B, G46C, G50Z, G67A, G67B, G67C, G67D			
				06	G46A, G46B, G46C, G50Z, G67A, G67B, G67C, G67D			
			B77.8	06	G46A, G46B, G46C, G50Z, G67A, G67B, G67C, G67D			
				06	G46A, G46B, G46C, G50Z, G67A, G67B, G67C, G67D			
			B77.9	06	G46A, G46B, G46C, G50Z, G67A, G67B, G67C, G67D			
				06	G46A, G46B, G46C, G50Z, G67A, G67B, G67C, G67D			

ICD	MDC	DRG	ICD	MDC	DRG	ICD	MDC	DRG
C11.0	03	D06B, D08A, D08B, D09Z, D25A, D25B, D28Z, D60A, D60B, D60C	C13.1	03	D06B, D08A, D08B, D09Z, D25A, D25B, D28Z, D60A, D60B, D60C	C15.2	06	G03A, G17A, G19A, G38Z, G40Z, G46A, G46B, G46C, G47Z, G60A, G60B, G67A
	06	G17A, G38Z, G67A		06	G17A, G38Z, G67A		08	I54Z
	08	I54Z		08	I54Z		15	TPN, VTPN
	15	TPN, VTPN		15	TPN, VTPN		Pre	A07D, A09A, A09E, A11B, A11F, A13F
C11.1	Pre	A07D, A09A, A09E, A11B, A11F, A13F	C13.2	Pre	A07D, A09A, A09E, A11B, A11F, A13F	C15.3	06	G03A, G17A, G19A, G38Z, G40Z, G46A, G46B, G46C, G47Z, G60A, G60B, G67A
	03	D06B, D08A, D08B, D09Z, D25A, D25B, D28Z, D60A, D60B, D60C		03	D06B, D08A, D08B, D09Z, D25A, D25B, D28Z, D60A, D60B, D60C		08	I54Z
	06	G17A, G38Z, G67A		06	G17A, G38Z, G67A		15	TPN, VTPN
	08	I54Z		08	I54Z		Pre	A07D, A09A, A09E, A11B, A11F, A13F
C11.2	15	TPN, VTPN	C13.8	15	TPN, VTPN	C15.4	06	G03A, G17A, G19A, G38Z, G40Z, G46A, G46B, G46C, G47Z, G60A, G60B, G67A
	Pre	A07D, A09A, A09E, A11B, A11F, A13F		Pre	A07D, A09A, A09E, A11B, A11F, A13F		08	I54Z
	03	D06B, D08A, D08B, D09Z, D25A, D25B, D28Z, D60A, D60B, D60C		03	D06B, D08A, D08B, D09Z, D25A, D25B, D28Z, D60A, D60B, D60C		15	TPN, VTPN
	06	G17A, G38Z, G67A		06	G17A, G38Z, G67A		Pre	A07D, A09A, A09E, A11B, A11F, A13F
C11.3	08	I54Z	C13.9	08	I54Z	C15.5	06	G03A, G17A, G19A, G38Z, G40Z, G46A, G46B, G46C, G47Z, G60A, G60B, G67A
	15	TPN, VTPN		15	TPN, VTPN		08	I54Z
	Pre	A07D, A09A, A09E, A11B, A11F, A13F		Pre	A07D, A09A, A09E, A11B, A11F, A13F		15	TPN, VTPN
	03	D06B, D08A, D08B, D09Z, D25A, D25B, D28Z, D60A, D60B, D60C		03	D06B, D08A, D08B, D09Z, D25A, D25B, D28Z, D60A, D60B, D60C		Pre	A07D, A09A, A09E, A11B, A11F, A13F
C11.8	06	G17A, G38Z, G67A	C14.0	06	G17A, G38Z, G67A	C15.8	06	G03A, G17A, G19A, G38Z, G40Z, G46A, G46B, G46C, G47Z, G60A, G60B, G67A
	08	I54Z		08	I54Z		08	I54Z
	15	TPN, VTPN		15	TPN, VTPN		15	TPN, VTPN
	Pre	A07D, A09A, A09E, A11B, A11F, A13F		Pre	A07D, A09A, A09E, A11B, A11F, A13F		Pre	A07D, A09A, A09E, A11B, A11F, A13F
C11.9	03	D06B, D08A, D08B, D09Z, D25A, D25B, D28Z, D60A, D60B, D60C	C14.2	03	D06B, D08A, D08B, D09Z, D25A, D25B, D28Z, D60A, D60B, D60C	C15.9	06	G03A, G17A, G19A, G38Z, G40Z, G46A, G46B, G46C, G47Z, G60A, G60B, G67A
	06	G17A, G38Z, G67A		06	G17A, G38Z, G67A		08	I54Z
	08	I54Z		08	I54Z		15	TPN, VTPN
	15	TPN, VTPN		15	TPN, VTPN		Pre	A07D, A09A, A09E, A11B, A11F, A13F
C12	Pre	A07D, A09A, A09E, A11B, A11F, A13F	C14.8	Pre	A07D, A09A, A09E, A11B, A11F, A13F	C16.0	06	G17A, G19A, G38Z, G40Z, G46A, G46B, G46C, G47Z, G60A, G60B, G67A
	03	D06B, D08A, D08B, D09Z, D25A, D25B, D28Z, D60A, D60B, D60C		03	D06B, D08A, D08B, D09Z, D25A, D25B, D28Z, D60A, D60B, D60C		08	I54Z
	06	G17A, G38Z, G67A		06	G17A, G38Z, G67A		15	TPN, VTPN
	08	I54Z		08	I54Z		Pre	A07D, A09A, A09E, A11B, A11F, A13F
C13.0	15	TPN, VTPN	C15.0	15	TPN, VTPN	C16.1	06	G17A, G19A, G38Z, G40Z, G46A, G46B, G46C, G47Z, G60A, G60B, G67A
	Pre	A07D, A09A, A09E, A11B, A11F, A13F		Pre	A07D, A09A, A09E, A11B, A11F, A13F		08	I54Z
	03	D06B, D08A, D08B, D09Z, D25A, D25B, D28Z, D60A, D60B, D60C		03	D06B, D08A, D08B, D09Z, D25A, D25B, D28Z, D60A, D60B, D60C		15	TPN, VTPN
	06	G17A, G38Z, G67A		06	G17A, G38Z, G67A		Pre	A07D, A09A, A09E, A11B, A11F, A13F
C13.1	08	I54Z	C15.1	08	I54Z	C16.2	06	G17A, G19A, G38Z, G40Z, G46A, G46B, G46C, G47Z, G60A, G60B, G67A
	15	TPN, VTPN		15	TPN, VTPN		08	I54Z
	Pre	A07D, A09A, A09E, A11B, A11F, A13F		Pre	A07D, A09A, A09E, A11B, A11F, A13F		15	TPN, VTPN
	03	D06B, D08A, D08B, D09Z, D25A, D25B, D28Z, D60A, D60B, D60C		03	D06B, D08A, D08B, D09Z, D25A, D25B, D28Z, D60A, D60B, D60C		Pre	A07D, A09A, A09E, A11B, A11F, A13F
C13.2	06	G17A, G38Z, G67A	C15.1	06	G03A, G17A, G19A, G38Z, G40Z, G46A, G46B, G46C, G47Z, G60A, G60B, G67A	C16.3	06	G17A, G19A, G38Z, G40Z, G46A, G46B, G46C, G47Z, G60A, G60B, G67A
	08	I54Z		08	I54Z		08	I54Z
	15	TPN, VTPN		15	TPN, VTPN		15	TPN, VTPN
	Pre	A07D, A09A, A09E, A11B, A11F, A13F		Pre	A07D, A09A, A09E, A11B, A11F, A13F		Pre	A07D, A09A, A09E, A11B, A11F, A13F

ICD	MDC	DRG	ICD	MDC	DRG	ICD	MDC	DRG		
C22.3	06	G17A, G38Z, G67A	C25.1	06	G17A, G38Z, G67A	C26.8	06	G17A, G19A, G38Z, G40Z, G46A, G46B, G46C, G47Z, G60A, G60B, G67A		
	07	H02A, H07A, H08A, H09B, H38Z, H61A, H61B, H78Z		07	H02A, H07A, H08A, H09B, H38Z, H61A, H61B, H78Z		08	I54Z		
	08	I54Z		08	I54Z		15	TPN, VTPN		
	15	TPN, VTPN		15	TPN, VTPN		Pre	A07D, A09A, A09E, A11B, A11F, A13F		
C22.4	Pre	A07D, A09A, A09E, A11B, A11F, A13F	C25.2	Pre	A07D, A09A, A09E, A11B, A11F, A13F	C26.9	06	G17A, G19A, G38Z, G40Z, G46A, G46B, G46C, G47Z, G60A, G60B, G67A		
	06	G17A, G38Z, G67A		06	G17A, G38Z, G67A		08	I54Z		
	07	H02A, H07A, H08A, H09B, H38Z, H61A, H61B, H78Z		07	H02A, H07A, H08A, H09B, H38Z, H61A, H61B, H78Z		15	TPN, VTPN		
	08	I54Z		08	I54Z		Pre	A07D, A09A, A09E, A11B, A11F, A13F		
C22.7	15	TPN, VTPN	C25.3	15	TPN, VTPN	C30.0	03	D06B, D08A, D08B, D09Z, D25A, D25B, D28Z, D35Z, D60A, D60B, D60C		
	Pre	A07D, A09A, A09E, A11B, A11F, A13F		Pre	A07D, A09A, A09E, A11B, A11F, A13F		06	G17A, G38Z, G67A		
	06	G17A, G38Z, G67A		06	G17A, G38Z, G67A		08	I54Z		
	07	H02A, H07A, H08A, H09B, H38Z, H61A, H61B, H78Z		07	H02A, H07A, H08A, H09B, H38Z, H61A, H61B, H78Z		15	TPN, VTPN		
C22.9	08	I54Z	C25.4	08	I54Z	C30.1	Pre	A07D, A09A, A09E, A11B, A11F, A13F		
	15	TPN, VTPN		15	TPN, VTPN		03	D06B, D08A, D08B, D09Z, D25A, D25B, D28Z, D35Z, D60A, D60B, D60C		
	Pre	A07D, A09A, A09E, A11B, A11F, A13F		Pre	A07D, A09A, A09E, A11B, A11F, A13F		06	G17A, G38Z, G67A		
	06	G17A, G38Z, G67A		06	G17A, G38Z, G67A		08	I54Z		
C23	07	H02A, H07A, H08A, H09B, H38Z, H61A, H61B, H78Z	C25.7	07	H02A, H07A, H08A, H09B, H38Z, H61A, H61B, H78Z	C31.0	15	TPN, VTPN		
	08	I54Z		08	I54Z		Pre	A07D, A09A, A09E, A11B, A11F, A13F		
	15	TPN, VTPN		15	TPN, VTPN		03	D06B, D08A, D08B, D09Z, D25A, D25B, D28Z, D35Z, D60A, D60B, D60C		
	Pre	A07D, A09A, A09E, A11B, A11F, A13F		Pre	A07D, A09A, A09E, A11B, A11F, A13F		06	G17A, G38Z, G67A		
C24.0	Pre	A07D, A09A, A09E, A11B, A11F, A13F	C25.8	Pre	A07D, A09A, A09E, A11B, A11F, A13F	C31.1	08	I54Z		
	06	G17A, G38Z, G67A		06	G17A, G38Z, G67A		15	TPN, VTPN		
	07	H02A, H07A, H08A, H09B, H38Z, H61A, H61B, H78Z		07	H02A, H07A, H08A, H09B, H38Z, H61A, H61B, H78Z		Pre	A07D, A09A, A09E, A11B, A11F, A13F		
	08	I54Z		08	I54Z		03	D06B, D08A, D08B, D09Z, D25A, D25B, D28Z, D35Z, D60A, D60B, D60C		
C24.1	15	TPN, VTPN	C25.9	15	TPN, VTPN	C31.2	06	G17A, G38Z, G67A		
	Pre	A07D, A09A, A09E, A11B, A11F, A13F		Pre	A07D, A09A, A09E, A11B, A11F, A13F		08	I54Z		
	06	G17A, G38Z, G67A		06	G17A, G38Z, G67A		15	TPN, VTPN		
	07	H02A, H07A, H08A, H09B, H38Z, H61A, H61B, H78Z		07	H02A, H07A, H08A, H09B, H38Z, H61A, H61B, H78Z		Pre	A07D, A09A, A09E, A11B, A11F, A13F		
C24.8	08	I54Z	C26.0	08	I54Z	C31.3	03	D06B, D08A, D08B, D09Z, D25A, D25B, D28Z, D35Z, D60A, D60B, D60C		
	15	TPN, VTPN		15	TPN, VTPN		06	G17A, G38Z, G67A		
	Pre	A07D, A09A, A09E, A11B, A11F, A13F		Pre	A07D, A09A, A09E, A11B, A11F, A13F		08	I54Z		
	06	G17A, G38Z, G67A		06	G17A, G19A, G38Z, G40Z, G46A, G46B, G46C, G47Z, G60A, G60B, G67A		15	TPN, VTPN		
C24.9	07	H02A, H07A, H08A, H09B, H38Z, H61A, H61B, H78Z	C26.1	07	H02A, H07A, H08A, H09B, H38Z, H61A, H61B, H78Z	C31.8	Pre	A07D, A09A, A09E, A11B, A11F, A13F		
	08	I54Z		08	I54Z		03	D06B, D08A, D08B, D09Z, D25A, D25B, D28Z, D35Z, D60A, D60B, D60C		
	15	TPN, VTPN		15	TPN, VTPN		06	G17A, G38Z, G67A		
	Pre	A07D, A09A, A09E, A11B, A11F, A13F		Pre	A07D, A09A, A09E, A11B, A11F, A13F		08	I54Z		
C25.0	Pre	A07D, A09A, A09E, A11B, A11F, A13F					15	TPN, VTPN		
	06	G17A, G38Z, G67A					17	R01A, R01B, R01C, R01D, R03Z, R11A, R11B, R11C, R61A, R61B, R61C, R61D, R61E, R61F, R61G, R61H	Pre	A07D, A09A, A09E, A11B, A11F, A13F
	07	H02A, H07A, H08A, H09B, H38Z, H61A, H61B, H78Z							03	D06B, D08A, D08B, D09Z, D25A, D25B, D28Z, D35Z, D60A, D60B, D60C
	08	I54Z							06	G17A, G38Z, G67A
	15	TPN, VTPN				08	I54Z			
	Pre	A07D, A09A, A09E, A11B, A11F, A13F				15	TPN, VTPN			
						Pre	A07D, A09A, A09E, A11B, A11F, A13F			

Dg

ICD	MDC	DRG	ICD	MDC	DRG	ICD	MDC	DRG		
C31.9	03	D06B, D08A, D08B, D09Z, D25A, D25B, D28Z, D35Z, D60A, D60B, D60C	C34.1	04	E05B, E71A, E71B	C38.8	04	E05B, E71A, E71B		
		G17A, G38Z, G67A			06			G17A, G38Z, G67A	06	G17A, G38Z, G67A
		I54Z			08			I54Z	08	I54Z
		TPN, VTPN			15			TPN, VTPN	15	TPN, VTPN
		Pre A07D, A09A, A09E, A11B, A11F, A13F			Pre			A07D, A09A, A09E, A11B, A11F, A13F	Pre	A07D, A09A, A09E, A11B, A11F, A13F
C32.0	03	D06B, D08A, D08B, D09Z, D25A, D25B, D28Z, D60A, D60B, D60C	C34.2	04	E05B, E71A, E71B	C39.0	03	D06B, D08A, D08B, D09Z, D25A, D25B, D28Z, D60A, D60B, D60C		
		G17A, G38Z, G67A			06			G17A, G38Z, G67A	06	G17A, G38Z, G67A
		I54Z			08			I54Z	08	I54Z
		TPN, VTPN			15			TPN, VTPN	15	TPN, VTPN
		Pre A07D, A09A, A09E, A11B, A11F, A13F			Pre			A07D, A09A, A09E, A11B, A11F, A13F	Pre	A07D, A09A, A09E, A11B, A11F, A13F
C32.1	03	D06B, D08A, D08B, D09Z, D25A, D25B, D28Z, D60A, D60B, D60C	C34.3	04	E05B, E71A, E71B	C39.8	04	E05B, E71A, E71B		
		G17A, G38Z, G67A			06			G17A, G38Z, G67A	06	G17A, G38Z, G67A
		I54Z			08			I54Z	08	I54Z
		TPN, VTPN			15			TPN, VTPN	15	TPN, VTPN
		Pre A07D, A09A, A09E, A11B, A11F, A13F			Pre			A07D, A09A, A09E, A11B, A11F, A13F	Pre	A07D, A09A, A09E, A11B, A11F, A13F
C32.2	03	D06B, D08A, D08B, D09Z, D25A, D25B, D28Z, D60A, D60B, D60C	C34.8	04	E05B, E71A, E71B	C39.9	04	E05B, E71A, E71B		
		G17A, G38Z, G67A			06			G17A, G38Z, G67A	06	G17A, G38Z, G67A
		I54Z			08			I54Z	08	I54Z
		TPN, VTPN			15			TPN, VTPN	15	TPN, VTPN
		Pre A07D, A09A, A09E, A11B, A11F, A13F			Pre			A07D, A09A, A09E, A11B, A11F, A13F	Pre	A07D, A09A, A09E, A11B, A11F, A13F
C32.3	03	D06B, D08A, D08B, D09Z, D25A, D25B, D28Z, D60A, D60B, D60C	C34.9	04	E05B, E71A, E71B	C40.0	06	G17A, G38Z, G67A		
		G17A, G38Z, G67A			06			G17A, G38Z, G67A	08	I06C, I54Z, I65A, I65B, I65C
		I54Z			08			I54Z	15	TPN, VTPN
		TPN, VTPN			15			TPN, VTPN	Pre	A07D, A09A, A09E, A11B, A11F, A13F
		Pre A07D, A09A, A09E, A11B, A11F, A13F			Pre			A07D, A09A, A09E, A11B, A11F, A13F	Pre	A07D, A09A, A09E, A11B, A11F, A13F
C32.8	03	D06B, D08A, D08B, D09Z, D25A, D25B, D28Z, D60A, D60B, D60C	C37	06	G17A, G38Z, G67A	C40.1	06	G17A, G38Z, G67A		
		G17A, G38Z, G67A			08			I54Z	08	I06C, I32A, I32B, I32C, I32D, I32E, I32F, I32G, I54Z, I65A, I65B, I65C
		I54Z			15			TPN, VTPN	15	TPN, VTPN
		TPN, VTPN			15			TPN, VTPN	Pre	A07D, A09A, A09E, A11B, A11F, A13F
		Pre A07D, A09A, A09E, A11B, A11F, A13F			Pre			A07D, A09A, A09E, A11B, A11F, A13F	Pre	A07D, A09A, A09E, A11B, A11F, A13F
C32.9	03	D06B, D08A, D08B, D09Z, D25A, D25B, D28Z, D60A, D60B, D60C	C38.0	05	F75A, F75B, F75C, F75D	C40.2	06	G17A, G38Z, G67A		
		G17A, G38Z, G67A			06			G17A, G38Z, G67A	08	I01Z, I02B, I02C, I03A, I03B, I04Z, I06C, I54Z, I65A, I65B, I65C
		I54Z			08			I54Z	15	TPN, VTPN
		TPN, VTPN			15			TPN, VTPN	Pre	A07D, A09A, A09E, A11B, A11F, A13F
		Pre A07D, A09A, A09E, A11B, A11F, A13F			Pre			A07D, A09A, A09E, A11B, A11F, A13F	Pre	A07D, A09A, A09E, A11B, A11F, A13F
C33	04	E05B, E71A, E71B	C38.1	04	E05B, E71A, E71B	C40.3	06	G17A, G38Z, G67A		
		G17A, G38Z, G67A			06			G17A, G38Z, G67A	08	I01Z, I03A, I03B, I04Z, I06C, I54Z, I65A, I65B, I65C
		I54Z			08			I54Z	15	TPN, VTPN
		TPN, VTPN			15			TPN, VTPN	Pre	A07D, A09A, A09E, A11B, A11F, A13F
		Pre A07D, A09A, A09E, A11B, A11F, A13F			Pre			A07D, A09A, A09E, A11B, A11F, A13F	Pre	A07D, A09A, A09E, A11B, A11F, A13F
C34.0	04	E05B, E71A, E71B	C38.2	04	E05B, E71A, E71B	C40.8	06	G17A, G38Z, G67A		
		G17A, G38Z, G67A			06			G17A, G38Z, G67A	08	I01Z, I03A, I03B, I04Z, I06C, I54Z, I65A, I65B, I65C
		I54Z			08			I54Z	15	TPN, VTPN
		TPN, VTPN			15			TPN, VTPN	Pre	A07D, A09A, A09E, A11B, A11F, A13F
		Pre A07D, A09A, A09E, A11B, A11F, A13F			Pre			A07D, A09A, A09E, A11B, A11F, A13F	Pre	A07D, A09A, A09E, A11B, A11F, A13F
C34.1	04	E05B, E71A, E71B	C38.3	04	E05B, E71A, E71B	C40.9	06	G17A, G38Z, G67A		
		G17A, G38Z, G67A			06			G17A, G38Z, G67A	08	I06C, I54Z, I65A, I65B, I65C
		I54Z			08			I54Z	15	TPN, VTPN
		TPN, VTPN			15			TPN, VTPN	Pre	A07D, A09A, A09E, A11B, A11F, A13F
		Pre A07D, A09A, A09E, A11B, A11F, A13F			Pre			A07D, A09A, A09E, A11B, A11F, A13F	Pre	A07D, A09A, A09E, A11B, A11F, A13F
C34.2	04	E05B, E71A, E71B	C38.4	04	E05B, E71A, E71B	C41.01	06	G17A, G38Z, G67A		
		G17A, G38Z, G67A			06			G17A, G38Z, G67A	08	I06C, I54Z, I65A, I65B, I65C
		I54Z			08			I54Z	Pre	A07D, A09A, A09E, A11B, A11F, A13F
		TPN, VTPN			15			TPN, VTPN	06	G17A, G38Z, G67A
		Pre A07D, A09A, A09E, A11B, A11F, A13F			Pre			A07D, A09A, A09E, A11B, A11F, A13F	08	I06C, I54Z, I65A, I65B, I65C
C34.3	04	E05B, E71A, E71B	C38.8	04	E05B, E71A, E71B	C41.02	06	G17A, G38Z, G67A		
		G17A, G38Z, G67A			06			G17A, G38Z, G67A	08	I06C, I54Z, I65A, I65B, I65C
		I54Z			08			I54Z	Pre	A07D, A09A, A09E, A11B, A11F, A13F
		TPN, VTPN			15			TPN, VTPN	06	G17A, G38Z, G67A
		Pre A07D, A09A, A09E, A11B, A11F, A13F			Pre			A07D, A09A, A09E, A11B, A11F, A13F	08	I06C, I54Z, I65A, I65B, I65C

ICD	MDC	DRG	ICD	MDC	DRG	ICD	MDC	DRG				
C41.1	06	G17A, G38Z, G67A	C43.4	06	G17A, G38Z, G67A	C44.3	06	G17A, G38Z, G67A				
	08	I06C, I54Z, I65A, I65B, I65C		08	I54Z		08	I54Z				
	15	TPN, VTPN		09	J01Z, J10A, J61A, J61B, J61C, J68A		09	J01Z, J10A, J61A, J61B, J61C, J68A				
	Pre	A07D, A09A, A09E, A11B, A11F, A13F		15	TPN, VTPN		15	TPN, VTPN				
C41.2	06	G17A, G38Z, G67A	Pre	A07D, A09A, A09E, A11B, A11F, A13F	18A	S62Z						
	08	I06C, I54Z, I65A, I65B, I65C		Pre		A07D, A09A, A09E, A11B, A11F, A13F	Pre	A07D, A09A, A09E, A11B, A11F, A13F				
	15	TPN, VTPN		C43.5		06	G17A, G38Z, G67A	C44.4	06	G17A, G38Z, G67A		
	Pre	A07D, A09A, A09E, A11B, A11F, A13F		08		I54Z	08		I54Z			
C41.30	06	G17A, G38Z, G67A	09	J01Z, J06Z, J07A, J07B, J10A, J14A, J14B, J16Z, J23Z, J25Z, J26Z, J61A, J61B, J61C, J68A	15	TPN, VTPN	15		TPN, VTPN			
	08	I06C, I54Z, I65A, I65B, I65C		Pre		A07D, A09A, A09E, A11B, A11F, A13F			18A	S62Z		
	15	TPN, VTPN		Pre		A07D, A09A, A09E, A11B, A11F, A13F		Pre	A07D, A09A, A09E, A11B, A11F, A13F			
	Pre	A07D, A09A, A09E, A11B, A11F, A13F		C43.6		06		G17A, G38Z, G67A	C44.5	06	G17A, G38Z, G67A	
C41.31	06	G17A, G38Z, G67A	08	I54Z	08	I54Z						
	08	I06C, I54Z, I65A, I65B, I65C		09		J01Z, J06Z, J07A, J07B, J10A, J14A, J14B, J16Z, J23Z, J25Z, J26Z, J61A, J61B, J61C, J68A	09	J01Z, J10A, J61A, J61B, J61C, J68A				
	15	TPN, VTPN		15		TPN, VTPN	15	TPN, VTPN				
	Pre	A07D, A09A, A09E, A11B, A11F, A13F		Pre		A07D, A09A, A09E, A11B, A11F, A13F	18A	S62Z				
C41.32	06	G17A, G38Z, G67A	Pre	A07D, A09A, A09E, A11B, A11F, A13F	Pre	A07D, A09A, A09E, A11B, A11F, A13F	C44.6	06	G17A, G38Z, G67A			
	08	I06C, I54Z, I65A, I65B, I65C		08		I02B, I02C, I54Z		08	I54Z			
	15	TPN, VTPN		09		J01Z, J02A, J02B, J02C, J03A, J03B, J04A, J04B, J08A, J08B, J08C, J10A, J61A, J61B, J61C, J68A		09	J01Z, J10A, J61A, J61B, J61C, J68A			
	Pre	A07D, A09A, A09E, A11B, A11F, A13F		15		TPN, VTPN		15	TPN, VTPN			
C41.4	06	G17A, G38Z, G67A	Pre	A07D, A09A, A09E, A11B, A11F, A13F	18A	S62Z	Pre	A07D, A09A, A09E, A11B, A11F, A13F				
	08	I02B, I02C, I06C, I37Z, I54Z, I65A, I65B, I65C		Pre		A07D, A09A, A09E, A11B, A11F, A13F		Pre	A07D, A09A, A09E, A11B, A11F, A13F			
	15	TPN, VTPN		C43.7		06		G17A, G38Z, G67A	C44.7	06	G17A, G38Z, G67A	
	Pre	A07D, A09A, A09E, A11B, A11F, A13F		08		I02B, I02C, I54Z		08		I54Z		
C41.8	06	G17A, G38Z, G67A	09	J01Z, J02A, J02B, J02C, J03A, J03B, J04A, J04B, J08A, J08B, J08C, J10A, J61A, J61B, J61C, J68A	15	TPN, VTPN	15	TPN, VTPN				
	08	I06C, I54Z, I65A, I65B, I65C		Pre		A07D, A09A, A09E, A11B, A11F, A13F		18A		S62Z		
	15	TPN, VTPN		Pre		A07D, A09A, A09E, A11B, A11F, A13F		Pre	A07D, A09A, A09E, A11B, A11F, A13F			
	Pre	A07D, A09A, A09E, A11B, A11F, A13F		C43.8		06		G17A, G38Z, G67A	C44.8	06	G17A, G38Z, G67A	
C41.9	06	G17A, G38Z, G67A	08	I54Z	08	I54Z						
	08	I06C, I54Z, I65A, I65B, I65C		09		J01Z, J06Z, J07A, J07B, J10A, J14A, J14B, J16Z, J23Z, J25Z, J26Z, J61A, J61B, J61C, J68A	09	J01Z, J02A, J02B, J02C, J03A, J03B, J04A, J04B, J08A, J08B, J08C, J10A, J61A, J61B, J61C, J68A				
	15	TPN, VTPN		15		TPN, VTPN	15	TPN, VTPN				
	Pre	A07D, A09A, A09E, A11B, A11F, A13F		Pre		A07D, A09A, A09E, A11B, A11F, A13F	18A	S62Z				
C43.0	06	G17A, G38Z, G67A	Pre	A07D, A09A, A09E, A11B, A11F, A13F	Pre	A07D, A09A, A09E, A11B, A11F, A13F	C44.9	06	G17A, G38Z, G67A			
	08	I54Z		C43.9		06		G17A, G38Z, G67A	08	I54Z		
	09	J01Z, J10A, J61A, J61B, J61C, J68A		08		I54Z		09	J01Z, J10A, J61A, J61B, J61C, J68A			
	15	TPN, VTPN		09		J01Z, J10A, J61A, J61B, J61C, J68A		15	TPN, VTPN			
Pre	A07D, A09A, A09E, A11B, A11F, A13F	C44.0	06	G17A, G38Z, G67A	18A	S62Z	Pre	A07D, A09A, A09E, A11B, A11F, A13F				
	C43.1		02	C02A, C65Z		08		I54Z	08	I54Z		
			06	G17A, G38Z, G67A				09		J01Z, J10A, J61A, J61B, J61C, J68A	09	J01Z, J10A, J61A, J61B, J61C, J68A
			08	I54Z				15		TPN, VTPN	15	TPN, VTPN
15		TPN, VTPN	18A	S62Z	18A		S62Z					
Pre	A07D, A09A, A09E, A11B, A11F, A13F	Pre	A07D, A09A, A09E, A11B, A11F, A13F	Pre	A07D, A09A, A09E, A11B, A11F, A13F	C45.0	04	E05B, E71A, E71B				
C43.2	06	G17A, G38Z, G67A	C44.1	02	C02A, C65Z		06	G17A, G38Z, G67A				
	08	I54Z		06	G17A, G38Z, G67A			08	I54Z			
	09	J01Z, J10A, J61A, J61B, J61C, J68A		08	I54Z				15	TPN, VTPN		
	15	TPN, VTPN		15	TPN, VTPN	Pre				A07D, A09A, A09E, A11B, A11F, A13F		
Pre	A07D, A09A, A09E, A11B, A11F, A13F	18A	S62Z	18A	S62Z							
C43.3	06	G17A, G38Z, G67A	Pre	A07D, A09A, A09E, A11B, A11F, A13F	Pre		A07D, A09A, A09E, A11B, A11F, A13F	C44.2		06	G17A, G38Z, G67A	
	08	I54Z		06			G17A, G38Z, G67A		08	I54Z		
	09	J01Z, J10A, J61A, J61B, J61C, J68A		08		I54Z	09		J01Z, J10A, J61A, J61B, J61C, J68A			
	15	TPN, VTPN		15		TPN, VTPN	15		TPN, VTPN			
Pre	A07D, A09A, A09E, A11B, A11F, A13F	18A	S62Z	18A	S62Z	Pre	A07D, A09A, A09E, A11B, A11F, A13F					

Dg

ICD	MDC	DRG	ICD	MDC	DRG	ICD	MDC	DRG
C45.1	06	G17A, G19A, G38Z, G40Z, G46A, G46B, G46C, G47Z, G60A, G60B, G67A	C46.9	06	G17A, G38Z, G67A	C48.1	06	G17A, G19A, G38Z, G40Z, G46A, G46B, G46C, G47Z, G60A, G60B, G67A
	08	I54Z		08	I54Z		08	I54Z
	15	TPN, VTPN		18A	S62Z		15	TPN, VTPN
	Pre	A07D, A09A, A09E, A11B, A11F, A13F		Pre	A07D, A09A, A09E, A11B, A11F, A13F		Pre	A07D, A09A, A09E, A11B, A11F, A13F
C45.2	05	F75A, F75B, F75C, F75D	C47.0	06	G17A, G38Z, G67A	C48.2	06	G17A, G19A, G38Z, G40Z, G46A, G46B, G46C, G47Z, G60A, G60B, G67A
	06	G17A, G38Z, G67A		08	I06C, I54Z, I65A, I65B, I65C		08	I54Z
	08	I54Z		15	TPN, VTPN		15	TPN, VTPN
	15	TPN, VTPN		Pre	A07D, A09A, A09E, A11B, A11F, A13F		Pre	A07D, A09A, A09E, A11B, A11F, A13F
C45.7	06	G17A, G38Z, G67A	C47.1	06	G17A, G38Z, G67A	C48.8	06	G17A, G19A, G38Z, G40Z, G46A, G46B, G46C, G47Z, G60A, G60B, G67A
	08	I06C, I54Z, I65A, I65B, I65C		08	I06C, I32A, I32B, I32C, I32D, I32E, I32F, I32G, I54Z, I65A, I65B, I65C		08	I54Z
	15	TPN, VTPN		15	TPN, VTPN		15	TPN, VTPN
	Pre	A07D, A09A, A09E, A11B, A11F, A13F		Pre	A07D, A09A, A09E, A11B, A11F, A13F		Pre	A07D, A09A, A09E, A11B, A11F, A13F
C45.9	06	G17A, G38Z, G67A	C47.2	06	G17A, G38Z, G67A	C49.0	06	G17A, G38Z, G67A
	08	I06C, I54Z, I65A, I65B, I65C		08	I06C, I37Z, I54Z, I65A, I65B, I65C		08	I06C, I27A, I27B, I27C, I54Z, I65A, I65B, I65C
	15	TPN, VTPN		15	TPN, VTPN		15	TPN, VTPN
	Pre	A07D, A09A, A09E, A11B, A11F, A13F		Pre	A07D, A09A, A09E, A11B, A11F, A13F		Pre	A07D, A09A, A09E, A11B, A11F, A13F
C46.0	06	G17A, G38Z, G67A	C47.3	06	G17A, G38Z, G67A	C49.1	06	G17A, G38Z, G67A
	08	I54Z		08	I06C, I54Z, I65A, I65B, I65C		08	I06C, I27A, I27B, I27C, I32A, I32B, I32C, I32D, I32E, I32F, I32G, I54Z, I65A, I65B, I65C
	09	J01Z, J10A, J61A, J61B, J61C, J68A		15	TPN, VTPN		15	TPN, VTPN
	18A	S62Z		Pre	A07D, A09A, A09E, A11B, A11F, A13F		Pre	A07D, A09A, A09E, A11B, A11F, A13F
C46.1	06	G17A, G38Z, G67A	C47.4	06	G17A, G38Z, G67A	C49.2	06	G17A, G38Z, G67A
	08	I54Z		08	I06C, I54Z, I65A, I65B, I65C		08	I01Z, I02B, I02C, I03A, I03B, I04Z, I06C, I27A, I27B, I27C, I37Z, I54Z, I65A, I65B, I65C
	09	J01Z, J10A, J61A, J61B, J61C, J68A		15	TPN, VTPN		15	TPN, VTPN
	18A	S62Z		Pre	A07D, A09A, A09E, A11B, A11F, A13F		Pre	A07D, A09A, A09E, A11B, A11F, A13F
C46.2	03	D06B, D08A, D08B, D09Z, D25A, D25B, D28Z, D60A, D60B, D60C	C47.5	06	G17A, G38Z, G67A	C49.3	06	G17A, G38Z, G67A
	06	G17A, G38Z, G67A		08	I06C, I37Z, I54Z, I65A, I65B, I65C		08	I06C, I27A, I27B, I27C, I54Z, I65A, I65B, I65C
	08	I54Z		15	TPN, VTPN		15	TPN, VTPN
	18A	S62Z		Pre	A07D, A09A, A09E, A11B, A11F, A13F		Pre	A07D, A09A, A09E, A11B, A11F, A13F
C46.3	06	G17A, G38Z, G67A	C47.6	06	G17A, G38Z, G67A	C49.4	06	G17A, G38Z, G67A
	08	I54Z		08	I06C, I54Z, I65A, I65B, I65C		08	I06C, I27A, I27B, I27C, I54Z, I65A, I65B, I65C
	17	R01A, R01B, R01C, R01D, R03Z, R11A, R11B, R11C, R61A, R61B, R61C, R61D, R61E, R61F, R61G, R61H		15	TPN, VTPN		15	TPN, VTPN
	18A	S62Z		Pre	A07D, A09A, A09E, A11B, A11F, A13F		Pre	A07D, A09A, A09E, A11B, A11F, A13F
C46.7	06	G17A, G38Z, G67A	C47.8	06	G17A, G38Z, G67A	C49.5	06	G17A, G38Z, G67A
	08	I54Z		08	I06C, I54Z, I65A, I65B, I65C		08	I02B, I02C, I06C, I27A, I27B, I27C, I37Z, I54Z, I65A, I65B, I65C
	17	R01A, R01B, R01C, R01D, R03Z, R11A, R11B, R11C, R61A, R61B, R61C, R61D, R61E, R61F, R61G, R61H		15	TPN, VTPN		15	TPN, VTPN
	18A	S62Z		Pre	A07D, A09A, A09E, A11B, A11F, A13F		Pre	A07D, A09A, A09E, A11B, A11F, A13F
C46.8	06	G17A, G38Z, G67A	C47.9	06	G17A, G38Z, G67A	C49.6	06	G17A, G38Z, G67A
	08	I54Z		08	I06C, I54Z, I65A, I65B, I65C		08	I02B, I02C, I06C, I27A, I27B, I27C, I54Z, I65A, I65B, I65C
	09	J01Z, J10A, J61A, J61B, J61C, J68A		15	TPN, VTPN		15	TPN, VTPN
	18A	S62Z		Pre	A07D, A09A, A09E, A11B, A11F, A13F		Pre	A07D, A09A, A09E, A11B, A11F, A13F
C46.8	06	G17A, G38Z, G67A	C48.0	06	G17A, G38Z, G67A	C49.6	06	G17A, G38Z, G67A
	08	I54Z		08	I54Z		08	I02B, I02C, I06C, I27A, I27B, I27C, I54Z, I65A, I65B, I65C
	09	J01Z, J10A, J61A, J61B, J61C, J68A		15	TPN, VTPN		15	TPN, VTPN
	18A	S62Z		17	R04A, R04B, R12A, R12B, R12C, R13Z, R14Z, R62A, R62B, R62C		15	TPN, VTPN
	Pre	A07D, A09A, A09E, A11B, A11F, A13F	Pre	A07D, A09A, A09E, A11B, A11F, A13F	Pre	A07D, A09A, A09E, A11B, A11F, A13F		

ICD	MDC	DRG	ICD	MDC	DRG	ICD	MDC	DRG
C49.8	06	G17A, G38Z, G67A	C50.6	06	G17A, G38Z, G67A	C53.0	06	G17A, G38Z, G67A
	08	I01Z, I02B, I02C, I03A, I03B, I04Z, I06C, I27A, I27B, I27C, I54Z, I65A, I65B, I65C		08	I54Z		08	I54Z
	15	TPN, VTPN		09	J01Z, J06Z, J07A, J07B, J08A, J08B, J08C, J10A, J14A, J14B, J16Z, J23Z, J25Z, J26Z, J62A, J62B		13	N03A, N03B, N38Z, N60A, N60B
C49.9	Pre	A07D, A09A, A09E, A11B, A11F, A13F	C50.8	15	TPN, VTPN	C53.1	15	TPN, VTPN
	06	G17A, G38Z, G67A		Pre	A07D, A09A, A09E, A11B, A11F, A13F		Pre	A07D, A09A, A09E, A11B, A11F, A13F
	08	I06C, I54Z, I65A, I65B, I65C		06	G17A, G38Z, G67A		06	G17A, G38Z, G67A
C50.0	15	TPN, VTPN	C50.9	08	I54Z	C53.8	08	I54Z
	Pre	A07D, A09A, A09E, A11B, A11F, A13F		09	J01Z, J06Z, J07A, J07B, J08A, J08B, J08C, J10A, J14A, J14B, J16Z, J23Z, J25Z, J26Z, J62A, J62B		13	N03A, N03B, N38Z, N60A, N60B
	06	G17A, G38Z, G67A		15	TPN, VTPN		15	TPN, VTPN
C50.1	08	I54Z	C51.0	Pre	A07D, A09A, A09E, A11B, A11F, A13F	C53.9	Pre	A07D, A09A, A09E, A11B, A11F, A13F
	09	J01Z, J06Z, J07A, J07B, J08A, J08B, J08C, J10A, J14A, J14B, J16Z, J23Z, J25Z, J26Z, J62A, J62B		06	G17A, G38Z, G67A		06	G17A, G38Z, G67A
	15	TPN, VTPN		08	I54Z		08	I54Z
C50.2	Pre	A07D, A09A, A09E, A11B, A11F, A13F	C51.1	13	N03A, N03B, N38Z, N60A, N60B	C54.0	13	N03A, N03B, N38Z, N60A, N60B
	06	G17A, G38Z, G67A		15	TPN, VTPN		15	TPN, VTPN
	08	I54Z		Pre	A07D, A09A, A09E, A11B, A11F, A13F		Pre	A07D, A09A, A09E, A11B, A11F, A13F
C50.3	09	J01Z, J06Z, J07A, J07B, J08A, J08B, J08C, J10A, J14A, J14B, J16Z, J23Z, J25Z, J26Z, J62A, J62B	C51.2	06	G17A, G38Z, G67A	C54.1	06	G17A, G38Z, G67A
	15	TPN, VTPN		08	I54Z		08	I54Z
	Pre	A07D, A09A, A09E, A11B, A11F, A13F		13	N03A, N03B, N38Z, N60A, N60B		13	N03A, N03B, N38Z, N60A, N60B
C50.4	06	G17A, G38Z, G67A	C51.8	15	TPN, VTPN	C54.2	15	TPN, VTPN
	08	I54Z		Pre	A07D, A09A, A09E, A11B, A11F, A13F		Pre	A07D, A09A, A09E, A11B, A11F, A13F
	09	J01Z, J06Z, J07A, J07B, J08A, J08B, J08C, J10A, J14A, J14B, J16Z, J23Z, J25Z, J26Z, J62A, J62B		06	G17A, G38Z, G67A		06	G17A, G38Z, G67A
C50.5	15	TPN, VTPN	C51.9	08	I54Z	C54.3	08	I54Z
	Pre	A07D, A09A, A09E, A11B, A11F, A13F		13	N03A, N03B, N38Z, N60A, N60B		13	N03A, N03B, N38Z, N60A, N60B
	06	G17A, G38Z, G67A		15	TPN, VTPN		15	TPN, VTPN
C50.5	08	I54Z	C52	Pre	A07D, A09A, A09E, A11B, A11F, A13F	C54.8	Pre	A07D, A09A, A09E, A11B, A11F, A13F
	09	J01Z, J06Z, J07A, J07B, J08A, J08B, J08C, J10A, J14A, J14B, J16Z, J23Z, J25Z, J26Z, J62A, J62B		06	G17A, G38Z, G67A		06	G17A, G38Z, G67A
	15	TPN, VTPN		08	I54Z		08	I54Z
C50.5	Pre	A07D, A09A, A09E, A11B, A11F, A13F	C52	13	N03A, N03B, N38Z, N60A, N60B	C54.9	13	N03A, N03B, N38Z, N60A, N60B
	06	G17A, G38Z, G67A		15	TPN, VTPN		15	TPN, VTPN
	08	I54Z		Pre	A07D, A09A, A09E, A11B, A11F, A13F		Pre	A07D, A09A, A09E, A11B, A11F, A13F

Dg

ICD	MDC	DRG	ICD	MDC	DRG	ICD	MDC	DRG
C55	06	G17A, G38Z, G67A	C57.9	06	G17A, G38Z, G67A	C62.9	06	G17A, G38Z, G67A
	08	I54Z		08	I54Z		08	I54Z
	13	N03A, N03B, N38Z, N60A, N60B		13	N03A, N03B, N38Z, N60A, N60B		12	M09A, M09B, M60A, M60B, M60C
	15	TPN, VTPN		15	TPN, VTPN		15	TPN, VTPN
	Pre	A07D, A09A, A09E, A11B, A11F, A13F		Pre	A07D, A09A, A09E, A11B, A11F, A13F		Pre	A07D, A09A, A09E, A11B, A11F, A13F, A15C
C56	06	G17A, G38Z, G67A	C58	06	G17A, G38Z, G67A	C63.0	06	G17A, G38Z, G67A
	08	I54Z		08	I54Z		08	I54Z
	13	N01A, N01B, N01C, N01D, N01E, N02A, N02B, N02C, N38Z, N60A, N60B		13	N03A, N03B, N38Z, N60A, N60B		12	M09A, M09B, M60A, M60B, M60C
	15	TPN, VTPN			Pre		A07D, A09A, A09E, A11B, A11F, A13F	15
	Pre	A07D, A09A, A09E, A11B, A11F, A13F, A15C		Pre	A07D, A09A, A09E, A11B, A11F, A13F		Pre	A07D, A09A, A09E, A11B, A11F, A13F
C57.0	06	G17A, G38Z, G67A	C60.0	06	G17A, G38Z, G67A	C63.1	06	G17A, G38Z, G67A
	08	I54Z		08	I54Z		08	I54Z
	13	N01A, N01B, N01C, N01D, N01E, N02A, N02B, N02C, N38Z, N60A, N60B		12	M09A, M09B, M60A, M60B, M60C		12	M09A, M09B, M60A, M60B, M60C
	15	TPN, VTPN		15	TPN, VTPN		15	TPN, VTPN
	Pre	A07D, A09A, A09E, A11B, A11F, A13F		Pre	A07D, A09A, A09E, A11B, A11F, A13F		Pre	A07D, A09A, A09E, A11B, A11F, A13F
C57.1	06	G17A, G38Z, G67A	C60.1	06	G17A, G38Z, G67A	C63.2	06	G17A, G38Z, G67A
	08	I54Z		08	I54Z		08	I54Z
	13	N01A, N01B, N01C, N01D, N01E, N02A, N02B, N02C, N38Z, N60A, N60B		12	M09A, M09B, M60A, M60B, M60C		12	M09A, M09B, M60A, M60B, M60C
	15	TPN, VTPN		15	TPN, VTPN		15	TPN, VTPN
	Pre	A07D, A09A, A09E, A11B, A11F, A13F		Pre	A07D, A09A, A09E, A11B, A11F, A13F		Pre	A07D, A09A, A09E, A11B, A11F, A13F
C57.2	06	G17A, G38Z, G67A	C60.2	06	G17A, G38Z, G67A	C63.7	06	G17A, G38Z, G67A
	08	I54Z		08	I54Z		08	I54Z
	13	N01A, N01B, N01C, N01D, N01E, N02A, N02B, N02C, N38Z, N60A, N60B		12	M09A, M09B, M60A, M60B, M60C		12	M09A, M09B, M60A, M60B, M60C
	15	TPN, VTPN		15	TPN, VTPN		15	TPN, VTPN
	Pre	A07D, A09A, A09E, A11B, A11F, A13F		Pre	A07D, A09A, A09E, A11B, A11F, A13F		Pre	A07D, A09A, A09E, A11B, A11F, A13F
C57.3	06	G17A, G38Z, G67A	C60.8	06	G17A, G38Z, G67A	C63.8	06	G17A, G38Z, G67A
	08	I54Z		08	I54Z		08	I54Z
	13	N01A, N01B, N01C, N01D, N01E, N02A, N02B, N02C, N38Z, N60A, N60B		12	M09A, M09B, M60A, M60B, M60C		12	M09A, M09B, M60A, M60B, M60C
	15	TPN, VTPN		15	TPN, VTPN		15	TPN, VTPN
	Pre	A07D, A09A, A09E, A11B, A11F, A13F		Pre	A07D, A09A, A09E, A11B, A11F, A13F		Pre	A07D, A09A, A09E, A11B, A11F, A13F
C57.4	06	G17A, G38Z, G67A	C60.9	06	G17A, G38Z, G67A	C63.9	06	G17A, G38Z, G67A
	08	I54Z		08	I54Z		08	I54Z
	13	N01A, N01B, N01C, N01D, N01E, N02A, N02B, N02C, N38Z, N60A, N60B		12	M09A, M09B, M60A, M60B, M60C		12	M09A, M09B, M60A, M60B, M60C
	15	TPN, VTPN		15	TPN, VTPN		15	TPN, VTPN
	Pre	A07D, A09A, A09E, A11B, A11F, A13F		Pre	A07D, A09A, A09E, A11B, A11F, A13F		Pre	A07D, A09A, A09E, A11B, A11F, A13F
C57.7	06	G17A, G38Z, G67A	C61	06	G17A, G38Z, G67A	C64	06	G17A, G38Z, G67A
	08	I54Z		08	I54Z		08	I54Z
	13	N01A, N01B, N01C, N01D, N01E, N02A, N02B, N02C, N38Z, N60A, N60B		12	M09A, M09B, M60A, M60B, M60C		11	L02A, L02B, L02C, L03Z, L10Z, L13A, L13B, L38Z, L62A, L62B
	15	TPN, VTPN		15	TPN, VTPN		15	TPN, VTPN
	Pre	A07D, A09A, A09E, A11B, A11F, A13F		Pre	A07D, A09A, A09E, A11B, A11F, A13F		Pre	A07D, A09A, A09E, A11B, A11F, A13F
C57.8	06	G17A, G38Z, G67A	C62.0	06	G17A, G38Z, G67A	C65	06	G17A, G38Z, G67A
	08	I54Z		08	I54Z		08	I54Z
	13	N03A, N03B, N38Z, N60A, N60B		12	M09A, M09B, M60A, M60B, M60C		11	L02A, L02B, L02C, L03Z, L10Z, L13A, L13B, L38Z, L62A, L62B
	15	TPN, VTPN		15	TPN, VTPN		15	TPN, VTPN
	Pre	A07D, A09A, A09E, A11B, A11F, A13F		Pre	A07D, A09A, A09E, A11B, A11F, A13F, A15C		Pre	A07D, A09A, A09E, A11B, A11F, A13F
C57.8	06	G17A, G38Z, G67A	C62.1	06	G17A, G38Z, G67A	C66	06	G17A, G38Z, G67A
	08	I54Z		08	I54Z		08	I54Z
	13	N03A, N03B, N38Z, N60A, N60B		12	M09A, M09B, M60A, M60B, M60C		11	L02A, L02B, L02C, L03Z, L10Z, L13A, L13B, L38Z, L62A, L62B
	15	TPN, VTPN		15	TPN, VTPN		15	TPN, VTPN
	Pre	A07D, A09A, A09E, A11B, A11F, A13F		Pre	A07D, A09A, A09E, A11B, A11F, A13F, A15C		Pre	A07D, A09A, A09E, A11B, A11F, A13F

ICD	MDC	DRG	ICD	MDC	DRG	ICD	MDC	DRG
C71.4	01	B02A, B02B, B02C, B02D, B03A, B03B, B66A, B66B, B66C, B66D	C72.2	01	B02A, B02B, B02C, B02D, B03A, B03B, B66A, B66B, B66C, B66D	C74.9	06	G17A, G38Z, G67A
	06	G17A, G38Z, G67A		06	G17A, G38Z, G67A		08	I54Z
	08	I54Z		08	I54Z		10	K03A, K03B, K64A, K64B, K64C
	15	TPN, VTPN		15	TPN, VTPN		15	TPN, VTPN
	Pre	A07D, A09A, A09E, A11B, A11F, A13F		Pre	A07D, A09A, A09E, A11B, A11F, A13F		Pre	A07D, A09A, A09E, A11B, A11F, A13F
C71.5	01	B02A, B02B, B02C, B02D, B03A, B03B, B66A, B66B, B66C, B66D	C72.3	01	B02A, B02B, B02C, B02D, B03A, B03B, B66A, B66B, B66C, B66D	C75.0	06	G17A, G38Z, G67A
	06	G17A, G38Z, G67A		06	G17A, G38Z, G67A		08	I54Z
	08	I54Z		08	I54Z		10	K06A, K06C, K64A, K64B, K64C, K64D
	15	TPN, VTPN		15	TPN, VTPN		15	TPN, VTPN
	Pre	A07D, A09A, A09E, A11B, A11F, A13F		Pre	A07D, A09A, A09E, A11B, A11F, A13F		Pre	A07D, A09A, A09E, A11B, A11F, A13F
C71.6	01	B02A, B02B, B02C, B02D, B03A, B03B, B66A, B66B, B66C, B66D	C72.4	01	B02A, B02B, B02C, B02D, B03A, B03B, B66A, B66B, B66C, B66D	C75.1	01	B02A, B02B, B02C, B02D
	06	G17A, G38Z, G67A		06	G17A, G38Z, G67A		06	G17A, G38Z, G67A
	08	I54Z		08	I54Z		08	I54Z
	15	TPN, VTPN		15	TPN, VTPN		10	K64A, K64B, K64C, K64D
	Pre	A07D, A09A, A09E, A11B, A11F, A13F		Pre	A07D, A09A, A09E, A11B, A11F, A13F		Pre	A07D, A09A, A09E, A11B, A11F, A13F
C71.7	01	B02A, B02B, B02C, B02D, B03A, B03B, B66A, B66B, B66C, B66D	C72.5	01	B02A, B02B, B02C, B02D, B03A, B03B, B66A, B66B, B66C, B66D	C75.2	01	B02A, B02B, B02C, B02D, B66A, B66B, B66C, B66D
	06	G17A, G38Z, G67A		06	G17A, G38Z, G67A		06	G17A, G38Z, G67A
	08	I54Z		08	I54Z		08	I54Z
	15	TPN, VTPN		15	TPN, VTPN		15	TPN, VTPN
	Pre	A07D, A09A, A09E, A11B, A11F, A13F		Pre	A07D, A09A, A09E, A11B, A11F, A13F		Pre	A07D, A09A, A09E, A11B, A11F, A13F
C71.8	01	B02A, B02B, B02C, B02D, B03A, B03B, B66A, B66B, B66C, B66D	C72.8	01	B02A, B02B, B02C, B02D, B03A, B03B, B66A, B66B, B66C, B66D	C75.3	01	B02A, B02B, B02C, B02D, B03A, B03B, B66A, B66B, B66C, B66D
	06	G17A, G38Z, G67A		06	G17A, G38Z, G67A		06	G17A, G38Z, G67A
	08	I54Z		08	I54Z		08	I54Z
	15	TPN, VTPN		15	TPN, VTPN		15	TPN, VTPN
	Pre	A07D, A09A, A09E, A11B, A11F, A13F		Pre	A07D, A09A, A09E, A11B, A11F, A13F		Pre	A07D, A09A, A09E, A11B, A11F, A13F
C71.9	01	B02A, B02B, B02C, B02D, B03A, B03B, B66A, B66B, B66C, B66D	C72.9	01	B02A, B02B, B02C, B02D, B03A, B03B, B66A, B66B, B66C, B66D	C75.4	01	B03A, B03B, B66A, B66B, B66C, B66D
	06	G17A, G38Z, G67A		06	G17A, G38Z, G67A		06	G17A, G38Z, G67A
	08	I54Z		08	I54Z		08	I54Z
	15	TPN, VTPN		15	TPN, VTPN		15	TPN, VTPN
	Pre	A07D, A09A, A09E, A11B, A11F, A13F		Pre	A07D, A09A, A09E, A11B, A11F, A13F		Pre	A07D, A09A, A09E, A11B, A11F, A13F
C72.0	01	B02A, B02B, B02C, B02D, B03A, B03B, B66A, B66B, B66C, B66D	C73	06	G17A, G38Z, G67A	C75.5	01	B03A, B03B, B66A, B66B, B66C, B66D
	06	G17A, G38Z, G67A		08	I54Z		06	G17A, G38Z, G67A
	08	I54Z		10	K06A, K06C, K64A, K64B, K64C, K64D		08	I54Z
	15	TPN, VTPN		15	TPN, VTPN		15	TPN, VTPN
	Pre	A07D, A09A, A09E, A11B, A11F, A13F		Pre	A07D, A09A, A09E, A11B, A11F, A13F		Pre	A07D, A09A, A09E, A11B, A11F, A13F
C72.1	01	B02A, B02B, B02C, B02D, B03A, B03B, B66A, B66B, B66C, B66D	C74.0	06	G17A, G38Z, G67A	C75.8	06	G17A, G38Z, G67A
	06	G17A, G38Z, G67A		08	I54Z		08	I54Z
	08	I54Z		10	K03A, K03B, K64A, K64B, K64C		10	K64A, K64B, K64C
	15	TPN, VTPN		15	TPN, VTPN		15	TPN, VTPN
	Pre	A07D, A09A, A09E, A11B, A11F, A13F		Pre	A07D, A09A, A09E, A11B, A11F, A13F		Pre	A07D, A09A, A09E, A11B, A11F, A13F
C72.2	01	B02A, B02B, B02C, B02D, B03A, B03B, B66A, B66B, B66C, B66D	C74.1	06	G17A, G38Z, G67A	C75.9	06	G17A, G38Z, G67A
	06	G17A, G38Z, G67A		08	I54Z		08	I54Z
	08	I54Z		10	K03A, K03B, K64A, K64B, K64C		10	K64A, K64B, K64C, K64D
	15	TPN, VTPN		15	TPN, VTPN		15	TPN, VTPN
	Pre	A07D, A09A, A09E, A11B, A11F, A13F		Pre	A07D, A09A, A09E, A11B, A11F, A13F		Pre	A07D, A09A, A09E, A11B, A11F, A13F

ICD	MDC	DRG	ICD	MDC	DRG	ICD	MDC	DRG
C76.1	04	E05B, E71A, E71B	C77.2	06	G17A, G38Z, G67A	C78.3	04	E05B, E71A, E71B
	06	G17A, G38Z, G67A		08	I54Z		06	G17A, G38Z, G67A
	08	I54Z		15	TPN, VTPN		08	I54Z
	15	TPN, VTPN		17	R04A, R04B, R12A, R12B, R12C, R13Z, R14Z, R62A, R62B, R62C		15	TPN, VTPN
	Pre	A07D, A09A, A09E, A11B, A11F, A13F		Pre	A07D, A09A, A09E, A11B, A11F, A13F		Pre	A07D, A09A, A09E, A11B, A11F, A13F
C76.2	06	G17A, G19A, G38Z, G40Z, G46A, G46B, G46C, G47Z, G60A, G60B, G67A	C77.3	06	G17A, G38Z, G67A	C78.4	06	G17A, G19A, G38Z, G40Z, G46A, G46B, G46C, G47Z, G60A, G60B, G67A
	08	I54Z		08	I54Z		08	I54Z
	15	TPN, VTPN		15	TPN, VTPN		15	TPN, VTPN
	Pre	A07D, A09A, A09E, A11B, A11F, A13F		17	R04A, R04B, R12A, R12B, R12C, R13Z, R14Z, R62A, R62B, R62C		Pre	A07D, A09A, A09E, A11B, A11F, A13F
C76.3	06	G17A, G38Z, G67A	C77.4	06	G17A, G38Z, G67A	C78.5	06	G17A, G19A, G38Z, G40Z, G46A, G46B, G46C, G47Z, G60A, G60B, G67A
	08	I54Z		08	I54Z		08	I54Z
	12	M09A, M09B, M60A, M60B, M60C		15	TPN, VTPN		15	TPN, VTPN
	13	N03A, N03B, N38Z, N60A, N60B		17	R04A, R04B, R12A, R12B, R12C, R13Z, R14Z, R62A, R62B, R62C		Pre	A07D, A09A, A09E, A11B, A11F, A13F
	15	TPN, VTPN		Pre	A07D, A09A, A09E, A11B, A11F, A13F		Pre	A07D, A09A, A09E, A11B, A11F, A13F
C76.4	06	G17A, G38Z, G67A	C77.5	06	G17A, G38Z, G67A	C78.6	06	G01Z, G02Z, G17A, G19A, G38Z, G40Z, G46A, G46B, G46C, G47Z, G60A, G60B, G67A
	08	I54Z		08	I54Z		08	I54Z
	15	TPN, VTPN		15	TPN, VTPN		15	TPN, VTPN
	17	R04A, R04B, R12A, R12B, R12C, R13Z, R14Z, R62A, R62B, R62C		17	R04A, R04B, R12A, R12B, R12C, R13Z, R14Z, R62A, R62B, R62C		Pre	A07D, A09A, A09E, A11B, A11F, A13F
C76.5	06	G17A, G38Z, G67A	C77.8	06	G17A, G38Z, G67A	C78.7	06	G01Z, G02Z, G17A, G38Z, G67A
	08	I54Z		08	I54Z		07	H07A, H08A, H09B, H61A, H61B, H78Z
	15	TPN, VTPN		15	TPN, VTPN		08	I54Z
	17	R04A, R04B, R12A, R12B, R12C, R13Z, R14Z, R62A, R62B, R62C		17	R04A, R04B, R12A, R12B, R12C, R13Z, R14Z, R62A, R62B, R62C		15	TPN, VTPN
	Pre	A07D, A09A, A09E, A11B, A11F, A13F		Pre	A07D, A09A, A09E, A11B, A11F, A13F		Pre	A07D, A09A, A09E, A11B, A11F, A13F
C76.7	06	G17A, G38Z, G67A	C77.9	06	G17A, G38Z, G67A	C78.8	06	G17A, G19A, G38Z, G40Z, G46A, G46B, G46C, G47Z, G60A, G60B, G67A
	08	I54Z		08	I54Z		08	I54Z
	15	TPN, VTPN		15	TPN, VTPN		15	TPN, VTPN
	17	R04A, R04B, R12A, R12B, R12C, R13Z, R14Z, R62A, R62B, R62C		17	R04A, R04B, R12A, R12B, R12C, R13Z, R14Z, R62A, R62B, R62C		Pre	A07D, A09A, A09E, A11B, A11F, A13F
	Pre	A07D, A09A, A09E, A11B, A11F, A13F		Pre	A07D, A09A, A09E, A11B, A11F, A13F		Pre	A07D, A09A, A09E, A11B, A11F, A13F
C76.8	06	G17A, G38Z, G67A	C78.0	04	E05B, E71A, E71B	C79.0	06	G17A, G38Z, G67A
	08	I54Z		06	G17A, G38Z, G67A		08	I54Z
	15	TPN, VTPN		08	I54Z		11	L02A, L02B, L02C, L03Z, L10Z, L13A, L13B, L38Z, L62A, L62B
	17	R04A, R04B, R12A, R12B, R12C, R13Z, R14Z, R62A, R62B, R62C		15	TPN, VTPN		15	TPN, VTPN
	Pre	A07D, A09A, A09E, A11B, A11F, A13F		Pre	A07D, A09A, A09E, A11B, A11F, A13F		Pre	A07D, A09A, A09E, A11B, A11F, A13F
C77.0	06	G17A, G38Z, G67A	C78.1	04	E05B, E71A, E71B	C79.1	06	G17A, G38Z, G67A
	08	I54Z		06	G17A, G38Z, G67A		08	I54Z
	15	TPN, VTPN		08	I54Z		08	I54Z
	17	R04A, R04B, R12A, R12B, R12C, R13Z, R14Z, R62A, R62B, R62C		15	TPN, VTPN		11	L02A, L02B, L02C, L03Z, L10Z, L13A, L13B, L38Z, L62A, L62B
	Pre	A07D, A09A, A09E, A11B, A11F, A13F		Pre	A07D, A09A, A09E, A11B, A11F, A13F		Pre	A07D, A09A, A09E, A11B, A11F, A13F
C77.1	06	G17A, G38Z, G67A	C78.2	04	E05B, E71A, E71B	C79.2	06	G17A, G38Z, G67A
	08	I54Z		06	G17A, G38Z, G67A		08	I54Z
	15	TPN, VTPN		08	I54Z		09	J01Z, J06Z, J07A, J07B, J10A, J14A, J14B, J16Z, J23Z, J25Z, J26Z, J62A, J62B
	17	R04A, R04B, R12A, R12B, R12C, R13Z, R14Z, R62A, R62B, R62C		15	TPN, VTPN		15	TPN, VTPN
	Pre	A07D, A09A, A09E, A11B, A11F, A13F		Pre	A07D, A09A, A09E, A11B, A11F, A13F		Pre	A07D, A09A, A09E, A11B, A11F, A13F

Dg

ICD	MDC	DRG	ICD	MDC	DRG	ICD	MDC	DRG
C79.3	01	B03A, B03B, B66A, B66B, B66C, B66D, B70A, B70B, B70C, B70E	C79.84	06	G17A, G38Z, G67A	C81.3	06	G17A, G38Z, G67A
	06	G17A, G38Z, G67A		08	I54Z		08	I54Z
	08	I54Z		15	TPN, VTPN		15	TPN, VTPN
	15	TPN, VTPN		17	R04A, R04B, R12A, R12B, R12C, R13Z, R14Z, R62A, R62B, R62C		17	R01A, R01B, R01C, R01D, R03Z, R11A, R11B, R11C, R61A, R61B, R61C, R61D, R61E, R61F, R61G, R61H
	17	R61A, R61B		Pre	A07D, A09A, A09E, A11B, A11F, A13F		Pre	A07D, A09A, A09E, A11B, A11F, A13A, A13F, A15C
	Pre	A07D, A09A, A09E, A11B, A11F, A13F						
C79.4	01	B03A, B03B, B66A, B66B, B66C, B66D	C79.88	06	G17A, G38Z, G67A	C81.4	06	G17A, G38Z, G67A
	06	G17A, G38Z, G67A		08	I54Z		08	I54Z
	08	I54Z		15	TPN, VTPN		15	TPN, VTPN
	15	TPN, VTPN		17	R04A, R04B, R12A, R12B, R12C, R13Z, R14Z, R62A, R62B, R62C		17	R01A, R01B, R01C, R01D, R03Z, R11A, R11B, R11C, R61A, R61B, R61C, R61D, R61E, R61F, R61G, R61H
	17	R61A, R61B, R61C, R61D, R61E, R61F, R61G, R61H		Pre	A07D, A09A, A09E, A11B, A11F, A13F		Pre	A07D, A09A, A09E, A11B, A11F, A13A, A13F, A15C
	Pre	A07D, A09A, A09E, A11B, A11F, A13F						
C79.5	06	G17A, G38Z, G67A	C79.9	06	G17A, G38Z, G67A	C81.7	06	G17A, G38Z, G67A
	08	I01Z, I03A, I03B, I04Z, I37Z, I54Z, I65A, I65B, I65C		08	I54Z		08	I54Z
	15	TPN, VTPN		17	R04A, R04B, R12A, R12B, R12C, R13Z, R14Z, R62A, R62B, R62C		15	TPN, VTPN
	17	R61F, R61G, R62A, R62B		Pre	A07D, A09A, A09E, A11B, A11F, A13F, A15C		17	R01A, R01B, R01C, R01D, R03Z, R11A, R11B, R11C, R61A, R61B, R61C, R61D, R61E, R61F, R61G, R61H
	17	R61F, R61G, R62A, R62B		Pre	A07D, A09A, A09E, A11B, A11F, A13F, A15C		Pre	A07D, A09A, A09E, A11B, A11F, A13A, A13F, A15C
	Pre	A07D, A09A, A09E, A11B, A11F, A13F						
C79.6	06	G17A, G38Z, G67A	C80.0	06	G17A, G38Z, G67A	C81.9	06	G17A, G38Z, G67A
	08	I54Z		08	I54Z		08	I54Z
	13	N01A, N01B, N01C, N01D, N01E, N02A, N02B, N02C, N38Z, N60A, N60B		17	R04A, R04B, R12A, R12B, R12C, R13Z, R14Z, R62A, R62B, R62C		15	TPN, VTPN
	15	TPN, VTPN		Pre	A07D, A09A, A09E, A11B, A11F, A13F, A15C		17	R01A, R01B, R01C, R01D, R03Z, R11A, R11B, R11C, R61A, R61B, R61C, R61D, R61E, R61F, R61G, R61H
	15	TPN, VTPN		Pre	A07D, A09A, A09E, A11B, A11F, A13F, A15C		Pre	A07D, A09A, A09E, A11B, A11F, A13A, A13F, A15C
	Pre	A07D, A09A, A09E, A11B, A11F, A13F						
C79.7	06	G17A, G38Z, G67A	C80.9	06	G17A, G38Z, G67A	C82.0	06	G17A, G38Z, G67A
	08	I54Z		08	I54Z		08	I54Z
	10	K03A, K03B, K64A, K64B, K64C, K64D		17	R04A, R04B, R12A, R12B, R12C, R13Z, R14Z, R62A, R62B, R62C		15	TPN, VTPN
	15	TPN, VTPN		Pre	A07D, A09A, A09E, A11B, A11F, A13F, A15C		17	R01A, R01B, R01C, R01D, R03Z, R11A, R11B, R11C, R61A, R61B, R61C, R61D, R61E, R61F, R61G, R61H
	15	TPN, VTPN		Pre	A07D, A09A, A09E, A11B, A11F, A13F, A15C		Pre	A07D, A09A, A09E, A11B, A11F, A13A, A13F, A15C
	Pre	A07D, A09A, A09E, A11B, A11F, A13F						
C79.81	06	G17A, G38Z, G67A	C81.0	06	G17A, G38Z, G67A	C82.1	06	G17A, G38Z, G67A
	08	I54Z		08	I54Z		08	I54Z
	09	J01Z, J06Z, J07A, J07B, J10A, J14A, J14B, J16Z, J23Z, J25Z, J26Z, J62A, J62B		15	TPN, VTPN		15	TPN, VTPN
	15	TPN, VTPN		17	R01A, R01B, R01C, R01D, R03Z, R11A, R11B, R11C, R61A, R61B, R61C, R61D, R61E, R61F, R61G, R61H		17	R01A, R01B, R01C, R01D, R03Z, R11A, R11B, R11C, R61A, R61B, R61C, R61D, R61E, R61F, R61G, R61H
	15	TPN, VTPN		Pre	A07D, A09A, A09E, A11B, A11F, A13A, A13F, A15C		Pre	A07D, A09A, A09E, A11B, A11F, A13A, A13F, A15C
	Pre	A07D, A09A, A09E, A11B, A11F, A13F						
C79.82	06	G17A, G38Z, G67A	C81.1	06	G17A, G38Z, G67A	C82.2	06	G17A, G38Z, G67A
	08	I54Z		08	I54Z		08	I54Z
	12	M09A, M09B, M60A, M60B, M60C		15	TPN, VTPN		15	TPN, VTPN
	13	N03A, N03B, N38Z, N60A, N60B		17	R01A, R01B, R01C, R01D, R03Z, R11A, R11B, R11C, R61A, R61B, R61C, R61D, R61E, R61F, R61G, R61H		17	R01A, R01B, R01C, R01D, R03Z, R11A, R11B, R11C, R61A, R61B, R61C, R61D, R61E, R61F, R61G, R61H
	15	TPN, VTPN		Pre	A07D, A09A, A09E, A11B, A11F, A13A, A13F, A15C		Pre	A07D, A09A, A09E, A11B, A11F, A13A, A13F, A15C
	Pre	A07D, A09A, A09E, A11B, A11F, A13F						
C79.83	06	G17A, G38Z, G67A	C81.2	06	G17A, G38Z, G67A	C82.2	06	G17A, G38Z, G67A
	08	I54Z		08	I54Z		08	I54Z
	15	TPN, VTPN		15	TPN, VTPN		15	TPN, VTPN
	17	R04A, R04B, R12A, R12B, R12C, R13Z, R14Z, R62A, R62B, R62C		17	R01A, R01B, R01C, R01D, R03Z, R11A, R11B, R11C, R61A, R61B, R61C, R61D, R61E, R61F, R61G, R61H		17	R01A, R01B, R01C, R01D, R03Z, R11A, R11B, R11C, R61A, R61B, R61C, R61D, R61E, R61F, R61G, R61H
	17	R04A, R04B, R12A, R12B, R12C, R13Z, R14Z, R62A, R62B, R62C		Pre	A07D, A09A, A09E, A11B, A11F, A13A, A13F, A15C		18A	S62Z
	Pre	A07D, A09A, A09E, A11B, A11F, A13F		Pre	A07D, A09A, A09E, A11B, A11F, A13A, A13F, A15C		Pre	A07D, A09A, A09E, A11B, A11F, A13A, A13F, A15C

ICD	MDC	DRG	ICD	MDC	DRG	ICD	MDC	DRG
C91.61	06	G17A, G38Z, G67A	C92.00	06	G17A, G38Z, G67A	C92.31	06	G17A, G38Z, G67A
	08	I54Z		08	I54Z		08	I54Z
	15	TPN, VTPN		15	TPN, VTPN		15	TPN, VTPN
	17	R01A, R01B, R01C, R01D, R03Z, R11A, R11B, R11C, R61A, R61B, R61C, R61D, R61E, R61F, R61G, R61H		17	R04A, R04B, R05Z, R06Z, R12A, R12B, R12C, R13Z, R14Z, R60A, R60B, R60C, R60D, R60E, R60F, R60G		17	R04A, R04B, R12A, R12B, R12C, R13Z, R14Z, R60A, R60B, R60C, R60D, R60E, R60F, R60G
	Pre	A07D, A09A, A09E, A11B, A11F, A13A, A13F		Pre	A07D, A09A, A09E, A11B, A11F, A13A, A13F		Pre	A07D, A09A, A09E, A11B, A11F, A13A, A13F
C91.70	06	G17A, G38Z, G67A	C92.01	06	G17A, G38Z, G67A	C92.40	06	G17A, G38Z, G67A
	08	I54Z		08	I54Z		08	I54Z
	15	TPN, VTPN		15	TPN, VTPN		15	TPN, VTPN
	17	R01A, R01B, R01C, R01D, R03Z, R11A, R11B, R11C, R61A, R61B, R61C, R61D, R61E, R61F, R61G, R61H		17	R04A, R04B, R05Z, R06Z, R12A, R12B, R12C, R13Z, R14Z, R60A, R60B, R60C, R60D, R60E, R60F, R60G		17	R04A, R04B, R05Z, R06Z, R12A, R12B, R12C, R13Z, R14Z, R60A, R60B, R60C, R60D, R60E, R60F, R60G
	Pre	A07D, A09A, A09E, A11B, A11F, A13A, A13F		Pre	A07D, A09A, A09E, A11B, A11F, A13A, A13F		Pre	A07D, A09A, A09E, A11B, A11F, A13A, A13F
C91.71	06	G17A, G38Z, G67A	C92.10	06	G17A, G38Z, G67A	C92.41	06	G17A, G38Z, G67A
	08	I54Z		08	I54Z		08	I54Z
	15	TPN, VTPN		15	TPN, VTPN		15	TPN, VTPN
	17	R01A, R01B, R01C, R01D, R03Z, R11A, R11B, R11C, R61A, R61B, R61C, R61D, R61E, R61F, R61G, R61H		17	R01A, R01B, R01C, R01D, R03Z, R11A, R11B, R11C, R61A, R61B, R61C, R61D, R61E, R61F, R61G		17	R04A, R04B, R05Z, R06Z, R12A, R12B, R12C, R13Z, R14Z, R60A, R60B, R60C, R60D, R60E, R60F, R60G
	Pre	A07D, A09A, A09E, A11B, A11F, A13A, A13F		Pre	A07D, A09A, A09E, A11B, A11F, A13A, A13F		Pre	A07D, A09A, A09E, A11B, A11F, A13A, A13F
C91.80	06	G17A, G38Z, G67A	C92.11	06	G17A, G38Z, G67A	C92.50	06	G17A, G38Z, G67A
	08	I54Z		08	I54Z		08	I54Z
	15	TPN, VTPN		15	TPN, VTPN		15	TPN, VTPN
	17	R01A, R01B, R01C, R01D, R03Z, R11A, R11B, R11C, R63A, R63B, R63C, R63D, R63E, R63F, R63G, R63H, R63I		17	R01A, R01B, R01C, R01D, R03Z, R11A, R11B, R11C, R61A, R61B, R61C, R61D, R61E, R61F, R61G, R61H		17	R04A, R04B, R05Z, R06Z, R12A, R12B, R12C, R13Z, R14Z, R60A, R60B, R60C, R60D, R60E, R60F, R60G
	Pre	A07D, A09A, A09E, A11B, A11F, A13A, A13F		Pre	A07D, A09A, A09E, A11B, A11F, A13A, A13F		Pre	A07D, A09A, A09E, A11B, A11F, A13A, A13F
C91.81	06	G17A, G38Z, G67A	C92.20	06	G17A, G38Z, G67A	C92.51	06	G17A, G38Z, G67A
	08	I54Z		08	I54Z		08	I54Z
	15	TPN, VTPN		15	TPN, VTPN		15	TPN, VTPN
	17	R01A, R01B, R01C, R01D, R03Z, R11A, R11B, R11C, R63A, R63B, R63C, R63D, R63E, R63F, R63G, R63H, R63I		17	R01A, R01B, R01C, R01D, R03Z, R11A, R11B, R11C, R61A, R61B, R61C, R61D, R61E, R61F, R61G		17	R04A, R04B, R05Z, R06Z, R12A, R12B, R12C, R13Z, R14Z, R60A, R60B, R60C, R60D, R60E, R60F, R60G
	Pre	A07D, A09A, A09E, A11B, A11F, A13A, A13F		Pre	A07D, A09A, A09E, A11B, A11F, A13A, A13F		Pre	A07D, A09A, A09E, A11B, A11F, A13A, A13F
C91.90	06	G17A, G38Z, G67A	C92.21	06	G17A, G38Z, G67A	C92.60	06	G17A, G38Z, G67A
	08	I54Z		08	I54Z		08	I54Z
	15	TPN, VTPN		15	TPN, VTPN		15	TPN, VTPN
	17	R01A, R01B, R01C, R01D, R03Z, R11A, R11B, R11C, R61A, R61B, R61C, R61D, R61E, R61F, R61G, R61H		17	R01A, R01B, R01C, R01D, R03Z, R11A, R11B, R11C, R61A, R61B, R61C, R61D, R61E, R61F, R61G, R61H		17	R04A, R04B, R05Z, R06Z, R12A, R12B, R12C, R13Z, R14Z, R60A, R60B, R60C, R60D, R60E, R60F, R60G
	Pre	A07D, A09A, A09E, A11B, A11F, A13A, A13F		Pre	A07D, A09A, A09E, A11B, A11F, A13A, A13F		Pre	A07D, A09A, A09E, A11B, A11F, A13A, A13F
C91.91	06	G17A, G38Z, G67A	C92.30	06	G17A, G38Z, G67A	C92.61	06	G17A, G38Z, G67A
	08	I54Z		08	I54Z		08	I54Z
	15	TPN, VTPN		15	TPN, VTPN		15	TPN, VTPN
	17	R01A, R01B, R01C, R01D, R03Z, R11A, R11B, R11C, R61A, R61B, R61C, R61D, R61E, R61F, R61G, R61H		17	R04A, R04B, R12A, R12B, R12C, R13Z, R14Z, R60A, R60B, R60C, R60D, R60E, R60F, R61G		17	R04A, R04B, R05Z, R06Z, R12A, R12B, R12C, R13Z, R14Z, R60A, R60B, R60C, R60D, R60E, R60F, R60G
	Pre	A07D, A09A, A09E, A11B, A11F, A13A, A13F		Pre	A07D, A09A, A09E, A11B, A11F, A13A, A13F		Pre	A07D, A09A, A09E, A11B, A11F, A13A, A13F

ICD	MDC	DRG	ICD	MDC	DRG	ICD	MDC	DRG
C92.70	06	G17A, G38Z, G67A	C93.01	06	G17A, G38Z, G67A	C93.90	06	G17A, G38Z, G67A
	08	I54Z		08	I54Z		08	I54Z
	15	TPN, VTPN		15	TPN, VTPN		15	TPN, VTPN
	17	R01A, R01B, R01C, R01D, R03Z, R11A, R11B, R11C, R61A, R61B, R61C, R61D, R61E, R61F, R61G		17	R04A, R04B, R12A, R12B, R12C, R13Z, R14Z, R60A, R60B, R60C, R60D, R60E, R60F, R60G		17	R01A, R01B, R01C, R01D, R03Z, R11A, R11B, R11C, R61A, R61B, R61C, R61D, R61E, R61F, R61G, R61H
	Pre	A07D, A09A, A09E, A11B, A11F, A13A, A13F		Pre	A07D, A09A, A09E, A11B, A11F, A13A, A13F		Pre	A07D, A09A, A09E, A11B, A11F, A13A, A13F
C92.71	06	G17A, G38Z, G67A	C93.10	06	G17A, G38Z, G67A	C93.91	06	G17A, G38Z, G67A
	08	I54Z		08	I54Z		08	I54Z
	15	TPN, VTPN		15	TPN, VTPN		15	TPN, VTPN
	17	R01A, R01B, R01C, R01D, R03Z, R11A, R11B, R11C, R61A, R61B, R61C, R61D, R61E, R61F, R61G, R61H		17	R01A, R01B, R01C, R01D, R03Z, R11A, R11B, R11C, R61A, R61B, R61C, R61D, R61E, R61F, R61G, R61H		17	R01A, R01B, R01C, R01D, R03Z, R11A, R11B, R11C, R61A, R61B, R61C, R61D, R61E, R61F, R61G, R61H
	Pre	A07D, A09A, A09E, A11B, A11F, A13A, A13F		Pre	A07D, A09A, A09E, A11B, A11F, A13A, A13F		Pre	A07D, A09A, A09E, A11B, A11F, A13A, A13F
C92.80	06	G17A, G38Z, G67A	C93.11	06	G17A, G38Z, G67A	C94.00	06	G17A, G38Z, G67A
	08	I54Z		08	I54Z		08	I54Z
	15	TPN, VTPN		15	TPN, VTPN		15	TPN, VTPN
	17	R04A, R04B, R05Z, R06Z, R12A, R12B, R12C, R13Z, R14Z, R60A, R60B, R60C, R60D, R60E, R60F, R60G		17	R01A, R01B, R01C, R01D, R03Z, R11A, R11B, R11C, R61A, R61B, R61C, R61D, R61E, R61F, R61G, R61H		17	R04A, R04B, R12A, R12B, R12C, R13Z, R14Z, R60A, R60B, R60C, R60D, R60E, R60F, R60G
	Pre	A07D, A09A, A09E, A11B, A11F, A13A, A13F		Pre	A07D, A09A, A09E, A11B, A11F, A13A, A13F		Pre	A07D, A09A, A09E, A11B, A11F, A13A, A13F
C92.81	06	G17A, G38Z, G67A	C93.30	06	G17A, G38Z, G67A	C94.01	06	G17A, G38Z, G67A
	08	I54Z		08	I54Z		08	I54Z
	15	TPN, VTPN		15	TPN, VTPN		15	TPN, VTPN
	17	R04A, R04B, R05Z, R06Z, R12A, R12B, R12C, R13Z, R14Z, R60A, R60B, R60C, R60D, R60E, R60F, R60G		17	R01A, R01B, R01C, R01D, R03Z, R11A, R11B, R11C, R61A, R61B, R61C, R61D, R61E, R61F, R61G, R61H		17	R04A, R04B, R12A, R12B, R12C, R13Z, R14Z, R60A, R60B, R60C, R60D, R60E, R60F, R60G
	Pre	A07D, A09A, A09E, A11B, A11F, A13A, A13F		Pre	A07D, A09A, A09E, A11B, A11F, A13A, A13F		Pre	A07D, A09A, A09E, A11B, A11F, A13A, A13F
C92.90	06	G17A, G38Z, G67A	C93.31	06	G17A, G38Z, G67A	C94.20	06	G17A, G38Z, G67A
	08	I54Z		08	I54Z		08	I54Z
	15	TPN, VTPN		15	TPN, VTPN		15	TPN, VTPN
	17	R01A, R01B, R01C, R01D, R03Z, R11A, R11B, R11C, R61A, R61B, R61C, R61D, R61E, R61F, R61G, R61H		17	R01A, R01B, R01C, R01D, R03Z, R11A, R11B, R11C, R61A, R61B, R61C, R61D, R61E, R61F, R61G, R61H		17	R04A, R04B, R12A, R12B, R12C, R13Z, R14Z, R60A, R60B, R60C, R60D, R60E, R60F, R60G
	Pre	A07D, A09A, A09E, A11B, A11F, A13A, A13F		Pre	A07D, A09A, A09E, A11B, A11F, A13A, A13F		Pre	A07D, A09A, A09E, A11B, A11F, A13A, A13F
C92.91	06	G17A, G38Z, G67A	C93.70	06	G17A, G38Z, G67A	C94.21	06	G17A, G38Z, G67A
	08	I54Z		08	I54Z		08	I54Z
	15	TPN, VTPN		15	TPN, VTPN		15	TPN, VTPN
	17	R01A, R01B, R01C, R01D, R03Z, R11A, R11B, R11C, R61A, R61B, R61C, R61D, R61E, R61F, R61G, R61H		17	R01A, R01B, R01C, R01D, R03Z, R11A, R11B, R11C, R61A, R61B, R61C, R61D, R61E, R61F, R61G, R61H		17	R04A, R04B, R12A, R12B, R12C, R13Z, R14Z, R60A, R60B, R60C, R60D, R60E, R60F, R60G
	Pre	A07D, A09A, A09E, A11B, A11F, A13A, A13F		Pre	A07D, A09A, A09E, A11B, A11F, A13A, A13F		Pre	A07D, A09A, A09E, A11B, A11F, A13A, A13F
C93.00	06	G17A, G38Z, G67A	C93.71	06	G17A, G38Z, G67A	C94.30	06	G17A, G38Z, G67A
	08	I54Z		08	I54Z		08	I54Z
	15	TPN, VTPN		15	TPN, VTPN		15	TPN, VTPN
	17	R04A, R04B, R12A, R12B, R12C, R13Z, R14Z, R60A, R60B, R60C, R60D, R60E, R60F, R60G		17	R01A, R01B, R01C, R01D, R03Z, R11A, R11B, R11C, R61A, R61B, R61C, R61D, R61E, R61F, R61G, R61H		17	R04A, R04B, R12A, R12B, R12C, R13Z, R14Z, R60A, R60B, R60C, R60D, R60E, R60F, R60G
	Pre	A07D, A09A, A09E, A11B, A11F, A13A, A13F		Pre	A07D, A09A, A09E, A11B, A11F, A13A, A13F		Pre	A07D, A09A, A09E, A11B, A11F, A13A, A13F

Dg

ICD	MDC	DRG	ICD	MDC	DRG	ICD	MDC	DRG
C94.31	06	G17A, G38Z, G67A	C95.01	06	G17A, G38Z, G67A	C96.0	06	G17A, G38Z, G67A
	08	I54Z		08	I54Z		08	I54Z
	15	TPN, VTPN		15	TPN, VTPN		15	TPN, VTPN
	17	R04A, R04B, R12A, R12B, R12C, R13Z, R14Z, R60A, R60B, R60C, R60D, R60E, R60F, R60G		17	R01A, R01B, R01C, R01D, R03Z, R11A, R11B, R11C, R63A, R63B, R63C, R63D, R63E, R63F, R63G, R63H, R63I		17	R04A, R04B, R12A, R12B, R12C, R13Z, R14Z, R62A, R62B, R62C
	Pre	A07D, A09A, A09E, A11B, A11F, A13A, A13F		Pre	A07D, A09A, A09E, A11B, A11F, A13A, A13F		Pre	A07D, A09A, A09E, A11B, A11F, A13A, A13F
C94.40	06	G17A, G38Z, G67A	C95.10	06	G17A, G38Z, G67A	C96.2	06	G17A, G38Z, G67A
	08	I54Z		08	I54Z		08	I54Z
	15	TPN, VTPN		15	TPN, VTPN		15	TPN, VTPN
	17	R04A, R04B, R12A, R12B, R12C, R13Z, R14Z, R60A, R60B, R60C, R60D, R60E, R60F, R60G		17	R01A, R01B, R01C, R01D, R03Z, R11A, R11B, R11C, R61A, R61B, R61C, R61D, R61E, R61F, R61G, R61H		17	R01A, R01B, R01C, R01D, R03Z, R11A, R11B, R11C, R61A, R61B, R61C, R61D, R61E, R61F, R61G
	Pre	A07D, A09A, A09E, A11B, A11F, A13A, A13F		Pre	A07D, A09A, A09E, A11B, A11F, A13A, A13F		Pre	A07D, A09A, A09E, A11B, A11F, A13A, A13F
C94.41	06	G17A, G38Z, G67A	C95.11	06	G17A, G38Z, G67A	C96.4	06	G17A, G38Z, G67A
	08	I54Z		08	I54Z		08	I54Z
	15	TPN, VTPN		15	TPN, VTPN		15	TPN, VTPN
	17	R04A, R04B, R12A, R12B, R12C, R13Z, R14Z, R60A, R60B, R60C, R60D, R60E, R60F, R60G		17	R01A, R01B, R01C, R01D, R03Z, R11A, R11B, R11C, R61A, R61B, R61C, R61D, R61E, R61F, R61G, R61H		17	R01A, R01B, R01C, R01D, R03Z, R11A, R11B, R11C, R61A, R61B, R61C, R61D, R61E, R61F, R61G
	Pre	A07D, A09A, A09E, A11B, A11F, A13A, A13F		Pre	A07D, A09A, A09E, A11B, A11F, A13A, A13F		Pre	A07D, A09A, A09E, A11B, A11F, A13A, A13F
C94.60	15	TPN, VTPN	C95.70	06	G17A, G38Z, G67A	C96.5	10	K63A, K63B, K63C
	17	R01A, R01B, R01C, R01D, R03Z, R11A, R11B, R11C, R61A, R61B, R61C, R61D, R61E, R61F, R61G, R61H		08	I54Z		Pre	A07D, A09A, A09E, A11B, A11F, A13F
	Pre	A07D, A09A, A09E, A11B, A11F, A13F		15	TPN, VTPN		Pre	A07D, A09A, A09E, A11B, A11F, A13F
	Pre	A07D, A09A, A09E, A11B, A11F, A13F		17	R01A, R01B, R01C, R01D, R03Z, R11A, R11B, R11C, R61A, R61B, R61C, R61D, R61E, R61F, R61G, R61H		Pre	A07D, A09A, A09E, A11B, A11F, A13F
	Pre	A07D, A09A, A09E, A11B, A11F, A13F		Pre	A07D, A09A, A09E, A11B, A11F, A13A, A13F		Pre	A07D, A09A, A09E, A11B, A11F, A13F
C94.61	15	TPN, VTPN	C95.71	06	G17A, G38Z, G67A	C96.6	10	K63A, K63B, K63C
	17	R01A, R01B, R01C, R01D, R03Z, R11A, R11B, R11C, R61A, R61B, R61C, R61D, R61E, R61F, R61G, R61H		08	I54Z		Pre	A07D, A09A, A09E, A11B, A11F, A13F
	Pre	A07D, A09A, A09E, A11B, A11F, A13F		15	TPN, VTPN		Pre	A07D, A09A, A09E, A11B, A11F, A13F
	Pre	A07D, A09A, A09E, A11B, A11F, A13F		17	R01A, R01B, R01C, R01D, R03Z, R11A, R11B, R11C, R61A, R61B, R61C, R61D, R61E, R61F, R61G, R61H		Pre	A07D, A09A, A09E, A11B, A11F, A13F
	Pre	A07D, A09A, A09E, A11B, A11F, A13F		Pre	A07D, A09A, A09E, A11B, A11F, A13A, A13F		Pre	A07D, A09A, A09E, A11B, A11F, A13F
C94.70	06	G17A, G38Z, G67A	C95.8	06	G17A, G38Z	C96.8	06	G17A, G38Z, G67A
	08	I54Z		08	I54Z		08	I54Z
	15	TPN, VTPN		Pre	A07D, A09A, A09E, A11B, A11F, A13A, A13F		15	TPN, VTPN
	17	R01A, R01B, R01C, R01D, R03Z, R11A, R11B, R11C, R61A, R61B, R61C, R61D, R61E, R61F, R61G, R61H		Pre	A07D, A09A, A09E, A11B, A11F, A13A, A13F		17	R01A, R01B, R01C, R01D, R03Z, R11A, R11B, R11C, R61A, R61B, R61C, R61D, R61E, R61F, R61G, R61H
	Pre	A07D, A09A, A09E, A11B, A11F, A13A, A13F		Pre	A07D, A09A, A09E, A11B, A11F, A13A, A13F		Pre	A07D, A09A, A09E, A11B, A11F, A13A, A13F
C94.71	06	G17A, G38Z, G67A	C95.90	06	G17A, G38Z, G67A	C96.9	06	G17A, G38Z, G67A
	08	I54Z		08	I54Z		08	I54Z
	15	TPN, VTPN		15	TPN, VTPN		15	TPN, VTPN
	17	R01A, R01B, R01C, R01D, R03Z, R11A, R11B, R11C, R61A, R61B, R61C, R61D, R61E, R61F, R61G, R61H		17	R01A, R01B, R01C, R01D, R03Z, R11A, R11B, R11C, R61A, R61B, R61C, R61D, R61E, R61F, R61G, R61H		17	R01A, R01B, R01C, R01D, R03Z, R11A, R11B, R11C, R61A, R61B, R61C, R61D, R61E, R61F, R61G, R61H
	Pre	A07D, A09A, A09E, A11B, A11F, A13A, A13F		Pre	A07D, A09A, A09E, A11B, A11F, A13A, A13F		Pre	A07D, A09A, A09E, A11B, A11F, A13A, A13F
C95.00	06	G17A, G38Z, G67A	C95.91	06	G17A, G38Z, G67A	C97	06	G17A, G38Z, G67A
	08	I54Z		08	I54Z		08	I54Z
	15	TPN, VTPN		15	TPN, VTPN		15	TPN, VTPN
	17	R01A, R01B, R01C, R01D, R03Z, R11A, R11B, R11C, R63A, R63B, R63C, R63D, R63E, R63F, R63G, R63H, R63I		17	R01A, R01B, R01C, R01D, R03Z, R11A, R11B, R11C, R61A, R61B, R61C, R61D, R61E, R61F, R61G, R61H		17	R01A, R01B, R01C, R01D, R03Z, R11A, R11B, R11C, R61A, R61B, R61C, R61D, R61E, R61F, R61G, R61H
	Pre	A07D, A09A, A09E, A11B, A11F, A13A, A13F		Pre	A07D, A09A, A09E, A11B, A11F, A13A, A13F		Pre	A07D, A09A, A09E, A11B, A11F, A13A, A13F

ICD	MDC	DRG	ICD	MDC	DRG	ICD	MDC	DRG
D00.2	06	G19A, G38Z, G40Z, G46A, G46B, G46C, G47Z, G60A, G60B	D03.3	08	I54Z	D05.7	08	I54Z
	08	I54Z		09	J01Z, J67A, J67B, J68A, J68B		09	J01Z, J06Z, J07A, J07B, J08A, J08B, J08C, J14A, J14B, J16Z, J23Z, J25Z, J26Z, J62A, J62B
	Pre	A09A, A11B	D03.4	08	I54Z		Pre	A09A, A11B
D01.0	06	G19A, G38Z, G40Z, G46A, G46B, G46C, G47Z, G60A, G60B		09	J01Z, J67A, J67B, J68A, J68B	D05.9	08	I54Z
	08	I54Z		Pre	A09A, A11B		09	J01Z, J06Z, J07A, J07B, J08A, J08B, J08C, J14A, J14B, J16Z, J23Z, J25Z, J26Z, J62A, J62B
	Pre	A09A, A11B	D03.5	08	I54Z		Pre	A09A, A11B
D01.1	06	G19A, G38Z, G40Z, G46A, G46B, G46C, G47Z, G60A, G60B		09	J01Z, J67A, J67B, J68A, J68B	D06.0	08	I54Z
	08	I54Z		Pre	A09A, A11B		13	N04Z, N05A, N05B, N14Z, N21Z, N25Z, N62A, N62B
	Pre	A09A, A11B	D03.6	08	I54Z		Pre	A09A, A11B
D01.2	06	G19A, G38Z, G40Z, G46A, G46B, G46C, G47Z, G60A, G60B		09	J01Z, J67A, J67B, J68A, J68B	D06.1	08	I54Z
	08	I54Z		Pre	A09A, A11B		13	N04Z, N05A, N05B, N14Z, N21Z, N25Z, N62A, N62B
	Pre	A09A, A11B	D03.7	08	I54Z		Pre	A09A, A11B
D01.3	06	G19A, G38Z, G40Z, G46A, G46B, G46C, G47Z, G60A, G60B		09	J01Z, J02A, J02B, J02C, J03A, J03B, J04A, J04B, J08A, J08B, J08C, J67A, J67B, J68A, J68B	D06.7	08	I54Z
	08	I54Z		Pre	A09A, A11B		13	N04Z, N05A, N05B, N14Z, N21Z, N25Z, N62A, N62B
	Pre	A09A, A11B	D03.8	08	I54Z		Pre	A09A, A11B
D01.4	06	G19A, G38Z, G40Z, G46A, G46B, G46C, G47Z, G60A, G60B		09	J01Z, J67A, J67B, J68A, J68B	D06.9	08	I54Z
	08	I54Z		Pre	A09A, A11B		13	N04Z, N05A, N05B, N14Z, N21Z, N25Z, N62A, N62B
	Pre	A09A, A11B	D03.9	08	I54Z		Pre	A09A, A11B
D01.5	07	H09B, H61A, H61B, H78Z		09	J01Z, J67A, J67B, J68A, J68B	D06.9	08	I54Z
	08	I54Z		Pre	A09A, A11B		13	N04Z, N05A, N05B, N14Z, N21Z, N25Z, N62A, N62B
	Pre	A09A, A11B	D04.0	08	I54Z		Pre	A09A, A11B
D01.7	06	G19A, G38Z, G40Z, G46A, G46B, G46C, G47Z, G60A, G60B		09	J01Z, J67A, J67B, J68A, J68B	D07.0	08	I54Z
	08	I54Z		Pre	A09A, A11B		13	N04Z, N05A, N05B, N14Z, N21Z, N25Z, N62A, N62B
	Pre	A09A, A11B	D04.1	02	C02A, C63Z		Pre	A09A, A11B
D01.9	06	G19A, G38Z, G40Z, G46A, G46B, G46C, G47Z, G60A, G60B		08	I54Z	D07.1	08	I54Z
	08	I54Z		Pre	A09A, A11B		13	N04Z, N05A, N05B, N14Z, N21Z, N25Z, N62A, N62B
	Pre	A09A, A11B	D04.2	08	I54Z		Pre	A09A, A11B
D02.0	03	D09Z, D25A, D25B, D28Z, D60A, D60B, D60C		09	J01Z, J67A, J67B, J68A, J68B	D07.2	08	I54Z
	08	I54Z		Pre	A09A, A11B		13	N04Z, N05A, N05B, N14Z, N21Z, N25Z, N62A, N62B
	Pre	A09A, A11B	D04.3	08	I54Z		Pre	A09A, A11B
D02.1	04	E05B, E71A, E71B		09	J01Z, J67A, J67B, J68A, J68B	D07.3	08	I54Z
	08	I54Z		Pre	A09A, A11B		13	N04Z, N05A, N05B, N14Z, N21Z, N25Z, N62A, N62B
	Pre	A09A, A11B	D04.4	08	I54Z		Pre	A09A, A11B
D02.2	04	E05B, E71A, E71B		09	J01Z, J67A, J67B, J68A, J68B	D07.4	08	I54Z
	08	I54Z		Pre	A09A, A11B		12	M09A, M09B, M60A, M60B, M60C
	Pre	A09A, A11B	D04.5	08	I54Z		Pre	A09A, A11B
D02.3	04	E05B, E71A, E71B		09	J01Z, J67A, J67B, J68A, J68B	D07.5	08	I54Z
	08	I54Z		Pre	A09A, A11B		12	M09A, M09B, M60A, M60B, M60C
	Pre	A09A, A11B	D04.6	08	I54Z		Pre	A09A, A11B
D02.4	04	E05B, E71A, E71B		09	J01Z, J67A, J67B, J68A, J68B	D07.6	08	I54Z
	08	I54Z		Pre	A09A, A11B		12	M09A, M09B, M60A, M60B, M60C
	Pre	A09A, A11B	D04.7	08	I54Z		Pre	A09A, A11B
D03.0	08	I54Z		09	J01Z, J02A, J02B, J02C, J03A, J03B, J04A, J04B, J08A, J08B, J08C, J67A, J67B, J68A, J68B	D09.0	08	I54Z
	09	J01Z, J67A, J67B, J68A, J68B		Pre	A09A, A11B		11	L02A, L02B, L02C, L03Z, L10Z, L13A, L13B, L38Z, L62A, L62B
	Pre	A09A, A11B	D04.8	08	I54Z		Pre	A09A, A11B
D03.1	02	C63Z		09	J01Z, J67A, J67B, J68A, J68B	D09.1	08	I54Z
	08	I54Z		Pre	A09A, A11B		11	L02A, L02B, L02C, L03Z, L10Z, L13A, L13B, L38Z, L62A, L62B
	Pre	A09A, A11B	D04.9	08	I54Z		Pre	A09A, A11B
D03.2	08	I54Z		09	J01Z, J06Z, J07A, J07B, J08A, J08B, J08C, J14A, J14B, J16Z, J23Z, J25Z, J26Z, J62A, J62B	D09.2	02	C02A, C63Z
	09	J01Z, J67A, J67B, J68A, J68B		Pre	A09A, A11B		08	I54Z
	Pre	A09A, A11B	D05.0	08	I54Z		Pre	A09A, A11B
				09	J01Z, J06Z, J07A, J07B, J08A, J08B, J08C, J14A, J14B, J16Z, J23Z, J25Z, J26Z, J62A, J62B	D09.3	08	I54Z
			D05.1	08	I54Z		17	R04A, R04B, R12A, R12B, R12C, R13Z, R14Z, R62A, R62B, R62C
				09	J01Z, J06Z, J07A, J07B, J08A, J08B, J08C, J14A, J14B, J16Z, J23Z, J25Z, J26Z, J62A, J62B		Pre	A09A, A11B
				Pre	A09A, A11B			

ICD	MDC	DRG	ICD	MDC	DRG	ICD	MDC	DRG
D09.7	08	I54Z	D12.6	06	G46A, G46B, G46C, G50Z, G71Z	D15.2	04	E71A, E71B
	17	R04A, R04B, R12A, R12B, R12C, R13Z, R14Z, R62A, R62B, R62C		15	TPN, VTPN		15	TPN, VTPN
	Pre	A09A, A11B		Pre	A09A, A11B		Pre	A09A, A11B
D09.9	08	I54Z	D12.7	06	G46A, G46B, G46C, G50Z, G71Z	D15.7	04	E71A, E71B
	17	R04A, R04B, R12A, R12B, R12C, R13Z, R14Z, R62A, R62B, R62C		15	TPN, VTPN		15	TPN, VTPN
	Pre	A09A, A11B		Pre	A09A, A11B		Pre	A09A, A11B
D10.0	03	D40Z, D67Z	D12.8	06	G46A, G46B, G46C, G50Z, G71Z	D15.9	04	E71A, E71B
	15	TPN, VTPN		15	TPN, VTPN		15	TPN, VTPN
	Pre	A09A, A11B		Pre	A09A, A11B		Pre	A09A, A11B
D10.1	03	D40Z, D67Z	D12.9	06	G46A, G46B, G46C, G50Z, G71Z	D16.0	08	I76A, I76B
	15	TPN, VTPN		15	TPN, VTPN		15	TPN, VTPN
	Pre	A09A, A11B		Pre	A09A, A11B		Pre	A09A, A11B
D10.2	03	D40Z, D67Z	D12.9	06	G46A, G46B, G46C, G50Z, G71Z	D16.1	08	I32A, I32B, I32C, I32D, I32E, I32F, I32G, I76A, I76B
	15	TPN, VTPN		15	TPN, VTPN		15	TPN, VTPN
	Pre	A09A, A11B		Pre	A09A, A11B		Pre	A09A, A11B
D10.3	03	D40Z, D67Z	D13.0	06	G46A, G46B, G46C, G50Z, G71Z	D16.2	08	I76A, I76B
	15	TPN, VTPN		15	TPN, VTPN		15	TPN, VTPN
	Pre	A09A, A11B		Pre	A09A, A11B		Pre	A09A, A11B
D10.4	03	D66Z	D13.1	06	G46A, G46B, G46C, G50Z, G71Z	D16.3	08	I76A, I76B
	Pre	A09A, A11B		15	TPN, VTPN		15	TPN, VTPN
	Pre	A09A, A11B		Pre	A09A, A11B		Pre	A09A, A11B
D10.5	03	D66Z	D13.2	06	G46A, G46B, G46C, G50Z, G71Z	D16.4	08	I76A, I76B
	15	TPN, VTPN		15	TPN, VTPN		15	TPN, VTPN
	Pre	A09A, A11B		Pre	A09A, A11B		Pre	A09A, A11B
D10.6	03	D66Z	D13.3	06	G46A, G46B, G46C, G50Z, G71Z	D16.42	08	I76A, I76B
	15	TPN, VTPN		15	TPN, VTPN		15	TPN, VTPN
	Pre	A09A, A11B		Pre	A09A, A11B		Pre	A09A, A11B
D10.7	03	D66Z	D13.4	07	H63A, H63B, H63C, H78Z	D16.5	03	D40Z, D67Z
	15	TPN, VTPN		15	TPN, VTPN		15	TPN, VTPN
	Pre	A09A, A11B		Pre	A09A, A11B		Pre	A09A, A11B
D10.9	03	D66Z	D13.5	07	H63A, H63B, H63C, H78Z	D16.6	08	I76A, I76B
	15	TPN, VTPN		15	TPN, VTPN		15	TPN, VTPN
	Pre	A09A, A11B		Pre	A09A, A11B		Pre	A09A, A11B
D11.0	03	D66Z	D13.6	07	H62A, H62B, H62C	D16.70	04	E71A, E71B
	15	TPN, VTPN		15	TPN, VTPN		15	TPN, VTPN
	Pre	A09A, A11B		Pre	A09A, A11B		Pre	A09A, A11B
D11.7	03	D66Z	D13.7	10	K64A, K64B, K64C, K64D	D16.71	04	E71A, E71B
	15	TPN, VTPN		15	TPN, VTPN		15	TPN, VTPN
	Pre	A09A, A11B		Pre	A09A, A11B		Pre	A09A, A11B
D11.9	03	D66Z	D13.9	06	G46A, G46B, G46C, G50Z, G71Z	D16.72	04	E71A, E71B
	15	TPN, VTPN		15	TPN, VTPN		15	TPN, VTPN
	Pre	A09A, A11B		Pre	A09A, A11B		Pre	A09A, A11B
D12.0	06	G46A, G46B, G46C, G50Z, G71Z	D14.0	03	D66Z	D16.8	08	I76A, I76B
	15	TPN, VTPN		15	TPN, VTPN		15	TPN, VTPN
	Pre	A09A, A11B		Pre	A09A, A11B		Pre	A09A, A11B
D12.1	06	G46A, G46B, G46C, G50Z, G71Z	D14.1	03	D66Z	D16.9	08	I76A, I76B
	15	TPN, VTPN		15	TPN, VTPN		15	TPN, VTPN
	Pre	A09A, A11B		Pre	A09A, A11B		Pre	A09A, A11B
D12.2	06	G46A, G46B, G46C, G50Z, G71Z	D14.2	04	E71A, E71B	D17.0	09	J67A, J67B, J68A, J68B
	15	TPN, VTPN		15	TPN, VTPN		Pre	A09A, A11B
	Pre	A09A, A11B		Pre	A09A, A11B	D17.1	09	J67A, J67B, J68A, J68B
D12.3	06	G46A, G46B, G46C, G50Z, G71Z	D14.3	04	E71A, E71B		Pre	A09A, A11B
	15	TPN, VTPN		15	TPN, VTPN	D17.2	09	J67A, J67B, J68A, J68B
	Pre	A09A, A11B		Pre	A09A, A11B		Pre	A09A, A11B
D12.4	06	G46A, G46B, G46C, G50Z, G71Z	D14.4	04	E71A, E71B	D17.3	09	J67A, J67B, J68A, J68B
	15	TPN, VTPN		15	TPN, VTPN		Pre	A09A, A11B
	Pre	A09A, A11B		Pre	A09A, A11B	D17.4	04	E71A, E71B
D12.5	06	G46A, G46B, G46C, G50Z, G71Z	D15.0	15	TPN, VTPN		Pre	A09A, A11B
	15	TPN, VTPN		16	Q60A, Q60B, Q60C	D17.5	06	G46A, G46B, G46C, G50Z, G71Z
	Pre	A09A, A11B		Pre	A09A, A11B		Pre	A09A, A11B
	Pre	A09A, A11B	D15.1	05	F75A, F75B, F75C, F75D	D17.6	12	M64Z
	Pre	A09A, A11B		15	TPN, VTPN		Pre	A09A, A11B
	Pre	A09A, A11B		Pre	A09A, A11B	D17.7	09	J67A, J67B, J68A, J68B
	Pre	A09A, A11B		Pre	A09A, A11B		Pre	A09A, A11B
	Pre	A09A, A11B		Pre	A09A, A11B	D17.9	09	J67A, J67B, J68A, J68B
	Pre	A09A, A11B		Pre	A09A, A11B		Pre	A09A, A11B

ICD	MDC	DRG	ICD	MDC	DRG	ICD	MDC	DRG
D18.00	09	J11A, J11B, J11C, J67A, J67B, J68A, J68B	D21.0	08	I76A, I76B	D25.0	13	N04Z, N05A, N05B, N14Z, N21Z, N25Z, N62A, N62B
	15	TPN, VTPN		15	TPN, VTPN		15	TPN, VTPN
	Pre	A09A, A11B		Pre	A09A, A11B		Pre	A09A, A11B
D18.01	09	J11A, J11B, J11C, J67A, J67B, J68A, J68B	D21.1	08	I32A, I32B, I32C, I32D, I32E, I32F, I32G, I76A, I76B	D25.1	13	N04Z, N05A, N05B, N14Z, N21Z, N25Z, N62A, N62B
	Pre	A09A, A11B		15	TPN, VTPN		15	TPN, VTPN
D18.02	01	B81A, B81B	D21.2	08	I76A, I76B		Pre	A09A, A11B
	Pre	A09A, A11B		15	TPN, VTPN	D25.2	13	N04Z, N05A, N05B, N14Z, N21Z, N25Z, N62A, N62B
D18.03	07	H63A, H63B, H63C, H78Z		Pre	A09A, A11B		15	TPN, VTPN
	Pre	A09A, A11B	D21.3	08	I76A, I76B		Pre	A09A, A11B
D18.04	06	G46A, G46B, G46C, G50Z, G67A, G67B, G67C, G67D		15	TPN, VTPN	D25.9	13	N04Z, N05A, N05B, N14Z, N21Z, N25Z, N62A, N62B
	Pre	A09A, A11B	D21.4	08	I76A, I76B		15	TPN, VTPN
D18.05	03	D66Z		15	TPN, VTPN		Pre	A09A, A11B
	Pre	A09A, A11B	D21.5	08	I76A, I76B	D26.0	13	N04Z, N05A, N05B, N14Z, N21Z, N25Z, N62A, N62B
D18.08	09	J11A, J11B, J11C, J67A, J67B, J68A, J68B		15	TPN, VTPN		15	TPN, VTPN
	Pre	A09A, A11B		Pre	A09A, A11B		Pre	A09A, A11B
D18.10	15	TPN, VTPN	D21.6	08	I76A, I76B	D26.1	13	N04Z, N05A, N05B, N14Z, N21Z, N25Z, N62A, N62B
	16	Q60A, Q60B, Q60C, Q60D, Q60E		15	TPN, VTPN		15	TPN, VTPN
	Pre	A09A, A11B	D21.9	08	I76A, I76B		Pre	A09A, A11B
D18.11	15	TPN, VTPN		15	TPN, VTPN	D26.7	13	N04Z, N05A, N05B, N14Z, N21Z, N25Z, N62A, N62B
	16	Q60A, Q60B, Q60C, Q60D, Q60E		Pre	A09A, A11B		Pre	A09A, A11B
	Pre	A09A, A11B	D22.0	09	J67A, J67B, J68A, J68B	D26.9	13	N04Z, N05A, N05B, N14Z, N21Z, N25Z, N62A, N62B
D18.12	15	TPN, VTPN		Pre	A09A, A11B		15	TPN, VTPN
	16	Q60A, Q60B, Q60C, Q60D, Q60E	D22.1	02	C63Z		Pre	A09A, A11B
	Pre	A09A, A11B		Pre	A09A, A11B	D27	13	N04Z, N05A, N05B, N14Z, N21Z, N25Z, N62A, N62B
D18.13	15	TPN, VTPN	D22.2	09	J67A, J67B, J68A, J68B		15	TPN, VTPN
	16	Q60A, Q60B, Q60C, Q60D, Q60E		Pre	A09A, A11B		Pre	A09A, A11B
	Pre	A09A, A11B	D22.3	09	J67A, J67B, J68A, J68B	D28.0	13	N04Z, N05A, N05B, N14Z, N21Z, N25Z, N62A, N62B
D18.18	15	TPN, VTPN		Pre	A09A, A11B		15	TPN, VTPN
	16	Q60A, Q60B, Q60C, Q60D, Q60E	D22.4	09	J67A, J67B, J68A, J68B		Pre	A09A, A11B
	Pre	A09A, A11B		Pre	A09A, A11B	D28.1	13	N04Z, N05A, N05B, N14Z, N21Z, N25Z, N62A, N62B
D18.19	15	TPN, VTPN	D22.5	09	J67A, J67B, J68A, J68B		15	TPN, VTPN
	16	Q60A, Q60B, Q60C, Q60D, Q60E		Pre	A09A, A11B		Pre	A09A, A11B
	Pre	A09A, A11B	D22.6	09	J67A, J67B, J68A, J68B	D28.2	13	N04Z, N05A, N05B, N14Z, N21Z, N25Z, N62A, N62B
D19.0	04	E71A, E71B		Pre	A09A, A11B		15	TPN, VTPN
	15	TPN, VTPN	D22.7	09	J02A, J02B, J02C, J03A, J03B, J04A, J04B, J08A, J08B, J08C, J67A, J67B, J68A, J68B		Pre	A09A, A11B
	Pre	A09A, A11B		Pre	A09A, A11B	D28.7	13	N04Z, N05A, N05B, N14Z, N21Z, N25Z, N62A, N62B
D19.1	06	G46A, G46B, G46C, G50Z, G71Z	D22.9	09	J67A, J67B, J68A, J68B		15	TPN, VTPN
	15	TPN, VTPN		Pre	A09A, A11B		Pre	A09A, A11B
	Pre	A09A, A11B	D23.0	09	J67A, J67B, J68A, J68B	D28.9	13	N04Z, N05A, N05B, N14Z, N21Z, N25Z, N62A, N62B
D19.7	15	TPN, VTPN		Pre	A09A, A11B		15	TPN, VTPN
	17	R04A, R04B, R12A, R12B, R12C, R13Z, R14Z, R62A, R62B, R62C	D23.1	02	C63Z		Pre	A09A, A11B
	Pre	A09A, A11B		Pre	A09A, A11B	D29.0	12	M64Z
D19.9	15	TPN, VTPN	D23.2	09	J67A, J67B, J68A, J68B		15	TPN, VTPN
	17	R04A, R04B, R12A, R12B, R12C, R13Z, R14Z, R62A, R62B, R62C		Pre	A09A, A11B		Pre	A09A, A11B
	Pre	A09A, A11B	D23.3	09	J67A, J67B, J68A, J68B	D29.1	12	M64Z
D20.0	06	G46A, G46B, G46C, G50Z, G71Z		Pre	A09A, A11B		15	TPN, VTPN
	15	TPN, VTPN	D23.4	09	J67A, J67B, J68A, J68B		Pre	A09A, A11B
	Pre	A09A, A11B		Pre	A09A, A11B	D29.2	12	M64Z
D20.1	06	G46A, G46B, G46C, G50Z, G71Z	D23.5	09	J67A, J67B, J68A, J68B		15	TPN, VTPN
	15	TPN, VTPN		Pre	A09A, A11B		Pre	A09A, A11B
	Pre	A09A, A11B	D23.6	09	J67A, J67B, J68A, J68B	D29.3	12	M64Z
	Pre	A09A, A11B		Pre	A09A, A11B		15	TPN, VTPN
	Pre	A09A, A11B	D23.7	09	J02A, J02B, J02C, J03A, J03B, J04A, J04B, J08A, J08B, J08C, J67A, J67B, J68A, J68B		Pre	A09A, A11B
	Pre	A09A, A11B		Pre	A09A, A11B	D29.4	12	M64Z
	Pre	A09A, A11B	D23.9	09	J67A, J67B, J68A, J68B		15	TPN, VTPN
	Pre	A09A, A11B		Pre	A09A, A11B		Pre	A09A, A11B
	Pre	A09A, A11B	D24	09	J67A, J67B		15	TPN, VTPN
	Pre	A09A, A11B		15	TPN, VTPN		Pre	A09A, A11B
	Pre	A09A, A11B		Pre	A09A, A11B		Pre	A09A, A11B

ICD	MDC	DRG	ICD	MDC	DRG	ICD	MDC	DRG
D29.7	12	M64Z	D32.9	01	B02A, B02B, B02C, B02D, B66A, B66B, B66C, B66D	D35.7	10	K64A, K64B, K64C, K64D
	15	TPN, VTPN		15	TPN, VTPN		15	TPN, VTPN
	Pre	A09A, A11B		Pre	A07D, A09A, A09E, A11B, A11F, A13F		Pre	A09A, A11B
D29.9	12	M64Z	D33.0	01	B02A, B02B, B02C, B02D, B66A, B66B, B66C, B66D	D35.8	10	K64A, K64B, K64C, K64D
	15	TPN, VTPN		15	TPN, VTPN		15	TPN, VTPN
	Pre	A09A, A11B		Pre	A07D, A09A, A09E, A11B, A11F, A13F		Pre	A09A, A11B
D30.0	11	L02A, L02B, L02C, L03Z, L10Z, L13A, L13B, L38Z, L62A, L62B	D33.1	01	B02A, B02B, B02C, B02D, B66A, B66B, B66C, B66D	D35.9	10	K64A, K64B, K64C, K64D
	15	TPN, VTPN		15	TPN, VTPN		15	TPN, VTPN
	Pre	A09A, A11B		Pre	A07D, A09A, A09E, A11B, A11F, A13F		Pre	A09A, A11B
D30.1	11	L02A, L02B, L02C, L03Z, L10Z, L13A, L13B, L38Z, L62A, L62B	D33.2	01	B02A, B02B, B02C, B02D, B66A, B66B, B66C, B66D	D36.0	15	TPN, VTPN
	15	TPN, VTPN		15	TPN, VTPN		16	Q60A, Q60B, Q60C, Q60D, Q60E
	Pre	A09A, A11B		Pre	A07D, A09A, A09E, A11B, A11F, A13F		Pre	A09A, A11B
D30.2	11	L02A, L02B, L02C, L03Z, L10Z, L13A, L13B, L38Z, L62A, L62B	D33.3	01	B02A, B02B, B02C, B02D, B66A, B66B, B66C, B66D	D36.1	01	B66A, B66B, B66C, B66D
	15	TPN, VTPN		15	TPN, VTPN		15	TPN, VTPN
	Pre	A09A, A11B		Pre	A07D, A09A, A09E, A11B, A11F, A13F		Pre	A09A, A11B
D30.3	11	L02A, L02B, L02C, L03Z, L10Z, L13A, L13B, L38Z, L62A, L62B	D33.4	01	B02A, B02B, B02C, B02D, B66A, B66B, B66C, B66D	D36.7	15	TPN, VTPN
	15	TPN, VTPN		15	TPN, VTPN		17	R04A, R04B, R12A, R12B, R12C, R13Z, R14Z, R62A, R62B, R62C
	Pre	A09A, A11B		Pre	A07D, A09A, A09E, A11B, A11F, A13F		Pre	A09A, A11B
D30.4	11	L02A, L02B, L02C, L03Z, L10Z, L13A, L13B, L38Z, L62A, L62B	D33.7	01	B02A, B02B, B02C, B02D, B66A, B66B, B66C, B66D	D36.9	15	TPN, VTPN
	15	TPN, VTPN		15	TPN, VTPN		17	R04A, R04B, R12A, R12B, R12C, R13Z, R14Z, R62A, R62B, R62C
	Pre	A09A, A11B		Pre	A07D, A09A, A09E, A11B, A11F, A13F		Pre	A09A, A11B
D30.7	11	L02A, L02B, L02C, L03Z, L10Z, L13A, L13B, L38Z, L62A, L62B	D33.9	01	B02A, B02B, B02C, B02D, B66A, B66B, B66C, B66D	D37.0	03	D09Z, D25A, D25B, D28Z, D60A, D60B, D60C
	15	TPN, VTPN		15	TPN, VTPN		15	TPN, VTPN
	Pre	A09A, A11B		Pre	A07D, A09A, A09E, A11B, A11F, A13F		Pre	A09A, A11B
D30.9	11	L02A, L02B, L02C, L03Z, L10Z, L13A, L13B, L38Z, L62A, L62B	D34	10	K64A, K64B, K64C, K64D	D37.1	06	G19A, G38Z, G46A, G46B, G46C, G50Z, G60A, G60B
	15	TPN, VTPN		15	TPN, VTPN		15	TPN, VTPN
	Pre	A09A, A11B		Pre	A09A, A11B		Pre	A09A, A11B
D31.0	02	C63Z	D35.0	05	F67B	D37.2	06	G19A, G38Z, G46A, G46B, G46C, G50Z, G60A, G60B
	15	TPN, VTPN		10	K64A, K64B, K64C, K64D		15	TPN, VTPN
	Pre	A09A, A11B		15	TPN, VTPN		Pre	A09A, A11B
D31.1	02	C63Z	D35.1	10	K64A, K64B, K64C, K64D	D37.3	06	G19A, G38Z, G46A, G46B, G46C, G50Z, G60A, G60B
	15	TPN, VTPN		15	TPN, VTPN		15	TPN, VTPN
	Pre	A09A, A11B		Pre	A09A, A11B		Pre	A09A, A11B
D31.2	02	C63Z	D35.2	01	B02A, B02B, B02C, B02D	D37.4	06	G19A, G38Z, G46A, G46B, G46C, G50Z, G60A, G60B
	15	TPN, VTPN		10	K64A, K64B, K64C, K64D		15	TPN, VTPN
	Pre	A09A, A11B		15	TPN, VTPN		Pre	A09A, A11B
D31.3	02	C63Z	D35.3	01	B02A, B02B, B02C, B02D, B66A, B66B, B66C, B66D	D37.5	06	G19A, G38Z, G46A, G46B, G46C, G50Z, G60A, G60B
	15	TPN, VTPN		15	TPN, VTPN		15	TPN, VTPN
	Pre	A09A, A11B		Pre	A09A, A11B		Pre	A09A, A11B
D31.4	02	C63Z	D35.4	01	B02A, B02B, B02C, B02D, B66A, B66B, B66C, B66D	D37.6	07	H09B, H61A, H61B, H78Z
	15	TPN, VTPN		15	TPN, VTPN		15	TPN, VTPN
	Pre	A09A, A11B		Pre	A09A, A11B		Pre	A09A, A11B
D31.5	02	C63Z	D35.5	01	B66A, B66B, B66C, B66D	D37.70	06	G19A, G38Z, G46A, G46B, G46C, G50Z, G60A, G60B
	15	TPN, VTPN		15	TPN, VTPN		15	TPN, VTPN
	Pre	A09A, A11B		Pre	A09A, A11B		Pre	A09A, A11B
D31.6	02	C63Z	D35.6	01	B66A, B66B, B66C, B66D	D37.78	06	G19A, G38Z, G46A, G46B, G46C, G50Z, G60A, G60B
	15	TPN, VTPN		15	TPN, VTPN		15	TPN, VTPN
	Pre	A09A, A11B		Pre	A09A, A11B		Pre	A09A, A11B
D31.9	02	C63Z	D35.7	01	B02A, B02B, B02C, B02D, B66A, B66B, B66C, B66D	D37.9	06	G19A, G38Z, G46A, G46B, G46C, G50Z, G60A, G60B
	15	TPN, VTPN		15	TPN, VTPN		15	TPN, VTPN
	Pre	A09A, A11B		Pre	A09A, A11B		Pre	A09A, A11B
D32.0	01	B02A, B02B, B02C, B02D, B66A, B66B, B66C, B66D	D35.8	01	B02A, B02B, B02C, B02D, B66A, B66B, B66C, B66D	D38.0	03	D09Z, D25A, D25B, D28Z, D60A, D60B, D60C
	15	TPN, VTPN		15	TPN, VTPN		15	TPN, VTPN
	Pre	A07D, A09A, A09E, A11B, A11F, A13F		Pre	A09A, A11B		Pre	A09A, A11B
D32.1	01	B02A, B02B, B02C, B02D, B66A, B66B, B66C, B66D	D35.9	01	B66A, B66B, B66C, B66D		15	TPN, VTPN
	15	TPN, VTPN		15	TPN, VTPN		Pre	A09A, A11B
	Pre	A07D, A09A, A09E, A11B, A11F, A13F		Pre	A09A, A11B		Pre	A09A, A11B

ICD	MDC	DRG	ICD	MDC	DRG	ICD	MDC	DRG
D38.1	04	E05B, E71A, E71B	D41.3	11	L02A, L02B, L02C, L03Z, L10Z, L13A, L13B, L38Z, L62A, L62B	D44.3	01	B02A, B02B, B02C, B02D
	15	TPN, VTPN		15	TPN, VTPN	10	K64A, K64B, K64C, K64D	
	Pre	A09A, A11B		Pre	A09A, A11B, A15C	15	TPN, VTPN	
D38.2	04	E05B, E71A, E71B	D41.4	11	L02A, L02B, L02C, L03Z, L10Z, L13A, L13B, L38Z, L62A, L62B	D44.4	01	B02A, B02B, B02C, B02D, B66A, B66B, B66C, B66D
	15	TPN, VTPN		15	TPN, VTPN	15	TPN, VTPN	
	Pre	A09A, A11B		Pre	A09A, A11B, A15C	Pre	A09A, A11B, A15C	
D38.3	04	E05B, E71A, E71B	D41.7	11	L02A, L02B, L02C, L03Z, L10Z, L13A, L13B, L38Z, L62A, L62B	D44.5	01	B02A, B02B, B02C, B02D, B66A, B66B, B66C, B66D
	15	TPN, VTPN		15	TPN, VTPN	15	TPN, VTPN	
	Pre	A09A, A11B		Pre	A09A, A11B, A15C	Pre	A09A, A11B, A15C	
D38.4	04	E05B, E71A, E71B	D41.9	11	L02A, L02B, L02C, L03Z, L10Z, L13A, L13B, L38Z, L62A, L62B	D44.6	01	B66A, B66B, B66C, B66D
	15	TPN, VTPN		15	TPN, VTPN	15	TPN, VTPN	
	Pre	A09A, A11B		Pre	A09A, A11B, A15C	Pre	A09A, A11B, A15C	
D38.5	04	E05B, E71A, E71B	D42.0	01	B02A, B02B, B02C, B02D, B66A, B66B, B66C, B66D	D44.7	01	B66A, B66B, B66C, B66D
	15	TPN, VTPN		15	TPN, VTPN	15	TPN, VTPN	
	Pre	A09A, A11B		Pre	A09A, A11B, A15C	Pre	A09A, A11B, A15C	
D38.6	04	E05B, E71A, E71B	D42.1	01	B02A, B02B, B02C, B02D, B66A, B66B, B66C, B66D	D44.8	10	K64A, K64B, K64C, K64D
	15	TPN, VTPN		15	TPN, VTPN	Pre	A09A, A11B, A15C	
	Pre	A09A, A11B		Pre	A09A, A11B, A15C	D44.9	10	K64A, K64B, K64C, K64D
D39.0	13	N03A, N03B, N38Z, N60A, N60B	D42.9	01	B02A, B02B, B02C, B02D, B66A, B66B, B66C, B66D		15	TPN, VTPN
	15	TPN, VTPN		15	TPN, VTPN	D45	15	TPN, VTPN
	Pre	A09A, A11B		Pre	A09A, A11B, A15C	17	R01A, R01B, R01C, R01D, R03Z, R11A, R11B, R11C, R61A, R61B, R61C, R61D, R61E, R61F, R61G, R61H	
D39.1	13	N01A, N01B, N01C, N01D, N01E, N02A, N02B, N02C, N38Z, N60A, N60B	D43.0	01	B02A, B02B, B02C, B02D, B66A, B66B, B66C, B66D	Pre	A07D, A09A, A09E, A11B, A11F, A13F	
	15	TPN, VTPN		15	TPN, VTPN	D46.0	15	TPN, VTPN
	Pre	A09A, A11B		Pre	A09A, A11B, A15C	17	R01A, R01B, R01C, R01D, R03Z, R11A, R11B, R11C, R61A, R61B, R61C, R61D, R61E, R61F, R61G, R61H	
D39.2	13	N03A, N03B, N38Z, N60A, N60B	D43.1	01	B02A, B02B, B02C, B02D, B66A, B66B, B66C, B66D	Pre	A07D, A09A, A09E, A11B, A11F, A13F	
	15	TPN, VTPN		15	TPN, VTPN	D46.1	15	TPN, VTPN
	Pre	A09A, A11B		Pre	A09A, A11B, A15C	17	R01A, R01B, R01C, R01D, R03Z, R11A, R11B, R11C, R61A, R61B, R61C, R61D, R61E, R61F, R61G, R61H	
D39.7	13	N03A, N03B, N38Z, N60A, N60B	D43.2	01	B02A, B02B, B02C, B02D, B66A, B66B, B66C, B66D	Pre	A07D, A09A, A09E, A11B, A11F, A13F	
	15	TPN, VTPN		15	TPN, VTPN	D46.2	15	TPN, VTPN
	Pre	A09A, A11B		Pre	A09A, A11B, A15C	17	R04A, R04B, R12A, R12B, R12C, R13Z, R14Z, R60A, R60B, R60C, R60D, R60E, R60F, R60G	
D39.9	13	N03A, N03B, N38Z, N60A, N60B	D43.3	01	B02A, B02B, B02C, B02D, B66A, B66B, B66C, B66D	Pre	A07D, A09A, A09E, A11B, A11F, A13F	
	15	TPN, VTPN		15	TPN, VTPN	D46.4	15	TPN, VTPN
	Pre	A09A, A11B		Pre	A09A, A11B, A15C	17	R01A, R01B, R01C, R01D, R03Z, R11A, R11B, R11C, R61A, R61B, R61C, R61D, R61E, R61F, R61G, R61H	
D40.0	12	M09A, M09B, M60A, M60B, M60C	D43.4	01	B02A, B02B, B02C, B02D, B66A, B66B, B66C, B66D	Pre	A07D, A09A, A09E, A11B, A11F, A13F	
	15	TPN, VTPN		15	TPN, VTPN	D46.5	15	TPN, VTPN
	Pre	A09A, A11B, A15C		Pre	A09A, A11B, A15C	17	R01A, R01B, R01C, R01D, R03Z, R11A, R11B, R11C, R61A, R61B, R61C, R61D, R61E, R61F, R61G, R61H	
D40.1	12	M09A, M09B, M60A, M60B, M60C	D43.7	01	B02A, B02B, B02C, B02D, B66A, B66B, B66C, B66D	Pre	A07D, A09A, A09E, A11B, A11F, A13F	
	15	TPN, VTPN		15	TPN, VTPN	D46.5	15	TPN, VTPN
	Pre	A09A, A11B, A15C		Pre	A09A, A11B, A15C	17	R01A, R01B, R01C, R01D, R03Z, R11A, R11B, R11C, R61A, R61B, R61C, R61D, R61E, R61F, R61G, R61H	
D40.7	12	M09A, M09B, M60A, M60B, M60C	D43.9	01	B02A, B02B, B02C, B02D, B66A, B66B, B66C, B66D	Pre	A07D, A09A, A09E, A11B, A11F, A13F	
	15	TPN, VTPN		15	TPN, VTPN	D46.5	15	TPN, VTPN
	Pre	A09A, A11B, A15C		Pre	A09A, A11B, A15C	17	R01A, R01B, R01C, R01D, R03Z, R11A, R11B, R11C, R61A, R61B, R61C, R61D, R61E, R61F, R61G, R61H	
D40.9	12	M09A, M09B, M60A, M60B, M60C	D44.0	10	K64A, K64B, K64C, K64D	Pre	A07D, A09A, A09E, A11B, A11F, A13F	
	15	TPN, VTPN		15	TPN, VTPN	D46.5	15	TPN, VTPN
	Pre	A09A, A11B, A15C		Pre	A09A, A11B, A15C	17	R01A, R01B, R01C, R01D, R03Z, R11A, R11B, R11C, R61A, R61B, R61C, R61D, R61E, R61F, R61G, R61H	
D41.0	11	L02A, L02B, L02C, L03Z, L10Z, L13A, L13B, L38Z, L62A, L62B	D44.1	05	F67B	Pre	A07D, A09A, A09E, A11B, A11F, A13F	
	15	TPN, VTPN		10	K03A, K03B, K64A, K64B, K64C, K64D	D46.5	15	TPN, VTPN
	Pre	A09A, A11B, A15C		15	TPN, VTPN	17	R01A, R01B, R01C, R01D, R03Z, R11A, R11B, R11C, R61A, R61B, R61C, R61D, R61E, R61F, R61G, R61H	
D41.1	11	L02A, L02B, L02C, L03Z, L10Z, L13A, L13B, L38Z, L62A, L62B	D44.2	10	K64A, K64B, K64C, K64D	Pre	A07D, A09A, A09E, A11B, A11F, A13F	
	15	TPN, VTPN		15	TPN, VTPN	D46.5	15	TPN, VTPN
	Pre	A09A, A11B, A15C		Pre	A09A, A11B, A15C	17	R01A, R01B, R01C, R01D, R03Z, R11A, R11B, R11C, R61A, R61B, R61C, R61D, R61E, R61F, R61G, R61H	
D41.2	11	L02A, L02B, L02C, L03Z, L10Z, L13A, L13B, L38Z, L62A, L62B		15	TPN, VTPN	Pre	A07D, A09A, A09E, A11B, A11F, A13F	
	15	TPN, VTPN		Pre	A09A, A11B, A15C	D46.5	15	TPN, VTPN
	Pre	A09A, A11B, A15C		Pre	A09A, A11B, A15C	17	R01A, R01B, R01C, R01D, R03Z, R11A, R11B, R11C, R61A, R61B, R61C, R61D, R61E, R61F, R61G, R61H	

Dg

ICD	MDC	DRG	ICD	MDC	DRG	ICD	MDC	DRG
D46.6	15	TPN, VTPN	D48.1	08	I65A, I65B, I65C	D52.1	16	Q61A, Q61B, Q61C, Q61D, Q61E
	17	R01A, R01B, R01C, R01D, R03Z, R11A, R11B, R11C, R61A, R61B, R61C, R61D, R61E, R61F, R61G, R61H		15	TPN, VTPN		18A	S65A, S65B
D46.7	Pre	A07D, A09A, A09E, A11B, A11F, A13F	D48.2	08	I65A, I65B, I65C	D52.8	Pre	A09A, A11B
	15	TPN, VTPN		15	TPN, VTPN		16	Q61A, Q61B, Q61C, Q61D, Q61E
D46.9	17	R01A, R01B, R01C, R01D, R03Z, R11A, R11B, R11C, R61A, R61B, R61C, R61D, R61E, R61F, R61G, R61H	D48.3	06	G19A, G38Z, G46A, G46B, G46C, G50Z, G60A, G60B	D52.9	18A	S65A, S65B
	Pre	A07D, A09A, A09E, A11B, A11F, A13F		15	TPN, VTPN		Pre	A09A, A11B
D47.0	15	TPN, VTPN	D48.4	06	G19A, G38Z, G46A, G46B, G46C, G50Z, G60A, G60B	D53.0	16	Q61A, Q61B, Q61C, Q61D, Q61E
	17	R01A, R01B, R01C, R01D, R03Z, R11A, R11B, R11C, R61A, R61B, R61C, R61D, R61E, R61F, R61G, R61H		15	TPN, VTPN		18A	S65A, S65B
D47.1	Pre	A07D, A09A, A09E, A11B, A11F, A13F	D48.5	Pre	A09A, A11B	D53.1	Pre	A09A, A11B
	15	TPN, VTPN		09	J67A, J67B, J68A, J68B		16	Q61A, Q61B, Q61C, Q61D, Q61E
D47.2	17	R01A, R01B, R01C, R01D, R03Z, R11A, R11B, R11C, R61A, R61B, R61C, R61D, R61E, R61F, R61G, R61H	D48.6	15	TPN, VTPN	D53.2	18A	S65A, S65B
	Pre	A07D, A09A, A09E, A11B, A11F, A13F		Pre	A09A, A11B		Pre	A09A, A11B
D47.3	15	TPN, VTPN	D48.7	15	TPN, VTPN	D53.8	16	Q61A, Q61B, Q61C, Q61D, Q61E
	16	Q60A, Q60B, Q60C		17	R04A, R04B, R12A, R12B, R12C, R13Z, R14Z, R62A, R62B, R62C		18A	S65A, S65B
D47.4	Pre	A09A, A11B	D48.9	Pre	A09A, A11B	D53.9	Pre	A09A, A11B
	15	TPN, VTPN		15	TPN, VTPN		16	Q61A, Q61B, Q61C, Q61D, Q61E
D47.5	17	R01A, R01B, R01C, R01D, R03Z, R11A, R11B, R11C, R61A, R61B, R61C, R61D, R61E, R61F, R61G, R61H	D50.0	17	R04A, R04B, R12A, R12B, R12C, R13Z, R14Z, R62A, R62B, R62C	D55.0	16	Q61A, Q61B, Q61C, Q61D, Q61E
	Pre	A07D, A09A, A09E, A11B, A11F, A13F		Pre	A09A, A11B		18A	S65A, S65B
D47.7	15	TPN, VTPN	D50.1	16	Q61A, Q61B, Q61C, Q61D, Q61E	D55.1	Pre	A09A, A11B
	16	Q60A, Q60B, Q60C		18A	S65A, S65B		15	TPN, VTPN
D47.9	Pre	A09A, A11B	D50.8	Pre	A09A, A11B	D55.2	16	Q61A, Q61B, Q61C, Q61D, Q61E
	15	TPN, VTPN		16	Q61A, Q61B, Q61C, Q61D, Q61E		Pre	A09A, A11B
D48.0	17	R01A, R01B, R01C, R01D, R03Z, R11A, R11B, R11C, R61A, R61B, R61C, R61D, R61E, R61F, R61G, R61H	D50.9	18A	S65A, S65B	D55.3	16	Q61A, Q61B, Q61C, Q61D, Q61E
	Pre	A07D, A09A, A09E, A11B, A11F, A13F		Pre	A09A, A11B		Pre	A09A, A11B
D48.1	15	TPN, VTPN	D51.0	16	Q61A, Q61B, Q61C, Q61D, Q61E	D55.8	16	Q61A, Q61B, Q61C, Q61D, Q61E
	16	Q60A, Q60B, Q60C		18A	S65A, S65B		Pre	A09A, A11B
D48.2	Pre	A09A, A11B	D51.1	Pre	A09A, A11B	D55.9	16	Q61A, Q61B, Q61C, Q61D, Q61E
	15	TPN, VTPN		16	Q61B, Q61C, Q61D		Pre	A09A, A11B
D48.3	17	R01A, R01B, R01C, R01D, R03Z, R11A, R11B, R11C, R61A, R61B, R61C, R61D, R61E, R61F, R61G, R61H	D51.2	18A	S65A, S65B	D56.0	16	Q61A, Q61B, Q61C, Q61D, Q61E
	Pre	A09A, A11B		16	Q61B, Q61C, Q61D		Pre	A09A, A11B
D48.4	15	TPN, VTPN	D51.3	18A	S65A, S65B	D56.1	16	Q61A, Q61B, Q61C, Q61D, Q61E
	16	Q60A, Q60B, Q60C		Pre	A09A, A11B		Pre	A09A, A11B
D48.5	Pre	A09A, A11B	D51.8	16	Q61B, Q61C, Q61D	D56.2	16	Q61A, Q61B, Q61C, Q61D, Q61E
	15	TPN, VTPN		18A	S65A, S65B		Pre	A09A, A11B
D48.6	17	R01A, R01B, R01C, R01D, R03Z, R11A, R11B, R11C, R61A, R61B, R61C, R61D, R61E, R61F, R61G, R61H	D51.9	16	Q61B, Q61C, Q61D	D56.3	16	Q61A, Q61B, Q61C, Q61D, Q61E
	Pre	A07D, A09A, A09E, A11B, A11F, A13F		18A	S65A, S65B		Pre	A09A, A11B
D48.7	15	TPN, VTPN	D52.0	Pre	A09A, A11B	D56.4	16	Q61A, Q61B, Q61C, Q61D, Q61E
	16	Q60A, Q60B, Q60C		16	Q61A, Q61B, Q61C, Q61D, Q61E		Pre	A09A, A11B
D48.8	Pre	A09A, A11B	D52.1	18A	S65A, S65B	D56.8	16	Q61A, Q61B, Q61C, Q61D, Q61E
	15	TPN, VTPN		Pre	A09A, A11B		Pre	A09A, A11B

ICD	MDC	DRG	ICD	MDC	DRG	ICD	MDC	DRG
D56.9	16	Q61A, Q61B, Q61C, Q61D, Q61E	D60.0	15	TPN, VTPN	D64.0	15	TPN, VTPN
	Pre	A09A, A11B		16	Q61A, Q61B, Q61C, Q61D, Q61E		16	Q61A, Q61B, Q61C, Q61D, Q61E
D57.0	15	TPN, VTPN		18A	S65A, S65B		18A	S65A, S65B
	16	Q61B, Q61C, Q61D		Pre	A07D, A09A, A09E, A11B, A11F, A13F	D64.1	Pre	A09A, A11B
	Pre	A09A, A11B					15	TPN, VTPN
D57.1	16	Q61A, Q61B, Q61C, Q61D, Q61E	D60.1	15	TPN, VTPN		16	Q61A, Q61B, Q61C, Q61D, Q61E
	Pre	A09A, A11B		16	Q61A, Q61B, Q61C, Q61D, Q61E		18A	S65A, S65B
D57.2	16	Q61A, Q61B, Q61C, Q61D, Q61E		18A	S65A, S65B	D64.2	Pre	A09A, A11B
	Pre	A09A, A11B		Pre	A07D, A09A, A09E, A11B, A11F, A13F		15	TPN, VTPN
D57.3	16	Q61A, Q61B, Q61C, Q61D, Q61E	D60.8	15	TPN, VTPN		16	Q61A, Q61B, Q61C, Q61D, Q61E
	Pre	A09A, A11B		16	Q61A, Q61B, Q61C, Q61D, Q61E		18A	S65A, S65B
D57.8	16	Q61A, Q61B, Q61C, Q61D, Q61E		18A	S65A, S65B	D64.3	Pre	A09A, A11B
	Pre	A09A, A11B		Pre	A07D, A09A, A09E, A11B, A11F, A13F		15	TPN, VTPN
D58.0	16	Q61A, Q61B, Q61C, Q61D, Q61E	D60.9	15	TPN, VTPN		16	Q61A, Q61B, Q61C, Q61D, Q61E
	Pre	A09A, A11B		16	Q61A, Q61B, Q61C, Q61D, Q61E		18A	S65A, S65B
D58.1	16	Q61A, Q61B, Q61C, Q61D, Q61E		18A	S65A, S65B	D64.4	Pre	A09A, A11B
	Pre	A09A, A11B		Pre	A07D, A09A, A09E, A11B, A11F, A13F		16	Q61A, Q61B, Q61C, Q61D, Q61E
D58.2	16	Q61A, Q61B, Q61C, Q61D, Q61E	D61.0	15	TPN, VTPN		18A	S65A, S65B
	Pre	A09A, A11B		16	Q61B, Q61C, Q61D	D64.8	Pre	A09A, A11B
D58.8	16	Q61A, Q61B, Q61C, Q61D, Q61E		Pre	A07D, A09A, A09E, A11B, A11F, A13F		16	Q61A, Q61B, Q61C, Q61D, Q61E
	Pre	A09A, A11B	D61.10	15	TPN, VTPN	D64.9	16	Q61A, Q61B, Q61C, Q61D, Q61E
D58.9	16	Q61A, Q61B, Q61C, Q61D, Q61E		16	Q61B, Q61C, Q61D		18A	S65A, S65B
	Pre	A09A, A11B		18A	S65A, S65B	D65.0	Pre	A09A, A11B
D59.0	16	Q61B, Q61C, Q61D	D61.18	15	TPN, VTPN		KK11, KKI, KKII, KKP	
	18A	S65A, S65B		16	Q61B, Q61C, Q61D		03	D30A
	Pre	A09A, A11B		18A	S65A, S65B		10	K62A
D59.1	16	Q61B, Q61C, Q61D		Pre	A07D, A09A, A09E, A11B, A11F, A13F		16	Q60A, Q60B, Q60C
	18A	S65A, S65B	D61.19	15	TPN, VTPN	D65.1	Pre	A07D, A09A, A09E, A11B, A11F, A13F
	Pre	A09A, A11B		16	Q61B, Q61C, Q61D		KK11, KKI, KKII, KKP	
D59.2	16	Q61A, Q61B, Q61C, Q61D, Q61E		18A	S65A, S65B		03	D30A
	18A	S65A, S65B		Pre	A07D, A09A, A09E, A11B, A11F, A13F		10	K62A
	Pre	A09A, A11B	D61.2	15	TPN, VTPN		16	Q60A, Q60B, Q60C
D59.3	11	L72Z		16	Q61B, Q61C, Q61D	D65.2	Pre	A07D, A09A, A09E, A11B, A11F, A13F
	15	TPN, VTPN		18A	S65A, S65B		KK11, KKI, KKII, KKP	
	Pre	A09A, A11B		Pre	A07D, A09A, A09E, A11B, A11F, A13F		03	D30A
D59.4	16	Q61A, Q61B, Q61C, Q61D, Q61E	D61.3	15	TPN, VTPN		16	Q60A, Q60B, Q60C
	18A	S65A, S65B		16	Q61B, Q61C, Q61D	D65.9	Pre	A07D, A09A, A09E, A11B, A11F, A13F
	Pre	A09A, A11B		18A	S65A, S65B		KK11, KKI, KKII, KKP	
D59.5	16	Q61A, Q61B, Q61C, Q61D, Q61E		Pre	A07D, A09A, A09E, A11B, A11F, A13F		03	D30A
	18A	S65A, S65B	D61.8	15	TPN, VTPN		16	Q60A, Q60B, Q60C
	Pre	A09A, A11B		16	Q61B, Q61C, Q61D	D66	Pre	A07D, A09A, A09E, A11B, A11F, A13F
D59.6	16	Q61A, Q61B, Q61C, Q61D, Q61E		18A	S65A, S65B		03	D30A
	18A	S65A, S65B		Pre	A07D, A09A, A09E, A11B, A11F, A13F		06	G67A
	Pre	A09A, A11B	D61.9	15	TPN, VTPN		10	K62A
D59.8	16	Q61A, Q61B, Q61C, Q61D, Q61E		16	Q61B, Q61C, Q61D		15	TPN, VTPN
	18A	S65A, S65B		18A	S65A, S65B		16	Q60A, Q60B, Q60C
	Pre	A09A, A11B		Pre	A07D, A09A, A09E, A11B, A11F, A13F	D67	Pre	A07D, A09A, A09E, A11B, A11F, A13F
D59.9	16	Q61A, Q61B, Q61C, Q61D, Q61E	D62	16	Q61A, Q61B, Q61C, Q61D, Q61E		03	D30A
	18A	S65A, S65B		18A	S65A, S65B		06	G67A
	Pre	A09A, A11B		Pre	A07D, A09A, A09E, A11B, A11F, A13F		10	K62A
			D63.0	16	Q61A, Q61B, Q61C, Q61D, Q61E		15	TPN, VTPN
			D63.8	18A	S65A, S65B		16	Q60A, Q60B, Q60C
				Pre	A09A, A11B		Pre	A07D, A09A, A09E, A11B, A11F, A13F
				Pre	A09A, A11B			
				Pre	A09A, A11B			

ICD	MDC	DRG	ICD	MDC	DRG	ICD	MDC	DRG
D68.0	03	D30A	D69.52	16	Q60A, Q60B, Q60C	D70.10	06	G67A
	06	G67A		18A	S65A, S65B	14	O01A, O01B, O01C, O01D, O01E, O01F, O01G, O60A, O60B, O60C	
	10	K62A		18B	T64A, T64B	15	TPN, VTPN	
	15	TPN, VTPN		Pre	A07D, A09A, A09E, A11B, A11F, A13F	16	Q60A, Q60B, Q60C	
	16	Q60A, Q60B, Q60C	D69.53	07	H08A	17	R60B, R60C, R61A, R61B, R61C, R61E, R62A, R63B, R63C, R63D, R63F	
	Pre	A07D, A09A, A09E, A11B, A11F, A13F		10	K62A	18A	S65A, S65B	
D68.1	03	D30A		16	Q60A, Q60B, Q60C	18B	T64A, T64B	
	06	G67A		18A	S65A, S65B	Pre	A07D, A09A, A09E, A11B, A11F, A13F	
	10	K62A	D69.57	16	Q60A, Q60B, Q60C	D70.11	06	G67A
	15	TPN, VTPN		17	R62A	14	O01A, O01B, O01C, O01D, O01E, O01F, O01G, O60A, O60B, O60C	
	16	Q60A, Q60B, Q60C		18A	S65A, S65B	15	TPN, VTPN	
	Pre	A07D, A09A, A09E, A11B, A11F, A13F		18B	T64A, T64B	16	Q60A, Q60B, Q60C	
D68.2	10	K62A		Pre	A07D, A09A, A09E, A11B, A11F, A13F	17	R60B, R60C, R61A, R61B, R61C, R61E, R62A, R63B, R63C, R63D, R63F	
	15	TPN, VTPN	D69.58	16	Q60A, Q60B, Q60C	18A	S65A, S65B	
	16	Q60A, Q60B, Q60C		18A	S65A, S65B	18B	T64A, T64B	
	Pre	A07D, A09A, A09E, A11B, A11F, A13F		18B	T64A, T64B	Pre	A07D, A09A, A09E, A11B, A11F, A13F	
D68.30	15	TPN, VTPN		Pre	A07D, A09A, A09E, A11B, A11F, A13F	D70.12	06	G67A
	16	Q60A, Q60B, Q60C	D69.59	16	Q60A, Q60B, Q60C	14	O01A, O01B, O01C, O01D, O01E, O01F, O01G, O60A, O60B, O60C	
	Pre	A07D, A09A, A09E, A11B, A11F, A13F		18A	S65A, S65B	15	TPN, VTPN	
D68.31	15	TPN, VTPN		18B	T64A, T64B	16	Q60A, Q60B, Q60C	
	16	Q60A, Q60B, Q60C		Pre	A07D, A09A, A09E, A11B, A11F, A13F	17	R60B, R60C, R61A, R61B, R61C, R61E, R62A, R63B, R63C, R63D, R63F	
	Pre	A07D, A09A, A09E, A11B, A11F, A13F	D69.60	16	Q60A, Q60B, Q60C	18A	S65A, S65B	
D68.32	15	TPN, VTPN		18A	S65A, S65B	18B	T64A, T64B	
	16	Q60A, Q60B, Q60C		Pre	A07D, A09A, A09E, A11B, A11F, A13F	Pre	A07D, A09A, A09E, A11B, A11F, A13F	
	Pre	A07D, A09A, A09E, A11B, A11F, A13F	D69.61	16	Q60A, Q60B, Q60C	D70.13	06	G67A
D68.38	15	TPN, VTPN		18A	S65A, S65B	14	O01A, O01B, O01C, O01D, O01E, O01F, O01G, O60A, O60B, O60C	
	16	Q60A, Q60B, Q60C		Pre	A07D, A09A, A09E, A11B, A11F, A13F	15	TPN, VTPN	
	Pre	A07D, A09A, A09E, A11B, A11F, A13F	D69.62	16	Q60A, Q60B, Q60C	16	Q60A, Q60B, Q60C	
D68.4	16	Q60A, Q60B, Q60C		17	R60B, R60C, R61A, R61B, R61C, R61E, R62A, R63B, R63C, R63D, R63F	17	R60B, R60C, R61A, R61B, R61C, R61E, R62A, R63B, R63C, R63D, R63F	
	Pre	A07D, A09A, A09E, A11B, A11F, A13F		18A	S65A, S65B	18A	S65A, S65B	
D68.5	16	Q60A, Q60B, Q60C		Pre	A07D, A09A, A09E, A11B, A11F, A13F	18B	T64A, T64B	
	Pre	A07D, A09A, A09E, A11B, A11F, A13F	D69.8	16	Q60A, Q60B, Q60C, Q60D, Q60E	Pre	A07D, A09A, A09E, A11B, A11F, A13F	
D68.6	16	Q60A, Q60B, Q60C		Pre	A07D, A09A, A09E, A11B, A11F, A13F	D70.14	06	G67A
	Pre	A07D, A09A, A09E, A11B, A11F, A13F	D69.9	15	TPN, VTPN	14	O01A, O01B, O01C, O01D, O01E, O01F, O01G, O60A, O60B, O60C	
D68.8	16	Q60A, Q60B, Q60C		16	Q60A, Q60B, Q60C, Q60D, Q60E	15	TPN, VTPN	
	Pre	A07D, A09A, A09E, A11B, A11F, A13F		Pre	A07D, A09A, A09E, A11B, A11F, A13F	16	Q60A, Q60B, Q60C	
D68.9	16	Q60A, Q60B, Q60C, Q60D, Q60E	D70.0	06	G67A	17	R60B, R60C, R61A, R61B, R61C, R61E, R62A, R63B, R63C, R63D, R63F	
	Pre	A07D, A09A, A09E, A11B, A11F, A13F		14	O01A, O01B, O01C, O01D, O01E, O01F, O01G, O60A, O60B, O60C	18A	S65A, S65B	
D69.0	16	Q60A, Q60B, Q60C		15	TPN, VTPN	18B	T64A, T64B	
	Pre	A07D, A09A, A09E, A11B, A11F, A13F		16	Q60A, Q60B, Q60C	Pre	A07D, A09A, A09E, A11B, A11F, A13F	
D69.1	16	Q60A, Q60B, Q60C		17	R60B, R60C, R61A, R61B, R61C, R61E, R62A, R63B, R63C, R63D, R63F	D70.14	06	G67A
	Pre	A07D, A09A, A09E, A11B, A11F, A13F		18A	S65A, S65B	14	O01A, O01B, O01C, O01D, O01E, O01F, O01G, O60A, O60B, O60C	
D69.2	16	Q60A, Q60B, Q60C		Pre	A07D, A09A, A09E, A11B, A11F, A13F	15	TPN, VTPN	
	Pre	A07D, A09A, A09E, A11B, A11F, A13F		Pre	A07D, A09A, A09E, A11B, A11F, A13F	16	Q60A, Q60B, Q60C	
D69.3	16	Q60A, Q60B, Q60C		D70.0	06	G67A	17	R60B, R60C, R61A, R61B, R61C, R61E, R62A, R63B, R63C, R63D, R63F
	Pre	A07D, A09A, A09E, A11B, A11F, A13F		14	O01A, O01B, O01C, O01D, O01E, O01F, O01G, O60A, O60B, O60C	18A	S65A, S65B	
D69.40	16	Q60A, Q60B, Q60C		15	TPN, VTPN	18B	T64A, T64B	
	Pre	A07D, A09A, A09E, A11B, A11F, A13F		16	Q60A, Q60B, Q60C	Pre	A07D, A09A, A09E, A11B, A11F, A13F	
D69.41	16	Q60A, Q60B, Q60C		17	R60B, R60C, R61A, R61B, R61C, R61E, R62A, R63B, R63C, R63D, R63F	D70.14	06	G67A
	Pre	A07D, A09A, A09E, A11B, A11F, A13F		18A	S65A, S65B	14	O01A, O01B, O01C, O01D, O01E, O01F, O01G, O60A, O60B, O60C	
	Pre	A07D, A09A, A09E, A11B, A11F, A13F		Pre	A07D, A09A, A09E, A11B, A11F, A13F	15	TPN, VTPN	

ICD	MDC	DRG	ICD	MDC	DRG	ICD	MDC	DRG		
D70.18	06	G67A	D72.8	16	Q60A, Q60B, Q60C, Q60D, Q60E	D80.0	15	TPN, VTPN		
	14	O01A, O01B, O01C, O01D, O01E, O01F, O01G, O60A, O60B, O60C		Pre	A09A, A11B		16	Q60A, Q60B, Q60C, Q60D, Q60E		
	15	TPN, VTPN	D72.9	16	Q60A, Q60B, Q60C, Q60D, Q60E	18A	S65A, S65B			
	16	Q60A, Q60B, Q60C		Pre	A09A, A11B		Pre	A07D, A09A, A09E, A11B, A11F, A13F		
	17	R60B, R60C, R61A, R61B, R61C, R61E, R62A, R63B, R63C, R63D, R63F	D73.0	16	Q60A, Q60B, Q60C, Q60D, Q60E	D80.1	16	Q60A, Q60B, Q60C, Q60D, Q60E		
	18A	S65A, S65B		Pre	A07D, A09A, A09E, A11B, A11F, A13F		18A	S65A, S65B		
	18B	T64A, T64B	D73.1	16	Q60A, Q60B, Q60C	Pre	A07D, A09A, A09E, A11B, A11F, A13F			
	Pre	A07D, A09A, A09E, A11B, A11F, A13F		18A	S65A, S65B		D80.2	15	TPN, VTPN	
	D70.19	06	G67A	D73.2	16	Q60A, Q60B, Q60C	16	Q60A, Q60B, Q60C, Q60D, Q60E		
		14	O01A, O01B, O01C, O01D, O01E, O01F, O01G, O60A, O60B, O60C		Pre	A07D, A09A, A09E, A11B, A11F, A13F		18A	S65A, S65B	
15		TPN, VTPN	D73.3	16	Q60A, Q60B, Q60C	Pre	A07D, A09A, A09E, A11B, A11F, A13F			
16		Q60A, Q60B, Q60C		Pre	A07D, A09A, A09E, A11B, A11F, A13F		D80.3	15	TPN, VTPN	
17		R60B, R60C, R63B, R63C, R63D, R63F	D73.4	16	Q60A, Q60B, Q60C, Q60D, Q60E	16	Q60A, Q60B, Q60C, Q60D, Q60E			
18A		S65A, S65B		Pre	A09A, A11B		18A	S65A, S65B		
18B		T64A, T64B	D73.5	16	Q60A, Q60B, Q60C	Pre	A07D, A09A, A09E, A11B, A11F, A13F			
Pre		A07D, A09A, A09E, A11B, A11F, A13F		Pre	A07D, A09A, A09E, A11B, A11F, A13F		D80.4	15	TPN, VTPN	
D70.3		06	G67A	D73.8	16	Q60A, Q60B, Q60C	16	Q60A, Q60B, Q60C, Q60D, Q60E		
		14	O01A, O01B, O01C, O01D, O01E, O01F, O01G, O60A, O60B, O60C		Pre	A09A, A11B		18A	S65A, S65B	
	15	TPN, VTPN	D73.9	16	Q60A, Q60B, Q60C, Q60D, Q60E	Pre	A07D, A09A, A09E, A11B, A11F, A13F			
	16	Q60A, Q60B, Q60C		Pre	A09A, A11B		D80.5	15	TPN, VTPN	
	17	R60B, R60C, R63B, R63C, R63D, R63F	D74.0	16	Q61A, Q61B, Q61C, Q61D, Q61E	16	Q60A, Q60B, Q60C, Q60D, Q60E			
	18A	S65A, S65B		Pre	A07D, A09A, A09E, A11B, A11F, A13F		18A	S65A, S65B		
	Pre	A07D, A09A, A09E, A11B, A11F, A13F	D74.8	16	Q61A, Q61B, Q61C, Q61D, Q61E	Pre	A07D, A09A, A09E, A11B, A11F, A13F			
	D70.5	06		G67A	Pre		A07D, A09A, A09E, A11B, A11F, A13F	D80.6	16	Q60A, Q60B, Q60C, Q60D, Q60E
		15	TPN, VTPN	D74.9	16	Q61A, Q61B, Q61C, Q61D, Q61E	18A	S65A, S65B		
		16	Q60A, Q60B, Q60C		Pre	A07D, A09A, A09E, A11B, A11F, A13F		Pre	A07D, A09A, A09E, A11B, A11F, A13F	
17		R60B, R60C, R61A, R61B, R61C, R61E, R62A, R63B, R63C, R63D, R63F	D75.0	16	Q60A, Q60B, Q60C	16	Q60A, Q60B, Q60C, Q60D, Q60E			
18A		S65A, S65B		Pre	A07D, A09A, A09E, A11B, A11F, A13F		D80.7	16	Q60A, Q60B, Q60C, Q60D, Q60E	
Pre		A07D, A09A, A09E, A11B, A11F, A13F	D75.1	16	Q60A, Q60B, Q60C	18A	S65A, S65B			
D70.6		06		G67A	Pre		A07D, A09A, A09E, A11B, A11F, A13F	Pre	A07D, A09A, A09E, A11B, A11F, A13F	
		15	TPN, VTPN	D75.8	16	Q60A, Q60B, Q60C	16	Q60A, Q60B, Q60C, Q60D, Q60E		
		16	Q60A, Q60B, Q60C		Pre	A07D, A09A, A09E, A11B, A11F, A13F		D80.8	16	Q60A, Q60B, Q60C, Q60D, Q60E
		17	R60B, R60C, R61A, R61B, R61C, R61E, R62A, R63B, R63C, R63D, R63F	D75.9	16	Q60A, Q60B, Q60C	18A	S65A, S65B		
	18A	S65A, S65B	18A		S65A, S65B	Pre		A07D, A09A, A09E, A11B, A11F, A13F		
	Pre	A07D, A09A, A09E, A11B, A11F, A13F	D76.1	10	K38Z, K63A, K63B, K63C	16	Q60A, Q60B, Q60C, Q60D, Q60E			
	D70.7	06		G67A	Pre		A07D, A09A, A09E, A11B, A11F, A13F	18A	S65A, S65B	
		15	TPN, VTPN	D76.2	10	K38Z, K63A, K63B, K63C	Pre		A07D, A09A, A09E, A11B, A11F, A13F	
		16	Q60A, Q60B, Q60C		Pre	A07D, A09A, A09E, A11B, A11F, A13F		D80.9	16	Q60A, Q60B, Q60C, Q60D, Q60E
		17	R60B, R60C, R63B, R63C, R63D, R63F	D76.3	10	K63A, K63B, K63C	18A	S65A, S65B		
18A		S65A, S65B	Pre		A07D, A09A, A09E, A11B, A11F, A13F	Pre		A07D, A09A, A09E, A11B, A11F, A13F		
Pre		A07D, A09A, A09E, A11B, A11F, A13F	D77	Pre	A07D, A09A, A09E, A11B, A11F, A13F	D81.0	15	TPN, VTPN		
D71		16		Q60A, Q60B, Q60C	D76.3	10	K63A, K63B, K63C	16	Q60A, Q60B, Q60C, Q60D, Q60E	
		Pre	A07D, A09A, A09E, A11B, A11F, A13F	Pre		A07D, A09A, A09E, A11B, A11F, A13F	18A		S65A, S65B	
		D72.0	16	Q60A, Q60B, Q60C	D77	Pre		A07D, A09A, A09E, A11B, A11F, A13F	Pre	A07D, A09A, A09E, A11B, A11F, A13F
			Pre	A07D, A09A, A09E, A11B, A11F, A13F		D72.1	16	Q60A, Q60B, Q60C		16
	D72.1		16	Q60A, Q60B, Q60C	D77		Pre	A07D, A09A, A09E, A11B, A11F, A13F	18A	
			Pre	A09A, A11B			Pre	A07D, A09A, A09E, A11B, A11F, A13F		Pre

Dg

ICD	MDC	DRG	ICD	MDC	DRG	ICD	MDC	DRG	
D81.2	15	TPN, VTPN	D82.9	16	Q60A, Q60B, Q60C, Q60D, Q60E	D89.0	15	TPN, VTPN	
	16	Q60A, Q60B, Q60C		18A	S65A, S65B		16	Q60A, Q60B, Q60C	
	18A	S65A, S65B		Pre	A07D, A09A, A09E, A11B, A11F, A13F		Pre	A07D, A09A, A09E, A11B, A11F, A13F	
	Pre	A07D, A09A, A09E, A11B, A11F, A13F	D83.0	15	TPN, VTPN	D89.1	15	TPN, VTPN	
D81.3	10	K63A, K63B, K63C		16	Q60A, Q60B, Q60C		17	R01A, R01B, R01C, R01D, R03Z, R11A, R11B, R11C, R61A, R61B, R61C, R61D, R61E, R61F, R61G, R61H	
	15	TPN, VTPN		18A	S65A, S65B		Pre	A07D, A09A, A09E, A11B, A11F, A13F	
	Pre	A07D, A09A, A09E, A11B, A11F, A13F	D83.1	15	TPN, VTPN	D89.2	16	Q60A, Q60B, Q60C	
D81.4	15	TPN, VTPN		16	Q60A, Q60B, Q60C		Pre	A07D, A09A, A09E, A11B, A11F, A13F	
	16	Q60A, Q60B, Q60C, Q60D, Q60E		18A	S65A, S65B	D89.3	16	Q60A, Q60B, Q60C	
	Pre	A07D, A09A, A09E, A11B, A11F, A13F	D83.2	15	TPN, VTPN		Pre	A07D, A09A, A09E, A11B, A11F, A13F	
D81.5	10	K63A, K63B, K63C		16	Q60A, Q60B, Q60C, Q60D, Q60E	D89.8	16	Q60A, Q60B, Q60C	
	15	TPN, VTPN		18A	S65A, S65B		Pre	A07D, A09A, A09E, A11B, A11F, A13F	
	Pre	A07D, A09A, A09E, A11B, A11F, A13F	D83.8	15	TPN, VTPN	D89.9	16	Q60A, Q60B, Q60C, Q60D, Q60E	
D81.6	15	TPN, VTPN		16	Q60A, Q60B, Q60C		18A	S65A, S65B	
	16	Q60A, Q60B, Q60C, Q60D, Q60E		18A	S65A, S65B		Pre	A07D, A09A, A09E, A11B, A11F, A13F	
	18A	S65A, S65B	D83.9	15	TPN, VTPN	D90	16	Q60A, Q60B, Q60C	
	Pre	A07D, A09A, A09E, A11B, A11F, A13F		16	Q60A, Q60B, Q60C		18B	T64A, T64B	
D81.7	15	TPN, VTPN		18A	S65A, S65B		Pre	A07D, A09A, A09E, A11B, A11F, A13F	
	16	Q60A, Q60B, Q60C, Q60D, Q60E	D84.0	16	Q60A, Q60B, Q60C, Q60D, Q60E	E00.0	10	K64A, K64B, K64C, K64D	
	18A	S65A, S65B		18A	S65A, S65B		15	TPN, VTPN	
	Pre	A07D, A09A, A09E, A11B, A11F, A13F		Pre	A07D, A09A, A09E, A11B, A11F, A13F	E00.1	10	K64A, K64B, K64C, K64D	
D81.8	15	TPN, VTPN	D84.1	16	Q60A, Q60B, Q60C, Q60D, Q60E		15	TPN, VTPN	
	16	Q60A, Q60B, Q60C, Q60D, Q60E		18A	S65A, S65B	E00.2	10	K64A, K64B, K64C, K64D	
	18A	S65A, S65B		Pre	A07D, A09A, A09E, A11B, A11F, A13F		15	TPN, VTPN	
	Pre	A07D, A09A, A09E, A11B, A11F, A13F	D84.8	16	Q60A, Q60B, Q60C	E00.9	10	K64A, K64B, K64C, K64D	
D81.9	15	TPN, VTPN		18A	S65A, S65B		15	TPN, VTPN	
	16	Q60A, Q60B, Q60C		Pre	A07D, A09A, A09E, A11B, A11F, A13F	E01.0	10	K64A, K64B, K64C, K64D	
	18A	S65A, S65B	D84.9	16	Q60A, Q60B, Q60C	E01.1	10	K64A, K64B, K64C, K64D	
	Pre	A07D, A09A, A09E, A11B, A11F, A13F		18A	S65A, S65B	E01.2	10	K64A, K64B, K64C, K64D	
D82.0	15	TPN, VTPN		Pre	A07D, A09A, A09E, A11B, A11F, A13F	E01.8	10	K64A, K64B, K64C, K64D	
	16	Q60A, Q60B, Q60C	D86.0	04	E74Z		15	TPN, VTPN	
	18A	S65A, S65B		Pre	A07D, A09A, A09E, A11B, A11F, A13F	E02	10	K64A, K64B, K64C, K64D	
	Pre	A07D, A09A, A09E, A11B, A11F, A13F	D86.1	04	E74Z		15	TPN, VTPN	
D82.1	15	TPN, VTPN		Pre	A07D, A09A, A09E, A11B, A11F, A13F	E03.0	10	K64A, K64B, K64C, K64D	
	16	Q60A, Q60B, Q60C	D86.2	04	E74Z		15	TPN, VTPN	
	Pre	A07D, A09A, A09E, A11B, A11F, A13F		Pre	A07D, A09A, A09E, A11B, A11F, A13F	E03.1	10	K64A, K64B, K64C, K64D	
D82.2	16	Q60A, Q60B, Q60C	D86.3	04	E74Z		15	TPN, VTPN	
	18A	S65A, S65B		Pre	A07D, A09A, A09E, A11B, A11F, A13F	E03.2	10	K64A, K64B, K64C, K64D	
	Pre	A07D, A09A, A09E, A11B, A11F, A13F	D86.8	04	E74Z	E03.3	10	K64A, K64B, K64C, K64D	
D82.3	16	Q60A, Q60B, Q60C		Pre	A07D, A09A, A09E, A11B, A11F, A13F	E03.4	10	K64A, K64B, K64C, K64D	
	18A	S65A, S65B	D86.9	04	E74Z	E03.5	01	B66A, B66B, B66C, B66D	
	Pre	A07D, A09A, A09E, A11B, A11F, A13F		Pre	A07D, A09A, A09E, A11B, A11F, A13F		15	TPN, VTPN	
D82.4	16	Q60A, Q60B, Q60C, Q60D, Q60E		D86.8	04	E74Z	E03.8	10	K64A, K64B, K64C, K64D
	18A	S65A, S65B		Pre	A07D, A09A, A09E, A11B, A11F, A13F	E03.9	10	K64A, K64B, K64C, K64D	
	Pre	A07D, A09A, A09E, A11B, A11F, A13F		D86.8	04	E74Z	E04.0	10	K64A, K64B, K64C, K64D
D82.8	16	Q60A, Q60B, Q60C, Q60D, Q60E		Pre	A07D, A09A, A09E, A11B, A11F, A13F	E04.1	10	K64A, K64B, K64C, K64D	
	18A	S65A, S65B		D86.9	04	E74Z	E04.2	10	K64A, K64B, K64C, K64D
	Pre	A07D, A09A, A09E, A11B, A11F, A13F		Pre	A07D, A09A, A09E, A11B, A11F, A13F	E04.8	10	K64A, K64B, K64C, K64D	
	Pre	A07D, A09A, A09E, A11B, A11F, A13F		D86.9	04	E74Z	E04.9	10	K64A, K64B, K64C, K64D
	Pre	A07D, A09A, A09E, A11B, A11F, A13F		Pre	A07D, A09A, A09E, A11B, A11F, A13F	E05.0	10	K64A, K64B, K64C, K64D	
	Pre	A07D, A09A, A09E, A11B, A11F, A13F		Pre	A07D, A09A, A09E, A11B, A11F, A13F	E05.1	10	K64A, K64B, K64C, K64D	
	Pre	A07D, A09A, A09E, A11B, A11F, A13F		Pre	A07D, A09A, A09E, A11B, A11F, A13F	E05.2	10	K64A, K64B, K64C, K64D	
	Pre	A07D, A09A, A09E, A11B, A11F, A13F		Pre	A07D, A09A, A09E, A11B, A11F, A13F	E05.3	10	K64A, K64B, K64C, K64D	
	Pre	A07D, A09A, A09E, A11B, A11F, A13F		Pre	A07D, A09A, A09E, A11B, A11F, A13F	E05.4	10	K64A, K64B, K64C, K64D	
	Pre	A07D, A09A, A09E, A11B, A11F, A13F		Pre	A07D, A09A, A09E, A11B, A11F, A13F	E05.5	10	K64A, K64B, K64C	
	Pre	A07D, A09A, A09E, A11B, A11F, A13F		Pre	A07D, A09A, A09E, A11B, A11F, A13F	E05.8	10	K64A, K64B, K64C, K64D	
	Pre	A07D, A09A, A09E, A11B, A11F, A13F		Pre	A07D, A09A, A09E, A11B, A11F, A13F	E05.9	10	K64A, K64B, K64C, K64D	

ICD	MDC	DRG	ICD	MDC	DRG	ICD	MDC	DRG
E06.0	10	K64A, K64B, K64C, K64D	E11.60	05	F27A, F27B, F27C	E13.21	11	L69A, L69B
	15	TPN, VTPN		10	K01Z, K60A, K60B, K60C, K60D, K60E	E13.30	02	C66Z
E06.1	10	K64A, K64B, K64C, K64D	E11.61	05	F27A, F27B, F27C	E13.31	02	C66Z
E06.2	10	K64A, K64B, K64C, K64D		10	K01Z, K60A, K60B, K60C, K60D, K60E	E13.40	01	B71A, B71B, B71C, B71D
E06.3	10	K64A, K64B, K64C, K64D		10	K01Z, K60A, K60B, K60C, K60D, K60E	E13.41	01	B71A, B71B, B71C, B71D
E06.4	10	K64A, K64B, K64C, K64D	E11.72	05	F27A, F27B, F27C	E13.50	05	F27A, F27B, F27C, F65A, F65B
	15	TPN, VTPN		10	K01Z, K60A, K60B, K60C, K60D, K60E	E13.51	05	F27A, F27B, F27C, F65A, F65B
E06.5	10	K64A, K64B, K64C, K64D	E11.73	05	F27A, F27B, F27C	E13.60	05	F27A, F27B, F27C
E06.9	10	K64A, K64B, K64C, K64D		10	K01Z, K60A, K60B, K60C, K60D, K60E		10	K01Z, K60A, K60B, K60C, K60D, K60E
E07.0	10	K64A, K64B, K64C, K64D	E11.74	05	F27A, F27B, F27C	E13.61	05	F27A, F27B, F27C
E07.1	10	K64A, K64B, K64C, K64D		10	K01Z, K60A, K60B, K60C, K60D, K60E		10	K01Z, K60A, K60B, K60C, K60D, K60E
	15	TPN, VTPN	E11.75	05	F27A, F27B, F27C	E13.72	05	F27A, F27B, F27C
E07.8	10	K64A, K64B, K64C, K64D		10	K01Z, K60A, K60B, K60C, K60D, K60E		10	K01Z, K60A, K60B, K60C, K60D, K60E
E07.9	10	K64A, K64B, K64C, K64D	E11.80	10	K60A, K60B, K60C, K60D, K60E	E13.73	05	F27A, F27B, F27C
E10.01	10	K60A, K60B, K60C, K60D, K60E		10	K60A, K60B, K60C, K60D, K60E		10	K01Z, K60A, K60B, K60C, K60D, K60E
E10.11	10	K60A, K60B, K60C, K60D, K60E	E11.81	10	K60A, K60B, K60C, K60D, K60E	E13.74	05	F27A, F27B, F27C
E10.20	11	L69A, L69B		10	K60A, K60B, K60C, K60D, K60E		10	K01Z, K60A, K60B, K60C, K60D, K60E
E10.21	11	L69A, L69B	E11.90	10	K60A, K60B, K60C, K60D, K60E	E13.80	10	K60A, K60B, K60C, K60D, K60E
E10.30	02	C66Z		10	K60A, K60B, K60C, K60D, K60E	E13.81	10	K60A, K60B, K60C, K60D, K60E
E10.31	02	C66Z	E11.91	10	K60A, K60B, K60C, K60D, K60E	E13.90	10	K60A, K60B, K60C, K60D, K60E
E10.40	01	B71A, B71B, B71C, B71D		10	K60A, K60B, K60C, K60D, K60E	E13.91	10	K60A, K60B, K60C, K60D, K60E
E10.41	01	B71A, B71B, B71C, B71D	E12.01	10	K60A, K60B, K60C, K60D, K60E	E14.01	10	K60A, K60B, K60C, K60D, K60E
E10.50	05	F27A, F27B, F27C, F65A, F65B		10	K60A, K60B, K60C, K60D, K60E	E14.11	10	K60A, K60B, K60C, K60D, K60E
E10.51	05	F27A, F27B, F27C, F65A, F65B	E12.11	10	K60A, K60B, K60C, K60D, K60E	E14.20	11	L69A, L69B
E10.60	05	F27A, F27B, F27C		10	K60A, K60B, K60C, K60D, K60E	E14.21	11	L69A, L69B
	10	K01Z, K60A, K60B, K60C, K60D, K60E	E12.20	11	L68A, L68B, L74Z	E14.30	02	C66Z
E10.61	05	F27A, F27B, F27C	E12.21	11	L68A, L68B, L74Z	E14.31	02	C66Z
	10	K01Z, K60A, K60B, K60C, K60D, K60E	E12.30	02	C66Z	E14.40	01	B71A, B71B, B71C, B71D
E10.72	05	F27A, F27B, F27C	E12.31	02	C66Z	E14.41	01	B71A, B71B, B71C, B71D
	10	K01Z, K60A, K60B, K60C, K60D, K60E	E12.40	01	B71A, B71B, B71C, B71D	E14.50	05	F27A, F27B, F27C, F65A, F65B
E10.73	05	F27A, F27B, F27C	E12.41	01	B71A, B71B, B71C, B71D	E14.51	05	F27A, F27B, F27C, F65A, F65B
	10	K01Z, K60A, K60B, K60C, K60D, K60E	E12.50	05	F27A, F27B, F27C, F65A, F65B	E14.60	05	F27A, F27B, F27C
E10.74	05	F27A, F27B, F27C	E12.51	05	F27A, F27B, F27C, F65A, F65B		10	K01Z, K60A, K60B, K60C, K60D, K60E
	10	K01Z, K60A, K60B, K60C, K60D, K60E	E12.60	05	F27A, F27B, F27C	E14.61	05	F27A, F27B, F27C
E10.75	05	F27A, F27B, F27C		10	K01Z, K60A, K60B, K60C, K60D, K60E		10	K01Z, K60A, K60B, K60C, K60D, K60E
	10	K01Z, K60A, K60B, K60C, K60D, K60E	E12.61	05	F27A, F27B, F27C	E14.72	05	F27A, F27B, F27C
E10.80	10	K60A, K60B, K60C, K60D, K60E		10	K01Z, K60A, K60B, K60C, K60D, K60E		10	K01Z, K60A, K60B, K60C, K60D, K60E
E10.81	10	K60A, K60B, K60C, K60D, K60E	E12.72	05	F27A, F27B, F27C	E14.73	05	F27A, F27B, F27C
E10.90	10	K60A, K60B, K60C, K60D, K60E		10	K01Z, K60A, K60B, K60C, K60D, K60E		10	K01Z, K60A, K60B, K60C, K60D, K60E
E10.91	10	K60A, K60B, K60C, K60D, K60E	E12.73	05	F27A, F27B, F27C	E14.74	05	F27A, F27B, F27C
E11.01	10	K60A, K60B, K60C, K60D, K60E		10	K01Z, K60A, K60B, K60C, K60D, K60E		10	K01Z, K60A, K60B, K60C, K60D, K60E
E11.11	10	K60A, K60B, K60C, K60D, K60E	E12.74	05	F27A, F27B, F27C	E14.75	05	F27A, F27B, F27C
E11.20	11	L69A, L69B		10	K01Z, K60A, K60B, K60C, K60D, K60E		10	K01Z, K60A, K60B, K60C, K60D, K60E
E11.21	11	L69A, L69B	E12.80	10	K60A, K60B, K60C, K60D, K60E	E14.80	10	K60A, K60B, K60C, K60D, K60E
E11.30	02	C66Z		10	K60A, K60B, K60C, K60D, K60E			
E11.31	02	C66Z	E12.81	10	K60A, K60B, K60C, K60D, K60E			
E11.40	01	B71A, B71B, B71C, B71D		10	K60A, K60B, K60C, K60D, K60E			
E11.41	01	B71A, B71B, B71C, B71D	E12.90	10	K60A, K60B, K60C, K60D, K60E			
E11.50	05	F27A, F27B, F27C, F65A, F65B		10	K60A, K60B, K60C, K60D, K60E			
E11.51	05	F27A, F27B, F27C, F65A, F65B	E12.91	10	K60A, K60B, K60C, K60D, K60E			
				10	K60A, K60B, K60C, K60D, K60E			
			E13.01	10	K60A, K60B, K60C, K60D, K60E			
				10	K60A, K60B, K60C, K60D, K60E			
			E13.11	10	K60A, K60B, K60C, K60D, K60E			
				10	K60A, K60B, K60C, K60D, K60E			
			E13.20	11	L69A, L69B			

ICD	MDC	DRG	ICD	MDC	DRG	ICD	MDC	DRG
E14.81	10	K60A, K60B, K60C, K60D, K60E	E27.0	10	K64A, K64B, K64C, K64D	E43	10	K60A, K60B, K60C, K60D
E14.90	10	K60A, K60B, K60C, K60D, K60E	E27.1	10	K64A, K64B, K64C, K64D	18A	S65A, S65B	
E14.91	10	K60A, K60B, K60C, K60D, K60E	E27.2	10	K64A, K64B, K64C	22	Y02A, Y02B	
E15	10	K62A, K62B	E27.3	10	K64A, K64B, K64C, K64D	E44.0	10	K60A, K60B, K60C, K60D
E16.0	10	K64A, K64B, K64C, K64D	E27.4	10	K64A, K64B, K64C, K64D	18A	S65A, S65B	
E16.1	10	K64A, K64B, K64C, K64D	E27.5	10	K64A, K64B, K64C, K64D	22	Y02A, Y02B	
E16.2	10	K62A, K62B	E27.8	10	K64A, K64B, K64C, K64D	E44.1	10	K60A, K60B, K60C, K60D
E16.3	10	K64A, K64B, K64C, K64D	E27.9	10	K64A, K64B, K64C, K64D	18A	S65A, S65B	
E16.4	06	G40Z, G46A, G46B, G46C, G47Z, G67A, G67B, G67C, G67D, G73Z	E28.0	13	N04Z, N05A, N05B, N14Z, N21Z, N25Z, N62A, N62B	22	Y02A, Y02B	
E16.8	10	K64A, K64B, K64C, K64D	E28.1	13	N04Z, N05A, N05B, N14Z, N21Z, N25Z, N62A, N62B	E45	10	K62A, K62B
E16.9	10	K64A, K64B, K64C, K64D	E28.2	13	N04Z, N05A, N05B, N14Z, N21Z, N25Z, N62A, N62B	18A	S65A, S65B	
E20.0	10	K64A, K64B, K64C, K64D	E28.3	13	N04Z, N05A, N05B, N14Z, N21Z, N25Z, N62A, N62B	22	Y02A, Y02B	
E20.1	10	K62A, K62B	E28.8	13	N04Z, N05A, N05B, N14Z, N21Z, N25Z, N62A, N62B	E46	10	K60A, K60B, K60C, K60D
E20.8	10	K64A, K64B, K64C, K64D	E28.9	13	N04Z, N05A, N05B, N14Z, N21Z, N25Z, N62A, N62B	15	TPN, VTPN	
E20.9	10	K64A, K64B, K64C, K64D	E29.0	10	K64A, K64B, K64C, K64D	18A	S65A, S65B	
E21.0	05	F67B	E29.1	10	K64A, K64B, K64C, K64D	02	C63Z	
E21.1	10	K64A, K64B, K64C, K64D	E29.8	10	K64A, K64B, K64C, K64D	E50.0	18A	S65A, S65B
E21.2	10	K64A, K64B, K64C, K64D	E29.9	10	K64A, K64B, K64C, K64D	22	Y02A, Y02B	
E21.3	10	K64A, K64B, K64C, K64D	E30.0	10	K64A, K64B, K64C, K64D	E50.1	02	C63Z
E21.4	10	K64A, K64B, K64C, K64D	E30.1	10	K64A, K64B, K64C, K64D	18A	S65A, S65B	
E21.5	10	K64A, K64B, K64C, K64D	E30.8	10	K64A, K64B, K64C, K64D	22	Y02A, Y02B	
E22.0	10	K64A, K64B, K64C, K64D	E30.9	10	K64A, K64B, K64C, K64D	E50.2	02	C63Z
E22.1	10	K64A, K64B, K64C, K64D	E31.0	10	K64A, K64B, K64C, K64D	18A	S65A, S65B	
E22.2	10	K64A, K64B, K64C	E31.1	10	K64A, K64B, K64C, K64D	22	Y02A, Y02B	
E22.8	10	K64A, K64B, K64C, K64D	E31.8	10	K64A, K64B, K64C, K64D	E50.3	02	C63Z
E22.9	10	K64A, K64B, K64C, K64D	E31.9	10	K64A, K64B, K64C, K64D	18A	S65A, S65B	
E23.0	10	K64A, K64B, K64C, K64D	E32.0	16	Q60A, Q60B, Q60C	22	Y02A, Y02B	
E23.1	10	K64A, K64B, K64C, K64D	E32.1	15	TPN, VTPN	E50.4	02	C63Z
E23.2	10	K64A, K64B, K64C, K64D	E32.8	16	Q60A, Q60B, Q60C, Q60D, Q60E	18A	S65A, S65B	
E23.3	10	K64A, K64B, K64C, K64D	E32.9	16	Q60A, Q60B, Q60C, Q60D, Q60E	22	Y02A, Y02B	
E23.6	10	K64A, K64B, K64C, K64D	E34.0	10	K64A, K64B, K64C, K64D	E50.5	02	C63Z
E23.7	10	K64A, K64B, K64C, K64D	E34.1	10	K64A, K64B, K64C, K64D	18A	S65A, S65B	
E24.0	10	K64A, K64B, K64C	E34.2	10	K64A, K64B, K64C, K64D	22	Y02A, Y02B	
E24.1	10	K64A, K64B, K64C, K64D	E34.3	10	K64A, K64B, K64C, K64D	E50.6	02	C63Z
E24.2	10	K64A, K64B, K64C, K64D	E34.4	15	TPN, VTPN	18A	S65A, S65B	
E24.3	10	K64A, K64B, K64C, K64D	E34.50	10	K64A, K64B, K64C, K64D	22	Y02A, Y02B	
E24.4	10	K64A, K64B, K64C, K64D	E34.51	10	K64A, K64B, K64C, K64D	E50.7	02	C63Z
E24.8	10	K64A, K64B, K64C, K64D	E34.59	10	K64A, K64B, K64C, K64D	18A	S65A, S65B	
E24.9	10	K64A, K64B, K64C, K64D	E34.8	10	K64A, K64B, K64C, K64D	22	Y02A, Y02B	
E25.00	10	K64A, K64B, K64C, K64D	E34.9	10	K64A, K64B, K64C, K64D	E50.8	10	K62A, K62B
E25.01	10	K64A, K64B, K64C, K64D	E35.1	15	TPN, VTPN	18A	S65A, S65B	
E25.08	10	K64A, K64B, K64C, K64D	E40	10	K60A, K60B, K60C, K60D	22	Y02A, Y02B	
E25.09	10	K64A, K64B, K64C, K64D	E41	10	K60A, K60B, K60C, K60D	E50.9	10	K62A, K62B
E25.8	10	K64A, K64B, K64C, K64D	E42	10	K60A, K60B, K60C, K60D	18A	S65A, S65B	
E25.9	10	K64A, K64B, K64C, K64D		18A	S65A, S65B	22	Y02A, Y02B	
E26.0	05	F67B		22	Y02A, Y02B	E51.1	10	K62A, K62B
E26.1	10	K64A, K64B, K64C, K64D		22	Y02A, Y02B	18A	S65A, S65B	
E26.8	10	K64A, K64B, K64C, K64D		22	Y02A, Y02B	22	Y02A, Y02B	
E26.9	10	K64A, K64B, K64C, K64D		22	Y02A, Y02B	E51.2	Pre	A07D, A09E, A11F, A13F
						10	K60A, K60B, K60C, K60D	
						18A	S65A, S65B	
						22	Y02A, Y02B	
						E51.8	10	K60A, K60B, K60C, K60D
						18A	S65A, S65B	
						22	Y02A, Y02B	
						Pre	A07D, A09E, A11F, A13F	
						E51.9	10	K60A, K60B, K60C, K60D
						18A	S65A, S65B	
						22	Y02A, Y02B	
						E52	10	K62A, K62B
						18A	S65A, S65B	
						22	Y02A, Y02B	
						E53.0	10	K62A, K62B
						18A	S65A, S65B	
						22	Y02A, Y02B	

ICD	MDC	DRG	ICD	MDC	DRG	ICD	MDC	DRG
E53.1	10	K62A, K62B	E61.9	10	K62A, K62B	E71.1	10	K63A, K63C
	18A	S65A, S65B		18A	S65A, S65B	15	TPN, VTPN	
	22	Y02A, Y02B		22	Y02A, Y02B	Pre	A07D, A09E, A11F, A13F	
E53.8	10	K62A, K62B	E63.0	10	K62A, K62B	E71.2	10	K63A, K63B, K63C
	18A	S65A, S65B		18A	S65A, S65B	15	TPN, VTPN	
	22	Y02A, Y02B		22	Y02A, Y02B	Pre	A07D, A09E, A11F, A13F	
E53.9	10	K62A, K62B	E63.1	10	K62A, K62B	E71.3	10	K62A, K62B
	18A	S65A, S65B		18A	S65A, S65B	15	P65C, P66C, P67B, P67C	
	22	Y02A, Y02B		22	Y02A, Y02B	Pre	A07D, A09E, A11F, A13F	
E54	10	K62A, K62B	E63.8	10	K62A, K62B	E72.0	10	K63A, K63B, K63C
	18A	S65A, S65B		18A	S65A, S65B	15	TPN, VTPN	
	22	Y02A, Y02B		22	Y02A, Y02B	Pre	A07D, A09E, A11F, A13F	
E55.0	08	I69A, I69B	E63.9	10	K62A, K62B	E72.1	10	K63A, K63B, K63C
	18A	S65A, S65B		18A	S65A, S65B	15	TPN, VTPN	
	22	Y02A, Y02B		22	Y02A, Y02B	Pre	A07D, A09E, A11F, A13F	
E55.9	10	K62A, K62B	E64.0	22	Y02A, Y02B	E72.2	10	K63A, K63C
	18A	S65A, S65B	E64.1	22	Y02A, Y02B	15	TPN, VTPN	
	22	Y02A, Y02B	E64.2	22	Y02A, Y02B	Pre	A07D, A09E, A11F, A13F	
E56.0	10	K62A, K62B	E64.3	22	Y02A, Y02B	E72.3	10	K63A, K63B, K63C
	18A	S65A, S65B	E64.8	22	Y02A, Y02B	15	TPN, VTPN	
	22	Y02A, Y02B	E64.9	22	Y02A, Y02B	Pre	A07D, A09E, A11F, A13F	
E56.1	10	K62A, K62B	E65	10	K62A, K62B	E72.4	10	K63A, K63B, K63C
	18A	S65A, S65B	E66.00	10	K62A, K62B	15	TPN, VTPN	
	22	Y02A, Y02B	E66.01	10	K62A, K62B	Pre	A07D, A09E, A11F, A13F	
E56.8	10	K62A, K62B	E66.02	10	K62A, K62B	E72.5	10	K63A, K63B, K63C
	15	P65C, P66C, P67B, P67C	E66.09	10	K62A, K62B	15	TPN, VTPN	
	18A	S65A, S65B	E66.10	10	K62A, K62B	Pre	A07D, A09E, A11F, A13F	
	22	Y02A, Y02B	E66.11	10	K62A, K62B	E72.8	10	K63A, K63C
E56.9	10	K62A, K62B	E66.12	10	K62A, K62B	15	TPN, VTPN	
	18A	S65A, S65B	E66.19	10	K62A, K62B	Pre	A07D, A09E, A11F, A13F	
	22	Y02A, Y02B	E66.20	04	E07Z, E63Z	E72.9	10	K63A, K63B, K63C
E58	10	K62A, K62B	E66.21	04	E07Z, E63Z	15	TPN, VTPN	
	18A	S65A, S65B	E66.22	04	E07Z, E63Z	Pre	A07D, A09E, A11F, A13F	
	22	Y02A, Y02B	E66.29	04	E07Z, E63Z	E73.0	06	G46A, G46B, G46C, G50Z, G67A, G67B, G67C, G67D
E59	10	K62A, K62B	E66.80	10	K62A, K62B	Pre	A07D, A09E, A11F, A13F	
	18A	S65A, S65B	E66.81	10	K62A, K62B	E73.1	06	G46A, G46B, G46C, G50Z, G67A, G67B, G67C, G67D
	22	Y02A, Y02B	E66.82	10	K62A, K62B	Pre	A07D, A09E, A11F, A13F	
E60	10	K62A, K62B	E66.89	10	K62A, K62B	E73.8	06	G46A, G46B, G46C, G50Z, G67A, G67B, G67C, G67D
	18A	S65A, S65B	E66.90	10	K62A, K62B	Pre	A07D, A09E, A11F, A13F	
	22	Y02A, Y02B	E66.91	10	K62A, K62B	E73.9	06	G46A, G46B, G46C, G50Z, G67A, G67B, G67C, G67D
E61.0	10	K62A, K62B	E66.92	10	K62A, K62B	Pre	A07D, A09E, A11F, A13F	
	18A	S65A, S65B	E66.99	10	K62A, K62B	E74.0	10	K63A, K63C
	22	Y02A, Y02B	E67.0	10	K62A, K62B	15	TPN, VTPN	
E61.1	10	K62A, K62B	E67.1	10	K62A, K62B	Pre	A07D, A09E, A11F, A13F	
	18A	S65A, S65B	E67.2	10	K62A, K62B	E74.1	06	G46A, G46B, G46C, G50Z, G67A, G67B, G67C, G67D
	22	Y02A, Y02B	E67.3	10	K62A, K62B	15	TPN, VTPN	
E61.2	10	K62A, K62B	E67.8	10	K62A, K62B	Pre	A07D, A09E, A11F, A13F	
	18A	S65A, S65B	E70.0	10	K63A, K63B, K63C	E74.2	10	K63A, K63B, K63C
	22	Y02A, Y02B		15	TPN, VTPN	15	TPN, VTPN	
E61.3	10	K62A, K62B		Pre	A07D, A09E, A11F, A13F	Pre	A07D, A09E, A11F, A13F	
	18A	S65A, S65B	E70.1	10	K63A, K63B, K63C	E74.3	06	G46A, G46B, G46C, G50Z, G67A, G67B, G67C, G67D
	22	Y02A, Y02B		15	TPN, VTPN	Pre	A07D, A09E, A11F, A13F	
E61.4	10	K62A, K62B		Pre	A07D, A09E, A11F, A13F	E74.4	10	K63A, K63B, K63C
	18A	S65A, S65B	E70.2	10	K63A, K63C	Pre	A07D, A09E, A11F, A13F	
	22	Y02A, Y02B		15	TPN, VTPN	E74.8	10	K63A, K63B, K63C
E61.5	10	K62A, K62B		Pre	A07D, A09E, A11F, A13F	Pre	A07D, A09E, A11F, A13F	
	18A	S65A, S65B	E70.3	10	K63A, K63B, K63C	E74.9	10	K63A, K63B, K63C
	22	Y02A, Y02B		15	TPN, VTPN	Pre	A07D, A09E, A11F, A13F	
E61.6	10	K62A, K62B		Pre	A07D, A09E, A11F, A13F	E75.0	01	B48Z, B85A, B85B, B85C, B85D
	18A	S65A, S65B	E70.8	10	K63A, K63B, K63C	Pre	A07D, A09E, A11F, A13F	
	22	Y02A, Y02B		15	TPN, VTPN			
E61.7	10	K62A, K62B		Pre	A07D, A09E, A11F, A13F			
	18A	S65A, S65B	E70.9	10	K63A, K63B, K63C			
	22	Y02A, Y02B		15	TPN, VTPN			
E61.8	10	K62A, K62B		Pre	A07D, A09E, A11F, A13F			
	18A	S65A, S65B	E71.0	10	K63A, K63B, K63C			
	22	Y02A, Y02B		15	TPN, VTPN			
				Pre	A07D, A09E, A11F, A13F			

ICD	MDC	DRG	ICD	MDC	DRG	ICD	MDC	DRG
E75.1	01	B48Z, B85A, B85B, B85C, B85D	E80.6	07	H63A, H63B, H63C, H78Z	E87.6	10	K62A, K62B
	Pre	A07D, A09E, A11F, A13F		15	TPN, VTPN		22	Y02A, Y02B
E75.2	01	B17A, B48Z, B85A, B85B, B85C	E80.7	07	H63A, H63B, H63C, H78Z	E87.7	22	Y02A, Y02B
	Pre	A07D, A09E, A11F, A13F	E83.0	10	K63A, K63B, K63C	E87.8	10	K62A, K62B
E75.3	10	K63A, K63B, K63C		15	TPN, VTPN		22	Y02A, Y02B
	Pre	A07D, A09E, A11F, A13F	E83.1	16	Q61A, Q61B, Q61C, Q61D, Q61E	E88.0	10	K63A, K63B, K63C
E75.4	01	B48Z, B85A, B85B, B85C, B85D	E83.2	10	K63A, K63B, K63C	E88.1	10	K63A, K63B, K63C
	Pre	A07D, A09E, A11F, A13F	E83.30	10	K63A, K63B, K63C		15	TPN, VTPN
E75.5	10	K63A, K63B, K63C	E83.31	10	K63A, K63B, K63C		18A	S65A, S65B
	Pre	A07D, A09E, A11F, A13F	E83.38	10	K63A, K63B, K63C	E88.2	10	K63A, K63B, K63C
E75.6	10	K63A, K63B, K63C	E83.39	10	K63A, K63B, K63C		15	P65C, P66C, P67B, P67C
	Pre	A07D, A09E, A11F, A13F	E83.4	10	K62A, K62B	E88.3	10	K63A, K63B, K63C
E76.0	10	K63A, K63B, K63C	E83.50	10	K62A, K62B	E88.8	10	K63A, K63B, K63C
	Pre	A07D, A09E, A11F, A13F		11	L09A, L09B, L38Z, L60A, L60B	E88.9	10	K63A, K63B, K63C
E76.1	15	TPN, VTPN		22	Y02A, Y02B		18A	S65A, S65B
	Pre	A07D, A09E, A11F, A13F	E83.58	10	K62A, K62B	E89.0	10	K64A, K64B, K64C, K64D
E76.2	10	K63A, K63B, K63C		22	Y02A, Y02B	E89.1	10	K62A, K62B
	Pre	A07D, A09E, A11F, A13F	E83.59	10	K62A, K62B	E89.2	10	K64A, K64B, K64C, K64D
E76.3	15	TPN, VTPN		22	Y02A, Y02B		15	TPN, VTPN
	Pre	A07D, A09E, A11F, A13F	E83.8	10	K63A, K63B, K63C	E89.3	10	K64A, K64B, K64C, K64D
E76.8	10	K63A, K63B, K63C	E83.9	10	K63A, K63B, K63C	E89.4	13	N04Z, N05A, N05B, N14Z, N21Z, N25Z, N62A, N62B
	Pre	A07D, A09E, A11F, A13F	E84.0	04	E60A, E60B	E89.5	10	K64A, K64B, K64C, K64D
E76.9	15	TPN, VTPN		15	TPN, VTPN	E89.6	10	K64A, K64B, K64C, K64D
	Pre	A07D, A09E, A11F, A13F		Pre	A07D, A09E, A11F, A13F		15	TPN, VTPN
E77.0	10	K63A, K63B, K63C	E84.1	06	G40Z, G46A, G46B, G46C, G47Z, G64A, G64B, G64C, G70A, G70B	E89.8	10	K64A, K64B, K64C, K64D
	Pre	A07D, A09E, A11F, A13F		15	TPN, VTPN	E89.9	10	K64A, K64B, K64C, K64D
E77.1	10	K63A, K63B, K63C		Pre	A07D, A09E, A11F, A13F	F00.0	14	O01A, O01B, O01C, O01D, O01E, O01F, O01G, O60A, O60B, O60C
	Pre	A07D, A09E, A11F, A13F	E84.80	04	E60A, E60B	F00.2	14	O01A, O01B, O01C, O01D, O01E, O01F, O01G, O60A, O60B, O60C
E77.8	10	K63A, K63B, K63C		15	TPN, VTPN	F00.9	14	O01A, O01B, O01C, O01D, O01E, O01F, O01G, O60A, O60B, O60C
	Pre	A07D, A09E, A11F, A13F	E84.87	04	E60A, E60B		01	B63Z
E77.9	10	K63A, K63B, K63C		15	TPN, VTPN	F01.0	14	O01A, O01B, O01C, O01D, O01E, O01F, O01G, O60A, O60B, O60C
	Pre	A07D, A09E, A11F, A13F	E84.88	04	E60A, E60B	F01.1	01	B63Z
E78.0	10	K63A, K63B, K63C		15	TPN, VTPN		14	O01A, O01B, O01C, O01D, O01E, O01F, O01G, O60A, O60B, O60C
E78.1	10	K63A, K63B, K63C	E84.9	04	E60A, E60B	F01.2	01	B63Z
E78.2	10	K63A, K63B, K63C		15	TPN, VTPN		14	O01A, O01B, O01C, O01D, O01E, O01F, O01G, O60A, O60B, O60C
E78.3	10	K63A, K63B, K63C	E85.0	08	I66A, I66B, I66C	F01.3	01	B63Z
E78.4	10	K62A, K62B		Pre	A07D, A09E, A11F, A13F		14	O01A, O01B, O01C, O01D, O01E, O01F, O01G, O60A, O60B, O60C
E78.5	10	K62A, K62B	E85.1	08	I66A, I66B, I66C		01	B63Z
E78.6	10	K63A, K63C		Pre	A07D, A09E, A11F, A13F		14	O01A, O01B, O01C, O01D, O01E, O01F, O01G, O60A, O60B, O60C
	Pre	A07D, A09E, A11F, A13F	E85.2	08	I66A, I66B, I66C	F01.8	01	B63Z
E78.8	10	K63A, K63B, K63C		Pre	A07D, A09E, A11F, A13F		14	O01A, O01B, O01C, O01D, O01E, O01F, O01G, O60A, O60B, O60C
E78.9	10	K63A, K63B, K63C	E85.3	08	I66A, I66B, I66C		14	O01A, O01B, O01C, O01D, O01E, O01F, O01G, O60A, O60B, O60C
	Pre	A07D, A09E, A11F, A13F		Pre	A07D, A09E, A11F, A13F	F01.9	01	B63Z
E79.0	15	TPN, VTPN	E85.4	08	I66A, I66B, I66C		14	O01A, O01B, O01C, O01D, O01E, O01F, O01G, O60A, O60B, O60C
	Pre	A07D, A09E, A11F, A13F	E85.5	08	I66A, I66B, I66C		01	B63Z
E79.1	10	K63A, K63B, K63C	E85.9	08	I66A, I66B, I66C		14	O01A, O01B, O01C, O01D, O01E, O01F, O01G, O60A, O60B, O60C
	Pre	A07D, A09E, A11F, A13F	E86	10	K62A, K62B	F02.0	14	O01A, O01B, O01C, O01D, O01E, O01F, O01G, O60A, O60B, O60C
E79.8	10	K63A, K63B, K63C		15	P65C, P66C, P67B, P67C		01	B63Z
	Pre	A07D, A09E, A11F, A13F		18A	S65A, S65B		14	O01A, O01B, O01C, O01D, O01E, O01F, O01G, O60A, O60B, O60C
E79.9	10	K63A, K63B, K63C		22	Y02A, Y02B	F02.1	14	O01A, O01B, O01C, O01D, O01E, O01F, O01G, O60A, O60B, O60C
	Pre	A07D, A09E, A11F, A13F	E87.0	10	K62A, K62B		01	B63Z
E80.0	10	K63A, K63B, K63C		22	Y02A, Y02B		14	O01A, O01B, O01C, O01D, O01E, O01F, O01G, O60A, O60B, O60C
	Pre	A07D, A09E, A11F, A13F	E87.1	10	K62A, K62B	F02.2	14	O01A, O01B, O01C, O01D, O01E, O01F, O01G, O60A, O60B, O60C
E80.1	15	TPN, VTPN		22	Y02A, Y02B		14	O01A, O01B, O01C, O01D, O01E, O01F, O01G, O60A, O60B, O60C
	Pre	A07D, A09E, A11F, A13F	E87.2	10	K62A, K62B		14	O01A, O01B, O01C, O01D, O01E, O01F, O01G, O60A, O60B, O60C
E80.2	10	K63A, K63B, K63C		15	P65C, P66C, P67B, P67C		14	O01A, O01B, O01C, O01D, O01E, O01F, O01G, O60A, O60B, O60C
	Pre	A07D, A09E, A11F, A13F	E87.3	10	K62A, K62B		14	O01A, O01B, O01C, O01D, O01E, O01F, O01G, O60A, O60B, O60C
E80.3	10	K63A, K63B, K63C		22	Y02A, Y02B		14	O01A, O01B, O01C, O01D, O01E, O01F, O01G, O60A, O60B, O60C
E80.4	07	H63A, H63B, H63C, H78Z	E87.4	10	K62A, K62B		14	O01A, O01B, O01C, O01D, O01E, O01F, O01G, O60A, O60B, O60C
E80.5	07	H63A, H63B, H63C, H78Z		22	Y02A, Y02B		14	O01A, O01B, O01C, O01D, O01E, O01F, O01G, O60A, O60B, O60C

ICD	MDC	DRG	ICD	MDC	DRG	ICD	MDC	DRG
F02.3	01	B67A	F07.1	01	B63Z	F11.5	14	O01A, O01B, O01C, O01D, O01E, O01F, O01G, O60A, O60B, O60C
	14	O01A, O01B, O01C, O01D, O01E, O01F, O01G, O60A, O60B, O60C	F07.2	01	B76A, B76B, B76C, B76D, B76E, B76F, B76G		20	V61Z
F02.4	14	O01A, O01B, O01C, O01D, O01E, O01F, O01G, O60A, O60B, O60C	F07.8	01	B63Z	F11.6	14	O01A, O01B, O01C, O01D, O01E, O01F, O01G, O60A, O60B, O60C
	15	TPN, VTPN	F07.9	01	B64Z		20	V61Z
F03	01	B20D, B63Z	F09	01	B63Z	F11.7	14	O01A, O01B, O01C, O01D, O01E, O01F, O01G, O60A, O60B, O60C
	14	O01A, O01B, O01C, O01D, O01E, O01F, O01G, O60A, O60B, O60C		18A	S65A, S65B		20	V61Z
	18A	S65A, S65B	F10.0	14	O01A, O01B, O01C, O01D, O01E, O01F, O01G, O60A, O60B, O60C	F11.8	14	O01A, O01B, O01C, O01D, O01E, O01F, O01G, O60A, O60B, O60C
F04	01	B63Z		20	V60A, V60B, V60C		20	V61Z
	14	O01A, O01B, O01C, O01D, O01E, O01F, O01G, O60A, O60B, O60C	F10.1	14	O01A, O01B, O01C, O01D, O01E, O01F, O01G, O60A, O60B, O60C	F11.9	14	O01A, O01B, O01C, O01D, O01E, O01F, O01G, O60A, O60B, O60C
F05.0	01	B64Z	F10.2	14	O01A, O01B, O01C, O01D, O01E, O01F, O01G, O60A, O60B, O60C		20	V61Z
	14	O01A, O01B, O01C, O01D, O01E, O01F, O01G, O60A, O60B, O60C		20	V60A, V60B, V60C	F12.0	20	V64Z
F05.1	01	B64Z	F10.3	14	O01A, O01B, O01C, O01D, O01E, O01F, O01G, O60A, O60B, O60C	F12.1	20	V64Z
	14	O01A, O01B, O01C, O01D, O01E, O01F, O01G, O60A, O60B, O60C		20	V60A, V60B	F12.2	20	V64Z
	18A	S65A, S65B	F10.4	14	O01A, O01B, O01C, O01D, O01E, O01F, O01G, O60A, O60B, O60C	F12.3	14	O01A, O01B, O01C, O01D, O01E, O01F, O01G, O60A, O60B, O60C
F05.8	01	B64Z		20	V60A, V60B		20	V61Z
	14	O01A, O01B, O01C, O01D, O01E, O01F, O01G, O60A, O60B, O60C	F10.5	14	O01A, O01B, O01C, O01D, O01E, O01F, O01G, O60A, O60B, O60C	F12.4	14	O01A, O01B, O01C, O01D, O01E, O01F, O01G, O60A, O60B, O60C
F05.9	01	B64Z		20	V60A, V60B		20	V61Z
	14	O01A, O01B, O01C, O01D, O01E, O01F, O01G, O60A, O60B, O60C	F10.6	01	B63Z	F12.5	14	O01A, O01B, O01C, O01D, O01E, O01F, O01G, O60A, O60B, O60C
F06.0	01	B64Z, B67A		14	O01A, O01B, O01C, O01D, O01E, O01F, O01G, O60A, O60B, O60C		20	V61Z
	14	O01A, O01B, O01C, O01D, O01E, O01F, O01G, O60A, O60B, O60C	F10.7	14	O01A, O01B, O01C, O01D, O01E, O01F, O01G, O60A, O60B, O60C	F12.6	14	O01A, O01B, O01C, O01D, O01E, O01F, O01G, O60A, O60B, O60C
F06.1	01	B64Z		20	V60A		20	V61Z
	14	O01A, O01B, O01C, O01D, O01E, O01F, O01G, O60A, O60B, O60C	F10.8	14	O01A, O01B, O01C, O01D, O01E, O01F, O01G, O60A, O60B, O60C	F12.7	14	O01A, O01B, O01C, O01D, O01E, O01F, O01G, O60A, O60B, O60C
F06.2	01	B64Z, B67A		20	V60A, V60B, V60C		20	V61Z
	14	O01A, O01B, O01C, O01D, O01E, O01F, O01G, O60A, O60B, O60C	F10.9	14	O01A, O01B, O01C, O01D, O01E, O01F, O01G, O60A, O60B, O60C	F12.8	14	O01A, O01B, O01C, O01D, O01E, O01F, O01G, O60A, O60B, O60C
F06.3	01	B64Z		20	V60A, V60B, V60C		20	V61Z
	14	O01A, O01B, O01C, O01D, O01E, O01F, O01G, O60A, O60B, O60C	F11.0	14	O01A, O01B, O01C, O01D, O01E, O01F, O01G, O60A, O60B, O60C	F12.9	14	O01A, O01B, O01C, O01D, O01E, O01F, O01G, O60A, O60B, O60C
F06.4	01	B64Z		20	V63Z		20	V61Z
	14	O01A, O01B, O01C, O01D, O01E, O01F, O01G, O60A, O60B, O60C	F11.1	14	O01A, O01B, O01C, O01D, O01E, O01F, O01G, O60A, O60B, O60C	F13.0	14	O01A, O01B, O01C, O01D, O01E, O01F, O01G, O60A, O60B, O60C
F06.5	01	B64Z		20	V63Z		20	V64Z
	14	O01A, O01B, O01C, O01D, O01E, O01F, O01G, O60A, O60B, O60C	F11.2	14	O01A, O01B, O01C, O01D, O01E, O01F, O01G, O60A, O60B, O60C	F13.1	14	O01A, O01B, O01C, O01D, O01E, O01F, O01G, O60A, O60B, O60C
F06.6	01	B64Z		20	V63Z		20	V64Z
	14	O01A, O01B, O01C, O01D, O01E, O01F, O01G, O60A, O60B, O60C	F11.3	14	O01A, O01B, O01C, O01D, O01E, O01F, O01G, O60A, O60B, O60C	F13.2	14	O01A, O01B, O01C, O01D, O01E, O01F, O01G, O60A, O60B, O60C
F06.7	01	B64Z		20	V61Z		20	V64Z
F06.8	01	B63Z		20	V61Z	F13.3	14	O01A, O01B, O01C, O01D, O01E, O01F, O01G, O60A, O60B, O60C
	18A	S65A, S65B	F11.4	14	O01A, O01B, O01C, O01D, O01E, O01F, O01G, O60A, O60B, O60C		20	V61Z
F06.9	01	B63Z		20	V61Z	F13.4	14	O01A, O01B, O01C, O01D, O01E, O01F, O01G, O60A, O60B, O60C
	18A	S65A, S65B		20	V61Z		20	V61Z
F07.0	01	B63Z		20	V61Z		20	V61Z
	14	O01A, O01B, O01C, O01D, O01E, O01F, O01G, O60A, O60B, O60C		20	V61Z		20	V61Z

ICD	MDC	DRG	ICD	MDC	DRG	ICD	MDC	DRG
F13.5	14	O01A, O01B, O01C, O01D, O01E, O01F, O01G, O60A, O60B, O60C	F15.2	14	O01A, O01B, O01C, O01D, O01E, O01F, O01G, O60A, O60B, O60C	F16.9	14	O01A, O01B, O01C, O01D, O01E, O01F, O01G, O60A, O60B, O60C
	20	V61Z		20	V64Z		20	V61Z
F13.6	14	O01A, O01B, O01C, O01D, O01E, O01F, O01G, O60A, O60B, O60C	F15.3	14	O01A, O01B, O01C, O01D, O01E, O01F, O01G, O60A, O60B, O60C	F17.0	20	V64Z
	20	V61Z		20	V61Z	F17.1	20	V64Z
F13.7	14	O01A, O01B, O01C, O01D, O01E, O01F, O01G, O60A, O60B, O60C	F15.4	14	O01A, O01B, O01C, O01D, O01E, O01F, O01G, O60A, O60B, O60C	F17.2	20	V64Z
	20	V61Z		20	V61Z	F17.3	20	V61Z
F13.8	14	O01A, O01B, O01C, O01D, O01E, O01F, O01G, O60A, O60B, O60C	F15.5	14	O01A, O01B, O01C, O01D, O01E, O01F, O01G, O60A, O60B, O60C	F17.4	20	V61Z
	20	V61Z		20	V61Z	F17.5	20	V61Z
F13.9	14	O01A, O01B, O01C, O01D, O01E, O01F, O01G, O60A, O60B, O60C	F15.6	14	O01A, O01B, O01C, O01D, O01E, O01F, O01G, O60A, O60B, O60C	F17.6	20	V61Z
	20	V61Z		20	V61Z	F17.7	20	V61Z
F14.0	14	O01A, O01B, O01C, O01D, O01E, O01F, O01G, O60A, O60B, O60C	F15.7	14	O01A, O01B, O01C, O01D, O01E, O01F, O01G, O60A, O60B, O60C	F17.8	20	V61Z
	20	V64Z		20	V61Z	F17.9	20	V61Z
F14.1	14	O01A, O01B, O01C, O01D, O01E, O01F, O01G, O60A, O60B, O60C	F15.8	14	O01A, O01B, O01C, O01D, O01E, O01F, O01G, O60A, O60B, O60C	F18.0	14	O01A, O01B, O01C, O01D, O01E, O01F, O01G, O60A, O60B, O60C
	20	V64Z		20	V61Z		20	V64Z
F14.2	14	O01A, O01B, O01C, O01D, O01E, O01F, O01G, O60A, O60B, O60C	F15.9	14	O01A, O01B, O01C, O01D, O01E, O01F, O01G, O60A, O60B, O60C	F18.1	14	O01A, O01B, O01C, O01D, O01E, O01F, O01G, O60A, O60B, O60C
	20	V64Z		20	V61Z		20	V64Z
F14.3	14	O01A, O01B, O01C, O01D, O01E, O01F, O01G, O60A, O60B, O60C	F16.0	14	O01A, O01B, O01C, O01D, O01E, O01F, O01G, O60A, O60B, O60C	F18.2	14	O01A, O01B, O01C, O01D, O01E, O01F, O01G, O60A, O60B, O60C
	20	V61Z		20	V64Z		20	V64Z
F14.4	14	O01A, O01B, O01C, O01D, O01E, O01F, O01G, O60A, O60B, O60C	F16.1	14	O01A, O01B, O01C, O01D, O01E, O01F, O01G, O60A, O60B, O60C	F18.3	14	O01A, O01B, O01C, O01D, O01E, O01F, O01G, O60A, O60B, O60C
	20	V61Z		20	V64Z		20	V61Z
F14.5	14	O01A, O01B, O01C, O01D, O01E, O01F, O01G, O60A, O60B, O60C	F16.2	14	O01A, O01B, O01C, O01D, O01E, O01F, O01G, O60A, O60B, O60C	F18.4	14	O01A, O01B, O01C, O01D, O01E, O01F, O01G, O60A, O60B, O60C
	20	V61Z		20	V64Z		20	V61Z
F14.6	14	O01A, O01B, O01C, O01D, O01E, O01F, O01G, O60A, O60B, O60C	F16.3	14	O01A, O01B, O01C, O01D, O01E, O01F, O01G, O60A, O60B, O60C	F18.5	14	O01A, O01B, O01C, O01D, O01E, O01F, O01G, O60A, O60B, O60C
	20	V61Z		20	V61Z		20	V61Z
F14.7	14	O01A, O01B, O01C, O01D, O01E, O01F, O01G, O60A, O60B, O60C	F16.4	14	O01A, O01B, O01C, O01D, O01E, O01F, O01G, O60A, O60B, O60C	F18.6	14	O01A, O01B, O01C, O01D, O01E, O01F, O01G, O60A, O60B, O60C
	20	V61Z		20	V61Z		20	V61Z
F14.8	14	O01A, O01B, O01C, O01D, O01E, O01F, O01G, O60A, O60B, O60C	F16.5	14	O01A, O01B, O01C, O01D, O01E, O01F, O01G, O60A, O60B, O60C	F18.7	14	O01A, O01B, O01C, O01D, O01E, O01F, O01G, O60A, O60B, O60C
	20	V61Z		20	V61Z		20	V61Z
F14.9	14	O01A, O01B, O01C, O01D, O01E, O01F, O01G, O60A, O60B, O60C	F16.6	14	O01A, O01B, O01C, O01D, O01E, O01F, O01G, O60A, O60B, O60C	F18.8	14	O01A, O01B, O01C, O01D, O01E, O01F, O01G, O60A, O60B, O60C
	20	V61Z		20	V61Z		20	V61Z
F15.0	14	O01A, O01B, O01C, O01D, O01E, O01F, O01G, O60A, O60B, O60C	F16.7	14	O01A, O01B, O01C, O01D, O01E, O01F, O01G, O60A, O60B, O60C	F18.9	14	O01A, O01B, O01C, O01D, O01E, O01F, O01G, O60A, O60B, O60C
	20	V64Z		20	V61Z		20	V61Z
F15.1	14	O01A, O01B, O01C, O01D, O01E, O01F, O01G, O60A, O60B, O60C	F16.8	14	O01A, O01B, O01C, O01D, O01E, O01F, O01G, O60A, O60B, O60C	F19.0	14	O01A, O01B, O01C, O01D, O01E, O01F, O01G, O60A, O60B, O60C
	20	V64Z		20	V61Z		20	V64Z
						F19.1	14	O01A, O01B, O01C, O01D, O01E, O01F, O01G, O60A, O60B, O60C
							20	V64Z
						F19.2	14	O01A, O01B, O01C, O01D, O01E, O01F, O01G, O60A, O60B, O60C
							20	V64Z
						F19.3	14	O01A, O01B, O01C, O01D, O01E, O01F, O01G, O60A, O60B, O60C
							15	TPN, VTPN
							20	V61Z

ICD	MDC	DRG	ICD	MDC	DRG	ICD	MDC	DRG
F19.4	14	001A, 001B, 001C, 001D, 001E, 001F, 001G, 060A, 060B, 060C	F23.2	14	001A, 001B, 001C, 001D, 001E, 001F, 001G, 060A, 060B, 060C	F31.1	14	001A, 001B, 001C, 001D, 001E, 001F, 001G, 060A, 060B, 060C
	20	V61Z		19	U61Z		19	U63Z
F19.5	14	001A, 001B, 001C, 001D, 001E, 001F, 001G, 060A, 060B, 060C	F23.3	14	001A, 001B, 001C, 001D, 001E, 001F, 001G, 060A, 060B, 060C	F31.2	14	001A, 001B, 001C, 001D, 001E, 001F, 001G, 060A, 060B, 060C
	20	V61Z		19	U61Z		19	U63Z
F19.6	14	001A, 001B, 001C, 001D, 001E, 001F, 001G, 060A, 060B, 060C	F23.8	14	001A, 001B, 001C, 001D, 001E, 001F, 001G, 060A, 060B, 060C	F31.3	19	U63Z
	20	V61Z		19	U61Z	F31.4	14	001A, 001B, 001C, 001D, 001E, 001F, 001G, 060A, 060B, 060C
F19.7	14	001A, 001B, 001C, 001D, 001E, 001F, 001G, 060A, 060B, 060C	F23.9	14	001A, 001B, 001C, 001D, 001E, 001F, 001G, 060A, 060B, 060C		19	U63Z
	20	V61Z		19	U61Z	F31.5	14	001A, 001B, 001C, 001D, 001E, 001F, 001G, 060A, 060B, 060C
F19.8	14	001A, 001B, 001C, 001D, 001E, 001F, 001G, 060A, 060B, 060C	F24	19	U61Z		19	U63Z
	20	V61Z	F25.0	14	001A, 001B, 001C, 001D, 001E, 001F, 001G, 060A, 060B, 060C	F31.6	14	001A, 001B, 001C, 001D, 001E, 001F, 001G, 060A, 060B, 060C
F19.9	14	001A, 001B, 001C, 001D, 001E, 001F, 001G, 060A, 060B, 060C		19	U61Z		19	U63Z
	20	V61Z	F25.1	14	001A, 001B, 001C, 001D, 001E, 001F, 001G, 060A, 060B, 060C	F31.7	19	U63Z
F20.0	14	001A, 001B, 001C, 001D, 001E, 001F, 001G, 060A, 060B, 060C		19	U61Z	F31.8	14	001A, 001B, 001C, 001D, 001E, 001F, 001G, 060A, 060B, 060C
	19	U61Z	F25.2	14	001A, 001B, 001C, 001D, 001E, 001F, 001G, 060A, 060B, 060C		19	U63Z
F20.1	14	001A, 001B, 001C, 001D, 001E, 001F, 001G, 060A, 060B, 060C		19	U61Z	F31.9	14	001A, 001B, 001C, 001D, 001E, 001F, 001G, 060A, 060B, 060C
	19	U61Z	F25.8	14	001A, 001B, 001C, 001D, 001E, 001F, 001G, 060A, 060B, 060C		19	U63Z
F20.2	14	001A, 001B, 001C, 001D, 001E, 001F, 001G, 060A, 060B, 060C		19	U61Z	F32.0	19	U63Z
	19	U61Z	F25.9	14	001A, 001B, 001C, 001D, 001E, 001F, 001G, 060A, 060B, 060C	F32.1	19	U63Z
F20.3	14	001A, 001B, 001C, 001D, 001E, 001F, 001G, 060A, 060B, 060C		19	U61Z	F32.2	14	001A, 001B, 001C, 001D, 001E, 001F, 001G, 060A, 060B, 060C
	19	U61Z	F28	19	U61Z		19	U63Z
F20.4	19	U64Z	F29	14	001A, 001B, 001C, 001D, 001E, 001F, 001G, 060A, 060B, 060C	F32.3	14	001A, 001B, 001C, 001D, 001E, 001F, 001G, 060A, 060B, 060C
F20.5	14	001A, 001B, 001C, 001D, 001E, 001F, 001G, 060A, 060B, 060C		18A	S65A, S65B		19	U63Z
	19	U61Z		19	U61Z	F32.8	19	U63Z
F20.6	14	001A, 001B, 001C, 001D, 001E, 001F, 001G, 060A, 060B, 060C	F30.0	14	001A, 001B, 001C, 001D, 001E, 001F, 001G, 060A, 060B, 060C	F32.9	19	U64Z
	19	U61Z		18A	S65A, S65B	F33.0	19	U63Z
F20.8	14	001A, 001B, 001C, 001D, 001E, 001F, 001G, 060A, 060B, 060C		19	U63Z	F33.1	19	U63Z
	19	U61Z	F30.1	14	001A, 001B, 001C, 001D, 001E, 001F, 001G, 060A, 060B, 060C	F33.2	14	001A, 001B, 001C, 001D, 001E, 001F, 001G, 060A, 060B, 060C
F20.9	14	001A, 001B, 001C, 001D, 001E, 001F, 001G, 060A, 060B, 060C		18A	S65A, S65B		19	U63Z
	19	U61Z		19	U63Z	F33.3	14	001A, 001B, 001C, 001D, 001E, 001F, 001G, 060A, 060B, 060C
F21	19	U61Z	F30.2	14	001A, 001B, 001C, 001D, 001E, 001F, 001G, 060A, 060B, 060C		19	U63Z
F22.0	19	U61Z		18A	S65A, S65B	F33.4	19	U63Z
F22.8	19	U61Z		19	U63Z	F33.8	14	001A, 001B, 001C, 001D, 001E, 001F, 001G, 060A, 060B, 060C
F22.9	19	U61Z		19	U63Z		19	U63Z
F23.0	14	001A, 001B, 001C, 001D, 001E, 001F, 001G, 060A, 060B, 060C		19	U63Z	F33.9	14	001A, 001B, 001C, 001D, 001E, 001F, 001G, 060A, 060B, 060C
	19	U61Z	F30.9	14	001A, 001B, 001C, 001D, 001E, 001F, 001G, 060A, 060B, 060C		19	U63Z
F23.1	14	001A, 001B, 001C, 001D, 001E, 001F, 001G, 060A, 060B, 060C		18A	S65A, S65B	F34.0	19	U64Z
	19	U61Z		19	U63Z	F34.1	19	U64Z
			F31.0	14	001A, 001B, 001C, 001D, 001E, 001F, 001G, 060A, 060B, 060C	F34.8	19	U63Z
				19	U63Z	F34.9	19	U63Z
				19	U63Z	F38.0	19	U63Z
				19	U63Z	F38.1	19	U63Z
				19	U63Z	F38.8	19	U63Z
				19	U63Z	F39	19	U63Z
				19	U63Z	F40.00	19	U64Z
				19	U63Z	F40.01	19	U64Z

ICD	MDC	DRG	ICD	MDC	DRG	ICD	MDC	DRG
F40.1	19	U64Z	F50.3	14	O01A, O01B, O01C, O01D, O01E, O01F, O01G, O60A, O60B, O60C	F62.9	19	U66Z
F40.2	19	U64Z				F63.0	19	U66Z
F40.8	19	U64Z				F63.1	19	U66Z
F40.9	19	U64Z		19	U66Z	F63.2	19	U66Z
F41.0	19	U64Z	F50.4	14	O01A, O01B, O01C, O01D, O01E, O01F, O01G, O60A, O60B, O60C	F63.3	19	U66Z
F41.1	19	U64Z				F63.8	19	U66Z
F41.2	19	U64Z		19	U66Z	F63.9	19	U66Z
F41.3	19	U64Z		19	U66Z	F64.0	19	U01Z, U66Z
F41.8	19	U64Z	F50.5	19	U66Z	F64.1	19	U01Z, U66Z
F41.9	19	U64Z	F50.8	14	O01A, O01B, O01C, O01D, O01E, O01F, O01G, O60A, O60B, O60C	F64.2	19	U66Z
F42.0	19	U66Z		19	U66Z	F64.8	19	U01Z, U66Z
F42.1	19	U66Z				F64.9	19	U01Z, U66Z
F42.2	19	U66Z	F50.9	14	O01A, O01B, O01C, O01D, O01E, O01F, O01G, O60A, O60B, O60C	F65.0	19	U66Z
F42.8	19	U66Z		19	U66Z	F65.1	19	U66Z
F42.9	19	U66Z				F65.2	19	U66Z
F43.0	19	U66Z		19	U66Z	F65.3	19	U66Z
F43.1	19	U66Z	F51.0	19	U64Z	F65.4	19	U66Z
F43.2	19	U66Z	F51.1	19	U64Z	F65.5	19	U66Z
F43.8	19	U66Z	F51.2	19	U64Z	F65.6	19	U66Z
F43.9	19	U66Z	F51.3	19	U64Z	F65.8	19	U66Z
F44.0	19	U64Z	F51.4	19	U64Z	F65.9	19	U66Z
F44.1	19	U64Z	F51.5	19	U64Z	F66.0	19	U66Z
F44.2	19	U64Z	F51.8	19	U64Z	F66.1	19	U66Z
F44.3	19	U64Z	F51.9	19	U64Z	F66.2	19	U66Z
F44.4	15	P65C, P66C, P67B, P67C	F52.0	19	U66Z	F66.8	19	U66Z
	19	U64Z	F52.1	19	U66Z	F66.9	19	U66Z
F44.5	19	U64Z	F52.2	12	M64Z	F68.0	19	U64Z
F44.6	19	U64Z		13	N04Z, N05A, N05B, N14Z, N21Z, N25Z, N62B	F68.1	19	U66Z
F44.7	19	U64Z	F52.3	19	U66Z	F68.8	19	U66Z
F44.80	19	U64Z	F52.4	19	U66Z	F69	19	U66Z
F44.81	19	U64Z	F52.5	13	N04Z, N05A, N05B, N14Z, N21Z, N25Z, N62B	F70.0	01	B81A, B81B
F44.82	19	U64Z				F70.1	01	B81A, B81B
F44.88	19	U64Z	F52.6	19	U66Z	F70.8	01	B81A, B81B
F44.9	19	U64Z	F52.7	19	U66Z	F70.9	01	B81A, B81B
F45.0	19	U64Z	F52.8	19	U66Z	F71.0	01	B81A, B81B
F45.1	19	U64Z	F52.9	19	U66Z	F71.1	01	B81A, B81B
F45.2	19	U64Z	F53.0	14	O04A, O04B, O61Z	F71.8	01	B81A, B81B
F45.30	05	F73Z	F53.1	14	O04A, O04B, O61Z	F71.9	01	B81A, B81B
F45.31	19	U64Z	F53.8	14	O04A, O04B, O61Z	F72.0	01	B81A, B81B
F45.32	19	U64Z	F53.9	14	O04A, O04B, O61Z	F72.1	01	B81A, B81B
F45.33	04	E65A, E65B, E69A, E69B, E69C, E69D, E69E, E69F, E75A, E75B, E75C	F54	19	U66Z	F72.8	01	B81A, B81B
			F55.0	20	V64Z	F72.9	01	B81A, B81B
F45.34	11	L68A, L68B, L74Z	F55.1	20	V64Z	F73.0	01	B81A, B81B
F45.37	19	U64Z	F55.2	20	V64Z	F73.1	01	B81A, B81B
F45.38	19	U64Z	F55.3	20	V64Z	F73.8	01	B81A, B81B
F45.39	19	U64Z	F55.4	20	V64Z	F73.9	01	B81A, B81B
F45.40	19	U64Z	F55.5	20	V64Z	F74.0	01	B81A, B81B
F45.41	19	U64Z	F55.6	20	V64Z	F74.1	01	B81A, B81B
F45.8	19	U64Z	F55.8	20	V64Z	F74.8	01	B81A, B81B
F45.9	19	U64Z	F55.9	20	V64Z	F74.9	01	B81A, B81B
F48.0	19	U64Z	F59	19	U64Z	F78.0	01	B81A, B81B
F48.1	19	U64Z	F60.0	19	U66Z	F78.1	01	B81A, B81B
F48.8	19	U64Z	F60.1	19	U66Z	F78.8	01	B81A, B81B
F48.9	19	U64Z	F60.2	19	U66Z	F78.9	01	B81A, B81B
F50.0	14	O01A, O01B, O01C, O01D, O01E, O01F, O01G, O60A, O60B, O60C	F60.30	19	U66Z	F79.0	01	B81A, B81B
	19	U66Z	F60.31	19	U66Z	F79.1	01	B81A, B81B
F50.1	14	O01A, O01B, O01C, O01D, O01E, O01F, O01G, O60A, O60B, O60C	F60.4	19	U66Z	F79.8	01	B81A, B81B
	19	U66Z	F60.5	19	U66Z	F79.9	01	B81A, B81B
F50.2	14	O01A, O01B, O01C, O01D, O01E, O01F, O01G, O60A, O60B, O60C	F60.6	19	U66Z	F80.0	19	U66Z
	19	U66Z	F60.7	19	U66Z	F80.1	19	U66Z
			F60.8	19	U66Z	F80.20	19	U66Z
			F60.9	19	U66Z	F80.28	19	U66Z
			F61	19	U66Z	F80.3	19	U66Z
			F62.0	19	U66Z	F80.8	19	U66Z
			F62.1	19	U66Z	F80.9	19	U66Z
			F62.80	19	U66Z	F81.0	19	U66Z
			F62.88	19	U66Z	F81.1	19	U66Z
						F81.2	19	U66Z
						F81.3	19	U66Z

ICD	MDC	DRG	ICD	MDC	DRG	ICD	MDC	DRG
F81.8	19	U66Z	F94.9	19	U66Z	G04.1	01	B03A, B48Z, B60A, B60B
F81.9	19	U66Z	F95.0	01	B81A, B81B	04	04	E40B, E69A, E77F
F82.0	15	TPN, VTPN	F95.1	01	B81A, B81B	06	06	G67C
	19	U66Z	F95.2	01	B81A, B81B	08	08	I06A, I08C, I09D, I10C, I13A, I13B, I68A, I68B, I69A, I69B
F82.1	15	TPN, VTPN	F95.8	01	B81A, B81B	09	09	J02A, J08A, J08B, J08C, J11A
	19	U66Z	F95.9	01	B81A, B81B	10	10	K62A
F82.2	15	TPN, VTPN	F98.0	19	U66Z	11	11	L18A, L18B, L20A, L20B, L38Z, L42A, L74Z
	19	U66Z	F98.1	19	U66Z	18B	18B	T60B
F82.9	15	TPN, VTPN	F98.2	19	U66Z	Pre	Pre	A07D, A09E, A11F, A13F
	19	U66Z	F98.3	19	U66Z	G04.2	01	B72A, B72B
F83	15	TPN, VTPN	F98.4	19	U66Z	18A	18A	S65A, S65B
	19	U66Z	F98.5	01	B81A, B81B	Pre	Pre	A07D, A09E, A11F, A13F
F84.0	14	O01A, O01B, O01C, O01D, O01E, O01F, O01G, O60A, O60B, O60C	F98.6	01	B81A, B81B	G04.8	01	B72A, B72B
	19	U66Z	F98.8	19	U66Z	18A	18A	S65A, S65B
F84.1	14	O01A, O01B, O01C, O01D, O01E, O01F, O01G, O60A, O60B, O60C	F98.9	19	U66Z	Pre	Pre	A07D, A09E, A11F, A13F
	19	U66Z	F99	19	U64Z	G04.9	01	B72A, B72B
F84.2	01	B48Z, B85A, B85B, B85C, B85D	G00.0	01	B72A, B72B	18A	18A	S65A, S65B
	14	O01A, O01B, O01C, O01D, O01E, O01F, O01G, O60A, O60B, O60C	15	15	TPN, VTPN	Pre	Pre	A07D, A09E, A11F, A13F
	19	U66Z	Pre	Pre	A07D, A09E, A11F, A13F	G05.0	15	TPN, VTPN
F84.3	14	O01A, O01B, O01C, O01D, O01E, O01F, O01G, O60A, O60B, O60C	G00.1	01	B72A, B72B	Pre	Pre	A07D, A09E, A11F, A13F
	19	U66Z	15	15	TPN, VTPN	G05.1	15	TPN, VTPN
F84.4	14	O01A, O01B, O01C, O01D, O01E, O01F, O01G, O60A, O60B, O60C	Pre	Pre	A07D, A09E, A11F, A13F	Pre	Pre	A07D, A09E, A11F, A13F
	19	U66Z	G00.2	01	B72A, B72B	G05.2	15	TPN, VTPN
F84.5	14	O01A, O01B, O01C, O01D, O01E, O01F, O01G, O60A, O60B, O60C	15	15	TPN, VTPN	Pre	Pre	A07D, A09E, A11F, A13F
	19	U66Z	Pre	Pre	A07D, A09E, A11F, A13F	G05.8	15	TPN, VTPN
F84.8	14	O01A, O01B, O01C, O01D, O01E, O01F, O01G, O60A, O60B, O60C	G00.3	01	B72A, B72B	Pre	Pre	A07D, A09E, A11F, A13F
	19	U66Z	15	15	TPN, VTPN	G06.0	01	B02A, B02B, B02C, B02D, B72A, B72B
F84.9	14	O01A, O01B, O01C, O01D, O01E, O01F, O01G, O60A, O60B, O60C	Pre	Pre	A07D, A09E, A11F, A13F	15	15	TPN, VTPN
	19	U66Z	G00.8	01	B72A, B72B	Pre	Pre	A07D, A09E, A11F, A13F
F88	19	U66Z	15	15	TPN, VTPN	G06.1	01	B02A, B02B, B02C, B02D, B72A, B72B
F89	19	U66Z	G00.9	01	B72A, B72B	15	15	TPN, VTPN
F90.0	19	U66Z	15	15	TPN, VTPN	Pre	Pre	A07D, A09E, A11F, A13F
F90.1	19	U66Z	G01	15	TPN, VTPN	G06.2	01	B72A, B72B
F90.8	19	U66Z	Pre	Pre	A07D, A09E, A11F, A13F	15	15	TPN, VTPN
F90.9	19	U66Z	G02.0	15	TPN, VTPN	Pre	Pre	A07D, A09E, A11F, A13F
F91.0	19	U66Z	G02.1	15	TPN, VTPN	G07	15	TPN, VTPN
F91.1	19	U66Z	Pre	Pre	A07D, A09E, A11F, A13F	Pre	Pre	A07D, A09E, A11F, A13F
F91.2	19	U66Z	G02.8	15	TPN, VTPN	G08	01	B81A
F91.3	19	U66Z	Pre	Pre	A07D, A09E, A11F, A13F	15	15	TPN, VTPN
F91.8	19	U66Z	G03.0	01	B72A, B72B	Pre	Pre	A07D, A09E, A11F, A13F
F91.9	19	U66Z	15	15	TPN, VTPN	G09	Pre	A07D, A09E, A11F, A13F
F92.0	19	U66Z	Pre	Pre	A07D, A09E, A11F, A13F	G10	01	B48Z, B85A, B85B, B85C, B85D
F92.8	19	U66Z	G03.1	01	B72A, B72B	Pre	Pre	A07D, A09E, A11F, A13F
F92.9	19	U66Z	15	15	TPN, VTPN	G11.0	01	B03A, B03B, B06A, B06B, B17A, B17B, B17C, B17D, B48Z, B68A, B68B, B68C
F93.0	19	U66Z	Pre	Pre	A07D, A09E, A11F, A13F	Pre	Pre	A07D, A09E, A11F, A13F
F93.1	19	U66Z	G03.2	01	B72A, B72B	G11.1	01	B03A, B03B, B06A, B06B, B17A, B17B, B17C, B17D, B48Z, B68A, B68B, B68C
F93.2	19	U66Z	15	15	TPN, VTPN	Pre	Pre	A07D, A09E, A11F, A13F
F93.3	19	U66Z	Pre	Pre	A07D, A09E, A11F, A13F	G11.2	01	B03A, B03B, B06A, B06B, B17A, B17B, B17C, B17D, B48Z, B68A, B68B, B68C
F93.8	19	U66Z	G03.8	01	B72A, B72B	Pre	Pre	A07D, A09E, A11F, A13F
F93.9	19	U66Z	15	15	TPN, VTPN	G11.3	01	B03A, B03B, B06A, B06B, B17A, B17B, B17C, B17D, B48Z, B68A, B68B, B68C
F94.0	19	U66Z	Pre	Pre	A07D, A09E, A11F, A13F	Pre	Pre	A07D, A09E, A11F, A13F
F94.1	19	U66Z	G03.9	01	B72A, B72B	G11.4	01	B03A, B03B, B06A, B06B, B17A, B17B, B17C, B17D, B48Z, B68A, B68B, B68C
F94.2	19	U66Z	15	15	TPN, VTPN	Pre	Pre	A07D, A09E, A11F, A13F
F94.8	19	U66Z	Pre	Pre	A07D, A09E, A11F, A13F			

Dg

ICD	MDC	DRG	ICD	MDC	DRG	ICD	MDC	DRG	
G11.8	01	B03A, B03B, B06A, B06B, B17A, B17B, B17C, B17D, B48Z, B68A, B68B, B68C	G23.2	01	B17A, B48Z, B85A, B85B, B85C	G35.10	01	B03A, B03B, B06A, B06B, B17A, B17B, B17C, B17D, B48Z, B68A, B68B, B68C, B68D	
	Pre	A07D, A09E, A11F, A13F		Pre	A07D, A09E, A11F, A13F				
G11.9	01	B03A, B03B, B06A, B06B, B17A, B17B, B17C, B17D, B48Z, B68A, B68B, B68C	G23.8	01	B67A, B67B		14	O01A, O01B, O01C, O01D, O01E, O01F, O01G, O60A, O60B, O60C	
	Pre	A07D, A09E, A11F, A13F		Pre	A07D, A09E, A11F, A13F				
G12.0	01	B03A, B03B, B06A, B06B, B17A, B17B, B17C, B17D, B48Z, B85A, B85B, B85C, B85D	G23.9	01	B67A, B67B		Pre	A07D, A09E, A11F, A13F	
	15	TPN, VTPN		Pre	A07D, A09E, A11F, A13F	G35.11	01	B03A, B03B, B06A, B06B, B17A, B17B, B17C, B17D, B48Z, B68A, B68B, B68C, B68D	
	Pre	A07D, A09E, A11F, A13F					14	O01A, O01B, O01C, O01D, O01E, O01F, O01G, O60A, O60B, O60C	
G12.1	01	B03A, B03B, B06A, B06B, B17A, B17B, B17C, B17D, B48Z, B85A, B85B, B85C, B85D	G24.0	01	B48Z, B85A, B85B, B85C, B85D		Pre	A07D, A09E, A11F, A13F	
	15	TPN, VTPN		G24.1	01	B48Z, B85A, B85B, B85C, B85D		01	B03A, B03B, B06A, B06B, B17A, B17B, B17C, B17D, B48Z, B68A, B68B, B68C, B68D
	Pre	A07D, A09E, A11F, A13F		G24.2	01	B48Z, B85A, B85B, B85C, B85D		14	O01A, O01B, O01C, O01D, O01E, O01F, O01G, O60A, O60B, O60C
G12.2	01	B03A, B03B, B06A, B06B, B17A, B17B, B17C, B17D, B48Z, B85A, B85B, B85C, B85D	G24.3	01	B81A, B81B		Pre	A07D, A09E, A11F, A13F	
	15	TPN, VTPN		G24.4	01	B81A, B81B		01	B03A, B03B, B06A, B06B, B17A, B17B, B17C, B17D, B48Z, B68A, B68B, B68C, B68D
	Pre	A07D, A09E, A11F, A13F		G24.5	02	C61Z	G35.20		
G12.8	01	B03A, B03B, B06A, B06B, B17A, B17B, B17C, B17D, B48Z, B85A, B85B, B85C, B85D	G24.8	01	B81A, B81B		14	O01A, O01B, O01C, O01D, O01E, O01F, O01G, O60A, O60B, O60C	
	15	TPN, VTPN		G24.9	01	B81A, B81B		Pre	A07D, A09E, A11F, A13F
	Pre	A07D, A09E, A11F, A13F		G25.0	01	B81A, B81B		01	B03A, B03B, B06A, B06B, B17A, B17B, B17C, B17D, B48Z, B68A, B68B, B68C, B68D
G12.9	01	B03A, B03B, B06A, B06B, B17A, B17B, B17C, B17D, B48Z, B85A, B85B, B85C, B85D	G25.1	01	B81A, B81B		14	O01A, O01B, O01C, O01D, O01E, O01F, O01G, O60A, O60B, O60C	
	15	TPN, VTPN		G25.2	01	B81A, B81B		Pre	A07D, A09E, A11F, A13F
	Pre	A07D, A09E, A11F, A13F		G25.3	01	B76A, B76B, B76C, B76D, B76E, B76F, B76G	G35.21		
G13.0	Pre	A07D, A09E, A11F, A13F		G25.4	01	B48Z, B85A, B85B, B85C, B85D		01	B03A, B03B, B06A, B06B, B17A, B17B, B17C, B17D, B48Z, B68A, B68B, B68C, B68D
G13.1	Pre	A07D, A09E, A11F, A13F		G25.5	01	B48Z, B85A, B85B, B85C, B85D		14	O01A, O01B, O01C, O01D, O01E, O01F, O01G, O60A, O60B, O60C
G13.2	Pre	A07D, A09E, A11F, A13F		G25.6	01	B81A, B81B		Pre	A07D, A09E, A11F, A13F
G13.8	Pre	A07D, A09E, A11F, A13F		G25.80	01	B03A, B03B, B06A, B06B, B17A, B17B, B17C, B17D, B48Z, B85A, B85B, B85C, B85D		01	B03A, B03B, B06A, B06B, B17A, B17B, B17C, B17D, B48Z, B68A, B68B, B68C, B68D
G20.00	01	B67A, B67B		G25.81	01	B03A, B03B, B06A, B06B, B17A, B17B, B17C, B17D, B48Z, B85A, B85B, B85C, B85D	G35.30		
G20.01	01	B67A, B67B						14	O01A, O01B, O01C, O01D, O01E, O01F, O01G, O60A, O60B, O60C
G20.10	01	B67A, B67B						Pre	A07D, A09E, A11F, A13F
	Pre	A07D, A09E, A11F, A13F						01	B03A, B03B, B06A, B06B, B17A, B17B, B17C, B17D, B48Z, B68A, B68B, B68C, B68D
G20.11	01	B67A, B67B		G25.88	01	B03A, B03B, B06A, B06B, B17A, B17B, B17C, B17D, B48Z, B85A, B85B, B85C, B85D		14	O01A, O01B, O01C, O01D, O01E, O01F, O01G, O60A, O60B, O60C
	Pre	A07D, A09E, A11F, A13F						Pre	A07D, A09E, A11F, A13F
G20.20	01	B67A		G25.9	01	B48Z, B85A, B85B, B85C, B85D	G35.31		
	Pre	A07D, A09E, A11F, A13F						01	B03A, B03B, B06A, B06B, B17A, B17B, B17C, B17D, B48Z, B68A, B68B, B68C, B68D
G20.21	01	B67A		G30.0	01	B63Z		14	O01A, O01B, O01C, O01D, O01E, O01F, O01G, O60A, O60B, O60C
	Pre	A07D, A09E, A11F, A13F		G30.1	01	B63Z		Pre	A07D, A09E, A11F, A13F
G20.90	01	B67A, B67B		G30.8	01	B63Z	G35.9		
G20.91	01	B67A, B67B		G30.9	01	B63Z		01	B03A, B03B, B06A, B06B, B17A, B17B, B17C, B17D, B48Z, B68A, B68B, B68C, B68D
G21.0	01	B03A, B03B, B06A, B06B, B17A, B17B, B17C, B17D, B67A, B67B		G31.0	01	B63Z		14	O01A, O01B, O01C, O01D, O01E, O01F, O01G, O60A, O60B, O60C
	Pre	A07D, A09E, A11F, A13F		G31.2	01	B48Z, B85A, B85B, B85C, B85D		Pre	A07D, A09E, A11F, A13F
G21.1	01	B03A, B03B, B06A, B06B, B17A, B17B, B17C, B17D, B67A, B67B		G31.81	01	B17A, B48Z, B76F, B85A, B85B, B85C		01	B03A, B03B, B06A, B06B, B17A, B17B, B17C, B17D, B48Z, B68A, B68B, B68C, B68D
	Pre	A07D, A09E, A11F, A13F						14	O01A, O01B, O01C, O01D, O01E, O01F, O01G, O60A, O60B, O60C
G21.2	01	B67A, B67B		G31.82	01	B17A, B48Z, B76F, B85A, B85B, B85C		Pre	A07D, A09E, A11F, A13F
	Pre	A07D, A09E, A11F, A13F						01	B03A, B03B, B06A, B06B, B17A, B17B, B17C, B17D, B48Z, B68A, B68B, B68C, B68D
G21.3	01	B67A, B67B		G31.88	01	B17A, B48Z, B76F, B85A, B85B, B85C	G36.0		
	Pre	A07D, A09E, A11F, A13F						01	B03A, B03B, B06A, B06B, B17A, B17B, B17C, B17D, B48Z, B68A, B68B, B68C, B68D
G21.4	01	B67A, B67B		G31.9	01	B48Z, B85A, B85B, B85C, B85D		Pre	A07D, A09E, A11F, A13F
	Pre	A07D, A09E, A11F, A13F						01	B03A, B03B, B06A, B06B, B17A, B17B, B17C, B17D, B48Z, B68A, B68B, B68C, B68D
G21.8	01	B67A, B67B		G35.0	01	B03A, B03B, B06A, B06B, B17A, B17B, B17C, B17D, B48Z, B68A, B68B, B68C, B68D	G36.1		
	Pre	A07D, A09E, A11F, A13F						01	B03A, B03B, B06A, B06B, B17A, B17B, B17C, B17D, B48Z, B68A, B68B, B68C, B68D
G21.9	01	B67A, B67B						Pre	A07D, A09E, A11F, A13F
G23.0	01	B67A, B67B						01	B03A, B03B, B06A, B06B, B17A, B17B, B17C, B17D, B48Z, B68A, B68B, B68C, B68D
	Pre	A07D, A09E, A11F, A13F						Pre	A07D, A09E, A11F, A13F
G23.1	01	B03A, B03B, B06A, B06B, B17A, B17B, B17C, B17D, B67A, B67B						01	B03A, B03B, B06A, B06B, B17A, B17B, B17C, B17D, B48Z, B68A, B68B, B68C, B68D
	Pre	A07D, A09E, A11F, A13F						Pre	A07D, A09E, A11F, A13F

ICD	MDC	DRG	ICD	MDC	DRG	ICD	MDC	DRG
G44.0	01	B03A, B03B, B06A, B06B, B17A, B17B, B17C, B17D, B77Z	G45.89	01	B03A, B03B, B06A, B06B, B17A, B17B, B17C, B17D, B39A, B39B, B39C, B69A, B69B, B69C, B69D	G51.9	01	B03A, B03B, B06A, B06B, B17A, B17B, B17C, B17D, B20D, B71A, B71B, B71C, B71D
G44.1	01	B03A, B03B, B06A, B06B, B17A, B17B, B17C, B17D, B77Z	G45.92	01	B03A, B03B, B06A, B06B, B17A, B17B, B17C, B17D, B39A, B39B, B39C, B69A, B69B, B69C, B69D	G52.0	01	B03A, B03B, B06A, B06B, B17A, B17B, B17C, B17D, B20D, B71A, B71B, B71C, B71D
G44.2	01	B77Z	G45.93	01	B03A, B03B, B06A, B06B, B17A, B17B, B17C, B17D, B39A, B39B, B39C, B69A, B69B, B69C, B69D	G52.1	01	B03A, B03B, B06A, B06B, B17A, B17B, B17C, B17D, B20D, B71A, B71B, B71C, B71D
G44.3	01	B77Z	G45.99	01	B03A, B03B, B06A, B06B, B17A, B17B, B17C, B17D, B39A, B39B, B39C, B69A, B69B, B69C, B69D	G52.2	01	B03A, B03B, B06A, B06B, B17A, B17B, B17C, B17D, B20D, B71A, B71B, B71C, B71D
G44.4	01	B03A, B03B, B06A, B06B, B17A, B17B, B17C, B17D, B77Z	G47.0	19	U64Z	G52.3	01	B03A, B03B, B06A, B06B, B17A, B17B, B17C, B17D, B20D, B71A, B71B, B71C, B71D
G44.8	01 18A	B77Z S65A, S65B	G47.1	19	U64Z	G52.7	01	B03A, B03B, B06A, B06B, B17A, B17B, B17C, B17D, B20D, B71A, B71B, B71C, B71D
G45.02	01	B03A, B03B, B06A, B06B, B17A, B17B, B17C, B17D, B39A, B39B, B39C, B69A, B69B, B69C, B69D	G47.2	19	U64Z	G52.8	01	B03A, B03B, B06A, B06B, B17A, B17B, B17C, B17D, B20D, B71A, B71B, B71C, B71D
G45.03	01	B03A, B03B, B06A, B06B, B17A, B17B, B17C, B17D, B39A, B39B, B39C, B69A, B69B, B69C, B69D	G47.30	04	E07Z, E63Z	G52.9	01	B03A, B03B, B06A, B06B, B17A, B17B, B17C, B17D, B20D, B71A, B71B, B71C, B71D
G45.09	01	B03A, B03B, B06A, B06B, B17A, B17B, B17C, B17D, B39A, B39B, B39C, B69A, B69B, B69C, B69D	G47.31	04	E07Z, E63Z	G53.1	15	TPN, VTPN
G45.12	01	B03A, B03B, B06A, B06B, B17A, B17B, B17C, B17D, B39A, B39B, B39C, B69A, B69B, B69C, B69D	G47.32	04	E07Z, E63Z	G53.2	15	TPN, VTPN
G45.13	01	B03A, B03B, B06A, B06B, B17A, B17B, B17C, B17D, B39A, B39B, B39C, B69A, B69B, B69C, B69D	G47.38	04	E07Z, E63Z	G53.3	15	TPN, VTPN
G45.19	01	B03A, B03B, B06A, B06B, B17A, B17B, B17C, B17D, B39A, B39B, B39C, B69A, B69B, B69C, B69D	G47.39	04	E07Z, E63Z	G54.0	01	B03A, B03B, B06A, B06B, B17A, B17B, B17C, B17D, B71A, B71B, B71C, B71D
G45.22	01	B03A, B03B, B06A, B06B, B17A, B17B, B17C, B17D, B39A, B39B, B39C, B69A, B69B, B69C, B69D	G47.4	01	B03A, B03B, B06A, B06B, B17A, B17B, B17C, B17D, B81A, B81B	G54.1	01	B03A, B03B, B06A, B06B, B17A, B17B, B17C, B17D, B71A, B71B, B71C, B71D
G45.23	01	B03A, B03B, B06A, B06B, B17A, B17B, B17C, B17D, B39A, B39B, B39C, B69A, B69B, B69C, B69D	G47.8	19	U64Z	G54.2	01	B03A, B03B, B06A, B06B, B17A, B17B, B17C, B17D, B71A, B71B, B71C, B71D
G45.29	01	B03A, B03B, B06A, B06B, B17A, B17B, B17C, B17D, B39A, B39B, B39C, B69A, B69B, B69C, B69D	G47.9	19	U64Z	G54.3	01	B03A, B03B, B06A, B06B, B17A, B17B, B17C, B17D, B71A, B71B, B71C, B71D
G45.32	02	C61Z	G50.0	01	B03A, B03B, B06A, B06B, B17A, B17B, B17C, B17D, B20D, B20E, B71A, B71B, B71C, B71D	G54.4	01	B03A, B03B, B06A, B06B, B17A, B17B, B17C, B17D, B71A, B71B, B71C, B71D
G45.33	02	C61Z	G50.1	01	B03A, B03B, B06A, B06B, B17A, B17B, B17C, B17D, B20D, B71A, B71B, B71C, B71D	G54.5	01	B03A, B03B, B06A, B06B, B17A, B17B, B17C, B17D, B71A, B71B, B71C, B71D
G45.39	02	C61Z	G50.8	01	B03A, B03B, B06A, B06B, B17A, B17B, B17C, B17D, B20D, B71A, B71B, B71C, B71D	G54.6	01	B03A, B03B, B06A, B06B, B17A, B17B, B17C, B17D, B20D, B71A, B71B, B71C, B71D
G45.42	01	B03A, B03B, B06A, B06B, B17A, B17B, B17C, B17D, B39A, B39B, B39C, B69A, B69B, B69C, B69D	G50.9	01	B03A, B03B, B06A, B06B, B17A, B17B, B17C, B17D, B20D, B71A, B71B, B71C, B71D	G54.7	01	B03A, B03B, B06A, B06B, B17A, B17B, B17C, B17D, B20D, B71A, B71B, B71C, B71D
G45.43	01	B03A, B03B, B06A, B06B, B17A, B17B, B17C, B17D, B39A, B39B, B39C, B69A, B69B, B69C, B69D	G51.0	01	B03A, B03B, B06A, B06B, B17A, B17B, B17C, B17D, B20D, B71A, B71B, B71C, B71D	G54.8	01	B03A, B03B, B06A, B06B, B17A, B17B, B17C, B17D, B20D, B71A, B71B, B71C, B71D
G45.49	01	B03A, B03B, B06A, B06B, B17A, B17B, B17C, B17D, B39A, B39B, B39C, B69A, B69B, B69C, B69D	G51.1	01	B03A, B03B, B06A, B06B, B17A, B17B, B17C, B17D, B20D, B71A, B71B, B71C, B71D	G54.9	01	B03A, B03B, B06A, B06B, B17A, B17B, B17C, B17D, B20D, B71A, B71B, B71C, B71D
G45.82	01	B03A, B03B, B06A, B06B, B17A, B17B, B17C, B17D, B39A, B39B, B39C, B69A, B69B, B69C, B69D	G51.2	01	B03A, B03B, B06A, B06B, B17A, B17B, B17C, B17D, B20D, B71A, B71B, B71C, B71D	G55.1	15	TPN, VTPN
G45.83	01	B03A, B03B, B06A, B06B, B17A, B17B, B17C, B17D, B39A, B39B, B39C, B69A, B69B, B69C, B69D	G51.3	01	B03A, B03B, B06A, B06B, B17A, B17B, B17C, B17D, B20D, B71A, B71B, B71C, B71D			
			G51.4	01	B03A, B03B, B06A, B06B, B17A, B17B, B17C, B17D, B20D, B71A, B71B, B71C, B71D			
			G51.8	01	B03A, B03B, B06A, B06B, B17A, B17B, B17C, B17D, B20D, B71A, B71B, B71C, B71D			

ICD	MDC	DRG	ICD	MDC	DRG	ICD	MDC	DRG
G55.2	15	TPN, VTPN	G60.2	01	B03A, B03B, B06A, B06B, B17A, B17B, B17C, B17D, B71A, B71B, B71C, B71D, B82Z	G63.8	Pre	A07D, A09E, A11F, A13F
G56.0	01	B03A, B03B, B06A, B06B, B17A, B17B, B17C, B17D, B82Z		Pre	A07D, A09E, A11F, A13F	G64	01	B03A, B03B, B06A, B06B, B17A, B17B, B17C, B17D, B71A, B71B, B71C, B71D
G56.1	01	B03A, B03B, B06A, B06B, B17A, B17B, B17C, B17D, B71A, B71B, B71C, B71D	G60.3	01	B03A, B03B, B06A, B06B, B17A, B17B, B17C, B17D, B71A, B71B, B71C, B71D		Pre	A07D, A09E, A11F, A13F
G56.2	01	B03A, B03B, B06A, B06B, B17A, B17B, B17C, B17D, B71A, B71B, B71C, B71D		Pre	A07D, A09E, A11F, A13F	G70.0	01	B03A, B03B, B06A, B06B, B17A, B17B, B48Z, B85A, B85B, B85C
G56.3	01	B03A, B03B, B06A, B06B, B17A, B17B, B17C, B17D, B71A, B71B, B71C, B71D	G60.8	01	B03A, B03B, B06A, B06B, B17A, B17B, B17C, B17D, B71A, B71B, B71C, B71D		15	TPN, VTPN
G56.4	01	B03A, B03B, B06A, B06B, B17A, B17B, B17C, B17D, B71A, B71B, B71C, B71D		Pre	A07D, A09E, A11F, A13F	G70.1	01	B03A, B03B, B06A, B06B, B17A, B17B, B17C, B17D, B71A, B71B, B71C, B71D
G56.8	01	B03A, B03B, B06A, B06B, B17A, B17B, B17C, B17D, B71A, B71B, B71C, B71D	G60.9	01	B03A, B03B, B06A, B06B, B17A, B17B, B17C, B17D, B71A, B71B, B71C, B71D		Pre	A07D, A09E, A11F, A13F
G56.9	01	B03A, B03B, B06A, B06B, B17A, B17B, B17C, B17D, B71A, B71B, B71C, B71D		18A	S65A, S65B	G70.2	01	B03A, B03B, B06A, B06B, B17A, B17B, B17C, B17D, B48Z, B85A, B85B, B85C, B85D
G57.0	01	B03A, B03B, B06A, B06B, B17A, B17B, B17C, B17D, B71A, B71B, B71C, B71D	G61.0	01	B03A, B03B, B06A, B06B, B17A, B17B, B17C, B17D, B71A, B71B, B71C		15	TPN, VTPN
G57.1	01	B03A, B03B, B06A, B06B, B17A, B17B, B17C, B17D, B71A, B71B, B71C, B71D		Pre	A07D, A09E, A11F, A13F	G70.8	01	B03A, B03B, B06A, B06B, B17A, B17B, B17C, B17D, B71A, B71B, B71C, B71D
G57.2	01	B03A, B03B, B06A, B06B, B17A, B17B, B17C, B17D, B71A, B71B, B71C, B71D	G61.1	01	B03A, B03B, B06A, B06B, B17A, B17B, B17C, B17D, B71A, B71B, B71C, B71D		15	TPN, VTPN
G57.3	01	B03A, B03B, B06A, B06B, B17A, B17B, B17C, B17D, B71A, B71B, B71C, B71D		Pre	A07D, A09E, A11F, A13F	G70.9	01	B03A, B03B, B06A, B06B, B17A, B17B, B17C, B17D, B71A, B71B, B71C, B71D
G57.4	01	B03A, B03B, B06A, B06B, B17A, B17B, B17C, B17D, B71A, B71B, B71C, B71D	G61.8	01	B03A, B03B, B06A, B06B, B17A, B17B, B17C, B17D, B71A, B71B, B71C, B71D		Pre	A07D, A09E, A11F, A13F
G57.5	01	B03A, B03B, B06A, B06B, B17A, B17B, B17C, B17D, B71A, B71B, B71C, B71D		18A	S65A, S65B	G71.0	01	B03A, B03B, B06A, B06B, B17A, B17B, B17C, B17D, B48Z, B85A, B85B, B85C, B85D
G57.6	01	B03A, B03B, B06A, B06B, B17A, B17B, B17C, B17D, B71A, B71B, B71C, B71D	G61.9	01	B03A, B03B, B06A, B06B, B17A, B17B, B17C, B17D, B71A, B71B, B71C, B71D		15	TPN, VTPN
G57.7	01	B03A, B03B, B06A, B06B, B17A, B17B, B17C, B17D, B71A, B71B, B71C, B71D		Pre	A07D, A09E, A11F, A13F	G71.1	01	B03A, B03B, B06A, B06B, B17A, B17B, B17C, B17D, B81A, B81B
G57.8	01	B03A, B03B, B06A, B06B, B17A, B17B, B17C, B17D, B71A, B71B, B71C, B71D	G62.0	01	B03A, B03B, B06A, B06B, B17A, B17B, B17C, B17D, B71A, B71B, B71C, B71D		15	TPN, VTPN
G57.9	01	B03A, B03B, B06A, B06B, B17A, B17B, B17C, B17D, B71A, B71B, B71C, B71D		Pre	A07D, A09E, A11F, A13F	G71.2	01	B03A, B03B, B06A, B06B, B17A, B17B, B17C, B17D, B48Z, B85A, B85B, B85C, B85D
G58.0	01	B03A, B03B, B06A, B06B, B17A, B17B, B17C, B17D, B82Z	G62.1	01	B03A, B03B, B06A, B06B, B17A, B17B, B17C, B17D, B71A, B71B, B71C, B71D		15	TPN, VTPN
G58.7	01	B03A, B03B, B06A, B06B, B17A, B17B, B17C, B17D, B71A, B71B, B71C, B71D		Pre	A07D, A09E, A11F, A13F	G71.3	01	B03A, B03B, B06A, B06B, B17A, B17B, B17C, B17D, B48Z, B85A, B85B, B85C, B85D
G58.8	01	B03A, B03B, B06A, B06B, B17A, B17B, B17C, B17D, B71A, B71B, B71C, B71D	G62.2	01	B03A, B03B, B06A, B06B, B17A, B17B, B17C, B17D, B71A, B71B, B71C, B71D		Pre	A07D, A09E, A11F, A13F
G58.9	01	B03A, B03B, B06A, B06B, B17A, B17B, B17C, B17D, B71A, B71B, B71C, B71D		Pre	A07D, A09E, A11F, A13F	G71.8	01	B03A, B03B, B06A, B06B, B17A, B17B, B17C, B17D, B48Z, B85A, B85B, B85C, B85D
G60.0	01	B03A, B03B, B06A, B06B, B17A, B17B, B17C, B17D, B71A, B71B, B71C, B71D	G62.80	01	B03A, B03B, B06A, B06B, B17A, B17B, B17C, B17D, B71A, B71B, B71C, B71D		Pre	A07D, A09E, A11F, A13F
G60.1	Pre	A07D, A09E, A11F, A13F		18A	S65A, S65B	G71.9	01	B03A, B03B, B06A, B06B, B17A, B17B, B17C, B17D, B48Z, B85A, B85B, B85C, B85D
	Pre	A07D, A09E, A11F, A13F	G62.88	01	B03A, B03B, B06A, B06B, B17A, B17B, B17C, B17D, B71A, B71B, B71C, B71D		Pre	A07D, A09E, A11F, A13F
	Pre	A07D, A09E, A11F, A13F		18A	S65A, S65B	G72.0	01	B03A, B03B, B06A, B06B, B17A, B17B, B17C, B17D, B81A, B81B
	Pre	A07D, A09E, A11F, A13F	G63.0	Pre	A07D, A09E, A11F, A13F		Pre	A07D, A09E, A11F, A13F
	Pre	A07D, A09E, A11F, A13F	G63.1	Pre	A07D, A09E, A11F, A13F	G72.1	01	B03A, B03B, B06A, B06B, B17A, B17B, B17C, B17D, B81A, B81B
	Pre	A07D, A09E, A11F, A13F	G63.2	10	K60B		Pre	A07D, A09E, A11F, A13F
	Pre	A07D, A09E, A11F, A13F		Pre	A07D, A09E, A11F, A13F		15	TPN, VTPN
	Pre	A07D, A09E, A11F, A13F	G63.3	Pre	A07D, A09E, A11F, A13F		Pre	A07D, A09E, A11F, A13F
	Pre	A07D, A09E, A11F, A13F	G63.4	Pre	A07D, A09E, A11F, A13F		Pre	A07D, A09E, A11F, A13F
	Pre	A07D, A09E, A11F, A13F	G63.5	Pre	A07D, A09E, A11F, A13F		Pre	A07D, A09E, A11F, A13F
	Pre	A07D, A09E, A11F, A13F	G63.6	Pre	A07D, A09E, A11F, A13F		Pre	A07D, A09E, A11F, A13F

ICD	MDC	DRG	ICD	MDC	DRG	ICD	MDC	DRG
G72.2	01	B03A, B03B, B06A, B06B, B17A, B17B, B17C, B17D, B81A, B81B	G80.8	01	B03A, B03B, B06A, B06B, B17A, B17B, B17C, B17D, B48Z, B85A, B85B, B85C	G82.09	01	B03A, B48Z, B60A, B60B, B71A, B71B, B71C
	Pre	A07D, A09E, A11F, A13F		06	G67A		04	E40B, E69A, E77F
G72.3	01	B03A, B03B, B06A, B06B, B17A, B17B, B17C, B17D, B48Z, B85A, B85B, B85C, B85D		08	I08A, I08B, I08C, I20A, I20B, I27B, I71A		06	G67A, G67C
	Pre	A07D, A09E, A11F, A13F	G80.9	01	A07D, A09E, A11F, A13F B03A, B03B, B06A, B06B, B17A, B17B, B17C, B17D, B48Z, B85A, B85B, B85C		08	I06A, I08C, I09D, I10C, I13A, I13B, I68A, I68B, I69A, I69B
G72.4	01	B03A, B03B, B06A, B06B, B17A, B17B, B17C, B17D, B48Z, B85A, B85B, B85C, B85D		06	G67A		09	J02A, J08A, J08B, J08C, J11A, J61A, J61B, J61C
	Pre	A07D, A09E, A11F, A13F		08	I08A, I08B, I08C, I20A, I20B, I27B, I71A		10	K62A
G72.80	01	B03A, B03B, B06A, B06B, B17A, B17B, B17C, B17D, B48Z, B85A, B85B, B85C, B85D	G81.0	01	A07D, A09E, A11F, A13F B03A, B03B, B06A, B06B, B17A, B17B, B17C, B17D, B48Z, B85A, B85B, B85C, B85D	G82.10	11	L18A, L18B, L20A, L20B, L38Z, L42A, L74Z
	Pre	A07D, A09E, A11F, A13F		Pre	A07D, A09E, A11F, A13F		18B	T60B
G72.88	01	B03A, B03B, B06A, B06B, B17A, B17B, B17C, B17D, B48Z, B85A, B85B, B85C, B85D	G81.1	01	A07D, A09E, A11F, A13F B03A, B03B, B06A, B06B, B17A, B17B, B17C, B17D, B48Z, B85A, B85B, B85C, B85D		01	B71A, B71B, B71C
	Pre	A07D, A09E, A11F, A13F		Pre	A07D, A09E, A11F, A13F		06	G67A
G72.9	01	B03A, B03B, B06A, B06B, B17A, B17B, B17C, B17D, B81A, B81B	G81.9	01	A07D, A09E, A11F, A13F B03A, B03B, B06A, B06B, B17A, B17B, B17C, B17D, B48Z, B85A, B85B, B85C, B85D		09	J61A, J61B, J61C
	Pre	A07D, A09E, A11F, A13F		Pre	A07D, A09E, A11F, A13F		Pre	B61A, B61B
G73.0	Pre	A07D, A09E, A11F, A13F		Pre	A07D, A09E, A11F, A13F	G82.11	01	B71A, B71B, B71C
G73.1	Pre	A07D, A09E, A11F, A13F		Pre	A07D, A09E, A11F, A13F		06	G67A
G73.2	Pre	A07D, A09E, A11F, A13F	G82.00	01	B71A, B71B, B71C		09	J61A, J61B, J61C
G73.3	Pre	A07D, A09E, A11F, A13F		06	G67A		Pre	B61A, B61B
G73.4	Pre	A07D, A09E, A11F, A13F		09	J61A, J61B, J61C		01	B71A, B71B, B71C
G73.5	Pre	A07D, A09E, A11F, A13F	G82.01	01	B71A, B71B, B71C		06	G67A
G73.6	Pre	A07D, A09E, A11F, A13F		06	G67A		09	J61A, J61B, J61C
G73.7	Pre	A07D, A09E, A11F, A13F		09	J61A, J61B, J61C		Pre	B61A, B61B
G80.0	01	B03A, B03B, B06A, B06B, B17A, B17B, B17C, B17D, B48Z, B85A, B85B, B85C	G82.02	01	B03A, B48Z, B60A, B60B, B71A, B71B, B71C	G82.13	11	L18A, L18B, L20A, L20B, L38Z, L42A, L74Z
	06	G67A		04	E40B, E69A, E77F		18B	T60B
	08	I08A, I08B, I08C, I20A, I20B, I27B, I71A		06	G67A, G67C		01	B03A, B48Z, B60A, B60B, B71A, B71B, B71C
	Pre	A07D, A09E, A11F, A13F		08	I06A, I08C, I09D, I10C, I13A, I13B, I68A, I68B, I69A, I69B		04	E40B, E69A, E77F
G80.1	01	B03A, B03B, B06A, B06B, B17A, B17B, B17C, B17D, B48Z, B85A, B85B, B85C		09	J02A, J08A, J08B, J08C, J11A, J61A, J61B, J61C		06	G67A, G67C
	06	G67A		10	K62A		08	I06A, I08C, I09D, I10C, I13A, I13B, I68A, I68B, I69A, I69B
	08	I08A, I08B, I08C, I20A, I20B, I27B, I71A		11	L18A, L18B, L20A, L20B, L38Z, L42A, L74Z		09	J02A, J08A, J08B, J08C, J11A, J61A, J61B, J61C
	Pre	A07D, A09E, A11F, A13F		18B	T60B		10	K62A
G80.2	01	B03A, B03B, B06A, B06B, B17A, B17B, B17C, B17D, B48Z, B85A, B85B, B85C	G82.03	01	B03A, B48Z, B60A, B60B, B71A, B71B, B71C	G82.19	11	L18A, L18B, L20A, L20B, L38Z, L42A, L74Z
	06	G67A		04	E40B, E69A, E77F		18B	T60B
	08	I08A, I08B, I08C, I20A, I20B, I27B, I71A		06	G67A, G67C		01	B03A, B48Z, B60A, B60B, B71A, B71B, B71C
	Pre	A07D, A09E, A11F, A13F		08	I06A, I08C, I09D, I10C, I13A, I13B, I68A, I68B, I69A, I69B		04	E40B, E69A, E77F
G80.3	01	B03A, B03B, B06A, B06B, B17A, B17B, B17C, B17D, B48Z, B85A, B85B, B85C		09	J02A, J08A, J08B, J08C, J11A, J61A, J61B, J61C		06	G67A, G67C
	06	G67A		10	K62A		08	I06A, I08C, I09D, I10C, I13A, I13B, I68A, I68B, I69A, I69B
	08	I08A, I08B, I08C, I20A, I20B, I27B, I71A		11	L18A, L18B, L20A, L20B, L38Z, L42A, L74Z		09	J02A, J08A, J08B, J08C, J11A, J61A, J61B, J61C
	Pre	A07D, A09E, A11F, A13F		18B	T60B		10	K62A
G80.4	01	B03A, B03B, B06A, B06B, B17A, B17B, B17C, B17D, B48Z, B85A, B85B, B85C		Pre	A07D, A09E, A11F, A13F	G82.20	11	L18A, L18B, L20A, L20B, L38Z, L42A, L74Z
	06	G67A		08	I08A, I08B, I08C, I20A, I20B, I27B, I71A		18B	T60B
	08	I08A, I08B, I08C, I20A, I20B, I27B, I71A		Pre	A07D, A09E, A11F, A13F		01	B71A, B71B, B71C
	Pre	A07D, A09E, A11F, A13F		01	B03A, B03B, B06A, B06B, B17A, B17B, B17C, B17D, B48Z, B85A, B85B, B85C		06	G67A
	06	G67A		06	G67A		09	J61A, J61B, J61C
	08	I08A, I08B, I08C, I20A, I20B, I27B, I71A		08	I08A, I08B, I08C, I20A, I20B, I27B, I71A		Pre	B61A, B61B
	Pre	A07D, A09E, A11F, A13F		Pre	A07D, A09E, A11F, A13F	G82.21	01	B71A, B71B, B71C
	01	B03A, B03B, B06A, B06B, B17A, B17B, B17C, B17D, B48Z, B85A, B85B, B85C		01	B03A, B03B, B06A, B06B, B17A, B17B, B17C, B17D, B48Z, B85A, B85B, B85C		06	G67A
	06	G67A		06	G67A		09	J61A, J61B, J61C
	08	I08A, I08B, I08C, I20A, I20B, I27B, I71A		08	I08A, I08B, I08C, I20A, I20B, I27B, I71A		Pre	B61A, B61B
	Pre	A07D, A09E, A11F, A13F		Pre	A07D, A09E, A11F, A13F			

ICD	MDC	DRG	ICD	MDC	DRG	ICD	MDC	DRG			
G82.22	01	B03A, B48Z, B60A, B60B, B71A, B71B, B71C	G82.39	01	B03A, B48Z, B60A, B60B, B71A, B71B, B71C	G82.52	01	B03A, B48Z, B60A, B60B, B71A, B71B, B71C			
	04	E40B, E69A, E77F		04	E40B, E69A, E77F		04	E40B, E69A, E77F			
	06	G67A, G67C		06	G67A, G67C		06	G67A, G67C			
	08	I06A, I08C, I09D, I10C, I13A, I13B, I68A, I68B, I69A, I69B		08	I06A, I08C, I09D, I10C, I13A, I13B, I68A, I68B, I69A, I69B		08	I06A, I08C, I09D, I10C, I13A, I13B, I68A, I68B, I69A, I69B			
	09	J02A, J08A, J08B, J08C, J11A, J61A, J61B, J61C		09	J02A, J08A, J08B, J08C, J11A, J61A, J61B, J61C		09	J02A, J08A, J08B, J08C, J11A, J61A, J61B, J61C			
	10	K62A		10	K62A		10	K62A			
	11	L18A, L18B, L20A, L20B, L38Z, L42A, L74Z		11	L18A, L18B, L20A, L20B, L38Z, L42A, L74Z		11	L18A, L18B, L20A, L20B, L38Z, L42A, L74Z			
	18B	T60B		15	TPN, VTPN		15	TPN, VTPN			
	G82.23	01		B03A, B48Z, B60A, B60B, B71A, B71B, B71C	G82.40		01	B71A, B71B, B71C	G82.53	01	B03A, B48Z, B60A, B60B, B71A, B71B, B71C
		04		E40B, E69A, E77F			06	G67A		04	E40B, E69A, E77F
		06		G67A, G67C			09	J61A, J61B, J61C		06	G67A, G67C
08		I06A, I08C, I09D, I10C, I13A, I13B, I68A, I68B, I69A, I69B	15	TPN, VTPN		08	I06A, I08C, I09D, I10C, I13A, I13B, I68A, I68B, I69A, I69B				
09		J02A, J08A, J08B, J08C, J11A, J61A, J61B, J61C	Pre	B61A, B61B		09	J02A, J08A, J08B, J08C, J11A, J61A, J61B, J61C				
10		K62A	01	B71A, B71B, B71C		10	K62A				
G82.29	01	B03A, B48Z, B60A, B60B, B71A, B71B, B71C	G82.41	06	G67A	G82.59	01	B03A, B48Z, B60A, B60B, B71A, B71B, B71C			
	04	E40B, E69A, E77F		09	J61A, J61B, J61C		04	E40B, E69A, E77F			
	06	G67A, G67C		Pre	B61A, B61B		06	G67A, G67C			
	08	I06A, I08C, I09D, I10C, I13A, I13B, I68A, I68B, I69A, I69B		01	B71A, B71B, B71C		08	I06A, I08C, I09D, I10C, I13A, I13B, I68A, I68B, I69A, I69B			
	09	J02A, J08A, J08B, J08C, J11A, J61A, J61B, J61C		06	G67A		09	J02A, J08A, J08B, J08C, J11A, J61A, J61B, J61C			
	10	K62A		09	J61A, J61B, J61C		10	K62A			
G82.30	11	L18A, L18B, L20A, L20B, L38Z, L42A, L74Z	G82.42	Pre	B61A, B61B	G82.80	11	L18A, L18B, L20A, L20B, L38Z, L42A, L74Z			
	18B	T60B		01	B03A, B48Z, B60A, B60B, B71A, B71B, B71C		18B	T60B			
	01	B03A, B48Z, B60A, B60B, B71A, B71B, B71C		04	E40B, E69A, E77F		01	B03A, B48Z, B60A, B60B, B71A, B71B, B71C			
	04	E40B, E69A, E77F		06	G67A, G67C		04	E40B, E69A, E77F			
	06	G67A, G67C		08	I06A, I08C, I09D, I10C, I13A, I13B, I68A, I68B, I69A, I69B		06	G67A, G67C			
	08	I06A, I08C, I09D, I10C, I13A, I13B, I68A, I68B, I69A, I69B		09	J02A, J08A, J08B, J08C, J11A, J61A, J61B, J61C		08	I06A, I08C, I09D, I10C, I13A, I13B, I68A, I68B, I69A, I69B			
G82.31	09	J02A, J08A, J08B, J08C, J11A, J61A, J61B, J61C	G82.43	10	K62A	G83.0	01	B03A, B03B, B06A, B06B, B17A, B17B, B17C, B17D, B48Z, B85A, B85B, B85C			
	10	K62A		11	L18A, L18B, L20A, L20B, L38Z, L42A, L74Z		15	TPN, VTPN			
	11	L18A, L18B, L20A, L20B, L38Z, L42A, L74Z		18B	T60B		15	TPN, VTPN			
	18B	T60B		01	B03A, B48Z, B60A, B60B, B71A, B71B, B71C		18B	T60B			
	01	B71A, B71B, B71C		04	E40B, E69A, E77F		01	B03A, B03B, B06A, B06B, B17A, B17B, B17C, B17D, B81A, B81B			
	06	G67A		06	G67A, G67C		15	TPN, VTPN			
G82.32	09	J61A, J61B, J61C	G82.49	08	I06A, I08C, I09D, I10C, I13A, I13B, I68A, I68B, I69A, I69B	G83.1	01	B03A, B03B, B06A, B06B, B17A, B17B, B17C, B17D, B81A, B81B			
	15	TPN, VTPN		09	J02A, J08A, J08B, J08C, J11A, J61A, J61B, J61C		15	TPN, VTPN			
	Pre	B61A, B61B		10	K62A		15	TPN, VTPN			
	01	B03A, B48Z, B60A, B60B, B71A, B71B, B71C		11	L18A, L18B, L20A, L20B, L38Z, L42A, L74Z		01	B03A, B03B, B06A, B06B, B17A, B17B, B17C, B17D, B81A, B81B			
	04	E40B, E69A, E77F		18B	T60B		15	TPN, VTPN			
	06	G67A, G67C		01	B03A, B48Z, B60A, B60B, B71A, B71B, B71C		01	B03A, B03B, B06A, B06B, B17A, B17B, B17C, B17D, B81A, B81B			
G82.33	08	I06A, I08C, I09D, I10C, I13A, I13B, I68A, I68B, I69A, I69B	G82.50	04	E40B, E69A, E77F	G83.2	01	B03A, B03B, B06A, B06B, B17A, B17B, B17C, B17D, B81A, B81B			
	09	J02A, J08A, J08B, J08C, J11A, J61A, J61B, J61C		06	G67A, G67C		15	TPN, VTPN			
	10	K62A		08	I06A, I08C, I09D, I10C, I13A, I13B, I68A, I68B, I69A, I69B		01	B03A, B03B, B06A, B06B, B17A, B17B, B17C, B17D, B81A, B81B			
	11	L18A, L18B, L20A, L20B, L38Z, L42A, L74Z		09	J02A, J08A, J08B, J08C, J11A, J61A, J61B, J61C		15	TPN, VTPN			
	15	TPN, VTPN		10	K62A		01	B03A, B03B, B06A, B06B, B17A, B17B, B17C, B17D, B81A, B81B			
	18B	T60B		11	L18A, L18B, L20A, L20B, L38Z, L42A, L74Z		15	TPN, VTPN			
G82.39	01	B03A, B48Z, B60A, B60B, B71A, B71B, B71C	G82.51	15	TPN, VTPN	G83.40	01	B03A, B03B, B06A, B06B, B17A, B17B, B17C, B17D, B81A, B81B			
	04	E40B, E69A, E77F		18B	T60B		01	B03A, B03B, B06A, B06B, B17A, B17B, B17C, B17D, B81A, B81B			
	06	G67A, G67C		01	B71A, B71B, B71C		15	TPN, VTPN			
	08	I06A, I08C, I09D, I10C, I13A, I13B, I68A, I68B, I69A, I69B		06	G67A		01	B03A, B03B, B06A, B06B, B17A, B17B, B17C, B17D, B81A, B81B			
	09	J02A, J08A, J08B, J08C, J11A, J61A, J61B, J61C		09	J61A, J61B, J61C		15	TPN, VTPN			
	10	K62A		15	TPN, VTPN		01	B03A, B03B, B06A, B06B, B17A, B17B, B17C, B17D, B81A, B81B			
G82.40	11	L18A, L18B, L20A, L20B, L38Z, L42A, L74Z	G82.59	Pre	B61A, B61B	G83.41	01	B03A, B03B, B06A, B06B, B17A, B17B, B17C, B17D, B81A, B81B			
	18B	T60B		01	B71A, B71B, B71C		15	TPN, VTPN			
	01	B03A, B48Z, B60A, B60B, B71A, B71B, B71C		06	G67A		01	B03A, B03B, B06A, B06B, B17A, B17B, B17C, B17D, B81A, B81B			
	04	E40B, E69A, E77F		09	J61A, J61B, J61C		15	TPN, VTPN			
	06	G67A, G67C		15	TPN, VTPN		01	B03A, B03B, B06A, B06B, B17A, B17B, B17C, B17D, B81A, B81B			
	08	I06A, I08C, I09D, I10C, I13A, I13B, I68A, I68B, I69A, I69B		Pre	B61A, B61B		15	TPN, VTPN			
G82.41	09	J02A, J08A, J08B, J08C, J11A, J61A, J61B, J61C	G82.80	01	B71A, B71B, B71C	G83.80	01	B03A, B03B, B06A, B06B, B17A, B17B, B17C, B17D, B48Z, B85A, B85B, B85C, B85D			
	10	K62A		06	G67A		Pre	A43Z			
	11	L18A, L18B, L20A, L20B, L38Z, L42A, L74Z		09	J61A, J61B, J61C						
	18B	T60B		Pre	B61A, B61B						
	01	B03A, B48Z, B60A, B60B, B71A, B71B, B71C									
	04	E40B, E69A, E77F									

ICD	MDC	DRG	ICD	MDC	DRG	ICD	MDC	DRG
G83.88	01	B03A, B03B, B06A, B06B, B17A, B17B, B17C, B17D, B48Z, B85A, B85B, B85C, B85D	G93.0	01	B03A, B03B, B06A, B06B, B17A, B17B, B17C, B17D, B81A, B81B	G95.2	01	B03A, B86Z
G83.9	01	B03A, B03B, B06A, B06B, B17A, B17B, B17C, B17D, B81A, B81B		15	P65C, P66C, P67B, P67C		04	E40B, E69A, E77F
G90.00	05	F71A, F71B		Pre	A07D, A09E, A11F, A13F		06	G67C
G90.08	01	B03A, B03B, B06A, B06B, B17A, B17B, B17C, B17D, B71A, B71B, B71C, B71D	G93.1	01	B03A, B03B, B06A, B06B, B17A, B17B, B17C, B17D, B48Z, B85A, B85B, B85C, B85D		08	I06A, I08C, I09D, I10C, I13A, I13B, I68A, I68B, I69A, I69B
G90.09	01	B03A, B03B, B06A, B06B, B17A, B17B, B17C, B17D, B71A, B71B, B71C, B71D	G93.2	01	B03A, B03B, B06A, B06B, B17A, B17B, B17C, B17D, B20D, B81A, B81B		09	J02A, J08A, J08B, J08C, J11A
G90.1	01	B03A, B03B, B06A, B06B, B17A, B17B, B17C, B17D, B81A, B81B	G93.3	18A	S65A, S65B		10	K62A
G90.2	01	B03A, B03B, B06A, B06B, B17A, B17B, B17C, B17D, B71A, B71B, B71C, B71D	G93.4	01	B03A, B03B, B06A, B06B, B17A, B17B, B17C, B17D, B39A, B39B, B39C, B48Z, B70A, B70B, B70C, B70D, B70E, B70F, B70G, B70H, B70I	G95.80	11	L18A, L18B, L20A, L20B, L38Z, L42A, L74Z
G90.3	01	B48Z, B85A, B85B, B85C		18A	S65A, S65B		15	TPN, VTPN
G90.40	Pre	A07D, A09E, A11F, A13F	G93.5	01	B03A, B03B, B06A, B06B, B17A, B17B, B17C, B17D, B66A, B66B, B66C, B66D		18A	S65A, S65B
G90.41	01	B03A, B03B, B06A, B06B, B17A, B17B, B17C, B17D, B71A, B71B, B71C, B71D		Pre	A07D, A09E, A11F, A13F		18B	T60B
G90.48	01	B03A, B03B, B06A, B06B, B17A, B17B, B17C, B17D, B71A, B71B, B71C, B71D	G93.6	01	B03A, B03B, B06A, B06B, B17A, B17B, B17C, B17D, B66A, B66B, B66C, B66D	G95.81	Pre	B61A, B61B
G90.49	01	B03A, B03B, B06A, B06B, B17A, B17B, B17C, B17D, B71A, B71B, B71C, B71D		Pre	A07D, A09E, A11F, A13F		01	B03A
G90.8	01	B03A, B03B, B06A, B06B, B17A, B17B, B17C, B17D, B71A, B71B, B71C, B71D	G93.7	01	B81A, B81B		04	E40B, E69A, E77F
G90.9	01	B03A, B03B, B06A, B06B, B17A, B17B, B17C, B17D, B71A, B71B, B71C, B71D	G93.80	01	B03A, B03B, B06A, B06B, B17A, B17B, B17C, B17D, B63Z		06	G67C
G91.0	01	B48Z, B85A, B85B, B85C, B85D		08	I08A, I27B, I71A		08	I06A, I08C, I09D, I10C, I13A, I13B, I68A, I68B, I69A, I69B
G91.1	Pre	A07D, A09E, A11F, A13F	G93.88	01	B03A, B03B, B06A, B06B, B17A, B17B, B17C, B17D, B63Z	G95.82	09	J02A, J08A, J08B, J08C, J11A
	01	B48Z, B85A, B85B, B85C, B85D		Pre	A43Z	G95.83	10	K62A
	15	TPN, VTPN	G94.0	15	TPN, VTPN	G95.84	11	L18A, L18B, L20A, L20B, L38Z, L42A, L74Z
	Pre	A07D, A09E, A11F, A13F	G94.1	15	TPN, VTPN	G95.85	18B	T60B
G91.20	01	B20D, B48Z, B85A, B85B, B85C, B85D	G94.2	15	TPN, VTPN	G95.88	Pre	B61A, B61B
	15	TPN, VTPN	G95.0	01	B03A, B03B, B06A, B06B, B17A, B17B, B17C, B17D, B48Z, B85A, B85B, B85C, B85D		Pre	B61A, B61B
G91.21	01	B20D, B48Z, B85A, B85B, B85C, B85D	G95.1	01	B03A, B84Z		01	B03A
	15	TPN, VTPN		04	E40B, E69A, E77F	G95.9	04	E40B, E69A, E77F
G91.29	01	B20D, B48Z, B85A, B85B, B85C, B85D		06	G67C		06	G67C
	15	TPN, VTPN		08	I06A, I08C, I09D, I10C, I13A, I13B, I68A, I68B, I69A, I69B		08	I06A, I08C, I09D, I10C, I13A, I13B, I68A, I68B, I69A, I69B
G91.3	01	B48Z, B85A, B85B, B85C, B85D		09	J02A, J08A, J08B, J08C, J11A		09	J02A, J08A, J08B, J08C, J11A
	15	TPN, VTPN		10	K62A		10	K62A
G91.8	01	B20D, B48Z, B85A, B85B, B85C, B85D		11	L18A, L18B, L20A, L20B, L38Z, L42A, L74Z		11	L18A, L18B, L20A, L20B, L38Z, L42A, L74Z
	15	TPN, VTPN		15	TPN, VTPN		15	TPN, VTPN
G91.9	01	B20D, B48Z, B85A, B85B, B85C, B85D		18B	T60B		18A	S65A, S65B
	15	TPN, VTPN		Pre	B61A, B61B		18B	T60B
G92	01	B03A, B03B, B06A, B06B, B17A, B17B, B17C, B17D, B81A, B81B				G96.0	Pre	B61A, B61B
	Pre	A07D, A09E, A11F, A13F					01	B03A, B03B, B06A, B06B, B17A, B17B, B17C, B17D, B81A, B81B

ICD	MDC	DRG	ICD	MDC	DRG	ICD	MDC	DRG
G96.8	01	B03A, B03B, B06A, B06B, B17A, B17B, B17C, B17D, B39A, B39B, B39C, B48Z, B70A, B70B, B70C, B70D, B70E, B70F, B70G, B70H, B70I	H11.1	02	C63Z	H30.8	02	C63Z
			H11.2	02	C63Z	H30.9	02	C63Z
			H11.3	02	C62Z		18A	S65A, S65B
			H11.4	02	C63Z	H31.0	02	C62Z
			H11.8	02	C63Z	H31.1	02	C63Z
			H11.9	02	C63Z	H31.2	02	C63Z
G96.9	01	B03A, B03B, B06A, B06B, B17A, B17B, B17C, B17D, B63Z	H13.3	15	TPN, VTPN	H31.3	02	C62Z
	18A	S65A, S65B	H15.0	02	C63Z	H31.4	02	C62Z
G97.0	01	B03A, B03B, B06A, B06B, B17A, B17B, B17C, B17D, B81A, B81B	H15.1	02	C63Z	H31.8	02	C63Z
	15	TPN, VTPN	H15.8	02	C63Z	H31.9	02	C63Z
G97.1	01	B03A, B03B, B06A, B06B, B17A, B17B, B17C, B17D, B77Z	H15.9	02	C63Z	H32.0	15	TPN, VTPN
G97.2	01	B81A, B81B	H16.0	02	C60Z	H33.0	02	C62Z
G97.80	01	B81A, B81B	H16.1	02	C63Z	H33.1	02	C63Z
G97.81	01	B81A, B81B	H16.2	02	C63Z	H33.2	02	C62Z
G97.88	01	B81A, B81B	H16.3	02	C60Z	H33.3	02	C62Z
G97.9	01	B81A, B81B	H16.4	02	C63Z	H33.4	02	C62Z
G98	01	B03A, B03B, B06A, B06B, B17A, B17B, B17C, B17D, B63Z	H16.8	02	C60Z	H33.5	02	C62Z
	18A	S65A, S65B		15	TPN, VTPN	H34.0	02	C61Z
H00.0	02	C63Z	H16.9	02	C63Z	H34.1	02	C61Z
H00.1	02	C64Z	H17.0	02	C63Z	H34.2	02	C61Z
H01.0	02	C63Z	H17.1	02	C63Z	H34.8	02	C61Z
H01.1	02	C63Z	H17.8	02	C63Z	H34.9	02	C61Z
H01.8	02	C63Z	H17.9	02	C63Z	H35.0	02	C63Z
H01.9	02	C63Z	H18.0	02	C63Z		18A	S65A, S65B
H02.0	02	C64Z	H18.1	02	C63Z	H35.1	02	C63Z
H02.1	02	C64Z	H18.2	02	C63Z	H35.2	02	C63Z
H02.2	02	C64Z	H18.3	02	C63Z	H35.3	02	C63Z
H02.3	02	C64Z	H18.4	02	C63Z	H35.4	02	C63Z
H02.4	02	C61Z	H18.5	02	C63Z	H35.5	02	C63Z
H02.5	02	C64Z	H18.6	02	C63Z	H35.6	02	C62Z
H02.6	09	J67A, J67B, J68A, J68B	H18.7	02	C63Z	H35.7	02	C63Z
H02.7	02	C64Z	H18.8	02	C63Z	H35.8	02	C63Z
H02.8	02	C64Z	H18.9	02	C63Z	H35.9	02	C63Z
H02.9	02	C64Z	H19.1	15	TPN, VTPN	H36.0	10	K60B
H04.0	02	C63Z	H19.2	15	TPN, VTPN	H40.0	02	C64Z
H04.1	02	C63Z	H20.0	02	C66Z	H40.1	02	C64Z
H04.2	02	C63Z	H20.1	02	C63Z	H40.2	02	C64Z
H04.3	02	C63Z	H20.2	02	C63Z	H40.3	02	C64Z
H04.4	02	C63Z	H20.8	02	C63Z	H40.4	02	C64Z
H04.5	02	C64Z	H20.9	02	C63Z	H40.5	02	C64Z
H04.6	02	C64Z	H21.0	02	C62Z	H40.6	02	C64Z
H04.8	02	C64Z	H21.1	02	C63Z	H40.8	02	C64Z
H04.9	02	C64Z	H21.2	02	C63Z	H40.9	02	C64Z
H05.0	02	C60Z	H21.3	02	C63Z	H43.0	02	C63Z
	15	P65C, P66C, P67B, P67C	H21.4	02	C63Z	H43.1	02	C62Z
H05.1	02	C63Z	H21.5	02	C63Z	H43.2	02	C63Z
H05.2	02	C63Z	H21.8	02	C63Z	H43.3	02	C63Z
H05.3	02	C63Z	H21.9	02	C63Z	H43.8	02	C63Z
H05.4	02	C63Z	H25.0	02	C64Z	H43.9	02	C63Z
H05.5	02	C62Z	H25.1	02	C64Z	H44.0	02	C60Z
H05.8	02	C63Z	H25.2	02	C64Z	H44.1	02	C60Z
H05.9	02	C63Z	H25.8	02	C64Z	H44.2	02	C63Z
H10.0	02	C63Z	H25.9	02	C64Z	H44.3	02	C63Z
H10.1	02	C63Z	H26.0	02	C63Z	H44.4	02	C63Z
H10.2	02	C63Z	H26.1	02	C62Z	H44.5	02	C63Z
H10.3	02	C63Z	H26.2	02	C63Z	H44.6	02	C62Z
H10.4	02	C63Z	H26.3	02	C64Z	H44.7	02	C62Z
	15	P65C, P66C, P67B, P67C	H26.4	02	C64Z	H44.8	02	C63Z
H10.5	02	C63Z	H26.8	02	C64Z	H44.9	02	C63Z
H10.8	02	C63Z	H26.9	02	C64Z	H46	02	C61Z
H10.9	02	C63Z	H27.0	02	C63Z	H47.0	02	C61Z
H11.0	02	C63Z	H27.1	02	C63Z	H47.1	01	B03A, B03B, B06A, B06B, B17A, B17B, B17C, B17D, B81A, B81B
			H27.8	02	C63Z			
			H27.9	02	C63Z	H47.2	02	C61Z
			H30.0	02	C63Z	H47.3	02	C61Z
				18A	S65A, S65B	H47.4	01	B03A, B03B, B06A, B06B, B17A, B17B, B17C, B17D, B81A, B81B
			H30.1	02	C63Z			
				18A	S65A, S65B			
			H30.2	02	C63Z			

ICD	MDC	DRG	ICD	MDC	DRG	ICD	MDC	DRG
H47.5	01	B03A, B03B, B06A, B06B, B17A, B17B, B17C, B17D, B81A, B81B	H57.8	02	C63Z	H81.2	03	D61A
H47.6	01	B03A, B03B, B06A, B06B, B17A, B17B, B17C, B17D, B81A, B81B	H57.9	02	C63Z	H81.3	03	D61A, D61B
H47.7	01	B03A, B03B, B06A, B06B, B17A, B17B, B17C, B17D, B81A, B81B	H58.0	15	TPN, VTPN	H81.4	03	D61A
H49.0	02	C61Z	H59.0	02	C63Z	H81.8	03	D61A, D61B
H49.1	02	C61Z	H59.8	02	C62Z	H81.9	03	D61A, D61B
H49.2	02	C61Z	H59.9	02	C63Z	H83.0	03	D61A
H49.3	02	C61Z	H60.0	03	D66Z	H83.1	03	D66Z
H49.4	02	C61Z	H60.1	03	D66Z	H83.2	03	D61A
H49.8	02	C61Z	H60.2	03	D09Z, D25A, D25B, D28Z, D60A, D60B, D60C	H83.3	03	D66Z
H49.9	02	C61Z	H60.3	03	D66Z	H83.8	03	D66Z
H50.0	02	C61Z	H60.4	03	D66Z	H83.9	03	D66Z
H50.1	02	C61Z	H60.5	03	D66Z	H90.0	03	D66Z
H50.2	02	C61Z	H60.8	03	D66Z	H90.1	03	D66Z
H50.3	02	C61Z	H60.9	03	D66Z	H90.2	03	D66Z
H50.4	02	C61Z	H61.0	03	D66Z	H90.3	03	D66Z
H50.5	02	C61Z	H61.1	03	D66Z	H90.4	03	D66Z
H50.6	02	C63Z	H61.2	03	D66Z	H90.5	03	D66Z
H50.8	02	C61Z	H61.3	03	D66Z	H90.6	03	D66Z
H50.9	02	C63Z	H61.8	03	D66Z	H90.7	03	D66Z
H51.0	02	C63Z	H61.9	03	D66Z	H90.8	03	D66Z
H51.1	02	C63Z	H62.1	15	TPN, VTPN	H91.0	03	D61A, D61B
H51.2	01	B03A, B03B, B06A, B06B, B17A, B17B, B17C, B17D, B81A, B81B	H65.0	03	D62Z, D63Z	H91.1	03	D66Z
H51.8	02	C61Z	H65.1	03	D62Z, D63Z	H91.2	03	D61A
H51.9	02	C63Z	H65.2	03	D62Z, D63Z	H91.3	03	D66Z
H52.0	02	C63Z	H65.3	03	D62Z, D63Z	H91.8	03	D66Z
H52.1	02	C63Z	H65.4	03	D62Z, D63Z	H91.9	03	D66Z
H52.2	02	C63Z	H65.5	03	D62Z, D63Z	H91.9	03	D66Z
H52.3	02	C63Z	H65.9	03	D62Z, D63Z	H92.0	03	D66Z
H52.4	02	C63Z	H66.0	03	D62Z, D63Z	H92.1	03	D66Z
H52.5	02	C63Z		15	TPN, VTPN	H92.2	03	D66Z
H52.6	02	C63Z	H66.1	03	D62Z, D63Z	H93.0	03	D66Z
H52.7	02	C63Z	H66.2	03	D62Z, D63Z	H93.01	03	D61A
H53.0	02	C63Z	H66.3	03	D62Z, D63Z	H93.02	03	D61A
H53.1	02	C63Z	H66.4	03	D62Z, D63Z	H93.03	03	D61A
H53.2	02	C61Z	H66.9	03	D62Z, D63Z	H93.09	03	D61A
H53.3	02	C63Z	H68.0	03	D62Z, D63Z	H93.1	03	D61A
H53.4	02	C61Z	H68.1	03	D66Z	H93.2	03	D66Z
H53.5	02	C63Z	H69.0	03	D66Z	H93.3	03	D61A
H53.6	02	C63Z	H69.8	03	D66Z	H93.8	03	D66Z
H53.8	02	C63Z	H69.9	03	D66Z	H93.9	03	D66Z
H53.9	02	C63Z	H70.0	03	D06B, D62Z, D63Z	H95.0	03	D66Z
H54.0	02	C63Z	H70.1	03	D06B, D62Z, D63Z	H95.1	03	D66Z
H54.1	10	K60B	H70.2	03	D62Z, D63Z	H95.8	03	D66Z
H54.1	18A	S65A, S65B	H70.8	03	D66Z	H95.9	21B	X62Z
H54.1	02	C63Z	H70.9	03	D62Z, D63Z	I00	08	I66A, I66B, I66C
H54.1	18A	S65A, S65B	H71	03	D66Z	I01.0	05	F75A, F75B, F75C, F75D
H54.2	02	C63Z	H72.0	03	D66Z	I01.1	05	F15Z, F36A, F36B, F61A, F61B
H54.2	18A	S65A, S65B	H72.1	03	D66Z		Pre	A07D, A09E, A11F, A13F
H54.3	02	C63Z	H72.2	03	D66Z	I01.2	05	F75A, F75B, F75C, F75D
H54.3	18A	S65A, S65B	H72.8	03	D66Z		Pre	A07D, A09E, A11F, A13F
H54.4	02	C63Z	H72.9	03	D66Z	I01.8	05	F75A, F75B, F75C, F75D
H54.4	18A	S65A, S65B	H73.0	03	D62Z, D63Z	I01.9	05	F75A, F75B, F75C, F75D
H54.5	02	C63Z	H73.1	03	D62Z, D63Z	I02.0	05	F75A, F75B, F75C, F75D
H54.5	18A	S65A, S65B	H73.8	03	D66Z	I02.9	05	F75A, F75B, F75C, F75D
H54.6	02	C63Z	H73.9	03	D66Z	I05.0	05	F69A, F69B
H54.6	18A	S65A, S65B	H74.0	03	D66Z	I05.1	05	F69A, F69B
H54.9	02	C63Z	H74.1	03	D66Z	I05.2	05	F69A, F69B
H54.9	18A	S65A, S65B	H74.2	03	D66Z	I05.8	05	F69A, F69B
H55	02	C61Z	H74.3	03	D66Z	I05.9	05	F69A, F69B
H57.0	02	C63Z	H74.4	03	D66Z	I06.0	05	F69A, F69B
H57.1	02	C63Z	H74.8	03	D66Z	I06.1	05	F69A, F69B
			H74.9	03	D66Z	I06.2	05	F69A, F69B
			H80.0	03	D66Z	I06.8	05	F69A, F69B
			H80.1	03	D66Z	I06.9	05	F69A, F69B
			H80.2	03	D66Z	I07.0	05	F69A, F69B
			H80.8	03	D66Z	I07.1	05	F69A, F69B
			H80.9	03	D66Z	I07.2	05	F69A, F69B
			H81.0	03	D61A, D61B	I07.8	05	F69A, F69B
			H81.1	03	D61A, D61B	I07.9	05	F69A, F69B
						I08.0	05	F69A, F69B

ICD	MDC	DRG	ICD	MDC	DRG	ICD	MDC	DRG
I08.1	05	F69A, F69B	I21.1	05	F06C, F06D, F15Z, F24A, F24B, F36A, F36B, F41A, F41B, F52A, F52B, F60A, F60B	I23.4	05	F15Z, F24A, F24B, F36A, F36B, F52A, F52B, F69A, F69B
I08.2	05	F69A, F69B		18A	S65A		18A	S65A
I08.3	05	F69A, F69B		Pre	A07D, A09E, A11F, A13F	I23.5	Pre	A07D, A09E, A11F, A13F
I08.8	05	F69A, F69B	I21.2	05	F06C, F06D, F15Z, F24A, F24B, F36A, F36B, F41A, F41B, F52A, F52B, F60A, F60B	05	05	F15Z, F24A, F24B, F36A, F36B, F52A, F52B, F69A, F69B
I08.9	05	F69A, F69B		18A	S65A		18A	S65A
I09.0	05	F75A, F75B, F75C, F75D		Pre	A07D, A09E, A11F, A13F	I23.6	Pre	A07D, A09E, A11F, A13F
I09.1	05	F69A, F69B	I21.3	05	F06C, F06D, F15Z, F24A, F24B, F36A, F36B, F41A, F41B, F52A, F52B, F60A, F60B	05	05	F15Z, F24A, F24B, F36A, F36B, F52A, F52B, F75A, F75B, F75C, F75D
I09.2	05	F75A, F75B, F75C, F75D		18A	S65A		18A	S65A
I09.8	05	F75A, F75B, F75C, F75D		Pre	A07D, A09E, A11F, A13F	I23.8	Pre	A07D, A09E, A11F, A13F
I09.9	05	F75A, F75B, F75C, F75D	I21.4	05	F06C, F06D, F15Z, F24A, F24B, F36A, F36B, F41A, F41B, F52A, F52B, F60A, F60B	05	05	F75A, F75B, F75C, F75D
I10.00	05	F67A, F67B, F67C, F67D		18A	S65A	I24.0	18A	S65A
I10.01	05	F67A, F67B, F67C, F67D		Pre	A07D, A09E, A11F, A13F	05	05	F72A, F72B
I10.10	05	F67A, F67B, F67C, F67D	I21.9	05	F06C, F06D, F15Z, F24A, F24B, F36A, F36B, F41A, F41B, F52A, F52B, F60A, F60B	18A	18A	S65A, S65B
I10.11	05	F67A, F67B, F67C, F67D		18A	S65A	I24.1	05	F75A, F75B, F75C, F75D
I10.90	05	F67A, F67B, F67C, F67D		Pre	A07D, A09E, A11F, A13F	18A	18A	S65A, S65B
I10.91	05	F67A, F67B, F67C, F67D	I22.0	05	F06C, F06D, F15Z, F24A, F24B, F36A, F36B, F41A, F41B, F52A, F52B, F60A, F60B	I24.8	05	F72A, F72B
I11.00	05	F62A, F62B, F62C		18A	S65A	18A	18A	S65A, S65B
I11.01	05	F62A, F62B, F62C		Pre	A07D, A09E, A11F, A13F	I24.9	05	F72A, F72B
I11.90	05	F67A, F67B, F67C, F67D	I22.1	05	F06C, F06D, F15Z, F24A, F24B, F36A, F36B, F41A, F41B, F52A, F52B, F60A, F60B	18A	18A	S65A, S65B
I11.91	05	F67A, F67B, F67C, F67D		18A	S65A	I25.0	05	F66A, F66B
I12.00	11	L02B, L09A, L09B, L38Z, L60A, L60B, L60C, L60D, L71Z	I22.8	05	F06C, F06D, F15Z, F24A, F24B, F36A, F36B, F41A, F41B, F52A, F52B, F60A, F60B	18A	18A	S65A
	15	TPN, VTPN		18A	S65A	I25.10	05	F50A, F66A, F66B
I12.01	11	L02B, L09A, L09B, L38Z, L60A, L60B, L60C, L60D, L71Z	I22.9	05	F06C, F06D, F15Z, F24A, F24B, F36A, F36B, F41A, F41B, F52A, F52B, F60A, F60B	18A	18A	S65A
	15	TPN, VTPN		18A	S65A	I25.11	05	F50A, F66A, F66B
I12.90	11	L68A, L68B, L74Z		18A	S65A	18A	18A	S65A
	15	TPN, VTPN	I22.2	05	F06C, F06D, F15Z, F24A, F24B, F36A, F36B, F41A, F41B, F52A, F52B, F60A, F60B	I25.12	05	F50A, F66A, F66B
I12.91	11	L68A, L68B, L74Z		18A	S65A	18A	18A	S65A
	15	TPN, VTPN	I22.3	05	F06C, F06D, F15Z, F24A, F24B, F36A, F36B, F41A, F41B, F52A, F52B, F60A, F60B	I25.13	05	F50A, F66A, F66B
I13.00	05	F62A, F62B, F62C		18A	S65A	18A	18A	S65A
I13.01	05	F62A, F62B, F62C		18A	S65A	I25.14	05	F50A, F66A, F66B
I13.10	11	L02B, L09A, L09B, L38Z, L60A, L60B, L60C, L60D, L71Z	I22.8	05	F06C, F06D, F15Z, F24A, F24B, F36A, F36B, F41A, F41B, F52A, F52B, F60A, F60B	18A	18A	S65A
I13.11	11	L02B, L09A, L09B, L38Z, L60A, L60B, L60C, L60D, L71Z		18A	S65A	I25.15	05	F50A, F66A, F66B
	15	TPN, VTPN	I22.9	05	F06C, F06D, F15Z, F24A, F24B, F36A, F36B, F41A, F41B, F52A, F52B, F60A, F60B	18A	18A	S65A
I13.20	05	F62A, F62B, F62C		18A	S65A	I25.16	05	F50A, F66A, F66B
I13.21	05	F62A, F62B, F62C		18A	S65A	18A	18A	S65A
I13.90	05	F67A, F67B, F67C, F67D	I23.0	05	F15Z, F24A, F24B, F36A, F36B, F52A, F52B, F75A, F75B, F75C, F75D	I25.19	05	F50A, F66A, F66B
I13.91	05	F67A, F67B, F67C, F67D		18A	S65A	18A	18A	S65A
I15.00	05	F67A, F67B, F67C, F67D		18A	S65A	I25.20	05	F50A, F66A, F66B
	15	TPN, VTPN	I23.1	05	F15Z, F24A, F24B, F36A, F36B, F52A, F52B, F75A, F75B, F75C, F75D	I25.21	05	F50A, F66A, F66B
I15.01	05	F67A, F67B, F67C, F67D		18A	S65A	I25.22	18A	S65A
	15	TPN, VTPN		18A	S65A	I25.29	18A	S65A
I15.10	05	F67A, F67B, F67C, F67D	I23.2	05	F15Z, F24A, F24B, F36A, F36B, F52A, F52B, F75A, F75B, F75C, F75D	I25.3	05	F75A, F75B, F75C, F75D
I15.11	05	F67A, F67B, F67C, F67D		18A	S65A	18A	18A	S65A
I15.20	05	F67A, F67B, F67C, F67D		18A	S65A	I25.4	05	F75A, F75B, F75C, F75D
I15.21	05	F67A, F67B, F67C, F67D		18A	S65A	18A	18A	S65A
I15.80	05	F67A, F67B, F67C, F67D	I23.3	05	F15Z, F24A, F24B, F36A, F36B, F52A, F52B, F75A, F75B, F75C, F75D	I25.5	05	F50A, F66A, F66B
I15.81	05	F67A, F67B, F67C, F67D		18A	S65A	18A	18A	S65A
I15.90	05	F67A, F67B, F67C, F67D		Pre	A07D, A09E, A11F, A13F	Pre	Pre	A07D, A09E, A11F, A13F
I15.91	05	F67A, F67B, F67C, F67D		18A	S65A	I25.6	05	F66A, F66B
I20.0	05	F72A, F72B		18A	S65A	18A	18A	S65A
	18A	S65A, S65B		Pre	A07D, A09E, A11F, A13F	I25.8	05	F66A, F66B
I20.1	05	F72A, F72B		18A	S65A	18A	18A	S65A
	18A	S65A, S65B	I23.2	05	F15Z, F24A, F24B, F36A, F36B, F52A, F52B, F75A, F75B, F75C, F75D	I25.9	05	F66A, F66B
I20.8	05	F66A, F66B		18A	S65A	18A	18A	S65A
	18A	S65A, S65B		18A	S65A	I26.0	04	E64A
I20.9	05	F66A, F66B		Pre	A07D, A09E, A11F, A13F		10	K62A
	18A	S65A, S65B		18A	S65A		15	TPN, VTPN
I21.0	05	F06C, F06D, F15Z, F24A, F24B, F36A, F36B, F41A, F41B, F52A, F52B, F60A, F60B		Pre	A07D, A09E, A11F, A13F		17	R62A
	18A	S65A		18A	S65A		22	Y02A, Y02B
	Pre	A07D, A09E, A11F, A13F		Pre	A07D, A09E, A11F, A13F		Pre	A07D, A09E, A11F, A13F

Dg

ICD	MDC	DRG	ICD	MDC	DRG	ICD	MDC	DRG
I26.9	04	E64A	I35.9	05	F69A, F69B	I43.1	15	TPN, VTPN
	10	K62A	I36.0	05	F69A, F69B	I43.2	15	TPN, VTPN
	15	TPN, VTPN	I36.1	05	F69A, F69B	I44.0	05	F71A, F71B
	22	Y02A, Y02B	I36.2	05	F69A, F69B		15	TPN, VTPN
	Pre	A07D, A09E, A11F, A13F	I36.8	05	F69A, F69B	I44.1	05	F70A, F70B
I27.0	05	F46A, F46B, F75A, F75B, F75C, F75D	I36.9	05	F69A, F69B		15	TPN, VTPN
	15	TPN, VTPN	I37.0	05	F69A, F69B	I44.2	05	F70A, F70B
	Pre	A07D, A09E, A11F, A13F		15	TPN, VTPN		15	TPN, VTPN
I27.1	05	F75A, F75B, F75C, F75D	I37.1	05	F69A, F69B	Pre	A07D, A09E, A11F, A13F	
	15	TPN, VTPN	I37.2	05	F69A, F69B	I44.3	05	F70A, F70B
I27.20	05	F75A, F75B, F75C, F75D	I37.8	05	F69A, F69B		15	TPN, VTPN
	15	TPN, VTPN	I37.9	05	F69A, F69B	I44.4	05	F71A, F71B
I27.28	05	F75A, F75B, F75C, F75D	I38	05	F15Z, F36A, F36B, F61A, F61B		15	TPN, VTPN
	15	TPN, VTPN		08	I06A, I06C	I44.5	05	F71A, F71B
I27.8	05	F75A, F75B, F75C, F75D		18A	S63A, S63B		15	TPN, VTPN
	15	TPN, VTPN	I39.0	08	I06A, I06C	I44.6	05	F71A, F71B
I27.9	05	F75A, F75B, F75C, F75D		15	TPN, VTPN		15	TPN, VTPN
	15	TPN, VTPN	I39.1	08	I06A, I06C	I44.7	05	F71A, F71B
I28.0	05	F75A, F75B, F75C, F75D		15	TPN, VTPN		15	TPN, VTPN
I28.1	05	F75A, F75B, F75C, F75D	I39.2	08	I06A, I06C	I45.0	05	F71A, F71B
I28.8	05	F75A, F75B, F75C, F75D		15	TPN, VTPN		15	TPN, VTPN
I28.9	05	F75A, F75B, F75C, F75D	I39.3	08	I06A, I06C	I45.1	05	F71A, F71B
I30.0	05	F75A, F75B, F75C, F75D		15	TPN, VTPN		15	TPN, VTPN
	15	TPN, VTPN	I39.4	08	I06A, I06C	I45.2	05	F71A, F71B
I30.1	05	F75A, F75B, F75C, F75D		15	TPN, VTPN		15	TPN, VTPN
	15	TPN, VTPN	I39.8	08	I06A, I06C	I45.3	05	F70A, F70B
I30.8	05	F75A, F75B, F75C, F75D		15	TPN, VTPN		15	TPN, VTPN
	15	TPN, VTPN	I40.0	05	F75A, F75B, F75C, F75D	I45.4	05	F71A, F71B
I30.9	05	F75A, F75B, F75C, F75D		15	TPN, VTPN		15	TPN, VTPN
	15	TPN, VTPN		18A	S63A, S63B	I45.5	05	F70A, F70B
I31.0	05	F75A, F75B, F75C, F75D		Pre	A07D, A09E, A11F, A13F		15	TPN, VTPN
I31.1	05	F46A, F46B, F75A, F75B, F75C, F75D	I40.1	05	F75A, F75B, F75C, F75D	I45.6	05	F71A, F71B
				18A	S63A, S63B		15	TPN, VTPN
I31.2	05	F75A, F75B, F75C, F75D	I40.8	05	F75A, F75B, F75C, F75D	I45.8	05	F71A, F71B
	15	TPN, VTPN		18A	S63A, S63B		15	TPN, VTPN
I31.3	05	F75A, F75B, F75C, F75D	I40.9	05	F75A, F75B, F75C, F75D	I45.9	05	F71A, F71B
	15	TPN, VTPN		15	TPN, VTPN		15	TPN, VTPN
	15	TPN, VTPN		18A	S63A, S63B	I46.0	05	F15Z, F24A, F24B, F36A, F36B, F46A, F46B, F52A, F52B, F62A, F70A, F70B
	Pre	A07D, A09E, A11F, A13F	I41.0	15	TPN, VTPN			
I31.8	05	F75A, F75B, F75C, F75D	I41.1	15	TPN, VTPN		15	TPN, VTPN
	15	TPN, VTPN	I41.2	15	TPN, VTPN	I46.1	05	F70A, F70B
I31.9	05	F75A, F75B, F75C, F75D	I41.8	15	TPN, VTPN		15	TPN, VTPN
	15	TPN, VTPN	I42.0	05	F46A, F46B, F50A, F75A, F75B, F75C, F75D	I46.9	05	F70A, F70B
I32.0	15	TPN, VTPN		Pre	A07D, A09E, A11F, A13F		15	TPN, VTPN
I32.1	15	TPN, VTPN				I47.0	05	F71A, F71B
I32.8	15	TPN, VTPN	I42.1	05	F15Z, F24A, F24B, F36A, F36B, F46A, F46B, F50A, F52A, F52B, F75A, F75B, F75C, F75D	I47.1	05	F71A, F71B
I33.0	05	F03C, F03D, F03E, F14A, F14B, F15Z, F36A, F36B, F54Z, F61A, F61B		15	P65C, P66C, P67B, P67C		15	TPN, VTPN
	08	I06A, I06C		Pre	A07D, A09E, A11F, A13F	I47.2	05	F15Z, F24A, F24B, F36A, F36B, F46A, F46B, F52A, F52B, F62A, F70A, F70B
	15	TPN, VTPN	I42.2	05	F46A, F46B, F50A, F75A, F75B, F75C, F75D		15	TPN, VTPN
	18A	S63A, S63B				I47.9	05	F70A, F70B
	Pre	A07D, A09E, A11F, A13F	I42.3	05	F46A, F46B, F50A, F75A, F75B, F75C, F75D		15	TPN, VTPN
I33.9	05	F03C, F03D, F03E, F15Z, F36A, F36B, F61A, F61B				I48.0	05	F71A, F71B
	08	I06A, I06C	I42.4	05	F46A, F46B, F50A, F75A, F75B, F75C, F75D		15	TPN, VTPN
	15	TPN, VTPN				I48.1	05	F71A, F71B
	18A	S63A, S63B	I42.5	05	F46A, F46B, F50A, F75A, F75B, F75C, F75D		15	TPN, VTPN
I34.0	05	F69A, F69B				I48.2	05	F71A, F71B
I34.1	05	F69A, F69B	I42.6	05	F46A, F46B, F50A, F75A, F75B, F75C, F75D		15	TPN, VTPN
I34.2	05	F69A, F69B				I48.3	05	F71A, F71B
I34.80	05	F69A, F69B	I42.7	05	F46A, F46B, F50A, F75A, F75B, F75C, F75D		15	TPN, VTPN
I34.88	05	F69A, F69B				I48.4	05	F71A, F71B
I34.9	05	F69A, F69B	I42.80	05	F46A, F46B, F50A, F75A, F75B, F75C, F75D		15	TPN, VTPN
I35.0	05	F69A, F69B				I48.9	05	F71A, F71B
	15	P65C, P66C, P67B, P67C	I42.88	05	F46A, F46B, F50A, F75A, F75B, F75C, F75D		15	TPN, VTPN
I35.1	05	F69A, F69B						
I35.2	05	F69A, F69B	I42.9	05	F46A, F46B, F50A, F75A, F75B, F75C, F75D			
I35.8	05	F69A, F69B		18A	S63A, S63B			

ICD	MDC	DRG	ICD	MDC	DRG	ICD	MDC	DRG
167.11	01	B03A, B03B, B06A, B06B, B17A, B17B, B17C, B17D, B39A, B39B, B39C, B48Z, B70A, B70B, B70C, B70D, B70E, B70F, B70G, B70H, B70I	171.04	05	F75A, F75B, F75C, F75D	177.2	05	F65A, F65B
	15	TPN, VTPN		15	TPN, VTPN		15	TPN, VTPN
	Pre	A07D, A09E, A11F, A13F		Pre	A07D, A09E, A11F, A13F		Pre	A07D, A09E, A11F, A13F
167.2	01	B03A, B03B, B06A, B06B, B17A, B17B, B17C, B17D, B63Z	171.05	05	F65A, F65B	177.3	05	F65A, F65B
	Pre	A07D, A09E, A11F, A13F		15	TPN, VTPN	177.4	06	G46A, G46B, G46C, G50Z, G67A, G67B, G67C, G67D
167.3	01	B48Z, B85A, B85B, B85C, B85D	171.06	05	F75A, F75B, F75C, F75D	177.5	05	F65A, F65B
	18A	S63A, S63B		15	TPN, VTPN		15	TPN, VTPN
	Pre	A07D, A09E, A11F, A13F		Pre	A07D, A09E, A11F, A13F		177.6	I66A, I66B, I66C
167.4	05	F67A, F67B, F67C, F67D	171.07	05	F08A, F42Z, F65A, F65B	177.8	05	F65A, F65B
	Pre	A07D, A09E, A11F, A13F		15	TPN, VTPN	177.9	05	F65A, F65B
167.5	01	B03A, B03B, B06A, B06B, B17A, B17B, B17C, B17D, B81A	171.1	05	F65A, F65B	178.0	05	F65A, F65B
	Pre	A07D, A09E, A11F, A13F		15	TPN, VTPN	178.1	09	J67A, J67B, J68A, J68B
167.6	01	B03A, B03B, B06A, B06B, B17A, B17B, B17C, B17D, B81A	171.2	05	F65A, F65B	178.8	05	F65A, F65B
	15	TPN, VTPN		15	TPN, VTPN	178.9	05	F65A, F65B
	Pre	A07D, A09E, A11F, A13F		Pre	A07D, A09E, A11F, A13F	179.0	15	TPN, VTPN
167.7	01	B03A, B03B, B06A, B06B, B17A, B17B, B17C, B17D, B76A, B76B, B76C, B76D, B76E, B76F, B76G	171.3	05	F65A, F65B	179.2	15	TPN, VTPN
	Pre	A07D, A09E, A11F, A13F		15	TPN, VTPN	180.0	05	F63A, F63B
167.80	01	B03A, B03B, B06A, B06B, B17A, B17B, B17C, B17D	171.4	05	F65A, F65B	180.1	05	F63A, F63B
	Pre	A07D, A09E, A11F, A13F		15	TPN, VTPN	180.2	05	F63A, F63B
167.88	01	B03A, B03B, B06A, B06B, B17A, B17B, B17C, B17D, B63Z	171.5	05	F08A, F42Z, F65A, F65B	180.3	05	F63A, F63B
	Pre	A07D, A09E, A11F, A13F		15	TPN, VTPN	180.8	05	F63A, F63B
167.9	01	B03A, B03B, B06A, B06B, B17A, B17B, B17C, B17D, B63Z	171.6	05	F08A, F42Z, F65A, F65B	180.9	05	F63A, F63B
	Pre	A07D, A09E, A11F, A13F		15	TPN, VTPN	181	07	H63A, H63B, H63C, H78Z
168.0	Pre	A07D, A09E, A11F, A13F	171.8	05	F65A, F65B	15	TPN, VTPN	
168.1	Pre	A07D, A09E, A11F, A13F		15	TPN, VTPN	17	R62A	
168.2	Pre	A07D, A09E, A11F, A13F	171.9	05	F65A, F65B	182.0	07	H63A, H63B, H63C, H78Z
170.0	05	F65A, F65B	172.0	01	B81A, B81B	15	TPN, VTPN	
170.1	05	F65A, F65B	172.1	05	F65A, F65B	182.1	05	F65A, F65B
170.20	05	F65A, F65B	172.2	11	L68A, L68B, L74Z	182.2	05	F69A, F69B
170.21	05	F65A, F65B	172.3	05	F65A, F65B	15	TPN, VTPN	
170.22	05	F65A, F65B	172.4	05	F65A, F65B	182.3	11	L68A, L68B, L74Z
170.23	05	F14A, F14B, F20Z, F39A, F54Z, F65A, F65B	172.5	01	B81A, B81B	15	TPN, VTPN	
170.24	05	F14A, F14B, F20Z, F39A, F54Z, F65A, F65B	172.6	05	F65A, F65B	182.8	05	F63A, F63B
170.25	05	F65A, F65B	172.8	05	F65A, F65B	22	Y02A, Y02B	
170.8	05	F65A, F65B	172.9	05	F65A, F65B	182.9	05	F63A, F63B
170.9	05	F65A, F65B	173.0	08	I66A, I66B, I66C	183.0	05	F20Z, F39A, F64Z
171.00	05	F75A, F75B, F75C, F75D	173.1	05	F65A, F65B	183.1	05	F65A, F65B
	15	TPN, VTPN	173.8	05	F65A, F65B	183.2	05	F20Z, F39A, F64Z
	Pre	A07D, A09E, A11F, A13F		15	TPN, VTPN	183.9	05	F65A, F65B
171.01	05	F65A, F65B	174.0	05	F61A, F65A, F65B	185.0	06	G40Z, G46A, G46B, G46C, G47Z, G67A, G67B, G67C, G67D, G73Z
	15	TPN, VTPN		15	TPN, VTPN		07	H40Z
	Pre	A07D, A09E, A11F, A13F	174.1	05	F61A, F65A, F65B		15	TPN, VTPN
171.02	05	F75A, F75B, F75C, F75D		15	TPN, VTPN		Pre	A07D, A09E, A11F, A13F
	15	TPN, VTPN	174.2	05	F61A, F65A, F65B	185.9	06	G46A, G46B, G46C, G50Z, G71Z
	Pre	A07D, A09E, A11F, A13F		15	TPN, VTPN	186.0	05	F65A, F65B
171.03	05	F08A, F42Z, F65A, F65B	174.3	05	F61A, F65A, F65B	186.1	12	M64Z
	15	TPN, VTPN		15	TPN, VTPN	186.2	12	M64Z
	Pre	A07D, A09E, A11F, A13F	174.4	05	F61A, F65A, F65B		13	N04Z, N05A, N05B, N14Z, N21Z, N25Z, N62A, N62B
171.03	05	F08A, F42Z, F65A, F65B		15	TPN, VTPN	186.3	13	N04Z, N05A, N05B, N14Z, N21Z, N25Z, N62A, N62B
	15	TPN, VTPN	174.5	05	F61A, F65A, F65B	186.4	05	F65A, F65B
	Pre	A07D, A09E, A11F, A13F		15	TPN, VTPN	186.8	05	F65A, F65B
171.03	05	F08A, F42Z, F65A, F65B	174.8	05	F61A, F65A, F65B	187.00	05	F65A, F65B
	15	TPN, VTPN		15	TPN, VTPN	187.01	05	F65A, F65B
	Pre	A07D, A09E, A11F, A13F	174.9	05	F61A, F65A, F65B	187.1	05	F65A, F65B
171.03	05	F08A, F42Z, F65A, F65B		15	TPN, VTPN	187.2	05	F65A, F65B
	15	TPN, VTPN	177.0	05	F65A, F65B	187.8	05	F66A, F66B
	Pre	A07D, A09E, A11F, A13F	177.1	05	F65A, F65B	187.9	05	F66A, F66B
						188.0	06	G46A, G46B, G46C, G50Z, G66Z, G72A, G72B
						188.1	16	Q60A, Q60B, Q60C, Q60D, Q60E

Dg

ICD	MDC	DRG	ICD	MDC	DRG	ICD	MDC	DRG
188.8	16	Q60A, Q60B, Q60C, Q60D, Q60E	J11.1	03	D62Z, D63Z	J15.3	04	E62A, E62B, E77A, E77B, E77C, E77D, E77E, E77F, E77G
188.9	16	Q60A, Q60B, Q60C, Q60D, Q60E	J11.8	15	TPN, VTPN	15	TPN, VTPN	
189.0	09	J67A, J67B, J68A, J68B	J12.0	04	E62A, E62B, E77A, E77B, E77C, E77D, E77E, E77F, E77G	17	R62A	
189.1	09	J64A, J64B				18A	S63A, S63B	
189.8	15	TPN, VTPN		15	TPN, VTPN	22	Y02A, Y02B	
	16	Q60A, Q60B, Q60C		22	Y02A, Y02B	J15.4	04	E62A, E62B, E77A, E77B, E77C, E77D, E77E, E77F, E77G
189.9	16	Q60A, Q60B, Q60C, Q60D, Q60E	J12.1	04	E62A, E62B, E65A, E65B, E65C, E69B, E77A, E77B, E77C, E77D, E77F	15	TPN, VTPN	
195.0	05	F73Z		15	TPN, VTPN	17	R62A	
195.1	05	F73Z		22	Y02A, Y02B	18A	S63A, S63B	
195.2	05	F73Z		22	Y02A, Y02B	22	Y02A, Y02B	
195.8	05	F73Z	J12.2	04	E62A, E62B, E77A, E77B, E77C, E77D, E77E, E77F, E77G	J15.5	04	E62A, E62B, E77A, E77B, E77C, E77D, E77E, E77F, E77G
	22	Y02A, Y02B		15	TPN, VTPN	15	TPN, VTPN	
195.9	05	F73Z		22	Y02A, Y02B	17	R62A	
197.0	05	F75A, F75B, F75C, F75D		22	Y02A, Y02B	18A	S63A, S63B	
	15	TPN, VTPN	J12.3	04	E62A, E62B, E77A, E77B, E77C, E77D, E77E, E77F, E77G	22	Y02A, Y02B	
197.1	05	F75A, F75B, F75C, F75D		15	TPN, VTPN	J15.6	04	E62A, E62B, E77A, E77B, E77C, E77D, E77E, E77F, E77G
	15	TPN, VTPN		18A	S63A, S63B	15	TPN, VTPN	
197.2	09	J67A, J67B		22	Y02A, Y02B	17	R62A	
197.8	05	F65A, F65B		22	Y02A, Y02B	18A	S63A, S63B	
	22	Y02A, Y02B	J12.8	04	E62A, E62B, E77A, E77B, E77C, E77D, E77E, E77F, E77G	22	Y02A, Y02B	
197.9	05	F75A, F75B, F75C, F75D		15	TPN, VTPN	J15.7	04	E62A, E62B, E77A, E77B, E77C, E77D, E77E, E77F, E77G
198.0	15	TPN, VTPN		18A	S63A, S63B	15	TPN, VTPN	
198.1	15	TPN, VTPN		22	Y02A, Y02B	17	R62A	
198.3	07	H40Z		22	Y02A, Y02B	18A	S63A, S63B	
199	05	F66A, F66B		22	Y02A, Y02B	22	Y02A, Y02B	
J00	03	D62Z, D63Z	J12.9	04	E62A, E62B, E77A, E77B, E77C, E77D, E77E, E77F, E77G	J15.8	04	E62A, E62B, E77A, E77B, E77C, E77D, E77E, E77F, E77G
J01.0	03	D62Z, D63Z		15	TPN, VTPN	15	TPN, VTPN	
J01.1	03	D62Z, D63Z		18A	S63A, S63B	17	R62A	
J01.2	03	D62Z, D63Z		22	Y02A, Y02B	18A	S63A, S63B	
J01.3	03	D62Z, D63Z		22	Y02A, Y02B	22	Y02A, Y02B	
J01.4	03	D62Z, D63Z		22	Y02A, Y02B	J15.9	04	E62A, E62B, E77A, E77B, E77C, E77D, E77E, E77F, E77G
J01.8	03	D62Z, D63Z	J13	04	E62A, E62B, E77A, E77B, E77C, E77D, E77E, E77F, E77G	15	TPN, VTPN	
J01.9	03	D62Z, D63Z		15	TPN, VTPN	18A	S63A, S63B	
J02.0	03	D62Z, D63Z		18A	S63A, S63B	22	Y02A, Y02B	
J02.8	03	D62Z, D63Z		22	Y02A, Y02B	J16.0	04	E62A, E62B, E77A, E77B, E77C, E77D, E77E, E77F, E77G
J02.9	03	D62Z, D63Z	J14	04	E62A, E62B, E77A, E77B, E77C, E77D, E77E, E77F, E77G	15	TPN, VTPN	
J03.0	03	D62Z, D63Z		15	TPN, VTPN	18A	S63A, S63B	
J03.8	03	D62Z, D63Z		18A	S63A, S63B	22	Y02A, Y02B	
J03.9	03	D62Z, D63Z		22	Y02A, Y02B	J16.8	04	E62A, E62B, E77A, E77B, E77C, E77D, E77E, E77F, E77G
J04.0	03	D62Z, D63Z		22	Y02A, Y02B	15	TPN, VTPN	
J04.1	04	E65A, E65B, E69A, E69B, E69C, E69D, E69E, E69F	J15.0	04	E62A, E62B, E77A, E77B, E77C, E77D, E77F	18A	S63A, S63B	
J04.2	03	D64Z		15	TPN, VTPN	22	Y02A, Y02B	
J05.0	03	D64Z		17	R62A	J17.0	15	TPN, VTPN
J05.1	03	D64Z		18A	S63A, S63B	22	Y02A, Y02B	
	Pre	A07D, A09E, A11F, A13F		22	Y02A, Y02B	J17.1	15	TPN, VTPN
J06.0	03	D62Z, D63Z		22	Y02A, Y02B	J17.2	15	TPN, VTPN
J06.8	03	D62Z, D63Z		22	Y02A, Y02B	22	Y02A, Y02B	
J06.9	03	D62Z, D63Z		22	Y02A, Y02B	J17.3	15	TPN, VTPN
J09	04	E62A, E62B, E77A, E77B, E77C, E77D, E77E, E77F, E77G	J15.1	04	E62A, E62B, E77A, E77B, E77C, E77D, E77E, E77F, E77G	22	Y02A, Y02B	
	15	TPN, VTPN		15	TPN, VTPN	J17.8	15	TPN, VTPN
J10.0	04	E62A, E62B, E77A, E77B, E77C, E77D, E77E, E77F, E77G		17	R62A	22	Y02A, Y02B	
	15	TPN, VTPN		18A	S63A, S63B	J17.1	15	TPN, VTPN
J10.1	03	D62Z, D63Z	J15.2	04	E62A, E62B, E77A, E77B, E77C, E77D, E77E, E77F, E77G	22	Y02A, Y02B	
	15	TPN, VTPN		15	TPN, VTPN	J17.2	15	TPN, VTPN
J10.8	15	TPN, VTPN		17	R62A	22	Y02A, Y02B	
	18B	T63A, T63B, T63C		18A	S63A, S63B	J17.3	15	TPN, VTPN
J11.0	04	E62A, E62B, E77A, E77B, E77C, E77D, E77E, E77F, E77G		22	Y02A, Y02B	22	Y02A, Y02B	
	15	TPN, VTPN		22	Y02A, Y02B	J17.8	15	TPN, VTPN
						22	Y02A, Y02B	

ICD	MDC	DRG	ICD	MDC	DRG	ICD	MDC	DRG
J18.0	04	E62A, E62B, E77A, E77B, E77C, E77D, E77E, E77F, E77G	J32.3	03	D62Z, D63Z	J44.12	04	E65A, E65B, E65C
	15	TPN, VTPN	J32.4	03	D62Z, D63Z	J44.13	04	E65A, E65B, E65C
	18A	S63A, S63B	J32.8	03	D62Z, D63Z	J44.19	04	E65A, E65B, E65C
	22	Y02A, Y02B	J32.9	03	D62Z, D63Z	J44.80	04	E65A, E65B
J18.1	04	E62A, E62B, E77A, E77B, E77C, E77D, E77E, E77F, E77G	J33.0	03	D66Z	J44.81	04	E65A, E65B, E65C
	15	TPN, VTPN	J33.1	03	D66Z	J44.82	04	E65A, E65B, E65C
	18A	S63A, S63B	J33.8	03	D66Z	J44.83	04	E65A, E65B, E65C
	22	Y02A, Y02B	J33.9	03	D66Z	J44.89	04	E65A, E65B, E65C
J18.2	04	E64A, E64B, E64C, E64D	J34.0	03	D66Z	J44.90	04	E65A, E65B
J18.8	04	E62A, E62B, E77A, E77B, E77C, E77D, E77E, E77F, E77G	J34.1	03	D66Z	J44.91	04	E65A, E65B, E65C
	15	TPN, VTPN	J34.2	03	D65Z	J44.92	04	E65A, E65B, E65C
	18A	S63A, S63B	J34.3	03	D66Z	J44.93	04	E65A, E65B, E65C
	22	Y02A, Y02B	J34.8	03	D66Z	J44.99	04	E65A, E65B, E65C
J18.9	04	E62A, E62B, E77A, E77B, E77C, E77D, E77E, E77F, E77G	J35.0	03	D62Z, D63Z	J45.0	04	E65A, E65B, E69A, E69B, E69C, E69D, E69E, E69F
	15	TPN, VTPN	J35.1	03	D66Z	J45.1	04	E65A, E65B, E69A, E69B, E69C, E69D, E69E, E69F
	18A	S63A, S63B	J35.2	03	D66Z	J45.8	04	E65A, E65B, E69A, E69B, E69C, E69D, E69E, E69F
	22	Y02A, Y02B	J35.3	03	D66Z	J45.9	04	E65A, E65B, E69A, E69B, E69C, E69D, E69E, E69F
	04	E62A, E62B, E77A, E77B, E77C, E77D, E77E, E77F, E77G	J35.8	03	D66Z	J46	04	E65A, E65B, E69A, E69B, E69C, E69D, E69E, E69F
	15	TPN, VTPN	J35.9	03	D66Z		Pre	A07D, A09E, A11F, A13F
	18A	S63A, S63B	J36	03	D62Z, D63Z	J47	04	E65A, E65B
	22	Y02A, Y02B	J37.0	03	D62Z, D63Z	J60	04	E74Z
J20.0	04	E65A, E65B, E69A, E69B, E69C, E69D, E69E, E69F	J37.1	03	D62Z, D63Z	J61	04	E74Z
J20.1	04	E65A, E65B, E69A, E69B, E69C, E69D, E69E, E69F	J38.00	03	D66Z	J62.0	04	E74Z
J20.2	04	E65A, E65B, E69A, E69B, E69C, E69D, E69E, E69F	J38.01	03	D66Z	J62.8	04	E74Z
J20.3	04	E65A, E65B, E69A, E69B, E69C, E69D, E69E, E69F	J38.02	03	D66Z	J63.0	04	E74Z
J20.4	04	E65A, E65B, E69A, E69B, E69C, E69D, E69E, E69F	J38.03	03	D66Z	J63.1	04	E74Z
J20.5	04	E65A, E65B, E69A, E69B, E69C, E69D, E69E, E69F	J38.1	03	D66Z	J63.2	04	E74Z
J20.6	04	E65A, E65B, E69A, E69B, E69C, E69D, E69E, E69F	J38.2	03	D66Z	J63.3	04	E74Z
J20.7	04	E65A, E65B, E69A, E69B, E69C, E69D, E69E, E69F	J38.3	03	D66Z	J63.4	04	E74Z
J20.8	04	E65A, E65B, E69A, E69B, E69C, E69D, E69E, E69F	J38.4	03	D66Z	J63.5	04	E74Z
J20.9	04	E65A, E65B, E69A, E69B, E69C, E69D, E69E, E69F	J38.5	03	D64Z	J63.8	04	E74Z
J21.0	04	E65A, E65B, E65C, E69B, E70A, E70B	J38.6	03	D66Z	J64	04	E74Z
J21.1	04	E70A, E70B	J38.7	03	D66Z	J65	04	E41Z, E42Z, E76A, E76B, E76C
J21.8	04	E70A, E70B	J39.0	03	D30A, D62Z, D63Z	J66.0	04	E74Z
J21.9	04	E70A, E70B	J39.1	03	D66Z	J66.1	04	E74Z
J22	04	E75A, E75B, E75C	J39.2	03	D66Z	J66.2	04	E74Z
J30.0	03	D62Z, D63Z	J39.3	03	D62Z, D63Z	J66.8	04	E74Z
J30.1	03	D62Z, D63Z	J39.80	03	D62Z, D63Z	J67.0	04	E74Z
J30.2	03	D62Z, D63Z	J39.88	03	D62Z, D63Z	Pre	A07D, A09E, A11F, A13F	
J30.3	03	D62Z, D63Z	J39.9	03	D62Z, D63Z	J67.1	04	E74Z
J30.4	03	D62Z, D63Z	J40	04	E65A, E65B, E69A, E69B, E69C, E69D, E69E, E69F	Pre	A07D, A09E, A11F, A13F	
J31.0	03	D62Z, D63Z	J41.0	04	E65A, E65B, E69A, E69B, E69C, E69D, E69E, E69F	J67.2	04	E74Z
J31.1	03	D62Z, D63Z	J41.1	04	E65A, E65B, E65C	Pre	A07D, A09E, A11F, A13F	
J31.2	03	D62Z, D63Z	J41.8	04	E65A, E65B, E65C	J67.3	04	E74Z
J32.0	03	D62Z, D63Z	J42	04	E65A, E65B, E65C	Pre	A07D, A09E, A11F, A13F	
J32.1	03	D62Z, D63Z	J43.0	04	E65A, E65B, E65C	J67.4	04	E74Z
J32.2	03	D62Z, D63Z	J43.1	04	E65A, E65B, E65C	Pre	A07D, A09E, A11F, A13F	
			J43.2	04	E65A, E65B, E65C	J67.5	04	E74Z
			J43.8	04	E65A, E65B, E65C	Pre	A07D, A09E, A11F, A13F	
			J43.9	04	E65A, E65B, E65C	J67.6	04	E74Z
			J44.00	04	E65A, E65B	Pre	A07D, A09E, A11F, A13F	
			J44.01	04	E65A, E65B, E65C	J67.7	04	E74Z
			J44.02	04	E65A, E65B, E65C	Pre	A07D, A09E, A11F, A13F	
			J44.03	04	E65A, E65B, E65C	J67.8	04	E74Z
			J44.09	04	E65A, E65B, E65C	Pre	A07D, A09E, A11F, A13F	
			J44.10	04	E65A, E65B	J67.9	04	E74Z
			J44.11	04	E65A, E65B, E65C	J68.0	04	E75A, E75B, E75C
						J68.1	04	E64A, E64B, E64C, E64D
						J68.2	04	E75A, E75B, E75C
						J68.3	04	E65A, E65B, E69A, E69B, E69C, E69D, E69E, E69F, E75A, E75B, E75C

ICD	MDC	DRG	ICD	MDC	DRG	ICD	MDC	DRG
J68.4	04	E65A, E65B, E65C	J92.9	04	E62A, E62B, E77A, E77B, E77C, E77D, E77E, E77F, E77G	K02.1	03	D40Z, D67Z
J68.8	04	E65A, E65B, E65C				K02.2	03	D40Z, D67Z
J68.9	04	E65A, E65B, E65C				K02.3	03	D40Z, D67Z
J69.0	04	E62A, E62B, E77A, E77B, E77C, E77D, E77E, E77F, E77G	J93.0	04	E76A, E76B, E76C	K02.4	03	D40Z, D67Z
	15	TPN, VTPN		15	P65C, P66C, P67B, P67C	K02.5	03	D40Z, D67Z
J69.1	04	E62A, E62B, E77A, E77B, E77C, E77D, E77E, E77F, E77G	Pre	A07D, A09E, A11F, A13F	K02.8	03	D40Z, D67Z	
	15	TPN, VTPN	J93.1	04	E76A, E76B, E76C	K02.9	03	D40Z, D67Z
J69.8	04	E62A, E62B, E77A, E77B, E77C, E77D, E77E, E77F, E77G	18A	S63A, S63B	K03.0	03	D40Z, D67Z	
	15	TPN, VTPN	J93.8	04	E76A, E76B, E76C	K03.1	03	D40Z, D67Z
J70.0	04	E75A, E75B, E75C	18A	S63A, S63B	K03.2	03	D40Z, D67Z	
J70.1	04	E74Z	J93.9	04	E76A, E76B, E76C	K03.3	03	D40Z, D67Z
J70.2	04	E75A, E75B, E75C	18A	S63A, S63B	K03.4	03	D40Z, D67Z	
J70.3	04	E75A, E75B, E75C	J94.0	04	E73A, E73B	K03.5	03	D40Z, D67Z
J70.4	04	E75A, E75B, E75C	15	TPN, VTPN	K03.6	03	D40Z, D67Z	
J70.8	04	E75A, E75B, E75C	J94.1	04	E62A, E62B, E77A, E77B, E77C, E77D, E77E, E77F, E77G	K03.7	03	D40Z, D67Z
J70.9	04	E75A, E75B, E75C	J94.2	04	E73A, E73B	K03.8	03	D40Z, D67Z
J80	04	E40A, E40B	15	TPN, VTPN	K03.9	03	D40Z, D67Z	
	Pre	A07D, A09E, A11F, A13F	J94.8	04	E73A, E73B	K04.0	03	D40Z, D67Z
J81	05	F62A, F62B, F62C	15	TPN, VTPN	K04.1	03	D40Z, D67Z	
J82	04	E74Z	J94.9	04	E73A, E73B	K04.2	03	D40Z, D67Z
J84.0	04	E74Z	15	TPN, VTPN	K04.3	03	D40Z, D67Z	
J84.1	04	E74Z	J95.0	04	E75A, E75B, E75C	K04.4	03	D40Z, D67Z
	Pre	A07D, A09E, A11F, A13F	15	TPN, VTPN	K04.5	03	D40Z, D67Z	
J84.8	04	E74Z	J95.1	04	E64A, E64B, E64C, E64D	K04.6	03	D40Z, D67Z
	18A	S65A, S65B	Pre	A07D, A09E, A11F, A13F	K04.7	03	D40Z, D67Z	
J84.9	04	E74Z	J95.2	04	E64A, E64B, E64C, E64D	K04.8	03	D40Z, D67Z
J85.0	04	E62A, E62B, E77A, E77B, E77C, E77D, E77F	J95.3	04	E64A, E64B, E64C, E64D	K04.9	03	D40Z, D67Z
	15	TPN, VTPN	J95.4	04	E75A, E75B, E75C	K05.0	03	D40Z, D67Z
	18A	S63A, S63B	J95.5	04	E75A, E75B, E75C	K05.1	03	D40Z, D67Z
J85.1	04	E62A, E62B, E77A, E77B, E77C, E77D, E77F	J95.80	04	E76A, E76B, E76C	K05.2	03	D40Z, D67Z
	15	TPN, VTPN	J95.81	04	E75A, E75B, E75C	K05.3	03	D40Z, D67Z
	18A	S63A, S63B	J95.88	04	E75A, E75B, E75C	K05.4	03	D40Z, D67Z
	Pre	A07D, A09E, A11F, A13F	J95.9	04	E75A, E75B, E75C	K05.5	03	D40Z, D67Z
J85.2	04	E62A, E62B, E77A, E77B, E77C, E77D, E77F	J96.00	04	E64A, E64B, E64C, E64D	K05.6	03	D40Z, D67Z
	15	TPN, VTPN	J96.01	04	E64A, E64B, E64C, E64D	K06.0	03	D40Z, D67Z
	18A	S63A, S63B	J96.09	04	E64A, E64B, E64C, E64D	K06.1	03	D40Z, D67Z
	Pre	A07D, A09E, A11F, A13F	J96.10	04	E64A, E64B, E64C, E64D	K06.2	03	D40Z, D67Z
J85.3	04	E62A, E62B, E77A, E77B, E77C, E77D, E77F	J96.11	04	E64A, E64B, E64C, E64D	K06.8	03	D40Z, D67Z
	15	TPN, VTPN	J96.19	04	E64A, E64B, E64C, E64D	K06.9	03	D40Z, D67Z
	18A	S63A, S63B	J96.90	04	E64A, E64B, E64C, E64D	K07.0	03	D40Z, D67Z
	Pre	A07D, A09E, A11F, A13F	J96.91	04	E64A, E64B, E64C, E64D	K07.1	03	D40Z, D67Z
J86.0	04	E01A, E62A, E62B, E77A, E77B, E77C, E77D, E77F	J96.99	04	E64A, E64B, E64C, E64D	K07.2	03	D40Z, D67Z
	15	TPN, VTPN	J98.0	04	E65A, E65B, E69A, E69B, E69C, E69D, E69E, E69F	K07.3	03	D40Z, D67Z
	18A	S63A	J98.1	04	E75A, E75B, E75C	K07.4	03	D40Z, D67Z
	Pre	A07D, A09E, A11F, A13F	J98.2	04	E76A, E76B, E76C	K07.5	03	D40Z, D67Z
J86.9	04	E62A, E62B, E77A, E77B, E77C, E77D, E77F	J98.3	04	E75A, E75B, E75C	K07.6	03	D40Z, D67Z
	15	TPN, VTPN	J98.4	04	E75A, E75B, E75C	K07.8	03	D40Z, D67Z
	18A	S63A	J98.50	04	E75A, E75B, E75C	15	TPN, VTPN	
	Pre	A07D, A09E, A11F, A13F	J98.58	04	E75A, E75B, E75C	K07.9	03	D40Z, D67Z
J90	04	E73A, E73B	J98.6	04	E75A, E75B, E75C	K08.0	03	D40Z, D67Z
	15	TPN, VTPN	J98.8	04	E75A, E75B, E75C	K08.1	03	D40Z, D67Z
J91	15	TPN, VTPN	J98.9	04	E75A, E75B, E75C	K08.2	03	D40Z, D67Z
J92.0	04	E62A, E62B, E77A, E77B, E77C, E77D, E77E, E77F, E77G	K00.0	03	D40Z, D67Z	K08.3	03	D40Z, D67Z
			K00.1	03	D40Z, D67Z	K08.81	03	D40Z, D67Z
			K00.2	03	D40Z, D67Z	K08.88	03	D40Z, D67Z
			K00.3	03	D40Z, D67Z	K08.9	03	D40Z, D67Z
			K00.4	03	D40Z, D67Z	K09.0	03	D40Z, D67Z
			K00.5	03	D40Z, D67Z	K09.1	03	D40Z, D67Z
			K00.6	03	D40Z, D67Z	K09.2	03	D40Z, D67Z
			K00.7	03	D40Z, D67Z	K09.8	03	D40Z, D67Z
			K00.8	03	D40Z, D67Z	K09.9	03	D40Z, D67Z
			K00.9	03	D40Z, D67Z	K10.0	03	D40Z, D67Z
			K01.0	03	D40Z, D67Z	K10.1	03	D40Z, D67Z
			K01.1	03	D40Z, D67Z	K10.20	03	D06B, D40Z, D67Z
			K02.0	03	D40Z, D67Z	K10.21	03	D06B, D40Z, D67Z
						K10.28	03	D06B, D40Z, D67Z
						K10.29	03	D40Z, D67Z
						K10.3	03	D40Z, D67Z

ICD	MDC	DRG	ICD	MDC	DRG	ICD	MDC	DRG
K29.6	06	G46A, G46B, G46C, G50Z, G67A, G67B, G67C, G67D	K38.3	06	G46A, G46B, G46C, G50Z, G71Z	K43.0	06	G46A, G46B, G46C, G50Z, G71Z
K29.7	06	G46A, G46B, G46C, G50Z, G67A, G67B, G67C, G67D	K38.8	06	G46A, G46B, G46C, G50Z, G72A, G72B	K43.1	15	TPN, VTPN
K29.8	18A	S65A, S65B	K38.9	06	G46A, G46B, G46C, G50Z, G72A, G72B	K43.1	06	G46A, G46B, G46C, G50Z, G71Z
K29.8	06	G46A, G46B, G46C, G50Z, G67A, G67B, G67C, G67D	K40.00	06	G09Z, G24Z, G46A, G46B, G46C, G50Z, G71Z	K43.2	15	TPN, VTPN
K29.9	06	G46A, G46B, G46C, G50Z, G67A, G67B, G67C, G67D	K40.01	06	G09Z, G24Z, G46A, G46B, G46C, G50Z, G71Z	K43.2	Pre	A07D, A09E, A11F, A13F
K30	18A	S65A, S65B	K40.01	15	TPN, VTPN	K43.2	06	G46A, G46B, G46C, G50Z, G71Z
K30	06	G46A, G46B, G46C, G50Z, G67A, G67B, G67C, G67D	K40.10	06	G09Z, G24Z, G46A, G46B, G46C, G50Z, G71Z	K43.3	06	G46A, G46B, G46C, G50Z, G71Z
K31.0	06	G46A, G46B, G46C, G50Z, G67A, G67B, G67C, G67D	K40.10	15	TPN, VTPN	K43.3	15	TPN, VTPN
K31.1	06	G40Z, G46A, G46B, G46C, G47Z, G67A, G67B, G67C, G73Z	K40.11	06	G09Z, G24Z, G46A, G46B, G46C, G50Z, G71Z	K43.4	06	G46A, G46B, G46C, G50Z, G71Z
K31.2	06	G46A, G46B, G46C, G50Z, G67A, G67B, G67C, G67D	K40.11	15	TPN, VTPN	K43.4	15	TPN, VTPN
K31.3	06	G46A, G46B, G46C, G50Z, G67A, G67B, G67C, G67D	K40.20	Pre	A07D, A09E, A11F, A13F	K43.5	06	G46A, G46B, G46C, G50Z, G71Z
K31.4	06	G46A, G46B, G46C, G50Z, G67A, G67B, G67C, G67D	K40.20	06	G09Z, G24Z, G46A, G46B, G46C, G50Z, G71Z	K43.6	06	G46A, G46B, G46C, G50Z, G71Z
K31.5	06	G40Z, G46A, G46B, G46C, G47Z, G67A, G67B, G67C, G73Z	K40.21	06	G09Z, G24Z, G46A, G46B, G46C, G50Z, G71Z	K43.7	06	G46A, G46B, G46C, G50Z, G71Z
K31.6	06	G46A, G46B, G46C, G50Z, G67A, G67B, G67C	K40.30	06	G09Z, G24Z, G46A, G46B, G46C, G50Z, G71Z	K43.9	06	G46A, G46B, G46C, G50Z, G71Z
K31.6	15	TPN, VTPN	K40.30	15	TPN, VTPN	K44.0	06	G46A, G46B, G46C, G50Z, G67A, G67B, G67C, G67D
K31.7	06	G46A, G46B, G46C, G50Z, G67A, G67B, G67C, G67D	K40.31	06	G09Z, G24Z, G46A, G46B, G46C, G50Z, G71Z	K44.0	15	TPN, VTPN
K31.81	06	G46A, G46B, G46C, G50Z, G67A, G67B, G67C, G67D	K40.40	15	TPN, VTPN	K44.1	06	G46A, G46B, G46C, G50Z, G71Z
K31.82	06	G40Z, G46A, G46B, G46C, G47Z, G67A, G67B, G67C, G67D, G73Z	K40.40	06	G09Z, G24Z, G46A, G46B, G46C, G50Z, G71Z	K44.9	15	TPN, VTPN
K31.82	Pre	A07D, A09E, A11F, A13F	K40.41	06	G09Z, G24Z, G46A, G46B, G46C, G50Z, G71Z	K44.9	06	G46A, G46B, G46C, G50Z, G67A, G67B, G67C, G67D
K31.88	06	G46A, G46B, G46C, G50Z, G67A, G67B, G67C, G67D	K40.41	15	TPN, VTPN	K45.0	06	G46A, G46B, G46C, G50Z, G71Z
K31.9	06	G46A, G46B, G46C, G50Z, G67A, G67B, G67C, G67D	K40.90	Pre	A07D, A09E, A11F, A13F	K45.1	06	G46A, G46B, G46C, G50Z, G71Z
K35.2	06	G07A, G07B, G07C, G22A, G22B, G22C, G46A, G46B, G46C, G50Z, G71Z	K40.91	06	G09Z, G24Z, G46A, G46B, G46C, G50Z, G71Z	K45.1	15	TPN, VTPN
K35.2	15	TPN, VTPN	K41.0	06	G09Z, G24Z, G46A, G46B, G46C, G50Z, G71Z	K45.1	Pre	A07D, A09E, A11F, A13F
K35.30	06	G46A, G46B, G46C, G50Z, G72A, G72B	K41.1	15	TPN, VTPN	K45.8	06	G46A, G46B, G46C, G50Z, G71Z
K35.30	15	TPN, VTPN	K41.1	06	G09Z, G24Z, G46A, G46B, G46C, G50Z, G71Z	K46.0	06	G46A, G46B, G46C, G50Z, G71Z
K35.31	06	G07A, G07B, G07C, G22A, G22B, G22C, G46A, G46B, G46C, G50Z, G71Z	K41.1	15	TPN, VTPN	K46.1	06	G46A, G46B, G46C, G50Z, G71Z
K35.31	15	TPN, VTPN	K41.2	Pre	A07D, A09E, A11F, A13F	K46.9	15	TPN, VTPN
K35.32	06	G07A, G07B, G07C, G22A, G22B, G22C, G46A, G46B, G46C, G50Z, G64A, G64B, G64C, G70A, G70B	K41.2	06	G09Z, G24Z, G46A, G46B, G46C, G50Z, G71Z	K50.0	06	G40Z, G46A, G46B, G46C, G47Z, G48A, G48B, G64A, G64B, G64C
K35.32	15	TPN, VTPN	K41.3	06	G09Z, G24Z, G46A, G46B, G46C, G50Z, G71Z	K50.1	06	G40Z, G46A, G46B, G46C, G47Z, G48A, G48B, G64A, G64B, G64C
K35.8	06	G46A, G46B, G46C, G50Z, G72A, G72B	K41.4	15	TPN, VTPN	K50.80	06	G40Z, G46A, G46B, G46C, G47Z, G48A, G48B, G64A, G64B, G64C
K35.8	15	TPN, VTPN	K41.9	Pre	A07D, A09E, A11F, A13F	K50.81	06	G40Z, G46A, G46B, G46C, G47Z, G48A, G48B, G64A, G64B, G64C
K36	06	G46A, G46B, G46C, G50Z, G72A, G72B	K41.9	06	G09Z, G24Z, G46A, G46B, G46C, G50Z, G71Z	K50.82	06	G40Z, G46A, G46B, G46C, G47Z, G48A, G48B, G64A, G64B, G64C
K37	06	G46A, G46B, G46C, G50Z, G72A, G72B	K42.0	06	G46A, G46B, G46C, G50Z, G71Z	K50.88	06	G40Z, G46A, G46B, G46C, G47Z, G48A, G48B, G64A, G64B, G64C
K37	15	TPN, VTPN	K42.1	15	TPN, VTPN	K50.9	06	G40Z, G46A, G46B, G46C, G47Z, G48A, G48B, G64A, G64B, G64C
K38.0	06	G46A, G46B, G46C, G50Z, G71Z	K42.1	06	G46A, G46B, G46C, G50Z, G71Z	K50.9	06	G40Z, G46A, G46B, G46C, G47Z, G48A, G48B, G64A, G64B, G64C
K38.1	06	G46A, G46B, G46C, G50Z, G71Z	K42.9	15	TPN, VTPN			
K38.2	06	G46A, G46B, G46C, G50Z, G71Z	K42.9	Pre	A07D, A09E, A11F, A13F			
				06	G46A, G46B, G46C, G50Z, G71Z			

ICD	MDC	DRG	ICD	MDC	DRG	ICD	MDC	DRG
K51.0	06	G40Z, G46A, G46B, G46C, G47Z, G48A, G48B, G64A, G64B, G64C	K55.82	06	G40Z, G46A, G46B, G46C, G47Z, G67A, G67B, G67C, G67D, G73Z	K57.41	06	G40Z, G46A, G46B, G46C, G47Z, G67A, G67B, G67C, G67D, G73Z
K51.2	06	G40Z, G46A, G46B, G46C, G47Z, G48A, G48B, G64A, G64B, G64C	K55.88	06	G46A, G46B, G46C, G50Z, G71Z	K57.42	06	G46A, G46B, G46C, G50Z, G67A, G67B, G67C
K51.3	06	G40Z, G46A, G46B, G46C, G47Z, G48A, G48B, G64A, G64B, G64C	K55.9	06	G46A, G46B, G46C, G50Z, G71Z	K57.43	06	G40Z, G46A, G46B, G46C, G47Z, G67A, G67B, G67C, G67D, G73Z
K51.4	06	G40Z, G46A, G46B, G46C, G47Z, G48A, G48B, G64A, G64B, G64C	K56.0	06	G40Z, G46A, G46B, G46C, G47Z, G65Z	K57.50	06	G46A, G46B, G46C, G50Z, G67A, G67B, G67C
K51.5	06	G40Z, G46A, G46B, G46C, G47Z, G48A, G48B, G64A, G64B, G64C	K56.1	06	G40Z, G46A, G46B, G46C, G47Z, G65Z	K57.51	06	G40Z, G46A, G46B, G46C, G47Z, G67A, G67B, G67C, G67D, G73Z
K51.8	06	G40Z, G46A, G46B, G46C, G47Z, G48A, G48B, G64A, G64B, G64C	K56.2	06	G40Z, G46A, G46B, G46C, G47Z, G65Z	K57.52	06	G46A, G46B, G46C, G50Z, G67A, G67B, G67C
K51.9	06	G40Z, G46A, G46B, G46C, G47Z, G48A, G48B, G64A, G64B, G64C	K56.3	06	G40Z, G46A, G46B, G46C, G47Z, G65Z	K57.53	06	G40Z, G46A, G46B, G46C, G47Z, G67A, G67B, G67C, G67D, G73Z
K52.0	06	G46A, G46B, G46C, G50Z, G71Z	K56.4	06	G40Z, G46A, G46B, G46C, G47Z, G65Z	K57.80	06	G46A, G46B, G46C, G50Z, G67A, G67B, G67C
K52.1	06	G46A, G46B, G46C, G50Z, G71Z	K56.5	06	G40Z, G46A, G46B, G46C, G47Z, G65Z	K57.81	06	G40Z, G46A, G46B, G46C, G47Z, G67A, G67B, G67C, G67D, G73Z
K52.2	06	G46A, G46B, G46C, G50Z, G67A, G67B, G67C, G67D	K56.6	06	G40Z, G46A, G46B, G46C, G47Z, G65Z	K57.82	06	G46A, G46B, G46C, G50Z, G67A, G67B, G67C
K52.30	06	G46A, G46B, G46C, G50Z, G67A, G67B, G67C, G67D	K56.7	06	G40Z, G46A, G46B, G46C, G47Z, G65Z	K57.83	06	G40Z, G46A, G46B, G46C, G47Z, G67A, G67B, G67C, G67D, G73Z
K52.31	06	G46A, G46B, G46C, G50Z, G67A, G67B, G67C, G67D	K57.00	06	G46A, G46B, G46C, G50Z, G67A, G67B, G67C	K57.90	06	G46A, G46B, G46C, G50Z, G67A, G67B, G67C
K52.32	06	G46A, G46B, G46C, G50Z, G67A, G67B, G67C, G67D	K57.01	06	G40Z, G46A, G46B, G46C, G47Z, G67A, G67B, G67C, G67D, G73Z	K57.91	06	G40Z, G46A, G46B, G46C, G47Z, G67A, G67B, G67C, G67D, G73Z
K52.38	06	G46A, G46B, G46C, G50Z, G67A, G67B, G67C, G67D	K57.02	06	G46A, G46B, G46C, G50Z, G67A, G67B, G67C	K57.92	06	G46A, G46B, G46C, G50Z, G67A, G67B, G67C
K52.8	06	G46A, G46B, G46C, G50Z, G67A, G67B, G67C, G67D	K57.03	06	G40Z, G46A, G46B, G46C, G47Z, G67A, G67B, G67C, G67D, G73Z	K57.93	06	G40Z, G46A, G46B, G46C, G47Z, G67A, G67B, G67C, G67D, G73Z
K52.9	06	G46A, G46B, G46C, G50Z, G67A, G67B, G67C, G67D	K57.10	06	G46A, G46B, G46C, G50Z, G67A, G67B, G67C	K58.0	06	G46A, G46B, G46C, G50Z, G67A, G67B, G67C, G67D
K55.0	06	G46A, G46B, G46C, G50Z, G64A, G64B, G64C, G70A, G70B	K57.11	06	G40Z, G46A, G46B, G46C, G47Z, G67A, G67B, G67C, G67D, G73Z	K58.9	06	G46A, G46B, G46C, G50Z, G67A, G67B, G67C, G67D
K55.1	06	G46A, G46B, G46C, G50Z, G64A, G64B, G64C, G70A, G70B	K57.12	06	G46A, G46B, G46C, G50Z, G67A, G67B, G67C	K59.0	06	G46A, G46B, G46C, G50Z, G67A, G67B, G67C, G67D
K55.21	06	G46A, G46B, G46C, G50Z, G71Z	K57.13	06	G40Z, G46A, G46B, G46C, G47Z, G67A, G67B, G67C, G67D, G73Z	K59.1	06	G46A, G46B, G46C, G50Z, G67A, G67B, G67C, G67D
K55.22	06	G40Z, G46A, G46B, G46C, G47Z, G67A, G67B, G67C, G67D, G73Z	K57.20	06	G46A, G46B, G46C, G50Z, G67A, G67B, G67C	K59.2	06	G46A, G46B, G46C, G50Z, G67A, G67B, G67C, G67D
K55.81	06	G46A, G46B, G46C, G50Z, G67A, G67B, G67C, G67D	K57.21	06	G40Z, G46A, G46B, G46C, G47Z, G67A, G67B, G67C, G67D, G73Z	K59.3	06	G46A, G46B, G46C, G50Z, G71Z
			K57.22	06	G46A, G46B, G46C, G50Z, G67A, G67B, G67C		15	TPN, VTPN
			K57.23	06	G40Z, G46A, G46B, G46C, G47Z, G67A, G67B, G67C, G67D, G73Z	K59.4	06	G46A, G46B, G46C, G50Z, G67A, G67B, G67C, G67D
			K57.30	06	G46A, G46B, G46C, G50Z, G67A, G67B, G67C	K59.8	06	G46A, G46B, G46C, G50Z, G67A, G67B, G67C, G67D
			K57.31	06	G40Z, G46A, G46B, G46C, G47Z, G67A, G67B, G67C, G67D, G73Z	K59.9	06	G46A, G46B, G46C, G50Z, G67A, G67B, G67C, G67D
			K57.32	06	G46A, G46B, G46C, G50Z, G67A, G67B, G67C	K60.0	06	G46A, G46B, G46C, G50Z, G71Z
			K57.33	06	G40Z, G46A, G46B, G46C, G47Z, G67A, G67B, G67C, G67D, G73Z	K60.1	06	G46A, G46B, G46C, G50Z, G71Z
			K57.40	06	G46A, G46B, G46C, G50Z, G67A, G67B, G67C	K60.2	06	G46A, G46B, G46C, G50Z, G71Z
						K60.3	06	G46A, G46B, G46C, G50Z, G71Z
						K60.4	06	G46A, G46B, G46C, G50Z, G71Z
						K60.5	06	G46A, G46B, G46C, G50Z, G71Z

Dg

ICD	MDC	DRG	ICD	MDC	DRG	ICD	MDC	DRG
K61.0	06	G46A, G46B, G46C, G50Z, G71Z	K64.3	06	G46A, G46B, G46C, G50Z, G72A, G72B	K71.0	07	H40Z, H63A, H63B, H63C, H78Z
	15	TPN, VTPN	K64.4	06	G46A, G46B, G46C, G50Z, G72A, G72B		15	TPN, VTPN
K61.1	06	G46A, G46B, G46C, G50Z, G71Z	K64.5	06	G46A, G46B, G46C, G50Z, G72A, G72B	K71.1	07	H40Z, H63A, H63B, H63C, H78Z
	15	TPN, VTPN	K64.8	06	G46A, G46B, G46C, G50Z, G72A, G72B		15	TPN, VTPN
K61.2	06	G46A, G46B, G46C, G50Z, G71Z	K64.9	06	G46A, G46B, G46C, G50Z, G72A, G72B	K71.2	07	H40Z, H63A, H63B, H63C, H78Z
	15	TPN, VTPN	K65.0	06	G01Z, G02Z, G07A, G07B, G07C, G22A, G22B, G22C, G38Z, G40Z, G46A, G46B, G46C, G47Z, G48A, G48B, G64A, G64B, G64C, G70A, G70B	K71.3	07	H40Z, H63A, H63B, H63C, H78Z
K61.3	06	G46A, G46B, G46C, G50Z, G71Z		15	TPN, VTPN		15	TPN, VTPN
	15	TPN, VTPN	K65.8	06	A07D, A09E, A11F, A13F	K71.4	07	H40Z, H63A, H63B, H63C, H78Z
K61.4	06	G46A, G46B, G46C, G50Z, G71Z		Pre	G01Z, G02Z, G07A, G07B, G07C, G22A, G22B, G22C, G38Z, G40Z, G46A, G46B, G46C, G47Z, G48A, G48B, G64A, G64B, G64C, G70A, G70B	K71.5	07	H40Z, H63A, H63B, H63C, H78Z
	15	TPN, VTPN		06	TPN, VTPN		15	TPN, VTPN
K62.0	06	G46A, G46B, G46C, G50Z, G71Z		Pre	A07D, A09E, A11F, A13F	K71.6	07	H40Z, H63A, H63B, H63C, H78Z
K62.1	06	G46A, G46B, G46C, G50Z, G71Z		06	G01Z, G02Z, G07A, G07B, G07C, G22A, G22B, G22C, G38Z, G40Z, G46A, G46B, G46C, G47Z, G48A, G48B, G64A, G64B, G64C, G70A, G70B		15	TPN, VTPN
K62.2	06	G46A, G46B, G46C, G50Z, G71Z		15	TPN, VTPN	K71.7	07	H40Z, H60Z, H62A, H62B, H78Z
	15	TPN, VTPN	K65.9	06	G01Z, G02Z, G07A, G07B, G07C, G22A, G22B, G22C, G38Z, G40Z, G46A, G46B, G46C, G47Z, G48A, G48B, G64A, G64B, G64C, G70A, G70B		15	TPN, VTPN
K62.3	06	G46A, G46B, G46C, G50Z, G71Z		15	TPN, VTPN	K71.8	07	H40Z, H63A, H63B, H63C, H78Z
	15	TPN, VTPN		Pre	A07D, A09E, A11F, A13F		15	TPN, VTPN
K62.4	06	G46A, G46B, G46C, G50Z, G71Z		06	G40Z, G46A, G46B, G46C, G48A, G48B, G50Z, G64A, G64B, G64C, G70A, G70B	K71.9	07	H40Z, H63A, H63B, H63C, H78Z
	15	TPN, VTPN		15	TPN, VTPN		15	TPN, VTPN
K62.5	06	G40Z, G46A, G46B, G46C, G47Z, G67A, G67B, G67C, G67D, G73Z	K66.0	06	G46A, G46B, G46C, G50Z, G71Z	K72.0	07	H06A, H63A, H63B, H63C, H78Z
K62.6	06	G46A, G46B, G46C, G50Z, G71Z		15	TPN, VTPN		15	TPN, VTPN
K62.7	06	G46A, G46B, G46C, G50Z, G71Z		Pre	A07D, A09E, A11F, A13F		Pre	A07D, A09E, A11F, A13F
K62.8	06	G46A, G46B, G46C, G50Z, G71Z	K66.1	06	G40Z, G46A, G46B, G46C, G48A, G48B, G50Z, G64A, G64B, G64C, G70A, G70B	K72.1	07	H40Z, H63A, H63B, H63C, H78Z
K62.9	06	G46A, G46B, G46C, G50Z, G71Z		15	TPN, VTPN	K72.73	Pre	A07D, A09E, A11F, A13F
K63.0	06	G46A, G46B, G46C, G50Z, G64A, G64B, G64C, G70A, G70B		Pre	A07D, A09E, A11F, A13F	K72.74	Pre	A07D, A09E, A11F, A13F
	15	TPN, VTPN	K66.8	06	G46A, G46B, G46C, G50Z, G71Z	K72.9	07	H40Z, H63A, H63B, H63C, H78Z
K63.1	06	G01Z, G02Z, G38Z, G46A, G46B, G46C, G50Z, G64A, G64B, G64C, G70A, G70B		15	TPN, VTPN	K73.0	07	H40Z, H63A, H63B, H63C, H78Z
	15	TPN, VTPN		Pre	A07D, A09E, A11F, A13F	K73.1	07	H40Z, H63A, H63B, H63C, H78Z
	Pre	A07D, A09E, A11F, A13F	K66.9	06	G46A, G46B, G46C, G50Z, G71Z	K73.2	07	H40Z, H63A, H63B, H63C, H78Z
K63.2	06	G46A, G46B, G46C, G50Z, G64A, G64B, G64C, G70A, G70B		15	TPN, VTPN	K73.8	07	H40Z, H63A, H63B, H63C, H78Z
	15	TPN, VTPN	K67.0	15	TPN, VTPN	K73.9	07	H40Z, H63A, H63B, H63C, H78Z
K63.3	06	G46A, G46B, G46C, G50Z, G64A, G64B, G64C, G70A, G70B		Pre	A07D, A09E, A11F, A13F	K74.0	07	H40Z, H60Z, H62A, H62B, H78Z
	15	TPN, VTPN	K67.1	15	TPN, VTPN		15	TPN, VTPN
K63.4	06	G46A, G46B, G46C, G50Z, G71Z		Pre	A07D, A09E, A11F, A13F	K74.1	07	H40Z, H63A, H63B, H63C, H78Z
K63.5	06	G46A, G46B, G46C, G50Z, G71Z	K67.2	Pre	A07D, A09E, A11F, A13F	K74.2	07	H40Z, H60Z, H62A, H62B, H78Z
K63.8	06	G46A, G46B, G46C, G50Z, G71Z	K67.3	15	TPN, VTPN		15	TPN, VTPN
K63.9	06	G46A, G46B, G46C, G50Z, G71Z		Pre	A07D, A09E, A11F, A13F	K74.3	07	H40Z, H60Z, H62A, H62B, H78Z
K64.0	06	G46A, G46B, G46C, G50Z, G72A, G72B	K67.8	15	TPN, VTPN		15	TPN, VTPN
K64.1	06	G46A, G46B, G46C, G50Z, G72A, G72B		Pre	A07D, A09E, A11F, A13F	K74.4	07	H40Z, H60Z, H62A, H62B, H78Z
K64.2	06	G46A, G46B, G46C, G50Z, G72A, G72B	K70.0	07	H40Z, H63A, H63B, H63C, H78Z		15	TPN, VTPN
			K70.1	07	H40Z, H60Z, H62A, H62B, H78Z		07	H40Z, H60Z, H62A, H62B, H78Z
			K70.2	07	H40Z, H60Z, H62A, H62B, H78Z		15	TPN, VTPN
			K70.3	07	H40Z, H60Z, H62A, H62B, H78Z		Pre	A07D, A09E, A11F, A13F
			K70.4	07	H40Z, H60Z, H62A, H62B, H78Z		07	H40Z, H60Z, H62A, H62B, H78Z
				Pre	A07D, A09E, A11F, A13F	K74.5	07	H40Z, H60Z, H62A, H62B, H78Z
			K70.9	07	H40Z, H60Z, H62A, H62B, H78Z		15	TPN, VTPN

ICD	MDC	DRG	ICD	MDC	DRG	ICD	MDC	DRG
K74.6	07	H40Z, H60Z, H62A, H62B, H78Z	K80.51	07	H64Z	K90.1	06	G40Z, G46A, G46B, G46C, G48A, G48B, G50Z, G67A, G67B, G67C
	15	TPN, VTPN	K80.80	07	H64Z			
K75.0	07	H40Z, H63A, H63B, H63C, H78Z	K80.81	07	H64Z	K90.2	06	G40Z, G46A, G46B, G46C, G48A, G48B, G50Z, G67A, G67B, G67C
	15	TPN, VTPN	K81.0	07	H64Z			
	Pre	A07D, A09E, A11F, A13F	K81.1	07	H64Z			
K75.1	07	H40Z, H63A, H63B, H63C, H78Z	K81.8	07	H64Z	K90.3	15	TPN, VTPN
	15	TPN, VTPN	K81.9	07	H64Z			
	Pre	A07D, A09E, A11F, A13F	K82.0	07	H64Z			
K75.2	07	H40Z, H63A, H63B, H63C, H78Z	K82.1	07	H64Z	K90.4	06	G40Z, G46A, G46B, G46C, G48A, G48B, G50Z, G67A, G67B, G67C
	15	TPN, VTPN	K82.2	07	H64Z			
	Pre	A07D, A09E, A11F, A13F	K82.3	07	H64Z			
K75.3	07	H40Z, H63A, H63B, H63C, H78Z	K82.4	07	H64Z	K90.8	06	G40Z, G46A, G46B, G46C, G48A, G48B, G50Z, G67A, G67B, G67C
	15	TPN, VTPN	K82.8	07	H64Z			
	Pre	A07D, A09E, A11F, A13F	K82.9	07	H64Z	K90.9	06	G40Z, G46A, G46B, G46C, G48A, G48B, G50Z, G67A, G67B, G67C
K75.4	07	H40Z, H63A, H63B, H63C, H78Z	K83.0	07	H64Z			
	15	TPN, VTPN	K83.1	07	H64Z			
	Pre	A07D, A09E, A11F, A13F	K83.2	15	TPN, VTPN	K91.0	18A	S65A, S65B
K75.8	07	H40Z, H63A, H63B, H63C, H78Z	K83.3	07	H64Z			
	15	TPN, VTPN	K83.4	07	H64Z	K91.0	06	G46A, G46B, G46C, G50Z, G67A, G67B, G67C
	Pre	A07D, A09E, A11F, A13F	K83.5	07	H64Z			
K75.9	07	H40Z, H63A, H63B, H63C, H78Z	K83.8	07	H64Z	K91.1	06	G46A, G46B, G46C, G50Z, G67A, G67B, G67C
	15	TPN, VTPN	K83.9	07	H64Z			
	Pre	A07D, A09E, A11F, A13F	K85.00	07	H07A, H08A, H62A, H62B			
K76.0	07	H40Z, H63A, H63B, H63C, H78Z		18A	S65A, S65B	K91.1	15	TPN, VTPN
	15	TPN, VTPN	K85.01	07	H07A, H08A, H62A, H62B			
	Pre	A07D, A09E, A11F, A13F		18A	S65A, S65B	K91.2	06	G46A, G46B, G46C, G50Z, G67A, G67B, G67C
K76.1	07	H40Z, H63A, H63B, H63C, H78Z		Pre	A07D, A09E, A11F, A13F	K91.3	06	G46A, G46B, G46C, G50Z, G71Z
	15	TPN, VTPN	K85.10	07	H07A, H08A, H62A, H62B			
	Pre	A07D, A09E, A11F, A13F		18A	S65A, S65B	K91.4	06	G46A, G46B, G46C, G50Z, G71Z
K76.2	07	H63A, H63B, H63C, H78Z		Pre	A07D, A09E, A11F, A13F	K91.5	07	H64Z
	15	TPN, VTPN	K85.11	07	H07A, H08A, H62A, H62B			
	Pre	A07D, A09E, A11F, A13F		18A	S65A, S65B	K91.80	06	G46A, G46B, G46C, G50Z, G64A, G64B, G64C, G70A, G70B
K76.3	07	H40Z, H63A, H63B, H63C, H78Z		Pre	A07D, A09E, A11F, A13F			
	15	TPN, VTPN	K85.20	07	H07A, H08A, H62A, H62B			
	Pre	A07D, A09E, A11F, A13F		18A	S65A, S65B	K91.88	Pre	A07D, A09E, A11A, A11C, A13A, A13B, A13C, A13F
K76.4	07	H40Z, H63A, H63B, H63C, H78Z		Pre	A07D, A09E, A11F, A13F		06	G46A, G46B, G46C, G50Z, G64A, G64B, G64C, G70A, G70B
	15	TPN, VTPN	K85.21	07	H07A, H08A, H62A, H62B			
	Pre	A07D, A09E, A11F, A13F		18A	S65A, S65B	K91.9	06	G46A, G46B, G46C, G50Z, G71Z
K76.5	07	H40Z, H63A, H63B, H63C, H78Z		Pre	A07D, A09E, A11F, A13F			
	15	TPN, VTPN	K85.30	07	H07A, H08A, H62A, H62B	K92.0	06	G40Z, G46A, G46B, G46C, G47Z, G67A, G67B, G67C, G67D, G73Z
	Pre	A07D, A09E, A11F, A13F		18A	S65A, S65B			
K76.6	07	H40Z, H63A, H63B, H63C, H78Z		Pre	A07D, A09E, A11F, A13F	K92.1	06	G40Z, G46A, G46B, G46C, G47Z, G67A, G67B, G67C, G67D, G73Z
	15	TPN, VTPN	K85.80	07	H07A, H08A, H62A, H62B			
	Pre	A07D, A09E, A11F, A13F		18A	S65A, S65B	K92.2	06	G40Z, G46A, G46B, G46C, G47Z, G67A, G67B, G67C, G67D, G73Z
K76.7	07	H40Z, H63A, H63B, H63C, H78Z		Pre	A07D, A09E, A11F, A13F			
	15	TPN, VTPN	K85.81	07	H07A, H08A, H62A, H62B	K92.8	06	G46A, G46B, G46C, G50Z, G71Z
	Pre	A07D, A09E, A11F, A13F		18A	S65A, S65B			
K76.8	07	H40Z, H63A, H63B, H63C, H78Z		Pre	A07D, A09E, A11F, A13F	K92.9	06	G46A, G46B, G46C, G50Z, G71Z
	15	TPN, VTPN	K85.90	07	H07A, H08A, H62A, H62B			
	Pre	A07D, A09E, A11F, A13F		18A	S65A, S65B	K93.0	Pre	A07D, A09E, A11F, A13F
K76.9	07	H40Z, H63A, H63B, H63C, H78Z		Pre	A07D, A09E, A11F, A13F		15	TPN, VTPN
	15	TPN, VTPN	K86.0	07	H07A, H08A, H62A, H62B, H62C	K93.1	Pre	A07D, A09E, A11F, A13F
K77.0	15	TPN, VTPN		Pre	A07D, A09E, A11F, A13F			
K77.11	15	TPN, VTPN		Pre	A07D, A09E, A11F, A13F	K93.21	Pre	A07D, A09E, A11F, A13F
K77.12	15	TPN, VTPN		Pre	A07D, A09E, A11F, A13F			
K77.13	15	TPN, VTPN		Pre	A07D, A09E, A11F, A13F	K93.22	Pre	A07D, A09E, A11F, A13F
K77.14	15	TPN, VTPN		Pre	A07D, A09E, A11F, A13F			
K77.8	15	TPN, VTPN		Pre	A07D, A09E, A11F, A13F	K93.23	Pre	A07D, A09E, A11F, A13F
K80.00	07	H64Z		Pre	A07D, A09E, A11F, A13F			
K80.01	07	H64Z		Pre	A07D, A09E, A11F, A13F	K93.24	Pre	A07D, A09E, A11F, A13F
K80.10	07	H64Z		Pre	A07D, A09E, A11F, A13F			
K80.11	07	H64Z		Pre	A07D, A09E, A11F, A13F	L00.0	09	J61A, J61B, J61C, J68A, J68B
K80.20	07	H64Z		Pre	A07D, A09E, A11F, A13F		15	TPN, VTPN
K80.21	07	H64Z		Pre	A07D, A09E, A11F, A13F	L00.1	09	J08A, J08B, J08C, J61A, J61B, J68A, J68B
K80.30	07	H64Z		Pre	A07D, A09E, A11F, A13F			
K80.31	07	H64Z		Pre	A07D, A09E, A11F, A13F		15	TPN, VTPN
K80.40	07	H64Z		Pre	A07D, A09E, A11F, A13F	L01.0	09	J64A, J64B
K80.41	07	H64Z		Pre	A07D, A09E, A11F, A13F			
K80.50	07	H64Z		Pre	A07D, A09E, A11F, A13F	L01.1	09	J64A, J64B
				Pre	A07D, A09E, A11F, A13F		15	P65C, P66C, P67B, P67C

ICD	MDC	DRG	ICD	MDC	DRG	ICD	MDC	DRG
L02.0	09	J64A, J64B	L10.4	09	J61A, J61B, J61C, J68A, J68B	L26	09	J61A, J61B, J61C, J68A, J68B
L02.1	09	J64A, J64B	L10.5	09	J08A, J08B, J08C, J61A, J61B, J61C, J68A, J68B	L27.0	09	J61A, J61B, J61C, J68A, J68B
L02.2	09	J64A, J64B				18A	S65A, S65B	
	15	P65C, P66C, P67B, P67C	L10.8	09	J61A, J61B, J61C, J68A, J68B	L27.1	09	J61A, J61B, J61C, J68A, J68B
L02.3	09	J64A, J64B	L10.9	09	J61A, J61B, J61C, J68A, J68B	18A	S65A, S65B	
L02.4	09	J64A, J64B	L11.0	09	J67A, J67B, J68A, J68B	L27.2	09	J67A, J67B, J68A, J68B
L02.8	09	J64A, J64B	L11.1	09	J67A, J67B, J68A, J68B	L27.8	09	J67A, J67B, J68A, J68B
L02.9	09	J64A, J64B	L11.8	09	J08A, J08B, J08C, J61A, J61B, J61C, J68A, J68B	L27.9	09	J67A, J67B, J68A, J68B
L03.01	09	J02A, J02B, J02C, J03A, J03B, J08A, J08B, J08C, J64A, J64B				L28.0	09	J61A, J61B, J61C, J68A, J68B
L03.02	09	J02A, J02B, J02C, J03A, J03B, J04A, J04B, J08A, J08B, J08C, J64A, J64B	L11.9	09	J08A, J08B, J08C, J61A, J61B, J61C, J68A, J68B	L28.1	09	J61A, J61B, J61C, J68A, J68B
						L28.2	09	J61A, J61B, J61C, J68A, J68B
L03.10	09	J02A, J02B, J02C, J03A, J03B, J08A, J08B, J08C, J64A, J64B	L12.0	09	J08A, J08B, J08C, J61A, J61B, J61C, J68A, J68B	L29.0	09	J67A, J67B, J68A, J68B
	18A	S65A, S65B				L29.1	12	M64Z
	22	Y02A, Y02B	L12.1	09	J61A, J61B, J61C, J68A, J68B	L29.2	13	N04Z, N05A, N05B, N14Z, N21Z, N25Z, N61Z
L03.11	09	J02A, J02B, J02C, J03A, J03B, J04A, J04B, J08A, J08B, J08C, J64A, J64B	L12.2	09	J08A, J08B, J08C, J61A, J61B, J61C, J68A, J68B	L29.3	12	M64Z
	18A	S65A, S65B				13	N04Z, N05A, N05B, N14Z, N21Z, N25Z, N61Z	
	22	Y02A, Y02B	L12.3	09	J61A, J61B, J61C, J68A, J68B	L29.8	09	J67A, J67B, J68A, J68B
L03.2	09	J02A, J02B, J02C, J03A, J03B, J08A, J08B, J08C, J64A, J64B	L12.8	09	J61A, J61B, J61C, J68A, J68B	L29.9	09	J67A, J67B, J68A, J68B
	18A	S65A, S65B				L30.0	09	J61A, J61B, J61C, J68A, J68B
	22	Y02A, Y02B	L12.9	09	J61A, J61B, J61C, J68A, J68B	L30.1	09	J61A, J61B, J61C, J68A, J68B
L03.3	09	J02A, J02B, J02C, J03A, J03B, J08A, J08B, J08C, J64A, J64B	L13.0	09	J61A, J61B, J61C, J68A, J68B	L30.2	09	J61A, J61B, J61C, J68A, J68B
	18A	S65A, S65B				L30.3	09	J61A, J61B, J61C, J68A, J68B
	22	Y02A, Y02B	L13.1	09	J61A, J61B, J61C, J68A, J68B	L30.4	09	J61A, J61B, J61C, J68A, J68B
L03.8	09	J02A, J02B, J02C, J03A, J03B, J08A, J08B, J08C, J64A, J64B	L13.8	09	J61A, J61B, J61C, J68A, J68B	L30.5	09	J67A, J67B, J68A, J68B
	18A	S65A, S65B				L30.8	09	J61A, J61B, J61C, J68A, J68B
	22	Y02A, Y02B	L13.9	09	J61A, J61B, J61C, J68A, J68B	L30.9	09	J61A, J61B, J61C, J68A, J68B
L03.9	09	J02A, J02B, J02C, J03A, J03B, J08A, J08B, J08C, J64A, J64B	L14	15	TPN, VTPN	L40.0	09	J08A, J08B, J08C, J61A, J61B, J61C, J68A, J68B
	18A	S65A, S65B	L20.0	09	J61A, J61B, J61C, J68A, J68B	L40.1	09	J08A, J08B, J08C, J61A, J61B, J61C, J68A, J68B
	22	Y02A, Y02B	L20.8	09	J61A, J61B, J61C, J68A, J68B	L40.2	09	J61A, J61B, J61C, J68A, J68B
L04.0	16	Q60A, Q60B, Q60C, Q60D, Q60E	L20.9	09	J61A, J61B, J61C, J68A, J68B	L40.3	09	J08A, J08B, J08C, J61A, J61B, J61C, J68A, J68B
	18A	S65A, S65B	L21.0	09	J67A, J67B, J68A, J68B	L40.4	09	J08A, J08B, J08C, J61A, J61B, J61C, J68A, J68B
L04.1	16	Q60A, Q60B, Q60C, Q60D, Q60E	L21.1	09	J61A, J61B, J61C, J68A, J68B	L40.5	08	I08A, I08B, I08C, I08D, I08E, I13A, I13B, I32C, I32D, I66A, I66B, I66C
	18A	S65A, S65B	L21.8	09	J67A, J67B, J68A, J68B	L40.8	09	J08A, J08B, J08C, J61A, J61B, J61C, J68A, J68B
L04.2	16	Q60A, Q60B, Q60C, Q60D, Q60E	L21.9	09	J67A, J67B, J68A, J68B	L40.9	09	J08A, J08B, J08C, J61A, J61B, J61C, J68A, J68B
	18A	S65A, S65B	L22	09	J67A, J67B, J68A, J68B	L41.0	09	J61A, J61B, J61C, J68A, J68B
L04.3	16	Q60A, Q60B, Q60C, Q60D, Q60E	L23.0	09	J67A, J67B, J68A, J68B	L41.1	09	J61A, J61B, J61C, J68A, J68B
	18A	S65A, S65B	L23.1	09	J67A, J67B, J68A, J68B	L41.2	09	J61A, J61B, J61C, J68A, J68B
L04.8	16	Q60A, Q60B, Q60C, Q60D, Q60E	L23.2	09	J67A, J67B, J68A, J68B	L41.3	09	J61A, J61B, J61C, J68A, J68B
	18A	S65A, S65B	L23.3	09	J67A, J67B, J68A, J68B	L41.4	09	J61A, J61B, J61C, J68A, J68B
L04.9	16	Q60A, Q60B, Q60C, Q60D, Q60E	L23.4	09	J61A, J61B, J61C, J68A, J68B	L41.5	09	J08A, J08B, J08C, J61A, J61B, J61C, J68A, J68B
	18A	S65A, S65B	L23.5	09	J67A, J67B, J68A, J68B	L41.8	09	J61A, J61B, J61C, J68A, J68B
L05.0	09	J64A, J64B	L23.6	09	J67A, J67B, J68A, J68B	L41.9	09	J61A, J61B, J61C, J68A, J68B
L05.9	09	J64A, J64B	L23.7	09	J67A, J67B, J68A, J68B	L42	09	J67A, J67B, J68A, J68B
L08.0	09	J64A, J64B	L23.8	09	J61A, J61B, J61C, J68A, J68B	L43.0	09	J61A, J61B, J61C, J68A, J68B
	15	P65C, P66C, P67B, P67C	L23.9	09	J61A, J61B, J61C, J68A, J68B	L43.1	09	J61A, J61B, J61C, J68A, J68B
L08.1	09	J61A, J61B, J61C, J68A, J68B	L24.0	09	J67A, J67B, J68A, J68B	L43.2	09	J61A, J61B, J61C, J68A, J68B
L08.8	09	J64A, J64B	L24.1	09	J67A, J67B, J68A, J68B	L43.3	09	J61A, J61B, J61C, J68A, J68B
L08.9	09	J64A, J64B	L24.2	09	J67A, J67B, J68A, J68B	L43.8	09	J61A, J61B, J61C, J68A, J68B
L10.0	09	J61A, J61B, J61C, J68A, J68B	L24.3	09	J67A, J67B, J68A, J68B	L43.9	09	J61A, J61B, J61C, J68A, J68B
L10.1	09	J08A, J08B, J08C, J61A, J61B, J61C, J68A, J68B	L24.4	09	J67A, J67B, J68A, J68B	L44.0	09	J08A, J08B, J08C, J61A, J61B, J61C, J68A, J68B
L10.2	09	J61A, J61B, J61C, J68A, J68B	L24.5	09	J67A, J67B, J68A, J68B	L44.1	09	J67A, J67B, J68A, J68B
	15	TPN, VTPN	L24.6	09	J67A, J67B, J68A, J68B	L44.2	09	J67A, J67B, J68A, J68B
L10.3	09	J08A, J08B, J08C, J61A, J61B, J61C, J68A, J68B	L24.7	09	J67A, J67B, J68A, J68B	L44.3	09	J67A, J67B, J68A, J68B
			L24.8	09	J61A, J61B, J61C, J68A, J68B	L44.4	09	J61A, J61B, J61C, J68A, J68B
			L24.9	09	J61A, J61B, J61C, J68A, J68B	L44.8	09	J61A, J61B, J61C, J68A, J68B
			L25.0	09	J67A, J67B, J68A, J68B	L44.9	09	J61A, J61B, J61C, J68A, J68B
			L25.1	09	J67A, J67B, J68A, J68B			
			L25.2	09	J61A, J61B, J61C, J68A, J68B			
			L25.3	09	J67A, J67B, J68A, J68B			
			L25.4	09	J67A, J67B, J68A, J68B			
			L25.5	09	J67A, J67B, J68A, J68B			
			L25.8	09	J61A, J61B, J61C, J68A, J68B			
			L25.9	09	J61A, J61B, J61C, J68A, J68B			

ICD	MDC	DRG	ICD	MDC	DRG	ICD	MDC	DRG
L89.16	09	J02A, J02B, J02C, J03A, J03B, J04A, J04B, J08A, J08B, J08C, J60Z, J61A, J61B, J61C	L89.90	09	J02A, J02B, J02C, J03A, J03B, J04A, J04B, J08A, J08B, J08C, J60Z, J61A, J61B, J61C	L98.0	09	J64A, J64B
L89.17	09	J02A, J02B, J02C, J03A, J03B, J04A, J04B, J08A, J08B, J08C, J60Z, J61A, J61B, J61C	L89.91	09	J02A, J02B, J02C, J03A, J03B, J04A, J04B, J08A, J08B, J08C, J60Z, J61A, J61B, J61C	L98.1	09	J61A, J61B, J61C, J68A, J68B
L89.18	09	J02A, J02B, J02C, J03A, J03B, J04A, J04B, J08A, J08B, J08C, J60Z, J61A, J61B, J61C	L89.92	09	J02A, J02B, J02C, J03A, J03B, J04A, J04B, J08A, J08B, J08C, J60Z, J61A, J61B, J61C	L98.2	09	J61A, J61B, J61C, J68A, J68B
L89.19	09	J02A, J02B, J02C, J03A, J03B, J04A, J04B, J08A, J08B, J08C, J60Z, J61A, J61B, J61C	L89.93	09	J02A, J02B, J02C, J03A, J03B, J04A, J04B, J08A, J08B, J08C, J60Z, J61A, J61B, J61C	L98.3	09	J02A, J02B, J02C, J03A, J03B, J08A, J08B, J08C, J64A, J64B
L89.20	09	J02A, J02B, J02C, J03A, J03B, J04A, J04B, J08A, J08B, J08C, J60Z, J61A, J61B, J61C	L89.94	09	J02A, J02B, J02C, J03A, J03B, J04A, J04B, J08A, J08B, J08C, J60Z, J61A, J61B, J61C	18A		S65A, S65B
L89.21	09	J02A, J02B, J02C, J03A, J03B, J04A, J04B, J08A, J08B, J08C, J60Z, J61A, J61B, J61C	L89.95	09	J02A, J02B, J02C, J03A, J03B, J04A, J04B, J08A, J08B, J08C, J60Z, J61A, J61B, J61C	22		Y02A, Y02B
L89.22	09	J02A, J02B, J02C, J03A, J03B, J04A, J04B, J08A, J08B, J08C, J60Z, J61A, J61B, J61C	L89.96	09	J02A, J02B, J02C, J03A, J03B, J04A, J04B, J08A, J08B, J08C, J60Z, J61A, J61B, J61C	L98.4	09	J02A, J02B, J02C, J03A, J03B, J08A, J08B, J08C, J60Z
L89.23	09	J02A, J02B, J02C, J03A, J03B, J04A, J04B, J08A, J08B, J08C, J60Z, J61A, J61B, J61C	L89.97	09	J02A, J02B, J02C, J03A, J03B, J04A, J04B, J08A, J08B, J08C, J60Z, J61A, J61B, J61C	L98.5	09	J67A, J67B, J68A, J68B
L89.24	09	J02A, J02B, J02C, J03A, J03B, J04A, J04B, J08A, J08B, J08C, J60Z, J61A, J61B, J61C	L89.98	09	J02A, J02B, J02C, J03A, J03B, J04A, J04B, J08A, J08B, J08C, J60Z, J61A, J61B, J61C	L98.6	09	J67A, J67B, J68A, J68B
L89.25	09	J02A, J02B, J02C, J03A, J03B, J04A, J04B, J08A, J08B, J08C, J60Z, J61A, J61B, J61C	L89.99	09	J02A, J02B, J02C, J03A, J03B, J04A, J04B, J08A, J08B, J08C, J60Z, J61A, J61B, J61C	L98.8	09	J67A, J67B, J68A, J68B
L89.26	09	J02A, J02B, J02C, J03A, J03B, J04A, J04B, J08A, J08B, J08C, J60Z, J61A, J61B, J61C	L90.0	09	J67A, J67B, J68A, J68B	L98.9	09	J67A, J67B, J68A, J68B
L89.27	09	J02A, J02B, J02C, J03A, J03B, J04A, J04B, J08A, J08B, J08C, J60Z, J61A, J61B, J61C	L90.1	09	J67A, J67B, J68A, J68B	18A		S65A, S65B
L89.28	09	J02A, J02B, J02C, J03A, J03B, J04A, J04B, J08A, J08B, J08C, J60Z, J61A, J61B, J61C	L90.2	09	J67A, J67B, J68A, J68B	M00.00	08	I08A, I08B, I08C, I08D, I08E, I12A, I12B, I12C, I13A, I13B, I76A, I76B
L89.29	09	J02A, J02B, J02C, J03A, J03B, J04A, J04B, J08A, J08B, J08C, J60Z, J61A, J61B, J61C	L90.3	09	J67A, J67B, J68A, J68B	15		TPN, VTPN
L89.30	09	J02A, J02B, J02C, J03A, J03B, J04A, J04B, J08A, J08B, J08C, J60Z, J61A, J61B, J61C	L90.4	09	J67A, J67B, J68A, J68B	18A		S65A, S65B
L89.31	09	J02A, J02B, J02C, J03A, J03B, J04A, J04B, J08A, J08B, J08C, J60Z, J61A, J61B, J61C	L90.5	09	J67A, J67B, J68A, J68B	M00.01	08	I08A, I08B, I08C, I08D, I08E, I12A, I12B, I12C, I13A, I13B, I76A, I76B
L89.32	09	J02A, J02B, J02C, J03A, J03B, J04A, J04B, J08A, J08B, J08C, J60Z, J61A, J61B, J61C	L90.6	09	J67A, J67B, J68A, J68B	15		TPN, VTPN
L89.33	09	J02A, J02B, J02C, J03A, J03B, J04A, J04B, J08A, J08B, J08C, J60Z, J61A, J61B, J61C	L90.8	09	J67A, J67B, J68A, J68B	18A		S65A, S65B
L89.34	09	J02A, J02B, J02C, J03A, J03B, J04A, J04B, J08A, J08B, J08C, J60Z, J61A, J61B, J61C	L90.9	09	J67A, J67B, J68A, J68B	M00.02	08	I08A, I08B, I08C, I08D, I08E, I12A, I12B, I12C, I13A, I13B, I76A, I76B
L89.35	09	J02A, J02B, J02C, J03A, J03B, J04A, J04B, J08A, J08B, J08C, J60Z, J61A, J61B, J61C	L91.0	09	J67A, J67B, J68A, J68B	15		TPN, VTPN
L89.36	09	J02A, J02B, J02C, J03A, J03B, J04A, J04B, J08A, J08B, J08C, J60Z, J61A, J61B, J61C	L91.8	09	J67A, J67B, J68A, J68B	18A		S65A, S65B
L89.37	09	J02A, J02B, J02C, J03A, J03B, J04A, J04B, J08A, J08B, J08C, J60Z, J61A, J61B, J61C	L91.9	15	P65C, P66C, P67B, P67C	M00.03	08	I08A, I08B, I08C, I08D, I08E, I12A, I12B, I12C, I13A, I13B, I76A, I76B
L89.38	09	J02A, J02B, J02C, J03A, J03B, J04A, J04B, J08A, J08B, J08C, J60Z, J61A, J61B, J61C	L92.0	09	J67A, J67B, J68A, J68B	15		TPN, VTPN
L89.39	09	J02A, J02B, J02C, J03A, J03B, J04A, J04B, J08A, J08B, J08C, J60Z, J61A, J61B, J61C	L92.1	09	J67A, J67B, J68A, J68B	18A		S65A, S65B
			L92.2	09	J67A, J67B, J68A, J68B	M00.04	08	I08A, I08B, I08C, I08D, I08E, I13A, I13B, I32A, I32B, I32C, I32D, I32E, I32F, I32G, I76A, I76B
			L92.3	09	J67A, J67B, J68A, J68B	15		TPN, VTPN
			L92.8	09	J67A, J67B, J68A, J68B	18A		S65A, S65B
			L92.9	09	J67A, J67B, J68A, J68B	M00.05	08	I01Z, I03A, I03B, I08A, I08B, I08C, I08D, I08E, I12A, I12B, I12C, I13A, I13B, I76A, I76B
			L93.0	09	J61A, J61B, J61C, J68A, J68B	15		TPN, VTPN
			L93.1	09	J61A, J61B, J61C, J68A, J68B	18A		S65A, S65B
			L93.2	09	J61A, J61B, J61C, J68A, J68B	M00.06	08	I01Z, I04Z, I08A, I08B, I08C, I08D, I08E, I12A, I12B, I12C, I13A, I13B, I76A, I76B
			L94.0	09	J61A, J61B, J61C, J68A, J68B	15		TPN, VTPN
			L94.1	09	J61A, J61B, J61C, J68A, J68B	18A		S65A, S65B
			L94.2	09	J61A, J61B, J61C, J68A, J68B	M00.07	08	I08A, I08B, I08C, I08D, I08E, I13A, I13B, I76A, I76B
			L94.3	09	J67A, J67B, J68A, J68B	15		TPN, VTPN
			L94.4	08	I66A, I66B, I66C	18A		S65A, S65B
			L94.5	09	J08A, J08B, J08C, J61A, J61B, J61C, J68A, J68B	M00.08	08	I08A, I08B, I08C, I08D, I08E, I13A, I13B, I76A, I76B
			L94.6	18B	T64A, T64B, T64C	15		TPN, VTPN
			L94.8	09	J67A, J67B, J68A, J68B	18A		S65A, S65B
			L94.9	09	J67A, J67B, J68A, J68B	M00.09	08	I08A, I08B, I08C, I08D, I08E, I13A, I13B, I76A, I76B
			L95.0	09	J08A, J08B, J08C, J61A, J61B, J61C, J68A, J68B	15		TPN, VTPN
			L95.1	09	J61A, J61B, J61C, J68A, J68B	18A		S65A, S65B
			L95.8	09	J61A, J61B, J61C, J68A, J68B	M00.10	08	I08A, I08B, I08C, I08D, I08E, I12A, I12B, I12C, I13A, I13B, I76A, I76B
			L95.9	09	J61A, J61B, J61C, J68A, J68B	15		TPN, VTPN
			L97	09	J02A, J02B, J02C, J03A, J03B, J04A, J04B, J08A, J08B, J08C, J11A, J11B, J60Z	18A		S65A, S65B

ICD	MDC	DRG	ICD	MDC	DRG	ICD	MDC	DRG
M00.11	08	I08A, I08B, I08C, I08D, I08E, I12A, I12B, I12C, I13A, I13B, I76A, I76B	M00.25	08	I01Z, I03A, I03B, I08A, I08B, I08C, I08D, I08E, I12A, I12B, I12C, I13A, I13B, I76A, I76B	M00.92	08	I08A, I08B, I08C, I08D, I08E, I12A, I12B, I12C, I13A, I13B, I76A, I76B
	15	TPN, VTPN		15	TPN, VTPN		18A	S65A, S65B
	18A	S65A, S65B		18A	S65A, S65B	M00.93	08	I08A, I08B, I08C, I08D, I08E, I12A, I12B, I12C, I13A, I13B, I76A, I76B
M00.12	08	I08A, I08B, I08C, I08D, I08E, I12A, I12B, I12C, I13A, I13B, I76A, I76B	M00.26	08	I01Z, I04Z, I08A, I08B, I08C, I08D, I08E, I12A, I12B, I12C, I13A, I13B, I76A, I76B		18A	S65A, S65B
	15	TPN, VTPN		15	TPN, VTPN	M00.94	08	I08A, I08B, I08C, I08D, I08E, I13A, I13B, I32A, I32B, I32C, I32D, I32E, I32F, I32G, I76A, I76B
	18A	S65A, S65B		18A	S65A, S65B		18A	S65A, S65B
M00.13	08	I08A, I08B, I08C, I08D, I08E, I12A, I12B, I12C, I13A, I13B, I76A, I76B	M00.27	08	I08A, I08B, I08C, I08D, I08E, I13A, I13B, I76A, I76B	M00.95	08	I01Z, I03A, I03B, I08A, I08B, I08C, I08D, I08E, I12A, I12B, I12C, I13A, I13B, I76A, I76B
	15	TPN, VTPN		15	TPN, VTPN		18A	S65A, S65B
	18A	S65A, S65B		18A	S65A, S65B	M00.96	08	I01Z, I04Z, I08A, I08B, I08C, I08D, I08E, I12A, I12B, I12C, I13A, I13B, I76A, I76B
M00.14	08	I08A, I08B, I08C, I08D, I08E, I13A, I13B, I32A, I32B, I32C, I32D, I32E, I32F, I32G, I76A, I76B	M00.28	08	I08A, I08B, I08C, I08D, I08E, I13A, I13B, I76A, I76B		18A	S65A, S65B
	15	TPN, VTPN		15	TPN, VTPN	M00.97	08	I08A, I08B, I08C, I08D, I08E, I13A, I13B, I76A, I76B
	18A	S65A, S65B		18A	S65A, S65B		18A	S65A, S65B
M00.15	08	I01Z, I03A, I03B, I08A, I08B, I08C, I08D, I08E, I12A, I12B, I12C, I13A, I13B, I76A, I76B	M00.80	08	I08A, I08B, I08C, I08D, I08E, I12A, I12B, I12C, I13A, I13B, I76A, I76B	M00.98	08	I08A, I08B, I08C, I08D, I08E, I13A, I13B, I76A, I76B
	15	TPN, VTPN		15	TPN, VTPN		18A	S65A, S65B
	18A	S65A, S65B		18A	S65A, S65B	M00.99	08	I08A, I08B, I08C, I08D, I08E, I13A, I13B, I76A, I76B
M00.16	08	I01Z, I04Z, I08A, I08B, I08C, I08D, I08E, I12A, I12B, I12C, I13A, I13B, I76A, I76B	M00.81	08	I08A, I08B, I08C, I08D, I08E, I12A, I12B, I12C, I13A, I13B, I76A, I76B		18A	S65A, S65B
	15	TPN, VTPN		15	TPN, VTPN	M01.00	15	TPN, VTPN
	18A	S65A, S65B		18A	S65A, S65B	M01.01	15	TPN, VTPN
M00.17	08	I08A, I08B, I08C, I08D, I08E, I13A, I13B, I76A, I76B	M00.82	08	I08A, I08B, I08C, I08D, I08E, I12A, I12B, I12C, I13A, I13B, I76A, I76B	M01.02	15	TPN, VTPN
	15	TPN, VTPN		15	TPN, VTPN	M01.03	15	TPN, VTPN
	18A	S65A, S65B		18A	S65A, S65B	M01.04	15	TPN, VTPN
M00.18	08	I08A, I08B, I08C, I08D, I08E, I13A, I13B, I76A, I76B	M00.83	08	I08A, I08B, I08C, I08D, I08E, I12A, I12B, I12C, I13A, I13B, I76A, I76B	M01.05	15	TPN, VTPN
	15	TPN, VTPN		15	TPN, VTPN	M01.06	15	TPN, VTPN
	18A	S65A, S65B		18A	S65A, S65B	M01.07	15	TPN, VTPN
M00.19	08	I08A, I08B, I08C, I08D, I08E, I13A, I13B, I76A, I76B	M00.84	08	I08A, I08B, I08C, I08D, I08E, I13A, I13B, I32A, I32B, I32C, I32D, I32E, I32F, I32G, I76A, I76B	M01.08	15	TPN, VTPN
	15	TPN, VTPN		15	TPN, VTPN	M01.09	15	TPN, VTPN
	18A	S65A, S65B		18A	S65A, S65B	M01.10	15	TPN, VTPN
M00.20	08	I08A, I08B, I08C, I08D, I08E, I12A, I12B, I12C, I13A, I13B, I76A, I76B	M00.85	08	I01Z, I03A, I03B, I08A, I08B, I08C, I08D, I08E, I12A, I12B, I12C, I13A, I13B, I76A, I76B	M01.11	15	TPN, VTPN
	15	TPN, VTPN		15	TPN, VTPN	M01.12	15	TPN, VTPN
	18A	S65A, S65B		18A	S65A, S65B	M01.13	15	TPN, VTPN
M00.21	08	I08A, I08B, I08C, I08D, I08E, I12A, I12B, I12C, I13A, I13B, I76A, I76B	M00.86	08	I01Z, I04Z, I08A, I08B, I08C, I08D, I08E, I12A, I12B, I12C, I13A, I13B, I76A, I76B	M01.14	15	TPN, VTPN
	15	TPN, VTPN		15	TPN, VTPN	M01.15	15	TPN, VTPN
	18A	S65A, S65B		18A	S65A, S65B	M01.16	15	TPN, VTPN
M00.22	08	I08A, I08B, I08C, I08D, I08E, I12A, I12B, I12C, I13A, I13B, I76A, I76B	M00.87	08	I08A, I08B, I08C, I08D, I08E, I13A, I13B, I76A, I76B	M01.17	15	TPN, VTPN
	15	TPN, VTPN		15	TPN, VTPN	M01.18	15	TPN, VTPN
	18A	S65A, S65B		18A	S65A, S65B	M01.19	15	TPN, VTPN
M00.23	08	I08A, I08B, I08C, I08D, I08E, I12A, I12B, I12C, I13A, I13B, I76A, I76B	M00.88	08	I08A, I08B, I08C, I08D, I08E, I13A, I13B, I76A, I76B	M01.30	15	TPN, VTPN
	15	TPN, VTPN		15	TPN, VTPN	M01.31	15	TPN, VTPN
	18A	S65A, S65B		18A	S65A, S65B	M01.32	15	TPN, VTPN
M00.24	08	I08A, I08B, I08C, I08D, I08E, I13A, I13B, I32A, I32B, I32C, I32D, I32E, I32F, I32G, I76A, I76B	M00.89	08	I08A, I08B, I08C, I08D, I08E, I13A, I13B, I76A, I76B	M01.33	15	TPN, VTPN
	15	TPN, VTPN		15	TPN, VTPN	M01.34	15	TPN, VTPN
	18A	S65A, S65B		18A	S65A, S65B	M01.35	15	TPN, VTPN
	18A	S65A, S65B		18A	S65A, S65B	M01.36	15	TPN, VTPN
						M01.37	15	TPN, VTPN
						M01.38	15	TPN, VTPN
						M01.39	15	TPN, VTPN
						M01.40	15	TPN, VTPN
						M01.41	15	TPN, VTPN
						M01.42	15	TPN, VTPN
						M01.43	15	TPN, VTPN
						M01.44	15	TPN, VTPN
						M01.45	15	TPN, VTPN
						M01.46	15	TPN, VTPN
						M01.47	15	TPN, VTPN
						M01.48	15	TPN, VTPN
						M01.49	15	TPN, VTPN

ICD	MDC	DRG	ICD	MDC	DRG	ICD	MDC	DRG
M01.60	15	TPN, VTPN	M02.34	08	I08A, I08B, I08C, I08D, I08E, I13A, I13B, I32A, I32B, I32C, I32D, I32E, I32F, I32G, I66A, I66B, I66C	M03.03	05	F62A
M01.61	15	TPN, VTPN					06	G67A
M01.62	15	TPN, VTPN					17	R60B, R60C, R61A, R62A, R63B, R63C, R63D, R63F
M01.63	15	TPN, VTPN	M02.35	08	I08A, I08B, I08C, I08D, I08E, I12A, I12B, I12C, I13A, I13B, I66A, I66B, I66C		18B	T61A
M01.64	15	TPN, VTPN				M03.04	05	F62A
M01.65	15	TPN, VTPN					06	G67A
M01.66	15	TPN, VTPN	M02.36	08	I08A, I08B, I08C, I08D, I08E, I12A, I12B, I12C, I13A, I13B, I66A, I66B, I66C		17	R60B, R60C, R61A, R62A, R63B, R63C, R63D, R63F
M01.67	15	TPN, VTPN					18B	T61A
M01.68	15	TPN, VTPN	M02.37	08	I08A, I08B, I08C, I08D, I08E, I13A, I13B, I66A, I66B, I66C	M03.05	05	F62A
M01.69	15	TPN, VTPN					06	G67A
M02.00	08	I74A	M02.38	08	I08A, I08B, I08C, I08D, I08E, I13A, I13B, I66A, I66B, I66C		17	R60B, R60C, R61A, R62A, R63B, R63C, R63D, R63F
M02.01	08	I74A					18B	T61A
M02.02	08	I74A	M02.39	08	I08A, I08B, I08C, I08D, I08E, I13A, I13B, I66A, I66B, I66C	M03.06	05	F62A
M02.03	08	I74A					06	G67A
M02.04	08	I32A, I32B, I32C, I32D, I32E, I32F, I32G, I74A	M02.80	08	I74A		17	R60B, R60C, R61A, R62A, R63B, R63C, R63D, R63F
M02.05	08	I74A	M02.81	08	I74A		18B	T61A
M02.06	08	I74A	M02.82	08	I74A	M03.07	05	F62A
M02.07	08	I74A	M02.83	08	I74A		06	G67A
M02.08	08	I74A	M02.84	08	I32A, I32B, I32C, I32D, I32E, I32F, I32G, I74A		17	R60B, R60C, R61A, R62A, R63B, R63C, R63D, R63F
M02.09	08	I74A					18B	T61A
M02.10	08	I08A, I08B, I08C, I08D, I08E, I12A, I12B, I12C, I13A, I13B, I69A	M02.85	08	I74A		05	F62A
M02.11	08	I08A, I08B, I08C, I08D, I08E, I12A, I12B, I12C, I13A, I13B, I69A	M02.86	08	I74A		06	G67A
M02.12	08	I08A, I08B, I08C, I08D, I08E, I12A, I12B, I12C, I13A, I13B, I69A	M02.87	08	I74A		17	R60B, R60C, R61A, R62A, R63B, R63C, R63D, R63F
M02.13	08	I08A, I08B, I08C, I08D, I08E, I12A, I12B, I12C, I13A, I13B, I69A	M02.88	08	I74A	M03.08	05	F62A
M02.14	08	I08A, I08B, I08C, I08D, I08E, I12A, I12B, I12C, I13A, I13B, I69A	M02.89	08	I74A		06	G67A
M02.15	08	I08A, I08B, I08C, I08D, I08E, I12A, I12B, I12C, I13A, I13B, I69A	M02.90	08	I08A, I08B, I08C, I08D, I08E, I12A, I12B, I12C, I13A, I13B, I74A		17	R60B, R60C, R61A, R62A, R63B, R63C, R63D, R63F
M02.16	08	I08A, I08B, I08C, I08D, I08E, I12A, I12B, I12C, I13A, I13B, I69A	M02.91	08	I08A, I08B, I08C, I08D, I08E, I12A, I12B, I12C, I13A, I13B, I74A	M03.09	05	F62A
M02.17	08	I08A, I08B, I08C, I08D, I08E, I13A, I13B, I69A	M02.92	08	I08A, I08B, I08C, I08D, I08E, I12A, I12B, I12C, I13A, I13B, I74A		06	G67A
M02.18	08	I08A, I08B, I08C, I08D, I08E, I13A, I13B, I69A	M02.93	08	I08A, I08B, I08C, I08D, I08E, I12A, I12B, I12C, I13A, I13B, I74A		17	R60B, R60C, R61A, R62A, R63B, R63C, R63D, R63F
M02.19	08	I08A, I08B, I08C, I08D, I08E, I13A, I13B, I69A	M02.94	08	I08A, I08B, I08C, I08D, I08E, I13A, I13B, I32A, I32B, I32C, I32D, I32E, I32F, I32G, I74A	M05.00	08	I08A, I08B, I08C, I08D, I08E, I12A, I12B, I12C, I13A, I13B, I20A, I20B, I20D, I66A, I66B, I66C
M02.20	08	I74A	M02.95	08	I08A, I08B, I08C, I08D, I08E, I12A, I12B, I12C, I13A, I13B, I74A	M05.01	08	I08A, I08B, I08C, I08D, I08E, I12A, I12B, I12C, I13A, I13B, I66A, I66B, I66C
M02.21	08	I74A	M02.96	08	I08A, I08B, I08C, I08D, I08E, I12A, I12B, I12C, I13A, I13B, I74A	M05.02	08	I08A, I08B, I08C, I08D, I08E, I12A, I12B, I12C, I13A, I13B, I66A, I66B, I66C
M02.22	08	I74A				M05.03	08	I08A, I08B, I08C, I08D, I08E, I12A, I12B, I12C, I13A, I13B, I66A, I66B, I66C
M02.23	08	I74A	M02.97	08	I08A, I08B, I08C, I08D, I08E, I13A, I13B, I74A	M05.04	08	I08A, I08B, I08C, I08D, I08E, I13A, I13B, I66A, I66B, I66C
M02.24	08	I32A, I32B, I32C, I32D, I32E, I32F, I32G, I74A	M02.98	08	I08A, I08B, I08C, I08D, I08E, I13A, I13B, I74A	M05.05	08	I08A, I08B, I08C, I08D, I08E, I12A, I12B, I12C, I13A, I13B, I66A, I66B, I66C
M02.25	08	I74A	M02.99	08	I08A, I08B, I08C, I08D, I08E, I13A, I13B, I74A	M05.06	08	I08A, I08B, I08C, I08D, I08E, I12A, I12B, I12C, I13A, I13B, I66A, I66B, I66C
M02.26	08	I74A	M03.00	05	F62A			
M02.27	08	I74A		06	G67A	M05.07	08	I08A, I08B, I08C, I08D, I08E, I13A, I13B, I20A, I20B, I20D, I66A, I66B, I66C
M02.28	08	I74A		17	R60B, R60C, R61A, R62A, R63B, R63C, R63D, R63F			
M02.29	08	I74A		18B	T61A	M05.08	08	I08A, I08B, I08C, I08D, I08E, I13A, I13B, I66A, I66B, I66C
M02.30	08	I08A, I08B, I08C, I08D, I08E, I12A, I12B, I12C, I13A, I13B, I66A, I66B, I66C	M03.01	05	F62A			
M02.31	08	I08A, I08B, I08C, I08D, I08E, I12A, I12B, I12C, I13A, I13B, I66A, I66B, I66C		06	G67A	M05.09	08	I08A, I08B, I08C, I08D, I08E, I13A, I13B, I66A, I66B, I66C
M02.32	08	I08A, I08B, I08C, I08D, I08E, I12A, I12B, I12C, I13A, I13B, I66A, I66B, I66C		17	R60B, R60C, R61A, R62A, R63B, R63C, R63D, R63F			
M02.33	08	I08A, I08B, I08C, I08D, I08E, I12A, I12B, I12C, I13A, I13B, I66A, I66B, I66C	M03.02	05	F62A	M05.10	04	E74Z
				06	G67A		08	I20D
				17	R60B, R60C, R61A, R62A, R63B, R63C, R63D, R63F	M05.11	04	E74Z
				18B	T61A	M05.12	04	E74Z
						M05.13	04	E74Z
						M05.14	04	E74Z
						M05.15	04	E74Z
						M05.16	04	E74Z

ICD	MDC	DRG	ICD	MDC	DRG	ICD	MDC	DRG
M08.75	08	I08A, I08B, I08C, I08D, I08E, I12A, I12B, I12C, I13A, I13B, I66A, I66B, I66C	M09.80	08	I20A, I20B	M10.47	08	I69A
M08.76	08	I08A, I08B, I08C, I08D, I08E, I12A, I12B, I12C, I13A, I13B, I66A, I66B, I66C	M09.87	08	I20A, I20B	M10.48	08	I69A
M08.77	08	I08A, I08B, I08C, I08D, I08E, I13A, I13B, I66A, I66B, I66C	M10.00	08	I69A	M10.49	08	I69A
M08.78	08	I08A, I08B, I08C, I08D, I08E, I13A, I13B, I66A, I66B, I66C	M10.01	08	I69A	M10.90	08	I69A
M08.79	08	I08A, I08B, I08C, I08D, I08E, I13A, I13B, I66A, I66B, I66C	M10.02	08	I69A	M10.91	08	I69A
M08.80	08	I08A, I08B, I08C, I08D, I08E, I12A, I12B, I12C, I13A, I13B, I20A, I20B, I66A, I66B, I66C	M10.03	08	I69A	M10.92	08	I69A
M08.81	08	I08A, I08B, I08C, I08D, I08E, I12A, I12B, I12C, I13A, I13B, I66A, I66B, I66C	M10.04	08	I69A	M10.93	08	I69A
M08.82	08	I08A, I08B, I08C, I08D, I08E, I12A, I12B, I12C, I13A, I13B, I66A, I66B, I66C	M10.05	08	I69A	M10.94	08	I69A
M08.83	08	I08A, I08B, I08C, I08D, I08E, I12A, I12B, I12C, I13A, I13B, I66A, I66B, I66C	M10.06	08	I69A	M10.95	08	I69A
M08.84	08	I08A, I08B, I08C, I08D, I08E, I13A, I13B, I66A, I66B, I66C	M10.07	08	I69A	M10.96	08	I69A
M08.85	08	I08A, I08B, I08C, I08D, I08E, I12A, I12B, I12C, I13A, I13B, I66A, I66B, I66C	M10.08	08	I69A	M10.97	08	I69A
M08.86	08	I08A, I08B, I08C, I08D, I08E, I12A, I12B, I12C, I13A, I13B, I66A, I66B, I66C	M10.09	08	I69A	M10.98	08	I69A
M08.87	08	I08A, I08B, I08C, I08D, I08E, I13A, I13B, I20A, I20B, I66A, I66B, I66C	M10.10	15	TPN, VTPN	M10.99	08	I69A
M08.88	08	I08A, I08B, I08C, I08D, I08E, I13A, I13B, I66A, I66B, I66C	M10.11	15	TPN, VTPN	M11.00	08	I69A
M08.89	08	I08A, I08B, I08C, I08D, I08E, I13A, I13B, I66A, I66B, I66C	M10.12	15	TPN, VTPN	M11.01	08	I69A
M08.90	08	I08A, I08B, I08C, I08D, I08E, I12A, I12B, I12C, I13A, I13B, I66A, I66B, I66C	M10.13	15	TPN, VTPN	M11.02	08	I69A
M08.91	08	I08A, I08B, I08C, I08D, I08E, I12A, I12B, I12C, I13A, I13B, I66A, I66B, I66C	M10.14	15	TPN, VTPN	M11.03	08	I69A
M08.92	08	I08A, I08B, I08C, I08D, I08E, I12A, I12B, I12C, I13A, I13B, I66A, I66B, I66C	M10.15	15	TPN, VTPN	M11.04	08	I32A, I32B, I32C, I32D, I32E, I32F, I32G, I69A
M08.93	08	I08A, I08B, I08C, I08D, I08E, I12A, I12B, I12C, I13A, I13B, I66A, I66B, I66C	M10.16	15	TPN, VTPN	M11.05	08	I69A
M08.94	08	I08A, I08B, I08C, I08D, I08E, I13A, I13B, I66A, I66B, I66C	M10.17	15	TPN, VTPN	M11.06	08	I69A
M08.95	08	I08A, I08B, I08C, I08D, I08E, I12A, I12B, I12C, I13A, I13B, I66A, I66B, I66C	M10.18	15	TPN, VTPN	M11.07	08	I69A
M08.96	08	I08A, I08B, I08C, I08D, I08E, I12A, I12B, I12C, I13A, I13B, I66A, I66B, I66C	M10.19	15	TPN, VTPN	M11.08	08	I69A
M08.97	08	I08A, I08B, I08C, I08D, I08E, I13A, I13B, I20A, I20B, I66A, I66B, I66C	M10.20	08	I69A	M11.09	08	I69A
M08.98	08	I08A, I08B, I08C, I08D, I08E, I13A, I13B, I66A, I66B, I66C	M10.21	08	I69A	M11.10	08	I69A
M08.99	08	I08A, I08B, I08C, I08D, I08E, I12A, I12B, I12C, I13A, I13B, I66A, I66B, I66C	M10.22	08	I69A	M11.11	08	I69A
M09.00	08	I20A, I20B	M10.23	08	I69A	M11.12	08	I69A
M09.07	08	I20A, I20B	M10.24	08	I69A	M11.13	08	I69A
M09.10	08	I20A, I20B	M10.25	08	I69A	M11.14	08	I32A, I32B, I32C, I32D, I32E, I32F, I32G, I69A
M09.17	08	I20A, I20B	M10.26	08	I69A	M11.15	08	I69A
M09.20	08	I20A, I20B	M10.27	08	I69A	M11.16	08	I69A
M09.27	08	I20A, I20B	M10.28	08	I69A	M11.17	08	I69A
			M10.29	08	I69A	M11.18	08	I69A
			M10.30	11	L68A, L68B, L74Z	M11.19	08	I69A
			M10.31	11	L68A, L68B, L74Z	M11.20	08	I69A
			M10.32	11	L68A, L68B, L74Z	M11.21	08	I69A
			M10.33	11	L68A, L68B, L74Z	M11.22	08	I69A
			M10.34	11	L68A, L68B, L74Z	M11.23	08	I69A
			M10.35	11	L68A, L68B, L74Z	M11.24	08	I32A, I32B, I32C, I32D, I32E, I32F, I32G, I69A
			M10.36	11	L68A, L68B, L74Z	M11.25	08	I69A
			M10.37	11	L68A, L68B, L74Z	M11.26	08	I69A
			M10.38	11	L68A, L68B, L74Z	M11.27	08	I69A
			M10.39	11	L68A, L68B, L74Z	M11.28	08	I69A
			M10.40	08	I69A	M11.29	08	I69A
			M10.41	08	I69A	M11.80	08	I69A
			M10.42	08	I69A	M11.81	08	I69A
			M10.43	08	I69A	M11.82	08	I69A
			M10.44	08	I69A	M11.83	08	I69A
			M10.45	08	I69A	M11.84	08	I32A, I32B, I32C, I32D, I32E, I32F, I32G, I69A
			M10.46	08	I69A	M11.85	08	I69A
						M11.86	08	I69A
						M11.87	08	I69A
						M11.88	08	I69A
						M11.89	08	I69A
						M11.90	08	I69A
						M11.91	08	I69A
						M11.92	08	I69A
						M11.93	08	I69A
						M11.94	08	I32A, I32B, I32C, I32D, I32E, I32F, I32G, I69A
						M11.95	08	I69A
						M11.96	08	I69A
						M11.97	08	I69A
						M11.98	08	I69A
						M11.99	08	I69A

ICD	MDC	DRG	ICD	MDC	DRG	ICD	MDC	DRG
M12.00	08	I08A, I08B, I08C, I08D, I08E, I12A, I12B, I12C, I13A, I13B, I69A, I69B	M12.50	08	I69A, I69B	M15.3	08	I69A, I69B
M12.01	08	I08A, I08B, I08C, I08D, I08E, I12A, I12B, I12C, I13A, I13B, I69A, I69B	M12.51	08	I69A, I69B	M15.4	08	I69A, I69B
M12.02	08	I08A, I08B, I08C, I08D, I08E, I12A, I12B, I12C, I13A, I13B, I69A, I69B	M12.52	08	I69A, I69B	M15.8	08	I74A
M12.03	08	I08A, I08B, I08C, I08D, I08E, I12A, I12B, I12C, I13A, I13B, I69A, I69B	M12.53	08	I69A, I69B	M15.9	08	I69A, I69B
M12.04	08	I08A, I08B, I08C, I08D, I08E, I13A, I13B, I69A, I69B	M12.54	08	I32A, I32B, I32C, I32D, I32E, I32F, I32G, I69A, I69B	M16.0	08	I69A, I69B
M12.05	08	I08A, I08B, I08C, I08D, I08E, I12A, I12B, I12C, I13A, I13B, I69A, I69B	M12.55	08	I69A, I69B	M16.1	08	I69A, I69B
M12.06	08	I08A, I08B, I08C, I08D, I08E, I12A, I12B, I12C, I13A, I13B, I69A, I69B	M12.56	08	I69A, I69B	M16.2	08	I69A, I69B
M12.07	08	I08A, I08B, I08C, I08D, I08E, I13A, I13B, I69A, I69B	M12.57	08	I69A, I69B	M16.3	08	I69A, I69B
M12.08	08	I08A, I08B, I08C, I08D, I08E, I13A, I13B, I69A, I69B	M12.58	08	I69A, I69B	M16.4	08	I69A, I69B
M12.09	08	I08A, I08B, I08C, I08D, I08E, I13A, I13B, I69A, I69B	M12.59	08	I69A, I69B	M16.5	08	I69A, I69B
M12.10	08	I69A, I69B	M12.80	08	I74A	M16.6	08	I69A, I69B
M12.11	08	I69A, I69B	M12.81	08	I74A	M16.7	08	I69A, I69B
M12.12	08	I69A, I69B	M12.82	08	I74A	M16.9	08	I69A, I69B
M12.13	08	I69A, I69B	M12.83	08	I74A	M17.0	08	I69A, I69B
M12.14	08	I32A, I32B, I32C, I32D, I32E, I32F, I32G, I69A, I69B	M12.84	08	I32A, I32B, I32C, I32D, I32E, I32F, I32G, I74A	M17.1	08	I69A, I69B
M12.15	08	I69A, I69B	M12.85	08	I74A	M17.2	08	I69A, I69B
M12.16	08	I69A, I69B	M12.86	08	I74A	M17.3	08	I69A, I69B
M12.17	08	I69A, I69B	M12.87	08	I74A	M17.4	08	I69A, I69B
M12.18	08	I69A, I69B	M12.88	08	I74A	M17.5	08	I69A, I69B
M12.19	08	I69A, I69B	M12.89	08	I74A	M17.9	08	I69A, I69B
M12.20	08	I69A, I69B	M13.0	08	I69A	M18.0	08	I32A, I32B, I32C, I32D, I32E, I32F, I32G, I69A, I69B
M12.21	08	I69A, I69B	M13.11	08	I74A	M18.1	08	I32A, I32B, I32C, I32D, I32E, I32F, I32G, I69A, I69B
M12.22	08	I69A, I69B	M13.12	08	I74A	M18.2	08	I32A, I32B, I32C, I32D, I32E, I32F, I32G, I69A, I69B
M12.23	08	I69A, I69B	M13.13	08	I32C, I32D, I74A	M18.3	08	I32A, I32B, I32C, I32D, I32E, I32F, I32G, I69A, I69B
M12.24	08	I32A, I32B, I32C, I32D, I32E, I32F, I32G, I69A, I69B	M13.14	08	I32A, I32B, I32C, I32D, I32E, I32F, I32G, I74A	M18.4	08	I32A, I32B, I32C, I32D, I32E, I32F, I32G, I69A, I69B
M12.25	08	I69A, I69B	M13.15	08	I74A	M18.5	08	I32A, I32B, I32C, I32D, I32E, I32F, I32G, I69A, I69B
M12.26	08	I69A, I69B	M13.16	08	I74A	M18.9	08	I32A, I32B, I32C, I32D, I32E, I32F, I32G, I69A, I69B
M12.27	08	I69A, I69B	M13.17	08	I74A	M19.01	08	I69A, I69B
M12.28	08	I69A, I69B	M13.18	08	I74A	M19.02	08	I69A, I69B
M12.29	08	I69A, I69B	M13.19	08	I74A	M19.03	08	I69A, I69B
M12.30	08	I69A	M13.80	08	I74A	M19.04	08	I69A, I69B
M12.31	08	I69A	M13.81	08	I74A	M19.05	08	I69A, I69B
M12.32	08	I69A	M13.82	08	I74A	M19.07	08	I69A, I69B
M12.33	08	I69A	M13.83	08	I32C, I32D, I74A	M19.08	08	I69A, I69B
M12.34	08	I32A, I32B, I32C, I32D, I32E, I32F, I32G, I69A	M13.84	08	I32A, I32B, I32C, I32D, I32G, I74A	M19.09	08	I69A, I69B
M12.35	08	I69A	M13.85	08	I74A	M19.11	08	I69A, I69B
M12.36	08	I69A	M13.86	08	I74A	M19.12	08	I69A, I69B
M12.37	08	I69A	M13.87	08	I74A	M19.13	08	I69A, I69B
M12.38	08	I69A	M13.88	08	I74A	M19.14	08	I69A, I69B
M12.39	08	I69A	M13.89	08	I74A	M19.15	08	I69A, I69B
M12.40	08	I69A, I69B	M13.90	08	I74A	M19.17	08	I69A, I69B
M12.41	08	I69A, I69B	M13.91	18A	S65A, S65B	M19.18	08	I69A, I69B
M12.42	08	I69A, I69B	M13.92	08	I74A	M19.19	08	I69A, I69B
M12.43	08	I69A, I69B	M13.93	08	I74A	M19.21	08	I69A, I69B
M12.44	08	I32A, I32B, I32C, I32D, I32E, I32F, I32G, I69A, I69B	M13.94	08	I32A, I32B, I32C, I32D, I32E, I32F, I32G, I74A	M19.22	08	I69A, I69B
M12.45	08	I69A, I69B	M13.95	08	I74A	M19.23	08	I69A, I69B
M12.46	08	I69A, I69B	M13.96	08	I74A	M19.24	08	I69A, I69B
M12.47	08	I69A, I69B	M13.97	18A	S65A, S65B	M19.25	08	I69A, I69B
M12.48	08	I69A, I69B	M13.98	08	I74A	M19.27	08	I69A, I69B
M12.49	08	I69A, I69B	M13.99	08	I74A	M19.28	08	I69A, I69B
			M14.8	15	TPN, VTPN	M19.29	08	I69A, I69B
			M15.0	08	I69A, I69B	M19.81	08	I69A, I69B
			M15.1	08	I69A, I69B	M19.82	08	I69A, I69B
			M15.2	08	I69A, I69B	M19.83	08	I69A, I69B
						M19.84	08	I69A, I69B
						M19.85	08	I69A, I69B
						M19.87	08	I69A, I69B
						M19.88	08	I69A, I69B
						M19.89	08	I69A, I69B
						M19.91	08	I69A, I69B
						M19.92	08	I69A, I69B
						M19.93	08	I69A, I69B

ICD	MDC	DRG	ICD	MDC	DRG	ICD	MDC	DRG
M19.94	08	I69A, I69B	M21.82	08	I33Z, I76A, I76B	M23.53	08	I77Z
M19.95	08	I69A, I69B	M21.83	08	I33Z, I76A, I76B	M23.54	08	I77Z
M19.97	08	I69A, I69B	M21.84	08	I32A, I32B, I32C, I32D, I32E, I32F, I32G, I33Z, I76A, I76B	M23.55	08	I77Z
M19.98	08	I69A, I69B	M21.85	08	I33Z, I76A, I76B	M23.56	08	I77Z
M19.99	08	I69A, I69B	M21.86	08	I33Z, I76A, I76B	M23.57	08	I77Z
M20.0	08	I32A, I32B, I32C, I32D, I32E, I32F, I32G, I76A, I76B	M21.87	08	I33Z, I76A, I76B	M23.59	08	I77Z
M20.1	08	I76A, I76B	M21.89	08	I33Z, I76A, I76B	M23.60	08	I77Z
M20.2	08	I76A, I76B	M21.90	08	I76A, I76B	M23.61	08	I77Z
M20.3	08	I76A, I76B	M21.91	08	I76A, I76B	M23.62	08	I77Z
M20.4	08	I76A, I76B	M21.92	08	I76A, I76B	M23.63	08	I77Z
M20.5	08	I76A, I76B	M21.93	08	I76A, I76B	M23.64	08	I77Z
M20.6	08	I76A, I76B	M21.94	08	I32A, I32B, I32C, I32D, I32E, I32F, I32G, I76A, I76B	M23.67	08	I77Z
M21.00	08	I33Z, I76A, I76B	M21.95	08	I76A, I76B	M23.69	08	I77Z
M21.01	08	I33Z, I76A, I76B	M21.96	08	I76A, I76B	M23.80	08	I77Z
M21.02	08	I33Z, I76A, I76B	M21.97	08	I76A, I76B	M23.81	08	I77Z
M21.03	08	I33Z, I76A, I76B	M21.99	08	I76A, I76B	M23.82	08	I77Z
M21.04	08	I33Z, I76A, I76B	M22.0	08	I77Z	M23.83	08	I77Z
M21.05	08	I33Z, I76A, I76B	M22.1	08	I77Z	M23.84	08	I77Z
M21.06	08	I33Z, I76A, I76B	M22.2	08	I77Z	M23.85	08	I77Z
M21.07	08	I33Z, I76A, I76B	M22.3	08	I77Z	M23.86	08	I77Z
M21.08	08	I33Z, I76A, I76B	M22.4	08	I77Z	M23.87	08	I77Z
M21.09	08	I33Z, I76A, I76B	M22.8	08	I77Z	M23.89	08	I77Z
M21.10	08	I33Z, I76A, I76B	M22.9	08	I77Z	M23.90	08	I77Z
M21.11	08	I33Z, I76A, I76B	M23.00	08	I77Z	M23.91	08	I77Z
M21.12	08	I33Z, I76A, I76B	M23.01	08	I77Z	M23.92	08	I77Z
M21.13	08	I33Z, I76A, I76B	M23.02	08	I77Z	M23.93	08	I77Z
M21.14	08	I33Z, I76A, I76B	M23.03	08	I77Z	M23.94	08	I77Z
M21.15	08	I33Z, I76A, I76B	M23.04	08	I77Z	M23.95	08	I77Z
M21.16	08	I33Z, I76A, I76B	M23.05	08	I77Z	M23.96	08	I77Z
M21.17	08	I33Z, I76A, I76B	M23.06	08	I77Z	M23.97	08	I77Z
M21.18	08	I33Z, I76A, I76B	M23.09	08	I77Z	M23.99	08	I77Z
M21.19	08	I33Z, I76A, I76B	M23.10	08	I77Z	M24.00	08	I76A, I76B
M21.20	08	I33Z, I76A, I76B	M23.11	08	I77Z	M24.01	08	I76A, I76B
M21.22	08	I33Z, I76A, I76B	M23.12	08	I77Z	M24.02	08	I76A, I76B
M21.23	08	I33Z, I76A, I76B	M23.13	08	I77Z	M24.03	08	I76A, I76B
M21.24	08	I33Z, I76A, I76B	M23.14	08	I77Z	M24.04	08	I32A, I32B, I32C, I32D, I32E, I32F, I32G, I76A, I76B
M21.25	08	I33Z, I76A, I76B	M23.15	08	I77Z	M24.05	08	I76A, I76B
M21.26	08	I33Z, I76A, I76B	M23.16	08	I77Z	M24.07	08	I76A, I76B
M21.27	08	I33Z, I76A, I76B	M23.19	08	I77Z	M24.08	08	I76A, I76B
M21.28	08	I33Z, I76A, I76B	M23.20	08	I77Z	M24.09	08	I76A, I76B
M21.29	08	I33Z, I76A, I76B	M23.21	08	I77Z	M24.10	08	I76A, I76B
M21.30	08	I76A, I76B	M23.22	08	I77Z	M24.11	08	I77Z
M21.33	01	B03A, B03B, B06A, B06B, B17A, B17B, B17C, B17D, B71A, B71B, B71C, B71D	M23.23	08	I77Z	M24.12	08	I77Z
M21.37	08	I76A, I76B	M23.24	08	I77Z	M24.13	08	I74A, I74B, I74C
M21.4	08	I76A, I76B	M23.25	08	I77Z	M24.14	08	I32A, I32B, I32C, I32D, I32E, I32F, I32G, I74A, I74B, I74C
M21.50	01	B03A, B03B, B06A, B06B, B17A, B17B, B17C, B17D, B71A, B71B, B71C, B71D	M23.26	08	I77Z	M24.15	08	I76A, I76B
M21.54	01	B03A, B03B, B06A, B06B, B17A, B17B, B17C, B17D, B71A, B71B, B71C, B71D	M23.29	08	I77Z	M24.17	08	I77Z
M21.57	08	I76A, I76B	M23.30	08	I77Z	M24.18	08	I76A, I76B
M21.60	08	I33Z, I76A, I76B	M23.31	08	I77Z	M24.19	08	I76A, I76B
M21.67	08	I33Z, I76A, I76B	M23.32	08	I77Z	M24.20	08	I72Z, I75A, I75B
M21.70	08	I33Z, I76A, I76B	M23.33	08	I77Z	M24.21	08	I72Z, I75A, I75B
M21.71	08	I33Z, I76A, I76B	M23.34	08	I77Z	M24.22	08	I72Z, I75A, I75B
M21.72	08	I33Z, I76A, I76B	M23.35	08	I77Z	M24.23	08	I72Z, I75A, I75B
M21.73	08	I33Z, I76A, I76B	M23.36	08	I77Z	M24.24	08	I72Z, I75A, I75B
M21.74	08	I33Z, I76A, I76B	M23.39	08	I77Z	M24.25	08	I72Z, I75A, I75B
M21.75	08	I33Z, I76A, I76B	M23.40	08	I76A, I76B	M24.27	08	I72Z, I75A, I75B
M21.76	08	I33Z, I76A, I76B	M23.41	08	I76A, I76B	M24.28	08	I72Z, I75A, I75B
M21.77	08	I33Z, I76A, I76B	M23.42	08	I76A, I76B	M24.29	08	I72Z, I75A, I75B
M21.79	08	I33Z, I76A, I76B	M23.43	08	I76A, I76B	M24.30	08	I76A, I76B
M21.80	08	I33Z, I76A, I76B	M23.44	08	I76A, I76B	M24.31	08	I77Z
M21.81	08	I33Z, I76A, I76B	M23.45	08	I76A, I76B	M24.32	08	I77Z
			M23.46	08	I76A, I76B	M24.33	08	I74A, I74B, I74C
			M23.47	08	I76A, I76B	M24.34	08	I32A, I32B, I32C, I32D, I32E, I32F, I32G, I74A, I74B, I74C
			M23.49	08	I76A, I76B	M24.35	08	I76A, I76B
			M23.50	08	I77Z	M24.36	08	I77Z
			M23.51	08	I77Z	M24.37	08	I77Z
			M23.52	08	I77Z			

ICD	MDC	DRG	ICD	MDC	DRG	ICD	MDC	DRG
M24.38	08	I76A, I76B	M25.12	08	I69A, I69B, I71A, I71B	M25.72	08	I76A, I76B
M24.39	08	I74A, I74B, I74C	M25.13	08	I69A, I69B, I71A, I71B	M25.73	08	I76A, I76B
M24.40	08	I08A, I27B, I71A, I76A, I76B	M25.14	08	I32A, I32B, I32C, I32D, I32E, I32F, I32G, I69A, I69B, I71A, I71B	M25.74	08	I32A, I32B, I32C, I32D, I32E, I32F, I32G, I76A, I76B
M24.41	08	I77Z				M25.75	08	I76A, I76B
M24.42	08	I77Z	M25.15	08	I69A, I69B, I71A, I71B	M25.76	08	I77Z
M24.43	08	I74A, I74B, I74C	M25.16	08	I69A, I69B, I71A, I71B	M25.77	08	I76A, I76B
M24.44	08	I32A, I32B, I32C, I32D, I32E, I32F, I32G, I74A, I74B, I74C	M25.17	08	I69A, I69B, I71A, I71B	M25.78	08	I76A, I76B
M24.45	08	I76A, I76B	M25.18	08	I69A, I69B, I71A, I71B	M25.79	08	I76A, I76B
M24.46	08	I77Z	M25.19	08	I69A, I69B, I71A, I71B	M25.80	08	I69A, I69B, I71A, I71B
M24.47	08	I77Z	M25.20	08	I76A, I76B	M25.81	08	I69A, I69B, I71A, I71B
M24.48	08	I76A, I76B	M25.21	08	I76A, I76B	M25.82	08	I69A, I69B, I71A, I71B
M24.49	08	I76A, I76B	M25.22	08	I76A, I76B	M25.83	08	I69A, I69B, I71A, I71B
M24.50	08	I08A, I27B, I71A, I76A	M25.23	08	I76A, I76B	M25.84	08	I32A, I32B, I32C, I32D, I32E, I32F, I32G, I69A, I69B, I71A, I71B
M24.51	08	I76A, I76B	M25.24	08	I32A, I32B, I32C, I32D, I32E, I32F, I32G, I76A, I76B			
M24.52	08	I76A, I76B	M25.25	08	I76A, I76B	M25.85	08	I69A, I69B, I71A, I71B
M24.53	08	I76A, I76B	M25.26	08	I77Z	M25.86	08	I69A, I69B, I71A, I71B
M24.54	08	I32A, I32B, I32C, I32D, I32E, I32F, I32G, I76A, I76B	M25.27	08	I76A, I76B	M25.87	08	I69A, I69B, I71A, I71B
M24.55	08	I76A, I76B	M25.28	08	I76A, I76B	M25.88	08	I69A, I69B, I71A, I71B
M24.56	08	I76A, I76B	M25.29	08	I76A, I76B	M25.89	08	I69A, I69B, I71A, I71B
M24.57	08	I76A, I76B	M25.30	08	I76A, I76B	M25.90	08	I69A, I69B, I71A, I71B
M24.58	08	I76A, I76B	M25.31	08	I76A, I76B	M25.91	08	I69A, I69B, I71A, I71B
M24.59	08	I76A, I76B	M25.32	08	I76A, I76B	M25.92	08	I69A, I69B, I71A, I71B
M24.60	08	I69A, I69B	M25.33	08	I76A, I76B	M25.93	08	I69A, I69B, I71A, I71B
M24.61	08	I69A, I69B	M25.34	08	I32A, I32B, I32C, I32D, I32E, I32F, I32G, I76A, I76B	M25.94	08	I32A, I32B, I32C, I32D, I32E, I32F, I32G, I69A, I69B, I71A, I71B
M24.62	08	I69A, I69B	M25.35	08	I76A, I76B			
M24.63	08	I69A, I69B	M25.36	08	I77Z	M25.95	08	I69A, I69B, I71A, I71B
M24.64	08	I32A, I32B, I32C, I32D, I32E, I32F, I32G, I69A, I69B	M25.37	08	I76A, I76B	M25.96	08	I69A, I69B, I71A, I71B
M24.65	08	I69A, I69B	M25.38	08	I76A, I76B	M25.97	08	I69A, I69B, I71A, I71B
M24.66	08	I69A, I69B	M25.39	08	I76A, I76B	M25.98	08	I76A, I76B
M24.67	08	I69A, I69B	M25.40	08	I76A, I76B	M25.99	08	I69A, I69B, I71A, I71B
M24.68	08	I69A, I69B	M25.41	08	I76A, I76B	M30.0	08	I66A, I66B, I66C
M24.69	08	I69A, I69B	M25.42	08	I76A, I76B	M30.1	08	I66A, I66B, I66C
M24.7	08	I76A, I76B	M25.43	08	I76A, I76B	M30.2	08	I66A, I66B, I66C
M24.80	08	I76A, I76B	M25.44	08	I32A, I32B, I32C, I32D, I32E, I32F, I32G, I76A, I76B	M30.3	08	I66A, I66B, I66C
M24.81	08	I76A, I76B				M30.8	08	I66A, I66B, I66C
M24.82	08	I76A, I76B	M25.45	08	I76A, I76B	M31.0	08	I66A, I66B, I66C
M24.83	08	I76A, I76B	M25.46	08	I76A, I76B	M31.1	11	L7ZZ
M24.84	08	I32A, I32B, I32C, I32D, I32E, I32F, I32G, I76A, I76B	M25.47	08	I76A, I76B			
M24.85	08	I76A, I76B	M25.48	08	I76A, I76B	M31.2	08	A07D, A09E, A11F, A13F
M24.87	08	I76A, I76B	M25.49	08	I76A, I76B			
M24.88	08	I76A, I76B	M25.50	08	I69A, I69B, I71A, I71B	M31.3	08	I65A, I65B, I65C
M24.89	08	I76A, I76B	M25.51	08	I69A, I69B, I71A, I71B			
M24.90	08	I76A, I76B	M25.52	08	I69A, I69B, I71A, I71B	M31.4	08	A07D, A09E, A11F, A13F
M24.91	08	I76A, I76B	M25.53	08	I69A, I69B, I71A, I71B			
M24.92	08	I76A, I76B	M25.54	08	I32A, I32B, I32C, I32D, I32E, I32F, I32G, I69A, I69B, I71A, I71B	M31.5	08	A07D, A09E, A11F, A13F
M24.93	08	I76A, I76B						
M24.94	08	I32A, I32B, I32C, I32D, I32E, I32F, I32G, I76A, I76B	M25.55	08	I69A, I69B, I71A, I71B	M31.6	08	I66A, I66B, I66C
M24.95	08	I76A, I76B	M25.56	08	I69A, I69B, I71A, I71B	M31.7	08	I66A, I66B, I66C
M24.97	08	I76A, I76B	M25.57	08	I69A, I69B, I71A, I71B	M31.8	08	I66A, I66B, I66C
M24.98	08	I76A, I76B	M25.58	08	I69A, I69B, I71A, I71B	M31.9	08	I66A, I66B, I66C
M24.99	08	I76A, I76B	M25.59	08	I69A, I69B, I71A, I71B	M32.0	08	I66A, I66B, I66C
M25.00	08	I69A, I69B	M25.60	08	I69A, I69B, I71A, I71B			
M25.01	08	I69A, I69B	M25.61	08	I69A, I69B, I71A, I71B	M32.1	08	TPN, VTPN
M25.02	08	I69A, I69B	M25.62	08	I69A, I69B, I71A, I71B			
M25.03	08	I69A, I69B	M25.63	08	I69A, I69B, I71A, I71B			
M25.04	08	I32A, I32B, I32C, I32D, I32E, I32F, I32G, I69A, I69B	M25.64	08	I32A, I32B, I32C, I32D, I32E, I32F, I32G, I69A, I69B, I71A, I71B	M32.8	08	I32C, I32D, I66A, I66B, I66C
M25.05	08	I69A, I69B						
M25.06	08	I69A, I69B	M25.65	08	I69A, I69B, I71A, I71B	M32.9	08	I32C, I32D, I66A, I66B, I66C
M25.07	08	I69A, I69B	M25.66	08	I69A, I69B, I71A, I71B			
M25.08	08	I69A, I69B	M25.67	08	I69A, I69B, I71A, I71B			
M25.09	08	I69A, I69B	M25.68	08	I69A, I69B, I71A, I71B			
M25.10	08	I69A, I69B, I71A, I71B	M25.69	08	I69A, I69B, I71A, I71B	M33.0	08	TPN, VTPN
M25.11	08	I69A, I69B, I71A, I71B	M25.70	08	I76A, I76B			
			M25.71	08	I76A, I76B	M33.1	08	I32C, I32D, I66A, I66B, I66C
						M33.2	08	I08A, I08B, I08C, I08D, I08E, I12A, I12B, I12C, I13A, I13B, I32C, I32D, I66A, I66B, I66C

ICD	MDC	DRG	ICD	MDC	DRG	ICD	MDC	DRG
M73.07	15	TPN, VTPN	M79.24	01	B03A, B03B, B06A, B06B, B17A, B17B, B17C, B17D, B71A, B71B, B71C, B71D	M79.95	08	I69A, I69B, I71A, I71B
M73.08	15	TPN, VTPN				M79.96	08	I69A, I69B, I71A, I71B
M73.09	15	TPN, VTPN				M79.97	08	I69A, I69B, I71A, I71B
M75.0	08	I72Z, I75A, I75B				M79.98	08	I69A, I69B, I71A, I71B
M75.1	08	I72Z, I75A, I75B	M79.25	01	B03A, B03B, B06A, B06B, B17A, B17B, B17C, B17D, B71A, B71B, B71C, B71D	M79.99	08	I69A, I69B, I71A, I71B
M75.2	08	I72Z, I75A, I75B				M80.00	08	I69A, I69B
M75.3	08	I72Z, I75A, I75B				M80.01	08	I69A, I69B
M75.4	08	I72Z, I75A, I75B				M80.02	08	I69A, I69B
M75.5	08	I72Z, I75A, I75B	M79.26	01	B03A, B03B, B06A, B06B, B17A, B17B, B17C, B17D, B71A, B71B, B71C, B71D	M80.03	08	I69A, I69B
M75.8	08	I72Z, I75A, I75B				M80.04	08	I69A, I69B
M75.9	08	I72Z, I75A, I75B				M80.05	08	I69A, I69B
M76.0	08	I72Z, I75A, I75B				M80.06	08	I69A, I69B
M76.1	08	I72Z, I75A, I75B	M79.27	01	B03A, B03B, B06A, B06B, B17A, B17B, B17C, B17D, B71A, B71B, B71C, B71D	M80.07	08	I69A, I69B
M76.2	08	I72Z, I75A, I75B				M80.08	08	I69A, I69B
M76.3	08	I72Z, I75A, I75B				M80.09	08	I69A, I69B
M76.4	08	I72Z, I75A, I75B				M80.10	08	I69A, I69B
M76.5	08	I72Z, I75A, I75B	M79.28	01	B03A, B03B, B06A, B06B, B17A, B17B, B17C, B17D, B71A, B71B, B71C, B71D	M80.11	08	I69A, I69B
M76.6	08	I72Z, I75A, I75B				M80.12	08	I69A, I69B
M76.7	08	I72Z, I75A, I75B				M80.13	08	I69A, I69B
M76.8	08	I72Z, I75A, I75B				M80.14	08	I69A, I69B
M76.9	08	I72Z, I75A, I75B	M79.29	01	B03A, B03B, B06A, B06B, B17A, B17B, B17C, B17D, B71A, B71B, B71C, B71D	M80.15	08	I69A, I69B
M77.0	08	I72Z, I75A, I75B				M80.16	08	I69A, I69B
M77.1	08	I72Z, I75A, I75B				M80.17	08	I69A, I69B
M77.2	08	I72Z, I75A, I75B	M79.30	09	J61A, J61B, J61C, J68A, J68B	M80.18	08	I69A, I69B
M77.3	08	I76A, I76B	M79.31	09	J61A, J61B, J61C, J68A, J68B	M80.19	08	I69A, I69B
M77.4	08	I72Z, I75A, I75B	M79.32	09	J61A, J61B, J61C, J68A, J68B	M80.20	08	I69A, I69B
M77.5	08	I72Z, I75A, I75B	M79.33	09	J61A, J61B, J61C, J68A, J68B	M80.21	08	I69A, I69B
M77.8	08	I72Z, I75A, I75B	M79.34	09	J61A, J61B, J61C, J68A, J68B	M80.22	08	I69A, I69B
M77.9	08	I72Z, I75A, I75B	M79.35	09	J61A, J61B, J61C, J68A, J68B	M80.23	08	I69A, I69B
M79.00	08	I79Z	M79.36	09	J61A, J61B, J61C, J68A, J68B	M80.24	08	I69A, I69B
M79.01	08	I79Z	M79.37	09	J61A, J61B, J61C, J68A, J68B	M80.25	08	I69A, I69B
M79.02	08	I79Z	M79.38	09	J61A, J61B, J61C, J68A, J68B	M80.26	08	I69A, I69B
M79.03	08	I79Z	M79.39	09	J61A, J61B, J61C, J68A, J68B	M80.27	08	I69A, I69B
M79.04	08	I79Z	M79.46	08	I76A, I76B	M80.28	08	I69A, I69B
M79.05	08	I79Z	M79.50	08	I76A, I76B	M80.29	08	I69A, I69B
M79.06	08	I79Z	M79.51	08	I76A, I76B	M80.30	08	I69A, I69B
M79.07	08	I79Z	M79.52	08	I76A, I76B	M80.31	08	I69A, I69B
M79.08	08	I79Z	M79.53	08	I76A, I76B	M80.32	08	I69A, I69B
M79.09	08	I08A, I08B, I08C, I08D, I08E, I13A, I13B, I79Z	M79.54	08	I76A, I76B	M80.33	08	I69A, I69B
M79.10	08	I69A, I69B, I71A, I71B	M79.55	08	I76A, I76B	M80.34	08	I69A, I69B
M79.11	08	I69A, I69B, I71A, I71B	M79.56	08	I76A, I76B	M80.35	08	I69A, I69B
M79.12	08	I69A, I69B, I71A, I71B	M79.57	08	I76A, I76B	M80.36	08	I69A, I69B
M79.13	08	I69A, I69B, I71A, I71B	M79.58	08	I76A, I76B	M80.37	08	I69A, I69B
M79.14	08	I69A, I69B, I71A, I71B	M79.59	08	I76A, I76B	M80.38	08	I69A, I69B
M79.15	08	I69A, I69B, I71A, I71B	M79.60	08	I69A, I69B, I71A, I71B	M80.39	08	I69A, I69B
M79.16	08	I69A, I69B, I71A, I71B	M79.61	08	I69A, I69B, I71A, I71B	M80.40	08	I69A, I69B
M79.17	08	I69A, I69B, I71A, I71B	M79.62	08	I69A, I69B, I71A, I71B		18A	S65A, S65B
M79.18	08	I69A, I69B, I71A, I71B	M79.63	08	I69A, I69B, I71A, I71B	M80.41	08	I69A, I69B
M79.19	08	I69A, I69B, I71A, I71B	M79.64	08	I69A, I69B, I71A, I71B		18A	S65A, S65B
M79.20	01	B03A, B03B, B06A, B06B, B17A, B17B, B17C, B17D, B71A, B71B, B71C, B71D	M79.65	08	I69A, I69B, I71A, I71B	M80.42	08	I69A, I69B
	18A	S65A, S65B	M79.66	08	I69A, I69B, I71A, I71B		18A	S65A, S65B
M79.21	01	B03A, B03B, B06A, B06B, B17A, B17B, B17C, B17D, B71A, B71B, B71C, B71D	M79.67	08	I69A, I69B, I71A, I71B	M80.43	08	I69A, I69B
	18A	S65A, S65B	M79.69	08	I69A, I69B, I71A, I71B		18A	S65A, S65B
M79.22	01	B03A, B03B, B06A, B06B, B17A, B17B, B17C, B17D, B71A, B71B, B71C, B71D	M79.70	08	I79Z	M80.44	08	I69A, I69B
	18A	S65A, S65B	M79.80	08	I69A, I69B, I71A, I71B		18A	S65A, S65B
M79.23	01	B03A, B03B, B06A, B06B, B17A, B17B, B17C, B17D, B71A, B71B, B71C, B71D	M79.81	08	I69A, I69B, I71A, I71B	M80.45	08	I69A, I69B
	18A	S65A, S65B	M79.82	08	I69A, I69B, I71A, I71B		18A	S65A, S65B
	01	B03A, B03B, B06A, B06B, B17A, B17B, B17C, B17D, B71A, B71B, B71C, B71D	M79.83	08	I69A, I69B, I71A, I71B	M80.46	08	I69A, I69B
	18A	S65A, S65B	M79.84	08	I69A, I69B, I71A, I71B		18A	S65A, S65B
	01	B03A, B03B, B06A, B06B, B17A, B17B, B17C, B17D, B71A, B71B, B71C, B71D	M79.85	08	I69A, I69B, I71A, I71B	M80.47	08	I69A, I69B
	18A	S65A, S65B	M79.86	08	I69A, I69B, I71A, I71B		18A	S65A, S65B
	01	B03A, B03B, B06A, B06B, B17A, B17B, B17C, B17D, B71A, B71B, B71C, B71D	M79.87	08	I69A, I69B, I71A, I71B	M80.48	08	I69A, I69B
	18A	S65A, S65B	M79.88	08	I69A, I69B, I71A, I71B		18A	S65A, S65B
	01	B03A, B03B, B06A, B06B, B17A, B17B, B17C, B17D, B71A, B71B, B71C, B71D	M79.89	08	I69A, I69B, I71A, I71B	M80.49	08	I69A, I69B
	18A	S65A, S65B	M79.90	08	I69A, I69B, I71A, I71B		18A	S65A, S65B
	01	B03A, B03B, B06A, B06B, B17A, B17B, B17C, B17D, B71A, B71B, B71C, B71D	M79.91	08	I69A, I69B, I71A, I71B	M80.50	08	I69A, I69B
	18A	S65A, S65B	M79.92	08	I69A, I69B, I71A, I71B		18A	S65A, S65B
	01	B03A, B03B, B06A, B06B, B17A, B17B, B17C, B17D, B71A, B71B, B71C, B71D	M79.93	08	I69A, I69B, I71A, I71B	M80.51	08	I69A, I69B
	18A	S65A, S65B	M79.94	08	I69A, I69B, I71A, I71B		18A	S65A, S65B
	01	B03A, B03B, B06A, B06B, B17A, B17B, B17C, B17D, B71A, B71B, B71C, B71D				M80.52	08	I69A, I69B
	18A	S65A, S65B				M80.53	08	I69A, I69B

ICD	MDC	DRG	ICD	MDC	DRG	ICD	MDC	DRG
M80.54	08	I69A, I69B	M81.43	08	I69A, I69B	M83.11	08	I69A
M80.55	08	I69A, I69B	M81.44	08	I69A, I69B	22	Y02A, Y02B	
M80.56	08	I69A, I69B	M81.45	08	I69A, I69B	M83.12	08	I69A
M80.57	08	I69A, I69B	M81.46	08	I69A, I69B	22	Y02A, Y02B	
M80.58	08	I69A, I69B	M81.47	08	I69A, I69B	M83.13	08	I69A
M80.59	08	I69A, I69B	M81.48	08	I69A, I69B	22	Y02A, Y02B	
M80.80	08	I69A, I69B	M81.49	08	I69A, I69B	M83.14	08	I69A
M80.81	08	I69A, I69B	M81.50	08	I69A, I69B	22	Y02A, Y02B	
M80.82	08	I69A, I69B	M81.51	08	I69A, I69B	M83.15	08	I69A
M80.83	08	I69A, I69B	M81.52	08	I69A, I69B	22	Y02A, Y02B	
M80.84	08	I69A, I69B	M81.53	08	I69A, I69B	M83.16	08	I69A
M80.85	08	I69A, I69B	M81.54	08	I69A, I69B	22	Y02A, Y02B	
M80.86	08	I69A, I69B	M81.55	08	I69A, I69B	M83.17	08	I69A
M80.87	08	I69A, I69B	M81.56	08	I69A, I69B	22	Y02A, Y02B	
M80.88	08	I69A, I69B	M81.57	08	I69A, I69B	M83.18	08	I69A
M80.89	08	I69A, I69B	M81.58	08	I69A, I69B	22	Y02A, Y02B	
M80.90	08	I69A, I69B	M81.59	08	I69A, I69B	M83.19	08	I69A
M80.91	08	I69A, I69B	M81.60	08	I69A, I69B	22	Y02A, Y02B	
M80.92	08	I69A, I69B	M81.61	08	I69A, I69B	M83.20	08	I69A
M80.93	08	I69A, I69B	M81.62	08	I69A, I69B	22	Y02A, Y02B	
M80.94	08	I69A, I69B	M81.63	08	I69A, I69B	M83.21	08	I69A
M80.95	08	I69A, I69B	M81.64	08	I69A, I69B	22	Y02A, Y02B	
M80.96	08	I69A, I69B	M81.65	08	I69A, I69B	M83.22	08	I69A
M80.97	08	I69A, I69B	M81.66	08	I69A, I69B	22	Y02A, Y02B	
M80.98	08	I69A, I69B	M81.67	08	I69A, I69B	M83.23	08	I69A
M80.99	08	I69A, I69B	M81.68	08	I69A, I69B	22	Y02A, Y02B	
M81.00	08	I69A, I69B	M81.69	08	I69A, I69B	M83.24	08	I69A
M81.01	08	I69A, I69B	M81.80	08	I69A, I69B	22	Y02A, Y02B	
M81.02	08	I69A, I69B	M81.81	08	I69A, I69B	M83.25	08	I69A
M81.03	08	I69A, I69B	M81.82	08	I69A, I69B	22	Y02A, Y02B	
M81.04	08	I69A, I69B	M81.83	08	I69A, I69B	M83.26	08	I69A
M81.05	08	I69A, I69B	M81.84	08	I69A, I69B	22	Y02A, Y02B	
M81.06	08	I69A, I69B	M81.85	08	I69A, I69B	M83.27	08	I69A
M81.07	08	I69A, I69B	M81.86	08	I69A, I69B	22	Y02A, Y02B	
M81.08	08	I69A, I69B	M81.87	08	I69A, I69B	M83.28	08	I69A
M81.09	08	I69A, I69B	M81.88	08	I69A, I69B	22	Y02A, Y02B	
M81.10	08	I69A, I69B	M81.89	08	I69A, I69B	M83.29	08	I69A
M81.11	08	I69A, I69B	M81.90	08	I69A, I69B	22	Y02A, Y02B	
M81.12	08	I69A, I69B	M81.91	08	I69A, I69B	M83.30	08	I69A
M81.13	08	I69A, I69B	M81.92	08	I69A, I69B	22	Y02A, Y02B	
M81.14	08	I69A, I69B	M81.93	08	I69A, I69B	M83.31	08	I69A
M81.15	08	I69A, I69B	M81.94	08	I69A, I69B	22	Y02A, Y02B	
M81.16	08	I69A, I69B	M81.95	08	I69A, I69B	M83.32	08	I69A
M81.17	08	I69A, I69B	M81.96	08	I69A, I69B	22	Y02A, Y02B	
M81.18	08	I69A, I69B	M81.97	08	I69A, I69B	M83.33	08	I69A
M81.19	08	I69A, I69B	M81.98	08	I69A, I69B	22	Y02A, Y02B	
M81.20	08	I69A, I69B	M81.99	08	I69A, I69B	M83.34	08	I69A
M81.21	08	I69A, I69B	M83.00	08	I69A	22	Y02A, Y02B	
M81.22	08	I69A, I69B	22	Y02A, Y02B	M83.35	08	I69A	
M81.23	08	I69A, I69B	M83.01	08	I69A	22	Y02A, Y02B	
M81.24	08	I69A, I69B	22	Y02A, Y02B	M83.36	08	I69A	
M81.25	08	I69A, I69B	M83.02	08	I69A	22	Y02A, Y02B	
M81.26	08	I69A, I69B	22	Y02A, Y02B	M83.37	08	I69A	
M81.27	08	I69A, I69B	M83.03	08	I69A	22	Y02A, Y02B	
M81.28	08	I69A, I69B	22	Y02A, Y02B	M83.38	08	I69A	
M81.29	08	I69A, I69B	M83.04	08	I69A	22	Y02A, Y02B	
M81.30	08	I69A, I69B	22	Y02A, Y02B	M83.39	08	I69A	
M81.31	08	I69A, I69B	M83.05	08	I69A	22	Y02A, Y02B	
M81.32	08	I69A, I69B	22	Y02A, Y02B	M83.40	08	I69A	
M81.33	08	I69A, I69B	M83.06	08	I69A	22	Y02A, Y02B	
M81.34	08	I69A, I69B	22	Y02A, Y02B	M83.41	08	I69A	
M81.35	08	I69A, I69B	M83.07	08	I69A	22	Y02A, Y02B	
M81.36	08	I69A, I69B	22	Y02A, Y02B	M83.42	08	I69A	
M81.37	08	I69A, I69B	M83.08	08	I69A	22	Y02A, Y02B	
M81.38	08	I69A, I69B	22	Y02A, Y02B	M83.43	08	I69A	
M81.39	08	I69A, I69B	M83.09	08	I69A	22	Y02A, Y02B	
M81.40	08	I69A, I69B	22	Y02A, Y02B	M83.44	08	I69A	
M81.41	08	I69A, I69B	M83.10	08	I69A	22	Y02A, Y02B	
M81.42	08	I69A, I69B	22	Y02A, Y02B				

ICD	MDC	DRG	ICD	MDC	DRG	ICD	MDC	DRG
M83.45	08	I69A	M83.94	08	I69A	M84.42	08	I65A, I65B, I65C
	22	Y02A, Y02B		22	Y02A, Y02B	15	TPN, VTPN	
M83.46	08	I69A	M83.95	08	I69A	Pre	A07D, A09E, A11F, A13F	
	22	Y02A, Y02B		22	Y02A, Y02B	M84.43	08	I65A, I65B, I65C
M83.47	08	I69A	M83.96	08	I69A	15	TPN, VTPN	
	22	Y02A, Y02B		22	Y02A, Y02B	Pre	A07D, A09E, A11F, A13F	
M83.48	08	I69A	M83.97	08	I69A	M84.44	08	I65A, I65B, I65C
	22	Y02A, Y02B		22	Y02A, Y02B	15	TPN, VTPN	
M83.49	08	I69A	M83.98	08	I69A	Pre	A07D, A09E, A11F, A13F	
	22	Y02A, Y02B		22	Y02A, Y02B	M84.45	08	I65A, I65B, I65C
M83.50	08	I69A	M83.99	08	I69A	15	TPN, VTPN	
	18A	S65A, S65B		22	Y02A, Y02B	Pre	A07D, A09E, A11F, A13F	
	22	Y02A, Y02B	M84.00	08	I76A, I76B	M84.46	08	I65A, I65B, I65C
M83.51	08	I69A	M84.01	08	I76A, I76B	15	TPN, VTPN	
	18A	S65A, S65B	M84.02	08	I76A, I76B	Pre	A07D, A09E, A11F, A13F	
	22	Y02A, Y02B	M84.03	08	I76A, I76B	M84.47	08	I65A, I65B, I65C
M83.52	08	I69A	M84.04	08	I76A, I76B	15	TPN, VTPN	
	18A	S65A, S65B	M84.05	08	I76A, I76B	Pre	A07D, A09E, A11F, A13F	
	22	Y02A, Y02B	M84.06	08	I76A, I76B	M84.48	08	I65A, I65B, I65C
M83.53	08	I69A	M84.07	08	I76A, I76B	15	TPN, VTPN	
	18A	S65A, S65B	M84.08	08	I76A, I76B	Pre	A07D, A09E, A11F, A13F	
	22	Y02A, Y02B	M84.09	08	I76A, I76B	M84.49	08	I65A, I65B, I65C
M83.54	08	I69A	M84.10	08	I13D, I76A, I76B	15	TPN, VTPN	
	18A	S65A, S65B	M84.11	08	I13D, I76A, I76B	Pre	A07D, A09E, A11F, A13F	
	22	Y02A, Y02B	M84.12	08	I13D, I76A, I76B	M84.80	08	I76A, I76B
M83.55	08	I69A	M84.13	08	I13D, I76A, I76B	M84.81	08	I76A, I76B
	18A	S65A, S65B	M84.14	08	I13D, I32B, I32C, I32D, I76A, I76B	M84.82	08	I76A, I76B
	22	Y02A, Y02B				M84.83	08	I76A, I76B
M83.56	08	I69A	M84.15	08	I13D, I76A, I76B	M84.84	08	I76A, I76B
	18A	S65A, S65B	M84.16	08	I13D, I76A, I76B	M84.85	08	I76A, I76B
	22	Y02A, Y02B	M84.17	08	I13D, I76A, I76B	M84.86	08	I76A, I76B
M83.57	08	I69A	M84.18	08	I13D, I76A, I76B	M84.87	08	I76A, I76B
	18A	S65A, S65B	M84.19	08	I13D, I76A, I76B	M84.88	08	I76A, I76B
	22	Y02A, Y02B	M84.20	08	I76A, I76B	M84.89	08	I76A, I76B
M83.58	08	I69A	M84.21	08	I76A, I76B	M84.90	08	I76A, I76B
	18A	S65A, S65B	M84.22	08	I76A, I76B	M84.91	08	I76A, I76B
	22	Y02A, Y02B	M84.23	08	I76A, I76B	M84.92	08	I76A, I76B
M83.59	08	I69A	M84.24	08	I76A, I76B	M84.93	08	I76A, I76B
	18A	S65A, S65B	M84.25	08	I76A, I76B	M84.94	08	I76A, I76B
	22	Y02A, Y02B	M84.26	08	I76A, I76B	M84.95	08	I76A, I76B
M83.80	08	I69A	M84.27	08	I76A, I76B	M84.96	08	I76A, I76B
	22	Y02A, Y02B	M84.28	08	I76A, I76B	M84.97	08	I76A, I76B
M83.81	08	I69A	M84.29	08	I76A, I76B	M84.98	08	I76A, I76B
	22	Y02A, Y02B	M84.30	08	I65A, I65B, I65C	M84.99	08	I76A, I76B
M83.82	08	I69A		15	TPN, VTPN	M85.00	08	I69A, I69B
	22	Y02A, Y02B	M84.31	08	I65A, I65B, I65C	M85.01	08	I69A, I69B
M83.83	08	I69A		15	TPN, VTPN	M85.02	08	I69A, I69B
	22	Y02A, Y02B	M84.32	08	I65A, I65B, I65C	M85.03	08	I69A, I69B
M83.84	08	I69A		15	TPN, VTPN	M85.04	08	I69A, I69B
	22	Y02A, Y02B	M84.33	08	I65A, I65B, I65C	M85.05	08	I69A, I69B
M83.85	08	I69A		15	TPN, VTPN	M85.06	08	I69A, I69B
	22	Y02A, Y02B	M84.34	08	I65A, I65B, I65C	M85.07	08	I69A, I69B
M83.86	08	I69A		15	TPN, VTPN	M85.08	08	I69A, I69B
	22	Y02A, Y02B	M84.35	08	I65A, I65B, I65C	M85.09	08	I69A, I69B
M83.87	08	I69A		15	TPN, VTPN	M85.10	08	I76A, I76B
	22	Y02A, Y02B	M84.36	08	I65A, I65B, I65C	M85.11	08	I76A, I76B
M83.88	08	I69A		15	TPN, VTPN	M85.12	08	I76A, I76B
	22	Y02A, Y02B	M84.37	08	I65A, I65B, I65C	M85.13	08	I76A, I76B
M83.89	08	I69A		15	TPN, VTPN	M85.14	08	I76A, I76B
	22	Y02A, Y02B	M84.38	08	I65A, I65B, I65C	M85.15	08	I76A, I76B
M83.90	08	I69A		15	TPN, VTPN	M85.16	08	I76A, I76B
	22	Y02A, Y02B	M84.39	08	I65A, I65B, I65C	M85.17	08	I76A, I76B
M83.91	08	I69A		15	TPN, VTPN	M85.18	08	I76A, I76B
	22	Y02A, Y02B	M84.40	08	I65A, I65B, I65C	M85.19	08	I76A, I76B
M83.92	08	I69A		15	TPN, VTPN	M85.2	08	I76A, I76B
	22	Y02A, Y02B		Pre	A07D, A09E, A11F, A13F	M85.30	08	I69A, I69B
M83.93	08	I69A	M84.41	08	I65A, I65B, I65C	M85.31	08	I69A, I69B
	22	Y02A, Y02B		15	TPN, VTPN	M85.32	08	I69A, I69B
				Pre	A07D, A09E, A11F, A13F	M85.33	08	I69A, I69B

ICD	MDC	DRG	ICD	MDC	DRG	ICD	MDC	DRG
M86.83	05	F61A	M86.97	05	F61A	M87.23	08	I08A, I08B, I08C, I08D, I08E, I13A, I13B, I64A, I64B, I64C
	08	I08A, I08B, I08C, I08D, I08E, I12A, I12B, I12C, I13A, I13B, I64A, I64B, I64C		08	I08A, I08B, I08C, I08D, I08E, I13A, I13B, I64A, I64B, I64C		15	TPN, VTPN
	15	TPN, VTPN	M86.98	05	F61A	M87.24	08	I08A, I08B, I08C, I08D, I08E, I13A, I13B, I32A, I32B, I32C, I32D, I32E, I32F, I32G, I64A, I64B, I64C
M86.84	05	F61A		08	I08A, I08B, I08C, I08D, I08E, I13A, I13B, I64A, I64B, I64C		15	TPN, VTPN
	08	I08A, I08B, I08C, I08D, I08E, I13A, I13B, I32A, I32B, I32C, I32D, I32E, I32F, I32G, I64A, I64B, I64C	M86.99	05	F61A	M87.25	08	I08A, I08B, I08C, I08D, I08E, I13A, I13B, I64A, I64B, I64C
	15	TPN, VTPN		08	I08A, I08B, I08C, I08D, I08E, I13A, I13B, I64A, I64B, I64C		15	TPN, VTPN
M86.85	05	F61A		15	TPN, VTPN	M87.26	08	I08A, I08B, I08C, I08D, I08E, I13A, I13B, I64A, I64B, I64C
	08	I01Z, I03A, I03B, I04Z, I08A, I08B, I08C, I08D, I08E, I12A, I12B, I12C, I13A, I13B, I64A, I64B, I64C	M87.00	08	I69A, I69B		15	TPN, VTPN
	15	TPN, VTPN	M87.01	08	I69A, I69B	M87.27	08	I08A, I08B, I08C, I08D, I08E, I13A, I13B, I64A, I64B, I64C
M86.86	05	F61A	M87.02	08	I69A, I69B		15	TPN, VTPN
	08	I01Z, I04Z, I08A, I08B, I08C, I08D, I08E, I12A, I12B, I12C, I13A, I13B, I64A, I64B, I64C	M87.03	08	I69A, I69B	M87.28	08	I08A, I08B, I08C, I08D, I08E, I13A, I13B, I64A, I64B, I64C
	15	TPN, VTPN	M87.04	08	I69A, I69B		15	TPN, VTPN
M86.87	05	F61A	M87.05	08	I69A, I69B	M87.29	08	I08A, I08B, I08C, I08D, I08E, I13A, I13B, I64A, I64B, I64C
	08	I08A, I08B, I08C, I08D, I08E, I13A, I13B, I64A, I64B, I64C	M87.06	08	I69A, I69B		15	TPN, VTPN
	15	TPN, VTPN	M87.07	08	I69A, I69B	M87.30	08	I08A, I08B, I08C, I08D, I08E, I13A, I13B, I64A, I64B, I64C
M86.88	05	F61A	M87.08	08	I69A, I69B		15	TPN, VTPN
	08	I08A, I08B, I08C, I08D, I08E, I13A, I13B, I64A, I64B, I64C	M87.09	08	I69A, I69B	M87.31	08	I08A, I08B, I08C, I08D, I08E, I13A, I13B, I64A, I64B, I64C
	15	TPN, VTPN		15	TPN, VTPN		15	TPN, VTPN
M86.89	05	F61A	M87.10	08	I08A, I08B, I08C, I08D, I08E, I13A, I13B, I64A, I64B, I64C	M87.32	08	I08A, I08B, I08C, I08D, I08E, I13A, I13B, I64A, I64B, I64C
	08	I08A, I08B, I08C, I08D, I08E, I13A, I13B, I64A, I64B, I64C		15	TPN, VTPN		15	TPN, VTPN
	15	TPN, VTPN	M87.11	08	I08A, I08B, I08C, I08D, I08E, I13A, I13B, I64A, I64B, I64C	M87.33	08	I08A, I08B, I08C, I08D, I08E, I13A, I13B, I64A, I64B, I64C
M86.90	05	F61A	M87.12	08	I08A, I08B, I08C, I08D, I08E, I13A, I13B, I64A, I64B, I64C		15	TPN, VTPN
	08	I08A, I08B, I08C, I08D, I08E, I12A, I12B, I12C, I13A, I13B, I64A, I64B, I64C		15	TPN, VTPN	M87.34	08	I08A, I08B, I08C, I08D, I08E, I13A, I13B, I32A, I32B, I32C, I32D, I32E, I32F, I32G, I64A, I64B, I64C
	15	TPN, VTPN	M87.13	08	I08A, I08B, I08C, I08D, I08E, I13A, I13B, I64A, I64B, I64C		15	TPN, VTPN
M86.91	05	F61A		15	TPN, VTPN	M87.35	08	I08A, I08B, I08C, I08D, I08E, I13A, I13B, I64A, I64B, I64C
	08	I08A, I08B, I08C, I08D, I08E, I12A, I12B, I12C, I13A, I13B, I64A, I64B, I64C	M87.14	08	I08A, I08B, I08C, I08D, I08E, I13A, I13B, I32A, I32B, I32C, I32D, I32E, I32F, I32G, I64A, I64B, I64C		15	TPN, VTPN
	15	TPN, VTPN		15	TPN, VTPN	M87.36	08	I08A, I08B, I08C, I08D, I08E, I13A, I13B, I64A, I64B, I64C
M86.92	05	F61A	M87.15	08	I08A, I08B, I08C, I08D, I08E, I13A, I13B, I64A, I64B, I64C		15	TPN, VTPN
	08	I08A, I08B, I08C, I08D, I08E, I12A, I12B, I12C, I13A, I13B, I64A, I64B, I64C		15	TPN, VTPN	M87.37	08	I08A, I08B, I08C, I08D, I08E, I13A, I13B, I64A, I64B, I64C
	15	TPN, VTPN	M87.16	08	I08A, I08B, I08C, I08D, I08E, I13A, I13B, I64A, I64B, I64C		15	TPN, VTPN
M86.93	05	F61A		15	TPN, VTPN	M87.38	08	I08A, I08B, I08C, I08D, I08E, I13A, I13B, I64A, I64B, I64C
	08	I08A, I08B, I08C, I08D, I08E, I12A, I12B, I12C, I13A, I13B, I64A, I64B, I64C	M87.17	08	I08A, I08B, I08C, I08D, I08E, I13A, I13B, I64A, I64B, I64C		15	TPN, VTPN
	15	TPN, VTPN		15	TPN, VTPN	M87.39	08	I08A, I08B, I08C, I08D, I08E, I13A, I13B, I64A, I64B, I64C
M86.94	05	F61A	M87.18	08	I08A, I08B, I08C, I08D, I08E, I13A, I13B, I64A, I64B, I64C		15	TPN, VTPN
	08	I08A, I08B, I08C, I08D, I08E, I13A, I13B, I32A, I32B, I32C, I32D, I32E, I32F, I32G, I64A, I64B, I64C		15	TPN, VTPN	M87.80	08	I08A, I08B, I08C, I08D, I08E, I13A, I13B, I64A, I64B, I64C
	15	TPN, VTPN	M87.19	08	I08A, I08B, I08C, I08D, I08E, I13A, I13B, I64A, I64B, I64C		15	TPN, VTPN
M86.95	05	F61A		15	TPN, VTPN	M87.81	08	I08A, I08B, I08C, I08D, I08E, I13A, I13B, I64A, I64B, I64C
	08	I01Z, I03A, I03B, I04Z, I08A, I08B, I08C, I08D, I08E, I12A, I12B, I12C, I13A, I13B, I64A, I64B, I64C	M87.20	08	I08A, I08B, I08C, I08D, I08E, I13A, I13B, I64A, I64B, I64C		15	TPN, VTPN
	15	TPN, VTPN		15	TPN, VTPN	M87.82	08	I08A, I08B, I08C, I08D, I08E, I13A, I13B, I64A, I64B, I64C
M86.96	05	F61A	M87.21	08	I08A, I08B, I08C, I08D, I08E, I13A, I13B, I64A, I64B, I64C		15	TPN, VTPN
	08	I01Z, I04Z, I08A, I08B, I08C, I08D, I08E, I12A, I12B, I12C, I13A, I13B, I64A, I64B, I64C		15	TPN, VTPN	M87.83	08	I08A, I08B, I08C, I08D, I08E, I13A, I13B, I64A, I64B, I64C
	15	TPN, VTPN	M87.22	08	I08A, I08B, I08C, I08D, I08E, I13A, I13B, I64A, I64B, I64C		15	TPN, VTPN
	15	TPN, VTPN		15	TPN, VTPN			

ICD	MDC	DRG	ICD	MDC	DRG	ICD	MDC	DRG
M87.84	08	I08A, I08B, I08C, I08D, I08E, I13A, I13B, I32A, I32B, I32C, I32D, I32E, I32F, I32G, I64A, I64B, I64C	M88.97	08	I69A, I69B	M89.38	08	I76A, I76B
	15	TPN, VTPN	M88.98	08	I69A, I69B	M89.39	08	I76A, I76B
M87.85	08	I08A, I08B, I08C, I08D, I08E, I13A, I13B, I64A, I64B, I64C	M88.99	08	I69A, I69B	M89.40	08	I69A, I69B
	15	TPN, VTPN	M89.00	01	B03A, B03B, B06A, B06B, B17A, B17B, B17C, B17D, B20D, B71A, B71B, B71C, B71D	M89.41	08	I69A, I69B
M87.86	08	I08A, I08B, I08C, I08D, I08E, I13A, I13B, I64A, I64B, I64C	M89.01	01	B03A, B03B, B06A, B06B, B17A, B17B, B17C, B17D, B20D, B71A, B71B, B71C, B71D	M89.42	08	I69A, I69B
	15	TPN, VTPN	M89.02	01	B03A, B03B, B06A, B06B, B17A, B17B, B17C, B17D, B20D, B71A, B71B, B71C, B71D	M89.43	08	I69A, I69B
M87.87	08	I08A, I08B, I08C, I08D, I08E, I13A, I13B, I64A, I64B, I64C	M89.03	01	B03A, B03B, B06A, B06B, B17A, B17B, B17C, B17D, B20D, B71A, B71B, B71C, B71D	M89.44	08	I69A, I69B
	15	TPN, VTPN	M89.04	01	B03A, B03B, B06A, B06B, B17A, B17B, B17C, B17D, B20D, B71A, B71B, B71C, B71D	M89.45	08	I69A, I69B
M87.88	08	I08A, I08B, I08C, I08D, I08E, I13A, I13B, I64A, I64B, I64C	M89.05	01	B03A, B03B, B06A, B06B, B17A, B17B, B17C, B17D, B20D, B71A, B71B, B71C, B71D	M89.46	08	I69A, I69B
	15	TPN, VTPN	M89.06	01	B03A, B03B, B06A, B06B, B17A, B17B, B17C, B17D, B20D, B71A, B71B, B71C, B71D	M89.47	08	I69A, I69B
M87.89	08	I08A, I08B, I08C, I08D, I08E, I13A, I13B, I64A, I64B, I64C	M89.07	01	B03A, B03B, B06A, B06B, B17A, B17B, B17C, B17D, B20D, B71A, B71B, B71C, B71D	M89.48	08	I69A, I69B
	15	TPN, VTPN	M89.08	01	B03A, B03B, B06A, B06B, B17A, B17B, B17C, B17D, B20D, B71A, B71B, B71C, B71D	M89.49	08	I69A, I69B
M87.90	08	I08A, I08B, I08C, I08D, I08E, I13A, I13B, I64A, I64B, I64C	M89.09	01	B03A, B03B, B06A, B06B, B17A, B17B, B17C, B17D, B20D, B71A, B71B, B71C, B71D	M89.50	08	I76A
	15	TPN, VTPN	M89.10	08	I76A, I76B		17	R61F, R61G, R62A, R62B
M87.91	08	I08A, I08B, I08C, I08D, I08E, I13A, I13B, I64A, I64B, I64C	M89.11	08	I76A, I76B	M89.51	08	I76A, I76B
	15	TPN, VTPN	M89.12	08	I76A, I76B		17	R61F, R61G, R62A, R62B
M87.92	08	I08A, I08B, I08C, I08D, I08E, I13A, I13B, I64A, I64B, I64C	M89.13	08	I76A, I76B	M89.52	08	I76A, I76B
	15	TPN, VTPN	M89.14	08	I76A, I76B		17	R61F, R61G, R62A, R62B
M87.93	08	I08A, I08B, I08C, I08D, I08E, I13A, I13B, I64A, I64B, I64C	M89.15	08	I76A, I76B	M89.53	08	I76A, I76B
	15	TPN, VTPN	M89.16	08	I76A, I76B		17	R61F, R61G, R62A, R62B
M87.94	08	I08A, I08B, I08C, I08D, I08E, I13A, I13B, I32A, I32B, I32C, I32D, I32E, I32F, I32G, I64A, I64B, I64C	M89.17	08	I76A, I76B	M89.54	08	I76A, I76B
	15	TPN, VTPN	M89.18	08	I76A, I76B		17	R61F, R61G, R62A, R62B
M87.95	08	I08A, I08B, I08C, I08D, I08E, I13A, I13B, I64A, I64B, I64C	M89.19	08	I76A, I76B	M89.55	08	I04Z, I76A, I76B
	15	TPN, VTPN	M89.20	08	I76A, I76B		17	R61F, R61G, R62A, R62B
M87.96	08	I08A, I08B, I08C, I08D, I08E, I13A, I13B, I64A, I64B, I64C	M89.21	08	I76A, I76B	M89.56	08	I04Z, I76A, I76B
	15	TPN, VTPN	M89.22	08	I76A, I76B		17	R61F, R61G, R62A, R62B
M87.97	08	I08A, I08B, I08C, I08D, I08E, I13A, I13B, I64A, I64B, I64C	M89.23	08	I76A, I76B	M89.57	08	I76A, I76B
	15	TPN, VTPN	M89.24	08	I76A, I76B		17	R61F, R61G, R62A, R62B
M87.98	08	I08A, I08B, I08C, I08D, I08E, I13A, I13B, I64A, I64B, I64C	M89.25	08	I76A, I76B	M89.58	08	I76A
	15	TPN, VTPN	M89.26	08	I76A, I76B		17	R61F, R61G, R62A, R62B
M87.99	08	I08A, I08B, I08C, I08D, I08E, I13A, I13B, I64A, I64B, I64C	M89.27	08	I76A, I76B	M89.59	08	I76A, I76B
	15	TPN, VTPN	M89.28	08	I76A, I76B		17	R61F, R61G, R62A, R62B
M88.0	08	I69A, I69B	M89.29	08	I76A, I76B	M89.60	08	I08A, I08B, I08C, I08D, I08E, I13A, I13B, I76A, I76B
M88.80	08	I69A, I69B	M89.30	08	I76A, I76B		08	I08A, I08B, I08C, I08D, I08E, I13A, I13B, I76A, I76B
M88.81	08	I69A, I69B	M89.31	08	I76A, I76B	M89.61	08	I08A, I08B, I08C, I08D, I08E, I13A, I13B, I76A, I76B
M88.82	08	I69A, I69B	M89.32	08	I76A, I76B		08	I08A, I08B, I08C, I08D, I08E, I13A, I13B, I76A, I76B
M88.83	08	I69A, I69B	M89.33	08	I76A, I76B	M89.62	08	I08A, I08B, I08C, I08D, I08E, I13A, I13B, I76A, I76B
M88.84	08	I69A, I69B	M89.34	08	I76A, I76B		08	I08A, I08B, I08C, I08D, I08E, I13A, I13B, I76A, I76B
M88.85	08	I69A, I69B	M89.35	08	I76A, I76B	M89.63	08	I08A, I08B, I08C, I08D, I08E, I13A, I13B, I76A, I76B
M88.86	08	I69A, I69B	M89.36	08	I76A, I76B		08	I08A, I08B, I08C, I08D, I08E, I13A, I13B, I76A, I76B
M88.87	08	I69A, I69B	M89.37	08	I76A, I76B	M89.64	08	I08A, I08B, I08C, I08D, I08E, I13A, I13B, I32A, I32B, I32C, I32D, I32E, I32F, I32G, I76A, I76B
M88.88	08	I69A, I69B						
M88.89	08	I69A, I69B				M89.65	08	I08A, I08B, I08C, I08D, I08E, I13A, I13B, I76A, I76B
M88.90	08	I69A, I69B					08	I08A, I08B, I08C, I08D, I08E, I13A, I13B, I76A, I76B
M88.91	08	I69A, I69B				M89.66	08	I08A, I08B, I08C, I08D, I08E, I13A, I13B, I76A, I76B
M88.92	08	I69A, I69B					08	I08A, I08B, I08C, I08D, I08E, I13A, I13B, I76A, I76B
M88.93	08	I69A, I69B				M89.67	08	I08A, I08B, I08C, I08D, I08E, I13A, I13B, I76A, I76B
M88.94	08	I69A, I69B					08	I08A, I08B, I08C, I08D, I08E, I13A, I13B, I76A, I76B
M88.95	08	I69A, I69B				M89.68	08	I08A, I08B, I08C, I08D, I08E, I13A, I13B, I76A, I76B
M88.96	08	I69A, I69B					08	I08A, I08B, I08C, I08D, I08E, I13A, I13B, I76A, I76B
						M89.69	08	I08A, I08B, I08C, I08D, I08E, I13A, I13B, I76A, I76B
							08	I76A, I76B
						M89.80	08	I76A, I76B
						M89.81	08	I76A, I76B
						M89.82	08	I76A, I76B
						M89.83	08	I76A, I76B
						M89.84	08	I76A, I76B
						M89.85	08	I76A, I76B
						M89.86	08	I76A, I76B
						M89.87	08	I76A, I76B
						M89.88	08	I76A, I76B
						M89.89	08	I76A, I76B
						M89.90	08	I76A, I76B
						M89.91	08	I76A, I76B
						M89.92	08	I76A, I76B
						M89.93	08	I76A, I76B
						M89.94	08	I76A, I76B

ICD	MDC	DRG	ICD	MDC	DRG	ICD	MDC	DRG
M89.95	08	I76A, I76B	M92.8	08	I69A, I69B	M96.4	08	I06A, I06B, I06C, I06D, I06E, I09A, I09B, I09C, I09D, I09E, I68A, I68B, I68C, I68D, I68E
M89.96	08	I76A, I76B	M92.9	08	I69A, I69B	M96.5	08	I06A, I06B, I06C, I06D, I06E, I09A, I09B, I09C, I09D, I09E, I68A, I68B, I68C, I68D, I68E
M89.97	08	I76A, I76B	M93.0	08	I69A, I69B	M96.6	08	I01Z, I03A, I03B, I04Z, I08A, I08B, I08C, I08D, I08E, I13A, I13B, I73Z
M89.98	08	I76A, I76B	M93.1	08	I69A, I69B	M96.80	15	TPN, VTPN
M89.99	08	I76A, I76B	M93.2	08	I69A, I69B	M96.80	08	I01Z, I03A, I03B, I04Z, I08A, I08B, I08C, I08D, I08E, I13A, I13B, I73Z
M90.00	15	TPN, VTPN	M93.8	08	I69A, I69B	M96.81	15	TPN, VTPN
M90.01	15	TPN, VTPN	M93.9	08	I69A, I69B	M96.81	08	I01Z, I03A, I03B, I04Z, I08A, I08B, I08C, I08D, I08E, I13A, I13B, I73Z
M90.02	15	TPN, VTPN	M94.0	04	E65A, E65B, E69A, E69B, E69C, E69D, E69E, E69F, E75A, E75B, E75C	M96.88	15	TPN, VTPN
M90.03	15	TPN, VTPN	M94.1	08	I76A	M96.88	08	I01Z, I03A, I03B, I04Z, I08A, I08B, I08C, I08D, I08E, I13A, I13B, I73Z
M90.04	15	TPN, VTPN	M94.20	08	I69A, I69B	M96.9	15	TPN, VTPN
M90.05	15	TPN, VTPN	M94.21	08	I69A, I69B	M96.9	08	I08A, I08B, I08C, I08D, I08E, I13A, I13B, I73Z
M90.06	15	TPN, VTPN	M94.22	08	I69A, I69B	N00.0	11	L68A, L68B, L74Z
M90.07	15	TPN, VTPN	M94.23	08	I69A, I69B	N00.0	18A	S65A, S65B
M90.08	15	TPN, VTPN	M94.24	08	I69A, I69B	Pre	A07D, A09E, A11F, A13F	
M90.09	15	TPN, VTPN	M94.25	08	I69A, I69B	N00.1	11	L68A, L68B, L74Z
M90.10	15	TPN, VTPN	M94.26	08	I69A, I69B	N00.1	18A	S65A, S65B
M90.11	15	TPN, VTPN	M94.27	08	I69A, I69B	Pre	A07D, A09E, A11F, A13F	
M90.12	15	TPN, VTPN	M94.28	08	I69A, I69B	N00.2	11	L68A, L68B, L74Z
M90.13	15	TPN, VTPN	M94.29	08	I69A, I69B	N00.2	18A	S65A, S65B
M90.14	15	TPN, VTPN	M94.30	08	I76A, I76B	Pre	A07D, A09E, A11F, A13F	
M90.15	15	TPN, VTPN	M94.31	08	I76A, I76B	N00.3	11	L68A, L68B, L74Z
M90.16	15	TPN, VTPN	M94.32	08	I76A, I76B	N00.3	18A	S65A, S65B
M90.17	15	TPN, VTPN	M94.33	08	I76A, I76B	Pre	A07D, A09E, A11F, A13F	
M90.18	15	TPN, VTPN	M94.34	08	I76A, I76B	N00.4	11	L68A, L68B, L74Z
M90.19	15	TPN, VTPN	M94.35	08	I76A, I76B	N00.4	18A	S65A, S65B
M90.20	15	TPN, VTPN	M94.36	08	I76A, I76B	Pre	A07D, A09E, A11F, A13F	
M90.21	15	TPN, VTPN	M94.37	08	I76A, I76B	N00.5	11	L68A, L68B, L74Z
M90.22	15	TPN, VTPN	M94.38	08	I76A, I76B	N00.5	18A	S65A, S65B
M90.23	15	TPN, VTPN	M94.39	08	I76A, I76B	Pre	A07D, A09E, A11F, A13F	
M90.24	15	TPN, VTPN	M94.80	08	I76A, I76B	N00.6	11	L68A, L68B, L74Z
M90.25	15	TPN, VTPN	M94.81	08	I76A, I76B	N00.6	18A	S65A, S65B
M90.26	15	TPN, VTPN	M94.82	08	I76A, I76B	Pre	A07D, A09E, A11F, A13F	
M90.27	15	TPN, VTPN	M94.83	08	I76A, I76B	N00.7	11	L68A, L68B, L74Z
M90.28	15	TPN, VTPN	M94.84	08	I76A, I76B	N00.7	18A	S65A, S65B
M90.29	15	TPN, VTPN	M94.85	08	I76A, I76B	Pre	A07D, A09E, A11F, A13F	
M90.70	15	TPN, VTPN	M94.86	08	I76A, I76B	N00.8	11	L68A, L68B, L74Z
M90.71	15	TPN, VTPN	M94.87	08	I76A, I76B	N00.8	18A	S65A, S65B
M90.72	15	TPN, VTPN	M94.88	08	I76A, I76B	Pre	A07D, A09E, A11F, A13F	
M90.73	15	TPN, VTPN	M94.89	08	I76A, I76B	N00.9	11	L68A, L68B, L74Z
M90.74	15	TPN, VTPN	M94.90	08	I76A, I76B	N00.9	18A	S65A, S65B
M90.75	15	TPN, VTPN	M94.91	08	I76A, I76B	Pre	A07D, A09E, A11F, A13F	
M90.76	15	TPN, VTPN	M94.92	08	I76A, I76B	N01.0	11	L68A, L68B, L74Z
M90.77	15	TPN, VTPN	M94.93	08	I76A, I76B	N01.0	18A	S65A, S65B
M90.78	15	TPN, VTPN	M94.94	08	I76A, I76B	Pre	A07D, A09E, A11F, A13F	
M90.79	15	TPN, VTPN	M94.95	08	I76A, I76B	N01.1	11	L68A, L68B, L74Z
M91.0	08	I69A, I69B	M94.96	08	I76A, I76B	N01.1	18A	S65A, S65B
M91.1	08	I69A, I69B	M94.97	08	I76A, I76B	Pre	A07D, A09E, A11F, A13F	
M91.2	08	I69A, I69B	M94.98	08	I76A, I76B	N01.2	11	L68A, L68B, L74Z
M91.3	08	I69A, I69B	M94.99	08	I76A, I76B	N01.2	18A	S65A, S65B
M91.8	08	I69A, I69B	M95.0	08	I76A, I76B	Pre	A07D, A09E, A11F, A13F	
M91.9	08	I69A, I69B	M95.1	03	D65Z	N01.3	11	L68A, L68B, L74Z
M92.0	08	I69A, I69B	M95.2	08	I76A, I76B	N01.3	18A	S65A, S65B
M92.1	08	I69A, I69B	M95.3	08	I76A, I76B	Pre	A07D, A09E, A11F, A13F	
M92.2	08	I69A, I69B	M95.4	08	I76A, I76B	N01.4	11	L68A, L68B, L74Z
M92.3	08	I69A, I69B	M95.5	08	I76A, I76B	N01.4	18A	S65A, S65B
M92.4	08	I69A, I69B	M95.8	08	I76A, I76B	Pre	A07D, A09E, A11F, A13F	
M92.5	08	I69A, I69B	M95.9	08	I76A, I76B	N01.5	11	L68A, L68B, L74Z
M92.6	08	I69A, I69B	M96.0	08	I76A, I76B	N01.5	18A	S65A, S65B
M92.7	08	I69A, I69B	M96.1	08	I68A, I68B, I68C, I68D, I68E	Pre	A07D, A09E, A11F, A13F	
			M96.2	08	I06A, I06B, I06C, I06D, I06E, I09A, I09B, I09C, I09D, I09E, I68A, I68B, I68C, I68D, I68E	N01.6	11	L68A, L68B, L74Z
			M96.3	08	I06A, I06B, I06C, I06D, I06E, I09A, I09B, I09C, I09D, I09E, I68A, I68B, I68C, I68D, I68E	N01.6	18A	S65A, S65B

ICD	MDC	DRG	ICD	MDC	DRG	ICD	MDC	DRG
N01.7	11	L68A, L68B, L74Z	N05.0	11	L68A, L68B, L74Z	N13.8	11	L63A, L63B, L63C, L63D, L63E, L63F, L74Z
	18A	S65A, S65B		18A	S65A, S65B		15	TPN, VTPN
N01.8	11	L68A, L68B, L74Z		Pre	A07D, A09E, A11F, A13F	N13.9	11	L64A, L64B, L74Z
	18A	S65A, S65B	N05.1	11	L68A, L68B, L74Z		15	TPN, VTPN
N01.9	11	L68A, L68B, L74Z		18A	S65A, S65B	N14.0	11	L68A, L68B, L74Z
	18A	S65A, S65B	N05.2	11	L68A, L68B, L74Z		18A	S65A, S65B
N02.0	11	L64A, L74Z		18A	S65A, S65B	N14.1	11	L68A, L68B, L74Z
N02.1	11	L64A, L74Z	N05.3	11	L68A, L68B, L74Z		18A	S65A, S65B
N02.2	11	L64A, L74Z		18A	S65A, S65B	N14.2	11	L68A, L68B, L74Z
N02.3	11	L64A, L74Z	N05.4	11	L68A, L68B, L74Z		18A	S65A, S65B
N02.4	11	L64A, L74Z		18A	S65A, S65B	N14.3	11	L68A, L68B, L74Z
N02.5	11	L64A, L74Z	N05.5	11	L68A, L68B, L74Z		18A	S65A, S65B
N02.6	11	L64A, L74Z		18A	S65A, S65B	N14.4	11	L68A, L68B, L74Z
N02.7	11	L64A, L74Z	N05.6	11	L68A, L68B, L74Z		18A	S65A, S65B
N02.8	11	L64A, L74Z		18A	S65A, S65B	N15.0	11	L68A, L68B, L74Z
N02.9	11	L64A, L74Z	N05.7	11	L68A, L68B, L74Z		18A	S65A, S65B
N03.0	11	L68A, L68B, L74Z		18A	S65A, S65B	N15.10	11	L63A, L63B, L63C, L63D, L63E, L63F, L74Z
	18A	S65A, S65B	N05.8	11	L68A, L68B, L74Z		15	TPN, VTPN
N03.1	11	L68A, L68B, L74Z		18A	S65A, S65B	N15.11	11	L63A, L63B, L63C, L63D, L63E, L63F, L74Z
	18A	S65A, S65B	N05.9	11	L68A, L68B, L74Z		15	TPN, VTPN
N03.2	11	L68A, L68B, L74Z		18A	S65A, S65B	N15.8	11	L68A, L68B, L74Z
	18A	S65A, S65B	N06.0	11	L68A, L68B, L74Z		18A	S65A, S65B
N03.3	11	L68A, L68B, L74Z	N06.1	11	L68A, L68B, L74Z	N15.9	11	L68A, L68B, L74Z
	18A	S65A, S65B	N06.2	11	L68A, L68B, L74Z		18A	S65A, S65B
N03.4	11	L68A, L68B, L74Z	N06.3	11	L68A, L68B, L74Z	N17.0	05	F62A
	18A	S65A, S65B	N06.4	11	L68A, L68B, L74Z		06	G67A
N03.5	11	L68A, L68B, L74Z	N06.5	11	L68A, L68B, L74Z		07	H06A
	18A	S65A, S65B	N06.6	11	L68A, L68B, L74Z		10	K62A
N03.6	11	L68A, L68B, L74Z	N06.7	11	L68A, L68B, L74Z		11	L02B, L09A, L09B, L38Z, L60A, L60B, L60C, L60D, L71Z
	15	TPN, VTPN	N06.8	11	L68A, L68B, L74Z		15	TPN, VTPN
	18A	S65A, S65B	N06.9	11	L68A, L68B, L74Z	N17.1	Pre	A07D, A09E, A11F, A13F
N03.7	11	L68A, L68B, L74Z	N07.0	11	L68A, L68B, L74Z		05	F62A
	18A	S65A, S65B	N07.1	11	L68A, L68B, L74Z		06	G67A
N03.8	11	L68A, L68B, L74Z	N07.2	11	L68A, L68B, L74Z		07	H06A
	18A	S65A, S65B	N07.3	11	L68A, L68B, L74Z		10	K62A
N03.9	11	L68A, L68B, L74Z	N07.4	11	L68A, L68B, L74Z		11	L02B, L09A, L09B, L38Z, L60A, L60B, L60C, L60D, L71Z
	18A	S65A, S65B	N07.5	11	L68A, L68B, L74Z		15	TPN, VTPN
N04.0	11	L69A, L69B	N07.6	11	L68A, L68B, L74Z	N17.2	Pre	A07D, A09E, A11F, A13F
	15	TPN, VTPN	N07.7	11	L68A, L68B, L74Z		05	F62A
	18A	S65A, S65B	N07.8	11	L68A, L68B, L74Z		06	G67A
N04.1	11	L69A, L69B	N07.9	11	L68A, L68B, L74Z		07	H06A
	15	TPN, VTPN	N08.3	10	K60B		10	K62A
	18A	S65A, S65B		15	TPN, VTPN		11	L02B, L09A, L09B, L38Z, L60A, L60B, L60C, L60D, L71Z
N04.2	11	L69A, L69B	N10	11	L63A, L63B, L63C, L63D, L63E, L63F, L74Z		15	TPN, VTPN
	15	TPN, VTPN		15	TPN, VTPN	N17.8	Pre	A07D, A09E, A11F, A13F
	18A	S65A, S65B		Pre	A07D, A09E, A11F, A13F		05	F62A
N04.3	11	L69A, L69B	N11.0	11	L68A, L68B, L74Z		06	G67A
	15	TPN, VTPN	N11.1	11	L63A, L63B, L63C, L63D, L63E, L63F, L74Z		07	H06A
	18A	S65A, S65B					10	K62A
N04.4	11	L69A, L69B	N11.8	11	L63A, L63B, L63C, L63D, L63E, L63F, L74Z		11	L02B, L09A, L09B, L38Z, L60A, L60B, L60C, L60D, L71Z
	15	TPN, VTPN	N11.9	11	L63A, L63B, L63C, L63D, L63E, L63F, L74Z		15	TPN, VTPN
	18A	S65A, S65B	N12	11	L63A, L63B, L63C, L63D, L63E, L63F, L74Z	N17.9	Pre	A07D, A09E, A11F, A13F
N04.5	11	L69A, L69B		15	TPN, VTPN		05	F62A
	15	TPN, VTPN	N13.0	11	L42A, L42B, L64A, L64B, L74Z		06	G67A
	18A	S65A, S65B	N13.1	11	L42A, L42B, L64A, L64B, L74Z		07	H06A
N04.6	11	L69A, L69B	N13.2	11	L42A, L42B, L64A, L64B, L74Z		10	K62A
	15	TPN, VTPN	N13.3	11	L42A, L42B, L64A, L64B, L74Z		11	L02B, L09A, L09B, L38Z, L60A, L60B, L60C, L60D, L71Z
	18A	S65A, S65B		Pre	A07D, A09E, A11F, A13F		15	TPN, VTPN
N04.7	11	L69A, L69B	N13.4	11	L42A, L42B, L64A, L64B, L74Z		Pre	A07D, A09E, A11F, A13F
	15	TPN, VTPN	N13.5	11	L42A, L42B, L64A, L64B, L74Z		05	F62A
	18A	S65A, S65B		15	TPN, VTPN		06	G67A
N04.8	11	L69A, L69B	N13.6	11	L63A, L63B, L63C, L63D, L63E, L63F, L74Z		07	H06A
	15	TPN, VTPN	N13.7	11	L64A, L64B, L74Z		10	K62A
	18A	S65A, S65B					11	L02B, L09A, L09B, L38Z, L60A, L60B, L60C, L60D, L71Z
N04.9	11	L69A, L69B					15	TPN, VTPN
	15	TPN, VTPN					Pre	A07D, A09E, A11F, A13F
	18A	S65A, S65B						

ICD	MDC	DRG	ICD	MDC	DRG	ICD	MDC	DRG
N18.1	11	L02B, L09A, L09B, L38Z, L60A, L60B, L60C, L60D, L71Z	N31.1	11	L68A, L68B, L74Z	N42.9	12	M64Z
	15	TPN, VTPN	N31.2	11	L68A, L68B, L74Z	N43.0	12	M64Z
N18.2	11	L02B, L09A, L09B, L38Z, L60A, L60B, L60C, L60D, L71Z	N31.80	11	L68A, L68B, L74Z	N43.1	12	M62Z
	15	TPN, VTPN	N31.81	11	L68A, L68B, L74Z		15	TPN, VTPN
N18.3	11	L02B, L09A, L09B, L38Z, L60A, L60B, L60C, L60D, L71Z	N31.82	11	L68A, L68B, L74Z	N43.2	12	M64Z
	15	TPN, VTPN	N31.88	11	L68A, L68B, L74Z	N43.3	12	M64Z
N18.4	11	L02B, L09A, L09B, L38Z, L60A, L60B, L60C, L60D, L71Z	N31.9	11	L68A, L68B, L74Z	N43.4	12	M64Z
	15	TPN, VTPN	N32.0	11	L68A, L68B, L74Z	N44.0	12	M64Z
	15	TPN, VTPN	N32.1	11	L68A, L68B, L74Z		15	TPN, VTPN
	Pre	A07D, A09E, A11F, A13F		15	TPN, VTPN	N44.1	12	M64Z
N18.5	10	K60B	N32.2	11	L68A, L68B, L74Z		15	TPN, VTPN
	11	L02B, L09A, L09B, L38Z, L60A, L60B, L60C, L60D, L71Z		15	TPN, VTPN	N45.0	12	M62Z
	Pre	A07D, A09E, A11F, A13F	N32.3	11	L68A, L68B, L74Z		15	TPN, VTPN
N18.80	11	L02B, L09A, L09B, L38Z, L60A, L60B, L60C, L60D, L71Z		15	TPN, VTPN	N45.9	12	M62Z
	15	TPN, VTPN	N32.4	11	L68A, L68B, L74Z	N46	12	M64Z
N18.89	11	L02B, L09A, L09B, L38Z, L60A, L60B, L60C, L60D, L71Z		15	TPN, VTPN	N47	12	M62Z
	15	TPN, VTPN	N32.8	11	L68A, L68B, L74Z	N48.0	12	M64Z
N18.9	11	L02B, L09A, L09B, L38Z, L60A, L60B, L60C, L60D, L71Z	N32.9	11	L68A, L68B, L74Z	N48.1	12	M62Z
	15	TPN, VTPN	N34.0	11	L63A, L63B, L63C, L63D, L63E, L63F, L74Z	N48.2	12	M62Z
N19	11	L60A, L60B, L60C, L60D, L71Z		15	TPN, VTPN	N48.30	12	M64Z
	15	TPN, VTPN	N34.1	11	L63A, L63B, L63C, L63D, L63E, L63F, L74Z	N48.31	12	M64Z
N20.0	11	L20B, L42A, L42B, L64A, L64B, L74Z	N34.2	11	L63A, L63B, L63C, L63D, L63E, L63F, L74Z	N48.38	12	M64Z
	15	TPN, VTPN		11	L63A, L63B, L63C, L63D, L63E, L63F, L74Z	N48.39	12	M64Z
N20.1	11	L42A, L42B, L64A, L64B, L74Z	N34.3	11	L63A, L63B, L63C, L63D, L63E, L63F, L74Z	N48.4	12	M64Z
N20.2	11	L20B, L42A, L42B, L64A, L64B, L74Z		15	TPN, VTPN	N48.5	12	M64Z
	15	TPN, VTPN	N35.0	11	L64A, L74Z	N48.6	12	M62Z
N20.9	11	L42A, L42B, L64A, L64B, L74Z	N35.1	11	L64A, L74Z	N48.8	12	M64Z
N21.0	11	L42A, L42B, L64A, L64B, L74Z	N35.8	11	L64A, L74Z	N48.9	12	M64Z
N21.1	11	L42A, L42B, L64A, L64B, L74Z		15	TPN, VTPN	N49.0	12	M62Z
N21.8	11	L42A, L42B, L64A, L64B, L74Z	N35.9	11	L64A, L74Z	N49.1	12	M62Z
N21.9	11	L42A, L42B, L64A, L64B, L74Z	N36.0	11	L68A, L68B, L74Z	N49.2	12	M62Z
N23	11	L42A, L42B, L64A, L64B, L74Z		15	TPN, VTPN	N49.80	12	M04A, M37Z, M62Z
N25.0	11	L68A, L68B, L74Z	N36.1	11	L68A, L68B, L74Z		Pre	A07D, A09E, A11F, A13F
N25.1	11	L68A, L68B, L74Z		15	TPN, VTPN	N49.88	12	M62Z
	15	TPN, VTPN		15	TPN, VTPN	N49.9	12	M62Z
	Pre	A07D, A09E, A11F, A13F	N36.2	11	L68A, L68B, L74Z	N50.0	12	M64Z
N25.8	11	L68A, L68B, L74Z	N36.3	11	L68A, L68B, L74Z	N50.1	12	M64Z
N25.9	11	L68A, L68B, L74Z	N36.8	11	L68A, L68B, L74Z	N50.8	12	M64Z
N26	11	L64A, L64B, L74Z	N36.9	11	L68A, L68B, L74Z	N50.9	12	M64Z
N27.0	11	L68A, L68B, L74Z	N39.0	11	L63A, L63B, L63C, L63D, L63E, L63F, L74Z	N60.0	09	J67A, J67B
N27.1	11	L68A, L68B, L74Z		15	TPN, VTPN	N60.1	09	J67A, J67B
N27.9	11	L68A, L68B, L74Z	N39.1	11	L64A, L64B, L74Z	N60.2	09	J67A, J67B
N28.0	11	L69A, L69B	N39.2	11	L64A, L64B, L74Z	N60.3	09	J67A, J67B
	15	TPN, VTPN	N39.3	11	L64A, L74Z	N60.4	09	J67A, J67B
N28.1	11	L68A, L68B, L74Z	N39.40	11	L64A, L74Z	N60.8	09	J67A, J67B
N28.8	11	L68A, L68B, L74Z	N39.41	11	L64A, L74Z	N60.9	09	J67A, J67B
N28.9	11	L68A, L68B, L74Z	N39.42	11	L64A, L74Z	N61	09	J67A, J67B
	18A	S65A, S65B	N39.43	11	L64A, L74Z	N62	09	J67A, J67B
N30.0	11	L63A, L63B, L63C, L63D, L63E, L63F, L74Z	N39.48	11	L64A, L74Z	N63	09	J67A, J67B
N30.1	11	L64A, L64B, L74Z	N39.81	11	L64A, L64B, L74Z	N64.0	09	J67A, J67B
N30.2	11	L63A, L63B, L63C, L63D, L63E, L63F, L74Z	N39.88	11	L64A, L64B, L74Z	N64.1	09	J67A, J67B
N30.3	11	L63A, L63B, L63C, L63D, L63E, L63F, L74Z	N39.9	11	L64A, L64B, L74Z	N64.2	09	J67A, J67B
N30.4	11	L62A, L62B	N40	12	M61Z	N64.3	09	J67A, J67B
N30.8	11	L63A, L63B, L63C, L63D, L63E, L63F, L74Z	N41.0	12	M62Z	N64.4	09	J67A, J67B
N30.9	11	L63A, L63B, L63C, L63D, L63E, L63F, L74Z	N41.1	12	M62Z	N64.5	09	J67A, J67B
N31.0	11	L68A, L68B, L74Z	N41.2	12	M62Z	N64.8	09	J67A, J67B
			N41.3	12	M62Z	N64.9	09	J67A, J67B
			N41.8	12	M62Z	N70.0	13	N04Z, N05A, N05B, N07Z, N14Z, N21Z, N25Z, N61Z
			N41.9	12	M62Z		13	N04Z, N05A, N05B, N07Z, N14Z, N21Z, N25Z, N61Z
			N42.0	12	M64Z	N70.9	13	N04Z, N05A, N05B, N07Z, N14Z, N21Z, N25Z, N61Z
			N42.1	12	M64Z		13	N04Z, N05A, N05B, N07Z, N14Z, N21Z, N25Z, N61Z
			N42.2	12	M64Z		13	N04Z, N05A, N05B, N07Z, N14Z, N21Z, N25Z, N61Z
			N42.3	08	I54Z		13	N04Z, N05A, N05B, N07Z, N14Z, N21Z, N25Z, N61Z
				12	M09A, M09B, M60A, M60B, M60C	N71.1	13	N04Z, N05A, N05B, N07Z, N14Z, N21Z, N25Z, N61Z
				Pre	A09A, A11B	N71.9	13	N04Z, N05A, N05B, N07Z, N14Z, N21Z, N25Z, N61Z
			N42.8	12	M64Z			

ICD	MDC	DRG	ICD	MDC	DRG	ICD	MDC	DRG
N89.9	13	N04Z, N05A, N05B, N14Z, N21Z, N25Z, N62A, N62B	N94.9	13	N04Z, N05A, N05B, N14Z, N21Z, N25Z, N62B	O04.1	14	962Z, O40Z, O63Z
N90.0	13	N04Z, N05A, N05B, N14Z, N21Z, N25Z, N62A, N62B	N95.0	13	N04Z, N05A, N05B, N14Z, N21Z, N25Z, N62A, N62B	O04.2	14	962Z, O40Z, O63Z
N90.1	13	N04Z, N05A, N05B, N14Z, N21Z, N25Z, N62A, N62B	N95.1	13	N04Z, N05A, N05B, N14Z, N21Z, N25Z, N62A, N62B	O04.3	14	962Z, O40Z, O63Z
N90.2	13	N04Z, N05A, N05B, N14Z, N21Z, N25Z, N62A, N62B	N95.2	13	N04Z, N05A, N05B, N14Z, N21Z, N25Z, N62A, N62B	O04.4	14	962Z, O40Z, O63Z
N90.3	13	N04Z, N05A, N05B, N14Z, N21Z, N25Z, N62A, N62B	N95.3	13	N04Z, N05A, N05B, N14Z, N21Z, N25Z, N62A, N62B	O04.5	14	962Z, O40Z, O63Z
N90.4	13	N04Z, N05A, N05B, N14Z, N21Z, N25Z, N62A, N62B	N95.8	13	N04Z, N05A, N05B, N14Z, N21Z, N25Z, N62A, N62B	O04.6	14	962Z, O40Z, O63Z
N90.5	13	N04Z, N05A, N05B, N14Z, N21Z, N25Z, N62A, N62B	N95.9	13	N04Z, N05A, N05B, N14Z, N21Z, N25Z, N62A, N62B	O04.7	14	962Z, O40Z, O63Z
N90.6	13	N04Z, N05A, N05B, N14Z, N21Z, N25Z, N62A, N62B	N96	13	N04Z, N05A, N05B, N14Z, N21Z, N25Z, N62B	O04.8	14	962Z, O40Z, O63Z
N90.7	13	N04Z, N05A, N05B, N14Z, N21Z, N25Z, N62A, N62B	N97.0	13	N04Z, N05A, N05B, N14Z, N21Z, N25Z, N62A, N62B	O04.9	14	962Z, O40Z, O63Z
N90.8	13	N04Z, N05A, N05B, N14Z, N21Z, N25Z, N62A, N62B	N97.1	13	N04Z, N05A, N05B, N14Z, N21Z, N25Z, N62A, N62B	O05.0	14	962Z, O40Z, O63Z
N90.9	13	N04Z, N05A, N05B, N14Z, N21Z, N25Z, N62A, N62B	N97.2	13	N04Z, N05A, N05B, N14Z, N21Z, N25Z, N62A, N62B	O05.1	14	962Z, O40Z, O63Z
N91.0	13	N04Z, N05A, N05B, N14Z, N21Z, N25Z, N62A, N62B	N97.3	13	N04Z, N05A, N05B, N14Z, N21Z, N25Z, N62A, N62B	O05.2	14	962Z, O40Z, O63Z
N91.1	13	N04Z, N05A, N05B, N14Z, N21Z, N25Z, N62A, N62B	N97.4	13	N04Z, N05A, N05B, N14Z, N21Z, N25Z, N62A, N62B	O05.3	14	962Z, O40Z, O63Z
N91.2	13	N04Z, N05A, N05B, N14Z, N21Z, N25Z, N62A, N62B	N97.8	13	N04Z, N05A, N05B, N14Z, N21Z, N25Z, N62A, N62B	O05.4	14	962Z, O40Z, O63Z
N91.3	13	N04Z, N05A, N05B, N14Z, N21Z, N25Z, N62A, N62B	N97.9	13	N04Z, N05A, N05B, N14Z, N21Z, N25Z, N62A, N62B	O05.5	14	962Z, O40Z, O63Z
N91.4	13	N04Z, N05A, N05B, N14Z, N21Z, N25Z, N62A, N62B	N98.0	11	L68A, L68B, L74Z	O05.6	14	962Z, O40Z, O63Z
N91.5	13	N04Z, N05A, N05B, N14Z, N21Z, N25Z, N62A, N62B	N98.1	21B	X62Z	O05.7	14	962Z, O40Z, O63Z
N92.0	13	N04Z, N05A, N05B, N14Z, N21Z, N25Z, N62B	N98.2	21B	X62Z	O05.8	14	962Z, O40Z, O63Z
N92.1	13	N04Z, N05A, N05B, N14Z, N21Z, N25Z, N62B	N98.3	21B	X62Z	O05.9	14	962Z, O40Z, O63Z
N92.2	13	N04Z, N05A, N05B, N14Z, N21Z, N25Z, N62B	N98.8	21B	X62Z	O06.0	14	962Z, O40Z, O63Z
N92.3	13	N04Z, N05A, N05B, N14Z, N21Z, N25Z, N62B	N98.9	21B	X62Z	O06.1	14	962Z, O40Z, O63Z
N92.4	13	N04Z, N05A, N05B, N14Z, N21Z, N25Z, N62B	N99.0	11	L60A, L60B, L60C, L60D, L71Z	O06.2	14	962Z, O40Z, O63Z
N92.5	13	N04Z, N05A, N05B, N14Z, N21Z, N25Z, N62B	N99.1	11	L64A, L74Z	O06.3	14	962Z, O40Z, O63Z
N92.6	13	N04Z, N05A, N05B, N14Z, N21Z, N25Z, N62B	N99.2	15	TPN, VTPN	O06.4	14	962Z, O40Z, O63Z
N93.0	13	N04Z, N05A, N05B, N14Z, N21Z, N25Z, N62A, N62B	N99.3	13	N04Z, N05A, N05B, N14Z, N21Z, N25Z, N62A, N62B	O06.5	14	962Z, O40Z, O63Z
N93.8	13	N04Z, N05A, N05B, N14Z, N21Z, N25Z, N62A, N62B	N99.4	21B	X62Z	O06.6	14	962Z, O40Z, O63Z
N93.9	13	N04Z, N05A, N05B, N14Z, N21Z, N25Z, N62A, N62B	N99.5	11	L68A, L68B, L74Z	O06.7	14	962Z, O40Z, O63Z
N94.0	13	N04Z, N05A, N05B, N14Z, N21Z, N25Z, N62B	N99.8	11	L68A, L68B, L74Z	O06.8	14	962Z, O40Z, O63Z
N94.1	13	N04Z, N05A, N05B, N14Z, N21Z, N25Z, N62B	N99.9	21B	X62Z	O06.9	14	962Z, O40Z, O63Z
N94.2	13	N04Z, N05A, N05B, N14Z, N21Z, N25Z, N62A, N62B	O00.0	14	962Z, O03Z	O07.0	14	962Z, O40Z, O63Z
N94.3	13	N04Z, N05A, N05B, N14Z, N21Z, N25Z, N62B	O00.1	14	962Z, O03Z	O07.1	14	962Z, O40Z, O63Z
N94.4	13	N04Z, N05A, N05B, N14Z, N21Z, N25Z, N62B	O00.2	14	962Z, O03Z	O07.2	14	962Z, O40Z, O63Z
N94.5	13	N04Z, N05A, N05B, N14Z, N21Z, N25Z, N62B	O00.8	14	962Z, O03Z	O07.3	14	962Z, O40Z, O63Z
N94.6	13	N04Z, N05A, N05B, N14Z, N21Z, N25Z, N62B	O00.9	14	962Z, O03Z	O07.4	14	962Z, O40Z, O63Z
N94.8	13	N04Z, N05A, N05B, N14Z, N21Z, N25Z, N62B	O01.0	14	962Z, O40Z, O63Z	O07.5	14	962Z, O40Z, O63Z
			O01.1	14	962Z, O40Z, O63Z	O07.6	14	962Z, O40Z, O63Z
			O01.9	14	962Z, O40Z, O63Z	O07.7	14	962Z, O40Z, O63Z
			O02.0	14	962Z, O40Z, O63Z	O07.8	14	962Z, O40Z, O63Z
			O02.1	14	962Z, O40Z, O63Z	O07.9	14	962Z, O40Z, O63Z
			O02.8	14	962Z, O40Z, O63Z	O08.0	14	962Z, O04A, O04B, O61Z
			O02.9	14	962Z, O40Z, O63Z	O08.1	14	962Z, O04A, O04B, O61Z
			O03.0	14	962Z, O40Z, O63Z	O08.2	14	962Z, O04A, O04B, O61Z
			O03.1	14	962Z, O40Z, O63Z	O08.3	14	962Z, O04A, O04B, O61Z
			O03.2	14	962Z, O40Z, O63Z	O08.4	14	962Z, O04A, O04B, O61Z
			O03.3	14	962Z, O40Z, O63Z	O08.5	14	962Z, O04A, O04B, O61Z
			O03.4	14	962Z, O40Z, O63Z	O08.6	14	962Z, O04A, O04B, O61Z
			O03.5	14	962Z, O40Z, O63Z	O08.7	14	962Z, O04A, O04B, O61Z
			O03.6	14	962Z, O40Z, O63Z	O08.8	14	962Z, O04A, O04B, O61Z
			O03.7	14	962Z, O40Z, O63Z	O08.9	14	962Z, O04A, O04B, O61Z
			O03.8	14	962Z, O40Z, O63Z	O09.0	14	O01A, O01B, O01C, O01D, O01F, O02A, O60A
			O03.9	14	962Z, O40Z, O63Z	O09.1	14	O01A, O01B, O01C, O01D, O01F, O02A, O60A
			O04.0	14	962Z, O40Z, O63Z	O09.2	14	O01A, O01B, O01C, O01D, O01F, O02A, O60A
						O09.3	14	O01A, O01B, O01C, O01D, O01F, O02A, O60A, O65A
						O09.4	14	O01B, O01C, O01D, O01F, O02A, O60A, O65A, O65B
						O10.0	14	962Z, O04A, O04B, O61Z, O65A, O65B, O65C
						O10.1	14	962Z, O04A, O04B, O61Z, O65A, O65B, O65C
						O10.2	14	962Z, O01A, O01B, O01C, O01D, O01E, O01F, O01G, O04A, O04B, O60A, O60B, O60C, O61Z, O65A, O65B, O65C
						O10.3	14	962Z, O04A, O04B, O61Z, O65A, O65B, O65C

ICD	MDC	DRG	ICD	MDC	DRG	ICD	MDC	DRG
O98.8	14	962Z, O04A, O04B, O61Z, O65A, O65B, O65C	P04.1	15	P65C, P66C, P67B, P67C	P12.4	15	P65C, P66C, P67B, P67C
O98.9	14	962Z, O04A, O04B, O61Z, O65A, O65B, O65C	Pre 963Z	Pre 963Z	Pre 963Z	Pre 963Z	Pre 963Z	Pre 963Z
O99.0	14	962Z, O04A, O04B, O61Z, O65A, O65B, O65C	P04.2	Pre 963Z	P12.8	Pre 963Z	Pre 963Z	
O99.1	14	962Z, O04A, O04B, O61Z, O65A, O65B, O65C	P04.3	Pre 963Z	P12.9	Pre 963Z	Pre 963Z	
O99.2	14	962Z, O04A, O04B, O61Z, O65A, O65B, O65C	P04.4	15	P65C, P66C, P67B, P67C	P13.0	01	B79Z
O99.3	14	962Z, O04A, O04B, O61Z, O65A, O65B, O65C	Pre 963Z	Pre 963Z	P13.1	Pre 963Z	Pre 963Z	
O99.4	14	962Z, O04A, O04B, O61Z, O65A, O65B, O65C	P04.5	Pre 963Z	P13.2	Pre 963Z	Pre 963Z	
O99.5	14	962Z, O04A, O04B, O61Z, O65A, O65B, O65C	P04.6	Pre 963Z	P13.3	Pre 963Z	Pre 963Z	
O99.6	14	962Z, O04A, O04B, O61Z, O65A, O65B, O65C	P04.8	Pre 963Z	P13.4	Pre 963Z	Pre 963Z	
O99.7	14	962Z, O04A, O04B, O61Z, O65A, O65B, O65C	P04.9	Pre 963Z	P13.8	Pre 963Z	Pre 963Z	
O99.8	14	962Z, O04A, O04B, O61Z, O65A, O65B, O65C	P05.0	Pre 963Z	P13.9	Pre 963Z	Pre 963Z	
P00.0	Pre	963Z	P05.1	Pre 963Z	P14.0	01	B03A, B03B, B06A, B06B, B17A, B17B, B17C, B17D, B71A, B71B, B71C, B71D	
P00.1	Pre	963Z	P05.2	Pre 963Z	P14.1	01	B03A, B03B, B06A, B06B, B17A, B17B, B17C, B17D, B71A, B71B, B71C, B71D	
P00.2	Pre	963Z	P05.9	Pre 963Z	P14.2	01	B03A, B03B, B06A, B06B, B17A, B17B, B17C, B17D, B71A, B71B, B71C, B71D	
P00.3	Pre	963Z	P07.00	Pre 963Z	P14.3	01	B03A, B03B, B06A, B06B, B17A, B17B, B17C, B17D, B71A, B71B, B71C, B71D	
P00.4	Pre	963Z	P07.01	Pre 963Z	P14.8	01	B03A, B03B, B06A, B06B, B17A, B17B, B17C, B17D, B71A, B71B, B71C, B71D	
P00.5	Pre	963Z	P07.02	Pre 963Z	P14.9	01	B03A, B03B, B06A, B06B, B17A, B17B, B17C, B17D, B71A, B71B, B71C, B71D	
P00.6	Pre	963Z	P07.10	Pre 963Z	P15.0	Pre	963Z	
P00.7	Pre	963Z	P07.11	Pre 963Z	P15.1	Pre	963Z	
P00.8	Pre	963Z	P07.12	Pre 963Z	P15.2	Pre	963Z	
P00.9	Pre	963Z	P07.2	15	P65C, P66C, P67B, P67C	P15.3	Pre	963Z
P01.0	Pre	963Z	Pre 963Z	Pre 963Z	P15.4	Pre	963Z	
P01.1	Pre	963Z	P07.3	Pre 963Z	P15.5	Pre	963Z	
P01.2	Pre	963Z	P08.0	Pre 963Z	P15.6	15	TPN, VTPN	
P01.3	Pre	963Z	P08.1	Pre 963Z	Pre 963Z	Pre 963Z	Pre 963Z	
P01.4	Pre	963Z	P08.2	Pre 963Z	P15.8	Pre	963Z	
P01.5	15	P65C, P66C, P67B, P67C	P10.0	15	TPN, VTPN	P15.9	Pre	963Z
P01.6	15	P65C, P66C, P67B, P67C	Pre 963Z	Pre 963Z	P20.0	15	TPN, VTPN	
P01.7	Pre	963Z	P10.1	15	TPN, VTPN	Pre 963Z	Pre 963Z	
P01.8	Pre	963Z	Pre 963Z	Pre 963Z	P20.1	Pre	963Z	
P01.9	Pre	963Z	P10.2	15	TPN, VTPN	P20.9	Pre	963Z
P02.0	Pre	963Z	Pre 963Z	Pre 963Z	P21.0	01	B03A, B03B, B06A, B06B, B17A, B17B, B17C, B17D, B81A, B81B	
P02.1	15	TPN, VTPN	P10.3	15	TPN, VTPN	P21.1	15	P65C, P66C, P67B, P67C
P02.2	Pre	963Z	Pre 963Z	Pre 963Z	P21.9	01	B03A, B03B, B06A, B06B, B17A, B17B, B17C, B17D, B81A, B81B	
P02.3	Pre	963Z	P10.4	15	TPN, VTPN	P22.0	15	P65C, P66C, P67B, P67C
P02.4	15	P65C, P66C, P67B, P67C	Pre 963Z	Pre 963Z	Pre 963Z	Pre 963Z	Pre 963Z	
P02.5	Pre	963Z	P10.8	15	TPN, VTPN	P22.1	04	E69A, E69B, E69C, E69D
P02.6	Pre	963Z	Pre 963Z	Pre 963Z	P22.8	15	P65C, P66C, P67B, P67C	
P02.7	15	P65C, P66C, P67B, P67C	P10.9	15	TPN, VTPN	P22.9	04	E69A, E69B, E69C, E69D
P02.8	Pre	963Z	Pre 963Z	Pre 963Z	P23.0	15	TPN, VTPN	
P02.9	Pre	963Z	P11.0	Pre 963Z	Pre 963Z	Pre 963Z	Pre 963Z	
P03.0	Pre	963Z	P11.1	15	TPN, VTPN	P23.1	15	TPN, VTPN
P03.1	15	TPN, VTPN	Pre 963Z	Pre 963Z	P23.2	15	TPN, VTPN	
P03.2	Pre	963Z	P11.2	15	TPN, VTPN	Pre 963Z	Pre 963Z	
P03.3	Pre	963Z	Pre 963Z	Pre 963Z	P23.3	15	TPN, VTPN	
P03.4	Pre	963Z	P11.3	01	B03A, B03B, B06A, B06B, B17A, B17B, B17C, B17D, B71A, B71B, B71C, B71D	Pre 963Z	Pre 963Z	
P03.5	Pre	963Z	P11.4	01	B03A, B03B, B06A, B06B, B17A, B17B, B17C, B17D, B71A, B71B, B71C, B71D	P23.1	15	TPN, VTPN
P03.6	Pre	963Z	P11.50	Pre	B61A, B61B	Pre 963Z	Pre 963Z	
P03.8	Pre	963Z	P11.51	01	B03A, B48Z, B60A, B60B	P23.2	15	TPN, VTPN
P03.9	Pre	963Z	04	E40B, E69A, E77F	Pre 963Z	Pre 963Z	Pre 963Z	
P04.0	15	TPN, VTPN	06	G67C	P23.3	15	TPN, VTPN	
Pre 963Z	Pre 963Z	Pre 963Z	08	I06A, I08C, I09D, I10C, I13A, I13B, I68A, I68B, I69A, I69B	Pre 963Z	Pre 963Z	Pre 963Z	
			09	J02A, J08A, J08B, J08C, J11A				
			10	K62A				
			11	L18A, L18B, L20A, L20B, L38Z, L42A, L74Z				
			18B	T60B				
			P11.59	Pre	B61A, B61B			
			P11.9	Pre	963Z			
			P12.0	Pre	963Z			
			P12.1	Pre	963Z			
			P12.2	Pre	963Z			
			P12.3	Pre	963Z			

ICD	MDC	DRG	ICD	MDC	DRG	ICD	MDC	DRG
P23.4	15	TPN, VTPN	P35.0	15	TPN, VTPN	P50.4	Pre	963Z
	Pre	963Z		23	Z65Z	P50.5	Pre	963Z
P23.5	15	TPN, VTPN	P35.1	15	TPN, VTPN	P50.8	Pre	963Z
	Pre	963Z		18B	T63A, T63B	P50.9	Pre	963Z
P23.6	15	TPN, VTPN	P35.2	05	F62A	P51.0	Pre	963Z
	Pre	963Z		06	G67A	P51.8	Pre	963Z
P23.8	15	TPN, VTPN		15	TPN, VTPN	P51.9	Pre	963Z
	Pre	963Z		17	R60B, R60C, R61A, R62A, R63B, R63C, R63D, R63F	P52.0	15	TPN, VTPN
P23.9	15	TPN, VTPN		18B	T01B, T60A, T60B, T60C, T60D, T60E, T60F, T61A		Pre	963Z
	Pre	963Z				P52.1	15	TPN, VTPN
P24.0	04	E69A, E69B, E69C, E69D	P35.3	07	H63A, H63B, H63C, H78Z		Pre	963Z
	15	TPN, VTPN		15	TPN, VTPN	P52.2	15	TPN, VTPN
P24.1	15	TPN, VTPN		15	TPN, VTPN		Pre	963Z
	Pre	963Z	P35.8	15	TPN, VTPN	P52.3	15	TPN, VTPN
P24.2	15	TPN, VTPN		18B	T64A, T64B, T64C		Pre	963Z
	Pre	963Z	P35.9	15	TPN, VTPN	P52.4	15	P65C, P66C, P67B, P67C
P24.3	15	TPN, VTPN		18B	T64A, T64B, T64C		Pre	963Z
	Pre	963Z	P36.0	15	TPN, VTPN	P52.5	15	TPN, VTPN
P24.8	15	TPN, VTPN		Pre	963Z		Pre	963Z
	Pre	963Z	P36.1	15	TPN, VTPN	P52.6	Pre	963Z
P24.9	15	TPN, VTPN		Pre	963Z	P52.8	Pre	963Z
	Pre	963Z	P36.2	15	TPN, VTPN	P52.9	Pre	963Z
P25.0	15	TPN, VTPN		Pre	963Z	P53	15	TPN, VTPN
	Pre	963Z	P36.3	15	TPN, VTPN		16	Q60A, Q60B, Q60C
P25.1	15	TPN, VTPN		Pre	963Z	P54.0	Pre	963Z
	Pre	963Z	P36.4	15	TPN, VTPN	P54.1	Pre	963Z
P25.2	15	TPN, VTPN		Pre	963Z	P54.2	Pre	963Z
	Pre	963Z	P36.5	15	TPN, VTPN	P54.3	Pre	963Z
P25.3	15	TPN, VTPN		Pre	963Z	P54.4	15	TPN, VTPN
	Pre	963Z	P36.8	15	TPN, VTPN		Pre	963Z
P25.8	15	TPN, VTPN		Pre	963Z	P54.5	Pre	963Z
	Pre	963Z	P36.9	15	TPN, VTPN	P54.6	Pre	963Z
P26.0	15	TPN, VTPN		Pre	963Z	P54.8	Pre	963Z
	Pre	963Z	P37.0	15	TPN, VTPN	P54.9	Pre	963Z
P26.1	15	TPN, VTPN		18B	T64A, T64B, T64C	P55.0	15	P65C, P66C, P67B, P67C
	Pre	963Z	P37.1	15	TPN, VTPN		16	Q61A, Q61B, Q61C, Q61D, Q61E
P26.8	15	TPN, VTPN		18B	T64A, T64B, T64C	P55.1	15	P65C, P66C, P67B, P67C
	Pre	963Z	P37.2	05	F62A		16	Q61A, Q61B, Q61C, Q61D, Q61E
P26.9	15	TPN, VTPN		06	G67A	P55.8	15	P65C, P66C, P67B, P67C
	Pre	963Z		15	TPN, VTPN		16	Q61A, Q61B, Q61C, Q61D, Q61E
P27.0	04	E69A, E69B, E69C, E69D		17	R60B, R60C, R61A, R62A, R63B, R63C, R63D, R63F	P55.9	15	P65C, P66C, P67B, P67C
	15	TPN, VTPN		18B	T01B, T60A, T60B, T60C, T60D, T60E, T60F, T61A		16	Q61A, Q61B, Q61C, Q61D, Q61E
P27.1	04	E69A, E69B, E69C, E69D				P56.0	15	TPN, VTPN
	15	TPN, VTPN	P37.3	15	TPN, VTPN		Pre	963Z
P27.8	04	E69A, E69B, E69C, E69D		18B	T64A, T64B, T64C	P56.9	15	TPN, VTPN
	15	TPN, VTPN	P37.4	15	TPN, VTPN		Pre	963Z
P27.9	04	E69A, E69B, E69C, E69D		18B	T64A, T64B, T64C	P57.0	15	TPN, VTPN
	15	TPN, VTPN	P37.5	Pre	963Z		Pre	963Z
	Pre	963Z	P37.8	15	TPN, VTPN	P57.8	15	TPN, VTPN
P28.0	Pre	963Z		18B	T64A, T64B, T64C		Pre	963Z
P28.1	Pre	963Z	P37.9	15	TPN, VTPN	P57.9	15	TPN, VTPN
P28.2	04	E69A, E69B, E69C, E69D		18B	T64A, T64B, T64C		Pre	963Z
P28.3	04	E69A, E69B, E69C, E69D	P38	15	P65C, P66C, P67B, P67C	P58.0	Pre	963Z
	15	P65C, P66C, P67B, P67C		Pre	963Z	P58.1	Pre	963Z
P28.4	04	E69A, E69B, E69C, E69D	P39.0	15	P65C, P66C, P67B, P67C	P58.2	Pre	963Z
	15	P65C, P66C, P67B, P67C		Pre	963Z	P58.3	Pre	963Z
P28.5	04	E69A, E69B, E69C, E69D		Pre	963Z	P58.4	Pre	963Z
	15	TPN, VTPN	P39.1	Pre	963Z	P58.5	Pre	963Z
P28.8	04	E69A, E69B, E69C, E69D	P39.2	Pre	963Z	P58.8	Pre	963Z
	Pre	963Z	P39.3	15	P65C, P66C, P67B, P67C	P58.9	Pre	963Z
P28.9	Pre	963Z		Pre	963Z	P59.0	15	P65C, P66C, P67B, P67C
P29.0	15	TPN, VTPN	P39.4	15	P65C, P66C, P67B, P67C		Pre	963Z
	Pre	963Z		Pre	963Z	P59.1	07	H63A, H63B, H63C, H78Z
P29.1	15	P65C, P66C, P67B, P67C		Pre	963Z		15	TPN, VTPN
	Pre	963Z	P39.8	Pre	963Z	P59.2	07	H63A, H63B, H63C, H78Z
P29.2	Pre	963Z		Pre	963Z		15	TPN, VTPN
P29.3	Pre	963Z	P39.9	Pre	963Z			
P29.4	Pre	963Z	P50.0	Pre	963Z			
P29.8	Pre	963Z	P50.1	Pre	963Z			
P29.9	Pre	963Z	P50.2	Pre	963Z			
			P50.3	Pre	963Z			

ICD	MDC	DRG	ICD	MDC	DRG	ICD	MDC	DRG
P59.3	07	H63A, H63B, H63C, H78Z	P78.0	15	TPN, VTPN	P92.8	10	K62A, K62B
P59.8	15	P65C, P66C, P67B, P67C		Pre	963Z	P92.9	10	K62A, K62B
	Pre	963Z	P78.1	15	TPN, VTPN	P93	Pre	963Z
P59.9	Pre	963Z		Pre	963Z	P94.0	01	B03A, B03B, B06A, B06B, B17A, B17B, B17C, B17D, B48Z, B85A, B85B, B85C, B85D
P60	15	TPN, VTPN	P78.2	Pre	963Z		15	TPN, VTPN
	16	Q60A, Q60B, Q60C	P78.3	06	G46A, G46B, G46C, G50Z, G71Z	P94.1	Pre	963Z
P61.0	15	TPN, VTPN		15	P65C, P66C, P67B, P67C	P94.2	01	B81A, B81B
	16	Q60A, Q60B, Q60C	P78.8	06	G46A, G46B, G46C, G50Z, G71Z		15	TPN, VTPN
P61.1	Pre	963Z		06	G46A, G46B, G46C, G50Z, G71Z	P94.8	Pre	963Z
P61.2	16	Q61A, Q61B, Q61C, Q61D, Q61E	P78.9	06	G46A, G46B, G46C, G50Z, G71Z	P94.9	Pre	963Z
P61.3	16	Q61A, Q61B, Q61C, Q61D, Q61E	P80.0	Pre	963Z	P95	Pre	963Z
P61.4	16	Q61A, Q61B, Q61C, Q61D, Q61E	P80.8	Pre	963Z	P96.0	15	TPN, VTPN
P61.5	16	Q60A, Q60B, Q60C, Q60D, Q60E	P80.9	Pre	963Z		Pre	963Z
P61.6	16	Q60A, Q60B, Q60C	P81.0	Pre	963Z	P96.1	15	TPN, VTPN
P61.8	Pre	963Z	P81.8	Pre	963Z		Pre	963Z
P61.9	Pre	963Z	P81.9	Pre	963Z	P96.2	15	TPN, VTPN
P70.0	15	TPN, VTPN	P83.0	15	TPN, VTPN		Pre	963Z
	Pre	963Z		Pre	963Z	P96.3	Pre	963Z
P70.1	15	TPN, VTPN	P83.1	09	J67A, J67B, J68A, J68B	P96.4	Pre	963Z
	Pre	963Z	P83.2	15	TPN, VTPN	P96.5	Pre	963Z
P70.2	10	K60A, K60B, K60C, K60D, K60E		Pre	963Z	P96.8	Pre	963Z
	15	TPN, VTPN	P83.3	23	Z65Z	P96.9	Pre	963Z
P70.3	10	K63A, K63B, K63C	P83.4	09	J67A, J67B	Q00.0	01	B03A, B03B, B06A, B06B, B17A, B17B, B17C, B17D, B76D, B81A, B81B
P70.4	10	K63A, K63B, K63C	P83.5	12	M64Z		06	G18A, G38Z
P70.8	10	K62A, K62B	P83.6	09	J67A, J67B, J68A, J68B		15	TPN, VTPN
P70.9	10	K62A, K62B	P83.8	09	J67A, J67B, J68A, J68B		Pre	A07D, A09A, A09E, A11B, A11F, A13F
P71.0	10	K62A, K62B	P83.9	09	J67A, J67B, J68A, J68B		01	B03A, B03B, B06A, B06B, B17A, B17B, B17C, B17D, B76D, B81A, B81B
P71.1	10	K62A, K62B	P90	01	B03A, B03B, B06A, B06B, B17A, B17B, B17C, B17D, B76A, B76B, B76C, B76D, B76E, B76F, B76G	Q00.1	01	B03A, B03B, B06A, B06B, B17A, B17B, B17C, B17D, B76D, B81A, B81B
	15	P65C, P66C, P67B, P67C		15	TPN, VTPN		06	G18A, G38Z
P71.2	10	K62A, K62B	P91.0	01	B03A, B03B, B06A, B06B, B17A, B17B, B17C, B17D, B66A, B66B, B66C, B66D		15	TPN, VTPN
P71.3	10	K62A, K62B		01	B03A, B03B, B06A, B06B, B17A, B17B, B17C, B17D, B66A, B66B, B66C, B66D		Pre	A07D, A09A, A09E, A11B, A11F, A13F
P71.4	10	K62A, K62B	P91.1	01	B03A, B03B, B06A, B06B, B17A, B17B, B17C, B17D, B66A, B66B, B66C, B66D	Q00.2	01	B03A, B03B, B06A, B06B, B17A, B17B, B17C, B17D, B76D, B81A, B81B
P71.8	10	K62A, K62B		01	B03A, B03B, B06A, B06B, B17A, B17B, B17C, B17D, B66A, B66B, B66C, B66D		06	G18A, G38Z
P71.9	10	K62A, K62B	P91.2	01	B03A, B03B, B06A, B06B, B17A, B17B, B17C, B17D, B66A, B66B, B66C, B66D		15	TPN, VTPN
P72.0	10	K62A, K62B		01	B03A, B03B, B06A, B06B, B17A, B17B, B17C, B17D, B66A, B66B, B66C, B66D		Pre	A07D, A09A, A09E, A11B, A11F, A13F
P72.1	10	K64A, K64B, K64C, K64D	P91.3	01	B03A, B03B, B06A, B06B, B17A, B17B, B17C, B17D, B81A, B81B	Q01.0	01	B03A, B03B, B06A, B06B, B17A, B17B, B17C, B17D, B76D, B81A, B81B
	15	TPN, VTPN		01	B03A, B03B, B06A, B06B, B17A, B17B, B17C, B17D, B66A, B66B, B66C, B66D		06	G18A, G38Z
P72.2	10	K62A, K62B	P91.4	01	B03A, B03B, B06A, B06B, B17A, B17B, B17C, B17D, B66A, B66B, B66C, B66D		15	TPN, VTPN
P72.8	10	K62A, K62B		01	B03A, B03B, B06A, B06B, B17A, B17B, B17C, B17D, B66A, B66B, B66C, B66D		Pre	A07D, A09A, A09E, A11B, A11F, A13F
P72.9	10	K62A, K62B	P91.5	01	B03A, B03B, B06A, B06B, B17A, B17B, B17C, B17D, B66A, B66B, B66C, B66D	Q01.1	01	B03A, B03B, B06A, B06B, B17A, B17B, B17C, B17D, B76D, B81A, B81B
P74.0	10	K62A, K62B		01	B03A, B03B, B06A, B06B, B17A, B17B, B17C, B17D, B66A, B66B, B66C, B66D		06	G18A, G38Z
	15	P65C, P66C, P67B, P67C	P91.6	01	B03A, B03B, B06A, B06B, B17A, B17B, B17C, B17D, B66A, B66B, B66C, B66D		15	TPN, VTPN
P74.1	10	K62A, K62B		01	B03A, B03B, B06A, B06B, B17A, B17B, B17C, B17D, B66A, B66B, B66C, B66D		Pre	A07D, A09A, A09E, A11B, A11F, A13F
P74.2	10	K62A, K62B	P91.80	01	B03A, B03B, B06A, B06B, B17A, B17B, B17C, B17D, B66A, B66B, B66C, B66D	Q01.2	01	B03A, B03B, B06A, B06B, B17A, B17B, B17C, B17D, B76D, B81A, B81B
P74.3	10	K62A, K62B		Pre	A43Z		06	G18A, G38Z
P74.4	10	K62A, K62B	P91.88	01	B03A, B03B, B06A, B06B, B17A, B17B, B17C, B17D, B66A, B66B, B66C, B66D		15	TPN, VTPN
P74.5	10	K62A, K62B		01	B03A, B03B, B06A, B06B, B17A, B17B, B17C, B17D, B66A, B66B, B66C, B66D		Pre	A07D, A09A, A09E, A11B, A11F, A13F
P74.8	10	K62A, K62B	P91.9	01	B03A, B03B, B06A, B06B, B17A, B17B, B17C, B17D, B66A, B66B, B66C, B66D		01	B03A, B03B, B06A, B06B, B17A, B17B, B17C, B17D, B76D, B81A, B81B
P74.9	10	K62A, K62B		01	B03A, B03B, B06A, B06B, B17A, B17B, B17C, B17D, B66A, B66B, B66C, B66D		06	G18A, G38Z
P75	Pre	963Z	P92.0	10	K62A, K62B		15	TPN, VTPN
P76.0	15	P65C, P66C, P67B, P67C		10	K62A, K62B		Pre	A07D, A09A, A09E, A11B, A11F, A13F
	Pre	963Z	P92.1	10	K62A, K62B		01	B03A, B03B, B06A, B06B, B17A, B17B, B17C, B17D, B76D, B81A, B81B
P76.1	06	G46A, G46B, G46C, G50Z, G71Z	P92.2	10	K62A, K62B		06	G18A, G38Z
	06	G40Z, G46A, G46B, G46C, G47Z, G65Z	P92.3	10	K62A, K62B		15	TPN, VTPN
P76.8	06	G46A, G46B, G46C, G50Z, G71Z	P92.4	10	K62A, K62B		Pre	A07D, A09A, A09E, A11B, A11F, A13F
P76.9	06	G46A, G46B, G46C, G50Z, G71Z	P92.5	10	K62A, K62B			
P77	06	G46A, G46B, G46C, G50Z, G71Z						
	15	TPN, VTPN						

ICD	MDC	DRG	ICD	MDC	DRG	ICD	MDC	DRG
Q01.8	01	B03A, B03B, B06A, B06B, B17A, B17B, B17C, B17D, B76D, B81A, B81B	Q04.3	01	B03A, B03B, B06A, B06B, B17A, B17B, B17C, B17D, B76D, B81A	Q05.4	01	B03A, B03B, B06A, B06B, B17A, B17B, B17C, B17D, B76D, B81A, B81B
	06	G18A, G38Z		06	G18A, G38Z		06	G18A, G38Z
	15	TPN, VTPN		15	TPN, VTPN		15	TPN, VTPN
	Pre	A07D, A09A, A09E, A11B, A11F, A13F		Pre	A07D, A09A, A09E, A11B, A11F, A13F		Pre	A07D, A09A, A09E, A11B, A11F, A13F
Q01.9	01	B03A, B03B, B06A, B06B, B17A, B17B, B17C, B17D, B76D, B81A, B81B	Q04.4	01	B03A, B03B, B06A, B06B, B17A, B17B, B17C, B17D, B76D, B81A, B81B	Q05.5	01	B03A, B03B, B06A, B06B, B17A, B17B, B17C, B17D, B76D, B81A, B81B
	06	G18A, G38Z		06	G18A, G38Z		15	TPN, VTPN
	15	TPN, VTPN		15	TPN, VTPN		Pre	A07D, A09A, A09E, A11B, A11F, A13F
	Pre	A07D, A09A, A09E, A11B, A11F, A13F		Pre	A07D, A09A, A09E, A11B, A11F, A13F	Q05.6	01	B03A, B03B, B06A, B06B, B17A, B17B, B17C, B17D, B76D, B81A, B81B
Q02	01	B03A, B03B, B06A, B06B, B17A, B17B, B17C, B17D, B76D, B81A, B81B	Q04.5	01	B03A, B03B, B06A, B06B, B17A, B17B, B17C, B17D, B76D, B81A, B81B		15	TPN, VTPN
	06	G18A, G38Z		06	G18A, G38Z		Pre	A07D, A09A, A09E, A11B, A11F, A13F
	Pre	A07D, A09A, A09E, A11B, A11F, A13F		15	TPN, VTPN	Q05.7	01	B03A, B03B, B06A, B06B, B17A, B17B, B17C, B17D, B76D, B81A, B81B
Q03.0	01	B03A, B03B, B06A, B06B, B17A, B17B, B17C, B17D, B76D, B81A, B81B	Q04.6	01	B03A, B03B, B06A, B06B, B17A, B17B, B17C, B17D, B76D, B81A		15	TPN, VTPN
	06	G18A, G38Z		15	TPN, VTPN		Pre	A07D, A09A, A09E, A11B, A11F, A13F
	15	TPN, VTPN		Pre	A07D, A09A, A09E, A11B, A11F, A13F	Q05.8	01	B03A, B03B, B06A, B06B, B17A, B17B, B17C, B17D, B76D, B81A, B81B
	Pre	A07D, A09A, A09E, A11B, A11F, A13F		01	B03A, B03B, B06A, B06B, B17A, B17B, B17C, B17D, B76D, B81A		15	TPN, VTPN
Q03.1	01	B03A, B03B, B06A, B06B, B17A, B17B, B17C, B17D, B76D, B81A	Q04.8	01	B03A, B03B, B06A, B06B, B17A, B17B, B17C, B17D, B76D, B81A		Pre	A07D, A09A, A09E, A11B, A11F, A13F
	06	G18A, G38Z		15	TPN, VTPN	Q05.9	01	B03A, B03B, B06A, B06B, B17A, B17B, B17C, B17D, B76D, B81A, B81B
	15	TPN, VTPN		Pre	A07D, A09A, A09E, A11B, A11F, A13F		15	TPN, VTPN
	Pre	A07D, A09A, A09E, A11B, A11F, A13F	Q04.9	01	B03A, B03B, B06A, B06B, B17A, B17B, B17C, B17D, B76D, B81A		Pre	A07D, A09A, A09E, A11B, A11F, A13F
Q03.8	01	B03A, B03B, B06A, B06B, B17A, B17B, B17C, B17D, B76D, B81A, B81B		Pre	A07D, A09A, A09E, A11B, A11F, A13F	Q06.0	01	B03A, B03B, B06A, B06B, B17A, B17B, B17C, B17D, B76D, B81A, B81B
	06	G18A, G38Z	Q05.0	01	B03A, B03B, B06A, B06B, B17A, B17B, B17C, B17D, B76D, B81A, B81B		15	TPN, VTPN
	15	TPN, VTPN		06	G18A, G38Z		Pre	A07D, A09A, A09E, A11B, A11F, A13F
	Pre	A07D, A09A, A09E, A11B, A11F, A13F		15	TPN, VTPN	Q06.1	01	B03A, B03B, B06A, B06B, B17A, B17B, B17C, B17D, B76D, B81A, B81B
Q03.9	01	B03A, B03B, B06A, B06B, B17A, B17B, B17C, B17D, B76D, B81A, B81B	Q05.1	01	B03A, B03B, B06A, B06B, B17A, B17B, B17C, B17D, B76D, B81A, B81B		15	TPN, VTPN
	06	G18A, G38Z		06	G18A, G38Z		Pre	A07D, A09A, A09E, A11B, A11F, A13F
	15	TPN, VTPN		15	TPN, VTPN	Q06.2	01	B03A, B03B, B06A, B06B, B17A, B17B, B17C, B17D, B76D, B81A, B81B
	Pre	A07D, A09A, A09E, A11B, A11F, A13F		Pre	A07D, A09A, A09E, A11B, A11F, A13F		15	TPN, VTPN
Q04.0	01	B03A, B03B, B06A, B06B, B17A, B17B, B17C, B17D, B76D, B81A	Q05.2	01	B03A, B03B, B06A, B06B, B17A, B17B, B17C, B17D, B76D, B81A, B81B		Pre	A07D, A09A, A09E, A11B, A11F, A13F
	06	G18A, G38Z		06	G18A, G38Z	Q06.3	01	B03A, B03B, B06A, B06B, B17A, B17B, B17C, B17D, B76D, B81A, B81B
	15	TPN, VTPN		15	TPN, VTPN		15	TPN, VTPN
	Pre	A07D, A09A, A09E, A11B, A11F, A13F		Pre	A07D, A09A, A09E, A11B, A11F, A13F		Pre	A07D, A09A, A09E, A11B, A11F, A13F
Q04.1	01	B03A, B03B, B06A, B06B, B17A, B17B, B17C, B17D, B76D, B81A, B81B	Q05.3	01	B03A, B03B, B06A, B06B, B17A, B17B, B17C, B17D, B76D, B81A, B81B		01	B03A, B03B, B06A, B06B, B17A, B17B, B17C, B17D, B76D, B81A, B81B
	06	G18A, G38Z		06	G18A, G38Z		15	TPN, VTPN
	15	TPN, VTPN		15	TPN, VTPN	Q06.4	01	B03A, B03B, B06A, B06B, B17A, B17B, B17C, B17D, B76D, B81A, B81B
	Pre	A07D, A09A, A09E, A11B, A11F, A13F		Pre	A07D, A09A, A09E, A11B, A11F, A13F		15	TPN, VTPN
Q04.2	01	B03A, B03B, B06A, B06B, B17A, B17B, B17C, B17D, B76D, B81A, B81B		Pre	A07D, A09A, A09E, A11B, A11F, A13F		Pre	A07D, A09A, A09E, A11B, A11F, A13F
	06	G18A, G38Z		06	G18A, G38Z		15	TPN, VTPN
	15	TPN, VTPN		15	TPN, VTPN		Pre	A07D, A09A, A09E, A11B, A11F, A13F
	Pre	A07D, A09A, A09E, A11B, A11F, A13F		Pre	A07D, A09A, A09E, A11B, A11F, A13F		Pre	A07D, A09A, A09E, A11B, A11F, A13F

Dg

ICD	MDC	DRG	ICD	MDC	DRG	ICD	MDC	DRG
Q06.8	01	B03A, B03B, B06A, B06B, B17A, B17B, B17C, B17D, B76D, B81A, B81B	Q12.2	02	C08A, C63Z	Q16.2	03	D66Z
	15	TPN, VTPN		15	P65C, P66C, P67B, P67C		15	P65C, P66C, P67B, P67C
	Pre	A07D, A09A, A09E, A11B, A11F, A13F		Pre	A09A, A11B		Pre	A09A, A11B
Q06.9	01	B03A, B03B, B06A, B06B, B17A, B17B, B17C, B17D, B76D, B81A, B81B	Q12.3	02	C08A, C63Z	Q16.3	03	D66Z
	Pre	A07D, A09A, A09E, A11B, A11F, A13F		15	P65C, P66C, P67B, P67C		15	P65C, P66C, P67B, P67C
Q07.0	01	B03A, B03B, B06A, B06B, B17A, B17B, B17C, B17D, B76D, B81A, B81B	Q12.4	02	C08A, C63Z	Q16.4	03	D66Z
	06	G18A, G38Z		15	P65C, P66C, P67B, P67C		15	P65C, P66C, P67B, P67C
	15	TPN, VTPN		Pre	A09A, A11B		Pre	A09A, A11B
	Pre	A07D, A09A, A09E, A11B, A11F, A13F	Q12.8	02	C08A, C63Z	Q16.5	03	D66Z
Q07.8	01	B03A, B03B, B06A, B06B, B17A, B17B, B17C, B17D, B76D, B81A, B81B		15	P65C, P66C, P67B, P67C		15	P65C, P66C, P67B, P67C
	Pre	A07D, A09A, A09E, A11B, A11F, A13F	Q12.9	02	C08A, C63Z	Q16.9	03	D66Z
Q07.9	01	B03A, B03B, B06A, B06B, B17A, B17B, B17C, B17D, B76D, B81A, B81B		15	P65C, P66C, P67B, P67C		15	P65C, P66C, P67B, P67C
	Pre	A07D, A09A, A09E, A11B, A11F, A13F	Q13.0	02	C63Z	Q17.0	03	D66Z
Q10.0	02	C63Z		15	P65C, P66C, P67B, P67C		15	P65C, P66C, P67B, P67C
	15	P65C, P66C, P67B, P67C	Q13.1	02	C63Z	Q17.1	03	D66Z
	Pre	A09A, A11B		15	P65C, P66C, P67B, P67C		15	P65C, P66C, P67B, P67C
Q10.1	02	C63Z		Pre	A09A, A11B		Pre	A09A, A11B
	15	P65C, P66C, P67B, P67C	Q13.2	02	C63Z	Q17.2	03	D66Z
	Pre	A09A, A11B		15	P65C, P66C, P67B, P67C		15	P65C, P66C, P67B, P67C
Q10.2	02	C63Z		Pre	A09A, A11B		Pre	A09A, A11B
	15	P65C, P66C, P67B, P67C	Q13.3	02	C63Z	Q17.3	03	D66Z
	Pre	A09A, A11B		15	P65C, P66C, P67B, P67C		15	P65C, P66C, P67B, P67C
Q10.3	02	C63Z		Pre	A09A, A11B		Pre	A09A, A11B
	15	P65C, P66C, P67B, P67C	Q13.4	02	C63Z	Q17.4	03	D66Z
	Pre	A09A, A11B		15	P65C, P66C, P67B, P67C		15	P65C, P66C, P67B, P67C
Q10.4	02	C63Z		Pre	A09A, A11B		Pre	A09A, A11B
	Pre	A09A, A11B	Q13.5	02	C63Z	Q17.5	03	D66Z
Q10.5	02	C63Z		15	P65C, P66C, P67B, P67C		15	P65C, P66C, P67B, P67C
	Pre	A09A, A11B		Pre	A09A, A11B	Q17.8	03	D66Z
Q10.6	02	C63Z		15	P65C, P66C, P67B, P67C		15	P65C, P66C, P67B, P67C
	15	P65C, P66C, P67B, P67C	Q13.8	02	C63Z	Q17.9	03	D66Z
	Pre	A09A, A11B		15	P65C, P66C, P67B, P67C		15	P65C, P66C, P67B, P67C
Q10.7	02	C63Z		Pre	A09A, A11B		Pre	A09A, A11B
	15	P65C, P66C, P67B, P67C	Q13.9	02	C63Z	Q18.0	03	D66Z
	Pre	A09A, A11B		15	P65C, P66C, P67B, P67C		15	P65C, P66C, P67B, P67C
Q11.0	02	C63Z		Pre	A09A, A11B		Pre	A09A, A11B
	15	P65C, P66C, P67B, P67C	Q14.0	02	C63Z	Q18.1	03	D66Z
	Pre	A09A, A11B		15	P65C, P66C, P67B, P67C		15	P65C, P66C, P67B, P67C
Q11.1	02	C63Z		Pre	A09A, A11B		Pre	A09A, A11B
	15	P65C, P66C, P67B, P67C	Q14.1	02	C63Z	Q18.2	03	D66Z
	Pre	A09A, A11B		15	P65C, P66C, P67B, P67C		15	P65C, P66C, P67B, P67C
Q11.2	02	C63Z		Pre	A09A, A11B		Pre	A09A, A11B
	15	P65C, P66C, P67B, P67C	Q14.2	02	C63Z	Q18.3	09	J67A, J67B, J68A, J68B
	Pre	A09A, A11B		15	P65C, P66C, P67B, P67C		Pre	A09A, A11B
Q11.3	02	C63Z		Pre	A09A, A11B		03	D40Z, D67Z
	15	P65C, P66C, P67B, P67C	Q14.3	02	C63Z	Q18.4	Pre	A09A, A11B
	Pre	A09A, A11B		15	P65C, P66C, P67B, P67C		03	D40Z, D67Z
Q12.0	02	C08A, C63Z		Pre	A09A, A11B		03	D40Z, D67Z
	15	P65C, P66C, P67B, P67C	Q14.8	02	C63Z	Q18.5	Pre	A09A, A11B
	Pre	A09A, A11B		15	P65C, P66C, P67B, P67C		03	D40Z, D67Z
Q12.1	02	C08A, C63Z		Pre	A09A, A11B		03	D40Z, D67Z
	15	P65C, P66C, P67B, P67C	Q14.9	02	C63Z	Q18.6	Pre	A09A, A11B
	Pre	A09A, A11B		15	P65C, P66C, P67B, P67C		03	D40Z, D67Z
			Q15.0	02	C64Z	Q18.7	Pre	A09A, A11B
				15	TPN, VTPN		03	D66Z
				Pre	A09A, A11B	Q18.8	Pre	A09A, A11B
			Q15.8	02	C63Z		09	J67A, J67B, J68A, J68B
				15	P65C, P66C, P67B, P67C	Q18.9	Pre	A09A, A11B
				Pre	A09A, A11B	Q20.0	05	F03C, F03D, F03E, F30Z, F42Z, F46A, F46B, F68A, F68B
			Q15.9	02	C63Z		06	G18A, G38Z
				Pre	A09A, A11B		10	K62A
			Q16.0	03	D66Z	Q20.1	05	F03C, F03D, F03E, F30Z, F42Z, F46A, F46B, F68A, F68B
				15	P65C, P66C, P67B, P67C		06	G18A, G38Z
			Q16.1	03	D66Z		10	K62A
				15	P65C, P66C, P67B, P67C		15	TPN, VTPN
				Pre	A09A, A11B		Pre	A07D, A09A, A09E, A11B, A11F, A13F
				15	P65C, P66C, P67B, P67C			
				Pre	A09A, A11B			

ICD	MDC	DRG	ICD	MDC	DRG	ICD	MDC	DRG
Q20.2	05	F03C, F03D, F03E, F30Z, F42Z, F46A, F46B, F68A, F68B	Q21.4	05	F03C, F03D, F03E, F46A, F46B, F68A, F68B	Q22.8	05	F03C, F03D, F03E, F46A, F46B, F68A, F68B
	06	G18A, G38Z		10	K62A		10	K62A
	10	K62A		15	TPN, VTPN		15	TPN, VTPN
	15	TPN, VTPN		Pre	A07D, A09A, A09E, A11B, A11F, A13F		Pre	A07D, A09A, A09E, A11B, A11F, A13F
	Pre	A07D, A09A, A09E, A11B, A11F, A13F	Q21.80	05	F03C, F03D, F03E, F46A, F46B, F68A, F68B	Q22.9	05	F03C, F03D, F03E, F46A, F46B, F68A, F68B
Q20.3	05	F03C, F03D, F03E, F30Z, F42Z, F46A, F46B, F68A, F68B		10	K62A		10	K62A
	06	G18A, G38Z		15	TPN, VTPN		15	TPN, VTPN
	10	K62A		Pre	A07D, A09A, A09E, A11B, A11F, A13F		Pre	A07D, A09A, A09E, A11B, A11F, A13F
	15	TPN, VTPN	Q21.88	05	F03C, F03D, F03E, F46A, F46B, F68A, F68B	Q23.0	05	F03C, F03D, F03E, F46A, F46B, F68A, F68B
	Pre	A07D, A09A, A09E, A11B, A11F, A13F		10	K62A		06	G18A, G38Z
Q20.4	05	F03C, F03D, F03E, F30Z, F42Z, F46A, F46B, F68A, F68B		Pre	A07D, A09A, A09E, A11B, A11F, A13F		10	K62A
	06	G18A, G38Z	Q21.9	05	F03C, F03D, F03E, F46A, F46B, F68A, F68B		15	TPN, VTPN
	10	K62A		10	K62A		Pre	A07D, A09A, A09E, A11B, A11F, A13F
	15	TPN, VTPN		Pre	A07D, A09A, A09E, A11B, A11F, A13F	Q23.1	05	F03C, F03D, F03E, F46A, F46B, F68A, F68B
	Pre	A07D, A09A, A09E, A11B, A11F, A13F	Q22.0	05	F03C, F03D, F03E, F30Z, F42Z, F46A, F46B, F68A, F68B		06	G18A, G38Z
Q20.5	05	F03C, F03D, F03E, F30Z, F42Z, F46A, F46B, F68A, F68B		06	G18A, G38Z		10	K62A
	06	G18A, G38Z		10	K62A		15	TPN, VTPN
	10	K62A		15	TPN, VTPN		Pre	A07D, A09A, A09E, A11B, A11F, A13F
	15	TPN, VTPN		Pre	A07D, A09A, A09E, A11B, A11F, A13F	Q23.2	05	F03C, F03D, F03E, F46A, F46B, F68A, F68B
	Pre	A07D, A09A, A09E, A11B, A11F, A13F	Q22.1	05	F03C, F03D, F03E, F46A, F46B, F68A, F68B		06	G18A, G38Z
Q20.6	05	F03C, F03D, F03E, F30Z, F42Z, F46A, F46B, F68A, F68B		06	G18A, G38Z		10	K62A
	06	G18A, G38Z		10	K62A		15	TPN, VTPN
	10	K62A		15	TPN, VTPN		Pre	A07D, A09A, A09E, A11B, A11F, A13F
	15	TPN, VTPN		Pre	A07D, A09A, A09E, A11B, A11F, A13F	Q23.3	05	F03C, F03D, F03E, F46A, F46B, F68A, F68B
	Pre	A07D, A09A, A09E, A11B, A11F, A13F	Q22.2	05	F03C, F03D, F03E, F46A, F46B, F68A, F68B		06	G18A, G38Z
Q20.8	05	F03C, F03D, F03E, F30Z, F42Z, F46A, F46B, F68A, F68B		06	G18A, G38Z		10	K62A
	10	K62A		10	K62A		15	TPN, VTPN
	15	TPN, VTPN		15	TPN, VTPN		Pre	A07D, A09A, A09E, A11B, A11F, A13F
	Pre	A07D, A09A, A09E, A11B, A11F, A13F		Pre	A07D, A09A, A09E, A11B, A11F, A13F	Q23.4	05	F03C, F03D, F03E, F30Z, F42Z, F46A, F46B, F68A, F68B
Q20.9	05	F03C, F03D, F03E, F46A, F46B, F68A, F68B		Pre	A07D, A09A, A09E, A11B, A11F, A13F		06	G18A, G38Z
	10	K62A	Q22.3	05	F03C, F03D, F03E, F46A, F46B, F68A, F68B		10	K62A
	15	TPN, VTPN		10	K62A		15	TPN, VTPN
	Pre	A07D, A09A, A09E, A11B, A11F, A13F		Pre	A07D, A09A, A09E, A11B, A11F, A13F	Q23.8	05	F03C, F03D, F03E, F46A, F46B, F68A, F68B
Q21.0	05	F03C, F03D, F03E, F46A, F46B, F68A, F68B		Pre	A07D, A09A, A09E, A11B, A11F, A13F		10	K62A
	10	K62A	Q22.4	05	F03C, F03D, F03E, F46A, F46B, F68A, F68B		15	TPN, VTPN
	15	TPN, VTPN		06	G18A, G38Z		Pre	A07D, A09A, A09E, A11B, A11F, A13F
	Pre	A07D, A09A, A09E, A11B, A11F, A13F		10	K62A	Q23.9	05	F03C, F03D, F03E, F46A, F46B, F68A, F68B
Q21.1	05	F03C, F03D, F03E, F46A, F46B, F68A, F68B		15	TPN, VTPN		10	K62A
	10	K62A		Pre	A07D, A09A, A09E, A11B, A11F, A13F		15	TPN, VTPN
	15	TPN, VTPN		Pre	A07D, A09A, A09E, A11B, A11F, A13F		Pre	A07D, A09A, A09E, A11B, A11F, A13F
	Pre	A07D, A09A, A09E, A11B, A11F, A13F	Q22.5	05	F03C, F03D, F03E, F46A, F46B, F68A, F68B	Q24.0	05	F03C, F03D, F03E, F46A, F46B, F68A, F68B
Q21.2	05	F03C, F03D, F03E, F46A, F46B, F68A, F68B		06	G18A, G38Z		10	K62A
	10	K62A		10	K62A		15	TPN, VTPN
	15	TPN, VTPN		15	TPN, VTPN		Pre	A07D, A09A, A09E, A11B, A11F, A13F
	Pre	A07D, A09A, A09E, A11B, A11F, A13F		Pre	A07D, A09A, A09E, A11B, A11F, A13F	Q24.1	05	F03C, F03D, F03E, F46A, F46B, F68A, F68B
Q21.3	05	F03C, F03D, F03E, F46A, F46B, F68A, F68B	Q22.6	05	F03C, F03D, F03E, F30Z, F42Z, F46A, F46B, F68A, F68B		10	K62A
	06	G18A, G38Z		06	G18A, G38Z		Pre	A07D, A09A, A09E, A11B, A11F, A13F
	10	K62A		10	K62A		15	TPN, VTPN
	15	TPN, VTPN		15	TPN, VTPN		Pre	A07D, A09A, A09E, A11B, A11F, A13F
	Pre	A07D, A09A, A09E, A11B, A11F, A13F		Pre	A07D, A09A, A09E, A11B, A11F, A13F		Pre	A07D, A09A, A09E, A11B, A11F, A13F

ICD	MDC	DRG	ICD	MDC	DRG	ICD	MDC	DRG
Q24.2	05	F03C, F03D, F03E, F46A, F46B, F68A, F68B	Q25.4	05	F03C, F03D, F03E, F46A, F46B, F68A, F68B	Q26.6	05	F03C, F03D, F03E, F46A, F46B, F68A, F68B
	10	K62A		10	K62A		10	K62A
	15	TPN, VTPN		Pre	A07D, A09A, A09E, A11B, A11F, A13F		Pre	A07D, A09A, A09E, A11B, A11F, A13F
Q24.3	05	F03C, F03D, F03E, F46A, F46B, F68A, F68B	Q25.5	05	F03C, F03D, F03E, F30Z, F42Z, F46A, F46B, F68A, F68B	Q26.8	05	F03C, F03D, F03E, F46A, F46B, F68A, F68B
	06	G18A, G38Z		06	G18A, G38Z		10	K62A
	10	K62A		10	K62A		Pre	A07D, A09A, A09E, A11B, A11F, A13F
	15	TPN, VTPN		Pre	A07D, A09A, A09E, A11B, A11F, A13F	Q26.9	05	F03C, F03D, F03E, F46A, F46B, F68A, F68B
	Pre	A07D, A09A, A09E, A11B, A11F, A13F	Q25.6	05	F03C, F03D, F03E, F46A, F46B, F68A, F68B		10	K62A
Q24.4	05	F03C, F03D, F03E, F46A, F46B, F68A, F68B		06	G18A, G38Z		Pre	A07D, A09A, A09E, A11B, A11F, A13F
	06	G18A, G38Z		10	K62A	Q27.0	05	F03C, F03D, F03E, F65A, F65B
	10	K62A		Pre	A07D, A09A, A09E, A11B, A11F, A13F		10	K62A
	15	TPN, VTPN	Q25.7	05	F03C, F03D, F03E, F46A, F46B, F68A, F68B		Pre	A07D, A09A, A09E, A11B, A11F, A13F
	Pre	A07D, A09A, A09E, A11B, A11F, A13F		10	K62A	Q27.1	05	F03C, F03D, F03E, F65A, F65B
Q24.5	05	F03C, F03D, F03E, F46A, F46B, F68A, F68B		Pre	A07D, A09A, A09E, A11B, A11F, A13F		10	K62A
	10	K62A	Q25.8	05	F03C, F03D, F03E, F46A, F46B, F65A, F65B		Pre	A07D, A09A, A09E, A11B, A11F, A13F
	15	TPN, VTPN		10	K62A	Q27.2	05	F03C, F03D, F03E, F65A, F65B
	Pre	A07D, A09A, A09E, A11B, A11F, A13F		Pre	A07D, A09A, A09E, A11B, A11F, A13F		10	K62A
Q24.6	05	F03C, F03D, F03E, F46A, F46B, F68A, F68B	Q25.9	05	F03C, F03D, F03E, F46A, F46B, F65A, F65B		Pre	A07D, A09A, A09E, A11B, A11F, A13F
	10	K62A		10	K62A	Q27.3	05	F03C, F03D, F03E, F65A, F65B
	15	TPN, VTPN		Pre	A07D, A09A, A09E, A11B, A11F, A13F		10	K62A
	Pre	A07D, A09A, A09E, A11B, A11F, A13F	Q26.0	05	F03C, F03D, F03E, F46A, F46B, F68A, F68B		Pre	A07D, A09A, A09E, A11B, A11F, A13F
Q24.8	05	F03C, F03D, F03E, F46A, F46B, F68A, F68B		06	G18A, G38Z	Q27.4	05	F03C, F03D, F03E, F65A, F65B
	10	K62A		10	K62A		10	K62A
	15	TPN, VTPN		Pre	A07D, A09A, A09E, A11B, A11F, A13F		Pre	A07D, A09A, A09E, A11B, A11F, A13F
	Pre	A07D, A09A, A09E, A11B, A11F, A13F	Q26.1	05	F03C, F03D, F03E, F46A, F46B, F68A, F68B	Q27.8	05	F03C, F03D, F03E, F65A, F65B
Q24.9	05	F03C, F03D, F03E, F46A, F46B, F68A, F68B		10	K62A		10	K62A
	10	K62A		Pre	A07D, A09A, A09E, A11B, A11F, A13F	Q27.9	05	F03C, F03D, F03E, F65A, F65B
	15	TPN, VTPN		Pre	A07D, A09A, A09E, A11B, A11F, A13F		10	K62A
	Pre	A07D, A09A, A09E, A11B, A11F, A13F	Q26.2	05	F03C, F03D, F03E, F30Z, F42Z, F46A, F46B, F68A, F68B		Pre	A07D, A09A, A09E, A11B, A11F, A13F
Q25.0	05	F03C, F03D, F03E, F46A, F46B, F68A, F68B		06	G18A, G38Z	Q28.00	01	B03A, B03B, B06A, B06B, B17A, B17B, B17C, B17D, B81A, B81B
	10	K62A		10	K62A		10	K62A
	Pre	A07D, A09A, A09E, A11B, A11F, A13F		15	TPN, VTPN		15	TPN, VTPN
Q25.1	05	F03C, F03D, F03E, F46A, F46B, F68A, F68B		Pre	A07D, A09A, A09E, A11B, A11F, A13F		Pre	A07D, A09A, A09E, A11B, A11F, A13F
	10	K62A	Q26.3	05	F03C, F03D, F03E, F46A, F46B, F68A, F68B	Q28.01	01	B03A, B03B, B06A, B06B, B17A, B17B, B17C, B17D, B81A, B81B
	15	TPN, VTPN		06	G18A, G38Z		10	K62A
	Pre	A07D, A09A, A09E, A11B, A11F, A13F		10	K62A		15	TPN, VTPN
Q25.2	05	F03C, F03D, F03E, F30Z, F42Z, F46A, F46B, F68A, F68B		15	TPN, VTPN		Pre	A07D, A09A, A09E, A11B, A11F, A13F
	06	G18A, G38Z		Pre	A07D, A09A, A09E, A11B, A11F, A13F	Q28.08	01	B03A, B03B, B06A, B06B, B17A, B17B, B17C, B17D, B81A, B81B
	10	K62A	Q26.4	05	F03C, F03D, F03E, F46A, F46B, F68A, F68B		10	K62A
	15	TPN, VTPN		10	K62A		15	TPN, VTPN
	Pre	A07D, A09A, A09E, A11B, A11F, A13F		Pre	A07D, A09A, A09E, A11B, A11F, A13F		Pre	A07D, A09A, A09E, A11B, A11F, A13F
Q25.3	05	F03C, F03D, F03E, F46A, F46B, F68A, F68B	Q26.5	05	F03C, F03D, F03E, F46A, F46B, F68A, F68B		15	TPN, VTPN
	06	G18A, G38Z		10	K62A		Pre	A07D, A09A, A09E, A11B, A11F, A13F
	10	K62A		Pre	A07D, A09A, A09E, A11B, A11F, A13F		10	K62A
	15	TPN, VTPN		15	TPN, VTPN		15	TPN, VTPN
	Pre	A07D, A09A, A09E, A11B, A11F, A13F		Pre	A07D, A09A, A09E, A11B, A11F, A13F		Pre	A07D, A09A, A09E, A11B, A11F, A13F

ICD	MDC	DRG	ICD	MDC	DRG	ICD	MDC	DRG	
Q28.09	01	B03A, B03B, B06A, B06B, B17A, B17B, B17C, B17D, B81A, B81B	Q28.31	01	B03A, B03B, B06A, B06B, B17A, B17B, B17C, B17D, B81A, B81B	Q31.3	03	D66Z	
	10	K62A		10	K62A		15	TPN, VTPN	
	15	TPN, VTPN		15	TPN, VTPN		Pre	A07D, A09A, A09E, A11B, A11F, A13F	
	Pre	A07D, A09A, A09E, A11B, A11F, A13F		Pre	A07D, A09A, A09E, A11B, A11F, A13F	Q31.5	03	D66Z	
Q28.10	01	B03A, B03B, B06A, B06B, B17A, B17B, B17C, B17D, B81A, B81B	Q28.38	01	B03A, B03B, B06A, B06B, B17A, B17B, B17C, B17D, B81A, B81B		15	TPN, VTPN	
	10	K62A		10	K62A		Pre	A07D, A09A, A09E, A11B, A11F, A13F	
	15	TPN, VTPN		15	TPN, VTPN	Q31.8	03	D66Z	
	Pre	A07D, A09A, A09E, A11B, A11F, A13F		Pre	A07D, A09A, A09E, A11B, A11F, A13F		15	TPN, VTPN	
Q28.11	01	B03A, B03B, B06A, B06B, B17A, B17B, B17C, B17D, B81A, B81B	Q28.39	01	B03A, B03B, B06A, B06B, B17A, B17B, B17C, B17D, B81A, B81B		Pre	A07D, A09A, A09E, A11B, A11F, A13F	
	10	K62A		10	K62A	Q31.9	03	D66Z	
	15	TPN, VTPN		15	TPN, VTPN		15	TPN, VTPN	
	Pre	A07D, A09A, A09E, A11B, A11F, A13F		Pre	A07D, A09A, A09E, A11B, A11F, A13F		Pre	A07D, A09A, A09E, A11B, A11F, A13F	
Q28.18	01	B03A, B03B, B06A, B06B, B17A, B17B, B17C, B17D, B81A, B81B	Q28.80	05	F03C, F03D, F03E, F65A, F65B	Q32.0	03	D66Z	
	10	K62A		10	K62A		15	TPN, VTPN	
	15	TPN, VTPN		15	P65C, P66C, P67B, P67C		Pre	A07D, A09A, A09E, A11B, A11F, A13F	
	Pre	A07D, A09A, A09E, A11B, A11F, A13F		Pre	A07D, A09A, A09E, A11B, A11F, A13F	Q32.1	03	D66Z	
Q28.19	01	B03A, B03B, B06A, B06B, B17A, B17B, B17C, B17D, B81A, B81B	Q28.81	05	F03C, F03D, F03E, F65A, F65B		15	TPN, VTPN	
	10	K62A		10	K62A		Pre	A07D, A09A, A09E, A11B, A11F, A13F	
	15	TPN, VTPN		15	P65C, P66C, P67B, P67C	Q32.2	03	D66Z	
	Pre	A07D, A09A, A09E, A11B, A11F, A13F		Pre	A07D, A09A, A09E, A11B, A11F, A13F		15	TPN, VTPN	
Q28.20	01	B03A, B03B, B06A, B06B, B17A, B17B, B17C, B17D, B81A, B81B	Q28.88	05	F03C, F03D, F03E, F65A, F65B		Pre	A07D, A09A, A09E, A11B, A11F, A13F	
	10	K62A		10	K62A	Q32.3	03	D66Z	
	15	TPN, VTPN		15	P65C, P66C, P67B, P67C		15	TPN, VTPN	
	Pre	A07D, A09A, A09E, A11B, A11F, A13F		Pre	A07D, A09A, A09E, A11B, A11F, A13F		Pre	A07D, A09A, A09E, A11B, A11F, A13F	
Q28.21	01	B03A, B03B, B06A, B06B, B17A, B17B, B17C, B17D, B81A, B81B	Q28.9	05	F03C, F03D, F03E, F65A, F65B	Q32.4	03	D66Z	
	10	K62A		10	K62A		15	TPN, VTPN	
	15	TPN, VTPN		10	K62A		Pre	A07D, A09A, A09E, A11B, A11F, A13F	
	Pre	A07D, A09A, A09E, A11B, A11F, A13F		Pre	A07D, A09A, A09E, A11B, A11F, A13F	Q33.0	04	E75A, E75B, E75C	
Q28.22	01	B03A, B03B, B06A, B06B, B17A, B17B, B17C, B17D, B81A, B81B	Q30.0	03	D66Z		15	TPN, VTPN	
	10	K62A		15	TPN, VTPN		Pre	A07D, A09A, A09E, A11B, A11F, A13F	
	15	TPN, VTPN		Pre	A07D, A09A, A09E, A11B, A11F, A13F	Q33.1	04	E75A, E75B, E75C	
	Pre	A07D, A09A, A09E, A11B, A11F, A13F		Pre	A07D, A09A, A09E, A11B, A11F, A13F		15	P65C, P66C, P67B, P67C	
Q28.28	01	B03A, B03B, B06A, B06B, B17A, B17B, B17C, B17D, B81A, B81B	Q30.1	03	D66Z		Pre	A07D, A09A, A09E, A11B, A11F, A13F	
	10	K62A		Pre	A09A, A11B	Q33.2	04	E75A, E75B, E75C	
	15	TPN, VTPN		Q30.2	03	D66Z		15	TPN, VTPN
	Pre	A07D, A09A, A09E, A11B, A11F, A13F		Pre	A09A, A11B		Pre	A07D, A09A, A09E, A11B, A11F, A13F	
Q28.29	01	B03A, B03B, B06A, B06B, B17A, B17B, B17C, B17D, B81A, B81B	Q30.3	03	D66Z	Q33.3	04	E75A, E75B, E75C	
	10	K62A		Pre	A09A, A11B		15	TPN, VTPN	
	15	TPN, VTPN		Q30.8	03	D66Z		Pre	A07D, A09A, A09E, A11B, A11F, A13F
	Pre	A07D, A09A, A09E, A11B, A11F, A13F		Pre	A09A, A11B	Q33.4	04	E65A, E65B, E65C	
Q28.30	01	B03A, B03B, B06A, B06B, B17A, B17B, B17C, B17D, B81A, B81B	Q30.9	03	D66Z		15	TPN, VTPN	
	10	K62A		Pre	A09A, A11B		Pre	A07D, A09A, A09E, A11B, A11F, A13F	
	15	TPN, VTPN		Q31.0	03	D66Z	Q33.5	04	E75A, E75B, E75C
	Pre	A07D, A09A, A09E, A11B, A11F, A13F		15	TPN, VTPN		15	P65C, P66C, P67B, P67C	
Q28.31	01	B03A, B03B, B06A, B06B, B17A, B17B, B17C, B17D, B81A, B81B	Q31.1	03	D66Z		Pre	A07D, A09A, A09E, A11B, A11F, A13F	
	10	K62A		15	TPN, VTPN	Q33.6	04	E75A, E75B, E75C	
	15	TPN, VTPN		Pre	A07D, A09A, A09E, A11B, A11F, A13F		15	TPN, VTPN	
	Pre	A07D, A09A, A09E, A11B, A11F, A13F		Pre	A07D, A09A, A09E, A11B, A11F, A13F		Pre	A07D, A09A, A09E, A11B, A11F, A13F	
Q28.32	01	B03A, B03B, B06A, B06B, B17A, B17B, B17C, B17D, B81A, B81B	Q31.2	03	D66Z	Q33.8	04	E75A, E75B, E75C	
	10	K62A		15	TPN, VTPN		15	P65C, P66C, P67B, P67C	
	15	TPN, VTPN		Pre	A07D, A09A, A09E, A11B, A11F, A13F		Pre	A07D, A09A, A09E, A11B, A11F, A13F	
	Pre	A07D, A09A, A09E, A11B, A11F, A13F		Pre	A07D, A09A, A09E, A11B, A11F, A13F				

Dg

ICD	MDC	DRG	ICD	MDC	DRG	ICD	MDC	DRG
Q33.9	04	E75A, E75B, E75C	Q37.9	03	D03Z, D40Z, D67Z	Q40.0	06	G18A, G38Z, G46A, G46B, G46C, G50Z, G64A, G64B, G64C, G70A, G70B
	Pre	A07D, A09A, A09E, A11B, A11F, A13F		15	TPN, VTPN		15	P65C, P66C, P67B, P67C
Q34.0	04	E75A, E75B, E75C	Q38.0	03	D40Z, D67Z	Pre	A07D, A09A, A09E, A11B, A11F, A13F	
	Pre	A07D, A09A, A09E, A11B, A11F, A13F		Pre	A09A, A11B	Q40.1	06	G18A, G38Z, G46A, G46B, G46C, G50Z, G71Z
Q34.1	04	E75A, E75B, E75C	Q38.1	03	D40Z, D67Z		15	P65C, P66C, P67B, P67C
	Pre	A07D, A09A, A09E, A11B, A11F, A13F		Pre	A09A, A11B	Pre	A07D, A09A, A09E, A11B, A11F, A13F	
Q34.8	04	E75A, E75B, E75C	Q38.2	03	D40Z, D67Z	Q40.2	06	G18A, G38Z, G46A, G46B, G46C, G50Z, G71Z
	Pre	A07D, A09A, A09E, A11B, A11F, A13F		Pre	A09A, A11B		15	P65C, P66C, P67B, P67C
Q34.9	04	E75A, E75B, E75C	Q38.3	03	D40Z, D67Z	Pre	A07D, A09A, A09E, A11B, A11F, A13F	
	Pre	A07D, A09A, A09E, A11B, A11F, A13F		Pre	A09A, A11B	Q40.3	06	G18A, G38Z, G46A, G46B, G46C, G50Z, G71Z
Q35.1	03	D03Z, D40Z, D67Z	Q38.4	03	D40Z, D67Z		15	P65C, P66C, P67B, P67C
	15	P65C, P66C, P67B, P67C		Pre	A09A, A11B	Pre	A07D, A09A, A09E, A11B, A11F, A13F	
	Pre	A07D, A09A, A09E, A11B, A11F, A13F	Q38.5	03	D40Z, D67Z	Q40.8	06	G18A, G38Z, G46A, G46B, G46C, G50Z, G71Z
Q35.3	03	D03Z, D40Z, D67Z	Q38.6	03	D40Z, D67Z		15	TPN, VTPN
	15	P65C, P66C, P67B, P67C		15	P65C, P66C, P67B, P67C	Pre	A07D, A09A, A09E, A11B, A11F, A13F	
	Pre	A07D, A09A, A09E, A11B, A11F, A13F	Q38.7	03	D66Z	Q40.9	06	G18A, G38Z, G46A, G46B, G46C, G50Z, G71Z
Q35.5	03	D03Z, D40Z, D67Z		15	TPN, VTPN		15	TPN, VTPN
	15	P65C, P66C, P67B, P67C	Q38.8	03	D66Z	Pre	A07D, A09A, A09E, A11B, A11F, A13F	
	Pre	A07D, A09A, A09E, A11B, A11F, A13F		Pre	A09A, A11B	Q41.0	06	G18A, G38Z, G46A, G46B, G46C, G50Z, G64A, G64B, G64C, G70A, G70B
Q35.7	03	D03Z, D40Z, D67Z	Q39.0	06	G18A, G38Z, G46A, G46B, G46C, G50Z, G71Z		15	TPN, VTPN
	15	P65C, P66C, P67B, P67C		15	TPN, VTPN	Pre	A07D, A09A, A09E, A11B, A11F, A13F	
	Pre	A07D, A09A, A09E, A11B, A11F, A13F		Pre	A07D, A09A, A09E, A11B, A11F, A13F	Q41.1	06	G18A, G38Z, G46A, G46B, G46C, G50Z, G64A, G64B, G64C, G70A, G70B
Q35.9	03	D03Z, D40Z, D67Z	Q39.1	06	G18A, G38Z, G46A, G46B, G46C, G50Z, G64A, G64B, G64C, G70A, G70B		15	TPN, VTPN
	15	P65C, P66C, P67B, P67C		15	TPN, VTPN	Pre	A07D, A09A, A09E, A11B, A11F, A13F	
	Pre	A09A, A11B	Q39.2	06	G18A, G38Z, G46A, G46B, G46C, G50Z, G71Z	Q41.2	06	G18A, G38Z, G46A, G46B, G46C, G50Z, G64A, G64B, G64C, G70A, G70B
Q36.0	03	D03Z, D40Z, D67Z		15	TPN, VTPN		15	TPN, VTPN
	15	P65C, P66C, P67B, P67C	Q39.3	06	G18A, G38Z, G46A, G46B, G46C, G50Z, G71Z	Pre	A07D, A09A, A09E, A11B, A11F, A13F	
	Pre	A09A, A11B		15	TPN, VTPN	Q41.8	06	G18A, G38Z, G46A, G46B, G46C, G50Z, G71Z
Q36.1	03	D03Z, D40Z, D67Z		Pre	A07D, A09A, A09E, A11B, A11F, A13F		15	TPN, VTPN
	15	P65C, P66C, P67B, P67C	Q39.4	06	G18A, G38Z, G46A, G46B, G46C, G50Z, G71Z	Pre	A07D, A09A, A09E, A11B, A11F, A13F	
	Pre	A09A, A11B		15	TPN, VTPN	Q41.9	06	G18A, G38Z, G46A, G46B, G46C, G50Z, G71Z
Q36.9	03	D03Z, D40Z, D67Z	Q39.5	06	G18A, G38Z, G46A, G46B, G46C, G50Z, G71Z		15	TPN, VTPN
	15	P65C, P66C, P67B, P67C		15	P65C, P66C, P67B, P67C	Pre	A07D, A09A, A09E, A11B, A11F, A13F	
	Pre	A09A, A11B		Pre	A07D, A09A, A09E, A11B, A11F, A13F	Q42.0	06	G18A, G38Z, G46A, G46B, G46C, G50Z, G64A, G64B, G64C, G70A, G70B
Q37.0	03	D03Z, D40Z, D67Z	Q39.6	06	G18A, G38Z, G46A, G46B, G46C, G50Z, G71Z		15	TPN, VTPN
	15	TPN, VTPN		15	P65C, P66C, P67B, P67C	Pre	A07D, A09A, A09E, A11B, A11F, A13F	
	Pre	A07D, A09A, A09E, A11B, A11F, A13F	Q39.8	06	G18A, G38Z, G46A, G46B, G46C, G50Z, G71Z	Q42.1	06	G18A, G38Z, G46A, G46B, G46C, G50Z, G64A, G64B, G64C, G70A, G70B
Q37.1	03	D03Z, D40Z, D67Z		15	P65C, P66C, P67B, P67C		15	TPN, VTPN
	15	TPN, VTPN	Q39.9	06	G18A, G38Z, G46A, G46B, G46C, G50Z, G71Z	Pre	A07D, A09A, A09E, A11B, A11F, A13F	
	Pre	A07D, A09A, A09E, A11B, A11F, A13F		Pre	A07D, A09A, A09E, A11B, A11F, A13F		Pre	A07D, A09A, A09E, A11B, A11F, A13F
Q37.2	03	D03Z, D40Z, D67Z		Pre	A07D, A09A, A09E, A11B, A11F, A13F		Pre	A07D, A09A, A09E, A11B, A11F, A13F
	15	TPN, VTPN		Pre	A07D, A09A, A09E, A11B, A11F, A13F		Pre	A07D, A09A, A09E, A11B, A11F, A13F
	Pre	A07D, A09A, A09E, A11B, A11F, A13F		Pre	A07D, A09A, A09E, A11B, A11F, A13F		Pre	A07D, A09A, A09E, A11B, A11F, A13F
Q37.3	03	D03Z, D40Z, D67Z		Pre	A07D, A09A, A09E, A11B, A11F, A13F		Pre	A07D, A09A, A09E, A11B, A11F, A13F
	15	TPN, VTPN		Pre	A07D, A09A, A09E, A11B, A11F, A13F		Pre	A07D, A09A, A09E, A11B, A11F, A13F
	Pre	A07D, A09A, A09E, A11B, A11F, A13F		Pre	A07D, A09A, A09E, A11B, A11F, A13F		Pre	A07D, A09A, A09E, A11B, A11F, A13F
Q37.4	03	D03Z, D40Z, D67Z		Pre	A07D, A09A, A09E, A11B, A11F, A13F		Pre	A07D, A09A, A09E, A11B, A11F, A13F
	15	TPN, VTPN		Pre	A07D, A09A, A09E, A11B, A11F, A13F		Pre	A07D, A09A, A09E, A11B, A11F, A13F
	Pre	A07D, A09A, A09E, A11B, A11F, A13F		Pre	A07D, A09A, A09E, A11B, A11F, A13F		Pre	A07D, A09A, A09E, A11B, A11F, A13F
Q37.5	03	D03Z, D40Z, D67Z		Pre	A07D, A09A, A09E, A11B, A11F, A13F		Pre	A07D, A09A, A09E, A11B, A11F, A13F
	15	TPN, VTPN		Pre	A07D, A09A, A09E, A11B, A11F, A13F		Pre	A07D, A09A, A09E, A11B, A11F, A13F
	Pre	A07D, A09A, A09E, A11B, A11F, A13F		Pre	A07D, A09A, A09E, A11B, A11F, A13F		Pre	A07D, A09A, A09E, A11B, A11F, A13F
Q37.8	03	D03Z, D40Z, D67Z		Pre	A07D, A09A, A09E, A11B, A11F, A13F		Pre	A07D, A09A, A09E, A11B, A11F, A13F
	15	TPN, VTPN		Pre	A07D, A09A, A09E, A11B, A11F, A13F		Pre	A07D, A09A, A09E, A11B, A11F, A13F
	Pre	A09A, A11B		Pre	A07D, A09A, A09E, A11B, A11F, A13F		Pre	A07D, A09A, A09E, A11B, A11F, A13F

ICD	MDC	DRG	ICD	MDC	DRG	ICD	MDC	DRG
Q42.2	06	G18A, G38Z, G46A, G46B, G46C, G50Z, G64A, G64B, G64C, G70A, G70B	Q43.6	06	G18A, G38Z, G46A, G46B, G46C, G50Z, G71Z	Q45.8	06	G18A, G38Z, G46A, G46B, G46C, G50Z, G71Z
	15	TPN, VTPN		15	P65C, P66C, P67B, P67C		Pre	A07D, A09A, A09E, A11B, A11F, A13F
	Pre	A07D, A09A, A09E, A11B, A11F, A13F		Pre	A07D, A09A, A09E, A11B, A11F, A13F	Q45.9	06	G18A, G38Z, G46A, G46B, G46C, G50Z, G71Z
Q42.3	06	G18A, G38Z, G46A, G46B, G46C, G50Z, G64A, G64B, G64C, G70A, G70B	Q43.7	06	G18A, G38Z, G46A, G46B, G46C, G50Z, G64A, G64B, G64C, G70A, G70B		Pre	A07D, A09A, A09E, A11B, A11F, A13F
	15	TPN, VTPN		15	P65C, P66C, P67B, P67C	Q50.0	13	N04Z, N05A, N05B, N14Z, N21Z, N25Z, N62A, N62B
	Pre	A07D, A09A, A09E, A11B, A11F, A13F		Pre	A07D, A09A, A09E, A11B, A11F, A13F		Pre	A09A, A11B
Q42.8	06	G18A, G38Z, G46A, G46B, G46C, G50Z, G71Z	Q43.8	06	G18A, G38Z, G46A, G46B, G46C, G50Z, G71Z	Q50.1	13	N04Z, N05A, N05B, N14Z, N21Z, N25Z, N62A, N62B
	15	TPN, VTPN		15	P65C, P66C, P67B, P67C		Pre	A09A, A11B
	Pre	A07D, A09A, A09E, A11B, A11F, A13F		Pre	A07D, A09A, A09E, A11B, A11F, A13F	Q50.2	13	N04Z, N05A, N05B, N14Z, N21Z, N25Z, N62A, N62B
Q42.9	06	G18A, G38Z, G46A, G46B, G46C, G50Z, G71Z	Q43.9	06	G18A, G38Z, G46A, G46B, G46C, G50Z, G71Z		Pre	A09A, A11B
	15	TPN, VTPN		15	P65C, P66C, P67B, P67C	Q50.3	13	N04Z, N05A, N05B, N14Z, N21Z, N25Z, N62A, N62B
	Pre	A07D, A09A, A09E, A11B, A11F, A13F		Pre	A07D, A09A, A09E, A11B, A11F, A13F		Pre	A09A, A11B
Q43.0	06	G40Z, G46A, G46B, G46C, G47Z, G67A, G67B, G67C, G67D, G73Z	Q44.0	07	H63A, H63B, H63C, H78Z	Q50.4	13	N04Z, N05A, N05B, N14Z, N21Z, N25Z, N62A, N62B
	15	TPN, VTPN		Pre	A07D, A09A, A09E, A11B, A11F, A13F		Pre	A09A, A11B
	Pre	A07D, A09A, A09E, A11B, A11F, A13F		Pre	A07D, A09A, A09E, A11B, A11F, A13F	Q50.5	13	N04Z, N05A, N05B, N14Z, N21Z, N25Z, N62A, N62B
Q43.1	06	G18A, G38Z, G46A, G46B, G46C, G50Z, G64A, G64B, G64C, G70A, G70B	Q44.1	07	H63A, H63B, H63C, H78Z		Pre	A09A, A11B
	15	TPN, VTPN		Pre	A07D, A09A, A09E, A11B, A11F, A13F	Q50.6	13	N04Z, N05A, N05B, N14Z, N21Z, N25Z, N62A, N62B
	Pre	A07D, A09A, A09E, A11B, A11F, A13F		Pre	A07D, A09A, A09E, A11B, A11F, A13F		Pre	A09A, A11B
Q43.2	06	G18A, G38Z, G46A, G46B, G46C, G50Z, G71Z	Q44.2	06	G18A, G38Z	Q51.0	13	N04Z, N05A, N05B, N14Z, N21Z, N25Z, N62A, N62B
	15	TPN, VTPN		07	H64Z		Pre	A09A, A11B
	Pre	A07D, A09A, A09E, A11B, A11F, A13F		15	TPN, VTPN	Q51.1	13	N04Z, N05A, N05B, N14Z, N21Z, N25Z, N62A, N62B
Q43.3	06	G18A, G38Z, G46A, G46B, G46C, G50Z, G64A, G64B, G64C, G70A, G70B		Pre	A07D, A09A, A09E, A11B, A11F, A13F		Pre	A09A, A11B
	15	TPN, VTPN	Q44.3	06	G18A, G38Z	Q51.2	13	N04Z, N05A, N05B, N14Z, N21Z, N25Z, N62A, N62B
	Pre	A07D, A09A, A09E, A11B, A11F, A13F		07	H64Z		Pre	A09A, A11B
Q43.4	06	G18A, G38Z, G46A, G46B, G46C, G50Z, G71Z		15	TPN, VTPN	Q51.3	13	N04Z, N05A, N05B, N14Z, N21Z, N25Z, N62A, N62B
	15	TPN, VTPN	Q44.4	07	H63A, H63B, H63C, H78Z		Pre	A09A, A11B
	Pre	A07D, A09A, A09E, A11B, A11F, A13F		Pre	A07D, A09A, A09E, A11B, A11F, A13F	Q51.4	13	N04Z, N05A, N05B, N14Z, N21Z, N25Z, N62A, N62B
Q43.41	06	G18A, G38Z, G46A, G46B, G46C, G50Z, G71Z	Q44.5	07	H63A, H63B, H63C, H78Z		Pre	A09A, A11B
	15	P65C, P66C, P67B, P67C		Pre	A07D, A09A, A09E, A11B, A11F, A13F	Q51.5	13	N04Z, N05A, N05B, N14Z, N21Z, N25Z, N62A, N62B
	Pre	A07D, A09A, A09E, A11B, A11F, A13F	Q44.6	07	H63A, H63B, H63C, H78Z		Pre	A09A, A11B
Q43.42	06	G18A, G38Z, G46A, G46B, G46C, G50Z, G71Z		15	TPN, VTPN	Q51.6	13	N04Z, N05A, N05B, N14Z, N21Z, N25Z, N62A, N62B
	15	P65C, P66C, P67B, P67C		Pre	A07D, A09A, A09E, A11B, A11F, A13F		Pre	A09A, A11B
	Pre	A07D, A09A, A09E, A11B, A11F, A13F	Q44.7	07	H63A, H63B, H63C, H78Z	Q51.7	13	N04Z, N05A, N05B, N14Z, N21Z, N25Z, N62A, N62B
Q43.49	06	G18A, G38Z, G46A, G46B, G46C, G50Z, G71Z		15	TPN, VTPN		Pre	A09A, A11B
	15	P65C, P66C, P67B, P67C	Q45.0	07	H62A, H62B, H62C	Q51.8	13	N04Z, N05A, N05B, N14Z, N21Z, N25Z, N62A, N62B
	Pre	A07D, A09A, A09E, A11B, A11F, A13F		15	TPN, VTPN		Pre	A09A, A11B
Q43.5	06	G18A, G38Z, G46A, G46B, G46C, G50Z, G71Z		Pre	A07D, A09A, A09E, A11B, A11F, A13F	Q51.9	13	N04Z, N05A, N05B, N14Z, N21Z, N25Z, N62A, N62B
	15	P65C, P66C, P67B, P67C	Q45.1	07	H62A, H62B, H62C		Pre	A09A, A11B
	Pre	A07D, A09A, A09E, A11B, A11F, A13F		15	TPN, VTPN	Q52.0	13	N04Z, N05A, N05B, N14Z, N21Z, N25Z, N62A, N62B
	Pre	A07D, A09A, A09E, A11B, A11F, A13F	Q45.2	07	H62A, H62B, H62C		Pre	A09A, A11B
	Pre	A07D, A09A, A09E, A11B, A11F, A13F		15	TPN, VTPN	Q52.1	13	N04Z, N05A, N05B, N14Z, N21Z, N25Z, N62A, N62B
	Pre	A07D, A09A, A09E, A11B, A11F, A13F	Q45.3	07	H62A, H62B, H62C		Pre	A09A, A11B
	Pre	A07D, A09A, A09E, A11B, A11F, A13F		15	TPN, VTPN	Q52.2	13	N04Z, N05A, N05B, N14Z, N21Z, N25Z, N62A, N62B
	Pre	A07D, A09A, A09E, A11B, A11F, A13F		Pre	A07D, A09A, A09E, A11B, A11F, A13F		Pre	A09A, A11B

ICD	MDC	DRG	ICD	MDC	DRG	ICD	MDC	DRG
Q52.3	13	N04Z, N05A, N05B, N14Z, N21Z, N25Z, N62A, N62B	Q56.2	10	K64A, K64B, K64C, K64D	Q62.3	11	L64A, L64B, L74Z
	Pre	A09A, A11B		15	TPN, VTPN		15	P65C, P66C, P67B, P67C
Q52.4	13	N04Z, N05A, N05B, N14Z, N21Z, N25Z, N62A, N62B	Q56.3	10	K64A, K64B, K64C, K64D	Q62.4	11	L64A, L64B, L74Z
	Pre	A09A, A11B		15	TPN, VTPN		Pre	A09A, A11B
Q52.5	13	N04Z, N05A, N05B, N14Z, N21Z, N25Z, N62A, N62B	Q56.4	10	K64A, K64B, K64C, K64D	Q62.5	11	L64A, L64B, L74Z
	Pre	A09A, A11B		15	TPN, VTPN		Pre	A09A, A11B
Q52.6	13	N04Z, N05A, N05B, N14Z, N21Z, N25Z, N62A, N62B	Q60.0	11	L64A, L64B, L74Z	Q62.6	11	L64A, L64B, L74Z
	Pre	A09A, A11B		15	TPN, VTPN		Pre	A09A, A11B
Q52.7	13	N04Z, N05A, N05B, N14Z, N21Z, N25Z, N62A, N62B	Q60.1	06	G18A, G38Z	Q62.7	11	L64A, L64B, L74Z
	Pre	A09A, A11B		11	L68A, L68B, L74Z		Pre	A09A, A11B
Q52.8	13	N04Z, N05A, N05B, N14Z, N21Z, N25Z, N62A, N62B		15	TPN, VTPN	Q62.8	11	L64A, L64B, L74Z
	Pre	A09A, A11B		Pre	A07D, A09A, A09E, A11B, A11F, A13F		Pre	A09A, A11B
Q52.9	13	N04Z, N05A, N05B, N14Z, N21Z, N25Z, N62A, N62B	Q60.2	11	L64A, L64B, L74Z	Q63.0	11	L64A, L64B, L74Z
	Pre	A09A, A11B		15	TPN, VTPN		Pre	A09A, A11B
Q53.0	12	M64Z	Q60.3	11	L64A, L64B, L74Z	Q63.1	11	L64A, L64B, L74Z
	Pre	A09A, A11B		15	TPN, VTPN		Pre	A09A, A11B
Q53.1	12	M64Z	Q60.4	06	G18A, G38Z	Q63.2	11	L64A, L64B, L74Z
	Pre	A09A, A11B		11	L68A, L68B, L74Z		Pre	A09A, A11B
Q53.2	12	M64Z		15	TPN, VTPN	Q63.3	11	L64A, L64B, L74Z
	Pre	A09A, A11B		Pre	A09A, A11B		Pre	A09A, A11B
Q53.9	12	M64Z	Q60.5	11	L64A, L64B, L74Z	Q63.8	11	L64A, L64B, L74Z
	Pre	A09A, A11B		15	TPN, VTPN		Pre	A09A, A11B
Q54.0	12	M64Z	Q60.6	06	G18A, G38Z	Q63.9	11	L64A, L64B, L74Z
	Pre	A09A, A11B		11	L64A, L64B, L74Z		Pre	A09A, A11B
Q54.1	12	M64Z		15	TPN, VTPN	Q64.0	12	M64Z
	Pre	A09A, A11B		Pre	A09A, A11B		13	N04Z, N05A, N05B, N14Z, N21Z, N25Z, N62A, N62B
Q54.2	12	M64Z	Q61.0	11	L68A, L68B, L74Z		Pre	A09A, A11B
	Pre	A09A, A11B		15	P65C, P66C, P67B, P67C	Q64.1	11	L68A, L68B, L74Z
Q54.3	12	M64Z		Pre	A09A, A11B		15	TPN, VTPN
	Pre	A09A, A11B		Pre	A09A, A11B		Pre	A09A, A11B
Q54.4	12	M64Z	Q61.1	11	L68A, L68B, L74Z	Q64.2	11	L68A, L68B, L74Z
	Pre	A09A, A11B		15	TPN, VTPN		15	TPN, VTPN
Q54.8	12	M64Z		Pre	A09A, A11B		Pre	A09A, A11B
	Pre	A09A, A11B		Pre	A09A, A11B	Q64.3	11	L68A, L68B, L74Z
Q54.9	12	M64Z	Q61.2	11	L68A, L68B, L74Z		15	TPN, VTPN
	Pre	A09A, A11B		15	P65C, P66C, P67B, P67C		Pre	A09A, A11B
Q55.0	12	M64Z		Pre	A09A, A11B	Q64.4	11	L68A, L68B, L74Z
	Pre	A09A, A11B		Pre	A09A, A11B		15	P65C, P66C, P67B, P67C
Q55.1	12	M64Z	Q61.3	11	L68A, L68B, L74Z		Pre	A09A, A11B
	Pre	A09A, A11B		15	P65C, P66C, P67B, P67C	Q64.5	11	L68A, L68B, L74Z
Q55.2	12	M64Z		Pre	A09A, A11B		15	P65C, P66C, P67B, P67C
	Pre	A09A, A11B		Pre	A09A, A11B		Pre	A09A, A11B
Q55.3	12	M64Z	Q61.4	11	L68A, L68B, L74Z	Q64.6	11	L68A, L68B, L74Z
	Pre	A09A, A11B		15	P65C, P66C, P67B, P67C		15	P65C, P66C, P67B, P67C
Q55.4	12	M64Z		Pre	A09A, A11B		Pre	A09A, A11B
	Pre	A09A, A11B		Pre	A09A, A11B	Q64.7	11	L68A, L68B, L74Z
Q55.5	12	M64Z	Q61.5	11	L68A, L68B, L74Z		15	P65C, P66C, P67B, P67C
	Pre	A09A, A11B		15	P65C, P66C, P67B, P67C		Pre	A09A, A11B
Q55.6	12	M64Z		Pre	A09A, A11B	Q64.8	11	L68A, L68B, L74Z
	Pre	A09A, A11B		Pre	A09A, A11B		Pre	A09A, A11B
Q55.8	12	M64Z	Q61.8	11	L68A, L68B, L74Z	Q64.9	11	L68A, L68B, L74Z
	Pre	A09A, A11B		15	P65C, P66C, P67B, P67C		Pre	A09A, A11B
Q55.9	12	M64Z		Pre	A09A, A11B	Q65.0	08	I76A
	Pre	A09A, A11B		Pre	A09A, A11B		15	P65C, P66C, P67B, P67C
Q56.0	10	K64A, K64B, K64C, K64D	Q61.9	11	L68A, L68B, L74Z		Pre	A09A, A11B
	15	TPN, VTPN		15	P65C, P66C, P67B, P67C	Q65.1	08	I76A
	Pre	A09A, A11B		Pre	A09A, A11B		15	P65C, P66C, P67B, P67C
Q56.1	10	K64A, K64B, K64C, K64D	Q62.0	11	L64A, L64B, L74Z		Pre	A09A, A11B
	15	TPN, VTPN		15	P65C, P66C, P67B, P67C	Q65.2	08	I76A
	Pre	A09A, A11B		Pre	A09A, A11B		15	P65C, P66C, P67B, P67C
	Pre	A09A, A11B	Q62.1	11	L64A, L64B, L74Z		Pre	A09A, A11B
	Pre	A09A, A11B		15	P65C, P66C, P67B, P67C	Q65.3	08	I76A, I76B
	Pre	A09A, A11B		Pre	A09A, A11B		15	P65C, P66C, P67B, P67C
	Pre	A09A, A11B	Q62.2	11	L64A, L64B, L74Z		Pre	A09A, A11B
	Pre	A09A, A11B		15	P65C, P66C, P67B, P67C	Q65.4	08	I76A, I76B
	Pre	A09A, A11B		Pre	A09A, A11B		15	P65C, P66C, P67B, P67C
	Pre	A09A, A11B		Pre	A09A, A11B		Pre	A09A, A11B

ICD	MDC	DRG	ICD	MDC	DRG	ICD	MDC	DRG
Q65.5	08	I76A, I76B	Q69.0	08	I32A, I32B, I32C, I32D, I32E, I32F, I32G, I76A, I76B	Q72.3	08	I33Z, I76A, I76B
	15	P65C, P66C, P67B, P67C				15	P65C, P66C, P67B, P67C	
	Pre	A09A, A11B		Pre	A09A, A11B	Pre	A09A, A11B	
Q65.6	08	I76A, I76B	Q69.1	08	I32A, I32B, I32C, I32D, I32E, I32F, I32G, I76A, I76B	Q72.4	08	I33Z, I76A, I76B
	15	P65C, P66C, P67B, P67C				15	P65C, P66C, P67B, P67C	
	Pre	A09A, A11B		Pre	A09A, A11B	Pre	A09A, A11B	
Q65.8	08	I76A, I76B	Q69.2	08	I76A, I76B	Q72.5	08	I33Z, I76A, I76B
	Pre	A09A, A11B		Pre	A09A, A11B	15	P65C, P66C, P67B, P67C	
Q65.9	08	I76A, I76B	Q69.9	08	I76A, I76B	Pre	A09A, A11B	
	Pre	A09A, A11B		Pre	A09A, A11B	Q72.6	08	I33Z, I76A, I76B
Q66.0	08	I76A, I76B	Q70.0	08	I32A, I32B, I32C, I32D, I32G, I76A, I76B	15	P65C, P66C, P67B, P67C	
	Pre	A09A, A11B		Pre	A09A, A11B	Pre	A09A, A11B	
Q66.1	08	I76A, I76B	Q70.1	08	I32A, I32B, I32C, I32D, I32G, I76A, I76B	Q72.7	08	I33Z, I76A, I76B
	Pre	A09A, A11B		Pre	A09A, A11B	15	P65C, P66C, P67B, P67C	
Q66.2	08	I76A, I76B	Q70.2	08	I76A, I76B	Pre	A09A, A11B	
	Pre	A09A, A11B		Pre	A09A, A11B	Q72.8	08	I33Z, I76A, I76B
Q66.3	08	I76A, I76B	Q70.3	08	I76A, I76B	15	P65C, P66C, P67B, P67C	
	Pre	A09A, A11B		Pre	A09A, A11B	Pre	A09A, A11B	
Q66.4	08	I76A, I76B	Q70.4	08	I32B, I32C, I32D, I76A, I76B	Q72.9	08	I33Z, I76A, I76B
	Pre	A09A, A11B		Pre	A09A, A11B	Pre	A09A, A11B	
Q66.5	08	I76A, I76B	Q70.9	08	I32B, I32C, I32D, I76A, I76B	Q73.0	08	I33Z, I76A, I76B
	Pre	A09A, A11B		Pre	A09A, A11B	Pre	A09A, A11B	
Q66.6	08	I76A, I76B	Q71.0	08	I32A, I32B, I32C, I32D, I32G, I33Z, I76A, I76B	Q73.1	08	I33Z, I76A, I76B
	Pre	A09A, A11B		15	P65C, P66C, P67B, P67C	Pre	A09A, A11B	
Q66.7	08	I76A, I76B	Q71.1	08	I32A, I32B, I32C, I32D, I32G, I33Z, I76A, I76B	Q73.8	08	I33Z, I76A, I76B
	Pre	A09A, A11B		Pre	A09A, A11B	Pre	A09A, A11B	
Q66.8	08	I76A, I76B	Q71.2	08	I32B, I32C, I32D, I33Z, I76A, I76B	Q74.0	08	I33Z, I76A
	Pre	A09A, A11B		15	P65C, P66C, P67B, P67C	Pre	A09A, A11B	
Q66.9	08	I76A, I76B	Q71.3	08	I32A, I32B, I32C, I32D, I32G, I33Z, I76A, I76B	Q74.1	08	I33Z, I76A
	Pre	A09A, A11B		15	P65C, P66C, P67B, P67C	Pre	A09A, A11B	
Q67.0	08	I76A, I76B	Q71.4	08	I32B, I32C, I32D, I33Z, I76A, I76B	Q74.2	08	I33Z, I76A
	15	P65C, P66C, P67B, P67C		15	P65C, P66C, P67B, P67C	Pre	A09A, A11B	
	Pre	A09A, A11B	Q71.5	08	I32B, I32C, I32D, I33Z, I76A, I76B	Q74.3	08	I33Z, I76A
Q67.1	08	I76A, I76B		15	P65C, P66C, P67B, P67C	15	TPN, VTPN	
	Pre	A09A, A11B	Q71.6	08	I32A, I32B, I32C, I32D, I32G, I33Z, I76A, I76B	Pre	A09A, A11B	
Q67.2	08	I76A, I76B		15	P65C, P66C, P67B, P67C	Q74.8	08	I33Z, I76A, I76B
	Pre	A09A, A11B		Pre	A09A, A11B	Pre	A09A, A11B	
Q67.3	08	I76A, I76B	Q71.8	08	I32B, I32C, I32D, I33Z, I76A, I76B	Q74.9	08	I33Z, I76A, I76B
	Pre	A09A, A11B		Pre	A09A, A11B	Pre	A09A, A11B	
Q67.4	08	I76A, I76B	Q71.9	08	I32B, I32C, I32D, I33Z, I76A, I76B	Q75.0	08	I76A, I76B
	Pre	A09A, A11B		15	P65C, P66C, P67B, P67C	15	TPN, VTPN	
Q67.5	08	I06A, I06B, I06C, I06D, I06E, I09A, I09B, I09C, I09D, I09E, I76A, I76B	Q72.0	08	I33Z, I76A, I76B	Pre	A09A, A11B	
	15	P65C, P66C, P67B, P67C		15	P65C, P66C, P67B, P67C	Q75.1	08	I76A, I76B
	Pre	A09A, A11B	Q72.1	08	I33Z, I76A, I76B	15	TPN, VTPN	
Q67.6	04	E75A, E75B, E75C		Pre	A09A, A11B	Pre	A09A, A11B	
	Pre	A09A, A11B	Q72.2	08	I33Z, I76A, I76B	Q75.2	08	I76A, I76B
Q67.7	04	E75A, E75B, E75C		15	P65C, P66C, P67B, P67C	15	TPN, VTPN	
	Pre	A09A, A11B	Q72.3	08	I33Z, I76A, I76B	Pre	A09A, A11B	
Q67.8	08	I76A, I76B		Pre	A09A, A11B	Q75.3	08	I76A, I76B
	Pre	A09A, A11B	Q72.4	08	I33Z, I76A, I76B	15	TPN, VTPN	
Q68.0	08	I76A, I76B		15	P65C, P66C, P67B, P67C	Pre	A09A, A11B	
	Pre	A09A, A11B	Q72.5	08	I33Z, I76A, I76B	Q75.4	08	I76A, I76B
Q68.1	08	I32A, I32B, I32C, I32D, I32G, I76A, I76B		Pre	A09A, A11B	15	TPN, VTPN	
	Pre	A09A, A11B	Q72.6	08	I33Z, I76A, I76B	Pre	A09A, A11B	
Q68.2	08	I77Z		15	P65C, P66C, P67B, P67C	Q75.5	08	I76A, I76B
	15	P65C, P66C, P67B, P67C	Q72.7	08	I33Z, I76A, I76B	15	TPN, VTPN	
	Pre	A09A, A11B	Q72.8	08	I33Z, I76A, I76B	Pre	A09A, A11B	
Q68.3	08	I76A, I76B		Pre	A09A, A11B	Q75.6	08	I76A, I76B
	Pre	A09A, A11B	Q72.9	08	I33Z, I76A, I76B	15	TPN, VTPN	
Q68.4	08	I76A, I76B		15	P65C, P66C, P67B, P67C	Pre	A09A, A11B	
	Pre	A09A, A11B	Q73.0	08	I33Z, I76A, I76B	Q75.7	08	I76A, I76B
Q68.5	08	I76A, I76B		Pre	A09A, A11B	15	TPN, VTPN	
	Pre	A09A, A11B	Q73.1	08	I33Z, I76A, I76B	Pre	A09A, A11B	
Q68.8	08	I76A, I76B		15	P65C, P66C, P67B, P67C	Q75.8	08	I76A, I76B
	Pre	A09A, A11B	Q73.8	08	I33Z, I76A, I76B	15	TPN, VTPN	
	Pre	A09A, A11B	Q74.0	08	I33Z, I76A	Pre	A09A, A11B	
			Q74.1	08	I33Z, I76A	Q75.9	08	I76A, I76B
			Q74.2	08	I33Z, I76A	15	TPN, VTPN	
			Q74.3	08	I33Z, I76A	Pre	A09A, A11B	
			Q74.8	08	I33Z, I76A, I76B	Q76.0	01	B03A, B03B, B06A, B06B, B17A, B17B, B17C, B17D, B81A, B81B
			Q74.9	08	I33Z, I76A, I76B		Pre	A09A, A11B
			Q75.0	08	I76A, I76B			
			Q75.1	08	I76A, I76B			
			Q75.2	08	I76A, I76B			
			Q75.3	08	I76A, I76B			
			Q75.4	08	I76A, I76B			
			Q75.5	08	I76A, I76B			
			Q75.6	08	I76A, I76B			
			Q75.7	08	I76A, I76B			
			Q75.8	08	I76A, I76B			
			Q75.9	08	I76A, I76B			
			Q76.0	01	B03A, B03B, B06A, B06B, B17A, B17B, B17C, B17D, B81A, B81B			
				Pre	A09A, A11B			

ICD	MDC	DRG	ICD	MDC	DRG	ICD	MDC	DRG
Q76.1	08	I76A, I76B	Q78.1	08	I76A, I76B	Q80.0	09	J08A, J08B, J08C, J61A, J61B, J61C, J68A, J68B
	15	TPN, VTPN		15	TPN, VTPN		15	TPN, VTPN
	Pre	A09A, A11B		Pre	A07D, A09A, A09E, A11B, A11F, A13F		Pre	A07D, A09A, A09E, A11B, A11F, A13F
Q76.21	08	I68A, I68B, I68C, I68D, I68E	Q78.2	08	I76A, I76B	Q80.1	09	J08A, J08B, J08C, J61A, J61B, J61C, J68A, J68B
	Pre	A09A, A11B		15	TPN, VTPN		15	TPN, VTPN
Q76.22	08	I68A, I68B, I68C, I68D, I68E		Pre	A07D, A09A, A09E, A11B, A11F, A13F		Pre	A07D, A09A, A09E, A11B, A11F, A13F
	Pre	A09A, A11B	Q78.3	08	I76A, I76B	Q80.2	09	J08A, J08B, J08C, J61A, J61B, J61C, J68A, J68B
Q76.3	08	I68A, I68B, I68C, I68D, I68E		15	TPN, VTPN		15	TPN, VTPN
	15	P65C, P66C, P67B, P67C		Pre	A07D, A09A, A09E, A11B, A11F, A13F		Pre	A07D, A09A, A09E, A11B, A11F, A13F
	Pre	A09A, A11B	Q78.4	08	I76A, I76B	Q80.3	09	J08A, J08B, J08C, J61A, J61B, J61C, J68A, J68B
Q76.4	08	I68A, I68B, I68C, I68D, I68E		15	TPN, VTPN		15	TPN, VTPN
	15	P65C, P66C, P67B, P67C		Pre	A07D, A09A, A09E, A11B, A11F, A13F		Pre	A07D, A09A, A09E, A11B, A11F, A13F
	Pre	A09A, A11B	Q78.5	08	I76A, I76B	Q80.4	09	J08A, J08B, J08C, J61A, J61B, J61C, J68A, J68B
Q76.5	08	I76A, I76B		15	TPN, VTPN		15	TPN, VTPN
	Pre	A09A, A11B		Pre	A07D, A09A, A09E, A11B, A11F, A13F		Pre	A07D, A09A, A09E, A11B, A11F, A13F
Q76.6	04	E75A, E75B, E75C	Q78.6	08	I76A, I76B	Q80.8	09	J08A, J08B, J08C, J61A, J61B, J61C, J68A, J68B
	Pre	A09A, A11B		15	TPN, VTPN		15	TPN, VTPN
Q76.7	04	E75A, E75B, E75C		Pre	A07D, A09A, A09E, A11B, A11F, A13F		Pre	A07D, A09A, A09E, A11B, A11F, A13F
	Pre	A09A, A11B	Q78.8	08	I76A, I76B	Q80.9	09	J08A, J08B, J08C, J61A, J61B, J61C, J68A, J68B
Q76.8	08	I76A, I76B		15	TPN, VTPN		15	TPN, VTPN
	Pre	A09A, A11B		Pre	A07D, A09A, A09E, A11B, A11F, A13F		Pre	A07D, A09A, A09E, A11B, A11F, A13F
Q76.9	08	I76A, I76B	Q78.9	08	I76A, I76B	Q81.0	09	J67A, J67B, J68A
	Pre	A09A, A11B		15	TPN, VTPN		Pre	A07D, A09A, A09E, A11B, A11F, A13F
Q77.0	08	I76A, I76B		Pre	A07D, A09A, A09E, A11B, A11F, A13F	Q81.1	09	J61A, J61B, J61C, J68A
	15	TPN, VTPN		Pre	A07D, A09A, A09E, A11B, A11F, A13F		Pre	A07D, A09A, A09E, A11B, A11F, A13F
	Pre	A07D, A09A, A09E, A11B, A11F, A13F	Q79.0	04	E75A, E75B, E75C	Q81.2	09	J61A, J61B, J61C, J68A
Q77.1	08	I76A, I76B		06	G18A, G38Z		Pre	A07D, A09A, A09E, A11B, A11F, A13F
	15	TPN, VTPN		15	TPN, VTPN	Q81.8	09	J67A, J67B, J68A
	Pre	A07D, A09A, A09E, A11B, A11F, A13F		Pre	A07D, A09A, A09E, A11B, A11F, A13F		Pre	A07D, A09A, A09E, A11B, A11F, A13F
Q77.2	08	I76A, I76B	Q79.1	04	E75A, E75B, E75C	Q81.9	09	J67A, J67B, J68A
	15	TPN, VTPN		15	TPN, VTPN		Pre	A07D, A09A, A09E, A11B, A11F, A13F
	Pre	A07D, A09A, A09E, A11B, A11F, A13F		Pre	A07D, A09A, A09E, A11B, A11F, A13F	Q82.0	09	J02A, J02B, J02C, J03A, J03B, J04A, J04B, J08A, J08B, J08C, J67A, J67B, J68A, J68B
Q77.3	08	I76A, I76B	Q79.2	06	G18A, G38Z, G46A, G46B, G46C, G50Z, G71Z		15	P65C, P66C, P67B, P67C
	15	TPN, VTPN		15	TPN, VTPN		Pre	A07D, A09A, A09E, A11B, A11F, A13F
	Pre	A07D, A09A, A09E, A11B, A11F, A13F		Pre	A07D, A09A, A09E, A11B, A11F, A13F	Q82.1	09	J61A, J61B, J61C, J68A, J68B
Q77.4	08	I76A, I76B	Q79.3	06	G18A, G38Z, G46A, G46B, G46C, G50Z, G71Z		Pre	A07D, A09A, A09E, A11B, A11F, A13F
	15	TPN, VTPN		15	TPN, VTPN	Q82.2	09	J67A, J67B, J68A, J68B
	Pre	A07D, A09A, A09E, A11B, A11F, A13F		Pre	A07D, A09A, A09E, A11B, A11F, A13F		Pre	A07D, A09A, A09E, A11B, A11F, A13F
Q77.5	08	I76A, I76B	Q79.4	06	G18A, G38Z, G46A, G46B, G46C, G50Z, G71Z	Q82.3	09	J67A, J67B, J68A, J68B
	15	TPN, VTPN		15	TPN, VTPN		Pre	A07D, A09A, A09E, A11B, A11F, A13F
	Pre	A07D, A09A, A09E, A11B, A11F, A13F		Pre	A07D, A09A, A09E, A11B, A11F, A13F	Q82.4	09	J67A, J67B, J68A, J68B
Q77.6	08	I76A, I76B	Q79.5	06	G18A, G38Z, G46A, G46B, G46C, G50Z, G71Z		Pre	A09A, A11B
	15	TPN, VTPN		15	TPN, VTPN	Q82.5	09	J67A, J67B, J68A, J68B
	Pre	A07D, A09A, A09E, A11B, A11F, A13F		Pre	A07D, A09A, A09E, A11B, A11F, A13F		Pre	A09A, A11B
Q77.7	08	I76A, I76B	Q79.6	08	I76A, I76B			
	15	TPN, VTPN		15	TPN, VTPN			
	Pre	A07D, A09A, A09E, A11B, A11F, A13F		Pre	A07D, A09A, A09E, A11B, A11F, A13F			
Q77.8	08	I76A, I76B	Q79.8	08	I76A, I76B			
	15	TPN, VTPN		15	TPN, VTPN			
	Pre	A07D, A09A, A09E, A11B, A11F, A13F		Pre	A07D, A09A, A09E, A11B, A11F, A13F			
Q77.9	08	I76A, I76B	Q79.9	08	I76A, I76B			
	15	TPN, VTPN		15	TPN, VTPN			
	Pre	A07D, A09A, A09E, A11B, A11F, A13F		Pre	A07D, A09A, A09E, A11B, A11F, A13F			
Q78.0	08	I76A, I76B		Pre	A07D, A09A, A09E, A11B, A11F, A13F			
	15	TPN, VTPN						
	Pre	A07D, A09A, A09E, A11B, A11F, A13F						

ICD	MDC	DRG	ICD	MDC	DRG	ICD	MDC	DRG
Q82.8	09	J67A, J67B, J68A, J68B	Q86.8	15	TPN, VTPN	Q89.9	23	Z65Z
	Pre	A09A, A11B		23	Z65Z		Pre	A07D, A09A, A09E, A11B, A11F, A13F
Q82.9	09	J67A, J67B, J68A, J68B		Pre	A07D, A09A, A09E, A11B, A11F, A13F	Q90.0	01	B81A, B81B
	Pre	A09A, A11B	Q87.0	04	E77A, E77B		06	G18A, G38Z
Q83.0	09	J67A, J67B		06	G18A, G38Z		15	TPN, VTPN
	Pre	A09A, A11B		15	TPN, VTPN		Pre	A07D, A09A, A09E, A11B, A11F, A13F
Q83.1	09	J67A, J67B		Pre	A07D, A09A, A09E, A11B, A11F, A13F	Q90.1	01	B81A, B81B
	Pre	A09A, A11B	Q87.1	04	E77A, E77B		06	G18A, G38Z
Q83.2	09	J67A, J67B		06	G18A, G38Z		15	TPN, VTPN
	Pre	A09A, A11B		15	TPN, VTPN		Pre	A07D, A09A, A09E, A11B, A11F, A13F
Q83.3	09	J67A, J67B		Pre	A07D, A09A, A09E, A11B, A11F, A13F	Q90.2	01	B81A, B81B
	Pre	A09A, A11B	Q87.2	04	E77A, E77B		06	G18A, G38Z
Q83.8	09	J01Z, J67A, J67B		06	G18A, G38Z		15	TPN, VTPN
	Pre	A09A, A11B		15	TPN, VTPN		Pre	A07D, A09A, A09E, A11B, A11F, A13F
Q83.9	09	J67A, J67B		Pre	A07D, A09A, A09E, A11B, A11F, A13F	Q90.9	01	B81A, B81B
	Pre	A09A, A11B	Q87.3	04	E77A, E77B		06	G18A, G38Z
Q84.0	09	J67A, J67B, J68A, J68B		06	G18A, G38Z		15	TPN, VTPN
	Pre	A09A, A11B		15	TPN, VTPN		Pre	A07D, A09A, A09E, A11B, A11F, A13F
Q84.1	09	J67A, J67B, J68A, J68B		Pre	A07D, A09A, A09E, A11B, A11F, A13F	Q91.0	01	B81A, B81B
	Pre	A09A, A11B	Q87.4	04	E77A, E77B		06	G18A, G38Z
Q84.2	09	J67A, J67B, J68A, J68B		06	G18A, G38Z		15	TPN, VTPN
	Pre	A09A, A11B		15	TPN, VTPN		Pre	A07D, A09A, A09E, A11B, A11F, A13F
Q84.3	09	J67A, J67B, J68A, J68B		Pre	A07D, A09A, A09E, A11B, A11F, A13F	Q91.0	01	B81A, B81B
	Pre	A09A, A11B	Q87.5	04	E77A, E77B		06	G18A, G38Z
Q84.4	09	J67A, J67B, J68A, J68B		06	G18A, G38Z		15	TPN, VTPN
	Pre	A09A, A11B		15	TPN, VTPN		Pre	A07D, A09A, A09E, A11B, A11F, A13F
Q84.5	09	J67A, J67B, J68A, J68B		23	Z65Z	Q91.1	01	B81A, B81B
	Pre	A09A, A11B		Pre	A07D, A09A, A09E, A11B, A11F, A13F		06	G18A, G38Z
Q84.6	09	J67A, J67B, J68A, J68B		Pre	A07D, A09A, A09E, A11B, A11F, A13F		15	TPN, VTPN
	Pre	A09A, A11B	Q87.8	04	E77A, E77B		Pre	A07D, A09A, A09E, A11B, A11F, A13F
Q84.8	09	J67A, J67B, J68A, J68B		06	G18A, G38Z	Q91.2	01	B81A, B81B
	Pre	A09A, A11B		15	TPN, VTPN		06	G18A, G38Z
Q84.9	09	J67A, J67B, J68A, J68B		Pre	A07D, A09A, A09E, A11B, A11F, A13F		15	TPN, VTPN
	Pre	A09A, A11B	Q89.0	15	P65C, P66C, P67B, P67C		Pre	A07D, A09A, A09E, A11B, A11F, A13F
Q85.0	01	B81A, B81B		16	Q60A, Q60B, Q60C	Q91.3	01	B81A, B81B
	15	TPN, VTPN		Pre	A07D, A09A, A09E, A11B, A11F, A13F		06	G18A, G38Z
	Pre	A07D, A09A, A09E, A11B, A11F, A13F	Q89.1	10	K64A, K64B, K64C, K64D		15	TPN, VTPN
Q85.1	01	B03A, B03B, B06A, B06B, B17A, B17B, B17C, B17D, B81A, B81B		15	TPN, VTPN		Pre	A07D, A09A, A09E, A11B, A11F, A13F
	15	TPN, VTPN		Pre	A07D, A09A, A09E, A11B, A11F, A13F	Q91.4	01	B81A, B81B
	Pre	A07D, A09A, A09E, A11B, A11F, A13F	Q89.2	10	K64A, K64B, K64C, K64D		06	G18A, G38Z
Q85.8	15	TPN, VTPN		Pre	A07D, A09A, A09E, A11B, A11F, A13F		15	TPN, VTPN
	17	R04A, R04B, R12A, R12B, R12C, R13Z, R14Z, R62A, R62B, R62C		Pre	A07D, A09A, A09E, A11B, A11F, A13F		Pre	A07D, A09A, A09E, A11B, A11F, A13F
	Pre	A07D, A09A, A09E, A11B, A11F, A13F	Q89.3	06	G18A, G38Z, G46A, G46B, G46C, G50Z, G71Z	Q91.5	01	B81A, B81B
Q85.9	15	TPN, VTPN		Pre	P65C, P66C, P67B, P67C		06	G18A, G38Z
	17	R04A, R04B, R12A, R12B, R12C, R13Z, R14Z, R62A, R62B, R62C		Pre	A09A, A11B		15	TPN, VTPN
	Pre	A07D, A09A, A09E, A11B, A11F, A13F	Q89.4	06	G18A, G38Z		Pre	A07D, A09A, A09E, A11B, A11F, A13F
Q86.0	06	G18A, G38Z		15	TPN, VTPN	Q91.6	01	B81A, B81B
	23	Z65Z		23	Z65Z		06	G18A, G38Z
	Pre	A07D, A09A, A09E, A11B, A11F, A13F	Q89.7	15	TPN, VTPN		15	TPN, VTPN
Q86.1	15	TPN, VTPN		23	Z65Z		Pre	A07D, A09A, A09E, A11B, A11F, A13F
	23	Z65Z		Pre	A07D, A09A, A09E, A11B, A11F, A13F	Q91.7	01	B81A, B81B
	Pre	A07D, A09A, A09E, A11B, A11F, A13F	Q89.8	15	TPN, VTPN		06	G18A, G38Z
Q86.2	15	TPN, VTPN		23	Z65Z		15	TPN, VTPN
	23	Z65Z		Pre	A07D, A09A, A09E, A11B, A11F, A13F		23	Z64A, Z64B
	Pre	A07D, A09A, A09E, A11B, A11F, A13F		Pre	A07D, A09A, A09E, A11B, A11F, A13F		Pre	A07D, A09A, A09E, A11B, A11F, A13F

ICD	MDC	DRG	ICD	MDC	DRG	ICD	MDC	DRG
Q92.1	06	G18A, G38Z	Q93.7	01	B81A, B81B	Q96.4	12	M64Z
	15	TPN, VTPN		15	TPN, VTPN		13	N04Z, N05A, N05B, N14Z, N21Z, N25Z, N62A, N62B
	23	Z64A, Z64B		Pre	A07D, A09A, A09E, A11B, A11F, A13F		15	P65C, P66C, P67B, P67C
	Pre	A07D, A09A, A09E, A11B, A11F, A13F	Q93.8	01	B81A, B81B	Pre	A07D, A09A, A09E, A11B, A11F, A13F	
Q92.2	06	G18A, G38Z		15	TPN, VTPN	Q96.8	12	M64Z
	15	TPN, VTPN		Pre	A07D, A09A, A09E, A11B, A11F, A13F		13	N04Z, N05A, N05B, N14Z, N21Z, N25Z, N62A, N62B
	23	Z64A, Z64B		Pre	A07D, A09A, A09E, A11B, A11F, A13F		15	P65C, P66C, P67B, P67C
	Pre	A07D, A09A, A09E, A11B, A11F, A13F	Q93.9	01	B81A, B81B	Pre	A07D, A09A, A09E, A11B, A11F, A13F	
Q92.3	06	G18A, G38Z		15	TPN, VTPN	Q96.9	12	M64Z
	15	TPN, VTPN		Pre	A07D, A09A, A09E, A11B, A11F, A13F		13	N04Z, N05A, N05B, N14Z, N21Z, N25Z, N62A, N62B
	23	Z64A, Z64B		Pre	A07D, A09A, A09E, A11B, A11F, A13F		15	P65C, P66C, P67B, P67C
	Pre	A07D, A09A, A09E, A11B, A11F, A13F	Q95.0	23	Z64A, Z64B	Pre	A07D, A09A, A09E, A11B, A11F, A13F	
Q92.4	15	TPN, VTPN		Pre	A07D, A09A, A09E, A11B, A11F, A13F	Q97.0	12	M64Z
	23	Z64A, Z64B		Pre	A07D, A09A, A09E, A11B, A11F, A13F		13	N04Z, N05A, N05B, N14Z, N21Z, N25Z, N62A, N62B
	Pre	A07D, A09A, A09E, A11B, A11F, A13F	Q95.1	23	Z64A, Z64B		15	P65C, P66C, P67B, P67C
Q92.5	15	TPN, VTPN		Pre	A07D, A09A, A09E, A11B, A11F, A13F	Pre	A07D, A09A, A09E, A11B, A11F, A13F	
	23	Z64A, Z64B		Pre	A07D, A09A, A09E, A11B, A11F, A13F	Q97.1	12	M64Z
	Pre	A07D, A09A, A09E, A11B, A11F, A13F	Q95.2	15	TPN, VTPN		13	N04Z, N05A, N05B, N14Z, N21Z, N25Z, N62A, N62B
Q92.6	15	TPN, VTPN		23	Z64A, Z64B		15	P65C, P66C, P67B, P67C
	23	Z64A, Z64B		Pre	A07D, A09A, A09E, A11B, A11F, A13F	Pre	A07D, A09A, A09E, A11B, A11F, A13F	
	Pre	A07D, A09A, A09E, A11B, A11F, A13F	Q95.3	15	TPN, VTPN	Q97.2	12	M64Z
Q92.7	15	TPN, VTPN		23	Z64A, Z64B		13	N04Z, N05A, N05B, N14Z, N21Z, N25Z, N62A, N62B
	23	Z64A, Z64B		Pre	A07D, A09A, A09E, A11B, A11F, A13F		15	P65C, P66C, P67B, P67C
	Pre	A07D, A09A, A09E, A11B, A11F, A13F	Q95.4	15	TPN, VTPN	Pre	A07D, A09A, A09E, A11B, A11F, A13F	
Q92.8	15	TPN, VTPN		23	Z64A, Z64B	Q97.3	12	M64Z
	23	Z64A, Z64B		Pre	A07D, A09A, A09E, A11B, A11F, A13F		13	N04Z, N05A, N05B, N14Z, N21Z, N25Z, N62A, N62B
	Pre	A07D, A09A, A09E, A11B, A11F, A13F	Q95.5	15	TPN, VTPN		15	P65C, P66C, P67B, P67C
Q92.9	15	TPN, VTPN		23	Z64A, Z64B	Pre	A07D, A09A, A09E, A11B, A11F, A13F	
	23	Z64A, Z64B		Pre	A07D, A09A, A09E, A11B, A11F, A13F	Q97.8	12	M64Z
	Pre	A07D, A09A, A09E, A11B, A11F, A13F	Q95.8	15	TPN, VTPN		13	N04Z, N05A, N05B, N14Z, N21Z, N25Z, N62A, N62B
Q93.0	01	B81A, B81B		23	Z64A, Z64B		15	P65C, P66C, P67B, P67C
	15	TPN, VTPN		Pre	A07D, A09A, A09E, A11B, A11F, A13F	Pre	A07D, A09A, A09E, A11B, A11F, A13F	
	Pre	A07D, A09A, A09E, A11B, A11F, A13F	Q95.9	15	TPN, VTPN	Q97.9	12	M64Z
Q93.1	01	B81A, B81B		23	Z64A, Z64B		13	N04Z, N05A, N05B, N14Z, N21Z, N25Z, N62A, N62B
	15	TPN, VTPN		Pre	A07D, A09A, A09E, A11B, A11F, A13F		15	P65C, P66C, P67B, P67C
	Pre	A07D, A09A, A09E, A11B, A11F, A13F	Q96.0	12	M64Z	Pre	A07D, A09A, A09E, A11B, A11F, A13F	
Q93.2	01	B81A, B81B		13	N04Z, N05A, N05B, N14Z, N21Z, N25Z, N62A, N62B	Q98.0	12	M64Z
	15	TPN, VTPN		15	P65C, P66C, P67B, P67C		13	N04Z, N05A, N05B, N14Z, N21Z, N25Z, N62A, N62B
	Pre	A07D, A09A, A09E, A11B, A11F, A13F	Q96.1	12	M64Z		15	P65C, P66C, P67B, P67C
Q93.3	01	B81A, B81B		13	N04Z, N05A, N05B, N14Z, N21Z, N25Z, N62A, N62B	Pre	A07D, A09A, A09E, A11B, A11F, A13F	
	15	TPN, VTPN		15	P65C, P66C, P67B, P67C	Q98.1	12	M64Z
	Pre	A07D, A09A, A09E, A11B, A11F, A13F	Q96.2	12	M64Z		13	N04Z, N05A, N05B, N14Z, N21Z, N25Z, N62A, N62B
Q93.4	01	B81A, B81B		13	N04Z, N05A, N05B, N14Z, N21Z, N25Z, N62A, N62B		15	P65C, P66C, P67B, P67C
	15	TPN, VTPN		15	P65C, P66C, P67B, P67C	Pre	A07D, A09A, A09E, A11B, A11F, A13F	
	Pre	A07D, A09A, A09E, A11B, A11F, A13F	Q96.3	12	M64Z	Q98.1	13	N04Z, N05A, N05B, N14Z, N21Z, N25Z, N62A, N62B
Q93.5	01	B81A, B81B		13	N04Z, N05A, N05B, N14Z, N21Z, N25Z, N62A, N62B		15	P65C, P66C, P67B, P67C
	15	TPN, VTPN		15	P65C, P66C, P67B, P67C	Pre	A07D, A09A, A09E, A11B, A11F, A13F	
	Pre	A07D, A09A, A09E, A11B, A11F, A13F		Pre	A07D, A09A, A09E, A11B, A11F, A13F			
Q93.6	01	B81A, B81B		Pre	A07D, A09A, A09E, A11B, A11F, A13F			
	15	TPN, VTPN						
	Pre	A07D, A09A, A09E, A11B, A11F, A13F						

ICD	MDC	DRG	ICD	MDC	DRG	ICD	MDC	DRG
Q98.2	12	M64Z	R00.1	05	F71A, F71B	R13.0	06	G46A, G46B, G46C, G50Z, G67A, G67B, G67C, G67D
	13	N04Z, N05A, N05B, N14Z, N21Z, N25Z, N62A, N62B	R00.2	05	F71A, F71B	R13.1	06	G46A, G46B, G46C, G50Z, G67A, G67B, G67C, G67D
	15	P65C, P66C, P67B, P67C	R00.8	05	F75A, F75B, F75C, F75D		R13.9	06
	Pre	A07D, A09A, A09E, A11B, A11F, A13F	R01.0	05	F69A, F69B	R14		06
Q98.3	12	M64Z	R01.1	05	F69A, F69B	R15	06	G46A, G46B, G46C, G50Z, G67A, G67B, G67C, G67D
	13	N04Z, N05A, N05B, N14Z, N21Z, N25Z, N62A, N62B	R01.2	05	F75A, F75B, F75C, F75D		R16.0	07
	15	P65C, P66C, P67B, P67C	R02	05	F65A, F65B	18A		S65A, S65B
	Pre	A07D, A09A, A09E, A11B, A11F, A13F	R03.0	05	F75A, F75B, F75C, F75D	R16.1	16	Q60A, Q60B, Q60C
Q98.4	12	M64Z	R03.1	05	F75A, F75B, F75C, F75D	R16.2	18A	S65A, S65B
	13	N04Z, N05A, N05B, N14Z, N21Z, N25Z, N62A, N62B	R04.0	03	D62Z		R17	07
	15	P65C, P66C, P67B, P67C	R04.1	03	D62Z	R18		23
	Pre	A07D, A09A, A09E, A11B, A11F, A13F	R04.2	04	E75A, E75B, E75C	R19.0	06	G46A, G46B, G46C, G50Z, G67A, G67B, G67C, G67D
Q98.5	12	M64Z	R04.8	04	E75A, E75B, E75C	R19.1	06	G46A, G46B, G46C, G50Z, G67A, G67B, G67C, G67D
	13	N04Z, N05A, N05B, N14Z, N21Z, N25Z, N62A, N62B	R04.9	04	E69A, E69B, E69C, E69D, E69E, E69F		R19.2	06
	15	P65C, P66C, P67B, P67C	R05	04	E69A, E69B, E69C, E69D, E69E, E69F	R19.3		06
	Pre	A07D, A09A, A09E, A11B, A11F, A13F	R06.0	04	E69A, E69B, E69C, E69D, E69E, E69F		R19.4	06
Q98.6	12	M64Z	R06.1	04	E69A, E69B, E69C, E69D, E69E, E69F	R19.5	06	G46A, G46B, G46C, G50Z, G67A, G67B, G67C, G67D
	13	N04Z, N05A, N05B, N14Z, N21Z, N25Z, N62A, N62B		18A	S65A, S65B		R19.6	03
	15	P65C, P66C, P67B, P67C	R06.2	04	E69A, E69B, E69C, E69D, E69E, E69F	R19.8		06
	Pre	A07D, A09A, A09E, A11B, A11F, A13F	R06.3	04	E69A, E69B, E69C, E69D, E69E, E69F	R20.0	01	B20D, B81A, B81B
Q98.7	12	M64Z	R06.4	04	E69A, E69B, E69C, E69D, E69E, E69F	R20.1	01	B20D, B81A, B81B
	13	N04Z, N05A, N05B, N14Z, N21Z, N25Z, N62A, N62B	R06.5	03	D66Z	R20.2	01	B20D, B81A, B81B
	15	P65C, P66C, P67B, P67C		04	E75A, E75B, E75C	R20.3	01	B20D, B81A, B81B
	Pre	A07D, A09A, A09E, A11B, A11F, A13F	R06.6	03	D66Z	R20.8	01	B20D, B81A, B81B
Q98.8	12	M64Z	R06.7	03	D66Z	R21	09	J67A, J67B, J68A, J68B
	13	N04Z, N05A, N05B, N14Z, N21Z, N25Z, N62A, N62B	R06.80	01	B81A, B81B	18A	S65A, S65B	
	15	P65C, P66C, P67B, P67C	R06.88	15	P65C, P66C, P67B, P67C		R22.0	09
	Pre	A07D, A09A, A09E, A11B, A11F, A13F		04	E69A, E69B, E69C, E69D, E69E, E69F	R22.1	09	J67A, J67B, J68A, J68B
Q98.9	12	M64Z	R07.0	18A	S65A, S65B	R22.2	09	J67A, J67B, J68A, J68B
	13	N04Z, N05A, N05B, N14Z, N21Z, N25Z, N62A, N62B	R07.1	04	E69A, E69B, E69C, E69D, E69E, E69F	R22.3	09	J67A, J67B, J68A, J68B
	15	P65C, P66C, P67B, P67C	R07.2	05	F74Z	R22.4	09	J67A, J67B, J68A, J68B
	Pre	A07D, A09A, A09E, A11B, A11F, A13F	R07.3	05	F74Z	R22.7	09	J67A, J67B, J68A, J68B
Q99.0	10	K64A, K64B, K64C, K64D	R07.4	05	F74Z	R22.9	09	J67A, J67B, J68A, J68B
	15	TPN, VTPN	R09.0	04	E75A, E75B, E75C	R23.0	23	Z65Z
	Pre	A07D, A09A, A09E, A11B, A11F, A13F	R09.1	04	E65A, E65B, E69A, E69B, E69C, E69D, E69E, E69F	R23.1	23	Z65Z
	Pre	A07D, A09A, A09E, A11B, A11F, A13F		04	E75A, E75B, E75C	R23.2	23	Z65Z
Q99.1	10	K64A, K64B, K64C, K64D	R09.2	15	P65C, P66C, P67B, P67C	R23.3	16	Q60A, Q60B, Q60C, Q60D, Q60E
	15	TPN, VTPN	R09.3	04	E69A, E69B, E69C, E69D, E69E, E69F	R23.4	09	J67A, J67B, J68A, J68B
	Pre	A07D, A09A, A09E, A11B, A11F, A13F	R09.8	04	E69A, E69B, E69C, E69D, E69E, E69F		R23.8	09
	Pre	A07D, A09A, A09E, A11B, A11F, A13F	R10.0	06	G46A, G46B, G46C, G50Z, G66Z, G72A, G72B	15		P65C, P66C, P67B, P67C
Q99.2	15	TPN, VTPN	R10.1	06	G46A, G46B, G46C, G50Z, G66Z, G72A, G72B	R25.0	01	B81A, B81B
	23	Z65Z	R10.2	12	M64Z	R25.1	01	B81A, B81B
	Pre	A07D, A09A, A09E, A11B, A11F, A13F	R10.2	13	N04Z, N05A, N05B, N14Z, N21Z, N25Z, N62A, N62B	R25.2	08	I69A, I69B, I71A, I71B
	Pre	A07D, A09A, A09E, A11B, A11F, A13F		06	G46A, G46B, G46C, G50Z, G66Z, G72A, G72B	R25.3	01	B81A, B81B
Q99.8	12	M64Z	R10.3	06	G46A, G46B, G46C, G50Z, G66Z, G72A, G72B	R25.8	01	B81A, B81B
	13	N04Z, N05A, N05B, N14Z, N21Z, N25Z, N62A, N62B	R10.4	06	G46A, G46B, G46C, G50Z, G66Z, G72A, G72B	R26.0	01	B81A, B81B
	15	P65C, P66C, P67B, P67C		06	G46A, G46B, G46C, G50Z, G66Z, G72A, G72B	R26.1	01	B81A, B81B
	Pre	A07D, A09A, A09E, A11B, A11F, A13F	R11	06	G46A, G46B, G46C, G50Z, G67A, G67B, G67C, G67D	R26.2	08	I69A, I69B, I71A, I71B
Q99.9	23	Z65Z	R11	06	G46A, G46B, G46C, G50Z, G67A, G67B, G67C, G67D	R26.3	23	Z64A, Z64B
	Pre	A07D, A09A, A09E, A11B, A11F, A13F		R12	06	G46A, G46B, G46C, G50Z, G67A, G67B, G67C, G67D	R26.8	01
	Pre	A07D, A09A, A09E, A11B, A11F, A13F	R12	06	G46A, G46B, G46C, G50Z, G67A, G67B, G67C, G67D	R27.0	01	B81A, B81B
	Pre	A07D, A09A, A09E, A11B, A11F, A13F		06	G46A, G46B, G46C, G50Z, G67A, G67B, G67C, G67D	R27.8	01	B81A, B81B
R00.0	05	F71A, F71B			R29.0	10	K62A, K62B	

ICD	MDC	DRG	ICD	MDC	DRG	ICD	MDC	DRG
R29.1	01	B81A, B81B	R49.8	03	D66Z	R62.9	10	K62A, K62B
	15	TPN, VTPN	R50.2	18A	S65A, S65B		18A	S65A, S65B
R29.2	01	B81A, B81B		18B	T62A, T62B	R63.0	10	K62A, K62B
R29.3	01	B81A, B81B	R50.80	18A	S65A, S65B	R63.1	10	K62A, K62B
R29.4	08	I69A, I69B, I71A, I71B		18B	T62A, T62B	R63.2	10	K62A, K62B
R29.5	01	B81A, B81B	R50.88	18A	S65A, S65B	R63.3	10	K62A, K62B
R29.6	01	B81A, B81B		18B	T62A, T62B	R63.4	10	K62A, K62B
R29.8	01	B81A, B81B	R50.9	18A	S65A, S65B		18A	S65A, S65B
R30.0	11	L64A, L74Z		18B	T62A, T62B	R63.5	10	K62A, K62B
R30.1	11	L64A, L74Z	R51	01	B20D, B77Z	R63.6	10	K62A, K62B
R30.9	11	L64A, L74Z		18A	S65A, S65B	R63.8	10	K62A, K62B
R31	11	L64A, L74Z	R52.0	23	Z65Z	R64	18A	S65A, S65B
R32	11	L64A, L74Z	R52.1	23	Z65Z		23	Z65Z
R33	11	L64A, L74Z	R52.2	23	Z65Z	R65.0	05	F62A
R34	11	L60A, L60B, L60C, L60D, L71Z	R52.9	23	Z65Z		06	G67A
R35	11	L64A, L74Z	R53	18A	S65A, S65B		15	P65C, P66C, P67B, P67C
R36	11	L64A, L74Z		23	Z65Z		18B	T61A
R39.0	11	L64A, L74Z	R54	01	B63Z		22	Y02A
R39.1	11	L64A, L74Z	R55	05	F73Z	R65.1		KK11, KKI, KKII
R39.2	11	L64A, L74Z	R56.0	01	B75A, B75B		05	F62A
R39.8	11	L64A, L74Z	R56.8	01	B75A, B75B		06	G67A
R40.0	01	B66A, B66B, B66C, B66D		15	TPN, VTPN		07	H06A
R40.1	01	B66A, B66B, B66C, B66D	R57.0	05	F62A, F62B, F62C		10	K62A
R40.2	01	B66A, B66B, B66C, B66D	Pre	A07D, A09E, A11F, A13F		15	P65C, P66C, P67B, P67C	
	15	TPN, VTPN	R57.1	05	F62A		17	R60B, R60C, R61A, R62A, R63B, R63C, R63D, R63F
R41.0	01	B64Z		06	G67A		18B	T61A
R41.1	23	Z65Z		18B	T01B, T60A, T60B, T60C, T60D, T60E, T60F, T61A	R65.2	22	Y02A
R41.2	23	Z65Z		22	Y02A, Y02B		05	F62A
R41.3	23	Z65Z		Pre	A07D, A09E, A11F, A13F		06	G67A
R41.8	23	Z65Z	R57.2	05	F62A		10	K62A
R42	03	D61A, D61B		06	G67A		15	P65C, P66C, P67B, P67C
R43.0	01	B81A, B81B		15	P65C, P66C, P67B, P67C		18B	T61A
R43.1	01	B81A, B81B		18A	S63A, S63B		22	Y02A
R43.2	01	B81A, B81B		18B	T01B, T60A, T60B, T60C, T60D, T60E, T60F, T61A	R65.3		KK11, KKI, KKII
R43.8	01	B81A, B81B		22	Y02A		05	F62A
R44.0	19	U64Z		Pre	A07D, A09E, A11F, A13F		06	G67A
R44.1	02	C63Z	R57.8	05	F62A		07	H06A
R44.2	19	U64Z		06	G67A		10	K62A
R44.3	19	U64Z		18B	T01B, T60A, T60B, T60C, T60D, T60E, T60F, T61A		15	P65C, P66C, P67B, P67C
R44.8	19	U64Z		22	Y02A, Y02B		17	R60B, R60C, R61A, R62A, R63B, R63C, R63D, R63F
R45.0	19	U66Z		Pre	A07D, A09E, A11F, A13F		18B	T61A
R45.1	19	U66Z	R57.9	05	F73Z	R65.9	05	F62A
R45.2	23	Z64A, Z64B		05	F75A, F75B, F75C, F75D		06	G67A
R45.3	23	Z64A, Z64B	R58	05	F75A, F75B, F75C, F75D		15	P65C, P66C, P67B, P67C
R45.4	19	U66Z	R59.0	16	Q60A, Q60B, Q60C, Q60D, Q60E		18B	T61A
R45.5	23	Z64A, Z64B		18A	S65A, S65B		22	Y02A
R45.6	23	Z64A, Z64B		16	Q60A, Q60B, Q60C	R68.0	23	Z65Z
R45.7	19	U66Z	R59.1	18A	S65A, S65B	R68.1	23	Z65Z
R45.8	23	Z64A, Z64B		18A	S65A, S65B	R68.2	03	D66Z
R46.0	23	Z64A, Z64B		23	Z65Z	R68.3	04	E75A, E75B, E75C
R46.1	23	Z64A, Z64B	R59.9	16	Q60A, Q60B, Q60C, Q60D, Q60E	R68.8	23	Z65Z
R46.2	23	Z64A, Z64B		18A	S65A, S65B	R70.0	23	Z65Z
R46.3	23	Z64A, Z64B		23	Z65Z	R70.1	23	Z65Z
R46.4	23	Z64A, Z64B	R60.0	23	Z65Z	R71	16	Q61A, Q61B, Q61C, Q61D, Q61E
R46.5	23	Z64A, Z64B	R60.1	23	Z65Z			
R46.6	23	Z64A, Z64B	R60.9	23	Z65Z	R72	16	Q60A, Q60B, Q60C, Q60D, Q60E
R46.7	23	Z64A, Z64B	R61.0	09	J67A, J67B, J68A, J68B			
R46.8	23	Z64A, Z64B		18A	S65A, S65B	R73.0	10	K62A, K62B
R47.0	01	B81A, B81B	R61.1	09	J67A, J67B, J68A, J68B			
R47.1	01	B81A, B81B		18A	S65A, S65B	R73.9	10	K62A, K62B
R47.8	01	B81A, B81B		18A	S65A, S65B	R74.0	23	Z65Z
R48.0	19	U66Z	R61.9	09	J67A, J67B, J68A, J68B	R74.8	23	Z65Z
R48.1	19	U66Z		18A	S65A, S65B	R74.9	23	Z65Z
R48.2	19	U66Z	R62.0	10	K62A, K62B	R76.0	16	Q60A, Q60B, Q60C, Q60D, Q60E
R48.8	19	U66Z		18A	S65A, S65B			
R49.0	03	D66Z	R62.8	10	K62A, K62B			
	15	P65C, P66C, P67B, P67C		15	P65C, P66C, P67B, P67C			
R49.1	03	D66Z		18A	S65A, S65B			
R49.2	03	D66Z						

ICD	MDC	DRG	ICD	MDC	DRG	ICD	MDC	DRG
R76.1	04	E62A, E62B, E77A, E77B, E77C, E77D, E77E, E77F, E77G	R84.7	23	Z65Z	R94.0	01	B81A, B81B
R76.2	08	I66A, I66B, I66C	R84.8	23	Z65Z	15	P65C, P66C, P67B, P67C	
R76.8	16	Q60A, Q60B, Q60C, Q60D, Q60E	R84.9	23	Z65Z	R94.1	01	B81A, B81B
R76.9	16	Q60A, Q60B, Q60C, Q60D, Q60E	R85.0	06	G46A, G46B, G46C, G50Z, G67A, G67B, G67C, G67D	R94.2	04	E75A, E75B, E75C
R77.0	17	R01A, R01B, R01C, R01D, R03Z, R11A, R11B, R11C, R61A, R61B, R61C, R61D, R61E, R61F, R61G, R61H	R85.1	06	G46A, G46B, G46C, G50Z, G67A, G67B, G67C, G67D	R94.3	05	F75A, F75B, F75C, F75D
R77.1	17	R01A, R01B, R01C, R01D, R03Z, R11A, R11B, R11C, R61A, R61B, R61C, R61D, R61E, R61F, R61G, R61H	R85.2	06	G46A, G46B, G46C, G50Z, G67A, G67B, G67C, G67D	R94.4	11	L64A, L74Z
R77.2	17	R01A, R01B, R01C, R01D, R03Z, R11A, R11B, R11C, R61A, R61B, R61C, R61D, R61E, R61F, R61G, R61H	R85.3	06	G46A, G46B, G46C, G50Z, G67A, G67B, G67C, G67D	R94.5	07	H63A, H63B, H63C, H78Z
R77.8	17	R01A, R01B, R01C, R01D, R03Z, R11A, R11B, R11C, R61A, R61B, R61C, R61D, R61E, R61F, R61G, R61H	R85.4	06	G46A, G46B, G46C, G50Z, G67A, G67B, G67C, G67D	R94.6	10	K64A, K64B, K64C, K64D
R77.9	17	R01A, R01B, R01C, R01D, R03Z, R11A, R11B, R11C, R61A, R61B, R61C, R61D, R61E, R61F, R61G, R61H	R85.5	06	G46A, G46B, G46C, G50Z, G67A, G67B, G67C, G67D	R94.7	10	K64A, K64B, K64C, K64D
R78.1	23	Z65Z	R85.6	06	G46A, G46B, G46C, G50Z, G67A, G67B, G67C, G67D	R94.8	11	L64A, L74Z
R78.2	23	Z65Z	R85.7	06	G46A, G46B, G46C, G50Z, G67A, G67B, G67C, G67D	R95.0	01	B81A, B81B
R78.3	23	Z65Z	R85.8	06	G46A, G46B, G46C, G50Z, G67A, G67B, G67C, G67D	15	P65C, P66C, P67B, P67C	
R78.4	23	Z65Z	R85.9	06	G46A, G46B, G46C, G50Z, G67A, G67B, G67C, G67D	R95.9	01	B81A, B81B
R78.5	23	Z65Z	R86.0	12	M64Z	15	P65C, P66C, P67B, P67C	
R78.6	23	Z65Z	R86.1	12	M64Z	S00.00	09	J65Z
R78.7	23	Z65Z	R86.2	12	M64Z	21A	W61A, W61B	
R78.8	23	Z65Z	R86.3	12	M64Z	S00.01	09	J65Z
R78.9	23	Z65Z	R86.4	12	M64Z	21A	W61A, W61B	
R79.0	23	Z65Z	R86.5	12	M64Z	S00.02	09	J67A, J67B, J68A, J68B
R79.8	23	Z65Z	R86.6	12	M64Z	21A	W61A, W61B	
R79.9	23	Z65Z	R86.7	12	M64Z	S00.03	09	J67A, J67B, J68A, J68B
R80	11	L64A, L74Z	R86.8	12	M64Z	21A	W61A, W61B	
R81	10	K60A, K60B, K60C, K60D, K60E	R86.9	12	M64Z	S00.04	09	J65Z
R82.0	11	L64A, L74Z	R87.0	23	Z65Z	21A	W61A, W61B	
R82.1	23	Z65Z	R87.1	23	Z65Z	S00.05	09	J65Z
R82.2	07	H63A, H63B, H63C, H78Z	R87.2	23	Z65Z	21A	W61A, W61B	
R82.3	11	L64A, L74Z	R87.3	23	Z65Z	S00.08	09	J65Z
R82.4	10	K62A, K62B	R87.4	23	Z65Z	21A	W61A, W61B	
R82.5	11	L64A, L74Z	R87.5	23	Z65Z	S00.1	02	C62Z
R82.6	23	Z65Z	R87.6	13	N04Z, N05A, N05B, N14Z, N21Z, N25Z, N62B	21A	W61A, W61B	
R82.7	11	L64A, L74Z	R87.7	23	Z65Z	S00.1	21A	W61A, W61B
R82.8	11	L64A, L74Z	R87.8	23	Z65Z	S00.20	02	C62Z
R82.9	11	L64A, L74Z	R87.9	23	Z65Z	21A	W61A, W61B	
R83.0	01	B81A, B81B	R89.0	23	Z65Z	S00.21	02	C62Z
R83.1	01	B81A, B81B	R89.1	23	Z65Z	21A	W61A, W61B	
R83.2	01	B81A, B81B	R89.2	23	Z65Z	S00.22	02	C62Z
R83.3	01	B81A, B81B	R89.3	23	Z65Z	21A	W61A, W61B	
R83.4	01	B81A, B81B	R89.4	23	Z65Z	S00.23	02	C62Z
R83.5	01	B81A, B81B	R89.5	23	Z65Z	21A	W61A, W61B	
R83.6	01	B81A, B81B	R89.6	23	Z65Z	S00.24	02	C62Z
R83.7	01	B81A, B81B	R89.7	23	Z65Z	21A	W61A, W61B	
R83.8	01	B81A, B81B	R89.8	23	Z65Z	S00.28	02	C62Z
R83.9	01	B81A, B81B	R89.9	23	Z65Z	21A	W61A, W61B	
R84.0	23	Z65Z	R90.0	01	B81A, B81B	S00.30	09	J65Z
R84.1	23	Z65Z	R90.8	01	B81A, B81B	21A	W61A, W61B	
R84.2	23	Z65Z	R91	04	E69A, E69B, E69C, E69D, E69E, E69F	S00.31	09	J65Z
R84.3	23	Z65Z	R92	09	J67A, J67B	21A	W61A, W61B	
R84.4	23	Z65Z	R93.0	01	B81A, B81B	S00.32	09	J67A, J67B, J68A, J68B
R84.5	23	Z65Z	R93.1	05	F66A, F66B	21A	W61A, W61B	
R84.6	23	Z65Z	R93.2	07	H64Z	S00.33	09	J67A, J67B, J68A, J68B
			R93.3	06	G46A, G46B, G46C, G50Z, G67A, G67B, G67C, G67D	21A	W61A, W61B	
			R93.4	11	L64A, L74Z	S00.34	09	J65Z
			R93.5	06	G46A, G46B, G46C, G50Z, G67A, G67B, G67C, G67D	21A	W61A, W61B	
			R93.6	08	I76A, I76B	S00.35	09	J65Z
			R93.7	08	I76A, I76B	S00.38	09	J65Z
			R93.8	23	Z65Z	21A	W61A, W61B	
						S00.40	09	J65Z
						21A	W61A, W61B	
						S00.41	09	J65Z
						21A	W61A, W61B	
						S00.42	09	J67A, J67B, J68A, J68B
						21A	W61A, W61B	
						S00.43	09	J67A, J67B, J68A, J68B
						21A	W61A, W61B	
						S00.44	09	J65Z
						21A	W61A, W61B	
						S00.45	09	J65Z
						21A	W61A, W61B	

ICD	MDC	DRG	ICD	MDC	DRG	ICD	MDC	DRG
S00.48	09	J65Z	S01.35	03	D66Z	S01.88		PTR
	21A	W61A, W61B		15	TPN, VTPN	08		I02A, I02B, I02C, I02D, I08A, I08B, I08C, I08D, I08E, I13A, I13B, I13C, I20A, I20B, I20C, I22A
S00.50	09	J65Z		21A	W61A, W61B		21A	W61A, W61B
	21A	W61A, W61B	S01.36	03	D66Z		21B	X01A, X01B
S00.51	09	J65Z		15	TPN, VTPN	S01.89		PTR
	21A	W61A, W61B		21A	W61A, W61B	08		I02A, I02B, I02C, I02D, I08A, I08B, I08C, I08D, I08E, I13A, I13B, I13C, I20A, I20B, I20C, I22A
S00.52	09	J67A, J67B, J68A, J68B	S01.37	03	D66Z		21A	W61A, W61B
	21A	W61A, W61B		15	TPN, VTPN		21B	X01A, X01B
S00.53	09	J67A, J67B, J68A, J68B		21A	W61A, W61B	S01.9		PTR
	21A	W61A, W61B	S01.38	03	D66Z		08	I02A, I02B, I02C, I02D, I08A, I08B, I08C, I08D, I08E, I13A, I13B, I13C, I20A, I20B, I20C, I22A
S00.54	09	J65Z		15	TPN, VTPN		21A	W61A, W61B
	21A	W61A, W61B		21A	W61A, W61B		21B	X01A, X01B
S00.55	09	J65Z	S01.39	03	D66Z	S01.9		PTR
	21A	W61A, W61B		15	TPN, VTPN		21A	W61A, W61B
S00.58	09	J65Z		21A	W61A, W61B		21B	X60Z
	21A	W61A, W61B	S01.41	21A	W61A, W61B	S02.0		PTR
S00.7	09	J65Z		21B	X60Z		01	B20D, B79Z
	21A	W61A, W61B	S01.42	03	D40Z, D67Z		15	TPN, VTPN
S00.80	09	J65Z		21A	W61A, W61B		21A	W61A, W61B
	21A	W61A, W61B	S01.43	03	D40Z, D67Z	S02.1		PTR
S00.81	09	J65Z		21A	W61A, W61B		01	B20D, B79Z
	15	P65C, P66C, P67B, P67C	S01.49	21A	W61A, W61B		15	TPN, VTPN
	21A	W61A, W61B		21B	X60Z		21A	W61A
S00.82	09	J67A, J67B, J68A, J68B	S01.50	03	D40Z, D67Z	S02.2	Pre	A07D, A09E, A11F, A13F
	21A	W61A, W61B		15	TPN, VTPN			PTR
S00.83	09	J67A, J67B, J68A, J68B		21A	W61A, W61B		03	D65Z
	21A	W61A, W61B	S01.51	03	D40Z, D67Z		15	TPN, VTPN
S00.84	09	J65Z		21A	W61A, W61B		21A	W61A, W61B
	21A	W61A, W61B	S01.52	03	D40Z, D67Z	S02.3		PTR
S00.85	09	J65Z		15	TPN, VTPN		01	B20D, B79Z
	21A	W61A, W61B		21A	W61A, W61B		15	TPN, VTPN
S00.88	09	J65Z	S01.53	03	D40Z, D67Z		21A	W61A, W61B
	21A	W61A, W61B		15	TPN, VTPN		Pre	A07D, A09E, A11F, A13F
S00.90	09	J65Z		21A	W61A, W61B	S02.4		PTR
	21A	W61A, W61B	S01.54	03	D40Z, D67Z		03	D40Z, D67Z
S00.91	09	J65Z		15	TPN, VTPN		15	TPN, VTPN
	21A	W61A, W61B		21A	W61A, W61B		21A	W61A, W61B
S00.92	09	J67A, J67B, J68A, J68B	S01.55	03	D40Z, D67Z	S02.5		PTR
	21A	W61A, W61B		15	TPN, VTPN		03	D40Z, D67Z
S00.93	09	J67A, J67B, J68A, J68B		21A	W61A, W61B		21A	W61A, W61B
	21A	W61A, W61B	S01.59	03	D40Z, D67Z	S02.60		PTR
S00.94	09	J65Z		15	TPN, VTPN		03	D40Z, D67Z
	21A	W61A, W61B		21A	W61A, W61B		15	TPN, VTPN
S00.95	09	J65Z	S01.7	21A	W61A, W61B		21A	W61A, W61B
	21A	W61A, W61B		21B	X60Z	S02.61		PTR
S00.98	09	J65Z	S01.80	21A	W61A, W61B		03	D40Z, D67Z
	21A	W61A, W61B		21B	X60Z		15	TPN, VTPN
S01.0	21A	W61A, W61B	S01.83		PTR		21A	W61A, W61B
	21B	X60Z		08	I02A, I02B, I02C, I02D, I08A, I08B, I08C, I08D, I08E, I13A, I13B, I13C, I20A, I20B, I20C, I22A	S02.62		PTR
S01.1	02	C62Z					03	D40Z, D67Z
	21A	W61A, W61B					15	TPN, VTPN
S01.20	03	D65Z		21A	W61A, W61B		21A	W61A, W61B
	21A	W61A, W61B		21B	X01A, X01B	S02.63		PTR
S01.21	03	D65Z	S01.84	21A	W61A, W61B		03	D40Z, D67Z
	21A	W61A, W61B	S01.85	21A	W61A, W61B		15	TPN, VTPN
S01.22	03	D65Z	S01.86	08	I02A, I02B, I02C, I02D, I08A, I08B, I08C, I08D, I08E, I13A, I13B, I13C, I20A, I20B, I20C, I22A	S02.64		PTR
	21A	W61A, W61B					03	D40Z, D67Z
S01.23	03	D66Z					15	TPN, VTPN
	21A	W61A, W61B		21A	W61A, W61B		21A	W61A, W61B
S01.29	03	D66Z		21B	X01A, X01B	S02.65		PTR
	21A	W61A, W61B					03	D40Z, D67Z
S01.30	03	D66Z	S01.87	21A	W61A, W61B		15	TPN, VTPN
	21A	W61A, W61B					21A	W61A, W61B
S01.31	03	D66Z				S02.66		PTR
	21A	W61A, W61B					03	D40Z, D67Z
S01.33	03	D66Z					15	TPN, VTPN
	21A	W61A, W61B					21A	W61A, W61B
S01.34	03	D66Z						
	21A	W61A, W61B						

ICD	MDC	DRG	ICD	MDC	DRG	ICD	MDC	DRG
S02.67		PTR	S05.0		PTR	S06.30		PTR
	03	D40Z, D67Z		02	C62Z		01	B20D, B78A, B78B
	15	TPN, VTPN		21A	W61A, W61B		15	TPN, VTPN
	21A	W61A, W61B	S05.1		PTR		21A	W61A, W61B
S02.68		PTR		02	C62Z	S06.31	Pre	A07D, A09E, A11F, A13F
	03	D40Z, D67Z		21A	W61A, W61B			PTR
	15	TPN, VTPN	S05.2		PTR		01	B20D, B78A
	21A	W61A, W61B		02	C01A, C01B, C16Z, C63Z		15	TPN, VTPN
S02.69		PTR		15	TPN, VTPN		21A	W61A, W61B
	03	D40Z, D67Z	S05.3		PTR	S06.32	Pre	A07D, A09E, A11F, A13F
	15	TPN, VTPN		02	C01A, C01B, C16Z, C63Z			PTR
	21A	W61A, W61B		15	TPN, VTPN		01	B20D, B78A
S02.7		PTR		21A	W61A, W61B		15	TPN, VTPN
	01	B20D, B79Z	S05.4		PTR		21A	W61A, W61B
	21A	W61A, W61B		02	C63Z	S06.33	Pre	A07D, A09E, A11F, A13F
S02.8		PTR		15	TPN, VTPN			PTR
	01	B20D, B79Z		21A	W61A, W61B		01	B20D, B78A
	21A	W61A, W61B	S05.5		PTR		15	TPN, VTPN
S02.9		PTR		02	C01A, C01B, C16Z, C63Z		21A	W61A, W61B
	01	B20D, B79Z		15	TPN, VTPN	S06.34	Pre	A07D, A09E, A11F, A13F
	21A	W61A, W61B		21A	W61A, W61B			PTR
S03.0		PTR	S05.6		PTR		01	B20D, B78A
	03	D40Z, D67Z		02	C01A, C01B, C16Z, C63Z		15	TPN, VTPN
	21A	W61A, W61B		15	TPN, VTPN		21A	W61A, W61B
S03.1		PTR		21A	W61A, W61B	S06.38	Pre	A07D, A09E, A11F, A13F
	08	I76A, I76B	S05.7		PTR			PTR
	21A	W61A, W61B		02	C01A, C01B, C16Z, C63Z		01	B20D, B78A, B78B
S03.2		PTR		15	TPN, VTPN		15	TPN, VTPN
	03	D40Z, D67Z		21A	W61A, W61B		21A	W61A, W61B
	21A	W61A, W61B	S05.8		PTR	S06.4	Pre	A07D, A09E, A11F, A13F
S03.3		PTR		02	C62Z			PTR
	08	I76A, I76B		15	TPN, VTPN		01	B20D, B78A, B78B
	21A	W61A, W61B		21A	W61A, W61B		15	TPN, VTPN
S03.4		PTR	S05.9		PTR		21A	W61A, W61B
	03	D40Z, D67Z		02	C62Z	S06.5	Pre	A07D, A09E, A11F, A13F
	21A	W61A, W61B		21A	W61A, W61B			PTR
S03.5		PTR	S06.0		PTR		01	B20D, B78A, B78B
	08	I76A, I76B		01	B20D, B80Z		15	TPN, VTPN
	21A	W61A, W61B	S06.1		PTR		21A	W61A, W61B
S04.0		PTR		15	TPN, VTPN	S06.6	Pre	A07D, A09E, A11F, A13F
	01	B81A, B81B		01	B20D, B78A, B78B			PTR
	21A	W61A, W61B		15	TPN, VTPN		01	B20D, B78A
S04.1		PTR		21A	W61A, W61B		15	TPN, VTPN
	01	B71A, B71B, B71C, B71D		Pre	A07D, A09E, A11F, A13F		21A	W61A
	21A	W61A, W61B	S06.20		PTR		Pre	A07D, A09E, A11F, A13F
S04.2		PTR		01	B20D, B78A, B78B	S06.70		PTR
	01	B71A, B71B, B71C, B71D		15	TPN, VTPN	S06.71	15	TPN, VTPN
	21A	W61A, W61B		21A	W61A, W61B	S06.72		PTR
S04.3		PTR		Pre	A07D, A09E, A11F, A13F		15	TPN, VTPN
	01	B71A, B71B, B71C, B71D	S06.21		PTR	S06.79	15	TPN, VTPN
	21A	W61A, W61B		01	B78A	S06.8		PTR
S04.4		PTR		15	TPN, VTPN		01	B20D, B78A, B78B
	01	B71A, B71B, B71C, B71D		21A	W61A, W61B		15	TPN, VTPN
	21A	W61A, W61B		Pre	A07D, A09E, A11F, A13F		21A	W61A, W61B
S04.5		PTR	S06.22		PTR	S06.9		PTR
	01	B71A, B71B, B71C, B71D		01	B78A		01	B20D, B78A, B78B
	21A	W61A, W61B		15	TPN, VTPN		15	TPN, VTPN
S04.6		PTR		21A	W61A, W61B		21A	W61A, W61B
	03	D66Z		Pre	A07D, A09E, A11F, A13F	S07.0		PTR
	21A	W61A, W61B	S06.23		PTR		15	TPN, VTPN
S04.7		PTR		01	B20D, B78A		21A	W61A, W61B
	01	B71A, B71B, B71C, B71D		15	TPN, VTPN		21B	X60Z
	21A	W61A, W61B		21A	W61A, W61B	S07.1		PTR
S04.8		PTR		Pre	A07D, A09E, A11F, A13F		15	TPN, VTPN
	01	B71A, B71B, B71C, B71D	S06.28		PTR		21A	W61A, W61B
	21A	W61A, W61B		01	B20D, B78A, B78B		21B	X60Z
S04.9		PTR		15	TPN, VTPN			
	01	B71A, B71B, B71C, B71D		21A	W61A, W61B			
	21A	W61A, W61B		Pre	A07D, A09E, A11F, A13F			

ICD	MDC	DRG	ICD	MDC	DRG	ICD	MDC	DRG
S07.8		PTR	S10.81		PTR	S11.86	08	I02A, I02B, I02C, I02D, I08A, I08B, I08C, I08D, I08E, I13A, I13B, I13C, I20A, I20B, I20C, I22A
	15	TPN, VTPN		09	J65Z		21A	W61A, W61B
	21A	W61A, W61B		21A	W61A, W61B		21B	X01A, X01B
	21B	X60Z	S10.82		PTR	S11.87		PTR
S07.9		PTR		09	J67A, J67B, J68A, J68B		21A	W61A, W61B
	15	TPN, VTPN		21A	W61A, W61B		21B	X01A, X01B
	21A	W61A, W61B	S10.83		PTR	S11.88		PTR
	21B	X60Z		09	J67A, J67B, J68A, J68B		21A	W61A, W61B
S08.0		PTR		21A	W61A, W61B	S11.88		PTR
	21A	W61A, W61B	S10.84		PTR		08	I02A, I02B, I02C, I02D, I08A, I08B, I08C, I08D, I08E, I13A, I13B, I13C, I20A, I20B, I20C, I22A
	21B	X60Z		09	J65Z		21A	W61A, W61B
S08.1		PTR		21A	W61A, W61B		21B	X01A, X01B
	03	D66Z	S10.85		PTR	S11.89		PTR
	21A	W61A, W61B		09	J65Z		08	I02A, I02B, I02C, I02D, I08A, I08B, I08C, I08D, I08E, I13A, I13B, I13C, I20A, I20B, I20C, I22A
S08.8		PTR		21A	W61A, W61B		21A	W61A, W61B
	21A	W61A, W61B	S10.88		PTR		21B	X01A, X01B
	21B	X60Z		09	J65Z			PTR
S08.9		PTR		21A	W61A, W61B			I02A, I02B, I02C, I02D, I08A, I08B, I08C, I08D, I08E, I13A, I13B, I13C, I20A, I20B, I20C, I22A
	21A	W61A, W61B	S10.90		PTR		21A	W61A, W61B
	21B	X60Z		09	J65Z		21B	X01A, X01B
S09.0		PTR		21A	W61A, W61B	S11.9		PTR
	21A	W61A, W61B	S10.91		PTR		21A	W61A, W61B
	21B	X60Z		09	J65Z		21B	X60Z
S09.1		PTR		21A	W61A, W61B	S12.0		PTR
	08	I76A, I76B	S10.92		PTR		04	E66A
	21A	W61A, W61B		09	J67A, J67B, J68A, J68B		08	I10C, I68A, I68B, I68C, I68D, I68E
S09.2		PTR		21A	W61A, W61B		15	TPN, VTPN
	03	D66Z	S10.93		PTR		21A	W61A
	15	TPN, VTPN		09	J67A, J67B, J68A, J68B		Pre	A07D, A09E, A11F, A13F
	21A	W61A, W61B		21A	W61A, W61B	S12.1		PTR
S09.7		PTR			PTR		04	E66A
	21A	W61A, W61B	S10.94		J65Z		08	I10C, I68A, I68B, I68C, I68D, I68E
	21B	X60Z		21A	W61A, W61B		15	TPN, VTPN
S09.8		PTR			PTR		21A	W61A
	21A	W61A, W61B	S10.95		PTR		Pre	A07D, A09E, A11F, A13F
	21B	X60Z		09	J65Z	S12.21		PTR
S09.9		PTR		21A	W61A, W61B		04	E66A
	01	B20D, B80Z	S10.98		PTR		08	I10C, I68A, I68B, I68C, I68D, I68E
	15	TPN, VTPN		09	J65Z		15	TPN, VTPN
	21A	W61A, W61B		21A	W61A, W61B		21A	W61A, W61B
S10.0		PTR	S11.01		PTR		Pre	A07D, A09E, A11F, A13F
	09	J65Z		03	D66Z	S12.22		PTR
	21A	W61A, W61B		15	TPN, VTPN		04	E66A
S10.10		PTR		21A	W61A, W61B		08	I10C, I68A, I68B, I68C, I68D, I68E
	09	J65Z	S11.02		PTR		15	TPN, VTPN
	21A	W61A, W61B		04	E66A, E66B		21A	W61A, W61B
S10.11		PTR		15	TPN, VTPN		Pre	A07D, A09E, A11F, A13F
	09	J65Z		21A	W61A, W61B		04	E66A
	21A	W61A, W61B	S11.1		PTR		08	I10C, I68A, I68B, I68C, I68D, I68E
S10.12		PTR		10	K64A, K64B, K64C, K64D		15	TPN, VTPN
	09	J67A, J67B, J68A, J68B		15	TPN, VTPN		21A	W61A, W61B
	21A	W61A, W61B		21A	W61A, W61B		Pre	A07D, A09E, A11F, A13F
S10.13		PTR	S11.21		PTR	S12.23		PTR
	09	J67A, J67B, J68A, J68B		03	D66Z		04	E66A
	21A	W61A, W61B		15	TPN, VTPN		08	I10C, I68A, I68B, I68C, I68D, I68E
S10.14		PTR		21A	W61A, W61B		15	TPN, VTPN
	09	J65Z	S11.22		PTR		21A	W61A, W61B
	21A	W61A, W61B		03	D66Z		Pre	A07D, A09E, A11F, A13F
S10.18		PTR		15	TPN, VTPN		04	E66A
	09	J65Z		21A	W61A, W61B		08	I10C, I68A, I68B, I68C, I68D, I68E
	21A	W61A, W61B	S11.7		PTR		15	TPN, VTPN
S10.7		PTR		21A	W61A, W61B	S12.24		PTR
	09	J65Z		21B	X60Z		04	E66A
	21A	W61A, W61B	S11.80		PTR		08	I10C, I68A, I68B, I68C, I68D, I68E
S10.80		PTR		21A	W61A, W61B		15	TPN, VTPN
	09	J65Z	S11.84		PTR		21A	W61A, W61B
	21A	W61A, W61B	S11.85		PTR		Pre	A07D, A09E, A11F, A13F
				21A	W61A, W61B			

ICD	MDC	DRG	ICD	MDC	DRG	ICD	MDC	DRG
S12.25		PTR	S13.18		PTR	S14.73		PTR
	04	E66A		08	I68A, I68B, I68C, I68D, I68E		15	TPN, VTPN
	08	I10C, I68A, I68B, I68C, I68D, I68E		15	TPN, VTPN		21A	W61A, W61B
	15	TPN, VTPN		21A	W61A, W61B	S14.74		PTR
	21A	W61A, W61B	S13.2		PTR		15	TPN, VTPN
	Pre	A07D, A09E, A11F, A13F		08	I68A, I68B, I68C, I68D, I68E		21A	W61A, W61B
S12.7		PTR		15	TPN, VTPN	S14.75		PTR
	04	E66A		21A	W61A, W61B		15	TPN, VTPN
	08	I10C, I68A, I68B, I68C, I68D, I68E	S13.3		PTR		21A	W61A, W61B
	15	TPN, VTPN		08	I68A, I68B, I68C, I68D, I68E	S14.76		PTR
	21A	W61A, W61B		15	TPN, VTPN		15	TPN, VTPN
	Pre	A07D, A09E, A11F, A13F	S13.4		PTR		21A	W61A, W61B
S12.8		PTR		08	I68A, I68B, I68C, I68D, I68E	S14.77		PTR
	03	D66Z		21A	W61A, W61B		15	TPN, VTPN
	15	TPN, VTPN	S13.5		PTR	S14.78		PTR
	21A	W61A, W61B		08	I76A, I76B		15	TPN, VTPN
S12.9		PTR		21A	W61A, W61B		21A	W61A, W61B
	08	I68A, I68B, I68C, I68D, I68E	S13.6		PTR	S15.00		PTR
	15	TPN, VTPN		08	I68A, I68B, I68C, I68D, I68E		15	TPN, VTPN
	21A	W61A, W61B		21A	W61A, W61B		21A	W61A, W61B
	Pre	A07D, A09E, A11F, A13F	S14.0		PTR		21B	X60Z
S13.0		PTR		15	TPN, VTPN	S15.01		PTR
	08	I68A, I68B, I68C, I68D, I68E		21A	W61A, W61B		15	TPN, VTPN
	15	TPN, VTPN		Pre	B61A, B61B		21A	W61A, W61B
	21A	W61A, W61B	S14.10		PTR		21B	X60Z
S13.10		PTR		15	TPN, VTPN	S15.02		PTR
	08	I68A, I68B, I68C, I68D, I68E		21A	W61A, W61B		15	TPN, VTPN
	15	TPN, VTPN		Pre	B61A, B61B		21A	W61A, W61B
	21A	W61A, W61B	S14.11		PTR		21B	X60Z
S13.11		PTR		15	TPN, VTPN	S15.03		PTR
	08	I68A, I68B, I68C, I68D, I68E		21A	W61A, W61B		15	TPN, VTPN
	15	TPN, VTPN		Pre	B61A, B61B		21A	W61A, W61B
	21A	W61A, W61B	S14.12		PTR		21B	X60Z
	Pre	A07D, A09E, A11F, A13F		15	TPN, VTPN	S15.1		PTR
S13.12		PTR		21A	W61A, W61B		21A	W61A, W61B
	08	I68A, I68B, I68C, I68D, I68E	S14.13		PTR		21B	X60Z
	15	TPN, VTPN		15	TPN, VTPN	S15.2		PTR
	21A	W61A, W61B		21A	W61A, W61B		21A	W61A, W61B
	Pre	A07D, A09E, A11F, A13F		Pre	B61A, B61B	S15.3		PTR
S13.13		PTR	S14.2		PTR		15	TPN, VTPN
	08	I68A, I68B, I68C, I68D, I68E		01	B71A, B71B, B71C, B71D		21A	W61A, W61B
	15	TPN, VTPN		15	TPN, VTPN		21B	X60Z
	21A	W61A, W61B		21A	W61A, W61B	S15.7		PTR
	Pre	A07D, A09E, A11F, A13F	S14.3		PTR		21A	W61A, W61B
S13.14		PTR		01	B07Z, B71A, B71B, B71C, B71D		21B	X60Z
	08	I68A, I68B, I68C, I68D, I68E		15	TPN, VTPN	S15.8		PTR
	15	TPN, VTPN		21A	W61A, W61B		21A	W61A, W61B
	21A	W61A, W61B		Pre	B61A, B61B		21B	X60Z
	Pre	A07D, A09E, A11F, A13F	S14.4		PTR	S15.9		PTR
S13.15		PTR		01	B71A, B71B, B71C, B71D		21A	W61A, W61B
	08	I68A, I68B, I68C, I68D, I68E		21A	W61A, W61B		21B	X60Z
	15	TPN, VTPN	S14.5		PTR	S16		PTR
	21A	W61A, W61B		01	B71A, B71B, B71C, B71D		08	I68A, I68B, I68C, I68D, I68E
	Pre	A07D, A09E, A11F, A13F		15	TPN, VTPN		21A	W61A, W61B
S13.16		PTR		21A	W61A, W61B	S17.0		PTR
	08	I68A, I68B, I68C, I68D, I68E	S14.6		PTR		15	TPN, VTPN
	15	TPN, VTPN		01	B71A, B71B, B71C, B71D		21A	W61A, W61B
	21A	W61A, W61B		21A	W61A, W61B		21B	X60Z
	Pre	A07D, A09E, A11F, A13F	S14.70		PTR	S17.8		PTR
S13.17		PTR		15	TPN, VTPN		15	TPN, VTPN
	08	I68A, I68B, I68C, I68D, I68E		21A	W61A, W61B		21A	W61A, W61B
	15	TPN, VTPN	S14.71		PTR		21B	X60Z
	21A	W61A, W61B		15	TPN, VTPN	S17.9		PTR
	Pre	A07D, A09E, A11F, A13F		21A	W61A, W61B		15	TPN, VTPN
			S14.72		PTR		21A	W61A, W61B
				15	TPN, VTPN		21B	X60Z
				21A	W61A, W61B			

ICD	MDC	DRG	ICD	MDC	DRG	ICD	MDC	DRG
S18		PTR	S20.48		PTR	S21.88		PTR
	21A	W61A, W61B		09	J65Z		08	I02A, I02B, I02C, I02D, I08A, I08B, I08C, I08D, I08E, I13A, I13B, I13C, I20A, I20B, I20C, I22A
	21B	X60Z		21A	W61A, W61B		15	TPN, VTPN
S19.7		PTR	S20.7		PTR		21A	W61A, W61B
	21A	W61A, W61B		09	J65Z		21B	X01A, X01B
	21B	X60Z		21A	W61A, W61B	S21.89		PTR
S19.8		PTR	S20.80		PTR		08	I02A, I02B, I02C, I02D, I08A, I08B, I08C, I08D, I08E, I13A, I13B, I13C, I20A, I20B, I20C, I22A
	21A	W61A, W61B		09	J65Z		15	TPN, VTPN
	21B	X60Z		21A	W61A, W61B		21A	W61A, W61B
S19.9		PTR	S20.81		PTR		21B	X01A, X01B
	21A	W61A, W61B		09	J65Z			PTR
	21B	X60Z		21A	W61A, W61B			
S20.0		PTR	S20.82		PTR			
	09	J65Z		09	J67A, J67B, J68A, J68B			
	21A	W61A, W61B		21A	W61A, W61B			
S20.10		PTR	S20.83		PTR	S21.9		PTR
	09	J65Z		09	J67A, J67B, J68A, J68B		15	TPN, VTPN
	21A	W61A, W61B		21A	W61A, W61B		21A	W61A, W61B
S20.11		PTR	S20.84		PTR		21B	X01A, X01B
	09	J65Z		09	J65Z			PTR
	21A	W61A, W61B		21A	W61A, W61B			
S20.12		PTR	S20.85		PTR	S22.00		PTR
	09	J67A, J67B, J68A, J68B		09	J65Z		04	E66A
	21A	W61A, W61B		21A	W61A, W61B		08	I10C, I68A, I68B, I68C, I68D, I68E
S20.13		PTR	S20.88		PTR		15	TPN, VTPN
	09	J67A, J67B, J68A, J68B		09	J65Z	S22.01		PTR
	21A	W61A, W61B		21A	W61A, W61B		04	E66A
S20.14		PTR	S21.0		PTR		08	I10C, I68A, I68B, I68C, I68D, I68E
	09	J65Z		21A	W61A, W61B		15	TPN, VTPN
	21A	W61A, W61B		21B	X60Z		21A	W61A, W61B
S20.18		PTR	S21.1		PTR			PTR
	09	J65Z		15	TPN, VTPN	S22.02		PTR
	21A	W61A, W61B		21A	W61A, W61B		04	E66A
S20.2		PTR	S21.2		PTR		08	I10C, I68A, I68B, I68C, I68D, I68E
	09	J65Z		15	TPN, VTPN		15	TPN, VTPN
	21A	W61A, W61B		21A	W61A, W61B		21A	W61A, W61B
S20.30		PTR	S21.7		PTR	S22.03		PTR
	09	J65Z		15	TPN, VTPN		04	E66A
	21A	W61A, W61B		21A	W61A, W61B		08	I10C, I68A, I68B, I68C, I68D, I68E
S20.31		PTR	S21.80		PTR		15	TPN, VTPN
	09	J65Z		15	TPN, VTPN		21A	W61A, W61B
	21A	W61A, W61B		21A	W61A, W61B			PTR
S20.32		PTR	S21.83		PTR	S22.04		PTR
	09	J67A, J67B, J68A, J68B		15	TPN, VTPN		04	E66A
	21A	W61A, W61B		21A	W61A, W61B		08	I10C, I68A, I68B, I68C, I68D, I68E
S20.33		PTR		21B	X60Z		15	TPN, VTPN
	09	J67A, J67B, J68A, J68B		08	I02A, I02B, I02C, I02D, I08A, I08B, I08C, I08D, I08E, I13A, I13B, I13C, I20A, I20B, I20C, I22A		21A	W61A, W61B
	21A	W61A, W61B				S22.05		PTR
S20.34		PTR					04	E66A
	09	J65Z					08	I10C, I68A, I68B, I68C, I68D, I68E
	21A	W61A, W61B					15	TPN, VTPN
S20.38		PTR					21A	W61A, W61B
	09	J65Z						PTR
	21A	W61A, W61B						
S20.40		PTR	S21.84		PTR	S22.06		PTR
	09	J65Z	S21.85		PTR		04	E66A
	21A	W61A, W61B	S21.86		04		08	I10C, I68A, I68B, I68C, I68D, I68E
S20.41		PTR					15	TPN, VTPN
	09	J65Z					21A	W61A, W61B
	21A	W61A, W61B						PTR
S20.42		PTR				S22.1		PTR
	09	J67A, J67B, J68A, J68B					04	E66A
	21A	W61A, W61B	S21.87				08	I10C, I68A, I68B, I68C, I68D, I68E
S20.43		PTR					15	TPN, VTPN
	09	J67A, J67B, J68A, J68B					21A	W61A
	21A	W61A, W61B						
S20.44		PTR						
	09	J65Z						
	21A	W61A, W61B						

ICD	MDC	DRG	ICD	MDC	DRG	ICD	MDC	DRG
S22.2		PTR	S23.15		PTR	S24.74		PTR
	04	E66A, E66B		08	I68A, I68B, I68C, I68D, I68E		15	TPN, VTPN
	15	TPN, VTPN		15	TPN, VTPN		21A	W61A, W61B
	21A	W61A, W61B		21A	W61A, W61B	S24.75		PTR
S22.31		PTR	S23.16		PTR		15	TPN, VTPN
	04	E66A, E66B		08	I68A, I68B, I68C, I68D, I68E		21A	W61A, W61B
	21A	W61A, W61B		15	TPN, VTPN	S24.76		PTR
S22.32		PTR		21A	W61A, W61B		15	TPN, VTPN
	04	E66A, E66B	S23.17		PTR		21A	W61A, W61B
	21A	W61A, W61B		08	I68A, I68B, I68C, I68D, I68E	S24.77		PTR
S22.40		PTR		15	TPN, VTPN		15	TPN, VTPN
	04	E66A, E66B	S23.2		PTR		21A	W61A, W61B
	15	TPN, VTPN		04	E66A, E66B	S25.0		PTR
	21A	W61A, W61B		21A	W61A, W61B		15	TPN, VTPN
S22.41		PTR	S23.3		PTR		21A	W61A, W61B
	04	E66A, E66B		08	I68A, I68B, I68C, I68D, I68E	S25.1		PTR
	15	TPN, VTPN		21A	W61A, W61B		15	TPN, VTPN
	21A	W61A, W61B	S23.4		PTR		21A	W61A, W61B
S22.42		PTR		04	E75A, E75B, E75C		21B	X60Z
	04	E66A, E66B		21A	W61A, W61B	S25.2		PTR
	21A	W61A, W61B	S23.5		PTR		15	TPN, VTPN
S22.43		PTR		08	I76A, I76B		21A	W61A, W61B
	04	E66A, E66B		21A	W61A, W61B		21B	X60Z
	10	K62A	S24.0		PTR	S25.3		PTR
	21A	W61A, W61B		15	TPN, VTPN		15	TPN, VTPN
S22.44		PTR		21A	W61A, W61B		21A	W61A, W61B
	04	E66A		Pre	B61A, B61B		21B	X60Z
	10	K62A	S24.10		PTR	S25.4		PTR
	15	TPN, VTPN		15	TPN, VTPN		21A	W61A, W61B
	21A	W61A, W61B		21A	W61A, W61B		21B	X60Z
	Pre	A07D, A09E, A11F, A13F		Pre	B61A, B61B	S25.5		PTR
S22.5		PTR	S24.11		PTR		21A	W61A, W61B
	04	E66A		15	TPN, VTPN		21B	X60Z
	15	TPN, VTPN		21A	W61A, W61B	S25.7		PTR
	21A	W61A		Pre	B61A, B61B		21A	W61A, W61B
	Pre	A07D, A09E, A11F, A13F	S24.12		PTR		21B	X60Z
S22.8		PTR		15	TPN, VTPN	S25.8		PTR
	08	I76A, I76B		21A	W61A, W61B		21A	W61A, W61B
	21A	W61A, W61B		Pre	B61A, B61B		21B	X60Z
S22.9		PTR	S24.2		PTR	S25.9		PTR
	08	I76A, I76B		01	B71A, B71B, B71C, B71D		21A	W61A, W61B
	21A	W61A, W61B		15	TPN, VTPN		21B	X60Z
S23.0		PTR		21A	W61A, W61B	S26.0		PTR
	08	I68A, I68B, I68C, I68D, I68E	S24.3		PTR		05	F75A, F75B, F75C, F75D
	15	TPN, VTPN		01	B71A, B71B, B71C, B71D		15	TPN, VTPN
	21A	W61A, W61B		21A	W61A, W61B		21A	W61A, W61B
S23.10		PTR	S24.4		PTR	S26.81		PTR
	08	I68A, I68B, I68C, I68D, I68E		01	B71A, B71B, B71C, B71D		05	F75A, F75B, F75C, F75D
	15	TPN, VTPN		15	TPN, VTPN		15	TPN, VTPN
	21A	W61A, W61B		21A	W61A, W61B		21A	W61A, W61B
S23.11		PTR	S24.5		PTR	S26.82		PTR
	08	I68A, I68B, I68C, I68D, I68E		01	B71A, B71B, B71C, B71D		05	F75A, F75B, F75C, F75D
	15	TPN, VTPN		21A	W61A, W61B		15	TPN, VTPN
	21A	W61A, W61B	S24.6		PTR		21A	W61A, W61B
S23.12		PTR		01	B71A, B71B, B71C, B71D	S26.83		PTR
	08	I68A, I68B, I68C, I68D, I68E		21A	W61A, W61B		05	F75A, F75B, F75C, F75D
	15	TPN, VTPN	S24.70		PTR		15	TPN, VTPN
	21A	W61A, W61B		15	TPN, VTPN		21A	W61A, W61B
S23.13		PTR		21A	W61A, W61B	S26.88		PTR
	08	I68A, I68B, I68C, I68D, I68E	S24.71		PTR		05	F75A, F75B, F75C, F75D
	15	TPN, VTPN		15	TPN, VTPN		15	TPN, VTPN
	21A	W61A, W61B		21A	W61A, W61B		21A	W61A, W61B
S23.14		PTR	S24.72		PTR	S26.9		PTR
	08	I68A, I68B, I68C, I68D, I68E		15	TPN, VTPN		05	F75A, F75B, F75C, F75D
	15	TPN, VTPN		21A	W61A, W61B		15	TPN, VTPN
	21A	W61A, W61B	S24.73		PTR		21A	W61A, W61B
				15	TPN, VTPN			
				21A	W61A, W61B			

ICD	MDC	DRG	ICD	MDC	DRG	ICD	MDC	DRG
S27.0		PTR	S27.9		PTR	S30.93		PTR
	04	E66A, E76A, E76B, E76C		15	TPN, VTPN		09	J67A, J67B, J68A, J68B
	15	TPN, VTPN		21A	W61A, W61B		21A	W61A, W61B
	21A	W61A, W61B		21B	X60Z	S30.94		PTR
	Pre	A07D, A09E, A11F, A13F	S28.0		PTR		09	J65Z
S27.1		PTR		15	TPN, VTPN		21A	W61A, W61B
	04	E66A, E76A, E76B, E76C		21A	W61A, W61B	S30.95		PTR
	15	TPN, VTPN		21B	X60Z		09	J65Z
	21A	W61A, W61B		Pre	A07D, A09E, A11F, A13F		21A	W61A, W61B
	Pre	A07D, A09E, A11F, A13F	S28.1		PTR	S30.98		PTR
S27.2		PTR		15	TPN, VTPN		09	J65Z
	04	E66A, E76A, E76B, E76C		21A	W61A, W61B		21A	W61A, W61B
	15	TPN, VTPN		21B	X60Z	S31.0		PTR
	21A	W61A, W61B		S29.0	PTR		15	TPN, VTPN
	Pre	A07D, A09E, A11F, A13F		08	I68A, I68B, I68C, I68D, I68E		21A	W61A, W61B
S27.31		PTR		21A	W61A, W61B		21B	X60Z
	04	E66A, E75A, E75B, E75C	S29.7		PTR	S31.1		PTR
	21A	W61A, W61B		21A	W61A, W61B		15	TPN, VTPN
	Pre	A07D, A09E, A11F, A13F		21B	X60Z		21A	W61A, W61B
S27.32		PTR	S29.8		PTR		21B	X60Z
	04	E66A, E66B		21A	W61A, W61B	S31.2		PTR
	15	TPN, VTPN		21B	X60Z		12	M64Z
	21A	W61A, W61B		S29.9	PTR		21A	W61A, W61B
	Pre	A07D, A09E, A11F, A13F		21A	W61A, W61B	S31.3		PTR
S27.38		PTR		21B	X60Z		12	M64Z
	04	E75A, E75B, E75C	S30.0		PTR		15	TPN, VTPN
	15	TPN, VTPN		09	J65Z		21A	W61A, W61B
	21A	W61A, W61B	S30.1		PTR	S31.4		PTR
S27.4		PTR		09	J65Z		13	N04Z, N05A, N05B, N14Z, N21Z, N25Z, N62A, N62B
	04	E66A, E66B		21A	W61A, W61B		21A	W61A, W61B
	15	TPN, VTPN	S30.2		PTR	S31.5		PTR
	21A	W61A, W61B		12	M64Z		12	M64Z
S27.5		PTR		13	N04Z, N05A, N05B, N14Z, N21Z, N25Z, N62A, N62B		13	N04Z, N05A, N05B, N14Z, N21Z, N25Z, N62A, N62B
	04	E75A, E75B, E75C		21A	W61A, W61B		21A	W61A, W61B
	15	TPN, VTPN	S30.7		PTR	S31.7		PTR
	21A	W61A, W61B		09	J65Z		15	TPN, VTPN
	Pre	A07D, A09E, A11F, A13F		21A	W61A, W61B		21A	W61A, W61B
S27.6		PTR	S30.80		PTR		21B	X60Z
	04	E75A, E75B, E75C		09	J65Z	S31.80		PTR
	15	TPN, VTPN		21A	W61A, W61B		15	TPN, VTPN
	21A	W61A, W61B	S30.81		PTR		21A	W61A, W61B
S27.7		PTR		09	J65Z		21B	X60Z
	15	TPN, VTPN	S30.82		PTR	S31.83		PTR
	21A	W61A, W61B		09	J67A, J67B, J68A, J68B		08	I02A, I02B, I02C, I02D, I08A, I08B, I08C, I08D, I08E, I13A, I13B, I13C, I20A, I20B, I20C, I22A
	21B	X60Z		21A	W61A, W61B		15	TPN, VTPN
	Pre	A07D, A09E, A11F, A13F	S30.83		PTR		21A	W61A, W61B
S27.81		PTR		09	J67A, J67B, J68A, J68B		21B	X01A, X01B
	04	E66A, E66B		21A	W61A, W61B	S31.84		PTR
	15	TPN, VTPN	S30.84		PTR		21A	W61A, W61B
	21A	W61A, W61B		09	J65Z	S31.85		PTR
	Pre	A07D, A09E, A11F, A13F		21A	W61A, W61B		21A	W61A, W61B
S27.82		PTR	S30.85		PTR	S31.86		PTR
	04	E75A, E75B, E75C		09	J65Z		08	I02A, I02B, I02C, I02D, I08A, I08B, I08C, I08D, I08E, I13A, I13B, I13C, I20A, I20B, I20C, I22A
	15	TPN, VTPN		21A	W61A, W61B		21A	W61A, W61B
	21A	W61A, W61B	S30.88		PTR		21B	X01A, X01B
S27.83		PTR		09	J65Z	S31.87		PTR
	06	G46A, G46B, G46C, G50Z, G71Z		21A	W61A, W61B		15	TPN, VTPN
	15	TPN, VTPN	S30.90		PTR		21A	W61A, W61B
	21A	W61A, W61B		09	J65Z			
	Pre	A07D, A09E, A11F, A13F		21A	W61A, W61B			
S27.84		PTR	S30.91		PTR			
	04	E75A, E75B, E75C		09	J65Z			
	15	TPN, VTPN		21A	W61A, W61B			
	21A	W61A, W61B	S30.92		PTR			
S27.88		PTR		09	J67A, J67B, J68A, J68B			
	04	E75A, E75B, E75C		21A	W61A, W61B			
	15	TPN, VTPN						
	21A	W61A, W61B						

ICD	MDC	DRG	ICD	MDC	DRG	ICD	MDC	DRG
S31.88		PTR	S32.7		PTR	S34.0		PTR
	08	I02A, I02B, I02C, I02D, I08A, I08B, I08C, I08D, I08E, I13A, I13B, I13C, I20A, I20B, I20C, I22A		08	I76A		15	TPN, VTPN
	15	TPN, VTPN		21A	W61A, W61B		21A	W61A, W61B
	21A	W61A, W61B	S32.81		PTR		Pre	A07D, A09E, A11F, A13F, B61A, B61B
	21B	X01A, X01B		08	I66A, I66B	S34.10		PTR
S31.89		PTR		21A	W61A, W61B		15	TPN, VTPN
	08	I02A, I02B, I02C, I02D, I08A, I08B, I08C, I08D, I08E, I13A, I13B, I13C, I20A, I20B, I20C, I22A	S32.82		PTR		21A	W61A, W61B
	15	TPN, VTPN		08	I68A, I68B, I68C, I68D, I68E		Pre	A07D, A09E, A11F, A13F, B61A, B61B
	21A	W61A, W61B		15	TPN, VTPN	S34.11		PTR
	21B	X01A, X01B		21A	W61A, W61B		15	TPN, VTPN
S32.00		PTR	S32.83		PTR		21A	W61A, W61B
	04	E66A		08	I66A, I66B		Pre	A07D, A09E, A11F, A13F, B61A, B61B
	08	I10C, I68A, I68B, I68C, I68D, I68E		21A	W61A, W61B	S34.18		PTR
	15	TPN, VTPN		15	TPN, VTPN		15	TPN, VTPN
	21A	W61A, W61B	S32.89		PTR		21A	W61A, W61B
	21B	X01A, X01B		08	I66A, I66B	S34.2		PTR
S32.01		PTR		15	TPN, VTPN		21A	W61A, W61B
	04	E66A		21A	W61A, W61B		Pre	A07D, A09E, A11F, A13F, B61A, B61B
	08	I10C, I68A, I68B, I68C, I68D, I68E	S33.0		PTR		Pre	A07D, A09E, A11F, A13F, B61A, B61B
	15	TPN, VTPN		08	I68A, I68B, I68C, I68D, I68E	S34.2		PTR
	21A	W61A, W61B		15	TPN, VTPN		01	B71A, B71B, B71C, B71D
S32.02		PTR		21A	W61A, W61B		15	TPN, VTPN
	04	E66A	S33.10		PTR		21A	W61A, W61B
	08	I10C, I68A, I68B, I68C, I68D, I68E		08	I68A, I68B, I68C, I68D, I68E		Pre	A07D, A09E, A11F, A13F, B61A, B61B
	15	TPN, VTPN		15	TPN, VTPN	S34.30		PTR
	21A	W61A, W61B		21A	W61A, W61B		15	TPN, VTPN
S32.03		PTR	S33.11		PTR		21A	W61A, W61B
	04	E66A		08	I68A, I68B, I68C, I68D, I68E		Pre	A07D, A09E, A11F, A13F, B61A, B61B
	08	I10C, I68A, I68B, I68C, I68D, I68E		15	TPN, VTPN	S34.31		PTR
	15	TPN, VTPN		21A	W61A, W61B		15	TPN, VTPN
	21A	W61A, W61B	S33.12		PTR		21A	W61A, W61B
S32.04		PTR		08	I68A, I68B, I68C, I68D, I68E		Pre	A07D, A09E, A11F, A13F, B61A, B61B
	04	E66A		15	TPN, VTPN	S34.38		PTR
	08	I10C, I68A, I68B, I68C, I68D, I68E		21A	W61A, W61B		15	TPN, VTPN
	15	TPN, VTPN	S33.13		PTR		21A	W61A, W61B
	21A	W61A, W61B		08	I68A, I68B, I68C, I68D, I68E		Pre	A07D, A09E, A11F, A13F, B61A, B61B
S32.05		PTR		15	TPN, VTPN	S34.4		PTR
	04	E66A		21A	W61A, W61B		01	B71A, B71B, B71C, B71D
	08	I10C, I68A, I68B, I68C, I68D, I68E	S33.14		PTR		15	TPN, VTPN
	15	TPN, VTPN		08	I68A, I68B, I68C, I68D, I68E		21A	W61A, W61B
	21A	W61A, W61B		15	TPN, VTPN	S34.5		PTR
S32.05		PTR		21A	W61A, W61B		01	B71A, B71B, B71C, B71D
	04	E66A	S33.15		PTR		15	TPN, VTPN
	08	I10C, I68A, I68B, I68C, I68D, I68E		08	I68A, I68B, I68C, I68D, I68E		21A	W61A, W61B
	15	TPN, VTPN		15	TPN, VTPN		Pre	A07D, A09E, A11F, A13F, B61A, B61B
	21A	W61A, W61B	S33.2		PTR	S34.6		PTR
S32.1		PTR		08	I68A, I68B, I68C, I68D, I68E		01	B71A, B71B, B71C, B71D
	08	I68A, I68B, I68C, I68D, I68E		21A	W61A, W61B		21A	W61A, W61B
	15	TPN, VTPN	S33.3		PTR		Pre	A07D, A09E, A11F, A13F, B61A, B61B
	21A	W61A, W61B		08	I68A, I68B, I68C, I68D, I68E	S34.70		PTR
S32.2		PTR		21A	W61A, W61B		15	TPN, VTPN
	08	I68A, I68B, I68C, I68D, I68E	S33.4		PTR		21A	W61A, W61B
	15	TPN, VTPN		08	I68A, I68B, I68C, I68D, I68E		Pre	A07D, A09E, A11F, A13F, B61A, B61B
	21A	W61A, W61B		21A	W61A, W61B	S34.71		PTR
S32.3		PTR	S33.50		PTR		15	TPN, VTPN
	08	I68A, I68B, I68C, I68D, I68E		08	I68A, I68B, I68C, I68D, I68E		21A	W61A, W61B
	15	TPN, VTPN		15	TPN, VTPN		Pre	A07D, A09E, A11F, A13F, B61A, B61B
	21A	W61A, W61B	S33.51		PTR	S34.72		PTR
S32.4		PTR		08	I68A, I68B, I68C, I68D, I68E		15	TPN, VTPN
	08	I08C, I08D, I66A, I66B		21A	W61A, W61B		21A	W61A, W61B
	21A	W61A, W61B	S33.6		PTR		Pre	A07D, A09E, A11F, A13F, B61A, B61B
S32.5		PTR		08	I68A, I68B, I68C, I68D, I68E		15	TPN, VTPN
	08	I66A, I66B	S33.7		PTR		21A	W61A, W61B
	21A	W61A, W61B		08	I68A, I68B, I68C, I68D, I68E		Pre	A07D, A09E, A11F, A13F, B61A, B61B
				21A	W61A, W61B			

ICD	MDC	DRG	ICD	MDC	DRG	ICD	MDC	DRG
S34.73		PTR 15 TPN, VTPN 21A W61A, W61B Pre A07D, A09E, A11F, A13F	S36.00		PTR 16 Q60A, Q60B, Q60C 21A W61A, W61B Pre A07D, A09E, A11F, A13F	S36.18		PTR 07 H64Z 15 TPN, VTPN 21A W61A, W61B Pre A07D, A09E, A11F, A13F
S34.74		PTR 15 TPN, VTPN 21A W61A, W61B Pre A07D, A09E, A11F, A13F	S36.01		PTR 15 TPN, VTPN 16 Q60A, Q60B, Q60C 21A W61A, W61B Pre A07D, A09E, A11F, A13F	S36.20		PTR 07 H62A, H62B, H62C 21A W61A, W61B Pre A07D, A09E, A11F, A13F
S34.75		PTR 15 TPN, VTPN 21A W61A, W61B Pre A07D, A09E, A11F, A13F	S36.02		PTR 15 TPN, VTPN 16 Q60A, Q60B, Q60C 21A W61A, W61B Pre A07D, A09E, A11F, A13F	S36.21		PTR 07 H62A, H62B, H62C 21A W61A, W61B Pre A07D, A09E, A11F, A13F
S34.76		PTR 15 TPN, VTPN 21A W61A, W61B Pre A07D, A09E, A11F, A13F	S36.03		PTR 15 TPN, VTPN 16 Q60A, Q60B, Q60C 21A W61A, W61B Pre A07D, A09E, A11F, A13F	S36.22		PTR 07 H62A, H62B, H62C 21A W61A, W61B Pre A07D, A09E, A11F, A13F
S34.77		PTR 15 TPN, VTPN 21A W61A, W61B Pre A07D, A09E, A11F, A13F	S36.04		PTR 15 TPN, VTPN 16 Q60A, Q60B, Q60C 21A W61A Pre A07D, A09E, A11F, A13F	S36.23		PTR 07 H62A, H62B, H62C 21A W61A, W61B Pre A07D, A09E, A11F, A13F
S34.8		PTR 01 B71A, B71B, B71C, B71D 21A W61A, W61B Pre A07D, A09E, A11F, A13F	S36.08		PTR 16 Q60A, Q60B, Q60C, Q60D, Q60E 21A W61A Pre A07D, A09E, A11F, A13F	S36.29		PTR 07 H62A, H62B, H62C 21A W61A, W61B Pre A07D, A09E, A11F, A13F
S35.0		PTR 15 TPN, VTPN 21A W61A, W61B 21B X60Z Pre A07D, A09E, A11F, A13F	S36.10		PTR 07 H63A, H63B, H63C, H78Z 15 TPN, VTPN 21A W61A, W61B Pre A07D, A09E, A11F, A13F	S36.3		PTR 06 G46A, G46B, G46C, G50Z, G71Z 21A W61A, W61B Pre A07D, A09E, A11F, A13F
S35.1		PTR 15 TPN, VTPN 21A W61A, W61B 21B X60Z Pre A07D, A09E, A11F, A13F	S36.11		PTR 07 H63A, H63B, H63C, H78Z 15 TPN, VTPN 21A W61A, W61B Pre A07D, A09E, A11F, A13F	S36.40		PTR 06 G46A, G46B, G46C, G50Z, G71Z 15 TPN, VTPN 21A W61A, W61B Pre A07D, A09E, A11F, A13F
S35.2		PTR 15 TPN, VTPN 21A W61A, W61B 21B X60Z Pre A07D, A09E, A11F, A13F	S36.12		PTR 07 H63A, H63B, H63C, H78Z 15 TPN, VTPN 21A W61A, W61B Pre A07D, A09E, A11F, A13F	S36.41		PTR 06 G46A, G46B, G46C, G50Z, G71Z 21A W61A, W61B Pre A07D, A09E, A11F, A13F
S35.3		PTR 15 TPN, VTPN 21A W61A, W61B 21B X60Z Pre A07D, A09E, A11F, A13F	S36.13		PTR 07 H63A, H63B, H63C, H78Z 15 TPN, VTPN 21A W61A, W61B Pre A07D, A09E, A11F, A13F	S36.49		PTR 06 G46A, G46B, G46C, G50Z, G71Z 21A W61A, W61B Pre A07D, A09E, A11F, A13F
S35.4		PTR 15 TPN, VTPN 21A W61A 21B X60Z Pre A07D, A09E, A11F, A13F	S36.14		PTR 07 H63A, H63B, H63C, H78Z 15 TPN, VTPN 21A W61A, W61B Pre A07D, A09E, A11F, A13F	S36.50		PTR 06 G46A, G46B, G46C, G50Z, G71Z 15 TPN, VTPN 21A W61A, W61B Pre A07D, A09E, A11F, A13F
S35.5		PTR 15 TPN, VTPN 21A W61A, W61B 21B X60Z Pre A07D, A09E, A11F, A13F	S36.15		PTR 07 H63A, H63B, H63C, H78Z 15 TPN, VTPN 21A W61A, W61B Pre A07D, A09E, A11F, A13F	S36.51		PTR 06 G46A, G46B, G46C, G50Z, G71Z 21A W61A, W61B Pre A07D, A09E, A11F, A13F
S35.7		PTR 15 TPN, VTPN 21A W61A, W61B 21B X60Z Pre A07D, A09E, A11F, A13F	S36.16		PTR 07 H63A, H63B, H63C, H78Z 15 TPN, VTPN 21A W61A, W61B Pre A07D, A09E, A11F, A13F	S36.52		PTR 06 G46A, G46B, G46C, G50Z, G71Z 15 TPN, VTPN 21A W61A, W61B Pre A07D, A09E, A11F, A13F
S35.8		PTR 15 TPN, VTPN 21A W61A, W61B 21B X60Z Pre A07D, A09E, A11F, A13F	S36.17		PTR 07 H64Z 15 TPN, VTPN 21A W61A, W61B Pre A07D, A09E, A11F, A13F	S36.53		PTR 06 G46A, G46B, G46C, G50Z, G71Z 15 TPN, VTPN 21A W61A, W61B Pre A07D, A09E, A11F, A13F
S35.9		PTR 15 TPN, VTPN 21A W61A, W61B 21B X60Z Pre A07D, A09E, A11F, A13F						

ICD	MDC	DRG	ICD	MDC	DRG	ICD	MDC	DRG
S36.54		PTR	S37.1		PTR	S37.82		PTR
	06	G46A, G46B, G46C, G50Z, G71Z		11	L68A, L68B, L74Z		12	M64Z
	21A	W61A, W61B		15	TPN, VTPN		21A	W61A, W61B
	Pre	A07D, A09E, A11F, A13F		21A	W61A, W61B		Pre	A07D, A09E, A11F, A13F
S36.59		PTR	S37.20		PTR	S37.83		PTR
	06	G46A, G46B, G46C, G50Z, G71Z		11	L68A, L68B, L74Z		12	M64Z
	15	TPN, VTPN		21A	W61A, W61B		21A	W61A, W61B
	21A	W61A, W61B		Pre	A07D, A09E, A11F, A13F		Pre	A07D, A09E, A11F, A13F
	Pre	A07D, A09E, A11F, A13F	S37.21		PTR	S37.84		PTR
S36.6		PTR		11	L68A, L68B, L74Z		12	M64Z
	06	G46A, G46B, G46C, G50Z, G71Z		21A	W61A, W61B		21A	W61A, W61B
	15	TPN, VTPN		Pre	A07D, A09E, A11F, A13F		Pre	A07D, A09E, A11F, A13F
	21A	W61A, W61B	S37.22		PTR	S37.88		PTR
	Pre	A07D, A09E, A11F, A13F		11	L68A, L68B, L74Z		12	M64Z
S36.7		PTR		21A	W61A, W61B		13	N04Z, N05A, N05B, N14Z, N21Z, N25Z, N62A, N62B
	06	G46A, G46B, G46C, G50Z, G71Z	S37.28		PTR		21A	W61A, W61B
	15	TPN, VTPN		11	L68A, L68B, L74Z		Pre	A07D, A09E, A11F, A13F
	21A	W61A, W61B		21A	W61A, W61B	S37.9		PTR
	Pre	A07D, A09E, A11F, A13F		Pre	A07D, A09E, A11F, A13F		12	M64Z
S36.81		PTR	S37.30		PTR		13	N04Z, N05A, N05B, N14Z, N21Z, N25Z, N62A, N62B
	06	G46A, G46B, G46C, G50Z, G71Z		11	L64A, L64B, L74Z		21A	W61A, W61B
	15	TPN, VTPN		21A	W61A, W61B		Pre	A07D, A09E, A11F, A13F
	21A	W61A, W61B		Pre	A07D, A09E, A11F, A13F	S38.0		PTR
	Pre	A07D, A09E, A11F, A13F	S37.31		PTR		12	M64Z
S36.82		PTR		11	L64A, L64B, L74Z		13	N04Z, N05A, N05B, N14Z, N21Z, N25Z, N62A, N62B
	06	G46A, G46B, G46C, G50Z, G71Z		21A	W61A, W61B		15	TPN, VTPN
	21A	W61A, W61B		Pre	A07D, A09E, A11F, A13F		21A	W61A, W61B
	Pre	A07D, A09E, A11F, A13F	S37.32		PTR		Pre	A07D, A09E, A11F, A13F
S36.83		PTR		11	L64A, L64B, L74Z	S38.1		PTR
	11	L68A, L68B, L74Z		21A	W61A, W61B		15	TPN, VTPN
	15	TPN, VTPN		Pre	A07D, A09E, A11F, A13F		21A	W61A, W61B
	21A	W61A, W61B		PTR			21B	X60Z
	Pre	A07D, A09E, A11F, A13F	S37.33		PTR		Pre	A07D, A09E, A11F, A13F
S36.88		PTR		11	L68A, L68B, L74Z	S38.2		PTR
	21A	W61A, W61B		21A	W61A, W61B		12	M64Z
	21B	X60Z		Pre	A07D, A09E, A11F, A13F		13	N04Z, N05A, N05B, N14Z, N21Z, N25Z, N62A, N62B
	Pre	A07D, A09E, A11F, A13F	S37.38		PTR		21A	W61A, W61B
S36.9		PTR		11	L68A, L68B, L74Z		Pre	A07D, A09E, A11F, A13F
	06	G46A, G46B, G46C, G50Z, G71Z		21A	W61A, W61B	S38.3		PTR
	21A	W61A, W61B		Pre	A07D, A09E, A11F, A13F		15	TPN, VTPN
	Pre	A07D, A09E, A11F, A13F	S37.4		PTR		21A	W61A, W61B
S37.00		PTR		13	N04Z, N05A, N05B, N14Z, N21Z, N25Z, N62A, N62B		21B	X60Z
	11	L64A, L64B, L74Z		21A	W61A, W61B		Pre	A07D, A09E, A11F, A13F
	21A	W61A, W61B	S37.5		PTR	S39.0		PTR
	Pre	A07D, A09E, A11F, A13F		13	N04Z, N05A, N05B, N14Z, N21Z, N25Z, N62A, N62B		08	I68A, I68B, I68C, I68D, I68E
S37.01		PTR		21A	W61A, W61B		21A	W61A, W61B
	11	L64A, L64B, L74Z	S37.6		PTR		Pre	A07D, A09E, A11F, A13F
	21A	W61A, W61B		13	N04Z, N05A, N05B, N14Z, N21Z, N25Z, N62A, N62B	S39.6		PTR
	Pre	A07D, A09E, A11F, A13F		21A	W61A, W61B		12	M64Z
S37.02		PTR		Pre	A07D, A09E, A11F, A13F		13	N04Z, N05A, N05B, N14Z, N21Z, N25Z, N62A, N62B
	11	L69A, L69B	S37.7		PTR		21A	W61A, W61B
	15	TPN, VTPN		12	M64Z	S39.7		PTR
	21A	W61A		13	N04Z, N05A, N05B, N14Z, N21Z, N25Z, N62A, N62B		21A	W61A, W61B
	Pre	A07D, A09E, A11F, A13F		21A	W61A, W61B		21B	X60Z
S37.03		PTR		Pre	A07D, A09E, A11F, A13F		Pre	A07D, A09E, A11F, A13F
	11	L69A, L69B	S37.81		PTR	S39.80		PTR
	21A	W61A		10	K64A, K64B, K64C, K64D		21A	W61A, W61B
	Pre	A07D, A09E, A11F, A13F		21A	W61A, W61B		21B	X60Z
				Pre	A07D, A09E, A11F, A13F	S39.88		PTR
							21A	W61A, W61B
							21B	X60Z

Dg

ICD	MDC	DRG	ICD	MDC	DRG	ICD	MDC	DRG
S39.9		PTR	S42.02		PTR	S42.49		PTR
	21A	W61A, W61B		08	I77Z		08	I77Z
	21B	X60Z		21A	W61A, W61B		21A	W61A, W61B
S40.0		PTR	S42.03		PTR	S42.7		PTR
	09	J65Z		08	I77Z		08	I77Z
	21A	W61A, W61B		21A	W61A, W61B		21A	W61A, W61B
S40.7		PTR	S42.09		PTR	S42.8		PTR
	09	J65Z		08	I75A, I75B		08	I77Z
	21A	W61A, W61B		21A	W61A, W61B		21A	W61A, W61B
S40.81		PTR	S42.10		PTR	S42.9		PTR
	09	J65Z		08	I77Z		08	I77Z
	21A	W61A, W61B		21A	W61A, W61B		21A	W61A, W61B
S40.82		PTR	S42.11		PTR	S43.00		PTR
	09	J67A, J67B, J68A, J68B		08	I76A, I76B		08	I78Z
	21A	W61A, W61B		21A	W61A, W61B		21A	W61A, W61B
S40.83		PTR	S42.12		PTR	S43.01		PTR
	09	J67A, J67B, J68A, J68B		08	I77Z		08	I78Z
	21A	W61A, W61B		21A	W61A, W61B		21A	W61A, W61B
S40.84		PTR	S42.13		PTR	S43.02		PTR
	09	J65Z		08	I77Z		08	I78Z
	21A	W61A, W61B		21A	W61A, W61B		21A	W61A, W61B
S40.88		PTR	S42.14		PTR	S43.03		PTR
	09	J65Z		08	I77Z		08	I78Z
	21A	W61A, W61B		21A	W61A, W61B		21A	W61A, W61B
S40.9		PTR	S42.19		PTR	S43.08		PTR
	09	J65Z		08	I76A, I76B		08	I77Z
	21A	W61A, W61B		21A	W61A, W61B		21A	W61A, W61B
S41.0		PTR	S42.20		PTR	S43.1		PTR
	21A	W61A, W61B		08	I75A, I75B		08	I77Z
	21B	X60Z		21A	W61A, W61B		21A	W61A, W61B
S41.1		PTR	S42.21		PTR	S43.2		PTR
	21A	W61A, W61B		08	I75A, I75B		08	I78Z
	21B	X60Z		15	TPN, VTPN		21A	W61A, W61B
S41.7		PTR		21A	W61A, W61B	S43.3		PTR
	21A	W61A, W61B	S42.22		PTR		08	I77Z
	21B	X60Z		08	I75A, I75B		21A	W61A, W61B
S41.80		PTR		21A	W61A, W61B	S43.4		PTR
	21A	W61A, W61B	S42.23		PTR		08	I77Z
	21B	X60Z		08	I75A, I75B		21A	W61A, W61B
S41.84		PTR		21A	W61A, W61B	S43.5		PTR
S41.85		PTR	S42.24		PTR		08	I77Z
S41.86	08	I02A, I02B, I02C, I02D, I08A, I08B, I08C, I08D, I08E, I13A, I13B, I13C, I20A, I20B, I20C, I22A		08	I75A, I75B		21A	W61A, W61B
			S42.29		PTR	S43.6		PTR
	21A	W61A, W61B		08	I75A, I75B		04	E75A, E75B, E75C
	21B	X01A, X01B		15	TPN, VTPN		21A	W61A, W61B
S41.87		PTR		21A	W61A, W61B	S43.7		PTR
	21A	W61A, W61B	S42.3		PTR		08	I77Z
S41.88		PTR		08	I75A, I75B		21A	W61A, W61B
	08	I02A, I02B, I02C, I02D, I08A, I08B, I08C, I08D, I08E, I13A, I13B, I13C, I20A, I20B, I20C, I22A		15	TPN, VTPN	S44.0		PTR
			S42.40		PTR		01	B71A, B71B, B71C, B71D
	21A	W61A, W61B		21A	W61A, W61B		21A	W61A, W61B
	21B	X01A, X01B		08	I77Z	S44.1		PTR
S41.89		PTR		21A	W61A, W61B		01	B71A, B71B, B71C, B71D
	08	I02A, I02B, I02C, I02D, I08A, I08B, I08C, I08D, I08E, I13A, I13B, I13C, I20A, I20B, I20C, I22A	S42.41		PTR		21A	W61A, W61B
				08	I77Z	S44.2		PTR
	21A	W61A, W61B		21A	W61A, W61B		01	B71A, B71B, B71C, B71D
	21B	X01A, X01B		08	I77Z		21A	W61A, W61B
S42.00		PTR	S42.42		PTR	S44.3		PTR
	08	I78Z		08	I77Z		01	B71A, B71B, B71C, B71D
	21A	W61A, W61B		21A	W61A, W61B		21A	W61A, W61B
S42.01		PTR	S42.43		PTR	S44.4		PTR
	08	I77Z		08	I77Z		01	B71A, B71B, B71C, B71D
	21A	W61A, W61B		21A	W61A, W61B		21A	W61A, W61B
			S42.44		PTR	S44.5		PTR
	08	I78Z		08	I77Z		01	B71A, B71B, B71C, B71D
	21A	W61A, W61B		21A	W61A, W61B		21A	W61A, W61B
			S42.45		PTR	S44.7		PTR
	08	I77Z		08	I77Z		01	B71A, B71B, B71C, B71D
	21A	W61A, W61B		21A	W61A, W61B		21A	W61A, W61B

ICD	MDC	DRG	ICD	MDC	DRG	ICD	MDC	DRG	
S44.8		PTR	S49.7		PTR	S51.9		PTR	
	01	B71A, B71B, B71C, B71D		21A	W61A, W61B		21A	W61A, W61B	
	21A	W61A, W61B		21B	X60Z		21B	X60Z	
S44.9		PTR	S49.8		PTR	S52.00		PTR	
	01	B71A, B71B, B71C, B71D		21A	W61A, W61B		08	I74A, I74B, I74C	
	21A	W61A, W61B		21B	X60Z		21A	W61A, W61B	
S45.0		PTR	S49.9		PTR	S52.01		PTR	
	15	TPN, VTPN		21A	W61A, W61B		08	I74A, I74B, I74C	
	21A	W61A, W61B		21B	X60Z		21A	W61A, W61B	
	21B	X60Z	S50.0		PTR	S52.02		PTR	
S45.1		PTR		09	J65Z		08	I74A, I74B, I74C	
	15	TPN, VTPN		21A	W61A, W61B		21A	W61A, W61B	
	21A	W61A, W61B	S50.1		PTR	S52.09		PTR	
	21B	X60Z		09	J65Z		08	I74A, I74B, I74C	
S45.2		PTR		21A	W61A, W61B		21A	W61A, W61B	
	15	TPN, VTPN	S50.7		PTR	S52.10		PTR	
	21A	W61A, W61B		09	J65Z		08	I74A, I74B, I74C	
	21B	X60Z		21A	W61A, W61B		21A	W61A, W61B	
S45.3		PTR	S50.81		PTR	S52.11		PTR	
	15	TPN, VTPN		09	J65Z		08	I74A, I74B, I74C	
	21A	W61A, W61B		21A	W61A, W61B		21A	W61A, W61B	
	21B	X60Z	S50.82		PTR	S52.12		PTR	
S45.7		PTR		09	J67A, J67B, J68A, J68B		08	I74A, I74B, I74C	
	15	TPN, VTPN		21A	W61A, W61B		21A	W61A, W61B	
	21A	W61A, W61B	S50.83		PTR	S52.19		PTR	
	21B	X60Z		09	J67A, J67B, J68A, J68B		08	I74A, I74B, I74C	
S45.8		PTR		21A	W61A, W61B		21A	W61A, W61B	
	15	TPN, VTPN	S50.84		PTR	S52.20		PTR	
	21A	W61A, W61B		09	J65Z		08	I74A, I74B, I74C	
	21B	X60Z		21A	W61A, W61B		21A	W61A, W61B	
S45.9		PTR	S50.88		PTR	S52.21		PTR	
	15	TPN, VTPN		09	J65Z		08	I74A, I74B, I74C	
	21A	W61A, W61B		21A	W61A, W61B		21A	W61A, W61B	
	21B	X60Z	S50.9		PTR	S52.30		PTR	
S46.0		PTR		09	J65Z		08	I74A, I74B, I74C	
	08	I77Z		21A	W61A, W61B		21A	W61A, W61B	
	21A	W61A, W61B	S51.0		PTR	S52.31		PTR	
S46.1		PTR		21A	W61A, W61B		08	I74A, I74B, I74C	
	08	I77Z		21B	X60Z		21A	W61A, W61B	
	21A	W61A, W61B	S51.7		PTR	S52.4		PTR	
S46.2		PTR		21A	W61A, W61B		08	I74A, I74B, I74C	
	08	I77Z		21B	X60Z		21A	W61A, W61B	
	21A	W61A, W61B	S51.80		PTR	S52.50		PTR	
S46.3		PTR		21A	W61A, W61B		08	I74A, I74B, I74C	
	08	I77Z		21B	X60Z		21A	W61A, W61B	
	21A	W61A, W61B	S51.84		21A	W61A, W61B	S52.51		PTR
S46.7		PTR	S51.85		21A	W61A, W61B		08	I74A, I74B, I74C
	08	I77Z	S51.86		08	I02A, I02B, I02C, I02D, I08A, I08B, I08C, I08D, I08E, I13A, I13B, I13C, I20A, I20B, I20C, I22A		21A	W61A, W61B
	21A	W61A, W61B					S52.52		PTR
S46.8		PTR		21A	W61A, W61B		08	I74A, I74B, I74C	
	08	I77Z		21B	X01A, X01B		21A	W61A, W61B	
	21A	W61A, W61B	S51.87		PTR	S52.59		PTR	
S46.9		PTR		21A	W61A, W61B		08	I74A, I74B, I74C	
	08	I77Z	S51.88		PTR		21A	W61A, W61B	
	21A	W61A, W61B		08	I02A, I02B, I02C, I02D, I08A, I08B, I08C, I08D, I08E, I13A, I13B, I13C, I20A, I20B, I20C, I22A	S52.6		PTR	
S47		PTR					08	I74A, I74B, I74C	
	15	TPN, VTPN					21A	W61A, W61B	
	21A	W61A, W61B				S52.7		PTR	
	21B	X60Z					08	I78Z	
S48.0		PTR		21A	W61A, W61B		21A	W61A, W61B	
	21A	W61A, W61B		21B	X01A, X01B	S52.8		PTR	
	21B	X60Z					08	I74A, I74B, I74C	
S48.1		PTR	S51.89		PTR		21A	W61A, W61B	
	21A	W61A, W61B		08	I02A, I02B, I02C, I02D, I08A, I08B, I08C, I08D, I08E, I13A, I13B, I13C, I20A, I20B, I20C, I22A	S52.9		PTR	
	21B	X60Z					08	I74A, I74B, I74C	
S48.9		PTR		21A	W61A, W61B	S53.0		PTR	
	21A	W61A, W61B		21B	X01A, X01B		08	I78Z	
	21B	X60Z					21A	W61A, W61B	

ICD	MDC	DRG	ICD	MDC	DRG	ICD	MDC	DRG
S53.10		PTR	S55.1		PTR	S59.7		PTR
	08	I78Z		15	TPN, VTPN		21A	W61A, W61B
	21A	W61A, W61B		21A	W61A, W61B		21B	X05A, X05B, X60Z
S53.11		PTR	S55.2		PTR	S59.8		PTR
	08	I78Z		15	TPN, VTPN		21A	W61A, W61B
	21A	W61A, W61B		21A	W61A, W61B		21B	X05A, X05B, X60Z
S53.12		PTR		21B	X60Z	S59.9		PTR
	08	I78Z	S55.7		PTR		21A	W61A, W61B
	21A	W61A, W61B		15	TPN, VTPN		21B	X05A, X05B, X60Z
S53.13		PTR		21A	W61A, W61B	S60.0		PTR
	08	I78Z		21A	W61A, W61B		09	J65Z
	21A	W61A, W61B		21B	X60Z		21A	W61A, W61B
S53.14		PTR	S55.8		PTR	S60.1		PTR
	08	I78Z		15	TPN, VTPN		09	J65Z
	21A	W61A, W61B		21A	W61A, W61B		21A	W61A, W61B
S53.18		PTR		21B	X60Z	S60.2		PTR
	08	I78Z	S55.9		PTR		09	J65Z
	21A	W61A, W61B		15	TPN, VTPN		21A	W61A, W61B
S53.2		PTR		21A	W61A, W61B	S60.7		PTR
	08	I74A, I74B, I74C		21B	X60Z		09	J65Z
	21A	W61A, W61B	S56.0		PTR		21A	W61A, W61B
S53.3		PTR		08	I32A, I32B, I32C, I32D, I32E, I32F, I32G, I74A, I74B, I74C	S60.81		PTR
	08	I74A, I74B, I74C		21A	W61A, W61B		09	J65Z
	21A	W61A, W61B	S56.1		PTR		21A	W61A, W61B
S53.40		PTR		08	I32A, I32B, I32C, I32D, I32E, I32F, I32G, I74A, I74B, I74C	S60.82		PTR
	08	I74A, I74B, I74C		21A	W61A, W61B		09	J67A, J67B, J68A, J68B
	21A	W61A, W61B	S56.2		PTR		21A	W61A, W61B
S53.41		PTR		08	I74A, I74B, I74C	S60.83		PTR
	08	I74A, I74B, I74C		21A	W61A, W61B		09	J67A, J67B, J68A, J68B
	21A	W61A, W61B	S56.3		PTR		21A	W61A, W61B
S53.42		PTR		08	I74A, I74B, I74C	S60.84		PTR
	08	I74A, I74B, I74C		21A	W61A, W61B		09	J65Z
	21A	W61A, W61B	S56.4		PTR		21A	W61A, W61B
S53.43		PTR		08	I32A, I32B, I32C, I32D, I32E, I32F, I32G, I74A, I74B, I74C	S60.88		PTR
	08	I74A, I74B, I74C		21A	W61A, W61B		09	J65Z
	21A	W61A, W61B	S56.5		PTR		21A	W61A, W61B
S53.44		PTR		08	I32A, I32B, I32C, I32D, I32E, I32F, I32G, I74A, I74B, I74C	S60.9		PTR
	08	I74A, I74B, I74C		21A	W61A, W61B		09	J65Z
	21A	W61A, W61B	S56.7		PTR		21A	W61A, W61B
S53.48		PTR		08	I74A, I74B, I74C	S61.0		PTR
	08	I74A, I74B, I74C		21A	W61A, W61B		21A	W61A, W61B
	21A	W61A, W61B	S56.8		PTR		21B	X05A, X05B, X60Z
S54.0		PTR		08	I74A, I74B, I74C	S61.1		PTR
	01	B71A, B71B, B71C, B71D		21A	W61A, W61B		21A	W61A, W61B
	21A	W61A, W61B	S56.9		PTR		21B	X05A, X05B, X60Z
S54.1		PTR		08	I74A, I74B, I74C	S61.7		PTR
	01	B71A, B71B, B71C, B71D		21A	W61A, W61B		21A	W61A, W61B
	21A	W61A, W61B	S57.0		PTR		21B	X60Z
S54.2		PTR		15	TPN, VTPN	S61.80		PTR
	01	B71A, B71B, B71C, B71D		21A	W61A, W61B		21A	W61A, W61B
	21A	W61A, W61B		21A	W61A, W61B		21B	X05A, X05B, X60Z
S54.3		PTR	S57.8		PTR	S61.84		PTR
	01	B71A, B71B, B71C, B71D		15	TPN, VTPN		21A	W61A, W61B
	21A	W61A, W61B		21A	W61A, W61B	S61.85		PTR
S54.7		PTR		21B	X60Z	S61.86		PTR
	01	B71A, B71B, B71C, B71D		21A	W61A, W61B		08	I02A, I02B, I02C, I02D, I08A, I08B, I08C, I08D, I08E, I13A, I13B, I13C, I20A, I20B, I20C, I22A
	21A	W61A, W61B	S57.9		PTR		21A	W61A, W61B
S54.8		PTR		15	TPN, VTPN		21B	X01A, X01B
	01	B71A, B71B, B71C, B71D		21A	W61A, W61B	S61.87		PTR
	21A	W61A, W61B		21B	X60Z		21A	W61A, W61B
S54.9		PTR	S58.0		PTR	S61.88		PTR
	01	B71A, B71B, B71C, B71D		21A	W61A, W61B		08	I02A, I02B, I02C, I02D, I08A, I08B, I08C, I08D, I08E, I13A, I13B, I13C, I20A, I20B, I20C, I22A
	21A	W61A, W61B		21B	X60Z		21A	W61A, W61B
S55.0		PTR	S58.1		PTR		21B	X01A, X01B
	15	TPN, VTPN		21A	W61A, W61B			
	21A	W61A, W61B	S58.9		PTR			
	21B	X60Z		21A	W61A, W61B			
				21B	X60Z			

ICD	MDC	DRG	ICD	MDC	DRG	ICD	MDC	DRG
S61.89		PTR	S62.32		PTR	S63.08		PTR
	08	I02A, I02B, I02C, I02D, I08A, I08B, I08C, I08D, I08E, I13A, I13B, I13C, I20A, I20B, I20C, I22A		08	I32A, I32B, I32C, I32D, I32E, I32F, I32G, I74A, I74B, I74C		08	I74A, I74B, I74C
	21A	W61A, W61B		21A	W61A, W61B	S63.10	21A	W61A, W61B
S61.9	21B	X01A, X01B	S62.33		PTR			PTR
		PTR		08	I32A, I32B, I32C, I32D, I32E, I32F, I32G, I74A, I74B, I74C		08	I32A, I32B, I32C, I32D, I32E, I32F, I32G, I74A, I74B, I74C
	21A	W61A, W61B		21A	W61A, W61B	S63.11		PTR
	21B	X05A, X05B, X60Z	S62.34		PTR		08	I32A, I32B, I32C, I32D, I32E, I32F, I32G, I74A, I74B, I74C
S62.0		PTR		08	I32A, I32B, I32C, I32D, I32E, I32F, I32G, I74A, I74B, I74C	S63.12	21A	W61A, W61B
	08	I32C, I32D, I74A, I74B, I74C		21A	W61A, W61B			PTR
	21A	W61A, W61B	S62.4		PTR		08	I32A, I32B, I32C, I32D, I32E, I32F, I32G, I74A, I74B, I74C
S62.10		PTR		08	I32A, I32B, I32C, I32D, I32E, I32F, I32G, I74A, I74B, I74C	S63.2	21A	W61A, W61B
	08	I74A, I74B, I74C		21A	W61A, W61B			PTR
	21A	W61A, W61B	S62.50		PTR		08	I32A, I32B, I32C, I32D, I32E, I32F, I32G, I74A, I74B, I74C
S62.11		PTR		08	I32A, I32B, I32C, I32D, I32E, I32F, I32G, I74A, I74B, I74C	S63.3	21A	W61A, W61B
	08	I32C, I32D, I74A, I74B, I74C		21A	W61A, W61B			PTR
	21A	W61A, W61B	S62.51		PTR		08	I32C, I32D, I74A, I74B, I74C
S62.12		PTR		08	I32A, I32B, I32C, I32D, I32E, I32F, I32G, I74A, I74B, I74C	S63.4	21A	W61A, W61B
	08	I32C, I32D, I74A, I74B, I74C		21A	W61A, W61B			PTR
	21A	W61A, W61B	S62.52		PTR		08	I32A, I32B, I32C, I32D, I32E, I32F, I32G, I74A, I74B, I74C
S62.13		PTR		08	I32A, I32B, I32C, I32D, I32E, I32F, I32G, I74A, I74B, I74C	S63.50	21A	W61A, W61B
	08	I32C, I32D, I74A, I74B, I74C		21A	W61A, W61B			PTR
	21A	W61A, W61B	S62.60		PTR		08	I74A, I74B, I74C
S62.14		PTR		08	I32A, I32B, I32C, I32D, I32E, I32F, I32G, I74A, I74B, I74C	S63.51	21A	W61A, W61B
	08	I32C, I32D, I74A, I74B, I74C		21A	W61A, W61B			PTR
	21A	W61A, W61B	S62.61		PTR		08	I74A, I74B, I74C
S62.15		PTR		08	I32A, I32B, I32C, I32D, I32E, I32F, I32G, I74A, I74B, I74C	S63.52	21A	W61A, W61B
	08	I32C, I32D, I74A, I74B, I74C		21A	W61A, W61B			PTR
	21A	W61A, W61B	S62.62		PTR		08	I74A, I74B, I74C
S62.16		PTR		08	I32A, I32B, I32C, I32D, I32E, I32F, I32G, I74A, I74B, I74C	S63.53	21A	W61A, W61B
	08	I32C, I32D, I74A, I74B, I74C		21A	W61A, W61B			PTR
	21A	W61A, W61B	S62.63		PTR		08	I74A, I74B, I74C
S62.17		PTR		08	I32A, I32B, I32C, I32D, I32E, I32F, I32G, I74A, I74B, I74C	S63.58	21A	W61A, W61B
	08	I32C, I32D, I74A, I74B, I74C		21A	W61A, W61B			PTR
	21A	W61A, W61B	S62.7		PTR		08	I32A, I32B, I32C, I32D, I32E, I32F, I32G, I74A, I74B, I74C
S62.19		PTR		08	I32A, I32B, I32C, I32D, I32E, I32F, I32G, I74A, I74B, I74C	S63.60	21A	W61A, W61B
	08	I74A, I74B, I74C		21A	W61A, W61B			PTR
	21A	W61A, W61B	S62.8		PTR		08	I32A, I32B, I32C, I32D, I32E, I32F, I32G, I74A, I74B, I74C
S62.20		PTR		08	I32A, I32B, I32C, I32D, I32E, I32F, I32G, I74A, I74B, I74C	S63.62	21A	W61A, W61B
	08	I32A, I32B, I32C, I32D, I32E, I32F, I32G, I74A, I74B, I74C		21A	W61A, W61B			PTR
	21A	W61A, W61B	S62.8		PTR		08	I32A, I32B, I32C, I32D, I32E, I32F, I32G, I74A, I74B, I74C
S62.21		PTR		08	I32A, I32B, I32C, I32D, I32E, I32F, I32G, I74A, I74B, I74C	S63.68	21A	W61A, W61B
	08	I32A, I32B, I32C, I32D, I32E, I32F, I32G, I74A, I74B, I74C		21A	W61A, W61B			PTR
	21A	W61A, W61B	S63.00		PTR		08	I32A, I32B, I32C, I32D, I32E, I32F, I32G, I74A, I74B, I74C
S62.22		PTR		08	I74A, I74B, I74C	S63.7	21A	W61A, W61B
	08	I32A, I32B, I32C, I32D, I32E, I32F, I32G, I74A, I74B, I74C		21A	W61A, W61B			PTR
	21A	W61A, W61B	S63.01		PTR		08	I32A, I32B, I32C, I32D, I32E, I32F, I32G, I74A, I74B, I74C
S62.23		PTR		08	I32C, I32D, I74A, I74B, I74C	S63.02	21A	W61A, W61B
	08	I32A, I32B, I32C, I32D, I32E, I32F, I32G, I74A, I74B, I74C		21A	W61A, W61B			PTR
	21A	W61A, W61B	S63.03		PTR		08	I32C, I32D, I74A, I74B, I74C
S62.24		PTR		08	I32C, I32D, I74A, I74B, I74C	S64.0	21A	W61A, W61B
	08	I32A, I32B, I32C, I32D, I32E, I32F, I32G, I74A, I74B, I74C		21A	W61A, W61B			PTR
	21A	W61A, W61B	S63.04		PTR	S64.1	01	B82Z
S62.30		PTR		08	I32C, I32D, I74A, I74B, I74C		21A	W61A, W61B
	08	I32A, I32B, I32C, I32D, I32E, I32F, I32G, I74A, I74B, I74C		21A	W61A, W61B			PTR
	21A	W61A, W61B		08	I32C, I32D, I74A, I74B, I74C		01	B82Z
S62.31		PTR		21A	W61A, W61B		21A	W61A, W61B
	08	I32A, I32B, I32C, I32D, I32E, I32F, I32G, I74A, I74B, I74C		21A	W61A, W61B			PTR
	21A	W61A, W61B		08	I32C, I32D, I74A, I74B, I74C		21A	W61A, W61B

ICD	MDC	DRG	ICD	MDC	DRG	ICD	MDC	DRG
S64.2		PTR	S66.5		PTR	S70.81		PTR
	01	B82Z		08	I74A, I74B, I74C		09	J02A, J02B, J02C, J03A, J03B, J04A, J04B, J08A, J08B, J08C, J65Z
	21A	W61A, W61B		21A	W61A, W61B		21A	W61A, W61B
S64.3		PTR	S66.6		PTR	S70.82		PTR
	01	B82Z		08	I74A, I74B, I74C		09	J02A, J02B, J02C, J03A, J03B, J04A, J04B, J08A, J08B, J08C, J67A, J67B, J68A, J68B
	21A	W61A, W61B		21A	W61A, W61B		21A	W61A, W61B
S64.4		PTR	S66.7		PTR	S70.83		PTR
	01	B82Z		08	I74A, I74B, I74C		09	J02A, J02B, J02C, J03A, J03B, J04A, J04B, J08A, J08B, J08C, J67A, J67B, J68A, J68B
	21A	W61A, W61B		21A	W61A, W61B		21A	W61A, W61B
S64.7		PTR	S66.8		PTR	S70.84		PTR
	01	B82Z		08	I74A, I74B, I74C		09	J02A, J02B, J02C, J03A, J03B, J04A, J04B, J08A, J08B, J08C, J67A, J67B, J68A, J68B
	21A	W61A, W61B		21A	W61A, W61B		21A	W61A, W61B
S64.8		PTR	S66.9		PTR	S70.88		PTR
	01	B82Z		08	I74A, I74B, I74C		09	J02A, J02B, J02C, J03A, J03B, J04A, J04B, J08A, J08B, J08C, J65Z
	21A	W61A, W61B		21A	W61A, W61B		21A	W61A, W61B
S64.9		PTR	S67.0		PTR	S70.9		PTR
	01	B82Z		15	TPN, VTPN		09	J02A, J02B, J02C, J03A, J03B, J04A, J04B, J08A, J08B, J08C, J65Z
	21A	W61A, W61B		21A	W61A, W61B		21A	W61A, W61B
S65.0		PTR		21B	X05A, X05B, X60Z	S70.88		PTR
	15	TPN, VTPN	S67.8		PTR		09	J02A, J02B, J02C, J03A, J03B, J04A, J04B, J08A, J08B, J08C, J65Z
	21A	W61A, W61B		15	TPN, VTPN		21A	W61A, W61B
	21B	X60Z		21A	W61A, W61B		09	J02A, J02B, J02C, J03A, J03B, J04A, J04B, J08A, J08B, J08C, J65Z
S65.1		PTR		21B	X05A, X05B, X60Z	S70.9		PTR
	15	TPN, VTPN	S68.0		PTR		09	J02A, J02B, J02C, J03A, J03B, J04A, J04B, J08A, J08B, J08C, J65Z
	21A	W61A, W61B		21A	W61A, W61B		21A	W61A, W61B
	21B	X60Z		21B	X05A, X05B, X60Z	S71.0		PTR
S65.2		PTR	S68.1		PTR		21A	W61A, W61B
	15	TPN, VTPN		21A	W61A, W61B		21B	X04Z, X60Z
	21A	W61A, W61B		21B	X05A, X05B, X60Z	S71.1		PTR
	21B	X60Z	S68.2		PTR		21A	W61A, W61B
S65.3		PTR		21A	W61A, W61B		21B	X04Z, X60Z
	15	TPN, VTPN	S68.3		PTR	S71.7		PTR
	21A	W61A, W61B		21A	W61A, W61B		21A	W61A, W61B
	21B	X05A, X05B, X60Z		21B	X60Z		21B	X04Z, X60Z
S65.4		PTR	S68.4		PTR	S71.80		PTR
	15	TPN, VTPN		21A	W61A, W61B		21A	W61A, W61B
	21A	W61A, W61B		21B	X60Z		21B	X04Z, X60Z
	21B	X05A, X05B, X60Z	S68.8		PTR	S71.84		PTR
S65.5		PTR		21A	W61A, W61B	S71.85		PTR
	15	TPN, VTPN	S68.9		PTR		21A	W61A, W61B
	21A	W61A, W61B		21A	W61A, W61B	S71.86		PTR
	21B	X05A, X05B, X60Z		21B	X60Z		08	I02A, I02B, I02C, I02D, I08A, I08B, I08C, I08D, I08E, I13A, I13B, I13C, I20A, I20B, I20C, I22A
S65.7		PTR	S69.7		PTR		21A	W61A, W61B
	15	TPN, VTPN		21A	W61A, W61B		21B	X01A, X01B
	21A	W61A, W61B		21B	X05A, X05B, X60Z	S71.87		PTR
	21B	X60Z	S69.8		PTR		21A	W61A, W61B
S65.8		PTR		21A	W61A, W61B	S71.88		PTR
	15	TPN, VTPN		21B	X05A, X05B, X60Z		08	I02A, I02B, I02C, I02D, I08A, I08B, I08C, I08D, I08E, I13A, I13B, I13C, I20A, I20B, I20C, I22A
	21A	W61A, W61B	S69.9		PTR		21A	W61A, W61B
	21B	X60Z		21A	W61A, W61B		21B	X01A, X01B
S65.9		PTR		21B	X05A, X05B, X60Z	S71.89		PTR
	15	TPN, VTPN	S70.0		PTR		08	I02A, I02B, I02C, I02D, I08A, I08B, I08C, I08D, I08E, I13A, I13B, I13C, I20A, I20B, I20C, I22A
	21A	W61A, W61B		09	J02A, J02B, J02C, J03A, J03B, J04A, J04B, J08A, J08B, J08C, J65Z		21A	W61A, W61B
	21B	X60Z		21A	W61A, W61B		21B	X01A, X01B
S66.0		PTR		21B	X05A, X05B, X60Z	S71.89		PTR
	08	I74A, I74B, I74C		PTR			08	I02A, I02B, I02C, I02D, I08A, I08B, I08C, I08D, I08E, I13A, I13B, I13C, I20A, I20B, I20C, I22A
	21A	W61A, W61B	S70.1		PTR		21A	W61A, W61B
S66.1		PTR		09	J02A, J02B, J02C, J03A, J03B, J04A, J04B, J08A, J08B, J08C, J65Z		21B	X01A, X01B
	08	I74A, I74B, I74C		15	TPN, VTPN		08	I02A, I02B, I02C, I02D, I08A, I08B, I08C, I08D, I08E, I13A, I13B, I13C, I20A, I20B, I20C, I22A
	21A	W61A, W61B		21A	W61A, W61B		21A	W61A, W61B
S66.2		PTR		21B	X05A, X05B, X60Z		21B	X01A, X01B
	08	I74A, I74B, I74C	S70.7		PTR	S72.00		PTR
	21A	W61A, W61B		09	J02A, J02B, J02C, J03A, J03B, J04A, J04B, J08A, J08B, J08C, J65Z		08	I66A, I66B
S66.3		PTR		21A	W61A, W61B		21A	W61A, W61B
	08	I74A, I74B, I74C		09	J02A, J02B, J02C, J03A, J03B, J04A, J04B, J08A, J08B, J08C, J65Z			
	21A	W61A, W61B		21A	W61A, W61B			
S66.4		PTR		21B	X05A, X05B, X60Z			
	08	I74A, I74B, I74C		PTR				
	21A	W61A, W61B		21A	W61A, W61B			
	08	I74A, I74B, I74C		21B	X05A, X05B, X60Z			
	21A	W61A, W61B		PTR				

ICD	MDC	DRG	ICD	MDC	DRG	ICD	MDC	DRG
S72.01		PTR	S73.10		PTR	S77.0		PTR
	08	I66A, I66B		08	I71A, I71B		15	TPN, VTPN
	21A	W61A, W61B		21A	W61A, W61B		21A	W61A, W61B
S72.02		PTR	S73.11		PTR	S77.1		21B X04Z, X60Z
	08	I66A, I66B		08	I71A, I71B			PTR
	21A	W61A, W61B		21A	W61A, W61B		15	TPN, VTPN
S72.03		PTR	S73.12		PTR		21A	W61A, W61B
	08	I66A, I66B		08	I71A, I71B		21B	X04Z, X60Z
	21A	W61A, W61B		21A	W61A, W61B	S77.2		PTR
S72.04		PTR	S73.18		PTR		15	TPN, VTPN
	08	I66A, I66B		08	I71A, I71B		21A	W61A, W61B
	21A	W61A, W61B		21A	W61A, W61B		21B	X04Z, X60Z
S72.05		PTR	S74.0		PTR	S78.0		PTR
	08	I66A, I66B		01	B71A, B71B, B71C, B71D		21A	W61A, W61B
	21A	W61A, W61B		21A	W61A, W61B		21B	X04Z, X60Z
S72.08		PTR	S74.1		PTR	S78.1		PTR
	08	I66A, I66B		01	B71A, B71B, B71C, B71D		21A	W61A, W61B
	21A	W61A, W61B		21A	W61A, W61B		21B	X04Z, X60Z
S72.10		PTR	S74.2		PTR	S78.9		PTR
	08	I66A, I66B		01	B71A, B71B, B71C, B71D		21A	W61A, W61B
	21A	W61A, W61B		21A	W61A, W61B		21B	X04Z, X60Z
S72.11		PTR	S74.7		PTR	S79.7		PTR
	08	I66A, I66B		01	B71A, B71B, B71C, B71D		21A	W61A, W61B
	21A	W61A, W61B		21A	W61A, W61B		21B	X04Z, X60Z
S72.2		PTR	S74.8		PTR	S79.8		PTR
	08	I66A, I66B		01	B71A, B71B, B71C, B71D		21A	W61A, W61B
	21A	W61A, W61B		21A	W61A, W61B		21B	X04Z, X60Z
S72.3		PTR	S74.9		PTR	S79.9		PTR
	08	I04Z, I60Z, I72Z		01	B71A, B71B, B71C, B71D		21A	W61A, W61B
	15	P65C, P66C, P67B, P67C		21A	W61A, W61B		21B	X04Z, X60Z
	21A	W61A, W61B	S75.0		PTR	S80.0		PTR
S72.40		PTR		21A	W61A, W61B		09	J02A, J02B, J02C, J03A, J03B, J04A, J04B, J08A, J08B, J08C, J65Z
	08	I04Z, I68A, I68B, I68C, I68D		21B	X04Z, X60Z		21A	W61A, W61B
	21A	W61A, W61B	S75.1		PTR	S80.1		PTR
S72.41		PTR		21A	W61A, W61B		09	J02A, J02B, J02C, J03A, J03B, J04A, J04B, J08A, J08B, J08C, J65Z
	08	I04Z, I68A, I68B, I68C, I68D		21B	X04Z, X60Z		21A	W61A, W61B
	21A	W61A, W61B	S75.2		PTR	S80.7		PTR
S72.42		PTR		21A	W61A, W61B		09	J02A, J02B, J02C, J03A, J03B, J04A, J04B, J08A, J08B, J08C, J65Z
	08	I04Z, I68A, I68B, I68C, I68D		21B	X04Z, X60Z		21A	W61A, W61B
	21A	W61A, W61B	S75.7		PTR	S80.81		PTR
S72.43		PTR		15	TPN, VTPN		09	J02A, J02B, J02C, J03A, J03B, J04A, J04B, J08A, J08B, J08C, J65Z
	08	I04Z, I68A, I68B, I68C, I68D		21A	W61A, W61B		21A	W61A, W61B
	21A	W61A, W61B		21B	X04Z, X60Z	S80.82		PTR
S72.44		PTR	S75.8		PTR		09	J02A, J02B, J02C, J03A, J03B, J04A, J04B, J08A, J08B, J08C, J67A, J67B, J68A, J68B
	08	I04Z, I68A, I68B, I68C, I68D		15	TPN, VTPN		21A	W61A, W61B
	21A	W61A, W61B		21A	W61A, W61B	S80.83		PTR
S72.7		PTR		21A	W61A, W61B		09	J02A, J02B, J02C, J03A, J03B, J04A, J04B, J08A, J08B, J08C, J67A, J67B, J68A, J68B
	08	I04Z, I75A, I75B		21B	X04Z, X60Z		21A	W61A, W61B
	21A	W61A, W61B	S75.9		PTR	S80.84		PTR
S72.8		PTR		15	TPN, VTPN		09	J02A, J02B, J02C, J03A, J03B, J04A, J04B, J08A, J08B, J08C, J65Z
	08	I68A, I68B, I68C, I68D		21A	W61A, W61B		21A	W61A, W61B
	21A	W61A, W61B		21B	X04Z, X60Z	S80.88		PTR
S72.9		PTR	S76.0		PTR		09	J02A, J02B, J02C, J03A, J03B, J04A, J04B, J08A, J08B, J08C, J65Z
	08	I68A, I68B, I68C, I68D		08	I71A, I71B		21A	W61A, W61B
	21A	W61A, W61B		21A	W61A, W61B		09	J02A, J02B, J02C, J03A, J03B, J04A, J04B, J08A, J08B, J08C, J65Z
S73.00		PTR	S76.1		PTR		21A	W61A, W61B
	08	I71A, I71B		08	I71A, I71B		09	J02A, J02B, J02C, J03A, J03B, J04A, J04B, J08A, J08B, J08C, J67A, J67B, J68A, J68B
	21A	W61A, W61B		21A	W61A, W61B	S80.84		PTR
S73.01		PTR	S76.2		PTR		09	J02A, J02B, J02C, J03A, J03B, J04A, J04B, J08A, J08B, J08C, J65Z
	08	I71A, I71B		08	I71A, I71B		21A	W61A, W61B
	21A	W61A, W61B		21A	W61A, W61B		09	J02A, J02B, J02C, J03A, J03B, J04A, J04B, J08A, J08B, J08C, J65Z
S73.02		PTR	S76.3		PTR		21A	W61A, W61B
	08	I71A, I71B		08	I71A, I71B		09	J02A, J02B, J02C, J03A, J03B, J04A, J04B, J08A, J08B, J08C, J65Z
	21A	W61A, W61B		21A	W61A, W61B		21A	W61A, W61B
S73.08		PTR	S76.4		PTR		09	J02A, J02B, J02C, J03A, J03B, J04A, J04B, J08A, J08B, J08C, J65Z
	08	I71A, I71B		08	I71A, I71B		21A	W61A, W61B
	21A	W61A, W61B	S76.7		PTR		09	J02A, J02B, J02C, J03A, J03B, J04A, J04B, J08A, J08B, J08C, J65Z
				08	I71A, I71B		21A	W61A, W61B
				21A	W61A, W61B			

ICD	MDC	DRG	ICD	MDC	DRG	ICD	MDC	DRG
S80.9		PTR	S82.41		PTR	S83.43		PTR
	09	J02A, J02B, J02C, J03A, J03B, J04A, J04B, J08A, J08B, J08C, J65Z		08	I77Z		08	I77Z
	21A	W61A, W61B		15	TPN, VTPN		21A	W61A, W61B
S81.0		PTR	S82.42		PTR	S83.44		PTR
	21A	W61A, W61B		08	I77Z		08	I77Z
	21B	X04Z, X60Z		21A	W61A, W61B		21A	W61A, W61B
S81.7		PTR	S82.49		PTR	S83.50		PTR
	21A	W61A, W61B		08	I77Z		08	I77Z
	21B	X04Z, X60Z		21A	W61A, W61B		21A	W61A, W61B
S81.80		PTR	S82.5		PTR	S83.51		PTR
	21A	W61A, W61B		08	I77Z		08	I77Z
	21B	X04Z, X60Z		21A	W61A, W61B		21A	W61A, W61B
S81.84		PTR	S82.6		PTR	S83.52		PTR
S81.85		PTR		08	I77Z		08	I77Z
S81.86		PTR		21A	W61A, W61B		21A	W61A, W61B
	08	I02A, I02B, I02C, I02D, I08A, I08B, I08C, I08D, I08E, I13A, I13B, I13C, I20A, I20B, I20C, I22A	S82.7		PTR	S83.53		PTR
	21A	W61A, W61B		08	I77Z		08	I77Z
	21B	X01A, X01B		21A	W61A, W61B		21A	W61A, W61B
S81.87		PTR	S82.81		PTR	S83.54		PTR
	21A	W61A, W61B		08	I77Z		08	I77Z
S81.88		PTR		21A	W61A, W61B	S83.6		PTR
	08	I02A, I02B, I02C, I02D, I08A, I08B, I08C, I08D, I08E, I13A, I13B, I13C, I20A, I20B, I20C, I22A	S82.82		PTR		08	I78Z
	21A	W61A, W61B		08	I75A, I75B		21A	W61A, W61B
	21B	X01A, X01B		21A	W61A, W61B	S83.7		PTR
S81.89		PTR	S82.88		PTR		08	I77Z
	08	I02A, I02B, I02C, I02D, I08A, I08B, I08C, I08D, I08E, I13A, I13B, I13C, I20A, I20B, I20C, I22A		08	I77Z		21A	W61A, W61B
	21A	W61A, W61B	S82.9		PTR	S84.0		PTR
	21B	X01A, X01B		08	I77Z		01	B71A, B71B, B71C, B71D
	08	I02A, I02B, I02C, I02D, I08A, I08B, I08C, I08D, I08E, I13A, I13B, I13C, I20A, I20B, I20C, I22A		21A	W61A, W61B		21A	W61A, W61B
S81.9		PTR	S83.0		PTR	S84.1		PTR
	21A	W61A, W61B		08	I78Z		01	B71A, B71B, B71C, B71D
	21B	X01A, X01B		21A	W61A, W61B		21A	W61A, W61B
S81.9		PTR	S83.10		PTR	S84.2		PTR
	21A	W61A, W61B		08	I75A, I75B		01	B71A, B71B, B71C, B71D
	21B	X01A, X01B		21A	W61A, W61B		21A	W61A, W61B
S82.0		PTR	S83.11		PTR	S84.7		PTR
	08	I77Z		08	I77Z		01	B71A, B71B, B71C, B71D
	21A	W61A, W61B		21A	W61A, W61B		21A	W61A, W61B
S82.11		PTR	S83.12		PTR	S84.8		PTR
	08	I75A, I75B		08	I77Z		01	B71A, B71B, B71C, B71D
	15	TPN, VTPN		21A	W61A, W61B		21A	W61A, W61B
	21A	W61A, W61B	S83.13		PTR	S84.9		PTR
S82.18		PTR		08	I77Z		01	B71A, B71B, B71C, B71D
	08	I75A, I75B	S83.14		PTR		21A	W61A, W61B
	21A	W61A, W61B		08	I77Z	S85.0		PTR
S82.21		PTR		21A	W61A, W61B		21A	W61A, W61B
	08	I75A, I75B	S83.18		PTR		21B	X04Z, X60Z
	21A	W61A, W61B		08	I75A, I75B	S85.1		PTR
S82.28		PTR		21A	W61A, W61B		15	TPN, VTPN
	08	I75A, I75B	S83.2		PTR		21A	W61A, W61B
	21A	W61A, W61B		08	I77Z	S85.2		PTR
S82.31		PTR		21A	W61A, W61B		15	TPN, VTPN
	08	I75A, I75B	S83.3		PTR		21A	W61A, W61B
	21A	W61A, W61B		08	I77Z		21B	X04Z, X60Z
S82.38		PTR	S83.40		PTR	S85.3		PTR
	08	I77Z		08	I77Z		21A	W61A, W61B
	21A	W61A, W61B		21A	W61A, W61B		21B	X04Z, X60Z
S82.40		PTR	S83.41		PTR	S85.4		PTR
	08	I77Z		08	I77Z		21A	W61A, W61B
	21A	W61A, W61B		21A	W61A, W61B		21B	X04Z, X60Z
	08	I77Z	S83.42		PTR	S85.5		PTR
	21A	W61A, W61B		08	I77Z		21A	W61A, W61B
				21A	W61A, W61B		21B	X04Z, X60Z
				08	I77Z	S85.7		PTR
				21A	W61A, W61B		15	TPN, VTPN
							21A	W61A, W61B
							21B	X04Z, X60Z

ICD	MDC	DRG	ICD	MDC	DRG	ICD	MDC	DRG
S85.8		PTR	S90.3		PTR	S91.88		PTR
	21A	W61A, W61B		09	J02A, J02B, J02C, J03A, J03B, J04A, J04B, J08A, J08B, J08C, J65Z		08	I02A, I02B, I02C, I02D, I08A, I08B, I08C, I08D, I08E, I13A, I13B, I13C, I20A, I20B, I20C, I22A
	21B	X04Z, X60Z					21A	W61A, W61B
S85.9		PTR		21A	W61A, W61B		21A	W61A, W61B
	15	TPN, VTPN	S90.7		PTR		21B	X01A, X01B
	21A	W61A, W61B		09	J02A, J02B, J02C, J03A, J03B, J04A, J04B, J08A, J08B, J08C, J65Z	S91.89		PTR
	21B	X04Z, X60Z					08	I02A, I02B, I02C, I02D, I08A, I08B, I08C, I08D, I08E, I13A, I13B, I13C, I20A, I20B, I20C, I22A
S86.0		PTR		21A	W61A, W61B		21A	W61A, W61B
	08	I77Z	S90.81		PTR		21B	X01A, X01B
	21A	W61A, W61B		09	J02A, J02B, J02C, J03A, J03B, J04A, J04B, J08A, J08B, J08C, J65Z	S92.0		PTR
S86.1		PTR		21A	W61A, W61B		08	I20C, I77Z
	08	I77Z					21A	W61A, W61B
	21A	W61A, W61B	S90.82		PTR	S92.1		PTR
S86.2		PTR		09	J02A, J02B, J02C, J03A, J03B, J04A, J04B, J08A, J08B, J08C, J67A, J67B, J68A, J68B		08	I74A, I74B, I74C
	08	I77Z		21A	W61A, W61B	S92.20		PTR
	21A	W61A, W61B	S90.83		PTR		21A	W61A, W61B
S86.3		PTR		09	J02A, J02B, J02C, J03A, J03B, J04A, J04B, J08A, J08B, J08C, J67A, J67B, J68A, J68B	S92.21		PTR
	08	I77Z		21A	W61A, W61B		08	I74A, I74B, I74C
	21A	W61A, W61B	S90.84		PTR	S92.22		PTR
S86.7		PTR		09	J02A, J02B, J02C, J03A, J03B, J04A, J04B, J08A, J08B, J08C, J65Z		21A	W61A, W61B
	08	I77Z		21A	W61A, W61B	S92.23		PTR
	21A	W61A, W61B	S90.88		PTR		08	I74A, I74B, I74C
S86.8		PTR		09	J02A, J02B, J02C, J03A, J03B, J04A, J04B, J08A, J08B, J08C, J65Z	S92.28		PTR
	08	I77Z		21A	W61A, W61B		08	I74A, I74B, I74C
	21A	W61A, W61B	S90.9		PTR	S92.3		PTR
S86.9		PTR		09	J02A, J02B, J02C, J03A, J03B, J04A, J04B, J08A, J08B, J08C, J65Z		21A	W61A, W61B
	08	I77Z		21A	W61A, W61B	S92.4		PTR
	21A	W61A, W61B	S91.0		PTR		08	I74A, I74B, I74C
S87.0		PTR		21A	W61A, W61B	S92.5		PTR
	15	TPN, VTPN		21B	X04Z, X60Z		08	I74A, I74B, I74C
	21A	W61A, W61B	S91.1		PTR		21A	W61A, W61B
	21B	X04Z, X60Z		21A	W61A, W61B	S92.7		PTR
S87.8		PTR		21B	X04Z, X60Z		08	I74A, I74B, I74C
	15	TPN, VTPN	S91.2		PTR		21A	W61A, W61B
	21A	W61A, W61B		21A	W61A, W61B	S92.9		PTR
	21B	X04Z, X60Z		21B	X04Z, X60Z		08	I74A, I74B, I74C
S88.0		PTR		21A	W61A, W61B	S93.0		PTR
	21A	W61A, W61B	S91.3		PTR		08	I77Z
	21B	X04Z, X60Z		21A	W61A, W61B	S93.10		PTR
S88.1		PTR		21B	X04Z, X60Z		08	I74A, I74B, I74C
	21A	W61A, W61B	S91.7		PTR		21A	W61A, W61B
	21B	X04Z, X60Z		21A	W61A, W61B	S93.11		PTR
S88.9		PTR		21B	X04Z, X60Z		08	I74A, I74B, I74C
	21A	W61A, W61B	S91.80		PTR		21A	W61A, W61B
	21B	X04Z, X60Z		21A	W61A, W61B	S93.12		PTR
S89.7		PTR		21A	W61A, W61B		08	I74A, I74B, I74C
	21A	W61A, W61B	S91.84		PTR		21A	W61A, W61B
	21B	X04Z, X60Z	S91.85		PTR	S93.2		PTR
S89.7		PTR		21A	W61A, W61B		08	I77Z
	21A	W61A, W61B	S91.86		PTR		21A	W61A, W61B
	21B	X04Z, X60Z		08	I02A, I02B, I02C, I02D, I08A, I08B, I08C, I08D, I08E, I13A, I13B, I13C, I20A, I20B, I20C, I22A	S93.30		PTR
S89.8		PTR		21A	W61A, W61B		08	I74A, I74B, I74C
	21A	W61A, W61B		21B	X01A, X01B		21A	W61A, W61B
	21B	X04Z, X60Z	S91.87		PTR			
S89.9		PTR		21A	W61A, W61B			
	21A	W61A, W61B						
	21B	X04Z, X60Z						
S90.0		PTR						
	09	J02A, J02B, J02C, J03A, J03B, J04A, J04B, J08A, J08B, J08C, J65Z						
	21A	W61A, W61B						
S90.1		PTR						
	09	J02A, J02B, J02C, J03A, J03B, J04A, J04B, J08A, J08B, J08C, J65Z						
	21A	W61A, W61B						
S90.2		PTR						
	09	J02A, J02B, J02C, J03A, J03B, J04A, J04B, J08A, J08B, J08C, J65Z						
	21A	W61A, W61B						

Dg

ICD	MDC	DRG	ICD	MDC	DRG	ICD	MDC	DRG
S93.31		PTR	S95.7		PTR	T00.1		PTR
	08	I74A, I74B, I74C		15	TPN, VTPN		09	J65Z
	21A	W61A, W61B		21A	W61A, W61B		21A	W61A, W61B
S93.32		PTR		21B	X04Z, X60Z	T00.2		PTR
	08	I74A, I74B, I74C	S95.8		PTR		09	J65Z
	21A	W61A, W61B		15	TPN, VTPN		21A	W61A, W61B
S93.33		PTR		21A	W61A, W61B	T00.3		PTR
	08	I74A, I74B, I74C		21B	X04Z, X60Z		09	J65Z
	21A	W61A, W61B	S95.9		PTR		21A	W61A, W61B
S93.34		PTR		15	TPN, VTPN	T00.6		PTR
	08	I74A, I74B, I74C		21A	W61A, W61B		09	J65Z
	21A	W61A, W61B		21B	X04Z, X60Z		21A	W61A, W61B
S93.38		PTR	S96.0		PTR	T00.8		PTR
	08	I74A, I74B, I74C		08	I74A, I74B, I74C		09	J65Z
	21A	W61A, W61B		21A	W61A, W61B		21A	W61A, W61B
S93.40		PTR	S96.1		PTR	T00.9		PTR
	08	I77Z		08	I74A, I74B, I74C		09	J65Z
	21A	W61A, W61B		21A	W61A, W61B		21A	W61A, W61B
S93.41		PTR	S96.2		PTR	T01.0		PTR
	08	I77Z		08	I74A, I74B, I74C		21A	W61A, W61B
	21A	W61A, W61B		21A	W61A, W61B		21B	X60Z
S93.42		PTR	S96.7		PTR	T01.1		PTR
	08	I77Z		08	I74A, I74B, I74C		21A	W61A, W61B
	21A	W61A, W61B		21A	W61A, W61B		21B	X60Z
S93.43		PTR	S96.8		PTR	T01.2		PTR
	08	I77Z		08	I74A, I74B, I74C		21A	W61A, W61B
	21A	W61A, W61B		21A	W61A, W61B		21B	X60Z
S93.48		PTR	S96.9		PTR	T01.3		PTR
	08	I77Z		08	I77Z		21A	W61A, W61B
	21A	W61A, W61B		21A	W61A, W61B		21B	X04Z, X60Z
S93.5		PTR	S97.0		PTR	T01.6		PTR
	08	I74A, I74B, I74C		15	TPN, VTPN		21A	W61A, W61B
	21A	W61A, W61B		21A	W61A, W61B		21B	X60Z
S93.6		PTR		21B	X04Z, X60Z	T01.8		PTR
	08	I74A, I74B, I74C	S97.1		PTR		21A	W61A, W61B
	21A	W61A, W61B		15	TPN, VTPN		21B	X60Z
S94.0		PTR		21A	W61A, W61B	T01.9		PTR
	01	B71A, B71B, B71C, B71D		21B	X04Z, X60Z		21A	W61A, W61B
	21A	W61A, W61B	S97.8		PTR		21B	X60Z
S94.1		PTR		15	TPN, VTPN	T02.00		PTR
	01	B71A, B71B, B71C, B71D		21A	W61A, W61B		01	B79Z
	21A	W61A, W61B		21B	X04Z, X60Z		15	TPN, VTPN
S94.2		PTR	S98.0		PTR		21A	W61A, W61B
	01	B71A, B71B, B71C, B71D		21A	W61A, W61B	T02.01		PTR
	21A	W61A, W61B		21B	X04Z, X60Z		01	B79Z
S94.3		PTR	S98.1		PTR		15	TPN, VTPN
	01	B71A, B71B, B71C, B71D		21A	W61A, W61B	T02.10		PTR
	21A	W61A, W61B		21B	X04Z, X60Z		21A	W61A, W61B
S94.7		PTR	S98.2		PTR		08	I76A
	01	B71A, B71B, B71C, B71D		21A	W61A, W61B		21A	W61A, W61B
	21A	W61A, W61B		21B	X04Z, X60Z	T02.11		PTR
S94.8		PTR	S98.3		PTR		08	I76A, I76B
	01	B71A, B71B, B71C, B71D		21A	W61A, W61B		15	TPN, VTPN
	21A	W61A, W61B		21B	X04Z, X60Z		21A	W61A, W61B
S94.9		PTR	S98.4		PTR	T02.20		PTR
	01	B71A, B71B, B71C, B71D		21A	W61A, W61B		08	I77Z
	21A	W61A, W61B		21B	X04Z, X60Z		21A	W61A, W61B
S95.0		PTR	S99.7		PTR	T02.21		PTR
	15	TPN, VTPN		21A	W61A, W61B		08	I77Z
	21A	W61A, W61B		21B	X04Z, X60Z		21A	W61A, W61B
	21B	X04Z, X60Z	S99.8		PTR	T02.30		PTR
S95.1		PTR		21A	W61A, W61B		08	I77Z
	15	TPN, VTPN		21B	X04Z, X60Z		21A	W61A, W61B
	21A	W61A, W61B	S99.9		PTR	T02.31		PTR
	21B	X04Z, X60Z		21A	W61A, W61B		08	I77Z
S95.2		PTR		21B	X04Z, X60Z		21A	W61A, W61B
	15	TPN, VTPN	T00.0		PTR			
	21A	W61A, W61B		09	J65Z			
	21B	X04Z, X60Z		21A	W61A, W61B			

ICD	MDC	DRG	ICD	MDC	DRG	ICD	MDC	DRG
T02.40		PTR	T04.1		PTR	T06.3		PTR
	15	TPN, VTPN		15	TPN, VTPN		15	TPN, VTPN
	21A	W61A, W61B		21A	W61A, W61B		21A	W61A, W61B
	21B	X60Z		21B	X60Z		21B	X60Z
T02.41		PTR	T04.2		PTR	T06.4		PTR
	15	TPN, VTPN		15	TPN, VTPN		08	I76A, I76B
	21A	W61A, W61B		21A	W61A, W61B		21A	W61A, W61B
	21B	X60Z		21B	X60Z			PTR
T02.50		PTR	T04.3		PTR	T06.5		PTR
	15	TPN, VTPN		15	TPN, VTPN		21A	W61A, W61B
	21A	W61A, W61B		21A	W61A, W61B		21B	X60Z
	21B	X60Z		21B	X04Z, X60Z	T06.8		PTR
T02.51		PTR	T04.4		PTR		21A	W61A, W61B
	15	TPN, VTPN		15	TPN, VTPN		21B	X60Z
	21A	W61A, W61B		21A	W61A, W61B	T07		PTR
	21B	X60Z		21B	X60Z		21A	W61A, W61B
T02.60		PTR	T04.7		PTR		21B	X60Z
	15	TPN, VTPN		15	TPN, VTPN	T08.0		PTR
	21A	W61A, W61B		21A	W61A, W61B		08	I68A, I68B, I68C, I68D, I68E
	21B	X60Z		21B	X60Z		15	TPN, VTPN
T02.61		PTR	T04.8		PTR		21A	W61A, W61B
	15	TPN, VTPN		15	TPN, VTPN	T08.1		PTR
	21A	W61A, W61B		21A	W61A, W61B		08	I68A, I68B, I68C, I68D, I68E
	21B	X60Z		21B	X60Z		15	TPN, VTPN
T02.70		PTR	T04.9		PTR		21A	W61A, W61B
	15	TPN, VTPN		15	TPN, VTPN	T09.00		PTR
	21A	W61A, W61B		21A	W61A, W61B		09	J65Z
	21B	X60Z		21B	X60Z		21A	W61A, W61B
T02.71		PTR	T05.0		PTR	T09.01		PTR
	15	TPN, VTPN		21A	W61A, W61B		09	J65Z
	21A	W61A, W61B		21B	X60Z		21A	W61A, W61B
	21B	X60Z	T05.1		PTR	T09.02		PTR
T02.80		PTR		21A	W61A, W61B		09	J67A, J67B, J68A, J68B
	08	I76A		21B	X60Z		21A	W61A, W61B
	21A	W61A, W61B	T05.2		PTR	T09.03		PTR
T02.81		PTR		21A	W61A, W61B		09	J67A, J67B, J68A, J68B
	08	I76A, I76B		21B	X60Z		21A	W61A, W61B
	21A	W61A, W61B	T05.3		PTR	T09.04		PTR
T02.90		PTR		21A	W61A, W61B		09	J65Z
	08	I76A, I76B		21B	X60Z		21A	W61A, W61B
	21A	W61A, W61B	T05.4		PTR	T09.05		PTR
T02.91		PTR		21A	W61A, W61B		09	J65Z
	08	I76A, I76B		21B	X60Z		21A	W61A, W61B
	21A	W61A, W61B	T05.5		PTR	T09.08		PTR
T03.0		PTR		21A	W61A, W61B		09	J65Z
	08	I76A, I76B		21B	X60Z		21A	W61A, W61B
	21A	W61A, W61B	T05.6		PTR	T09.1		PTR
T03.1		PTR		21A	W61A, W61B		15	TPN, VTPN
	08	I76A, I76B		21B	X60Z		21A	W61A, W61B
	21A	W61A, W61B	T05.8		PTR		21B	X60Z
T03.2		PTR		15	TPN, VTPN	T09.2		PTR
	08	I76A, I76B		21A	W61A, W61B		08	I68A, I68B, I68C, I68D, I68E
	21A	W61A, W61B		21B	X60Z		21A	W61A, W61B
T03.3		PTR	T05.9		PTR	T09.3		PTR
	08	I76A, I76B		21A	W61A, W61B		15	TPN, VTPN
	21A	W61A, W61B		21B	X60Z		21A	W61A, W61B
T03.4		PTR	T06.0		PTR		Pre	B61A, B61B
	08	I76A, I76B		15	TPN, VTPN	T09.4		PTR
	21A	W61A, W61B		21A	W61A, W61B		01	B71A, B71B, B71C, B71D
T03.8		PTR		Pre	B61A, B61B		15	TPN, VTPN
	08	I76A, I76B	T06.1		PTR		21A	W61A, W61B
	21A	W61A, W61B		15	TPN, VTPN	T09.5		PTR
T03.9		PTR		21A	W61A, W61B		08	I76A, I76B
	08	I76A, I76B		Pre	B61A, B61B		21A	W61A, W61B
	21A	W61A, W61B	T06.2		PTR			PTR
T04.0		PTR		01	B71A, B71B, B71C, B71D	T09.6		PTR
	15	TPN, VTPN		21A	W61A, W61B		15	TPN, VTPN
	21A	W61A, W61B					21A	W61A, W61B
	21B	X60Z					21B	X60Z

ICD	MDC	DRG	ICD	MDC	DRG	ICD	MDC	DRG
T09.8		PTR	T13.01		PTR	T14.20		PTR
	21A	W61A, W61B		09	J65Z		08	I76A, I76B
	21B	X60Z		21A	W61A, W61B		21A	W61A, W61B
T09.9		PTR	T13.02		PTR	T14.21		PTR
	21A	W61A, W61B		09	J67A, J67B, J68A, J68B		08	I76A, I76B
	21B	X60Z		21A	W61A, W61B		21A	W61A, W61B
T10.0		PTR	T13.03		PTR	T14.3		PTR
	08	I77Z		09	J67A, J67B, J68A, J68B		08	I76A, I76B
	21A	W61A, W61B		21A	W61A, W61B		21A	W61A, W61B
T10.1		PTR	T13.04		PTR	T14.4		PTR
	08	I77Z		09	J65Z		01	B71A, B71B, B71C, B71D
	21A	W61A, W61B		21A	W61A, W61B		21A	W61A, W61B
T11.00		PTR	T13.05		PTR	T14.5		PTR
	09	J65Z		09	J02A, J02B, J02C, J03A, J03B, J04A, J04B, J08A, J08B, J08C, J65Z		15	TPN, VTPN
	21A	W61A, W61B		21A	W61A, W61B		21A	W61A, W61B
T11.01		PTR	T13.08		PTR	T14.6		PTR
	09	J65Z		09	J65Z		08	I76A, I76B
	21A	W61A, W61B		21A	W61A, W61B		21A	W61A, W61B
T11.02		PTR	T13.1		PTR	T14.7		PTR
	09	J67A, J67B, J68A, J68B		21A	W61A, W61B		15	TPN, VTPN
	21A	W61A, W61B		21B	X04Z, X60Z		21A	W61A, W61B
T11.03		PTR	T13.2		PTR	T14.8		PTR
	09	J67A, J67B, J68A, J68B		08	I76A, I76B		21A	W61A, W61B
	21A	W61A, W61B		21A	W61A, W61B		21B	X60Z
T11.04		PTR	T13.3		PTR	T14.9		PTR
	09	J65Z		01	B71A, B71B, B71C, B71D		21A	W61A, W61B
	21A	W61A, W61B		21A	W61A, W61B		21B	X60Z
T11.05		PTR	T13.4		PTR	T15.0		02 C62Z
	09	J65Z		15	TPN, VTPN	T15.1		02 C62Z
	21A	W61A, W61B		21A	W61A, W61B	T15.8		02 C62Z
T11.08		PTR	T13.5		PTR	T15.9		02 C62Z
	09	J65Z		08	I77Z	T16		03 D66Z
	21A	W61A, W61B		21A	W61A, W61B	T17.0		03 D65Z
T11.1		PTR	T13.6		PTR	T17.1		03 D65Z
	21A	W61A, W61B		21A	W61A, W61B	T17.2		03 D66Z
	21B	X60Z		21B	X04Z, X60Z	T17.3		03 D66Z
T11.2		PTR	T13.8		PTR	T17.4		04 E75A, E75B, E75C
	08	I76A, I76B		21A	W61A, W61B	T17.5		04 E75A, E75B, E75C
	21A	W61A, W61B		21B	X04Z, X60Z	T17.8		04 E75A, E75B, E75C
T11.3		PTR	T13.9		PTR	T17.9		04 E75A, E75B, E75C
	01	B71A, B71B, B71C, B71D		21A	W61A, W61B	T18.0		03 D40Z, D67Z
	21A	W61A, W61B		21B	X04Z, X60Z	T18.1		06 G46A, G46B, G46C, G50Z, G72A, G72B
T11.4		PTR	T14.00		PTR	T18.2		06 G46A, G46B, G46C, G50Z, G72A, G72B
	15	TPN, VTPN		09	J65Z	T18.3		06 G46A, G46B, G46C, G50Z, G72A, G72B
	21A	W61A, W61B		21A	W61A, W61B	T18.4		06 G46A, G46B, G46C, G50Z, G72A, G72B
	21B	X60Z		21A	W61A, W61B	T18.5		06 G46A, G46B, G46C, G50Z, G72A, G72B
T11.5		PTR	T14.01		PTR	T18.8		06 G46A, G46B, G46C, G50Z, G72A, G72B
	08	I77Z		09	J65Z	T18.9		06 G46A, G46B, G46C, G50Z, G72A, G72B
	21A	W61A, W61B		21A	W61A, W61B	T19.0		11 L68A, L68B, L74Z
T11.6		PTR	T14.02		PTR	T19.1		11 L68A, L68B, L74Z
	21A	W61A, W61B		09	J67A, J67B, J68A, J68B	T19.2		13 N04Z, N05A, N05B, N14Z, N21Z, N25Z, N62A, N62B
	21B	X60Z		21A	W61A, W61B	T19.3		13 N04Z, N05A, N05B, N14Z, N21Z, N25Z, N62A, N62B
T11.8		PTR	T14.03		PTR	T19.8		12 M64Z
	21A	W61A, W61B		09	J67A, J67B, J68A, J68B		13	N04Z, N05A, N05B, N14Z, N21Z, N25Z, N62A, N62B
	21B	X60Z		21A	W61A, W61B	T19.9		12 M64Z
T11.9		PTR	T14.04		PTR		13	N04Z, N05A, N05B, N14Z, N21Z, N25Z, N62A, N62B
	21A	W61A, W61B		09	J65Z			
	21B	X60Z		21A	W61A, W61B			
T12.0		PTR	T14.05		PTR			
	08	I77Z		09	J65Z			
	21A	W61A, W61B		21A	W61A, W61B			
T12.1		PTR	T14.08		PTR			
	08	I77Z		09	J65Z			
	21A	W61A, W61B		21A	W61A, W61B			
T13.00		PTR	T14.1		PTR			
	09	J65Z		21A	W61A, W61B			
	21A	W61A, W61B		21A	W61A, W61B			
				21B	X60Z			

ICD	MDC	DRG	ICD	MDC	DRG	ICD	MDC	DRG
T20.0	22	Y62A, Y62B	T21.69	22	Y01Z, Y62A, Y62B	T22.73	15	TPN, VTPN
T20.1	22	Y62A, Y62B	T21.70	15	TPN, VTPN	22	Y61Z, Y62A, Y62B	
T20.20	22	Y01Z, Y62A, Y62B	22	Y61Z, Y62A, Y62B	T22.80	22	Y01Z, Y62A, Y62B	
T20.21	22	Y01Z, Y62A, Y62B	T21.71	15	TPN, VTPN	T22.81	22	Y01Z, Y62A, Y62B
T20.3	15	TPN, VTPN	22	Y61Z, Y62A, Y62B	T22.82	22	Y01Z, Y62A, Y62B	
22	Y61Z, Y62A, Y62B	T21.72	15	TPN, VTPN	T22.83	22	Y01Z, Y62A, Y62B	
T20.4	22	Y62A, Y62B	22	Y61Z, Y62A, Y62B	T22.90	22	Y01Z, Y62A, Y62B	
T20.5	22	Y62A, Y62B	T21.73	15	TPN, VTPN	T22.91	22	Y01Z, Y62A, Y62B
T20.60	22	Y01Z, Y62A, Y62B	22	Y61Z, Y62A, Y62B	T22.92	22	Y01Z, Y62A, Y62B	
T20.61	22	Y01Z, Y62A, Y62B	T21.74	15	TPN, VTPN	T22.93	22	Y01Z, Y62A, Y62B
T20.7	15	TPN, VTPN	22	Y61Z, Y62A, Y62B	T23.0	22	Y62A, Y62B	
22	Y61Z, Y62A, Y62B	T21.75	15	TPN, VTPN	T23.1	22	Y62A, Y62B	
T21.00	22	Y62A, Y62B	22	Y61Z, Y62A, Y62B	T23.20	22	Y01Z, Y62A, Y62B	
T21.01	22	Y62A, Y62B	T21.79	15	TPN, VTPN	T23.21	22	Y01Z, Y62A, Y62B
T21.02	22	Y62A, Y62B	22	Y61Z, Y62A, Y62B	T23.3	15	TPN, VTPN	
T21.03	22	Y62A, Y62B	T21.80	22	Y01Z, Y62A, Y62B	22	Y61Z, Y62A, Y62B	
T21.04	22	Y62A, Y62B	T21.81	22	Y01Z, Y62A, Y62B	T23.4	22	Y62A, Y62B
T21.05	22	Y62A, Y62B	T21.82	22	Y01Z, Y62A, Y62B	T23.5	22	Y62A, Y62B
T21.09	22	Y62A, Y62B	T21.83	22	Y01Z, Y62A, Y62B	T23.60	22	Y01Z, Y62A, Y62B
T21.10	22	Y62A, Y62B	T21.84	15	P65C, P66C, P67B, P67C	T23.61	22	Y01Z, Y62A, Y62B
T21.11	22	Y62A, Y62B	22	Y01Z, Y62A, Y62B	T23.7	15	TPN, VTPN	
T21.12	22	Y62A, Y62B	T21.85	22	Y01Z, Y62A, Y62B	22	Y61Z, Y62A, Y62B	
T21.13	22	Y62A, Y62B	T21.89	22	Y01Z, Y62A, Y62B	T24.0	22	Y62A, Y62B
T21.14	22	Y62A, Y62B	T21.90	22	Y01Z, Y62A, Y62B	T24.1	22	Y62A, Y62B
T21.15	22	Y62A, Y62B	T21.91	22	Y01Z, Y62A, Y62B	T24.20	22	Y01Z, Y62A, Y62B
T21.19	22	Y62A, Y62B	T21.92	22	Y01Z, Y62A, Y62B	T24.21	22	Y01Z, Y62A, Y62B
T21.20	22	Y01Z, Y62A, Y62B	T21.93	22	Y01Z, Y62A, Y62B	T24.3	15	TPN, VTPN
T21.21	22	Y01Z, Y62A, Y62B	T21.94	15	P65C, P66C, P67B, P67C	22	Y61Z, Y62A, Y62B	
T21.22	22	Y01Z, Y62A, Y62B	22	Y01Z, Y62A, Y62B	T24.4	22	Y62A, Y62B	
T21.23	22	Y01Z, Y62A, Y62B	T21.95	22	Y01Z, Y62A, Y62B	T24.5	22	Y62A, Y62B
T21.24	15	P65C, P66C, P67B, P67C	T21.99	22	Y01Z, Y62A, Y62B	T24.60	22	Y01Z, Y62A, Y62B
22	Y01Z, Y62A, Y62B	T22.00	22	Y62A, Y62B	T24.61	22	Y01Z, Y62A, Y62B	
T21.25	22	Y01Z, Y62A, Y62B	T22.01	22	Y62A, Y62B	T24.7	15	TPN, VTPN
T21.29	22	Y01Z, Y62A, Y62B	T22.02	22	Y62A, Y62B	22	Y61Z, Y62A, Y62B	
T21.30	15	TPN, VTPN	T22.03	22	Y62A, Y62B	T25.0	22	Y62A, Y62B
22	Y61Z, Y62A, Y62B	T22.10	22	Y62A, Y62B	T25.1	22	Y62A, Y62B	
T21.31	15	TPN, VTPN	T22.11	22	Y62A, Y62B	T25.20	22	Y01Z, Y62A, Y62B
22	Y61Z, Y62A, Y62B	T22.12	22	Y62A, Y62B	T25.21	22	Y01Z, Y62A, Y62B	
T21.32	15	TPN, VTPN	T22.13	22	Y62A, Y62B	T25.3	15	TPN, VTPN
22	Y61Z, Y62A, Y62B	T22.20	22	Y01Z, Y62A, Y62B	22	Y61Z, Y62A, Y62B		
T21.33	15	TPN, VTPN	T22.21	22	Y01Z, Y62A, Y62B	T25.4	22	Y62A, Y62B
22	Y61Z, Y62A, Y62B	T22.22	22	Y01Z, Y62A, Y62B	T25.5	22	Y62A, Y62B	
T21.34	15	TPN, VTPN	T22.23	22	Y01Z, Y62A, Y62B	T25.60	22	Y01Z, Y62A, Y62B
22	Y61Z, Y62A, Y62B	T22.30	15	TPN, VTPN	T25.61	22	Y01Z, Y62A, Y62B	
T21.35	15	TPN, VTPN	22	Y61Z, Y62A, Y62B	T25.7	15	TPN, VTPN	
22	Y61Z, Y62A, Y62B	T22.31	15	TPN, VTPN	22	Y61Z, Y62A, Y62B		
T21.39	15	TPN, VTPN	22	Y61Z, Y62A, Y62B	T26.0	02	C62Z	
22	Y61Z, Y62A, Y62B	T22.32	15	TPN, VTPN	15	TPN, VTPN		
T21.40	22	Y62A, Y62B	22	Y61Z, Y62A, Y62B	T26.1	02	C62Z	
T21.41	22	Y62A, Y62B	T22.33	15	TPN, VTPN	15	TPN, VTPN	
T21.42	22	Y62A, Y62B	22	Y61Z, Y62A, Y62B	T26.2	02	C62Z	
T21.43	22	Y62A, Y62B	T22.40	22	Y62A, Y62B	15	TPN, VTPN	
T21.44	22	Y62A, Y62B	T22.41	22	Y62A, Y62B	T26.3	02	C62Z
T21.45	22	Y62A, Y62B	T22.42	22	Y62A, Y62B	15	TPN, VTPN	
T21.49	22	Y62A, Y62B	T22.43	22	Y62A, Y62B	T26.4	02	C62Z
T21.50	22	Y62A, Y62B	T22.50	22	Y62A, Y62B	15	TPN, VTPN	
T21.51	22	Y62A, Y62B	T22.51	22	Y62A, Y62B	T26.5	02	C62Z
T21.52	22	Y62A, Y62B	T22.52	22	Y62A, Y62B	15	TPN, VTPN	
T21.53	22	Y62A, Y62B	T22.53	22	Y62A, Y62B	T26.6	02	C62Z
T21.54	22	Y62A, Y62B	T22.60	22	Y01Z, Y62A, Y62B	15	TPN, VTPN	
T21.55	22	Y62A, Y62B	T22.61	22	Y01Z, Y62A, Y62B	T26.7	02	C62Z
T21.59	22	Y62A, Y62B	T22.62	22	Y01Z, Y62A, Y62B	15	TPN, VTPN	
T21.60	22	Y01Z, Y62A, Y62B	T22.63	22	Y01Z, Y62A, Y62B	T26.8	02	C62Z
T21.61	22	Y01Z, Y62A, Y62B	T22.70	15	TPN, VTPN	15	TPN, VTPN	
T21.62	22	Y01Z, Y62A, Y62B	22	Y61Z, Y62A, Y62B	T26.9	02	C62Z	
T21.63	22	Y01Z, Y62A, Y62B	T22.71	15	TPN, VTPN	15	TPN, VTPN	
T21.64	15	P65C, P66C, P67B, P67C	22	Y61Z, Y62A, Y62B				
22	Y01Z, Y62A, Y62B	T22.72	15	TPN, VTPN				
T21.65	22	Y01Z, Y62A, Y62B	22	Y61Z, Y62A, Y62B				

ICD	MDC	DRG	ICD	MDC	DRG	ICD	MDC	DRG
T27.0	04	E75A, E75B, E75C	T28.9	15	TPN, VTPN	T31.66	15	TPN, VTPN
	15	TPN, VTPN		22	Y62A, Y62B		22	Y01Z, Y61Z
	22	Y02A, Y02B		Pre	A07D, A09E, A11F, A13F	T31.70	15	TPN, VTPN
	Pre	A07D, A09E, A11F, A13F	T29.0	15	TPN, VTPN		22	Y01Z, Y61Z
T27.1	04	E75A, E75B, E75C		22	Y62A, Y62B	T31.71	15	TPN, VTPN
	15	TPN, VTPN	T29.1	22	Y62A, Y62B		22	Y01Z, Y61Z
	22	Y02A, Y02B	T29.20	22	Y01Z, Y62A, Y62B	T31.72	15	TPN, VTPN
	Pre	A07D, A09E, A11F, A13F	T29.21	22	Y01Z, Y62A, Y62B		22	Y01Z, Y61Z
T27.2	15	TPN, VTPN	T29.3	15	TPN, VTPN	T31.73	15	TPN, VTPN
	22	Y62A, Y62B		22	Y61Z, Y62A, Y62B		22	Y01Z, Y61Z
	Pre	A07D, A09E, A11F, A13F	T29.4	15	TPN, VTPN	T31.74	15	TPN, VTPN
T27.3	15	TPN, VTPN		22	Y62A, Y62B		22	Y01Z, Y61Z
	22	Y62A, Y62B	T29.5	22	Y62A, Y62B	T31.75	15	TPN, VTPN
	Pre	A07D, A09E, A11F, A13F	T29.60	22	Y01Z, Y62A, Y62B		22	Y01Z, Y61Z
T27.4	04	E75A, E75B, E75C	T29.61	22	Y01Z, Y62A, Y62B	T31.76	15	TPN, VTPN
	15	TPN, VTPN	T29.7	15	TPN, VTPN		22	Y01Z, Y61Z
	22	Y02A, Y02B		22	Y61Z, Y62A, Y62B	T31.77	15	TPN, VTPN
	Pre	A07D, A09E, A11F, A13F	T30.0	22	Y62A, Y62B		22	Y01Z, Y61Z
T27.5	04	E75A, E75B, E75C	T30.1	22	Y62A, Y62B	T31.80	15	TPN, VTPN
	15	TPN, VTPN	T30.20	22	Y01Z, Y62A, Y62B		22	Y01Z, Y61Z
	22	Y02A, Y02B	T30.21	22	Y01Z, Y62A, Y62B	T31.81	15	TPN, VTPN
	Pre	A07D, A09E, A11F, A13F	T30.3	22	Y61Z, Y62A, Y62B		22	Y01Z, Y61Z
T27.6	15	TPN, VTPN	T30.4	22	Y62A, Y62B	T31.82	15	TPN, VTPN
	22	Y62A, Y62B	T30.5	22	Y62A, Y62B		22	Y01Z, Y61Z
	Pre	A07D, A09E, A11F, A13F	T30.60	22	Y01Z, Y62A, Y62B	T31.83	15	TPN, VTPN
T27.7	15	TPN, VTPN	T30.61	22	Y01Z, Y62A, Y62B		22	Y01Z, Y61Z
	22	Y62A, Y62B	T30.7	22	Y61Z, Y62A, Y62B	T31.84	15	TPN, VTPN
	Pre	A07D, A09E, A11F, A13F	T31.11	22	Y61Z		22	Y01Z, Y61Z
T28.0	03	D66Z	T31.21	22	Y61Z	T31.85	15	TPN, VTPN
	15	TPN, VTPN	T31.22	15	TPN, VTPN		22	Y01Z, Y61Z
	22	Y02A, Y02B		22	Y01Z, Y61Z	T31.86	15	TPN, VTPN
	Pre	A07D, A09E, A11F, A13F	T31.30	22	Y01Z, Y61Z		22	Y01Z, Y61Z
T28.1	06	G46A, G46B, G46C, G50Z, G64A, G64B, G64C, G70A, G70B	T31.31	22	Y01Z, Y61Z	T31.87	15	TPN, VTPN
	15	TPN, VTPN	T31.32	15	TPN, VTPN		22	Y01Z, Y61Z
	22	Y02A, Y02B		22	Y01Z, Y61Z	T31.88	15	TPN, VTPN
	Pre	A07D, A09E, A11F, A13F	T31.33	15	TPN, VTPN		22	Y01Z, Y61Z
T28.2	06	G46A, G46B, G46C, G50Z, G71Z	T31.40	22	Y01Z, Y61Z	T31.90	15	TPN, VTPN
	15	TPN, VTPN	T31.41	22	Y01Z, Y61Z		22	Y01Z, Y61Z
	22	Y02A, Y02B	T31.42	15	TPN, VTPN	T31.91	15	TPN, VTPN
	Pre	A07D, A09E, A11F, A13F		22	Y01Z, Y61Z		22	Y01Z, Y61Z
T28.3	15	TPN, VTPN	T31.43	15	TPN, VTPN	T31.92	15	TPN, VTPN
	22	Y62A, Y62B		22	Y01Z, Y61Z		22	Y01Z, Y61Z
	Pre	A07D, A09E, A11F, A13F	T31.44	15	TPN, VTPN	T31.93	15	TPN, VTPN
T28.4	15	TPN, VTPN		22	Y01Z, Y61Z		22	Y01Z, Y61Z
	22	Y62A, Y62B	T31.50	15	TPN, VTPN	T31.94	15	TPN, VTPN
	Pre	A07D, A09E, A11F, A13F		22	Y01Z, Y61Z		22	Y01Z, Y61Z
T28.5	03	D66Z	T31.51	15	TPN, VTPN	T31.95	15	TPN, VTPN
	15	TPN, VTPN		22	Y01Z, Y61Z		22	Y01Z, Y61Z
	22	Y02A, Y02B	T31.52	15	TPN, VTPN	T31.96	15	TPN, VTPN
	Pre	A07D, A09E, A11F, A13F		22	Y01Z, Y61Z		22	Y01Z, Y61Z
T28.6	06	G46A, G46B, G46C, G50Z, G64A, G64B, G64C, G70A, G70B	T31.53	15	TPN, VTPN	T31.97	15	TPN, VTPN
	15	TPN, VTPN		22	Y01Z, Y61Z		22	Y01Z, Y61Z
	22	Y02A, Y02B	T31.54	15	TPN, VTPN	T31.98	15	TPN, VTPN
	Pre	A07D, A09E, A11F, A13F		22	Y01Z, Y61Z		22	Y01Z, Y61Z
T28.7	06	G46A, G46B, G46C, G50Z, G71Z	T31.55	15	TPN, VTPN	T31.99	15	TPN, VTPN
	15	TPN, VTPN		22	Y01Z, Y61Z		22	Y01Z, Y61Z
	22	Y02A, Y02B	T31.60	15	TPN, VTPN	T32.11	22	Y61Z
	Pre	A07D, A09E, A11F, A13F		22	Y01Z, Y61Z	T32.21	22	Y61Z
T28.8	15	TPN, VTPN	T31.61	15	TPN, VTPN	T32.22	15	TPN, VTPN
	22	Y62A, Y62B		22	Y01Z, Y61Z		22	Y01Z, Y61Z
	Pre	A07D, A09E, A11F, A13F	T31.62	15	TPN, VTPN	T32.30	22	Y01Z, Y61Z
	15	TPN, VTPN		22	Y01Z, Y61Z	T32.31	22	Y01Z, Y61Z
	22	Y62A, Y62B	T31.63	15	TPN, VTPN	T32.32	15	TPN, VTPN
	Pre	A07D, A09E, A11F, A13F		22	Y01Z, Y61Z		22	Y01Z, Y61Z
	15	TPN, VTPN	T31.64	15	TPN, VTPN	T32.33	15	TPN, VTPN
	22	Y62A, Y62B		22	Y01Z, Y61Z		22	Y01Z, Y61Z
	Pre	A07D, A09E, A11F, A13F	T31.65	15	TPN, VTPN	T32.40	22	Y01Z, Y61Z
	15	TPN, VTPN		22	Y01Z, Y61Z	T32.41	22	Y01Z, Y61Z
	22	Y62A, Y62B		22	Y01Z, Y61Z			

ICD	MDC	DRG	ICD	MDC	DRG	ICD	MDC	DRG
T32.42	15	TPN, VTPN	T32.91	15	TPN, VTPN	T35.0	15	TPN, VTPN
	22	Y01Z, Y61Z		22	Y01Z, Y61Z		21B	X64Z
T32.43	15	TPN, VTPN	T32.92	15	TPN, VTPN	T35.1	15	TPN, VTPN
	22	Y01Z, Y61Z		22	Y01Z, Y61Z		21B	X64Z
T32.44	15	TPN, VTPN	T32.93	15	TPN, VTPN		Pre	A07D, A09E, A11F, A13F
	22	Y01Z, Y61Z		22	Y01Z, Y61Z	T35.2	15	TPN, VTPN
T32.50	15	TPN, VTPN	T32.94	15	TPN, VTPN		21B	X64Z
	22	Y01Z, Y61Z		22	Y01Z, Y61Z	T35.3	15	TPN, VTPN
T32.51	15	TPN, VTPN	T32.95	15	TPN, VTPN		21B	X64Z
	22	Y01Z, Y61Z		22	Y01Z, Y61Z	T35.4	15	TPN, VTPN
T32.52	15	TPN, VTPN	T32.96	15	TPN, VTPN		21B	X05A, X05B, X64Z
	22	Y01Z, Y61Z		22	Y01Z, Y61Z	T35.5	15	TPN, VTPN
T32.53	15	TPN, VTPN	T32.97	15	TPN, VTPN		21B	X04Z, X64Z
	22	Y01Z, Y61Z		22	Y01Z, Y61Z	T35.6	15	TPN, VTPN
T32.54	15	TPN, VTPN	T32.98	15	TPN, VTPN		21B	X64Z
	22	Y01Z, Y61Z		22	Y01Z, Y61Z	T35.7	15	TPN, VTPN
T32.55	15	TPN, VTPN	T32.99	15	TPN, VTPN		21B	X64Z
	22	Y01Z, Y61Z		22	Y01Z, Y61Z	T36.0	15	TPN, VTPN
T32.60	15	TPN, VTPN	T33.0	15	TPN, VTPN		21B	X62Z
	22	Y01Z, Y61Z		21B	X64Z		Pre	A07D, A09E, A11F, A13F
T32.61	15	TPN, VTPN	T33.1	15	TPN, VTPN	T36.1	15	TPN, VTPN
	22	Y01Z, Y61Z		21B	X64Z		21B	X62Z
T32.62	15	TPN, VTPN	T33.2	15	TPN, VTPN		Pre	A07D, A09E, A11F, A13F
	22	Y01Z, Y61Z		21B	X64Z	T36.2	15	TPN, VTPN
T32.63	15	TPN, VTPN	T33.3	15	TPN, VTPN		21B	X62Z
	22	Y01Z, Y61Z		21B	X64Z		Pre	A07D, A09E, A11F, A13F
T32.64	15	TPN, VTPN	T33.4	15	TPN, VTPN	T36.3	15	TPN, VTPN
	22	Y01Z, Y61Z		21B	X64Z		21B	X62Z
T32.65	15	TPN, VTPN	T33.5	15	TPN, VTPN		Pre	A07D, A09E, A11F, A13F
	22	Y01Z, Y61Z		21B	X05A, X05B, X64Z	T36.4	15	TPN, VTPN
T32.66	15	TPN, VTPN	T33.6	15	TPN, VTPN		21B	X62Z
	22	Y01Z, Y61Z		21B	X64Z		Pre	A07D, A09E, A11F, A13F
T32.70	15	TPN, VTPN	T33.7	15	TPN, VTPN	T36.5	15	TPN, VTPN
	22	Y01Z, Y61Z		21B	X64Z		21B	X62Z
T32.71	15	TPN, VTPN	T33.8	15	TPN, VTPN		Pre	A07D, A09E, A11F, A13F
	22	Y01Z, Y61Z		21B	X04Z, X64Z	T36.6	15	TPN, VTPN
T32.72	15	TPN, VTPN	T33.9	15	TPN, VTPN		21B	X62Z
	22	Y01Z, Y61Z		21B	X64Z		Pre	A07D, A09E, A11F, A13F
T32.73	15	TPN, VTPN	T34.0	15	TPN, VTPN	T36.7	15	TPN, VTPN
	22	Y01Z, Y61Z		21B	X64Z		21B	X62Z
T32.74	15	TPN, VTPN		Pre	A07D, A09E, A11F, A13F		Pre	A07D, A09E, A11F, A13F
	22	Y01Z, Y61Z	T34.1	15	TPN, VTPN	T36.8	15	TPN, VTPN
T32.75	15	TPN, VTPN		21B	X64Z		21B	X62Z
	22	Y01Z, Y61Z		Pre	A07D, A09E, A11F, A13F		Pre	A07D, A09E, A11F, A13F
T32.76	15	TPN, VTPN	T34.2	15	TPN, VTPN	T36.9	15	TPN, VTPN
	22	Y01Z, Y61Z		21B	X64Z		21B	X62Z
T32.77	15	TPN, VTPN		Pre	A07D, A09E, A11F, A13F		Pre	A07D, A09E, A11F, A13F
	22	Y01Z, Y61Z	T34.3	15	TPN, VTPN	T37.0	15	TPN, VTPN
T32.80	15	TPN, VTPN		21B	X64Z		21B	X62Z
	22	Y01Z, Y61Z		Pre	A07D, A09E, A11F, A13F		Pre	A07D, A09E, A11F, A13F
T32.81	15	TPN, VTPN	T34.4	15	TPN, VTPN	T37.1	15	TPN, VTPN
	22	Y01Z, Y61Z		21B	X64Z		21B	X62Z
T32.82	15	TPN, VTPN		Pre	A07D, A09E, A11F, A13F		Pre	A07D, A09E, A11F, A13F
	22	Y01Z, Y61Z	T34.5	15	TPN, VTPN	T37.2	15	TPN, VTPN
T32.83	15	TPN, VTPN		21B	X05A, X05B, X64Z		21B	X62Z
	22	Y01Z, Y61Z		Pre	A07D, A09E, A11F, A13F		Pre	A07D, A09E, A11F, A13F
T32.84	15	TPN, VTPN	T34.6	15	TPN, VTPN	T37.3	15	TPN, VTPN
	22	Y01Z, Y61Z		21B	X64Z		21B	X62Z
T32.85	15	TPN, VTPN		Pre	A07D, A09E, A11F, A13F		Pre	A07D, A09E, A11F, A13F
	22	Y01Z, Y61Z	T34.7	15	TPN, VTPN	T37.4	15	TPN, VTPN
T32.86	15	TPN, VTPN		21B	X64Z		21B	X62Z
	22	Y01Z, Y61Z		Pre	A07D, A09E, A11F, A13F		Pre	A07D, A09E, A11F, A13F
T32.87	15	TPN, VTPN	T34.8	15	TPN, VTPN	T37.5	15	TPN, VTPN
	22	Y01Z, Y61Z		21B	X04Z, X64Z		21B	X62Z
T32.88	15	TPN, VTPN		Pre	A07D, A09E, A11F, A13F		Pre	A07D, A09E, A11F, A13F
	22	Y01Z, Y61Z	T34.9	15	TPN, VTPN	T37.8	15	TPN, VTPN
T32.90	15	TPN, VTPN		21B	X64Z		21B	X62Z
	22	Y01Z, Y61Z		Pre	A07D, A09E, A11F, A13F		Pre	A07D, A09E, A11F, A13F

Dg

ICD	MDC	DRG	ICD	MDC	DRG	ICD	MDC	DRG
T53.6	15	TPN, VTPN	T57.8	15	TPN, VTPN	T62.0	21B	X62Z
	21B	X62Z		21B	X62Z		Pre	A07D, A09E, A11F, A13F
	Pre	A07D, A09E, A11F, A13F		Pre	A07D, A09E, A11F, A13F	T62.1	21B	X62Z
T53.7	15	TPN, VTPN	T57.9	15	TPN, VTPN		Pre	A07D, A09E, A11F, A13F
	21B	X62Z		21B	X62Z	T62.2	21B	X62Z
	Pre	A07D, A09E, A11F, A13F		Pre	A07D, A09E, A11F, A13F		Pre	A07D, A09E, A11F, A13F
T53.9	15	TPN, VTPN	T58	15	TPN, VTPN	T62.8	21B	X62Z
	21B	X62Z		21B	X62Z		Pre	A07D, A09E, A11F, A13F
	Pre	A07D, A09E, A11F, A13F		Pre	A07D, A09E, A11F, A13F	T62.9	21B	X62Z
T54.0	15	TPN, VTPN	T59.0	15	TPN, VTPN		Pre	A07D, A09E, A11F, A13F
	21B	X62Z		21B	X62Z	T63.0	15	TPN, VTPN
	Pre	A07D, A09E, A11F, A13F		Pre	A07D, A09E, A11F, A13F		21B	X62Z
T54.1	15	TPN, VTPN	T59.1	15	TPN, VTPN		Pre	A07D, A09E, A11F, A13F
	21B	X62Z		21B	X62Z	T63.1	15	TPN, VTPN
	Pre	A07D, A09E, A11F, A13F		Pre	A07D, A09E, A11F, A13F		21B	X62Z
T54.2	15	TPN, VTPN	T59.2	15	TPN, VTPN		Pre	A07D, A09E, A11F, A13F
	21B	X62Z		21B	X62Z	T63.2	15	TPN, VTPN
	Pre	A07D, A09E, A11F, A13F		Pre	A07D, A09E, A11F, A13F		21B	X62Z
T54.3	15	TPN, VTPN	T59.3	15	TPN, VTPN		Pre	A07D, A09E, A11F, A13F
	21B	X62Z		21B	X62Z	T63.3	15	TPN, VTPN
	Pre	A07D, A09E, A11F, A13F		Pre	A07D, A09E, A11F, A13F		21B	X62Z
T54.9	15	TPN, VTPN	T59.4	15	TPN, VTPN		Pre	A07D, A09E, A11F, A13F
	21B	X62Z		21B	X62Z	T63.4	15	TPN, VTPN
	Pre	A07D, A09E, A11F, A13F		Pre	A07D, A09E, A11F, A13F		21B	X62Z
T55	15	TPN, VTPN	T59.5	15	TPN, VTPN		Pre	A07D, A09E, A11F, A13F
	21B	X62Z		21B	X62Z	T63.5	15	TPN, VTPN
	Pre	A07D, A09E, A11F, A13F		Pre	A07D, A09E, A11F, A13F		21B	X62Z
T56.0	15	TPN, VTPN	T59.6	15	TPN, VTPN		Pre	A07D, A09E, A11F, A13F
	21B	X64Z		21B	X62Z	T63.6	15	TPN, VTPN
	Pre	A07D, A09E, A11F, A13F		Pre	A07D, A09E, A11F, A13F		21B	X62Z
T56.1	15	TPN, VTPN	T59.7	15	TPN, VTPN		Pre	A07D, A09E, A11F, A13F
	21B	X62Z		21B	X62Z	T63.8	15	TPN, VTPN
	Pre	A07D, A09E, A11F, A13F		Pre	A07D, A09E, A11F, A13F		21B	X62Z
T56.2	15	TPN, VTPN	T59.8	15	TPN, VTPN		Pre	A07D, A09E, A11F, A13F
	21B	X62Z		21B	X62Z	T63.9	15	TPN, VTPN
	Pre	A07D, A09E, A11F, A13F		Pre	A07D, A09E, A11F, A13F		21B	X62Z
T56.3	15	TPN, VTPN	T59.9	15	TPN, VTPN		Pre	A07D, A09E, A11F, A13F
	21B	X62Z		21B	X62Z	T64	15	TPN, VTPN
	Pre	A07D, A09E, A11F, A13F		Pre	A07D, A09E, A11F, A13F		21B	X62Z
T56.4	15	TPN, VTPN	T60.0	15	TPN, VTPN		Pre	A07D, A09E, A11F, A13F
	21B	X62Z		21B	X62Z	T65.0	15	TPN, VTPN
	Pre	A07D, A09E, A11F, A13F		Pre	A07D, A09E, A11F, A13F		21B	X62Z
T56.5	15	TPN, VTPN	T60.1	15	TPN, VTPN		Pre	A07D, A09E, A11F, A13F
	21B	X62Z		21B	X62Z	T65.1	15	TPN, VTPN
	Pre	A07D, A09E, A11F, A13F		Pre	A07D, A09E, A11F, A13F		21B	X62Z
T56.6	15	TPN, VTPN	T60.2	15	TPN, VTPN		Pre	A07D, A09E, A11F, A13F
	21B	X62Z		21B	X62Z	T65.2	15	TPN, VTPN
	Pre	A07D, A09E, A11F, A13F		Pre	A07D, A09E, A11F, A13F		21B	X62Z
T56.7	15	TPN, VTPN	T60.3	15	TPN, VTPN		Pre	A07D, A09E, A11F, A13F
	21B	X62Z		21B	X62Z	T65.3	15	TPN, VTPN
	Pre	A07D, A09E, A11F, A13F		Pre	A07D, A09E, A11F, A13F		21B	X62Z
T56.8	15	TPN, VTPN	T60.4	15	TPN, VTPN		Pre	A07D, A09E, A11F, A13F
	21B	X62Z		21B	X62Z	T65.4	15	TPN, VTPN
	Pre	A07D, A09E, A11F, A13F		Pre	A07D, A09E, A11F, A13F		21B	X62Z
T56.9	15	TPN, VTPN	T60.8	15	TPN, VTPN		Pre	A07D, A09E, A11F, A13F
	21B	X62Z		21B	X62Z	T65.5	15	TPN, VTPN
	Pre	A07D, A09E, A11F, A13F		Pre	A07D, A09E, A11F, A13F		21B	X62Z
T57.0	15	TPN, VTPN	T60.9	15	TPN, VTPN		Pre	A07D, A09E, A11F, A13F
	21B	X62Z		21B	X62Z	T65.6	15	TPN, VTPN
	Pre	A07D, A09E, A11F, A13F		Pre	A07D, A09E, A11F, A13F		21B	X62Z
T57.1	15	TPN, VTPN	T61.0	21B	X62Z		Pre	A07D, A09E, A11F, A13F
	21B	X62Z		21B	X62Z	T65.8	15	TPN, VTPN
	Pre	A07D, A09E, A11F, A13F		Pre	A07D, A09E, A11F, A13F		21B	X62Z
T57.2	15	TPN, VTPN	T61.1	21B	X62Z		Pre	A07D, A09E, A11F, A13F
	21B	X62Z		21B	X62Z	T65.9	15	TPN, VTPN
	Pre	A07D, A09E, A11F, A13F		Pre	A07D, A09E, A11F, A13F		21B	X62Z
T57.3	15	TPN, VTPN	T61.2	21B	X62Z		Pre	A07D, A09E, A11F, A13F
	21B	X62Z		21B	X62Z	T66	21B	X64Z
	Pre	A07D, A09E, A11F, A13F		Pre	A07D, A09E, A11F, A13F	T67.0	15	TPN, VTPN
	Pre	A07D, A09E, A11F, A13F		Pre	A07D, A09E, A11F, A13F		21B	X64Z

ICD	MDC	DRG	ICD	MDC	DRG	ICD	MDC	DRG		
T67.1	15	TPN, VTPN	T79.3		PTR	T82.2	05	F75A, F75B, F75C, F75D		
	21B	X64Z		18B	T61A, T61B		15	TPN, VTPN		
T67.2	21B	X64Z		21A	W61A, W61B	T82.3	05	F75A, F75B, F75C, F75D		
T67.3	21B	X64Z		22	Y02A, Y02B		15	TPN, VTPN		
T67.4	21B	X64Z	T79.4		PTR	T82.4	05	F75A, F75B, F75C, F75D		
T67.5	21B	X64Z		21A	W61A, W61B		15	TPN, VTPN		
T67.6	21B	X64Z		21B	X64Z	T82.5	05	F75A, F75B, F75C, F75D		
T67.7	21B	X64Z		Pre	A07D, A09E, A11F, A13F		15	TPN, VTPN		
T67.8	21B	X64Z	T79.5		PTR	T82.6	05	F75A, F75B, F75C, F75D		
T67.9	21B	X64Z		11	L60A, L60B, L60C, L60D, L71Z		15	TPN, VTPN		
T68	21B	X64Z		21A	W61A, W61B	T82.7	05	F61A, F75A, F75B, F75C, F75D		
	Pre	A07D, A09E, A11F, A13F		Pre	A07D, A09E, A11F, A13F		15	TPN, VTPN		
T69.0	21B	X04Z, X64Z	T79.6		PTR	T82.8	05	F75A, F75B, F75C, F75D		
T69.1	21B	X64Z		08	I76A, I76B		15	TPN, VTPN		
T69.8	21B	X64Z		15	TPN, VTPN	T82.9	05	F75A, F75B, F75C, F75D		
T69.9	21B	X64Z		21A	W61A, W61B		15	TPN, VTPN		
T70.0	03	D62Z, D63Z		Pre	A07D, A09E, A11F, A13F	T83.0	11	L64A, L64B, L74Z		
T70.1	03	D62Z, D63Z	T79.7		PTR		15	TPN, VTPN		
T70.2	21B	X64Z		04	E76A, E76B, E76C	T83.1	11	L64A, L64B, L74Z		
T70.3	21B	X64Z		15	TPN, VTPN		15	TPN, VTPN		
T70.4	21B	X64Z		21A	W61A, W61B	T83.2	11	L64A, L64B, L74Z		
T70.8	21B	X64Z		Pre	A07D, A09E, A11F, A13F		15	TPN, VTPN		
T70.9	21B	X64Z	T79.8		PTR	T83.3	13	N04Z, N05A, N05B, N14Z, N21Z, N25Z, N62B		
T71	15	TPN, VTPN		21A	W61A, W61B	T83.4	11	L64A, L64B, L74Z		
	21B	X64Z		21B	X64Z		15	TPN, VTPN		
T73.0	21B	X64Z	T79.9		PTR	T83.5	11	L69A, L69B		
T73.1	15	TPN, VTPN		21A	W61A, W61B		15	TPN, VTPN		
	21B	X64Z		21B	X64Z	T83.6	11	L64A, L64B, L74Z		
T73.2	21B	X64Z		21B	X64Z		15	TPN, VTPN		
T73.3	21B	X64Z	T80.0		E64A	T83.8	11	L64A, L64B, L74Z		
T73.8	21B	X64Z		15	TPN, VTPN		15	TPN, VTPN		
T73.9	21B	X64Z		Pre	A07D, A09E, A11F, A13F	T83.9	11	L64A, L64B, L74Z		
T74.0	21A	W61A, W61B	T80.1		05	F75A, F75B, F75C, F75D		15	TPN, VTPN	
T74.1	15	TPN, VTPN	T80.2		18B	T64A, T64B, T64C	T83.9	11	L64A, L64B, L74Z	
	21A	W61A, W61B		Pre	A07D, A09E, A11F, A13F		15	TPN, VTPN		
T74.2	21A	W61A, W61B	T80.3		15	TPN, VTPN	T84.0	08	I73Z	
T74.3	21A	W61A, W61B		16	Q61B, Q61C, Q61D		15	TPN, VTPN		
T74.8	21A	W61A, W61B		Pre	A07D, A09E, A11F, A13F	T84.1	08	I73Z		
T74.9	21A	W61A, W61B	T80.4		15	TPN, VTPN		15	TPN, VTPN	
T75.0	21B	X64Z		16	Q61A, Q61B, Q61C, Q61D, Q61E	T84.2	08	I73Z		
T75.1	21B	X64Z		Pre	A07D, A09E, A11F, A13F		15	TPN, VTPN		
	Pre	A07D, A09E, A11F, A13F	T80.5		21B	X60Z	T84.3	08	I73Z	
T75.2	21B	X64Z		Pre	A07D, A09E, A11F, A13F		15	TPN, VTPN		
T75.3	03	D66Z	T80.6		21B	X60Z	T84.4	08	I73Z	
T75.4	15	TPN, VTPN	T80.8		16	Q61A, Q61B, Q61C, Q61D, Q61E		15	TPN, VTPN	
	21B	X64Z		T80.9		16	Q61A, Q61B, Q61C, Q61D, Q61E	T84.5	08	I01Z, I03A, I03B, I04Z, I08A, I08B, I08C, I08D, I08E, I12A, I12B, I12C, I13A, I13B, I73Z
T75.8	21B	X64Z		T81.0		21B	X62Z		15	TPN, VTPN
T78.0	21B	X60Z		T81.1		21B	X62Z		Pre	A07D, A09E, A11F, A13F
T78.1	21B	X62Z			22	Y02A, Y02B	T84.6	08	I08A, I08B, I08C, I08D, I08E, I12A, I12B, I12C, I13A, I13B, I73Z	
T78.2	21B	X60Z		T81.2		21B	X62Z		15	TPN, VTPN
T78.3	21B	X60Z		T81.3		15	TPN, VTPN	T84.7	08	I08A, I08B, I08C, I08D, I08E, I12A, I12B, I12C, I13A, I13B, I73Z
	Pre	A07D, A09E, A11F, A13F			21B	X62Z		15	TPN, VTPN	
T78.4	21B	X64Z		T81.4		08	I01Z, I03A, I03B		15	TPN, VTPN
T78.8	21B	X62Z			18B	T61A, T61B		15	TPN, VTPN	
T78.9	21B	X62Z		T81.5		15	TPN, VTPN	T84.8	08	I08A, I08B, I08C, I08D, I08E, I12A, I12B, I12C, I13A, I13B, I73Z
T79.0		PTR			15	TPN, VTPN		15	TPN, VTPN	
	04	E64A		T81.6		15	TPN, VTPN		15	TPN, VTPN
	15	TPN, VTPN			21B	X62Z		15	TPN, VTPN	
	21A	W61A, W61B		T81.7		05	F65A, F65B	T84.9	08	I08A, I08B, I08C, I08D, I08E, I12A, I12B, I12C, I13A, I13B, I73Z
	Pre	A07D, A09E, A11F, A13F			22	Y02A, Y02B		15	TPN, VTPN	
T79.1		PTR		T81.8		21B	X62Z		15	TPN, VTPN
	04	E64A			21B	X62Z		15	TPN, VTPN	
	15	TPN, VTPN		T81.9		21B	X62Z		15	TPN, VTPN
	21A	W61A, W61B		T82.0		05	F69A, F69B	T85.0	01	B81A, B81B
	Pre	A07D, A09E, A11F, A13F			15	TPN, VTPN		15	TPN, VTPN	
T79.2		PTR		T82.1		05	F71A, F71B		15	TPN, VTPN
	21A	W61A, W61B			15	TPN, VTPN	T85.1	01	B81A, B81B	
	21B	X64Z						15	TPN, VTPN	

ICD	MDC	DRG	ICD	MDC	DRG	ICD	MDC	DRG
T85.2	02	C62Z	T86.3	05	F75A, F75B, F75C, F75D	T88.4	21B	X62Z
	15	TPN, VTPN		15	TPN, VTPN	T88.5	21B	X62Z
T85.3	02	C62Z		Pre	A07D, A09E, A11F, A13F, A60A, A60B, A60C, A60D	T88.6	21B	X60Z
	15	TPN, VTPN	T86.40	07	H63A, H63B, H63C, H78Z	T88.7	21B	X62Z
T85.4	09	J01Z, J67A, J67B		15	TPN, VTPN	T88.8	21B	X62Z
	15	TPN, VTPN		Pre	A01B, A07D, A09E, A11F, A13F, A60A, A60B, A60C, A60D	T88.9	21B	X62Z
T85.5	15	TPN, VTPN				T89.00		PTR
	21B	X62Z	T86.41	07	H63A, H63B, H63C, H78Z		21A	W61A, W61B
T85.6	15	TPN, VTPN		15	TPN, VTPN		21B	X60Z
	21B	X62Z		Pre	A01B, A07D, A09E, A11F, A13F, A60A, A60B, A60C, A60D	T89.01		PTR
T85.71	11	L68A, L68B, L74Z					21A	W61A, W61B
	15	TPN, VTPN	T86.49	07	H63A, H63B, H63C, H78Z		21B	X60Z
T85.78	15	TPN, VTPN		15	TPN, VTPN	T89.02		PTR
	21B	X62Z		Pre	A01B, A07D, A09E, A11F, A13F, A60A, A60B, A60C, A60D		21A	W61A, W61B
	22	Y02A, Y02B	T86.50	15	TPN, VTPN		21B	X60Z
T85.81	01	B81A, B81B		21B	X62Z	T89.03		PTR
	15	TPN, VTPN		Pre	A01B, A07D, A09E, A11F, A13F, A60A, A60B, A60C, A60D		21A	W61A, W61B
T85.82	09	J01Z, J67A, J67B					21B	X60Z
	15	TPN, VTPN	T86.51	15	TPN, VTPN	T90.4	21A	W61A, W61B
	22	Y02A, Y02B		21B	X62Z	T90.8	21A	W61A, W61B
T85.88	15	TPN, VTPN		Pre	A07D, A09E, A11F, A13F, A60A, A60B, A60C, A60D	T90.9	21A	W61A, W61B
	21B	X62Z	T86.52	15	TPN, VTPN	T91.4	21A	W61A, W61B
	22	Y02A, Y02B		21B	X62Z	T91.8	21A	W61A, W61B
T85.9	15	TPN, VTPN		Pre	A07D, A09E, A11F, A13F, A60A, A60B, A60C, A60D	T91.9	21A	W61A, W61B
	21B	X62Z	T86.59	15	TPN, VTPN	T92.9	21A	W61A, W61B
T86.00	16	Q60A, Q60B, Q60C, Q60D, Q60E		21B	X62Z	T93.9	21A	W61A, W61B
	Pre	A07D, A09E, A11F, A13F, A36A, A36B, A61Z		Pre	A07D, A09E, A11F, A13F, A60A, A60B, A60C, A60D	T94.1	21A	W61A, W61B
T86.01	16	Q60A, Q60B, Q60C, Q60D, Q60E				T96	21A	W61A, W61B
	Pre	A07D, A09E, A11F, A13F, A36A, A36B, A61Z	T86.81	04	E75A, E75B, E75C	T97	21A	W61A, W61B
				15	TPN, VTPN	T98.0	21A	W61A, W61B
T86.02	16	Q60A, Q60B, Q60C, Q60D, Q60E		Pre	A07D, A09E, A11F, A13F, A60A, A60B, A60C, A60D	T98.1	21A	W61A, W61B
	Pre	A04A, A04B, A07D, A09E, A11F, A13F, A36A, A36B, A61Z				T98.2	21A	W61A, W61B
T86.03	16	Q60A, Q60B, Q60C, Q60D, Q60E		Pre	A07D, A09E, A11F, A13F, A60A, A60B, A60C, A60D	T98.3	21A	W61A, W61B
	Pre	A07D, A09E, A11F, A13F, A36A, A36B, A61Z	T86.82	07	H62A, H62B, H62C	U04.9	04	E62A, E62B, E77A, E77B, E77C, E77D, E77E, E77F, E77G
T86.04	16	Q60A, Q60B, Q60C, Q60D, Q60E		15	TPN, VTPN		18A	S63A, S63B
	Pre	A07D, A09E, A11F, A13F, A36A, A36B, A61Z		Pre	A07D, A09E, A11F, A13F, A60A, A60B, A60C, A60D	U50.00	01	B44A, B44B, B44C, B44D
T86.09	16	Q60A, Q60B, Q60C, Q60D, Q60E				U50.01	01	B44A, B44B, B44C, B44D
	Pre	A07D, A09E, A11F, A13F, A36A, A36B, A61Z	T86.83	02	C60Z	U50.10	01	B44A, B44B, B44C, B44D
T86.10	11	L69A, L69B		Pre	A07D, A09E, A11F, A13F	U50.11	01	B44A, B44B, B44C, B44D
	15	TPN, VTPN				U50.20	01	B44A, B44B, B44C, B44D
	Pre	A07D, A09E, A11F, A13F, A60A, A60B, A60C, A60D	T86.88	15	TPN, VTPN	U50.21	01	B44A, B44B, B44C, B44D
T86.11	11	L69A, L69B		21B	X62Z	U50.30	01	B44A, B44B, B44C, B44D
	15	TPN, VTPN		Pre	A07D, A09E, A11F, A13F, A60A, A60B, A60C, A60D	U50.31	01	B44A, B44B, B44C, B44D
	Pre	A07D, A09E, A11F, A13F, A60A, A60B, A60C, A60D	T86.9	15	TPN, VTPN	U50.40	01	B44A, B44B
T86.12	11	L69A, L69B		21B	X62Z	U50.41	01	B44A, B44B
	15	TPN, VTPN		Pre	A07D, A09E, A11F, A13F, A60A, A60B, A60C, A60D	U50.50	01	B44A, B44B
	Pre	A07D, A09E, A11F, A13F, A60A, A60B, A60C, A60D				U50.51	01	B44A, B44B
T86.19	11	L69A, L69B				U51.00	01	B44A, B44B, B44C, B44D
	15	TPN, VTPN	T87.0	08	I32A, I32B, I32C, I32D, I32E, I32F, I32G, I73Z	U51.01	01	B44A, B44B, B44C, B44D
	Pre	A07D, A09E, A11F, A13F, A60A, A60B, A60C, A60D		Pre	A07D, A09E, A11F, A13F	U51.02	01	B44A, B44B, B44C, B44D
T86.2	05	F75A, F75B, F75C, F75D				U51.10	01	B44A, B44B, B44C, B44D
	15	TPN, VTPN	T87.1	08	I73Z	U51.11	01	B44A, B44B, B44C, B44D
	Pre	A07D, A09E, A11F, A13F, A60A, A60B, A60C, A60D		Pre	A07D, A09E, A11F, A13F	U51.12	01	B44A, B44B, B44C, B44D
			T87.2	08	I73Z	U51.20	01	B44A, B44B, B44C, B44D
						U51.21	01	B44A, B44B, B44C, B44D
			T87.3	08	I76A, I76B	U51.22	01	B44A, B44B, B44C, B44D
						U55.10	15	P65C, P66C, P67B, P67C
			T87.4	08	I76A	U55.11		PTX
			T87.5	08	I76A		15	P65C, P66C, P67B, P67C
			T87.6	08	I76A			PTX
			T88.0	18B	T64A, T64B, T64C	U55.12		
			T88.1	15	TPN, VTPN		15	P65C, P66C, P67B, P67C
				21B	X62Z	U55.20	04	E65A
			T88.2	21B	X64Z		15	P65C, P66C, P67B, P67C
						U55.21		PTX
			T88.3	15	TPN, VTPN		04	E65A
				21B	X62Z		15	P65C, P66C, P67B, P67C
				Pre	A07D, A09E, A11F, A13F			

ICD	MDC	DRG	ICD	MDC	DRG	ICD	MDC	DRG
U55.22		PTX	Z04.0	23	Z65Z	Z21	14	O01A, O01B, O01C, O01D, O01E, O01F, O01G
	04	E65A	Z04.1	21B	X64Z	Z22.0	23	Z64A, Z64B
	15	P65C, P66C, P67B, P67C	Z04.2	21B	X64Z	Z22.1	23	Z64A, Z64B
U55.30	04	E65A	Z04.3	21B	X64Z	Z22.2	23	Z64A, Z64B
	15	P65C, P66C, P67B, P67C	Z04.4	23	Z65Z	Z22.3	23	Z64A, Z64B
U55.31		PTX	Z04.5	21B	X64Z	Z22.4	23	Z64A, Z64B
	04	E65A	Z04.6	23	Z65Z	Z22.5	07	H63A, H63B, H63C, H78Z
	15	P65C, P66C, P67B, P67C	Z04.8	23	Z64A, Z64B	Z22.6	07	H63A, H63B, H63C, H78Z
U55.32		PTX	Z08.0	23	Z64A, Z64B	Z22.8	23	Z64A, Z64B
	04	E65A	Z08.1	23	Z64A, Z64B	Z22.9	23	Z64A, Z64B
	15	P65C, P66C, P67B, P67C	Z08.2	23	Z64A, Z64B	Z23.0	23	Z64A, Z64B
U80.0	05	F61A	Z08.7	23	Z64A, Z64B	Z23.1	23	Z64A, Z64B
U80.1	05	F61A	Z08.8	23	Z64A, Z64B	Z23.2	23	Z64A, Z64B
U80.2	05	F61A	Z08.9	23	Z64A, Z64B	Z23.3	23	Z64A, Z64B
U80.3	05	F61A	Z09.0	23	Z64A, Z64B	Z23.4	23	Z64A, Z64B
U80.4	05	F61A	Z09.1	23	Z64A, Z64B	Z23.5	23	Z64A, Z64B
U80.5	05	F61A	Z09.2	23	Z64A, Z64B	Z23.6	23	Z64A, Z64B
U80.6	05	F61A	Z09.3	23	Z64A, Z64B	Z23.7	23	Z64A, Z64B
U80.7	05	F61A	Z09.4	23	Z64A, Z64B	Z23.8	23	Z64A, Z64B
U81	05	F61A	Z09.7	23	Z64A, Z64B	Z24.0	23	Z64A, Z64B
U82.0	05	F61A	Z09.80	23	Z64A, Z64B	Z24.1	23	Z64A, Z64B
U82.1	05	F61A	Z09.88	23	Z64A, Z64B	Z24.2	23	Z64A, Z64B
U82.2	05	F61A	Z09.9	23	Z64A, Z64B	Z24.3	23	Z64A, Z64B
U83	05	F61A	Z10.0	23	Z64A, Z64B	Z24.4	23	Z64A, Z64B
U84	05	F61A	Z10.1	23	Z64A, Z64B	Z24.5	23	Z64A, Z64B
U85	05	F61A	Z10.2	23	Z64A, Z64B	Z24.6	23	Z64A, Z64B
U99.01	11	L64A, L74Z	Z10.3	23	Z64A, Z64B	Z25.0	23	Z64A, Z64B
U99.02	06	G46A, G46B, G46C, G50Z, G67A, G67B, G67C, G67D	Z10.8	23	Z64A, Z64B	Z25.1	23	Z64A, Z64B
U99.03	06	G46A, G46B, G46C, G50Z, G67A, G67B, G67C, G67D	Z11.0	23	Z64A, Z64B	Z25.8	23	Z64A, Z64B
Z00.5	23	Z66Z	Z11.1	23	Z64A, Z64B	Z26.0	23	Z64A, Z64B
Z01.0	23	Z64A, Z64B	Z11.2	23	Z64A, Z64B	Z26.8	23	Z64A, Z64B
Z01.1	23	Z64A, Z64B	Z11.3	23	Z64A, Z64B	Z26.9	23	Z64A, Z64B
Z01.2	23	Z64A, Z64B	Z11.4	23	Z64A, Z64B	Z27.0	23	Z64A, Z64B
Z01.3	23	Z64A, Z64B	Z11.5	23	Z64A, Z64B	Z27.1	23	Z64A, Z64B
Z01.4	13	N04Z, N05A, N05B, N14Z, N21Z, N25Z, N62A, N62B	Z11.6	23	Z64A, Z64B	Z27.2	23	Z64A, Z64B
Z01.5	23	Z64A, Z64B	Z11.8	23	Z64A, Z64B	Z27.3	23	Z64A, Z64B
Z01.80	05	F15Z, F24A, F24B, F36A, F36B, F46A, F46B, F52A, F52B, F62A, F70A, F70B	Z11.9	23	Z64A, Z64B	Z27.4	23	Z64A, Z64B
Z01.81	05	F46A, F46B, F75A, F75B, F75C, F75D	Z12.0	23	Z64A, Z64B	Z27.8	23	Z64A, Z64B
Z01.88	23	Z64A, Z64B	Z12.1	23	Z64A, Z64B	Z27.9	23	Z64A, Z64B
Z02.0	23	Z64A, Z64B	Z12.2	23	Z64A, Z64B	Z28.0	23	Z64A, Z64B
Z02.1	23	Z64A, Z64B	Z12.3	23	Z64A, Z64B	Z28.1	23	Z64A, Z64B
Z02.2	23	Z64A, Z64B	Z12.4	23	Z64A, Z64B	Z28.2	23	Z64A, Z64B
Z02.3	23	Z64A, Z64B	Z12.5	23	Z64A, Z64B	Z28.8	23	Z64A, Z64B
Z02.4	23	Z64A, Z64B	Z12.6	23	Z64A, Z64B	Z28.9	23	Z64A, Z64B
Z02.5	23	Z64A, Z64B	Z12.8	23	Z64A, Z64B	Z29.0	23	Z64A, Z64B
Z02.6	23	Z64A, Z64B	Z12.9	23	Z64A, Z64B	Z29.1	18A	S65A, S65B
Z02.7	23	Z64A, Z64B	Z13.0	23	Z64A, Z64B		23	Z64A, Z64B
Z02.8	23	Z64A, Z64B	Z13.1	23	Z64A, Z64B	Z29.20	18A	S65A, S65B
Z02.9	23	Z64A, Z64B	Z13.2	23	Z64A, Z64B		23	Z64A, Z64B
Z03.0	04	E62A, E62B, E77A, E77B, E77C, E77D, E77E, E77F, E77G	Z13.3	23	Z64A, Z64B	Z29.21	15	TPN, VTPN
	15	P65C, P66C, P67B, P67C	Z13.4	23	Z64A, Z64B		18A	S65A, S65B
Z03.1	17	R04A, R04B, R12A, R12B, R12C, R13Z, R14Z, R62A, R62B, R62C	Z13.5	23	Z64A, Z64B	Z29.28	18A	S65A, S65B
Z03.2	19	U66Z	Z13.6	23	Z64A, Z64B		23	Z64A, Z64B
Z03.3	01	B80Z	Z13.7	23	Z64A, Z64B	Z29.8	18A	S65A, S65B
Z03.4	05	F74Z	Z13.8	23	Z64A, Z64B		23	Z64A, Z64B
Z03.5	05	F74Z	Z13.9	23	Z64A, Z64B	Z29.9	23	Z64A, Z64B
Z03.6	23	Z64A, Z64B	Z20.0	23	Z64A, Z64B	Z30.0	23	Z64A, Z64B
Z03.8	23	Z64A, Z64B	Z20.1	15	P65C, P66C, P67B, P67C	Z30.1	23	Z64A, Z64B
Z03.9	23	Z64A, Z64B	Z20.2	23	Z64A, Z64B	Z30.2	12	M64Z
			Z20.3	23	Z64A, Z64B		13	N04Z, N05A, N05B, N14Z, N21Z, N25Z, N62A, N62B
			Z20.4	23	Z64A, Z64B	Z30.3	23	Z64A, Z64B
			Z20.5	23	Z64A, Z64B	Z30.4	23	Z64A, Z64B
			Z20.6	15	TPN, VTPN	Z30.5	23	Z64A, Z64B
			Z20.7	23	Z64A, Z64B	Z30.8	23	Z64A, Z64B
			Z20.8	23	Z64A, Z64B	Z30.9	23	Z64A, Z64B
			Z20.9	23	Z64A, Z64B			

Dg

ICD	MDC	DRG	ICD	MDC	DRG	ICD	MDC	DRG
Z31.0	12	M64Z	Z39.1	14	O04A, O04B, O61Z	Z47.9	08	I73Z
	13	N04Z, N05A, N05B, N14Z, N21Z, N25Z, N62A, N62B	Z39.2	14	O04A, O04B, O61Z	Z48.0	23	Z64A, Z64B
Z31.1	13	N04Z, N05A, N05B, N14Z, N21Z, N25Z, N62A, N62B	Z40.00	09	J01Z, J67A, J67B	Z48.8	23	Z65Z
Z31.2	13	N04Z, N05A, N05B, N14Z, N21Z, N25Z, N62A, N62B	Z40.01	13	N04Z, N05A, N05B, N14Z, N21Z, N25Z, N62A, N62B	Z48.9	23	Z65Z
Z31.3	12	M64Z	Z40.08	23	Z64A, Z64B	Z49.0	11	L60A, L60B, L60C, L60D, L71Z
	13	N04Z, N05A, N05B, N14Z, N21Z, N25Z, N62A, N62B	Z40.8	23	Z64A, Z64B	Z49.1	11	L61Z
Z31.4	12	M64Z	Z40.9	23	Z64A, Z64B	Z51.4	23	Z65Z
	13	N04Z, N05A, N05B, N14Z, N21Z, N25Z, N62A, N62B	Z41.0	23	Z65Z	Z51.6	23	Z64A, Z64B
Z31.5	23	Z64A, Z64B	Z41.1	09	J67A, J67B, J68A, J68B	Z51.83	23	Z65Z
Z31.6	23	Z64A, Z64B	Z41.2	12	M62Z	Z51.88	23	Z65Z
Z31.8	23	Z64A, Z64B		13	N04Z, N05A, N05B, N14Z, N21Z, N25Z, N62A, N62B	Z51.9	23	Z65Z
Z31.9	23	Z64A, Z64B	Z41.3	23	Z65Z	Z52.01	23	Z64A, Z64B
Z36.0	14	O65A, O65B, O65C	Z41.8	23	Z64A, Z64B	Z52.08	23	Z64A, Z64B
Z36.1	14	O65A, O65B, O65C	Z41.9	23	Z64A, Z64B	Z52.1	09	J67A, J67B, J68A, J68B
Z36.2	14	O65A, O65B, O65C	Z42.0	09	J67A, J67B, J68A, J68B	Z52.2	08	I76A, I76B
Z36.3	14	O65A, O65B, O65C	Z42.1	09	J01Z, J67A, J67B, J68A, J68B	Z52.3	23	Z64A, Z64B
Z36.4	14	O65A, O65B, O65C	Z42.2	09	J67A, J67B, J68A, J68B	Z52.4	23	Z64A, Z64B
Z36.5	14	O65A, O65B, O65C	Z42.3	09	J67A, J67B, J68A, J68B	Z52.5	23	Z64A, Z64B
Z36.8	14	O65A, O65B, O65C	Z42.4	09	J67A, J67B, J68A, J68B	Z52.6	23	Z02Z, Z64A, Z64B
Z36.9	14	O65A, O65B, O65C	Z42.8	09	J67A, J67B, J68A, J68B	Z52.7	23	Z64A, Z64B
Z37.0	14	O02A, O02B, O60A, O60B, O60C, O60D	Z42.9	09	J67A, J67B, J68A, J68B	Z52.8	23	Z64A, Z64B
Z37.1	14	O02A, O02B, O60A, O60B, O60C, O60D	Z43.0	04	E75A, E75B, E75C	Z52.9	23	Z64A, Z64B
Z37.2	14	O01A, O01B, O01C, O01D, O01E, O01F, O01G, O02A, O02B, O60A, O60B, O60C	Z43.1	06	Y02A, Y02B	Z53.0	23	Z65Z
Z37.3	14	O01A, O01B, O01C, O01D, O01E, O01F, O01G, O02A, O02B, O60A, O60B, O60C	Z43.2	06	G46A, G46B, G46C, G50Z, G71Z	Z53.1	23	Z65Z
Z37.4	14	O01A, O01B, O01C, O01D, O01E, O01F, O01G, O02A, O02B, O60A, O60B, O60C	Z43.3	06	G46A, G46B, G46C, G50Z, G71Z	Z53.2	23	Z65Z
Z37.5	14	O01A, O01B, O01C, O01D, O01E, O01F, O01G, O02A, O02B, O60A, O60B, O60C	Z43.4	06	G46A, G46B, G46C, G50Z, G71Z	Z53.8	23	Z65Z
Z37.6	14	O01A, O01B, O01C, O01D, O01E, O01F, O01G, O02A, O02B, O60A, O60B, O60C	Z43.5	11	L68A, L68B, L74Z	Z53.9	23	Z65Z
Z37.7	14	O01A, O01B, O01C, O01D, O01E, O01F, O01G, O02A, O02B, O60A, O60B, O60C	Z43.6	11	L68A, L68B, L74Z	Z64.1	12	M64Z
Z37.9	14	O02A, O02B, O60A, O60B, O60C, O60D	Z43.7	13	N04Z, N05A, N05B, N14Z, N21Z, N25Z, N62A, N62B		13	N04Z, N05A, N05B, N14Z, N21Z, N25Z, N62B
Z38.0	Pre	963Z	Z43.80	23	Z64A, Z64B	Z65.0	23	Z64A, Z64B
Z38.1	Pre	963Z	Z43.88	23	Z64A, Z64B	Z65.1	23	Z64A, Z64B
Z38.2	Pre	963Z	Z43.9	23	Z64A, Z64B	Z65.2	23	Z64A, Z64B
Z38.3	15	P05A, P05B, P05C, P66A, P66B, P66C, P66D, P67B	Z44.0	08	I73Z	Z65.3	23	Z64A, Z64B
	Pre	963Z	Z44.1	08	I73Z	Z65.4	23	Z64A, Z64B
Z38.4	15	P05A, P05B, P05C, P66A, P66B, P66C, P66D, P67B	Z44.2	23	Z64A, Z64B	Z65.5	23	Z64A, Z64B
	Pre	963Z	Z44.3	09	J67A, J67B	Z65.8	23	Z64A, Z64B
Z38.5	15	P05A, P05B, P05C, P66A, P66B, P66C, P66D, P67B	Z45.0	05	F71A, F71B	Z65.9	23	Z64A, Z64B
	Pre	963Z	Z45.1	23	Z64A, Z64B	Z71.0	23	Z64A, Z64B
Z38.6	15	P05A, P05B, P05C, P66A, P66B, P66C, P66D, P67B	Z45.20	23	Z64A, Z64B	Z71.1	23	Z64A, Z64B
	Pre	963Z	Z45.29	23	Z64A, Z64B	Z71.2	23	Z64A, Z64B
Z38.7	15	P05A, P05B, P05C, P66A, P66B, P66C, P66D, P67B	Z45.3	23	Z64A, Z64B	Z71.3	23	Z64A, Z64B
	Pre	963Z	Z45.81	23	Z64A, Z64B	Z71.4	23	Z64A, Z64B
Z38.8	15	P05A, P05B, P05C, P66A, P66B, P66C, P66D, P67B	Z45.82	23	Z64A, Z64B	Z71.5	23	Z64A, Z64B
	Pre	963Z	Z45.83	23	Z64A, Z64B	Z71.6	23	Z64A, Z64B
Z39.0	14	O04A, O04B, O61Z	Z45.84	23	Z64A, Z64B	Z71.7	23	Z64A, Z64B
	Pre	963Z	Z45.85	23	Z64A, Z64B	Z71.8	23	Z64A, Z64B
	Pre	963Z	Z45.88	23	Z64A, Z64B	Z71.9	23	Z64A, Z64B
	Pre	963Z	Z46.0	23	Z64A, Z64B	Z72.3	23	Z64A, Z64B
	Pre	963Z	Z46.1	23	Z64A, Z64B	Z72.4	23	Z64A, Z64B
	Pre	963Z	Z46.2	23	Z64A, Z64B	Z72.5	23	Z64A, Z64B
	Pre	963Z	Z46.3	23	Z64A, Z64B	Z72.6	23	Z64A, Z64B
	Pre	963Z	Z46.4	23	Z64A, Z64B	Z72.8	23	Z64A, Z64B
	Pre	963Z	Z46.5	06	G46A, G46B, G46C, G50Z, G71Z	Z72.9	23	Z64A, Z64B
	Pre	963Z	Z46.6	11	L68A, L68B, L74Z	Z73.0	23	Z64A, Z64B
	Pre	963Z	Z46.7	08	I73Z	Z73.1	23	Z64A, Z64B
	Pre	963Z	Z46.8	23	Z64A, Z64B	Z73.2	23	Z64A, Z64B
	Pre	963Z	Z46.9	23	Z64A, Z64B	Z73.3	23	Z64A, Z64B
	Pre	963Z	Z47.8	08	I73Z	Z73.4	23	Z64A, Z64B
	Pre	963Z				Z73.5	23	Z64A, Z64B
	Pre	963Z				Z73.6	23	Z64A, Z64B
	Pre	963Z				Z73.8	23	Z64A, Z64B
	Pre	963Z				Z73.9	23	Z64A, Z64B
	Pre	963Z				Z74.0	23	Z64A, Z64B
	Pre	963Z				Z74.1	23	Z64A, Z64B
	Pre	963Z				Z74.2	23	Z64A, Z64B
	Pre	963Z				Z74.3	23	Z64A, Z64B
	Pre	963Z				Z74.8	23	Z64A, Z64B
	Pre	963Z				Z74.9	23	Z64A, Z64B

ICD	MDC	DRG	ICD	MDC	DRG	ICD	MDC	DRG
Z75.60	15	P65C, P66C, P67B, P67C	Z83.3	23	Z64A, Z64B	Z94.4	04	E62A, E62B, E77A, E77B, E77C
Z75.64	15	P65C, P66C, P67B, P67C	Z83.4	23	Z64A, Z64B		05	F61A
Z75.65	15	P65C, P66C, P67B, P67C	Z83.5	23	Z64A, Z64B		06	G18A, G38Z, G40Z, G48A, G48B, G67A
Z75.66	15	P65C, P66C, P67B, P67C	Z83.6	23	Z64A, Z64B		10	K62A
Z75.67	15	P65C, P66C, P67B, P67C	Z83.7	23	Z64A, Z64B		18B	T01A, T60A, T60B, T60C, T61A, T63A, T64A, T64B
Z75.68	15	P65C, P66C, P67B, P67C	Z84.0	23	Z64A, Z64B		Pre	A07D, A09E, A11F, A13F
Z75.69	15	P65C, P66C, P67B, P67C	Z84.1	23	Z64A, Z64B	Z94.5	05	F61A
Z75.70		PTX	Z84.2	23	Z64A, Z64B		06	G67A
	15	P65C, P66C, P67B, P67C	Z84.3	23	Z64A, Z64B	Z94.6	05	F61A
Z75.74		PTX	Z84.8	23	Z64A, Z64B		06	G67A
	15	P65C, P66C, P67B, P67C	Z90.3	15	TPN, VTPN	Z94.7	05	F61A
Z75.75		PTX	Z91.2	23	Z65Z		06	G67A
	15	P65C, P66C, P67B, P67C	Z91.3	23	Z65Z	Z94.80	05	F61A
Z75.76		PTX	Z91.4	23	Z65Z		06	G67A
	15	P65C, P66C, P67B, P67C	Z91.5	23	Z65Z		06	G67A
Z75.77		PTX	Z91.6	23	Z65Z		04	E62A, E62B, E77A, E77B, E77C
	15	P65C, P66C, P67B, P67C	Z92.0	23	Z65Z		05	F61A
Z75.78		PTX	Z92.5	23	Z65Z		06	G18A, G38Z, G40Z, G48A, G48B, G67A
	15	P65C, P66C, P67B, P67C	Z93.0	22	Y02A, Y02B		10	K62A
Z75.79		PTX	Z94.0	04	E62A, E62B, E77A, E77B, E77C	Z94.81	18B	T01A, T60A, T60B, T60C, T61A, T63A
	15	P65C, P66C, P67B, P67C		05	F61A		04	E62A, E62B, E77A, E77B, E77C
Z76.0	15	P65C, P66C, P67B, P67C		06	G18A, G38Z, G40Z, G48A, G48B, G67A		05	F61A
	23	Z64A, Z64B		10	K62A		06	G18A, G38Z, G40Z, G48A, G48B, G67A
Z76.1	15	P65C, P66C, P67B, P67C		18B	T01A, T60A, T60B, T60C, T61A, T63A, T64A, T64B	Z94.88	04	E62A, E62B, E77A, E77B, E77C
	23	Z64A, Z64B	Z94.1	04	E62A, E62B, E77A, E77B, E77C		05	F61A
Z76.2	15	P65C, P66C, P67B, P67C		05	F61A		18B	T01A, T60A, T60B, T60C, T61A, T63A, T64A, T64B
	23	Z64A, Z64B		06	G18A, G38Z, G40Z, G48A, G48B, G67A		Pre	A07D, A09E, A11F, A13F
Z76.4	15	P65C, P66C, P67B, P67C		10	K62A		04	E62A, E62B, E77A, E77B, E77C
	23	Z64A, Z64B		18B	T01A, T60A, T60B, T60C, T61A, T63A, T64A, T64B	Z94.9	05	F61A
Z76.8	15	P65C, P66C, P67B, P67C		Pre	A07D, A09E, A11F, A13F		06	G67A
	23	Z64A, Z64B	Z94.2	04	E40A, E62A, E62B, E65A, E77A, E77B, E77C		10	K62A
Z76.9	23	Z64A, Z64B		05	F61A		18B	T01A, T60A, T60B, T60C, T61A, T63A
Z80.0	23	Z64A, Z64B		06	G18A, G38Z, G40Z, G48A, G48B, G67A	Z97.0	05	F61A
Z80.1	23	Z64A, Z64B		10	K62A		06	G67A
Z80.2	23	Z64A, Z64B		18B	T01A, T60A, T60B, T60C, T61A, T63A, T64A, T64B	Z97.2	10	K62A
Z80.3	09	J01Z, J67A, J67B		Pre	A07D, A09E, A11F, A13F	Z97.3	23	Z65Z
Z80.4	23	Z64A, Z64B	Z94.3	04	E40A, E62A, E62B, E65A, E77A, E77B, E77C	Z97.4	23	Z65Z
Z80.5	23	Z64A, Z64B		05	F61A	Z97.5	23	Z65Z
Z80.6	23	Z64A, Z64B		06	G18A, G38Z, G40Z, G48A, G48B, G67A			
Z80.7	23	Z64A, Z64B		10	K62A			
Z80.8	23	Z64A, Z64B		18B	T01A, T60A, T60B, T60C, T61A, T63A, T64A, T64B			
Z80.9	23	Z64A, Z64B		Pre	A07D, A09E, A11F, A13F			
Z81.0	23	Z64A, Z64B		04	E40A, E62A, E62B, E65A, E77A, E77B, E77C			
Z81.1	23	Z64A, Z64B		05	F61A			
Z81.2	23	Z64A, Z64B		06	G18A, G38Z, G40Z, G48A, G48B, G67A			
Z81.3	23	Z64A, Z64B		10	K62A			
Z81.4	23	Z64A, Z64B		18B	T01A, T60A, T60B, T60C, T61A, T63A, T64A, T64B			
Z81.8	23	Z64A, Z64B		Pre	A07D, A09E, A11F, A13F			
Z82.0	23	Z64A, Z64B		04	E40A, E62A, E62B, E65A, E77A, E77B, E77C			
Z82.1	23	Z64A, Z64B		05	F61A			
Z82.2	23	Z64A, Z64B		06	G18A, G38Z, G40Z, G48A, G48B, G67A			
Z82.3	23	Z64A, Z64B		10	K62A			
Z82.4	23	Z64A, Z64B		18B	T01A, T60A, T60B, T60C, T61A, T63A, T64A, T64B			
Z82.5	23	Z64A, Z64B		Pre	A07D, A09E, A11F, A13F			
Z82.6	23	Z64A, Z64B						
Z82.7	23	Z64A, Z64B						
Z82.8	23	Z64A, Z64B						
Z82.9	23	Z64A, Z64B						
Z83.0	23	Z64A, Z64B						
Z83.1	23	Z64A, Z64B						
Z83.2	23	Z64A, Z64B						

Dg

Príloha B

Kódy výkonov-/MDC-/DRG-Index

Táto príloha obsahuje zoznam kódov zdravotných výkonov relevantných pre zaraďovanie, ako aj bližšie informácie k MDC a DRG, v ktorých sa tieto kódy vyskytujú. Neoperačné výkony (Non-OP) sú označené prostredníctvom znaku † na konci kódu. Obojstranná šípka ↔ za kódom poukazuje na nutnosť špecifikácie doplňujúceho údajá pre určenie strany (lokalizácie), na ktorej bol výkon vykonaný. Lokalizácia sa vykazuje znakom podľa konkrétnych usmernení vydávanými Centrom pre klasifikačný systém.

Priradenie DRG skupiny kódom výkonov na základe overenia na všetky OP-výkony nie je v prílohe uvedené pre každý jednotlivý zdravotný výkon. Miesto toho sú v zozname kódov výkonov relevantných pre zaraďovanie v systéme SK-DRG vymenované všetky DRG-skupiny, ktoré vo svojej definícii obsahujú akékoľvek overovanie na OP-výkon. Prehľad skratiek funkcií, použitých v tejto prílohe, sa nachádza v prehľade funkcií na konci prílohy B. V nasledujúcich príkladoch sa neprístupuje k zaraďovaniu do DRG-skupiny na základe overovania každého OP-výkonu - analogicky k zoznamu výkonov relevantných pre zaraďovanie.

Jeden kód zdravotného výkonu môže byť priradený k viacerým DRG-skupinám v rozličných MDC. Kódy výkonov pre Non-OP-výkony pôsobia na zaraďovanie záznamov inak a sú v prílohe uvedené iným spôsobom.

V tejto prílohe nie sú uvedené všetky kódy zdravotných výkonov podľa Zoznamu zdravotných výkonov pre klasifikačný systém diagnosticko-terapeutických skupín ZZV-DRG-2018. Kódy nepoužívané pre zaraďovanie do DRG- skupín sú vynechané. Pokiaľ teda hospitalizačný prípad obsahuje iba kódy výkonov, ktoré nie sú uvedené v prílohe B, nebude podľa pravidiel definovaných touto príručkou takýto hospitalizačný prípad zaradený do jednej z operačných alebo „iných“ DRG, ale do DRG-skupiny medicínskeho segmentu..

Pre záznamy (hospitalizačné prípady) s viacerými výkonmi môže byť táto príručka použitá na získanie informácií o možných operačných-DRG a „iných“ DRG-skupinách pre každý samostatný kód výkonu. Pokiaľ obsahuje záznam OP-výkony, z ktorých však žiaden nie je priradený DRG-skupine v zodpovedajúcej MDC a „chybové“ a „ostatné“ DRG sú overované pred DRG-skupinami zo segmentu „iné“, je zaradený do jednej z chybových-DRG alebo ostatných-DRG 901A-D alebo 902Z. Ak je v operačných-DRG alebo iných-DRG tejto MDC uvedených viacero kódov výkonov, rozhodujúcou pre zaradenie v MDC sa stáva hierarchia v rámci operačných-DRG a iných-DRG.

ZZV	MDC	DRG	ZZV	MDC	DRG	ZZV	MDC	DRG
12a10.0	01	B09A, B09B	12a30.7↔	01	B03A, B03B, B06A, B06B, B09A, B09B, B17A, B17B, B17C	12j20.01‡↔	04	E71A
12a10.1	01	B09A, B09B				05	F03C, F03D, F03E, F05Z, F06C, F06D, F06E, F12F, F15Z, F36A, F36B, F41A, F41B, F46A, F46B, F49A, F49B, F49C, F49D, F49E, F49F, F49G	
12a10.2	01	B09A, B09B						
12a10.3	01	B09A, B09B		08	I28A, I28B		06	G67A
12a10.4	01	B09A, B09B		21A	W04A, W04B	12j20.02‡↔	04	E71A
12a10.5	01	B09A, B09B		21B	X04Z, X06A, X06B, X06C	12m11.0↔	01	B03A, B03B, B06A, B06B, B09A, B09B, B17A, B17B, B17C
12a10.x	01	B09A, B09B	12a30.8↔	01	B03A, B03B, B06A, B06B, B09A, B09B, B17A, B17B, B17C		03	D12A, D12B
12a20.0	01	B03A, B03B, B18Z					04	E02A, E02B, E02C
	08	I10A, I10B, I10C, I10D, I10E		08	I28A, I28B		06	G10Z, G12A, G12B, G12C
	17	R01A, R01B, R01C, R01D, R02Z, R12A, R12B, R12C		21A	W04A, W04B		07	H06A, H06B, H06C
12a20.1	01	B03A, B03B, B18Z		21B	X04Z, X06A, X06B, X06C		08	I28A, I28B
	08	I10A, I10B, I10C, I10D, I10E	12a30.9↔	01	B03A, B03B, B06A, B06B, B09A, B09B, B17A, B17B, B17C		09	J03A, J03B, J04A, J04B, J08A, J08B, J08C, J11A, J11B, J16Z
	17	R01A, R01B, R01C, R01D, R02Z, R12A, R12B, R12C					10	K09A, K09B
12a20.2	01	B03A, B03B, B18Z		08	I28A, I28B		11	L09A, L09B, L09C, L09D, L38Z
	08	I10A, I10B, I10C, I10D, I10E		21A	W04A, W04B		12	M06Z, M09A, M09B, M38Z
	17	R01A, R01B, R01C, R01D, R02Z, R12A, R12B, R12C		21B	X04Z, X06A, X06B, X06C		13	N11A, N11B
12a20.x	01	B03A, B03B, B18Z	12a30.x↔	01	B03A, B03B, B06A, B06B, B09A, B09B, B17A, B17B, B17C		16	Q03A, Q03B
	08	I10A, I10B, I10C, I10D, I10E					01	B03A, B03B, B06A, B06B, B17A, B17B, B17C
	17	R01A, R01B, R01C, R01D, R02Z, R12A, R12B, R12C		08	I28A, I28B		03	D12A, D12B
12a30.0↔	01	B03A, B03B, B06A, B06B, B17A, B17B, B17C		21A	W04A, W04B		04	E02A, E02B, E02C
	03	D12A, D12B	12b10	21B	X06A, X06B, X06C		06	G10Z, G12A, G12B, G12C
	08	I28A, I28B					07	H06A, H06B, H06C
	21A	W04A, W04B		01	B02A, B02B, B02C, B02D, B09A, B09B, B20A, B20B, B20C, B20D, B20E, B20F, B39A, B39B	12m11.1↔	08	I28A, I28B
	21B	X06A, X06B, X06C		10	K03A, K03B		09	J03A, J03B, J04A, J04B, J08A, J08B, J08C, J11A, J11B, J16Z
12a30.1↔	01	B03A, B03B, B06A, B06B, B09A, B09B, B17A, B17B, B17C	12b11	01	B02A, B02B, B02C, B02D, B09A, B09B, B20A, B20B, B20C, B20D, B20E, B20F, B39A, B39B		10	K09A, K09B
	03	D12A, D12B		10	K03A, K03B		11	L09A, L09B, L09C, L09D, L38Z
	08	I28A, I28B		01	B09A, B09B		12	M06Z, M09A, M09B, M38Z
	21A	W04A, W04B	12b13↔	08	I28A, I28B		13	N11A, N11B
	21B	X06A, X06B, X06C		10	K06A, K06B, K06C, K06D		16	Q03A, Q03B
12a30.2↔	01	B03A, B03B, B06A, B06B, B09A, B09B, B17A, B17B, B17C	12b20	01	B02A, B02B, B02C, B02D, B09A, B09B, B20A, B20B, B20C, B20D, B20E, B20F, B39A, B39B	12m11.2↔	01	B03A, B03B, B06A, B06B, B17A, B17B, B17C
	08	I28A, I28B					03	D12A, D12B
	21A	W04A, W04B		01	B09A, B09B		04	E02A, E02B, E02C
	21B	X06A, X06B, X06C		08	I28A, I28B		06	G10Z, G12A, G12B, G12C
12a30.3↔	01	B03A, B03B, B06A, B06B, B09A, B09B, B17A, B17B, B17C	12b21	10	K03A, K03B		07	H06A, H06B, H06C
	08	I28A, I28B		01	B02A, B02B, B02C, B02D, B09A, B09B, B20A, B20B, B20C, B20D, B20E, B20F, B39A, B39B		08	I28A, I28B
	21A	W04A, W04B		10	K03A, K03B		09	J03A, J03B, J04A, J04B, J08A, J08B, J08C, J11A, J11B, J16Z
	21B	X05A, X05B, X06A, X06B, X06C	12b23↔	01	B09A, B09B		10	K09A, K09B
12a30.4↔	01	B03A, B03B, B06A, B06B, B09A, B09B, B17A, B17B, B17C		08	I28A, I28B		11	L09A, L09B, L09C, L09D, L38Z
	08	I28A, I28B		10	K06A, K06B, K06C, K06D		12	M06Z, M09A, M09B, M38Z
	21A	W04A, W04B	12c02↔	01	B09A, B09B		13	N11A, N11B
	21B	X05A, X05B, X06A, X06B, X06C		02	C01A, C01B, C14Z, C16Z		16	Q03A, Q03B
12a30.5	01	B03A, B03B, B06A, B06B, B09A, B09B, B17A, B17B, B17C	12c03↔	01	B09A, B09B			
	08	I28A, I28B		02	C01A, C01B, C14Z, C16Z			
	21A	W04A, W04B		21A	W04A, W04B			
	21B	X06A, X06B, X06C	12j00.12‡↔	21B	X06A, X06B, X06C			
12a30.6↔	01	B03A, B03B, B06A, B06B, B09A, B09B, B17A, B17B, B17C						
	08	I28A, I28B	12j00.30‡	04	E71A			
	21A	W04A, W04B		03	D60A			
	21B	X04Z, X06A, X06B, X06C	12j00.31‡↔	04	E65A, E71A			
				03	D60A			
			12j00.32‡↔	04	E65A, E71A			
				03	D60A			
			12j20.00‡↔	04	E65A, E71A			
				04	E71A			

ZZV	MDC	DRG	ZZV	MDC	DRG	ZZV	MDC	DRG				
12m11.3	01	B03A, B03B, B06A, B06B, B17A, B17B, B17C	12m11.7↔	01	B03A, B03B, B06A, B06B, B17A, B17B, B17C	12m21.2↔	01	B03A, B03B, B06A, B06B, B17A, B17B, B17C				
	03	D12A, D12B		03	D12A, D12B		03	D12A, D12B				
	04	E02A, E02B, E02C		04	E02A, E02B, E02C		04	E02A, E02B, E02C				
	06	G10Z, G12A, G12B, G12C		06	G10Z, G12A, G12B, G12C		06	G10Z, G12A, G12B, G12C				
	07	H06A, H06B, H06C		07	H06A, H06B, H06C		07	H06A, H06B, H06C				
	08	I28A, I28B		08	I28A, I28B		08	I28A, I28B				
	09	J03A, J03B, J04A, J04B, J08A, J08B, J08C, J11A, J11B, J16Z		09	J03A, J03B, J04A, J04B, J08A, J08B, J08C, J11A, J11B, J16Z		09	J03A, J03B, J04A, J04B, J08A, J08B, J08C, J11A, J11B, J16Z				
	10	K09A, K09B		10	K09A, K09B		10	K09A, K09B				
	11	L09A, L09B, L09C, L09D, L38Z		11	L09A, L09B, L09C, L09D, L38Z		11	L09A, L09B, L09C, L09D, L38Z				
	12	M06Z, M09A, M09B, M38Z		12	M06Z, M09A, M09B, M38Z		12	M06Z, M09A, M09B, M38Z				
	13	N11A, N11B		13	N11A, N11B		13	N11A, N11B				
	16	Q03A, Q03B		16	Q03A, Q03B		16	Q03A, Q03B				
	12m11.4	01		B03A, B03B, B06A, B06B, B17A, B17B, B17C	12m13		04	E06A, E06B, E06C, E08A, E08B, E08C	12m21.3	01	B03A, B03B, B06A, B06B, B17A, B17B, B17C	
		03		D12A, D12B			10	K09A, K09B		03	D12A, D12B	
		04		E02A, E02B, E02C			16	Q03A, Q03B		04	E02A, E02B, E02C	
		06		G10Z, G12A, G12B, G12C			17	R01A, R01B, R01C, R01D, R02Z, R12A, R12B, R12C		06	G10Z, G12A, G12B, G12C	
07		H06A, H06B, H06C	12m1x↔	01		B03A, B03B, B06A, B06B, B17A, B17B, B17C	07	H06A, H06B, H06C				
08		I28A, I28B		03		D12A, D12B	08	I28A, I28B				
09		J03A, J03B, J04A, J04B, J08A, J08B, J08C, J11A, J11B, J16Z		04		E02A, E02B, E02C	09	J03A, J03B, J04A, J04B, J08A, J08B, J08C, J11A, J11B, J16Z				
10		K09A, K09B		06		G10Z, G12A, G12B, G12C	10	K09A, K09B				
11		L09A, L09B, L09C, L09D, L38Z		07		H06A, H06B, H06C	11	L09A, L09B, L09C, L09D, L38Z				
12		M06Z, M09A, M09B, M38Z		08		I28A, I28B	12	M06Z, M09A, M09B, M38Z				
13		N11A, N11B		09		J03A, J03B, J04A, J04B, J08A, J08B, J08C, J11A, J11B, J16Z	13	N11A, N11B				
16		Q03A, Q03B		10		K09A, K09B	16	Q03A, Q03B				
12m11.5↔		01		B03A, B03B, B06A, B06B, B17A, B17B, B17C		12m21.0↔	01	B03A, B03B, B06A, B06B, B17A, B17B, B17C		12m21.4	01	B03A, B03B, B06A, B06B, B17A, B17B, B17C
		03		D12A, D12B			03	D12A, D12B			03	D12A, D12B
		04		E02A, E02B, E02C			04	E02A, E02B, E02C			04	E02A, E02B, E02C
		06		G10Z, G12A, G12B, G12C			06	G10Z, G12A, G12B, G12C			06	G10Z, G12A, G12B, G12C
	07	H06A, H06B, H06C		16	Q03A, Q03B		07	H06A, H06B, H06C				
	08	I28A, I28B		01	B03A, B03B, B06A, B06B, B17A, B17B, B17C		08	I28A, I28B				
	09	J03A, J03B, J04A, J04B, J08A, J08B, J08C, J11A, J11B, J16Z		03	D12A, D12B		09	J03A, J03B, J04A, J04B, J08A, J08B, J08C, J11A, J11B, J16Z				
	10	K09A, K09B		04	E02A, E02B, E02C		10	K09A, K09B				
	11	L09A, L09B, L09C, L09D, L38Z	06	G10Z, G12A, G12B, G12C	11		L09A, L09B, L09C, L09D, L38Z					
	12	M06Z, M09A, M09B, M38Z	07	H06A, H06B, H06C	12		M06Z, M09A, M09B, M38Z					
	13	N11A, N11B	08	I28A, I28B	13		N11A, N11B					
	16	Q03A, Q03B	09	J03A, J03B, J04A, J04B, J08A, J08B, J08C, J11A, J11B, J16Z	16		Q03A, Q03B					
	12m11.6↔	01	B03A, B03B, B06A, B06B, B17A, B17B, B17C	12m21.1↔	01		B03A, B03B, B06A, B06B, B17A, B17B, B17C	12m21.5↔	01		B03A, B03B, B06A, B06B, B17A, B17B, B17C	
		03	D12A, D12B		03		D12A, D12B		03		D12A, D12B	
		04	E02A, E02B, E02C		04		E02A, E02B, E02C		04		E02A, E02B, E02C	
		06	G10Z, G12A, G12B, G12C		06		G10Z, G12A, G12B, G12C		06		G10Z, G12A, G12B, G12C	
07		H06A, H06B, H06C	16		Q03A, Q03B	07	H06A, H06B, H06C					
08		I28A, I28B	01		B03A, B03B, B06A, B06B, B17A, B17B, B17C	08	I28A, I28B					
09		J03A, J03B, J04A, J04B, J08A, J08B, J08C, J11A, J11B, J16Z	03		D12A, D12B	09	J03A, J03B, J04A, J04B, J08A, J08B, J08C, J11A, J11B, J16Z					
10		K09A, K09B	04		E02A, E02B, E02C	10	K09A, K09B					
11		L09A, L09B, L09C, L09D, L38Z	06		G10Z, G12A, G12B, G12C	11	L09A, L09B, L09C, L09D, L38Z					
12		M06Z, M09A, M09B, M38Z	07		H06A, H06B, H06C	12	M06Z, M09A, M09B, M38Z					
13		N11A, N11B	08		I28A, I28B	13	N11A, N11B					
16		Q03A, Q03B	09		J03A, J03B, J04A, J04B, J08A, J08B, J08C, J11A, J11B, J16Z	16	Q03A, Q03B					
			10		K09A, K09B							
			11		L09A, L09B, L09C, L09D, L38Z							
			12		M06Z, M09A, M09B, M38Z							
			13		N11A, N11B							
		16	Q03A, Q03B									

VYK

ZZV	MDC	DRG	ZZV	MDC	DRG	ZZV	MDC	DRG
12m21.6↔	01	B03A, B03B, B06A, B06B, B17A, B17B, B17C	12n20.2‡	07	H41A, H41B, H41C	12q23.3↔	13	N01A, N01B, N01C, N01D, N01E, N02A, N02B, N02C, N03A, N03B, N07Z, N25Z, N38Z
	03	D12A, D12B	12n30.0‡	06	G40Z, G46A, G46B, G46C, G47Z		03	D12A, D12B
	04	E02A, E02B, E02C	12n30.2‡	07	H41A, H41B, H41C		08	I24Z
	06	G10Z, G12A, G12B, G12C	12o01.0‡↔	11	L18A, L18B, L19Z, L20A, L20B, L20C, L38Z	12t00.0↔	21A	W04A, W04B
	07	H06A, H06B, H06C				21B	X06A, X06B, X06C	
	08	I28A, I28B	12o01.1‡↔	11	L18A, L18B, L19Z, L20A, L20B, L20C, L38Z	12t00.1↔	08	I24Z
	09	J03A, J03B, J04A, J04B, J08A, J08B, J08C, J11A, J11B, J16Z	12o01.2	11	L18A, L18B, L19Z, L20A, L20B, L20C, L38Z	21A	W04A, W04B	
	10	K09A, K09B				21B	X06A, X06B, X06C	
	11	L09A, L09B, L09C, L09D, L38Z	12o10‡↔	12	M06Z, M09A, M09B, M38Z	12t00.2↔	08	I24Z
	12	M06Z, M09A, M09B, M38Z	12o20.0‡↔	11	L42A	21A	W04A, W04B	
	13	N11A, N11B	12o20.0‡↔	11	L42A	21B	X06A, X06B, X06C	
	16	Q03A, Q03B	12q10.0↔	10	K09A, K09B	12t00.3↔	08	I24Z
12m21.7↔	01	B03A, B03B, B06A, B06B, B17A, B17B, B17C				21A	W04A, W04B	
	03	D12A, D12B				21B	X06A, X06B, X06C	
	04	E02A, E02B, E02C	12q10.1↔	13	N01A, N01B, N01C, N01D, N01E, N02A, N02B, N02C, N03A, N03B, N07Z, N25Z, N38Z	12t00.4↔	08	I24Z
	06	G10Z, G12A, G12B, G12C				21A	W04A, W04B	
	07	H06A, H06B, H06C				21B	X06A, X06B, X06C	
	08	I28A, I28B	12q10.2	13	N01A, N01B, N01C, N01D, N01E, N02A, N02B, N02C, N03A, N03B, N07Z, N25Z, N38Z	12t00.5↔	08	I32A, I32B, I32C, I32D, I32E, I32F, I32G
	09	J03A, J03B, J04A, J04B, J08A, J08B, J08C, J11A, J11B, J16Z				21A	W04A, W04B	
	10	K09A, K09B	12q10.3↔	13	N01A, N01B, N01C, N01D, N01E, N02A, N02B, N02C, N03A, N03B, N07Z, N25Z, N38Z	21B	X05A, X05B	
	11	L09A, L09B, L09C, L09D, L38Z				08	I24Z	
	12	M06Z, M09A, M09B, M38Z	12q11.0	13	N10Z	21A	W04A, W04B	
	13	N11A, N11B				21B	X04Z	
	16	Q03A, Q03B	12q11.1	13	N10Z	12t00.6↔	08	I24Z
12m23	04	E06A, E06B, E06C, E08A, E08B, E08C	12q11.1	14	962Z, O02A, O02B, O40Z	21A	W04A, W04B	
	10	K09A, K09B	12q11.2	14	962Z, O02A, O02B, O40Z	21B	X04Z	
	16	Q03A, Q03B				12t00.9↔	08	I24Z
	17	R01A, R01B, R01C, R01D, R02Z, R12A, R12B, R12C	12q11.2	11	L09A, L09B, L09C, L09D, L38Z	21A	W04A, W04B	
						21B	X04Z, X06A, X06B, X06C	
12m2x↔	01	B03A, B03B, B06A, B06B, B17A, B17B, B17C	13	N10Z	12t00.a↔	08	I32A, I32B, I32C, I32D, I32E, I32F, I32G	
	03	D12A, D12B	12q11.x	14	962Z, O02A, O02B, O40Z	21A	W04A, W04B	
	04	E02A, E02B, E02C				21B	X05A, X05B, X06A, X06B, X06C	
	06	G10Z, G12A, G12B, G12C	12q12.0	09	J03A, J03B, J04A, J04B, J08A, J08B, J08C, J11A, J11B, J16Z	12t00.x↔	08	I24Z
	07	H06A, H06B, H06C				21A	W04A, W04B	
	08	I28A, I28B				21B	X06A, X06B, X06C	
	09	J03A, J03B, J04A, J04B, J08A, J08B, J08C, J11A, J11B, J16Z	12q12.x	09	J03A, J03B, J04A, J04B, J08A, J08B, J08C, J11A, J11B, J16Z	12t10.4	03	D12A, D12B
	10	K09A, K09B				08	I28A, I28B, I28C	
	11	L09A, L09B, L09C, L09D, L38Z				09	J03A, J03B, J04A, J04B, J08A, J08B, J08C, J11A, J11B, J16Z	
	12	M06Z, M09A, M09B, M38Z	12q20.1‡	13	N09A, N09B		10	K09A, K09B
	13	N11A, N11B	12q20.2‡	14	962Z, O02A, O02B		11	L09A, L09B, L09C, L09D, L38Z
	16	Q03A, Q03B	12q20.3‡	14	962Z		12	M06Z, M09A, M09B, M38Z
12n01.0‡	07	H41A, H41B, H41C	12q20.x‡↔	14	962Z	12t20.4	03	D12A, D12B
12n01.1‡	07	H41A, H41B, H41C	12q23.0↔	10	K09A, K09B		08	I28A, I28B, I28C
12n01.2‡	07	H41A, H41B, H41C					09	J03A, J03B, J04A, J04B, J08A, J08B, J08C, J11A, J11B, J16Z
12n01.3‡	06	G40Z, G46A, G46B, G46C, G47Z					10	K09A, K09B
12n01.4‡	06	G40Z, G46A, G46B, G46C, G47Z	12q23.1↔	13	N01A, N01B, N01C, N01D, N01E, N02A, N02B, N02C, N03A, N03B, N07Z, N25Z, N38Z		11	L09A, L09B, L09C, L09D, L38Z
12n01.x‡	06	G40Z, G46A, G46B, G46C, G47Z					12	M06Z, M09A, M09B, M38Z
12n02.a‡	06	G40Z, G48A, G48B, G48C	12q23.2	13	N01A, N01B, N01C, N01D, N01E, N02A, N02B, N02C, N03A, N03B, N07Z, N25Z, N38Z			
12n02.b‡	06	G40Z, G48A, G48B, G48C						
12n10.0‡	06	G40Z, G46A, G46B, G46C, G47Z, G50Z						
12n10.2‡	07	H41A, H41B, H41C						
12n20.0‡	06	G40Z, G46A, G46B, G46C, G47Z, G50Z						

Príloha B: Index Výkon-MDC-DRG

ZZV	MDC	DRG	ZZV	MDC	DRG	ZZV	MDC	DRG
12t21.b	01	B03A, B03B, B06A, B06B, B17A, B17B, B17C	13a11.0		BOP, KVT, UOP4	13a30.2↔	01	B03A, B03B, B06A, B06B, B17A, B17B, B17C
	04	E02A, E02B, E02C		17	R01A, R01B, R01C, R01D, R02Z, R12A, R12B, R12C	03	D12A, D12B	
	08	I27A, I27B, I27C, I27D	13a11.1		BOP, KVT, UOP4	08	I28A, I28B	
	09	J03A, J03B, J04A, J04B, J08A, J08B, J08C, J11A, J11B, J16Z		17	R01A, R01B, R01C, R01D, R02Z, R12A, R12B, R12C	21A	W04A, W04B	
	10	K09A, K09B	13a11.2		BOP, KVT, UOP4	21B	X05A, X05B, X06A, X06B, X06C	
12x60‡	05	F49A, F49D		17	R01A, R01B, R01C, R01D, R02Z, R12A, R12B, R12C	13a30.3↔	01	B03A, B03B, B06A, B06B, B17A, B17B, B17C
12x61‡	05	F49A, F49D, F49F	13a11.3		BOP, KVT, UOP4	08	I28A, I28B	
12x62‡	05	F49A, F49D, F49F		17	R01A, R01B, R01C, R01D, R02Z, R12A, R12B, R12C	21A	W04A, W04B	
13a10.0		BOP, KVT, UOP4	13a11.4		BOP, KVT, UOP4	21B	X05A, X05B, X06A, X06B, X06C	
13a10.1		BOP, KVT, UOP4		17	R01A, R01B, R01C, R01D, R02Z, R12A, R12B, R12C	13a30.4↔	01	B03A, B03B, B06A, B06B, B17A, B17B, B17C
13a10.2		BOP, KVT, UOP4	13a11.5		BOP, KVT, UOP4	08	I28A, I28B	
13a10.3		BOP, KVT, UOP4		02	C01A, C01B, C14Z, C16Z	21A	W04A, W04B	
13a10.4		BOP, KVT, UOP4		05	F01A, F01B, F01D, F05Z, F07A, F07B, F14A, F14B, F28A, F42Z, F54Z, F59A, F59B	21B	X05A, X05B, X06A, X06B, X06C	
13a10.5		BOP, KVT, UOP4		08	I28A, I28B	13a30.5	01	B03A, B03B, B06A, B06B, B17A, B17B, B17C
	01	B03A, B03B, B06A, B06B, B17A, B17B, B17C		10	K09A, K09B	03	D12A, D12B	
	02	C01A, C01B, C14Z, C16Z		17	R01A, R01B, R01C, R01D, R02Z, R12A, R12B, R12C	08	I28A, I28B	
	05	F01A, F01B, F01D, F05Z, F07A, F07B, F14A, F14B, F28A, F42Z, F54Z, F59A, F59B	13a11.6		BOP, KVT, UOP4	21A	W04A, W04B	
	08	I28A, I28B		17	R01A, R01B, R01C, R01D, R02Z, R12A, R12B, R12C	21B	X06A, X06B, X06C	
	10	K09A, K09B		17	R01A, R01B, R01C, R01D, R02Z, R12A, R12B, R12C	13a30.6↔	01	B03A, B03B, B06A, B06B, B17A, B17B, B17C
13a10.6		BOP, KVT, UOP4		17	R01A, R01B, R01C, R01D, R02Z, R12A, R12B, R12C	08	I28A, I28B	
13a10.7		BOP, KVT, UOP4	13a11.x		BOP, KVT, UOP4	21A	W04A, W04B	
	03	D12A, D12B		17	R01A, R01B, R01C, R01D, R02Z, R12A, R12B, R12C	21B	X04Z, X06A, X06B, X06C	
	04	E02A, E02B, E02C	13a20.0		BOP, KVT, UOP4	13a30.7↔	01	B03A, B03B, B06A, B06B, B17A, B17B, B17C
	08	I23A		01	B03A, B03B, B18Z	08	I28A, I28B	
	09	J03A, J03B, J04A, J04B, J08A, J08B, J08C, J11A, J11B, J16Z		08	I10A, I10B, I10C, I10D, I10E	21A	W04A, W04B	
	10	K09A, K09B		17	R01A, R01B, R01C, R01D, R02Z, R12A, R12B, R12C	21B	X04Z, X06A, X06B, X06C	
	11	L09A, L09B, L09C, L09D, L38Z	13a20.1		BOP, KVT, UOP4	13a30.8↔	01	B03A, B03B, B06A, B06B, B17A, B17B, B17C
	12	M06Z, M09A, M09B, M38Z		01	B03A, B03B, B18Z	08	I28A, I28B	
	21A	W04A, W04B		08	I10A, I10B, I10C, I10D, I10E	21A	W04A, W04B	
	21B	X04Z, X05A, X05B, X06A, X06B, X06C		17	R01A, R01B, R01C, R01D, R02Z, R12A, R12B, R12C	21B	X04Z, X06A, X06B, X06C	
13a10.8		BOP, KVT, UOP4	13a20.2		BOP, KVT, UOP4	13a30.9↔	01	B03A, B03B, B06A, B06B, B17A, B17B, B17C
	03	D12A, D12B		01	B03A, B03B, B18Z	08	I28A, I28B	
	04	E02A, E02B, E02C		08	I10A, I10B, I10C, I10D, I10E	21A	W04A, W04B	
	08	I15A, I15B		17	R01A, R01B, R01C, R01D, R02Z, R12A, R12B, R12C	21B	X04Z, X06A, X06B, X06C	
	09	J03A, J03B, J04A, J04B, J08A, J08B, J08C, J11A, J11B, J16Z	13a20.3		BOP, KVT, UOP4	13a30.x↔	01	B03A, B03B, B06A, B06B, B17A, B17B, B17C
	10	K09A, K09B		01	B03A, B03B, B18Z	08	I28A, I28B	
	11	L09A, L09B, L09C, L09D, L38Z		08	I10A, I10B, I10C, I10D, I10E	21A	W04A, W04B	
	12	M06Z, M09A, M09B, M38Z	13a20.x		BOP, KVT, UOP4	21B	X06A, X06B, X06C	
	21A	W04A, W04B		01	B03A, B03B, B18Z	13b00	BOP, KVT, UOP4	
	21B	X04Z, X05A, X05B, X06A, X06B, X06C		08	I10A, I10B, I10C, I10D, I10E	13b01↔	10	K06A, K06B, K06C, K06D
13a10.9		BOP, KVT, UOP4		17	R01A, R01B, R01C, R01D, R02Z, R12A, R12B, R12C	13b01↔	08	I28A, I28B
	03	D12A, D12B	13a30.0↔		B03A, B03B, B06A, B06B, B17A, B17B, B17C	13b02↔	10	K06A, K06B, K06C, K06D
	04	E02A, E02B, E02C		01	B03A, B03B, B06A, B06B, B17A, B17B, B17C	13b10.0	BOP, KVT, UOP4	
	08	I17Z		03	D12A, D12B		10	K03A, K03B, K14Z
	09	J03A, J03B, J04A, J04B, J08A, J08B, J08C, J11A, J11B, J16Z		08	I28A, I28B		01	B02A, B02B, B02C, B20A, B20B, B20C, B20D, B20E, B39A, B39B
	10	K09A, K09B		21A	W04A, W04B		10	K03A, K03B
	11	L09A, L09B, L09C, L09D, L38Z	13a30.1↔		X06A, X06B, X06C	13b10.1	BOP, KVT, UOP4	
	12	M06Z, M09A, M09B, M38Z		01	B03A, B03B, B06A, B06B, B17A, B17B, B17C		01	B02A, B02B, B02C, B20A, B20B, B20C, B20D, B20E, B39A, B39B
	21A	W04A, W04B		03	D12A, D12B		10	K03A, K03B
	21B	X04Z, X05A, X05B, X06A, X06B, X06C		08	I28A, I28B			
13a10.x		BOP, KVT, UOP4		21A	W04A, W04B			
				21B	X05A, X05B, X06A, X06B, X06C			

ZZV	MDC	DRG	ZZV	MDC	DRG	ZZV	MDC	DRG	
13b20.0		BOP, KVT, UOP4	13d41	03	D08A, D08B, D18Z, D22A, D22B, D30A, D30B	13k01		BOP, KVT, UOP4	
	01	B02A, B02B, B02C, B20A, B20B, B20C, B20D, B20E, B39A, B39B		09	J03A, J03B, J04A, J04B, J08A, J08B, J08C, J11A, J11B, J16Z		04	E06A, E06B, E06C, E08A, E08B, E08C	
	10	K03A, K03B					05	F01A, F01B, F01D, F05Z, F07A, F07B, F09A, F09B, F09C, F42Z	
	17	R01A, R01B, R01C, R01D, R02Z, R12A, R12B, R12C	13d42	03	D08A, D08B, D18Z, D22A, D22B, D30A, D30B		17	R01A, R01B, R01C, R01D, R02Z, R12A, R12B, R12C	
13b20.1		BOP, KVT, UOP4		09	J03A, J03B, J04A, J04B, J08A, J08B, J08C, J11A, J11B, J16Z	13k02.0↔		01	B03A, B03B, B06A, B06B, B17A, B17B, B17C
	01	B02A, B02B, B02C, B20A, B20B, B20C, B20D, B20E, B39A, B39B					02	C01A, C01B, C14Z, C16Z	
	10	K03A, K03B	13h10.0	03	D09Z, D30A, D30B		05	F01A, F01B, F01D, F05Z, F07A, F07B, F42Z, F54Z, F59A, F59B	
	17	R01A, R01B, R01C, R01D, R02Z, R12A, R12B, R12C		04	E02A, E02B, E02C		08	I28A, I28B	
13c00↔	02	C01A, C01B, C14Z, C16Z	13h10.1	03	D09Z, D30A, D30B		10	K09A, K09B	
	21A	W04A, W04B		04	E02A, E02B, E02C	13k02.1↔		01	B03A, B03B, B06A, B06B, B17A, B17B, B17C
	21B	X06A, X06B, X06C	13h10.2	03	D09Z, D30A, D30B		05	F01A, F01B, F01D, F05Z, F07A, F07B, F42Z, F54Z, F59A, F59B	
13c01↔	02	C01A, C01B, C13Z, C16Z		04	E02A, E02B, E02C		08	I28A, I28B	
	21A	W04A, W04B	13h10.x	03	D09Z, D30A, D30B		10	K09A, K09B	
	21B	X06A, X06B, X06C		04	E02A, E02B, E02C	13k02.1↔		01	B03A, B03B, B06A, B06B, B17A, B17B, B17C
13c10↔	02	C01A, C01B, C13Z, C16Z	13h20.0	03	D08A, D08B, D18Z, D22A, D22B, D30A, D30B		05	F01A, F01B, F01D, F05Z, F07A, F07B, F42Z, F54Z, F59A, F59B	
	03	D09Z, D30A, D30B		09	J03A, J03B, J04A, J04B, J08A, J08B, J08C, J11A, J11B, J16Z		08	I28A, I28B	
	21A	W04A, W04B					10	K09A, K09B	
	21B	X06A, X06B, X06C	13h21	03	D12A, D12B	13k02.2		01	B03A, B03B, B06A, B06B, B17A, B17B, B17C
13c11↔		BOP, KVT, UOP4		09	J03A, J03B, J04A, J04B, J08A, J08B, J08C, J11A, J11B, J16Z		05	F01A, F01B, F01D, F05Z, F07A, F07B, F42Z, F54Z, F59A, F59B	
	02	C01A, C01B, C07A, C07B, C16Z	13h22	03	D12A, D12B, D39Z		08	I28A, I28B	
	21A	W04A, W04B		09	J03A, J03B, J04A, J04B, J08A, J08B, J08C, J11A, J11B, J16Z		10	K09A, K09B	
	21B	X06A, X06B, X06C				13k02.3		01	B03A, B03B, B06A, B06B, B17A, B17B, B17C
13c12↔		BOP, KVT, UOP4	13j00		BOP, KVT, UOP4		05	F01A, F01B, F01D, F05Z, F07A, F07B, F42Z, F54Z, F59A, F59B	
	02	C01A, C01B, C15Z, C16Z		04	E06A, E06B, E06C, E08A, E08B, E08C		08	I28A, I28B	
	21A	W04A, W04B		17	R01A, R01B, R01C, R01D, R02Z, R12A, R12B, R12C		10	K09A, K09B	
	21B	X06A, X06B, X06C		21A	W04A, W04B	13k02.4		01	B03A, B03B, B06A, B06B, B17A, B17B, B17C
13c13↔		BOP, KVT, UOP4		21B	X06A, X06B, X06C		05	F01A, F01B, F01D, F05Z, F07A, F07B, F42Z, F54Z, F59A, F59B	
	02	C01A, C01B, C14Z, C16Z					08	I28A, I28B	
	21A	W04A, W04B	13j01		BOP, KVT, UOP4		10	K09A, K09B	
	21B	X06A, X06B, X06C		04	E02A, E02B, E02C	13k02.4		01	B03A, B03B, B06A, B06B, B17A, B17B, B17C
13c14↔		BOP, KVT, UOP4		05	F21A, F21B, F21C		05	F01A, F01B, F01D, F05Z, F07A, F07B, F42Z, F54Z, F59A, F59B	
	02	C01A, C01B, C16Z, C20A, C20B		10	K09A, K09B		08	I28A, I28B	
	21A	W04A, W04B		17	R01A, R01B, R01C, R01D, R02Z, R12A, R12B, R12C		10	K09A, K09B	
	21B	X06A, X06B, X06C		21A	W04A, W04B	13k02.5↔		01	B03A, B03B, B06A, B06B, B17A, B17B, B17C
13c15↔		BOP, KVT, UOP4		21B	X06A, X06B, X06C		05	F01A, F01B, F01D, F05Z, F07A, F07B, F42Z, F54Z, F59A, F59B	
	02	C01A, C01B, C15Z, C16Z	13j02↔		BOP, KVT, UOP4		08	I28A, I28B	
	21A	W04A, W04B		04	E06A, E06B, E06C, E08A, E08B, E08C		10	K09A, K09B	
	21B	X06A, X06B, X06C		21A	W04A, W04B	13k02.6↔		01	B03A, B03B, B06A, B06B, B17A, B17B, B17C
13c16↔		BOP, KVT, UOP4		21B	X06A, X06B, X06C		05	F01A, F01B, F01D, F05Z, F07A, F07B, F42Z, F54Z, F59A, F59B	
	02	C01A, C01B, C15Z, C16Z					08	I28A, I28B	
	21A	W04A, W04B	13j03↔		BOP, KVT, UOP4		10	K09A, K09B	
	21B	X06A, X06B, X06C		04	E06A, E06B, E06C, E08A, E08B, E08C	13k02.7↔		01	B03A, B03B, B06A, B06B, B17A, B17B, B17C
13c17↔		BOP, KVT, UOP4		08	I28A, I28B		05	F01A, F01B, F01D, F05Z, F07A, F07B, F42Z, F54Z, F59A, F59B	
	02	C01A, C01B, C10A, C10B, C10C, C16Z		11	L09A, L09B, L09C, L09D, L38Z		08	I28A, I28B	
13c18↔		BOP, KVT, UOP4		17	R01A, R01B, R01C, R01D, R02Z, R12A, R12B, R12C		10	K09A, K09B	
	02	C01A, C01B, C02A, C02B, C16Z	13k00		BOP, KVT, UOP4		01	B03A, B03B, B06A, B06B, B17A, B17B, B17C	
	08	I17Z		04	E06A, E06B, E06C, E08A, E08B, E08C		05	F01A, F01B, F01D, F05Z, F07A, F07B, F42Z, F54Z, F59A, F59B	
	21A	W04A, W04B		05	F01A, F01B, F01D, F05Z, F07A, F07B, F09A, F09B, F09C, F42Z		08	I28A, I28B	
	21B	X06A, X06B, X06C		17	R01A, R01B, R01C, R01D, R02Z, R12A, R12B, R12C		10	K09A, K09B	
13c1x↔		BOP, KVT, UOP4							
	02	C01A, C01B, C14Z, C16Z							
	21A	W04A, W04B							
	21B	X06A, X06B, X06C							
13d21↔		BOP, KVT, UOP4							
	03	D09Z, D30A, D30B							
13d22↔		BOP, KVT, UOP4							
	03	D09Z, D30A, D30B							
13d2x↔		BOP, KVT, UOP4							
	03	D09Z, D30A, D30B							
13d40↔		BOP, KVT, UOP4							
	03	D06A, D06B, D06C							

ZZV	MDC	DRG	ZZV	MDC	DRG	ZZV	MDC	DRG
13k02.8	01	B03A, B03B, B06A, B06B, B17A, B17B, B17C	13m10.2↔	01	B03A, B03B, B06A, B06B, B17A, B17B, B17C	13m10.6↔	01	B03A, B03B, B06A, B06B, B17A, B17B, B17C
	04	E02A, E02B, E02C		03	D12A, D12B		03	D12A, D12B
	08	I27A, I27B, I27C, I27D		04	E02A, E02B, E02C		04	E02A, E02B, E02C
	09	J03A, J03B, J04A, J04B, J08A, J08B, J08C, J11A, J11B, J16Z		06	G10Z, G12A, G12B, G12C		06	G10Z, G12A, G12B, G12C
				07	H06A, H06B, H06C		07	H06A, H06B, H06C
				08	I28A, I28B		08	I28A, I28B
				09	J03A, J03B, J04A, J04B, J08A, J08B, J08C, J11A, J11B, J16Z		09	J03A, J03B, J04A, J04B, J08A, J08B, J08C, J11A, J11B, J16Z
	10	K09A, K09B					10	K09A, K09B
	13k02.9	06		G10Z, G12A, G12B, G12C	13m10.3		10	K09A, K09B
09		J03A, J03B, J04A, J04B, J08A, J08B, J08C, J11A, J11B, J16Z	11	L09A, L09B, L09C, L09D, L38Z		11	L09A, L09B, L09C, L09D, L38Z	
17		R01A, R01B, R01C, R01D, R02Z, R12A, R12B, R12C	12	M06Z, M09A, M09B, M38Z		12	M06Z, M09A, M09B, M38Z	
21A		W04A, W04B	13	N11A, N11B		13	N11A, N11B	
21B		X06A, X06B, X06C	16	Q03A, Q03B		16	Q03A, Q03B	
13k02.x	06	G10Z, G12A, G12B, G12C	13m10.3	01	B03A, B03B, B06A, B06B, B17A, B17B, B17C	13m10.7↔	01	B03A, B03B, B06A, B06B, B17A, B17B, B17C
	09	J03A, J03B, J04A, J04B, J08A, J08B, J08C, J11A, J11B, J16Z		03	D12A, D12B		03	D12A, D12B
	17	R01A, R01B, R01C, R01D, R02Z, R12A, R12B, R12C		04	E02A, E02B, E02C		04	E02A, E02B, E02C
	21A	W04A, W04B		06	G10Z, G12A, G12B, G12C		06	G10Z, G12A, G12B, G12C
	21B	X06A, X06B, X06C		07	H06A, H06B, H06C		07	H06A, H06B, H06C
13m00		BOP, KVT, UOP4	13m10.3	08	I28A, I28B	13m10.7↔	08	I28A, I28B
	04	E06A, E06B, E06C, E08A, E08B, E08C		09	J03A, J03B, J04A, J04B, J08A, J08B, J08C, J11A, J11B, J16Z		09	J03A, J03B, J04A, J04B, J08A, J08B, J08C, J11A, J11B, J16Z
	10	K09A, K09B		10	K09A, K09B		10	K09A, K09B
	17	R01A, R01B, R01C, R01D, R02Z, R12A, R12B, R12C		11	L09A, L09B, L09C, L09D, L38Z		11	L09A, L09B, L09C, L09D, L38Z
		BOP, KVT, UOP4		12	M06Z, M09A, M09B, M38Z		12	M06Z, M09A, M09B, M38Z
13m01	16	Q01Z	13m10.4	13	N11A, N11B	13m10.x↔	13	N11A, N11B
	17	R01A, R01B, R01C, R01D, R02Z, R12A, R12B, R12C		01	B03A, B03B, B06A, B06B, B17A, B17B, B17C		01	B03A, B03B, B06A, B06B, B17A, B17B, B17C
		BOP, KVT, UOP4		03	D12A, D12B		03	D12A, D12B
13m10.0↔	01	B03A, B03B, B06A, B06B, B17A, B17B, B17C	13m10.4	04	E02A, E02B, E02C	13m10.x↔	04	E02A, E02B, E02C
	03	D12A, D12B		06	G10Z, G12A, G12B, G12C		06	G10Z, G12A, G12B, G12C
	04	E02A, E02B, E02C		07	H06A, H06B, H06C		07	H06A, H06B, H06C
	06	G10Z, G12A, G12B, G12C		08	I28A, I28B		08	I28A, I28B
	07	H06A, H06B, H06C		09	J03A, J03B, J04A, J04B, J08A, J08B, J08C, J11A, J11B, J16Z		09	J03A, J03B, J04A, J04B, J08A, J08B, J08C, J11A, J11B, J16Z
	08	I28A, I28B		10	K09A, K09B		10	K09A, K09B
	09	J03A, J03B, J04A, J04B, J08A, J08B, J08C, J11A, J11B, J16Z		11	L09A, L09B, L09C, L09D, L38Z		11	L09A, L09B, L09C, L09D, L38Z
	10	K09A, K09B		12	M06Z, M09A, M09B, M38Z		12	M06Z, M09A, M09B, M38Z
	11	L09A, L09B, L09C, L09D, L38Z		13	N11A, N11B		13	N11A, N11B
	12	M06Z, M09A, M09B, M38Z		01	B03A, B03B, B06A, B06B, B17A, B17B, B17C		16	Q03A, Q03B
	13	N11A, N11B		03	D12A, D12B			BOP, KVT, UOP4
	16	Q03A, Q03B		04	E02A, E02B, E02C		03	D12A, D12B
	13m10.1↔	01		B03A, B03B, B06A, B06B, B17A, B17B, B17C	13m10.5↔		06	G10Z, G12A, G12B, G12C
03		D12A, D12B	07	H06A, H06B, H06C		06	G10Z, G12A, G12B, G12C	
04		E02A, E02B, E02C	08	I28A, I28B		07	H12A, H12B	
06		G10Z, G12A, G12B, G12C	09	J03A, J03B, J04A, J04B, J08A, J08B, J08C, J11A, J11B, J16Z		08	I28A, I28B	
07		H06A, H06B, H06C	10	K09A, K09B		09	J03A, J03B, J04A, J04B, J08A, J08B, J08C, J11A, J11B, J16Z	
08		I28A, I28B	11	L09A, L09B, L09C, L09D, L38Z		10	K09A, K09B	
09		J03A, J03B, J04A, J04B, J08A, J08B, J08C, J11A, J11B, J16Z	12	M06Z, M09A, M09B, M38Z		11	L09A, L09B, L09C, L09D, L38Z	
10		K09A, K09B	13	N11A, N11B		12	M06Z, M09A, M09B, M38Z	
11		L09A, L09B, L09C, L09D, L38Z				13	N11A, N11B	
12		M06Z, M09A, M09B, M38Z				17	R01A, R01B, R01C, R01D, R02Z, R12A, R12B, R12C	
13		N11A, N11B				21A	W04A, W04B	
16		Q03A, Q03B				21B	X06A, X06B, X06C	

VYK

ZZV	MDC	DRG	ZZV	MDC	DRG	ZZV	MDC	DRG
13n00.1		BOP, KVT, UOP4	13n09.2		BOP, KVT, UOP4	13n09.5		BOP, KVT, UOP4
	03	D12A, D12B		05	F21A, F21B, F21C		05	F21A, F21B, F21C
	04	E02A, E02B, E02C		06	G10Z, G12A, G12B, G12C		06	G10Z, G12A, G12B, G12C
	06	G10Z, G12A, G12B, G12C		07	H12A, H12B		07	H12A, H12B
	07	H12A, H12B		09	J03A, J03B, J04A, J04B, J08A, J08B, J08C, J11A, J11B, J16Z		09	J03A, J03B, J04A, J04B, J08A, J08B, J08C, J11A, J11B, J16Z
	08	I28A, I28B		10	K09A, K09B		10	K09A, K09B
	09	J03A, J03B, J04A, J04B, J08A, J08B, J08C, J11A, J11B, J16Z		11	L09A, L09B, L09C, L09D, L38Z		11	L09A, L09B, L09C, L09D, L38Z
	10	K09A, K09B		12	M01A, M01B, M09A, M38Z		12	M01A, M01B, M09A, M38Z
	11	L09A, L09B, L09C, L09D, L38Z		13	N01A, N01B, N01C, N01D, N01E, N02A, N02B, N02C, N03A, N03B, N07Z, N25Z, N38Z		13	N11A, N11B
	12	M06Z, M09A, M09B, M38Z		14	962Z, O02A, O02B		14	962Z, O02A, O02B
	13	N11A, N11B		17	R01A, R01B, R01C, R01D, R02Z, R12A, R12B, R12C		17	R01A, R01B, R01C, R01D, R02Z, R12A, R12B, R12C
	17	R01A, R01B, R01C, R01D, R02Z, R12A, R12B, R12C		21A	W04A, W04B		21A	W04A, W04B
	21A	W04A, W04B		21B	X06A, X06B, X06C		21B	X06A, X06B, X06C
	21B	X06A, X06B, X06C		22	Y01Z, Y03A, Y03B		22	Y01Z, Y03A, Y03B
13n01.0		BOP, KVT, UOP4	13n09.3		BOP, KVT, UOP4	13n09.x		BOP, KVT, UOP4
	06	G10Z, G12A, G12B, G12C		05	F21A, F21B, F21C		05	F21A, F21B, F21C
	07	H12A, H12B		06	G10Z, G12A, G12B, G12C		06	G10Z, G12A, G12B, G12C
13n01.1		BOP, KVT, UOP4		07	H12A, H12B		07	H12A, H12B
	06	G10Z, G12A, G12B, G12C		09	J03A, J03B, J04A, J04B, J08A, J08B, J08C, J11A, J11B, J16Z		09	J03A, J03B, J04A, J04B, J08A, J08B, J08C, J11A, J11B, J16Z
13n01.3		BOP, KVT, UOP4		10	K09A, K09B		10	K09A, K09B
	06	G10Z, G12A, G12B, G12C		11	L09A, L09B, L09C, L09D, L38Z		11	L09A, L09B, L09C, L09D, L38Z
	07	H12A, H12B		12	M01A, M01B, M09A, M38Z		12	M01A, M01B, M09A, M38Z
	10	K09A, K09B		13	N01A, N01B, N01C, N01D, N01E, N02A, N02B, N02C, N03A, N03B, N07Z, N25Z, N38Z		13	N11A, N11B
	17	R01A, R01B, R01C, R01D, R02Z, R12A, R12B, R12C		14	962Z, O02A, O02B		14	962Z, O02A, O02B
	21A	W04A, W04B		17	R01A, R01B, R01C, R01D, R02Z, R12A, R12B, R12C		17	R01A, R01B, R01C, R01D, R02Z, R12A, R12B, R12C
	21B	X06A, X06B, X06C		21A	W04A, W04B		21A	W04A, W04B
13n05		BOP, KVT, UOP4		21B	X06A, X06B, X06C		21B	X06A, X06B, X06C
	06	G15Z, G19A, G19B, G19C, G38Z		22	Y01Z, Y03A, Y03B		22	Y01Z, Y03A, Y03B
13n06.0		BOP, KVT, UOP4	13n09.4		BOP, KVT, UOP4	13n0x		BOP, KVT, UOP4
	06	G01Z, G04A, G04B, G07A, G07B, G07C, G38Z		05	F21A, F21B, F21C		16	Q01Z
13n06.1		BOP, KVT, UOP4		06	G10Z, G12A, G12B, G12C		17	R01A, R01B, R01C, R01D, R02Z, R12A, R12B, R12C
	06	G01Z, G04A, G04B, G07A, G07B, G07C, G38Z		07	H12A, H12B		13n00.0↔	BOP, KVT, UOP4
13n06.2		BOP, KVT, UOP4		09	J03A, J03B, J04A, J04B, J08A, J08B, J08C, J11A, J11B, J16Z		08	I28A, I28B
	06	G01Z, G04A, G04B, G07A, G07B, G07C, G38Z		10	K09A, K09B		10	K03A, K03B
13n07.0		BOP, KVT, UOP4		11	L09A, L09B, L09C, L09D, L38Z		11	L03Z, L04A, L04B, L04C, L10Z, L13A, L13B, L38Z
	06	G13Z, G21A, G21B		12	M01A, M01B, M09A, M38Z		17	R01A, R01B, R01C, R01D, R02Z, R12A, R12B, R12C
13n07.1		BOP, KVT, UOP4		13	N01A, N01B, N01C, N01D, N01E, N02A, N02B, N02C, N03A, N03B, N07Z, N25Z, N38Z		13n00.1↔	BOP, KVT, UOP4
	06	G13Z, G21A, G21B		14	962Z, O02A, O02B		11	L06A, L06B
13n07.2		BOP, KVT, UOP4		17	R01A, R01B, R01C, R01D, R02Z, R12A, R12B, R12C		12	M06Z, M09A, M09B, M38Z
	06	G13Z, G21A, G21B		21A	W04A, W04B		17	R01A, R01B, R01C, R01D, R02Z, R12A, R12B, R12C
13n07.3		BOP, KVT, UOP4		21B	X06A, X06B, X06C		21A	W04A, W04B
	06	G13Z, G21A, G21B		22	Y01Z, Y03A, Y03B		21B	X06A, X06B, X06C
13n08.0		BOP, KVT, UOP4					13n00.4↔	BOP, KVT, UOP4
	06	G01Z, G04A, G04B, G07A, G07B, G07C, G38Z					11	L03Z, L04A, L04B, L04C, L10Z, L13A, L13B, L38Z
13n08.1		BOP, KVT, UOP4					13n00.5↔	BOP, KVT, UOP4
	06	G01Z, G04A, G04B, G07A, G07B, G07C, G38Z					11	L06A, L06B
13n09.0		BOP, KVT, UOP4					12	M06Z, M09A, M09B, M38Z
	03	D12A, D12B					17	R01A, R01B, R01C, R01D, R02Z, R12A, R12B, R12C
	06	G15Z, G19A, G19B, G38Z					21A	W04A, W04B
	17	R01A, R01B, R01C, R01D, R02Z, R12A, R12B, R12C					21B	X06A, X06B, X06C
13n09.1		BOP, KVT, UOP4					13n00.6	BOP, KVT, UOP4
	06	G01Z, G04A, G04B, G07A, G07B, G07C, G38Z					11	L06A, L06B
							12	M06Z, M09A, M09B, M38Z
							13	N11A, N11B
							17	R01A, R01B, R01C, R01D, R02Z, R12A, R12B, R12C

ZZV	MDC	DRG	ZZV	MDC	DRG	ZZV	MDC	DRG
13o00.7		BOP, KVT, UOP4	13q03		BOP, KVT, UOP4	13t10.5↔	01	B03A, B03B, B06A, B06B, B17A, B17B, B17C
	11	L06A, L06B		09	J03A, J03B, J04A, J04B, J08A, J08B, J08C, J11A, J11B, J11C, J16Z		04	E02A, E02B, E02C
	12	M06Z, M09A, M09B, M38Z		13	N09A, N09B		08	I27A, I27B, I27C, I27D
	17	R01A, R01B, R01C, R01D, R02Z, R12A, R12B, R12C		14	962Z, O60A, O60B, O60C, O60D		09	J03A, J03B, J04A, J04B, J08A, J08B, J08C, J11A, J11B, J16Z
	21A	W04A, W04B					10	K09A, K09B
	21B	X06A, X06B, X06C	13q04		BOP, KVT, UOP4	13t10.6↔	01	B03A, B03B, B06A, B06B, B17A, B17B, B17C
13o00.x		BOP, KVT, UOP4		09	J03A, J03B, J04A, J04B, J08A, J08B, J08C, J11A, J11B, J16Z		04	E02A, E02B, E02C
	11	L06A, L06B		13	N09A, N09B		08	I27A, I27B, I27C, I27D
	12	M06Z, M09A, M09B, M38Z		14	962Z, O60A, O60B, O60C, O60D		09	J03A, J03B, J04A, J04B, J08A, J08B, J08C, J11A, J11B, J16Z
	13	N11A, N11B					10	K09A, K09B
	17	R01A, R01B, R01C, R01D, R02Z, R12A, R12B, R12C	13q05		BOP, KVT, UOP4	13t10.7↔	01	B03A, B03B, B06A, B06B, B17A, B17B, B17C
13p00.0		BOP, KVT, UOP4		13	N01A, N01B, N01C, N01D, N01E, N02A, N02B, N02C, N03A, N03B, N07Z, N25Z, N38Z		04	E02A, E02B, E02C
	11	L18A, L18B, L19Z, L20A, L20B, L20C, L38Z		13	N01A, N01B, N01C, N01D, N01E, N02A, N02B, N02C, N03A, N03B, N07Z, N25Z, N38Z		08	I27A, I27B, I27C, I27D
	12	M06Z, M09A, M09B, M38Z	13q0x		BOP, KVT, UOP4		09	J03A, J03B, J04A, J04B, J08A, J08B, J08C, J11A, J11B, J16Z
13p00.1		BOP, KVT, UOP4		13	N01A, N01B, N01C, N01D, N01E, N02A, N02B, N02C, N03A, N03B, N07Z, N25Z, N38Z		10	K09A, K09B
	11	L18A, L18B, L19Z, L20A, L20B, L20C, L38Z				13t10.x↔	01	B03A, B03B, B06A, B06B, B17A, B17B, B17C
	12	M06Z, M09A, M09B, M38Z	13q0x		BOP, KVT, UOP4		04	E02A, E02B, E02C
13p01.0		BOP, KVT, UOP4		13	N01A, N01B, N01C, N01D, N01E, N02A, N02B, N02C, N03A, N03B, N07Z, N25Z, N38Z		08	I27A, I27B, I27C, I27D
	09	J03A, J03B, J04A, J04B, J08A, J08B, J08C, J11A, J11B, J16Z	13t10.0		B03A, B03B, B06A, B06B, B17A, B17B, B17C		09	J03A, J03B, J04A, J04B, J08A, J08B, J08C, J11A, J11B, J16Z
	12	M03A, M03B, M03C, M38Z		04	E02A, E02B, E02C		10	K09A, K09B
13p01.1		BOP, KVT, UOP4		08	I27A, I27B, I27C, I27D		01	B03A, B03B, B06A, B06B, B17A, B17B, B17C
	09	J03A, J03B, J04A, J04B, J08A, J08B, J08C, J11A, J11B, J16Z		09	J03A, J03B, J04A, J04B, J08A, J08B, J08C, J11A, J11B, J16Z		04	E02A, E02B, E02C
	12	M03A, M03B, M03C, M38Z		10	K09A, K09B		08	I27A, I27B, I27C, I27D
13p02.0↔		BOP, KVT, UOP4	13t10.1↔		B03A, B03B, B06A, B06B, B17A, B17B, B17C		09	J03A, J03B, J04A, J04B, J08A, J08B, J08C, J11A, J11B, J16Z
	10	K09A, K09B		04	E02A, E02B, E02C	13t20.0	10	K09A, K09B
	12	M04A, M04B, M04C, M04D, M37Z, M38Z		08	I27A, I27B, I27C, I27D		01	B17A, B17B, B17C
13p02.3↔		BOP, KVT, UOP4		09	J03A, J03B, J04A, J04B, J08A, J08B, J08C, J11A, J11B, J16Z		03	D12A, D12B
	12	M06Z, M09A, M09B, M38Z		10	K09A, K09B		04	E02A, E02B, E02C
13q00.0↔		BOP, KVT, UOP4	13t10.2↔		B03A, B03B, B06A, B06B, B17A, B17B, B17C		08	I12A, I12B, I12C, I28A, I28B, I28C
	10	K09A, K09B		04	E02A, E02B, E02C		09	J03A, J03B, J04A, J04B, J08A, J08B, J08C, J11A, J11B, J16Z
	13	N01A, N01B, N01C, N01D, N01E, N02A, N02B, N02C, N03A, N03B, N07Z, N25Z, N38Z		08	I27A, I27B, I27C, I27D		10	K09A, K09B
13q00.1↔		BOP, KVT, UOP4		09	J03A, J03B, J04A, J04B, J08A, J08B, J08C, J11A, J11B, J16Z		11	L09A, L09B, L09C, L09D, L38Z
	13	N01A, N01B, N01C, N01D, N01E, N02A, N02B, N02C, N03A, N03B, N07Z, N25Z, N38Z	13t10.3↔		B03A, B03B, B06A, B06B, B17A, B17B, B17C		12	M06Z, M09A, M09B, M38Z
				04	E02A, E02B, E02C		16	Q03A, Q03B
				08	I27A, I27B, I27C, I27D		21A	W04A, W04B
				09	J03A, J03B, J04A, J04B, J08A, J08B, J08C, J11A, J11B, J16Z	13t20.1↔	21B	X06A, X06B, X06C
13q01.0↔		BOP, KVT, UOP4		10	K09A, K09B		01	B17A, B17B, B17C
	13	N01A, N01B, N01C, N01D, N01E, N02A, N02B, N02C, N03A, N03B, N07Z, N25Z, N38Z		01	B03A, B03B, B06A, B06B, B17A, B17B, B17C		03	D12A, D12B
				04	E02A, E02B, E02C		04	E02A, E02B, E02C
				08	I27A, I27B, I27C, I27D		08	I12A, I12B, I12C, I13A, I13B, I13C, I13D, I13E
				09	J03A, J03B, J04A, J04B, J08A, J08B, J08C, J11A, J11B, J16Z		09	J03A, J03B, J04A, J04B, J08A, J08B, J08C, J11A, J11B, J16Z
13q01.1		BOP, KVT, UOP4		10	K09A, K09B		10	K09A, K09B
	13	N01A, N01B, N01C, N01D, N01E, N02A, N02B, N02C, N03A, N03B, N07Z, N25Z, N38Z	13t10.4		B03A, B03B, B06A, B06B, B17A, B17B, B17C		11	L09A, L09B, L09C, L09D, L38Z
				04	E02A, E02B, E02C		12	M06Z, M09A, M09B, M38Z
				08	I27A, I27B, I27C, I27D		16	Q03A, Q03B
				09	J03A, J03B, J04A, J04B, J08A, J08B, J08C, J11A, J11B, J16Z		21A	W04A, W04B
13q01.2		BOP, KVT, UOP4		10	K09A, K09B		21B	X06A, X06B, X06C
	09	J03A, J03B, J04A, J04B, J08A, J08B, J08C, J11A, J11B, J16Z		01	B03A, B03B, B06A, B06B, B17A, B17B, B17C			
	13	N09A, N09B		04	E02A, E02B, E02C			
	14	962Z, O02A, O02B		08	I27A, I27B, I27C, I27D			
13q02		BOP, KVT, UOP4		09	J03A, J03B, J04A, J04B, J08A, J08B, J08C, J11A, J11B, J16Z			
	09	J03A, J03B, J04A, J04B, J08A, J08B, J08C, J11A, J11B, J16Z		10	K09A, K09B			
	13	N09A, N09B						
	14	962Z, O60A, O60B, O60C, O60D						

ZZV	MDC	DRG	ZZV	MDC	DRG	ZZV	MDC	DRG				
13t20.2↔	01	B17A, B17B, B17C	13t20.6↔	01	B17A, B17B, B17C	13t30.4↔	03	D12A, D12B				
	03	D12A, D12B		03	D12A, D12B		04	E02A, E02B, E02C				
	04	E02A, E02B, E02C		04	E02A, E02B, E02C		08	I12A, I12B, I12C, I27A, I27B, I27C, I27D				
	08	I12A, I12B, I12C, I18A, I24Z		08	I08A, I08B, I08C, I08D, I08E, I08F		21A	W04A, W04B				
	09	J03A, J03B, J04A, J04B, J08A, J08B, J08C, J11A, J11B, J16Z		09	J03A, J03B, J04A, J04B, J08A, J08B, J08C, J11A, J11B, J16Z		21B	X06A, X06B, X06C				
	10	K09A, K09B		10	K09A, K09B		13t30.5↔	03	D12A, D12B			
	11	L09A, L09B, L09C, L09D, L38Z		11	L09A, L09B, L09C, L09D, L38Z			04	E02A, E02B, E02C			
	12	M06Z, M09A, M09B, M38Z		12	M06Z, M09A, M09B, M38Z			08	I08A, I08B, I08C, I08D, I08E, I08F, I10A, I10B, I10C, I10D, I10E			
	16	Q03A, Q03B		16	Q03A, Q03B			21A	W04A, W04B			
	21A	W04A, W04B		21A	W04A, W04B		21B	X04Z, X06A, X06B, X06C				
	21B	X05A, X05B, X06A, X06B, X06C		21B	X04Z, X06A, X06B, X06C		13t30.6↔	08	I08A, I08B, I08C, I08D, I08E, I08F			
	13t20.3↔	01		B17A, B17B, B17C	13t20.7↔			01	B17A, B17B, B17C	13t30.7↔	21A	W01A, W01B, W01C, W02A, W02B
		03		D12A, D12B				03	D12A, D12B		21B	X04Z
		04		E02A, E02B, E02C				04	E02A, E02B, E02C		03	D12A, D12B
		08		I12A, I12B, I12C, I32A, I32B, I32C, I32D, I32E, I32F			08	I12A, I12B, I12C, I13A, I13B, I13C, I13D, I13E, I18A	04		E02A, E02B, E02C	
		09		J03A, J03B, J04A, J04B, J08A, J08B, J08C, J11A, J11B, J16Z			09	J03A, J03B, J04A, J04B, J08A, J08B, J08C, J11A, J11B, J16Z	08		I12A, I12B, I12C, I24Z	
10		K09A, K09B	10	K09A, K09B		21A	W04A, W04B					
11		L09A, L09B, L09C, L09D, L38Z	11	L09A, L09B, L09C, L09D, L38Z		21B	X04Z, X06A, X06B, X06C					
12		M06Z, M09A, M09B, M38Z	12	M06Z, M09A, M09B, M38Z		13t30.8↔	03	D12A, D12B				
16		Q03A, Q03B	16	Q03A, Q03B			04	E02A, E02B, E02C				
21A		W04A, W04B	21A	W04A, W04B			08	I12A, I12B, I12C, I13A, I13B, I13C, I13D				
21B		X04Z, X06A, X06B, X06C	21B	X04Z, X06A, X06B, X06C			21A	W04A, W04B				
13t20.4		01	B17A, B17B, B17C	13t20.8↔		01	B17A, B17B, B17C	13t30.9↔	21B		X04Z, X06A, X06B, X06C	
		03	D12A, D12B			03	D12A, D12B		03		D12A, D12B	
		04	E02A, E02B, E02C			04	E02A, E02B, E02C		04		E02A, E02B, E02C	
		08	I08A, I08B, I08C, I08D, I08E, I08F, I10A, I10B, I10C, I10D, I10E			08	I12A, I12B, I12C		08		I12A, I12B, I12C	
		09	J03A, J03B, J04A, J04B, J08A, J08B, J08C, J11A, J11B, J16Z			09	J03A, J03B, J04A, J04B, J08A, J08B, J08C, J11A, J11B, J16Z		21A		W04A, W04B	
	10	K09A, K09B	10		K09A, K09B	21B	X04Z, X06A, X06B, X06C					
	11	L09A, L09B, L09C, L09D, L38Z	11		L09A, L09B, L09C, L09D, L38Z	13t30.a↔	03		D12A, D12B			
	12	M06Z, M09A, M09B, M38Z	12		M06Z, M09A, M09B, M38Z		04		E02A, E02B, E02C			
	16	Q03A, Q03B	16		Q03A, Q03B		08		I32A, I32B, I32C, I32D, I32E, I32F			
	21A	W04A, W04B	21A		W04A, W04B		21A		W04A, W04B			
	21B	X04Z, X06A, X06B, X06C	21B		X04Z, X06A, X06B, X06C	21B	X05A, X05B, X06A, X06B, X06C					
	13t20.5	01	B17A, B17B, B17C		13t30.0↔	01	B17A, B17B, B17C		13t30.b	01	B03A, B03B, B06A, B06B, B17A, B17B, B17C	
		03	D12A, D12B			03	D12A, D12B			04	E02A, E02B, E02C	
		04	E02A, E02B, E02C			04	E02A, E02B, E02C			08	I27A, I27B, I27C, I27D	
		08	I08A, I08B, I08C, I08D, I08E, I08F, I12A, I12B, I12C			08	I17Z			09	J03A, J03B, J04A, J04B, J08A, J08B, J08C, J11A, J11B, J16Z	
		09	J03A, J03B, J04A, J04B, J08A, J08B, J08C, J11A, J11B, J16Z			09	J03A, J03B, J04A, J04B, J08A, J08B, J08C, J11A, J11B, J16Z			10	K09A, K09B	
10		K09A, K09B	10	K09A, K09B		13t30.c↔	03	D12A, D12B				
11		L09A, L09B, L09C, L09D, L38Z	11	L09A, L09B, L09C, L09D, L38Z			04	E02A, E02B, E02C				
12		M06Z, M09A, M09B, M38Z	12	M06Z, M09A, M09B, M38Z			08	I32A, I32B, I32C, I32D, I32E, I32F				
16		Q03A, Q03B	16	Q03A, Q03B			21A	W04A, W04B				
21A		W04A, W04B	21A	W04A, W04B		21B	X05A, X05B, X06A, X06B, X06C					
21B		X04Z, X06A, X06B, X06C	21B	X04Z, X06A, X06B, X06C		13t30.x↔	03	D12A, D12B				
13t30.1↔		01	B17A, B17B, B17C	13t30.1↔			01	B17A, B17B, B17C		04	E02A, E02B, E02C	
		03	D12A, D12B				03	D12A, D12B		08	I12A, I12B, I12C, I27A, I27B, I27C, I27D	
		04	E02A, E02B, E02C				04	E02A, E02B, E02C		21A	W04A, W04B	
		08	I08A, I08B, I08C, I08D, I08E, I08F, I10A, I10B, I10C, I10D, I10E			08	I12A, I12B, I12C, I16Z, I27A, I27B, I27C, I27D	21B		X06A, X06B, X06C		
		09	J03A, J03B, J04A, J04B, J08A, J08B, J08C, J11A, J11B, J16Z			09	J03A, J03B, J04A, J04B, J08A, J08B, J08C, J11A, J11B, J16Z	13t30.2↔		03	D12A, D12B	
	10	K09A, K09B	10		K09A, K09B	04	E02A, E02B, E02C					
	11	L09A, L09B, L09C, L09D, L38Z	11		L09A, L09B, L09C, L09D, L38Z	08	I08A, I08B, I08C, I08D, I08E, I08F, I12A, I12B, I12C, I21Z, I31Z					
	12	M06Z, M09A, M09B, M38Z	12		M06Z, M09A, M09B, M38Z	21A	W04A, W04B					
	16	Q03A, Q03B	16		Q03A, Q03B	21B	X06A, X06B, X06C					
	21A	W04A, W04B	21A		W04A, W04B	13t30.3↔	03	D12A, D12B				
	21B	X04Z, X06A, X06B, X06C	21B		X04Z, X06A, X06B, X06C		04	E02A, E02B, E02C				
	13t30.2↔	01	B17A, B17B, B17C		13t30.2↔		01	B17A, B17B, B17C	08	I12A, I12B, I12C, I21Z, I31Z, I32A, I32B, I32C, I32D, I32E, I32F		
		03	D12A, D12B				03	D12A, D12B	21A	W04A, W04B		
		04	E02A, E02B, E02C			04	E02A, E02B, E02C	21B	X05A, X05B, X06A, X06B, X06C			
		08	I08A, I08B, I08C, I08D, I08E, I08F, I10A, I10B, I10C, I10D, I10E			08	I12A, I12B, I12C, I21Z, I31Z, I32A, I32B, I32C, I32D, I32E, I32F	13t30.3↔	03	D12A, D12B		
		09	J03A, J03B, J04A, J04B, J08A, J08B, J08C, J11A, J11B, J16Z			09	J03A, J03B, J04A, J04B, J08A, J08B, J08C, J11A, J11B, J16Z		04	E02A, E02B, E02C		
10		K09A, K09B	10	K09A, K09B		08	I12A, I12B, I12C, I27A, I27B, I27C, I27D					
11		L09A, L09B, L09C, L09D, L38Z	11	L09A, L09B, L09C, L09D, L38Z		21A	W04A, W04B					
12		M06Z, M09A, M09B, M38Z	12	M06Z, M09A, M09B, M38Z		21B	X06A, X06B, X06C					
16		Q03A, Q03B	16	Q03A, Q03B		13t30.x↔	03	D12A, D12B				
21A		W04A, W04B	21A	W04A, W04B			04	E02A, E02B, E02C				
21B		X04Z, X06A, X06B, X06C	21B	X04Z, X06A, X06B, X06C			08	I12A, I12B, I12C, I27A, I27B, I27C, I27D				
13t30.3↔		01	B17A, B17B, B17C	13t30.3↔			01	B17A, B17B, B17C	21A	W04A, W04B		
		03	D12A, D12B			03	D12A, D12B	21B	X06A, X06B, X06C			
		04	E02A, E02B, E02C			04	E02A, E02B, E02C	13t30.x↔	03	D12A, D12B		
		08	I08A, I08B, I08C, I08D, I08E, I08F, I10A, I10B, I10C, I10D, I10E			08	I12A, I12B, I12C, I21Z, I31Z, I32A, I32B, I32C, I32D, I32E, I32F		04	E02A, E02B, E02C		
		09	J03A, J03B, J04A, J04B, J08A, J08B, J08C, J11A, J11B, J16Z			09	J03A, J03B, J04A, J04B, J08A, J08B, J08C, J11A, J11B, J16Z		08	I12A, I12B, I12C, I27A, I27B, I27C, I27D		
	10	K09A, K09B	10		K09A, K09B	21A	W04A, W04B					
	11	L09A, L09B, L09C, L09D, L38Z	11		L09A, L09B, L09C, L09D, L38Z	21B	X06A, X06B, X06C					
	12	M06Z, M09A, M09B, M38Z	12		M06Z, M09A, M09B, M38Z	13t30.x↔	03	D12A, D12B				
	16	Q03A, Q03B	16		Q03A, Q03B		04	E02A, E02B, E02C				
	21A	W04A, W04B	21A		W04A, W04B		08	I12A, I12B, I12C, I27A, I27B, I27C, I27D				
	21B	X04Z, X06A, X06B, X06C	21B		X04Z, X06A, X06B, X06C		21A	W04A, W04B				
	13t30.4↔	01	B17A, B17B, B17C		13t30.4↔	01	B17A, B17B, B17C	21B	X06A, X06B, X06C			
		03	D12A, D12B			03	D12A, D12B	13t30.x↔	03	D12A, D12B		
		04	E02A, E02B, E02C			04	E02A, E02B, E02C		04	E02A, E02B, E02C		
		08	I08A, I08B, I08C, I08D, I08E, I08F, I10A, I10B, I10C, I10D, I10E			08	I12A, I12B, I12C, I21Z, I31Z, I32A, I32B, I32C, I32D, I32E, I32F		08	I12A, I12B, I12C, I27A, I27B, I27C, I27D		
		09	J03A, J03B, J04A, J04B, J08A, J08B, J08C, J11A, J11B, J16Z			09	J03A, J03B, J04A, J04B, J08A, J08B, J08C, J11A, J11B, J16Z		21A	W04A, W04B		
10		K09A, K09B	10	K09A, K09B		21B	X06A, X06B, X06C					
11		L09A, L09B, L09C, L09D, L38Z	11	L09A, L09B, L09C, L09D, L38Z		13t30.x↔	03	D12A, D12B				
12		M06Z, M09A, M09B, M38Z	12	M06Z, M09A, M09B, M38Z			04	E02A, E02B, E02C				
16		Q03A, Q03B	16	Q03A, Q03B			08	I12A, I12B, I12C, I27A, I27B, I27C, I27D				
21A		W04A, W04B	21A	W04A, W04B			21A	W04A, W04B				
21B		X04Z, X06A, X06B, X06C	21B	X04Z, X06A, X06B, X06C		21B	X06A, X06B, X06C					

VYK

ZZV	MDC	DRG	ZZV	MDC	DRG	ZZV	MDC	DRG
13x01		BOP, KVT, UOP4	14n14.4‡	07	H41A, H41B, H41C	14q04‡	13	N10Z
	01	B03A, B03B, B06A, B06B, B17A, B17B, B17C	14n14.5‡	07	H41A, H41B, H41C	14q05	13	N01A, N01B, N01C, N01D, N01E, N02A, N02B, N02C, N03A, N03B, N07Z, N25Z, N38Z
	04	E02A, E02B, E02C	14n14.6‡	07	H41A, H41B, H41C			
	08	I27A, I27B, I27C, I27D	14n15.0‡	07	H41A, H41B			
	09	J03A, J03B, J04A, J04B, J08A, J08B, J08C, J11A, J11B, J16Z	14n15.1‡	07	H41A, H41B	14q06	13	N11A, N11B
	10	K09A, K09B	14n20.00‡	07	H41A, H41B		14	962Z, O02A, O02B
14a30.0		BOP, KVT, UOP4	14n20.01‡	07	H41A, H41B		21B	X06A, X06B, X06C
	01	B02A, B02B, B02C, B20A, B20B, B20C, B20D, B20E, B39A, B39B	14n21.00‡	06	G40Z, G48A, G48B, G48C	14q07‡	14	962Z
	17	R01A, R01B, R01C, R01D, R02Z, R12A, R12B, R12C	14n21.01‡	06	G40Z, G48A, G48B, G48C	14q08‡	14	962Z
	21A	W04A, W04B	14n21.02‡	06	G40Z, G48A, G48B, G48C	14t30.0↔	03	D12A, D12B
	21B	X06A, X06B, X06C	14n21.03‡	06	G40Z, G48A, G48B, G48C		08	I24Z
14a30.1		BOP, KVT, UOP4	14n21.04‡	06	G40Z, G48A, G48B, G48C		21A	W04A, W04B
	01	B03A, B03B, B18Z	14n21.05‡	06	G40Z, G47Z		21B	X06A, X06B, X06C
	08	I10A, I10B, I10C, I10D, I10E	14n21.0x‡	06	G40Z, G48A, G48B, G48C	14t30.1↔	08	I24Z
	17	R01A, R01B, R01C, R01D, R02Z, R12A, R12B, R12C	14n21.10‡	06	G40Z, G46A, G46B, G46C, G47Z, G50Z		21A	W04A, W04B
14a30.x		BOP, KVT, UOP4					21B	X06A, X06B, X06C
	01	B03A, B03B, B18Z	14n21.11‡	06	G40Z, G48A, G48B, G48C	14t30.2↔	08	I24Z
	08	I10A, I10B, I10C, I10D, I10E	14n21.12‡	06	G40Z, G48A, G48B, G48C		21A	W04A, W04B
	17	R01A, R01B, R01C, R01D, R02Z, R12A, R12B, R12C	14n21.21‡	06	G40Z, G48A, G48B, G48C		21B	X06A, X06B, X06C
14a30.x		BOP, KVT, UOP4	14n30	06	G10Z, G12A, G12B, G12C	14t30.3↔	08	I32A, I32B, I32C, I32D, I32E, I32F, I32G
	01	B03A, B03B, B18Z					21A	W04A, W04B
	08	I10A, I10B, I10C, I10D, I10E					21B	X05A, X05B
	17	R01A, R01B, R01C, R01D, R02Z, R12A, R12B, R12C				14t30.4↔	08	I24Z
14c00↔		BOP, KVT, UOP4					21A	W04A, W04B
	02	C01A, C01B, C13Z, C16Z					21B	X06A, X06B, X06C
	03	D09Z, D30A, D30B				14t30.5↔	08	I24Z
	21A	W04A, W04B					21A	W04A, W04B
	21B	X06A, X06B, X06C					21B	X06A, X06B, X06C
14j02‡		BOP, KVT, UOP4				14t30.6↔	08	I24Z
	03	D60A					21A	W04A, W04B
	04	E65A, E71A	14n31.0				21B	X04Z
14j30.0		BOP, KVT, UOP4				14t30.7↔	08	I24Z
	04	E02A, E02B, E02C					10	K09A, K09B
	21A	W04A, W04B					21A	W04A, W04B
	21B	X06A, X06B, X06C					21B	X04Z
14j30.1		BOP, KVT, UOP4				14t30.8↔	08	I24Z
	03	D12A, D12B					21A	W04A, W04B
	04	E02A, E02B, E02C					21B	X04Z
	21A	W04A, W04B	14n31.1			14t30.9↔	08	I24Z
	21B	X06A, X06B, X06C					21A	W04A, W04B
14j30.2		BOP, KVT, UOP4					21B	X04Z, X06A, X06B, X06C
	04	E02A, E02B, E02C				14t30.a↔	08	I32A, I32B, I32C, I32D, I32E, I32F, I32G
	21A	W04A, W04B					21A	W04A, W04B
	21B	X06A, X06B, X06C					21B	X05A, X05B, X06A, X06B, X06C
14j30.3		BOP, KVT, UOP4	14n31.2			14t30.c↔	08	I32A, I32B, I32C, I32D, I32E, I32F, I32G
	03	D12A, D12B					21A	W04A, W04B
	04	E02A, E02B, E02C					21B	X06A, X06B, X06C
14n11.01‡		BOP, KVT, UOP4				15c00↔	02	C01A, C01B, C14Z, C16Z
	06	G40Z, G46A, G46B, G46C, G47Z					21A	W04A, W04B
14n11.02‡		BOP, KVT, UOP4					21B	X06A, X06B, X06C
	06	G40Z, G46A, G46B, G46C, G47Z				15c03↔	02	C01A, C01B, C15Z, C16Z
14n11.0x‡		BOP, KVT, UOP4	14n32.31‡			15x03↔	13	N01A, N01B, N01C, N01D, N01E, N02A, N02B, N02C, N03A, N03B, N07Z, N25Z, N38Z
	06	G40Z, G46A, G46B, G46C, G47Z	14n32.32				14	962Z
14n11.1‡		BOP, KVT, UOP4					04	E63Z
	06	G40Z, G46A, G46B, G46C, G47Z				16102.0‡	17	R61B, R61G
14n11.2‡		BOP, KVT, UOP4				16102.1‡	17	R61B, R61G
	06	G40Z, G46A, G46B, G46C, G47Z				16300.0‡	Pre	A69Z
14n11.3‡		BOP, KVT, UOP4	14n32.x					
	06	G40Z, G46A, G46B, G46C, G47Z						
14n11.40‡		BOP, KVT, UOP4						
	06	G40Z, G46A, G46B, G46C, G47Z, G50Z						
14n11.41‡		BOP, KVT, UOP4						
	06	G40Z, G46A, G46B, G46C, G47Z, G50Z						
14n11.4x‡		BOP, KVT, UOP4						
	06	G40Z, G46A, G46B, G46C, G47Z, G50Z						
14n12.1‡		BOP, KVT, UOP4	14o01‡	11	L42A			
	06	G40Z, G46A, G46B, G46C, G47Z, G50Z	14o02‡	11	L42A, L64A, L74Z			
14n12.5‡		BOP, KVT, UOP4	14o03.0‡	11	L42A, L64A, L74Z			
	06	G40Z, G46A, G46B, G46C, G47Z, G50Z	14o03.1‡	11	L42A			
14n13.1‡		BOP, KVT, UOP4	14o04‡	11	L40Z			
	06	G40Z, G47Z	14o11.2‡↔	11	L40Z			
14n13.2‡		BOP, KVT, UOP4	14o30.2‡	11	L64A, L74Z			
	06	G40Z, G46A, G46B, G46C, G47Z						

ZZV	MDC	DRG	ZZV	MDC	DRG	ZZV	MDC	DRG
31314.7‡	07	H41A, H41B, H41C	35314.8‡	05	F49A, F49D	5a112.e		BOP, KOP, KOPV, KVT, UOP4
31314.8‡	06	G40Z, G48A, G48B, G48C	35315.0‡	05	F49A, F49D		01	B02A, B02B, B02C, B13Z, B20A, B20B, B20C, B20D, B20E, B39A, B39B
31314.9	06	G10Z, G12A, G12B, G12C	35315.1‡	05	F49A, F49D		02	C01A
	07	H12A, H12B	35315.2‡	05	F49A, F49D		06	G33Z
	09	J03A, J03B, J04A, J04B, J08A, J08B, J08C, J11A, J11B, J16Z	35323‡	05	F49A, F49D		07	H33Z, H38Z
	11	L09A, L09B, L09C, L09D, L38Z	35324‡	05	F49A, F49D		11	L33Z
	13	N08Z	35325‡	05	F49A, F49D		17	R01A, R01B, R01C, R01D, R02Z, R12A, R12B, R12C
	14	962Z, O02A, O02B	5a110		BOP, KOP, KOPV, KVT, UOP4		21A	W01A, W01B, W01C, W36Z
	21A	W04A, W04B		01	B02A, B02B, B02C, B20A, B20B, B20C, B20D, B20E, B39A, B39B		21B	X33Z
	21B	X06A, X06B, X06C		02	C01A		23	Z01A
	22	Y01Z, Y03A, Y03B		06	G33Z		Pre	A07A
31316.2‡	11	L42A, L64A, L74Z		07	H33Z, H38Z	5a112.f		BOP, KOP, KOPV, KVT, UOP4
31317.2‡	11	L42A, L64A, L74Z		08	I15A, I15B		01	B02A, B02B, B02C, B13Z, B20A, B20B, B20C, B20D, B20E, B39A, B39B
35128.3‡	10	K64C		11	L33Z		02	C01A
	23	Z64A		21A	W01A, W01B, W01C, W36Z		06	G33Z
35128.4‡	10	K64C		21B	X06A, X06B, X06C, X33Z		07	H33Z, H38Z
	23	Z64A		23	Z01A		11	L33Z
35128.5‡	10	K64C		Pre	A07A, A09B, A11A, A11B, A13B		17	R01A, R01B, R01C, R01D, R02Z, R12A, R12B, R12C
	23	Z64A					21A	W01A, W01B, W01C, W36Z
35128.6‡	10	K64C	5a111		BOP, KOP, KOPV, KVT, UOP4		21B	X33Z
	23	Z64A		01	B02A, B02B, B02C, B20A, B20B, B20C, B20D, B20E, B39A, B39B		23	Z01A
35301.0‡	05	F49A, F49D		02	C01A	5a112.g	Pre	A07A
35301.1‡	05	F49A, F49D		06	G33Z			BOP, KOP, KOPV, KVT, UOP4
35301.2‡	05	F49A, F49D		07	H33Z, H38Z		01	B02A, B02B, B02C, B13Z, B20A, B20B, B20C, B20D, B20E, B39A, B39B
35302.0‡	05	F49A, F49D		08	I23A		02	C01A
35302.1‡	05	F49A, F49D		11	L33Z		06	G33Z
35302.2‡	05	F49A, F49D		17	R01A, R01B, R01C, R01D, R02Z, R12A, R12B, R12C		07	H33Z, H38Z
35303.0‡	05	F49A, F49D		21A	W01A, W01B, W01C, W36Z		11	L33Z
35303.1‡	05	F49A, F49D		21B	X33Z		17	R01A, R01B, R01C, R01D, R02Z, R12A, R12B, R12C
35303.2‡	05	F49A, F49D		23	Z01A		21A	W01A, W01B, W01C, W36Z
35304.0‡	05	F49A, F49D		Pre	A07A		21B	X33Z
35304.1‡	05	F49A, F49D					23	Z01A
35304.2‡	05	F49A, F49D		5a112.2	BOP, KOP, KOPV, KVT, UOP4		Pre	A07A
35305.0‡	05	F49A, F49D		01	B02A, B02B, B02C, B13Z, B20A, B20B, B20C, B20D, B20E, B39A, B39B			BOP, KOP, KOPV, KVT, UOP4
35305.1‡	05	F49A, F49D		02	C01A		01	B02A, B02B, B02C, B13Z, B20A, B20B, B20C, B20D, B20E, B39A, B39B
35305.2‡	05	F49A, F49D		06	G33Z		02	C01A
35306.0‡	05	F49A, F49D		07	H33Z, H38Z		06	G33Z
35306.1‡	05	F49A, F49D		11	L33Z		07	H33Z, H38Z
35306.2‡	05	F49A, F49D		17	R01A, R01B, R01C, R01D, R02Z, R12A, R12B, R12C		11	L33Z
3530x‡	05	F49A, F49D		21A	W01A, W01B, W01C, W36Z		17	R01A, R01B, R01C, R01D, R02Z, R12A, R12B, R12C
35311.0‡	05	F49A, F49D		21B	X33Z		21A	W01A, W01B, W01C, W36Z
35311.1‡	05	F49A, F49D		23	Z01A		21B	X33Z
35311.2‡	05	F49A, F49D		Pre	A07A		23	Z01A
35311.3‡	05	F49A, F49D				5a112.h	Pre	A07A
35311.4‡	05	F49A, F49D		5a112.d	BOP, KOP, KOPV, KVT, UOP4			BOP, KOP, KOPV, KVT, UOP4
35311.5‡	05	F49A, F49D		01	B02A, B02B, B02C, B13Z, B20A, B20B, B20C, B20D, B20E, B39A, B39B		01	B02A, B02B, B02C, B13Z, B20A, B20B, B20C, B20D, B20E, B39A, B39B
35312.0‡	05	F49A, F49D		02	C01A		02	C01A
35312.1‡	05	F49A, F49D		06	G33Z		06	G33Z
35312.2‡	05	F49A, F49D		07	H33Z, H38Z		07	H33Z, H38Z
35312.3‡	05	F49A, F49D		11	L33Z		11	L33Z
35312.4‡	05	F49A, F49D		17	R01A, R01B, R01C, R01D, R02Z, R12A, R12B, R12C		17	R01A, R01B, R01C, R01D, R02Z, R12A, R12B, R12C
35312.5‡	05	F49A, F49D		21A	W01A, W01B, W01C, W36Z		21A	W01A, W01B, W01C, W36Z
35313.0‡	05	F49A, F49D		21B	X33Z		21B	X33Z
35313.1‡	05	F49A, F49D		23	Z01A		23	Z01A
35313.3‡	05	F49A, F49D		Pre	A07A		Pre	A07A
35313.3‡	05	F49A, F49D						
35313.4‡	05	F49A, F49D						
35313.6‡	05	F49A, F49D						
35313.7‡	05	F49A, F49D						
35313.8‡	05	F49A, F49D						
35314.0‡	05	F49A, F49D						
35314.1‡	05	F49A, F49D						
35314.3‡	05	F49A, F49D						
35314.4‡	05	F49A, F49D						
35314.5‡	05	F49A, F49D						
35314.6‡	05	F49A, F49D						
35314.7‡	05	F49A, F49D						

ZZV	MDC	DRG	ZZV	MDC	DRG	ZZV	MDC	DRG			
5a113.j		BOP, KOP, KOPV, KVT, UOP4	5a113.n		BOP, KOP, KOPV, KVT, UOP4	5a114.m		BOP, KOP, KOPV, KVT, UOP4			
	01	B02A, B02B, B02C, B13Z, B20A, B20B, B20C, B20D, B20E, B39A, B39B		01	B02A, B02B, B02C, B13Z, B20A, B20B, B20C, B20D, B20E, B39A, B39B		01	B02A, B02B, B02C, B13Z, B20A, B20B, B20C, B20D, B20E, B39A, B39B			
	02	C01A		02	C01A		02	C01A			
	03	D18Z, D25A, D25B, D25C, D25D		03	D18Z, D25A, D25B, D25C, D25D		03	D18Z, D25A, D25B, D25C, D25D			
	06	G33Z		06	G33Z		06	G33Z			
	07	H33Z, H38Z		07	H33Z, H38Z		07	H33Z, H38Z			
	09	J08A, J08B, J08C		09	J08A, J08B, J08C		09	J08A, J08B, J08C			
	11	L33Z		11	L33Z		11	L33Z			
	17	R01A, R01B, R01C, R01D, R02Z, R12A, R12B, R12C		17	R01A, R01B, R01C, R01D, R02Z, R12A, R12B, R12C		17	R01A, R01B, R01C, R01D, R02Z, R12A, R12B, R12C			
	21B	X06A, X06B, X06C, X33Z		21B	X06A, X06B, X06C, X33Z		21B	X06A, X06B, X06C, X33Z			
	23	Z01A		23	Z01A		23	Z01A			
	Pre	A07A, A09B, A11A, A11B, A13B		Pre	A07A, A09B, A11A, A11B, A13B		Pre	A07A, A09B, A11A, A11B, A13B			
	5a113.k			BOP, KOP, KOPV, KVT, UOP4	5a114.j			BOP, KOP, KOPV, KVT, UOP4	5a114.n		BOP, KOP, KOPV, KVT, UOP4
		01		B02A, B02B, B02C, B13Z, B20A, B20B, B20C, B20D, B20E, B39A, B39B			01	B02A, B02B, B02C, B13Z, B20A, B20B, B20C, B20D, B20E, B39A, B39B		01	B02A, B02B, B02C, B13Z, B20A, B20B, B20C, B20D, B20E, B39A, B39B
02		C01A	02	C01A		02	C01A				
03		D18Z, D25A, D25B, D25C, D25D	03	D18Z, D25A, D25B, D25C, D25D		03	D18Z, D25A, D25B, D25C, D25D				
06		G33Z	06	G33Z		06	G33Z				
07		H33Z, H38Z	07	H33Z, H38Z		07	H33Z, H38Z				
09		J08A, J08B, J08C	09	J08A, J08B, J08C		09	J08A, J08B, J08C				
11		L33Z	11	L33Z		11	L33Z				
17		R01A, R01B, R01C, R01D, R02Z, R12A, R12B, R12C	17	R01A, R01B, R01C, R01D, R02Z, R12A, R12B, R12C		17	R01A, R01B, R01C, R01D, R02Z, R12A, R12B, R12C				
21B		X06A, X06B, X06C, X33Z	21B	X06A, X06B, X06C, X33Z		21B	X06A, X06B, X06C, X33Z				
23		Z01A	23	Z01A		23	Z01A				
Pre		A07A, A09B, A11A, A11B, A13B	Pre	A07A, A09B, A11A, A11B, A13B		Pre	A07A, A09B, A11A, A11B, A13B				
5a113.m			BOP, KOP, KOPV, KVT, UOP4	5a114.k			BOP, KOP, KOPV, KVT, UOP4	5a115.j			BOP, KOP, KOPV, KVT, UOP4
		01	B02A, B02B, B02C, B13Z, B20A, B20B, B20C, B20D, B20E, B39A, B39B			01	B02A, B02B, B02C, B13Z, B20A, B20B, B20C, B20D, B20E, B39A, B39B			01	B02A, B02B, B02C, B13Z, B20A, B20B, B20C, B20D, B20E, B39A, B39B
	02	C01A	02		C01A	02	C01A				
	03	D18Z, D25A, D25B, D25C, D25D	03		D18Z, D25A, D25B, D25C, D25D	03	D18Z, D25A, D25B, D25C, D25D				
	06	G33Z	06		G33Z	06	G33Z				
	07	H33Z, H38Z	07		H33Z, H38Z	07	H33Z, H38Z				
	09	J08A, J08B, J08C	09		J08A, J08B, J08C	09	J08A, J08B, J08C				
	11	L33Z	11		L33Z	11	L33Z				
	17	R01A, R01B, R01C, R01D, R02Z, R12A, R12B, R12C	17		R01A, R01B, R01C, R01D, R02Z, R12A, R12B, R12C	17	R01A, R01B, R01C, R01D, R02Z, R12A, R12B, R12C				
	21B	X06A, X06B, X06C, X33Z	21B		X06A, X06B, X06C, X33Z	21B	X06A, X06B, X06C, X33Z				
	23	Z01A	23		Z01A	23	Z01A				
	Pre	A07A, A09B, A11A, A11B, A13B	Pre		A07A, A09B, A11A, A11B, A13B	Pre	A07A, A09B, A11A, A11B, A13B				

VYK

ZZV	MDC	DRG	ZZV	MDC	DRG	ZZV	MDC	DRG			
5a115.k		BOP, KOP, KOPV, KVT, UOP4	5a116.j		BOP, KOP, KOPV, KVT, UOP4	5a116.n		BOP, KOP, KOPV, KVT, UOP4			
	01	B02A, B02B, B02C, B13Z, B20A, B20B, B20C, B20D, B20E, B39A, B39B		01	B02A, B02B, B02C, B13Z, B20A, B20B, B20C, B20D, B20E, B39A, B39B		01	B02A, B02B, B02C, B13Z, B20A, B20B, B20C, B20D, B20E, B39A, B39B			
	02	C01A		02	C01A		02	C01A			
	03	D18Z, D25A, D25B, D25C, D25D		03	D18Z, D25A, D25B, D25C, D25D		03	D18Z, D25A, D25B, D25C, D25D			
	06	G33Z		06	G33Z		06	G33Z			
	07	H33Z, H38Z		07	H33Z, H38Z		07	H33Z, H38Z			
	09	J08A, J08B, J08C		09	J08A, J08B, J08C		09	J08A, J08B, J08C			
	11	L33Z		11	L33Z		11	L33Z			
	17	R01A, R01B, R01C, R01D, R02Z, R12A, R12B, R12C		17	R01A, R01B, R01C, R01D, R02Z, R12A, R12B, R12C		17	R01A, R01B, R01C, R01D, R02Z, R12A, R12B, R12C			
	21B	X06A, X06B, X06C, X33Z		21B	X06A, X06B, X06C, X33Z		21B	X06A, X06B, X06C, X33Z			
	23	Z01A		23	Z01A		23	Z01A			
	Pre	A07A, A09B, A11A, A11B, A13B		Pre	A07A, A09B, A11A, A11B, A13B		Pre	A07A, A09B, A11A, A11B, A13B			
	5a115.m			BOP, KOP, KOPV, KVT, UOP4	5a116.k			BOP, KOP, KOPV, KVT, UOP4	5a117.j		BOP, KOP, KOPV, KVT, UOP4
		01		B02A, B02B, B02C, B13Z, B20A, B20B, B20C, B20D, B20E, B39A, B39B			01	B02A, B02B, B02C, B13Z, B20A, B20B, B20C, B20D, B20E, B39A, B39B		01	B02A, B02B, B02C, B13Z, B20A, B20B, B20C, B20D, B20E, B39A, B39B
02		C01A	02	C01A		02	C01A				
03		D18Z, D25A, D25B, D25C, D25D	03	D18Z, D25A, D25B, D25C, D25D		03	D18Z, D25A, D25B, D25C, D25D				
06		G33Z	06	G33Z		06	G33Z				
07		H33Z, H38Z	07	H33Z, H38Z		07	H33Z, H38Z				
09		J08A, J08B, J08C	09	J08A, J08B, J08C		09	J08A, J08B, J08C				
11		L33Z	11	L33Z		11	L33Z				
17		R01A, R01B, R01C, R01D, R02Z, R12A, R12B, R12C	17	R01A, R01B, R01C, R01D, R02Z, R12A, R12B, R12C		17	R01A, R01B, R01C, R01D, R02Z, R12A, R12B, R12C				
21B		X06A, X06B, X06C, X33Z	21B	X06A, X06B, X06C, X33Z		21B	X06A, X06B, X06C, X33Z				
23		Z01A	23	Z01A		23	Z01A				
Pre		A07A, A09B, A11A, A11B, A13B	Pre	A07A, A09B, A11A, A11B, A13B		Pre	A07A, A09B, A11A, A11B, A13B				
5a115.n			BOP, KOP, KOPV, KVT, UOP4	5a116.m			BOP, KOP, KOPV, KVT, UOP4	5a117.k			BOP, KOP, KOPV, KVT, UOP4
		01	B02A, B02B, B02C, B13Z, B20A, B20B, B20C, B20D, B20E, B39A, B39B			01	B02A, B02B, B02C, B13Z, B20A, B20B, B20C, B20D, B20E, B39A, B39B			01	B02A, B02B, B02C, B13Z, B20A, B20B, B20C, B20D, B20E, B39A, B39B
	02	C01A	02		C01A	02	C01A				
	03	D18Z, D25A, D25B, D25C, D25D	03		D18Z, D25A, D25B, D25C, D25D	03	D18Z, D25A, D25B, D25C, D25D				
	06	G33Z	06		G33Z	06	G33Z				
	07	H33Z, H38Z	07		H33Z, H38Z	07	H33Z, H38Z				
	09	J08A, J08B, J08C	09		J08A, J08B, J08C	09	J08A, J08B, J08C				
	11	L33Z	11		L33Z	11	L33Z				
	17	R01A, R01B, R01C, R01D, R02Z, R12A, R12B, R12C	17		R01A, R01B, R01C, R01D, R02Z, R12A, R12B, R12C	17	R01A, R01B, R01C, R01D, R02Z, R12A, R12B, R12C				
	21B	X06A, X06B, X06C, X33Z	21B		X06A, X06B, X06C, X33Z	21B	X06A, X06B, X06C, X33Z				
	23	Z01A	23		Z01A	23	Z01A				
	Pre	A07A, A09B, A11A, A11B, A13B	Pre		A07A, A09B, A11A, A11B, A13B	Pre	A07A, A09B, A11A, A11B, A13B				

ZZV	MDC	DRG	ZZV	MDC	DRG	ZZV	MDC	DRG			
5a117.m		BOP, KOP, KOPV, KVT, UOP4	5a118.m		BOP, KOP, KOPV, KVT, UOP4	5a11a.1		BOP, KOP, KOPV, KVT, UOP4			
	01	B02A, B02B, B02C, B13Z, B20A, B20B, B20C, B20D, B20E, B39A, B39B		01	B02A, B02B, B02C, B13Z, B20A, B20B, B20C, B20D, B20E, B39A, B39B		01	B02A, B02B, B02C, B02D, B13Z, B20A, B20B, B20C, B20D, B20E, B20F, B39A, B39B			
	02	C01A		02	C01A		02	C01A			
	03	D18Z, D25A, D25B, D25C, D25D		06	G33Z		03	D18Z, D25A, D25B, D25C, D25D			
	06	G33Z		07	H33Z, H38Z		06	G33Z			
	07	H33Z, H38Z		11	L33Z		07	H33Z, H38Z			
	09	J08A, J08B, J08C		17	R01A, R01B, R01C, R01D, R02Z, R12A, R12B, R12C		09	J08A, J08B, J08C			
	11	L33Z		21B	X33Z		11	L33Z			
	17	R01A, R01B, R01C, R01D, R02Z, R12A, R12B, R12C		23	Z01A		17	R01A, R01B, R01C, R01D, R02Z, R12A, R12B, R12C			
	21B	X06A, X06B, X06C, X33Z		Pre	A07A, A09B, A11A, A11B, A13B		21A	W01A, W01B, W01C, W36Z			
	23	Z01A		5a118.n			BOP, KOP, KOPV, KVT, UOP4	21B	X06A, X06B, X06C, X33Z		
	Pre	A07A, A09B, A11A, A11B, A13B			01		B02A, B02B, B02C, B13Z, B20A, B20B, B20C, B20D, B20E, B39A, B39B	23	Z01A		
	5a117.n				BOP, KOP, KOPV, KVT, UOP4		02	C01A	Pre	A07A	
		01			B02A, B02B, B02C, B13Z, B20A, B20B, B20C, B20D, B20E, B39A, B39B		06	G33Z	5a11b.0		BOP, KOP, KOPV, KVT, UOP4
		02			C01A		07	H33Z, H38Z		01	B02A, B02B, B02C, B02D, B13Z, B20A, B20B, B20C, B20D, B20E, B20F, B39A, B39B
		03			D18Z, D25A, D25B, D25C, D25D		11	L33Z		02	C01A
		06			G33Z		17	R01A, R01B, R01C, R01D, R02Z, R12A, R12B, R12C		03	D18Z, D25A, D25B, D25C, D25D
07		H33Z, H38Z	21B		X33Z	06	G33Z				
09		J08A, J08B, J08C	23		Z01A	07	H33Z, H38Z				
11		L33Z	Pre		A07A, A09B, A11A, A11B, A13B	09	J08A, J08B, J08C				
17		R01A, R01B, R01C, R01D, R02Z, R12A, R12B, R12C	5a119			BOP, KOP, KOPV, KVT, UOP4	11	L33Z			
21B		X06A, X06B, X06C, X33Z			01	B02A, B02B, B02C, B13Z, B20A, B20B, B20C, B20D, B20E, B39A, B39B	17	R01A, R01B, R01C, R01D, R02Z, R12A, R12B, R12C			
23		Z01A			02	C01A	21A	W01A, W01B, W01C, W36Z			
Pre		A07A, A09B, A11A, A11B, A13B			03	D18Z, D25A, D25B, D25C, D25D	21B	X06A, X06B, X06C, X33Z			
5a118.j					BOP, KOP, KOPV, KVT, UOP4	06	G33Z	23		Z01A	
		01			B02A, B02B, B02C, B13Z, B20A, B20B, B20C, B20D, B20E, B39A, B39B	07	H33Z, H38Z	Pre		A07A	
		02			C01A	09	J08A, J08B, J08C	5a11b.1			BOP, KOP, KOPV, KVT, UOP4
		06		G33Z	11	L33Z	01			B02A, B02B, B02C, B02D, B13Z, B20A, B20B, B20C, B20D, B20E, B20F, B39A, B39B	
		07		H33Z, H38Z	17	R01A, R01B, R01C, R01D, R02Z, R12A, R12B, R12C	02			C01A	
	11	L33Z		21B	X06A, X06B, X06C, X33Z	03	D18Z, D25A, D25B, D25C, D25D				
	17	R01A, R01B, R01C, R01D, R02Z, R12A, R12B, R12C		23	Z01A	06	G33Z				
	21B	X33Z		Pre	A07A, A09B, A11A, A11B, A13B	07	H33Z, H38Z				
	23	Z01A		5a11a.0		BOP, KOP, KOPV, KVT, UOP4	09		J08A, J08B, J08C		
	Pre	A07A, A09B, A11A, A11B, A13B			01	B02A, B02B, B02C, B02D, B13Z, B20A, B20B, B20C, B20D, B20E, B20F, B39A, B39B	11		L33Z		
	5a118.k				BOP, KOP, KOPV, KVT, UOP4	02	C01A		17	R01A, R01B, R01C, R01D, R02Z, R12A, R12B, R12C	
		01			B02A, B02B, B02C, B13Z, B20A, B20B, B20C, B20D, B20E, B39A, B39B	03	D18Z, D25A, D25B, D25C, D25D		21A	W01A, W01B, W01C, W36Z	
		02			C01A	06	G33Z		21B	X06A, X06B, X06C, X33Z	
		06	G33Z		07	H33Z, H38Z	23		Z01A		
		07	H33Z, H38Z		09	J08A, J08B, J08C	Pre		A07A		
		11	L33Z		11	L33Z	5a118.l			BOP, KOP, KOPV, KVT, UOP4	
		17	R01A, R01B, R01C, R01D, R02Z, R12A, R12B, R12C		17	R01A, R01B, R01C, R01D, R02Z, R12A, R12B, R12C			01	B02A, B02B, B02C, B02D, B13Z, B20A, B20B, B20C, B20D, B20E, B20F, B39A, B39B	
21B		X33Z	21A		W01A, W01B, W01C, W36Z	02			C01A		
23		Z01A	21B		X06A, X06B, X06C, X33Z	03			D18Z, D25A, D25B, D25C, D25D		
Pre		A07A, A09B, A11A, A11B, A13B	23		Z01A	06		G33Z			
			Pre		A07A	07		H33Z, H38Z			

ZZV	MDC	DRG	ZZV	MDC	DRG	ZZV	MDC	DRG
5a11c.3		BOP, KOP, KOPV, KVT, UOP4	5a11c.7		BOP, KOP, KOPV, KVT, UOP4	5a11c.b		BOP, KOP, KOPV, KVT, UOP4
	01	B02A, B02B, B02C, B20A, B20B, B20C, B20D, B20E, B39A, B39B		01	B02A, B02B, B02C, B20A, B20B, B20C, B20D, B20E, B39A, B39B		01	B02A, B02B, B02C, B20A, B20B, B20C, B20D, B20E, B39A, B39B
	02	C01A		02	C01A		02	C01A
	03	D18Z, D25A, D25B, D25C, D25D		03	D18Z, D25A, D25B, D25C, D25D		03	D18Z, D25A, D25B, D25C, D25D
	06	G33Z		06	G33Z		06	G33Z
	07	H33Z, H38Z		07	H33Z, H38Z		07	H33Z, H38Z
	09	J08A, J08B, J08C		09	J08A, J08B, J08C		09	J08A, J08B, J08C
	11	L33Z		11	L33Z		11	L33Z
	17	R01A, R01B, R01C, R01D, R02Z, R12A, R12B, R12C		17	R01A, R01B, R01C, R01D, R02Z, R12A, R12B, R12C		17	R01A, R01B, R01C, R01D, R02Z, R12A, R12B, R12C
	21B	X33Z		21B	X33Z		21B	X33Z
	23	Z01A		23	Z01A		23	Z01A
	Pre	A07A		Pre	A07A		Pre	A07A
	5a11c.4			BOP, KOP, KOPV, KVT, UOP4	5a11c.8			BOP, KOP, KOPV, KVT, UOP4
01		B02A, B02B, B02C, B20A, B20B, B20C, B20D, B20E, B39A, B39B	01	B02A, B02B, B02C, B20A, B20B, B20C, B20D, B20E, B39A, B39B		01	B02A, B02B, B02C, B20A, B20B, B20C, B20D, B20E, B39A, B39B	
02		C01A	02	C01A		02	C01A	
03		D18Z, D25A, D25B, D25C, D25D	03	D18Z, D25A, D25B, D25C, D25D		03	D18Z, D25A, D25B, D25C, D25D	
06		G33Z	06	G33Z		06	G33Z	
07		H33Z, H38Z	07	H33Z, H38Z		07	H33Z, H38Z	
09		J08A, J08B, J08C	09	J08A, J08B, J08C		09	J08A, J08B, J08C	
11		L33Z	11	L33Z		11	L33Z	
17		R01A, R01B, R01C, R01D, R02Z, R12A, R12B, R12C	17	R01A, R01B, R01C, R01D, R02Z, R12A, R12B, R12C		17	R01A, R01B, R01C, R01D, R02Z, R12A, R12B, R12C	
21B		X33Z	21B	X33Z		21B	X33Z	
23		Z01A	23	Z01A		23	Z01A	
Pre		A07A	Pre	A07A		Pre	A07A	
5a11c.5			BOP, KOP, KOPV, KVT, UOP4	5a11c.9			BOP, KOP, KOPV, KVT, UOP4	5a11d.3
	01	B02A, B02B, B02C, B20A, B20B, B20C, B20D, B20E, B39A, B39B	01		B02A, B02B, B02C, B20A, B20B, B20C, B20D, B20E, B39A, B39B	01	B02A, B02B, B02C, B20A, B20B, B20C, B20D, B20E, B39A, B39B	
	02	C01A	02		C01A	02	C01A	
	03	D18Z, D25A, D25B, D25C, D25D	03		D18Z, D25A, D25B, D25C, D25D	03	D18Z, D25A, D25B, D25C, D25D	
	06	G33Z	06		G33Z	06	G33Z	
	07	H33Z, H38Z	07		H33Z, H38Z	07	H33Z, H38Z	
	09	J08A, J08B, J08C	09		J08A, J08B, J08C	09	J08A, J08B, J08C	
	11	L33Z	11		L33Z	11	L33Z	
	17	R01A, R01B, R01C, R01D, R02Z, R12A, R12B, R12C	17		R01A, R01B, R01C, R01D, R02Z, R12A, R12B, R12C	17	R01A, R01B, R01C, R01D, R02Z, R12A, R12B, R12C	
	21B	X33Z	21B		X33Z	21B	X33Z	
	23	Z01A	23		Z01A	23	Z01A	
	Pre	A07A	Pre		A07A	Pre	A07A	
	5a11c.6		BOP, KOP, KOPV, KVT, UOP4		5a11c.a		BOP, KOP, KOPV, KVT, UOP4	
01		B02A, B02B, B02C, B20A, B20B, B20C, B20D, B20E, B39A, B39B	01	B02A, B02B, B02C, B20A, B20B, B20C, B20D, B20E, B39A, B39B		01	B02A, B02B, B02C, B20A, B20B, B20C, B20D, B20E, B39A, B39B	
02		C01A	02	C01A		02	C01A	
03		D18Z, D25A, D25B, D25C, D25D	03	D18Z, D25A, D25B, D25C, D25D		03	D18Z, D25A, D25B, D25C, D25D	
06		G33Z	06	G33Z		06	G33Z	
07		H33Z, H38Z	07	H33Z, H38Z		07	H33Z, H38Z	
09		J08A, J08B, J08C	09	J08A, J08B, J08C		09	J08A, J08B, J08C	
11		L33Z	11	L33Z		11	L33Z	
17		R01A, R01B, R01C, R01D, R02Z, R12A, R12B, R12C	17	R01A, R01B, R01C, R01D, R02Z, R12A, R12B, R12C		17	R01A, R01B, R01C, R01D, R02Z, R12A, R12B, R12C	
21B		X33Z	21B	X33Z		21B	X33Z	
23		Z01A	23	Z01A		23	Z01A	
Pre		A07A	Pre	A07A		Pre	A07A	

ZZV	MDC	DRG	ZZV	MDC	DRG	ZZV	MDC	DRG
5a11d.5		BOP, KOP, KOPV, KVT, UOP4	5a11d.9		BOP, KOP, KOPV, KVT, UOP4	5a11e.3		BOP, KOP, KOPV, KVT, UOP4
	01	B02A, B02B, B02C, B20A, B20B, B20C, B20D, B20E, B39A, B39B		01	B02A, B02B, B02C, B20A, B20B, B20C, B20D, B20E, B39A, B39B		01	B02A, B02B, B02C, B20A, B20B, B20C, B20D, B20E, B39A, B39B
	02	C01A		02	C01A		02	C01A
	03	D18Z, D25A, D25B, D25C, D25D		03	D18Z, D25A, D25B, D25C, D25D		03	D18Z, D25A, D25B, D25C, D25D
	06	G33Z		06	G33Z		06	G33Z
	07	H33Z, H38Z		07	H33Z, H38Z		07	H33Z, H38Z
	09	J08A, J08B, J08C		09	J08A, J08B, J08C		09	J08A, J08B, J08C
	11	L33Z		11	L33Z		11	L33Z
	17	R01A, R01B, R01C, R01D, R02Z, R12A, R12B, R12C		17	R01A, R01B, R01C, R01D, R02Z, R12A, R12B, R12C		17	R01A, R01B, R01C, R01D, R02Z, R12A, R12B, R12C
	21B	X33Z		21B	X33Z		21B	X33Z
	23	Z01A		23	Z01A		23	Z01A
	Pre	A07A		Pre	A07A		Pre	A07A
	5a11d.6			BOP, KOP, KOPV, KVT, UOP4	5a11d.a			BOP, KOP, KOPV, KVT, UOP4
01		B02A, B02B, B02C, B20A, B20B, B20C, B20D, B20E, B39A, B39B	01	B02A, B02B, B02C, B20A, B20B, B20C, B20D, B20E, B39A, B39B		01	B02A, B02B, B02C, B20A, B20B, B20C, B20D, B20E, B39A, B39B	
02		C01A	02	C01A		02	C01A	
03		D18Z, D25A, D25B, D25C, D25D	03	D18Z, D25A, D25B, D25C, D25D		03	D18Z, D25A, D25B, D25C, D25D	
06		G33Z	06	G33Z		06	G33Z	
07		H33Z, H38Z	07	H33Z, H38Z		07	H33Z, H38Z	
09		J08A, J08B, J08C	09	J08A, J08B, J08C		09	J08A, J08B, J08C	
11		L33Z	11	L33Z		11	L33Z	
17		R01A, R01B, R01C, R01D, R02Z, R12A, R12B, R12C	17	R01A, R01B, R01C, R01D, R02Z, R12A, R12B, R12C		17	R01A, R01B, R01C, R01D, R02Z, R12A, R12B, R12C	
21B		X33Z	21B	X33Z		21B	X33Z	
23		Z01A	23	Z01A		23	Z01A	
Pre		A07A	Pre	A07A		Pre	A07A	
5a11d.7			BOP, KOP, KOPV, KVT, UOP4	5a11d.b			BOP, KOP, KOPV, KVT, UOP4	5a11e.5
	01	B02A, B02B, B02C, B20A, B20B, B20C, B20D, B20E, B39A, B39B	01		B02A, B02B, B02C, B20A, B20B, B20C, B20D, B20E, B39A, B39B	01	B02A, B02B, B02C, B20A, B20B, B20C, B20D, B20E, B39A, B39B	
	02	C01A	02		C01A	02	C01A	
	03	D18Z, D25A, D25B, D25C, D25D	03		D18Z, D25A, D25B, D25C, D25D	03	D18Z, D25A, D25B, D25C, D25D	
	06	G33Z	06		G33Z	06	G33Z	
	07	H33Z, H38Z	07		H33Z, H38Z	07	H33Z, H38Z	
	09	J08A, J08B, J08C	09		J08A, J08B, J08C	09	J08A, J08B, J08C	
	11	L33Z	11		L33Z	11	L33Z	
	17	R01A, R01B, R01C, R01D, R02Z, R12A, R12B, R12C	17		R01A, R01B, R01C, R01D, R02Z, R12A, R12B, R12C	17	R01A, R01B, R01C, R01D, R02Z, R12A, R12B, R12C	
	21B	X33Z	21B		X33Z	21B	X33Z	
	23	Z01A	23		Z01A	23	Z01A	
	Pre	A07A	Pre		A07A	Pre	A07A	
	5a11d.8		BOP, KOP, KOPV, KVT, UOP4		5a11d.c		BOP, KOP, KOPV, KVT, UOP4	
01		B02A, B02B, B02C, B20A, B20B, B20C, B20D, B20E, B39A, B39B	01	B02A, B02B, B02C, B20A, B20B, B20C, B20D, B20E, B39A, B39B		01	B02A, B02B, B02C, B20A, B20B, B20C, B20D, B20E, B39A, B39B	
02		C01A	02	C01A		02	C01A	
03		D18Z, D25A, D25B, D25C, D25D	03	D18Z, D25A, D25B, D25C, D25D		03	D18Z, D25A, D25B, D25C, D25D	
06		G33Z	06	G33Z		06	G33Z	
07		H33Z, H38Z	07	H33Z, H38Z		07	H33Z, H38Z	
09		J08A, J08B, J08C	09	J08A, J08B, J08C		09	J08A, J08B, J08C	
11		L33Z	11	L33Z		11	L33Z	
17		R01A, R01B, R01C, R01D, R02Z, R12A, R12B, R12C	17	R01A, R01B, R01C, R01D, R02Z, R12A, R12B, R12C		17	R01A, R01B, R01C, R01D, R02Z, R12A, R12B, R12C	
21B		X33Z	21B	X33Z		21B	X33Z	
23		Z01A	23	Z01A		23	Z01A	
Pre		A07A	Pre	A07A		Pre	A07A	

ZZV	MDC	DRG	ZZV	MDC	DRG	ZZV	MDC	DRG			
5a11e.7		BOP, KOP, KOPV, KVT, UOP4	5a11e.b		BOP, KOP, KOPV, KVT, UOP4	5a11f.5		BOP, KOP, KOPV, KVT, UOP4			
	01	B02A, B02B, B02C, B20A, B20B, B20C, B20D, B20E, B39A, B39B		01	B02A, B02B, B02C, B20A, B20B, B20C, B20D, B20E, B39A, B39B		01	B02A, B02B, B02C, B20A, B20B, B20C, B20D, B20E, B39A, B39B			
	02	C01A		02	C01A		02	C01A			
	03	D18Z, D25A, D25B, D25C, D25D		03	D18Z, D25A, D25B, D25C, D25D		03	D18Z, D25A, D25B, D25C, D25D			
	06	G33Z		06	G33Z		06	G33Z			
	07	H33Z, H38Z		07	H33Z, H38Z		07	H33Z, H38Z			
	09	J08A, J08B, J08C		09	J08A, J08B, J08C		09	J08A, J08B, J08C			
	11	L33Z		11	L33Z		11	L33Z			
	17	R01A, R01B, R01C, R01D, R02Z, R12A, R12B, R12C		17	R01A, R01B, R01C, R01D, R02Z, R12A, R12B, R12C		17	R01A, R01B, R01C, R01D, R02Z, R12A, R12B, R12C			
	21B	X33Z		21B	X33Z		21B	X33Z			
	23	Z01A		23	Z01A		23	Z01A			
	Pre	A07A		Pre	A07A		Pre	A07A			
	5a11e.8			BOP, KOP, KOPV, KVT, UOP4	5a11e.c			BOP, KOP, KOPV, KVT, UOP4	5a11f.6		BOP, KOP, KOPV, KVT, UOP4
		01		B02A, B02B, B02C, B20A, B20B, B20C, B20D, B20E, B39A, B39B			01	B02A, B02B, B02C, B20A, B20B, B20C, B20D, B20E, B39A, B39B		01	B02A, B02B, B02C, B20A, B20B, B20C, B20D, B20E, B39A, B39B
02		C01A	02	C01A		02	C01A				
03		D18Z, D25A, D25B, D25C, D25D	03	D18Z, D25A, D25B, D25C, D25D		03	D18Z, D25A, D25B, D25C, D25D				
06		G33Z	06	G33Z		06	G33Z				
07		H33Z, H38Z	07	H33Z, H38Z		07	H33Z, H38Z				
09		J08A, J08B, J08C	09	J08A, J08B, J08C		09	J08A, J08B, J08C				
11		L33Z	11	L33Z		11	L33Z				
17		R01A, R01B, R01C, R01D, R02Z, R12A, R12B, R12C	17	R01A, R01B, R01C, R01D, R02Z, R12A, R12B, R12C		17	R01A, R01B, R01C, R01D, R02Z, R12A, R12B, R12C				
21B		X33Z	21B	X33Z		21B	X33Z				
23		Z01A	23	Z01A		23	Z01A				
Pre		A07A	Pre	A07A		Pre	A07A				
5a11e.9			BOP, KOP, KOPV, KVT, UOP4	5a11f.3			BOP, KOP, KOPV, KVT, UOP4	5a11f.7			BOP, KOP, KOPV, KVT, UOP4
		01	B02A, B02B, B02C, B20A, B20B, B20C, B20D, B20E, B39A, B39B			01	B02A, B02B, B02C, B20A, B20B, B20C, B20D, B20E, B39A, B39B			01	B02A, B02B, B02C, B20A, B20B, B20C, B20D, B20E, B39A, B39B
	02	C01A	02		C01A	02	C01A				
	03	D18Z, D25A, D25B, D25C, D25D	03		D18Z, D25A, D25B, D25C, D25D	03	D18Z, D25A, D25B, D25C, D25D				
	06	G33Z	06		G33Z	06	G33Z				
	07	H33Z, H38Z	07		H33Z, H38Z	07	H33Z, H38Z				
	09	J08A, J08B, J08C	09		J08A, J08B, J08C	09	J08A, J08B, J08C				
	11	L33Z	11		L33Z	11	L33Z				
	17	R01A, R01B, R01C, R01D, R02Z, R12A, R12B, R12C	17		R01A, R01B, R01C, R01D, R02Z, R12A, R12B, R12C	17	R01A, R01B, R01C, R01D, R02Z, R12A, R12B, R12C				
	21B	X33Z	21B		X33Z	21B	X33Z				
	23	Z01A	23		Z01A	23	Z01A				
	Pre	A07A	Pre		A07A	Pre	A07A				
	5a11e.a		BOP, KOP, KOPV, KVT, UOP4		5a11f.4		BOP, KOP, KOPV, KVT, UOP4		5a11f.8		BOP, KOP, KOPV, KVT, UOP4
		01	B02A, B02B, B02C, B20A, B20B, B20C, B20D, B20E, B39A, B39B			01	B02A, B02B, B02C, B20A, B20B, B20C, B20D, B20E, B39A, B39B			01	B02A, B02B, B02C, B20A, B20B, B20C, B20D, B20E, B39A, B39B
02		C01A	02	C01A		02	C01A				
03		D18Z, D25A, D25B, D25C, D25D	03	D18Z, D25A, D25B, D25C, D25D		03	D18Z, D25A, D25B, D25C, D25D				
06		G33Z	06	G33Z		06	G33Z				
07		H33Z, H38Z	07	H33Z, H38Z		07	H33Z, H38Z				
09		J08A, J08B, J08C	09	J08A, J08B, J08C		09	J08A, J08B, J08C				
11		L33Z	11	L33Z		11	L33Z				
17		R01A, R01B, R01C, R01D, R02Z, R12A, R12B, R12C	17	R01A, R01B, R01C, R01D, R02Z, R12A, R12B, R12C		17	R01A, R01B, R01C, R01D, R02Z, R12A, R12B, R12C				
21B		X33Z	21B	X33Z		21B	X33Z				
23		Z01A	23	Z01A		23	Z01A				
Pre		A07A	Pre	A07A		Pre	A07A				

ZZV	MDC	DRG	ZZV	MDC	DRG	ZZV	MDC	DRG			
5a11f.9		BOP, KOP, KOPV, KVT, UOP4	5a120.0		BOP, KVT, UOP4	5a122.1		BOP, KVT, UOP4			
	01	B02A, B02B, B02C, B20A, B20B, B20C, B20D, B20E, B39A, B39B		01	B02A, B02B, B02C, B02D, B20A, B20B, B20C, B20D, B20E, B20F, B39A, B39B		01	B02A, B02B, B02C, B02D, B20A, B20B, B20C, B20D, B20E, B20F, B39A, B39B			
	02	C01A		02	C01A		02	C01A			
	03	D18Z, D25A, D25B, D25C, D25D		03	D18Z, D25A, D25B, D25C, D25D		03	D18Z, D25A, D25B, D25C, D25D			
	06	G33Z		09	J08A, J08B, J08C		09	J08A, J08B, J08C			
	07	H33Z, H38Z		17	R01A, R01C, R02Z, R12A, R12B		17	R01A, R01C, R02Z, R12A, R12B			
	09	J08A, J08B, J08C		21A	W01A, W01B, W01C, W36Z		21A	W01A, W01B, W01C, W36Z			
	11	L33Z		21B	X06A, X06B, X06C		21B	X06A, X06B, X06C			
	17	R01A, R01B, R01C, R01D, R02Z, R12A, R12B, R12C		23	Z01A		23	Z01A			
	21B	X33Z		Pre	B61A		Pre	B61A			
	23	Z01A		5a120.1			BOP, KVT, UOP4	5a123.0		BOP, KVT, UOP4	
	Pre	A07A			01		B02A, B02B, B02C, B02D, B20A, B20B, B20C, B20D, B20E, B20F, B39A, B39B		01	B02A, B02B, B02C, B02D, B20A, B20B, B20C, B20D, B20E, B20F, B39A, B39B	
	5a11f.a				BOP, KOP, KOPV, KVT, UOP4		02		C01A	02	C01A
		01			B02A, B02B, B02C, B20A, B20B, B20C, B20D, B20E, B39A, B39B		03		D18Z, D25A, D25B, D25C, D25D	03	D18Z, D25A, D25B, D25C, D25D
		02			C01A		09		J08A, J08B, J08C	09	J08A, J08B, J08C
		03			D18Z, D25A, D25B, D25C, D25D		17		R01A, R01C, R02Z, R12A, R12B	17	R01A, R01C, R02Z, R12A, R12B
		06			G33Z		21A		W01A, W01B, W01C, W36Z	21A	W01A, W01B, W01C, W36Z
07		H33Z, H38Z	21B		X06A, X06B, X06C	21B	X06A, X06B, X06C				
09		J08A, J08B, J08C	23		Z01A	23	Z01A				
11		L33Z	Pre		B61A	Pre	B61A				
17		R01A, R01B, R01C, R01D, R02Z, R12A, R12B, R12C	5a121.0			BOP, KVT, UOP4	5a123.1			BOP, KVT, UOP4	
21B		X33Z			01	B02A, B02B, B02C, B02D, B20A, B20B, B20C, B20D, B20E, B20F, B39A, B39B			01	B02A, B02B, B02C, B02D, B20A, B20B, B20C, B20D, B20E, B20F, B39A, B39B	
23		Z01A			02	C01A			02	C01A	
Pre		A07A			03	D18Z, D25A, D25B, D25C, D25D			03	D18Z, D25A, D25B, D25C, D25D	
5a11f.b					BOP, KOP, KOPV, KVT, UOP4	09			J08A, J08B, J08C	09	J08A, J08B, J08C
		01			B02A, B02B, B02C, B20A, B20B, B20C, B20D, B20E, B39A, B39B	17			R01A, R01C, R02Z, R12A, R12B	17	R01A, R01C, R02Z, R12A, R12B
		02			C01A	21A			W01A, W01B, W01C, W36Z	21A	W01A, W01B, W01C, W36Z
		03		D18Z, D25A, D25B, D25C, D25D	21B	X06A, X06B, X06C		21B	X06A, X06B, X06C		
		06		G33Z	23	Z01A		23	Z01A		
	07	H33Z, H38Z		Pre	B61A	Pre		B61A			
	09	J08A, J08B, J08C		5a121.1		BOP, KVT, UOP4		5a124.0		BOP, KVT, UOP4	
	11	L33Z			01	B02A, B02B, B02C, B02D, B20A, B20B, B20C, B20D, B20E, B20F, B39A, B39B			01	B02A, B02B, B02C, B02D, B20A, B20B, B20C, B20D, B20E, B20F, B39A, B39B	
	17	R01A, R01B, R01C, R01D, R02Z, R12A, R12B, R12C			02	C01A			02	C01A	
	21B	X33Z			03	D18Z, D25A, D25B, D25C, D25D			03	D18Z, D25A, D25B, D25C, D25D	
	23	Z01A			09	J08A, J08B, J08C			09	J08A, J08B, J08C	
	Pre	A07A			17	R01A, R01C, R02Z, R12A, R12B			17	R01A, R01C, R02Z, R12A, R12B	
	5a11f.c				BOP, KOP, KOPV, KVT, UOP4	21A			W01A, W01B, W01C, W36Z	21A	W01A, W01B, W01C, W36Z
		01	B02A, B02B, B02C, B20A, B20B, B20C, B20D, B20E, B39A, B39B		21B	X06A, X06B, X06C	21B		X06A, X06B, X06C		
		02	C01A		23	Z01A	23		Z01A		
		03	D18Z, D25A, D25B, D25C, D25D		Pre	B61A	Pre		B61A		
		06	G33Z		5a122.0		BOP, KVT, UOP4		5a124.1		BOP, KVT, UOP4
07		H33Z, H38Z	01			B02A, B02B, B02C, B02D, B20A, B20B, B20C, B20D, B20E, B20F, B39A, B39B	01			B02A, B02B, B02C, B02D, B20A, B20B, B20C, B20D, B20E, B20F, B39A, B39B	
09		J08A, J08B, J08C	02			C01A	02			C01A	
11		L33Z	03			D18Z, D25A, D25B, D25C, D25D	03			D18Z, D25A, D25B, D25C, D25D	
17		R01A, R01B, R01C, R01D, R02Z, R12A, R12B, R12C	09			J08A, J08B, J08C	09			J08A, J08B, J08C	
21B		X33Z	17			R01A, R01C, R02Z, R12A, R12B	17			R01A, R01C, R02Z, R12A, R12B	
23		Z01A	21A			W01A, W01B, W01C, W36Z	21A			W01A, W01B, W01C, W36Z	
Pre		A07A	21B	X06A, X06B, X06C		21B	X06A, X06B, X06C				
			23	Z01A		23	Z01A				
			Pre	B61A		Pre	B61A				

ZZV	MDC	DRG	ZZV	MDC	DRG	ZZV	MDC	DRG
5a125.0		BOP, KVT, UOP4	5a127.3		BOP, KVT, UOP4	5a128.6		BOP, KOP, KOPV, KVT, UOP4
	01	B02A, B02B, B02C, B02D, B20A, B20B, B20C, B20D, B20E, B20F, B39A, B39B		01	B02A, B02B, B02C, B02D, B20A, B20B, B20C, B20D, B20E, B20F, B39A, B39B		01	B02A, B02B, B02C, B02D, B13Z, B20A, B20B, B20C, B20D, B20E, B20F, B39A, B39B
	02	C01A		02	C01A		02	C01A
	03	D18Z, D25A, D25B, D25C, D25D		03	D18Z, D25A, D25B, D25C, D25D		03	D18Z, D25A, D25B, D25C, D25D
	09	J08A, J08B, J08C		09	J08A, J08B, J08C		06	G33Z
	17	R01A, R01C, R02Z, R12A, R12B		17	R01A, R01C, R02Z, R12A, R12B		07	H33Z, H38Z
	21A	W01A, W01B, W01C, W36Z		21A	W01A, W01B, W01C, W36Z		09	J08A, J08B, J08C
	21B	X06A, X06B, X06C		21B	X06A, X06B, X06C		11	L33Z
	23	Z01A		23	Z01A		17	R01A, R01B, R01C, R01D, R02Z, R12A, R12B, R12C
	Pre	B61A		Pre	B61A		Pre	A07A
5a125.1		BOP, KVT, UOP4	5a128.4		BOP, KOP, KOPV, KVT, UOP4	5a128.7		BOP, KOP, KOPV, KVT, UOP4
	01	B02A, B02B, B02C, B02D, B20A, B20B, B20C, B20D, B20E, B20F, B39A, B39B		01	B02A, B02B, B02C, B02D, B13Z, B20A, B20B, B20C, B20D, B20E, B20F, B39A, B39B		01	B02A, B02B, B02C, B02D, B13Z, B20A, B20B, B20C, B20D, B20E, B20F, B39A, B39B
	02	C01A		02	C01A		02	C01A
	03	D18Z, D25A, D25B, D25C, D25D		03	D18Z, D25A, D25B, D25C, D25D		03	D18Z, D25A, D25B, D25C, D25D
	09	J08A, J08B, J08C		06	G33Z		06	G33Z
	17	R01A, R01C, R02Z, R12A, R12B		07	H33Z, H38Z		07	H33Z, H38Z
	21A	W01A, W01B, W01C, W36Z		09	J08A, J08B, J08C		09	J08A, J08B, J08C
	21B	X06A, X06B, X06C		11	L33Z		11	L33Z
	23	Z01A		17	R01A, R01B, R01C, R01D, R02Z, R12A, R12B, R12C		17	R01A, R01B, R01C, R01D, R02Z, R12A, R12B, R12C
	Pre	B61A		Pre	A07A		Pre	A07A
5a126.2		BOP, KVT, UOP4	5a128.5		BOP, KOP, KOPV, KVT, UOP4	5a129.0		BOP, KVT, UOP4
	01	B02A, B02B, B02C, B02D, B20A, B20B, B20C, B20D, B20E, B20F, B39A, B39B		01	B02A, B02B, B02C, B02D, B13Z, B20A, B20B, B20C, B20D, B20E, B20F, B39A, B39B		01	B09A, B09B
	02	C01A		02	C01A		02	C01A
	03	D18Z, D25A, D25B, D25C, D25D		03	D18Z, D25A, D25B, D25C, D25D		03	D18Z, D25A, D25B, D25C, D25D
	09	J08A, J08B, J08C		06	G33Z		09	J08A, J08B, J08C
	17	R01A, R01C, R02Z, R12A, R12B		07	H33Z, H38Z		17	R01A, R01B, R01C, R01D, R02Z, R12A, R12B, R12C
	21A	W01A, W01B, W01C, W36Z		09	J08A, J08B, J08C		21A	W01A, W01B, W01C, W36Z
	21B	X06A, X06B, X06C		11	L33Z		21B	X06A, X06B, X06C
	23	Z01A		17	R01A, R01B, R01C, R01D, R02Z, R12A, R12B, R12C		23	Z01A
	Pre	B61A		Pre	A07A		Pre	B61A
5a126.3		BOP, KVT, UOP4	5a129.1		BOP, KVT, UOP4	5a129.1		BOP, KVT, UOP4
	01	B02A, B02B, B02C, B02D, B20A, B20B, B20C, B20D, B20E, B20F, B39A, B39B		01	B02A, B02B, B02C, B02D, B13Z, B20A, B20B, B20C, B20D, B20E, B20F, B39A, B39B		01	B09A, B09B
	02	C01A		02	C01A		02	C01A
	03	D18Z, D25A, D25B, D25C, D25D		03	D18Z, D25A, D25B, D25C, D25D		03	D18Z, D25A, D25B, D25C, D25D
	09	J08A, J08B, J08C		06	G33Z		09	J08A, J08B, J08C
	17	R01A, R01C, R02Z, R12A, R12B		07	H33Z, H38Z		17	R01A, R01B, R01C, R01D, R02Z, R12A, R12B, R12C
	21A	W01A, W01B, W01C, W36Z		09	J08A, J08B, J08C		21A	W01A, W01B, W01C, W36Z
	21B	X06A, X06B, X06C		11	L33Z		21B	X06A, X06B, X06C
	23	Z01A		17	R01A, R01B, R01C, R01D, R02Z, R12A, R12B, R12C		23	Z01A
	Pre	B61A		Pre	A07A		Pre	B61A
5a127.2		BOP, KVT, UOP4	5a129.1		BOP, KVT, UOP4	5a129.1		BOP, KVT, UOP4
	01	B02A, B02B, B02C, B02D, B20A, B20B, B20C, B20D, B20E, B20F, B39A, B39B		01	B02A, B02B, B02C, B02D, B13Z, B20A, B20B, B20C, B20D, B20E, B20F, B39A, B39B		01	B09A, B09B
	02	C01A		02	C01A		02	C01A
	03	D18Z, D25A, D25B, D25C, D25D		03	D18Z, D25A, D25B, D25C, D25D		03	D18Z, D25A, D25B, D25C, D25D
	09	J08A, J08B, J08C		06	G33Z		09	J08A, J08B, J08C
	17	R01A, R01C, R02Z, R12A, R12B		07	H33Z, H38Z		17	R01A, R01B, R01C, R01D, R02Z, R12A, R12B, R12C
	21A	W01A, W01B, W01C, W36Z		09	J08A, J08B, J08C		21A	W01A, W01B, W01C, W36Z
	21B	X06A, X06B, X06C		11	L33Z		21B	X06A, X06B, X06C
	23	Z01A		17	R01A, R01B, R01C, R01D, R02Z, R12A, R12B, R12C		23	Z01A
	Pre	B61A		Pre	A07A		Pre	B61A

VYK

ZZV	MDC	DRG	ZZV	MDC	DRG	ZZV	MDC	DRG			
5a12a.0		BOP, KVT, UOP4	5a12d.4		BOP, KOP, KOPV, KVT, UOP4	5a12d.7		BOP, KOP, KOPV, KVT, UOP4			
	01	B09A, B09B		01	B02A, B02B, B02C, B02D, B13Z, B20A, B20B, B20C, B20D, B20E, B20F, B39A, B39B		01	B02A, B02B, B02C, B02D, B13Z, B20A, B20B, B20C, B20D, B20E, B20F, B39A, B39B			
	02	C01A		02	C01A		02	C01A			
	03	D18Z, D25A, D25B, D25C, D25D		03	D18Z, D25A, D25B, D25C, D25D		03	D18Z, D25A, D25B, D25C, D25D			
	09	J08A, J08B, J08C		06	G33Z		06	G33Z			
	17	R01A, R01B, R01C, R01D, R02Z, R12A, R12B, R12C		07	H33Z, H38Z		07	H33Z, H38Z			
	21A	W01A, W01B, W01C, W36Z		09	J08A, J08B, J08C		09	J08A, J08B, J08C			
	21B	X06A, X06B, X06C		11	L33Z		11	L33Z			
	23	Z01A		17	R01A, R01B, R01C, R01D, R02Z, R12A, R12B, R12C		17	R01A, R01B, R01C, R01D, R02Z, R12A, R12B, R12C			
	Pre	B61A		21A	W01A, W01B, W01C, W36Z		21A	W01A, W01B, W01C, W36Z			
	5a12a.1			BOP, KVT, UOP4	5a12d.5			BOP, KOP, KOPV, KVT, UOP4	5a130		BOP, KVT, UOP4
		01		B09A, B09B			01	B02A, B02B, B02C, B02D, B13Z, B20A, B20B, B20C, B20D, B20E, B20F, B39A, B39B		01	B03A, B03B, B06A, B06B, B07Z, B17A, B17B, B17C
		02		C01A			02	C01A		02	C01A
03		D18Z, D25A, D25B, D25C, D25D	03	D18Z, D25A, D25B, D25C, D25D		03	D12A, D12B				
09		J08A, J08B, J08C	06	G33Z		21A	W04A, W04B				
17		R01A, R01B, R01C, R01D, R02Z, R12A, R12B, R12C	07	H33Z, H38Z		21B	X06A, X06B, X06C				
21A		W01A, W01B, W01C, W36Z	09	J08A, J08B, J08C			BOP, KVT, UOP4				
21B		X06A, X06B, X06C	11	L33Z		01	B03A, B03B, B06A, B06B, B07Z, B17A, B17B, B17C				
23		Z01A	17	R01A, R01B, R01C, R01D, R02Z, R12A, R12B, R12C		02	C01A				
Pre		B61A	21A	W01A, W01B, W01C, W36Z		03	D12A, D12B				
5a12b.0			BOP, KVT, UOP4	5a12d.6			BOP, KOP, KOPV, KVT, UOP4	5a131			BOP, KVT, UOP4
		01	B09A, B09B			01	B02A, B02B, B02C, B02D, B13Z, B20A, B20B, B20C, B20D, B20E, B20F, B39A, B39B			01	B03A, B03B, B06A, B06B, B07Z, B17A, B17B, B17C
		02	C01A			02	C01A			02	C01A
	03	D18Z, D25A, D25B, D25C, D25D	03		D18Z, D25A, D25B, D25C, D25D	03	D12A, D12B				
	09	J08A, J08B, J08C	06		G33Z	21A	W04A, W04B				
	17	R01A, R01B, R01C, R01D, R02Z, R12A, R12B, R12C	07		H33Z, H38Z	21B	X06A, X06B, X06C				
	21A	W01A, W01B, W01C, W36Z	09		J08A, J08B, J08C		BOP, KVT, UOP4				
	21B	X06A, X06B, X06C	11		L33Z	01	B02A, B02B, B02C, B02D, B20A, B20B, B20C, B20D, B20E, B20F, B39A, B39B				
	23	Z01A	17		R01A, R01B, R01C, R01D, R02Z, R12A, R12B, R12C	02	C01A				
	Pre	B61A	21A		W01A, W01B, W01C, W36Z	03	D12A, D12B				
	5a12b.1		BOP, KVT, UOP4		5a12c.8		BOP, KOP, KOPV, KVT, UOP4		5a132.7		BOP, KVT, UOP4
		01	B09A, B09B			01	B02A, B02B, B02C, B02D, B13Z, B20A, B20B, B20C, B20D, B20E, B20F, B39A, B39B			01	B02A, B02B, B02C, B02D, B20A, B20B, B20C, B20D, B20E, B20F, B39A, B39B
		02	C01A			02	C01A			02	C01A
03		D18Z, D25A, D25B, D25C, D25D	03	D18Z, D25A, D25B, D25C, D25D		03	D12A, D12B				
09		J08A, J08B, J08C	06	G33Z		06	G33Z				
17		R01A, R01B, R01C, R01D, R02Z, R12A, R12B, R12C	07	H33Z, H38Z		07	H33Z, H38Z				
21A		W01A, W01B, W01C, W36Z	11	L33Z		11	L33Z				
21B		X06A, X06B, X06C	17	R01A, R01B, R01C, R01D, R02Z, R12A, R12B, R12C		21A	W01A, W01B, W01C, W36Z				
23		Z01A	21A	W01A, W01B, W01C, W36Z		21B	X06A, X06B, X06C, X33Z				
Pre		B61A	21B	X06A, X06B, X06C, X33Z		23	Z01A				
5a12c.8			BOP, KVT, UOP4	5a12c.9			BOP, KVT, UOP4	5a132.8			BOP, KOP, KOPV, KVT, UOP4
		01	B09A, B09B			01	B02A, B02B, B02C, B02D, B13Z, B20A, B20B, B20C, B20D, B20E, B20F, B39A, B39B			01	B02A, B02B, B02C, B02D, B20A, B20B, B20C, B20D, B20E, B20F, B39A, B39B
		02	C01A			02	C01A			02	C01A
	03	D18Z, D25A, D25B, D25C, D25D	03		D18Z, D25A, D25B, D25C, D25D	03	D12A, D12B				
	09	J08A, J08B, J08C	06		G33Z	06	G33Z				
	17	R01A, R01B, R01C, R01D, R02Z, R12A, R12B, R12C	07		H33Z, H38Z	07	H33Z, H38Z				
	21A	W01A, W01B, W01C, W36Z	11		L33Z	11	L33Z				
	21B	X06A, X06B, X06C	17		R01A, R01B, R01C, R01D, R02Z, R12A, R12B, R12C	21A	W01A, W01B, W01C, W36Z				
	23	Z01A	21A		W01A, W01B, W01C, W36Z	21B	X06A, X06B, X06C, X33Z				
	Pre	B61A	21B		X06A, X06B, X06C, X33Z	23	Z01A				
	5a12c.9		BOP, KVT, UOP4								A07A
		01	B09A, B09B								
		02	C01A								
03		D18Z, D25A, D25B, D25C, D25D									
09		J08A, J08B, J08C									
17		R01A, R01B, R01C, R01D, R02Z, R12A, R12B, R12C									
23		Z01A									
Pre		B61A									

VYK

ZZV	MDC	DRG	ZZV	MDC	DRG	ZZV	MDC	DRG			
5a132.9		BOP, KOP, KOPV, KVT, UOP4	5a190.3		BOP, KOP, KOPV, KVT, UOP4	5a193		BOP, KOP, KOPV, KVT, UOP4			
	01	B02A, B02B, B02C, B02D, B20A, B20B, B20C, B20D, B20E, B20F, B39A, B39B		01	B02A, B02B, B02C, B20A, B20B, B20C, B20D, B20E, B39A, B39B		01	B02A, B02B, B02C, B13Z, B20A, B20B, B20C, B20D, B20E, B39A, B39B			
	02	C01A		02	C01A		02	C01A			
	03	D12A, D12B		06	G33Z		06	G33Z			
	06	G33Z		07	H33Z, H38Z		07	H33Z, H38Z			
	07	H33Z, H38Z		08	I23A		11	L33Z			
	11	L33Z		11	L33Z		17	R01A, R01B, R01C, R01D, R02Z, R12A, R12B, R12C			
	21A	W01A, W01B, W01C, W36Z		17	R01A, R01B, R01C, R01D, R02Z, R12A, R12B, R12C		21B	X33Z			
	21B	X06A, X06B, X06C, X33Z		21A	W01A, W01B, W01C, W36Z		23	Z01A			
	23	Z01A		21B	X33Z		Pre	A07A			
	Pre	A07A		23	Z01A		5a194.e	BOP, KOP, KOPV, KVT, UOP4			
	5a190.0			BOP, KOP, KOPV, KVT, UOP4	5a190.4				BOP, KOP, KOPV, KVT, UOP4	01	B02A, B02B, B02C, B13Z, B20A, B20B, B20C, B20D, B20E, B39A, B39B
		01		B02A, B02B, B02C, B20A, B20B, B20C, B20D, B20E, B39A, B39B				01	B02A, B02B, B02C, B20A, B20B, B20C, B20D, B20E, B39A, B39B	02	C01A
		02		C01A				02	C01A	06	G33Z
06		G33Z	06	G33Z		07		H33Z, H38Z			
07		H33Z, H38Z	07	H33Z, H38Z		11		L33Z			
08		I23A	07	H33Z, H38Z		17		R01A, R01B, R01C, R01D, R02Z, R12A, R12B, R12C			
11		L33Z	08	I23A		21B		X33Z			
17		R01A, R01B, R01C, R01D, R02Z, R12A, R12B, R12C	11	L33Z		23		Z01A			
21A		W01A, W01B, W01C, W36Z	17	R01A, R01B, R01C, R01D, R02Z, R12A, R12B, R12C		Pre		A07A			
21B		X33Z	21A	W01A, W01B, W01C, W36Z		5a194.f		BOP, KOP, KOPV, KVT, UOP4			
23		Z01A	21B	X33Z				01	B02A, B02B, B02C, B13Z, B20A, B20B, B20C, B20D, B20E, B39A, B39B		
Pre		A07A	23	Z01A				02	C01A		
5a190.1			BOP, KOP, KOPV, KVT, UOP4	5a191					BOP, KOP, KOPV, KVT, UOP4	06	G33Z
		01	B02A, B02B, B02C, B20A, B20B, B20C, B20D, B20E, B39A, B39B				01	B02A, B02B, B02C, B20A, B20B, B20C, B20D, B20E, B39A, B39B	07	H33Z, H38Z	
	02	C01A	02		C01A		11	L33Z			
	06	G33Z	06		G33Z		17	R01A, R01B, R01C, R01D, R02Z, R12A, R12B, R12C			
	07	H33Z, H38Z	07		H33Z, H38Z		21B	X33Z			
	08	I23A	08		I15A, I15B		23	Z01A			
	11	L33Z	11		L33Z		Pre	A07A			
	17	R01A, R01B, R01C, R01D, R02Z, R12A, R12B, R12C	21A		W01A, W01B, W01C, W36Z		5a195	BOP, KVT, UOP4			
	21A	W01A, W01B, W01C, W36Z	21B		X06A, X06B, X06C, X33Z			01	B02A, B02B, B02C, B02D, B20A, B20B, B20C, B20D, B20E, B20F, B39A, B39B		
	21B	X33Z	23		Z01A			02	C01A		
	23	Z01A	Pre		A07A, A09B, A11A, A11B, A13B			03	D18Z, D25A, D25B, D25C, D25D		
	Pre	A07A	5a192			BOP, KOP, KOPV, KVT, UOP4		09	J08A, J08B, J08C		
	5a190.2				BOP, KOP, KOPV, KVT, UOP4	5a192			BOP, KOP, KOPV, KVT, UOP4	17	R01A, R01C, R02Z, R12A, R12B
		01			B02A, B02B, B02C, B20A, B20B, B20C, B20D, B20E, B39A, B39B			01	B02A, B02B, B02C, B20A, B20B, B20C, B20D, B20E, B39A, B39B	21A	W01A, W01B, W01C, W36Z
02		C01A		02	C01A			21B	X06A, X06B, X06C		
06		G33Z		06	G33Z			23	Z01A		
07		H33Z, H38Z		07	H33Z, H38Z			Pre	B61A		
08		I23A		08	I15A, I15B			5a196	BOP, KVT, UOP4		
11		L33Z		11	L33Z				01	B09A, B09B	
17		R01A, R01B, R01C, R01D, R02Z, R12A, R12B, R12C		21A	W01A, W01B, W01C, W36Z				02	C01A	
21A		W01A, W01B, W01C, W36Z		21B	X06A, X06B, X06C, X33Z				03	D18Z, D25A, D25B, D25C, D25D	
21B		X33Z		23	Z01A		09		J08A, J08B, J08C		
23		Z01A		Pre	A07A, A09B, A11A, A11B, A13B		17		R01A, R01B, R01C, R01D, R02Z, R12A, R12B, R12C		
Pre		A07A					23		Z01A		
							Pre		B61A		

ZZV	MDC	DRG	ZZV	MDC	DRG	ZZV	MDC	DRG			
5a197		BOP, KOP, KOPV, KVT, UOP4	5a198.9		BOP, KOP, KOPV, KVT, UOP4	5a19a.b		BOP, KVT, UOP4			
	01	B02A, B02B, B02C, B02D, B13Z, B20A, B20B, B20C, B20D, B20E, B20F, B39A, B39B		01	B02A, B02B, B02C, B02D, B13Z, B20A, B20B, B20C, B20D, B20E, B20F, B39A, B39B		01	B03A, B03B, B06A, B06B, B07Z, B17A, B17B, B17C			
	02	C01A		02	C01A		02	C01A			
	03	D18Z, D25A, D25B, D25C, D25D		03	D18Z, D25A, D25B, D25C, D25D		03	D12A, D12B			
	06	G33Z		06	G33Z		21A	W04A, W04B			
	07	H33Z, H38Z		07	H33Z, H38Z		21B	X06A, X06B, X06C			
	09	J08A, J08B, J08C		09	J08A, J08B, J08C		5a19a.c	BOP, KVT, UOP4			
	11	L33Z		11	L33Z			01	B03A, B03B, B06A, B06B, B07Z, B17A, B17B, B17C		
	17	R01A, R01B, R01C, R01D, R02Z, R12A, R12B, R12C		17	R01A, R01B, R01C, R01D, R02Z, R12A, R12B, R12C		02	C01A			
	21B	X33Z		21A	W01A, W01B, W01C, W36Z		03	D12A, D12B			
	23	Z01A		21B	X06A, X06B, X06C, X33Z		21A	W04A, W04B			
	Pre	A07A		23	Z01A		21B	X06A, X06B, X06C			
	5a198			BOP, KOP, KOPV, KVT, UOP4	5a199.1			BOP, KOP, KOPV, KVT, UOP4	5a19b.7		BOP, KVT, UOP4
		01		B02A, B02B, B02C, B02D, B13Z, B20A, B20B, B20C, B20D, B20E, B20F, B39A, B39B			01	B02A, B02B, B02C, B02D, B13Z, B20A, B20B, B20C, B20D, B20E, B20F, B39A, B39B		01	B03A, B03B, B06A, B06B, B07Z, B17A, B17B, B17C
		02		C01A			02	C01A		02	C01A
		03		D18Z, D25A, D25B, D25C, D25D			03	D18Z, D25A, D25B, D25C, D25D		03	D12A, D12B
		06		G33Z			06	G33Z		21A	W04A, W04B
07		H33Z, H38Z	07	H33Z, H38Z		21B	X06A, X06B, X06C				
09		J08A, J08B, J08C	09	J08A, J08B, J08C		5a19b.b	BOP, KVT, UOP4				
11		L33Z	11	L33Z			01	B03A, B03B, B06A, B06B, B07Z, B17A, B17B, B17C			
17		R01A, R01B, R01C, R01D, R02Z, R12A, R12B, R12C	17	R01A, R01B, R01C, R01D, R02Z, R12A, R12B, R12C		02	C01A				
21B		X33Z	21A	W01A, W01B, W01C, W36Z		03	D12A, D12B				
23		Z01A	21B	X06A, X06B, X06C, X33Z		21A	W04A, W04B				
Pre		A07A	23	Z01A		21B	X06A, X06B, X06C				
5a198.1			BOP, KOP, KOPV, KVT, UOP4	5a199.9			BOP, KOP, KOPV, KVT, UOP4	5a19b.c			BOP, KVT, UOP4
		01	B02A, B02B, B02C, B02D, B13Z, B20A, B20B, B20C, B20D, B20E, B20F, B39A, B39B			01	B02A, B02B, B02C, B02D, B13Z, B20A, B20B, B20C, B20D, B20E, B20F, B39A, B39B			01	B03A, B03B, B06A, B06B, B07Z, B17A, B17B, B17C
		02	C01A			02	C01A			02	C01A
		03	D18Z, D25A, D25B, D25C, D25D			03	D18Z, D25A, D25B, D25C, D25D			03	D12A, D12B
		06	G33Z			06	G33Z			21A	W04A, W04B
	07	H33Z, H38Z	07		H33Z, H38Z	21B	X06A, X06B, X06C				
	09	J08A, J08B, J08C	09		J08A, J08B, J08C	5a19c.81	BOP, KVT, UOP4				
	11	L33Z	11		L33Z		01		B03A, B03B, B06A, B06B, B07Z, B17A, B17B, B17C		
	17	R01A, R01B, R01C, R01D, R02Z, R12A, R12B, R12C	17		R01A, R01B, R01C, R01D, R02Z, R12A, R12B, R12C	02	C01A				
	21A	W01A, W01B, W01C, W36Z	21A		W01A, W01B, W01C, W36Z	03	D12A, D12B				
	21B	X06A, X06B, X06C, X33Z	21B		X06A, X06B, X06C, X33Z	21A	W04A, W04B				
	23	Z01A	23		Z01A	21B	X06A, X06B, X06C				
	Pre	A07A	Pre		A07A	5a19c.82	BOP, KOP, KOPV, KVT, UOP4				
	5a198.1		BOP, KOP, KOPV, KVT, UOP4		5a199.7				BOP, KOP, KOPV, KVT, UOP4		BOP, KOP, KOPV, KVT, UOP4
		01	B02A, B02B, B02C, B02D, B13Z, B20A, B20B, B20C, B20D, B20E, B20F, B39A, B39B			01	B02A, B02B, B02C, B02D, B13Z, B20A, B20B, B20C, B20D, B20E, B20F, B39A, B39B		01	B02A, B02B, B02C, B20A, B20B, B20C, B20D, B20E, B39A, B39B	
		02	C01A			02	C01A		02	C01A	
		03	D18Z, D25A, D25B, D25C, D25D			03	D18Z, D25A, D25B, D25C, D25D		03	D18Z, D25A, D25B, D25C, D25D	
06		G33Z	06	G33Z		06	G33Z				
07		H33Z, H38Z	07	H33Z, H38Z		07	H33Z, H38Z				
09		J08A, J08B, J08C	09	J08A, J08B, J08C		09	J08A, J08B, J08C				
11		L33Z	11	L33Z		11	L33Z				
17		R01A, R01B, R01C, R01D, R02Z, R12A, R12B, R12C	17	R01A, R01B, R01C, R01D, R02Z, R12A, R12B, R12C		17	R01A, R01B, R01C, R01D, R02Z, R12A, R12B, R12C				
21A		W01A, W01B, W01C, W36Z	21A	W01A, W01B, W01C, W36Z		21B	X33Z				
21B		X06A, X06B, X06C, X33Z	21B	X06A, X06B, X06C, X33Z		23	Z01A				
23		Z01A	23	Z01A		Pre	A07A				
Pre		A07A	Pre	A07A		5a19c.82	BOP, KOP, KOPV, KVT, UOP4				
							01	B02A, B02B, B02C, B20A, B20B, B20C, B20D, B20E, B39A, B39B			
						02	C01A				
						03	D18Z, D25A, D25B, D25C, D25D				
						06	G33Z				
				07	H33Z, H38Z						
				09	J08A, J08B, J08C						
				11	L33Z						
				17	R01A, R01B, R01C, R01D, R02Z, R12A, R12B, R12C						
				21B	X33Z						
				23	Z01A						
				Pre	A07A						

ZZV	MDC	DRG	ZZV	MDC	DRG	ZZV	MDC	DRG
5a19e		BOP, KVT, UOP4	5a19k.1		BOP, KVT, UOP4	5a19m.6		BOP, KVT, UOP4
	01	B03A, B03B, B06A, B06B, B07Z, B17A, B17B, B17C		01	B02A, B02B, B02C, B02D, B20A, B20B, B20C, B20D, B20E, B20F, B39A, B39B		01	B02A, B02B, B02C, B02D, B20A, B20B, B20C, B20D, B20E, B20F, B39A, B39B
	02	C01A		02	C01A		02	C01A
	03	D12A, D12B		08	I15A, I15B		06	G01Z, G02Z, G38Z
5a19f.8	21A	W04A, W04B	5a19k.2	09	J08A	5a19n.7	08	I15A, I15B
	21B	X06A, X06B, X06C		17	R01A, R01C, R02Z, R12A, R12B		09	J08A
		BOP, KOP, KOPV, KVT, UOP4		21A	W01A, W01B, W01C, W36Z		17	R01A, R01C, R02Z, R12A, R12B
	01	B02A, B02B, B02C, B20A, B20B, B20C, B20D, B20E, B39A, B39B		21B	X06A, X06B		21A	W01A, W01B, W01C, W36Z
	02	C01A		23	Z01A		21B	X06A, X06B
	03	D18Z, D25A, D25B, D25C, D25D			BOP, KVT, UOP4		23	Z01A
	06	G33Z		01	B02A, B02B, B02C, B02D, B20A, B20B, B20C, B20D, B20E, B20F, B39A, B39B		Pre	A11A, A13A, A13B, A13D
	07	H33Z, H38Z		02	C01A		01	B09A, B09B, B20A, B20B, B20C, B20D, B20E, B20F
	09	J08A, J08B, J08C		08	I15A, I15B		02	C01A
	11	L33Z		09	J08A		17	R01A, R01B, R01C, R01D, R02Z, R12A, R12B, R12C
	17	R01A, R01B, R01C, R01D, R02Z, R12A, R12B, R12C		17	R01A, R01C, R02Z, R12A, R12B		21A	W01A, W01B, W01C, W36Z
5a19g	21B	X33Z	5a19k.3	21A	W01A, W01B, W01C, W36Z	5a19n.8	21B	X06A, X06B, X06C
	23	Z01A		21B	X06A, X06B		01	B09A, B09B, B20A, B20B, B20C, B20D, B20E, B20F
	Pre	A07A		23	Z01A		02	C01A
		BOP, KOP, KOPV, KVT, UOP4			BOP, KVT, UOP4		17	R01A, R01B, R01C, R01D, R02Z, R12A, R12B, R12C
	01	B02A, B02B, B02C, B20A, B20B, B20C, B20D, B20E, B39A, B39B		01	B02A, B02B, B02C, B02D, B20A, B20B, B20C, B20D, B20E, B20F, B39A, B39B		21A	W01A, W01B, W01C, W36Z
	02	C01A		02	C01A		21B	X06A, X06B, X06C
	03	D18Z, D25A, D25B, D25C, D25D		08	I15A, I15B		01	B09A, B09B, B20A, B20B, B20C, B20D, B20E, B20F
	06	G33Z		09	J08A		02	C01A
	07	H33Z, H38Z		17	R01A, R01C, R02Z, R12A, R12B		03	D18Z, D25A, D25B, D25C, D25D
	09	J08A, J08B, J08C		21A	W01A, W01B, W01C, W36Z		09	J08A, J08B, J08C
	11	L33Z		21B	X06A, X06B		17	R01A, R01B, R01C, R01D, R02Z, R12A, R12B, R12C
5a19h	17	R01A, R01B, R01C, R01D, R02Z, R12A, R12B, R12C	5a19m.4	23	Z01A	5a19o.1	21A	W01A, W01B, W01C, W36Z
	21A	W01A, W01B, W01C, W36Z			BOP, KVT, UOP4		21B	X06A, X06B, X06C
	21B	X06A, X06B, X06C, X33Z		01	B02A, B02B, B02C, B02D, B20A, B20B, B20C, B20D, B20E, B20F, B39A, B39B		01	BOP, KVT, UOP4
	23	Z01A		02	C01A		02	C01A
	Pre	A07A		06	G01Z, G02Z, G38Z		03	D18Z, D25A, D25B, D25C, D25D
		BOP, KVT, UOP4		08	I15A, I15B		09	J08A, J08B, J08C
	01	B03A, B03B, B06A, B06B, B07Z, B17A, B17B, B17C		09	J08A		17	R01A, R01B, R01C, R01D, R02Z, R12A, R12B, R12C
	02	C01A		17	R01A, R01C, R02Z, R12A, R12B		21A	W01A, W01B, W01C, W36Z
	03	D12A, D12B		21A	W01A, W01B, W01C, W36Z		21B	X06A, X06B, X06C
	21A	W04A, W04B		21B	X06A, X06B		Pre	B61A
	21B	X06A, X06B, X06C		23	Z01A		01	BOP, KVT, UOP4
5a19k.0		BOP, KVT, UOP4	5a19m.5	Pre	A11A, A13A, A13B, A13D	5a19o.3	02	C01A
	01	B02A, B02B, B02C, B02D, B20A, B20B, B20C, B20D, B20E, B20F, B39A, B39B		01	B02A, B02B, B02C, B02D, B20A, B20B, B20C, B20D, B20E, B20F, B39A, B39B		01	B09A, B09B, B20A, B20B, B20C, B20D, B20E, B20F
	02	C01A		02	C01A		02	C01A
	08	I15A, I15B		06	G01Z, G02Z, G38Z		03	D18Z, D25A, D25B, D25C, D25D
	09	J08A		08	I15A, I15B		09	J08A, J08B, J08C
	17	R01A, R01C, R02Z, R12A, R12B		09	J08A		17	R01A, R01B, R01C, R01D, R02Z, R12A, R12B, R12C
	21A	W01A, W01B, W01C, W36Z		17	R01A, R01C, R02Z, R12A, R12B		21A	W01A, W01B, W01C, W36Z
	21B	X06A, X06B		21A	W01A, W01B, W01C, W36Z		21B	X06A, X06B, X06C
	23	Z01A		21B	X06A, X06B		Pre	B61A
		BOP, KVT, UOP4		Pre	A11A, A13A, A13B, A13D		01	BOP, KVT, UOP4
		BOP, KVT, UOP4			BOP, KVT, UOP4		01	B09A, B09B, B20A, B20B, B20C, B20D, B20E, B20F
	BOP, KVT, UOP4		BOP, KVT, UOP4	02	C01A			
	BOP, KVT, UOP4		BOP, KVT, UOP4	03	D18Z, D25A, D25B, D25C, D25D			
	BOP, KVT, UOP4		BOP, KVT, UOP4	09	J08A, J08B, J08C			
	BOP, KVT, UOP4		BOP, KVT, UOP4	17	R01A, R01B, R01C, R01D, R02Z, R12A, R12B, R12C			
	BOP, KVT, UOP4		BOP, KVT, UOP4	21A	W01A, W01B, W01C, W36Z			
	BOP, KVT, UOP4		BOP, KVT, UOP4	21B	X06A, X06B, X06C			
	BOP, KVT, UOP4		BOP, KVT, UOP4	Pre	B61A			
	BOP, KVT, UOP4		BOP, KVT, UOP4	01	BOP, KVT, UOP4			
	BOP, KVT, UOP4		BOP, KVT, UOP4	01	B09A, B09B, B20A, B20B, B20C, B20D, B20E, B20F			
	BOP, KVT, UOP4		BOP, KVT, UOP4	02	C01A			
	BOP, KVT, UOP4		BOP, KVT, UOP4	03	D18Z, D25A, D25B, D25C, D25D			
	BOP, KVT, UOP4		BOP, KVT, UOP4	09	J08A, J08B, J08C			
	BOP, KVT, UOP4		BOP, KVT, UOP4	17	R01A, R01B, R01C, R01D, R02Z, R12A, R12B, R12C			
	BOP, KVT, UOP4		BOP, KVT, UOP4	21A	W01A, W01B, W01C, W36Z			
	BOP, KVT, UOP4		BOP, KVT, UOP4	21B	X06A, X06B, X06C			
	BOP, KVT, UOP4		BOP, KVT, UOP4	Pre	B61A			

ZZV	MDC	DRG	ZZV	MDC	DRG	ZZV	MDC	DRG			
5a19p.3		BOP, KVT, UOP4	5a19t		BOP, KOP, KOPV, KVT, UOP4	5a204.0		BOP, KOP, KOPV, KVT, UOP4			
	01	B09A, B09B, B20A, B20B, B20C, B20D, B20E, B20F		01	B02A, B02B, B02C, B13Z, B20A, B20B, B20C, B20D, B20E, B39A, B39B		01	B02A, B02B, B02C, B02D, B20A, B20B, B20C, B20D, B20E, B20F, B39A, B39B			
	02	C01A		02	C01A		06	G01Z, G02Z, G33Z, G38Z			
	03	D18Z, D25A, D25B, D25C, D25D		03	D18Z, D25A, D25B, D25C, D25D		07	H33Z, H38Z			
	09	J08A, J08B, J08C		04	E02A, E02B, E02C		11	L33Z			
	17	R01A, R01B, R01C, R01D, R02Z, R12A, R12B, R12C		06	G10Z, G12A, G12B, G33Z		17	R01A, R01B, R01C, R01D, R02Z, R12A, R12B, R12C			
	21A	W01A, W01B, W01C, W36Z		07	H33Z, H38Z		21A	W04A, W04B			
	21B	X06A, X06B, X06C		09	J03A, J03B, J04A, J04B, J08A, J08B, J08C, J11A, J11B, J16Z		21B	X06A, X06B, X06C, X33Z			
	Pre	B61A		10	K09A, K09B		23	Z01A			
	5a19r.1			BOP, KVT, UOP4	11		L09A, L09B, L09C, L09D, L33Z, L38Z	Pre	A07A, A11A, A13A, A13B, A13D		
		01		B09A, B09B, B20A, B20B, B20C, B20D, B20E, B20F	12		M06Z, M09A, M09B, M38Z	5a204.1		BOP, KOP, KOPV, KVT, UOP4	
		02		C01A	13		N13A, N13B		01	B02A, B02B, B02C, B02D, B20A, B20B, B20C, B20D, B20E, B20F, B39A, B39B	
		03		D18Z, D25A, D25B, D25C, D25D	17		R01A, R01B, R01C, R01D, R02Z, R12A, R12B, R12C		06	G01Z, G02Z, G33Z, G38Z	
		09		J08A, J08B, J08C	21A		W01A, W01B, W01C, W36Z		07	H33Z, H38Z	
17		R01A, R01B, R01C, R01D, R02Z, R12A, R12B, R12C	21B	X04Z, X05A, X05B, X06A, X06B, X06C, X33Z	11	L33Z					
21A		W01A, W01B, W01C, W36Z	23	Z01A	17	R01A, R01B, R01C, R01D, R02Z, R12A, R12B, R12C					
21B		X06A, X06B, X06C	Pre	A07A	21A	W04A, W04B					
Pre		B61A	5a200		BOP, KOP, KVT, UOP4	21B	X06A, X06B, X06C, X33Z				
5a19r.3				BOP, KVT, UOP4	01	B09A, B09B	23		Z01A		
		01		B09A, B09B, B20A, B20B, B20C, B20D, B20E, B20F	08	I15A, I15B	Pre		A07A, A11A, A13A, A13B, A13D		
		02		C01A	17	R01A, R01B, R01C, R01D, R02Z, R12A, R12B, R12C	5a204.2			BOP, KOP, KOPV, KVT, UOP4	
		03		D18Z, D25A, D25B, D25C, D25D	21A	W01A, W01B, W01C, W36Z			01	B02A, B02B, B02C, B02D, B20A, B20B, B20C, B20D, B20E, B20F, B39A, B39B	
		09		J08A, J08B, J08C	5a202				BOP, KOP, KOPV, KVT, UOP4	06	G01Z, G02Z, G33Z, G38Z
	17	R01A, R01B, R01C, R01D, R02Z, R12A, R12B, R12C		01		B02A, B02B, B02C, B20A, B20B, B20C, B20D, B20E, B39A, B39B			07	H33Z, H38Z	
	21A	W01A, W01B, W01C, W36Z		06		G33Z		11	L33Z		
	21B	X06A, X06B, X06C		07		H33Z, H38Z		17	R01A, R01B, R01C, R01D, R02Z, R12A, R12B, R12C		
	Pre	B61A		11		L33Z		21A	W04A, W04B		
	5a19s			BOP, KOP, KOPV, KVT, UOP4		21A		W01A, W01B, W01C, W36Z	21B	X06A, X06B, X06C, X33Z	
		01		B02A, B02B, B02C, B13Z, B20A, B20B, B20C, B20D, B20E, B39A, B39B		23		Z01A	23	Z01A	
		02		C01A		Pre		A07A	Pre	A07A, A11A, A13A, A13B, A13D	
		06		G33Z		5a203			BOP, KOP, KOPV, KVT, UOP4	5a204.3	
		07	H33Z, H38Z	01				B02A, B02B, B02C, B02D, B20A, B20B, B20C, B20D, B20E, B20F, B39A, B39B	01		B02A, B02B, B02C, B02D, B20A, B20B, B20C, B20D, B20E, B20F, B39A, B39B
11		L33Z	06	G33Z				06	G01Z, G02Z, G33Z, G38Z		
17		R01A, R01B, R01C, R01D, R02Z, R12A, R12B, R12C	07	H33Z, H38Z				07	H33Z, H38Z		
21A		W01A, W01B, W01C, W36Z	11	L33Z			11	L33Z			
21B		X06A, X06B, X06C, X33Z	17	R01A, R01B, R01C, R01D, R02Z, R12A, R12B, R12C			17	R01A, R01B, R01C, R01D, R02Z, R12A, R12B, R12C			
23		Z01A	21A	W04A, W04B	21A		W04A, W04B				
Pre		A07A	21B	X06A, X06B, X06C, X33Z	21B		X06A, X06B, X06C, X33Z				
			23	Z01A	23		Z01A				
			Pre	A07A	Pre		A07A, A11A, A13A, A13B, A13D				

VYK

ZZV	MDC	DRG	ZZV	MDC	DRG	ZZV	MDC	DRG
5a204.4		BOP, KOP, KOPV, KVT, UOP4	5a205.0		BOP, KOP, KOPV, KVT, UOP4	5a208		BOP, KOP, KOPV, KVT, UOP4
	01	B02A, B02B, B02C, B02D, B20A, B20B, B20C, B20D, B20E, B20F, B39A, B39B		01	B02A, B02B, B02C, B02D, B20A, B20B, B20C, B20D, B20E, B20F, B39A, B39B		01	B02A, B02B, B02C, B13Z, B20A, B20B, B20C, B20D, B20E, B39A, B39B
	06	G33Z		06	G01Z, G02Z, G33Z, G38Z		06	G33Z
	07	H33Z, H38Z		07	H33Z, H38Z		07	H33Z, H38Z
	11	L33Z		11	L33Z		11	L33Z
	17	R01A, R01B, R01C, R01D, R02Z, R12A, R12B, R12C		17	R01A, R01B, R01C, R01D, R02Z, R12A, R12B, R12C		17	R01A, R01B, R01C, R01D, R02Z, R12A, R12B, R12C
	21A	W04A, W04B		21A	W04A, W04B		21A	W04A, W04B
	21B	X06A, X06B, X06C, X33Z		21B	X06A, X06B, X06C, X33Z		21B	X06A, X06B, X06C, X33Z
	23	Z01A		23	Z01A		23	Z01A
	Pre	A07A		Pre	A07A, A11A, A13A, A13B, A13D		Pre	A07A
5a204.5		BOP, KOP, KOPV, KVT, UOP4	5a205.1		BOP, KOP, KOPV, KVT, UOP4	5a209.0		BOP, KOP, KOPV, KVT, UOP4
	01	B02A, B02B, B02C, B02D, B20A, B20B, B20C, B20D, B20E, B20F, B39A, B39B		01	B02A, B02B, B02C, B02D, B20A, B20B, B20C, B20D, B20E, B20F, B39A, B39B		01	B02A, B02B, B02C, B20A, B20B, B20C, B20D, B20E, B39A, B39B
	06	G33Z		06	G33Z		06	G33Z
	07	H33Z, H38Z		07	H33Z, H38Z		07	H33Z, H38Z
	11	L33Z		07	H33Z, H38Z		11	L33Z
	17	R01A, R01B, R01C, R01D, R02Z, R12A, R12B, R12C		11	L33Z		17	R01A, R01B, R01C, R01D, R02Z, R12A, R12B, R12C
	21A	W04A, W04B		17	R01A, R01B, R01C, R01D, R02Z, R12A, R12B, R12C		21A	W04A, W04B
	21B	X06A, X06B, X06C, X33Z		21A	W04A, W04B		21B	X06A, X06B, X06C, X33Z
	23	Z01A		21B	X06A, X06B, X06C, X33Z		23	Z01A
	Pre	A07A		23	Z01A		Pre	A07A
5a204.6		BOP, KOP, KOPV, KVT, UOP4	5a206		BOP, KOP, KOPV, KVT, UOP4	5a209.1		BOP, KOP, KOPV, KVT, UOP4
	01	B02A, B02B, B02C, B02D, B20A, B20B, B20C, B20D, B20E, B20F, B39A, B39B		01	B02A, B02B, B02C, B02D, B20A, B20B, B20C, B20D, B20E, B20F, B39A, B39B		01	B02A, B02B, B02C, B13Z, B20A, B20B, B20C, B20D, B20E, B39A, B39B
	06	G33Z		06	G33Z		06	G33Z
	07	H33Z, H38Z		06	G33Z		07	H33Z, H38Z
	11	L33Z		07	H33Z, H38Z		11	L33Z
	17	R01A, R01B, R01C, R01D, R02Z, R12A, R12B, R12C		11	L33Z		17	R01A, R01B, R01C, R01D, R02Z, R12A, R12B, R12C
	21A	W04A, W04B		17	R01A, R01B, R01C, R01D, R02Z, R12A, R12B, R12C		21A	W04A, W04B
	21B	X06A, X06B, X06C, X33Z		21A	W04A, W04B		21B	X06A, X06B, X06C, X33Z
	23	Z01A		21B	X06A, X06B, X06C, X33Z		23	Z01A
	Pre	A07A		23	Z01A		Pre	A07A
5a204.7		BOP, KOP, KOPV, KVT, UOP4	5a207		BOP, KOP, KOPV, KVT, UOP4	5a20a		BOP, KOP, KOPV, KVT, UOP4
	01	B02A, B02B, B02C, B02D, B20A, B20B, B20C, B20D, B20E, B20F, B39A, B39B		01	B02A, B02B, B02C, B20A, B20B, B20C, B20D, B20E, B21A, B39A, B39B		01	B02A, B02B, B02C, B02D, B20A, B20B, B20C, B20D, B20E, B20F, B39A, B39B
	06	G33Z		04	E36Z		06	G33Z
	07	H33Z, H38Z		06	G33Z, G36Z		07	H33Z, H38Z
	11	L33Z		07	H33Z, H38Z		11	L33Z
	17	R01A, R01B, R01C, R01D, R02Z, R12A, R12B, R12C		08	I26Z		17	R01A, R01B, R01C, R01D, R02Z, R12A, R12B, R12C
	21A	W04A, W04B		11	L33Z		21A	W01A, W01B, W01C, W36Z
	21B	X06A, X06B, X06C, X33Z		17	R01A, R01B, R01C, R01D, R02Z, R12A, R12B, R12C		21B	X06A, X06B, X06C, X33Z
	23	Z01A		21A	W04A, W04B		23	Z01A
	Pre	A07A		21B	X06A, X06B, X06C, X33Z		Pre	A07A

ZZV	MDC	DRG	ZZV	MDC	DRG	ZZV	MDC	DRG			
5a20b.0		BOP, KOP, KOPV, KVT, UOP4	5a20c		BOP, KOP, KOPV, KVT, UOP4	5a20e.2		BOP, KOP, KOPV, KVT, UOP4			
	01	B02A, B02B, B02C, B02D, B20A, B20B, B20C, B20D, B20E, B20F, B39A, B39B		01	B02A, B02B, B02C, B02D, B20A, B20B, B20C, B20D, B20E, B20F, B39A, B39B		01	B02A, B02B, B02C, B20A, B20B, B20C, B20D, B20E, B39B			
	06	G01Z, G02Z, G33Z, G38Z		06	G33Z		05	F01A, F01B, F01D, F05Z, F07A, F07B, F14A, F14B, F28A, F42Z, F54Z, F59A, F59B			
	07	H33Z, H38Z		07	H33Z, H38Z		06	G33Z			
	11	L33Z		11	L33Z		07	H33Z, H38Z			
	17	R01A, R01B, R01C, R01D, R02Z, R12A, R12B, R12C		17	R01A, R01B, R01C, R01D, R02Z, R12A, R12B, R12C		11	L33Z			
	21A	W01A, W01B, W01C, W36Z		21A	W04A, W04B		21A	W01A, W01B, W01C, W36Z			
	21B	X06A, X06B, X06C, X33Z		21B	X06A, X06B, X06C, X33Z		21B	X06A, X06B, X06C, X33Z			
	23	Z01A		23	Z01A		23	Z01A			
	Pre	A07A, A11A, A13A, A13B, A13D		Pre	A07A		Pre	A07A			
	5a20b.1			BOP, KOP, KOPV, KVT, UOP4	5a20d			BOP, KOP, KOPV, KVT, UOP4	5a20e.3		BOP, KOP, KOPV, KVT, UOP4
		01		B02A, B02B, B02C, B02D, B20A, B20B, B20C, B20D, B20E, B20F, B39A, B39B			01	B02A, B02B, B02C, B02D, B20A, B20B, B20C, B20D, B20E, B20F, B39A, B39B		01	B02A, B02B, B02C, B20A, B20B, B20C, B20D, B20E, B39A, B39B
		06		G01Z, G02Z, G33Z, G38Z			06	G33Z		05	F01A, F01B, F01D, F05Z, F07A, F07B, F14A, F14B, F28A, F42Z, F54Z, F59A, F59B
		07		H33Z, H38Z			07	H33Z, H38Z		06	G33Z
11		L33Z	11	L33Z		07	H33Z, H38Z				
17		R01A, R01B, R01C, R01D, R02Z, R12A, R12B, R12C	17	R01A, R01B, R01C, R01D, R02Z, R12A, R12B, R12C		11	L33Z				
21A		W01A, W01B, W01C, W36Z	21A	W01A, W01B, W01C, W36Z		21A	W01A, W01B, W01C, W36Z				
21B		X06A, X06B, X06C, X33Z	21B	X06A, X06B, X06C, X33Z		21B	X06A, X06B, X06C, X33Z				
23		Z01A	23	Z01A		23	Z01A				
Pre		A07A, A11A, A13A, A13B, A13D	Pre	A07A		Pre	A07A				
5a20b.2			BOP, KOP, KOPV, KVT, UOP4	5a20e.0			BOP, KOP, KOPV, KVT, UOP4	5a20e.4			BOP, KOP, KOPV, KVT, UOP4
		01	B02A, B02B, B02C, B02D, B20A, B20B, B20C, B20D, B20E, B20F, B39A, B39B			01	B02A, B02B, B02C, B20A, B20B, B20C, B20D, B20E, B39A, B39B			01	B02A, B02B, B02C, B20A, B20B, B20C, B20D, B20E, B39A, B39B
		06	G01Z, G02Z, G33Z, G38Z			05	F01A, F01B, F01D, F05Z, F07A, F07B, F14A, F14B, F28A, F42Z, F54Z, F59A, F59B			05	F01A, F01B, F01D, F05Z, F07A, F07B, F14A, F14B, F28A, F42Z, F54Z, F59A, F59B
		07	H33Z, H38Z			06	G33Z			06	G33Z
	11	L33Z	07		H33Z, H38Z	07	H33Z, H38Z				
	17	R01A, R01B, R01C, R01D, R02Z, R12A, R12B, R12C	11		L33Z	11	L33Z				
	21A	W01A, W01B, W01C, W36Z	21A		W01A, W01B, W01C, W36Z	21A	W01A, W01B, W01C, W36Z				
	21B	X06A, X06B, X06C, X33Z	21B		X06A, X06B, X06C, X33Z	21B	X06A, X06B, X06C, X33Z				
	23	Z01A	23		Z01A	23	Z01A				
	Pre	A07A, A11A, A13A, A13B, A13D	Pre		A07A	Pre	A07A				
	5a20b.3		BOP, KOP, KOPV, KVT, UOP4		5a20e.1		BOP, KOP, KOPV, KVT, UOP4		5a20e.5		BOP, KOP, KOPV, KVT, UOP4
		01	B02A, B02B, B02C, B02D, B20A, B20B, B20C, B20D, B20E, B20F, B39A, B39B			01	B02A, B02B, B02C, B20A, B20B, B20C, B20D, B20E, B39A, B39B			01	B02A, B02B, B02C, B20A, B20B, B20C, B20D, B20E, B39A, B39B
		06	G01Z, G02Z, G33Z, G38Z			05	F01A, F01B, F01D, F05Z, F07A, F07B, F14A, F14B, F28A, F42Z, F54Z, F59A, F59B			05	F01A, F01B, F01D, F05Z, F07A, F07B, F14A, F14B, F28A, F42Z, F54Z, F59A, F59B
		07	H33Z, H38Z			06	G33Z			06	G33Z
11		L33Z	07	H33Z, H38Z		07	H33Z, H38Z				
17		R01A, R01B, R01C, R01D, R02Z, R12A, R12B, R12C	11	L33Z		11	L33Z				
21A		W01A, W01B, W01C, W36Z	21A	W01A, W01B, W01C, W36Z		21A	W01A, W01B, W01C, W36Z				
21B		X06A, X06B, X06C, X33Z	21B	X06A, X06B, X06C, X33Z		21B	X06A, X06B, X06C, X33Z				
23		Z01A	23	Z01A		23	Z01A				
Pre		A07A, A11A, A13A, A13B, A13D	Pre	A07A		Pre	A07A				

VYK

ZZV	MDC	DRG	ZZV	MDC	DRG	ZZV	MDC	DRG
5a20e.6		BOP, KOP, KOPV, KVT, UOP4	5a20e.a		BOP, KOP, KOPV, KVT, UOP4	5a20f.2		BOP, KOP, KOPV, KVT, UOP4
	01	B02A, B02B, B02C, B20A, B20B, B20C, B20D, B20E, B39A, B39B		01	B02A, B02B, B02C, B20A, B20B, B20C, B20D, B20E, B39A, B39B		01	B02A, B02B, B02C, B20A, B20B, B20C, B20D, B20E, B39A, B39B
	05	F01A, F01B, F01D, F05Z, F07A, F07B, F14A, F14B, F28A, F42Z, F54Z, F59A, F59B		05	F01A, F01B, F01D, F05Z, F07A, F07B, F14A, F14B, F28A, F42Z, F54Z, F59A, F59B		05	F01A, F01B, F01D, F05Z, F07A, F07B, F14A, F14B, F28A, F42Z, F54Z, F59A, F59B
	06	G33Z		06	G33Z		06	G33Z
	07	H33Z, H38Z		07	H33Z, H38Z		07	H33Z, H38Z
	11	L33Z		11	L33Z		11	L33Z
	21A	W01A, W01B, W01C, W36Z		21A	W01A, W01B, W01C, W36Z		21A	W01A, W01B, W01C, W36Z
	21B	X06A, X06B, X06C, X33Z		21B	X06A, X06B, X06C, X33Z		21B	X06A, X06B, X06C, X33Z
	23	Z01A		23	Z01A		23	Z01A
	Pre	A07A		Pre	A07A		Pre	A07A
	5a20e.7			BOP, KOP, KOPV, KVT, UOP4	5a20e.b			BOP, KOP, KOPV, KVT, UOP4
01		B02A, B02B, B02C, B20A, B20B, B20C, B20D, B20E, B39A, B39B	01	B02A, B02B, B02C, B20A, B20B, B20C, B20D, B20E, B39A, B39B		01	B02A, B02B, B02C, B20A, B20B, B20C, B20D, B20E, B39A, B39B	
05		F01A, F01B, F01D, F05Z, F07A, F07B, F14A, F14B, F28A, F42Z, F54Z, F59A, F59B	05	F01A, F01B, F01D, F05Z, F07A, F07B, F14A, F14B, F28A, F42Z, F54Z, F59A, F59B		05	F01A, F01B, F01D, F05Z, F07A, F07B, F14A, F14B, F28A, F42Z, F54Z, F59A, F59B	
06		G33Z	06	G33Z		06	G33Z	
07		H33Z, H38Z	07	H33Z, H38Z		07	H33Z, H38Z	
11		L33Z	11	L33Z		11	L33Z	
21A		W01A, W01B, W01C, W36Z	21A	W01A, W01B, W01C, W36Z		21A	W01A, W01B, W01C, W36Z	
21B		X06A, X06B, X06C, X33Z	21B	X06A, X06B, X06C, X33Z		21B	X06A, X06B, X06C, X33Z	
23		Z01A	23	Z01A		23	Z01A	
Pre		A07A	Pre	A07A		Pre	A07A	
5a20e.8			BOP, KOP, KOPV, KVT, UOP4	5a20f.0			BOP, KOP, KOPV, KVT, UOP4	5a20g.4
	01	B02A, B02B, B02C, B20A, B20B, B20C, B20D, B20E, B39A, B39B	01		B02A, B02B, B02C, B20A, B20B, B20C, B20D, B20E, B39A, B39B	01	B02A, B02B, B02C, B20A, B20B, B20C, B20D, B20E, B39A, B39B	
	05	F01A, F01B, F01D, F05Z, F07A, F07B, F14A, F14B, F28A, F42Z, F54Z, F59A, F59B	05		F01A, F01B, F01D, F05Z, F07A, F07B, F14A, F14B, F28A, F42Z, F54Z, F59A, F59B	05	F01A, F01B, F01D, F05Z, F07A, F07B, F14A, F14B, F28A, F42Z, F54Z, F59A, F59B	
	06	G33Z	06		G33Z	06	G33Z	
	07	H33Z, H38Z	07		H33Z, H38Z	07	H33Z, H38Z	
	11	L33Z	11		L33Z	11	L33Z	
	21A	W01A, W01B, W01C, W36Z	21A		W01A, W01B, W01C, W36Z	21A	W01A, W01B, W01C, W36Z	
	21B	X06A, X06B, X06C, X33Z	21B		X06A, X06B, X06C, X33Z	21B	X06A, X06B, X06C, X33Z	
	23	Z01A	23		Z01A	23	Z01A	
	Pre	A07A	Pre		A07A	Pre	A07A	
	5a20e.9		BOP, KOP, KOPV, KVT, UOP4		5a20f.1		BOP, KOP, KOPV, KVT, UOP4	
01		B02A, B02B, B02C, B20A, B20B, B20C, B20D, B20E, B39A, B39B	01	B02A, B02B, B02C, B20A, B20B, B20C, B20D, B20E, B39A, B39B		01	B02A, B02B, B02C, B20A, B20B, B20C, B20D, B20E, B39A, B39B	
05		F01A, F01B, F01D, F05Z, F07A, F07B, F14A, F14B, F28A, F42Z, F54Z, F59A, F59B	05	F01A, F01B, F01D, F05Z, F07A, F07B, F14A, F14B, F28A, F42Z, F54Z, F59A, F59B		06	G33Z	
06		G33Z	06	G33Z		07	H33Z, H38Z	
07		H33Z, H38Z	07	H33Z, H38Z		08	I15A, I15B	
11		L33Z	11	L33Z		11	L33Z	
21A		W01A, W01B, W01C, W36Z	21A	W01A, W01B, W01C, W36Z		21A	W01A, W01B, W01C, W36Z	
21B		X06A, X06B, X06C, X33Z	21B	X06A, X06B, X06C, X33Z		21B	X06A, X06B, X06C, X33Z	
23		Z01A	23	Z01A		23	Z01A	
Pre		A07A	Pre	A07A		Pre	A07A	

ZZV	MDC	DRG	ZZV	MDC	DRG	ZZV	MDC	DRG			
5a20m.1		BOP, KOP, KOPV, KVT, UOP4	5a20o		BOP, KOP, KOPV, KVT, UOP4	5a20v		BOP, KOP, KOPV, KVT, UOP4			
	01	B02A, B02B, B02C, B20A, B20B, B20C, B20D, B20E, B39A, B39B		01	B02A, B02B, B02C, B20A, B20B, B20C, B20D, B20E, B39A, B39B		01	B02A, B02B, B02C, B02D, B20A, B20B, B20C, B20D, B20E, B20F, B39A, B39B			
	02	C01A		02	C01A		05	F13A			
	06	G01Z, G02Z, G33Z, G38Z		06	G01Z, G02Z, G33Z, G38Z		06	G01Z, G02Z, G33Z, G38Z			
	07	H33Z, H38Z		07	H33Z, H38Z		07	H33Z, H38Z			
	11	L33Z		11	L33Z		11	L33Z			
	21A	W01A, W01B, W01C, W36Z		21A	W01A, W01B, W01C, W36Z		21A	W04A, W04B			
	21B	X06A, X06B, X06C, X33Z		21B	X06A, X06B, X06C, X33Z		21B	X06A, X06B, X06C, X33Z			
	23	Z01A		23	Z01A		23	Z01A			
	Pre	A07A, A11A, A13A, A13B, A13D		Pre	A07A, A11A, A13A, A13B, A13D		Pre	A07A, A11A, A13A, A13B, A13D			
	5a20m.2			BOP, KOP, KOPV, KVT, UOP4	5a20p			BOP, KOP, KOPV, KVT, UOP4	5a210.0		BOP, KOP, KOPV, KVT, UOP4
		01		B02A, B02B, B02C, B20A, B20B, B20C, B20D, B20E, B39A, B39B			01	B02A, B02B, B02C, B20A, B20B, B20C, B20D, B20E, B39A, B39B		01	B02A, B02B, B02C, B02D, B20A, B20B, B20C, B20D, B20E, B20F, B39A, B39B
		02		C01A			05	F01A, F01B, F01D, F05Z, F07A, F07B, F08A, F08B, F08C, F08D, F08E, F28A, F42Z		02	C01A
06		G01Z, G02Z, G33Z, G38Z	06	G33Z		06	G33Z				
07		H33Z, H38Z	07	H33Z, H38Z		07	H33Z, H38Z				
11		L33Z	11	L33Z		08	I15A, I15B				
21A		W01A, W01B, W01C, W36Z	21B	X33Z		11	L33Z				
21B		X06A, X06B, X06C, X33Z	23	Z01A		21A	W01A, W01B, W01C, W36Z				
23		Z01A	Pre	A07A		21B	X06A, X06B, X33Z				
Pre		A07A, A11A, A13A, A13B, A13D	Pre	A07A		23	Z01A				
5a20n.0			BOP, KOP, KOPV, KVT, UOP4	5a20s			BOP, KOP, KOPV, KVT, UOP4	5a210.1			BOP, KOP, KOPV, KVT, UOP4
		01	B02A, B02B, B02C, B20A, B20B, B20C, B20D, B20E, B39A, B39B			01	B02A, B02B, B02C, B02D, B20A, B20B, B20C, B20D, B20E, B20F, B39A, B39B			01	B02A, B02B, B02C, B02D, B20A, B20B, B20C, B20D, B20E, B20F, B39A, B39B
		02	C01A			05	F13A			02	C01A
	06	G01Z, G02Z, G33Z, G38Z	06		G01Z, G02Z, G33Z, G38Z	06	G33Z				
	07	H33Z, H38Z	07		H33Z, H38Z	07	H33Z, H38Z				
	11	L33Z	11		L33Z	08	I15A, I15B				
	21A	W01A, W01B, W01C, W36Z	21A		W04A, W04B	11	L33Z				
	21B	X06A, X06B, X06C, X33Z	21B		X06A, X06B, X06C, X33Z	21A	W01A, W01B, W01C, W36Z				
	23	Z01A	23		Z01A	21B	X06A, X06B, X33Z				
	Pre	A07A, A11A, A13A, A13B, A13D	Pre		A07A, A11A, A13A, A13B, A13D	23	Z01A				
	5a20n.1		BOP, KOP, KOPV, KVT, UOP4		5a20t		BOP, KVT, UOP4		5a211.2		BOP, KOP, KOPV, KVT, UOP4
		01	B02A, B02B, B02C, B20A, B20B, B20C, B20D, B20E, B39A, B39B			01	B18Z			01	B02A, B02B, B02C, B20A, B20B, B20C, B20D, B20E, B39A, B39B
		02	C01A			05	F13A			02	C01A
06		G01Z, G02Z, G33Z, G38Z	06	G01Z, G02Z, G38Z		06	G33Z				
07		H33Z, H38Z	08	I15A, I15B		07	H33Z, H38Z				
11		L33Z	17	R01A, R01B, R01C, R01D, R02Z, R12A, R12B, R12C		08	I15A, I15B				
21A		W01A, W01B, W01C, W36Z	21A	W04A, W04B		11	L33Z				
21B		X06A, X06B, X06C, X33Z	21B	X06A, X06B, X06C		21A	W01A, W01B, W01C, W36Z				
23		Z01A	Pre	A11A, A13A, A13B, A13D		21B	X06A, X06B, X33Z				
Pre		A07A, A11A, A13A, A13B, A13D	Pre	BOP, KVT, UOP4		23	Z01A				
5a20n.2			BOP, KOP, KOPV, KVT, UOP4	5a20u			B18Z	5a211.3			BOP, KOP, KOPV, KVT, UOP4
		01	B02A, B02B, B02C, B20A, B20B, B20C, B20D, B20E, B39A, B39B			01	F13A			01	B02A, B02B, B02C, B20A, B20B, B20C, B20D, B20E, B39A, B39B
		02	C01A			05	F13A			02	C01A
	06	G01Z, G02Z, G33Z, G38Z	06		G01Z, G02Z, G38Z	06	G33Z				
	07	H33Z, H38Z	08		I15A, I15B	07	H33Z, H38Z				
	11	L33Z	17		R01A, R01B, R01C, R01D, R02Z, R12A, R12B, R12C	08	I15A, I15B				
	21A	W01A, W01B, W01C, W36Z	21A		W04A, W04B	11	L33Z				
	21B	X06A, X06B, X06C, X33Z	21B		X06A, X06B, X06C	21A	W01A, W01B, W01C, W36Z				
	23	Z01A	Pre		A11A, A13A, A13B, A13D	21B	X06A, X06B, X33Z				
	Pre	A07A, A11A, A13A, A13B, A13D	Pre		BOP, KVT, UOP4	23	Z01A				
	5a20n.2		BOP, KOP, KOPV, KVT, UOP4				5a211.3			BOP, KOP, KOPV, KVT, UOP4	
		01	B02A, B02B, B02C, B20A, B20B, B20C, B20D, B20E, B39A, B39B						01	B02A, B02B, B02C, B20A, B20B, B20C, B20D, B20E, B39A, B39B	
		02	C01A						02	C01A	
06		G01Z, G02Z, G33Z, G38Z			06	G33Z					
07		H33Z, H38Z			07	H33Z, H38Z					
11		L33Z			08	I15A, I15B					
21A		W01A, W01B, W01C, W36Z			11	L33Z					
21B		X06A, X06B, X06C, X33Z			21A	W01A, W01B, W01C, W36Z					
23		Z01A			21B	X06A, X06B, X33Z					
Pre		A07A, A11A, A13A, A13B, A13D			23	Z01A					
					Pre	A07A					

VYK

ZZV	MDC	DRG	ZZV	MDC	DRG	ZZV	MDC	DRG			
5a211.4		BOP, KOP, KOPV, KVT, UOP4	5a212.3		BOP, KOP, KOPV, KVT, UOP4	5a213		BOP, KOP, KOPV, KVT, UOP4			
	01	B02A, B02B, B02C, B20A, B20B, B20C, B20D, B20E, B39A, B39B		01	B02A, B02B, B02C, B20A, B20B, B20C, B20D, B20E, B39A, B39B		01	B02A, B02B, B02C, B20A, B20B, B20C, B20D, B20E, B39A, B39B			
	02	C01A		02	C01A		02	C01A			
	06	G33Z		06	G33Z		03	D18Z, D25A, D25B, D25C, D25D			
	07	H33Z, H38Z		07	H33Z, H38Z		06	G33Z			
	08	I15A, I15B		08	I15A, I15B		07	H33Z, H38Z			
	11	L33Z		11	L33Z		08	I15A, I15B			
	21A	W01A, W01B, W01C, W36Z		21A	W01A, W01B, W01C, W36Z		09	J08A, J08B, J08C			
	21B	X06A, X06B, X33Z		21B	X06A, X06B, X33Z		11	L33Z			
	23	Z01A		23	Z01A		21A	W01A, W01B, W01C, W36Z			
	Pre	A07A		Pre	A07A		21B	X06A, X06B, X33Z			
	5a211.5			BOP, KOP, KOPV, KVT, UOP4	5a212.4			BOP, KOP, KOPV, KVT, UOP4	5a214.10		BOP, KOP, KOPV, KVT, UOP4
		01		B02A, B02B, B02C, B20A, B20B, B20C, B20D, B20E, B39A, B39B			01	B02A, B02B, B02C, B20A, B20B, B20C, B20D, B20E, B39A, B39B		01	B02A, B02B, B02C, B20A, B20B, B20C, B20D, B20E, B39A, B39B
02		C01A	02	C01A		02	C01A				
06		G33Z	06	G33Z		03	D18Z, D25A, D25B, D25C, D25D				
07		H33Z, H38Z	07	H33Z, H38Z		06	G33Z				
08		I15A, I15B	08	I15A, I15B		07	H33Z, H38Z				
11		L33Z	11	L33Z		08	I15A, I15B				
21A		W01A, W01B, W01C, W36Z	21A	W01A, W01B, W01C, W36Z		09	J08A, J08B, J08C				
21B		X06A, X06B, X33Z	21B	X06A, X06B, X33Z		11	L33Z				
23		Z01A	23	Z01A		21A	W01A, W01B, W01C, W36Z				
Pre		A07A	Pre	A07A		21B	X06A, X06B, X33Z				
5a211.6			BOP, KOP, KOPV, KVT, UOP4	5a212.5			BOP, KOP, KOPV, KVT, UOP4	5a214.11			BOP, KOP, KOPV, KVT, UOP4
		01	B02A, B02B, B02C, B20A, B20B, B20C, B20D, B20E, B39A, B39B			01	B02A, B02B, B02C, B20A, B20B, B20C, B20D, B20E, B39A, B39B			01	B02A, B02B, B02C, B20A, B20B, B20C, B20D, B20E, B39A, B39B
	02	C01A	02		C01A	02	C01A				
	06	G33Z	06		G33Z	03	D18Z, D25A, D25B, D25C, D25D				
	07	H33Z, H38Z	07		H33Z, H38Z	06	G33Z				
	08	I15A, I15B	08		I15A, I15B	07	H33Z, H38Z				
	11	L33Z	11		L33Z	08	I15A, I15B				
	21A	W01A, W01B, W01C, W36Z	21A		W01A, W01B, W01C, W36Z	09	J08A, J08B, J08C				
	21B	X06A, X06B, X33Z	21B		X06A, X06B, X33Z	11	L33Z				
	23	Z01A	23		Z01A	21A	W01A, W01B, W01C, W36Z				
	Pre	A07A	Pre		A07A	21B	X06A, X06B, X33Z				
	5a211.7		BOP, KOP, KOPV, KVT, UOP4		5a212.6		BOP, KOP, KOPV, KVT, UOP4		5a214.12		BOP, KOP, KOPV, KVT, UOP4
		01	B02A, B02B, B02C, B20A, B20B, B20C, B20D, B20E, B39A, B39B			01	B02A, B02B, B02C, B20A, B20B, B20C, B20D, B20E, B39A, B39B			01	B02A, B02B, B02C, B20A, B20B, B20C, B20D, B20E, B39A, B39B
02		C01A	02	C01A		02	C01A				
06		G33Z	06	G33Z		03	D18Z, D25A, D25B, D25C, D25D				
07		H33Z, H38Z	07	H33Z, H38Z		06	G33Z				
08		I15A, I15B	08	I15A, I15B		07	H33Z, H38Z				
11		L33Z	11	L33Z		08	I15A, I15B				
21A		W01A, W01B, W01C, W36Z	21A	W01A, W01B, W01C, W36Z		09	J08A, J08B, J08C				
21B		X06A, X06B, X33Z	21B	X06A, X06B, X33Z		11	L33Z				
23		Z01A	23	Z01A		21A	W01A, W01B, W01C, W36Z				
Pre		A07A	Pre	A07A		21B	X06A, X06B, X33Z				
5a212.2			BOP, KOP, KOPV, KVT, UOP4	5a212.7			BOP, KOP, KOPV, KVT, UOP4				
		01	B02A, B02B, B02C, B20A, B20B, B20C, B20D, B20E, B39A, B39B			01	B02A, B02B, B02C, B20A, B20B, B20C, B20D, B20E, B39A, B39B			01	B02A, B02B, B02C, B20A, B20B, B20C, B20D, B20E, B39A, B39B
	02	C01A	02		C01A	02	C01A				
	06	G33Z	06		G33Z	03	D18Z, D25A, D25B, D25C, D25D				
	07	H33Z, H38Z	07		H33Z, H38Z	06	G33Z				
	08	I15A, I15B	08		I15A, I15B	07	H33Z, H38Z				
	11	L33Z	11		L33Z	08	I15A, I15B				
	21A	W01A, W01B, W01C, W36Z	21A		W01A, W01B, W01C, W36Z	09	J08A, J08B, J08C				
	21B	X06A, X06B, X33Z	21B		X06A, X06B, X33Z	11	L33Z				
	23	Z01A	23		Z01A	21A	W01A, W01B, W01C, W36Z				
	Pre	A07A	Pre		A07A	21B	X06A, X06B, X33Z				

VYK

ZZV	MDC	DRG	ZZV	MDC	DRG	ZZV	MDC	DRG			
5a214.20		BOP, KOP, KOPV, KVT, UOP4	5a214.9		BOP, KOP, KOPV, KVT, UOP4	5a215.3		BOP, KOP, KOPV, KVT, UOP4			
	01	B02A, B02B, B02C, B20A, B20B, B20C, B20D, B20E, B39A, B39B		01	B02A, B02B, B02C, B20A, B20B, B20C, B20D, B20E, B39A, B39B		01	B02A, B02B, B02C, B20A, B20B, B20C, B20D, B20E, B39A, B39B			
	02	C01A		02	C01A		02	C01A			
	06	G33Z		06	G33Z		06	G33Z			
	07	H33Z, H38Z		07	H33Z, H38Z		07	H33Z, H38Z			
	08	I15A, I15B		08	I15A, I15B		08	I15A, I15B			
	11	L33Z		11	L33Z		11	L33Z			
	21A	W01A, W01B, W01C, W36Z		21A	W01A, W01B, W01C, W36Z		17	R01A, R01B, R01C, R01D, R02Z, R12A, R12B, R12C			
	21B	X06A, X06B, X33Z		21B	X06A, X06B, X33Z		21A	W01A, W01B, W01C, W36Z			
	23	Z01A		23	Z01A		21B	X06A, X06B, X33Z			
	Pre	A07A		Pre	A07A		23	Z01A			
	5a214.21			BOP, KOP, KOPV, KVT, UOP4	5a214.a			BOP, KOP, KOPV, KVT, UOP4	5a215.4		BOP, KOP, KOPV, KVT, UOP4
		01		B02A, B02B, B02C, B20A, B20B, B20C, B20D, B20E, B39A, B39B			01	B02A, B02B, B02C, B20A, B20B, B20C, B20D, B20E, B39A, B39B		01	B02A, B02B, B02C, B20A, B20B, B20C, B20D, B20E, B39A, B39B
		02		C01A			02	C01A		02	C01A
06		G33Z	06	G33Z		06	G33Z				
07		H33Z, H38Z	07	H33Z, H38Z		07	H33Z, H38Z				
08		I15A, I15B	08	I15A, I15B		08	I15A, I15B				
11		L33Z	11	L33Z		11	L33Z				
21A		W01A, W01B, W01C, W36Z	21A	W01A, W01B, W01C, W36Z		21A	W01A, W01B, W01C, W36Z				
21B		X06A, X06B, X33Z	21B	X06A, X06B, X33Z		21B	X06A, X06B, X33Z				
23		Z01A	23	Z01A		23	Z01A				
Pre		A07A	Pre	A07A		Pre	A07A				
5a214.22			BOP, KOP, KOPV, KVT, UOP4	5a214.b			BOP, KOP, KOPV, KVT, UOP4	5a215.5			BOP, KOP, KOPV, KVT, UOP4
		01	B02A, B02B, B02C, B20A, B20B, B20C, B20D, B20E, B39A, B39B			01	B02A, B02B, B02C, B20A, B20B, B20C, B20D, B20E, B39A, B39B			01	B02A, B02B, B02C, B20A, B20B, B20C, B20D, B20E, B39A, B39B
		02	C01A			02	C01A			02	C01A
	06	G33Z	06		G33Z	06	G33Z				
	07	H33Z, H38Z	07		H33Z, H38Z	07	H33Z, H38Z				
	08	I15A, I15B	08		I15A, I15B	08	I15A, I15B				
	11	L33Z	11		L33Z	11	L33Z				
	21A	W01A, W01B, W01C, W36Z	21A		W01A, W01B, W01C, W36Z	21A	W01A, W01B, W01C, W36Z				
	21B	X06A, X06B, X33Z	21B		X06A, X06B, X33Z	21B	X06A, X06B, X33Z				
	23	Z01A	23		Z01A	23	Z01A				
	Pre	A07A	Pre		A07A	Pre	A07A				
	5a214.8		BOP, KOP, KOPV, KVT, UOP4		5a214.c		BOP, KOP, KOPV, KVT, UOP4		5a215.6		BOP, KOP, KOPV, KVT, UOP4
		01	B02A, B02B, B02C, B20A, B20B, B20C, B20D, B20E, B39A, B39B			01	B02A, B02B, B02C, B20A, B20B, B20C, B20D, B20E, B39A, B39B			01	B02A, B02B, B02C, B20A, B20B, B20C, B20D, B20E, B39A, B39B
		02	C01A			02	C01A			02	C01A
06		G33Z	06	G33Z		06	G33Z				
07		H33Z, H38Z	07	H33Z, H38Z		07	H33Z, H38Z				
08		I15A, I15B	08	I15A, I15B		08	I15A, I15B				
11		L33Z	11	L33Z		11	L33Z				
17		R01A, R01B, R01C, R01D, R02Z, R12A, R12B, R12C	21A	W01A, W01B, W01C, W36Z		08	I15A, I15B				
21A		W01A, W01B, W01C, W36Z	21B	X06A, X06B, X33Z		11	L33Z				
21B		X06A, X06B, X33Z	23	Z01A		21A	W01A, W01B, W01C, W36Z				
23		Z01A	Pre	A07A		21B	X06A, X06B, X33Z				
Pre		A07A	5a215.2			BOP, KOP, KOPV, KVT, UOP4	23	Z01A			
				01		B02A, B02B, B02C, B20A, B20B, B20C, B20D, B20E, B39A, B39B	Pre	A07A			
				02		C01A					
		06		G33Z							
		07		H33Z, H38Z							
		08		I15A, I15B							
		11		L33Z							
		21A		W01A, W01B, W01C, W36Z							
		21B		X06A, X06B, X33Z							
		23		Z01A							
		Pre		A07A							

ZZV	MDC	DRG	ZZV	MDC	DRG	ZZV	MDC	DRG			
5a215.7		BOP, KOP, KOPV, KVT, UOP4	5a215.91		BOP, KOP, KOPV, KVT, UOP4	5a215.a2		BOP, KOP, KOPV, KVT, UOP4			
	01	B02A, B02B, B02C, B20A, B20B, B20C, B20D, B20E, B39A, B39B		01	B02A, B02B, B02C, B20A, B20B, B20C, B20D, B20E, B21A, B39A, B39B		01	B02A, B02B, B02C, B20A, B20B, B20C, B20D, B20E, B21A, B21B, B39A, B39B			
	02	C01A		04	E36Z		04	E36Z			
	06	G33Z		06	G33Z, G36Z		06	G33Z, G36Z			
	07	H33Z, H38Z		07	H33Z, H38Z		07	H33Z, H38Z			
	08	I15A, I15B		08	I26Z		08	I26Z			
	11	L33Z		11	L33Z		11	L33Z			
	21A	W01A, W01B, W01C, W36Z		17	R01A, R01B, R01C, R01D, R02Z, R12A, R12B, R12C		17	R01A, R01B, R01C, R01D, R02Z, R12A, R12B, R12C			
	21B	X06A, X06B, X33Z		21A	W04A, W04B		21A	W04A, W04B			
	23	Z01A		21B	X06A, X06B, X06C, X33Z		21B	X06A, X06B, X06C, X33Z			
	Pre	A07A		23	Z01A		23	Z01A			
	5a215.8a			BOP, KOP, KOPV, KVT, UOP4	5a215.92			BOP, KOP, KOPV, KVT, UOP4	5a215.b		BOP, KOP, KOPV, KVT, UOP4
		01		B02A, B02B, B02C, B20A, B20B, B20C, B20D, B20E, B39A, B39B			01	B02A, B02B, B02C, B20A, B20B, B20C, B20D, B20E, B21A, B39A, B39B		01	B02A, B02B, B02C, B20A, B20B, B20C, B20D, B20E, B39A, B39B
		06		G33Z			04	E36Z		06	G33Z
07		H33Z, H38Z	06	G33Z, G36Z		07	H33Z, H38Z				
11		L33Z	07	H33Z, H38Z		08	I15A, I15B				
17		R01A, R01B, R01C, R01D, R02Z, R12A, R12B, R12C	08	I26Z		11	L33Z				
21A		W04A, W04B	11	L33Z		17	R01A, R01B, R01C, R01D, R02Z, R12A, R12B, R12C				
21B		X06A, X06B, X06C, X33Z	17	R01A, R01B, R01C, R01D, R02Z, R12A, R12B, R12C		21A	W04A, W04B				
23		Z01A	21A	W04A, W04B		21B	X06A, X06B, X06C, X33Z				
Pre		A07A	21B	X06A, X06B, X06C, X33Z		Pre	A07A				
5a215.8b			BOP, KOP, KOPV, KVT, UOP4	5a215.a0			BOP, KOP, KOPV, KVT, UOP4	5a300			BOP, KVT, UOP4
		01	B02A, B02B, B02C, B20A, B20B, B20C, B20D, B20E, B39A, B39B			01	B02A, B02B, B02C, B20A, B20B, B20C, B20D, B20E, B39A, B39B			01	B03A, B03B, B18Z
		06	G33Z			06	G33Z			07	H06A, H06B, H06C
		07	H33Z, H38Z			07	H33Z, H38Z			11	L09A, L38Z
	11	L33Z	11		L33Z	17	R01A, R01B, R01C, R01D, R02Z, R12A, R12B, R12C				
	17	R01A, R01B, R01C, R01D, R02Z, R12A, R12B, R12C	17		R01A, R01B, R01C, R01D, R02Z, R12A, R12B, R12C	21A	W04A, W04B				
	21A	W04A, W04B	06		G33Z	21B	X06A, X06B, X06C				
	21B	X06A, X06B, X06C, X33Z	07		H33Z, H38Z	Pre	BOP, KVT, UOP4				
	23	Z01A	07		H33Z, H38Z	01	B03A, B03B, B18Z				
	Pre	A07A	11		L33Z	07	H06A, H06B, H06C				
	5a215.8x		BOP, KOP, KOPV, KVT, UOP4		5a215.a1		BOP, KOP, KOPV, KVT, UOP4		5a301		BOP, KVT, UOP4
		01	B02A, B02B, B02C, B20A, B20B, B20C, B20D, B20E, B39A, B39B			01	B02A, B02B, B02C, B20A, B20B, B20C, B20D, B20E, B39A, B39B			01	B03A, B03B, B18Z
		06	G33Z			04	E36Z			07	H06A, H06B, H06C
		07	H33Z, H38Z			06	G33Z, G36Z			11	L09A, L38Z
11		L33Z	07	H33Z, H38Z		17	R01A, R01B, R01C, R01D, R02Z, R12A, R12B, R12C				
17		R01A, R01B, R01C, R01D, R02Z, R12A, R12B, R12C	17	R01A, R01B, R01C, R01D, R02Z, R12A, R12B, R12C		21A	W04A, W04B				
21A		W04A, W04B	21A	W04A, W04B		21B	X06A, X06B, X06C				
21B		X06A, X06B, X06C, X33Z	21B	X06A, X06B, X06C, X33Z		Pre	BOP, KVT, UOP4				
23		Z01A	23	Z01A		01	B03A, B03B, B18Z				
Pre		A07A	Pre	A07A		07	H06A, H06B, H06C				
5a215.90			BOP, KOP, KOPV, KVT, UOP4	5a215.a2			BOP, KOP, KOPV, KVT, UOP4	5a302			BOP, KVT, UOP4
		01	B02A, B02B, B02C, B20A, B20B, B20C, B20D, B20E, B39A, B39B			01	B02A, B02B, B02C, B20A, B20B, B20C, B20D, B20E, B21A, B21B, B39A, B39B			01	B03A, B03B, B18Z
		06	G33Z			04	E36Z			08	I10A, I10B, I10C, I10D, I10E, I23A, I23B
		07	H33Z, H38Z			06	G33Z, G36Z			11	L09A, L09B, L09C, L09D, L38Z
	11	L33Z	07		H33Z, H38Z	12	M06Z, M09A, M09B, M38Z				
	17	R01A, R01B, R01C, R01D, R02Z, R12A, R12B, R12C	08		I26Z	13	N11A				
	21A	W04A, W04B	11		L33Z	21A	W04A, W04B				
	21B	X06A, X06B, X06C, X33Z	17		R01A, R01B, R01C, R01D, R02Z, R12A, R12B, R12C	21B	X06A, X06B, X06C				
	23	Z01A	21A		W04A, W04B	Pre	BOP, KVT, UOP4				
	Pre	A07A	21B		X06A, X06B, X06C, X33Z	01	B03A, B03B, B18Z				
	5a215.91		BOP, KOP, KOPV, KVT, UOP4		5a215.a3		BOP, KOP, KOPV, KVT, UOP4		5a304.0		BOP, KVT, UOP4
		01	B02A, B02B, B02C, B20A, B20B, B20C, B20D, B20E, B39A, B39B			01	B02A, B02B, B02C, B20A, B20B, B20C, B20D, B20E, B21A, B21B, B39A, B39B			01	B03A, B03B, B18Z
		06	G33Z			04	E36Z			08	I10A, I10B, I10C, I10D, I10E
		07	H33Z, H38Z			06	G33Z, G36Z			17	R01A, R01B, R01C, R01D, R02Z, R12A, R12B, R12C
11		L33Z	07	H33Z, H38Z		Pre	B61A				
17		R01A, R01B, R01C, R01D, R02Z, R12A, R12B, R12C	08	I26Z		Pre	BOP, KVT, UOP4				
21A		W04A, W04B	11	L33Z		01	B03A, B03B, B18Z				
21B		X06A, X06B, X06C, X33Z	17	R01A, R01B, R01C, R01D, R02Z, R12A, R12B, R12C		08	I10A, I10B, I10C, I10D, I10E				
23		Z01A	21A	W04A, W04B		17	R01A, R01B, R01C, R01D, R02Z, R12A, R12B, R12C				
Pre		A07A	21B	X06A, X06B, X06C, X33Z		Pre	B61A				
5a215.92			BOP, KOP, KOPV, KVT, UOP4	5a215.a4			BOP, KOP, KOPV, KVT, UOP4	5a304.1			BOP, KVT, UOP4
		01	B02A, B02B, B02C, B20A, B20B, B20C, B20D, B20E, B39A, B39B			01	B02A, B02B, B02C, B20A, B20B, B20C, B20D, B20E, B21A, B21B, B39A, B39B			01	B03A, B03B, B18Z
		06	G33Z			04	E36Z			08	I10A, I10B, I10C, I10D, I10E
		07	H33Z, H38Z			06	G33Z, G36Z			17	R01A, R01B, R01C, R01D, R02Z, R12A, R12B, R12C
	11	L33Z	07		H33Z, H38Z	Pre	B61A				
	17	R01A, R01B, R01C, R01D, R02Z, R12A, R12B, R12C	08		I26Z	Pre	BOP, KVT, UOP4				
	21A	W04A, W04B	11		L33Z	01	B03A, B03B, B18Z				
	21B	X06A, X06B, X06C, X33Z	17		R01A, R01B, R01C, R01D, R02Z, R12A, R12B, R12C	08	I10A, I10B, I10C, I10D, I10E				
	23	Z01A	21A		W04A, W04B	17	R01A, R01B, R01C, R01D, R02Z, R12A, R12B, R12C				
	Pre	A07A	21B		X06A, X06B, X06C, X33Z	Pre	B61A				

ZZV	MDC	DRG	ZZV	MDC	DRG	ZZV	MDC	DRG	
5a304.2		BOP, KVT, UOP4	5a30d		BOP, KVT, UOP4	5a30g		BOP, KVT, UOP4	
	01	B03A, B03B, B18Z		01	B03A, B03B, B18Z		01	B03A, B03B, B18Z	
	08	I10A, I10B, I10C, I10D, I10E		08	I10A, I10B, I10C, I10D, I10E, I23A, I23B		05	F01A, F01B, F01D, F05Z, F07A, F07B, F14A, F14B, F28A, F42Z, F54Z, F59A, F59B	
	17	R01A, R01B, R01C, R01D, R02Z, R12A, R12B, R12C		17	R01A, R01B, R01C, R01D, R02Z, R12A, R12B, R12C		08	I10A, I10B, I10C, I10D, I10E	
	Pre	B61A		21A	W04A, W04B		17	R01A, R01B, R01C, R01D, R02Z, R12A, R12B, R12C	
5a304.3		BOP, KVT, UOP4	5a30e.4		BOP, KVT, UOP4	5a30h		BOP, KVT, UOP4	
	01	B03A, B03B, B18Z		01	B03A, B03B, B18Z		01	B03A, B03B, B18Z	
	08	I10A, I10B, I10C, I10D, I10E		08	I10A, I10B, I10C, I10D, I10E, I23A, I23B		05	F01A, F01B, F01D, F05Z, F07A, F07B, F14A, F14B, F28A, F42Z, F54Z, F59A, F59B	
	17	R01A, R01B, R01C, R01D, R02Z, R12A, R12B, R12C		17	R01A, R01B, R01C, R01D, R02Z, R12A, R12B, R12C		08	I10A, I10B, I10C, I10D, I10E	
	Pre	B61A		21A	W04A, W04B		17	R01A, R01B, R01C, R01D, R02Z, R12A, R12B, R12C	
5a307		BOP, KVT, UOP4	5a30e.5		BOP, KVT, UOP4	5a30j		BOP, KOP, KOPV, KVT, UOP4, VIAL	
	01	B03A, B03B, B18Z		01	B03A, B03B, B18Z		01	B03A, B03B, B18Z	
	08	I10A, I10B, I10C, I10D, I10E, I23A, I23B		08	I10A, I10B, I10C, I10D, I10E, I23A, I23B		06	G33Z	
	11	L09A, L38Z		17	R01A, R01B, R01C, R01D, R02Z, R12A, R12B, R12C		07	H33Z, H38Z	
	17	R01A, R01B, R01C, R01D, R02Z, R12A, R12B, R12C			21A		W04A, W04B	08	I06A, I06B, I06C, I06D, I06E, I08A, I08B, I08C, I08D, I08E, I08F, I09A, I09B, I09C, I09D, I09E, I10A, I10B, I10C, I10D, I10E
	21A	W04A, W04B		21B	X06A, X06B, X06C		09	J26Z	
5a308		BOP, KVT, UOP4	5a30e.6		BOP, KVT, UOP4	5a30k		21A	W01A, W01B, W01C, W02A, W02B
	01	B03A, B03B, B18Z		01	B03A, B03B, B18Z		21B	X06A, X06B, X06C	
	08	I10A, I10B, I10C, I10D, I10E, I23A, I23B		08	I10A, I10B, I10C, I10D, I10E, I23A, I23B		23	Z01A	
	11	L09A, L38Z		17	R01A, R01B, R01C, R01D, R02Z, R12A, R12B, R12C		Pre	A07A	
	17	R01A, R01B, R01C, R01D, R02Z, R12A, R12B, R12C			21A		W04A, W04B		BOP, KVT, UOP4
	21A	W04A, W04B		21B	X06A, X06B, X06C		01	B03A, B03B, B18Z	
5a309		BOP, KVT, UOP4	5a30e.7		BOP, KVT, UOP4	5a30m		06	G01Z, G02Z, G38Z
	01	B03A, B03B, B18Z		01	B03A, B03B, B18Z		08	I10A, I10B, I10C, I10D, I10E, I23A, I23B	
	08	I10A, I10B, I10C, I10D, I10E, I23A, I23B		06	G01Z, G02Z, G38Z			17	R01A, R01B, R01C, R01D, R02Z, R12A, R12B, R12C
	11	L09A, L38Z		17	R01A, R01B, R01C, R01D, R02Z, R12A, R12B, R12C			21A	W04A, W04B
	17	R01A, R01B, R01C, R01D, R02Z, R12A, R12B, R12C			21B		X06A, X06B, X06C		21B
	21A	W04A, W04B		Pre	A11A, A13A, A13B, A13D		Pre	A11A, A13A, A13B, A13D	
5a30a		BOP, KVT, UOP4	5a30f		BOP, KVT, UOP4	5a30n		BOP, KVT, UOP4	
	01	B03A, B03B, B18Z		01	B03A, B03B, B06A, B06B, B07Z, B17A, B17B, B17C		01	B03A, B03B, B18Z	
	08	I10A, I10B, I10C, I10D, I10E, I23A, I23B		04	E02A, E02B, E02C		06	G01Z, G02Z, G38Z	
	11	L09A, L38Z		06	G10Z, G12A, G12B		08	I10C, I10D	
	17	R01A, R01B, R01C, R01D, R02Z, R12A, R12B, R12C		07	H06A, H06B, H06C			Pre	A11A, A13A, A13B, A13D
	21A	W04A, W04B		08	I10A, I10B, I10C, I10D, I10E, I28A, I28B		01	B03A, B03B, B18Z	
5a30b		BOP, KVT, UOP4		09	J03A, J03B, J04A, J04B, J08A, J08B, J08C, J11A, J11B, J16Z		06	G01Z, G02Z, G38Z	
	01	B03A, B03B, B18Z		10	K09A, K09B		08	I10A, I10B, I10C, I10D, I10E	
	08	I10A, I10B, I10C, I10D, I10E, I23A, I23B		11	L09A, L09B, L09C, L09D, L38Z		17	R01A, R01B, R01C, R01D, R02Z, R12A, R12B, R12C	
	11	L09A, L38Z		12	M06Z, M09A, M09B, M38Z		21A	W04A, W04B	
	17	R01A, R01B, R01C, R01D, R02Z, R12A, R12B, R12C		13	N11A		21B	X06A, X06B, X06C	
	21A	W04A, W04B		21A	W04A, W04B		Pre	A11A, A13A, A13B, A13D	
5a30c		BOP, KVT, UOP4		21B	X04Z, X05A, X05B, X06A, X06B	5a30o.9		BOP, KVT, UOP4	
	01	B03A, B03B, B18Z		22	Y01Z, Y03A, Y03B		01	B03A, B03B, B18Z	
	08	I10A, I10B, I10C, I10D, I10E, I23A, I23B		23	Z01A		06	G01Z, G02Z, G38Z	
	17	R01A, R01B, R01C, R01D, R02Z, R12A, R12B, R12C					08	I10A, I10B, I10C, I10D, I10E, I23A, I23B	
	21A	W04A, W04B					17	R01A, R01B, R01C, R01D, R02Z, R12A, R12B, R12C	
	21B	X06A, X06B, X06C				21A	W04A, W04B		
	Pre	B61A				21B	X06A, X06B, X06C		
						Pre	A11A, A13A, A13B, A13D		

VYK

ZZV	MDC	DRG	ZZV	MDC	DRG	ZZV	MDC	DRG	
5a30o.b		BOP, KVT, UOP4	5a310.11		BOP, KVT, UOP4	5a310.4		BOP, KVT, UOP4	
	01	B03A, B03B, B18Z		01	B03A, B03B, B06A, B06B, B07Z, B17A, B17B, B17C		01	B03A, B03B, B18Z	
	06	G01Z, G02Z, G38Z		04	E02A, E02B, E02C		08	I10A, I10B, I10C, I10D, I10E, I23A, I23B	
	08	I10A, I10B, I10C, I10D, I10E, I23A, I23B		06	G10Z, G12A, G12B		17	R01A, R01B, R01C, R01D, R02Z, R12A, R12B, R12C	
	17	R01A, R01B, R01C, R01D, R02Z, R12A, R12B, R12C		07	H06A, H06B, H06C		21A	W04A, W04B	
	21A	W04A, W04B		08	I10A, I10B, I10C, I10D, I10E, I28A, I28B		21B	X06A, X06B	
	21B	X06A, X06B, X06C		09	J03A, J03B, J04A, J04B, J08A, J08B, J08C, J11A, J11B, J16Z		23	Z01A	
	Pre	A11A, A13A, A13B, A13D					5a310.5		BOP, KVT, UOP4
	5a30p.8			BOP, KVT, UOP4				01	B03A, B03B, B18Z
		01		B03A, B03B, B18Z	10		K09A, K09B	08	I10A, I10B, I10C, I10D, I10E, I23A, I23B
06		G01Z, G02Z, G38Z	11	L09A, L09B, L09C, L09D, L38Z	17	R01A, R01B, R01C, R01D, R02Z, R12A, R12B, R12C			
08		I10A, I10B, I10C, I10D, I10E, I23A, I23B	12	M06Z, M09A, M09B, M38Z	21A	W04A, W04B			
17		R01A, R01B, R01C, R01D, R02Z, R12A, R12B, R12C	13	N11A	21B	X06A, X06B			
21A		W04A, W04B	21A	W04A, W04B	5a310.7		BOP, KVT, UOP4		
21B		X06A, X06B, X06C	21B	X04Z, X05A, X05B, X06A, X06B		01	B03A, B03B, B18Z		
Pre		A11A, A13A, A13B, A13D	22	Y01Z, Y03A, Y03B	08	I10A, I10B, I10C, I10D, I10E, I23A, I23B			
5a30p.a			BOP, KVT, UOP4	5a310.1x		BOP, KVT, UOP4	5a310.8		BOP, KVT, UOP4
		01	B03A, B03B, B18Z		01	B03A, B03B, B06A, B06B, B07Z, B17A, B17B, B17C		01	B03A, B03B, B18Z
	06	G01Z, G02Z, G38Z	04		E02A, E02B, E02C	08		I10A, I10B, I10C, I10D, I10E, I23A, I23B	
	08	I10A, I10B, I10C, I10D, I10E, I23A, I23B	06		G10Z, G12A, G12B	17		R01A, R01B, R01C, R01D, R02Z, R12A, R12B, R12C	
	17	R01A, R01B, R01C, R01D, R02Z, R12A, R12B, R12C	07		H06A, H06B, H06C	21A		W04A, W04B	
	21A	W04A, W04B	08		I28A, I28B	21B		X06A, X06B	
	21B	X06A, X06B, X06C	09		J03A, J03B, J04A, J04B, J08A, J08B, J08C, J11A, J11B, J16Z	5a311.00			BOP, KVT, UOP4
	Pre	A11A, A13A, A13B, A13D	10		K09A, K09B			01	B03A, B03B, B18Z
	5a30r		BOP, KVT, UOP4					08	I10A, I10B, I10C, I10D, I10E, I23A, I23B
		01	B03A, B03B, B18Z		11	L09A, L09B, L09C, L09D, L38Z		11	L09A, L09B, L09C, L09D, L38Z
06		G01Z, G02Z, G38Z	12	M06Z, M09A, M09B, M38Z	12	M06Z, M09A, M09B, M38Z			
08		I10A, I10B, I10C, I10D, I10E, I23A, I23B	13	N11A	13	N11A			
17		R01A, R01B, R01C, R01D, R02Z, R12A, R12B, R12C	21A	W04A, W04B	17	R01A, R01B, R01C, R01D, R02Z, R12A, R12B, R12C			
21A		W04A, W04B	21B	X04Z, X05A, X05B, X06A, X06B	21A	W04A, W04B			
21B		X06A, X06B, X06C	22	Y01Z, Y03A, Y03B	21B	X06A, X06B, X06C			
Pre		A11A, A13A, A13B, A13D	23	Z01A	23	Z01A			
5a310.10			BOP, KVT, UOP4	5a310.2		BOP, KVT, UOP4	5a311.01		BOP, KVT, UOP4
		01	B03A, B03B, B06A, B06B, B07Z, B17A, B17B, B17C		01	B03A, B03B, B06A, B06B, B07Z, B17A, B17B, B17C		01	B03A, B03B, B18Z
	04	E02A, E02B, E02C	04		E02A, E02B, E02C	08		I10A, I10B, I10C, I10D, I10E, I28A, I28B	
	06	G10Z, G12A, G12B	06		G10Z, G12A, G12B	11		L09A, L09B, L09C, L09D, L38Z	
	07	H06A, H06B, H06C	07		H06A, H06B, H06C	12		M06Z, M09A, M09B, M38Z	
	08	I10A, I10B, I10C, I10D, I10E, I28A, I28B	08		I10A, I10B, I10C, I10D, I10E, I28A, I28B	13		N11A	
	09	J03A, J03B, J04A, J04B, J08A, J08B, J08C, J11A, J11B, J16Z	09		J03A, J03B, J04A, J04B, J08A, J08B, J08C, J11A, J11B, J16Z	17		R01A, R01B, R01C, R01D, R02Z, R12A, R12B, R12C	
	10	K09A, K09B	10		K09A, K09B	21A		W04A, W04B	
	11	L09A, L09B, L09C, L09D, L38Z	11		L09A, L09B, L09C, L09D, L38Z	21B		X06A, X06B, X06C	
	12	M06Z, M09A, M09B, M38Z	12		M06Z, M09A, M09B, M38Z	23		Z01A	
13	N11A	13	N11A	5a311.02		BOP, KVT, UOP4			
21A	W04A, W04B	21A	W04A, W04B		01	B03A, B03B, B18Z			
21B	X04Z, X05A, X05B, X06A, X06B	21B	X04Z, X05A, X05B, X06A, X06B	08	I10A, I10B, I10C, I10D, I10E, L38Z				
22	Y01Z, Y03A, Y03B	22	Y01Z, Y03A, Y03B	11	L09A, L09B, L09C, L09D, L38Z				
23	Z01A	5a310.3		BOP, KVT, UOP4	12	M06Z, M09A, M09B, M38Z			
			01	B03A, B03B, B18Z	13	N11A			
			08	I10A, I10B, I10C, I10D, I10E, I23A, I23B	17	R01A, R01B, R01C, R01D, R02Z, R12A, R12B, R12C			
			17	R01A, R01B, R01C, R01D, R02Z, R12A, R12B, R12C	21A	W04A, W04B			
			21A	W04A, W04B	21B	X06A, X06B, X06C			
			21B	X06A, X06B	23	Z01A			

ZZV	MDC	DRG	ZZV	MDC	DRG	ZZV	MDC	DRG			
5a311.03		BOP, KVT, UOP4	5a311.20		BOP, KVT, UOP4	5a311.32		BOP, KVT, UOP4			
	01	B03A, B03B, B18Z		01	B03A, B03B, B18Z		01	B03A, B03B, B18Z			
	08	I10A, I10B, I10C, I10D, I10E		08	I10A, I10B, I10C, I10D, I10E, I23A, I23B		08	I10A, I10B, I10C, I10D, I10E, I23A			
	11	L09A, L09B, L09C, L09D, L38Z		11	L09A, L09B, L09C, L09D, L38Z		11	L09A, L09B, L09C, L09D, L38Z			
	12	M06Z, M09A, M09B, M38Z		12	M06Z, M09A, M09B, M38Z		12	M06Z, M09A, M09B, M38Z			
	13	N11A		13	N11A		13	N11A			
	17	R01A, R01B, R01C, R01D, R02Z, R12A, R12B, R12C		21A	W04A, W04B		21A	W04A, W04B			
	21A	W04A, W04B		21B	X06A, X06B, X06C		21B	X06A, X06B, X06C			
	21B	X06A, X06B, X06C		5a311.21			BOP, KVT, UOP4	5a311.33		BOP, KVT, UOP4	
	23	Z01A			01		B03A, B03B, B18Z		01	B03A, B03B, B18Z	
	5a311.04				BOP, KVT, UOP4		08		I10A, I10B, I10C, I10D, I10E, I23A, I23B	08	I10A, I10B, I10C, I10D, I10E, I23A
		01			B03A, B03B, B18Z		11		L09A, L09B, L09C, L09D, L38Z	11	L09A, L09B, L09C, L09D, L38Z
		08			I10A, I10B, I10C, I10D, I10E		12		M06Z, M09A, M09B, M38Z	12	M06Z, M09A, M09B, M38Z
		11			L09A, L09B, L09C, L09D, L38Z		13		N11A	13	N11A
		12			M06Z, M09A, M09B, M38Z		21A		W04A, W04B	21A	W04A, W04B
		13			N11A		21B		X06A, X06B, X06C	21B	X06A, X06B, X06C
		17			R01A, R01B, R01C, R01D, R02Z, R12A, R12B, R12C		5a311.22			BOP, KVT, UOP4	5a311.34
21A		W04A, W04B	01		B03A, B03B, B18Z	01			B03A, B03B, B18Z		
21B		X06A, X06B, X06C	08		I10A, I10B, I10C, I10D, I10E, I23A, I23B	08			I10A, I10B, I10C, I10D, I10E, I23A		
23		Z01A	11		L09A, L09B, L09C, L09D, L38Z	11			L09A, L09B, L09C, L09D, L38Z		
5a311.05			BOP, KVT, UOP4		12	M06Z, M09A, M09B, M38Z			12	M06Z, M09A, M09B, M38Z	
		01	B03A, B03B, B18Z		13	N11A			13	N11A	
		08	I10A, I10B, I10C, I10D, I10E		21A	W04A, W04B			21A	W04A, W04B	
		11	L09A, L09B, L09C, L09D, L38Z		21B	X06A, X06B, X06C			21B	X06A, X06B, X06C	
		12	M06Z, M09A, M09B, M38Z		5a311.23				BOP, KVT, UOP4	5a311.35	
		13	N11A	01		B03A, B03B, B18Z		01	B03A, B03B, B18Z		
		17	R01A, R01B, R01C, R01D, R02Z, R12A, R12B, R12C	08		I10A, I10B, I10C, I10D, I10E, I23A, I23B		08	I10A, I10B, I10C, I10D, I10E, I23A, I23B		
	21A	W04A, W04B	11	L09A, L09B, L09C, L09D, L38Z		11		L09A, L09B, L09C, L09D, L38Z			
	21B	X06A, X06B, X06C	12	M06Z, M09A, M09B, M38Z		12		M06Z, M09A, M09B, M38Z			
	23	Z01A	13	N11A		13		N11A			
	5a311.06		BOP, KVT, UOP4	21A		W04A, W04B		21A	W04A, W04B		
		01	B03A, B03B, B18Z	21B		X06A, X06B, X06C		21B	X06A, X06B, X06C		
		08	I10A, I10B, I10C, I10D, I10E	5a311.24				BOP, KVT, UOP4	5a311.36		
		11	L09A, L09B, L09C, L09D, L38Z			01	B03A, B03B, B18Z	01			B03A, B03B, B18Z
		12	M06Z, M09A, M09B, M38Z			08	I10A, I10B, I10C, I10D, I10E, I23A, I23B	08			I10A, I10B, I10C, I10D, I10E, I23A, I23B
		13	N11A			11	L09A, L09B, L09C, L09D, L38Z	11			L09A, L09B, L09C, L09D, L38Z
		17	R01A, R01B, R01C, R01D, R02Z, R12A, R12B, R12C			12	M06Z, M09A, M09B, M38Z	12			M06Z, M09A, M09B, M38Z
21A		W04A, W04B	13			N11A	13	N11A			
21B		X06A, X06B, X06C	21A			W04A, W04B	21A	W04A, W04B			
23		Z01A	21B			X06A, X06B, X06C	21B	X06A, X06B, X06C			
5a311.1			BOP, KVT, UOP4			5a311.25		BOP, KVT, UOP4			5a311.40
		01	B03A, B03B, B18Z		01		B03A, B03B, B18Z	01		B03A, B03B, B18Z	
		08	I10A, I10B, I10C, I10D, I10E		08		I10A, I10B, I10C, I10D, I10E, I23A, I23B	08		I10A, I10B, I10C, I10D, I10E, I23A	
		11	L09A, L09B, L09C, L09D, L38Z		11		L09A, L09B, L09C, L09D, L38Z	11		L09A, L09B, L09C, L09D, L38Z	
		12	M06Z, M09A, M09B, M38Z		12		M06Z, M09A, M09B, M38Z	12		M06Z, M09A, M09B, M38Z	
		13	N11A		13		N11A	13		N11A	
		17	R01A, R01B, R01C, R01D, R02Z, R12A, R12B, R12C		21A		W04A, W04B	17		R01A, R01B, R01C, R01D, R02Z, R12A, R12B, R12C	
	21A	W04A, W04B	21B		X06A, X06B, X06C		21A	W04A, W04B			
	21B	X06A, X06B, X06C	5a311.31				BOP, KVT, UOP4	5a311.41			
	23	Z01A		01	B03A, B03B, B18Z		21B		X06A, X06B, X06C		
	5a311.07			BOP, KVT, UOP4	08		I10A, I10B, I10C, I10D, I10E, I23A		23	Z01A	
		01		B03A, B03B, B18Z	11		L09A, L09B, L09C, L09D, L38Z				
		08		I10A, I10B, I10C, I10D, I10E	12		M06Z, M09A, M09B, M38Z				
		11		L09A, L09B, L09C, L09D, L38Z	13		N11A				
		12		M06Z, M09A, M09B, M38Z	21A		W04A, W04B				
		13		N11A	21B		X06A, X06B, X06C				
		17		R01A, R01B, R01C, R01D, R02Z, R12A, R12B, R12C							
21A		W04A, W04B									
21B		X06A, X06B, X06C									
23		Z01A									

ZZV	MDC	DRG	ZZV	MDC	DRG	ZZV	MDC	DRG
5a40f.b		BOP, KVT, UOP4	5a504		BOP, KVT, UOP4	5a50b		BOP, KVT, UOP4
	01	B03A, B03B, B06A, B06B, B07Z, B17A, B17B, B17C		01	B03A, B03B, B06A, B06B, B07Z, B17A, B17B, B17C		01	B03A, B03B, B06A, B06B, B07Z, B17A, B17B, B17C
	03	D12A, D12B		03	D12A		03	D12A
	08	I08A, I08B, I08C, I08D, I08E, I13A, I13B, I28A, I28B		08	I08A, I08B, I08C, I08D, I08E, I13A, I13B		08	I08A, I08B, I08C, I08D, I08E, I13A, I13B
	21A	W04A, W04B		21A	W04A, W04B		21A	W04A, W04B
5a40f.c	21B	X06A, X06B, X06C	5a505.1	21B	X06A, X06B, X06C	5a50c.2	21B	X06A, X06B, X06C
		BOP, KVT, UOP4			BOP, KVT, UOP4			BOP, KVT, UOP4
	01	B03A, B03B, B06A, B06B, B07Z, B17A, B17B, B17C		01	B03A, B03B, B06A, B06B, B07Z, B17A, B17B, B17C		01	B03A, B03B, B06A, B06B, B07Z, B17A, B17B, B17C
	03	D12A, D12B		03	D12A		08	I08A, I08B, I08C, I08D, I08E, I13A, I13B, I28A, I28B
	08	I08A, I08B, I08C, I08D, I08E, I13A, I13B, I28A, I28B		08	I08A, I08B, I08C, I08D, I08E, I13A, I13B		21A	W04A, W04B
5a40g	21A	W04A, W04B	5a505.2	21A	W04A, W04B	5a50c.3	21B	X06A, X06B, X06C
	21B	X06A, X06B, X06C		21B	X06A, X06B, X06C			BOP, KVT, UOP4
		BOP, KVT, UOP4			BOP, KVT, UOP4		01	B03A, B03B, B06A, B06B, B07Z, B17A, B17B, B17C
	01	B03A, B03B, B06A, B06B, B07Z, B17A, B17B, B17C		01	B03A, B03B, B06A, B06B, B07Z, B17A, B17B, B17C		08	I08A, I08B, I08C, I08D, I08E, I13A, I13B, I28A, I28B
	03	D12A, D12B		03	D12A		21A	W04A, W04B
5a500	08	I08A, I08B, I08C, I08D, I08E, I13A, I13B, I28A, I28B	5a506	08	I08A, I08B, I08C, I08D, I08E, I13A, I13B	5a50e.4	21B	X06A, X06B, X06C
	21A	W04A, W04B		21A	W04A, W04B			BOP, KVT, UOP4
	21B	X06A, X06B, X06C		21B	X06A, X06B, X06C		01	B03A, B03B, B06A, B06B, B07Z, B17A, B17B, B17C
		BOP, KVT, UOP4			BOP, KVT, UOP4		08	I08A, I08B, I08C, I08D, I08E, I13A, I13B, I28A, I28B
	01	B03A, B03B, B06A, B06B, B07Z, B17A, B17B, B17C		01	B03A, B03B, B06A, B06B, B07Z, B17A, B17B, B17C		21A	W04A, W04B
5a501	03	D12A	5a507.0	03	D12A	5a50f	21B	X06A, X06B, X06C, X33Z
	06	G11A, G11B		08	I08A, I08B, I08C, I08D, I08E, I13A, I13B			BOP, KVT, UOP4
	08	I08A, I08B, I08C, I08D, I08E, I13A, I13B, I28A, I28B		21A	W04A, W04B		01	B03A, B03B, B06A, B06B, B07Z, B17A, B17B, B17C
	11	L03Z, L04A, L04B, L04C, L10Z, L38Z		21B	X06A, X06B, X06C		08	I08A, I08B, I08C, I08D, I08E, I13A, I13B, I28A, I28B
	12	M06Z, M09A, M09B, M38Z			BOP, KVT, UOP4		21A	W04A, W04B
	13	N11A		01	B03A, B03B, B06A, B06B, B07Z, B17A, B17B, B17C		21B	X06A, X06B, X06C, X33Z
	21A	W04A, W04B		08	I08A, I08B, I08C, I08D, I08E, I13A, I13B, I28A, I28B			BOP, KVT, UOP4
	21B	X04Z, X05A, X05B, X06A, X06B, X06C		21A	W04A, W04B		01	B03A, B03B, B06A, B06B, B07Z, B17A, B17B, B17C
	22	Y01Z, Y03A, Y03B		21B	X06A, X06B, X06C		08	I08A, I08B, I08C, I08D, I08E, I13A, I13B, I28A, I28B
	23	Z01A			BOP, KVT, UOP4		21A	W04A, W04B
	5a502			BOP, KVT, UOP4	5a507.1			BOP, KVT, UOP4
01		B03A, B03B, B06A, B06B, B07Z, B17A, B17B, B17C	01	B03A, B03B, B06A, B06B, B07Z, B17A, B17B, B17C			BOP, KVT, UOP4	
03		D12A	08	I08A, I08B, I08C, I08D, I08E, I13A, I13B, I28A, I28B		01	B03A, B03B, B06A, B06B, B07Z, B17A, B17B, B17C, B17D	
08		I08A, I08B, I08C, I08D, I08E, I13A, I13B	21A	W04A, W04B		08	I08A, I08B, I08C, I08D, I08E, I13A, I13B, I28A, I28B, I28C	
21A		W04A, W04B	21B	X06A, X06B, X06C		21A	W04A, W04B	
5a503	21B	X06A, X06B, X06C	5a508		BOP, KVT, UOP4	5a50h.61	21B	X06A, X06B
		BOP, KVT, UOP4		01	B03A, B03B, B06A, B06B, B07Z, B17A, B17B, B17C			BOP, KVT, UOP4
	01	B03A, B03B, B06A, B06B, B07Z, B17A, B17B, B17C		03	D12A		01	B03A, B03B, B06A, B06B, B07Z, B17A, B17B, B17C, B17D
	03	D12A		06	G11A, G11B		08	I08A, I08B, I08C, I08D, I08E, I13A, I13B, I28A, I28B
	08	I08A, I08B, I08C, I08D, I08E, I13A, I13B		08	I08A, I08B, I08C, I08D, I08E, I13A, I13B, I28A, I28B			BOP, KVT, UOP4
5a503	21A	W04A, W04B	5a50a	11	L03Z, L04A, L04B, L04C, L10Z, L38Z	5a50h.63	08	I08A, I08B, I08C, I08D, I08E, I13A, I13B, I28A, I28B, I28C
	21B	X06A, X06B, X06C		12	M06Z, M09A, M09B, M38Z		21A	W04A, W04B
		BOP, KVT, UOP4		13	N11A		21B	X04Z, X05A, X05B, X06A, X06B, X06C
	01	B03A, B03B, B06A, B06B, B07Z, B17A, B17B, B17C		21A	W04A, W04B		01	B03A, B03B, B06A, B06B, B07Z, B17A, B17B, B17C, B17D
	03	D12A		21B	X04Z, X05A, X05B, X06A, X06B, X06C		08	I08A, I08B, I08C, I08D, I08E, I13A, I13B, I28A, I28B, I28C
5a503	08	I08A, I08B, I08C, I08D, I08E, I13A, I13B	5a50a	22	Y01Z, Y03A, Y03B	5a50h.63	21A	W04A, W04B
	21A	W04A, W04B		23	Z01A		21B	X05A, X05B, X06A, X06B
	21B	X06A, X06B, X06C			BOP, KVT, UOP4		01	B03A, B03B, B06A, B06B, B07Z, B17A, B17B, B17C, B17D
		BOP, KVT, UOP4		01	B03A, B03B, B06A, B06B, B07Z, B17A, B17B, B17C		08	I08A, I08B, I08C, I08D, I08E, I13A, I13B, I28A, I28B, I28C
	01	B03A, B03B, B06A, B06B, B07Z, B17A, B17B, B17C		03	D12A		21A	W04A, W04B
5a503	03	D12A	5a50a	08	I08A, I08B, I08C, I08D, I08E, I13A, I13B	5a50h.63	21B	X05A, X05B, X06A, X06B
	08	I08A, I08B, I08C, I08D, I08E, I13A, I13B		21A	W04A, W04B			BOP, KVT, UOP4
	21A	W04A, W04B		21B	X06A, X06B, X06C		01	B03A, B03B, B06A, B06B, B07Z, B17A, B17B, B17C, B17D
	21B	X06A, X06B, X06C			BOP, KVT, UOP4		08	I08A, I08B, I08C, I08D, I08E, I13A, I13B, I28A, I28B, I28C
		BOP, KVT, UOP4			BOP, KVT, UOP4			BOP, KVT, UOP4

VYK

Príloha B: Index Výkon-MDC-DRG

ZZV	MDC	DRG	ZZV	MDC	DRG	ZZV	MDC	DRG	
5a50h.64		BOP, KVT, UOP4	5a50l		BOP, KVT, UOP4	5a50t.01		BOP, KVT, UOP4	
	01	B03A, B03B, B06A, B06B, B07Z, B17A, B17B, B17C, B17D		01	B03A, B03B, B06A, B06B, B07Z, B17A, B17B, B17C		01	B03A, B03B, B06A, B06B, B07Z, B17A, B17B, B17C	
	08	I08A, I08B, I08C, I08D, I08E, I13A, I13B, I28A, I28B, I28C		03	D12A, D12B		03	D12A	
	21A	W04A, W04B		08	I08A, I08B, I08C, I08D, I08E, I13A, I13B, I28A, I28B, I28C		06	G11A, G11B	
5a50h.6x	21B	X05A, X05B, X06A, X06B	5a50m	21A	W04A, W04B	5a50t.02	08	I08A, I08B, I08C, I08D, I08E, I13A, I13B, I28A, I28B	
		BOP, KVT, UOP4		21B	X06A, X06B		11	L03Z, L04A, L04B, L04C, L10Z, L38Z	
	01	B03A, B03B, B06A, B06B, B07Z, B17A, B17B, B17C, B17D		01	B03A, B03B, B06A, B06B, B07Z, B17A, B17B, B17C		12	M06Z, M09A, M09B, M38Z	
	08	I08A, I08B, I08C, I08D, I08E, I13A, I13B, I28A, I28B, I28C		03	D12A, D12B		13	N11A	
5a50h.7	21A	W04A, W04B	5a50n	08	I08A, I08B, I08C, I08D, I08E, I13A, I13B, I28A, I28B, I28C	5a50t.03	21A	W04A, W04B	
	21B	X05A, X05B, X06A, X06B		21A	W04A, W04B		5a50t.04	21B	X04Z, X05A, X05B, X06A, X06B, X06C
		BOP, KVT, UOP4		21B	X06A, X06B			22	Y01Z, Y03A, Y03B
	01	B03A, B03B, B06A, B06B, B07Z, B17A, B17B, B17C, B17D			BOP, KVT, UOP4			23	Z01A
5a50h.8	08	I08A, I08B, I08C, I08D, I08E, I13A, I13B, I28A, I28B, I28C	5a50o	01	B03A, B03B, B06A, B06B, B07Z, B17A, B17B, B17C	5a50t.04		01	B03A, B03B, B06A, B06B, B07Z, B17A, B17B, B17C
	21A	W04A, W04B		03	D12A, D12B		03	D12A	
	21B	X05A, X05B, X06A, X06B		08	I08A, I08B, I08C, I08D, I08E, I13A, I13B, I28A, I28B, I28C		06	G11A, G11B	
		BOP, KVT, UOP4		21A	W04A, W04B		08	I08A, I08B, I08C, I08D, I08E, I13A, I13B, I28A, I28B	
5a50h.9	01	B03A, B03B, B06A, B06B, B07Z, B17A, B17B, B17C, B17D	5a50p	08	I08A, I08B, I08C, I08D, I08E, I13A, I13B, I28A, I28B, I28C	5a50t.04	11	L03Z, L04A, L04B, L04C, L10Z, L38Z	
	08	I08A, I08B, I08C, I08D, I08E, I13A, I13B, I28A, I28B, I28C		21A	W04A, W04B		12	M06Z, M09A, M09B, M38Z	
	21A	W04A, W04B		21B	X06A, X06B		13	N11A	
	21B	X05A, X05B, X06A, X06B			BOP, KVT, UOP4		21A	W04A, W04B	
5a50h.a	01	B03A, B03B, B06A, B06B, B07Z, B17A, B17B, B17C	5a50r	01	B03A, B03B, B06A, B06B, B07Z, B17A, B17B, B17C, B17D	5a50t.04	21B	X04Z, X05A, X05B, X06A, X06B, X06C	
	08	I08A, I08B, I08C, I08D, I08E, I13A, I13B, I28A, I28B, I28C		08	I08A, I08B, I08C, I08D, I08E, I13A, I13B, I28A, I28B		22	Y01Z, Y03A, Y03B	
	21A	W04A, W04B		21A	W04A, W04B		23	Z01A	
	21B	X04Z, X06A, X06B		21B	X06A, X06B, X06C		01	B03A, B03B, B06A, B06B, B07Z, B17A, B17B, B17C	
5a50h.b		BOP, KVT, UOP4	5a50t.00		BOP, KVT, UOP4	5a50t.04	03	D12A	
	01	B03A, B03B, B06A, B06B, B07Z, B17A, B17B, B17C		01	B03A, B03B, B06A, B06B, B07Z, B17A, B17B, B17C		06	G11A, G11B	
	08	I08A, I08B, I08C, I08D, I08E, I13A, I13B, I28A, I28B, I28C		03	D12A		08	I08A, I08B, I08C, I08D, I08E, I13A, I13B, I28A, I28B	
	21A	W04A, W04B		06	G11A, G11B		11	L03Z, L04A, L04B, L04C, L10Z, L38Z	
5a50j	21B	X04Z, X06A, X06B	5a50t.00	08	I08A, I08B, I08C, I08D, I08E, I13A, I13B, I28A, I28B	5a50t.04	12	M06Z, M09A, M09B, M38Z	
		BOP, KVT, UOP4		11	L03Z, L04A, L04B, L04C, L10Z, L38Z		13	N11A	
	01	B03A, B03B, B06A, B06B, B07Z, B17A, B17B, B17C, B17D		12	M06Z, M09A, M09B, M38Z		21A	W04A, W04B	
	08	I08A, I08B, I08C, I08D, I08E, I13A, I13B, I20A, I20B, I20C, I20D, I20E, I20F		13	N11A		21B	X04Z, X05A, X05B, X06A, X06B, X06C	
5a50k	21A	W04A, W04B	5a50t.00	21A	W04A, W04B	5a50t.04	21B	X04Z, X05A, X05B, X06A, X06B, X06C	
	21B	X04Z		22	Y01Z, Y03A, Y03B		22	Y01Z, Y03A, Y03B	
		BOP, KVT, UOP4		23	Z01A		23	Z01A	
	01	B03A, B03B, B06A, B06B, B07Z, B17A, B17B, B17C			BOP, KVT, UOP4			BOP, KVT, UOP4	
5a50k	03	D12A, D12B	5a50t.00	01	B03A, B03B, B06A, B06B, B07Z, B17A, B17B, B17C	5a50t.04	01	B03A, B03B, B06A, B06B, B07Z, B17A, B17B, B17C	
	08	I08A, I08B, I08C, I08D, I08E, I13A, I13B, I28A, I28B, I28C		03	D12A		03	D12A	
	21A	W04A, W04B		06	G11A, G11B		06	G11A, G11B	
	21B	X06A, X06B		08	I08A, I08B, I08C, I08D, I08E, I13A, I13B, I28A, I28B		08	I08A, I08B, I08C, I08D, I08E, I13A, I13B, I28A, I28B	

ZZV	MDC	DRG	ZZV	MDC	DRG	ZZV	MDC	DRG	
5a50t.05		BOP, KVT, UOP4	5a50t.12		BOP, KVT, UOP4	5a50t.16		BOP, KVT, UOP4	
	01	B03A, B03B, B06A, B06B, B07Z, B17A, B17B, B17C		01	B03A, B03B, B06A, B06B, B07Z, B17A, B17B, B17C		01	B03A, B03B, B06A, B06B, B07Z, B17A, B17B, B17C	
	03	D12A		03	D12A		03	D12A	
	06	G11A, G11B		06	G11A, G11B		06	G11A, G11B	
	08	I08A, I08B, I08C, I08D, I08E, I13A, I13B, I28A, I28B		08	I08A, I08B, I08C, I08D, I08E, I13A, I13B, I28A, I28B		08	I08A, I08B, I08C, I08D, I08E, I13A, I13B, I28A, I28B	
	11	L03Z, L04A, L04B, L04C, L10Z, L38Z		11	L03Z, L04A, L04B, L04C, L10Z, L38Z		11	L03Z, L04A, L04B, L04C, L10Z, L38Z	
	12	M06Z, M09A, M09B, M38Z		12	M06Z, M09A, M09B, M38Z		12	M06Z, M09A, M09B, M38Z	
	13	N11A		13	N11A		13	N11A	
	21A	W04A, W04B		21A	W04A, W04B		21A	W04A, W04B	
	21B	X04Z, X05A, X05B, X06A, X06B, X06C		21B	X04Z, X05A, X05B, X06A, X06B, X06C		21B	X04Z, X05A, X05B, X06A, X06B, X06C	
	22	Y01Z, Y03A, Y03B		22	Y01Z, Y03A, Y03B		22	Y01Z, Y03A, Y03B	
	23	Z01A		23	Z01A		23	Z01A	
	5a50t.06			BOP, KVT, UOP4	5a50t.13			BOP, KVT, UOP4	5a50t.e
01		B03A, B03B, B06A, B06B, B07Z, B17A, B17B, B17C	01	B03A, B03B, B06A, B06B, B07Z, B17A, B17B, B17C		01	B03A, B03B, B06A, B06B, B07Z, B17A, B17B, B17C		
03		D12A	03	D12A		03	D12A		
06		G11A, G11B	06	G11A, G11B		08	I08A, I08B, I08C, I08D, I08E, I13A, I13B, I28A, I28B		
08		I08A, I08B, I08C, I08D, I08E, I13A, I13B, I28A, I28B	08	I08A, I08B, I08C, I08D, I08E, I13A, I13B, I28A, I28B		12	M06Z, M09A, M09B, M38Z		
11		L03Z, L04A, L04B, L04C, L10Z, L38Z	11	L03Z, L04A, L04B, L04C, L10Z, L38Z		13	N11A		
12		M06Z, M09A, M09B, M38Z	12	M06Z, M09A, M09B, M38Z		21A	W04A, W04B		
13		N11A	13	N11A		21B	X04Z, X05A, X05B, X06A, X06B, X06C		
21A		W04A, W04B	21A	W04A, W04B		22	Y01Z, Y03A, Y03B		
21B		X04Z, X05A, X05B, X06A, X06B, X06C	21B	X04Z, X05A, X05B, X06A, X06B, X06C		23	Z01A		
22		Y01Z, Y03A, Y03B	22	Y01Z, Y03A, Y03B		5a50t.f0		BOP, KVT, UOP4	
23		Z01A	23	Z01A			01	B03A, B03B, B06A, B06B, B07Z, B17A, B17B, B17C	
5a50t.10			BOP, KVT, UOP4	5a50t.14			BOP, KVT, UOP4	03	
	01	B03A, B03B, B06A, B06B, B07Z, B17A, B17B, B17C	01		B03A, B03B, B06A, B06B, B07Z, B17A, B17B, B17C	06	G11A, G11B		
	03	D12A	03		D12A	08	I08A, I08B, I08C, I08D, I08E, I13A, I13B, I28A, I28B		
	06	G11A, G11B	06		G11A, G11B	11	L03Z, L04A, L04B, L04C, L10Z, L38Z		
	08	I08A, I08B, I08C, I08D, I08E, I13A, I13B, I28A, I28B	08		I08A, I08B, I08C, I08D, I08E, I13A, I13B, I28A, I28B	12	M06Z, M09A, M09B, M38Z		
	11	L03Z, L04A, L04B, L04C, L10Z, L38Z	11		L03Z, L04A, L04B, L04C, L10Z, L38Z	13	N11A		
	12	M06Z, M09A, M09B, M38Z	12		M06Z, M09A, M09B, M38Z	21A	W04A, W04B		
	13	N11A	13		N11A	21B	X04Z, X05A, X05B, X06A, X06B, X06C		
	21A	W04A, W04B	21A		W04A, W04B	22	Y01Z, Y03A, Y03B		
	21B	X04Z, X05A, X05B, X06A, X06B, X06C	21B		X04Z, X05A, X05B, X06A, X06B, X06C	23	Z01A		
	22	Y01Z, Y03A, Y03B	22		Y01Z, Y03A, Y03B	5a50t.f1		BOP, KVT, UOP4	
	23	Z01A	23		Z01A		01	B03A, B03B, B06A, B06B, B07Z, B17A, B17B, B17C	
	5a50t.11		BOP, KVT, UOP4		5a50t.15		BOP, KVT, UOP4	03	D12A
01		B03A, B03B, B06A, B06B, B07Z, B17A, B17B, B17C	01	B03A, B03B, B06A, B06B, B07Z, B17A, B17B, B17C		06	G11A, G11B		
03		D12A	03	D12A		08	I08A, I08B, I08C, I08D, I08E, I13A, I13B, I28A, I28B		
06		G11A, G11B	06	G11A, G11B		11	L03Z, L04A, L04B, L04C, L10Z, L38Z		
08		I08A, I08B, I08C, I08D, I08E, I13A, I13B, I28A, I28B	08	I08A, I08B, I08C, I08D, I08E, I13A, I13B, I28A, I28B		12	M06Z, M09A, M09B, M38Z		
11		L03Z, L04A, L04B, L04C, L10Z, L38Z	11	L03Z, L04A, L04B, L04C, L10Z, L38Z		13	N11A		
12		M06Z, M09A, M09B, M38Z	12	M06Z, M09A, M09B, M38Z		21A	W04A, W04B		
13		N11A	13	N11A		21B	X04Z, X05A, X05B, X06A, X06B, X06C		
21A		W04A, W04B	21A	W04A, W04B		22	Y01Z, Y03A, Y03B		
21B		X04Z, X05A, X05B, X06A, X06B, X06C	21B	X04Z, X05A, X05B, X06A, X06B, X06C		23	Z01A		
22		Y01Z, Y03A, Y03B	22	Y01Z, Y03A, Y03B		5a901.a†	VIAL		
23		Z01A	23	Z01A		5a901.b†	VIAL		
						5a901.c†	VIAL		
				5a902.01†	VIAL				
				5a902.02†	VIAL				
				5a902.03†	VIAL				

ZZV	MDC	DRG	ZZV	MDC	DRG	ZZV	MDC	DRG
5a904.41		BOP, KVT, UOP4	5b120.05		BOP, KVT, UOP4	5b122.12		BOP, KVT, UOP4
	01	B03A, B03B, B18Z		10	K06A, K06B, K06C, K06D		10	K06A, K06B
	08	I10A, I10B, I10C, I10D, I10E		11	L09A, L09C, L38Z		11	L09A, L09C, L38Z
	17	R01A, R01B, R01C, R01D, R02Z, R12A, R12B, R12C	5b120.06		BOP, KVT, UOP4	5b122.13		BOP, KVT, UOP4
	21A	W04A, W04B		10	K06A, K06B, K06C, K06D		10	K06A, K06B
	21B	X06A, X06B		11	L09A, L09C, L38Z		11	L09A, L09C, L38Z
5a904.42		BOP, KVT, UOP4	5b120.10		BOP, KVT, UOP4	5b122.14		BOP, KVT, UOP4
	01	B03A, B03B, B18Z		10	K06A, K06B, K06C, K06D		10	K06A, K06B
	08	I10A, I10B, I10C, I10D, I10E		11	L09A, L09C, L38Z		11	L09A, L09C, L38Z
	17	R01A, R01B, R01C, R01D, R02Z, R12A, R12B, R12C	5b120.16		BOP, KVT, UOP4	5b122.15		BOP, KVT, UOP4
	21A	W04A, W04B		10	K06A, K06B, K06C, K06D		10	K06A, K06B
	21B	X06A, X06B		11	L09A, L09C, L38Z		11	L09A, L09C, L38Z
5a904.43		BOP, KVT, UOP4	5b120.20		BOP, KVT, UOP4	5b122.16		BOP, KVT, UOP4
	01	B03A, B03B, B18Z		10	K06A, K06B, K06C, K06D		10	K06A, K06B
	08	I10A, I10B, I10C, I10D, I10E		11	L09A, L09C, L38Z		11	L09A, L09C, L38Z
	17	R01A, R01B, R01C, R01D, R02Z, R12A, R12B, R12C	5b120.21		BOP, KVT, UOP4	5b122.1x		BOP, KVT, UOP4
	21A	W04A, W04B		10	K06A, K06B, K06C, K06D		10	K06A, K06B
	21B	X06A, X06B		11	L09A, L09C, L38Z		11	L09A, L09C, L38Z
5b110		BOP, KVT, UOP4	5b120.22		BOP, KVT, UOP4	5b122.1x		BOP, KVT, UOP4
	03	D09Z, D30A		10	K06A, K06B, K06C, K06D		10	K06A, K06B
	09	J03A, J03B, J04A, J04B, J08A, J08B, J08C, J11A, J11B, J16Z		11	L09A, L09C, L38Z		11	L09A, L09C, L38Z
	10	K06A, K06B, K06C, K06D	5b120.23		BOP, KVT, UOP4	5b12x.0		BOP, KVT, UOP4
	21A	W04A, W04B		10	K06A, K06B, K06C, K06D		10	K06A, K06B, K06C, K06D
	21B	X06A, X06B, X06C		11	L09A, L09C, L38Z		11	L09A, L09C, L38Z
5b111		BOP, KVT, UOP4	5b120.24		BOP, KVT, UOP4	5b12x.1		BOP, KVT, UOP4
	03	D09Z, D30A		10	K06A, K06B, K06C, K06D		10	K06A, K06B, K06C, K06D
	09	J03A, J03B, J04A, J04B, J08A, J08B, J08C, J11A, J11B, J16Z		11	L09A, L09C, L38Z		11	L09A, L09C, L38Z
	10	K06A, K06B, K06C, K06D	5b120.25		BOP, KVT, UOP4	5b12x.2		BOP, KVT, UOP4
	21A	W04A, W04B		10	K06A, K06B, K06C, K06D		10	K06A, K06B, K06C, K06D
	21B	X06A, X06B, X06C		11	L09A, L09C, L38Z		11	L09A, L09C, L38Z
5b112		BOP, KVT, UOP4	5b120.26		BOP, KVT, UOP4	5b12x.3		BOP, KVT, UOP4
	03	D09Z, D30A		10	K06A, K06B, K06C, K06D		10	K06A, K06B, K06C, K06D
	09	J03A, J03B, J04A, J04B, J08A, J08B, J08C, J11A, J11B, J16Z		11	L09A, L09C, L38Z		11	L09A, L09C, L38Z
	10	K06A, K06B, K06C, K06D	5b120.2x		BOP, KVT, UOP4	5b12x.4		BOP, KVT, UOP4
	21A	W04A, W04B		10	K06A, K06B, K06C, K06D		10	K06A, K06B, K06C, K06D
	21B	X06A, X06B, X06C		11	L09A, L09C, L38Z		11	L09A, L09C, L38Z
5b113		BOP, KVT, UOP4	5b120.x		BOP, KVT, UOP4	5b12x.5		BOP, KVT, UOP4
	03	D09Z, D30A		10	K06A, K06B, K06C, K06D		10	K06A, K06B, K06C, K06D
	09	J03A, J03B, J04A, J04B, J08A, J08B, J08C, J11A, J11B, J16Z		11	L09A, L09C, L38Z		11	L09A, L09C, L38Z
	10	K06A, K06B, K06C, K06D	5b122.00		BOP, KVT, UOP4	5b12x.6		BOP, KVT, UOP4
	21A	W04A, W04B		10	K06A, K06B		10	K06A, K06B, K06C, K06D
	21B	X06A, X06B, X06C		11	L09A, L09C, L38Z		11	L09A, L09C, L38Z
5b11x		BOP, KVT, UOP4	5b122.01		BOP, KVT, UOP4	5b130.0		BOP, KVT, UOP4
	03	D09Z, D30A		10	K06A, K06B		10	K06A, K06B, K06C, K06D
	09	J03A, J03B, J04A, J04B, J08A, J08B, J08C, J11A, J11B, J16Z		11	L09A, L09C, L38Z		11	L09C, L38Z
	10	K06A, K06B, K06C, K06D	5b122.02		BOP, KVT, UOP4	5b130.1		BOP, KVT, UOP4
	21A	W04A, W04B		10	K06A, K06B		10	K06A, K06B, K06C, K06D
	21B	X06A, X06B, X06C		11	L09A, L09C, L38Z		11	L09C, L38Z
5b120.00		BOP, KVT, UOP4	5b122.03		BOP, KVT, UOP4	5b130.2		BOP, KVT, UOP4
	03	D09Z, D30A		10	K06A, K06B		10	K06A, K06B, K06C, K06D
	09	J03A, J03B, J04A, J04B, J08A, J08B, J08C, J11A, J11B, J16Z		11	L09A, L09C, L38Z		11	L09C, L38Z
	10	K06A, K06B, K06C, K06D	5b122.04		BOP, KVT, UOP4	5b130.3		BOP, KVT, UOP4
	21A	W04A, W04B		10	K06A, K06B		10	K06A, K06B, K06C, K06D
	21B	X06A, X06B, X06C		11	L09A, L09C, L38Z		11	L09C, L38Z
5b120.01		BOP, KVT, UOP4	5b122.05		BOP, KVT, UOP4	5b130.4		BOP, KVT, UOP4
	03	D09Z, D30A		10	K06A, K06B		10	K06A, K06B, K06C, K06D
	09	J03A, J03B, J04A, J04B, J08A, J08B, J08C, J11A, J11B, J16Z		11	L09A, L09C, L38Z		11	L09C, L38Z
	10	K06A, K06B, K06C, K06D	5b122.06		BOP, KVT, UOP4	5b130.5		BOP, KVT, UOP4
	21A	W04A, W04B		10	K06A, K06B		10	K06A, K06B, K06C, K06D
	21B	X06A, X06B, X06C		11	L09A, L09C, L38Z		11	L09C, L38Z
5b120.02		BOP, KVT, UOP4	5b122.0x		BOP, KVT, UOP4	5b130.6		BOP, KVT, UOP4
	03	D09Z, D30A		10	K06A, K06B		10	K06A, K06B, K06C, K06D
	09	J03A, J03B, J04A, J04B, J08A, J08B, J08C, J11A, J11B, J16Z		11	L09A, L09C, L38Z		11	L09C, L38Z
	10	K06A, K06B, K06C, K06D	5b122.10		BOP, KVT, UOP4	5b130.x		BOP, KVT, UOP4
	21A	W04A, W04B		10	K06A, K06B		10	K06A, K06B, K06C, K06D
	21B	X06A, X06B, X06C		11	L09A, L09C, L38Z		11	L09C, L38Z
5b120.03		BOP, KVT, UOP4	5b122.11		BOP, KVT, UOP4	5b131.0		BOP, KVT, UOP4
	03	D09Z, D30A		10	K06A, K06B		10	K06A, K06B, K06C, K06D
	09	J03A, J03B, J04A, J04B, J08A, J08B, J08C, J11A, J11B, J16Z		11	L09A, L09C, L38Z		11	L09C, L38Z
	10	K06A, K06B, K06C, K06D						
	21A	W04A, W04B						
	21B	X06A, X06B, X06C						

VYK

ZZV	MDC	DRG	ZZV	MDC	DRG	ZZV	MDC	DRG
5b141.73		BOP, KVT, UOP4	5b144.2		BOP, KVT, UOP4	5b161		BOP, KVT, UOP4
	10	K06A, K06B		10	K06A, K06B, K06C, K06D		03	D12A, D12B
	11	L09A, L09C, L38Z		11	L09A, L09C, L38Z		10	K06A, K06B, K06C, K06D
5b141.74		BOP, KVT, UOP4	5b144.3		BOP, KVT, UOP4	5b162		BOP, KVT, UOP4
	10	K06A, K06B		10	K06A, K06B, K06C, K06D		03	D12A, D12B
	11	L09A, L09C, L38Z		11	L09A, L09C, L38Z		10	K06A, K06B, K06C, K06D
5b141.75		BOP, KVT, UOP4	5b144.4		BOP, KVT, UOP4	5b163		BOP, KVT, UOP4
	10	K06A, K06B		10	K06A, K06B, K06C, K06D		03	D12A, D12B
	11	L09A, L09C, L38Z		11	L09A, L09C, L38Z		10	K06A, K06B, K06C, K06D
5b141.76		BOP, KVT, UOP4	5b144.5		BOP, KVT, UOP4	5b164		BOP, KVT, UOP4
	10	K06A, K06B		10	K06A, K06B, K06C, K06D		03	D12A, D12B
	11	L09A, L09C, L38Z		11	L09A, L09C, L38Z		10	K06A, K06B, K06C, K06D
5b141.7x		BOP, KVT, UOP4	5b144.6		BOP, KVT, UOP4	5b165		BOP, KVT, UOP4
	10	K06A, K06B		10	K06A, K06B, K06C, K06D		03	D12A, D12B
	11	L09A, L09C, L38Z		11	L09A, L09C, L38Z		10	K06A, K06B, K06C, K06D
5b141.80		BOP, KVT, UOP4	5b144.x		BOP, KVT, UOP4	5b166.1		BOP, KVT, UOP4
	10	K06A, K06B		10	K06A, K06B, K06C, K06D		03	D12A, D12B
	11	L09A, L09C, L38Z		11	L09A, L09C, L38Z		10	K06A, K06B, K06C, K06D
5b141.81		BOP, KVT, UOP4	5b14x.0		BOP, KVT, UOP4	5b166.2		BOP, KVT, UOP4
	10	K06A, K06B		10	K06A, K06B, K06C, K06D		03	D12A, D12B
	11	L09A, L09C, L38Z		11	L09A, L09C, L38Z		10	K06A, K06B, K06C, K06D
5b141.82		BOP, KVT, UOP4	5b14x.1		BOP, KVT, UOP4	5b166.3		BOP, KVT, UOP4
	10	K06A, K06B		10	K06A, K06B, K06C, K06D		03	D12A, D12B
	11	L09A, L09C, L38Z		11	L09A, L09C, L38Z		10	K06A, K06B, K06C, K06D
5b141.83		BOP, KVT, UOP4	5b14x.2		BOP, KVT, UOP4	5b166.4		BOP, KVT, UOP4
	10	K06A, K06B		10	K06A, K06B, K06C, K06D		03	D12A, D12B
	11	L09A, L09C, L38Z		11	L09A, L09C, L38Z		10	K06A, K06B, K06C, K06D
5b141.84		BOP, KVT, UOP4	5b14x.3		BOP, KVT, UOP4	5b167		BOP, KVT, UOP4
	10	K06A, K06B		10	K06A, K06B, K06C, K06D		03	D12A, D12B
	11	L09A, L09C, L38Z		11	L09A, L09C, L38Z		10	K06A, K06B, K06C, K06D
5b141.85		BOP, KVT, UOP4	5b14x.4		BOP, KVT, UOP4	5b168		BOP, KVT, UOP4
	10	K06A, K06B		10	K06A, K06B, K06C, K06D		03	D12A, D12B
	11	L09A, L09C, L38Z		11	L09A, L09C, L38Z		10	K06A, K06B, K06C, K06D
5b141.86		BOP, KVT, UOP4	5b14x.5		BOP, KVT, UOP4	5b16x		BOP, KVT, UOP4
	10	K06A, K06B		10	K06A, K06B, K06C, K06D		03	D12A, D12B
	11	L09A, L09C, L38Z		11	L09A, L09C, L38Z		10	K06A, K06B, K06C, K06D
5b141.8x		BOP, KVT, UOP4	5b14x.6		BOP, KVT, UOP4	5b190		BOP, KVT, UOP4
	10	K06A, K06B		10	K06A, K06B, K06C, K06D		03	D12A, D12B
	11	L09A, L09C, L38Z		11	L09A, L09C, L38Z		08	I28A, I28B
5b143.0		BOP, KVT, UOP4	5b14x.x		BOP, KVT, UOP4		10	K06A, K06B, K06C, K06D
	10	K06A, K06B, K06C, K06D		10	K06A, K06B, K06C, K06D		21A	W04A, W04B
	11	L09A, L09C, L38Z		11	L09A, L09C, L38Z		21B	X06A, X06B, X06C
5b143.1		BOP, KVT, UOP4	5b150		BOP, KVT, UOP4	5b191		BOP, KVT, UOP4
	10	K06A, K06B, K06C, K06D		10	K06A, K06B, K06C, K06D		10	K06A, K06B, K06C, K06D
	11	L09A, L09C, L38Z		11	L09A, L09C, L38Z			BOP, KVT, UOP4
5b143.2		BOP, KVT, UOP4	5b151		BOP, KVT, UOP4	5b19x		BOP, KVT, UOP4
	10	K06A, K06B, K06C, K06D		10	K06A, K06B, K06C, K06D		10	K06A, K06B, K06C, K06D
	11	L09A, L09C, L38Z		11	L09A, L09C, L38Z			BOP, KVT, UOP4
5b143.3		BOP, KVT, UOP4	5b152		BOP, KVT, UOP4	5b210.0		BOP, KVT, UOP4
	10	K06A, K06B, K06C, K06D		10	K06A, K06B, K06C, K06D		10	K06A, K06B
	11	L09A, L09C, L38Z		11	L09A, L09C, L38Z		11	L09A, L09B, L09C, L38Z
5b143.4		BOP, KVT, UOP4	5b153		BOP, KVT, UOP4	5b210.1		BOP, KVT, UOP4
	10	K06A, K06B, K06C, K06D		10	K06A, K06B, K06C, K06D		10	K06A, K06B
	11	L09A, L09C, L38Z		11	L09A, L09C, L38Z		11	L09A, L09B, L09C, L38Z
5b143.5		BOP, KVT, UOP4	5b154		BOP, KVT, UOP4	5b210.2		BOP, KVT, UOP4
	10	K06A, K06B, K06C, K06D		10	K06A, K06B, K06C, K06D		10	K06A, K06B
	11	L09A, L09C, L38Z		11	L09A, L09C, L38Z		11	L09A, L09B, L09C, L38Z
5b143.6		BOP, KVT, UOP4	5b155		BOP, KVT, UOP4	5b210.3		BOP, KVT, UOP4
	10	K06A, K06B, K06C, K06D		10	K06A, K06B, K06C, K06D		10	K06A, K06B
	11	L09A, L09C, L38Z		11	L09A, L09C, L38Z		11	L09A, L09B, L09C, L38Z
5b143.x		BOP, KVT, UOP4	5b156		BOP, KVT, UOP4	5b210.4		BOP, KVT, UOP4
	10	K06A, K06B, K06C, K06D		10	K06A, K06B, K06C, K06D		10	K06A, K06B
	11	L09A, L09C, L38Z		11	L09A, L09C, L38Z		11	L09A, L09B, L09C, L38Z
5b144.0		BOP, KVT, UOP4	5b15x		BOP, KVT, UOP4	5b210.5		BOP, KVT, UOP4
	10	K06A, K06B, K06C, K06D		10	K06A, K06B, K06C, K06D		10	K06A, K06B
	11	L09A, L09C, L38Z		11	L09A, L09C, L38Z		11	L09A, L09B, L09C, L38Z
5b144.1		BOP, KVT, UOP4	5b160		BOP, KVT, UOP4	5b210.6		BOP, KVT, UOP4
	10	K06A, K06B, K06C, K06D		03	D12A, D12B		10	K06A, K06B
	11	L09A, L09C, L38Z		10	K06A, K06B, K06C, K06D		11	L09A, L09B, L09C, L38Z

ZZV	MDC	DRG	ZZV	MDC	DRG	ZZV	MDC	DRG
5b23x.5		BOP, KVT, UOP4	5b321.4↔		BOP, KVT, UOP4	5b330.x↔		BOP, KVT, UOP4
	10	K06A, K06B, K06C, K06D		09	J03A, J03B, J04A, J04B, J08A, J08B, J08C, J11A, J11B, J16Z		10	K03A, K03B, K14Z
	11	L09C, L38Z					21A	W04A, W04B
5b23x.6		BOP, KVT, UOP4		10	K03A, K03B, K14Z		21B	X06A, X06B, X06C
	10	K06A, K06B, K06C, K06D		13	N01A, N01B, N01C, N01D, N01E, N02A, N02B, N02C, N03A, N03B, N05A, N05B, N38Z	5b331↔		BOP, KVT, UOP4
	11	L09C, L38Z					10	K03A, K03B, K14Z
5b23x.x		BOP, KVT, UOP4					21A	W04A, W04B
	10	K06A, K06B, K06C, K06D					21B	X06A, X06B, X06C
	11	L09C, L38Z	5b321.x↔		BOP, KVT, UOP4	5b332↔		BOP, KVT, UOP4
5b290		BOP, KVT, UOP4		09	J03A, J03B, J04A, J04B, J08A, J08B, J08C, J11A, J11B, J16Z		10	K03A, K03B, K14Z
	10	K06A, K06B, K06C, K06D					21A	W04A, W04B
5b291		BOP, KVT, UOP4		10	K03A, K03B, K14Z		21B	X06A, X06B, X06C
	10	K06A, K06B, K06C, K06D		13	N01A, N01B, N01C, N01D, N01E, N02A, N02B, N02C, N03A, N03B, N05A, N05B, N38Z	5b333.1↔		BOP, KVT, UOP4
5b311.1↔		BOP, KVT, UOP4					10	K03A, K03B, K14Z
	10	K03A, K03B, K14Z					21A	W04A, W04B
5b311.2↔		BOP, KVT, UOP4					21B	X06A, X06B, X06C
	10	K03A, K03B, K14Z	5b322.1↔		BOP, KVT, UOP4	5b333.2↔		BOP, KVT, UOP4
	10	K03A, K03B, K14Z		09	J03A, J03B, J04A, J04B, J08A, J08B, J08C, J11A, J11B, J16Z		10	K03A, K03B, K14Z
5b311.x↔		BOP, KVT, UOP4					21A	W04A, W04B
	10	K03A, K03B, K14Z		10	K03A, K03B, K14Z	5b333.4↔		BOP, KVT, UOP4
5b312.1↔		BOP, KVT, UOP4					10	K03A, K03B, K14Z
	06	G18A, G38Z	5b322.2↔		BOP, KVT, UOP4		21A	W04A, W04B
	10	K03A, K03B, K14Z		09	J03A, J03B, J04A, J04B, J08A, J08B, J08C, J11A, J11B, J16Z		21B	X06A, X06B, X06C
5b312.2↔		BOP, KVT, UOP4				5b333.x↔		BOP, KVT, UOP4
	10	K03A, K03B, K14Z		10	K03A, K03B, K14Z		10	K03A, K03B, K14Z
5b312.4↔		BOP, KVT, UOP4					21A	W04A, W04B
	10	K03A, K03B, K14Z	5b322.4↔		BOP, KVT, UOP4		21B	X06A, X06B, X06C
	10	K03A, K03B, K14Z		09	J03A, J03B, J04A, J04B, J08A, J08B, J08C, J11A, J11B, J16Z	5b33x.1↔		BOP, KVT, UOP4
5b312.x↔		BOP, KVT, UOP4					10	K03A, K03B, K14Z
	10	K03A, K03B, K14Z		10	K03A, K03B, K14Z		21A	W04A, W04B
5b320.1↔		BOP, KVT, UOP4					21B	X06A, X06B, X06C
	06	G18A, G38Z	5b322.x↔		BOP, KVT, UOP4	5b33x.2↔		BOP, KVT, UOP4
	09	J03A, J03B, J04A, J04B, J08A, J08B, J08C, J11A, J11B, J16Z		09	J03A, J03B, J04A, J04B, J08A, J08B, J08C, J11A, J11B, J16Z		10	K03A, K03B, K14Z
	10	K03A, K03B, K14Z					21A	W04A, W04B
5b320.2↔		BOP, KVT, UOP4		10	K03A, K03B, K14Z		21B	X06A, X06B, X06C
	09	J03A, J03B, J04A, J04B, J08A, J08B, J08C, J11A, J11B, J16Z	5b323.1↔		BOP, KVT, UOP4	5b33x.4↔		BOP, KVT, UOP4
	10	K03A, K03B, K14Z		06	G18A, G38Z		10	K03A, K03B, K14Z
	10	K03A, K03B, K14Z		09	J03A, J03B, J04A, J04B, J08A, J08B, J08C, J11A, J11B, J16Z		21A	W04A, W04B
5b320.4↔		BOP, KVT, UOP4					21B	X06A, X06B, X06C
	09	J03A, J03B, J04A, J04B, J08A, J08B, J08C, J11A, J11B, J16Z	5b323.2↔		BOP, KVT, UOP4	5b33x.x↔		BOP, KVT, UOP4
	10	K03A, K03B, K14Z		10	K03A, K03B, K14Z		10	K03A, K03B, K14Z
	10	K03A, K03B, K14Z		09	J03A, J03B, J04A, J04B, J08A, J08B, J08C, J11A, J11B, J16Z		21A	W04A, W04B
5b320.x↔		BOP, KVT, UOP4					21B	X06A, X06B, X06C
	09	J03A, J03B, J04A, J04B, J08A, J08B, J08C, J11A, J11B, J16Z	5b323.4↔		BOP, KVT, UOP4	5b411		BOP, KOP, KOPV, KVT, UOP4
	10	K03A, K03B, K14Z		10	K03A, K03B, K14Z		01	B02A, B02B, B02C, B20A, B20B, B20C, B20D, B20E, B39A, B39B
	10	K03A, K03B, K14Z		09	J03A, J03B, J04A, J04B, J08A, J08B, J08C, J11A, J11B, J16Z		06	G33Z
5b321.1↔		BOP, KVT, UOP4					07	H33Z, H38Z
	06	G18A, G38Z		10	K03A, K03B, K14Z		10	K03A, K03B
	09	J03A, J03B, J04A, J04B, J08A, J08B, J08C, J11A, J11B, J16Z	5b323.x↔		BOP, KVT, UOP4		11	L33Z
	10	K03A, K03B, K14Z		09	J03A, J03B, J04A, J04B, J08A, J08B, J08C, J11A, J11B, J16Z		21B	X33Z
	13	N01A, N01B, N01C, N01D, N01E, N02A, N02B, N02C, N03A, N03B, N05A, N05B, N38Z					23	Z01A
	10	K03A, K03B, K14Z		10	K03A, K03B, K14Z		Pre	A07A
5b321.2↔		BOP, KVT, UOP4				5b412		BOP, KOP, KOPV, KVT, UOP4
	09	J03A, J03B, J04A, J04B, J08A, J08B, J08C, J11A, J11B, J16Z	5b330.1↔		BOP, KVT, UOP4		01	B02A, B02B, B02C, B20A, B20B, B20C, B20D, B20E, B39A, B39B
	10	K03A, K03B, K14Z		10	K03A, K03B, K14Z		06	G33Z
	13	N01A, N01B, N01C, N01D, N01E, N02A, N02B, N02C, N03A, N03B, N05A, N05B, N38Z		21A	W04A, W04B		07	H33Z, H38Z
	10	K03A, K03B, K14Z		21B	X06A, X06B, X06C		10	K03A, K03B
	09	J03A, J03B, J04A, J04B, J08A, J08B, J08C, J11A, J11B, J16Z	5b330.2↔		BOP, KVT, UOP4		11	L33Z
	10	K03A, K03B, K14Z		10	K03A, K03B, K14Z		21B	X33Z
	13	N01A, N01B, N01C, N01D, N01E, N02A, N02B, N02C, N03A, N03B, N05A, N05B, N38Z		21A	W04A, W04B		23	Z01A
	10	K03A, K03B, K14Z		21B	X06A, X06B, X06C		Pre	A07A
	09	J03A, J03B, J04A, J04B, J08A, J08B, J08C, J11A, J11B, J16Z	5b330.4↔		BOP, KVT, UOP4			
	10	K03A, K03B, K14Z		10	K03A, K03B, K14Z			
	13	N01A, N01B, N01C, N01D, N01E, N02A, N02B, N02C, N03A, N03B, N05A, N05B, N38Z		21A	W04A, W04B			
	10	K03A, K03B, K14Z		21B	X06A, X06B, X06C			

ZZV	MDC	DRG	ZZV	MDC	DRG	ZZV	MDC	DRG																																						
5b41x		BOP, KOP, KOPV, KVT, UOP4	5b421.13		BOP, KOP, KOPV, KVT, UOP4	5b42x		BOP, KOP, KOPV, KVT, UOP4																																						
	01	B02A, B02B, B02C, B20A, B20B, B20C, B20D, B20E, B39A, B39B		01	B03A, B03B, B06A, B06B, B07Z, B17A, B17B, B17C		01	B03A, B03B, B06A, B06B, B07Z, B17A, B17B, B17C																																						
	06	G33Z		04	E05A, E05B, E05C, E08A, E08B, E08C		04	E05A, E05B, E05C, E08A, E08B, E08C																																						
	07	H33Z, H38Z		06	G33Z		06	G33Z																																						
	10	K03A, K03B		07	H33Z, H38Z		07	H33Z, H38Z																																						
	11	L33Z		10	K09A, K09B		10	K09A, K09B																																						
	23	Z01A		11	L33Z		11	L33Z																																						
	Pre	A07A		17	R01A, R01B, R01C, R01D, R02Z, R12A, R12B, R12C		17	R01A, R01B, R01C, R01D, R02Z, R12A, R12B, R12C																																						
	5b421.10			BOP, KOP, KOPV, KVT, UOP4	5b421.21			BOP, KOP, KOPV, KVT, UOP4	5b491		BOP, KVT, UOP4																																			
		01		B03A, B03B, B06A, B06B, B07Z, B17A, B17B, B17C			21A	W04A, W04B		10	K06A, K06B, K06C, K06D																																			
04		E05A, E05B, E05C, E08A, E08B, E08C	21B	X06A, X06B, X06C, X33Z		5b492		BOP, KOP, KOPV, KVT, UOP4																																						
06		G33Z	23	Z01A			04	E05A, E05B, E05C, E08A, E08B, E08C																																						
07		H33Z, H38Z	Pre	A07A		06	G33Z																																							
10		K09A, K09B	5b421.2x	01		B03A, B03B, B06A, B06B, B07Z, B17A, B17B, B17C	07	H33Z, H38Z																																						
11		L33Z								04	E05A, E05B, E05C, E08A, E08B, E08C	06	G33Z																																	
17		R01A, R01B, R01C, R01D, R02Z, R12A, R12B, R12C												07	H33Z, H38Z																															
21A		W04A, W04B														10	K09A, K09B																													
21B		X06A, X06B, X06C, X33Z																11	L33Z																											
23	Z01A	17			R01A, R01B, R01C, R01D, R02Z, R12A, R12B, R12C																																									
Pre	A07A								21A											W04A, W04B																										
5b421.11																					BOP, KOP, KOPV, KVT, UOP4	21B	X06A, X06B, X06C, X33Z																							
	01																				B03A, B03B, B06A, B06B, B07Z, B17A, B17B, B17C			23	Z01A																					
	04																				E05A, E05B, E05C, E08A, E08B, E08C					Pre	A07A																			
	06		G33Z	5b49x			BOP, KOP, KOPV, KVT, UOP4																																							
	07		H33Z, H38Z			04	E05A, E05B, E05C, E08A, E08B, E08C																																							
	10		K09A, K09B					06		G33Z																																				
	11		L33Z								07	H33Z, H38Z																																		
	17		R01A, R01B, R01C, R01D, R02Z, R12A, R12B, R12C										10	K09A, K09B																																
	21A	W04A, W04B	11		L33Z																																									
	21B	X06A, X06B, X06C, X33Z							17						R01A, R01B, R01C, R01D, R02Z, R12A, R12B, R12C																															
23	Z01A	21A														W04A, W04B																														
Pre	A07A																21B	X06A, X06B, X06C, X33Z																												
5b421.12																			BOP, KOP, KOPV, KVT, UOP4	23	Z01A																									
	01			B03A, B03B, B06A, B06B, B07Z, B17A, B17B, B17C															Pre			A07A																								
	04			E05A, E05B, E05C, E08A, E08B, E08C		5b510																	BOP, KOP, KOPV, KVT, UOP4																							
	06			G33Z			01	B02A, B02B, B02C, B20A, B20B, B20C, B20D, B20E, B39A, B39B																																						
	07			H33Z, H38Z						06	G33Z																																			
	10			K09A, K09B								07	H33Z, H38Z																																	
	11		L33Z	10	K03A, K03B																																									
	17		R01A, R01B, R01C, R01D, R02Z, R12A, R12B, R12C						11					L33Z																																
	21A	W04A, W04B	21B												X33Z																															
	21B	X06A, X06B, X06C, X33Z														23	Z01A																													
23	Z01A	Pre																A07A																												
Pre	A07A																		5b511		BOP, KOP, KOPV, KVT, UOP4																									
5b421.4						BOP, KOP, KOPV, KVT, UOP4														01	B03A, B03B, B06A, B06B, B07Z, B17A, B17B, B17C	06	G33Z																							
	5b421.2x						BOP, KOP, KOPV, KVT, UOP4	04																E05A, E05B, E05C, E08A, E08B, E08C	10	K09A, K09B																				
						5b421.13				BOP, KOP, KOPV, KVT, UOP4	06																G33Z	11	L33Z																	
							5b421.10					BOP, KOP, KOPV, KVT, UOP4	07																	H33Z, H38Z	17	R01A, R01B, R01C, R01D, R02Z, R12A, R12B, R12C														
				5b421.11						BOP, KOP, KOPV, KVT, UOP4		10																					K09A, K09B	21A	W04A, W04B											
					5b421.12					BOP, KOP, KOPV, KVT, UOP4				11																						L33Z	21B	X06A, X06B, X06C, X33Z								
			5b421.13							BOP, KOP, KOPV, KVT, UOP4					17																								R01A, R01B, R01C, R01D, R02Z, R12A, R12B, R12C	23	Z01A					
									5b421.10							BOP, KOP, KOPV, KVT, UOP4	Pre																									A07A	Pre	A07A		
		5b421.11														BOP, KOP, KOPV, KVT, UOP4		21A																											W04A, W04B	Pre
										5b421.12									BOP, KOP, KOPV, KVT, UOP4																											
5b421.13																			BOP, KOP, KOPV, KVT, UOP4	23	Z01A	Pre	A07A																							
	5b421.10															BOP, KOP, KOPV, KVT, UOP4			Pre					A07A	Pre	A07A																				

ZZV	MDC	DRG	ZZV	MDC	DRG	ZZV	MDC	DRG	
5b512.0		BOP, KOP, KOPV, KVT, UOP4	5b513.1		BOP, KOP, KOPV, KVT, UOP4	5b516		BOP, KOP, KOPV, KVT, UOP4	
	01	B02A, B02B, B02C, B20A, B20B, B20C, B20D, B20E, B39A, B39B		01	B02A, B02B, B02C, B20A, B20B, B20C, B20D, B20E, B39A, B39B		01	B02A, B02B, B02C, B20A, B20B, B20C, B20D, B20E, B39A, B39B	
	06	G33Z		06	G33Z		06	G33Z	
	07	H33Z, H38Z		07	H33Z, H38Z		07	H33Z, H38Z	
	10	K03A, K03B		10	K03A, K03B		10	K03A, K03B	
	11	L33Z		11	L33Z		11	L33Z	
	21B	X33Z		21B	X33Z		21B	X33Z	
	23	Z01A		23	Z01A		23	Z01A	
	Pre	A07A		Pre	A07A		Pre	A07A	
	5b512.1			BOP, KOP, KOPV, KVT, UOP4	5b513.2			BOP, KOP, KOPV, KVT, UOP4	5b51x
01		B02A, B02B, B02C, B20A, B20B, B20C, B20D, B20E, B39A, B39B	01	B02A, B02B, B02C, B20A, B20B, B20C, B20D, B20E, B39A, B39B		01	B02A, B02B, B02C, B20A, B20B, B20C, B20D, B20E, B39A, B39B		
06		G33Z	06	G33Z		06	G33Z		
07		H33Z, H38Z	07	H33Z, H38Z		07	H33Z, H38Z		
10		K03A, K03B	10	K03A, K03B		10	K03A, K03B		
11		L33Z	11	L33Z		11	L33Z		
21B		X33Z	21B	X33Z		21B	X33Z		
23		Z01A	23	Z01A		23	Z01A		
Pre		A07A	Pre	A07A		Pre	A07A		
5b512.2			BOP, KOP, KOPV, KVT, UOP4	5b513.3			BOP, KOP, KOPV, KVT, UOP4	5c100↔	
	01	B02A, B02B, B02C, B20A, B20B, B20C, B20D, B20E, B39A, B39B	01		B02A, B02B, B02C, B20A, B20B, B20C, B20D, B20E, B39A, B39B	5c101↔	02		C01A, C01B, C13Z, C16Z
	06	G33Z	06		G33Z	5c102↔	02		C01A, C01B, C13Z, C16Z
	07	H33Z, H38Z	07		H33Z, H38Z	5c10x↔	02		C01A, C01B, C13Z, C16Z
	10	K03A, K03B	10		K03A, K03B	5c110↔	02		C01A, C01B, C13Z, C16Z
	11	L33Z	11		L33Z	21A	W04A, W04B		
	21B	X33Z	21B		X33Z	21B	X06A, X06B, X06C		
	23	Z01A	23		Z01A	5c111↔	02		C01A, C01B, C13Z, C16Z
	Pre	A07A	Pre		A07A	21A	W04A, W04B		
	5b512.3		BOP, KOP, KOPV, KVT, UOP4		5b514		BOP, KOP, KOPV, KVT, UOP4		5c120↔
01		B02A, B02B, B02C, B20A, B20B, B20C, B20D, B20E, B39A, B39B	01	B02A, B02B, B02C, B20A, B20B, B20C, B20D, B20E, B39A, B39B		03	D09Z, D30A		
06		G33Z	06	G33Z		21A	W04A, W04B		
07		H33Z, H38Z	07	H33Z, H38Z		21B	X06A, X06B, X06C		
10		K03A, K03B	10	K03A, K03B		5c12x↔	02	C01A, C01B, C13Z, C16Z	
11		L33Z	11	L33Z		03	D09Z, D30A		
21B		X33Z	21B	X33Z		21A	W04A, W04B		
23		Z01A	23	Z01A		21B	X06A, X06B, X06C		
Pre		A07A	Pre	A07A		5c130.0↔	02	C01A, C01B, C13Z, C16Z	
5b513.0			BOP, KOP, KOPV, KVT, UOP4	5b515			BOP, KOP, KOPV, KVT, UOP4	5c130.1↔	
	01	B02A, B02B, B02C, B20A, B20B, B20C, B20D, B20E, B39A, B39B	01		B02A, B02B, B02C, B20A, B20B, B20C, B20D, B20E, B39A, B39B	5c130.2↔	02		C01A, C01B, C13Z, C16Z
	06	G33Z	06		G33Z	5c130.x↔	02		C01A, C01B, C13Z, C16Z
	07	H33Z, H38Z	07		H33Z, H38Z	5c131.0↔	02		C01A, C01B, C13Z, C16Z
	10	K03A, K03B	10		K03A, K03B	5c131.1↔	02		C01A, C01B, C13Z, C16Z
	11	L33Z	11		L33Z	5c131.2↔	02		C01A, C01B, C13Z, C16Z
	21B	X33Z	21B		X33Z	5c140↔	02		C01A, C01B, C13Z, C16Z
	23	Z01A	23		Z01A	03	D09Z, D30A		
	Pre	A07A	Pre		A07A	21A	W04A, W04B		
						21B	X06A, X06B, X06C		
				5c141↔	02	C01A, C01B, C13Z, C16Z			
				03	D09Z, D30A				
				21A	W04A, W04B				
				21B	X06A, X06B, X06C				
				5c142↔	02	C01A, C01B, C13Z, C16Z			
				03	D09Z, D30A				
				21A	W04A, W04B				
				21B	X06A, X06B, X06C				
				5c143↔	02	C01A, C01B, C13Z, C16Z			
				03	D09Z, D30A				
				21A	W04A, W04B				
				21B	X06A, X06B, X06C				
				5c14x↔	02	C01A, C01B, C13Z, C16Z			
				03	D09Z, D30A				
				21A	W04A, W04B				
				21B	X06A, X06B, X06C				

ZZV	MDC	DRG	ZZV	MDC	DRG	ZZV	MDC	DRG
5c150.0↔		BOP, UOP4	5c170.x↔		BOP, UOP4	5c194↔	02	C01A, C01B, C13Z, C16Z
	02	C01A, C01B, C13Z, C16Z		02	C01A, C01B, C05Z, C16Z		03	D09Z, D30A
	21A	W04A, W04B		21A	W04A, W04B		21A	W04A, W04B
	21B	X06A, X06B, X06C		21B	X06A, X06B, X06C		21B	X06A, X06B, X06C
5c150.1↔		BOP, UOP4	5c171.0↔		BOP, UOP4	5c19x↔	02	C01A, C01B, C13Z, C16Z
	02	C01A, C01B, C13Z, C16Z		02	C01A, C01B, C05Z, C16Z		21A	W04A, W04B
	21A	W04A, W04B		21A	W04A, W04B		21B	X06A, X06B, X06C
	21B	X06A, X06B, X06C		21B	X06A, X06B, X06C	5c201†↔	09	J11A, J11B
5c150.x↔		BOP, UOP4	5c171.1↔		BOP, UOP4	5c210.0↔	02	C01A, C01B, C14Z, C16Z
	02	C01A, C01B, C13Z, C16Z		02	C01A, C01B, C05Z, C16Z		09	J03A, J03B, J04A, J04B, J08A, J08B, J08C, J11A, J11B, J11C, J16Z
	21A	W04A, W04B		21A	W04A, W04B		10	K09A, K09B
	21B	X06A, X06B, X06C		21B	X06A, X06B, X06C		21A	W04A, W04B
5c151↔		BOP, UOP4	5c171.x↔		BOP, UOP4		21B	X06A, X06B, X06C
	02	C01A, C01B, C13Z, C16Z		02	C01A, C01B, C05Z, C16Z		22	Y01Z, Y03A, Y03B
	21A	W04A, W04B		21A	W04A, W04B	5c210.1↔	02	C01A, C01B, C14Z, C16Z
	21B	X06A, X06B, X06C		21B	X06A, X06B, X06C		09	J03A, J03B, J04A, J04B, J08A, J08B, J08C, J11A, J11B, J11C, J16Z
5c152↔		BOP, UOP4	5c172↔		BOP, UOP4		10	K09A, K09B
	02	C01A, C01B, C13Z, C16Z		02	C01A, C01B, C13Z, C16Z		21A	W04A, W04B
	21A	W04A, W04B		03	D09Z, D30A		21B	X06A, X06B, X06C
	21B	X06A, X06B, X06C		21A	W04A, W04B		22	Y01Z, Y03A, Y03B
5c153.0↔		BOP, UOP4	5c173↔		BOP, UOP4	5c211.0↔	01	B03A, B03B, B06A, B06B, B07Z, B17A, B17B, B17C
	02	C01A, C01B, C13Z, C16Z		02	C01A, C01B, C05Z, C16Z		02	C01A, C01B, C14Z, C16Z
5c153.1↔		BOP, UOP4		21A	W04A, W04B		03	D12A, D12B
	02	C01A, C01B, C13Z, C16Z		21B	X06A, X06B, X06C		05	F21A, F21B, F21C
5c153.x↔		BOP, UOP4		21A	W04A, W04B		08	I27A, I27B, I27C, I27D
	02	C01A, C01B, C13Z, C16Z	5c174.0↔		BOP, UOP4		09	J03A, J03B, J04A, J04B, J08A, J08B, J08C, J16Z, J21Z, J22A, J22B
5c160.0↔		BOP, UOP4		02	C01A, C01B, C05Z, C16Z		10	K09A, K09B
	02	C01A, C01B, C05Z, C16Z		21A	W04A, W04B		21A	W04A, W04B
	03	D09Z, D30A		21B	X06A, X06B, X06C		21B	X06A, X06B, X06C
	21A	W04A, W04B	5c174.1↔		BOP, UOP4		22	Y01Z, Y03A, Y03B
	21B	X06A, X06B, X06C		02	C01A, C01B, C05Z, C16Z	5c211.1↔	01	B03A, B03B, B06A, B06B, B07Z, B17A, B17B, B17C
5c160.1↔		BOP, UOP4		03	D09Z, D30A		02	C01A, C01B, C14Z, C16Z
	02	C01A, C01B, C05Z, C16Z		21A	W04A, W04B		03	D12A, D12B
	03	D09Z, D30A		21B	X06A, X06B, X06C		05	F21A, F21B, F21C
	21A	W04A, W04B	5c175↔		BOP, UOP4		08	I27A, I27B, I27C, I27D
	21B	X06A, X06B, X06C		02	C01A, C01B, C05Z, C16Z		09	J03A, J03B, J04A, J04B, J08A, J08B, J08C, J16Z, J21Z, J22A, J22B
5c160.x↔		BOP, UOP4		03	D09Z, D30A		10	K09A, K09B
	02	C01A, C01B, C05Z, C16Z		21A	W04A, W04B		21A	W04A, W04B
	03	D09Z, D30A		21B	X06A, X06B, X06C		21B	X06A, X06B, X06C
	21A	W04A, W04B	5c176↔		BOP, UOP4		22	Y01Z, Y03A, Y03B
	21B	X06A, X06B, X06C		02	C01A, C01B, C05Z, C16Z		01	B03A, B03B, B06A, B06B, B07Z, B17A, B17B, B17C
5c161↔		BOP, UOP4		03	D09Z, D30A		02	C01A, C01B, C14Z, C16Z
	02	C01A, C01B, C05Z, C16Z		21A	W04A, W04B		03	D12A, D12B
	03	D09Z, D30A		21B	X06A, X06B, X06C		05	F21A, F21B, F21C
	21A	W04A, W04B	5c17x↔		BOP, UOP4		08	I27A, I27B, I27C, I27D
	21B	X06A, X06B, X06C		02	C01A, C01B, C13Z, C16Z		09	J03A, J03B, J04A, J04B, J08A, J08B, J08C, J16Z, J21Z, J22A, J22B
5c162↔		BOP, UOP4		03	D09Z, D30A		10	K09A, K09B
	02	C01A, C01B, C05Z, C16Z		21A	W04A, W04B		21A	W04A, W04B
	03	D09Z, D30A		21B	X06A, X06B, X06C		21B	X06A, X06B, X06C
	21A	W04A, W04B	5c190.0↔		BOP, UOP4		22	Y01Z, Y03A, Y03B
	21B	X06A, X06B, X06C		02	C01A, C01B, C13Z, C16Z	5c212.0↔	BOP, KVT, UOP4	
5c163↔		BOP, UOP4		21A	W04A, W04B		02	C01A, C01B, C16Z, C20A, C20B
	02	C01A, C01B, C05Z, C16Z		21B	X06A, X06B, X06C		09	J03A, J03B, J04A, J04B, J08A, J08B, J08C, J11A, J11B, J11C, J16Z
	03	D09Z, D30A	5c190.1↔		BOP, UOP4		10	K09A, K09B
	21A	W04A, W04B		02	C01A, C01B, C13Z, C16Z		21A	W04A, W04B
	21B	X06A, X06B, X06C		21A	W04A, W04B		21B	X06A, X06B, X06C
5c16x↔		BOP, UOP4		21B	X06A, X06B, X06C		22	Y01Z, Y03A, Y03B
	02	C01A, C01B, C05Z, C16Z	5c191↔		BOP, UOP4		BOP, KVT, UOP4	
	03	D09Z, D30A		02	C01A, C01B, C05Z, C16Z	5c212.1↔	02	C01A, C01B, C16Z, C20A, C20B
	21A	W04A, W04B		03	D09Z, D30A		09	J03A, J03B, J04A, J04B, J08A, J08B, J08C, J11A, J11B, J11C, J16Z
	21B	X06A, X06B, X06C		21A	W04A, W04B		10	K09A, K09B
5c170.0↔		BOP, UOP4		21B	X06A, X06B, X06C		21A	W04A, W04B
	02	C01A, C01B, C05Z, C16Z	5c192↔		BOP, UOP4		21B	X06A, X06B, X06C
	21A	W04A, W04B		02	C01A, C01B, C13Z, C16Z		22	Y01Z, Y03A, Y03B
	21B	X06A, X06B, X06C		03	D09Z, D30A		02	C01A, C01B, C16Z, C20A, C20B
5c170.1↔		BOP, UOP4		21A	W04A, W04B		09	J03A, J03B, J04A, J04B, J08A, J08B, J08C, J11A, J11B, J11C, J16Z
	02	C01A, C01B, C05Z, C16Z		21B	X06A, X06B, X06C		10	K09A, K09B
	21A	W04A, W04B	5c193↔		BOP, UOP4		21A	W04A, W04B
	21B	X06A, X06B, X06C		02	C01A, C01B, C13Z, C16Z		21B	X06A, X06B, X06C
				03	D09Z, D30A		22	Y01Z, Y03A, Y03B
				21A	W04A, W04B			
				21B	X06A, X06B, X06C			

ZZV	MDC	DRG	ZZV	MDC	DRG	ZZV	MDC	DRG							
5c213.0↔		BOP, KVT, UOP4	5c221↔		BOP, KVT, UOP4	5c225↔		BOP, KVT, UOP4							
	01	B03A, B03B, B06A, B06B, B07Z, B17A, B17B, B17C		01	B03A, B03B, B06A, B06B, B07Z, B17A, B17B, B17C		01	B03A, B03B, B06A, B06B, B07Z, B17A, B17B, B17C							
	02	C01A, C01B, C16Z, C20A, C20B		02	C01A, C01B, C16Z, C20A, C20B		02	C01A, C01B, C16Z, C20A, C20B							
	03	D12A, D12B		09	J03A, J03B, J04A, J04B, J08A, J08B, J08C, J10A, J10B, J16Z		09	J03A, J03B, J04A, J04B, J08A, J08B, J08C, J10A, J10B, J16Z							
	05	F21A, F21B, F21C		21A	W04A, W04B		21A	W04A, W04B							
	08	I27A, I27B, I27C, I27D		21B	X06A, X06B, X06C		21B	X06A, X06B, X06C							
	09	J03A, J03B, J04A, J04B, J08A, J08B, J08C, J16Z, J21Z, J22A, J22B		22	Y01Z, Y03A, Y03B		22	Y01Z, Y03A, Y03B							
	10	K09A, K09B		5c222↔			BOP, KVT, UOP4	5c22x↔		BOP, KVT, UOP4					
	21A	W04A, W04B			01		B03A, B03B, B06A, B06B, B07Z, B17A, B17B, B17C		01	B03A, B03B, B06A, B06B, B07Z, B17A, B17B, B17C					
	21B	X06A, X06B, X06C			02		C01A, C01B, C16Z, C20A, C20B		02	C01A, C01B, C14Z, C16Z					
	22	Y01Z, Y03A, Y03B			09		J03A, J03B, J04A, J04B, J08A, J08B, J08C, J10A, J10B, J16Z		09	J03A, J03B, J04A, J04B, J08A, J08B, J08C, J10A, J10B, J16Z					
	5c213.1↔				BOP, KVT, UOP4		5c223↔			BOP, KVT, UOP4	5c230↔		BOP, KVT, UOP4		
		01			B03A, B03B, B06A, B06B, B07Z, B17A, B17B, B17C				01	B03A, B03B, B06A, B06B, B07Z, B17A, B17B, B17C		02	C01A, C01B, C14Z, C16Z		
		02			C01A, C01B, C16Z, C20A, C20B				02	C01A, C01B, C14Z, C16Z		21A	W04A, W04B		
		03			D12A, D12B				09	J03A, J03B, J04A, J04B, J08A, J08B, J08C, J16Z, J21Z, J22A, J22B		21B	X06A, X06B, X06C		
		05			F21A, F21B, F21C				21A	W04A, W04B		22	Y01Z, Y03A, Y03B		
		08			I27A, I27B, I27C, I27D				21B	X06A, X06B, X06C		5c231↔		BOP, KVT, UOP4	
		09			J03A, J03B, J04A, J04B, J08A, J08B, J08C, J16Z, J21Z, J22A, J22B				22	Y01Z, Y03A, Y03B			02	C01A, C01B, C14Z, C16Z	
		10			K09A, K09B				5c224.0↔				BOP, KVT, UOP4	21A	W04A, W04B
		21A			W04A, W04B					01			B03A, B03B, B06A, B06B, B07Z, B17A, B17B, B17C	21B	X06A, X06B, X06C
		21B			X06A, X06B, X06C					02			C01A, C01B, C16Z, C20A, C20B	22	Y01Z, Y03A, Y03B
		22			Y01Z, Y03A, Y03B					09			J03A, J03B, J04A, J04B, J08A, J08B, J08C, J10A, J10B, J16Z	5c232↔	
5c214.0‡↔		09	J11A, J11B		5c224.1↔					BOP, KVT, UOP4			02		C01A, C01B, C16Z, C20A, C20B
	5c214.1‡↔	09	J11A, J11B			01	B03A, B03B, B06A, B06B, B07Z, B17A, B17B, B17C			21A	W04A, W04B				
	5c214.2‡↔	09	J11A, J11B, J11C			02	C01A, C01B, C16Z, C20A, C20B			21B	X06A, X06B, X06C				
5c214.x‡↔	09	J11A, J11B	5c224.x↔			BOP, KVT, UOP4	22			Y01Z, Y03A, Y03B					
5c215‡↔	09	J11A, J11B			01	B03A, B03B, B06A, B06B, B07Z, B17A, B17B, B17C	5c233↔				BOP, KVT, UOP4				
5c216.2‡↔	09	J11A, J11B			02	C01A, C01B, C16Z, C20A, C20B				02	C01A, C01B, C16Z, C20A, C20B				
5c216.3‡↔	09	J11A, J11B			09	J03A, J03B, J04A, J04B, J08A, J08B, J08C, J10A, J10B, J16Z				21A	W04A, W04B				
5c216.4‡↔	09	J11A, J11B		21A	W04A, W04B	21B		X06A, X06B, X06C							
5c216.x‡↔	09	J11A, J11B		22	Y01Z, Y03A, Y03B	22		Y01Z, Y03A, Y03B							
5c21x‡↔	09	J11A, J11B, J11C		5c225↔		BOP, KVT, UOP4		5c234↔		BOP, KVT, UOP4					
5c220.0↔		BOP, KVT, UOP4			5c226↔				BOP, KVT, UOP4	02	C01A, C01B, C16Z, C20A, C20B				
5c220.1↔	01	B03A, B03B, B06A, B06B, B07Z, B17A, B17B, B17C				01			B03A, B03B, B06A, B06B, B07Z, B17A, B17B, B17C	08	I17Z				
	02	C01A, C01B, C16Z, C20A, C20B				02			C01A, C01B, C16Z, C20A, C20B	09	J03A, J03B, J04A, J04B, J08A, J08B, J08C, J10A, J10B, J16Z				
	09	J03A, J03B, J04A, J04B, J08A, J08B, J08C, J10A, J10B, J16Z				09			J03A, J03B, J04A, J04B, J08A, J08B, J08C, J10A, J10B, J16Z	10	K09A, K09B				
	21A	W04A, W04B				21A			W04A, W04B	21A	W04A, W04B				
	21B	X06A, X06B, X06C	21B			X06A, X06B, X06C			21B	X06A, X06B, X06C					
	5c220.2↔		BOP, KVT, UOP4			5c227↔			BOP, KVT, UOP4	5c235↔		BOP, KVT, UOP4			
		01	B03A, B03B, B06A, B06B, B07Z, B17A, B17B, B17C				01		B03A, B03B, B06A, B06B, B07Z, B17A, B17B, B17C		02	C01A, C01B, C16Z, C20A, C20B			
		02	C01A, C01B, C16Z, C20A, C20B				02		C01A, C01B, C16Z, C20A, C20B		08	I17Z			
		09	J03A, J03B, J04A, J04B, J08A, J08B, J08C, J10A, J10B, J16Z				09		J03A, J03B, J04A, J04B, J08A, J08B, J08C, J10A, J10B, J16Z		09	J03A, J03B, J04A, J04B, J08A, J08B, J08C, J10A, J10B, J16Z			
		21A	W04A, W04B				21A		W04A, W04B		10	K09A, K09B			
		21B	X06A, X06B, X06C	21B			X06A, X06B, X06C	21A	W04A, W04B						
		5c220.3↔		BOP, KVT, UOP4	5c228↔			BOP, KVT, UOP4	5c236↔			BOP, KVT, UOP4			
01			B03A, B03B, B06A, B06B, B07Z, B17A, B17B, B17C	01			B03A, B03B, B06A, B06B, B07Z, B17A, B17B, B17C	21B			X06A, X06B, X06C				
02			C01A, C01B, C16Z, C20A, C20B	02			C01A, C01B, C16Z, C20A, C20B	22			Y01Z, Y03A, Y03B				
09			J03A, J03B, J04A, J04B, J08A, J08B, J08C, J10A, J10B, J16Z	09			J03A, J03B, J04A, J04B, J08A, J08B, J08C, J10A, J10B, J16Z	5c237↔				BOP, KVT, UOP4			
21A			W04A, W04B	21A			W04A, W04B				02	C01A, C01B, C16Z, C20A, C20B			
21B			X06A, X06B, X06C	21B			X06A, X06B, X06C				08	I17Z			
5c220.4↔			BOP, KVT, UOP4	5c229↔			BOP, KVT, UOP4			5c238↔		BOP, KVT, UOP4			
	01		B03A, B03B, B06A, B06B, B07Z, B17A, B17B, B17C			01	B03A, B03B, B06A, B06B, B07Z, B17A, B17B, B17C				09	J03A, J03B, J04A, J04B, J08A, J08B, J08C, J10A, J10B, J16Z			
	02		C01A, C01B, C16Z, C20A, C20B			02	C01A, C01B, C16Z, C20A, C20B				10	K09A, K09B			
	09		J03A, J03B, J04A, J04B, J08A, J08B, J08C, J10A, J10B, J16Z			09	J03A, J03B, J04A, J04B, J08A, J08B, J08C, J10A, J10B, J16Z				21A	W04A, W04B			
	21A		W04A, W04B			21A	W04A, W04B				21B	X06A, X06B, X06C			
	21B		X06A, X06B, X06C			22	Y01Z, Y03A, Y03B				22	Y01Z, Y03A, Y03B			

ZZV	MDC	DRG	ZZV	MDC	DRG	ZZV	MDC	DRG	
5c236↔		BOP, KVT, UOP4	5c250.1↔	02	C01A, C01B, C16Z, C20A, C20B	5c260.2↔	02	C01A, C01B, C12Z, C16Z	
	02	C01A, C01B, C16Z, C20A, C20B		08	I17Z		08	I17Z	
	21A	W04A, W04B		09	J03A, J03B, J04A, J04B, J08A, J08B, J08C, J10A, J10B, J16Z		09	J03A, J03B, J04A, J04B, J08A, J08B, J08C, J10A, J10B, J16Z	
5c23x↔	21B	X06A, X06B, X06C	5c251.0↔	09	J03A, J03B, J04A, J04B, J08A, J08B, J08C, J10A, J10B, J16Z	5c260.x↔	10	K09A, K09B	
	22	Y01Z, Y03A, Y03B		21A	W04A, W04B		21A	W04A, W04B	
	BOP, KVT, UOP4	21B		X06A, X06B, X06C	21B		X06A, X06B, X06C	21B	X06A, X06B, X06C
	02	C01A, C01B, C14Z, C16Z		22	Y01Z, Y03A, Y03B		22	Y01Z, Y03A, Y03B	
5c240↔	21A	W04A, W04B	5c251.1↔	BOP, KVT, UOP4	5c261.0↔	BOP, KVT, UOP4			
	21B	X06A, X06B, X06C		02		C01A, C01B, C16Z, C20A, C20B	02	C01A, C01B, C12Z, C16Z	
	22	Y01Z, Y03A, Y03B		08		I17Z	08	I17Z	
5c241↔	BOP, KVT, UOP4	5c252↔	09	J03A, J03B, J04A, J04B, J08A, J08B, J08C, J10A, J10B, J16Z	5c261.1↔	09	J03A, J03B, J04A, J04B, J08A, J08B, J08C, J10A, J10B, J16Z		
	02		C01A, C01B, C16Z, C20A, C20B	21A		W04A, W04B	10	K09A, K09B	
	21A		W04A, W04B	21B		X06A, X06B, X06C	21A	W04A, W04B	
5c242↔	21B	X06A, X06B, X06C	5c25x↔	BOP, KVT, UOP4	5c261.x↔	21B	X06A, X06B, X06C		
	BOP, KVT, UOP4	02		C01A, C01B, C16Z, C20A, C20B		22	Y01Z, Y03A, Y03B		
	02	C01A, C01B, C16Z, C20A, C20B		08		I17Z	22	Y01Z, Y03A, Y03B	
5c243↔	21A	W04A, W04B	5c260.0↔	09	J03A, J03B, J04A, J04B, J08A, J08B, J08C, J10A, J10B, J16Z	5c262.0↔	BOP, KVT, UOP4		
	21B	X06A, X06B, X06C		21A	W04A, W04B		02	C01A, C01B, C12Z, C16Z	
	BOP, KVT, UOP4	21B		X06A, X06B, X06C	08		I17Z	08	I17Z
5c244↔	02	C01A, C01B, C16Z, C20A, C20B	5c260.1↔	09	J03A, J03B, J04A, J04B, J08A, J08B, J08C, J10A, J10B, J16Z	5c262.1↔	09	J03A, J03B, J04A, J04B, J08A, J08B, J08C, J10A, J10B, J16Z	
	21A	W04A, W04B		10	K09A, K09B		10	K09A, K09B	
	21B	X06A, X06B, X06C		21A	W04A, W04B		21A	W04A, W04B	
5c245↔	21B	X06A, X06B, X06C	5c261.1↔	21B	X06A, X06B, X06C	5c262.1↔	21B	X06A, X06B, X06C	
	BOP, KVT, UOP4	22		Y01Z, Y03A, Y03B	22		Y01Z, Y03A, Y03B		
	02	C01A, C01B, C16Z, C20A, C20B		BOP, KVT, UOP4	BOP, KVT, UOP4		22	Y01Z, Y03A, Y03B	
5c246↔	21A	W04A, W04B	5c261.x↔	02	C01A, C01B, C16Z, C20A, C20B	5c262.1↔	BOP, KVT, UOP4		
	21B	X06A, X06B, X06C		08	I17Z		02	C01A, C01B, C12Z, C16Z	
	BOP, KVT, UOP4	09		J03A, J03B, J04A, J04B, J08A, J08B, J08C, J10A, J10B, J16Z	08		I17Z	08	I17Z
5c24x↔	02	C01A, C01B, C16Z, C20A, C20B	5c261.x↔	09	J03A, J03B, J04A, J04B, J08A, J08B, J08C, J10A, J10B, J16Z	5c262.1↔	09	J03A, J03B, J04A, J04B, J08A, J08B, J08C, J10A, J10B, J16Z	
	21A	W04A, W04B		10	K09A, K09B		10	K09A, K09B	
	21B	X06A, X06B, X06C		21A	W04A, W04B		21A	W04A, W04B	
5c250.0↔	21B	X06A, X06B, X06C	5c260.0↔	21B	X06A, X06B, X06C	5c262.0↔	21B	X06A, X06B, X06C	
	BOP, KVT, UOP4	22		Y01Z, Y03A, Y03B	22		Y01Z, Y03A, Y03B		
	02	C01A, C01B, C16Z, C20A, C20B		BOP, KVT, UOP4	BOP, KVT, UOP4		22	Y01Z, Y03A, Y03B	
5c250.0↔	08	I17Z	5c260.1↔	02	C01A, C01B, C12Z, C16Z	5c262.0↔	02	C01A, C01B, C12Z, C16Z	
	09	J03A, J03B, J04A, J04B, J08A, J08B, J08C, J10A, J10B, J16Z		08	I17Z		08	I17Z	
	21A	W04A, W04B		09	J03A, J03B, J04A, J04B, J08A, J08B, J08C, J10A, J10B, J16Z		09	J03A, J03B, J04A, J04B, J08A, J08B, J08C, J10A, J10B, J16Z	
	21B	X06A, X06B, X06C		10	K09A, K09B		10	K09A, K09B	
	22	Y01Z, Y03A, Y03B		21A	W04A, W04B		21A	W04A, W04B	
				21B	X06A, X06B, X06C		21B	X06A, X06B, X06C	
				22	Y01Z, Y03A, Y03B		22	Y01Z, Y03A, Y03B	
				BOP, KVT, UOP4	BOP, KVT, UOP4		BOP, KVT, UOP4		
				02	C01A, C01B, C12Z, C16Z		02	C01A, C01B, C12Z, C16Z	
				08	I17Z		08	I17Z	
				09	J03A, J03B, J04A, J04B, J08A, J08B, J08C, J10A, J10B, J16Z		09	J03A, J03B, J04A, J04B, J08A, J08B, J08C, J10A, J10B, J16Z	
				10	K09A, K09B		10	K09A, K09B	
		21A	W04A, W04B	21A	W04A, W04B				
		21B	X06A, X06B, X06C	21B	X06A, X06B, X06C				
		22	Y01Z, Y03A, Y03B	22	Y01Z, Y03A, Y03B				

ZZV	MDC	DRG	ZZV	MDC	DRG	ZZV	MDC	DRG			
5c262.2↔		BOP, KVT, UOP4	5c263.x↔		BOP, KVT, UOP4	5c265.1↔		BOP, KVT, UOP4			
	02	C01A, C01B, C12Z, C16Z		02	C01A, C01B, C12Z, C16Z		01	B03A, B03B, B06A, B06B, B07Z, B17A, B17B, B17C			
	08	I17Z		08	I17Z		02	C01A, C01B, C16Z, C20A, C20B			
	09	J03A, J03B, J04A, J04B, J08A, J08B, J08C, J10A, J10B, J16Z		09	J03A, J03B, J04A, J04B, J08A, J08B, J08C, J10A, J10B, J16Z		09	J03A, J03B, J04A, J04B, J08A, J08B, J08C, J10A, J10B, J16Z			
	10	K09A, K09B		10	K09A, K09B		10	K09A, K09B			
	21A	W04A, W04B		21A	W04A, W04B		21A	W04A, W04B			
	21B	X06A, X06B, X06C		21B	X06A, X06B, X06C		21B	X06A, X06B, X06C			
	22	Y01Z, Y03A, Y03B		22	Y01Z, Y03A, Y03B		22	Y01Z, Y03A, Y03B			
	5c262.3↔			BOP, KVT, UOP4	5c264.0↔			BOP, KVT, UOP4	5c266↔		BOP, KVT, UOP4
		02		C01A, C01B, C12Z, C16Z			02	C01A, C01B, C12Z, C16Z		02	C01A, C01B, C14Z, C16Z
08		I17Z	08	I17Z		09	J03A, J03B, J04A, J04B, J08A, J08B, J08C, J10A, J10B, J16Z				
09		J03A, J03B, J04A, J04B, J08A, J08B, J08C, J10A, J10B, J16Z	09	J03A, J03B, J04A, J04B, J08A, J08B, J08C, J10A, J10B, J16Z		10	K09A, K09B				
10		K09A, K09B	10	K09A, K09B		21A	W04A, W04B				
21A		W04A, W04B	21A	W04A, W04B		21B	X06A, X06B, X06C				
21B		X06A, X06B, X06C	21B	X06A, X06B, X06C		22	Y01Z, Y03A, Y03B				
22		Y01Z, Y03A, Y03B	22	Y01Z, Y03A, Y03B		5c26x↔		BOP, KVT, UOP4			
5c262.4↔			BOP, KVT, UOP4	5c264.1↔				BOP, KVT, UOP4		02	C01A, C01B, C14Z, C16Z
		01	B03A, B03B, B06A, B06B, B07Z, B17A, B17B, B17C				02	C01A, C01B, C12Z, C16Z		09	J03A, J03B, J04A, J04B, J08A, J08B, J08C, J10A, J10B, J16Z
	02	C01A, C01B, C12Z, C16Z	08		I17Z		10	K09A, K09B			
	09	J02A, J02B, J02C, J03A, J03B, J04A, J04B, J08A, J08B, J08C, J10A, J10B, J16Z, J21Z, J22A, J22B	09		J03A, J03B, J04A, J04B, J08A, J08B, J08C, J10A, J10B, J16Z		21A	W04A, W04B			
	21A	W04A, W04B	10		K09A, K09B		21B	X06A, X06B, X06C			
	21B	X01A, X01B, X01C, X06A, X06B, X06C	21A		W04A, W04B		22	Y01Z, Y03A, Y03B			
	22	Y01Z, Y03A, Y03B	21B		X06A, X06B, X06C		5c270↔		BOP, KVT, UOP4		
	5c262.x↔		BOP, KVT, UOP4		5c264.2↔				BOP, KVT, UOP4	02	C01A, C01B, C16Z, C20A, C20B
		02	C01A, C01B, C12Z, C16Z					02	C01A, C01B, C12Z, C16Z	03	D12A, D12B
		09	J03A, J03B, J04A, J04B, J08A, J08B, J08C, J10A, J10B, J16Z			08		I17Z	09	J03A, J03B, J04A, J04B, J08A, J08B, J08C, J10A, J10B, J16Z	
10		K09A, K09B	09	J03A, J03B, J04A, J04B, J08A, J08B, J08C, J10A, J10B, J16Z		10		K09A, K09B			
21A		W04A, W04B	10	K09A, K09B		21A		W04A, W04B			
21B		X06A, X06B, X06C	21A	W04A, W04B		21B		X06A, X06B, X06C			
5c263.0↔			BOP, KVT, UOP4	5c264.x↔				BOP, KVT, UOP4	5c271↔		BOP, KVT, UOP4
		02	C01A, C01B, C12Z, C16Z			02		C01A, C01B, C12Z, C16Z		02	C01A, C01B, C16Z, C20A, C20B
		08	I17Z			02		C01A, C01B, C12Z, C16Z		09	J03A, J03B, J04A, J04B, J08A, J08B, J08C, J10A, J10B, J16Z
		09	J03A, J03B, J04A, J04B, J08A, J08B, J08C, J10A, J10B, J16Z			08	I17Z	10		K09A, K09B	
	10	K09A, K09B	09		J03A, J03B, J04A, J04B, J08A, J08B, J08C, J10A, J10B, J16Z	21A	W04A, W04B				
	21A	W04A, W04B	10		K09A, K09B	21B	X06A, X06B, X06C				
	21B	X06A, X06B, X06C	21A		W04A, W04B	5c272↔		BOP, KVT, UOP4			
	5c263.1↔		BOP, KVT, UOP4		5c265.0↔			BOP, KVT, UOP4		02	C01A, C01B, C16Z, C20A, C20B
		02	C01A, C01B, C12Z, C16Z				01	B03A, B03B, B06A, B06B, B07Z, B17A, B17B, B17C		09	J03A, J03B, J04A, J04B, J08A, J08B, J08C, J10A, J10B, J16Z
		08	I17Z				02	C01A, C01B, C16Z, C20A, C20B		10	K09A, K09B
09		J03A, J03B, J04A, J04B, J08A, J08B, J08C, J10A, J10B, J16Z	09	J03A, J03B, J04A, J04B, J08A, J08B, J08C, J10A, J10B, J16Z			21A	W04A, W04B			
10		K09A, K09B	10	K09A, K09B			21B	X06A, X06B, X06C			
21A		W04A, W04B	21A	W04A, W04B			5c273↔		BOP, KVT, UOP4		
21B		X06A, X06B, X06C	21B	X06A, X06B, X06C				02	C01A, C01B, C16Z, C20A, C20B		
22		Y01Z, Y03A, Y03B	22	Y01Z, Y03A, Y03B				09	J03A, J03B, J04A, J04B, J08A, J08B, J08C, J10A, J10B, J16Z		
5c263.2↔			BOP, KVT, UOP4	5c263.1↔					BOP, KVT, UOP4	5c274↔	
		02	C01A, C01B, C12Z, C16Z			02		C01A, C01B, C12Z, C16Z	02		C01A, C01B, C16Z, C20A, C20B
	08	I17Z	08		I17Z	09		J03A, J03B, J04A, J04B, J08A, J08B, J08C, J10A, J10B, J16Z			
	09	J03A, J03B, J04A, J04B, J08A, J08B, J08C, J10A, J10B, J16Z	09		J03A, J03B, J04A, J04B, J08A, J08B, J08C, J10A, J10B, J16Z	10		K09A, K09B			
	10	K09A, K09B	10		K09A, K09B	21A		W04A, W04B			
	21A	W04A, W04B	21A		W04A, W04B	21B		X06A, X06B, X06C			
	21B	X06A, X06B, X06C	21B		X06A, X06B, X06C	5c27x↔			BOP, KVT, UOP4		
	22	Y01Z, Y03A, Y03B	22		Y01Z, Y03A, Y03B		09	J03A, J03B, J04A, J04B, J08A, J08B, J08C, J10A, J10B, J16Z			
	5c263.2↔		BOP, KVT, UOP4		5c263.2↔			BOP, KVT, UOP4	10		K09A, K09B
		02	C01A, C01B, C12Z, C16Z				02	C01A, C01B, C12Z, C16Z	21A		W04A, W04B
08		I17Z	08	I17Z			21B	X06A, X06B, X06C			
09		J03A, J03B, J04A, J04B, J08A, J08B, J08C, J10A, J10B, J16Z	09	J03A, J03B, J04A, J04B, J08A, J08B, J08C, J10A, J10B, J16Z			09	J11A, J11B			
10		K09A, K09B	10	K09A, K09B			09	J11A, J11B			
21A		W04A, W04B	21A	W04A, W04B							
21B		X06A, X06B, X06C	21B	X06A, X06B, X06C							
22		Y01Z, Y03A, Y03B	22	Y01Z, Y03A, Y03B							

ZZV	MDC	DRG	ZZV	MDC	DRG	ZZV	MDC	DRG		
5c280.0↔		BOP, KVT, UOP4	5c28x↔	02	BOP, KVT, UOP4 C01A, C01B, C16Z, C20A, C20B	5c330↔	02	BOP, KVT, UOP4 C01A, C01B, C10A, C10B, C10C, C16Z		
	01	B03A, B03B, B06A, B06B, B07Z, B17A, B17B, B17C		09	J03A, J03B, J04A, J04B, J08A, J08B, J08C, J10A, J10B, J16Z		5c331↔	02	BOP, KVT, UOP4 C01A, C01B, C10A, C10B, C10C, C16Z	
	02	C01A, C01B, C16Z, C20A, C20B		10	K09A, K09B		5c340↔	02	BOP, KVT, UOP4 C01A, C01B, C10A, C10B, C10C, C16Z	
	09	J03A, J03B, J04A, J04B, J08A, J08B, J08C, J10A, J10B, J16Z		21A	W04A, W04B			5c341↔	02	BOP, KVT, UOP4 C01A, C01B, C10A, C10B, C10C, C16Z
	10	K09A, K09B		21B	X06A, X06B, X06C		5c342↔		10	K09A, K09B
	21A	W04A, W04B		22	Y01Z, Y03A, Y03B			5c343↔	02	BOP, KVT, UOP4 C01A, C01B, C10A, C10B, C10C, C16Z
	21B	X06A, X06B, X06C		5c290↔	BOP, KVT, UOP4		5c344↔		10	K09A, K09B
	22	Y01Z, Y03A, Y03B			02			C01A, C01B, C14Z, C16Z	5c345↔	02
	5c280.1↔			BOP, KVT, UOP4	09		J03A, J03B, J04A, J04B, J08A, J08B, J08C, J11A, J11B, J16Z	5c346↔		02
		01		B03A, B03B, B06A, B06B, B07Z, B17A, B17B, B17C	21A		W04A, W04B		5c347↔	10
		02		C01A, C01B, C16Z, C20A, C20B	21B		X06A, X06B, X06C	5c348↔		02
		09		J03A, J03B, J04A, J04B, J08A, J08B, J08C, J10A, J10B, J16Z	22		Y01Z, Y03A, Y03B		5c349↔	10
10		K09A, K09B	5c300↔	BOP, KVT, UOP4	5c350↔	02	BOP, KVT, UOP4 C01A, C01B, C10A, C10B, C10C, C16Z			
21A		W04A, W04B		02		C01A, C01B, C10A, C10B, C10C, C16Z	5c351↔	10	K09A, K09B	
21B		X06A, X06B, X06C	5c301↔	BOP, KVT, UOP4	5c352↔	02		BOP, KVT, UOP4 C01A, C01B, C10A, C10B, C10C, C16Z		
22		Y01Z, Y03A, Y03B		02		C01A, C01B, C10A, C10B, C10C, C16Z	5c353↔	10	K09A, K09B	
5c280.2↔			BOP, KVT, UOP4	10	K09A, K09B	5c354↔		02	BOP, KVT, UOP4 C01A, C01B, C10A, C10B, C10C, C16Z	
		01	B03A, B03B, B06A, B06B, B07Z, B17A, B17B, B17C	5c302↔	BOP, KVT, UOP4		5c355↔	10	K09A, K09B	
		02	C01A, C01B, C16Z, C20A, C20B		02	C01A, C01B, C10A, C10B, C10C, C16Z		5c356↔	02	BOP, KVT, UOP4 C01A, C01B, C10A, C10B, C10C, C16Z
		09	J03A, J03B, J04A, J04B, J08A, J08B, J08C, J10A, J10B, J16Z	10	K09A, K09B	5c357↔	10		K09A, K09B	
	10	K09A, K09B	5c303↔	BOP, KVT, UOP4	5c358↔		02	BOP, KVT, UOP4 C01A, C01B, C10A, C10B, C10C, C16Z		
	21A	W04A, W04B		02		C01A, C01B, C10A, C10B, C10C, C16Z	5c359↔	10	K09A, K09B	
	21B	X06A, X06B, X06C	5c304↔	BOP, KVT, UOP4	5c360↔	02		BOP, KVT, UOP4 C01A, C01B, C10A, C10B, C10C, C16Z		
	22	Y01Z, Y03A, Y03B		10		K09A, K09B	5c361↔	10	K09A, K09B	
	5c280.3↔		BOP, KVT, UOP4	02	C01A, C01B, C10A, C10B, C10C, C16Z	5c362↔		02	BOP, KVT, UOP4 C01A, C01B, C10A, C10B, C10C, C16Z	
		01	B03A, B03B, B06A, B06B, B07Z, B17A, B17B, B17C	5c305↔	BOP, KVT, UOP4		5c363↔	10	K09A, K09B	
		02	C01A, C01B, C16Z, C20A, C20B		02	C01A, C01B, C10A, C10B, C10C, C16Z		5c364↔	02	BOP, KVT, UOP4 C01A, C01B, C10A, C10B, C10C, C16Z
		09	J03A, J03B, J04A, J04B, J08A, J08B, J08C, J10A, J10B, J16Z	10	K09A, K09B	5c365↔	10		K09A, K09B	
10		K09A, K09B	5c306↔	BOP, KVT, UOP4	5c366↔		02	BOP, KVT, UOP4 C01A, C01B, C10A, C10B, C10C, C16Z		
21A		W04A, W04B		02		C01A, C01B, C10A, C10B, C10C, C16Z	5c367↔	10	K09A, K09B	
21B		X06A, X06B, X06C	5c307↔	BOP, KVT, UOP4	5c368↔	02		BOP, KVT, UOP4 C01A, C01B, C10A, C10B, C10C, C16Z		
22		Y01Z, Y03A, Y03B		10		K09A, K09B	5c369↔	10	K09A, K09B	
5c280.x↔			BOP, KVT, UOP4	02	C01A, C01B, C10A, C10B, C10C, C16Z	5c370.1↔		02	BOP, KVT, UOP4 C01A, C01B, C10A, C10B, C10C, C16Z	
		01	B03A, B03B, B06A, B06B, B07Z, B17A, B17B, B17C	5c308↔	BOP, KVT, UOP4		5c370.2↔	10	K09A, K09B	
		02	C01A, C01B, C16Z, C20A, C20B		02	C01A, C01B, C10A, C10B, C10C, C16Z		5c371.1↔	02	BOP, KVT, UOP4 C01A, C01B, C10A, C10B, C10C, C16Z
		09	J03A, J03B, J04A, J04B, J08A, J08B, J08C, J10A, J10B, J16Z	10	K09A, K09B	5c372↔	10		K09A, K09B	
	10	K09A, K09B	5c309↔	BOP, KVT, UOP4	5c373↔		02	BOP, KVT, UOP4 C01A, C01B, C10A, C10B, C10C, C16Z		
	21A	W04A, W04B		02		C01A, C01B, C10A, C10B, C10C, C16Z	5c374↔	10	K09A, K09B	
	21B	X06A, X06B, X06C	5c310↔	BOP, KVT, UOP4	5c375↔	02		BOP, KVT, UOP4 C01A, C01B, C10A, C10B, C10C, C16Z		
	22	Y01Z, Y03A, Y03B		10		K09A, K09B	5c376↔	10	K09A, K09B	
	5c281↔		BOP, KVT, UOP4	02	C01A, C01B, C10A, C10B, C10C, C16Z	5c377↔		02	BOP, KVT, UOP4 C01A, C01B, C10A, C10B, C10C, C16Z	
		02	C01A, C01B, C16Z, C20A, C20B	10	K09A, K09B		5c378↔	10	K09A, K09B	
		09	J03A, J03B, J04A, J04B, J08A, J08B, J08C, J10A, J10B, J16Z	5c311↔	BOP, KVT, UOP4	5c379↔		02	BOP, KVT, UOP4 C01A, C01B, C10A, C10B, C10C, C16Z	
		10	K09A, K09B		02		C01A, C01B, C10A, C10B, C10C, C16Z	5c380↔	10	K09A, K09B
21A		W04A, W04B	5c312↔	BOP, KVT, UOP4	5c381↔	02	BOP, KVT, UOP4 C01A, C01B, C10A, C10B, C10C, C16Z			
21B		X06A, X06B, X06C		10		K09A, K09B	5c382↔	10	K09A, K09B	
22		Y01Z, Y03A, Y03B	02	C01A, C01B, C10A, C10B, C10C, C16Z	5c383↔	02		BOP, KVT, UOP4 C01A, C01B, C10A, C10B, C10C, C16Z		
5c280.x↔			BOP, KVT, UOP4	5c313↔		BOP, KVT, UOP4	5c384↔	10	K09A, K09B	
		01	B03A, B03B, B06A, B06B, B07Z, B17A, B17B, B17C		02	C01A, C01B, C10A, C10B, C10C, C16Z		5c385↔	02	BOP, KVT, UOP4 C01A, C01B, C10A, C10B, C10C, C16Z
		02	C01A, C01B, C16Z, C20A, C20B	10	K09A, K09B	5c386↔	10		K09A, K09B	
		09	J03A, J03B, J04A, J04B, J08A, J08B, J08C, J10A, J10B, J16Z	5c314↔	BOP, KVT, UOP4		5c387↔	02	BOP, KVT, UOP4 C01A, C01B, C10A, C10B, C10C, C16Z	
		10	K09A, K09B		02	C01A, C01B, C10A, C10B, C10C, C16Z		5c388↔	10	K09A, K09B
	21A	W04A, W04B	5c315↔	BOP, KVT, UOP4	5c389↔	02	BOP, KVT, UOP4 C01A, C01B, C10A, C10B, C10C, C16Z			
	21B	X06A, X06B, X06C		10		K09A, K09B	5c390↔	10	K09A, K09B	
	22	Y01Z, Y03A, Y03B	02	C01A, C01B, C10A, C10B, C10C, C16Z	5c391↔	02		BOP, KVT, UOP4 C01A, C01B, C10A, C10B, C10C, C16Z		
	5c281↔		BOP, KVT, UOP4	5c316↔		BOP, KVT, UOP4	5c392↔	10	K09A, K09B	
		02	C01A, C01B, C16Z, C20A, C20B		02	C01A, C01B, C10A, C10B, C10C, C16Z		5c393↔	02	BOP, KVT, UOP4 C01A, C01B, C10A, C10B, C10C, C16Z
		09	J03A, J03B, J04A, J04B, J08A, J08B, J08C, J10A, J10B, J16Z	5c317↔	BOP, KVT, UOP4	5c394↔	10		K09A, K09B	
		10	K09A, K09B		10		K09A, K09B	5c395↔	02	BOP, KVT, UOP4 C01A, C01B, C10A, C10B, C10C, C16Z
21A		W04A, W04B	5c318↔	BOP, KVT, UOP4	5c396↔	10	K09A, K09B			
21B		X06A, X06B, X06C		02		C01A, C01B, C10A, C10B, C10C, C16Z	5c397↔	02	BOP, KVT, UOP4 C01A, C01B, C10A, C10B, C10C, C16Z	
22		Y01Z, Y03A, Y03B	10	K09A, K09B	5c398↔	10		K09A, K09B		
5c281↔			BOP, KVT, UOP4	5c319↔		BOP, KVT, UOP4	5c399↔	02	BOP, KVT, UOP4 C01A, C01B, C10A, C10B, C10C, C16Z	
		02	C01A, C01B, C16Z, C20A, C20B		02	C01A, C01B, C10A, C10B, C10C, C16Z		5c400↔	10	K09A, K09B
		09	J03A, J03B, J04A, J04B, J08A, J08B, J08C, J10A, J10B, J16Z	5c320↔	BOP, KVT, UOP4	5c401↔	02		BOP, KVT, UOP4 C01A, C01B, C10A, C10B, C10C, C16Z	
		10	K09A, K09B		10		K09A, K09B	5c402↔	10	K09A, K09B
		21A	W04A, W04B	5c321↔	BOP, KVT, UOP4	5c403↔	02		BOP, KVT, UOP4 C01A, C01B, C10A, C10B, C10C, C16Z	
	21B	X06A, X06B, X06C	02		C01A, C01B, C10A, C10B, C10C, C16Z		5c404↔	10	K09A, K09B	
	22	Y01Z, Y03A, Y03B	10	K09A, K09B	5c405↔	02		BOP, KVT, UOP4 C01A, C01B, C10A, C10B, C10C, C16Z		

ZZV	MDC	DRG	ZZV	MDC	DRG	ZZV	MDC	DRG
5c371.2↔		BOP, KVT, UOP4	5c39c↔		BOP, KVT, UOP4	5c420.0↔		BOP, KVT, UOP4
	02	C01A, C01B, C10A, C16Z		02	C01A, C01B, C10A, C10B, C10C, C16Z		02	C01A, C01B, C16Z, C20A, C20B
	10	K09A, K09B		21A	W04A, W04B		21A	W04A, W04B
5c372.1↔		BOP, KVT, UOP4		21B	X06A, X06B, X06C		21B	X06A, X06B, X06C
	02	C01A, C01B, C10A, C16Z	5c39d↔		BOP, KVT, UOP4	5c420.1↔		BOP, KVT, UOP4
	10	K09A, K09B		02	C01A, C01B, C02A, C02B, C10A, C16Z		02	C01A, C01B, C16Z, C20A, C20B
5c372.2↔		BOP, KVT, UOP4		08	I17Z		21A	W04A, W04B
	02	C01A, C01B, C10A, C10B, C10C, C16Z		21A	W04A, W04B		21B	X06A, X06B, X06C
	10	K09A, K09B	5c39x.0↔		BOP, KVT, UOP4	5c420.2↔		BOP, KVT, UOP4
5c372.3↔		BOP, KVT, UOP4		02	C01A, C01B, C10A, C10B, C10C, C16Z		02	C01A, C01B, C14Z, C16Z
	02	C01A, C01B, C10A, C10B, C10C, C16Z		10	K09A, K09B		21A	W04A, W04B
	10	K09A, K09B	5c39x.1↔		BOP, KVT, UOP4		21B	X06A, X06B, X06C
5c372.4↔		BOP, KVT, UOP4		02	C01A, C01B, C10A, C10B, C10C, C16Z	5c420.x↔		BOP, KVT, UOP4
	02	C01A, C01B, C10A, C10B, C10C, C16Z	5c39x.x↔		BOP, KVT, UOP4		02	C01A, C01B, C14Z, C16Z
	10	K09A, K09B		02	C01A, C01B, C10A, C10B, C10C, C16Z		21A	W04A, W04B
5c372.5↔		BOP, KVT, UOP4		21B	X06A, X06B, X06C		21B	X06A, X06B, X06C
	02	C01A, C01B, C10A, C16Z	5c400↔		BOP, UOP4	5c421↔		BOP, KVT, UOP4
	10	K09A, K09B		02	C20A, C20B		02	C01A, C01B, C16Z, C20A, C20B
5c378↔		BOP, KVT, UOP4		21A	W04A, W04B		21A	W04A, W04B
	02	C01A, C01B, C10A, C16Z		21B	X06A, X06B, X06C		21B	X06A, X06B, X06C
	10	K09A, K09B	5c401↔		BOP, UOP4	5c422↔		BOP, KVT, UOP4
5c379↔		BOP, KVT, UOP4		02	C20A, C20B		02	C01A, C01B, C16Z, C20A, C20B
	02	C01A, C01B, C10A, C16Z		21A	W04A, W04B		21A	W04A, W04B
	10	K09A, K09B		21B	X06A, X06B, X06C		21B	X06A, X06B, X06C
5c37x↔		BOP, KVT, UOP4	5c40x↔		BOP, UOP4	5c423↔		BOP, KVT, UOP4
	02	C01A, C01B, C10A, C10B, C10C, C16Z		02	C20A, C20B		02	C01A, C01B, C16Z, C20A, C20B
	10	K09A, K09B		21A	W04A, W04B		21A	W04A, W04B
5c390↔		BOP, KVT, UOP4		21B	X06A, X06B, X06C		21B	X06A, X06B, X06C
	02	C01A, C01B, C02A, C02B, C10A, C16Z	5c410.0↔		BOP, KVT, UOP4	5c42x↔		BOP, KVT, UOP4
	08	I17Z		02	C01A, C01B, C14Z, C16Z		02	C01A, C01B, C14Z, C16Z
	21A	W04A, W04B		21A	W04A, W04B		21A	W04A, W04B
	21B	X06A, X06B, X06C		21B	X06A, X06B, X06C		21B	X06A, X06B, X06C
5c391↔		BOP, KVT, UOP4	5c410.1↔		BOP, KVT, UOP4	5c430↔		BOP, KVT, UOP4
	02	C01A, C01B, C10A, C10B, C10C, C16Z		02	C01A, C01B, C14Z, C16Z		02	C01A, C01B, C14Z, C16Z
	21A	W04A, W04B		21A	W04A, W04B		21A	W04A, W04B
	21B	X06A, X06B, X06C		21B	X06A, X06B, X06C		21B	X06A, X06B, X06C
5c392↔		BOP, KVT, UOP4	5c410.2↔		BOP, KVT, UOP4	5c431↔		BOP, KVT, UOP4
	02	C01A, C01B, C10A, C10B, C10C, C16Z		02	C01A, C01B, C14Z, C16Z		02	C01A, C01B, C16Z, C20A, C20B
	21A	W04A, W04B		21A	W04A, W04B		21A	W04A, W04B
	21B	X06A, X06B, X06C		21B	X06A, X06B, X06C		21B	X06A, X06B, X06C
5c393↔		BOP, KVT, UOP4	5c410.x↔		BOP, KVT, UOP4	5c43x↔		BOP, KVT, UOP4
	02	C01A, C01B, C02A, C02B, C10A, C16Z		02	C01A, C01B, C14Z, C16Z		02	C01A, C01B, C14Z, C16Z
	08	I17Z		21A	W04A, W04B		21A	W04A, W04B
	21A	W04A, W04B		21B	X06A, X06B, X06C		21B	X06A, X06B, X06C
	21B	X06A, X06B, X06C	5c411↔		BOP, KVT, UOP4	5c490↔		BOP, KVT, UOP4
5c394↔		BOP, KVT, UOP4		02	C01A, C01B, C14Z, C16Z		02	C01A, C01B, C14Z, C16Z
	02	C01A, C01B, C10A, C10B, C10C, C16Z		21A	W04A, W04B		21A	W04A, W04B
	21A	W04A, W04B		21B	X06A, X06B, X06C		21B	X06A, X06B, X06C
	21B	X06A, X06B, X06C	5c412↔		BOP, KVT, UOP4	5c491↔		BOP, KVT, UOP4
5c39a↔		BOP, KVT, UOP4		02	C01A, C01B, C16Z, C20A, C20B		02	C01A, C01B, C14Z, C16Z
	02	C01A, C01B, C02A, C02B, C10A, C16Z		21A	W04A, W04B		21A	W04A, W04B
	08	I17Z		21B	X06A, X06B, X06C		21B	X06A, X06B, X06C
	21A	W04A, W04B	5c413↔		BOP, KVT, UOP4	5c500↔		BOP, UOP4
	21B	X06A, X06B, X06C		02	C01A, C01B, C14Z, C16Z		02	C14Z
5c39b↔		BOP, KVT, UOP4		21A	W04A, W04B		21A	W04A, W04B
	02	C01A, C01B, C10A, C10B, C10C, C16Z		21B	X06A, X06B, X06C		21B	X06A, X06B, X06C
	21A	W04A, W04B	5c414↔		BOP, KVT, UOP4	5c501↔		BOP, UOP4
	21B	X06A, X06B, X06C		02	C01A, C01B, C14Z, C16Z		02	C14Z
				21A	W04A, W04B		21A	W04A, W04B
				21B	X06A, X06B, X06C		21B	X06A, X06B, X06C
			5c41x↔		BOP, KVT, UOP4	5c502↔		BOP, UOP4
				02	C01A, C01B, C14Z, C16Z		02	C14Z
							21A	W04A, W04B
							21B	X06A, X06B, X06C
							21B	X06A, X06B, X06C

VYK

ZZV	MDC	DRG	ZZV	MDC	DRG	ZZV	MDC	DRG
5c50x↔		BOP, UOP4	5c532.x↔		BOP, KVT, UOP4	5c552↔		BOP, KVT, UOP4
	02	C14Z		02	C01A, C01B, C16Z, C20A, C20B		02	C01A, C01B, C16Z, C20A, C20B
	21A	W04A, W04B		21A	W04A, W04B		21A	W04A, W04B
	21B	X06A, X06B, X06C		21B	X06A, X06B, X06C		21B	X06A, X06B, X06C
5c510↔		BOP, UOP4	5c533↔		BOP, KVT, UOP4	5c553↔		BOP, KVT, UOP4
	02	C14Z		02	C01A, C01B, C16Z, C20A, C20B		02	C01A, C01B, C16Z, C20A, C20B
	21A	W04A, W04B		21A	W04A, W04B		21A	W04A, W04B
	21B	X06A, X06B, X06C		21B	X06A, X06B, X06C		21B	X06A, X06B, X06C
5c511↔		BOP, UOP4	5c535↔		BOP, KVT, UOP4	5c554↔		BOP, KVT, UOP4
	02	C14Z		02	C01A, C01B, C14Z, C16Z		02	C01A, C01B, C16Z, C20A, C20B
	21A	W04A, W04B		21A	W04A, W04B		21A	W04A, W04B
	21B	X06A, X06B, X06C		21B	X06A, X06B, X06C		21B	X06A, X06B, X06C
5c51x↔		BOP, UOP4	5c53x↔		BOP, KVT, UOP4	5c555↔		BOP, KVT, UOP4
	02	C14Z		02	C01A, C01B, C14Z, C16Z		02	C01A, C01B, C16Z, C20A, C20B
	21A	W04A, W04B		21A	W04A, W04B		21A	W04A, W04B
	21B	X06A, X06B, X06C		21B	X06A, X06B, X06C		21B	X06A, X06B, X06C
5c520↔		BOP, KVT, UOP4	5c540↔		BOP, KVT, UOP4	5c556↔		BOP, KVT, UOP4
	02	C01A, C01B, C16Z, C20A, C20B		02	C01A, C01B, C04A, C04B, C16Z		02	C01A, C01B, C16Z, C20A, C20B
5c521↔		BOP, KVT, UOP4		21A	W04A, W04B		21A	W04A, W04B
	02	C01A, C01B, C16Z, C20A, C20B		21B	X06A, X06B, X06C		21B	X06A, X06B, X06C
	21A	W04A, W04B	5c541.0↔		BOP, KVT, UOP4	5c557↔		BOP, KVT, UOP4
	21B	X06A, X06B, X06C		02	C01A, C01B, C04A, C04B, C16Z		02	C01A, C01B, C16Z, C20A, C20B
5c522↔		BOP, KVT, UOP4		21A	W04A, W04B		21A	W04A, W04B
	02	C01A, C01B, C16Z, C20A, C20B		21B	X06A, X06B, X06C		21B	X06A, X06B, X06C
	21A	W04A, W04B	5c541.1↔		BOP, KVT, UOP4	5c55x↔		BOP, KVT, UOP4
	21B	X06A, X06B, X06C		02	C01A, C01B, C04A, C04B, C16Z		02	C01A, C01B, C16Z, C20A, C20B
5c523↔		BOP, KVT, UOP4		21A	W04A, W04B		21A	W04A, W04B
	02	C01A, C01B, C16Z, C20A, C20B		21B	X06A, X06B, X06C		21B	X06A, X06B, X06C
5c524↔		BOP, KVT, UOP4	5c543↔		BOP, KVT, UOP4	5c590↔		BOP, KVT, UOP4
	02	C01A, C01B, C16Z, C20A, C20B		02	C01A, C01B, C04A, C04B, C16Z		02	C01A, C01B, C16Z, C20A, C20B
5c52x↔		BOP, KVT, UOP4		21A	W04A, W04B		21A	W04A, W04B
	02	C01A, C01B, C16Z, C20A, C20B		21B	X06A, X06B, X06C		21B	X06A, X06B, X06C
5c530.0↔		BOP, KVT, UOP4	5c544↔		BOP, KVT, UOP4	5c591↔		BOP, KVT, UOP4
	02	C01A, C01B, C14Z, C16Z		02	C01A, C01B, C16Z, C20A, C20B		02	C01A, C01B, C16Z, C20A, C20B
	21A	W04A, W04B		21A	W04A, W04B		21A	W04A, W04B
	21B	X06A, X06B, X06C		21B	X06A, X06B, X06C		21B	X06A, X06B, X06C
5c530.1↔		BOP, KVT, UOP4	5c54x↔		BOP, KVT, UOP4	5c592↔		BOP, KVT, UOP4
	02	C01A, C01B, C16Z, C20A, C20B		02	C01A, C01B, C16Z, C20A, C20B		02	C01A, C01B, C16Z, C20A, C20B
	21A	W04A, W04B		21A	W04A, W04B		21A	W04A, W04B
	21B	X06A, X06B, X06C		21B	X06A, X06B, X06C		21B	X06A, X06B, X06C
5c530.2↔		BOP, KVT, UOP4	5c550.0↔		BOP, KVT, UOP4	5c593↔		BOP, KVT, UOP4
	02	C01A, C01B, C14Z, C16Z		02	C01A, C01B, C16Z, C20A, C20B		02	C01A, C01B, C04A, C16Z
	21A	W04A, W04B		21A	W04A, W04B		21A	W04A, W04B
	21B	X06A, X06B, X06C		21B	X06A, X06B, X06C		21B	X06A, X06B, X06C
5c530.x↔		BOP, KVT, UOP4	5c550.1↔		BOP, KVT, UOP4	5c594↔		BOP, KVT, UOP4
	02	C01A, C01B, C14Z, C16Z		02	C01A, C01B, C16Z, C20A, C20B		02	C01A, C01B, C16Z, C20A, C20B
	21A	W04A, W04B		21A	W04A, W04B		21A	W04A, W04B
	21B	X06A, X06B, X06C		21B	X06A, X06B, X06C		21B	X06A, X06B, X06C
5c532.0↔		BOP, KVT, UOP4	5c550.x↔		BOP, KVT, UOP4	5c596↔		BOP, KVT, UOP4
	02	C01A, C01B, C16Z, C20A, C20B		02	C01A, C01B, C16Z, C20A, C20B		02	C01A, C01B, C14Z, C16Z
	21A	W04A, W04B		21A	W04A, W04B		21A	W04A, W04B
	21B	X06A, X06B, X06C		21B	X06A, X06B, X06C		21B	X06A, X06B, X06C
5c532.1↔		BOP, KVT, UOP4	5c551↔		BOP, KVT, UOP4	5c600↔		BOP, UOP4
	02	C01A, C01B, C16Z, C20A, C20B		02	C01A, C01B, C16Z, C20A, C20B		02	C20A, C20B
	21A	W04A, W04B		21A	W04A, W04B		21A	W04A, W04B
	21B	X06A, X06B, X06C		21B	X06A, X06B, X06C		21B	X06A, X06B, X06C
						5c601↔		BOP, UOP4
							02	C20A, C20B
							21A	W04A, W04B
							21B	X06A, X06B, X06C
							21B	X06A, X06B, X06C

ZZV	MDC	DRG	ZZV	MDC	DRG	ZZV	MDC	DRG
5c60x↔		BOP, UOP4	5c617.3↔		BOP, KVT, UOP4	5c640↔		BOP, KVT, UOP4
	02	C20A, C20B		02	C01A, C01B, C06Z, C16Z		02	C01A, C01B, C06Z, C16Z
	21A	W04A, W04B		21A	W04A, W04B		10	K09A, K09B
	21B	X06A, X06B, X06C		21B	X06A, X06B, X06C	5c641↔		BOP, KVT, UOP4
5c610.0↔		BOP, KVT, UOP4	5c617.4↔		BOP, KVT, UOP4		02	C01A, C01B, C06Z, C16Z
	02	C01A, C01B, C06Z, C16Z		02	C01A, C01B, C06Z, C16Z		10	K09A, K09B
	10	K09A, K09B		21A	W04A, W04B	5c64x↔		BOP, KVT, UOP4
	21A	W04A, W04B		21B	X06A, X06B, X06C		02	C01A, C01B, C07A, C07B, C16Z
	21B	X06A, X06B, X06C	5c61x↔		BOP, KVT, UOP4		10	K09A, K09B
5c610.1↔		BOP, KVT, UOP4		02	C01A, C01B, C06Z, C16Z	5c650↔		BOP, KVT, UOP4
	02	C01A, C01B, C06Z, C16Z		21A	W04A, W04B		02	C14Z
	10	K09A, K09B		21B	X06A, X06B, X06C		21A	W04A, W04B
	21A	W04A, W04B	5c620↔		BOP, KVT, UOP4		21B	X06A, X06B, X06C
	21B	X06A, X06B, X06C		02	C01A, C01B, C07A, C07B, C16Z	5c651↔		BOP, KVT, UOP4
5c610.x↔		BOP, KVT, UOP4		10	K09A, K09B		02	C01A, C01B, C15Z, C16Z
	02	C01A, C01B, C06Z, C16Z	5c621↔		BOP, KVT, UOP4		21A	W04A, W04B
	10	K09A, K09B		02	C01A, C01B, C07A, C07B, C16Z		21B	X06A, X06B, X06C
	21A	W04A, W04B		10	K09A, K09B	5c652↔		BOP, KVT, UOP4
	21B	X06A, X06B, X06C	5c622↔		BOP, KVT, UOP4		02	C01A, C01B, C16Z, C20A, C20B
5c611↔		BOP, KVT, UOP4		02	C01A, C01B, C07A, C07B, C16Z		21A	W04A, W04B
	02	C01A, C01B, C06Z, C16Z		10	K09A, K09B	5c654↔		BOP, KVT, UOP4
	21A	W04A, W04B	5c62x↔		BOP, KVT, UOP4		02	C01A, C01B, C15Z, C16Z
	21B	X06A, X06B, X06C		02	C01A, C01B, C07A, C07B, C16Z		21A	W04A, W04B
5c612↔		BOP, KVT, UOP4		10	K09A, K09B		21B	X06A, X06B, X06C
	02	C01A, C01B, C06Z, C16Z	5c630↔		BOP, KVT, UOP4		02	BOP, KVT, UOP4
	21A	W04A, W04B		02	C01A, C01B, C07A, C07B, C16Z	5c655↔		BOP, KVT, UOP4
	21B	X06A, X06B, X06C		21A	W04A, W04B		02	C01A, C01B, C16Z, C20A, C20B
5c613↔		BOP, KVT, UOP4		21B	X06A, X06B, X06C		21A	W04A, W04B
	02	C01A, C01B, C07A, C07B, C16Z	5c631↔		BOP, KVT, UOP4		21B	X06A, X06B, X06C
	21A	W04A, W04B		02	C01A, C01B, C06Z, C16Z	5c65x↔		BOP, KVT, UOP4
	21B	X06A, X06B, X06C		10	K09A, K09B		02	C01A, C01B, C16Z, C20A, C20B
5c614.0↔		BOP, KVT, UOP4		21A	W04A, W04B		21A	W04A, W04B
	02	C01A, C01B, C07A, C07B, C16Z	5c632↔		BOP, KVT, UOP4		21B	X06A, X06B, X06C
	21A	W04A, W04B		02	C01A, C01B, C06Z, C16Z	5c660↔		BOP, KVT, UOP4
	21B	X06A, X06B, X06C		21A	W04A, W04B		02	C01A, C01B, C07A, C07B, C16Z
5c614.1↔		BOP, KVT, UOP4		21B	X06A, X06B, X06C		21A	W04A, W04B
	02	C01A, C01B, C07A, C07B, C16Z	5c633↔		BOP, KVT, UOP4		21B	X06A, X06B, X06C
	21A	W04A, W04B		02	C01A, C01B, C07A, C07B, C16Z	5c661↔		BOP, KVT, UOP4
	21B	X06A, X06B, X06C		21A	W04A, W04B		02	C01A, C01B, C07A, C07B, C16Z
5c614.2↔		BOP, KVT, UOP4		21B	X06A, X06B, X06C		21A	W04A, W04B
	02	C01A, C01B, C07A, C07B, C16Z	5c634↔		BOP, KVT, UOP4		21B	X06A, X06B, X06C
	21A	W04A, W04B		02	C01A, C01B, C07A, C07B, C16Z	5c662↔		BOP, KVT, UOP4
	21B	X06A, X06B, X06C		21A	W04A, W04B		02	C01A, C01B, C07A, C07B, C16Z
5c614.x↔		BOP, KVT, UOP4		21B	X06A, X06B, X06C		21A	W04A, W04B
	02	C01A, C01B, C07A, C07B, C16Z	5c635↔		BOP, KVT, UOP4		21B	X06A, X06B, X06C
	21A	W04A, W04B		02	C01A, C01B, C07A, C07B, C16Z	5c663↔		BOP, KVT, UOP4
	21B	X06A, X06B, X06C		10	K09A, K09B		02	C14Z
5c615↔		BOP, KVT, UOP4		21A	W04A, W04B		21A	W04A, W04B
	02	C01A, C01B, C07A, C07B, C16Z	5c636↔		BOP, KVT, UOP4		21B	X06A, X06B, X06C
	21A	W04A, W04B		02	C01A, C01B, C07A, C07B, C16Z	5c664↔		BOP, KVT, UOP4
	21B	X06A, X06B, X06C		21A	W04A, W04B		02	C01A, C01B, C07A, C07B, C16Z
5c616↔		BOP, KVT, UOP4		21B	X06A, X06B, X06C		21A	W04A, W04B
	02	C01A, C01B, C06Z, C16Z	5c638↔		BOP, KVT, UOP4		21B	X06A, X06B, X06C
	21A	W04A, W04B		02	C01A, C01B, C07A, C07B, C16Z	5c66x↔		BOP, KVT, UOP4
	21B	X06A, X06B, X06C		10	K09A, K09B		02	C01A, C01B, C07A, C07B, C16Z
5c617.1↔		BOP, KVT, UOP4		21A	W04A, W04B		21A	W04A, W04B
	02	C01A, C01B, C06Z, C16Z	5c63x↔		BOP, KVT, UOP4		21B	X06A, X06B, X06C
	21A	W04A, W04B		02	C01A, C01B, C07A, C07B, C16Z			
	21B	X06A, X06B, X06C		10	K09A, K09B			
5c617.2↔		BOP, KVT, UOP4		21A	W04A, W04B			
	02	C01A, C01B, C06Z, C16Z		21B	X06A, X06B, X06C			
	21A	W04A, W04B						
	21B	X06A, X06B, X06C						

VYK

ZZV	MDC	DRG	ZZV	MDC	DRG	ZZV	MDC	DRG
5c671↔		BOP, KVT, UOP4	5c682.2↔	02	BOP, KVT, UOP4 C01A, C01B, C16Z, C20A, C20B	5c70x↔	02	BOP, UOP4 C01A, C01B, C16Z, C20A, C20B
	02	C01A, C01B, C07A, C07B, C16Z		21A	W04A, W04B		21A	W04A, W04B
	21A	W04A, W04B		21B	X06A, X06B, X06C		21B	X06A, X06B, X06C
5c672↔		BOP, KVT, UOP4	5c68x↔	02	BOP, KVT, UOP4	5c710↔	02	BOP, KVT, UOP4
	02	C01A, C01B, C07A, C07B, C16Z		21A	W04A, W04B		02	C01A, C01B, C16Z, C20A, C20B
	21A	W04A, W04B		21B	X06A, X06B, X06C	5c711↔	02	BOP, KVT, UOP4
	21B	X06A, X06B, X06C	5c690↔	02	BOP, KVT, UOP4		02	C01A, C01B, C16Z, C20A, C20B
5c673↔	02	C01A, C01B, C07A, C07B, C16Z		21A	W04A, W04B	5c712↔	02	BOP, KVT, UOP4
	21A	W04A, W04B	5c691.0↔	02	BOP, KVT, UOP4		02	C01A, C01B, C16Z, C20A, C20B
	21B	X06A, X06B, X06C		21A	W04A, W04B	5c713↔	02	BOP, KVT, UOP4
5c674↔	02	BOP, KVT, UOP4		21B	X06A, X06B, X06C		02	C01A, C01B, C16Z, C20A, C20B
	21A	W04A, W04B	5c691.1↔	02	C14Z	5c714.10↔	02	BOP, KVT, UOP4
	21B	X06A, X06B, X06C		21A	W04A, W04B		02	C01A, C01B, C16Z, C20A, C20B
5c675↔	02	BOP, KVT, UOP4		21B	X06A, X06B, X06C	5c714.11↔	02	BOP, KVT, UOP4
	21A	W04A, W04B	5c691.2↔	02	C01A, C01B, C15Z, C16Z		02	C01A, C01B, C16Z, C20A, C20B
	21B	X06A, X06B, X06C		21A	W04A, W04B	5c714.20↔	02	BOP, KVT, UOP4
5c676↔	02	C14Z		21B	X06A, X06B, X06C		02	C01A, C01B, C16Z, C20A, C20B
	21A	W04A, W04B	5c691.3↔	02	C14Z	5c714.21↔	02	BOP, KVT, UOP4
	21B	X06A, X06B, X06C		21A	W04A, W04B		02	C01A, C01B, C16Z, C20A, C20B
5c677↔	02	BOP, KVT, UOP4		21B	X06A, X06B, X06C	5c715.0↔	02	BOP, KVT, UOP4
	21A	W04A, W04B	5c691.x↔	02	C14Z		02	C01A, C01B, C16Z, C20A, C20B
	21B	X06A, X06B, X06C		21A	W04A, W04B	5c715.1↔	02	BOP, KVT, UOP4
5c67x↔	02	BOP, KVT, UOP4		21B	X06A, X06B, X06C		02	C01A, C01B, C16Z, C20A, C20B
	21A	W04A, W04B	5c692↔	02	C14Z	5c716.1↔	02	BOP, KVT, UOP4
	21B	X06A, X06B, X06C		21A	W04A, W04B		02	C01A, C01B, C16Z, C20A, C20B
5c680.0↔	02	BOP, UOP4		21B	X06A, X06B, X06C	5c716.2↔	02	BOP, KVT, UOP4
	21A	W04A, W04B	5c693↔	02	BOP, KVT, UOP4		02	C01A, C01B, C16Z, C20A, C20B
	21B	X06A, X06B, X06C		21A	W04A, W04B	5c71x↔	02	BOP, KVT, UOP4
5c680.1↔	02	BOP, UOP4		21B	X06A, X06B, X06C		02	C01A, C01B, C16Z, C20A, C20B
	21A	W04A, W04B	5c694↔	02	C01A, C01B, C15Z, C16Z	5c720.0↔	02	BOP, KVT, UOP4
	21B	X06A, X06B, X06C		21A	W04A, W04B		02	C01A, C01B, C16Z, C20A, C20B
5c680.x↔	02	BOP, UOP4		21B	X06A, X06B, X06C		10	K09A, K09B
	21A	W04A, W04B	5c695↔	02	BOP, KVT, UOP4	5c720.5↔	02	BOP, KVT, UOP4
	21B	X06A, X06B, X06C		21A	W04A, W04B		02	C01A, C01B, C16Z, C20A, C20B
5c681.0↔	02	BOP, KVT, UOP4		21B	X06A, X06B, X06C		10	K09A, K09B
	21A	W04A, W04B	5c69x↔	02	BOP, KVT, UOP4	5c720.6↔	02	BOP, KVT, UOP4
	21B	X06A, X06B, X06C		21A	W04A, W04B		02	C01A, C01B, C16Z, C20A, C20B
5c681.3↔	02	BOP, KVT, UOP4		21B	X06A, X06B, X06C	5c720.7↔	02	BOP, KVT, UOP4
	21A	W04A, W04B	5c700↔	02	BOP, UOP4		02	C01A, C01B, C16Z, C20A, C20B
	21B	X06A, X06B, X06C		21A	W04A, W04B	5c720.8↔	02	BOP, KVT, UOP4
5c681.x↔	02	BOP, KVT, UOP4		21B	X06A, X06B, X06C		02	C01A, C01B, C16Z, C20A, C20B
	21A	W04A, W04B	5c701↔	02	BOP, UOP4	5c720.a↔	10	K09A, K09B
	21B	X06A, X06B, X06C		21A	W04A, W04B		02	BOP, KVT, UOP4
5c682.1↔	02	BOP, KVT, UOP4		21B	X06A, X06B, X06C		02	C01A, C01B, C16Z, C20A, C20B
	21A	W04A, W04B					10	K09A, K09B
	21B	X06A, X06B, X06C						

VYK

ZZV	MDC	DRG	ZZV	MDC	DRG	ZZV	MDC	DRG
5c720.b↔		BOP, KVT, UOP4	5c721.h↔		BOP, KVT, UOP4	5c732.0↔		BOP, KVT, UOP4
	02	C01A, C01B, C16Z, C20A, C20B		02	C01A, C01B, C16Z, C20A, C20B		02	C01A, C01B, C03A, C03B, C04A, C07A, C08A, C08B, C16Z
	10	K09A, K09B		10	K09A, K09B		10	K09A, K09B
5c720.c↔		BOP, KVT, UOP4	5c721.x↔		BOP, KVT, UOP4		10	K09A, K09B
	02	C01A, C01B, C16Z, C20A, C20B		02	C01A, C01B, C16Z, C20A, C20B		21A	W04A, W04B
	10	K09A, K09B		10	K09A, K09B	5c732.5↔	21B	X06A, X06B, X06C
5c720.d↔		BOP, KVT, UOP4	5c72x.0↔		BOP, KVT, UOP4			BOP, KVT, UOP4
	02	C01A, C01B, C16Z, C20A, C20B		02	C01A, C01B, C16Z, C20A, C20B		02	C01A, C01B, C03A, C03B, C04A, C07A, C08A, C08B, C16Z
	10	K09A, K09B		10	K09A, K09B		10	K09A, K09B
5c720.e↔		BOP, KVT, UOP4	5c72x.5↔		BOP, KVT, UOP4		21A	W04A, W04B
	02	C01A, C01B, C16Z, C20A, C20B		02	C01A, C01B, C16Z, C20A, C20B	5c732.6↔	21B	X06A, X06B, X06C
	10	K09A, K09B		10	K09A, K09B			BOP, KVT, UOP4
5c720.f↔		BOP, KVT, UOP4	5c72x.6↔		BOP, KVT, UOP4		02	C01A, C01B, C03A, C03B, C04A, C07A, C08A, C08B, C16Z
	02	C01A, C01B, C16Z, C20A, C20B		02	C01A, C01B, C16Z, C20A, C20B		10	K09A, K09B
	10	K09A, K09B		10	K09A, K09B		21A	W04A, W04B
5c720.g↔		BOP, KVT, UOP4	5c72x.7↔		BOP, KVT, UOP4		21B	X06A, X06B, X06C
	02	C01A, C01B, C16Z, C20A, C20B		02	C01A, C01B, C16Z, C20A, C20B	5c732.7↔		BOP, KVT, UOP4
	10	K09A, K09B		10	K09A, K09B		02	C01A, C01B, C03A, C03B, C04A, C07A, C08A, C08B, C16Z
5c720.h↔		BOP, KVT, UOP4	5c72x.8↔		BOP, KVT, UOP4		10	K09A, K09B
	02	C01A, C01B, C16Z, C20A, C20B		02	C01A, C01B, C16Z, C20A, C20B		21A	W04A, W04B
	10	K09A, K09B		10	K09A, K09B		21B	X06A, X06B, X06C
5c720.x↔		BOP, KVT, UOP4	5c72x.9↔		BOP, KVT, UOP4	5c732.8↔		BOP, KVT, UOP4
	02	C01A, C01B, C16Z, C20A, C20B		02	C01A, C01B, C16Z, C20A, C20B		02	C01A, C01B, C03A, C03B, C04A, C07A, C08A, C08B, C16Z
	10	K09A, K09B		10	K09A, K09B		10	K09A, K09B
5c721.0↔		BOP, KVT, UOP4	5c72x.a↔		BOP, KVT, UOP4		21A	W04A, W04B
	02	C01A, C01B, C16Z, C20A, C20B		02	C01A, C01B, C16Z, C20A, C20B		21B	X06A, X06B, X06C
	10	K09A, K09B		10	K09A, K09B	5c732.9↔		BOP, KVT, UOP4
5c721.5↔		BOP, KVT, UOP4	5c72x.b↔		BOP, KVT, UOP4		02	C01A, C01B, C03A, C03B, C04A, C07A, C08A, C08B, C16Z
	02	C01A, C01B, C16Z, C20A, C20B		02	C01A, C01B, C16Z, C20A, C20B		10	K09A, K09B
	10	K09A, K09B		10	K09A, K09B		21A	W04A, W04B
5c721.a↔		BOP, KVT, UOP4	5c72x.c↔		BOP, KVT, UOP4		21B	X06A, X06B, X06C
	02	C01A, C01B, C16Z, C20A, C20B		02	C01A, C01B, C16Z, C20A, C20B	5c732.a↔		BOP, KVT, UOP4
	10	K09A, K09B		10	K09A, K09B		02	C01A, C01B, C03A, C03B, C04A, C07A, C08A, C08B, C16Z
5c721.b↔		BOP, KVT, UOP4	5c72x.d↔		BOP, KVT, UOP4		10	K09A, K09B
	02	C01A, C01B, C16Z, C20A, C20B		02	C01A, C01B, C16Z, C20A, C20B		21A	W04A, W04B
	10	K09A, K09B		10	K09A, K09B		21B	X06A, X06B, X06C
5c721.c↔		BOP, KVT, UOP4	5c72x.e↔		BOP, KVT, UOP4	5c732.b↔		BOP, KVT, UOP4
	02	C01A, C01B, C16Z, C20A, C20B		02	C01A, C01B, C16Z, C20A, C20B		02	C01A, C01B, C03A, C03B, C04A, C07A, C08A, C08B, C16Z
	10	K09A, K09B		10	K09A, K09B		10	K09A, K09B
5c721.d↔		BOP, KVT, UOP4	5c72x.f↔		BOP, KVT, UOP4		21A	W04A, W04B
	02	C01A, C01B, C16Z, C20A, C20B		02	C01A, C01B, C16Z, C20A, C20B		21B	X06A, X06B, X06C
	10	K09A, K09B		10	K09A, K09B	5c732.c↔		BOP, KVT, UOP4
5c721.e↔		BOP, KVT, UOP4	5c72x.g↔		BOP, KVT, UOP4		02	C01A, C01B, C03A, C03B, C04A, C07A, C08A, C08B, C16Z
	02	C01A, C01B, C16Z, C20A, C20B		02	C01A, C01B, C16Z, C20A, C20B		10	K09A, K09B
	10	K09A, K09B		10	K09A, K09B		21A	W04A, W04B
5c721.f↔		BOP, KVT, UOP4	5c72x.h↔		BOP, KVT, UOP4		21B	X06A, X06B, X06C
	02	C01A, C01B, C16Z, C20A, C20B		02	C01A, C01B, C16Z, C20A, C20B	5c732.d↔		BOP, KVT, UOP4
	10	K09A, K09B		10	K09A, K09B		02	C01A, C01B, C03A, C03B, C04A, C07A, C08A, C08B, C16Z
5c721.g↔		BOP, KVT, UOP4	5c72x.x↔		BOP, KVT, UOP4		10	K09A, K09B
	02	C01A, C01B, C16Z, C20A, C20B		02	C01A, C01B, C16Z, C20A, C20B		21A	W04A, W04B
	10	K09A, K09B		10	K09A, K09B		21B	X06A, X06B, X06C

ZZV	MDC	DRG	ZZV	MDC	DRG	ZZV	MDC	DRG
5c734.e↔		BOP, KVT, UOP4	5c735.9↔		BOP, KVT, UOP4	5c73x.0↔		BOP, KVT, UOP4
	02	C01A, C01B, C03A, C03B, C04A, C07A, C08A, C08B, C16Z		02	C01A, C01B, C03A, C03B, C04A, C07A, C08A, C08B, C16Z		02	C01A, C01B, C03A, C03B, C04A, C07A, C08A, C08B, C16Z
	10	K09A, K09B		10	K09A, K09B		10	K09A, K09B
	21A	W04A, W04B		21A	W04A, W04B		21A	W04A, W04B
5c734.f↔		X06A, X06B, X06C	5c735.a↔		X06A, X06B, X06C	5c73x.5↔		X06A, X06B, X06C
		BOP, KVT, UOP4			BOP, KVT, UOP4			BOP, KVT, UOP4
	02	C01A, C01B, C03A, C03B, C04A, C07A, C08A, C08B, C16Z		02	C01A, C01B, C03A, C03B, C04A, C07A, C08A, C08B, C16Z		02	C01A, C01B, C03A, C03B, C04A, C07A, C08A, C08B, C16Z
	10	K09A, K09B		10	K09A, K09B		10	K09A, K09B
5c734.g↔		W04A, W04B	5c735.b↔		W04A, W04B	5c73x.6↔		W04A, W04B
	21A	W04A, W04B		21A	W04A, W04B		21A	W04A, W04B
	21B	X06A, X06B, X06C		21B	X06A, X06B, X06C		21B	X06A, X06B, X06C
		BOP, KVT, UOP4			BOP, KVT, UOP4			BOP, KVT, UOP4
5c734.h↔		C01A, C01B, C03A, C03B, C04A, C07A, C08A, C08B, C16Z	5c735.c↔		C01A, C01B, C03A, C03B, C04A, C07A, C08A, C08B, C16Z	5c73x.7↔		C01A, C01B, C03A, C03B, C04A, C07A, C08A, C08B, C16Z
	10	K09A, K09B		10	K09A, K09B		10	K09A, K09B
	21A	W04A, W04B		21A	W04A, W04B		21A	W04A, W04B
	21B	X06A, X06B, X06C		21B	X06A, X06B, X06C		21B	X06A, X06B, X06C
5c734.x↔		BOP, KVT, UOP4	5c735.d↔		BOP, KVT, UOP4	5c73x.8↔		BOP, KVT, UOP4
	02	C01A, C01B, C03A, C03B, C04A, C07A, C08A, C08B, C16Z		02	C01A, C01B, C03A, C03B, C04A, C07A, C08A, C08B, C16Z		02	C01A, C01B, C03A, C03B, C04A, C07A, C08A, C08B, C16Z
	10	K09A, K09B		10	K09A, K09B		10	K09A, K09B
	21A	W04A, W04B		21A	W04A, W04B		21A	W04A, W04B
5c735.0↔		X06A, X06B, X06C	5c735.e↔		X06A, X06B, X06C	5c73x.9↔		X06A, X06B, X06C
		BOP, KVT, UOP4			BOP, KVT, UOP4			BOP, KVT, UOP4
	02	C01A, C01B, C03A, C03B, C04A, C07A, C08A, C08B, C16Z		02	C01A, C01B, C03A, C03B, C04A, C07A, C08A, C08B, C16Z		02	C01A, C01B, C03A, C03B, C04A, C07A, C08A, C08B, C16Z
	10	K09A, K09B		10	K09A, K09B		10	K09A, K09B
5c735.5↔		W04A, W04B	5c735.f↔		W04A, W04B	5c73x.a↔		W04A, W04B
	21A	W04A, W04B		21A	W04A, W04B		21A	W04A, W04B
	21B	X06A, X06B, X06C		21B	X06A, X06B, X06C		21B	X06A, X06B, X06C
		BOP, KVT, UOP4			BOP, KVT, UOP4			BOP, KVT, UOP4
5c735.6↔		C01A, C01B, C03A, C03B, C04A, C07A, C08A, C08B, C16Z	5c735.g↔		C01A, C01B, C03A, C03B, C04A, C07A, C08A, C08B, C16Z	5c73x.b↔		C01A, C01B, C03A, C03B, C04A, C07A, C08A, C08B, C16Z
	10	K09A, K09B		10	K09A, K09B		10	K09A, K09B
	21A	W04A, W04B		21A	W04A, W04B		21A	W04A, W04B
	21B	X06A, X06B, X06C		21B	X06A, X06B, X06C		21B	X06A, X06B, X06C
5c735.7↔		BOP, KVT, UOP4	5c735.h↔		BOP, KVT, UOP4	5c73x.c↔		BOP, KVT, UOP4
	02	C01A, C01B, C03A, C03B, C04A, C07A, C08A, C08B, C16Z		02	C01A, C01B, C03A, C03B, C04A, C07A, C08A, C08B, C16Z		02	C01A, C01B, C03A, C03B, C04A, C07A, C08A, C08B, C16Z
	10	K09A, K09B		10	K09A, K09B		10	K09A, K09B
	21A	W04A, W04B		21A	W04A, W04B		21A	W04A, W04B
5c735.8↔		X06A, X06B, X06C	5c735.x↔		X06A, X06B, X06C	5c73x.d↔		X06A, X06B, X06C
		BOP, KVT, UOP4			BOP, KVT, UOP4			BOP, KVT, UOP4
	02	C01A, C01B, C03A, C03B, C04A, C07A, C08A, C08B, C16Z		02	C01A, C01B, C03A, C03B, C04A, C07A, C08A, C08B, C16Z		02	C01A, C01B, C03A, C03B, C04A, C07A, C08A, C08B, C16Z
	10	K09A, K09B		10	K09A, K09B		10	K09A, K09B
	W04A, W04B		W04A, W04B		W04A, W04B			
	X06A, X06B, X06C		X06A, X06B, X06C		X06A, X06B, X06C			

VYK

ZZV	MDC	DRG	ZZV	MDC	DRG	ZZV	MDC	DRG
5c73x.e↔		BOP, KVT, UOP4	5c740.d↔		BOP, KVT, UOP4	5c742.e↔		BOP, KVT, UOP4
	02	C01A, C01B, C03A, C03B, C04A, C07A, C08A, C08B, C16Z		02	C01A, C01B, C16Z, C20A, C20B		02	C01A, C01B, C16Z, C20A, C20B
	10	K09A, K09B		10	K09A, K09B		10	K09A, K09B
	21A	W04A, W04B	5c740.e↔		BOP, KVT, UOP4	5c742.f↔		BOP, KVT, UOP4
	21B	X06A, X06B, X06C		02	C01A, C01B, C16Z, C20A, C20B		02	C01A, C01B, C16Z, C20A, C20B
5c73x.f↔		BOP, KVT, UOP4		10	K09A, K09B		10	K09A, K09B
	02	C01A, C01B, C03A, C03B, C04A, C07A, C08A, C08B, C16Z	5c740.f↔		BOP, KVT, UOP4	5c742.g↔		BOP, KVT, UOP4
	10	K09A, K09B		02	C01A, C01B, C16Z, C20A, C20B		02	C01A, C01B, C16Z, C20A, C20B
	21A	W04A, W04B		10	K09A, K09B		10	K09A, K09B
	21B	X06A, X06B, X06C	5c740.g↔		BOP, KVT, UOP4	5c742.h↔		BOP, KVT, UOP4
5c73x.g↔		BOP, KVT, UOP4		02	C01A, C01B, C16Z, C20A, C20B		02	C01A, C01B, C16Z, C20A, C20B
	02	C01A, C01B, C03A, C03B, C04A, C07A, C08A, C08B, C16Z	5c740.h↔		BOP, KVT, UOP4	5c742.x↔		BOP, KVT, UOP4
	10	K09A, K09B		02	C01A, C01B, C16Z, C20A, C20B		02	C01A, C01B, C16Z, C20A, C20B
	21A	W04A, W04B		10	K09A, K09B		10	K09A, K09B
	21B	X06A, X06B, X06C	5c740.x↔		BOP, KVT, UOP4	5c74x.0↔		BOP, KVT, UOP4
5c73x.h↔		BOP, KVT, UOP4		02	C01A, C01B, C16Z, C20A, C20B		02	C01A, C01B, C16Z, C20A, C20B
	02	C01A, C01B, C03A, C03B, C04A, C07A, C08A, C08B, C16Z		10	K09A, K09B		10	K09A, K09B
	10	K09A, K09B	5c741.0↔		BOP, KVT, UOP4	5c74x.5↔		BOP, KVT, UOP4
	21A	W04A, W04B		02	C01A, C01B, C16Z, C20A, C20B		02	C01A, C01B, C16Z, C20A, C20B
	21B	X06A, X06B, X06C		10	K09A, K09B		10	K09A, K09B
5c73x.x↔		BOP, KVT, UOP4	5c741.x↔		BOP, KVT, UOP4	5c74x.6↔		BOP, KVT, UOP4
	02	C01A, C01B, C03A, C03B, C04A, C07A, C08A, C08B, C16Z		02	C01A, C01B, C16Z, C20A, C20B		02	C01A, C01B, C16Z, C20A, C20B
	10	K09A, K09B		10	K09A, K09B		10	K09A, K09B
	21A	W04A, W04B	5c742.0↔		BOP, KVT, UOP4	5c74x.7↔		BOP, KVT, UOP4
	21B	X06A, X06B, X06C		02	C01A, C01B, C16Z, C20A, C20B		02	C01A, C01B, C16Z, C20A, C20B
5c740.0↔		BOP, KVT, UOP4		10	K09A, K09B		10	K09A, K09B
	02	C01A, C01B, C16Z, C20A, C20B	5c742.5↔		BOP, KVT, UOP4	5c74x.8↔		BOP, KVT, UOP4
	10	K09A, K09B		02	C01A, C01B, C16Z, C20A, C20B		02	C01A, C01B, C16Z, C20A, C20B
5c740.5↔		BOP, KVT, UOP4		10	K09A, K09B		10	K09A, K09B
	02	C01A, C01B, C16Z, C20A, C20B	5c742.6↔		BOP, KVT, UOP4	5c74x.9↔		BOP, KVT, UOP4
	10	K09A, K09B		02	C01A, C01B, C16Z, C20A, C20B		02	C01A, C01B, C16Z, C20A, C20B
5c740.6↔		BOP, KVT, UOP4		10	K09A, K09B		10	K09A, K09B
	02	C01A, C01B, C16Z, C20A, C20B	5c742.7↔		BOP, KVT, UOP4	5c74x.a↔		BOP, KVT, UOP4
	10	K09A, K09B		02	C01A, C01B, C16Z, C20A, C20B		02	C01A, C01B, C16Z, C20A, C20B
5c740.7↔		BOP, KVT, UOP4		10	K09A, K09B		10	K09A, K09B
	02	C01A, C01B, C16Z, C20A, C20B	5c742.8↔		BOP, KVT, UOP4	5c74x.b↔		BOP, KVT, UOP4
	10	K09A, K09B		02	C01A, C01B, C16Z, C20A, C20B		02	C01A, C01B, C16Z, C20A, C20B
5c740.8↔		BOP, KVT, UOP4		10	K09A, K09B		10	K09A, K09B
	02	C01A, C01B, C16Z, C20A, C20B	5c742.a↔		BOP, KVT, UOP4	5c74x.c↔		BOP, KVT, UOP4
	10	K09A, K09B		02	C01A, C01B, C16Z, C20A, C20B		02	C01A, C01B, C16Z, C20A, C20B
5c740.a↔		BOP, KVT, UOP4		10	K09A, K09B		10	K09A, K09B
	02	C01A, C01B, C16Z, C20A, C20B	5c742.b↔		BOP, KVT, UOP4	5c74x.d↔		BOP, KVT, UOP4
	10	K09A, K09B		02	C01A, C01B, C16Z, C20A, C20B		02	C01A, C01B, C16Z, C20A, C20B
5c740.b↔		BOP, KVT, UOP4		10	K09A, K09B		10	K09A, K09B
	02	C01A, C01B, C16Z, C20A, C20B	5c742.c↔		BOP, KVT, UOP4	5c74x.e↔		BOP, KVT, UOP4
	10	K09A, K09B		02	C01A, C01B, C16Z, C20A, C20B		02	C01A, C01B, C16Z, C20A, C20B
5c740.c↔		BOP, KVT, UOP4		10	K09A, K09B		10	K09A, K09B
	02	C01A, C01B, C16Z, C20A, C20B	5c742.d↔		BOP, KVT, UOP4	5c74x.f↔		BOP, KVT, UOP4
	10	K09A, K09B		02	C01A, C01B, C16Z, C20A, C20B		02	C01A, C01B, C16Z, C20A, C20B
				10	K09A, K09B		10	K09A, K09B

VYK

ZZV	MDC	DRG	ZZV	MDC	DRG	ZZV	MDC	DRG
5c75x↔		BOP, KVT, UOP4	5c81x↔		BOP, KVT, UOP4	5c849↔		BOP, KVT, UOP4
	02	C01A, C01B, C16Z, C20A, C20B		02	C01A, C01B, C15Z, C16Z		02	C01A, C01B, C02A, C02B, C16Z
	21A	W04A, W04B		10	K09A, K09B		21A	W04A, W04B
	21B	X06A, X06B, X06C		21A	W04A, W04B		21B	X06A, X06B, X06C
5c760↔		BOP, KVT, UOP4	5c820↔		BOP, KVT, UOP4	5c84a↔		BOP, KVT, UOP4
	02	C01A, C01B, C16Z, C20A, C20B		02	C01A, C01B, C15Z, C16Z		02	C01A, C01B, C02A, C02B, C16Z
	21A	W04A, W04B		21A	W04A, W04B		21A	W04A, W04B
	21B	X06A, X06B, X06C		21B	X06A, X06B, X06C		21B	X06A, X06B, X06C
5c761↔		BOP, KVT, UOP4	5c821↔		BOP, KVT, UOP4	5c84b↔		BOP, KVT, UOP4
	02	C01A, C01B, C16Z, C20A, C20B		02	C01A, C01B, C15Z, C16Z		02	C01A, C01B, C02A, C02B, C16Z
	21A	W04A, W04B		21A	W04A, W04B		21A	W04A, W04B
	21B	X06A, X06B, X06C		21B	X06A, X06B, X06C		21B	X06A, X06B, X06C
5c762↔		BOP, KVT, UOP4	5c822↔		BOP, KVT, UOP4	5c84c↔		BOP, KVT, UOP4
	02	C01A, C01B, C16Z, C20A, C20B		02	C01A, C01B, C14Z, C16Z		02	C01A, C01B, C14Z, C16Z
	21A	W04A, W04B		10	K09A, K09B		02	C01A, C01B, C14Z, C16Z
	21B	X06A, X06B, X06C		21A	W04A, W04B		02	C01A, C01B, C14Z, C16Z
5c763↔		BOP, KVT, UOP4	5c830↔		BOP, KVT, UOP4	5c84d↔		BOP, KVT, UOP4
	02	C01A, C01B, C08A, C08B, C16Z		02	C01A, C01B, C14Z, C16Z		02	C01A, C01B, C14Z, C16Z
	21A	W04A, W04B		21A	W04A, W04B		02	C01A, C01B, C14Z, C16Z
	21B	X06A, X06B, X06C		21B	X06A, X06B, X06C		02	C01A, C01B, C14Z, C16Z
5c76x↔		BOP, KVT, UOP4	5c831↔		BOP, KVT, UOP4	5c84x↔		BOP, KVT, UOP4
	02	C01A, C01B, C16Z, C20A, C20B		02	C01A, C01B, C15Z, C16Z		02	C01A, C01B, C14Z, C16Z
	21A	W04A, W04B		21A	W04A, W04B		02	C01A, C01B, C14Z, C16Z
	21B	X06A, X06B, X06C		21B	X06A, X06B, X06C		02	C01A, C01B, C14Z, C16Z
5c790↔		BOP, KVT, UOP4	5c832↔		BOP, KVT, UOP4	5c850↔		BOP, KVT, UOP4
	02	C01A, C01B, C16Z, C20A, C20B		02	C01A, C01B, C14Z, C16Z		02	C01A, C01B, C15Z, C16Z
	21A	W04A, W04B		21A	W04A, W04B		21A	W04A, W04B
	21B	X06A, X06B, X06C		21B	X06A, X06B, X06C		21B	X06A, X06B, X06C
5c79x↔		BOP, KVT, UOP4	5c833↔		BOP, KVT, UOP4	5c851↔		BOP, KVT, UOP4
	02	C01A, C01B, C16Z, C20A, C20B		02	C01A, C01B, C15Z, C16Z		02	C01A, C01B, C15Z, C16Z
	21A	W04A, W04B		21A	W04A, W04B		21A	W04A, W04B
	21B	X06A, X06B, X06C		21B	X06A, X06B, X06C		21B	X06A, X06B, X06C
5c801↔		BOP, KVT, UOP4	5c834↔		BOP, KVT, UOP4	5c852↔		BOP, KVT, UOP4
	02	C01A, C01B, C15Z, C16Z		02	C01A, C01B, C03A, C03C, C15Z, C16Z		02	C01A, C01B, C15Z, C16Z
	21A	W04A, W04B		21A	W04A, W04B		21A	W04A, W04B
	21B	X06A, X06B, X06C		21B	X06A, X06B, X06C		21B	X06A, X06B, X06C
5c802↔		BOP, KVT, UOP4	5c83x↔		BOP, KVT, UOP4	5c853↔		BOP, KVT, UOP4
	02	C01A, C01B, C15Z, C16Z		02	C01A, C01B, C14Z, C16Z		02	C01A, C01B, C03A, C03B, C03C, C16Z
	21A	W04A, W04B		21A	W04A, W04B		21A	W04A, W04B
	21B	X06A, X06B, X06C		21B	X06A, X06B, X06C		21B	X06A, X06B, X06C
5c80x↔		BOP, KVT, UOP4	5c840↔		BOP, KVT, UOP4	5c855↔		BOP, KVT, UOP4
	02	C01A, C01B, C15Z, C16Z		02	C01A, C01B, C14Z, C16Z		02	C01A, C01B, C02A, C02B, C15Z, C16Z
	21A	W04A, W04B		02	C01A, C01B, C14Z, C16Z		21A	W04A, W04B
	21B	X06A, X06B, X06C		02	C01A, C01B, C14Z, C16Z		21B	X06A, X06B, X06C
5c810↔		BOP, KVT, UOP4	5c841↔		BOP, KVT, UOP4	5c856↔		BOP, KVT, UOP4
	02	C01A, C01B, C15Z, C16Z		02	C01A, C01B, C14Z, C16Z		02	C01A, C01B, C14Z, C16Z
	10	K09A, K09B		02	C01A, C01B, C14Z, C16Z		10	K09A, K09B
	21A	W04A, W04B		02	C01A, C01B, C14Z, C16Z		21A	W04A, W04B
	21B	X06A, X06B, X06C		02	C01A, C01B, C14Z, C16Z		21B	X06A, X06B, X06C
5c811↔		BOP, KVT, UOP4	5c842↔		BOP, KVT, UOP4	5c857↔		BOP, KVT, UOP4
	02	C01A, C01B, C15Z, C16Z		02	C01A, C01B, C14Z, C16Z		02	C01A, C01B, C02A, C02B, C15Z, C16Z
	10	K09A, K09B		02	C01A, C01B, C14Z, C16Z		21A	W04A, W04B
	21A	W04A, W04B		02	C01A, C01B, C14Z, C16Z		21B	X06A, X06B, X06C
	21B	X06A, X06B, X06C		02	C01A, C01B, C14Z, C16Z	5c858†↔	02	C02A, C02B, C16Z
5c812↔		BOP, KVT, UOP4	5c843↔		BOP, KVT, UOP4	5c85g↔		BOP, KVT, UOP4
	02	C01A, C01B, C03A, C03C, C15Z, C16Z		02	C01A, C01B, C14Z, C16Z		02	C01A, C01B, C14Z, C16Z
	10	K09A, K09B		02	C01A, C01B, C14Z, C16Z		21A	W04A, W04B
	21A	W04A, W04B		02	C01A, C01B, C02A, C02B, C16Z		21B	X06A, X06B, X06C
	21B	X06A, X06B, X06C		21A	W04A, W04B		02	C01A, C01B, C15Z, C16Z
	02	C01A, C01B, C03A, C03C, C15Z, C16Z		21B	X06A, X06B, X06C		21A	W04A, W04B
	10	K09A, K09B		02	C01A, C01B, C02A, C02B, C16Z		21B	X06A, X06B, X06C
	21A	W04A, W04B		02	C01A, C01B, C02A, C02B, C16Z		02	C01A, C01B, C15Z, C16Z
	21B	X06A, X06B, X06C		21A	W04A, W04B		21A	W04A, W04B
	02	C01A, C01B, C03A, C03C, C15Z, C16Z		21B	X06A, X06B, X06C		21B	X06A, X06B, X06C
	10	K09A, K09B		02	C01A, C01B, C02A, C02B, C16Z		02	C01A, C01B, C15Z, C16Z
	21A	W04A, W04B		21A	W04A, W04B		21A	W04A, W04B
	21B	X06A, X06B, X06C		21B	X06A, X06B, X06C		21B	X06A, X06B, X06C
	02	C01A, C01B, C03A, C03C, C15Z, C16Z		02	C01A, C01B, C02A, C02B, C16Z		02	C01A, C01B, C15Z, C16Z
	10	K09A, K09B		21A	W04A, W04B		21A	W04A, W04B
	21A	W04A, W04B		21B	X06A, X06B, X06C		21B	X06A, X06B, X06C
	21B	X06A, X06B, X06C		02	C01A, C01B, C02A, C02B, C16Z		02	C01A, C01B, C15Z, C16Z
	02	C01A, C01B, C03A, C03C, C15Z, C16Z		21A	W04A, W04B		21A	W04A, W04B
	10	K09A, K09B		21B	X06A, X06B, X06C		21B	X06A, X06B, X06C
	21A	W04A, W04B		02	C01A, C01B, C02A, C02B, C16Z		02	C01A, C01B, C15Z, C16Z
	21B	X06A, X06B, X06C		21B	X06A, X06B, X06C		21B	X06A, X06B, X06C

ZZV	MDC	DRG	ZZV	MDC	DRG	ZZV	MDC	DRG
5c874.0↔		BOP, KVT, UOP4	5c87x.3↔		BOP, KVT, UOP4	5c882.6↔		BOP, KVT, UOP4
	02	C01A, C01B, C03A, C03B, C03C, C16Z		02	C01A, C01B, C03A, C03B, C03C, C03D, C16Z		02	C01A, C01B, C15Z, C16Z
	10	K09A, K09B		10	K09A, K09B		21A	W04A, W04B
	21A	W04A, W04B		21A	W04A, W04B	5c882.x↔	21B	X06A, X06B, X06C
	21B	X06A, X06B, X06C		21B	X06A, X06B, X06C			BOP, KVT, UOP4
5c874.1↔		BOP, KVT, UOP4	5c87x.4↔		BOP, KVT, UOP4		02	C01A, C01B, C15Z, C16Z
	02	C01A, C01B, C03A, C03B, C03C, C16Z		10	K09A, K09B		21A	W04A, W04B
	10	K09A, K09B		21A	W04A, W04B	5c883↔	21B	X06A, X06B, X06C
	21A	W04A, W04B		21B	X06A, X06B, X06C			BOP, KVT, UOP4
	21B	X06A, X06B, X06C	5c87x.5↔		BOP, KVT, UOP4		02	C01A, C01B, C15Z, C16Z
5c874.2↔		BOP, KVT, UOP4		02	C01A, C01B, C03A, C03B, C03C, C03D, C16Z		21A	W04A, W04B
	02	C01A, C01B, C03A, C03B, C03C, C16Z		10	K09A, K09B	5c88x↔	21B	X06A, X06B, X06C
	10	K09A, K09B		21A	W04A, W04B			BOP, KVT, UOP4
	21A	W04A, W04B		21B	X06A, X06B, X06C		02	C01A, C01B, C15Z, C16Z
	21B	X06A, X06B, X06C	5c87x.6↔		BOP, KVT, UOP4		21A	W04A, W04B
5c874.3↔		BOP, KVT, UOP4		02	C01A, C01B, C03A, C03B, C03C, C03D, C16Z	5c900↔	21B	X06A, X06B, X06C
	02	C01A, C01B, C03A, C03B, C03C, C16Z		10	K09A, K09B			BOP, KOP, KOPV, KVT, UOP4
	10	K09A, K09B		21A	W04A, W04B		01	B02A, B02B, B02C, B02D, B20A, B20B, B20C, B20D, B20E, B20F, B39A, B39B
	21A	W04A, W04B		21B	X06A, X06B, X06C		02	C01A, C01B, C02A, C02B, C16Z
	21B	X06A, X06B, X06C	5c87x.x↔		BOP, KVT, UOP4		06	G33Z
5c874.4↔		BOP, KVT, UOP4		02	C01A, C01B, C03A, C03B, C03C, C03D, C16Z		07	H33Z, H38Z
	02	C01A, C01B, C03A, C03B, C03C, C16Z		10	K09A, K09B		08	I17Z
	10	K09A, K09B		21A	W04A, W04B		10	K09A, K09B
	21A	W04A, W04B		21B	X06A, X06B, X06C		11	L33Z
	21B	X06A, X06B, X06C	5c880.0↔		BOP, KVT, UOP4		21A	W04A, W04B
5c874.5↔		BOP, KVT, UOP4		02	C01A, C01B, C15Z, C16Z		21B	X06A, X06B, X06C
	02	C01A, C01B, C03A, C03B, C03C, C16Z		21A	W04A, W04B		23	Z01A
	10	K09A, K09B		21B	X06A, X06B, X06C		Pre	A07A
	21A	W04A, W04B	5c880.5↔		BOP, KVT, UOP4	5c901↔		BOP, KOP, KOPV, KVT, UOP4
	21B	X06A, X06B, X06C		02	C01A, C01B, C15Z, C16Z		01	B02A, B02B, B02C, B02D, B20A, B20B, B20C, B20D, B20E, B20F, B39A, B39B
5c874.6↔		BOP, KVT, UOP4		21A	W04A, W04B		02	C01A, C01B, C02A, C02B, C16Z
	02	C01A, C01B, C03A, C03B, C03C, C16Z	5c880.6↔		BOP, KVT, UOP4		06	G33Z
	10	K09A, K09B		02	C01A, C01B, C15Z, C16Z		07	H33Z, H38Z
	21A	W04A, W04B		21A	W04A, W04B		08	I17Z
	21B	X06A, X06B, X06C		21B	X06A, X06B, X06C		10	K09A, K09B
5c874.x↔		BOP, KVT, UOP4	5c880.x↔		BOP, KVT, UOP4		11	L33Z
	02	C01A, C01B, C03A, C03B, C03C, C16Z		02	C01A, C01B, C15Z, C16Z		21A	W04A, W04B
	10	K09A, K09B		21A	W04A, W04B		21B	X06A, X06B, X06C
	21A	W04A, W04B		21B	X06A, X06B, X06C		23	Z01A
	21B	X06A, X06B, X06C	5c881.0↔		BOP, KVT, UOP4		Pre	A07A
5c87x.0↔		BOP, KVT, UOP4		02	C01A, C01B, C15Z, C16Z	5c902↔		BOP, KOP, KOPV, KVT, UOP4
	02	C01A, C01B, C03A, C03B, C03C, C03D, C16Z		21A	W04A, W04B		01	B02A, B02B, B02C, B02D, B20A, B20B, B20C, B20D, B20E, B20F, B39A, B39B
	10	K09A, K09B		21B	X06A, X06B, X06C		02	C01A, C01B, C02A, C02B, C16Z
	21A	W04A, W04B			BOP, KVT, UOP4		06	G33Z
	21B	X06A, X06B, X06C	5c881.6↔		BOP, KVT, UOP4		07	H33Z, H38Z
5c87x.1↔		BOP, KVT, UOP4		02	C01A, C01B, C15Z, C16Z		08	I17Z
	02	C01A, C01B, C03A, C03B, C03C, C03D, C16Z		21A	W04A, W04B		10	K09A, K09B
	10	K09A, K09B		21B	X06A, X06B, X06C		11	L33Z
	21A	W04A, W04B			BOP, KVT, UOP4		21A	W04A, W04B
	21B	X06A, X06B, X06C	5c881.x↔		BOP, KVT, UOP4		21B	X06A, X06B, X06C
5c87x.2↔		BOP, KVT, UOP4		02	C01A, C01B, C15Z, C16Z		23	Z01A
	02	C01A, C01B, C03A, C03B, C03C, C03D, C16Z		21A	W04A, W04B		Pre	A07A
	10	K09A, K09B	5c882.0↔		BOP, KVT, UOP4			
	21A	W04A, W04B		02	C01A, C01B, C15Z, C16Z			
	21B	X06A, X06B, X06C		21A	W04A, W04B			
				21B	X06A, X06B, X06C			
					BOP, KVT, UOP4			
					C01A, C01B, C15Z, C16Z			
					W04A, W04B			
					X06A, X06B, X06C			
					BOP, KVT, UOP4			
					C01A, C01B, C15Z, C16Z			
					W04A, W04B			
					X06A, X06B, X06C			

ZZV	MDC	DRG	ZZV	MDC	DRG	ZZV	MDC	DRG
5c903↔		BOP, KOP, KOPV, KVT, UOP4	5c920↔		BOP, KVT, UOP4	5c922.3↔		BOP, KVT, UOP4
	01	B02A, B02B, B02C, B02D, B20A, B20B, B20C, B20D, B20E, B20F, B39A, B39B		02	C01A, C01B, C02A, C02B, C16Z		02	C01A, C01B, C02A, C02B, C16Z
			21A	W04A, W04B	21A	W04A, W04B		
	02	C01A, C01B, C02A, C02B, C16Z	21B	X06A, X06B, X06C	21B	X06A, X06B, X06C		
	06	G33Z	22	Y01Z, Y03A, Y03B	22	Y01Z, Y03A, Y03B		
	07	H33Z, H38Z	5c921.0↔		BOP, KVT, UOP4	5c922.4↔		BOP, KVT, UOP4
	08	I17Z		02	C01A, C01B, C02A, C02B, C03A, C03B, C03C, C16Z		02	C01A, C01B, C02A, C02B, C16Z
	10	K09A, K09B	21A	W04A, W04B	21A	W04A, W04B		
	11	L33Z	21B	X06A, X06B, X06C	21B	X06A, X06B, X06C		
	21A	W04A, W04B	22	Y01Z, Y03A, Y03B	22	Y01Z, Y03A, Y03B		
	21B	X06A, X06B, X06C	5c921.1↔		BOP, KVT, UOP4	5c922.x↔		BOP, KVT, UOP4
	23	Z01A		02	C01A, C01B, C02A, C02B, C03A, C03B, C03C, C16Z		02	C01A, C01B, C02A, C02B, C16Z
	Pre	A07A	21A	W04A, W04B	21A	W04A, W04B		
	5c904↔		BOP, KOP, KOPV, KVT, UOP4	5c921.2↔		BOP, KVT, UOP4	5c92x↔	
01		B02A, B02B, B02C, B02D, B20A, B20B, B20C, B20D, B20E, B20F, B39A, B39B	02		C01A, C01B, C02A, C02B, C03A, C03B, C03C, C16Z	02		C01A, C01B, C02A, C02B, C16Z
			21A	W04A, W04B	21A	W04A, W04B		
02		C01A, C01B, C02A, C02B, C16Z	21B	X06A, X06B, X06C	21B	X06A, X06B, X06C		
06		G33Z	22	Y01Z, Y03A, Y03B	22	Y01Z, Y03A, Y03B		
07		H33Z, H38Z	5c921.3↔		BOP, KVT, UOP4	5c930↔		BOP, KVT, UOP4
08		I17Z		02	C01A, C01B, C02A, C02B, C03A, C03B, C03C, C16Z		02	C01A, C01B, C02A, C02B, C16Z
10		K09A, K09B	21A	W04A, W04B	09	J08A		
11		L33Z	21B	X06A, X06B, X06C	21A	W04A, W04B		
21A		W04A, W04B	22	Y01Z, Y03A, Y03B	21B	X06A, X06B, X06C		
21B		X06A, X06B, X06C	5c921.4↔		BOP, KVT, UOP4	5c931↔		BOP, KVT, UOP4
23		Z01A		02	C01A, C01B, C02A, C02B, C03A, C03B, C03C, C16Z		02	C01A, C01B, C02A, C02B, C16Z
Pre		A07A	21A	W04A, W04B	09	J08A		
5c90x↔			BOP, KOP, KOPV, KVT, UOP4	5c921.5↔		BOP, KVT, UOP4	5c932↔	
	01	B02A, B02B, B02C, B02D, B20A, B20B, B20C, B20D, B20E, B20F, B39A, B39B	02		C01A, C01B, C02A, C02B, C16Z	02		C01A, C01B, C02A, C02B, C16Z
			21A	W04A, W04B	21A	W04A, W04B		
	02	C01A, C01B, C02A, C02B, C16Z	21B	X06A, X06B, X06C	21B	X06A, X06B, X06C		
	06	G33Z	22	Y01Z, Y03A, Y03B	22	Y01Z, Y03A, Y03B		
	07	H33Z, H38Z	5c921.x↔		BOP, KVT, UOP4	5c933.0↔		BOP, KOP, KOPV, KVT, UOP4
	08	I17Z		02	C01A, C01B, C02A, C02B, C16Z		01	B02A, B02B, B02C, B02D, B20A, B20B, B20C, B20D, B20E, B20F, B39A, B39B
	10	K09A, K09B	21A	W04A, W04B	02	C01A, C01B, C02A, C02B, C16Z		
	11	L33Z	21B	X06A, X06B, X06C	03	D18Z, D28Z, D29Z		
	21A	W04A, W04B	22	Y01Z, Y03A, Y03B	06	G33Z		
	21B	X06A, X06B, X06C	5c922.0↔		BOP, KVT, UOP4	07	H33Z, H38Z	
	23	Z01A		02	C01A, C01B, C02A, C02B, C16Z	08	I17Z	
	Pre	A07A	21A	W04A, W04B	09	J08A, J08B		
	5c910↔		BOP, KVT, UOP4	5c922.1↔		BOP, KVT, UOP4	5c911↔	
02		C01A, C01B, C02A, C02B, C16Z	02		C01A, C01B, C02A, C02B, C16Z	06		G33Z
21A		W04A, W04B	21A	W04A, W04B	07	H33Z, H38Z		
21B		X06A, X06B, X06C	21B	X06A, X06B, X06C	08	I17Z		
5c911↔		BOP, KVT, UOP4	5c922.2↔		BOP, KVT, UOP4	5c91x↔		BOP, KVT, UOP4
	02	C01A, C01B, C02A, C02B, C16Z		02	C01A, C01B, C02A, C02B, C16Z		09	J08A, J08B
	21A	W04A, W04B	21A	W04A, W04B	11		L33Z	
	21B	X06A, X06B, X06C	21B	X06A, X06B, X06C	21A		W04A, W04B	
5c91x↔		BOP, KVT, UOP4	5c922.3↔		BOP, KVT, UOP4	5c91x↔		BOP, KVT, UOP4
	02	C01A, C01B, C02A, C02B, C16Z		02	C01A, C01B, C02A, C02B, C16Z		21B	X06A, X06B, X06C
	21A	W04A, W04B	21A	W04A, W04B	22		Y01Z, Y03A, Y03B	
	21B	X06A, X06B, X06C	21B	X06A, X06B, X06C	23		Z01A	
22	Y01Z, Y03A, Y03B	22	Y01Z, Y03A, Y03B	Pre	A07A			

ZZV	MDC	DRG	ZZV	MDC	DRG	ZZV	MDC	DRG
5c933.1↔		BOP, KOP, KOPV, KVT, UOP4	5c933.x↔		BOP, KOP, KOPV, KVT, UOP4	5c934.2↔		BOP, KOP, KOPV, KVT, UOP4
	01	B02A, B02B, B02C, B02D, B20A, B20B, B20C, B20D, B20E, B20F, B39A, B39B		01	B02A, B02B, B02C, B02D, B20A, B20B, B20C, B20D, B20E, B20F, B39A, B39B		01	B02A, B02B, B02C, B02D, B20A, B20B, B20C, B20D, B20E, B20F, B39A, B39B
	02	C01A, C01B, C02A, C02B, C16Z		02	C01A, C01B, C02A, C02B, C16Z		02	C01A, C01B, C02A, C02B, C16Z
	03	D18Z, D28Z, D29Z		03	D18Z, D28Z, D29Z		03	D18Z, D25A, D25B, D25C, D25D
	06	G33Z		06	G33Z		06	G33Z
	07	H33Z, H38Z		07	H33Z, H38Z		07	H33Z, H38Z
	08	I17Z		08	I17Z		07	H33Z, H38Z
	09	J08A, J08B		09	J08A, J08B		08	I17Z
	11	L33Z		11	L33Z		09	J08A, J08B
	21A	W04A, W04B		21A	W04A, W04B		11	L33Z
	21B	X06A, X06B, X06C		21B	X06A, X06B, X06C		21A	W04A, W04B
	22	Y01Z, Y03A, Y03B		22	Y01Z, Y03A, Y03B		21B	X06A, X06B, X06C
	23	Z01A		23	Z01A		22	Y01Z, Y03A, Y03B
	Pre	A07A		Pre	A07A		23	Z01A
							Pre	A07A
	5c933.2↔			BOP, KOP, KOPV, KVT, UOP4	5c934.0↔			BOP, KOP, KOPV, KVT, UOP4
01		B02A, B02B, B02C, B02D, B20A, B20B, B20C, B20D, B20E, B20F, B39A, B39B	01	B02A, B02B, B02C, B02D, B20A, B20B, B20C, B20D, B20E, B20F, B39A, B39B		01	B02A, B02B, B02C, B02D, B20A, B20B, B20C, B20D, B20E, B20F, B39A, B39B	
02		C01A, C01B, C02A, C02B, C16Z	02	C01A, C01B, C02A, C02B, C16Z		02	C01A, C01B, C02A, C02B, C16Z	
03		D18Z, D28Z, D29Z	03	D18Z, D25A, D25B, D25C, D25D		02	C01A, C01B, C02A, C02B, C16Z	
06		G33Z	06	G33Z		03	D18Z, D25A, D25B, D25C, D25D	
07		H33Z, H38Z	07	H33Z, H38Z		06	G33Z	
08		I17Z	08	I17Z		07	H33Z, H38Z	
09		J08A, J08B	09	J08A, J08B		08	I17Z	
11		L33Z	11	L33Z		09	J08A, J08B	
21A		W04A, W04B	21A	W04A, W04B		11	L33Z	
21B		X06A, X06B, X06C	21B	X06A, X06B, X06C		21A	W04A, W04B	
22		Y01Z, Y03A, Y03B	22	Y01Z, Y03A, Y03B		21B	X06A, X06B, X06C	
23		Z01A	23	Z01A		22	Y01Z, Y03A, Y03B	
Pre		A07A	Pre	A07A		23	Z01A	
						Pre	A07A	
5c933.3↔			BOP, KOP, KOPV, KVT, UOP4	5c934.1↔			BOP, KOP, KOPV, KVT, UOP4	5c934.x↔
	01	B02A, B02B, B02C, B02D, B20A, B20B, B20C, B20D, B20E, B20F, B39A, B39B	01		B02A, B02B, B02C, B02D, B20A, B20B, B20C, B20D, B20E, B20F, B39A, B39B	01	B02A, B02B, B02C, B02D, B20A, B20B, B20C, B20D, B20E, B20F, B39A, B39B	
	02	C01A, C01B, C02A, C02B, C16Z	02		C01A, C01B, C02A, C02B, C16Z	02	C01A, C01B, C02A, C02B, C16Z	
	03	D18Z, D28Z, D29Z	03		D18Z, D25A, D25B, D25C, D25D	02	C01A, C01B, C02A, C02B, C16Z	
	06	G33Z	06		G33Z	03	D18Z, D25A, D25B, D25C, D25D	
	07	H33Z, H38Z	07		H33Z, H38Z	06	G33Z	
	08	I17Z	08		I17Z	07	H33Z, H38Z	
	09	J08A, J08B	09		J08A, J08B	08	I17Z	
	11	L33Z	11		L33Z	09	J08A, J08B	
	21A	W04A, W04B	21A		W04A, W04B	11	L33Z	
	21B	X06A, X06B, X06C	21B		X06A, X06B, X06C	21A	W04A, W04B	
	22	Y01Z, Y03A, Y03B	22		Y01Z, Y03A, Y03B	21B	X06A, X06B, X06C	
	23	Z01A	23		Z01A	22	Y01Z, Y03A, Y03B	
	Pre	A07A	Pre		A07A	23	Z01A	
						Pre	A07A	
								BOP, KVT, UOP4
								C01A, C01B, C02A, C02B, C16Z
								J08A
								K09A, K09B
								W04A, W04B
								X06A, X06B, X06C
								Y01Z, Y03A, Y03B

VYK

ZZV	MDC	DRG	ZZV	MDC	DRG	ZZV	MDC	DRG
5c941.00↔		BOP, KVT, UOP4	5c953.2↔		BOP, KVT, UOP4	5c970.2↔		BOP, KVT, UOP4
	02	C01A, C01B, C02A, C02B, C16Z		02	C01A, C01B, C02A, C02B, C16Z		02	C01A, C01B, C02A, C02B, C16Z
	21A	W04A, W04B		03	D12A, D12B		03	D12A
	21B	X06A, X06B, X06C		08	I17Z		08	I17Z
	22	Y01Z, Y03A, Y03B		21A	W04A, W04B		21A	W04A, W04B
5c941.01↔		BOP, KVT, UOP4		21B	X06A, X06B, X06C		21B	X06A, X06B, X06C
	02	C01A, C01B, C02A, C02B, C16Z		22	Y01Z, Y03A, Y03B		22	Y01Z, Y03A, Y03B
	21A	W04A, W04B	5c953.3↔		BOP, KVT, UOP4	5c970.3↔		BOP, KVT, UOP4
	21B	X06A, X06B, X06C		02	C01A, C01B, C02A, C02B, C16Z		02	C01A, C01B, C02A, C02B, C16Z
	22	Y01Z, Y03A, Y03B		21A	W04A, W04B		03	D12A
5c941.02↔		BOP, KVT, UOP4		21B	X06A, X06B, X06C		08	I17Z
	02	C01A, C01B, C02A, C02B, C16Z		22	Y01Z, Y03A, Y03B		21A	W04A, W04B
	03	D12A, D12B	5c953.4↔		BOP, KVT, UOP4		21B	X06A, X06B, X06C
	08	I17Z		02	C01A, C01B, C02A, C02B, C16Z		22	Y01Z, Y03A, Y03B
	21A	W04A, W04B		21A	W04A, W04B	5c970.4↔		BOP, KVT, UOP4
	21B	X06A, X06B, X06C		21B	X06A, X06B, X06C		02	C01A, C01B, C02A, C02B, C16Z
	22	Y01Z, Y03A, Y03B		22	Y01Z, Y03A, Y03B		03	D12A
5c941.03↔		BOP, KVT, UOP4		22	Y01Z, Y03A, Y03B		08	I17Z
	02	C01A, C01B, C02A, C02B, C16Z	5c953.x↔		BOP, KVT, UOP4		21A	W04A, W04B
	21A	W04A, W04B		02	C01A, C01B, C02A, C02B, C16Z		21B	X06A, X06B, X06C
	21B	X06A, X06B, X06C		21A	W04A, W04B		22	Y01Z, Y03A, Y03B
	22	Y01Z, Y03A, Y03B		21B	X06A, X06B, X06C	5c970.x↔		BOP, KVT, UOP4
5c941.04↔		BOP, KVT, UOP4		22	Y01Z, Y03A, Y03B		02	C01A, C01B, C02A, C02B, C16Z
	02	C01A, C01B, C02A, C02B, C16Z	5c962↔		BOP, KVT, UOP4		03	D12A
	21A	W04A, W04B		02	C01A, C01B, C02A, C02B, C16Z		08	I17Z
	21B	X06A, X06B, X06C		03	D12A, D12B		21A	W04A, W04B
	22	Y01Z, Y03A, Y03B		08	I17Z		21B	X06A, X06B, X06C
5c941.0x↔		BOP, KVT, UOP4		21A	W04A, W04B		22	Y01Z, Y03A, Y03B
	02	C01A, C01B, C02A, C02B, C16Z		21B	X06A, X06B, X06C	5c971↔		BOP, KVT, UOP4
	21A	W04A, W04B		22	Y01Z, Y03A, Y03B		02	C01A, C01B, C02A, C02B, C16Z
	21B	X06A, X06B, X06C	5c964↔		BOP, KVT, UOP4		08	I17Z
	22	Y01Z, Y03A, Y03B		02	C01A, C01B, C02A, C02B, C16Z		21A	W04A, W04B
5c941.10↔		BOP, KVT, UOP4		21A	W04A, W04B		21B	X06A, X06B, X06C
	02	C01A, C01B, C02A, C02B, C16Z		21B	X06A, X06B, X06C		22	Y01Z, Y03A, Y03B
	21A	W04A, W04B		22	Y01Z, Y03A, Y03B	5c972↔		BOP, KVT, UOP4
	21B	X06A, X06B, X06C		22	Y01Z, Y03A, Y03B		02	C01A, C01B, C02A, C02B, C16Z
	22	Y01Z, Y03A, Y03B	5c96x↔		BOP, KVT, UOP4		08	I17Z
5c941.11↔		BOP, KVT, UOP4		02	C01A, C01B, C02A, C02B, C16Z		21A	W04A, W04B
	02	C01A, C01B, C02A, C02B, C16Z		21A	W04A, W04B		21B	X06A, X06B, X06C
	21A	W04A, W04B		21B	X06A, X06B, X06C		22	Y01Z, Y03A, Y03B
	21B	X06A, X06B, X06C		22	Y01Z, Y03A, Y03B	5c973↔		BOP, KOP, KOPV, KVT, UOP4
	22	Y01Z, Y03A, Y03B	5c970.0↔		BOP, KVT, UOP4		01	B02A, B02B, B02C, B02D, B20A, B20B, B20C, B20D, B20E, B20F, B39A, B39B
5c941.1x↔		BOP, KVT, UOP4		02	C01A, C01B, C02A, C02B, C16Z		02	C01A, C01B, C02A, C02B, C16Z
	02	C01A, C01B, C02A, C02B, C16Z		03	D12A		03	D12A
	21A	W04A, W04B		08	I17Z		06	G33Z
	21B	X06A, X06B, X06C		21A	W04A, W04B		07	H33Z, H38Z
	22	Y01Z, Y03A, Y03B		21B	X06A, X06B, X06C		08	I17Z
5c953.0↔		BOP, KVT, UOP4		22	Y01Z, Y03A, Y03B		10	K09A, K09B
	02	C01A, C01B, C02A, C02B, C16Z		22	Y01Z, Y03A, Y03B		11	L33Z
	21A	W04A, W04B		22	Y01Z, Y03A, Y03B		21A	W04A, W04B
	21B	X06A, X06B, X06C	5c970.1↔		BOP, KVT, UOP4		21B	X06A, X06B, X06C
	22	Y01Z, Y03A, Y03B		02	C01A, C01B, C02A, C02B, C16Z		22	Y01Z, Y03A, Y03B
5c953.1↔		BOP, KVT, UOP4		03	D12A		23	Z01A
	02	C01A, C01B, C02A, C02B, C16Z		08	I17Z		Pre	A07A
	21A	W04A, W04B		21A	W04A, W04B			
	21B	X06A, X06B, X06C		21B	X06A, X06B, X06C			
	22	Y01Z, Y03A, Y03B		22	Y01Z, Y03A, Y03B			

ZZV	MDC	DRG	ZZV	MDC	DRG	ZZV	MDC	DRG	
5c97x↔		BOP, KVT, UOP4	5c983↔		BOP, KOP, KOPV, KVT, UOP4	5c990.1↔		BOP, KVT, UOP4	
	02	C01A, C01B, C02A, C02B, C16Z		01	B02A, B02B, B02C, B02D, B20A, B20B, B20C, B20D, B20E, B20F, B39A, B39B		01	B03A, B03B, B06A, B06B, B07Z, B17A, B17B, B17C	
	08	I17Z					03	D12A, D12B	
	10	K09A, K09B					08	I28A, I28B	
	21A	W04A, W04B		02	C01A, C01B, C02A, C02B, C16Z		21A	W04A, W04B	
	21B	X06A, X06B, X06C		03	D12A		21B	X06A, X06B, X06C	
	22	Y01Z, Y03A, Y03B		06	G33Z		5c990.2↔	BOP, KVT, UOP4	
				07	H33Z, H38Z			01	B03A, B03B, B06A, B06B, B07Z, B17A, B17B, B17C
	5c980↔			BOP, KOP, KOPV, KVT, UOP4	08		I17Z	03	D12A, D12B
		01		B02A, B02B, B02C, B02D, B20A, B20B, B20C, B20D, B20E, B20F, B39A, B39B	11		L33Z	08	I28A, I28B
02		C01A, C01B, C02A, C02B, C16Z	21A	W04A, W04B	21A	W04A, W04B			
03		D12A	21B	X06A, X06B, X06C	21B	X06A, X06B, X06C			
06		G33Z	22	Y01Z, Y03A, Y03B	5c991.0↔	BOP, KOP, KOPV, KVT, UOP4			
07		H33Z, H38Z	23	Z01A		01	B02A, B02B, B02C, B02D, B20A, B20B, B20C, B20D, B20E, B20F, B39A, B39B		
08		I17Z	Pre	A07A	02	C01A, C01B, C02A, C02B, C16Z			
11		L33Z	5c984↔		BOP, KOP, KOPV, KVT, UOP4	06	G33Z		
21A		W04A, W04B		01	B02A, B02B, B02C, B02D, B20A, B20B, B20C, B20D, B20E, B20F, B39A, B39B	07	H33Z, H38Z		
21B		X06A, X06B, X06C		02	C01A, C01B, C02A, C02B, C16Z	10	K09A, K09B		
22	Y01Z, Y03A, Y03B	03		D12A	11	L33Z			
23	Z01A	06		G33Z	21A	W04A, W04B			
Pre	A07A	07		H33Z, H38Z	21B	X06A, X06B, X06C			
5c981↔		BOP, KOP, KOPV, KVT, UOP4		08	I02A, I02B, I02C, I02D, I22A, I50Z	23	Z01A		
	01	B02A, B02B, B02C, B02D, B20A, B20B, B20C, B20D, B20E, B20F, B39A, B39B		11	L33Z	Pre	A07A		
	02	C01A, C01B, C02A, C02B, C16Z		21A	W04A, W04B	5c991.1↔	BOP, KOP, KOPV, KVT, UOP4		
	03	D12A		21B	X01A, X01B, X01C		01	B02A, B02B, B02C, B02D, B20A, B20B, B20C, B20D, B20E, B20F, B39A, B39B	
	06	G33Z	22	Y01Z, Y03A, Y03B	02	C01A, C01B, C02A, C02B, C16Z			
	07	H33Z, H38Z	23	Z01A	06	G33Z			
	08	I17Z	Pre	A07A	07	H33Z, H38Z			
	11	L33Z	5c98x↔		BOP, KOP, KOPV, KVT, UOP4	10	K09A, K09B		
	21A	W04A, W04B		01	B02A, B02B, B02C, B02D, B20A, B20B, B20C, B20D, B20E, B20F, B39A, B39B	11	L33Z		
	21B	X06A, X06B, X06C		02	C01A, C01B, C02A, C02B, C16Z	21A	W04A, W04B		
22	Y01Z, Y03A, Y03B	03		D12A	21B	X06A, X06B, X06C			
23	Z01A	06		G33Z	23	Z01A			
Pre	A07A	07		H33Z, H38Z	Pre	A07A			
5c982↔		BOP, KOP, KOPV, KVT, UOP4		08	I17Z	5c991.2↔	BOP, KOP, KOPV, KVT, UOP4		
	01	B02A, B02B, B02C, B02D, B20A, B20B, B20C, B20D, B20E, B20F, B39A, B39B		11	L33Z		01	B02A, B02B, B02C, B02D, B20A, B20B, B20C, B20D, B20E, B20F, B39A, B39B	
	02	C01A, C01B, C02A, C02B, C16Z		21A	W04A, W04B	02	C01A, C01B, C02A, C02B, C16Z		
	03	D12A		21B	X06A, X06B, X06C	06	G33Z		
	06	G33Z	22	Y01Z, Y03A, Y03B	07	H33Z, H38Z			
	07	H33Z, H38Z	23	Z01A	10	K09A, K09B			
	08	I17Z	Pre	A07A	11	L33Z			
	11	L33Z	5c990.0↔		BOP, KOP, KOPV, KVT, UOP4	21A	W04A, W04B		
	21A	W04A, W04B		01	B02A, B02B, B02C, B02D, B20A, B20B, B20C, B20D, B20E, B20F, B39A, B39B	21B	X06A, X06B, X06C		
	21B	X06A, X06B, X06C		06	G33Z	23	Z01A		
22	Y01Z, Y03A, Y03B	07		H33Z, H38Z	Pre	A07A			
23	Z01A	11		L33Z					
Pre	A07A	17		R01A, R01B, R01C, R01D, R02Z, R12A, R12B, R12C					
		21A		W01A, W01B, W01C, W36Z					
		21B		X06A, X06B, X06C					
		23		Z01A					
		Pre		A07A					

VYK

ZZV	MDC	DRG	ZZV	MDC	DRG	ZZV	MDC	DRG
5c991.x↔		BOP, KOP, KOPV, KVT, UOP4	5d002.2↔	03	D09Z, D30A	5d004.23↔		BOP, KVT, UOP4
	01	B02A, B02B, B02C, B02D, B20A, B20B, B20C, B20D, B20E, B20F, B39A, B39B		09	J03A, J03B, J04A, J04B, J08A, J08B, J08C, J11A, J11B, J11C, J16Z		03	D03Z, D09Z, D30A
	02	C01A, C01B, C02A, C02B, C16Z		21B	X06A, X06B, X06C		09	J03A, J03B, J04A, J04B, J08A, J08B, J08C, J10A, J10B, J16Z
	06	G33Z	5d002.3↔	22	Y01Z, Y03A, Y03B		21A	W04A, W04B
	07	H33Z, H38Z		03	D09Z, D30A	5d004.2x↔	21B	X06A, X06B, X06C
	10	K09A, K09B		09	J03A, J03B, J04A, J04B, J08A, J08B, J08C, J10A, J10B, J16Z		22	Y01Z, Y03A, Y03B
	11	L33Z	5d002.4↔	03	D09Z, D30A		03	D03Z, D09Z, D30A
	21A	W04A, W04B		09	J03A, J03B, J04A, J04B, J08A, J08B, J08C, J11A, J11B, J11C, J16Z		09	J03A, J03B, J04A, J04B, J08A, J08B, J08C, J10A, J10B, J16Z
	21B	X06A, X06B, X06C		21B	X06A, X06B, X06C		21A	W04A, W04B
	23	Z01A		22	Y01Z, Y03A, Y03B		21B	X06A, X06B, X06C
	Pre	A07A	5d003.1↔	01	B03A, B03B, B06A, B06B, B07Z, B17A, B17B, B17C	5d005.1↔	22	Y01Z, Y03A, Y03B
5c992↔		BOP, KVT, UOP4		03	D12A, D12B		03	D09Z, D30A
	02	C01A, C01B, C16Z, C20A, C20B		05	F21A, F21B, F21C		09	J03A, J03B, J04A, J04B, J08A, J08B, J08C, J10A, J10B, J16Z
	10	K09A, K09B		08	I27A, I27B, I27C, I27D		21A	W04A, W04B
	21A	W04A, W04B		09	J03A, J03B, J04A, J04B, J08A, J08B, J08C, J16Z, J21Z, J22A, J22B		21B	X06A, X06B, X06C
	21B	X06A, X06B, X06C		10	K09A, K09B	5d005.x↔	22	Y01Z, Y03A, Y03B
	22	Y01Z, Y03A, Y03B		21A	W04A, W04B		03	D09Z, D30A
5c993↔		BOP, KVT, UOP4	5d003.2↔	21B	X06A, X06B, X06C		09	J03A, J03B, J04A, J04B, J08A, J08B, J08C, J10A, J10B, J16Z
	02	C01A, C01B, C15Z, C16Z		22	Y01Z, Y03A, Y03B		21A	W04A, W04B
	21A	W04A, W04B		01	B03A, B03B, B06A, B06B, B07Z, B17A, B17B, B17C		21B	X06A, X06B, X06C
	21B	X06A, X06B, X06C		03	D12A, D12B	5d007.1↔	22	Y01Z, Y03A, Y03B
5c994↔		BOP, KVT, UOP4		05	F21A, F21B, F21C		03	D09Z, D30A
	02	C01A, C01B, C02A, C02B, C16Z		08	I27A, I27B, I27C, I27D		09	J03A, J03B, J04A, J04B, J08A, J08B, J08C, J10A, J10B, J16Z
	03	D12A, D12B		09	J03A, J03B, J04A, J04B, J08A, J08B, J08C, J16Z, J21Z, J22A, J22B		21A	W04A, W04B
	08	I17Z		10	K09A, K09B		21B	X06A, X06B, X06C
	21A	W04A, W04B		21A	W04A, W04B		22	Y01Z, Y03A, Y03B
	21B	X06A, X06B, X06C		21B	X06A, X06B, X06C		03	D09Z, D30A
	22	Y01Z, Y03A, Y03B		22	Y01Z, Y03A, Y03B		09	J03A, J03B, J04A, J04B, J08A, J08B, J08C, J10A, J10B, J16Z
5c995↔		BOP, KVT, UOP4	5d004.1↔	01	B03A, B03B, B06A, B06B, B07Z, B17A, B17B, B17C		21A	W04A, W04B
	02	C01A, C01B, C15Z, C16Z		03	D12A, D12B		21B	X06A, X06B, X06C
	21A	W04A, W04B		05	F21A, F21B, F21C	5d007.2	22	Y01Z, Y03A, Y03B
	21B	X06A, X06B, X06C		08	I27A, I27B, I27C, I27D		03	D09Z, D30A
5c996↔		BOP, KVT, UOP4		09	J03A, J03B, J04A, J04B, J08A, J08B, J08C, J16Z, J21Z, J22A, J22B		09	J03A, J03B, J04A, J04B, J08A, J08B, J08C, J10A, J10B, J16Z
	02	C01A, C01B, C06Z, C16Z		10	K09A, K09B		21A	W04A, W04B
	10	K09A, K09B		21A	W04A, W04B		21B	X06A, X06B, X06C
5c99x↔		BOP, KVT, UOP4		21B	X06A, X06B, X06C		22	Y01Z, Y03A, Y03B
	02	C01A, C01B, C02A, C02B, C16Z		22	Y01Z, Y03A, Y03B		03	D09Z, D30A
	10	K09A, K09B		01	B02A, B02B, B02C, B02D, B20A, B20B, B20C, B20D, B20E, B20F, B39A, B39B		09	J03A, J03B, J04A, J04B, J08A, J08B, J08C, J10A, J10B, J16Z
5d001.10↔		BOP, KVT, UOP4		03	D09Z, D30A		21A	W04A, W04B
	03	D09Z, D30A		08	I15A, I15B		21B	X06A, X06B, X06C
	09	J03A, J03B, J04A, J04B, J08A, J08B, J08C, J11A, J11B, J16Z		17	R01A, R01B, R01C, R01D, R02Z, R12A, R12B, R12C	5d008.1↔	22	Y01Z, Y03A, Y03B
	21A	W04A, W04B		21A	W04A, W04B		03	D09Z, D30A
	21B	X06A, X06B, X06C		21B	X06A, X06B, X06C		09	J03A, J03B, J04A, J04B, J08A, J08B, J08C, J10A, J10B, J16Z
	22	Y01Z, Y03A, Y03B	5d004.20↔	22	Y01Z, Y03A, Y03B		21A	W04A, W04B
5d001.11↔		BOP, KVT, UOP4		03	D03Z, D09Z, D30A		21B	X06A, X06B, X06C
	03	D09Z, D30A		09	J03A, J03B, J04A, J04B, J08A, J08B, J08C, J10A, J10B, J16Z		22	Y01Z, Y03A, Y03B
	09	J03A, J03B, J04A, J04B, J08A, J08B, J08C, J11A, J11B, J16Z		21A	W04A, W04B	5d008.2↔	03	D09Z, D30A
	21A	W04A, W04B		21B	X06A, X06B, X06C		09	J03A, J03B, J04A, J04B, J08A, J08B, J08C, J10A, J10B, J16Z
	21B	X06A, X06B, X06C	5d004.21↔	22	Y01Z, Y03A, Y03B		21A	W04A, W04B
	22	Y01Z, Y03A, Y03B		03	D03Z, D09Z, D30A		21B	X06A, X06B, X06C
5d002.1↔		BOP, KVT, UOP4		09	J03A, J03B, J04A, J04B, J08A, J08B, J08C, J10A, J10B, J16Z		22	Y01Z, Y03A, Y03B
	03	D09Z, D30A		03	D03Z, D09Z, D30A		21A	W04A, W04B
	09	J03A, J03B, J04A, J04B, J08A, J08B, J08C, J11A, J11B, J11C, J16Z		09	J03A, J03B, J04A, J04B, J08A, J08B, J08C, J10A, J10B, J16Z		21B	X06A, X06B, X06C
	21B	X06A, X06B, X06C		21A	W04A, W04B		22	Y01Z, Y03A, Y03B
	22	Y01Z, Y03A, Y03B		21B	X06A, X06B, X06C			
	03	D09Z, D30A		22	Y01Z, Y03A, Y03B			
	09	J03A, J03B, J04A, J04B, J08A, J08B, J08C, J11A, J11B, J11C, J16Z		21A	W04A, W04B			
	21B	X06A, X06B, X06C		21B	X06A, X06B, X06C			
	22	Y01Z, Y03A, Y03B		22	Y01Z, Y03A, Y03B			

ZZV	MDC	DRG	ZZV	MDC	DRG	ZZV	MDC	DRG
5d200.1↔	03	D09Z, D30A	5d300.30	01	B09A, B09B	5d303.2↔		BOP, KVT, UOP4
	09	J03A, J03B, J04A, J04B, J08A, J08B, J08C, J11A, J11B, J16Z		03	D13Z		01	B02A, B02B, B02C, B02D, B20A, B20B, B20C, B20D, B20E, B20F, B39A, B39B
	21A	W04A, W04B		21B	X06A, X06B, X06C	03	D06A, D06B, D06C	
	21B	X06A, X06B, X06C	5d300.4↔		BOP, KVT, UOP4	5d303.3↔		BOP, KVT, UOP4
	22	Y01Z, Y03A, Y03B	03	D09Z, D30A	01		B02A, B02B, B02C, B02D, B20A, B20B, B20C, B20D, B20E, B20F, B39A, B39B	
5d200.2↔	03	D09Z, D30A	5d300.6↔	03	D09Z, D30A	5d303.4↔		BOP, KVT, UOP4
	09	J03A, J03B, J04A, J04B, J08A, J08B, J08C, J11A, J11B, J11C, J16Z		09	J03A, J03B, J04A, J04B, J08A, J08B, J08C, J10A, J10B, J16Z		01	B02A, B02B, B02C, B02D, B20A, B20B, B20C, B20D, B20E, B20F, B39A, B39B
	21A	W04A, W04B		21A	W04A, W04B	03	D06A, D06B, D06C	
	21B	X06A, X06B, X06C	21B	X06A, X06B, X06C	01	B02A, B02B, B02C, B02D, B20A, B20B, B20C, B20D, B20E, B20F, B39A, B39B		
	22	Y01Z, Y03A, Y03B	22	Y01Z, Y03A, Y03B	03	D06A, D06B, D06C		
5d200.3↔	03	D09Z, D30A	5d301.10↔	01	B02A, B02B, B02C, B02D, B20A, B20B, B20C, B20D, B20E, B20F, B39A, B39B	5d305.10↔		BOP, KVT, UOP4
	09	J03A, J03B, J04A, J04B, J08A, J08B, J08C, J11A, J11B, J11C, J16Z		03	D09Z, D30A		03	D06A, D06B, D06C
	21A	W04A, W04B		21A	W04A, W04B	21B	X06A, X06B, X06C	
	21B	X06A, X06B, X06C	21B	X06A, X06B, X06C	03	D06A, D06B, D06C		
	22	Y01Z, Y03A, Y03B	22	Y01Z, Y03A, Y03B	21B	X06A, X06B, X06C		
5d200.40↔	03	D09Z, D30A	5d301.20↔	01	B02A, B02B, B02C, B02D, B20A, B20B, B20C, B20D, B20E, B20F, B39A, B39B	5d305.11↔		BOP, KVT, UOP4
	09	J03A, J03B, J04A, J04B, J08A, J08B, J08C, J11A, J11B, J11C, J16Z		03	D09Z, D30A		03	D06A, D06B, D06C
	21A	W04A, W04B		21A	W04A, W04B	21B	X06A, X06B, X06C	
	21B	X06A, X06B, X06C	21B	X06A, X06B, X06C	03	D06A, D06B, D06C		
	22	Y01Z, Y03A, Y03B	22	Y01Z, Y03A, Y03B	21B	X06A, X06B, X06C		
5d200.41↔	03	D09Z, D30A	5d301.21↔	01	B02A, B02B, B02C, B02D, B20A, B20B, B20C, B20D, B20E, B20F, B39A, B39B	5d305.20↔		BOP, KVT, UOP4
	09	J03A, J03B, J04A, J04B, J08A, J08B, J08C, J11A, J11B, J11C, J16Z		03	D09Z, D30A		03	D06A, D06B, D06C
	21A	W04A, W04B		21A	W04A, W04B	21B	X06A, X06B, X06C	
	21B	X06A, X06B, X06C	21B	X06A, X06B, X06C	03	D06A, D06B, D06C		
	22	Y01Z, Y03A, Y03B	22	Y01Z, Y03A, Y03B	21B	X06A, X06B, X06C		
5d201.1↔		BOP, KVT, UOP4	5d301.22↔	01	B02A, B02B, B02C, B02D, B20A, B20B, B20C, B20D, B20E, B20F, B39A, B39B	5d305.21↔		BOP, KVT, UOP4
	03	D09Z, D30A		03	D09Z, D30A		03	D06A, D06B, D06C
	09	J03A, J03B, J04A, J04B, J08A, J08B, J08C, J10A, J10B, J16Z		21B	X06A, X06B, X06C	21B	X06A, X06B, X06C	
	21A	W04A, W04B	01	B02A, B02B, B02C, B02D, B20A, B20B, B20C, B20D, B20E, B20F, B39A, B39B	03	D06A, D06B, D06C		
	21B	X06A, X06B, X06C	03	D09Z, D30A	21B	X06A, X06B, X06C		
5d201.2↔	03	D09Z, D30A	5d301.3↔	01	B02A, B02B, B02C, B02D, B20A, B20B, B20C, B20D, B20E, B20F, B39A, B39B	5d305.3↔		BOP, KVT, UOP4
	09	J03A, J03B, J04A, J04B, J08A, J08B, J08C, J10A, J10B, J16Z		03	D09Z, D30A		03	D06A, D06B, D06C
	21A	W04A, W04B		21B	X06A, X06B, X06C	21B	X06A, X06B, X06C	
	21B	X06A, X06B, X06C	03	D09Z, D30A	21B	X06A, X06B, X06C		
	22	Y01Z, Y03A, Y03B	03	D09Z, D30A	21B	X06A, X06B, X06C		
5d201.3↔		BOP, KVT, UOP4	5d302.1↔	03	D09Z, D30A	5d306.10↔		BOP, KVT, UOP4
	03	D09Z, D30A		03	D09Z, D30A		03	D23Z
	09	J03A, J03B, J04A, J04B, J08A, J08B, J08C, J10A, J10B, J16Z		21B	X06A, X06B, X06C	03	D23Z	
	21A	W04A, W04B	03	D09Z, D30A	03	D23Z		
	21B	X06A, X06B, X06C	21B	X06A, X06B, X06C	03	D23Z		
5d201.4↔		BOP, KVT, UOP4	5d302.20↔	03	D09Z, D30A	5d306.20↔		BOP, KOP, KVT, UOP4
	03	D09Z, D30A		03	D09Z, D30A		03	D01A, D01B
	09	J03A, J03B, J04A, J04B, J08A, J08B, J08C, J10A, J10B, J16Z		21B	X06A, X06B, X06C	04	E36Z	
	21A	W04A, W04B	03	D09Z, D30A	06	G36Z		
	21B	X06A, X06B, X06C	21B	X06A, X06B, X06C	08	I26Z		
5d300.1↔		BOP, KVT, UOP4	5d302.21↔	03	D09Z, D30A	5d306.21↔		BOP, KOP, KVT, UOP4
	03	D09Z, D30A		03	D09Z, D30A		03	D01A, D01B
	09	J03A, J03B, J04A, J04B, J08A, J08B, J08C, J10A, J10B, J16Z		21B	X06A, X06B, X06C	04	E36Z	
	21A	W04A, W04B	03	D09Z, D30A	06	G36Z		
	21B	X06A, X06B, X06C	21B	X06A, X06B, X06C	08	I26Z		
5d300.2↔		BOP, KVT, UOP4	5d302.22↔	03	D09Z, D30A	5d306.2x↔		BOP, KOP, KVT, UOP4
	03	D09Z, D30A		01	B02A, B02B, B02C, B02D, B20A, B20B, B20C, B20D, B20E, B20F, B39A, B39B		03	D01A, D01B
	09	J03A, J03B, J04A, J04B, J08A, J08B, J08C, J10A, J10B, J16Z		03	D09Z, D30A	04	E36Z	
	21A	W04A, W04B	01	B02A, B02B, B02C, B02D, B20A, B20B, B20C, B20D, B20E, B20F, B39A, B39B	06	G36Z		
	21B	X06A, X06B, X06C	03	D06A, D06B, D06C	08	I26Z		
5d300.3↔		BOP, KVT, UOP4	5d302.23↔	01	B02A, B02B, B02C, B02D, B20A, B20B, B20C, B20D, B20E, B20F, B39A, B39B	Pre	A06A, A07A, A09A, A11A, A13A	
	03	D09Z, D30A		01	B02A, B02B, B02C, B02D, B20A, B20B, B20C, B20D, B20E, B20F, B39A, B39B		03	D01A, D01B
	09	J03A, J03B, J04A, J04B, J08A, J08B, J08C, J10A, J10B, J16Z		03	D09Z, D30A	04	E36Z	
	21A	W04A, W04B	01	B02A, B02B, B02C, B02D, B20A, B20B, B20C, B20D, B20E, B20F, B39A, B39B	06	G36Z		
	21B	X06A, X06B, X06C	03	D06A, D06B, D06C	08	I26Z		
5d300.4↔		BOP, KVT, UOP4	5d303.1↔	01	B02A, B02B, B02C, B02D, B20A, B20B, B20C, B20D, B20E, B20F, B39A, B39B	Pre	A06A, A07A, A09A, A11A, A13A	
	03	D09Z, D30A		01	B02A, B02B, B02C, B02D, B20A, B20B, B20C, B20D, B20E, B20F, B39A, B39B		03	D01A, D01B
	09	J03A, J03B, J04A, J04B, J08A, J08B, J08C, J10A, J10B, J16Z		03	D06A, D06B, D06C	04	E36Z	
	21A	W04A, W04B	01	B02A, B02B, B02C, B02D, B20A, B20B, B20C, B20D, B20E, B20F, B39A, B39B	06	G36Z		
	21B	X06A, X06B, X06C	03	D06A, D06B, D06C	08	I26Z		
5d300.5↔		BOP, KVT, UOP4	5d303.2↔	01	B02A, B02B, B02C, B02D, B20A, B20B, B20C, B20D, B20E, B20F, B39A, B39B	Pre	A06A, A07A, A09A, A11A, A13A	
	03	D09Z, D30A		01	B02A, B02B, B02C, B02D, B20A, B20B, B20C, B20D, B20E, B20F, B39A, B39B		03	D01A, D01B
	09	J03A, J03B, J04A, J04B, J08A, J08B, J08C, J10A, J10B, J16Z		03	D09Z, D30A	04	E36Z	
	21A	W04A, W04B	01	B02A, B02B, B02C, B02D, B20A, B20B, B20C, B20D, B20E, B20F, B39A, B39B	06	G36Z		
	21B	X06A, X06B, X06C	03	D06A, D06B, D06C	08	I26Z		

ZZV	MDC	DRG	ZZV	MDC	DRG	ZZV	MDC	DRG
5d306.30		BOP, KVT, UOP4	5d404		BOP, KVT, UOP4	5f104	03	D09Z, D30A, D30B, D35Z, D38Z
	01	B02A, B02B, B02C, B02D, B20A, B20B, B20C, B20D, B20E, B20F, B39A, B39B		01	B03A, B03B, B06A, B06B, B07Z, B17A, B17B, B17C		09	J03A, J03B, J04A, J04B, J08A, J08B, J08C, J10A, J10B, J16Z
	03	D09Z, D30A		03	D12A, D12B		21A	W04A, W04B
	08	I15A, I15B		05	F21A, F21B, F21C		21B	X06A, X06B, X06C
	17	R01A, R01B, R01C, R01D, R02Z, R12A, R12B, R12C		08	I27A, I27B, I27C, I27D		22	Y01Z, Y03A, Y03B
	21A	W04A, W04B		09	J03A, J03B, J04A, J04B, J08A, J08B, J08C, J16Z, J21Z, J22A, J22B	5f105	03	D09Z, D30A, D30B, D39Z
	21B	X06A, X06B, X06C		10	K09A, K09B		09	J03A, J03B, J04A, J04B, J08A, J08B, J08C, J10A, J10B, J16Z
	22	Y01Z, Y03A, Y03B		21A	W04A, W04B		21A	W04A, W04B
5d306.31↔		BOP, KVT, UOP4		21B	X06A, X06B, X06C		21B	X06A, X06B, X06C
	01	B02A, B02B, B02C, B02D, B20A, B20B, B20C, B20D, B20E, B20F, B39A, B39B	5d405.1↔		BOP, KVT, UOP4		22	Y01Z, Y03A, Y03B
	03	D09Z, D30A		01	B03A, B03B, B06A, B06B, B07Z, B17A, B17B, B17C	5f106	03	D09Z, D30A, D30B, D39Z
	08	I15A, I15B		03	D12A, D12B		09	J03A, J03B, J04A, J04B, J08A, J08B, J08C, J10A, J10B, J16Z
	17	R01A, R01B, R01C, R01D, R02Z, R12A, R12B, R12C		05	F21A, F21B, F21C		21A	W04A, W04B
	21A	W04A, W04B		08	I27A, I27B, I27C, I27D		21B	X06A, X06B, X06C
	21B	X06A, X06B, X06C		09	J03A, J03B, J04A, J04B, J08A, J08B, J08C, J16Z, J21Z, J22A, J22B		22	Y01Z, Y03A, Y03B
	22	Y01Z, Y03A, Y03B		10	K09A, K09B	5f107	03	D09Z, D30A, D30B, D39Z
5d306.4↔		BOP, KOP, KVT, UOP4		21B	X06A, X06B, X06C		09	J03A, J03B, J04A, J04B, J08A, J08B, J08C, J10A, J10B, J16Z
5d307.1↔		BOP, KVT, UOP4		22	Y01Z, Y03A, Y03B		21A	W04A, W04B
	01	B02A, B02B, B02C, B02D, B20A, B20B, B20C, B20D, B20E, B20F, B39A, B39B	5d405.3↔		BOP, KVT, UOP4		21B	X06A, X06B, X06C
	03	D09Z, D30A		01	B03A, B03B, B06A, B06B, B07Z, B17A, B17B, B17C		22	Y01Z, Y03A, Y03B
5d307.2↔		BOP, KVT, UOP4		03	D12A, D12B	5f108	03	D09Z, D30A, D30B, D39Z
	01	B02A, B02B, B02C, B02D, B20A, B20B, B20C, B20D, B20E, B20F, B39A, B39B		05	F21A, F21B, F21C		09	J03A, J03B, J04A, J04B, J08A, J08B, J08C, J10A, J10B, J16Z
	03	D09Z, D30A		08	I27A, I27B, I27C, I27D		21A	W04A, W04B
5d307.3↔		BOP, KVT, UOP4		09	J03A, J03B, J04A, J04B, J08A, J08B, J08C, J16Z, J21Z, J22A, J22B		21B	X06A, X06B, X06C
	01	B02A, B02B, B02C, B02D, B20A, B20B, B20C, B20D, B20E, B20F, B39A, B39B		10	K09A, K09B	5f109	22	Y01Z, Y03A, Y03B
	03	D06A, D06B	5f100		D09Z, D30A, D30B, D35Z, D39Z		03	D09Z, D30A, D30B, D35Z, D39Z
5d307.4↔		BOP, KVT, UOP4		09	J03A, J03B, J04A, J04B, J08A, J08B, J08C, J10A, J10B, J16Z		09	J03A, J03B, J04A, J04B, J08A, J08B, J08C, J10A, J10B, J16Z
	01	B02A, B02B, B02C, B02D, B20A, B20B, B20C, B20D, B20E, B20F, B39A, B39B		21A	W04A, W04B		21A	W04A, W04B
	03	D06A, D06B		21B	X06A, X06B, X06C		21B	X06A, X06B, X06C
5d307.5↔		BOP, KVT, UOP4		22	Y01Z, Y03A, Y03B	5f10a.0	22	Y01Z, Y03A, Y03B
	01	B02A, B02B, B02C, B02D, B20A, B20B, B20C, B20D, B20E, B20F, B39A, B39B	5f101		D09Z, D30A, D30B, D35Z, D38Z		03	D09Z, D30A, D30B, D38Z
	03	D06A, D06B, D06C		09	J03A, J03B, J04A, J04B, J08A, J08B, J08C, J10A, J10B, J16Z		04	E02A, E02B, E02C, E02D, E07Z
5d307.6↔		BOP, KVT, UOP4		21A	W04A, W04B		21A	W04A, W04B
	01	B02A, B02B, B02C, B02D, B20A, B20B, B20C, B20D, B20E, B20F, B39A, B39B		21B	X06A, X06B, X06C	5f10a.1	21B	X06A, X06B, X06C
	03	D06A, D06B, D06C		22	Y01Z, Y03A, Y03B		03	D09Z, D30A, D30B, D38Z
5d400↔		BOP, KVT, UOP4	5f102		D09Z, D30A, D30B, D35Z, D39Z		04	E02A, E02B, E02C, E02D, E07Z
	03	D06A, D06B, D06C		09	J03A, J03B, J04A, J04B, J08A, J08B, J08C, J10A, J10B, J16Z		21A	W04A, W04B
5d401↔		BOP, KVT, UOP4		21A	W04A, W04B	5f10b.1	21B	X06A, X06B, X06C
	03	D06A, D06B, D06C		21B	X06A, X06B, X06C			BOP, KVT, UOP4
5d402↔		BOP, KVT, UOP4		22	Y01Z, Y03A, Y03B		03	D09Z, D30A, D30B, D39Z
	03	D06A, D06B, D06C		03	D09Z, D30A, D30B, D35Z, D39Z		21A	W04A, W04B
5d403↔		BOP, KVT, UOP4		09	J03A, J03B, J04A, J04B, J08A, J08B, J08C, J10A, J10B, J16Z	5f10b.2	21B	X06A, X06B, X06C
	01	B02A, B02B, B02C, B02D, B20A, B20B, B20C, B20D, B20E, B20F, B39A, B39B	5f103		D09Z, D30A, D30B, D35Z, D39Z			BOP, KVT, UOP4
	03	D09Z, D30A		09	J03A, J03B, J04A, J04B, J08A, J08B, J08C, J10A, J10B, J16Z		03	D09Z, D30A, D30B, D38Z
				21A	W04A, W04B		21A	W04A, W04B
				21B	X06A, X06B, X06C		21B	X06A, X06B, X06C
				22	Y01Z, Y03A, Y03B			

ZZV	MDC	DRG	ZZV	MDC	DRG	ZZV	MDC	DRG
5f110		BOP, KVT, UOP4	5f116		BOP, KVT, UOP4	5f11c.0		BOP, KVT, UOP4
	03	D35Z, D38Z		03	D35Z, D38Z		03	D35Z, D38Z
	08	I28A, I28B, I28C		08	I28A, I28B, I28C		08	I28A, I28B, I28C
	09	J03A, J03B, J04A, J04B, J08A, J08B, J08C, J10A, J10B, J16Z		09	J03A, J03B, J04A, J04B, J08A, J08B, J08C, J10A, J10B, J16Z		09	J03A, J03B, J04A, J04B, J08A, J08B, J08C, J10A, J10B, J16Z
	21A	W04A, W04B		21A	W04A, W04B		21A	W04A, W04B
	21B	X06A, X06B, X06C		21B	X06A, X06B, X06C		21B	X06A, X06B, X06C
5f111		BOP, KVT, UOP4	5f117		BOP, KVT, UOP4	5f11c.1		BOP, KVT, UOP4
	03	D35Z, D38Z		03	D35Z, D38Z		03	D35Z, D38Z
	08	I28A, I28B, I28C		08	I28A, I28B, I28C		08	I28A, I28B, I28C
	09	J03A, J03B, J04A, J04B, J08A, J08B, J08C, J10A, J10B, J16Z		09	J03A, J03B, J04A, J04B, J08A, J08B, J08C, J10A, J10B, J16Z		09	J03A, J03B, J04A, J04B, J08A, J08B, J08C, J10A, J10B, J16Z
	21A	W04A, W04B		21A	W04A, W04B		21A	W04A, W04B
	21B	X06A, X06B, X06C		21B	X06A, X06B, X06C		21B	X06A, X06B, X06C
5f112.0		BOP, KVT, UOP4	5f118↔		BOP, KVT, UOP4	5f11d		BOP, KVT, UOP4
	03	D35Z, D38Z		03	D35Z, D38Z		03	D09Z, D30A, D30B, D39Z
	08	I28A, I28B, I28C		08	I28A, I28B, I28C		21A	W04A, W04B
	09	J03A, J03B, J04A, J04B, J08A, J08B, J08C, J10A, J10B, J16Z		09	J03A, J03B, J04A, J04B, J08A, J08B, J08C, J10A, J10B, J16Z		21B	X06A, X06B, X06C
	21A	W04A, W04B		21A	W04A, W04B		5f11e	03 D39Z
	21B	X06A, X06B, X06C		21B	X06A, X06B, X06C		21A	W04A, W04B
5f112.1		BOP, KVT, UOP4	5f119.1		BOP, KVT, UOP4	5f121.0		D12A, D12B
	03	D35Z, D38Z		03	D35Z, D38Z		03	I17Z
	08	I28A, I28B, I28C		08	I28A, I28B, I28C		09	J03A, J03B, J04A, J04B, J08A, J08B, J08C, J11A, J11B, J16Z
	09	J03A, J03B, J04A, J04B, J08A, J08B, J08C, J10A, J10B, J16Z		09	J03A, J03B, J04A, J04B, J08A, J08B, J08C, J10A, J10B, J16Z		21A	W04A, W04B
	21A	W04A, W04B		21A	W04A, W04B		21B	X06A, X06B, X06C
	21B	X06A, X06B, X06C		21B	X06A, X06B, X06C		5f190	03 D09Z, D30A, D30B, D39Z
5f113		BOP, KVT, UOP4	5f119.x		BOP, KVT, UOP4	5f193		BOP, KVT, UOP4
	03	D35Z, D38Z		03	D35Z, D38Z		03	D03Z, D12A, D38Z
	08	I28A, I28B, I28C		08	I28A, I28B, I28C		04	E02A, E02B, E02C, E07Z
	09	J03A, J03B, J04A, J04B, J08A, J08B, J08C, J10A, J10B, J16Z		09	J03A, J03B, J04A, J04B, J08A, J08B, J08C, J10A, J10B, J16Z		21A	W04A, W04B
	21A	W04A, W04B		21A	W04A, W04B		21B	X06A, X06B, X06C
	21B	X06A, X06B, X06C		21B	X06A, X06B, X06C		5f195	BOP, KVT, UOP4
5f114		BOP, KVT, UOP4	5f11b.0↔		BOP, KVT, UOP4	5f197.1↔		D38Z
	03	D35Z, D38Z		03	D35Z, D38Z		04	E02A, E02B, E02C, E02D, E07Z
	08	I28A, I28B, I28C		08	I28A, I28B, I28C		21A	W04A, W04B
	09	J03A, J03B, J04A, J04B, J08A, J08B, J08C, J10A, J10B, J16Z		09	J03A, J03B, J04A, J04B, J08A, J08B, J08C, J10A, J10B, J16Z		21B	X06A, X06B, X06C
	21A	W04A, W04B		21A	W04A, W04B		22	Y01Z, Y03A, Y03B
	21B	X06A, X06B, X06C		21B	X06A, X06B, X06C		03	D38Z
5f115↔		BOP, KVT, UOP4	5f11b.1↔		BOP, KVT, UOP4	5f197.x		D38Z
	03	D35Z, D38Z		03	D35Z, D38Z		04	E02A, E02B, E02C, E02D, E07Z
	08	I28A, I28B, I28C		08	I28A, I28B, I28C		21A	W04A, W04B
	09	J03A, J03B, J04A, J04B, J08A, J08B, J08C, J10A, J10B, J16Z		09	J03A, J03B, J04A, J04B, J08A, J08B, J08C, J10A, J10B, J16Z		21B	X06A, X06B, X06C
	21A	W04A, W04B		21A	W04A, W04B		BOP, KVT, UOP4	
	21B	X06A, X06B, X06C		21B	X06A, X06B, X06C		D12A, D12B	
5f116↔		BOP, KVT, UOP4	5f11b.1↔		BOP, KVT, UOP4	5f198		F21A, F21B, F21C
	03	D35Z, D38Z		03	D35Z, D38Z		21A	W04A, W04B
	08	I28A, I28B, I28C		08	I28A, I28B, I28C		21B	X06A, X06B, X06C
	09	J03A, J03B, J04A, J04B, J08A, J08B, J08C, J10A, J10B, J16Z		09	J03A, J03B, J04A, J04B, J08A, J08B, J08C, J10A, J10B, J16Z		05	F21A, F21B, F21C
	21A	W04A, W04B		21A	W04A, W04B		21A	W04A, W04B
	21B	X06A, X06B, X06C		21B	X06A, X06B, X06C		21B	X06A, X06B, X06C

ZZV	MDC	DRG	ZZV	MDC	DRG	ZZV	MDC	DRG			
5f200		BOP, KVT, UOP4	5f207.1	03	D38Z	5f291		BOP, KVT, UOP4			
	03	D35Z, D37A, D37B		04	E02A, E02B, E02C, E02D, E07Z		03	D09Z, D30A, D30B, D39Z			
	04	E02A, E02B, E02C, E02D, E07Z		08	I28A, I28B		09	J03A, J03B, J04A, J04B, J08A, J08B, J08C, J10A, J10B, J16Z			
	08	I28A, I28B, I28C		09	J03A, J03B, J04A, J04B, J08A, J08B, J08C, J10A, J10B, J16Z		21A	W04A, W04B			
	09	J03A, J03B, J04A, J04B, J08A, J08B, J08C, J10A, J10B, J16Z		21A	W04A, W04B		21B	X06A, X06B, X06C			
	21A	W04A, W04B		21B	X06A, X06B, X06C		22	Y01Z, Y03A, Y03B			
	21B	X06A, X06B, X06C		22	Y01Z, Y03A, Y03B		5f301	BOP, KVT, UOP4			
	22	Y01Z, Y03A, Y03B		5f207.2	03		D38Z	01	B02A, B02B, B02C, B02D, B20A, B20B, B20C, B20D, B20E, B20F, B39A, B39B		
	5f201			BOP, KVT, UOP4	5f207.2		04	E02A, E02B, E02C, E02D, E07Z	5f302	03	D06A, D06B, D06C
		03		D35Z, D37A, D37B			08	I28A, I28B		BOP, KVT, UOP4	
04		E02A, E02B, E02C, E02D, E07Z	09	J03A, J03B, J04A, J04B, J08A, J08B, J08C, J10A, J10B, J16Z		01	B09A, B09B				
08		I28A, I28B, I28C	21A	W04A, W04B		03	D06A, D06B, D06C				
09		J03A, J03B, J04A, J04B, J08A, J08B, J08C, J10A, J10B, J16Z	21B	X06A, X06B, X06C		5f303	BOP, KVT, UOP4				
21A		W04A, W04B	22	Y01Z, Y03A, Y03B		01	B09A, B09B				
21B		X06A, X06B, X06C	5f207.x	03		D38Z	03	D06A, D06B, D06C			
22		Y01Z, Y03A, Y03B	04	E02A, E02B, E02C, E02D, E07Z		5f304	BOP, KVT, UOP4				
5f202			BOP, KVT, UOP4	5f209		08	I28A, I28B	5f305		01	B09A, B09B
		03	D35Z, D37A, D37B			09	J03A, J03B, J04A, J04B, J08A, J08B, J08C, J10A, J10B, J16Z			03	D06A, D06B, D06C
	04	E02A, E02B, E02C, E02D, E07Z	21A		W04A, W04B	03	D09Z, D30A, D30B, D38Z				
	08	I28A, I28B, I28C	21B		X06A, X06B, X06C	04	E02A, E02B, E02C, E02D, E07Z				
	09	J03A, J03B, J04A, J04B, J08A, J08B, J08C, J10A, J10B, J16Z	22		Y01Z, Y03A, Y03B	21A	W04A, W04B				
	21A	W04A, W04B	03		D09Z, D30A, D30B, D38Z	21B	X06A, X06B, X06C				
	21B	X06A, X06B, X06C	04		E02A, E02B, E02C, E02D, E07Z	5f306	BOP, KOP, KOPV, KVT, UOP4				
	22	Y01Z, Y03A, Y03B	21A		W04A, W04B	5f307.1	01		B02A, B02B, B02C, B13Z, B20A, B20B, B20C, B20D, B20E, B39A, B39B		
	5f203	03	D09Z, D30A, D30B, D38Z		21B		X06A, X06B, X06C		01	B02A, B02B, B02C, B13Z, B20A, B20B, B20C, B20D, B20E, B39A, B39B	
		04	E02A, E02B, E02C, E02D, E07Z		5f20a		03		D38Z	02	C01A
21A		W04A, W04B	04	E02A, E02B, E02C, E02D, E07Z	03		D18Z, D25A, D25B, D25C, D25D				
21B		X06A, X06B, X06C	08	I28A, I28B	06		G33Z				
5f204		03	D35Z, D38Z	09	J03A, J03B, J04A, J04B, J08A, J08B, J08C, J10A, J10B, J16Z		07	H33Z, H38Z			
		04	E02A, E02B, E02C, E02D, E07Z	21A	W04A, W04B		09	J08A, J08B, J08C			
		08	I28A, I28B	21B	X06A, X06B, X06C		11	L33Z			
		09	J03A, J03B, J04A, J04B, J08A, J08B, J08C, J10A, J10B, J16Z	22	Y01Z, Y03A, Y03B		17	R01A, R01B, R01C, R01D, R02Z, R12A, R12B, R12C			
		21A	W04A, W04B	5f210	03		D12A, D12B	21B	X06A, X06B, X06C, X33Z		
		21B	X06A, X06B, X06C	08	I17Z	23	Z01A				
	22	Y01Z, Y03A, Y03B	09	J03A, J03B, J04A, J04B, J08A, J08B, J08C, J11A, J11B, J16Z	Pre	A07A, A09B, A11A, A11B, A13B					
	5f205	03	D35Z, D37A, D37B	21A	W04A, W04B	5f307.2	BOP, KVT, UOP4				
		04	E02A, E02B, E02C, E02D, E07Z	21B	X06A, X06B, X06C		01	B09A, B09B			
		08	I28A, I28B	5f211	03		D18Z, D28Z, D29Z	03	D06A, D06B, D06C, D35Z, D36Z		
09		J03A, J03B, J04A, J04B, J08A, J08B, J08C, J10A, J10B, J16Z	08	I17Z	08		I15A, I15B				
21A		W04A, W04B	09	J03A, J03B, J04A, J04B, J08A, J08B, J08C, J11A, J11B, J16Z	21A		W01A, W01B, W01C, W36Z				
21B		X06A, X06B, X06C	21A	W04A, W04B	21B		X06A, X06B, X06C				
22		Y01Z, Y03A, Y03B	21B	X06A, X06B, X06C	BOP, KVT, UOP4						
5f206		03	D35Z, D37A, D37B	5f290	03		D09Z, D30A, D30B, D35Z, D38Z	01	B09A, B09B		
		04	E02A, E02B, E02C, E02D, E07Z	09	J03A, J03B, J04A, J04B, J08A, J08B, J08C, J10A, J10B, J16Z		03	D06A, D06B, D06C, D35Z, D36Z			
		08	I28A, I28B	21A	W04A, W04B		08	I15A, I15B			
	09	J03A, J03B, J04A, J04B, J08A, J08B, J08C, J10A, J10B, J16Z	21B	X06A, X06B, X06C	21A	W01A, W01B, W01C, W36Z					
	21A	W04A, W04B	22	Y01Z, Y03A, Y03B	21B	X06A, X06B, X06C					
	21B	X06A, X06B, X06C	5f307.3	5f307.3	01	B09A, B09B					
	22	Y01Z, Y03A, Y03B			03	D06A, D06B, D06C, D35Z, D36Z					
	5f207	03			D35Z, D37A, D37B	08	I15A, I15B	5f307.3	5f307.3	01	B09A, B09B
		04			E02A, E02B, E02C, E02D, E07Z	09	J03A, J03B, J04A, J04B, J08A, J08B, J08C, J10A, J10B, J16Z			03	D06A, D06B, D06C, D35Z, D36Z
		08			I28A, I28B	21A	W04A, W04B			08	I15A, I15B
09		J03A, J03B, J04A, J04B, J08A, J08B, J08C, J10A, J10B, J16Z			21B	X06A, X06B, X06C	21A			W01A, W01B, W01C, W36Z	
21A		W04A, W04B			22	Y01Z, Y03A, Y03B	21B			X06A, X06B, X06C	
21B		X06A, X06B, X06C									
22		Y01Z, Y03A, Y03B									

ZZV	MDC	DRG	ZZV	MDC	DRG	ZZV	MDC	DRG
5f307.4		BOP, KVT, UOP4	5f321		BOP, KVT, UOP4	5g204.0	03	D08A, D08B, D18Z, D22A, D22B, D30A, D30B
	01	B09A, B09B		01	B09A, B09B		21A	W04A, W04B
	03	D06A, D06B, D06C, D35Z, D36Z		03	D06A, D06B, D06C		21B	X06A, X06B, X06C
	08	I15A, I15B	5f322		BOP, KVT, UOP4	5g204.1	03	D08A, D08B, D18Z, D22A, D22B, D30A, D30B
	21A	W01A, W01B, W01C, W36Z		01	B09A, B09B		21A	W04A, W04B
	21B	X06A, X06B, X06C		03	D06A, D06B, D06C		21B	X06A, X06B, X06C
5f307.5		BOP, KVT, UOP4	5f324		BOP, KVT, UOP4	5g206	03	D08A, D08B, D18Z, D22A, D22B, D30A, D30B
	03	D06A, D06B, D06C		01	B09A, B09B		21A	W04A, W04B
5f307.6		BOP, KVT, UOP4		03	D06A, D06B, D06C		21B	X06A, X06B, X06C
	03	D06A, D06B, D06C	5f325		BOP, KVT, UOP4	5g207	03	D08A, D08B, D18Z, D22A, D22B, D30A, D30B
5f308.1		BOP, KVT, UOP4		01	B09A, B09B		21A	W04A, W04B
	01	B09A, B09B		03	D06A, D06B, D06C		21B	X06A, X06B, X06C
	03	D06A, D06B, D06C	5f331		BOP, KVT, UOP4	5g208.0	03	D08A, D08B, D18Z, D22A, D22B, D30A, D30B
5f308.x		BOP, KVT, UOP4		01	B09A, B09B		21A	W04A, W04B
	01	B09A, B09B		03	D06A, D06B, D06C, D36Z		21B	X06A, X06B, X06C
	03	D06A, D06B, D06C	5f332		BOP, KVT, UOP4	5g208.1	03	D08A, D08B, D18Z, D22A, D22B, D30A, D30B
5f309		BOP, KVT, UOP4		01	B09A, B09B		21A	W04A, W04B
	01	B09A, B09B		03	D06A, D06B, D06C		21B	X06A, X06B, X06C
	03	D06A, D06B, D06C	5f333		BOP, KVT, UOP4	5g208.2	03	D08A, D08B, D18Z, D22A, D22B, D30A, D30B
5f30a.1		BOP, KOP, KOPV, KVT, UOP4		01	B09A, B09B		21A	W04A, W04B
	01	B02A, B02B, B02C, B20A, B20B, B20C, B20D, B20E, B39A, B39B	5f390		BOP, KVT, UOP4		21B	X06A, X06B, X06C
	02	C01A		03	D06A, D06B, D06C, D36Z		03	D08A, D08B, D18Z, D22A, D22B, D30A, D30B
	06	G01Z, G02Z, G33Z, G38Z	5g103‡		D40Z		21A	W04A, W04B
	07	H33Z, H38Z	5g104‡		D40Z		21B	X06A, X06B, X06C
	11	L33Z	5g105‡		D40Z	5g209.1	03	D08A, D08B, D18Z, D22A, D22B, D30A, D30B
	21A	W01A, W01B, W01C, W36Z	5g106		BOP, KVT, UOP4		21A	W04A, W04B
	21B	X06A, X06B, X06C		03	D13Z		21B	X06A, X06B, X06C
	23	Z01A		21A	W04A, W04B	5g209.2	03	D08A, D08B, D18Z, D22A, D22B, D30A, D30B
	Pre	A07A, A11A, A13A, A13B, A13D	5g10b		BOP, KVT, UOP4		21A	W04A, W04B
5f30a.2		BOP, KOP, KOPV, KVT, UOP4		03	D08A, D08B, D18Z, D22A, D22B, D30A, D30B		21B	X06A, X06B, X06C
	01	B02A, B02B, B02C, B20A, B20B, B20C, B20D, B20E, B39A, B39B		09	J03A, J03B, J04A, J04B, J08A, J08B, J08C, J11A, J11B, J16Z	5g20e	03	D08A, D08B, D18Z, D22A, D22B, D30A, D30B
	02	C01A		21A	W04A, W04B		09	J03A, J03B, J04A, J04B, J08A, J08B, J08C, J11A, J11B, J16Z
	06	G01Z, G02Z, G33Z, G38Z		21B	X06A, X06B, X06C		21A	W04A, W04B
	07	H33Z, H38Z	5g110.0‡		Y01Z, Y03A, Y03B		21B	X06A, X06B, X06C
	11	L33Z	5g110.1‡		D40Z	5g20g.1	22	Y01Z, Y03A, Y03B
	21A	W01A, W01B, W01C, W36Z	5g111‡		D40Z		03	BOP, KVT, UOP4
	21B	X06A, X06B, X06C	5g200		D13Z		09	J03A, J03B, J04A, J04B, J08A, J08B, J08C, J11A, J11B, J16Z
	23	Z01A		09	J03A, J03B, J04A, J04B, J08A, J08B, J08C, J11A, J11B, J16Z		21A	W04A, W04B
	Pre	A07A, A11A, A13A, A13B, A13D		21A	W04A, W04B		21B	X06A, X06B, X06C
5f30b.1↔		BOP, KVT, UOP4		21B	X06A, X06B, X06C	5g20g.x	22	Y01Z, Y03A, Y03B
	01	B02A, B02B, B02C, B02D, B20A, B20B, B20C, B20D, B20E, B20F, B39A, B39B	5g201.1		D13Z		03	BOP, KVT, UOP4
	03	D06A, D06B, D06C, D36Z		09	J03A, J03B, J04A, J04B, J08A, J08B, J08C, J11A, J11B, J16Z		03	D13Z
5f30b.2↔		BOP, KVT, UOP4		21A	W04A, W04B		09	J03A, J03B, J04A, J04B, J08A, J08B, J08C, J11A, J11B, J16Z
	01	B02A, B02B, B02C, B02D, B20A, B20B, B20C, B20D, B20E, B20F, B39A, B39B	5g201.2		X06A, X06B, X06C		21A	W04A, W04B
	03	D06A, D06B, D06C		03	D13Z	5g20h.1	21B	X06A, X06B, X06C
5f30c.1		BOP, KVT, UOP4		09	J03A, J03B, J04A, J04B, J08A, J08B, J08C, J11A, J11B, J16Z		22	Y01Z, Y03A, Y03B
	01	B09A, B09B		21A	W04A, W04B		03	BOP, KVT, UOP4
	03	D06A, D06B, D06C		21B	X06A, X06B, X06C		03	D13Z
5f30c.2		BOP, KVT, UOP4	5g203		D08A, D08B, D18Z, D22A, D22B, D30A, D30B		09	J03A, J03B, J04A, J04B, J08A, J08B, J08C, J11A, J11B, J16Z
	01	B09A, B09B		03	D22B, D30A, D30B		21A	W04A, W04B
	03	D06A, D06B, D06C		21A	W04A, W04B		21B	X06A, X06B, X06C
5f30c.3		BOP, KVT, UOP4		21B	X06A, X06B, X06C		22	Y01Z, Y03A, Y03B
	01	B09A, B09B						
	03	D06A, D06B, D06C						
5f320		BOP, KVT, UOP4						
	01	B09A, B09B						
	03	D06A, D06B, D06C						

ZZV	MDC	DRG	ZZV	MDC	DRG	ZZV	MDC	DRG
5g20h.x		BOP, KVT, UOP4	5g220.0		BOP, KVT, UOP4	5g225↔		BOP, KVT, UOP4
	03	D13Z		03	D08A, D08B, D18Z, D22A, D22B, D30A, D30B		03	D08A, D08B, D18Z, D22A, D22B, D30A, D30B
	09	J03A, J03B, J04A, J04B, J08A, J08B, J08C, J11A, J11B, J16Z		09	J03A, J03B, J04A, J04B, J08A, J08B, J08C, J11A, J11B, J16Z		09	J03A, J03B, J04A, J04B, J08A, J08B, J08C, J11A, J11B, J16Z
	21A	W04A, W04B		21A	W04A, W04B		21A	W04A, W04B
	21B	X06A, X06B, X06C		21B	X06A, X06B, X06C		21B	X06A, X06B, X06C
5g20k	22	Y01Z, Y03A, Y03B	5g220.1	22	Y01Z, Y03A, Y03B	5g226↔	22	Y01Z, Y03A, Y03B
		BOP, KVT, UOP4			BOP, KVT, UOP4			BOP, KVT, UOP4
	03	D13Z		03	D08A, D08B, D18Z, D22A, D22B, D30A, D30B		03	D08A, D08B, D18Z, D22A, D22B, D30A, D30B
	09	J03A, J03B, J04A, J04B, J08A, J08B, J08C, J11A, J11B, J16Z		09	J03A, J03B, J04A, J04B, J08A, J08B, J08C, J11A, J11B, J16Z		09	J03A, J03B, J04A, J04B, J08A, J08B, J08C, J11A, J11B, J16Z
5g20m.0	21A	W04A, W04B	5g220.2	21A	W04A, W04B	5g227	21A	W04A, W04B
	21B	X06A, X06B, X06C		21B	X06A, X06B, X06C		21B	X06A, X06B, X06C
	22	Y01Z, Y03A, Y03B		22	Y01Z, Y03A, Y03B		22	Y01Z, Y03A, Y03B
		BOP, KVT, UOP4			BOP, KVT, UOP4			BOP, KVT, UOP4
5g20m.1	03	D13Z	5g222.2	03	D08A, D08B, D18Z, D22A, D22B, D30A, D30B	5g228	03	D13Z
	09	J03A, J03B, J04A, J04B, J08A, J08B, J08C, J11A, J11B, J16Z		09	J03A, J03B, J04A, J04B, J08A, J08B, J08C, J11A, J11B, J16Z		09	J03A, J03B, J04A, J04B, J08A, J08B, J08C, J11A, J11B, J16Z
	21A	W04A, W04B		21A	W04A, W04B		21A	W04A, W04B
	21B	X06A, X06B, X06C		21B	X06A, X06B, X06C		21B	X06A, X06B, X06C
5g20m.2	22	Y01Z, Y03A, Y03B	5g222.3	22	Y01Z, Y03A, Y03B	5g229	22	Y01Z, Y03A, Y03B
		BOP, KVT, UOP4			BOP, KVT, UOP4			BOP, KVT, UOP4
	03	D13Z		03	D08A, D08B, D18Z, D22A, D22B, D30A, D30B		03	D13Z
	09	J03A, J03B, J04A, J04B, J08A, J08B, J08C, J11A, J11B, J16Z		09	J03A, J03B, J04A, J04B, J08A, J08B, J08C, J11A, J11B, J16Z		09	J03A, J03B, J04A, J04B, J08A, J08B, J08C, J11A, J11B, J16Z
5g20m.3	21A	W04A, W04B	5g223	21A	W04A, W04B	5g22a	21A	W04A, W04B
	21B	X06A, X06B, X06C		21B	X06A, X06B, X06C		21B	X06A, X06B, X06C
	22	Y01Z, Y03A, Y03B		22	Y01Z, Y03A, Y03B		22	Y01Z, Y03A, Y03B
		BOP, KVT, UOP4			BOP, KVT, UOP4			BOP, KVT, UOP4
5g20n	03	D13Z	5g224	03	D13Z, D22A	5g22b	03	D13Z
	09	J03A, J03B, J04A, J04B, J08A, J08B, J08C, J11A, J11B, J16Z		09	J03A, J03B, J04A, J04B, J08A, J08B, J08C, J11A, J11B, J16Z		09	J03A, J03B, J04A, J04B, J08A, J08B, J08C, J11A, J11B, J16Z
	21A	W04A, W04B		21A	W04A, W04B		21A	W04A, W04B
	21B	X06A, X06B, X06C		21B	X06A, X06B, X06C		21B	X06A, X06B, X06C
5g210	22	Y01Z, Y03A, Y03B	5g224	22	Y01Z, Y03A, Y03B	5g22c	22	Y01Z, Y03A, Y03B
		BOP, KVT, UOP4			BOP, KVT, UOP4			BOP, KVT, UOP4
5g211	03	D08A, D08B, D18Z, D22A, D22B, D30A, D30B				03	D13Z	
5g212.0	03	D08A, D08B, D18Z, D22A, D22B, D30A, D30B				09	J03A, J03B, J04A, J04B, J08A, J08B, J08C, J11A, J11B, J16Z	
5g212.1	03	D08A, D08B, D18Z, D22A, D22B, D30A, D30B				21A	W04A, W04B	
5g212.2	03	D08A, D08B, D18Z, D22A, D22B, D30A, D30B				21B	X06A, X06B, X06C	
5g213		BOP, KVT, UOP4				22	Y01Z, Y03A, Y03B	
	03	D18Z, D25A, D25B, D25C, D25D						
	09	J08A, J08B						

ZZV	MDC	DRG	ZZV	MDC	DRG	ZZV	MDC	DRG	
5g22d.1		BOP, KVT, UOP4	5g404↔		BOP, KVT, UOP4	5g514		BOP, KVT, UOP4	
	03	D13Z		03	D06A, D06B, D06C		03	D03Z, D12A	
	09	J03A, J03B, J04A, J04B, J08A, J08B, J08C, J11A, J11B, J16Z		16	Q03A, Q03B		09	J03A, J03B, J04A, J04B, J08A, J08B, J08C, J11A, J11B, J16Z	
	21A	W04A, W04B		5g405↔	03		D06A, D06B, D06C	21A	W04A, W04B
	21B	X06A, X06B, X06C		5g406↔	03		BOP, KVT, UOP4	21B	X06A, X06B, X06C
5g22d.2	22	Y01Z, Y03A, Y03B	5g407↔	03	D06A, D06B, D06C	5g515		BOP, KVT, UOP4	
		BOP, KVT, UOP4		03	D06A, D06B, D06C		03	D03Z, D12A	
	03	D13Z		5g408↔	03		BOP, KVT, UOP4	09	J03A, J03B, J04A, J04B, J08A, J08B, J08C, J11A, J11B, J16Z
	09	J03A, J03B, J04A, J04B, J08A, J08B, J08C, J11A, J11B, J16Z		5g409↔	03		D05A, D05B	21A	W04A, W04B
	21A	W04A, W04B		5g40a↔	03		BOP, KVT, UOP4	21B	X06A, X06B, X06C
5g22d.3	21B	X06A, X06B, X06C	5g40b↔	03	D05A, D05B	5g516		BOP, KVT, UOP4	
	22	Y01Z, Y03A, Y03B		5g40c↔	03		BOP, KVT, UOP4	03	D03Z, D12A
		BOP, KVT, UOP4		5g40d↔	03		D05A	09	J03A, J03B, J04A, J04B, J08A, J08B, J08C, J11A, J11B, J16Z
	03	D13Z		5g40e↔	03		BOP, KVT, UOP4	21A	W04A, W04B
	09	J03A, J03B, J04A, J04B, J08A, J08B, J08C, J11A, J11B, J16Z		5g40f↔	03		D06A, D06B, D06C	21B	X06A, X06B, X06C
5g22e.1	21A	W04A, W04B	5g40g↔	03	BOP, KVT, UOP4	5g517.11		BOP, KVT, UOP4	
	21B	X06A, X06B, X06C		03	D06A, D06B, D06C		03	D03Z, D12A	
	22	Y01Z, Y03A, Y03B		21A	W04A, W04B		09	J03A, J03B, J04A, J04B, J08A, J08B, J08C, J11A, J11B, J16Z	
		BOP, KVT, UOP4		21B	X06A, X06B, X06C		21A	W04A, W04B	
	03	D13Z		5g40h	03		BOP, KVT, UOP4	21B	X06A, X06B, X06C
5g22e.2	09	J03A, J03B, J04A, J04B, J08A, J08B, J08C, J11A, J11B, J16Z	5g40i	03	D06A, D06B, D06C	5g517.12		BOP, KVT, UOP4	
	21A	W04A, W04B		03	D06A, D06B, D06C		03	D03Z, D12A	
	21B	X06A, X06B, X06C		03	D06A, D06B, D06C		09	J03A, J03B, J04A, J04B, J08A, J08B, J08C, J11A, J11B, J16Z	
	22	Y01Z, Y03A, Y03B		21A	W04A, W04B		21A	W04A, W04B	
		BOP, KVT, UOP4		21B	X06A, X06B, X06C		21B	X06A, X06B, X06C	
5g22f	03	D13Z	5g40j	03	D06A, D06B, D06C	5g517.1x		BOP, KVT, UOP4	
	09	J03A, J03B, J04A, J04B, J08A, J08B, J08C, J11A, J11B, J16Z		03	D06A, D06B, D06C		03	D03Z, D12A	
	21A	W04A, W04B		03	D06A, D06B, D06C		09	J03A, J03B, J04A, J04B, J08A, J08B, J08C, J11A, J11B, J16Z	
	21B	X06A, X06B, X06C		03	D06A, D06B, D06C		21A	W04A, W04B	
	22	Y01Z, Y03A, Y03B		5g501‡	03		D40Z	21B	X06A, X06B, X06C
5g300		BOP, KVT, UOP4	5g502‡	03	D15A, D15B, D18Z	5g517.21		BOP, KVT, UOP4	
	03	D13Z		04	E02A, E02B, E02C		03	D03Z, D12A	
	09	J03A, J03B, J04A, J04B, J08A, J08B, J08C, J11A, J11B, J16Z		21A	W01A, W01B, W01C, W36Z		09	J03A, J03B, J04A, J04B, J08A, J08B, J08C, J11A, J11B, J16Z	
	21A	W04A, W04B		5g511	03		BOP, KVT, UOP4	21A	W04A, W04B
	21B	X06A, X06B, X06C			03		D03Z, D12A	21B	X06A, X06B, X06C
5g301	22	Y01Z, Y03A, Y03B	5g512↔	09	J03A, J03B, J04A, J04B, J08A, J08B, J08C, J11A, J11B, J16Z	5g517.22		BOP, KVT, UOP4	
	03	D13Z		03	D03Z, D12A		03	D03Z, D12A	
	16	Q03A, Q03B		09	J03A, J03B, J04A, J04B, J08A, J08B, J08C, J11A, J11B, J16Z		09	J03A, J03B, J04A, J04B, J08A, J08B, J08C, J11A, J11B, J16Z	
	03	D08A, D08B, D18Z, D22A, D22B, D30A, D30B		21A	W04A, W04B		21A	W04A, W04B	
	16	Q03A, Q03B		21B	X06A, X06B, X06C		21B	X06A, X06B, X06C	
5g302		BOP, KVT, UOP4	5g513↔		BOP, KVT, UOP4	5g517.2x		BOP, KVT, UOP4	
	03	D08A, D08B, D18Z, D22A, D22B, D30A, D30B		03	D03Z, D12A		03	D03Z, D12A	
	16	Q03A, Q03B		09	J03A, J03B, J04A, J04B, J08A, J08B, J08C, J11A, J11B, J16Z		09	J03A, J03B, J04A, J04B, J08A, J08B, J08C, J11A, J11B, J16Z	
	03	D08A, D08B, D18Z, D22A, D22B, D30A, D30B		21A	W04A, W04B		21A	W04A, W04B	
	16	Q03A, Q03B		21B	X06A, X06B, X06C		21B	X06A, X06B, X06C	
5g303		BOP, KVT, UOP4	5g514↔		BOP, KVT, UOP4	5g518.1		BOP, KVT, UOP4	
	03	D08A, D08B, D18Z, D22A, D22B, D30A, D30B		03	D03Z, D12A		03	D03Z, D12A	
	16	Q03A, Q03B		09	J03A, J03B, J04A, J04B, J08A, J08B, J08C, J11A, J11B, J16Z		09	J03A, J03B, J04A, J04B, J08A, J08B, J08C, J11A, J11B, J16Z	
	03	D08A, D08B, D18Z, D22A, D22B, D30A, D30B		21A	W04A, W04B		21A	W04A, W04B	
	16	Q03A, Q03B		21B	X06A, X06B, X06C		21B	X06A, X06B, X06C	
5g304		BOP, KVT, UOP4	5g515↔		BOP, KVT, UOP4	5g518.1		BOP, KVT, UOP4	
	03	D18Z, D25A, D25B, D25C, D25D		03	D03Z, D12A		03	D03Z, D12A	
	09	J08A, J08B, J08C		09	J03A, J03B, J04A, J04B, J08A, J08B, J08C, J11A, J11B, J16Z		09	J03A, J03B, J04A, J04B, J08A, J08B, J08C, J11A, J11B, J16Z	
		BOP, KVT, UOP4		21A	W04A, W04B		21A	W04A, W04B	
	03	D18Z, D25A, D25B, D25C, D25D		21B	X06A, X06B, X06C		21B	X06A, X06B, X06C	
5g305		BOP, KVT, UOP4	5g516↔		BOP, KVT, UOP4	5g518.1		BOP, KVT, UOP4	
	03	D18Z, D25A, D25B, D25C, D25D		03	D03Z, D12A		03	D03Z, D12A	
	09	J08A, J08B, J08C		09	J03A, J03B, J04A, J04B, J08A, J08B, J08C, J11A, J11B, J16Z		09	J03A, J03B, J04A, J04B, J08A, J08B, J08C, J11A, J11B, J16Z	
		BOP, KVT, UOP4		21A	W04A, W04B		21A	W04A, W04B	
	03	D18Z, D25A, D25B, D25C, D25D		21B	X06A, X06B, X06C		21B	X06A, X06B, X06C	
5g306		BOP, KVT, UOP4	5g517↔		BOP, KVT, UOP4	5g518.1		BOP, KVT, UOP4	
	03	D18Z, D25A, D25B, D25C, D25D		03	D03Z, D12A		03	D03Z, D12A	
	09	J08A, J08B, J08C		09	J03A, J03B, J04A, J04B, J08A, J08B, J08C, J11A, J11B, J16Z		09	J03A, J03B, J04A, J04B, J08A, J08B, J08C, J11A, J11B, J16Z	
		BOP, KVT, UOP4		21A	W04A, W04B		21A	W04A, W04B	
	09	J08A, J08B, J08C		21B	X06A, X06B, X06C		21B	X06A, X06B, X06C	

ZZV	MDC	DRG	ZZV	MDC	DRG	ZZV	MDC	DRG	
5g90e.4		BOP, KVT, UOP4	5g913		BOP, KVT, UOP4	5g921.02		BOP, KVT, UOP4	
	03	D03Z, D13Z		03	D08A, D08B, D18Z, D22A, D22B, D30A, D30B		03	D18Z, D25A, D25B, D25C, D25D	
5g90k		BOP, KVT, UOP4		09	J03A, J03B, J04A, J04B, J08A, J08B, J08C, J11A, J11B, J16Z	5g921.03		09	J08A, J08B
	03	D03Z, D12A, D12B					03	BOP, KVT, UOP4	
	04	E02A, E02B, E02C, E07Z		21A	W04A, W04B		09	D18Z, D25A, D25B, D25C, D25D	
	21A	W04A, W04B		21B	X06A, X06B, X06C	5g921.04		09	J08A, J08B
	21B	X06A, X06B, X06C		22	Y01Z, Y03A, Y03B		03	BOP, KVT, UOP4	
5g90m		BOP, KVT, UOP4	5g914		BOP, KVT, UOP4		03	D18Z, D25A, D25B, D25C, D25D	
	03	D03Z, D12A, D12B		03	D08A, D08B, D18Z, D22A, D22B, D30A, D30B		09	J08A, J08B	
	04	E02A, E02B, E02C, E07Z		09	J03A, J03B, J04A, J04B, J08A, J08B, J08C, J11A, J11B, J16Z	5g921.05		03	BOP, KVT, UOP4
	21A	W04A, W04B					03	D18Z, D25A, D25B, D25C, D25D	
	21B	X06A, X06B, X06C		21A	W04A, W04B		09	J08A, J08B	
5g90n		BOP, KVT, UOP4		21B	X06A, X06B, X06C	5g921.10		03	D08A, D08B, D18Z, D22A, D22B, D30A, D30B
	03	D03Z, D12A, D12B		22	Y01Z, Y03A, Y03B		16	Q03A, Q03B	
	04	E02A, E02B, E02C, E07Z				5g921.11		03	D08A, D08B, D18Z, D22A, D22B, D30A, D30B
	21A	W04A, W04B	5g915↔		BOP, KVT, UOP4		16	Q03A, Q03B	
	21B	X06A, X06B, X06C		03	D18Z, D25A, D25B, D25C, D25D	5g921.12		03	D08A, D08B, D18Z, D22A, D22B, D30A, D30B
5g90o		BOP, KVT, UOP4		08	I06A, I06B, I06C, I06D, I06E		16	Q03A, Q03B	
	03	D03Z, D12A, D12B		09	J08A, J08B, J08C	5g921.13		03	D08A, D08B, D18Z, D22A, D22B, D30A, D30B
	04	E02A, E02B, E02C, E07Z					16	Q03A, Q03B	
	21A	W04A, W04B	5g916.0↔		BOP, KVT, UOP4	5g921.13		03	D08A, D08B, D18Z, D22A, D22B, D30A, D30B
	21B	X06A, X06B, X06C		03	D18Z, D25A, D25B, D25C, D25D		16	Q03A, Q03B	
5g90p		BOP, KVT, UOP4		09	J08A, J08B	5g922.1		03	BOP, KVT, UOP4
	03	D03Z, D12A, D12B	5g916.1↔		BOP, KVT, UOP4		03	D09Z, D30A, D30B	
	04	E02A, E02B, E02C, E07Z		03	D18Z, D25A, D25B, D25C, D25D		21A	W04A, W04B	
	21A	W04A, W04B		09	J08A, J08B	5g922.2		21B	X06A, X06B, X06C
	21B	X06A, X06B, X06C					03	BOP, KVT, UOP4	
5g90t		BOP, KVT, UOP4	5g916.2↔		BOP, KOP, KOPV, KVT, UOP4		03	D09Z, D30A, D30B	
	01	B03A, B03B, B06A, B06B, B07Z, B17A, B17B, B17C		03	D02A, D02B	5g922.x		21A	W04A, W04B
	08	I12A, I12B, I12C, I27A, I27B, I27C, I27D		06	G33Z		21B	X06A, X06B, X06C	
	21A	W04A, W04B		07	H33Z, H38Z				BOP, KVT, UOP4
	21B	X04Z, X05A, X05B, X06A, X06B, X06C		09	J08A, J08B	5h101		03	D09Z, D30A, D30B
5g90u		BOP, KVT, UOP4		11	L33Z		07	H33Z, H38Z	
	01	B03A, B03B, B06A, B06B, B07Z, B17A, B17B, B17C		21B	X33Z		11	L33Z	
	08	I12A, I12B, I12C, I27A, I27B, I27C, I27D		23	Z01A		Pre	A07A	
	21A	W04A, W04B	5g918	Pre	A07A		03	D12A, D12B	
	21B	X04Z, X05A, X05B, X06A, X06B, X06C				5h102		06	G15Z, G19A, G19B, G33Z, G38Z
5g90v		BOP, KVT, UOP4		03	D09Z, D30A, D30B		07	H33Z, H38Z	
	01	B03A, B03B, B06A, B06B, B07Z, B17A, B17B, B17C	5g919.1	21A	W04A, W04B		11	L33Z	
	03	D12A		21B	X06A, X06B, X06C		Pre	A07A	
	05	F21A, F21B, F21C, F27A, F27B, F27C				5h103.01		03	D12A, D12B
	08	I08A, I08B, I08C, I08D, I08E, I12A, I12B, I12C, I13A, I13B, I32A, I32B, I32C, I32D	5g919.2		BOP, KVT, UOP4		06	G15Z, G19A, G19B, G33Z, G38Z	
	09	J02A, J02B, J02C, J04A, J04B, J08A, J08B, J08C, J16Z, J21Z, J22A, J22B		03	D03Z, D12A		07	H33Z, H38Z	
	10	K01Z	5g919.4	09	J03A, J03B, J04A, J04B, J08A, J08B, J08C, J11A, J11B, J16Z		11	L33Z	
	21A	W04A, W04B				5h103.02		Pre	A07A
	21B	X04Z, X05A, X05B, X06A, X06B, X06C					03	D12A	
	22	Y01Z, Y03A, Y03B	5g919.7		BOP, KVT, UOP4	5h103.11		21A	W04A, W04B
5g910↔		BOP, KVT, UOP4		03	D03Z, D12A		21B	X06A, X06B, X06C	
	03	D03Z, D13Z		09	J03A, J03B, J04A, J04B, J08A, J08B, J08C, J11A, J11B, J16Z	5h103.12		03	D12A
5g911		BOP, KVT, UOP4					21A	W04A, W04B	
	03	D03Z, D13Z	5g921.01		BOP, KVT, UOP4	5h103.2		21B	X06A, X06B, X06C
5g912↔		BOP, KVT, UOP4		03	D18Z, D25A, D25B, D25C, D25D		03	D12A	
	03	D03Z, D12A		09	J08A, J08B		21A	W04A, W04B	
	09	J03A, J03B, J04A, J04B, J08A, J08B, J08C, J11A, J11B, J16Z					21B	X06A, X06B, X06C	

ZZV	MDC	DRG	ZZV	MDC	DRG	ZZV	MDC	DRG
5h104	03	D12A, D12B	5h112.1		BOP, KOP, KOPV, KVT, UOP4	5h121.3		BOP, KOP, KOPV, KVT, UOP4
	09	J03A, J03B, J04A, J04B, J08A, J08B, J08C, J11A, J11B, J16Z		03	D12A, D12B		03	D02A, D03Z
5h105	03	D12A, D12B	5h112.2		BOP, KOP, KOPV, KVT, UOP4	5h121.4		BOP, KOP, KOPV, KVT, UOP4
	09	J03A, J03B, J04A, J04B, J08A, J08B, J08C, J11A, J11B, J16Z		03	D12A, D12B		03	D02A, D03Z
5h106.10	03	D12A	5h112.3		BOP, KOP, KOPV, KVT, UOP4	5h121.x		BOP, KVT, UOP4
	21A	W04A, W04B		03	D12A, D12B		03	D03Z, D12A, D12B
5h106.11	21B	X06A, X06B, X06C	5h115.1		BOP, KOP, KOPV, KVT, UOP4	5h123		BOP, KOP, KOPV, KVT, UOP4
	03	D12A		03	D12A, D12B		03	D02A, D03Z
5h106.2	21A	W04A, W04B	5h115.2		BOP, KOP, KOPV, KVT, UOP4	5h190		BOP, KOP, KOPV, KVT, UOP4
	21B	X06A, X06B, X06C		03	D12A, D12B		03	D12A, D12B
5h110	03	D12A, D12B	5h118		BOP, KOP, KOPV, KVT, UOP4	5h191		BOP, KOP, KOPV, KVT, UOP4
	06	G15Z, G19A, G19B, G33Z, G38Z		03	D09Z, D30A, D30B		03	D12A, D12B
5h111	07	H33Z, H38Z	5h119		BOP, KOP, KOPV, KVT, UOP4	5h192		BOP, KVT, UOP4
	11	L33Z		03	D12A, D12B		03	D12A, D12B
5h111.1	Pre	A07A	5h120		BOP, KVT, UOP4	5h194		BOP, KVT, UOP4
	03	D02A, D18Z, D25A, D25B, D25C, D25D		03	D03Z, D12A, D12B		03	D12A, D12B
5h111.2	06	G15Z, G19A, G19B, G33Z, G38Z	5h121.1		BOP, KOP, KOPV, KVT, UOP4	5h200		BOP, KVT, UOP4
	07	H33Z, H38Z		03	D03Z, D18Z, D25A, D25B, D25C, D25D		03	D09Z, D30A, D30B
5h111.4	09	J08A, J08B, J08C	5h121.2		BOP, KVT, UOP4	5h201		BOP, KVT, UOP4
	11	L33Z		03	D03Z, D12A, D12B		03	D09Z, D30A, D30B
5h111.x	Pre	A07A	5h203		BOP, KVT, UOP4	5h203		BOP, KVT, UOP4
	03	D02A, D18Z, D25A, D25B, D25C, D25D		03	D03Z, D12A, D12B		03	D18Z, D25A, D25B, D25C, D25D
5h114	06	G15Z, G19A, G19B, G33Z, G38Z	5h203		BOP, KVT, UOP4	5h203		BOP, KVT, UOP4
	07	H33Z, H38Z		04	E02A, E02B, E02C, E07Z		04	E02A, E02B, E02C
5h114	09	J08A, J08B, J08C	5h203		BOP, KVT, UOP4	5h203		BOP, KVT, UOP4
	11	L33Z		04	E02A, E02B, E02C, E07Z		04	E02A, E02B, E02C
5h114	Pre	A07A	5h203		BOP, KVT, UOP4	5h203		BOP, KVT, UOP4
	03	D02A, D18Z, D25A, D25B, D25C, D25D		21A	W04A, W04B		21A	W04A, W04B
5h114	06	G15Z, G19A, G19B, G33Z, G38Z	5h203		BOP, KVT, UOP4	5h203		BOP, KVT, UOP4
	07	H33Z, H38Z		21B	X06A, X06B, X06C		21B	X06A, X06B, X06C
5h114	09	J08A, J08B, J08C	5h203		BOP, KVT, UOP4	5h203		BOP, KVT, UOP4
	11	L33Z		21B	X06A, X06B, X06C		21B	X06A, X06B, X06C
5h114	Pre	A07A	5h203		BOP, KVT, UOP4	5h203		BOP, KVT, UOP4
	03	D02A, D18Z, D25A, D25B, D25C, D25D		21B	X06A, X06B, X06C		21B	X06A, X06B, X06C
5h114	06	G15Z, G19A, G19B, G33Z, G38Z	5h203		BOP, KVT, UOP4	5h203		BOP, KVT, UOP4
	07	H33Z, H38Z		21B	X06A, X06B, X06C		21B	X06A, X06B, X06C
5h114	09	J08A, J08B, J08C	5h203		BOP, KVT, UOP4	5h203		BOP, KVT, UOP4
	11	L33Z		21B	X06A, X06B, X06C		21B	X06A, X06B, X06C
5h114	Pre	A07A	5h203		BOP, KVT, UOP4	5h203		BOP, KVT, UOP4
	03	D02A, D18Z, D25A, D25B, D25C, D25D		21B	X06A, X06B, X06C		21B	X06A, X06B, X06C
5h114	06	G15Z, G19A, G19B, G33Z, G38Z	5h203		BOP, KVT, UOP4	5h203		BOP, KVT, UOP4
	07	H33Z, H38Z		21B	X06A, X06B, X06C		21B	X06A, X06B, X06C
5h114	09	J08A, J08B, J08C	5h203		BOP, KVT, UOP4	5h203		BOP, KVT, UOP4
	11	L33Z		21B	X06A, X06B, X06C		21B	X06A, X06B, X06C
5h114	Pre	A07A	5h203		BOP, KVT, UOP4	5h203		BOP, KVT, UOP4
	03	D02A, D18Z, D25A, D25B, D25C, D25D		21B	X06A, X06B, X06C		21B	X06A, X06B, X06C
5h114	06	G15Z, G19A, G19B, G33Z, G38Z	5h203		BOP, KVT, UOP4	5h203		BOP, KVT, UOP4
	07	H33Z, H38Z		21B	X06A, X06B, X06C		21B	X06A, X06B, X06C
5h114	09	J08A, J08B, J08C	5h203		BOP, KVT, UOP4	5h203		BOP, KVT, UOP4
	11	L33Z		21B	X06A, X06B, X06C		21B	X06A, X06B, X06C
5h114	Pre	A07A	5h203		BOP, KVT, UOP4	5h203		BOP, KVT, UOP4
	03	D02A, D18Z, D25A, D25B, D25C, D25D		21B	X06A, X06B, X06C		21B	X06A, X06B, X06C

ZZV	MDC	DRG	ZZV	MDC	DRG	ZZV	MDC	DRG
5h210	03	D09Z, D30A, D30B	5h291		BOP, KVT, UOP4	5h304.0x		BOP, KVT, UOP4
	04	E02A, E02B, E02C, E02D		03	D12A		03	D04Z, D09Z, D25A, D25B, D25C, D25D, D30A
5h211	03	D09Z, D30A, D30B		04	E02A, E02B, E02C		04	E02A, E02B, E02C
	04	E02A, E02B, E02C, E02D		21A	W04A, W04B	5h304.11		BOP, KVT, UOP4
5h212	03	D09Z, D30A, D30B		21B	X06A, X06B, X06C		03	D09Z, D30A
	04	E02A, E02B, E02C, E02D	5h292		BOP, KVT, UOP4		04	E02A, E02B, E02C
5h213	03	D09Z, D30A, D30B		03	D09Z, D30A, D30B	5j122.00↔		BOP, KOP, KOPV, KVT, UOP4
	04	E02A, E02B, E02C, E02D		04	E02A, E02B, E02C		04	E06A, E06B, E06C, E08A, E08B, E08C
5h214	03	D09Z, D30A, D30B		21A	W04A, W04B		06	G33Z
	04	E02A, E02B, E02C, E02D		21B	X06A, X06B, X06C		07	H33Z, H38Z
5h220		BOP, KVT, UOP4		22	Y01Z, Y03A, Y03B		09	J26Z
	03	D03Z, D12A, D12B, D18Z, D25A, D25B, D25C, D25D	5h293		BOP, KVT, UOP4		11	L33Z
	04	E02A, E02B, E02C, E07Z		03	D09Z, D30A, D30B		17	R01A, R01B, R01C, R01D, R02Z, R12A, R12B, R12C
	09	J08A, J08B, J08C		04	E02A, E02B, E02C		21B	X33Z
	21A	W04A, W04B		21A	W04A, W04B		23	Z01A
	21B	X06A, X06B, X06C		21B	X06A, X06B, X06C		Pre	A07A
5h221		BOP, KVT, UOP4	5h302.10‡		D15A, D15B, D18Z	5j122.01↔		BOP, KOP, KOPV, KVT, UOP4
	03	D03Z, D12A, D12B, D18Z, D25A, D25B, D25C, D25D		04	E02A, E02B, E02C		04	E06A, E06B, E06C, E08A, E08B, E08C
	04	E02A, E02B, E02C, E07Z	5h302.11‡		W01A, W01B, W01C, W36Z		06	G33Z
	09	J08A, J08B, J08C		03	D15A, D15B, D18Z		07	H33Z, H38Z
	21A	W04A, W04B		04	E02A, E02B, E02C		09	J26Z
	21B	X06A, X06B, X06C, X33Z	5h302.1x‡		W01A, W01B, W01C, W36Z		11	L33Z
5h222		BOP, KVT, UOP4		03	D15A, D15B, D18Z		17	R01A, R01B, R01C, R01D, R02Z, R12A, R12B, R12C
	03	D03Z, D12A, D12B, D18Z, D25A, D25B, D25C, D25D		04	E02A, E02B, E02C		21B	X33Z
	04	E02A, E02B, E02C, E07Z	5h302.20‡		W01A, W01B, W01C, W36Z		23	Z01A
	09	J08A, J08B, J08C		03	D15A, D15B, D18Z		Pre	A07A
	21A	W04A, W04B		04	E02A, E02B, E02C			BOP, KOP, KOPV, KVT, UOP4
	21B	X06A, X06B, X06C, X33Z	5h302.21		W01A, W01B, W01C, W36Z	5j123.00↔		E06A, E06B, E06C, E08A, E08B, E08C
5h223		BOP, KVT, UOP4		03	D12A, D12B		06	G33Z
	03	D09Z, D30A		04	E02A, E02B, E02C		07	H33Z, H38Z
	04	E02A, E02B, E02C		05	F21A, F21B		09	J26Z
5h230		BOP, KVT, UOP4		09	J03A, J03B, J04A, J04B, J08A, J08B, J08C, J11A, J11B, J16Z		11	L33Z
	03	D09Z, D25A, D25B, D25C, D25D, D30A		21A	W04A, W04B		17	R01A, R01B, R01C, R01D, R02Z, R12A, R12B, R12C
	04	E02A, E02B, E02C		21B	X06A, X06B, X06C		21B	X33Z
	21A	W04A, W04B		22	Y01Z, Y03A, Y03B		23	Z01A
	21B	X06A, X06B, X06C	5h302.23		BOP, KVT, UOP4	5j123.01↔	Pre	A07A
	22	Y01Z, Y03A, Y03B		03	D12A, D12B			BOP, KOP, KOPV, KVT, UOP4
5h231		BOP, KVT, UOP4		04	E02A, E02B, E02C		04	E06A, E06B, E06C, E08A, E08B, E08C
	03	D09Z, D25A, D25B, D25C, D25D, D30A		05	F21A, F21B		06	G33Z
	04	E02A, E02B, E02C		09	J03A, J03B, J04A, J04B, J08A, J08B, J08C, J11A, J11B, J16Z		07	H33Z, H38Z
	21A	W04A, W04B		21A	W04A, W04B		09	J26Z
	21B	X06A, X06B, X06C		21B	X06A, X06B, X06C		11	L33Z
	22	Y01Z, Y03A, Y03B		22	Y01Z, Y03A, Y03B		17	R01A, R01B, R01C, R01D, R02Z, R12A, R12B, R12C
5h232		BOP, KVT, UOP4		21A	W01A, W01B, W01C, W36Z		21B	X33Z
	03	D18Z, D28Z, D29Z	5h302.24‡		BOP, KVT, UOP4		23	Z01A
	04	E02A, E02B, E02C		03	D12A, D12B, D25A, D25B, D25C, D25D		Pre	A07A
	09	J08A, J08B, J08C		04	E02A, E02B, E02C			BOP, KOP, KOPV, KVT, UOP4
	21A	W04A, W04B	5h302.3		W04A, W04B		04	E06A, E06B, E06C, E08A, E08B, E08C
	21B	X06A, X06B, X06C		03	D12A, D12B, D25A, D25B, D25C, D25D		06	G33Z
5h233		BOP, KVT, UOP4		04	E02A, E02B, E02C		07	H33Z, H38Z
	03	D18Z, D28Z, D29Z		21A	W04A, W04B		09	J26Z
	04	E02A, E02B, E02C		21B	X06A, X06B, X06C		11	L33Z
	09	J08A, J08B, J08C		22	Y01Z, Y03A, Y03B		17	R01A, R01B, R01C, R01D, R02Z, R12A, R12B, R12C
	21A	W04A, W04B	5h304.01		BOP, KVT, UOP4		21B	X33Z
	21B	X06A, X06B, X06C		03	D04Z, D09Z, D25A, D25B, D25C, D25D, D30A		23	Z01A
5h234		BOP, KVT, UOP4		04	E02A, E02B, E02C		Pre	A07A
	03	D18Z, D25A, D25B, D25C, D25D	5h304.02		BOP, KVT, UOP4			BOP, KOP, KOPV, KVT, UOP4
	04	E02A, E02B, E02C		03	D04Z, D09Z, D25A, D25B, D25C, D25D, D30A		04	E06A, E06B, E06C, E08A, E08B, E08C
	09	J08A, J08B, J08C		04	E02A, E02B, E02C		06	G33Z
	21A	W04A, W04B		21A	W04A, W04B		07	H33Z, H38Z
	21B	X06A, X06B, X06C, X33Z		21B	X06A, X06B, X06C		09	J26Z

ZZV	MDC	DRG	ZZV	MDC	DRG	ZZV	MDC	DRG
5j123.20↔		BOP, KOP, KOPV, KVT, UOP4	5j124.21↔		BOP, KOP, KOPV, KVT, UOP4	5j131.01↔		BOP, KOP, KOPV, KVT, UOP4
	04	E06A, E06B, E06C, E08A, E08B, E08C		04	E06A, E06B, E06C, E08A, E08B, E08C		04	E06A, E06B, E06C, E08A, E08B, E08C
	06	G33Z		06	G33Z		06	G33Z
	07	H33Z, H38Z		07	H33Z, H38Z		07	H33Z, H38Z
	09	J26Z		09	J26Z		09	J26Z
	11	L33Z		11	L33Z		11	L33Z
	17	R01A, R01B, R01C, R01D, R02Z, R12A, R12B, R12C		17	R01A, R01B, R01C, R01D, R02Z, R12A, R12B, R12C		21A	W04A, W04B
	21B	X33Z		21B	X33Z		21B	X06A, X06B, X06C, X33Z
	23	Z01A		23	Z01A		22	Y01Z, Y03A, Y03B
	Pre	A07A		Pre	A07A		Pre	A07A
5j123.21↔		BOP, KOP, KOPV, KVT, UOP4	5j130.0		BOP, KOP, KOPV, KVT, UOP4	5j131.20↔		BOP, KOP, KOPV, KVT, UOP4
	04	E06A, E06B, E06C, E08A, E08B, E08C		04	E06A, E06B, E06C, E08A, E08B, E08C		04	E06A, E06B, E06C, E08A, E08B, E08C
	06	G33Z		06	G33Z		06	G33Z
	07	H33Z, H38Z		07	H33Z, H38Z		07	H33Z, H38Z
	09	J26Z		09	J26Z		09	J26Z
	11	L33Z		11	L33Z		11	L33Z
	17	R01A, R01B, R01C, R01D, R02Z, R12A, R12B, R12C		21A	W04A, W04B		21A	W04A, W04B
	21B	X33Z		21B	X06A, X06B, X06C, X33Z		21B	X06A, X06B, X06C, X33Z
	23	Z01A		22	Y01Z, Y03A, Y03B		22	Y01Z, Y03A, Y03B
	Pre	A07A		Pre	A07A		Pre	A07A
5j124.00↔		BOP, KOP, KOPV, KVT, UOP4	5j130.1		BOP, KOP, KOPV, KVT, UOP4	5j131.21↔		BOP, KOP, KOPV, KVT, UOP4
	04	E06A, E06B, E06C, E08A, E08B, E08C		04	E05A, E05B, E05C, E08A, E08B, E08C		04	E06A, E06B, E06C, E08A, E08B, E08C
	06	G33Z		06	G33Z		06	G33Z
	07	H33Z, H38Z		07	H33Z, H38Z		07	H33Z, H38Z
	09	J26Z		11	L33Z		09	J26Z
	11	L33Z		21A	W04A, W04B		11	L33Z
	17	R01A, R01B, R01C, R01D, R02Z, R12A, R12B, R12C		21B	X06A, X06B, X06C		21A	W04A, W04B
	21B	X33Z		22	Y01Z, Y03A, Y03B		21B	X06A, X06B, X06C, X33Z
	23	Z01A		23	Z01A		22	Y01Z, Y03A, Y03B
	Pre	A07A		Pre	A07A		23	Z01A
5j124.01↔		BOP, KOP, KOPV, KVT, UOP4	5j130.2		BOP, KOP, KOPV, KVT, UOP4	5j132.00↔		BOP, KOP, KOPV, KVT, UOP4
	04	E06A, E06B, E06C, E08A, E08B, E08C		04	E06A, E06B, E06C, E08A, E08B, E08C		04	E06A, E06B, E06C, E08A, E08B, E08C
	06	G33Z		06	G33Z		06	G33Z
	07	H33Z, H38Z		07	H33Z, H38Z		07	H33Z, H38Z
	09	J26Z		09	J26Z		09	J26Z
	11	L33Z		11	L33Z		09	J26Z
	17	R01A, R01B, R01C, R01D, R02Z, R12A, R12B, R12C		21A	W04A, W04B		11	L33Z
	21B	X33Z		21B	X06A, X06B, X06C, X33Z		21A	W04A, W04B
	23	Z01A		22	Y01Z, Y03A, Y03B		21B	X06A, X06B, X06C, X33Z
	Pre	A07A		Pre	A07A		22	Y01Z, Y03A, Y03B
5j124.20↔		BOP, KOP, KOPV, KVT, UOP4	5j131.00↔		BOP, KOP, KOPV, KVT, UOP4	5j132.01↔		BOP, KOP, KOPV, KVT, UOP4
	04	E06A, E06B, E06C, E08A, E08B, E08C		04	E06A, E06B, E06C, E08A, E08B, E08C		04	E06A, E06B, E06C, E08A, E08B, E08C
	06	G33Z		06	G33Z		06	G33Z
	07	H33Z, H38Z		07	H33Z, H38Z		07	H33Z, H38Z
	09	J26Z		09	J26Z		07	H33Z, H38Z
	10	K03A, K03B		11	L33Z		09	J26Z
	11	L33Z		21A	W04A, W04B		11	L33Z
	17	R01A, R01B, R01C, R01D, R02Z, R12A, R12B, R12C		21B	X06A, X06B, X06C, X33Z		21A	W04A, W04B
	21B	X33Z		22	Y01Z, Y03A, Y03B		21B	X06A, X06B, X06C, X33Z
	23	Z01A		23	Z01A		22	Y01Z, Y03A, Y03B
Pre	A07A	Pre	A07A	23	Z01A			

ZZV	MDC	DRG	ZZV	MDC	DRG	ZZV	MDC	DRG			
5j132.20↔		BOP, KOP, KOPV, KVT, UOP4	5j140.21↔		BOP, KOP, KOPV, KVT, UOP4	5j142.10↔		BOP, KOP, KOPV, KVT, UOP4			
	04	E06A, E06B, E06C, E08A, E08B, E08C		04	E05A, E05B, E05C, E08A, E08B, E08C		04	E01A, E01B, E08A, E08B, E08C			
	06	G33Z		06	G33Z		06	G01Z, G02Z, G33Z, G38Z			
	07	H33Z, H38Z		07	H33Z, H38Z		07	H33Z, H38Z			
	09	J26Z		09	J26Z		09	J26Z			
	11	L33Z		11	L33Z		11	L33Z			
	21A	W04A, W04B		21A	W04A, W04B		21A	W04A, W04B			
	21B	X06A, X06B, X06C, X33Z		21B	X06A, X06B, X06C, X33Z		21B	X06A, X06B, X06C, X33Z			
	22	Y01Z, Y03A, Y03B		22	Y01Z, Y03A, Y03B		22	Y01Z, Y03A, Y03B			
	23	Z01A		23	Z01A		23	Z01A			
	Pre	A07A		Pre	A07A		Pre	A07A, A11A, A13A, A13B, A13D			
	5j132.21↔			BOP, KOP, KOPV, KVT, UOP4	5j141.00↔			BOP, KOP, KOPV, KVT, UOP4	5j142.11↔		BOP, KOP, KOPV, KVT, UOP4
		04		E06A, E06B, E06C, E08A, E08B, E08C			04	E01A, E01B, E05A, E05B, E05C, E08A, E08B, E08C		04	E01A, E01B, E08A, E08B, E08C
		06		G33Z			06	G01Z, G02Z, G33Z, G38Z		06	G33Z
07		H33Z, H38Z	07	H33Z, H38Z		07	H33Z, H38Z				
09		J26Z	09	J26Z		09	J26Z				
11		L33Z	11	L33Z		11	L33Z				
21A		W04A, W04B	21A	W04A, W04B		21A	W04A, W04B				
21B		X06A, X06B, X06C, X33Z	21B	X06A, X06B, X06C, X33Z		21B	X06A, X06B, X06C, X33Z				
22		Y01Z, Y03A, Y03B	22	Y01Z, Y03A, Y03B		22	Y01Z, Y03A, Y03B				
23		Z01A	23	Z01A		23	Z01A				
Pre		A07A	Pre	A07A, A11A, A13A, A13B, A13D		Pre	A07A				
5j140.00↔			BOP, KOP, KOPV, KVT, UOP4	5j141.01↔			BOP, KOP, KOPV, KVT, UOP4	5j142.20↔			BOP, KOP, KOPV, KVT, UOP4
		04	E01A, E01B, E05A, E05B, E05C, E08A, E08B, E08C			04	E01A, E01B, E05A, E05B, E05C, E08A, E08B, E08C			04	E01A, E01B, E08A, E08B, E08C
		06	G01Z, G02Z, G33Z, G38Z			06	G33Z			06	G01Z, G02Z, G33Z, G38Z
	07	H33Z, H38Z	07		H33Z, H38Z	07	H33Z, H38Z				
	09	J26Z	09		J26Z	09	J26Z				
	11	L33Z	11		L33Z	11	L33Z				
	21A	W04A, W04B	21A		W04A, W04B	21A	W04A, W04B				
	21B	X06A, X06B, X06C, X33Z	21B		X06A, X06B, X06C, X33Z	21B	X06A, X06B, X06C, X33Z				
	22	Y01Z, Y03A, Y03B	22		Y01Z, Y03A, Y03B	22	Y01Z, Y03A, Y03B				
	23	Z01A	23		Z01A	23	Z01A				
	Pre	A07A, A11A, A13A, A13B, A13D	Pre		A07A	Pre	A07A, A11A, A13A, A13B, A13D				
	5j140.01↔		BOP, KOP, KOPV, KVT, UOP4		5j141.20↔		BOP, KOP, KOPV, KVT, UOP4		5j142.21↔		BOP, KOP, KOPV, KVT, UOP4
		04	E05A, E05B, E05C, E08A, E08B, E08C			04	E05A, E05B, E05C, E08A, E08B, E08C			04	E05A, E05B, E05C, E08A, E08B, E08C
		06	G01Z, G02Z, G33Z, G38Z			06	G01Z, G02Z, G33Z, G38Z			06	G33Z
07		H33Z, H38Z	07	H33Z, H38Z		07	H33Z, H38Z				
09		J26Z	09	J26Z		09	J26Z				
11		L33Z	11	L33Z		11	L33Z				
21A		W04A, W04B	21A	W04A, W04B		11	L33Z				
21B		X06A, X06B, X06C, X33Z	21B	X06A, X06B, X06C, X33Z		21A	W04A, W04B				
22		Y01Z, Y03A, Y03B	22	Y01Z, Y03A, Y03B		21B	X06A, X06B, X06C, X33Z				
23		Z01A	23	Z01A		22	Y01Z, Y03A, Y03B				
Pre		A07A, A11A, A13A, A13B, A13D	Pre	A07A, A11A, A13A, A13B, A13D		23	Z01A				
5j140.20↔			BOP, KOP, KOPV, KVT, UOP4	5j141.21↔			BOP, KOP, KOPV, KVT, UOP4	5j144.00↔			BOP, KOP, KOPV, KVT, UOP4
		04	E05A, E05B, E05C, E08A, E08B, E08C			04	E05A, E05B, E05C, E08A, E08B, E08C			04	E01A, E01B
		06	G01Z, G02Z, G33Z, G38Z			06	G33Z			06	G33Z
	07	H33Z, H38Z	07		H33Z, H38Z	07	H33Z, H38Z				
	09	J26Z	09		J26Z	09	J26Z				
	11	L33Z	11		L33Z	11	L33Z				
	21A	W04A, W04B	21A		W04A, W04B	21A	W04A, W04B				
	21B	X06A, X06B, X06C, X33Z	21B		X06A, X06B, X06C, X33Z	21B	X06A, X06B, X06C, X33Z				
	22	Y01Z, Y03A, Y03B	22		Y01Z, Y03A, Y03B	22	Y01Z, Y03A, Y03B				
	23	Z01A	23		Z01A	23	Z01A				
	Pre	A07A, A11A, A13A, A13B, A13D	Pre		A07A	Pre	A07A				

VYK

ZZV	MDC	DRG	ZZV	MDC	DRG	ZZV	MDC	DRG			
5j14a.01↔		BOP, KOP, KOPV, KVT, UOP4	5j14b.00↔		BOP, KOP, KOPV, KVT, UOP4	5j14c.20↔		BOP, KOP, KOPV, KVT, UOP4			
	04	E01A		04	E05A, E05B, E05C, E08A, E08B, E08C		04	E01A, E01B, E08A, E08B, E08C			
	06	G33Z		06	G33Z		06	G33Z			
	07	H33Z, H38Z		07	H33Z, H38Z		07	H33Z, H38Z			
	09	J26Z		09	J26Z		09	J26Z			
	11	L33Z		11	L33Z		11	L33Z			
	21A	W04A, W04B		21A	W04A, W04B		21A	W04A, W04B			
	21B	X06A, X06B, X06C, X33Z		21B	X06A, X06B, X06C, X33Z		21B	X06A, X06B, X06C, X33Z			
	22	Y01Z, Y03A, Y03B		22	Y01Z, Y03A, Y03B		22	Y01Z, Y03A, Y03B			
	23	Z01A		23	Z01A		23	Z01A			
	Pre	A07A		Pre	A07A		Pre	A07A			
	5j14a.00↔			BOP, KOP, KOPV, KVT, UOP4	5j14b.01↔			BOP, KOP, KOPV, KVT, UOP4	5j14c.21↔		BOP, KOP, KOPV, KVT, UOP4
		04		E05A, E05B, E05C, E08A, E08B, E08C			04	E05A, E05B, E05C, E08A, E08B, E08C		04	E01A, E01B, E08A, E08B, E08C
		06		G33Z			06	G33Z		06	G33Z
07		H33Z, H38Z	07	H33Z, H38Z		07	H33Z, H38Z				
09		J26Z	09	J26Z		09	J26Z				
11		L33Z	11	L33Z		11	L33Z				
21A		W04A, W04B	21A	W04A, W04B		21A	W04A, W04B				
21B		X06A, X06B, X06C, X33Z	21B	X06A, X06B, X06C, X33Z		21B	X06A, X06B, X06C, X33Z				
22		Y01Z, Y03A, Y03B	22	Y01Z, Y03A, Y03B		22	Y01Z, Y03A, Y03B				
23		Z01A	23	Z01A		23	Z01A				
Pre		A07A	Pre	A07A		Pre	A07A				
5j14a.01↔			BOP, KOP, KOPV, KVT, UOP4	5j14b.20↔			BOP, KOP, KOPV, KVT, UOP4	5j14e.00↔			BOP, KOP, KOPV, KVT, MVV, UOP4
		04	E05A, E05B, E05C, E08A, E08B, E08C			04	E05A, E05B, E05C, E08A, E08B, E08C			04	E01A, E01B
		06	G33Z			06	G33Z			06	G33Z
	07	H33Z, H38Z	07		H33Z, H38Z	07	H33Z, H38Z				
	09	J26Z	09		J26Z	09	J26Z				
	11	L33Z	11		L33Z	11	L33Z				
	21A	W04A, W04B	21A		W04A, W04B	21A	W04A, W04B				
	21B	X06A, X06B, X06C, X33Z	21B		X06A, X06B, X06C, X33Z	21B	X06A, X06B, X06C, X33Z				
	22	Y01Z, Y03A, Y03B	22		Y01Z, Y03A, Y03B	22	Y01Z, Y03A, Y03B				
	23	Z01A	23		Z01A	23	Z01A				
	Pre	A07A	Pre		A07A	Pre	A07A				
	5j14a.20↔		BOP, KOP, KOPV, KVT, UOP4		5j14b.21↔		BOP, KOP, KOPV, KVT, UOP4		5j14e.01↔		BOP, KOP, KOPV, KVT, MVV, UOP4
		04	E05A, E05B, E05C, E08A, E08B, E08C			04	E05A, E05B, E05C, E08A, E08B, E08C			04	E01A, E01B
		06	G33Z			06	G33Z			06	G33Z
07		H33Z, H38Z	07	H33Z, H38Z		07	H33Z, H38Z				
09		J26Z	09	J26Z		09	J26Z				
11		L33Z	11	L33Z		11	L33Z				
21A		W04A, W04B	21A	W04A, W04B		21A	W04A, W04B				
21B		X06A, X06B, X06C, X33Z	21B	X06A, X06B, X06C, X33Z		21B	X06A, X06B, X06C, X33Z				
22		Y01Z, Y03A, Y03B	22	Y01Z, Y03A, Y03B		22	Y01Z, Y03A, Y03B				
23		Z01A	23	Z01A		23	Z01A				
Pre		A07A	Pre	A07A		Pre	A07A				
5j14a.21↔			BOP, KOP, KOPV, KVT, UOP4	5j14c.11↔			BOP, KOP, KOPV, KVT, UOP4	5j14x↔			BOP, KOP, KOPV, KVT, UOP4
		04	E05A, E05B, E05C, E08A, E08B, E08C			04	E01A, E01B, E08A, E08B, E08C			04	E05A, E05B, E05C, E08A, E08B, E08C
		06	G33Z			06	G33Z			06	G33Z
	07	H33Z, H38Z	07		H33Z, H38Z	07	H33Z, H38Z				
	09	J26Z	09		J26Z	09	J26Z				
	11	L33Z	11		L33Z	11	L33Z				
	21A	W04A, W04B	21A		W04A, W04B	21A	W04A, W04B				
	21B	X06A, X06B, X06C, X33Z	21B		X06A, X06B, X06C, X33Z	21B	X06A, X06B, X06C, X33Z				
	22	Y01Z, Y03A, Y03B	22		Y01Z, Y03A, Y03B	22	Y01Z, Y03A, Y03B				
	23	Z01A	23		Z01A	23	Z01A				
	Pre	A07A	Pre		A07A	Pre	A07A				

ZZV	MDC	DRG	ZZV	MDC	DRG	ZZV	MDC	DRG			
5j150.00↔		BOP, KOP, KOPV, KVT, UOP4	5j153↔		BOP, KOP, KOPV, KVT, MVV, UOP4	5j406.1		BOP, KOP, KOPV, KVT, UOP4			
	04	E05A, E05B, E05C, E08A, E08B, E08C		04	E01A, E01B		04	E05A, E05B, E05C, E08A, E08B, E08C			
	06	G33Z		06	G33Z		06	G33Z			
	07	H33Z, H38Z		07	H33Z, H38Z		07	H33Z, H38Z			
	09	J26Z		09	J26Z		07	H33Z, H38Z			
	11	L33Z		11	L33Z		11	L33Z			
	21A	W04A, W04B		21A	W04A, W04B		21A	W04A, W04B			
	21B	X06A, X06B, X06C, X33Z		21B	X06A, X06B, X06C, X33Z		21B	X06A, X06B, X06C			
	22	Y01Z, Y03A, Y03B		22	Y01Z, Y03A, Y03B		22	Y01Z, Y03A, Y03B			
	23	Z01A		23	Z01A		22	Y01Z, Y03A, Y03B			
	Pre	A07A		Pre	A07A, A09B, A11A, A11B, A13B		23	Z01A			
	5j150.01↔			BOP, KOP, KOPV, KVT, UOP4	5j154↔			BOP, KOP, KOPV, KVT, MVV, UOP4	5j406.2		BOP, KOP, KOPV, KVT, UOP4
		04		E05A, E05B, E05C, E08A, E08B, E08C			04	E01A, E01B		04	E05A, E05B, E05C, E08A, E08B, E08C
		06		G33Z			06	G33Z		06	G33Z
		07		H33Z, H38Z			07	H33Z, H38Z		07	H33Z, H38Z
09		J26Z	09	J26Z		11	L33Z				
11		L33Z	11	L33Z		21A	W04A, W04B				
21A		W04A, W04B	21A	W04A, W04B		21B	X06A, X06B, X06C				
21B		X06A, X06B, X06C, X33Z	21B	X06A, X06B, X06C, X33Z		22	Y01Z, Y03A, Y03B				
22		Y01Z, Y03A, Y03B	22	Y01Z, Y03A, Y03B		23	Z01A				
23		Z01A	23	Z01A		Pre	A07A				
Pre		A07A	Pre	A07A, A09B, A11A, A11B, A13B		5j406.3		BOP, KOP, KOPV, KVT, UOP4			
5j151.00↔			BOP, KOP, KOPV, KVT, MVV, UOP4	5j155↔				BOP, KOP, KOPV, KVT, MVV, UOP4		04	E05A, E05B, E05C, E08A, E08B, E08C
		04	E01A, E01B				04	E01A, E01B		06	G33Z
		06	G33Z				06	G33Z		07	H33Z, H38Z
		07	H33Z, H38Z				07	H33Z, H38Z		11	L33Z
	09	J26Z	09		J26Z		21A	W04A, W04B			
	11	L33Z	11		L33Z		21B	X06A, X06B, X06C			
	21A	W04A, W04B	21A		W04A, W04B		22	Y01Z, Y03A, Y03B			
	21B	X06A, X06B, X06C, X33Z	21B		X06A, X06B, X06C, X33Z		23	Z01A			
	22	Y01Z, Y03A, Y03B	22		Y01Z, Y03A, Y03B		Pre	A07A			
	23	Z01A	23		Z01A		5j410.0		BOP, KOP, KOPV, KVT, UOP4		
	Pre	A07A, A09B, A11A, A11B, A13B	Pre		A07A, A09B, A11A, A11B, A13B			04	E05A, E05B, E05C, E08A, E08B, E08C		
	5j151.01↔		BOP, KOP, KOPV, KVT, UOP4		5j401				BOP, KOP, KOPV, KVT, UOP4	06	G33Z
		04	E05A, E05B, E05C, E08A, E08B, E08C					04	E05A, E05B, E05C, E08A, E08B, E08C	07	H33Z, H38Z
		06	G33Z					06	G33Z	11	L33Z
		07	H33Z, H38Z			07		H33Z, H38Z	21A	W04A, W04B	
09		J26Z	11	L33Z		21B		X06A, X06B, X06C			
11		L33Z	21A	W04A, W04B		22		Y01Z, Y03A, Y03B			
21A		W04A, W04B	21B	X06A, X06B, X06C		23		Z01A			
21B		X06A, X06B, X06C, X33Z	22	Y01Z, Y03A, Y03B		Pre		A07A			
22		Y01Z, Y03A, Y03B	23	Z01A		5j410.2			BOP, KOP, KOPV, KVT, UOP4		
23		Z01A	Pre	A07A				04	E05A, E05B, E05C, E08A, E08B, E08C		
Pre		A07A	5j403					BOP, KOP, KOPV, KVT, UOP4	06	G33Z	
5j152↔				BOP, KOP, KOPV, KVT, MVV, UOP4				04	E05A, E05B, E05C, E08A, E08B, E08C	07	H33Z, H38Z
		04		E01A, E01B				04	E05A, E05B, E05C, E08A, E08B, E08C	11	L33Z
		06		G33Z			06	G33Z	21A	W04A, W04B	
		07		H33Z, H38Z			07	H33Z, H38Z	21B	X06A, X06B, X06C	
	09	J26Z		11	L33Z		22	Y01Z, Y03A, Y03B			
	11	L33Z		21A	W04A, W04B		23	Z01A			
	21A	W04A, W04B		21B	X06A, X06B, X06C		Pre	A07A			
	21B	X06A, X06B, X06C, X33Z		22	Y01Z, Y03A, Y03B		5j405		E02A, E02B, E02C		
	22	Y01Z, Y03A, Y03B		23	Z01A			04	E02A, E02B, E02C		
	23	Z01A		Pre	A07A						
	Pre	A07A, A09B, A11A, A11B, A13B									

VYK

ZZV	MDC	DRG	ZZV	MDC	DRG	ZZV	MDC	DRG		
5j411.00		BOP, KOP, KOPV, KVT, UOP4	5j411.21		BOP, KOP, KOPV, KVT, UOP4	5j496.0↔		BOP, KVT, UOP4		
	04	E05A, E05B, E05C, E08A, E08B, E08C		04	E05A, E05B, E05C, E08A, E08B, E08C		04	E02A, E02B, E02C		
	06	G33Z		06	G33Z		05	F13A		
	07	H33Z, H38Z		07	H33Z, H38Z	08	I12A, I12B, I12C, I23A			
	09	J03A, J03B, J04A, J04B, J08A, J08B, J08C, J11A, J11B, J16Z		09	J03A, J03B, J04A, J04B, J08A, J08B, J08C, J11A, J11B, J16Z	5j496.2↔	BOP, KVT, UOP4			
	11	L33Z		11	L33Z	04	E02A, E02B, E02C			
	21A	W04A, W04B		21A	W04A, W04B	05	F13A			
	21B	X06A, X06B, X06C		21B	X06A, X06B, X06C	08	I12A, I12B, I12C, I23A			
	22	Y01Z, Y03A, Y03B		22	Y01Z, Y03A, Y03B	5j496.50	BOP, KOP, KOPV, KVT, UOP4			
	23	Z01A		23	Z01A	04	E05A, E05B, E05C, E08A, E08B, E08C			
	Pre	A07A		Pre	A07A	06	G33Z			
	5j411.01			BOP, KOP, KOPV, KVT, UOP4	5j415.1		BOP, KVT, UOP4	5j496.51		BOP, KOP, KOPV, KVT, UOP4
		04		E05A, E05B, E05C, E08A, E08B, E08C		Pre	A03A, A03B, A18Z		04	E05A, E05B, E05C, E08A, E08B, E08C
		06		G33Z		5j491	BOP, KOP, KOPV, KVT, UOP4		06	G33Z
		07		H33Z, H38Z		04	E06A, E06B, E06C, E08A, E08B, E08C	07	H33Z, H38Z	
		09		J03A, J03B, J04A, J04B, J08A, J08B, J08C, J11A, J11B, J16Z		06	G33Z	11	L33Z	
11		L33Z	07	H33Z, H38Z		21A	W04A, W04B			
21A		W04A, W04B	09	J26Z		21B	X06A, X06B, X06C			
21B		X06A, X06B, X06C	11	L33Z		22	Y01Z, Y03A, Y03B			
22		Y01Z, Y03A, Y03B	21A	W04A, W04B		23	Z01A			
23		Z01A	21B	X06A, X06B, X06C, X33Z		Pre	A07A			
Pre		A07A	22	Y01Z, Y03A, Y03B		04	E05A, E05B, E05C, E08A, E08B, E08C			
5j411.1			BOP, KOP, KOPV, KVT, UOP4	5j494			BOP, KOP, KOPV, KVT, UOP4	5j496.52		BOP, KOP, KOPV, KVT, UOP4
		04	E05A, E05B, E05C, E08A, E08B, E08C			04	E05A, E05B, E05C, E08A, E08B, E08C		04	E05A, E05B, E05C, E08A, E08B, E08C
		06	G33Z			06	G33Z		06	G33Z
		07	H33Z, H38Z			07	H33Z, H38Z	07	H33Z, H38Z	
		09	J03A, J03B, J04A, J04B, J08A, J08B, J08C, J11A, J11B, J16Z			11	L33Z	11	L33Z	
	11	L33Z	21A		W04A, W04B	21A	W04A, W04B			
	21A	W04A, W04B	21B		X06A, X06B, X06C	21B	X06A, X06B, X06C			
	21B	X06A, X06B, X06C	22		Y01Z, Y03A, Y03B	22	Y01Z, Y03A, Y03B			
	22	Y01Z, Y03A, Y03B	23		Z01A	23	Z01A			
	23	Z01A	Pre		A07A	Pre	A07A			
	Pre	A07A	5j495.0		BOP, KOP, KOPV, KVT, UOP4	5j496.53	BOP, KOP, KOPV, KVT, UOP4			
	5j411.20		BOP, KOP, KOPV, KVT, UOP4		5j495.2		BOP, KOP, KOPV, KVT, UOP4	5j496.54		BOP, KOP, KOPV, KVT, UOP4
		04	E05A, E05B, E05C, E08A, E08B, E08C			04	E05A, E05B, E05C, E08A, E08B, E08C		04	E05A, E05B, E05C, E08A, E08B, E08C
		06	G33Z			06	G33Z		06	G33Z
		07	H33Z, H38Z			07	H33Z, H38Z	07	H33Z, H38Z	
		09	J03A, J03B, J04A, J04B, J08A, J08B, J08C, J11A, J11B, J16Z			11	L33Z	11	L33Z	
11		L33Z	21A	W04A, W04B		21A	W04A, W04B			
21A		W04A, W04B	21B	X06A, X06B, X06C		21B	X06A, X06B, X06C			
21B		X06A, X06B, X06C	22	Y01Z, Y03A, Y03B		22	Y01Z, Y03A, Y03B			
22		Y01Z, Y03A, Y03B	23	Z01A		23	Z01A			
23		Z01A	Pre	A07A		Pre	A07A			
Pre		A07A	04	E05A, E05B, E05C, E08A, E08B, E08C		04	E05A, E05B, E05C, E08A, E08B, E08C			
			06	G33Z		06	G33Z			
			07	H33Z, H38Z		07	H33Z, H38Z			
			11	L33Z		11	L33Z			
			21A	W04A, W04B		21A	W04A, W04B			
			21B	X06A, X06B, X06C		21B	X06A, X06B, X06C			
		22	Y01Z, Y03A, Y03B	22	Y01Z, Y03A, Y03B					
		23	Z01A	23	Z01A					
		Pre	A07A	Pre	A07A					

ZZV	MDC	DRG	ZZV	MDC	DRG	ZZV	MDC	DRG			
5j501		BOP, KOP, KOPV, KVT, UOP4	5j514.0		BOP, KOP, KOPV, KVT, UOP4	5j515.b1		BOP, KOP, KOPV, KVT, UOP4			
	04	E05A, E05B, E05C, E08A, E08B, E08C		04	E05A, E05B, E05C, E08A, E08B, E08C		04	E05A, E05B, E05C, E08A, E08B, E08C			
	05	F13A		06	G10Z, G12A, G12B, G18A, G33Z, G38Z		06	G33Z			
	06	G01Z, G02Z, G33Z, G38Z		07	H33Z, H38Z		07	H33Z, H38Z			
	07	H33Z, H38Z		08	I28A, I28B		10	K09A, K09B			
	11	L33Z		09	J03A, J03B, J04A, J04B, J08A, J08B, J08C, J10A, J10B, J16Z, J21Z		11	L33Z			
	17	R01A, R01B, R01C, R01D, R02Z, R12A, R12B, R12C		10	K09A, K09B		17	R01A, R01B, R01C, R01D, R02Z, R12A, R12B, R12C			
	21A	W04A, W04B		11	L03Z, L04A, L04B, L04C, L10Z, L13A, L13B, L33Z, L38Z		23	Z01A			
	21B	X06A, X06B, X06C		12	M01A, M01B, M09A, M38Z		Pre	A07A			
	23	Z01A		13	N01A, N01B, N01C, N01D, N01E, N11A, N38Z		5j515.c	BOP, KOP, KOPV, KVT, UOP4			
	Pre	A07A, A11A, A13A, A13B, A13D		17	R01A, R01B, R01C, R01D, R02Z, R12A, R12B, R12C		04	E05A, E05B, E05C, E08A, E08B, E08C			
	5j503			BOP, KVT, UOP4	5j514.1			BOP, KOP, KOPV, KVT, UOP4	5j515.d		BOP, KOP, KOPV, KVT, UOP4
		04		E02A, E02B, E02C			04	E05A, E05B, E05C, E08A, E08B, E08C		04	E05A, E05B, E05C, E08A, E08B, E08C
		05		F13A			06	G10Z, G12A, G12B, G33Z		06	G33Z
21A		W04A, W04B	07	H33Z, H38Z		07	H33Z, H38Z				
21B		X06A, X06B, X06C	08	I28A, I28B		10	K09A, K09B				
5j510.a		BOP, KVT, UOP4	5j514.2		BOP, KVT, UOP4	5j515.e		BOP, KOP, KOPV, KVT, UOP4			
	04	E02A, E02B, E02C		03	D02A, D02B, D18Z, D24A, D24B		04	E05A, E05B, E05C, E08A, E08B, E08C			
	05	F13A, F21A, F21B		04	E02A, E02B, E02C		06	G33Z			
	10	K09A, K09B		08	I06A, I06B, I06C, I06D, I06E		07	H33Z, H38Z			
	17	R01A, R01B, R01C, R01D, R02Z, R12A, R12B, R12C		09	J02A, J02B, J02C, J03A, J03B, J04A, J04B, J08A, J08B, J10A, J10B, J16Z, J21Z		10	K09A, K09B			
5j510.b		BOP, KVT, UOP4	5j515.b0		BOP, KOP, KOPV, KVT, UOP4	5j515.f		BOP, KOP, KOPV, KVT, UOP4			
	04	E02A, E02B, E02C		04	E05A, E05B, E05C, E08A, E08B, E08C		04	E05A, E05B, E05C, E08A, E08B, E08C			
	05	F13A, F21A, F21B		06	G33Z		06	G33Z			
	10	K09A, K09B		07	H33Z, H38Z		07	H33Z, H38Z			
	17	R01A, R01B, R01C, R01D, R02Z, R12A, R12B, R12C		10	K14Z		10	K09A, K09B			
5j510.c		BOP, KVT, UOP4	5j515.x		BOP, KOP, KOPV, KVT, UOP4	5j515.x		BOP, KOP, KOPV, KVT, UOP4			
	04	E02A, E02B, E02C		04	E05A, E05B, E05C, E08A, E08B, E08C		04	E05A, E05B, E05C, E08A, E08B, E08C			
	05	F13A, F21A, F21B		06	G33Z		06	G33Z			
	10	K09A, K09B		07	H33Z, H38Z		07	H33Z, H38Z			
	17	R01A, R01B, R01C, R01D, R02Z, R12A, R12B, R12C		10	K09A, K09B		10	K09A, K09B			
5j510.d		BOP, KVT, UOP4	5j515.b0		BOP, KOP, KOPV, KVT, UOP4	5j515.x		BOP, KOP, KOPV, KVT, UOP4			
	04	E02A, E02B, E02C		04	E05A, E05B, E05C, E08A, E08B, E08C		04	E05A, E05B, E05C, E08A, E08B, E08C			
	05	F13A, F21A, F21B		06	G33Z		06	G33Z			
	10	K09A, K09B		07	H33Z, H38Z		07	H33Z, H38Z			
	17	R01A, R01B, R01C, R01D, R02Z, R12A, R12B, R12C		10	K09A, K09B		10	K09A, K09B			
5j510.x		BOP, KVT, UOP4	5j515.b0		BOP, KOP, KOPV, KVT, UOP4	5j515.x		BOP, KOP, KOPV, KVT, UOP4			
	04	E02A, E02B, E02C		04	E05A, E05B, E05C, E08A, E08B, E08C		04	E05A, E05B, E05C, E08A, E08B, E08C			
	05	F13A, F21A, F21B		06	G33Z		06	G33Z			
	10	K09A, K09B		07	H33Z, H38Z		07	H33Z, H38Z			
	17	R01A, R01B, R01C, R01D, R02Z, R12A, R12B, R12C		10	K09A, K09B		10	K09A, K09B			
5j513		BOP, KVT, UOP4	5j515.b0		BOP, KOP, KOPV, KVT, UOP4	5j515.x		BOP, KOP, KOPV, KVT, UOP4			
	04	E02A, E02B, E02C		04	E05A, E05B, E05C, E08A, E08B, E08C		04	E05A, E05B, E05C, E08A, E08B, E08C			
	03	D12A, D12B		06	G33Z		06	G33Z			
	04	E02A, E02B, E02C		07	H33Z, H38Z		07	H33Z, H38Z			
				10	K09A, K09B		10	K09A, K09B			
		11	L33Z	11	L33Z						
		23	Z01A	23	Z01A						
		Pre	A07A	Pre	A07A						

ZZV	MDC	DRG	ZZV	MDC	DRG	ZZV	MDC	DRG			
5j520.01↔		BOP, KOP, KOPV, KVT, UOP4	5j525↔		BOP, KVT, UOP4	5j545		BOP, KOP, KOPV, KVT, UOP4			
	04	E05A, E05B, E05C, E08A, E08B, E08C		01	B03A, B03B, B18Z		04	E06A, E06B, E06C, E08A, E08B, E08C			
	06	G33Z		04	E02A, E02B, E02C		06	G33Z			
	07	H33Z, H38Z		06	G03B, G38Z		07	H33Z, H38Z			
	10	K09A, K09B		08	I06A, I06B, I06C, I06D, I06E, I28A, I28B		08	I06A, I06B, I06C, I06D, I06E, I28A, I28B, I44A, I44B			
	11	L33Z		09	J14A, J26Z		11	L33Z			
	17	R01A, R01B, R01C, R01D, R02Z, R12A, R12B, R12C		21A	W04A, W04B		23	Z01A			
	21A	W04A, W04B		21B	X06A, X06B		Pre	A07A			
	21B	X06A, X06B, X06C		5j526↔			BOP, KVT, UOP4	5j546.1		BOP, KOP, KOPV, KVT, UOP4	
	22	Y01Z, Y03A, Y03B			01		B03A, B03B, B18Z		04	E06A, E06B, E06C, E08A, E08B, E08C	
	23	Z01A			04		E02A, E02B, E02C		06	G33Z	
	Pre	A07A			06		G03B, G38Z		07	H33Z, H38Z	
	5j520.02↔				BOP, KOP, KOPV, KVT, UOP4		08		I06A, I06B, I06C, I06D, I06E, I28A, I28B	08	I06A, I06B, I06C, I06D, I06E, I28A, I28B, I44A, I44B
		04			E05A, E05B, E05C, E08A, E08B, E08C		09		J14A, J26Z	11	L33Z
		06			G33Z		21A		W04A, W04B	21B	X33Z
		07			H33Z, H38Z		21B		X06A, X06B	23	Z01A
		10			K09A, K09B		5j540			BOP, KOP, KOPV, KVT, UOP4	Pre
11		L33Z	04		E06A, E06B, E06C, E08A, E08B, E08C	5j547.1				BOP, KOP, KOPV, KVT, UOP4	
17		R01A, R01B, R01C, R01D, R02Z, R12A, R12B, R12C	06		G33Z				04	E06A, E06B, E06C, E08A, E08B, E08C	
21A		W04A, W04B	07		H33Z, H38Z				06	G33Z	
21B		X06A, X06B, X06C	08		I06A, I06B, I06C, I06D, I06E, I28A, I28B, I44A, I44B				07	H33Z, H38Z	
22		Y01Z, Y03A, Y03B	11		L33Z				08	I28A	
23		Z01A	21B		X33Z				09	J03A, J03B, J04A, J04B, J08A, J08B, J08C, J11A, J11B, J16Z	
Pre		A07A	23		Z01A				11	L33Z	
5j523.1↔			BOP, KVT, UOP4		5j541					BOP, KOP, KOPV, KVT, UOP4	5j547.2
		04	E02A, E02B, E02C	04				E06A, E06B, E06C, E08A, E08B, E08C	04	E06A, E06B, E06C, E08A, E08B, E08C	
		06	G03B, G38Z	06				G33Z	06	G33Z	
		08	I06A, I06B, I06C, I06D, I06E, I28A, I28B	07				H33Z, H38Z	07	H33Z, H38Z	
		09	J03A, J03B, J04A, J04B, J08A, J08B, J08C, J11A, J11B, J14A, J16Z, J26Z	08				I06A, I06B, I06C, I06D, I06E, I28A, I28B, I44A, I44B	08	I28A	
	10	K09A, K09B	11	L33Z				09	J03A, J03B, J04A, J04B, J08A, J08B, J08C, J11A, J11B, J16Z		
	17	R01A, R01B, R01C, R01D, R02Z, R12A, R12B, R12C	21B	X33Z				11	L33Z		
	21A	W04A, W04B	23	Z01A				17	R01A, R01B, R01C, R01D, R02Z, R12A, R12B		
	21B	X06A, X06B	Pre	A07A				21A	W04A, W04B		
	5j523.2↔		BOP, KVT, UOP4	5j542				BOP, KOP, KOPV, KVT, UOP4	5j548		
		04	E02A, E02B, E02C			04	E06A, E06B, E06C, E08A, E08B, E08C	01		B03A, B03B, B18Z	
		06	G03B, G38Z			06	G33Z	04		E02A, E02B, E02C	
		08	I06A, I06B, I06C, I06D, I06E, I28A, I28B			07	H33Z, H38Z	08		I06A, I06B, I06C, I06D, I06E, I28A, I28B, I44A, I44B	
		09	J03A, J03B, J04A, J04B, J08A, J08B, J08C, J11A, J11B, J14A, J16Z, J26Z			08	I06A, I06B, I06C, I06D, I06E, I28A, I28B, I44A, I44B	08		I06A, I06B, I06C, I06D, I06E, I28A, I28B, I44A, I44B	
		10	K09A, K09B			11	L33Z	09		J14A, J26Z	
		17	R01A, R01B, R01C, R01D, R02Z, R12A, R12B, R12C			21B	X33Z	21A		W04A, W04B	
		21A	W04A, W04B			23	Z01A	21B		X06A, X06B	
21B		X06A, X06B	Pre		A07A	22	Y01Z, Y03A, Y03B				
5j524↔			BOP, KVT, UOP4		5j543		BOP, KOP, KOPV, KVT, UOP4	5j548			BOP, KVT, UOP4
		01	B03A, B03B, B18Z			04	E06A, E06B, E06C, E08A, E08B, E08C			01	B03A, B03B, B18Z
		04	E02A, E02B, E02C			06	G33Z			04	E02A, E02B, E02C
		06	G03B, G38Z			07	H33Z, H38Z			08	I06A, I06B, I06C, I06D, I06E, I28A, I28B, I44A, I44B
		08	I06A, I06B, I06C, I06D, I06E, I28A, I28B			08	I06A, I06B, I06C, I06D, I06E, I28A, I28B, I44A, I44B			08	I06A, I06B, I06C, I06D, I06E, I28A, I28B, I44A, I44B
		09	J14A, J26Z			11	L33Z			09	J14A, J26Z
		21A	W04A, W04B			21B	X33Z			21A	W04A, W04B
		21B	X06A, X06B			23	Z01A			21B	X06A, X06B
			Pre	A07A		22	Y01Z, Y03A, Y03B				
						23	Z01A				
						Pre	A07A				

VYK

ZZV	MDC	DRG	ZZV	MDC	DRG	ZZV	MDC	DRG			
5j549		BOP, KOP, KOPV, KVT, UOP4	5j552		BOP, KVT, UOP4	5j554.1		BOP, KOP, KOPV, KVT, MVV, UOP4			
	04	E05A, E05B, E05C, E06A, E06B, E06C, E08A, E08B, E08C		04	E02A, E02B, E02C		04	E05A, E05B, E05C, E08A, E08B, E08C			
	06	G01Z, G02Z, G33Z, G38Z		08	I23A, I23B		06	G33Z			
	07	H33Z, H38Z		09	J03A, J03B, J04A, J04B, J08A, J08B, J08C, J11A, J11B, J16Z		07	H33Z, H38Z			
	08	I10A, I10B, I10C, I10D, I10E		10	K09A, K09B		08	I28A, I28B			
	09	J26Z		17	R01A, R01B, R01C, R01D, R02Z, R12A, R12B		10	K03A, K03B			
	11	L33Z		21A	W04A, W04B		11	L33Z			
	17	R01A, R01B, R01C, R01D, R02Z, R12A, R12B		21B	X06A, X06B, X06C		17	R01A, R01B, R01C, R01D, R02Z, R12A, R12B			
	21B	X33Z		5j553.1			BOP, KOP, KOPV, KVT, UOP4	21A	W04A, W04B		
	23	Z01A			04		E05A, E05B, E05C, E08A, E08B, E08C	21B	X06A, X06B, X06C, X33Z		
	Pre	A07A, A11A, A13A, A13B, A13D		06	G33Z		23	Z01A			
	5j54a			BOP, KOP, KOPV, KVT, UOP4	5j553.2			BOP, KOP, KOPV, KVT, UOP4	5j555.10		BOP, KOP, KOPV, KVT, MVV, UOP4
		04		E06A, E06B, E06C, E08A, E08B, E08C			04	E05A, E05B, E05C, E08A, E08B, E08C		04	E05A, E05B, E05C, E08A, E08B, E08C
		06		G33Z			06	G33Z		06	G01Z, G02Z, G15Z, G19A, G19B, G33Z, G38Z
07		H33Z, H38Z	07	H33Z, H38Z		07	H01A, H33Z, H38Z				
08		I06A, I06B, I06C, I06D, I06E, I28A, I28B, I44A, I44B	11	L33Z		11	L33Z				
11		L33Z	17	R01A, R01B, R01C, R01D, R02Z, R12A, R12B		17	R01A, R01B, R01C, R01D, R02Z, R12A, R12B				
21B		X33Z	21A	W04A, W04B		21A	W04A, W04B				
23		Z01A	21B	X06A, X06B, X06C, X33Z		21B	X06A, X06B, X06C, X33Z				
Pre		A07A	Pre	A07A		23	Z01A				
5j54b			BOP, KOP, KOPV, KVT, UOP4	5j553.3			BOP, KOP, KOPV, KVT, UOP4	5j555.11			BOP, KOP, KOPV, KVT, MVV, UOP4
		04	E06A, E06B, E06C, E08A, E08B, E08C			04	E05A, E05B, E05C, E08A, E08B, E08C			04	E05A, E05B, E05C, E08A, E08B, E08C
		06	G33Z			06	G33Z			06	G01Z, G02Z, G15Z, G19A, G19B, G33Z, G38Z
		07	H33Z, H38Z			07	H33Z, H38Z			07	H01A, H33Z, H38Z
		08	I06A, I06B, I06C, I06D, I06E, I28A, I28B, I44A, I44B			11	L33Z			11	L33Z
	11	L33Z	17		R01A, R01B, R01C, R01D, R02Z, R12A, R12B	17	R01A, R01B, R01C, R01D, R02Z, R12A, R12B				
	21B	X33Z	21A		W04A, W04B	21A	W04A, W04B				
	23	Z01A	21B		X06A, X06B, X06C, X33Z	21B	X06A, X06B, X06C, X33Z				
	Pre	A07A	Pre		A07A	23	Z01A				
	5j550.0		BOP, KOP, KOPV, KVT, UOP4		5j553.4		BOP, KOP, KOPV, KVT, UOP4		5j555.20		BOP, KOP, KOPV, KVT, MVV, UOP4
		04	E05A, E05B, E05C, E08A, E08B, E08C			04	E05A, E05B, E05C, E08A, E08B, E08C			04	E05A, E05B, E05C, E08A, E08B, E08C
		06	G33Z			06	G33Z			06	G01Z, G02Z, G15Z, G19A, G19B, G33Z, G38Z
		07	H33Z, H38Z			07	H33Z, H38Z			07	H01A, H33Z, H38Z
		11	L33Z			11	L33Z			11	L33Z
21A		W04A, W04B	17	R01A, R01B, R01C, R01D, R02Z, R12A, R12B		17	R01A, R01B, R01C, R01D, R02Z, R12A, R12B				
21B		X06A, X06B, X06C, X33Z	21A	W04A, W04B		21A	W04A, W04B				
23		Z01A	21B	X06A, X06B, X06C, X33Z		21B	X06A, X06B, X06C, X33Z				
Pre		A07A	Pre	A07A		23	Z01A				
5j550.2			BOP, KOP, KOPV, KVT, UOP4	5j554.0			BOP, KOP, KOPV, KVT, MVV, UOP4				BOP, KOP, KOPV, KVT, MVV, UOP4
		04	E05A, E05B, E05C, E08A, E08B, E08C			04	E05A, E05B, E05C, E08A, E08B, E08C			04	E05A, E05B, E05C, E08A, E08B, E08C
		06	G33Z			06	G33Z			06	G01Z, G02Z, G15Z, G19A, G19B, G33Z, G38Z
		07	H33Z, H38Z			07	H33Z, H38Z			07	H01A, H33Z, H38Z
		11	L33Z			11	L33Z			11	L33Z
	21A	W04A, W04B	17		R01A, R01B, R01C, R01D, R02Z, R12A, R12B	17	R01A, R01B, R01C, R01D, R02Z, R12A, R12B				
	21B	X06A, X06B, X06C, X33Z	21A		W04A, W04B	21A	W04A, W04B				
	23	Z01A	21B		X06A, X06B, X06C, X33Z	21B	X06A, X06B, X06C, X33Z				
	Pre	A07A	Pre		A07A	23	Z01A				
			BOP, KOP, KOPV, KVT, UOP4				BOP, KOP, KOPV, KVT, UOP4				BOP, KOP, KOPV, KVT, MVV, UOP4
		04	E05A, E05B, E05C, E08A, E08B, E08C			04	E05A, E05B, E05C, E08A, E08B, E08C			04	E05A, E05B, E05C, E08A, E08B, E08C
		06	G33Z			06	G33Z			06	G01Z, G02Z, G15Z, G19A, G19B, G33Z, G38Z
		07	H33Z, H38Z			07	H33Z, H38Z			07	H01A, H33Z, H38Z
		11	L33Z			11	L33Z			11	L33Z
21A		W04A, W04B	17	R01A, R01B, R01C, R01D, R02Z, R12A, R12B		17	R01A, R01B, R01C, R01D, R02Z, R12A, R12B				
21B		X06A, X06B, X06C, X33Z	21A	W04A, W04B		21A	W04A, W04B				
23		Z01A	21B	X06A, X06B, X06C, X33Z		21B	X06A, X06B, X06C, X33Z				
Pre		A07A	Pre	A07A		23	Z01A				
			BOP, KOP, KOPV, KVT, UOP4				BOP, KOP, KOPV, KVT, UOP4				BOP, KOP, KOPV, KVT, MVV, UOP4
		04	E05A, E05B, E05C, E08A, E08B, E08C			04	E05A, E05B, E05C, E08A, E08B, E08C			04	E05A, E05B, E05C, E08A, E08B, E08C
		06	G33Z			06	G33Z			06	G01Z, G02Z, G15Z, G19A, G19B, G33Z, G38Z
		07	H33Z, H38Z			07	H33Z, H38Z			07	H01A, H33Z, H38Z
		11	L33Z			11	L33Z			11	L33Z
	21A	W04A, W04B	17		R01A, R01B, R01C, R01D, R02Z, R12A, R12B	17	R01A, R01B, R01C, R01D, R02Z, R12A, R12B				
	21B	X06A, X06B, X06C, X33Z	21A		W04A, W04B	21A	W04A, W04B				
	23	Z01A	21B		X06A, X06B, X06C, X33Z	21B	X06A, X06B, X06C, X33Z				
	Pre	A07A	Pre		A07A	23	Z01A				
			BOP, KOP, KOPV, KVT, UOP4				BOP, KOP, KOPV, KVT, UOP4				BOP, KOP, KOPV, KVT, MVV, UOP4
		04	E05A, E05B, E05C, E08A, E08B, E08C			04	E05A, E05B, E05C, E08A, E08B, E08C			04	E05A, E05B, E05C, E08A, E08B, E08C
		06	G33Z			06	G33Z			06	G01Z, G02Z, G15Z, G19A, G19B, G33Z, G38Z
		07	H33Z, H38Z			07	H33Z, H38Z			07	H01A, H33Z, H38Z
		11	L33Z			11	L33Z			11	L33Z
21A		W04A, W04B	17	R01A, R01B, R01C, R01D, R02Z, R12A, R12B		17	R01A, R01B, R01C, R01D, R02Z, R12A, R12B				
21B		X06A, X06B, X06C, X33Z	21A	W04A, W04B		21A	W04A, W04B				
23		Z01A	21B	X06A, X06B, X06C, X33Z		21B	X06A, X06B, X06C, X33Z				
Pre		A07A	Pre	A07A		23	Z01A				

VYK

ZZV	MDC	DRG	ZZV	MDC	DRG	ZZV	MDC	DRG			
5j555.21		BOP, KOP, KOPV, KVT, MVV, UOP4	5j561.x		BOP, KOP, KOPV, KVT, UOP4	5j902		BOP, KOP, KOPV, KVT, UOP4			
	04	E05A, E05B, E05C, E08A, E08B, E08C		04	E06A, E06B, E06C, E08A, E08B, E08C		03	D12A			
	06	G01Z, G02Z, G15Z, G19A, G19B, G33Z, G38Z		06	G33Z		04	E01A, E01B, E02A, E02B, E02C			
	07	H01A, H33Z, H38Z		07	H33Z, H38Z		05	F05Z, F07A, F13A, F21A, F21B, F27A, F27B, F27C, F42Z			
	11	L33Z		11	L33Z		06	G01Z, G02Z, G03B, G10Z, G12A, G12B, G33Z, G38Z			
	17	R01A, R01B, R01C, R01D, R02Z, R12A, R12B		17	R01A, R01B, R01C, R01D, R02Z, R12A, R12B, R12C		07	H06A, H06B, H06C, H33Z, H38Z			
	21A	W04A, W04B		21A	W04A, W04B		08	I23A, I23B, I28A, I28B			
	21B	X06A, X06B, X06C, X33Z		21B	X06A, X06B, X06C		09	J03A, J03B, J04A, J04B, J08A, J08B, J08C, J11A, J11B, J16Z			
	23	Z01A		22	Y01Z, Y03A, Y03B		10	K01Z, K09A, K09B			
	Pre	A07A, A11A, A13A, A13B, A13D		23	Z01A		11	L09A, L09B, L09C, L09D, L33Z, L38Z			
	5j560.0			BOP, KOP, KOPV, KVT, UOP4	5j562			BOP, KOP, KOPV, KVT, UOP4	5k500.01		BOP, KOP, KVT, UOP4
		04		E06A, E06B, E06C, E08A, E08B, E08C			04	E06A, E06B, E06C, E08A, E08B, E08C		04	E36Z
		06		G33Z			06	G33Z		05	F98Z
		07		H33Z, H38Z			07	H33Z, H38Z		06	G36Z
11		L33Z	11	L33Z		08	I26Z				
21A		W04A, W04B	21A	W04A, W04B		11	L33Z				
21B		X06A, X06B, X06C	21B	X06A, X06B		Pre	A06A, A07A, A09A, A11A, A13A				
22		Y01Z, Y03A, Y03B	22	Y01Z, Y03A, Y03B		Pre	A06A, A07A, A09A, A11A, A13A				
23		Z01A	23	Z01A		04	E36Z				
Pre		A07A	Pre	A07A		05	F98Z				
5j560.2			BOP, KOP, KOPV, KVT, UOP4	5j591			BOP, KVT, UOP4	5k500.02			BOP, KOP, KVT, UOP4
		04	E06A, E06B, E06C, E08A, E08B, E08C			04	E02A, E02B, E02C			04	E36Z
		06	G33Z			08	I12A, I12B, I12C, I23A, I23B			05	F98Z
		07	H33Z, H38Z			21A	W04A, W04B			06	G36Z
	11	L33Z	21B		X06A, X06B	08	I26Z				
	17	R01A, R01B, R01C, R01D, R02Z, R12A, R12B, R12C	5j592			11	L33Z				
	21A	W04A, W04B	04		BOP, KVT, UOP4	Pre	A06A, A07A, A09A, A11A, A13A				
	21B	X06A, X06B, X06C	08		E02A, E02B, E02C	04	E36Z				
	22	Y01Z, Y03A, Y03B	21A		W04A, W04B	05	F98Z				
	23	Z01A	21B		X06A, X06B	06	G36Z				
	Pre	A07A	5j593			08	I26Z				
	5j561.0		BOP, KOP, KOPV, KVT, UOP4		5j595.1		BOP, KVT, UOP4		5k500.03		BOP, KOP, KVT, UOP4
		04	E06A, E06B, E06C, E08A, E08B, E08C			04	E02A, E02B, E02C			04	E36Z
		06	G33Z			08	I28A, I28B			05	F98Z
07		H33Z, H38Z	21A	W04A, W04B		06	G36Z				
11		L33Z	21B	X06A, X06B		08	I26Z				
17		R01A, R01B, R01C, R01D, R02Z, R12A, R12B, R12C	5j595.2			11	L33Z				
21A		W04A, W04B	04	BOP, KVT, UOP4		Pre	A06A, A07A, A09A, A11A, A13A				
21B		X06A, X06B, X06C	08	E02A, E02B, E02C		04	E36Z				
22		Y01Z, Y03A, Y03B	08	I28A, I28B		05	F98Z				
23		Z01A	21A	W04A, W04B		06	G36Z				
Pre		A07A	21B	X06A, X06B		08	I26Z				
5j561.2			BOP, KOP, KOPV, KVT, UOP4	5j597			BOP, KVT, UOP4	5k500.0x			BOP, KOP, KVT, UOP4
		04	E06A, E06B, E06C, E08A, E08B, E08C			04	E02A, E02B, E02C			04	E36Z
		06	G33Z			08	I12A, I12B, I12C, I23A, I23B			05	F98Z
	07	H33Z, H38Z	21A		W04A, W04B	06	G36Z				
	11	L33Z	21B		X06A, X06B	08	I26Z				
	17	R01A, R01B, R01C, R01D, R02Z, R12A, R12B, R12C	5j597			11	L33Z				
	21A	W04A, W04B	04		BOP, KVT, UOP4	Pre	A06A, A07A, A09A, A11A, A13A				
	21B	X06A, X06B, X06C	08		E02A, E02B, E02C	04	E36Z				
	22	Y01Z, Y03A, Y03B	08		I12A, I12B, I12C, I23A, I23B	05	F98Z				
	23	Z01A	21A		W04A, W04B	06	G36Z				
	Pre	A07A	21B		X06A, X06B	08	I26Z				
	5j562.0		BOP, KOP, KOPV, KVT, UOP4		5j599		BOP, KVT, UOP4		5k500.11		KOP
		04	E06A, E06B, E06C, E08A, E08B, E08C			04	E02A, E02B, E02C			04	E36Z
		06	G33Z			08	I28A, I28B			05	F98Z
07		H33Z, H38Z	21A	W04A, W04B		06	G36Z				
11		L33Z	21B	X06A, X06B		08	I26Z				
17		R01A, R01B, R01C, R01D, R02Z, R12A, R12B, R12C	5j599			11	L33Z				
21A		W04A, W04B	04	BOP, KVT, UOP4		Pre	A06A, A07A, A09A, A11A, A13A				
21B		X06A, X06B, X06C	08	E02A, E02B, E02C		04	E36Z				
22		Y01Z, Y03A, Y03B	08	I28A, I28B		05	F98Z				
23		Z01A	21A	W04A, W04B		06	G36Z				
Pre		A07A	21B	X06A, X06B		08	I26Z				

VYK

ZZV	MDC	DRG	ZZV	MDC	DRG	ZZV	MDC	DRG			
5k500.12		KOP	5k510.3		BOP, KOP, KOPV, KVT, UOP4	5k512.2		BOP, KOP, KOPV, KVT, UOP4			
	04	E36Z		05	F01A, F01B, F01D, F03A, F03B, F03C, F03D, F03E, F03F, F05Z, F30Z, F36A, F36B, F42Z		05	F01A, F01B, F01D, F03A, F03B, F03C, F03D, F03E, F03F, F05Z, F30Z, F36A, F36B, F42Z			
	05	F98Z		06	G33Z		06	G33Z			
	06	G36Z		07	H33Z, H38Z		07	H33Z, H38Z			
	08	I26Z		11	L33Z		11	L33Z			
	11	L33Z		15	P02A, P02B, P02C		15	P02A, P02B, P02C			
5k500.13	Pre	A06A, A07A, A09A, A11A, A13A	21B	X33Z	21B	X33Z					
	04	E36Z	23	Z01A	23	Z01A					
	05	F98Z	Pre	A06A, A07A, A09A, A11A, A13A	Pre	A06A, A07A, A09A, A11A, A13A					
	06	G36Z	5k510.4		BOP, KOP, KOPV, KVT, UOP4	5k512.3		BOP, KOP, KOPV, KVT, UOP4			
	08	I26Z		05	F01A, F01B, F01D, F03A, F03B, F03C, F03D, F03E, F03F, F05Z, F30Z, F36A, F36B, F42Z		05	F01A, F01B, F01D, F03A, F03B, F03C, F03D, F03E, F03F, F05Z, F30Z, F36A, F36B, F42Z			
	11	L33Z		06	G33Z		06	G33Z			
Pre	A06A, A07A, A09A, A11A, A13A	07		H33Z, H38Z	07		H33Z, H38Z				
5k500.1x	KOP	5k501.0		11	L33Z		11	L33Z			
	04			E36Z	15		P02A, P02B, P02C	15	P02A, P02B, P02C		
	05		F98Z	21B	X33Z	21B	X33Z				
	06		G36Z	23	Z01A	23	Z01A				
	08		I26Z	Pre	A06A, A07A, A09A, A11A, A13A	Pre	A06A, A07A, A09A, A11A, A13A				
	11		L33Z	5k510.5		BOP, KOP, KOPV, KVT, UOP4	5k512.4		BOP, KOP, KOPV, KVT, UOP4		
Pre	A06A, A07A, A09A, A11A, A13A	05	F01A, F01B, F01D, F03A, F03B, F03C, F03D, F03E, F03F, F05Z, F30Z, F36A, F36B, F42Z		05	F01A, F01B, F01D, F03A, F03B, F03C, F03D, F03E, F03F, F05Z, F30Z, F36A, F36B, F42Z					
5k501.0	BOP, KOP, KVT, UOP4	06	G33Z		06	G33Z					
	04	E36Z	07		H33Z, H38Z	07		H33Z, H38Z			
	05	F98Z	11		L33Z	11		L33Z			
	06	G36Z	15		P02A, P02B, P02C	15		P02A, P02B, P02C			
	08	I26Z	21B	X33Z	21B	X33Z					
	11	L33Z	23	Z01A	23	Z01A					
5k502.0	Pre	A06A, A07A, A09A, A11A, A13A	Pre	A06A, A07A, A09A, A11A, A13A	Pre	A06A, A07A, A09A, A11A, A13A					
	BOP, KOP, KVT, UOP4	5k503.0		BOP, KOP, KOPV, KVT, UOP4	5k512.x		BOP, KOP, KOPV, KVT, UOP4				
	04		E36Z	05		F01A, F01B, F01D, F03A, F03B, F03C, F03D, F03E, F03F, F05Z, F30Z, F36A, F36B, F42Z	05	F01A, F01B, F01D, F03A, F03B, F03C, F03D, F03E, F03F, F05Z, F30Z, F36A, F36B, F42Z			
	05		F98Z	06		G33Z	06	G33Z			
	06		G36Z	07		H33Z, H38Z	07	H33Z, H38Z			
	08		I26Z	11		L33Z	11	L33Z			
11	L33Z		15	P02A, P02B, P02C		15	P02A, P02B, P02C				
5k503.0	Pre	A06A, A07A, A09A, A11A, A13A	21B	X33Z	21B	X33Z					
	BOP, KOP, KVT, UOP4	5k503.1	23	Z01A	23	Z01A					
	04		E36Z	Pre	A06A, A07A, A09A, A11A, A13A	Pre	A06A, A07A, A09A, A11A, A13A				
	05		F98Z	5k510.x		BOP, KOP, KOPV, KVT, UOP4	5k513.1		BOP, KOP, KOPV, KVT, UOP4		
	06		G36Z		05	F01A, F01B, F01D, F03A, F03B, F03C, F03D, F03E, F03F, F05Z, F30Z, F36A, F36B, F42Z		05	F01A, F01B, F01D, F03A, F03B, F03C, F03D, F03E, F03F, F05Z, F30Z, F36A, F36B, F42Z		
	08		I26Z		06	G33Z		06	G33Z		
11	L33Z		07		H33Z, H38Z	07		H33Z, H38Z			
Pre	A06A, A07A, A09A, A11A, A13A	11	L33Z		11	L33Z					
5k503.1	05	F01A, F01B, F01D, F19A, F19B, F19C	15		P02A, P02B, P02C	15		P02A, P02B, P02C			
	5k505.0	05	F01A, F01B, F01D, F19A, F19B, F19C	21B	X33Z	21B	X33Z				
		5k50x	05	F01A, F01B, F01D, F19A, F19B, F19C	23	Z01A	23	Z01A			
			5k510.2	BOP, KOP, KOPV, KVT, UOP4	Pre	A06A, A07A, A09A, A11A, A13A	Pre	A06A, A07A, A09A, A11A, A13A			
				05	F01A, F01B, F01D, F03A, F03B, F03C, F03D, F03E, F03F, F05Z, F30Z, F36A, F36B, F42Z	5k512.1		BOP, KOP, KOPV, KVT, UOP4	5k513.1		BOP, KOP, KOPV, KVT, UOP4
				06	G33Z		05	F01A, F01B, F01D, F03A, F03B, F03C, F03D, F03E, F03F, F05Z, F30Z, F36A, F36B, F42Z		05	F01A, F01B, F01D, F03A, F03B, F03C, F03D, F03E, F03F, F05Z, F30Z, F36A, F36B, F42Z
07				H33Z, H38Z	06		G33Z	06		G33Z	
11	L33Z			07	H33Z, H38Z		07	H33Z, H38Z			
15	P02A, P02B, P02C	11		L33Z	11		L33Z				
21B	X33Z	15	P02A, P02B, P02C	15	P02A, P02B, P02C						
23	Z01A	21B	X33Z	21B	X33Z						
Pre	A06A, A07A, A09A, A11A, A13A	23	Z01A	23	Z01A						
		Pre	A06A, A07A, A09A, A11A, A13A	Pre	A06A, A07A, A09A, A11A, A13A						

ZZV	MDC	DRG	ZZV	MDC	DRG	ZZV	MDC	DRG
5k513.2		BOP, KOP, KOPV, KVT, UOP4	5k514.2		BOP, KOP, KOPV, KVT, UOP4	5k516.2		BOP, KOP, KOPV, KVT, UOP4
	05	F01A, F01B, F01D, F03A, F03B, F03C, F03D, F03E, F03F, F05Z, F30Z, F36A, F36B, F42Z		05	F01A, F01B, F01D, F03A, F03B, F03C, F03D, F03E, F03F, F05Z, F30Z, F36A, F36B, F42Z		05	F01A, F01B, F01D, F03A, F03B, F03C, F03D, F03E, F03F, F05Z, F30Z, F36A, F36B, F42Z
	06	G33Z		06	G33Z		06	G33Z
	07	H33Z, H38Z		07	H33Z, H38Z		07	H33Z, H38Z
	11	L33Z		11	L33Z		11	L33Z
	15	P02A, P02B, P02C		15	P02A, P02B, P02C		15	P02A, P02B, P02C
	21B	X33Z		21B	X33Z		21B	X33Z
	23	Z01A		23	Z01A		23	Z01A
	Pre	A06A, A07A, A09A, A11A, A13A		Pre	A06A, A07A, A09A, A11A, A13A		Pre	A06A, A07A, A09A, A11A, A13A
5k513.3		BOP, KOP, KOPV, KVT, UOP4	5k514.3		BOP, KOP, KOPV, KVT, UOP4	5k516.3		BOP, KOP, KOPV, KVT, UOP4
	05	F01A, F01B, F01D, F03A, F03B, F03C, F03D, F03E, F03F, F05Z, F30Z, F36A, F36B, F42Z		05	F01A, F01B, F01D, F03A, F03B, F03C, F03D, F03E, F03F, F05Z, F30Z, F36A, F36B, F42Z		05	F01A, F01B, F01D, F03A, F03B, F03C, F03D, F03E, F03F, F05Z, F30Z, F36A, F36B, F42Z
	06	G33Z		06	G33Z		06	G33Z
	07	H33Z, H38Z		07	H33Z, H38Z		07	H33Z, H38Z
	11	L33Z		11	L33Z		11	L33Z
	15	P02A, P02B, P02C		15	P02A, P02B, P02C		15	P02A, P02B, P02C
	21B	X33Z		21B	X33Z		21B	X33Z
	23	Z01A		23	Z01A		23	Z01A
	Pre	A06A, A07A, A09A, A11A, A13A		Pre	A06A, A07A, A09A, A11A, A13A		Pre	A06A, A07A, A09A, A11A, A13A
5k513.4		BOP, KOP, KOPV, KVT, UOP4	5k514.4		BOP, KOP, KOPV, KVT, UOP4	5k516.4		BOP, KOP, KOPV, KVT, UOP4
	05	F01A, F01B, F01D, F03A, F03B, F03C, F03D, F03E, F03F, F05Z, F30Z, F36A, F36B, F42Z		05	F01A, F01B, F01D, F03A, F03B, F03C, F03D, F03E, F03F, F05Z, F30Z, F36A, F36B, F42Z		05	F01A, F01B, F01D, F03A, F03B, F03C, F03D, F03E, F03F, F05Z, F30Z, F36A, F36B, F42Z
	06	G33Z		06	G33Z		06	G33Z
	07	H33Z, H38Z		07	H33Z, H38Z		07	H33Z, H38Z
	11	L33Z		11	L33Z		11	L33Z
	15	P02A, P02B, P02C		15	P02A, P02B, P02C		15	P02A, P02B, P02C
	21B	X33Z		21B	X33Z		21B	X33Z
	23	Z01A		23	Z01A		23	Z01A
	Pre	A06A, A07A, A09A, A11A, A13A		Pre	A06A, A07A, A09A, A11A, A13A		Pre	A06A, A07A, A09A, A11A, A13A
5k513.x		BOP, KOP, KOPV, KVT, UOP4	5k514.x		BOP, KOP, KOPV, KVT, UOP4	5k516.x		BOP, KOP, KOPV, KVT, UOP4
	05	F01A, F01B, F01D, F03A, F03B, F03C, F03D, F03E, F03F, F05Z, F30Z, F36A, F36B, F42Z		05	F01A, F01B, F01D, F03A, F03B, F03C, F03D, F03E, F03F, F05Z, F30Z, F36A, F36B, F42Z		05	F01A, F01B, F01D, F03A, F03B, F03C, F03D, F03E, F03F, F05Z, F30Z, F36A, F36B, F42Z
	06	G33Z		06	G33Z		06	G33Z
	07	H33Z, H38Z		07	H33Z, H38Z		07	H33Z, H38Z
	11	L33Z		11	L33Z		11	L33Z
	15	P02A, P02B, P02C		15	P02A, P02B, P02C		15	P02A, P02B, P02C
	21B	X33Z		21B	X33Z		21B	X33Z
	23	Z01A		23	Z01A		23	Z01A
	Pre	A06A, A07A, A09A, A11A, A13A		Pre	A06A, A07A, A09A, A11A, A13A		Pre	A06A, A07A, A09A, A11A, A13A
5k514.1		BOP, KOP, KOPV, KVT, UOP4	5k516.1		BOP, KOP, KOPV, KVT, UOP4	5k51x.1		BOP, KOP, KOPV, KVT, UOP4
	05	F01A, F01B, F01D, F03A, F03B, F03C, F03D, F03E, F03F, F05Z, F30Z, F36A, F36B, F42Z		05	F01A, F01B, F01D, F03A, F03B, F03C, F03D, F03E, F03F, F05Z, F30Z, F36A, F36B, F42Z		05	F01A, F01B, F01D, F03A, F03B, F03C, F03D, F03E, F03F, F05Z, F30Z, F36A, F36B, F42Z
	06	G33Z		06	G33Z		06	G33Z
	07	H33Z, H38Z		07	H33Z, H38Z		07	H33Z, H38Z
	11	L33Z		11	L33Z		11	L33Z
	15	P02A, P02B, P02C		15	P02A, P02B, P02C		15	P02A, P02B, P02C
	21B	X33Z		21B	X33Z		21B	X33Z
	23	Z01A		23	Z01A		23	Z01A
	Pre	A06A, A07A, A09A, A11A, A13A		Pre	A06A, A07A, A09A, A11A, A13A		Pre	A06A, A07A, A09A, A11A, A13A

ZZV	MDC	DRG	ZZV	MDC	DRG	ZZV	MDC	DRG
5k51x.2		BOP, KOP, KOPV, KVT, UOP4	5k520.1		BOP, KOP, KOPV, KVT, UOP4	5k520.6		BOP, KOP, KOPV, KVT, UOP4
	05	F01A, F01B, F01D, F03A, F03B, F03C, F03D, F03E, F03F, F05Z, F30Z, F36A, F36B, F42Z		05	F01A, F01B, F01D, F03A, F03B, F03C, F03D, F03E, F03F, F05Z, F30Z, F36A, F36B, F42Z		05	F01A, F01B, F01D, F03A, F03B, F03C, F03D, F03E, F03F, F05Z, F30Z, F36A, F36B, F42Z
	06	G33Z		06	G33Z		06	G33Z
	07	H33Z, H38Z		07	H33Z, H38Z		07	H33Z, H38Z
	11	L33Z		11	L33Z		11	L33Z
	15	P02A, P02B, P02C		15	P02A, P02B, P02C		15	P02A, P02B, P02C
	21B	X33Z		21B	X33Z		21B	X33Z
	23	Z01A		23	Z01A		23	Z01A
	Pre	A06A, A07A, A09A, A11A, A13A		Pre	A06A, A07A, A09A, A11A, A13A		Pre	A06A, A07A, A09A, A11A, A13A
5k51x.3		BOP, KOP, KOPV, KVT, UOP4	5k520.2		BOP, KOP, KOPV, KVT, UOP4	5k520.x		BOP, KOP, KOPV, KVT, UOP4
	05	F01A, F01B, F01D, F03A, F03B, F03C, F03D, F03E, F03F, F05Z, F30Z, F36A, F36B, F42Z		05	F01A, F01B, F01D, F03A, F03B, F03C, F03D, F03E, F03F, F05Z, F30Z, F36A, F36B, F42Z		05	F01A, F01B, F01D, F03A, F03B, F03C, F03D, F03E, F03F, F05Z, F30Z, F36A, F36B, F42Z
	06	G33Z		06	G33Z		06	G33Z
	07	H33Z, H38Z		07	H33Z, H38Z		07	H33Z, H38Z
	11	L33Z		11	L33Z		11	L33Z
	15	P02A, P02B, P02C		15	P02A, P02B, P02C		15	P02A, P02B, P02C
	21B	X33Z		21B	X33Z		21B	X33Z
	23	Z01A		23	Z01A		23	Z01A
	Pre	A06A, A07A, A09A, A11A, A13A		Pre	A06A, A07A, A09A, A11A, A13A		Pre	A06A, A07A, A09A, A11A, A13A
5k51x.4		BOP, KOP, KOPV, KVT, UOP4	5k520.3		BOP, KOP, KOPV, KVT, UOP4	5k522.0		BOP, KOP, KOPV, KVT, UOP4
	05	F01A, F01B, F01D, F03A, F03B, F03C, F03D, F03E, F03F, F05Z, F30Z, F36A, F36B, F42Z		05	F01A, F01B, F01D, F03A, F03B, F03C, F03D, F03E, F03F, F05Z, F30Z, F36A, F36B, F42Z		05	F01A, F01B, F01D, F03A, F03B, F03C, F03D, F03E, F03F, F05Z, F30Z, F36A, F36B, F42Z
	06	G33Z		06	G33Z		06	G33Z
	07	H33Z, H38Z		07	H33Z, H38Z		07	H33Z, H38Z
	11	L33Z		11	L33Z		11	L33Z
	15	P02A, P02B, P02C		15	P02A, P02B, P02C		15	P02A, P02B, P02C
	21B	X33Z		21B	X33Z		21B	X33Z
	23	Z01A		23	Z01A		23	Z01A
	Pre	A06A, A07A, A09A, A11A, A13A		Pre	A06A, A07A, A09A, A11A, A13A		Pre	A06A, A07A, A09A, A11A, A13A
5k51x.x		BOP, KOP, KOPV, KVT, UOP4	5k520.4		BOP, KOP, KOPV, KVT, UOP4	5k522.1		BOP, KOP, KOPV, KVT, UOP4
	05	F01A, F01B, F01D, F03A, F03B, F03C, F03D, F03E, F03F, F05Z, F30Z, F36A, F36B, F42Z		05	F01A, F01B, F01D, F03A, F03B, F03C, F03D, F03E, F03F, F05Z, F30Z, F36A, F36B, F42Z		05	F01A, F01B, F01D, F03A, F03B, F03C, F03D, F03E, F03F, F05Z, F30Z, F36A, F36B, F42Z
	06	G33Z		06	G33Z		06	G33Z
	07	H33Z, H38Z		07	H33Z, H38Z		07	H33Z, H38Z
	11	L33Z		11	L33Z		11	L33Z
	15	P02A, P02B, P02C		15	P02A, P02B, P02C		15	P02A, P02B, P02C
	21B	X33Z		21B	X33Z		21B	X33Z
	23	Z01A		23	Z01A		23	Z01A
	Pre	A06A, A07A, A09A, A11A, A13A		Pre	A06A, A07A, A09A, A11A, A13A		Pre	A06A, A07A, A09A, A11A, A13A
5k520.0		BOP, KOP, KOPV, KVT, UOP4	5k520.5		BOP, KOP, KOPV, KVT, UOP4	5k522.2		BOP, KOP, KOPV, KVT, UOP4
	05	F01A, F01B, F01D, F03A, F03B, F03C, F03D, F03E, F03F, F05Z, F30Z, F36A, F36B, F42Z		05	F01A, F01B, F01D, F03A, F03B, F03C, F03D, F03E, F03F, F05Z, F30Z, F36A, F36B, F42Z		05	F01A, F01B, F01D, F03A, F03B, F03C, F03D, F03E, F03F, F05Z, F30Z, F36A, F36B, F42Z
	06	G33Z		06	G33Z		06	G33Z
	07	H33Z, H38Z		07	H33Z, H38Z		07	H33Z, H38Z
	11	L33Z		11	L33Z		11	L33Z
	15	P02A, P02B, P02C		15	P02A, P02B, P02C		15	P02A, P02B, P02C
	21B	X33Z		21B	X33Z		21B	X33Z
	23	Z01A		23	Z01A		23	Z01A
	Pre	A06A, A07A, A09A, A11A, A13A		Pre	A06A, A07A, A09A, A11A, A13A		Pre	A06A, A07A, A09A, A11A, A13A

VYK

ZZV	MDC	DRG	ZZV	MDC	DRG	ZZV	MDC	DRG
5k522.3		BOP, KOP, KOPV, KVT, UOP4	5k524.3		BOP, KOP, KOPV, KVT, UOP4	5k526.1		BOP, KOP, KOPV, KVT, UOP4
	05	F01A, F01B, F01D, F03A, F03B, F03C, F03D, F03E, F03F, F05Z, F30Z, F36A, F36B, F42Z		05	F01A, F01B, F01D, F03A, F03B, F03C, F03D, F03E, F03F, F05Z, F30Z, F36A, F36B, F42Z		05	F01A, F01B, F01D, F03A, F03B, F03C, F03D, F03E, F03F, F05Z, F30Z, F36A, F36B, F42Z
	06	G33Z		06	G33Z		06	G33Z
	07	H33Z, H38Z		07	H33Z, H38Z		07	H33Z, H38Z
	11	L33Z		11	L33Z		11	L33Z
	15	P02A, P02B, P02C		15	P02A, P02B, P02C		15	P02A, P02B, P02C
	21B	X33Z		21B	X33Z		21B	X33Z
	23	Z01A		23	Z01A		23	Z01A
	Pre	A06A, A07A, A09A, A11A, A13A		Pre	A06A, A07A, A09A, A11A, A13A		Pre	A06A, A07A, A09A, A11A, A13A
5k522.x		BOP, KOP, KOPV, KVT, UOP4	5k524.4		BOP, KOP, KOPV, KVT, UOP4	5k526.2		BOP, KOP, KOPV, KVT, UOP4
	05	F01A, F01B, F01D, F03A, F03B, F03C, F03D, F03E, F03F, F05Z, F30Z, F36A, F36B, F42Z		05	F01A, F01B, F01D, F03A, F03B, F03C, F03D, F03E, F03F, F05Z, F30Z, F36A, F36B, F42Z		05	F01A, F01B, F01D, F03A, F03B, F03C, F03D, F03E, F03F, F05Z, F30Z, F36A, F36B, F42Z
	06	G33Z		06	G33Z		06	G33Z
	07	H33Z, H38Z		07	H33Z, H38Z		07	H33Z, H38Z
	11	L33Z		11	L33Z		11	L33Z
	15	P02A, P02B, P02C		15	P02A, P02B, P02C		15	P02A, P02B, P02C
	21B	X33Z		21B	X33Z		21B	X33Z
	23	Z01A		23	Z01A		23	Z01A
	Pre	A06A, A07A, A09A, A11A, A13A		Pre	A06A, A07A, A09A, A11A, A13A		Pre	A06A, A07A, A09A, A11A, A13A
5k524.0		BOP, KOP, KOPV, KVT, UOP4	5k524.5		BOP, KOP, KOPV, KVT, UOP4	5k526.3		BOP, KOP, KOPV, KVT, UOP4
	05	F01A, F01B, F01D, F03A, F03B, F03C, F03D, F03E, F03F, F05Z, F30Z, F36A, F36B, F42Z		05	F01A, F01B, F01D, F03A, F03B, F03C, F03D, F03E, F03F, F05Z, F30Z, F36A, F36B, F42Z		05	F01A, F01B, F01D, F03A, F03B, F03C, F03D, F03E, F03F, F05Z, F30Z, F36A, F36B, F42Z
	06	G33Z		06	G33Z		06	G33Z
	07	H33Z, H38Z		07	H33Z, H38Z		07	H33Z, H38Z
	11	L33Z		11	L33Z		11	L33Z
	15	P02A, P02B, P02C		15	P02A, P02B, P02C		15	P02A, P02B, P02C
	21B	X33Z		21B	X33Z		21B	X33Z
	23	Z01A		23	Z01A		23	Z01A
	Pre	A06A, A07A, A09A, A11A, A13A		Pre	A06A, A07A, A09A, A11A, A13A		Pre	A06A, A07A, A09A, A11A, A13A
5k524.1		BOP, KOP, KOPV, KVT, UOP4	5k524.x		BOP, KOP, KOPV, KVT, UOP4	5k526.x		BOP, KOP, KOPV, KVT, UOP4
	05	F01A, F01B, F01D, F03A, F03B, F03C, F03D, F03E, F03F, F05Z, F30Z, F36A, F36B, F42Z		05	F01A, F01B, F01D, F03A, F03B, F03C, F03D, F03E, F03F, F05Z, F30Z, F36A, F36B, F42Z		05	F01A, F01B, F01D, F03A, F03B, F03C, F03D, F03E, F03F, F05Z, F30Z, F36A, F36B, F42Z
	06	G33Z		06	G33Z		06	G33Z
	07	H33Z, H38Z		07	H33Z, H38Z		07	H33Z, H38Z
	11	L33Z		11	L33Z		11	L33Z
	15	P02A, P02B, P02C		15	P02A, P02B, P02C		15	P02A, P02B, P02C
	21B	X33Z		21B	X33Z		21B	X33Z
	23	Z01A		23	Z01A		23	Z01A
	Pre	A06A, A07A, A09A, A11A, A13A		Pre	A06A, A07A, A09A, A11A, A13A		Pre	A06A, A07A, A09A, A11A, A13A
5k524.2		BOP, KOP, KOPV, KVT, UOP4	5k526.0		BOP, KOP, KOPV, KVT, UOP4	5k530.0		BOP, KOP, KOPV, KVT, UOP4
	05	F01A, F01B, F01D, F03A, F03B, F03C, F03D, F03E, F03F, F05Z, F30Z, F36A, F36B, F42Z		05	F01A, F01B, F01D, F03A, F03B, F03C, F03D, F03E, F03F, F05Z, F30Z, F36A, F36B, F42Z		05	F01A, F01B, F01D, F03A, F03B, F03C, F03D, F03E, F03F, F05Z, F30Z, F36A, F36B, F42Z
	06	G33Z		06	G33Z		06	G33Z
	07	H33Z, H38Z		07	H33Z, H38Z		07	H33Z, H38Z
	11	L33Z		11	L33Z		11	L33Z
	15	P02A, P02B, P02C		15	P02A, P02B, P02C		15	P02A, P02B, P02C
	21B	X33Z		21B	X33Z		21B	X33Z
	23	Z01A		23	Z01A		23	Z01A
	Pre	A06A, A07A, A09A, A11A, A13A		Pre	A06A, A07A, A09A, A11A, A13A		Pre	A06A, A07A, A09A, A11A, A13A

ZZV	MDC	DRG	ZZV	MDC	DRG	ZZV	MDC	DRG
5k530.1		BOP, KOP, KOPV, KVT, UOP4	5k534		BOP, KOP, KOPV, KVT, UOP4	5k537.1		BOP, KOP, KOPV, KVT, UOP4
	05	F01A, F01B, F01D, F03A, F03B, F03C, F03D, F03E, F03F, F05Z, F30Z, F36A, F36B, F42Z		05	F01A, F01B, F01D, F03A, F03B, F03C, F03D, F03E, F03F, F05Z, F07A, F07B, F30Z, F36A, F36B, F42Z		05	F01A, F01B, F01D, F03A, F03B, F03C, F03D, F03E, F03F, F05Z, F07A, F07B, F30Z, F36A, F36B, F42Z
	06	G33Z		06	G33Z		06	G33Z
	07	H33Z, H38Z		07	H33Z, H38Z		07	H33Z, H38Z
	11	L33Z		11	L33Z		11	L33Z
	15	P02A, P02B, P02C		15	P02A, P02B, P02C		15	P02A, P02B, P02C
	21B	X33Z		21B	X33Z		21B	X33Z
	23	Z01A		23	Z01A		23	Z01A
	Pre	A06A, A07A, A09A, A11A, A13A		Pre	A06A, A07A, A09A, A11A, A13A		Pre	A06A, A07A, A09A, A11A, A13A
	5k531			BOP, KOP, KOPV, KVT, UOP4	5k535			BOP, KOP, KOPV, KVT, UOP4
05		F01A, F01B, F01D, F03A, F03B, F03C, F03D, F03E, F03F, F05Z, F30Z, F36A, F36B, F42Z	05	F01A, F01B, F01D, F03A, F03B, F03C, F03D, F03E, F03F, F05Z, F07A, F07B, F30Z, F36A, F36B, F42Z		05	F01A, F01B, F01D, F03A, F03B, F03C, F03D, F03E, F03F, F05Z, F07A, F07B, F30Z, F36A, F36B, F42Z	
06		G33Z	06	G33Z		06	G33Z	
07		H33Z, H38Z	07	H33Z, H38Z		07	H33Z, H38Z	
11		L33Z	11	L33Z		11	L33Z	
15		P02A, P02B, P02C	15	P02A, P02B, P02C		15	P02A, P02B, P02C	
21B		X33Z	21B	X33Z		21B	X33Z	
23		Z01A	23	Z01A		23	Z01A	
Pre		A06A, A07A, A09A, A11A, A13A	Pre	A06A, A07A, A09A, A11A, A13A		Pre	A06A, A07A, A09A, A11A, A13A	
5k532			BOP, KOP, KOPV, KVT, UOP4	5k536.0			BOP, KOP, KOPV, KVT, UOP4	5k540.0
	05	F01A, F01B, F01D, F03A, F03B, F03C, F03D, F03E, F03F, F05Z, F07A, F07B, F30Z, F36A, F36B, F42Z	05		F01A, F01B, F01D, F03A, F03B, F03C, F03D, F03E, F03F, F05Z, F30Z, F36A, F36B, F42Z	05	F01A, F01B, F01D, F03A, F03B, F03C, F03D, F03E, F03F, F05Z, F30Z, F36A, F36B, F42Z	
	06	G33Z	06		G33Z	06	G33Z	
	07	H33Z, H38Z	07		H33Z, H38Z	07	H33Z, H38Z	
	11	L33Z	11		L33Z	11	L33Z	
	15	P02A, P02B, P02C	15		P02A, P02B, P02C	15	P02A, P02B, P02C	
	21B	X33Z	21B		X33Z	21B	X33Z	
	23	Z01A	23		Z01A	23	Z01A	
	Pre	A06A, A07A, A09A, A11A, A13A	Pre		A06A, A07A, A09A, A11A, A13A	Pre	A07A	
	5k533.0		BOP, KOP, KOPV, KVT, UOP4		5k536.1		BOP, KOP, KOPV, KVT, UOP4	
05		F01A, F01B, F01D, F03A, F03B, F03C, F03D, F03E, F03F, F05Z, F30Z, F36A, F36B, F42Z	05	F01A, F01B, F01D, F03A, F03B, F03C, F03D, F03E, F03F, F05Z, F07A, F07B, F30Z, F36A, F36B, F42Z		05	F01A, F01B, F01D, F03A, F03B, F03C, F03D, F03E, F03F, F05Z, F30Z, F36A, F36B, F42Z	
06		G33Z	06	G33Z		06	G33Z	
07		H33Z, H38Z	07	H33Z, H38Z		07	H33Z, H38Z	
11		L33Z	11	L33Z		11	L33Z	
15		P02A, P02B, P02C	15	P02A, P02B, P02C		15	P02A, P02B, P02C	
21B		X33Z	21B	X33Z		21B	X33Z	
23		Z01A	23	Z01A		23	Z01A	
Pre		A06A, A07A, A09A, A11A, A13A	Pre	A06A, A07A, A09A, A11A, A13A		Pre	A07A	
5k533.1			BOP, KOP, KOPV, KVT, UOP4	5k537.0			BOP, KOP, KOPV, KVT, UOP4	5k540.4
	05	F01A, F01B, F01D, F03A, F03B, F03C, F03D, F03E, F03F, F05Z, F30Z, F36A, F36B, F42Z	05		F01A, F01B, F01D, F03A, F03B, F03C, F03D, F03E, F03F, F05Z, F07A, F07B, F30Z, F36A, F36B, F42Z	05	F01A, F01B, F01D, F03A, F03B, F03C, F03D, F03E, F03F, F05Z, F30Z, F36A, F36B, F42Z	
	06	G33Z	06		G33Z	06	G33Z	
	07	H33Z, H38Z	07		H33Z, H38Z	07	H33Z, H38Z	
	11	L33Z	11		L33Z	11	L33Z	
	15	P02A, P02B, P02C	15		P02A, P02B, P02C	15	P02A, P02B, P02C	
	21B	X33Z	21B		X33Z	21B	X33Z	
	23	Z01A	23		Z01A	23	Z01A	
	Pre	A06A, A07A, A09A, A11A, A13A	Pre		A06A, A07A, A09A, A11A, A13A	Pre	A07A	

VYK

ZZV	MDC	DRG	ZZV	MDC	DRG	ZZV	MDC	DRG
5k540.6		BOP, KOP, KOPV, KVT, UOP4	5k550.1		BOP, KOP, KOPV, KVT, UOP4	5k552.0		BOP, KOP, KOPV, KVT, UOP4
	05	F01A, F01B, F01D, F03A, F03B, F03C, F03D, F03E, F03F, F05Z, F30Z, F36A, F36B, F42Z		05	F01A, F01B, F01D, F03B, F03C, F03D, F03E, F05Z, F07A, F07B, F30Z, F36A, F36B, F42Z		05	F01A, F01B, F01D, F03B, F03C, F03D, F03E, F05Z, F07A, F07B, F30Z, F36A, F36B, F42Z
	06	G33Z		06	G33Z		06	G33Z
	07	H33Z, H38Z		07	H33Z, H38Z		07	H33Z, H38Z
	11	L33Z		11	L33Z		11	L33Z
	15	P02A, P02B, P02C		15	P02A, P02B, P02C		15	P02A, P02B, P02C
	21B	X33Z		21B	X33Z		21B	X33Z
	23	Z01A		23	Z01A		23	Z01A
	Pre	A07A		Pre	A06A, A07A, A09A, A11A, A13A		Pre	A06A, A07A, A09A, A11A, A13A
	5k542.0			BOP, KOP, KOPV, KVT, UOP4	5k550.x			BOP, KOP, KOPV, KVT, UOP4
05		F01A, F01B, F01D, F05Z, F07A, F07B, F30Z, F36A, F36B, F42Z	05	F01A, F01B, F01D, F03B, F03C, F03D, F03E, F05Z, F07A, F07B, F30Z, F36A, F36B, F42Z		05	F01A, F01B, F01D, F03B, F03C, F03D, F03E, F05Z, F07A, F07B, F30Z, F36A, F36B, F42Z	
06		G33Z	06	G33Z		06	G33Z	
07		H33Z, H38Z	07	H33Z, H38Z		07	H33Z, H38Z	
11		L33Z	11	L33Z		11	L33Z	
15		P02A, P02B, P02C	15	P02A, P02B, P02C		15	P02A, P02B, P02C	
21B		X33Z	21B	X33Z		21B	X33Z	
23		Z01A	23	Z01A		23	Z01A	
Pre		A07A	Pre	A06A, A07A, A09A, A11A, A13A		Pre	A06A, A07A, A09A, A11A, A13A	
5k542.2			BOP, KOP, KOPV, KVT, UOP4	5k551.0			BOP, KOP, KOPV, KVT, UOP4	5k552.x
	05	F01A, F01B, F01D, F05Z, F07A, F07B, F30Z, F36A, F36B, F42Z	05		F01A, F01B, F01D, F03B, F03C, F03D, F03E, F05Z, F07A, F07B, F30Z, F36A, F36B, F42Z	05	F01A, F01B, F01D, F03B, F03C, F03D, F03E, F05Z, F07A, F07B, F30Z, F36A, F36B, F42Z	
	06	G33Z	06		G33Z	06	G33Z	
	07	H33Z, H38Z	07		H33Z, H38Z	07	H33Z, H38Z	
	11	L33Z	11		L33Z	11	L33Z	
	15	P02A, P02B, P02C	15		P02A, P02B, P02C	15	P02A, P02B, P02C	
	21B	X33Z	21B		X33Z	21B	X33Z	
	23	Z01A	23		Z01A	23	Z01A	
	Pre	A07A	Pre		A06A, A07A, A09A, A11A, A13A	Pre	A06A, A07A, A09A, A11A, A13A	
	5k542.x		BOP, KOP, KOPV, KVT, UOP4		5k551.1		BOP, KOP, KOPV, KVT, UOP4	
05		F01A, F01B, F01D, F05Z, F07A, F07B, F30Z, F36A, F36B, F42Z	05	F01A, F01B, F01D, F03B, F03C, F03D, F03E, F05Z, F07A, F07B, F30Z, F36A, F36B, F42Z		05	F01A, F01B, F01D, F03B, F03C, F03D, F03E, F05Z, F07A, F07B, F30Z, F36A, F36B, F42Z	
06		G33Z	06	G33Z		06	G33Z	
07		H33Z, H38Z	07	H33Z, H38Z		07	H33Z, H38Z	
11		L33Z	11	L33Z		11	L33Z	
15		P02A, P02B, P02C	15	P02A, P02B, P02C		15	P02A, P02B, P02C	
21B		X33Z	21B	X33Z		21B	X33Z	
23		Z01A	23	Z01A		23	Z01A	
Pre		A07A	Pre	A06A, A07A, A09A, A11A, A13A		Pre	A06A, A07A, A09A, A11A, A13A	
5k550.0			BOP, KOP, KOPV, KVT, UOP4	5k551.x			BOP, KOP, KOPV, KVT, UOP4	5k560
	05	F01A, F01B, F01D, F03B, F03C, F03D, F03E, F05Z, F07A, F07B, F30Z, F36A, F36B, F42Z	05		F01A, F01B, F01D, F03B, F03C, F03D, F03E, F05Z, F07A, F07B, F30Z, F36A, F36B, F42Z	04	E05A, E05B, E05C, E08A, E08B, E08C	
	06	G33Z	06		G33Z	05	F01A, F01B, F01D, F03B, F03C, F03D, F03E, F05Z, F07A, F07B, F09A, F09B, F09C, F36A, F36B, F42Z	
	07	H33Z, H38Z	07		H33Z, H38Z	06	G33Z	
	11	L33Z	11		L33Z	07	H33Z, H38Z	
	15	P02A, P02B, P02C	15		P02A, P02B, P02C	11	L33Z	
	21B	X33Z	21B		X33Z	21B	X33Z	
	23	Z01A	23		Z01A	23	Z01A	
	Pre	A06A, A07A, A09A, A11A, A13A	Pre		A06A, A07A, A09A, A11A, A13A	Pre	A06A, A07A, A09A, A11A, A13A	

VYK

ZZV	MDC	DRG	ZZV	MDC	DRG	ZZV	MDC	DRG
5k561.0		BOP, KVT, UOP4	5k568		BOP, KOP, KOPV, KVT, UOP4	5k56x		BOP, KVT, UOP4
	05	F01A, F01B, F01D, F03B, F03C, F03D, F03E, F05Z, F07A, F07B, F09A, F09B, F09C, F30Z, F42Z		05	F01A, F01B, F01D, F03B, F03C, F03D, F03E, F05Z, F07A, F07B, F09A, F09B, F09C, F30Z, F36A, F36B, F42Z		04	E02A, E02B, E02C
5k562	Pre	A06A, A07A, A09A, A11A, A13A		06	G33Z	21A		W04A, W04B
	04	E02A, E02B, E02C		07	H33Z, H38Z	Pre		A06A, A07A, A09A, A11A, A13A
	05	F01A, F01B, F01D, F03B, F03C, F03D, F03E, F05Z, F07A, F07B, F14A, F14B, F28A, F42Z, F54Z, F59A, F59B		11	L33Z	5k570.0		BOP, KOP, KOPV, KVT, UOP4
	10	K09A, K09B		15	P02A, P02B, P02C		05	
Pre	A06A, A07A, A09A, A11A, A13A	5k56d		21B				
5k563		BOP, KVT, UOP4		23	Z01A			
	04	E02A, E02B, E02C		Pre	A06A, A07A, A09A, A11A, A13A			
	05	F01A, F01B, F01D, F03B, F03C, F03D, F03E, F05Z, F07A, F07B, F14A, F14B, F28A, F42Z, F54Z, F59A, F59B		04	E02A, E02B, E02C	06		G33Z
	10	K09A, K09B		05	F01A, F01B, F01D, F03B, F03C, F03D, F03E, F05Z, F07A, F07B, F14A, F14B, F28A, F42Z, F54Z, F59A, F59B	07		H33Z, H38Z
Pre	A06A, A07A, A09A, A11A, A13A			21A				
5k564		BOP, KVT, UOP4	5k56e		BOP, KVT, UOP4	5k570.1		BOP, KOP, KOPV, KVT, UOP4
	04	E02A, E02B, E02C		04	E02A, E02B, E02C		05	
	05	F01A, F01B, F01D, F03B, F03C, F03D, F03E, F05Z, F07A, F07B, F09A, F09B, F09C, F42Z		05	F01A, F01B, F01D, F03B, F03C, F03D, F03E, F05Z, F07A, F07B, F14A, F14B, F28A, F42Z, F54Z, F59A, F59B	06		G33Z
	10	K09A, K09B		21A	W04A, W04B	07		H33Z, H38Z
Pre	A06A, A07A, A09A, A11A, A13A		Pre	A06A, A07A, A09A, A11A, A13A	11		L33Z	
5k565		BOP, KVT, UOP4	5k56g.3		BOP, KVT, UOP4	5k570.2		BOP, KOP, KOPV, KVT, UOP4
	04	E02A, E02B, E02C		04	E02A, E02B, E02C		05	
	05	F01A, F01B, F01D, F03B, F03C, F03D, F03E, F05Z, F07A, F07B, F14A, F14B, F28A, F42Z, F54Z, F59A, F59B		05	F01A, F01B, F01D, F03B, F03C, F03D, F03E, F05Z, F07A, F07B, F14A, F14B, F28A, F42Z, F54Z, F59A, F59B	06		G33Z
	10	K09A, K09B		21A	W04A, W04B	07		H33Z, H38Z
Pre	A06A, A07A, A09A, A11A, A13A		Pre	A06A, A07A, A09A, A11A, A13A	11		L33Z	
5k566		BOP, KVT, UOP4	5k56h.1		BOP, KVT, UOP4	5k570.3		BOP, KOP, KOPV, KVT, UOP4
	05	F01A, F01B, F01D, F03B, F03C, F03D, F03E, F05Z, F07A, F07B, F09A, F09B, F09C, F30Z, F42Z		04	E02A, E02B, E02C		05	
	15	P02A, P02B, P02C		05	F01A, F01B, F01D, F03B, F03C, F03D, F03E, F05Z, F07A, F07B, F14A, F14B, F28A, F42Z, F54Z, F59A, F59B	06		G33Z
	21B	X06A, X06B, X06C		21A	W04A, W04B	07		H33Z, H38Z
Pre	A06A, A07A, A09A, A11A, A13A		Pre	A06A, A07A, A09A, A11A, A13A	11		L33Z	
5k567		BOP, KVT, UOP4	5k56h.2		BOP, KVT, UOP4	5k570.3		BOP, KOP, KOPV, KVT, UOP4
	05	F01A, F01B, F01D, F03B, F03C, F03D, F03E, F05Z, F07A, F07B, F09A, F09B, F09C, F30Z, F42Z		04	E02A, E02B, E02C		05	
	15	P02A, P02B, P02C		05	F01A, F01B, F01D, F03B, F03C, F03D, F03E, F05Z, F07A, F07B, F14A, F14B, F28A, F42Z, F54Z, F59A, F59B	06		G33Z
	Pre	A06A, A07A, A09A, A11A, A13A		21A	W04A, W04B	07		H33Z, H38Z
				Pre	A06A, A07A, A09A, A11A, A13A	11		L33Z
						15		P02A, P02B, P02C
						21B		X33Z
						23		Z01A
						Pre		A06A, A07A, A09A, A11A, A13A

ZZV	MDC	DRG	ZZV	MDC	DRG	ZZV	MDC	DRG
5k570.4		BOP, KOP, KOPV, KVT, UOP4	5k572.0		BOP, KOP, KOPV, KVT, UOP4	5k572.x		BOP, KOP, KOPV, KVT, UOP4
	05	F01A, F01B, F01D, F03A, F03B, F03C, F03D, F03E, F03F, F05Z, F30Z, F36A, F36B, F42Z		05	F01A, F01B, F01D, F03A, F03B, F03C, F03D, F03E, F03F, F05Z, F30Z, F36A, F36B, F42Z		05	F01A, F01B, F01D, F03A, F03B, F03C, F03D, F03E, F03F, F05Z, F30Z, F36A, F36B, F42Z
	06	G33Z		06	G33Z		06	G33Z
	07	H33Z, H38Z		07	H33Z, H38Z		07	H33Z, H38Z
	11	L33Z		11	L33Z		11	L33Z
	15	P02A, P02B, P02C		15	P02A, P02B, P02C		15	P02A, P02B, P02C
	21B	X33Z		21B	X33Z		21B	X33Z
	23	Z01A		23	Z01A		23	Z01A
	Pre	A06A, A07A, A09A, A11A, A13A		Pre	A06A, A07A, A09A, A11A, A13A		Pre	A06A, A07A, A09A, A11A, A13A
5k570.5		BOP, KOP, KOPV, KVT, UOP4	5k572.1		BOP, KOP, KOPV, KVT, UOP4	5k574.0		BOP, KOP, KOPV, KVT, UOP4
	05	F01A, F01B, F01D, F03A, F03B, F03C, F03D, F03E, F03F, F05Z, F07A, F07B, F30Z, F36A, F36B, F42Z		05	F01A, F01B, F01D, F03A, F03B, F03C, F03D, F03E, F03F, F05Z, F30Z, F36A, F36B, F42Z		05	F01A, F01B, F01D, F03A, F03B, F03C, F03D, F03E, F03F, F05Z, F30Z, F36A, F36B, F42Z
	06	G33Z		06	G33Z		06	G33Z
	07	H33Z, H38Z		07	H33Z, H38Z		07	H33Z, H38Z
	11	L33Z		11	L33Z		11	L33Z
	15	P02A, P02B, P02C		15	P02A, P02B, P02C		15	P02A, P02B, P02C
	21B	X33Z		21B	X33Z		21B	X33Z
	23	Z01A		23	Z01A		23	Z01A
	Pre	A06A, A07A, A09A, A11A, A13A		Pre	A06A, A07A, A09A, A11A, A13A		Pre	A06A, A07A, A09A, A11A, A13A
5k570.6		BOP, KOP, KOPV, KVT, UOP4	5k572.2		BOP, KOP, KOPV, KVT, UOP4	5k574.1		BOP, KOP, KOPV, KVT, UOP4
	05	F01A, F01B, F01D, F03A, F03B, F03C, F03D, F03E, F03F, F05Z, F30Z, F36A, F36B, F42Z		05	F01A, F01B, F01D, F03A, F03B, F03C, F03D, F03E, F03F, F05Z, F30Z, F36A, F36B, F42Z		05	F01A, F01B, F01D, F03A, F03B, F03C, F03D, F03E, F03F, F05Z, F30Z, F36A, F36B, F42Z
	06	G33Z		06	G33Z		06	G33Z
	07	H33Z, H38Z		07	H33Z, H38Z		07	H33Z, H38Z
	11	L33Z		11	L33Z		11	L33Z
	15	P02A, P02B, P02C		15	P02A, P02B, P02C		15	P02A, P02B, P02C
	21B	X33Z		21B	X33Z		21B	X33Z
	23	Z01A		23	Z01A		23	Z01A
	Pre	A06A, A07A, A09A, A11A, A13A		Pre	A06A, A07A, A09A, A11A, A13A		Pre	A06A, A07A, A09A, A11A, A13A
5k570.7		BOP, KOP, KOPV, KVT, UOP4	5k572.3		BOP, KOP, KOPV, KVT, UOP4	5k574.2		BOP, KOP, KOPV, KVT, UOP4
	05	F01A, F01B, F01D, F03A, F03B, F03C, F03D, F03E, F03F, F05Z, F30Z, F36A, F36B, F42Z		05	F01A, F01B, F01D, F03A, F03B, F03C, F03D, F03E, F03F, F05Z, F30Z, F36A, F36B, F42Z		05	F01A, F01B, F01D, F03A, F03B, F03C, F03D, F03E, F03F, F05Z, F30Z, F36A, F36B, F42Z
	06	G33Z		06	G33Z		06	G33Z
	07	H33Z, H38Z		07	H33Z, H38Z		07	H33Z, H38Z
	11	L33Z		11	L33Z		11	L33Z
	15	P02A, P02B, P02C		15	P02A, P02B, P02C		15	P02A, P02B, P02C
	21B	X33Z		21B	X33Z		21B	X33Z
	23	Z01A		23	Z01A		23	Z01A
	Pre	A06A, A07A, A09A, A11A, A13A		Pre	A06A, A07A, A09A, A11A, A13A		Pre	A06A, A07A, A09A, A11A, A13A
5k570.x		BOP, KOP, KOPV, KVT, UOP4	5k572.4		BOP, KOP, KOPV, KVT, UOP4	5k574.3		BOP, KOP, KOPV, KVT, UOP4
	05	F01A, F01B, F01D, F03A, F03B, F03C, F03D, F03E, F03F, F05Z, F07A, F07B, F30Z, F36A, F36B, F42Z		05	F01A, F01B, F01D, F03A, F03B, F03C, F03D, F03E, F03F, F05Z, F30Z, F36A, F36B, F42Z		05	F01A, F01B, F01D, F03A, F03B, F03C, F03D, F03E, F03F, F05Z, F30Z, F36A, F36B, F42Z
	06	G33Z		06	G33Z		06	G33Z
	07	H33Z, H38Z		07	H33Z, H38Z		07	H33Z, H38Z
	11	L33Z		11	L33Z		11	L33Z
	15	P02A, P02B, P02C		15	P02A, P02B, P02C		15	P02A, P02B, P02C
	21B	X33Z		21B	X33Z		21B	X33Z
	23	Z01A		23	Z01A		23	Z01A
	Pre	A06A, A07A, A09A, A11A, A13A		Pre	A06A, A07A, A09A, A11A, A13A		Pre	A06A, A07A, A09A, A11A, A13A

VYK

ZZV	MDC	DRG	ZZV	MDC	DRG	ZZV	MDC	DRG
5k574.4		BOP, KOP, KOPV, KVT, UOP4	5k576.2		BOP, KOP, KOPV, KVT, UOP4	5k578.1		BOP, KOP, KOPV, KVT, UOP4
	05	F01A, F01B, F01D, F03A, F03B, F03C, F03D, F03E, F03F, F05Z, F30Z, F36A, F36B, F42Z		05	F01A, F01B, F01D, F03A, F03B, F03C, F03D, F03E, F03F, F05Z, F30Z, F36A, F36B, F42Z		05	F01A, F01B, F01D, F03A, F03B, F03C, F03D, F03E, F03F, F05Z, F30Z, F36A, F36B, F42Z
	06	G33Z		06	G33Z		06	G33Z
	07	H33Z, H38Z		07	H33Z, H38Z		07	H33Z, H38Z
	11	L33Z		11	L33Z		11	L33Z
	15	P02A, P02B, P02C		15	P02A, P02B, P02C		15	P02A, P02B, P02C
	21B	X33Z		21B	X33Z		21B	X33Z
	23	Z01A		23	Z01A		23	Z01A
	Pre	A06A, A07A, A09A, A11A, A13A		Pre	A06A, A07A, A09A, A11A, A13A		Pre	A06A, A07A, A09A, A11A, A13A
5k574.5		BOP, KOP, KOPV, KVT, UOP4	5k576.3		BOP, KOP, KOPV, KVT, UOP4	5k578.2		BOP, KOP, KOPV, KVT, UOP4
	05	F01A, F01B, F01D, F03A, F03B, F03C, F03D, F03E, F03F, F05Z, F07A, F07B, F30Z, F36A, F36B, F42Z		05	F01A, F01B, F01D, F03A, F03B, F03C, F03D, F03E, F03F, F05Z, F30Z, F36A, F36B, F42Z		05	F01A, F01B, F01D, F03A, F03B, F03C, F03D, F03E, F03F, F05Z, F30Z, F36A, F36B, F42Z
	06	G33Z		06	G33Z		06	G33Z
	07	H33Z, H38Z		07	H33Z, H38Z		07	H33Z, H38Z
	11	L33Z		11	L33Z		11	L33Z
	15	P02A, P02B, P02C		15	P02A, P02B, P02C		15	P02A, P02B, P02C
	21B	X33Z		21B	X33Z		21B	X33Z
	23	Z01A		23	Z01A		23	Z01A
	Pre	A06A, A07A, A09A, A11A, A13A		Pre	A06A, A07A, A09A, A11A, A13A		Pre	A06A, A07A, A09A, A11A, A13A
5k574.x		BOP, KOP, KOPV, KVT, UOP4	5k576.4		BOP, KOP, KOPV, KVT, UOP4	5k578.3		BOP, KOP, KOPV, KVT, UOP4
	05	F01A, F01B, F01D, F03A, F03B, F03C, F03D, F03E, F03F, F05Z, F07A, F07B, F30Z, F36A, F36B, F42Z		05	F01A, F01B, F01D, F03A, F03B, F03C, F03D, F03E, F03F, F05Z, F30Z, F36A, F36B, F42Z		05	F01A, F01B, F01D, F03A, F03B, F03C, F03D, F03E, F03F, F05Z, F30Z, F36A, F36B, F42Z
	06	G33Z		06	G33Z		06	G33Z
	07	H33Z, H38Z		07	H33Z, H38Z		07	H33Z, H38Z
	11	L33Z		11	L33Z		11	L33Z
	15	P02A, P02B, P02C		15	P02A, P02B, P02C		15	P02A, P02B, P02C
	21B	X33Z		21B	X33Z		21B	X33Z
	23	Z01A		23	Z01A		23	Z01A
	Pre	A06A, A07A, A09A, A11A, A13A		Pre	A06A, A07A, A09A, A11A, A13A		Pre	A06A, A07A, A09A, A11A, A13A
5k576.0		BOP, KOP, KOPV, KVT, UOP4	5k576.x		BOP, KOP, KOPV, KVT, UOP4	5k578.4		BOP, KOP, KOPV, KVT, UOP4
	05	F01A, F01B, F01D, F03A, F03B, F03C, F03D, F03E, F03F, F05Z, F30Z, F36A, F36B, F42Z		05	F01A, F01B, F01D, F03A, F03B, F03C, F03D, F03E, F03F, F05Z, F30Z, F36A, F36B, F42Z		05	F01A, F01B, F01D, F03A, F03B, F03C, F03D, F03E, F03F, F05Z, F30Z, F36A, F36B, F42Z
	06	G33Z		06	G33Z		06	G33Z
	07	H33Z, H38Z		07	H33Z, H38Z		07	H33Z, H38Z
	11	L33Z		11	L33Z		11	L33Z
	15	P02A, P02B, P02C		15	P02A, P02B, P02C		15	P02A, P02B, P02C
	21B	X33Z		21B	X33Z		21B	X33Z
	23	Z01A		23	Z01A		23	Z01A
	Pre	A06A, A07A, A09A, A11A, A13A		Pre	A06A, A07A, A09A, A11A, A13A		Pre	A06A, A07A, A09A, A11A, A13A
5k576.1		BOP, KOP, KOPV, KVT, UOP4	5k578.0		BOP, KOP, KOPV, KVT, UOP4	5k578.x		BOP, KOP, KOPV, KVT, UOP4
	05	F01A, F01B, F01D, F03A, F03B, F03C, F03D, F03E, F03F, F05Z, F30Z, F36A, F36B, F42Z		05	F01A, F01B, F01D, F03A, F03B, F03C, F03D, F03E, F03F, F05Z, F30Z, F36A, F36B, F42Z		05	F01A, F01B, F01D, F03A, F03B, F03C, F03D, F03E, F03F, F05Z, F30Z, F36A, F36B, F42Z
	06	G33Z		06	G33Z		06	G33Z
	07	H33Z, H38Z		07	H33Z, H38Z		07	H33Z, H38Z
	11	L33Z		11	L33Z		11	L33Z
	15	P02A, P02B, P02C		15	P02A, P02B, P02C		15	P02A, P02B, P02C
	21B	X33Z		21B	X33Z		21B	X33Z
	23	Z01A		23	Z01A		23	Z01A
	Pre	A06A, A07A, A09A, A11A, A13A		Pre	A06A, A07A, A09A, A11A, A13A		Pre	A06A, A07A, A09A, A11A, A13A

VYK

ZZV	MDC	DRG	ZZV	MDC	DRG	ZZV	MDC	DRG
5k57a.0		BOP, KOP, KOPV, KVT, UOP4	5k57a.x		BOP, KOP, KOPV, KVT, UOP4	5k581.x		BOP, KOP, KOPV, KVT, UOP4
	05	F01A, F01B, F01D, F03A, F03B, F03C, F03D, F03E, F03F, F05Z, F30Z, F36A, F36B, F42Z		05	F01A, F01B, F01D, F03A, F03B, F03C, F03D, F03E, F03F, F05Z, F30Z, F36A, F36B, F42Z		05	F01A, F01B, F01D, F05Z, F07A, F07B, F30Z, F36A, F36B, F42Z
	06	G33Z		06	G33Z		06	G33Z
	07	H33Z, H38Z		07	H33Z, H38Z		07	H33Z, H38Z
	11	L33Z		11	L33Z		11	L33Z
	15	P02A, P02B, P02C		15	P02A, P02B, P02C		15	P02A, P02B, P02C
	21B	X33Z		21B	X33Z		21B	X33Z
	23	Z01A		23	Z01A		23	Z01A
	Pre	A06A, A07A, A09A, A11A, A13A		Pre	A06A, A07A, A09A, A11A, A13A		Pre	A06A, A07A, A09A, A11A, A13A
	5k57a.1			BOP, KOP, KOPV, KVT, UOP4	5k580			BOP, KOP, KOPV, KVT, UOP4
05		F01A, F01B, F01D, F03A, F03B, F03C, F03D, F03E, F03F, F05Z, F30Z, F36A, F36B, F42Z	05	F01A, F01B, F01D, F05Z, F07A, F07B, F30Z, F36A, F36B, F42Z		05	F01A, F01B, F01D, F03B, F03C, F03D, F03E, F05Z, F07A, F07B, F09A, F09B, F09C, F30Z, F36A, F36B, F42Z	
06		G33Z	06	G33Z		06	G33Z	
07		H33Z, H38Z	07	H33Z, H38Z		07	H33Z, H38Z	
11		L33Z	11	L33Z		11	L33Z	
15		P02A, P02B, P02C	15	P02A, P02B, P02C		15	P02A, P02B, P02C	
21B		X33Z	21B	X33Z		21B	X33Z	
23		Z01A	23	Z01A		23	Z01A	
Pre		A06A, A07A, A09A, A11A, A13A	Pre	A06A, A07A, A09A, A11A, A13A		Pre	A06A, A07A, A09A, A11A, A13A	
5k57a.2			BOP, KOP, KOPV, KVT, UOP4	5k581.0			BOP, KOP, KOPV, KVT, UOP4	5k582.1
	05	F01A, F01B, F01D, F03A, F03B, F03C, F03D, F03E, F03F, F05Z, F30Z, F36A, F36B, F42Z	05		F01A, F01B, F01D, F05Z, F07A, F07B, F30Z, F36A, F36B, F42Z	05	F01A, F01B, F01D, F03B, F03C, F03D, F03E, F05Z, F07A, F07B, F09A, F09B, F09C, F30Z, F36A, F36B, F42Z	
	06	G33Z	06		G33Z	06	G33Z	
	07	H33Z, H38Z	07		H33Z, H38Z	07	H33Z, H38Z	
	11	L33Z	11		L33Z	11	L33Z	
	15	P02A, P02B, P02C	15		P02A, P02B, P02C	15	P02A, P02B, P02C	
	21B	X33Z	21B		X33Z	21B	X33Z	
	23	Z01A	23		Z01A	23	Z01A	
	Pre	A06A, A07A, A09A, A11A, A13A	Pre		A06A, A07A, A09A, A11A, A13A	Pre	A06A, A07A, A09A, A11A, A13A	
	5k57a.3		BOP, KOP, KOPV, KVT, UOP4		5k581.2		BOP, KOP, KOPV, KVT, UOP4	
05		F01A, F01B, F01D, F03A, F03B, F03C, F03D, F03E, F03F, F05Z, F30Z, F36A, F36B, F42Z	05	F01A, F01B, F01D, F05Z, F07A, F07B, F30Z, F36A, F36B, F42Z		05	F01A, F01B, F01D, F03B, F03C, F03D, F03E, F05Z, F07A, F07B, F09A, F09B, F09C, F30Z, F36A, F36B, F42Z	
06		G33Z	06	G33Z		06	G33Z	
07		H33Z, H38Z	07	H33Z, H38Z		07	H33Z, H38Z	
11		L33Z	11	L33Z		11	L33Z	
15		P02A, P02B, P02C	15	P02A, P02B, P02C		15	P02A, P02B, P02C	
21B		X33Z	21B	X33Z		21B	X33Z	
23		Z01A	23	Z01A		23	Z01A	
Pre		A06A, A07A, A09A, A11A, A13A	Pre	A06A, A07A, A09A, A11A, A13A		Pre	A06A, A07A, A09A, A11A, A13A	
5k57a.4			BOP, KOP, KOPV, KVT, UOP4	5k581.3			BOP, KOP, KOPV, KVT, UOP4	
	05	F01A, F01B, F01D, F03A, F03B, F03C, F03D, F03E, F03F, F05Z, F30Z, F36A, F36B, F42Z	05		F01A, F01B, F01D, F05Z, F07A, F07B, F30Z, F36A, F36B, F42Z	05	F01A, F01B, F01D, F03B, F03C, F03D, F03E, F05Z, F07A, F07B, F09A, F09B, F09C, F30Z, F36A, F36B, F42Z	
	06	G33Z	06		G33Z	06	G33Z	
	07	H33Z, H38Z	07		H33Z, H38Z	07	H33Z, H38Z	
	11	L33Z	11		L33Z	11	L33Z	
	15	P02A, P02B, P02C	15		P02A, P02B, P02C	15	P02A, P02B, P02C	
	21B	X33Z	21B		X33Z	21B	X33Z	
	23	Z01A	23		Z01A	23	Z01A	
	Pre	A06A, A07A, A09A, A11A, A13A	Pre		A06A, A07A, A09A, A11A, A13A	Pre	A06A, A07A, A09A, A11A, A13A	

ZZV	MDC	DRG	ZZV	MDC	DRG	ZZV	MDC	DRG			
5k584.0		BOP, KOP, KOPV, KVT, UOP4	5k587.1		BOP, KOP, KOPV, KVT, UOP4	5k587.6		BOP, KOP, KOPV, KVT, UOP4			
	05	F01A, F01B, F01D, F03B, F03C, F03D, F03E, F05Z, F07A, F07B, F30Z, F36A, F36B, F42Z		04	E05A, E05B, E05C, E08A, E08B, E08C		05	F01A, F01B, F01D, F05Z, F07A, F07B, F30Z, F36A, F36B, F42Z			
	06	G33Z		05	F01A, F01B, F01D, F05Z, F07A, F07B, F30Z, F36A, F36B, F42Z		06	G33Z			
	07	H33Z, H38Z		06	G33Z		07	H33Z, H38Z			
	11	L33Z		07	H33Z, H38Z		11	L33Z			
	15	P02A, P02B, P02C		11	L33Z		15	P02A, P02B, P02C			
	21B	X33Z		15	P02A, P02B, P02C		21B	X33Z			
	23	Z01A		21B	X33Z		23	Z01A			
	Pre	A06A, A07A, A09A, A11A, A13A		23	Z01A		Pre	A06A, A07A, A09A, A11A, A13A			
	5k584.1			BOP, KOP, KOPV, KVT, UOP4	5k587.2			BOP, KOP, KOPV, KVT, UOP4	5k587.7		BOP, KOP, KOPV, KVT, UOP4
		05		F01A, F01B, F01D, F05Z, F07A, F07B, F30Z, F36A, F36B, F42Z			04	E05A, E05B, E05C, E08A, E08B, E08C		05	F01A, F01B, F01D, F05Z, F07A, F07B, F30Z, F36A, F36B, F42Z
		06		G33Z			05	F01A, F01B, F01D, F05Z, F07A, F07B, F30Z, F36A, F36B, F42Z		06	G33Z
		07		H33Z, H38Z			06	G33Z		07	H33Z, H38Z
11		L33Z	07	H33Z, H38Z		11	L33Z				
15		P02A, P02B, P02C	06	G33Z		15	P02A, P02B, P02C				
21B		X33Z	07	H33Z, H38Z		21B	X33Z				
23		Z01A	11	L33Z		23	Z01A				
Pre		A06A, A07A, A09A, A11A, A13A	15	P02A, P02B, P02C		Pre	A06A, A07A, A09A, A11A, A13A				
5k585			BOP, KOP, KOPV, KVT, UOP4	5k587.3			BOP, KOP, KOPV, KVT, UOP4	5k587.x			BOP, KOP, KOPV, KVT, UOP4
		05	F01A, F01B, F01D, F05Z, F07A, F07B, F30Z, F36A, F36B, F42Z			05	F01A, F01B, F01D, F05Z, F07A, F07B, F30Z, F36A, F36B, F42Z			05	F01A, F01B, F01D, F05Z, F07A, F07B, F30Z, F36A, F36B, F42Z
		06	G33Z			05	F01A, F01B, F01D, F05Z, F07A, F07B, F30Z, F36A, F36B, F42Z			06	G33Z
		07	H33Z, H38Z			06	G33Z			07	H33Z, H38Z
	11	L33Z	07		H33Z, H38Z	11	L33Z				
	15	P02A, P02B, P02C	06		G33Z	15	P02A, P02B, P02C				
	21B	X33Z	07		H33Z, H38Z	21B	X33Z				
	23	Z01A	11		L33Z	23	Z01A				
	Pre	A06A, A07A, A09A, A11A, A13A	15		P02A, P02B, P02C	Pre	A06A, A07A, A09A, A11A, A13A				
	5k586		BOP, KOP, KOPV, KVT, UOP4		5k587.4		BOP, KOP, KOPV, KVT, UOP4		5k588		BOP, KOP, KOPV, KVT, UOP4
		05	F01A, F01B, F01D, F05Z, F07A, F07B, F30Z, F36A, F36B, F42Z			05	F01A, F01B, F01D, F05Z, F07A, F07B, F30Z, F36A, F36B, F42Z			04	E05A, E05B, E05C, E08A, E08B, E08C
		06	G33Z			05	F01A, F01B, F01D, F05Z, F07A, F07B, F30Z, F36A, F36B, F42Z			05	F01A, F01B, F01D, F03B, F03C, F03D, F03E, F05Z, F07A, F07B, F09A, F09B, F09C, F30Z, F36A, F36B, F42Z
		07	H33Z, H38Z			06	G33Z			06	G33Z
11		L33Z	07	H33Z, H38Z		07	H33Z, H38Z				
15		P02A, P02B, P02C	11	L33Z		11	L33Z				
21B		X33Z	15	P02A, P02B, P02C		15	P02A, P02B, P02C				
23		Z01A	21B	X33Z		21B	X33Z				
Pre		A06A, A07A, A09A, A11A, A13A	23	Z01A		23	Z01A				
5k587.0			BOP, KOP, KOPV, KVT, UOP4	5k587.5			BOP, KOP, KOPV, KVT, UOP4	5k589			BOP, KOP, KOPV, KVT, UOP4
		04	E05A, E05B, E05C, E08A, E08B, E08C			05	F01A, F01B, F01D, F05Z, F07A, F07B, F30Z, F36A, F36B, F42Z			05	F01A, F01B, F01D, F05Z, F07A, F07B, F30Z, F36A, F36B, F42Z
		05	F01A, F01B, F01D, F05Z, F07A, F07B, F30Z, F36A, F36B, F42Z			05	F01A, F01B, F01D, F05Z, F07A, F07B, F30Z, F36A, F36B, F42Z			06	G33Z
		06	G33Z			06	G33Z			06	G33Z
	07	H33Z, H38Z	07		H33Z, H38Z	07	H33Z, H38Z				
	11	L33Z	11		L33Z	11	L33Z				
	15	P02A, P02B, P02C	15		P02A, P02B, P02C	15	P02A, P02B, P02C				
	21B	X33Z	21B		X33Z	21B	X33Z				
	23	Z01A	23		Z01A	23	Z01A				
	Pre	A06A, A07A, A09A, A11A, A13A	Pre		A06A, A07A, A09A, A11A, A13A	Pre	A06A, A07A, A09A, A11A, A13A				

VYK

ZZV	MDC	DRG	ZZV	MDC	DRG	ZZV	MDC	DRG
5k58x		BOP, KOP, KOPV, KVT, UOP4	5k590.4		BOP, KOP, KOPV, KVT, UOP4	5k590.9		BOP, KOP, KOPV, KVT, UOP4
	05	F01A, F01B, F01D, F03B, F03C, F03D, F03E, F05Z, F07A, F07B, F09A, F09B, F09C, F30Z, F36A, F36B, F42Z		04	E05A, E05B, E05C, E08A, E08B, E08C		04	E05A, E05B, E05C, E08A, E08B, E08C
	06	G33Z		05	F01A, F01B, F01D, F05Z, F07A, F07B, F14A, F14B, F28A, F36A, F36B, F42Z, F54Z, F59A, F59B		05	F01A, F01B, F01D, F03A, F03B, F03C, F03D, F03E, F03F, F05Z, F07A, F07B, F36A, F36B, F42Z
	07	H33Z, H38Z		06	G33Z		06	G33Z
	11	L33Z		07	H33Z, H38Z		07	H33Z, H38Z
	15	P02A, P02B, P02C		10	K09A, K09B		11	L33Z
	21B	X33Z		11	L33Z		21A	W04A, W04B
	23	Z01A		21A	W04A, W04B		21B	X06A, X06B, X06C, X33Z
	Pre	A06A, A07A, A09A, A11A, A13A		21B	X06A, X06B, X06C, X33Z		23	Z01A
	Pre	A06A, A07A, A09A, A11A, A13A		Pre	A06A, A07A, A09A, A11A, A13A		Pre	A06A, A07A, A09A, A11A, A13A
5k590.1		BOP, KOP, KOPV, KVT, UOP4	5k590.5		BOP, KOP, KOPV, KVT, UOP4	5k590.a		BOP, KOP, KOPV, KVT, UOP4
	05	F01A, F01B, F01D, F05Z, F07A, F07B, F30Z, F36A, F36B, F42Z		05	F01A, F01B, F01D, F03A, F03B, F03C, F03D, F03E, F03F, F05Z, F30Z, F36A, F36B, F42Z		05	F01A, F01B, F01D, F03A, F03B, F03C, F03D, F03E, F03F, F05Z, F07A, F07B, F30Z, F36A, F36B, F42Z
	06	G33Z		06	G33Z		06	G33Z
	07	H33Z, H38Z		07	H33Z, H38Z		07	H33Z, H38Z
	11	L33Z		11	L33Z		11	L33Z
	15	P02A, P02B, P02C		15	P02A, P02B, P02C		15	P02A, P02B, P02C
	21B	X33Z		21B	X33Z		21B	X33Z
	23	Z01A		23	Z01A		23	Z01A
	Pre	A06A, A07A, A09A, A11A, A13A		Pre	A06A, A07A, A09A, A11A, A13A		Pre	A06A, A07A, A09A, A11A, A13A
	Pre	A06A, A07A, A09A, A11A, A13A		Pre	A06A, A07A, A09A, A11A, A13A		Pre	A06A, A07A, A09A, A11A, A13A
5k590.2		BOP, KOP, KOPV, KVT, UOP4	5k590.6		BOP, KOP, KOPV, KVT, UOP4	5k590.b0		BOP, KOP, KOPV, KVT, UOP4
	05	F01A, F01B, F01D, F03A, F03B, F03C, F03D, F03E, F03F, F05Z, F30Z, F36A, F36B, F42Z		05	F01A, F01B, F01D, F03A, F03B, F03C, F03D, F03E, F03F, F05Z, F30Z, F36A, F36B, F42Z		05	F01A, F01B, F01D, F05Z, F07A, F07B, F30Z, F36A, F36B, F42Z
	06	G33Z		06	G33Z		06	G33Z
	07	H33Z, H38Z		07	H33Z, H38Z		07	H33Z, H38Z
	11	L33Z		11	L33Z		11	L33Z
	15	P02A, P02B, P02C		15	P02A, P02B, P02C		15	P02A, P02B, P02C
	21B	X33Z		21B	X33Z		21B	X33Z
	23	Z01A		23	Z01A		23	Z01A
	Pre	A06A, A07A, A09A, A11A, A13A		Pre	A06A, A07A, A09A, A11A, A13A		Pre	A06A, A07A, A09A, A11A, A13A
	Pre	A06A, A07A, A09A, A11A, A13A		Pre	A06A, A07A, A09A, A11A, A13A		Pre	A06A, A07A, A09A, A11A, A13A
5k590.3		BOP, KOP, KOPV, KVT, UOP4	5k590.8		BOP, KOP, KOPV, KVT, UOP4	5k590.b1		BOP, KOP, KOPV, KVT, UOP4
	05	F01A, F01B, F01D, F03A, F03B, F03C, F03D, F03E, F03F, F05Z, F30Z, F36A, F36B, F42Z		04	E05A, E05B, E05C, E08A, E08B, E08C		05	F01A, F01B, F01D, F05Z, F07A, F07B, F30Z, F36A, F36B, F42Z
	06	G33Z		05	F01A, F01B, F01D, F03A, F03B, F03C, F03D, F03E, F03F, F05Z, F07A, F07B, F36A, F36B, F42Z		06	G33Z
	07	H33Z, H38Z		06	G33Z		07	H33Z, H38Z
	11	L33Z		07	H33Z, H38Z		11	L33Z
	15	P02A, P02B, P02C		07	H33Z, H38Z		15	P02A, P02B, P02C
	21B	X33Z		06	G33Z		21B	X33Z
	23	Z01A		07	H33Z, H38Z		23	Z01A
	Pre	A06A, A07A, A09A, A11A, A13A		11	L33Z		Pre	A06A, A07A, A09A, A11A, A13A
	Pre	A06A, A07A, A09A, A11A, A13A		21A	W04A, W04B		Pre	A06A, A07A, A09A, A11A, A13A
		21B	X06A, X06B, X06C, X33Z	5k590.c		BOP, KOP, KOPV, KVT, UOP4		
		23	Z01A		05	F01A, F01B, F01D, F03A, F03B, F03C, F03D, F03E, F03F, F05Z, F07A, F07B, F30Z, F36A, F36B, F42Z		
		Pre	A06A, A07A, A09A, A11A, A13A		06	G33Z		
					07	H33Z, H38Z		
					11	L33Z		
					15	P02A, P02B, P02C		
					21B	X33Z		
					23	Z01A		
					Pre	A06A, A07A, A09A, A11A, A13A		
					Pre	A06A, A07A, A09A, A11A, A13A		

VYK

ZZV	MDC	DRG	ZZV	MDC	DRG	ZZV	MDC	DRG			
5k590.x		BOP, KOP, KOPV, KVT, UOP4	5k592.x		BOP, KOP, KOPV, KVT, UOP4	5k594.5		BOP, KOP, KOPV, KVT, UOP4			
	05	F01A, F01B, F01D, F05Z, F07A, F07B, F30Z, F36A, F36B, F42Z		05	F01A, F01B, F01D, F05Z, F07A, F07B, F30Z, F36A, F36B, F42Z		05	F01A, F01B, F01D, F03A, F03B, F03C, F03D, F03E, F03F, F05Z, F30Z, F36A, F36B, F42Z			
	06	G33Z		06	G33Z		06	G33Z			
	07	H33Z, H38Z		07	H33Z, H38Z		07	H33Z, H38Z			
	11	L33Z		11	L33Z		11	L33Z			
	15	P02A, P02B, P02C		15	P02A, P02B, P02C		15	P02A, P02B, P02C			
	21B	X33Z		21B	X33Z		21B	X33Z			
	23	Z01A		23	Z01A		23	Z01A			
	Pre	A06A, A07A, A09A, A11A, A13A		Pre	A06A, A07A, A09A, A11A, A13A		Pre	A06A, A07A, A09A, A11A, A13A			
	5k592.1			BOP, KOP, KOPV, KVT, UOP4	5k594.1			BOP, KOP, KOPV, KVT, UOP4	5k594.6		BOP, KOP, KOPV, KVT, UOP4
		05		F01A, F01B, F01D, F05Z, F07A, F07B, F30Z, F36A, F36B, F42Z			05	F01A, F01B, F01D, F05Z, F07A, F07B, F30Z, F36A, F36B, F42Z		05	F01A, F01B, F01D, F03A, F03B, F03C, F03D, F03E, F03F, F05Z, F30Z, F36A, F36B, F42Z
06		G33Z	06	G33Z		06	G33Z				
07		H33Z, H38Z	07	H33Z, H38Z		07	H33Z, H38Z				
11		L33Z	11	L33Z		11	L33Z				
15		P02A, P02B, P02C	15	P02A, P02B, P02C		15	P02A, P02B, P02C				
21B		X33Z	21B	X33Z		21B	X33Z				
23		Z01A	23	Z01A		23	Z01A				
Pre		A06A, A07A, A09A, A11A, A13A	Pre	A06A, A07A, A09A, A11A, A13A		Pre	A06A, A07A, A09A, A11A, A13A				
5k592.2			BOP, KOP, KOPV, KVT, UOP4	5k594.2			BOP, KOP, KOPV, KVT, UOP4	5k594.8			BOP, KOP, KOPV, KVT, UOP4
		05	F01A, F01B, F01D, F05Z, F07A, F07B, F30Z, F36A, F36B, F42Z			05	F01A, F01B, F01D, F03A, F03B, F03C, F03D, F03E, F03F, F05Z, F30Z, F36A, F36B, F42Z			04	E05A, E05B, E05C, E08A, E08B, E08C
	06	G33Z	06		G33Z	05	F01A, F01B, F01D, F03A, F03B, F03C, F03D, F03E, F03F, F05Z, F07A, F07B, F36A, F36B, F42Z				
	07	H33Z, H38Z	07		H33Z, H38Z	06	G33Z				
	11	L33Z	11		L33Z	07	H33Z, H38Z				
	15	P02A, P02B, P02C	15		P02A, P02B, P02C	11	L33Z				
	21B	X06A, X06B, X06C, X33Z	21B		X33Z	21A	W04A, W04B				
	23	Z01A	23		Z01A	21B	X06A, X06B, X06C, X33Z				
	Pre	A06A, A07A, A09A, A11A, A13A	Pre		A06A, A07A, A09A, A11A, A13A	23	Z01A				
	5k592.3		BOP, KOP, KOPV, KVT, UOP4		5k594.4		BOP, KOP, KOPV, KVT, UOP4		5k594.9		BOP, KOP, KOPV, KVT, UOP4
		05	F01A, F01B, F01D, F03A, F03B, F03C, F03D, F03E, F03F, F05Z, F30Z, F36A, F36B, F42Z			04	E05A, E05B, E05C, E08A, E08B, E08C			04	E05A, E05B, E05C, E08A, E08B, E08C
06		G33Z	05	F01A, F01B, F01D, F05Z, F07A, F07B, F14A, F14B, F28A, F36A, F36B, F42Z, F54Z, F59A, F59B		05	F01A, F01B, F01D, F03A, F03B, F03C, F03D, F03E, F03F, F05Z, F07A, F07B, F36A, F36B, F42Z				
07		H33Z, H38Z	06	G33Z		06	G33Z				
11		L33Z	07	H33Z, H38Z		07	H33Z, H38Z				
15		P02A, P02B, P02C	10	K09A, K09B		11	L33Z				
21B		X33Z	21A	W04A, W04B		21A	W04A, W04B				
23		Z01A	21B	X06A, X06B, X06C, X33Z		21B	X06A, X06B, X06C, X33Z				
Pre		A06A, A07A, A09A, A11A, A13A	23	Z01A		23	Z01A				
5k592.4			BOP, KOP, KOPV, KVT, UOP4	5k594.4			BOP, KOP, KOPV, KVT, UOP4	5k594.9			BOP, KOP, KOPV, KVT, UOP4
		05	F01A, F01B, F01D, F03A, F03B, F03C, F03D, F03E, F03F, F05Z, F30Z, F36A, F36B, F42Z			Pre	A06A, A07A, A09A, A11A, A13A			Pre	A06A, A07A, A09A, A11A, A13A
	06	G33Z									
	07	H33Z, H38Z									
	11	L33Z									
	15	P02A, P02B, P02C									
	21B	X33Z									
	23	Z01A									
	Pre	A06A, A07A, A09A, A11A, A13A									

VYK

ZZV	MDC	DRG	ZZV	MDC	DRG	ZZV	MDC	DRG
5k594.x		BOP, KOP, KOPV, KVT, UOP4	5k596.x		BOP, KOP, KOPV, KVT, UOP4	5k604		BOP, KOP, KOPV, KVT, UOP4
	05	F01A, F01B, F01D, F05Z, F07A, F07B, F30Z, F36A, F36B, F42Z		05	F01A, F01B, F01D, F05Z, F07A, F07B, F30Z, F36A, F36B, F42Z		05	F01A, F01B, F01D, F05Z, F07A, F07B, F09A, F09B, F09C, F30Z, F36A, F36B, F42Z
	06	G33Z		06	G33Z		06	G33Z
	07	H33Z, H38Z		07	H33Z, H38Z		07	H33Z, H38Z
	11	L33Z		11	L33Z		11	L33Z
	15	P02A, P02B, P02C		15	P02A, P02B, P02C		15	P02A, P02B, P02C
	21B	X33Z		21B	X33Z		21B	X33Z
	23	Z01A		23	Z01A		23	Z01A
	Pre	A06A, A07A, A09A, A11A, A13A		Pre	A06A, A07A, A09A, A11A, A13A		Pre	A07A
	5k596.1			BOP, KOP, KOPV, KVT, UOP4	5k59x			BOP, KOP, KOPV, KVT, UOP4
05		F01A, F01B, F01D, F05Z, F07A, F07B, F30Z, F36A, F36B, F42Z	05	F01A, F01B, F01D, F05Z, F07A, F07B, F30Z, F36A, F36B, F42Z		05	F01A, F01B, F01D, F05Z, F07A, F07B, F09A, F09B, F09C, F30Z, F36A, F36B, F42Z	
06		G33Z	06	G33Z		06	G33Z	
07		H33Z, H38Z	07	H33Z, H38Z		07	H33Z, H38Z	
11		L33Z	11	L33Z		11	L33Z	
15		P02A, P02B, P02C	15	P02A, P02B, P02C		15	P02A, P02B, P02C	
21B		X33Z	21B	X33Z		21B	X33Z	
23		Z01A	23	Z01A		23	Z01A	
Pre		A06A, A07A, A09A, A11A, A13A	Pre	A06A, A07A, A09A, A11A, A13A		Pre	A07A	
5k596.2			BOP, KOP, KOPV, KVT, UOP4	5k600			BOP, KOP, KOPV, KVT, UOP4	5k610.0
	05	F01A, F01B, F01D, F05Z, F07A, F07B, F30Z, F36A, F36B, F42Z	05		F01A, F01B, F01D, F05Z, F07A, F07B, F09A, F09B, F09C, F30Z, F36A, F36B, F42Z	05	F01A, F01B, F01D, F03B, F03C, F03D, F03E, F05Z, F06A, F06B, F06C, F06D, F06E, F06F, F07A, F07B, F30Z, F36A, F36B, F42Z	
	06	G33Z	06		G33Z	06	G33Z	
	07	H33Z, H38Z	07		H33Z, H38Z	07	H33Z, H38Z	
	11	L33Z	11		L33Z	11	L33Z	
	15	P02A, P02B, P02C	15		P02A, P02B, P02C	15	P02A, P02B, P02C	
	21B	X06A, X06B, X06C, X33Z	21B		X33Z	21B	X33Z	
	23	Z01A	23		Z01A	23	Z01A	
	Pre	A06A, A07A, A09A, A11A, A13A	Pre		A07A	Pre	A07A	
	5k596.3		BOP, KOP, KOPV, KVT, UOP4		5k601		BOP, KOP, KOPV, KVT, UOP4	
05		F01A, F01B, F01D, F03A, F03B, F03C, F03D, F03E, F03F, F05Z, F30Z, F36A, F36B, F42Z	05	F01A, F01B, F01D, F05Z, F07A, F07B, F09A, F09B, F09C, F30Z, F36A, F36B, F42Z		05	F01A, F01B, F01D, F03B, F03C, F03D, F03E, F05Z, F06A, F06B, F06C, F06D, F06E, F06F, F07A, F07B, F30Z, F36A, F36B, F42Z	
06		G33Z	06	G33Z		06	G33Z	
07		H33Z, H38Z	07	H33Z, H38Z		07	H33Z, H38Z	
11		L33Z	11	L33Z		11	L33Z	
15		P02A, P02B, P02C	15	P02A, P02B, P02C		15	P02A, P02B, P02C	
21B		X33Z	21B	X33Z		21B	X33Z	
23		Z01A	23	Z01A		23	Z01A	
Pre		A06A, A07A, A09A, A11A, A13A	Pre	A07A		Pre	A07A	
5k596.4			BOP, KOP, KOPV, KVT, UOP4	5k602			BOP, KOP, KOPV, KVT, UOP4	5k610.2
	05	F01A, F01B, F01D, F03A, F03B, F03C, F03D, F03E, F03F, F05Z, F30Z, F36A, F36B, F42Z	05		F01A, F01B, F01D, F05Z, F07A, F07B, F09A, F09B, F09C, F30Z, F36A, F36B, F42Z	05	F01A, F01B, F01D, F03B, F03C, F03D, F03E, F05Z, F06A, F06B, F06C, F06D, F06E, F06F, F07A, F07B, F30Z, F36A, F36B, F42Z	
	06	G33Z	06		G33Z	06	G33Z	
	07	H33Z, H38Z	07		H33Z, H38Z	07	H33Z, H38Z	
	11	L33Z	11		L33Z	11	L33Z	
	15	P02A, P02B, P02C	15		P02A, P02B, P02C	15	P02A, P02B, P02C	
	21B	X33Z	21B		X33Z	21B	X33Z	
	23	Z01A	23		Z01A	23	Z01A	
	Pre	A06A, A07A, A09A, A11A, A13A	Pre		A07A	Pre	A07A	

ZZV	MDC	DRG	ZZV	MDC	DRG	ZZV	MDC	DRG
5k621.35		BOP, KOP, KOPV, KVT, UOP4	5k622.25		BOP, KOP, KOPV, KVT, UOP4	5k622.35		BOP, KOP, KOPV, KVT, UOP4
	05	F01A, F01B, F01D, F03B, F03C, F03D, F03E, F05Z, F06A, F06B, F06C, F06D, F06E, F06F, F30Z, F36A, F36B, F42Z		05	F01A, F01B, F01D, F03B, F03C, F03D, F03E, F05Z, F06A, F06B, F06C, F06D, F06E, F06F, F30Z, F36A, F36B, F42Z		05	F01A, F01B, F01D, F03B, F03C, F03D, F03E, F05Z, F06A, F06B, F06C, F06D, F06E, F06F, F30Z, F36A, F36B, F42Z
	06	G33Z		06	G33Z		06	G33Z
	07	H33Z, H38Z		07	H33Z, H38Z		07	H33Z, H38Z
	11	L33Z		11	L33Z		11	L33Z
	15	P02A, P02B, P02C		15	P02A, P02B, P02C		15	P02A, P02B, P02C
	21B	X33Z		21B	X33Z		21B	X33Z
	23	Z01A		23	Z01A		23	Z01A
Pre	A07A	Pre	A07A	Pre	A07A			
5k621.3x		BOP, KOP, KOPV, KVT, UOP4	5k622.2x		BOP, KOP, KOPV, KVT, UOP4	5k622.3x		BOP, KOP, KOPV, KVT, UOP4
	05	F01A, F01B, F01D, F03B, F03C, F03D, F03E, F05Z, F06A, F06B, F06C, F06D, F06E, F06F, F30Z, F36A, F36B, F42Z		05	F01A, F01B, F01D, F03B, F03C, F03D, F03E, F05Z, F06A, F06B, F06C, F06D, F06E, F06F, F30Z, F36A, F36B, F42Z		05	F01A, F01B, F01D, F03B, F03C, F03D, F03E, F05Z, F06A, F06B, F06C, F06D, F06E, F06F, F30Z, F36A, F36B, F42Z
	06	G33Z		06	G33Z		06	G33Z
	07	H33Z, H38Z		07	H33Z, H38Z		07	H33Z, H38Z
	11	L33Z		11	L33Z		11	L33Z
	15	P02A, P02B, P02C		15	P02A, P02B, P02C		15	P02A, P02B, P02C
	21B	X33Z		21B	X33Z		21B	X33Z
	23	Z01A		23	Z01A		23	Z01A
Pre	A07A	Pre	A07A	Pre	A07A			
5k622.20		BOP, KOP, KOPV, KVT, UOP4	5k622.30		BOP, KOP, KOPV, KVT, UOP4	5k623.20		BOP, KOP, KOPV, KVT, UOP4
	05	F01A, F01B, F01D, F03B, F03C, F03D, F03E, F05Z, F06A, F06B, F06C, F06D, F06E, F06F, F30Z, F36A, F36B, F42Z		05	F01A, F01B, F01D, F03B, F03C, F03D, F03E, F05Z, F06A, F06B, F06C, F06D, F06E, F06F, F30Z, F36A, F36B, F42Z		05	F01A, F01B, F01D, F03B, F03C, F03D, F03E, F05Z, F06A, F06B, F06C, F06D, F06E, F06F, F30Z, F36A, F36B, F42Z
	06	G33Z		06	G33Z		06	G33Z
	07	H33Z, H38Z		07	H33Z, H38Z		07	H33Z, H38Z
	11	L33Z		11	L33Z		11	L33Z
	15	P02A, P02B, P02C		15	P02A, P02B, P02C		15	P02A, P02B, P02C
	21B	X33Z		21B	X33Z		21B	X33Z
	23	Z01A		23	Z01A		23	Z01A
Pre	A07A	Pre	A07A	Pre	A07A			
5k622.21		BOP, KOP, KOPV, KVT, UOP4	5k622.31		BOP, KOP, KOPV, KVT, UOP4	5k623.21		BOP, KOP, KOPV, KVT, UOP4
	05	F01A, F01B, F01D, F03B, F03C, F03D, F03E, F05Z, F06A, F06B, F06C, F06D, F06E, F06F, F30Z, F36A, F36B, F42Z		05	F01A, F01B, F01D, F03B, F03C, F03D, F03E, F05Z, F06A, F06B, F06C, F06D, F06E, F06F, F30Z, F36A, F36B, F42Z		05	F01A, F01B, F01D, F03B, F03C, F03D, F03E, F05Z, F06A, F06B, F06C, F06D, F06E, F06F, F30Z, F36A, F36B, F42Z
	06	G33Z		06	G33Z		06	G33Z
	07	H33Z, H38Z		07	H33Z, H38Z		07	H33Z, H38Z
	11	L33Z		11	L33Z		11	L33Z
	15	P02A, P02B, P02C		15	P02A, P02B, P02C		15	P02A, P02B, P02C
	21B	X33Z		21B	X33Z		21B	X33Z
	23	Z01A		23	Z01A		23	Z01A
Pre	A07A	Pre	A07A	Pre	A07A			
5k622.22		BOP, KOP, KOPV, KVT, UOP4	5k622.32		BOP, KOP, KOPV, KVT, UOP4	5k623.22		BOP, KOP, KOPV, KVT, UOP4
	05	F01A, F01B, F01D, F03B, F03C, F03D, F03E, F05Z, F06A, F06B, F06C, F06D, F06E, F06F, F30Z, F36A, F36B, F42Z		05	F01A, F01B, F01D, F03B, F03C, F03D, F03E, F05Z, F06A, F06B, F06C, F06D, F06E, F06F, F30Z, F36A, F36B, F42Z		05	F01A, F01B, F01D, F03B, F03C, F03D, F03E, F05Z, F06A, F06B, F06C, F06D, F06E, F06F, F30Z, F36A, F36B, F42Z
	06	G33Z		06	G33Z		06	G33Z
	07	H33Z, H38Z		07	H33Z, H38Z		07	H33Z, H38Z
	11	L33Z		11	L33Z		11	L33Z
	15	P02A, P02B, P02C		15	P02A, P02B, P02C		15	P02A, P02B, P02C
	21B	X33Z		21B	X33Z		21B	X33Z
	23	Z01A		23	Z01A		23	Z01A
Pre	A07A	Pre	A07A	Pre	A07A			

ZZV	MDC	DRG	ZZV	MDC	DRG	ZZV	MDC	DRG	
5k642		BOP, KVT, UOP4	5k703		BOP, KVT, UOP4	5k713.2		BOP, KVT, UOP4	
	05	F01A, F01B, F01D, F05Z, F07A, F07B, F09A, F09B, F09C, F30Z, F42Z		05	F01A, F01B, F01D, F05Z, F07A, F07B, F09A, F09B, F09C, F30Z, F42Z		05	F01A, F01B, F01D, F03C, F03D, F05Z, F06C, F06E, F07A, F07B, F09A, F09B, F09C, F30Z, F42Z	
	15	P02A, P02B, P02C		15	P02A, P02B, P02C		15	P02A, P02B, P02C	
5k643	21B	X06A, X06B, X06C		21A	W04A, W04B	5k713.3		BOP, KVT, UOP4	
		BOP, KOP, KOPV, KVT, UOP4	5k704		BOP, KOP, KOPV, KVT, UOP4		05	F01A, F01B, F01D, F03C, F03D, F05Z, F06C, F06E, F07A, F07B, F09A, F09B, F09C, F30Z, F42Z	
	05	F01A, F01B, F01D, F05Z, F07A, F07B, F09A, F09B, F09C, F30Z, F36A, F36B, F42Z		05	F01A, F01B, F01D, F05Z, F07A, F07B, F09A, F09B, F09C, F30Z, F36A, F36B, F42Z		15	P02A, P02B, P02C	
	06	G33Z		06	G33Z	5k713.4		BOP, KVT, UOP4	
	07	H33Z, H38Z		07	H33Z, H38Z		05	F01A, F01B, F01D, F03C, F03D, F05Z, F06C, F06E, F07A, F07B, F09A, F09B, F09C, F30Z, F42Z	
	11	L33Z		11	L33Z		15	P02A, P02B, P02C	
	15	P02A, P02B, P02C		15	P02A, P02B, P02C		15	P02A, P02B, P02C	
	21B	X06A, X06B, X06C, X33Z		21A	W04A, W04B	5k713.5		BOP, KVT, UOP4	
	23	Z01A		21B	X06A, X06B, X06C		05	F01A, F01B, F01D, F03C, F03D, F05Z, F06C, F06E, F07A, F07B, F09A, F09B, F09C, F30Z, F42Z	
	Pre	A07A		23	Z01A		15	P02A, P02B, P02C	
5k644		BOP, KVT, UOP4		Pre	A07A		05	F01A, F01B, F01D, F03C, F03D, F05Z, F06C, F06E, F07A, F07B, F09A, F09B, F09C, F30Z, F42Z	
	05	F21A, F21B	5k705		BOP, KOP, KOPV, KVT, UOP4		15	P02A, P02B, P02C	
5k64x		BOP, KVT, UOP4		05	F01A, F01B, F01D, F05Z, F07A, F07B, F09A, F09B, F09C, F30Z, F42Z	5k713.6		BOP, KVT, UOP4	
	05	F01A, F01B, F01D, F05Z, F07A, F07B, F09A, F09B, F09C, F30Z, F42Z		06	G33Z		05	F01A, F01B, F01D, F03C, F03D, F05Z, F06C, F06E, F07A, F07B, F09A, F09B, F09C, F30Z, F42Z	
	15	P02A, P02B, P02C		07	H33Z, H38Z		15	P02A, P02B, P02C	
5k700	21B	X06A, X06B, X06C		11	L33Z	5k713.x		BOP, KVT, UOP4	
		BOP, KOP, KOPV, KVT, UOP4		15	P02A, P02B, P02C		05	F01A, F01B, F01D, F03C, F03D, F05Z, F06C, F06E, F07A, F07B, F09A, F09B, F09C, F30Z, F42Z	
	04	E05A, E05B, E05C, E08A, E08B, E08C		21A	W04A, W04B		15	P02A, P02B, P02C	
	05	F01A, F01B, F01D, F05Z, F07A, F07B, F09A, F09B, F09C, F36A, F36B, F42Z		21B	X06A, X06B, X06C		05	F01A, F01B, F01D, F03C, F03D, F05Z, F06C, F06E, F07A, F07B, F09A, F09B, F09C, F30Z, F42Z	
	06	G33Z		23	Z01A		15	P02A, P02B, P02C	
	07	H33Z, H38Z		Pre	A07A	5k714.0		BOP, KVT, UOP4	
	11	L33Z	5k706		BOP, KOP, KOPV, KVT, UOP4		05	F01A, F01B, F01D, F03C, F03D, F05Z, F06C, F06E, F07A, F07B, F09A, F09B, F09C, F30Z, F42Z	
	17	R01A, R01B, R01C, R01D, R02Z, R12A, R12B, R12C		05	F01A, F01B, F01D, F05Z, F07A, F07B, F09A, F09B, F09C, F30Z, F36A, F36B, F42Z		15	P02A, P02B, P02C	
	21A	W04A, W04B		06	G33Z		05	F01A, F01B, F01D, F03C, F03D, F05Z, F06C, F06E, F07A, F07B, F09A, F09B, F09C, F30Z, F42Z	
	21B	X06A, X06B, X06C		07	H33Z, H38Z	5k714.1		BOP, KVT, UOP4	
	23	Z01A		11	L33Z		05	F01A, F01B, F01D, F03C, F03D, F05Z, F06C, F06E, F07A, F07B, F09A, F09B, F09C, F30Z, F42Z	
	Pre	A07A		15	P02A, P02B, P02C		15	P02A, P02B, P02C	
5k701		BOP, KOP, KOPV, KVT, UOP4		21A	W04A, W04B	5k714.2		BOP, KVT, UOP4	
	04	E05A, E05B, E05C, E08A, E08B, E08C		21B	X06A, X06B, X06C		05	F01A, F01B, F01D, F03C, F03D, F05Z, F06C, F06E, F07A, F07B, F09A, F09B, F09C, F30Z, F42Z	
	05	F01A, F01B, F01D, F05Z, F07A, F07B, F09A, F09B, F09C, F36A, F36B, F42Z		23	Z01A		15	P02A, P02B, P02C	
	06	G33Z	5k70x		Pre	A07A		05	F01A, F01B, F01D, F03C, F03D, F05Z, F06C, F06E, F07A, F07B, F09A, F09B, F09C, F30Z, F42Z
	07	H33Z, H38Z		05	F01A, F01B, F01D, F05Z, F07A, F07B, F09A, F09B, F09C, F30Z, F42Z		15	P02A, P02B, P02C	
	11	L33Z		15	P02A, P02B, P02C	5k714.3		BOP, KVT, UOP4	
	17	R01A, R01B, R01C, R01D, R02Z, R12A, R12B, R12C		21A	W04A, W04B		05	F01A, F01B, F01D, F03C, F03D, F05Z, F06C, F06E, F07A, F07B, F09A, F09B, F09C, F30Z, F42Z	
	21A	W04A, W04B		21B	X06A, X06B, X06C		15	P02A, P02B, P02C	
	21B	X06A, X06B, X06C	5k713.0		BOP, KVT, UOP4		05	F01A, F01B, F01D, F03C, F03D, F05Z, F06C, F06E, F07A, F07B, F09A, F09B, F09C, F30Z, F42Z	
	23	Z01A		05	F01A, F01B, F01D, F03C, F03D, F05Z, F06C, F06E, F07A, F07B, F09A, F09B, F09C, F30Z, F42Z	5k714.4		BOP, KVT, UOP4	
	Pre	A07A		15	P02A, P02B, P02C		05	F01A, F01B, F01D, F03C, F03D, F05Z, F06C, F06E, F07A, F07B, F09A, F09B, F09C, F30Z, F42Z	
5k702		BOP, KVT, UOP4	5k713.1		BOP, KVT, UOP4		15	P02A, P02B, P02C	
	04	E02A, E02B, E02C		05	F01A, F01B, F01D, F03C, F03D, F05Z, F06C, F06E, F07A, F07B, F09A, F09B, F09C, F30Z, F42Z	5k714.5		BOP, KVT, UOP4	
	08	I23A		15	P02A, P02B, P02C		05	F01A, F01B, F01D, F03C, F03D, F05Z, F06C, F06E, F07A, F07B, F09A, F09B, F09C, F30Z, F42Z	
	09	J03A, J03B, J04A, J04B, J08A, J08B, J08C, J11A, J11B, J16Z		15	P02A, P02B, P02C		15	P02A, P02B, P02C	
	10	K09A, K09B		15	P02A, P02B, P02C		05	F01A, F01B, F01D, F03C, F03D, F05Z, F06C, F06E, F07A, F07B, F09A, F09B, F09C, F30Z, F42Z	
	17	R01A, R01B, R01C, R01D, R02Z, R12A, R12B, R12C		15	P02A, P02B, P02C		15	P02A, P02B, P02C	
	21A	W04A, W04B							
	21B	X06A, X06B, X06C							

ZZV	MDC	DRG	ZZV	MDC	DRG	ZZV	MDC	DRG
5k714.6		BOP, KVT, UOP4	5k720		BOP, KOP, KOPV, KVT, UOP4	5k722.3		BOP, KOP, KOPV, KVT, UOP4
	05	F01A, F01B, F01D, F03C, F03D, F05Z, F06C, F06E, F07A, F07B, F09A, F09B, F09C, F30Z, F42Z		04	E05A, E05B, E05C, E08A, E08B, E08C		04	E05A, E05B, E05C, E08A, E08B, E08C
	15	P02A, P02B, P02C		05	F01A, F01B, F01D, F05Z, F07A, F07B, F09A, F09B, F09C, F36A, F36B, F42Z		05	F01A, F01B, F01D, F05Z, F07A, F07B, F09A, F09B, F09C, F36A, F36B, F42Z
5k714.x		BOP, KVT, UOP4		06	G33Z		06	G33Z
	05	F01A, F01B, F01D, F03C, F03D, F05Z, F06C, F06E, F07A, F07B, F09A, F09B, F09C, F30Z, F42Z		07	H33Z, H38Z		07	H33Z, H38Z
	15	P02A, P02B, P02C		11	L33Z		11	L33Z
5k715.0		BOP, KVT, UOP4		17	R01A, R01B, R01C, R01D, R02Z, R12A, R12B, R12C		17	R01A, R01B, R01C, R01D, R02Z, R12A, R12B, R12C
	05	F01A, F01B, F01D, F03C, F03D, F05Z, F06C, F06E, F07A, F07B, F09A, F09B, F09C, F30Z, F42Z		21A	W04A, W04B		21A	W04A, W04B
	15	P02A, P02B, P02C		21B	X06A, X06B, X06C		21B	X06A, X06B, X06C
5k715.1		BOP, KVT, UOP4		23	Z01A		23	Z01A
	05	F01A, F01B, F01D, F03C, F03D, F05Z, F06C, F06E, F07A, F07B, F09A, F09B, F09C, F30Z, F42Z	5k721	Pre	A07A	5k724	Pre	A07A
	15	P02A, P02B, P02C		04	BOP, KOP, KOPV, KVT, UOP4		04	BOP, KOP, KOPV, KVT, UOP4
5k715.2		BOP, KVT, UOP4		05	E05A, E05B, E05C, E08A, E08B, E08C		05	E05A, E05B, E05C, E08A, E08B, E08C
	05	F01A, F01B, F01D, F03C, F03D, F05Z, F06C, F06E, F07A, F07B, F09A, F09B, F09C, F30Z, F42Z		06	G33Z		06	G33Z
	15	P02A, P02B, P02C		07	H33Z, H38Z		07	H33Z, H38Z
5k715.3		BOP, KVT, UOP4		11	L33Z		11	L33Z
	05	F01A, F01B, F01D, F03C, F03D, F05Z, F06C, F06E, F07A, F07B, F09A, F09B, F09C, F30Z, F42Z		17	R01A, R01B, R01C, R01D, R02Z, R12A, R12B, R12C		17	R01A, R01B, R01C, R01D, R02Z, R12A, R12B, R12C
	15	P02A, P02B, P02C		21A	W04A, W04B		21A	W04A, W04B
5k715.4		BOP, KVT, UOP4		21B	X06A, X06B, X06C		21B	X06A, X06B, X06C
	05	F01A, F01B, F01D, F03C, F03D, F05Z, F06C, F06E, F07A, F07B, F09A, F09B, F09C, F30Z, F42Z		23	Z01A		23	Z01A
	15	P02A, P02B, P02C		Pre	A07A		Pre	A07A
5k715.5		BOP, KVT, UOP4	5k722.0		BOP, KOP, KOPV, KVT, UOP4	5k725		BOP, KOP, KOPV, KVT, UOP4
	05	F01A, F01B, F01D, F03C, F03D, F05Z, F06C, F06E, F07A, F07B, F09A, F09B, F09C, F30Z, F42Z		04	E05A, E05B, E05C, E08A, E08B, E08C		04	E05A, E05B, E05C, E08A, E08B, E08C
	15	P02A, P02B, P02C		05	F01A, F01B, F01D, F05Z, F07A, F07B, F09A, F09B, F09C, F36A, F36B, F42Z		05	F01A, F01B, F01D, F05Z, F07A, F07B, F09A, F09B, F09C, F36A, F36B, F42Z
5k715.6		BOP, KVT, UOP4		06	G33Z		06	G33Z
	05	F01A, F01B, F01D, F03C, F03D, F05Z, F06C, F06E, F07A, F07B, F09A, F09B, F09C, F30Z, F42Z		07	H33Z, H38Z		07	H33Z, H38Z
	15	P02A, P02B, P02C		11	L33Z		11	L33Z
5k715.x		BOP, KVT, UOP4		17	R01A, R01B, R01C, R01D, R02Z, R12A, R12B, R12C		17	R01A, R01B, R01C, R01D, R02Z, R12A, R12B, R12C
	05	F01A, F01B, F01D, F03C, F03D, F05Z, F06C, F06E, F07A, F07B, F09A, F09B, F09C, F30Z, F42Z		21A	W04A, W04B		21A	W04A, W04B
	15	P02A, P02B, P02C		21B	X06A, X06B, X06C		21B	X06A, X06B, X06C
5k71x		BOP, KVT, UOP4		23	Z01A		23	Z01A
	05	F01A, F01B, F01D, F03C, F03D, F05Z, F06C, F06E, F07A, F07B, F09A, F09B, F09C, F30Z, F42Z	5k722.2	Pre	A07A	5k72x	Pre	A07A
	15	P02A, P02B, P02C		04	BOP, KOP, KOPV, KVT, UOP4		04	BOP, KOP, KOPV, KVT, UOP4
				05	E05A, E05B, E05C, E08A, E08B, E08C		05	E05A, E05B, E05C, E08A, E08B, E08C
				06	G33Z		06	G33Z
				07	H33Z, H38Z		07	H33Z, H38Z
				11	L33Z		11	L33Z
				17	R01A, R01B, R01C, R01D, R02Z, R12A, R12B, R12C		17	R01A, R01B, R01C, R01D, R02Z, R12A, R12B, R12C
				21A	W04A, W04B		21A	W04A, W04B
				21B	X06A, X06B, X06C		21B	X06A, X06B, X06C
				23	Z01A		23	Z01A
				Pre	A07A		Pre	A07A

ZZV	MDC	DRG	ZZV	MDC	DRG	ZZV	MDC	DRG		
5k730		BOP, KOP, KOPV, KVT, UOP4	5k735		BOP, KVT, UOP4	5k742		BOP, KOP, KOPV, KVT, UOP4		
	05	F01A, F01B, F01D, F05Z, F07A, F07B, F09A, F09B, F09C, F30Z, F36A, F36B, F42Z		05	F01A, F01B, F01D, F03C, F03D, F05Z, F06C, F06E, F07A, F07B, F09A, F09B, F09C, F30Z, F42Z		04	E05A, E05B, E05C, E08A, E08B, E08C		
	06	G33Z	5k736		BOP, KVT, UOP4		05	F01A, F01B, F01D, F05Z, F07A, F07B, F09A, F09B, F09C, F30Z, F36A, F36B, F42Z		
	07	H33Z, H38Z		05	F01A, F01B, F01D, F03C, F03D, F05Z, F06C, F06E, F07A, F07B, F09A, F09B, F09C, F30Z, F42Z		06	G33Z		
	11	L33Z	5k737		BOP, KVT, UOP4		07	H33Z, H38Z		
	15	P02A, P02B, P02C		05	F01A, F01B, F01D, F03C, F03D, F05Z, F06C, F06E, F07A, F07B, F09A, F09B, F09C, F30Z, F42Z		11	L33Z		
	17	R01A, R01B, R01C, R01D, R02Z, R12A, R12B	5k738		BOP, KVT, UOP4		15	P02A, P02B, P02C		
	21B	X33Z		05	F01A, F01B, F01D, F03C, F03D, F05Z, F06C, F06E, F07A, F07B, F09A, F09B, F09C, F30Z, F42Z		21B	X33Z		
	23	Z01A	5k73x		BOP, KVT, UOP4		23	Z01A		
	Pre	A07A		05	F01A, F01B, F01D, F05Z, F07A, F07B, F09A, F09B, F09C, F30Z, F42Z		Pre	A07A		
	5k731		BOP, KOP, KOPV, KVT, UOP4	5k740			BOP, KOP, KOPV, KVT, UOP4	5k743		BOP, KOP, KOPV, KVT, UOP4
05		F01A, F01B, F01D, F05Z, F07A, F07B, F09A, F09B, F09C, F30Z, F36A, F36B, F42Z	04		E05A, E05B, E05C, E08A, E08B, E08C	04	E05A, E05B, E05C, E08A, E08B, E08C			
06		G33Z	5k741		BOP, KOP, KOPV, KVT, UOP4	05	F01A, F01B, F01D, F05Z, F07A, F07B, F09A, F09B, F09C, F30Z, F36A, F36B, F42Z			
07		H33Z, H38Z		04	E05A, E05B, E05C, E08A, E08B, E08C	05	F01A, F01B, F01D, F05Z, F07A, F07B, F09A, F09B, F09C, F30Z, F36A, F36B, F42Z			
11		L33Z	5k744		BOP, KOP, KOPV, KVT, UOP4	06	G33Z			
15		P02A, P02B, P02C		05	F01A, F01B, F01D, F05Z, F07A, F07B, F09A, F09B, F09C, F30Z, F36A, F36B, F42Z	07	H33Z, H38Z			
21B		X33Z	5k745		BOP, KOP, KOPV, KVT, UOP4	11	L33Z			
23		Z01A		04	E05A, E05B, E05C, E08A, E08B, E08C	15	P02A, P02B, P02C			
Pre		A07A	05	F01A, F01B, F01D, F05Z, F07A, F07B, F09A, F09B, F09C, F30Z, F36A, F36B, F42Z	21B	X33Z				
5k732			BOP, KOP, KOPV, KVT, UOP4	5k741		BOP, KOP, KOPV, KVT, UOP4	5k744			BOP, KOP, KOPV, KVT, UOP4
		05	F01A, F01B, F01D, F05Z, F07A, F07B, F09A, F09B, F09C, F30Z, F36A, F36B, F42Z		04	E05A, E05B, E05C, E08A, E08B, E08C			04	E05A, E05B, E05C, E08A, E08B, E08C
	06	G33Z	5k741		BOP, KOP, KOPV, KVT, UOP4	05		F01A, F01B, F01D, F05Z, F07A, F07B, F09A, F09B, F09C, F30Z, F36A, F36B, F42Z		
	07	H33Z, H38Z		04	E05A, E05B, E05C, E08A, E08B, E08C	05		F01A, F01B, F01D, F05Z, F07A, F07B, F09A, F09B, F09C, F30Z, F36A, F36B, F42Z		
	11	L33Z	5k744		BOP, KOP, KOPV, KVT, UOP4	06		G33Z		
	15	P02A, P02B, P02C		05	F01A, F01B, F01D, F05Z, F07A, F07B, F09A, F09B, F09C, F30Z, F36A, F36B, F42Z	07		H33Z, H38Z		
	21B	X33Z	5k745		BOP, KOP, KOPV, KVT, UOP4	11		L33Z		
	23	Z01A		04	E05A, E05B, E05C, E08A, E08B, E08C	15		P02A, P02B, P02C		
	Pre	A07A	05	F01A, F01B, F01D, F05Z, F07A, F07B, F09A, F09B, F09C, F30Z, F36A, F36B, F42Z	21B	X33Z				
	5k733		BOP, KOP, KOPV, KVT, UOP4	5k741		BOP, KOP, KOPV, KVT, UOP4		5k744		BOP, KOP, KOPV, KVT, UOP4
		05	F01A, F01B, F01D, F05Z, F07A, F07B, F09A, F09B, F09C, F30Z, F36A, F36B, F42Z		04	E05A, E05B, E05C, E08A, E08B, E08C			04	E05A, E05B, E05C, E08A, E08B, E08C
06		G33Z	5k741		BOP, KOP, KOPV, KVT, UOP4	05	F01A, F01B, F01D, F05Z, F07A, F07B, F09A, F09B, F09C, F30Z, F36A, F36B, F42Z			
07		H33Z, H38Z		04	E05A, E05B, E05C, E08A, E08B, E08C	05	F01A, F01B, F01D, F05Z, F07A, F07B, F09A, F09B, F09C, F30Z, F36A, F36B, F42Z			
11		L33Z	5k744		BOP, KOP, KOPV, KVT, UOP4	06	G33Z			
15		P02A, P02B, P02C		05	F01A, F01B, F01D, F05Z, F07A, F07B, F09A, F09B, F09C, F30Z, F36A, F36B, F42Z	07	H33Z, H38Z			
21B		X33Z	5k745		BOP, KOP, KOPV, KVT, UOP4	11	L33Z			
23		Z01A		04	E05A, E05B, E05C, E08A, E08B, E08C	15	P02A, P02B, P02C			
Pre		A07A	05	F01A, F01B, F01D, F05Z, F07A, F07B, F09A, F09B, F09C, F30Z, F36A, F36B, F42Z	21B	X33Z				
5k734			BOP, KOP, KOPV, KVT, UOP4	5k741		BOP, KOP, KOPV, KVT, UOP4	5k745			BOP, KOP, KOPV, KVT, UOP4
		05	F01A, F01B, F01D, F05Z, F07A, F07B, F09A, F09B, F09C, F30Z, F36A, F36B, F42Z		04	E05A, E05B, E05C, E08A, E08B, E08C			04	E05A, E05B, E05C, E08A, E08B, E08C
	06	G33Z	5k741		BOP, KOP, KOPV, KVT, UOP4	05		F01A, F01B, F01D, F05Z, F07A, F07B, F09A, F09B, F09C, F30Z, F36A, F36B, F42Z		
	07	H33Z, H38Z		04	E05A, E05B, E05C, E08A, E08B, E08C	05		F01A, F01B, F01D, F05Z, F07A, F07B, F09A, F09B, F09C, F30Z, F36A, F36B, F42Z		
	11	L33Z	5k744		BOP, KOP, KOPV, KVT, UOP4	06		G33Z		
	15	P02A, P02B, P02C		05	F01A, F01B, F01D, F05Z, F07A, F07B, F09A, F09B, F09C, F30Z, F36A, F36B, F42Z	07		H33Z, H38Z		
	21B	X33Z	5k745		BOP, KOP, KOPV, KVT, UOP4	11		L33Z		
	23	Z01A		04	E05A, E05B, E05C, E08A, E08B, E08C	15		P02A, P02B, P02C		
	Pre	A07A	05	F01A, F01B, F01D, F05Z, F07A, F07B, F09A, F09B, F09C, F30Z, F36A, F36B, F42Z	21B	X33Z				

ZZV	MDC	DRG	ZZV	MDC	DRG	ZZV	MDC	DRG
5k746		BOP, KOP, KOPV, KVT, UOP4	5k762.2		BOP, KKP, KOP, KOPV, KVT, UOP4	5k764.1		BOP, KOP, KOPV, KVT, UOP4
	05	F01A, F01B, F01D, F05Z, F07A, F07B, F09A, F09B, F09C, F30Z, F36A, F36B, F42Z		05	F01A, F01B, F01D, F05Z, F07A, F07B, F09A, F09B, F09C, F30Z, F36A, F36B, F42Z		05	F01A, F01B, F01D, F05Z, F07A, F07B, F09A, F09B, F09C, F30Z, F36A, F36B, F42Z
	06	G33Z		06	G33Z		06	G33Z
	07	H33Z, H38Z		07	H33Z, H38Z		07	H33Z, H38Z
	11	L33Z		11	L33Z		11	L33Z
	15	P02A, P02B, P02C		15	P02A, P02B, P02C		15	P02A, P02B, P02C
	21B	X33Z		21B	X33Z		21B	X33Z
	23	Z01A		23	Z01A		23	Z01A
	Pre	A07A		Pre	A07A		Pre	A07A
5k74x		BOP, KVT, UOP4	5k763.0		BOP, KKP, KOP, KOPV, KVT, UOP4	5k765.0		BOP, KKP, KOP, KOPV, KVT, UOP4
	05	F01A, F01B, F01D, F05Z, F07A, F07B, F09A, F09B, F09C, F30Z, F42Z		05	F01A, F01B, F01D, F05Z, F07A, F07B, F09A, F09B, F09C, F30Z, F36A, F36B, F42Z		05	F01A, F01B, F01D, F05Z, F07A, F07B, F09A, F09B, F09C, F30Z, F36A, F36B, F42Z
	15	P02A, P02B, P02C		06	G33Z		06	G33Z
5k750.0	Pre	A05A, A05B, A18Z		07	H33Z, H38Z		07	H33Z, H38Z
5k750.1		BOP, KVT, UOP4		11	L33Z		11	L33Z
	Pre	A05A, A05B, A18Z		15	P02A, P02B, P02C		15	P02A, P02B, P02C
5k751.0		BOP, KVT, UOP4		21B	X33Z		21B	X33Z
	Pre	A05A, A05B, A18Z		23	Z01A		23	Z01A
5k751.1		BOP, KVT, UOP4		Pre	A07A		Pre	A07A
	Pre	A05A, A05B, A18Z	5k763.1		BOP, KOP, KOPV, KVT, UOP4	5k765.1		BOP, KOP, KOPV, KVT, UOP4
5k752		BOP, KVT, UOP4		05	F01A, F01B, F01D, F05Z, F07A, F07B, F09A, F09B, F09C, F30Z, F36A, F36B, F42Z		05	F01A, F01B, F01D, F05Z, F07A, F07B, F09A, F09B, F09C, F30Z, F36A, F36B, F42Z
	Pre	A05A, A05B, A18Z		06	G33Z		06	G33Z
5k760.0		BOP, KKP, KVT, UOP4		07	H33Z, H38Z		07	H33Z, H38Z
	05	F01A, F01B, F01D, F05Z, F07A, F07B, F09A, F09B, F09C, F42Z		11	L33Z		11	L33Z
5k760.1		BOP, KVT, UOP4		15	P02A, P02B, P02C		15	P02A, P02B, P02C
	05	F01A, F01B, F01D, F05Z, F07A, F07B, F09A, F09B, F09C, F42Z		21B	X33Z		21B	X33Z
5k762.0		BOP, KKP, KOP, KOPV, KVT, UOP4		23	Z01A		23	Z01A
	05	F01A, F01B, F01D, F05Z, F07A, F07B, F09A, F09B, F09C, F30Z, F36A, F36B, F42Z		Pre	A07A		Pre	A07A
	06	G33Z	5k763.2		BOP, KKP, KOP, KOPV, KVT, UOP4	5k766.0		BOP, KKP, KOP, KOPV, KVT, UOP4
	07	H33Z, H38Z		05	F01A, F01B, F01D, F05Z, F07A, F07B, F09A, F09B, F09C, F30Z, F36A, F36B, F42Z		05	F01A, F01B, F01D, F05Z, F07A, F07B, F09A, F09B, F09C, F30Z, F36A, F36B, F42Z
	11	L33Z		06	G33Z		06	G33Z
	15	P02A, P02B, P02C		07	H33Z, H38Z		07	H33Z, H38Z
	21B	X33Z		11	L33Z		11	L33Z
	23	Z01A		15	P02A, P02B, P02C		15	P02A, P02B, P02C
	Pre	A07A		21B	X33Z		21B	X33Z
5k762.1		BOP, KOP, KOPV, KVT, UOP4		23	Z01A		23	Z01A
	05	F01A, F01B, F01D, F05Z, F07A, F07B, F09A, F09B, F09C, F30Z, F36A, F36B, F42Z		Pre	A07A		Pre	A07A
	06	G33Z	5k764.0		BOP, KKP, KOP, KOPV, KVT, UOP4	5k766.1		BOP, KOP, KOPV, KVT, UOP4
	07	H33Z, H38Z		05	F01A, F01B, F01D, F05Z, F07A, F07B, F09A, F09B, F09C, F30Z, F36A, F36B, F42Z		05	F01A, F01B, F01D, F05Z, F07A, F07B, F09A, F09B, F09C, F30Z, F36A, F36B, F42Z
	11	L33Z		06	G33Z		06	G33Z
	15	P02A, P02B, P02C		07	H33Z, H38Z		07	H33Z, H38Z
	21B	X33Z		11	L33Z		11	L33Z
	23	Z01A		15	P02A, P02B, P02C		15	P02A, P02B, P02C
	Pre	A07A		21B	X33Z		21B	X33Z
				23	Z01A		23	Z01A
				Pre	A07A		Pre	A07A

VYK

ZZV	MDC	DRG	ZZV	MDC	DRG	ZZV	MDC	DRG			
5k767.0		BOP, KKP, KOP, KOPV, KVT, UOP4	5k76x		BOP, KOP, KOPV, KVT, UOP4	5k776		BOP, KOP, KOPV, KVT, UOP4			
	05	F01A, F01B, F01D, F05Z, F07A, F07B, F09A, F09B, F09C, F36A, F36B, F42Z		05	F01A, F01B, F01D, F05Z, F07A, F07B, F09A, F09B, F09C, F36A, F36B, F42Z		05	F01A, F01B, F01C, F01D, F01F, F36A, F36B			
	06	G33Z		06	G33Z		06	G33Z			
	07	H33Z, H38Z		07	H33Z, H38Z		07	H33Z, H38Z			
	11	L33Z		11	L33Z		11	L09A, L33Z, L38Z			
	21B	X33Z		21B	X33Z		21B	X33Z			
	23	Z01A		23	Z01A		23	Z01A			
	Pre	A07A		Pre	A07A		Pre	A06A, A07A, A09A, A11A, A13A			
	5k767.1			BOP, KOP, KOPV, KVT, UOP4	5k770			BOP, KVT, UOP4	5k777		BOP, KOP, KOPV, KVT, UOP4
		05		F01A, F01B, F01D, F05Z, F07A, F07B, F09A, F09B, F09C, F36A, F36B, F42Z			05	F12A, F12B, F12C, F12D, F12E, F12F, F12G, F12H		05	F01A, F01B, F01C, F01D, F01F, F36A, F36B
06		G33Z	5k771			BOP, KK11, KKI, KKII, KVT, UOP4	06	G33Z			
07		H33Z, H38Z		07		H33Z, H38Z	07	H33Z, H38Z			
11		L33Z	01	B12Z		11	L09A, L33Z, L38Z				
21B		X33Z	05	F12A, F12B, F12C, F12D, F12E, F12F, F12G, F12H		21B	X33Z				
23		Z01A	11	L09A, L38Z		23	Z01A				
Pre		A07A	11	L09A, L38Z		Pre	A06A, A07A, A09A, A11A, A13A				
5k767.2			BOP, KKP, KOP, KOPV, KVT, UOP4	5k772			BOP, KK11, KKI, KKII, KVT, UOP4	5k77c.0			BOP, KVT, UOP4
		05	F01A, F01B, F01D, F05Z, F07A, F07B, F09A, F09B, F09C, F36A, F36B, F42Z			01	B12Z			01	B12Z
	06	G33Z	05		F12A, F12B, F12C, F12D, F12E, F12F, F12G	05	F01A, F01D, F12A, F12B, F12C, F12D, F12E, F12F, F12G				
	07	H33Z, H38Z	11		L09A, L38Z	11	L09A, L38Z				
	11	L33Z	23		Z01A	5k77c.1			BOP, KVT, UOP4		
	21B	X33Z	Pre		A06A, A07A, A09A, A11A, A13A		01		B12Z		
	23	Z01A	5k773.0			BOP, KK11, KKI, KKII, KVT, UOP4	05		F01A, F01D, F12A, F12B, F12C, F12D, F12E, F12F, F12G		
	Pre	A07A			01	B12Z	11		L09A, L38Z		
	5k768.0		BOP, KKP, KOP, KOPV, KVT, UOP4		5k774		BOP, KK11, KKI, KKII, KVT, UOP4		5k77g.0		BOP, KVT, UOP4
		05	F01A, F01B, F01D, F05Z, F07A, F07B, F09A, F09B, F09C, F36A, F36B, F42Z			05	F12A, F12B, F12C, F12D, F12E, F12F, F12G			05	F12A, F12B, F12C, F12D, F12E, F12F, F12G, F12H, F18A, F18C
06		G33Z	11	L09A, L38Z		5k77g.1		BOP, KVT, UOP4			
07		H33Z, H38Z	Pre	A06A, A07A, A09A, A11A, A13A			05	F12A, F12B, F12C, F12D, F12E, F12F, F12G, F12H, F18A, F18C			
11		L33Z	5k775.0			BOP, KK11, KKI, KKII, KVT, UOP4	5k77g.2			BOP, KVT, UOP4	
21B		X33Z		01		B12Z		05		F12A, F12B, F12C, F12D, F12E, F12F, F12G, F12H, F18A, F18C	
23		Z01A	05	F12A, F12B, F12C, F12D, F12E, F12F, F12G		5k77h.0		BOP, KVT, UOP4			
Pre		A07A	11	L09A, L38Z			01	B12Z			
5k768.1			BOP, KOP, KOPV, KVT, UOP4	5k775.0			BOP, KOP, KOPV, KVT, UOP4	5k77h.1			BOP, KVT, UOP4
		05	F01A, F01B, F01D, F05Z, F07A, F07B, F09A, F09B, F09C, F36A, F36B, F42Z			05	F01A, F01B, F01C, F01D, F01E, F01F, F01G, F36A, F36B			05	F12A, F12B, F12C, F12D, F12E, F12F, F12G, F12H
	06	G33Z	06		G33Z	11	L09A, L38Z				
	07	H33Z, H38Z	07		H33Z, H38Z	5k77h.2			BOP, KVT, UOP4		
	11	L33Z	11		L09A, L33Z, L38Z		01		B12Z		
	21B	X33Z	21B		X33Z	05	F12A, F12B, F12C, F12D, F12E, F12F, F12G, F12H				
	23	Z01A	23		Z01A	11	L09A, L38Z				
	Pre	A07A	Pre		A06A, A07A, A09A, A11A, A13A	5k77x			BOP, KVT, UOP4		
	5k768.2		BOP, KKP, KOP, KOPV, KVT, UOP4		5k775.0				BOP, KOP, KOPV, KVT, UOP4	5k780.0	
		05	F01A, F01B, F01D, F05Z, F07A, F07B, F09A, F09B, F09C, F36A, F36B, F42Z			05	F01A, F01B, F01C, F01D, F01E, F01F, F01G, F36A, F36B		01		B12Z
06		G33Z	06	G33Z		05	F12A, F12B, F12C, F12D, F12E, F12F, F12G, F12H				
07		H33Z, H38Z	07	H33Z, H38Z		11	L09A, L38Z				
11		L33Z	11	L09A, L33Z, L38Z		5k77x		BOP, KVT, UOP4			
21B		X33Z	21B	X33Z			01	B12Z			
23		Z01A	23	Z01A		05	F12A, F12B, F12C, F12D, F12E, F12F, F12G, F12H				
Pre		A07A	Pre	A06A, A07A, A09A, A11A, A13A		11	L09A, L38Z				
						21A	W04A, W04B				
						21B	X06A, X06B, X06C				

ZZV	MDC	DRG	ZZV	MDC	DRG	ZZV	MDC	DRG
5k780.1	05	F18A, F18C	5k783.1	05	F18A, F18B, F18C, F18D	5k784.6		BOP, KVT, UOP4
	21A	W04A, W04B		21A	W04A, W04B	05	F18A, F18B, F18C, F18D	
	21B	X06A, X06B, X06C		21B	X06A, X06B, X06C	09	J03A, J03B, J04A, J04B, J08A, J08B, J08C, J11A, J11B, J16Z	
5k780.2	05	F18A, F18C	5k783.2	05	F18A, F18B, F18C, F18D			
	21A	W04A, W04B		21A	W04A, W04B	21A	W04A, W04B	
	21B	X06A, X06B, X06C		21B	X06A, X06B, X06C	21B	X06A, X06B, X06C	
5k780.3	05	F18A, F18C	5k783.3	05	F18A, F18B, F18C, F18D	5k784.7		BOP, KVT, UOP4
	21A	W04A, W04B		21A	W04A, W04B	05	F18A, F18B, F18C, F18D	
	21B	X06A, X06B, X06C		21B	X06A, X06B, X06C	09	J03A, J03B, J04A, J04B, J08A, J08B, J08C, J11A, J11B, J16Z	
5k780.4	05	F18A, F18C	5k783.4	05	F18A, F18B, F18C, F18D			
	21A	W04A, W04B		21A	W04A, W04B	21A	W04A, W04B	
	21B	X06A, X06B, X06C		21B	X06A, X06B, X06C	21B	X06A, X06B, X06C	
5k780.5	05	F18A, F18C	5k783.5	05	F18A, F18B, F18C, F18D	5k784.a		BOP, KVT, UOP4
	21A	W04A, W04B		21A	W04A, W04B	05	F18A, F18B, F18C, F18D	
	21B	X06A, X06B, X06C		21B	X06A, X06B, X06C	09	J03A, J03B, J04A, J04B, J08A, J08B, J08C, J11A, J11B, J16Z	
5k780.6	05	F18A, F18C	5k783.6	05	F18A, F18B, F18C, F18D			
	21A	W04A, W04B		21A	W04A, W04B	21A	W04A, W04B	
	21B	X06A, X06B, X06C		21B	X06A, X06B, X06C	21B	X06A, X06B, X06C	
5k780.7	05	F18A, F18C	5k783.a	05	F18A, F18B, F18C, F18D	5k784.x		BOP, KVT, UOP4
	21A	W04A, W04B		21A	W04A, W04B	05	F18A, F18B, F18C, F18D	
	21B	X06A, X06B, X06C		21B	X06A, X06B, X06C	09	J03A, J03B, J04A, J04B, J08A, J08B, J08C, J11A, J11B, J16Z	
5k780.a	05	F18A, F18C	5k783.x	05	F18A, F18B, F18C, F18D			
	21A	W04A, W04B		21A	W04A, W04B	21A	W04A, W04B	
	21B	X06A, X06B, X06C		21B	X06A, X06B, X06C	21B	X06A, X06B, X06C	
5k780.b	05	F18A, F18C	5k784.0		BOP, KVT, UOP4	5k785.0		BOP, KVT, UOP4
	21A	W04A, W04B		05	F18A, F18B, F18C, F18D	05	F12A, F12B, F12C, F12D, F12E, F12F, F12G, F12H, F17A, F17B	
	21B	X06A, X06B, X06C		09	J03A, J03B, J04A, J04B, J08A, J08B, J08C, J11A, J11B, J16Z	11	L09A, L38Z	
5k780.x	05	F18A, F18C						
	21A	W04A, W04B						
	21B	X06A, X06B, X06C						
5k781.8	05	F18A, F18C	5k784.1		BOP, KVT, UOP4	5k785.1		BOP, KVT, UOP4
	21A	W04A, W04B		05	F18A, F18B, F18C, F18D	05	F12A, F12B, F12C, F12D, F12E, F12F, F12G, F12H, F17A, F17B	
	21B	X06A, X06B, X06C		09	J03A, J03B, J04A, J04B, J08A, J08B, J08C, J11A, J11B, J16Z	11	L09A, L38Z	
5k781.9	05	F18A, F18C						
	21A	W04A, W04B						
	21B	X06A, X06B, X06C						
5k781.a	05	F18A, F18C	5k784.2		BOP, KVT, UOP4	5k785.2		BOP, KVT, UOP4
	21A	W04A, W04B		05	F18A, F18B, F18C, F18D	05	F12A, F12B, F12C, F12D, F12E, F12F, F12G, F12H, F17A	
	21B	X06A, X06B, X06C		09	J03A, J03B, J04A, J04B, J08A, J08B, J08C, J11A, J11B, J16Z	11	L09A, L38Z	
5k782.0	05	F18A, F18C						
	21A	W04A, W04B						
	21B	X06A, X06B, X06C						
5k782.1	05	F18A, F18C	5k784.3		BOP, KVT, UOP4	5k785.3		BOP, KVT, UOP4
	21A	W04A, W04B		05	F18A, F18B, F18C, F18D	05	F12A, F12B, F12C, F12D, F12E, F12F, F12G, F12H, F17A	
	21B	X06A, X06B, X06C		09	J03A, J03B, J04A, J04B, J08A, J08B, J08C, J11A, J11B, J16Z	11	L09A, L38Z	
5k782.2	05	F18A, F18C						
	21A	W04A, W04B						
	21B	X06A, X06B, X06C						
5k782.3	05	F18A, F18C	5k784.4		BOP, KVT, UOP4	5k785.4		BOP, KOP, KOPV, KVT, UOP4
	21A	W04A, W04B		05	F18A, F18B, F18C, F18D	05	F02A, F02B, F36A, F36B	
	21B	X06A, X06B, X06C		09	J03A, J03B, J04A, J04B, J08A, J08B, J08C, J11A, J11B, J16Z	06	G33Z	
5k782.4	05	F18A, F18C						
	21A	W04A, W04B						
	21B	X06A, X06B, X06C						
5k782.5	05	F18A, F18C	5k784.5		BOP, KVT, UOP4	07	H33Z, H38Z	
	21A	W04A, W04B		05	F18A, F18B, F18C, F18D	11	L09A, L33Z, L38Z	
	21B	X06A, X06B, X06C		09	J03A, J03B, J04A, J04B, J08A, J08B, J08C, J11A, J11B, J16Z	21B	X33Z	
5k782.6	05	F18A, F18C						
	21A	W04A, W04B						
	21B	X06A, X06B, X06C						
5k782.7	05	F18A, F18C						
	21A	W04A, W04B						
	21B	X06A, X06B, X06C						
5k782.x	05	F18A, F18C						
	21A	W04A, W04B						
	21B	X06A, X06B, X06C						
5k783.0	05	F18A, F18B, F18C, F18D						
	21A	W04A, W04B						
	21B	X06A, X06B, X06C						

ZZV	MDC	DRG	ZZV	MDC	DRG	ZZV	MDC	DRG
5k785.5		BOP, KOP, KOPV, KVT, UOP4	5k786.4		BOP, KOP, KOPV, KVT, UOP4	5k787.a		BOP, KVT, UOP4
	05	F02A, F36A, F36B		05	F02A, F36A, F36B		05	F18A, F18C
	06	G33Z		06	G33Z		5k787.x	BOP, KVT, UOP4
	07	H33Z, H38Z		07	H33Z, H38Z		05	F12A, F12B, F12C, F12D, F12E, F12F, F12G, F12H, F18A, F18C
	11	L09A, L33Z, L38Z		11	L09A, L33Z, L38Z		5k788.0	BOP, KVT, UOP4
	21B	X33Z		21B	X33Z		05	F18A, F18C
	23	Z01A		23	Z01A		5k788.1	BOP, KVT, UOP4
	Pre	A06A, A07A, A09A, A11A, A13A		Pre	A06A, A07A, A09A, A11A, A13A		05	F18A, F18C
5k785.6		BOP, KOP, KOPV, KVT, UOP4	5k786.5		BOP, KOP, KOPV, KVT, UOP4	5k788.2		BOP, KVT, UOP4
	05	F02A, F36A, F36B		05	F02A, F36A, F36B		05	F18A, F18C
	06	G33Z		06	G33Z		5k788.3	BOP, KVT, UOP4
	07	H33Z, H38Z		07	H33Z, H38Z		05	F18A, F18C
	11	L09A, L33Z, L38Z		11	L09A, L33Z, L38Z		5k788.4	BOP, KVT, UOP4
	21B	X33Z		21B	X33Z		05	F18A, F18C
	23	Z01A		23	Z01A		5k788.5	BOP, KVT, UOP4
	Pre	A06A, A07A, A09A, A11A, A13A		Pre	A06A, A07A, A09A, A11A, A13A		05	F18A, F18C
5k785.9		BOP, KVT, UOP4	5k786.6		BOP, KOP, KOPV, KVT, UOP4	5k788.a		BOP, KVT, UOP4
	05	F12A, F12B, F12C, F12D, F12E, F12F, F12G, F12H, F17A		05	F02A, F36A, F36B		05	F18A, F18C
	11	L09A, L38Z		06	G33Z		5k788.x	BOP, KVT, UOP4
	21A	W04A, W04B		07	H33Z, H38Z		05	F18A, F18C
	21B	X06A, X06B, X06C		11	L09A, L33Z, L38Z		5k789.0	BOP, KVT, UOP4
	21B	X06A, X06B, X06C		11	L09A, L33Z, L38Z		01	B12Z
	Pre	A06A, A07A, A09A, A11A, A13A		21B	X33Z		05	F12A, F12B, F12C, F12D, F12E, F12F, F12G
	Pre	A06A, A07A, A09A, A11A, A13A		23	Z01A		Pre	A06A, A07A, A09A, A11A, A13A
5k785.a		BOP, KVT, UOP4	5k786.8		BOP, KOP, KOPV, KVT, UOP4	5k789.1		BOP, KVT, UOP4
	05	F12A, F12B, F12C, F12D, F12E, F12F, F12G, F12H, F17A		05	F02A, F36A, F36B		01	B12Z
	11	L09A, L38Z		06	G33Z		05	F12A, F12B, F12C, F12D, F12E, F12F, F12G
	21A	W04A, W04B		07	H33Z, H38Z		21A	W04A, W04B
	21B	X06A, X06B, X06C		11	L09A, L33Z, L38Z		21B	X06A, X06B, X06C
	21B	X06A, X06B, X06C		21B	X33Z		23	Z01A
	Pre	A06A, A07A, A09A, A11A, A13A		23	Z01A		Pre	A06A, A07A, A09A, A11A, A13A
	Pre	A06A, A07A, A09A, A11A, A13A		Pre	A06A, A07A, A09A, A11A, A13A		Pre	A06A, A07A, A09A, A11A, A13A
5k786.1		BOP, KVT, UOP4	5k786.x		BOP, KVT, UOP4	5k789.2		BOP, KVT, UOP4
	01	B12Z		01	B12Z		01	B12Z
	05	F12A, F12B, F12C, F12D, F12E, F12F, F12G, F12H		05	F12A, F12B, F12C, F12D, F12E, F12F, F12G, F12H		05	F12A, F12B, F12C, F12D, F12E, F12F, F12G, F12H
	11	L09A, L38Z		11	L09A, L38Z		5k789.3	BOP, KVT, UOP4
	01	B12Z		11	L09A, L38Z		01	B12Z
	05	F12A, F12B, F12C, F12D, F12E, F12F, F12G		Pre	A06A, A07A, A09A, A11A, A13A		05	F12A, F12B, F12C, F12D, F12E, F12F, F12G
	11	L09A, L38Z		5k787.0	BOP, KVT, UOP4		21A	W04A, W04B
	23	Z01A		05	F12A, F12B, F12C, F12D, F12E, F12F, F12G, F12H, F18A, F18C		21B	X06A, X06B, X06C
Pre	A06A, A07A, A09A, A11A, A13A	Pre	A06A, A07A, A09A, A11A, A13A	23	Z01A			
5k786.2		BOP, KVT, UOP4	5k787.1		BOP, KVT, UOP4	5k789.4		BOP, KVT, UOP4
	01	B12Z		05	F12A, F12B, F12C, F12D, F12E, F12F, F12G, F12H, F18A, F18C		01	B12Z
	05	F12A, F12B, F12C, F12D, F12E, F12F, F12G		05	F12A, F12B, F12C, F12D, F12E, F12F, F12G, F12H, F18A, F18C		05	F12A, F12B, F12C, F12D, F12E, F12F, F12G, F12H
	11	L09A, L38Z		5k787.2	BOP, KVT, UOP4		5k789.5	BOP, KVT, UOP4
	21A	W04A, W04B		05	F12A, F12B, F12C, F12D, F12E, F12F, F12G, F12H, F18A, F18C		01	B12Z
	21B	X06A, X06B, X06C		05	F12A, F12B, F12C, F12D, F12E, F12F, F12G, F12H, F18A, F18C		05	F12A, F12B, F12C, F12D, F12E, F12F, F12G
	23	Z01A		5k787.3	BOP, KVT, UOP4		23	Z01A
	Pre	A06A, A07A, A09A, A11A, A13A		05	F12A, F12B, F12C, F12D, F12E, F12F, F12G, F12H, F18A, F18C		Pre	A06A, A07A, A09A, A11A, A13A
5k786.3		BOP, KVT, UOP4	5k787.2		BOP, KVT, UOP4	5k789.4		BOP, KVT, UOP4
	01	B12Z		05	F12A, F12B, F12C, F12D, F12E, F12F, F12G, F12H, F18A, F18C		01	B12Z
	05	F12A, F12B, F12C, F12D, F12E, F12F, F12G		05	F12A, F12B, F12C, F12D, F12E, F12F, F12G, F12H, F18A, F18C		05	F12A, F12B, F12C, F12D, F12E, F12F, F12G, F12H
	11	L09A, L38Z		5k787.3	BOP, KVT, UOP4		5k789.5	BOP, KVT, UOP4
	21A	W04A, W04B		05	F12A, F12B, F12C, F12D, F12E, F12F, F12G, F12H, F18A, F18C		01	B12Z
	21B	X06A, X06B, X06C		05	F12A, F12B, F12C, F12D, F12E, F12F, F12G, F12H, F18A, F18C		05	F12A, F12B, F12C, F12D, F12E, F12F, F12G
	23	Z01A		5k787.4	BOP, KVT, UOP4		23	Z01A
	Pre	A06A, A07A, A09A, A11A, A13A		05	F12A, F12B, F12C, F12D, F12E, F12F, F12G, F12H, F18A, F18C		Pre	A06A, A07A, A09A, A11A, A13A
5k786.4		BOP, KVT, UOP4	5k787.3		BOP, KVT, UOP4	5k789.4		BOP, KVT, UOP4
	01	B12Z		05	F12A, F12B, F12C, F12D, F12E, F12F, F12G, F12H, F18A, F18C		01	B12Z
	05	F12A, F12B, F12C, F12D, F12E, F12F, F12G		05	F12A, F12B, F12C, F12D, F12E, F12F, F12G, F12H, F18A, F18C		05	F12A, F12B, F12C, F12D, F12E, F12F, F12G, F12H
	11	L09A, L38Z		5k787.4	BOP, KVT, UOP4		5k789.5	BOP, KVT, UOP4
	21A	W04A, W04B		05	F12A, F12B, F12C, F12D, F12E, F12F, F12G, F12H, F18A, F18C		01	B12Z
	21B	X06A, X06B, X06C		05	F12A, F12B, F12C, F12D, F12E, F12F, F12G, F12H, F18A, F18C		05	F12A, F12B, F12C, F12D, F12E, F12F, F12G
	23	Z01A		5k787.5	BOP, KVT, UOP4		23	Z01A
	Pre	A06A, A07A, A09A, A11A, A13A		05	F12A, F12B, F12C, F12D, F12E, F12F, F12G, F12H, F18A, F18C		Pre	A06A, A07A, A09A, A11A, A13A
5k786.5		BOP, KVT, UOP4	5k787.4		BOP, KVT, UOP4	5k789.4		BOP, KVT, UOP4
	01	B12Z		05	F12A, F12B, F12C, F12D, F12E, F12F, F12G, F12H, F18A, F18C		01	B12Z
	05	F12A, F12B, F12C, F12D, F12E, F12F, F12G		05	F12A, F12B, F12C, F12D, F12E, F12F, F12G, F12H, F18A, F18C		05	F12A, F12B, F12C, F12D, F12E, F12F, F12G, F12H
	11	L09A, L38Z		5k787.5	BOP, KVT, UOP4		5k789.5	BOP, KVT, UOP4
	21A	W04A, W04B		05	F12A, F12B, F12C, F12D, F12E, F12F, F12G, F12H, F18A, F18C		01	B12Z
	21B	X06A, X06B, X06C		05	F12A, F12B, F12C, F12D, F12E, F12F, F12G, F12H, F18A, F18C		05	F12A, F12B, F12C, F12D, F12E, F12F, F12G
	23	Z01A		5k787.6	BOP, KVT, UOP4		23	Z01A
	Pre	A06A, A07A, A09A, A11A, A13A		05	F12A, F12B, F12C, F12D, F12E, F12F, F12G, F12H, F18A, F18C		Pre	A06A, A07A, A09A, A11A, A13A

VYK

ZZV	MDC	DRG	ZZV	MDC	DRG	ZZV	MDC	DRG
5k789.6		BOP, KVT, UOP4	5k790		BOP, KOP, KOPV, KVT, UOP4	5k797		BOP, KOP, KOPV, KVT, UOP4
	01	B12Z		04	E05A, E05B, E05C, E08A, E08B, E08C		04	E05A, E05B, E05C, E08A, E08B, E08C
	05	F12A, F12B, F12C, F12D, F12E, F12F, F12G, F12H		05	F01A, F01B, F01D, F05Z, F07A, F07B, F09A, F09B, F09C, F30Z, F36A, F36B, F42Z		05	F01A, F01B, F01D, F05Z, F07A, F07B, F09A, F09B, F09C, F30Z, F36A, F36B, F42Z
	21A	W04A, W04B		06	G33Z		06	G33Z
	21B	X06A, X06B, X06C		07	H33Z, H38Z		07	H33Z, H38Z
	23	Z01A		11	L33Z		11	L33Z
5k789.7	Pre	A06A, A07A, A09A, A11A, A13A	15	P02A, P02B, P02C	15	P02A, P02B, P02C		
		BOP, KOP, KOPV, KVT, UOP4	21B	X33Z	23	Z01A		
	05	F01A, F01B, F01C, F01D, F01E, F01F, F01G, F36A, F36B	Pre	A07A	Pre	A07A		
	06	G33Z	5k791		BOP, KOP, KOPV, KVT, UOP4	5k798.0		BOP, KOP, KOPV, KVT, UOP4
	07	H33Z, H38Z		04	E05A, E05B, E05C, E08A, E08B, E08C		04	E05A, E05B, E05C, E08A, E08B, E08C
	11	L33Z		05	F01A, F01B, F01D, F05Z, F07A, F07B, F09A, F09B, F09C, F30Z, F36A, F36B, F42Z		05	F01A, F01B, F01C, F01D, F01F, F05Z, F07A, F07B, F09A, F09B, F09C, F30Z, F36A, F36B, F42Z
21B	X33Z	06		G33Z	06		G33Z	
23	Z01A	07		H33Z, H38Z	07		H33Z, H38Z	
Pre	A06A, A07A, A09A, A11A, A13A	11		L33Z	11		L33Z	
5k789.a		BOP, KOP, KOPV, KVT, UOP4	15	P02A, P02B, P02C	15	P02A, P02B, P02C		
	05	F01A, F01B, F01C, F01D, F01F, F36A, F36B	21B	X33Z	23	Z01A		
	06	G33Z	Pre	A07A	Pre	A07A		
	07	H33Z, H38Z	5k795		BOP, KOP, KOPV, KVT, UOP4	5k798.1		BOP, KOP, KOPV, KVT, UOP4
	11	L33Z		04	E05A, E05B, E05C, E08A, E08B, E08C		04	E05A, E05B, E05C, E08A, E08B, E08C
	21B	X33Z		05	F01A, F01B, F01D, F03C, F03D, F03E, F05Z, F06C, F06D, F07A, F09A, F09B, F09C, F30Z, F36A, F36B, F42Z		05	F01A, F01B, F01D, F05Z, F07A, F07B, F09A, F09B, F09C, F30Z, F36A, F36B, F42Z
23	Z01A	06		G33Z	06		G33Z	
Pre	A06A, A07A, A09A, A11A, A13A	07		H33Z, H38Z	07		H33Z, H38Z	
	BOP, KOP, KOPV, KVT, UOP4	11		L33Z	11		L33Z	
5k789.b		BOP, KOP, KOPV, KVT, UOP4	15	P02A, P02B, P02C	15	P02A, P02B, P02C		
	05	F01A, F01B, F01C, F01D, F01F, F36A, F36B	21B	X33Z	23	Z01A		
	06	G33Z	Pre	A07A	Pre	A07A		
	07	H33Z, H38Z	5k796		BOP, KOP, KOPV, KVT, UOP4	5k799.0		BOP, KOP, KOPV, KVT, UOP4
	11	L33Z		04	E05A, E05B, E05C, E08A, E08B, E08C		04	E05A, E05B, E05C, E08A, E08B, E08C
	21B	X33Z		05	F01A, F01B, F01D, F05Z, F07A, F07B, F09A, F09B, F09C, F30Z, F36A, F36B, F42Z		05	F01A, F01B, F01D, F05Z, F07A, F07B, F09A, F09B, F09C, F30Z, F36A, F36B, F42Z
23	Z01A	06		G33Z	06		G33Z	
Pre	A06A, A07A, A09A, A11A, A13A	07		H33Z, H38Z	07		H33Z, H38Z	
	BOP, KOP, KOPV, KVT, UOP4	11		L33Z	11		L33Z	
5k789.c		BOP, KOP, KOPV, KVT, UOP4	15	P02A, P02B, P02C	15	P02A, P02B, P02C		
	05	F01A, F01B, F01C, F01D, F01F, F36A, F36B	21B	X33Z	23	Z01A		
	06	G33Z	Pre	A07A	Pre	A07A		
	07	H33Z, H38Z	5k799.1		BOP, KOP, KOPV, KVT, UOP4	5k799.1		BOP, KOP, KOPV, KVT, UOP4
	11	L33Z		04	E05A, E05B, E05C, E08A, E08B, E08C		04	E05A, E05B, E05C, E08A, E08B, E08C
	21B	X33Z		05	F01A, F01B, F01D, F05Z, F07A, F07B, F09A, F09B, F09C, F30Z, F36A, F36B, F42Z		05	F01A, F01B, F01D, F05Z, F07A, F07B, F09A, F09B, F09C, F30Z, F36A, F36B, F42Z
23	Z01A	06		G33Z	06		G33Z	
Pre	A06A, A07A, A09A, A11A, A13A	07		H33Z, H38Z	07		H33Z, H38Z	
	BOP, KOP, KOPV, KVT, UOP4	11		L33Z	11		L33Z	
5k789.d		BOP, KOP, KOPV, KVT, UOP4	15	P02A, P02B, P02C	15	P02A, P02B, P02C		
	05	F01A, F01B, F01C, F01D, F01F, F36A, F36B	21B	X33Z	23	Z01A		
	06	G33Z	Pre	A07A	Pre	A07A		
	07	H33Z, H38Z	5k789.x		BOP, KVT, UOP4	5k789.x		BOP, KVT, UOP4
	11	L33Z		01	B12Z		01	B12Z
	21B	X33Z		05	F12A, F12B, F12C, F12D, F12E, F12F, F12G, F12H		05	F12A, F12B, F12C, F12D, F12E, F12F, F12G, F12H
23	Z01A							
Pre	A06A, A07A, A09A, A11A, A13A							
	BOP, KOP, KOPV, KVT, UOP4							

ZZV	MDC	DRG	ZZV	MDC	DRG	ZZV	MDC	DRG			
5k79a		BOP, KOP, KOPV, KVT, UOP4	51010.1↔		BOP, KVT, UOP4	51010.6↔		BOP, KVT, UOP4			
	04	E05A, E05B, E05C, E08A, E08B, E08C		01	B03A, B03B, B06A, B06B, B07Z, B17A, B17B, B17C		01	B03A, B03B, B06A, B06B, B07Z, B17A, B17B, B17C			
	05	F01A, F01B, F01D, F05Z, F07A, F07B, F09A, F09B, F09C, F30Z, F36A, F36B, F42Z		03	D12A		03	D12A			
	06	G33Z		05	F01A, F01B, F01D, F05Z, F06A, F06C, F07A, F07B, F14A, F14B, F28A, F42Z, F54Z, F59A, F59B		05	F01A, F01B, F01D, F05Z, F06A, F06C, F07A, F07B, F14A, F14B, F28A, F42Z, F54Z, F59A, F59B			
	07	H33Z, H38Z		08	I08A, I08B, I08C, I08D, I08E, I13A, I13B		08	I08A, I08B, I08C, I08D, I08E, I13A, I13B			
	11	L33Z		10	K09A, K09B		10	K09A, K09B			
	15	P02A, P02B, P02C		11	L09A, L38Z		11	L09A, L38Z			
	Pre	A07A		21A	W04A, W04B		21A	W04A, W04B			
	5k79b			BOP, KOP, KOPV, KVT, UOP4	51010.2↔			BOP, KVT, UOP4	51010.x↔		BOP, KVT, UOP4
		04		E05A, E05B, E05C, E08A, E08B, E08C			01	B03A, B03B, B06A, B06B, B07Z, B17A, B17B, B17C		01	B03A, B03B, B06A, B06B, B07Z, B17A, B17B, B17C
05		F01A, F01B, F01D, F05Z, F07A, F07B, F09A, F09B, F09C, F30Z, F36A, F36B, F42Z	03	D12A		03	D12A				
06		G33Z	05	F01A, F01B, F01D, F05Z, F06A, F06C, F07A, F07B, F14A, F14B, F28A, F42Z, F54Z, F59A, F59B		05	F01A, F01B, F01D, F05Z, F06A, F06C, F07A, F07B, F14A, F14B, F28A, F42Z, F54Z, F59A, F59B				
07		H33Z, H38Z	08	I08A, I08B, I08C, I08D, I08E, I13A, I13B		08	I08A, I08B, I08C, I08D, I08E, I13A, I13B				
11		L33Z	10	K09A, K09B		10	K09A, K09B				
15		P02A, P02B, P02C	11	L09A, L38Z		11	L09A, L38Z				
Pre		A07A	21A	W04A, W04B		21A	W04A, W04B				
5k79c			BOP, KOP, KOPV, KVT, UOP4	51010.3↔			BOP, KVT, UOP4	51011.0↔			BOP, KVT, UOP4
		04	E05A, E05B, E05C, E08A, E08B, E08C			01	B03A, B03B, B06A, B06B, B07Z, B17A, B17B, B17C			05	F01A, F01B, F01D, F05Z, F07A, F07B, F14A, F14B, F28A, F42Z, F54Z, F59A, F59B
	05	F01A, F01B, F01D, F05Z, F07A, F07B, F09A, F09B, F09C, F30Z, F36A, F36B, F42Z	03		D12A	08	I08A, I08B, I08C, I08D, I08E, I13A, I13B				
	06	G33Z	05		F01A, F01B, F01D, F05Z, F06A, F06C, F07A, F07B, F14A, F14B, F28A, F42Z, F54Z, F59A, F59B	10	K09A, K09B				
	07	H33Z, H38Z	08		I08A, I08B, I08C, I08D, I08E, I13A, I13B	11	L09A, L38Z				
	11	L33Z	10		K09A, K09B	21A	W04A, W04B				
	15	P02A, P02B, P02C	11		L09A, L38Z	21B	X06A, X06B, X06C				
	Pre	A07A	21A		W04A, W04B		BOP, KVT, UOP4				
	5k79x		BOP, KOP, KOPV, KVT, UOP4		51010.4↔		BOP, KVT, UOP4		51011.1↔		BOP, KVT, UOP4
		04	E05A, E05B, E05C, E08A, E08B, E08C			01	B03A, B03B, B06A, B06B, B07Z, B17A, B17B, B17C			05	F01A, F01B, F01D, F05Z, F07A, F07B, F28A, F42Z, F54Z, F59A, F59B
05		F01A, F01B, F01D, F05Z, F07A, F07B, F09A, F09B, F09C, F30Z, F36A, F36B, F42Z	03	D12A		08	I08A, I08B, I08C, I08D, I08E, I13A, I13B				
06		G33Z	05	F01A, F01B, F01D, F05Z, F06A, F06C, F07A, F07B, F14A, F14B, F28A, F42Z, F54Z, F59A, F59B		10	K09A, K09B				
07		H33Z, H38Z	08	I08A, I08B, I08C, I08D, I08E, I13A, I13B		11	L09A, L38Z				
11		L33Z	10	K09A, K09B		21A	W04A, W04B				
15		P02A, P02B, P02C	11	L09A, L38Z		21B	X06A, X06B, X06C				
Pre		A07A	21A	W04A, W04B			BOP, KVT, UOP4				
51010.0↔			BOP, KVT, UOP4	51010.5↔			BOP, KVT, UOP4	51011.2↔			BOP, KVT, UOP4
		01	B03A, B03B, B06A, B06B, B07Z, B17A, B17B, B17C			01	B03A, B03B, B06A, B06B, B07Z, B17A, B17B, B17C			05	F01A, F01B, F01D, F05Z, F07A, F07B, F28A, F42Z, F54Z, F59A, F59B
	03	D12A	03		D12A	08	I08A, I08B, I08C, I08D, I08E, I13A, I13B				
	05	F01A, F01B, F01D, F05Z, F06A, F06C, F07A, F07B, F14A, F14B, F28A, F42Z, F54Z, F59A, F59B	05		F01A, F01B, F01D, F05Z, F06A, F06C, F07A, F07B, F14A, F14B, F28A, F42Z, F54Z, F59A, F59B	10	K09A, K09B				
	08	I08A, I08B, I08C, I08D, I08E, I13A, I13B	08		I08A, I08B, I08C, I08D, I08E, I13A, I13B	11	L09A, L38Z				
	10	K09A, K09B	10		K09A, K09B	21A	W04A, W04B				
	11	L09A, L38Z	11		L09A, L38Z	21B	X06A, X06B, X06C				
	21A	W04A, W04B	21A		W04A, W04B		BOP, KVT, UOP4				
	21B	X06A, X06B, X06C	21B		X06A, X06B, X06C	05	F01A, F01B, F01D, F05Z, F07A, F07B, F28A, F42Z, F54Z, F59A, F59B				
						08	I08A, I08B, I08C, I08D, I08E, I13A, I13B				
				10	K09A, K09B						
				11	L09A, L38Z						
				21A	W04A, W04B						
				21B	X06A, X06B, X06C						
					BOP, KVT, UOP4						
				05	F01A, F01B, F01D, F05Z, F07A, F07B, F28A, F42Z, F54Z, F59A, F59B						
				08	I08A, I08B, I08C, I08D, I08E, I13A, I13B						
				10	K09A, K09B						
				11	L09A, L38Z						
				21A	W04A, W04B						
				21B	X06A, X06B, X06C						

ZZV	MDC	DRG	ZZV	MDC	DRG	ZZV	MDC	DRG
51012.0↔		BOP, KVT, UOP4	51012.6↔		BOP, KVT, UOP4	51013.1		BOP, KOP, KOPV, KVT, UOP4
	05	F01A, F01B, F01D, F05Z, F07A, F07B, F28A, F42Z, F54Z, F59A, F59B		05	F01A, F01B, F01D, F05Z, F07A, F07B, F28A, F42Z, F54Z, F59A, F59B		04	E05A, E05B, E05C, E08A, E08B, E08C
	08	I08A, I08B, I08C, I08D, I08E, I13A, I13B		08	I08A, I08B, I08C, I08D, I08E, I13A, I13B		05	F01A, F01B, F01D, F05Z, F07A, F07B, F09A, F09B, F09C, F30Z, F42Z
	10	K09A, K09B		10	K09A, K09B		06	G15Z, G19A, G19B, G33Z, G38Z
	11	L09A, L38Z		11	L09A, L38Z		07	H33Z, H38Z
	21A	W04A, W04B		21A	W04A, W04B		08	I08A, I08B, I08C, I08D, I08E, I13A, I13B
	21B	X06A, X06B, X06C		21B	X05A, X05B, X06A, X06B, X06C		11	L09A, L33Z, L38Z
51012.1↔		BOP, KVT, UOP4	51012.7↔		BOP, KVT, UOP4	51013.2		BOP, KOP, KOPV, KVT, UOP4
	05	F01A, F01B, F01D, F05Z, F07A, F07B, F28A, F42Z, F54Z, F59A, F59B		05	F01A, F01B, F01D, F05Z, F07A, F07B, F28A, F42Z, F54Z, F59A, F59B		04	E05A, E05B, E05C, E08A, E08B, E08C
	08	I08A, I08B, I08C, I08D, I08E, I13A, I13B		08	I08A, I08B, I08C, I08D, I08E, I13A, I13B		05	F01A, F01B, F01D, F05Z, F07A, F07B, F09A, F09B, F09C, F30Z, F42Z
	10	K09A, K09B		10	K09A, K09B		06	G15Z, G19A, G19B, G33Z, G38Z
	11	L09A, L38Z		11	L09A, L38Z		07	H33Z, H38Z
	21A	W04A, W04B		21A	W04A, W04B		08	I08A, I08B, I08C, I08D, I08E, I13A, I13B
	21B	X05A, X05B, X06A, X06B, X06C		21B	X05A, X05B, X06A, X06B, X06C		11	L09A, L33Z, L38Z
51012.2↔		BOP, KVT, UOP4	51012.8↔		BOP, KVT, UOP4	51013.3		BOP, KVT, UOP4
	05	F01A, F01B, F01D, F05Z, F07A, F07B, F28A, F42Z, F54Z, F59A, F59B		05	F01A, F01B, F01D, F05Z, F07A, F07B, F28A, F42Z, F54Z, F59A, F59B		05	F01A, F01B, F01D, F05Z, F07A, F07B, F14A, F14B, F28A, F42Z, F54Z, F59A, F59B
	08	I08A, I08B, I08C, I08D, I08E, I13A, I13B		08	I08A, I08B, I08C, I08D, I08E, I13A, I13B		06	G10Z, G12A, G12B
	10	K09A, K09B		10	K09A, K09B		08	I08A, I08B, I08C, I08D, I08E, I13A, I13B
	11	L09A, L38Z		11	L09A, L38Z		11	L09A, L09B, L09C, L09D, L38Z
	21A	W04A, W04B		21A	W04A, W04B		21A	W04A, W04B
	21B	X05A, X05B, X06A, X06B, X06C		21B	X06A, X06B, X06C		21B	X06A, X06B, X06C, X33Z
51012.3↔		BOP, KVT, UOP4	51012.x↔		BOP, KVT, UOP4	51013.4		BOP, KVT, UOP4
	05	F01A, F01B, F01D, F05Z, F07A, F07B, F28A, F42Z, F54Z, F59A, F59B		05	F01A, F01B, F01D, F05Z, F07A, F07B, F28A, F42Z, F54Z, F59A, F59B		05	F01A, F01B, F01D, F05Z, F07A, F07B, F14A, F14B, F28A, F42Z, F54Z, F59A, F59B
	08	I08A, I08B, I08C, I08D, I08E, I13A, I13B		08	I08A, I08B, I08C, I08D, I08E, I13A, I13B		06	G10Z, G12A, G12B
	10	K09A, K09B		10	K09A, K09B		08	I08A, I08B, I08C, I08D, I08E, I13A, I13B
	11	L09A, L38Z		11	L09A, L38Z		11	L09A, L09B, L09C, L09D, L38Z
	21A	W04A, W04B		21A	W04A, W04B		21A	W04A, W04B
	21B	X05A, X05B, X06A, X06B, X06C		21B	X06A, X06B, X06C		21B	X06A, X06B, X06C, X33Z
51012.4↔		BOP, KVT, UOP4	51013.0		BOP, KOP, KOPV, KVT, UOP4	51013.4		BOP, KVT, UOP4
	05	F01A, F01B, F01D, F05Z, F07A, F07B, F28A, F42Z, F54Z, F59A, F59B		04	E05A, E05B, E05C, E08A, E08B, E08C		05	F01A, F01B, F01D, F05Z, F07A, F07B, F14A, F14B, F28A, F42Z, F54Z, F59A, F59B
	08	I08A, I08B, I08C, I08D, I08E, I13A, I13B		05	F01A, F01B, F01D, F05Z, F07A, F07B, F09A, F09B, F09C, F30Z, F42Z		06	G15Z, G19A, G19B, G33Z, G38Z
	10	K09A, K09B		06	G15Z, G19A, G19B, G33Z, G38Z		07	H33Z, H38Z
	11	L09A, L38Z		07	H33Z, H38Z		08	I08A, I08B, I08C, I08D, I08E, I13A, I13B
	21A	W04A, W04B		08	I08A, I08B, I08C, I08D, I08E, I13A, I13B		11	L09A, L33Z, L38Z
	21B	X06A, X06B, X06C		11	L09A, L33Z, L38Z		15	P02A, P02B, P02C
51012.5↔		BOP, KVT, UOP4	51013.0		BOP, KOP, KOPV, KVT, UOP4	51013.4		BOP, KVT, UOP4
	05	F01A, F01B, F01D, F05Z, F07A, F07B, F28A, F42Z, F54Z, F59A, F59B		04	E05A, E05B, E05C, E08A, E08B, E08C		05	F01A, F01B, F01D, F05Z, F07A, F07B, F14A, F14B, F28A, F42Z, F54Z, F59A, F59B
	08	I08A, I08B, I08C, I08D, I08E, I13A, I13B		05	F01A, F01B, F01D, F05Z, F07A, F07B, F09A, F09B, F09C, F30Z, F42Z		06	G10Z, G12A, G12B
	10	K09A, K09B		06	G15Z, G19A, G19B, G33Z, G38Z		08	I08A, I08B, I08C, I08D, I08E, I13A, I13B
	11	L09A, L38Z		07	H33Z, H38Z		11	L09A, L09B, L09C, L09D, L38Z
	21A	W04A, W04B		08	I08A, I08B, I08C, I08D, I08E, I13A, I13B		21A	W04A, W04B
	21B	X05A, X05B, X06A, X06B, X06C		11	L09A, L33Z, L38Z		21B	X06A, X06B, X06C

VYK

ZZV	MDC	DRG	ZZV	MDC	DRG	ZZV	MDC	DRG			
51013.5		BOP, KVT, UOP4	51014.2↔		BOP, KOP, KOPV, KVT, UOP4	51015.1↔		BOP, KVT, UOP4			
	05	F01A, F01B, F01D, F05Z, F07A, F07B, F14A, F14B, F28A, F42Z, F54Z, F59A, F59B		04	E05A, E05B, E05C, E08A, E08B, E08C		05	F01A, F01B, F01D, F05Z, F07A, F07B, F14A, F14B, F28A, F42Z, F54Z, F59A, F59B			
	06	G10Z, G12A, G12B		05	F01A, F01B, F01D, F05Z, F07A, F07B, F09A, F09B, F09C, F30Z, F42Z		06	G10Z, G12A, G12B			
	08	I08A, I08B, I08C, I08D, I08E, I13A, I13B		06	G15Z, G19A, G19B, G33Z, G38Z		08	I08A, I08B, I08C, I08D, I08E, I13A, I13B			
	11	L09A, L09B, L09C, L09D, L38Z		07	H33Z, H38Z		11	L09A, L09B, L09C, L09D, L38Z			
	21A	W04A, W04B		08	I08A, I08B, I08C, I08D, I08E, I13A, I13B		21A	W04A, W04B			
	21B	X06A, X06B, X06C		11	L09A, L33Z, L38Z		21B	X06A, X06B, X06C			
	51013.x			BOP, KVT, UOP4	51014.3↔			BOP, KOP, KOPV, KVT, UOP4	51015.2↔		BOP, KVT, UOP4
		05		F01A, F01B, F01D, F05Z, F07A, F07B, F14A, F14B, F28A, F42Z, F54Z, F59A, F59B			04	E05A, E05B, E05C, E08A, E08B, E08C		05	F01A, F01B, F01D, F05Z, F07A, F07B, F14A, F14B, F28A, F42Z, F54Z, F59A, F59B
		06		G10Z, G12A, G12B			05	F01A, F01B, F01D, F05Z, F07A, F07B, F09A, F09B, F09C, F30Z, F42Z		06	G10Z, G12A, G12B
08		I08A, I08B, I08C, I08D, I08E, I13A, I13B	06	G15Z, G19A, G19B, G33Z, G38Z		08	I08A, I08B, I08C, I08D, I08E, I13A, I13B				
11		L09A, L09B, L09C, L09D, L38Z	07	H33Z, H38Z		11	L09A, L09B, L09C, L09D, L38Z				
21A		W04A, W04B	08	I08A, I08B, I08C, I08D, I08E, I13A, I13B		21A	W04A, W04B				
21B		X06A, X06B, X06C	11	L09A, L33Z, L38Z		21B	X06A, X06B, X06C				
51014.0↔			BOP, KOP, KOPV, KVT, UOP4	51014.x↔			BOP, KOP, KOPV, KVT, UOP4	51015.3↔			BOP, KVT, UOP4
		04	E05A, E05B, E05C, E08A, E08B, E08C			04	E05A, E05B, E05C, E08A, E08B, E08C			05	F01A, F01B, F01D, F05Z, F07A, F07B, F14A, F14B, F28A, F42Z, F54Z, F59A, F59B
		05	F01A, F01B, F01D, F05Z, F07A, F07B, F09A, F09B, F09C, F30Z, F42Z			05	F01A, F01B, F01D, F05Z, F07A, F07B, F09A, F09B, F09C, F30Z, F42Z			06	G10Z, G12A, G12B
	06	G15Z, G19A, G19B, G33Z, G38Z	06		G15Z, G19A, G19B, G33Z, G38Z	08	I08A, I08B, I08C, I08D, I08E, I13A, I13B				
	07	H33Z, H38Z	07		H33Z, H38Z	11	L09A, L09B, L09C, L09D, L38Z				
	08	I08A, I08B, I08C, I08D, I08E, I13A, I13B	08		I08A, I08B, I08C, I08D, I08E, I13A, I13B	21A	W04A, W04B				
	11	L09A, L33Z, L38Z	11		L09A, L33Z, L38Z	21B	X06A, X06B, X06C				
	15	P02A, P02B, P02C	15		P02A, P02B, P02C		BOP, KVT, UOP4				
	21A	W04A, W04B	21A		W04A, W04B	05	F01A, F01B, F01D, F05Z, F07A, F07B, F14A, F14B, F28A, F42Z, F54Z, F59A, F59B				
	21B	X06A, X06B, X06C, X33Z	21B		X06A, X06B, X06C, X33Z	06	G10Z, G12A, G12B				
51014.1↔		BOP, KOP, KOPV, KVT, UOP4	51015.0↔		BOP, KVT, UOP4	51015.4↔		BOP, KVT, UOP4			
	04	E05A, E05B, E05C, E08A, E08B, E08C		01	B03A, B03B, B06A, B06B, B07Z, B17A, B17B, B17C		05	F01A, F01B, F01D, F05Z, F07A, F07B, F14A, F14B, F28A, F42Z, F54Z, F59A, F59B			
	05	F01A, F01B, F01D, F05Z, F07A, F07B, F09A, F09B, F09C, F30Z, F42Z		05	F01A, F01B, F01D, F05Z, F07A, F07B, F14A, F14B, F28A, F42Z, F54Z, F59A, F59B		06	G10Z, G12A, G12B			
	06	G15Z, G19A, G19B, G33Z, G38Z		06	G10Z, G12A, G12B		08	I08A, I08B, I08C, I08D, I08E, I13A, I13B			
	07	H33Z, H38Z		08	I08A, I08B, I08C, I08D, I08E, I13A, I13B		11	L09A, L09B, L09C, L09D, L38Z			
	08	I08A, I08B, I08C, I08D, I08E, I13A, I13B		10	K09A, K09B		21A	W04A, W04B			
	11	L09A, L33Z, L38Z		11	L09A, L38Z		21B	X06A, X06B, X06C			
	15	P02A, P02B, P02C		21A	W04A, W04B			BOP, KVT, UOP4			
	21A	W04A, W04B		21B	X06A, X06B, X06C, X33Z		05	F01A, F01B, F01D, F05Z, F07A, F07B, F14A, F14B, F28A, F42Z, F54Z, F59A, F59B			
	21B	X06A, X06B, X06C, X33Z		Pre	A07A		06	G10Z, G12A, G12B			
51014.1↔		BOP, KOP, KOPV, KVT, UOP4	51015.0↔		BOP, KVT, UOP4	51015.5↔		BOP, KVT, UOP4			
	04	E05A, E05B, E05C, E08A, E08B, E08C		01	B03A, B03B, B06A, B06B, B07Z, B17A, B17B, B17C		05	F01A, F01B, F01D, F05Z, F07A, F07B, F14A, F14B, F28A, F42Z, F54Z, F59A, F59B			
	05	F01A, F01B, F01D, F05Z, F07A, F07B, F09A, F09B, F09C, F30Z, F42Z		05	F01A, F01B, F01D, F05Z, F07A, F07B, F14A, F14B, F28A, F42Z, F54Z, F59A, F59B		06	G10Z, G12A, G12B			
	06	G15Z, G19A, G19B, G33Z, G38Z		06	G10Z, G12A, G12B		08	I08A, I08B, I08C, I08D, I08E, I13A, I13B			
	07	H33Z, H38Z		08	I08A, I08B, I08C, I08D, I08E, I13A, I13B		11	L09A, L09B, L09C, L09D, L38Z			
	08	I08A, I08B, I08C, I08D, I08E, I13A, I13B		10	K09A, K09B		21A	W04A, W04B			
	11	L09A, L33Z, L38Z		11	L09A, L38Z		21B	X06A, X06B, X06C			
	15	P02A, P02B, P02C		21A	W04A, W04B			BOP, KVT, UOP4			
	21A	W04A, W04B		21B	X06A, X06B, X06C, X33Z		05	F01A, F01B, F01D, F05Z, F07A, F07B, F14A, F14B, F28A, F42Z, F54Z, F59A, F59B			
	21B	X06A, X06B, X06C, X33Z		Pre	A07A		06	G10Z, G12A, G12B			

VYK

ZZV	MDC	DRG	ZZV	MDC	DRG	ZZV	MDC	DRG			
51015.x↔		BOP, KVT, UOP4	51016.4↔		BOP, KVT, UOP4	51017.1↔		BOP, KVT, UOP4			
	05	F01A, F01B, F01D, F05Z, F07A, F07B, F14A, F14B, F28A, F42Z, F54Z, F59A, F59B		05	F01A, F01B, F01D, F05Z, F07A, F07B, F14A, F14B, F28A, F42Z, F54Z, F59A, F59B		05	F01A, F01B, F01D, F05Z, F07A, F07B, F14A, F14B, F28A, F42Z, F54Z, F59A, F59B			
	06	G10Z, G12A, G12B		06	G10Z, G12A, G12B		08	I08A, I08B, I08C, I08D, I08E, I13A, I13B			
	08	I08A, I08B, I08C, I08D, I08E, I13A, I13B		08	I08A, I08B, I08C, I08D, I08E, I13A, I13B		10	K09A, K09B			
	11	L09A, L09B, L09C, L09D, L38Z		11	L09A, L09B, L09C, L09D, L38Z		11	L09A, L38Z			
	21A	W04A, W04B		51016.5			BOP, KVT, UOP4	51017.2↔		BOP, KVT, UOP4	
	21B	X06A, X06B, X06C			05		F01A, F01B, F01D, F05Z, F07A, F07B, F14A, F14B, F28A, F42Z, F54Z, F59A, F59B		05	F01A, F01B, F01D, F05Z, F07A, F07B, F14A, F14B, F28A, F42Z, F54Z, F59A, F59B	
	51016.0				BOP, KVT, UOP4		06		G10Z, G12A, G12B, G18A, G38Z	08	I08A, I08B, I08C, I08D, I08E, I13A, I13B
		05			F01A, F01B, F01D, F05Z, F07A, F07B, F14A, F14B, F28A, F42Z, F54Z, F59A, F59B		08		I08A, I08B, I08C, I08D, I08E, I13A, I13B	10	K09A, K09B
		06			G10Z, G12A, G12B, G18A, G38Z		11		L09A, L09B, L09C, L09D, L38Z	11	L09A, L38Z
51016.1		BOP, KVT, UOP4	51016.6		BOP, KVT, UOP4	51017.3↔		BOP, KVT, UOP4			
	05	F01A, F01B, F01D, F05Z, F07A, F07B, F14A, F14B, F28A, F42Z, F54Z, F59A, F59B		05	F01A, F01B, F01D, F05Z, F07A, F07B, F14A, F14B, F28A, F42Z, F54Z, F59A, F59B		05	F01A, F01B, F01D, F05Z, F07A, F07B, F28A, F42Z, F54Z, F59A, F59B			
	06	G10Z, G12A, G12B, G18A, G38Z		06	G10Z, G12A, G12B, G18A, G38Z		08	I08A, I08B, I08C, I08D, I08E, I13A, I13B			
	07	H06A, H06B, H06C		08	I08A, I08B, I08C, I08D, I08E, I13A, I13B		10	K09A, K09B			
	08	I08A, I08B, I08C, I08D, I08E, I13A, I13B		51016.7			BOP, KVT, UOP4	11	L09A, L38Z		
	11	L09A, L09B, L09C, L09D, L38Z	05		F01A, F01B, F01D, F05Z, F07A, F07B, F14A, F14B, F28A, F42Z, F54Z, F59A, F59B	17	R01A, R01B, R01C, R01D, R02Z, R12A, R12B, R12C				
	21A	W04A, W04B	06		G10Z, G12A, G12B	21A	W04A, W04B				
	21B	X06A, X06B, X06C	51016.x↔		BOP, KVT, UOP4	21B	X04Z				
	51016.2			BOP, KVT, UOP4	05	F01A, F01B, F01D, F05Z, F07A, F07B, F14A, F14B, F28A, F42Z, F54Z, F59A, F59B	51017.x↔		BOP, KVT, UOP4		
		05		F01A, F01B, F01D, F05Z, F07A, F07B, F14A, F14B, F28A, F42Z, F54Z, F59A, F59B	05	F01A, F01B, F01D, F05Z, F07A, F07B, F14A, F14B, F28A, F42Z, F54Z, F59A, F59B		05	F01A, F01B, F01D, F05Z, F07A, F07B, F28A, F42Z, F54Z, F59A, F59B		
06		G10Z, G12A, G12B		06	G10Z, G12A, G12B	08		I08A, I08B, I08C, I08D, I08E, I13A, I13B			
08		I08A, I08B, I08C, I08D, I08E, I13A, I13B		08	I08A, I08B, I08C, I08D, I08E, I13A, I13B	10		K09A, K09B			
11		L09A, L09B, L09C, L09D, L38Z	08	I08A, I08B, I08C, I08D, I08E, I13A, I13B	11	L09A, L38Z					
21A		W04A, W04B	51017.0↔		BOP, KVT, UOP4	51018.0↔		BOP, KVT, UOP4			
21B		X06A, X06B, X06C		05	F01A, F01B, F01D, F05Z, F07A, F07B, F14A, F14B, F28A, F42Z, F54Z, F59A, F59B		05	F01A, F01B, F01D, F05Z, F07A, F07B, F28A, F42Z, F54Z, F59A, F59B			
51016.3				BOP, KVT, UOP4	05		F01A, F01B, F01D, F05Z, F07A, F07B, F14A, F14B, F28A, F42Z, F54Z, F59A, F59B	08	I08A, I08B, I08C, I08D, I08E, I13A, I13B		
		05		F01A, F01B, F01D, F05Z, F07A, F07B, F14A, F14B, F28A, F42Z, F54Z, F59A, F59B	08		I08A, I08B, I08C, I08D, I08E, I13A, I13B	10	K09A, K09B		
		06		G10Z, G12A, G12B, G18A, G38Z	08		I08A, I08B, I08C, I08D, I08E, I13A, I13B	11	L09A, L38Z		
07	H06A, H06B, H06C	10	K09A, K09B	17	R01A, R01B, R01C, R01D, R02Z, R12A, R12B, R12C						
08	I08A, I08B, I08C, I08D, I08E, I13A, I13B	11	L09A, L38Z	21A	W04A, W04B						
11	L09A, L09B, L09C, L09D, L38Z	17	R01A, R01B, R01C, R01D, R02Z, R12A, R12B, R12C	21B	X04Z						
		21A	W04A, W04B								
		21B	X04Z								

VYK

ZZV	MDC	DRG	ZZV	MDC	DRG	ZZV	MDC	DRG				
51018.1↔		BOP, KVT, UOP4	51018.6↔		BOP, KVT, UOP4	51019.4		BOP, KVT, UOP4				
	05	F01A, F01B, F01D, F05Z, F07A, F07B, F28A, F42Z, F54Z, F59A, F59B		05	F01A, F01B, F01D, F05Z, F07A, F07B, F28A, F42Z, F54Z, F59A, F59B		05	F39A, F39B				
	08	I08A, I08B, I08C, I08D, I08E, I13A, I13B		08	I08A, I08B, I08C, I08D, I08E, I13A, I13B		06	G18A, G38Z				
	10	K09A, K09B		10	K09A, K09B		07	H01A				
	11	L09A, L38Z		11	L09A, L38Z		08	I08A, I08B, I08C, I08D, I08E, I13A, I13B				
	17	R01A, R01B, R01C, R01D, R02Z, R12A, R12B, R12C		17	R01A, R01B, R01C, R01D, R02Z, R12A, R12B, R12C		11	L09A, L38Z				
	21A	W04A, W04B		21A	W04A, W04B		21A	W04A, W04B				
	21B	X04Z		21B	X04Z		21B	X04Z				
	51018.2↔			BOP, KVT, UOP4	51018.7↔			BOP, KVT, UOP4	51019.5		BOP, KVT, UOP4	
		05		F01A, F01B, F01D, F05Z, F07A, F07B, F28A, F42Z, F54Z, F59A, F59B			05	F01A, F01B, F01D, F05Z, F07A, F07B, F28A, F42Z, F54Z, F59A, F59B		05	F39A, F39B	
08		I08A, I08B, I08C, I08D, I08E, I13A, I13B	08	I08A, I08B, I08C, I08D, I08E, I13A, I13B		06	G18A, G38Z					
10		K09A, K09B	10	K09A, K09B		07	H01A					
11		L09A, L38Z	11	L09A, L38Z		08	I08A, I08B, I08C, I08D, I08E, I13A, I13B					
17		R01A, R01B, R01C, R01D, R02Z, R12A, R12B, R12C	17	R01A, R01B, R01C, R01D, R02Z, R12A, R12B, R12C		11	L09A, L38Z					
21A		W04A, W04B	21A	W04A, W04B		21A	W04A, W04B					
21B		X04Z	21B	X04Z		21B	X04Z					
51018.3↔			BOP, KVT, UOP4	51018.x↔			BOP, KVT, UOP4	51019.6			BOP, KVT, UOP4	
		05	F01A, F01B, F01D, F05Z, F07A, F07B, F28A, F42Z, F54Z, F59A, F59B			05	F01A, F01B, F01D, F05Z, F07A, F07B, F28A, F42Z, F54Z, F59A, F59B			05	F39A, F39B	
	08	I08A, I08B, I08C, I08D, I08E, I13A, I13B	08		I08A, I08B, I08C, I08D, I08E, I13A, I13B	06	G18A, G38Z					
	10	K09A, K09B	10		K09A, K09B	07	H01A					
	11	L09A, L38Z	11		L09A, L38Z	08	I08A, I08B, I08C, I08D, I08E, I13A, I13B					
	17	R01A, R01B, R01C, R01D, R02Z, R12A, R12B, R12C	17		R01A, R01B, R01C, R01D, R02Z, R12A, R12B, R12C	11	L09A, L38Z					
	21A	W04A, W04B	21A		W04A, W04B	21A	W04A, W04B					
	21B	X04Z	21B		X04Z	21B	X04Z					
	51018.4↔		BOP, KVT, UOP4		51019.0↔		BOP, KVT, UOP4		51019.7		BOP, KVT, UOP4	
		05	F01A, F01B, F01D, F05Z, F07A, F07B, F28A, F42Z, F54Z, F59A, F59B			05	F39A, F39B			05	F39A, F39B	
08		I08A, I08B, I08C, I08D, I08E, I13A, I13B	08	I08A, I08B, I08C, I08D, I08E, I13A, I13B		06	G18A, G38Z					
10		K09A, K09B	11	L09A, L38Z		07	H01A					
11		L09A, L38Z	21A	W04A, W04B		08	I08A, I08B, I08C, I08D, I08E, I13A, I13B					
17		R01A, R01B, R01C, R01D, R02Z, R12A, R12B, R12C	21B	X04Z		11	L09A, L38Z					
21A		W04A, W04B	51019.1↔			BOP, KVT, UOP4	21A	W04A, W04B				
21B		X04Z		05		F39A, F39B	21A	W04A, W04B				
51018.5↔				BOP, KVT, UOP4		51019.2		BOP, KVT, UOP4		51019.8↔		BOP, KVT, UOP4
		05		F01A, F01B, F01D, F05Z, F07A, F07B, F28A, F42Z, F54Z, F59A, F59B			05	F39A, F39B			05	F39A, F39B
	08	I08A, I08B, I08C, I08D, I08E, I13A, I13B		06	G18A, G38Z		06	G18A, G38Z				
	10	K09A, K09B		07	H01A		07	H01A				
	11	L09A, L38Z		08	I08A, I08B, I08C, I08D, I08E, I13A, I13B		08	I08A, I08B, I08C, I08D, I08E, I13A, I13B				
	17	R01A, R01B, R01C, R01D, R02Z, R12A, R12B, R12C		11	L09A, L38Z		11	L09A, L38Z				
	21A	W04A, W04B		21A	W04A, W04B		21A	W04A, W04B				
	21B	X04Z		21B	X04Z		21B	X04Z				
	51018.5↔		BOP, KVT, UOP4	51019.3↔			BOP, KVT, UOP4	51019.9↔			BOP, KVT, UOP4	
		05	F01A, F01B, F01D, F05Z, F07A, F07B, F28A, F42Z, F54Z, F59A, F59B		05		F39A, F39B		01		B03A, B03B, B06A, B06B, B07Z, B17A, B17B, B17C	
08		I08A, I08B, I08C, I08D, I08E, I13A, I13B	06		G18A, G38Z	03	D12A					
10		K09A, K09B	07		H01A	05	F01A, F01B, F01D, F05Z, F07A, F07B, F14A, F14B, F28A, F42Z, F54Z, F59A, F59B					
11		L09A, L38Z	08		I08A, I08B, I08C, I08D, I08E, I13A, I13B	08	I08A, I08B, I08C, I08D, I08E, I13A, I13B					
17		R01A, R01B, R01C, R01D, R02Z, R12A, R12B, R12C	11		L09A, L38Z	10	K09A, K09B					
21A		W04A, W04B	21A		W04A, W04B	11	L09A, L38Z					
21B		X04Z	21B		X04Z	21A	W04A, W04B					
			21B		X06A, X06B, X06C	21B	X06A, X06B, X06C					

VYK

ZZV	MDC	DRG	ZZV	MDC	DRG	ZZV	MDC	DRG			
51019.a↔		BOP, KOP, KOPV, KVT, UOP4	51019.e		BOP, KOP, KOPV, KVT, UOP4	51019.i↔		BOP, KVT, UOP4			
	04	E05A, E05B, E05C, E08A, E08B, E08C		04	E05A, E05B, E05C, E08A, E08B, E08C		05	F01A, F01B, F01D, F05Z, F07A, F07B, F09A, F09B, F09C, F30Z, F42Z			
	05	F01A, F01B, F01D, F05Z, F07A, F07B, F09A, F09B, F09C, F30Z, F42Z		05	F01A, F01B, F01D, F05Z, F07A, F07B, F09A, F09B, F09C, F30Z, F42Z		06	G10Z, G12A, G12B			
	06	G15Z, G19A, G19B, G33Z, G38Z		06	G15Z, G19A, G19B, G33Z, G38Z		08	I08A, I08B, I08C, I08D, I08E, I13A, I13B			
	07	H33Z, H38Z		07	H33Z, H38Z		11	L09A, L09B, L09C, L09D, L38Z			
	08	I08A, I08B, I08C, I08D, I08E, I13A, I13B		08	I08A, I08B, I08C, I08D, I08E, I13A, I13B		21A	W04A, W04B			
	11	L09A, L33Z, L38Z		11	L09A, L33Z, L38Z		21B	X06A, X06B, X06C			
	15	P02A, P02B, P02C		15	P02A, P02B, P02C			BOP, KVT, UOP4			
	21A	W04A, W04B		21A	W04A, W04B		05	F39A, F39B			
	21B	X06A, X06B, X06C, X33Z		21B	X06A, X06B, X06C, X33Z		08	I08A, I08B, I08C, I08D, I08E, I13A, I13B			
	23	Z01A		23	Z01A		11	L09A, L38Z			
	Pre	A07A		Pre	A07A		21A	W04A, W04B			
	51019.b↔			BOP, KOP, KOPV, KVT, UOP4	51019.f			BOP, KOP, KOPV, KVT, UOP4	5101b.01↔		BOP, KVT, UOP4
		04		E05A, E05B, E05C, E08A, E08B, E08C			04	E05A, E05B, E05C, E08A, E08B, E08C		05	F01A, F01B, F01D, F05Z, F07A, F07B, F14A, F14B, F28A, F42Z, F54Z, F59A, F59B
		05		F01A, F01B, F01D, F05Z, F07A, F07B, F09A, F09B, F09C, F30Z, F42Z			05	F01A, F01B, F01D, F05Z, F07A, F07B, F09A, F09B, F09C, F30Z, F42Z		06	G10Z, G12A, G12B
06		G15Z, G19A, G19B, G33Z, G38Z	06	G03A, G15Z, G18A, G19A, G19B, G33Z, G38Z		08	I08A, I08B, I08C, I08D, I08E, I13A, I13B				
07		H33Z, H38Z	07	H01A, H33Z, H38Z		11	L09A, L09B, L09C, L09D, L38Z				
08		I08A, I08B, I08C, I08D, I08E, I13A, I13B	08	I08A, I08B, I08C, I08D, I08E, I13A, I13B			BOP, KVT, UOP4				
11		L09A, L33Z, L38Z	11	L09A, L33Z, L38Z		05	F01A, F01B, F01D, F05Z, F07A, F07B, F14A, F14B, F28A, F42Z, F54Z, F59A, F59B				
15		P02A, P02B, P02C	15	P02A, P02B, P02C		06	G10Z, G12A, G12B				
21A		W04A, W04B	21A	W04A, W04B		08	I08A, I08B, I08C, I08D, I08E, I13A, I13B				
21B		X06A, X06B, X06C, X33Z	21B	X06A, X06B, X06C, X33Z		11	L09A, L09B, L09C, L09D, L38Z				
23		Z01A	23	Z01A			BOP, KVT, UOP4				
Pre		A07A	Pre	A07A		05	F01A, F01B, F01D, F05Z, F07A, F07B, F14A, F14B, F28A, F42Z, F54Z, F59A, F59B				
51019.c↔			BOP, KVT, UOP4	51019.g↔			BOP, KVT, UOP4	5101b.11			BOP, KVT, UOP4
		05	F01A, F01B, F01D, F05Z, F07A, F07B, F14A, F14B, F28A, F42Z, F54Z, F59A, F59B			05	F01A, F01B, F01D, F05Z, F07A, F07B, F14A, F14B, F28A, F42Z, F54Z, F59A, F59B			05	F01A, F01B, F01D, F05Z, F07A, F07B, F14A, F14B, F28A, F42Z, F54Z, F59A, F59B
		08	I08A, I08B, I08C, I08D, I08E, I13A, I13B			06	G10Z, G12A, G12B			06	G10Z, G12A, G12B
	10	K09A, K09B	08		I08A, I08B, I08C, I08D, I08E, I13A, I13B	08	I08A, I08B, I08C, I08D, I08E, I13A, I13B				
	11	L09A, L38Z	11		L09A, L09B, L09C, L09D, L38Z	11	L09A, L09B, L09C, L09D, L38Z				
	21A	W04A, W04B	21A		W04A, W04B		BOP, KVT, UOP4				
	21B	X06A, X06B, X06C	21B		X06A, X06B, X06C	05	F01A, F01B, F01D, F05Z, F07A, F07B, F14A, F14B, F28A, F42Z, F54Z, F59A, F59B				
	51019.d↔		BOP, KOP, KOPV, KVT, UOP4		51019.h↔		BOP, KVT, UOP4		5101b.12		BOP, KVT, UOP4
		04	E05A, E05B, E05C, E08A, E08B, E08C			05	F01A, F01B, F01D, F05Z, F07A, F07B, F14A, F14B, F28A, F42Z, F54Z, F59A, F59B			05	F01A, F01B, F01D, F05Z, F07A, F07B, F14A, F14B, F28A, F42Z, F54Z, F59A, F59B
		05	F01A, F01B, F01D, F05Z, F07A, F07B, F09A, F09B, F09C, F30Z, F42Z			06	G10Z, G12A, G12B			06	G10Z, G12A, G12B
		06	G15Z, G19A, G19B, G33Z, G38Z			08	I08A, I08B, I08C, I08D, I08E, I13A, I13B			08	I08A, I08B, I08C, I08D, I08E, I13A, I13B
		07	H33Z, H38Z			11	L09A, L09B, L09C, L09D, L38Z			11	L09A, L09B, L09C, L09D, L38Z
		08	I08A, I08B, I08C, I08D, I08E, I13A, I13B			21A	W04A, W04B				BOP, KVT, UOP4
		11	L09A, L33Z, L38Z			21B	X06A, X06B, X06C			05	F01A, F01B, F01D, F05Z, F07A, F07B, F14A, F14B, F28A, F42Z, F54Z, F59A, F59B
		15	P02A, P02B, P02C							06	G10Z, G12A, G12B
21A		W04A, W04B				08	I08A, I08B, I08C, I08D, I08E, I13A, I13B				
21B		X06A, X06B, X06C, X33Z				11	L09A, L09B, L09C, L09D, L38Z				
23		Z01A					BOP, KVT, UOP4				
Pre		A07A					BOP, KVT, UOP4				

ZZV	MDC	DRG	ZZV	MDC	DRG	ZZV	MDC	DRG			
51120.0↔		BOP, KVT, UOP4	51120.24↔		BOP, KVT, UOP4	51120.5↔		BOP, KVT, UOP4			
	01	B04A, B04B, B04C, B04D, B04E		01	B04A, B04B, B04C, B04D, B04E		01	B04A, B04B, B04C, B04D, B04E			
	03	D12A, D12B		03	D12A, D12B		03	D12A, D12B			
	05	F01A, F01B, F01D, F05Z, F06A, F06C, F07A, F07B, F14A, F14B, F28A, F42Z, F54Z, F59A, F59B		05	F01A, F01B, F01D, F05Z, F06A, F06C, F07A, F07B, F14A, F14B, F28A, F42Z, F54Z, F59A, F59B		05	F01A, F01B, F01D, F05Z, F06A, F06C, F07A, F07B, F14A, F14B, F28A, F42Z, F54Z, F59A, F59B			
	08	I08A, I08B, I08C, I08D, I08E, I13A, I13B		08	I08A, I08B, I08C, I08D, I08E, I13A, I13B		08	I08A, I08B, I08C, I08D, I08E, I13A, I13B			
	10	K09A, K09B		10	K09A, K09B		10	K09A, K09B			
	11	L09A, L38Z		11	L09A, L38Z		11	L09A, L38Z			
	21A	W04A, W04B		21A	W04A, W04B		21A	W04A, W04B			
	21B	X06A, X06B, X06C		21B	X06A, X06B, X06C		21B	X06A, X06B, X06C			
	51120.1↔			BOP, KVT, UOP4	51120.25↔			BOP, KVT, UOP4	51120.6↔		BOP, KVT, UOP4
		01		B04A, B04B, B04C, B04D, B04E			01	B04A, B04B, B04C, B04D, B04E		01	B04A, B04B, B04C, B04D, B04E
03		D12A, D12B	03	D12A, D12B		03	D12A, D12B				
05		F01A, F01B, F01D, F05Z, F06A, F06C, F07A, F07B, F14A, F14B, F28A, F42Z, F54Z, F59A, F59B	05	F01A, F01B, F01D, F05Z, F06A, F06C, F07A, F07B, F14A, F14B, F28A, F42Z, F54Z, F59A, F59B		05	F01A, F01B, F01D, F05Z, F06A, F06C, F07A, F07B, F14A, F14B, F28A, F42Z, F54Z, F59A, F59B				
08		I08A, I08B, I08C, I08D, I08E, I13A, I13B	08	I08A, I08B, I08C, I08D, I08E, I13A, I13B		08	I08A, I08B, I08C, I08D, I08E, I13A, I13B				
10		K09A, K09B	10	K09A, K09B		10	K09A, K09B				
11		L09A, L38Z	11	L09A, L38Z		11	L09A, L38Z				
21A		W04A, W04B	21A	W04A, W04B		21A	W04A, W04B				
21B		X06A, X06B, X06C	21B	X06A, X06B, X06C		21B	X06A, X06B, X06C				
51120.20↔			BOP, KVT, UOP4	51120.3↔			BOP, KVT, UOP4	51120.8↔			BOP, KVT, UOP4
		01	B04A, B04B, B04C, B04D, B04E			01	B04A, B04B, B04C, B04D, B04E			05	F01A, F01B, F01D, F05Z, F07A, F07B, F08A, F08B, F08C, F08D, F08E, F27A, F28A, F42Z
	03	D12A, D12B	03		D12A, D12B	06	G10Z, G12A, G12B				
	05	F01A, F01B, F01D, F05Z, F06A, F06C, F07A, F07B, F14A, F14B, F28A, F42Z, F54Z, F59A, F59B	05		F01A, F01B, F01D, F05Z, F06A, F06C, F07A, F07B, F14A, F14B, F28A, F42Z, F54Z, F59A, F59B	08	I08A, I08B, I08C, I08D, I08E, I13A, I13B				
	08	I08A, I08B, I08C, I08D, I08E, I13A, I13B	08		I08A, I08B, I08C, I08D, I08E, I13A, I13B	11	L09A, L09B, L09C, L09D, L38Z				
	10	K09A, K09B	10		K09A, K09B	21A	W04A, W04B				
	11	L09A, L38Z	11		L09A, L38Z	21B	X06A, X06B, X06C, X33Z				
	21A	W04A, W04B	21A		W04A, W04B		BOP, KVT, UOP4				
	21B	X06A, X06B, X06C	21B		X06A, X06B, X06C	01	B04A, B04B, B04C, B04D, B04E				
	51120.22↔		BOP, KVT, UOP4		51120.40↔		BOP, KVT, UOP4		51120.x↔		BOP, KVT, UOP4
		01	B04A, B04B, B04C, B04D, B04E			01	B04A, B04B, B04C, B04D, B04E			03	D12A, D12B
03		D12A, D12B	03	D12A, D12B		05	F01A, F01B, F01D, F05Z, F06A, F06C, F07A, F07B, F14A, F14B, F28A, F42Z, F54Z, F59A, F59B				
05		F01A, F01B, F01D, F05Z, F06A, F06C, F07A, F07B, F14A, F14B, F28A, F42Z, F54Z, F59A, F59B	05	F01A, F01B, F01D, F05Z, F06A, F06C, F07A, F07B, F14A, F14B, F28A, F42Z, F54Z, F59A, F59B		08	I08A, I08B, I08C, I08D, I08E, I13A, I13B				
08		I08A, I08B, I08C, I08D, I08E, I13A, I13B	08	I08A, I08B, I08C, I08D, I08E, I13A, I13B		10	K09A, K09B				
10		K09A, K09B	10	K09A, K09B		11	L09A, L38Z				
11		L09A, L38Z	11	L09A, L38Z		21A	W04A, W04B				
21A		W04A, W04B	21A	W04A, W04B		21B	X06A, X06B, X06C				
21B		X06A, X06B, X06C	21B	X06A, X06B, X06C			BOP, KVT, UOP4				
51120.23↔			BOP, KVT, UOP4	51120.4x			BOP, KVT, UOP4	51121.0↔			BOP, KVT, UOP4
		01	B04A, B04B, B04C, B04D, B04E			05	F01A, F01B, F01D, F05Z, F07A, F07B, F08A, F08B, F08C, F08D, F08E, F27A, F28A, F42Z			05	F01A, F01B, F01D, F05Z, F07A, F07B, F14A, F14B, F28A, F42Z, F54Z, F59A, F59B
	03	D12A, D12B	06		G10Z, G12A, G12B, G18A, G38Z	08	I08A, I08B, I08C, I08D, I08E, I13A, I13B				
	05	F01A, F01B, F01D, F05Z, F06A, F06C, F07A, F07B, F14A, F14B, F28A, F42Z, F54Z, F59A, F59B	07		H01A	10	K09A, K09B				
	08	I08A, I08B, I08C, I08D, I08E, I13A, I13B	08		I08A, I08B, I08C, I08D, I08E, I13A, I13B	11	L09A, L38Z				
	10	K09A, K09B	11		L09A, L09B, L09C, L09D, L38Z	21A	W04A, W04B				
	11	L09A, L38Z	21A		W04A, W04B	21B	X05A, X05B, X06A, X06B, X06C				
	21A	W04A, W04B	21B		X06A, X06B, X06C, X33Z						
	21B	X06A, X06B, X06C									

VYK

ZZV	MDC	DRG	ZZV	MDC	DRG	ZZV	MDC	DRG
51121.1↔		BOP, KVT, UOP4	51122.2↔		BOP, KVT, UOP4	51123.4		BOP, KVT, UOP4
	05	F01A, F01B, F01D, F05Z, F07A, F07B, F14A, F14B, F28A, F42Z, F54Z, F59A, F59B		05	F01A, F01B, F01D, F05Z, F07A, F07B, F14A, F14B, F28A, F42Z, F54Z, F59A, F59B		05	F01A, F01B, F01D, F05Z, F07A, F07B, F08A, F08B, F08C, F08D, F08E, F27A, F28A, F42Z
	08	I08A, I08B, I08C, I08D, I08E, I13A, I13B		08	I08A, I08B, I08C, I08D, I08E, I13A, I13B		06	G10Z, G12A, G12B
	10	K09A, K09B		10	K09A, K09B		08	I08A, I08B, I08C, I08D, I08E, I13A, I13B
	11	L09A, L38Z		11	L09A, L38Z		11	L09A, L38Z
	21A	W04A, W04B		21A	W04A, W04B		21A	W04A, W04B
51121.2↔		BOP, KVT, UOP4	51122.x↔		BOP, KVT, UOP4	51123.x		BOP, KVT, UOP4
	05	F01A, F01B, F01D, F05Z, F07A, F07B, F14A, F14B, F28A, F42Z, F54Z, F59A, F59B		05	F01A, F01B, F01D, F05Z, F07A, F07B, F14A, F14B, F28A, F42Z, F54Z, F59A, F59B		05	F01A, F01B, F01D, F05Z, F07A, F07B, F08A, F08B, F08C, F08D, F08E, F27A, F28A, F42Z
	08	I08A, I08B, I08C, I08D, I08E, I13A, I13B		08	I08A, I08B, I08C, I08D, I08E, I13A, I13B		06	G10Z, G12A, G12B
	10	K09A, K09B		10	K09A, K09B		08	I08A, I08B, I08C, I08D, I08E, I13A, I13B
	11	L09A, L38Z		11	L09A, L38Z		11	L09A, L38Z
	21A	W04A, W04B		21A	W04A, W04B		21A	W04A, W04B
51121.x↔		BOP, KVT, UOP4	51123.0		BOP, KVT, UOP4	51124.0↔		BOP, KOP, KOPV, KVT, UOP4
	05	F01A, F01B, F01D, F05Z, F07A, F07B, F14A, F14B, F28A, F42Z, F54Z, F59A, F59B		05	F01A, F01B, F01D, F05Z, F07A, F07B, F08A, F08B, F08C, F08D, F08E, F27A, F28A, F42Z		04	E05A, E05B, E05C, E08A, E08B, E08C
	08	I08A, I08B, I08C, I08D, I08E, I13A, I13B		06	G10Z, G12A, G12B		05	F01A, F01B, F01D, F05Z, F07A, F07B, F09A, F09B, F09C, F30Z, F42Z
	10	K09A, K09B		08	I08A, I08B, I08C, I08D, I08E, I13A, I13B		06	G33Z
	11	L09A, L38Z		11	L09A, L38Z		07	H33Z, H38Z
	21A	W04A, W04B		21A	W04A, W04B		08	I08A, I08B, I08C, I08D, I08E, I13A, I13B
51122.0↔		BOP, KVT, UOP4	51123.1		BOP, KVT, UOP4	51124.1↔		BOP, KOP, KOPV, KVT, UOP4
	05	F01A, F01B, F01D, F05Z, F07A, F07B, F14A, F14B, F28A, F42Z, F54Z, F59A, F59B		05	F01A, F01B, F01D, F05Z, F07A, F07B, F08A, F08B, F08C, F08D, F08E, F27A, F28A, F42Z		04	E05A, E05B, E05C, E08A, E08B, E08C
	08	I08A, I08B, I08C, I08D, I08E, I13A, I13B		06	G10Z, G12A, G12B		05	F01A, F01B, F01D, F05Z, F07A, F07B, F09A, F09B, F09C, F30Z, F42Z
	10	K09A, K09B		08	I08A, I08B, I08C, I08D, I08E, I13A, I13B		06	G33Z
	11	L09A, L38Z		11	L09A, L38Z		07	H33Z, H38Z
	21A	W04A, W04B		21A	W04A, W04B		08	I08A, I08B, I08C, I08D, I08E, I13A, I13B
51122.1↔		BOP, KVT, UOP4	51123.2		BOP, KVT, UOP4	51124.1↔		BOP, KOP, KOPV, KVT, UOP4
	05	F01A, F01B, F01D, F05Z, F07A, F07B, F14A, F14B, F28A, F42Z, F54Z, F59A, F59B		05	F01A, F01B, F01D, F05Z, F07A, F07B, F08A, F08B, F08C, F08D, F08E, F27A, F28A, F42Z		05	F01A, F01B, F01D, F05Z, F07A, F07B, F09A, F09B, F09C, F30Z, F42Z
	08	I08A, I08B, I08C, I08D, I08E, I13A, I13B		06	G10Z, G12A, G12B		06	G33Z
	10	K09A, K09B		08	I08A, I08B, I08C, I08D, I08E, I13A, I13B		07	H33Z, H38Z
	11	L09A, L38Z		11	L09A, L38Z		08	I08A, I08B, I08C, I08D, I08E, I13A, I13B
	21A	W04A, W04B		21A	W04A, W04B		11	L09A, L33Z, L38Z
51122.1↔		BOP, KVT, UOP4	51123.3		BOP, KVT, UOP4	51124.1↔		BOP, KOP, KOPV, KVT, UOP4
	05	F01A, F01B, F01D, F05Z, F07A, F07B, F14A, F14B, F28A, F42Z, F54Z, F59A, F59B		05	F01A, F01B, F01D, F05Z, F07A, F07B, F08A, F08B, F08C, F08D, F08E, F27A, F28A, F42Z		15	P02A, P02B, P02C
	08	I08A, I08B, I08C, I08D, I08E, I13A, I13B		06	G10Z, G12A, G12B		21A	W04A, W04B
	10	K09A, K09B		08	I08A, I08B, I08C, I08D, I08E, I13A, I13B		21B	X06A, X06B, X06C, X33Z
	11	L09A, L38Z		11	L09A, L38Z		23	Z01A
	21A	W04A, W04B		21A	W04A, W04B		Pre	A07A
51122.1↔		BOP, KVT, UOP4	51123.3		BOP, KVT, UOP4	51124.1↔		BOP, KOP, KOPV, KVT, UOP4
	05	F01A, F01B, F01D, F05Z, F07A, F07B, F14A, F14B, F28A, F42Z, F54Z, F59A, F59B		05	F01A, F01B, F01D, F05Z, F07A, F07B, F08A, F08B, F08C, F08D, F08E, F27A, F28A, F42Z		04	E05A, E05B, E05C, E08A, E08B, E08C
	08	I08A, I08B, I08C, I08D, I08E, I13A, I13B		06	G10Z, G12A, G12B		05	F01A, F01B, F01D, F05Z, F07A, F07B, F09A, F09B, F09C, F30Z, F42Z
	10	K09A, K09B		08	I08A, I08B, I08C, I08D, I08E, I13A, I13B		06	G33Z
	11	L09A, L38Z		11	L09A, L38Z		07	H33Z, H38Z
	21A	W04A, W04B		21A	W04A, W04B		08	I08A, I08B, I08C, I08D, I08E, I13A, I13B

ZZV	MDC	DRG	ZZV	MDC	DRG	ZZV	MDC	DRG			
51124.2↔		BOP, KOP, KOPV, KVT, UOP4	51125.1↔		BOP, KVT, UOP4	51125.x↔		BOP, KVT, UOP4			
	04	E01A, E08A, E08B, E08C		05	F01A, F01B, F01D, F05Z, F07A, F07B, F08A, F08B, F08C, F08D, F08E, F08F, F14A, F14B, F27A, F28A, F42Z		05	F01A, F01B, F01D, F05Z, F07A, F07B, F14A, F14B, F28A, F42Z, F54Z, F59A, F59B			
	05	F01A, F01B, F01D, F05Z, F07A, F07B, F09A, F09B, F09C, F30Z, F42Z		06	G10Z, G12A, G12B		08	I08A, I08B, I08C, I08D, I08E, I13A, I13B			
	06	G33Z		08	I08A, I08B, I08C, I08D, I08E, I13A, I13B		10	K09A, K09B			
	07	H33Z, H38Z		11	L09A, L09B, L09C, L09D, L38Z		11	L09A, L38Z			
	08	I08A, I08B, I08C, I08D, I08E, I13A, I13B		11	L09A, L09B, L09C, L09D, L38Z		21A	W04A, W04B			
	11	L09A, L33Z, L38Z		21A	W04A, W04B		21B	X06A, X06B, X06C			
	15	P02A, P02B, P02C		21B	X06A, X06B, X06C, X33Z			BOP, KVT, UOP4			
	21A	W04A, W04B			BOP, KVT, UOP4		05	F01A, F01B, F01D, F05Z, F07A, F07B, F08A, F08B, F08C, F08D, F08E, F27A, F28A, F42Z			
	21B	X06A, X06B, X06C, X33Z		05	F01A, F01B, F01D, F05Z, F07A, F07B, F08A, F08B, F08C, F08D, F08E, F08F, F14A, F14B, F27A, F28A, F42Z		06	G10Z, G12A, G12B, G18A, G38Z			
	23	Z01A		06	G10Z, G12A, G12B		07	H01A			
	Pre	A07A		08	I08A, I08B, I08C, I08D, I08E, I13A, I13B		08	I08A, I08B, I08C, I08D, I08E, I13A, I13B			
	51124.3↔			BOP, KOP, KOPV, KVT, UOP4	51125.2↔			BOP, KVT, UOP4	51126.0		BOP, KVT, UOP4
		04		E05A, E05B, E05C, E08A, E08B, E08C			05	F01A, F01B, F01D, F05Z, F07A, F07B, F08A, F08B, F08C, F08D, F08E, F08F, F14A, F14B, F27A, F28A, F42Z		05	F01A, F01B, F01D, F05Z, F07A, F07B, F08A, F08B, F08C, F08D, F08E, F27A, F28A, F42Z
		05		F01A, F01B, F01D, F05Z, F07A, F07B, F09A, F09B, F09C, F30Z, F42Z			06	G10Z, G12A, G12B		06	G10Z, G12A, G12B, G18A, G38Z
06		G33Z	08	I08A, I08B, I08C, I08D, I08E, I13A, I13B		07	H01A				
07		H33Z, H38Z	11	L09A, L09B, L09C, L09D, L38Z		08	I08A, I08B, I08C, I08D, I08E, I13A, I13B				
08		I08A, I08B, I08C, I08D, I08E, I13A, I13B	11	L09A, L09B, L09C, L09D, L38Z		11	L09A, L09B, L09C, L09D, L38Z				
11		L09A, L33Z, L38Z	21A	W04A, W04B		21A	W04A, W04B				
15		P02A, P02B, P02C	21B	X06A, X06B, X06C, X33Z		21B	X06A, X06B, X06C, X33Z				
21A		W04A, W04B		BOP, KVT, UOP4			BOP, KVT, UOP4				
21B		X06A, X06B, X06C, X33Z	05	F01A, F01B, F01D, F05Z, F07A, F07B, F08A, F08B, F08C, F08D, F08E, F08F, F14A, F14B, F27A, F28A, F42Z		05	F01A, F01B, F01D, F05Z, F07A, F07B, F08A, F08B, F08C, F08D, F08E, F27A, F28A, F42Z				
23		Z01A	06	G10Z, G12A, G12B		06	G10Z, G12A, G12B, G18A, G38Z				
Pre		A07A	08	I08A, I08B, I08C, I08D, I08E, I13A, I13B		07	H01A, H06A, H06B, H06C				
51124.x↔			BOP, KOP, KOPV, KVT, UOP4	51125.3↔			BOP, KVT, UOP4	51126.1			BOP, KVT, UOP4
		04	E05A, E05B, E05C, E08A, E08B, E08C			05	F01A, F01B, F01D, F05Z, F07A, F07B, F08A, F08B, F08C, F08D, F08E, F08F, F14A, F14B, F27A, F28A, F42Z			05	F01A, F01B, F01D, F05Z, F07A, F07B, F08A, F08B, F08C, F08D, F08E, F27A, F28A, F42Z
		05	F01A, F01B, F01D, F05Z, F07A, F07B, F09A, F09B, F09C, F30Z, F42Z			06	G10Z, G12A, G12B			06	G10Z, G12A, G12B, G18A, G38Z
	06	G33Z	08		I08A, I08B, I08C, I08D, I08E, I13A, I13B	07	H01A, H06A, H06B, H06C				
	07	H33Z, H38Z	11		L09A, L09B, L09C, L09D, L38Z	08	I08A, I08B, I08C, I08D, I08E, I13A, I13B				
	08	I08A, I08B, I08C, I08D, I08E, I13A, I13B	11		L09A, L09B, L09C, L09D, L38Z	11	L09A, L09B, L09C, L09D, L38Z				
	11	L09A, L33Z, L38Z	21A		W04A, W04B	21A	W04A, W04B				
	15	P02A, P02B, P02C	21B		X06A, X06B, X06C, X33Z	21B	X06A, X06B, X06C, X33Z				
	21A	W04A, W04B			BOP, KVT, UOP4		BOP, KVT, UOP4				
	21B	X06A, X06B, X06C, X33Z	05		F01A, F01B, F01D, F05Z, F07A, F07B, F08A, F08B, F08C, F08D, F08E, F08F, F14A, F14B, F27A, F28A, F42Z	05	F01A, F01B, F01D, F05Z, F07A, F07B, F08A, F08B, F08C, F08D, F08E, F27A, F28A, F42Z				
	23	Z01A	06		G10Z, G12A, G12B	06	G10Z, G12A, G12B, G18A, G38Z				
	Pre	A07A	08		I08A, I08B, I08C, I08D, I08E, I13A, I13B	07	H01A, H06A, H06B, H06C				
	51125.0↔		BOP, KVT, UOP4		51125.4↔		BOP, KVT, UOP4		51126.2		BOP, KVT, UOP4
		05	F01A, F01B, F01D, F05Z, F07A, F07B, F14A, F14B, F28A, F42Z, F54Z, F59A, F59B			05	F01A, F01B, F01D, F05Z, F07A, F07B, F08A, F08B, F08C, F08D, F08E, F08F, F14A, F14B, F27A, F28A, F42Z			05	F01A, F01B, F01D, F05Z, F07A, F07B, F08A, F08B, F08C, F08D, F08E, F27A, F28A, F42Z
		08	I08A, I08B, I08C, I08D, I08E, I13A, I13B			06	G10Z, G12A, G12B			06	G10Z, G12A, G12B, G18A, G38Z
10		K09A, K09B	08	I08A, I08B, I08C, I08D, I08E, I13A, I13B		07	H06A, H06B, H06C				
11		L09A, L38Z	11	L09A, L09B, L09C, L09D, L38Z		08	I08A, I08B, I08C, I08D, I08E, I13A, I13B				
21A		W04A, W04B	11	L09A, L09B, L09C, L09D, L38Z		11	L09A, L09B, L09C, L09D, L38Z				
21B		X06A, X06B, X06C	21A	W04A, W04B		21A	W04A, W04B				
51125.1↔			BOP, KVT, UOP4	51125.5↔			BOP, KVT, UOP4	51126.3			BOP, KVT, UOP4
		05	F01A, F01B, F01D, F05Z, F07A, F07B, F14A, F14B, F28A, F42Z, F54Z, F59A, F59B			05	F01A, F01B, F01D, F05Z, F07A, F07B, F14A, F14B, F28A, F42Z, F54Z, F59A, F59B			05	F01A, F01B, F01D, F05Z, F07A, F07B, F08A, F08B, F08C, F08D, F08E, F27A, F28A, F42Z
		08	I08A, I08B, I08C, I08D, I08E, I13A, I13B			08	I08A, I08B, I08C, I08D, I08E, I13A, I13B			06	G10Z, G12A, G12B, G18A, G38Z
		10	K09A, K09B			10	K09A, K09B			07	H06A, H06B, H06C
		11	L09A, L38Z			11	L09A, L38Z			08	I08A, I08B, I08C, I08D, I08E, I13A, I13B
		21A	W04A, W04B			11	L09A, L09B, L09C, L09D, L38Z			11	L09A, L09B, L09C, L09D, L38Z
		21B	X06A, X06B, X06C			21A	W04A, W04B			21A	W04A, W04B
			BOP, KVT, UOP4			21B	X06A, X06B, X06C			21B	X06A, X06B, X06C, X33Z

VYK

ZZV	MDC	DRG	ZZV	MDC	DRG	ZZV	MDC	DRG			
51126.4↔		BOP, KVT, UOP4	51127.0↔		BOP, KVT, UOP4	51128.1↔		BOP, KVT, UOP4			
	05	F01A, F01B, F01D, F05Z, F07A, F07B, F08A, F08B, F08C, F08D, F08E, F27A, F28A, F42Z		05	F01A, F01B, F01D, F05Z, F07A, F07B, F14A, F14B, F28A, F42Z, F54Z, F59A, F59B		05	F01A, F01B, F01D, F05Z, F07A, F07B, F14A, F14B, F28A, F42Z, F54Z, F59A, F59B			
	06	G10Z, G12A, G12B		08	I08A, I08B, I08C, I08D, I08E, I13A, I13B		08	I08A, I08B, I08C, I08D, I08E, I13A, I13B			
	08	I08A, I08B, I08C, I08D, I08E, I13A, I13B		10	K09A, K09B		10	K09A, K09B			
	11	L09A, L09B, L09C, L09D, L38Z		11	L09A, L38Z		11	L09A, L38Z			
	21A	W04A, W04B		21A	W04A, W04B		21A	W04A, W04B			
	21B	X06A, X06B, X06C, X33Z		21B	X04Z		21B	X04Z, X06A, X06B, X06C			
	51126.5			BOP, KVT, UOP4	51127.1↔			BOP, KVT, UOP4	51128.2↔		BOP, KVT, UOP4
		05		F01A, F01B, F01D, F05Z, F07A, F07B, F08A, F08B, F08C, F08D, F08E, F27A, F28A, F42Z			05	F01A, F01B, F01D, F05Z, F07A, F07B, F14A, F14B, F28A, F42Z, F54Z, F59A, F59B		05	F01A, F01B, F01D, F05Z, F07A, F07B, F14A, F14B, F28A, F42Z, F54Z, F59A, F59B
		06		G10Z, G12A, G12B, G18A, G38Z			08	I08A, I08B, I08C, I08D, I08E, I13A, I13B		08	I08A, I08B, I08C, I08D, I08E, I13A, I13B
07		H01A	10	K09A, K09B		10	K09A, K09B				
08		I08A, I08B, I08C, I08D, I08E, I13A, I13B	11	L09A, L38Z		11	L09A, L38Z				
11		L09A, L09B, L09C, L09D, L38Z	21A	W04A, W04B		21A	W04A, W04B				
21A		W04A, W04B	21B	X04Z		21B	X04Z, X06A, X06B, X06C				
21B		X06A, X06B, X06C, X33Z	51127.2↔			BOP, KVT, UOP4	51128.3↔			BOP, KVT, UOP4	
51126.6				BOP, KVT, UOP4		05		F01A, F01B, F01D, F05Z, F07A, F07B, F14A, F14B, F28A, F42Z, F54Z, F59A, F59B		05	F01A, F01B, F01D, F05Z, F07A, F07B, F14A, F14B, F28A, F42Z, F54Z, F59A, F59B
		05		F01A, F01B, F01D, F05Z, F07A, F07B, F08A, F08B, F08C, F08D, F08E, F27A, F28A, F42Z		08		I08A, I08B, I08C, I08D, I08E, I13A, I13B		08	I08A, I08B, I08C, I08D, I08E, I13A, I13B
	06	G10Z, G12A, G12B, G18A, G38Z		10	K09A, K09B	10		K09A, K09B			
	07	H01A		11	L09A, L38Z	11		L09A, L38Z			
	08	I08A, I08B, I08C, I08D, I08E, I13A, I13B		21A	W04A, W04B	21A		W04A, W04B			
	11	L09A, L09B, L09C, L09D, L38Z		21B	X04Z, X06A, X06B, X06C	21B		X04Z, X06A, X06B, X06C			
	21A	W04A, W04B		51127.3↔		BOP, KVT, UOP4		51128.4↔		BOP, KVT, UOP4	
	21B	X06A, X06B, X06C, X33Z			05	F01A, F01B, F01D, F05Z, F07A, F07B, F14A, F14B, F28A, F42Z, F54Z, F59A, F59B			05	F01A, F01B, F01D, F05Z, F07A, F07B, F14A, F14B, F28A, F42Z, F54Z, F59A, F59B	
	51126.7				BOP, KVT, UOP4	08			I08A, I08B, I08C, I08D, I08E, I13A, I13B	08	I08A, I08B, I08C, I08D, I08E, I13A, I13B
		05	F01A, F01B, F01D, F05Z, F07A, F07B, F08A, F08B, F08C, F08D, F08E, F27A, F28A, F42Z		10	K09A, K09B	10		K09A, K09B		
06		G10Z, G12A, G12B	11		L09A, L38Z	11	L09A, L38Z				
08		I08A, I08B, I08C, I08D, I08E, I13A, I13B	21A		W04A, W04B	21A	W04A, W04B				
11		L09A, L09B, L09C, L09D, L38Z	21B		X04Z, X06A, X06B, X06C	21B	X04Z, X06A, X06B, X06C				
21A		W04A, W04B	51127.x↔			BOP, KVT, UOP4	51128.5↔			BOP, KVT, UOP4	
21B		X06A, X06B, X06C, X33Z			05	F01A, F01B, F01D, F05Z, F07A, F07B, F14A, F14B, F28A, F42Z, F54Z, F59A, F59B			05	F01A, F01B, F01D, F05Z, F07A, F07B, F14A, F14B, F28A, F42Z, F54Z, F59A, F59B	
51126.x↔					BOP, KVT, UOP4	08			I08A, I08B, I08C, I08D, I08E, I13A, I13B	08	I08A, I08B, I08C, I08D, I08E, I13A, I13B
		05		F01A, F01B, F01D, F05Z, F07A, F07B, F08A, F08B, F08C, F08D, F08E, F27A, F28A, F42Z	10	K09A, K09B		10	K09A, K09B		
		06		G10Z, G12A, G12B	11	L09A, L38Z		11	L09A, L38Z		
	08	I08A, I08B, I08C, I08D, I08E, I13A, I13B		21A	W04A, W04B	21A		W04A, W04B			
	11	L09A, L09B, L09C, L09D, L38Z		21B	X04Z, X06A, X06B, X06C	21B		X04Z, X06A, X06B, X06C			
	21A	W04A, W04B		51128.0↔		BOP, KVT, UOP4		51128.6↔		BOP, KVT, UOP4	
	21B	X06A, X06B, X06C, X33Z			05	F01A, F01B, F01D, F05Z, F07A, F07B, F14A, F14B, F28A, F42Z, F54Z, F59A, F59B			05	F01A, F01B, F01D, F05Z, F07A, F07B, F14A, F14B, F28A, F42Z, F54Z, F59A, F59B	
					BOP, KVT, UOP4	08			I08A, I08B, I08C, I08D, I08E, I13A, I13B	08	I08A, I08B, I08C, I08D, I08E, I13A, I13B
		05	F01A, F01B, F01D, F05Z, F07A, F07B, F08A, F08B, F08C, F08D, F08E, F27A, F28A, F42Z		10	K09A, K09B	10		K09A, K09B		
		06	G10Z, G12A, G12B		11	L09A, L38Z	11		L09A, L38Z		
08		I08A, I08B, I08C, I08D, I08E, I13A, I13B	21A		W04A, W04B	21A	W04A, W04B				
11		L09A, L09B, L09C, L09D, L38Z	21B		X04Z, X06A, X06B, X06C	21B	X04Z, X06A, X06B, X06C				
21A		W04A, W04B				BOP, KVT, UOP4				BOP, KVT, UOP4	
21B		X06A, X06B, X06C, X33Z			05	F01A, F01B, F01D, F05Z, F07A, F07B, F14A, F14B, F28A, F42Z, F54Z, F59A, F59B			05	F01A, F01B, F01D, F05Z, F07A, F07B, F14A, F14B, F28A, F42Z, F54Z, F59A, F59B	
					08	I08A, I08B, I08C, I08D, I08E, I13A, I13B			08	I08A, I08B, I08C, I08D, I08E, I13A, I13B	
				10	K09A, K09B	10		K09A, K09B			
				11	L09A, L38Z	11		L09A, L38Z			
		21A		W04A, W04B	21A	W04A, W04B					
		21B		X04Z, X06A, X06B, X06C	21B	X04Z, X06A, X06B, X06C					

ZZV	MDC	DRG	ZZV	MDC	DRG	ZZV	MDC	DRG	
51128.7↔		BOP, KVT, UOP4	51130.2↔	01	BOP, KVT, UOP4	51131.1↔	01	BOP, KVT, UOP4	
	05	F01A, F01B, F01D, F05Z, F07A, F07B, F14A, F14B, F28A, F42Z, F54Z, F59A, F59B		03	B04A, B04B, B04C, B04D, B04E		05	B04A, B04B, B04C, B04D, B04E	
	08	I08A, I08B, I08C, I08D, I08E, I13A, I13B		05	D12A		08	F01A, F01B, F01D, F05Z, F06A, F06C, F07A, F07B, F14A, F14B, F28A, F42Z, F54Z, F59A, F59B	
	10	K09A, K09B		08	I08A, I08B, I08C, I08D, I08E, I13A, I13B		11	I08A, I08B, I08C, I08D, I08E, I13A, I13B	
	11	L09A, L38Z		11	L09A, L38Z		11	L09A, L38Z	
	21A	W04A, W04B		21A	W04A, W04B		21A	W04A, W04B	
51128.x↔	21B	X04Z, X06A, X06B, X06C	51130.3↔	21B	X06A, X06B, X06C	51131.x↔	21B	X06A, X06B, X06C	
		BOP, KVT, UOP4			BOP, KVT, UOP4			BOP, KVT, UOP4	
	05	F01A, F01B, F01D, F05Z, F07A, F07B, F14A, F14B, F28A, F42Z, F54Z, F59A, F59B		01	B04A, B04B, B04C, B04D, B04E		01	B04A, B04B, B04C, B04D, B04E	
	08	I08A, I08B, I08C, I08D, I08E, I13A, I13B		03	D12A		05	F01A, F01B, F01D, F05Z, F06A, F06C, F07A, F07B, F14A, F14B, F28A, F42Z, F54Z, F59A, F59B	
	10	K09A, K09B		05	F01A, F01B, F01D, F05Z, F06A, F06C, F07A, F07B, F14A, F14B, F28A, F42Z, F54Z, F59A, F59B		08	I08A, I08B, I08C, I08D, I08E, I13A, I13B	
	11	L09A, L38Z		08	I08A, I08B, I08C, I08D, I08E, I13A, I13B		11	L09A, L38Z	
5112x↔	21A	W04A, W04B	51130.4↔	11	L09A, L38Z	51132.0↔	21A	W04A, W04B	
	21B	X04Z, X06A, X06B, X06C		21A	W04A, W04B		51132.1↔	21B	X06A, X06B, X06C
		BOP, KVT, UOP4		21B	X06A, X06B, X06C			01	BOP, KVT, UOP4
	05	F01A, F01B, F01D, F05Z, F07A, F07B, F14A, F14B, F28A, F42Z, F54Z, F59A, F59B		01	B04A, B04B, B04C, B04D, B04E			05	F01A, F01B, F01D, F05Z, F07A, F07B, F14A, F14B, F28A, F42Z, F54Z, F59A, F59B
	08	I08A, I08B, I08C, I08D, I08E, I13A, I13B		03	D12A			08	I08A, I08B, I08C, I08D, I08E, I13A, I13B
	10	K09A, K09B		05	F01A, F01B, F01D, F05Z, F06A, F06C, F07A, F07B, F14A, F14B, F28A, F42Z, F54Z, F59A, F59B			11	L09A, L38Z
51130.0↔	11	L09A, L38Z	51130.x↔	11	L09A, L38Z	51132.x↔		21A	W04A, W04B
	21A	W04A, W04B		21A	W04A, W04B		51131.1↔	21B	X06A, X06B, X06C
	21B	X06A, X06B, X06C		21B	X06A, X06B, X06C			05	BOP, KVT, UOP4
		BOP, KVT, UOP4		01	B04A, B04B, B04C, B04D, B04E			05	F01A, F01B, F01D, F05Z, F07A, F07B, F14A, F14B, F28A, F42Z, F54Z, F59A, F59B
	01	B04A, B04B, B04C, B04D, B04E		03	D12A			08	I08A, I08B, I08C, I08D, I08E, I13A, I13B
	03	D12A		05	F01A, F01B, F01D, F05Z, F06A, F06C, F07A, F07B, F14A, F14B, F28A, F42Z, F54Z, F59A, F59B			11	L09A, L38Z
51130.1↔	05	F01A, F01B, F01D, F05Z, F06A, F06C, F07A, F07B, F14A, F14B, F28A, F42Z, F54Z, F59A, F59B	51131.0↔	21A	W04A, W04B	51132.x↔		21A	W04A, W04B
	08	I08A, I08B, I08C, I08D, I08E, I13A, I13B		21B	X06A, X06B, X06C		21B	X06A, X06B, X06C	
	11	L09A, L38Z		01	BOP, KVT, UOP4		05	BOP, KVT, UOP4	
	21A	W04A, W04B		01	B04A, B04B, B04C, B04D, B04E		08	I08A, I08B, I08C, I08D, I08E, I13A, I13B	
	21B	X06A, X06B, X06C		03	D12A		11	L09A, L38Z	
		BOP, KVT, UOP4		05	F01A, F01B, F01D, F05Z, F06A, F06C, F07A, F07B, F14A, F14B, F28A, F42Z, F54Z, F59A, F59B		21A	W04A, W04B	
51130.1↔	01	B04A, B04B, B04C, B04D, B04E	51131.0↔	08	I08A, I08B, I08C, I08D, I08E, I13A, I13B	51132.x↔	21B	X06A, X06B, X06C	
	03	D12A		01	B04A, B04B, B04C, B04D, B04E		05	F01A, F01B, F01D, F05Z, F07A, F07B, F14A, F14B, F28A, F42Z, F54Z, F59A, F59B	
	05	F01A, F01B, F01D, F05Z, F06A, F06C, F07A, F07B, F14A, F14B, F28A, F42Z, F54Z, F59A, F59B		03	D12A		08	I08A, I08B, I08C, I08D, I08E, I13A, I13B	
	08	I08A, I08B, I08C, I08D, I08E, I13A, I13B		05	F01A, F01B, F01D, F05Z, F06A, F06C, F07A, F07B, F14A, F14B, F28A, F42Z, F54Z, F59A, F59B		11	L09A, L38Z	
	11	L09A, L38Z		08	I08A, I08B, I08C, I08D, I08E, I13A, I13B		21A	W04A, W04B	
	21A	W04A, W04B		11	L09A, L38Z		21B	X06A, X06B, X06C	
21B	X06A, X06B, X06C	21A	W04A, W04B						
		21B	X06A, X06B, X06C						

ZZV	MDC	DRG	ZZV	MDC	DRG	ZZV	MDC	DRG					
51133.0		BOP, KOP, KOPV, KVT, UOP4	51134.0↔		BOP, KVT, UOP4	51135.0↔		BOP, KOP, KOPV, KVT, UOP4					
	04	E05A, E05B, E05C, E08A, E08B, E08C		01	B04A, B04B, B04C, B04D, B04E		05	F01A, F01B, F01D, F05Z, F07A, F07B, F08A, F08B, F08C, F08D, F08E, F08F, F27A, F28A, F42Z					
	05	F01A, F01B, F01D, F05Z, F07A, F07B, F08A, F08B, F08C, F08D, F08E, F27A, F28A, F30Z, F42Z		05	F01A, F01B, F01D, F05Z, F07A, F07B, F09A, F09B, F09C, F30Z, F42Z		06	G15Z, G19A, G19B, G33Z, G38Z					
	06	G10Z, G12A, G12B, G33Z		08	I08A, I08B, I08C, I08D, I08E, I13A, I13B		07	H33Z, H38Z					
	07	H33Z, H38Z		11	L09A, L38Z		08	I08A, I08B, I08C, I08D, I08E, I13A, I13B					
	08	I08A, I08B, I08C, I08D, I08E, I13A, I13B		15	P02A, P02B, P02C		11	L09A, L09B, L09C, L09D, L33Z, L38Z					
	11	L09A, L33Z, L38Z		21A	W04A, W04B		21A	W04A, W04B					
	15	P02A, P02B, P02C		21B	X06A, X06B, X06C		21B	X06A, X06B, X06C, X33Z					
	21A	W04A, W04B			BOP, KOP, KOPV, KVT, UOP4		23	Z01A					
	21B	X06A, X06B, X06C, X33Z		05	F01A, F01B, F01D, F05Z, F07A, F07B, F09A, F09B, F09C, F30Z, F42Z		Pre	A07A					
	23	Z01A		06	G15Z, G19A, G19B, G33Z, G38Z		51135.1↔		BOP, KOP, KOPV, KVT, UOP4				
	Pre	A07A		07	H33Z, H38Z			05	F01A, F01B, F01D, F05Z, F07A, F07B, F08A, F08B, F08C, F08D, F08E, F08F, F27A, F28A, F42Z				
	51133.1			BOP, KOP, KOPV, KVT, UOP4	51134.1↔				BOP, KOP, KOPV, KVT, UOP4	51135.2↔		BOP, KOP, KOPV, KVT, UOP4	
		04		E05A, E05B, E05C, E08A, E08B, E08C				05	F01A, F01B, F01D, F05Z, F07A, F07B, F09A, F09B, F09C, F30Z, F42Z		05	F01A, F01B, F01D, F05Z, F07A, F07B, F08A, F08B, F08C, F08D, F08E, F08F, F27A, F28A, F42Z	
		05		F01A, F01B, F01D, F05Z, F07A, F07B, F08A, F08B, F08C, F08D, F08E, F27A, F28A, F30Z, F42Z				06	G15Z, G19A, G19B, G33Z, G38Z		06	G15Z, G19A, G19B, G33Z, G38Z	
		06		G10Z, G12A, G12B, G33Z				07	H33Z, H38Z		07	H33Z, H38Z	
		07		H33Z, H38Z				08	I08A, I08B, I08C, I08D, I08E, I13A, I13B		08	I08A, I08B, I08C, I08D, I08E, I13A, I13B	
08		I08A, I08B, I08C, I08D, I08E, I13A, I13B	11	L09A, L33Z, L38Z		11		L09A, L09B, L09C, L09D, L33Z, L38Z					
11		L09A, L33Z, L38Z	15	P02A, P02B, P02C		21A		W04A, W04B					
15		P02A, P02B, P02C	21A	W04A, W04B		21B		X06A, X06B, X06C, X33Z					
21A		W04A, W04B	21B	X06A, X06B, X06C, X33Z		23		Z01A					
21B		X06A, X06B, X06C, X33Z	23	Z01A		Pre		A07A					
23		Z01A	Pre	A07A		51135.x↔			BOP, KOP, KOPV, KVT, UOP4				
Pre		A07A		BOP, KOP, KOPV, KVT, UOP4				01	B03A, B03B, B06A, B06B, B07Z, B17A, B17B, B17C				
51133.2			BOP, KVT, UOP4	51134.2↔					BOP, KOP, KOPV, KVT, UOP4		51135.2↔		BOP, KOP, KOPV, KVT, UOP4
		05	F01A, F01B, F01D, F05Z, F07A, F07B, F08A, F08B, F08C, F08D, F08E, F27A, F28A, F30Z, F42Z					04	E05A, E05B, E05C, E08A, E08B, E08C			05	F01A, F01B, F01D, F05Z, F07A, F07B, F08A, F08B, F08C, F08D, F08E, F08F, F27A, F28A, F42Z
		06	G10Z, G12A, G12B					05	F01A, F01B, F01D, F05Z, F07A, F07B, F09A, F09B, F09C, F42Z			06	G15Z, G19A, G19B, G33Z, G38Z
		08	I08A, I08B, I08C, I08D, I08E, I13A, I13B				06	G15Z, G19A, G19B, G33Z, G38Z	07			H33Z, H38Z	
		11	L09A, L38Z				07	H33Z, H38Z	08			I08A, I08B, I08C, I08D, I08E, I13A, I13B	
	15	P02A, P02B, P02C	08		I08A, I08B, I08C, I08D, I08E, I13A, I13B		11	L09A, L33Z, L38Z					
	21A	W04A, W04B	11		L09A, L33Z, L38Z		21A	W04A, W04B					
	21B	X06A, X06B, X06C, X33Z	21A		W04A, W04B		21B	X06A, X06B, X06C, X33Z					
	23	Z01A	21B		X06A, X06B, X06C, X33Z		23	Z01A					
	Pre	A07A	23		Z01A		Pre	A07A					
	51133.x		BOP, KVT, UOP4		51134.x↔			BOP, KOP, KOPV, KVT, UOP4	51135.x↔			BOP, KVT, UOP4	
		05	F01A, F01B, F01D, F05Z, F07A, F07B, F08A, F08B, F08C, F08D, F08E, F27A, F28A, F30Z, F42Z				05	F01A, F01B, F01D, F05Z, F07A, F07B, F09A, F09B, F09C, F30Z, F42Z		01		B03A, B03B, B06A, B06B, B07Z, B17A, B17B, B17C	
		06	G10Z, G12A, G12B				06	G15Z, G19A, G19B, G33Z, G38Z		05		F01A, F01B, F01D, F05Z, F07A, F07B, F14A, F14B, F28A, F42Z, F54Z, F59A, F59B	
		08	I08A, I08B, I08C, I08D, I08E, I13A, I13B				07	H33Z, H38Z		08		I08A, I08B, I08C, I08D, I08E, I13A, I13B	
		11	L09A, L38Z				08	I08A, I08B, I08C, I08D, I08E, I13A, I13B		11		L09A, L38Z	
		15	P02A, P02B, P02C			11	L09A, L33Z, L38Z	21A		W04A, W04B			
		21A	W04A, W04B			15	P02A, P02B, P02C	21B		X06A, X06B, X06C, X33Z			
21B		X06A, X06B, X06C, X33Z	21A	W04A, W04B		23	Z01A						
05		F01A, F01B, F01D, F05Z, F07A, F07B, F08A, F08B, F08C, F08D, F08E, F27A, F28A, F30Z, F42Z	21B	X06A, X06B, X06C, X33Z		Pre	A07A						
06		G10Z, G12A, G12B	23	Z01A		51135.x↔		BOP, KVT, UOP4					
08		I08A, I08B, I08C, I08D, I08E, I13A, I13B	Pre	A07A			05	F01A, F01B, F01D, F05Z, F07A, F07B, F14A, F14B, F28A, F42Z, F54Z, F59A, F59B					
11		L09A, L38Z		BOP, KOP, KOPV, KVT, UOP4			08	I08A, I08B, I08C, I08D, I08E, I13A, I13B					
15		P02A, P02B, P02C	05	F01A, F01B, F01D, F05Z, F07A, F07B, F09A, F09B, F09C, F30Z, F42Z			11	L09A, L38Z					
21A		W04A, W04B	06	G15Z, G19A, G19B, G33Z, G38Z			21A	W04A, W04B					
21B		X06A, X06B, X06C, X33Z	07	H33Z, H38Z			21B	X06A, X06B, X06C, X33Z					
05		F01A, F01B, F01D, F05Z, F07A, F07B, F08A, F08B, F08C, F08D, F08E, F27A, F28A, F30Z, F42Z	08	I08A, I08B, I08C, I08D, I08E, I13A, I13B				BOP, KVT, UOP4					
06		G10Z, G12A, G12B	11	L09A, L33Z, L38Z			01	B03A, B03B, B06A, B06B, B07Z, B17A, B17B, B17C					
08	I08A, I08B, I08C, I08D, I08E, I13A, I13B	15	P02A, P02B, P02C	05	F01A, F01B, F01D, F05Z, F07A, F07B, F14A, F14B, F28A, F42Z, F54Z, F59A, F59B								
11	L09A, L38Z	21A	W04A, W04B	08	I08A, I08B, I08C, I08D, I08E, I13A, I13B								
15	P02A, P02B, P02C	21B	X06A, X06B, X06C, X33Z	11	L09A, L38Z								
21A	W04A, W04B	23	Z01A	21A	W04A, W04B								
21B	X06A, X06B, X06C, X33Z	Pre	A07A	21B	X04Z, X06A, X06B, X06C								

VYK

ZZV	MDC	DRG	ZZV	MDC	DRG	ZZV	MDC	DRG		
51136.0		BOP, KOP, KOPV, KVT, UOP4	51136.4↔		BOP, KOP, KOPV, KVT, UOP4	51137.0↔		BOP, KVT, UOP4		
	05	F01A, F01B, F01D, F05Z, F07A, F07B, F08A, F08B, F08C, F08D, F08E, F27A, F28A, F42Z		05	F01A, F01B, F01D, F05Z, F07A, F07B, F08A, F08B, F08C, F08D, F08E, F27A, F28A, F42Z		01	B04A, B04B, B04C, B04D, B04E		
	06	G15Z, G18A, G19A, G19B, G33Z, G38Z		06	G15Z, G19A, G19B, G33Z, G38Z		05	F01A, F01B, F01D, F05Z, F07A, F07B, F08A, F08B, F08C, F08D, F08E, F08F, F27A, F27B, F27C, F28A, F42Z		
	07	H01A, H33Z, H38Z		07	H33Z, H38Z		08	I08A, I08B, I08C, I08D, I08E, I13A, I13B		
	08	I08A, I08B, I08C, I08D, I08E, I13A, I13B		08	I08A, I08B, I08C, I08D, I08E, I13A, I13B		10	K01Z		
	11	L09A, L09B, L09C, L09D, L33Z, L38Z		11	L09A, L09B, L09C, L09D, L33Z, L38Z		11	L09A, L38Z		
	21A	W04A, W04B		21A	W04A, W04B		21A	W04A, W04B		
	21B	X06A, X06B, X06C, X33Z		21B	X06A, X06B, X06C, X33Z		21B	X04Z, X33Z		
	23	Z01A		23	Z01A		51137.1↔	BOP, KVT, UOP4		
	Pre	A07A		Pre	A07A			01	B04A, B04B, B04C, B04D, B04E	
	51136.1			BOP, KOP, KOPV, KVT, UOP4	51136.5			BOP, KOP, KOPV, KVT, UOP4	05	F01A, F01B, F01D, F05Z, F07A, F07B, F08A, F08B, F08C, F08D, F08E, F27A, F28A, F42Z
		05		F01A, F01B, F01D, F05Z, F07A, F07B, F08A, F08B, F08C, F08D, F08E, F27A, F28A, F42Z			05	F01A, F01B, F01D, F05Z, F07A, F07B, F08A, F08B, F08C, F08D, F08E, F27A, F28A, F42Z	08	I08A, I08B, I08C, I08D, I08E, I13A, I13B
06		G15Z, G18A, G19A, G19B, G33Z, G38Z	06	G15Z, G18A, G19A, G19B, G33Z, G38Z		10	K01Z			
07		H01A, H06A, H06B, H06C, H33Z, H38Z	07	H01A, H33Z, H38Z		11	L09A, L38Z			
08		I08A, I08B, I08C, I08D, I08E, I13A, I13B	08	I08A, I08B, I08C, I08D, I08E, I13A, I13B		21A	W04A, W04B			
11		L09A, L09B, L09C, L09D, L33Z, L38Z	11	L09A, L09B, L09C, L09D, L33Z, L38Z		21B	X04Z, X33Z			
21A		W04A, W04B	21A	W04A, W04B		51137.2↔	BOP, KVT, UOP4			
21B		X06A, X06B, X06C, X33Z	21B	X06A, X06B, X06C, X33Z			01	B04A, B04B, B04C, B04D, B04E		
23		Z01A	23	Z01A		05	F01A, F01B, F01D, F05Z, F07A, F07B, F08A, F08B, F08C, F08D, F08E, F08F, F27A, F27B, F27C, F28A, F42Z			
Pre		A07A	Pre	A07A		08	I08A, I08B, I08C, I08D, I08E, I13A, I13B			
51136.2			BOP, KOP, KOPV, KVT, UOP4	51136.6			BOP, KOP, KOPV, KVT, UOP4	10	K01Z	
		05	F01A, F01B, F01D, F05Z, F07A, F07B, F08A, F08B, F08C, F08D, F08E, F27A, F28A, F42Z			05	F01A, F01B, F01D, F05Z, F07A, F07B, F08A, F08B, F08C, F08D, F08E, F27A, F28A, F42Z	11	L09A, L38Z	
	06	G15Z, G19A, G19B, G33Z, G38Z	06		G15Z, G18A, G19A, G19B, G33Z, G38Z	21A	W04A, W04B			
	07	H33Z, H38Z	07		H01A, H33Z, H38Z	21B	X04Z, X33Z			
	08	I08A, I08B, I08C, I08D, I08E, I13A, I13B	08		I08A, I08B, I08C, I08D, I08E, I13A, I13B	51137.x↔	BOP, KVT, UOP4			
	11	L09A, L09B, L09C, L09D, L33Z, L38Z	11		L09A, L09B, L09C, L09D, L33Z, L38Z		01	B04A, B04B, B04C, B04D, B04E		
	21A	W04A, W04B	21A		W04A, W04B	05	F01A, F01B, F01D, F05Z, F07A, F07B, F08A, F08B, F08C, F08D, F08E, F08F, F27A, F27B, F27C, F28A, F42Z			
	21B	X06A, X06B, X06C, X33Z	21B		X06A, X06B, X06C, X33Z	08	I08A, I08B, I08C, I08D, I08E, I13A, I13B			
	23	Z01A	23		Z01A	10	K01Z			
	Pre	A07A	Pre		A07A	11	L09A, L38Z			
	51136.3		BOP, KOP, KOPV, KVT, UOP4		51136.x↔		BOP, KOP, KOPV, KVT, UOP4	21A	W04A, W04B	
		05	F01A, F01B, F01D, F05Z, F07A, F07B, F08A, F08B, F08C, F08D, F08E, F27A, F28A, F42Z			05	F01A, F01B, F01D, F05Z, F07A, F07B, F08A, F08B, F08C, F08D, F08E, F27A, F28A, F42Z	21B	X04Z, X33Z	
06		G15Z, G18A, G19A, G19B, G33Z, G38Z	06	G15Z, G19A, G19B, G33Z, G38Z		51138.0↔	BOP, KVT, UOP4			
07		H06A, H06B, H06C, H33Z, H38Z	07	H33Z, H38Z			01	B04A, B04B, B04C, B04D, B04E		
08		I08A, I08B, I08C, I08D, I08E, I13A, I13B	08	I08A, I08B, I08C, I08D, I08E, I13A, I13B		05	F01A, F01B, F01D, F05Z, F07A, F07B, F08A, F08B, F08C, F08D, F08E, F08F, F27A, F27B, F27C, F28A, F42Z			
11		L09A, L09B, L09C, L09D, L33Z, L38Z	11	L09A, L09B, L09C, L09D, L33Z, L38Z		08	I08A, I08B, I08C, I08D, I08E, I13A, I13B			
21A		W04A, W04B	21A	W04A, W04B		10	K01Z			
21B		X06A, X06B, X06C, X33Z	21B	X06A, X06B, X06C, X33Z		11	L09A, L38Z			
23		Z01A	23	Z01A		21A	W04A, W04B			
Pre		A07A	Pre	A07A		21B	X04Z, X33Z			

ZZV	MDC	DRG	ZZV	MDC	DRG	ZZV	MDC	DRG				
51138.1↔		BOP, KVT, UOP4	51139.2		BOP, KVT, UOP4	51139.9↔		BOP, KVT, UOP4				
	01	B04A, B04B, B04C, B04D, B04E		05	F39A, F39B		01	B04A, B04B, B04C, B04D, B04E				
	05	F01A, F01B, F01D, F05Z, F07A, F07B, F08A, F08B, F08C, F08D, F08E, F08F, F27A, F27B, F27C, F28A, F42Z		06	G18A, G38Z		03	D12A				
	08	I08A, I08B, I08C, I08D, I08E, I13A, I13B		07	H01A		05	F01A, F01B, F01D, F05Z, F07A, F07B, F14A, F14B, F28A, F42Z, F54Z, F59A, F59B				
	10	K01Z		08	I08A, I08B, I08C, I08D, I08E, I13A, I13B		08	I08A, I08B, I08C, I08D, I08E, I13A, I13B				
	11	L09A, L38Z		11	L09A, L38Z		11	L09A, L38Z				
	21A	W04A, W04B		21A	W04A, W04B		21A	W04A, W04B				
	21B	X04Z, X33Z		21B	X06A, X06B, X06C		21B	X06A, X06B, X06C				
	51138.2↔			BOP, KVT, UOP4	51139.3↔			BOP, KVT, UOP4	51139.a↔		BOP, KOP, KOPV, KVT, UOP4	
		01		B04A, B04B, B04C, B04D, B04E			05	F39A, F39B		01	B04A, B04B, B04C, B04D, B04E	
		05		F01A, F01B, F01D, F05Z, F07A, F07B, F08A, F08B, F08C, F08D, F08E, F08F, F27A, F27B, F27C, F28A, F42Z			06	G18A, G38Z		05	F01A, F01B, F01D, F05Z, F07A, F07B, F09A, F09B, F09C, F30Z, F42Z	
08		I08A, I08B, I08C, I08D, I08E, I13A, I13B	07	H01A		06	G33Z					
10		K01Z	08	I08A, I08B, I08C, I08D, I08E, I13A, I13B		07	H33Z, H38Z					
11		L09A, L38Z	11	L09A, L38Z		08	I08A, I08B, I08C, I08D, I08E, I13A, I13B					
21A		W04A, W04B	21A	W04A, W04B		11	L09A, L33Z, L38Z					
21B		X04Z, X33Z	21B	X06A, X06B, X06C		15	P02A, P02B, P02C					
51138.3↔			BOP, KVT, UOP4	51139.4			BOP, KVT, UOP4	51139.b↔			BOP, KVT, UOP4	
		01	B04A, B04B, B04C, B04D, B04E			05	F39A, F39B			01	B04A, B04B, B04C, B04D, B04E	
		05	F01A, F01B, F01D, F05Z, F07A, F07B, F08A, F08B, F08C, F08D, F08E, F08F, F27A, F27B, F27C, F28A, F42Z			06	G18A, G38Z			05	F01A, F01B, F01D, F05Z, F07A, F07B, F09A, F09B, F09C, F30Z, F42Z	
	08	I08A, I08B, I08C, I08D, I08E, I13A, I13B	07		H01A	08	I08A, I08B, I08C, I08D, I08E, I13A, I13B					
	10	K01Z	08		I08A, I08B, I08C, I08D, I08E, I13A, I13B	11	L09A, L38Z					
	11	L09A, L38Z	11		L09A, L38Z	15	P02A, P02B, P02C					
	21A	W04A, W04B	21A		W04A, W04B	21A	W04A, W04B					
	21B	X04Z, X33Z	21B		X06A, X06B, X06C	21B	X06A, X06B, X06C, X33Z					
	51138.x↔		BOP, KVT, UOP4		51139.5		BOP, KVT, UOP4		51139.c↔		Z01A	
		01	B04A, B04B, B04C, B04D, B04E			05	F39A, F39B			Pre	A07A	
		05	F01A, F01B, F01D, F05Z, F07A, F07B, F08A, F08B, F08C, F08D, F08E, F08F, F27A, F27B, F27C, F28A, F42Z			06	G18A, G38Z			51139.b↔	BOP, KVT, UOP4	
08		I08A, I08B, I08C, I08D, I08E, I13A, I13B	07	H01A		01	B04A, B04B, B04C, B04D, B04E					
10		K01Z	08	I08A, I08B, I08C, I08D, I08E, I13A, I13B		05	F01A, F01B, F01D, F05Z, F07A, F07B, F09A, F09B, F09C, F30Z, F42Z					
11		L09A, L38Z	11	L09A, L38Z		08	I08A, I08B, I08C, I08D, I08E, I13A, I13B					
21A		W04A, W04B	21A	W04A, W04B		11	L09A, L38Z					
21B		X04Z, X33Z	21B	X06A, X06B, X06C		15	P02A, P02B, P02C					
51139.0↔			BOP, KVT, UOP4	51139.6			BOP, KVT, UOP4	51139.c↔				W04A, W04B
		05	F39A, F39B			05	F39A, F39B				21A	X06A, X06B, X06C
		08	I08A, I08B, I08C, I08D, I08E, I13A, I13B			06	G18A, G38Z				BOP, KVT, UOP4	
	11	L09A, L38Z	07		H01A	01	B04A, B04B, B04C, B04D, B04E					
	21A	W04A, W04B	08		I08A, I08B, I08C, I08D, I08E, I13A, I13B	05	F01A, F01B, F01D, F05Z, F07A, F07B, F14A, F14B, F28A, F42Z, F54Z, F59A, F59B					
	21B	X04Z, X33Z	11		L09A, L38Z	08	I08A, I08B, I08C, I08D, I08E, I13A, I13B					
	51139.1↔		BOP, KVT, UOP4		51139.7		BOP, KVT, UOP4		51139.c↔		L09A, L38Z	
		05	F39A, F39B			05	F39A, F39B			21A	W04A, W04B	
		08	I08A, I08B, I08C, I08D, I08E, I13A, I13B			06	G18A, G38Z			21B	X06A, X06B, X06C	
		11	L09A, L38Z			07	H01A			BOP, KVT, UOP4		
		21A	W04A, W04B			08	I08A, I08B, I08C, I08D, I08E, I13A, I13B			05	F39A, F39B	
21B		X04Z, X33Z	11	L09A, L38Z		06	G18A, G38Z					
51139.9↔			BOP, KVT, UOP4	51139.8↔			BOP, KVT, UOP4	51139.c↔			H01A	
		05	F39A, F39B			05	F39A, F39B			08	I08A, I08B, I08C, I08D, I08E, I13A, I13B	
		08	I08A, I08B, I08C, I08D, I08E, I13A, I13B			06	G18A, G38Z			11	L09A, L38Z	
		11	L09A, L38Z			07	H01A			21A	W04A, W04B	
		21A	W04A, W04B			08	I08A, I08B, I08C, I08D, I08E, I13A, I13B			21B	X06A, X06B, X06C	
	21B	X04Z, X33Z	11		L09A, L38Z	BOP, KVT, UOP4						
	51139.x↔		BOP, KVT, UOP4		51139.9↔		BOP, KVT, UOP4		51139.c↔		F39A, F39B	
		01	B04A, B04B, B04C, B04D, B04E			05	F39A, F39B			06	G18A, G38Z	
		05	F01A, F01B, F01D, F05Z, F07A, F07B, F08A, F08B, F08C, F08D, F08E, F08F, F27A, F27B, F27C, F28A, F42Z			07	H01A			07	H01A	
		08	I08A, I08B, I08C, I08D, I08E, I13A, I13B			08	I08A, I08B, I08C, I08D, I08E, I13A, I13B			08	I08A, I08B, I08C, I08D, I08E, I13A, I13B	
		10	K01Z			11	L09A, L38Z			11	L09A, L38Z	
11		L09A, L38Z	21A	W04A, W04B		21A	W04A, W04B					
21A		W04A, W04B	21B	X06A, X06B, X06C		21B	X06A, X06B, X06C					
21B		X04Z, X33Z	BOP, KVT, UOP4	BOP, KVT, UOP4		21B	X06A, X06B, X06C					
51139.9↔			BOP, KVT, UOP4	51139.9↔			BOP, KVT, UOP4	51139.c↔			X06A, X06B, X06C	
		01	B04A, B04B, B04C, B04D, B04E			05	F39A, F39B			01	B04A, B04B, B04C, B04D, B04E	
		03	D12A			06	G18A, G38Z			05	F01A, F01B, F01D, F05Z, F07A, F07B, F14A, F14B, F28A, F42Z, F54Z, F59A, F59B	
	05	F01A, F01B, F01D, F05Z, F07A, F07B, F14A, F14B, F28A, F42Z, F54Z, F59A, F59B	07		H01A	08	I08A, I08B, I08C, I08D, I08E, I13A, I13B					
	08	I08A, I08B, I08C, I08D, I08E, I13A, I13B	08		I08A, I08B, I08C, I08D, I08E, I13A, I13B	11	L09A, L38Z					
	11	L09A, L38Z	11		L09A, L38Z	21A	W04A, W04B					
	21A	W04A, W04B	21A		W04A, W04B	21B	X06A, X06B, X06C					
	21B	X06A, X06B, X06C	21B		X06A, X06B, X06C							
	51139.a↔		BOP, KOP, KOPV, KVT, UOP4		51139.a↔		BOP, KOP, KOPV, KVT, UOP4		51139.a↔		BOP, KOP, KOPV, KVT, UOP4	
		01	B04A, B04B, B04C, B04D, B04E			01	B04A, B04B, B04C, B04D, B04E			01	B04A, B04B, B04C, B04D, B04E	
		05	F01A, F01B, F01D, F05Z, F07A, F07B, F09A, F09B, F09C, F30Z, F42Z			05	F01A, F01B, F01D, F05Z, F07A, F07B, F09A, F09B, F09C, F30Z, F42Z			05	F01A, F01B, F01D, F05Z, F07A, F07B, F14A, F14B, F28A, F42Z, F54Z, F59A, F59B	
06		G33Z	06	G33Z		08	I08A, I08B, I08C, I08D, I08E, I13A, I13B					
07		H33Z, H38Z	07	H33Z, H38Z		11	L09A, L33Z, L38Z					
08		I08A, I08B, I08C, I08D, I08E, I13A, I13B	08	I08A, I08B, I08C, I08D, I08E, I13A, I13B		15	P02A, P02B, P02C					
11		L09A, L33Z, L38Z	11	L09A, L33Z, L38Z		21A	W04A, W04B					
15		P02A, P02B, P02C	15	P02A, P02B, P02C		21B	X06A, X06B, X06C, X33Z					
21A		W04A, W04B	21A	W04A, W04B		23	Z01A					
21B		X06A, X06B, X06C, X33Z	21B	X06A, X06B, X06C		Pre	A07A					
23		Z01A	Pre	A07A								
Pre	A07A											

VYK

ZZV	MDC	DRG	ZZV	MDC	DRG	ZZV	MDC	DRG
51142.0↔		BOP, KVT, UOP4	51143.0x		BOP, KOP, KOPV, KVT, UOP4	51143.21		BOP, KOP, KOPV, KVT, UOP4
	05	F01A, F01B, F01D, F05Z, F07A, F07B, F14A, F14B, F28A, F42Z, F54Z, F59A, F59B		04	E05A, E05B, E05C, E08A, E08B, E08C		04	E05A, E05B, E05C, E08A, E08B, E08C
	08	I08A, I08B, I08C, I08D, I08E, I13A, I13B		05	F01A, F01B, F01D, F05Z, F07A, F09A, F09B, F09C, F42Z		05	F01A, F01B, F01D, F05Z, F07A, F09A, F09B, F09C, F42Z
	11	L09A, L38Z		06	G15Z, G19A, G19B, G33Z, G38Z		06	G15Z, G19A, G19B, G33Z, G38Z
	21A	W04A, W04B		07	H33Z, H38Z		07	H33Z, H38Z
51142.1↔	21B	X06A, X06B, X06C	08	I08A, I08B, I08C, I08D, I08E, I13A, I13B	08	I08A, I08B, I08C, I08D, I08E, I13A, I13B		
		BOP, KVT, UOP4	11	L09A, L33Z, L38Z	11	L09A, L33Z, L38Z		
	05	F01A, F01B, F01D, F05Z, F07A, F07B, F14A, F14B, F28A, F42Z, F54Z, F59A, F59B	21A	W04A, W04B	21A	W04A, W04B		
	08	I08A, I08B, I08C, I08D, I08E, I13A, I13B	21B	X06A, X06B, X06C, X33Z	21B	X06A, X06B, X06C, X33Z		
	11	L09A, L38Z	23	Z01A	23	Z01A		
51142.x↔	21A	W04A, W04B	Pre	A07A	Pre	A07A		
	21B	X06A, X06B, X06C	51143.11		51143.22		BOP, KOP, KOPV, KVT, UOP4	
		BOP, KVT, UOP4	04	E05A, E05B, E05C, E08A, E08B, E08C	04	E05A, E05B, E05C, E08A, E08B, E08C		
	05	F01A, F01B, F01D, F05Z, F07A, F07B, F14A, F14B, F28A, F42Z, F54Z, F59A, F59B	05	F01A, F01B, F01D, F05Z, F07A, F09A, F09B, F09C, F42Z	05	F01A, F01B, F01D, F05Z, F07A, F09A, F09B, F09C, F42Z		
	08	I08A, I08B, I08C, I08D, I08E, I13A, I13B	06	G15Z, G19A, G19B, G33Z, G38Z	06	G15Z, G19A, G19B, G33Z, G38Z		
51143.01	11	L09A, L38Z	07	H33Z, H38Z	07	H33Z, H38Z		
	21A	W04A, W04B	08	I08A, I08B, I08C, I08D, I08E, I13A, I13B	08	I08A, I08B, I08C, I08D, I08E, I13A, I13B		
	21B	X06A, X06B, X06C	11	L09A, L33Z, L38Z	11	L09A, L33Z, L38Z		
		BOP, KOP, KOPV, KVT, UOP4	21A	W04A, W04B	21B	X33Z		
	04	E05A, E05B, E05C, E08A, E08B, E08C	21B	X06A, X06B, X06C, X33Z	23	Z01A		
51143.02	05	F01A, F01B, F01D, F05Z, F07A, F09A, F09B, F09C, F42Z	23	Z01A	Pre	A07A		
	06	G15Z, G19A, G19B, G33Z, G38Z	Pre	A07A	51143.2x		BOP, KOP, KOPV, KVT, UOP4	
	07	H33Z, H38Z	51143.12		04	E05A, E05B, E05C, E08A, E08B, E08C		
	08	I08A, I08B, I08C, I08D, I08E, I13A, I13B	04	E05A, E05B, E05C, E08A, E08B, E08C	05	F01A, F01B, F01D, F05Z, F07A, F09A, F09B, F09C, F42Z		
	11	L09A, L33Z, L38Z	05	F01A, F01B, F01D, F05Z, F07A, F09A, F09B, F09C, F42Z	06	G15Z, G19A, G19B, G33Z, G38Z		
51143.02	21A	W04A, W04B	06	G15Z, G19A, G19B, G33Z, G38Z	07	H33Z, H38Z		
	21B	X06A, X06B, X06C	07	H33Z, H38Z	08	I08A, I08B, I08C, I08D, I08E, I13A, I13B		
	23	Z01A	08	I08A, I08B, I08C, I08D, I08E, I13A, I13B	11	L09A, L33Z, L38Z		
	Pre	A07A	11	L09A, L33Z, L38Z	21B	X33Z		
	04	E05A, E05B, E05C, E08A, E08B, E08C	21A	W04A, W04B	23	Z01A		
51143.02	05	F01A, F01B, F01D, F05Z, F07A, F09A, F09B, F09C, F42Z	21B	X06A, X06B, X06C, X33Z	Pre	A07A		
	06	G15Z, G19A, G19B, G33Z, G38Z	23	Z01A	51143.31		BOP, KOP, KOPV, KVT, UOP4	
	07	H33Z, H38Z	Pre	A07A	04	E05A, E05B, E05C, E08A, E08B, E08C		
	08	I08A, I08B, I08C, I08D, I08E, I13A, I13B	51143.1x		05	F01A, F01B, F01D, F05Z, F07A, F08B, F08D, F09A, F09B, F09C, F42Z		
	11	L09A, L33Z, L38Z	04	E05A, E05B, E05C, E08A, E08B, E08C	06	G15Z, G19A, G19B, G33Z, G38Z		
51143.02	21A	W04A, W04B	05	F01A, F01B, F01D, F05Z, F07A, F09A, F09B, F09C, F42Z	07	H33Z, H38Z		
	21B	X06A, X06B, X06C, X33Z	06	G15Z, G19A, G19B, G33Z, G38Z	08	I08A, I08B, I08C, I08D, I08E, I13A, I13B		
	23	Z01A	07	H33Z, H38Z	11	L09A, L33Z, L38Z		
	Pre	A07A	08	I08A, I08B, I08C, I08D, I08E, I13A, I13B	21A	W04A, W04B		
	04	E05A, E05B, E05C, E08A, E08B, E08C	11	L09A, L33Z, L38Z	21B	X06A, X06B, X06C, X33Z		
51143.02	05	F01A, F01B, F01D, F05Z, F07A, F09A, F09B, F09C, F42Z	21A	W04A, W04B	23	Z01A		
	06	G15Z, G19A, G19B, G33Z, G38Z	21B	X06A, X06B, X06C, X33Z	Pre	A07A		
	07	H33Z, H38Z	23	Z01A				
	08	I08A, I08B, I08C, I08D, I08E, I13A, I13B	Pre	A07A				
	11	L09A, L33Z, L38Z						

ZZV	MDC	DRG	ZZV	MDC	DRG	ZZV	MDC	DRG			
51143.82		BOP, KOP, KOPV, KVT, UOP4	51143.x		BOP, KVT, UOP4	51144.x↔		BOP, KOP, KOPV, KVT, UOP4			
	04	E05A, E05B, E05C, E08A, E08B, E08C		05	F01A, F01B, F01D, F05Z, F07A, F07B, F08A, F08B, F08C, F08D, F08E, F27A, F28A, F42Z		04	E05A, E05B, E05C, E08A, E08B, E08C			
	05	F01A, F01B, F01D, F05Z, F07A, F09A, F09B, F09C, F27A, F42Z		08	I08A, I08B, I08C, I08D, I08E, I13A, I13B		05	F01A, F01B, F01D, F05Z, F07A, F07B, F09A, F09B, F09C, F42Z			
	06	G15Z, G19A, G19B, G33Z, G38Z		11	L09A, L38Z		06	G15Z, G19A, G19B, G33Z, G38Z			
	07	H33Z, H38Z		21A	W04A, W04B		07	H33Z, H38Z			
	08	I08A, I08B, I08C, I08D, I08E, I13A, I13B		21B	X06A, X06B, X06C, X33Z		08	I08A, I08B, I08C, I08D, I08E, I13A, I13B			
	11	L09A, L33Z, L38Z		23	Z01A		11	L09A, L33Z, L38Z			
	21A	W04A, W04B		51144.0↔			BOP, KOP, KOPV, KVT, UOP4	21A	W04A, W04B		
	21B	X06A, X06B, X06C, X33Z		04	E05A, E05B, E05C, E08A, E08B, E08C		21B	X06A, X06B, X06C, X33Z			
	23	Z01A		05	F01A, F01B, F01D, F05Z, F07A, F07B, F09A, F09B, F09C, F42Z		23	Z01A			
	Pre	A07A		06	G15Z, G19A, G19B, G33Z, G38Z		Pre	A07A			
	51143.90			BOP, KOP, KOPV, KVT, UOP4	51144.1↔			BOP, KOP, KOPV, KVT, UOP4	51145.0↔		BOP, KVT, UOP4
		04		E05A, E05B, E05C, E08A, E08B, E08C			04	E05A, E05B, E05C, E08A, E08B, E08C		05	F01A, F01B, F01D, F05Z, F07A, F07B, F08A, F08B, F08C, F08D, F08E, F27A, F28A, F42Z
		05		F01A, F01B, F01D, F05Z, F07A, F09A, F09B, F09C, F27A, F42Z			05	F01A, F01B, F01D, F05Z, F07A, F07B, F09A, F09B, F09C, F42Z		06	G10Z, G12A, G12B
06		G15Z, G19A, G19B, G33Z, G38Z	06	G15Z, G19A, G19B, G33Z, G38Z		08	I08A, I08B, I08C, I08D, I08E, I13A, I13B				
07		H33Z, H38Z	07	H33Z, H38Z		11	L09A, L09B, L09C, L09D, L38Z				
08		I08A, I08B, I08C, I08D, I08E, I13A, I13B	08	I08A, I08B, I08C, I08D, I08E, I13A, I13B		21A	W04A, W04B				
11		L09A, L33Z, L38Z	11	L09A, L33Z, L38Z		21B	X06A, X06B, X06C, X33Z				
21A		W04A, W04B	21A	W04A, W04B		51145.1↔		BOP, KVT, UOP4			
21B		X06A, X06B, X06C, X33Z	21B	X06A, X06B, X06C, X33Z		05	F01A, F01B, F01D, F05Z, F07A, F07B, F08A, F08B, F08C, F08D, F08E, F27A, F28A, F42Z				
23		Z01A	23	Z01A		06	G10Z, G12A, G12B				
Pre		A07A	Pre	A07A		08	I08A, I08B, I08C, I08D, I08E, I13A, I13B				
51143.91			BOP, KOP, KOPV, KVT, UOP4	51144.2↔			BOP, KOP, KOPV, KVT, UOP4	51145.2↔			BOP, KVT, UOP4
		04	E05A, E05B, E05C, E08A, E08B, E08C			04	E05A, E05B, E05C, E08A, E08B, E08C			05	F01A, F01B, F01D, F05Z, F07A, F07B, F08A, F08B, F08C, F08D, F08E, F27A, F28A, F42Z
		05	F01A, F01B, F01D, F05Z, F07A, F09A, F09B, F09C, F27A, F42Z			05	F01A, F01B, F01D, F05Z, F07A, F07B, F09A, F09B, F09C, F42Z			06	G10Z, G12A, G12B
	06	G15Z, G19A, G19B, G33Z, G38Z	06		G15Z, G19A, G19B, G33Z, G38Z	08	I08A, I08B, I08C, I08D, I08E, I13A, I13B				
	07	H33Z, H38Z	07		H33Z, H38Z	11	L09A, L09B, L09C, L09D, L38Z				
	08	I08A, I08B, I08C, I08D, I08E, I13A, I13B	08		I08A, I08B, I08C, I08D, I08E, I13A, I13B	21A	W04A, W04B				
	11	L09A, L33Z, L38Z	11		L09A, L33Z, L38Z	21B	X06A, X06B, X06C, X33Z				
	21A	W04A, W04B	21A		W04A, W04B	51145.3↔			BOP, KVT, UOP4		
	21B	X06A, X06B, X06C, X33Z	21B		X06A, X06B, X06C, X33Z	05	F01A, F01B, F01D, F05Z, F07A, F07B, F08A, F08B, F08C, F08D, F08E, F27A, F28A, F42Z				
	23	Z01A	23		Z01A	06	G10Z, G12A, G12B				
	Pre	A07A	Pre		A07A	08	I08A, I08B, I08C, I08D, I08E, I13A, I13B				
	51143.92		BOP, KOP, KOPV, KVT, UOP4		51144.2↔		BOP, KOP, KOPV, KVT, UOP4		51145.3↔		BOP, KVT, UOP4
		04	E05A, E05B, E05C, E08A, E08B, E08C			04	E05A, E05B, E05C, E08A, E08B, E08C			05	F01A, F01B, F01D, F05Z, F07A, F07B, F08A, F08B, F08C, F08D, F08E, F27A, F28A, F42Z
		05	F01A, F01B, F01D, F05Z, F07A, F09A, F09B, F09C, F27A, F42Z			05	F01A, F01B, F01D, F05Z, F07A, F07B, F09A, F09B, F09C, F42Z			06	G10Z, G12A, G12B
06		G15Z, G19A, G19B, G33Z, G38Z	06	G15Z, G19A, G19B, G33Z, G38Z		08	I08A, I08B, I08C, I08D, I08E, I13A, I13B				
07		H33Z, H38Z	07	H33Z, H38Z		11	L09A, L09B, L09C, L09D, L38Z				
08		I08A, I08B, I08C, I08D, I08E, I13A, I13B	08	I08A, I08B, I08C, I08D, I08E, I13A, I13B		21A	W04A, W04B				
11		L09A, L33Z, L38Z	11	L09A, L33Z, L38Z		21B	X06A, X06B, X06C, X33Z				
21A		W04A, W04B	21A	W04A, W04B		51145.3↔		BOP, KVT, UOP4			
21B		X06A, X06B, X06C, X33Z	21B	X06A, X06B, X06C, X33Z		05	F01A, F01B, F01D, F05Z, F07A, F07B, F08A, F08B, F08C, F08D, F08E, F27A, F28A, F42Z				
23		Z01A	23	Z01A		06	G10Z, G12A, G12B				
Pre		A07A	Pre	A07A		08	I08A, I08B, I08C, I08D, I08E, I13A, I13B				

ZZV	MDC	DRG	ZZV	MDC	DRG	ZZV	MDC	DRG			
51145.x↔		BOP, KVT, UOP4	51146.4↔		BOP, KVT, UOP4	51147.1↔		BOP, KVT, UOP4			
	01	B03A, B03B, B06A, B06B, B07Z, B17A, B17B, B17C		05	F01A, F01B, F01D, F05Z, F07A, F07B, F08A, F08B, F08C, F08D, F08E, F27A, F28A, F42Z		05	F01A, F01B, F01D, F05Z, F07A, F07B, F08A, F08B, F08C, F08D, F08E, F27A, F28A, F42Z			
	05	F01A, F01B, F01D, F05Z, F07A, F07B, F14A, F14B, F28A, F42Z, F54Z, F59A, F59B		06	G10Z, G12A, G12B		08	I08A, I08B, I08C, I08D, I08E, I13A, I13B			
	08	I08A, I08B, I08C, I08D, I08E, I13A, I13B		08	I08A, I08B, I08C, I08D, I08E, I13A, I13B		08	I08A, I08B, I08C, I08D, I08E, I13A, I13B			
	11	L09A, L38Z		11	L09A, L09B, L09C, L09D, L38Z		11	L09A, L38Z			
	21A	W04A, W04B		21A	W04A, W04B		21A	W04A, W04B			
	21B	X04Z, X06A, X06B, X06C		21B	X06A, X06B, X06C, X33Z		21B	X04Z, X33Z			
	51146.0			BOP, KVT, UOP4	51146.5			BOP, KVT, UOP4	51147.2↔		BOP, KVT, UOP4
		05		F01A, F01B, F01D, F05Z, F07A, F07B, F08A, F08B, F08C, F08D, F08E, F27A, F28A, F42Z			05	F01A, F01B, F01D, F05Z, F07A, F07B, F08A, F08B, F08C, F08D, F08E, F27A, F28A, F42Z		05	F01A, F01B, F01D, F05Z, F07A, F07B, F08A, F08B, F08C, F08D, F08E, F27A, F28A, F42Z
		06		G10Z, G12A, G12B, G18A, G38Z			06	G10Z, G12A, G12B, G18A, G38Z		08	I08A, I08B, I08C, I08D, I08E, I13A, I13B
07		H01A	06	G10Z, G12A, G12B, G18A, G38Z		10	K01Z				
08		I08A, I08B, I08C, I08D, I08E, I13A, I13B	07	H01A		11	L09A, L38Z				
11		L09A, L09B, L09C, L09D, L38Z	08	I08A, I08B, I08C, I08D, I08E, I13A, I13B		21A	W04A, W04B				
21A		W04A, W04B	11	L09A, L09B, L09C, L09D, L38Z		21B	X04Z, X33Z				
21B		X06A, X06B, X06C, X33Z	21A	W04A, W04B		51147.x↔		BOP, KVT, UOP4			
51146.1			BOP, KVT, UOP4	51146.6				BOP, KVT, UOP4		05	F01A, F01B, F01D, F05Z, F07A, F07B, F08A, F08B, F08C, F08D, F08E, F27A, F28A, F42Z
		05	F01A, F01B, F01D, F05Z, F07A, F07B, F08A, F08B, F08C, F08D, F08E, F27A, F28A, F42Z				05	F01A, F01B, F01D, F05Z, F07A, F07B, F08A, F08B, F08C, F08D, F08E, F27A, F28A, F42Z		08	I08A, I08B, I08C, I08D, I08E, I13A, I13B
	06	G10Z, G12A, G12B, G18A, G38Z	06		G10Z, G12A, G12B, G18A, G38Z		11	L09A, L38Z			
	07	H01A, H06A, H06B, H06C	07		H01A		21A	W04A, W04B			
	08	I08A, I08B, I08C, I08D, I08E, I13A, I13B	08		I08A, I08B, I08C, I08D, I08E, I13A, I13B		21B	X04Z, X33Z			
	11	L09A, L09B, L09C, L09D, L38Z	11		L09A, L09B, L09C, L09D, L38Z		51148.0↔		BOP, KVT, UOP4		
	21A	W04A, W04B	21A		W04A, W04B			05	F01A, F01B, F01D, F05Z, F07A, F07B, F08A, F08B, F08C, F08D, F08E, F27A, F28A, F42Z		
	21B	X06A, X06B, X06C, X33Z	21B		X06A, X06B, X06C, X33Z			08	I08A, I08B, I08C, I08D, I08E, I13A, I13B		
	51146.2		BOP, KVT, UOP4		51146.x↔				BOP, KVT, UOP4	10	K01Z
		05	F01A, F01B, F01D, F05Z, F07A, F07B, F08A, F08B, F08C, F08D, F08E, F27A, F28A, F42Z			05		F01A, F01B, F01D, F05Z, F07A, F07B, F08A, F08B, F08C, F08D, F08E, F27A, F28A, F42Z	11	L09A, L38Z	
06		G10Z, G12A, G12B	06	G10Z, G12A, G12B		21A		W04A, W04B			
08		I08A, I08B, I08C, I08D, I08E, I13A, I13B	08	I08A, I08B, I08C, I08D, I08E, I13A, I13B		21B		X04Z, X33Z			
11		L09A, L09B, L09C, L09D, L38Z	11	L09A, L09B, L09C, L09D, L38Z		51148.1↔			BOP, KVT, UOP4		
21A		W04A, W04B	21A	W04A, W04B				05	F01A, F01B, F01D, F05Z, F07A, F07B, F08A, F08B, F08C, F08D, F08E, F27A, F28A, F42Z		
21B		X06A, X06B, X06C, X33Z	21B	X06A, X06B, X06C, X33Z				08	I08A, I08B, I08C, I08D, I08E, I13A, I13B		
51146.3			BOP, KVT, UOP4	51147.0↔				BOP, KVT, UOP4	10	K01Z	
		05	F01A, F01B, F01D, F05Z, F07A, F07B, F08A, F08B, F08C, F08D, F08E, F27A, F28A, F42Z				05	F01A, F01B, F01D, F05Z, F07A, F07B, F08A, F08B, F08C, F08D, F08E, F27A, F28A, F42Z	11	L09A, L38Z	
		06	G10Z, G12A, G12B, G18A, G38Z				06	G10Z, G12A, G12B	21A	W04A, W04B	
	07	H06A, H06B, H06C	08		I08A, I08B, I08C, I08D, I08E, I13A, I13B		21B	X04Z, X33Z			
	08	I08A, I08B, I08C, I08D, I08E, I13A, I13B	11		L09A, L38Z		51148.2↔		BOP, KVT, UOP4		
	11	L09A, L09B, L09C, L09D, L38Z	21A		W04A, W04B			05	F01A, F01B, F01D, F05Z, F07A, F07B, F08A, F08B, F08C, F08D, F08E, F27A, F28A, F42Z		
	21A	W04A, W04B	21B		X04Z, X33Z			08	I08A, I08B, I08C, I08D, I08E, I13A, I13B		
	21B	X06A, X06B, X06C, X33Z				10		K01Z			
						11		L09A, L38Z			
						21A		W04A, W04B			
				21B	X04Z, X33Z						

VYK

ZZV	MDC	DRG	ZZV	MDC	DRG	ZZV	MDC	DRG		
51152.4↔	05	F01A, F01B, F01D, F05Z, F07A, F07B, F14A, F14B, F28A, F42Z, F54Z, F59A, F59B	51153.1		BOP, KOP, KOPV, KVT, UOP4	51153.x		BOP, KVT, UOP4		
	08	I08A, I08B, I08C, I08D, I08E, I13A, I13B		04	E05A, E05B, E05C, E08A, E08B, E08C		05	F01A, F01B, F01D, F05Z, F07A, F07B, F09A, F09B, F09C, F42Z	05	F01A, F01B, F01D, F05Z, F07A, F07B, F14A, F14B, F28A, F42Z, F54Z, F59A, F59B
	10	K09A, K09B		05	F01A, F01B, F01D, F05Z, F07A, F07B, F09A, F09B, F09C, F42Z		06	G10Z, G12A, G12B	06	G10Z, G12A, G12B
	21A	W04A, W04B		06	G15Z, G19A, G19B, G33Z, G38Z		08	I08A, I08B, I08C, I08D, I08E, I13A, I13B	08	I08A, I08B, I08C, I08D, I08E, I13A, I13B
	21B	X06A, X06B		07	H33Z, H38Z		11	L33Z	11	L09A, L09B, L09C, L09D, L38Z
51152.5↔	05	F01A, F01B, F01D, F05Z, F07A, F07B, F14A, F14B, F28A, F42Z, F54Z, F59A, F59B	51153.2	11	L33Z	51154.0↔	21A	W04A, W04B		
	08	I08A, I08B, I08C, I08D, I08E, I13A, I13B		21A	W04A, W04B		21B	X06A, X06B, X06C		
	10	K09A, K09B		21B	X06A, X06B, X06C, X33Z			BOP, KOP, KOPV, KVT, UOP4		
	21A	W04A, W04B		23	Z01A		04	E05A, E05B, E05C, E08A, E08B, E08C		
	21B	X05A, X05B, X06A, X06B		Pre	A07A		05	F01A, F01B, F01D, F05Z, F07A, F07B, F09A, F09B, F09C, F42Z		
51152.6↔	05	F01A, F01B, F01D, F05Z, F07A, F07B, F14A, F14B, F28A, F42Z, F54Z, F59A, F59B	51153.3		BOP, KOP, KOPV, KVT, UOP4	51154.1↔	06	G15Z, G19A, G19B, G33Z, G38Z		
	08	I08A, I08B, I08C, I08D, I08E, I13A, I13B		04	E05A, E05B, E05C, E08A, E08B, E08C		07	H33Z, H38Z		
	10	K09A, K09B		05	F01A, F01B, F01D, F05Z, F07A, F07B, F09A, F09B, F09C, F42Z		08	I08A, I08B, I08C, I08D, I08E, I13A, I13B		
	21A	W04A, W04B		06	G15Z, G19A, G19B, G33Z, G38Z		11	L33Z		
	21B	X05A, X05B, X06A, X06B		07	H33Z, H38Z		21A	W04A, W04B		
51152.7↔	05	F01A, F01B, F01D, F05Z, F07A, F07B, F14A, F14B, F28A, F42Z, F54Z, F59A, F59B	51153.4	08	I08A, I08B, I08C, I08D, I08E, I13A, I13B	51154.2↔	21B	X06A, X06B, X06C, X33Z		
	08	I08A, I08B, I08C, I08D, I08E, I13A, I13B		11	L33Z		23	Z01A		
	10	K09A, K09B		21A	W04A, W04B		Pre	A07A		
	21A	W04A, W04B		21B	X06A, X06B, X06C, X33Z			BOP, KOP, KOPV, KVT, UOP4		
	21B	X05A, X05B, X06A, X06B		23	Z01A		04	E05A, E05B, E05C, E08A, E08B, E08C		
51152.x↔	05	F01A, F01B, F01D, F05Z, F07A, F07B, F14A, F14B, F28A, F42Z, F54Z, F59A, F59B	51153.5	Pre	A07A	05	F01A, F01B, F01D, F05Z, F07A, F07B, F09A, F09B, F09C, F42Z			
	08	I08A, I08B, I08C, I08D, I08E, I13A, I13B		05	F01A, F01B, F01D, F05Z, F07A, F07B, F14A, F14B, F28A, F42Z, F54Z, F59A, F59B	06	G15Z, G19A, G19B, G33Z, G38Z			
	10	K09A, K09B		06	G10Z, G12A, G12B	07	H33Z, H38Z			
	21A	W04A, W04B		08	I08A, I08B, I08C, I08D, I08E, I13A, I13B	08	I08A, I08B, I08C, I08D, I08E, I13A, I13B			
	21B	X06A, X06B		11	L09A, L09B, L09C, L09D, L38Z	11	L33Z			
51153.0		BOP, KOP, KOPV, KVT, UOP4	51153.5	21A	W04A, W04B	51154.2↔	21A	W04A, W04B		
	04	E05A, E05B, E05C, E08A, E08B, E08C		21B	X06A, X06B, X06C		21B	X06A, X06B, X06C, X33Z		
	05	F01A, F01B, F01D, F05Z, F07A, F07B, F09A, F09B, F09C, F42Z			BOP, KVT, UOP4		23	Z01A		
	06	G15Z, G19A, G19B, G33Z, G38Z		05	F01A, F01B, F01D, F05Z, F07A, F07B, F14A, F14B, F28A, F42Z, F54Z, F59A, F59B		Pre	A07A		
	07	H33Z, H38Z		06	G10Z, G12A, G12B			BOP, KOP, KOPV, KVT, UOP4		
	08	I08A, I08B, I08C, I08D, I08E, I13A, I13B		08	I08A, I08B, I08C, I08D, I08E, I13A, I13B		04	E05A, E05B, E05C, E08A, E08B, E08C		
	11	L33Z		11	L09A, L09B, L09C, L09D, L38Z		05	F01A, F01B, F01D, F05Z, F07A, F07B, F09A, F09B, F09C, F42Z		
	21A	W04A, W04B		21A	W04A, W04B		06	G15Z, G19A, G19B, G33Z, G38Z		
	21B	X06A, X06B, X06C, X33Z		21B	X06A, X06B, X06C		07	H33Z, H38Z		
	23	Z01A			BOP, KVT, UOP4		08	I08A, I08B, I08C, I08D, I08E, I13A, I13B		
	Pre	A07A		05	F01A, F01B, F01D, F05Z, F07A, F07B, F14A, F14B, F28A, F42Z, F54Z, F59A, F59B		11	L33Z		
				06	G10Z, G12A, G12B		21A	W04A, W04B		
				08	I08A, I08B, I08C, I08D, I08E, I13A, I13B		21B	X06A, X06B, X06C, X33Z		
		11	L09A, L09B, L09C, L09D, L38Z	23	Z01A					
		21A	W04A, W04B	Pre	A07A					
		21B	X06A, X06B, X06C							

VYK

ZZV	MDC	DRG	ZZV	MDC	DRG	ZZV	MDC	DRG				
51154.x↔		BOP, KOP, KOPV, KVT, UOP4	51155.4↔		BOP, KVT, UOP4	51156.3		BOP, KVT, UOP4				
	04	E05A, E05B, E05C, E08A, E08B, E08C		05	F01A, F01B, F01D, F05Z, F07A, F07B, F14A, F14B, F28A, F42Z, F54Z, F59A, F59B		01	B03A, B03B, B06A, B06B, B07Z, B17A, B17B, B17C				
	05	F01A, F01B, F01D, F05Z, F07A, F07B, F09A, F09B, F09C, F42Z		08	I08A, I08B, I08C, I08D, I08E, I13A, I13B		05	F01A, F01B, F01D, F05Z, F07A, F07B, F14A, F14B, F28A, F42Z, F54Z, F59A, F59B				
	06	G15Z, G19A, G19B, G33Z, G38Z		10	K09A, K09B		06	G10Z, G12A, G12B				
	07	H33Z, H38Z		21A	W04A, W04B		07	H06A, H06B, H06C				
	08	I08A, I08B, I08C, I08D, I08E, I13A, I13B		21B	X06A, X06B, X06C		08	I08A, I08B, I08C, I08D, I08E, I13A, I13B				
	11	L33Z		51155.x↔			BOP, KVT, UOP4	10	K09A, K09B			
	21A	W04A, W04B			05		F01A, F01B, F01D, F05Z, F07A, F07B, F14A, F14B, F28A, F42Z, F54Z, F59A, F59B	11	L09A, L09B, L09C, L09D, L38Z			
	21B	X06A, X06B, X06C, X33Z			08		I08A, I08B, I08C, I08D, I08E, I13A, I13B	21A	W04A, W04B			
	23	Z01A			10		K09A, K09B	21B	X06A, X06B, X06C			
	Pre	A07A			21A		W04A, W04B	51156.4↔		BOP, KVT, UOP4		
	51155.0↔				BOP, KVT, UOP4		51156.0			BOP, KVT, UOP4	01	B03A, B03B, B06A, B06B, B07Z, B17A, B17B, B17C
		01			B03A, B03B, B06A, B06B, B07Z, B17A, B17B, B17C				01	B03A, B03B, B06A, B06B, B07Z, B17A, B17B, B17C	05	F01A, F01B, F01D, F05Z, F07A, F07B, F14A, F14B, F28A, F42Z, F54Z, F59A, F59B
05		F01A, F01B, F01D, F05Z, F07A, F07B, F14A, F14B, F28A, F42Z, F54Z, F59A, F59B	05		F01A, F01B, F01D, F05Z, F07A, F07B, F14A, F14B, F28A, F42Z, F54Z, F59A, F59B	06			G10Z, G12A, G12B			
08		I08A, I08B, I08C, I08D, I08E, I13A, I13B	06		G10Z, G12A, G12B	08			I08A, I08B, I08C, I08D, I08E, I13A, I13B			
21A		W04A, W04B	08		I08A, I08B, I08C, I08D, I08E, I13A, I13B	10			K09A, K09B			
21B		X04Z, X06A, X06B, X06C	10		K09A, K09B	11			L09A, L09B, L09C, L09D, L38Z			
51155.1↔			BOP, KVT, UOP4		51156.1				BOP, KVT, UOP4	21A	W04A, W04B	
		05	F01A, F01B, F01D, F05Z, F07A, F07B, F14A, F14B, F28A, F42Z, F54Z, F59A, F59B			01			B03A, B03B, B06A, B06B, B07Z, B17A, B17B, B17C	21B	X06A, X06B, X06C	
		06	G10Z, G12A, G12B	05		F01A, F01B, F01D, F05Z, F07A, F07B, F14A, F14B, F28A, F42Z, F54Z, F59A, F59B			51156.5		BOP, KVT, UOP4	
		08	I08A, I08B, I08C, I08D, I08E, I13A, I13B	10		L09A, L09B, L09C, L09D, L38Z				01	B03A, B03B, B06A, B06B, B07Z, B17A, B17B, B17C	
		11	L09A, L09B, L09C, L09D, L38Z	21A		W04A, W04B				05	F01A, F01B, F01D, F05Z, F07A, F07B, F14A, F14B, F28A, F42Z, F54Z, F59A, F59B	
		21A	W04A, W04B	21B		X06A, X06B, X06C				06	G10Z, G12A, G12B	
		21B	X06A, X06B, X06C	51156.2				BOP, KVT, UOP4		08	I08A, I08B, I08C, I08D, I08E, I13A, I13B	
	51155.2↔		BOP, KVT, UOP4			51156.2		BOP, KVT, UOP4		10	K09A, K09B	
		05	F01A, F01B, F01D, F05Z, F07A, F07B, F14A, F14B, F28A, F42Z, F54Z, F59A, F59B				01	B03A, B03B, B06A, B06B, B07Z, B17A, B17B, B17C		11	L09A, L09B, L09C, L09D, L38Z	
		06	G10Z, G12A, G12B				05	F01A, F01B, F01D, F05Z, F07A, F07B, F14A, F14B, F28A, F42Z, F54Z, F59A, F59B		21A	W04A, W04B	
		08	I08A, I08B, I08C, I08D, I08E, I13A, I13B				10	L09A, L09B, L09C, L09D, L38Z		21B	X06A, X06B, X06C	
		11	L09A, L09B, L09C, L09D, L38Z				21A	W04A, W04B		51156.6		BOP, KVT, UOP4
		21A	W04A, W04B				21B	X06A, X06B, X06C			01	B03A, B03B, B06A, B06B, B07Z, B17A, B17B, B17C
21B		X06A, X06B, X06C	01		B03A, B03B, B06A, B06B, B07Z, B17A, B17B, B17C		05	F01A, F01B, F01D, F05Z, F07A, F07B, F14A, F14B, F28A, F42Z, F54Z, F59A, F59B				
51155.3↔			BOP, KVT, UOP4		05		F01A, F01B, F01D, F05Z, F07A, F07B, F14A, F14B, F28A, F42Z, F54Z, F59A, F59B	06			G10Z, G12A, G12B	
		05	F01A, F01B, F01D, F05Z, F07A, F07B, F14A, F14B, F28A, F42Z, F54Z, F59A, F59B		06		G10Z, G12A, G12B	08	I08A, I08B, I08C, I08D, I08E, I13A, I13B			
		08	I08A, I08B, I08C, I08D, I08E, I13A, I13B		07		H06A, H06B, H06C	10	K09A, K09B			
		10	K09A, K09B		08		I08A, I08B, I08C, I08D, I08E, I13A, I13B	11	L09A, L09B, L09C, L09D, L38Z			
		21A	W04A, W04B		10		K09A, K09B	21A	W04A, W04B			
		21B	X06A, X06B, X06C	11	L09A, L09B, L09C, L09D, L38Z		21B	X06A, X06B, X06C				

VYK

ZZV	MDC	DRG	ZZV	MDC	DRG	ZZV	MDC	DRG		
51156.x↔		BOP, KVT, UOP4	51158.1↔	05	F01A, F01B, F01D, F05Z, F07A, F07B, F14A, F14B, F28A, F42Z, F54Z, F59A, F59B	51159.1↔	05	F39A, F39B		
	01	B03A, B03B, B06A, B06B, B07Z, B17A, B17B, B17C		08	I08A, I08B, I08C, I08D, I08E, I13A, I13B		08	I08A, I08B, I08C, I08D, I08E, I13A, I13B		
	05	F01A, F01B, F01D, F05Z, F07A, F07B, F14A, F14B, F28A, F42Z, F54Z, F59A, F59B		10	K09A, K09B		21A	W04A, W04B		
	06	G10Z, G12A, G12B		21A	W04A, W04B		21B	X04Z		
	08	I08A, I08B, I08C, I08D, I08E, I13A, I13B		51158.2↔	05		F01A, F01B, F01D, F05Z, F07A, F07B, F14A, F14B, F28A, F42Z, F54Z, F59A, F59B	51159.2	05	F39A, F39B
	10	K09A, K09B		08	I08A, I08B, I08C, I08D, I08E, I13A, I13B		08	I08A, I08B, I08C, I08D, I08E, I13A, I13B		
	11	L09A, L09B, L09C, L09D, L38Z		10	K09A, K09B		21A	W04A, W04B		
	21A	W04A, W04B		21A	W04A, W04B		21B	X04Z		
	21B	X06A, X06B, X06C		51158.3↔	05		F01A, F01B, F01D, F05Z, F07A, F07B, F14A, F14B, F28A, F42Z, F54Z, F59A, F59B	51159.3↔	05	F39A, F39B
	51157.0↔			BOP, KVT, UOP4	08		I08A, I08B, I08C, I08D, I08E, I13A, I13B	08	I08A, I08B, I08C, I08D, I08E, I13A, I13B	
		05		F01A, F01B, F01D, F05Z, F07A, F07B, F14A, F14B, F28A, F42Z, F54Z, F59A, F59B	10		K09A, K09B	21A	W04A, W04B	
08		I08A, I08B, I08C, I08D, I08E, I13A, I13B	21A	W04A, W04B	21B	X04Z				
10		K09A, K09B	51158.4↔	05	F01A, F01B, F01D, F05Z, F07A, F07B, F14A, F14B, F28A, F42Z, F54Z, F59A, F59B	51159.4	05	F39A, F39B		
21A		W04A, W04B	08	I08A, I08B, I08C, I08D, I08E, I13A, I13B	08	I08A, I08B, I08C, I08D, I08E, I13A, I13B				
21B		X04Z	10	K09A, K09B	21A	W04A, W04B				
51157.1↔		BOP, KVT, UOP4	21A	W04A, W04B	21B	X04Z				
	05	F01A, F01B, F01D, F05Z, F07A, F07B, F14A, F14B, F28A, F42Z, F54Z, F59A, F59B	51158.5↔	05	F01A, F01B, F01D, F05Z, F07A, F07B, F14A, F14B, F28A, F42Z, F54Z, F59A, F59B	51159.5	05	F39A, F39B		
	08	I08A, I08B, I08C, I08D, I08E, I13A, I13B	08	I08A, I08B, I08C, I08D, I08E, I13A, I13B	08	I08A, I08B, I08C, I08D, I08E, I13A, I13B				
	10	K09A, K09B	10	K09A, K09B	21A	W04A, W04B				
	21A	W04A, W04B	21A	W04A, W04B	21B	X04Z				
	21B	X04Z	21B	X04Z	51159.6	05	F39A, F39B			
51157.2↔		BOP, KVT, UOP4	51158.6↔	05	F01A, F01B, F01D, F05Z, F07A, F07B, F14A, F14B, F28A, F42Z, F54Z, F59A, F59B	51159.7	05	F39A, F39B		
	05	F01A, F01B, F01D, F05Z, F07A, F07B, F14A, F14B, F28A, F42Z, F54Z, F59A, F59B	08	I08A, I08B, I08C, I08D, I08E, I13A, I13B	08	I08A, I08B, I08C, I08D, I08E, I13A, I13B				
	08	I08A, I08B, I08C, I08D, I08E, I13A, I13B	10	K09A, K09B	21A	W04A, W04B				
	10	K09A, K09B	21A	W04A, W04B	21B	X04Z				
	21A	W04A, W04B	51158.x↔	05	F01A, F01B, F01D, F05Z, F07A, F07B, F14A, F14B, F28A, F42Z, F54Z, F59A, F59B	51159.8↔	05	F39A, F39B		
	21B	X04Z	08	I08A, I08B, I08C, I08D, I08E, I13A, I13B	08	I08A, I08B, I08C, I08D, I08E, I13A, I13B				
51157.x↔		BOP, KVT, UOP4	10	K09A, K09B	21A	W04A, W04B				
	05	F01A, F01B, F01D, F05Z, F07A, F07B, F14A, F14B, F28A, F42Z, F54Z, F59A, F59B	21A	W04A, W04B	21B	X04Z				
	08	I08A, I08B, I08C, I08D, I08E, I13A, I13B	51159.0↔	05	F28A, F39A, F39B	51159.9↔	01	B03A, B03B, B06A, B06B, B07Z, B17A, B17B, B17C		
	10	K09A, K09B	08	I08A, I08B, I08C, I08D, I08E, I13A, I13B	05	F01A, F01B, F01D, F05Z, F07A, F07B, F14A, F14B, F28A, F42Z, F54Z, F59A, F59B				
	21A	W04A, W04B	10	K09A, K09B	08	I08A, I08B, I08C, I08D, I08E, I13A, I13B				
	21B	X04Z	21A	W04A, W04B	21A	W04A, W04B				
51158.0↔	05	F01A, F01B, F01D, F05Z, F07A, F07B, F14A, F14B, F28A, F42Z, F54Z, F59A, F59B	21B	X04Z	21B	X04Z, X05A, X05B, X06A, X06B, X06C				
	08	I08A, I08B, I08C, I08D, I08E, I13A, I13B	51159.0↔	05	F28A, F39A, F39B					
	10	K09A, K09B	08	I08A, I08B, I08C, I08D, I08E, I13A, I13B						
	21A	W04A, W04B	21A	W04A, W04B						
	21B	X04Z	21B	X04Z, X05A, X05B, X06A, X06B, X06C						

ZZV	MDC	DRG	ZZV	MDC	DRG	ZZV	MDC	DRG				
51159.a↔		KOP, KOPV	51159.f	04	E02A, E02B, E02C	5115a.3↔	05	F39A, F39B				
	04	E05A, E05B, E05C, E08A, E08B, E08C		05	F01A, F01B, F01D, F05Z, F07A, F07B, F14A, F14B, F28A, F42Z, F54Z, F59A, F59B		08	I08A, I08B, I08C, I08D, I08E, I13A, I13B				
	05	F01A, F01B, F01D, F05Z, F07A, F07B, F09A, F09B, F09C, F42Z		08	I08A, I08B, I08C, I08D, I08E, I13A, I13B		21A	W04A, W04B				
	06	G15Z, G19A, G19B, G33Z, G38Z		14	962Z, O02A, O02B		21B	X04Z, X05A, X05B, X06A, X06B, X06C				
	07	H33Z, H38Z		21A	W04A, W04B		5115a.4↔	05	F39A, F39B			
	08	I08A, I08B, I08C, I08D, I08E, I13A, I13B		21B	X06A, X06B, X06C		08	I08A, I08B, I08C, I08D, I08E, I13A, I13B				
	11	L33Z		51159.g↔	05		F01A, F01B, F01D, F05Z, F07A, F07B, F14A, F14B, F28A, F42Z, F54Z, F59A, F59B	21A	W04A, W04B			
	21A	W04A, W04B		06	G10Z, G12A, G12B		21B	X04Z, X05A, X05B, X06A, X06B, X06C				
	21B	X06A, X06B, X06C, X33Z		08	I08A, I08B, I08C, I08D, I08E, I13A, I13B		5115a.5↔	05	F39A, F39B			
	23	Z01A		11	L09A, L09B, L09C, L09D, L38Z		08	I08A, I08B, I08C, I08D, I08E, I13A, I13B				
	Pre	A07A		21A	W04A, W04B		21A	W04A, W04B				
	51159.b↔			KOP, KOPV	51159.h↔		21B	X06A, X06B, X06C	5115a.6↔	08	I08A, I08B, I08C, I08D, I08E, I13A, I13B	
		04		E05A, E05B, E05C, E08A, E08B, E08C			05	F01A, F01B, F01D, F05Z, F07A, F07B, F14A, F14B, F28A, F42Z, F54Z, F59A, F59B		21A	W04A, W04B	
		05		F01A, F01B, F01D, F05Z, F07A, F07B, F09A, F09B, F09C, F42Z			06	G10Z, G12A, G12B		21B	X04Z, X05A, X05B, X06A, X06B, X06C	
06		G15Z, G19A, G19B, G33Z, G38Z	08	I08A, I08B, I08C, I08D, I08E, I13A, I13B		5115a.x↔	05	F39A, F39B				
07		H33Z, H38Z	11	L09A, L09B, L09C, L09D, L38Z		08	I08A, I08B, I08C, I08D, I08E, I13A, I13B					
08		I08A, I08B, I08C, I08D, I08E, I13A, I13B	21A	W04A, W04B		21A	W04A, W04B					
11		L33Z	21B	X06A, X06B, X06C		21B	X04Z, X05A, X05B, X06A, X06B, X06C					
21A		W04A, W04B	51159.i↔	05		F01A, F01B, F01D, F05Z, F07A, F07B, F14A, F14B, F28A, F42Z, F54Z, F59A, F59B	5115b.0	05		F39A, F39B		
21B		X06A, X06B, X06C, X33Z	06	G10Z, G12A, G12B		08	I08A, I08B, I08C, I08D, I08E, I13A, I13B					
23		Z01A	08	I08A, I08B, I08C, I08D, I08E, I13A, I13B		21A	W04A, W04B					
Pre		A07A	11	L09A, L09B, L09C, L09D, L38Z		21B	X04Z, X05A, X05B, X06A, X06B, X06C					
51159.c↔		05	F39A, F39B	51159.x↔		21A	W04A, W04B	5115x↔		05	F39A, F39B	
		08	I08A, I08B, I08C, I08D, I08E, I13A, I13B			21B	X06A, X06B, X06C			08	I08A, I08B, I08C, I08D, I08E, I13A, I13B	
		21A	W04A, W04B			05	F39A, F39B			21A	W04A, W04B	
	21B	X04Z, X05A, X05B, X06A, X06B, X06C	08		I08A, I08B, I08C, I08D, I08E, I13A, I13B	21B	X04Z, X05A, X05B, X06A, X06B, X06C					
	51159.d↔		KOP, KOPV		5115a.0↔	01	B03A, B03B, B06A, B06B, B07Z, B17A, B17B, B17C		51160.0↔	01	B04A, B04B, B04C, B04D, B04E	
		04	E05A, E05B, E05C, E08A, E08B, E08C			05	F01A, F01B, F01D, F05Z, F07A, F07B, F14A, F14B, F42Z, F54Z, F59A, F59B			05	F01A, F01B, F01D, F05Z, F07A, F07B, F14A, F14B, F28A, F42Z, F54Z, F59A, F59B	
		05	F01A, F01B, F01D, F05Z, F07A, F07B, F09A, F09B, F09C, F42Z			08	I08A, I08B, I08C, I08D, I08E, I13A, I13B			08	I08A, I08B, I08C, I08D, I08E, I13A, I13B	
		06	G15Z, G19A, G19B, G33Z, G38Z			21A	W04A, W04B			10	K09A, K09B	
		07	H33Z, H38Z			21B	X04Z, X05A, X05B, X06A, X06B, X06C			21A	W04A, W04B	
		08	I08A, I08B, I08C, I08D, I08E, I13A, I13B			5115a.1↔	05			F39A, F39B	21B	X06A, X06B
		11	L33Z			08	I08A, I08B, I08C, I08D, I08E, I13A, I13B			51160.1↔	01	B04A, B04B, B04C, B04D, B04E
		21A	W04A, W04B			21A	W04A, W04B			05	F01A, F01B, F01D, F05Z, F07A, F07B, F14A, F14B, F28A, F42Z, F54Z, F59A, F59B	
		21B	X06A, X06B, X06C, X33Z			21B	X04Z, X05A, X05B, X06A, X06B, X06C			08	I08A, I08B, I08C, I08D, I08E, I13A, I13B	
		23	Z01A			5115a.2↔	05			F39A, F39B	10	K09A, K09B
Pre		A07A	08	I08A, I08B, I08C, I08D, I08E, I13A, I13B		21A	W04A, W04B					
51159.e		04	E02A, E02B, E02C	5115a.2↔		21B	X04Z, X05A, X05B, X06A, X06B, X06C	5115a.2↔		21B	X06A, X06B	
		05	F01A, F01B, F01D, F05Z, F07A, F07B, F14A, F14B, F28A, F42Z, F54Z, F59A, F59B			05	F39A, F39B			08	I08A, I08B, I08C, I08D, I08E, I13A, I13B	
		08	I08A, I08B, I08C, I08D, I08E, I13A, I13B			08	I08A, I08B, I08C, I08D, I08E, I13A, I13B			10	K09A, K09B	
	14	962Z, O02A, O02B	21A		W04A, W04B	21A	W04A, W04B					
	21A	W04A, W04B	21B		X04Z, X05A, X05B, X06A, X06B, X06C	21B	X06A, X06B					
	21B	X06A, X06B, X06C										

ZZV	MDC	DRG	ZZV	MDC	DRG	ZZV	MDC	DRG
51160.2↔	01	B04A, B04B, B04C, B04D, B04E	51161.1↔	05	F01A, F01B, F01D, F05Z, F07A, F07B, F14A, F14B, F28A, F42Z, F54Z, F59A, F59B	51163.0		BOP, KOP, KOPV, KVT, UOP4
	05	F01A, F01B, F01D, F05Z, F07A, F07B, F14A, F14B, F28A, F42Z, F54Z, F59A, F59B		08	I08A, I08B, I08C, I08D, I08E, I13A, I13B		04	E05A, E05B, E05C, E08A, E08B, E08C
	08	I08A, I08B, I08C, I08D, I08E, I13A, I13B		10	K09A, K09B		05	F01A, F01B, F01D, F05Z, F07A, F07B, F14A, F14B, F28A, F42Z, F54Z, F59A, F59B
	10	K09A, K09B		21A	W04A, W04B		06	G33Z
	21A	W04A, W04B		21B	X06A, X06B		07	H33Z, H38Z
	21B	X06A, X06B		51161.x↔	05		F01A, F01B, F01D, F05Z, F07A, F07B, F28A, F42Z, F54Z, F59A, F59B	08
51160.3↔	01	B04A, B04B, B04C, B04D, B04E	08		I08A, I08B, I08C, I08D, I08E, I13A, I13B	10	K09A, K09B	
	05	F01A, F01B, F01D, F05Z, F07A, F07B, F14A, F14B, F28A, F42Z, F54Z, F59A, F59B	10		K09A, K09B	21A	W04A, W04B	
	08	I08A, I08B, I08C, I08D, I08E, I13A, I13B	21A		W04A, W04B	21B	X06A, X06B, X33Z	
	10	K09A, K09B	21B		X06A, X06B	23	Z01A	
	21A	W04A, W04B	51162.0↔		05	F01A, F01B, F01D, F05Z, F07A, F07B, F28A, F42Z, F54Z, F59A, F59B	Pre	A07A
	21B	X06A, X06B		08	I08A, I08B, I08C, I08D, I08E, I13A, I13B, I32A, I32B, I32C, I32D	51163.1		BOP, KOP, KOPV, KVT, UOP4
51160.4↔	01	B04A, B04B, B04C, B04D, B04E		10	K09A, K09B		04	E05A, E05B, E05C, E08A, E08B, E08C
	05	F01A, F01B, F01D, F05Z, F07A, F07B, F14A, F14B, F28A, F42Z, F54Z, F59A, F59B		21A	W04A, W04B		05	F01A, F01B, F01D, F05Z, F07A, F07B, F14A, F14B, F28A, F42Z, F54Z, F59A, F59B
	08	I08A, I08B, I08C, I08D, I08E, I13A, I13B		21B	X06A, X06B		06	G33Z
	10	K09A, K09B		51162.1↔	05		F01A, F01B, F01D, F05Z, F07A, F07B, F28A, F42Z, F54Z, F59A, F59B	07
	21A	W04A, W04B	08		I08A, I08B, I08C, I08D, I08E, I13A, I13B, I32A, I32B, I32C, I32D		08	I08A, I08B, I08C, I08D, I08E, I13A, I13B
	21B	X06A, X06B	10		K09A, K09B	10	K09A, K09B	
51160.5↔	01	B04A, B04B, B04C, B04D, B04E	21A		W04A, W04B	11	L33Z	
	05	F01A, F01B, F01D, F05Z, F07A, F07B, F14A, F14B, F28A, F42Z, F54Z, F59A, F59B	21B		X05A, X05B, X06A, X06B	21A	W04A, W04B	
	08	I08A, I08B, I08C, I08D, I08E, I13A, I13B	51162.2↔		05	F01A, F01B, F01D, F05Z, F07A, F07B, F28A, F42Z, F54Z, F59A, F59B	21B	X06A, X06B, X33Z
	10	K09A, K09B		08	I08A, I08B, I08C, I08D, I08E, I13A, I13B, I32A, I32B, I32C, I32D	23	Z01A	
	21A	W04A, W04B		10	K09A, K09B	Pre	A07A	
	21B	X06A, X06B		21A	W04A, W04B	51163.2		BOP, KOP, KOPV, KVT, UOP4
51160.x↔	01	B04A, B04B, B04C, B04D, B04E		21B	X05A, X05B, X06A, X06B		04	E05A, E05B, E05C, E08A, E08B, E08C
	05	F01A, F01B, F01D, F05Z, F07A, F07B, F14A, F14B, F28A, F42Z, F54Z, F59A, F59B		51162.3↔	05		F01A, F01B, F01D, F05Z, F07A, F07B, F28A, F42Z, F54Z, F59A, F59B	05
	08	I08A, I08B, I08C, I08D, I08E, I13A, I13B	08		I08A, I08B, I08C, I08D, I08E, I13A, I13B, I32A, I32B, I32C, I32D		06	G33Z
	10	K09A, K09B	10		K09A, K09B		07	H33Z, H38Z
	21A	W04A, W04B	21A		W04A, W04B		08	I08A, I08B, I08C, I08D, I08E, I13A, I13B
	21B	X06A, X06B	21B		X05A, X05B, X06A, X06B	10	K09A, K09B	
51161.0↔	05	F01A, F01B, F01D, F05Z, F07A, F07B, F14A, F14B, F28A, F42Z, F54Z, F59A, F59B	51162.4↔		05	F01A, F01B, F01D, F05Z, F07A, F07B, F28A, F42Z, F54Z, F59A, F59B	11	L33Z
	08	I08A, I08B, I08C, I08D, I08E, I13A, I13B		08	I08A, I08B, I08C, I08D, I08E, I13A, I13B, I32A, I32B, I32C, I32D	21A	W04A, W04B	
	10	K09A, K09B		10	K09A, K09B	21B	X06A, X06B, X33Z	
	21A	W04A, W04B		21A	W04A, W04B	23	Z01A	
	21B	X06A, X06B		51162.x↔	05	F01A, F01B, F01D, F05Z, F07A, F07B, F28A, F42Z, F54Z, F59A, F59B	Pre	A07A
	51161.1↔	05			F01A, F01B, F01D, F05Z, F07A, F07B, F14A, F14B, F28A, F42Z, F54Z, F59A, F59B	08	I08A, I08B, I08C, I08D, I08E, I13A, I13B, I32A, I32B, I32C, I32D	51163.3
08		I08A, I08B, I08C, I08D, I08E, I13A, I13B	10		K09A, K09B	05	F01A, F01B, F01D, F05Z, F07A, F07B, F14A, F14B, F28A, F42Z, F54Z, F59A, F59B	
10		K09A, K09B	21A		W04A, W04B	08	I08A, I08B, I08C, I08D, I08E, I13A, I13B	
21A		W04A, W04B	21B		X06A, X06B	10	K09A, K09B	
21B		X06A, X06B	21B		X06A, X06B	11	L09A, L38Z	
			05	F01A, F01B, F01D, F05Z, F07A, F07B, F28A, F42Z, F54Z, F59A, F59B	21A	W04A, W04B		
		08	I08A, I08B, I08C, I08D, I08E, I13A, I13B, I32A, I32B, I32C, I32D	21B	X06A, X06B			
		10	K09A, K09B					
		21A	W04A, W04B					
		21B	X06A, X06B					

VYK

ZZV	MDC	DRG	ZZV	MDC	DRG	ZZV	MDC	DRG
51163.x		BOP, KVT, UOP4	51164.x↔		BOP, KOP, KOPV, KVT, UOP4	51165.3↔		BOP, KOP, KOPV, KVT, UOP4
	05	F01A, F01B, F01D, F05Z, F07A, F07B, F14A, F14B, F28A, F42Z, F54Z, F59A, F59B		04	E05A, E05B, E05C, E08A, E08B, E08C		05	F01A, F01B, F01D, F05Z, F07A, F07B, F14A, F14B, F28A, F42Z, F54Z, F59A, F59B
	08	I08A, I08B, I08C, I08D, I08E, I13A, I13B		05	F01A, F01B, F01D, F05Z, F07A, F07B, F14A, F14B, F28A, F42Z, F54Z, F59A, F59B		06	G15Z, G19A, G19B, G33Z, G38Z
	10	K09A, K09B		06	G33Z		07	H33Z, H38Z
	21A	W04A, W04B		07	H33Z, H38Z		08	I08A, I08B, I08C, I08D, I08E, I13A, I13B
	21B	X06A, X06B		08	I08A, I08B, I08C, I08D, I08E, I13A, I13B		10	K09A, K09B
51164.0↔		BOP, KOP, KOPV, KVT, UOP4	51165.0↔		BOP, KOP, KOPV, KVT, UOP4	51165.4↔		BOP, KOP, KOPV, KVT, UOP4
	04	E05A, E05B, E05C, E08A, E08B, E08C		05	F01A, F01B, F01D, F05Z, F07A, F07B, F14A, F14B, F28A, F42Z, F54Z, F59A, F59B		05	F01A, F01B, F01D, F05Z, F07A, F07B, F14A, F14B, F28A, F42Z, F54Z, F59A, F59B
	05	F01A, F01B, F01D, F05Z, F07A, F07B, F14A, F14B, F28A, F42Z, F54Z, F59A, F59B		06	G15Z, G19A, G19B, G33Z, G38Z		06	G15Z, G19A, G19B, G33Z, G38Z
	06	G33Z		07	H33Z, H38Z		07	H33Z, H38Z
	07	H33Z, H38Z		08	I08A, I08B, I08C, I08D, I08E, I13A, I13B		08	I08A, I08B, I08C, I08D, I08E, I13A, I13B
	08	I08A, I08B, I08C, I08D, I08E, I13A, I13B		10	K09A, K09B		10	K09A, K09B
	10	K09A, K09B		11	L33Z		11	L33Z
	11	L33Z		21A	W04A, W04B		21A	W04A, W04B
	21A	W04A, W04B		21B	X06A, X06B, X33Z		21B	X06A, X06B, X33Z
	21B	X06A, X06B, X33Z		23	Z01A		23	Z01A
	23	Z01A		Pre	A07A		Pre	A07A
	Pre	A07A						
	51164.1↔			BOP, KOP, KOPV, KVT, UOP4	51165.1↔			BOP, KOP, KOPV, KVT, UOP4
04		E05A, E05B, E05C, E08A, E08B, E08C	05	F01A, F01B, F01D, F05Z, F07A, F07B, F14A, F14B, F28A, F42Z, F54Z, F59A, F59B		05	F01A, F01B, F01D, F05Z, F07A, F07B, F14A, F14B, F28A, F42Z, F54Z, F59A, F59B	
05		F01A, F01B, F01D, F05Z, F07A, F07B, F14A, F14B, F28A, F42Z, F54Z, F59A, F59B	06	G15Z, G19A, G19B, G33Z, G38Z		06	G15Z, G19A, G19B, G33Z, G38Z	
06		G15Z, G19A, G19B, G33Z, G38Z	07	H33Z, H38Z		07	H33Z, H38Z	
07		H33Z, H38Z	08	I08A, I08B, I08C, I08D, I08E, I13A, I13B		08	I08A, I08B, I08C, I08D, I08E, I13A, I13B	
08		I08A, I08B, I08C, I08D, I08E, I13A, I13B	10	K09A, K09B		10	K09A, K09B	
10		K09A, K09B	11	L33Z		11	L33Z	
11		L33Z	21A	W04A, W04B		21A	W04A, W04B	
21A		W04A, W04B	21B	X06A, X06B, X33Z		21B	X06A, X06B, X33Z	
21B		X06A, X06B, X33Z	23	Z01A		23	Z01A	
23		Z01A	Pre	A07A		Pre	A07A	
Pre		A07A						
51164.2↔			BOP, KOP, KOPV, KVT, UOP4	51165.2↔			BOP, KOP, KOPV, KVT, UOP4	51166.0
	04	E05A, E05B, E05C, E08A, E08B, E08C	05		F01A, F01B, F01D, F05Z, F07A, F07B, F14A, F14B, F28A, F42Z, F54Z, F59A, F59B	05	F01A, F01B, F01D, F05Z, F07A, F07B, F14A, F14B, F28A, F42Z, F54Z, F59A, F59B	
	05	F01A, F01B, F01D, F05Z, F07A, F07B, F14A, F14B, F28A, F42Z, F54Z, F59A, F59B	06		G15Z, G19A, G19B, G33Z, G38Z	06	G15Z, G18A, G19A, G19B, G33Z, G38Z	
	06	G33Z	07		H33Z, H38Z	07	H01A, H33Z, H38Z	
	07	H33Z, H38Z	08		I08A, I08B, I08C, I08D, I08E, I13A, I13B	08	I08A, I08B, I08C, I08D, I08E, I13A, I13B	
	08	I08A, I08B, I08C, I08D, I08E, I13A, I13B	10		K09A, K09B	10	K09A, K09B	
	10	K09A, K09B	11		L33Z	11	L09A, L09B, L09C, L09D, L33Z, L38Z	
	11	L33Z	21A		W04A, W04B	21A	W04A, W04B	
	21A	W04A, W04B	21B		X06A, X06B, X33Z	21B	X06A, X06B, X33Z	
	21B	X06A, X06B, X33Z	23		Z01A	23	Z01A	
	23	Z01A	Pre		A07A	Pre	A07A	
	Pre	A07A						

VYK

ZZV	MDC	DRG	ZZV	MDC	DRG	ZZV	MDC	DRG
51168.2↔	05	F01A, F01B, F01D, F05Z, F07A, F07B, F28A, F42Z, F54Z, F59A, F59B	51169.5	01	B04A, B04B, B04C, B04D, B04E	51169.d↔		BOP, KVT, UOP4
	08	I08A, I08B, I08C, I08D, I08E, I13A, I13B		05	F39A, F39B		01	B04A, B04B, B04C, B04D, B04E
	10	K09A, K09B		06	G18A, G38Z		05	F39A, F39B
	21A	W04A, W04B		07	H01A		08	I08A, I08B, I08C, I08D, I08E, I13A, I13B
	21B	X06A, X06B		08	I08A, I08B, I08C, I08D, I08E, I13A, I13B		21A	W04A, W04B
51168.3↔	05	F01A, F01B, F01D, F05Z, F07A, F07B, F28A, F42Z, F54Z, F59A, F59B	51169.6	21A	W04A, W04B	51169.e	21B	X06A, X06B
	08	I08A, I08B, I08C, I08D, I08E, I13A, I13B		21B	X06A, X06B		01	BOP, KVT, UOP4
	10	K09A, K09B		01	B04A, B04B, B04C, B04D, B04E		01	B04A, B04B, B04C, B04D, B04E
	21A	W04A, W04B		05	F39A, F39B		05	F39A, F39B
	21B	X06A, X06B		06	G18A, G38Z		08	I08A, I08B, I08C, I08D, I08E, I13A, I13B
51168.x↔	05	F01A, F01B, F01D, F05Z, F07A, F07B, F28A, F42Z, F54Z, F59A, F59B	51169.7	07	H01A	51169.f	21A	W04A, W04B
	08	I08A, I08B, I08C, I08D, I08E, I13A, I13B		08	I08A, I08B, I08C, I08D, I08E, I13A, I13B		01	BOP, KVT, UOP4
	10	K09A, K09B		21A	W04A, W04B		01	B04A, B04B, B04C, B04D, B04E
	21A	W04A, W04B		21B	X06A, X06B		05	F39A, F39B
	21B	X06A, X06B		01	B04A, B04B, B04C, B04D, B04E		06	G03A, G18A, G38Z
51169.0↔	01	B04A, B04B, B04C, B04D, B04E	51169.8↔	07	H01A	51169.g↔	07	H01A
	05	F39A, F39B		08	I08A, I08B, I08C, I08D, I08E, I13A, I13B		08	I08A, I08B, I08C, I08D, I08E, I13A, I13B
	08	I08A, I08B, I08C, I08D, I08E, I13A, I13B		21A	W04A, W04B		21A	W04A, W04B
	21A	W04A, W04B		21B	X06A, X06B		21B	X06A, X06B
	21B	X06A, X06B		01	B04A, B04B, B04C, B04D, B04E		01	BOP, KVT, UOP4
51169.1↔	01	B04A, B04B, B04C, B04D, B04E	51169.9↔	05	F39A, F39B	51169.h↔	01	B04A, B04B, B04C, B04D, B04E
	05	F39A, F39B		05	F39A, F39B		05	F39A, F39B
	08	I08A, I08B, I08C, I08D, I08E, I13A, I13B		06	G18A, G38Z		08	I08A, I08B, I08C, I08D, I08E, I13A, I13B
	21A	W04A, W04B		07	H01A		21A	W04A, W04B
	21B	X06A, X06B		08	I08A, I08B, I08C, I08D, I08E, I13A, I13B		21B	X06A, X06B
51169.2	01	B04A, B04B, B04C, B04D, B04E	51169.a↔	21A	W04A, W04B	51169.i↔	01	B04A, B04B, B04C, B04D, B04E
	05	F39A, F39B		21B	X06A, X06B		01	B04A, B04B, B04C, B04D, B04E
	06	G18A, G38Z		01	B04A, B04B, B04C, B04D, B04E		05	F39A, F39B
	07	H01A		05	F39A, F39B		08	I08A, I08B, I08C, I08D, I08E, I13A, I13B
	08	I08A, I08B, I08C, I08D, I08E, I13A, I13B		08	I08A, I08B, I08C, I08D, I08E, I13A, I13B		21A	W04A, W04B
51169.3↔	01	B04A, B04B, B04C, B04D, B04E	51169.b↔	21A	W04A, W04B	51169.x↔	21B	X06A, X06B
	05	F39A, F39B		21B	X06A, X06B		01	BOP, KVT, UOP4
	06	G18A, G38Z		01	B04A, B04B, B04C, B04D, B04E		01	B04A, B04B, B04C, B04D, B04E
	07	H01A		05	F39A, F39B		05	F39A, F39B
	08	I08A, I08B, I08C, I08D, I08E, I13A, I13B		08	I08A, I08B, I08C, I08D, I08E, I13A, I13B		08	I08A, I08B, I08C, I08D, I08E, I13A, I13B
51169.4	21A	W04A, W04B	51169.c↔	21A	W04A, W04B	5116a.0↔	21A	W04A, W04B
	21B	X06A, X06B		21B	X06A, X06B		21B	X06A, X06B
	01	B04A, B04B, B04C, B04D, B04E		01	B04A, B04B, B04C, B04D, B04E		01	B04A, B04B, B04C, B04D, B04E
	05	F39A, F39B		05	F39A, F39B		05	F39A, F39B
	06	G18A, G38Z		08	I08A, I08B, I08C, I08D, I08E, I13A, I13B		08	I08A, I08B, I08C, I08D, I08E, I13A, I13B
51169.4	07	H01A	51169.d↔	08	I08A, I08B, I08C, I08D, I08E, I13A, I13B	5116a.1↔	08	I08A, I08B, I08C, I08D, I08E, I13A, I13B
	08	I08A, I08B, I08C, I08D, I08E, I13A, I13B		21A	W04A, W04B		21A	W04A, W04B
	21A	W04A, W04B		21B	X06A, X06B		21B	X06A, X06B
	21B	X06A, X06B		21B	X06A, X06B		01	BOP, KVT, UOP4
	01	B04A, B04B, B04C, B04D, B04E		01	B04A, B04B, B04C, B04D, B04E		01	B04A, B04B, B04C, B04D, B04E

VYK

ZZV	MDC	DRG	ZZV	MDC	DRG	ZZV	MDC	DRG
51172.6↔	05	F01A, F01B, F01D, F05Z, F07A, F07B, F14A, F14B, F28A, F42Z, F54Z, F59A, F59B	51173.2		BOP, KOP, KOPV, KVT, UOP4	51174.0↔		BOP, KOP, KOPV, KVT, UOP4
	08	I08A, I08B, I08C, I08D, I08E, I13A, I13B		04	E05A, E05B, E05C, E08A, E08B, E08C		04	E05A, E05B, E05C, E08A, E08B, E08C
	10	K09A, K09B		05	F01A, F01B, F01D, F05Z, F07A, F07B, F14A, F14B, F28A, F42Z, F54Z, F59A, F59B		05	F01A, F01B, F01D, F05Z, F07A, F07B, F09A, F09B, F09C, F42Z
	21A	W04A, W04B		06	G01Z, G02Z, G33Z, G38Z		06	G01Z, G02Z, G15Z, G19A, G19B, G33Z, G38Z
	21B	X05A, X05B, X06A, X06B		07	H33Z, H38Z		07	H33Z, H38Z
51172.7↔	05	F01A, F01B, F01D, F05Z, F07A, F07B, F14A, F14B, F28A, F42Z, F54Z, F59A, F59B	51173.3	08	I08A, I08B, I08C, I08D, I08E, I13A, I13B	51174.1↔	08	I08A, I08B, I08C, I08D, I08E, I13A, I13B
	08	I08A, I08B, I08C, I08D, I08E, I13A, I13B		10	K09A, K09B		11	L33Z
	10	K09A, K09B		21A	W04A, W04B		21A	W04A, W04B
	21A	W04A, W04B		21B	X06A, X06B, X33Z		21B	X06A, X06B, X33Z
	21B	X05A, X05B, X06A, X06B		23	Z01A		23	Z01A
51172.x↔	05	F01A, F01B, F01D, F05Z, F07A, F07B, F14A, F14B, F28A, F42Z, F54Z, F59A, F59B	51173.4	Pre	A07A, A11A, A13A, A13B, A13D	51174.2↔	Pre	A07A, A11A, A13A, A13B, A13D
	08	I08A, I08B, I08C, I08D, I08E, I13A, I13B		05	BOP, KVT, UOP4		04	E05A, E05B, E05C, E08A, E08B, E08C
	10	K09A, K09B		06	F01A, F01B, F01D, F05Z, F07A, F07B, F14A, F14B, F28A, F42Z, F54Z, F59A, F59B		05	F01A, F01B, F01D, F05Z, F07A, F07B, F09A, F09B, F09C, F42Z
	21A	W04A, W04B		08	G01Z, G02Z, G38Z		06	G15Z, G19A, G19B, G33Z, G38Z
	21B	X06A, X06B		10	I08A, I08B, I08C, I08D, I08E, I13A, I13B		07	H33Z, H38Z
51173.0		BOP, KOP, KOPV, KVT, UOP4	51173.x	21A	K09A, K09B	51174.x↔	08	I08A, I08B, I08C, I08D, I08E, I13A, I13B
	04	E05A, E05B, E05C, E08A, E08B, E08C		21A	W04A, W04B		11	L33Z
	05	F01A, F01B, F01D, F05Z, F07A, F07B, F14A, F14B, F28A, F42Z, F54Z, F59A, F59B		21B	X06A, X06B		21A	W04A, W04B
	06	G01Z, G02Z, G33Z, G38Z		Pre	A11A, A13A, A13B, A13D		21B	X06A, X06B, X33Z
	07	H33Z, H38Z		05	BOP, KVT, UOP4		23	Z01A
	08	I08A, I08B, I08C, I08D, I08E, I13A, I13B		06	F01A, F01B, F01D, F05Z, F07A, F07B, F14A, F14B, F28A, F42Z, F54Z, F59A, F59B		Pre	A07A
	10	K09A, K09B		08	G01Z, G02Z, G38Z		04	BOP, KOP, KOPV, KVT, UOP4
	11	L33Z		10	I08A, I08B, I08C, I08D, I08E, I13A, I13B		04	E05A, E05B, E05C, E08A, E08B, E08C
	21A	W04A, W04B		10	K09A, K09B		05	F01A, F01B, F01D, F05Z, F07A, F07B, F09A, F09B, F09C, F42Z
	21B	X06A, X06B, X33Z		21A	W04A, W04B		06	G15Z, G19A, G19B, G33Z, G38Z
	23	Z01A		21B	X06A, X06B		07	H33Z, H38Z
	Pre	A07A, A11A, A13A, A13B, A13D		Pre	A11A, A13A, A13B, A13D		08	I08A, I08B, I08C, I08D, I08E, I13A, I13B
	51173.1			BOP, KOP, KOPV, KVT, UOP4	51173.x		05	F01A, F01B, F01D, F05Z, F07A, F07B, F14A, F14B, F28A, F42Z, F54Z, F59A, F59B
04		E05A, E05B, E05C, E08A, E08B, E08C	06	G01Z, G02Z, G38Z		21A	W04A, W04B	
05		F01A, F01B, F01D, F05Z, F07A, F07B, F14A, F14B, F28A, F42Z, F54Z, F59A, F59B	08	I08A, I08B, I08C, I08D, I08E, I13A, I13B		21B	X06A, X06B, X33Z	
06		G01Z, G02Z, G33Z, G38Z	10	K09A, K09B		23	Z01A	
07		H33Z, H38Z	21A	W04A, W04B		Pre	A07A	
08		I08A, I08B, I08C, I08D, I08E, I13A, I13B	21B	X06A, X06B		04	BOP, KOP, KOPV, KVT, UOP4	
10		K09A, K09B	Pre	A11A, A13A, A13B, A13D		04	E05A, E05B, E05C, E08A, E08B, E08C	
11		L33Z				05	F01A, F01B, F01D, F05Z, F07A, F07B, F09A, F09B, F09C, F42Z	
21A		W04A, W04B				06	G15Z, G19A, G19B, G33Z, G38Z	
21B		X06A, X06B, X33Z				07	H33Z, H38Z	
23		Z01A				08	I08A, I08B, I08C, I08D, I08E, I13A, I13B	
Pre		A07A, A11A, A13A, A13B, A13D				11	L33Z	

ZZV	MDC	DRG	ZZV	MDC	DRG	ZZV	MDC	DRG
51175.0↔		BOP, KVT, UOP4	51175.x↔		BOP, KVT, UOP4	51176.3		BOP, KVT, UOP4
	05	F01A, F01B, F01D, F05Z, F07A, F07B, F14A, F14B, F28A, F42Z, F54Z, F59A, F59B		05	F01A, F01B, F01D, F05Z, F07A, F07B, F14A, F14B, F28A, F42Z, F54Z, F59A, F59B		01	B03A, B03B, B06A, B06B, B07Z, B17A, B17B, B17C
	06	G10Z, G12A, G12B		06	G10Z, G12A, G12B		05	F01A, F01B, F01D, F05Z, F07A, F07B, F14A, F14B, F28A, F42Z, F54Z, F59A, F59B
	08	I08A, I08B, I08C, I08D, I08E, I13A, I13B		08	I08A, I08B, I08C, I08D, I08E, I13A, I13B		06	G01Z, G02Z, G10Z, G12A, G12B, G18A, G38Z
	11	L09A, L09B, L09C, L09D, L38Z		11	L09A, L09B, L09C, L09D, L38Z		07	H06A, H06B, H06C
	21A	W04A, W04B		21A	W04A, W04B		08	I08A, I08B, I08C, I08D, I08E, I13A, I13B
	21B	X06A, X06B		21B	X06A, X06B		10	K09A, K09B
							11	L09A, L09B, L09C, L09D, L38Z
51175.1↔		BOP, KVT, UOP4	51176.0		BOP, KVT, UOP4	51176.4↔		BOP, KVT, UOP4
	05	F01A, F01B, F01D, F05Z, F07A, F07B, F14A, F14B, F28A, F42Z, F54Z, F59A, F59B		01	B03A, B03B, B06A, B06B, B07Z, B17A, B17B, B17C		01	B03A, B03B, B06A, B06B, B07Z, B17A, B17B, B17C
	06	G10Z, G12A, G12B		05	F01A, F01B, F01D, F05Z, F07A, F07B, F14A, F14B, F28A, F42Z, F54Z, F59A, F59B		05	F01A, F01B, F01D, F05Z, F07A, F07B, F14A, F14B, F28A, F42Z, F54Z, F59A, F59B
	08	I08A, I08B, I08C, I08D, I08E, I13A, I13B		06	G10Z, G12A, G12B, G18A, G38Z		06	G01Z, G02Z, G10Z, G12A, G12B, G38Z
	11	L09A, L09B, L09C, L09D, L38Z		07	H01A		08	I08A, I08B, I08C, I08D, I08E, I13A, I13B
	21A	W04A, W04B		08	I08A, I08B, I08C, I08D, I08E, I13A, I13B		10	K09A, K09B
	21B	X06A, X06B		10	K09A, K09B		11	L09A, L09B, L09C, L09D, L38Z
				11	L09A, L09B, L09C, L09D, L38Z		21A	W04A, W04B
51175.2↔		BOP, KVT, UOP4	51176.1		BOP, KVT, UOP4	51176.5		BOP, KVT, UOP4
	05	F01A, F01B, F01D, F05Z, F07A, F07B, F14A, F14B, F28A, F42Z, F54Z, F59A, F59B		01	B03A, B03B, B06A, B06B, B07Z, B17A, B17B, B17C		01	B03A, B03B, B06A, B06B, B07Z, B17A, B17B, B17C
	06	G10Z, G12A, G12B		05	F01A, F01B, F01D, F05Z, F07A, F07B, F14A, F14B, F28A, F42Z, F54Z, F59A, F59B		05	F01A, F01B, F01D, F05Z, F07A, F07B, F14A, F14B, F28A, F42Z, F54Z, F59A, F59B
	08	I08A, I08B, I08C, I08D, I08E, I13A, I13B		06	G10Z, G12A, G12B, G18A, G38Z		06	G10Z, G12A, G12B, G18A, G38Z
	11	L09A, L09B, L09C, L09D, L38Z		07	H01A, H06A, H06B, H06C		07	H01A
	21A	W04A, W04B		08	I08A, I08B, I08C, I08D, I08E, I13A, I13B		08	I08A, I08B, I08C, I08D, I08E, I13A, I13B
	21B	X06A, X06B		10	K09A, K09B		10	K09A, K09B
				11	L09A, L09B, L09C, L09D, L38Z		11	L09A, L09B, L09C, L09D, L38Z
51175.3↔		BOP, KVT, UOP4	51176.2		BOP, KVT, UOP4	51176.6		BOP, KVT, UOP4
	05	F01A, F01B, F01D, F05Z, F07A, F07B, F14A, F14B, F28A, F42Z, F54Z, F59A, F59B		01	B03A, B03B, B06A, B06B, B07Z, B17A, B17B, B17C		01	B03A, B03B, B06A, B06B, B07Z, B17A, B17B, B17C
	06	G10Z, G12A, G12B		05	F01A, F01B, F01D, F05Z, F07A, F07B, F14A, F14B, F28A, F42Z, F54Z, F59A, F59B		05	F01A, F01B, F01D, F05Z, F07A, F07B, F14A, F14B, F28A, F42Z, F54Z, F59A, F59B
	08	I08A, I08B, I08C, I08D, I08E, I13A, I13B		06	G10Z, G12A, G12B		06	G10Z, G12A, G12B, G18A, G38Z
	11	L09A, L09B, L09C, L09D, L38Z		08	I08A, I08B, I08C, I08D, I08E, I13A, I13B		07	H01A
	21A	W04A, W04B		10	K09A, K09B		08	I08A, I08B, I08C, I08D, I08E, I13A, I13B
	21B	X06A, X06B		11	L09A, L09B, L09C, L09D, L38Z		10	K09A, K09B
				21A	W04A, W04B		11	L09A, L09B, L09C, L09D, L38Z
51175.4↔		BOP, KVT, UOP4						
	05	F01A, F01B, F01D, F05Z, F07A, F07B, F14A, F14B, F28A, F42Z, F54Z, F59A, F59B	01	B03A, B03B, B06A, B06B, B07Z, B17A, B17B, B17C	01	B03A, B03B, B06A, B06B, B07Z, B17A, B17B, B17C		
	06	G10Z, G12A, G12B	05	F01A, F01B, F01D, F05Z, F07A, F07B, F14A, F14B, F28A, F42Z, F54Z, F59A, F59B	05	F01A, F01B, F01D, F05Z, F07A, F07B, F14A, F14B, F28A, F42Z, F54Z, F59A, F59B		
	08	I08A, I08B, I08C, I08D, I08E, I13A, I13B	06	G10Z, G12A, G12B	06	G10Z, G12A, G12B, G18A, G38Z		
	11	L09A, L09B, L09C, L09D, L38Z	08	I08A, I08B, I08C, I08D, I08E, I13A, I13B	07	H01A		
	21A	W04A, W04B	10	K09A, K09B	08	I08A, I08B, I08C, I08D, I08E, I13A, I13B		
	21B	X06A, X06B	11	L09A, L09B, L09C, L09D, L38Z	10	K09A, K09B		
			21A	W04A, W04B	11	L09A, L09B, L09C, L09D, L38Z		
		21B	X06A, X06B	21A	W04A, W04B			
				21B	X06A, X06B			

VYK

ZZV	MDC	DRG	ZZV	MDC	DRG	ZZV	MDC	DRG			
51176.x↔		BOP, KVT, UOP4	51178.2↔	05	F01A, F01B, F01D, F05Z, F07A, F07B, F14A, F14B, F28A, F42Z, F54Z, F59A, F59B	51179.3↔	05	F39A, F39B			
	01	B03A, B03B, B06A, B06B, B07Z, B17A, B17B, B17C		08	I08A, I08B, I08C, I08D, I08E, I13A, I13B		06	G18A, G38Z			
	05	F01A, F01B, F01D, F05Z, F07A, F07B, F14A, F14B, F28A, F42Z, F54Z, F59A, F59B		10	K09A, K09B		07	H01A			
	06	G10Z, G12A, G12B		21A	W04A, W04B		08	I08A, I08B, I08C, I08D, I08E, I13A, I13B			
	08	I08A, I08B, I08C, I08D, I08E, I13A, I13B		21B	X04Z		11	L09A, L09B, L09C, L09D, L38Z			
	10	K09A, K09B		51178.3↔	05		F01A, F01B, F01D, F05Z, F07A, F07B, F14A, F14B, F28A, F42Z, F54Z, F59A, F59B	21A	W04A, W04B		
	11	L09A, L09B, L09C, L09D, L38Z			08		I08A, I08B, I08C, I08D, I08E, I13A, I13B	21B	X04Z		
	21A	W04A, W04B			10		K09A, K09B	05	F39A, F39B		
	21B	X06A, X06B			21A		W04A, W04B	06	G18A, G38Z		
	51177.0↔	05			F01A, F01B, F01D, F05Z, F07A, F07B, F14A, F14B, F28A, F42Z, F54Z, F59A, F59B		21B	X04Z	07	H01A	
		08			I08A, I08B, I08C, I08D, I08E, I13A, I13B		51178.4↔	05	F01A, F01B, F01D, F05Z, F07A, F07B, F14A, F14B, F28A, F42Z, F54Z, F59A, F59B	08	I08A, I08B, I08C, I08D, I08E, I13A, I13B
10		K09A, K09B	08		I08A, I08B, I08C, I08D, I08E, I13A, I13B	21A		W04A, W04B			
21A		W04A, W04B	10		K09A, K09B	21B		X04Z			
21B		X04Z	21A		W04A, W04B	51179.5		05	F39A, F39B		
51177.1↔		05	F01A, F01B, F01D, F05Z, F07A, F07B, F14A, F14B, F28A, F42Z, F54Z, F59A, F59B		51178.5↔			05	F01A, F01B, F01D, F05Z, F07A, F07B, F14A, F14B, F28A, F42Z, F54Z, F59A, F59B	06	G18A, G38Z
		08	I08A, I08B, I08C, I08D, I08E, I13A, I13B					08	I08A, I08B, I08C, I08D, I08E, I13A, I13B	07	H01A
		10	K09A, K09B	10				K09A, K09B	08	I08A, I08B, I08C, I08D, I08E, I13A, I13B	
		21A	W04A, W04B	21A				W04A, W04B	21A	W04A, W04B	
		21B	X04Z	21B				X04Z	21B	X04Z	
		51177.2↔	05	F01A, F01B, F01D, F05Z, F07A, F07B, F14A, F14B, F28A, F42Z, F54Z, F59A, F59B				51178.6↔	05	F01A, F01B, F01D, F05Z, F07A, F07B, F14A, F14B, F28A, F42Z, F54Z, F59A, F59B	05
	08		I08A, I08B, I08C, I08D, I08E, I13A, I13B	08					I08A, I08B, I08C, I08D, I08E, I13A, I13B	06	G18A, G38Z
	10		K09A, K09B	10			K09A, K09B		07	H01A	
	21A		W04A, W04B	21A			W04A, W04B		08	I08A, I08B, I08C, I08D, I08E, I13A, I13B	
	21B		X04Z	21B			X04Z		21A	W04A, W04B	
	51177.x↔		05	F01A, F01B, F01D, F05Z, F07A, F07B, F14A, F14B, F28A, F42Z, F54Z, F59A, F59B		51178.x↔	05		F01A, F01B, F01D, F05Z, F07A, F07B, F14A, F14B, F28A, F42Z, F54Z, F59A, F59B	21B	X04Z
08			I08A, I08B, I08C, I08D, I08E, I13A, I13B	08	I08A, I08B, I08C, I08D, I08E, I13A, I13B		51179.8↔		05	F39A, F39B	
10			K09A, K09B	10	K09A, K09B				06	G18A, G38Z	
21A			W04A, W04B	21A	W04A, W04B				07	H01A	
21B			X04Z	21B	X04Z				08	I08A, I08B, I08C, I08D, I08E, I13A, I13B	
51178.0↔			05	F01A, F01B, F01D, F05Z, F07A, F07B, F14A, F14B, F28A, F42Z, F54Z, F59A, F59B	51179.0↔				05	F39A, F39B	21A
		08	I08A, I08B, I08C, I08D, I08E, I13A, I13B	08				I08A, I08B, I08C, I08D, I08E, I13A, I13B	21B	X04Z	
		10	K09A, K09B	10				K09A, K09B	51179.9↔	01	B03A, B03B, B06A, B06B, B07Z, B17A, B17B, B17C
		21A	W04A, W04B	21A				W04A, W04B		05	F01A, F01B, F01D, F05Z, F07A, F07B, F14A, F14B, F28A, F42Z, F54Z, F59A, F59B
		21B	X04Z	21B				X04Z		08	I08A, I08B, I08C, I08D, I08E, I13A, I13B
		51178.1↔	05	F01A, F01B, F01D, F05Z, F07A, F07B, F14A, F14B, F28A, F42Z, F54Z, F59A, F59B				51179.1↔		05	F39A, F39B
	08		I08A, I08B, I08C, I08D, I08E, I13A, I13B	08		I08A, I08B, I08C, I08D, I08E, I13A, I13B				21B	X06A, X06B
	10		K09A, K09B	10		K09A, K09B	KOP, KOPV				
	21A		W04A, W04B	21A		W04A, W04B	04			E05A, E05B, E05C, E08A, E08B, E08C	
	21B		X04Z	21B		X04Z	05			F01A, F01B, F01D, F05Z, F07A, F07B, F09A, F09B, F09C, F42Z	
	51178.2↔		05	F01A, F01B, F01D, F05Z, F07A, F07B, F14A, F14B, F28A, F42Z, F54Z, F59A, F59B		51179.2	05			F39A, F39B	06
08			I08A, I08B, I08C, I08D, I08E, I13A, I13B	06	G18A, G38Z		07			H33Z, H38Z	
10			K09A, K09B	07	H01A		08			I08A, I08B, I08C, I08D, I08E, I13A, I13B	
21A			W04A, W04B	08	I08A, I08B, I08C, I08D, I08E, I13A, I13B		11		L33Z		
21B			X04Z	21A	W04A, W04B		21A		W04A, W04B		
51177.x↔			05	F01A, F01B, F01D, F05Z, F07A, F07B, F14A, F14B, F28A, F42Z, F54Z, F59A, F59B	51178.x↔		21B		X04Z	21B	X06A, X06B, X33Z
		08	I08A, I08B, I08C, I08D, I08E, I13A, I13B	05			F01A, F01B, F01D, F05Z, F07A, F07B, F14A, F14B, F28A, F42Z, F54Z, F59A, F59B	23	Z01A		
		10	K09A, K09B	08			I08A, I08B, I08C, I08D, I08E, I13A, I13B	Pre	A07A		
		21A	W04A, W04B	10			K09A, K09B				
		21B	X04Z	21A			W04A, W04B				
		51177.0↔	05	F01A, F01B, F01D, F05Z, F07A, F07B, F14A, F14B, F28A, F42Z, F54Z, F59A, F59B			51178.x↔	21B	X04Z		
	08		I08A, I08B, I08C, I08D, I08E, I13A, I13B	05		F01A, F01B, F01D, F05Z, F07A, F07B, F14A, F14B, F28A, F42Z, F54Z, F59A, F59B					
	10		K09A, K09B	08		I08A, I08B, I08C, I08D, I08E, I13A, I13B					
	21A		W04A, W04B	10		K09A, K09B					
	21B		X04Z	21A		W04A, W04B					
	51177.1↔		05	F01A, F01B, F01D, F05Z, F07A, F07B, F14A, F14B, F28A, F42Z, F54Z, F59A, F59B		51178.x↔		21B	X04Z		
08			I08A, I08B, I08C, I08D, I08E, I13A, I13B	05	F01A, F01B, F01D, F05Z, F07A, F07B, F14A, F14B, F28A, F42Z, F54Z, F59A, F59B						
10			K09A, K09B	08	I08A, I08B, I08C, I08D, I08E, I13A, I13B						
21A			W04A, W04B	10	K09A, K09B						
21B			X04Z	21A	W04A, W04B						
51177.2↔			05	F01A, F01B, F01D, F05Z, F07A, F07B, F14A, F14B, F28A, F42Z, F54Z, F59A, F59B	51178.x↔			21B	X04Z		
		08	I08A, I08B, I08C, I08D, I08E, I13A, I13B	05			F01A, F01B, F01D, F05Z, F07A, F07B, F14A, F14B, F28A, F42Z, F54Z, F59A, F59B				
		10	K09A, K09B	08			I08A, I08B, I08C, I08D, I08E, I13A, I13B				
		21A	W04A, W04B	10			K09A, K09B				
		21B	X04Z	21A			W04A, W04B				
		51177.x↔	05	F01A, F01B, F01D, F05Z, F07A, F07B, F14A, F14B, F28A, F42Z, F54Z, F59A, F59B			51178.x↔	21B	X04Z		
	08		I08A, I08B, I08C, I08D, I08E, I13A, I13B	05		F01A, F01B, F01D, F05Z, F07A, F07B, F14A, F14B, F28A, F42Z, F54Z, F59A, F59B					
	10		K09A, K09B	08		I08A, I08B, I08C, I08D, I08E, I13A, I13B					
	21A		W04A, W04B	10		K09A, K09B					
	21B		X04Z	21A		W04A, W04B					
	51178.0↔		05	F01A, F01B, F01D, F05Z, F07A, F07B, F14A, F14B, F28A, F42Z, F54Z, F59A, F59B		51178.x↔		21B	X04Z		
08			I08A, I08B, I08C, I08D, I08E, I13A, I13B	05	F01A, F01B, F01D, F05Z, F07A, F07B, F14A, F14B, F28A, F42Z, F54Z, F59A, F59B						
10			K09A, K09B	08	I08A, I08B, I08C, I08D, I08E, I13A, I13B						
21A			W04A, W04B	10	K09A, K09B						
21B			X04Z	21A	W04A, W04B						
51178.1↔			05	F01A, F01B, F01D, F05Z, F07A, F07B, F14A, F14B, F28A, F42Z, F54Z, F59A, F59B	51178.x↔			21B	X04Z		
		08	I08A, I08B, I08C, I08D, I08E, I13A, I13B	05			F01A, F01B, F01D, F05Z, F07A, F07B, F14A, F14B, F28A, F42Z, F54Z, F59A, F59B				
		10	K09A, K09B	08			I08A, I08B, I08C, I08D, I08E, I13A, I13B				
		21A	W04A, W04B	10			K09A, K09B				
		21B	X04Z	21A			W04A, W04B				

ZZV	MDC	DRG	ZZV	MDC	DRG	ZZV	MDC	DRG			
51179.b↔		KOP, KOPV	51179.g↔		BOP, KVT, UOP4	5117a.4↔	01	B03A, B03B, B06A, B06B, B07Z, B17A, B17B, B17C			
	04	E05A, E05B, E05C, E08A, E08B, E08C		05	F01A, F01B, F01D, F05Z, F07A, F07B, F14A, F14B, F28A, F42Z, F54Z, F59A, F59B		05	F01A, F01B, F01D, F05Z, F07A, F07B, F14A, F14B, F28A, F42Z, F54Z, F59A, F59B			
	05	F01A, F01B, F01D, F05Z, F07A, F07B, F09A, F09B, F09C, F42Z		06	G10Z, G12A, G12B		06	G10Z, G12A, G12B			
	06	G15Z, G19A, G19B, G33Z, G38Z		08	I08A, I08B, I08C, I08D, I08E, I13A, I13B		08	I08A, I08B, I08C, I08D, I08E, I13A, I13B			
	07	H33Z, H38Z		11	L09A, L09B, L09C, L09D, L38Z		21B	X04Z, X06A, X06B			
	08	I08A, I08B, I08C, I08D, I08E, I13A, I13B		21A	W04A, W04B		5117a.5↔	05	F39A, F39B		
	11	L33Z		21B	X06A, X06B			08	I08A, I08B, I08C, I08D, I08E, I13A, I13B		
	21A	W04A, W04B		51179.h↔	05		F01A, F01B, F01D, F05Z, F07A, F07B, F14A, F14B, F28A, F42Z, F54Z, F59A, F59B	21A	W04A, W04B		
	21B	X06A, X06B, X33Z			06		G10Z, G12A, G12B	21B	X04Z		
	23	Z01A			08		I08A, I08B, I08C, I08D, I08E, I13A, I13B	5117a.6↔	05	F39A, F39B	
	Pre	A07A			11		L09A, L09B, L09C, L09D, L38Z		08	I08A, I08B, I08C, I08D, I08E, I13A, I13B	
	51179.c↔	05			F01A, F01B, F01D, F05Z, F07A, F07B, F14A, F14B, F28A, F42Z, F54Z, F59A, F59B		21A	W04A, W04B	5117a.x↔	05	F39A, F39B
		08			I08A, I08B, I08C, I08D, I08E, I13A, I13B		21B	X06A, X06B		08	I08A, I08B, I08C, I08D, I08E, I13A, I13B
		10			K09A, K09B		51179.i↔	BOP, KVT, UOP4	5117x↔	21A	W04A, W04B
21A		W04A, W04B	05		F01A, F01B, F01D, F05Z, F07A, F07B, F14A, F14B, F28A, F42Z, F54Z, F59A, F59B	21B		X06A, X06B			
21B		X06A, X06B	06		G10Z, G12A, G12B	51180.0		04	E02A, E02B, E02C		
51179.d↔		BOP, KOP, KOPV, KVT, UOP4	08		I08A, I08B, I08C, I08D, I08E, I13A, I13B			08	I08A, I08B, I08C, I08D, I08E, I13A, I13B		
	04	E05A, E05B, E05C, E08A, E08B, E08C	11		L09A, L09B, L09C, L09D, L38Z			05	F01A, F01B, F01D, F05Z, F07A, F07B, F14A, F14B, F28A, F42Z, F54Z, F59A, F59B		
	05	F01A, F01B, F01D, F05Z, F07A, F07B, F09A, F09B, F09C, F42Z	21A		W04A, W04B			08	I08A, I08B, I08C, I08D, I08E, I13A, I13B		
	06	G15Z, G19A, G19B, G33Z, G38Z	21B		X06A, X06B			14	962Z, O02A, O02B		
	07	H33Z, H38Z	05		F39A, F39B			21A	W04A, W04B		
	08	I08A, I08B, I08C, I08D, I08E, I13A, I13B	08	I08A, I08B, I08C, I08D, I08E, I13A, I13B	21B	X06A, X06B, X06C					
51179.e	11	L33Z	51179.x↔	21A	W04A, W04B	51180.1		BOP, KVT, UOP4			
	21A	W04A, W04B		21B	X04Z			04	E02A, E02B, E02C		
	21B	X06A, X06B, X33Z		05	F01A, F01B, F01D, F05Z, F07A, F07B, F14A, F14B, F28A, F42Z, F54Z, F59A, F59B			05	F01A, F01B, F01D, F05Z, F07A, F07B, F14A, F14B, F28A, F42Z, F54Z, F59A, F59B		
	23	Z01A		08	I08A, I08B, I08C, I08D, I08E, I13A, I13B			08	I08A, I08B, I08C, I08D, I08E, I13A, I13B		
	Pre	A07A		21A	W04A, W04B			14	962Z, O02A, O02B		
	51179.f	BOP, KVT, UOP4		21B	X06A, X06B		5117a.1↔	21A	W04A, W04B		
		04		E02A, E02B, E02C	01	B04A, B04B, B04C, B04D, B04E		21B	X06A, X06B, X06C		
		05		F01A, F01B, F01D, F05Z, F07A, F07B, F14A, F14B, F28A, F42Z, F54Z, F59A, F59B	05	F39A, F39B		51180.2	04	E02A, E02B, E02C	
		08		I08A, I08B, I08C, I08D, I08E, I13A, I13B	08	I08A, I08B, I08C, I08D, I08E, I13A, I13B			05	F01A, F01B, F01D, F05Z, F07A, F07B, F14A, F14B, F28A, F42Z, F54Z, F59A, F59B	
		14		962Z, O02A, O02B	21A	W04A, W04B			08	I08A, I08B, I08C, I08D, I08E, I13A, I13B	
21A		W04A, W04B		21B	X06A, X06B	14			962Z, O02A, O02B		
21B	X06A, X06B	05		F01A, F01B, F01D, F05Z, F07A, F07B, F14A, F14B, F28A, F42Z, F54Z, F59A, F59B	21A	W04A, W04B					
51179.g↔	BOP, KVT, UOP4	5117a.2↔		05	F01A, F01B, F01D, F05Z, F07A, F07B, F14A, F14B, F28A, F42Z, F54Z, F59A, F59B	21B	X06A, X06B, X06C				
	04			E02A, E02B, E02C	08	I08A, I08B, I08C, I08D, I08E, I13A, I13B					
	05		F01A, F01B, F01D, F05Z, F07A, F07B, F14A, F14B, F28A, F42Z, F54Z, F59A, F59B	10	K09A, K09B						
	06		G03A, G18A, G38Z	21A	W04A, W04B						
	07		H01A	21B	X06A, X06B						
	08		I08A, I08B, I08C, I08D, I08E, I13A, I13B								
	14		962Z, O02A, O02B								
	21A		W04A, W04B								
21B	X06A, X06B										

VYK

ZZV	MDC	DRG	ZZV	MDC	DRG	ZZV	MDC	DRG
51180.x		BOP, KVT, UOP4	51195.1	05	F39A, F39B	511a2.00↔	05	F01A, F01B, F01D, F05Z, F07A, F07B, F14A, F14B, F28A, F42Z, F54Z, F59A, F59B
	04	E02A, E02B, E02C		08	I08A, I08B, I08C, I08D, I08E, I13A, I13B		08	I08A, I08B, I08C, I08D, I08E, I13A, I13B
	05	F01A, F01B, F01D, F05Z, F07A, F07B, F14A, F14B, F28A, F42Z, F54Z, F59A, F59B	51195.2	05	F39A, F39B		10	K09A, K09B
	08	I08A, I08B, I08C, I08D, I08E, I13A, I13B		08	I08A, I08B, I08C, I08D, I08E, I13A, I13B		21A	W04A, W04B
	14	962Z, O02A, O02B	51195.3	05	F39A, F39B		21B	X06A, X06B
	21A	W04A, W04B		08	I08A, I08B, I08C, I08D, I08E, I13A, I13B	511a2.0x↔	05	F01A, F01B, F01D, F05Z, F07A, F07B, F14A, F14B, F28A, F42Z, F54Z, F59A, F59B
	21B	X06A, X06B, X06C	51195.4	05	F39A, F39B		08	I08A, I08B, I08C, I08D, I08E, I13A, I13B
51190.0↔	01	B04A, B04B, B04C, B04D, B04E		08	I08A, I08B, I08C, I08D, I08E, I13A, I13B		10	K09A, K09B
	05	F39A, F39B	51195.5	05	F39A, F39B		21A	W04A, W04B
	08	I08A, I08B, I08C, I08D, I08E, I13A, I13B		08	I08A, I08B, I08C, I08D, I08E, I13A, I13B		21B	X06A, X06B
51190.1↔	05	F39A, F39B	51195.6↔	05	F39A, F39B	511a2.10↔	05	F39A, F39B
	08	I08A, I08B, I08C, I08D, I08E, I13A, I13B		08	I08A, I08B, I08C, I08D, I08E, I13A, I13B		08	I08A, I08B, I08C, I08D, I08E, I13A, I13B
51190.2↔	05	F39A, F39B	51195.7↔	05	F39A, F39B		21A	W04A, W04B
	08	I08A, I08B, I08C, I08D, I08E, I13A, I13B		08	I08A, I08B, I08C, I08D, I08E, I13A, I13B		21B	X04Z, X05A, X05B, X06A, X06B, X06C
51190.3↔	05	F39A, F39B	51195.8↔	05	F39A, F39B	511a2.11↔	05	F39A, F39B
	08	I08A, I08B, I08C, I08D, I08E, I13A, I13B		08	I08A, I08B, I08C, I08D, I08E, I13A, I13B		08	I08A, I08B, I08C, I08D, I08E, I13A, I13B
51191.10↔	05	F39A, F39B	5119x↔	05	F39A, F39B		21A	W04A, W04B
	08	I08A, I08B, I08C, I08D, I08E, I13A, I13B		08	I08A, I08B, I08C, I08D, I08E, I13A, I13B		21B	X04Z, X05A, X05B, X06A, X06B, X06C
51191.11↔	05	F39A, F39B	511a1.70↔		BOP, KVT, UOP4	511a2.1x↔	05	F39A, F39B
	08	I08A, I08B, I08C, I08D, I08E, I13A, I13B		01	B04A, B04B, B04C, B04D, B04E		08	I08A, I08B, I08C, I08D, I08E, I13A, I13B
51191.2↔	05	F39A, F39B		03	D12A, D12B		21A	W04A, W04B
	08	I08A, I08B, I08C, I08D, I08E, I13A, I13B		05	F01A, F01B, F01D, F05Z, F06A, F06C, F07A, F07B, F14A, F14B, F28A, F42Z, F54Z, F59A, F59B	511a2.x↔	05	F39A, F39B
51192.0↔	05	F20Z, F39A, F39B		08	I08A, I08B, I08C, I08D, I08E, I13A, I13B		08	I08A, I08B, I08C, I08D, I08E, I13A, I13B
	08	I08A, I08B, I08C, I08D, I08E, I13A, I13B		10	K09A, K09B		21A	W04A, W04B
51192.1↔	05	F20Z, F39A, F39B		11	L09A, L38Z		21B	X04Z, X05A, X05B, X06A, X06B, X06C
	08	I08A, I08B, I08C, I08D, I08E, I13A, I13B		21A	W04A, W04B		05	F39A, F39B
51192.2↔	05	F20Z, F39A, F39B		21B	X06A, X06B, X06C		08	I08A, I08B, I08C, I08D, I08E, I13A, I13B
	08	I08A, I08B, I08C, I08D, I08E, I13A, I13B	511a1.71↔		BOP, KVT, UOP4		21A	W04A, W04B
51193.0↔	05	F20Z, F39A, F39B		01	B04A, B04B, B04C, B04D, B04E	51410.00	21B	X04Z, X05A, X05B, X06A, X06B, X06C
	08	I08A, I08B, I08C, I08D, I08E, I13A, I13B		03	D12A, D12B			BOP, KOP, KVT, UOP4
51193.1↔	05	F39A, F39B		05	F01A, F01B, F01D, F05Z, F06A, F06C, F07A, F07B, F14A, F14B, F28A, F42Z, F54Z, F59A, F59B		04	E36Z
	08	I08A, I08B, I08C, I08D, I08E, I13A, I13B		08	I08A, I08B, I08C, I08D, I08E, I13A, I13B		05	F01A, F01B, F01D, F05Z, F07A, F07B, F08A, F08B, F08C, F08D, F08E, F27A, F28A, F36A, F42Z, F51A, F51B
51193.2↔	05	F20Z, F39A, F39B		10	K09A, K09B		06	G36Z
	08	I08A, I08B, I08C, I08D, I08E, I13A, I13B		11	L09A, L38Z		08	I08A, I08B, I08C, I08D, I08E, I13A, I13B, I26Z
51194.0↔	05	F39A, F39B		21A	W04A, W04B		11	L33Z
	08	I08A, I08B, I08C, I08D, I08E, I13A, I13B		21B	X06A, X06B, X06C		21A	W36Z
51194.1↔	05	F39A, F39B	511a1.7x↔		BOP, KVT, UOP4		21B	X33Z
	08	I08A, I08B, I08C, I08D, I08E, I13A, I13B		01	B04A, B04B, B04C, B04D, B04E		23	Z01A
51194.2↔	05	F39A, F39B		03	D12A, D12B		Pre	A06A, A07A, A09A, A11A, A13A
	08	I08A, I08B, I08C, I08D, I08E, I13A, I13B		05	F01A, F01B, F01D, F05Z, F06A, F06C, F07A, F07B, F14A, F14B, F28A, F42Z, F54Z, F59A, F59B			
51194.3↔	05	F39A, F39B		08	I08A, I08B, I08C, I08D, I08E, I13A, I13B			
	08	I08A, I08B, I08C, I08D, I08E, I13A, I13B		10	K09A, K09B			
51194.x↔	05	F39A, F39B		11	L09A, L38Z			
	08	I08A, I08B, I08C, I08D, I08E, I13A, I13B		21A	W04A, W04B			
51195.0↔	05	F39A, F39B		21B	X06A, X06B, X06C			
	08	I08A, I08B, I08C, I08D, I08E, I13A, I13B						

ZZV	MDC	DRG	ZZV	MDC	DRG	ZZV	MDC	DRG
51410.01		BOP, KOP, KVT, UOP4	51410.13		BOP, KOP, KVT, UOP4	51410.23		BOP, KOP, KVT, UOP4
	04	E36Z		04	E36Z		04	E36Z
	05	F01A, F01B, F01D, F05Z, F07A, F07B, F08A, F08B, F08C, F08D, F08E, F27A, F28A, F36A, F42Z, F51A, F51B		05	F01A, F01B, F01D, F05Z, F07A, F07B, F08A, F08B, F08C, F08D, F08E, F27A, F28A, F36A, F42Z, F51A, F51B		05	F01A, F01B, F01D, F05Z, F07A, F07B, F08A, F08B, F08C, F08D, F08E, F27A, F28A, F36A, F42Z, F51A, F51B
	06	G36Z		06	G36Z		06	G36Z
	08	I08A, I08B, I08C, I08D, I08E, I13A, I13B, I26Z		08	I08A, I08B, I08C, I08D, I08E, I13A, I13B, I26Z		08	I08A, I08B, I08C, I08D, I08E, I13A, I13B, I26Z
	11	L33Z		11	L33Z		11	L33Z
	21A	W36Z		21A	W36Z		21A	W36Z
	21B	X33Z		21B	X33Z		21B	X33Z
	23	Z01A		23	Z01A		23	Z01A
	Pre	A06A, A07A, A09A, A11A, A13A		Pre	A06A, A07A, A09A, A11A, A13A		Pre	A06A, A07A, A09A, A11A, A13A
51410.10		BOP, KOP, KVT, UOP4	51410.14		BOP, KOP, KVT, UOP4	51410.24		BOP, KOP, KVT, UOP4
	04	E36Z		04	E36Z		04	E36Z
	05	F01A, F01B, F01D, F05Z, F07A, F07B, F08A, F08B, F08C, F08D, F08E, F27A, F28A, F36A, F42Z, F51A, F51B		05	F01A, F01B, F01D, F05Z, F07A, F07B, F08A, F08B, F08C, F08D, F08E, F27A, F28A, F36A, F42Z, F51A, F51B		05	F01A, F01B, F01D, F05Z, F07A, F07B, F08A, F08B, F08C, F08D, F08E, F27A, F28A, F36A, F42Z, F51A, F51B
	06	G36Z		06	G36Z		06	G36Z
	08	I08A, I08B, I08C, I08D, I08E, I13A, I13B, I26Z		08	I08A, I08B, I08C, I08D, I08E, I13A, I13B, I26Z		08	I08A, I08B, I08C, I08D, I08E, I13A, I13B, I26Z
	11	L33Z		11	L33Z		11	L33Z
	21A	W36Z		21A	W36Z		21A	W36Z
	21B	X33Z		21B	X33Z		21B	X33Z
	23	Z01A		23	Z01A		23	Z01A
	Pre	A06A, A07A, A09A, A11A, A13A		Pre	A06A, A07A, A09A, A11A, A13A		Pre	A06A, A07A, A09A, A11A, A13A
51410.11		BOP, KOP, KVT, UOP4	51410.21		BOP, KOP, KVT, UOP4	51410.30		BOP, KOP, KVT, UOP4
	04	E36Z		04	E36Z		04	E36Z
	05	F01A, F01B, F01D, F05Z, F07A, F07B, F08A, F08B, F08C, F08D, F08E, F27A, F28A, F36A, F42Z, F51A, F51B		05	F01A, F01B, F01D, F05Z, F07A, F07B, F08A, F08B, F08C, F08D, F08E, F27A, F28A, F36A, F42Z, F51A, F51B		05	F01A, F01B, F01D, F05Z, F07A, F07B, F08A, F08B, F08C, F08D, F08E, F27A, F28A, F36A, F42Z, F51A, F51B
	06	G36Z		06	G36Z		06	G36Z
	08	I08A, I08B, I08C, I08D, I08E, I13A, I13B, I26Z		08	I08A, I08B, I08C, I08D, I08E, I13A, I13B, I26Z		08	I08A, I08B, I08C, I08D, I08E, I13A, I13B, I26Z
	11	L33Z		11	L33Z		11	L33Z
	21A	W36Z		21A	W36Z		21A	W36Z
	21B	X33Z		21B	X33Z		21B	X33Z
	23	Z01A		23	Z01A		23	Z01A
	Pre	A06A, A07A, A09A, A11A, A13A		Pre	A06A, A07A, A09A, A11A, A13A		Pre	A06A, A07A, A09A, A11A, A13A
51410.12		BOP, KOP, KVT, UOP4	51410.22		BOP, KOP, KVT, UOP4	51410.31		BOP, KOP, KVT, UOP4
	04	E36Z		04	E36Z		04	E36Z
	05	F01A, F01B, F01D, F05Z, F07A, F07B, F08A, F08B, F08C, F08D, F08E, F27A, F28A, F36A, F42Z, F51A, F51B		05	F01A, F01B, F01D, F05Z, F07A, F07B, F08A, F08B, F08C, F08D, F08E, F27A, F28A, F36A, F42Z, F51A, F51B		05	F01A, F01B, F01D, F05Z, F07A, F07B, F08A, F08B, F08C, F08D, F08E, F27A, F28A, F36A, F42Z, F51A, F51B
	06	G36Z		06	G36Z		06	G36Z
	08	I08A, I08B, I08C, I08D, I08E, I13A, I13B, I26Z		08	I08A, I08B, I08C, I08D, I08E, I13A, I13B, I26Z		08	I08A, I08B, I08C, I08D, I08E, I13A, I13B, I26Z
	11	L33Z		11	L33Z		11	L33Z
	21A	W36Z		21A	W36Z		21A	W36Z
	21B	X33Z		21B	X33Z		21B	X33Z
	23	Z01A		23	Z01A		23	Z01A
	Pre	A06A, A07A, A09A, A11A, A13A		Pre	A06A, A07A, A09A, A11A, A13A		Pre	A06A, A07A, A09A, A11A, A13A

VYK

ZZV	MDC	DRG	ZZV	MDC	DRG	ZZV	MDC	DRG
51410.32		BOP, KOP, KVT, UOP4	51410.42		BOP, KOP, KVT, UOP4	51410.53		BOP, KOP, KVT, UOP4
	04	E36Z		04	E36Z		04	E36Z
	05	F01A, F01B, F01D, F05Z, F07A, F07B, F08A, F08B, F08C, F08D, F08E, F27A, F28A, F36A, F42Z, F51A, F51B		05	F01A, F01B, F01D, F05Z, F07A, F08A, F08B, F08C, F08D, F08E, F27A, F28A, F36A, F42Z, F51A, F51B		05	F01A, F01B, F01D, F05Z, F07A, F07B, F08A, F08B, F08C, F08D, F08E, F27A, F28A, F36A, F42Z, F51A, F51B
	06	G36Z		06	G36Z		06	G36Z
	08	I08A, I08B, I08C, I08D, I08E, I13A, I13B, I26Z		08	I08A, I08B, I08C, I08D, I08E, I13A, I13B, I26Z		08	I08A, I08B, I08C, I08D, I08E, I13A, I13B, I26Z
	11	L33Z		11	L33Z		11	L33Z
	21A	W36Z		21A	W36Z		21A	W36Z
	21B	X33Z		21B	X33Z		21B	X33Z
	23	Z01A		23	Z01A		23	Z01A
	Pre	A06A, A07A, A09A, A11A, A13A		Pre	A06A, A07A, A09A, A11A, A13A		Pre	A06A, A07A, A09A, A11A, A13A
	51410.33			BOP, KOP, KVT, UOP4	51410.43			BOP, KOP, KVT, UOP4
04		E36Z	04	E36Z		04	E36Z	
05		F01A, F01B, F01D, F05Z, F07A, F08A, F08B, F08C, F08D, F08E, F27A, F28A, F36A, F42Z, F51A, F51B	05	F01A, F01B, F01D, F05Z, F07A, F07B, F08A, F08B, F08C, F08D, F08E, F27A, F28A, F36A, F42Z, F51A, F51B		05	F01A, F01B, F01D, F05Z, F07A, F07B, F08A, F08B, F08C, F08D, F08E, F27A, F28A, F36A, F42Z, F51A, F51B	
06		G36Z	06	G36Z		06	G36Z	
08		I08A, I08B, I08C, I08D, I08E, I13A, I13B, I26Z	08	I08A, I08B, I08C, I08D, I08E, I13A, I13B, I26Z		08	I08A, I08B, I08C, I08D, I08E, I13A, I13B, I26Z	
11		L33Z	11	L33Z		11	L33Z	
21A		W36Z	21A	W36Z		21A	W36Z	
21B		X33Z	21B	X33Z		21B	X33Z	
23		Z01A	23	Z01A		23	Z01A	
Pre		A06A, A07A, A09A, A11A, A13A	Pre	A06A, A07A, A09A, A11A, A13A		Pre	A06A, A07A, A09A, A11A, A13A	
51410.34			BOP, KOP, KVT, UOP4	51410.44			BOP, KOP, KVT, UOP4	51410.60
	04	E36Z	04		E36Z	04	E36Z	
	05	F01A, F01B, F01D, F05Z, F07A, F08A, F08B, F08C, F08D, F08E, F27A, F28A, F36A, F42Z, F51A, F51B	05		F01A, F01B, F01D, F05Z, F07A, F07B, F08A, F08B, F08C, F08D, F08E, F27A, F28A, F36A, F42Z, F51A, F51B	05	F01A, F01B, F01D, F05Z, F07A, F08A, F08B, F08C, F08D, F08E, F27A, F28A, F36A, F42Z, F51A, F51B	
	06	G36Z	06		G36Z	06	G36Z	
	08	I08A, I08B, I08C, I08D, I08E, I13A, I13B, I26Z	08		I08A, I08B, I08C, I08D, I08E, I13A, I13B, I26Z	08	I08A, I08B, I08C, I08D, I08E, I13A, I13B, I26Z	
	11	L33Z	11		L33Z	11	L33Z	
	21A	W36Z	21A		W36Z	21A	W36Z	
	21B	X33Z	21B		X33Z	21B	X33Z	
	23	Z01A	23		Z01A	23	Z01A	
	Pre	A06A, A07A, A09A, A11A, A13A	Pre		A06A, A07A, A09A, A11A, A13A	Pre	A06A, A07A, A09A, A11A, A13A	
	51410.41		BOP, KOP, KVT, UOP4		51410.51		BOP, KOP, KVT, UOP4	
04		E36Z	04	E36Z		04	E36Z	
05		F01A, F01B, F01D, F05Z, F07A, F08A, F08B, F08C, F08D, F08E, F27A, F28A, F36A, F42Z, F51A, F51B	05	F01A, F01B, F01D, F05Z, F07A, F07B, F08A, F08B, F08C, F08D, F08E, F27A, F28A, F36A, F42Z, F51A, F51B		05	F01A, F01B, F01D, F05Z, F07A, F08A, F08B, F08C, F08D, F08E, F27A, F28A, F36A, F42Z, F51A, F51B	
06		G36Z	06	G36Z		06	G36Z	
08		I08A, I08B, I08C, I08D, I08E, I13A, I13B, I26Z	08	I08A, I08B, I08C, I08D, I08E, I13A, I13B, I26Z		08	I08A, I08B, I08C, I08D, I08E, I13A, I13B, I26Z	
11		L33Z	11	L33Z		11	L33Z	
21A		W36Z	21A	W36Z		21A	W36Z	
21B		X33Z	21B	X33Z		21B	X33Z	
23		Z01A	23	Z01A		23	Z01A	
Pre		A06A, A07A, A09A, A11A, A13A	Pre	A06A, A07A, A09A, A11A, A13A		Pre	A06A, A07A, A09A, A11A, A13A	

VYK

ZZV	MDC	DRG	ZZV	MDC	DRG	ZZV	MDC	DRG			
5I410.62		BOP, KOP, KVT, UOP4	5I412.11		BOP, KOP, KVT, UOP4	5I412.22		BOP, KOP, KVT, UOP4			
	04	E36Z		04	E36Z		04	E36Z			
	05	F01A, F01B, F01D, F05Z, F07A, F08A, F08B, F08C, F08D, F08E, F27A, F28A, F36A, F42Z, F51A, F51B		05	F01A, F01B, F01D, F05Z, F07A, F07B, F08A, F08B, F08C, F08D, F08E, F27A, F28A, F36A, F42Z, F51A		05	F01A, F01B, F01D, F05Z, F07A, F07B, F08A, F08B, F08C, F08D, F08E, F27A, F28A, F36A, F42Z, F51A			
	06	G36Z		06	G36Z		06	G36Z			
	08	I08A, I08B, I08C, I08D, I08E, I13A, I13B, I26Z		08	I08A, I08B, I08C, I08D, I08E, I13A, I13B, I26Z		08	I08A, I08B, I08C, I08D, I08E, I13A, I13B, I26Z			
	11	L33Z		11	L33Z		11	L33Z			
	21A	W36Z		21A	W36Z		21A	W36Z			
	21B	X33Z		21B	X33Z		21B	X33Z			
	23	Z01A		23	Z01A		23	Z01A			
	Pre	A06A, A07A, A09A, A11A, A13A		Pre	A06A, A07A, A09A, A11A, A13A		Pre	A06A, A07A, A09A, A11A, A13A			
	5I410.x			BOP, KOP, KVT, UOP4	5I412.12			BOP, KOP, KVT, UOP4	5I412.23		BOP, KOP, KVT, UOP4
04		E36Z	04	E36Z		04	E36Z				
05		F01A, F01B, F01D, F05Z, F07A, F07B, F08A, F08B, F08C, F08D, F08E, F27A, F28A, F36A, F42Z, F51A, F51B	05	F01A, F01B, F01D, F05Z, F07A, F07B, F08A, F08B, F08C, F08D, F08E, F27A, F28A, F36A, F42Z, F51A		05	F01A, F01B, F01D, F05Z, F07A, F07B, F08A, F08B, F08C, F08D, F08E, F27A, F28A, F36A, F42Z, F51A				
06		G36Z	06	G36Z		06	G36Z				
08		I08A, I08B, I08C, I08D, I08E, I13A, I13B, I26Z	08	I08A, I08B, I08C, I08D, I08E, I13A, I13B, I26Z		08	I08A, I08B, I08C, I08D, I08E, I13A, I13B, I26Z				
11		L33Z	11	L33Z		11	L33Z				
21A		W36Z	21A	W36Z		21A	W36Z				
21B		X33Z	21B	X33Z		21B	X33Z				
23		Z01A	23	Z01A		23	Z01A				
Pre		A06A, A07A, A09A, A11A, A13A	Pre	A06A, A07A, A09A, A11A, A13A		Pre	A06A, A07A, A09A, A11A, A13A				
5I411.0			BOP, KVT, UOP4	5I412.13			BOP, KOP, KVT, UOP4	5I412.31			BOP, KOP, KVT, UOP4
	05	F01A, F01B, F01D, F05Z, F07A, F07B, F08A, F08B, F08C, F08D, F08E, F27A, F28A, F42Z	05		F01A, F01B, F01D, F05Z, F07A, F07B, F08A, F08B, F08C, F08D, F08E, F27A, F28A, F36A, F42Z, F51A	05	F01A, F01B, F01D, F05Z, F07A, F07B, F08A, F08B, F08C, F08D, F08E, F27A, F28A, F36A, F42Z, F51A				
	08	I08A, I08B, I08C, I08D, I08E, I13A, I13B	06		G36Z	06	G36Z				
	21B	X33Z	08		I08A, I08B, I08C, I08D, I08E, I13A, I13B, I26Z	08	I08A, I08B, I08C, I08D, I08E, I13A, I13B, I26Z				
	23	Z01A	11		L33Z	11	L33Z				
	5I411.1		BOP, KVT, UOP4		5I412.21		BOP, KOP, KVT, UOP4		5I412.32		BOP, KOP, KVT, UOP4
		05	F01A, F01B, F01D, F05Z, F07A, F07B, F08A, F08B, F08C, F08D, F08E, F27A, F28A, F42Z			04	E36Z			04	E36Z
		08	I08A, I08B, I08C, I08D, I08E, I13A, I13B			05	F01A, F01B, F01D, F05Z, F07A, F07B, F08A, F08B, F08C, F08D, F08E, F27A, F28A, F36A, F42Z, F51A			05	F01A, F01B, F01D, F05Z, F07A, F07B, F08A, F08B, F08C, F08D, F08E, F27A, F28A, F36A, F42Z, F51A
		21B	X33Z			06	G36Z			06	G36Z
		23	Z01A			08	I08A, I08B, I08C, I08D, I08E, I13A, I13B, I26Z			08	I08A, I08B, I08C, I08D, I08E, I13A, I13B, I26Z
		5I412.0				BOP, KOP, KVT, UOP4	5I412.20				BOP, KOP, KVT, UOP4
04			E36Z	04		E36Z		04		E36Z	
05			F01A, F01B, F01D, F05Z, F07A, F07B, F08A, F08B, F08C, F08D, F08E, F27A, F28A, F36A, F42Z, F51A	05		F01A, F01B, F01D, F05Z, F07A, F07B, F08A, F08B, F08C, F08D, F08E, F27A, F28A, F36A, F42Z, F51A		05		F01A, F01B, F01D, F05Z, F07A, F07B, F08A, F08B, F08C, F08D, F08E, F27A, F28A, F36A, F42Z, F51A	
06			G36Z	06		G36Z		06		G36Z	
08			I08A, I08B, I08C, I08D, I08E, I13A, I13B, I26Z	08		I08A, I08B, I08C, I08D, I08E, I13A, I13B, I26Z		08		I08A, I08B, I08C, I08D, I08E, I13A, I13B, I26Z	
11			L33Z	11		L33Z		11		L33Z	
21A	W36Z		21A	W36Z	21A	W36Z					
21B	X33Z		21B	X33Z	21B	X33Z					
23	Z01A		23	Z01A	23	Z01A					
Pre	A06A, A07A, A09A, A11A, A13A		Pre	A06A, A07A, A09A, A11A, A13A	Pre	A06A, A07A, A09A, A11A, A13A					

ZZV	MDC	DRG	ZZV	MDC	DRG	ZZV	MDC	DRG
5I412.33		BOP, KOP, KVT, UOP4	5I413.13		BOP, KOP, KVT, UOP4	5I413.23		BOP, KOP, KVT, UOP4
	04	E36Z		04	E36Z		04	E36Z
	05	F01A, F01B, F01D, F05Z, F07A, F07B, F08A, F08B, F08C, F08D, F08E, F27A, F28A, F36A, F42Z, F51A		05	F01A, F01B, F01D, F05Z, F07A, F07B, F08A, F08B, F08C, F08D, F08E, F27A, F28A, F36A, F42Z, F51A		05	F01A, F01B, F01D, F05Z, F07A, F07B, F08A, F08B, F08C, F08D, F08E, F27A, F28A, F36A, F42Z, F51A
	06	G36Z		06	G36Z		06	G36Z
	08	I08A, I08B, I08C, I08D, I08E, I13A, I13B, I26Z		08	I08A, I08B, I08C, I08D, I08E, I13A, I13B, I26Z		08	I08A, I08B, I08C, I08D, I08E, I13A, I13B, I26Z
	11	L33Z		11	L33Z		11	L33Z
	21A	W36Z		21A	W36Z		21A	W36Z
	21B	X33Z		21B	X33Z		21B	X33Z
	23	Z01A		23	Z01A		23	Z01A
	Pre	A06A, A07A, A09A, A11A, A13A		Pre	A06A, A07A, A09A, A11A, A13A		Pre	A06A, A07A, A09A, A11A, A13A
	5I413.0			BOP, KOP, KVT, UOP4	5I413.14			BOP, KOP, KVT, UOP4
04		E36Z	04	E36Z		04	E36Z	
05		F01A, F01B, F01D, F05Z, F07A, F07B, F08A, F08B, F08C, F08D, F08E, F27A, F28A, F36A, F42Z, F51A	05	F01A, F01B, F01D, F05Z, F07A, F07B, F08A, F08B, F08C, F08D, F08E, F27A, F28A, F36A, F42Z, F51A		05	F01A, F01B, F01D, F05Z, F07A, F07B, F08A, F08B, F08C, F08D, F08E, F27A, F28A, F36A, F42Z, F51A	
06		G36Z	06	G36Z		06	G36Z	
08		I08A, I08B, I08C, I08D, I08E, I13A, I13B, I26Z	08	I08A, I08B, I08C, I08D, I08E, I13A, I13B, I26Z		08	I08A, I08B, I08C, I08D, I08E, I13A, I13B, I26Z	
11		L33Z	11	L33Z		11	L33Z	
21A		W36Z	21A	W36Z		21A	W36Z	
21B		X33Z	21B	X33Z		21B	X33Z	
23		Z01A	23	Z01A		23	Z01A	
Pre		A06A, A07A, A09A, A11A, A13A	Pre	A06A, A07A, A09A, A11A, A13A		Pre	A06A, A07A, A09A, A11A, A13A	
5I413.11			BOP, KOP, KVT, UOP4	5I413.21			BOP, KOP, KVT, UOP4	5I413.31
	04	E36Z	04		E36Z	04	E36Z	
	05	F01A, F01B, F01D, F05Z, F07A, F07B, F08A, F08B, F08C, F08D, F08E, F27A, F28A, F36A, F42Z, F51A	05		F01A, F01B, F01D, F05Z, F07A, F07B, F08A, F08B, F08C, F08D, F08E, F27A, F28A, F36A, F42Z, F51A	05	F01A, F01B, F01D, F05Z, F07A, F07B, F08A, F08B, F08C, F08D, F08E, F27A, F28A, F36A, F42Z, F51A	
	06	G36Z	06		G36Z	06	G36Z	
	08	I08A, I08B, I08C, I08D, I08E, I13A, I13B, I26Z	08		I08A, I08B, I08C, I08D, I08E, I13A, I13B, I26Z	08	I08A, I08B, I08C, I08D, I08E, I13A, I13B, I26Z	
	11	L33Z	11		L33Z	11	L33Z	
	21A	W36Z	21A		W36Z	21A	W36Z	
	21B	X33Z	21B		X33Z	21B	X33Z	
	23	Z01A	23		Z01A	23	Z01A	
	Pre	A06A, A07A, A09A, A11A, A13A	Pre		A06A, A07A, A09A, A11A, A13A	Pre	A06A, A07A, A09A, A11A, A13A	
	5I413.12		BOP, KOP, KVT, UOP4		5I413.22		BOP, KOP, KVT, UOP4	
04		E36Z	04	E36Z		04	E36Z	
05		F01A, F01B, F01D, F05Z, F07A, F07B, F08A, F08B, F08C, F08D, F08E, F27A, F28A, F36A, F42Z, F51A	05	F01A, F01B, F01D, F05Z, F07A, F07B, F08A, F08B, F08C, F08D, F08E, F27A, F28A, F36A, F42Z, F51A		05	F01A, F01B, F01D, F05Z, F07A, F07B, F08A, F08B, F08C, F08D, F08E, F27A, F28A, F36A, F42Z, F51A	
06		G36Z	06	G36Z		06	G36Z	
08		I08A, I08B, I08C, I08D, I08E, I13A, I13B, I26Z	08	I08A, I08B, I08C, I08D, I08E, I13A, I13B, I26Z		08	I08A, I08B, I08C, I08D, I08E, I13A, I13B, I26Z	
11		L33Z	11	L33Z		11	L33Z	
21A		W36Z	21A	W36Z		21A	W36Z	
21B		X33Z	21B	X33Z		21B	X33Z	
23		Z01A	23	Z01A		23	Z01A	
Pre		A06A, A07A, A09A, A11A, A13A	Pre	A06A, A07A, A09A, A11A, A13A		Pre	A06A, A07A, A09A, A11A, A13A	

VYK

ZZV	MDC	DRG	ZZV	MDC	DRG	ZZV	MDC	DRG			
51413.33		BOP, KOP, KVT, UOP4	5141x		BOP, KVT, UOP4	51500.7		BOP, KOP, KVT, UOP4			
	04	E36Z		05	F01A, F01B, F01D, F05Z, F07A, F07B, F08A, F08B, F08C, F08D, F08E, F27A, F28A, F36A, F42Z, F51A		05	F01A, F01B, F01D, F05Z, F07A, F07B, F08A, F08B, F08C, F08D, F08E, F27A, F28A, F42Z			
	05	F01A, F01B, F01D, F05Z, F07A, F07B, F08A, F08B, F08C, F08D, F08E, F27A, F28A, F36A, F42Z, F51A		08	I08A, I08B, I08C, I08D, I08E, I13A, I13B		08	I08A, I08B, I08C, I08D, I08E, I13A, I13B			
	06	G36Z					51500.8		BOP, KOP, KVT, UOP4		
	08	I08A, I08B, I08C, I08D, I08E, I13A, I13B, I26Z		21B	X33Z		05	F01A, F01B, F01D, F05Z, F07A, F07B, F09A, F09B, F09C, F42Z			
	11	L33Z		51500.0			BOP, KOP, KVT, UOP4	08	I08A, I08B, I08C, I08D, I08E, I13A, I13B		
	21A	W36Z		05	F01A, F01B, F01D, F05Z, F07A, F07B, F09A, F09B, F09C, F42Z		51500.x		BOP, KOP, KVT, UOP4		
	21B	X33Z		08	I08A, I08B, I08C, I08D, I08E, I13A, I13B		05	F01A, F01B, F01D, F05Z, F07A, F07B, F09A, F09B, F09C, F42Z			
	23	Z01A		15	P02A, P02B, P02C		08	I08A, I08B, I08C, I08D, I08E, I13A, I13B			
	Pre	A06A, A07A, A09A, A11A, A13A		51500.1			BOP, KOP, KVT, UOP4	08	I08A, I08B, I08C, I08D, I08E, I13A, I13B		
	51413.34			BOP, KVT, UOP4	05		F01A, F01B, F01D, F05Z, F07A, F07B, F08A, F08B, F08C, F08D, F08E, F27A, F28A, F42Z	51501.0		BOP, KOP, KOPV, KVT, UOP4	
		05		F01A, F01B, F01D, F05Z, F07A, F07B, F08A, F08B, F08C, F08D, F08E, F27A, F28A, F42Z	08		I08A, I08B, I08C, I08D, I08E, I13A, I13B	05	F01A, F01B, F01D, F05Z, F07A, F07B, F14A, F14B, F28A, F42Z, F54Z, F59A, F59B		
		08		I08A, I08B, I08C, I08D, I08E, I13A, I13B	51500.2			BOP, KOP, KVT, UOP4	06	G15Z, G19A, G19B, G33Z, G38Z	
51415.11		BOP, KVT, UOP4	05	F01A, F01B, F01D, F05Z, F07A, F07B, F08A, F08B, F08C, F08D, F08E, F27A, F28A, F42Z	08	I08A, I08B, I08C, I08D, I08E, I13A, I13B	07	H01A, H01B, H09A, H09B, H09C, H33Z, H38Z			
	05	F01A, F01B, F01D, F05Z, F07A, F07B, F08A, F08B, F08C, F08D, F08E, F27A, F28A, F42Z	51500.3		BOP, KOP, KOPV, KVT, UOP4	08	I08A, I08B, I08C, I08D, I08E, I13A, I13B				
	08	I08A, I08B, I08C, I08D, I08E, I13A, I13B	05	F01A, F01B, F01D, F05Z, F07A, F07B, F09A, F09B, F09C, F42Z	11	L33Z					
51415.12		BOP, KVT, UOP4	06	G33Z	21B	X33Z	23	Z01A			
	05	F01A, F01B, F01D, F05Z, F07A, F07B, F08A, F08B, F08C, F08D, F08E, F27A, F28A, F42Z	07	H33Z, H38Z	Pre	A07A	51501.1		BOP, KOP, KOPV, KVT, UOP4		
	08	I08A, I08B, I08C, I08D, I08E, I13A, I13B	08	I08A, I08B, I08C, I08D, I08E, I13A, I13B	05	F01A, F01B, F01D, F05Z, F07A, F07B, F14A, F14B, F28A, F42Z, F54Z, F59A, F59B					
51415.13		BOP, KVT, UOP4	21B	X33Z	06	G15Z, G19A, G19B, G33Z, G38Z	07	H01A, H01B, H09A, H09B, H09C, H33Z, H38Z			
	05	F01A, F01B, F01D, F05Z, F07A, F07B, F08A, F08B, F08C, F08D, F08E, F27A, F28A, F42Z	51500.4		BOP, KOP, KVT, UOP4	08	I08A, I08B, I08C, I08D, I08E, I13A, I13B				
	08	I08A, I08B, I08C, I08D, I08E, I13A, I13B	05	F01A, F01B, F01D, F05Z, F07A, F07B, F09A, F09B, F09C, F42Z	11	L33Z					
51416.11		BOP, KVT, UOP4	21B	X33Z	23	Z01A	Pre	A07A	51501.2		BOP, KOP, KOPV, KVT, UOP4
	05	F01A, F01B, F01D, F05Z, F07A, F07B, F08A, F08B, F08C, F08D, F08E, F27A, F28A, F42Z	51500.5		E02A, E02B, E02C	05	F01A, F01B, F01D, F05Z, F07A, F07B, F14A, F14B, F28A, F42Z, F54Z, F59A, F59B	08	I08A, I08B, I08C, I08D, I08E, I13A, I13B		
	08	I08A, I08B, I08C, I08D, I08E, I13A, I13B	04	E02A, E02B, E02C	08	I08A, I08B, I08C, I08D, I08E, I13A, I13B	11	L33Z			
51416.12		BOP, KVT, UOP4	05	F01A, F01B, F01D, F05Z, F07A, F07B, F08A, F08B, F08C, F08D, F08E, F27A, F28A, F42Z	51500.6		BOP, KOP, KOPV, KVT, UOP4	06	G15Z, G19A, G19B, G33Z, G38Z		
	05	F01A, F01B, F01D, F05Z, F07A, F07B, F08A, F08B, F08C, F08D, F08E, F27A, F28A, F42Z	05	F01A, F01B, F01D, F05Z, F07A, F07B, F14A, F14B, F28A, F42Z, F54Z, F59A, F59B	07	H01A, H01B, H09A, H09B, H09C, H33Z, H38Z	08	I08A, I08B, I08C, I08D, I08E, I13A, I13B			
	08	I08A, I08B, I08C, I08D, I08E, I13A, I13B	08	I08A, I08B, I08C, I08D, I08E, I13A, I13B	10	K09A, K09B	06	G15Z, G19A, G19B, G33Z, G38Z			
51416.13		BOP, KVT, UOP4	06	G33Z	05	F01A, F01B, F01D, F05Z, F07A, F07B, F09A, F09B, F09C, F30Z, F42Z	07	H01A, H01B, H09A, H09B, H09C, H33Z, H38Z	08	I08A, I08B, I08C, I08D, I08E, I13A, I13B	
	05	F01A, F01B, F01D, F05Z, F07A, F07B, F08A, F08B, F08C, F08D, F08E, F27A, F28A, F42Z	07	H33Z, H38Z	06	G33Z	11	L33Z			
	08	I08A, I08B, I08C, I08D, I08E, I13A, I13B	08	I08A, I08B, I08C, I08D, I08E, I13A, I13B	07	H33Z, H38Z	21B	X33Z			
	21B	X33Z	11	L33Z	23	Z01A	Pre	A07A			
	21B	X33Z	15	P02A, P02B, P02C							
	21B	X33Z	21B	X33Z							
	23	Z01A	23	Z01A							
	Pre	A07A	Pre	A07A							

VYK

ZZV	MDC	DRG	ZZV	MDC	DRG	ZZV	MDC	DRG			
51501.3		BOP, KOP, KOPV, KVT, UOP4	51502.11	01	B04A, B04B, B04C, B04D, B04E	51502.31	01	B04A, B04B, B04C, B04D, B04E			
	05	F01A, F01B, F01D, F05Z, F07A, F07B, F14A, F14B, F28A, F42Z, F54Z, F59A, F59B		05	F01A, F01B, F01D, F05Z, F07A, F07B, F08B, F08D, F14A, F14B, F28A, F42Z, F54Z, F59A, F59B		05	F01A, F01B, F01D, F05Z, F07A, F07B, F08B, F08D, F14A, F14B, F28A, F42Z, F54Z, F59A, F59B			
	06	G15Z, G19A, G19B, G33Z, G38Z		07	H06A, H06B, H06C		07	H06A, H06B, H06C			
	07	H01A, H01B, H09A, H09B, H09C, H33Z, H38Z		08	I08A, I08B, I08C, I08D, I08E, I13A, I13B		08	I08A, I08B, I08C, I08D, I08E, I13A, I13B			
	08	I08A, I08B, I08C, I08D, I08E, I13A, I13B		09	J03A, J03B, J04A, J04B, J08A, J08B, J08C, J11A, J11B, J16Z		09	J03A, J03B, J04A, J04B, J08A, J08B, J08C, J11A, J11B, J16Z			
	11	L33Z		10	K09A, K09B		10	K09A, K09B			
	21B	X33Z		11	L09A, L09B, L09C, L09D, L38Z		11	L09A, L09B, L09C, L09D, L38Z			
	23	Z01A		21A	W04A, W04B		21A	W04A, W04B			
	Pre	A07A		21B	X04Z, X05A, X05B, X06A, X06B, X06C		21B	X04Z, X05A, X05B, X06A, X06B, X06C			
	51501.4			BOP, KOP, KOPV, KVT, UOP4	51502.2		01	B04A, B04B, B04C, B04D, B04E	51502.32	01	B04A, B04B, B04C, B04D, B04E
		05		F01A, F01B, F01D, F05Z, F07A, F07B, F14A, F14B, F28A, F42Z, F54Z, F59A, F59B			05	F01A, F01B, F01D, F05Z, F07A, F07B, F08B, F08D, F14A, F14B, F28A, F42Z, F54Z, F59A, F59B		05	F01A, F01B, F01D, F05Z, F07A, F07B, F08B, F08D, F14A, F14B, F28A, F42Z, F54Z, F59A, F59B
06		G15Z, G19A, G19B, G33Z, G38Z	07	H06A, H06B, H06C		07	H06A, H06B, H06C				
07		H01A, H01B, H09A, H09B, H09C, H33Z, H38Z	08	I08A, I08B, I08C, I08D, I08E, I13A, I13B		08	I08A, I08B, I08C, I08D, I08E, I13A, I13B				
08		I08A, I08B, I08C, I08D, I08E, I13A, I13B	09	J03A, J03B, J04A, J04B, J08A, J08B, J08C, J11A, J11B, J16Z		09	J03A, J03B, J04A, J04B, J08A, J08B, J08C, J11A, J11B, J16Z				
11		L33Z	10	K09A, K09B		10	K09A, K09B				
21B		X33Z	11	L09A, L09B, L09C, L09D, L38Z		11	L09A, L09B, L09C, L09D, L38Z				
23		Z01A	21A	W04A, W04B		21A	W04A, W04B				
Pre		A07A	21B	X04Z, X05A, X05B, X06A, X06B, X06C		21B	X04Z, X05A, X05B, X06A, X06B, X06C				
51501.x			BOP, KOP, KOPV, KVT, UOP4	51502.30		01	B04A, B04B, B04C, B04D, B04E	51502.40		01	B04A, B04B, B04C, B04D, B04E
		05	F01A, F01B, F01D, F05Z, F07A, F07B, F14A, F14B, F28A, F42Z, F54Z, F59A, F59B			05	F01A, F01B, F01D, F05Z, F07A, F07B, F08B, F08D, F14A, F14B, F28A, F42Z, F54Z, F59A, F59B			05	F01A, F01B, F01D, F05Z, F07A, F07B, F08B, F08D, F14A, F14B, F28A, F42Z, F54Z, F59A, F59B
	06	G15Z, G19A, G19B, G33Z, G38Z	07		H06A, H06B, H06C	07	H06A, H06B, H06C				
	07	H01A, H01B, H09A, H09B, H09C, H33Z, H38Z	08		I08A, I08B, I08C, I08D, I08E, I13A, I13B	08	I08A, I08B, I08C, I08D, I08E, I13A, I13B				
	08	I08A, I08B, I08C, I08D, I08E, I13A, I13B	09		J03A, J03B, J04A, J04B, J08A, J08B, J08C, J11A, J11B, J16Z	09	J03A, J03B, J04A, J04B, J08A, J08B, J08C, J11A, J11B, J16Z				
	11	L33Z	10		K09A, K09B	10	K09A, K09B				
	21B	X33Z	11		L09A, L09B, L09C, L09D, L38Z	11	L09A, L09B, L09C, L09D, L38Z				
	23	Z01A	21A		W04A, W04B	21A	W04A, W04B				
	Pre	A07A	21B		X04Z, X05A, X05B, X06A, X06B, X06C	21B	X04Z, X05A, X05B, X06A, X06B, X06C				
	51502.10	01	B04A, B04B, B04C, B04D, B04E		51502.10	01	B04A, B04B, B04C, B04D, B04E		51502.10	01	B04A, B04B, B04C, B04D, B04E
		05	F01A, F01B, F01D, F05Z, F07A, F07B, F08B, F08D, F14A, F14B, F28A, F42Z, F54Z, F59A, F59B			05	F01A, F01B, F01D, F05Z, F07A, F07B, F08B, F08D, F14A, F14B, F28A, F42Z, F54Z, F59A, F59B			05	F01A, F01B, F01D, F05Z, F07A, F07B, F08B, F08D, F14A, F14B, F28A, F42Z, F54Z, F59A, F59B
07		H06A, H06B, H06C	07	H06A, H06B, H06C		07	H06A, H06B, H06C				
08		I08A, I08B, I08C, I08D, I08E, I13A, I13B	08	I08A, I08B, I08C, I08D, I08E, I13A, I13B		08	I08A, I08B, I08C, I08D, I08E, I13A, I13B				
09		J03A, J03B, J04A, J04B, J08A, J08B, J08C, J11A, J11B, J16Z	09	J03A, J03B, J04A, J04B, J08A, J08B, J08C, J11A, J11B, J16Z		09	J03A, J03B, J04A, J04B, J08A, J08B, J08C, J11A, J11B, J16Z				
10		K09A, K09B	10	K09A, K09B		10	K09A, K09B				
11		L09A, L09B, L09C, L09D, L38Z	11	L09A, L09B, L09C, L09D, L38Z		11	L09A, L09B, L09C, L09D, L38Z				
21A		W04A, W04B	21A	W04A, W04B		21A	W04A, W04B				
21B		X04Z, X05A, X05B, X06A, X06B, X06C	21B	X04Z, X05A, X05B, X06A, X06B, X06C		21B	X04Z, X05A, X05B, X06A, X06B, X06C				

VYK

ZZV	MDC	DRG	ZZV	MDC	DRG	ZZV	MDC	DRG				
51502.41	01	B04A, B04B, B04C, B04D, B04E	51502.6	01	B04A, B04B, B04C, B04D, B04E	51502.72	01	B04A, B04B, B04C, B04D, B04E				
	05	F01A, F01B, F01D, F05Z, F07A, F07B, F08B, F08D, F14A, F14B, F28A, F42Z, F54Z, F59A, F59B		05	F01A, F01B, F01D, F05Z, F07A, F07B, F08A, F08B, F08C, F08D, F08E, F08F, F27A, F28A, F42Z		05	F01A, F01B, F01D, F05Z, F07A, F07B, F08B, F08D, F14A, F14B, F28A, F42Z, F54Z, F59A, F59B				
	07	H06A, H06B, H06C		07	H06A, H06B, H06C		07	H06A, H06B, H06C				
	08	I08A, I08B, I08C, I08D, I08E, I13A, I13B		08	I08A, I08B, I08C, I08D, I08E, I13A, I13B		08	I08A, I08B, I08C, I08D, I08E, I13A, I13B				
	09	J03A, J03B, J04A, J04B, J08A, J08B, J08C, J11A, J11B, J16Z		09	J03A, J03B, J04A, J04B, J08A, J08B, J08C, J11A, J11B, J16Z		09	J03A, J03B, J04A, J04B, J08A, J08B, J08C, J11A, J11B, J16Z				
	10	K09A, K09B		10	K09A, K09B		10	K09A, K09B				
	11	L09A, L09B, L09C, L09D, L38Z		11	L09A, L09B, L09C, L09D, L38Z		11	L09A, L09B, L09C, L09D, L38Z				
	21A	W04A, W04B		21A	W04A, W04B		21A	W04A, W04B				
	21B	X04Z, X05A, X05B, X06A, X06B, X06C		21B	X04Z, X05A, X05B, X06A, X06B, X06C, X33Z		21B	X04Z, X05A, X05B, X06A, X06B, X06C				
	51502.50	01		B04A, B04B, B04C, B04D, B04E	51502.70		01	B04A, B04B, B04C, B04D, B04E	51502.73	01	B04A, B04B, B04C, B04D, B04E	
		05		F01A, F01B, F01D, F05Z, F07A, F07B, F08A, F08B, F08C, F08D, F08E, F08F, F27A, F28A, F42Z			05	F01A, F01B, F01D, F05Z, F07A, F07B, F08A, F08B, F08C, F08D, F08E, F08F, F27A, F28A, F42Z		05	F01A, F01B, F01D, F05Z, F07A, F07B, F08B, F08D, F14A, F14B, F28A, F42Z, F54Z, F59A, F59B	
07		H06A, H06B, H06C	07	H06A, H06B, H06C		07	H06A, H06B, H06C					
08		I08A, I08B, I08C, I08D, I08E, I13A, I13B	08	I08A, I08B, I08C, I08D, I08E, I13A, I13B		08	I08A, I08B, I08C, I08D, I08E, I13A, I13B					
09		J03A, J03B, J04A, J04B, J08A, J08B, J08C, J11A, J11B, J16Z	09	J03A, J03B, J04A, J04B, J08A, J08B, J08C, J11A, J11B, J16Z		09	J03A, J03B, J04A, J04B, J08A, J08B, J08C, J11A, J11B, J16Z					
10		K09A, K09B	10	K09A, K09B		10	K09A, K09B					
11		L09A, L09B, L09C, L09D, L38Z	11	L09A, L09B, L09C, L09D, L38Z		11	L09A, L09B, L09C, L09D, L38Z					
21A		W04A, W04B	21A	W04A, W04B		21A	W04A, W04B					
21B		X04Z, X05A, X05B, X06A, X06B, X06C, X33Z	21B	X04Z, X05A, X05B, X06A, X06B, X06C, X33Z		21B	X04Z, X05A, X05B, X06A, X06B, X06C					
51502.51		01	B04A, B04B, B04C, B04D, B04E	51502.71		01	B04A, B04B, B04C, B04D, B04E	51502.8		05	F21A, F21B	
		05	F01A, F01B, F01D, F05Z, F07A, F07B, F08A, F08B, F08C, F08D, F08E, F08F, F27A, F28A, F42Z			05	F01A, F01B, F01D, F05Z, F07A, F07B, F08B, F08D, F14A, F14B, F28A, F42Z, F54Z, F59A, F59B			08	I08A, I08B, I08C, I08D, I08E, I13A, I13B	
	07	H06A, H06B, H06C	07		H06A, H06B, H06C	10	K09A, K09B					
	08	I08A, I08B, I08C, I08D, I08E, I13A, I13B	08		I08A, I08B, I08C, I08D, I08E, I13A, I13B	11	L09A, L09B, L09C, L09D, L38Z					
	09	J03A, J03B, J04A, J04B, J08A, J08B, J08C, J11A, J11B, J16Z	09		J03A, J03B, J04A, J04B, J08A, J08B, J08C, J11A, J11B, J16Z	21A	W04A, W04B					
	10	K09A, K09B	10		K09A, K09B	21B	X04Z, X05A, X05B, X06A, X06B, X06C					
	11	L09A, L09B, L09C, L09D, L38Z	11		L09A, L09B, L09C, L09D, L38Z	51502.9	01		B04A, B04B, B04C, B04D, B04E			
	21A	W04A, W04B	21A		W04A, W04B		05		F01A, F01B, F01D, F05Z, F07A, F07B, F08A, F08B, F08C, F08D, F08E, F27A, F28A, F42Z			
	21B	X04Z, X05A, X05B, X06A, X06B, X06C, X33Z	21B		X04Z, X05A, X05B, X06A, X06B, X06C		08		I08A, I08B, I08C, I08D, I08E, I13A, I13B			
	51502.51	01	B04A, B04B, B04C, B04D, B04E		51502.71		01		B04A, B04B, B04C, B04D, B04E	51502.8	08	I08A, I08B, I08C, I08D, I08E, I13A, I13B
		05	F01A, F01B, F01D, F05Z, F07A, F07B, F08A, F08B, F08C, F08D, F08E, F08F, F27A, F28A, F42Z				05		F01A, F01B, F01D, F05Z, F07A, F07B, F08B, F08D, F14A, F14B, F28A, F42Z, F54Z, F59A, F59B		10	K09A, K09B
07		H06A, H06B, H06C	07	H06A, H06B, H06C		11	L09A, L09B, L09C, L09D, L38Z					
08		I08A, I08B, I08C, I08D, I08E, I13A, I13B	08	I08A, I08B, I08C, I08D, I08E, I13A, I13B		21A	W04A, W04B					
09		J03A, J03B, J04A, J04B, J08A, J08B, J08C, J11A, J11B, J16Z	09	J03A, J03B, J04A, J04B, J08A, J08B, J08C, J11A, J11B, J16Z		21B	X04Z, X05A, X05B, X06A, X06B, X06C					
10		K09A, K09B	10	K09A, K09B		51502.9	01	B04A, B04B, B04C, B04D, B04E				
11		L09A, L09B, L09C, L09D, L38Z	11	L09A, L09B, L09C, L09D, L38Z			05	F01A, F01B, F01D, F05Z, F07A, F07B, F08A, F08B, F08C, F08D, F08E, F27A, F28A, F42Z				
21A		W04A, W04B	21A	W04A, W04B			08	I08A, I08B, I08C, I08D, I08E, I13A, I13B				
21B		X04Z, X05A, X05B, X06A, X06B, X06C, X33Z	21B	X04Z, X05A, X05B, X06A, X06B, X06C			10	K09A, K09B				
							21A	W04A, W04B				
						21B	X04Z, X05A, X05B, X06A, X06B, X06C, X33Z					
						51502.a0	05	F21A, F21B				
							08	I08A, I08B, I08C, I08D, I08E, I13A, I13B				
							10	K09A, K09B				
							11	L09A, L09B, L09C, L09D, L38Z				
							21A	W04A, W04B				
							21B	X04Z, X05A, X05B, X06A, X06B, X06C				

ZZV	MDC	DRG	ZZV	MDC	DRG	ZZV	MDC	DRG
51502.a1	05	F21A, F21B	51511.0		BOP, KVT, UOP4	51512.0		BOP, KVT, UOP4
	08	I08A, I08B, I08C, I08D, I08E, I13A, I13B		01	B04A, B04B, B04C, B04D, B04E		01	B04A, B04B, B04C, B04D, B04E
	10	K09A, K09B		05	F01A, F01B, F01D, F05Z, F06A, F06C, F07A, F07B, F08A, F08B, F08C, F08D, F08E, F27A, F28A, F42Z		05	F01A, F01B, F01D, F05Z, F07A, F07B, F08A, F08B, F08C, F08D, F08E, F27A, F28A, F42Z
	21A	W04A, W04B		08	I08A, I08B, I08C, I08D, I08E, I13A, I13B		08	I08A, I08B, I08C, I08D, I08E, I13A, I13B
	21B	X04Z, X05A, X05B, X06A, X06B, X06C		10	K09A, K09B		11	L09A, L38Z
51502.a2	05	F21A, F21B	11	L09A, L38Z	21A	W04A, W04B		
	08	I08A, I08B, I08C, I08D, I08E, I13A, I13B	21A	W04A, W04B	21B	X06A, X06B, X06C, X33Z		
	10	K09A, K09B	21B	X06A, X06B, X06C, X33Z	51512.1	BOP, KVT, UOP4		
	11	L09A, L09B, L09C, L09D, L38Z	01	BOP, KVT, UOP4		01	B04A, B04B, B04C, B04D, B04E	
	21A	W04A, W04B	05	F01A, F01B, F01D, F05Z, F06A, F06C, F07A, F07B, F08A, F08B, F08C, F08D, F08E, F27A, F28A, F42Z		05	F01A, F01B, F01D, F05Z, F07A, F07B, F08A, F08B, F08C, F08D, F08E, F27A, F28A, F42Z	
21B	X04Z, X05A, X05B, X06A, X06B, X06C	08	I08A, I08B, I08C, I08D, I08E, I13A, I13B	08		I08A, I08B, I08C, I08D, I08E, I13A, I13B		
51502.a3	05	F21A, F21B	10	K09A, K09B		11	L09A, L38Z	
	08	I08A, I08B, I08C, I08D, I08E, I13A, I13B	11	L09A, L38Z	21A	W04A, W04B		
	10	K09A, K09B	21A	W04A, W04B	21B	X06A, X06B, X06C, X33Z		
	11	L09A, L09B, L09C, L09D, L38Z	21B	X06A, X06B, X06C, X33Z	51512.2	BOP, KVT, UOP4		
	21A	W04A, W04B	01	B04A, B04B, B04C, B04D, B04E		01	B04A, B04B, B04C, B04D, B04E	
21B	X04Z, X05A, X05B, X06A, X06B, X06C	05	F01A, F01B, F01D, F05Z, F06A, F06C, F07A, F07B, F08A, F08B, F08C, F08D, F08E, F27A, F28A, F42Z	05		F01A, F01B, F01D, F05Z, F07A, F07B, F08A, F08B, F08C, F08D, F08E, F27A, F28A, F42Z		
51502.a4	05	F21A, F21B	08	I08A, I08B, I08C, I08D, I08E, I13A, I13B		08	I08A, I08B, I08C, I08D, I08E, I13A, I13B	
	08	I08A, I08B, I08C, I08D, I08E, I13A, I13B	10	K09A, K09B		10	K09A, K09B	
	10	K09A, K09B	11	L09A, L38Z	11	L09A, L38Z		
	11	L09A, L09B, L09C, L09D, L38Z	21A	W04A, W04B	21A	W04A, W04B		
	21A	W04A, W04B	21B	X06A, X06B, X06C, X33Z	21B	X06A, X06B, X06C, X33Z		
51502.a5	21B	X04Z, X05A, X05B, X06A, X06B, X06C	51511.2	BOP, KVT, UOP4	51512.3	BOP, KVT, UOP4		
	05	F21A, F21B		01		B04A, B04B, B04C, B04D, B04E	01	B04A, B04B, B04C, B04D, B04E
	08	I08A, I08B, I08C, I08D, I08E, I13A, I13B		05		F01A, F01B, F01D, F05Z, F06A, F06C, F07A, F07B, F08A, F08B, F08C, F08D, F08E, F27A, F28A, F42Z	05	F01A, F01B, F01D, F05Z, F07A, F07B, F08A, F08B, F08C, F08D, F08E, F27A, F28A, F42Z
	10	K09A, K09B		08		I08A, I08B, I08C, I08D, I08E, I13A, I13B	08	I08A, I08B, I08C, I08D, I08E, I13A, I13B
	11	L09A, L09B, L09C, L09D, L38Z		11		L09A, L38Z	10	K09A, K09B
51502.ax	21A	W04A, W04B	11	L09A, L38Z	11	L09A, L38Z		
	21B	X04Z, X05A, X05B, X06A, X06B, X06C	21A	W04A, W04B	21A	W04A, W04B		
	05	F21A, F21B	21B	X06A, X06B, X06C, X33Z	21B	X06A, X06B, X06C, X33Z		
	08	I08A, I08B, I08C, I08D, I08E, I13A, I13B	51511.3	BOP, KOP, KOPV, KVT, UOP4	51512.4	BOP, KVT, UOP4		
	10	K09A, K09B		01		B02A, B02B, B02C, B02D, B20A, B20B, B20C, B20D, B20E, B20F, B39A, B39B	01	B04A, B04B, B04C, B04D, B04E
11	L09A, L09B, L09C, L09D, L38Z	05		F05Z, F06A, F06C		05	F01A, F01B, F01D, F05Z, F07A, F07B, F08A, F08B, F08C, F08D, F08E, F27A, F28A, F42Z	
21A	W04A, W04B	06		G33Z		08	I08A, I08B, I08C, I08D, I08E, I13A, I13B	
21B	X04Z, X05A, X05B, X06A, X06B, X06C	07		H33Z, H38Z		10	K09A, K09B	
51502.x	05	F21A, F21B	08	I08A, I08B, I08C, I08D, I08E, I13A, I13B	11	L09A, L38Z		
	08	I08A, I08B, I08C, I08D, I08E, I13A, I13B	11	L09A, L33Z, L38Z	21A	W04A, W04B		
	10	K09A, K09B	21A	W01A, W01B, W01C, W36Z	21B	X06A, X06B, X06C, X33Z		
	11	L09A, L09B, L09C, L09D, L38Z	21B	X06A, X06B, X06C, X33Z	51511.x	Z01A		
	21A	W04A, W04B	23	A07A		BOP, KVT, UOP4		
21B	X04Z, X05A, X05B, X06A, X06B, X06C	Pre	A07A	01		B04A, B04B, B04C, B04D, B04E		
51502.x	05	F21A, F21B	01	BOP, KVT, UOP4		05	F01A, F01B, F01D, F05Z, F06A, F06C, F07A, F07B, F08A, F08B, F08C, F08D, F08E, F27A, F28A, F42Z	
	08	I08A, I08B, I08C, I08D, I08E, I13A, I13B	05	F01A, F01B, F01D, F05Z, F06A, F06C, F07A, F07B, F08A, F08B, F08C, F08D, F08E, F27A, F28A, F42Z		08	I08A, I08B, I08C, I08D, I08E, I13A, I13B	
	10	K09A, K09B	08	I08A, I08B, I08C, I08D, I08E, I13A, I13B	10	K09A, K09B		
	11	L09A, L09B, L09C, L09D, L38Z	11	L09A, L38Z	11	L09A, L38Z		
	21A	W04A, W04B	21A	W04A, W04B	21A	W04A, W04B		
21B	X04Z, X05A, X05B, X06A, X06B, X06C	21B	X06A, X06B, X06C, X33Z	21B	X06A, X06B, X06C, X33Z			

ZZV	MDC	DRG	ZZV	MDC	DRG	ZZV	MDC	DRG
51512.5		BOP, KVT, UOP4	51514.0		BOP, KVT, UOP4	51514.5		BOP, KVT, UOP4
	01	B04A, B04B, B04C, B04D, B04E		01	B04A, B04B, B04C, B04D, B04E		05	F01A, F01B, F01D, F05Z, F07A, F07B, F08A, F08B, F08C, F08D, F08E, F27A, F28A, F42Z
	05	F01A, F01B, F01D, F05Z, F07A, F07B, F08A, F08B, F08C, F08D, F08E, F27A, F28A, F42Z		05	F01A, F01B, F01D, F05Z, F07A, F07B, F08A, F08B, F08C, F08D, F08E, F27A, F28A, F42Z		08	I08A, I08B, I08C, I08D, I08E, I13A, I13B
	08	I08A, I08B, I08C, I08D, I08E, I13A, I13B		08	I08A, I08B, I08C, I08D, I08E, I13A, I13B		09	J03A, J03B, J04A, J04B, J08A, J08B, J08C, J11A, J11B, J16Z
	10	K09A, K09B		11	L09A, L38Z		10	K01Z
	11	L09A, L38Z		21A	W04A, W04B		11	L09A, L38Z
	21A	W04A, W04B		21B	X06A, X06B, X06C, X33Z		21A	W04A, W04B
	21B	X06A, X06B, X06C, X33Z			BOP, KVT, UOP4		21B	X06A, X06B, X06C, X33Z
51512.6		BOP, KVT, UOP4	51514.1		BOP, KVT, UOP4	51514.6		BOP, KVT, UOP4
	01	B04A, B04B, B04C, B04D, B04E		01	B04A, B04B, B04C, B04D, B04E		05	F01A, F01B, F01D, F05Z, F07A, F07B, F08A, F08B, F08C, F08D, F08E, F27A, F28A, F42Z
	05	F01A, F01B, F01D, F05Z, F07A, F07B, F08A, F08B, F08C, F08D, F08E, F27A, F28A, F42Z		05	F01A, F01B, F01D, F05Z, F07A, F07B, F08A, F08B, F08C, F08D, F08E, F27A, F28A, F42Z		08	I08A, I08B, I08C, I08D, I08E, I13A, I13B
	08	I08A, I08B, I08C, I08D, I08E, I13A, I13B		08	I08A, I08B, I08C, I08D, I08E, I13A, I13B		09	J03A, J03B, J04A, J04B, J08A, J08B, J08C, J11A, J11B, J16Z
	10	K09A, K09B		11	L09A, L38Z		10	K01Z
	11	L09A, L38Z		21A	W04A, W04B		11	L09A, L38Z
	21A	W04A, W04B		21B	X06A, X06B, X06C, X33Z		21A	W04A, W04B
	21B	X06A, X06B, X06C, X33Z			BOP, KVT, UOP4		21B	X06A, X06B, X06C, X33Z
51512.7		BOP, KVT, UOP4	51514.2		BOP, KVT, UOP4	51514.x		BOP, KVT, UOP4
	01	B04A, B04B, B04C, B04D, B04E		01	B04A, B04B, B04C, B04D, B04E		01	B04A, B04B, B04C, B04D, B04E
	05	F01A, F01B, F01D, F05Z, F07A, F07B, F08A, F08B, F08C, F08D, F08E, F27A, F28A, F42Z		05	F01A, F01B, F01D, F05Z, F07A, F07B, F08A, F08B, F08C, F08D, F08E, F27A, F28A, F42Z		05	F01A, F01B, F01D, F05Z, F07A, F07B, F08A, F08B, F08C, F08D, F08E, F27A, F28A, F42Z
	08	I08A, I08B, I08C, I08D, I08E, I13A, I13B		08	I08A, I08B, I08C, I08D, I08E, I13A, I13B		08	I08A, I08B, I08C, I08D, I08E, I13A, I13B
	10	K09A, K09B		09	J03A, J03B, J04A, J04B, J08A, J08B, J08C, J11A, J11B, J16Z		11	L09A, L38Z
	11	L09A, L38Z		10	K09A, K09B		21A	W04A, W04B
	21A	W04A, W04B		11	L09A, L38Z		21B	X06A, X06B, X06C, X33Z
	21B	X06A, X06B, X06C, X33Z			BOP, KVT, UOP4			BOP, KVT, UOP4
51512.x		BOP, KVT, UOP4	51514.3		BOP, KVT, UOP4	51515.0		BOP, KVT, UOP4
	01	B04A, B04B, B04C, B04D, B04E		01	B04A, B04B, B04C, B04D, B04E		05	F01A, F01B, F01D, F05Z, F07A, F07B, F08A, F08B, F08C, F08D, F08E, F27A, F27B, F27C, F28A, F42Z
	05	F01A, F01B, F01D, F05Z, F07A, F07B, F08A, F08B, F08C, F08D, F08E, F27A, F28A, F42Z		05	F01A, F01B, F01D, F05Z, F07A, F07B, F08A, F08B, F08C, F08D, F08E, F27A, F27B, F27C, F28A, F42Z		08	I08A, I08B, I08C, I08D, I08E, I13A, I13B
	08	I08A, I08B, I08C, I08D, I08E, I13A, I13B		08	I08A, I08B, I08C, I08D, I08E, I13A, I13B		09	J03A, J03B, J04A, J04B, J08A, J08B, J08C, J11A, J11B, J16Z
	11	L09A, L38Z		09	J03A, J03B, J04A, J04B, J08A, J08B, J08C, J11A, J11B, J16Z		10	K01Z
	21A	W04A, W04B		10	K09A, K09B		11	L09A, L38Z
	21B	X06A, X06B, X06C, X33Z		11	L09A, L38Z		21A	W04A, W04B
		BOP, KVT, UOP4		21B	X06A, X06B, X06C, X33Z		21B	X06A, X06B, X06C, X33Z
51513		BOP, KVT, UOP4	51514.4		BOP, KVT, UOP4	51515.1		BOP, KVT, UOP4
	01	B04A, B04B, B04C, B04D, B04E		01	B04A, B04B, B04C, B04D, B04E		05	F01A, F01B, F01D, F05Z, F07A, F07B, F08A, F08B, F08C, F08D, F08E, F27A, F27B, F27C, F28A, F42Z
	05	F01A, F01B, F01D, F05Z, F07A, F07B, F08A, F08B, F08C, F08D, F08E, F27A, F27B, F27C, F28A, F42Z		05	F01A, F01B, F01D, F05Z, F07A, F07B, F08A, F08B, F08C, F08D, F08E, F27A, F27B, F27C, F28A, F42Z		08	I08A, I08B, I08C, I08D, I08E, I13A, I13B
	08	I08A, I08B, I08C, I08D, I08E, I13A, I13B		08	I08A, I08B, I08C, I08D, I08E, I13A, I13B		09	J03A, J03B, J04A, J04B, J08A, J08B, J08C, J11A, J11B, J16Z
	10	K09A, K09B		09	J03A, J03B, J04A, J04B, J08A, J08B, J08C, J11A, J11B, J16Z		10	K01Z
	11	L09A, L38Z		10	K01Z		11	L09A, L38Z
	21A	W04A, W04B		11	L09A, L38Z		21A	W04A, W04B
	21B	X06A, X06B, X06C, X33Z		21A	W04A, W04B		21B	X06A, X06B, X06C, X33Z

VYK

ZZV	MDC	DRG	ZZV	MDC	DRG	ZZV	MDC	DRG				
51515.2		BOP, KVT, UOP4	51515.7		BOP, KVT, UOP4	51516.2		BOP, KVT, UOP4				
	05	F01A, F01B, F01D, F05Z, F07A, F07B, F08A, F08B, F08C, F08D, F08E, F27A, F27B, F27C, F28A, F42Z		05	F01A, F01B, F01D, F05Z, F07A, F07B, F08A, F08B, F08C, F08D, F08E, F27A, F28A, F42Z		01	B04A, B04B, B04C, B04D, B04E				
	08	I08A, I08B, I08C, I08D, I08E, I13A, I13B		08	I08A, I08B, I08C, I08D, I08E, I13A, I13B		05	F01A, F01B, F01D, F05Z, F07A, F07B, F08A, F08B, F08C, F08D, F08E, F27A, F28A, F42Z				
	09	J03A, J03B, J04A, J04B, J08A, J08B, J08C, J11A, J11B, J16Z		11	L03Z, L04A, L04B, L04C, L09A, L10Z, L13A, L13B, L38Z		08	I08A, I08B, I08C, I08D, I08E, I13A, I13B				
	10	K01Z		21A	W04A, W04B		10	K09A, K09B				
	11	L09A, L38Z		21B	X06A, X06B, X06C, X33Z		11	L09A, L38Z				
	21A	W04A, W04B		51515.8			BOP, KVT, UOP4	21A	W04A, W04B			
	21B	X06A, X06B, X06C, X33Z			05		F01A, F01B, F01D, F05Z, F07A, F07B, F08A, F08B, F08C, F08D, F08E, F27A, F28A, F42Z	21A	W04A, W04B			
	51515.3				BOP, KVT, UOP4		51515.x		BOP, KVT, UOP4	51516.3		BOP, KVT, UOP4
		05			F01A, F01B, F01D, F05Z, F07A, F07B, F08A, F08B, F08C, F08D, F08E, F27A, F27B, F27C, F28A, F42Z			05	F01A, F01B, F01D, F05Z, F07A, F07B, F08A, F08B, F08C, F08D, F08E, F27A, F28A, F42Z		01	B04A, B04B, B04C, B04D, B04E
		08			I08A, I08B, I08C, I08D, I08E, I13A, I13B			06	G10Z, G12A, G12B, G18A, G38Z		05	F01A, F01B, F01D, F05Z, F07A, F07B, F08A, F08B, F08C, F08D, F08E, F27A, F28A, F42Z
09		J03A, J03B, J04A, J04B, J08A, J08B, J08C, J11A, J11B, J16Z	07		H01A, H06A, H06B, H06C	08		I08A, I08B, I08C, I08D, I08E, I13A, I13B				
10		K01Z	08		I08A, I08B, I08C, I08D, I08E, I13A, I13B	10		K09A, K09B				
11		L09A, L38Z	11		L03Z, L04A, L04B, L04C, L09A, L10Z, L13A, L13B, L38Z	11		L09A, L38Z				
21A		W04A, W04B	21A		W04A, W04B	21A		W04A, W04B				
21B		X06A, X06B, X06C, X33Z	21B		X06A, X06B, X06C, X33Z	21B		X06A, X06B, X06C, X33Z				
51515.4			BOP, KVT, UOP4		51516.0			BOP, KVT, UOP4	51516.4			BOP, KVT, UOP4
		05	F01A, F01B, F01D, F05Z, F07A, F07B, F08A, F08B, F08C, F08D, F08E, F27A, F27B, F27C, F28A, F42Z	05		F01A, F01B, F01D, F05Z, F07A, F07B, F08A, F08B, F08C, F08D, F08E, F27A, F28A, F42Z		01			B04A, B04B, B04C, B04D, B04E	
		08	I08A, I08B, I08C, I08D, I08E, I13A, I13B	06		G10Z, G12A, G12B		05			F01A, F01B, F01D, F05Z, F07A, F07B, F08A, F08B, F08C, F08D, F08E, F27A, F28A, F42Z	
	09	J03A, J03B, J04A, J04B, J08A, J08B, J08C, J11A, J11B, J16Z	07	H06A, H06B, H06C		08	I08A, I08B, I08C, I08D, I08E, I13A, I13B					
	10	K01Z	08	I08A, I08B, I08C, I08D, I08E, I13A, I13B		10	K09A, K09B					
	11	L09A, L38Z	11	L09A, L38Z		11	L09A, L38Z					
	21A	W04A, W04B	21A	W04A, W04B		21A	W04A, W04B					
	21B	X06A, X06B, X06C, X33Z	21B	X06A, X06B, X06C, X33Z		21B	X06A, X06B, X06C, X33Z					
	51515.5		BOP, KVT, UOP4	51516.1			BOP, KVT, UOP4	51516.5			BOP, KVT, UOP4	
		05	F01A, F01B, F01D, F05Z, F07A, F07B, F08A, F08B, F08C, F08D, F08E, F27A, F27B, F27C, F28A, F42Z			01	B04A, B04B, B04C, B04D, B04E			01	B04A, B04B, B04C, B04D, B04E	
		08	I08A, I08B, I08C, I08D, I08E, I13A, I13B			05	F01A, F01B, F01D, F05Z, F07A, F07B, F08A, F08B, F08C, F08D, F08E, F27A, F28A, F42Z			05	F01A, F01B, F01D, F05Z, F07A, F07B, F08A, F08B, F08C, F08D, F08E, F27A, F28A, F42Z	
09		J03A, J03B, J04A, J04B, J08A, J08B, J08C, J11A, J11B, J16Z	08		I08A, I08B, I08C, I08D, I08E, I13A, I13B	08	I08A, I08B, I08C, I08D, I08E, I13A, I13B					
10		K01Z	10		K09A, K09B	10	K09A, K09B					
11		L09A, L38Z	11		L09A, L38Z	11	L09A, L38Z					
21A		W04A, W04B	21A		W04A, W04B	21A	W04A, W04B					
21B		X06A, X06B, X06C, X33Z	21B		X06A, X06B, X06C, X33Z	21B	X06A, X06B, X06C, X33Z					
51515.6			BOP, KVT, UOP4		51516.6		BOP, KVT, UOP4		51516.6		BOP, KVT, UOP4	
		05	F01A, F01B, F01D, F05Z, F07A, F07B, F08A, F08B, F08C, F08D, F08E, F27A, F28A, F42Z			01	B04A, B04B, B04C, B04D, B04E			01	B04A, B04B, B04C, B04D, B04E	
		06	G10Z, G12A, G12B			05	F01A, F01B, F01D, F05Z, F07A, F07B, F08A, F08B, F08C, F08D, F08E, F27A, F28A, F42Z			05	F01A, F01B, F01D, F05Z, F07A, F07B, F08A, F08B, F08C, F08D, F08E, F27A, F28A, F42Z	
	07	H06A, H06B, H06C	08	I08A, I08B, I08C, I08D, I08E, I13A, I13B		08	I08A, I08B, I08C, I08D, I08E, I13A, I13B					
	08	I08A, I08B, I08C, I08D, I08E, I13A, I13B	10	K09A, K09B		10	K09A, K09B					
	11	L09A, L38Z	11	L09A, L38Z		11	L09A, L38Z					
	21A	W04A, W04B	21A	W04A, W04B		21A	W04A, W04B					
	21B	X06A, X06B, X06C, X33Z	21B	X06A, X06B, X06C, X33Z		21B	X06A, X06B, X06C, X33Z					

VYK

ZZV	MDC	DRG	ZZV	MDC	DRG	ZZV	MDC	DRG
51516.x		BOP, KVT, UOP4	51517.x		BOP, KVT, UOP4	51521.2↔		BOP, KVT, UOP4
	01	B04A, B04B, B04C, B04D, B04E		01	B04A, B04B, B04C, B04D, B04E		01	B04A, B04B, B04C, B04D, B04E
	05	F01A, F01B, F01D, F05Z, F07A, F07B, F08A, F08B, F08C, F08D, F08E, F27A, F28A, F42Z		05	F01A, F01B, F01D, F05Z, F07A, F07B, F08A, F08B, F08C, F08D, F08E, F27A, F28A, F42Z		05	F01A, F01B, F01D, F05Z, F06A, F06C, F07A, F07B, F08A, F08B, F08C, F08D, F08E, F27A, F28A, F42Z
	08	I08A, I08B, I08C, I08D, I08E, I13A, I13B		08	I08A, I08B, I08C, I08D, I08E, I13A, I13B		08	I08A, I08B, I08C, I08D, I08E, I13A, I13B
	10	K09A, K09B		10	K09A, K09B		11	L09A, L38Z
	11	L09A, L38Z		11	L09A, L38Z		21A	W04A, W04B
	21A	W04A, W04B		21A	W04A, W04B		21B	X06A, X06B, X06C, X33Z
51517.0		BOP, KVT, UOP4	51518		BOP, KVT, UOP4	51521.3↔		BOP, KOP, KOPV, KVT, UOP4
	01	B04A, B04B, B04C, B04D, B04E		01	B04A, B04B, B04C, B04D, B04E		01	B02A, B02B, B02C, B02D, B20A, B20B, B20C, B20D, B20E, B20F, B39A, B39B
	05	F01A, F01B, F01D, F05Z, F07A, F07B, F08A, F08B, F08C, F08D, F08E, F27A, F28A, F42Z		05	F01A, F01B, F01D, F05Z, F07A, F07B, F08A, F08B, F08C, F08D, F08E, F27A, F28A, F42Z		05	F05Z, F06A, F06C
	08	I08A, I08B, I08C, I08D, I08E, I13A, I13B		08	I08A, I08B, I08C, I08D, I08E, I13A, I13B		06	G33Z
	10	K09A, K09B		10	K09A, K09B		07	H33Z, H38Z
	11	L09A, L38Z		11	L09A, L38Z		08	I08A, I08B, I08C, I08D, I08E, I13A, I13B
	21A	W04A, W04B		21A	W04A, W04B		11	L09A, L33Z, L38Z
51517.1		BOP, KVT, UOP4	51519		BOP, KVT, UOP4	51521.4		BOP, KVT, UOP4
	01	B04A, B04B, B04C, B04D, B04E		01	B04A, B04B, B04C, B04D, B04E		01	B04A, B04B, B04C, B04D, B04E
	05	F01A, F01B, F01D, F05Z, F07A, F07B, F08A, F08B, F08C, F08D, F08E, F27A, F28A, F42Z		05	F01A, F01B, F01D, F05Z, F07A, F07B, F08A, F08B, F08C, F08D, F08E, F27A, F28A, F42Z		05	F01A, F01B, F01D, F05Z, F06A, F06C, F07A, F07B, F08A, F08B, F08C, F08D, F08E, F27A, F28A, F42Z
	08	I08A, I08B, I08C, I08D, I08E, I13A, I13B		07	H06A, H06B, H06C		08	I08A, I08B, I08C, I08D, I08E, I13A, I13B
	10	K09A, K09B		08	I08A, I08B, I08C, I08D, I08E, I13A, I13B		11	L09A, L38Z
	11	L09A, L38Z		09	J03A, J03B, J04A, J04B, J08A, J08B, J08C, J11A, J11B, J16Z		21A	W04A, W04B
	21A	W04A, W04B		10	K09A, K09B		21B	X06A, X06B, X06C, X33Z
51517.2		BOP, KVT, UOP4	51521.0↔		BOP, KVT, UOP4	51521.5		BOP, KVT, UOP4
	01	B04A, B04B, B04C, B04D, B04E		01	B04A, B04B, B04C, B04D, B04E		01	B04A, B04B, B04C, B04D, B04E
	05	F01A, F01B, F01D, F05Z, F07A, F07B, F08A, F08B, F08C, F08D, F08E, F27A, F28A, F42Z		05	F01A, F01B, F01D, F05Z, F06A, F06C, F07A, F07B, F08A, F08B, F08C, F08D, F08E, F27A, F28A, F42Z		05	F01A, F01B, F01D, F05Z, F06A, F06C, F07A, F07B, F08A, F08B, F08C, F08D, F08E, F27A, F28A, F42Z
	08	I08A, I08B, I08C, I08D, I08E, I13A, I13B		08	I08A, I08B, I08C, I08D, I08E, I13A, I13B		08	I08A, I08B, I08C, I08D, I08E, I13A, I13B
	10	K09A, K09B		10	K09A, K09B		11	L09A, L38Z
	11	L09A, L38Z		11	L09A, L38Z		21A	W04A, W04B
	21A	W04A, W04B		21B	X04Z, X05A, X05B, X06A, X06B, X06C, X33Z		21B	X06A, X06B, X06C, X33Z
51517.3		BOP, KVT, UOP4	51521.1↔		BOP, KVT, UOP4	51521.x↔		BOP, KVT, UOP4
	01	B04A, B04B, B04C, B04D, B04E		01	B04A, B04B, B04C, B04D, B04E		01	B04A, B04B, B04C, B04D, B04E
	05	F01A, F01B, F01D, F05Z, F07A, F07B, F08A, F08B, F08C, F08D, F08E, F27A, F28A, F42Z		05	F01A, F01B, F01D, F05Z, F06A, F06C, F07A, F07B, F08A, F08B, F08C, F08D, F08E, F27A, F28A, F42Z		05	F01A, F01B, F01D, F05Z, F06A, F06C, F07A, F07B, F08A, F08B, F08C, F08D, F08E, F27A, F28A, F42Z
	08	I08A, I08B, I08C, I08D, I08E, I13A, I13B		08	I08A, I08B, I08C, I08D, I08E, I13A, I13B		08	I08A, I08B, I08C, I08D, I08E, I13A, I13B
	10	K09A, K09B		10	K09A, K09B		11	L09A, L38Z
	11	L09A, L38Z		11	L09A, L38Z		21A	W04A, W04B
	21A	W04A, W04B		21B	X06A, X06B, X06C, X33Z		21B	X06A, X06B, X06C, X33Z

VYK

ZZV	MDC	DRG	ZZV	MDC	DRG	ZZV	MDC	DRG	
51522.0↔		BOP, KVT, UOP4	51522.5↔		BOP, KVT, UOP4	51524.0↔		BOP, KVT, UOP4	
	01	B04A, B04B, B04C, B04D, B04E		01	B04A, B04B, B04C, B04D, B04E		01	B04A, B04B, B04C, B04D, B04E	
	05	F01A, F01B, F01D, F05Z, F07A, F07B, F08A, F08B, F08C, F08D, F08E, F27A, F28A, F42Z		05	F01A, F01B, F01D, F05Z, F07A, F07B, F08A, F08B, F08C, F08D, F08E, F27A, F28A, F42Z		05	F01A, F01B, F01D, F05Z, F07A, F07B, F08A, F08B, F08C, F08D, F08E, F27A, F28A, F42Z	
	08	I08A, I08B, I08C, I08D, I08E, I13A, I13B		08	I08A, I08B, I08C, I08D, I08E, I13A, I13B		08	I08A, I08B, I08C, I08D, I08E, I13A, I13B	
	11	L09A, L38Z		10	K09A, K09B		11	L09A, L38Z	
	21A	W04A, W04B		11	L09A, L38Z		21A	W04A, W04B	
	21B	X06A, X06B, X06C, X33Z		21A	W04A, W04B		21B	X06A, X06B, X06C, X33Z	
51522.1↔		BOP, KVT, UOP4	51522.6↔		BOP, KVT, UOP4	51524.1↔		BOP, KVT, UOP4	
	01	B04A, B04B, B04C, B04D, B04E		01	B04A, B04B, B04C, B04D, B04E		01	B04A, B04B, B04C, B04D, B04E	
	05	F01A, F01B, F01D, F05Z, F07A, F07B, F08A, F08B, F08C, F08D, F08E, F27A, F28A, F42Z		05	F01A, F01B, F01D, F05Z, F07A, F07B, F08A, F08B, F08C, F08D, F08E, F27A, F28A, F42Z		05	F01A, F01B, F01D, F05Z, F07A, F07B, F08A, F08B, F08C, F08D, F08E, F27A, F28A, F42Z	
	08	I08A, I08B, I08C, I08D, I08E, I13A, I13B		08	I08A, I08B, I08C, I08D, I08E, I13A, I13B		08	I08A, I08B, I08C, I08D, I08E, I13A, I13B	
	11	L09A, L38Z		10	K09A, K09B		11	L09A, L38Z	
	21A	W04A, W04B		11	L09A, L38Z		21A	W04A, W04B	
	21B	X06A, X06B, X06C, X33Z		21A	W04A, W04B		21B	X06A, X06B, X06C, X33Z	
51522.2↔		BOP, KVT, UOP4	51522.7↔		BOP, KVT, UOP4	51524.2		BOP, KVT, UOP4	
	01	B04A, B04B, B04C, B04D, B04E		01	B04A, B04B, B04C, B04D, B04E		01	B04A, B04B, B04C, B04D, B04E	
	05	F01A, F01B, F01D, F05Z, F07A, F07B, F08A, F08B, F08C, F08D, F08E, F27A, F28A, F42Z		05	F01A, F01B, F01D, F05Z, F07A, F07B, F08A, F08B, F08C, F08D, F08E, F27A, F28A, F42Z		05	F01A, F01B, F01D, F05Z, F07A, F07B, F08A, F08B, F08C, F08D, F08E, F27A, F28A, F42Z	
	08	I08A, I08B, I08C, I08D, I08E, I13A, I13B		08	I08A, I08B, I08C, I08D, I08E, I13A, I13B		07	H06A, H06B, H06C	
	10	K09A, K09B		10	K09A, K09B		08	I08A, I08B, I08C, I08D, I08E, I13A, I13B	
	11	L09A, L38Z		10	K09A, K09B		09	J03A, J03B, J04A, J04B, J08A, J08B, J08C, J11A, J11B, J16Z	
	21A	W04A, W04B		11	L09A, L38Z		10	K09A, K09B	
51522.3↔		BOP, KVT, UOP4	51522.x↔		BOP, KVT, UOP4	51524.3↔		BOP, KVT, UOP4	
	01	B04A, B04B, B04C, B04D, B04E		01	B04A, B04B, B04C, B04D, B04E		01	B04A, B04B, B04C, B04D, B04E	
	05	F01A, F01B, F01D, F05Z, F07A, F07B, F08A, F08B, F08C, F08D, F08E, F27A, F28A, F42Z		05	F01A, F01B, F01D, F05Z, F07A, F07B, F08A, F08B, F08C, F08D, F08E, F27A, F28A, F42Z		05	F01A, F01B, F01D, F05Z, F07A, F07B, F08A, F08B, F08C, F08D, F08E, F27A, F27B, F27C, F28A, F42Z	
	08	I08A, I08B, I08C, I08D, I08E, I13A, I13B		08	I08A, I08B, I08C, I08D, I08E, I13A, I13B		08	I08A, I08B, I08C, I08D, I08E, I13A, I13B	
	10	K09A, K09B		10	K09A, K09B		09	J03A, J03B, J04A, J04B, J08A, J08B, J08C, J11A, J11B, J16Z	
	11	L09A, L38Z		11	L09A, L38Z		10	K01Z	
	21A	W04A, W04B		21A	W04A, W04B		11	L09A, L38Z	
51522.4↔		BOP, KVT, UOP4	51523↔		BOP, KVT, UOP4	51524.4		BOP, KVT, UOP4	
	01	B04A, B04B, B04C, B04D, B04E		01	B04A, B04B, B04C, B04D, B04E		01	B04A, B04B, B04C, B04D, B04E	
	05	F01A, F01B, F01D, F05Z, F07A, F07B, F08A, F08B, F08C, F08D, F08E, F27A, F28A, F42Z		05	F01A, F01B, F01D, F05Z, F07A, F07B, F08A, F08B, F08C, F08D, F08E, F08F, F27A, F28A, F42Z		05	F01A, F01B, F01D, F05Z, F07A, F07B, F08A, F08B, F08C, F08D, F08E, F27A, F27B, F27C, F28A, F42Z	
	08	I08A, I08B, I08C, I08D, I08E, I13A, I13B		08	I08A, I08B, I08C, I08D, I08E, I13A, I13B		08	I08A, I08B, I08C, I08D, I08E, I13A, I13B	
	10	K09A, K09B		10	K09A, K09B		08	I08A, I08B, I08C, I08D, I08E, I13A, I13B	
	11	L09A, L38Z		10	K09A, K09B		09	J03A, J03B, J04A, J04B, J08A, J08B, J08C, J11A, J11B, J16Z	
	21A	W04A, W04B		11	L09A, L38Z		10	K01Z	
21B	X06A, X06B, X06C, X33Z	21A	W04A, W04B	11	L09A, L38Z				
				21A	W04A, W04B				
				21B	X06A, X06B, X06C, X33Z				
								21B	X06A, X06B, X06C, X33Z

ZZV	MDC	DRG	ZZV	MDC	DRG	ZZV	MDC	DRG			
51524.5↔		BOP, KVT, UOP4	51524.x↔		BOP, KVT, UOP4	51525.2↔		BOP, KVT, UOP4			
	05	F01A, F01B, F01D, F05Z, F07A, F07B, F08A, F08B, F08C, F08D, F08E, F27A, F27B, F27C, F28A, F42Z		01	B04A, B04B, B04C, B04D, B04E		05	F01A, F01B, F01D, F05Z, F07A, F07B, F08A, F08B, F08C, F08D, F08E, F27A, F28A, F42Z			
	08	I08A, I08B, I08C, I08D, I08E, I13A, I13B		05	F01A, F01B, F01D, F05Z, F07A, F07B, F08A, F08B, F08C, F08D, F08E, F27A, F28A, F42Z		08	I08A, I08B, I08C, I08D, I08E, I13A, I13B			
	09	J03A, J03B, J04A, J04B, J08A, J08B, J08C, J11A, J11B, J16Z		08	I08A, I08B, I08C, I08D, I08E, I13A, I13B		09	J03A, J03B, J04A, J04B, J08A, J08B, J08C, J11A, J11B, J16Z			
	10	K01Z		11	L09A, L38Z		10	K01Z			
	11	L09A, L38Z		21A	W04A, W04B		11	L09A, L38Z			
	21A	W04A, W04B		21B	X06A, X06B, X06C, X33Z		21A	W04A, W04B			
	21B	X06A, X06B, X06C, X33Z			BOP, KVT, UOP4		21B	X06A, X06B, X06C, X33Z			
	51524.6↔			BOP, KVT, UOP4	51525.0↔			BOP, KVT, UOP4	51525.3↔		BOP, KVT, UOP4
		05		F01A, F01B, F01D, F05Z, F07A, F07B, F08A, F08B, F08C, F08D, F08E, F27A, F27B, F27C, F28A, F42Z			05	F01A, F01B, F01D, F05Z, F07A, F07B, F08A, F08B, F08C, F08D, F08E, F27A, F28A, F42Z		05	F01A, F01B, F01D, F05Z, F07A, F07B, F08A, F08B, F08C, F08D, F08E, F27A, F27B, F27C, F28A, F42Z
		08		I08A, I08B, I08C, I08D, I08E, I13A, I13B			06	G10Z, G12A, G12B		08	I08A, I08B, I08C, I08D, I08E, I13A, I13B
09		J03A, J03B, J04A, J04B, J08A, J08B, J08C, J11A, J11B, J16Z	07	H06A, H06B, H06C		09	J03A, J03B, J04A, J04B, J08A, J08B, J08C, J11A, J11B, J16Z				
10		K01Z	08	I08A, I08B, I08C, I08D, I08E, I13A, I13B		10	K01Z				
11		L09A, L38Z	11	L09A, L38Z		11	L09A, L38Z				
21A		W04A, W04B	21A	W04A, W04B		21A	W04A, W04B				
21B		X06A, X06B, X06C, X33Z	21B	X06A, X06B, X06C, X33Z		21B	X06A, X06B, X06C, X33Z				
51524.7			BOP, KVT, UOP4	51525.00			BOP, KVT, UOP4	51525.4↔			BOP, KVT, UOP4
		01	B04A, B04B, B04C, B04D, B04E			05	F01A, F01B, F01D, F05Z, F07A, F07B, F08A, F08B, F08C, F08D, F08E, F27A, F28A, F42Z			05	F01A, F01B, F01D, F05Z, F07A, F07B, F08A, F08B, F08C, F08D, F08E, F27A, F27B, F27C, F28A, F42Z
		05	F01A, F01B, F01D, F05Z, F07A, F07B, F08A, F08B, F08C, F08D, F08E, F27A, F28A, F42Z			06	G10Z, G12A, G12B			08	I08A, I08B, I08C, I08D, I08E, I13A, I13B
	08	I08A, I08B, I08C, I08D, I08E, I13A, I13B	07		H06A, H06B, H06C	11	L09A, L38Z				
	11	L09A, L38Z	08		I08A, I08B, I08C, I08D, I08E, I13A, I13B	21A	W04A, W04B				
	21A	W04A, W04B	21A		W04A, W04B	21B	X06A, X06B, X06C, X33Z				
	21B	X06A, X06B, X06C, X33Z			BOP, KVT, UOP4		BOP, KVT, UOP4				
	51524.8↔		BOP, KVT, UOP4		51525.1↔		BOP, KVT, UOP4		51525.5↔		BOP, KVT, UOP4
		05	F01A, F01B, F01D, F05Z, F07A, F07B, F08A, F08B, F08C, F08D, F08E, F27A, F27B, F27C, F28A, F42Z			05	F01A, F01B, F01D, F05Z, F07A, F07B, F08A, F08B, F08C, F08D, F08E, F27A, F27B, F27C, F28A, F42Z			05	F01A, F01B, F01D, F05Z, F07A, F07B, F08A, F08B, F08C, F08D, F08E, F27A, F27B, F27C, F28A, F42Z
		08	I08A, I08B, I08C, I08D, I08E, I13A, I13B			08	I08A, I08B, I08C, I08D, I08E, I13A, I13B			08	I08A, I08B, I08C, I08D, I08E, I13A, I13B
		09	J03A, J03B, J04A, J04B, J08A, J08B, J08C, J11A, J11B, J16Z			09	J03A, J03B, J04A, J04B, J08A, J08B, J08C, J11A, J11B, J16Z			09	J03A, J03B, J04A, J04B, J08A, J08B, J08C, J11A, J11B, J16Z
10		K01Z	10	K01Z		10	K01Z				
11		L09A, L38Z	11	L09A, L38Z		11	L09A, L38Z				
21A		W04A, W04B	21A	W04A, W04B		21A	W04A, W04B				
21B		X06A, X06B, X06C, X33Z	21B	X06A, X06B, X06C, X33Z		21B	X06A, X06B, X06C, X33Z				
51524.9↔			BOP, KVT, UOP4	51525.10			BOP, KVT, UOP4	51525.6↔			BOP, KVT, UOP4
		05	F01A, F01B, F01D, F05Z, F07A, F07B, F08A, F08B, F08C, F08D, F08E, F27A, F27B, F27C, F28A, F42Z			05	F01A, F01B, F01D, F05Z, F07A, F07B, F08A, F08B, F08C, F08D, F08E, F27A, F28A, F42Z			05	F01A, F01B, F01D, F05Z, F07A, F07B, F08A, F08B, F08C, F08D, F08E, F27A, F28A, F42Z
		08	I08A, I08B, I08C, I08D, I08E, I13A, I13B			06	G10Z, G12A, G12B			06	G10Z, G12A, G12B
	09	J03A, J03B, J04A, J04B, J08A, J08B, J08C, J11A, J11B, J16Z	07		H06A, H06B, H06C	07	H06A, H06B, H06C				
	10	K01Z	08		I08A, I08B, I08C, I08D, I08E, I13A, I13B	08	I08A, I08B, I08C, I08D, I08E, I13A, I13B				
	11	L09A, L38Z	11		L09A, L38Z	11	L09A, L38Z				
	21A	W04A, W04B	21A		W04A, W04B	21A	W04A, W04B				
	21B	X06A, X06B, X06C, X33Z	21B		X06A, X06B, X06C, X33Z	21B	X06A, X06B, X06C, X33Z				

ZZV	MDC	DRG	ZZV	MDC	DRG	ZZV	MDC	DRG
51525.7↔		BOP, KVT, UOP4	51526.2↔	01	B04A, B04B, B04C, B04D, B04E	51526.x↔	01	B04A, B04B, B04C, B04D, B04E
	05	F01A, F01B, F01D, F05Z, F07A, F07B, F08A, F08B, F08C, F08D, F08E, F27A, F28A, F42Z		05	F01A, F01B, F01D, F05Z, F07A, F07B, F08A, F08B, F08C, F08D, F08E, F27A, F28A, F42Z		05	F01A, F01B, F01D, F05Z, F07A, F07B, F08A, F08B, F08C, F08D, F08E, F27A, F28A, F42Z
	08	I08A, I08B, I08C, I08D, I08E, I13A, I13B		08	I08A, I08B, I08C, I08D, I08E, I13A, I13B		08	I08A, I08B, I08C, I08D, I08E, I13A, I13B
	11	L03Z, L04A, L04B, L04C, L09A, L10Z, L13A, L13B, L38Z		10	K09A, K09B		10	K09A, K09B
	21A	W04A, W04B		11	L09A, L38Z		11	L09A, L38Z
	21B	X06A, X06B, X06C, X33Z		21A	W04A, W04B		21A	W04A, W04B
51525.8↔		BOP, KVT, UOP4	51526.3↔	21B	X06A, X06B, X06C, X33Z	51527.0↔	21B	X06A, X06B, X06C, X33Z
	05	F01A, F01B, F01D, F05Z, F07A, F07B, F08A, F08B, F08C, F08D, F08E, F27A, F28A, F42Z		01	B04A, B04B, B04C, B04D, B04E		01	B04A, B04B, B04C, B04D, B04E
	06	G10Z, G12A, G12B, G18A, G38Z		05	F01A, F01B, F01D, F05Z, F07A, F07B, F08A, F08B, F08C, F08D, F08E, F27A, F28A, F42Z		05	F01A, F01B, F01D, F05Z, F07A, F07B, F08A, F08B, F08C, F08D, F08E, F27A, F28A, F42Z
	07	H01A, H06A, H06B, H06C		08	I08A, I08B, I08C, I08D, I08E, I13A, I13B		08	I08A, I08B, I08C, I08D, I08E, I13A, I13B
	08	I08A, I08B, I08C, I08D, I08E, I13A, I13B		10	K09A, K09B		10	K09A, K09B
	11	L03Z, L04A, L04B, L04C, L09A, L10Z, L13A, L13B, L38Z		11	L09A, L38Z		11	L09A, L38Z
51525.x↔	21A	W04A, W04B	51526.4↔	21A	W04A, W04B	51527.1	21A	W04A, W04B
	21B	X06A, X06B, X06C, X33Z		21B	X06A, X06B, X06C, X33Z		21B	X04Z, X33Z
		BOP, KVT, UOP4			BOP, KVT, UOP4			BOP, KVT, UOP4
	05	F01A, F01B, F01D, F05Z, F07A, F07B, F08A, F08B, F08C, F08D, F08E, F27A, F28A, F42Z		01	B04A, B04B, B04C, B04D, B04E		01	B04A, B04B, B04C, B04D, B04E
	06	G10Z, G12A, G12B		05	F01A, F01B, F01D, F05Z, F07A, F07B, F08A, F08B, F08C, F08D, F08E, F27A, F28A, F42Z		05	F01A, F01B, F01D, F05Z, F07A, F07B, F08A, F08B, F08C, F08D, F08E, F27A, F28A, F42Z
	07	H06A, H06B, H06C		08	I08A, I08B, I08C, I08D, I08E, I13A, I13B		08	I08A, I08B, I08C, I08D, I08E, I13A, I13B
51526.0↔	08	I08A, I08B, I08C, I08D, I08E, I13A, I13B	51526.5↔	10	K09A, K09B	51527.2	10	K09A, K09B
	11	L09A, L38Z		11	L09A, L38Z		11	L09A, L38Z
	21A	W04A, W04B		21A	W04A, W04B		21A	W04A, W04B
	21B	X06A, X06B, X06C, X33Z		21B	X06A, X06B, X06C, X33Z		21B	X04Z, X33Z
		BOP, KVT, UOP4			BOP, KVT, UOP4			BOP, KVT, UOP4
	01	B04A, B04B, B04C, B04D, B04E		01	B04A, B04B, B04C, B04D, B04E		01	B04A, B04B, B04C, B04D, B04E
51526.1↔	05	F01A, F01B, F01D, F05Z, F07A, F07B, F08A, F08B, F08C, F08D, F08E, F27A, F28A, F42Z	51526.6↔	05	F01A, F01B, F01D, F05Z, F07A, F07B, F08A, F08B, F08C, F08D, F08E, F27A, F28A, F42Z	51527.3↔	05	F01A, F01B, F01D, F05Z, F07A, F07B, F08A, F08B, F08C, F08D, F08E, F27A, F28A, F42Z
	08	I08A, I08B, I08C, I08D, I08E, I13A, I13B		08	I08A, I08B, I08C, I08D, I08E, I13A, I13B		08	I08A, I08B, I08C, I08D, I08E, I13A, I13B
	10	K09A, K09B		10	K09A, K09B		10	K09A, K09B
	11	L09A, L38Z		11	L09A, L38Z		11	L09A, L38Z
	21A	W04A, W04B		21A	W04A, W04B		21A	W04A, W04B
	21B	X06A, X06B, X06C, X33Z		21B	X06A, X06B, X06C, X33Z		21B	X04Z, X33Z

ZZV	MDC	DRG	ZZV	MDC	DRG	ZZV	MDC	DRG
51527.x↔		BOP, KVT, UOP4	51530.1↔		BOP, KVT, UOP4	51531.0↔		BOP, KVT, UOP4
	01	B04A, B04B, B04C, B04D, B04E		01	B04A, B04B, B04C, B04D, B04E		01	B04A, B04B, B04C, B04D, B04E
	05	F01A, F01B, F01D, F05Z, F07A, F07B, F08A, F08B, F08C, F08D, F08E, F27A, F28A, F42Z		05	F01A, F01B, F01D, F05Z, F06A, F06C, F07A, F07B, F14A, F14B, F28A, F42Z, F54Z, F59A, F59B		05	F01A, F01B, F01D, F05Z, F07A, F07B, F14A, F14B, F28A, F42Z, F54Z, F59A, F59B
	08	I08A, I08B, I08C, I08D, I08E, I13A, I13B		08	I08A, I08B, I08C, I08D, I08E, I13A, I13B		08	I08A, I08B, I08C, I08D, I08E, I13A, I13B
	10	K09A, K09B		10	K09A, K09B		10	K09A, K09B
	11	L09A, L38Z		11	L09A, L09B, L09C, L09D, L38Z		11	L09A, L09B, L09C, L09D, L38Z
	21A	W04A, W04B		21A	W04A, W04B		21A	W04A, W04B
	21B	X04Z, X33Z		21B	X06A, X06B, X06C		21B	X05A, X05B, X06A, X06B, X06C
51528↔		BOP, KVT, UOP4	51530.2↔		BOP, KVT, UOP4	51531.1↔		BOP, KVT, UOP4
	01	B04A, B04B, B04C, B04D, B04E		01	B04A, B04B, B04C, B04D, B04E		01	B04A, B04B, B04C, B04D, B04E
	05	F01A, F01B, F01D, F05Z, F07A, F07B, F08A, F08B, F08C, F08D, F08E, F27A, F28A, F42Z		05	F01A, F01B, F01D, F05Z, F06A, F06C, F07A, F07B, F14A, F14B, F28A, F42Z, F54Z, F59A, F59B		05	F01A, F01B, F01D, F05Z, F07A, F07B, F14A, F14B, F28A, F42Z, F54Z, F59A, F59B
	08	I08A, I08B, I08C, I08D, I08E, I13A, I13B		08	I08A, I08B, I08C, I08D, I08E, I13A, I13B		08	I08A, I08B, I08C, I08D, I08E, I13A, I13B
	10	K09A, K09B		10	K09A, K09B		10	K09A, K09B
	11	L09A, L38Z		11	L09A, L09B, L09C, L09D, L38Z		11	L09A, L09B, L09C, L09D, L38Z
	21A	W04A, W04B		21A	W04A, W04B		21A	W04A, W04B
	21B	X04Z, X33Z		21B	X06A, X06B, X06C		21B	X05A, X05B, X06A, X06B, X06C
51529		BOP, KVT, UOP4	51530.3↔		BOP, KVT, UOP4	51531.x↔		BOP, KVT, UOP4
	01	B04A, B04B, B04C, B04D, B04E		01	B04A, B04B, B04C, B04D, B04E		01	B04A, B04B, B04C, B04D, B04E
	05	F01A, F01B, F01D, F05Z, F07A, F07B, F08A, F08B, F08C, F08D, F08E, F27A, F28A, F42Z		05	F01A, F01B, F01D, F05Z, F06A, F06C, F07A, F07B, F14A, F14B, F28A, F42Z, F54Z, F59A, F59B		05	F01A, F01B, F01D, F05Z, F07A, F07B, F14A, F14B, F28A, F42Z, F54Z, F59A, F59B
	07	H06A, H06B, H06C		07	H06A, H06B, H06C		07	H06A, H06B, H06C
	08	I08A, I08B, I08C, I08D, I08E, I13A, I13B		08	I08A, I08B, I08C, I08D, I08E, I13A, I13B		08	I08A, I08B, I08C, I08D, I08E, I13A, I13B
	09	J03A, J03B, J04A, J04B, J08A, J08B, J08C, J11A, J11B, J16Z		09	J03A, J03B, J04A, J04B, J08A, J08B, J08C, J11A, J11B, J16Z		09	J03A, J03B, J04A, J04B, J08A, J08B, J08C, J11A, J11B, J16Z
	10	K09A, K09B		10	K09A, K09B		10	K09A, K09B
	11	L09A, L09B, L09C, L09D, L38Z		11	L09A, L09B, L09C, L09D, L38Z		11	L09A, L09B, L09C, L09D, L38Z
	21A	W04A, W04B		21A	W04A, W04B		21A	W04A, W04B
	21B	X04Z, X05A, X05B, X06A, X06B, X06C, X33Z		21B	X06A, X06B, X06C		21B	X05A, X05B, X06A, X06B, X06C
	5152a			BOP, KVT, UOP4	51530.4↔			BOP, KVT, UOP4
05		F21A, F21B	05	F01A, F01B, F01D, F05Z, F06A, F06C, F07A, F07B, F14A, F14B, F28A, F42Z, F54Z, F59A, F59B		05	F01A, F01B, F01D, F05Z, F06A, F06C, F07A, F07B, F14A, F14B, F28A, F42Z, F54Z, F59A, F59B	
08		I08A, I08B, I08C, I08D, I08E, I13A, I13B	08	I08A, I08B, I08C, I08D, I08E, I13A, I13B		08	I08A, I08B, I08C, I08D, I08E, I13A, I13B	
10		K09A, K09B	10	K09A, K09B		10	K09A, K09B	
11		L09A, L09B, L09C, L09D, L38Z	11	L09A, L09B, L09C, L09D, L38Z		11	L09A, L09B, L09C, L09D, L38Z	
21A		W04A, W04B	21A	W04A, W04B		21A	W04A, W04B	
21B		X04Z, X05A, X05B, X06A, X06B, X06C	21B	X06A, X06B, X06C		21B	X05A, X05B, X06A, X06B, X06C	
51530.0↔			BOP, KVT, UOP4	51530.x↔			BOP, KVT, UOP4	
	01	B04A, B04B, B04C, B04D, B04E	01		B04A, B04B, B04C, B04D, B04E	01	B04A, B04B, B04C, B04D, B04E	
	05	F01A, F01B, F01D, F05Z, F06A, F06C, F07A, F07B, F14A, F14B, F28A, F42Z, F54Z, F59A, F59B	05		F01A, F01B, F01D, F05Z, F06A, F06C, F07A, F07B, F14A, F14B, F28A, F42Z, F54Z, F59A, F59B	05	F01A, F01B, F01D, F05Z, F06A, F06C, F07A, F07B, F14A, F14B, F28A, F42Z, F54Z, F59A, F59B	
	08	I08A, I08B, I08C, I08D, I08E, I13A, I13B	08		I08A, I08B, I08C, I08D, I08E, I13A, I13B	08	I08A, I08B, I08C, I08D, I08E, I13A, I13B	
	10	K09A, K09B	10		K09A, K09B	10	K09A, K09B	
	11	L09A, L09B, L09C, L09D, L38Z	11		L09A, L09B, L09C, L09D, L38Z	11	L09A, L09B, L09C, L09D, L38Z	
	21A	W04A, W04B	21A		W04A, W04B	21A	W04A, W04B	
	21B	X06A, X06B, X06C	21B		X06A, X06B, X06C	21B	X06A, X06B, X06C	

VYK

ZZV	MDC	DRG	ZZV	MDC	DRG	ZZV	MDC	DRG
51532.1↔		BOP, KVT, UOP4	51532.x↔		BOP, KVT, UOP4	51534.0↔		BOP, KVT, UOP4
	01	B04A, B04B, B04C, B04D, B04E		01	B04A, B04B, B04C, B04D, B04E		01	B04A, B04B, B04C, B04D, B04E
	05	F01A, F01B, F01D, F05Z, F07A, F07B, F14A, F14B, F28A, F42Z, F54Z, F59A, F59B		05	F01A, F01B, F01D, F05Z, F07A, F07B, F14A, F14B, F28A, F42Z, F54Z, F59A, F59B		05	F01A, F01B, F01D, F05Z, F07A, F07B, F14A, F14B, F28A, F42Z, F54Z, F59A, F59B
	08	I08A, I08B, I08C, I08D, I08E, I13A, I13B		08	I08A, I08B, I08C, I08D, I08E, I13A, I13B		08	I08A, I08B, I08C, I08D, I08E, I13A, I13B
	10	K09A, K09B		10	K09A, K09B		10	K09A, K09B
	11	L09A, L09B, L09C, L09D, L38Z		11	L09A, L09B, L09C, L09D, L38Z		11	L09A, L09B, L09C, L09D, L38Z
	21A	W04A, W04B		21A	W04A, W04B		15	P02A, P02B, P02C
	21B	X05A, X05B, X06A, X06B, X06C		21B	X05A, X05B, X06A, X06B, X06C		21A	W04A, W04B
51532.2↔		BOP, KVT, UOP4	51533.0		BOP, KVT, UOP4	51534.1↔		BOP, KVT, UOP4
	01	B04A, B04B, B04C, B04D, B04E		01	B04A, B04B, B04C, B04D, B04E		01	B04A, B04B, B04C, B04D, B04E
	05	F01A, F01B, F01D, F05Z, F07A, F07B, F14A, F14B, F28A, F42Z, F54Z, F59A, F59B		05	F01A, F01B, F01D, F05Z, F07A, F07B, F14A, F14B, F28A, F42Z, F54Z, F59A, F59B		05	F01A, F01B, F01D, F05Z, F07A, F07B, F14A, F14B, F28A, F42Z, F54Z, F59A, F59B
	08	I08A, I08B, I08C, I08D, I08E, I13A, I13B		08	I08A, I08B, I08C, I08D, I08E, I13A, I13B		08	I08A, I08B, I08C, I08D, I08E, I13A, I13B
	10	K09A, K09B		10	K09A, K09B		10	K09A, K09B
	11	L09A, L09B, L09C, L09D, L38Z		11	L09A, L09B, L09C, L09D, L38Z		11	L09A, L09B, L09C, L09D, L38Z
	21A	W04A, W04B		15	P02A, P02B, P02C		15	P02A, P02B, P02C
	21B	X05A, X05B, X06A, X06B, X06C		21A	W04A, W04B		21A	W04A, W04B
51532.3↔		BOP, KVT, UOP4	51533.1		BOP, KVT, UOP4	51534.2↔		BOP, KVT, UOP4
	01	B04A, B04B, B04C, B04D, B04E		01	B04A, B04B, B04C, B04D, B04E		01	B04A, B04B, B04C, B04D, B04E
	05	F01A, F01B, F01D, F05Z, F07A, F07B, F14A, F14B, F28A, F42Z, F54Z, F59A, F59B		05	F01A, F01B, F01D, F05Z, F07A, F07B, F14A, F14B, F28A, F42Z, F54Z, F59A, F59B		05	F01A, F01B, F01D, F05Z, F07A, F07B, F14A, F14B, F28A, F42Z, F54Z, F59A, F59B
	08	I08A, I08B, I08C, I08D, I08E, I13A, I13B		08	I08A, I08B, I08C, I08D, I08E, I13A, I13B		08	I08A, I08B, I08C, I08D, I08E, I13A, I13B
	10	K09A, K09B		10	K09A, K09B		10	K09A, K09B
	11	L09A, L09B, L09C, L09D, L38Z		11	L09A, L09B, L09C, L09D, L38Z		11	L09A, L09B, L09C, L09D, L38Z
	21A	W04A, W04B		15	P02A, P02B, P02C		15	P02A, P02B, P02C
	21B	X05A, X05B, X06A, X06B, X06C		21A	W04A, W04B		21A	W04A, W04B
51532.4↔		BOP, KVT, UOP4	51533.x		BOP, KVT, UOP4	51534.x↔		BOP, KVT, UOP4
	01	B04A, B04B, B04C, B04D, B04E		01	B04A, B04B, B04C, B04D, B04E		01	B04A, B04B, B04C, B04D, B04E
	05	F01A, F01B, F01D, F05Z, F07A, F07B, F14A, F14B, F28A, F42Z, F54Z, F59A, F59B		05	F01A, F01B, F01D, F05Z, F07A, F07B, F14A, F14B, F28A, F42Z, F54Z, F59A, F59B		05	F01A, F01B, F01D, F05Z, F07A, F07B, F14A, F14B, F28A, F42Z, F54Z, F59A, F59B
	08	I08A, I08B, I08C, I08D, I08E, I13A, I13B		08	I08A, I08B, I08C, I08D, I08E, I13A, I13B		08	I08A, I08B, I08C, I08D, I08E, I13A, I13B
	10	K09A, K09B		10	K09A, K09B		10	K09A, K09B
	11	L09A, L09B, L09C, L09D, L38Z		11	L09A, L09B, L09C, L09D, L38Z		11	L09A, L09B, L09C, L09D, L38Z
	21A	W04A, W04B		15	P02A, P02B, P02C		15	P02A, P02B, P02C
	21B	X05A, X05B, X06A, X06B, X06C		21A	W04A, W04B		21A	W04A, W04B
			21B	X06A, X06B, X06C	21B	X06A, X06B, X06C		

VYK

ZZV	MDC	DRG	ZZV	MDC	DRG	ZZV	MDC	DRG				
51535.0↔		BOP, KVT, UOP4	51535.x↔		BOP, KVT, UOP4	51536.2		BOP, KOP, KOPV, KVT, UOP4				
	01	B04A, B04B, B04C, B04D, B04E		01	B04A, B04B, B04C, B04D, B04E		01	B04A, B04B, B04C, B04D, B04E				
	05	F01A, F01B, F01D, F05Z, F07A, F07B, F14A, F14B, F28A, F42Z, F54Z, F59A, F59B		05	F01A, F01B, F01D, F05Z, F07A, F07B, F14A, F14B, F28A, F42Z, F54Z, F59A, F59B		05	F01A, F01B, F01D, F05Z, F07A, F07B, F14A, F14B, F28A, F42Z, F54Z, F59A, F59B				
	08	I08A, I08B, I08C, I08D, I08E, I13A, I13B		08	I08A, I08B, I08C, I08D, I08E, I13A, I13B		06	G15Z, G19A, G19B, G33Z, G38Z				
	10	K09A, K09B		10	K09A, K09B		07	H33Z, H38Z				
	11	L09A, L09B, L09C, L09D, L38Z		11	L09A, L09B, L09C, L09D, L38Z		08	I08A, I08B, I08C, I08D, I08E, I13A, I13B				
	21A	W04A, W04B		21A	W04A, W04B		10	K09A, K09B				
	21B	X04Z, X06A, X06B, X06C		21B	X04Z, X06A, X06B, X06C		11	L09A, L09B, L09C, L09D, L33Z, L38Z				
	51535.1↔			BOP, KVT, UOP4	51536.0			BOP, KOP, KOPV, KVT, UOP4	51536.3		W04A, W04B	
		01		B04A, B04B, B04C, B04D, B04E			01	B04A, B04B, B04C, B04D, B04E		21B	X06A, X06B, X06C, X33Z	
05		F01A, F01B, F01D, F05Z, F07A, F07B, F14A, F14B, F28A, F42Z, F54Z, F59A, F59B	05	F01A, F01B, F01D, F05Z, F07A, F07B, F14A, F14B, F28A, F42Z, F54Z, F59A, F59B		23	Z01A					
08		I08A, I08B, I08C, I08D, I08E, I13A, I13B	06	G15Z, G18A, G19A, G19B, G33Z, G38Z		Pre	A07A					
10		K09A, K09B	07	H01A, H33Z, H38Z		51536.3	01	B04A, B04B, B04C, B04D, B04E				
11		L09A, L09B, L09C, L09D, L38Z	08	I08A, I08B, I08C, I08D, I08E, I13A, I13B			05	F01A, F01B, F01D, F05Z, F07A, F07B, F14A, F14B, F28A, F42Z, F54Z, F59A, F59B				
21A		W04A, W04B	10	K09A, K09B			06	G15Z, G18A, G19A, G19B, G33Z, G38Z				
21B		X04Z, X06A, X06B, X06C	11	L09A, L09B, L09C, L09D, L33Z, L38Z			07	H06A, H06B, H06C, H33Z, H38Z				
51535.2↔			BOP, KVT, UOP4	51536.1				W04A, W04B		51536.4↔		I08A, I08B, I08C, I08D, I08E, I13A, I13B
		01	B04A, B04B, B04C, B04D, B04E				01	B04A, B04B, B04C, B04D, B04E			08	I08A, I08B, I08C, I08D, I08E, I13A, I13B
	05	F01A, F01B, F01D, F05Z, F07A, F07B, F14A, F14B, F28A, F42Z, F54Z, F59A, F59B	05		F01A, F01B, F01D, F05Z, F07A, F07B, F14A, F14B, F28A, F42Z, F54Z, F59A, F59B		10	K09A, K09B				
	08	I08A, I08B, I08C, I08D, I08E, I13A, I13B	06		G15Z, G18A, G19A, G19B, G33Z, G38Z		11	L09A, L09B, L09C, L09D, L33Z, L38Z				
	10	K09A, K09B	07		H01A, H06A, H06B, H06C, H33Z, H38Z		21A	W04A, W04B				
	11	L09A, L09B, L09C, L09D, L38Z	08		I08A, I08B, I08C, I08D, I08E, I13A, I13B		21B	X06A, X06B, X06C, X33Z				
	21A	W04A, W04B	10		K09A, K09B	23	Z01A					
	21B	X04Z, X06A, X06B, X06C	11		L09A, L09B, L09C, L09D, L33Z, L38Z	Pre	A07A					
	51535.3↔		BOP, KVT, UOP4		51536.1		BOP, KOP, KOPV, KVT, UOP4	51536.4↔			BOP, KVT, UOP4	
		01	B04A, B04B, B04C, B04D, B04E			01	B04A, B04B, B04C, B04D, B04E		01		B04A, B04B, B04C, B04D, B04E	
05		F01A, F01B, F01D, F05Z, F07A, F07B, F14A, F14B, F28A, F42Z, F54Z, F59A, F59B	05	F01A, F01B, F01D, F05Z, F07A, F07B, F14A, F14B, F28A, F42Z, F54Z, F59A, F59B		05	F01A, F01B, F01D, F05Z, F07A, F07B, F14A, F14B, F28A, F42Z, F54Z, F59A, F59B					
08		I08A, I08B, I08C, I08D, I08E, I13A, I13B	06	G15Z, G18A, G19A, G19B, G33Z, G38Z		08	I08A, I08B, I08C, I08D, I08E, I13A, I13B					
10		K09A, K09B	07	H01A, H06A, H06B, H06C, H33Z, H38Z		10	K09A, K09B					
11		L09A, L09B, L09C, L09D, L38Z	08	I08A, I08B, I08C, I08D, I08E, I13A, I13B		11	L09A, L09B, L09C, L09D, L38Z					
21A		W04A, W04B	10	K09A, K09B		21A	W04A, W04B					
21B		X04Z, X06A, X06B, X06C	11	L09A, L09B, L09C, L09D, L33Z, L38Z		21B	X06A, X06B, X06C					
51535.4↔			BOP, KVT, UOP4	51536.1			W04A, W04B		51536.4↔		BOP, KVT, UOP4	
		01	B04A, B04B, B04C, B04D, B04E			01	B04A, B04B, B04C, B04D, B04E			01	B04A, B04B, B04C, B04D, B04E	
	05	F01A, F01B, F01D, F05Z, F07A, F07B, F14A, F14B, F28A, F42Z, F54Z, F59A, F59B	05		F01A, F01B, F01D, F05Z, F07A, F07B, F14A, F14B, F28A, F42Z, F54Z, F59A, F59B	05	F01A, F01B, F01D, F05Z, F07A, F07B, F14A, F14B, F28A, F42Z, F54Z, F59A, F59B					
	08	I08A, I08B, I08C, I08D, I08E, I13A, I13B	06		G15Z, G18A, G19A, G19B, G33Z, G38Z	08	I08A, I08B, I08C, I08D, I08E, I13A, I13B					
	10	K09A, K09B	07		H01A, H06A, H06B, H06C, H33Z, H38Z	10	K09A, K09B					
	11	L09A, L09B, L09C, L09D, L38Z	08		I08A, I08B, I08C, I08D, I08E, I13A, I13B	11	L09A, L09B, L09C, L09D, L38Z					
	21A	W04A, W04B	10		K09A, K09B	21A	W04A, W04B					
	21B	X04Z, X06A, X06B, X06C	11		L09A, L09B, L09C, L09D, L33Z, L38Z	21B	X06A, X06B, X06C					

ZZV	MDC	DRG	ZZV	MDC	DRG	ZZV	MDC	DRG			
51539.0↔		BOP, KVT, UOP4	51539.4		BOP, KVT, UOP4	51539.8↔		BOP, KVT, UOP4			
	01	B04A, B04B, B04C, B04D, B04E		01	B04A, B04B, B04C, B04D, B04E		01	B04A, B04B, B04C, B04D, B04E			
	05	F01A, F01B, F01D, F05Z, F07A, F07B, F14A, F14B, F28A, F42Z, F54Z, F59A, F59B		05	F01A, F01B, F01D, F05Z, F07A, F07B, F14A, F14B, F28A, F42Z, F54Z, F59A, F59B		05	F01A, F01B, F01D, F05Z, F07A, F07B, F14A, F14B, F28A, F42Z, F54Z, F59A, F59B			
	08	I08A, I08B, I08C, I08D, I08E, I13A, I13B		06	G18A, G38Z		06	G18A, G38Z			
	10	K09A, K09B		07	H01A		07	H01A			
	11	L09A, L09B, L09C, L09D, L38Z		08	I08A, I08B, I08C, I08D, I08E, I13A, I13B		08	I08A, I08B, I08C, I08D, I08E, I13A, I13B			
	21A	W04A, W04B		10	K09A, K09B		10	K09A, K09B			
	21B	X04Z, X06A, X06B, X06C		11	L09A, L09B, L09C, L09D, L38Z		11	L09A, L09B, L09C, L09D, L38Z			
	51539.1↔			BOP, KVT, UOP4	51539.5			BOP, KVT, UOP4	51539.9↔		BOP, KVT, UOP4
		01		B04A, B04B, B04C, B04D, B04E			01	B04A, B04B, B04C, B04D, B04E		01	B04A, B04B, B04C, B04D, B04E
		05		F01A, F01B, F01D, F05Z, F07A, F07B, F14A, F14B, F28A, F42Z, F54Z, F59A, F59B			05	F01A, F01B, F01D, F05Z, F07A, F07B, F14A, F14B, F28A, F42Z, F54Z, F59A, F59B		05	F01A, F01B, F01D, F05Z, F07A, F07B, F14A, F14B, F28A, F42Z, F54Z, F59A, F59B
08		I08A, I08B, I08C, I08D, I08E, I13A, I13B	06	G18A, G38Z		08	I08A, I08B, I08C, I08D, I08E, I13A, I13B				
10		K09A, K09B	07	H01A		10	K09A, K09B				
11		L09A, L09B, L09C, L09D, L38Z	08	I08A, I08B, I08C, I08D, I08E, I13A, I13B		11	L09A, L09B, L09C, L09D, L38Z				
21A		W04A, W04B	10	K09A, K09B		21A	W04A, W04B				
21B		X04Z, X06A, X06B, X06C	11	L09A, L09B, L09C, L09D, L38Z		21B	X06A, X06B, X06C				
51539.2			BOP, KVT, UOP4	51539.6			BOP, KVT, UOP4	51539.a↔			BOP, KVT, UOP4
		01	B04A, B04B, B04C, B04D, B04E			01	B04A, B04B, B04C, B04D, B04E			01	B04A, B04B, B04C, B04D, B04E
		05	F01A, F01B, F01D, F05Z, F07A, F07B, F14A, F14B, F28A, F42Z, F54Z, F59A, F59B			05	F01A, F01B, F01D, F05Z, F07A, F07B, F14A, F14B, F28A, F42Z, F54Z, F59A, F59B			05	F01A, F01B, F01D, F05Z, F07A, F07B, F14A, F14B, F28A, F42Z, F54Z, F59A, F59B
	06	G18A, G38Z	06		G18A, G38Z	08	I08A, I08B, I08C, I08D, I08E, I13A, I13B				
	07	H01A	07		H01A	10	K09A, K09B				
	08	I08A, I08B, I08C, I08D, I08E, I13A, I13B	08		I08A, I08B, I08C, I08D, I08E, I13A, I13B	11	L09A, L09B, L09C, L09D, L38Z				
	10	K09A, K09B	10		K09A, K09B	21A	W04A, W04B				
	11	L09A, L09B, L09C, L09D, L38Z	11		L09A, L09B, L09C, L09D, L38Z	21B	X06A, X06B, X06C				
	21A	W04A, W04B	21A		W04A, W04B						
	21B	X06A, X06B, X06C	21B		X06A, X06B, X06C						
	51539.3↔		BOP, KVT, UOP4		51539.7		BOP, KVT, UOP4		51539.b↔		BOP, KVT, UOP4
01		B04A, B04B, B04C, B04D, B04E	01	B04A, B04B, B04C, B04D, B04E		01	B04A, B04B, B04C, B04D, B04E				
05		F01A, F01B, F01D, F05Z, F07A, F07B, F14A, F14B, F28A, F42Z, F54Z, F59A, F59B	05	F01A, F01B, F01D, F05Z, F07A, F07B, F14A, F14B, F28A, F42Z, F54Z, F59A, F59B		05	F01A, F01B, F01D, F05Z, F07A, F07B, F14A, F14B, F28A, F42Z, F54Z, F59A, F59B				
06		G18A, G38Z	06	G18A, G38Z		08	I08A, I08B, I08C, I08D, I08E, I13A, I13B				
07		H01A	07	H01A		10	K09A, K09B				
08		I08A, I08B, I08C, I08D, I08E, I13A, I13B	08	I08A, I08B, I08C, I08D, I08E, I13A, I13B		11	L09A, L09B, L09C, L09D, L38Z				
10		K09A, K09B	10	K09A, K09B		21A	W04A, W04B				
11		L09A, L09B, L09C, L09D, L38Z	11	L09A, L09B, L09C, L09D, L38Z		21B	X05A, X05B, X06A, X06B, X06C				
21A		W04A, W04B	21A	W04A, W04B							
21B		X06A, X06B, X06C	21B	X06A, X06B, X06C							

VYK

ZZV	MDC	DRG	ZZV	MDC	DRG	ZZV	MDC	DRG			
51539.c↔		BOP, KVT, UOP4	51539.g↔		BOP, KVT, UOP4	5153a.2↔		BOP, KVT, UOP4			
	01	B04A, B04B, B04C, B04D, B04E		01	B04A, B04B, B04C, B04D, B04E		01	B04A, B04B, B04C, B04D, B04E			
	05	F01A, F01B, F01D, F05Z, F07A, F07B, F14A, F14B, F28A, F42Z, F54Z, F59A, F59B		05	F01A, F01B, F01D, F05Z, F07A, F07B, F14A, F14B, F28A, F42Z, F54Z, F59A, F59B		05	F01A, F01B, F01D, F05Z, F07A, F07B, F14A, F14B, F28A, F42Z, F54Z, F59A, F59B			
	08	I08A, I08B, I08C, I08D, I08E, I13A, I13B		08	I08A, I08B, I08C, I08D, I08E, I13A, I13B		08	I08A, I08B, I08C, I08D, I08E, I13A, I13B			
	10	K09A, K09B		10	K09A, K09B		10	K09A, K09B			
	11	L09A, L09B, L09C, L09D, L38Z		11	L09A, L09B, L09C, L09D, L38Z		11	L09A, L09B, L09C, L09D, L38Z			
	21A	W04A, W04B		21A	W04A, W04B		21A	W04A, W04B			
	21B	X05A, X05B, X06A, X06B, X06C		21B	X04Z, X06A, X06B, X06C		21B	X04Z, X05A, X05B, X06A, X06B, X06C			
	51539.d↔			BOP, KVT, UOP4	51539.h↔			BOP, KVT, UOP4	5153a.3↔		BOP, KVT, UOP4
		01		B04A, B04B, B04C, B04D, B04E			01	B04A, B04B, B04C, B04D, B04E		01	B04A, B04B, B04C, B04D, B04E
05		F01A, F01B, F01D, F05Z, F07A, F07B, F14A, F14B, F28A, F42Z, F54Z, F59A, F59B	05	F01A, F01B, F01D, F05Z, F07A, F07B, F14A, F14B, F28A, F42Z, F54Z, F59A, F59B		05	F01A, F01B, F01D, F05Z, F07A, F07B, F14A, F14B, F28A, F42Z, F54Z, F59A, F59B				
08		I08A, I08B, I08C, I08D, I08E, I13A, I13B	08	I08A, I08B, I08C, I08D, I08E, I13A, I13B		08	I08A, I08B, I08C, I08D, I08E, I13A, I13B				
10		K09A, K09B	10	K09A, K09B		10	K09A, K09B				
11		L09A, L09B, L09C, L09D, L38Z	11	L09A, L09B, L09C, L09D, L38Z		11	L09A, L09B, L09C, L09D, L38Z				
21A		W04A, W04B	21A	W04A, W04B		21A	W04A, W04B				
21B		X05A, X05B, X06A, X06B, X06C	21B	X04Z, X06A, X06B, X06C		21B	X04Z, X05A, X05B, X06A, X06B, X06C				
51539.e			BOP, KVT, UOP4	51539.i↔			BOP, KVT, UOP4	5153a.x↔			BOP, KVT, UOP4
		01	B04A, B04B, B04C, B04D, B04E			01	B04A, B04B, B04C, B04D, B04E			01	B04A, B04B, B04C, B04D, B04E
	05	F01A, F01B, F01D, F05Z, F07A, F07B, F14A, F14B, F28A, F42Z, F54Z, F59A, F59B	05		F01A, F01B, F01D, F05Z, F07A, F07B, F14A, F14B, F28A, F42Z, F54Z, F59A, F59B	05	F01A, F01B, F01D, F05Z, F07A, F07B, F14A, F14B, F28A, F42Z, F54Z, F59A, F59B				
	08	I08A, I08B, I08C, I08D, I08E, I13A, I13B	08		I08A, I08B, I08C, I08D, I08E, I13A, I13B	08	I08A, I08B, I08C, I08D, I08E, I13A, I13B				
	10	K09A, K09B	10		K09A, K09B	10	K09A, K09B				
	11	L09A, L09B, L09C, L09D, L38Z	11		L09A, L09B, L09C, L09D, L38Z	11	L09A, L09B, L09C, L09D, L38Z				
	21A	W04A, W04B	21A		W04A, W04B	21A	W04A, W04B				
	21B	X06A, X06B, X06C	21B		X04Z, X06A, X06B, X06C	21B	X06A, X06B, X06C				
	51539.f		BOP, KVT, UOP4		51539.x↔		BOP, KVT, UOP4		51540.0↔		BOP, KVT, UOP4
		01	B04A, B04B, B04C, B04D, B04E			01	B04A, B04B, B04C, B04D, B04E			01	B04A, B04B, B04C, B04D, B04E
05		F01A, F01B, F01D, F05Z, F07A, F07B, F14A, F14B, F28A, F42Z, F54Z, F59A, F59B	05	F01A, F01B, F01D, F05Z, F07A, F07B, F14A, F14B, F28A, F42Z, F54Z, F59A, F59B		05	F01A, F01B, F01D, F05Z, F06A, F06C, F07A, F07B, F14A, F14B, F28A, F42Z, F54Z, F59A, F59B				
06		G03A, G18A, G38Z	08	I08A, I08B, I08C, I08D, I08E, I13A, I13B		08	I08A, I08B, I08C, I08D, I08E, I13A, I13B				
07		H01A	10	K09A, K09B		09	J03A, J03B, J04A, J04B, J08A, J08B, J08C, J11A, J11B, J16Z				
08		I08A, I08B, I08C, I08D, I08E, I13A, I13B	11	L09A, L09B, L09C, L09D, L38Z		10	K09A, K09B				
10		K09A, K09B	21A	W04A, W04B		21A	W04A, W04B				
11		L09A, L09B, L09C, L09D, L38Z	21B	X06A, X06B, X06C		21B	X06A, X06B, X06C				
21A		W04A, W04B	5153a.1↔			BOP, KVT, UOP4					
21B		X06A, X06B, X06C		01		B04A, B04B, B04C, B04D, B04E					
			05	F01A, F01B, F01D, F05Z, F07A, F07B, F28A, F42Z, F54Z, F59A, F59B							
			08	I08A, I08B, I08C, I08D, I08E, I13A, I13B							
			10	K09A, K09B							
			11	L09A, L09B, L09C, L09D, L38Z							
			21A	W04A, W04B							
			21B	X04Z, X05A, X05B, X06A, X06B, X06C							

ZZV	MDC	DRG	ZZV	MDC	DRG	ZZV	MDC	DRG			
51540.10↔		BOP, KVT, UOP4	51540.40↔		BOP, KOP, KOPV, KVT, UOP4	51540.x↔		BOP, KVT, UOP4			
	01	B04A, B04B, B04C, B04D, B04E		01	B04A, B04B, B04C, B04D, B04E		01	B04A, B04B, B04C, B04D, B04E			
	05	F01A, F01B, F01D, F05Z, F06A, F06C, F07A, F07B, F14A, F14B, F28A, F42Z, F54Z, F59A, F59B		04	E05A, E05B, E05C, E08A, E08B, E08C		05	F01A, F01B, F01D, F05Z, F06A, F06C, F07A, F07B, F14A, F14B, F28A, F42Z, F54Z, F59A, F59B			
	08	I08A, I08B, I08C, I08D, I08E, I13A, I13B		05	F01A, F01B, F01D, F05Z, F06A, F06C, F07A, F07B, F14A, F14B, F28A, F42Z, F54Z, F59A, F59B		08	I08A, I08B, I08C, I08D, I08E, I13A, I13B			
	09	J03A, J03B, J04A, J04B, J08A, J08B, J08C, J11A, J11B, J16Z		06	G33Z		09	J03A, J03B, J04A, J04B, J08A, J08B, J08C, J11A, J11B, J16Z			
	10	K09A, K09B		07	H33Z, H38Z		10	K09A, K09B			
	21A	W04A, W04B		08	I08A, I08B, I08C, I08D, I08E, I13A, I13B		21A	W04A, W04B			
	21B	X06A, X06B, X06C		09	J03A, J03B, J04A, J04B, J08A, J08B, J08C, J11A, J11B, J16Z		21B	X06A, X06B, X06C			
	51540.11↔			BOP, KVT, UOP4	51540.41↔			BOP, KOP, KOPV, KVT, UOP4	51542.0↔		BOP, KVT, UOP4
		01		B04A, B04B, B04C, B04D, B04E			01	B04A, B04B, B04C, B04D, B04E		01	B04A, B04B, B04C, B04D, B04E
		05		F01A, F01B, F01D, F05Z, F06A, F06C, F07A, F07B, F14A, F14B, F28A, F42Z, F54Z, F59A, F59B			04	E05A, E05B, E05C, E08A, E08B, E08C		05	F01A, F01B, F01D, F05Z, F07A, F07B, F14A, F14B, F28A, F42Z, F54Z, F59A, F59B
08		I08A, I08B, I08C, I08D, I08E, I13A, I13B	05	F01A, F01B, F01D, F05Z, F06A, F06C, F07A, F07B, F14A, F14B, F28A, F42Z, F54Z, F59A, F59B		08	I08A, I08B, I08C, I08D, I08E, I13A, I13B				
09		J03A, J03B, J04A, J04B, J08A, J08B, J08C, J11A, J11B, J16Z	06	G33Z		09	J03A, J03B, J04A, J04B, J08A, J08B, J08C, J11A, J11B, J16Z				
10		K09A, K09B	07	H33Z, H38Z		10	K09A, K09B				
21A		W04A, W04B	08	I08A, I08B, I08C, I08D, I08E, I13A, I13B		21A	W04A, W04B				
21B		X06A, X06B, X06C	09	J03A, J03B, J04A, J04B, J08A, J08B, J08C, J11A, J11B, J16Z		21B	X05A, X05B, X06A, X06B, X06C				
51540.2↔			BOP, KVT, UOP4	51540.42↔			BOP, KOP, KOPV, KVT, UOP4	51542.1↔			BOP, KVT, UOP4
		01	B04A, B04B, B04C, B04D, B04E			01	B04A, B04B, B04C, B04D, B04E			01	B04A, B04B, B04C, B04D, B04E
		05	F01A, F01B, F01D, F05Z, F06A, F06C, F07A, F07B, F14A, F14B, F28A, F42Z, F54Z, F59A, F59B			04	E05A, E05B, E05C, E08A, E08B, E08C			05	F01A, F01B, F01D, F05Z, F07A, F07B, F14A, F14B, F28A, F42Z, F54Z, F59A, F59B
	08	I08A, I08B, I08C, I08D, I08E, I13A, I13B	05		F01A, F01B, F01D, F05Z, F06A, F06C, F07A, F07B, F14A, F14B, F28A, F42Z, F54Z, F59A, F59B	08	I08A, I08B, I08C, I08D, I08E, I13A, I13B				
	09	J03A, J03B, J04A, J04B, J08A, J08B, J08C, J11A, J11B, J16Z	06		G33Z	09	J03A, J03B, J04A, J04B, J08A, J08B, J08C, J11A, J11B, J16Z				
	10	K09A, K09B	07		H33Z, H38Z	10	K09A, K09B				
	21A	W04A, W04B	08		I08A, I08B, I08C, I08D, I08E, I13A, I13B	21A	W04A, W04B				
	21B	X06A, X06B, X06C	09		J03A, J03B, J04A, J04B, J08A, J08B, J08C, J11A, J11B, J16Z	21B	X05A, X05B, X06A, X06B, X06C				
	51540.3↔		BOP, KVT, UOP4		51540.42↔		BOP, KOP, KOPV, KVT, UOP4		51542.2↔		BOP, KVT, UOP4
		01	B04A, B04B, B04C, B04D, B04E			01	B04A, B04B, B04C, B04D, B04E			01	B04A, B04B, B04C, B04D, B04E
		05	F01A, F01B, F01D, F05Z, F06A, F06C, F07A, F07B, F14A, F14B, F28A, F42Z, F54Z, F59A, F59B			04	E05A, E05B, E05C, E08A, E08B, E08C			05	F01A, F01B, F01D, F05Z, F07A, F07B, F14A, F14B, F28A, F42Z, F54Z, F59A, F59B
08		I08A, I08B, I08C, I08D, I08E, I13A, I13B	05	F01A, F01B, F01D, F05Z, F06A, F06C, F07A, F07B, F14A, F14B, F28A, F42Z, F54Z, F59A, F59B		08	I08A, I08B, I08C, I08D, I08E, I13A, I13B				
09		J03A, J03B, J04A, J04B, J08A, J08B, J08C, J11A, J11B, J16Z	06	G33Z		09	J03A, J03B, J04A, J04B, J08A, J08B, J08C, J11A, J11B, J16Z				
10		K09A, K09B	07	H33Z, H38Z		10	K09A, K09B				
21A		W04A, W04B	08	I08A, I08B, I08C, I08D, I08E, I13A, I13B		21A	W04A, W04B				
21B		X06A, X06B, X06C	09	J03A, J03B, J04A, J04B, J08A, J08B, J08C, J11A, J11B, J16Z		21B	X05A, X05B, X06A, X06B, X06C				

VYK

ZZV	MDC	DRG	ZZV	MDC	DRG	ZZV	MDC	DRG			
51542.3↔		BOP, KVT, UOP4	51544.00↔		BOP, KOP, KOPV, KVT, UOP4	51544.2↔		BOP, KOP, KOPV, KVT, UOP4			
	01	B04A, B04B, B04C, B04D, B04E		01	B04A, B04B, B04C, B04D, B04E		01	B04A, B04B, B04C, B04D, B04E			
	05	F01A, F01B, F01D, F05Z, F07A, F07B, F14A, F14B, F28A, F42Z, F54Z, F59A, F59B		04	E05A, E05B, E05C, E08A, E08B, E08C		04	E05A, E05B, E05C, E08A, E08B, E08C			
	08	I08A, I08B, I08C, I08D, I08E, I13A, I13B		05	F01A, F01B, F01D, F05Z, F07A, F07B, F14A, F14B, F28A, F42Z, F54Z, F59A, F59B		05	F01A, F01B, F01D, F05Z, F07A, F07B, F14A, F14B, F28A, F42Z, F54Z, F59A, F59B			
	09	J03A, J03B, J04A, J04B, J08A, J08B, J08C, J11A, J11B, J16Z		06	G15Z, G19A, G19B, G33Z, G38Z		06	G15Z, G19A, G19B, G33Z, G38Z			
	10	K09A, K09B		07	H33Z, H38Z		07	H33Z, H38Z			
	21A	W04A, W04B		08	I08A, I08B, I08C, I08D, I08E, I13A, I13B		08	I08A, I08B, I08C, I08D, I08E, I13A, I13B			
	21B	X05A, X05B, X06A, X06B, X06C		09	J03A, J03B, J04A, J04B, J08A, J08B, J08C, J11A, J11B, J16Z		09	J03A, J03B, J04A, J04B, J08A, J08B, J08C, J11A, J11B, J16Z			
	51542.4↔			BOP, KVT, UOP4	51544.01↔			BOP, KVT, UOP4	51544.x↔		BOP, KOP, KOPV, KVT, UOP4
		01		B04A, B04B, B04C, B04D, B04E			01	B04A, B04B, B04C, B04D, B04E		01	B04A, B04B, B04C, B04D, B04E
05		F01A, F01B, F01D, F05Z, F07A, F07B, F14A, F14B, F28A, F42Z, F54Z, F59A, F59B	05	F01A, F01B, F01D, F05Z, F06A, F06C, F07A, F07B, F14A, F14B, F28A, F42Z, F54Z, F59A, F59B		04	E05A, E05B, E05C, E08A, E08B, E08C				
08		I08A, I08B, I08C, I08D, I08E, I13A, I13B	08	I08A, I08B, I08C, I08D, I08E, I13A, I13B		05	F01A, F01B, F01D, F05Z, F07A, F07B, F14A, F14B, F28A, F42Z, F54Z, F59A, F59B				
09		J03A, J03B, J04A, J04B, J08A, J08B, J08C, J11A, J11B, J16Z	09	J03A, J03B, J04A, J04B, J08A, J08B, J08C, J11A, J11B, J16Z		06	G15Z, G19A, G19B, G33Z, G38Z				
10		K09A, K09B	10	K09A, K09B		07	H33Z, H38Z				
21A		W04A, W04B	21A	W04A, W04B		08	I08A, I08B, I08C, I08D, I08E, I13A, I13B				
21B		X05A, X05B, X06A, X06B, X06C	21B	X06A, X06B, X06C, X33Z		09	J03A, J03B, J04A, J04B, J08A, J08B, J08C, J11A, J11B, J16Z				
51542.x↔			BOP, KVT, UOP4	51544.1↔			BOP, KOP, KOPV, KVT, UOP4	51544.x↔			BOP, KOP, KOPV, KVT, UOP4
		01	B04A, B04B, B04C, B04D, B04E			01	B04A, B04B, B04C, B04D, B04E			01	B04A, B04B, B04C, B04D, B04E
	05	F01A, F01B, F01D, F05Z, F07A, F07B, F14A, F14B, F28A, F42Z, F54Z, F59A, F59B	04		E05A, E05B, E05C, E08A, E08B, E08C	04	E05A, E05B, E05C, E08A, E08B, E08C				
	08	I08A, I08B, I08C, I08D, I08E, I13A, I13B	05		F01A, F01B, F01D, F05Z, F07A, F07B, F14A, F14B, F28A, F42Z, F54Z, F59A, F59B	05	F01A, F01B, F01D, F05Z, F07A, F07B, F14A, F14B, F28A, F42Z, F54Z, F59A, F59B				
	09	J03A, J03B, J04A, J04B, J08A, J08B, J08C, J11A, J11B, J16Z	06		G15Z, G19A, G19B, G33Z, G38Z	06	G15Z, G19A, G19B, G33Z, G38Z				
	10	K09A, K09B	07		H33Z, H38Z	07	H33Z, H38Z				
	21A	W04A, W04B	08		I08A, I08B, I08C, I08D, I08E, I13A, I13B	08	I08A, I08B, I08C, I08D, I08E, I13A, I13B				
	21B	X05A, X05B, X06A, X06B, X06C	09		J03A, J03B, J04A, J04B, J08A, J08B, J08C, J11A, J11B, J16Z	09	J03A, J03B, J04A, J04B, J08A, J08B, J08C, J11A, J11B, J16Z				
			10		K09A, K09B	10	K09A, K09B				
			11		L33Z	11	L33Z				
		21A	W04A, W04B	21A	W04A, W04B						
		21B	X06A, X06B, X06C, X33Z	21B	X06A, X06B, X06C, X33Z						
		23	Z01A	23	Z01A						
		Pre	A07A	Pre	A07A						

ZZV	MDC	DRG	ZZV	MDC	DRG	ZZV	MDC	DRG			
51545.0↔		BOP, KOP, KOPV, KVT, UOP4	51545.2↔		BOP, KOP, KOPV, KVT, UOP4	51546.0		BOP, KOP, KOPV, KVT, UOP4			
	01	B04A, B04B, B04C, B04D, B04E		01	B04A, B04B, B04C, B04D, B04E		01	B04A, B04B, B04C, B04D, B04E			
	05	F01A, F01B, F01D, F05Z, F07A, F07B, F14A, F14B, F28A, F42Z, F54Z, F59A, F59B		05	F01A, F01B, F01D, F05Z, F07A, F07B, F14A, F14B, F28A, F42Z, F54Z, F59A, F59B		04	E05A, E05B, E05C, E08A, E08B, E08C			
	06	G15Z, G19A, G19B, G33Z, G38Z		06	G15Z, G19A, G19B, G33Z, G38Z		05	F01A, F01B, F01D, F05Z, F07A, F07B, F14A, F14B, F28A, F42Z, F54Z, F59A, F59B			
	07	H33Z, H38Z		07	H33Z, H38Z		06	G15Z, G19A, G19B, G33Z, G38Z			
	08	I08A, I08B, I08C, I08D, I08E, I13A, I13B		08	I08A, I08B, I08C, I08D, I08E, I13A, I13B		07	H33Z, H38Z			
	09	J03A, J03B, J04A, J04B, J08A, J08B, J08C, J11A, J11B, J16Z		09	J03A, J03B, J04A, J04B, J08A, J08B, J08C, J11A, J11B, J16Z		08	I08A, I08B, I08C, I08D, I08E, I13A, I13B			
	10	K09A, K09B		10	K09A, K09B		09	J03A, J03B, J04A, J04B, J08A, J08B, J08C, J11A, J11B, J16Z			
	11	L09A, L09B, L09C, L09D, L33Z, L38Z		11	L09A, L09B, L09C, L09D, L33Z, L38Z		10	K09A, K09B			
	21A	W04A, W04B		21A	W04A, W04B		11	L09A, L09B, L09C, L09D, L33Z, L38Z			
	21B	X04Z, X06A, X06B, X06C, X33Z		21B	X04Z, X06A, X06B, X06C, X33Z		21A	W04A, W04B			
	23	Z01A		23	Z01A		21B	X06A, X06B, X06C, X33Z			
	Pre	A07A		Pre	A07A		23	Z01A			
	51545.1↔			BOP, KOP, KOPV, KVT, UOP4	51545.x↔			BOP, KOP, KOPV, KVT, UOP4	51546.1		BOP, KOP, KOPV, KVT, UOP4
		01		B04A, B04B, B04C, B04D, B04E			01	B04A, B04B, B04C, B04D, B04E		01	B04A, B04B, B04C, B04D, B04E
		05		F01A, F01B, F01D, F05Z, F07A, F07B, F14A, F14B, F28A, F42Z, F54Z, F59A, F59B			05	F01A, F01B, F01D, F05Z, F07A, F07B, F14A, F14B, F28A, F42Z, F54Z, F59A, F59B		04	E05A, E05B, E05C, E08A, E08B, E08C
06		G15Z, G19A, G19B, G33Z, G38Z	06	G15Z, G19A, G19B, G33Z, G38Z		05	F01A, F01B, F01D, F05Z, F07A, F07B, F14A, F14B, F28A, F42Z, F54Z, F59A, F59B				
07		H33Z, H38Z	07	H33Z, H38Z		06	G15Z, G19A, G19B, G33Z, G38Z				
08		I08A, I08B, I08C, I08D, I08E, I13A, I13B	08	I08A, I08B, I08C, I08D, I08E, I13A, I13B		07	H33Z, H38Z				
09		J03A, J03B, J04A, J04B, J08A, J08B, J08C, J11A, J11B, J16Z	09	J03A, J03B, J04A, J04B, J08A, J08B, J08C, J11A, J11B, J16Z		08	I08A, I08B, I08C, I08D, I08E, I13A, I13B				
10		K09A, K09B	10	K09A, K09B		09	J03A, J03B, J04A, J04B, J08A, J08B, J08C, J11A, J11B, J16Z				
11		L09A, L09B, L09C, L09D, L33Z, L38Z	11	L09A, L09B, L09C, L09D, L33Z, L38Z		10	K09A, K09B				
21A		W04A, W04B	21A	W04A, W04B		11	L09A, L09B, L09C, L09D, L33Z, L38Z				
21B		X04Z, X06A, X06B, X06C, X33Z	21B	X04Z, X06A, X06B, X06C, X33Z		21A	W04A, W04B				
23		Z01A	23	Z01A		21B	X06A, X06B, X06C, X33Z				
Pre		A07A	Pre	A07A		23	Z01A				
						Pre	A07A				

ZZV	MDC	DRG	ZZV	MDC	DRG	ZZV	MDC	DRG
51546.2		BOP, KOP, KOPV, KVT, UOP4	51546.4		BOP, KOP, KOPV, KVT, UOP4	51546.x↔		BOP, KOP, KOPV, KVT, UOP4
	01	B04A, B04B, B04C, B04D, B04E		01	B04A, B04B, B04C, B04D, B04E		01	B04A, B04B, B04C, B04D, B04E
	04	E05A, E05B, E05C, E08A, E08B, E08C		04	E05A, E05B, E05C, E08A, E08B, E08C		04	E05A, E05B, E05C, E08A, E08B, E08C
	05	F01A, F01B, F01D, F05Z, F07A, F07B, F14A, F14B, F28A, F42Z, F54Z, F59A, F59B		05	F01A, F01B, F01D, F05Z, F07A, F07B, F14A, F14B, F28A, F42Z, F54Z, F59A, F59B		05	F01A, F01B, F01D, F05Z, F07A, F07B, F14A, F14B, F28A, F42Z, F54Z, F59A, F59B
	06	G15Z, G19A, G19B, G33Z, G38Z		06	G15Z, G19A, G19B, G33Z, G38Z		06	G15Z, G19A, G19B, G33Z, G38Z
	07	H33Z, H38Z		07	H33Z, H38Z		07	H33Z, H38Z
	08	I08A, I08B, I08C, I08D, I08E, I13A, I13B		08	I08A, I08B, I08C, I08D, I08E, I13A, I13B		08	I08A, I08B, I08C, I08D, I08E, I13A, I13B
	09	J03A, J03B, J04A, J04B, J08A, J08B, J08C, J11A, J11B, J16Z		09	J03A, J03B, J04A, J04B, J08A, J08B, J08C, J11A, J11B, J16Z		09	J03A, J03B, J04A, J04B, J08A, J08B, J08C, J11A, J11B, J16Z
	10	K09A, K09B		10	K09A, K09B		10	K09A, K09B
	11	L09A, L09B, L09C, L09D, L33Z, L38Z		11	L09A, L09B, L09C, L09D, L33Z, L38Z		11	L09A, L09B, L09C, L09D, L33Z, L38Z
	21A	W04A, W04B		21A	W04A, W04B		21A	W04A, W04B
	21B	X06A, X06B, X06C, X33Z		21B	X06A, X06B, X06C, X33Z		21B	X06A, X06B, X06C, X33Z
	23	Z01A		23	Z01A		23	Z01A
	Pre	A07A		Pre	A07A		Pre	A07A
51546.3↔		BOP, KOP, KOPV, KVT, UOP4	51546.5		BOP, KOP, KOPV, KVT, UOP4	51547.0↔		BOP, KVT, UOP4
	01	B04A, B04B, B04C, B04D, B04E		01	B04A, B04B, B04C, B04D, B04E		01	B04A, B04B, B04C, B04D, B04E
	04	E05A, E05B, E05C, E08A, E08B, E08C		04	E05A, E05B, E05C, E08A, E08B, E08C		05	F01A, F01B, F01D, F05Z, F07A, F07B, F14A, F14B, F28A, F42Z, F54Z, F59A, F59B
	05	F01A, F01B, F01D, F05Z, F07A, F07B, F14A, F14B, F28A, F42Z, F54Z, F59A, F59B		05	F01A, F01B, F01D, F05Z, F07A, F07B, F14A, F14B, F28A, F42Z, F54Z, F59A, F59B		08	I08A, I08B, I08C, I08D, I08E, I13A, I13B
	06	G15Z, G19A, G19B, G33Z, G38Z		06	G15Z, G19A, G19B, G33Z, G38Z		09	J03A, J03B, J04A, J04B, J08A, J08B, J08C, J11A, J11B, J16Z
	07	H33Z, H38Z		07	H33Z, H38Z		10	K09A, K09B
	08	I08A, I08B, I08C, I08D, I08E, I13A, I13B		08	I08A, I08B, I08C, I08D, I08E, I13A, I13B		11	L09A, L09B, L09C, L09D, L38Z
	09	J03A, J03B, J04A, J04B, J08A, J08B, J08C, J11A, J11B, J16Z		09	J03A, J03B, J04A, J04B, J08A, J08B, J08C, J11A, J11B, J16Z		21A	W04A, W04B
	10	K09A, K09B		10	K09A, K09B		21B	X04Z, X06A, X06B, X06C
	11	L09A, L09B, L09C, L09D, L33Z, L38Z		11	L09A, L09B, L09C, L09D, L33Z, L38Z		Pre	BOP, KVT, UOP4
	21A	W04A, W04B		21A	W04A, W04B		01	B04A, B04B, B04C, B04D, B04E
	21B	X06A, X06B, X06C, X33Z		21B	X06A, X06B, X06C, X33Z		05	F01A, F01B, F01D, F05Z, F07A, F07B, F14A, F14B, F28A, F42Z, F54Z, F59A, F59B
	23	Z01A		23	Z01A		08	I08A, I08B, I08C, I08D, I08E, I13A, I13B
	Pre	A07A		Pre	A07A		09	J03A, J03B, J04A, J04B, J08A, J08B, J08C, J11A, J11B, J16Z
				10	K09A, K09B			
				11	L09A, L09B, L09C, L09D, L38Z			
				21A	W04A, W04B			
				21B	X04Z, X06A, X06B, X06C			

VYK

ZZV	MDC	DRG	ZZV	MDC	DRG	ZZV	MDC	DRG			
51547.x↔		BOP, KVT, UOP4	51548.x↔		BOP, KVT, UOP4	51550.1↔		BOP, KVT, UOP4			
	01	B04A, B04B, B04C, B04D, B04E		01	B04A, B04B, B04C, B04D, B04E		01	B04A, B04B, B04C, B04D, B04E			
	05	F01A, F01B, F01D, F05Z, F07A, F07B, F14A, F14B, F28A, F42Z, F54Z, F59A, F59B		04	E02A, E02B, E02C, E02D		03	D12A			
	08	I08A, I08B, I08C, I08D, I08E, I13A, I13B		05	F01A, F01B, F01D, F05Z, F07A, F07B, F14A, F14B, F28A, F42Z, F54Z, F59A, F59B		04	E02A, E02B, E02C			
	09	J03A, J03B, J04A, J04B, J08A, J08B, J08C, J11A, J11B, J16Z		08	I08A, I08B, I08C, I08D, I08E, I13A, I13B		05	F01A, F01B, F01D, F05Z, F06A, F06C, F07A, F07B, F14A, F14B, F28A, F42Z, F54Z, F59A, F59B			
	10	K09A, K09B		09	J03A, J03B, J04A, J04B, J08A, J08B, J08C, J11A, J11B, J16Z		06	G01Z, G02Z, G38Z			
	11	L09A, L09B, L09C, L09D, L38Z		10	K09A, K09B		08	I08A, I08B, I08C, I08D, I08E, I13A, I13B			
	21A	W04A, W04B		11	L09A, L09B, L09C, L09D, L38Z		09	J03A, J03B, J04A, J04B, J08A, J08B, J08C, J11A, J11B, J16Z			
	21B	X04Z, X06A, X06B, X06C		21A	W04A, W04B		10	K09A, K09B			
	51548.0↔			BOP, KVT, UOP4	51549			BOP, KVT, UOP4	51550.2↔		BOP, KVT, UOP4
		01		B04A, B04B, B04C, B04D, B04E			01	B04A, B04B, B04C, B04D, B04E		01	B04A, B04B, B04C, B04D, B04E
05		F01A, F01B, F01D, F05Z, F07A, F07B, F14A, F14B, F28A, F42Z, F54Z, F59A, F59B	05	F01A, F01B, F01D, F05Z, F07A, F07B, F14A, F14B, F28A, F42Z, F54Z, F59A, F59B		03	D12A				
08		I08A, I08B, I08C, I08D, I08E, I13A, I13B	08	I08A, I08B, I08C, I08D, I08E, I13A, I13B		04	E02A, E02B, E02C				
09		J03A, J03B, J04A, J04B, J08A, J08B, J08C, J11A, J11B, J16Z	09	J03A, J03B, J04A, J04B, J08A, J08B, J08C, J11A, J11B, J16Z		05	F01A, F01B, F01D, F05Z, F06A, F06C, F07A, F07B, F14A, F14B, F28A, F42Z, F54Z, F59A, F59B				
10		K09A, K09B	10	K09A, K09B		06	G01Z, G02Z, G38Z				
11		L09A, L09B, L09C, L09D, L38Z	21A	W04A, W04B		08	I08A, I08B, I08C, I08D, I08E, I13A, I13B				
21A		W04A, W04B	21B	X06A, X06B, X06C		09	J03A, J03B, J04A, J04B, J08A, J08B, J08C, J11A, J11B, J16Z				
21B		X04Z, X06A, X06B, X06C		BOP, KVT, UOP4		10	K09A, K09B				
51548.1↔			BOP, KVT, UOP4	5154x↔			BOP, KVT, UOP4	51550.3↔			BOP, KVT, UOP4
		01	B04A, B04B, B04C, B04D, B04E			01	B04A, B04B, B04C, B04D, B04E			01	B04A, B04B, B04C, B04D, B04E
	05	F01A, F01B, F01D, F05Z, F07A, F07B, F14A, F14B, F28A, F42Z, F54Z, F59A, F59B	05		F01A, F01B, F01D, F05Z, F07A, F07B, F14A, F14B, F28A, F42Z, F54Z, F59A, F59B	03	D12A				
	08	I08A, I08B, I08C, I08D, I08E, I13A, I13B	08		I08A, I08B, I08C, I08D, I08E, I13A, I13B	04	E02C				
	09	J03A, J03B, J04A, J04B, J08A, J08B, J08C, J11A, J11B, J16Z	09		J03A, J03B, J04A, J04B, J08A, J08B, J08C, J11A, J11B, J16Z	05	F01A, F01B, F01D, F05Z, F06A, F06C, F07A, F07B, F14A, F14B, F28A, F42Z, F54Z, F59A, F59B				
	10	K09A, K09B	10		K09A, K09B	06	G01Z, G02Z, G38Z				
	11	L09A, L09B, L09C, L09D, L38Z	21A		W04A, W04B	08	I08A, I08B, I08C, I08D, I08E, I13A, I13B				
	21A	W04A, W04B	21B		X06A, X06B, X06C	09	J03A, J03B, J04A, J04B, J08A, J08B, J08C, J11A, J11B, J16Z				
	21B	X04Z, X06A, X06B, X06C			BOP, KVT, UOP4	10	K09A, K09B				
	51548.2↔		BOP, KVT, UOP4		51550.0↔		BOP, KVT, UOP4		Pre		A11A, A13A, A13B, A13D
		01	B04A, B04B, B04C, B04D, B04E			01	B04A, B04B, B04C, B04D, B04E			01	B04A, B04B, B04C, B04D, B04E
05		F01A, F01B, F01D, F05Z, F07A, F07B, F14A, F14B, F28A, F42Z, F54Z, F59A, F59B	03	D12A		03	D12A				
08		I08A, I08B, I08C, I08D, I08E, I13A, I13B	04	E02C		04	E02A, E02B, E02C				
09		J03A, J03B, J04A, J04B, J08A, J08B, J08C, J11A, J11B, J16Z	05	F01A, F01B, F01D, F05Z, F06A, F06C, F07A, F07B, F14A, F14B, F28A, F42Z, F54Z, F59A, F59B		05	F01A, F01B, F01D, F05Z, F06A, F06C, F07A, F07B, F14A, F14B, F28A, F42Z, F54Z, F59A, F59B				
10		K09A, K09B	06	G01Z, G02Z, G38Z		06	G01Z, G02Z, G38Z				
11		L09A, L09B, L09C, L09D, L38Z	08	I08A, I08B, I08C, I08D, I08E, I13A, I13B		08	I08A, I08B, I08C, I08D, I08E, I13A, I13B				
21A		W04A, W04B	09	J03A, J03B, J04A, J04B, J08A, J08B, J08C, J11A, J11B, J16Z		09	J03A, J03B, J04A, J04B, J08A, J08B, J08C, J11A, J11B, J16Z				
21B		X04Z, X06A, X06B, X06C	10	K09A, K09B		10	K09A, K09B				
			17	R01A, R01B, R01C, R01D, R02Z, R12A, R12B, R12C		17	R01A, R01B, R01C, R01D, R02Z, R12A, R12B, R12C				
			21A	W04A, W04B		21A	W04A, W04B				
		21B	X06A, X06B, X06C	21B	X06A, X06B, X06C						
		Pre	A11A, A13A, A13B, A13D	Pre	A11A, A13A, A13B, A13D						

ZZV	MDC	DRG	ZZV	MDC	DRG	ZZV	MDC	DRG			
51552.5↔		BOP, KVT, UOP4	51553.0		BOP, KOP, KOPV, KVT, UOP4	51553.4		BOP, KVT, UOP4			
	01	B04A, B04B, B04C, B04D, B04E		04	E05A, E05B, E05C, E08A, E08B, E08C		05	F01A, F01B, F01D, F05Z, F07A, F07B, F14A, F14B, F28A, F42Z, F54Z, F59A, F59B			
	05	F01A, F01B, F01D, F05Z, F07A, F07B, F14A, F14B, F28A, F42Z, F54Z, F59A, F59B		05	F01A, F01B, F01D, F05Z, F07A, F07B, F14A, F14B, F28A, F42Z, F54Z, F59A, F59B		06	G01Z, G02Z, G38Z			
	08	I08A, I08B, I08C, I08D, I08E, I13A, I13B		06	G01Z, G02Z, G33Z, G38Z		08	I08A, I08B, I08C, I08D, I08E, I13A, I13B			
	09	J03A, J03B, J04A, J04B, J08A, J08B, J08C, J11A, J11B, J16Z		07	H33Z, H38Z		10	K09A, K09B			
	10	K09A, K09B		08	I08A, I08B, I08C, I08D, I08E, I13A, I13B		21A	W04A, W04B			
	17	R01A, R01B, R01C, R01D, R02Z, R12A, R12B, R12C		10	K09A, K09B		21B	X06A, X06B, X06C			
	21A	W04A, W04B		11	L33Z		Pre	A11A, A13A, A13B, A13D			
	21B	X05A, X05B, X06A, X06B		21A	W04A, W04B		05	F01A, F01B, F01D, F05Z, F07A, F07B, F14A, F14B, F28A, F42Z, F54Z, F59A, F59B			
	51552.6↔			BOP, KVT, UOP4	51553.1			BOP, KOP, KOPV, KVT, UOP4	51553.x		BOP, KVT, UOP4
		01		B04A, B04B, B04C, B04D, B04E			04	E05A, E05B, E05C, E08A, E08B, E08C		05	F01A, F01B, F01D, F05Z, F07A, F07B, F14A, F14B, F28A, F42Z, F54Z, F59A, F59B
		05		F01A, F01B, F01D, F05Z, F07A, F07B, F14A, F14B, F28A, F42Z, F54Z, F59A, F59B			05	F01A, F01B, F01D, F05Z, F07A, F07B, F14A, F14B, F28A, F42Z, F54Z, F59A, F59B		06	G01Z, G02Z, G38Z
		08		I08A, I08B, I08C, I08D, I08E, I13A, I13B			06	G01Z, G02Z, G33Z, G38Z		08	I08A, I08B, I08C, I08D, I08E, I13A, I13B
		09		J03A, J03B, J04A, J04B, J08A, J08B, J08C, J11A, J11B, J16Z			07	H33Z, H38Z		10	K09A, K09B
		10		K09A, K09B			08	I08A, I08B, I08C, I08D, I08E, I13A, I13B		21A	W04A, W04B
		17		R01A, R01B, R01C, R01D, R02Z, R12A, R12B, R12C			10	K09A, K09B		21B	X06A, X06B, X06C
		21A		W04A, W04B			11	L33Z		Pre	A11A, A13A, A13B, A13D
21B		X05A, X05B, X06A, X06B	21A	W04A, W04B		05	F01A, F01B, F01D, F05Z, F07A, F07B, F14A, F14B, F28A, F42Z, F54Z, F59A, F59B				
51552.7↔			BOP, KVT, UOP4	51553.2			BOP, KOP, KOPV, KVT, UOP4	51554.0↔			BOP, KVT, UOP4
		01	B04A, B04B, B04C, B04D, B04E			04	E05A, E05B, E05C, E08A, E08B, E08C			01	B04A, B04B, B04C, B04D, B04E
		05	F01A, F01B, F01D, F05Z, F07A, F07B, F14A, F14B, F28A, F42Z, F54Z, F59A, F59B			05	F01A, F01B, F01D, F05Z, F07A, F07B, F14A, F14B, F28A, F42Z, F54Z, F59A, F59B			03	D12A
		08	I08A, I08B, I08C, I08D, I08E, I13A, I13B			06	G01Z, G02Z, G33Z, G38Z			04	E02A, E02B, E02C
		09	J03A, J03B, J04A, J04B, J08A, J08B, J08C, J11A, J11B, J16Z			07	H33Z, H38Z			05	F01A, F01B, F01D, F05Z, F07A, F07B, F14A, F14B, F28A, F42Z, F54Z, F59A, F59B
		10	K09A, K09B			08	I08A, I08B, I08C, I08D, I08E, I13A, I13B			06	G10Z, G12A, G12B
		17	R01A, R01B, R01C, R01D, R02Z, R12A, R12B, R12C			10	K09A, K09B			08	I08A, I08B, I08C, I08D, I08E, I13A, I13B
		21A	W04A, W04B			11	L33Z			09	J03A, J03B, J04A, J04B, J08A, J08B, J08C, J11A, J11B, J16Z
	21B	X05A, X05B, X06A, X06B	21A		W04A, W04B	10	K09A, K09B				
	51552.x↔		BOP, KVT, UOP4		51553.3		BOP, KOP, KOPV, KVT, UOP4		51554.1↔		BOP, KVT, UOP4
		01	B04A, B04B, B04C, B04D, B04E			04	E05A, E05B, E05C, E08A, E08B, E08C			01	B04A, B04B, B04C, B04D, B04E
		05	F01A, F01B, F01D, F05Z, F07A, F07B, F14A, F14B, F28A, F42Z, F54Z, F59A, F59B			05	F01A, F01B, F01D, F05Z, F07A, F07B, F14A, F14B, F28A, F42Z, F54Z, F59A, F59B			03	D12A
		08	I08A, I08B, I08C, I08D, I08E, I13A, I13B			06	G01Z, G02Z, G33Z, G38Z			04	E02A, E02B, E02C
		09	J03A, J03B, J04A, J04B, J08A, J08B, J08C, J11A, J11B, J16Z			07	H33Z, H38Z			05	F01A, F01B, F01D, F05Z, F07A, F07B, F14A, F14B, F28A, F42Z, F54Z, F59A, F59B
		10	K09A, K09B			08	I08A, I08B, I08C, I08D, I08E, I13A, I13B			06	G10Z, G12A, G12B
		17	R01A, R01B, R01C, R01D, R02Z, R12A, R12B, R12C			10	K09A, K09B			08	I08A, I08B, I08C, I08D, I08E, I13A, I13B
		21A	W04A, W04B			11	L33Z			09	J03A, J03B, J04A, J04B, J08A, J08B, J08C, J11A, J11B, J16Z
21B		X05A, X05B, X06A, X06B	21A	W04A, W04B		10	K09A, K09B				
51553.x↔			BOP, KVT, UOP4	51553.4			BOP, KOP, KOPV, KVT, UOP4	51554.1↔			BOP, KVT, UOP4
		01	B04A, B04B, B04C, B04D, B04E			04	E05A, E05B, E05C, E08A, E08B, E08C			01	B04A, B04B, B04C, B04D, B04E
		05	F01A, F01B, F01D, F05Z, F07A, F07B, F14A, F14B, F28A, F42Z, F54Z, F59A, F59B			05	F01A, F01B, F01D, F05Z, F07A, F07B, F14A, F14B, F28A, F42Z, F54Z, F59A, F59B			03	D12A
		08	I08A, I08B, I08C, I08D, I08E, I13A, I13B			06	G01Z, G02Z, G33Z, G38Z			04	E02A, E02B, E02C
		09	J03A, J03B, J04A, J04B, J08A, J08B, J08C, J11A, J11B, J16Z			07	H33Z, H38Z			05	F01A, F01B, F01D, F05Z, F07A, F07B, F14A, F14B, F28A, F42Z, F54Z, F59A, F59B
		10	K09A, K09B			08	I08A, I08B, I08C, I08D, I08E, I13A, I13B			06	G10Z, G12A, G12B
		17	R01A, R01B, R01C, R01D, R02Z, R12A, R12B, R12C			10	K09A, K09B			08	I08A, I08B, I08C, I08D, I08E, I13A, I13B
		21A	W04A, W04B			11	L33Z			09	J03A, J03B, J04A, J04B, J08A, J08B, J08C, J11A, J11B, J16Z
	21B	X05A, X05B, X06A, X06B	21A		W04A, W04B	10	K09A, K09B				
			21B		X06A, X06B, X06C	11	L09A, L09B, L09C, L09D, L38Z				
			Pre		A11A, A13A, A13B, A13D	17	R01A, R01B, R01C, R01D, R02Z, R12A, R12B, R12C				
						21A	W04A, W04B				
						21B	X06A, X06B, X06C				
						Pre	BOP, KVT, UOP4				
						01	B04A, B04B, B04C, B04D, B04E				
						03	D12A				
						04	E02A, E02B, E02C				
				05	F01A, F01B, F01D, F05Z, F07A, F07B, F14A, F14B, F28A, F42Z, F54Z, F59A, F59B						
				06	G10Z, G12A, G12B						
				08	I08A, I08B, I08C, I08D, I08E, I13A, I13B						
				09	J03A, J03B, J04A, J04B, J08A, J08B, J08C, J11A, J11B, J16Z						
				10	K09A, K09B						
				11	L09A, L09B, L09C, L09D, L38Z						
				17	R01A, R01B, R01C, R01D, R02Z, R12A, R12B, R12C						
				21A	W04A, W04B						
				21B	X06A, X06B, X06C						

VYK

ZZV	MDC	DRG	ZZV	MDC	DRG	ZZV	MDC	DRG				
51554.2↔		BOP, KOP, KOPV, KVT, UOP4	51555.1↔		BOP, KVT, UOP4	51555.4↔		BOP, KVT, UOP4				
	01	B04A, B04B, B04C, B04D, B04E		01	B04A, B04B, B04C, B04D, B04E		01	B04A, B04B, B04C, B04D, B04E				
	03	D12A		05	F01A, F01B, F01D, F05Z, F07A, F07B, F14A, F14B, F28A, F42Z, F54Z, F59A, F59B		05	F01A, F01B, F01D, F05Z, F07A, F07B, F14A, F14B, F28A, F42Z, F54Z, F59A, F59B				
	04	E02A, E02B, E02C		06	G10Z, G12A, G12B		06	G10Z, G12A, G12B				
	05	F01A, F01B, F01D, F05Z, F07A, F07B, F14A, F14B, F28A, F30Z, F42Z, F54Z, F59A, F59B		08	I08A, I08B, I08C, I08D, I08E, I13A, I13B		08	I08A, I08B, I08C, I08D, I08E, I13A, I13B				
	06	G10Z, G12A, G12B, G33Z		09	J03A, J03B, J04A, J04B, J08A, J08B, J08C, J11A, J11B, J16Z		09	J03A, J03B, J04A, J04B, J08A, J08B, J08C, J11A, J11B, J16Z				
	07	H33Z, H38Z		10	K09A, K09B		10	K09A, K09B				
	08	I08A, I08B, I08C, I08D, I08E, I13A, I13B		11	L09A, L09B, L09C, L09D, L38Z		11	L09A, L09B, L09C, L09D, L38Z				
	09	J03A, J03B, J04A, J04B, J08A, J08B, J08C, J11A, J11B, J16Z		17	R01A, R01B, R01C, R01D, R02Z, R12A, R12B, R12C		17	R01A, R01B, R01C, R01D, R02Z, R12A, R12B, R12C				
	10	K09A, K09B		21A	W04A, W04B		21A	W04A, W04B				
	11	L09A, L09B, L09C, L09D, L33Z, L38Z		21B	X04Z, X06A, X06B, X06C		21B	X04Z, X06A, X06B, X06C				
	17	R01A, R01B, R01C, R01D, R02Z, R12A, R12B, R12C		51555.2↔			BOP, KVT, UOP4	51555.x↔		BOP, KVT, UOP4		
	21A	W04A, W04B		01	B04A, B04B, B04C, B04D, B04E		01		B04A, B04B, B04C, B04D, B04E			
	21B	X06A, X06B, X06C, X33Z		05	F01A, F01B, F01D, F05Z, F07A, F07B, F14A, F14B, F28A, F42Z, F54Z, F59A, F59B		05		F01A, F01B, F01D, F05Z, F07A, F07B, F14A, F14B, F28A, F42Z, F54Z, F59A, F59B			
	23	Z01A		06	G10Z, G12A, G12B		06		G10Z, G12A, G12B			
	Pre	A07A		08	I08A, I08B, I08C, I08D, I08E, I13A, I13B		08		I08A, I08B, I08C, I08D, I08E, I13A, I13B			
	51554.x↔			BOP, KVT, UOP4	51555.3↔				BOP, KVT, UOP4	51556.0		BOP, KVT, UOP4
		01		B04A, B04B, B04C, B04D, B04E			01		B04A, B04B, B04C, B04D, B04E		01	B04A, B04B, B04C, B04D, B04E
		03		D12A			05		F01A, F01B, F01D, F05Z, F07A, F07B, F14A, F14B, F28A, F42Z, F54Z, F59A, F59B		05	F01A, F01B, F01D, F05Z, F07A, F07B, F14A, F14B, F28A, F42Z, F54Z, F59A, F59B
		04		E02A, E02B, E02C			06		G10Z, G12A, G12B		06	G10Z, G12A, G12B
		05		F01A, F01B, F01D, F05Z, F07A, F07B, F14A, F14B, F28A, F42Z, F54Z, F59A, F59B			08		I08A, I08B, I08C, I08D, I08E, I13A, I13B		08	I08A, I08B, I08C, I08D, I08E, I13A, I13B
		06		G10Z, G12A, G12B			09		J03A, J03B, J04A, J04B, J08A, J08B, J08C, J11A, J11B, J16Z		09	J03A, J03B, J04A, J04B, J08A, J08B, J08C, J11A, J11B, J16Z
		08		I08A, I08B, I08C, I08D, I08E, I13A, I13B			10		K09A, K09B		10	K09A, K09B
09		J03A, J03B, J04A, J04B, J08A, J08B, J08C, J11A, J11B, J16Z	11	L09A, L09B, L09C, L09D, L38Z		11	L09A, L09B, L09C, L09D, L38Z					
10		K09A, K09B	17	R01A, R01B, R01C, R01D, R02Z, R12A, R12B, R12C		17	R01A, R01B, R01C, R01D, R02Z, R12A, R12B, R12C					
11		L09A, L09B, L09C, L09D, L38Z	21A	W04A, W04B		21A	W04A, W04B					
17		R01A, R01B, R01C, R01D, R02Z, R12A, R12B, R12C	21B	X04Z, X06A, X06B, X06C		21B	X04Z, X06A, X06B, X06C					
21A		W04A, W04B	51555.0↔			BOP, KVT, UOP4	51555.0↔				BOP, KVT, UOP4	
21B		X06A, X06B, X06C	01	B04A, B04B, B04C, B04D, B04E		01			B04A, B04B, B04C, B04D, B04E			
51555.0↔			BOP, KVT, UOP4	05		F01A, F01B, F01D, F05Z, F07A, F07B, F14A, F14B, F28A, F42Z, F54Z, F59A, F59B			05		F01A, F01B, F01D, F05Z, F07A, F07B, F14A, F14B, F28A, F42Z, F54Z, F59A, F59B	
		01	B04A, B04B, B04C, B04D, B04E	06		G10Z, G12A, G12B			06		G10Z, G12A, G12B, G18A, G38Z	
		05	F01A, F01B, F01D, F05Z, F07A, F07B, F14A, F14B, F28A, F42Z, F54Z, F59A, F59B	08		I08A, I08B, I08C, I08D, I08E, I13A, I13B			07		H01A	
		06	G10Z, G12A, G12B	09		J03A, J03B, J04A, J04B, J08A, J08B, J08C, J11A, J11B, J16Z			08		I08A, I08B, I08C, I08D, I08E, I13A, I13B	
		08	I08A, I08B, I08C, I08D, I08E, I13A, I13B	10		K09A, K09B			09		J03A, J03B, J04A, J04B, J08A, J08B, J08C, J11A, J11B, J16Z	
		09	J03A, J03B, J04A, J04B, J08A, J08B, J08C, J11A, J11B, J16Z	11		L09A, L09B, L09C, L09D, L38Z		10	K09A, K09B			
		10	K09A, K09B	17		R01A, R01B, R01C, R01D, R02Z, R12A, R12B, R12C		11	L09A, L09B, L09C, L09D, L38Z			
		11	L09A, L09B, L09C, L09D, L38Z	21A		W04A, W04B		17	R01A, R01B, R01C, R01D, R02Z, R12A, R12B, R12C			
		17	R01A, R01B, R01C, R01D, R02Z, R12A, R12B, R12C	21B		X04Z, X06A, X06B, X06C		21A	W04A, W04B			
		21A	W04A, W04B				21B	X06A, X06B, X06C				
	21B	X04Z, X06A, X06B, X06C										

VYK

ZZV	MDC	DRG	ZZV	MDC	DRG	ZZV	MDC	DRG			
51556.1		BOP, KVT, UOP4	51556.4↔		BOP, KVT, UOP4	51556.x↔		BOP, KVT, UOP4			
	01	B04A, B04B, B04C, B04D, B04E		01	B04A, B04B, B04C, B04D, B04E		01	B04A, B04B, B04C, B04D, B04E			
	05	F01A, F01B, F01D, F05Z, F07A, F07B, F14A, F14B, F28A, F42Z, F54Z, F59A, F59B		05	F01A, F01B, F01D, F05Z, F07A, F07B, F14A, F14B, F28A, F42Z, F54Z, F59A, F59B		05	F01A, F01B, F01D, F05Z, F07A, F07B, F14A, F14B, F28A, F42Z, F54Z, F59A, F59B			
	06	G10Z, G12A, G12B, G18A, G38Z		06	G10Z, G12A, G12B		06	G10Z, G12A, G12B			
	07	H01A		08	I08A, I08B, I08C, I08D, I08E, I13A, I13B		08	I08A, I08B, I08C, I08D, I08E, I13A, I13B			
	08	I08A, I08B, I08C, I08D, I08E, I13A, I13B		09	J03A, J03B, J04A, J04B, J08A, J08B, J08C, J11A, J11B, J16Z		09	J03A, J03B, J04A, J04B, J08A, J08B, J08C, J11A, J11B, J16Z			
	09	J03A, J03B, J04A, J04B, J08A, J08B, J08C, J11A, J11B, J16Z		10	K09A, K09B		10	K09A, K09B			
	10	K09A, K09B		11	L09A, L09B, L09C, L09D, L38Z		11	L09A, L09B, L09C, L09D, L38Z			
	11	L09A, L09B, L09C, L09D, L38Z		17	R01A, R01B, R01C, R01D, R02Z, R12A, R12B, R12C		17	R01A, R01B, R01C, R01D, R02Z, R12A, R12B, R12C			
	17	R01A, R01B, R01C, R01D, R02Z, R12A, R12B, R12C		21A	W04A, W04B		21A	W04A, W04B			
	21A	W04A, W04B		21B	X06A, X06B, X06C		21B	X06A, X06B, X06C			
	21B	X06A, X06B, X06C		51556.5			BOP, KVT, UOP4	51557.0↔		BOP, KVT, UOP4	
	51556.2				BOP, KVT, UOP4		01		B04A, B04B, B04C, B04D, B04E	01	B04A, B04B, B04C, B04D, B04E
		01			B04A, B04B, B04C, B04D, B04E		05		F01A, F01B, F01D, F05Z, F07A, F07B, F14A, F14B, F28A, F42Z, F54Z, F59A, F59B	05	F01A, F01B, F01D, F05Z, F07A, F07B, F14A, F14B, F28A, F42Z, F54Z, F59A, F59B
		05			F01A, F01B, F01D, F05Z, F07A, F07B, F14A, F14B, F28A, F42Z, F54Z, F59A, F59B		06		G10Z, G12A, G12B, G18A, G38Z	08	I08A, I08B, I08C, I08D, I08E, I13A, I13B
		06			G10Z, G12A, G12B		07		H01A	09	J03A, J03B, J04A, J04B, J08A, J08B, J08C, J11A, J11B, J16Z
		08			I08A, I08B, I08C, I08D, I08E, I13A, I13B		08		I08A, I08B, I08C, I08D, I08E, I13A, I13B	10	K09A, K09B
09		J03A, J03B, J04A, J04B, J08A, J08B, J08C, J11A, J11B, J16Z	09		J03A, J03B, J04A, J04B, J08A, J08B, J08C, J11A, J11B, J16Z	11	L09A, L09B, L09C, L09D, L38Z				
10		K09A, K09B	10		K09A, K09B	17	R01A, R01B, R01C, R01D, R02Z, R12A, R12B, R12C				
11		L09A, L09B, L09C, L09D, L38Z	11		L09A, L09B, L09C, L09D, L38Z	21A	W04A, W04B				
17		R01A, R01B, R01C, R01D, R02Z, R12A, R12B, R12C	17		R01A, R01B, R01C, R01D, R02Z, R12A, R12B, R12C	21B	X04Z, X06A, X06B, X06C				
21A		W04A, W04B	21A		W04A, W04B	51557.1↔			BOP, KVT, UOP4		
21B		X06A, X06B, X06C	21B		X06A, X06B, X06C		01		B04A, B04B, B04C, B04D, B04E		
51556.3			BOP, KVT, UOP4		51556.6				BOP, KVT, UOP4	05	F01A, F01B, F01D, F05Z, F07A, F07B, F14A, F14B, F28A, F42Z, F54Z, F59A, F59B
		01	B04A, B04B, B04C, B04D, B04E				01		B04A, B04B, B04C, B04D, B04E	08	I08A, I08B, I08C, I08D, I08E, I13A, I13B
		05	F01A, F01B, F01D, F05Z, F07A, F07B, F14A, F14B, F28A, F42Z, F54Z, F59A, F59B				05		F01A, F01B, F01D, F05Z, F07A, F07B, F14A, F14B, F28A, F42Z, F54Z, F59A, F59B	09	J03A, J03B, J04A, J04B, J08A, J08B, J08C, J11A, J11B, J16Z
		06	G10Z, G12A, G12B, G18A, G38Z				06		G10Z, G12A, G12B, G18A, G38Z	10	K09A, K09B
		08	I08A, I08B, I08C, I08D, I08E, I13A, I13B				07		H01A	11	L09A, L09B, L09C, L09D, L38Z
		09	J03A, J03B, J04A, J04B, J08A, J08B, J08C, J11A, J11B, J16Z	08			I08A, I08B, I08C, I08D, I08E, I13A, I13B	17	R01A, R01B, R01C, R01D, R02Z, R12A, R12B, R12C		
	10	K09A, K09B	09	J03A, J03B, J04A, J04B, J08A, J08B, J08C, J11A, J11B, J16Z			21A	W04A, W04B			
	11	L09A, L09B, L09C, L09D, L38Z	10	K09A, K09B			21B	X04Z, X06A, X06B, X06C			
	17	R01A, R01B, R01C, R01D, R02Z, R12A, R12B, R12C	11	L09A, L09B, L09C, L09D, L38Z							
	21A	W04A, W04B	17	R01A, R01B, R01C, R01D, R02Z, R12A, R12B, R12C							
	21B	X06A, X06B, X06C	21A	W04A, W04B							
			21B	X06A, X06B, X06C							

ZZV	MDC	DRG	ZZV	MDC	DRG	ZZV	MDC	DRG
51559.2		BOP, KVT, UOP4	51559.5		BOP, KVT, UOP4	51559.8↔		BOP, KVT, UOP4
	01	B04A, B04B, B04C, B04D, B04E		01	B04A, B04B, B04C, B04D, B04E		01	B04A, B04B, B04C, B04D, B04E
	05	F01A, F01B, F01D, F05Z, F07A, F07B, F14A, F14B, F28A, F42Z, F54Z, F59A, F59B		05	F01A, F01B, F01D, F05Z, F07A, F07B, F14A, F14B, F28A, F42Z, F54Z, F59A, F59B		05	F01A, F01B, F01D, F05Z, F07A, F07B, F14A, F14B, F28A, F42Z, F54Z, F59A, F59B
	06	G18A, G38Z		06	G18A, G38Z		06	G18A, G38Z
	07	H01A		07	H01A		07	H01A
	08	I08A, I08B, I08C, I08D, I08E, I13A, I13B		08	I08A, I08B, I08C, I08D, I08E, I13A, I13B		08	I08A, I08B, I08C, I08D, I08E, I13A, I13B
	09	J03A, J03B, J04A, J04B, J08A, J08B, J08C, J11A, J11B, J16Z		09	J03A, J03B, J04A, J04B, J08A, J08B, J08C, J11A, J11B, J16Z		09	J03A, J03B, J04A, J04B, J08A, J08B, J08C, J11A, J11B, J16Z
	10	K09A, K09B		10	K09A, K09B		10	K09A, K09B
	17	R01A, R01B, R01C, R01D, R02Z, R12A, R12B, R12C		17	R01A, R01B, R01C, R01D, R02Z, R12A, R12B, R12C		17	R01A, R01B, R01C, R01D, R02Z, R12A, R12B, R12C
	21A	W04A, W04B		21A	W04A, W04B		21A	W04A, W04B
	21B	X06A, X06B, X06C		21B	X06A, X06B, X06C		21B	X06A, X06B, X06C
51559.3↔		BOP, KVT, UOP4	51559.6		BOP, KVT, UOP4	51559.9↔		BOP, KVT, UOP4
	01	B04A, B04B, B04C, B04D, B04E		01	B04A, B04B, B04C, B04D, B04E		01	B04A, B04B, B04C, B04D, B04E
	05	F01A, F01B, F01D, F05Z, F07A, F07B, F14A, F14B, F28A, F42Z, F54Z, F59A, F59B		05	F01A, F01B, F01D, F05Z, F07A, F07B, F14A, F14B, F28A, F42Z, F54Z, F59A, F59B		03	D12A
	06	G18A, G38Z		06	G18A, G38Z		04	E02A, E02B, E02C
	07	H01A		07	H01A		05	F01A, F01B, F01D, F05Z, F07A, F07B, F14A, F14B, F28A, F42Z, F54Z, F59A, F59B
	08	I08A, I08B, I08C, I08D, I08E, I13A, I13B		08	I08A, I08B, I08C, I08D, I08E, I13A, I13B		06	G10Z, G12A, G12B
	09	J03A, J03B, J04A, J04B, J08A, J08B, J08C, J11A, J11B, J16Z		09	J03A, J03B, J04A, J04B, J08A, J08B, J08C, J11A, J11B, J16Z		08	I08A, I08B, I08C, I08D, I08E, I13A, I13B
	10	K09A, K09B		10	K09A, K09B		09	J03A, J03B, J04A, J04B, J08A, J08B, J08C, J11A, J11B, J16Z
	17	R01A, R01B, R01C, R01D, R02Z, R12A, R12B, R12C		17	R01A, R01B, R01C, R01D, R02Z, R12A, R12B, R12C		10	K09A, K09B
	21A	W04A, W04B		21A	W04A, W04B		11	L09A, L09B, L09C, L09D, L38Z
	21B	X06A, X06B, X06C		21B	X06A, X06B, X06C		17	R01A, R01B, R01C, R01D, R02Z, R12A, R12B, R12C
51559.4		BOP, KVT, UOP4	51559.7		BOP, KVT, UOP4	51559.a↔		BOP, KVT, UOP4
	01	B04A, B04B, B04C, B04D, B04E		01	B04A, B04B, B04C, B04D, B04E		01	B04A, B04B, B04C, B04D, B04E
	05	F01A, F01B, F01D, F05Z, F07A, F07B, F14A, F14B, F28A, F42Z, F54Z, F59A, F59B		05	F01A, F01B, F01D, F05Z, F07A, F07B, F14A, F14B, F28A, F42Z, F54Z, F59A, F59B		03	D12A
	06	G18A, G38Z		06	G18A, G38Z		04	E02A, E02B, E02C
	07	H01A		07	H01A		05	F01A, F01B, F01D, F05Z, F07A, F07B, F14A, F14B, F28A, F42Z, F54Z, F59A, F59B
	08	I08A, I08B, I08C, I08D, I08E, I13A, I13B		08	I08A, I08B, I08C, I08D, I08E, I13A, I13B		06	G10Z, G12A, G12B
	09	J03A, J03B, J04A, J04B, J08A, J08B, J08C, J11A, J11B, J16Z		09	J03A, J03B, J04A, J04B, J08A, J08B, J08C, J11A, J11B, J16Z		08	I08A, I08B, I08C, I08D, I08E, I13A, I13B
	10	K09A, K09B		10	K09A, K09B		09	J03A, J03B, J04A, J04B, J08A, J08B, J08C, J11A, J11B, J16Z
	17	R01A, R01B, R01C, R01D, R02Z, R12A, R12B, R12C		17	R01A, R01B, R01C, R01D, R02Z, R12A, R12B, R12C		10	K09A, K09B
	21A	W04A, W04B		21A	W04A, W04B		11	L09A, L09B, L09C, L09D, L38Z
	21B	X06A, X06B, X06C		21B	X06A, X06B, X06C		17	R01A, R01B, R01C, R01D, R02Z, R12A, R12B, R12C
				21A	W04A, W04B			
				21B	X06A, X06B, X06C			

ZZV	MDC	DRG	ZZV	MDC	DRG	ZZV	MDC	DRG			
51559.b↔		BOP, KVT, UOP4	51559.e		BOP, KVT, UOP4	51559.h↔		BOP, KVT, UOP4			
	01	B04A, B04B, B04C, B04D, B04E		01	B04A, B04B, B04C, B04D, B04E		01	B04A, B04B, B04C, B04D, B04E			
	03	D12A		04	E02A, E02B, E02C		05	F01A, F01B, F01D, F05Z, F07A, F07B, F14A, F14B, F28A, F42Z, F54Z, F59A, F59B			
	04	E02A, E02B, E02C		05	F01A, F01B, F01D, F05Z, F07A, F07B, F14A, F14B, F28A, F42Z, F54Z, F59A, F59B		06	G10Z, G12A, G12B			
	05	F01A, F01B, F01D, F05Z, F07A, F07B, F14A, F14B, F28A, F42Z, F54Z, F59A, F59B		06	G10Z, G12A, G12B		08	I08A, I08B, I08C, I08D, I08E, I13A, I13B			
	06	G10Z, G12A, G12B		08	I08A, I08B, I08C, I08D, I08E, I13A, I13B		09	J03A, J03B, J04A, J04B, J08A, J08B, J08C, J11A, J11B, J16Z			
	08	I08A, I08B, I08C, I08D, I08E, I13A, I13B		09	J03A, J03B, J04A, J04B, J08A, J08B, J08C, J11A, J11B, J16Z		10	K09A, K09B			
	09	J03A, J03B, J04A, J04B, J08A, J08B, J08C, J11A, J11B, J16Z		10	K09A, K09B		11	L09A, L09B, L09C, L09D, L38Z			
	10	K09A, K09B		11	L09A, L09B, L09C, L09D, L38Z		17	R01A, R01B, R01C, R01D, R02Z, R12A, R12B, R12C			
	11	L09A, L09B, L09C, L09D, L38Z		17	R01A, R01B, R01C, R01D, R02Z, R12A, R12B, R12C		21A	W04A, W04B			
	17	R01A, R01B, R01C, R01D, R02Z, R12A, R12B, R12C		21A	W04A, W04B		21B	X04Z, X06A, X06B, X06C			
	21A	W04A, W04B		21B	X06A, X06B, X06C		51559.i↔		BOP, KVT, UOP4		
	21B	X05A, X05B, X06A, X06B, X06C		01	B04A, B04B, B04C, B04D, B04E			01	B04A, B04B, B04C, B04D, B04E		
	51559.c↔			BOP, KVT, UOP4	51559.f				BOP, KVT, UOP4	05	F01A, F01B, F01D, F05Z, F07A, F07B, F14A, F14B, F28A, F42Z, F54Z, F59A, F59B
		01		B04A, B04B, B04C, B04D, B04E				04	E02A, E02B, E02C	06	G10Z, G12A, G12B
		03		D12A				05	F01A, F01B, F01D, F05Z, F07A, F07B, F14A, F14B, F28A, F42Z, F54Z, F59A, F59B	08	I08A, I08B, I08C, I08D, I08E, I13A, I13B
		04		E02A, E02B, E02C				06	G03A, G10Z, G12A, G12B, G18A, G38Z	09	J03A, J03B, J04A, J04B, J08A, J08B, J08C, J11A, J11B, J16Z
		05		F01A, F01B, F01D, F05Z, F07A, F07B, F14A, F14B, F28A, F42Z, F54Z, F59A, F59B				07	H01A	10	K09A, K09B
		06		G10Z, G12A, G12B				08	I08A, I08B, I08C, I08D, I08E, I13A, I13B	11	L09A, L09B, L09C, L09D, L38Z
		08		I08A, I08B, I08C, I08D, I08E, I13A, I13B				09	J03A, J03B, J04A, J04B, J08A, J08B, J08C, J11A, J11B, J16Z	17	R01A, R01B, R01C, R01D, R02Z, R12A, R12B, R12C
09		J03A, J03B, J04A, J04B, J08A, J08B, J08C, J11A, J11B, J16Z	10	K09A, K09B		21A		W04A, W04B			
10		K09A, K09B	11	L09A, L09B, L09C, L09D, L38Z		21B		X04Z, X06A, X06B, X06C			
11		L09A, L09B, L09C, L09D, L38Z	17	R01A, R01B, R01C, R01D, R02Z, R12A, R12B, R12C		51559.x↔			BOP, KVT, UOP4		
17		R01A, R01B, R01C, R01D, R02Z, R12A, R12B, R12C	21A	W04A, W04B				01	B04A, B04B, B04C, B04D, B04E		
21A		W04A, W04B	21B	X06A, X06B, X06C				05	F01A, F01B, F01D, F05Z, F07A, F07B, F14A, F14B, F28A, F42Z, F54Z, F59A, F59B		
21B		X05A, X05B, X06A, X06B, X06C	01	B04A, B04B, B04C, B04D, B04E				08	I08A, I08B, I08C, I08D, I08E, I13A, I13B		
51559.d↔			BOP, KVT, UOP4	51559.g↔					BOP, KVT, UOP4	09	J03A, J03B, J04A, J04B, J08A, J08B, J08C, J11A, J11B, J16Z
		01	B04A, B04B, B04C, B04D, B04E					05	F01A, F01B, F01D, F05Z, F07A, F07B, F14A, F14B, F28A, F42Z, F54Z, F59A, F59B	10	K09A, K09B
		03	D12A					06	G10Z, G12A, G12B	17	R01A, R01B, R01C, R01D, R02Z, R12A, R12B, R12C
		04	E02A, E02B, E02C					08	I08A, I08B, I08C, I08D, I08E, I13A, I13B	21A	W04A, W04B
		05	F01A, F01B, F01D, F05Z, F07A, F07B, F14A, F14B, F28A, F42Z, F54Z, F59A, F59B					09	J03A, J03B, J04A, J04B, J08A, J08B, J08C, J11A, J11B, J16Z	21B	X06A, X06B, X06C
		06	G10Z, G12A, G12B				10	K09A, K09B			
		08	I08A, I08B, I08C, I08D, I08E, I13A, I13B				11	L09A, L09B, L09C, L09D, L38Z			
	09	J03A, J03B, J04A, J04B, J08A, J08B, J08C, J11A, J11B, J16Z	17		R01A, R01B, R01C, R01D, R02Z, R12A, R12B, R12C						
	10	K09A, K09B	21A		W04A, W04B						
	11	L09A, L09B, L09C, L09D, L38Z	21B		X04Z, X06A, X06B, X06C						
	17	R01A, R01B, R01C, R01D, R02Z, R12A, R12B, R12C									
	21A	W04A, W04B									
	21B	X05A, X05B, X06A, X06B, X06C									

ZZV	MDC	DRG	ZZV	MDC	DRG	ZZV	MDC	DRG			
5155x↔		BOP, KVT, UOP4	51570.0		BOP, KVT, UOP4	51570.4		BOP, KOP, KOPV, KVT, UOP4			
	05	F01A, F01B, F01D, F05Z, F07A, F07B, F14A, F14B, F28A, F42Z, F54Z, F59A, F59B		05	F01A, F01B, F01D, F05Z, F07A, F07B, F13A, F14A, F14B, F27A, F27B, F27C, F28A, F42Z, F54Z, F59A, F59B		01	B04A, B04B, B04C, B04D, B04E			
	08	I08A, I08B, I08C, I08D, I08E, I13A, I13B		08	I08A, I08B, I08C, I08D, I08E, I13A, I13B		03	D12A			
	09	J03A, J03B, J04A, J04B, J08A, J08B, J08C, J11A, J11B, J16Z		10	K01Z		04	E05A, E05B, E05C, E08A, E08B, E08C			
	10	K09A, K09B		21A	W04A, W04B		05	F01A, F01B, F01D, F05Z, F07A, F07B, F13A, F28A, F42Z, F54Z, F59A, F59B			
	17	R01A, R01B, R01C, R01D, R02Z, R12A, R12B, R12C		21B	X04Z, X05A, X05B, X06A, X06B, X06C		06	G15Z, G19A, G19B, G33Z, G38Z			
	21A	W04A, W04B			BOP, KVT, UOP4		07	H33Z, H38Z			
	21B	X06A, X06B, X06C		01	B04A, B04B, B04C, B04D, B04E		08	I08A, I08B, I08C, I08D, I08E, I13A, I13B			
	51560.0			BOP, KVT, UOP4	51570.1			BOP, KVT, UOP4	51570.5		BOP, KVT, UOP4
		01		B03A, B03B, B06A, B06B, B07Z, B17A, B17B, B17C			03	D12A		05	F01A, F01B, F01D, F05Z, F07A, F07B, F13A, F28A, F42Z, F54Z, F59A, F59B
03		D12A, D12B	04	E02A, E02B, E02C		06	G10Z, G12A, G12B				
05		F01A, F01B, F01D, F05Z, F07A, F07B, F14A, F14B, F28A, F42Z, F54Z, F59A, F59B	05	F01A, F01B, F01D, F05Z, F07A, F07B, F13A, F14A, F14B, F28A, F42Z, F54Z, F59A, F59B		08	I08A, I08B, I08C, I08D, I08E, I13A, I13B				
08		I08A, I08B, I08C, I08D, I08E, I13A, I13B	06	G10Z, G12A, G12B		09	J03A, J03B, J04A, J04B, J08A, J08B, J08C, J11A, J11B, J16Z				
10		K09A, K09B	08	I08A, I08B, I08C, I08D, I08E, I13A, I13B		10	K09A, K09B				
21A		W04A, W04B	09	J03A, J03B, J04A, J04B, J08A, J08B, J08C, J11A, J11B, J16Z		11	L33Z				
21B		X06A, X06B, X06C	10	K09A, K09B		21A	W04A, W04B				
51560.1			BOP, KVT, UOP4	51570.2			BOP, KVT, UOP4	51570.6			BOP, KVT, UOP4
		01	B04A, B04B, B04C, B04D, B04E			11	L09A, L09B, L09C, L09D, L38Z			06	G10Z, G12A, G12B
	03	D12A, D12B	17		R01A, R01B, R01C, R01D, R02Z, R12A, R12B, R12C	08	I08A, I08B, I08C, I08D, I08E, I13A, I13B				
	04	E02A, E02B, E02C	21A		W04A, W04B	10	K09A, K09B				
	05	F01A, F01B, F01D, F05Z, F07A, F07B, F14A, F14B, F28A, F42Z, F54Z, F59A, F59B	21B		X04Z, X05A, X05B, X06A, X06B, X06C	11	L09A, L09B, L09C, L09D, L38Z				
	08	I08A, I08B, I08C, I08D, I08E, I13A, I13B			BOP, KVT, UOP4	21A	W04A, W04B				
	17	R01A, R01B, R01C, R01D, R02Z, R12A, R12B, R12C	05		F01A, F01B, F01D, F05Z, F07A, F07B, F13A, F14A, F14B, F28A, F42Z, F54Z, F59A, F59B	21B	X04Z, X05A, X05B, X06A, X06B, X06C				
	51560.2		BOP, KVT, UOP4		51570.3		BOP, KOP, KOPV, KVT, UOP4		51570.7		BOP, KOP, KOPV, KVT, UOP4
		01	B04A, B04B, B04C, B04D, B04E			04	E05A, E05B, E05C, E08A, E08B, E08C			05	F01A, F01B, F01D, F05Z, F07A, F07B, F09A, F09B, F09C, F13A, F30Z, F42Z
		03	D12A, D12B			05	F01A, F01B, F01D, F05Z, F07A, F07B, F13A, F14A, F14B, F28A, F42Z, F54Z, F59A, F59B			06	G33Z
04		E02A, E02B, E02C	06	G15Z, G19A, G19B, G33Z, G38Z		07	H33Z, H38Z				
05		F01A, F01B, F01D, F05Z, F07A, F07B, F14A, F14B, F28A, F42Z, F54Z, F59A, F59B	07	H33Z, H38Z		08	I08A, I08B, I08C, I08D, I08E, I13A, I13B				
08		I08A, I08B, I08C, I08D, I08E, I13A, I13B	08	I08A, I08B, I08C, I08D, I08E, I13A, I13B		11	L33Z				
17		R01A, R01B, R01C, R01D, R02Z, R12A, R12B, R12C	11	L33Z		15	P02A, P02B, P02C				
51560.x			BOP, KVT, UOP4	51570.x			BOP, KVT, UOP4	51570.x			BOP, KVT, UOP4
		01	B04A, B04B, B04C, B04D, B04E			21A	W04A, W04B			05	F13A, F21A, F21B
		03	D12A, D12B			21B	X06A, X06B, X06C, X33Z			08	I08A, I08B, I08C, I08D, I08E, I13A, I13B
	04	E02A, E02B, E02C	23		Z01A	11	L09A, L09B, L09C, L09D, L38Z				
	05	F01A, F01B, F01D, F05Z, F07A, F07B, F14A, F14B, F28A, F42Z, F54Z, F59A, F59B	Pre		A07A	21A	W04A, W04B				
	08	I08A, I08B, I08C, I08D, I08E, I13A, I13B			BOP, KVT, UOP4	21B	X06A, X06B, X06C				
	17	R01A, R01B, R01C, R01D, R02Z, R12A, R12B, R12C			BOP, KVT, UOP4		BOP, KOP, KOPV, KVT, UOP4				

VYK

ZZV	MDC	DRG	ZZV	MDC	DRG	ZZV	MDC	DRG		
51571.0		BOP, KVT, UOP4	51571.4		BOP, KOP, KOPV, KVT, UOP4	51591.6		BOP, KVT, UOP4		
	05	F01A, F01B, F01D, F05Z, F07A, F07B, F13A, F14A, F14B, F27A, F27B, F27C, F28A, F42Z, F54Z, F59A, F59B		01	B04A, B04B, B04C, B04D, B04E		04	E02A, E02B, E02C		
	08	I08A, I08B, I08C, I08D, I08E, I13A, I13B		03	D12A		05	F01A, F01B, F01D, F05Z, F07A, F07B, F14A, F14B, F28A, F42Z, F54Z, F59A, F59B		
	10	K01Z		04	E05A, E05B, E05C, E08A, E08B, E08C		08	I08A, I08B, I08C, I08D, I08E, I13A, I13B		
	21A	W04A, W04B		05	F01A, F01B, F01D, F05Z, F07A, F07B, F13A, F28A, F42Z, F54Z, F59A, F59B		21A	W04A, W04B		
	21B	X04Z, X05A, X05B, X06A, X06B, X06C		06	G15Z, G19A, G19B, G33Z, G38Z		21B	X04Z, X05A, X05B, X06A, X06B, X06C		
	51571.1			BOP, KVT, UOP4	07		H33Z, H38Z	51591.8		BOP, KVT, UOP4
		01		B04A, B04B, B04C, B04D, B04E	08		I08A, I08B, I08C, I08D, I08E, I13A, I13B		05	F01A, F01B, F01D, F05Z, F07A, F07B, F14A, F14B, F28A, F42Z, F54Z, F59A, F59B
		03		D12A	09		J03A, J03B, J04A, J04B, J08A, J08B, J08C, J11A, J11B, J16Z		06	G10Z, G12A, G12B
		04		E02A, E02B, E02C	10		K09A, K09B		08	I08A, I08B, I08C, I08D, I08E, I13A, I13B
05		F01A, F01B, F01D, F05Z, F07A, F07B, F13A, F14A, F14B, F28A, F42Z, F54Z, F59A, F59B	11	L33Z	10	K09A, K09B				
06		G10Z, G12A, G12B	21A	W04A, W04B	11	L09A, L09B, L09C, L09D, L38Z				
08		I08A, I08B, I08C, I08D, I08E, I13A, I13B	21B	X04Z, X05A, X05B, X06A, X06B, X06C, X33Z	17	R01A, R01B, R01C, R01D, R02Z, R12A, R12B, R12C				
09		J03A, J03B, J04A, J04B, J08A, J08B, J08C, J11A, J11B, J16Z	23	Z01A	21A	W04A, W04B				
10		K09A, K09B	Pre	A07A	21B	X04Z, X06A, X06B, X06C				
11		L09A, L09B, L09C, L09D, L38Z	51572	01	B03A, B03B, B06A, B06B, B07Z, B17A, B17B, B17C	51591.9			BOP, KVT, UOP4	
51571.2		BOP, KVT, UOP4	05	F01A, F01B, F01D, F05Z, F07A, F07B, F14A, F14B, F28A, F42Z, F54Z, F59A, F59B	01		B04A, B04B, B04C, B04D, B04E			
	05	F01A, F01B, F01D, F05Z, F07A, F07B, F13A, F14A, F14B, F28A, F42Z, F54Z, F59A, F59B	08	I08A, I08B, I08C, I08D, I08E, I13A, I13B	03		D12A, D12B			
	06	G10Z, G12A, G12B	21A	W04A, W04B	04		E02A, E02B, E02C			
	08	I08A, I08B, I08C, I08D, I08E, I13A, I13B	21B	X06A, X06B	05		F01A, F01B, F01D, F05Z, F07A, F07B, F14A, F14B, F28A, F42Z, F54Z, F59A, F59B			
	10	K09A, K09B	51590.01	06	G10Z, G12A, G12B		06	G10Z, G12A, G12B		
	17	R01A, R01B, R01C, R01D, R02Z, R12A, R12B, R12C	08	I28A, I28B	08		I08A, I08B, I08C, I08D, I08E, I13A, I13B			
	21A	W04A, W04B	10	K09A, K09B	09		J03A, J03B, J04A, J04B, J08A, J08B, J08C, J11A, J11B, J16Z			
	21B	X04Z, X05A, X05B, X06A, X06B, X06C	13	N11A, N11B	10		K09A, K09B			
	51571.3		BOP, KOP, KOPV, KVT, UOP4	51590.02	06		G10Z, G12A, G12B	11	L09A, L09B, L09C, L09D, L38Z	
		04	E05A, E05B, E05C, E08A, E08B, E08C	08	I28A, I28B	17	R01A, R01B, R01C, R01D, R02Z, R12A, R12B, R12C			
05		F01A, F01B, F01D, F05Z, F07A, F07B, F13A, F14A, F14B, F28A, F42Z, F54Z, F59A, F59B	51590.03	06	G10Z, G12A, G12B	5m100	03	D12A, D12B		
06		G15Z, G19A, G19B, G33Z, G38Z	08	I28A, I28B	04		E02A, E02B, E02C			
07		H33Z, H38Z	10	K09A, K09B	06		G10Z, G12A, G12B			
08		I08A, I08B, I08C, I08D, I08E, I13A, I13B	13	N11A, N11B	08		I28A, I28B			
11		L33Z	51591.50‡	09	J11A, J11B		09	J03A, J03B, J04A, J04B, J08A, J08B, J08C, J11A, J11B, J16Z, J21Z		
21A		W04A, W04B	17	R60B, R60C, R61A, R61B, R61C, R61E, R62A, R63B, R63C, R63D, R63F	10		K03A, K03B, K09A, K09B			
21B		X06A, X06B, X06C, X33Z	51591.51‡	09	J11A, J11B		13	N11A		
23		Z01A	09	J11A, J11B	16		Q03A, Q03B			
Pre	A07A	17	R60B, R60C, R61A, R61B, R61C, R61E, R62A, R63B, R63C, R63D, R63F	5m101	03		D12A, D12B			
51571.4		BOP, KOP, KOPV, KVT, UOP4	51591.52‡		09		J11A, J11B	04	E02A, E02B, E02C	
	01	B04A, B04B, B04C, B04D, B04E	17		R60B, R60C, R61A, R61B, R61C, R61E, R62A, R63B, R63C, R63D, R63F	06	G10Z, G12A, G12B			
	03	D12A	09		J11A, J11B	08	I28A, I28B			
	04	E05A, E05B, E05C, E08A, E08B, E08C	09		J11A, J11B	09	J03A, J03B, J04A, J04B, J08A, J08B, J08C, J11A, J11B, J16Z, J21Z			
	05	F01A, F01B, F01D, F05Z, F07A, F07B, F13A, F28A, F42Z, F54Z, F59A, F59B	17		R60B, R60C, R61A, R61B, R61C, R61E, R62A, R63B, R63C, R63D, R63F	10	K09A, K09B			
	06	G15Z, G19A, G19B, G33Z, G38Z	09		J11A, J11B	13	N11A			
	07	H33Z, H38Z	17		R60B, R60C, R61A, R61B, R61C, R61E, R62A, R63B, R63C, R63D, R63F	16	Q03A, Q03B			
	08	I08A, I08B, I08C, I08D, I08E, I13A, I13B	09		J11A, J11B					
	11	L33Z	17		R60B, R60C, R61A, R61B, R61C, R61E, R62A, R63B, R63C, R63D, R63F					
	21A	W04A, W04B								
21B	X06A, X06B, X06C, X33Z									
23	Z01A									
Pre	A07A									

ZZV	MDC	DRG	ZZV	MDC	DRG	ZZV	MDC	DRG		
5m102↔	03	D12A, D12B	5m111		BOP, KOP, KOPV, KVT, UOP4	5m121		BOP, KOP, KOPV, KVT, UOP4		
	04	E02A, E02B, E02C		04	E05A, E05B, E05C, E08A, E08B, E08C		06	G10Z, G12A, G12B, G33Z		
	06	G10Z, G12A, G12B		06	G33Z		07	H33Z, H38Z		
	08	I28A, I28B		07	H33Z, H38Z		08	I28A, I28B		
	09	J03A, J03B, J04A, J04B, J07A, J07B, J08A, J08B, J08C, J11A, J11B, J16Z, J21Z, J24A, J24B, J24C, J24D, J25Z		11	L33Z		09	J03A, J03B, J04A, J04B, J08A, J08B, J08C, J10A, J10B, J16Z, J21Z		
	10	K09A, K09B		17	R01A, R01B, R01C, R01D, R02Z, R12A, R12B, R12C		11	L03Z, L04A, L04B, L04C, L10Z, L13A, L13B, L33Z, L38Z		
	13	N11A		21A	W04A, W04B		12	M01A, M01B, M09A, M38Z		
	16	Q03A, Q03B		21B	X06A, X06B, X06C		13	N01A, N01B, N01C, N01D, N01E, N11A, N38Z		
	5m103	08		I27A, I27B, I27C, I27D	Pre		A07A	17	R01A, R01B, R01C, R01D, R02Z, R12A, R12B, R12C	
		09		J03A, J03B, J04A, J04B, J08A, J08B, J08C, J11A, J11B, J16Z, J21Z	5m120.0			BOP, KOP, KOPV, KVT, UOP4	23	Z01A
	5m104			BOP, KVT, UOP4			04	E05A, E05B, E05C, E08A, E08B, E08C	Pre	A07A
		09		J03A, J03B, J04A, J04B, J08A, J08B, J08C, J11A, J11B, J16Z			06	G10Z, G12A, G12B, G18A, G33Z, G38Z	5m122	
	5m110.1			BOP, KOP, KOPV, KVT, UOP4			07	H33Z, H38Z		03
04		E05A, E05B, E05C, E08A, E08B, E08C	08	I28A, I28B		04	E02A, E02B, E02C			
06		G33Z	09	J03A, J03B, J04A, J04B, J08A, J08B, J08C, J10A, J10B, J16Z, J21Z		08	I06A, I06B, I06C, I06D, I06E			
07		H33Z, H38Z	10	K09A, K09B		09	J02A, J02B, J02C, J03A, J03B, J04A, J04B, J08A, J08B, J10A, J10B, J16Z, J21Z			
11		L33Z	11	L03Z, L04A, L04B, L04C, L10Z, L13A, L13B, L33Z, L38Z		10	K14Z			
17		R01A, R01B, R01C, R01D, R02Z, R12A, R12B, R12C	12	M01A, M01B, M09A, M38Z		17	R01A, R01B, R01C, R01D, R02Z, R12A, R12B, R12C			
21A		W04A, W04B	13	N01A, N01B, N01C, N01D, N01E, N11A, N38Z		5m123				
21B		X06A, X06B, X06C	17	R01A, R01B, R01C, R01D, R02Z, R12A, R12B, R12C			03	D18Z, D25A, D25B, D25C, D25D		
23		Z01A	23	Z01A		04	E02A, E02B, E02C			
Pre		A07A	Pre	A07A		08	I06A, I06B, I06C, I06D, I06E			
5m110.2			BOP, KOP, KOPV, KVT, UOP4	5m120.3		BOP, KOP, KOPV, KVT, UOP4	09	J02A, J02B, J02C, J03A, J03B, J04A, J04B, J08A, J08B, J10A, J10B, J16Z, J21Z		
		04	E05A, E05B, E05C, E08A, E08B, E08C		04	E05A, E05B, E05C, E08A, E08B, E08C	10	K14Z		
		06	G33Z		06	G10Z, G12A, G12B, G33Z	13	N11A		
	07	H33Z, H38Z	07		H33Z, H38Z	17	R01A, R01B, R01C, R01D, R02Z, R12A, R12B, R12C			
	11	L33Z	08		I28A, I28B		BOP, KVT, UOP4			
	17	R01A, R01B, R01C, R01D, R02Z, R12A, R12B, R12C	09		J03A, J03B, J04A, J04B, J08A, J08B, J08C, J10A, J10B, J16Z, J21Z	5m124				
	21A	W04A, W04B	10		K09A, K09B		03	D02A, D02B, D18Z, D24A, D24B		
	21B	X06A, X06B, X06C	11		L03Z, L04A, L04B, L04C, L10Z, L13A, L13B, L33Z, L38Z	04	E02A, E02B, E02C			
	23	Z01A	12		M01A, M01B, M09A, M38Z	08	I06A, I06B, I06C, I06D, I06E			
	Pre	A07A	13		N01A, N01B, N01C, N01D, N01E, N11A, N38Z	09	J02A, J02B, J02C, J03A, J03B, J04A, J04B, J08A, J08B, J10A, J10B, J16Z, J21Z			
	5m110.x		BOP, KOP, KOPV, KVT, UOP4		17	R01A, R01B, R01C, R01D, R02Z, R12A, R12B, R12C	10	K14Z		
		04	E05A, E05B, E05C, E08A, E08B, E08C		23	Z01A	11	L09A, L38Z		
		06	G33Z		Pre	A07A	13	N11A		
07		H33Z, H38Z			17	R01A, R01B, R01C, R01D, R02Z, R12A, R12B				
11		L33Z								
17		R01A, R01B, R01C, R01D, R02Z, R12A, R12B, R12C								
21A		W04A, W04B								
21B		X06A, X06B, X06C								
23		Z01A								
Pre		A07A								

ZZV	MDC	DRG	ZZV	MDC	DRG	ZZV	MDC	DRG			
5m130		BOP, KVT, UOP4	5m134↔		BOP, KVT, UOP4	5m137.3		BOP, KVT, UOP4			
	03	D12A		03	D12A		03	D12A			
	04	E02A, E02B, E02C		04	E02A, E02B, E02C		04	E02A, E02B, E02C			
	06	G10Z, G12A, G12B		06	G10Z, G12A, G12B		06	G10Z, G12A, G12B			
	08	I28A, I28B		08	I28A, I28B		08	I28A, I28B			
	09	J03A, J03B, J04A, J04B, J08A, J08B, J08C, J11A, J11B, J16Z, J21Z		09	J03A, J03B, J04A, J04B, J08A, J08B, J08C, J11A, J11B, J16Z, J21Z, J23Z, J24A, J24B, J24C, J24D, J26Z		09	J03A, J03B, J04A, J04B, J08A, J08B, J08C, J11A, J11B, J16Z, J21Z			
	10	K09A, K09B		10	K09A, K09B		10	K09A, K09B			
	11	L09A, L09B, L09C, L09D, L38Z		11	L09A, L09B, L09C, L09D, L38Z		11	L09A, L09B, L09C, L09D, L38Z			
	12	M06Z, M09A, M09B, M38Z		12	M06Z, M09A, M09B, M38Z		12	M06Z, M09A, M09B, M38Z			
	13	N11A		13	N11A		13	N11A			
	14	962Z, O02A, O02B		14	962Z, O02A, O02B		14	962Z, O02A, O02B			
	16	Q03A, Q03B		16	Q03A, Q03B		16	Q03A, Q03B			
	5m131			BOP, KVT, UOP4	5m136.0			BOP, KVT, UOP4	5m138.0		BOP, KVT, UOP4
		03		D12A			03	D12A		03	D12A
		04		E02A, E02B, E02C			04	E02A, E02B, E02C		04	E02A, E02B, E02C
		06		G10Z, G12A, G12B			06	G10Z, G12A, G12B		06	G10Z, G12A, G12B
08		I28A, I28B	08	I28A, I28B		08	I28A, I28B				
09		J03A, J03B, J04A, J04B, J08A, J08B, J08C, J11A, J11B, J16Z, J21Z	09	J03A, J03B, J04A, J04B, J08A, J08B, J08C, J11A, J11B, J16Z, J21Z		09	J03A, J03B, J04A, J04B, J08A, J08B, J08C, J11A, J11B, J16Z, J21Z, J23Z, J26Z				
10		K09A, K09B	10	K09A, K09B		10	K09A, K09B				
11		L09A, L09B, L09C, L09D, L38Z	11	L09A, L09B, L09C, L09D, L38Z		11	L09A, L09B, L09C, L09D, L38Z				
12		M06Z, M09A, M09B, M38Z	12	M06Z, M09A, M09B, M38Z		12	M06Z, M09A, M09B, M38Z				
13		N11A	13	N11A		13	N01A, N01B, N01C, N01D, N01E, N02A, N02B, N02C, N03A, N03B, N04Z, N11A, N14Z, N21Z, N38Z				
14		962Z, O02A, O02B	14	962Z, O02A, O02B		14	962Z, O02A, O02B				
16		Q03A, Q03B	16	Q03A, Q03B		16	Q03A, Q03B				
5m132			BOP, KVT, UOP4	5m136.3			BOP, KVT, UOP4	5m138.3			BOP, KVT, UOP4
		03	D12A			03	D12A			03	D12A
		04	E02A, E02B, E02C			04	E02A, E02B, E02C			04	E02A, E02B, E02C
		06	G10Z, G12A, G12B			06	G10Z, G12A, G12B			06	G10Z, G12A, G12B
	08	I28A, I28B	08		I28A, I28B	08	I28A, I28B				
	09	J03A, J03B, J04A, J04B, J08A, J08B, J08C, J11A, J11B, J16Z, J21Z	09		J03A, J03B, J04A, J04B, J08A, J08B, J08C, J11A, J11B, J16Z, J21Z	09	J03A, J03B, J04A, J04B, J08A, J08B, J08C, J11A, J11B, J16Z, J21Z, J23Z, J26Z				
	10	K09A, K09B	10		K09A, K09B	10	K09A, K09B				
	11	L09A, L09B, L09C, L09D, L38Z	11		L09A, L09B, L09C, L09D, L38Z	11	L09A, L09B, L09C, L09D, L38Z				
	12	M06Z, M09A, M09B, M38Z	12		M06Z, M09A, M09B, M38Z	12	M06Z, M09A, M09B, M38Z				
	13	N11A	13		N11A	13	N01A, N01B, N01C, N01D, N01E, N02A, N02B, N02C, N03A, N03B, N04Z, N11A, N14Z, N21Z, N38Z				
	14	962Z, O02A, O02B	14		962Z, O02A, O02B	14	962Z, O02A, O02B				
	16	Q03A, Q03B	16		Q03A, Q03B	16	Q03A, Q03B				
	5m133↔		BOP, KVT, UOP4		5m137.0		BOP, KVT, UOP4		5m137.0		BOP, KVT, UOP4
		03	D12A			03	D12A			03	D12A
		04	E02A, E02B, E02C			04	E02A, E02B, E02C			04	E02A, E02B, E02C
		06	G10Z, G12A, G12B			06	G10Z, G12A, G12B			06	G10Z, G12A, G12B
08		I28A, I28B	08	I28A, I28B		08	I28A, I28B				
09		J03A, J03B, J04A, J04B, J08A, J08B, J08C, J11A, J11B, J16Z, J21Z, J23Z, J24A, J24B, J24C, J24D, J26Z	09	J03A, J03B, J04A, J04B, J08A, J08B, J08C, J11A, J11B, J16Z, J21Z		09	J03A, J03B, J04A, J04B, J08A, J08B, J08C, J11A, J11B, J16Z, J21Z, J23Z, J26Z				
10		K09A, K09B	10	K09A, K09B		10	K09A, K09B				
11		L09A, L09B, L09C, L09D, L38Z	11	L09A, L09B, L09C, L09D, L38Z		11	L09A, L09B, L09C, L09D, L38Z				
13		N11A	13	N11A		13	N01A, N01B, N01C, N01D, N01E, N02A, N02B, N02C, N03A, N03B, N04Z, N11A, N14Z, N21Z, N38Z				
14		962Z, O02A, O02B	14	962Z, O02A, O02B		14	962Z, O02A, O02B				
16		Q03A, Q03B	16	Q03A, Q03B		16	Q03A, Q03B				
			17	R01A, R01B, R01C, R01D, R02Z, R12A, R12B, R12C		17	R01A, R01B, R01C, R01D, R02Z, R12A, R12B, R12C				
			17	R01A, R01B, R01C, R01D, R02Z, R12A, R12B, R12C		17	R01A, R01B, R01C, R01D, R02Z, R12A, R12B, R12C				
			17	R01A, R01B, R01C, R01D, R02Z, R12A, R12B, R12C		17	R01A, R01B, R01C, R01D, R02Z, R12A, R12B, R12C				

VYK

ZZV	MDC	DRG	ZZV	MDC	DRG	ZZV	MDC	DRG
5m292		BOP, KVT, UOP4	5n010.1		BOP, KOP, KOPV, KVT, UOP4	5n010.x		BOP, KOP, KOPV, KVT, UOP4
	06	G10Z, G12A, G12B		03	D12A		03	D12A
	16	Q01Z		06	G15Z, G19A, G19B, G38Z		06	G15Z, G19A, G19B, G38Z
	17	R01A, R01B, R01C, R01D, R02Z, R12A, R12B, R12C		07	H33Z, H38Z		07	H33Z, H38Z
	21A	W04A, W04B		11	L33Z		11	L33Z
5m293.10	21B	X06A, X06B, X06C		17	R01A, R01B, R01C, R01D, R02Z, R12A, R12B, R12C		17	R01A, R01B, R01C, R01D, R02Z, R12A, R12B, R12C
		BOP, KVT, UOP4		21A	W04A, W04B		21A	W04A, W04B
	16	Q01Z		21B	X06A, X06B, X06C		21B	X06A, X06B, X06C
	17	R01A, R01B, R01C, R01D, R02Z, R12A, R12B, R12C		23	Z01A		23	Z01A
	21A	W04A, W04B	5n010.2	Pre	A07A	5n011.6‡	Pre	A07A
5m293.13	21B	X06A, X06B, X06C			BOP, KOP, KOPV, KVT, UOP4		06	G40Z, G46A, G46B, G46C, G47Z, G50Z
		BOP, KVT, UOP4		03	D12A		07	H40Z
	16	Q01Z		06	G15Z, G19A, G19B, G38Z	5n011.x		BOP, KOP, KOPV, KVT, UOP4
	17	R01A, R01B, R01C, R01D, R02Z, R12A, R12B, R12C		07	H33Z, H38Z		03	D12A
	21A	W04A, W04B		11	L33Z		06	G15Z, G19A, G19B, G38Z
5m293.20	21B	X06A, X06B, X06C		17	R01A, R01B, R01C, R01D, R02Z, R12A, R12B, R12C		07	H33Z, H38Z
		BOP, KVT, UOP4		21A	W04A, W04B		11	L33Z
	16	Q01Z		21B	X06A, X06B, X06C		23	Z01A
	17	R01A, R01B, R01C, R01D, R02Z, R12A, R12B, R12C		23	Z01A		Pre	A07A
	21A	W04A, W04B	5n010.3	Pre	A07A	5n012.0		BOP, KOP, KOPV, KVT, UOP4
5m293.21	21B	X06A, X06B, X06C			BOP, KOP, KOPV, KVT, UOP4		03	D12A
		BOP, KVT, UOP4		03	D12A		06	G01Z, G02Z, G15Z, G19A, G19B, G38Z
	16	Q01Z		06	G15Z, G19A, G19B, G38Z		07	H33Z, H38Z
	17	R01A, R01B, R01C, R01D, R02Z, R12A, R12B, R12C		07	H33Z, H38Z		11	L33Z
	21A	W04A, W04B		11	L33Z		17	R01A, R01B, R01C, R01D, R02Z, R12A, R12B, R12C
5m294.1	21B	X06A, X06B, X06C		17	R01A, R01B, R01C, R01D, R02Z, R12A, R12B, R12C		21A	W04A, W04B
		BOP, KVT, UOP4		21A	W04A, W04B		21B	X06A, X06B, X06C
	16	Q01Z		21B	X06A, X06B, X06C		23	Z01A
	17	R01A, R01B, R01C, R01D, R02Z, R12A, R12B, R12C		23	Z01A		Pre	A07A, A11A, A13A, A13B, A13D
	21A	W04A, W04B	5n010.4	Pre	A07A	5n012.1		BOP, KOP, KOPV, KVT, UOP4
5m294.x	21B	X06A, X06B, X06C			BOP, KOP, KOPV, KVT, UOP4		03	D12A
		BOP, KVT, UOP4		03	D12A		06	G01Z, G02Z, G15Z, G19A, G19B, G38Z
	16	Q01Z		06	G15Z, G19A, G19B, G38Z		07	H33Z, H38Z
	17	R01A, R01B, R01C, R01D, R02Z, R12A, R12B, R12C		07	H33Z, H38Z		11	L33Z
	21A	W04A, W04B		11	L33Z		17	R01A, R01B, R01C, R01D, R02Z, R12A, R12B, R12C
5m300.0‡	21B	X06A, X06B, X06C		17	R01A, R01B, R01C, R01D, R02Z, R12A, R12B, R12C		21A	W04A, W04B
5m300.1‡	Pre	A42A, A42B		21A	W04A, W04B		21B	X06A, X06B, X06C
	23	Z42Z		21B	X06A, X06B, X06C		23	Z01A
	Pre	A42A, A42B		23	Z01A		Pre	A07A
5m301.0‡	23	Z41Z	5n010.5		BOP, KOP, KOPV, KVT, UOP4			BOP, KOP, KOPV, KVT, UOP4
5m301.1‡	23	Z43Z		03	D12A		03	D12A
5n010.0		BOP, KOP, KOPV, KVT, UOP4		06	G15Z, G19A, G19B, G38Z		06	G01Z, G02Z, G15Z, G19A, G19B, G38Z
	03	D12A		07	H33Z, H38Z		07	H33Z, H38Z
	06	G15Z, G19A, G19B, G38Z		11	L33Z		11	L33Z
	07	H33Z, H38Z		17	R01A, R01B, R01C, R01D, R02Z, R12A, R12B, R12C		17	R01A, R01B, R01C, R01D, R02Z, R12A, R12B, R12C
	11	L33Z		21A	W04A, W04B		21A	W04A, W04B
	17	R01A, R01B, R01C, R01D, R02Z, R12A, R12B, R12C		21B	X06A, X06B, X06C		21B	X06A, X06B, X06C
	21A	W04A, W04B		23	Z01A		23	Z01A
	21B	X06A, X06B, X06C		Pre	A07A		Pre	A07A, A11A, A13A, A13B, A13D
	23	Z01A	5n010.6‡		BOP, KOP, KOPV, KVT, UOP4			BOP, KOP, KOPV, KVT, UOP4
	Pre	A07A		03	D12A		03	D12A
				06	G15Z, G19A, G19B, G38Z		06	G01Z, G02Z, G15Z, G19A, G19B, G38Z
				07	H33Z, H38Z		07	H33Z, H38Z
				11	L33Z		11	L33Z
				17	R01A, R01B, R01C, R01D, R02Z, R12A, R12B, R12C		17	R01A, R01B, R01C, R01D, R02Z, R12A, R12B, R12C
				21A	W04A, W04B		21A	W04A, W04B
				21B	X06A, X06B, X06C		21B	X06A, X06B, X06C
				23	Z01A		23	Z01A
				Pre	A07A		Pre	A07A, A11A, A13A, A13B, A13D
				06	G40Z, G46A, G46B, G46C, G47Z, G50Z			BOP, KOP, KOPV, KVT, UOP4
				07	H40Z		03	D12A

ZZV	MDC	DRG	ZZV	MDC	DRG	ZZV	MDC	DRG			
5n012.3		BOP, KOP, KOPV, KVT, UOP4	5n013.0		BOP, KOP, KOPV, KVT, UOP4	5n013.x		BOP, KOP, KOPV, KVT, UOP4			
	03	D12A		03	D12A		03	D12A			
	06	G01Z, G02Z, G15Z, G19A, G19B, G38Z		06	G15Z, G19A, G19B, G38Z		06	G15Z, G19A, G19B, G38Z			
	07	H33Z, H38Z		07	H33Z, H38Z		07	H33Z, H38Z			
	11	L33Z		11	L33Z		11	L33Z			
	17	R01A, R01B, R01C, R01D, R02Z, R12A, R12B, R12C		17	R01A, R01B, R01C, R01D, R02Z, R12A, R12B, R12C		17	R01A, R01B, R01C, R01D, R02Z, R12A, R12B, R12C			
	21A	W04A, W04B		21A	W04A, W04B		21A	W04A, W04B			
	21B	X06A, X06B, X06C		21B	X06A, X06B, X06C		21B	X06A, X06B, X06C			
	23	Z01A		23	Z01A		23	Z01A			
	Pre	A07A, A11A, A13A, A13B, A13D		Pre	A07A		Pre	A07A			
	5n012.4			BOP, KOP, KOPV, KVT, UOP4	5n013.1			BOP, KOP, KOPV, KVT, UOP4	5n01x.0		BOP, KOP, KOPV, UOP4
		03		D12A			03	D12A		03	D12A
		06		G01Z, G02Z, G15Z, G19A, G19B, G38Z			06	G15Z, G19A, G19B, G38Z		06	G15Z, G19A, G19B, G38Z
07		H33Z, H38Z	07	H33Z, H38Z		07	H33Z, H38Z				
11		L33Z	11	L33Z		11	L33Z				
17		R01A, R01B, R01C, R01D, R02Z, R12A, R12B, R12C	17	R01A, R01B, R01C, R01D, R02Z, R12A, R12B, R12C		17	R01A, R01B, R01C, R01D, R02Z, R12A, R12B, R12C				
21A		W04A, W04B	21A	W04A, W04B		21A	W04A, W04B				
21B		X06A, X06B, X06C	21B	X06A, X06B, X06C		21B	X06A, X06B, X06C				
23		Z01A	23	Z01A		23	Z01A				
Pre		A07A, A11A, A13A, A13B, A13D	Pre	A07A		Pre	A07A				
5n012.5			BOP, KOP, KOPV, KVT, UOP4	5n013.2			BOP, KOP, KOPV, KVT, UOP4	5n01x.1			BOP, KOP, KOPV, UOP4
		03	D12A			03	D12A			03	D12A
		06	G01Z, G02Z, G15Z, G19A, G19B, G38Z			06	G15Z, G19A, G19B, G38Z			06	G15Z, G19A, G19B, G38Z
	07	H33Z, H38Z	07		H33Z, H38Z	07	H33Z, H38Z				
	11	L33Z	11		L33Z	11	L33Z				
	17	R01A, R01B, R01C, R01D, R02Z, R12A, R12B, R12C	17		R01A, R01B, R01C, R01D, R02Z, R12A, R12B, R12C	17	R01A, R01B, R01C, R01D, R02Z, R12A, R12B, R12C				
	21A	W04A, W04B	21A		W04A, W04B	21A	W04A, W04B				
	21B	X06A, X06B, X06C	21B		X06A, X06B, X06C	21B	X06A, X06B, X06C				
	23	Z01A	23		Z01A	23	Z01A				
	Pre	A07A, A11A, A13A, A13B, A13D	Pre		A07A	Pre	A07A				
	5n012.6†		G40Z, G46A, G46B, G46C, G47Z, G50Z		5n013.3		BOP, KOP, KOPV, KVT, UOP4		5n01x.2		BOP, KOP, KOPV, UOP4
		06	G40Z, G46A, G46B, G46C, G47Z, G50Z			03	D12A			03	D12A
		07	H40Z			06	G15Z, G19A, G19B, G38Z			06	G15Z, G19A, G19B, G38Z
5n012.x			BOP, KOP, KOPV, KVT, UOP4	5n013.4			BOP, KOP, KOPV, KVT, UOP4	5n01x.3			BOP, KOP, KOPV, UOP4
		03	D12A			03	D12A			03	D12A
		06	G01Z, G02Z, G15Z, G19A, G19B, G38Z			06	G15Z, G19A, G19B, G38Z			06	G15Z, G19A, G19B, G38Z
		07	H33Z, H38Z			07	H33Z, H38Z			07	H33Z, H38Z
		11	L33Z			11	L33Z			11	L33Z
		17	R01A, R01B, R01C, R01D, R02Z, R12A, R12B, R12C			17	R01A, R01B, R01C, R01D, R02Z, R12A, R12B, R12C			17	R01A, R01B, R01C, R01D, R02Z, R12A, R12B, R12C
		21A	W04A, W04B			11	L33Z			17	R01A, R01B, R01C, R01D, R02Z, R12A, R12B, R12C
		21B	X06A, X06B, X06C			17	R01A, R01B, R01C, R01D, R02Z, R12A, R12B, R12C			21A	W04A, W04B
		23	Z01A			21A	W04A, W04B			21B	X06A, X06B, X06C
		Pre	A07A, A11A, A13A, A13B, A13D			21B	X06A, X06B, X06C			23	Z01A
			Pre		A07A	Pre	A07A				
						5n01x.4			BOP, KOP, KOPV, UOP4		
						03	D12A		03	D12A	
				06	G15Z, G19A, G19B, G38Z	06	G15Z, G19A, G19B, G38Z				
				07	H33Z, H38Z	07	H33Z, H38Z				
				11	L33Z	11	L33Z				
				17	R01A, R01B, R01C, R01D, R02Z, R12A, R12B, R12C	17	R01A, R01B, R01C, R01D, R02Z, R12A, R12B, R12C				
				21A	W04A, W04B	21A	W04A, W04B				
				21B	X06A, X06B, X06C	21B	X06A, X06B, X06C				
				23	Z01A	23	Z01A				
				Pre	A07A	Pre	A07A				

ZZV	MDC	DRG	ZZV	MDC	DRG	ZZV	MDC	DRG	
5n01x.5		BOP, KOP, KOPV, UOP4	5n020.4		BOP, KOP, KOPV, KVT, MVV, UOP4	5n021.3		BOP, KOP, KOPV, KVT, MVV, UOP4	
	03	D12A		03	D12A		03	D12A	
	06	G15Z, G19A, G19B, G38Z		05	F36A, F36B		05	F36A, F36B	
	07	H33Z, H38Z		06	G03A, G03B, G33Z, G38Z		06	G03A, G03B, G33Z, G38Z	
	11	L33Z		07	H33Z, H38Z		07	H33Z, H38Z	
	17	R01A, R01B, R01C, R01D, R02Z, R12A, R12B, R12C		11	L33Z		11	L33Z	
	21A	W04A, W04B		17	R01A, R01B, R01C, R01D, R02Z, R12A, R12B, R12C		17	R01A, R01B, R01C, R01D, R02Z, R12A, R12B, R12C	
	21B	X06A, X06B, X06C		21A	W04A, W04B		21A	W04A, W04B	
	23	Z01A		21B	X06A, X06B, X06C, X33Z		21B	X06A, X06B, X06C, X33Z	
	Pre	A07A		22	Y01Z, Y03A, Y03B		22	Y01Z, Y03A, Y03B	
	5n01x.6‡	06		G40Z, G46A, G46B, G46C, G47Z, G50Z	5n020.x			BOP, KOP, KOPV, KVT, MVV, UOP4	5n021.4
07	H40Z	03	D12A	03		D12A			
5n01x.x‡	06	G40Z, G46A, G46B, G46C, G47Z, G50Z	05	F36A, F36B		05	F36A, F36B		
	5n020.1	07	H40Z	06		G03A, G03B, G33Z, G38Z	06	G03A, G03B, G33Z, G38Z	
			BOP, KOP, KOPV, KVT, MVV, UOP4	07		H33Z, H38Z	07	H33Z, H38Z	
		03	D12A	11		L33Z	11	L33Z	
		05	F36A, F36B	17		R01A, R01B, R01C, R01D, R02Z, R12A, R12B, R12C	17	R01A, R01B, R01C, R01D, R02Z, R12A, R12B, R12C	
		06	G03A, G03B, G33Z, G38Z	21A		W04A, W04B	21A	W04A, W04B	
		07	H33Z, H38Z	21B		X06A, X06B, X06C, X33Z	21B	X06A, X06B, X06C, X33Z	
		11	L33Z	22		Y01Z, Y03A, Y03B	22	Y01Z, Y03A, Y03B	
		17	R01A, R01B, R01C, R01D, R02Z, R12A, R12B, R12C	23		Z01A	23	Z01A	
		21A	W04A, W04B	Pre	A07A	Pre	A07A		
		21B	X06A, X06B, X06C, X33Z	5n021.1		BOP, KOP, KOPV, KVT, MVV, UOP4	5n021.x		BOP, KOP, KOPV, KVT, MVV, UOP4
22		Y01Z, Y03A, Y03B	03		D12A	03		D12A	
23	Z01A	05	F36A, F36B		05	F36A, F36B			
Pre	A07A	06	G03A, G03B, G33Z, G38Z		06	G03A, G03B, G33Z, G38Z			
5n020.2		BOP, KOP, KOPV, KVT, MVV, UOP4	07		H33Z, H38Z	07		H33Z, H38Z	
	03	D12A	11		L33Z	11		L33Z	
	05	F36A, F36B	17		R01A, R01B, R01C, R01D, R02Z, R12A, R12B, R12C	17		R01A, R01B, R01C, R01D, R02Z, R12A, R12B, R12C	
	06	G03A, G03B, G33Z, G38Z	21A		W04A, W04B	21A		W04A, W04B	
	07	H33Z, H38Z	21B		X06A, X06B, X06C, X33Z	21B		X06A, X06B, X06C, X33Z	
	11	L33Z	22		Y01Z, Y03A, Y03B	22		Y01Z, Y03A, Y03B	
	17	R01A, R01B, R01C, R01D, R02Z, R12A, R12B, R12C	23		Z01A	23		Z01A	
	21A	W04A, W04B	Pre	A07A	Pre	A07A			
	21B	X06A, X06B, X06C, X33Z	5n021.2		BOP, KOP, KOPV, KVT, MVV, UOP4	5n022.0		BOP, KOP, KOPV, KVT, UOP4	
	22	Y01Z, Y03A, Y03B		03	D12A		03	D12A, D12B	
	23	Z01A		05	F36A, F36B		06	G15Z, G19A, G19B, G38Z	
Pre	A07A	06		G03A, G03B, G33Z, G38Z	07		H33Z, H38Z		
5n020.3		BOP, KOP, KOPV, KVT, MVV, UOP4		07	H33Z, H38Z		11	L33Z	
	03	D12A		11	L33Z		17	R01A, R01B, R01C, R01D, R02Z, R12A, R12B, R12C	
	05	F36A, F36B		17	R01A, R01B, R01C, R01D, R02Z, R12A, R12B, R12C		21A	W04A, W04B	
	06	G03A, G03B, G33Z, G38Z		21A	W04A, W04B		21B	X06A, X06B, X06C	
	07	H33Z, H38Z		21B	X06A, X06B, X06C, X33Z		22	Y01Z, Y03A, Y03B	
	11	L33Z		22	Y01Z, Y03A, Y03B		23	Z01A	
	17	R01A, R01B, R01C, R01D, R02Z, R12A, R12B, R12C		23	Z01A		Pre	A07A	
	21A	W04A, W04B	Pre	A07A	5n022.x		BOP, KOP, KOPV, KVT, UOP4		
	21B	X06A, X06B, X06C, X33Z				03	D12A, D12B		
	22	Y01Z, Y03A, Y03B				06	G15Z, G19A, G19B, G38Z		
	23	Z01A				07	H33Z, H38Z		
Pre	A07A			11		L33Z			
				17		R01A, R01B, R01C, R01D, R02Z, R12A, R12B, R12C			
				21A		W04A, W04B			
				21B		X06A, X06B, X06C			
				22		Y01Z, Y03A, Y03B			
				23		Z01A			
				Pre		A07A			

ZZV	MDC	DRG	ZZV	MDC	DRG	ZZV	MDC	DRG			
5n029.1		BOP, KOP, KOPV, KVT, MVV, UOP4	5n029.x		BOP, KOP, KOPV, KVT, MVV, UOP4	5n02d		BOP, KOP, KOPV, KVT, UOP4			
	03	D12A		03	D12A		03	D12A			
	05	F36A, F36B		05	F36A, F36B		05	F36A, F36B			
	06	G03A, G03B, G33Z, G38Z		06	G03A, G03B, G33Z, G38Z		06	G01Z, G02Z, G03A, G03B, G03C, G33Z, G38Z			
	07	H33Z, H38Z		07	H33Z, H38Z		07	H33Z, H38Z			
	11	L33Z		11	L33Z		11	L33Z			
	17	R01A, R01B, R01C, R01D, R02Z, R12A, R12B, R12C		17	R01A, R01B, R01C, R01D, R02Z, R12A, R12B, R12C		17	R01A, R01B, R01C, R01D, R02Z, R12A, R12B, R12C			
	21A	W04A, W04B		21A	W04A, W04B		21A	W04A, W04B			
	21B	X06A, X06B, X06C, X33Z		21B	X06A, X06B, X06C, X33Z		21B	X06A, X06B, X06C, X33Z			
	22	Y01Z, Y03A, Y03B		22	Y01Z, Y03A, Y03B		22	Y01Z, Y03A, Y03B			
	23	Z01A		23	Z01A		23	Z01A			
	Pre	A07A		Pre	A07A		Pre	A07A, A11A, A13A, A13B, A13D			
	5n029.2			BOP, KOP, KOPV, KVT, MVV, UOP4	5n02a			BOP, KOP, KOPV, KVT, UOP4	5n02e		BOP, KOP, KOPV, KVT, UOP4
		03		D12A			03	D12A		03	D12A
05		F36A, F36B	05	F36A, F36B		05	F36A, F36B				
06		G03A, G03B, G33Z, G38Z	06	G01Z, G02Z, G03A, G03B, G03C, G33Z, G38Z		06	G01Z, G02Z, G03A, G03B, G03C, G33Z, G38Z				
07		H33Z, H38Z	07	H33Z, H38Z		07	H33Z, H38Z				
11		L33Z	11	L33Z		11	L33Z				
17		R01A, R01B, R01C, R01D, R02Z, R12A, R12B, R12C	17	R01A, R01B, R01C, R01D, R02Z, R12A, R12B, R12C		17	R01A, R01B, R01C, R01D, R02Z, R12A, R12B, R12C				
21A		W04A, W04B	21A	W04A, W04B		21A	W04A, W04B				
21B		X06A, X06B, X06C, X33Z	21B	X06A, X06B, X06C, X33Z		21B	X06A, X06B, X06C, X33Z				
22		Y01Z, Y03A, Y03B	22	Y01Z, Y03A, Y03B		22	Y01Z, Y03A, Y03B				
23		Z01A	23	Z01A		23	Z01A				
Pre		A07A	Pre	A07A, A11A, A13A, A13B, A13D		Pre	A07A, A11A, A13A, A13B, A13D				
5n029.3			BOP, KOP, KOPV, KVT, MVV, UOP4	5n02b			BOP, KOP, KOPV, KVT, UOP4	5n02f			BOP, KOP, KOPV, KVT, UOP4
		03	D12A			03	D12A			03	D12A
	05	F36A, F36B	05		F36A, F36B	05	F36A, F36B				
	06	G03A, G03B, G33Z, G38Z	06		G01Z, G02Z, G03A, G03B, G03C, G33Z, G38Z	06	G01Z, G02Z, G03A, G03B, G03C, G33Z, G38Z				
	07	H33Z, H38Z	07		H33Z, H38Z	07	H33Z, H38Z				
	11	L33Z	11		L33Z	11	L33Z				
	17	R01A, R01B, R01C, R01D, R02Z, R12A, R12B, R12C	17		R01A, R01B, R01C, R01D, R02Z, R12A, R12B, R12C	17	R01A, R01B, R01C, R01D, R02Z, R12A, R12B, R12C				
	21A	W04A, W04B	21A		W04A, W04B	21A	W04A, W04B				
	21B	X06A, X06B, X06C, X33Z	21B		X06A, X06B, X06C, X33Z	21B	X06A, X06B, X06C, X33Z				
	22	Y01Z, Y03A, Y03B	22		Y01Z, Y03A, Y03B	22	Y01Z, Y03A, Y03B				
	23	Z01A	23		Z01A	23	Z01A				
	Pre	A07A	Pre		A07A, A11A, A13A, A13B, A13D	Pre	A07A, A11A, A13A, A13B, A13D				
	5n029.4		BOP, KOP, KOPV, KVT, MVV, UOP4		5n02c		BOP, KOP, KOPV, KVT, UOP4		5n02g		BOP, KOP, KOPV, KVT, UOP4
		03	D12A			03	D12A			03	D12A
05		F36A, F36B	05	F36A, F36B		05	F36A, F36B				
06		G03A, G03B, G33Z, G38Z	06	G01Z, G02Z, G03A, G03B, G03C, G33Z, G38Z		06	G01Z, G02Z, G03A, G03B, G03C, G33Z, G38Z				
07		H33Z, H38Z	07	H33Z, H38Z		07	H33Z, H38Z				
11		L33Z	11	L33Z		11	L33Z				
17		R01A, R01B, R01C, R01D, R02Z, R12A, R12B, R12C	17	R01A, R01B, R01C, R01D, R02Z, R12A, R12B, R12C		17	R01A, R01B, R01C, R01D, R02Z, R12A, R12B, R12C				
21A		W04A, W04B	21A	W04A, W04B		21A	W04A, W04B				
21B		X06A, X06B, X06C, X33Z	21B	X06A, X06B, X06C, X33Z		21B	X06A, X06B, X06C, X33Z				
22		Y01Z, Y03A, Y03B	22	Y01Z, Y03A, Y03B		22	Y01Z, Y03A, Y03B				
23		Z01A	23	Z01A		23	Z01A				
Pre		A07A	Pre	A07A, A11A, A13A, A13B, A13D		Pre	A07A, A11A, A13A, A13B, A13D				

ZZV	MDC	DRG	ZZV	MDC	DRG	ZZV	MDC	DRG					
5n02h		BOP, KOP, KOPV, KVT, UOP4	5n033.0		BOP, KOP, KOPV, KVT, UOP4	5n034.1		BOP, KOP, KOPV, KVT, UOP4					
	03	D12A		03	D12A, D12B		03	D12A, D12B					
	04	E05A, E05B, E05C, E08A, E08B, E08C		06	G15Z, G19A, G19B, G38Z		06	G15Z, G19A, G19B, G38Z					
	05	F36A, F36B		07	H33Z, H38Z		07	H33Z, H38Z					
	06	G01Z, G02Z, G03A, G03B, G03C, G33Z, G38Z		11	L33Z		11	L33Z					
	07	H33Z, H38Z		17	R01A, R01B, R01C, R01D, R02Z, R12A, R12B, R12C		17	R01A, R01B, R01C, R01D, R02Z, R12A, R12B, R12C					
	11	L33Z		23	Z01A		23	Z01A					
	21A	W04A, W04B		Pre	A07A		Pre	A07A					
	21B	X06A, X06B, X06C, X33Z		5n033.1			BOP, KOP, KOPV, KVT, UOP4	5n034.2		BOP, KOP, KOPV, KVT, UOP4			
	23	Z01A			03		D12A, D12B		03	D12A, D12B			
	Pre	A07A, A11A, A13A, A13B, A13D			06		G15Z, G19A, G19B, G38Z		06	G15Z, G19A, G19B, G38Z			
	5n02x				BOP, KOP, KOPV, KVT, UOP4		07		H33Z, H38Z	07	H33Z, H38Z		
		03			D12A		11		L33Z	11	L33Z		
		05			F36A, F36B		17		R01A, R01B, R01C, R01D, R02Z, R12A, R12B, R12C	17	R01A, R01B, R01C, R01D, R02Z, R12A, R12B, R12C		
06		G01Z, G02Z, G03A, G03B, G03C, G33Z, G38Z	23		Z01A	23	Z01A						
07		H33Z, H38Z	Pre		A07A	Pre	A07A						
11		L33Z	5n033.2			BOP, KOP, KOPV, KVT, UOP4	5n034.3			BOP, KOP, KOPV, KVT, UOP4			
17		R01A, R01B, R01C, R01D, R02Z, R12A, R12B, R12C			03	D12A, D12B			03	D12A, D12B			
21A		W04A, W04B			06	G15Z, G19A, G19B, G38Z			06	G15Z, G19A, G19B, G38Z			
21B		X06A, X06B, X06C, X33Z			07	H33Z, H38Z			07	H33Z, H38Z			
22		Y01Z, Y03A, Y03B			11	L33Z			11	L33Z			
23		Z01A			17	R01A, R01B, R01C, R01D, R02Z, R12A, R12B, R12C			17	R01A, R01B, R01C, R01D, R02Z, R12A, R12B, R12C			
Pre		A07A, A11A, A13A, A13B, A13D		23	Z01A	23		Z01A					
5n030				BOP, KOP, KOPV, KVT, UOP4	Pre	A07A		Pre	A07A				
		03		D12A, D12B	5n033.3			BOP, KOP, KOPV, KVT, UOP4	5n034.4		BOP, KOP, KOPV, KVT, UOP4		
	06	G15Z, G19A, G19B, G38Z		03		D12A, D12B		03		D12A, D12B			
	07	H33Z, H38Z		06		G15Z, G19A, G19B, G38Z		06		G15Z, G19A, G19B, G38Z			
	11	L33Z		07		H33Z, H38Z		07		H33Z, H38Z			
	17	R01A, R01B, R01C, R01D, R02Z, R12A, R12B, R12C		11		L33Z		11		L33Z			
	23	Z01A		17		R01A, R01B, R01C, R01D, R02Z, R12A, R12B, R12C		17		R01A, R01B, R01C, R01D, R02Z, R12A, R12B, R12C			
	Pre	A07A	23	Z01A		23	Z01A						
	5n031		BOP, KOP, KOPV, KVT, UOP4	Pre		A07A	Pre	A07A					
		03	D12A, D12B	5n033.4			BOP, KOP, KOPV, KVT, UOP4	5n034.x			BOP, KOP, KOPV, KVT, UOP4		
		06	G15Z, G19A, G19B, G38Z			03	D12A, D12B			03	D12A, D12B		
		07	H33Z, H38Z			06	G15Z, G19A, G19B, G38Z			06	G15Z, G19A, G19B, G38Z		
		11	L33Z			07	H33Z, H38Z			07	H33Z, H38Z		
		17	R01A, R01B, R01C, R01D, R02Z, R12A, R12B, R12C			11	L33Z			11	L33Z		
23		Z01A	17			R01A, R01B, R01C, R01D, R02Z, R12A, R12B, R12C	17			R01A, R01B, R01C, R01D, R02Z, R12A, R12B, R12C			
Pre		A07A	23		Z01A	23	Z01A						
5n032.0‡		06	G40Z, G46A, G46B, G46C, G47Z, G50Z		Pre	A07A	Pre		A07A				
		5n032.1‡	06		G40Z, G46A, G46B, G46C, G47Z, G50Z	5n033.x			BOP, KOP, KOPV, KVT, UOP4	5n035.0‡	06	G40Z, G46A, G46B, G46C, G47Z, G50Z	
			06		G40Z, G46A, G46B, G46C, G47Z, G50Z		03		D12A, D12B		06	G40Z, G46A, G46B, G46C, G47Z, G50Z	
			06		G40Z, G46A, G46B, G46C, G47Z, G50Z		06		G15Z, G19A, G19B, G38Z		07	H40Z	
			06		G40Z, G46A, G46B, G46C, G47Z, G50Z		07		H33Z, H38Z		5n035.2‡	06	G40Z, G46A, G46B, G46C, G47Z, G50Z
			06		G40Z, G46A, G46B, G46C, G47Z, G50Z		11		L33Z			06	G40Z, G46A, G46B, G46C, G47Z, G50Z
5n032.2‡	06	G40Z, G46A, G46B, G46C, G47Z, G50Z	17		R01A, R01B, R01C, R01D, R02Z, R12A, R12B, R12C	5n035.4‡	06		G40Z, G46A, G46B, G46C, G47Z, G50Z				
	5n032.3‡	06	G40Z, G46A, G46B, G46C, G47Z, G50Z	23	Z01A		07	H40Z					
5n032.4‡		06	G40Z, G46A, G46B, G46C, G47Z, G50Z	Pre	A07A	5n035.5‡	06	G40Z, G46A, G46B, G46C, G47Z, G50Z					
	5n032.x‡	06	G40Z, G46A, G46B, G46C, G47Z, G50Z	5n034.0			BOP, KOP, KOPV, KVT, UOP4	5n035.x‡	06	G40Z, G46A, G46B, G46C, G47Z, G50Z			
06		G40Z, G46A, G46B, G46C, G47Z, G50Z	03		D12A, D12B	06	G40Z, G46A, G46B, G46C, G47Z, G50Z						
06		G40Z, G46A, G46B, G46C, G47Z, G50Z	06		G15Z, G19A, G19B, G38Z	06	G40Z, G46A, G46B, G46C, G47Z, G50Z						
06		G40Z, G46A, G46B, G46C, G47Z, G50Z	07		H33Z, H38Z	06	G40Z, G46A, G46B, G46C, G47Z, G50Z						
06		G40Z, G46A, G46B, G46C, G47Z, G50Z	11		L33Z	06	G40Z, G46A, G46B, G46C, G47Z, G50Z						
06		G40Z, G46A, G46B, G46C, G47Z, G50Z	17		R01A, R01B, R01C, R01D, R02Z, R12A, R12B, R12C	06	G40Z, G46A, G46B, G46C, G47Z, G50Z						
06	G40Z, G46A, G46B, G46C, G47Z, G50Z	23	Z01A	06	G40Z, G46A, G46B, G46C, G47Z, G50Z								
06	G40Z, G46A, G46B, G46C, G47Z, G50Z	Pre	A07A	06	G40Z, G46A, G46B, G46C, G47Z, G50Z								
06	G40Z, G46A, G46B, G46C, G47Z, G50Z	Pre	A07A	06	G40Z, G46A, G46B, G46C, G47Z, G50Z								
06	G40Z, G46A, G46B, G46C, G47Z, G50Z	Pre	A07A	06	G40Z, G46A, G46B, G46C, G47Z, G50Z								

ZZV	MDC	DRG	ZZV	MDC	DRG	ZZV	MDC	DRG			
5n040		BOP, KOP, KOPV, KVT, UOP4	5n049		BOP, KOP, KOPV, KVT, UOP4	5n04x		BOP, KOP, KOPV, KVT, UOP4			
	03	D12A		03	D12A		03	D12A			
	05	F36A, F36B		05	F36A, F36B		05	F36A, F36B			
	06	G15Z, G19A, G19B, G33Z, G38Z		06	G15Z, G19A, G19B, G33Z, G38Z		06	G01Z, G02Z, G03A, G03B, G33Z, G38Z			
	07	H33Z, H38Z		07	H33Z, H38Z		07	H33Z, H38Z			
	11	L33Z		11	L33Z		11	L33Z			
	17	R01A, R01B, R01C, R01D, R02Z, R12A, R12B, R12C		17	R01A, R01B, R01C, R01D, R02Z, R12A, R12B, R12C		17	R01A, R01B, R01C, R01D, R02Z, R12A, R12B, R12C			
	21A	W04A, W04B		21A	W04A, W04B		21A	W04A, W04B			
	21B	X06A, X06B, X06C, X33Z		21B	X06A, X06B, X06C, X33Z		21B	X06A, X06B, X06C, X33Z			
	22	Y01Z, Y03A, Y03B		22	Y01Z, Y03A, Y03B		22	Y01Z, Y03A, Y03B			
	23	Z01A		23	Z01A		23	Z01A			
	Pre	A07A		Pre	A07A		Pre	A07A, A11A, A13A, A13B, A13D			
	5n041			BOP, KOP, KOPV, KVT, UOP4	5n04a			BOP, KOP, KOPV, KVT, UOP4	5n054.1		BOP, KOP, KOPV, KVT, MVV, UOP4
		03		D12A			03	D12A		03	D12A
05		F36A, F36B	05	F36A, F36B		05	F36A, F36B				
06		G15Z, G19A, G19B, G33Z, G38Z	06	G01Z, G02Z, G03A, G03B, G33Z, G38Z		06	G15Z, G19A, G19B, G33Z, G38Z				
07		H33Z, H38Z	07	H33Z, H38Z		07	H33Z, H38Z				
11		L33Z	11	L33Z		11	L33Z				
17		R01A, R01B, R01C, R01D, R02Z, R12A, R12B, R12C	17	R01A, R01B, R01C, R01D, R02Z, R12A, R12B, R12C		17	R01A, R01B, R01C, R01D, R02Z, R12A, R12B, R12C				
21A		W04A, W04B	21A	W04A, W04B		21A	W04A, W04B				
21B		X06A, X06B, X06C, X33Z	21B	X06A, X06B, X06C, X33Z		21B	X06A, X06B, X06C, X33Z				
22		Y01Z, Y03A, Y03B	22	Y01Z, Y03A, Y03B		22	Y01Z, Y03A, Y03B				
23		Z01A	23	Z01A		23	Z01A				
Pre		A07A	Pre	A07A, A11A, A13A, A13B, A13D		Pre	A07A				
5n042			BOP, KOP, KOPV, KVT, UOP4	5n04b			BOP, KOP, KOPV, KVT, UOP4	5n054.2			BOP, KOP, KOPV, KVT, MVV, UOP4
		03	D12A			03	D12A			03	D12A
	05	F36A, F36B	05		F36A, F36B	05	F36A, F36B				
	06	G15Z, G19A, G19B, G33Z, G38Z	06		G01Z, G02Z, G03A, G03B, G33Z, G38Z	06	G15Z, G19A, G19B, G33Z, G38Z				
	07	H33Z, H38Z	07		H33Z, H38Z	07	H33Z, H38Z				
	11	L33Z	11		L33Z	11	L33Z				
	17	R01A, R01B, R01C, R01D, R02Z, R12A, R12B, R12C	17		R01A, R01B, R01C, R01D, R02Z, R12A, R12B, R12C	17	R01A, R01B, R01C, R01D, R02Z, R12A, R12B, R12C				
	21A	W04A, W04B	21A		W04A, W04B	21A	W04A, W04B				
	21B	X06A, X06B, X06C, X33Z	21B		X06A, X06B, X06C, X33Z	21B	X06A, X06B, X06C, X33Z				
	22	Y01Z, Y03A, Y03B	22		Y01Z, Y03A, Y03B	22	Y01Z, Y03A, Y03B				
	23	Z01A	23		Z01A	23	Z01A				
	Pre	A07A	Pre		A07A, A11A, A13A, A13B, A13D	Pre	A07A				
	5n043		BOP, KOP, KOPV, KVT, UOP4		5n04c		BOP, KOP, KOPV, KVT, UOP4		5n054.3		BOP, KOP, KOPV, KVT, MVV, UOP4
		03	D12A			03	D12A			03	D12A
05		F36A, F36B	05	F36A, F36B		05	F36A, F36B				
06		G15Z, G19A, G19B, G33Z, G38Z	06	G01Z, G02Z, G03A, G03B, G33Z, G38Z		06	G15Z, G19A, G19B, G33Z, G38Z				
07		H33Z, H38Z	07	H33Z, H38Z		07	H33Z, H38Z				
11		L33Z	11	L33Z		11	L33Z				
17		R01A, R01B, R01C, R01D, R02Z, R12A, R12B, R12C	17	R01A, R01B, R01C, R01D, R02Z, R12A, R12B, R12C		17	R01A, R01B, R01C, R01D, R02Z, R12A, R12B, R12C				
21A		W04A, W04B	21A	W04A, W04B		21A	W04A, W04B				
21B		X06A, X06B, X06C, X33Z	21B	X06A, X06B, X06C, X33Z		21B	X06A, X06B, X06C, X33Z				
22		Y01Z, Y03A, Y03B	22	Y01Z, Y03A, Y03B		22	Y01Z, Y03A, Y03B				
23		Z01A	23	Z01A		23	Z01A				
Pre		A07A	Pre	A07A, A11A, A13A, A13B, A13D		Pre	A07A				

ZZV	MDC	DRG	ZZV	MDC	DRG	ZZV	MDC	DRG
5n054.x		BOP, KOP, KOPV, KVT, MVV, UOP4	5n05a.20		BOP, KOP, KOPV, KVT, MVV, UOP4	5n05a.4		BOP, KOP, KOPV, KVT, MVV, UOP4
	03	D12A		03	D18Z, D25A, D25B, D25C, D25D		03	D18Z, D25A, D25B, D25C, D25D
	05	F36A, F36B		05	F36A, F36B		05	F36A, F36B
	06	G15Z, G19A, G19B, G33Z, G38Z		06	G03A, G03B, G33Z, G38Z		06	G03A, G03B, G33Z, G38Z
	07	H33Z, H38Z		07	H33Z, H38Z		07	H33Z, H38Z
	11	L33Z		09	J08A, J08B, J08C		09	J08A, J08B, J08C
	17	R01A, R01B, R01C, R01D, R02Z, R12A, R12B, R12C		11	L33Z		11	L33Z
	21A	W04A, W04B		17	R01A, R01B, R01C, R01D, R02Z, R12A, R12B, R12C		17	R01A, R01B, R01C, R01D, R02Z, R12A, R12B, R12C
	21B	X06A, X06B, X06C, X33Z		21A	W04A, W04B		21A	W04A, W04B
	22	Y01Z, Y03A, Y03B		21B	X06A, X06B, X06C, X33Z		21B	X06A, X06B, X06C, X33Z
	23	Z01A		22	Y01Z, Y03A, Y03B		22	Y01Z, Y03A, Y03B
	Pre	A07A		23	Z01A		23	Z01A
	Pre	A07A		Pre	A07A, A09B, A11A, A11B, A13B		Pre	A07A, A09B, A11A, A11B, A13B
	5n05a.10			BOP, KOP, KOPV, KVT, MVV, UOP4	5n05a.21			BOP, KOP, KOPV, KVT, MVV, UOP4
03		D18Z, D25A, D25B, D25C, D25D	03	D18Z, D25A, D25B, D25C, D25D		03	D12A	
05		F36A, F36B	05	F36A, F36B		05	F36A, F36B	
06		G03A, G03B, G33Z, G38Z	06	G03A, G03B, G33Z, G38Z		06	G03A, G03B, G33Z, G38Z	
07		H33Z, H38Z	07	H33Z, H38Z		07	H33Z, H38Z	
09		J08A, J08B, J08C	09	J08A, J08B, J08C		11	L33Z	
11		L33Z	11	L33Z		17	R01A, R01B, R01C, R01D, R02Z, R12A, R12B, R12C	
17		R01A, R01B, R01C, R01D, R02Z, R12A, R12B, R12C	17	R01A, R01B, R01C, R01D, R02Z, R12A, R12B, R12C		21A	W04A, W04B	
21A		W04A, W04B	21A	W04A, W04B		21B	X06A, X06B, X06C, X33Z	
21B		X06A, X06B, X06C, X33Z	21B	X06A, X06B, X06C, X33Z		22	Y01Z, Y03A, Y03B	
22		Y01Z, Y03A, Y03B	22	Y01Z, Y03A, Y03B		23	Z01A	
23		Z01A	23	Z01A		Pre	A07A, A09B, A11A, A11B, A13B	
Pre		A07A, A09B, A11A, A11B, A13B	Pre	A07A, A09B, A11A, A11B, A13B		Pre	A07A, A09B, A11A, A11B, A13B	
5n05a.11			BOP, KOP, KOPV, KVT, MVV, UOP4	5n05a.22			BOP, KOP, KOPV, KVT, MVV, UOP4	5n05b.10
	03	D18Z, D25A, D25B, D25C, D25D	03		D12A	03	D12A	
	05	F36A, F36B	05		F36A, F36B	05	F36A, F36B	
	06	G03A, G03B, G33Z, G38Z	06		G15Z, G19A, G19B, G33Z, G38Z	06	G03A, G03B, G33Z, G38Z	
	07	H33Z, H38Z	07		H33Z, H38Z	07	H33Z, H38Z	
	09	J08A, J08B, J08C	07		H33Z, H38Z	11	L33Z	
	11	L33Z	11		L33Z	17	R01A, R01B, R01C, R01D, R02Z, R12A, R12B, R12C	
	17	R01A, R01B, R01C, R01D, R02Z, R12A, R12B, R12C	17		R01A, R01B, R01C, R01D, R02Z, R12A, R12B, R12C	21A	W04A, W04B	
	21A	W04A, W04B	21A		W04A, W04B	21B	X06A, X06B, X06C, X33Z	
	21B	X06A, X06B, X06C, X33Z	21B		X06A, X06B, X06C, X33Z	22	Y01Z, Y03A, Y03B	
	22	Y01Z, Y03A, Y03B	22		Y01Z, Y03A, Y03B	23	Z01A	
	23	Z01A	23		Z01A	Pre	A07A, A09B, A11A, A11B, A13B	
	Pre	A07A, A09B, A11A, A11B, A13B	Pre		A07A	Pre	A07A, A09B, A11A, A11B, A13B	
	5n05a.12		BOP, KOP, KOPV, KVT, MVV, UOP4		5n05a.3		BOP, KOP, KOPV, KVT, MVV, UOP4	
03		D12A	03	D18Z, D25A, D25B, D25C, D25D		03	D12A	
05		F36A, F36B	05	F36A, F36B		05	F36A, F36B	
06		G15Z, G19A, G19B, G33Z, G38Z	06	G03A, G03B, G33Z, G38Z		06	G03A, G03B, G33Z, G38Z	
07		H33Z, H38Z	07	H33Z, H38Z		07	H33Z, H38Z	
11		L33Z	09	J08A, J08B, J08C		11	L33Z	
17		R01A, R01B, R01C, R01D, R02Z, R12A, R12B, R12C	11	L33Z		17	R01A, R01B, R01C, R01D, R02Z, R12A, R12B, R12C	
21A		W04A, W04B	17	R01A, R01B, R01C, R01D, R02Z, R12A, R12B, R12C		21A	W04A, W04B	
21B		X06A, X06B, X06C, X33Z	21A	W04A, W04B		21B	X06A, X06B, X06C, X33Z	
22		Y01Z, Y03A, Y03B	21B	X06A, X06B, X06C, X33Z		22	Y01Z, Y03A, Y03B	
23		Z01A	22	Y01Z, Y03A, Y03B		23	Z01A	
Pre		A07A	23	Z01A		Pre	A07A, A09B, A11A, A11B, A13B	
Pre		A07A	Pre	A07A, A09B, A11A, A11B, A13B		Pre	A07A, A09B, A11A, A11B, A13B	

VYK

ZZV	MDC	DRG	ZZV	MDC	DRG	ZZV	MDC	DRG			
5n05b.12		BOP, KOP, KOPV, KVT, MVV, UOP4	5n05b.3		BOP, KOP, KOPV, KVT, MVV, UOP4	5n05c.11		BOP, KOP, KOPV, KVT, MVV, UOP4			
	03	D12A		03	D12A		03	D12A			
	05	F36A, F36B		05	F36A, F36B		05	F36A, F36B			
	06	G15Z, G19A, G19B, G33Z, G38Z		06	G03A, G03B, G33Z, G38Z		06	G03A, G03B, G33Z, G38Z			
	07	H33Z, H38Z		07	H33Z, H38Z		07	H33Z, H38Z			
	11	L33Z		11	L33Z		11	L33Z			
	17	R01A, R01B, R01C, R01D, R02Z, R12A, R12B, R12C		17	R01A, R01B, R01C, R01D, R02Z, R12A, R12B, R12C		17	R01A, R01B, R01C, R01D, R02Z, R12A, R12B, R12C			
	21A	W04A, W04B		21A	W04A, W04B		21A	W04A, W04B			
	21B	X06A, X06B, X06C, X33Z		21B	X06A, X06B, X06C, X33Z		21B	X06A, X06B, X06C, X33Z			
	22	Y01Z, Y03A, Y03B		22	Y01Z, Y03A, Y03B		22	Y01Z, Y03A, Y03B			
	23	Z01A		23	Z01A		23	Z01A			
	Pre	A07A		Pre	A07A, A09B, A11A, A11B, A13B		Pre	A07A, A09B, A11A, A11B, A13B			
	5n05b.20			BOP, KOP, KOPV, KVT, MVV, UOP4	5n05b.4			BOP, KOP, KOPV, KVT, MVV, UOP4	5n05c.12		BOP, KOP, KOPV, KVT, MVV, UOP4
		03		D12A			03	D12A		03	D12A
05		F36A, F36B	05	F36A, F36B		05	F36A, F36B				
06		G03A, G03B, G33Z, G38Z	06	G03A, G03B, G33Z, G38Z		06	G15Z, G19A, G19B, G33Z, G38Z				
07		H33Z, H38Z	07	H33Z, H38Z		07	H33Z, H38Z				
11		L33Z	11	L33Z		11	L33Z				
17		R01A, R01B, R01C, R01D, R02Z, R12A, R12B, R12C	17	R01A, R01B, R01C, R01D, R02Z, R12A, R12B, R12C		17	R01A, R01B, R01C, R01D, R02Z, R12A, R12B, R12C				
21A		W04A, W04B	21A	W04A, W04B		21A	W04A, W04B				
21B		X06A, X06B, X06C, X33Z	21B	X06A, X06B, X06C, X33Z		21B	X06A, X06B, X06C, X33Z				
22		Y01Z, Y03A, Y03B	22	Y01Z, Y03A, Y03B		22	Y01Z, Y03A, Y03B				
23		Z01A	23	Z01A		23	Z01A				
Pre		A07A, A09B, A11A, A11B, A13B	Pre	A07A, A09B, A11A, A11B, A13B		Pre	A07A				
5n05b.21			BOP, KOP, KOPV, KVT, MVV, UOP4	5n05b.x			BOP, KOP, KOPV, KVT, MVV, UOP4	5n05c.20			BOP, KOP, KOPV, KVT, MVV, UOP4
		03	D12A			03	D12A			03	D12A
	05	F36A, F36B	05		F36A, F36B	05	F36A, F36B				
	06	G03A, G03B, G33Z, G38Z	06		G03A, G03B, G33Z, G38Z	06	G03A, G03B, G33Z, G38Z				
	07	H33Z, H38Z	07		H33Z, H38Z	07	H33Z, H38Z				
	11	L33Z	11		L33Z	11	L33Z				
	17	R01A, R01B, R01C, R01D, R02Z, R12A, R12B, R12C	17		R01A, R01B, R01C, R01D, R02Z, R12A, R12B, R12C	17	R01A, R01B, R01C, R01D, R02Z, R12A, R12B, R12C				
	21A	W04A, W04B	21A		W04A, W04B	21A	W04A, W04B				
	21B	X06A, X06B, X06C, X33Z	21B		X06A, X06B, X06C, X33Z	21B	X06A, X06B, X06C, X33Z				
	22	Y01Z, Y03A, Y03B	22		Y01Z, Y03A, Y03B	22	Y01Z, Y03A, Y03B				
	23	Z01A	23		Z01A	23	Z01A				
	Pre	A07A, A09B, A11A, A11B, A13B	Pre		A07A, A09B, A11A, A11B, A13B	Pre	A07A, A09B, A11A, A11B, A13B				
	5n05b.22		BOP, KOP, KOPV, KVT, MVV, UOP4		5n05c.10		BOP, KOP, KOPV, KVT, MVV, UOP4		5n05c.21		BOP, KOP, KOPV, KVT, MVV, UOP4
		03	D12A			03	D12A			03	D12A
05		F36A, F36B	05	F36A, F36B		05	F36A, F36B				
06		G15Z, G19A, G19B, G33Z, G38Z	06	G03A, G03B, G33Z, G38Z		06	G03A, G03B, G33Z, G38Z				
07		H33Z, H38Z	07	H33Z, H38Z		07	H33Z, H38Z				
11		L33Z	11	L33Z		11	L33Z				
17		R01A, R01B, R01C, R01D, R02Z, R12A, R12B, R12C	17	R01A, R01B, R01C, R01D, R02Z, R12A, R12B, R12C		17	R01A, R01B, R01C, R01D, R02Z, R12A, R12B, R12C				
21A		W04A, W04B	21A	W04A, W04B		21A	W04A, W04B				
21B		X06A, X06B, X06C, X33Z	21B	X06A, X06B, X06C, X33Z		21B	X06A, X06B, X06C, X33Z				
22		Y01Z, Y03A, Y03B	22	Y01Z, Y03A, Y03B		22	Y01Z, Y03A, Y03B				
23		Z01A	23	Z01A		23	Z01A				
Pre		A07A	Pre	A07A, A09B, A11A, A11B, A13B		Pre	A07A, A09B, A11A, A11B, A13B				

ZZV	MDC	DRG	ZZV	MDC	DRG	ZZV	MDC	DRG			
5n05c.22		BOP, KOP, KOPV, KVT, MVV, UOP4	5n05x.3		BOP, KOP, KOPV, KVT, MVV, UOP4	5n060.1		BOP, KOP, KOPV, KVT, MVV, UOP4			
	03	D12A		03	D12A		03	D12A			
	05	F36A, F36B		05	F36A, F36B		05	F36A, F36B			
	06	G15Z, G19A, G19B, G33Z, G38Z		06	G03A, G03B, G33Z, G38Z		06	G03A, G03B, G33Z, G38Z			
	07	H33Z, H38Z		07	H33Z, H38Z		07	H33Z, H38Z			
	11	L33Z		11	L33Z		11	L33Z			
	17	R01A, R01B, R01C, R01D, R02Z, R12A, R12B, R12C		17	R01A, R01B, R01C, R01D, R02Z, R12A, R12B, R12C		17	R01A, R01B, R01C, R01D, R02Z, R12A, R12B, R12C			
	21A	W04A, W04B		21A	W04A, W04B		21A	W04A, W04B			
	21B	X06A, X06B, X06C, X33Z		21B	X06A, X06B, X06C, X33Z		21B	X06A, X06B, X06C, X33Z			
	22	Y01Z, Y03A, Y03B		22	Y01Z, Y03A, Y03B		22	Y01Z, Y03A, Y03B			
	23	Z01A		23	Z01A		23	Z01A			
	Pre	A07A		Pre	A07A		Pre	A07A			
	5n05c.3			BOP, KOP, KOPV, KVT, MVV, UOP4	5n05x.4			BOP, KOP, KOPV, KVT, MVV, UOP4	5n060.2		BOP, KOP, KOPV, KVT, MVV, UOP4
		03		D12A			03	D12A		03	D12A
05		F36A, F36B	05	F36A, F36B		05	F36A, F36B				
06		G03A, G03B, G33Z, G38Z	06	G03A, G03B, G33Z, G38Z		06	G03A, G03B, G33Z, G38Z				
07		H33Z, H38Z	07	H33Z, H38Z		07	H33Z, H38Z				
11		L33Z	11	L33Z		11	L33Z				
17		R01A, R01B, R01C, R01D, R02Z, R12A, R12B, R12C	17	R01A, R01B, R01C, R01D, R02Z, R12A, R12B, R12C		17	R01A, R01B, R01C, R01D, R02Z, R12A, R12B, R12C				
21A		W04A, W04B	21A	W04A, W04B		21A	W04A, W04B				
21B		X06A, X06B, X06C, X33Z	21B	X06A, X06B, X06C, X33Z		21B	X06A, X06B, X06C, X33Z				
22		Y01Z, Y03A, Y03B	22	Y01Z, Y03A, Y03B		22	Y01Z, Y03A, Y03B				
23		Z01A	23	Z01A		23	Z01A				
Pre		A07A, A09B, A11A, A11B, A13B	Pre	A07A		Pre	A07A				
5n05c.4			BOP, KOP, KOPV, KVT, MVV, UOP4	5n05x.5			BOP, KOP, KOPV, KVT, MVV, UOP4	5n060.3			BOP, KOP, KOPV, KVT, MVV, UOP4
		03	D12A			03	D12A			03	D12A
	05	F36A, F36B	05		F36A, F36B	05	F36A, F36B				
	06	G03A, G03B, G33Z, G38Z	06		G03A, G03B, G33Z, G38Z	06	G03A, G03B, G33Z, G38Z				
	07	H33Z, H38Z	07		H33Z, H38Z	07	H33Z, H38Z				
	11	L33Z	11		L33Z	11	L33Z				
	17	R01A, R01B, R01C, R01D, R02Z, R12A, R12B, R12C	17		R01A, R01B, R01C, R01D, R02Z, R12A, R12B, R12C	17	R01A, R01B, R01C, R01D, R02Z, R12A, R12B, R12C				
	21A	W04A, W04B	21A		W04A, W04B	21A	W04A, W04B				
	21B	X06A, X06B, X06C, X33Z	21B		X06A, X06B, X06C, X33Z	21B	X06A, X06B, X06C, X33Z				
	22	Y01Z, Y03A, Y03B	22		Y01Z, Y03A, Y03B	22	Y01Z, Y03A, Y03B				
	23	Z01A	23		Z01A	23	Z01A				
	Pre	A07A, A09B, A11A, A11B, A13B	Pre		A07A	Pre	A07A				
	5n05c.x		BOP, KOP, KOPV, KVT, MVV, UOP4		5n05x.x		BOP, KOP, KOPV, KVT, MVV, UOP4		5n060.x		BOP, KOP, KOPV, KVT, MVV, UOP4
		03	D12A			03	D12A			03	D12A
05		F36A, F36B	05	F36A, F36B		05	F36A, F36B				
06		G03A, G03B, G33Z, G38Z	06	G03A, G03B, G33Z, G38Z		06	G03A, G03B, G33Z, G38Z				
07		H33Z, H38Z	07	H33Z, H38Z		07	H33Z, H38Z				
11		L33Z	11	L33Z		11	L33Z				
17		R01A, R01B, R01C, R01D, R02Z, R12A, R12B, R12C	17	R01A, R01B, R01C, R01D, R02Z, R12A, R12B, R12C		17	R01A, R01B, R01C, R01D, R02Z, R12A, R12B, R12C				
21A		W04A, W04B	21A	W04A, W04B		21A	W04A, W04B				
21B		X06A, X06B, X06C, X33Z	21B	X06A, X06B, X06C, X33Z		21B	X06A, X06B, X06C, X33Z				
22		Y01Z, Y03A, Y03B	22	Y01Z, Y03A, Y03B		22	Y01Z, Y03A, Y03B				
23		Z01A	23	Z01A		23	Z01A				
Pre		A07A, A09B, A11A, A11B, A13B	Pre	A07A		Pre	A07A				
5n091†											G40Z, G46A, G46B, G46C, G47Z, G50Z
											H40Z
5n092								BOP, KOP, KOPV, KVT, UOP4			
								G15Z, G19A, G19B, G38Z			
								H06A, H06B, H06C, H33Z, H38Z			
								L33Z			
								Z01A			
							A07A				

VYK

ZZV	MDC	DRG	ZZV	MDC	DRG	ZZV	MDC	DRG
5n094.0		BOP, KOP, KOPV, KVT, UOP4	5n09j.01		BOP, KOP, KOPV, KVT, UOP4	5n09k.05		BOP, KOP, KOPV, KVT, UOP4
	03	D12A, D12B		03	D12A, D12B		03	D12A, D12B
	04	E05A, E05B, E05C, E08A, E08B, E08C		06	G15Z, G19A, G19B, G38Z		06	G15Z, G19A, G19B, G38Z
	06	G15Z, G19A, G19B, G38Z		07	H06A, H06B, H06C, H33Z, H38Z		07	H06A, H06B, H06C, H33Z, H38Z
	07	H33Z, H38Z		10	K04A		10	K04A
	11	L33Z		11	L33Z		11	L33Z
	17	R01A, R01B, R01C, R01D, R02Z, R12A, R12B, R12C		17	R01A, R01B, R01C, R01D, R02Z, R12A, R12B, R12C		17	R01A, R01B, R01C, R01D, R02Z, R12A, R12B, R12C
	21A	W04A, W04B		21A	W04A, W04B		21A	W04A, W04B
	21B	X06A, X06B, X06C		21B	X06A, X06B, X06C		21B	X06A, X06B, X06C
	22	Y01Z, Y03A, Y03B		22	Y01Z, Y03A, Y03B		22	Y01Z, Y03A, Y03B
	23	Z01A		23	Z01A		23	Z01A
	Pre	A07A		Pre	A07A		Pre	A07A
5n094.6		BOP, KOP, KOPV, KVT, UOP4	5n09j.03		BOP, KOP, KOPV, KVT, UOP4	5n09k.62†		G40Z, G46A, G46B, G46C, G47Z, G50Z
	03	D12A, D12B		03	D12A, D12B	5n09k.64†		G40Z, G46A, G46B, G46C, G47Z, G50Z
	04	E05A, E05B, E05C, E08A, E08B, E08C		06	G15Z, G19A, G19B, G38Z	5n09k.65†		G40Z, G46A, G46B, G46C, G47Z, G50Z
	06	G15Z, G19A, G19B, G38Z		07	H06A, H06B, H06C, H33Z, H38Z	5n09l.0		BOP, KOP, KOPV, KVT, UOP4
	07	H33Z, H38Z		10	K04A		03	D12A, D12B
	11	L33Z		11	L33Z		06	G15Z, G19A, G19B, G38Z
	17	R01A, R01B, R01C, R01D, R02Z, R12A, R12B, R12C		17	R01A, R01B, R01C, R01D, R02Z, R12A, R12B, R12C		07	H06A, H06B, H06C, H33Z, H38Z
	21A	W04A, W04B		21A	W04A, W04B		10	K04A
	21B	X06A, X06B, X06C		21B	X06A, X06B, X06C		11	L33Z
	22	Y01Z, Y03A, Y03B		22	Y01Z, Y03A, Y03B		17	R01A, R01B, R01C, R01D, R02Z, R12A, R12B, R12C
	23	Z01A		23	Z01A		21A	W04A, W04B
	Pre	A07A		Pre	A07A		21B	X06A, X06B, X06C
5n095†	06	G40Z, G46A, G46B, G46C, G47Z, G50Z	5n09j.60†	06	G40Z, G46A, G46B, G46C, G47Z, G50Z		22	Y01Z, Y03A, Y03B
5n097†	06	G40Z, G46A, G46B, G46C, G47Z, G50Z	5n09j.61†	06	G40Z, G46A, G46B, G46C, G47Z, G50Z		23	Z01A
5n098†	06	G40Z, G46A, G46B, G46C, G47Z, G50Z	5n09j.63†	06	G40Z, G46A, G46B, G46C, G47Z, G50Z		Pre	A07A
5n09a†	06	G40Z, G46A, G46B, G46C, G47Z, G50Z	5n09k.02		BOP, KOP, KOPV, KVT, UOP4	5n09l.6†	06	G40Z, G46A, G46B, G46C, G47Z, G50Z
	07	H40Z		03	D12A, D12B	5n09n.0†	06	G40Z, G46A, G46B, G46C
	Pre	A13F		06	G15Z, G19A, G19B, G38Z	5n09n.1†	06	G40Z, G46A, G46B, G46C
5n09c†	06	G40Z, G46A, G46B, G46C, G47Z, G50Z		07	H06A, H06B, H06C, H33Z, H38Z	5n09n.2†	06	G40Z, G46A, G46B, G46C
5n09d†	06	G40Z, G46A, G46B, G46C, G47Z, G50Z		10	K04A	5n09n.3†	06	G40Z, G46A, G46B, G46C
	Pre	A13F		11	L33Z	5n09n.x†	06	G40Z, G46A, G46B, G46C
5n09e†	06	G40Z, G46A, G46B, G46C, G47Z, G50Z		17	R01A, R01B, R01C, R01D, R02Z, R12A, R12B, R12C	5n100		BOP, KOP, KOPV, KVT, UOP4
	07	H40Z		21A	W04A, W04B		06	G15Z, G19A, G19B, G38Z
	Pre	A13F		21B	X06A, X06B, X06C		07	H06A, H06B, H06C, H33Z, H38Z
5n09h		BOP, KVT, UOP4		22	Y01Z, Y03A, Y03B		10	K04A
	03	D12A, D12B		23	Z01A		11	L33Z
	06	G10Z, G12A, G12B	5n09k.04		BOP, KOP, KOPV, KVT, UOP4		17	R01A, R01B, R01C, R01D, R02Z, R12A, R12B, R12C
	10	K09A, K09B		03	D12A, D12B		21A	W04A, W04B
5n09j.00		BOP, KOP, KOPV, KVT, UOP4		06	G15Z, G19A, G19B, G38Z		21B	X06A, X06B, X06C
	03	D12A, D12B		07	H06A, H06B, H06C, H33Z, H38Z	5n101		BOP, KOP, KOPV, KVT, UOP4
	06	G15Z, G19A, G19B, G38Z		10	K04A		06	G15Z, G19A, G19B, G38Z
	07	H06A, H06B, H06C, H33Z, H38Z		11	L33Z		07	H06A, H06B, H06C, H33Z, H38Z
	10	K04A		17	R01A, R01B, R01C, R01D, R02Z, R12A, R12B, R12C		10	K04A
	11	L33Z		21A	W04A, W04B		11	L33Z
	17	R01A, R01B, R01C, R01D, R02Z, R12A, R12B, R12C		21B	X06A, X06B, X06C		17	R01A, R01B, R01C, R01D, R02Z, R12A, R12B, R12C
	21A	W04A, W04B		22	Y01Z, Y03A, Y03B		21A	W04A, W04B
	21B	X06A, X06B, X06C		23	Z01A		21B	X06A, X06B, X06C
	22	Y01Z, Y03A, Y03B		Pre	A07A		22	Y01Z, Y03A, Y03B
	23	Z01A					Pre	A07A
	Pre	A07A						

ZZV	MDC	DRG	ZZV	MDC	DRG	ZZV	MDC	DRG			
5n103		BOP, KOP, KOPV, KVT, UOP4	5n10x		BOP, KOP, KOPV, KVT, UOP4	5n113.3		BOP, KOP, KOPV, KVT, UOP4			
	06	G15Z, G19A, G19B, G38Z		06	G15Z, G19A, G19B, G38Z		06	G15Z, G19A, G19B, G38Z			
	07	H06A, H06B, H06C, H33Z, H38Z		07	H33Z, H38Z		07	H06A, H06B, H06C, H33Z, H38Z			
	10	K04A		23	Z01A		10	K04A			
	11	L33Z		Pre	A07A		11	L33Z			
	17	R01A, R01B, R01C, R01D, R02Z, R12A, R12B, R12C	5n110		BOP, KOP, KOPV, KVT, UOP4		16	Q03A, Q03B			
	21A	W04A, W04B		06	G15Z, G19A, G19B, G38Z		23	Z01A			
	21B	X06A, X06B, X06C		07	H06A, H06B, H06C, H33Z, H38Z	5n113.4	Pre	A07A			
	22	Y01Z, Y03A, Y03B		10	K04A			BOP, KOP, KOPV, KVT, UOP4			
	Pre	A07A		11	L33Z		06	G15Z, G19A, G19B, G38Z			
5n106‡	06	G40Z, G46A, G46B, G46C, G47Z, G50Z		16	Q03A, Q03B		07	H06A, H06B, H06C, H33Z, H38Z			
5n10a		BOP, KOP, KOPV, KVT, UOP4		23	Z01A		10	K04A			
	01	B03A, B03B, B06A, B06B, B07Z, B17A, B17B, B17C	5n111		BOP, KOP, KOPV, KVT, UOP4		11	L33Z			
	06	G15Z, G19A, G19B, G38Z		06	G15Z, G19A, G19B, G38Z		16	Q03A, Q03B			
	07	H33Z, H38Z		07	H06A, H06B, H06C, H33Z, H38Z		23	Z01A			
	23	Z01A		10	K04A	5n113.x	Pre	A07A			
	Pre	A07A		11	L33Z			BOP, KOP, KOPV, KVT, UOP4			
5n10b.0		BOP, KOP, KOPV, KVT, UOP4		16	Q03A, Q03B		06	G15Z, G19A, G19B, G38Z			
	01	B03A, B03B, B06A, B06B, B07Z, B17A, B17B, B17C		23	Z01A		07	H06A, H06B, H06C, H33Z, H38Z			
	06	G15Z, G19A, G19B, G38Z	5n112.0‡	06	G40Z, G46A, G46B, G46C, G47Z, G50Z		10	K04A			
	07	H33Z, H38Z		06	G40Z, G46A, G46B, G46C, G47Z, G50Z		11	L33Z			
	23	Z01A		5n112.1‡	06	G40Z, G46A, G46B, G46C, G47Z, G50Z		16	Q03A, Q03B		
	Pre	A07A		5n112.2‡	06	G40Z, G46A, G46B, G46C, G47Z, G50Z	5n114.0	23	Z01A		
5n10b.1		BOP, KOP, KOPV, KVT, UOP4		5n112.3‡	06	G40Z, G46A, G46B, G46C, G47Z, G50Z		Pre	A07A		
	01	B03A, B03B, B06A, B06B, B07Z, B17A, B17B, B17C		5n112.4‡	06	G40Z, G46A, G46B, G46C, G47Z, G50Z			BOP, KOP, KOPV, KVT, UOP4		
	06	G15Z, G19A, G19B, G38Z		5n112.x‡	06	G40Z, G46A, G46B, G46C, G47Z, G50Z		06	G15Z, G19A, G19B, G38Z		
	07	H33Z, H38Z		5n113.0		BOP, KOP, KOPV, KVT, UOP4		07	H06A, H06B, H06C, H33Z, H38Z		
	23	Z01A			06	G15Z, G19A, G19B, G38Z		10	K04A		
	Pre	A07A			07	H06A, H06B, H06C, H33Z, H38Z		11	L33Z		
5n10c.0		BOP, KOP, KOPV, KVT, UOP4			10	K04A	5n114.1	16	Q03A, Q03B		
	06	G15Z, G19A, G19B, G38Z			11	L33Z		23	Z01A		
	07	H33Z, H38Z			16	Q03A, Q03B		Pre	A07A		
	23	Z01A			23	Z01A			BOP, KOP, KOPV, KVT, UOP4		
	Pre	A07A			Pre	A07A		06	G15Z, G19A, G19B, G38Z		
5n10c.1		BOP, KOP, KOPV, KVT, UOP4			5n113.1		07	H06A, H06B, H06C, H33Z, H38Z			
	06	G15Z, G19A, G19B, G38Z				06	G15Z, G19A, G19B, G38Z	10	K04A		
	07	H33Z, H38Z				07	H06A, H06B, H06C, H33Z, H38Z	11	L33Z		
	23	Z01A				10	K04A	16	Q03A, Q03B		
	Pre	A07A				23	Z01A	23	Z01A		
5n10d		BOP, KOP, KOPV, KVT, UOP4				Pre	A07A	Pre	A07A		
	01	B03A, B03B, B06A, B06B, B07Z, B17A, B17B, B17C				5n114.2			BOP, KOP, KOPV, KVT, UOP4		
	06	G15Z, G19A, G19B, G38Z					06	G15Z, G19A, G19B, G38Z	07	H06A, H06B, H06C, H33Z, H38Z	
	07	H33Z, H38Z					07	H06A, H06B, H06C, H33Z, H38Z	10	K04A	
	23	Z01A					10	K04A	11	L33Z	
	Pre	A07A					16	Q03A, Q03B	16	Q03A, Q03B	
5n10e		BOP, KOP, KOPV, KVT, UOP4	5n113.2		BOP, KOP, KOPV, KVT, UOP4		23	Z01A	23	Z01A	
	01	B03A, B03B, B06A, B06B, B07Z, B17A, B17B, B17C					Pre	A07A	Pre	A07A	
	06	G15Z, G19A, G19B, G38Z							5n114.3		BOP, KOP, KOPV, KVT, UOP4
	07	H33Z, H38Z								06	G15Z, G19A, G19B, G38Z
	23	Z01A								07	H06A, H06B, H06C, H33Z, H38Z
	Pre	A07A								10	K04A
										11	L33Z
										16	Q03A, Q03B
										23	Z01A
										Pre	A07A

ZZV	MDC	DRG	ZZV	MDC	DRG	ZZV	MDC	DRG
5n114.4		BOP, KOP, KOPV, KVT, UOP4	5n122		BOP, KOP, KOPV, KVT, UOP4	5n124.0		BOP, KOP, KOPV, KVT, UOP4
	06	G15Z, G19A, G19B, G38Z		05	F36A, F36B		05	F36A, F36B
	07	H06A, H06B, H06C, H33Z, H38Z		06	G15Z, G19A, G19B, G33Z, G38Z		06	G15Z, G19A, G19B, G33Z, G38Z
	10	K04A		07	H33Z, H38Z		07	H33Z, H38Z
	11	L33Z		09	J26Z		09	J26Z
	16	Q03A, Q03B		11	L33Z		10	K04A
	23	Z01A		17	R01A, R01B, R01C, R01D, R02Z, R12A, R12B, R12C		11	L33Z
	Pre	A07A		21A	W04A, W04B		17	R01A, R01B, R01C, R01D, R02Z, R12A, R12B, R12C
5n114.x		BOP, KOP, KOPV, KVT, UOP4		21B	X06A, X06B, X06C, X33Z		21A	W04A, W04B
	06	G15Z, G19A, G19B, G38Z		22	Y01Z, Y03A, Y03B		21B	X06A, X06B, X06C, X33Z
	07	H06A, H06B, H06C, H33Z, H38Z		23	Z01A		22	Y01Z, Y03A, Y03B
	10	K04A	5n123.0	Pre	A07A		23	Z01A
	11	L33Z			BOP, KOP, KOPV, KVT, UOP4	5n124.2	Pre	A07A
	16	Q03A, Q03B		05	F36A, F36B			BOP, KOP, KOPV, KVT, UOP4
	23	Z01A		06	G15Z, G19A, G19B, G33Z, G38Z		05	F36A, F36B
	Pre	A07A		07	H33Z, H38Z		06	G15Z, G19A, G19B, G33Z, G38Z
5n115.0	06	G13Z, G21A, G21B		09	J26Z		07	H33Z, H38Z
	16	Q03A, Q03B		10	K04A		09	J26Z
	17	R01A, R01B, R01C, R01D, R02Z, R12A, R12B, R12C		11	L33Z		10	K04A
5n115.1‡	06	G40Z, G46A, G46B, G46C, G47Z, G50Z		17	R01A, R01B, R01C, R01D, R02Z, R12A, R12B, R12C		11	L33Z
5n115.2	06	G13Z, G21A, G21B		21A	W04A, W04B		17	R01A, R01B, R01C, R01D, R02Z, R12A, R12B, R12C
	16	Q03A, Q03B		21B	X06A, X06B, X06C, X33Z		21A	W04A, W04B
	17	R01A, R01B, R01C, R01D, R02Z, R12A, R12B, R12C		22	Y01Z, Y03A, Y03B		21B	X06A, X06B, X06C, X33Z
5n115.3	06	G13Z, G21A, G21B		23	Z01A		22	Y01Z, Y03A, Y03B
	16	Q03A, Q03B	5n123.2	Pre	A07A		23	Z01A
	17	R01A, R01B, R01C, R01D, R02Z, R12A, R12B, R12C			BOP, KOP, KOPV, KVT, UOP4	5n124.4	Pre	A07A
5n115.4‡	06	G40Z, G46A, G46B, G46C, G47Z, G50Z		05	F36A, F36B			BOP, KOP, KOPV, KVT, UOP4
5n115.x‡	06	G40Z, G46A, G46B, G46C, G47Z, G50Z		06	G15Z, G19A, G19B, G33Z, G38Z		05	F36A, F36B
5n120		BOP, KOP, KOPV, KVT, UOP4		07	H33Z, H38Z		06	G15Z, G19A, G19B, G33Z, G38Z
	05	F36A, F36B		09	J26Z		07	H33Z, H38Z
	06	G15Z, G19A, G19B, G33Z, G38Z		10	K04A		09	J26Z
	07	H33Z, H38Z		11	L33Z		10	K04A
	09	J26Z		17	R01A, R01B, R01C, R01D, R02Z, R12A, R12B, R12C		11	L33Z
	11	L33Z		21A	W04A, W04B		17	R01A, R01B, R01C, R01D, R02Z, R12A, R12B, R12C
	17	R01A, R01B, R01C, R01D, R02Z, R12A, R12B, R12C		21B	X06A, X06B, X06C, X33Z		21A	W04A, W04B
	21A	W04A, W04B	5n123.4	22	Y01Z, Y03A, Y03B		21B	X06A, X06B, X06C, X33Z
	21B	X06A, X06B, X06C, X33Z		23	Z01A		22	Y01Z, Y03A, Y03B
	22	Y01Z, Y03A, Y03B		Pre	A07A		23	Z01A
	23	Z01A			BOP, KOP, KOPV, KVT, UOP4	5n125.0	Pre	A07A
	Pre	A07A		05	F36A, F36B			BOP, KOP, KOPV, KVT, UOP4
5n121		BOP, KOP, KOPV, KVT, UOP4		06	G15Z, G19A, G19B, G33Z, G38Z		05	F36A, F36B
	05	F36A, F36B		07	H33Z, H38Z		06	G15Z, G19A, G19B, G33Z, G38Z
	06	G15Z, G19A, G19B, G33Z, G38Z		09	J26Z		07	H33Z, H38Z
	07	H33Z, H38Z		10	K04A		09	J26Z
	09	J26Z		11	L33Z		10	K04A
	11	L33Z		17	R01A, R01B, R01C, R01D, R02Z, R12A, R12B, R12C		11	L33Z
	17	R01A, R01B, R01C, R01D, R02Z, R12A, R12B, R12C		21A	W04A, W04B		17	R01A, R01B, R01C, R01D, R02Z, R12A, R12B, R12C
	21A	W04A, W04B		21B	X06A, X06B, X06C, X33Z		21A	W04A, W04B
	21B	X06A, X06B, X06C, X33Z		22	Y01Z, Y03A, Y03B		21B	X06A, X06B, X06C, X33Z
	22	Y01Z, Y03A, Y03B		23	Z01A		22	Y01Z, Y03A, Y03B
	23	Z01A		Pre	A07A		23	Z01A
	Pre	A07A			BOP, KOP, KOPV, KVT, UOP4		Pre	A07A

ZZV	MDC	DRG	ZZV	MDC	DRG	ZZV	MDC	DRG
5n125.2		BOP, KOP, KOPV, KVT, UOP4	5n126.4		BOP, KOP, KOPV, KVT, UOP4	5n12d		BOP, KOP, KOPV, KVT, UOP4
	05	F36A, F36B		05	F36A, F36B		06	G15Z, G19A, G19B, G38Z
	06	G15Z, G19A, G19B, G33Z, G38Z		06	G15Z, G19A, G19B, G33Z, G38Z		07	H33Z, H38Z
	07	H33Z, H38Z		07	H33Z, H38Z		11	L33Z
	09	J26Z		09	J26Z		17	R01A, R01B, R01C, R01D, R02Z, R12A, R12B, R12C
	10	K04A		10	K04A		21A	W04A, W04B
	11	L33Z		11	L33Z		21B	X06A, X06B, X06C, X33Z
	17	R01A, R01B, R01C, R01D, R02Z, R12A, R12B, R12C		17	R01A, R01B, R01C, R01D, R02Z, R12A, R12B, R12C		22	Y01Z, Y03A, Y03B
	21A	W04A, W04B		21A	W04A, W04B		23	Z01A
	21B	X06A, X06B, X06C, X33Z		21B	X06A, X06B, X06C, X33Z		Pre	A07A
	22	Y01Z, Y03A, Y03B		22	Y01Z, Y03A, Y03B		5n12e	BOP, KOP, KOPV, KVT, UOP4
	23	Z01A		23	Z01A			06
	Pre	A07A		Pre	A07A		07	H33Z, H38Z
	5n125.4			BOP, KOP, KOPV, KVT, UOP4	5n129			BOP, KOP, KOPV, KVT, UOP4
05		F36A, F36B	05	F36A, F36B		06	G15Z, G19A, G19B, G38Z	
06		G15Z, G19A, G19B, G33Z, G38Z	06	G15Z, G19A, G19B, G33Z, G38Z		07	H33Z, H38Z	
07		H33Z, H38Z	07	H33Z, H38Z		11	L33Z	
09		J26Z	09	J26Z		17	R01A, R01B, R01C, R01D, R02Z, R12A, R12B, R12C	
10		K04A	11	L33Z		21A	W04A, W04B	
11		L33Z	17	R01A, R01B, R01C, R01D, R02Z, R12A, R12B, R12C		21B	X06A, X06B, X06C, X33Z	
17		R01A, R01B, R01C, R01D, R02Z, R12A, R12B, R12C	21A	W04A, W04B		22	Y01Z, Y03A, Y03B	
21A		W04A, W04B	21B	X06A, X06B, X06C, X33Z		23	Z01A	
21B		X06A, X06B, X06C, X33Z	22	Y01Z, Y03A, Y03B		Pre	A07A	
22		Y01Z, Y03A, Y03B	23	Z01A		5n12g	BOP, KOP, KOPV, KVT, UOP4	
23		Z01A	Pre	A07A			06	G01Z, G02Z, G15Z, G18A, G18B, G38Z
Pre		A07A				07	H06A, H06B, H06C, H33Z, H38Z	
5n126.0			BOP, KOP, KOPV, KVT, UOP4	5n12a			BOP, KOP, KOPV, KVT, UOP4	5n12h
	05	F36A, F36B	06		G15Z, G19A, G19B, G38Z	06	G01Z, G02Z, G15Z, G18A, G18B, G38Z	
	06	G15Z, G19A, G19B, G33Z, G38Z	07		H33Z, H38Z	07	H06A, H06B, H06C, H33Z, H38Z	
	07	H33Z, H38Z	11		L33Z	10	K04A	
	09	J26Z	17		R01A, R01B, R01C, R01D, R02Z, R12A, R12B, R12C	11	L33Z	
	10	K04A	21A		W04A, W04B	17	R01A, R01B, R01C, R01D, R02Z, R12A, R12B, R12C	
	11	L33Z	21B		X06A, X06B, X06C, X33Z	21B	X33Z	
	17	R01A, R01B, R01C, R01D, R02Z, R12A, R12B, R12C	22		Y01Z, Y03A, Y03B	23	Z01A	
	21A	W04A, W04B	23		Z01A	Pre	A07A	
	21B	X06A, X06B, X06C, X33Z	Pre		A07A	5n12c	BOP, KOP, KOPV, KVT, UOP4	
	22	Y01Z, Y03A, Y03B					06	
	23	Z01A				07	H33Z, H38Z	
	Pre	A07A				11	L33Z	
	5n126.2		BOP, KOP, KOPV, KVT, UOP4		5n12b		BOP, KOP, KOPV, KVT, UOP4	
05		F36A, F36B	06	G15Z, G19A, G19B, G38Z		06	G15Z, G19A, G19B, G38Z	
06		G15Z, G19A, G19B, G33Z, G38Z	07	H33Z, H38Z		07	H33Z, H38Z	
07		H33Z, H38Z	11	L33Z		11	L33Z	
09		J26Z	17	R01A, R01B, R01C, R01D, R02Z, R12A, R12B, R12C		17	R01A, R01B, R01C, R01D, R02Z, R12A, R12B, R12C	
10		K04A	21A	W04A, W04B		17	R01A, R01B, R01C, R01D, R02Z, R12A, R12B, R12C	
11		L33Z	21B	X06A, X06B, X06C, X33Z		21B	X33Z	
17		R01A, R01B, R01C, R01D, R02Z, R12A, R12B, R12C	22	Y01Z, Y03A, Y03B		23	Z01A	
21A		W04A, W04B	23	Z01A		Pre	A07A	
21B		X06A, X06B, X06C, X33Z	Pre	A07A				
22		Y01Z, Y03A, Y03B						
23		Z01A						
Pre		A07A						

ZZV	MDC	DRG	ZZV	MDC	DRG	ZZV	MDC	DRG			
5n12x		BOP, KOP, KOPV, KVT, UOP4	5n139		BOP, KOP, KOPV, KVT, UOP4	5n13b.0		BOP, KOP, KOPV, KVT, MVV, UOP4			
	06	G15Z, G19A, G19B, G38Z		05	F36A, F36B		05	F36A, F36B			
	07	H06A, H06B, H06C, H33Z, H38Z		06	G15Z, G19A, G19B, G33Z, G38Z		06	G03A, G03B, G03C, G33Z, G38Z			
	10	K04A		07	H33Z, H38Z		07	H33Z, H38Z			
	11	L33Z		09	J26Z		09	J26Z			
	17	R01A, R01B, R01C, R01D, R02Z, R12A, R12B, R12C		11	L33Z		11	L33Z			
	21B	X33Z		17	R01A, R01B, R01C, R01D, R02Z, R12A, R12B, R12C		17	R01A, R01B, R01C, R01D, R02Z, R12A, R12B, R12C			
	23	Z01A		21A	W04A, W04B		21A	W04A, W04B			
	Pre	A07A		21B	X06A, X06B, X06C, X33Z		21B	X06A, X06B, X06C, X33Z			
	5n130			BOP, KOP, KOPV, KVT, UOP4	5n13a.0			BOP, KOP, KOPV, KVT, MVV, UOP4	5n13b.1		BOP, KOP, KOPV, KVT, MVV, UOP4
		05		F36A, F36B			05	F36A, F36B		05	F36A, F36B
		06		G15Z, G19A, G19B, G33Z, G38Z			06	G03A, G03B, G03C, G33Z, G38Z		06	G03A, G03B, G03C, G33Z, G38Z
		07		H33Z, H38Z			07	H33Z, H38Z		07	H33Z, H38Z
		09		J26Z			09	J26Z		09	J26Z
11		L33Z	11	L33Z		11	L33Z				
17		R01A, R01B, R01C, R01D, R02Z, R12A, R12B, R12C	17	R01A, R01B, R01C, R01D, R02Z, R12A, R12B, R12C		17	R01A, R01B, R01C, R01D, R02Z, R12A, R12B, R12C				
21A		W04A, W04B	21A	W04A, W04B		21A	W04A, W04B				
21B		X06A, X06B, X06C, X33Z	21B	X06A, X06B, X06C, X33Z		21B	X06A, X06B, X06C, X33Z				
22		Y01Z, Y03A, Y03B	22	Y01Z, Y03A, Y03B		22	Y01Z, Y03A, Y03B				
23		Z01A	23	Z01A		23	Z01A				
Pre		A07A	Pre	A07A		Pre	A07A				
5n131			BOP, KOP, KOPV, KVT, UOP4	5n13a.1			BOP, KOP, KOPV, KVT, MVV, UOP4	5n13b.2			BOP, KOP, KOPV, KVT, MVV, UOP4
		05	F36A, F36B			05	F36A, F36B			05	F36A, F36B
	06	G15Z, G19A, G19B, G33Z, G38Z	06		G03A, G03B, G03C, G33Z, G38Z	06	G03A, G03B, G03C, G33Z, G38Z				
	07	H33Z, H38Z	07		H33Z, H38Z	07	H33Z, H38Z				
	09	J26Z	09		J26Z	09	J26Z				
	11	L33Z	11		L33Z	11	L33Z				
	17	R01A, R01B, R01C, R01D, R02Z, R12A, R12B, R12C	17		R01A, R01B, R01C, R01D, R02Z, R12A, R12B, R12C	17	R01A, R01B, R01C, R01D, R02Z, R12A, R12B, R12C				
	21A	W04A, W04B	21A		W04A, W04B	21A	W04A, W04B				
	21B	X06A, X06B, X06C, X33Z	21B		X06A, X06B, X06C, X33Z	21B	X06A, X06B, X06C, X33Z				
	22	Y01Z, Y03A, Y03B	22		Y01Z, Y03A, Y03B	22	Y01Z, Y03A, Y03B				
	23	Z01A	23		Z01A	23	Z01A				
	Pre	A07A	Pre		A07A	Pre	A07A				
	5n132		BOP, KOP, KOPV, KVT, UOP4		5n13a.2		BOP, KOP, KOPV, KVT, MVV, UOP4		5n13c.0		BOP, KOP, KOPV, KVT, MVV, UOP4
		05	F36A, F36B			05	F36A, F36B			05	F36A, F36B
06		G15Z, G19A, G19B, G33Z, G38Z	06	G03A, G03B, G03C, G33Z, G38Z		06	G03A, G03B, G03C, G33Z, G38Z				
07		H33Z, H38Z	07	H33Z, H38Z		07	H33Z, H38Z				
09		J26Z	09	J26Z		09	J26Z				
11		L33Z	11	L33Z		11	L33Z				
17		R01A, R01B, R01C, R01D, R02Z, R12A, R12B, R12C	17	R01A, R01B, R01C, R01D, R02Z, R12A, R12B, R12C		17	R01A, R01B, R01C, R01D, R02Z, R12A, R12B, R12C				
21A		W04A, W04B	21A	W04A, W04B		21A	W04A, W04B				
21B		X06A, X06B, X06C, X33Z	21B	X06A, X06B, X06C, X33Z		21B	X06A, X06B, X06C, X33Z				
22		Y01Z, Y03A, Y03B	22	Y01Z, Y03A, Y03B		22	Y01Z, Y03A, Y03B				
23		Z01A	23	Z01A		23	Z01A				
Pre		A07A	Pre	A07A		Pre	A07A				

ZZV	MDC	DRG	ZZV	MDC	DRG	ZZV	MDC	DRG			
5n13c.1		BOP, KOP, KOPV, KVT, MVV, UOP4	5n13x.2		BOP, KOP, KOPV, KVT, MVV, UOP4	5n141.0		BOP, KOP, KOPV, KVT, MVV, UOP4			
	05	F36A, F36B		05	F36A, F36B		05	F36A, F36B			
	06	G03A, G03B, G03C, G33Z, G38Z		06	G03A, G03B, G03C, G33Z, G38Z		06	G03A, G03B, G03C, G33Z, G38Z			
	07	H33Z, H38Z		07	H33Z, H38Z		07	H33Z, H38Z			
	09	J26Z		09	J26Z		09	J26Z			
	11	L33Z		11	L33Z		11	L33Z			
	17	R01A, R01B, R01C, R01D, R02Z, R12A, R12B, R12C		17	R01A, R01B, R01C, R01D, R02Z, R12A, R12B, R12C		17	R01A, R01B, R01C, R01D, R02Z, R12A, R12B, R12C			
	21A	W04A, W04B		21A	W04A, W04B		21A	W04A, W04B			
	21B	X06A, X06B, X06C, X33Z		21B	X06A, X06B, X06C, X33Z		21B	X06A, X06B, X06C, X33Z			
	22	Y01Z, Y03A, Y03B		22	Y01Z, Y03A, Y03B		22	Y01Z, Y03A, Y03B			
	23	Z01A		23	Z01A		23	Z01A			
	Pre	A07A		Pre	A07A		Pre	A07A			
	5n13c.2			BOP, KOP, KOPV, KVT, MVV, UOP4	5n140.0			BOP, KOP, KOPV, KVT, MVV, UOP4	5n141.1		BOP, KOP, KOPV, KVT, MVV, UOP4
		05		F36A, F36B			05	F36A, F36B		05	F36A, F36B
06		G03A, G03B, G03C, G33Z, G38Z	06	G03A, G03B, G03C, G33Z, G38Z		06	G03A, G03B, G03C, G33Z, G38Z				
07		H33Z, H38Z	07	H33Z, H38Z		07	H33Z, H38Z				
09		J26Z	09	J26Z		09	J26Z				
11		L33Z	11	L33Z		11	L33Z				
17		R01A, R01B, R01C, R01D, R02Z, R12A, R12B, R12C	17	R01A, R01B, R01C, R01D, R02Z, R12A, R12B, R12C		17	R01A, R01B, R01C, R01D, R02Z, R12A, R12B, R12C				
21A		W04A, W04B	21A	W04A, W04B		21A	W04A, W04B				
21B		X06A, X06B, X06C, X33Z	21B	X06A, X06B, X06C, X33Z		21B	X06A, X06B, X06C, X33Z				
22		Y01Z, Y03A, Y03B	22	Y01Z, Y03A, Y03B		22	Y01Z, Y03A, Y03B				
23		Z01A	23	Z01A		23	Z01A				
Pre		A07A	Pre	A07A		Pre	A07A				
5n13x.0			BOP, KOP, KOPV, KVT, MVV, UOP4	5n140.1			BOP, KOP, KOPV, KVT, MVV, UOP4	5n141.2			BOP, KOP, KOPV, KVT, MVV, UOP4
		05	F36A, F36B			05	F36A, F36B			05	F36A, F36B
	06	G03A, G03B, G03C, G33Z, G38Z	06		G03A, G03B, G03C, G33Z, G38Z	06	G03A, G03B, G03C, G33Z, G38Z				
	07	H33Z, H38Z	07		H33Z, H38Z	07	H33Z, H38Z				
	09	J26Z	09		J26Z	09	J26Z				
	11	L33Z	11		L33Z	11	L33Z				
	17	R01A, R01B, R01C, R01D, R02Z, R12A, R12B, R12C	17		R01A, R01B, R01C, R01D, R02Z, R12A, R12B, R12C	17	R01A, R01B, R01C, R01D, R02Z, R12A, R12B, R12C				
	21A	W04A, W04B	21A		W04A, W04B	21A	W04A, W04B				
	21B	X06A, X06B, X06C, X33Z	21B		X06A, X06B, X06C, X33Z	21B	X06A, X06B, X06C, X33Z				
	22	Y01Z, Y03A, Y03B	22		Y01Z, Y03A, Y03B	22	Y01Z, Y03A, Y03B				
	23	Z01A	23		Z01A	23	Z01A				
	Pre	A07A	Pre		A07A	Pre	A07A				
	5n13x.1		BOP, KOP, KOPV, KVT, MVV, UOP4		5n140.2		BOP, KOP, KOPV, KVT, MVV, UOP4		5n142.0		BOP, KOP, KOPV, KVT, MVV, UOP4
		05	F36A, F36B			05	F36A, F36B			05	F36A, F36B
06		G03A, G03B, G03C, G33Z, G38Z	06	G03A, G03B, G03C, G33Z, G38Z		06	G03A, G03B, G03C, G33Z, G38Z				
07		H33Z, H38Z	07	H33Z, H38Z		07	H33Z, H38Z				
09		J26Z	09	J26Z		09	J26Z				
11		L33Z	11	L33Z		11	L33Z				
17		R01A, R01B, R01C, R01D, R02Z, R12A, R12B, R12C	17	R01A, R01B, R01C, R01D, R02Z, R12A, R12B, R12C		17	R01A, R01B, R01C, R01D, R02Z, R12A, R12B, R12C				
21A		W04A, W04B	21A	W04A, W04B		21A	W04A, W04B				
21B		X06A, X06B, X06C, X33Z	21B	X06A, X06B, X06C, X33Z		21B	X06A, X06B, X06C, X33Z				
22		Y01Z, Y03A, Y03B	22	Y01Z, Y03A, Y03B		22	Y01Z, Y03A, Y03B				
23		Z01A	23	Z01A		23	Z01A				
Pre		A07A	Pre	A07A		Pre	A07A				

VYK

ZZV	MDC	DRG	ZZV	MDC	DRG	ZZV	MDC	DRG			
5n142.1		BOP, KOP, KOPV, KVT, MVV, UOP4	5n143.2		BOP, KOP, KOPV, KVT, MVV, UOP4	5n145.0		BOP, KOP, KOPV, KVT, MVV, UOP4			
	05	F36A, F36B		05	F36A, F36B		05	F36A, F36B			
	06	G03A, G03B, G03C, G33Z, G38Z		06	G03A, G03B, G03C, G33Z, G38Z		06	G03A, G03B, G03C, G33Z, G38Z			
	07	H33Z, H38Z		07	H33Z, H38Z		07	H33Z, H38Z			
	09	J26Z		09	J26Z		09	J26Z			
	11	L33Z		11	L33Z		11	L33Z			
	17	R01A, R01B, R01C, R01D, R02Z, R12A, R12B, R12C		17	R01A, R01B, R01C, R01D, R02Z, R12A, R12B, R12C		17	R01A, R01B, R01C, R01D, R02Z, R12A, R12B, R12C			
	21A	W04A, W04B		21A	W04A, W04B		21A	W04A, W04B			
	21B	X06A, X06B, X06C, X33Z		21B	X06A, X06B, X06C, X33Z		21B	X06A, X06B, X06C, X33Z			
	22	Y01Z, Y03A, Y03B		22	Y01Z, Y03A, Y03B		22	Y01Z, Y03A, Y03B			
	23	Z01A		23	Z01A		23	Z01A			
	Pre	A07A		Pre	A07A		Pre	A07A			
	5n142.2			BOP, KOP, KOPV, KVT, MVV, UOP4	5n144.0			BOP, KOP, KOPV, KVT, MVV, UOP4	5n145.1		BOP, KOP, KOPV, KVT, MVV, UOP4
		05		F36A, F36B			05	F36A, F36B		05	F36A, F36B
06		G03A, G03B, G03C, G33Z, G38Z	06	G03A, G03B, G03C, G33Z, G38Z		06	G03A, G03B, G33Z, G38Z				
07		H33Z, H38Z	07	H33Z, H38Z		07	H33Z, H38Z				
09		J26Z	09	J26Z		09	J26Z				
11		L33Z	11	L33Z		11	L33Z				
17		R01A, R01B, R01C, R01D, R02Z, R12A, R12B, R12C	17	R01A, R01B, R01C, R01D, R02Z, R12A, R12B, R12C		17	R01A, R01B, R01C, R01D, R02Z, R12A, R12B, R12C				
21A		W04A, W04B	21A	W04A, W04B		21A	W04A, W04B				
21B		X06A, X06B, X06C, X33Z	21B	X06A, X06B, X06C, X33Z		21B	X06A, X06B, X06C, X33Z				
22		Y01Z, Y03A, Y03B	22	Y01Z, Y03A, Y03B		22	Y01Z, Y03A, Y03B				
23		Z01A	23	Z01A		23	Z01A				
Pre		A07A	Pre	A07A		Pre	A07A				
5n143.0			BOP, KOP, KOPV, KVT, MVV, UOP4	5n144.1			BOP, KOP, KOPV, KVT, MVV, UOP4	5n145.2			BOP, KOP, KOPV, KVT, MVV, UOP4
		05	F36A, F36B			05	F36A, F36B			05	F36A, F36B
	06	G03A, G03B, G03C, G33Z, G38Z	06		G03A, G03B, G03C, G33Z, G38Z	06	G03A, G03B, G03C, G33Z, G38Z				
	07	H33Z, H38Z	07		H33Z, H38Z	07	H33Z, H38Z				
	09	J26Z	09		J26Z	09	J26Z				
	11	L33Z	11		L33Z	11	L33Z				
	17	R01A, R01B, R01C, R01D, R02Z, R12A, R12B, R12C	17		R01A, R01B, R01C, R01D, R02Z, R12A, R12B, R12C	17	R01A, R01B, R01C, R01D, R02Z, R12A, R12B, R12C				
	21A	W04A, W04B	21A		W04A, W04B	21A	W04A, W04B				
	21B	X06A, X06B, X06C, X33Z	21B		X06A, X06B, X06C, X33Z	21B	X06A, X06B, X06C, X33Z				
	22	Y01Z, Y03A, Y03B	22		Y01Z, Y03A, Y03B	22	Y01Z, Y03A, Y03B				
	23	Z01A	23		Z01A	23	Z01A				
	Pre	A07A	Pre		A07A	Pre	A07A				
	5n143.1		BOP, KOP, KOPV, KVT, MVV, UOP4		5n144.2		BOP, KOP, KOPV, KVT, MVV, UOP4		5n146.0		BOP, KOP, KOPV, KVT, MVV, UOP4
		05	F36A, F36B			05	F36A, F36B			05	F36A, F36B
06		G03A, G03B, G03C, G33Z, G38Z	06	G03A, G03B, G03C, G33Z, G38Z		06	G03A, G03B, G03C, G33Z, G38Z				
07		H33Z, H38Z	07	H33Z, H38Z		07	H33Z, H38Z				
09		J26Z	09	J26Z		09	J26Z				
11		L33Z	11	L33Z		11	L33Z				
17		R01A, R01B, R01C, R01D, R02Z, R12A, R12B, R12C	17	R01A, R01B, R01C, R01D, R02Z, R12A, R12B, R12C		17	R01A, R01B, R01C, R01D, R02Z, R12A, R12B, R12C				
21A		W04A, W04B	21A	W04A, W04B		21A	W04A, W04B				
21B		X06A, X06B, X06C, X33Z	21B	X06A, X06B, X06C, X33Z		21B	X06A, X06B, X06C, X33Z				
22		Y01Z, Y03A, Y03B	22	Y01Z, Y03A, Y03B		22	Y01Z, Y03A, Y03B				
23		Z01A	23	Z01A		23	Z01A				
Pre		A07A	Pre	A07A		Pre	A07A				

ZZV	MDC	DRG	ZZV	MDC	DRG	ZZV	MDC	DRG			
5n146.1		BOP, KOP, KOPV, KVT, MVV, UOP4	5n14a.2		BOP, KOP, KOPV, KVT, MVV, UOP4	5n14x.00		BOP, KOP, KOPV, KVT, MVV, UOP4			
	05	F36A, F36B		05	F36A, F36B		05	F36A, F36B			
	06	G03A, G03B, G03C, G33Z, G38Z		06	G03A, G03B, G33Z, G38Z		06	G03A, G03B, G03C, G33Z, G38Z			
	07	H33Z, H38Z		07	H33Z, H38Z		07	H33Z, H38Z			
	09	J26Z		09	J26Z		09	J26Z			
	11	L33Z		11	L33Z		11	L33Z			
	17	R01A, R01B, R01C, R01D, R02Z, R12A, R12B, R12C		17	R01A, R01B, R01C, R01D, R02Z, R12A, R12B, R12C		17	R01A, R01B, R01C, R01D, R02Z, R12A, R12B, R12C			
	21A	W04A, W04B		21A	W04A, W04B		21A	W04A, W04B			
	21B	X06A, X06B, X06C, X33Z		21B	X06A, X06B, X06C, X33Z		21B	X06A, X06B, X06C, X33Z			
	22	Y01Z, Y03A, Y03B		22	Y01Z, Y03A, Y03B		22	Y01Z, Y03A, Y03B			
	23	Z01A		23	Z01A		23	Z01A			
	Pre	A07A		Pre	A07A		Pre	A07A			
	5n146.2			BOP, KOP, KOPV, KVT, MVV, UOP4	5n14b.0			BOP, KOP, KOPV, KVT, MVV, UOP4	5n14x.01		BOP, KOP, KOPV, KVT, MVV, UOP4
		05		F36A, F36B			05	F36A, F36B		05	F36A, F36B
		06		G03A, G03B, G03C, G33Z, G38Z			06	G03A, G03B, G03C, G33Z, G38Z		06	G03A, G03B, G03C, G33Z, G38Z
		07		H33Z, H38Z			07	H33Z, H38Z		07	H33Z, H38Z
09		J26Z	09	J26Z		09	J26Z				
11		L33Z	11	L33Z		11	L33Z				
17		R01A, R01B, R01C, R01D, R02Z, R12A, R12B, R12C	17	R01A, R01B, R01C, R01D, R02Z, R12A, R12B, R12C		17	R01A, R01B, R01C, R01D, R02Z, R12A, R12B, R12C				
21A		W04A, W04B	21A	W04A, W04B		21A	W04A, W04B				
21B		X06A, X06B, X06C, X33Z	21B	X06A, X06B, X06C, X33Z		21B	X06A, X06B, X06C, X33Z				
22		Y01Z, Y03A, Y03B	22	Y01Z, Y03A, Y03B		22	Y01Z, Y03A, Y03B				
23		Z01A	23	Z01A		23	Z01A				
Pre		A07A	Pre	A07A		Pre	A07A				
5n14a.0			BOP, KOP, KOPV, KVT, MVV, UOP4	5n14b.1			BOP, KOP, KOPV, KVT, MVV, UOP4	5n14x.02			BOP, KOP, KOPV, KVT, MVV, UOP4
		05	F36A, F36B			05	F36A, F36B			05	F36A, F36B
		06	G03A, G03B, G03C, G33Z, G38Z			06	G03A, G03B, G03C, G33Z, G38Z			06	G03A, G03B, G03C, G33Z, G38Z
		07	H33Z, H38Z			07	H33Z, H38Z			07	H33Z, H38Z
	09	J26Z	09		J26Z	09	J26Z				
	11	L33Z	11		L33Z	11	L33Z				
	17	R01A, R01B, R01C, R01D, R02Z, R12A, R12B, R12C	17		R01A, R01B, R01C, R01D, R02Z, R12A, R12B, R12C	17	R01A, R01B, R01C, R01D, R02Z, R12A, R12B, R12C				
	21A	W04A, W04B	21A		W04A, W04B	21A	W04A, W04B				
	21B	X06A, X06B, X06C, X33Z	21B		X06A, X06B, X06C, X33Z	21B	X06A, X06B, X06C, X33Z				
	22	Y01Z, Y03A, Y03B	22		Y01Z, Y03A, Y03B	22	Y01Z, Y03A, Y03B				
	23	Z01A	23		Z01A	23	Z01A				
	Pre	A07A	Pre		A07A	Pre	A07A				
	5n14a.1		BOP, KOP, KOPV, KVT, MVV, UOP4		5n14b.2		BOP, KOP, KOPV, KVT, MVV, UOP4		5n14x.10		BOP, KOP, KOPV, KVT, MVV, UOP4
		05	F36A, F36B			05	F36A, F36B			05	F36A, F36B
		06	G03A, G03B, G33Z, G38Z			06	G03A, G03B, G03C, G33Z, G38Z			06	G03A, G03B, G03C, G33Z, G38Z
		07	H33Z, H38Z			07	H33Z, H38Z			07	H33Z, H38Z
09		J26Z	09	J26Z		09	J26Z				
11		L33Z	11	L33Z		09	J26Z				
17		R01A, R01B, R01C, R01D, R02Z, R12A, R12B, R12C	17	R01A, R01B, R01C, R01D, R02Z, R12A, R12B, R12C		11	L33Z				
21A		W04A, W04B	21A	W04A, W04B		17	R01A, R01B, R01C, R01D, R02Z, R12A, R12B, R12C				
21B		X06A, X06B, X06C, X33Z	21A	W04A, W04B		21A	W04A, W04B				
22		Y01Z, Y03A, Y03B	21B	X06A, X06B, X06C, X33Z		21B	X06A, X06B, X06C, X33Z				
23		Z01A	22	Y01Z, Y03A, Y03B		22	Y01Z, Y03A, Y03B				
Pre		A07A	23	Z01A		23	Z01A				
			Pre	A07A		Pre	A07A				

VYK

ZZV	MDC	DRG	ZZV	MDC	DRG	ZZV	MDC	DRG			
5n14x.11		BOP, KOP, KOPV, KVT, MVV, UOP4	5n152.0		BOP, KOP, KOPV, KVT, MVV, UOP4	5n15c.2		BOP, KOP, KOPV, KVT, MVV, UOP4			
	05	F36A, F36B		05	F36A, F36B		05	F36A, F36B			
	06	G03A, G03B, G03C, G33Z, G38Z		06	G03A, G03B, G03C, G33Z, G38Z		06	G03A, G03B, G03C, G33Z, G38Z			
	07	H33Z, H38Z		07	H33Z, H38Z		07	H33Z, H38Z			
	09	J26Z		09	J26Z		09	J26Z			
	11	L33Z		11	L33Z		11	L33Z			
	17	R01A, R01B, R01C, R01D, R02Z, R12A, R12B, R12C		17	R01A, R01B, R01C, R01D, R02Z, R12A, R12B, R12C		17	R01A, R01B, R01C, R01D, R02Z, R12A, R12B, R12C			
	21A	W04A, W04B		21A	W04A, W04B		21A	W04A, W04B			
	21B	X06A, X06B, X06C, X33Z		21B	X06A, X06B, X06C, X33Z		21B	X06A, X06B, X06C, X33Z			
	22	Y01Z, Y03A, Y03B		22	Y01Z, Y03A, Y03B		22	Y01Z, Y03A, Y03B			
	23	Z01A		23	Z01A		23	Z01A			
	Pre	A07A		Pre	A07A		Pre	A07A			
	5n14x.12			BOP, KOP, KOPV, KVT, MVV, UOP4	5n159			BOP, KOP, KOPV, KVT, MVV, UOP4	5n15x		BOP, KOP, KOPV, KVT, MVV, UOP4
		05		F36A, F36B			05	F36A, F36B		05	F36A, F36B
06		G03A, G03B, G03C, G33Z, G38Z	06	G03A, G03B, G03C, G33Z, G38Z		06	G03A, G03B, G03C, G33Z, G38Z				
07		H33Z, H38Z	07	H33Z, H38Z		07	H33Z, H38Z				
09		J26Z	09	J26Z		09	J26Z				
11		L33Z	11	L33Z		11	L33Z				
17		R01A, R01B, R01C, R01D, R02Z, R12A, R12B, R12C	17	R01A, R01B, R01C, R01D, R02Z, R12A, R12B, R12C		17	R01A, R01B, R01C, R01D, R02Z, R12A, R12B, R12C				
21A		W04A, W04B	21A	W04A, W04B		21A	W04A, W04B				
21B		X06A, X06B, X06C, X33Z	21B	X06A, X06B, X06C, X33Z		21B	X06A, X06B, X06C, X33Z				
22		Y01Z, Y03A, Y03B	22	Y01Z, Y03A, Y03B		22	Y01Z, Y03A, Y03B				
23		Z01A	23	Z01A		23	Z01A				
Pre		A07A	Pre	A07A		Pre	A07A				
5n150.0			BOP, KOP, KOPV, KVT, MVV, UOP4	5n15a.2			BOP, KOP, KOPV, KVT, MVV, UOP4	5n160.0			BOP, KOP, KOPV, KVT, MVV, UOP4
		05	F36A, F36B			05	F36A, F36B			05	F36A, F36B
	06	G03A, G03B, G03C, G33Z, G38Z	06		G03A, G03B, G03C, G33Z, G38Z	06	G03A, G03B, G03C, G33Z, G38Z				
	07	H33Z, H38Z	07		H33Z, H38Z	07	H33Z, H38Z				
	09	J26Z	09		J26Z	09	J26Z				
	11	L33Z	11		L33Z	11	L33Z				
	17	R01A, R01B, R01C, R01D, R02Z, R12A, R12B, R12C	17		R01A, R01B, R01C, R01D, R02Z, R12A, R12B, R12C	17	R01A, R01B, R01C, R01D, R02Z, R12A, R12B, R12C				
	21A	W04A, W04B	21A		W04A, W04B	21A	W04A, W04B				
	21B	X06A, X06B, X06C, X33Z	21B		X06A, X06B, X06C, X33Z	21B	X06A, X06B, X06C, X33Z				
	22	Y01Z, Y03A, Y03B	22		Y01Z, Y03A, Y03B	22	Y01Z, Y03A, Y03B				
	23	Z01A	23		Z01A	23	Z01A				
	Pre	A07A	Pre		A07A	Pre	A07A				
	5n151.0		BOP, KOP, KOPV, KVT, MVV, UOP4		5n15b.2		BOP, KOP, KOPV, KVT, MVV, UOP4		5n160.2		BOP, KOP, KOPV, KVT, MVV, UOP4
		05	F36A, F36B			05	F36A, F36B			05	F36A, F36B
06		G03A, G03B, G03C, G33Z, G38Z	06	G03A, G03B, G03C, G33Z, G38Z		06	G03A, G03B, G03C, G33Z, G38Z				
07		H33Z, H38Z	07	H33Z, H38Z		07	H33Z, H38Z				
09		J26Z	09	J26Z		09	J26Z				
11		L33Z	11	L33Z		11	L33Z				
17		R01A, R01B, R01C, R01D, R02Z, R12A, R12B, R12C	17	R01A, R01B, R01C, R01D, R02Z, R12A, R12B, R12C		17	R01A, R01B, R01C, R01D, R02Z, R12A, R12B, R12C				
21A		W04A, W04B	21A	W04A, W04B		21A	W04A, W04B				
21B		X06A, X06B, X06C, X33Z	21B	X06A, X06B, X06C, X33Z		21B	X06A, X06B, X06C, X33Z				
22		Y01Z, Y03A, Y03B	22	Y01Z, Y03A, Y03B		22	Y01Z, Y03A, Y03B				
23		Z01A	23	Z01A		23	Z01A				
Pre		A07A	Pre	A07A		Pre	A07A				

ZZV	MDC	DRG	ZZV	MDC	DRG	ZZV	MDC	DRG			
5n161.0		BOP, KOP, KOPV, KVT, MVV, UOP4	5n163.0		BOP, KOP, KOPV, KVT, MVV, UOP4	5n165.0		BOP, KOP, KOPV, KVT, MVV, UOP4			
	05	F36A, F36B		05	F36A, F36B		05	F36A, F36B			
	06	G03A, G03B, G03C, G33Z, G38Z		06	G03A, G03B, G03C, G33Z, G38Z		06	G03A, G03B, G03C, G33Z, G38Z			
	07	H33Z, H38Z		07	H33Z, H38Z		07	H33Z, H38Z			
	09	J26Z		09	J26Z		09	J26Z			
	11	L33Z		11	L33Z		11	L33Z			
	17	R01A, R01B, R01C, R01D, R02Z, R12A, R12B, R12C		17	R01A, R01B, R01C, R01D, R02Z, R12A, R12B, R12C		17	R01A, R01B, R01C, R01D, R02Z, R12A, R12B, R12C			
	21A	W04A, W04B		21A	W04A, W04B		21A	W04A, W04B			
	21B	X06A, X06B, X06C, X33Z		21B	X06A, X06B, X06C, X33Z		21B	X06A, X06B, X06C, X33Z			
	22	Y01Z, Y03A, Y03B		22	Y01Z, Y03A, Y03B		22	Y01Z, Y03A, Y03B			
	23	Z01A		23	Z01A		23	Z01A			
	Pre	A07A		Pre	A07A		Pre	A07A			
	5n161.2			BOP, KOP, KOPV, KVT, MVV, UOP4	5n163.2			BOP, KOP, KOPV, KVT, MVV, UOP4	5n165.2		BOP, KOP, KOPV, KVT, MVV, UOP4
		05		F36A, F36B			05	F36A, F36B		05	F36A, F36B
06		G03A, G03B, G03C, G33Z, G38Z	06	G03A, G03B, G33Z, G38Z		06	G03A, G03B, G03C, G33Z, G38Z				
07		H33Z, H38Z	07	H33Z, H38Z		07	H33Z, H38Z				
09		J26Z	09	J26Z		09	J26Z				
11		L33Z	11	L33Z		11	L33Z				
17		R01A, R01B, R01C, R01D, R02Z, R12A, R12B, R12C	17	R01A, R01B, R01C, R01D, R02Z, R12A, R12B, R12C		17	R01A, R01B, R01C, R01D, R02Z, R12A, R12B, R12C				
21A		W04A, W04B	21A	W04A, W04B		21A	W04A, W04B				
21B		X06A, X06B, X06C, X33Z	21B	X06A, X06B, X06C, X33Z		21B	X06A, X06B, X06C, X33Z				
22		Y01Z, Y03A, Y03B	22	Y01Z, Y03A, Y03B		22	Y01Z, Y03A, Y03B				
23		Z01A	23	Z01A		23	Z01A				
Pre		A07A	Pre	A07A		Pre	A07A				
5n162.0			BOP, KOP, KOPV, KVT, MVV, UOP4	5n164.0			BOP, KOP, KOPV, KVT, MVV, UOP4	5n166.2			BOP, KOP, KOPV, KVT, MVV, UOP4
		05	F36A, F36B			05	F36A, F36B			05	F36A, F36B
	06	G03A, G03B, G03C, G33Z, G38Z	06		G03A, G03B, G03C, G33Z, G38Z	06	G03A, G03B, G03C, G33Z, G38Z				
	07	H33Z, H38Z	07		H33Z, H38Z	07	H33Z, H38Z				
	09	J26Z	09		J26Z	09	J26Z				
	11	L33Z	11		L33Z	11	L33Z				
	17	R01A, R01B, R01C, R01D, R02Z, R12A, R12B, R12C	17		R01A, R01B, R01C, R01D, R02Z, R12A, R12B, R12C	17	R01A, R01B, R01C, R01D, R02Z, R12A, R12B, R12C				
	21A	W04A, W04B	21A		W04A, W04B	21A	W04A, W04B				
	21B	X06A, X06B, X06C, X33Z	21B		X06A, X06B, X06C, X33Z	21B	X06A, X06B, X06C, X33Z				
	22	Y01Z, Y03A, Y03B	22		Y01Z, Y03A, Y03B	22	Y01Z, Y03A, Y03B				
	23	Z01A	23		Z01A	23	Z01A				
	Pre	A07A	Pre		A07A	Pre	A07A				
	5n162.2		BOP, KOP, KOPV, KVT, MVV, UOP4		5n164.2		BOP, KOP, KOPV, KVT, MVV, UOP4		5n16x		BOP, KOP, KOPV, KVT, MVV, UOP4
		05	F36A, F36B			05	F36A, F36B			05	F36A, F36B
06		G03A, G03B, G03C, G33Z, G38Z	06	G03A, G03B, G03C, G33Z, G38Z		06	G03A, G03B, G03C, G33Z, G38Z				
07		H33Z, H38Z	07	H33Z, H38Z		07	H33Z, H38Z				
09		J26Z	09	J26Z		09	J26Z				
11		L33Z	11	L33Z		11	L33Z				
17		R01A, R01B, R01C, R01D, R02Z, R12A, R12B, R12C	17	R01A, R01B, R01C, R01D, R02Z, R12A, R12B, R12C		17	R01A, R01B, R01C, R01D, R02Z, R12A, R12B, R12C				
21A		W04A, W04B	21A	W04A, W04B		21A	W04A, W04B				
21B		X06A, X06B, X06C, X33Z	21B	X06A, X06B, X06C, X33Z		21B	X06A, X06B, X06C, X33Z				
22		Y01Z, Y03A, Y03B	22	Y01Z, Y03A, Y03B		22	Y01Z, Y03A, Y03B				
23		Z01A	23	Z01A		23	Z01A				
Pre		A07A	Pre	A07A		Pre	A07A				

VYK

ZZV	MDC	DRG	ZZV	MDC	DRG	ZZV	MDC	DRG			
5n16x.0		BOP, KOP, KOPV, KVT, MVV, UOP4	5n171.2		BOP, KOP, KOPV, KVT, UOP4	5n173.0		BOP, KOP, KOPV, KVT, UOP4			
	05	F36A, F36B		05	F36A, F36B		05	F36A, F36B			
	06	G03A, G03B, G03C, G33Z, G38Z		06	G15Z, G19A, G19B, G33Z, G38Z		06	G15Z, G19A, G19B, G33Z, G38Z			
	07	H33Z, H38Z		07	H12A, H33Z, H38Z		07	H12A, H33Z, H38Z			
	09	J26Z		10	K04A		10	K04A			
	11	L33Z		11	L33Z		11	L33Z			
	17	R01A, R01B, R01C, R01D, R02Z, R12A, R12B, R12C		17	R01A, R01B, R01C, R01D, R02Z, R12A, R12B, R12C		17	R01A, R01B, R01C, R01D, R02Z, R12A, R12B, R12C			
	21A	W04A, W04B		21B	X33Z		21B	X33Z			
	21B	X06A, X06B, X06C, X33Z		23	Z01A		23	Z01A			
	22	Y01Z, Y03A, Y03B		Pre	A07A		Pre	A07A			
	23	Z01A		5n171.4	BOP, KOP, KOPV, KVT, UOP4		5n173.2	BOP, KOP, KOPV, KVT, UOP4			
	Pre	A07A			05			F36A, F36B	05	F36A, F36B	
	5n170.0			BOP, KOP, KOPV, KVT, UOP4	5n172.0			BOP, KOP, KOPV, KVT, UOP4	5n173.4		BOP, KOP, KOPV, KVT, UOP4
		05		F36A, F36B			05	F36A, F36B		05	F36A, F36B
06		G15Z, G19A, G19B, G33Z, G38Z	06	G15Z, G19A, G19B, G33Z, G38Z		06	G15Z, G19A, G19B, G33Z, G38Z				
07		H12A, H33Z, H38Z	07	H12A, H33Z, H38Z		07	H12A, H33Z, H38Z				
10		K04A	10	K04A		10	K04A				
11		L33Z	11	L33Z		11	L33Z				
17		R01A, R01B, R01C, R01D, R02Z, R12A, R12B, R12C	17	R01A, R01B, R01C, R01D, R02Z, R12A, R12B, R12C		17	R01A, R01B, R01C, R01D, R02Z, R12A, R12B, R12C				
21B		X33Z	21B	X33Z		21B	X33Z				
23		Z01A	23	Z01A		23	Z01A				
Pre		A07A	Pre	A07A		Pre	A07A				
5n170.2			BOP, KOP, KOPV, KVT, UOP4	5n172.2			BOP, KOP, KOPV, KVT, UOP4	5n174.0			BOP, KOP, KOPV, KVT, UOP4
		05	F36A, F36B			05	F36A, F36B			05	F36A, F36B
		06	G15Z, G19A, G19B, G33Z, G38Z			06	G15Z, G19A, G19B, G33Z, G38Z			06	G15Z, G19A, G19B, G33Z, G38Z
		07	H12A, H33Z, H38Z			07	H12A, H33Z, H38Z			07	H12A, H33Z, H38Z
	10	K04A	10		K04A	10	K04A				
	11	L33Z	11		L33Z	11	L33Z				
	17	R01A, R01B, R01C, R01D, R02Z, R12A, R12B, R12C	17		R01A, R01B, R01C, R01D, R02Z, R12A, R12B, R12C	17	R01A, R01B, R01C, R01D, R02Z, R12A, R12B, R12C				
	21B	X33Z	21B		X33Z	21B	X33Z				
	23	Z01A	23		Z01A	23	Z01A				
	Pre	A07A	Pre		A07A	Pre	A07A				
	5n170.4		BOP, KOP, KOPV, KVT, UOP4		5n172.4		BOP, KOP, KOPV, KVT, UOP4		5n174.2		BOP, KOP, KOPV, KVT, UOP4
		05	F36A, F36B			05	F36A, F36B			05	F36A, F36B
		06	G15Z, G19A, G19B, G33Z, G38Z			06	G15Z, G19A, G19B, G33Z, G38Z			06	G15Z, G19A, G19B, G33Z, G38Z
		07	H12A, H33Z, H38Z			07	H12A, H33Z, H38Z			07	H12A, H33Z, H38Z
10		K04A	10	K04A		10	K04A				
11		L33Z	11	L33Z		11	L33Z				
17		R01A, R01B, R01C, R01D, R02Z, R12A, R12B, R12C	17	R01A, R01B, R01C, R01D, R02Z, R12A, R12B, R12C		17	R01A, R01B, R01C, R01D, R02Z, R12A, R12B, R12C				
21B		X33Z	21B	X33Z		21B	X33Z				
23		Z01A	23	Z01A		23	Z01A				
Pre		A07A	Pre	A07A		Pre	A07A				
5n171.0			BOP, KOP, KOPV, KVT, UOP4	5n171.2			BOP, KOP, KOPV, KVT, UOP4	5n173.0			BOP, KOP, KOPV, KVT, UOP4
		05	F36A, F36B			05	F36A, F36B			05	F36A, F36B
		06	G15Z, G19A, G19B, G33Z, G38Z			06	G15Z, G19A, G19B, G33Z, G38Z			06	G15Z, G19A, G19B, G33Z, G38Z
		07	H12A, H33Z, H38Z			07	H12A, H33Z, H38Z			07	H12A, H33Z, H38Z
	10	K04A	10		K04A	10	K04A				
	11	L33Z	11		L33Z	11	L33Z				
	17	R01A, R01B, R01C, R01D, R02Z, R12A, R12B, R12C	17		R01A, R01B, R01C, R01D, R02Z, R12A, R12B, R12C	17	R01A, R01B, R01C, R01D, R02Z, R12A, R12B, R12C				
	21B	X33Z	21B		X33Z	21B	X33Z				
	23	Z01A	23		Z01A	23	Z01A				
	Pre	A07A	Pre		A07A	Pre	A07A				

ZZV	MDC	DRG	ZZV	MDC	DRG	ZZV	MDC	DRG			
5n174.4		BOP, KOP, KOPV, KVT, UOP4	5n17x.2		BOP, KOP, KOPV, KVT, UOP4	5n180.x		BOP, KOP, KOPV, KVT, UOP4			
	05	F36A, F36B		05	F36A, F36B		06	G15Z, G19A, G19B, G38Z			
	06	G15Z, G19A, G19B, G33Z, G38Z		06	G15Z, G19A, G19B, G33Z, G38Z		07	H33Z, H38Z			
	07	H12A, H33Z, H38Z		07	H12A, H33Z, H38Z		11	L33Z			
	10	K04A		10	K04A		21A	W04A, W04B			
	11	L33Z		11	L33Z		21B	X06A, X06B			
	17	R01A, R01B, R01C, R01D, R02Z, R12A, R12B, R12C		17	R01A, R01B, R01C, R01D, R02Z, R12A, R12B, R12C		23	Z01A			
	21B	X33Z		21B	X33Z		Pre	A07A			
	23	Z01A		23	Z01A		5n182.0	BOP, KOP, KOPV, KVT, UOP4			
	Pre	A07A		Pre	A07A			06	G01Z, G02Z, G15Z, G19A, G19B, G38Z		
	5n175.0			BOP, KOP, KOPV, KVT, UOP4	5n17x.4			BOP, KOP, KOPV, KVT, UOP4	5n182.1		BOP, KOP, KOPV, KVT, UOP4
		05		F36A, F36B			05	F36A, F36B		06	G01Z, G02Z, G15Z, G19A, G19B, G38Z
		06		G15Z, G19A, G19B, G33Z, G38Z			06	G15Z, G19A, G19B, G33Z, G38Z		07	H33Z, H38Z
07		H12A, H33Z, H38Z	07	H12A, H33Z, H38Z		11	L33Z				
10		K04A	10	K04A		21A	W04A, W04B				
11		L33Z	11	L33Z		21B	X06A, X06B				
17		R01A, R01B, R01C, R01D, R02Z, R12A, R12B, R12C	17	R01A, R01B, R01C, R01D, R02Z, R12A, R12B, R12C		23	Z01A				
21B		X33Z	21B	X33Z		Pre	A07A, A11A, A13A, A13B, A13D				
23		Z01A	23	Z01A		06	G01Z, G02Z, G15Z, G19A, G19B, G38Z				
Pre		A07A	Pre	A07A		07	H33Z, H38Z				
5n175.2			BOP, KOP, KOPV, KVT, UOP4	5n180.0			BOP, KOP, KOPV, KVT, UOP4	5n182.2			BOP, KOP, KOPV, KVT, UOP4
		05	F36A, F36B			06	G15Z, G19A, G19B, G38Z			06	G01Z, G02Z, G15Z, G19A, G19B, G19C, G38Z
		06	G15Z, G19A, G19B, G33Z, G38Z			07	H33Z, H38Z			07	H33Z, H38Z
	07	H12A, H33Z, H38Z	11		L33Z	11	L33Z				
	10	K04A	21A		W04A, W04B	21A	W04A, W04B				
	11	L33Z	21B		X06A, X06B	21B	X06A, X06B				
	17	R01A, R01B, R01C, R01D, R02Z, R12A, R12B, R12C	23		Z01A	23	Z01A				
	21B	X33Z	Pre		A07A	Pre	A07A, A11A, A13A, A13B, A13D				
	23	Z01A	5n180.1		BOP, KOP, KOPV, KVT, UOP4	5n182.4	BOP, KOP, KOPV, KVT, UOP4				
	Pre	A07A			06		G15Z, G19A, G19B, G38Z		06	G01Z, G02Z, G15Z, G19A, G19B, G38Z	
	5n175.4		BOP, KOP, KOPV, KVT, UOP4		5n180.1		BOP, KOP, KOPV, KVT, UOP4		5n182.x		BOP, KOP, KOPV, KVT, UOP4
		05	F36A, F36B			06	G15Z, G19A, G19B, G38Z			06	G01Z, G02Z, G15Z, G19A, G19B, G19C, G38Z
		06	G15Z, G19A, G19B, G33Z, G38Z			07	H33Z, H38Z			07	H33Z, H38Z
07		H12A, H33Z, H38Z	11	L33Z		11	L33Z				
10		K04A	21A	W04A, W04B		21A	W04A, W04B				
11		L33Z	21B	X06A, X06B		21B	X06A, X06B				
17		R01A, R01B, R01C, R01D, R02Z, R12A, R12B, R12C	23	Z01A		23	Z01A				
21B		X33Z	Pre	A07A		Pre	A07A, A11A, A13A, A13B, A13D				
23		Z01A	5n180.2	BOP, KOP, KOPV, KVT, UOP4		5n182.x	BOP, KOP, KOPV, KVT, UOP4				
Pre		A07A		06			G15Z, G19A, G19B, G38Z	06		G01Z, G02Z, G15Z, G19A, G19B, G38Z	
5n17x.0			BOP, KOP, KOPV, KVT, UOP4	5n180.2			BOP, KOP, KOPV, KVT, UOP4	5n182.x			BOP, KOP, KOPV, KVT, UOP4
		05	F36A, F36B			06	G15Z, G19A, G19B, G38Z			07	H33Z, H38Z
		06	G15Z, G19A, G19B, G33Z, G38Z			07	H33Z, H38Z			11	L33Z
	07	H12A, H33Z, H38Z	11		L33Z	21A	W04A, W04B				
	10	K04A	21A		W04A, W04B	21B	X06A, X06B				
	11	L33Z	21B		X06A, X06B	23	Z01A				
	17	R01A, R01B, R01C, R01D, R02Z, R12A, R12B, R12C	23		Z01A	Pre	A07A, A11A, A13A, A13B, A13D				
	21B	X33Z	Pre		A07A	5n182.x	BOP, KOP, KOPV, KVT, UOP4				
	23	Z01A	5n180.4		BOP, KOP, KOPV, KVT, UOP4		06		G01Z, G02Z, G15Z, G19A, G19B, G19C, G38Z		
	Pre	A07A			06	G15Z, G19A, G19B, G38Z	07		H33Z, H38Z		
			07		H33Z, H38Z	11	L33Z				
			11		L33Z	21A	W04A, W04B				
			21A		W04A, W04B	21B	X06A, X06B				
		21B	X06A, X06B	23	Z01A						
		23	Z01A	Pre	A07A						
		Pre	A07A								

VYK

ZZV	MDC	DRG	ZZV	MDC	DRG	ZZV	MDC	DRG
5n183.0		BOP, KOP, KOPV, KVT, UOP4	5n184.2		BOP, KOP, KOPV, KVT, UOP4	5n184.x		BOP, KOP, KOPV, KVT, UOP4
	06	G15Z, G19A, G19B, G38Z		06	G01Z, G02Z, G15Z, G19A, G19B, G19C, G38Z		06	G01Z, G02Z, G15Z, G19A, G19B, G19C, G38Z
	07	H33Z, H38Z		07	H33Z, H38Z		07	H33Z, H38Z
	11	L33Z		11	L33Z		11	L33Z
	21A	W04A, W04B		21A	W04A, W04B		21A	W04A, W04B
	21B	X06A, X06B		21B	X06A, X06B		21B	X06A, X06B
	23	Z01A		23	Z01A		23	Z01A
	Pre	A07A		Pre	A07A, A11A, A13A, A13B, A13D		Pre	A07A, A11A, A13A, A13B, A13D
5n183.1		BOP, KOP, KOPV, KVT, UOP4	5n184.4		BOP, KOP, KOPV, KVT, UOP4	5n185.0		BOP, KOP, KOPV, KVT, UOP4
	06	G15Z, G19A, G19B, G38Z		06	G01Z, G02Z, G15Z, G19A, G19B, G38Z		06	G01Z, G02Z, G15Z, G19A, G19B, G38Z
	07	H33Z, H38Z		07	H33Z, H38Z		07	H33Z, H38Z
	11	L33Z		11	L33Z		11	L33Z
	21A	W04A, W04B		21A	W04A, W04B		21A	W04A, W04B
	21B	X06A, X06B		21B	X06A, X06B		21B	X06A, X06B
	23	Z01A		23	Z01A		23	Z01A
	Pre	A07A		Pre	A07A, A11A, A13A, A13B, A13D		Pre	A07A, A11A, A13A, A13B, A13D
5n183.2		BOP, KOP, KOPV, KVT, UOP4	5n184.50		BOP, KOP, KOPV, KVT, UOP4	5n185.1		BOP, KOP, KOPV, KVT, UOP4
	06	G15Z, G19A, G19B, G38Z		06	G01Z, G02Z, G15Z, G19A, G19B, G38Z		06	G01Z, G02Z, G15Z, G19A, G19B, G38Z
	07	H33Z, H38Z		07	H33Z, H38Z		07	H33Z, H38Z
	11	L33Z		11	L33Z		11	L33Z
	21A	W04A, W04B		21A	W04A, W04B		21A	W04A, W04B
	21B	X06A, X06B		21B	X06A, X06B		21B	X06A, X06B
	23	Z01A		23	Z01A		23	Z01A
	Pre	A07A		Pre	A07A, A11A, A13A, A13B, A13D		Pre	A07A, A11A, A13A, A13B, A13D
5n183.4		BOP, KOP, KOPV, KVT, UOP4	5n184.51		BOP, KOP, KOPV, KVT, UOP4	5n185.2		BOP, KOP, KOPV, KVT, UOP4
	06	G15Z, G19A, G19B, G38Z		06	G01Z, G02Z, G15Z, G19A, G19B, G38Z		06	G01Z, G02Z, G15Z, G19A, G19B, G19C, G38Z
	07	H33Z, H38Z		07	H33Z, H38Z		07	H33Z, H38Z
	11	L33Z		11	L33Z		11	L33Z
	21A	W04A, W04B		21A	W04A, W04B		21A	W04A, W04B
	21B	X06A, X06B		21B	X06A, X06B		21B	X06A, X06B
	23	Z01A		23	Z01A		23	Z01A
	Pre	A07A		Pre	A07A, A11A, A13A, A13B, A13D		Pre	A07A, A11A, A13A, A13B, A13D
5n183.x		BOP, KOP, KOPV, KVT, UOP4	5n184.52		BOP, KOP, KOPV, KVT, UOP4	5n185.4		BOP, KOP, KOPV, KVT, UOP4
	06	G15Z, G19A, G19B, G38Z		06	G01Z, G02Z, G15Z, G19A, G19B, G19C, G38Z		06	G01Z, G02Z, G15Z, G19A, G19B, G19C, G38Z
	07	H33Z, H38Z		07	H33Z, H38Z		07	H33Z, H38Z
	11	L33Z		11	L33Z		11	L33Z
	21A	W04A, W04B		21A	W04A, W04B		21A	W04A, W04B
	21B	X06A, X06B		21B	X06A, X06B		21B	X06A, X06B
	23	Z01A		23	Z01A		23	Z01A
	Pre	A07A		Pre	A07A, A11A, A13A, A13B, A13D		Pre	A07A, A11A, A13A, A13B, A13D
5n184.0		BOP, KOP, KOPV, KVT, UOP4	5n184.5x		BOP, KOP, KOPV, KVT, UOP4	5n185.x		BOP, KOP, KOPV, KVT, UOP4
	06	G01Z, G02Z, G15Z, G19A, G19B, G38Z		06	G01Z, G02Z, G15Z, G19A, G19B, G19C, G38Z		06	G01Z, G02Z, G15Z, G19A, G19B, G19C, G38Z
	07	H33Z, H38Z		07	H33Z, H38Z		07	H33Z, H38Z
	11	L33Z		11	L33Z		11	L33Z
	21A	W04A, W04B		21A	W04A, W04B		21A	W04A, W04B
	21B	X06A, X06B		21B	X06A, X06B		21B	X06A, X06B
	23	Z01A		23	Z01A		23	Z01A
	Pre	A07A, A11A, A13A, A13B, A13D		Pre	A07A, A11A, A13A, A13B, A13D		Pre	A07A, A11A, A13A, A13B, A13D
5n184.1		BOP, KOP, KOPV, KVT, UOP4						
	06	G01Z, G02Z, G15Z, G19A, G19B, G38Z						
	07	H33Z, H38Z						
	11	L33Z						
	21A	W04A, W04B						
	21B	X06A, X06B						
	23	Z01A						
	Pre	A07A, A11A, A13A, A13B, A13D						

ZZV	MDC	DRG	ZZV	MDC	DRG	ZZV	MDC	DRG
5n186.0		BOP, KOP, KOPV, KVT, UOP4	5n18a.1		BOP, KOP, KOPV, KVT, UOP4	5n18b.2		BOP, KOP, KOPV, KVT, UOP4
	06	G01Z, G02Z, G15Z, G19A, G19B, G38Z		06	G15Z, G19A, G19B, G38Z		06	G15Z, G19A, G19B, G19C, G38Z
	07	H33Z, H38Z		07	H33Z, H38Z		07	H33Z, H38Z
	11	L33Z		10	K04A		10	K04A, K04B
	21A	W04A, W04B		11	L33Z		11	L33Z
	21B	X06A, X06B		21A	W04A, W04B		21A	W04A, W04B
	23	Z01A		21B	X06A, X06B		21B	X06A, X06B
	Pre	A07A, A11A, A13A, A13B, A13D		23	Z01A		23	Z01A
				Pre	A07A		Pre	A07A
	5n186.1			BOP, KOP, KOPV, KVT, UOP4	5n18a.2			BOP, KOP, KOPV, KVT, UOP4
06		G01Z, G02Z, G15Z, G19A, G19B, G38Z	06	G15Z, G19A, G19B, G38Z		06	G15Z, G19A, G19B, G38Z	
07		H33Z, H38Z	07	H33Z, H38Z		07	H33Z, H38Z	
11		L33Z	10	K04A		10	K04A, K04B	
21A		W04A, W04B	11	L33Z		11	L33Z	
21B		X06A, X06B	21A	W04A, W04B		21A	W04A, W04B	
23		Z01A	21B	X06A, X06B		21B	X06A, X06B	
Pre		A07A, A11A, A13A, A13B, A13D	23	Z01A		23	Z01A	
			Pre	A07A		Pre	A07A	
5n186.2			BOP, KOP, KOPV, KVT, UOP4	5n18a.4			BOP, KOP, KOPV, KVT, UOP4	5n18b.x
	06	G01Z, G02Z, G15Z, G19A, G19B, G19C, G38Z	06		G15Z, G19A, G19B, G38Z	06	G15Z, G19A, G19B, G19C, G38Z	
	07	H33Z, H38Z	07		H33Z, H38Z	07	H33Z, H38Z	
	11	L33Z	10		K04A	10	K04A, K04B	
	21A	W04A, W04B	11		L33Z	11	L33Z	
	21B	X06A, X06B	21A		W04A, W04B	21A	W04A, W04B	
	23	Z01A	21B		X06A, X06B	21B	X06A, X06B	
	Pre	A07A, A11A, A13A, A13B, A13D	23		Z01A	23	Z01A	
			Pre		A07A	Pre	A07A	
	5n186.4		BOP, KOP, KOPV, KVT, UOP4		5n18a.x		BOP, KOP, KOPV, KVT, UOP4	
06		G01Z, G02Z, G15Z, G19A, G19B, G38Z	06	G15Z, G19A, G19B, G38Z		06	G15Z, G19A, G19B, G38Z	
07		H33Z, H38Z	07	H33Z, H38Z		07	H33Z, H38Z	
11		L33Z	10	K04A		10	K04A, K04B	
21A		W04A, W04B	11	L33Z		11	L33Z	
21B		X06A, X06B	21A	W04A, W04B		21A	W04A, W04B	
23		Z01A	21B	X06A, X06B		21B	X06A, X06B	
Pre		A07A, A11A, A13A, A13B, A13D	23	Z01A		23	Z01A	
			Pre	A07A		Pre	A07A	
5n186.x			BOP, KOP, KOPV, KVT, UOP4	5n18b.0			BOP, KOP, KOPV, KVT, UOP4	5n18c.1
	06	G01Z, G02Z, G15Z, G19A, G19B, G19C, G38Z	06		G15Z, G19A, G19B, G38Z	06	G15Z, G19A, G19B, G38Z	
	07	H33Z, H38Z	07		H33Z, H38Z	07	H33Z, H38Z	
	11	L33Z	10		K04A, K04B	10	K04A, K04B	
	21A	W04A, W04B	11		L33Z	11	L33Z	
	21B	X06A, X06B	21A		W04A, W04B	21A	W04A, W04B	
	23	Z01A	21B		X06A, X06B	21B	X06A, X06B	
	Pre	A07A, A11A, A13A, A13B, A13D	23		Z01A	23	Z01A	
			Pre		A07A	Pre	A07A	
	5n18a.0		BOP, KOP, KOPV, KVT, UOP4		5n18b.1		BOP, KOP, KOPV, KVT, UOP4	
06		G15Z, G19A, G19B, G38Z	06	G15Z, G19A, G19B, G38Z		06	G15Z, G19A, G19B, G19C, G38Z	
07		H33Z, H38Z	07	H33Z, H38Z		07	H33Z, H38Z	
10		K04A	10	K04A, K04B		10	K04A, K04B	
11		L33Z	11	L33Z		11	L33Z	
21A		W04A, W04B	21A	W04A, W04B		21A	W04A, W04B	
21B		X06A, X06B	21B	X06A, X06B		21B	X06A, X06B	
23		Z01A	23	Z01A		23	Z01A	
Pre		A07A	Pre	A07A		Pre	A07A	

ZZV	MDC	DRG	ZZV	MDC	DRG	ZZV	MDC	DRG
5n18c.4		BOP, KOP, KOPV, KVT, UOP4	5n18d.x		BOP, KOP, KOPV, KVT, UOP4	5n18x.0		BOP, KOP, KOPV, KVT, UOP4
	06	G15Z, G19A, G19B, G38Z		06	G15Z, G19A, G19B, G19C, G38Z		06	G15Z, G19A, G19B, G38Z
	07	H33Z, H38Z		07	H33Z, H38Z		07	H33Z, H38Z
	10	K04A, K04B		10	K04A, K04B		11	L33Z
	11	L33Z		11	L33Z		21A	W04A, W04B
	21A	W04A, W04B		21A	W04A, W04B		21B	X06A, X06B
	21B	X06A, X06B		21B	X06A, X06B		23	Z01A
	23	Z01A		23	Z01A		Pre	A07A
	Pre	A07A		Pre	A07A		5n18x.1	BOP, KOP, KOPV, KVT, UOP4
5n18c.x		BOP, KOP, KOPV, KVT, UOP4	5n18e.0		BOP, KOP, KOPV, KVT, UOP4	5n18x.1		BOP, KOP, KOPV, KVT, UOP4
	06	G15Z, G19A, G19B, G19C, G38Z		06	G15Z, G19A, G19B, G38Z		06	G15Z, G19A, G19B, G38Z
	07	H33Z, H38Z		07	H33Z, H38Z		07	H33Z, H38Z
	10	K04A, K04B		10	K07Z		11	L33Z
	11	L33Z		11	L33Z		21A	W04A, W04B
	21A	W04A, W04B		21A	W04A, W04B		21B	X06A, X06B
	21B	X06A, X06B		21B	X06A, X06B		23	Z01A
	23	Z01A		23	Z01A		Pre	A07A
	Pre	A07A		Pre	A07A		5n18x.2	BOP, KOP, KOPV, KVT, UOP4
5n18d.0		BOP, KOP, KOPV, KVT, UOP4	5n18e.1		BOP, KOP, KOPV, KVT, UOP4	5n18x.2		BOP, KOP, KOPV, KVT, UOP4
	06	G15Z, G19A, G19B, G38Z		06	G15Z, G19A, G19B, G38Z		06	G15Z, G19A, G19B, G19C, G38Z
	07	H33Z, H38Z		07	H33Z, H38Z		07	H33Z, H38Z
	10	K04A, K04B		10	K07Z		11	L33Z
	11	L33Z		11	L33Z		21A	W04A, W04B
	21A	W04A, W04B		21A	W04A, W04B		21B	X06A, X06B
	21B	X06A, X06B		21B	X06A, X06B		23	Z01A
	23	Z01A		23	Z01A		Pre	A07A
	Pre	A07A		Pre	A07A		5n18x.4	BOP, KOP, KOPV, KVT, UOP4
5n18d.1		BOP, KOP, KOPV, KVT, UOP4	5n18e.2		BOP, KOP, KOPV, KVT, UOP4	5n18x.4		BOP, KOP, KOPV, KVT, UOP4
	06	G15Z, G19A, G19B, G38Z		06	G15Z, G19A, G19B, G19C, G38Z		06	G15Z, G19A, G19B, G38Z
	07	H33Z, H38Z		07	H33Z, H38Z		07	H33Z, H38Z
	10	K04A, K04B		10	K07Z		11	L33Z
	11	L33Z		11	L33Z		21A	W04A, W04B
	21A	W04A, W04B		21A	W04A, W04B		21B	X06A, X06B
	21B	X06A, X06B		21B	X06A, X06B		23	Z01A
	23	Z01A		23	Z01A		Pre	A07A
	Pre	A07A		Pre	A07A		5n18x.x	BOP, KOP, KOPV, KVT, UOP4
5n18d.2		BOP, KOP, KOPV, KVT, UOP4	5n18e.4		BOP, KOP, KOPV, KVT, UOP4	5n18x.x		BOP, KOP, KOPV, KVT, UOP4
	06	G15Z, G19A, G19B, G19C, G38Z		06	G15Z, G19A, G19B, G38Z		06	G15Z, G19A, G19B, G19C, G38Z
	07	H33Z, H38Z		07	H33Z, H38Z		07	H33Z, H38Z
	10	K04A, K04B		10	K07Z		11	L33Z
	11	L33Z		11	L33Z		21A	W04A, W04B
	21A	W04A, W04B		21A	W04A, W04B		21B	X06A, X06B
	21B	X06A, X06B		21B	X06A, X06B		23	Z01A
	23	Z01A		23	Z01A		Pre	A07A
	Pre	A07A		Pre	A07A		5n190.6†	G40Z, G46A, G46B, G46C, G47Z, G50Z
5n18d.4		BOP, KOP, KOPV, KVT, UOP4	5n18e.x		BOP, KOP, KOPV, KVT, UOP4	5n190.x†		BOP, KOP, KOPV, KVT, UOP4
	06	G15Z, G19A, G19B, G38Z		06	G15Z, G19A, G19B, G19C, G38Z		06	G40Z, G46A, G46B, G46C, G47Z, G50Z
	07	H33Z, H38Z		07	H33Z, H38Z		06	G40Z, G46A, G46B, G46C, G47Z, G50Z
	10	K04A, K04B		10	K07Z		06	G40Z, G46A, G46B, G46C, G47Z, G50Z
	11	L33Z		11	L33Z		5n191.0	BOP, KOP, KOPV, KVT, UOP4
	21A	W04A, W04B		21A	W04A, W04B		06	G15Z, G19A, G19B, G38Z
	21B	X06A, X06B		21A	W04A, W04B		07	H06A, H06B, H06C, H33Z, H38Z
	23	Z01A		21B	X06A, X06B		23	Z01A
	Pre	A07A		23	Z01A		Pre	A07A
5n18d.4		BOP, KOP, KOPV, KVT, UOP4	5n18e.x		BOP, KOP, KOPV, KVT, UOP4	5n191.0		BOP, KOP, KOPV, KVT, UOP4
	06	G15Z, G19A, G19B, G38Z		06	G15Z, G19A, G19B, G19C, G38Z		06	G15Z, G19A, G19B, G38Z
	07	H33Z, H38Z		07	H33Z, H38Z		07	H06A, H06B, H06C, H33Z, H38Z
	10	K04A, K04B		10	K07Z		23	Z01A
	11	L33Z		11	L33Z		Pre	A07A
	21A	W04A, W04B		11	L33Z		5n191.2	BOP, KOP, KOPV, KVT, UOP4
	21B	X06A, X06B		21A	W04A, W04B		06	G15Z, G19A, G19B, G38Z
	23	Z01A		21B	X06A, X06B		07	H06A, H06B, H06C, H33Z, H38Z
	Pre	A07A		23	Z01A		23	Z01A
		Pre	A07A	Pre	A07A			

ZZV	MDC	DRG	ZZV	MDC	DRG	ZZV	MDC	DRG	
5n191.4		BOP, KOP, KOPV, KVT, UOP4	5n194.2		BOP, KOP, KOPV, KVT, UOP4	5n19a		BOP, KOP, KOPV, KVT, UOP4	
	06	G15Z, G19A, G19B, G38Z		06	G01Z, G02Z, G15Z, G18A, G18B, G38Z		06	G15Z, G19A, G19B, G38Z	
	07	H06A, H06B, H06C, H33Z, H38Z		07	H33Z, H38Z		07	H33Z, H38Z	
	23	Z01A		21A	W04A, W04B		11	L33Z	
	Pre	A07A		21B	X06A, X06B, X06C, X33Z		17	R01A, R01B, R01C, R01D, R02Z, R12A, R12B, R12C	
5n191.x		BOP, KOP, KOPV, KVT, UOP4		23	Z01A		21A	W04A, W04B	
	06	G15Z, G19A, G19B, G38Z	5n194.4		BOP, KOP, KOPV, KVT, UOP4		21B	X06A, X06B, X06C	
	07	H06A, H06B, H06C, H33Z, H38Z		06	G01Z, G02Z, G15Z, G18A, G18B, G38Z	5n19b.6‡	06	G40Z, G46A, G46B, G46C, G47Z, G50Z	
	23	Z01A		07	H33Z, H38Z		06	G40Z, G46A, G46B, G46C, G47Z, G50Z	
	Pre	A07A		21A	W04A, W04B	5n19b.x‡	06	G40Z, G46A, G46B, G46C, G47Z, G50Z	
5n193.0		BOP, KOP, KOPV, KVT, UOP4		21B	X06A, X06B, X06C, X33Z		06	G40Z, G46A, G46B, G46C, G47Z, G50Z	
	06	G15Z, G19A, G19B, G38Z		23	Z01A	5n19c.6‡	06	G40Z, G46A, G46B, G46C, G47Z, G50Z	
	07	H06A, H06B, H06C, H33Z, H38Z	5n194.6‡	06	G40Z, G46A, G46B, G46C, G47Z, G50Z	5n19c.x‡	06	G40Z, G46A, G46B, G46C, G47Z, G50Z	
	10	K04A		5n194.x‡	06	G40Z, G46A, G46B, G46C, G47Z, G50Z	5n19d.6‡	06	G40Z, G46A, G46B, G46C, G47Z, G50Z
	21A	W04A, W04B		5n195.0	BOP, KOP, KOPV, KVT, UOP4		06	G40Z, G46A, G46B, G46C, G47Z, G50Z	
	21B	X06A, X06B, X06C			06	G15Z, G19A, G19B, G38Z	5n19d.x‡	06	G40Z, G46A, G46B, G46C, G47Z, G50Z
	23	Z01A			07	H33Z, H38Z	5n19e.6‡	06	G40Z, G46A, G46B, G46C, G47Z, G50Z
	Pre	A07A			23	Z01A	5n19e.x‡	06	G40Z, G46A, G46B, G46C, G47Z, G50Z
5n193.2		BOP, KOP, KOPV, KVT, UOP4	5n195.2		BOP, KOP, KOPV, KVT, UOP4	5n19h.0		BOP, KOP, KOPV, KVT, UOP4	
	06	G15Z, G19A, G19B, G38Z		06	G15Z, G19A, G19B, G38Z		06	G15Z, G19A, G19B, G38Z	
	07	H06A, H06B, H06C, H33Z, H38Z		07	H33Z, H38Z		07	H33Z, H38Z	
	10	K04A		23	Z01A		23	Z01A	
	21A	W04A, W04B		Pre	A07A		Pre	A07A	
	21B	X06A, X06B, X06C		5n195.4	BOP, KOP, KOPV, KVT, UOP4	5n19h.2		BOP, KOP, KOPV, KVT, UOP4	
	23	Z01A			06	G15Z, G19A, G19B, G38Z		06	G15Z, G19A, G19B, G38Z
	Pre	A07A			07	H33Z, H38Z		07	H33Z, H38Z
5n193.4		BOP, KOP, KOPV, KVT, UOP4		23	Z01A		23	Z01A	
	06	G15Z, G19A, G19B, G38Z		Pre	A07A		Pre	A07A	
	07	H06A, H06B, H06C, H33Z, H38Z	5n195.x		BOP, KOP, KOPV, KVT, UOP4	5n19h.4		BOP, KOP, KOPV, KVT, UOP4	
	10	K04A		06	G15Z, G19A, G19B, G38Z		06	G15Z, G19A, G19B, G38Z	
	21A	W04A, W04B		07	H33Z, H38Z		07	H33Z, H38Z	
	21B	X06A, X06B, X06C		23	Z01A		23	Z01A	
	23	Z01A		Pre	A07A		Pre	A07A	
	Pre	A07A		5n196.6‡	06	G40Z, G46A, G46B, G46C, G47Z, G50Z	5n19h.6‡	06	G40Z, G46A, G46B, G46C, G47Z, G50Z
5n193.x		BOP, KOP, KOPV, KVT, UOP4		5n196.x‡	06	G40Z, G46A, G46B, G46C, G47Z, G50Z	5n19h.x‡	06	G40Z, G46A, G46B, G46C, G47Z, G50Z
	06	G15Z, G19A, G19B, G38Z		5n197.6‡	06	G40Z, G46A, G46B, G46C, G47Z, G50Z	5n19j.0		BOP, KOP, KOPV, KVT, UOP4
	07	H06A, H06B, H06C, H33Z, H38Z		5n197.x‡	06	G40Z, G46A, G46B, G46C, G47Z, G50Z		06	G15Z, G19A, G19B, G38Z
	10	K04A			BOP, KVT, UOP4		07	H33Z, H38Z	
	21A	W04A, W04B		5n198			23	Z01A	
	21B	X06A, X06B, X06C			06	G11A, G11B	Pre	A07A	
	23	Z01A			15	P60A, P60B, P60C, P67B, P67C	5n19j.2		BOP, KOP, KOPV, KVT, UOP4
	Pre	A07A		5n199		BOP, KOP, KOPV, KVT, UOP4		06	G15Z, G19A, G19B, G38Z
5n194.0		BOP, KOP, KOPV, KVT, UOP4			06	G15Z, G19A, G19B, G38Z		07	H33Z, H38Z
	06	G01Z, G02Z, G15Z, G18A, G18B, G38Z			07	H33Z, H38Z		23	Z01A
	07	H33Z, H38Z			11	L33Z		Pre	A07A
	21A	W04A, W04B			23	Z01A	5n19j.4		BOP, KOP, KOPV, KVT, UOP4
	21B	X06A, X06B, X06C, X33Z			Pre	A07A		06	G15Z, G19A, G19B, G38Z
	23	Z01A						07	H33Z, H38Z
	Pre	A07A						23	Z01A
								Pre	A07A
								06	G40Z, G46A, G46B, G46C, G47Z, G50Z

ZZV	MDC	DRG	ZZV	MDC	DRG	ZZV	MDC	DRG
5n19j.x†	06	G40Z, G46A, G46B, G46C, G47Z, G50Z	5n19p.2		BOP, KOP, KOPV, KVT, UOP4	5n20a		BOP, KOP, KOPV, KVT, UOP4
5n19k.0		BOP, KOP, KOPV, KVT, UOP4		06	G15Z, G19A, G19B, G38Z		05	F36A, F36B
	06	G15Z, G19A, G19B, G38Z		07	H33Z, H38Z		06	G01Z, G02Z, G15Z, G18A, G18B, G33Z, G38Z
	07	H33Z, H38Z		23	Z01A		07	H33Z, H38Z
	23	Z01A	5n19p.4	Pre	A07A		10	K04A
5n19k.2	Pre	A07A			BOP, KOP, KOPV, KVT, UOP4		11	L33Z
		BOP, KOP, KOPV, KVT, UOP4		06	G15Z, G19A, G19B, G38Z		17	R01A, R01B, R01C, R01D, R02Z, R12A, R12B, R12C
	06	G15Z, G19A, G19B, G38Z		07	H33Z, H38Z		21A	W04A, W04B
	07	H33Z, H38Z		23	Z01A		21B	X06A, X06B, X06C, X33Z
	23	Z01A	5n19q†	06	G40Z, G46A, G46B, G46C, G47Z, G50Z		23	Z01A
5n19k.4	Pre	A07A			G40Z, G46A, G46B, G46C, G47Z, G50Z	5n20b	Pre	A07A, A11A, A13A, A13B, A13D
		BOP, KOP, KOPV, KVT, UOP4	5n19r†	06	G40Z, G46A, G46B, G46C, G47Z, G50Z			BOP, KOP, KOPV, KVT, UOP4
	06	G15Z, G19A, G19B, G38Z			BOP, KVT, UOP4		05	F36A, F36B
	07	H33Z, H38Z	5n19s	06	G11A, G11B		06	G01Z, G02Z, G15Z, G18A, G18B, G33Z, G38Z
	23	Z01A		15	P60A, P60B, P60C, P66C, P67B, P67C		07	H33Z, H38Z
5n19k.6†	Pre	A07A	5n19x.0		BOP, KOP, KOPV, UOP4		10	K04A
5n19k.x†	06	G40Z, G46A, G46B, G46C, G47Z, G50Z		06	G15Z, G19A, G19B, G38Z		11	L33Z
5n19m.0		BOP, KOP, KOPV, KVT, UOP4		07	H33Z, H38Z		17	R01A, R01B, R01C, R01D, R02Z, R12A, R12B, R12C
	06	G15Z, G19A, G19B, G38Z	5n19x.2		BOP, KOP, KOPV, UOP4		21A	W04A, W04B
	07	H33Z, H38Z		06	G15Z, G19A, G19B, G38Z		21B	X06A, X06B, X06C, X33Z
	23	Z01A		07	H33Z, H38Z		23	Z01A
5n19m.2	Pre	A07A		23	Z01A		Pre	A07A, A11A, A13A, A13B, A13D
		BOP, KOP, KOPV, KVT, UOP4	5n19x.4		BOP, KOP, KOPV, UOP4	5n20c		BOP, KOP, KOPV, KVT, UOP4
	06	G15Z, G19A, G19B, G38Z		06	G15Z, G19A, G19B, G38Z		05	F36A, F36B
	07	H33Z, H38Z		07	H33Z, H38Z		06	G01Z, G02Z, G15Z, G18A, G18B, G33Z, G38Z
	23	Z01A		23	Z01A		07	H33Z, H38Z
5n19m.4	Pre	A07A	5n19x.6†	06	G40Z, G46A, G46B, G46C, G47Z, G50Z		10	K09A, K09B
		BOP, KOP, KOPV, KVT, UOP4			G40Z, G46A, G46B, G46C, G47Z, G50Z		11	L33Z
	06	G15Z, G19A, G19B, G38Z	5n19x.x†	06	G40Z, G46A, G46B, G46C, G47Z, G50Z		17	R01A, R01B, R01C, R01D, R02Z, R12A, R12B, R12C
	07	H33Z, H38Z			BOP, KVT, UOP4		21A	W04A, W04B
	23	Z01A	5n200		G01Z, G04A, G04B, G07A, G07B, G07C, G38Z		21B	X06A, X06B, X06C, X33Z
5n19m.6†	Pre	A07A		06	R01A, R01B, R01C, R01D, R02Z, R12A, R12B, R12C		23	Z01A
5n19m.x†	06	G40Z, G46A, G46B, G46C, G47Z, G50Z		17	W04A, W04B	5n20d	Pre	A07A, A11A, A13A, A13B, A13D
5n19n.0		BOP, KOP, KOPV, KVT, UOP4	5n201		BOP, KVT, UOP4			BOP, KOP, KOPV, KVT, UOP4
	06	G15Z, G19A, G19B, G38Z		06	G01Z, G04A, G04B, G07A, G07B, G07C, G38Z		05	F36A, F36B
	07	H33Z, H38Z		17	R01A, R01B, R01C, R01D, R02Z, R12A, R12B, R12C		06	G01Z, G02Z, G15Z, G18A, G18B, G33Z, G38Z
	23	Z01A		21A	W04A, W04B		07	H33Z, H38Z
5n19n.1	Pre	A07A		21B	X06A, X06B, X06C		11	L33Z
		BOP, KOP, KOPV, KVT, UOP4	5n202		BOP, KVT, UOP4		17	R01A, R01B, R01C, R01D, R02Z, R12A, R12B, R12C
	06	G15Z, G19A, G19B, G38Z		06	G01Z, G04A, G04B, G07A, G07B, G07C, G38Z		21A	W04A, W04B
	07	H33Z, H38Z		17	R01A, R01B, R01C, R01D, R02Z, R12A, R12B, R12C		21B	X06A, X06B, X06C, X33Z
	23	Z01A		21A	W04A, W04B		23	Z01A
5n19n.2	Pre	A07A		21B	X06A, X06B, X06C		Pre	A07A, A11A, A13A, A13B, A13D
		BOP, KOP, KOPV, KVT, UOP4	5n203†	06	G40Z, G46A, G46B, G46C, G47Z, G50Z			
	06	G15Z, G19A, G19B, G38Z						
	07	H33Z, H38Z						
	23	Z01A						
5n19p.0	Pre	A07A						
		BOP, KOP, KOPV, KVT, UOP4						
	06	G15Z, G19A, G19B, G38Z						
	07	H33Z, H38Z						
	23	Z01A						
	Pre	A07A						

VYK

ZZV	MDC	DRG	ZZV	MDC	DRG	ZZV	MDC	DRG	
5n20e		BOP, KOP, KOPV, KVT, UOP4	5n215.0		BOP, KVT, UOP4	5n21x.1‡	06	G40Z, G46A, G46B, G46C, G47Z, G50Z	
	05	F36A, F36B		06	G13Z, G21A, G21B		5n21x.2		BOP, KVT, UOP4
	06	G01Z, G02Z, G15Z, G18A, G18B, G33Z, G38Z		07	H06A, H06B, H06C	06		G13Z, G21A, G21B	
	07	H33Z, H38Z	5n215.1	17	R01A, R01B, R01C, R01D, R02Z, R12A, R12B, R12C	5n21x.4‡	17	R01A, R01B, R01C, R01D, R02Z, R12A, R12B, R12C	
	10	K04A		06	BOP, KVT, UOP4		06	G40Z, G46A, G46B, G46C, G47Z, G50Z	
	11	L33Z		07	G13Z, G21A, G21B	5n21x.x‡	06	G40Z, G46A, G46B, G46C, G47Z, G50Z	
	17	R01A, R01B, R01C, R01D, R02Z, R12A, R12B, R12C	07	H06A, H06B, H06C	5n220		06	G01Z, G04A, G04B, G07A, G07B, G07C, G38Z	
	21A	W04A, W04B	17	R01A, R01B, R01C, R01D, R02Z, R12A, R12B, R12C		10	K09A, K09B		
	21B	X06A, X06B, X06C, X33Z	5n215.2	06	BOP, KVT, UOP4	5n221	17	R01A, R01B, R01C, R01D, R02Z, R12A, R12B, R12C	
	23	Z01A		06	G13Z, G21A, G21B		06	G01Z, G04A, G04B, G07A, G07B, G07C, G38Z	
	Pre	A07A, A11A, A13A, A13B, A13D		07	H06A, H06B, H06C	10	K09A, K09B		
	5n20x		BOP, KOP, KOPV, KVT, UOP4	5n215.4	17	R01A, R01B, R01C, R01D, R02Z, R12A, R12B, R12C	5n222.0‡	17	R01A, R01B, R01C, R01D, R02Z, R12A, R12B, R12C
		05	F36A, F36B		06	BOP, KVT, UOP4		5n222.1‡	06
		06	G01Z, G02Z, G15Z, G18A, G18B, G33Z, G38Z		06	G13Z, G21A, G21B	5n222.2‡		06
		07	H33Z, H38Z	5n215.x	07	H06A, H06B, H06C		5n222.3‡	06
		10	K04A		17	R01A, R01B, R01C, R01D, R02Z, R12A, R12B, R12C	5n222.4‡		06
		11	L33Z		06	BOP, KVT, UOP4		5n222.x‡	06
17		R01A, R01B, R01C, R01D, R02Z, R12A, R12B, R12C	06	G13Z, G21A, G21B	5n223.0	06	BOP, KVT, UOP4		
21A		W04A, W04B		07		H06A, H06B, H06C	06	G13Z, G21A, G21B	
21B		X06A, X06B, X06C, X33Z	5n217.0‡	17	R01A, R01B, R01C, R01D, R02Z, R12A, R12B, R12C	10	K09A, K09B		
23		Z01A		06	G40Z, G46A, G46B, G46C, G47Z, G50Z	5n223.1	17	R01A, R01B, R01C, R01D, R02Z, R12A, R12B, R12C	
Pre		A07A, A11A, A13A, A13B, A13D	5n217.1‡	06	G40Z, G46A, G46B, G46C, G47Z, G50Z		06	G13Z, G21A, G21B	
5n210				BOP, KVT, UOP4	5n217.2‡	06	G40Z, G46A, G46B, G46C, G47Z, G50Z	10	K09A, K09B
		06	G13Z, G21A, G21B	06		G40Z, G46A, G46B, G46C, G47Z, G50Z	17	R01A, R01B, R01C, R01D, R02Z, R12A, R12B, R12C	
		17	R01A, R01B, R01C, R01D, R02Z, R12A, R12B, R12C	5n217.3‡	06	G40Z, G46A, G46B, G46C, G47Z, G50Z	5n223.2	06	BOP, KVT, UOP4
5n211.0			BOP, KVT, UOP4		5n217.x‡	06		G40Z, G46A, G46B, G46C, G47Z, G50Z	06
		06	G13Z, G21A, G21B	06		G40Z, G46A, G46B, G46C, G47Z, G50Z	10	K09A, K09B	
		07	H06A, H06B, H06C	5n218‡	06	BOP, KVT, UOP4	5n223.4	17	R01A, R01B, R01C, R01D, R02Z, R12A, R12B, R12C
17	R01A, R01B, R01C, R01D, R02Z, R12A, R12B, R12C	06	G13Z, G21A, G21B		5n223.x	06		BOP, KVT, UOP4	
5n211.2		BOP, KVT, UOP4	5n219.0	16		Q03A, Q03B	06	G13Z, G21A, G21B	
	06	G13Z, G21A, G21B		17	R01A, R01B, R01C, R01D, R02Z, R12A, R12B, R12C	10	K09A, K09B		
	07	H06A, H06B, H06C	5n219.1‡	06	G40Z, G46A, G46B, G46C, G47Z, G50Z	17	R01A, R01B, R01C, R01D, R02Z, R12A, R12B, R12C		
17	R01A, R01B, R01C, R01D, R02Z, R12A, R12B, R12C	5n219.2		06	BOP, KVT, UOP4	5n224.0	06	BOP, KVT, UOP4	
5n214.0			BOP, KVT, UOP4	5n219.4‡	06		G13Z, G21A, G21B	06	G13Z, G21A, G21B
	06	G13Z, G21A, G21B	16		Q03A, Q03B	10	K09A, K09B		
	07	H06A, H06B, H06C	5n219.x‡	17	R01A, R01B, R01C, R01D, R02Z, R12A, R12B, R12C	17	R01A, R01B, R01C, R01D, R02Z, R12A, R12B, R12C		
17	R01A, R01B, R01C, R01D, R02Z, R12A, R12B, R12C	06		G40Z, G46A, G46B, G46C, G47Z, G50Z	5n224.1	06	BOP, KVT, UOP4		
5n214.1		BOP, KVT, UOP4	5n21a.0	06		G40Z, G46A, G46B, G46C, G47Z, G50Z	06	G13Z, G21A, G21B	
	06	G13Z, G21A, G21B		06	BOP, KVT, UOP4	10	K09A, K09B		
	07	H06A, H06B, H06C	5n21a.1‡	06	G13Z, G21A, G21B	17	R01A, R01B, R01C, R01D, R02Z, R12A, R12B, R12C		
17	R01A, R01B, R01C, R01D, R02Z, R12A, R12B, R12C	5n21a.2		17	R01A, R01B, R01C, R01D, R02Z, R12A, R12B, R12C	5n224.2	06	BOP, KVT, UOP4	
5n214.2			BOP, KVT, UOP4	5n21a.4‡	06		G13Z, G21A, G21B	06	G13Z, G21A, G21B
	06	G13Z, G21A, G21B	06		R01A, R01B, R01C, R01D, R02Z, R12A, R12B, R12C	10	K09A, K09B		
	07	H06A, H06B, H06C	5n21a.x‡	06	G40Z, G46A, G46B, G46C, G47Z, G50Z	17	R01A, R01B, R01C, R01D, R02Z, R12A, R12B, R12C		
17	R01A, R01B, R01C, R01D, R02Z, R12A, R12B, R12C	5n21x.0		06	BOP, KVT, UOP4	5n224.2	06	BOP, KVT, UOP4	
5n214.4			BOP, KVT, UOP4	5n21x.x‡	06		G13Z, G21A, G21B	06	G13Z, G21A, G21B
	06	G13Z, G21A, G21B	06		BOP, KVT, UOP4	10	K09A, K09B		
	17	R01A, R01B, R01C, R01D, R02Z, R12A, R12B, R12C	06	G13Z, G21A, G21B	17	R01A, R01B, R01C, R01D, R02Z, R12A, R12B, R12C			
5n214.x		BOP, KVT, UOP4	5n21x.0	06	R01A, R01B, R01C, R01D, R02Z, R12A, R12B, R12C	5n224.2	06	BOP, KVT, UOP4	
	06	G13Z, G21A, G21B		06	G13Z, G21A, G21B		06	G13Z, G21A, G21B	
	07	H06A, H06B, H06C	06	BOP, KVT, UOP4	10	K09A, K09B			
17	R01A, R01B, R01C, R01D, R02Z, R12A, R12B, R12C	06	G13Z, G21A, G21B	17	R01A, R01B, R01C, R01D, R02Z, R12A, R12B, R12C				

ZZV	MDC	DRG	ZZV	MDC	DRG	ZZV	MDC	DRG
5n224.4		BOP, KVT, UOP4	5n230.4		BOP, KOP, KOPV, KVT, UOP4	5n231.4		BOP, KOP, KOPV, KVT, UOP4
	06	G13Z, G21A, G21B		05	F36A, F36B		05	F36A, F36B
	10	K09A, K09B		06	G01Z, G02Z, G15Z, G18A, G18B, G33Z, G38Z		06	G01Z, G02Z, G15Z, G18A, G18B, G33Z, G38Z
	17	R01A, R01B, R01C, R01D, R02Z, R12A, R12B, R12C		07	H33Z, H38Z		07	H33Z, H38Z
5n224.x		BOP, KVT, UOP4		10	K09A, K09B		10	K09A, K09B
	06	G13Z, G21A, G21B		11	L10Z, L33Z, L38Z		11	L10Z, L33Z, L38Z
	10	K09A, K09B		12	M37Z, M38Z		12	M37Z, M38Z
	17	R01A, R01B, R01C, R01D, R02Z, R12A, R12B, R12C		13	N01A, N01B, N01C, N01D, N01E, N34Z, N38Z		13	N01A, N01B, N01C, N01D, N01E, N34Z, N38Z
5n225.0†	06	G40Z, G48A, G48B, G48C		14	O04A		14	O04A
5n225.1†	06	G40Z, G48A, G48B, G48C		17	R01A, R01B, R01C, R01D, R02Z, R12A, R12B, R12C		17	R01A, R01B, R01C, R01D, R02Z, R12A, R12B, R12C
5n225.2†	06	G40Z, G48A, G48B, G48C		21A	W04A, W04B		21A	W04A, W04B
5n225.4†	06	G40Z, G48A, G48B, G48C		21B	X06A, X06B, X33Z		21B	X06A, X06B, X33Z
5n225.x†	06	G40Z, G48A, G48B, G48C		23	Z01A		23	Z01A
5n22x.0†	06	G40Z, G48A, G48B, G48C		Pre	A07A, A11A, A13A, A13B, A13D		Pre	A07A, A11A, A13A, A13B, A13D
5n22x.1†	06	G40Z, G48A, G48B, G48C	5n231.0		BOP, KOP, KOPV, KVT, UOP4	5n232.0		BOP, KOP, KOPV, KVT, UOP4
5n22x.2†	06	G40Z, G48A, G48B, G48C		05	F36A, F36B		05	F36A, F36B
5n22x.4†	06	G40Z, G48A, G48B, G48C		06	G01Z, G02Z, G15Z, G18A, G18B, G33Z, G38Z		06	G01Z, G02Z, G15Z, G18A, G18B, G33Z, G38Z
5n230.0		BOP, KOP, KOPV, KVT, UOP4		07	H33Z, H38Z		07	H33Z, H38Z
	05	F36A, F36B		10	K09A, K09B		10	K09A, K09B
	06	G01Z, G02Z, G15Z, G18A, G18B, G33Z, G38Z		11	L10Z, L33Z, L38Z		11	L10Z, L33Z, L38Z
	07	H33Z, H38Z		12	M37Z, M38Z		12	M37Z, M38Z
	10	K09A, K09B		13	N01A, N01B, N01C, N01D, N01E, N34Z, N38Z		13	N01A, N01B, N01C, N01D, N01E, N34Z, N38Z
	11	L10Z, L33Z, L38Z		14	O04A		14	O04A
	12	M37Z, M38Z		17	R01A, R01B, R01C, R01D, R02Z, R12A, R12B, R12C		17	R01A, R01B, R01C, R01D, R02Z, R12A, R12B, R12C
	13	N01A, N01B, N01C, N01D, N01E, N34Z, N38Z		21A	W01A, W01B, W01C, W02A, W02B, W04A, W04B		21A	W01A, W01B, W01C, W02A, W02B, W04A, W04B
	14	O04A		21B	X06A, X06B, X33Z		21B	X06A, X06B, X33Z
	17	R01A, R01B, R01C, R01D, R02Z, R12A, R12B, R12C		23	Z01A		23	Z01A
	21A	W04A, W04B		Pre	A07A, A11A, A13A, A13B, A13D		Pre	A07A, A11A, A13A, A13B, A13D
	21B	X06A, X06B, X33Z	5n231.2		BOP, KOP, KOPV, KVT, UOP4	5n232.2		BOP, KOP, KOPV, KVT, UOP4
	23	Z01A		05	F36A, F36B		05	F36A, F36B
	Pre	A07A, A11A, A13A, A13B, A13D		06	G01Z, G02Z, G15Z, G18A, G18B, G33Z, G38Z		06	G01Z, G02Z, G15Z, G18A, G18B, G33Z, G38Z
5n230.2		BOP, KOP, KOPV, KVT, UOP4		07	H33Z, H38Z		07	H33Z, H38Z
	05	F36A, F36B		10	K09A, K09B		10	K09A, K09B
	06	G01Z, G02Z, G15Z, G18A, G18B, G33Z, G38Z		11	L10Z, L33Z, L38Z		11	L10Z, L33Z, L38Z
	07	H33Z, H38Z		12	M37Z, M38Z		12	M37Z, M38Z
	10	K09A, K09B		13	N01A, N01B, N01C, N01D, N01E, N34Z, N38Z		13	N01A, N01B, N01C, N01D, N01E, N34Z, N38Z
	11	L10Z, L33Z, L38Z		14	O04A		14	O04A
	12	M37Z, M38Z		17	R01A, R01B, R01C, R01D, R02Z, R12A, R12B, R12C		17	R01A, R01B, R01C, R01D, R02Z, R12A, R12B, R12C
	13	N01A, N01B, N01C, N01D, N01E, N34Z, N38Z		21A	W04A, W04B		21A	W04A, W04B
	14	O04A		21B	X06A, X06B, X33Z		21B	X06A, X06B, X33Z
	17	R01A, R01B, R01C, R01D, R02Z, R12A, R12B, R12C		23	Z01A		23	Z01A
	21A	W04A, W04B		Pre	A07A, A11A, A13A, A13B, A13D		Pre	A07A, A11A, A13A, A13B, A13D
	21B	X06A, X06B, X33Z						
	23	Z01A						
	Pre	A07A, A11A, A13A, A13B, A13D						

VYK

ZZV	MDC	DRG	ZZV	MDC	DRG	ZZV	MDC	DRG			
5n232.4		BOP, KOP, KOPV, KVT, UOP4	5n233.4		BOP, KOP, KOPV, KVT, UOP4	5n234.4		BOP, KOP, KOPV, KVT, UOP4			
	05	F36A, F36B		05	F36A, F36B		05	F36A, F36B			
	06	G01Z, G02Z, G15Z, G18A, G18B, G33Z, G38Z		06	G01Z, G02Z, G15Z, G33Z, G38Z		06	G01Z, G02Z, G15Z, G18A, G18B, G33Z, G38Z			
	07	H33Z, H38Z		07	H33Z, H38Z		07	H33Z, H38Z			
	10	K09A, K09B		10	K09A, K09B		10	K09A, K09B			
	11	L10Z, L33Z, L38Z		11	L10Z, L33Z, L38Z		11	L10Z, L33Z, L38Z			
	12	M37Z, M38Z		12	M37Z, M38Z		12	M37Z, M38Z			
	13	N01A, N01B, N01C, N01D, N01E, N34Z, N38Z		13	N01A, N01B, N01C, N01D, N01E, N34Z, N38Z		13	N01A, N01B, N01C, N01D, N01E, N34Z, N38Z			
	14	O04A		14	O04A		14	O04A			
	17	R01A, R01B, R01C, R01D, R02Z, R12A, R12B, R12C		17	R01A, R01B, R01C, R01D, R02Z, R12A, R12B, R12C		17	R01A, R01B, R01C, R01D, R02Z, R12A, R12B, R12C			
	21A	W04A, W04B		21A	W04A, W04B		21A	W04A, W04B			
	21B	X06A, X06B, X33Z		21B	X06A, X06B, X33Z		21B	X06A, X06B, X33Z			
	23	Z01A		23	Z01A		23	Z01A			
	Pre	A07A, A11A, A13A, A13B, A13D		Pre	A07A, A11A, A13A, A13B, A13D		Pre	A07A, A11A, A13A, A13B, A13D			
	5n233.0			BOP, KOP, KOPV, KVT, UOP4	5n234.0			BOP, KOP, KOPV, KVT, UOP4	5n235.0		BOP, KOP, KOPV, KVT, UOP4
		05		F36A, F36B			05	F36A, F36B		05	F36A, F36B
06		G01Z, G02Z, G03A, G15Z, G33Z, G38Z	06	G01Z, G02Z, G15Z, G18A, G18B, G33Z, G38Z		06	G01Z, G02Z, G15Z, G18A, G18B, G33Z, G38Z				
07		H33Z, H38Z	07	H33Z, H38Z		07	H33Z, H38Z				
10		K09A, K09B	10	K09A, K09B		10	K09A, K09B				
11		L10Z, L33Z, L38Z	11	L10Z, L33Z, L38Z		11	L10Z, L33Z, L38Z				
12		M37Z, M38Z	12	M37Z, M38Z		12	M37Z, M38Z				
13		N01A, N01B, N01C, N01D, N01E, N34Z, N38Z	13	N01A, N01B, N01C, N01D, N01E, N34Z, N38Z		13	N01A, N01B, N01C, N01D, N01E, N34Z, N38Z				
14		O04A	14	O04A		14	O04A				
17		R01A, R01B, R01C, R01D, R02Z, R12A, R12B, R12C	17	R01A, R01B, R01C, R01D, R02Z, R12A, R12B, R12C		17	R01A, R01B, R01C, R01D, R02Z, R12A, R12B, R12C				
21A		W01A, W01B, W01C, W02A, W02B, W04A, W04B	21A	W04A, W04B		21A	W04A, W04B				
21B		X06A, X06B, X33Z	21B	X06A, X06B, X33Z		21B	X06A, X06B, X33Z				
23		Z01A	23	Z01A		23	Z01A				
Pre		A07A, A11A, A13A, A13B, A13D	Pre	A07A, A11A, A13A, A13B, A13D		Pre	A07A, A11A, A13A, A13B, A13D				
5n233.2			BOP, KOP, KOPV, KVT, UOP4	5n234.2			BOP, KOP, KOPV, KVT, UOP4	5n235.2			BOP, KOP, KOPV, KVT, UOP4
		05	F36A, F36B			05	F36A, F36B			05	F36A, F36B
	06	G01Z, G02Z, G15Z, G33Z, G38Z	06		G01Z, G02Z, G15Z, G18A, G18B, G33Z, G38Z	06	G01Z, G02Z, G15Z, G18A, G18B, G33Z, G38Z				
	07	H33Z, H38Z	07		H33Z, H38Z	07	H33Z, H38Z				
	10	K09A, K09B	10		K09A, K09B	10	K09A, K09B				
	11	L10Z, L33Z, L38Z	11		L10Z, L33Z, L38Z	11	L10Z, L33Z, L38Z				
	12	M37Z, M38Z	12		M37Z, M38Z	12	M37Z, M38Z				
	13	N01A, N01B, N01C, N01D, N01E, N34Z, N38Z	13		N01A, N01B, N01C, N01D, N01E, N34Z, N38Z	13	N01A, N01B, N01C, N01D, N01E, N34Z, N38Z				
	14	O04A	14		O04A	14	O04A				
	17	R01A, R01B, R01C, R01D, R02Z, R12A, R12B, R12C	17		R01A, R01B, R01C, R01D, R02Z, R12A, R12B, R12C	17	R01A, R01B, R01C, R01D, R02Z, R12A, R12B, R12C				
	21A	W04A, W04B	21A		W04A, W04B	21A	W04A, W04B				
	21B	X06A, X06B, X33Z	21B		X06A, X06B, X33Z	21B	X06A, X06B, X33Z				
	23	Z01A	23		Z01A	23	Z01A				
	Pre	A07A, A11A, A13A, A13B, A13D	Pre		A07A, A11A, A13A, A13B, A13D	Pre	A07A, A11A, A13A, A13B, A13D				

VYK

ZZV	MDC	DRG	ZZV	MDC	DRG	ZZV	MDC	DRG			
5n235.4		BOP, KOP, KOPV, KVT, UOP4	5n236.4		BOP, KOP, KOPV, KVT, UOP4	5n240.02		BOP, KOP, KOPV, KVT, UOP4			
	05	F36A, F36B		05	F36A, F36B		05	F36A, F36B			
	06	G01Z, G02Z, G15Z, G18A, G18B, G33Z, G38Z		06	G01Z, G02Z, G15Z, G18A, G18B, G33Z, G38Z		06	G01Z, G02Z, G15Z, G18A, G18B, G33Z, G38Z			
	07	H33Z, H38Z		07	H33Z, H38Z		07	H33Z, H38Z			
	10	K09A, K09B		10	K09A, K09B		10	K09A, K09B			
	11	L10Z, L33Z, L38Z		11	L10Z, L33Z, L38Z		11	L10Z, L33Z, L38Z			
	12	M37Z, M38Z		12	M37Z, M38Z		12	M37Z, M38Z			
	13	N01A, N01B, N01C, N01D, N01E, N34Z, N38Z		13	N01A, N01B, N01C, N01D, N01E, N34Z, N38Z		13	N01A, N01B, N01C, N01D, N01E, N34Z, N38Z			
	14	O04A		17	R01A, R01B, R01C, R01D, R02Z, R12A, R12B, R12C		17	R01A, R01B, R01C, R01D, R02Z, R12A, R12B, R12C			
	17	R01A, R01B, R01C, R01D, R02Z, R12A, R12B, R12C		21A	W04A, W04B		21A	W04A, W04B			
	21A	W04A, W04B		21B	X06A, X06B, X33Z		21B	X06A, X06B, X33Z			
	21B	X06A, X06B, X33Z		23	Z01A		23	Z01A			
	23	Z01A		Pre	A07A, A11A, A13A, A13B, A13D		Pre	A07A, A11A, A13A, A13B, A13D			
	Pre	A07A, A11A, A13A, A13B, A13D									
	5n236.0			BOP, KOP, KOPV, KVT, UOP4	5n238			BOP, KOP, KOPV, KVT, UOP4	5n240.03		BOP, KOP, KOPV, KVT, UOP4
		05		F36A, F36B			05	F36A, F36B		05	F36A, F36B
		06		G01Z, G02Z, G15Z, G18A, G18B, G33Z, G38Z			06	G01Z, G02Z, G15Z, G18A, G18B, G33Z, G38Z		06	G01Z, G02Z, G15Z, G18A, G18B, G33Z, G38Z
07		H33Z, H38Z	07	H33Z, H38Z		07	H33Z, H38Z				
10		K09A, K09B	10	K09A, K09B		10	K09A, K09B				
11		L10Z, L33Z, L38Z	11	L10Z, L33Z, L38Z		11	L10Z, L33Z, L38Z				
12		M37Z, M38Z	12	M37Z, M38Z		12	M37Z, M38Z				
13		N01A, N01B, N01C, N01D, N01E, N34Z, N38Z	13	N01A, N01B, N01C, N01D, N01E, N34Z, N38Z		13	N01A, N01B, N01C, N01D, N01E, N34Z, N38Z				
14		O04A	17	R01A, R01B, R01C, R01D, R02Z, R12A, R12B, R12C		17	R01A, R01B, R01C, R01D, R02Z, R12A, R12B, R12C				
17		R01A, R01B, R01C, R01D, R02Z, R12A, R12B, R12C	21A	W04A, W04B		21A	W04A, W04B				
21A		W04A, W04B	21B	X06A, X06B, X33Z		21B	X06A, X06B, X33Z				
21B		X06A, X06B, X33Z	23	Z01A		23	Z01A				
23		Z01A	Pre	A07A		Pre	A07A, A11A, A13A, A13B, A13D				
Pre		A07A, A11A, A13A, A13B, A13D									
5n236.2			BOP, KOP, KOPV, KVT, UOP4	5n23x			BOP, KOP, KOPV, KVT, UOP4	5n240.04			BOP, KOP, KOPV, KVT, UOP4
		05	F36A, F36B			05	F36A, F36B			05	F36A, F36B
		06	G01Z, G02Z, G15Z, G18A, G18B, G33Z, G38Z			06	G01Z, G02Z, G15Z, G18A, G18B, G33Z, G38Z			06	G01Z, G02Z, G15Z, G18A, G18B, G33Z, G38Z
	07	H33Z, H38Z	07		H33Z, H38Z	07	H33Z, H38Z				
	10	K09A, K09B	10		K09A, K09B	10	K09A, K09B				
	11	L10Z, L33Z, L38Z	11		L33Z	10	K09A, K09B				
	12	M37Z, M38Z	17		R01A, R01B, R01C, R01D, R02Z, R12A, R12B, R12C	11	L10Z, L33Z, L38Z				
	13	N01A, N01B, N01C, N01D, N01E, N34Z, N38Z	21A		W04A, W04B	12	M37Z, M38Z				
	14	O04A	21B		X06A, X06B	13	N01A, N01B, N01C, N01D, N01E, N34Z, N38Z				
	17	R01A, R01B, R01C, R01D, R02Z, R12A, R12B, R12C	23		Z01A	17	R01A, R01B, R01C, R01D, R02Z, R12A, R12B, R12C				
	21A	W04A, W04B	Pre		A07A, A11A, A13A, A13B, A13D	21A	W04A, W04B				
	21B	X06A, X06B, X33Z				21B	X06A, X06B, X33Z				
	23	Z01A				23	Z01A				
	Pre	A07A, A11A, A13A, A13B, A13D				Pre	A07A, A11A, A13A, A13B, A13D				
	5n236.4		BOP, KOP, KOPV, KVT, UOP4		5n240.01		BOP, KOP, KOPV, KVT, UOP4		5n240.05		BOP, KOP, KOPV, KVT, UOP4
		05	F36A, F36B			05	F36A, F36B			05	F36A, F36B
		06	G01Z, G02Z, G15Z, G18A, G18B, G33Z, G38Z			06	G01Z, G02Z, G15Z, G18A, G18B, G33Z, G38Z			06	G01Z, G02Z, G15Z, G18A, G18B, G33Z, G38Z
07		H33Z, H38Z	07	H33Z, H38Z		07	H33Z, H38Z				
10		K09A, K09B	10	K09A, K09B		10	K09A, K09B				
11		L10Z, L33Z, L38Z	11	L10Z, L33Z, L38Z		11	L10Z, L33Z, L38Z				
12		M37Z, M38Z	12	M37Z, M38Z		12	M37Z, M38Z				
13		N01A, N01B, N01C, N01D, N01E, N34Z, N38Z	13	N01A, N01B, N01C, N01D, N01E, N34Z, N38Z		13	N01A, N01B, N01C, N01D, N01E, N34Z, N38Z				
14		O04A	17	R01A, R01B, R01C, R01D, R02Z, R12A, R12B, R12C		17	R01A, R01B, R01C, R01D, R02Z, R12A, R12B, R12C				
17		R01A, R01B, R01C, R01D, R02Z, R12A, R12B, R12C	21A	W04A, W04B		21A	W04A, W04B				
21A		W04A, W04B	21B	X06A, X06B, X33Z		21B	X06A, X06B, X33Z				
21B		X06A, X06B, X33Z	23	Z01A		23	Z01A				
23		Z01A	Pre	A07A, A11A, A13A, A13B, A13D		Pre	A07A, A11A, A13A, A13B, A13D				
Pre		A07A, A11A, A13A, A13B, A13D									

ZZV	MDC	DRG	ZZV	MDC	DRG	ZZV	MDC	DRG			
5n240.21		BOP, KOP, KOPV, KVT, UOP4	5n240.x		BOP, KOP, KOPV, KVT, UOP4	5n241.04		BOP, KOP, KOPV, KVT, UOP4			
	05	F36A, F36B		05	F36A, F36B		05	F36A, F36B			
	06	G01Z, G02Z, G15Z, G18A, G18B, G33Z, G38Z		06	G01Z, G02Z, G15Z, G18A, G18B, G33Z, G38Z		06	G01Z, G02Z, G15Z, G33Z, G38Z			
	07	H33Z, H38Z		07	H33Z, H38Z		07	H33Z, H38Z			
	10	K09A, K09B		10	K09A, K09B		10	K09A, K09B			
	11	L10Z, L33Z, L38Z		11	L10Z, L33Z, L38Z		11	L10Z, L33Z, L38Z			
	12	M37Z, M38Z		12	M37Z, M38Z		12	M37Z, M38Z			
	13	N01A, N01B, N01C, N01D, N01E, N34Z, N38Z		13	N01A, N01B, N01C, N01D, N01E, N34Z, N38Z		13	N01A, N01B, N01C, N01D, N01E, N34Z, N38Z			
	17	R01A, R01B, R01C, R01D, R02Z, R12A, R12B, R12C		17	R01A, R01B, R01C, R01D, R02Z, R12A, R12B, R12C		17	R01A, R01B, R01C, R01D, R02Z, R12A, R12B, R12C			
	21A	W04A, W04B		21A	W04A, W04B		21A	W04A, W04B			
	21B	X06A, X06B, X33Z		21B	X06A, X06B, X33Z		21B	X06A, X06B, X33Z			
	23	Z01A		23	Z01A		23	Z01A			
	Pre	A07A, A11A, A13A, A13B, A13D		Pre	A07A, A11A, A13A, A13B, A13D		Pre	A07A			
	5n240.25			BOP, KOP, KOPV, KVT, UOP4	5n241.01			BOP, KOP, KOPV, KVT, UOP4	5n241.21		BOP, KOP, KOPV, KVT, UOP4
		05		F36A, F36B			05	F36A, F36B		05	F36A, F36B
06		G01Z, G02Z, G15Z, G18A, G18B, G33Z, G38Z	06	G01Z, G02Z, G03A, G15Z, G33Z, G38Z		06	G01Z, G02Z, G15Z, G33Z, G38Z				
07		H33Z, H38Z	07	H33Z, H38Z		07	H33Z, H38Z				
10		K09A, K09B	10	K09A, K09B		10	K09A, K09B				
11		L10Z, L33Z, L38Z	11	L10Z, L33Z, L38Z		11	L10Z, L33Z, L38Z				
12		M37Z, M38Z	12	M37Z, M38Z		12	M37Z, M38Z				
13		N01A, N01B, N01C, N01D, N01E, N34Z, N38Z	13	N01A, N01B, N01C, N01D, N01E, N34Z, N38Z		13	N01A, N01B, N01C, N01D, N01E, N34Z, N38Z				
17		R01A, R01B, R01C, R01D, R02Z, R12A, R12B, R12C	17	R01A, R01B, R01C, R01D, R02Z, R12A, R12B, R12C		17	R01A, R01B, R01C, R01D, R02Z, R12A, R12B, R12C				
21A		W04A, W04B	21A	W04A, W04B		21A	W04A, W04B				
21B		X06A, X06B, X33Z	21B	X06A, X06B, X33Z		21B	X06A, X06B, X33Z				
23		Z01A	23	Z01A		23	Z01A				
Pre		A07A, A11A, A13A, A13B, A13D	Pre	A07A		Pre	A07A				
5n240.4			BOP, KOP, KOPV, KVT, UOP4	5n241.02			BOP, KOP, KOPV, KVT, UOP4	5n241.25			BOP, KOP, KOPV, KVT, UOP4
		05	F36A, F36B			05	F36A, F36B			05	F36A, F36B
	06	G01Z, G02Z, G15Z, G18A, G18B, G33Z, G38Z	06		G01Z, G02Z, G15Z, G33Z, G38Z	06	G01Z, G02Z, G15Z, G33Z, G38Z				
	07	H33Z, H38Z	07		H33Z, H38Z	07	H33Z, H38Z				
	10	K09A, K09B	10		K09A, K09B	10	K09A, K09B				
	11	L10Z, L33Z, L38Z	11		L10Z, L33Z, L38Z	11	L10Z, L33Z, L38Z				
	12	M37Z, M38Z	12		M37Z, M38Z	12	M37Z, M38Z				
	13	N01A, N01B, N01C, N01D, N01E, N34Z, N38Z	13		N01A, N01B, N01C, N01D, N01E, N34Z, N38Z	13	N01A, N01B, N01C, N01D, N01E, N34Z, N38Z				
	17	R01A, R01B, R01C, R01D, R02Z, R12A, R12B, R12C	17		R01A, R01B, R01C, R01D, R02Z, R12A, R12B, R12C	17	R01A, R01B, R01C, R01D, R02Z, R12A, R12B, R12C				
	21A	W04A, W04B	21A		W04A, W04B	21A	W04A, W04B				
	21B	X06A, X06B, X33Z	21B		X06A, X06B, X33Z	21B	X06A, X06B, X33Z				
	23	Z01A	23		Z01A	23	Z01A				
	Pre	A07A, A11A, A13A, A13B, A13D	Pre		A07A	Pre	A07A				
	5n240.4		BOP, KOP, KOPV, KVT, UOP4		5n241.03		BOP, KOP, KOPV, KVT, UOP4		5n241.4		BOP, KOP, KOPV, KVT, UOP4
		05	F36A, F36B			05	F36A, F36B			05	F36A, F36B
06		G01Z, G02Z, G15Z, G18A, G18B, G33Z, G38Z	06	G01Z, G02Z, G15Z, G33Z, G38Z		06	G01Z, G02Z, G15Z, G33Z, G38Z				
07		H33Z, H38Z	07	H33Z, H38Z		07	H33Z, H38Z				
10		K09A, K09B	10	K09A, K09B		10	K09A, K09B				
11		L10Z, L33Z, L38Z	11	L10Z, L33Z, L38Z		11	L10Z, L33Z, L38Z				
12		M37Z, M38Z	12	M37Z, M38Z		12	M37Z, M38Z				
13		N01A, N01B, N01C, N01D, N01E, N34Z, N38Z	13	N01A, N01B, N01C, N01D, N01E, N34Z, N38Z		13	N01A, N01B, N01C, N01D, N01E, N34Z, N38Z				
17		R01A, R01B, R01C, R01D, R02Z, R12A, R12B, R12C	17	R01A, R01B, R01C, R01D, R02Z, R12A, R12B, R12C		17	R01A, R01B, R01C, R01D, R02Z, R12A, R12B, R12C				
21A		W04A, W04B	21A	W04A, W04B		21A	W04A, W04B				
21B		X06A, X06B, X33Z	21B	X06A, X06B, X33Z		21B	X06A, X06B, X33Z				
23		Z01A	23	Z01A		23	Z01A				
Pre		A07A, A11A, A13A, A13B, A13D	Pre	A07A		Pre	A07A				

ZZV	MDC	DRG	ZZV	MDC	DRG	ZZV	MDC	DRG			
5n241.x		BOP, KOP, KOPV, KVT, UOP4	5n242.21		BOP, KVT, UOP4	5n243.2		BOP, KVT, UOP4			
	05	F36A, F36B		06	G01Z, G02Z, G15Z, G18A, G18B, G38Z		06	G01Z, G02Z, G15Z, G18A, G18B, G18C, G38Z			
	06	G01Z, G02Z, G15Z, G33Z, G38Z		10	K09A, K09B		10	K09A, K09B			
	07	H33Z, H38Z		11	L10Z, L38Z		11	L10Z, L38Z			
	10	K09A, K09B		12	M37Z, M38Z		12	M37Z, M38Z			
	11	L10Z, L33Z, L38Z		13	N01A, N01B, N01C, N01D, N01E, N34Z, N38Z		13	N01A, N01B, N01C, N01D, N01E, N34Z, N38Z			
	12	M37Z, M38Z		17	R01A, R01B, R01C, R01D, R02Z, R12A, R12B, R12C		17	R01A, R01B, R01C, R01D, R02Z, R12A, R12B, R12C			
	13	N01A, N01B, N01C, N01D, N01E, N34Z, N38Z		21A	W04A, W04B		21A	W04A, W04B			
	17	R01A, R01B, R01C, R01D, R02Z, R12A, R12B, R12C		21B	X06A, X06B		21B	X06A, X06B			
	21A	W04A, W04B		Pre	A11A, A13A, A13B, A13D		Pre	A11A, A13A, A13B, A13D			
	21B	X06A, X06B, X33Z		5n242.25			BOP, KVT, UOP4	5n243.4		BOP, KVT, UOP4	
	23	Z01A			06		G01Z, G02Z, G15Z, G18A, G18B, G38Z		06	G01Z, G02Z, G15Z, G18A, G18B, G18C, G38Z	
	Pre	A07A			10		K09A, K09B		10	K09A, K09B	
	5n242.01				BOP, KVT, UOP4		11		L10Z, L38Z	11	L10Z, L38Z
		06			G01Z, G02Z, G15Z, G18A, G18B, G38Z		12		M37Z, M38Z	12	M37Z, M38Z
		10			K09A, K09B		13		N01A, N01B, N01C, N01D, N01E, N34Z, N38Z	13	N01A, N01B, N01C, N01D, N01E, N34Z, N38Z
		11			L10Z, L38Z		17		R01A, R01B, R01C, R01D, R02Z, R12A, R12B, R12C	17	R01A, R01B, R01C, R01D, R02Z, R12A, R12B, R12C
		12			M37Z, M38Z		21A		W04A, W04B	21A	W04A, W04B
		13			N01A, N01B, N01C, N01D, N01E, N34Z, N38Z		21B		X06A, X06B	21B	X06A, X06B
17		R01A, R01B, R01C, R01D, R02Z, R12A, R12B, R12C	Pre		A11A, A13A, A13B, A13D	Pre	A11A, A13A, A13B, A13D				
21A		W04A, W04B	5n242.4			BOP, KVT, UOP4	5n244.01			BOP, KOP, KOPV, KVT, UOP4	
21B		X06A, X06B			06	G01Z, G02Z, G15Z, G18A, G18B, G38Z			05	F36A, F36B	
Pre		A11A, A13A, A13B, A13D			10	K09A, K09B			06	G01Z, G02Z, G03A, G15Z, G18A, G18B, G33Z, G38Z	
5n242.02					BOP, KVT, UOP4	11			L10Z, L38Z	07	H33Z, H38Z
		06			G01Z, G02Z, G15Z, G18A, G18B, G38Z	12			M37Z, M38Z	11	L10Z, L33Z, L38Z
		10			K09A, K09B	13			N01A, N01B, N01C, N01D, N01E, N34Z, N38Z	12	M37Z, M38Z
		11			L10Z, L38Z	17			R01A, R01B, R01C, R01D, R02Z, R12A, R12B, R12C	13	N01A, N01B, N01C, N01D, N01E, N34Z, N38Z
		12			M37Z, M38Z	21A			W04A, W04B	17	R01A, R01B, R01C, R01D, R02Z, R12A, R12B, R12C
		13			N01A, N01B, N01C, N01D, N01E, N34Z, N38Z	21B			X06A, X06B	21A	W04A, W04B
		17		R01A, R01B, R01C, R01D, R02Z, R12A, R12B, R12C	Pre	A11A, A13A, A13B, A13D		21B	X06A, X06B, X33Z		
		21A		W04A, W04B	5n242.x			BOP, KVT, UOP4	23	Z01A	
		21B		X06A, X06B		06		G01Z, G02Z, G15Z, G18A, G18B, G38Z	Pre	A07A, A11A, A13A, A13B, A13D	
	Pre	A11A, A13A, A13B, A13D		10		K09A, K09B		5n244.02		BOP, KOP, KOPV, KVT, UOP4	
	5n242.03			BOP, KVT, UOP4		11			L10Z, L38Z	05	F36A, F36B
		06		G01Z, G02Z, G15Z, G18A, G18B, G38Z		12			M37Z, M38Z	06	G01Z, G02Z, G15Z, G18A, G18B, G33Z, G38Z
		10		K09A, K09B		13			N01A, N01B, N01C, N01D, N01E, N34Z, N38Z	07	H33Z, H38Z
		11		L10Z, L38Z		17			R01A, R01B, R01C, R01D, R02Z, R12A, R12B, R12C	11	L10Z, L33Z, L38Z
		12		M37Z, M38Z		21A			W04A, W04B	12	M37Z, M38Z
		13		N01A, N01B, N01C, N01D, N01E, N34Z, N38Z		21B			X06A, X06B	13	N01A, N01B, N01C, N01D, N01E, N34Z, N38Z
		17	R01A, R01B, R01C, R01D, R02Z, R12A, R12B, R12C	Pre		A11A, A13A, A13B, A13D	17		R01A, R01B, R01C, R01D, R02Z, R12A, R12B, R12C		
		21A	W04A, W04B	5n243.0			BOP, KVT, UOP4		21A	W04A, W04B	
		21B	X06A, X06B			06	G01Z, G02Z, G15Z, G18A, G18B, G18C, G38Z		21B	X06A, X06B, X33Z	
Pre		A11A, A13A, A13B, A13D	10			K09A, K09B	23		Z01A		
5n242.04			BOP, KVT, UOP4			11	L10Z, L38Z		Pre	A07A, A11A, A13A, A13B, A13D	
		06	G01Z, G02Z, G15Z, G18A, G18B, G38Z			12	M37Z, M38Z		5n244.02		BOP, KOP, KOPV, KVT, UOP4
		10	K09A, K09B			13	N01A, N01B, N01C, N01D, N01E, N34Z, N38Z			05	F36A, F36B
		11	L10Z, L38Z			17	R01A, R01B, R01C, R01D, R02Z, R12A, R12B, R12C			06	G01Z, G02Z, G15Z, G18A, G18B, G33Z, G38Z
		12	M37Z, M38Z			21A	W04A, W04B			07	H33Z, H38Z
		13	N01A, N01B, N01C, N01D, N01E, N34Z, N38Z			21B	X06A, X06B			11	L10Z, L33Z, L38Z
		17	R01A, R01B, R01C, R01D, R02Z, R12A, R12B, R12C		Pre	A11A, A13A, A13B, A13D	12			M37Z, M38Z	
		21A	W04A, W04B		5n243.0		BOP, KVT, UOP4			13	N01A, N01B, N01C, N01D, N01E, N34Z, N38Z
		21B	X06A, X06B			06	G01Z, G02Z, G15Z, G18A, G18B, G18C, G38Z	17		R01A, R01B, R01C, R01D, R02Z, R12A, R12B, R12C	
	Pre	A11A, A13A, A13B, A13D	10			K09A, K09B	21A	W04A, W04B			
	5n242.04		BOP, KVT, UOP4			11	L10Z, L38Z	21B		X06A, X06B, X33Z	
		06	G01Z, G02Z, G15Z, G18A, G18B, G38Z			12	M37Z, M38Z	23		Z01A	
		10	K09A, K09B			13	N01A, N01B, N01C, N01D, N01E, N34Z, N38Z	Pre		A07A, A11A, A13A, A13B, A13D	
		11	L10Z, L38Z			17	R01A, R01B, R01C, R01D, R02Z, R12A, R12B, R12C	5n244.02			BOP, KOP, KOPV, KVT, UOP4
		12	M37Z, M38Z			21A	W04A, W04B			05	F36A, F36B
		13	N01A, N01B, N01C, N01D, N01E, N34Z, N38Z			21B	X06A, X06B			06	G01Z, G02Z, G15Z, G18A, G18B, G33Z, G38Z
		17	R01A, R01B, R01C, R01D, R02Z, R12A, R12B, R12C	Pre		A11A, A13A, A13B, A13D	07			H33Z, H38Z	
		21A	W04A, W04B	5n243.0			BOP, KVT, UOP4			11	L10Z, L33Z, L38Z
		21B	X06A, X06B			06	G01Z, G02Z, G15Z, G18A, G18B, G18C, G38Z			12	M37Z, M38Z
Pre		A11A, A13A, A13B, A13D	10			K09A, K09B	13			N01A, N01B, N01C, N01D, N01E, N34Z, N38Z	

VYK

ZZV	MDC	DRG	ZZV	MDC	DRG	ZZV	MDC	DRG
5n244.03		BOP, KOP, KOPV, KVT, UOP4	5n244.4		BOP, KOP, KOPV, KVT, UOP4	5n245.03		BOP, KOP, KOPV, KVT, UOP4
	05	F36A, F36B		05	F36A, F36B		05	F36A, F36B
	06	G01Z, G02Z, G15Z, G18A, G18B, G33Z, G38Z		06	G01Z, G02Z, G15Z, G18A, G18B, G33Z, G38Z		06	G01Z, G02Z, G15Z, G33Z, G38Z
	07	H33Z, H38Z		07	H33Z, H38Z		07	H33Z, H38Z
	11	L10Z, L33Z, L38Z		11	L10Z, L33Z, L38Z		10	K09A, K09B
	12	M37Z, M38Z		12	M37Z, M38Z		11	L10Z, L33Z, L38Z
	13	N01A, N01B, N01C, N01D, N01E, N34Z, N38Z		13	N01A, N01B, N01C, N01D, N01E, N34Z, N38Z		12	M37Z, M38Z
	17	R01A, R01B, R01C, R01D, R02Z, R12A, R12B, R12C		17	R01A, R01B, R01C, R01D, R02Z, R12A, R12B, R12C		13	N01A, N01B, N01C, N01D, N01E, N34Z, N38Z
	21A	W04A, W04B		21A	W04A, W04B		17	R01A, R01B, R01C, R01D, R02Z, R12A, R12B, R12C
	21B	X06A, X06B, X33Z		21B	X06A, X06B, X33Z		21A	W04A, W04B
	23	Z01A		23	Z01A		21B	X06A, X06B, X33Z
	Pre	A07A, A11A, A13A, A13B, A13D		Pre	A07A, A11A, A13A, A13B, A13D		23	Z01A
							Pre	A07A, A11A, A13A, A13B, A13D
	5n244.04			BOP, KOP, KOPV, KVT, UOP4	5n244.x			BOP, KOP, KOPV, KVT, UOP4
05		F36A, F36B	05	F36A, F36B		05	F36A, F36B	
06		G01Z, G02Z, G15Z, G18A, G18B, G33Z, G38Z	06	G01Z, G02Z, G15Z, G18A, G18B, G33Z, G38Z		06	G01Z, G02Z, G15Z, G33Z, G38Z	
07		H33Z, H38Z	07	H33Z, H38Z		07	H33Z, H38Z	
11		L10Z, L33Z, L38Z	11	L10Z, L33Z, L38Z		10	K09A, K09B	
12		M37Z, M38Z	12	M37Z, M38Z		11	L10Z, L33Z, L38Z	
13		N01A, N01B, N01C, N01D, N01E, N34Z, N38Z	13	N01A, N01B, N01C, N01D, N01E, N34Z, N38Z		12	M37Z, M38Z	
17		R01A, R01B, R01C, R01D, R02Z, R12A, R12B, R12C	17	R01A, R01B, R01C, R01D, R02Z, R12A, R12B, R12C		13	N01A, N01B, N01C, N01D, N01E, N34Z, N38Z	
21A		W04A, W04B	21A	W04A, W04B		17	R01A, R01B, R01C, R01D, R02Z, R12A, R12B, R12C	
21B		X06A, X06B, X33Z	21B	X06A, X06B, X33Z		21A	W04A, W04B	
23		Z01A	23	Z01A		21B	X06A, X06B, X33Z	
Pre		A07A, A11A, A13A, A13B, A13D	Pre	A07A, A11A, A13A, A13B, A13D		23	Z01A	
						Pre	A07A, A11A, A13A, A13B, A13D	
5n244.21			BOP, KOP, KOPV, KVT, UOP4	5n245.01			BOP, KOP, KOPV, KVT, UOP4	5n245.21
	05	F36A, F36B	05		F36A, F36B	05	F36A, F36B	
	06	G01Z, G02Z, G15Z, G18A, G18B, G33Z, G38Z	06		G01Z, G02Z, G15Z, G33Z, G38Z	06	G01Z, G02Z, G15Z, G33Z, G38Z	
	07	H33Z, H38Z	07		H33Z, H38Z	07	H33Z, H38Z	
	11	L10Z, L33Z, L38Z	10		K09A, K09B	10	K09A, K09B	
	12	M37Z, M38Z	11		L10Z, L33Z, L38Z	11	L10Z, L33Z, L38Z	
	13	N01A, N01B, N01C, N01D, N01E, N34Z, N38Z	12		M37Z, M38Z	12	M37Z, M38Z	
	17	R01A, R01B, R01C, R01D, R02Z, R12A, R12B, R12C	13		N01A, N01B, N01C, N01D, N01E, N34Z, N38Z	13	N01A, N01B, N01C, N01D, N01E, N34Z, N38Z	
	21A	W04A, W04B	17		R01A, R01B, R01C, R01D, R02Z, R12A, R12B, R12C	17	R01A, R01B, R01C, R01D, R02Z, R12A, R12B, R12C	
	21B	X06A, X06B, X33Z	21A		W04A, W04B	21A	W04A, W04B	
	23	Z01A	21B		X06A, X06B, X33Z	21B	X06A, X06B, X33Z	
	Pre	A07A, A11A, A13A, A13B, A13D	23		Z01A	23	Z01A	
			Pre		A07A, A11A, A13A, A13B, A13D	Pre	A07A, A11A, A13A, A13B, A13D	
5n244.25		BOP, KOP, KOPV, KVT, UOP4	5n245.02		BOP, KOP, KOPV, KVT, UOP4			
	05	F36A, F36B		05	F36A, F36B			
	06	G01Z, G02Z, G15Z, G18A, G18B, G33Z, G38Z		06	G01Z, G02Z, G15Z, G18A, G18B, G33Z, G38Z			
	07	H33Z, H38Z		07	H33Z, H38Z			
	11	L10Z, L33Z, L38Z		10	K09A, K09B			
	12	M37Z, M38Z		11	L10Z, L33Z, L38Z			
	13	N01A, N01B, N01C, N01D, N01E, N34Z, N38Z		12	M37Z, M38Z			
	17	R01A, R01B, R01C, R01D, R02Z, R12A, R12B, R12C		13	N01A, N01B, N01C, N01D, N01E, N34Z, N38Z			
	21A	W04A, W04B		17	R01A, R01B, R01C, R01D, R02Z, R12A, R12B, R12C			
	21B	X06A, X06B, X33Z		21A	W04A, W04B			
	23	Z01A		21B	X06A, X06B, X33Z			
	Pre	A07A, A11A, A13A, A13B, A13D		23	Z01A			
				Pre	A07A, A11A, A13A, A13B, A13D			

ZZV	MDC	DRG	ZZV	MDC	DRG	ZZV	MDC	DRG
5n245.25		BOP, KOP, KOPV, KVT, UOP4	5n246.01		BOP, KOP, KOPV, KVT, UOP4	5n246.04		BOP, KOP, KOPV, KVT, UOP4
	05	F36A, F36B		05	F36A, F36B		05	F36A, F36B
	06	G01Z, G02Z, G15Z, G33Z, G38Z		06	G01Z, G02Z, G15Z, G18A, G18B, G33Z, G38Z		06	G01Z, G02Z, G15Z, G18A, G18B, G33Z, G38Z
	07	H33Z, H38Z		07	H33Z, H38Z		07	H33Z, H38Z
	10	K09A, K09B		10	K09A, K09B		10	K09A, K09B
	11	L10Z, L33Z, L38Z		11	L10Z, L33Z, L38Z		11	L10Z, L33Z, L38Z
	12	M37Z, M38Z		12	M37Z, M38Z		12	M37Z, M38Z
	13	N01A, N01B, N01C, N01D, N01E, N34Z, N38Z		13	N01A, N01B, N01C, N01D, N01E, N34Z, N38Z		13	N01A, N01B, N01C, N01D, N01E, N34Z, N38Z
	17	R01A, R01B, R01C, R01D, R02Z, R12A, R12B, R12C		17	R01A, R01B, R01C, R01D, R02Z, R12A, R12B, R12C		17	R01A, R01B, R01C, R01D, R02Z, R12A, R12B, R12C
	21A	W04A, W04B		21A	W04A, W04B		21A	W04A, W04B
	21B	X06A, X06B, X33Z		21B	X06A, X06B, X33Z		21B	X06A, X06B, X33Z
	23	Z01A		23	Z01A		23	Z01A
	Pre	A07A, A11A, A13A, A13B, A13D		Pre	A07A, A11A, A13A, A13B, A13D		Pre	A07A, A11A, A13A, A13B, A13D
	5n245.4			BOP, KOP, KOPV, KVT, UOP4	5n246.02			BOP, KOP, KOPV, KVT, UOP4
05		F36A, F36B	05	F36A, F36B		05	F36A, F36B	
06		G01Z, G02Z, G15Z, G33Z, G38Z	06	G01Z, G02Z, G15Z, G33Z, G38Z		06	G01Z, G02Z, G15Z, G18A, G18B, G33Z, G38Z	
07		H33Z, H38Z	07	H33Z, H38Z		07	H33Z, H38Z	
10		K09A, K09B	10	K09A, K09B		10	K09A, K09B	
11		L10Z, L33Z, L38Z	11	L10Z, L33Z, L38Z		11	L10Z, L33Z, L38Z	
12		M37Z, M38Z	12	M37Z, M38Z		12	M37Z, M38Z	
13		N01A, N01B, N01C, N01D, N01E, N34Z, N38Z	13	N01A, N01B, N01C, N01D, N01E, N34Z, N38Z		13	N01A, N01B, N01C, N01D, N01E, N34Z, N38Z	
17		R01A, R01B, R01C, R01D, R02Z, R12A, R12B, R12C	17	R01A, R01B, R01C, R01D, R02Z, R12A, R12B, R12C		17	R01A, R01B, R01C, R01D, R02Z, R12A, R12B, R12C	
21A		W04A, W04B	21A	W04A, W04B		21A	W04A, W04B	
21B		X06A, X06B, X33Z	21B	X06A, X06B, X33Z		21B	X06A, X06B, X33Z	
23		Z01A	23	Z01A		23	Z01A	
Pre		A07A, A11A, A13A, A13B, A13D	Pre	A07A, A11A, A13A, A13B, A13D		Pre	A07A, A11A, A13A, A13B, A13D	
5n245.x			BOP, KOP, KOPV, KVT, UOP4	5n246.03			BOP, KOP, KOPV, KVT, UOP4	5n246.25
	05	F36A, F36B	05		F36A, F36B	05	F36A, F36B	
	06	G01Z, G02Z, G15Z, G33Z, G38Z	06		G01Z, G02Z, G15Z, G18A, G18B, G33Z, G38Z	06	G01Z, G02Z, G15Z, G18A, G18B, G33Z, G38Z	
	07	H33Z, H38Z	07		H33Z, H38Z	07	H33Z, H38Z	
	10	K09A, K09B	10		K09A, K09B	10	K09A, K09B	
	11	L10Z, L33Z, L38Z	11		L10Z, L33Z, L38Z	11	L10Z, L33Z, L38Z	
	12	M37Z, M38Z	12		M37Z, M38Z	12	M37Z, M38Z	
	13	N01A, N01B, N01C, N01D, N01E, N34Z, N38Z	13		N01A, N01B, N01C, N01D, N01E, N34Z, N38Z	13	N01A, N01B, N01C, N01D, N01E, N34Z, N38Z	
	17	R01A, R01B, R01C, R01D, R02Z, R12A, R12B, R12C	17		R01A, R01B, R01C, R01D, R02Z, R12A, R12B, R12C	17	R01A, R01B, R01C, R01D, R02Z, R12A, R12B, R12C	
	21A	W04A, W04B	21A		W04A, W04B	21A	W04A, W04B	
	21B	X06A, X06B, X33Z	21B		X06A, X06B, X33Z	21B	X06A, X06B, X33Z	
	23	Z01A	23		Z01A	23	Z01A	
	Pre	A07A, A11A, A13A, A13B, A13D	Pre		A07A, A11A, A13A, A13B, A13D	Pre	A07A, A11A, A13A, A13B, A13D	

ZZV	MDC	DRG	ZZV	MDC	DRG	ZZV	MDC	DRG
5n246.4		BOP, KOP, KOPV, KVT, UOP4	5n247.02		BOP, KOP, KOPV, KVT, UOP4	5n247.21		BOP, KOP, KOPV, KVT, UOP4
	05	F36A, F36B		05	F36A, F36B		05	F36A, F36B
	06	G01Z, G02Z, G15Z, G18A, G18B, G33Z, G38Z		06	G01Z, G02Z, G15Z, G18A, G18B, G33Z, G38Z		06	G01Z, G02Z, G15Z, G18A, G18B, G33Z, G38Z
	07	H33Z, H38Z		07	H33Z, H38Z		07	H33Z, H38Z
	10	K09A, K09B		10	K09A, K09B		10	K09A, K09B
	11	L10Z, L33Z, L38Z		11	L10Z, L33Z, L38Z		11	L10Z, L33Z, L38Z
	12	M37Z, M38Z		12	M37Z, M38Z		12	M37Z, M38Z
	13	N01A, N01B, N01C, N01D, N01E, N34Z, N38Z		13	N01A, N01B, N01C, N01D, N01E, N34Z, N38Z		13	N01A, N01B, N01C, N01D, N01E, N34Z, N38Z
	17	R01A, R01B, R01C, R01D, R02Z, R12A, R12B, R12C		17	R01A, R01B, R01C, R01D, R02Z, R12A, R12B, R12C		17	R01A, R01B, R01C, R01D, R02Z, R12A, R12B, R12C
	21A	W04A, W04B		21A	W04A, W04B		21A	W04A, W04B
	21B	X06A, X06B, X33Z		21B	X06A, X06B, X33Z		21B	X06A, X06B, X33Z
	23	Z01A		23	Z01A		23	Z01A
	Pre	A07A, A11A, A13A, A13B, A13D		Pre	A07A, A11A, A13A, A13B, A13D		Pre	A07A, A11A, A13A, A13B, A13D
	5n246.x			BOP, KOP, KOPV, KVT, UOP4	5n247.03			BOP, KOP, KOPV, KVT, UOP4
05		F36A, F36B	05	F36A, F36B		05	F36A, F36B	
06		G01Z, G02Z, G15Z, G18A, G18B, G33Z, G38Z	06	G01Z, G02Z, G15Z, G18A, G18B, G33Z, G38Z		06	G01Z, G02Z, G15Z, G18A, G18B, G33Z, G38Z	
07		H33Z, H38Z	07	H33Z, H38Z		07	H33Z, H38Z	
10		K09A, K09B	10	K09A, K09B		10	K09A, K09B	
11		L10Z, L33Z, L38Z	11	L10Z, L33Z, L38Z		11	L10Z, L33Z, L38Z	
12		M37Z, M38Z	12	M37Z, M38Z		12	M37Z, M38Z	
13		N01A, N01B, N01C, N01D, N01E, N34Z, N38Z	13	N01A, N01B, N01C, N01D, N01E, N34Z, N38Z		13	N01A, N01B, N01C, N01D, N01E, N34Z, N38Z	
17		R01A, R01B, R01C, R01D, R02Z, R12A, R12B, R12C	17	R01A, R01B, R01C, R01D, R02Z, R12A, R12B, R12C		17	R01A, R01B, R01C, R01D, R02Z, R12A, R12B, R12C	
21A		W04A, W04B	21A	W04A, W04B		21A	W04A, W04B	
21B		X06A, X06B, X33Z	21B	X06A, X06B, X33Z		21B	X06A, X06B, X33Z	
23		Z01A	23	Z01A		23	Z01A	
Pre		A07A, A11A, A13A, A13B, A13D	Pre	A07A, A11A, A13A, A13B, A13D		Pre	A07A, A11A, A13A, A13B, A13D	
5n247.01			BOP, KOP, KOPV, KVT, UOP4	5n247.04			BOP, KOP, KOPV, KVT, UOP4	5n247.4
	05	F36A, F36B	05		F36A, F36B	05	F36A, F36B	
	06	G01Z, G02Z, G15Z, G18A, G18B, G33Z, G38Z	06		G01Z, G02Z, G15Z, G18A, G18B, G33Z, G38Z	06	G01Z, G02Z, G15Z, G18A, G18B, G33Z, G38Z	
	07	H33Z, H38Z	07		H33Z, H38Z	07	H33Z, H38Z	
	10	K09A, K09B	10		K09A, K09B	10	K09A, K09B	
	11	L10Z, L33Z, L38Z	11		L10Z, L33Z, L38Z	11	L10Z, L33Z, L38Z	
	12	M37Z, M38Z	12		M37Z, M38Z	12	M37Z, M38Z	
	13	N01A, N01B, N01C, N01D, N01E, N34Z, N38Z	13		N01A, N01B, N01C, N01D, N01E, N34Z, N38Z	13	N01A, N01B, N01C, N01D, N01E, N34Z, N38Z	
	17	R01A, R01B, R01C, R01D, R02Z, R12A, R12B, R12C	17		R01A, R01B, R01C, R01D, R02Z, R12A, R12B, R12C	17	R01A, R01B, R01C, R01D, R02Z, R12A, R12B, R12C	
	21A	W04A, W04B	21A		W04A, W04B	21A	W04A, W04B	
	21B	X06A, X06B, X33Z	21B		X06A, X06B, X33Z	21B	X06A, X06B, X33Z	
	23	Z01A	23		Z01A	23	Z01A	
	Pre	A07A, A11A, A13A, A13B, A13D	Pre		A07A, A11A, A13A, A13B, A13D	Pre	A07A, A11A, A13A, A13B, A13D	

VYK

ZZV	MDC	DRG	ZZV	MDC	DRG	ZZV	MDC	DRG			
5n247.x		BOP, KOP, KOPV, KVT, UOP4	5n248.03		BOP, KOP, KOPV, KVT, UOP4	5n248.25		BOP, KOP, KOPV, KVT, UOP4			
	05	F36A, F36B		05	F36A, F36B		05	F36A, F36B			
	06	G01Z, G02Z, G15Z, G18A, G18B, G33Z, G38Z		06	G01Z, G02Z, G15Z, G33Z, G38Z		06	G01Z, G02Z, G15Z, G33Z, G38Z			
	07	H33Z, H38Z		07	H33Z, H38Z		07	H33Z, H38Z			
	10	K09A, K09B		10	K09A, K09B		10	K09A, K09B			
	11	L10Z, L33Z, L38Z		11	L10Z, L33Z, L38Z		11	L10Z, L33Z, L38Z			
	12	M37Z, M38Z		12	M37Z, M38Z		12	M37Z, M38Z			
	13	N01A, N01B, N01C, N01D, N01E, N34Z, N38Z		13	N01A, N01B, N01C, N01D, N01E, N34Z, N38Z		13	N01A, N01B, N01C, N01D, N01E, N34Z, N38Z			
	17	R01A, R01B, R01C, R01D, R02Z, R12A, R12B, R12C		17	R01A, R01B, R01C, R01D, R02Z, R12A, R12B, R12C		17	R01A, R01B, R01C, R01D, R02Z, R12A, R12B, R12C			
	21A	W04A, W04B		21A	W04A, W04B		21A	W04A, W04B			
	21B	X06A, X06B, X33Z		21B	X06A, X06B, X33Z		21B	X06A, X06B, X33Z			
	23	Z01A		23	Z01A		23	Z01A			
	Pre	A07A, A11A, A13A, A13B, A13D		Pre	A07A, A11A, A13A, A13B, A13D		Pre	A07A, A11A, A13A, A13B, A13D			
	5n248.01			BOP, KOP, KOPV, KVT, UOP4	5n248.04			BOP, KOP, KOPV, KVT, UOP4	5n248.4		BOP, KOP, KOPV, KVT, UOP4
		05		F36A, F36B			05	F36A, F36B		05	F36A, F36B
06		G01Z, G02Z, G03A, G15Z, G33Z, G38Z	06	G01Z, G02Z, G15Z, G33Z, G38Z		06	G01Z, G02Z, G15Z, G33Z, G38Z				
07		H33Z, H38Z	07	H33Z, H38Z		07	H33Z, H38Z				
10		K09A, K09B	10	K09A, K09B		10	K09A, K09B				
11		L10Z, L33Z, L38Z	11	L10Z, L33Z, L38Z		11	L10Z, L33Z, L38Z				
12		M37Z, M38Z	12	M37Z, M38Z		12	M37Z, M38Z				
13		N01A, N01B, N01C, N01D, N01E, N34Z, N38Z	13	N01A, N01B, N01C, N01D, N01E, N34Z, N38Z		13	N01A, N01B, N01C, N01D, N01E, N34Z, N38Z				
17		R01A, R01B, R01C, R01D, R02Z, R12A, R12B, R12C	17	R01A, R01B, R01C, R01D, R02Z, R12A, R12B, R12C		17	R01A, R01B, R01C, R01D, R02Z, R12A, R12B, R12C				
21A		W04A, W04B	21A	W04A, W04B		21A	W04A, W04B				
21B		X06A, X06B, X33Z	21B	X06A, X06B, X33Z		21B	X06A, X06B, X33Z				
23		Z01A	23	Z01A		23	Z01A				
Pre		A07A, A11A, A13A, A13B, A13D	Pre	A07A, A11A, A13A, A13B, A13D		Pre	A07A, A11A, A13A, A13B, A13D				
5n248.02			BOP, KOP, KOPV, KVT, UOP4	5n248.21			BOP, KOP, KOPV, KVT, UOP4	5n248.x			BOP, KOP, KOPV, KVT, UOP4
		05	F36A, F36B			05	F36A, F36B			05	F36A, F36B
	06	G01Z, G02Z, G15Z, G33Z, G38Z	06		G01Z, G02Z, G15Z, G33Z, G38Z	06	G01Z, G02Z, G15Z, G33Z, G38Z				
	07	H33Z, H38Z	07		H33Z, H38Z	07	H33Z, H38Z				
	10	K09A, K09B	10		K09A, K09B	10	K09A, K09B				
	11	L10Z, L33Z, L38Z	11		L10Z, L33Z, L38Z	11	L10Z, L33Z, L38Z				
	12	M37Z, M38Z	12		M37Z, M38Z	12	M37Z, M38Z				
	13	N01A, N01B, N01C, N01D, N01E, N34Z, N38Z	13		N01A, N01B, N01C, N01D, N01E, N34Z, N38Z	13	N01A, N01B, N01C, N01D, N01E, N34Z, N38Z				
	17	R01A, R01B, R01C, R01D, R02Z, R12A, R12B, R12C	17		R01A, R01B, R01C, R01D, R02Z, R12A, R12B, R12C	17	R01A, R01B, R01C, R01D, R02Z, R12A, R12B, R12C				
	21A	W04A, W04B	21A		W04A, W04B	21A	W04A, W04B				
	21B	X06A, X06B, X33Z	21B		X06A, X06B, X33Z	21B	X06A, X06B, X33Z				
	23	Z01A	23		Z01A	23	Z01A				
	Pre	A07A, A11A, A13A, A13B, A13D	Pre		A07A, A11A, A13A, A13B, A13D	Pre	A07A, A11A, A13A, A13B, A13D				
	5n24x.01		BOP, KVT, UOP4				5n24x.01			BOP, KVT, UOP4	
		06	G01Z, G02Z, G15Z, G18A, G18B, G38Z						06	G01Z, G02Z, G15Z, G18A, G18B, G38Z	
10		K09A, K09B			10	K09A, K09B					
11		L10Z, L38Z			11	L10Z, L38Z					
12		M37Z, M38Z			12	M37Z, M38Z					
13		N01A, N01B, N01C, N01D, N01E, N34Z, N38Z			13	N01A, N01B, N01C, N01D, N01E, N34Z, N38Z					
17		R01A, R01B, R01C, R01D, R02Z, R12A, R12B, R12C			17	R01A, R01B, R01C, R01D, R02Z, R12A, R12B, R12C					
21A		W04A, W04B			21A	W04A, W04B					
21B		X06A, X06B			21B	X06A, X06B					
Pre		A11A, A13A, A13B, A13D			Pre	A11A, A13A, A13B, A13D					

ZZV	MDC	DRG	ZZV	MDC	DRG	ZZV	MDC	DRG
5n24x.02		BOP, KVT, UOP4	5n24x.4		BOP, KVT, UOP4	5n250.04		BOP, KOP, KOPV, KVT, MVV, UOP4
	06	G01Z, G02Z, G15Z, G18A, G18B, G38Z		06	G01Z, G02Z, G15Z, G18A, G18B, G38Z		05	F36A, F36B
	10	K09A, K09B		10	K09A, K09B		06	G15Z, G16A, G16B, G33Z, G38Z
	11	L10Z, L38Z		11	L10Z, L38Z		07	H33Z, H38Z
	12	M37Z, M38Z		12	M37Z, M38Z		10	K09A, K09B
	13	N01A, N01B, N01C, N01D, N01E, N34Z, N38Z		13	N01A, N01B, N01C, N01D, N01E, N34Z, N38Z		11	L10Z, L33Z, L38Z
	17	R01A, R01B, R01C, R01D, R02Z, R12A, R12B, R12C		17	R01A, R01B, R01C, R01D, R02Z, R12A, R12B, R12C		12	M37Z, M38Z
	21A	W04A, W04B		21A	W04A, W04B		13	N01A, N01B, N01C, N01D, N01E, N34Z, N38Z
	21B	X06A, X06B		21B	X06A, X06B		17	R01A, R01B, R01C, R01D, R02Z, R12A, R12B, R12C
	Pre	A11A, A13A, A13B, A13D		Pre	A11A, A13A, A13B, A13D		21A	W04A, W04B
	5n24x.03			BOP, KVT, UOP4	5n24x.x			BOP, KVT, UOP4
06		G01Z, G02Z, G15Z, G18A, G18B, G38Z	06	G01Z, G02Z, G15Z, G18A, G18B, G38Z		21B	X06A, X06B, X06C, X33Z	
10		K09A, K09B	10	K09A, K09B		23	Z01A	
11		L10Z, L38Z	11	L10Z, L38Z		Pre	A07A	
12		M37Z, M38Z	12	M37Z, M38Z			BOP, KOP, KOPV, KVT, MVV, UOP4	
13		N01A, N01B, N01C, N01D, N01E, N34Z, N38Z	13	N01A, N01B, N01C, N01D, N01E, N34Z, N38Z		05	F36A, F36B	
17		R01A, R01B, R01C, R01D, R02Z, R12A, R12B, R12C	17	R01A, R01B, R01C, R01D, R02Z, R12A, R12B, R12C		06	G15Z, G16A, G16B, G33Z, G38Z	
21A		W04A, W04B	21A	W04A, W04B		07	H33Z, H38Z	
21B		X06A, X06B	21B	X06A, X06B		11	L10Z, L33Z, L38Z	
Pre		A11A, A13A, A13B, A13D	Pre	A11A, A13A, A13B, A13D		12	M37Z, M38Z	
5n24x.04			BOP, KVT, UOP4	5n250.02			BOP, KOP, KOPV, KVT, MVV, UOP4	5n250.08
	06	G01Z, G02Z, G15Z, G18A, G18B, G38Z	05		F36A, F36B	17	R01A, R01B, R01C, R01D, R02Z, R12A, R12B, R12C	
	10	K09A, K09B	06		G15Z, G16A, G16B, G33Z, G38Z	21A	W04A, W04B	
	11	L10Z, L38Z	07		H33Z, H38Z	21B	X06A, X06B, X06C, X33Z	
	12	M37Z, M38Z	10		K09A, K09B	23	Z01A	
	13	N01A, N01B, N01C, N01D, N01E, N34Z, N38Z	11		L10Z, L33Z, L38Z	Pre	A07A	
	17	R01A, R01B, R01C, R01D, R02Z, R12A, R12B, R12C	12		M37Z, M38Z		BOP, KOP, KOPV, KVT, MVV, UOP4	
	21A	W04A, W04B	13		N01A, N01B, N01C, N01D, N01E, N34Z, N38Z	05	F36A, F36B	
	21B	X06A, X06B	17		R01A, R01B, R01C, R01D, R02Z, R12A, R12B, R12C	06	G15Z, G16A, G16B, G33Z, G38Z	
	Pre	A11A, A13A, A13B, A13D	21A		W04A, W04B	07	H33Z, H38Z	
	5n24x.21		BOP, KVT, UOP4		5n250.03		W04A, W04B	
06		G01Z, G02Z, G15Z, G18A, G18B, G38Z	21B	X06A, X06B, X06C, X33Z		11	L10Z, L33Z, L38Z	
10		K09A, K09B	23	Z01A		12	M37Z, M38Z	
11		L10Z, L38Z	Pre	A07A		13	N01A, N01B, N01C, N01D, N01E, N34Z, N38Z	
12		M37Z, M38Z		BOP, KOP, KOPV, KVT, MVV, UOP4		17	R01A, R01B, R01C, R01D, R02Z, R12A, R12B, R12C	
13		N01A, N01B, N01C, N01D, N01E, N34Z, N38Z	05	F36A, F36B		21A	W04A, W04B	
17		R01A, R01B, R01C, R01D, R02Z, R12A, R12B, R12C	06	G15Z, G16A, G16B, G33Z, G38Z		21B	X06A, X06B, X06C, X33Z	
21A		W04A, W04B	07	H33Z, H38Z		23	Z01A	
21B		X06A, X06B	11	L10Z, L33Z, L38Z		Pre	A07A	
Pre		A11A, A13A, A13B, A13D	12	M37Z, M38Z			BOP, KOP, KOPV, KVT, MVV, UOP4	
5n24x.25			BOP, KVT, UOP4	5n250.03			N01A, N01B, N01C, N01D, N01E, N34Z, N38Z	5n250.26
	06	G01Z, G02Z, G15Z, G18A, G18B, G38Z	17		R01A, R01B, R01C, R01D, R02Z, R12A, R12B, R12C	05	G15Z, G16A, G16B, G33Z, G38Z	
	10	K09A, K09B	21A		W04A, W04B	06	G15Z, G16A, G16B, G33Z, G38Z	
	11	L10Z, L38Z	21B		X06A, X06B, X06C, X33Z	07	H33Z, H38Z	
	12	M37Z, M38Z	23		Z01A	10	K09A, K09B	
	13	N01A, N01B, N01C, N01D, N01E, N34Z, N38Z	Pre		A07A	11	L10Z, L33Z, L38Z	
	17	R01A, R01B, R01C, R01D, R02Z, R12A, R12B, R12C			BOP, KOP, KOPV, KVT, MVV, UOP4	12	M37Z, M38Z	
	21A	W04A, W04B	05		F36A, F36B	13	N01A, N01B, N01C, N01D, N01E, N34Z, N38Z	
	21B	X06A, X06B	06		G15Z, G16A, G16B, G33Z, G38Z	17	R01A, R01B, R01C, R01D, R02Z, R12A, R12B, R12C	
	Pre	A11A, A13A, A13B, A13D	07		H33Z, H38Z	21A	W04A, W04B	
			11		L10Z, L33Z, L38Z	21B	X06A, X06B, X06C, X33Z	

VYK

ZZV	MDC	DRG	ZZV	MDC	DRG	ZZV	MDC	DRG
5n250.27		BOP, KOP, KOPV, KVT, MVV, UOP4	5n251.02		BOP, KOP, KOPV, KVT, MVV, UOP4	5n251.08		BOP, KOP, KOPV, KVT, MVV, UOP4
	05	F36A, F36B		05	F36A, F36B		05	F36A, F36B
	06	G15Z, G16A, G16B, G33Z, G38Z		06	G15Z, G16A, G16B, G33Z, G38Z		06	G15Z, G16A, G16B, G33Z, G38Z
	07	H33Z, H38Z		07	H33Z, H38Z		07	H33Z, H38Z
	11	L10Z, L33Z, L38Z		11	L10Z, L33Z, L38Z		11	L10Z, L33Z, L38Z
	12	M37Z, M38Z		12	M37Z, M38Z		12	M37Z, M38Z
	13	N01A, N01B, N01C, N01D, N01E, N34Z, N38Z		13	N01A, N01B, N01C, N01D, N01E, N34Z, N38Z		13	N01A, N01B, N01C, N01D, N01E, N34Z, N38Z
	17	R01A, R01B, R01C, R01D, R02Z, R12A, R12B, R12C		17	R01A, R01B, R01C, R01D, R02Z, R12A, R12B, R12C		17	R01A, R01B, R01C, R01D, R02Z, R12A, R12B, R12C
	21A	W04A, W04B		21A	W04A, W04B		21A	W04A, W04B
	21B	X06A, X06B, X06C, X33Z		21B	X06A, X06B, X06C, X33Z		21B	X06A, X06B, X06C, X33Z
	23	Z01A		23	Z01A		23	Z01A
	Pre	A07A		Pre	A07A		Pre	A07A
	5n250.28			BOP, KOP, KOPV, KVT, MVV, UOP4	5n251.03			BOP, KOP, KOPV, KVT, MVV, UOP4
05		F36A, F36B	05	F36A, F36B		05	F36A, F36B	
06		G15Z, G16A, G16B, G33Z, G38Z	06	G15Z, G16A, G16B, G33Z, G38Z		06	G15Z, G16A, G16B, G33Z, G38Z	
07		H33Z, H38Z	07	H33Z, H38Z		07	H33Z, H38Z	
11		L10Z, L33Z, L38Z	11	L10Z, L33Z, L38Z		11	L10Z, L33Z, L38Z	
12		M37Z, M38Z	12	M37Z, M38Z		12	M37Z, M38Z	
13		N01A, N01B, N01C, N01D, N01E, N34Z, N38Z	13	N01A, N01B, N01C, N01D, N01E, N34Z, N38Z		13	N01A, N01B, N01C, N01D, N01E, N34Z, N38Z	
17		R01A, R01B, R01C, R01D, R02Z, R12A, R12B, R12C	17	R01A, R01B, R01C, R01D, R02Z, R12A, R12B, R12C		17	R01A, R01B, R01C, R01D, R02Z, R12A, R12B, R12C	
21A		W04A, W04B	21A	W04A, W04B		21A	W04A, W04B	
21B		X06A, X06B, X06C, X33Z	21B	X06A, X06B, X06C, X33Z		21B	X06A, X06B, X06C, X33Z	
23		Z01A	23	Z01A		23	Z01A	
Pre		A07A	Pre	A07A		Pre	A07A	
5n250.4			BOP, KOP, KOPV, KVT, MVV, UOP4	5n251.04			BOP, KOP, KOPV, KVT, MVV, UOP4	5n251.27
	05	F36A, F36B	05		F36A, F36B	05	F36A, F36B	
	06	G15Z, G16A, G16B, G33Z, G38Z	06		G15Z, G16A, G16B, G33Z, G38Z	06	G15Z, G16A, G16B, G33Z, G38Z	
	07	H33Z, H38Z	07		H33Z, H38Z	07	H33Z, H38Z	
	11	L10Z, L33Z, L38Z	11		L10Z, L33Z, L38Z	11	L10Z, L33Z, L38Z	
	12	M37Z, M38Z	12		M37Z, M38Z	12	M37Z, M38Z	
	13	N01A, N01B, N01C, N01D, N01E, N34Z, N38Z	13		N01A, N01B, N01C, N01D, N01E, N34Z, N38Z	13	N01A, N01B, N01C, N01D, N01E, N34Z, N38Z	
	17	R01A, R01B, R01C, R01D, R02Z, R12A, R12B, R12C	17		R01A, R01B, R01C, R01D, R02Z, R12A, R12B, R12C	17	R01A, R01B, R01C, R01D, R02Z, R12A, R12B, R12C	
	21A	W04A, W04B	21A		W04A, W04B	21A	W04A, W04B	
	21B	X06A, X06B, X06C, X33Z	21B		X06A, X06B, X06C, X33Z	21B	X06A, X06B, X06C, X33Z	
	23	Z01A	23		Z01A	23	Z01A	
	Pre	A07A	Pre		A07A	Pre	A07A	
	5n250.x		BOP, KOP, KOPV, KVT, MVV, UOP4		5n251.05		BOP, KOP, KOPV, KVT, MVV, UOP4	
05		F36A, F36B	05	F36A, F36B		05	F36A, F36B	
06		G15Z, G16A, G16B, G33Z, G38Z	06	G15Z, G16A, G16B, G33Z, G38Z		06	G15Z, G16A, G16B, G33Z, G38Z	
07		H33Z, H38Z	07	H33Z, H38Z		07	H33Z, H38Z	
11		L10Z, L33Z, L38Z	11	L10Z, L33Z, L38Z		11	L10Z, L33Z, L38Z	
12		M37Z, M38Z	12	M37Z, M38Z		12	M37Z, M38Z	
13		N01A, N01B, N01C, N01D, N01E, N34Z, N38Z	13	N01A, N01B, N01C, N01D, N01E, N34Z, N38Z		13	N01A, N01B, N01C, N01D, N01E, N34Z, N38Z	
17		R01A, R01B, R01C, R01D, R02Z, R12A, R12B, R12C	17	R01A, R01B, R01C, R01D, R02Z, R12A, R12B, R12C		17	R01A, R01B, R01C, R01D, R02Z, R12A, R12B, R12C	
21A		W04A, W04B	21A	W04A, W04B		21A	W04A, W04B	
21B		X06A, X06B, X06C, X33Z	21B	X06A, X06B, X06C, X33Z		21B	X06A, X06B, X06C, X33Z	
23		Z01A	23	Z01A		23	Z01A	
Pre		A07A	Pre	A07A		Pre	A07A	

ZZV	MDC	DRG	ZZV	MDC	DRG	ZZV	MDC	DRG
5n251.4		BOP, KOP, KOPV, KVT, MVV, UOP4	5n252.04		BOP, KOP, KOPV, KVT, MVV, UOP4	5n252.27		BOP, KOP, KOPV, KVT, MVV, UOP4
	05	F36A, F36B		05	F36A, F36B		05	F36A, F36B
	06	G15Z, G16A, G16B, G33Z, G38Z		06	G15Z, G16A, G16B, G33Z, G38Z		06	G15Z, G16A, G16B, G33Z, G38Z
	07	H33Z, H38Z		07	H33Z, H38Z		07	H33Z, H38Z
	11	L10Z, L33Z, L38Z		11	L10Z, L33Z, L38Z		11	L10Z, L33Z, L38Z
	12	M37Z, M38Z		12	M37Z, M38Z		12	M37Z, M38Z
	13	N01A, N01B, N01C, N01D, N01E, N34Z, N38Z		13	N01A, N01B, N01C, N01D, N01E, N34Z, N38Z		13	N01A, N01B, N01C, N01D, N01E, N34Z, N38Z
	17	R01A, R01B, R01C, R01D, R02Z, R12A, R12B, R12C		17	R01A, R01B, R01C, R01D, R02Z, R12A, R12B, R12C		17	R01A, R01B, R01C, R01D, R02Z, R12A, R12B, R12C
	21A	W04A, W04B		21A	W04A, W04B		21A	W04A, W04B
	21B	X06A, X06B, X06C, X33Z		21B	X06A, X06B, X06C, X33Z		21B	X06A, X06B, X06C, X33Z
	23	Z01A		23	Z01A		23	Z01A
Pre	A07A	Pre	A07A	Pre	A07A			
5n251.x		BOP, KOP, KOPV, KVT, MVV, UOP4	5n252.05		BOP, KOP, KOPV, KVT, MVV, UOP4	5n252.28		BOP, KOP, KOPV, KVT, MVV, UOP4
	05	F36A, F36B		05	F36A, F36B		05	F36A, F36B
	06	G15Z, G16A, G16B, G33Z, G38Z		06	G15Z, G16A, G16B, G33Z, G38Z		06	G15Z, G16A, G16B, G33Z, G38Z
	07	H33Z, H38Z		07	H33Z, H38Z		07	H33Z, H38Z
	11	L10Z, L33Z, L38Z		11	L10Z, L33Z, L38Z		11	L10Z, L33Z, L38Z
	12	M37Z, M38Z		12	M37Z, M38Z		12	M37Z, M38Z
	13	N01A, N01B, N01C, N01D, N01E, N34Z, N38Z		13	N01A, N01B, N01C, N01D, N01E, N34Z, N38Z		13	N01A, N01B, N01C, N01D, N01E, N34Z, N38Z
	17	R01A, R01B, R01C, R01D, R02Z, R12A, R12B, R12C		17	R01A, R01B, R01C, R01D, R02Z, R12A, R12B, R12C		17	R01A, R01B, R01C, R01D, R02Z, R12A, R12B, R12C
	21A	W04A, W04B		21A	W04A, W04B		21A	W04A, W04B
	21B	X06A, X06B, X06C, X33Z		21B	X06A, X06B, X06C, X33Z		21B	X06A, X06B, X06C, X33Z
	23	Z01A		23	Z01A		23	Z01A
Pre	A07A	Pre	A07A	Pre	A07A			
5n252.02		BOP, KOP, KOPV, KVT, MVV, UOP4	5n252.08		BOP, KOP, KOPV, KVT, MVV, UOP4	5n252.4		BOP, KOP, KOPV, KVT, MVV, UOP4
	05	F36A, F36B		05	F36A, F36B		05	F36A, F36B
	06	G15Z, G16A, G16B, G33Z, G38Z		06	G15Z, G16A, G16B, G33Z, G38Z		06	G15Z, G16A, G16B, G33Z, G38Z
	07	H33Z, H38Z		07	H33Z, H38Z		07	H33Z, H38Z
	11	L10Z, L33Z, L38Z		11	L10Z, L33Z, L38Z		11	L10Z, L33Z, L38Z
	12	M37Z, M38Z		12	M37Z, M38Z		12	M37Z, M38Z
	13	N01A, N01B, N01C, N01D, N01E, N34Z, N38Z		13	N01A, N01B, N01C, N01D, N01E, N34Z, N38Z		13	N01A, N01B, N01C, N01D, N01E, N34Z, N38Z
	17	R01A, R01B, R01C, R01D, R02Z, R12A, R12B, R12C		17	R01A, R01B, R01C, R01D, R02Z, R12A, R12B, R12C		17	R01A, R01B, R01C, R01D, R02Z, R12A, R12B, R12C
	21A	W04A, W04B		21A	W04A, W04B		21A	W04A, W04B
	21B	X06A, X06B, X06C, X33Z		21B	X06A, X06B, X06C, X33Z		21B	X06A, X06B, X06C, X33Z
	23	Z01A		23	Z01A		23	Z01A
Pre	A07A	Pre	A07A	Pre	A07A			
5n252.03		BOP, KOP, KOPV, KVT, MVV, UOP4	5n252.26		BOP, KOP, KOPV, KVT, MVV, UOP4	5n252.x		BOP, KOP, KOPV, KVT, MVV, UOP4
	05	F36A, F36B		05	F36A, F36B		05	F36A, F36B
	06	G15Z, G16A, G16B, G33Z, G38Z		06	G15Z, G16A, G16B, G33Z, G38Z		06	G15Z, G16A, G16B, G33Z, G38Z
	07	H33Z, H38Z		07	H33Z, H38Z		07	H33Z, H38Z
	11	L10Z, L33Z, L38Z		11	L10Z, L33Z, L38Z		11	L10Z, L33Z, L38Z
	12	M37Z, M38Z		12	M37Z, M38Z		12	M37Z, M38Z
	13	N01A, N01B, N01C, N01D, N01E, N34Z, N38Z		13	N01A, N01B, N01C, N01D, N01E, N34Z, N38Z		13	N01A, N01B, N01C, N01D, N01E, N34Z, N38Z
	17	R01A, R01B, R01C, R01D, R02Z, R12A, R12B, R12C		17	R01A, R01B, R01C, R01D, R02Z, R12A, R12B, R12C		17	R01A, R01B, R01C, R01D, R02Z, R12A, R12B, R12C
	21A	W04A, W04B		21A	W04A, W04B		21A	W04A, W04B
	21B	X06A, X06B, X06C, X33Z		21B	X06A, X06B, X06C, X33Z		21B	X06A, X06B, X06C, X33Z
	23	Z01A		23	Z01A		23	Z01A
Pre	A07A	Pre	A07A	Pre	A07A			

VYK

ZZV	MDC	DRG	ZZV	MDC	DRG	ZZV	MDC	DRG
5n25x.02		BOP, KOP, KOPV, KVT, MVV, UOP4	5n25x.08		BOP, KOP, KOPV, KVT, MVV, UOP4	5n25x.4		BOP, KOP, KOPV, KVT, MVV, UOP4
	05	F36A, F36B		05	F36A, F36B		05	F36A, F36B
	06	G01Z, G02Z, G15Z, G33Z, G38Z		06	G01Z, G02Z, G15Z, G33Z, G38Z		06	G01Z, G02Z, G15Z, G33Z, G38Z
	07	H33Z, H38Z		07	H33Z, H38Z		07	H33Z, H38Z
	11	L10Z, L33Z, L38Z		11	L10Z, L33Z, L38Z		11	L10Z, L33Z, L38Z
	12	M37Z, M38Z		12	M37Z, M38Z		12	M37Z, M38Z
	13	N01A, N01B, N01C, N01D, N01E, N34Z, N38Z		13	N01A, N01B, N01C, N01D, N01E, N34Z, N38Z		13	N01A, N01B, N01C, N01D, N01E, N34Z, N38Z
	17	R01A, R01B, R01C, R01D, R02Z, R12A, R12B, R12C		17	R01A, R01B, R01C, R01D, R02Z, R12A, R12B, R12C		17	R01A, R01B, R01C, R01D, R02Z, R12A, R12B, R12C
	21A	W04A, W04B		21A	W04A, W04B		21A	W04A, W04B
	21B	X06A, X06B, X06C, X33Z		21B	X06A, X06B, X06C, X33Z		21B	X06A, X06B, X06C, X33Z
	23	Z01A		23	Z01A		23	Z01A
	Pre	A07A		Pre	A07A		Pre	A07A
	5n25x.03			BOP, KOP, KOPV, KVT, MVV, UOP4	5n25x.26			BOP, KOP, KOPV, KVT, MVV, UOP4
05		F36A, F36B	05	F36A, F36B		05	F36A, F36B	
06		G01Z, G02Z, G15Z, G33Z, G38Z	06	G01Z, G02Z, G15Z, G33Z, G38Z		06	G01Z, G02Z, G15Z, G33Z, G38Z	
07		H33Z, H38Z	07	H33Z, H38Z		07	H33Z, H38Z	
11		L10Z, L33Z, L38Z	10	K09A, K09B		11	L10Z, L33Z, L38Z	
12		M37Z, M38Z	11	L10Z, L33Z, L38Z		12	M37Z, M38Z	
13		N01A, N01B, N01C, N01D, N01E, N34Z, N38Z	12	M37Z, M38Z		13	N01A, N01B, N01C, N01D, N01E, N34Z, N38Z	
17		R01A, R01B, R01C, R01D, R02Z, R12A, R12B, R12C	13	N01A, N01B, N01C, N01D, N01E, N34Z, N38Z		17	R01A, R01B, R01C, R01D, R02Z, R12A, R12B, R12C	
21A		W04A, W04B	17	R01A, R01B, R01C, R01D, R02Z, R12A, R12B, R12C		21A	W04A, W04B	
21B		X06A, X06B, X06C, X33Z	21A	W04A, W04B		21B	X06A, X06B, X06C, X33Z	
23		Z01A	21B	X06A, X06B, X06C, X33Z		23	Z01A	
Pre		A07A	23	Z01A		Pre	A07A	
5n25x.04			BOP, KOP, KOPV, KVT, MVV, UOP4	5n25x.27			BOP, KOP, KOPV, KVT, MVV, UOP4	5n260.01
	05	F36A, F36B	05		F36A, F36B	05	F36A, F36B	
	06	G15Z, G16A, G16B, G33Z, G38Z	06		G01Z, G02Z, G15Z, G33Z, G38Z	06	G01Z, G02Z, G15Z, G33Z, G38Z	
	07	H33Z, H38Z	07		H33Z, H38Z	07	H33Z, H38Z	
	10	K09A, K09B	10		K09A, K09B	10	K09A, K09B	
	11	L10Z, L33Z, L38Z	11		L10Z, L33Z, L38Z	11	L10Z, L33Z, L38Z	
	12	M37Z, M38Z	12		M37Z, M38Z	12	M37Z, M38Z	
	13	N01A, N01B, N01C, N01D, N01E, N34Z, N38Z	13		N01A, N01B, N01C, N01D, N01E, N34Z, N38Z	13	N01A, N01B, N01C, N01D, N01E, N34Z, N38Z	
	17	R01A, R01B, R01C, R01D, R02Z, R12A, R12B, R12C	17		R01A, R01B, R01C, R01D, R02Z, R12A, R12B, R12C	17	R01A, R01B, R01C, R01D, R02Z, R12A, R12B, R12C	
	21A	W04A, W04B	21A		W04A, W04B	21A	W04A, W04B	
	21B	X06A, X06B, X06C, X33Z	21B		X06A, X06B, X06C, X33Z	21B	X06A, X06B, X06C, X33Z	
	23	Z01A	23		Z01A	23	Z01A	
	Pre	A07A	Pre		A07A	Pre	A07A	
5n25x.05		BOP, KOP, KOPV, KVT, MVV, UOP4	5n25x.28		BOP, KOP, KOPV, KVT, MVV, UOP4	5n260.02		BOP, KOP, KOPV, KVT, MVV, UOP4
	05	F36A, F36B		05	F36A, F36B		05	F36A, F36B
	06	G15Z, G16A, G16B, G33Z, G38Z		06	G01Z, G02Z, G15Z, G33Z, G38Z		06	G01Z, G02Z, G15Z, G33Z, G38Z
	07	H33Z, H38Z		07	H33Z, H38Z		07	H33Z, H38Z
	11	L10Z, L33Z, L38Z		11	L10Z, L33Z, L38Z		10	K09A, K09B
	12	M37Z, M38Z		12	M37Z, M38Z		11	L10Z, L33Z, L38Z
	13	N01A, N01B, N01C, N01D, N01E, N34Z, N38Z		13	N01A, N01B, N01C, N01D, N01E, N34Z, N38Z		12	M37Z, M38Z
	17	R01A, R01B, R01C, R01D, R02Z, R12A, R12B, R12C		17	R01A, R01B, R01C, R01D, R02Z, R12A, R12B, R12C		13	N01A, N01B, N01C, N01D, N01E, N34Z, N38Z
	21A	W04A, W04B		17	R01A, R01B, R01C, R01D, R02Z, R12A, R12B, R12C		17	R01A, R01B, R01C, R01D, R02Z, R12A, R12B, R12C
	21B	X06A, X06B, X06C, X33Z		21A	W04A, W04B		21A	W04A, W04B
	23	Z01A		21B	X06A, X06B, X06C, X33Z		21B	X06A, X06B, X06C, X33Z
	Pre	A07A		23	Z01A		23	Z01A
				Pre	A07A		Pre	A07A

ZZV	MDC	DRG	ZZV	MDC	DRG	ZZV	MDC	DRG
5n260.03		BOP, KOP, KOPV, KVT, MVV, UOP4	5n260.4		BOP, KOP, KOPV, KVT, MVV, UOP4	5n261.03		BOP, KOP, KOPV, KVT, MVV, UOP4
	05	F36A, F36B		05	F36A, F36B		05	F36A, F36B
	06	G01Z, G02Z, G15Z, G33Z, G38Z		06	G01Z, G02Z, G15Z, G33Z, G38Z		06	G01Z, G02Z, G15Z, G33Z, G38Z
	07	H33Z, H38Z		07	H33Z, H38Z		07	H33Z, H38Z
	10	K09A, K09B		10	K09A, K09B		10	K09A, K09B
	11	L10Z, L33Z, L38Z		11	L10Z, L33Z, L38Z		11	L10Z, L33Z, L38Z
	12	M37Z, M38Z		12	M37Z, M38Z		12	M37Z, M38Z
	13	N01A, N01B, N01C, N01D, N01E, N34Z, N38Z		13	N01A, N01B, N01C, N01D, N01E, N34Z, N38Z		13	N01A, N01B, N01C, N01D, N01E, N34Z, N38Z
	17	R01A, R01B, R01C, R01D, R02Z, R12A, R12B, R12C		17	R01A, R01B, R01C, R01D, R02Z, R12A, R12B, R12C		17	R01A, R01B, R01C, R01D, R02Z, R12A, R12B, R12C
	21A	W04A, W04B		21A	W04A, W04B		21A	W04A, W04B
	21B	X06A, X06B, X06C, X33Z		21B	X06A, X06B, X06C, X33Z		21B	X06A, X06B, X06C, X33Z
	23	Z01A		23	Z01A		23	Z01A
	Pre	A07A		Pre	A07A		Pre	A07A
	5n260.04			BOP, KOP, KOPV, KVT, MVV, UOP4	5n260.x			BOP, KOP, KOPV, KVT, MVV, UOP4
05		F36A, F36B	05	F36A, F36B		05	F36A, F36B	
06		G01Z, G02Z, G15Z, G33Z, G38Z	06	G01Z, G02Z, G15Z, G33Z, G38Z		06	G01Z, G02Z, G15Z, G33Z, G38Z	
07		H33Z, H38Z	07	H33Z, H38Z		07	H33Z, H38Z	
10		K09A, K09B	10	K09A, K09B		10	K09A, K09B	
11		L10Z, L33Z, L38Z	11	L10Z, L33Z, L38Z		11	L10Z, L33Z, L38Z	
12		M37Z, M38Z	12	M37Z, M38Z		12	M37Z, M38Z	
13		N01A, N01B, N01C, N01D, N01E, N34Z, N38Z	13	N01A, N01B, N01C, N01D, N01E, N34Z, N38Z		13	N01A, N01B, N01C, N01D, N01E, N34Z, N38Z	
17		R01A, R01B, R01C, R01D, R02Z, R12A, R12B, R12C	17	R01A, R01B, R01C, R01D, R02Z, R12A, R12B, R12C		17	R01A, R01B, R01C, R01D, R02Z, R12A, R12B, R12C	
21A		W04A, W04B	21A	W04A, W04B		21A	W04A, W04B	
21B		X06A, X06B, X06C, X33Z	21B	X06A, X06B, X06C, X33Z		21B	X06A, X06B, X06C, X33Z	
23		Z01A	23	Z01A		23	Z01A	
Pre		A07A	Pre	A07A		Pre	A07A	
5n260.20			BOP, KOP, KOPV, KVT, MVV, UOP4	5n261.01			BOP, KOP, KOPV, KVT, MVV, UOP4	5n261.20
	05	F36A, F36B	05		F36A, F36B	05	F36A, F36B	
	06	G01Z, G02Z, G15Z, G33Z, G38Z	06		G01Z, G02Z, G15Z, G33Z, G38Z	06	G01Z, G02Z, G15Z, G33Z, G38Z	
	07	H33Z, H38Z	07		H33Z, H38Z	07	H33Z, H38Z	
	10	K09A, K09B	10		K09A, K09B	10	K09A, K09B	
	11	L10Z, L33Z, L38Z	11		L10Z, L33Z, L38Z	11	L10Z, L33Z, L38Z	
	12	M37Z, M38Z	12		M37Z, M38Z	12	M37Z, M38Z	
	13	N01A, N01B, N01C, N01D, N01E, N34Z, N38Z	13		N01A, N01B, N01C, N01D, N01E, N34Z, N38Z	13	N01A, N01B, N01C, N01D, N01E, N34Z, N38Z	
	17	R01A, R01B, R01C, R01D, R02Z, R12A, R12B, R12C	17		R01A, R01B, R01C, R01D, R02Z, R12A, R12B, R12C	17	R01A, R01B, R01C, R01D, R02Z, R12A, R12B, R12C	
	21A	W04A, W04B	21A		W04A, W04B	21A	W04A, W04B	
	21B	X06A, X06B, X06C, X33Z	21B		X06A, X06B, X06C, X33Z	21B	X06A, X06B, X06C, X33Z	
	23	Z01A	23		Z01A	23	Z01A	
	Pre	A07A	Pre		A07A	Pre	A07A	
	5n260.21		BOP, KOP, KOPV, KVT, MVV, UOP4		5n261.02		BOP, KOP, KOPV, KVT, MVV, UOP4	
05		F36A, F36B	05	F36A, F36B		05	F36A, F36B	
06		G01Z, G02Z, G15Z, G33Z, G38Z	06	G01Z, G02Z, G15Z, G33Z, G38Z		06	G01Z, G02Z, G15Z, G33Z, G38Z	
07		H33Z, H38Z	07	H33Z, H38Z		07	H33Z, H38Z	
10		K09A, K09B	10	K09A, K09B		10	K09A, K09B	
11		L10Z, L33Z, L38Z	11	L10Z, L33Z, L38Z		11	L10Z, L33Z, L38Z	
12		M37Z, M38Z	12	M37Z, M38Z		12	M37Z, M38Z	
13		N01A, N01B, N01C, N01D, N01E, N34Z, N38Z	13	N01A, N01B, N01C, N01D, N01E, N34Z, N38Z		13	N01A, N01B, N01C, N01D, N01E, N34Z, N38Z	
17		R01A, R01B, R01C, R01D, R02Z, R12A, R12B, R12C	17	R01A, R01B, R01C, R01D, R02Z, R12A, R12B, R12C		17	R01A, R01B, R01C, R01D, R02Z, R12A, R12B, R12C	
21A		W04A, W04B	21A	W04A, W04B		21A	W04A, W04B	
21B		X06A, X06B, X06C, X33Z	21B	X06A, X06B, X06C, X33Z		21B	X06A, X06B, X06C, X33Z	
23		Z01A	23	Z01A		23	Z01A	
Pre		A07A	Pre	A07A		Pre	A07A	

VYK

ZZV	MDC	DRG	ZZV	MDC	DRG	ZZV	MDC	DRG
5n261.4		BOP, KOP, KOPV, KVT, MVV, UOP4	5n262.03		BOP, KOP, KOPV, KVT, MVV, UOP4	5n262.4		BOP, KOP, KOPV, KVT, MVV, UOP4
	05	F36A, F36B		05	F36A, F36B		05	F36A, F36B
	06	G01Z, G02Z, G15Z, G33Z, G38Z		06	G01Z, G02Z, G15Z, G18A, G18B, G33Z, G38Z		06	G01Z, G02Z, G15Z, G18A, G18B, G33Z, G38Z
	07	H33Z, H38Z		07	H33Z, H38Z		07	H33Z, H38Z
	10	K09A, K09B		10	K09A, K09B		10	K09A, K09B
	11	L10Z, L33Z, L38Z		11	L10Z, L33Z, L38Z		11	L10Z, L33Z, L38Z
	12	M37Z, M38Z		12	M37Z, M38Z		12	M37Z, M38Z
	13	N01A, N01B, N01C, N01D, N01E, N34Z, N38Z		13	N01A, N01B, N01C, N01D, N01E, N34Z, N38Z		13	N01A, N01B, N01C, N01D, N01E, N34Z, N38Z
	17	R01A, R01B, R01C, R01D, R02Z, R12A, R12B, R12C		17	R01A, R01B, R01C, R01D, R02Z, R12A, R12B, R12C		17	R01A, R01B, R01C, R01D, R02Z, R12A, R12B, R12C
	21A	W04A, W04B		21A	W04A, W04B		21A	W04A, W04B
	21B	X06A, X06B, X06C, X33Z		21B	X06A, X06B, X06C, X33Z		21B	X06A, X06B, X06C, X33Z
	23	Z01A		23	Z01A		23	Z01A
	Pre	A07A		Pre	A07A		Pre	A07A
	5n261.x			BOP, KOP, KOPV, KVT, MVV, UOP4	5n262.04			BOP, KOP, KOPV, KVT, MVV, UOP4
05		F36A, F36B	05	F36A, F36B		05	F36A, F36B	
06		G01Z, G02Z, G15Z, G33Z, G38Z	06	G01Z, G02Z, G15Z, G18A, G18B, G33Z, G38Z		06	G01Z, G02Z, G15Z, G18A, G18B, G33Z, G38Z	
07		H33Z, H38Z	07	H33Z, H38Z		07	H33Z, H38Z	
10		K09A, K09B	10	K09A, K09B		10	K09A, K09B	
11		L10Z, L33Z, L38Z	11	L10Z, L33Z, L38Z		11	L10Z, L33Z, L38Z	
12		M37Z, M38Z	12	M37Z, M38Z		12	M37Z, M38Z	
13		N01A, N01B, N01C, N01D, N01E, N34Z, N38Z	13	N01A, N01B, N01C, N01D, N01E, N34Z, N38Z		13	N01A, N01B, N01C, N01D, N01E, N34Z, N38Z	
17		R01A, R01B, R01C, R01D, R02Z, R12A, R12B, R12C	17	R01A, R01B, R01C, R01D, R02Z, R12A, R12B, R12C		17	R01A, R01B, R01C, R01D, R02Z, R12A, R12B, R12C	
21A		W04A, W04B	21A	W04A, W04B		21A	W04A, W04B	
21B		X06A, X06B, X06C, X33Z	21B	X06A, X06B, X06C, X33Z		21B	X06A, X06B, X06C, X33Z	
23		Z01A	23	Z01A		23	Z01A	
Pre		A07A	Pre	A07A		Pre	A07A	
5n262.01			BOP, KOP, KOPV, KVT, MVV, UOP4	5n262.20			BOP, KOP, KOPV, KVT, MVV, UOP4	5n263.01
	05	F36A, F36B	05		F36A, F36B	05	F36A, F36B	
	06	G01Z, G02Z, G15Z, G18A, G18B, G33Z, G38Z	06		G01Z, G02Z, G15Z, G18A, G18B, G33Z, G38Z	06	G01Z, G02Z, G15Z, G18A, G18B, G33Z, G38Z	
	07	H33Z, H38Z	07		H33Z, H38Z	07	H33Z, H38Z	
	10	K09A, K09B	10		K09A, K09B	10	K09A, K09B	
	11	L10Z, L33Z, L38Z	11		L10Z, L33Z, L38Z	11	L10Z, L33Z, L38Z	
	12	M37Z, M38Z	12		M37Z, M38Z	12	M37Z, M38Z	
	13	N01A, N01B, N01C, N01D, N01E, N34Z, N38Z	13		N01A, N01B, N01C, N01D, N01E, N34Z, N38Z	13	N01A, N01B, N01C, N01D, N01E, N34Z, N38Z	
	17	R01A, R01B, R01C, R01D, R02Z, R12A, R12B, R12C	17		R01A, R01B, R01C, R01D, R02Z, R12A, R12B, R12C	17	R01A, R01B, R01C, R01D, R02Z, R12A, R12B, R12C	
	21A	W04A, W04B	21A		W04A, W04B	21A	W04A, W04B	
	21B	X06A, X06B, X06C, X33Z	21B		X06A, X06B, X06C, X33Z	21B	X06A, X06B, X06C, X33Z	
	23	Z01A	23		Z01A	23	Z01A	
	Pre	A07A	Pre		A07A	Pre	A07A	
	5n262.02		BOP, KOP, KOPV, KVT, MVV, UOP4		5n262.21		BOP, KOP, KOPV, KVT, MVV, UOP4	
05		F36A, F36B	05	F36A, F36B		05	F36A, F36B	
06		G01Z, G02Z, G15Z, G18A, G18B, G33Z, G38Z	06	G01Z, G02Z, G15Z, G18A, G18B, G33Z, G38Z		06	G01Z, G02Z, G15Z, G18A, G18B, G33Z, G38Z	
07		H33Z, H38Z	07	H33Z, H38Z		07	H33Z, H38Z	
10		K09A, K09B	10	K09A, K09B		10	K09A, K09B	
11		L10Z, L33Z, L38Z	11	L10Z, L33Z, L38Z		11	L10Z, L33Z, L38Z	
12		M37Z, M38Z	12	M37Z, M38Z		12	M37Z, M38Z	
13		N01A, N01B, N01C, N01D, N01E, N34Z, N38Z	13	N01A, N01B, N01C, N01D, N01E, N34Z, N38Z		13	N01A, N01B, N01C, N01D, N01E, N34Z, N38Z	
17		R01A, R01B, R01C, R01D, R02Z, R12A, R12B, R12C	17	R01A, R01B, R01C, R01D, R02Z, R12A, R12B, R12C		17	R01A, R01B, R01C, R01D, R02Z, R12A, R12B, R12C	
21A		W04A, W04B	21A	W04A, W04B		21A	W04A, W04B	
21B		X06A, X06B, X06C, X33Z	21B	X06A, X06B, X06C, X33Z		21B	X06A, X06B, X06C, X33Z	
23		Z01A	23	Z01A		23	Z01A	
Pre		A07A	Pre	A07A		Pre	A07A	

VYK

ZZV	MDC	DRG	ZZV	MDC	DRG	ZZV	MDC	DRG
5n263.03		BOP, KOP, KOPV, KVT, MVV, UOP4	5n263.4		BOP, KOP, KOPV, KVT, MVV, UOP4	5n264.03		BOP, KOP, KOPV, KVT, MVV, UOP4
	05	F36A, F36B		05	F36A, F36B		05	F36A, F36B
	06	G01Z, G02Z, G15Z, G18A, G18B, G33Z, G38Z		06	G01Z, G02Z, G15Z, G18A, G18B, G33Z, G38Z		06	G15Z, G16A, G16B, G33Z, G38Z
	07	H33Z, H38Z		07	H33Z, H38Z		07	H33Z, H38Z
	10	K09A, K09B		10	K09A, K09B		10	K09A, K09B
	11	L10Z, L33Z, L38Z		11	L10Z, L33Z, L38Z		11	L10Z, L33Z, L38Z
	12	M37Z, M38Z		12	M37Z, M38Z		12	M37Z, M38Z
	13	N01A, N01B, N01C, N01D, N01E, N34Z, N38Z		13	N01A, N01B, N01C, N01D, N01E, N34Z, N38Z		13	N01A, N01B, N01C, N01D, N01E, N34Z, N38Z
	17	R01A, R01B, R01C, R01D, R02Z, R12A, R12B, R12C		17	R01A, R01B, R01C, R01D, R02Z, R12A, R12B, R12C		17	R01A, R01B, R01C, R01D, R02Z, R12A, R12B, R12C
	21A	W04A, W04B		21A	W04A, W04B		21A	W04A, W04B
	21B	X06A, X06B, X06C, X33Z		21B	X06A, X06B, X06C, X33Z		21B	X06A, X06B, X06C, X33Z
	23	Z01A		23	Z01A		23	Z01A
	Pre	A07A		Pre	A07A		Pre	A07A
	5n263.04			BOP, KOP, KOPV, KVT, MVV, UOP4	5n263.x			BOP, KOP, KOPV, KVT, MVV, UOP4
05		F36A, F36B	05	F36A, F36B		05	F36A, F36B	
06		G01Z, G02Z, G15Z, G18A, G18B, G33Z, G38Z	06	G01Z, G02Z, G15Z, G18A, G18B, G33Z, G38Z		06	G15Z, G16A, G16B, G33Z, G38Z	
07		H33Z, H38Z	07	H33Z, H38Z		07	H33Z, H38Z	
10		K09A, K09B	10	K09A, K09B		10	K09A, K09B	
11		L10Z, L33Z, L38Z	11	L10Z, L33Z, L38Z		11	L10Z, L33Z, L38Z	
12		M37Z, M38Z	12	M37Z, M38Z		12	M37Z, M38Z	
13		N01A, N01B, N01C, N01D, N01E, N34Z, N38Z	13	N01A, N01B, N01C, N01D, N01E, N34Z, N38Z		13	N01A, N01B, N01C, N01D, N01E, N34Z, N38Z	
17		R01A, R01B, R01C, R01D, R02Z, R12A, R12B, R12C	17	R01A, R01B, R01C, R01D, R02Z, R12A, R12B, R12C		17	R01A, R01B, R01C, R01D, R02Z, R12A, R12B, R12C	
21A		W04A, W04B	21A	W04A, W04B		21A	W04A, W04B	
21B		X06A, X06B, X06C, X33Z	21B	X06A, X06B, X06C, X33Z		21B	X06A, X06B, X06C, X33Z	
23		Z01A	23	Z01A		23	Z01A	
Pre		A07A	Pre	A07A		Pre	A07A	
5n263.20			BOP, KOP, KOPV, KVT, MVV, UOP4	5n264.01			BOP, KOP, KOPV, KVT, MVV, UOP4	5n264.20
	05	F36A, F36B	05		F36A, F36B	05	F36A, F36B	
	06	G01Z, G02Z, G15Z, G18A, G18B, G33Z, G38Z	06		G15Z, G16A, G16B, G33Z, G38Z	06	G15Z, G16A, G16B, G33Z, G38Z	
	07	H33Z, H38Z	07		H33Z, H38Z	07	H33Z, H38Z	
	10	K09A, K09B	10		K09A, K09B	10	K09A, K09B	
	11	L10Z, L33Z, L38Z	11		L10Z, L33Z, L38Z	11	L10Z, L33Z, L38Z	
	12	M37Z, M38Z	12		M37Z, M38Z	12	M37Z, M38Z	
	13	N01A, N01B, N01C, N01D, N01E, N34Z, N38Z	13		N01A, N01B, N01C, N01D, N01E, N34Z, N38Z	13	N01A, N01B, N01C, N01D, N01E, N34Z, N38Z	
	17	R01A, R01B, R01C, R01D, R02Z, R12A, R12B, R12C	17		R01A, R01B, R01C, R01D, R02Z, R12A, R12B, R12C	17	R01A, R01B, R01C, R01D, R02Z, R12A, R12B, R12C	
	21A	W04A, W04B	21A		W04A, W04B	21A	W04A, W04B	
	21B	X06A, X06B, X06C, X33Z	21B		X06A, X06B, X06C, X33Z	21B	X06A, X06B, X06C, X33Z	
	23	Z01A	23		Z01A	23	Z01A	
	Pre	A07A	Pre		A07A	Pre	A07A	
	5n263.21		BOP, KOP, KOPV, KVT, MVV, UOP4		5n264.02		BOP, KOP, KOPV, KVT, MVV, UOP4	
05		F36A, F36B	05	F36A, F36B		05	F36A, F36B	
06		G01Z, G02Z, G15Z, G18A, G18B, G33Z, G38Z	06	G15Z, G16A, G16B, G33Z, G38Z		06	G15Z, G16A, G16B, G33Z, G38Z	
07		H33Z, H38Z	07	H33Z, H38Z		07	H33Z, H38Z	
10		K09A, K09B	10	K09A, K09B		10	K09A, K09B	
11		L10Z, L33Z, L38Z	11	L10Z, L33Z, L38Z		11	L10Z, L33Z, L38Z	
12		M37Z, M38Z	12	M37Z, M38Z		12	M37Z, M38Z	
13		N01A, N01B, N01C, N01D, N01E, N34Z, N38Z	13	N01A, N01B, N01C, N01D, N01E, N34Z, N38Z		13	N01A, N01B, N01C, N01D, N01E, N34Z, N38Z	
17		R01A, R01B, R01C, R01D, R02Z, R12A, R12B, R12C	17	R01A, R01B, R01C, R01D, R02Z, R12A, R12B, R12C		17	R01A, R01B, R01C, R01D, R02Z, R12A, R12B, R12C	
21A		W04A, W04B	21A	W04A, W04B		21A	W04A, W04B	
21B		X06A, X06B, X06C, X33Z	21B	X06A, X06B, X06C, X33Z		21B	X06A, X06B, X06C, X33Z	
23		Z01A	23	Z01A		23	Z01A	
Pre		A07A	Pre	A07A		Pre	A07A	

VYK

ZZV	MDC	DRG	ZZV	MDC	DRG	ZZV	MDC	DRG
5n264.4		BOP, KOP, KOPV, KVT, MVV, UOP4	5n265.03		BOP, KOP, KOPV, KVT, MVV, UOP4	5n265.4		BOP, KOP, KOPV, KVT, MVV, UOP4
	05	F36A, F36B		05	F36A, F36B		05	F36A, F36B
	06	G15Z, G16A, G16B, G33Z, G38Z		06	G01Z, G02Z, G15Z, G18A, G18B, G33Z, G38Z		06	G01Z, G02Z, G15Z, G18A, G18B, G33Z, G38Z
	07	H33Z, H38Z		07	H33Z, H38Z		07	H33Z, H38Z
	10	K09A, K09B		10	K09A, K09B		10	K09A, K09B
	11	L10Z, L33Z, L38Z		11	L10Z, L33Z, L38Z		11	L10Z, L33Z, L38Z
	12	M37Z, M38Z		12	M37Z, M38Z		12	M37Z, M38Z
	13	N01A, N01B, N01C, N01D, N01E, N34Z, N38Z		13	N01A, N01B, N01C, N01D, N01E, N34Z, N38Z		13	N01A, N01B, N01C, N01D, N01E, N34Z, N38Z
	17	R01A, R01B, R01C, R01D, R02Z, R12A, R12B, R12C		17	R01A, R01B, R01C, R01D, R02Z, R12A, R12B, R12C		17	R01A, R01B, R01C, R01D, R02Z, R12A, R12B, R12C
	21A	W04A, W04B		21A	W04A, W04B		21A	W04A, W04B
	21B	X06A, X06B, X06C, X33Z		21B	X06A, X06B, X06C, X33Z		21B	X06A, X06B, X06C, X33Z
	23	Z01A		23	Z01A		23	Z01A
	Pre	A07A		Pre	A07A		Pre	A07A
	5n264.x			BOP, KOP, KOPV, KVT, MVV, UOP4	5n265.04			BOP, KOP, KOPV, KVT, MVV, UOP4
05		F36A, F36B	05	F36A, F36B		05	F36A, F36B	
06		G15Z, G16A, G16B, G33Z, G38Z	06	G01Z, G02Z, G15Z, G18A, G18B, G33Z, G38Z		06	G01Z, G02Z, G15Z, G18A, G18B, G33Z, G38Z	
07		H33Z, H38Z	07	H33Z, H38Z		07	H33Z, H38Z	
10		K09A, K09B	10	K09A, K09B		10	K09A, K09B	
11		L10Z, L33Z, L38Z	11	L10Z, L33Z, L38Z		11	L10Z, L33Z, L38Z	
12		M37Z, M38Z	12	M37Z, M38Z		12	M37Z, M38Z	
13		N01A, N01B, N01C, N01D, N01E, N34Z, N38Z	13	N01A, N01B, N01C, N01D, N01E, N34Z, N38Z		13	N01A, N01B, N01C, N01D, N01E, N34Z, N38Z	
17		R01A, R01B, R01C, R01D, R02Z, R12A, R12B, R12C	17	R01A, R01B, R01C, R01D, R02Z, R12A, R12B, R12C		17	R01A, R01B, R01C, R01D, R02Z, R12A, R12B, R12C	
21A		W04A, W04B	21A	W04A, W04B		21A	W04A, W04B	
21B		X06A, X06B, X06C, X33Z	21B	X06A, X06B, X06C, X33Z		21B	X06A, X06B, X06C, X33Z	
23		Z01A	23	Z01A		23	Z01A	
Pre		A07A	Pre	A07A		Pre	A07A	
5n265.01			BOP, KOP, KOPV, KVT, MVV, UOP4	5n265.20			BOP, KOP, KOPV, KVT, MVV, UOP4	5n26x.x
	05	F36A, F36B	05		F36A, F36B	05	F36A, F36B	
	06	G01Z, G02Z, G15Z, G18A, G18B, G33Z, G38Z	06		G01Z, G02Z, G15Z, G18A, G18B, G33Z, G38Z	06	G01Z, G02Z, G15Z, G18A, G18B, G33Z, G38Z	
	07	H33Z, H38Z	07		H33Z, H38Z	07	H33Z, H38Z	
	10	K09A, K09B	10		K09A, K09B	10	K09A, K09B	
	11	L10Z, L33Z, L38Z	11		L10Z, L33Z, L38Z	11	L10Z, L33Z, L38Z	
	12	M37Z, M38Z	12		M37Z, M38Z	12	M37Z, M38Z	
	13	N01A, N01B, N01C, N01D, N01E, N34Z, N38Z	13		N01A, N01B, N01C, N01D, N01E, N34Z, N38Z	13	N01A, N01B, N01C, N01D, N01E, N34Z, N38Z	
	17	R01A, R01B, R01C, R01D, R02Z, R12A, R12B, R12C	17		R01A, R01B, R01C, R01D, R02Z, R12A, R12B, R12C	17	R01A, R01B, R01C, R01D, R02Z, R12A, R12B, R12C	
	21A	W04A, W04B	21A		W04A, W04B	21A	W04A, W04B	
	21B	X06A, X06B, X06C, X33Z	21B		X06A, X06B, X06C, X33Z	21B	X06A, X06B, X06C, X33Z	
	23	Z01A	23		Z01A	23	Z01A	
	Pre	A07A	Pre		A07A	Pre	A07A	
	5n265.02		BOP, KOP, KOPV, KVT, MVV, UOP4		5n265.21		BOP, KOP, KOPV, KVT, MVV, UOP4	
05		F36A, F36B	05	F36A, F36B		05	F36A, F36B	
06		G01Z, G02Z, G15Z, G18A, G18B, G33Z, G38Z	06	G01Z, G02Z, G15Z, G18A, G18B, G33Z, G38Z		06	G01Z, G02Z, G15Z, G18A, G18B, G33Z, G38Z	
07		H33Z, H38Z	07	H33Z, H38Z		07	H33Z, H38Z	
10		K09A, K09B	10	K09A, K09B		11	L33Z	
11		L10Z, L33Z, L38Z	11	L10Z, L33Z, L38Z		21B	X33Z	
12		M37Z, M38Z	12	M37Z, M38Z		23	Z01A	
13		N01A, N01B, N01C, N01D, N01E, N34Z, N38Z	13	N01A, N01B, N01C, N01D, N01E, N34Z, N38Z		Pre	A07A	
17		R01A, R01B, R01C, R01D, R02Z, R12A, R12B, R12C	17	R01A, R01B, R01C, R01D, R02Z, R12A, R12B, R12C				
21A		W04A, W04B	21A	W04A, W04B				
21B		X06A, X06B, X06C, X33Z	21B	X06A, X06B, X06C, X33Z				
23		Z01A	23	Z01A				
Pre		A07A	Pre	A07A				

VYK

ZZV	MDC	DRG	ZZV	MDC	DRG	ZZV	MDC	DRG			
5n291		BOP, KOP, KOPV, KVT, UOP4	5n301.0		BOP, KVT, UOP4	5n303.0		BOP, KVT, UOP4			
	05	F36A, F36B		06	G01Z, G02Z, G15Z, G18A, G18B, G38Z		06	G01Z, G02Z, G15Z, G18A, G18B, G38Z			
	06	G01Z, G02Z, G15Z, G18A, G18B, G33Z, G38Z		11	L09A, L10Z, L38Z		11	L09A, L10Z, L38Z			
	07	H33Z, H38Z		12	M37Z, M38Z		12	M37Z, M38Z			
	11	L33Z		13	N11A		13	N11A			
	21B	X33Z		17	R01A, R01B, R01C, R01D, R02Z, R12A, R12B, R12C		17	R01A, R01B, R01C, R01D, R02Z, R12A, R12B, R12C			
	23	Z01A		21A	W04A, W04B		21A	W04A, W04B			
	Pre	A07A		21B	X06A, X06B, X06C		21B	X06A, X06B, X06C			
	5n292			BOP, KOP, KOPV, KVT, UOP4	5n301.2			BOP, KVT, UOP4	5n303.2		BOP, KVT, UOP4
		05		F36A, F36B			06	G01Z, G02Z, G15Z, G18A, G18B, G38Z		06	G01Z, G02Z, G15Z, G18A, G18B, G38Z
06		G01Z, G02Z, G15Z, G18A, G18B, G33Z, G38Z	11	L09A, L10Z, L38Z		11	L09A, L10Z, L38Z				
07		H33Z, H38Z	12	M37Z, M38Z		12	M37Z, M38Z				
11		L33Z	13	N11A		13	N11A				
21B		X33Z	17	R01A, R01B, R01C, R01D, R02Z, R12A, R12B, R12C		17	R01A, R01B, R01C, R01D, R02Z, R12A, R12B, R12C				
23		Z01A	21A	W04A, W04B		21A	W04A, W04B				
Pre		A07A	21B	X06A, X06B, X06C		21B	X06A, X06B, X06C				
5n29x			BOP, KOP, KOPV, KVT, UOP4	5n301.4			BOP, KVT, UOP4	5n303.4			BOP, KVT, UOP4
		05	F36A, F36B			06	G01Z, G02Z, G15Z, G18A, G18B, G33Z, G38Z			06	G01Z, G02Z, G15Z, G18A, G18B, G38Z
	06	G01Z, G02Z, G15Z, G18A, G18B, G33Z, G38Z	11		L09A, L10Z, L38Z	11	L09A, L10Z, L38Z				
	07	H33Z, H38Z	12		M37Z, M38Z	12	M37Z, M38Z				
	11	L33Z	13		N11A	13	N11A				
	21B	X33Z	17		R01A, R01B, R01C, R01D, R02Z, R12A, R12B, R12C	17	R01A, R01B, R01C, R01D, R02Z, R12A, R12B, R12C				
	23	Z01A	21A		W04A, W04B	21A	W04A, W04B				
	Pre	A07A	21B		X06A, X06B, X06C	21B	X06A, X06B, X06C				
	5n300.0		BOP, KVT, UOP4		5n302.0		BOP, KVT, UOP4		5n304.0		BOP, KVT, UOP4
		06	G01Z, G02Z, G15Z, G18A, G18B, G38Z			06	G01Z, G02Z, G15Z, G18A, G18B, G38Z			06	G01Z, G02Z, G15Z, G18A, G18B, G38Z
11		L09A, L10Z, L38Z	11	L09A, L10Z, L38Z		11	L09A, L10Z, L38Z				
12		M37Z, M38Z	12	M37Z, M38Z		12	M37Z, M38Z				
13		N11A	13	N11A		13	N11A				
17		R01A, R01B, R01C, R01D, R02Z, R12A, R12B, R12C	17	R01A, R01B, R01C, R01D, R02Z, R12A, R12B, R12C		17	R01A, R01B, R01C, R01D, R02Z, R12A, R12B, R12C				
21A		W04A, W04B	21A	W04A, W04B		21A	W04A, W04B				
21B		X06A, X06B, X06C	21B	X06A, X06B, X06C		21B	X06A, X06B, X06C				
Pre		A11A, A13A, A13B, A13D	Pre	A11A, A13A, A13B, A13D		Pre	A11A, A13A, A13B, A13D				
5n300.2			BOP, KVT, UOP4	5n302.2			BOP, KVT, UOP4	5n304.2			BOP, KVT, UOP4
	06	G01Z, G02Z, G15Z, G18A, G18B, G38Z	06		G01Z, G02Z, G15Z, G18A, G18B, G38Z	06	G01Z, G02Z, G15Z, G18A, G18B, G38Z				
	11	L09A, L10Z, L38Z	11		L09A, L10Z, L38Z	11	L09A, L10Z, L38Z				
	12	M37Z, M38Z	12		M37Z, M38Z	12	M37Z, M38Z				
	13	N11A	13		N11A	13	N11A				
	17	R01A, R01B, R01C, R01D, R02Z, R12A, R12B, R12C	17		R01A, R01B, R01C, R01D, R02Z, R12A, R12B, R12C	17	R01A, R01B, R01C, R01D, R02Z, R12A, R12B, R12C				
	21A	W04A, W04B	21A		W04A, W04B	21A	W04A, W04B				
	21B	X06A, X06B, X06C	21B		X06A, X06B, X06C	21B	X06A, X06B, X06C				
	Pre	A11A, A13A, A13B, A13D	Pre		A11A, A13A, A13B, A13D	Pre	A11A, A13A, A13B, A13D				
	5n300.4		BOP, KVT, UOP4		5n302.4		BOP, KVT, UOP4		5n304.4		BOP, KVT, UOP4
06		G01Z, G02Z, G15Z, G18A, G18B, G38Z	06	G01Z, G02Z, G15Z, G18A, G18B, G38Z		06	G01Z, G02Z, G15Z, G18A, G18B, G38Z				
11		L09A, L10Z, L38Z	11	L09A, L10Z, L38Z		11	L09A, L10Z, L38Z				
12		M37Z, M38Z	12	M37Z, M38Z		12	M37Z, M38Z				
13		N11A	13	N11A		13	N11A				
17		R01A, R01B, R01C, R01D, R02Z, R12A, R12B, R12C	17	R01A, R01B, R01C, R01D, R02Z, R12A, R12B, R12C		17	R01A, R01B, R01C, R01D, R02Z, R12A, R12B, R12C				
21A		W04A, W04B	21A	W04A, W04B		21A	W04A, W04B				
21B		X06A, X06B, X06C	21B	X06A, X06B, X06C		21B	X06A, X06B, X06C				
Pre		A11A, A13A, A13B, A13D	Pre	A11A, A13A, A13B, A13D		Pre	A11A, A13A, A13B, A13D				

VYK

ZZV	MDC	DRG	ZZV	MDC	DRG	ZZV	MDC	DRG
5n313.2		BOP, KOP, KOPV, KVT, UOP4	5n315.0		BOP, KOP, KOPV, KVT, UOP4	5n31x.4		BOP, KOP, KOPV, KVT, UOP4
	06	G01Z, G02Z, G15Z, G38Z		06	G01Z, G02Z, G15Z, G38Z		06	G01Z, G02Z, G15Z, G38Z
	07	H33Z, H38Z		07	H33Z, H38Z		07	H33Z, H38Z
	11	L10Z, L33Z, L38Z		11	L10Z, L33Z, L38Z		11	L10Z, L33Z, L38Z
	12	M37Z, M38Z		12	M37Z, M38Z		12	M37Z, M38Z
	13	N11A		13	N11A		13	N11A
	17	R01A, R01B, R01C, R01D, R02Z, R12A, R12B, R12C		17	R01A, R01B, R01C, R01D, R02Z, R12A, R12B, R12C		17	R01A, R01B, R01C, R01D, R02Z, R12A, R12B, R12C
	21A	W04A, W04B		21A	W04A, W04B		21A	W04A, W04B
	21B	X06A, X06B, X06C, X33Z		21B	X06A, X06B, X06C, X33Z		21B	X06A, X06B, X06C, X33Z
	Pre	A07A, A11A, A13A, A13B, A13D		Pre	A07A, A11A, A13A, A13B, A13D		Pre	A07A, A11A, A13A, A13B, A13D
5n313.4		BOP, KOP, KOPV, KVT, UOP4	5n315.2		BOP, KOP, KOPV, KVT, UOP4	5n320.0		BOP, KVT, UOP4
	06	G01Z, G02Z, G15Z, G38Z		06	G01Z, G02Z, G15Z, G38Z		06	G15Z, G18A, G18B, G38Z
	07	H33Z, H38Z		07	H33Z, H38Z		13	N11A
	11	L10Z, L33Z, L38Z		11	L10Z, L33Z, L38Z		17	R01A, R01B, R01C, R01D, R02Z, R12A, R12B, R12C
	12	M37Z, M38Z		12	M37Z, M38Z		21A	W04A, W04B
	13	N11A		13	N11A		21B	X06A, X06B, X06C
	17	R01A, R01B, R01C, R01D, R02Z, R12A, R12B, R12C		17	R01A, R01B, R01C, R01D, R02Z, R12A, R12B, R12C		5n320.2	BOP, KVT, UOP4
	21A	W04A, W04B		21A	W04A, W04B		06	G15Z, G18A, G18B, G38Z
	21B	X06A, X06B, X06C, X33Z		21B	X06A, X06B, X06C, X33Z		13	N11A
	Pre	A07A, A11A, A13A, A13B, A13D		Pre	A07A, A11A, A13A, A13B, A13D		17	R01A, R01B, R01C, R01D, R02Z, R12A, R12B, R12C
5n314.0		BOP, KOP, KOPV, KVT, UOP4	5n315.4		BOP, KOP, KOPV, KVT, UOP4	5n320.4		BOP, KVT, UOP4
	06	G01Z, G02Z, G15Z, G38Z		06	G01Z, G02Z, G15Z, G38Z		06	G15Z, G18A, G18B, G38Z
	07	H33Z, H38Z		07	H33Z, H38Z		13	N11A
	11	L10Z, L33Z, L38Z		11	L10Z, L33Z, L38Z		17	R01A, R01B, R01C, R01D, R02Z, R12A, R12B, R12C
	12	M37Z, M38Z		12	M37Z, M38Z		21A	W04A, W04B
	13	N11A		13	N11A		21B	X06A, X06B, X06C
	17	R01A, R01B, R01C, R01D, R02Z, R12A, R12B, R12C		17	R01A, R01B, R01C, R01D, R02Z, R12A, R12B, R12C		5n321.0	BOP, KVT, UOP4
	21A	W04A, W04B		21A	W04A, W04B		06	G15Z, G18A, G18B, G38Z
	21B	X06A, X06B, X06C, X33Z		21B	X06A, X06B, X06C, X33Z		13	N11A
	Pre	A07A, A11A, A13A, A13B, A13D		Pre	A07A, A11A, A13A, A13B, A13D		17	R01A, R01B, R01C, R01D, R02Z, R12A, R12B, R12C
5n314.2		BOP, KOP, KOPV, KVT, UOP4	5n31x.0		BOP, KOP, KOPV, KVT, UOP4	5n321.2		BOP, KVT, UOP4
	06	G01Z, G02Z, G15Z, G38Z		06	G01Z, G02Z, G15Z, G38Z		06	G15Z, G18A, G18B, G38Z
	07	H33Z, H38Z		07	H33Z, H38Z		13	N11A
	11	L10Z, L33Z, L38Z		11	L10Z, L33Z, L38Z		17	R01A, R01B, R01C, R01D, R02Z, R12A, R12B, R12C
	12	M37Z, M38Z		12	M37Z, M38Z		21A	W04A, W04B
	13	N11A		13	N11A		21B	X06A, X06B, X06C
	17	R01A, R01B, R01C, R01D, R02Z, R12A, R12B, R12C		17	R01A, R01B, R01C, R01D, R02Z, R12A, R12B, R12C		5n321.4	BOP, KVT, UOP4
	21A	W04A, W04B		21A	W04A, W04B		06	G15Z, G18A, G18B, G38Z
	21B	X06A, X06B, X06C, X33Z		21B	X06A, X06B, X06C, X33Z		13	N11A
	Pre	A07A, A11A, A13A, A13B, A13D		Pre	A07A, A11A, A13A, A13B, A13D		17	R01A, R01B, R01C, R01D, R02Z, R12A, R12B, R12C
5n314.4		BOP, KOP, KOPV, KVT, UOP4	5n31x.2		BOP, KOP, KOPV, KVT, UOP4	5n322.1		BOP, KVT, UOP4
	06	G01Z, G02Z, G15Z, G38Z		06	G01Z, G02Z, G15Z, G38Z		06	G01Z, G02Z, G15Z, G18A, G18B, G38Z
	07	H33Z, H38Z		07	H33Z, H38Z		13	N11A
	11	L10Z, L33Z, L38Z		11	L10Z, L33Z, L38Z		17	R01A, R01B, R01C, R01D, R02Z, R12A, R12B, R12C
	12	M37Z, M38Z		12	M37Z, M38Z		21A	W04A, W04B
	13	N11A		13	N11A		21B	X06A, X06B, X06C
	17	R01A, R01B, R01C, R01D, R02Z, R12A, R12B, R12C		17	R01A, R01B, R01C, R01D, R02Z, R12A, R12B, R12C		Pre	A11A, A13A, A13B, A13D
	21A	W04A, W04B		21A	W04A, W04B			
	21B	X06A, X06B, X06C, X33Z		21B	X06A, X06B, X06C, X33Z			
	Pre	A07A, A11A, A13A, A13B, A13D		Pre	A07A, A11A, A13A, A13B, A13D			

VYK

ZZV	MDC	DRG	ZZV	MDC	DRG	ZZV	MDC	DRG
5n334.2		BOP, KVT, UOP4	5n339.2		BOP, KVT, UOP4	5n33b.1		BOP, KVT, UOP4
	06	G15Z, G18A, G18B, G38Z		06	G01Z, G02Z, G13Z, G21A, G21B, G38Z		05	F13A
	17	R01A, R01B, R01C, R01D, R02Z, R12A, R12B, R12C		17	R01A, R01B, R01C, R01D, R02Z, R12A, R12B, R12C		06	G01Z, G02Z, G04A, G04B, G07A, G07B, G07C, G15Z, G18A, G18B, G38Z
	21A	W04A, W04B		21A	W04A, W04B		11	L09A, L38Z
5n334.3	21B	X06A, X06B, X06C	5n339.3	21B	X06A, X06B, X06C	5n33b.2	13	N11A
		BOP, KVT, UOP4		Pre	A11A, A13A, A13B, A13D		21A	W04A, W04B
	06	G15Z, G18A, G18B, G38Z		06	BOP, KVT, UOP4		21B	X06A, X06B
	10	K09A, K09B		06	G01Z, G02Z, G13Z, G21A, G21B, G38Z		Pre	A11A, A13A, A13B, A13D
5n334.x	17	R01A, R01B, R01C, R01D, R02Z, R12A, R12B, R12C	5n339.x	21A	W04A, W04B	5n33b.x	05	F13A
	21A	W04A, W04B		21B	X06A, X06B, X06C		06	G01Z, G02Z, G04A, G04B, G07A, G07B, G07C, G15Z, G18A, G18B, G38Z
	21B	X06A, X06B, X06C		Pre	A11A, A13A, A13B, A13D		11	L09A, L38Z
		BOP, KVT, UOP4		06	BOP, KVT, UOP4		13	N11A
5n335.0	06	G15Z, G18A, G18B, G38Z	5n33a.0	21A	W04A, W04B	5n340.0	21A	W04A, W04B
	17	R01A, R01B, R01C, R01D, R02Z, R12A, R12B, R12C		21B	X06A, X06B, X06C		21B	X06A, X06B
	21A	W04A, W04B		Pre	A11A, A13A, A13B, A13D		Pre	A11A, A13A, A13B, A13D
	21B	X06A, X06B, X06C		05	BOP, KVT, UOP4		05	BOP, KVT, UOP4
5n335.1	11	L09A, L38Z	5n33a.1	05	F13A	5n340.1	06	F13A
	17	R01A, R01B, R01C, R01D, R02Z, R12A, R12B, R12C		06	G01Z, G02Z, G04A, G04B, G07A, G07B, G07C, G38Z		06	G01Z, G02Z, G04A, G04B, G07A, G07B, G07C, G38Z
	21A	W04A, W04B		11	L09A, L38Z		11	L09A, L38Z
	21B	X06A, X06B, X06C		13	N11A		13	N11A
5n335.2		BOP, KVT, UOP4	5n33a.2	21A	W04A, W04B	5n340.2	21A	W04A, W04B
	06	G13Z, G21A, G21B		21B	X06A, X06B		21B	X06A, X06B
	11	L09A, L38Z		Pre	A11A, A13A, A13B, A13D		23	Z01A
	17	R01A, R01B, R01C, R01D, R02Z, R12A, R12B, R12C		05	BOP, KVT, UOP4		06	BOP, KVT, UOP4
5n335.3	21A	W04A, W04B	5n33a.x	05	F13A	5n340.3	06	G15Z, G18A, G18B, G38Z
	21B	X06A, X06B, X06C		06	G01Z, G02Z, G04A, G04B, G07A, G07B, G07C, G38Z		21A	G15Z, G18A, G18B, G38Z
		BOP, KVT, UOP4		11	L09A, L38Z		21A	W01A, W01B, W01C, W02A, W02B, W04A, W04B
	06	G13Z, G21A, G21B		13	N11A		21B	X06A, X06B
5n335.x	11	L09A, L38Z	5n33b.0	21A	W04A, W04B	5n341.0	23	Z01A
	17	R01A, R01B, R01C, R01D, R02Z, R12A, R12B, R12C		21B	X06A, X06B		06	BOP, KVT, UOP4
	21A	W04A, W04B		Pre	A11A, A13A, A13B, A13D		06	G15Z, G18A, G18B, G38Z
	21B	X06A, X06B, X06C		05	BOP, KVT, UOP4		21A	W01A, W01B, W01C, W02A, W02B, W04A, W04B
5n339.0		BOP, KVT, UOP4	5n339.0		BOP, KVT, UOP4	5n341.1	21B	X06A, X06B
	06	G13Z, G21A, G21B		05	F13A		23	Z01A
	17	R01A, R01B, R01C, R01D, R02Z, R12A, R12B, R12C		06	G01Z, G02Z, G04A, G04B, G07A, G07B, G07C, G38Z		06	BOP, KVT, UOP4
	21A	W04A, W04B		13	N11A		06	G15Z, G18A, G18B, G38Z
5n339.1	21B	X06A, X06B, X06C	5n339.1	21A	W04A, W04B	5n341.2	21A	W04A, W04B
		BOP, KVT, UOP4		21B	X06A, X06B		21B	X06A, X06B
	06	G13Z, G21A, G21B		Pre	A11A, A13A, A13B, A13D		Pre	A11A, A13A, A13B, A13D
	17	R01A, R01B, R01C, R01D, R02Z, R12A, R12B, R12C		05	BOP, KVT, UOP4		06	BOP, KVT, UOP4
	BOP, KVT, UOP4		F13A	06	G15Z, G18A, G18B, G38Z			
06	G13Z, G21A, G21B		G01Z, G02Z, G04A, G04B, G07A, G07B, G07C, G15Z, G18A, G18B, G38Z	21A	W04A, W04B			
17	R01A, R01B, R01C, R01D, R02Z, R12A, R12B, R12C		13	N11A	21B	X06A, X06B		
21A	W04A, W04B		21A	W04A, W04B	21B	X06A, X06B		
21B	X06A, X06B, X06C		21B	X06A, X06B	Pre	A11A, A13A, A13B, A13D		

VYK

ZZV	MDC	DRG	ZZV	MDC	DRG	ZZV	MDC	DRG
5n341.3		BOP, KVT, UOP4	5n345.3		BOP, KVT, UOP4	5n34x.1‡	06	G40Z, G46A, G46B, G46C, G47Z, G50Z
	06	G15Z, G18A, G18B, G38Z		05	F13A			
	21A	W04A, W04B		06	G15Z, G18A, G18B, G38Z	5n34x.2‡	06	G40Z, G48A, G48B, G48C
	21B	X06A, X06B		21A	W04A, W04B	5n34x.3‡	06	G40Z, G48A, G48B, G48C
5n341.x		BOP, KVT, UOP4		21B	X06A, X06B	5n34x.x‡	06	G40Z, G48A, G48B, G48C
	06	G15Z, G18A, G18B, G38Z	5n345.x		BOP, KVT, UOP4	5n350.1		BOP, KVT, UOP4
	21A	W04A, W04B		05	F13A		06	G15Z, G18A, G18B, G38Z
	21B	X06A, X06B		06	G15Z, G18A, G18B, G38Z		07	H06A, H06B, H06C
5n342.0‡	06	G40Z, G46A, G46B, G46C, G47Z, G50Z		21A	W04A, W04B		17	R01A, R01B, R01C, R01D, R02Z, R12A, R12B, R12C
5n342.2‡	06	G40Z, G48A, G48B, G48C	5n346.0		BOP, KVT, MVV, UOP4		21A	W04A, W04B
5n342.3‡	06	G40Z, G48A, G48B, G48C		06	G15Z, G18A, G18B, G38Z	5n350.2	21B	X06A, X06B, X06C
5n342.x‡	06	G40Z, G48A, G48B, G48C		07	H06A, H06B, H06C			BOP, KVT, UOP4
5n343.0		BOP, KVT, UOP4		10	K09A, K09B		06	G15Z, G18A, G18B, G38Z
	06	G15Z, G18A, G18B, G38Z		17	R01A, R01B, R01C, R01D, R02Z, R12A, R12B, R12C		07	H06A, H06B, H06C
	21A	W04A, W04B		21A	W04A, W04B		17	R01A, R01B, R01C, R01D, R02Z, R12A, R12B, R12C
	21B	X06A, X06B		21B	X06A, X06B		21A	W04A, W04B
5n343.1		BOP, KVT, UOP4		Pre	A06A, A07A, A09A, A16A	5n350.3	21B	X06A, X06B, X06C
	06	G15Z, G18A, G18B, G38Z			BOP, KVT, MVV, UOP4			BOP, KVT, UOP4
	21A	W04A, W04B	5n346.1		G15Z, G18A, G18B, G38Z		06	G15Z, G18A, G18B, G38Z
	21B	X06A, X06B		06	H06A, H06B, H06C		07	H06A, H06B, H06C
5n343.2		BOP, KVT, UOP4		10	K09A, K09B		17	R01A, R01B, R01C, R01D, R02Z, R12A, R12B, R12C
	06	G15Z, G18A, G18B, G38Z		17	R01A, R01B, R01C, R01D, R02Z, R12A, R12B, R12C		21A	W04A, W04B
	21A	W04A, W04B		21A	W04A, W04B	5n350.x	21B	X06A, X06B, X06C
	21B	X06A, X06B		21B	X06A, X06B			BOP, KVT, UOP4
5n343.3		BOP, KVT, UOP4		Pre	A06A, A07A, A09A, A16A		06	G15Z, G18A, G18B, G38Z
	06	G15Z, G18A, G18B, G38Z			BOP, KVT, MVV, UOP4		07	H06A, H06B, H06C
	21A	W04A, W04B	5n346.2		G15Z, G18A, G18B, G38Z		17	R01A, R01B, R01C, R01D, R02Z, R12A, R12B, R12C
	21B	X06A, X06B		06	H06A, H06B, H06C		21A	W04A, W04B
5n343.x		BOP, KVT, UOP4		10	K09A, K09B		21B	X06A, X06B, X06C
	06	G15Z, G18A, G18B, G38Z		17	R01A, R01B, R01C, R01D, R02Z, R12A, R12B, R12C	5n351.1		BOP, KVT, UOP4
	21A	W04A, W04B		21A	W04A, W04B		06	G15Z, G18A, G18B, G18C, G38Z
	21B	X06A, X06B		21B	X06A, X06B		07	H06A, H06B, H06C
5n344.0		BOP, KVT, UOP4		Pre	A06A, A07A, A09A, A16A		17	R01A, R01B, R01C, R01D, R02Z, R12A, R12B, R12C
	06	G15Z, G18A, G18B, G38Z			BOP, KVT, MVV, UOP4		21A	W04A, W04B
	21A	W04A, W04B	5n346.x		G15Z, G18A, G18B, G38Z		21B	X06A, X06B, X06C
	21B	X06A, X06B		06	H06A, H06B, H06C			BOP, KVT, UOP4
5n344.1		BOP, KVT, UOP4		10	K09A, K09B	5n351.2	06	G15Z, G18A, G18B, G18C, G38Z
	06	G15Z, G18A, G18B, G38Z		17	R01A, R01B, R01C, R01D, R02Z, R12A, R12B, R12C		07	H06A, H06B, H06C
	21A	W04A, W04B		21A	W04A, W04B		17	R01A, R01B, R01C, R01D, R02Z, R12A, R12B, R12C
	21B	X06A, X06B		21B	X06A, X06B		21A	W04A, W04B
5n344.2		BOP, KVT, UOP4		Pre	A06A, A07A, A09A, A16A		21B	X06A, X06B, X06C
	06	G15Z, G18A, G18B, G38Z			BOP, KOP, KOPV, KVT, UOP4			BOP, KVT, UOP4
	21A	W04A, W04B	5n34a.0		F36A, F36B	5n351.3	06	G15Z, G18A, G18B, G18C, G38Z
	21B	X06A, X06B		06	G01Z, G02Z, G15Z, G33Z, G38Z		07	H06A, H06B, H06C
5n344.3		BOP, KVT, UOP4		07	H33Z, H38Z		17	R01A, R01B, R01C, R01D, R02Z, R12A, R12B, R12C
	06	G15Z, G18A, G18B, G38Z		10	K09A, K09B		21A	W04A, W04B
	21A	W04A, W04B		11	L10Z, L33Z, L38Z	5n351.x	21B	X06A, X06B, X06C
	21B	X06A, X06B		12	M37Z, M38Z			BOP, KVT, UOP4
5n344.x		BOP, KVT, UOP4		13	N01A, N01B, N01C, N01D, N01E, N34Z, N38Z		06	G15Z, G18A, G18B, G18C, G38Z
	06	G15Z, G18A, G18B, G38Z		17	R01A, R01B, R01C, R01D, R02Z, R12A, R12B, R12C		07	H06A, H06B, H06C
	21A	W04A, W04B		21A	W04A, W04B		17	R01A, R01B, R01C, R01D, R02Z, R12A, R12B, R12C
	21B	X06A, X06B		21B	X06A, X06B, X33Z		21A	W04A, W04B
5n345.0		BOP, KVT, UOP4		Pre	A07A, A11A, A13A, A13B, A13D		21B	X06A, X06B, X06C
	05	F13A			G40Z, G46A, G46B, G46C, G47Z, G50Z			BOP, KVT, UOP4
	06	G15Z, G18A, G18B, G38Z	5n34a.1‡		G40Z, G46A, G46B, G46C, G47Z, G50Z		06	G15Z, G18A, G18B, G18C, G38Z
	21A	W04A, W04B		06	G40Z, G48A, G48B, G48C		07	H06A, H06B, H06C
	21B	X06A, X06B	5n34x.0‡		G40Z, G46A, G46B, G46C, G47Z, G50Z		17	R01A, R01B, R01C, R01D, R02Z, R12A, R12B, R12C
5n345.1		BOP, KVT, UOP4		06	G40Z, G46A, G46B, G46C, G47Z, G50Z		21A	W04A, W04B
	05	F13A		06	G40Z, G48A, G48B, G48C		21B	X06A, X06B, X06C
	06	G15Z, G18A, G18B, G38Z		06	G40Z, G46A, G46B, G46C, G47Z, G50Z			BOP, KVT, UOP4
	21A	W04A, W04B						
	21B	X06A, X06B						
5n345.2		BOP, KVT, UOP4						
	05	F13A						
	06	G15Z, G18A, G18B, G38Z						
	21A	W04A, W04B						
	21B	X06A, X06B						

ZZV	MDC	DRG	ZZV	MDC	DRG	ZZV	MDC	DRG		
5n35x.x		BOP, KVT, UOP4	5n390.2		BOP, KVT, UOP4	5n392.x		BOP, KVT, UOP4		
	06	G15Z, G18A, G18B, G38Z		06	G01Z, G02Z, G13Z, G18B, G21A, G21B, G38Z		06	G01Z, G04A, G04B, G21A, G21B, G38Z		
	07	H06A, H06B, H06C		07	H06A, H06B, H06C		07	H06A, H06B, H06C		
	17	R01A, R01B, R01C, R01D, R02Z, R12A, R12B, R12C		17	R01A, R01B, R01C, R01D, R02Z, R12A, R12B, R12C		13	N11A, N11B		
	21A	W04A, W04B		21A	W04A, W04B		21A	W04A, W04B		
	21B	X06A, X06B, X06C		21B	X06A, X06B		21B	X06A, X06B		
5n360		BOP, KVT, UOP4		21B	X06A, X06B	5n393.0		BOP, KVT, UOP4		
	06	G07A, G07B, G07C, G22A, G22B, G22C, G23A, G23B, G23C		Pre	A11A, A13A, A13B, A13D		06	G01Z, G02Z, G15Z, G18A, G18B, G38Z		
	13	N11A, N11B	5n390.4		BOP, KVT, UOP4		07	H06A, H06B, H06C		
5n361.0		BOP, KVT, UOP4		06	G01Z, G02Z, G13Z, G18B, G21A, G21B, G38Z		17	R01A, R01B, R01C, R01D, R02Z, R12A, R12B, R12C		
	06	G07A, G07B, G07C, G22A, G22B, G22C, G23A, G23B, G23C		07	H06A, H06B, H06C		21A	W04A, W04B		
	13	N08Z		17	R01A, R01B, R01C, R01D, R02Z, R12A, R12B, R12C		21B	X06A, X06B		
5n361.1		BOP, KVT, UOP4		21A	W04A, W04B	5n393.2		Pre	A11A, A13A, A13B, A13D	
	06	G07A, G07B, G07C, G22A, G22B, G22C, G23A, G23B, G23C	5n390.6‡		Pre	A11A, A13A, A13B, A13D		06	G01Z, G02Z, G15Z, G18A, G18B, G38Z	
	13	N08Z	5n390.x‡		06	G40Z, G48A, G48B, G48C		07	H06A, H06B, H06C	
5n361.x		BOP, KVT, UOP4	5n391.0		06	G40Z, G48A, G48B, G48C		17	R01A, R01B, R01C, R01D, R02Z, R12A, R12B, R12C	
	06	G07A, G07B, G07C, G22A, G22B, G22C, G23A, G23B, G23C		06	BOP, KVT, UOP4		21A	W04A, W04B		
	13	N08Z		06	G01Z, G04A, G04B, G07A, G07B, G07C, G38Z		21B	X06A, X06B		
5n362		BOP, KVT, UOP4		17	R01A, R01B, R01C, R01D, R02Z, R12A, R12B, R12C	5n393.4		Pre	A11A, A13A, A13B, A13D	
	06	G07A, G07B, G07C, G22A, G22B, G22C, G23A, G23B, G23C		21A	W04A, W04B		06	G01Z, G02Z, G15Z, G18A, G18B, G38Z		
	13	N08Z	5n391.2		21B	X06A, X06B		07	H06A, H06B, H06C	
5n36a		BOP, KVT, UOP4		06	BOP, KVT, UOP4		17	R01A, R01B, R01C, R01D, R02Z, R12A, R12B, R12C		
	06	G07A, G07B, G07C, G22A, G22B, G22C, G23A, G23B, G23C		06	G01Z, G04A, G04B, G07A, G07B, G07C, G38Z		21A	W04A, W04B		
	13	N11A, N11B		17	R01A, R01B, R01C, R01D, R02Z, R12A, R12B, R12C		21B	X06A, X06B		
5n36b.0		BOP, KVT, UOP4		21A	W04A, W04B	5n393.x		Pre	A11A, A13A, A13B, A13D	
	06	G07A, G07B, G07C, G22A, G22B, G22C, G23A, G23B, G23C		21B	X06A, X06B		06	G01Z, G02Z, G15Z, G18A, G18B, G38Z		
	13	N08Z		06	G01Z, G04A, G04B, G07A, G07B, G07C, G38Z		07	H06A, H06B, H06C		
5n36b.1		BOP, KVT, UOP4		17	R01A, R01B, R01C, R01D, R02Z, R12A, R12B, R12C		17	R01A, R01B, R01C, R01D, R02Z, R12A, R12B, R12C		
	06	G07A, G07B, G07C, G22A, G22B, G22C, G23A, G23B, G23C	5n391.6‡		21A	W04A, W04B		21A	W04A, W04B	
	13	N08Z	5n391.x‡		21B	X06A, X06B		21B	X06A, X06B	
5n36b.x		BOP, KVT, UOP4	5n392.0		06	G40Z, G48A, G48B, G48C	5n394.0		Pre	A11A, A13A, A13B, A13D
	06	G07A, G07B, G07C, G22A, G22B, G22C, G23A, G23B, G23C		06	G40Z, G48A, G48B, G48C		06	BOP, KVT, UOP4		
	13	N08Z		06	BOP, KVT, UOP4		06	G01Z, G04A, G04B, G07A, G07B, G07C, G38Z		
5n36x		BOP, KVT, UOP4		06	G01Z, G04A, G04B, G21A, G21B, G38Z		17	R01A, R01B, R01C, R01D, R02Z, R12A, R12B, R12C		
	06	G07A, G07B, G07C, G22A, G22B, G22C, G23A, G23B, G23C		07	H06A, H06B, H06C		21A	W04A, W04B		
	13	N11A, N11B		13	N11A, N11B		21B	X06A, X06B		
5n390.0		BOP, KVT, UOP4		21A	W04A, W04B	5n394.2		BOP, KVT, UOP4		
	06	G01Z, G02Z, G13Z, G18B, G21A, G21B, G38Z		21B	X06A, X06B		06	G01Z, G04A, G04B, G07A, G07B, G07C, G38Z		
	07	H06A, H06B, H06C		06	BOP, KVT, UOP4		17	R01A, R01B, R01C, R01D, R02Z, R12A, R12B, R12C		
	17	R01A, R01B, R01C, R01D, R02Z, R12A, R12B, R12C		07	H06A, H06B, H06C		21A	W04A, W04B		
	21A	W04A, W04B		13	N08Z		21B	X06A, X06B		
	21B	X06A, X06B		21A	W04A, W04B		21B	X06A, X06B		
	Pre	A11A, A13A, A13B, A13D	5n392.4		21B	X06A, X06B	5n394.4		BOP, KVT, UOP4	
				06	G01Z, G04A, G04B, G21A, G21B, G38Z		06	G01Z, G04A, G04B, G07A, G07B, G07C, G38Z		
				07	H06A, H06B, H06C		17	R01A, R01B, R01C, R01D, R02Z, R12A, R12B, R12C		
				13	N11A, N11B		21A	W04A, W04B		
				21A	W04A, W04B		21B	X06A, X06B		
				21B	X06A, X06B		21B	X06A, X06B		

ZZV	MDC	DRG	ZZV	MDC	DRG	ZZV	MDC	DRG
5n394.x		BOP, KVT, UOP4	5n397.x		BOP, KOP, KOPV, KVT, UOP4	5n39h.4		BOP, KVT, UOP4
	06	G01Z, G04A, G04B, G07A, G07B, G07C, G38Z		06	G15Z, G19A, G19B, G38Z		06	G01Z, G04A, G04B, G07A, G07B, G07C, G38Z
	17	R01A, R01B, R01C, R01D, R02Z, R12A, R12B, R12C		07	H33Z, H38Z		17	R01A, R01B, R01C, R01D, R02Z, R12A, R12B, R12C
	21A	W04A, W04B		21B	X33Z		21A	W04A, W04B
	21B	X06A, X06B		23	Z01A		21B	X06A, X06B
5n395.0		BOP, KVT, UOP4	5n398.0		BOP, KOP, KOPV, KVT, UOP4	5n39h.6†		G40Z, G46A, G46B, G46C, G47Z, G50Z
	06	G15Z, G18A, G18B, G38Z		06	G15Z, G19A, G19B, G38Z	5n39h.x†		G40Z, G46A, G46B, G46C, G47Z, G50Z
	07	H06A, H06B, H06C		07	H33Z, H38Z			BOP, KVT, UOP4
	21A	W04A, W04B		21B	X33Z	5n39j.0		G01Z, G04A, G04B, G07A, G07B, G07C, G38Z
	21B	X06A, X06B		Pre	A07A		06	R01A, R01B, R01C, R01D, R02Z, R12A, R12B, R12C
5n395.2		BOP, KVT, UOP4	5n398.2		BOP, KOP, KOPV, KVT, UOP4		21A	W04A, W04B
	06	G15Z, G18A, G18B, G38Z		06	G15Z, G19A, G19B, G38Z		21B	X06A, X06B
	07	H06A, H06B, H06C		07	H33Z, H38Z	5n39j.2		BOP, KVT, UOP4
	21A	W04A, W04B		21B	X33Z		06	G01Z, G04A, G04B, G07A, G07B, G07C, G38Z
	21B	X06A, X06B		Pre	A07A		17	R01A, R01B, R01C, R01D, R02Z, R12A, R12B, R12C
5n395.4		BOP, KVT, UOP4	5n398.4		BOP, KOP, KOPV, KVT, UOP4		21A	W04A, W04B
	06	G15Z, G18A, G18B, G38Z		06	G15Z, G19A, G19B, G38Z	5n39j.4	21B	X06A, X06B
	07	H06A, H06B, H06C		07	H33Z, H38Z		06	G01Z, G04A, G04B, G07A, G07B, G07C, G38Z
	21A	W04A, W04B		21B	X33Z		17	R01A, R01B, R01C, R01D, R02Z, R12A, R12B, R12C
	21B	X06A, X06B		Pre	A07A		21A	W04A, W04B
5n395.x		BOP, KVT, UOP4		06	G15Z, G18A, G18B, G38Z		21B	X06A, X06B
	06	G15Z, G18A, G18B, G38Z		07	H06A, H06B, H06C		5n39j.6†	BOP, KVT, UOP4
	07	H06A, H06B, H06C		21A	W04A, W04B		5n39j.x†	G01Z, G04A, G04B, G07A, G07B, G07C, G38Z
	21A	W04A, W04B		21B	X06A, X06B		5n39k	BOP, KVT, UOP4
	21B	X06A, X06B		Pre	A07A		06	G07A, G07B, G07C, G22A, G22B, G22C, G23A, G23B, G23C
5n396.0		BOP, KVT, UOP4	5n398.x		BOP, KOP, KOPV, KVT, UOP4		13	N11A, N11B
	06	G15Z, G18A, G18B, G38Z		06	G15Z, G19A, G19B, G38Z	5n39l		BOP, KVT, UOP4
	07	H06A, H06B, H06C		07	H33Z, H38Z		06	G07A, G07B, G07C, G22A, G22B, G22C, G23A, G23B, G23C
	21A	W04A, W04B		21B	X33Z		13	N11A, N11B
	21B	X06A, X06B		23	Z01A	5n39x.0		BOP, KVT, UOP4
5n396.2		BOP, KVT, UOP4	5n399.0†		G40Z, G46A, G46B, G46C, G47Z, G50Z		06	G01Z, G04A, G04B, G07A, G07B, G07C, G38Z
	06	G15Z, G18A, G18B, G38Z	5n399.1†		G40Z, G48A, G48B, G48C		17	R01A, R01B, R01C, R01D, R02Z, R12A, R12B, R12C
	07	H06A, H06B, H06C	5n399.2†		G40Z, G47Z		21A	W04A, W04B
	21A	W04A, W04B	5n39b.6†		G40Z, G46A, G46B, G46C, G47Z, G50Z		21B	X06A, X06B
	21B	X06A, X06B	5n39b.x†		G40Z, G46A, G46B, G46C, G47Z, G50Z	5n39x.2		BOP, KVT, UOP4
5n396.4		BOP, KVT, UOP4	5n39c.6†		G40Z, G48A, G48B, G48C		06	G01Z, G04A, G04B, G07A, G07B, G07C, G38Z
	06	G15Z, G18A, G18B, G38Z	5n39c.x†		G40Z, G48A, G48B, G48C		17	R01A, R01B, R01C, R01D, R02Z, R12A, R12B, R12C
	07	H06A, H06B, H06C	5n39d.6†		G40Z, G48A, G48B, G48C		21A	W04A, W04B
	21A	W04A, W04B	5n39d.x†		G40Z, G48A, G48B, G48C	5n39x.4	21B	X06A, X06B
	21B	X06A, X06B	5n39g.6†		G40Z, G46A, G46B, G46C, G47Z, G50Z		06	G01Z, G04A, G04B, G07A, G07B, G07C, G38Z
5n396.x		BOP, KVT, UOP4	5n39g.x†		H41A, H41B, H41C		17	R01A, R01B, R01C, R01D, R02Z, R12A, R12B, R12C
	06	G15Z, G18A, G18B, G38Z		06	G40Z, G46A, G46B, G46C, G47Z, G50Z		21A	W04A, W04B
	07	H06A, H06B, H06C		07	H41A, H41B, H41C		21B	X06A, X06B
	21A	W04A, W04B		07	H41A, H41B, H41C		5n39x.6†	BOP, KVT, UOP4
	21B	X06A, X06B		Pre	A07A		5n39x.x†	G40Z, G48A, G48B, G48C
5n397.0		BOP, KOP, KOPV, KVT, UOP4	5n39h.0		BOP, KVT, UOP4		06	G40Z, G48A, G48B, G48C
	06	G15Z, G19A, G19B, G38Z		06	G01Z, G04A, G04B, G07A, G07B, G07C, G38Z		06	G40Z, G48A, G48B, G48C
	07	H33Z, H38Z		17	R01A, R01B, R01C, R01D, R02Z, R12A, R12B, R12C			
	21B	X33Z		21A	W04A, W04B			
	23	Z01A		21B	X06A, X06B			
	Pre	A07A		Pre	A07A			
5n397.2		BOP, KOP, KOPV, KVT, UOP4	5n39h.2		BOP, KVT, UOP4			
	06	G15Z, G19A, G19B, G38Z		06	G01Z, G04A, G04B, G07A, G07B, G07C, G38Z			
	07	H33Z, H38Z		17	R01A, R01B, R01C, R01D, R02Z, R12A, R12B, R12C			
	21B	X33Z		21A	W04A, W04B			
	23	Z01A		21B	X06A, X06B			
	Pre	A07A		Pre	A07A			
5n397.4		BOP, KOP, KOPV, KVT, UOP4		06	G15Z, G19A, G19B, G38Z			
	06	G15Z, G19A, G19B, G38Z		07	H33Z, H38Z			
	07	H33Z, H38Z		21A	X33Z			
	21B	X33Z		23	Z01A			
	23	Z01A		Pre	A07A			
	Pre	A07A		Pre	A07A			

ZZV	MDC	DRG	ZZV	MDC	DRG	ZZV	MDC	DRG
5n410.0	06	G13Z, G21A, G21B	5n418.7	06	G13Z, G21A, G21B	5n420.01		BOP, KOP, KOPV, KVT, UOP4
	09	J03A, J03B, J04A, J04B, J08A, J08B, J08C, J11A, J11B, J16Z		09	J03A, J03B, J04A, J04B, J08A, J08B, J08C, J11A, J11B, J16Z	05		F36A, F36B
	21A	W04A, W04B		21A	W04A, W04B	06		G15Z, G16A, G16B, G17A, G17B, G33Z, G38Z
	21B	X06A, X06B, X06C		21B	X06A, X06B, X06C	07		H33Z, H38Z
5n410.6‡	06	G40Z, G48A, G48B, G48C	5n418.8	06	G13Z, G21A, G21B	11		L10Z, L33Z, L38Z
5n410.7	06	G13Z, G21A, G21B		09	J03A, J03B, J04A, J04B, J08A, J08B, J08C, J11A, J11B, J16Z	12		M37Z, M38Z
	09	J03A, J03B, J04A, J04B, J08A, J08B, J08C, J11A, J11B, J16Z		21A	W04A, W04B	13		N01A, N01B, N01C, N01D, N01E, N34Z, N38Z
	21A	W04A, W04B		21B	X06A, X06B, X06C	17		R01A, R01B, R01C, R01D, R02Z, R12A, R12B, R12C
	21B	X06A, X06B, X06C	5n418.x	06	G13Z, G21A, G21B	21A		W04A, W04B
5n410.x	06	G13Z, G21A, G21B		09	J03A, J03B, J04A, J04B, J08A, J08B, J08C, J11A, J11B, J16Z	21B		X06A, X06B, X06C, X33Z
	09	J03A, J03B, J04A, J04B, J08A, J08B, J08C, J11A, J11B, J16Z		21A	W04A, W04B	23		Z01A
	21A	W04A, W04B		21B	X06A, X06B, X06C	Pre		A07A
	21B	X06A, X06B, X06C	5n419.0	06	G13Z, G21A, G21B	5n420.02		BOP, KOP, KOPV, KVT, UOP4
5n411.0	06	G13Z, G21A, G21B		09	J03A, J03B, J04A, J04B, J08A, J08B, J08C, J11A, J11B, J16Z	05		F36A, F36B
	09	J03A, J03B, J04A, J04B, J08A, J08B, J08C, J11A, J11B, J16Z		13	N06Z	06		G15Z, G16A, G16B, G17A, G17B, G33Z, G38Z
	21A	W04A, W04B		21A	W04A, W04B	07		H33Z, H38Z
	21B	X06A, X06B, X06C		21B	X06A, X06B, X06C	11		L10Z, L33Z, L38Z
5n411.6‡	06	G40Z, G48A, G48B, G48C	5n419.6‡	06	G40Z, G48A, G48B, G48C	12		M01A, M01B, M37Z, M38Z
5n411.7	06	G13Z, G21A, G21B	5n419.7	06	G13Z, G21A, G21B	13		N01A, N01B, N01C, N01D, N01E, N34Z, N38Z
	09	J03A, J03B, J04A, J04B, J08A, J08B, J08C, J11A, J11B, J16Z		09	J03A, J03B, J04A, J04B, J08A, J08B, J08C, J11A, J11B, J16Z	17		R01A, R01B, R01C, R01D, R02Z, R12A, R12B, R12C
	21A	W04A, W04B		13	N06Z	21A		W04A, W04B
	21B	X06A, X06B, X06C		21A	W04A, W04B	21B		X06A, X06B, X06C, X33Z
5n411.x	06	G13Z, G21A, G21B	5n419.x	06	G13Z, G21A, G21B	23		Z01A
	09	J03A, J03B, J04A, J04B, J08A, J08B, J08C, J11A, J11B, J16Z		09	J03A, J03B, J04A, J04B, J08A, J08B, J08C, J11A, J11B, J16Z	Pre		A07A
	21A	W04A, W04B		13	N06Z	5n420.21		BOP, KOP, KOPV, KVT, UOP4
	21B	X06A, X06B, X06C		21A	W04A, W04B	05		F36A, F36B
5n412.0‡	06	G40Z, G48A, G48B, G48C		21B	X06A, X06B, X06C	06		G15Z, G16A, G16B, G17A, G17B, G33Z, G38Z
5n412.1‡	06	G40Z, G48A, G48B, G48C	5n41a.7	06	G13Z, G21A, G21B	07		H33Z, H38Z
5n412.2‡	06	G40Z, G48A, G48B, G48C		09	J03A, J03B, J04A, J04B, J08A, J08B, J08C, J11A, J11B, J16Z	11		L10Z, L33Z, L38Z
5n412.3‡	06	G40Z, G48A, G48B, G48C		13	N06Z	12		M37Z, M38Z
5n412.4‡	06	G40Z, G48A, G48B, G48C		21A	W04A, W04B	13		N01A, N01B, N01C, N01D, N01E, N34Z, N38Z
5n412.x‡	06	G40Z, G48A, G48B, G48C		21B	X06A, X06B, X06C	17		R01A, R01B, R01C, R01D, R02Z, R12A, R12B, R12C
5n413.0‡	06	G40Z, G48A, G48B, G48C		13	N06Z	21A		W04A, W04B
5n413.6‡	06	G40Z, G48A, G48B, G48C		21A	W04A, W04B	21B		X06A, X06B, X06C, X33Z
5n413.7‡	06	G40Z, G48A, G48B, G48C		21B	X06A, X06B, X06C	23		Z01A
5n413.x‡	06	G40Z, G48A, G48B, G48C	5n41b.0	06	G13Z, G21A, G21B	Pre		A07A
5n414.0‡	06	G40Z, G48A, G48B, G48C		09	J03A, J03B, J04A, J04B, J08A, J08B, J08C, J11A, J11B, J16Z	5n420.22		BOP, KOP, KOPV, KVT, UOP4
5n414.6‡	06	G40Z, G48A, G48B, G48C		13	N06Z	05		F36A, F36B
5n414.7‡	06	G40Z, G48A, G48B, G48C		21A	W04A, W04B	06		G15Z, G16A, G16B, G17A, G17B, G33Z, G38Z
5n414.x‡	06	G40Z, G48A, G48B, G48C		21B	X06A, X06B, X06C	07		H33Z, H38Z
5n415.0‡	06	G40Z, G48A, G48B, G48C	5n41b.1	06	G13Z, G21A, G21B	11		L10Z, L33Z, L38Z
5n415.6‡	06	G40Z, G48A, G48B, G48C		09	J03A, J03B, J04A, J04B, J08A, J08B, J08C, J11A, J11B, J16Z	12		M01A, M01B, M37Z, M38Z
5n415.7‡	06	G40Z, G48A, G48B, G48C		13	N06Z	13		N01A, N01B, N01C, N01D, N01E, N34Z, N38Z
5n415.x‡	06	G40Z, G48A, G48B, G48C		21A	W04A, W04B	17		R01A, R01B, R01C, R01D, R02Z, R12A, R12B, R12C
5n416.0‡	06	G40Z, G48A, G48B, G48C		21B	X06A, X06B, X06C	21A		W04A, W04B
5n416.6‡	06	G40Z, G48A, G48B, G48C		13	N06Z	21B		X06A, X06B, X06C, X33Z
5n416.7‡	06	G40Z, G48A, G48B, G48C		21A	W04A, W04B	23		Z01A
5n416.x‡	06	G40Z, G48A, G48B, G48C		21B	X06A, X06B, X06C	Pre		A07A
5n418.0	06	G13Z, G21A, G21B	5n41x.2‡	06	G40Z, G48A, G48B, G48C	5n420.22		BOP, KOP, KOPV, KVT, UOP4
	09	J03A, J03B, J04A, J04B, J08A, J08B, J08C, J11A, J11B, J16Z	5n41x.6‡	06	G40Z, G48A, G48B, G48C	05		F36A, F36B
	21A	W04A, W04B	5n41x.7‡	06	G40Z, G48A, G48B, G48C	06		G15Z, G16A, G16B, G17A, G17B, G33Z, G38Z
	21B	X06A, X06B, X06C	5n41x.x‡	06	G40Z, G48A, G48B, G48C	07		H33Z, H38Z
5n418.6‡	06	G40Z, G48A, G48B, G48C		13	N06Z	11		L10Z, L33Z, L38Z

VYK

ZZV	MDC	DRG	ZZV	MDC	DRG	ZZV	MDC	DRG
5n420.x		BOP, KOP, KOPV, KVT, UOP4	5n422.01		BOP, KOP, KOPV, KVT, UOP4	5n422.7		BOP, KOP, KOPV, KVT, UOP4
	05	F36A, F36B		05	F36A, F36B		05	F36A, F36B
	06	G15Z, G16A, G16B, G17A, G17B, G33Z, G38Z		06	G15Z, G16A, G16B, G17A, G17B, G33Z, G38Z		06	G15Z, G16A, G16B, G17A, G17B, G33Z, G38Z
	07	H33Z, H38Z		07	H33Z, H38Z		07	H33Z, H38Z
	11	L10Z, L33Z, L38Z		11	L10Z, L33Z, L38Z		11	L10Z, L33Z, L38Z
	12	M37Z, M38Z		12	M37Z, M38Z		12	M37Z, M38Z
	13	N01A, N01B, N01C, N01D, N01E, N34Z, N38Z		13	N01A, N01B, N01C, N01D, N01E, N34Z, N38Z		13	N01A, N01B, N01C, N01D, N01E, N34Z, N38Z
	17	R01A, R01B, R01C, R01D, R02Z, R12A, R12B, R12C		17	R01A, R01B, R01C, R01D, R02Z, R12A, R12B, R12C		17	R01A, R01B, R01C, R01D, R02Z, R12A, R12B, R12C
	21A	W04A, W04B		21A	W04A, W04B		21A	W04A, W04B
	21B	X06A, X06B, X06C, X33Z		21B	X06A, X06B, X06C, X33Z		21B	X06A, X06B, X06C, X33Z
	23	Z01A		23	Z01A		23	Z01A
Pre	A07A	Pre	A07A	Pre	A07A			
5n421.01		BOP, KOP, KOPV, KVT, UOP4	5n422.02		BOP, KOP, KOPV, KVT, UOP4	5n422.x		BOP, KOP, KOPV, KVT, UOP4
	05	F36A, F36B		05	F36A, F36B		05	F36A, F36B
	06	G15Z, G16A, G16B, G17A, G17B, G33Z, G38Z		06	G15Z, G16A, G16B, G17A, G17B, G33Z, G38Z		06	G15Z, G16A, G16B, G17A, G17B, G33Z, G38Z
	07	H33Z, H38Z		07	H33Z, H38Z		07	H33Z, H38Z
	11	L10Z, L33Z, L38Z		11	L10Z, L33Z, L38Z		11	L10Z, L33Z, L38Z
	12	M37Z, M38Z		12	M01A, M01B, M37Z, M38Z		12	M37Z, M38Z
	13	N01A, N01B, N01C, N01D, N01E, N34Z, N38Z		13	N01A, N01B, N01C, N01D, N01E, N34Z, N38Z		13	N01A, N01B, N01C, N01D, N01E, N34Z, N38Z
	17	R01A, R01B, R01C, R01D, R02Z, R12A, R12B, R12C		17	R01A, R01B, R01C, R01D, R02Z, R12A, R12B, R12C		17	R01A, R01B, R01C, R01D, R02Z, R12A, R12B, R12C
	21A	W04A, W04B		21A	W04A, W04B		21A	W04A, W04B
	21B	X06A, X06B, X06C, X33Z		21B	X06A, X06B, X06C, X33Z		21B	X06A, X06B, X06C, X33Z
	23	Z01A		23	Z01A		23	Z01A
Pre	A07A	Pre	A07A	Pre	A07A			
5n421.02		BOP, KOP, KOPV, KVT, UOP4	5n422.21		BOP, KOP, KOPV, KVT, UOP4	5n423.01		BOP, KOP, KOPV, KVT, UOP4
	05	F36A, F36B		05	F36A, F36B		05	F36A, F36B
	06	G15Z, G16A, G16B, G17A, G17B, G33Z, G38Z		06	G15Z, G16A, G16B, G17A, G17B, G33Z, G38Z		06	G15Z, G16A, G16B, G17A, G17B, G33Z, G38Z
	07	H33Z, H38Z		07	H33Z, H38Z		07	H33Z, H38Z
	11	L10Z, L33Z, L38Z		11	L10Z, L33Z, L38Z		11	L10Z, L33Z, L38Z
	12	M01A, M01B, M37Z, M38Z		12	M37Z, M38Z		12	M37Z, M38Z
	13	N01A, N01B, N01C, N01D, N01E, N34Z, N38Z		13	N01A, N01B, N01C, N01D, N01E, N34Z, N38Z		13	N01A, N01B, N01C, N01D, N01E, N34Z, N38Z
	17	R01A, R01B, R01C, R01D, R02Z, R12A, R12B, R12C		17	R01A, R01B, R01C, R01D, R02Z, R12A, R12B, R12C		17	R01A, R01B, R01C, R01D, R02Z, R12A, R12B, R12C
	21A	W04A, W04B		21A	W04A, W04B		21A	W04A, W04B
	21B	X06A, X06B, X06C, X33Z		21B	X06A, X06B, X06C, X33Z		21B	X06A, X06B, X06C, X33Z
	23	Z01A		23	Z01A		23	Z01A
Pre	A07A	Pre	A07A	Pre	A07A			
5n421.x		BOP, KOP, KOPV, KVT, UOP4	5n422.22		BOP, KOP, KOPV, KVT, UOP4	5n423.02		BOP, KOP, KOPV, KVT, UOP4
	05	F36A, F36B		05	F36A, F36B		05	F36A, F36B
	06	G15Z, G16A, G16B, G17A, G17B, G33Z, G38Z		06	G15Z, G16A, G16B, G17A, G17B, G33Z, G38Z		06	G15Z, G16A, G16B, G17A, G17B, G33Z, G38Z
	07	H33Z, H38Z		07	H33Z, H38Z		07	H33Z, H38Z
	11	L10Z, L33Z, L38Z		11	L10Z, L33Z, L38Z		11	L10Z, L33Z, L38Z
	12	M37Z, M38Z		12	M01A, M01B, M37Z, M38Z		12	M01A, M01B, M37Z, M38Z
	13	N01A, N01B, N01C, N01D, N01E, N34Z, N38Z		13	N01A, N01B, N01C, N01D, N01E, N34Z, N38Z		13	N01A, N01B, N01C, N01D, N01E, N34Z, N38Z
	17	R01A, R01B, R01C, R01D, R02Z, R12A, R12B, R12C		17	R01A, R01B, R01C, R01D, R02Z, R12A, R12B, R12C		17	R01A, R01B, R01C, R01D, R02Z, R12A, R12B, R12C
	21A	W04A, W04B		21A	W04A, W04B		21A	W04A, W04B
	21B	X06A, X06B, X06C, X33Z		21B	X06A, X06B, X06C, X33Z		21B	X06A, X06B, X06C, X33Z
	23	Z01A		23	Z01A		23	Z01A
Pre	A07A	Pre	A07A	Pre	A07A			

ZZV	MDC	DRG	ZZV	MDC	DRG	ZZV	MDC	DRG
5n423.21		BOP, KOP, KOPV, KVT, UOP4	5n424.02		BOP, KOP, KOPV, KVT, UOP4	5n425.01		BOP, KOP, KOPV, KVT, MVV, UOP4
	05	F36A, F36B		05	F36A, F36B		05	F36A, F36B
	06	G15Z, G16A, G16B, G17A, G17B, G33Z, G38Z		06	G15Z, G16A, G16B, G17A, G17B, G33Z, G38Z		06	G15Z, G16A, G16B, G17A, G17B, G33Z, G38Z
	07	H33Z, H38Z		07	H33Z, H38Z		07	H33Z, H38Z
	11	L10Z, L33Z, L38Z		11	L10Z, L33Z, L38Z		11	L10Z, L33Z, L38Z
	12	M37Z, M38Z		12	M01A, M01B, M37Z, M38Z		12	M37Z, M38Z
	13	N01A, N01B, N01C, N01D, N01E, N34Z, N38Z		13	N01A, N01B, N01C, N01D, N01E, N34Z, N38Z		13	N01A, N01B, N01C, N01D, N01E, N34Z, N38Z
	17	R01A, R01B, R01C, R01D, R02Z, R12A, R12B, R12C		17	R01A, R01B, R01C, R01D, R02Z, R12A, R12B, R12C		17	R01A, R01B, R01C, R01D, R02Z, R12A, R12B, R12C
	21A	W04A, W04B		21A	W04A, W04B		21A	W04A, W04B
	21B	X06A, X06B, X06C, X33Z		21B	X06A, X06B, X06C, X33Z		21B	X06A, X06B, X06C, X33Z
	23	Z01A		23	Z01A		23	Z01A
Pre	A07A	Pre	A07A	Pre	A07A			
5n423.22		BOP, KOP, KOPV, KVT, UOP4	5n424.21		BOP, KOP, KOPV, KVT, UOP4	5n425.02		BOP, KOP, KOPV, KVT, MVV, UOP4
	05	F36A, F36B		05	F36A, F36B		05	F36A, F36B
	06	G15Z, G16A, G16B, G17A, G17B, G33Z, G38Z		06	G15Z, G16A, G16B, G17A, G17B, G33Z, G38Z		06	G15Z, G16A, G16B, G17A, G17B, G33Z, G38Z
	07	H33Z, H38Z		07	H33Z, H38Z		07	H33Z, H38Z
	11	L10Z, L33Z, L38Z		11	L10Z, L33Z, L38Z		11	L10Z, L33Z, L38Z
	12	M01A, M01B, M37Z, M38Z		12	M37Z, M38Z		12	M01A, M01B, M37Z, M38Z
	13	N01A, N01B, N01C, N01D, N01E, N34Z, N38Z		13	N01A, N01B, N01C, N01D, N01E, N34Z, N38Z		13	N01A, N01B, N01C, N01D, N01E, N34Z, N38Z
	17	R01A, R01B, R01C, R01D, R02Z, R12A, R12B, R12C		17	R01A, R01B, R01C, R01D, R02Z, R12A, R12B, R12C		17	R01A, R01B, R01C, R01D, R02Z, R12A, R12B, R12C
	21A	W04A, W04B		21A	W04A, W04B		21A	W04A, W04B
	21B	X06A, X06B, X06C, X33Z		21B	X06A, X06B, X06C, X33Z		21B	X06A, X06B, X06C, X33Z
	23	Z01A		23	Z01A		23	Z01A
Pre	A07A	Pre	A07A	Pre	A07A			
5n423.x		BOP, KOP, KOPV, KVT, UOP4	5n424.22		BOP, KOP, KOPV, KVT, UOP4	5n425.21		BOP, KOP, KOPV, KVT, MVV, UOP4
	05	F36A, F36B		05	F36A, F36B		05	F36A, F36B
	06	G15Z, G16A, G16B, G17A, G17B, G33Z, G38Z		06	G15Z, G16A, G16B, G17A, G17B, G33Z, G38Z		06	G15Z, G16A, G16B, G17A, G17B, G33Z, G38Z
	07	H33Z, H38Z		07	H33Z, H38Z		07	H33Z, H38Z
	11	L10Z, L33Z, L38Z		11	L10Z, L33Z, L38Z		11	L10Z, L33Z, L38Z
	12	M37Z, M38Z		12	M01A, M01B, M37Z, M38Z		12	M37Z, M38Z
	13	N01A, N01B, N01C, N01D, N01E, N34Z, N38Z		13	N01A, N01B, N01C, N01D, N01E, N34Z, N38Z		13	N01A, N01B, N01C, N01D, N01E, N34Z, N38Z
	17	R01A, R01B, R01C, R01D, R02Z, R12A, R12B, R12C		17	R01A, R01B, R01C, R01D, R02Z, R12A, R12B, R12C		17	R01A, R01B, R01C, R01D, R02Z, R12A, R12B, R12C
	21A	W04A, W04B		21A	W04A, W04B		21A	W04A, W04B
	21B	X06A, X06B, X06C, X33Z		21B	X06A, X06B, X06C, X33Z		21B	X06A, X06B, X06C, X33Z
	23	Z01A		23	Z01A		23	Z01A
Pre	A07A	Pre	A07A	Pre	A07A			
5n424.01		BOP, KOP, KOPV, KVT, UOP4	5n424.x		BOP, KOP, KOPV, KVT, UOP4	5n425.22		BOP, KOP, KOPV, KVT, MVV, UOP4
	05	F36A, F36B		05	F36A, F36B		05	F36A, F36B
	06	G15Z, G16A, G16B, G17A, G17B, G33Z, G38Z		06	G15Z, G16A, G16B, G17A, G17B, G33Z, G38Z		06	G15Z, G16A, G16B, G17A, G17B, G33Z, G38Z
	07	H33Z, H38Z		07	H33Z, H38Z		07	H33Z, H38Z
	11	L10Z, L33Z, L38Z		11	L10Z, L33Z, L38Z		11	L10Z, L33Z, L38Z
	12	M37Z, M38Z		12	M37Z, M38Z		12	M01A, M01B, M37Z, M38Z
	13	N01A, N01B, N01C, N01D, N01E, N34Z, N38Z		13	N01A, N01B, N01C, N01D, N01E, N34Z, N38Z		13	N01A, N01B, N01C, N01D, N01E, N34Z, N38Z
	17	R01A, R01B, R01C, R01D, R02Z, R12A, R12B, R12C		17	R01A, R01B, R01C, R01D, R02Z, R12A, R12B, R12C		17	R01A, R01B, R01C, R01D, R02Z, R12A, R12B, R12C
	21A	W04A, W04B		21A	W04A, W04B		21A	W04A, W04B
	21B	X06A, X06B, X06C, X33Z		21B	X06A, X06B, X06C, X33Z		21B	X06A, X06B, X06C, X33Z
	23	Z01A		23	Z01A		23	Z01A
Pre	A07A	Pre	A07A	Pre	A07A			

VYK

ZZV	MDC	DRG	ZZV	MDC	DRG	ZZV	MDC	DRG
5n425.x		BOP, KOP, KOPV, KVT, MVV, UOP4	5n427.01		BOP, KOP, KOPV, KVT, MVV, UOP4	5n427.x		BOP, KOP, KOPV, KVT, MVV, UOP4
	05	F36A, F36B		05	F36A, F36B		05	F36A, F36B
	06	G15Z, G16A, G16B, G17A, G17B, G33Z, G38Z		06	G15Z, G16A, G16B, G33Z, G38Z		06	G15Z, G16A, G16B, G33Z, G38Z
	07	H33Z, H38Z		07	H33Z, H38Z		07	H33Z, H38Z
	11	L10Z, L33Z, L38Z		11	L10Z, L33Z, L38Z		11	L10Z, L33Z, L38Z
	12	M37Z, M38Z		12	M01A, M01B, M37Z, M38Z		12	M01A, M01B, M37Z, M38Z
	13	N01A, N01B, N01C, N01D, N01E, N34Z, N38Z		13	N01A, N01B, N01C, N01D, N01E, N34Z, N38Z		13	N01A, N01B, N01C, N01D, N01E, N34Z, N38Z
	17	R01A, R01B, R01C, R01D, R02Z, R12A, R12B, R12C		17	R01A, R01B, R01C, R01D, R02Z, R12A, R12B, R12C		17	R01A, R01B, R01C, R01D, R02Z, R12A, R12B, R12C
	21A	W04A, W04B		21A	W04A, W04B		21A	W04A, W04B
	21B	X06A, X06B, X06C, X33Z		21B	X06A, X06B, X06C, X33Z		21B	X06A, X06B, X06C, X33Z
	23	Z01A		23	Z01A		23	Z01A
	Pre	A07A		Pre	A07A		Pre	A07A
	5n426.01			BOP, KOP, KOPV, KVT, MVV, UOP4	5n427.02			BOP, KOP, KOPV, KVT, MVV, UOP4
05		F36A, F36B	05	F36A, F36B		05	F36A, F36B	
06		G15Z, G16A, G16B, G17A, G17B, G33Z, G38Z	06	G15Z, G16A, G16B, G33Z, G38Z		06	G15Z, G16A, G16B, G17A, G17B, G33Z, G38Z	
07		H33Z, H38Z	07	H33Z, H38Z		07	H33Z, H38Z	
11		L10Z, L33Z, L38Z	11	L10Z, L33Z, L38Z		11	L10Z, L33Z, L38Z	
12		M37Z, M38Z	12	M01A, M01B, M37Z, M38Z		12	M37Z, M38Z	
13		N01A, N01B, N01C, N01D, N01E, N34Z, N38Z	13	N01A, N01B, N01C, N01D, N01E, N34Z, N38Z		13	N01A, N01B, N01C, N01D, N01E, N34Z, N38Z	
17		R01A, R01B, R01C, R01D, R02Z, R12A, R12B, R12C	17	R01A, R01B, R01C, R01D, R02Z, R12A, R12B, R12C		17	R01A, R01B, R01C, R01D, R02Z, R12A, R12B, R12C	
21A		W04A, W04B	21A	W04A, W04B		21A	W04A, W04B	
21B		X06A, X06B, X06C, X33Z	21B	X06A, X06B, X06C, X33Z		21B	X06A, X06B, X06C, X33Z	
23		Z01A	23	Z01A		23	Z01A	
Pre		A07A	Pre	A07A		Pre	A07A	
5n426.21			BOP, KOP, KOPV, KVT, MVV, UOP4	5n427.21			BOP, KOP, KOPV, KVT, MVV, UOP4	5n429.02
	05	F36A, F36B	05		F36A, F36B	05	F36A, F36B	
	06	G15Z, G16A, G16B, G17A, G17B, G33Z, G38Z	06		G15Z, G16A, G16B, G33Z, G38Z	06	G15Z, G16A, G16B, G17A, G17B, G33Z, G38Z	
	07	H33Z, H38Z	07		H33Z, H38Z	07	H33Z, H38Z	
	11	L10Z, L33Z, L38Z	11		L10Z, L33Z, L38Z	11	L10Z, L33Z, L38Z	
	12	M37Z, M38Z	12		M01A, M01B, M37Z, M38Z	12	M01A, M01B, M37Z, M38Z	
	13	N01A, N01B, N01C, N01D, N01E, N34Z, N38Z	13		N01A, N01B, N01C, N01D, N01E, N34Z, N38Z	13	N01A, N01B, N01C, N01D, N01E, N34Z, N38Z	
	17	R01A, R01B, R01C, R01D, R02Z, R12A, R12B, R12C	17		R01A, R01B, R01C, R01D, R02Z, R12A, R12B, R12C	17	R01A, R01B, R01C, R01D, R02Z, R12A, R12B, R12C	
	21A	W04A, W04B	21A		W04A, W04B	21A	W04A, W04B	
	21B	X06A, X06B, X06C, X33Z	21B		X06A, X06B, X06C, X33Z	21B	X06A, X06B, X06C, X33Z	
	23	Z01A	23		Z01A	23	Z01A	
	Pre	A07A	Pre		A07A	Pre	A07A	
	5n426.x		BOP, KOP, KOPV, KVT, MVV, UOP4		5n427.22		BOP, KOP, KOPV, KVT, MVV, UOP4	
05		F36A, F36B	05	F36A, F36B		05	F36A, F36B	
06		G15Z, G16A, G16B, G17A, G17B, G33Z, G38Z	06	G15Z, G16A, G16B, G33Z, G38Z		06	G15Z, G16A, G16B, G17A, G17B, G33Z, G38Z	
07		H33Z, H38Z	07	H33Z, H38Z		07	H33Z, H38Z	
11		L10Z, L33Z, L38Z	11	L10Z, L33Z, L38Z		11	L10Z, L33Z, L38Z	
12		M37Z, M38Z	12	M01A, M01B, M37Z, M38Z		12	M37Z, M38Z	
13		N01A, N01B, N01C, N01D, N01E, N34Z, N38Z	13	N01A, N01B, N01C, N01D, N01E, N34Z, N38Z		13	N01A, N01B, N01C, N01D, N01E, N34Z, N38Z	
17		R01A, R01B, R01C, R01D, R02Z, R12A, R12B, R12C	17	R01A, R01B, R01C, R01D, R02Z, R12A, R12B, R12C		17	R01A, R01B, R01C, R01D, R02Z, R12A, R12B, R12C	
21A		W04A, W04B	21A	W04A, W04B		21A	W04A, W04B	
21B		X06A, X06B, X06C, X33Z	21B	X06A, X06B, X06C, X33Z		21B	X06A, X06B, X06C, X33Z	
23		Z01A	23	Z01A		23	Z01A	
Pre		A07A	Pre	A07A		Pre	A07A	

ZZV	MDC	DRG	ZZV	MDC	DRG	ZZV	MDC	DRG
5n429.22		BOP, KOP, KOPV, KVT, UOP4	5n42a.x		BOP, KOP, KOPV, KVT, UOP4	5n42c.x		BOP, KOP, KOPV, KVT, UOP4
	05	F36A, F36B		05	F36A, F36B		05	F36A, F36B
	06	G15Z, G16A, G16B, G17A, G17B, G33Z, G38Z		06	G15Z, G16A, G16B, G33Z, G38Z		06	G15Z, G16A, G16B, G33Z, G38Z
	07	H33Z, H38Z		07	H33Z, H38Z		07	H33Z, H38Z
	11	L10Z, L33Z, L38Z		11	L10Z, L33Z, L38Z		11	L10Z, L33Z, L38Z
	12	M01A, M01B, M37Z, M38Z		12	M01A, M01B, M37Z, M38Z		12	M01A, M01B, M37Z, M38Z
	13	N01A, N01B, N01C, N01D, N01E, N34Z, N38Z		13	N01A, N01B, N01C, N01D, N01E, N34Z, N38Z		13	N01A, N01B, N01C, N01D, N01E, N34Z, N38Z
	17	R01A, R01B, R01C, R01D, R02Z, R12A, R12B, R12C		17	R01A, R01B, R01C, R01D, R02Z, R12A, R12B, R12C		17	R01A, R01B, R01C, R01D, R02Z, R12A, R12B, R12C
	21A	W04A, W04B		21A	W04A, W04B		21A	W04A, W04B
	21B	X06A, X06B, X06C, X33Z		21B	X06A, X06B, X06C, X33Z		21B	X06A, X06B, X06C, X33Z
	23	Z01A		23	Z01A		23	Z01A
	Pre	A07A		Pre	A07A		Pre	A07A
5n429.x		BOP, KOP, KOPV, KVT, UOP4	5n42b		BOP, KOP, KOPV, KVT, UOP4	5n42d		BOP, KOP, KOPV, KVT, UOP4
	05	F36A, F36B		05	F36A, F36B		05	F36A, F36B
	06	G15Z, G16A, G16B, G17A, G17B, G33Z, G38Z		06	G15Z, G16A, G16B, G33Z, G38Z		06	G15Z, G16A, G16B, G33Z, G38Z
	07	H33Z, H38Z		07	H33Z, H38Z		07	H33Z, H38Z
	11	L10Z, L33Z, L38Z		11	L10Z, L33Z, L38Z		11	L10Z, L33Z, L38Z
	12	M37Z, M38Z		12	M01A, M01B, M37Z, M38Z		12	M01A, M01B, M37Z, M38Z
	13	N01A, N01B, N01C, N01D, N01E, N34Z, N38Z		13	N01A, N01B, N01C, N01D, N01E, N34Z, N38Z		13	N01A, N01B, N01C, N01D, N01E, N34Z, N38Z
	17	R01A, R01B, R01C, R01D, R02Z, R12A, R12B, R12C		17	R01A, R01B, R01C, R01D, R02Z, R12A, R12B, R12C		17	R01A, R01B, R01C, R01D, R02Z, R12A, R12B, R12C
	21A	W04A, W04B		21A	W04A, W04B		21A	W04A, W04B
	21B	X06A, X06B, X06C, X33Z		21B	X06A, X06B, X06C, X33Z		21B	X06A, X06B, X06C, X33Z
	23	Z01A		23	Z01A		23	Z01A
	Pre	A07A		Pre	A07A		Pre	A07A
5n42a.0		BOP, KOP, KOPV, KVT, UOP4	5n42c.1		BOP, KOP, KOPV, KVT, UOP4	5n42e		BOP, KOP, KOPV, KVT, UOP4
	05	F36A, F36B		05	F36A, F36B		05	F36A, F36B
	06	G15Z, G16A, G16B, G33Z, G38Z		06	G15Z, G16A, G16B, G33Z, G38Z		06	G15Z, G16A, G16B, G33Z, G38Z
	07	H33Z, H38Z		07	H33Z, H38Z		07	H33Z, H38Z
	11	L10Z, L33Z, L38Z		11	L10Z, L33Z, L38Z		11	L10Z, L33Z, L38Z
	12	M01A, M01B, M37Z, M38Z		12	M01A, M01B, M37Z, M38Z		12	M01A, M01B, M37Z, M38Z
	13	N01A, N01B, N01C, N01D, N01E, N34Z, N38Z		13	N01A, N01B, N01C, N01D, N01E, N34Z, N38Z		13	N01A, N01B, N01C, N01D, N01E, N34Z, N38Z
	17	R01A, R01B, R01C, R01D, R02Z, R12A, R12B, R12C		17	R01A, R01B, R01C, R01D, R02Z, R12A, R12B, R12C		17	R01A, R01B, R01C, R01D, R02Z, R12A, R12B, R12C
	21A	W04A, W04B		21A	W04A, W04B		21A	W04A, W04B
	21B	X06A, X06B, X06C, X33Z		21B	X06A, X06B, X06C, X33Z		21B	X06A, X06B, X06C, X33Z
	23	Z01A		23	Z01A		23	Z01A
	Pre	A07A		Pre	A07A		Pre	A07A
5n42a.2		BOP, KOP, KOPV, KVT, UOP4	5n42c.2		BOP, KOP, KOPV, KVT, UOP4	5n42f		BOP, KOP, KOPV, KVT, UOP4
	05	F36A, F36B		05	F36A, F36B		05	F36A, F36B
	06	G15Z, G16A, G16B, G33Z, G38Z		06	G15Z, G16A, G16B, G33Z, G38Z		06	G15Z, G16A, G16B, G33Z, G38Z
	07	H33Z, H38Z		07	H33Z, H38Z		07	H33Z, H38Z
	11	L10Z, L33Z, L38Z		11	L10Z, L33Z, L38Z		11	L10Z, L33Z, L38Z
	12	M01A, M01B, M37Z, M38Z		12	M01A, M01B, M37Z, M38Z		12	M01A, M01B, M37Z, M38Z
	13	N01A, N01B, N01C, N01D, N01E, N34Z, N38Z		13	N01A, N01B, N01C, N01D, N01E, N34Z, N38Z		13	N01A, N01B, N01C, N01D, N01E, N34Z, N38Z
	17	R01A, R01B, R01C, R01D, R02Z, R12A, R12B, R12C		17	R01A, R01B, R01C, R01D, R02Z, R12A, R12B, R12C		17	R01A, R01B, R01C, R01D, R02Z, R12A, R12B, R12C
	21A	W04A, W04B		21A	W04A, W04B		21A	W04A, W04B
	21B	X06A, X06B, X06C, X33Z		21B	X06A, X06B, X06C, X33Z		21B	X06A, X06B, X06C, X33Z
	23	Z01A		23	Z01A		23	Z01A
	Pre	A07A		Pre	A07A		Pre	A07A

ZZV	MDC	DRG	ZZV	MDC	DRG	ZZV	MDC	DRG			
5n42x		BOP, KOP, KOPV, KVT, UOP4	5n43a		BOP, KVT, UOP4	5n43g.x		BOP, KVT, UOP4			
	05	F36A, F36B		06	G11A, G11B		06	G11A, G11B			
	06	G15Z, G16A, G16B, G33Z, G38Z		09	J03A, J03B, J04A, J04B, J08A, J08B, J08C, J11A, J11B, J16Z		09	J03A, J03B, J04A, J04B, J08A, J08B, J08C, J11A, J11B, J16Z			
	07	H33Z, H38Z		21A	W04A, W04B		13	N06Z			
	11	L10Z, L33Z, L38Z		21B	X06A, X06B, X06C		14	962Z, O02A, O02B			
	12	M01A, M01B, M37Z, M38Z		5n43b			BOP, KVT, UOP4	21A	W04A, W04B		
	13	N01A, N01B, N01C, N01D, N01E, N34Z, N38Z			06		G11A, G11B	21B	X06A, X06B, X06C		
	17	R01A, R01B, R01C, R01D, R02Z, R12A, R12B, R12C		09	J03A, J03B, J04A, J04B, J08A, J08B, J08C, J11A, J11B, J16Z		5n43h	BOP, KVT, UOP4			
	21A	W04A, W04B		5n43c			BOP, KVT, UOP4	06	G15Z, G16A, G16B, G38Z		
	21B	X06A, X06B, X06C, X33Z			06		G11A, G11B	5n43j.0	BOP, KVT, UOP4		
	23	Z01A		5n43d			BOP, KVT, UOP4	06	G11A, G11B		
	Pre	A07A			06		G11A, G11B	5n43j.1	BOP, KVT, UOP4		
	5n430			BOP, KVT, UOP4	5n43e			BOP, KVT, UOP4	5n43j.2		BOP, KVT, UOP4
		06		G15Z, G18A, G18B, G38Z			09	J03A, J03B, J04A, J04B, J08A, J08B, J08C, J09A, J09B, J16Z		06	G11A, G11B
14		O04A	14	962Z, O02A, O02B, O04A		5n43j.3		BOP, KVT, UOP4			
21A		W04A, W04B	21A	W04A, W04B			06	G11A, G11B			
21B	X06A, X06B	21B	X06A, X06B, X06C	5n43j.4	BOP, KVT, UOP4						
5n431		BOP, KVT, UOP4	5n43f		BOP, KOP, KOPV, KVT, UOP4	5n43k		BOP, KVT, UOP4			
	06	G13Z, G21A, G21B		05	F36A, F36B		06	G11A, G11B			
	09	J03A, J03B, J04A, J04B, J08A, J08B, J08C, J11A, J11B, J16Z		06	G01Z, G02Z, G15Z, G33Z, G38Z		5n43x		BOP, KVT, UOP4		
	13	N06Z		07	H33Z, H38Z			06	G11A, G11B		
	14	962Z, O02A, O02B, O04A		11	L33Z		5n440		BOP, KVT, UOP4		
	21A	W04A, W04B		21B	X33Z			09	J03A, J03B, J04A, J04B, J08A, J08B, J08C, J09A, J09B, J16Z		
21B	X06A, X06B	23	Z01A	5n441		BOP, KVT, UOP4					
5n432		BOP, KVT, UOP4	Pre		A07A	06	G26Z				
	06	G15Z, G18A, G18B, G38Z	5n43g.0		BOP, KVT, UOP4	5n449		BOP, KVT, UOP4			
	21A	W04A, W04B		06	G11A, G11B		09	J03A, J03B, J04A, J04B, J08A, J08B, J08C, J09A, J09B, J16Z			
	21B	X06A, X06B		09	J03A, J03B, J04A, J04B, J08A, J08B, J08C, J11A, J11B, J16Z	14	962Z, O02A, O02B				
5n433		BOP, KVT, UOP4		5n43g.1		BOP, KVT, UOP4	5n44a.0		BOP, KVT, UOP4		
	06	G15Z, G18A, G18B, G38Z	06		G11A, G11B	06		G26Z			
	13	N04Z, N06Z	09		J03A, J03B, J04A, J04B, J08A, J08B, J08C, J11A, J11B, J16Z	09		J03A, J03B, J04A, J04B, J08A, J08B, J08C, J11A, J11B, J16Z			
	21A	W04A, W04B	13		N06Z	5n44a.1			BOP, KVT, UOP4		
21B	X06A, X06B	14	962Z, O02A, O02B	06	G26Z						
5n434		BOP, KVT, UOP4	5n43g.2		BOP, KVT, UOP4	5n44a.2		BOP, KVT, UOP4			
	06	G15Z, G18A, G18B, G38Z		06	G11A, G11B		09	J03A, J03B, J04A, J04B, J08A, J08B, J08C, J11A, J11B, J16Z			
	13	N04Z, N06Z		09	J03A, J03B, J04A, J04B, J08A, J08B, J08C, J11A, J11B, J16Z		14	962Z, O02A, O02B			
	21A	W04A, W04B		21A	W04A, W04B		5n44a.1		BOP, KVT, UOP4		
21B	X06A, X06B	21B	X06A, X06B, X06C	06	G26Z						
5n435		BOP, KVT, UOP4	5n43g.1		BOP, KVT, UOP4	5n44a.1		BOP, KVT, UOP4			
	06	G15Z, G18A, G18B, G38Z		06	G11A, G11B		09	J03A, J03B, J04A, J04B, J08A, J08B, J08C, J11A, J11B, J16Z			
	13	N04Z, N06Z		09	J03A, J03B, J04A, J04B, J08A, J08B, J08C, J11A, J11B, J16Z		14	962Z, O02A, O02B			
	21A	W04A, W04B		13	N06Z		5n44a.1		BOP, KVT, UOP4		
21B	X06A, X06B	14	962Z, O02A, O02B	06	G26Z						
5n436		BOP, KVT, UOP4	5n43g.1		BOP, KVT, UOP4	5n44a.1		BOP, KVT, UOP4			
	06	G15Z, G18A, G18B, G18C, G38Z		06	G11A, G11B		09	J03A, J03B, J04A, J04B, J08A, J08B, J08C, J11A, J11B, J16Z			
	21A	W04A, W04B		09	J03A, J03B, J04A, J04B, J08A, J08B, J08C, J11A, J11B, J16Z		14	962Z, O02A, O02B			
	21B	X06A, X06B		13	N06Z		5n44a.1		BOP, KVT, UOP4		
5n439		BOP, KVT, UOP4	5n43g.2		BOP, KVT, UOP4	5n44a.2			BOP, KVT, UOP4		
	06	G13Z, G21A, G21B		06	G11A, G11B		09	J03A, J03B, J04A, J04B, J08A, J08B, J08C, J11A, J11B, J16Z			
	09	J03A, J03B, J04A, J04B, J08A, J08B, J08C, J11A, J11B, J16Z		09	J03A, J03B, J04A, J04B, J08A, J08B, J08C, J11A, J11B, J16Z		14	962Z, O02A, O02B			
	13	N06Z		13	N06Z		5n44a.1		BOP, KVT, UOP4		
	14	962Z, O02A, O02B		14	962Z, O02A, O02B			06	G26Z		
	21A	W04A, W04B		14	962Z, O02A, O02B		09	J03A, J03B, J04A, J04B, J08A, J08B, J08C, J11A, J11B, J16Z			
21B	X06A, X06B	21A	W04A, W04B	14	962Z, O02A, O02B						
		21B	X06A, X06B, X06C	21A	W04A, W04B						
				21B	X06A, X06B, X06C						
				21B	X06A, X06B, X06C						

ZZV	MDC	DRG	ZZV	MDC	DRG	ZZV	MDC	DRG
5n44a.x	06	G26Z	5n452	06	G26Z	5n470.x		BOP, KVT, UOP4
	09	J03A, J03B, J04A, J04B, J08A, J08B, J08C, J11A, J11B, J16Z		09	J03A, J03B, J04A, J04B, J08A, J08B, J08C, J09A, J09B, J16Z		06	G01Z, G02Z, G11A, G11B, G38Z
	14	962Z, O02A, O02B		21A	W04A, W04B		09	J03A, J03B, J04A, J04B, J08A, J08B, J08C, J09A, J09B, J16Z
	21A	W04A, W04B		21B	X06A, X06B, X06C		21A	W04A, W04B
	21B	X06A, X06B, X06C		5n453	06		G26Z	21B
5n44b	06	G26Z	09	J03A, J03B, J04A, J04B, J08A, J08B, J08C, J11A, J11B, J16Z	5n471.0	Pre	A11A, A13A, A13B, A13D	
	09	J03A, J03B, J04A, J04B, J08A, J08B, J08C, J09A, J09B, J16Z	21A	W04A, W04B		06	G01Z, G02Z, G11A, G11B, G38Z	
	14	962Z, O02A, O02B	21B	X06A, X06B, X06C		09	J03A, J03B, J04A, J04B, J08A, J08B, J08C, J09A, J09B, J16Z	
5n450	06	G26Z	5n459	06	G26Z	5n471.1	Pre	BOP, KVT, UOP4
	09	J03A, J03B, J04A, J04B, J08A, J08B, J08C, J09A, J09B, J16Z	09	J03A, J03B, J04A, J04B, J08A, J08B, J08C, J11A, J11B, J16Z	06		G01Z, G02Z, G11A, G11B, G38Z	
	21A	W04A, W04B	21A	W04A, W04B	09		J03A, J03B, J04A, J04B, J08A, J08B, J08C, J09A, J09B, J16Z	
5n451.0	21B	X06A, X06B, X06C	21B	X06A, X06B, X06C	5n471.x	Pre	A11A, A13A, A13B, A13D	
	06	G26Z	5n45a	BOP, KVT, UOP4		06	G01Z, G02Z, G11A, G11B, G38Z	
	09	J03A, J03B, J04A, J04B, J08A, J08B, J08C, J11A, J11B, J16Z	06	G26Z		09	J03A, J03B, J04A, J04B, J08A, J08B, J08C, J09A, J09B, J16Z	
5n451.1	21A	W04A, W04B	14	962Z, O02A, O02B	5n472.0	21A	W04A, W04B	
	21B	X06A, X06B, X06C	16	Q03A, Q03B		21B	X06A, X06B, X06C	
	06	G26Z	5n45c	BOP, KVT, UOP4		Pre	A11A, A13A, A13B, A13D	
5n451.2	09	J03A, J03B, J04A, J04B, J08A, J08B, J08C, J11A, J11B, J16Z	06	G26Z	5n472.1	06	G01Z, G02Z, G15Z, G16A, G16B, G38Z	
	21A	W04A, W04B	14	962Z, O02A, O02B		09	J03A, J03B, J04A, J04B, J08A, J08B, J08C, J09A, J09B, J16Z	
	21B	X06A, X06B, X06C	16	Q03A, Q03B		21A	W04A, W04B	
5n451.3	21B	X06A, X06B, X06C	5n45d	BOP, KVT, UOP4	5n472.x	21B	X06A, X06B, X06C	
	06	G26Z	06	G26Z		Pre	A11A, A13A, A13B, A13D	
	09	J03A, J03B, J04A, J04B, J08A, J08B, J08C, J11A, J11B, J16Z	14	962Z, O02A, O02B		06	G01Z, G02Z, G15Z, G16A, G16B, G38Z	
5n451.4	21A	W04A, W04B	16	Q03A, Q03B	5n472.0	09	J03A, J03B, J04A, J04B, J08A, J08B, J08C, J09A, J09B, J16Z	
	21B	X06A, X06B, X06C	5n45e	BOP, KVT, UOP4		06	G01Z, G02Z, G15Z, G16A, G16B, G38Z	
	06	G26Z	06	G26Z		09	J03A, J03B, J04A, J04B, J08A, J08B, J08C, J09A, J09B, J16Z	
5n451.5	09	J03A, J03B, J04A, J04B, J08A, J08B, J08C, J11A, J11B, J16Z	14	962Z, O02A, O02B	5n472.1	21A	W04A, W04B	
	21A	W04A, W04B	16	Q03A, Q03B		21B	X06A, X06B, X06C	
	21B	X06A, X06B, X06C	5n45f	BOP, KVT, UOP4		Pre	A11A, A13A, A13B, A13D	
5n451.6	06	G26Z	06	G26Z	5n472.x	06	G01Z, G02Z, G15Z, G16A, G16B, G38Z	
	09	J03A, J03B, J04A, J04B, J08A, J08B, J08C, J11A, J11B, J16Z	5n46x	BOP, KVT, UOP4		09	J03A, J03B, J04A, J04B, J08A, J08B, J08C, J09A, J09B, J16Z	
	21A	W04A, W04B	06	G26Z		21A	W04A, W04B	
5n451.x	21B	X06A, X06B, X06C	5n470.0	BOP, KVT, UOP4	5n472.1	21B	X06A, X06B, X06C	
	06	G26Z	06	G01Z, G02Z, G11A, G11B, G38Z		Pre	A11A, A13A, A13B, A13D	
	09	J03A, J03B, J04A, J04B, J08A, J08B, J08C, J11A, J11B, J16Z	09	J03A, J03B, J04A, J04B, J08A, J08B, J08C, J09A, J09B, J16Z		06	G01Z, G02Z, G15Z, G16A, G16B, G38Z	
5n451.x	21A	W04A, W04B	21A	W04A, W04B	5n472.x	09	J03A, J03B, J04A, J04B, J08A, J08B, J08C, J11A, J11B, J16Z	
	21B	X06A, X06B, X06C	21B	X06A, X06B, X06C		13	N13A, N13B	
	06	G26Z	Pre	A11A, A13A, A13B, A13D		14	962Z, O02A, O02B	
5n451.x	09	J03A, J03B, J04A, J04B, J08A, J08B, J08C, J11A, J11B, J16Z	5n470.1	BOP, KVT, UOP4	5n472.x	21A	W04A, W04B	
	21A	W04A, W04B	06	G01Z, G02Z, G11A, G11B, G38Z		21B	X06A, X06B, X06C	
	21B	X06A, X06B, X06C	09	J03A, J03B, J04A, J04B, J08A, J08B, J08C, J09A, J09B, J16Z		Pre	A11A, A13A, A13B, A13D	
			21A	W04A, W04B				
			21B	X06A, X06B, X06C				
			Pre	A11A, A13A, A13B, A13D				

ZZV	MDC	DRG	ZZV	MDC	DRG	ZZV	MDC	DRG	
5n473.0		BOP, KVT, UOP4	5n47x.1		BOP, KVT, UOP4	5n511.0		BOP, KOP, KOPV, KVT, UOP4	
	06	G01Z, G02Z, G15Z, G16A, G16B, G38Z		06	G01Z, G02Z, G11A, G11B, G38Z		06	G10Z, G33Z, G38Z	
	09	J03A, J03B, J04A, J04B, J08A, J08B, J08C, J09A, J09B, J16Z		09	J03A, J03B, J04A, J04B, J08A, J08B, J08C, J09A, J09B, J16Z		07	H01A, H01B, H09A, H09B, H09C, H33Z, H38Z	
	21A	W04A, W04B		21A	W04A, W04B		09	J26Z	
	21B	X06A, X06B, X06C		21B	X06A, X06B, X06C		11	L33Z	
5n473.1	Pre	A11A, A13A, A13B, A13D	5n47x.x	Pre	A11A, A13A, A13B, A13D	5n511.2	21B	X33Z	
		BOP, KVT, UOP4			BOP, KVT, UOP4		23	Z01A	
	06	G01Z, G02Z, G15Z, G16A, G16B, G38Z		06	G01Z, G02Z, G11A, G11B, G38Z		Pre	A07A	
	09	J03A, J03B, J04A, J04B, J08A, J08B, J08C, J09A, J09B, J16Z		09	J03A, J03B, J04A, J04B, J08A, J08B, J08C, J09A, J09B, J16Z			BOP, KOP, KOPV, KVT, UOP4	
	21A	W04A, W04B		21A	W04A, W04B		06	G10Z, G33Z, G38Z	
5n473.x	21B	X06A, X06B, X06C	5n49a	21B	X06A, X06B, X06C	5n511.3†	07	H01A, H01B, H09A, H09B, H09C, H33Z, H38Z	
	Pre	A11A, A13A, A13B, A13D		Pre	A11A, A13A, A13B, A13D		09	J26Z	
		BOP, KVT, UOP4			BOP, KVT, UOP4		11	L33Z	
	06	G01Z, G02Z, G15Z, G16A, G16B, G38Z		06	G15Z, G18A, G18B, G18C, G38Z		21B	X33Z	
	09	J03A, J03B, J04A, J04B, J08A, J08B, J08C, J09A, J09B, J16Z		21A	W04A, W04B		23	Z01A	
5n474	21B	X06A, X06B, X06C	5n49e†	21B	X06A, X06B, X06C	5n511.4	Pre	A07A	
	Pre	A11A, A13A, A13B, A13D		5n49f†	06		G40Z, G48A, G48B, G48C	07	H41A, H41B, H41C
		BOP, KVT, UOP4		5n49g†	06		G40Z, G48A, G48B, G48C		BOP, KOP, KOPV, KVT, UOP4
	06	G01Z, G02Z, G15Z, G16A, G16B, G38Z		5n510.0	06		G40Z, G48A, G48B, G48C	06	G10Z, G33Z, G38Z
	09	J03A, J03B, J04A, J04B, J08A, J08B, J08C, J09A, J09B, J16Z			06		BOP, KOP, KOPV, KVT, UOP4	07	H01A, H01B, H09A, H09B, H09C, H33Z, H38Z
5n475	21A	W04A, W04B	5n510.2	06	G10Z, G18A, G33Z, G38Z	5n511.x	09	J26Z	
	21B	X06A, X06B, X06C		07	H01A, H01B, H09A, H09B, H09C, H33Z, H38Z		11	L33Z	
	Pre	A11A, A13A, A13B, A13D		09	J26Z		21B	X33Z	
		BOP, KVT, UOP4		10	K03A, K03B		23	Z01A	
	06	G01Z, G02Z, G15Z, G16A, G16B, G38Z		11	L33Z		Pre	A07A	
5n476	21B	X06A, X06B, X06C	5n510.4	21B	X33Z	5n512.0		BOP, KOP, KOPV, KVT, UOP4	
	Pre	A11A, A13A, A13B, A13D		23	Z01A		06	G03B, G10Z, G18A, G33Z, G38Z	
		BOP, KVT, UOP4		Pre	A07A		07	H01A, H01B, H09A, H09B, H09C, H33Z, H38Z	
	06	G01Z, G02Z, G11A, G11B, G38Z		06	BOP, KOP, KOPV, KVT, UOP4		09	J26Z	
	09	J03A, J03B, J04A, J04B, J08A, J08B, J08C, J09A, J09B, J16Z		06	G10Z, G18A, G33Z, G38Z		11	L33Z	
5n477	21A	W04A, W04B	5n510.x	07	H01A, H01B, H09A, H09B, H09C, H33Z, H38Z	5n512.2	21B	X33Z	
	21B	X06A, X06B, X06C		09	J26Z		23	Z01A	
	Pre	A11A, A13A, A13B, A13D		11	L33Z		Pre	A07A	
		BOP, KVT, UOP4		21B	X33Z			BOP, KOP, KOPV, KVT, UOP4	
	06	G01Z, G02Z, G11A, G11B, G38Z		23	Z01A		06	G03B, G10Z, G18A, G33Z, G38Z	
5n47x.0	Pre	A11A, A13A, A13B, A13D		Pre	A07A	07	H01A, H01B, H09A, H09B, H09C, H33Z, H38Z		
		BOP, KVT, UOP4		BOP, KOP, KOPV, KVT, UOP4	09	J26Z			
	06	G01Z, G02Z, G11A, G11B, G38Z	06	G10Z, G18A, G33Z, G38Z	11	L33Z			
	09	J03A, J03B, J04A, J04B, J08A, J08B, J08C, J09A, J09B, J16Z	07	H01A, H01B, H09A, H09B, H09C, H33Z, H38Z	21B	X33Z			
	21A	W04A, W04B	09	J26Z	23	Z01A			
	BOP, KVT, UOP4	11	L33Z	Pre	A07A				
	BOP, KVT, UOP4	23	Z01A		BOP, KOP, KOPV, KVT, UOP4				
	BOP, KVT, UOP4	Pre	A07A		BOP, KOP, KOPV, KVT, UOP4				

VYK

ZZV	MDC	DRG	ZZV	MDC	DRG	ZZV	MDC	DRG			
5n512.4		BOP, KOP, KOPV, KVT, UOP4	5n515.0		BOP, KOP, KOPV, KVT, UOP4	5n51x.4		BOP, KOP, KOPV, KVT, UOP4			
	06	G03B, G10Z, G18A, G33Z, G38Z		06	G18A, G33Z, G38Z		06	G18A, G33Z, G38Z			
	07	H01A, H01B, H09A, H09B, H09C, H33Z, H38Z		07	H01A, H01B, H09A, H09B, H09C, H33Z, H38Z		07	H01A, H01B, H09A, H09B, H09C, H33Z, H38Z			
	09	J26Z		09	J26Z		09	J26Z			
	11	L33Z		11	L33Z		11	L33Z			
	21B	X33Z		21B	X33Z		21B	X33Z			
	23	Z01A		23	Z01A		23	Z01A			
	Pre	A07A		Pre	A07A		Pre	A07A			
	5n512.x			BOP, KOP, KOPV, KVT, UOP4	5n515.2			BOP, KOP, KOPV, KVT, UOP4	5n51x.x		BOP, KOP, KOPV, KVT, UOP4
		06		G03B, G10Z, G18A, G33Z, G38Z			06	G18A, G33Z, G38Z		06	G18A, G33Z, G38Z
07		H01A, H01B, H09A, H09B, H09C, H33Z, H38Z	07	H01A, H01B, H09A, H09B, H09C, H33Z, H38Z		07	H01A, H01B, H09A, H09B, H09C, H33Z, H38Z				
09		J26Z	09	J26Z		09	J26Z				
11		L33Z	11	L33Z		11	L33Z				
21B		X33Z	21B	X33Z		21B	X33Z				
23		Z01A	23	Z01A		23	Z01A				
Pre		A07A	Pre	A07A		Pre	A07A				
5n514.0			BOP, KOP, KOPV, KVT, UOP4	5n515.3†			H41A, H41B, H41C	5n520.0			BOP, KOP, KOPV, KVT, MVV, UOP4
		06	G18A, G33Z, G38Z			5n515.4				BOP, KOP, KOPV, KVT, UOP4	06
	07	H01A, H01B, H09A, H09B, H09C, H33Z, H38Z	06		G18A, G33Z, G38Z		07		H01A, H01B, H09A, H09B, H09C, H33Z, H38Z		
	09	J26Z	07		H01A, H01B, H09A, H09B, H09C, H33Z, H38Z		09		J14A, J26Z		
	11	L33Z	09		J26Z		11		L33Z		
	21B	X33Z	11		L33Z		13		N11A		
	23	Z01A	21B		X33Z		21A		W01A, W01B, W01C, W02A, W02B, W04A, W04B		
	Pre	A07A	23		Z01A		21B		X06A, X06B, X06C, X33Z		
	5n514.2		BOP, KOP, KOPV, KVT, UOP4		5n515.x				BOP, KOP, KOPV, KVT, UOP4	23	Z01A, Z02Z
		06	G18A, G33Z, G38Z				06		G18A, G33Z, G38Z	Pre	A07A, A09B, A11A, A11B, A13B
07		H01A, H01B, H09A, H09B, H09C, H33Z, H38Z	07	H01A, H01B, H09A, H09B, H09C, H33Z, H38Z			5n520.2		BOP, KOP, KOPV, KVT, MVV, UOP4		
09		J26Z	09	J26Z		06		G03B, G10Z, G16A, G18A, G33Z, G38Z			
11		L33Z	11	L33Z		07		H01A, H01B, H09A, H09B, H09C, H33Z, H38Z			
21B		X33Z	21B	X33Z		09		J14A, J26Z			
23		Z01A	23	Z01A		11		L33Z			
Pre		A07A	Pre	A07A		13		N11A			
5n514.3†			H41A, H41B, H41C	5n51x.0				BOP, KOP, KOPV, KVT, UOP4	21A	W01A, W01B, W01C, W02A, W02B, W04A, W04B	
		5n514.4				BOP, KOP, KOPV, KVT, UOP4		06	G18A, G33Z, G38Z	21B	X06A, X06B, X06C, X33Z
	06		G18A, G33Z, G38Z		07	H01A, H01B, H09A, H09B, H09C, H33Z, H38Z		23	Z01A, Z02Z		
	07		H01A, H01B, H09A, H09B, H09C, H33Z, H38Z		09	J26Z		Pre	A07A, A09B, A11A, A11B, A13B		
	09		J26Z		11	L33Z	5n521.10		BOP, KOP, KOPV, KVT, MVV, UOP4		
	11		L33Z		21B	X33Z		06	G03B, G10Z, G16A, G18A, G33Z, G38Z		
	21B		X33Z		23	Z01A		07	H01A, H01B, H09A, H09B, H09C, H33Z, H38Z		
	23		Z01A		Pre	A07A		09	J14A, J26Z		
	Pre		A07A		Pre	A07A		11	L33Z		
	5n514.x				BOP, KOP, KOPV, KVT, UOP4	5n51x.2			BOP, KOP, KOPV, KVT, UOP4	13	N11A
06			G18A, G33Z, G38Z	06	G18A, G33Z, G38Z			21A	W01A, W01B, W01C, W02A, W02B, W04A, W04B		
07		H01A, H01B, H09A, H09B, H09C, H33Z, H38Z	07	H01A, H01B, H09A, H09B, H09C, H33Z, H38Z	21B			X06A, X06B, X06C, X33Z			
09		J26Z	09	J26Z	Pre			A07A, A09B, A11A, A11B, A13B			
11		L33Z	11	L33Z	5n51x.3†				BOP, KOP, KOPV, KVT, MVV, UOP4		
21B		X33Z	21B	X33Z			06	G03B, G10Z, G16A, G18A, G33Z, G38Z			
23		Z01A	23	Z01A			07	H01A, H01B, H09A, H09B, H09C, H33Z, H38Z			
Pre		A07A	Pre	A07A			09	J14A, J26Z			
5n514.3†			H41A, H41B, H41C	5n51x.3†				H41A, H41B, H41C	11	L33Z	
		5n514.4					BOP, KOP, KOPV, KVT, UOP4	07	H01A, H01B, H09A, H09B, H09C, H33Z, H38Z	13	N11A
	06		G18A, G33Z, G38Z			09	J26Z	21A	W01A, W01B, W01C, W02A, W02B, W04A, W04B		
	07		H01A, H01B, H09A, H09B, H09C, H33Z, H38Z			11	L33Z	21B	X06A, X06B, X06C, X33Z		
	09		J26Z			21B	X33Z	23	Z01A, Z02Z		
	11		L33Z			Pre	A07A	Pre	A07A, A09B, A11A, A11B, A13B		
	21B		X33Z		Pre	A07A					
	23		Z01A								
	Pre		A07A								

ZZV	MDC	DRG	ZZV	MDC	DRG	ZZV	MDC	DRG
5n521.12		BOP, KOP, KOPV, KVT, MVV, UOP4	5n522.10		BOP, KOP, KOPV, KVT, MVV, UOP4	5n522.3		BOP, KOP, KOPV, KVT, MVV, UOP4
	06	G03B, G10Z, G16A, G18A, G33Z, G38Z		06	G03B, G10Z, G16A, G18A, G33Z, G38Z		06	G03B, G10Z, G16A, G18A, G33Z, G38Z
	07	H01A, H01B, H09A, H09B, H09C, H33Z, H38Z		07	H01A, H01B, H09A, H09B, H09C, H33Z, H38Z		07	H01A, H01B, H09A, H09B, H09C, H33Z, H38Z
	09	J14A, J26Z		09	J14A, J26Z		09	J14A, J26Z
	11	L33Z		11	L33Z		11	L33Z
	13	N11A		13	N11A		13	N11A
	21A	W01A, W01B, W01C, W02A, W02B, W04A, W04B		21A	W01A, W01B, W01C, W02A, W02B, W04A, W04B		21A	W01A, W01B, W01C, W02A, W02B, W04A, W04B
	21B	X06A, X06B, X06C, X33Z		21B	X06A, X06B, X06C, X33Z		21B	X06A, X06B, X06C, X33Z
	23	Z01A, Z02Z		23	Z01A, Z02Z		23	Z01A, Z02Z
	Pre	A07A, A09B, A11A, A11B, A13B		Pre	A07A, A09B, A11A, A11B, A13B		Pre	A07A, A09B, A11A, A11B, A13B
5n521.20		BOP, KOP, KOPV, KVT, MVV, UOP4	5n522.12		BOP, KOP, KOPV, KVT, MVV, UOP4	5n522.4		BOP, KOP, KOPV, KVT, MVV, UOP4
	06	G03B, G10Z, G16A, G18A, G33Z, G38Z		06	G03B, G10Z, G16A, G18A, G33Z, G38Z		06	G03B, G10Z, G16A, G18A, G33Z, G38Z
	07	H01A, H01B, H09A, H09B, H09C, H33Z, H38Z		07	H01A, H01B, H09A, H09B, H09C, H33Z, H38Z		07	H01A, H01B, H09A, H09B, H09C, H33Z, H38Z
	09	J14A, J26Z		09	J14A, J26Z		09	J14A, J26Z
	11	L33Z		11	L33Z		11	L33Z
	13	N11A		13	N11A		13	N11A
	21A	W01A, W01B, W01C, W02A, W02B, W04A, W04B		21A	W01A, W01B, W01C, W02A, W02B, W04A, W04B		21A	W01A, W01B, W01C, W02A, W02B, W04A, W04B
	21B	X06A, X06B, X06C, X33Z		21B	X06A, X06B, X06C, X33Z		21B	X06A, X06B, X06C, X33Z
	23	Z01A, Z02Z		23	Z01A, Z02Z		23	Z01A, Z02Z
	Pre	A07A, A09B, A11A, A11B, A13B		Pre	A07A, A09B, A11A, A11B, A13B		Pre	A07A, A09B, A11A, A11B, A13B
5n521.22		BOP, KOP, KOPV, KVT, MVV, UOP4	5n522.20		BOP, KOP, KOPV, KVT, MVV, UOP4	5n522.5		BOP, KOP, KOPV, KVT, MVV, UOP4
	06	G03B, G10Z, G16A, G18A, G33Z, G38Z		06	G03B, G10Z, G16A, G18A, G33Z, G38Z		06	G03B, G10Z, G16A, G18A, G33Z, G38Z
	07	H01A, H01B, H09A, H09B, H09C, H33Z, H38Z		07	H01A, H09A, H09B, H09C, H33Z, H38Z		07	H01A, H01B, H09A, H09B, H09C, H33Z, H38Z
	09	J14A, J26Z		09	J14A, J26Z		09	J14A, J26Z
	11	L33Z		11	L33Z		11	L33Z
	13	N11A		13	N11A		13	N11A
	21A	W01A, W01B, W01C, W02A, W02B, W04A, W04B		21A	W01A, W01B, W01C, W02A, W02B, W04A, W04B		21A	W01A, W01B, W01C, W02A, W02B, W04A, W04B
	21B	X06A, X06B, X06C, X33Z		21B	X06A, X06B, X06C, X33Z		21B	X06A, X06B, X06C, X33Z
	23	Z01A, Z02Z		23	Z01A, Z02Z		23	Z01A, Z02Z
	Pre	A07A, A09B, A11A, A11B, A13B		Pre	A07A, A09B, A11A, A11B, A13B		Pre	A07A, A09B, A11A, A11B, A13B
5n521.3		BOP, KOP, KOPV, KVT, MVV, UOP4	5n522.22		BOP, KOP, KOPV, KVT, MVV, UOP4	5n523.20		BOP, KOP, KOPV, KVT, MVV, UOP4
	06	G03B, G10Z, G16A, G18A, G33Z, G38Z		06	G03B, G10Z, G16A, G18A, G33Z, G38Z		06	G03B, G10Z, G16A, G18A, G33Z, G38Z
	07	H01A, H01B, H09A, H09B, H09C, H33Z, H38Z		07	H01A, H09A, H09B, H09C, H33Z, H38Z		07	H01A, H09A, H09B, H09C, H33Z, H38Z
	09	J14A, J26Z		09	J14A, J26Z		09	J14A, J26Z
	11	L33Z		11	L33Z		11	L33Z
	13	N11A		13	N11A		13	N11A
	21A	W01A, W01B, W01C, W02A, W02B, W04A, W04B		21A	W01A, W01B, W01C, W02A, W02B, W04A, W04B		21A	W01A, W01B, W01C, W02A, W02B, W04A, W04B
	21B	X06A, X06B, X06C, X33Z		21B	X06A, X06B, X06C, X33Z		21B	X06A, X06B, X06C, X33Z
	23	Z01A, Z02Z		23	Z01A, Z02Z		23	Z01A, Z02Z
	Pre	A07A, A09B, A11A, A11B, A13B		Pre	A07A, A09B, A11A, A11B, A13B		Pre	A07A, A09B, A11A, A11B, A13B

ZZV	MDC	DRG	ZZV	MDC	DRG	ZZV	MDC	DRG
5n523.22		BOP, KOP, KOPV, KVT, MVV, UOP4	5n52x.2		BOP, KOP, KOPV, KVT, MVV, UOP4	5n536		BOP, KOP, KOPV, KVT, UOP4
	06	G03B, G10Z, G16A, G18A, G33Z, G38Z		06	G03B, G10Z, G16A, G18A, G33Z, G38Z		06	G03B, G10Z, G33Z, G38Z
	07	H01A, H09A, H09B, H09C, H33Z, H38Z		07	H01A, H01B, H09A, H09B, H09C, H33Z, H38Z		07	H01A, H01B, H09A, H09B, H09C, H33Z, H38Z
	09	J14A, J26Z		09	J14A, J26Z		09	J26Z
	11	L33Z		11	L33Z		11	L33Z
	13	N11A		13	N11A		21A	W04A, W04B
	21A	W01A, W01B, W01C, W02A, W02B, W04A, W04B		21A	W01A, W01B, W01C, W02A, W02B, W04A, W04B		21B	X06A, X06B, X06C, X33Z
	21B	X06A, X06B, X06C, X33Z		21B	X06A, X06B, X06C, X33Z		23	Z01A, Z02Z
	23	Z01A, Z02Z		23	Z01A, Z02Z		Pre	A07A
	Pre	A07A, A09B, A11A, A11B, A13B		Pre	A07A		5n53x	BOP, KOP, KOPV, KVT, UOP4
							06	G03B, G10Z, G33Z, G38Z
							07	H01A, H01B, H09A, H09B, H09C, H33Z, H38Z
	5n523.30			BOP, KOP, KOPV, KVT, MVV, UOP4	5n531			BOP, KOP, KOPV, KVT, UOP4
06		G03B, G10Z, G16A, G18A, G33Z, G38Z	06	G03B, G10Z, G33Z, G38Z		06	G03B, G10Z, G33Z, G38Z	
07		H01A, H01B, H09A, H09B, H09C, H33Z, H38Z	07	H01A, H01B, H09A, H09B, H09C, H33Z, H38Z		07	H01A, H01B, H09A, H09B, H09C, H33Z, H38Z	
09		J14A, J26Z	09	J26Z		09	J26Z	
11		L33Z	11	L33Z		11	L33Z	
13		N11A	21A	W04A, W04B		21A	W04A, W04B	
21A		W01A, W01B, W01C, W02A, W02B, W04A, W04B	21B	X06A, X06B, X06C, X33Z		21B	X06A, X06B, X06C, X33Z	
21B		X06A, X06B, X06C, X33Z	23	Z01A		23	Z01A, Z02Z	
23		Z01A, Z02Z	Pre	A07A		Pre	A07A	
Pre		A07A, A09B, A11A, A11B, A13B				5n540	BOP, KVT, UOP4	
						Pre	A01A, A01B, A01C, A18Z	
						5n541	BOP, KVT, UOP4	
						Pre	A01A, A01B, A01C, A18Z	
5n523.32		BOP, KOP, KOPV, KVT, MVV, UOP4	5n532		BOP, KOP, KOPV, KVT, UOP4	5n538		BOP, KVT, UOP4
	06	G03B, G10Z, G16A, G18A, G33Z, G38Z		06	G03B, G10Z, G33Z, G38Z		06	G03B, G10Z, G33Z, G38Z
	07	H01A, H01B, H09A, H09B, H09C, H33Z, H38Z		07	H01A, H01B, H09A, H09B, H09C, H33Z, H38Z		07	H01A, H01B, H09A, H09B, H09C, H33Z, H38Z
	09	J14A, J26Z		09	J26Z		09	J26Z
	11	L33Z		11	L33Z		11	L33Z
	13	N11A		21A	W04A, W04B		21A	W04A, W04B
	21A	W01A, W01B, W01C, W02A, W02B, W04A, W04B		21B	X06A, X06B, X06C, X33Z		21B	X06A, X06B, X06C, X33Z
	21B	X06A, X06B, X06C, X33Z		23	Z01A		23	Z01A, Z02Z
	23	Z01A, Z02Z		Pre	A07A		Pre	A07A
	Pre	A07A, A09B, A11A, A11B, A13B					5n542	BOP, KVT, UOP4
							Pre	A01A, A01B, A01C, A18Z
							5n543	BOP, KVT, UOP4
							Pre	A01A, A01B, A01C, A18Z
5n52x.0		BOP, KOP, KOPV, KVT, MVV, UOP4	5n533		BOP, KOP, KOPV, KVT, UOP4	5n539		BOP, KOP, KOPV, KVT, UOP4
	06	G03B, G10Z, G16A, G18A, G33Z, G38Z		06	G03B, G10Z, G33Z, G38Z		06	G03B, G33Z, G38Z
	07	H01A, H01B, H09A, H09B, H09C, H33Z, H38Z		07	H01A, H01B, H09A, H09B, H09C, H33Z, H38Z		07	H01A, H01B, H09A, H09B, H09C, H33Z, H38Z
	09	J14A, J26Z		09	J26Z		09	J26Z
	11	L33Z		11	L33Z		11	L33Z
	13	N11A		21A	W04A, W04B		21A	W01A, W01B, W01C, W02A, W02B, W04A, W04B
	21A	W01A, W01B, W01C, W02A, W02B, W04A, W04B		21B	X06A, X06B, X06C, X33Z		21B	X06A, X06B, X06C, X33Z
	21B	X06A, X06B, X06C, X33Z		23	Z01A, Z02Z		23	Z01A
	23	Z01A, Z02Z		Pre	A07A		Pre	A07A
	Pre	A07A, A09B, A11A, A11B, A13B					5n550.11	BOP, KOP, KOPV, KVT, UOP4
							06	G03B, G33Z, G38Z
							07	H01A, H01B, H09A, H09B, H09C, H33Z, H38Z
							11	L33Z
				21A	W01A, W01B, W01C, W02A, W02B, W04A, W04B			
				21B	X06A, X06B, X06C, X33Z			
				23	Z01A			
				Pre	A07A			
				5n550.20	BOP, KOP, KOPV, KVT, UOP4			
				06	G03B, G33Z, G38Z			
				07	H01A, H01B, H09A, H09B, H09C, H33Z, H38Z			
				11	L33Z			
				21A	W01A, W01B, W01C, W02A, W02B, W04A, W04B			
				21B	X06A, X06B, X06C, X33Z			
				23	Z01A			
				Pre	A07A			
				5n535	BOP, KOP, KOPV, KVT, UOP4			
				06	G03B, G10Z, G33Z, G38Z			
				07	H01A, H01B, H09A, H09B, H09C, H33Z, H38Z			
				09	J26Z			
				11	L33Z			
				21A	W04A, W04B			
				21B	X06A, X06B, X06C, X33Z			
				23	Z01A, Z02Z			
				Pre	A07A			

ZZV	MDC	DRG	ZZV	MDC	DRG	ZZV	MDC	DRG			
5n550.22		BOP, KOP, KOPV, KVT, UOP4	5n591.0		BOP, KOP, KOPV, KVT, UOP4	5n613.1		BOP, KOP, KOPV, KVT, MVV, UOP4			
	06	G03B, G33Z, G38Z		06	G33Z		06	G03A, G10Z, G33Z, G38Z			
	07	H01A, H01B, H09A, H09B, H09C, H33Z, H38Z		07	H01A, H01B, H09A, H09B, H09C, H33Z, H38Z		07	H02A, H02B, H33Z, H38Z			
	11	L33Z		11	L33Z		11	L33Z			
	21A	W01A, W01B, W01C, W02A, W02B, W04A, W04B		21A	W04A, W04B		17	R01A, R01B, R01C, R01D, R02Z, R12A, R12B, R12C			
	21B	X06A, X06B, X06C, X33Z		21B	X06A, X06B, X06C		21A	W04A, W04B			
	23	Z01A		23	Z01A		21B	X06A, X06B, X06C, X33Z			
	Pre	A07A		Pre	A07A		23	Z01A			
	5n551			BOP, KVT, UOP4	5n591.1			BOP, KOP, KOPV, KVT, UOP4	5n613.2		BOP, KOP, KOPV, KVT, MVV, UOP4
		07		H12A, H12B			06	G33Z		06	G03A, G10Z, G33Z, G38Z
21A		W04A, W04B	07	H01A, H01B, H09A, H09B, H09C, H33Z, H38Z		07	H01A, H02A, H02B, H33Z, H38Z				
21B		X06A, X06B, X06C	11	L33Z		11	L33Z				
5n552		BOP, KOP, KOPV, KVT, UOP4	5n591.20		BOP, KOP, KOPV, KVT, UOP4	5n613.3		BOP, KOP, KOPV, KVT, MVV, UOP4			
	06	G03B, G33Z, G38Z		06	G33Z		06	G03A, G10Z, G33Z, G38Z			
	07	H01A, H01B, H09A, H09B, H09C, H33Z, H38Z		07	H01A, H01B, H09A, H09B, H09C, H33Z, H38Z		07	H01A, H02A, H02B, H33Z, H38Z			
	11	L33Z		11	L33Z		11	L33Z			
	21A	W01A, W01B, W01C, W02A, W02B, W04A, W04B		21A	W04A, W04B		17	R01A, R01B, R01C, R01D, R02Z, R12A, R12B, R12C			
	21B	X06A, X06B, X06C, X33Z		21B	X06A, X06B, X06C, X33Z		21A	W04A, W04B			
	23	Z01A		23	Z01A		21B	X06A, X06B, X06C, X33Z			
	Pre	A07A		Pre	A07A		23	Z01A			
	5n590.0			BOP, KVT, UOP4	5n591.22			BOP, KOP, KOPV, KVT, UOP4	5n613.4		BOP, KOP, KOPV, KVT, MVV, UOP4
		05		F13A, F21A, F21B			06	G33Z		06	G03A, G10Z, G33Z, G38Z
06		G10Z, G12A, G12B	07	H01A, H01B, H09A, H09B, H09C, H33Z, H38Z		07	H01A, H02A, H02B, H33Z, H38Z				
07		H05Z	11	L33Z		11	L33Z				
09		J03A, J03B, J04A, J04B, J08A, J08B, J08C, J11A, J11B, J16Z	21A	W04A, W04B		17	R01A, R01B, R01C, R01D, R02Z, R12A, R12B, R12C				
10		K09A, K09B	21B	X06A, X06B, X06C, X33Z		21A	W04A, W04B				
11		L09A, L09B, L09C, L09D, L38Z	23	Z01A		21B	X06A, X06B, X06C, X33Z				
12		M01A, M01B, M38Z	Pre	A07A		23	Z01A				
13		N11A, N11B	Pre	A07A		Pre	A07A				
14		962Z, O02A, O02B, O04A	06	G33Z		06	G03A, G10Z, G33Z, G38Z				
5n590.2		BOP, KVT, UOP4	5n591.x		BOP, KOP, KOPV, KVT, UOP4	5n613.5		BOP, KOP, KOPV, KVT, MVV, UOP4			
	04	E02A, E02B, E02C		07	H01A, H01B, H09A, H09B, H09C, H33Z, H38Z		07	H02A, H02B, H33Z, H38Z			
	05	F21A, F21B		11	L33Z		11	L33Z			
	06	G10Z, G12A, G12B		21A	W04A, W04B		17	R01A, R01B, R01C, R01D, R02Z, R12A, R12B, R12C			
	07	H12A, H12B		21B	X06A, X06B, X06C		21A	W04A, W04B			
	08	I28A, I28B		23	Z01A		21B	X06A, X06B, X06C, X33Z			
	09	J03A, J03B, J04A, J04B, J08A, J08B, J08C, J11A, J11B, J16Z, J21Z		Pre	A07A		23	Z01A			
	10	K09A, K09B		Pre	A07A		Pre	A07A			
	11	L09A, L09B, L09C, L09D, L38Z		09	J11A, J11B		06	G03A, G10Z, G33Z, G38Z			
	13	N11A		09	J11A, J11B		07	H02A, H02B, H33Z, H38Z			
5n592.0		BOP, KVT, UOP4	5n592.0		BOP, KVT, UOP4	5n61x		BOP, KVT, UOP4			
	04	E02A, E02B, E02C		06	G10Z, G12A, G12B		06	G10Z, G12A, G12B			
	05	F21A, F21B		07	H05Z		07	H05Z			
	06	G10Z, G12A, G12B		17	R01A, R01B, R01C, R01D, R02Z, R12A, R12B, R12C		07	BOP, KVT, UOP4			
	07	H12A, H12B		21A	W04A, W04B		07	H07A, H07B			
	08	I28A, I28B		21B	X06A, X06B, X06C		17	R01A, R01B, R01C, R01D, R02Z, R12A, R12B, R12C			
	09	J03A, J03B, J04A, J04B, J08A, J08B, J08C, J11A, J11B, J16Z, J21Z		Pre	A07A		21A	W04A, W04B			
	10	K09A, K09B		Pre	A07A		21B	X06A, X06B			
	11	L09A, L09B, L09C, L09D, L38Z		07	H05Z						
	13	N11A		07	H05Z						
5n593.0		BOP, KVT, UOP4	5n610		BOP, KVT, UOP4	5n620.0		BOP, KVT, UOP4			
	04	E02A, E02B, E02C		06	G10Z, G12A, G12B		07	H07A, H07B			
	05	F21A, F21B		07	H05Z		17	R01A, R01B, R01C, R01D, R02Z, R12A, R12B, R12C			
	06	G10Z, G12A, G12B		17	R01A, R01B, R01C, R01D, R02Z, R12A, R12B, R12C		21A	W04A, W04B			
	07	H12A, H12B		21B	X06A, X06B, X06C		21B	X06A, X06B			
	08	I28A, I28B		Pre	A07A						
	09	J03A, J03B, J04A, J04B, J08A, J08B, J08C, J11A, J11B, J16Z, J21Z		09	J11A, J11B						
	10	K09A, K09B		09	J11A, J11B						
	11	L09A, L09B, L09C, L09D, L38Z		06	G10Z, G12A, G12B						
	13	N11A		07	H05Z						
5n594.0		BOP, KVT, UOP4	5n611.0		BOP, KVT, UOP4	5n612		BOP, KVT, UOP4			
	04	E02A, E02B, E02C		07	H05Z		06	G10Z, G12A, G12B			
	05	F21A, F21B		17	R01A, R01B, R01C, R01D, R02Z, R12A, R12B, R12C		07	H05Z			
	06	G10Z, G12A, G12B		21A	W04A, W04B						
	07	H12A, H12B		21B	X06A, X06B, X06C						
	08	I28A, I28B		Pre	A07A						
	09	J03A, J03B, J04A, J04B, J08A, J08B, J08C, J11A, J11B, J16Z, J21Z		Pre	A07A						
	10	K09A, K09B		07	H05Z						
	11	L09A, L09B, L09C, L09D, L38Z		07	H05Z						
	13	N11A		06	G10Z, G12A, G12B						
5n595.0		BOP, KVT, UOP4	5n611.2		BOP, KVT, UOP4	5n612		BOP, KVT, UOP4			
	04	E02A, E02B, E02C		07	H05Z		06	G10Z, G12A, G12B			
	05	F21A, F21B		17	R01A, R01B, R01C, R01D, R02Z, R12A, R12B, R12C		07	H05Z			
	06	G10Z, G12A, G12B		21A	W04A, W04B						
	07	H12A, H12B		21B	X06A, X06B, X06C						
	08	I28A, I28B		Pre	A07A						
	09	J03A, J03B, J04A, J04B, J08A, J08B, J08C, J11A, J11B, J16Z, J21Z		Pre	A07A						
	10	K09A, K09B		07	H05Z						
	11	L09A, L09B, L09C, L09D, L38Z		07	H05Z						
	13	N11A		06	G10Z, G12A, G12B						

VYK

ZZV	MDC	DRG	ZZV	MDC	DRG	ZZV	MDC	DRG			
5n640.30		BOP, KOP, KOPV, KVT, UOP4	5n641.10		BOP, KOP, KOPV, KVT, UOP4	5n641.30		BOP, KOP, KOPV, KVT, UOP4			
	06	G10Z, G12A, G12B, G33Z, G38Z		06	G10Z, G12A, G12B, G33Z, G38Z		06	G10Z, G12A, G12B, G33Z, G38Z			
	07	H01A, H01B, H09A, H09B, H09C, H38Z		07	H01A, H01B, H09A, H09B, H09C, H38Z		07	H01A, H01B, H09A, H09B, H09C, H38Z			
	17	R01A, R01B, R01C, R01D, R02Z, R12A, R12B, R12C		17	R01A, R01B, R01C, R01D, R02Z, R12A, R12B, R12C		17	R01A, R01B, R01C, R01D, R02Z, R12A, R12B, R12C			
	21A	W04A, W04B		21A	W04A, W04B		21A	W04A, W04B			
	21B	X06A, X06B, X06C		21B	X06A, X06B, X06C		21B	X06A, X06B, X06C			
5n640.31	Pre	A07A	5n641.11	Pre	A07A	5n641.31	Pre	A07A			
		BOP, KOP, KOPV, KVT, UOP4			BOP, KOP, KOPV, KVT, UOP4			BOP, KOP, KOPV, KVT, UOP4			
	06	G10Z, G12A, G12B, G33Z, G38Z		06	G10Z, G12A, G12B, G33Z, G38Z		06	G10Z, G12A, G12B, G33Z, G38Z			
	07	H01A, H01B, H09A, H09B, H09C, H38Z		07	H01A, H01B, H09A, H09B, H09C, H38Z		07	H01A, H01B, H09A, H09B, H09C, H38Z			
	17	R01A, R01B, R01C, R01D, R02Z, R12A, R12B, R12C		17	R01A, R01B, R01C, R01D, R02Z, R12A, R12B, R12C		17	R01A, R01B, R01C, R01D, R02Z, R12A, R12B, R12C			
	21A	W04A, W04B		21A	W04A, W04B		21A	W04A, W04B			
5n640.32	21B	X06A, X06B, X06C	5n641.12	21B	X06A, X06B, X06C	5n641.32	21B	X06A, X06B, X06C			
	Pre	A07A		Pre	A07A		Pre	A07A			
		BOP, KOP, KOPV, KVT, UOP4			BOP, KOP, KOPV, KVT, UOP4			BOP, KOP, KOPV, KVT, UOP4			
	06	G10Z, G12A, G12B, G33Z, G38Z		06	G10Z, G12A, G12B, G33Z, G38Z		06	G10Z, G12A, G12B, G33Z, G38Z			
	07	H01A, H01B, H09A, H09B, H09C, H38Z		07	H01A, H01B, H09A, H09B, H09C, H38Z		07	H01A, H01B, H09A, H09B, H09C, H38Z			
	17	R01A, R01B, R01C, R01D, R02Z, R12A, R12B, R12C		17	R01A, R01B, R01C, R01D, R02Z, R12A, R12B, R12C		17	R01A, R01B, R01C, R01D, R02Z, R12A, R12B, R12C			
5n640.33‡	21A	W04A, W04B	5n641.13‡	21A	W04A, W04B	5n641.33‡	21A	W04A, W04B			
	21B	X06A, X06B, X06C		21B	X06A, X06B, X06C		21B	X06A, X06B, X06C			
	Pre	A07A		Pre	A07A		Pre	A07A			
	07	H41A, H41B, H41C		07	H41A, H41B, H41C		07	H41A, H41B, H41C			
	5n640.3x‡	07		H41A, H41B, H41C	5n641.1x‡		07	H41A, H41B, H41C	5n641.3x‡	07	H41A, H41B, H41C
	5n641.00	BOP, KOP, KOPV, KVT, UOP4		5n641.20	BOP, KOP, KOPV, KVT, UOP4		5n642.03‡	07	H41A, H41B, H41C		
5n641.01	06	G10Z, G12A, G12B, G33Z, G38Z	5n641.21	06	G10Z, G12A, G12B, G33Z, G38Z	5n642.13‡	07	H41A, H41B, H41C			
	07	H01A, H01B, H09A, H09B, H09C, H38Z		07	H01A, H01B, H09A, H09B, H09C, H38Z	5n642.23‡	07	H41A, H41B, H41C			
	17	R01A, R01B, R01C, R01D, R02Z, R12A, R12B, R12C		17	R01A, R01B, R01C, R01D, R02Z, R12A, R12B, R12C	5n642.33‡	07	H41A, H41B, H41C			
	21A	W04A, W04B		21A	W04A, W04B	5n64x.0		BOP, KOP, KOPV, KVT, UOP4			
	21B	X06A, X06B, X06C		21B	X06A, X06B, X06C		06	G10Z, G12A, G12B, G33Z, G38Z			
	Pre	A07A		Pre	A07A		07	H02A, H02B, H38Z			
5n641.02	06	G10Z, G12A, G12B, G33Z, G38Z	5n641.22	06	G10Z, G12A, G12B, G33Z, G38Z		17	R01A, R01B, R01C, R01D, R02Z, R12A, R12B, R12C			
	07	H01A, H01B, H09A, H09B, H09C, H38Z		07	H01A, H01B, H09A, H09B, H09C, H38Z	5n64x.1		21A	W04A, W04B		
	17	R01A, R01B, R01C, R01D, R02Z, R12A, R12B, R12C		17	R01A, R01B, R01C, R01D, R02Z, R12A, R12B, R12C		21B	X06A, X06B, X06C			
	21A	W04A, W04B		21A	W04A, W04B		Pre	A07A			
	21B	X06A, X06B, X06C		21B	X06A, X06B, X06C			BOP, KOP, KOPV, KVT, UOP4			
	Pre	A07A		Pre	A07A		06	G10Z, G12A, G12B, G33Z, G38Z			
5n641.03‡	07	H41A, H41B, H41C	5n641.23‡	07	H41A, H41B, H41C	5n64x.2		07	H05Z		
	5n641.0x‡	07		H41A, H41B, H41C	5n641.2x‡	07	H41A, H41B, H41C		17	R01A, R01B, R01C, R01D, R02Z, R12A, R12B, R12C	
		BOP, KOP, KOPV, KVT, UOP4			BOP, KOP, KOPV, KVT, UOP4		21A	W04A, W04B			
	06	G10Z, G12A, G12B, G33Z, G38Z		06	G10Z, G12A, G12B, G33Z, G38Z		21B	X06A, X06B, X06C			
	07	H01A, H01B, H09A, H09B, H09C, H38Z		07	H01A, H01B, H09A, H09B, H09C, H38Z		Pre	A07A			
	17	R01A, R01B, R01C, R01D, R02Z, R12A, R12B, R12C		17	R01A, R01B, R01C, R01D, R02Z, R12A, R12B, R12C			BOP, KOP, KOPV, KVT, UOP4			
5n641.03‡	21A	W04A, W04B	5n641.23‡	21A	W04A, W04B		06	G10Z, G12A, G12B, G33Z, G38Z			
	21B	X06A, X06B, X06C		21B	X06A, X06B, X06C		07	H02A, H02B, H38Z			
	Pre	A07A		Pre	A07A		17	R01A, R01B, R01C, R01D, R02Z, R12A, R12B, R12C			
	07	H41A, H41B, H41C		07	H41A, H41B, H41C		21A	W04A, W04B			
	5n641.0x‡	07		H41A, H41B, H41C	5n641.2x‡	07	H41A, H41B, H41C		21B	X06A, X06B, X06C	
		BOP, KOP, KOPV, KVT, UOP4			BOP, KOP, KOPV, KVT, UOP4		Pre	A07A			
	G10Z, G12A, G12B, G33Z, G38Z		G10Z, G12A, G12B, G33Z, G38Z		07	H41A, H41B, H41C					

VYK

Príloha B: Index Výkon-MDC-DRG

ZZV	MDC	DRG	ZZV	MDC	DRG	ZZV	MDC	DRG
5n64x.x† 5n650.0	07	H41A, H41B, H41C BOP, KVT, UOP4	5n652.0		BOP, KOP, KOPV, KVT, UOP4	5n65x.2		BOP, KVT, UOP4 G10Z, G12A, G12B
	06	G10Z, G12A, G12B		06	G10Z, G15Z, G19A, G19B, G33Z, G38Z	06	07	H05Z
	07	H05Z		07	H01A, H01B, H09A, H09B, H09C, H33Z, H38Z	5n65x.4	06	BOP, KVT, UOP4 G10Z, G12A, G12B
	17	R01A, R01B, R01C, R01D, R02Z, R12A, R12B, R12C		11	L33Z	07	07	H05Z
	21A	W04A, W04B		21B	X06A, X06B, X06C	5n65x.x	06	BOP, KVT, UOP4 G10Z, G12A, G12B
5n650.4	21B	X06A, X06B, X06C BOP, KVT, UOP4		23	Z01A	06	07	H05Z
	06	G10Z, G12A, G12B	5n652.2	Pre	A07A	5n690.0	06	BOP, KVT, UOP4 G10Z, G12A, G12B
	07	H05Z			BOP, KOP, KOPV, KVT, UOP4	07	07	H05Z
	17	R01A, R01B, R01C, R01D, R02Z, R12A, R12B, R12C		06	G10Z, G15Z, G19A, G19B, G33Z, G38Z	17	17	R01A, R01B, R01C, R01D, R02Z, R12A, R12B, R12C
	21A	W04A, W04B		07	H01A, H01B, H09A, H09B, H09C, H33Z, H38Z	21A	21A	W04A, W04B
5n650.x	21B	X06A, X06B, X06C BOP, KVT, UOP4		11	L33Z	21B	21B	X06A, X06B, X06C BOP, KVT, UOP4
	06	G10Z, G12A, G12B		21B	X06A, X06B, X06C	5n690.2	06	G10Z, G12A, G12B
	07	H05Z		23	Z01A	07	07	H05Z
	17	R01A, R01B, R01C, R01D, R02Z, R12A, R12B, R12C		Pre	A07A	17	17	R01A, R01B, R01C, R01D, R02Z, R12A, R12B, R12C
	21A	W04A, W04B	5n652.4		BOP, KOP, KOPV, KVT, UOP4	21A	21A	W04A, W04B
5n651.0	21B	X06A, X06B, X06C BOP, KOP, KOPV, KVT, UOP4		06	G10Z, G15Z, G19A, G19B, G33Z, G38Z	21B	21B	X06A, X06B, X06C BOP, KVT, UOP4
	06	G10Z, G15Z, G19A, G19B, G33Z, G38Z		07	H01A, H01B, H09A, H09B, H09C, H33Z, H38Z	5n690.3† 5n690.4	07	H41A, H41B, H41C BOP, KVT, UOP4
	07	H01A, H01B, H09A, H09B, H09C, H33Z, H38Z		11	L33Z	06	06	G10Z, G12A, G12B
	11	L33Z		21B	X06A, X06B, X06C	07	07	H05Z
	21B	X06A, X06B, X06C		23	Z01A	17	17	R01A, R01B, R01C, R01D, R02Z, R12A, R12B, R12C
	23	Z01A	5n652.x	Pre	A07A	21A	21A	W04A, W04B
	Pre	A07A			BOP, KOP, KOPV, KVT, UOP4	21B	21B	X06A, X06B, X06C
5n651.2		BOP, KOP, KOPV, KVT, UOP4		06	G10Z, G15Z, G19A, G19B, G33Z, G38Z	07	07	H41A, H41B, H41C BOP, KVT, UOP4
	06	G10Z, G15Z, G19A, G19B, G33Z, G38Z		07	H01A, H01B, H09A, H09B, H09C, H33Z, H38Z	5n692.0	07	H05Z
	07	H01A, H01B, H09A, H09B, H09C, H33Z, H38Z		11	L33Z	17	17	R01A, R01B, R01C, R01D, R02Z, R12A, R12B, R12C
	11	L33Z		21B	X06A, X06B, X06C	5n692.2	07	BOP, KVT, UOP4 H05Z
	21B	X06A, X06B, X06C		23	Z01A	07	17	R01A, R01B, R01C, R01D, R02Z, R12A, R12B, R12C
	23	Z01A	5n653.0	Pre	A07A	5n692.4	07	BOP, KVT, UOP4 H05Z
	Pre	A07A			BOP, KVT, UOP4	17	17	R01A, R01B, R01C, R01D, R02Z, R12A, R12B, R12C
5n651.4		BOP, KOP, KOPV, KVT, UOP4		06	G10Z, G12A, G12B	5n692.x† 5n693.0	07	H41A, H41B, H41C BOP, KVT, UOP4
	06	G10Z, G15Z, G19A, G19B, G33Z, G38Z	5n653.2	07	H05Z	06	06	G10Z, G12A, G12B
	07	H01A, H01B, H09A, H09B, H09C, H33Z, H38Z		06	G10Z, G12A, G12B	07	07	H05Z
	11	L33Z	5n653.4	07	H05Z	5n693.2	06	BOP, KVT, UOP4 G10Z, G12A, G12B
	21B	X06A, X06B, X06C		06	G10Z, G12A, G12B	07	07	H05Z
	23	Z01A	5n653.x	07	H05Z	5n693.3† 5n693.4	07	H41A, H41B, H41C BOP, KVT, UOP4
	Pre	A07A		06	G10Z, G12A, G12B	06	06	G10Z, G12A, G12B
5n651.x		BOP, KOP, KOPV, KVT, UOP4	5n655.0	07	H05Z	07	07	H05Z
	06	G10Z, G15Z, G19A, G19B, G33Z, G38Z		06	G10Z, G12A, G12B	5n693.x† 5n694.0	07	H41A, H41B, H41C BOP, KOP, KOPV, KVT, UOP4
	07	H01A, H01B, H09A, H09B, H09C, H33Z, H38Z	5n655.2	07	H05Z	06	06	G10Z, G12A, G12B, G33Z, G38Z
	11	L33Z		06	G10Z, G12A, G12B	07	07	H02A, H02B, H38Z
	21B	X06A, X06B, X06C	5n655.4	07	H05Z	23	23	Z01A
	23	Z01A		06	G10Z, G12A, G12B	Pre	Pre	A07A
	Pre	A07A	5n655.x	07	H05Z			
				06	G10Z, G12A, G12B			
				07	H05Z			
			5n65x.0	06	BOP, KVT, UOP4 G10Z, G12A, G12B			
				07	H05Z			

VYK

ZZV	MDC	DRG	ZZV	MDC	DRG	ZZV	MDC	DRG
5n694.2		BOP, KOP, KOPV, KVT, UOP4	5n69a.2		BOP, KOP, KOPV, KVT, UOP4	5n69c.2		BOP, KOP, KOPV, KVT, UOP4
	06	G10Z, G12A, G12B, G33Z, G38Z		06	G33Z		06	G10Z, G12A, G12B, G33Z, G38Z
	07	H05Z		07	H05Z		07	H05Z
	23	Z01A		17	R01A, R01B, R01C, R01D, R02Z, R12A, R12B, R12C		17	R01A, R01B, R01C, R01D, R02Z, R12A, R12B, R12C
	Pre	A07A		21A	W04A, W04B		21A	W04A, W04B
5n694.3†	07	H41A, H41B, H41C		21B	X06A, X06B, X06C		21A	W04A, W04B
5n694.4		BOP, KOP, KOPV, KVT, UOP4		23	Z01A		21B	X06A, X06B, X06C
	06	G10Z, G12A, G12B, G33Z, G38Z	5n69a.3†	07	H41A, H41B, H41C	5n69c.3†	07	H41A, H41B, H41C
	07	H02A, H02B, H38Z	5n69a.4		BOP, KOP, KOPV, KVT, UOP4	5n69c.4		BOP, KOP, KOPV, KVT, UOP4
	23	Z01A		06	G33Z		06	G10Z, G12A, G12B, G33Z, G38Z
	Pre	A07A		07	H02A, H02B, H38Z		07	H02A, H02B, H38Z
5n694.x†	07	H41A, H41B, H41C		17	R01A, R01B, R01C, R01D, R02Z, R12A, R12B, R12C		17	R01A, R01B, R01C, R01D, R02Z, R12A, R12B, R12C
5n695.0		BOP, KOP, KOPV, KVT, UOP4		21A	W04A, W04B		17	R01A, R01B, R01C, R01D, R02Z, R12A, R12B, R12C
	06	G10Z, G12A, G12B, G33Z, G38Z		21B	X06A, X06B, X06C		21A	W04A, W04B
	07	H02A, H02B, H38Z		23	Z01A		21B	X06A, X06B, X06C
	17	R01A, R01B, R01C, R01D, R02Z, R12A, R12B, R12C	5n69a.x†	Pre	A07A		23	Z01A
	21A	W04A, W04B	5n69b.0	07	H41A, H41B, H41C	5n69c.x†	Pre	A07A
	21B	X06A, X06B, X06C			BOP, KOP, KOPV, KVT, UOP4	5n69d.0	07	H41A, H41B, H41C
	23	Z01A		06	G10Z, G12A, G12B, G33Z, G38Z			BOP, KOP, KOPV, KVT, UOP4
	Pre	A07A		07	H02A, H02B, H38Z		06	G10Z, G12A, G12B, G33Z, G38Z
5n695.2		BOP, KOP, KOPV, KVT, UOP4		17	R01A, R01B, R01C, R01D, R02Z, R12A, R12B, R12C		07	H01A, H01B, H09A, H09B, H09C, H38Z
	06	G10Z, G12A, G12B, G33Z, G38Z		21A	W04A, W04B		17	R01A, R01B, R01C, R01D, R02Z, R12A, R12B, R12C
	07	H05Z		21B	X06A, X06B, X06C		21A	W04A, W04B
	17	R01A, R01B, R01C, R01D, R02Z, R12A, R12B, R12C	5n69b.2	Pre	A07A	5n69d.2	21B	X06A, X06B, X06C
	21A	W04A, W04B			BOP, KOP, KOPV, KVT, UOP4		Pre	A07A
	21B	X06A, X06B, X06C		06	G10Z, G12A, G12B, G33Z, G38Z			BOP, KOP, KOPV, KVT, UOP4
	23	Z01A		07	H05Z		06	G10Z, G12A, G12B, G33Z, G38Z
	Pre	A07A		17	R01A, R01B, R01C, R01D, R02Z, R12A, R12B, R12C		07	H01A, H01B, H09A, H09B, H09C, H38Z
5n695.3†		KKI, KKP		21A	W04A, W04B		17	R01A, R01B, R01C, R01D, R02Z, R12A, R12B, R12C
5n695.4		BOP, KOP, KOPV, KVT, UOP4		21B	X06A, X06B, X06C		21A	W04A, W04B
	06	G10Z, G12A, G12B, G33Z, G38Z		23	Z01A		21B	X06A, X06B, X06C
	07	H02A, H02B, H38Z	5n69b.3†	Pre	A07A	5n69d.3†	Pre	A07A
	17	R01A, R01B, R01C, R01D, R02Z, R12A, R12B, R12C	5n69b.4	07	H41A, H41B, H41C	5n69d.4	07	H41A, H41B, H41C
	21A	W04A, W04B			BOP, KOP, KOPV, KVT, UOP4			BOP, KOP, KOPV, KVT, UOP4
	21B	X06A, X06B, X06C		06	G10Z, G12A, G12B, G33Z, G38Z		06	G10Z, G12A, G12B, G33Z, G38Z
	23	Z01A		07	H02A, H02B, H38Z		07	H01A, H01B, H09A, H09B, H09C, H38Z
	Pre	A07A		17	R01A, R01B, R01C, R01D, R02Z, R12A, R12B, R12C		17	R01A, R01B, R01C, R01D, R02Z, R12A, R12B, R12C
5n695.x†	07	H41A, H41B, H41C		21A	W04A, W04B		21A	W04A, W04B
5n69a.0		BOP, KOP, KOPV, KVT, UOP4		21B	X06A, X06B, X06C		21B	X06A, X06B, X06C
	06	G33Z	5n69b.x†	Pre	A07A	5n69d.x†	Pre	A07A
	07	H02A, H02B, H38Z	5n69c.0	07	H41A, H41B, H41C	5n69e.0	07	H41A, H41B, H41C
	17	R01A, R01B, R01C, R01D, R02Z, R12A, R12B, R12C			BOP, KOP, KOPV, KVT, UOP4			BOP, KOP, KOPV, KVT, UOP4
	21A	W04A, W04B		06	G10Z, G12A, G12B, G33Z, G38Z		06	G10Z, G12A, G12B, G33Z, G38Z
	21B	X06A, X06B, X06C		07	H02A, H02B, H38Z		07	H01A, H01B, H09A, H09B, H09C, H38Z
	23	Z01A		17	R01A, R01B, R01C, R01D, R02Z, R12A, R12B, R12C		17	R01A, R01B, R01C, R01D, R02Z, R12A, R12B, R12C
	Pre	A07A		21A	W04A, W04B		21A	W04A, W04B
				21B	X06A, X06B, X06C		21B	X06A, X06B, X06C
				23	Z01A		Pre	A07A
				Pre	A07A			

ZZV	MDC	DRG	ZZV	MDC	DRG	ZZV	MDC	DRG			
5n69e.2		BOP, KOP, KOPV, KVT, UOP4	5n69j		BOP, KVT, UOP4	5n710.1		BOP, KOP, KOPV, KVT, UOP4			
	06	G10Z, G12A, G12B, G33Z, G38Z		06	G10Z, G12A, G12B		06	G33Z			
	07	H01A, H01B, H09A, H09B, H09C, H38Z		07	H05Z		07	H01A, H01B, H09A, H09B, H09C, H33Z, H38Z			
	17	R01A, R01B, R01C, R01D, R02Z, R12A, R12B, R12C		17	R01A, R01B, R01C, R01D, R02Z, R12A, R12B, R12C		23	Z01A			
	21A	W04A, W04B		21A	W04A, W04B		Pre	A07A			
	21B	X06A, X06B, X06C		21B	X06A, X06B, X06C			BOP, KOP, KOPV, KVT, UOP4			
	Pre	A07A			BOP, KVT, UOP4		5n710.2				
	5n69e.3† 5n69e.4	07		H41A, H41B, H41C	06		G10Z, G12A, G12B	06	G33Z		
				BOP, KOP, KOPV, KVT, UOP4	07		H05Z	07	H01A, H01B, H09A, H09B, H09C, H33Z, H38Z		
	5n69e.x† 5n69f.0	06		G10Z, G12A, G12B, G33Z, G38Z	5n69k			BOP, KVT, UOP4	5n710.x		BOP, KOP, KOPV, KVT, UOP4
07		H01A, H01B, H09A, H09B, H09C, H38Z	06	G10Z, G12A, G12B		06	G33Z				
17		R01A, R01B, R01C, R01D, R02Z, R12A, R12B, R12C	07	H05Z		07	H01A, H01B, H09A, H09B, H09C, H33Z, H38Z				
21A		W04A, W04B	17	R01A, R01B, R01C, R01D, R02Z, R12A, R12B, R12C		23	Z01A				
21B		X06A, X06B, X06C	21A	W04A, W04B		Pre	A07A				
Pre		A07A	21B	X06A, X06B, X06C			BOP, KOP, KOPV, KVT, UOP4				
07		H41A, H41B, H41C		BOP, KVT, UOP4		5n711					
5n69f.2		06	G10Z, G12A, G12B, G33Z, G38Z	06		G10Z, G12A, G12B	06	G33Z			
		07	H01A, H01B, H09A, H09B, H09C, H38Z	07		H05Z	07	H01A, H01B, H09A, H09B, H09C, H33Z, H38Z			
		17	R01A, R01B, R01C, R01D, R02Z, R12A, R12B, R12C	17		R01A, R01B, R01C, R01D, R02Z, R12A, R12B, R12C	10	K09A, K09B			
	21A	W04A, W04B	21A	W04A, W04B	23	Z01A					
	21B	X06A, X06B, X06C	21B	X06A, X06B, X06C	Pre	A07A					
	Pre	A07A		BOP, KVT, UOP4		BOP, KOP, KOPV, KVT, UOP4					
	07	H41A, H41B, H41C	06	G10Z, G12A, G12B, G33Z, G38Z	06	G33Z					
	5n69f.3† 5n69f.4	06	G10Z, G12A, G12B, G33Z, G38Z	5n69l		BOP, KVT, UOP4	5n712.0		BOP, KOP, KOPV, KVT, UOP4		
		07	H01A, H01B, H09A, H09B, H09C, H38Z		06	G10Z, G12A, G12B		06	G33Z		
		17	R01A, R01B, R01C, R01D, R02Z, R12A, R12B, R12C		07	H05Z		07	H01A, H01B, H09A, H09B, H09C, H33Z, H38Z		
21A		W04A, W04B	17		R01A, R01B, R01C, R01D, R02Z, R12A, R12B, R12C	10		K09A, K09B			
21B		X06A, X06B, X06C	21A		W04A, W04B	23		Z01A			
Pre		A07A	21B		X06A, X06B, X06C	Pre		A07A			
07		H41A, H41B, H41C			BOP, KVT, UOP4			BOP, KOP, KOPV, KVT, UOP4			
5n69f.x† 5n69g		06	G10Z, G12A, G12B, G33Z, G38Z		5n69m			BOP, KVT, UOP4	5n712.1		BOP, KOP, KOPV, KVT, UOP4
		07	H01A, H01B, H09A, H09B, H09C, H38Z			06		G10Z, G12A, G12B		06	G33Z
		17	R01A, R01B, R01C, R01D, R02Z, R12A, R12B, R12C			07		H05Z		07	H01A, H01B, H09A, H09B, H09C, H33Z, H38Z
	21A	W04A, W04B	17	R01A, R01B, R01C, R01D, R02Z, R12A, R12B, R12C		10	K09A, K09B				
	21B	X06A, X06B, X06C	21A	W04A, W04B		23	Z01A				
	Pre	A07A	21B	X06A, X06B, X06C		Pre	A07A				
	07	H41A, H41B, H41C		BOP, KVT, UOP4			BOP, KOP, KOPV, KVT, UOP4				
	5n69f.x† 5n69g	06	G10Z, G12A, G12B, G33Z, G38Z	5n69n† 5n69x.0			BOP, KVT, UOP4	5n715			BOP, KOP, KOPV, KVT, UOP4
		07	H01A, H01B, H09A, H09B, H09C, H38Z			06	G10Z, G12A, G12B			06	G33Z
		17	R01A, R01B, R01C, R01D, R02Z, R12A, R12B, R12C			07	H05Z			07	H01A, H01B, H09A, H09B, H09C, H33Z, H38Z
21A		W04A, W04B	17		R01A, R01B, R01C, R01D, R02Z, R12A, R12B, R12C	10	K09A, K09B				
21B		X06A, X06B, X06C	21A		W04A, W04B	23	Z01A				
Pre		A07A	21B		X06A, X06B, X06C	Pre	A07A				
07		H41A, H41B, H41C			BOP, KVT, UOP4		BOP, KOP, KOPV, KVT, UOP4				
5n69f.x† 5n69g		06	G10Z, G12A, G12B, G33Z, G38Z		5n69x.3† 5n69x.4		BOP, KOP, KOPV, KVT, UOP4		5n716.1		BOP, KOP, KOPV, KVT, UOP4
		07	H01A, H01B, H09A, H09B, H09C, H38Z			06	G10Z, G12A, G12B, G33Z, G38Z			06	G33Z
		17	R01A, R01B, R01C, R01D, R02Z, R12A, R12B, R12C			07	H05Z			07	H01A, H01B, H09A, H09B, H09C, H33Z, H38Z
	21A	W04A, W04B	17	R01A, R01B, R01C, R01D, R02Z, R12A, R12B, R12C		10	K09A, K09B				
	21B	X06A, X06B, X06C	21A	W04A, W04B		23	Z01A				
	Pre	A07A	21B	X06A, X06B, X06C		Pre	A07A				
	07	H41A, H41B, H41C		BOP, KOP, KOPV, KVT, UOP4			BOP, KOP, KOPV, KVT, UOP4				
	5n69f.x† 5n69g	06	G10Z, G12A, G12B, G33Z, G38Z	5n69x.x† 5n710.0			BOP, KOP, KOPV, KVT, UOP4				BOP, KOP, KOPV, KVT, UOP4
		07	H01A, H01B, H09A, H09B, H09C, H38Z			06	G10Z, G12A, G12B			06	G33Z
		17	R01A, R01B, R01C, R01D, R02Z, R12A, R12B, R12C			07	H05Z			07	H01A, H01B, H09A, H09B, H09C, H33Z, H38Z
21A		W04A, W04B	17		R01A, R01B, R01C, R01D, R02Z, R12A, R12B, R12C	11	L33Z				
21B		X06A, X06B, X06C	21A		W04A, W04B	21A	W04A, W04B				
Pre		A07A	21B		X06A, X06B, X06C	21B	X06A, X06B, X06C				
07		H41A, H41B, H41C			BOP, KOP, KOPV, KVT, UOP4	23	Z01A				
		BOP, KOP, KOPV, KVT, UOP4			BOP, KOP, KOPV, KVT, UOP4	Pre	A07A				
		BOP, KOP, KOPV, KVT, UOP4			BOP, KOP, KOPV, KVT, UOP4						
		BOP, KOP, KOPV, KVT, UOP4			BOP, KOP, KOPV, KVT, UOP4						

ZZV	MDC	DRG	ZZV	MDC	DRG	ZZV	MDC	DRG			
5n716.2		BOP, KOP, KOPV, KVT, UOP4	5n720.2		BOP, KOP, KOPV, KVT, UOP4	5n724		BOP, KOP, KOPV, KVT, UOP4			
	06	G03A, G10Z, G33Z, G38Z		06	G03A, G10Z, G12A, G12B, G33Z, G38Z		06	G03A, G10Z, G12A, G12B, G33Z, G38Z			
	07	H01A, H01B, H09A, H09B, H33Z, H38Z		07	H01A, H01B, H09A, H09B, H33Z, H38Z		07	H01A, H01B, H09A, H09B, H33Z, H38Z			
	11	L33Z		10	K09A, K09B		11	L33Z			
	21A	W04A, W04B		11	L33Z		21A	W04A, W04B			
	21B	X06A, X06B, X06C		21A	W04A, W04B		21B	X06A, X06B, X06C, X33Z			
	23	Z01A		21B	X06A, X06B, X06C, X33Z		23	Z01A			
	Pre	A07A		23	Z01A		23	Z01A			
	5n716.3			BOP, KOP, KOPV, KVT, UOP4	5n721.0			BOP, KOP, KOPV, KVT, UOP4	5n725		BOP, KOP, KOPV, KVT, UOP4
		06		G03A, G10Z, G33Z, G38Z			06	G03A, G10Z, G12A, G12B, G33Z, G38Z		06	G03A, G03B, G33Z, G38Z
07		H01A, H01B, H09A, H09B, H33Z, H38Z	07	H01A, H01B, H09A, H09B, H33Z, H38Z		07	H01A, H01B, H09A, H09B, H09C, H33Z, H38Z				
11		L33Z	10	K09A, K09B		11	L33Z				
21A		W04A, W04B	11	L33Z		21A	W04A, W04B				
21B		X06A, X06B, X06C	21A	W04A, W04B		21B	X06A, X06B, X06C, X33Z				
23		Z01A	21B	X06A, X06B, X06C, X33Z		23	Z01A				
Pre		A07A	23	Z01A		23	Z01A				
5n716.40			BOP, KOP, KOPV, KVT, UOP4	5n721.2			BOP, KOP, KOPV, KVT, UOP4	5n72a			BOP, KOP, KOPV, KVT, MVV, UOP4
		06	G03A, G10Z, G33Z, G38Z			06	G03A, G10Z, G12A, G12B, G33Z, G38Z			06	G03A, G03B, G33Z, G38Z
	07	H01A, H01B, H09A, H09B, H33Z, H38Z	07		H01A, H01B, H09A, H09B, H33Z, H38Z	07	H01A, H01B, H09A, H09B, H09C, H33Z, H38Z				
	11	L33Z	10		K09A, K09B	11	L33Z				
	21A	W04A, W04B	11		L33Z	21A	W04A, W04B				
	21B	X06A, X06B, X06C	21A		W04A, W04B	21B	X06A, X06B, X06C, X33Z				
	23	Z01A	21B		X06A, X06B, X06C, X33Z	23	Z01A				
	Pre	A07A	23		Z01A	23	Z01A				
	5n716.41		BOP, KOP, KOPV, KVT, UOP4		5n721.4		BOP, KOP, KOPV, KVT, UOP4		5n72b		BOP, KOP, KOPV, KVT, MVV, UOP4
		06	G03A, G10Z, G33Z, G38Z			06	G03A, G10Z, G12A, G12B, G33Z, G38Z			06	G03A, G10Z, G12A, G12B, G33Z, G38Z
07		H01A, H01B, H09A, H09B, H33Z, H38Z	07	H01A, H01B, H09A, H09B, H33Z, H38Z		07	H01A, H01B, H09A, H09B, H09C, H33Z, H38Z				
11		L33Z	10	K09A, K09B		11	L33Z				
21A		W04A, W04B	11	L33Z		21A	W04A, W04B				
21B		X06A, X06B, X06C	21A	W04A, W04B		21B	X06A, X06B, X06C, X33Z				
23		Z01A	21B	X06A, X06B, X06C, X33Z		23	Z01A				
Pre		A07A	23	Z01A		23	Z01A				
5n716.x			BOP, KOP, KOPV, KVT, UOP4	5n722			BOP, KOP, KOPV, KVT, UOP4	5n72c			BOP, KOP, KOPV, KVT, MVV, UOP4
		06	G03A, G10Z, G33Z, G38Z			06	G03A, G10Z, G12A, G12B, G33Z, G38Z			06	G03A, G10Z, G12A, G12B, G33Z, G38Z
	07	H01A, H01B, H09A, H09B, H09C, H33Z, H38Z	07		H01A, H01B, H09A, H09B, H09C, H33Z, H38Z	07	H01A, H01B, H09A, H09B, H09C, H33Z, H38Z				
	11	L33Z	10		K09A, K09B	11	L33Z				
	21A	W04A, W04B	11		L33Z	21A	W04A, W04B				
	21B	X06A, X06B, X06C	21A		W04A, W04B	21B	X06A, X06B, X06C, X33Z				
	23	Z01A	21B		X06A, X06B, X06C, X33Z	23	Z01A				
	Pre	A07A	23		Z01A	23	Z01A				
	5n720.0		BOP, KOP, KOPV, KVT, UOP4		5n723		BOP, KOP, KOPV, KVT, UOP4		5n72d		BOP, KOP, KOPV, KVT, MVV, UOP4
		06	G03A, G10Z, G12A, G12B, G33Z, G38Z			06	G03A, G03B, G33Z, G38Z			06	G03A, G10Z, G12A, G12B, G33Z, G38Z
07		H01A, H01B, H09A, H09B, H33Z, H38Z	07	H01A, H01B, H09A, H09B, H09C, H33Z, H38Z		07	H01A, H01B, H09A, H09B, H09C, H33Z, H38Z				
10		K09A, K09B	11	L33Z		11	L33Z				
11		L33Z	11	L33Z		21A	W04A, W04B				
21A		W04A, W04B	21A	W04A, W04B		21B	X06A, X06B, X06C, X33Z				
21B		X06A, X06B, X06C, X33Z	21A	W04A, W04B		23	Z01A				
23		Z01A	21B	X06A, X06B, X06C, X33Z		23	Z01A				
Pre		A07A	23	Z01A		23	Z01A				
			Pre	A07A		Pre	A07A				

ZZV	MDC	DRG	ZZV	MDC	DRG	ZZV	MDC	DRG	
5n72x.0		BOP, KOP, KOPV, KVT, UOP4	5n742		BOP, KOP, KOPV, KVT, UOP4	5n790.4		BOP, KOP, KOPV, KVT, UOP4	
	06	G03A, G10Z, G12A, G12B, G33Z, G38Z		06	G10Z, G33Z, G38Z		06	G10Z, G15Z, G19A, G19B, G33Z, G38Z	
	07	H01A, H01B, H09A, H09B, H33Z, H38Z		07	H01A, H01B, H09A, H09B, H09C, H33Z, H38Z		07	H01A, H01B, H09A, H09B, H09C, H33Z, H38Z	
	11	L33Z		11	L33Z		11	L33Z	
	21A	W04A, W04B		21A	W04A, W04B		21B	X06A, X06B, X06C	
	21B	X06A, X06B, X06C, X33Z		21B	X06A, X06B, X06C, X33Z		23	Z01A	
	23	Z01A		23	Z01A		Pre	A07A	
	Pre	A07A	5n743		BOP, KOP, KOPV, KVT, UOP4	5n790.x		BOP, KOP, KOPV, KVT, UOP4	
5n72x.1		BOP, KOP, KOPV, KVT, MVV, UOP4		06	G10Z, G33Z, G38Z		06	G10Z, G15Z, G19A, G19B, G33Z, G38Z	
	06	G03A, G10Z, G12A, G12B, G33Z, G38Z		07	H01A, H01B, H09A, H09B, H09C, H33Z, H38Z		07	H01A, H01B, H09A, H09B, H09C, H33Z, H38Z	
	07	H01A, H01B, H09A, H09B, H09C, H33Z, H38Z		11	L33Z		11	L33Z	
	11	L33Z		21A	W04A, W04B		21B	X06A, X06B, X06C	
	21A	W04A, W04B		21B	X06A, X06B, X06C, X33Z		23	Z01A	
	21B	X06A, X06B, X06C, X33Z		23	Z01A		Pre	A07A	
	23	Z01A	5n74a		BOP, KVT, UOP4	5n791.0		BOP, KOP, KOPV, KVT, UOP4	
	Pre	A07A	Pre	A06A, A07A, A09A, A16A, A16B		06	G10Z, G15Z, G19A, G19B, G33Z, G38Z		
5n731‡	07	H41A, H41B, H41C	5n74b		BOP, KVT, UOP4		07	H01A, H01B, H09A, H09B, H09C, H33Z, H38Z	
5n732.0‡	07	H41A, H41B, H41C		07	H01A, H01B, H09A, H09B, H09C, H38Z		11	L33Z	
5n732.1‡	07	H41A, H41B, H41C		Pre	A02Z, A06A, A07A, A09A, A16A		21B	X06A, X06B, X06C	
5n732.2‡	07	H41A, H41B, H41C	5n74c		BOP, KVT, UOP4		23	Z01A	
5n732.3‡	07	H41A, H41B, H41C	Pre	A02Z, A06A, A07A, A09A, A16A, A16B	5n791.x		Pre	A07A	
5n732.4‡	07	H41A, H41B, H41C		BOP, KOP, KOPV, KVT, UOP4		06	G10Z, G15Z, G19A, G19B, G33Z, G38Z		
5n732.5‡	07	H41A, H41B, H41C	5n74x		BOP, KOP, KOPV, KVT, UOP4		07	H01A, H01B, H09A, H09B, H09C, H33Z, H38Z	
5n732.x‡	07	H41A, H41B, H41C		06	G10Z, G33Z, G38Z		11	L33Z	
5n733‡	07	H41A, H41B, H41C		07	H01A, H01B, H09A, H09B, H09C, H33Z, H38Z		21B	X06A, X06B, X06C	
5n734‡	07	H41A, H41B, H41C		11	L33Z		23	Z01A	
5n735‡	07	H41A, H41B, H41C		21A	W04A, W04B	5n792.0		Pre	A07A
5n736‡	07	H41A, H41B, H41C		21B	X06A, X06B, X06C, X33Z		06	G10Z, G33Z, G38Z	
5n737‡	07	H41A, H41B, H41C		23	Z01A		07	H01A, H01B, H09A, H09B, H09C, H33Z, H38Z	
5n738‡	07	H41A, H41B, H41C		Pre	A07A		11	L33Z	
5n739‡	07	H41A, H41B, H41C	5n790.0		BOP, KOP, KOPV, KVT, UOP4		23	Z01A	
5n73a.0‡	07	H41A, H41B, H41C		06	G10Z, G15Z, G19A, G19B, G33Z, G38Z	5n792.x		Pre	A07A
5n73a.1‡	07	H41A, H41B, H41C		07	H01A, H01B, H09A, H09B, H09C, H33Z, H38Z		06	G10Z, G33Z, G38Z	
5n73b.0‡	07	H41A, H41B, H41C		11	L33Z		07	H01A, H01B, H09A, H09B, H09C, H33Z, H38Z	
5n73b.1‡	07	H41A, H41B, H41C		21B	X06A, X06B, X06C		11	L33Z	
5n73x‡	07	H41A, H41B, H41C		23	Z01A		23	Z01A	
5n740		BOP, KOP, KOPV, KVT, UOP4	5n790.2		BOP, KOP, KOPV, KVT, UOP4	5n793.0		BOP, KOP, KOPV, KVT, UOP4	
	06	G10Z, G33Z, G38Z		06	G10Z, G15Z, G19A, G19B, G33Z, G38Z		06	G10Z, G33Z, G38Z	
	07	H01A, H01B, H09A, H09B, H09C, H33Z, H38Z		07	H01A, H01B, H09A, H09B, H09C, H33Z, H38Z		07	H01A, H01B, H09A, H09B, H09C, H33Z, H38Z	
	11	L33Z		11	L33Z		11	L33Z	
	21A	W04A, W04B		21B	X06A, X06B, X06C		23	Z01A	
	21B	X06A, X06B, X06C, X33Z		23	Z01A		Pre	A07A	
	23	Z01A		Pre	A07A		06	G10Z, G33Z, G38Z	
	Pre	A07A		BOP, KOP, KOPV, KVT, UOP4		07	H01A, H01B, H09A, H09B, H09C, H33Z, H38Z		
5n741		BOP, KOP, KOPV, KVT, UOP4		06	G10Z, G15Z, G19A, G19B, G33Z, G38Z		11	L33Z	
	06	G10Z, G33Z, G38Z		07	H01A, H01B, H09A, H09B, H09C, H33Z, H38Z		23	Z01A	
	07	H01A, H01B, H09A, H09B, H09C, H33Z, H38Z		11	L33Z		Pre	A07A	
	11	L33Z		21B	X06A, X06B, X06C		06	G10Z, G33Z, G38Z	
	21A	W04A, W04B		23	Z01A		07	H01A, H01B, H09A, H09B, H09C, H33Z, H38Z	
	21B	X06A, X06B, X06C, X33Z		Pre	A07A		10	K09A, K09B	
	23	Z01A					11	L33Z	
	Pre	A07A					23	Z01A	
							Pre	A07A	

VYK

ZZV	MDC	DRG	ZZV	MDC	DRG	ZZV	MDC	DRG							
5n793.x		BOP, KOP, KOPV, KVT, UOP4	5n79a.x		BOP, KOP, KOPV, KVT, UOP4	5n79d.x		BOP, KOP, KOPV, KVT, UOP4							
	06	G10Z, G33Z, G38Z		06	G10Z, G33Z, G38Z		06	G10Z, G12A, G12B, G33Z, G38Z							
	07	H01A, H01B, H09A, H09B, H09C, H33Z, H38Z		07	H01A, H01B, H09A, H09B, H09C, H33Z, H38Z		07	H01A, H01B, H09A, H09B, H09C, H33Z, H38Z							
	10	K09A, K09B		11	L33Z		10	K09A, K09B							
	11	L33Z		21A	W04A, W04B		11	L33Z							
	23	Z01A		21B	X06A, X06B, X06C		17	R01A, R01B, R01C, R01D, R02Z, R12A, R12B, R12C							
5n794.0	Pre	A07A	5n79b.0	Pre	A07A	5n79g.0	Pre	A07A							
		BOP, KOP, KOPV, KVT, UOP4			BOP, KVT, UOP4		21A	W04A, W04B							
	06	G10Z, G33Z, G38Z		07	H05Z		21B	X06A, X06B, X06C							
	07	H01A, H01B, H09A, H09B, H09C, H33Z, H38Z		17	R01A, R01B, R01C, R01D, R02Z, R12A, R12B, R12C		23	Z01A							
	10	K09A, K09B		21A	W04A, W04B		Pre	A07A							
	11	L33Z		21B	X06A, X06B, X06C			BOP, KOP, KOPV, KVT, UOP4							
5n794.x	23	Z01A	5n79b.x		BOP, KVT, UOP4	5n79g.x	06	G10Z, G12A, G12B, G33Z, G38Z							
	Pre	A07A		07	H05Z		07	H01A, H01B, H09A, H09B, H09C, H33Z, H38Z							
		BOP, KOP, KOPV, KVT, UOP4		17	R01A, R01B, R01C, R01D, R02Z, R12A, R12B, R12C		11	L33Z							
	06	G10Z, G33Z, G38Z		21A	W04A, W04B		17	R01A, R01B, R01C, R01D, R02Z, R12A, R12B, R12C							
	07	H01A, H01B, H09A, H09B, H09C, H33Z, H38Z		21B	X06A, X06B, X06C		21A	W04A, W04B							
	5n795.0	10		K09A, K09B	5n79c.0			BOP, KOP, KOPV, KVT, UOP4	5n79g.0	21B	X06A, X06B, X06C				
11		L33Z	06	G10Z, G12A, G12B, G33Z, G38Z		23	Z01A								
23		Z01A	07	H01A, H01B, H09A, H09B, H09C, H33Z, H38Z		Pre	A07A								
Pre		A07A	10	K09A, K09B			BOP, KOP, KOPV, KVT, UOP4								
		BOP, KOP, KOPV, KVT, UOP4	11	L33Z		06	G10Z, G12A, G12B, G33Z, G38Z								
5n795.x		06	G10Z, G12A, G12B, G33Z, G38Z	5n79c.x		17	R01A, R01B, R01C, R01D, R02Z, R12A, R12B, R12C	5n79h.0		07	H01A, H01B, H09A, H09B, H09C, H33Z, H38Z				
	07	H01A, H01B, H09A, H09B, H09C, H33Z, H38Z	21A		W04A, W04B	11	L33Z								
	11	L33Z	21B		X06A, X06B, X06C	17	R01A, R01B, R01C, R01D, R02Z, R12A, R12B, R12C								
	17	R01A, R01B, R01C, R01D, R02Z, R12A, R12B, R12C	23		Z01A	21A	W04A, W04B								
	21A	W04A, W04B	Pre		A07A	21B	X06A, X06B, X06C								
	21B	X06A, X06B, X06C	5n79d.0			BOP, KOP, KOPV, KVT, UOP4	23		Z01A						
5n795.0	23	Z01A		5n79d.x	06	G10Z, G12A, G12B, G33Z, G38Z	5n79h.x	Pre	A07A						
	Pre	A07A			07	H01A, H01B, H09A, H09B, H09C, H33Z, H38Z			BOP, KOP, KOPV, KVT, UOP4						
		BOP, KOP, KOPV, KVT, UOP4			10	K09A, K09B		06	G10Z, G12A, G12B, G33Z, G38Z						
	06	G10Z, G12A, G12B, G33Z, G38Z			11	L33Z		07	H01A, H01B, H09A, H09B, H09C, H33Z, H38Z						
	07	H01A, H01B, H09A, H09B, H09C, H33Z, H38Z			17	R01A, R01B, R01C, R01D, R02Z, R12A, R12B, R12C		11	L33Z						
	5n799a.0	11	L33Z		5n79e.0	21A		W04A, W04B	5n79i.0	17	R01A, R01B, R01C, R01D, R02Z, R12A, R12B, R12C				
17		R01A, R01B, R01C, R01D, R02Z, R12A, R12B, R12C	21B	X06A, X06B, X06C		21A	W04A, W04B								
21A		W04A, W04B	23	Z01A		21B	X06A, X06B, X06C								
21B		X06A, X06B, X06C	Pre	A07A		23	Z01A								
23		Z01A		BOP, KOP, KOPV, KVT, UOP4		Pre	A07A								
Pre		A07A	5n79e.x	06		G10Z, G12A, G12B, G33Z, G38Z		BOP, KOP, KOPV, KVT, UOP4							
5n799a.x		BOP, KOP, KOPV, KVT, UOP4		5n79e.x	07	H01A, H01B, H09A, H09B, H09C, H33Z, H38Z	5n79i.x	06	G10Z, G12A, G12B, G33Z, G38Z						
	06	G10Z, G33Z, G38Z			5n79f.0	10		K09A, K09B	5n79j.0	07	H01A, H01B, H09A, H09B, H09C, H33Z, H38Z				
	07	H01A, H01B, H09A, H09B, H09C, H33Z, H38Z				11		L33Z		5n79j.x	11	L33Z			
	11	L33Z				17		R01A, R01B, R01C, R01D, R02Z, R12A, R12B, R12C			5n79k.0	17	R01A, R01B, R01C, R01D, R02Z, R12A, R12B, R12C		
	21A	W04A, W04B				21A		W04A, W04B				5n79k.x	21A	W04A, W04B	
	21B	X06A, X06B, X06C	21B			X06A, X06B, X06C		5n79l.0					21B	X06A, X06B, X06C	
23	Z01A	5n79f.x	23	Z01A		5n79l.x	23						Z01A		
Pre	A07A		5n79f.0	Pre	A07A		5n79l.x		Pre				A07A		
	BOP, KOP, KOPV, KVT, UOP4			5n79f.x					BOP, KOP, KOPV, KVT, UOP4	5n79l.x				BOP, KOP, KOPV, KVT, UOP4	
06	G10Z, G33Z, G38Z				5n79f.x				06		G10Z, G12A, G12B, G33Z, G38Z		5n79l.x	06	G10Z, G12A, G12B, G33Z, G38Z
07	H01A, H01B, H09A, H09B, H09C, H33Z, H38Z								5n79f.x		07	H01A, H01B, H09A, H09B, H09C, H33Z, H38Z		5n79l.x	07
11	L33Z							5n79f.x			10	K09A, K09B			5n79l.x
21A	W04A, W04B	5n79f.x				11					L33Z	5n79l.x			
21B	X06A, X06B, X06C		5n79f.x			17	R01A, R01B, R01C, R01D, R02Z, R12A, R12B, R12C				5n79l.x				
23	Z01A			5n79f.x		21A	W04A, W04B			5n79l.x					
Pre	A07A				5n79f.x	21B	X06A, X06B, X06C						5n79l.x		
	BOP, KOP, KOPV, KVT, UOP4					5n79f.x	23		Z01A					5n79l.x	
06	G10Z, G33Z, G38Z						5n79f.x	Pre	A07A						5n79l.x
07	H01A, H01B, H09A, H09B, H09C, H33Z, H38Z	5n79f.x							BOP, KOP, KOPV, KVT, UOP4			5n79l.x			
11	L33Z		5n79f.x					06	G10Z, G12A, G12B, G33Z, G38Z		5n79l.x				
21A	W04A, W04B			5n79f.x				07	H01A, H01B, H09A, H09B, H09C, H33Z, H38Z	5n79l.x					
21B	X06A, X06B, X06C				5n79f.x			10	K09A, K09B				5n79l.x		
23	Z01A					5n79f.x		11	L33Z					5n79l.x	
Pre	A07A						5n79f.x	17	R01A, R01B, R01C, R01D, R02Z, R12A, R12B, R12C						5n79l.x
	BOP, KOP, KOPV, KVT, UOP4	5n79f.x						21A	W04A, W04B			5n79l.x			
06	G10Z, G33Z, G38Z		5n79f.x					21B	X06A, X06B, X06C		5n79l.x				
07	H01A, H01B, H09A, H09B, H09C, H33Z, H38Z			5n79f.x				23	Z01A	5n79l.x					
11	L33Z				5n79f.x			Pre	A07A				5n79l.x		
21A	W04A, W04B					5n79f.x			BOP, KOP, KOPV, KVT, UOP4					5n79l.x	
21B	X06A, X06B, X06C						5n79f.x		BOP, KOP, KOPV, KVT, UOP4						5n79l.x
23	Z01A	5n79f.x							BOP, KOP, KOPV, KVT, UOP4			5n79l.x			
Pre	A07A		5n79f.x						BOP, KOP, KOPV, KVT, UOP4		5n79l.x				
	BOP, KOP, KOPV, KVT, UOP4			5n79f.x					BOP, KOP, KOPV, KVT, UOP4	5n79l.x					

VYK

ZZV	MDC	DRG	ZZV	MDC	DRG	ZZV	MDC	DRG	
5n79j.0		BOP, KOP, KOPV, KVT, UOP4	5n79m.2		BOP, KOP, KOPV, KVT, UOP4	5n79x.2		BOP, KOP, KOPV, KVT, UOP4	
	06	G10Z, G12A, G12B, G33Z, G38Z		06	G10Z, G12A, G12B, G33Z, G38Z		06	G10Z, G12A, G12B, G33Z, G38Z	
	07	H01A, H01B, H09A, H09B, H09C, H33Z, H38Z		07	H01A, H01B, H09A, H09B, H09C, H33Z, H38Z		07	H01A, H01B, H09A, H09B, H09C, H33Z, H38Z	
	11	L33Z		10	K09A, K09B		10	K09A, K09B	
	17	R01A, R01B, R01C, R01D, R02Z, R12A, R12B, R12C		11	L33Z		11	L33Z	
	21A	W04A, W04B		17	R01A, R01B, R01C, R01D, R02Z, R12A, R12B, R12C		17	R01A, R01B, R01C, R01D, R02Z, R12A, R12B, R12C	
	21B	X06A, X06B, X06C		21A	W04A, W04B		21A	W04A, W04B	
	23	Z01A		21B	X06A, X06B, X06C		21B	X06A, X06B, X06C	
	Pre	A07A		23	Z01A		23	Z01A	
	Pre	A07A		Pre	A07A		Pre	A07A	
5n79j.x		BOP, KOP, KOPV, KVT, UOP4	5n79m.4		BOP, KOP, KOPV, KVT, UOP4	5n79x.4		BOP, KOP, KOPV, KVT, UOP4	
	06	G10Z, G12A, G12B, G33Z, G38Z		06	G10Z, G12A, G12B, G33Z, G38Z		06	G10Z, G12A, G12B, G33Z, G38Z	
	07	H01A, H01B, H09A, H09B, H09C, H33Z, H38Z		07	H01A, H01B, H09A, H09B, H09C, H33Z, H38Z		07	H01A, H01B, H09A, H09B, H09C, H33Z, H38Z	
	11	L33Z		10	K09A, K09B		10	K09A, K09B	
	17	R01A, R01B, R01C, R01D, R02Z, R12A, R12B, R12C		11	L33Z		11	L33Z	
	21A	W04A, W04B		17	R01A, R01B, R01C, R01D, R02Z, R12A, R12B, R12C		17	R01A, R01B, R01C, R01D, R02Z, R12A, R12B, R12C	
	21B	X06A, X06B, X06C		21A	W04A, W04B		21A	W04A, W04B	
	23	Z01A		21B	X06A, X06B, X06C		21B	X06A, X06B, X06C	
	Pre	A07A		23	Z01A		23	Z01A	
	Pre	A07A		Pre	A07A		Pre	A07A	
5n79k.0		BOP, KOP, KOPV, KVT, UOP4	5n79m.x		BOP, KOP, KOPV, KVT, UOP4	5n79x.x		BOP, KOP, KOPV, KVT, UOP4	
	06	G10Z, G12A, G12B, G33Z, G38Z		06	G10Z, G12A, G12B, G33Z, G38Z		06	G10Z, G12A, G12B, G33Z, G38Z	
	07	H01A, H01B, H09A, H09B, H09C, H33Z, H38Z		07	H01A, H01B, H09A, H09B, H09C, H33Z, H38Z		07	H01A, H01B, H09A, H09B, H09C, H33Z, H38Z	
	11	L33Z		10	K09A, K09B		10	K09A, K09B	
	17	R01A, R01B, R01C, R01D, R02Z, R12A, R12B, R12C		11	L33Z		11	L33Z	
	21A	W04A, W04B		17	R01A, R01B, R01C, R01D, R02Z, R12A, R12B, R12C		17	R01A, R01B, R01C, R01D, R02Z, R12A, R12B, R12C	
	21B	X06A, X06B, X06C		21A	W04A, W04B		21A	W04A, W04B	
	23	Z01A		21B	X06A, X06B, X06C		21B	X06A, X06B, X06C	
	Pre	A07A		23	Z01A		23	Z01A	
	Pre	A07A		Pre	A07A		Pre	A07A	
5n79k.x		BOP, KOP, KOPV, KVT, UOP4	5n79n.0		H12A	5n810.0↔		BOP, KVT, UOP4	
	06	G10Z, G12A, G12B, G33Z, G38Z		5n79n.6‡	06		G40Z, G46A, G46B, G46C, G47Z, G50Z	05	F21A, F21B
	07	H01A, H01B, H09A, H09B, H09C, H33Z, H38Z			07		H41A, H41B	06	G09Z, G24Z, G25Z
	11	L33Z		5n79n.x‡	06		G40Z, G46A, G46B, G46C, G47Z, G50Z	07	H06A, H06B, H06C
	17	R01A, R01B, R01C, R01D, R02Z, R12A, R12B, R12C			07		H41A, H41B, H41C	12	M04A, M04B, M04C, M04D, M37Z, M38Z
	21A	W04A, W04B		5n79p‡	06		G40Z, G46A, G46B, G46C, G47Z, G50Z	15	P60A, P60B, P60C, P66C, P67B, P67C
	21B	X06A, X06B, X06C			07		H41A, H41B, H41C	5n810.1↔	BOP, KVT, UOP4
	23	Z01A		5n79x.0	06		G10Z, G12A, G12B, G33Z, G38Z	05	F21A, F21B
	Pre	A07A			07		H01A, H01B, H09A, H09B, H09C, H33Z, H38Z	06	G09Z, G24Z, G25Z
	Pre	A07A			10		K09A, K09B	07	H06A, H06B, H06C
5n79m.0		BOP, KOP, KOPV, KVT, UOP4	5n79n.0		H12A	5n810.2↔		BOP, KVT, UOP4	
	06	G10Z, G12A, G12B, G33Z, G38Z		5n79n.6‡	06		G40Z, G46A, G46B, G46C, G47Z, G50Z	05	F21A, F21B
	07	H01A, H01B, H09A, H09B, H09C, H33Z, H38Z			07		H41A, H41B	06	G09Z, G24Z, G25Z
	10	K09A, K09B		5n79n.x‡	06		G40Z, G46A, G46B, G46C, G47Z, G50Z	07	H06A, H06B, H06C
	11	L33Z			07		H41A, H41B, H41C	12	M04A, M04B, M04C, M04D, M37Z, M38Z
	17	R01A, R01B, R01C, R01D, R02Z, R12A, R12B, R12C		5n79p‡	06		G40Z, G46A, G46B, G46C, G47Z, G50Z	15	P60A, P60B, P60C, P66C, P67B, P67C
	21A	W04A, W04B			07		H41A, H41B, H41C	5n810.1↔	BOP, KVT, UOP4
	21B	X06A, X06B, X06C		5n79x.0	06		G10Z, G12A, G12B, G33Z, G38Z	05	F21A, F21B
	23	Z01A			07		H01A, H01B, H09A, H09B, H09C, H33Z, H38Z	06	G09Z, G24Z, G25Z
	Pre	A07A			10		K09A, K09B	07	H06A, H06B, H06C
Pre	A07A		11	L33Z	12	M04A, M04B, M04C, M04D, M37Z, M38Z			
5n79m.x		BOP, KOP, KOPV, KVT, UOP4	5n79n.0		H12A	5n810.2↔		BOP, KVT, UOP4	
	06	G10Z, G12A, G12B, G33Z, G38Z		5n79n.6‡	06		G40Z, G46A, G46B, G46C, G47Z, G50Z	05	F21A, F21B
	07	H01A, H01B, H09A, H09B, H09C, H33Z, H38Z			07		H41A, H41B	06	G09Z, G24Z, G25Z
	10	K09A, K09B		5n79n.x‡	06		G40Z, G46A, G46B, G46C, G47Z, G50Z	07	H06A, H06B, H06C
	11	L33Z			07		H41A, H41B, H41C	12	M04A, M04B, M04C, M04D, M37Z, M38Z
	17	R01A, R01B, R01C, R01D, R02Z, R12A, R12B, R12C		5n79p‡	06		G40Z, G46A, G46B, G46C, G47Z, G50Z	15	P60A, P60B, P60C, P66C, P67B, P67C
	21A	W04A, W04B			07		H41A, H41B, H41C	5n810.1↔	BOP, KVT, UOP4
	21B	X06A, X06B, X06C		5n79x.0	06		G10Z, G12A, G12B, G33Z, G38Z	05	F21A, F21B
	23	Z01A			07		H01A, H01B, H09A, H09B, H09C, H33Z, H38Z	06	G09Z, G24Z, G25Z
	Pre	A07A			10		K09A, K09B	07	H06A, H06B, H06C
Pre	A07A		11	L33Z	12	M04A, M04B, M04C, M04D, M37Z, M38Z			

VYK

ZZV	MDC	DRG	ZZV	MDC	DRG	ZZV	MDC	DRG
5n810.3↔		BOP, KVT, UOP4	5n815.0↔		BOP, KVT, UOP4	5n820↔		BOP, KVT, UOP4
	05	F21A, F21B		05	F21A, F21B		05	F21A, F21B
	06	G09Z, G24Z, G25Z		06	G09Z, G24Z, G25Z		06	G09Z, G24Z, G25Z
	07	H06A, H06B, H06C		07	H06A, H06B, H06C		07	H06A, H06B, H06C
	12	M04A, M04B, M04C, M04D, M37Z, M38Z		12	M04A, M04B, M04C, M04D, M37Z, M38Z		5n821↔	BOP, KVT, UOP4
	15	P60A, P60B, P60C, P66C, P67B, P67C		15	P60A, P60B, P60C, P66C, P67B, P67C		05	F21A, F21B
5n810.x↔		BOP, KVT, UOP4	5n815.1↔		BOP, KVT, UOP4	5n822↔		BOP, KVT, UOP4
	05	F21A, F21B		05	F21A, F21B		05	F21A, F21B
	06	G09Z, G24Z, G25Z		06	G09Z, G24Z, G25Z		06	G09Z, G24Z, G25Z
	07	H06A, H06B, H06C		07	H06A, H06B, H06C		07	H06A, H06B, H06C
	12	M04A, M04B, M04C, M04D, M37Z, M38Z		12	M04A, M04B, M04C, M04D, M37Z, M38Z		5n823.0↔	BOP, KVT, UOP4
	15	P60A, P60B, P60C, P66C, P67B, P67C		15	P60A, P60B, P60C, P66C, P67B, P67C		05	F21A, F21B
5n811↔		BOP, KVT, UOP4	5n816↔		BOP, KVT, UOP4	5n823.1↔		BOP, KVT, UOP4
	05	F21A, F21B		05	F21A, F21B		05	F21A, F21B
	06	G09Z, G24Z, G25Z		06	G09Z, G24Z, G25Z		06	G09Z, G24Z, G25Z
	07	H06A, H06B, H06C		07	H06A, H06B, H06C		07	H06A, H06B, H06C
	12	M04A, M04B, M04C, M04D, M37Z, M38Z		12	M04A, M04B, M04C, M04D, M37Z, M38Z		5n823.2↔	BOP, KVT, UOP4
	15	P60A, P60B, P60C, P66C, P67B, P67C		15	P60A, P60B, P60C, P66C, P67B, P67C		05	F21A, F21B
5n812↔		BOP, KVT, UOP4	5n817.0↔		BOP, KVT, UOP4	5n823.x↔		BOP, KVT, UOP4
	05	F21A, F21B		05	F21A, F21B		05	F21A, F21B
	06	G09Z, G24Z, G25Z		06	G09Z, G24Z, G25Z		06	G09Z, G24Z, G25Z
	07	H06A, H06B, H06C		07	H06A, H06B, H06C		07	H06A, H06B, H06C
	12	M04A, M04B, M04C, M04D, M37Z, M38Z		12	M04A, M04B, M04C, M04D, M37Z, M38Z		5n824↔	BOP, KVT, UOP4
	15	P60A, P60B, P60C, P66C, P67B, P67C		15	P60A, P60B, P60C, P66C, P67B, P67C		05	F21A, F21B
5n813.0↔		BOP, KVT, UOP4	5n817.1↔		BOP, KVT, UOP4	5n825↔		BOP, KVT, UOP4
	05	F21A, F21B		05	F21A, F21B		05	F21A, F21B
	06	G09Z, G24Z, G25Z		06	G09Z, G24Z, G25Z		06	G09Z, G24Z, G25Z
	07	H06A, H06B, H06C		07	H06A, H06B, H06C		07	H06A, H06B, H06C
	12	M04A, M04B, M04C, M04D, M37Z, M38Z		12	M04A, M04B, M04C, M04D, M37Z, M38Z		5n826↔	BOP, KVT, UOP4
	15	P60A, P60B, P60C, P66C, P67B, P67C		15	P60A, P60B, P60C, P66C, P67B, P67C		05	F21A, F21B
5n813.1↔		BOP, KVT, UOP4	5n817.2↔		BOP, KVT, UOP4	5n827.0↔		BOP, KVT, UOP4
	05	F21A, F21B		05	F21A, F21B		05	F21A, F21B
	06	G09Z, G24Z, G25Z		06	G09Z, G24Z, G25Z		06	G09Z, G24Z, G25Z
	07	H06A, H06B, H06C		07	H06A, H06B, H06C		07	H06A, H06B, H06C
	12	M04A, M04B, M04C, M04D, M37Z, M38Z		12	M04A, M04B, M04C, M04D, M37Z, M38Z		5n827.1↔	BOP, KVT, UOP4
	15	P60A, P60B, P60C, P66C, P67B, P67C		15	P60A, P60B, P60C, P66C, P67B, P67C		05	F21A, F21B
5n813.2↔		BOP, KVT, UOP4	5n817.x↔		BOP, KVT, UOP4	5n827.2↔		BOP, KVT, UOP4
	05	F21A, F21B		05	F21A, F21B		05	F21A, F21B
	06	G09Z, G24Z, G25Z		06	G09Z, G24Z, G25Z		06	G09Z, G24Z, G25Z
	07	H06A, H06B, H06C		07	H06A, H06B, H06C		07	H06A, H06B, H06C
	12	M04A, M04B, M04C, M04D, M37Z, M38Z		12	M04A, M04B, M04C, M04D, M37Z, M38Z		5n827.x↔	BOP, KVT, UOP4
	15	P60A, P60B, P60C, P66C, P67B, P67C		15	P60A, P60B, P60C, P66C, P67B, P67C		05	F21A, F21B
5n813.x↔		BOP, KVT, UOP4	5n818↔		BOP, KVT, UOP4	5n828↔		BOP, KVT, UOP4
	05	F21A, F21B		05	F21A, F21B		05	F21A, F21B
	06	G09Z, G24Z, G25Z		06	G09Z, G24Z, G25Z		06	G09Z, G24Z, G25Z
	07	H06A, H06B, H06C		07	H06A, H06B, H06C		07	H06A, H06B, H06C
	12	M04A, M04B, M04C, M04D, M37Z, M38Z		5n81x↔	BOP, KVT, UOP4		5n82x↔	BOP, KVT, UOP4
	15	P60A, P60B, P60C, P66C, P67B, P67C		05	F21A, F21B			
5n814↔		BOP, KVT, UOP4		06	G09Z, G24Z, G25Z	5n830.1		BOP, KVT, UOP4
	05	F21A, F21B		07	H06A, H06B, H06C		06	G24Z, G25Z
	06	G09Z, G24Z, G25Z		12	M04A, M04B, M04C, M04D, M37Z, M38Z		21A	W04A, W04B
	07	H06A, H06B, H06C		15	P60A, P60B, P60C, P66C, P67B, P67C		21B	X06A, X06B

VYK

ZZV	MDC	DRG	ZZV	MDC	DRG	ZZV	MDC	DRG
5n830.2		BOP, KVT, UOP4 06 G24Z, G25Z 21A W04A, W04B 21B X06A, X06B	5n854.1		BOP, KVT, UOP4 06 G08A, G08B, G25Z 21A W04A, W04B 21B X06A, X06B, X06C 22 Y01Z, Y03A, Y03B	5n870		BOP, KOP, KOPV, KVT, UOP4 04 E05A, E05B, E05C, E08A, E08B, E08C 06 G01Z, G02Z, G15Z, G19A, G19B, G19C, G33Z, G38Z 07 H33Z, H38Z 11 L33Z 21A W04A, W04B 21B X06A, X06B, X06C 23 Z01A Pre A07A, A11A, A13A, A13B, A13D
5n830.3		BOP, KVT, UOP4 06 G24Z, G25Z 21A W04A, W04B 21B X06A, X06B	5n854.3		BOP, KVT, UOP4 06 G08A, G08B, G25Z 21A W04A, W04B 21B X06A, X06B, X06C 22 Y01Z, Y03A, Y03B	5n871		BOP, KOP, KOPV, KVT, UOP4 04 E05A, E05B, E05C, E08A, E08B, E08C 06 G01Z, G02Z, G15Z, G19A, G19B, G19C, G33Z, G38Z 07 H33Z, H38Z 11 L33Z 21A W04A, W04B 21B X06A, X06B, X06C 23 Z01A Pre A07A, A11A, A13A, A13B, A13D
5n830.x		BOP, KVT, UOP4 06 G24Z, G25Z 21A W04A, W04B 21B X06A, X06B	5n854.4		BOP, KVT, UOP4 06 G08A, G08B, G25Z 21A W04A, W04B 21B X06A, X06B, X06C 22 Y01Z, Y03A, Y03B	5n872		BOP, KOP, KOPV, KVT, UOP4 04 E05A, E05B, E05C, E08A, E08B, E08C 06 G01Z, G02Z, G15Z, G19A, G19B, G19C, G33Z, G38Z 07 H33Z, H38Z 11 L33Z 21A W04A, W04B 21B X06A, X06B, X06C 23 Z01A Pre A07A, A11A, A13A, A13B, A13D
5n831		BOP, KVT, UOP4 06 G24Z, G25Z 21A W04A, W04B 21B X06A, X06B	5n854.x		BOP, KVT, UOP4 06 G08A, G08B, G25Z 21A W04A, W04B 21B X06A, X06B, X06C 22 Y01Z, Y03A, Y03B	5n873		BOP, KOP, KOPV, KVT, UOP4 04 E05A, E05B, E05C, E08A, E08B, E08C 06 G01Z, G02Z, G15Z, G19A, G19B, G19C, G33Z, G38Z 07 H33Z, H38Z 11 L33Z 21A W04A, W04B 21B X06A, X06B, X06C 23 Z01A Pre A07A, A11A, A13A, A13B, A13D
5n832		BOP, KVT, UOP4 06 G24Z, G25Z 21A W04A, W04B 21B X06A, X06B	5n85x		BOP, KVT, UOP4 06 G24Z, G25Z	5n874		BOP, KOP, KOPV, KVT, UOP4 04 E05A, E05B, E05C, E08A, E08B, E08C 06 G01Z, G02Z, G15Z, G19A, G19B, G19C, G33Z, G38Z 07 H33Z, H38Z 11 L33Z 21A W04A, W04B 21B X06A, X06B, X06C 23 Z01A Pre A07A, A11A, A13A, A13B, A13D
5n833.0		BOP, KVT, UOP4 06 G24Z, G25Z 21A W04A, W04B 21B X06A, X06B	5n860		BOP, KVT, UOP4 06 G01Z, G02Z, G24Z, G25Z, G38Z	5n874.0		BOP, KOP, KOPV, KVT, UOP4 04 E05A, E05B, E05C, E08A, E08B, E08C 06 G01Z, G02Z, G15Z, G19A, G19B, G19C, G33Z, G38Z 07 H33Z, H38Z 11 L33Z 21A W04A, W04B 21B X06A, X06B, X06C 23 Z01A Pre A07A, A11A, A13A, A13B, A13D
5n833.1		BOP, KVT, UOP4 06 G24Z, G25Z 21A W04A, W04B 21B X06A, X06B	5n861		BOP, KVT, UOP4 06 G01Z, G02Z, G24Z, G25Z, G38Z			
5n833.2		BOP, KVT, UOP4 06 G24Z, G25Z 21A W04A, W04B 21B X06A, X06B	5n862		BOP, KVT, UOP4 06 G01Z, G02Z, G08A, G08B, G25Z, G38Z			
5n833.x		BOP, KVT, UOP4 06 G24Z, G25Z 21A W04A, W04B 21B X06A, X06B	5n863		BOP, KVT, UOP4 06 G01Z, G02Z, G08A, G08B, G25Z, G38Z			
5n83x		BOP, KVT, UOP4 06 G24Z, G25Z 21A W04A, W04B 21B X06A, X06B	5n864		BOP, KVT, UOP4 06 G01Z, G02Z, G08A, G08B, G25Z, G38Z			
5n840		BOP, KVT, UOP4 06 G24Z, G25Z	5n86x		BOP, KVT, UOP4 06 G01Z, G02Z, G24Z, G25Z, G38Z			
5n841		BOP, KVT, UOP4 06 G24Z, G25Z			21A W04A, W04B 21B X06A, X06B, X06C Pre A11A, A13A, A13B, A13D			
5n842		BOP, KVT, UOP4 06 G24Z, G25Z			06 G01Z, G02Z, G24Z, G25Z, G38Z			
5n843.0		BOP, KVT, UOP4 06 G24Z, G25Z			21A W04A, W04B 21B X06A, X06B, X06C Pre A11A, A13A, A13B, A13D			
5n843.1		BOP, KVT, UOP4 06 G24Z, G25Z			06 G01Z, G02Z, G08A, G08B, G25Z, G38Z			
5n843.2		BOP, KVT, UOP4 06 G24Z, G25Z			21A W04A, W04B 21B X06A, X06B, X06C Pre A11A, A13A, A13B, A13D			
5n843.x		BOP, KVT, UOP4 06 G24Z, G25Z			BOP, KVT, UOP4 06 G01Z, G02Z, G24Z, G25Z, G38Z			
5n84x		BOP, KVT, UOP4 06 G24Z, G25Z			21A W04A, W04B 21B X06A, X06B, X06C Pre A11A, A13A, A13B, A13D			
5n850		BOP, KVT, UOP4 06 G24Z, G25Z						
5n851		BOP, KVT, UOP4 06 G24Z, G25Z						
5n852		BOP, KVT, UOP4 06 G24Z, G25Z						
5n853		BOP, KVT, UOP4 06 G08A, G08B, G25Z 21A W04A, W04B 21B X06A, X06B, X06C 22 Y01Z, Y03A, Y03B						

ZZV	MDC	DRG	ZZV	MDC	DRG	ZZV	MDC	DRG
5n874.1		BOP, KOP, KOPV, KVT, UOP4	5n874.x		BOP, KOP, KOPV, KVT, UOP4	5n879.0		BOP, KOP, KOPV, KVT, UOP4
	04	E05A, E05B, E05C, E08A, E08B, E08C		04	E05A, E05B, E05C, E08A, E08B, E08C		04	E05A, E05B, E05C, E08A, E08B, E08C
	06	G01Z, G02Z, G15Z, G19A, G19B, G19C, G33Z, G38Z		06	G01Z, G02Z, G15Z, G19A, G19B, G19C, G33Z, G38Z		06	G01Z, G02Z, G15Z, G19A, G19B, G33Z, G38Z
	07	H33Z, H38Z		07	H33Z, H38Z		07	H33Z, H38Z
	11	L33Z		11	L33Z		11	L33Z
	21A	W04A, W04B		21A	W04A, W04B		21A	W04A, W04B
	21B	X06A, X06B, X06C		21B	X06A, X06B, X06C		21B	X06A, X06B, X06C
	23	Z01A		23	Z01A		23	Z01A
	Pre	A07A, A11A, A13A, A13B, A13D		Pre	A07A, A11A, A13A, A13B, A13D		Pre	A07A, A11A, A13A, A13B, A13D
	5n874.2			BOP, KOP, KOPV, KVT, UOP4	5n875			BOP, KOP, KOPV, KVT, UOP4
04		E05A, E05B, E05C, E08A, E08B, E08C	04	E05A, E05B, E05C, E08A, E08B, E08C		04	E05A, E05B, E05C, E08A, E08B, E08C	
06		G01Z, G02Z, G15Z, G19A, G19B, G33Z, G38Z	06	G01Z, G02Z, G15Z, G19A, G19B, G33Z, G38Z		06	G01Z, G02Z, G15Z, G19A, G19B, G33Z, G38Z	
07		H33Z, H38Z	07	H33Z, H38Z		07	H33Z, H38Z	
11		L33Z	11	L33Z		11	L33Z	
21A		W04A, W04B	21A	W04A, W04B		21A	W04A, W04B	
21B		X06A, X06B, X06C	21B	X06A, X06B, X06C		21B	X06A, X06B, X06C	
23		Z01A	23	Z01A		23	Z01A	
Pre		A07A, A11A, A13A, A13B, A13D	Pre	A07A, A11A, A13A, A13B, A13D		Pre	A07A, A11A, A13A, A13B, A13D	
5n874.3			BOP, KOP, KOPV, KVT, UOP4	5n876			BOP, KOP, KOPV, KVT, UOP4	5n879.2
	04	E05A, E05B, E05C, E08A, E08B, E08C	04		E05A, E05B, E05C, E08A, E08B, E08C	04	E05A, E05B, E05C, E08A, E08B, E08C	
	06	G01Z, G02Z, G15Z, G19A, G19B, G33Z, G38Z	06		G01Z, G02Z, G15Z, G19A, G19B, G33Z, G38Z	06	G01Z, G02Z, G15Z, G19A, G19B, G33Z, G38Z	
	07	H33Z, H38Z	07		H33Z, H38Z	07	H33Z, H38Z	
	11	L33Z	11		L33Z	11	L33Z	
	21A	W04A, W04B	21A		W04A, W04B	21A	W04A, W04B	
	21B	X06A, X06B, X06C	21B		X06A, X06B, X06C	21B	X06A, X06B, X06C	
	23	Z01A	23		Z01A	23	Z01A	
	Pre	A07A, A11A, A13A, A13B, A13D	Pre		A07A, A11A, A13A, A13B, A13D	Pre	A07A, A11A, A13A, A13B, A13D	
	5n874.4		BOP, KOP, KOPV, KVT, UOP4		5n877		BOP, KOP, KOPV, KVT, UOP4	
04		E05A, E05B, E05C, E08A, E08B, E08C	04	E05A, E05B, E05C, E08A, E08B, E08C		04	E05A, E05B, E05C, E08A, E08B, E08C	
06		G01Z, G02Z, G15Z, G19A, G19B, G33Z, G38Z	06	G01Z, G02Z, G15Z, G19A, G19B, G33Z, G38Z		06	G01Z, G02Z, G15Z, G19A, G19B, G33Z, G38Z	
07		H33Z, H38Z	07	H33Z, H38Z		07	H33Z, H38Z	
11		L33Z	11	L33Z		11	L33Z	
21A		W04A, W04B	21A	W04A, W04B		21A	W04A, W04B	
21B		X06A, X06B, X06C	21B	X06A, X06B, X06C		21B	X06A, X06B, X06C	
23		Z01A	23	Z01A		23	Z01A	
Pre		A07A, A11A, A13A, A13B, A13D	Pre	A07A, A11A, A13A, A13B, A13D		Pre	A07A, A11A, A13A, A13B, A13D	
5n874.5			BOP, KOP, KOPV, KVT, UOP4	5n878			BOP, KOP, KOPV, KVT, UOP4	5n879.4
	04	E05A, E05B, E05C, E08A, E08B, E08C	04		E05A, E05B, E05C, E08A, E08B, E08C	04	E05A, E05B, E05C, E08A, E08B, E08C	
	06	G01Z, G02Z, G15Z, G19A, G19B, G33Z, G38Z	06		G01Z, G02Z, G15Z, G19A, G19B, G33Z, G38Z	06	G01Z, G02Z, G15Z, G19A, G19B, G33Z, G38Z	
	07	H33Z, H38Z	07		H33Z, H38Z	07	H33Z, H38Z	
	11	L33Z	11		L33Z	11	L33Z	
	21A	W04A, W04B	21A		W04A, W04B	21A	W04A, W04B	
	21B	X06A, X06B, X06C	21B		X06A, X06B, X06C	21B	X06A, X06B, X06C	
	23	Z01A	23		Z01A	23	Z01A	
	Pre	A07A, A11A, A13A, A13B, A13D	Pre		A07A, A11A, A13A, A13B, A13D	Pre	A07A, A11A, A13A, A13B, A13D	

ZZV	MDC	DRG	ZZV	MDC	DRG	ZZV	MDC	DRG
5n879.5		BOP, KOP, KOPV, KVT, UOP4	5n910		BOP, KVT, UOP4	5n914		BOP, KVT, UOP4
	04	E05A, E05B, E05C, E08A, E08B, E08C		05	F13A, F21A, F21B		05	F13A, F21A, F21B
	06	G01Z, G02Z, G15Z, G19A, G19B, G33Z, G38Z		06	G10Z, G12A, G12B		06	G10Z, G12A, G12B
	07	H33Z, H38Z		07	H05Z		07	H05Z
	11	L33Z		09	J03A, J03B, J04A, J04B, J08A, J08B, J08C, J11A, J11B, J16Z		09	J03A, J03B, J04A, J04B, J08A, J08B, J08C, J11A, J11B, J16Z
	21A	W04A, W04B		10	K09A, K09B		10	K09A, K09B
	21B	X06A, X06B, X06C		11	L09A, L09B, L09C, L09D, L38Z		11	L09A, L09B, L09C, L09D, L38Z
	23	Z01A		12	M01A, M01B, M38Z		12	M01A, M01B, M38Z
Pre		A07A, A11A, A13A, A13B, A13D		13	N11A, N11B		13	N11A, N11B
5n879.x		BOP, KOP, KOPV, KVT, UOP4		14	962Z, O02A, O02B, O04A		14	962Z, O02A, O02B, O04A
	04	E05A, E05B, E05C, E08A, E08B, E08C		17	R01A, R01B, R01C, R01D, R02Z, R12A, R12B, R12C		17	R01A, R01B, R01C, R01D, R02Z, R12A, R12B, R12C
	06	G01Z, G02Z, G15Z, G19A, G19B, G33Z, G38Z		21A	W04A, W04B		21A	W04A, W04B
	07	H33Z, H38Z		21B	X06A, X06B		21B	X06A, X06B
	11	L33Z	5n911		BOP, KVT, UOP4	5n915		BOP, KVT, UOP4
	21A	W04A, W04B		05	F13A, F21A, F21B		05	F13A
	21B	X06A, X06B, X06C		06	G10Z, G12A, G12B		06	G10Z, G12A, G12B
	23	Z01A		07	H05Z		07	H06A, H06B, H06C
Pre		A07A, A11A, A13A, A13B, A13D		09	J03A, J03B, J04A, J04B, J08A, J08B, J08C, J11A, J11B, J16Z		09	J03A, J03B, J04A, J04B, J08A, J08B, J08C, J11A, J11B, J16Z
5n87x		BOP, KOP, KOPV, KVT, UOP4		10	K09A, K09B		10	K09A, K09B
	04	E05A, E05B, E05C, E08A, E08B, E08C		11	L09A, L09B, L09C, L09D, L38Z		11	L03Z, L04A, L04B, L04C, L10Z, L13A, L13B, L38Z
	06	G01Z, G02Z, G15Z, G19A, G19B, G19C, G33Z, G38Z		12	M01A, M01B, M38Z		12	M06Z, M09A, M09B, M38Z
	07	H33Z, H38Z		13	N11A, N11B		13	N11A, N11B
	11	L33Z		14	962Z, O02A, O02B, O04A		17	R01A, R01B, R01C, R01D, R02Z, R12A, R12B, R12C
	21A	W04A, W04B		17	R01A, R01B, R01C, R01D, R02Z, R12A, R12B, R12C		21A	W04A, W04B
	21B	X06A, X06B, X06C		21A	W04A, W04B		21B	X06A, X06B
	23	Z01A		21B	X06A, X06B	5n916		BOP, KVT, UOP4
Pre		A07A, A11A, A13A, A13B, A13D		22	Y01Z, Y03A, Y03B		05	F13A
5n890		BOP, KVT, UOP4			BOP, KVT, UOP4		06	G10Z, G12A, G12B
	06	G24Z, G25Z		05	F13A, F21A, F21B		07	H06A, H06B, H06C
5n891		BOP, KVT, UOP4		06	G01Z, G02Z, G10Z, G12A, G12B, G38Z		09	J03A, J03B, J04A, J04B, J08A, J08B, J08C, J11A, J11B, J16Z
	06	G24Z, G25Z		07	H05Z		10	K09A, K09B
5n892		BOP, KVT, UOP4		11	L09A, L09B, L09C, L09D, L38Z		21A	W04A, W04B
	06	G24Z, G25Z		13	N11A, N11B		21B	X06A, X06B
5n893.0		BOP, KVT, UOP4		14	O04A	5n91x		BOP, KVT, UOP4
	06	G24Z, G25Z		17	R01A, R01B, R01C, R01D, R02Z, R12A, R12B, R12C		05	F13A, F21A, F21B
5n893.1		BOP, KVT, UOP4		21A	W04A, W04B		06	G10Z, G12A, G12B
	06	G24Z, G25Z		21B	X06A, X06B		07	H05Z
5n893.2		BOP, KVT, UOP4		22	Y01Z, Y03A, Y03B		09	J03A, J03B, J04A, J04B, J08A, J08B, J08C, J11A, J11B, J16Z
	06	G24Z, G25Z		Pre	A11A, A13A, A13B, A13D		10	K09A, K09B
5n893.x		BOP, KVT, UOP4	5n913		BOP, KVT, UOP4		11	L09A, L09B, L09C, L09D, L38Z
	06	G24Z, G25Z		05	F13A, F21A, F21B		12	M01A, M01B, M38Z
5n89x		BOP, KVT, UOP4		06	G10Z, G12A, G12B		13	N11A, N11B
	06	G24Z, G25Z		07	H06A, H06B, H06C		14	962Z, O02A, O02B
				09	J03A, J03B, J04A, J04B, J08A, J08B, J08C, J11A, J11B, J16Z		17	R01A, R01B, R01C, R01D, R02Z, R12A, R12B, R12C
				10	K09A, K09B		21A	W04A, W04B
				11	L09A, L09B, L09C, L09D, L38Z		21B	X06A, X06B
				12	M01A, M01B, M38Z		22	Y01Z, Y03A, Y03B
				13	N11A, N11B			
				14	962Z, O02A, O02B, O04A			
				17	R01A, R01B, R01C, R01D, R02Z, R12A, R12B, R12C			
				21A	W04A, W04B			
				21B	X06A, X06B			
				22	Y01Z, Y03A, Y03B			
				23	Z01A			

ZZV	MDC	DRG	ZZV	MDC	DRG	ZZV	MDC	DRG
5n920.1		BOP, UOP4	5n92b		BOP, KVT, UOP4	5n930		BOP, UOP4
	06	G10Z, G12A, G12B, G12C		06	G10Z, G12A, G12B		06	G10Z, G12A, G12B
	07	H06A, H06B, H06C		07	H06A, H06B, H06C		07	H06A, H06B, H06C
	09	J03A, J03B, J04A, J04B, J08A, J08B, J08C, J11A, J11B, J16Z		10	K09A, K09B		09	J03A, J03B, J04A, J04B, J08A, J08B, J08C, J11A, J11B, J16Z
	10	K09A, K09B		11	L09A, L38Z		13	N11A, N11B
	21A	W04A, W04B		17	R01A, R01B, R01C, R01D, R02Z, R12A, R12B, R12C		17	R01A, R01B, R01C, R01D, R02Z, R12A, R12B, R12C
	21B	X06A, X06B		23	Z01A		21A	W04A, W04B
5n920.2		BOP, KVT, UOP4	5n92c		BOP, KVT, UOP4	5n931		BOP, KVT, UOP4
	06	G10Z, G12A, G12B		06	G10Z, G12A, G12B, G38Z		06	G01Z, G02Z, G10Z, G12A, G12B, G38Z
	07	H06A, H06B, H06C		07	H06A, H06B, H06C		07	H06A, H06B, H06C
	10	K09A, K09B		10	K09A, K09B		17	R01A, R01B, R01C, R01D, R02Z, R12A, R12B, R12C
5n920.3		BOP, UOP4	5n92d.0		BOP, KOP, KVT, UOP4	5n932.1		BOP, KVT, UOP4
	06	G10Z, G12A, G12B		06	G03B, G10Z, G12A, G12B, G18A, G38Z		06	G01Z, G02Z, G24Z, G25Z, G38Z
	07	H06A, H06B, H06C		07	H06A, H06B, H06C		07	H06A, H06B, H06C
	09	J03A, J03B, J04A, J04B, J08A, J08B, J08C, J11A, J11B, J16Z		10	K09A, K09B		08	I27A, I27B, I27C, I27D
	10	K09A, K09B		11	L09A, L38Z		09	J03A, J03B, J04A, J04B, J08A, J08B, J08C, J11A, J11B, J16Z
	21A	W04A, W04B		13	N11A		17	R01A, R01B, R01C, R01D, R02Z, R12A, R12B, R12C
	21B	X06A, X06B		17	R01A, R01B, R01C, R01D, R02Z, R12A, R12B, R12C		21A	W04A, W04B
5n920.x		BOP, UOP4	5n92d.1		BOP, KOP, KVT, MVV, UOP4	5n932.2		BOP, KVT, UOP4
	06	G10Z, G12A, G12B, G12C		06	G03B, G10Z, G12A, G12B, G18A, G38Z		06	G01Z, G02Z, G24Z, G25Z, G38Z
	07	H06A, H06B, H06C		07	H06A, H06B, H06C		07	H06A, H06B, H06C
	09	J03A, J03B, J04A, J04B, J08A, J08B, J08C, J11A, J11B, J16Z		10	K09A, K09B		08	I27A, I27B, I27C, I27D
	10	K09A, K09B		11	L09A, L38Z		09	J03A, J03B, J04A, J04B, J08A, J08B, J08C, J11A, J11B, J16Z
	21A	W04A, W04B		13	N11A		17	R01A, R01B, R01C, R01D, R02Z, R12A, R12B, R12C
	21B	X06A, X06B		17	R01A, R01B, R01C, R01D, R02Z, R12A, R12B, R12C		21A	W04A, W04B
5n921		BOP, UOP4	5n92d.2		BOP, KOP, KVT, UOP4	5n932.x		BOP, KVT, UOP4
	06	G10Z, G12A, G12B, G12C		06	G03B, G10Z, G12A, G12B, G18A, G38Z		06	G01Z, G02Z, G24Z, G25Z, G38Z
	07	H06A, H06B, H06C		07	H06A, H06B, H06C		07	H06A, H06B, H06C
	08	I27A, I27B, I27C, I27D		10	K09A, K09B		08	I27A, I27B, I27C, I27D
	09	J03A, J03B, J04A, J04B, J08A, J08B, J08C, J11A, J11B, J16Z		11	L09A, L38Z		09	J03A, J03B, J04A, J04B, J08A, J08B, J08C, J11A, J11B, J16Z
	10	K09A, K09B		13	N11A		17	R01A, R01B, R01C, R01D, R02Z, R12A, R12B, R12C
	21A	W04A, W04B		17	R01A, R01B, R01C, R01D, R02Z, R12A, R12B, R12C		21A	W04A, W04B
5n922		BOP, UOP4	5n92e		BOP, KVT, UOP4	5n932.x		BOP, KVT, UOP4
	06	G10Z, G12A, G12B, G12C		06	G10Z, G12A, G12B		06	G01Z, G02Z, G24Z, G25Z, G38Z
	08	I27A, I27B, I27C, I27D		07	H06A, H06B, H06C		07	H06A, H06B, H06C
	09	J03A, J03B, J04A, J04B, J08A, J08B, J08C, J11A, J11B, J16Z		10	K03A, K03B, K09A, K09B		08	I27A, I27B, I27C, I27D
	10	K09A, K09B		11	L09A, L38Z		09	J03A, J03B, J04A, J04B, J08A, J08B, J08C, J11A, J11B, J16Z
	21A	W04A, W04B		13	N01A, N01B, N01C, N01D, N01E, N02A, N02B, N02C, N03A, N03B, N04Z, N14Z, N21Z, N38Z		17	R01A, R01B, R01C, R01D, R02Z, R12A, R12B, R12C
	21B	X06A, X06B, X06C		17	R01A, R01B, R01C, R01D, R02Z, R12A, R12B, R12C		17	R01A, R01B, R01C, R01D, R02Z, R12A, R12B, R12C
5n923		BOP, UOP4	5n92x		BOP, KVT, UOP4	5n932.x		BOP, KVT, UOP4
	06	G10Z, G12A, G12B, G12C		06	G10Z, G12A, G12B		06	G01Z, G02Z, G24Z, G25Z, G38Z
	08	I27A, I27B, I27C, I27D		07	H06A, H06B, H06C		07	H06A, H06B, H06C
	09	J03A, J03B, J04A, J04B, J08A, J08B, J08C, J11A, J11B, J16Z		10	K09A, K09B		08	I27A, I27B, I27C, I27D
	10	K09A, K09B		11	L09A, L38Z		09	J03A, J03B, J04A, J04B, J08A, J08B, J08C, J11A, J11B, J16Z
	21A	W04A, W04B		13	N01A, N01B, N01C, N01D, N01E, N02A, N02B, N02C, N03A, N03B, N04Z, N14Z, N21Z, N38Z		17	R01A, R01B, R01C, R01D, R02Z, R12A, R12B, R12C
	21B	X06A, X06B, X06C		17	R01A, R01B, R01C, R01D, R02Z, R12A, R12B, R12C		17	R01A, R01B, R01C, R01D, R02Z, R12A, R12B, R12C
5n929		BOP, UOP4	5n92x		BOP, KVT, UOP4	5n932.x		BOP, KVT, UOP4
	06	G10Z, G12A, G12B, G12C		06	G10Z, G12A, G12B		06	G01Z, G02Z, G24Z, G25Z, G38Z
	07	H06A, H06B, H06C		07	H06A, H06B, H06C		07	H06A, H06B, H06C
	09	J03A, J03B, J04A, J04B, J08A, J08B, J08C, J11A, J11B, J16Z		10	K09A, K09B		08	I27A, I27B, I27C, I27D
	10	K09A, K09B		11	L09A, L38Z		09	J03A, J03B, J04A, J04B, J08A, J08B, J08C, J11A, J11B, J16Z
	21A	W04A, W04B		13	N11A, N11B		17	R01A, R01B, R01C, R01D, R02Z, R12A, R12B, R12C
	21B	X06A, X06B, X06C		17	R01A, R01B, R01C, R01D, R02Z, R12A, R12B, R12C		17	R01A, R01B, R01C, R01D, R02Z, R12A, R12B, R12C
5n92a		BOP, KVT, UOP4	5n92x		BOP, KVT, UOP4	5n932.x		BOP, KVT, UOP4
	06	G10Z, G12A, G12B		06	G10Z, G12A, G12B		06	G01Z, G02Z, G24Z, G25Z, G38Z
	07	H06A, H06B, H06C		07	H06A, H06B, H06C		07	H06A, H06B, H06C
	10	K09A, K09B		10	K09A, K09B		08	I27A, I27B, I27C, I27D
5n92a		BOP, KVT, UOP4	5n92x		BOP, KVT, UOP4	5n932.x		BOP, KVT, UOP4
	06	G10Z, G12A, G12B		06	G10Z, G12A, G12B		06	G01Z, G02Z, G24Z, G25Z, G38Z
	07	H06A, H06B, H06C		07	H06A, H06B, H06C		07	H06A, H06B, H06C
	17	R01A, R01B, R01C, R01D, R02Z, R12A, R12B, R12C		17	R01A, R01B, R01C, R01D, R02Z, R12A, R12B, R12C		09	J03A, J03B, J04A, J04B, J08A, J08B, J08C, J11A, J11B, J16Z

ZZV	MDC	DRG	ZZV	MDC	DRG	ZZV	MDC	DRG			
5n933		BOP, KVT, UOP4	5n991.2		BOP, KVT, UOP4	5n997		BOP, KVT, UOP4			
	05	F13A		05	F13A		05	F21A, F21B, F21C			
	06	G10Z, G12A, G12B, G18A, G38Z		06	G01Z, G02Z, G10Z, G12A, G12B, G38Z		06	G10Z, G12A, G12B			
	07	H06A, H06B, H06C		07	H06A, H06B, H06C		07	H06A, H06B, H06C			
	10	K09A, K09B		09	J03A, J03B, J04A, J04B, J08A, J08B, J08C, J11A, J11B, J16Z		11	L09A, L09B, L09C, L09D, L38Z			
	11	L09A, L38Z		13	N11A, N11B		13	N11A, N11B			
	17	R01A, R01B, R01C, R01D, R02Z, R12A, R12B, R12C		14	O04A		17	R01A, R01B, R01C, R01D, R02Z, R12A, R12B, R12C			
	21A	W04A, W04B		17	R01A, R01B, R01C, R01D, R02Z, R12A, R12B, R12C		21A	W04A, W04B			
	21B	X06A, X06B		21B	X06A, X06B, X06C		21B	X06A, X06B, X06C			
	5n934.1			BOP, KVT, UOP4	5n991.x			BOP, KVT, UOP4	5n998.0		BOP, KVT, UOP4
06		G01Z, G02Z, G24Z, G25Z, G38Z	05	F13A		05	F21A, F21B				
07		H06A, H06B, H06C	06	G10Z, G12A, G12B		06	G10Z, G12A, G12B				
08		I27A, I27B, I27C, I27D	07	H06A, H06B, H06C		07	H12A, H12B				
09		J03A, J03B, J04A, J04B, J08A, J08B, J08C, J11A, J11B, J16Z	13	N11A, N11B		11	L09A, L09B, L09C, L09D, L38Z				
17		R01A, R01B, R01C, R01D, R02Z, R12A, R12B, R12C	14	O04A		13	N11A, N11B				
21A		W04A, W04B	17	R01A, R01B, R01C, R01D, R02Z, R12A, R12B, R12C		14	O04A				
21B		X06A, X06B	21A	W04A, W04B		17	R01A, R01B, R01C, R01D, R02Z, R12A, R12B, R12C				
Pre		A11A, A13A, A13B, A13D	21B	X06A, X06B, X06C		21A	W04A, W04B				
5n934.2			BOP, KVT, UOP4	5n993			BOP, KVT, UOP4	5n998.1			BOP, KVT, UOP4
	06	G01Z, G02Z, G24Z, G25Z, G38Z	05		F21A, F21B	05	F21A, F21B				
	07	H06A, H06B, H06C	06		G10Z, G12A, G12B	06	G10Z, G12A, G12B				
	08	I27A, I27B, I27C, I27D	07		H12A, H12B	07	H12A, H12B				
	09	J03A, J03B, J04A, J04B, J08A, J08B, J08C, J11A, J11B, J16Z	11		L09A, L09B, L09C, L09D, L38Z	11	L09A, L09B, L09C, L09D, L38Z				
	17	R01A, R01B, R01C, R01D, R02Z, R12A, R12B, R12C	13		N11A, N11B	13	N11A, N11B				
	21A	W04A, W04B	17		R01A, R01B, R01C, R01D, R02Z, R12A, R12B, R12C	14	O04A				
	21B	X06A, X06B	21A		W04A, W04B	17	R01A, R01B, R01C, R01D, R02Z, R12A, R12B, R12C				
	Pre	A11A, A13A, A13B, A13D	21B		X06A, X06B, X06C	21A	W04A, W04B				
	5n93x		BOP, KVT, UOP4		5n994		BOP, KOP, KOPV, KVT, UOP4		5o100.1↔		BOP, KVT, UOP4
06		G24Z, G25Z	06	G10Z, G12A, G12B, G33Z		08	I28A, I28B				
07		H06A, H06B, H06C	07	H01A, H01B, H09A, H09B, H09C, H33Z, H38Z		11	L03Z, L04A, L04B, L04C, L10Z, L13A, L13B, L38Z				
09		J03A, J03B, J04A, J04B, J08A, J08B, J08C, J11A, J11B, J16Z	11	L33Z		17	R01A, R01B, R01C, R01D, R02Z, R12A, R12B, R12C				
17		R01A, R01B, R01C, R01D, R02Z, R12A, R12B, R12C	17	R01A, R01B, R01C, R01D, R02Z, R12A, R12B, R12C		21A	W01A, W01B, W01C, W02A, W02B, W04A, W04B				
21A		W04A, W04B	23	Z01A		21B	X06A, X06B, X06C				
21B		X06A, X06B	Pre	A07A		22	Y01Z, Y03A, Y03B				
5n991.1			BOP, KVT, UOP4	5n995			BOP, KVT, UOP4	5o100.2↔			BOP, KVT, UOP4
		05	F13A			06	G10Z, G12A, G12B			08	I28A, I28B
		06	G01Z, G02Z, G10Z, G12A, G12B, G38Z			07	H06A, H06B, H06C			11	L03Z, L04A, L04B, L04C, L10Z, L13A, L13B, L38Z
	07	H06A, H06B, H06C	10		K09A, K09B	17	R01A, R01B, R01C, R01D, R02Z, R12A, R12B, R12C				
	09	J03A, J03B, J04A, J04B, J08A, J08B, J08C, J11A, J11B, J16Z	11		L02A, L02B, L02C, L38Z	21A	W01A, W01B, W01C, W02A, W02B, W04A, W04B				
	13	N11A, N11B	17		R01A, R01B, R01C, R01D, R02Z, R12A, R12B, R12C	21B	X06A, X06B, X06C				
	14	O04A	21A		W04A, W04B	22	Y01Z, Y03A, Y03B				
	17	R01A, R01B, R01C, R01D, R02Z, R12A, R12B, R12C	21B		X06A, X06B, X06C	22	Y01Z, Y03A, Y03B				
	21A	W04A, W04B	Pre		A07A	22	Y01Z, Y03A, Y03B				
	21B	X06A, X06B, X06C	5n996			BOP, KOP, KOPV, KVT, UOP4	5o100.4↔			BOP, KVT, UOP4	
22	Y01Z, Y03A, Y03B	04		E02A, E02B, E02C	08	I28A, I28B					
Pre	A11A, A13A, A13B, A13D	05		F21A, F21B	11	L03Z, L04A, L04B, L04C, L10Z, L13A, L13B, L38Z					
5n991.2		BOP, KVT, UOP4		5n996		BOP, KVT, UOP4		5o100.4↔		BOP, KVT, UOP4	
	05	F13A			05	F21A, F21B			08	I28A, I28B	
	06	G01Z, G02Z, G10Z, G12A, G12B, G38Z			06	G10Z, G12A, G12B			11	L03Z, L04A, L04B, L04C, L10Z, L13A, L13B, L38Z	
	07	H06A, H06B, H06C			07	H06A, H06B, H06C			17	R01A, R01B, R01C, R01D, R02Z, R12A, R12B, R12C	
	09	J03A, J03B, J04A, J04B, J08A, J08B, J08C, J11A, J11B, J16Z			10	K09A, K09B			21A	W01A, W01B, W01C, W02A, W02B, W04A, W04B	
	13	N11A, N11B			11	L02A, L02B, L02C, L38Z			21B	X06A, X06B, X06C	
	14	O04A			17	R01A, R01B, R01C, R01D, R02Z, R12A, R12B, R12C			22	Y01Z, Y03A, Y03B	
	17	R01A, R01B, R01C, R01D, R02Z, R12A, R12B, R12C	21A		W04A, W04B	22	Y01Z, Y03A, Y03B				
	21A	W04A, W04B	21B		X06A, X06B, X06C	22	Y01Z, Y03A, Y03B				
	21B	X06A, X06B, X06C	21A		W04A, W04B	22	Y01Z, Y03A, Y03B				
22	Y01Z, Y03A, Y03B	21B	X06A, X06B, X06C	22	Y01Z, Y03A, Y03B						
Pre	A11A, A13A, A13B, A13D	21A	W04A, W04B	22	Y01Z, Y03A, Y03B						
5n991.x		BOP, KVT, UOP4	5n996		BOP, KVT, UOP4	5o100.4↔		BOP, KVT, UOP4			
	05	F13A		04	E02A, E02B, E02C		08	I28A, I28B			
	06	G10Z, G12A, G12B		05	F21A, F21B		11	L03Z, L04A, L04B, L04C, L10Z, L13A, L13B, L38Z			
	07	H06A, H06B, H06C		06	G10Z, G12A, G12B		17	R01A, R01B, R01C, R01D, R02Z, R12A, R12B, R12C			
	09	J03A, J03B, J04A, J04B, J08A, J08B, J08C, J11A, J11B, J16Z		07	H06A, H06B, H06C		21A	W01A, W01B, W01C, W02A, W02B, W04A, W04B			
	13	N11A, N11B		11	L02A, L02B, L02C, L38Z		21B	X06A, X06B, X06C			
	14	O04A		17	R01A, R01B, R01C, R01D, R02Z, R12A, R12B, R12C		22	Y01Z, Y03A, Y03B			
	17	R01A, R01B, R01C, R01D, R02Z, R12A, R12B, R12C		17	R01A, R01B, R01C, R01D, R02Z, R12A, R12B, R12C		22	Y01Z, Y03A, Y03B			
	21A	W04A, W04B		21A	W04A, W04B		22	Y01Z, Y03A, Y03B			
	21B	X06A, X06B, X06C		21B	X06A, X06B, X06C		22	Y01Z, Y03A, Y03B			

ZZV	MDC	DRG	ZZV	MDC	DRG	ZZV	MDC	DRG
5o10a.2↔		BOP, KVT, UOP4	5o110.4↔		BOP, KVT, MVV, UOP4	5o111.5↔		BOP, KVT, MVV, UOP4
	11	L03Z, L04A, L04B, L04C, L10Z, L13A, L13B, L38Z		06	G10Z, G18A, G38Z		06	G10Z, G18A, G38Z
	21A	W04A, W04B		07	H01A		07	H01A
	21B	X06A, X06B, X06C		11	L03Z, L04A, L04B, L04C, L10Z, L13A, L13B, L38Z		11	L03Z, L04A, L04B, L04C, L10Z, L13A, L13B, L38Z
5o10a.4↔		BOP, KVT, UOP4		17	R01A, R01B, R01C, R01D, R02Z, R12A, R12B, R12C		17	R01A, R01B, R01C, R01D, R02Z, R12A, R12B, R12C
	11	L03Z, L04A, L04B, L04C, L10Z, L13A, L13B, L38Z		21A	W04A, W04B		21A	W04A, W04B
	21A	W04A, W04B		21B	X06A, X06B, X06C		21B	X06A, X06B, X06C
	21B	X06A, X06B, X06C	5o110.5↔		BOP, KVT, MVV, UOP4	5o111.x↔		BOP, KVT, MVV, UOP4
5o10a.x↔		BOP, KVT, UOP4		06	G10Z, G18A, G38Z		06	G10Z, G18A, G38Z
	11	L03Z, L09A, L09B, L09C, L09D, L10Z, L13A, L13B, L38Z		07	H01A		07	H01A
	21A	W04A, W04B		11	L03Z, L04A, L04B, L04C, L10Z, L13A, L13B, L38Z		11	L03Z, L04A, L04B, L04C, L10Z, L13A, L13B, L38Z
	21B	X06A, X06B, X06C		17	R01A, R01B, R01C, R01D, R02Z, R12A, R12B, R12C		17	R01A, R01B, R01C, R01D, R02Z, R12A, R12B, R12C
5o10x.1↔		BOP, KVT, UOP4		21A	W04A, W04B		21A	W04A, W04B
	11	L03Z, L04A, L04B, L04C, L10Z, L13A, L13B, L38Z		21B	X06A, X06B, X06C		21B	X06A, X06B, X06C
	21A	W04A, W04B	5o110.6↔		BOP, KVT, MVV, UOP4	5o112.1↔		BOP, KOP, KVT, MVV, UOP4
	21B	X06A, X06B, X06C		06	G10Z, G18A, G38Z		06	G10Z, G18A, G38Z
5o10x.2↔		BOP, KVT, UOP4		07	H01A		07	H01A
	11	L03Z, L04A, L04B, L04C, L10Z, L13A, L13B, L38Z		11	L03Z, L04A, L04B, L04C, L10Z, L13A, L13B, L38Z		11	L03Z, L04A, L04B, L04C, L10Z, L13A, L13B, L38Z
	21A	W04A, W04B		17	R01A, R01B, R01C, R01D, R02Z, R12A, R12B, R12C		17	R01A, R01B, R01C, R01D, R02Z, R12A, R12B, R12C
	21B	X06A, X06B, X06C		21A	W04A, W04B		21A	W04A, W04B
5o10x.4↔		BOP, KVT, UOP4		21B	X06A, X06B, X06C		21B	X06A, X06B, X06C
	11	L03Z, L04A, L04B, L04C, L10Z, L13A, L13B, L38Z	5o110.x↔		BOP, KVT, MVV, UOP4	5o112.2↔		BOP, KVT, MVV, UOP4
	21A	W04A, W04B		06	G10Z, G18A, G38Z		06	G10Z, G18A, G38Z
	21B	X06A, X06B, X06C		07	H01A		07	H01A
5o10x.x↔		BOP, KVT, UOP4		11	L03Z, L04A, L04B, L04C, L10Z, L13A, L13B, L38Z		11	L03Z, L04A, L04B, L04C, L10Z, L13A, L13B, L38Z
	11	L03Z, L04A, L04B, L04C, L10Z, L13A, L13B, L38Z		17	R01A, R01B, R01C, R01D, R02Z, R12A, R12B, R12C		17	R01A, R01B, R01C, R01D, R02Z, R12A, R12B, R12C
	21A	W04A, W04B		21A	W04A, W04B		21A	W04A, W04B
	21B	X06A, X06B, X06C		21B	X06A, X06B, X06C		21B	X06A, X06B, X06C
5o110.1↔		BOP, KOP, KVT, MVV, UOP4	5o111.1↔		BOP, KOP, KVT, MVV, UOP4	5o112.4↔		BOP, KVT, MVV, UOP4
	06	G10Z, G18A, G38Z		06	G10Z, G18A, G38Z		06	G10Z, G18A, G38Z
	07	H01A		07	H01A		07	H01A
	11	L03Z, L04A, L04B, L04C, L10Z, L13A, L13B, L38Z		10	K03A, K03B		11	L03Z, L04A, L04B, L04C, L10Z, L13A, L13B, L38Z
	17	R01A, R01B, R01C, R01D, R02Z, R12A, R12B, R12C		11	L03Z, L04A, L04B, L04C, L10Z, L13A, L13B, L38Z		17	R01A, R01B, R01C, R01D, R02Z, R12A, R12B, R12C
	21A	W04A, W04B		17	R01A, R01B, R01C, R01D, R02Z, R12A, R12B, R12C		21A	W04A, W04B
	21B	X06A, X06B, X06C		21A	W04A, W04B		21B	X06A, X06B, X06C
5o110.2↔		BOP, KVT, MVV, UOP4		21B	X06A, X06B, X06C	5o112.5↔		BOP, KVT, MVV, UOP4
	06	G10Z, G18A, G38Z	5o111.2↔		BOP, KVT, MVV, UOP4		06	G10Z, G18A, G38Z
	07	H01A		06	G10Z, G18A, G38Z		07	H01A
	11	L03Z, L04A, L04B, L04C, L10Z, L13A, L13B, L38Z		07	H01A		11	L03Z, L04A, L04B, L04C, L10Z, L13A, L13B, L38Z
	17	R01A, R01B, R01C, R01D, R02Z, R12A, R12B, R12C		11	L03Z, L04A, L04B, L04C, L10Z, L13A, L13B, L38Z		17	R01A, R01B, R01C, R01D, R02Z, R12A, R12B, R12C
	21A	W04A, W04B		17	R01A, R01B, R01C, R01D, R02Z, R12A, R12B, R12C		21A	W04A, W04B
	21B	X06A, X06B, X06C		21A	W04A, W04B		21B	X06A, X06B, X06C
5o110.3↔		BOP, KOP, KVT, MVV, UOP4		21B	X06A, X06B, X06C	5o112.x↔		BOP, KVT, MVV, UOP4
	06	G10Z, G18A, G38Z	5o111.4↔		BOP, KVT, MVV, UOP4		06	G10Z, G18A, G38Z
	07	H01A		06	G10Z, G18A, G38Z		07	H01A
	11	L03Z, L04A, L04B, L04C, L10Z, L13A, L13B, L38Z		07	H01A		11	L03Z, L04A, L04B, L04C, L10Z, L13A, L13B, L38Z
	17	R01A, R01B, R01C, R01D, R02Z, R12A, R12B, R12C		11	L03Z, L04A, L04B, L04C, L10Z, L13A, L13B, L38Z		17	R01A, R01B, R01C, R01D, R02Z, R12A, R12B, R12C
	21A	W04A, W04B		17	R01A, R01B, R01C, R01D, R02Z, R12A, R12B, R12C		21A	W04A, W04B
	21B	X06A, X06B, X06C		21A	W04A, W04B		21B	X06A, X06B, X06C
				21B	X06A, X06B, X06C			

Príloha B: Index Výkon-MDC-DRG

ZZV	MDC	DRG	ZZV	MDC	DRG	ZZV	MDC	DRG
5o120.1↔		BOP, KVT, UOP4	5o122.2↔		BOP, KVT, UOP4	5o133.1‡↔	11	L11Z, L18A, L18B, L38Z
	06	G18A, G38Z		06	G18A, G38Z	5o133.6‡↔	11	L19Z, L20A, L20B, L20C
	11	L03Z, L04A, L04B, L04C, L10Z, L13A, L13B, L38Z		11	L03Z, L04A, L04B, L04C, L10Z, L13A, L13B, L38Z	5o133.x‡↔	11	L11Z, L18A, L18B, L38Z
	21A	W04A, W04B		21A	W04A, W04B	5o134‡↔	11	L11Z, L18A, L18B, L38Z
	21B	X06A, X06B, X06C		21B	X06A, X06B, X06C	5o135‡↔	11	L11Z, L18A, L18B, L38Z
5o120.2↔		BOP, KVT, UOP4	5o122.4↔		BOP, KVT, UOP4	5o136‡↔	11	L40Z
	06	G18A, G38Z		06	G18A, G38Z	5o137‡↔	11	L11Z, L18A, L18B, L38Z
	11	L03Z, L04A, L04B, L04C, L10Z, L13A, L13B, L38Z		11	L03Z, L04A, L04B, L04C, L10Z, L13A, L13B, L38Z	5o138‡↔	11	L11Z, L18A, L18B, L38Z
	21A	W04A, W04B		21A	W04A, W04B	5o139‡↔	11	L19Z, L20A, L20B, L20C
	21B	X06A, X06B, X06C		21B	X06A, X06B, X06C	5o13x‡↔	11	L11Z, L18A, L18B, L38Z
5o120.4↔		BOP, KVT, UOP4	5o122.x↔		BOP, KVT, UOP4	5o140↔		BOP, KVT, UOP4
	06	G18A, G38Z		06	G18A, G38Z	Pre		A01B, A02Z, A06A, A07A, A09A, A11A, A13A, A17A, A17B
	11	L03Z, L04A, L04B, L04C, L10Z, L13A, L13B, L38Z		11	L03Z, L04A, L04B, L04C, L10Z, L13A, L13B, L38Z	5o141↔		BOP, KVT, UOP4
	21A	W04A, W04B		21A	W04A, W04B	Pre		A01B, A02Z, A06A, A07A, A09A, A11A, A13A, A17A, A17B
	21B	X06A, X06B, X06C		21B	X06A, X06B, X06C	5o142↔		BOP, KVT, UOP4
5o120.5↔		BOP, KVT, UOP4	5o12x.1↔		BOP, KVT, UOP4	Pre		A01B, A02Z, A06A, A07A, A09A, A11A, A13A, A17A, A17B
	06	G18A, G38Z		06	G18A, G38Z	5o143↔		BOP, KVT, UOP4
	11	L03Z, L04A, L04B, L04C, L10Z, L13A, L13B, L38Z		11	L03Z, L04A, L04B, L04C, L10Z, L13A, L13B, L38Z	11		L03Z, L04A, L04B, L04C, L10Z, L13A, L13B, L38Z
	21A	W04A, W04B		21A	W04A, W04B	21A		W04A, W04B
	21B	X06A, X06B, X06C		21B	X06A, X06B, X06C	21B		X06A, X06B, X06C
5o120.x↔		BOP, KVT, UOP4	5o12x.2↔		BOP, KVT, UOP4	5o144↔		BOP, KVT, UOP4
	06	G18A, G38Z		06	G18A, G38Z	11		L03Z, L04A, L04B, L04C, L10Z, L13A, L13B, L38Z
	11	L03Z, L04A, L04B, L04C, L10Z, L13A, L13B, L38Z		11	L03Z, L04A, L04B, L04C, L10Z, L13A, L13B, L38Z	21A		W04A, W04B
	21A	W04A, W04B		21A	W04A, W04B	21B		X06A, X06B, X06C
	21B	X06A, X06B, X06C		21B	X06A, X06B, X06C	5o145↔		BOP, KVT, UOP4
5o121.1↔		BOP, KVT, UOP4	5o12x.4↔		BOP, KVT, UOP4	Pre		A01B, A02Z, A06A, A07A, A09A, A11A, A13A, A17A, A17B
	06	G18A, G38Z		06	G18A, G38Z	5o14x↔		BOP, KVT, UOP4
	11	L03Z, L04A, L04B, L04C, L10Z, L13A, L13B, L38Z		11	L03Z, L04A, L04B, L04C, L10Z, L13A, L13B, L38Z	11		L03Z, L04A, L04B, L04C, L10Z, L13A, L13B, L38Z
	21A	W04A, W04B		21A	W04A, W04B	21A		W04A, W04B
	21B	X06A, X06B, X06C		21B	X06A, X06B, X06C	21B		X06A, X06B, X06C
5o121.2↔		BOP, KVT, UOP4	5o12x.5↔		BOP, KVT, UOP4	5o150↔		BOP, KVT, UOP4
	06	G18A, G38Z		06	G18A, G38Z	08		I28A, I28B
	11	L03Z, L04A, L04B, L04C, L10Z, L13A, L13B, L38Z		11	L03Z, L04A, L04B, L04C, L10Z, L13A, L13B, L38Z	11		L03Z, L04A, L04B, L04C, L10Z, L13A, L13B, L38Z
	21A	W04A, W04B		21A	W04A, W04B	17		R01A, R01B, R01C, R01D, R02Z, R12A, R12B, R12C
	21B	X06A, X06B, X06C		21B	X06A, X06B, X06C	5o151↔		BOP, KVT, UOP4
5o121.4↔		BOP, KVT, UOP4	5o12x.x↔		BOP, KVT, UOP4	11		L03Z, L04A, L04B, L04C, L10Z, L13A, L13B, L38Z
	06	G18A, G38Z		06	G18A, G38Z	21A		W04A, W04B
	11	L03Z, L04A, L04B, L04C, L10Z, L13A, L13B, L38Z		11	L03Z, L04A, L04B, L04C, L10Z, L13A, L13B, L38Z	21B		X06A, X06B, X06C
	21A	W04A, W04B		21A	W04A, W04B	5o152↔		BOP, KVT, UOP4
	21B	X06A, X06B, X06C		21B	X06A, X06B, X06C	08		I28A, I28B
5o121.5↔		BOP, KVT, UOP4	5o130‡↔		BOP, KVT, UOP4	11		L03Z, L04A, L04B, L04C, L10Z, L13A, L13B, L38Z
	06	G18A, G38Z		11	L11Z, L18A, L18B, L38Z	11		L03Z, L04A, L04B, L04C, L10Z, L13A, L13B, L38Z
	11	L03Z, L04A, L04B, L04C, L10Z, L13A, L13B, L38Z		5o131.0‡↔	L42A	21A		W04A, W04B
	21A	W04A, W04B		5o131.1↔	BOP, KVT, UOP4	21B		X06A, X06B, X06C
	21B	X06A, X06B, X06C		08	I28A, I28B	5o152↔		BOP, KVT, UOP4
5o121.x↔		BOP, KVT, UOP4		11	L03Z, L04A, L04B, L04C, L10Z, L13A, L13B, L38Z	08		I28A, I28B
	06	G18A, G38Z		17	R01A, R01B, R01C, R01D, R02Z, R12A, R12B, R12C	11		L03Z, L04A, L04B, L04C, L10Z, L13A, L13B, L38Z
	11	L03Z, L04A, L04B, L04C, L10Z, L13A, L13B, L38Z		5o131.2‡↔	11			L03Z, L04A, L04B, L04C, L10Z, L13A, L13B, L38Z
	21A	W04A, W04B		11	L11Z, L18A, L18B, L38Z, L42A	17		R01A, R01B, R01C, R01D, R02Z, R12A, R12B, R12C
	21B	X06A, X06B, X06C		5o131.3‡↔	11			L03Z, L04A, L04B, L04C, L10Z, L13A, L13B, L38Z
5o122.1↔		BOP, KVT, UOP4		5o132.0↔	BOP, KVT, UOP4	5o153.1↔		BOP, KVT, UOP4
	06	G18A, G38Z		06	G18A, G38Z	08		I28A, I28B
	11	L03Z, L04A, L04B, L04C, L10Z, L13A, L13B, L38Z		11	L03Z, L04A, L04B, L04C, L10Z, L13A, L13B, L38Z	11		L03Z, L04A, L04B, L04C, L10Z, L13A, L13B, L38Z
	21A	W04A, W04B		21A	W04A, W04B	17		R01A, R01B, R01C, R01D, R02Z, R12A, R12B, R12C
	21B	X06A, X06B, X06C		21B	X06A, X06B, X06C	21A		W04A, W04B
				5o132.1‡↔	11			L03Z, L04A, L04B, L04C, L10Z, L13A, L13B, L38Z
				5o132.6‡↔	11			L19Z, L20A, L20B, L20C
				5o132.x‡↔	11			L11Z, L18A, L18B, L38Z

ZZV	MDC	DRG	ZZV	MDC	DRG	ZZV	MDC	DRG
5o153.2↔		BOP, KVT, UOP4	5o163.1↔		BOP, KVT, UOP4	5o192.2↔		BOP, KVT, UOP4
	08	I28A, I28B		11	L03Z, L04A, L04B, L04C, L10Z, L13A, L13B, L38Z		11	L03Z, L04A, L04B, L04C, L10Z, L13A, L13B, L38Z
	11	L03Z, L04A, L04B, L04C, L10Z, L13A, L13B, L38Z		21A	W04A, W04B		21A	W04A, W04B
	17	R01A, R01B, R01C, R01D, R02Z, R12A, R12B, R12C		21B	X06A, X06B, X06C		21B	X06A, X06B, X06C
	21A	W04A, W04B	5o163.4↔		BOP, KVT, UOP4	5o192.4↔		BOP, KVT, UOP4
	21B	X06A, X06B, X06C		11	L03Z, L04A, L04B, L04C, L10Z, L13A, L13B, L38Z		11	L03Z, L04A, L04B, L04C, L10Z, L13A, L13B, L38Z
5o154↔		BOP, KVT, UOP4		21A	W04A, W04B		21A	W04A, W04B
	08	I28A, I28B		21B	X06A, X06B, X06C		21B	X06A, X06B, X06C
	11	L03Z, L04A, L04B, L04C, L10Z, L13A, L13B, L38Z	5o163.6‡↔	11	L18A, L18B, L19Z, L20A, L20B, L20C, L38Z	5o192.x↔		BOP, KVT, UOP4
	17	R01A, R01B, R01C, R01D, R02Z, R12A, R12B, R12C		11	L18A, L18B, L19Z, L20A, L20B, L20C, L38Z		11	L03Z, L04A, L04B, L04C, L10Z, L13A, L13B, L38Z
	21A	W04A, W04B	5o163.7‡↔	11	L18A, L18B, L19Z, L20A, L20B, L20C, L38Z		21A	W04A, W04B
	21B	X06A, X06B, X06C			BOP, KVT, UOP4		21B	X06A, X06B, X06C
5o155↔		BOP, KVT, UOP4	5o165.0↔		BOP, KVT, UOP4	5o193.1↔		BOP, KVT, UOP4
	08	I28A, I28B		11	L03Z, L04A, L04B, L04C, L10Z, L13A, L13B, L38Z		11	L03Z, L04A, L04B, L04C, L10Z, L13A, L13B, L38Z
	11	L03Z, L04A, L04B, L04C, L10Z, L13A, L13B, L38Z		21A	W04A, W04B		21A	W04A, W04B
	17	R01A, R01B, R01C, R01D, R02Z, R12A, R12B, R12C		21B	X06A, X06B, X06C		21B	X06A, X06B, X06C
	21A	W04A, W04B	5o165.4↔	11	L03Z, L04A, L04B, L04C, L10Z, L13A, L13B, L38Z	5o193.2↔		BOP, KVT, UOP4
	21B	X06A, X06B, X06C		21A	W04A, W04B		11	L03Z, L04A, L04B, L04C, L10Z, L13A, L13B, L38Z
5o156↔		BOP, KVT, UOP4		21B	X06A, X06B, X06C		21A	W04A, W04B
	08	I28A, I28B	5o166‡↔	11	L18A, L18B, L19Z, L20A, L20B, L20C, L38Z		21B	X06A, X06B, X06C
	11	L03Z, L04A, L04B, L04C, L10Z, L13A, L13B, L38Z		11	L18A, L18B, L19Z, L20A, L20B, L20C, L38Z	5o193.4↔		BOP, KVT, UOP4
	17	R01A, R01B, R01C, R01D, R02Z, R12A, R12B, R12C	5o16x‡↔	11	L18A, L18B, L19Z, L20A, L20B, L20C, L38Z		11	L03Z, L04A, L04B, L04C, L10Z, L13A, L13B, L38Z
	21A	W04A, W04B			BOP, KVT, UOP4		21A	W04A, W04B
	21B	X06A, X06B, X06C	5o190↔	11	L03Z, L04A, L04B, L04C, L10Z, L13A, L13B, L38Z		21B	X06A, X06B, X06C
5o157↔		BOP, KVT, UOP4		21A	W04A, W04B	5o193.x↔		BOP, KVT, UOP4
	08	I28A, I28B		21B	X06A, X06B, X06C		11	L03Z, L04A, L04B, L04C, L10Z, L13A, L13B, L38Z
	11	L03Z, L04A, L04B, L04C, L10Z, L13A, L13B, L38Z	5o191.1↔		BOP, KVT, UOP4		21A	W04A, W04B
	17	R01A, R01B, R01C, R01D, R02Z, R12A, R12B, R12C		08	I28A, I28B		21B	X06A, X06B, X06C
	21A	W04A, W04B		11	L03Z, L04A, L04B, L04C, L10Z, L13A, L13B, L38Z	5o194.1↔		BOP, KVT, UOP4
	21B	X06A, X06B, X06C		17	R01A, R01B, R01C, R01D, R02Z, R12A, R12B, R12C		11	L03Z, L04A, L04B, L04C, L10Z, L13A, L13B, L38Z
5o158↔		BOP, KVT, UOP4			BOP, KVT, UOP4		21A	W04A, W04B
	08	I28A, I28B	5o191.2↔		BOP, KVT, UOP4		21B	X06A, X06B, X06C
	11	L03Z, L04A, L04B, L04C, L10Z, L13A, L13B, L38Z		08	I28A, I28B	5o194.2↔		BOP, KVT, UOP4
	17	R01A, R01B, R01C, R01D, R02Z, R12A, R12B, R12C		11	L03Z, L04A, L04B, L04C, L10Z, L13A, L13B, L38Z		11	L03Z, L04A, L04B, L04C, L10Z, L13A, L13B, L38Z
	21A	W04A, W04B		17	R01A, R01B, R01C, R01D, R02Z, R12A, R12B, R12C		21A	W04A, W04B
	21B	X06A, X06B, X06C	5o191.3↔		BOP, KVT, UOP4		21B	X06A, X06B, X06C
5o15a‡↔	11	L40Z		08	I28A, I28B	5o194.3↔		BOP, KVT, UOP4
5o15b‡↔	11	L40Z		11	L03Z, L04A, L04B, L04C, L10Z, L13A, L13B, L38Z		11	L03Z, L04A, L04B, L04C, L10Z, L13A, L13B, L38Z
5o15x↔		BOP, KVT, UOP4		17	R01A, R01B, R01C, R01D, R02Z, R12A, R12B, R12C		21A	W04A, W04B
	11	L03Z, L04A, L04B, L04C, L10Z, L13A, L13B, L38Z			BOP, KVT, UOP4		21B	X06A, X06B, X06C
	21A	W04A, W04B	5o191.4↔		BOP, KVT, UOP4	5o194.4↔		BOP, KVT, UOP4
	21B	X06A, X06B, X06C		08	I28A, I28B		11	L03Z, L04A, L04B, L04C, L10Z, L13A, L13B, L38Z
5o161↔		BOP, KVT, UOP4		11	L03Z, L04A, L04B, L04C, L10Z, L13A, L13B, L38Z		21A	W04A, W04B
	10	K03A, K03B, K14Z		17	R01A, R01B, R01C, R01D, R02Z, R12A, R12B, R12C		21B	X06A, X06B, X06C
	21A	W04A, W04B			BOP, KVT, UOP4	5o194.x↔		BOP, KVT, UOP4
	21B	X06A, X06B, X06C	5o191.x↔		BOP, KVT, UOP4		11	L03Z, L04A, L04B, L04C, L10Z, L13A, L13B, L38Z
5o162.1↔		BOP, KVT, UOP4		08	I28A, I28B		21A	W04A, W04B
	11	L03Z, L04A, L04B, L04C, L10Z, L13A, L13B, L38Z		11	L03Z, L04A, L04B, L04C, L10Z, L13A, L13B, L38Z		21B	X06A, X06B, X06C
	21A	W04A, W04B		17	R01A, R01B, R01C, R01D, R02Z, R12A, R12B, R12C	5o195↔		BOP, KVT, UOP4
	21B	X06A, X06B, X06C			BOP, KVT, UOP4		11	L03Z, L04A, L04B, L04C, L10Z, L13A, L13B, L38Z
5o162.4↔		BOP, KVT, UOP4	5o192.1↔		BOP, KVT, UOP4		21A	W04A, W04B
	11	L03Z, L04A, L04B, L04C, L10Z, L13A, L13B, L38Z		11	L03Z, L04A, L04B, L04C, L10Z, L13A, L13B, L38Z		21B	X06A, X06B, X06C
	21A	W04A, W04B		21A	W04A, W04B	5o196↔		BOP, KVT, UOP4
	21B	X06A, X06B, X06C		21B	X06A, X06B, X06C		09	J03A, J03B, J04A, J04B, J08A, J08B, J08C, J11A, J11B, J16Z
5o162.6‡↔	11	L20B, L40Z						

ZZV	MDC	DRG	ZZV	MDC	DRG	ZZV	MDC	DRG
5o19x.1↔		BOP, KVT, UOP4	5o202.4↔		BOP, KVT, UOP4	5o206.0↔		BOP, KVT, UOP4
	11	L03Z, L04A, L04B, L04C, L10Z, L13A, L13B, L38Z		11	L03Z, L04A, L04B, L04C, L10Z, L13A, L13B, L38Z		11	L03Z, L04A, L04B, L04C, L10Z, L13A, L13B, L38Z
	21A	W04A, W04B		12	M06Z, M09A, M09B, M38Z		12	M06Z, M09A, M09B, M38Z
5o19x.2↔		BOP, KVT, UOP4		13	N08Z		13	N11A
	11	L03Z, L04A, L04B, L04C, L10Z, L13A, L13B, L38Z		17	R01A, R01B, R01C, R01D, R02Z, R12A, R12B, R12C		17	R01A, R01B, R01C, R01D, R02Z, R12A, R12B, R12C
	21A	W04A, W04B		21A	W04A, W04B		21A	W04A, W04B
	21B	X06A, X06B, X06C		21B	X06A, X06B, X06C		21B	X06A, X06B, X06C
5o19x.3↔		BOP, KVT, UOP4	5o202.x↔		BOP, KVT, UOP4	5o206.4↔		BOP, KVT, UOP4
	11	L03Z, L04A, L04B, L04C, L10Z, L13A, L13B, L38Z		11	L03Z, L04A, L04B, L04C, L10Z, L13A, L13B, L38Z		11	L03Z, L04A, L04B, L04C, L10Z, L13A, L13B, L38Z
	21A	W04A, W04B		12	M06Z, M09A, M09B, M38Z		12	M06Z, M09A, M09B, M38Z
	21B	X06A, X06B, X06C		13	N11A		13	N11A
5o19x.4↔		BOP, KVT, UOP4		17	R01A, R01B, R01C, R01D, R02Z, R12A, R12B, R12C		17	R01A, R01B, R01C, R01D, R02Z, R12A, R12B, R12C
	11	L03Z, L04A, L04B, L04C, L10Z, L13A, L13B, L38Z		21A	W04A, W04B		21A	W04A, W04B
	21A	W04A, W04B		21B	X06A, X06B, X06C		21B	X06A, X06B, X06C
	21B	X06A, X06B, X06C	5o203.0↔		BOP, KVT, UOP4	5o206.x↔		BOP, KVT, UOP4
5o19x.x↔		BOP, KVT, UOP4		11	L03Z, L04A, L04B, L04C, L10Z, L13A, L13B, L38Z		11	L03Z, L04A, L04B, L04C, L10Z, L13A, L13B, L38Z
	11	L03Z, L04A, L04B, L04C, L10Z, L13A, L13B, L38Z		21A	W04A, W04B		12	M06Z, M09A, M09B, M38Z
	21A	W04A, W04B		21B	X06A, X06B, X06C		13	N11A
	21B	X06A, X06B, X06C	5o203.4↔		BOP, KVT, UOP4		17	R01A, R01B, R01C, R01D, R02Z, R12A, R12B, R12C
5o200.0↔		BOP, KVT, UOP4		11	L03Z, L04A, L04B, L04C, L10Z, L13A, L13B, L38Z		21A	W04A, W04B
	11	L03Z, L04A, L04B, L04C, L10Z, L13A, L13B, L38Z		21A	W04A, W04B		21B	X06A, X06B, X06C
	21A	W04A, W04B		21B	X06A, X06B, X06C	5o207.0↔		BOP, KVT, UOP4
	21B	X06A, X06B, X06C	5o203.x↔		BOP, KVT, UOP4		11	L03Z, L04A, L04B, L04C, L10Z, L13A, L13B, L38Z
5o200.4↔		BOP, KVT, UOP4		11	L03Z, L04A, L04B, L04C, L10Z, L13A, L13B, L38Z		13	N11A
	11	L03Z, L04A, L04B, L04C, L10Z, L13A, L13B, L38Z		21A	W04A, W04B		21A	W04A, W04B
	21A	W04A, W04B		21B	X06A, X06B, X06C		21B	X06A, X06B, X06C
	21B	X06A, X06B, X06C	5o204.0↔		BOP, KVT, UOP4	5o207.4↔		BOP, KVT, UOP4
5o200.x↔		BOP, KVT, UOP4		11	L03Z, L04A, L04B, L04C, L10Z, L13A, L13B, L38Z		11	L03Z, L04A, L04B, L04C, L10Z, L13A, L13B, L38Z
	11	L03Z, L04A, L04B, L04C, L10Z, L13A, L13B, L38Z		21A	W04A, W04B		13	N11A
	21A	W04A, W04B		21B	X06A, X06B, X06C		21A	W04A, W04B
	21B	X06A, X06B, X06C	5o204.4↔		BOP, KVT, UOP4		21B	X06A, X06B, X06C
5o201.0↔		BOP, KVT, UOP4		11	L03Z, L04A, L04B, L04C, L10Z, L13A, L13B, L38Z	5o207.x↔		BOP, KVT, UOP4
	11	L03Z, L04A, L04B, L04C, L10Z, L13A, L13B, L38Z		21A	W04A, W04B		11	L03Z, L04A, L04B, L04C, L10Z, L13A, L13B, L38Z
	21A	W04A, W04B		21B	X06A, X06B, X06C		13	N11A
	21B	X06A, X06B, X06C	5o204.x↔		BOP, KVT, UOP4		21A	W04A, W04B
5o201.4↔		BOP, KVT, UOP4		11	L03Z, L04A, L04B, L04C, L10Z, L13A, L13B, L38Z		21B	X06A, X06B, X06C
	11	L03Z, L04A, L04B, L04C, L10Z, L13A, L13B, L38Z		21A	W04A, W04B	5o208↔		BOP, KVT, UOP4
	21A	W04A, W04B		21B	X06A, X06B, X06C		11	L03Z, L04A, L04B, L04C, L10Z, L13A, L13B, L38Z
	21B	X06A, X06B, X06C	5o205.0↔		BOP, KVT, UOP4		13	N11A
5o201.x↔		BOP, KVT, UOP4		11	L03Z, L04A, L04B, L04C, L10Z, L13A, L13B, L38Z		21A	W04A, W04B
	11	L03Z, L04A, L04B, L04C, L10Z, L13A, L13B, L38Z		21A	W04A, W04B		21B	X06A, X06B, X06C
	21A	W04A, W04B		21B	X06A, X06B, X06C	5o209.0↔		BOP, KVT, UOP4
	21B	X06A, X06B, X06C	5o205.4↔		BOP, KVT, UOP4		06	G18A, G38Z
5o202.0↔		BOP, KVT, UOP4		11	L03Z, L04A, L04B, L04C, L10Z, L13A, L13B, L38Z		11	L03Z, L04A, L04B, L04C, L10Z, L13A, L13B, L38Z
	11	L03Z, L04A, L04B, L04C, L10Z, L13A, L13B, L38Z		13	N08Z		13	N11A
	12	M06Z, M09A, M09B, M38Z		21A	W04A, W04B		21A	W04A, W04B
	13	N11A		21B	X06A, X06B, X06C		21B	X06A, X06B, X06C
	17	R01A, R01B, R01C, R01D, R02Z, R12A, R12B, R12C	5o205.x↔		BOP, KVT, UOP4	5o209.4↔		BOP, KVT, UOP4
	21A	W04A, W04B		11	L03Z, L04A, L04B, L04C, L10Z, L13A, L13B, L38Z		06	G18A, G38Z
	21B	X06A, X06B, X06C		13	N08Z		11	L03Z, L04A, L04B, L04C, L10Z, L13A, L13B, L38Z
				21A	W04A, W04B		13	N11A
				21B	X06A, X06B, X06C		21A	W04A, W04B
							21B	X06A, X06B, X06C

VYK

ZZV	MDC	DRG	ZZV	MDC	DRG	ZZV	MDC	DRG
5o209.x↔		BOP, KVT, UOP4	5o20d.x↔		BOP, KVT, UOP4	5o211.4		BOP, KVT, MVV, UOP4
	06	G18A, G38Z		06	G18A, G38Z		06	G18A, G38Z
	11	L03Z, L04A, L04B, L04C, L10Z, L13A, L13B, L38Z		11	L03Z, L04A, L04B, L04C, L10Z, L13A, L13B, L38Z		11	L02A, L02B, L02C, L03Z, L04A, L04B, L04C, L10Z, L33Z, L38Z
	13	N11A		13	N11A		12	M37Z, M38Z
	21A	W04A, W04B		21A	W04A, W04B		13	N01A, N01B, N01C, N01D, N01E, N34Z, N38Z
	21B	X06A, X06B, X06C		21B	X06A, X06B, X06C		21A	W04A, W04B
5o20a.0↔		BOP, KVT, UOP4	5o20x.0↔		BOP, KVT, UOP4	5o211.x		BOP, KVT, MVV, UOP4
	06	G18A, G38Z		11	L03Z, L04A, L04B, L04C, L10Z, L13A, L13B, L38Z		06	G18A, G38Z
	11	L03Z, L04A, L04B, L04C, L10Z, L13A, L13B, L38Z		21A	W04A, W04B		11	L02A, L02B, L02C, L03Z, L04A, L04B, L04C, L10Z, L33Z, L38Z
	21A	W04A, W04B		21B	X06A, X06B, X06C		12	M37Z, M38Z
	21B	X06A, X06B, X06C	5o20x.4↔		BOP, KVT, UOP4		13	N01A, N01B, N01C, N01D, N01E, N34Z, N38Z
5o20a.4↔		BOP, KVT, UOP4		11	L03Z, L04A, L04B, L04C, L10Z, L13A, L13B, L38Z		21A	W04A, W04B
	06	G18A, G38Z		21A	W04A, W04B		21B	X06A, X06B, X06C
	11	L03Z, L04A, L04B, L04C, L10Z, L13A, L13B, L38Z	5o20x.x↔		BOP, KVT, UOP4	5o212.0		BOP, KVT, MVV, UOP4
	21A	W04A, W04B		11	L03Z, L04A, L04B, L04C, L10Z, L13A, L13B, L38Z		06	G18A, G38Z
	21B	X06A, X06B, X06C		21A	W04A, W04B		11	L02A, L02B, L02C, L03Z, L04A, L04B, L04C, L10Z, L33Z, L38Z
5o20a.x↔		BOP, KVT, UOP4	5o210.0		BOP, KVT, MVV, UOP4		12	M37Z, M38Z
	06	G18A, G38Z		06	G18A, G38Z		13	N01A, N01B, N01C, N01D, N01E, N34Z, N38Z
	11	L03Z, L04A, L04B, L04C, L10Z, L13A, L13B, L38Z		11	L02A, L02B, L02C, L03Z, L04A, L04B, L04C, L10Z, L33Z, L38Z		21A	W04A, W04B
	21A	W04A, W04B		12	M37Z, M38Z		21B	X06A, X06B, X06C
	21B	X06A, X06B, X06C		13	N01A, N01B, N01C, N01D, N01E, N34Z, N38Z	5o212.4		BOP, KVT, MVV, UOP4
5o20b.0↔		BOP, KVT, UOP4		21A	W04A, W04B		06	G18A, G38Z
	06	G18A, G38Z	5o210.4		BOP, KVT, MVV, UOP4		11	L02A, L02B, L02C, L03Z, L04A, L04B, L04C, L10Z, L33Z, L38Z
	11	L03Z, L04A, L04B, L04C, L10Z, L13A, L13B, L38Z		06	G18A, G38Z		12	M37Z, M38Z
	21A	W04A, W04B		11	L02A, L02B, L02C, L03Z, L04A, L04B, L04C, L10Z, L33Z, L38Z		13	N01A, N01B, N01C, N01D, N01E, N34Z, N38Z
	21B	X06A, X06B, X06C		12	M37Z, M38Z		21A	W04A, W04B
5o20b.4↔		BOP, KVT, UOP4		13	N01A, N01B, N01C, N01D, N01E, N34Z, N38Z	5o212.x		BOP, KVT, MVV, UOP4
	06	G18A, G38Z		21A	W04A, W04B		06	G18A, G38Z
	11	L03Z, L04A, L04B, L04C, L10Z, L13A, L13B, L38Z	5o210.x		BOP, KVT, MVV, UOP4		11	L02A, L02B, L02C, L03Z, L04A, L04B, L04C, L10Z, L33Z, L38Z
	21A	W04A, W04B		06	G18A, G38Z		12	M37Z, M38Z
	21B	X06A, X06B, X06C		11	L02A, L02B, L02C, L03Z, L04A, L04B, L04C, L10Z, L33Z, L38Z		13	N01A, N01B, N01C, N01D, N01E, N34Z, N38Z
5o20b.x↔		BOP, KVT, UOP4		12	M37Z, M38Z	5o213.0		BOP, KVT, MVV, UOP4
	06	G18A, G38Z		13	N01A, N01B, N01C, N01D, N01E, N34Z, N38Z		06	G18A, G38Z
	11	L03Z, L04A, L04B, L04C, L10Z, L13A, L13B, L38Z		21A	W04A, W04B		11	L02A, L02B, L02C, L03Z, L04A, L04B, L04C, L10Z, L33Z, L38Z
	21A	W04A, W04B		21B	X06A, X06B, X06C		12	M37Z, M38Z
	21B	X06A, X06B, X06C		06	G18A, G38Z		13	N01A, N01B, N01C, N01D, N01E, N34Z, N38Z
5o20c.0↔		BOP, KVT, UOP4		11	L02A, L02B, L02C, L03Z, L04A, L04B, L04C, L10Z, L33Z, L38Z	5o213.4		BOP, KVT, MVV, UOP4
	06	G18A, G38Z		12	M37Z, M38Z		06	G18A, G38Z
	11	L03Z, L04A, L04B, L04C, L10Z, L13A, L13B, L38Z		13	N01A, N01B, N01C, N01D, N01E, N34Z, N38Z		11	L02A, L02B, L02C, L03Z, L04A, L04B, L04C, L10Z, L33Z, L38Z
	21A	W04A, W04B		21A	W04A, W04B		12	M37Z, M38Z
	21B	X06A, X06B, X06C		21B	X06A, X06B, X06C		13	N01A, N01B, N01C, N01D, N01E, N34Z, N38Z
5o20d.0↔		BOP, KVT, UOP4	5o211.0		BOP, KVT, MVV, UOP4		21A	W04A, W04B
	06	G18A, G38Z		06	G18A, G38Z		21B	X06A, X06B, X06C
	11	L03Z, L04A, L04B, L04C, L10Z, L13A, L13B, L38Z		11	L02A, L02B, L02C, L03Z, L04A, L04B, L04C, L10Z, L33Z, L38Z		06	G18A, G38Z
	13	N11A		12	M37Z, M38Z		11	L02A, L02B, L02C, L03Z, L04A, L04B, L04C, L10Z, L33Z, L38Z
	21A	W04A, W04B		13	N01A, N01B, N01C, N01D, N01E, N34Z, N38Z		12	M37Z, M38Z
	21B	X06A, X06B, X06C		21A	W04A, W04B		13	N01A, N01B, N01C, N01D, N01E, N34Z, N38Z
5o20d.4↔		BOP, KVT, UOP4		21B	X06A, X06B, X06C		21A	W04A, W04B
	06	G18A, G38Z		06	G18A, G38Z		21B	X06A, X06B, X06C
	11	L03Z, L04A, L04B, L04C, L10Z, L13A, L13B, L38Z		11	L02A, L02B, L02C, L03Z, L04A, L04B, L04C, L10Z, L33Z, L38Z		06	G18A, G38Z
	13	N11A		12	M37Z, M38Z		11	L02A, L02B, L02C, L03Z, L04A, L04B, L04C, L10Z, L33Z, L38Z
	21A	W04A, W04B		13	N01A, N01B, N01C, N01D, N01E, N34Z, N38Z		12	M37Z, M38Z
	21B	X06A, X06B, X06C		21A	W04A, W04B		13	N01A, N01B, N01C, N01D, N01E, N34Z, N38Z
	21B	X06A, X06B, X06C		21B	X06A, X06B, X06C		21A	W04A, W04B
							21B	X06A, X06B, X06C

VYK

ZZV	MDC	DRG	ZZV	MDC	DRG	ZZV	MDC	DRG
5o21a.x		BOP, KVT, MVV, UOP4	5o21c.x		BOP, KVT, MVV, UOP4	5o220.x		BOP, KVT, MVV, UOP4
	06	G18A, G38Z		06	G18A, G38Z		06	G18A, G38Z
	11	L02A, L02B, L02C, L03Z, L04A, L04B, L04C, L10Z, L33Z, L38Z		11	L02A, L02B, L02C, L03Z, L04A, L04B, L04C, L10Z, L33Z, L38Z		11	L03Z, L04A, L04B, L04C, L10Z, L13A, L13B, L33Z, L38Z
	12	M06Z, M09A, M09B, M37Z, M38Z		12	M37Z, M38Z		12	M06Z, M09A, M09B, M37Z, M38Z
	13	N01A, N01B, N01C, N01D, N01E, N11A, N11B, N34Z, N38Z		13	N01A, N01B, N01C, N01D, N01E, N34Z, N38Z		13	N01A, N01B, N01C, N01D, N01E, N11A, N11B, N34Z, N38Z
	17	R01A, R01B, R01C, R01D, R02Z, R12A, R12B, R12C		21A	W04A, W04B		17	R01A, R01B, R01C, R01D, R02Z, R12A, R12B, R12C
	21A	W04A, W04B		21B	X06A, X06B, X06C		21A	W04A, W04B
5o21b.0		BOP, KVT, MVV, UOP4	5o21x.0		BOP, KVT, MVV, UOP4	5o221.0		BOP, KVT, MVV, UOP4
	06	G18A, G38Z		06	G18A, G38Z		06	G18A, G38Z
	11	L02A, L02B, L02C, L03Z, L04A, L04B, L04C, L10Z, L33Z, L38Z		11	L02A, L02B, L02C, L03Z, L04A, L04B, L04C, L10Z, L33Z, L38Z		11	L03Z, L04A, L04B, L04C, L10Z, L13A, L13B, L33Z, L38Z
	12	M37Z, M38Z		12	M37Z, M38Z		12	M06Z, M09A, M09B, M37Z, M38Z
	13	N01A, N01B, N01C, N01D, N01E, N34Z, N38Z		13	N01A, N01B, N01C, N01D, N01E, N34Z, N38Z		13	N01A, N01B, N01C, N01D, N01E, N11A, N11B, N34Z, N38Z
	21A	W04A, W04B		21A	W04A, W04B		17	R01A, R01B, R01C, R01D, R02Z, R12A, R12B, R12C
	21B	X06A, X06B, X06C		21B	X06A, X06B, X06C		21A	W04A, W04B
5o21b.4		BOP, KVT, MVV, UOP4	5o21x.4		BOP, KVT, MVV, UOP4	5o221.4		BOP, KVT, MVV, UOP4
	06	G18A, G38Z		06	G18A, G38Z		06	G18A, G38Z
	11	L02A, L02B, L02C, L03Z, L04A, L04B, L04C, L10Z, L33Z, L38Z		11	L02A, L02B, L02C, L03Z, L04A, L04B, L04C, L10Z, L33Z, L38Z		11	L03Z, L04A, L04B, L04C, L10Z, L13A, L13B, L33Z, L38Z
	12	M37Z, M38Z		12	M37Z, M38Z		12	M06Z, M09A, M09B, M37Z, M38Z
	13	N01A, N01B, N01C, N01D, N01E, N34Z, N38Z		13	N01A, N01B, N01C, N01D, N01E, N34Z, N38Z		13	N01A, N01B, N01C, N01D, N01E, N08Z, N34Z, N38Z
	21A	W04A, W04B		21A	W04A, W04B		17	R01A, R01B, R01C, R01D, R02Z, R12A, R12B, R12C
	21B	X06A, X06B, X06C		21B	X06A, X06B, X06C		21A	W04A, W04B
5o21b.x		BOP, KVT, MVV, UOP4	5o21x.x		BOP, KVT, MVV, UOP4	5o221.x		BOP, KVT, MVV, UOP4
	06	G18A, G38Z		06	G18A, G38Z		06	G18A, G38Z
	11	L02A, L02B, L02C, L03Z, L04A, L04B, L04C, L10Z, L33Z, L38Z		11	L02A, L02B, L02C, L03Z, L04A, L04B, L04C, L10Z, L33Z, L38Z		11	L03Z, L04A, L04B, L04C, L10Z, L13A, L13B, L33Z, L38Z
	12	M37Z, M38Z		12	M37Z, M38Z		12	M06Z, M09A, M09B, M37Z, M38Z
	13	N01A, N01B, N01C, N01D, N01E, N34Z, N38Z		13	N01A, N01B, N01C, N01D, N01E, N34Z, N38Z		13	N01A, N01B, N01C, N01D, N01E, N11A, N11B, N34Z, N38Z
	21A	W04A, W04B		21A	W04A, W04B		17	R01A, R01B, R01C, R01D, R02Z, R12A, R12B, R12C
	21B	X06A, X06B, X06C		21B	X06A, X06B, X06C		21A	W04A, W04B
5o21c.0		BOP, KVT, MVV, UOP4	5o220.0		BOP, KVT, MVV, UOP4	5o221.0		BOP, KVT, MVV, UOP4
	06	G18A, G38Z		06	G18A, G38Z		06	G18A, G38Z
	11	L02A, L02B, L02C, L03Z, L04A, L04B, L04C, L10Z, L33Z, L38Z		11	L03Z, L04A, L04B, L04C, L10Z, L13A, L13B, L33Z, L38Z		11	L03Z, L04A, L04B, L04C, L10Z, L13A, L13B, L33Z, L38Z
	12	M37Z, M38Z		12	M06Z, M09A, M09B, M37Z, M38Z		12	M06Z, M09A, M09B, M37Z, M38Z
	13	N01A, N01B, N01C, N01D, N01E, N34Z, N38Z		13	N01A, N01B, N01C, N01D, N01E, N11A, N11B, N34Z, N38Z		13	N01A, N01B, N01C, N01D, N01E, N11A, N11B, N34Z, N38Z
	21A	W04A, W04B		17	R01A, R01B, R01C, R01D, R02Z, R12A, R12B, R12C		17	R01A, R01B, R01C, R01D, R02Z, R12A, R12B, R12C
	21B	X06A, X06B, X06C		21A	W04A, W04B		21A	W04A, W04B
5o21c.4		BOP, KVT, MVV, UOP4	5o220.4		BOP, KVT, MVV, UOP4	5o222.0		BOP, KVT, MVV, UOP4
	06	G18A, G38Z		06	G18A, G38Z		06	G18A, G38Z
	11	L02A, L02B, L02C, L03Z, L04A, L04B, L04C, L10Z, L33Z, L38Z		11	L03Z, L04A, L04B, L04C, L10Z, L13A, L13B, L33Z, L38Z		11	L03Z, L04A, L04B, L04C, L10Z, L13A, L13B, L33Z, L38Z
	12	M37Z, M38Z		12	M06Z, M09A, M09B, M37Z, M38Z		12	M06Z, M09A, M09B, M37Z, M38Z
	13	N01A, N01B, N01C, N01D, N01E, N34Z, N38Z		13	N01A, N01B, N01C, N01D, N01E, N08Z, N34Z, N38Z		13	N01A, N01B, N01C, N01D, N01E, N11A, N11B, N34Z, N38Z
	21A	W04A, W04B		17	R01A, R01B, R01C, R01D, R02Z, R12A, R12B, R12C		17	R01A, R01B, R01C, R01D, R02Z, R12A, R12B, R12C
	21B	X06A, X06B, X06C		21A	W04A, W04B		21A	W04A, W04B
		21B	X06A, X06B, X06C	21B	X06A, X06B, X06C			

VYK

ZZV	MDC	DRG	ZZV	MDC	DRG	ZZV	MDC	DRG			
5o230.4		BOP, KVT, UOP4	5o232.1		BOP, KVT, UOP4	5o233.4		BOP, KVT, UOP4			
	06	G18A, G38Z		06	G18A, G38Z		06	G18A, G38Z			
	11	L03Z, L04A, L04B, L04C, L10Z, L13A, L13B, L33Z, L38Z		11	L03Z, L04A, L04B, L04C, L10Z, L13A, L13B, L33Z, L38Z		11	L03Z, L04A, L04B, L04C, L10Z, L13A, L13B, L33Z, L38Z			
	12	M06Z, M09A, M09B, M38Z		12	M06Z, M09A, M09B, M38Z		12	M06Z, M09A, M09B, M38Z			
	13	N11A		13	N11A, N11B		13	N11A, N11B			
	17	R01A, R01B, R01C, R01D, R02Z, R12A, R12B, R12C		17	R01A, R01B, R01C, R01D, R02Z, R12A, R12B, R12C		17	R01A, R01B, R01C, R01D, R02Z, R12A, R12B, R12C			
	21A	W04A, W04B		21A	W04A, W04B		21A	W04A, W04B			
	21B	X06A, X06B, X06C		21B	X06A, X06B, X06C		21B	X06A, X06B, X06C			
	5o230.x			BOP, KVT, UOP4	5o232.2			BOP, KVT, UOP4	5o233.x		BOP, KVT, UOP4
		06		G18A, G38Z			06	G18A, G38Z		06	G18A, G38Z
11		L03Z, L04A, L04B, L04C, L10Z, L13A, L13B, L33Z, L38Z	11	L03Z, L04A, L04B, L04C, L10Z, L13A, L13B, L33Z, L38Z		11	L03Z, L04A, L04B, L04C, L10Z, L13A, L13B, L33Z, L38Z				
12		M06Z, M09A, M09B, M38Z	12	M06Z, M09A, M09B, M38Z		12	M06Z, M09A, M09B, M38Z				
13		N11A	13	N11A, N11B		13	N11A, N11B				
17		R01A, R01B, R01C, R01D, R02Z, R12A, R12B, R12C	17	R01A, R01B, R01C, R01D, R02Z, R12A, R12B, R12C		17	R01A, R01B, R01C, R01D, R02Z, R12A, R12B, R12C				
21A		W04A, W04B	21A	W04A, W04B		21A	W04A, W04B				
21B		X06A, X06B, X06C	21B	X06A, X06B, X06C		21B	X06A, X06B, X06C				
5o231.1			BOP, KVT, UOP4	5o232.4			BOP, KVT, UOP4	5o234.1			BOP, KVT, UOP4
		06	G18A, G38Z			06	G18A, G38Z			06	G18A, G38Z
	11	L03Z, L04A, L04B, L04C, L10Z, L13A, L13B, L33Z, L38Z	11		L03Z, L04A, L04B, L04C, L10Z, L13A, L13B, L33Z, L38Z	11	L03Z, L04A, L04B, L04C, L10Z, L13A, L13B, L33Z, L38Z				
	12	M06Z, M09A, M09B, M38Z	12		M06Z, M09A, M09B, M38Z	21A	W04A, W04B				
	13	N11A	13		N11A, N11B	21B	X06A, X06B, X06C				
	17	R01A, R01B, R01C, R01D, R02Z, R12A, R12B, R12C	17		R01A, R01B, R01C, R01D, R02Z, R12A, R12B, R12C	5o234.2	BOP, KVT, UOP4				
	21A	W04A, W04B	21A		W04A, W04B	06	G18A, G38Z				
	21B	X06A, X06B, X06C	21B		X06A, X06B, X06C	11	L03Z, L04A, L04B, L04C, L10Z, L13A, L13B, L33Z, L38Z				
	5o231.2		BOP, KVT, UOP4		5o232.x		BOP, KVT, UOP4		5o234.4		BOP, KVT, UOP4
		06	G18A, G38Z			06	G18A, G38Z			21A	W04A, W04B
11		L03Z, L04A, L04B, L04C, L10Z, L13A, L13B, L33Z, L38Z	11	L03Z, L04A, L04B, L04C, L10Z, L13A, L13B, L33Z, L38Z		21B	X06A, X06B, X06C				
12		M06Z, M09A, M09B, M38Z	12	M06Z, M09A, M09B, M38Z		5o234.4	BOP, KVT, UOP4				
13		N11A	13	N11A, N11B		06	G18A, G38Z				
17		R01A, R01B, R01C, R01D, R02Z, R12A, R12B, R12C	17	R01A, R01B, R01C, R01D, R02Z, R12A, R12B, R12C		11	L03Z, L04A, L04B, L04C, L10Z, L13A, L13B, L33Z, L38Z				
21A		W04A, W04B	21A	W04A, W04B		21A	W04A, W04B				
21B		X06A, X06B, X06C	21B	X06A, X06B, X06C		21B	X06A, X06B, X06C				
5o231.4			BOP, KVT, UOP4	5o233.1			BOP, KVT, UOP4	5o234.x			BOP, KVT, UOP4
		06	G18A, G38Z			06	G18A, G38Z			06	G18A, G38Z
	11	L03Z, L04A, L04B, L04C, L10Z, L13A, L13B, L33Z, L38Z	11		L03Z, L04A, L04B, L04C, L10Z, L13A, L13B, L33Z, L38Z	11	L03Z, L04A, L04B, L04C, L10Z, L13A, L13B, L33Z, L38Z				
	12	M06Z, M09A, M09B, M38Z	12		M06Z, M09A, M09B, M38Z	21A	W04A, W04B				
	13	N08Z	13		N11A, N11B	21B	X06A, X06B, X06C				
	17	R01A, R01B, R01C, R01D, R02Z, R12A, R12B, R12C	17		R01A, R01B, R01C, R01D, R02Z, R12A, R12B, R12C	5o235.1	BOP, KVT, UOP4				
	21A	W04A, W04B	21A		W04A, W04B	06	G18A, G38Z				
	21B	X06A, X06B, X06C	21B		X06A, X06B, X06C	11	L03Z, L04A, L04B, L04C, L10Z, L13A, L13B, L33Z, L38Z				
	5o231.x		BOP, KVT, UOP4		5o233.2		BOP, KVT, UOP4		5o234.x		BOP, KVT, UOP4
		06	G18A, G38Z			06	G18A, G38Z			12	M06Z, M09A, M09B, M38Z
11		L03Z, L04A, L04B, L04C, L10Z, L13A, L13B, L33Z, L38Z	11	L03Z, L04A, L04B, L04C, L10Z, L13A, L13B, L33Z, L38Z		13	N11A				
12		M06Z, M09A, M09B, M38Z	12	M06Z, M09A, M09B, M38Z		17	R01A, R01B, R01C, R01D, R02Z, R12A, R12B, R12C				
13		N11A	13	N11A, N11B		21A	W04A, W04B				
17		R01A, R01B, R01C, R01D, R02Z, R12A, R12B, R12C	17	R01A, R01B, R01C, R01D, R02Z, R12A, R12B, R12C		21B	X06A, X06B, X06C				
21A		W04A, W04B	21A	W04A, W04B							
21B		X06A, X06B, X06C	21B	X06A, X06B, X06C							

ZZV	MDC	DRG	ZZV	MDC	DRG	ZZV	MDC	DRG
5o235.2		BOP, KVT, UOP4	5o243.a1†↔↔	11	L20A, L20B	5o260.1↔↔		BOP, KVT, UOP4
	06	G18A, G38Z					11	L03Z, L04A, L04B, L04C, L10Z, L13A, L13B, L38Z
	11	L03Z, L04A, L04B, L04C, L10Z, L13A, L13B, L33Z, L38Z					12	M06Z, M09A, M09B, M38Z
	12	M06Z, M09A, M09B, M38Z					13	N11A
	13	N11A					21A	W04A, W04B
	17	R01A, R01B, R01C, R01D, R02Z, R12A, R12B, R12C					21B	X06A, X06B, X06C
	21A	W04A, W04B						BOP, KVT, UOP4
	21B	X06A, X06B, X06C					11	L03Z, L04A, L04B, L04C, L10Z, L13A, L13B, L38Z
							12	M06Z, M09A, M09B, M38Z
							13	N11A
5o235.4		BOP, KVT, UOP4	5o246.a2†↔↔	11	L64A, L74Z	5o260.2↔↔		BOP, KVT, UOP4
	06	G18A, G38Z					11	L03Z, L04A, L04B, L04C, L10Z, L13A, L13B, L38Z
	11	L03Z, L04A, L04B, L04C, L10Z, L13A, L13B, L33Z, L38Z					12	M06Z, M09A, M09B, M38Z
	12	M06Z, M09A, M09B, M38Z					13	N11A
	13	N08Z					21A	W04A, W04B
	17	R01A, R01B, R01C, R01D, R02Z, R12A, R12B, R12C					21B	X06A, X06B, X06C
	21A	W04A, W04B						BOP, KVT, UOP4
	21B	X06A, X06B, X06C					11	L03Z, L04A, L04B, L04C, L10Z, L13A, L13B, L38Z
							12	M06Z, M09A, M09B, M38Z
							13	N08Z
5o235.x		BOP, KVT, UOP4	5o250.0↔↔		BOP, KVT, UOP4	5o260.x↔↔		BOP, KVT, UOP4
	06	G18A, G38Z					11	L03Z, L04A, L04B, L04C, L10Z, L13A, L13B, L38Z
	11	L03Z, L04A, L04B, L04C, L10Z, L13A, L13B, L33Z, L38Z					12	M06Z, M09A, M09B, M38Z
	12	M06Z, M09A, M09B, M38Z					13	N11A
	13	N11A					21A	W04A, W04B
	17	R01A, R01B, R01C, R01D, R02Z, R12A, R12B, R12C					21B	X06A, X06B, X06C
	21A	W04A, W04B						BOP, KVT, UOP4
	21B	X06A, X06B, X06C					11	L03Z, L04A, L04B, L04C, L10Z, L13A, L13B, L38Z
							12	M06Z, M09A, M09B, M38Z
							13	N11A
5o23x.1		BOP, KVT, UOP4	5o251↔↔		BOP, KVT, UOP4	5o261.1↔↔		BOP, KVT, UOP4
	06	G18A, G38Z					11	L03Z, L04A, L04B, L04C, L10Z, L13A, L13B, L38Z
	11	L03Z, L04A, L04B, L04C, L10Z, L13A, L13B, L33Z, L38Z					12	M06Z, M09A, M09B, M38Z
	12	M06Z, M09A, M09B, M38Z					13	N11A
	13	N11A					21A	W04A, W04B
	17	R01A, R01B, R01C, R01D, R02Z, R12A, R12B, R12C					21B	X06A, X06B, X06C
	21A	W04A, W04B						BOP, KVT, UOP4
	21B	X06A, X06B, X06C					11	L03Z, L04A, L04B, L04C, L10Z, L13A, L13B, L38Z
							12	M06Z, M09A, M09B, M38Z
							13	N11A
5o23x.2		BOP, KVT, UOP4	5o252↔↔		BOP, KVT, UOP4	5o261.2↔↔		BOP, KVT, UOP4
	06	G18A, G38Z					11	L03Z, L04A, L04B, L04C, L10Z, L13A, L13B, L38Z
	11	L03Z, L04A, L04B, L04C, L10Z, L13A, L13B, L33Z, L38Z					12	M06Z, M09A, M09B, M38Z
	12	M06Z, M09A, M09B, M38Z					13	N11A
	13	N11A					21A	W04A, W04B
	17	R01A, R01B, R01C, R01D, R02Z, R12A, R12B, R12C					21B	X06A, X06B, X06C
	21A	W04A, W04B						BOP, KVT, UOP4
	21B	X06A, X06B, X06C					11	L03Z, L04A, L04B, L04C, L10Z, L13A, L13B, L38Z
							12	M06Z, M09A, M09B, M38Z
							13	N11A
5o23x.4		BOP, KVT, UOP4	5o253.6↔↔		BOP, KVT, UOP4	5o261.4↔↔		BOP, KVT, UOP4
	06	G18A, G38Z					11	L03Z, L04A, L04B, L04C, L10Z, L13A, L13B, L38Z
	11	L03Z, L04A, L04B, L04C, L10Z, L13A, L13B, L33Z, L38Z					12	M06Z, M09A, M09B, M38Z
	12	M06Z, M09A, M09B, M38Z					13	N11A
	13	N11A					21A	W04A, W04B
	17	R01A, R01B, R01C, R01D, R02Z, R12A, R12B, R12C					21B	X06A, X06B, X06C
	21A	W04A, W04B						BOP, KVT, UOP4
	21B	X06A, X06B, X06C					11	L03Z, L04A, L04B, L04C, L10Z, L13A, L13B, L38Z
							12	M06Z, M09A, M09B, M38Z
							13	N11A
5o23x.x		BOP, KVT, UOP4	5o255↔↔		BOP, KVT, UOP4	5o261.x↔↔		BOP, KVT, UOP4
	06	G18A, G38Z					11	L03Z, L04A, L04B, L04C, L10Z, L13A, L13B, L38Z
	11	L03Z, L04A, L04B, L04C, L10Z, L13A, L13B, L33Z, L38Z					12	M06Z, M09A, M09B, M38Z
	12	M06Z, M09A, M09B, M38Z					13	N11A
	13	N11A					21A	W04A, W04B
	17	R01A, R01B, R01C, R01D, R02Z, R12A, R12B, R12C					21B	X06A, X06B, X06C
	21A	W04A, W04B						BOP, KVT, UOP4
	21B	X06A, X06B, X06C					11	L03Z, L04A, L04B, L04C, L10Z, L13A, L13B, L38Z
							12	M06Z, M09A, M09B, M38Z
							13	N11A
5o240.6†↔↔		L40Z	5o256.a†↔↔		L40Z	5o262.1↔↔		BOP, KVT, UOP4
	5o240.a†↔↔	L18A, L18B, L19Z, L20A, L20B, L20C, L38Z					11	L03Z, L04A, L04B, L04C, L10Z, L13A, L13B, L38Z
	5o240.r†↔↔	L18A, L18B, L19Z, L20A, L20B, L20C, L38Z					12	M06Z, M09A, M09B, M38Z
	5o241†↔↔	L64A, L74Z					13	N11A
	5o242.a†↔↔	L64A, L74Z					21A	W04A, W04B
	5o242.r†↔↔	L64A, L74Z					21B	X06A, X06B, X06C
								BOP, KVT, UOP4
							11	L03Z, L04A, L04B, L04C, L10Z, L13A, L13B, L38Z
							12	M06Z, M09A, M09B, M38Z
							13	N11A

ZZV	MDC	DRG	ZZV	MDC	DRG	ZZV	MDC	DRG
5o263↔		BOP, KVT, UOP4	5o280.0		BOP, KVT, UOP4	5o282.4		BOP, KVT, UOP4
	11	L03Z, L04A, L04B, L04C, L10Z, L13A, L13B, L38Z		06	G18A, G38Z		06	G18A, G38Z
	21A	W04A, W04B		11	L03Z, L04A, L04B, L04C, L10Z, L13A, L13B, L33Z, L38Z		11	L03Z, L04A, L04B, L04C, L10Z, L13A, L13B, L33Z, L38Z
5o264↔	21B	X06A, X06B, X06C		12	M06Z, M09A, M09B, M37Z, M38Z		12	M06Z, M09A, M09B, M37Z, M38Z
	11	BOP, KVT, UOP4		13	N01A, N01B, N01C, N01D, N01E, N11A, N11B, N34Z, N38Z		13	N01A, N01B, N01C, N01D, N01E, N08Z, N34Z, N38Z
	11	L03Z, L04A, L04B, L04C, L10Z, L13A, L13B, L38Z		17	R01A, R01B, R01C, R01D, R02Z, R12A, R12B, R12C		17	R01A, R01B, R01C, R01D, R02Z, R12A, R12B, R12C
	21A	W04A, W04B		21A	W04A, W04B		21A	W04A, W04B
	21B	X06A, X06B, X06C		21B	X06A, X06B, X06C	5o283	21B	X06A, X06B, X06C
5o265↔		BOP, KVT, UOP4	5o280.1		BOP, KVT, UOP4			BOP, KVT, UOP4
	11	L03Z, L04A, L04B, L04C, L10Z, L13A, L13B, L38Z		06	G18A, G38Z		06	G18A, G38Z
	21A	W04A, W04B		11	L03Z, L04A, L04B, L04C, L10Z, L13A, L13B, L33Z, L38Z		11	L03Z, L04A, L04B, L04C, L10Z, L13A, L13B, L33Z, L38Z
	21B	X06A, X06B, X06C		12	M06Z, M09A, M09B, M37Z, M38Z		12	M37Z, M38Z
5o26x.1↔		BOP, KVT, UOP4		13	N01A, N01B, N01C, N01D, N01E, N11A, N11B, N34Z, N38Z		13	N01A, N01B, N01C, N01D, N01E, N34Z, N38Z
	11	L03Z, L04A, L04B, L04C, L10Z, L13A, L13B, L38Z		17	R01A, R01B, R01C, R01D, R02Z, R12A, R12B, R12C		21A	W04A, W04B
	21A	W04A, W04B		21A	W04A, W04B	5o284	21B	X06A, X06B, X06C
	21B	X06A, X06B, X06C		21B	X06A, X06B, X06C			BOP, KVT, UOP4
5o26x.2↔		BOP, KVT, UOP4		06	BOP, KVT, UOP4		06	G18A, G38Z
	11	L03Z, L04A, L04B, L04C, L10Z, L13A, L13B, L38Z		11	G18A, G38Z		11	L03Z, L04A, L04B, L04C, L10Z, L13A, L13B, L33Z, L38Z
	21A	W04A, W04B		12	M06Z, M09A, M09B, M37Z, M38Z		12	M06Z, M09A, M09B, M37Z, M38Z
	21B	X06A, X06B, X06C		13	N01A, N01B, N01C, N01D, N01E, N11A, N11B, N34Z, N38Z		13	N01A, N01B, N01C, N01D, N01E, N11A, N11B, N34Z, N38Z
5o26x.4↔		BOP, KVT, UOP4		17	R01A, R01B, R01C, R01D, R02Z, R12A, R12B, R12C		17	R01A, R01B, R01C, R01D, R02Z, R12A, R12B, R12C
	11	L03Z, L04A, L04B, L04C, L10Z, L13A, L13B, L38Z		21A	W04A, W04B		21A	W04A, W04B
	21A	W04A, W04B		21B	X06A, X06B, X06C		21B	X06A, X06B, X06C
	21B	X06A, X06B, X06C		06	BOP, KVT, UOP4			BOP, KVT, UOP4
5o26x.x↔		BOP, KVT, UOP4	5o281.0		BOP, KVT, UOP4			BOP, KVT, UOP4
	11	L03Z, L04A, L04B, L04C, L10Z, L13A, L13B, L38Z		11	G18A, G38Z		11	L03Z, L04A, L04B, L04C, L10Z, L13A, L13B, L33Z, L38Z
	21A	W04A, W04B		12	M06Z, M09A, M09B, M37Z, M38Z		12	M06Z, M09A, M09B, M37Z, M38Z
	21B	X06A, X06B, X06C		13	N01A, N01B, N01C, N01D, N01E, N11A, N11B, N34Z, N38Z		13	N01A, N01B, N01C, N01D, N01E, N11A, N11B, N34Z, N38Z
5o270.0↔		BOP, KVT, UOP4		17	R01A, R01B, R01C, R01D, R02Z, R12A, R12B, R12C		17	R01A, R01B, R01C, R01D, R02Z, R12A, R12B, R12C
	11	L03Z, L04A, L04B, L04C, L10Z, L13A, L13B, L38Z		21A	W04A, W04B		21A	W04A, W04B
	21A	W04A, W04B		21B	X06A, X06B, X06C	5o28x	21B	X06A, X06B, X06C
	21B	X06A, X06B, X06C		06	BOP, KVT, UOP4			BOP, KVT, UOP4
5o270.2†↔		BOP, KVT, UOP4		11	G18A, G38Z		06	G18A, G38Z
	11	L18A, L18B, L19Z, L20A, L20B, L20C, L38Z		12	M06Z, M09A, M09B, M37Z, M38Z		11	L03Z, L04A, L04B, L04C, L10Z, L13A, L13B, L38Z
5o270.†↔		BOP, KVT, UOP4		13	N01A, N01B, N01C, N01D, N01E, N11A, N11B, N34Z, N38Z		21A	W04A, W04B
	11	L18A, L18B, L19Z, L20A, L20B, L20C, L38Z		17	R01A, R01B, R01C, R01D, R02Z, R12A, R12B, R12C		21B	X06A, X06B, X06C
5o271.0↔		BOP, KVT, UOP4	5o281.4		BOP, KVT, UOP4			X06A, X06B, X06C
	11	L03Z, L04A, L04B, L04C, L10Z, L13A, L13B, L38Z		06	BOP, KVT, UOP4		5o290.0↔	BOP, KVT, UOP4
	12	M06Z, M09A, M09B, M38Z		11	G18A, G38Z		11	L03Z, L04A, L04B, L04C, L10Z, L13A, L13B, L38Z
	13	N11A		12	L03Z, L04A, L04B, L04C, L10Z, L13A, L13B, L33Z, L38Z		21A	W04A, W04B
	21A	W04A, W04B		13	M06Z, M09A, M09B, M37Z, M38Z		21B	X06A, X06B, X06C
	21B	X06A, X06B, X06C		17	N01A, N01B, N01C, N01D, N01E, N08Z, N34Z, N38Z	5o290.4↔		BOP, KVT, UOP4
5o271.2↔		BOP, KVT, UOP4		21A	W04A, W04B		11	L03Z, L04A, L04B, L04C, L10Z, L13A, L13B, L38Z
	11	L18A, L18B, L19Z, L20A, L20B, L20C, L38Z		21B	X06A, X06B, X06C		21A	W04A, W04B
	12	M06Z, M09A, M09B, M38Z		06	BOP, KVT, UOP4	5o290.x↔	21B	X06A, X06B, X06C
5o271.†↔		BOP, KVT, UOP4	5o282.0		BOP, KVT, UOP4			BOP, KVT, UOP4
	11	L18A, L18B, L19Z, L20A, L20B, L20C, L38Z		06	BOP, KVT, UOP4		11	L03Z, L04A, L04B, L04C, L10Z, L13A, L13B, L38Z
	12	M06Z, M09A, M09B, M38Z		11	G18A, G38Z		21A	W04A, W04B
5o272.†↔		BOP, KVT, UOP4		12	L03Z, L04A, L04B, L04C, L10Z, L13A, L13B, L33Z, L38Z		21B	X06A, X06B, X06C
	11	L64A, L74Z		13	M06Z, M09A, M09B, M37Z, M38Z	5o291.0↔		BOP, KVT, UOP4
5o273.†↔		BOP, KVT, UOP4		17	N01A, N01B, N01C, N01D, N01E, N11A, N11B, N34Z, N38Z		11	L03Z, L04A, L04B, L04C, L10Z, L13A, L13B, L38Z
5o274.4↔		BOP, KVT, UOP4		21A	W04A, W04B		21A	W04A, W04B
	11	L18A, L18B, L19Z, L20A, L20B, L20C, L38Z		21B	X06A, X06B, X06C		21B	X06A, X06B, X06C
	12	M06Z, M09A, M09B, M38Z		06	BOP, KVT, UOP4	5o291.4↔		BOP, KVT, UOP4
5o27x†↔		BOP, KVT, UOP4		11	G18A, G38Z		11	L03Z, L04A, L04B, L04C, L10Z, L13A, L13B, L38Z
	11	L64A, L74Z		12	L03Z, L04A, L04B, L04C, L10Z, L13A, L13B, L33Z, L38Z		21A	W04A, W04B
	12	M06Z, M09A, M09B, M38Z		13	M06Z, M09A, M09B, M37Z, M38Z		21B	X06A, X06B, X06C
	11	L64A, L74Z		17	N01A, N01B, N01C, N01D, N01E, N11A, N11B, N34Z, N38Z			BOP, KVT, UOP4
	12	M06Z, M09A, M09B, M38Z		21A	W04A, W04B		11	L03Z, L04A, L04B, L04C, L10Z, L13A, L13B, L38Z
	11	L64A, L74Z		21B	X06A, X06B, X06C		21A	W04A, W04B
	12	M06Z, M09A, M09B, M38Z		06	BOP, KVT, UOP4		21B	X06A, X06B, X06C
	11	L64A, L74Z		11	G18A, G38Z			X06A, X06B, X06C
	12	M06Z, M09A, M09B, M38Z		12	L03Z, L04A, L04B, L04C, L10Z, L13A, L13B, L33Z, L38Z			X06A, X06B, X06C
	11	L64A, L74Z		13	M06Z, M09A, M09B, M37Z, M38Z			X06A, X06B, X06C
	12	M06Z, M09A, M09B, M38Z		17	N01A, N01B, N01C, N01D, N01E, N11A, N11B, N34Z, N38Z			X06A, X06B, X06C
	11	L64A, L74Z		21A	W04A, W04B			X06A, X06B, X06C
	12	M06Z, M09A, M09B, M38Z		21B	X06A, X06B, X06C			X06A, X06B, X06C

VYK

ZZV	MDC	DRG	ZZV	MDC	DRG	ZZV	MDC	DRG
5o291.x↔		BOP, KVT, UOP4	5o294.4↔		BOP, KVT, UOP4	5o297.4↔		BOP, KVT, UOP4
	11	L03Z, L04A, L04B, L04C, L10Z, L13A, L13B, L38Z		11	L03Z, L04A, L04B, L04C, L10Z, L13A, L13B, L38Z		11	L03Z, L04A, L04B, L04C, L10Z, L13A, L13B, L38Z
	21A	W04A, W04B		12	M06Z, M09A, M09B, M38Z		12	M06Z, M09A, M09B, M38Z
5o292.0↔	21B	X06A, X06B, X06C		13	N08Z		13	N11A
		BOP, KVT, UOP4		17	R01A, R01B, R01C, R01D, R02Z, R12A, R12B, R12C		17	R01A, R01B, R01C, R01D, R02Z, R12A, R12B, R12C
	11	L03Z, L04A, L04B, L04C, L10Z, L13A, L13B, L38Z		21A	W04A, W04B		21A	W04A, W04B
	21A	W04A, W04B		21B	X06A, X06B, X06C		21B	X06A, X06B, X06C
	21B	X06A, X06B, X06C	5o294.x↔		BOP, KVT, UOP4	5o297.t↔		BOP, KVT, UOP4
5o292.4↔		BOP, KVT, UOP4		11	L03Z, L04A, L04B, L04C, L10Z, L13A, L13B, L38Z		11	L03Z, L04A, L04B, L04C, L10Z, L13A, L13B, L38Z
	11	L03Z, L04A, L04B, L04C, L10Z, L13A, L13B, L38Z		12	M06Z, M09A, M09B, M38Z		12	M06Z, M09A, M09B, M38Z
	21A	W04A, W04B		13	N11A, N11B		13	N11A
	21B	X06A, X06B, X06C		17	R01A, R01B, R01C, R01D, R02Z, R12A, R12B, R12C		17	R01A, R01B, R01C, R01D, R02Z, R12A, R12B, R12C
5o292.t↔		BOP, KVT, UOP4		21A	W04A, W04B		21A	W04A, W04B
	11	L03Z, L04A, L04B, L04C, L10Z, L13A, L13B, L38Z		21B	X06A, X06B, X06C		21B	X06A, X06B, X06C
	21A	W04A, W04B	5o295.0↔		BOP, KVT, UOP4	5o297.x↔		BOP, KVT, UOP4
	21B	X06A, X06B, X06C		11	L03Z, L04A, L04B, L04C, L10Z, L13A, L13B, L38Z		11	L03Z, L04A, L04B, L04C, L10Z, L13A, L13B, L38Z
5o292.x↔		BOP, KVT, UOP4		12	M06Z, M09A, M09B, M38Z		12	M06Z, M09A, M09B, M38Z
	11	L03Z, L04A, L04B, L04C, L10Z, L13A, L13B, L38Z		13	N01A, N01B, N01C, N01D, N01E, N02A, N02B, N02C, N03A, N03B, N04Z, N14Z, N21Z, N38Z		13	N11A
	21A	W04A, W04B		17	R01A, R01B, R01C, R01D, R02Z, R12A, R12B, R12C		17	R01A, R01B, R01C, R01D, R02Z, R12A, R12B, R12C
	21B	X06A, X06B, X06C		21A	W04A, W04B		21A	W04A, W04B
5o293.0↔		BOP, KVT, UOP4		21B	X06A, X06B, X06C	5o298.t↔		X06A, X06B, X06C
	11	L03Z, L04A, L04B, L04C, L10Z, L13A, L13B, L38Z	5o295.4↔		BOP, KVT, UOP4		11	L18A, L18B, L19Z, L20A, L20B, L20C, L38Z
	12	M06Z, M09A, M09B, M38Z		11	L03Z, L04A, L04B, L04C, L10Z, L13A, L13B, L38Z	5o299.t↔		L18A, L18B, L19Z, L20A, L20B, L20C, L38Z
	13	N01A, N01B, N01C, N01D, N01E, N02A, N02B, N02C, N03A, N03B, N04Z, N14Z, N21Z, N38Z		12	M06Z, M09A, M09B, M38Z	5o29a↔		BOP, KVT, UOP4
	17	R01A, R01B, R01C, R01D, R02Z, R12A, R12B, R12C		13	N08Z		11	L18A, L18B, L19Z, L20A, L20B, L20C, L38Z
	21A	W04A, W04B		17	R01A, R01B, R01C, R01D, R02Z, R12A, R12B, R12C	5o29b↔		M06Z, M09A, M09B, M38Z
	21B	X06A, X06B, X06C		21A	W04A, W04B		11	L18A, L18B, L19Z, L20A, L20B, L20C, L38Z
5o293.4↔		BOP, KVT, UOP4	5o295.x↔		BOP, KVT, UOP4	5o29c↔		BOP, KVT, UOP4
	11	L03Z, L04A, L04B, L04C, L10Z, L13A, L13B, L38Z		11	L03Z, L04A, L04B, L04C, L10Z, L13A, L13B, L38Z		11	L17A, L17B, L20A, L20B, L20C
	12	M06Z, M09A, M09B, M38Z		12	M06Z, M09A, M09B, M38Z		13	N11A, N11B
	13	N01A, N01B, N01C, N01D, N01E, N02A, N02B, N02C, N03A, N03B, N04Z, N14Z, N21Z, N38Z		13	N11A, N11B		21A	W04A, W04B
	17	R01A, R01B, R01C, R01D, R02Z, R12A, R12B, R12C		17	R01A, R01B, R01C, R01D, R02Z, R12A, R12B, R12C	5o29x.0↔		X06A, X06B, X06C
	21A	W04A, W04B		21A	W04A, W04B		11	L03Z, L04A, L04B, L04C, L10Z, L13A, L13B, L38Z
	21B	X06A, X06B, X06C	5o296.0↔		BOP, KVT, UOP4		21A	W04A, W04B
5o293.x↔		BOP, KVT, UOP4		11	L03Z, L04A, L04B, L04C, L10Z, L13A, L13B, L38Z	5o29x.4↔		X06A, X06B, X06C
	11	L03Z, L04A, L04B, L04C, L10Z, L13A, L13B, L38Z		12	M06Z, M09A, M09B, M38Z		11	L03Z, L04A, L04B, L04C, L10Z, L13A, L13B, L38Z
	12	M06Z, M09A, M09B, M38Z		13	N11A, N11B		21A	W04A, W04B
	13	N11A, N11B		17	R01A, R01B, R01C, R01D, R02Z, R12A, R12B, R12C	5o29x.t↔		BOP, KVT, UOP4
	17	R01A, R01B, R01C, R01D, R02Z, R12A, R12B, R12C	5o296.t↔		BOP, KVT, UOP4		11	L03Z, L04A, L04B, L04C, L10Z, L13A, L13B, L38Z
	21A	W04A, W04B		11	L06A, L06B		21A	W04A, W04B
	21B	X06A, X06B, X06C		21A	W04A, W04B		21B	X06A, X06B, X06C
5o294.0↔		BOP, KVT, UOP4	5o296.x↔		BOP, KVT, UOP4	5o29x.x↔		BOP, KVT, UOP4
	11	L03Z, L04A, L04B, L04C, L10Z, L13A, L13B, L38Z		11	L06A, L06B		11	L03Z, L04A, L04B, L04C, L10Z, L13A, L13B, L38Z
	12	M06Z, M09A, M09B, M38Z		21A	W04A, W04B		21A	W04A, W04B
	13	N01A, N01B, N01C, N01D, N01E, N02A, N02B, N02C, N03A, N03B, N04Z, N14Z, N21Z, N38Z	5o297.0↔		BOP, KVT, UOP4		21B	X06A, X06B, X06C
	17	R01A, R01B, R01C, R01D, R02Z, R12A, R12B, R12C		11	L03Z, L04A, L04B, L04C, L10Z, L13A, L13B, L38Z		11	L03Z, L04A, L04B, L04C, L10Z, L13A, L13B, L38Z
	21A	W04A, W04B		21A	W04A, W04B		21A	W04A, W04B
	21B	X06A, X06B, X06C		21B	X06A, X06B, X06C		21B	X06A, X06B, X06C

VYK

ZZV	MDC	DRG	ZZV	MDC	DRG	ZZV	MDC	DRG
5o300.0		BOP, KVT, UOP4	5o302.x		BOP, KVT, UOP4	5o305.4		BOP, KVT, UOP4
	11	L06A, L06B		11	L06A, L06B		11	L06A, L06B
	12	M06Z, M09A, M09B, M38Z		12	M06Z, M09A, M09B, M38Z		12	M01A, M01B, M09A, M38Z
	13	N11A, N11B		13	N11A		13	N11A
	14	962Z, O02A, O02B		17	R01A, R01B, R01C, R01D, R02Z, R12A, R12B, R12C		17	R01A, R01B, R01C, R01D, R02Z, R12A, R12B, R12C
	21A	W01A, W01B, W01C, W02A, W02B, W04A, W04B		21A	W04A, W04B		21A	W04A, W04B
5o300.4	21B	X06A, X06B, X06C	5o303.0	21B	X06A, X06B, X06C	5o305.x	21B	X06A, X06B, X06C
		BOP, KVT, UOP4			BOP, KVT, UOP4			BOP, KVT, UOP4
	11	L06A, L06B		06	G01Z, G04A, G04B, G07A, G07B, G07C, G16A, G16B, G18A, G38Z		11	L06A, L06B
	12	M06Z, M09A, M09B, M38Z		11	L03Z, L04A, L04B, L04C, L10Z, L13A, L13B, L38Z		12	M01A, M01B, M09A, M38Z
	13	N11A, N11B		12	M06Z, M09A, M09B, M38Z		13	N11A
	14	962Z, O02A, O02B		13	N11A		17	R01A, R01B, R01C, R01D, R02Z, R12A, R12B, R12C
5o300.x	21A	W04A, W04B	5o303.4	21A	W04A, W04B	5o307.4	21A	W04A, W04B
	21B	X06A, X06B, X06C		21B	X06A, X06B, X06C		21B	X06A, X06B, X06C
		BOP, KVT, UOP4			BOP, KVT, UOP4			BOP, KVT, UOP4
	11	L06A, L06B		06	G01Z, G04A, G04B, G07A, G07B, G07C, G18A, G38Z		11	L03Z, L04A, L04B, L04C, L10Z, L13A, L13B, L38Z
	12	M06Z, M09A, M09B, M38Z		11	L03Z, L04A, L04B, L04C, L10Z, L13A, L13B, L38Z		21A	W04A, W04B
	13	N11A, N11B		12	M06Z, M09A, M09B, M38Z		21B	X06A, X06B, X06C
5o301.0	17	R01A, R01B, R01C, R01D, R02Z, R12A, R12B, R12C	5o303.x	17	R01A, R01B, R01C, R01D, R02Z, R12A, R12B, R12C	5o307.x	11	L03Z, L04A, L04B, L04C, L10Z, L13A, L13B, L38Z
	21A	W04A, W04B		21A	W04A, W04B		21A	W04A, W04B
	21B	X06A, X06B, X06C		21B	X06A, X06B, X06C		21B	X06A, X06B, X06C
		BOP, KVT, UOP4			BOP, KVT, UOP4			BOP, KVT, UOP4
	11	L06A, L06B		06	G01Z, G04A, G04B, G07A, G07B, G07C, G38Z		11	L03Z, L04A, L04B, L04C, L10Z, L13A, L13B, L38Z
	12	M06Z, M09A, M09B, M38Z		11	L03Z, L04A, L04B, L04C, L10Z, L13A, L13B, L38Z		21A	W04A, W04B
5o301.4	13	N11A, N11B	5o303.4	13	N11A	5o308.1	21B	X06A, X06B, X06C
	17	R01A, R01B, R01C, R01D, R02Z, R12A, R12B, R12C		17	R01A, R01B, R01C, R01D, R02Z, R12A, R12B, R12C		11	L03Z, L04A, L04B, L04C, L10Z, L13A, L13B, L38Z
	21A	W04A, W04B		21A	W04A, W04B		21A	W04A, W04B
	21B	X06A, X06B, X06C		21B	X06A, X06B, X06C		21B	X06A, X06B, X06C
		BOP, KVT, UOP4			BOP, KVT, UOP4			BOP, KVT, UOP4
	11	L06A, L06B		06	G01Z, G04A, G04B, G07A, G07B, G07C, G38Z		11	L03Z, L04A, L04B, L04C, L10Z, L13A, L13B, L38Z
5o301.x	12	M06Z, M09A, M09B, M38Z	5o303.x	11	L03Z, L04A, L04B, L04C, L10Z, L13A, L13B, L38Z	5o308.4	21A	W04A, W04B
	13	N11A, N11B		12	M06Z, M09A, M09B, M38Z		21B	X06A, X06B, X06C
	17	R01A, R01B, R01C, R01D, R02Z, R12A, R12B, R12C		13	N11A		11	L03Z, L04A, L04B, L04C, L10Z, L13A, L13B, L38Z
	21A	W04A, W04B		17	R01A, R01B, R01C, R01D, R02Z, R12A, R12B, R12C		21A	W04A, W04B
	21B	X06A, X06B, X06C		21A	W04A, W04B		21B	X06A, X06B, X06C
		BOP, KVT, UOP4		21B	X06A, X06B, X06C			BOP, KVT, UOP4
5o302.0	11	L06A, L06B	5o304.0	06	G01Z, G04A, G04B, G07A, G07B, G07C, G38Z	5o308.x	11	L03Z, L04A, L04B, L04C, L10Z, L13A, L13B, L38Z
	12	M06Z, M09A, M09B, M38Z		11	L03Z, L04A, L04B, L04C, L10Z, L13A, L13B, L38Z		21A	W04A, W04B
	13	N11A, N11B		12	M06Z, M09A, M09B, M38Z		21B	X06A, X06B, X06C
	17	R01A, R01B, R01C, R01D, R02Z, R12A, R12B, R12C		13	N11A		11	L03Z, L04A, L04B, L04C, L10Z, L13A, L13B, L38Z
	21A	W04A, W04B		17	R01A, R01B, R01C, R01D, R02Z, R12A, R12B, R12C		21A	W04A, W04B
	21B	X06A, X06B, X06C		21A	W04A, W04B		21B	X06A, X06B, X06C
5o302.4		BOP, KVT, UOP4	5o304.x		BOP, KVT, UOP4	5o309		BOP, KVT, UOP4
	11	L06A, L06B		11	L08A, L08B		11	L08A, L08B
	12	M06Z, M09A, M09B, M38Z		12	M03A, M03B, M03C, M38Z		12	M03A, M03B, M03C, M38Z
	13	N11A, N11B		13	N04Z, N06Z		19	U01Z
	17	R01A, R01B, R01C, R01D, R02Z, R12A, R12B, R12C		21A	W04A, W04B		21A	W04A, W04B
	21A	W04A, W04B		21B	X06A, X06B, X06C		21B	X06A, X06B, X06C
5o302.4	21B	X06A, X06B, X06C	5o304.4	21B	X06A, X06B, X06C	5o30a.0	21B	X06A, X06B, X06C
		BOP, KVT, UOP4			BOP, KVT, UOP4			BOP, KVT, UOP4
	11	L06A, L06B		11	L08A, L08B		06	G01Z, G02Z, G38Z
	12	M06Z, M09A, M09B, M38Z		12	M03A, M03B, M03C, M38Z		11	L03Z, L04A, L04B, L04C, L10Z, L13A, L13B, L38Z
	13	N11A, N11B		13	N04Z, N06Z		Pre	A11A, A13A, A13B, A13D
	17	R01A, R01B, R01C, R01D, R02Z, R12A, R12B, R12C		21A	W04A, W04B		21A	W04A, W04B
5o302.4	21A	W04A, W04B	5o304.x	21B	X06A, X06B, X06C	5o30a.4	21B	X06A, X06B, X06C
	21B	X06A, X06B, X06C			BOP, KVT, UOP4		06	G01Z, G02Z, G38Z
		BOP, KVT, UOP4			BOP, KVT, UOP4		11	L03Z, L04A, L04B, L04C, L10Z, L13A, L13B, L38Z
	11	L06A, L06B		11	L08A, L08B		Pre	A11A, A13A, A13B, A13D
	12	M06Z, M09A, M09B, M38Z		12	M03A, M03B, M03C, M38Z		06	G01Z, G02Z, G38Z
	13	N11A, N11B		13	N04Z, N06Z		11	L03Z, L04A, L04B, L04C, L10Z, L13A, L13B, L38Z
5o302.4	17	R01A, R01B, R01C, R01D, R02Z, R12A, R12B, R12C	5o305.0	21A	W04A, W04B	5o30a.x	Pre	A11A, A13A, A13B, A13D
	21A	W04A, W04B		21B	X06A, X06B, X06C		06	G01Z, G02Z, G38Z
	21B	X06A, X06B, X06C		11	L06A, L06B		11	L03Z, L04A, L04B, L04C, L10Z, L13A, L13B, L38Z
		BOP, KVT, UOP4		12	M01A, M01B, M09A, M38Z		Pre	A11A, A13A, A13B, A13D
	11	L06A, L06B		13	N11A			
	12	M06Z, M09A, M09B, M38Z		17	R01A, R01B, R01C, R01D, R02Z, R12A, R12B, R12C			
5o302.4	13	N11A, N11B	5o305.0	21A	W04A, W04B	5o305.4	11	L06A, L06B
	17	R01A, R01B, R01C, R01D, R02Z, R12A, R12B, R12C		21B	X06A, X06B, X06C		12	M01A, M01B, M09A, M38Z
	21A	W04A, W04B			BOP, KVT, UOP4		13	N11A
	21B	X06A, X06B, X06C			BOP, KVT, UOP4		17	R01A, R01B, R01C, R01D, R02Z, R12A, R12B, R12C
		BOP, KVT, UOP4			BOP, KVT, UOP4		21A	W04A, W04B
	11	L06A, L06B			BOP, KVT, UOP4		21B	X06A, X06B, X06C

Príloha B: Index Výkon-MDC-DRG

ZZV	MDC	DRG	ZZV	MDC	DRG	ZZV	MDC	DRG
5o30b.0		BOP, KVT, UOP4	5o311.4		BOP, KVT, UOP4	5o313.x		BOP, KVT, MVV, UOP4
	11	L06A, L06B		06	G18A, G38Z		06	G18A, G38Z
	12	M06Z, M09A, M09B, M38Z		11	L03Z, L04A, L04B, L04C, L10Z, L13A, L13B, L38Z		11	L03Z, L04A, L04B, L04C, L10Z, L13A, L13B, L33Z, L38Z
	13	N11A		12	M01A, M01B, M37Z, M38Z		12	M01A, M01B, M37Z, M38Z
	17	R01A, R01B, R01C, R01D, R02Z, R12A, R12B, R12C		17	R01A, R01B, R01C, R01D, R02Z, R12A, R12B, R12C		13	N01A, N38Z
	21A	W04A, W04B		21A	W04A, W04B		17	R01A, R01B, R01C, R01D, R02Z, R12A, R12B, R12C
	21B	X06A, X06B, X06C		21B	X06A, X06B, X06C		21A	W04A, W04B
5o30b.4		BOP, KVT, UOP4	5o311.x		BOP, KVT, UOP4	5o314.0		X06A, X06B, X06C
	11	L06A, L06B		06	G18A, G38Z		06	BOP, KVT, MVV, UOP4
	12	M06Z, M09A, M09B, M38Z		11	L03Z, L04A, L04B, L04C, L10Z, L13A, L13B, L38Z		11	G18A, G38Z
	13	N11A		12	M01A, M01B, M37Z, M38Z		11	L03Z, L04A, L04B, L04C, L10Z, L13A, L13B, L33Z, L38Z
	17	R01A, R01B, R01C, R01D, R02Z, R12A, R12B, R12C		17	R01A, R01B, R01C, R01D, R02Z, R12A, R12B, R12C		12	M01A, M01B, M37Z, M38Z
	21A	W04A, W04B		21A	W04A, W04B		17	R01A, R01B, R01C, R01D, R02Z, R12A, R12B, R12C
	21B	X06A, X06B, X06C		21B	X06A, X06B, X06C		21A	W04A, W04B
5o30b.x		BOP, KVT, UOP4	5o312.0		BOP, KVT, MVV, UOP4	5o314.4		X06A, X06B, X06C
	11	L06A, L06B		06	G18A, G38Z		06	BOP, KVT, MVV, UOP4
	12	M06Z, M09A, M09B, M38Z		11	L03Z, L04A, L04B, L04C, L10Z, L13A, L13B, L33Z, L38Z		11	G18A, G38Z
	13	N11A		12	M01A, M01B, M37Z, M38Z		11	L03Z, L04A, L04B, L04C, L10Z, L13A, L13B, L33Z, L38Z
	17	R01A, R01B, R01C, R01D, R02Z, R12A, R12B, R12C		17	R01A, R01B, R01C, R01D, R02Z, R12A, R12B, R12C		12	M01A, M01B, M37Z, M38Z
	21A	W04A, W04B		21A	W04A, W04B		17	R01A, R01B, R01C, R01D, R02Z, R12A, R12B, R12C
	21B	X06A, X06B, X06C		21B	X06A, X06B, X06C		21A	W04A, W04B
5o30x.0		BOP, KVT, UOP4	5o312.4		BOP, KVT, MVV, UOP4	5o314.x		X06A, X06B, X06C
	11	L06A, L06B		06	G18A, G38Z		06	BOP, KVT, MVV, UOP4
	12	M06Z, M09A, M09B, M38Z		11	L03Z, L04A, L04B, L04C, L10Z, L13A, L13B, L33Z, L38Z		11	G18A, G38Z
	13	N11A		12	M01A, M01B, M37Z, M38Z		11	L03Z, L04A, L04B, L04C, L10Z, L13A, L13B, L33Z, L38Z
	14	962Z, O02A, O02B		17	R01A, R01B, R01C, R01D, R02Z, R12A, R12B, R12C		12	M01A, M01B, M37Z, M38Z
	21A	W04A, W04B		21A	W04A, W04B		17	R01A, R01B, R01C, R01D, R02Z, R12A, R12B, R12C
	21B	X06A, X06B, X06C		21B	X06A, X06B, X06C		21A	W04A, W04B
5o30x.4		BOP, KVT, UOP4	5o312.x		BOP, KVT, MVV, UOP4	5o315.0		X06A, X06B, X06C
	11	L06A, L06B		06	G18A, G38Z		06	BOP, KOP, KOPV, KVT, MVV, UOP4
	12	M06Z, M09A, M09B, M38Z		11	L03Z, L04A, L04B, L04C, L10Z, L13A, L13B, L33Z, L38Z		06	G01Z, G18A, G33Z, G38Z
	13	N11A		12	M01A, M01B, M37Z, M38Z		07	H33Z, H38Z
	14	962Z, O02A, O02B		17	R01A, R01B, R01C, R01D, R02Z, R12A, R12B, R12C		11	L03Z, L04A, L04B, L04C, L10Z, L13A, L13B, L33Z, L38Z
	21A	W04A, W04B		21A	W04A, W04B		12	M01A, M01B, M37Z, M38Z
	21B	X06A, X06B, X06C		21B	X06A, X06B, X06C		13	N01A, N01B, N01C, N01D, N01E, N34Z, N38Z
5o30x.x		BOP, KVT, UOP4	5o313.0		BOP, KVT, MVV, UOP4		17	R01A, R01B, R01C, R01D, R02Z, R12A, R12B, R12C
	11	L06A, L06B		06	G18A, G38Z		21A	W04A, W04B
	12	M06Z, M09A, M09B, M38Z		11	L03Z, L04A, L04B, L04C, L10Z, L13A, L13B, L33Z, L38Z		21B	X06A, X06B, X06C
	13	N11A		12	M01A, M01B, M37Z, M38Z		23	Z01A
	14	962Z, O02A, O02B		13	N01A, N38Z		Pre	A07A
	21A	W04A, W04B		17	R01A, R01B, R01C, R01D, R02Z, R12A, R12B, R12C			
	21B	X06A, X06B, X06C		21A	W04A, W04B			
5o310		BOP, KVT, UOP4	5o313.4		BOP, KVT, MVV, UOP4			
	11	L06A, L06B		06	G18A, G38Z			
	12	M06Z, M09A, M09B, M38Z		11	L03Z, L04A, L04B, L04C, L10Z, L13A, L13B, L33Z, L38Z			
	13	N13A, N13B		12	M01A, M01B, M37Z, M38Z			
	17	R01A, R01B, R01C, R01D, R02Z, R12A, R12B, R12C		13	N01A, N38Z			
	21A	W04A, W04B		17	R01A, R01B, R01C, R01D, R02Z, R12A, R12B, R12C			
	21B	X06A, X06B, X06C		21A	W04A, W04B			
5o311.0		BOP, KVT, UOP4		21B	X06A, X06B, X06C			
	06	G18A, G38Z						
	11	L03Z, L04A, L04B, L04C, L10Z, L13A, L13B, L38Z						
	12	M01A, M01B, M37Z, M38Z						
	17	R01A, R01B, R01C, R01D, R02Z, R12A, R12B, R12C						
	21A	W04A, W04B						
	21B	X06A, X06B, X06C						

ZZV	MDC	DRG	ZZV	MDC	DRG	ZZV	MDC	DRG
5o325.4		BOP, KVT, UOP4	5o327.0		BOP, KVT, UOP4	5o330.0		BOP, KOP, KOPV, KVT, MVV, UOP4
	06	G18A, G38Z		06	G18A, G38Z		06	G18A, G33Z, G38Z
	11	L03Z, L04A, L04B, L04C, L10Z, L13A, L13B, L38Z		11	L03Z, L04A, L04B, L04C, L10Z, L13A, L13B, L38Z		07	H33Z, H38Z
	12	M01A, M01B, M37Z, M38Z		12	M01A, M01B, M37Z, M38Z		11	L02A, L02B, L02C, L03Z, L10Z, L33Z, L38Z
	13	N01A, N01B, N01C, N01D, N01E, N11A, N11B, N34Z, N38Z		13	N01A, N01B, N01C, N01D, N01E, N11A, N11B, N34Z, N38Z		12	M37Z, M38Z
	17	R01A, R01B, R01C, R01D, R02Z, R12A, R12B, R12C		17	R01A, R01B, R01C, R01D, R02Z, R12A, R12B, R12C		13	N01A, N01B, N01C, N01D, N01E, N34Z, N38Z
	21A	W04A, W04B		21A	W04A, W04B		21A	W04A, W04B
	21B	X06A, X06B, X06C		21A	W04A, W04B		21B	X06A, X06B, X06C, X33Z
		BOP, KVT, UOP4		21B	X06A, X06B, X06C		23	Z01A
				Pre			A07A	
5o325.x		BOP, KVT, UOP4	5o327.4		BOP, KVT, UOP4	5o330.4		BOP, KOP, KOPV, KVT, MVV, UOP4
	06	G18A, G38Z		06	G18A, G38Z		06	G18A, G33Z, G38Z
	11	L03Z, L04A, L04B, L04C, L10Z, L13A, L13B, L38Z		11	L03Z, L04A, L04B, L04C, L10Z, L13A, L13B, L38Z		07	H33Z, H38Z
	12	M01A, M01B, M37Z, M38Z		12	M01A, M01B, M37Z, M38Z		11	L02A, L02B, L02C, L03Z, L10Z, L33Z, L38Z
	13	N01A, N01B, N01C, N01D, N01E, N11A, N11B, N34Z, N38Z		13	N01A, N01B, N01C, N01D, N01E, N11A, N11B, N34Z, N38Z		12	M37Z, M38Z
	17	R01A, R01B, R01C, R01D, R02Z, R12A, R12B, R12C		17	R01A, R01B, R01C, R01D, R02Z, R12A, R12B, R12C		13	N01A, N01B, N01C, N01D, N01E, N34Z, N38Z
	21A	W04A, W04B		21A	W04A, W04B		21A	W04A, W04B
	21B	X06A, X06B, X06C		21B	X06A, X06B, X06C		21B	X06A, X06B, X06C, X33Z
		BOP, KVT, UOP4		21B	X06A, X06B, X06C		23	Z01A
				Pre			A07A	
5o326.0		BOP, KVT, UOP4	5o327.x		BOP, KVT, UOP4	5o330.x		BOP, KOP, KOPV, KVT, MVV, UOP4
	06	G18A, G38Z		06	G18A, G38Z		06	G18A, G33Z, G38Z
	11	L03Z, L04A, L04B, L04C, L10Z, L13A, L13B, L38Z		11	L03Z, L04A, L04B, L04C, L10Z, L13A, L13B, L38Z		07	H33Z, H38Z
	12	M01A, M01B, M37Z, M38Z		12	M01A, M01B, M37Z, M38Z		11	L02A, L02B, L02C, L03Z, L10Z, L33Z, L38Z
	13	N01A, N01B, N01C, N01D, N01E, N11A, N11B, N34Z, N38Z		13	N01A, N01B, N01C, N01D, N01E, N11A, N11B, N34Z, N38Z		12	M37Z, M38Z
	17	R01A, R01B, R01C, R01D, R02Z, R12A, R12B, R12C		17	R01A, R01B, R01C, R01D, R02Z, R12A, R12B, R12C		13	N01A, N01B, N01C, N01D, N01E, N34Z, N38Z
	21A	W04A, W04B		21A	W04A, W04B		21A	W04A, W04B
	21B	X06A, X06B, X06C		21B	X06A, X06B, X06C		21B	X06A, X06B, X06C, X33Z
		BOP, KVT, UOP4		21B	X06A, X06B, X06C		23	Z01A
				Pre			A07A	
5o326.4		BOP, KVT, UOP4	5o32x.0		BOP, KVT, UOP4	5o331.0		BOP, KOP, KOPV, KVT, MVV, UOP4
	06	G18A, G38Z		06	G18A, G38Z		06	G18A, G33Z, G38Z
	11	L03Z, L04A, L04B, L04C, L10Z, L13A, L13B, L38Z		11	L06A, L06B		07	H33Z, H38Z
	12	M01A, M01B, M37Z, M38Z		12	M01A, M01B, M38Z		11	L02A, L02B, L02C, L03Z, L10Z, L33Z, L38Z
	13	N01A, N01B, N01C, N01D, N01E, N11A, N11B, N34Z, N38Z		13	N01A, N01B, N01C, N01D, N01E, N11A, N11B, N34Z, N38Z		12	M37Z, M38Z
	17	R01A, R01B, R01C, R01D, R02Z, R12A, R12B, R12C		17	R01A, R01B, R01C, R01D, R02Z, R12A, R12B, R12C		13	N01A, N01B, N01C, N01D, N01E, N34Z, N38Z
	21A	W04A, W04B		21A	W04A, W04B		21A	W04A, W04B
	21B	X06A, X06B, X06C		21B	X06A, X06B, X06C		21B	X06A, X06B, X06C, X33Z
		BOP, KVT, UOP4		21B	X06A, X06B, X06C		23	Z01A
				Pre			A07A	
5o326.x		BOP, KVT, UOP4	5o32x.4		BOP, KVT, UOP4	5o331.4		BOP, KOP, KOPV, KVT, MVV, UOP4
	06	G18A, G38Z		06	G18A, G38Z		06	G18A, G33Z, G38Z
	11	L03Z, L04A, L04B, L04C, L10Z, L13A, L13B, L38Z		11	L06A, L06B		07	H33Z, H38Z
	12	M01A, M01B, M37Z, M38Z		12	M01A, M01B, M38Z		11	L02A, L02B, L02C, L03Z, L10Z, L33Z, L38Z
	13	N01A, N01B, N01C, N01D, N01E, N11A, N11B, N34Z, N38Z		13	N01A, N01B, N01C, N01D, N01E, N11A, N11B, N34Z, N38Z		12	M37Z, M38Z
	17	R01A, R01B, R01C, R01D, R02Z, R12A, R12B, R12C		17	R01A, R01B, R01C, R01D, R02Z, R12A, R12B, R12C		13	N01A, N01B, N01C, N01D, N01E, N34Z, N38Z
	21A	W04A, W04B		21A	W04A, W04B		21A	W04A, W04B
	21B	X06A, X06B, X06C		21B	X06A, X06B, X06C		21B	X06A, X06B, X06C, X33Z
		BOP, KVT, UOP4		21B	X06A, X06B, X06C		23	Z01A
				Pre			A07A	

ZZV	MDC	DRG	ZZV	MDC	DRG	ZZV	MDC	DRG	
5o331.x		BOP, KOP, KOPV, KVT, MVV, UOP4	5o333.4		BOP, KOP, KOPV, KVT, MVV, UOP4	5o335.x		BOP, KOP, KOPV, KVT, MVV, UOP4	
	06	G18A, G33Z, G38Z		06	G18A, G33Z, G38Z		06	G18A, G33Z, G38Z	
	07	H33Z, H38Z		07	H33Z, H38Z		07	H33Z, H38Z	
	11	L02A, L02B, L02C, L03Z, L10Z, L33Z, L38Z		11	L02A, L02B, L02C, L03Z, L10Z, L33Z, L38Z		11	L02A, L02B, L02C, L03Z, L10Z, L33Z, L38Z	
	12	M37Z, M38Z		12	M37Z, M38Z		12	M37Z, M38Z	
	13	N01A, N01B, N01C, N01D, N01E, N34Z, N38Z		13	N01A, N01B, N01C, N01D, N01E, N34Z, N38Z		13	N01A, N01B, N01C, N01D, N01E, N34Z, N38Z	
	21A	W04A, W04B		21A	W04A, W04B		21A	W04A, W04B	
	21B	X06A, X06B, X06C, X33Z		21B	X06A, X06B, X06C, X33Z		21B	X06A, X06B, X06C, X33Z	
	23	Z01A		23	Z01A		23	Z01A	
	Pre	A07A		Pre	A07A		Pre	A07A	
5o332.0		BOP, KOP, KOPV, KVT, MVV, UOP4	5o333.x		BOP, KOP, KOPV, KVT, MVV, UOP4	5o33x.0		BOP, KOP, KOPV, KVT, MVV, UOP4	
	06	G18A, G33Z, G38Z		06	G18A, G33Z, G38Z		06	G18A, G33Z, G38Z	
	07	H33Z, H38Z		07	H33Z, H38Z		07	H33Z, H38Z	
	11	L02A, L02B, L02C, L03Z, L10Z, L33Z, L38Z		11	L02A, L02B, L02C, L03Z, L10Z, L33Z, L38Z		11	L02A, L02B, L02C, L03Z, L10Z, L33Z, L38Z	
	12	M37Z, M38Z		12	M37Z, M38Z		12	M37Z, M38Z	
	13	N01A, N01B, N01C, N01D, N01E, N34Z, N38Z		13	N01A, N01B, N01C, N01D, N01E, N34Z, N38Z		13	N01A, N01B, N01C, N01D, N01E, N34Z, N38Z	
	21A	W04A, W04B		21A	W04A, W04B		21A	W04A, W04B	
	21B	X06A, X06B, X06C, X33Z		21B	X06A, X06B, X06C, X33Z		21B	X06A, X06B, X06C, X33Z	
	23	Z01A		23	Z01A		23	Z01A	
	Pre	A07A		Pre	A07A		Pre	A07A	
5o332.4		BOP, KOP, KOPV, KVT, MVV, UOP4	5o334		BOP, KOP, KOPV, KVT, MVV, UOP4	5o33x.4		BOP, KOP, KOPV, KVT, MVV, UOP4	
	06	G18A, G33Z, G38Z		06	G18A, G33Z, G38Z		06	G18A, G33Z, G38Z	
	07	H33Z, H38Z		07	H33Z, H38Z		07	H33Z, H38Z	
	11	L02A, L02B, L02C, L03Z, L10Z, L33Z, L38Z		11	L02A, L02B, L02C, L03Z, L10Z, L33Z, L38Z		11	L02A, L02B, L02C, L03Z, L10Z, L33Z, L38Z	
	12	M37Z, M38Z		12	M37Z, M38Z		12	M37Z, M38Z	
	13	N01A, N01B, N01C, N01D, N01E, N34Z, N38Z		13	N01A, N01B, N01C, N01D, N01E, N34Z, N38Z		13	N01A, N01B, N01C, N01D, N01E, N34Z, N38Z	
	21A	W04A, W04B		21A	W04A, W04B		21A	W04A, W04B	
	21B	X06A, X06B, X06C, X33Z		21B	X06A, X06B, X06C, X33Z		21B	X06A, X06B, X06C, X33Z	
	23	Z01A		23	Z01A		23	Z01A	
	Pre	A07A		Pre	A07A		Pre	A07A	
5o332.x		BOP, KOP, KOPV, KVT, MVV, UOP4	5o335.0		BOP, KOP, KOPV, KVT, MVV, UOP4	5o33x.x		BOP, KOP, KOPV, KVT, MVV, UOP4	
	06	G18A, G33Z, G38Z		06	G18A, G33Z, G38Z		06	G18A, G33Z, G38Z	
	07	H33Z, H38Z		07	H33Z, H38Z		07	H33Z, H38Z	
	11	L02A, L02B, L02C, L03Z, L10Z, L33Z, L38Z		11	L02A, L02B, L02C, L03Z, L10Z, L33Z, L38Z		11	L02A, L02B, L02C, L03Z, L10Z, L33Z, L38Z	
	12	M37Z, M38Z		12	M37Z, M38Z		12	M37Z, M38Z	
	13	N01A, N01B, N01C, N01D, N01E, N34Z, N38Z		13	N01A, N01B, N01C, N01D, N01E, N34Z, N38Z		13	N01A, N01B, N01C, N01D, N01E, N34Z, N38Z	
	21A	W04A, W04B		21A	W04A, W04B		21A	W04A, W04B	
	21B	X06A, X06B, X06C, X33Z		21B	X06A, X06B, X06C, X33Z		21B	X06A, X06B, X06C, X33Z	
	23	Z01A		23	Z01A		23	Z01A	
	Pre	A07A		Pre	A07A		Pre	A07A	
5o333.0		BOP, KOP, KOPV, KVT, MVV, UOP4	5o335.4		BOP, KOP, KOPV, KVT, MVV, UOP4	5o340		BOP, KVT, UOP4	
	06	G18A, G33Z, G38Z		06	G18A, G33Z, G38Z		5o341	11	L18A, L18B, L19Z, L20A, L20B, L20C, L38Z
	07	H33Z, H38Z		07	H33Z, H38Z			BOP, KVT, UOP4	
	11	L02A, L02B, L02C, L03Z, L10Z, L33Z, L38Z		11	L02A, L02B, L02C, L03Z, L10Z, L33Z, L38Z		11	L06A, L06B	
	12	M37Z, M38Z		12	M37Z, M38Z		12	M06Z, M09A, M09B, M38Z	
	13	N01A, N01B, N01C, N01D, N01E, N34Z, N38Z		13	N01A, N01B, N01C, N01D, N01E, N34Z, N38Z		5o342	BOP, KVT, UOP4	
	21A	W04A, W04B		21A	W04A, W04B			11	L18A, L18B, L19Z, L20A, L20B, L20C, L38Z
	21B	X06A, X06B, X06C, X33Z		21B	X06A, X06B, X06C, X33Z		12	M06Z, M09A, M09B, M38Z	
	23	Z01A		23	Z01A		5o343	BOP, KVT, UOP4	
	Pre	A07A		Pre	A07A			11	L18A, L18B, L19Z, L20A, L20B, L20C, L38Z
				5o344	12	M06Z, M09A, M09B, M38Z			
					11	L18A, L18B, L19Z, L20A, L20B, L20C, L38Z			
				12	M06Z, M09A, M09B, M38Z				

ZZV	MDC	DRG	ZZV	MDC	DRG	ZZV	MDC	DRG
5o345.0		BOP, KVT, UOP4 11 L18A, L18B, L19Z, L20A, L20B, L20C, L38Z	5o360		BOP, KVT, UOP4 06 G18A, G38Z 11 L03Z, L04A, L04B, L04C, L10Z, L13A, L13B, L38Z	5o371.4		BOP, KVT, UOP4 11 L06A, L06B 12 M06Z, M09A, M09B, M38Z 13 N08Z 17 R01A, R01B, R01C, R01D, R02Z, R12A, R12B, R12C
5o345.1		BOP, KVT, UOP4 11 L18A, L18B, L19Z, L20A, L20B, L38Z	5o361.0		BOP, KVT, UOP4 11 L06A, L06B 12 M06Z, M09A, M09B, M38Z 13 N13A, N13B 17 R01A, R01B, R01C, R01D, R02Z, R12A, R12B, R12C	5o372		BOP, KVT, UOP4 11 L06A, L06B 12 M06Z, M09A, M09B, M38Z 13 N11A, N11B 17 R01A, R01B, R01C, R01D, R02Z, R12A, R12B, R12C
5o345.2		BOP, KVT, UOP4 11 L18A, L18B, L19Z, L20A, L20B, L20C, L38Z	5o362.0		BOP, KVT, UOP4 11 L06A, L06B 12 M06Z, M09A, M09B, M38Z 13 N13A, N13B 17 R01A, R01B, R01C, R01D, R02Z, R12A, R12B, R12C	5o37x		BOP, KVT, UOP4 11 L06A, L06B 12 M06Z, M09A, M09B, M38Z 13 N11A, N11B 17 R01A, R01B, R01C, R01D, R02Z, R12A, R12B, R12C
5o346		BOP, KVT, UOP4 11 L18A, L18B, L19Z, L20A, L20B, L20C, L38Z	5o362.1		BOP, KVT, UOP4 11 L06A, L06B 12 M06Z, M09A, M09B, M38Z 13 N13A, N13B 17 R01A, R01B, R01C, R01D, R02Z, R12A, R12B, R12C	5o390		BOP, KVT, UOP4 11 L03Z, L04A, L04B, L04C, L10Z, L13A, L13B, L38Z 21A W04A, W04B 21B X06A, X06B, X06C
5o34x		BOP, KVT, UOP4 11 L18A, L18B, L19Z, L20A, L20B, L20C, L38Z	5o363		BOP, KVT, UOP4 11 L06A, L06B 12 M06Z, M09A, M09B, M38Z 13 N13A, N13B 17 R01A, R01B, R01C, R01D, R02Z, R12A, R12B, R12C	5o391.0		BOP, KVT, UOP4 11 L06A, L06B 21A W04A, W04B 21B X06A, X06B, X06C
5o350.2†		L18A, L18B, L19Z, L20A, L20B, L20C, L38Z	5o364		BOP, KVT, UOP4 11 L06A, L06B 12 M06Z, M09A, M09B, M38Z 13 N13A, N13B 17 R01A, R01B, R01C, R01D, R02Z, R12A, R12B, R12C	5o391.1†		L18A, L18B, L19Z, L20A, L20B, L20C, L38Z
5o350.†		L18A, L18B, L19Z, L20A, L20B, L20C, L38Z	5o370.0		BOP, KVT, UOP4 11 L06A, L06B 12 M06Z, M09A, M09B, M38Z 13 N13A, N13B 17 R01A, R01B, R01C, R01D, R02Z, R12A, R12B, R12C	5o391.3†		L18A, L18B, L19Z, L20A, L20B, L20C, L38Z
5o351.2†		L18A, L18B, L19Z, L20A, L20B, L20C, L38Z	5o370.4		BOP, KVT, UOP4 11 L06A, L06B 12 M06Z, M09A, M09B, M38Z 13 N08Z 17 R01A, R01B, R01C, R01D, R02Z, R12A, R12B, R12C	5o391.4		BOP, KVT, UOP4 11 L06A, L06B 21A W04A, W04B 21B X06A, X06B, X06C
5o352†		L18A, L18B, L19Z, L20A, L20B, L20C, L38Z	5o371.0		BOP, KVT, UOP4 11 L06A, L06B 12 M06Z, M09A, M09B, M38Z 13 N11A, N11B 17 R01A, R01B, R01C, R01D, R02Z, R12A, R12B, R12C	5o391.†		L18A, L18B, L19Z, L20A, L20B, L20C, L38Z
5o353		BOP, KVT, UOP4 11 L06A, L06B 16 Q03A, Q03B 21A W04A, W04B 21B X06A, X06B, X06C				5o391.x†		L18A, L18B, L19Z, L20A, L20B, L20C, L38Z
5o354		BOP, KVT, UOP4 11 L06A, L06B 12 M06Z, M09A, M09B, M38Z 13 N13A, N13B 17 R01A, R01B, R01C, R01D, R02Z, R12A, R12B, R12C				5o392.0		BOP, KVT, UOP4 11 L06A, L06B 12 M06Z, M09A, M09B, M38Z 13 N13A, N13B 17 R01A, R01B, R01C, R01D, R02Z, R12A, R12B, R12C
5o355		BOP, KVT, UOP4 11 L06A, L06B 12 M06Z, M09A, M09B, M38Z 13 N13A, N13B 17 R01A, R01B, R01C, R01D, R02Z, R12A, R12B, R12C				5o392.4		BOP, KVT, UOP4 11 L06A, L06B 12 M06Z, M09A, M09B, M38Z 13 N13A, N13B 17 R01A, R01B, R01C, R01D, R02Z, R12A, R12B, R12C
5o356		BOP, KVT, UOP4 11 L06A, L06B 12 M06Z, M09A, M09B, M38Z 13 N13A, N13B 17 R01A, R01B, R01C, R01D, R02Z, R12A, R12B, R12C				5o393.0		BOP, KVT, UOP4 11 L06A, L06B 21A W04A, W04B 21B X06A, X06B, X06C
5o357		BOP, KVT, UOP4 11 L06A, L06B 12 M06Z, M09A, M09B, M38Z 13 N13A, N13B 17 R01A, R01B, R01C, R01D, R02Z, R12A, R12B, R12C				5o393.4		BOP, KVT, UOP4 11 L06A, L06B 21A W04A, W04B 21B X06A, X06B, X06C
		21A W04A, W04B 21B X06A, X06B, X06C				5o394.0		BOP, KVT, UOP4 11 L06A, L06B 21A W04A, W04B 21B X06A, X06B, X06C

ZZV	MDC	DRG	ZZV	MDC	DRG	ZZV	MDC	DRG
5o394.1		BOP, KVT, UOP4	5o398.4		BOP, KVT, UOP4	5o408.1		BOP, KVT, UOP4
	11	L06A, L06B		11	L06A, L06B		11	L08A, L08B
	21A	W04A, W04B		21A	W04A, W04B		12	M03A, M03B, M03C, M38Z
	21B	X06A, X06B, X06C		21B	X06A, X06B, X06C		19	U01Z
5o394.3		BOP, KVT, UOP4	5o39x.0		BOP, KVT, UOP4	21A		W04A, W04B
	11	L11Z, L18A, L18B, L38Z		11	L06A, L06B	21B		X06A, X06B, X06C
	12	M06Z, M09A, M09B, M38Z		21A	W04A, W04B	5o408.2		BOP, KVT, UOP4
5o394.4		BOP, KVT, UOP4		21B	X06A, X06B, X06C		11	L08A, L08B
	11	L06A, L06B	5o39x.4		BOP, KVT, UOP4		12	M03A, M03B, M03C, M38Z
	21A	W04A, W04B		11	L06A, L06B		13	N11A
	21B	X06A, X06B, X06C		21A	W04A, W04B		14	962Z, O02A, O02B
5o394.t		BOP, KVT, UOP4		21B	X06A, X06B, X06C		19	U01Z
	11	L11Z, L18A, L18B, L38Z	5o400		BOP, KVT, UOP4	21A		W04A, W04B
	12	M06Z, M09A, M09B, M38Z		11	L08A, L08B	21B		X06A, X06B, X06C
5o394.x		BOP, KVT, UOP4		12	M03A, M03B, M03C, M38Z	5o408.x		BOP, KVT, UOP4
	11	L11Z, L18A, L18B, L38Z		19	U01Z		11	L08A, L08B
	12	M06Z, M09A, M09B, M38Z		21A	W04A, W04B		12	M03A, M03B, M03C, M38Z
5o395.0		BOP, KVT, UOP4		21B	X06A, X06B, X06C		19	U01Z
	11	L06A, L06B	5o401		BOP, KVT, UOP4	21A		W04A, W04B
	21A	W04A, W04B		11	L08A, L08B	21B		X06A, X06B, X06C
	21B	X06A, X06B, X06C		12	M03A, M03B, M03C, M38Z	5o409.1		BOP, KVT, UOP4
5o395.1		BOP, KVT, UOP4		13	N11A, N11B		11	L08A, L08B
	11	L06A, L06B		14	962Z, O02A, O02B		12	M03A, M03B, M03C, M38Z
	21A	W04A, W04B		19	U01Z		19	U01Z
	21B	X06A, X06B, X06C		21A	W04A, W04B	21A		W04A, W04B
5o395.3		BOP, KVT, UOP4		21B	X06A, X06B, X06C	21B		X06A, X06B, X06C
	11	L06A, L06B	5o402		BOP, KVT, UOP4	5o409.x		BOP, KVT, UOP4
	21A	W04A, W04B		11	L08A, L08B		11	L08A, L08B
	21B	X06A, X06B, X06C		12	M03A, M03B, M03C, M38Z		12	M03A, M03B, M03C, M38Z
5o395.4		BOP, KVT, UOP4		13	N11A, N11B		19	U01Z
	11	L06A, L06B		14	962Z, O02A, O02B	21A		W04A, W04B
	21A	W04A, W04B		19	U01Z	21B		X06A, X06B, X06C
	21B	X06A, X06B, X06C		21A	W04A, W04B	5o40a.1		BOP, KVT, UOP4
5o395.t		BOP, KVT, UOP4		21B	X06A, X06B, X06C		11	L08A, L08B
	11	L06A, L06B	5o404		BOP, KVT, UOP4		12	M03A, M03B, M03C, M38Z
	21A	W04A, W04B		11	L08A, L08B		14	962Z, O02A, O02B
	21B	X06A, X06B, X06C		12	M03A, M03B, M03C, M38Z		19	U01Z
5o395.x		BOP, KVT, UOP4		13	N11A	21A		W04A, W04B
	11	L06A, L06B		17	R01A, R01B, R01C, R01D, R02Z, R12A, R12B, R12C	21B		X06A, X06B, X06C
	21A	W04A, W04B		19	U01Z	5o40a.2		BOP, KVT, UOP4
	21B	X06A, X06B, X06C		21A	W04A, W04B		11	L08A, L08B
5o396.0		BOP, KVT, UOP4		21B	X06A, X06B, X06C		12	M03A, M03B, M03C, M38Z
	11	L06A, L06B	5o405		BOP, KVT, UOP4		14	962Z, O02A, O02B
	21A	W04A, W04B		11	L08A, L08B		19	U01Z
	21B	X06A, X06B, X06C		12	M03A, M03B, M03C, M38Z	21A		W04A, W04B
5o396.4		BOP, KVT, UOP4		13	N11A, N11B	21B		X06A, X06B, X06C
	11	L06A, L06B		14	962Z, O02A, O02B	5o40a.3		BOP, KVT, UOP4
	21A	W04A, W04B		19	U01Z		11	L08A, L08B
	21B	X06A, X06B, X06C		21A	W04A, W04B		12	M03A, M03B, M03C, M38Z
5o397.0		BOP, KVT, UOP4		21B	X06A, X06B, X06C		13	N11A
	11	L06A, L06B	5o406		BOP, KVT, UOP4		14	962Z, O02A, O02B
	21A	W04A, W04B		11	L08A, L08B		19	U01Z
	21B	X06A, X06B, X06C		12	M03A, M03B, M03C, M38Z	21A		W04A, W04B
5o397.3		BOP, KVT, UOP4		13	N11A, N11B	21B		X06A, X06B, X06C
	11	L06A, L06B		14	962Z, O02A, O02B	5o40a.4		BOP, KVT, UOP4
	21A	W04A, W04B		19	U01Z		11	L08A, L08B
	21B	X06A, X06B, X06C		21A	W04A, W04B		12	M03A, M03B, M03C, M38Z
5o397.4		BOP, KVT, UOP4		21B	X06A, X06B, X06C		13	N11A
	11	L06A, L06B	5o407		BOP, KVT, UOP4		14	962Z, O02A, O02B
	21A	W04A, W04B		11	L08A, L08B		19	U01Z
	21B	X06A, X06B, X06C		12	M03A, M03B, M03C, M38Z	21A		W04A, W04B
5o397.t		BOP, KVT, UOP4		13	N11A, N11B	21B		X06A, X06B, X06C
	11	L06A, L06B		14	962Z, O02A, O02B			
	21A	W04A, W04B		19	U01Z			
	21B	X06A, X06B, X06C		21A	W04A, W04B			
5o398.0		BOP, KVT, UOP4		21B	X06A, X06B, X06C			
	11	L06A, L06B						
	21A	W04A, W04B						
	21B	X06A, X06B, X06C						

ZZV	MDC	DRG	ZZV	MDC	DRG	ZZV	MDC	DRG			
5o40a.5		BOP, KVT, UOP4	5o40c		BOP, KVT, UOP4	5o41d		BOP, KVT, UOP4			
	11	L08A, L08B		11	L08A, L08B		11	L03Z, L04A, L04B, L04C, L10Z, L13A, L13B, L33Z, L38Z			
	12	M03A, M03B, M03C, M38Z		13	N11A		13	N04Z, N06Z			
	13	N11A		14	962Z, O02A, O02B		21A	W04A, W04B			
	14	962Z, O02A, O02B		19	U01Z		21B	X06A, X06B, X06C			
	19	U01Z		5o40d			BOP, KVT, UOP4	5o41x		BOP, KVT, UOP4	
	21A	W04A, W04B			11		L08A, L08B		11	L03Z, L04A, L04B, L04C, L10Z, L13A, L13B, L38Z	
	21B	X06A, X06B, X06C			13		N11A		13	N04Z, N06Z	
5o40a.x		BOP, KVT, UOP4	14		962Z, O02A, O02B	21A	W04A, W04B				
	11	L08A, L08B	19	U01Z	21B	X06A, X06B, X06C					
	12	M03A, M03B, M03C, M38Z	5o40x		BOP, KVT, UOP4	5o421		BOP, KVT, UOP4			
	13	N11A		11	L08A, L08B		11	L17A, L17B, L20A, L20B, L20C			
	14	962Z, O02A, O02B		12	M03A, M03B, M03C, M38Z		12	M03A, M03B, M03C, M38Z			
	19	U01Z		19	U01Z		13	N11A, N11B			
	21A	W04A, W04B	21A	W04A, W04B	21A	W04A, W04B					
	21B	X06A, X06B, X06C	21B	X06A, X06B, X06C	21B	X06A, X06B, X06C					
5o40b.1		BOP, KVT, UOP4	5o410		BOP, KVT, UOP4	5o422.2		BOP, KVT, UOP4			
	11	L08A, L08B		11	L40Z		11	L17A, L17B, L20A, L20B, L20C			
	12	M03A, M03B, M03C, M38Z		5o410†			BOP, KVT, UOP4	5o422.2		BOP, KVT, UOP4	
	19	U01Z			11		L08A, L08B		11	L17A, L17B, L20A, L20B, L20C	
	21A	W04A, W04B			13		N11A, N11B		12	M03A, M03B, M03C, M38Z	
21B	X06A, X06B, X06C	21A	W04A, W04B		13	N11A, N11B					
5o40b.2		BOP, KVT, UOP4	5o411.0		BOP, KVT, UOP4	5o422.t		BOP, KVT, UOP4			
	11	L08A, L08B		11	L08A, L08B		11	L17A, L17B, L20A, L20B, L20C			
	12	M03A, M03B, M03C, M38Z		13	N11A, N11B		12	M03A, M03B, M03C, M38Z			
	19	U01Z		21A	W04A, W04B		13	N11A, N11B			
	21A	W04A, W04B		21B	X06A, X06B, X06C		21A	W04A, W04B			
	21B	X06A, X06B, X06C		5o411.1			BOP, KVT, UOP4	21B	X06A, X06B, X06C		
5o40b.3		BOP, KVT, UOP4	11		L08A, L08B	5o430.0		BOP, KVT, UOP4			
	11	L08A, L08B	13		N11A, N11B		11	L17A, L17B, L20A, L20B, L20C			
	12	M03A, M03B, M03C, M38Z	21A		W04A, W04B		12	M03A, M03B, M03C, M38Z			
	13	N11A	21B	X06A, X06B, X06C	13		N11A, N11B				
	14	962Z, O02A, O02B	5o411.2		BOP, KVT, UOP4		21A	W04A, W04B			
	19	U01Z		11	L08A, L08B		21B	X06A, X06B, X06C			
	21A	W04A, W04B		13	N11A, N11B		5o430.1		BOP, KVT, UOP4		
	21B	X06A, X06B, X06C		21A	W04A, W04B			11	L17A, L17B, L20A, L20B, L20C		
5o40b.4		BOP, KVT, UOP4	5o412.0		BOP, KVT, UOP4	5o430.2		BOP, KVT, UOP4			
	11	L08A, L08B		11	L08A, L08B		11	L17A, L17B, L20A, L20B, L20C			
	12	M03A, M03B, M03C, M38Z		13	N11A, N11B		12	M06Z, M09A, M09B, M38Z			
	13	N11A		21A	W04A, W04B		13	N11A, N11B			
	14	962Z, O02A, O02B		21B	X06A, X06B, X06C		21A	W04A, W04B			
	19	U01Z		5o412.1			BOP, KVT, UOP4	21B	X06A, X06B, X06C		
	21A	W04A, W04B			11		L08A, L08B	5o430.1		BOP, KVT, UOP4	
	21B	X06A, X06B, X06C			13		N11A, N11B		11	L17A, L17B, L20A, L20B, L20C	
5o40b.5		BOP, KVT, UOP4	5o413			BOP, KVT, UOP4	5o430.2		BOP, KVT, UOP4		
	11	L08A, L08B		11	L03Z, L04A, L04B, L04C, L10Z, L13A, L13B, L38Z	11		L17A, L17B, L20A, L20B, L20C			
	12	M03A, M03B, M03C, M38Z		21A	W04A, W04B	12		M06Z, M09A, M09B, M38Z			
	13	N11A		21B	X06A, X06B, X06C	13		N11A, N11B			
	14	962Z, O02A, O02B		5o414		BOP, KVT, UOP4		21A	W04A, W04B		
	19	U01Z			11	L03Z, L04A, L04B, L04C, L10Z, L13A, L13B, L33Z, L38Z		21B	X06A, X06B, X06C		
	21A	W04A, W04B			5o41c			BOP, KVT, UOP4	5o431		BOP, KVT, UOP4
	21B	X06A, X06B, X06C				10		K03A, K03B		11	L17A, L17B, L20A, L20B, L20C
5o40b.6		BOP, KVT, UOP4	11	L03Z, L04A, L04B, L04C, L10Z, L13A, L13B, L38Z		12	M06Z, M09A, M09B, M38Z				
	11	L08A, L08B	5o414			BOP, KVT, UOP4	13	N08Z			
	12	M03A, M03B, M03C, M38Z		21A	W04A, W04B	21A	W04A, W04B				
	13	N11A		21B	X06A, X06B, X06C	21B	X06A, X06B, X06C				
	14	962Z, O02A, O02B		5o41c		BOP, KVT, UOP4	5o432		BOP, KVT, UOP4		
	19	U01Z	13		N04Z, N06Z	11		L17A, L17B, L20A, L20B, L20C			
	21A	W04A, W04B	21A		W04A, W04B	12		M06Z, M09A, M09B, M38Z			
	21B	X06A, X06B, X06C	21B		X06A, X06B, X06C	13		N11A, N11B			
5o40b.x		BOP, KVT, UOP4	5o41c		BOP, KVT, UOP4	5o432		BOP, KVT, UOP4			
	11	L08A, L08B		10	K03A, K03B		11	L17A, L17B, L20A, L20B, L20C			
	12	M03A, M03B, M03C, M38Z		11	L03Z, L04A, L04B, L04C, L10Z, L13A, L13B, L38Z		12	M06Z, M09A, M09B, M38Z			
	13	N11A		5o41c			BOP, KVT, UOP4	13	N11A, N11B		
	14	962Z, O02A, O02B			21A		W04A, W04B	21A	W04A, W04B		
	19	U01Z			21B		X06A, X06B, X06C	21B	X06A, X06B, X06C		
	21A	W04A, W04B			5o41c			BOP, KVT, UOP4	5o432		BOP, KVT, UOP4
	21B	X06A, X06B, X06C		13			N04Z, N06Z	11		L17A, L17B, L20A, L20B, L20C	
		21A	W04A, W04B	12		M06Z, M09A, M09B, M38Z					
		21B	X06A, X06B, X06C	13		N11A, N11B					

VYK

ZZV	MDC	DRG	ZZV	MDC	DRG	ZZV	MDC	DRG		
5o43x		BOP, KVT, UOP4	5o491		BOP, KVT, UOP4	5o900.2		BOP, KVT, UOP4		
	11	L17A, L17B, L20A, L20B, L20C		11	L06A, L06B		11	L03Z, L04A, L04B, L04C, L10Z, L13A, L13B, L38Z		
	12	M06Z, M09A, M09B, M38Z		12	M06Z, M09A, M09B, M38Z		12	M06Z, M09A, M09B, M38Z		
	13	N11A, N11B		13	N11A		13	N11A, N11B		
	21A	W04A, W04B		14	962Z, O02A, O02B		17	R01A, R01B, R01C, R01D, R02Z, R12A, R12B, R12C		
5o440	21B	X06A, X06B, X06C	5o492	21A	W04A, W04B	5o900.3†	21A	W04A, W04B		
		BOP, KVT, UOP4		21B	X06A, X06B, X06C		21B	X06A, X06B, X06C		
	11	L17A, L17B, L20A, L20B, L20C		11	L18A, L18B, L19Z, L20A, L20B, L20C, L38Z		11	L11Z, L18A, L18B, L38Z		
	12	M06Z, M09A, M09B, M38Z		12	M06Z, M09A, M09B, M38Z		5o900.4	BOP, KVT, UOP4		
	21A	W04A, W04B		5o493			BOP, KVT, UOP4	11	L03Z, L04A, L04B, L04C, L10Z, L13A, L13B, L38Z	
21B	X06A, X06B, X06C	11	L18A, L18B, L19Z, L20A, L20B, L20C, L38Z		12	M06Z, M09A, M09B, M38Z				
5o441		BOP, KVT, UOP4	5o494‡		11	L18A, L18B, L19Z, L20A, L20B, L20C, L38Z	13	N11A, N11B		
	11	L17A, L17B, L20A, L20B, L20C			12	M06Z, M09A, M09B, M38Z	17	R01A, R01B, R01C, R01D, R02Z, R12A, R12B, R12C		
	12	M03A, M03B, M03C, M38Z			11	L18A, L18B, L19Z, L20A, L20B, L20C, L38Z	21A	W04A, W04B		
	13	N11A, N11B		12	M06Z, M09A, M09B, M38Z	21B	X06A, X06B, X06C			
	14	962Z, O02A, O02B		5o495‡	11	L18A, L18B, L19Z, L20A, L20B, L20C, L38Z	11	L11Z, L18A, L18B, L38Z		
21A	W04A, W04B	12	M06Z, M09A, M09B, M38Z		5o900.x†	BOP, KVT, UOP4				
21B	X06A, X06B, X06C	11	L18A, L18B, L19Z, L20A, L20B, L20C, L38Z			5o901.1	L03Z, L04A, L04B, L04C, L10Z, L13A, L13B, L38Z			
5o442		BOP, KVT, UOP4	5o496			11	L17A, L17B, L20A, L20B, L20C	12	M06Z, M09A, M09B, M38Z	
	11	L17A, L17B, L20A, L20B, L20C				13	N11A, N11B	13	N11A, N11B	
	12	M06Z, M09A, M09B, M38Z		21A		W04A, W04B	17	R01A, R01B, R01C, R01D, R02Z, R12A, R12B, R12C		
	21A	W04A, W04B		5o497	21B	X06A, X06B, X06C	21A	W04A, W04B		
	21B	X06A, X06B, X06C			11	BOP, KVT, UOP4	21B	X06A, X06B, X06C		
5o443		BOP, KVT, UOP4	5o498		11	L17A, L17B, L20A, L20B, L20C	5o901.2	BOP, KVT, UOP4		
	11	L17A, L17B, L20A, L20B, L20C			13	N11A, N11B		11	L03Z, L04A, L04B, L04C, L10Z, L13A, L13B, L38Z	
	12	M06Z, M09A, M09B, M38Z			21A	W04A, W04B		12	M06Z, M09A, M09B, M38Z	
	21A	W04A, W04B		21B	X06A, X06B, X06C	13		N11A, N11B		
	21B	X06A, X06B, X06C		5o499‡	11	L17A, L17B, L20A, L20B, L20C		17	R01A, R01B, R01C, R01D, R02Z, R12A, R12B, R12C	
5o44x		BOP, KVT, UOP4	5o499†		12	M06Z, M09A, M09B, M38Z	21A	W04A, W04B		
	11	L17A, L17B, L20A, L20B, L20C			11	L18A, L18B, L19Z, L20A, L20B, L20C, L38Z	21B	X06A, X06B, X06C		
	12	M06Z, M09A, M09B, M38Z			12	M06Z, M09A, M09B, M38Z	11	L11Z, L18A, L18B, L38Z		
	21A	W04A, W04B			5o49a.1‡	11	L18A, L18B, L19Z, L20A, L20B, L20C, L38Z	5o901.4	BOP, KVT, UOP4	
	21B	X06A, X06B, X06C		12		M06Z, M09A, M09B, M38Z	11	L03Z, L04A, L04B, L04C, L10Z, L13A, L13B, L38Z		
5o450‡	11	L64A, L74Z	5o49a.2‡	11		L18A, L18B, L19Z, L20A, L20B, L20C, L38Z	12	M06Z, M09A, M09B, M38Z		
	5o451			BOP, KVT, UOP4		5o49b	12	M06Z, M09A, M09B, M38Z	13	N11A, N11B
		11		L17A, L17B, L20A, L20B, L20C			06	BOP, KVT, UOP4	17	R01A, R01B, R01C, R01D, R02Z, R12A, R12B, R12C
		13		N11A, N11B	11		G01Z, G02Z, G38Z	21A	W04A, W04B	
		21A		W04A, W04B	11		L08A, L08B	21B	X06A, X06B, X06C	
21B		X06A, X06B, X06C	12	M03A, M03B, M03C, M38Z	11		L11Z, L18A, L18B, L38Z			
5o452		BOP, KVT, UOP4	5o49c	Pre	A11A, A13A, A13B, A13D	11	L03Z, L04A, L04B, L04C, L10Z, L13A, L13B, L38Z			
	11	L17A, L17B, L20A, L20B, L20C		06	BOP, KVT, UOP4	12	M06Z, M09A, M09B, M38Z			
	13	N11A, N11B		11	G01Z, G02Z, G38Z	13	N11A, N11B			
	21A	W04A, W04B		11	L08A, L08B	17	R01A, R01B, R01C, R01D, R02Z, R12A, R12B, R12C			
	21B	X06A, X06B, X06C		12	M03A, M03B, M03C, M38Z	21A	W04A, W04B			
5o45x		BOP, KVT, UOP4	5o49x†	Pre	A11A, A13A, A13B, A13D	21B	X06A, X06B, X06C			
	11	L17A, L17B, L20A, L20B, L20C		11	L18A, L18B, L19Z, L20A, L20B, L20C, L38Z	5o901.x†	11	L11Z, L18A, L18B, L38Z		
	13	N11A, N11B		12	M06Z, M09A, M09B, M38Z		5o902.1	BOP, KVT, UOP4		
	21A	W04A, W04B		11	L08A, L08B		06	G10Z, G12A, G12B		
	21B	X06A, X06B, X06C		12	M03A, M03B, M03C, M38Z		07	H06A, H06B, H06C		
5o490		BOP, KVT, UOP4	5o900.1	Pre	A11A, A13A, A13B, A13D		10	K09A, K09B		
	11	L03Z, L04A, L04B, L04C, L10Z, L13A, L13B, L38Z		11	L18A, L18B, L19Z, L20A, L20B, L20C, L38Z	11	L03Z, L04A, L04B, L04C, L10Z, L13A, L13B, L38Z			
	21A	W04A, W04B		12	M06Z, M09A, M09B, M38Z	12	M06Z, M09A, M09B, M38Z			
	21B	X06A, X06B, X06C		11	BOP, KVT, UOP4	13	N11A, N11B			
				11	L03Z, L04A, L04B, L04C, L10Z, L13A, L13B, L38Z	17	R01A, R01B, R01C, R01D, R02Z, R12A, R12B, R12C			
		12	M06Z, M09A, M09B, M38Z							
		13	N11A, N11B							
		17	R01A, R01B, R01C, R01D, R02Z, R12A, R12B, R12C							
		21A	W04A, W04B							
		21B	X06A, X06B, X06C							

ZZV	MDC	DRG	ZZV	MDC	DRG	ZZV	MDC	DRG
5o902.2		BOP, KVT, UOP4	5o905.1		BOP, KVT, UOP4	5o906.4		BOP, KVT, UOP4
	06	G10Z, G12A, G12B		06	G15Z		06	G10Z, G12A, G12B, G15Z
	07	H06A, H06B, H06C		10	K03A, K03B		07	H06A, H06B, H06C
	10	K09A, K09B		11	L03Z, L04A, L04B, L04C, L10Z, L13A, L13B, L38Z		10	K03A, K03B, K09A, K09B
	11	L03Z, L04A, L04B, L04C, L10Z, L13A, L13B, L38Z		12	M06Z, M09A, M09B, M38Z		11	L03Z, L04A, L04B, L04C, L10Z, L13A, L13B, L38Z
	12	M06Z, M09A, M09B, M38Z		13	N11A, N11B		12	M06Z, M09A, M09B, M38Z
	13	N11A, N11B		17	R01A, R01B, R01C, R01D, R02Z, R12A, R12B, R12C		13	N11A, N11B
	17	R01A, R01B, R01C, R01D, R02Z, R12A, R12B, R12C		21A	W04A, W04B		17	R01A, R01B, R01C, R01D, R02Z, R12A, R12B, R12C
	21A	W04A, W04B		21B	X06A, X06B, X06C		21A	W04A, W04B
	21B	X06A, X06B, X06C	5o905.2		BOP, KVT, UOP4		21B	X06A, X06B, X06C
5o902.3‡	11	L11Z, L18A, L18B, L38Z		06	G15Z	5o906.x‡	11	L11Z, L18A, L18B, L38Z
5o902.4		BOP, KVT, UOP4		11	L03Z, L04A, L04B, L04C, L10Z, L13A, L13B, L38Z	5o907.1		BOP, KOP, KOPV, KVT, UOP4
	06	G10Z, G12A, G12B		12	M06Z, M09A, M09B, M38Z		04	E05A, E05B, E05C, E08A, E08B, E08C
	07	H06A, H06B, H06C		13	N11A, N11B		06	G10Z, G12A, G12B, G15Z, G18A, G33Z, G38Z
	10	K09A, K09B		17	R01A, R01B, R01C, R01D, R02Z, R12A, R12B, R12C		07	H33Z, H38Z
	11	L03Z, L04A, L04B, L04C, L10Z, L13A, L13B, L38Z		21A	W04A, W04B		08	I28A, I28B
	12	M06Z, M09A, M09B, M38Z		21B	X06A, X06B, X06C		09	J03A, J03B, J04A, J04B, J08A, J08B, J08C, J10A, J10B, J16Z
	13	N11A, N11B	5o905.3‡	11	L11Z, L18A, L18B, L38Z		10	K09A, K09B
	17	R01A, R01B, R01C, R01D, R02Z, R12A, R12B, R12C	5o905.4		BOP, KVT, UOP4		11	L03Z, L04A, L04B, L04C, L10Z, L13A, L13B, L33Z, L38Z
	21A	W04A, W04B		06	G15Z		12	M01A, M01B, M38Z
	21B	X06A, X06B, X06C		11	L03Z, L04A, L04B, L04C, L10Z, L13A, L13B, L38Z		13	N01A, N01B, N01C, N01D, N01E, N38Z
5o902.x‡	11	L11Z, L18A, L18B, L38Z		12	M06Z, M09A, M09B, M38Z		17	R01A, R01B, R01C, R01D, R02Z, R12A, R12B, R12C
5o903.1		BOP, KVT, UOP4		13	N11A, N11B		21B	X33Z
	06	G10Z, G12A, G12B		17	R01A, R01B, R01C, R01D, R02Z, R12A, R12B, R12C		23	Z01A
	07	H06A, H06B, H06C		21A	W04A, W04B		Pre	A07A
	10	K09A, K09B		21B	X06A, X06B, X06C	5o907.2		BOP, KOP, KOPV, KVT, UOP4
	11	L03Z, L04A, L04B, L04C, L10Z, L13A, L13B, L38Z	5o905.x‡	11	L11Z, L18A, L18B, L38Z		04	E05A, E05B, E05C, E08A, E08B, E08C
	12	M06Z, M09A, M09B, M38Z	5o906.1		BOP, KVT, UOP4		06	G10Z, G12A, G12B, G15Z, G18A, G33Z, G38Z
	13	N11A, N11B		06	G10Z, G12A, G12B, G15Z		07	H33Z, H38Z
	17	R01A, R01B, R01C, R01D, R02Z, R12A, R12B, R12C		07	H06A, H06B, H06C		08	I28A, I28B
	21A	W04A, W04B		10	K03A, K03B, K09A, K09B		09	J03A, J03B, J04A, J04B, J08A, J08B, J08C, J10A, J10B, J16Z
	21B	X06A, X06B, X06C		11	L03Z, L04A, L04B, L04C, L10Z, L13A, L13B, L38Z		10	K09A, K09B
5o903.2		BOP, KVT, UOP4		12	M06Z, M09A, M09B, M38Z		11	L03Z, L04A, L04B, L04C, L10Z, L13A, L13B, L33Z, L38Z
	06	G10Z, G12A, G12B		13	N11A, N11B		12	M01A, M01B, M38Z
	07	H06A, H06B, H06C		17	R01A, R01B, R01C, R01D, R02Z, R12A, R12B, R12C		13	N01A, N01B, N01C, N01D, N01E, N38Z
	10	K09A, K09B		21A	W04A, W04B		17	R01A, R01B, R01C, R01D, R02Z, R12A, R12B, R12C
	11	L03Z, L04A, L04B, L04C, L10Z, L13A, L13B, L38Z		21B	X06A, X06B, X06C		21B	X33Z
	12	M06Z, M09A, M09B, M38Z	5o906.2		BOP, KVT, UOP4		23	Z01A
	13	N11A, N11B		06	G10Z, G12A, G12B, G15Z		Pre	A07A
	17	R01A, R01B, R01C, R01D, R02Z, R12A, R12B, R12C		07	H06A, H06B, H06C			
	21A	W04A, W04B		10	K09A, K09B			
	21B	X06A, X06B, X06C		11	L03Z, L04A, L04B, L04C, L10Z, L13A, L13B, L38Z			
5o903.3‡	11	L11Z, L18A, L18B, L38Z		12	M06Z, M09A, M09B, M38Z			
5o903.4		BOP, KVT, UOP4		13	N11A, N11B			
	06	G10Z, G12A, G12B		17	R01A, R01B, R01C, R01D, R02Z, R12A, R12B, R12C			
	07	H06A, H06B, H06C		21A	W04A, W04B			
	10	K09A, K09B		21B	X06A, X06B, X06C			
	11	L03Z, L04A, L04B, L04C, L10Z, L13A, L13B, L38Z		11	L11Z, L18A, L18B, L38Z			
	12	M06Z, M09A, M09B, M38Z	5o906.3‡					
	13	N11A, N11B						
	17	R01A, R01B, R01C, R01D, R02Z, R12A, R12B, R12C						
	21A	W04A, W04B						
	21B	X06A, X06B, X06C						
5o903.x‡	11	L11Z, L18A, L18B, L38Z						
5o904‡	11	L11Z, L18A, L18B, L38Z						

VYK

ZZV	MDC	DRG	ZZV	MDC	DRG	ZZV	MDC	DRG			
5o907.4		BOP, KOP, KOPV, KVT, UOP4	5o908.2		BOP, KOP, KOPV, KVT, UOP4	5o909.1		BOP, KVT, UOP4			
	04	E05A, E05B, E05C, E08A, E08B, E08C		04	E05A, E05B, E05C, E08A, E08B, E08C		06	G10Z, G12A, G12B, G15Z, G18A, G33Z, G38Z			
	06	G10Z, G12A, G12B, G15Z, G18A, G33Z, G38Z		06	G10Z, G12A, G12B, G15Z, G18A, G33Z, G38Z		07	H06A, H06B, H06C			
	07	H33Z, H38Z		07	H33Z, H38Z		10	K03A, K03B, K09A, K09B			
	08	I28A, I28B		08	I28A, I28B		11	L03Z, L04A, L04B, L04C, L10Z, L13A, L13B, L38Z			
	09	J03A, J03B, J04A, J04B, J08A, J08B, J08C, J10A, J10B, J16Z		09	J03A, J03B, J04A, J04B, J08A, J08B, J08C, J10A, J10B, J16Z		12	M06Z, M09A, M09B, M38Z			
	10	K09A, K09B		10	K09A, K09B		13	N01A, N01B, N01C, N01D, N01E, N02A, N02B, N02C, N03A, N03B, N07Z, N11A, N11B, N25Z, N38Z			
	11	L03Z, L04A, L04B, L04C, L10Z, L13A, L13B, L33Z, L38Z		11	L03Z, L04A, L04B, L04C, L10Z, L13A, L13B, L33Z, L38Z		17	R01A, R01B, R01C, R01D, R02Z, R12A, R12B, R12C			
	12	M01A, M01B, M38Z		12	M01A, M01B, M38Z		21A	W04A, W04B			
	13	N01A, N01B, N01C, N01D, N01E, N38Z		13	N01A, N01B, N01C, N01D, N01E, N38Z		21B	X06A, X06B, X06C			
	17	R01A, R01B, R01C, R01D, R02Z, R12A, R12B, R12C		17	R01A, R01B, R01C, R01D, R02Z, R12A, R12B, R12C		5o909.2	BOP, KVT, UOP4			
	21B	X33Z		21B	X33Z		06	G10Z, G12A, G12B, G15Z			
	23	Z01A		23	Z01A		07	H06A, H06B, H06C			
	Pre	A07A		Pre	A07A		10	K09A, K09B			
	5o907.x			BOP, KOP, KOPV, KVT, UOP4	5o908.4			BOP, KOP, KOPV, KVT, UOP4	5o909.2		BOP, KVT, UOP4
		04		E05A, E05B, E05C, E08A, E08B, E08C			04	E05A, E05B, E05C, E08A, E08B, E08C		06	G10Z, G12A, G12B, G15Z, G18A, G33Z, G38Z
		06		G10Z, G12A, G12B, G15Z, G33Z			06	G10Z, G12A, G12B, G15Z, G18A, G33Z, G38Z		07	H06A, H06B, H06C
07		H33Z, H38Z	07	H33Z, H38Z		10	K09A, K09B				
08		I28A, I28B	08	I28A, I28B		11	L03Z, L04A, L04B, L04C, L10Z, L13A, L13B, L38Z				
09		J03A, J03B, J04A, J04B, J08A, J08B, J08C, J10A, J10B, J16Z	09	J03A, J03B, J04A, J04B, J08A, J08B, J08C, J10A, J10B, J16Z		12	M06Z, M09A, M09B, M38Z				
10		K09A, K09B	10	K09A, K09B		13	N01A, N01B, N01C, N01D, N01E, N02A, N02B, N02C, N03A, N03B, N07Z, N25Z, N38Z				
11		L03Z, L04A, L04B, L04C, L10Z, L13A, L13B, L33Z, L38Z	11	L03Z, L04A, L04B, L04C, L10Z, L13A, L13B, L33Z, L38Z		17	R01A, R01B, R01C, R01D, R02Z, R12A, R12B, R12C				
12		M01A, M01B, M38Z	12	M01A, M01B, M38Z		21A	W04A, W04B				
13		N01A, N01B, N01C, N01D, N01E, N38Z	13	N01A, N01B, N01C, N01D, N01E, N38Z		21B	X06A, X06B, X06C				
17		R01A, R01B, R01C, R01D, R02Z, R12A, R12B, R12C	17	R01A, R01B, R01C, R01D, R02Z, R12A, R12B, R12C		5o909.4	BOP, KVT, UOP4				
21B		X33Z	21B	X33Z		06	G10Z, G12A, G12B, G15Z				
23		Z01A	23	Z01A		07	H06A, H06B, H06C				
Pre		A07A	Pre	A07A		10	K09A, K09B				
5o908.1			BOP, KOP, KOPV, KVT, UOP4	5o908.x			BOP, KOP, KOPV, KVT, UOP4	5o909.x			BOP, KVT, UOP4
		04	E05A, E05B, E05C, E08A, E08B, E08C			04	E05A, E05B, E05C, E08A, E08B, E08C			06	G10Z, G12A, G12B, G15Z, G18A, G33Z, G38Z
		06	G10Z, G12A, G12B, G15Z, G18A, G33Z, G38Z			06	G10Z, G12A, G12B, G15Z, G18A, G33Z, G38Z			07	H06A, H06B, H06C
	07	H33Z, H38Z	07		H33Z, H38Z	10	K09A, K09B				
	08	I28A, I28B	08		I28A, I28B	11	L03Z, L04A, L04B, L04C, L10Z, L13A, L13B, L38Z				
	09	J03A, J03B, J04A, J04B, J08A, J08B, J08C, J10A, J10B, J16Z	09		J03A, J03B, J04A, J04B, J08A, J08B, J08C, J10A, J10B, J16Z	12	M06Z, M09A, M09B, M38Z				
	10	K09A, K09B	10		K09A, K09B	13	N01A, N01B, N01C, N01D, N01E, N02A, N02B, N02C, N03A, N03B, N07Z, N11A, N11B, N25Z, N38Z				
	11	L03Z, L04A, L04B, L04C, L10Z, L13A, L13B, L33Z, L38Z	11		L03Z, L04A, L04B, L04C, L10Z, L13A, L13B, L33Z, L38Z	17	R01A, R01B, R01C, R01D, R02Z, R12A, R12B, R12C				
	12	M01A, M01B, M38Z	12		M01A, M01B, M38Z	21A	W04A, W04B				
	13	N01A, N01B, N01C, N01D, N01E, N38Z	13		N01A, N01B, N01C, N01D, N01E, N38Z	21B	X06A, X06B, X06C				
	17	R01A, R01B, R01C, R01D, R02Z, R12A, R12B, R12C	17		R01A, R01B, R01C, R01D, R02Z, R12A, R12B, R12C	5o909.x	BOP, KVT, UOP4				
	21B	X33Z	21B		X33Z	06	G10Z, G12A, G12B, G15Z				
	23	Z01A	23		Z01A	07	H06A, H06B, H06C				
	Pre	A07A	Pre		A07A	10	K09A, K09B				
	5o908.1		BOP, KOP, KOPV, KVT, UOP4		5o908.x		BOP, KOP, KOPV, KVT, UOP4		5o90x.1		BOP, KVT, UOP4
		04	E05A, E05B, E05C, E08A, E08B, E08C			04	E05A, E05B, E05C, E08A, E08B, E08C			11	L03Z, L04A, L04B, L04C, L10Z, L13A, L13B, L38Z
		06	G10Z, G12A, G12B, G15Z, G18A, G33Z, G38Z			06	G10Z, G12A, G12B, G15Z, G18A, G33Z, G38Z			12	M06Z, M09A, M09B, M38Z
07		H33Z, H38Z	07	H33Z, H38Z		13	N11A, N11B				
08		I28A, I28B	08	I28A, I28B		17	R01A, R01B, R01C, R01D, R02Z, R12A, R12B, R12C				
09		J03A, J03B, J04A, J04B, J08A, J08B, J08C, J10A, J10B, J16Z	09	J03A, J03B, J04A, J04B, J08A, J08B, J08C, J10A, J10B, J16Z		21A	W04A, W04B				
10		K09A, K09B	10	K09A, K09B		21B	X06A, X06B, X06C				
11		L03Z, L04A, L04B, L04C, L10Z, L13A, L13B, L33Z, L38Z	11	L03Z, L04A, L04B, L04C, L10Z, L13A, L13B, L33Z, L38Z		5o90x.2	BOP, KVT, UOP4				
12		M01A, M01B, M38Z	12	M01A, M01B, M38Z		11	L03Z, L04A, L04B, L04C, L10Z, L13A, L13B, L38Z				
13		N01A, N01B, N01C, N01D, N01E, N38Z	13	N01A, N01B, N01C, N01D, N01E, N38Z		12	M06Z, M09A, M09B, M38Z				
17		R01A, R01B, R01C, R01D, R02Z, R12A, R12B, R12C	17	R01A, R01B, R01C, R01D, R02Z, R12A, R12B, R12C		13	N11A, N11B				
21B		X33Z	21B	X33Z		17	R01A, R01B, R01C, R01D, R02Z, R12A, R12B, R12C				
23		Z01A	23	Z01A		21A	W04A, W04B				
Pre		A07A	Pre	A07A		21B	X06A, X06B, X06C				

ZZV	MDC	DRG	ZZV	MDC	DRG	ZZV	MDC	DRG
5o90x.3		BOP, KVT, UOP4	5o920.x		BOP, KVT, UOP4	5o931.2		BOP, KVT, UOP4
	11	L03Z, L04A, L04B, L04C, L10Z, L13A, L13B, L38Z		11	L03Z, L04A, L04B, L04C, L10Z, L13A, L13B, L38Z		11	L06A, L06B
	12	M06Z, M09A, M09B, M38Z		12	N04Z, N06Z		13	N04Z, N23Z
	13	N11A, N11B		13	M01A, M01B, M38Z		5o931.x	BOP, KVT, UOP4
	17	R01A, R01B, R01C, R01D, R02Z, R12A, R12B, R12C		21A	W04A, W04B		11	L06A, L06B
5o90x.4	21A	W04A, W04B	5o921	21B	X06A, X06B, X06C	5o932.1	13	N04Z, N23Z
	21B	X06A, X06B, X06C			BOP, KVT, UOP4		11	L06A, L06B
		BOP, KVT, UOP4		11	L03Z, L04A, L04B, L04C, L10Z, L13A, L13B, L38Z		13	N04Z, N23Z
	11	L03Z, L04A, L04B, L04C, L10Z, L13A, L13B, L38Z		12	M06Z, M09A, M09B, M38Z		5o932.x	BOP, KVT, UOP4
	12	M06Z, M09A, M09B, M38Z		13	N11A		11	L06A, L06B
5o90x.5†	13	N11A, N11B	5o922.1	11	BOP, KVT, UOP4	5o93x	13	N04Z, N23Z
	17	R01A, R01B, R01C, R01D, R02Z, R12A, R12B, R12C		11	L03Z, L04A, L04B, L04C, L10Z, L13A, L13B, L38Z		11	L06A, L06B
	21A	W04A, W04B		12	M01A, M01B, M38Z		13	N04Z, N23Z
	21B	X06A, X06B, X06C		13	N04Z, N06Z		5o941.1	BOP, KVT, UOP4
	5o90x.x†				21A		W04A, W04B	11
5o910†			21B	X06A, X06B, X06C	13	N04Z, N06Z		
5o911	11	L11Z, L18A, L18B, L38Z	5o922.2		BOP, KVT, UOP4	5o941.2	11	L06A, L06B
	11	L11Z, L18A, L18B, L38Z		11	L03Z, L04A, L04B, L04C, L10Z, L13A, L13B, L38Z		13	N04Z, N06Z
	11	L11Z, L18A, L18B, L38Z		12	M01A, M01B, M38Z		5o941.3	BOP, KVT, UOP4
		BOP, KVT, UOP4		13	N04Z, N06Z		11	L06A, L06B
	11	L06A, L06B		21A	W04A, W04B		13	N04Z, N06Z
5o912	12	M06Z, M09A, M09B, M38Z	5o922.3	21B	X06A, X06B, X06C	5o942.0	11	L06A
	13	N11A, N11B			BOP, KVT, UOP4		13	N04Z, N23Z
	17	R01A, R01B, R01C, R01D, R02Z, R12A, R12B, R12C		11	L03Z, L04A, L04B, L04C, L10Z, L13A, L13B, L38Z		5o942.1	BOP, KVT, UOP4
	21A	W04A, W04B		12	M01A, M01B, M38Z		11	L06A
	21B	X06A, X06B, X06C		13	N04Z, N06Z		13	N04Z, N23Z
5o91x		BOP, KVT, UOP4	5o922.x	21A	W04A, W04B	5o94x	11	L06A, L06B
	11	L06A, L06B		21B	X06A, X06B, X06C		13	N04Z, N23Z
	12	M06Z, M09A, M09B, M38Z			BOP, KVT, UOP4		5o950.1	BOP, KVT, UOP4
	13	N11A, N11B		11	L03Z, L04A, L04B, L04C, L10Z, L13A, L13B, L38Z		11	L17A, L17B, L20A, L20B, L20C
	17	R01A, R01B, R01C, R01D, R02Z, R12A, R12B, R12C		12	M01A, M01B, M38Z		12	M06Z, M09A, M09B, M38Z
5o91x	21A	W04A, W04B	5o923	13	N04Z, N06Z	5o950.2	13	N13A, N13B
	21B	X06A, X06B, X06C		21A	W04A, W04B		11	BOP, KVT, UOP4
		BOP, KVT, UOP4		21B	X06A, X06B, X06C		11	L17A, L17B, L20A, L20B, L20C
	11	L06A, L06B		11	L03Z, L04A, L04B, L04C, L10Z, L13A, L13B, L38Z		12	M06Z, M09A, M09B, M38Z
	12	M06Z, M09A, M09B, M38Z		12	M01A, M01B, M38Z		13	N13A, N13B
5o920.1	13	N11A, N11B	5o92x	13	N04Z, N06Z	5o951	BOP, KVT, UOP4	
	17	R01A, R01B, R01C, R01D, R02Z, R12A, R12B, R12C		21A	W04A, W04B		11	L08A, L08B
	21A	W04A, W04B		21B	X06A, X06B, X06C		12	M03A, M03B, M03C, M38Z
	21B	X06A, X06B, X06C			BOP, KVT, UOP4		13	N11A
		BOP, KVT, UOP4		11	L03Z, L04A, L04B, L04C, L10Z, L13A, L13B, L38Z		14	962Z, O02A, O02B
5o920.2	11	L03Z, L04A, L04B, L04C, L10Z, L13A, L13B, L38Z	5o930.1	12	M06Z, M09A, M09B, M38Z	5o952.1	21A	W04A, W04B
	12	M01A, M01B, M38Z		13	N11A		21B	X06A, X06B, X06C
	13	N04Z, N06Z			BOP, KVT, UOP4			BOP, KVT, UOP4
	21A	W04A, W04B		11	L06A, L06B		11	L08A, L08B
	21B	X06A, X06B, X06C		13	N04Z, N06Z		12	M03A, M03B, M03C, M38Z
5o920.3		BOP, KVT, UOP4	5o930.2		BOP, KVT, UOP4	5o952.2	13	N11A
	11	L03Z, L04A, L04B, L04C, L10Z, L13A, L13B, L38Z		11	L06A, L06B		14	962Z, O02A, O02B
	12	M01A, M01B, M38Z		13	N04Z, N06Z		21A	W04A, W04B
	13	N04Z, N06Z		13	N04Z, N06Z		21B	X06A, X06B, X06C
	21A	W04A, W04B			BOP, KVT, UOP4			BOP, KVT, UOP4
5o920.3	21B	X06A, X06B, X06C	5o930.3		BOP, KVT, UOP4	5o953	BOP, KVT, UOP4	
		BOP, KVT, UOP4		11	L06A, L06B		11	L08A, L08B
	11	L03Z, L04A, L04B, L04C, L10Z, L13A, L13B, L38Z		13	N04Z, N06Z		12	M03A, M03B, M03C, M38Z
	12	M01A, M01B, M38Z			BOP, KVT, UOP4		13	N11A
	13	N04Z, N06Z		11	L06A, L06B		14	962Z, O02A, O02B
5o920.3	21A	W04A, W04B	5o930.x	13	N04Z, N06Z	5o953	21A	W04A, W04B
	21B	X06A, X06B, X06C		13	N04Z, N06Z		21B	X06A, X06B, X06C
		BOP, KVT, UOP4			BOP, KVT, UOP4			BOP, KVT, UOP4
	11	L03Z, L04A, L04B, L04C, L10Z, L13A, L13B, L38Z		11	L06A, L06B		11	L06A, L06B
	12	M01A, M01B, M38Z		13	N04Z, N06Z		13	N13A, N13B
5o920.3	13	N04Z, N06Z	5o931.1		BOP, KVT, UOP4	5o953		
	21A	W04A, W04B		11	L06A, L06B			
	21B	X06A, X06B, X06C		13	N04Z, N23Z			
		BOP, KVT, UOP4						
		BOP, KVT, UOP4						

VYK

ZZV	MDC	DRG	ZZV	MDC	DRG	ZZV	MDC	DRG
5o954		BOP, KVT, UOP4	5o992.71		BOP, KVT, UOP4	5o995.4		BOP, KVT, UOP4
	11	L06A, L06B		11	L06A, L06B		11	L06A, L06B
	13	N04Z, N06Z		12	M06Z, M09A, M09B, M38Z		12	M06Z, M09A, M09B, M38Z
5o955		BOP, KVT, UOP4		17	R01A, R01B, R01C, R01D, R02Z, R12A, R12B, R12C		17	R01A, R01B, R01C, R01D, R02Z, R12A, R12B, R12C
	11	L06A, L06B		21A	W04A, W04B		21A	W04A, W04B
	13	N04Z, N06Z		21B	X06A, X06B, X06C		21B	X06A, X06B, X06C
5o956.1		BOP, KVT, UOP4	5o993.11		BOP, KVT, UOP4	5o995.7		BOP, KVT, UOP4
	11	L06A		11	L06A, L06B		11	L06A, L06B
	13	N13A, N13B		12	M06Z, M09A, M09B, M38Z		12	M06Z, M09A, M09B, M38Z
5o956.x		BOP, KVT, UOP4		17	R01A, R01B, R01C, R01D, R02Z, R12A, R12B, R12C		17	R01A, R01B, R01C, R01D, R02Z, R12A, R12B, R12C
	11	L06A, L06B		21A	W04A, W04B		21A	W04A, W04B
	13	N13A, N13B		21B	X06A, X06B, X06C		21B	X06A, X06B, X06C
5o95a		BOP, KVT, UOP4	5o993.41		BOP, KVT, UOP4	5o995.x		BOP, KVT, UOP4
	11	L06A		11	L06A, L06B		11	L06A, L06B
	13	N13A, N13B		12	M06Z, M09A, M09B, M38Z		12	M06Z, M09A, M09B, M38Z
5o95b		BOP, KVT, UOP4		17	R01A, R01B, R01C, R01D, R02Z, R12A, R12B, R12C		17	R01A, R01B, R01C, R01D, R02Z, R12A, R12B, R12C
	11	L06A, L06B		21A	W04A, W04B		21A	W04A, W04B
	13	N13A, N13B		21B	X06A, X06B, X06C		21B	X06A, X06B, X06C
5o95c		BOP, KVT, UOP4	5o993.70		BOP, KVT, UOP4	5o99x		BOP, KVT, UOP4
	11	L06A, L06B		11	L06A, L06B		11	L06A, L06B
	13	N13A, N13B		12	M06Z, M09A, M09B, M38Z		12	M06Z, M09A, M09B, M38Z
5o95d		BOP, KVT, UOP4		17	R01A, R01B, R01C, R01D, R02Z, R12A, R12B, R12C		17	R01A, R01B, R01C, R01D, R02Z, R12A, R12B, R12C
	11	L06A		21A	W04A, W04B		21A	W04A, W04B
	13	N13A, N13B		21B	X06A, X06B, X06C		21B	X06A, X06B, X06C
5o95x		BOP, KVT, UOP4	5o994.70		BOP, KVT, UOP4	5p111.t		BOP, KVT, UOP4
	11	L06A, L06B		11	L06A, L06B		12	M06Z, M09A, M09B, M38Z
	13	N13A, N13B		12	M06Z, M09A, M09B, M38Z		12	M06Z, M09A, M09B, M38Z
	17	R01A, R01B, R01C, R01D, R02Z, R12A, R12B, R12C		17	R01A, R01B, R01C, R01D, R02Z, R12A, R12B, R12C		17	R01A, R01B, R01C, R01D, R02Z, R12A, R12B, R12C
5o960		BOP, KVT, UOP4		21A	W04A, W04B		21A	W04A, W04B
	11	L06A, L06B		21B	X06A, X06B, X06C		21B	X06A, X06B, X06C
	13	N13A, N13B	5o994.71		BOP, KVT, UOP4	5p111.x		BOP, KVT, UOP4
5o961		BOP, KVT, UOP4		11	L06A, L06B		12	M06Z, M09A, M09B, M38Z
	11	L06A, L06B		12	M06Z, M09A, M09B, M38Z		12	M06Z, M09A, M09B, M38Z
	13	N04Z, N06Z		17	R01A, R01B, R01C, R01D, R02Z, R12A, R12B, R12C		17	R01A, R01B, R01C, R01D, R02Z, R12A, R12B, R12C
5o962		BOP, KVT, UOP4		21A	W04A, W04B		21A	W04A, W04B
	11	L06A, L06B		21B	X06A, X06B, X06C		21B	X06A, X06B, X06C
	13	N04Z, N06Z	5o994.71		BOP, KVT, UOP4	5p112		BOP, KVT, UOP4
5o963		BOP, KVT, UOP4		11	L06A, L06B		12	M06Z, M09A, M09B, M38Z
	11	L06A, L06B		12	M06Z, M09A, M09B, M38Z		12	M06Z, M09A, M09B, M38Z
	13	N04Z, N06Z		17	R01A, R01B, R01C, R01D, R02Z, R12A, R12B, R12C		17	R01A, R01B, R01C, R01D, R02Z, R12A, R12B, R12C
5o96x		BOP, KVT, UOP4		21A	W04A, W04B		21A	W04A, W04B
	11	L06A, L06B		21B	X06A, X06B, X06C		21B	X06A, X06B, X06C
	13	N04Z, N06Z	5o995.1		BOP, KVT, UOP4	5p114		BOP, KVT, UOP4
5o990		BOP, KVT, UOP4		11	L06A, L06B		12	M06Z, M09A, M09B, M38Z
	11	L06A, L06B		12	M06Z, M09A, M09B, M38Z		12	M06Z, M09A, M09B, M38Z
	13	N13A, N13B		17	R01A, R01B, R01C, R01D, R02Z, R12A, R12B, R12C		17	R01A, R01B, R01C, R01D, R02Z, R12A, R12B, R12C
5o992.10		BOP, KVT, UOP4		21A	W04A, W04B		21A	W04A, W04B
	11	L06A, L06B		21B	X06A, X06B, X06C		21B	X06A, X06B, X06C
	12	M06Z, M09A, M09B, M38Z	5o995.2		BOP, KVT, UOP4	5p121.1		BOP, KVT, UOP4
	17	R01A, R01B, R01C, R01D, R02Z, R12A, R12B, R12C		11	L06A, L06B		11	L03Z, L04A, L04B, L04C, L10Z, L13A, L13B, L38Z
	21A	W04A, W04B		12	M06Z, M09A, M09B, M38Z		12	M01A, M01B, M09A, M38Z
	21B	X06A, X06B, X06C		17	R01A, R01B, R01C, R01D, R02Z, R12A, R12B, R12C		17	R01A, R01B, R01C, R01D, R02Z, R12A, R12B, R12C
5o992.40		BOP, KVT, UOP4		21A	W04A, W04B		21A	W04A, W04B
	11	L06A, L06B		21B	X06A, X06B, X06C		21B	X06A, X06B, X06C
	12	M06Z, M09A, M09B, M38Z	5o995.3		BOP, KVT, UOP4	5p121.2		BOP, KVT, UOP4
	17	R01A, R01B, R01C, R01D, R02Z, R12A, R12B, R12C		11	L06A, L06B		11	L03Z, L04A, L04B, L04C, L10Z, L13A, L13B, L38Z
	21A	W04A, W04B		12	M06Z, M09A, M09B, M38Z		12	M01A, M01B, M09A, M38Z
	21B	X06A, X06B, X06C		17	R01A, R01B, R01C, R01D, R02Z, R12A, R12B, R12C		17	R01A, R01B, R01C, R01D, R02Z, R12A, R12B, R12C
5o992.70		BOP, KVT, UOP4		21A	W04A, W04B		21A	W04A, W04B
	11	L06A, L06B		21B	X06A, X06B, X06C		21B	X06A, X06B, X06C
	12	M06Z, M09A, M09B, M38Z		11	L06A, L06B		11	L05A, L05B
	17	R01A, R01B, R01C, R01D, R02Z, R12A, R12B, R12C		12	M06Z, M09A, M09B, M38Z		12	M02A, M02B, M38Z
	21A	W04A, W04B		17	R01A, R01B, R01C, R01D, R02Z, R12A, R12B, R12C		17	R01A, R01B, R01C, R01D, R02Z, R12A, R12B, R12C
	21B	X06A, X06B, X06C		21A	W04A, W04B		21A	W04A, W04B
	21B	X06A, X06B, X06C		21B	X06A, X06B, X06C		21B	X06A, X06B, X06C

ZZV	MDC	DRG	ZZV	MDC	DRG	ZZV	MDC	DRG
5p122.3		BOP, KVT, MVV, UOP4	5p125.5		BOP, KVT, MVV, UOP4	5p141		BOP, KVT, UOP4
	11	L03Z, L04A, L04B, L04C, L10Z, L13A, L13B, L38Z		11	L03Z, L04A, L04B, L04C, L10Z, L13A, L13B, L38Z		12	M06Z, M09A, M09B, M38Z
	12	M01A, M01B, M38Z		12	M01A, M01B, M38Z	5p142		BOP, KVT, UOP4
	23	Z01A		23	Z01A		12	M06Z, M09A, M09B, M38Z
5p122.4		BOP, KVT, MVV, UOP4	5p126.2		BOP, KVT, MVV, UOP4	5p143.1		BOP, KVT, UOP4
	11	L03Z, L04A, L04B, L04C, L10Z, L13A, L13B, L38Z		11	L03Z, L04A, L04B, L04C, L10Z, L13A, L13B, L38Z		12	M06Z, M09A, M09B, M11Z, M38Z
	12	M01A, M01B, M38Z		12	M01A, M01B, M38Z	5p143.2		BOP, KVT, UOP4
	23	Z01A		23	Z01A		12	M06Z, M09A, M09B, M11Z, M38Z
5p122.8		BOP, KVT, MVV, UOP4	5p126.3		BOP, KVT, MVV, UOP4	5p143.3		BOP, KVT, UOP4
	11	L03Z, L04A, L04B, L04C, L10Z, L13A, L13B, L38Z		11	L03Z, L04A, L04B, L04C, L10Z, L13A, L13B, L38Z		12	M06Z, M09A, M09B, M11Z, M38Z
	12	M01A, M01B, M38Z		12	M01A, M01B, M38Z	5p143.x		BOP, KVT, UOP4
	23	Z01A		23	Z01A		12	M06Z, M09A, M09B, M11Z, M38Z
5p123.2		BOP, KVT, MVV, UOP4	5p126.4		BOP, KVT, MVV, UOP4	5p144		BOP, KVT, UOP4
	11	L03Z, L04A, L04B, L04C, L10Z, L13A, L13B, L38Z		11	L03Z, L04A, L04B, L04C, L10Z, L13A, L13B, L38Z		12	M06Z, M09A, M09B, M38Z
	12	M01A, M01B, M38Z		12	M01A, M01B, M38Z	5p145		BOP, KVT, UOP4
	23	Z01A		23	Z01A		12	M06Z, M09A, M09B, M38Z
5p123.3		BOP, KVT, MVV, UOP4	5p126.8		BOP, KVT, MVV, UOP4	5p146		BOP, KVT, UOP4
	11	L03Z, L04A, L04B, L04C, L10Z, L13A, L13B, L38Z		11	L03Z, L04A, L04B, L04C, L10Z, L13A, L13B, L38Z		12	M06Z, M09A, M09B, M11Z, M38Z
	12	M01A, M01B, M38Z		12	M01A, M01B, M38Z	5p14x		BOP, KVT, UOP4
	23	Z01A		23	Z01A		12	M06Z, M09A, M09B, M38Z
5p123.4		BOP, KVT, MVV, UOP4	5p127.2		BOP, KVT, MVV, UOP4	5p151↔		BOP, KVT, UOP4
	11	L03Z, L04A, L04B, L04C, L10Z, L13A, L13B, L38Z		11	L03Z, L04A, L04B, L04C, L10Z, L13A, L13B, L38Z		12	M06Z, M09A, M09B, M38Z
	12	M01A, M01B, M38Z		12	M01A, M01B, M38Z	5p152↔		BOP, KVT, UOP4
	23	Z01A		23	Z01A		12	M06Z, M09A, M09B, M38Z
5p123.8		BOP, KVT, MVV, UOP4	5p127.3		BOP, KVT, MVV, UOP4	5p153↔		BOP, KVT, UOP4
	11	L03Z, L04A, L04B, L04C, L10Z, L13A, L13B, L38Z		11	L03Z, L04A, L04B, L04C, L10Z, L13A, L13B, L38Z		12	M06Z, M09A, M09B, M38Z
	12	M01A, M01B, M38Z		12	M01A, M01B, M38Z	5p15x↔		BOP, KVT, UOP4
	23	Z01A		23	Z01A		12	M06Z, M09A, M09B, M38Z
5p124.2		BOP, KVT, MVV, UOP4	5p127.4		BOP, KVT, MVV, UOP4	5p190.1		BOP, KVT, UOP4
	11	L03Z, L04A, L04B, L04C, L10Z, L13A, L13B, L38Z		11	L03Z, L04A, L04B, L04C, L10Z, L13A, L13B, L38Z		12	M06Z, M09A, M09B, M38Z
	12	M01A, M01B, M38Z		12	M01A, M01B, M38Z	21A		W04A, W04B
	23	Z01A		23	Z01A	21B		X06A, X06B, X06C
5p124.3		BOP, KVT, MVV, UOP4	5p127.5		BOP, KVT, MVV, UOP4			BOP, KVT, UOP4
	11	L03Z, L04A, L04B, L04C, L10Z, L13A, L13B, L38Z		11	L03Z, L04A, L04B, L04C, L10Z, L13A, L13B, L38Z		12	M06Z, M09A, M09B, M38Z
	12	M01A, M01B, M38Z		12	M01A, M01B, M38Z	21A		W04A, W04B
	23	Z01A		23	Z01A	21B		X06A, X06B, X06C
5p124.4		BOP, KVT, MVV, UOP4	5p12x		BOP, KVT, MVV, UOP4	5p191		BOP, KVT, UOP4
	11	L03Z, L04A, L04B, L04C, L10Z, L13A, L13B, L38Z		11	L03Z, L04A, L04B, L04C, L10Z, L13A, L13B, L38Z		12	M06Z, M09A, M09B, M38Z
	12	M01A, M01B, M38Z		12	M01A, M01B, M38Z	21A		W04A, W04B
	23	Z01A		23	Z01A	21B		X06A, X06B, X06C
5p124.8		BOP, KVT, MVV, UOP4	5p131		BOP, KVT, UOP4	5p192		BOP, KVT, UOP4
	11	L03Z, L04A, L04B, L04C, L10Z, L13A, L13B, L38Z		12	M06Z, M09A, M09B, M38Z		11	L18A, L18B, L19Z, L20A, L20B, L20C, L38Z
	12	M01A, M01B, M38Z	5p132		BOP, KVT, UOP4		12	M06Z, M09A, M09B, M38Z
	23	Z01A		12	M06Z, M09A, M09B, M38Z	5p194		BOP, KVT, UOP4
5p125.2		BOP, KVT, MVV, UOP4	5p133		BOP, KVT, UOP4		11	L18A, L18B, L19Z, L20A, L20B, L20C, L38Z
	11	L03Z, L04A, L04B, L04C, L10Z, L13A, L13B, L38Z		12	M06Z, M09A, M09B, M38Z		12	M06Z, M09A, M09B, M38Z
	12	M01A, M01B, M38Z	5p134		BOP, KVT, UOP4	5p195‡		L18A, L18B, L19Z, L20A, L20B, L20C, L38Z
	23	Z01A		12	M06Z, M09A, M09B, M38Z		12	M06Z, M09A, M09B, M38Z
5p125.3		BOP, KVT, MVV, UOP4	5p136		BOP, KVT, UOP4	5p196		BOP, KVT, UOP4
	11	L03Z, L04A, L04B, L04C, L10Z, L13A, L13B, L38Z		12	M06Z, M09A, M09B, M38Z		12	M06Z, M09A, M09B, M38Z
	12	M01A, M01B, M38Z	5p13x		BOP, KVT, UOP4	21A		W04A, W04B
	23	Z01A		12	M06Z, M09A, M09B, M38Z	21B		X06A, X06B, X06C
5p125.4		BOP, KVT, MVV, UOP4	5p140.1		BOP, KVT, UOP4	5p197		BOP, KVT, UOP4
	11	L03Z, L04A, L04B, L04C, L10Z, L13A, L13B, L38Z		11	L05A, L05B		11	L18A, L18B, L19Z, L20A, L20B, L20C, L38Z
	12	M01A, M01B, M38Z	5p140.2		BOP, KVT, UOP4		12	M06Z, M09A, M09B, M38Z
	23	Z01A		12	M02A, M02B, M38Z			

ZZV	MDC	DRG	ZZV	MDC	DRG	ZZV	MDC	DRG
5p198†	11	L18A, L18B, L19Z, L20A, L20B, L20C, L38Z	5p302.0↔		BOP, KVT, UOP4	5p311↔		BOP, KVT, UOP4
	12	M06Z, M09A, M09B, M38Z		10	K09A, K09B		10	K09A, K09B
5p19x†	11	L18A, L18B, L19Z, L20A, L20B, L20C, L38Z		12	M04A, M04B, M04C, M37Z, M38Z		12	M04A, M04B, M04C, M04D, M37Z, M38Z
	12	M06Z, M09A, M09B, M38Z		21A	W04A, W04B	5p312↔		BOP, KVT, UOP4
5p201		BOP, KVT, UOP4		21B	X06A, X06B, X06C		10	K09A, K09B
	10	K09A, K09B	5p302.2↔	22	Y01Z, Y03A, Y03B		12	M04A, M04B, M04C, M04D, M37Z, M38Z
	12	M04A, M04B, M04C, M04D, M37Z, M38Z			BOP, KVT, UOP4	5p31x↔		BOP, KVT, UOP4
	21A	W04A, W04B		08	I28A, I28B		10	K09A, K09B
5p20x	21B	X06A, X06B, X06C		10	K09A, K09B		12	M04A, M04B, M04C, M04D, M37Z, M38Z
		BOP, KVT, UOP4		12	M04A, M04B, M04C, M37Z, M38Z	5p320.1↔		BOP, KVT, UOP4
5p211	12	M04A, M04B, M04C, M04D, M37Z, M38Z		21A	W04A, W04B		10	K09A, K09B
	12	M04A, M04B, M04C, M04D, M37Z, M38Z	5p303.1↔	21B	X06A, X06B, X06C		12	M04A, M04B, M04C, M37Z, M38Z
5p212		BOP, KVT, UOP4		22	Y01Z, Y03A, Y03B	5p320.4↔		BOP, KVT, UOP4
	10	K09A, K09B			BOP, KVT, UOP4		10	K09A, K09B
	12	M04A, M04B, M04C, M04D, M37Z, M38Z		08	I28A, I28B		12	M04A, M04B, M04C, M37Z, M38Z
	21A	W04A, W04B		10	K09A, K09B	5p321.1↔		BOP, KVT, UOP4
5p221	21B	X06A, X06B, X06C		12	M04A, M04B, M04C, M37Z, M38Z		10	K09A, K09B
		BOP, KVT, UOP4	5p303.4↔	21A	W04A, W04B		12	M04A, M04B, M04C, M37Z, M38Z
	12	M04A, M04B, M04C, M04D, M37Z, M38Z		21B	X06A, X06B, X06C	5p321.4↔		BOP, KVT, UOP4
	21A	W04A, W04B		22	Y01Z, Y03A, Y03B		10	K09A, K09B
5p233	21B	X06A, X06B, X06C			BOP, KVT, UOP4		12	M04A, M04B, M04C, M37Z, M38Z
		BOP, KVT, UOP4		08	I28A, I28B	5p32x↔		BOP, KVT, UOP4
	12	M04A, M04B, M04C, M04D, M37Z, M38Z		10	K09A, K09B		10	K09A, K09B
	21A	W04A, W04B		12	M04A, M04B, M04C, M37Z, M38Z		12	M04A, M04B, M04C, M37Z, M38Z
5p241	21B	X06A, X06B, X06C		21A	W04A, W04B		10	K09A, K09B
		BOP, KVT, UOP4	5p304↔	21B	X06A, X06B, X06C	5p341†↔	12	M04A, M04B, M04C, M04D, M37Z, M38Z
	10	K09A, K09B		22	Y01Z, Y03A, Y03B		12	M04A, M04B, M04C, M04D, M37Z, M38Z
	12	M04A, M04B, M04C, M04D, M37Z, M38Z			BOP, KVT, UOP4	5p342†↔	12	M04A, M04B, M04C, M04D, M37Z, M38Z
	19	U01Z		08	I28A, I28B		12	M04A, M04B, M04C, M04D, M37Z, M38Z
5p242	21A	W04A, W04B		10	K09A, K09B	5p343†↔	12	M04A, M04B, M04C, M04D, M37Z, M38Z
	21B	X06A, X06B, X06C		12	M04A, M04B, M04C, M37Z, M38Z		12	M04A, M04B, M04C, M04D, M37Z, M38Z
		BOP, KVT, UOP4	5p305.0↔	21A	W04A, W04B	5p34x†↔	12	M04A, M04B, M04C, M04D, M37Z, M38Z
	10	K09A, K09B		21B	X06A, X06B, X06C		12	M04A, M04B, M04C, M04D, M37Z, M38Z
	12	M04A, M04B, M04C, M04D, M37Z, M38Z		22	Y01Z, Y03A, Y03B	5p351↔		BOP, KVT, UOP4
	19	U01Z			BOP, KVT, UOP4		12	M04A, M04B, M04C, M04D, M37Z, M38Z
5p301.0↔	21A	W04A, W04B		10	K09A, K09B		21A	W04A, W04B
	21B	X06A, X06B, X06C		12	M04A, M04B, M04C, M04D, M37Z, M38Z	5p35x↔	21B	X06A, X06B, X06C
		BOP, KVT, UOP4		21A	W04A, W04B		22	Y01Z, Y03A, Y03B
	08	I28A, I28B		21B	X06A, X06B, X06C			BOP, KVT, UOP4
	10	K09A, K09B		22	Y01Z, Y03A, Y03B	5p391.0	12	M06Z, M09A, M09B, M38Z
	12	M04A, M04B, M04C, M37Z, M38Z			BOP, KVT, UOP4			BOP, KVT, UOP4
	21A	W04A, W04B		10	K09A, K09B	5p391.1↔		BOP, KVT, UOP4
	21B	X06A, X06B, X06C	5p306↔	12	M04A, M04B, M04C, M04D, M37Z, M38Z		10	K09A, K09B
	22	Y01Z, Y03A, Y03B		21A	W04A, W04B		12	M01A, M01B, M04A, M04B, M04C, M04D, M09A, M09B, M37Z, M38Z
5p301.2↔		BOP, KVT, UOP4		21B	X06A, X06B, X06C	5p391.4		BOP, KVT, UOP4
	08	I28A, I28B		22	Y01Z, Y03A, Y03B		10	K09A, K09B
	10	K09A, K09B			BOP, KVT, UOP4		12	M04A, M04B, M04C, M04D, M37Z, M38Z
	12	M04A, M04B, M04C, M04D, M37Z, M38Z	5p30x↔	10	K09A, K09B		12	M04A, M04B, M04C, M04D, M37Z, M38Z
	21A	W04A, W04B		12	M04A, M04B, M04C, M04D, M37Z, M38Z	5p391.x		BOP, KVT, UOP4
	21B	X06A, X06B, X06C		21A	W04A, W04B		10	K09A, K09B
	22	Y01Z, Y03A, Y03B		21B	X06A, X06B, X06C		12	M04A, M04B, M04C, M04D, M37Z, M38Z
				22	Y01Z, Y03A, Y03B	5p392↔		BOP, KVT, UOP4
							12	M04A, M04B, M04C, M04D, M37Z, M38Z

ZZV	MDC	DRG	ZZV	MDC	DRG	ZZV	MDC	DRG
5p393↔		BOP, KVT, UOP4	5p461↔		BOP, KVT, UOP4	5p506		BOP, KVT, UOP4
	12	M04A, M04B, M04C, M04D, M37Z, M38Z		12	M04A, M04B, M04C, M04D, M37Z, M38Z		11	L09A, L09B, L09C, L09D, L38Z
	21A	W04A, W04B		21A	W04A, W04B		12	M05Z, M38Z
5p394↔	21B	X06A, X06B, X06C	5p462↔	21B	X06A, X06B, X06C		15	P60A, P60B, P60C, P67B, P67C
		BOP, KVT, UOP4			BOP, KVT, UOP4		22	Y01Z, Y03A, Y03B
	10	K09A, K09B		12	M04A, M04B, M04C, M04D, M37Z, M38Z	5p511		BOP, KVT, UOP4
	12	M04A, M04B, M04C, M04D, M37Z, M38Z		21A	W04A, W04B		09	J03A, J03B, J04A, J04B, J08A, J08B, J08C, J11A, J11B, J11C, J16Z
5p39x±↔	12	M04A, M04B, M04C, M04D, M37Z, M38Z	5p463↔	21B	X06A, X06B, X06C		12	M05Z, M38Z
5p401.2↔		BOP, KVT, UOP4			BOP, KVT, UOP4	5p512		BOP, KVT, UOP4
	12	M04A, M04B, M04C, M04D, M37Z, M38Z	5p464↔		BOP, KVT, UOP4		09	J03A, J03B, J04A, J04B, J08A, J08B, J08C, J11A, J11B, J11C, J16Z
5p402.0↔		BOP, KVT, UOP4		12	M04A, M04B, M04C, M04D, M37Z, M38Z		12	M05Z, M38Z
	12	M04A, M04B, M04C, M04D, M37Z, M38Z	5p465↔		BOP, KVT, UOP4	5p51x		BOP, KVT, UOP4
5p402.1↔		BOP, KVT, UOP4		12	M04A, M04B, M04C, M04D, M37Z, M38Z		09	J03A, J03B, J04A, J04B, J08A, J08B, J08C, J11A, J11B, J11C, J16Z
	12	M04A, M04B, M04C, M04D, M37Z, M38Z		21A	W04A, W04B		12	M05Z, M38Z
5p402.3↔		BOP, KVT, UOP4		21B	X06A, X06B, X06C	5p521		BOP, KVT, UOP4
	12	M04A, M04B, M04C, M04D, M37Z, M38Z	5p46x↔		BOP, KVT, UOP4		10	K09A, K09B
5p402.4↔		BOP, KVT, UOP4		12	M04A, M04B, M04C, M04D, M37Z, M38Z		12	M03A, M03B, M03C, M38Z
	12	M04A, M04B, M04C, M04D, M37Z, M38Z	5p491↔		BOP, KVT, UOP4		22	Y01Z, Y02A, Y02B, Y03A, Y03B
5p403↔		BOP, KVT, UOP4		12	M04A, M04B, M04C, M04D, M37Z, M38Z	5p522		BOP, KVT, UOP4
	12	M04A, M04B, M04C, M04D, M37Z, M38Z	5p492↔		BOP, KVT, UOP4		10	K09A, K09B
5p40x↔		BOP, KVT, UOP4		12	M04A, M04B, M04C, M04D, M37Z, M38Z		12	M03A, M03B, M03C, M38Z
	12	M04A, M04B, M04C, M04D, M37Z, M38Z	5p493↔		BOP, KVT, UOP4		22	Y01Z, Y02A, Y02B, Y03A, Y03B
5p411↔		BOP, KVT, UOP4		12	M04A, M04B, M04C, M04D, M37Z, M38Z	5p523		BOP, KVT, UOP4
	12	M04A, M04B, M04C, M04D, M37Z, M38Z		21A	W04A, W04B		10	K09A, K09B
5p412↔		BOP, KVT, UOP4		21B	X06A, X06B, X06C		12	M03A, M03B, M03C, M38Z
	12	M04A, M04B, M04C, M04D, M37Z, M38Z	5p494↔		BOP, KVT, UOP4		21A	W04A, W04B
5p413↔		BOP, KVT, UOP4		12	M04A, M04B, M04C, M04D, M37Z, M38Z		21B	X06A, X06B, X06C
	12	M04A, M04B, M04C, M04D, M37Z, M38Z	5p49x↔		BOP, KVT, UOP4		22	Y01Z, Y02A, Y02B, Y03A, Y03B
5p41x↔		BOP, KVT, UOP4		12	M04A, M04B, M04C, M04D, M37Z, M38Z	5p530		BOP, KVT, UOP4
	12	M04A, M04B, M04C, M04D, M37Z, M38Z	5p503		BOP, KVT, UOP4		09	J03A, J03B, J04A, J04B, J08A, J08B, J08C, J11A, J11B, J11C, J16Z
5p421↔		BOP, KVT, UOP4		11	L09A, L09B, L09C, L09D, L38Z		12	M03A, M03B, M03C, M38Z
	12	M04A, M04B, M04C, M04D, M37Z, M38Z		12	M05Z, M38Z		19	U01Z
5p422↔		BOP, KVT, UOP4		15	P60A, P60B, P60C, P67B, P67C		21A	W04A, W04B
	12	M04A, M04B, M04C, M04D, M37Z, M38Z		22	Y01Z, Y03A, Y03B		21B	X06A, X06B, X06C
5p42x↔		BOP, KVT, UOP4	5p504		BOP, KVT, UOP4		22	Y01Z, Y03A, Y03B
	12	M04A, M04B, M04C, M04D, M37Z, M38Z		11	L09A, L09B, L09C, L09D, L38Z	5p531		BOP, KVT, UOP4
5p431↔		BOP, KVT, UOP4		12	M05Z, M38Z		12	M03A, M03B, M03C, M38Z
	12	M04A, M04B, M04C, M04D, M37Z, M38Z		15	P60A, P60B, P60C, P67B, P67C		19	U01Z
	21A	W04A, W04B		22	Y01Z, Y03A, Y03B		21A	W04A, W04B
5p432↔	21B	X06A, X06B, X06C	5p505.1		BOP, KVT, UOP4		21B	X06A, X06B, X06C
		BOP, KVT, UOP4		11	L09A, L09B, L09C, L09D, L38Z		22	Y01Z, Y03A, Y03B
	12	M04A, M04B, M04C, M04D, M37Z, M38Z		12	M05Z, M38Z	5p532		BOP, KVT, UOP4
	21A	W04A, W04B		22	Y01Z, Y03A, Y03B		09	J03A, J03B, J04A, J04B, J08A, J08B, J08C, J11A, J11B, J16Z
	21B	X06A, X06B, X06C	5p505.2		BOP, KVT, UOP4		12	M03A, M03B, M03C, M38Z
5p433±↔	12	M04A, M04B, M04C, M04D, M37Z, M38Z		11	L09A, L09B, L09C, L09D, L38Z		19	U01Z
5p434±↔	12	M04A, M04B, M04C, M04D, M37Z, M38Z		12	M05Z, M38Z		21A	W04A, W04B
5p43x±↔	12	M04A, M04B, M04C, M04D, M37Z, M38Z		22	Y01Z, Y03A, Y03B		21B	X06A, X06B, X06C

VYK

ZZV	MDC	DRG	ZZV	MDC	DRG	ZZV	MDC	DRG
5p533		BOP, KVT, UOP4	5p543.3	06	BOP, KVT, UOP4	5p55x	06	BOP, KVT, UOP4
	09	J03A, J03B, J04A, J04B, J08A, J08B, J08C, J11A, J11B, J16Z		11	G01Z, G02Z, G38Z		11	G01Z, G02Z, G38Z
	12	M03A, M03B, M03C, M38Z		12	L08A, L08B		12	L08A, L08B
	19	U01Z		Pre	M03A, M03B, M03C, M38Z		Pre	M03A, M03B, M03C, M38Z
	21A	W04A, W04B		5p543.x	BOP, KVT, UOP4		5p590	BOP, KVT, UOP4
	21B	X06A, X06B, X06C		06	G01Z, G02Z, G38Z		12	M03A, M03B, M03C, M38Z
5p534	22	Y01Z, Y03A, Y03B	11	L08A, L08B	21B	X06A, X06B, X06C		
		BOP, KVT, UOP4	12	M03A, M03B, M03C, M38Z		BOP, KVT, UOP4		
	09	J03A, J03B, J04A, J04B, J08A, J08B, J08C, J11A, J11B, J16Z	Pre	A11A, A13A, A13B, A13D	5p591	M03A, M03B, M03C, M38Z		
	12	M03A, M03B, M03C, M38Z	5p54x	BOP, KVT, UOP4	5p592	BOP, KVT, UOP4		
	19	U01Z	06	G01Z, G02Z, G38Z	05	F01A, F01B, F01D, F05Z, F07A, F07B, F14A, F14B, F28A, F42Z, F54Z, F59A, F59B		
	21A	W04A, W04B	11	L08A, L08B	12	M03A, M03B, M03C, M38Z		
5p535	21B	X06A, X06B, X06C	12	M03A, M03B, M03C, M38Z	5p593	BOP, KVT, UOP4		
	22	Y01Z, Y03A, Y03B	Pre	A11A, A13A, A13B, A13D	05	F01A, F01B, F01D, F05Z, F07A, F07B, F14A, F14B, F28A, F42Z, F54Z, F59A, F59B		
		BOP, KVT, UOP4	5p551	BOP, KVT, UOP4	12	M03A, M03B, M03C, M38Z		
	09	J03A, J03B, J04A, J04B, J08A, J08B, J08C, J11A, J11B, J11C, J16Z	06	G01Z, G02Z, G38Z	5p594	BOP, KVT, UOP4		
	12	M03A, M03B, M03C, M38Z	11	L08A, L08B	12	M03A, M03B, M03C, M38Z		
	19	U01Z	12	M03A, M03B, M03C, M38Z	5p595.1	BOP, KVT, UOP4		
5p536	21A	W04A, W04B	Pre	A11A, A13A, A13B, A13D	11	L09A, L09B, L09C, L09D, L38Z		
	21B	X06A, X06B, X06C	5p552	BOP, KVT, UOP4	12	M03A, M03B, M03C, M38Z		
	22	Y01Z, Y03A, Y03B	06	G01Z, G02Z, G38Z	5p594	BOP, KVT, UOP4		
		BOP, KVT, UOP4	10	K09A, K09B	12	M03A, M03B, M03C, M38Z		
	12	M03A, M03B, M03C, M38Z	11	L08A, L08B	5p595.2	BOP, KVT, UOP4		
	19	U01Z	12	M03A, M03B, M03C, M38Z	11	L09A, L09B, L09C, L09D, L38Z		
5p537	21A	W04A, W04B	Pre	A11A, A13A, A13B, A13D	12	M03A, M03B, M03C, M38Z		
	21B	X06A, X06B, X06C	5p553.0	BOP, KVT, UOP4	5p595.x	BOP, KVT, UOP4		
	22	Y01Z, Y03A, Y03B	06	G01Z, G02Z, G38Z	11	L09A, L09B, L09C, L09D, L38Z		
		BOP, KVT, UOP4	11	L08A, L08B	12	M03A, M03B, M03C, M38Z		
	12	M03A, M03B, M03C, M38Z	12	M03A, M03B, M03C, M38Z	5p596	BOP, KVT, UOP4		
	19	U01Z	Pre	A11A, A13A, A13B, A13D	11	L09A, L09B, L09C, L09D, L38Z		
5p538	21A	W04A, W04B	5p553.1	BOP, KVT, UOP4	12	M03A, M03B, M03C, M38Z		
	21B	X06A, X06B, X06C	06	G01Z, G02Z, G38Z	5p597.1	BOP, KVT, UOP4		
	22	Y01Z, Y03A, Y03B	11	L08A, L08B	11	L09A, L09B, L09C, L09D, L38Z		
		BOP, KVT, UOP4	12	M03A, M03B, M03C, M38Z	12	M03A, M03B, M03C, M38Z		
	12	M03A, M03B, M03C, M38Z	Pre	A11A, A13A, A13B, A13D	5p597.2	BOP, KVT, UOP4		
	19	U01Z	5p553.2	BOP, KVT, UOP4	11	L09A, L09B, L09C, L09D, L38Z		
5p539	21A	W04A, W04B	06	G01Z, G02Z, G38Z	12	M03A, M03B, M03C, M38Z		
	21B	X06A, X06B, X06C	11	L08A, L08B	5p597.x	BOP, KVT, UOP4		
	22	Y01Z, Y03A, Y03B	12	M03A, M03B, M03C, M38Z	11	L09A, L09B, L09C, L09D, L38Z		
		BOP, KVT, UOP4	Pre	A11A, A13A, A13B, A13D	12	M03A, M03B, M03C, M38Z		
	12	M03A, M03B, M03C, M38Z	5p553.3	BOP, KVT, UOP4	5p598	BOP, KVT, UOP4		
	19	U01Z	06	G01Z, G02Z, G38Z	11	L09A, L09B, L09C, L09D, L38Z		
5p540	21A	W04A, W04B	11	L08A, L08B	12	M03A, M03B, M03C, M38Z		
	21B	X06A, X06B, X06C	12	M03A, M03B, M03C, M38Z	5p599	BOP, KVT, UOP4		
	22	Y01Z, Y03A, Y03B	Pre	A11A, A13A, A13B, A13D	09	J03A, J03B, J04A, J04B, J08A, J08B, J08C, J11A, J11B, J16Z		
		BOP, KVT, UOP4	5p553.x	BOP, KVT, UOP4	12	M03A, M03B, M03C, M38Z		
	12	M03A, M03B, M03C, M38Z	06	G01Z, G02Z, G38Z	21A	W04A, W04B		
	19	U01Z	11	L08A, L08B	21B	X06A, X06B, X06C		
5p541	21A	W04A, W04B	12	M03A, M03B, M03C, M38Z	22	Y01Z, Y03A, Y03B		
	21B	X06A, X06B, X06C	Pre	A11A, A13A, A13B, A13D		BOP, KVT, UOP4		
	22	Y01Z, Y03A, Y03B	5p554	BOP, KVT, UOP4	5p59x	M03A, M03B, M03C, M38Z		
		BOP, KVT, UOP4	06	G01Z, G02Z, G38Z	12	M03A, M03B, M03C, M38Z		
	10	K09A, K09B	11	L08A, L08B	5p5a0	BOP, KVT, UOP4		
	11	L08A, L08B	12	M03A, M03B, M03C, M38Z	10	K09A, K09B		
5p542	12	M03A, M03B, M03C, M38Z	Pre	A11A, A13A, A13B, A13D	13	N11A		
	06	G01Z, G02Z, G38Z	5p554	BOP, KVT, UOP4	19	U01Z		
	11	L08A, L08B	06	G01Z, G02Z, G38Z				
	12	M03A, M03B, M03C, M38Z	11	L08A, L08B				
	Pre	A11A, A13A, A13B, A13D	12	M03A, M03B, M03C, M38Z				
	5p543.0	BOP, KVT, UOP4	5p555	BOP, KVT, UOP4				
06		G01Z, G02Z, G38Z	06	G01Z, G02Z, G38Z				
11		L08A, L08B	11	L08A, L08B				
12		M03A, M03B, M03C, M38Z	12	M03A, M03B, M03C, M38Z				
Pre		A11A, A13A, A13B, A13D	Pre	A11A, A13A, A13B, A13D				
5p543.1		BOP, KVT, UOP4	5p556	BOP, KVT, UOP4				
	06	G01Z, G02Z, G38Z	06	G01Z, G02Z, G38Z				
	11	L08A, L08B	11	L08A, L08B				
	12	M03A, M03B, M03C, M38Z	12	M03A, M03B, M03C, M38Z				
	Pre	A11A, A13A, A13B, A13D	Pre	A11A, A13A, A13B, A13D				
	5p543.2	BOP, KVT, UOP4		G01Z, G02Z, G38Z				
06		G01Z, G02Z, G38Z	11	L08A, L08B				
11		L08A, L08B	12	M03A, M03B, M03C, M38Z				
12		M03A, M03B, M03C, M38Z	Pre	A11A, A13A, A13B, A13D				
Pre		A11A, A13A, A13B, A13D						
		BOP, KVT, UOP4						

ZZV	MDC	DRG	ZZV	MDC	DRG	ZZV	MDC	DRG
5p5a1		BOP, KVT, UOP4	5q011.4↔		BOP, KVT, UOP4	5q014.0↔		BOP, KVT, UOP4
	10	K09A, K09B		10	K09A, K09B		13	N01A, N01B, N01C, N01D, N01E, N02A, N02B, N02C, N03A, N03B, N04Z, N14Z, N21Z, N38Z
	12	M03A, M03B, M03C, M38Z		13	N01A, N01B, N01C, N01D, N01E, N02A, N02B, N02C, N03A, N03B, N05A, N05B, N38Z		14	962Z, O02A, O02B, O04A
	19	U01Z					19	U01Z
5q001.0↔		BOP, KVT, UOP4	5q011.8↔		BOP, KVT, UOP4	5q014.4↔		BOP, KVT, UOP4
	13	N01A, N01B, N01C, N01D, N01E, N02A, N02B, N02C, N03A, N03B, N07Z, N25Z, N38Z		10	K09A, K09B		13	N01A, N01B, N01C, N01D, N01E, N02A, N02B, N02C, N03A, N03B, N04Z, N14Z, N21Z, N38Z
5q001.1↔		BOP, KVT, UOP4		13	N01A, N01B, N01C, N01D, N01E, N02A, N02B, N02C, N03A, N03B, N05A, N05B, N38Z		14	962Z, O02A, O02B, O04A
	13	N01A, N01B, N01C, N01D, N01E, N02A, N02B, N02C, N03A, N03B, N07Z, N25Z, N38Z					19	U01Z
5q001.4↔		BOP, KVT, UOP4	5q012.1↔		BOP, KVT, UOP4	5q014.8↔		BOP, KVT, UOP4
	13	N01A, N01B, N01C, N01D, N01E, N02A, N02B, N02C, N03A, N03B, N07Z, N25Z, N38Z		09	J03A, J03B, J04A, J04B, J08A, J08B, J08C, J11A, J11B, J16Z		13	N01A, N01B, N01C, N01D, N01E, N02A, N02B, N02C, N03A, N03B, N04Z, N14Z, N21Z, N38Z
5q001.8↔		BOP, KVT, UOP4		10	K09A, K09B		14	962Z, O02A, O02B, O04A
	13	N01A, N01B, N01C, N01D, N01E, N02A, N02B, N02C, N03A, N03B, N07Z, N25Z, N38Z		13	N01A, N01B, N01C, N01D, N01E, N02A, N02B, N02C, N03A, N03B, N05A, N05B, N38Z		19	U01Z
5q002.0		BOP, KVT, UOP4	5q012.4↔		BOP, KVT, UOP4	5q030.0↔		BOP, KVT, UOP4
	13	N01A, N01B, N01C, N01D, N01E, N02A, N02B, N02C, N03A, N03B, N07Z, N25Z, N38Z		09	J03A, J03B, J04A, J04B, J08A, J08B, J08C, J11A, J11B, J16Z		09	J03A, J03B, J04A, J04B, J08A, J08B, J08C, J11A, J11B, J16Z
5q002.1		BOP, KVT, UOP4		10	K09A, K09B		13	N01A, N01B, N01C, N01D, N01E, N02A, N02B, N02C, N03A, N03B, N05A, N05B, N38Z
	13	N01A, N01B, N01C, N01D, N01E, N02A, N02B, N02C, N03A, N03B, N07Z, N25Z, N38Z		13	N01A, N01B, N01C, N01D, N01E, N02A, N02B, N02C, N03A, N03B, N05A, N05B, N38Z		14	962Z, O03Z
5q002.4		BOP, KVT, UOP4	5q012.7↔		BOP, KVT, UOP4	5q030.4↔		BOP, KVT, UOP4
	13	N01A, N01B, N01C, N01D, N01E, N02A, N02B, N02C, N03A, N03B, N07Z, N25Z, N38Z		09	J03A, J03B, J04A, J04B, J08A, J08B, J08C, J11A, J11B, J16Z		09	J03A, J03B, J04A, J04B, J08A, J08B, J08C, J11A, J11B, J16Z
5q002.8		BOP, KVT, UOP4		10	K09A, K09B		13	N01A, N01B, N01C, N01D, N01E, N02A, N02B, N02C, N03A, N03B, N05A, N05B, N38Z
	13	N01A, N01B, N01C, N01D, N01E, N02A, N02B, N02C, N03A, N03B, N07Z, N25Z, N38Z		13	N01A, N01B, N01C, N01D, N01E, N02A, N02B, N02C, N03A, N03B, N05A, N05B, N38Z		14	962Z, O03Z
5q003		BOP, KVT, UOP4	5q013.0↔		BOP, KVT, UOP4	5q030.8↔		BOP, KVT, UOP4
	13	N01A, N01B, N01C, N01D, N01E, N02A, N02B, N02C, N03A, N03B, N07Z, N25Z, N38Z		09	J03A, J03B, J04A, J04B, J08A, J08B, J08C, J11A, J11B, J16Z		09	J03A, J03B, J04A, J04B, J08A, J08B, J08C, J11A, J11B, J16Z
5q010.0↔		BOP, KVT, UOP4		10	K09A, K09B		13	N01A, N01B, N01C, N01D, N01E, N02A, N02B, N02C, N03A, N03B, N05A, N05B, N38Z
	13	N01A, N01B, N01C, N01D, N01E, N02A, N02B, N02C, N03A, N03B, N07Z, N25Z, N38Z		13	N01A, N01B, N01C, N01D, N01E, N02A, N02B, N02C, N03A, N03B, N05A, N05B, N38Z		14	962Z, O03Z
5q010.4↔		BOP, KVT, UOP4	5q013.4↔		BOP, KVT, UOP4	5q031.0↔		BOP, KVT, UOP4
	13	N01A, N01B, N01C, N01D, N01E, N02A, N02B, N02C, N03A, N03B, N07Z, N25Z, N38Z		09	J03A, J03B, J04A, J04B, J08A, J08B, J08C, J11A, J11B, J16Z		09	J03A, J03B, J04A, J04B, J08A, J08B, J08C, J11A, J11B, J16Z
5q010.8↔		BOP, KVT, UOP4		10	K09A, K09B		13	N01A, N01B, N01C, N01D, N01E, N02A, N02B, N02C, N03A, N03B, N05A, N05B, N38Z
	13	N01A, N01B, N01C, N01D, N01E, N02A, N02B, N02C, N03A, N03B, N07Z, N25Z, N38Z		13	N01A, N01B, N01C, N01D, N01E, N02A, N02B, N02C, N03A, N03B, N05A, N05B, N38Z		14	962Z, O03Z
5q011.0↔		BOP, KVT, UOP4	5q013.8↔		BOP, KVT, UOP4	5q031.4↔		BOP, KVT, UOP4
	10	K09A, K09B		09	J03A, J03B, J04A, J04B, J08A, J08B, J08C, J11A, J11B, J16Z		09	J03A, J03B, J04A, J04B, J08A, J08B, J08C, J11A, J11B, J16Z
	13	N01A, N01B, N01C, N01D, N01E, N02A, N02B, N02C, N03A, N03B, N05A, N05B, N38Z		10	K09A, K09B		13	N01A, N01B, N01C, N01D, N01E, N02A, N02B, N02C, N03A, N03B, N05A, N05B, N38Z
				13	N01A, N01B, N01C, N01D, N01E, N02A, N02B, N02C, N03A, N03B, N05A, N05B, N38Z		14	962Z, O03Z
				14	O04A			

VYK

ZZV	MDC	DRG	ZZV	MDC	DRG	ZZV	MDC	DRG
5q031.5↔		BOP, KVT, UOP4	5q090.4↔		BOP, KVT, UOP4	5q130.8↔		BOP, KVT, UOP4
	09	J03A, J03B, J04A, J04B, J08A, J08B, J08C, J11A, J11B, J16Z		13	N01A, N01B, N01C, N01D, N01E, N02A, N02B, N02C, N03A, N03B, N07Z, N25Z, N38Z		13	N01A, N01B, N01C, N01D, N01E, N02A, N02B, N02C, N03A, N03B, N07Z, N25Z, N38Z
	13	N01A, N01B, N01C, N01D, N01E, N02A, N02B, N02C, N03A, N03B, N05A, N05B, N38Z	5q090.8↔		BOP, KVT, UOP4	5q131.0↔		962Z, O03Z
	14	962Z, O03Z		13	N01A, N01B, N01C, N01D, N01E, N02A, N02B, N02C, N03A, N03B, N07Z, N25Z, N38Z		13	BOP, KVT, UOP4
5q031.7↔		BOP, KVT, UOP4	5q101.0↔		BOP, KVT, UOP4			N01A, N01B, N01C, N01D, N01E, N02A, N02B, N02C, N03A, N03B, N05A, N05B, N38Z
	09	J03A, J03B, J04A, J04B, J08A, J08B, J08C, J11A, J11B, J16Z		13	N01A, N01B, N01C, N01D, N01E, N02A, N02B, N02C, N03A, N03B, N07Z, N25Z, N38Z	5q131.4↔		W04A, W04B
	13	N01A, N01B, N01C, N01D, N01E, N02A, N02B, N02C, N03A, N03B, N05A, N05B, N38Z	5q101.4↔		O02A, O02B, O03Z, O04A		21A	X06A, X06B, X06C
	14	962Z, O03Z		13	N01A, N01B, N01C, N01D, N01E, N02A, N02B, N02C, N03A, N03B, N07Z, N25Z, N38Z		21B	BOP, KVT, UOP4
5q031.8↔		BOP, KVT, UOP4	5q101.8↔		BOP, KVT, UOP4		13	N01A, N01B, N01C, N01D, N01E, N02A, N02B, N02C, N03A, N03B, N05A, N05B, N38Z
	09	J03A, J03B, J04A, J04B, J08A, J08B, J08C, J11A, J11B, J16Z		13	N01A, N01B, N01C, N01D, N01E, N02A, N02B, N02C, N03A, N03B, N07Z, N25Z, N38Z	5q131.8↔		W04A, W04B
	13	N01A, N01B, N01C, N01D, N01E, N02A, N02B, N02C, N03A, N03B, N05A, N05B, N38Z	5q110.0		O02A, O02B, O03Z, O04A		21B	X06A, X06B, X06C
	14	962Z, O03Z		13	N10Z		13	BOP, KVT, UOP4
5q042.0↔		BOP, KVT, UOP4	5q110.3		O02A, O02B, O40Z	5q132.0		N01A, N01B, N01C, N01D, N01E, N02A, N02B, N02C, N03A, N03B, N05A, N05B, N38Z
	13	N01A, N01B, N01C, N01D, N01E, N02A, N02B, N02C, N03A, N03B, N07Z, N25Z, N38Z		13	N10Z, N11A, N11B		13	BOP, KVT, UOP4
	21A	W04A, W04B	5q110.4		BOP, KVT, UOP4	5q132.4		N01A, N01B, N01C, N01D, N01E, N02A, N02B, N02C, N03A, N03B, N05A, N05B, N38Z
	21B	X06A, X06B, X06C		13	N10Z, N11A, N11B		13	BOP, KVT, UOP4
5q042.4↔		BOP, KVT, UOP4	5q110.7		O02A, O02B, O40Z	5q132.8		N01A, N01B, N01C, N01D, N01E, N02A, N02B, N02C, N03A, N03B, N05A, N05B, N38Z
	13	N01A, N01B, N01C, N01D, N01E, N02A, N02B, N02C, N03A, N03B, N07Z, N25Z, N38Z		13	N10Z, N11A, N11B		13	BOP, KVT, UOP4
	21A	W04A, W04B	5q120.0↔		O02A, O02B, O40Z	5q133↔		N01A, N01B, N01C, N01D, N01E, N02A, N02B, N02C, N03A, N03B, N07Z, N25Z, N38Z
	21B	X06A, X06B, X06C		13	BOP, KVT, UOP4		13	BOP, KVT, UOP4
5q043.0↔		BOP, KVT, UOP4	5q120.4↔		BOP, KVT, UOP4		21A	W04A, W04B
	13	N01A, N01B, N01C, N01D, N01E, N02A, N02B, N02C, N03A, N03B, N07Z, N25Z, N38Z		13	N01A, N01B, N01C, N01D, N01E, N02A, N02B, N02C, N03A, N03B, N07Z, N25Z, N38Z		21B	X06A, X06B, X06C
	21A	W04A, W04B	5q120.8↔		O02A, O02B	5q140↔		BOP, KVT, UOP4
	21B	X06A, X06B, X06C		13	BOP, KVT, UOP4		13	N10Z
5q043.4↔		BOP, KVT, UOP4	5q130.0↔		BOP, KVT, UOP4	5q141↔		BOP, KVT, UOP4
	13	N01A, N01B, N01C, N01D, N01E, N02A, N02B, N02C, N03A, N03B, N07Z, N25Z, N38Z		13	N01A, N01B, N01C, N01D, N01E, N02A, N02B, N02C, N03A, N03B, N07Z, N25Z, N38Z		13	N10Z
	21A	W04A, W04B	5q130.4↔		O02A, O02B	5q142↔		BOP, KVT, UOP4
	21B	X06A, X06B, X06C		13	BOP, KVT, UOP4	5q210		N09A, N09B
5q043.8↔		BOP, KVT, UOP4		14	O02A, O02B	5q211		BOP, KVT, UOP4
	13	N01A, N01B, N01C, N01D, N01E, N02A, N02B, N02C, N03A, N03B, N07Z, N25Z, N38Z		13	N01A, N01B, N01C, N01D, N01E, N02A, N02B, N02C, N03A, N03B, N07Z, N25Z, N38Z	5q212		N09A, N09B
	21A	W04A, W04B		14	962Z, O03Z	5q213		BOP, KVT, UOP4
	21B	X06A, X06B, X06C		13	BOP, KVT, UOP4		13	N09A, N09B
5q090.0↔		BOP, KVT, UOP4		14	N01A, N01B, N01C, N01D, N01E, N02A, N02B, N02C, N03A, N03B, N07Z, N25Z, N38Z	5q220		BOP, KVT, UOP4
	13	N01A, N01B, N01C, N01D, N01E, N02A, N02B, N02C, N03A, N03B, N07Z, N25Z, N38Z		13	N01A, N01B, N01C, N01D, N01E, N02A, N02B, N02C, N03A, N03B, N07Z, N25Z, N38Z		09	J03A, J03B, J04A, J04B, J08A, J08B, J08C, J11A, J11B, J16Z
5q090.1↔		BOP, KVT, UOP4		14	962Z, O03Z		13	N09A, N09B
	13	N01A, N01B, N01C, N01D, N01E, N02A, N02B, N02C, N03A, N03B, N07Z, N25Z, N38Z					14	962Z, O02A, O02B
							21B	X06A, X06B, X06C

ZZV	MDC	DRG	ZZV	MDC	DRG	ZZV	MDC	DRG
5q221.0		BOP, KVT, UOP4	5q401.1		BOP, KVT, UOP4	5q410.7		BOP, KVT, UOP4
	09	J03A, J03B, J04A, J04B, J08A, J08B, J08C, J11A, J11B, J16Z		13	N21Z, N23Z		13	N01A, N01B, N01C, N01D, N01E, N02A, N02B, N02C, N03A, N03B, N04Z, N14Z, N21Z, N38Z
	13	N01A, N01B, N01C, N01D, N01E, N02A, N02B, N02C, N03A, N03B, N09A, N09B, N38Z		14	962Z, O02A, O02B, O04A		14	962Z, O02A, O02B
	14	962Z, O02A, O02B		13	N21Z, N23Z		13	N01A, N01B, N01C, N01D, N01E, N02A, N02B, N02C, N03A, N03B, N04Z, N14Z, N21Z, N38Z
5q221.1	21B	X06A, X06B, X06C	5q401.2	14	962Z, O02A, O02B, O04A	5q411.0	14	BOP, KVT, UOP4
		BOP, KVT, UOP4		13	N21Z, N23Z		13	N01A, N01B, N01C, N01D, N01E, N02A, N02B, N02C, N03A, N03B, N04Z, N14Z, N21Z, N38Z
	09	J03A, J03B, J04A, J04B, J08A, J08B, J08C, J11A, J11B, J16Z		14	962Z, O02A, O02B, O04A		14	962Z, O02A, O02B
	13	N01A, N01B, N01C, N01D, N01E, N02A, N02B, N02C, N03A, N03B, N09A, N09B, N38Z		13	N21Z, N23Z		13	N01A, N01B, N01C, N01D, N01E, N02A, N02B, N02C, N03A, N03B, N04Z, N14Z, N21Z, N38Z
5q221.4	14	962Z, O02A, O02B	5q401.4	14	962Z, O02A, O02B, O04A	5q411.4	13	N01A, N01B, N01C, N01D, N01E, N02A, N02B, N02C, N03A, N03B, N04Z, N14Z, N21Z, N38Z
	21B	X06A, X06B, X06C		13	N21Z, N23Z		14	962Z, O02A, O02B
		BOP, KVT, UOP4		14	962Z, O02A, O02B, O04A		13	N01A, N01B, N01C, N01D, N01E, N02A, N02B, N02C, N03A, N03B, N04Z, N14Z, N21Z, N38Z
	09	J03A, J03B, J04A, J04B, J08A, J08B, J08C, J11A, J11B, J16Z		13	N21Z, N23Z		13	N01A, N01B, N01C, N01D, N01E, N02A, N02B, N02C, N03A, N03B, N04Z, N14Z, N21Z, N38Z
5q221.7	13	N01A, N01B, N01C, N01D, N01E, N02A, N02B, N02C, N03A, N03B, N09A, N09B, N38Z	5q401.7	14	962Z, O02A, O02B, O04A	5q411.8	14	962Z, O02A, O02B
	14	962Z, O02A, O02B		13	N21Z, N23Z		13	N01A, N01B, N01C, N01D, N01E, N02A, N02B, N02C, N03A, N03B, N04Z, N14Z, N21Z, N38Z
	21B	X06A, X06B, X06C		14	962Z, O02A, O02B, O04A		14	962Z, O02A, O02B
		BOP, KVT, UOP4		13	N21Z, N23Z		13	N01A, N01B, N01C, N01D, N01E, N02A, N02B, N02C, N03A, N03B, N04Z, N14Z, N21Z, N38Z
5q222	09	J03A, J03B, J04A, J04B, J08A, J08B, J08C, J11A, J11B, J16Z	5q402.2	14	962Z, O02A, O02B, O04A	5q412	14	962Z, O02A, O02B
	13	N01A, N01B, N01C, N01D, N01E, N02A, N02B, N02C, N03A, N03B, N09A, N09B, N38Z		13	N21Z, N23Z		13	N01A, N01B, N01C, N01D, N01E, N02A, N02B, N02C, N03A, N03B, N04Z, N14Z, N21Z, N38Z
	14	962Z, O02A, O02B		14	962Z, O02A, O02B		14	962Z, O02A, O02B
	21B	X06A, X06B, X06C		13	N21Z, N23Z		13	N01A, N01B, N01C, N01D, N01E, N02A, N02B, N02C, N03A, N03B, N04Z, N14Z, N21Z, N38Z
5q223		BOP, KVT, UOP4	5q402.7	14	962Z, O02A, O02B	5q420.0	14	962Z, O02A, O02B
	09	J03A, J03B, J04A, J04B, J08A, J08B, J08C, J11A, J11B, J16Z		13	N01A, N01B, N01C, N01D, N01E, N02A, N02B, N02C, N03A, N03B, N07Z, N25Z, N38Z		13	N01A, N01B, N01C, N01D, N01E, N02A, N02B, N02C, N03A, N03B, N04Z, N14Z, N21Z, N38Z
	13	N01A, N01B, N01C, N01D, N01E, N02A, N02B, N02C, N03A, N03B, N09A, N09B, N38Z		14	962Z, O02A, O02B		14	962Z, O02A, O02B
	14	962Z, O02A, O02B		13	N01A, N01B, N01C, N01D, N01E, N02A, N02B, N02C, N03A, N03B, N07Z, N25Z, N38Z		13	N01A, N01B, N01C, N01D, N01E, N02A, N02B, N02C, N03A, N03B, N04Z, N14Z, N21Z, N38Z
5q227	21B	X06A, X06B, X06C	5q403	14	962Z, O02A, O02B	5q420.1	14	962Z, O02A, O02B
		BOP, KVT, UOP4		13	N01A, N01B, N01C, N01D, N01E, N02A, N02B, N02C, N03A, N03B, N07Z, N25Z, N38Z		13	N01A, N01B, N01C, N01D, N01E, N02A, N02B, N02C, N03A, N03B, N04Z, N14Z, N21Z, N38Z
	09	J03A, J03B, J04A, J04B, J08A, J08B, J08C, J11A, J11B, J16Z		14	962Z, O02A, O02B		14	962Z, O02A, O02B
	13	N01A, N01B, N01C, N01D, N01E, N02A, N02B, N02C, N03A, N03B, N09A, N09B, N38Z		13	N01A, N01B, N01C, N01D, N01E, N02A, N02B, N02C, N03A, N03B, N07Z, N25Z, N38Z		14	962Z, O02A, O02B
5q230	14	962Z, O02A, O02B	5q404.0	14	962Z, O02A, O02B	5q420.4	13	N01A, N01B, N01C, N01D, N01E, N02A, N02B, N02C, N03A, N03B, N04Z, N14Z, N21Z, N38Z
	21B	X06A, X06B, X06C		13	N01A, N01B, N01C, N01D, N01E, N02A, N02B, N02C, N03A, N03B, N07Z, N25Z, N38Z		13	N01A, N01B, N01C, N01D, N01E, N02A, N02B, N02C, N03A, N03B, N04Z, N14Z, N21Z, N38Z
		BOP, KVT, UOP4		14	962Z, O02A, O02B		14	962Z, O02A, O02B
	13	N13A, N13B		13	N01A, N01B, N01C, N01D, N01E, N02A, N02B, N02C, N03A, N03B, N07Z, N25Z, N38Z		13	N01A, N01B, N01C, N01D, N01E, N02A, N02B, N02C, N03A, N03B, N04Z, N14Z, N21Z, N38Z
5q231.0	14	962Z, O02A, O02B, O05A	5q404.4	14	962Z, O02A, O02B	5q420.7	14	962Z, O02A, O02B
	21A	W04A, W04B		13	N01A, N01B, N01C, N01D, N01E, N02A, N02B, N02C, N03A, N03B, N07Z, N25Z, N38Z		13	N01A, N01B, N01C, N01D, N01E, N02A, N02B, N02C, N03A, N03B, N04Z, N14Z, N21Z, N38Z
	21B	X06A, X06B, X06C		14	962Z, O02A, O02B		14	962Z, O02A, O02B
		BOP, KVT, UOP4		13	N01A, N01B, N01C, N01D, N01E, N02A, N02B, N02C, N03A, N03B, N07Z, N25Z, N38Z		13	N01A, N01B, N01C, N01D, N01E, N02A, N02B, N02C, N03A, N03B, N04Z, N14Z, N21Z, N38Z
5q231.4	13	N13A, N13B	5q405.0	14	962Z, O02A, O02B	5q420.8	14	962Z, O02A, O02B
	14	962Z, O02A, O02B, O05A		13	N01A, N01B, N01C, N01D, N01E, N02A, N02B, N02C, N03A, N03B, N07Z, N25Z, N38Z		13	N01A, N01B, N01C, N01D, N01E, N02A, N02B, N02C, N03A, N03B, N04Z, N14Z, N21Z, N38Z
	21A	W04A, W04B		14	962Z, O02A, O02B		14	962Z, O02A, O02B
	21B	X06A, X06B, X06C		13	N01A, N01B, N01C, N01D, N01E, N02A, N02B, N02C, N03A, N03B, N07Z, N25Z, N38Z		13	N01A, N01B, N01C, N01D, N01E, N02A, N02B, N02C, N03A, N03B, N04Z, N14Z, N21Z, N38Z
5q291		BOP, KVT, UOP4	5q405.4	13	N09A, N09B	5q421.0↔	14	962Z, O02A, O02B
	13	N13A, N13B		13	N09A, N09B		13	N01A, N01B, N01C, N01D, N01E, N02A, N02B, N02C, N03A, N03B, N04Z, N14Z, N21Z, N38Z
	14	962Z, O02A, O02B, O05A		13	N09A, N09B		14	962Z, O02A, O02B
	21A	W04A, W04B		13	N09A, N09B		13	N01A, N01B, N01C, N01D, N01E, N02A, N02B, N02C, N03A, N03B, N04Z, N14Z, N21Z, N38Z
5q293	21B	X06A, X06B, X06C	5q405.8	13	N09A, N09B	5q421.1↔	14	962Z, O02A, O02B, O04A
		BOP, KVT, UOP4		13	N09A, N09B		13	N01A, N01B, N01C, N01D, N01E, N02A, N02B, N02C, N03A, N03B, N04Z, N14Z, N21Z, N38Z
	13	N13A, N13B		14	962Z, O02A, O02B		14	962Z, O02A, O02B, O04A
	14	962Z, O02A, O02B		13	N01A, N01B, N01C, N01D, N01E, N02A, N02B, N02C, N03A, N03B, N04Z, N14Z, N21Z, N38Z		13	N01A, N01B, N01C, N01D, N01E, N02A, N02B, N02C, N03A, N03B, N04Z, N14Z, N21Z, N38Z
5q401.0	21B	X06A, X06B, X06C	5q410.0	14	962Z, O02A, O02B	5q421.1↔	14	962Z, O02A, O02B, O04A
		BOP, KVT, UOP4		13	N01A, N01B, N01C, N01D, N01E, N02A, N02B, N02C, N03A, N03B, N04Z, N14Z, N21Z, N38Z		14	962Z, O02A, O02B, O04A
	13	N21Z, N23Z		14	962Z, O02A, O02B		13	N01A, N01B, N01C, N01D, N01E, N02A, N02B, N02C, N03A, N03B, N04Z, N14Z, N21Z, N38Z
	14	962Z, O02A, O02B, O04A		13	N01A, N01B, N01C, N01D, N01E, N02A, N02B, N02C, N03A, N03B, N04Z, N14Z, N21Z, N38Z		14	962Z, O02A, O02B, O04A

ZZV	MDC	DRG	ZZV	MDC	DRG	ZZV	MDC	DRG
5q421.4↔		BOP, KVT, UOP4	5q430.8		BOP, KVT, UOP4	5q530.8		BOP, KVT, UOP4
	13	N01A, N01B, N01C, N01D, N01E, N02A, N02B, N02C, N03A, N03B, N04Z, N14Z, N21Z, N38Z		13	N01A, N01B, N01C, N01D, N01E, N02A, N02B, N02C, N03A, N03B, N04Z, N14Z, N21Z, N38Z		13	N04Z, N06Z
	14	962Z, O02A, O02B, O04A		14	962Z, O02A, O02B, O04A		14	962Z, O02A, O02B
5q421.7↔		BOP, KVT, UOP4		19	U01Z	5q593	21A	W04A, W04B
	13	N01A, N01B, N01C, N01D, N01E, N02A, N02B, N02C, N03A, N03B, N04Z, N14Z, N21Z, N38Z	5q431.0↔		BOP, KVT, UOP4		21B	X06A, X06B, X06C
	14	962Z, O02A, O02B, O04A		13	N01A, N01B, N01C, N01D, N01E, N02A, N02B, N02C, N03A, N03B, N04Z, N14Z, N21Z, N38Z		13	N10Z
5q421.8↔		BOP, KVT, UOP4		14	962Z, O02A, O02B, O04A	5q594	14	962Z, O02A, O02B, O40Z
	13	N01A, N01B, N01C, N01D, N01E, N02A, N02B, N02C, N03A, N03B, N04Z, N14Z, N21Z, N38Z	5q431.4↔		BOP, KVT, UOP4	5q595	13	BOP, KVT, UOP4
	14	962Z, O02A, O02B, O04A		13	N01A, N01B, N01C, N01D, N01E, N02A, N02B, N02C, N03A, N03B, N04Z, N14Z, N21Z, N38Z		13	N01A, N01B, N01C, N01D, N01E, N02A, N02B, N02C, N03A, N03B, N07Z, N25Z, N38Z
5q422.0↔		BOP, KVT, UOP4		14	962Z, O02A, O02B, O04A	5q597.0	14	962Z, O02A, O02B
	13	N01A, N01B, N01C, N01D, N01E, N02A, N02B, N02C, N03A, N03B, N04Z, N14Z, N21Z, N38Z	5q431.8↔		BOP, KVT, UOP4		11	L06A, L06B
	14	962Z, O02A, O02B, O04A		13	N01A, N01B, N01C, N01D, N01E, N02A, N02B, N02C, N03A, N03B, N04Z, N14Z, N21Z, N38Z		13	N06Z, N14Z
5q422.4↔		BOP, KVT, UOP4		14	962Z, O02A, O02B, O04A	5q597.4	11	L06A, L06B
	13	N01A, N01B, N01C, N01D, N01E, N02A, N02B, N02C, N03A, N03B, N04Z, N14Z, N21Z, N38Z	5q432.0		BOP, KVT, MVV, UOP4		13	N06Z, N14Z
	14	962Z, O02A, O02B, O04A		13	N01A, N01B, N01C, N01D, N01E, N38Z	5q597.7	11	L06A, L06B
5q422.8↔		BOP, KVT, UOP4		14	962Z, O02A, O02B, O04A		13	N06Z, N14Z
	13	N01A, N01B, N01C, N01D, N01E, N02A, N02B, N02C, N03A, N03B, N04Z, N14Z, N21Z, N38Z	5q432.4		BOP, KVT, MVV, UOP4		13	BOP, KVT, UOP4
	14	962Z, O02A, O02B, O04A		13	N01A, N01B, N01C, N01D, N01E, N38Z	5q598†	13	N10Z
5q424		BOP, KVT, UOP4		14	962Z, O02A, O02B	5q610	13	BOP, UOP4
	11	L06A, L06B	5q432.7		BOP, KVT, MVV, UOP4		14	N09A, N09B
	13	N06Z, N14Z		13	N01A, N01B, N01C, N01D, N01E, N38Z	5q620	09	J03A, J03B, J04A, J04B, J08A, J08B, J08C, J11A, J11B, J11C, J16Z
	14	O04A		14	962Z, O02A, O02B		11	L09A, L09B, L09C, L09D, L38Z
5q425		BOP, KVT, UOP4	5q432.8		BOP, KVT, MVV, UOP4		13	N13A, N13B
	11	L06A, L06B		13	N01A, N01B, N01C, N01D, N01E, N38Z		14	962Z, O02A, O02B
	13	N06Z, N14Z		14	962Z, O02A, O02B	5q621	21A	W04A, W04B
	14	O04A	5q501		N10Z		21B	X06A, X06B, X06C
5q430.0		BOP, KVT, UOP4		13	N10Z		09	J03A, J03B, J04A, J04B, J08A, J08B, J08C, J11A, J11B, J11C, J16Z
	13	N01A, N01B, N01C, N01D, N01E, N02A, N02B, N02C, N03A, N03B, N04Z, N14Z, N21Z, N38Z	5q502		N10Z		13	N13A, N13B
	14	962Z, O02A, O02B, O04A		14	962Z, O02A, O02B, O40Z		14	962Z, O02A, O02B
	19	U01Z	5q520		BOP, KVT, UOP4		21B	X06A, X06B, X06C
5q430.4		BOP, KVT, UOP4		06	G10Z, G12A, G12B	5q630	13	BOP, KVT, UOP4
	13	N01A, N01B, N01C, N01D, N01E, N02A, N02B, N02C, N03A, N03B, N04Z, N14Z, N21Z, N38Z		10	K09A, K09B		21A	W04A, W04B
	14	962Z, O02A, O02B, O04A		13	N11A, N11B		21B	X06A, X06B, X06C
	19	U01Z		17	R01A, R01B, R01C, R01D, R02Z, R12A, R12B, R12C		13	N04Z, N06Z
5q430.7		BOP, KVT, UOP4	5q530.0		BOP, KVT, UOP4	5q632	13	N04Z, N06Z
	13	N01A, N01B, N01C, N01D, N01E, N02A, N02B, N02C, N03A, N03B, N04Z, N14Z, N21Z, N38Z		13	N04Z, N06Z		19	U01Z
	14	962Z, O02A, O02B, O04A		14	962Z, O02A, O02B		06	G18A, G38Z
	19	U01Z		21A	W04A, W04B		13	N04Z, N06Z
			5q530.3		X06A, X06B, X06C	5q633.0	19	U01Z
				13	N01A, N01B, N01C, N01D, N01E, N02A, N02B, N02C, N03A, N03B, N07Z, N25Z, N38Z		06	BOP, KVT, UOP4
				14	962Z, O02A, O02B		13	G18A, G38Z
				21A	W04A, W04B	5q633.7	19	U01Z
				21B	X06A, X06B, X06C		06	G18A, G38Z
			5q530.4		BOP, KVT, UOP4		13	N04Z, N06Z
				13	N04Z, N06Z		19	U01Z
				14	962Z, O02A, O02B	5q634.0	06	G18A, G38Z
				21A	W04A, W04B		13	N04Z, N06Z
				21B	X06A, X06B, X06C		19	U01Z

ZZV	MDC	DRG	ZZV	MDC	DRG	ZZV	MDC	DRG
5q634.7		BOP, KVT, UOP4	5q692		BOP, KVT, UOP4	5q741		BOP, KOP, KOPV, KVT, UOP4
	06	G18A, G38Z		09	J03A, J03B, J04A, J04B, J08A, J08B, J08C, J11A, J11B, J16Z		06	G33Z
	13	N04Z, N06Z		10	K09A, K09B		07	H33Z, H38Z
	19	U01Z		13	N13A, N13B		11	L33Z
5q640		BOP, KVT, UOP4		14	962Z, O60A, O60B, O60C, O60D		13	N01A, N01B, N01C, N01D, N01E, N38Z
	11	L06A, L06B		21A	W04A, W04B		21B	X33Z
	13	N06Z, N14Z		21B	X06A, X06B, X06C		23	Z01A
	14	O04A		5q693	BOP, KVT, UOP4		Pre	A07A
5q641		BOP, KVT, UOP4		09	J03A, J03B, J04A, J04B, J08A, J08B, J08C, J11A, J11B, J16Z	5q742		BOP, UOP4
	11	L06A, L06B		10	K09A, K09B		09	J03A, J03B, J04A, J04B, J08A, J08B, J08C, J11A, J11B, J16Z
	13	N06Z, N14Z		13	N13A, N13B		10	K09A, K09B
	14	O04A		14	962Z, O60A, O60B, O60C, O60D		13	N09A, N09B
5q642		BOP, KVT, UOP4		21A	W04A, W04B		14	962Z, O60A, O60B, O60C, O60D
	11	L06A, L06B		21B	X06A, X06B, X06C		21A	W04A, W04B
	13	N04Z, N06Z, N14Z		5q710	BOP, UOP4		21B	X06A, X06B, X06C
	14	O04A		09	J03A, J03B, J04A, J04B, J08A, J08B, J08C, J11A, J11B, J16Z	5q750		BOP, KVT, UOP4
5q650.4		BOP, KVT, UOP4		13	N09A, N09B		13	N09A, N09B
	13	N03A, N04Z, N06Z, N38Z		14	962Z, O02A, O02B		21A	W04A, W04B
	19	U01Z		5q711	BOP, UOP4	5q751		BOP, KVT, UOP4
	21A	W04A, W04B		09	J03A, J03B, J04A, J04B, J08A, J08B, J08C, J11A, J11B, J16Z		13	N09A, N09B
	21B	X06A, X06B, X06C		13	N09A, N09B		21A	W04A, W04B
5q650.7		BOP, KVT, UOP4		14	962Z, O02A, O02B		21B	X06A, X06B, X06C
	13	N03A, N04Z, N06Z, N38Z		5q712	BOP, UOP4	5q752		BOP, KVT, UOP4
	19	U01Z		09	J03A, J03B, J04A, J04B, J08A, J08B, J08C, J11A, J11B, J16Z		13	N09A, N09B
	21A	W04A, W04B		13	N09A, N09B		21A	W04A, W04B
	21B	X06A, X06B, X06C		14	962Z, O02A, O02B		21B	X06A, X06B, X06C
5q651		BOP, KVT, UOP4		5q720	BOP, UOP4	5q790		BOP, UOP4
	13	N09A, N09B		09	J03A, J03B, J04A, J04B, J08A, J08B, J08C, J11A, J11B, J16Z		09	J03A, J03B, J04A, J04B, J08A, J08B, J08C, J11A, J11B, J16Z
5q652		BOP, KVT, UOP4		13	N09A, N09B		10	K09A, K09B
	13	N04Z, N06Z		14	962Z, O02A, O02B		13	N09A, N09B
	19	U01Z		5q721	BOP, UOP4		14	962Z, O60A, O60B, O60C, O60D
	21A	W04A, W04B		09	J03A, J03B, J04A, J04B, J08A, J08B, J08C, J11A, J11B, J16Z		21A	W04A, W04B
	21B	X06A, X06B, X06C		13	N09A, N09B		21B	X06A, X06B, X06C
5q653		BOP, KVT, UOP4		14	962Z, O60A, O60B, O60C, O60D	5r111‡		962Z
	13	N04Z, N06Z		5q722	BOP, KVT, UOP4	5r112‡		962Z
	19	U01Z		13	N09A, N09B	5r113‡		962Z
	21A	W04A, W04B		21A	W04A, W04B	5r114‡		962Z
	21B	X06A, X06B, X06C		21B	X06A, X06B, X06C	5r11x‡		962Z
5q654		BOP, KVT, UOP4		5q730	BOP, UOP4	5r121‡		962Z
	13	N04Z, N06Z		10	K09A, K09B	5r122‡		962Z
	19	U01Z		13	N13A, N13B	5r12x‡		962Z
	21A	W04A, W04B		5q731	BOP, UOP4	5r131‡		962Z
	21B	X06A, X06B, X06C		10	K09A, K09B	5r132‡		962Z
5q690		BOP, KVT, UOP4		13	N13A, N13B	5r133‡		962Z
	11	L06A, L06B		5q732	BOP, UOP4	5r141‡		962Z
	12	M06Z, M09A, M09B, M38Z		10	K09A, K09B	5r142‡		962Z
	13	N04Z, N06Z		13	N13A, N13B	5r14x‡		962Z
	17	R01A, R01B, R01C, R01D, R02Z, R12A, R12B, R12C		5q740	BOP, KVT, UOP4	5r211‡		962Z
	21A	W04A, W04B				5r212‡		962Z
	21B	X06A, X06B, X06C				5r213‡		962Z
5q691		BOP, KVT, UOP4				5r214‡		962Z
	09	J03A, J03B, J04A, J04B, J08A, J08B, J08C, J11A, J11B, J16Z				5r215‡		962Z
	10	K09A, K09B				5r216‡		962Z
	13	N13A, N13B				5r217‡		962Z
	14	962Z, O60A, O60B, O60C, O60D				5r221‡		962Z
	21A	W04A, W04B				5r222‡		962Z
	21B	X06A, X06B, X06C				5r223‡		962Z
						5r224‡		962Z
						5r231‡		962Z

ZZV	MDC	DRG	ZZV	MDC	DRG	ZZV	MDC	DRG
5r335.4↔		BOP, KVT, UOP4	5r492		BOP, KVT, UOP4	5s103.12		BOP, KVT, UOP4
	13	N01A, N01B, N01C, N01D, N01E, N02A, N02B, N02C, N03A, N03B, N07Z, N25Z, N38Z		14	962Z, O01A, O02A, O06Z, O60A		03	D18Z, D28Z, D29Z
							08	I17Z
			5r493‡	14	962Z		09	J08A, J08B, J08C
			5r912		BOP, KVT, UOP4		21A	W04A, W04B
	14	962Z, O03Z		14	962Z, O02A, O02B		21B	X06A, X06B, X06C
5r335.6↔		BOP, KVT, UOP4	5r913‡	14	962Z	5s103.31		BOP, KVT, UOP4
	13	N01A, N01B, N01C, N01D, N01E, N02A, N02B, N02C, N03A, N03B, N07Z, N25Z, N38Z	5r914.1‡	14	962Z		03	D18Z, D28Z, D29Z
			5r914.2‡	14	962Z		08	I17Z
			5r914.3‡	14	962Z		09	J08A, J08B, J08C
			5r914.4‡	14	962Z		21A	W04A, W04B
	14	962Z, O03Z	5r921‡	14	962Z		21B	X06A, X06B, X06C
5r335.7↔		BOP, KVT, UOP4	5r922‡	14	962Z	5s103.32	03	D04Z
	13	N01A, N01B, N01C, N01D, N01E, N02A, N02B, N02C, N03A, N03B, N07Z, N25Z, N38Z	5r923‡	14	962Z	5s105.2		BOP, KVT, UOP4
			5r924		BOP, KVT, UOP4		03	D04Z, D18Z, D28Z, D29Z
				14	962Z, O02A, O02B, O40Z		08	I17Z
	14	962Z, O03Z	5r925‡	14	962Z		09	J08A, J08B
5r335.x↔		BOP, KVT, UOP4	5r931		BOP, KVT, UOP4		21A	W04A, W04B
	13	N01A, N01B, N01C, N01D, N01E, N02A, N02B, N02C, N03A, N03B, N07Z, N25Z, N38Z		14	962Z, O02A, O02B		21B	X06A, X06B, X06C
			5r932‡	14	962Z	5s105.3		BOP, KVT, UOP4
			5r991		BOP, KVT, UOP4		03	D04Z, D18Z, D28Z, D29Z
				14	962Z, O40Z		08	I17Z
	14	962Z, O03Z	5s101.10		BOP, KVT, UOP4		09	J08A, J08B, J08C
5r336.0		BOP, KVT, UOP4		03	D04Z, D18Z, D28Z, D29Z		21A	W04A, W04B
	14	962Z, O03Z		08	I17Z		21B	X06A, X06B, X06C
5r336.1		BOP, KVT, UOP4		09	J08A, J08B, J08C	5s105.4		BOP, KVT, UOP4
	14	962Z, O03Z		21A	W04A, W04B		01	B09A, B09B
5r336.4		BOP, KVT, UOP4		21B	X06A, X06B, X06C		08	I15A, I15B
	14	962Z, O03Z	5s101.11		BOP, KVT, UOP4		21A	W01A, W01B, W01C, W36Z
5r336.6		BOP, KVT, UOP4		03	D04Z, D18Z, D28Z, D29Z		21B	X06A, X06B, X06C
	14	962Z, O03Z		08	I17Z	5s105.5		BOP, KVT, UOP4
5r336.7		BOP, KVT, UOP4		09	J08A, J08B, J08C		03	D18Z, D24A, D24B
	14	962Z, O03Z		21A	W04A, W04B		08	I17Z
5r336.x		BOP, KVT, UOP4		21B	X06A, X06B, X06C		09	J08A, J08B, J08C
	14	962Z, O03Z	5s102.1		BOP, KVT, UOP4		21A	W04A, W04B
5r339		BOP, KVT, UOP4		03	D04Z, D18Z, D28Z, D29Z		21B	X06A, X06B, X06C
	14	962Z, O03Z		08	I17Z	5s11f.3		BOP, KVT, UOP4
5r341		BOP, KVT, UOP4		09	J08A, J08B, J08C		03	D04Z, D18Z, D28Z, D29Z
	14	962Z, O03Z		21A	W04A, W04B		08	I17Z
5r342		BOP, KVT, UOP4		21B	X06A, X06B, X06C		09	J08A, J08B
	14	962Z, O03Z	5s102.10		BOP, KVT, UOP4		21A	W04A, W04B
5r343		BOP, KVT, UOP4		03	D04Z, D18Z, D28Z, D29Z		21B	X06A, X06B, X06C
	14	962Z, O03Z		08	I17Z	5s11f.5		BOP, KVT, UOP4
5r34x		BOP, KVT, UOP4		09	J08A, J08B, J08C		01	B09A, B09B
	14	962Z, O03Z		21A	W04A, W04B		03	D16Z
5r411‡		BOP, KVT, UOP4		21B	X06A, X06B, X06C		08	I23A
	14	962Z, O01A, O02A, O06Z, O60A	5s102.21		BOP, KVT, UOP4		21A	W04A, W04B
5r412‡		BOP, KVT, UOP4		03	D04Z, D18Z, D28Z, D29Z		21B	X06A, X06B, X06C
	14	962Z, O01A, O02A, O06Z, O60A		08	I17Z	5s210.1		BOP, KVT, UOP4
5r413		BOP, KVT, UOP4		09	J08A, J08B, J08C		03	D18Z, D28Z, D29Z
	14	962Z, O01A, O02A, O06Z, O60A		21A	W04A, W04B		08	I17Z
				21B	X06A, X06B, X06C		09	J08A, J08B
5r414‡		BOP, KVT, UOP4	5s102.22		BOP, KVT, UOP4		21A	W04A, W04B
	14	962Z, O01A, O02A, O06Z, O60A		03	D04Z, D18Z, D28Z, D29Z		21B	X06A, X06B, X06C
5r415‡		BOP, KVT, UOP4		08	I17Z	5s210.2		BOP, KVT, UOP4
	14	962Z, O01A, O02A, O06Z, O60A		09	J08A, J08B, J08C		03	D18Z, D28Z, D29Z
5r416‡		BOP, KVT, UOP4		21A	W04A, W04B		08	I17Z
	14	962Z, O01A, O02A, O06Z, O60A		21B	X06A, X06B, X06C		09	J08A, J08B
5r417‡		BOP, KVT, UOP4	5s102.x		BOP, KVT, UOP4		21A	W04A, W04B
	14	962Z, O01A, O02A, O06Z, O60A		03	D04Z, D18Z, D28Z, D29Z		21B	X06A, X06B, X06C
5r418‡		BOP, KVT, UOP4		08	I17Z	5s210.3		BOP, KVT, UOP4
	14	962Z, O01A, O02A, O06Z, O60A		09	J08A, J08B, J08C		03	D18Z, D28Z, D29Z
5r421‡		BOP, KVT, UOP4		21A	W04A, W04B		08	I17Z
5r422‡		BOP, KVT, UOP4		21B	X06A, X06B, X06C		09	J08A, J08B
5r423‡		BOP, KVT, UOP4					21A	W04A, W04B
5r491		BOP, KVT, UOP4					21B	X06A, X06B, X06C
	14	962Z, O01A, O02A, O06Z, O60A						

VYK

ZZV	MDC	DRG	ZZV	MDC	DRG	ZZV	MDC	DRG
5s211.1		BOP, KVT, UOP4	5s222.01		BOP, KVT, UOP4	5s222.60		BOP, KVT, UOP4
	03	D18Z, D28Z, D29Z		03	D04Z, D18Z, D28Z, D29Z		03	D18Z, D24A, D24B
	08	I17Z		08	I17Z		08	I17Z
	09	J08A, J08B, J08C		09	J08A, J08B, J08C		09	J08A, J08B, J08C
	21A	W04A, W04B		21A	W04A, W04B		21A	W04A, W04B
	21B	X06A, X06B, X06C		21B	X06A, X06B, X06C		21B	X06A, X06B, X06C
5s211.2		BOP, KVT, UOP4	5s222.10↔		BOP, KVT, UOP4	5s222.61		BOP, KVT, UOP4
	03	D18Z, D28Z, D29Z		03	D04Z, D18Z, D28Z, D29Z		03	D18Z, D24A, D24B
	08	I17Z		08	I17Z		08	I17Z
	09	J08A, J08B, J08C		09	J08A, J08B, J08C		09	J08A, J08B, J08C
	21A	W04A, W04B		21A	W04A, W04B		21A	W04A, W04B
	21B	X06A, X06B, X06C		21B	X06A, X06B, X06C		21B	X06A, X06B, X06C
5s211.3		BOP, KVT, UOP4	5s222.11↔		BOP, KVT, UOP4	5s222.70		BOP, KVT, UOP4
	03	D18Z, D28Z, D29Z		03	D04Z, D18Z, D28Z, D29Z		03	D18Z, D24A, D24B
	08	I17Z		08	I17Z		08	I17Z
	09	J08A, J08B, J08C		09	J08A, J08B, J08C		09	J08A, J08B, J08C
	21A	W04A, W04B		21A	W04A, W04B		21A	W04A, W04B
	21B	X06A, X06B, X06C		21B	X06A, X06B, X06C		21B	X06A, X06B, X06C
5s212		BOP, KVT, UOP4	5s222.20		BOP, KVT, UOP4	5s222.71		BOP, KVT, UOP4
	08	I23A, I23B		03	D04Z, D18Z, D28Z, D29Z		03	D18Z, D24A, D24B
	09	J08A		08	I17Z		08	I17Z
5s220.1		BOP, KVT, UOP4		09	J08A, J08B, J08C		09	J08A, J08B, J08C
	03	D18Z, D28Z, D29Z		21A	W04A, W04B		21A	W04A, W04B
	08	I17Z		21B	X06A, X06B, X06C		21B	X06A, X06B, X06C
	09	J08A, J08B	5s222.21		BOP, KVT, UOP4	5s222.80		BOP, KVT, UOP4
	21A	W04A, W04B		03	D04Z, D18Z, D28Z, D29Z		03	D18Z, D24A, D24B
	21B	X06A, X06B, X06C		08	I17Z		08	I17Z
5s220.2		BOP, KVT, UOP4		09	J08A, J08B, J08C		09	J08A, J08B, J08C
	03	D18Z, D28Z, D29Z		21A	W04A, W04B		21A	W04A, W04B
	08	I17Z		21B	X06A, X06B, X06C		21B	X06A, X06B, X06C
	09	J08A, J08B	5s222.30		BOP, KVT, UOP4	5s222.81		BOP, KVT, UOP4
	21A	W04A, W04B		03	D04Z, D18Z, D28Z, D29Z		03	D18Z, D24A, D24B
	21B	X06A, X06B, X06C		08	I17Z		08	I17Z
5s220.3		BOP, KVT, UOP4		09	J08A, J08B, J08C		09	J08A, J08B, J08C
	03	D18Z, D28Z, D29Z		21A	W04A, W04B		21A	W04A, W04B
	08	I17Z		21B	X06A, X06B, X06C		21B	X06A, X06B, X06C
	09	J08A, J08B	5s222.31		BOP, KVT, UOP4	5s222.90		BOP, KVT, UOP4
	21A	W04A, W04B		03	D04Z, D18Z, D28Z, D29Z		03	D18Z, D24A, D24B
	21B	X06A, X06B, X06C		08	I17Z		08	I17Z
5s221.1		BOP, KVT, UOP4		09	J08A, J08B, J08C		09	J08A, J08B, J08C
	03	D18Z, D28Z, D29Z		21A	W04A, W04B		21A	W04A, W04B
	08	I17Z		21B	X06A, X06B, X06C		21B	X06A, X06B, X06C
	09	J08A, J08B, J08C	5s222.40		BOP, KVT, UOP4	5s222.91		BOP, KVT, UOP4
	21A	W04A, W04B		03	D04Z, D18Z, D28Z, D29Z		03	D18Z, D24A, D24B
	21B	X06A, X06B, X06C		08	I17Z		08	I17Z
5s221.2		BOP, KVT, UOP4		09	J08A, J08B, J08C		09	J08A, J08B, J08C
	03	D18Z, D28Z, D29Z		21A	W04A, W04B		21A	W04A, W04B
	08	I17Z		21B	X06A, X06B, X06C		21B	X06A, X06B, X06C
	09	J08A, J08B, J08C	5s222.41		BOP, KVT, UOP4	5s222.x		BOP, KVT, UOP4
	21A	W04A, W04B		03	D04Z, D18Z, D28Z, D29Z		03	D18Z, D24A, D24B
	21B	X06A, X06B, X06C		08	I17Z		08	I17Z
5s221.3		BOP, KVT, UOP4		09	J08A, J08B, J08C		09	J08A, J08B, J08C
	03	D18Z, D28Z, D29Z		21A	W04A, W04B		21A	W04A, W04B
	08	I17Z		21B	X06A, X06B, X06C		21B	X06A, X06B, X06C
	09	J08A, J08B, J08C	5s222.50		BOP, KVT, UOP4	5s224		BOP, KVT, UOP4
	21A	W04A, W04B		03	D04Z, D18Z, D28Z, D29Z		03	D18Z, D25A, D25B, D25C, D25D
	21B	X06A, X06B, X06C		08	I17Z		08	I17Z
5s221.4		BOP, KVT, UOP4		09	J08A, J08B, J08C		09	J03A, J03B, J04A, J04B, J08A, J08B, J08C, J11A, J11B, J16Z
	03	D04Z, D18Z, D28Z, D29Z		21A	W04A, W04B		21A	W04A, W04B
	08	I17Z		21B	X06A, X06B, X06C		21B	X06A, X06B, X06C
	09	J08A, J08B, J08C	5s222.51		BOP, KVT, UOP4			
	21A	W04A, W04B		03	D04Z, D18Z, D28Z, D29Z			
	21B	X06A, X06B, X06C		08	I17Z			
5s222.00		BOP, KVT, UOP4		09	J08A, J08B, J08C			
	03	D04Z, D18Z, D28Z, D29Z		21A	W04A, W04B			
	08	I17Z		21B	X06A, X06B, X06C			
	09	J08A, J08B, J08C						
	21A	W04A, W04B						
	21B	X06A, X06B, X06C						

ZZV	MDC	DRG	ZZV	MDC	DRG	ZZV	MDC	DRG
5s225.0a↔		BOP, KVT, UOP4	5s300.1		BOP, KVT, UOP4	5s302.60		BOP, KVT, UOP4
	03	D18Z, D25A, D25B, D25C, D25D		03	D03Z, D12A		03	D18Z, D25A, D25B, D25C, D25D
	08	I17Z		08	I17Z		08	I17Z
	09	J03A, J03B, J04A, J04B, J08A, J08B, J08C, J11A, J11B, J16Z		09	J03A, J03B, J04A, J04B, J08A, J08B, J08C, J11A, J11B, J16Z		09	J08A, J08B, J08C
	21A	W04A, W04B		21A	W04A, W04B		21A	W04A, W04B
5s225.0b↔	21B	X06A, X06B, X06C	5s300.2	21B	X06A, X06B, X06C	5s302.61	21B	X06A, X06B, X06C
		BOP, KVT, UOP4			BOP, KVT, UOP4			BOP, KVT, UOP4
	03	D18Z, D25A, D25B, D25C, D25D		03	D03Z, D12A		03	D18Z, D25A, D25B, D25C, D25D
	08	I17Z		08	I17Z		08	I17Z
	09	J03A, J03B, J04A, J04B, J08A, J08B, J08C, J11A, J11B, J16Z		09	J03A, J03B, J04A, J04B, J08A, J08B, J08C, J11A, J11B, J16Z		09	J08A, J08B, J08C
5s225.0c↔	21A	W04A, W04B	5s302.10	21A	W04A, W04B	5s302.62	21A	W04A, W04B
	21B	X06A, X06B, X06C		21B	X06A, X06B, X06C		21B	X06A, X06B, X06C
		BOP, KVT, UOP4			BOP, KVT, UOP4			BOP, KVT, UOP4
	03	D18Z, D25A, D25B, D25C, D25D		03	D18Z, D25A, D25B, D25C, D25D		03	D18Z, D25A, D25B, D25C, D25D
	08	I17Z		08	I17Z		08	I17Z
5s22a	09	J03A, J03B, J04A, J04B, J08A, J08B, J08C, J11A, J11B, J16Z	5s302.11	09	J08A, J08B, J08C	5s302.7	09	J08A, J08B, J08C
	21A	W04A, W04B		21A	W04A, W04B		21A	W04A, W04B
	21B	X06A, X06B, X06C		21B	X06A, X06B, X06C		21B	X06A, X06B, X06C
		BOP, KVT, UOP4			BOP, KVT, UOP4			BOP, KVT, UOP4
	03	D18Z, D28Z, D29Z		03	D18Z, D25A, D25B, D25C, D25D		03	D18Z, D25A, D25B, D25C, D25D
5s22b	08	I17Z	5s302.12	08	I17Z	5s302.80	08	I17Z
	09	J08A, J08B		09	J08A, J08B, J08C		09	J08A, J08B, J08C
	21A	W04A, W04B		21A	W04A, W04B		21A	W04A, W04B
	21B	X06A, X06B, X06C		21B	X06A, X06B, X06C		21B	X06A, X06B, X06C
		BOP, KVT, UOP4			BOP, KVT, UOP4			BOP, KVT, UOP4
5s290	03	D18Z, D28Z, D29Z	5s302.2	03	D18Z, D25A, D25B, D25C, D25D	5s302.81	03	D18Z, D25A, D25B, D25C, D25D
	08	I17Z		08	I17Z		08	I17Z
	09	J08A, J08B, J08C		09	J08A, J08B, J08C		09	J08A, J08B, J08C
	21A	W04A, W04B		21A	W04A, W04B		21A	W04A, W04B
	21B	X06A, X06B, X06C		21B	X06A, X06B, X06C		21B	X06A, X06B, X06C
5s291		BOP, KVT, UOP4	5s302.3		BOP, KVT, UOP4	5s302.a		BOP, KVT, UOP4
	03	D18Z, D28Z, D29Z		03	D18Z, D25A, D25B, D25C, D25D		03	D18Z, D25A, D25B, D25C, D25D
	08	I17Z		08	I17Z		08	I17Z
	09	J08A, J08B, J08C		09	J08A, J08B, J08C		09	J08A, J08B, J08C
	21A	W04A, W04B		21A	W04A, W04B		21A	W04A, W04B
5s298	21B	X06A, X06B, X06C	5s302.4	21B	X06A, X06B, X06C	5s302.h	21B	X06A, X06B, X06C
		BOP, KVT, UOP4			BOP, KVT, UOP4			BOP, KVT, UOP4
	03	D18Z, D25A, D25B, D25C, D25D		03	D18Z, D25A, D25B, D25C, D25D		03	D18Z, D25A, D25B, D25C, D25D
	08	I17Z		08	I17Z		08	I17Z
	09	J03A, J03B, J04A, J04B, J08A, J08B, J08C, J11A, J11B, J16Z		09	J08A, J08B, J08C		09	J08A, J08B, J08C
5s300.0	21A	W04A, W04B	5s302.5	21A	W04A, W04B	5s302.j	21A	W04A, W04B
	21B	X06A, X06B, X06C		21B	X06A, X06B, X06C		21B	X06A, X06B, X06C
		BOP, KVT, UOP4			BOP, KVT, UOP4			BOP, KVT, UOP4
	03	D03Z, D12A		03	D18Z, D24A, D24B		03	D18Z, D25A, D25B, D25C, D25D
	08	I17Z		08	I17Z		08	I17Z
	09	J03A, J03B, J04A, J04B, J08A, J08B, J08C, J11A, J11B, J16Z		09	J08A, J08B, J08C		09	J08A, J08B, J08C
	21A	W04A, W04B		21A	W04A, W04B		21A	W04A, W04B
	21B	X06A, X06B, X06C		21B	X06A, X06B, X06C		21B	X06A, X06B, X06C
		BOP, KVT, UOP4			BOP, KVT, UOP4			BOP, KVT, UOP4
	03	D18Z, D25A, D25B, D25C, D25D						

ZZV	MDC	DRG	ZZV	MDC	DRG	ZZV	MDC	DRG
5s30f.0		BOP, KVT, UOP4	5s30f.71		BOP, KVT, UOP4	5s314		BOP, KVT, UOP4
	03	D18Z, D25A, D25B, D25C, D25D		03	D18Z, D25A, D25B, D25C, D25D		03	D18Z, D25A, D25B, D25C, D25D
	08	I17Z		08	I17Z		08	I17Z
	09	J08A, J08B, J08C		09	J08A, J08B, J08C		09	J08A, J08B
	21A	W04A, W04B		21A	W04A, W04B		21A	W04A, W04B
5s30f.1	21B	X06A, X06B, X06C	5s30f.72	21B	X06A, X06B, X06C	5s315	21B	X06A, X06B, X06C
		BOP, KVT, UOP4			BOP, KVT, UOP4			BOP, KVT, UOP4
	03	D18Z, D25A, D25B, D25C, D25D		03	D18Z, D25A, D25B, D25C, D25D		03	D18Z, D25A, D25B, D25C, D25D
	08	I17Z		08	I17Z		08	I17Z
	09	J08A, J08B, J08C		09	J08A, J08B, J08C		09	J08A, J08B
5s30f.2	21A	W04A, W04B	5s30f.73	21A	W04A, W04B	5s316	21A	W04A, W04B
	21B	X06A, X06B, X06C		21B	X06A, X06B, X06C		21B	X06A, X06B, X06C
		BOP, KVT, UOP4			BOP, KVT, UOP4			BOP, KVT, UOP4
	03	D18Z, D25A, D25B, D25C, D25D		03	D18Z, D25A, D25B, D25C, D25D		03	D18Z, D25A, D25B, D25C, D25D
	08	I17Z		08	I17Z		08	I17Z
5s30f.3	09	J08A, J08B, J08C	5s311.0	09	J08A, J08B, J08C	5s317	09	J08A, J08B
	21A	W04A, W04B		21A	W04A, W04B		21A	W04A, W04B
	21B	X06A, X06B, X06C		21B	X06A, X06B, X06C		21B	X06A, X06B, X06C
		BOP, KVT, UOP4			BOP, KVT, UOP4			BOP, KVT, UOP4
	03	D18Z, D25A, D25B, D25C, D25D		03	D18Z, D25A, D25B, D25C, D25D		03	D18Z, D25A, D25B, D25C, D25D
5s30f.4	08	I17Z	5s311.1	08	I17Z	5s318	08	I17Z
	09	J08A, J08B, J08C		09	J08A, J08B		09	J08A, J08B
	21A	W04A, W04B		21A	W04A, W04B		21A	W04A, W04B
	21B	X06A, X06B, X06C		21B	X06A, X06B, X06C		21B	X06A, X06B, X06C
		BOP, KVT, UOP4			BOP, KVT, UOP4			BOP, KVT, UOP4
5s30f.50	03	D18Z, D25A, D25B, D25C, D25D	5s311.2	03	D18Z, D25A, D25B, D25C, D25D	5s319	03	D18Z, D25A, D25B, D25C, D25D
	08	I17Z		08	I17Z		08	I17Z
	09	J08A, J08B, J08C		09	J08A, J08B		09	J08A, J08B
	21A	W04A, W04B		21A	W04A, W04B		21A	W04A, W04B
	21B	X06A, X06B, X06C		21B	X06A, X06B, X06C		21B	X06A, X06B, X06C
5s30f.51		BOP, KVT, UOP4	5s311.3		BOP, KVT, UOP4	5s31a.1		BOP, KVT, UOP4
	03	D18Z, D25A, D25B, D25C, D25D		03	D18Z, D25A, D25B, D25C, D25D		03	D18Z, D25A, D25B, D25C, D25D
	08	I17Z		08	I17Z		08	I06A, I06B, I06C, I06D, I06E
	09	J08A, J08B, J08C		09	J08A, J08B		09	J08A, J08B
	21A	W04A, W04B		21A	W04A, W04B		21A	W04A, W04B
5s30f.6	21B	X06A, X06B, X06C	5s312	21B	X06A, X06B, X06C	5s31a.2	21B	X06A, X06B, X06C
		BOP, KVT, UOP4			BOP, KVT, UOP4			BOP, KVT, UOP4
	03	D18Z, D25A, D25B, D25C, D25D		03	D18Z, D25A, D25B, D25C, D25D		03	D18Z, D25A, D25B, D25C, D25D
	08	I17Z		08	I17Z		08	I06A, I06B, I06C, I06D, I06E
	09	J08A, J08B, J08C		09	J08A, J08B		09	J08A, J08B
5s30f.70	21A	W04A, W04B	5s313.1	21A	W04A, W04B	5s31b.1	21A	W04A, W04B
	21B	X06A, X06B, X06C		21B	X06A, X06B, X06C		21B	X06A, X06B, X06C
		BOP, KVT, UOP4			BOP, KVT, UOP4			BOP, KVT, UOP4
	03	D18Z, D25A, D25B, D25C, D25D		03	D18Z, D28Z, D29Z		03	D18Z, D25A, D25B, D25C, D25D
	08	I17Z		08	I17Z		08	I06A, I06B, I06C, I06D, I06E
5s30f.70	09	J08A, J08B, J08C	5s313.x	09	J08A, J08B, J08C	5s313.x	09	J08A, J08B, J08C
	21A	W04A, W04B		21A	W04A, W04B		21A	W04A, W04B
	21B	X06A, X06B, X06C		21B	X06A, X06B, X06C		21B	X06A, X06B, X06C
		BOP, KVT, UOP4			BOP, KVT, UOP4			BOP, KVT, UOP4
	03	D18Z, D25A, D25B, D25C, D25D		03	D18Z, D25A, D25B, D25C, D25D		03	D18Z, D25A, D25B, D25C, D25D
				08	I06A, I06B, I06C, I06D, I06E			
				09	J08A, J08B, J08C			

ZZV	MDC	DRG	ZZV	MDC	DRG	ZZV	MDC	DRG
5s31b.2		BOP, KVT, UOP4	5s901.20		BOP, KVT, UOP4	5s99b.21		BOP, KVT, UOP4
	03	D18Z, D25A, D25B, D25C, D25D		03	D18Z, D28Z, D29Z		03	D04Z, D18Z, D28Z, D29Z
	08	I06A, I06B, I06C, I06D, I06E		08	I17Z		08	I17Z
	09	J08A, J08B		09	J08A, J08B, J08C		09	J08A, J08B, J08C
	21A	W04A, W04B		21A	W04A, W04B		21A	W04A, W04B
5s390	21B	X06A, X06B, X06C	5s901.21	21B	X06A, X06B, X06C	5t001.0↔	21B	X06A, X06B, X06C
		BOP, KVT, UOP4			BOP, KVT, UOP4			BOP, KVT, UOP4
	03	D18Z, D25A, D25B, D25C, D25D		03	D18Z, D28Z, D29Z		04	E02A, E02B, E02C
	08	I17Z		08	I17Z		05	F13A
	09	J08A, J08B		09	J08A, J08B, J08C		08	I12A, I12B, I12C, I28A, I28B
5s391	21A	W04A, W04B	5s901.x	21A	W04A, W04B	21A	W04A, W04B	
	21B	X06A, X06B, X06C		21B	X06A, X06B, X06C	21B	X06A, X06B, X06C	
		BOP, KVT, UOP4			BOP, KVT, UOP4		BOP, KVT, UOP4	
	03	D18Z, D25A, D25B, D25C, D25D		03	D18Z, D28Z, D29Z	05	F13A	
	08	I17Z		08	I17Z	08	I12A, I12B, I12C, I13A, I13B, I13C, I13D, I13E	
5s392	09	J08A, J08B	5s902	09	J08A, J08B, J08C	5t001.1↔	09	J08A, J08B, J08C
	21A	W04A, W04B		21A	W04A, W04B		21A	W04A, W04B
	21B	X06A, X06B, X06C		21B	X06A, X06B, X06C		21B	X06A, X06B, X06C
		BOP, KVT, UOP4			BOP, KVT, UOP4			BOP, KVT, UOP4
	03	D18Z, D25A, D25B, D25C, D25D		03	D04Z, D15A, D18Z		05	F13A
5s393	08	I17Z	5s903	08	I17Z	5t001.2↔	08	I12A, I12B, I12C, I13A, I13B, I13C, I13D, I13E
	09	J08A, J08B		09	J08A, J08B, J08C		21A	W04A, W04B
	21A	W04A, W04B		21A	W04A, W04B		21B	X06A, X06B, X06C
	21B	X06A, X06B, X06C		21B	X06A, X06B, X06C			BOP, KVT, UOP4
		BOP, KVT, UOP4			BOP, KVT, UOP4			BOP, KVT, UOP4
5s394	03	D18Z, D25A, D25B, D25C, D25D	5s904.10	03	D18Z, D25A, D25B, D25C, D25D	5t001.3↔	05	F13A
	08	I17Z		08	I17Z		08	I12A, I12B, I12C, I13A, I13B, I13C, I13D, I13E
	09	J08A, J08B		09	J08A, J08B, J08C		21A	W04A, W04B
	21A	W04A, W04B		21A	W04A, W04B		21B	X06A, X06B, X06C
	21B	X06A, X06B, X06C		21B	X06A, X06B, X06C			BOP, KVT, UOP4
5s395		BOP, KVT, UOP4	5s904.11		BOP, KVT, UOP4	5t001.4↔		BOP, KVT, UOP4
	03	D18Z, D25A, D25B, D25C, D25D		03	D04Z, D18Z, D28Z, D29Z		05	F13A
	08	I17Z		08	I17Z		08	I12A, I12B, I12C, I21Z, I31Z
	09	J08A, J08B		09	J08A, J08B, J08C		21A	W04A, W04B
	21A	W04A, W04B		21A	W04A, W04B		21B	X06A, X06B, X06C
5s900	21B	X06A, X06B, X06C	5s991†	21B	X06A, X06B, X06C	5t001.5↔	21B	X06A, X06B, X06C
		BOP, KVT, UOP4			BOP, KVT, UOP4			BOP, KVT, UOP4
	03	D18Z, D25A, D25B, D25C, D25D		03	D28Z		05	F13A
	08	I23A		08	D18Z, D28Z, D29Z		08	I12A, I12B, I12C, I21Z, I31Z
	09	J08A, J08B		09	J08A, J08B, J08C		21A	W04A, W04B
5s901.10		BOP, KVT, UOP4	5s992		BOP, KVT, UOP4	5t001.6↔	21B	X06A, X06B, X06C
	03	D18Z, D28Z, D29Z		03	D18Z, D28Z, D29Z			BOP, KVT, UOP4
	08	I17Z		08	I17Z		05	F13A
	09	J08A, J08B, J08C		09	J08A, J08B, J08C		08	I12A, I12B, I12C, I21Z, I31Z
	21A	W04A, W04B		21A	W04A, W04B		21A	W04A, W04B
5s901.11	21B	X06A, X06B, X06C	5s99b.10	21B	X06A, X06B, X06C	5t001.7↔	21B	X06A, X06B, X06C
		BOP, KVT, UOP4			BOP, KVT, UOP4			BOP, KVT, UOP4
	03	D18Z, D28Z, D29Z		03	D04Z, D18Z, D28Z, D29Z		05	F13A
	08	I17Z		08	I17Z		08	I12A, I12B, I12C, I21Z, I31Z
	09	J08A, J08B, J08C		09	J08A, J08B, J08C		21A	W04A, W04B
5s901.11	21A	W04A, W04B	5s99b.11	21A	W04A, W04B	5t001.8↔	21A	W04A, W04B
	21B	X06A, X06B, X06C		21B	X06A, X06B, X06C		21B	X06A, X06B, X06C
		BOP, KVT, UOP4			BOP, KVT, UOP4			BOP, KVT, UOP4
	03	D18Z, D28Z, D29Z		03	D04Z, D18Z, D28Z, D29Z		05	F13A
	08	I17Z		08	I17Z		08	I12A, I12B, I12C, I21Z, I31Z
5s99b.20	09	J08A, J08B, J08C	5s99b.20	09	J08A, J08B, J08C	5t001.9↔	21A	W04A, W04B
	21A	W04A, W04B		21A	W04A, W04B		21B	X06A, X06B, X06C
	21B	X06A, X06B, X06C		21B	X06A, X06B, X06C			BOP, KVT, UOP4
		BOP, KVT, UOP4			BOP, KVT, UOP4			BOP, KVT, UOP4
	03	D04Z, D18Z, D28Z, D29Z		03	D04Z, D18Z, D28Z, D29Z		05	F13A
	08	I17Z		08	I17Z	5t001.a↔	08	I12A, I12B, I12C, I32A, I32B, I32C, I32D, I32E, I32F
	09	J08A, J08B, J08C		09	J08A, J08B, J08C		21A	W04A, W04B
	21A	W04A, W04B		21A	W04A, W04B		21B	X06A, X06B, X06C
	21B	X06A, X06B, X06C		21B	X06A, X06B, X06C			BOP, KVT, UOP4
		BOP, KVT, UOP4			BOP, KVT, UOP4			BOP, KVT, UOP4

VYK

ZZV	MDC	DRG	ZZV	MDC	DRG	ZZV	MDC	DRG
5t001.b↔		BOP, KVT, UOP4	5t001.m↔		BOP, KVT, UOP4	5t001.x		BOP, KVT, UOP4
	05	F13A		05	F13A		01	B03A, B03B, B06A, B06B, B17A, B17B, B17C
	08	I12A, I12B, I12C, I32A, I32B, I32C, I32D, I32E, I32F		08	I12A, I12B, I12C, I13A, I13B, I13C, I13D, I13E		05	F13A
	21A	W04A, W04B		21A	W04A, W04B		08	I12A, I12B, I12C, I28A, I28B
5t001.c↔	21B	X05A, X05B	5t001.n↔	21B	X04Z	5t001.z↔	21A	W04A, W04B
		BOP, KVT, UOP4			BOP, KVT, UOP4		21B	X06A, X06B, X06C
	05	F13A		05	F13A			BOP, KVT, UOP4
	08	I12A, I12B, I12C, I32A, I32B, I32C, I32D, I32E, I32F		08	I12A, I12B, I12C, I13A, I13B, I13C, I13D, I13E		04	E02A, E02B, E02C
5t001.d	21A	W04A, W04B	5t001.p↔	21A	W04A, W04B	5t002.0↔	05	F13A
	21B	X05A, X05B		21B	X04Z		08	I12A, I12B, I12C, I28A, I28B
		BOP, KVT, UOP4			BOP, KVT, UOP4		21A	W04A, W04B
	05	F13A		05	F13A		21B	X06A, X06B, X06C
5t001.e↔	08	I08A, I08B, I08C, I08D, I08E, I08F, I12A, I12B, I12C	5t001.q↔	08	I12A, I12B, I12C, I13A, I13B, I13C, I13D, I13E	5t002.1↔		BOP, KVT, UOP4
	21A	W04A, W04B		21A	W04A, W04B		04	E02A, E02B, E02C
	21B	X06A, X06B, X06C		21B	X04Z		05	F13A
		BOP, KVT, UOP4			BOP, KVT, UOP4		08	I12A, I12B, I12C, I28A, I28B
5t001.f↔	01	B03A, B03B, B06A, B06B, B17A, B17B, B17C	5t001.r↔	01	B03A, B03B, B06A, B06B, B17A, B17B, B17C	5t002.2↔	21A	W04A, W04B
	05	F13A		05	F13A		21B	X06A, X06B, X06C
	08	I08A, I08B, I08C, I08D, I08E, I08F		08	I12A, I12B, I12C, I13A, I13B, I13C, I13D, I13E			BOP, KVT, UOP4
	21A	W01A, W01B, W01C, W02A, W02B		21A	W04A, W04B		05	F13A
5t001.g↔	21B	X04Z	5t001.s↔	21B	X04Z	5t002.3↔	08	I12A, I12B, I12C, I13A, I13B, I13C, I13D, I13E
		BOP, KVT, UOP4			BOP, KVT, UOP4		21A	W04A, W04B
	01	B03A, B03B, B06A, B06B, B17A, B17B, B17C		05	F13A, F27A, F27B, F27C		21B	X06A, X06B, X06C
	05	F13A		08	I12A, I12B, I12C, I20A, I20B, I20C, I20D, I20E, I20F			BOP, KVT, UOP4
5t001.h↔	08	I08A, I08B, I08C, I08D, I08E, I08F	5t001.t↔	10	K01Z	5t002.4↔	05	F13A
	21A	W01A, W01B, W01C, W02A, W02B		21A	W04A, W04B		08	I12A, I12B, I12C, I13A, I13B, I13C, I13D, I13E
	21B	X04Z		21B	X04Z		21A	W04A, W04B
		BOP, KVT, UOP4			BOP, KVT, UOP4		21B	X06A, X06B, X06C
5t001.i↔	01	B03A, B03B, B06A, B06B, B17A, B17B, B17C	5t001.u↔	01	B03A, B03B, B06A, B06B, B17A, B17B, B17C	5t002.5↔		BOP, KVT, UOP4
	05	F13A		05	F13A, F27A, F27B, F27C		05	F13A
	08	I08A, I08B, I08C, I08D, I08E, I08F		08	I12A, I12B, I12C, I20A, I20B, I20C, I20D, I20E, I20F		08	I12A, I12B, I12C, I21Z, I31Z
	21A	W01A, W01B, W01C, W02A, W02B		10	K01Z		21A	W04A, W04B
5t001.j↔	21B	X04Z	5t001.v↔	21A	W04A, W04B	5t002.6↔	21B	X06A, X06B, X06C
		BOP, KVT, UOP4		21B	X04Z			BOP, KVT, UOP4
	01	B03A, B03B, B06A, B06B, B17A, B17B, B17C		05	F13A, F27A, F27B, F27C		05	F13A
	05	F13A		08	I12A, I12B, I12C, I20A, I20B, I20C, I20D, I20E, I20F		08	I12A, I12B, I12C, I21Z, I31Z
5t001.k↔	08	I12A, I12B, I12C, I18A, I18B, I30Z	5t001.w↔	10	K01Z	5t002.7↔	21A	W04A, W04B
	21A	W04A, W04B		21A	W04A, W04B		21B	X06A, X06B, X06C
	21B	X04Z		21B	X04Z			BOP, KVT, UOP4
		BOP, KVT, UOP4		05	F13A		05	F13A
				08	I12A, I12B, I12C, I20A, I20B, I20C, I20D, I20E, I20F	5t002.8↔	08	I12A, I12B, I12C, I21Z, I31Z
				21A	W04A, W04B		21A	W04A, W04B
				21B	X04Z		21B	X06A, X06B, X06C
					BOP, KVT, UOP4			BOP, KVT, UOP4
						5t002.9↔	05	F13A
							08	I12A, I12B, I12C, I21Z, I31Z
							21A	W04A, W04B
							21B	X06A, X06B, X06C

VYK

ZZV	MDC	DRG	ZZV	MDC	DRG	ZZV	MDC	DRG
5t002.a↔		BOP, KVT, UOP4	5t002.m↔		BOP, KVT, UOP4	5t002.z↔		BOP, KVT, UOP4
	05	F13A		05	F13A		04	E02A, E02B, E02C
	08	I12A, I12B, I12C, I32A, I32B, I32C, I32D, I32E, I32F		08	I12A, I12B, I12C, I13A, I13B, I13C, I13D, I13E		05	F13A
	21A	W04A, W04B		21A	W04A, W04B		08	I12A, I12B, I12C, I28A, I28B
	21B	X05A, X05B		21B	X04Z		21A	W04A, W04B
5t002.b↔		BOP, KVT, UOP4	5t002.n↔		BOP, KVT, UOP4	5t003.0↔		X06A, X06B, X06C
	05	F13A		05	F13A		04	BOP, KVT, UOP4, VIAL
	08	I12A, I12B, I12C, I32A, I32B, I32C, I32D, I32E, I32F		08	I12A, I12B, I12C, I13A, I13B, I13C, I13D, I13E		04	E02A, E02B, E02C
	21A	W04A, W04B		21A	W04A, W04B		05	F13A
	21B	X05A, X05B		21B	X04Z		08	I23A, I23B
5t002.c↔		BOP, KVT, UOP4	5t002.p↔		BOP, KVT, UOP4	5t003.1↔		BOP, KVT, UOP4, VIAL
	05	F13A		05	F13A		05	F13A
	08	I12A, I12B, I12C, I32A, I32B, I32C, I32D, I32E, I32F		08	I12A, I12B, I12C, I13A, I13B, I13C, I13D, I13E		08	I08A, I08B, I08C, I08D, I08E, I08F, I12A, I12B, I12C, I23A, I23B
	21A	W04A, W04B		21A	W04A, W04B		21A	W04A, W04B
	21B	X05A, X05B		21B	X04Z		21B	X06A, X06B, X06C
5t002.d		BOP, KVT, UOP4	5t002.q↔		BOP, KVT, UOP4	5t003.2↔		BOP, KVT, UOP4, VIAL
	05	F13A		05	F13A		05	F13A
	08	I08A, I08B, I08C, I08D, I08E, I08F, I12A, I12B, I12C		08	I12A, I12B, I12C, I13A, I13B, I13C, I13D, I13E		08	I08A, I08B, I08C, I08D, I08E, I08F, I12A, I12B, I12C, I23A, I23B
	21A	W04A, W04B		21A	W04A, W04B		21A	W04A, W04B
	21B	X06A, X06B, X06C		21B	X04Z		21B	X06A, X06B, X06C
5t002.e↔		BOP, KVT, UOP4	5t002.r↔		BOP, KVT, UOP4	5t003.3↔		BOP, KVT, UOP4, VIAL
	05	F13A		05	F13A		05	F13A
	08	I12A, I12B, I12C, I21Z		08	I12A, I12B, I12C, I13A, I13B, I13C, I13D, I13E		08	I08A, I08B, I08C, I08D, I08E, I08F, I12A, I12B, I12C, I23A, I23B
	21A	W04A, W04B		21A	W04A, W04B		21A	W04A, W04B
	21B	X04Z		21B	X04Z		21B	X06A, X06B, X06C
5t002.f↔		BOP, KVT, UOP4	5t002.s↔		BOP, KVT, UOP4	5t003.4↔		BOP, KVT, UOP4, VIAL
	01	B03A, B03B, B06A, B06B, B17A, B17B, B17C		05	F13A, F27A, F27B, F27C		05	F13A
	05	F13A		08	I12A, I12B, I12C, I20A, I20B, I20C, I20D, I20E, I20F		08	I08A, I08B, I08C, I08D, I08E, I08F, I23A, I23B
	08	I08A, I08B, I08C, I08D, I08E, I08F		10	K01Z		08	BOP, KVT, UOP4, VIAL
	21A	W01A, W01B, W01C, W02A, W02B		21A	W04A, W04B	5t003.5↔		F13A
	21B	X04Z		21B	X04Z		05	F13A
5t002.g↔		BOP, KVT, UOP4	5t002.t↔		BOP, KVT, UOP4		08	I08A, I08B, I08C, I08D, I08E, I08F, I23A, I23B
	01	B03A, B03B, B06A, B06B, B17A, B17B, B17C		05	F13A, F27A, F27B, F27C	5t003.6↔		BOP, KVT, UOP4, VIAL
	05	F13A		08	I12A, I12B, I12C, I20A, I20B, I20C, I20D, I20E, I20F		05	F13A
	08	I08A, I08B, I08C, I08D, I08E, I08F		10	K01Z		08	I08A, I08B, I08C, I08D, I08E, I08F, I23A, I23B
	21A	W01A, W01B, W01C, W02A, W02B		21A	W04A, W04B	5t003.7↔		BOP, KVT, UOP4, VIAL
	21B	X04Z		21B	X04Z		05	F13A
5t002.h↔		BOP, KVT, UOP4	5t002.u↔		BOP, KVT, UOP4		08	I08A, I08B, I08C, I08D, I08E, I08F, I23A, I23B
	01	B03A, B03B, B06A, B06B, B17A, B17B, B17C		05	F13A, F27A, F27B, F27C	5t003.8↔		BOP, KVT, UOP4, VIAL
	05	F13A		08	I12A, I12B, I12C, I20A, I20B, I20C, I20D, I20E, I20F		05	F13A
	08	I08A, I08B, I08C, I08D, I08E, I08F		10	K01Z		08	I08A, I08B, I08C, I08D, I08E, I08F, I23A, I23B
	21A	W01A, W01B, W01C, W02A, W02B		21A	W04A, W04B	5t003.9↔		BOP, KVT, UOP4, VIAL
	21B	X04Z		21B	X04Z		05	F13A
5t002.i↔		BOP, KVT, UOP4	5t002.v↔		BOP, KVT, UOP4		08	I08A, I08B, I08C, I08D, I08E, I08F, I23A, I23B
	01	B03A, B03B, B06A, B06B, B17A, B17B, B17C		05	F13A, F27A, F27B, F27C	5t003.a↔		BOP, KVT, UOP4, VIAL
	05	F13A		08	I12A, I12B, I12C, I20A, I20B, I20C, I20D, I20E, I20F		05	F13A
	08	I08A, I08B, I08C, I08D, I08E, I08F		10	K01Z		08	I12A, I12B, I12C, I32A, I32B, I32C, I32D, I32E, I32F
	21A	W01A, W01B, W01C, W02A, W02B		21A	W04A, W04B		21A	W04A, W04B
	21B	X04Z		21B	X04Z		21B	X05A, X05B
5t002.j↔		BOP, KVT, UOP4	5t002.w↔		BOP, KVT, UOP4	5t003.b↔		BOP, KVT, UOP4, VIAL
	01	B03A, B03B, B06A, B06B, B17A, B17B, B17C		05	F13A		05	F13A
	05	F13A		08	I12A, I12B, I12C, I20A, I20B, I20C, I20D, I20E, I20F		08	I12A, I12B, I12C, I32A, I32B, I32C, I32D, I32E, I32F
	08	I12A, I12B, I12C, I18A, I18B, I30Z		10	K01Z		21A	W04A, W04B
	21A	W04A, W04B		21A	W04A, W04B		21B	X05A, X05B
	21B	X04Z		21B	X04Z		21B	BOP, KVT, UOP4, VIAL
5t002.k↔		BOP, KVT, UOP4	5t002.x		BOP, KVT, UOP4		05	F13A
	05	F13A		05	F13A		08	I12A, I12B, I12C, I28A, I28B
	08	I12A, I12B, I12C, I13A, I13B, I13C, I13D, I13E		08	I12A, I12B, I12C, I20A, I20B, I20C, I20D, I20E, I20F		21A	W04A, W04B
	21A	W04A, W04B		21A	W04A, W04B		21B	X05A, X05B
	21B	X04Z		21B	X06A, X06B, X06C			

ZZV	MDC	DRG	ZZV	MDC	DRG	ZZV	MDC	DRG
5t003.c↔		BOP, KVT, UOP4, VIAL	5t003.s↔		BOP, KVT, UOP4, VIAL	5t004.6↔		BOP, KVT, UOP4, VIAL
	05	F13A		05	F13A		05	F13A
	08	I12A, I12B, I12C, I23A, I23B		08	I12A, I12B, I12C, I20A, I20B, I20C, I20D, I20E, I20F		08	I08A, I08B, I08C, I08D, I08E, I08F, I23A
	21A	W04A, W04B		21A	W04A, W04B	5t004.7↔		BOP, KVT, UOP4, VIAL
	21B	X05A, X05B		21B	X04Z		05	F13A
5t003.d		BOP, KVT, UOP4, VIAL	5t003.t↔		BOP, KVT, UOP4, VIAL		08	I08A, I08B, I08C, I08D, I08E, I08F, I23A
	05	F13A		05	F13A	5t004.8↔		BOP, KVT, UOP4, VIAL
	08	I12A, I12B, I12C, I23A, I23B		08	I12A, I12B, I12C, I20A, I20B, I20C, I20D, I20E, I20F		05	F13A
	21A	W04A, W04B		21A	W04A, W04B		08	I08A, I08B, I08C, I08D, I08E, I08F, I23A
	21B	X04Z, X05A, X05B, X06A, X06B, X06C		21B	X04Z	5t004.9↔		BOP, KVT, UOP4, VIAL
5t003.e↔		BOP, KVT, UOP4, VIAL	5t003.u↔		BOP, KVT, UOP4, VIAL		05	F13A
	05	F13A		05	F13A		08	I08A, I08B, I08C, I08D, I08E, I08F, I23A
	08	I12A, I12B, I12C, I21Z		08	I12A, I12B, I12C, I20A, I20B, I20C, I20D, I20E, I20F	5t004.a↔		BOP, KVT, UOP4, VIAL
	21A	W04A, W04B		21A	W04A, W04B		05	F13A
	21B	X04Z		21B	X04Z		08	I08A, I08B, I08C, I08D, I08E, I08F, I23A
5t003.f↔		BOP, KVT, UOP4, VIAL	5t003.v↔		BOP, KVT, UOP4, VIAL		21A	W04A, W04B
	05	F13A		05	F13A		21B	X04Z
	08	I12A, I12B, I12C, I21Z		08	I12A, I12B, I12C, I20A, I20B, I20C, I20D, I20E, I20F	5t004.b↔		BOP, KVT, UOP4, VIAL
	21A	W04A, W04B		21A	W04A, W04B		05	F13A
	21B	X04Z		21B	X04Z		08	I12A, I12B, I12C, I32A, I32B, I32C, I32D, I32E, I32F
5t003.g↔		BOP, KVT, UOP4, VIAL	5t003.w↔		BOP, KVT, UOP4, VIAL		21A	W04A, W04B
	05	F13A		05	F13A		21B	X05A, X05B
	08	I12A, I12B, I12C, I21Z		08	I12A, I12B, I12C, I23A, I23B	5t004.c↔		BOP, KVT, UOP4, VIAL
	21A	W04A, W04B		21A	W04A, W04B		05	F13A
	21B	X04Z		21B	X04Z		08	I12A, I12B, I12C, I32A, I32B, I32C, I32D, I32E, I32F
5t003.h↔		BOP, KVT, UOP4, VIAL	5t003.x		BOP, KVT, UOP4		21A	W04A, W04B
	05	F13A		05	F13A		21B	X05A, X05B
	08	I12A, I12B, I12C, I21Z		08	I12A, I12B, I12C, I23A, I23B	5t004.d		BOP, KVT, UOP4, VIAL
	21A	W04A, W04B		21A	W04A, W04B		05	F13A
	21B	X04Z		21B	X06A, X06B, X06C		08	I12A, I12B, I12C, I23A
5t003.i↔		BOP, KVT, UOP4, VIAL	5t003.z↔		BOP, KVT, UOP4, VIAL		21A	W04A, W04B
	05	F13A		04	E02A, E02B, E02C		21B	X04Z, X05A, X05B, X06A, X06B, X06C
	08	I12A, I12B, I12C, I23A, I23B		05	F13A	5t004.e↔		BOP, KVT, UOP4, VIAL
	21A	W04A, W04B		08	I23A, I23B		05	F13A
	21B	X04Z		5t004.0↔			08	I12A, I12B, I12C, I21Z
5t003.j↔		BOP, KVT, UOP4, VIAL		04	E02A, E02B, E02C		21A	W04A, W04B
	05	F13A		05	F13A		21B	X04Z
	08	I12A, I12B, I12C, I23A, I23B		08	I23A, I23B	5t004.f↔		BOP, KVT, UOP4, VIAL
	21A	W04A, W04B		5t004.1↔			05	F13A
	21B	X04Z		05	F13A		08	I12A, I12B, I12C, I21Z
5t003.k↔		BOP, KVT, UOP4, VIAL		08	I08A, I08B, I08C, I08D, I08E, I08F, I12A, I12B, I12C, I23A		21A	W04A, W04B
	05	F13A		21A	W04A, W04B		21B	X04Z
	08	I12A, I12B, I12C, I23A, I23B		21B	X06A, X06B, X06C	5t004.g↔		BOP, KVT, UOP4, VIAL
	21A	W04A, W04B		5t004.2↔			05	F13A
	21B	X04Z		05	F13A		08	I12A, I12B, I12C, I21Z
5t003.l↔		BOP, KVT, UOP4, VIAL		08	I08A, I08B, I08C, I08D, I08E, I08F, I12A, I12B, I12C, I23A		21A	W04A, W04B
	05	F13A		21A	W04A, W04B		21B	X04Z
	08	I12A, I12B, I12C, I23A, I23B		21B	X06A, X06B, X06C	5t004.h↔		BOP, KVT, UOP4, VIAL
	21A	W04A, W04B		5t004.3↔			05	F13A
	21B	X04Z		05	F13A		08	I12A, I12B, I12C, I21Z
5t003.m↔		BOP, KVT, UOP4, VIAL		08	I08A, I08B, I08C, I08D, I08E, I08F, I12A, I12B, I12C, I23A		21A	W04A, W04B
	05	F13A		21A	W04A, W04B		21B	X04Z
	08	I12A, I12B, I12C, I23A, I23B		21B	X06A, X06B, X06C	5t004.i↔		BOP, KVT, UOP4, VIAL
	21A	W04A, W04B		5t004.4↔			05	F13A
	21B	X04Z		05	F13A		08	I12A, I12B, I12C, I23A
5t003.n↔		BOP, KVT, UOP4, VIAL		08	I08A, I08B, I08C, I08D, I08E, I08F, I23A		21A	W04A, W04B
	05	F13A		5t004.5↔			21B	X04Z, X06A, X06B, X06C
	08	I12A, I12B, I12C, I23A, I23B		05	F13A	5t004.k↔		BOP, KVT, UOP4, VIAL
	21A	W04A, W04B		08	I08A, I08B, I08C, I08D, I08E, I08F, I23A		05	F13A
	21B	X04Z		5t004.6↔			08	I12A, I12B, I12C, I23A
5t003.o↔		BOP, KVT, UOP4, VIAL		5t004.7↔			21A	W04A, W04B
	05	F13A		5t004.8↔			21B	X04Z
	08	I12A, I12B, I12C, I23A, I23B		5t004.9↔				
	21A	W04A, W04B						
	21B	X04Z						
5t003.p↔		BOP, KVT, UOP4, VIAL						
	05	F13A						
	08	I12A, I12B, I12C, I23A, I23B						
	21A	W04A, W04B						
	21B	X04Z						
5t003.q↔		BOP, KVT, UOP4, VIAL						
	05	F13A						
	08	I12A, I12B, I12C, I23A, I23B						
	21A	W04A, W04B						
	21B	X04Z						
5t003.r↔		BOP, KVT, UOP4, VIAL						
	05	F13A						
	08	I12A, I12B, I12C, I23A, I23B						
	21A	W04A, W04B						
	21B	X04Z						

ZZV	MDC	DRG	ZZV	MDC	DRG	ZZV	MDC	DRG
5t004.m↔		BOP, KVT, UOP4, VIAL	5t005.1↔		BOP, KVT, UOP4, VIAL	5t005.b↔		BOP, KVT, UOP4, VIAL
	05	F13A		05	F13A		05	F13A
	08	I12A, I12B, I12C, I23A		08	I08A, I08B, I08C, I08D, I08E, I08F, I12A, I12B, I12C, I13A, I13B, I13C, I13D, I13E		08	I12A, I12B, I12C, I32A, I32B, I32C, I32D, I32E, I32F
	21A	W04A, W04B		21A	W04A, W04B		21A	W04A, W04B
	21B	X04Z		21B	X06A, X06B, X06C		21B	X05A, X05B
5t004.n↔		BOP, KVT, UOP4, VIAL	5t005.2↔		BOP, KVT, UOP4, VIAL	5t005.c↔		BOP, KVT, UOP4, VIAL
	05	F13A		05	F13A		05	F13A
	08	I12A, I12B, I12C, I23A		08	I08A, I08B, I08C, I08D, I08E, I08F, I12A, I12B, I12C, I13A, I13B, I13C, I13D, I13E		08	I12A, I12B, I12C, I32A, I32B, I32C, I32D, I32E, I32F
	21A	W04A, W04B		21A	W04A, W04B		21A	W04A, W04B
	21B	X04Z		21B	X06A, X06B, X06C		21B	X05A, X05B
5t004.p↔		BOP, KVT, UOP4, VIAL	5t005.3↔		BOP, KVT, UOP4, VIAL	5t005.d		BOP, KVT, UOP4, VIAL
	05	F13A		05	F13A		05	F13A
	08	I12A, I12B, I12C, I23A		08	I08A, I08B, I08C, I08D, I08E, I08F, I12A, I12B, I12C, I13A, I13B, I13C, I13D, I13E		08	I08A, I08B, I08C, I08D, I08E, I08F, I12A, I12B, I12C
	21A	W04A, W04B		21A	W04A, W04B		21A	W04A, W04B
	21B	X04Z		21B	X06A, X06B, X06C		21B	X06A, X06B, X06C
5t004.q↔		BOP, KVT, UOP4, VIAL	5t005.4↔		BOP, KVT, UOP4, VIAL	5t005.e↔		BOP, KVT, UOP4, VIAL
	05	F13A		05	F13A		01	B03A, B03B, B06A, B06B, B17A, B17B, B17C
	08	I12A, I12B, I12C, I23A		08	I08A, I08B, I08C, I08D, I08E, I08F, I12A, I12B, I12C, I21Z, I31Z		05	F13A
	21A	W04A, W04B		21A	W04A, W04B		08	I08A, I08B, I08C, I08D, I08E, I08F
	21B	X04Z		21B	X06A, X06B, X06C		21A	W01A, W01B, W01C, W02A, W02B
5t004.r↔		BOP, KVT, UOP4, VIAL	5t005.5↔		BOP, KVT, UOP4, VIAL	5t005.f↔		BOP, KVT, UOP4, VIAL
	05	F13A		05	F13A		01	B03A, B03B, B06A, B06B, B17A, B17B, B17C
	08	I12A, I12B, I12C, I23A		08	I08A, I08B, I08C, I08D, I08E, I08F, I12A, I12B, I12C, I21Z, I31Z		05	F13A
	21A	W04A, W04B		21A	W04A, W04B		08	I08A, I08B, I08C, I08D, I08E, I08F
	21B	X04Z		21B	X06A, X06B, X06C		21A	W01A, W01B, W01C, W02A, W02B
5t004.s↔		BOP, KVT, UOP4, VIAL	5t005.6↔		BOP, KVT, UOP4, VIAL	5t005.g↔		BOP, KVT, UOP4, VIAL
	05	F13A		05	F13A		01	B03A, B03B, B06A, B06B, B17A, B17B, B17C
	08	I12A, I12B, I12C, I20A, I20B, I20C, I20D, I20E, I20F		08	I08A, I08B, I08C, I08D, I08E, I08F, I12A, I12B, I12C, I21Z, I31Z		05	F13A
	21A	W04A, W04B		21A	W04A, W04B		08	I08A, I08B, I08C, I08D, I08E, I08F
	21B	X04Z		21B	X06A, X06B, X06C		21A	W01A, W01B, W01C, W02A, W02B
5t004.t↔		BOP, KVT, UOP4, VIAL	5t005.7↔		BOP, KVT, UOP4, VIAL	5t005.h↔		BOP, KVT, UOP4, VIAL
	05	F13A		05	F13A		01	B03A, B03B, B06A, B06B, B17A, B17B, B17C
	08	I12A, I12B, I12C, I20A, I20B, I20C, I20D, I20E, I20F		08	I08A, I08B, I08C, I08D, I08E, I08F, I12A, I12B, I12C, I21Z, I31Z		05	F13A
	21A	W04A, W04B		21A	W04A, W04B		08	I08A, I08B, I08C, I08D, I08E, I08F
	21B	X04Z		21B	X06A, X06B, X06C		21A	W01A, W01B, W01C, W02A, W02B
5t004.u↔		BOP, KVT, UOP4, VIAL	5t005.8↔		BOP, KVT, UOP4, VIAL	5t005.i↔		BOP, KVT, UOP4, VIAL
	05	F13A		05	F13A		01	B03A, B03B, B06A, B06B, B17A, B17B, B17C
	08	I12A, I12B, I12C, I20A, I20B, I20C, I20D, I20E, I20F		08	I08A, I08B, I08C, I08D, I08E, I08F, I12A, I12B, I12C, I21Z, I31Z		05	F13A
	21A	W04A, W04B		21A	W04A, W04B		08	I08A, I08B, I08C, I08D, I08E, I08F
	21B	X04Z		21B	X06A, X06B, X06C		21A	W01A, W01B, W01C, W02A, W02B
5t004.v↔		BOP, KVT, UOP4, VIAL	5t005.9↔		BOP, KVT, UOP4, VIAL	5t005.j↔		BOP, KVT, UOP4, VIAL
	05	F13A		05	F13A		01	B03A, B03B, B06A, B06B, B17A, B17B, B17C
	08	I12A, I12B, I12C, I20A, I20B, I20C, I20D, I20E, I20F		08	I08A, I08B, I08C, I08D, I08E, I08F, I12A, I12B, I12C, I21Z, I31Z		05	F13A
	21A	W04A, W04B		21A	W04A, W04B		08	I12A, I12B, I12C, I18A, I18B, I30Z
	21B	X04Z		21B	X06A, X06B, X06C		21A	W04A, W04B
5t004.w↔		BOP, KVT, UOP4, VIAL	5t005.a↔		BOP, KVT, UOP4, VIAL	5t005.k↔		BOP, KVT, UOP4, VIAL
	05	F13A		05	F13A		05	F13A
	08	I12A, I12B, I12C, I23A, I23B		08	I12A, I12B, I12C, I32A, I32B, I32C, I32D, I32E, I32F		08	I12A, I12B, I12C, I13A, I13B, I13C, I13D, I13E
	21A	W04A, W04B		21A	W04A, W04B		21A	W04A, W04B
	21B	X04Z		21B	X06A, X06B, X06C		21B	X04Z
5t004.x		BOP, KVT, UOP4						
	05	F13A						
	08	I12A, I12B, I12C, I23A, I23B						
	21A	W04A, W04B						
	21B	X06A, X06B, X06C						
5t004.z↔		BOP, KVT, UOP4, VIAL						
	04	E02A, E02B, E02C						
	05	F13A						
	08	I23A, I23B						
5t005.0↔		BOP, KVT, UOP4, VIAL						
	04	E02A, E02B, E02C						
	05	F13A						
	08	I12A, I12B, I12C, I28A, I28B						
	21A	W04A, W04B						
	21B	X06A, X06B, X06C						

ZZV	MDC	DRG	ZZV	MDC	DRG	ZZV	MDC	DRG
5t005.m↔		BOP, KVT, UOP4, VIAL	5t005.z↔	04	E02A, E02B, E02C	5t006.9↔		BOP, KVT, UOP4, VIAL
	05	F13A		05	F13A		05	F13A
	08	I12A, I12B, I12C, I13A, I13B, I13C, I13D, I13E		08	I12A, I12B, I12C, I28A, I28B		08	I08A, I08B, I08C, I08D, I08E, I08F, I12A, I12B, I12C, I21Z, I31Z
	21A	W04A, W04B		21A	W04A, W04B		21A	W04A, W04B
5t005.n↔	21B	X04Z	5t006.0↔	21B	X06A, X06B, X06C	5t006.a↔	21B	X06A, X06B, X06C
		BOP, KVT, UOP4, VIAL			BOP, KVT, UOP4, VIAL			BOP, KVT, UOP4, VIAL
	05	F13A		01	B03A, B03B, B18Z		05	F13A
	08	I12A, I12B, I12C, I13A, I13B, I13C, I13D, I13E		04	E02A, E02B, E02C		08	I12A, I12B, I12C, I32A, I32B, I32C, I32D, I32E, I32F
5t005.p↔	21A	W04A, W04B	5t006.1↔	05	F13A	5t006.b↔	21A	W04A, W04B
	21B	X04Z		08	I12A, I12B, I12C, I28A, I28B		21B	X05A, X05B
		BOP, KVT, UOP4, VIAL		21A	W04A, W04B			BOP, KVT, UOP4, VIAL
	05	F13A		21B	X06A, X06B, X06C		05	F13A
5t005.q↔	08	I12A, I12B, I12C, I13A, I13B, I13C, I13D, I13E	5t006.2↔	05	F13A	5t006.c↔	08	I12A, I12B, I12C, I32A, I32B, I32C, I32D, I32E, I32F
	21A	W04A, W04B		08	I08A, I08B, I08C, I08D, I08E, I08F, I12A, I12B, I12C, I13A, I13B, I13C, I13D, I13E		21A	W04A, W04B
	21B	X04Z		21A	W04A, W04B		21B	X05A, X05B
		BOP, KVT, UOP4, VIAL		21B	X06A, X06B, X06C			BOP, KVT, UOP4, VIAL
5t005.r↔	05	F13A	5t006.3↔	05	F13A	5t006.d	05	F13A, F27A, F27B, F27C
	08	I12A, I12B, I12C, I13A, I13B, I13C, I13D, I13E		08	I08A, I08B, I08C, I08D, I08E, I08F, I12A, I12B, I12C, I13A, I13B, I13C, I13D, I13E		08	I12A, I12B, I12C, I32A, I32B, I32C, I32D, I32E, I32F
	21A	W04A, W04B		21A	W04A, W04B		10	K09A, K09B
	21B	X04Z		21B	X06A, X06B, X06C		21A	W04A, W04B
5t005.s↔		BOP, KVT, UOP4, VIAL	5t006.4↔		BOP, KVT, UOP4, VIAL	5t006.e↔	21B	X05A, X05B, X06A, X06B, X06C
	05	F13A		05	F13A			BOP, KVT, UOP4, VIAL
	08	I12A, I12B, I12C, I20A, I20B, I20C, I20D, I20E, I20F		08	I08A, I08B, I08C, I08D, I08E, I08F, I12A, I12B, I12C, I21Z, I31Z		05	F13A
	10	K01Z		21A	W04A, W04B		08	I08A, I08B, I08C, I08D, I08E, I08F, I12A, I12B, I12C
5t005.t↔	21A	W04A, W04B	5t006.5↔	21B	X06A, X06B, X06C	5t006.f↔	21A	W01A, W01B, W01C, W02A, W02B
	21B	X04Z			BOP, KVT, UOP4, VIAL		21B	X04Z
		BOP, KVT, UOP4, VIAL			BOP, KVT, UOP4, VIAL			BOP, KVT, UOP4, VIAL
	05	F13A, F27A, F27B, F27C		05	F13A		05	F13A
5t005.u↔	08	I12A, I12B, I12C, I20A, I20B, I20C, I20D, I20E, I20F	5t006.6↔	08	I08A, I08B, I08C, I08D, I08E, I08F, I12A, I12B, I12C, I21Z, I31Z	5t006.g↔	08	I08A, I08B, I08C, I08D, I08E, I08F, I12A, I12B, I12C
	10	K01Z		21A	W04A, W04B		21A	W01A, W01B, W01C, W02A, W02B
	21A	W04A, W04B		21B	X06A, X06B, X06C		21B	X04Z
	21B	X04Z			BOP, KVT, UOP4, VIAL			BOP, KVT, UOP4, VIAL
5t005.v↔		BOP, KVT, UOP4, VIAL	5t006.7↔	05	F13A	5t006.h↔	05	F13A
	05	F13A, F27A, F27B, F27C		08	I08A, I08B, I08C, I08D, I08E, I08F, I12A, I12B, I12C, I21Z, I31Z		08	I08A, I08B, I08C, I08D, I08E, I08F, I12A, I12B, I12C
	08	I12A, I12B, I12C, I20A, I20B, I20C, I20D, I20E, I20F		21A	W04A, W04B		21A	W01A, W01B, W01C, W02A, W02B
	10	K01Z		21B	X06A, X06B, X06C		21B	X04Z
5t005.w↔	21A	W04A, W04B	5t006.8↔		BOP, KVT, UOP4, VIAL	5t006.j↔		BOP, KVT, UOP4, VIAL
	21B	X04Z		05	F13A		05	F13A
		BOP, KVT, UOP4, VIAL		08	I08A, I08B, I08C, I08D, I08E, I08F, I12A, I12B, I12C, I21Z, I31Z		08	I12A, I12B, I12C, I18A, I18B, I30Z
	05	F13A		21A	W04A, W04B		21A	W04A, W04B
5t005.x	08	I12A, I12B, I12C, I20A, I20B, I20C, I20D, I20E, I20F	5t006.9↔	21B	X06A, X06B, X06C	5t006.k↔	21B	X04Z
	21A	W04A, W04B			BOP, KVT, UOP4, VIAL			BOP, KVT, UOP4, VIAL
	21B	X04Z		05	F13A		05	F13A
		BOP, KVT, UOP4		08	I08A, I08B, I08C, I08D, I08E, I08F, I12A, I12B, I12C, I21Z, I31Z		08	I12A, I12B, I12C, I28A, I28B
	05	F13A		21A	W04A, W04B		21A	W04A, W04B
	08	I12A, I12B, I12C, I28A, I28B		21B	X06A, X06B, X06C		21B	X04Z
	21A	W04A, W04B						
	21B	X06A, X06B, X06C						

VYK

ZZV	MDC	DRG	ZZV	MDC	DRG	ZZV	MDC	DRG
5t006.k↔		BOP, KVT, UOP4, VIAL	5t006.w↔		BOP, KVT, UOP4, VIAL	5t007.a↔		BOP, KVT, UOP4, VIAL
	05	F13A		05	F13A, F27A, F27B, F27C		05	F13A
	08	I12A, I12B, I12C, I13A, I13B, I13C, I13D, I13E		08	I12A, I12B, I12C, I20A, I20B, I20C, I20D, I20E, I20F		08	I12A, I12B, I12C, I32A, I32B, I32C, I32D, I32E, I32F
5t006.m↔	21A	W04A, W04B	5t006.x	10	K09A, K09B	5t007.b↔	21A	W04A, W04B
	21B	X04Z		21A	W04A, W04B		21B	X05A, X05B
		BOP, KVT, UOP4, VIAL		21B	X04Z			BOP, KVT, UOP4, VIAL
5t006.n↔	05	F13A	5t006.z↔		BOP, KVT, UOP4	5t007.c↔	05	F13A
	08	I12A, I12B, I12C, I13A, I13B, I13C, I13D, I13E		05	F13A		08	I12A, I12B, I12C, I32A, I32B, I32C, I32D, I32E, I32F
	21A	W04A, W04B		08	I12A, I12B, I12C, I28A, I28B		21A	W04A, W04B
5t006.p↔	21B	X04Z	5t006.z↔	21A	W04A, W04B	5t007.c↔	21B	X05A, X05B
		BOP, KVT, UOP4, VIAL		21B	X06A, X06B, X06C			BOP, KVT, UOP4, VIAL
	05	F13A		01	B03A, B03B, B18Z		05	F13A
5t006.q↔	08	I12A, I12B, I12C, I13A, I13B, I13C, I13D, I13E	5t007.0↔	04	E02A, E02B, E02C	5t007.d	08	I12A, I12B, I12C, I23A, I23B
	21A	W04A, W04B		05	F13A		21A	W04A, W04B
	21B	X04Z		08	I12A, I12B, I12C, I28A, I28B		21B	X05A, X05B
5t006.r↔		BOP, KVT, UOP4, VIAL	5t007.1↔	21A	W04A, W04B	5t007.e↔		BOP, KVT, UOP4, VIAL
	05	F13A		21B	X06A, X06B, X06C		05	F13A
	08	I12A, I12B, I12C, I13A, I13B, I13C, I13D, I13E			BOP, KVT, UOP4, VIAL		08	I08A, I08B, I08C, I08D, I08E, I08F, I12A, I12B, I12C, I23A
5t006.s↔	21A	W04A, W04B	5t007.2↔	05	F13A	5t007.f↔	21A	W04A, W04B
	21B	X04Z		08	I23A, I23B		21B	X04Z, X05A, X05B, X06A, X06B, X06C
		BOP, KVT, UOP4, VIAL			BOP, KVT, UOP4, VIAL			BOP, KVT, UOP4, VIAL
5t006.t↔	05	F13A	5t007.3↔	05	F13A	5t007.g↔	05	F13A
	08	I12A, I12B, I12C, I13A, I13B, I13C, I13D, I13E		08	I08A, I08B, I08C, I08D, I08E, I08F, I12A, I12B, I12C, I23A		08	I08A, I08B, I08C, I08D, I08E, I08F, I12A, I12B, I12C, I21Z
	21A	W04A, W04B		21A	W04A, W04B		21A	W04A, W04B
5t006.u↔	21B	X04Z	5t007.4↔	21B	X06A, X06B, X06C	5t007.g↔	21B	X04Z
		BOP, KVT, UOP4, VIAL			BOP, KVT, UOP4, VIAL			BOP, KVT, UOP4, VIAL
	05	F13A, F27A, F27B, F27C		05	F13A		05	F13A
5t006.v↔	08	I12A, I12B, I12C, I20A, I20B, I20C, I20D, I20E, I20F	5t007.5↔	08	I08A, I08B, I08C, I08D, I08E, I08F, I12A, I12B, I12C, I23A	5t007.h↔	08	I08A, I08B, I08C, I08D, I08E, I08F, I12A, I12B, I12C, I21Z
	10	K01Z		21A	W04A, W04B		21A	W04A, W04B
	21A	W04A, W04B		21B	X06A, X06B, X06C		21B	X04Z
5t006.w↔	21B	X04Z	5t007.6↔		BOP, KVT, UOP4, VIAL	5t007.i↔		BOP, KVT, UOP4, VIAL
		BOP, KVT, UOP4, VIAL		05	F13A		05	F13A
	05	F13A, F27A, F27B, F27C		08	I08A, I08B, I08C, I08D, I08E, I08F, I23A		08	I08A, I08B, I08C, I08D, I08E, I08F, I23A
5t006.x↔	08	I12A, I12B, I12C, I20A, I20B, I20C, I20D, I20E, I20F	5t007.7↔		BOP, KVT, UOP4, VIAL	5t007.j↔	21A	W04A, W04B
	10	K01Z		05	F13A		21B	X04Z
	21A	W04A, W04B		08	I08A, I08B, I08C, I08D, I08E, I08F, I23A			BOP, KVT, UOP4, VIAL
5t006.y↔	21B	X04Z	5t007.8↔		BOP, KVT, UOP4, VIAL	5t007.k↔	05	F13A
		BOP, KVT, UOP4, VIAL		05	F13A		08	I12A, I12B, I12C, I23A
	05	F13A, F27A, F27B, F27C		08	I08A, I08B, I08C, I08D, I08E, I08F, I23A		21A	W04A, W04B
5t006.z↔	08	I12A, I12B, I12C, I20A, I20B, I20C, I20D, I20E, I20F	5t007.9↔		BOP, KVT, UOP4, VIAL	5t007.l↔	21B	X04Z
	10	K01Z		05	F13A			BOP, KVT, UOP4, VIAL
	21A	W04A, W04B		08	I08A, I08B, I08C, I08D, I08E, I08F, I23A		05	F13A
5t006.aa↔	21B	X04Z	5t007.9↔		BOP, KVT, UOP4, VIAL	5t007.m↔	08	I12A, I12B, I12C, I23A
		BOP, KVT, UOP4, VIAL		05	F13A		21A	W04A, W04B
	05	F13A, F27A, F27B, F27C		08	I08A, I08B, I08C, I08D, I08E, I08F, I23A		21B	X04Z
5t006.ab↔	08	I12A, I12B, I12C, I20A, I20B, I20C, I20D, I20E, I20F	5t007.9↔		BOP, KVT, UOP4, VIAL	5t007.n↔		BOP, KVT, UOP4, VIAL
	10	K01Z		05	F13A		05	F13A
	21A	W04A, W04B		08	I08A, I08B, I08C, I08D, I08E, I08F, I23A		08	I12A, I12B, I12C, I23A
5t006.ac↔	21B	X04Z	5t007.9↔		BOP, KVT, UOP4, VIAL	5t007.n↔	21A	W04A, W04B
		BOP, KVT, UOP4, VIAL		05	F13A		21B	X04Z
	05	F13A, F27A, F27B, F27C		08	I08A, I08B, I08C, I08D, I08E, I08F, I23A			BOP, KVT, UOP4, VIAL

ZZV	MDC	DRG	ZZV	MDC	DRG	ZZV	MDC	DRG
5t007.p↔		BOP, KVT, UOP4, VIAL	5t008.2↔		BOP, KVT, UOP4, VIAL	5t008.f↔		BOP, KVT, UOP4, VIAL
	05	F13A		05	F13A		05	F13A
	08	I12A, I12B, I12C, I23A		08	I08A, I08B, I08C, I08D, I08E, I08F, I12A, I12B, I12C, I23A		08	I08A, I08B, I08C, I08D, I08E, I08F, I12A, I12B, I12C, I21Z
	21A	W04A, W04B		21A	W04A, W04B		21A	W04A, W04B
	21B	X04Z		21B	X06A, X06B, X06C		21B	X04Z
5t007.q↔		BOP, KVT, UOP4, VIAL	5t008.3↔		BOP, KVT, UOP4, VIAL	5t008.g↔		BOP, KVT, UOP4, VIAL
	05	F13A		05	F13A		05	F13A
	08	I12A, I12B, I12C, I23A		08	I08A, I08B, I08C, I08D, I08E, I08F, I12A, I12B, I12C, I23A		08	I08A, I08B, I08C, I08D, I08E, I08F, I12A, I12B, I12C, I21Z
	21A	W04A, W04B		21A	W04A, W04B		21A	W04A, W04B
	21B	X04Z		21B	X06A, X06B, X06C		21B	X04Z
5t007.r↔		BOP, KVT, UOP4, VIAL	5t008.4↔		BOP, KVT, UOP4, VIAL	5t008.h↔		BOP, KVT, UOP4, VIAL
	05	F13A		05	F13A		05	F13A
	08	I12A, I12B, I12C, I23A		08	I08A, I08B, I08C, I08D, I08E, I08F, I23A		08	I08A, I08B, I08C, I08D, I08E, I08F, I12A, I12B, I12C, I21Z
	21A	W04A, W04B		21A	W04A, W04B		21A	W04A, W04B
	21B	X04Z		21B	X06A, X06B, X06C		21B	X04Z
5t007.s↔		BOP, KVT, UOP4, VIAL	5t008.5↔		BOP, KVT, UOP4, VIAL	5t008.i↔		BOP, KVT, UOP4, VIAL
	05	F13A, F27A, F27B, F27C		05	F13A		21A	W04A, W04B
	08	I12A, I12B, I12C, I20A, I20B, I20C, I20D, I20E, I20F		08	I08A, I08B, I08C, I08D, I08E, I08F, I23A		21B	X04Z
	10	K09A, K09B, K09C		5t008.6↔	BOP, KVT, UOP4, VIAL	5t008.j↔		BOP, KVT, UOP4, VIAL
	21A	W04A, W04B			F13A		05	F13A
	21B	X04Z		08	I08A, I08B, I08C, I08D, I08E, I08F, I23A		08	I12A, I12B, I12C, I23A
5t007.t↔		BOP, KVT, UOP4, VIAL	5t008.7↔		BOP, KVT, UOP4, VIAL	5t008.k↔		BOP, KVT, UOP4, VIAL
	05	F13A, F27A, F27B, F27C		05	F13A		05	F13A
	08	I12A, I12B, I12C, I20A, I20B, I20C, I20D, I20E, I20F		08	I08A, I08B, I08C, I08D, I08E, I08F, I23A		08	I12A, I12B, I12C, I23A
	10	K09A, K09B, K09C		5t008.8↔	BOP, KVT, UOP4, VIAL		21A	W04A, W04B
	21A	W04A, W04B			F13A		21B	X04Z
	21B	X04Z		05	F13A	5t008.l↔		BOP, KVT, UOP4, VIAL
5t007.u↔		BOP, KVT, UOP4, VIAL	5t008.9↔		BOP, KVT, UOP4, VIAL		05	F13A
	05	F13A, F27A, F27B, F27C		05	F13A		08	I12A, I12B, I12C, I23A
	08	I12A, I12B, I12C, I20A, I20B, I20C, I20D, I20E, I20F		08	I08A, I08B, I08C, I08D, I08E, I08F, I23A		21A	W04A, W04B
	10	K09A, K09B, K09C		5t008.a↔	BOP, KVT, UOP4, VIAL		21B	X04Z
	21A	W04A, W04B			F13A	5t008.m↔		BOP, KVT, UOP4, VIAL
	21B	X04Z		05	F13A		05	F13A
5t007.v↔		BOP, KVT, UOP4, VIAL	5t008.b↔		BOP, KVT, UOP4, VIAL		08	I12A, I12B, I12C, I23A
	05	F13A, F27A, F27B, F27C		05	F13A		21A	W04A, W04B
	08	I12A, I12B, I12C, I20A, I20B, I20C, I20D, I20E, I20F		08	I12A, I12B, I12C, I32A, I32B, I32C, I32D, I32E, I32F		21B	X04Z
	10	K09A, K09B, K09C		21A	W04A, W04B	5t008.n↔		BOP, KVT, UOP4, VIAL
	21A	W04A, W04B		21B	X05A, X05B		05	F13A
	21B	X04Z		5t008.c↔	BOP, KVT, UOP4, VIAL		08	I12A, I12B, I12C, I23A
5t007.w↔		BOP, KVT, UOP4, VIAL			F13A	5t008.o↔		BOP, KVT, UOP4, VIAL
	05	F13A, F27A, F27B, F27C		05	F13A		05	F13A
	08	I12A, I12B, I12C, I23A		08	I12A, I12B, I12C, I32A, I32B, I32C, I32D, I32E, I32F		08	I12A, I12B, I12C, I23A
	10	K09A, K09B, K09C		21A	W04A, W04B		21A	W04A, W04B
	21A	W04A, W04B		21B	X05A, X05B	5t008.p↔		BOP, KVT, UOP4, VIAL
	21B	X04Z		5t008.d	BOP, KVT, UOP4, VIAL		05	F13A
5t007.x		BOP, KVT, UOP4			F13A		08	I12A, I12B, I12C, I23A
	05	F13A		05	F13A		21A	W04A, W04B
	08	I12A, I12B, I12C, I23A, I23B		08	I08A, I08B, I08C, I08D, I08E, I08F, I12A, I12B, I12C, I23A		21B	X04Z
	21A	W04A, W04B		21A	W04A, W04B	5t008.q↔		BOP, KVT, UOP4, VIAL
	21B	X06A, X06B, X06C		21B	X05A, X05B		05	F13A
5t007.z↔		BOP, KVT, UOP4, VIAL		5t008.e↔	BOP, KVT, UOP4, VIAL		08	I12A, I12B, I12C, I23A
	04	E02A, E02B, E02C			F13A		21A	W04A, W04B
	05	F13A		05	F13A		21B	X04Z
	08	I23A, I23B		08	I08A, I08B, I08C, I08D, I08E, I08F, I12A, I12B, I12C, I23A	5t008.r↔		BOP, KVT, UOP4, VIAL
5t008.0↔		BOP, KVT, UOP4, VIAL			X04Z, X05A, X05B, X06A, X06B, X06C		05	F13A
	04	E02A, E02B, E02C		5t008.f↔	BOP, KVT, UOP4, VIAL		08	I12A, I12B, I12C, I23A
	05	F13A			F13A		21A	W04A, W04B
	08	I23A, I23B		05	F13A		21B	X04Z
5t008.1↔		BOP, KVT, UOP4, VIAL		08	I08A, I08B, I08C, I08D, I08E, I08F, I12A, I12B, I12C, I21Z	5t008.s↔		BOP, KVT, UOP4, VIAL
	05	F13A			W04A, W04B		05	F13A
	08	I08A, I08B, I08C, I08D, I08E, I08F, I12A, I12B, I12C, I23A		21A	W04A, W04B		08	I12A, I12B, I12C, I20A, I20B, I20C, I20D, I20E, I20F
	21A	W04A, W04B		21B	X04Z		21A	W04A, W04B
	21B	X06A, X06B, X06C					21B	X04Z

ZZV	MDC	DRG	ZZV	MDC	DRG	ZZV	MDC	DRG
5t008.u↔		BOP, KVT, UOP4, VIAL	5t00a.8↔		BOP, KVT, UOP4, VIAL	5t00a.n↔		BOP, KVT, UOP4, VIAL
	05	F13A		05	F13A		05	F13A
	08	I12A, I12B, I12C, I20A, I20B, I20C, I20D, I20E, I20F		08	I08A, I08B, I08C, I08D, I08E, I08F, I23A, I23B		08	I12A, I12B, I12C, I23A, I23B
	21A	W04A, W04B	5t00a.9↔		BOP, KVT, UOP4, VIAL		21A	W04A, W04B
	21B	X04Z		05	F13A		21B	X04Z
5t008.v↔		BOP, KVT, UOP4, VIAL		08	I08A, I08B, I08C, I08D, I08E, I08F, I23A, I23B	5t00a.p↔		BOP, KVT, UOP4, VIAL
	05	F13A					05	F13A
	08	I12A, I12B, I12C, I20A, I20B, I20C, I20D, I20E, I20F	5t00a.a↔		BOP, KVT, UOP4, VIAL		08	I12A, I12B, I12C, I23A, I23B
	21A	W04A, W04B		05	F13A		21A	W04A, W04B
	21B	X04Z		08	I12A, I12B, I12C, I32A, I32B, I32C, I32D, I32E, I32F	5t00a.q↔		BOP, KVT, UOP4, VIAL
5t008.w↔		BOP, KVT, UOP4, VIAL		21A	W04A, W04B		05	F13A
	05	F13A	5t00a.b↔		BOP, KVT, UOP4, VIAL		08	I12A, I12B, I12C, I23A, I23B
	08	I12A, I12B, I12C, I23A		05	F13A		21A	W04A, W04B
	21A	W04A, W04B		08	I12A, I12B, I12C, I32A, I32B, I32C, I32D, I32E, I32F		21A	W04A, W04B
	21B	X04Z		21A	W04A, W04B	5t00a.r↔		BOP, KVT, UOP4, VIAL
5t008.x		BOP, KVT, UOP4		21B	X05A, X05B		05	F13A
	05	F13A	5t00a.c↔		BOP, KVT, UOP4, VIAL		08	I12A, I12B, I12C, I23A, I23B
	08	I12A, I12B, I12C, I23A		05	F13A		21A	W04A, W04B
	21A	W04A, W04B		08	I12A, I12B, I12C, I23A, I23B, I32A, I32B, I32C, I32D	5t00a.s↔		BOP, KVT, UOP4, VIAL
	21B	X06A, X06B, X06C		21A	W04A, W04B		05	F13A
5t008.z↔		BOP, KVT, UOP4, VIAL		21B	X05A, X05B		08	I12A, I12B, I12C, I20A, I20B, I20C, I20D, I20E, I20F
	04	E02A, E02B, E02C	5t00a.d		BOP, KVT, UOP4, VIAL		21A	W04A, W04B
	05	F13A		05	F13A		21B	X04Z
	08	I23A, I23B		08	I12A, I12B, I12C, I23A, I23B, I32A, I32B, I32C, I32D	5t00a.t↔		BOP, KVT, UOP4, VIAL
5t00a.0↔		BOP, KVT, UOP4, VIAL		21A	W04A, W04B		05	F13A
	04	E02A, E02B, E02C		21B	X04Z, X05A, X05B, X06A, X06B, X06C		08	I12A, I12B, I12C, I20A, I20B, I20C, I20D, I20E, I20F
	05	F13A	5t00a.e↔		BOP, KVT, UOP4, VIAL		21A	W04A, W04B
	08	I23A, I23B		05	F13A		21B	X04Z
5t00a.1↔		BOP, KVT, UOP4, VIAL		08	I12A, I12B, I12C, I21Z	5t00a.u↔		BOP, KVT, UOP4, VIAL
	05	F13A		21A	W04A, W04B		05	F13A
	08	I08A, I08B, I08C, I08D, I08E, I08F, I12A, I12B, I12C, I23A, I23B		21B	X04Z		08	I12A, I12B, I12C, I20A, I20B, I20C, I20D, I20E, I20F
	21A	W04A, W04B	5t00a.f↔		BOP, KVT, UOP4, VIAL		21A	W04A, W04B
	21B	X06A, X06B, X06C		05	F13A		21B	X04Z
5t00a.2↔		BOP, KVT, UOP4, VIAL		08	I12A, I12B, I12C, I21Z	5t00a.v↔		BOP, KVT, UOP4, VIAL
	05	F13A		21A	W04A, W04B		05	F13A
	08	I08A, I08B, I08C, I08D, I08E, I08F, I12A, I12B, I12C, I23A, I23B		21B	X04Z		08	I12A, I12B, I12C, I20A, I20B, I20C, I20D, I20E, I20F
	21A	W04A, W04B	5t00a.g↔		BOP, KVT, UOP4, VIAL		21A	W04A, W04B
	21B	X06A, X06B, X06C		05	F13A		21B	X04Z
5t00a.3↔		BOP, KVT, UOP4, VIAL		08	I12A, I12B, I12C, I21Z	5t00a.w↔		BOP, KVT, UOP4, VIAL
	05	F13A		21A	W04A, W04B		05	F13A
	08	I08A, I08B, I08C, I08D, I08E, I08F, I12A, I12B, I12C, I23A, I23B		21B	X04Z		08	I12A, I12B, I12C, I23A, I23B
	21A	W04A, W04B	5t00a.h↔		BOP, KVT, UOP4, VIAL		21A	W04A, W04B
	21B	X06A, X06B, X06C		05	F13A	5t00a.x		BOP, KVT, UOP4
5t00a.4↔		BOP, KVT, UOP4, VIAL		08	I12A, I12B, I12C, I21Z		05	F13A
	05	F13A		21A	W04A, W04B		08	I12A, I12B, I12C, I23A, I23B
	08	I08A, I08B, I08C, I08D, I08E, I08F, I23A, I23B	5t00a.i↔		BOP, KVT, UOP4, VIAL		21A	W04A, W04B
				05	F13A		21B	X06A, X06B, X06C
5t00a.5↔		BOP, KVT, UOP4, VIAL		08	I12A, I12B, I12C, I23A, I23B	5t00a.z↔		BOP, KVT, UOP4, VIAL
	05	F13A		21A	W04A, W04B		04	E02A, E02B, E02C
	08	I08A, I08B, I08C, I08D, I08E, I08F, I23A, I23B	5t00a.k↔		BOP, KVT, UOP4, VIAL		05	F13A
				05	F13A		08	I23A, I23B
5t00a.6↔		BOP, KVT, UOP4, VIAL		08	I12A, I12B, I12C, I23A, I23B	5t00b.0↔		BOP, KVT, UOP4, VIAL
	05	F13A		21A	W04A, W04B		04	E02A, E02B, E02C
	08	I08A, I08B, I08C, I08D, I08E, I08F, I23A, I23B	5t00a.l↔		BOP, KVT, UOP4, VIAL		05	F13A
				05	F13A		08	I23A, I23B
5t00a.7↔		BOP, KVT, UOP4, VIAL		08	I12A, I12B, I12C, I23A, I23B	5t00b.1↔		BOP, KVT, UOP4, VIAL
	05	F13A		21A	W04A, W04B		05	F13A
	08	I08A, I08B, I08C, I08D, I08E, I08F, I23A, I23B	5t00a.m↔		BOP, KVT, UOP4, VIAL		08	I08A, I08B, I08C, I08D, I08E, I08F, I12A, I12B, I12C, I23A, I23B
				05	F13A		21A	W04A, W04B
				08	I12A, I12B, I12C, I23A, I23B		21B	X06A, X06B, X06C
				21A	W04A, W04B			
				21B	X04Z			

Príloha B: Index Výkon-MDC-DRG

ZZV	MDC	DRG	ZZV	MDC	DRG	ZZV	MDC	DRG
5t00b.2↔		BOP, KVT, UOP4, VIAL	5t00b.f↔		BOP, KVT, UOP4, VIAL	5t00b.v↔		BOP, KVT, UOP4, VIAL
	05	F13A		05	F13A		05	F13A
	08	I08A, I08B, I08C, I08D, I08E, I08F, I12A, I12B, I12C, I23A, I23B		08	I12A, I12B, I12C, I21Z		08	I12A, I12B, I12C, I20A, I20B, I20C, I20D, I20E, I20F
	21A	W04A, W04B		21A	W04A, W04B		21A	W04A, W04B
	21B	X06A, X06B, X06C		21B	X04Z		21B	X04Z
5t00b.3↔		BOP, KVT, UOP4, VIAL	5t00b.g↔		BOP, KVT, UOP4, VIAL	5t00b.w↔		BOP, KVT, UOP4, VIAL
	05	F13A		05	F13A		05	F13A
	08	I08A, I08B, I08C, I08D, I08E, I08F, I12A, I12B, I12C, I23A, I23B		08	I12A, I12B, I12C, I21Z		08	I12A, I12B, I12C, I23A, I23B
	21A	W04A, W04B		21A	W04A, W04B		21A	W04A, W04B
	21B	X06A, X06B, X06C		21B	X04Z		21B	X04Z
5t00b.4↔		BOP, KVT, UOP4, VIAL	5t00b.h↔		BOP, KVT, UOP4, VIAL	5t00b.x		BOP, KVT, UOP4
	05	F13A		05	F13A		05	F13A
	08	I08A, I08B, I08C, I08D, I08E, I08F, I23A, I23B		08	I12A, I12B, I12C, I21Z		08	I12A, I12B, I12C, I23A, I23B
	21A	W04A, W04B		21A	W04A, W04B		21A	W04A, W04B
	21B	X06A, X06B, X06C		21B	X04Z		21B	X06A, X06B, X06C
5t00b.5↔		BOP, KVT, UOP4, VIAL	5t00b.i↔		BOP, KVT, UOP4, VIAL	5t00b.z↔		BOP, KVT, UOP4, VIAL
	05	F13A		05	F13A		04	E02A, E02B, E02C
	08	I08A, I08B, I08C, I08D, I08E, I08F, I23A, I23B		08	I12A, I12B, I12C, I23A, I23B		05	F13A
	21A	W04A, W04B		21A	W04A, W04B		08	I23A, I23B
	21B	X04Z, X06A, X06B, X06C		21B	X04Z, X06A, X06B, X06C			BOP, KVT, UOP4, VIAL
5t00b.6↔		BOP, KVT, UOP4, VIAL	5t00b.k↔		BOP, KVT, UOP4, VIAL	5t00x.0↔		BOP, KVT, UOP4, VIAL
	05	F13A		05	F13A		04	E02A, E02B, E02C
	08	I08A, I08B, I08C, I08D, I08E, I08F, I23A, I23B		08	I12A, I12B, I12C, I23A, I23B		05	F13A
	21A	W04A, W04B		21A	W04A, W04B		08	I23A, I23B
	21B	X04Z		21B	X04Z			BOP, KVT, UOP4, VIAL
5t00b.7↔		BOP, KVT, UOP4, VIAL	5t00b.l↔		BOP, KVT, UOP4, VIAL	5t00x.1↔		BOP, KVT, UOP4, VIAL
	05	F13A		05	F13A		05	F13A
	08	I08A, I08B, I08C, I08D, I08E, I08F, I23A, I23B		08	I12A, I12B, I12C, I23A, I23B		08	I08A, I08B, I08C, I08D, I08E, I08F, I23A, I23B
	21A	W04A, W04B		21A	W04A, W04B		21A	W04A, W04B
	21B	X06A, X06B, X06C		21B	X04Z		21B	X06A, X06B, X06C
5t00b.8↔		BOP, KVT, UOP4, VIAL	5t00b.m↔		BOP, KVT, UOP4, VIAL	5t00x.2↔		BOP, KVT, UOP4, VIAL
	05	F13A		05	F13A		05	F13A
	08	I08A, I08B, I08C, I08D, I08E, I08F, I23A, I23B		08	I12A, I12B, I12C, I23A, I23B		08	I08A, I08B, I08C, I08D, I08E, I08F, I23A, I23B
	21A	W04A, W04B		21A	W04A, W04B		21A	W04A, W04B
	21B	X06A, X06B, X06C		21B	X04Z		21B	X06A, X06B, X06C
5t00b.9↔		BOP, KVT, UOP4, VIAL	5t00b.n↔		BOP, KVT, UOP4, VIAL	5t00x.3↔		BOP, KVT, UOP4, VIAL
	05	F13A		05	F13A		05	F13A
	08	I08A, I08B, I08C, I08D, I08E, I08F, I23A, I23B		08	I12A, I12B, I12C, I23A, I23B		08	I08A, I08B, I08C, I08D, I08E, I08F, I23A, I23B
	21A	W04A, W04B		21A	W04A, W04B		21A	W04A, W04B
	21B	X06A, X06B, X06C		21B	X04Z		21B	X06A, X06B, X06C
5t00b.a↔		BOP, KVT, UOP4, VIAL	5t00b.o↔		BOP, KVT, UOP4, VIAL	5t00x.4↔		BOP, KVT, UOP4, VIAL
	05	F13A		05	F13A		05	F13A
	08	I12A, I12B, I12C, I32A, I32B, I32C, I32D, I32E, I32F		08	I12A, I12B, I12C, I23A, I23B		08	I08A, I08B, I08C, I08D, I08E, I08F, I23A, I23B
	21A	W04A, W04B		21A	W04A, W04B		21A	W04A, W04B
	21B	X05A, X05B		21B	X04Z		21B	X06A, X06B, X06C
5t00b.b↔		BOP, KVT, UOP4, VIAL	5t00b.p↔		BOP, KVT, UOP4, VIAL	5t00x.5↔		BOP, KVT, UOP4, VIAL
	05	F13A		05	F13A		05	F13A
	08	I12A, I12B, I12C, I32A, I32B, I32C, I32D, I32E, I32F		08	I12A, I12B, I12C, I23A, I23B		08	I08A, I08B, I08C, I08D, I08E, I08F, I23A, I23B
	21A	W04A, W04B		21A	W04A, W04B		21A	W04A, W04B
	21B	X05A, X05B		21B	X04Z		21B	X06A, X06B, X06C
5t00b.c↔		BOP, KVT, UOP4, VIAL	5t00b.q↔		BOP, KVT, UOP4, VIAL	5t00x.6↔		BOP, KVT, UOP4, VIAL
	05	F13A		05	F13A		05	F13A
	08	I12A, I12B, I12C, I23A, I23B, I32A, I32B, I32C, I32D		08	I12A, I12B, I12C, I20A, I20B, I20C, I20D, I20E, I20F		08	I08A, I08B, I08C, I08D, I08E, I08F, I23A, I23B
	21A	W04A, W04B		21A	W04A, W04B		21A	W04A, W04B
	21B	X05A, X05B		21B	X04Z		21B	X04Z
5t00b.d		BOP, KVT, UOP4, VIAL	5t00b.r↔		BOP, KVT, UOP4, VIAL	5t00x.7↔		BOP, KVT, UOP4, VIAL
	05	F13A		05	F13A		05	F13A
	08	I12A, I12B, I12C, I23A, I23B		08	I12A, I12B, I12C, I20A, I20B, I20C, I20D, I20E, I20F		08	I08A, I08B, I08C, I08D, I08E, I08F, I23A, I23B
	21A	W04A, W04B		21A	W04A, W04B		21A	W04A, W04B
	21B	X04Z, X06A, X06B, X06C		21B	X04Z		21B	X06A, X06B, X06C
5t00b.e↔		BOP, KVT, UOP4, VIAL	5t00b.s↔		BOP, KVT, UOP4, VIAL	5t00x.8↔		BOP, KVT, UOP4, VIAL
	05	F13A		05	F13A		05	F13A
	08	I12A, I12B, I12C, I21Z		08	I12A, I12B, I12C, I20A, I20B, I20C, I20D, I20E, I20F		08	I08A, I08B, I08C, I08D, I08E, I08F, I23A, I23B
	21A	W04A, W04B		21A	W04A, W04B		21A	W04A, W04B
	21B	X04Z		21B	X04Z		21B	X04Z

ZZV	MDC	DRG	ZZV	MDC	DRG	ZZV	MDC	DRG
5t00x.a↔		BOP, KVT, UOP4, VIAL	5t00x.q↔		BOP, KVT, UOP4, VIAL	5t010.4↔		BOP, KVT, UOP4, VIAL
	05	F13A		05	F13A		08	I08A, I08B, I08C, I08D, I08E, I08F, I21Z, I31Z, I33Z
	08	I32A, I32B, I32C, I32D, I32E, I32F		08	I23A, I23B		21A	W04A, W04B
	21A	W04A, W04B		21A	W04A, W04B		21B	X06A, X06B, X06C
	21B	X05A, X05B	5t00x.r↔		BOP, KVT, UOP4, VIAL	5t010.5↔		BOP, KVT, UOP4, VIAL
5t00x.b↔		BOP, KVT, UOP4, VIAL		05	F13A		08	I08A, I08B, I08C, I08D, I08E, I08F, I21Z, I31Z, I33Z
	05	F13A		08	I23A, I23B		21A	W04A, W04B
	08	I32A, I32B, I32C, I32D, I32E, I32F		21A	W04A, W04B		21B	X06A, X06B, X06C
	21A	W04A, W04B	5t00x.s↔		BOP, KVT, UOP4, VIAL	5t010.6↔		BOP, KVT, UOP4, VIAL
	21B	X05A, X05B		05	F13A		08	I08A, I08B, I08C, I08D, I08E, I08F, I21Z, I31Z, I33Z
5t00x.c↔		BOP, KVT, UOP4, VIAL		08	I20A, I20B, I20C, I20D, I20E, I20F		21A	W04A, W04B
	05	F13A		21A	W04A, W04B		21B	X06A, X06B, X06C
	08	I23A, I23B	5t00x.t↔		BOP, KVT, UOP4, VIAL	5t010.7↔		BOP, KVT, UOP4, VIAL
	21A	W04A, W04B		05	F13A		08	I08A, I08B, I08C, I08D, I08E, I08F, I21Z, I31Z, I33Z
	21B	X05A, X05B		08	I20A, I20B, I20C, I20D, I20E, I20F		21A	W04A, W04B
5t00x.d		BOP, KVT, UOP4, VIAL		21A	W04A, W04B		21B	X06A, X06B, X06C
	05	F13A	5t00x.u↔		BOP, KVT, UOP4, VIAL	5t010.8↔		BOP, KVT, UOP4, VIAL
	08	I23A, I23B		05	F13A		08	I08A, I08B, I08C, I08D, I08E, I08F, I21Z, I31Z, I33Z
	21A	W04A, W04B		08	I20A, I20B, I20C, I20D, I20E, I20F		21A	W04A, W04B
	21B	X04Z, X06A, X06B, X06C		21A	W04A, W04B		21B	X06A, X06B, X06C
5t00x.e↔		BOP, KVT, UOP4, VIAL		21B	X04Z	5t010.9↔		BOP, KVT, UOP4, VIAL
	05	F13A	5t00x.v↔		BOP, KVT, UOP4, VIAL		08	I08A, I08B, I08C, I08D, I08E, I08F, I21Z, I31Z, I33Z
	08	I21Z		05	F13A		21A	W04A, W04B
	21A	W04A, W04B		08	I20A, I20B, I20C, I20D, I20E, I20F		21B	X06A, X06B, X06C
	21B	X04Z	5t00x.w↔		BOP, KVT, UOP4, VIAL	5t010.b↔		BOP, KVT, UOP4, VIAL
5t00x.f↔		BOP, KVT, UOP4, VIAL		05	F13A		08	I32A, I32B, I32C, I32D, I32E, I32F, I33Z
	05	F13A		08	I20A, I20B, I20C, I20D, I20E, I20F		21A	W04A, W04B
	08	I21Z	5t00x.x		BOP, KVT, UOP4		21B	X05A, X05B
	21A	W04A, W04B		05	F13A	5t010.c↔		BOP, KVT, UOP4, VIAL
	21B	X04Z		08	I23A, I23B		08	I32A, I32B, I32C, I32D, I32E, I32F, I33Z
5t00x.g↔		BOP, KVT, UOP4, VIAL		21A	W04A, W04B		21A	W04A, W04B
	05	F13A		21B	X04Z		21B	X05A, X05B
	08	I21Z	5t00x.y↔		BOP, KVT, UOP4, VIAL	5t010.d		BOP, KVT, UOP4, VIAL
	21A	W04A, W04B		05	F13A		08	I08A, I08B, I08C, I08D, I08E, I08F, I33Z, I47A
	21B	X04Z		08	I23A, I23B	5t010.e↔		BOP, KVT, UOP4, VIAL
5t00x.h↔		BOP, KVT, UOP4, VIAL		21A	W04A, W04B		08	I08A, I08B, I08C, I08D, I08E, I08F, I33Z
	05	F13A		21B	X04Z		21A	W01A, W01B, W01C, W02A, W02B
	08	I21Z	5t00x.z↔		BOP, KVT, UOP4	5t010.f↔		BOP, KVT, UOP4, VIAL
	21A	W04A, W04B		05	E02A, E02B, E02C		01	B03A, B03B, B06A, B06B, B17A, B17B, B17C
	21B	X04Z		05	F13A		08	I08A, I08B, I08C, I08D, I08E, I08F, I33Z
5t00x.i↔		BOP, KVT, UOP4, VIAL		08	I23A, I23B		21A	W01A, W01B, W01C, W02A, W02B
	05	F13A	5t010.1↔		BOP, KVT, UOP4, VIAL		21B	X04Z
	08	I23A, I23B		08	I08A, I08B, I08C, I08D, I08E, I08F, I13A, I13B, I13C, I13D, I33Z	5t010.g↔		BOP, KVT, UOP4, VIAL
	21A	W04A, W04B		21A	W04A, W04B		01	B03A, B03B, B06A, B06B, B17A, B17B, B17C
	21B	X04Z		21B	X06A, X06B, X06C		08	I08A, I08B, I08C, I08D, I08E, I08F, I33Z
5t00x.j↔		BOP, KVT, UOP4, VIAL		5t010.2↔			21A	W01A, W01B, W01C, W02A, W02B
	05	F13A		08	I08A, I08B, I08C, I08D, I08E, I08F, I13A, I13B, I13C, I13D, I33Z		21B	X04Z
	08	I23A, I23B		21A	W04A, W04B	5t010.h↔		BOP, KVT, UOP4, VIAL
	21A	W04A, W04B		21B	X06A, X06B, X06C		01	B03A, B03B, B06A, B06B, B17A, B17B, B17C
	21B	X04Z		5t010.3↔			08	I08A, I08B, I08C, I08D, I08E, I08F, I33Z
5t00x.k↔		BOP, KVT, UOP4, VIAL		08	I08A, I08B, I08C, I08D, I08E, I08F, I13A, I13B, I13C, I13D, I33Z		21A	W01A, W01B, W01C, W02A, W02B
	05	F13A		21A	W04A, W04B		21B	X04Z
	08	I23A, I23B		21B	X06A, X06B, X06C		01	B03A, B03B, B06A, B06B, B17A, B17B, B17C
	21A	W04A, W04B		5t010.4↔			08	I08A, I08B, I08C, I08D, I08E, I08F, I33Z
	21B	X04Z		08	I08A, I08B, I08C, I08D, I08E, I08F, I13A, I13B, I13C, I13D, I33Z		21A	W01A, W01B, W01C, W02A, W02B
5t00x.l↔		BOP, KVT, UOP4, VIAL		21A	W04A, W04B		21B	X04Z
	05	F13A		21B	X06A, X06B, X06C		01	B03A, B03B, B06A, B06B, B17A, B17B, B17C
	08	I23A, I23B		5t010.5↔			08	I08A, I08B, I08C, I08D, I08E, I08F, I33Z
	21A	W04A, W04B		08	I08A, I08B, I08C, I08D, I08E, I08F, I13A, I13B, I13C, I13D, I33Z		21A	W01A, W01B, W01C, W02A, W02B
	21B	X04Z		21A	W04A, W04B		21B	X04Z
5t00x.m↔		BOP, KVT, UOP4, VIAL		21B	X06A, X06B, X06C		01	B03A, B03B, B06A, B06B, B17A, B17B, B17C
	05	F13A		5t010.6↔			08	I08A, I08B, I08C, I08D, I08E, I08F, I33Z
	08	I23A, I23B		08	I08A, I08B, I08C, I08D, I08E, I08F, I13A, I13B, I13C, I13D, I33Z		21A	W01A, W01B, W01C, W02A, W02B
	21A	W04A, W04B		21A	W04A, W04B		21B	X04Z
	21B	X04Z		21B	X06A, X06B, X06C		01	B03A, B03B, B06A, B06B, B17A, B17B, B17C
5t00x.n↔		BOP, KVT, UOP4, VIAL		5t010.7↔			08	I08A, I08B, I08C, I08D, I08E, I08F, I33Z
	05	F13A		08	I08A, I08B, I08C, I08D, I08E, I08F, I13A, I13B, I13C, I13D, I33Z		21A	W01A, W01B, W01C, W02A, W02B
	08	I23A, I23B		21A	W04A, W04B		21B	X04Z
	21A	W04A, W04B		21B	X06A, X06B, X06C		01	B03A, B03B, B06A, B06B, B17A, B17B, B17C
	21B	X04Z		5t010.8↔			08	I08A, I08B, I08C, I08D, I08E, I08F, I33Z
5t00x.o↔		BOP, KVT, UOP4, VIAL		5t010.9↔			21A	W01A, W01B, W01C, W02A, W02B
	05	F13A		08	I08A, I08B, I08C, I08D, I08E, I08F, I13A, I13B, I13C, I13D, I33Z		21B	X04Z
	08	I23A, I23B		21A	W04A, W04B		01	B03A, B03B, B06A, B06B, B17A, B17B, B17C
	21A	W04A, W04B		21B	X06A, X06B, X06C		08	I08A, I08B, I08C, I08D, I08E, I08F, I33Z
	21B	X04Z		5t010.10↔			21A	W01A, W01B, W01C, W02A, W02B
5t00x.p↔		BOP, KVT, UOP4, VIAL		08	I08A, I08B, I08C, I08D, I08E, I08F, I13A, I13B, I13C, I13D, I33Z		21B	X04Z
	05	F13A		21A	W04A, W04B		01	B03A, B03B, B06A, B06B, B17A, B17B, B17C
	08	I23A, I23B		21B	X06A, X06B, X06C		08	I08A, I08B, I08C, I08D, I08E, I08F, I33Z
	21A	W04A, W04B		5t010.11↔			21A	W01A, W01B, W01C, W02A, W02B
	21B	X04Z		08	I08A, I08B, I08C, I08D, I08E, I08F, I13A, I13B, I13C, I13D, I33Z		21B	X04Z

VYK

ZZV	MDC	DRG	ZZV	MDC	DRG	ZZV	MDC	DRG	
5t010.k↔		BOP, KVT, UOP4, VIAL	5t011.1↔	08	BOP, KVT, UOP4, VIAL	5t011.f↔	01	BOP, KVT, UOP4, VIAL	
	01	B03A, B03B, B06A, B06B, B17A, B17B, B17C			08		I08A, I08B, I08C, I08D, I08E, I08F, I13A, I13B, I13C, I13D, I33Z	01	B03A, B03B, B06A, B06B, B17A, B17B, B17C
	08	I13A, I13B, I13C, I13D, I33Z		21A	W04A, W04B		08	I08A, I08B, I08C, I08D, I08E, I08F, I33Z	
	10	K09A, K09B		21B	X06A, X06B, X06C		21A	W01A, W01B, W01C, W02A, W02B	
	21A	W04A, W04B					21B	X04Z	
21B	X04Z								
5t010.m↔		BOP, KVT, UOP4, VIAL	5t011.2↔	08	BOP, KVT, UOP4, VIAL	5t011.g↔	01	BOP, KVT, UOP4, VIAL	
	01	B03A, B03B, B06A, B06B, B17A, B17B, B17C			08		I08A, I08B, I08C, I08D, I08E, I08F, I13A, I13B, I13C, I13D, I33Z	01	B03A, B03B, B06A, B06B, B17A, B17B, B17C
	08	I13A, I13B, I13C, I13D, I33Z		21A	W04A, W04B		08	I08A, I08B, I08C, I08D, I08E, I08F, I33Z	
	10	K09A, K09B		21B	X06A, X06B, X06C		21A	W01A, W01B, W01C, W02A, W02B	
	21A	W04A, W04B					21B	X04Z	
21B	X04Z								
5t010.n↔		BOP, KVT, UOP4, VIAL	5t011.3↔	08	BOP, KVT, UOP4, VIAL	5t011.h↔	01	BOP, KVT, UOP4, VIAL	
	01	B03A, B03B, B06A, B06B, B17A, B17B, B17C			08		I08A, I08B, I08C, I08D, I08E, I08F, I13A, I13B, I13C, I13D, I33Z	01	B03A, B03B, B06A, B06B, B17A, B17B, B17C
	08	I13A, I13B, I13C, I13D, I33Z		21A	W04A, W04B		08	I08A, I08B, I08C, I08D, I08E, I08F, I33Z	
	10	K09A, K09B		21B	X06A, X06B, X06C		21A	W01A, W01B, W01C, W02A, W02B	
	21A	W04A, W04B					21B	X04Z	
21B	X04Z								
5t010.p↔		BOP, KVT, UOP4, VIAL	5t011.4↔	08	BOP, KVT, UOP4, VIAL	5t011.i↔	01	BOP, KVT, UOP4, VIAL	
	08	I13A, I13B, I13C, I13D, I33Z			08		I08A, I08B, I08C, I08D, I08E, I08F, I21Z, I31Z, I33Z	01	B03A, B03B, B06A, B06B, B17A, B17B, B17C
	21A	W04A, W04B		21A	W04A, W04B		08	I08A, I08B, I08C, I08D, I08E, I08F, I33Z	
	21B	X04Z		21B	X06A, X06B, X06C		21A	W01A, W01B, W01C, W02A, W02B	
							21B	X04Z	
5t010.q↔		BOP, KVT, UOP4, VIAL	5t011.5↔	08	BOP, KVT, UOP4, VIAL	5t011.k↔	01	BOP, KVT, UOP4, VIAL	
	08	I13A, I13B, I13C, I13D, I33Z			08		I08A, I08B, I08C, I08D, I08E, I08F, I21Z, I31Z, I33Z	01	B03A, B03B, B06A, B06B, B17A, B17B, B17C
	21A	W04A, W04B		21A	W04A, W04B		08	I13A, I13B, I13C, I13D, I33Z	
	21B	X04Z		21B	X06A, X06B, X06C		10	K09A, K09B	
							21A	W04A, W04B	
5t010.r↔		BOP, KVT, UOP4, VIAL	5t011.6↔	08	BOP, KVT, UOP4, VIAL	5t011.l↔	21B	X04Z	
	08	I13A, I13B, I13C, I13D, I33Z			08		I08A, I08B, I08C, I08D, I08E, I08F, I21Z, I31Z, I33Z	01	BOP, KVT, UOP4, VIAL
	21A	W04A, W04B		21A	W04A, W04B		01	B03A, B03B, B06A, B06B, B17A, B17B, B17C	
	21B	X04Z		21B	X06A, X06B, X06C		08	I13A, I13B, I13C, I13D, I33Z	
							10	K09A, K09B	
5t010.s↔		BOP, KVT, UOP4, VIAL	5t011.7↔	08	BOP, KVT, UOP4, VIAL	5t011.m↔	21A	W04A, W04B	
	08	I20A, I20B, I20C, I20D, I33Z			08		I08A, I08B, I08C, I08D, I08E, I08F, I21Z, I31Z, I33Z	21B	X04Z
	21A	W04A, W04B		21A	W04A, W04B		01	B03A, B03B, B06A, B06B, B17A, B17B, B17C	
	21B	X04Z		21B	X06A, X06B, X06C		08	I13A, I13B, I13C, I13D, I33Z	
							10	K09A, K09B	
5t010.t↔	05	F27A, F27B, F27C	5t011.8↔	21A	W04A, W04B	5t011.n↔	21A	W04A, W04B	
	08	I20A, I20B, I20C, I20D, I33Z			08		I08A, I08B, I08C, I08D, I08E, I08F, I21Z, I31Z, I33Z	21B	X04Z
	10	K01Z		21A	W04A, W04B		01	B03A, B03B, B06A, B06B, B17A, B17B, B17C	
	21A	W04A, W04B		21B	X06A, X06B, X06C		08	I13A, I13B, I13C, I13D, I33Z	
	21B	X04Z					10	K09A, K09B	
5t010.u↔		BOP, KVT, UOP4, VIAL	5t011.9↔	08	BOP, KVT, UOP4, VIAL	5t011.o↔	21A	W04A, W04B	
	05	F27A, F27B, F27C			08		I08A, I08B, I08C, I08D, I08E, I08F, I21Z, I31Z, I33Z	21B	X04Z
	08	I20A, I20B, I20C, I20D, I33Z		21A	W04A, W04B		01	B03A, B03B, B06A, B06B, B17A, B17B, B17C	
	10	K01Z		21B	X06A, X06B, X06C		08	I13A, I13B, I13C, I13D, I33Z	
	21A	W04A, W04B					10	K09A, K09B	
21B	X04Z			21A	W04A, W04B				
5t010.v↔		BOP, KVT, UOP4, VIAL	5t011.a↔	08	BOP, KVT, UOP4, VIAL	5t011.p↔	21B	X04Z	
	05	F27A, F27B, F27C			08		I32A, I32B, I32C, I32D, I32E, I32F, I33Z	01	BOP, KVT, UOP4, VIAL
	08	I20A, I20B, I20C, I20D, I33Z		21A	W04A, W04B		08	I13A, I13B, I13C, I13D, I33Z	
	10	K01Z		21B	X05A, X05B		21A	W04A, W04B	
	21A	W04A, W04B					21B	X04Z	
21B	X04Z								
5t010.w↔		BOP, KVT, UOP4, VIAL	5t011.b↔	08	BOP, KVT, UOP4, VIAL	5t011.q↔	01	BOP, KVT, UOP4, VIAL	
	05	F27A, F27B, F27C			08		I32A, I32B, I32C, I32D, I32E, I32F, I33Z	08	I13A, I13B, I13C, I13D, I33Z
	08	I20A, I20B, I20C, I20D, I33Z		21A	W04A, W04B		21A	W04A, W04B	
	10	K01Z		21B	X05A, X05B		21B	X04Z	
	21A	W04A, W04B					08	I13A, I13B, I13C, I13D, I33Z	
21B	X04Z			21A	W04A, W04B				
5t010.x		BOP, KVT, UOP4	5t011.c↔	08	BOP, KVT, UOP4, VIAL	5t011.r↔	21B	X04Z	
	01	B03A, B03B, B06A, B06B, B17A, B17B, B17C			08		I32A, I32B, I32C, I32D, I32E, I32F, I33Z	01	BOP, KVT, UOP4, VIAL
	08	I28A, I28B, I33Z		21A	W04A, W04B		08	I13A, I13B, I13C, I13D, I33Z	
	21A	W04A, W04B		21B	X05A, X05B		21A	W04A, W04B	
	21B	X06A, X06B, X06C					21B	X04Z	
5t010.y		BOP, KVT, UOP4	5t011.d↔	08	BOP, KVT, UOP4, VIAL	5t011.s↔	08	BOP, KVT, UOP4, VIAL	
	01	B03A, B03B, B06A, B06B, B17A, B17B, B17C			08		I08A, I08B, I08C, I08D, I08E, I08F, I33Z, I47A	01	B03A, B03B, B06A, B06B, B17A, B17B, B17C
	08	I28A, I28B, I33Z		21A	W04A, W04B		08	I20A, I20B, I20C, I20D, I33Z	
	21A	W04A, W04B		21B	X05A, X05B		10	K01Z	
	21B	X06A, X06B, X06C					21A	W04A, W04B	
5t010.z		BOP, KVT, UOP4	5t011.e↔	08	BOP, KVT, UOP4, VIAL	5t011.t↔	21B	X04Z	
	01	B03A, B03B, B06A, B06B, B17A, B17B, B17C			08		I08A, I08B, I08C, I08D, I08E, I08F, I33Z	05	F27A, F27B, F27C
	08	I28A, I28B, I33Z		21A	W04A, W04B		08	I20A, I20B, I20C, I20D, I33Z	
	21A	W04A, W04B		21B	X05A, X05B		10	K01Z	
	21B	X06A, X06B, X06C					21A	W04A, W04B	
5t010.aa		BOP, KVT, UOP4, VIAL	5t011.6↔	08	BOP, KVT, UOP4, VIAL	5t011.u↔	21B	X04Z	
	01	B03A, B03B, B06A, B06B, B17A, B17B, B17C			08		I08A, I08B, I08C, I08D, I08E, I08F, I33Z	01	BOP, KVT, UOP4, VIAL
	08	I13A, I13B, I13C, I13D, I33Z		21A	W04A, W04B		08	I20A, I20B, I20C, I20D, I33Z	
	10	K09A, K09B		21B	X06A, X06B, X06C				
	21A	W04A, W04B							
21B	X04Z								

ZZV	MDC	DRG	ZZV	MDC	DRG	ZZV	MDC	DRG
5t011.x		BOP, KVT, UOP4	5t012.f↔		BOP, KVT, UOP4, VIAL	5t013.1↔		BOP, KVT, UOP4, VIAL
	01	B03A, B03B, B06A, B06B, B17A, B17B, B17C		01	B03A, B03B, B06A, B06B, B17A, B17B, B17C		08	I08A, I08B, I08C, I08D, I08E, I08F, I13A, I13B, I13C, I13D, I33Z
	08	I28A, I28B, I33Z		08	I08A, I08B, I08C, I08D, I08E, I27B, I33Z, I37Z		21A	W04A, W04B
	21A	W04A, W04B		21A	W01A, W01B, W01C, W02A, W02B		21B	X06A, X06B, X06C
5t012.0↔		BOP, KVT, UOP4, VIAL		21B	X04Z	5t013.2↔		BOP, KVT, UOP4, VIAL
	04	E02A, E02B, E02C	5t012.g↔		BOP, KVT, UOP4, VIAL		08	I08A, I08B, I08C, I08D, I08E, I08F, I13A, I13B, I13C, I13D, I33Z
	08	I28A, I28B, I33Z		01	B03A, B03B, B06A, B06B, B17A, B17B, B17C		21A	W04A, W04B
	21A	W04A, W04B		08	I08A, I08B, I08C, I08D, I08E, I27B, I33Z, I37Z		21B	X06A, X06B, X06C
5t012.1↔		BOP, KVT, UOP4, VIAL		21A	W01A, W01B, W01C, W02A, W02B	5t013.3↔		BOP, KVT, UOP4, VIAL
	08	I08A, I08B, I08C, I08D, I08E, I08F, I13A, I13B, I13C, I13D, I33Z		21B	X04Z		08	I08A, I08B, I08C, I08D, I08E, I08F, I13A, I13B, I13C, I13D, I33Z
	21A	W04A, W04B	5t012.h↔		BOP, KVT, UOP4, VIAL		21A	W04A, W04B
	21B	X06A, X06B, X06C		01	B03A, B03B, B06A, B06B, B17A, B17B, B17C		21B	X06A, X06B, X06C
5t012.2↔		BOP, KVT, UOP4, VIAL		08	I08A, I08B, I08C, I08D, I08E, I27B, I33Z, I37Z	5t013.4↔		BOP, KVT, UOP4, VIAL
	08	I08A, I08B, I08C, I08D, I08E, I08F, I13A, I13B, I13C, I13D, I33Z		21A	W01A, W01B, W01C, W02A, W02B		08	I08A, I08B, I08C, I08D, I08E, I08F, I21Z, I31Z, I33Z
	21A	W04A, W04B		21B	X04Z		21A	W04A, W04B
	21B	X06A, X06B, X06C	5t012.i↔		BOP, KVT, UOP4, VIAL		21B	X06A, X06B, X06C
5t012.3↔		BOP, KVT, UOP4, VIAL		01	B03A, B03B, B06A, B06B, B17A, B17B, B17C	5t013.5↔		BOP, KVT, UOP4, VIAL
	08	I08A, I08B, I08C, I08D, I08E, I08F, I13A, I13B, I13C, I13D, I33Z		08	I08A, I08B, I08C, I08D, I08E, I27B, I33Z, I37Z		08	I08A, I08B, I08C, I08D, I08E, I08F, I21Z, I31Z, I33Z
	21A	W04A, W04B		21A	W01A, W01B, W01C, W02A, W02B		21A	W04A, W04B
	21B	X06A, X06B, X06C		21B	X04Z		21B	X06A, X06B, X06C
5t012.5↔		BOP, KVT, UOP4, VIAL	5t012.k↔		BOP, KVT, UOP4, VIAL		08	I08A, I08B, I08C, I08D, I08E, I08F, I21Z, I31Z, I33Z
	08	I08A, I08B, I08C, I08D, I08E, I08F, I21Z, I31Z, I33Z		08	I08A, I08B, I08C, I08D, I08E, I13A, I13B, I13C, I13D, I27B, I33Z, I37Z		21A	W04A, W04B
	21A	W04A, W04B		21A	W04A, W04B		21B	X06A, X06B, X06C
	21B	X06A, X06B, X06C		21B	X04Z	5t013.6↔		BOP, KVT, UOP4, VIAL
5t012.6↔		BOP, KVT, UOP4, VIAL		01	B03A, B03B, B06A, B06B, B17A, B17B, B17C		08	I08A, I08B, I08C, I08D, I08E, I08F, I21Z, I31Z, I33Z
	08	I08A, I08B, I08C, I08D, I08E, I08F, I21Z, I31Z, I33Z		08	I08A, I08B, I08C, I08D, I08E, I13A, I13B, I13C, I13D, I27B, I33Z, I37Z		21A	W04A, W04B
	21A	W04A, W04B		21A	W04A, W04B		21B	X06A, X06B, X06C
	21B	X06A, X06B, X06C	5t012.l↔		BOP, KVT, UOP4, VIAL	5t013.7↔		BOP, KVT, UOP4, VIAL
5t012.8↔		BOP, KVT, UOP4, VIAL		08	I08A, I08B, I08C, I08D, I08E, I08F, I21Z, I31Z, I33Z		08	I08A, I08B, I08C, I08D, I08E, I08F, I21Z, I31Z, I33Z
	08	I08A, I08B, I08C, I08D, I08E, I08F, I21Z, I31Z, I33Z		21A	W04A, W04B		21A	W04A, W04B
	21A	W04A, W04B		21B	X04Z		21B	X06A, X06B, X06C
	21B	X06A, X06B, X06C	5t012.m↔		BOP, KVT, UOP4, VIAL	5t013.8↔		BOP, KVT, UOP4, VIAL
5t012.9↔		BOP, KVT, UOP4, VIAL		08	I08A, I08B, I08C, I08D, I08E, I13A, I13B, I13C, I13D, I27B, I33Z, I37Z		08	I08A, I08B, I08C, I08D, I08E, I08F, I21Z, I31Z, I33Z
	08	I08A, I08B, I08C, I08D, I08E, I08F, I21Z, I31Z, I33Z		21A	W04A, W04B		21A	W04A, W04B
	21A	W04A, W04B		21B	X04Z		21B	X06A, X06B, X06C
	21B	X06A, X06B, X06C	5t012.n↔		BOP, KVT, UOP4, VIAL	5t013.9↔		BOP, KVT, UOP4, VIAL
5t012.a↔		BOP, KVT, UOP4, VIAL		08	I08A, I08B, I08C, I08D, I08E, I13A, I13B, I13C, I13D, I27B, I33Z, I37Z		08	I08A, I08B, I08C, I08D, I08E, I08F, I21Z, I31Z, I33Z
	08	I32A, I32B, I32C, I32D, I32E, I32F, I33Z		21A	W04A, W04B		21A	W04A, W04B
	21A	W04A, W04B		21B	X04Z		21B	X06A, X06B, X06C
	21B	X05A, X05B	5t012.o↔		BOP, KVT, UOP4, VIAL	5t013.b↔		BOP, KVT, UOP4, VIAL
5t012.b↔		BOP, KVT, UOP4, VIAL		08	I20A, I20B, I20C, I20D, I33Z, I37Z		08	I32A, I32B, I32C, I32D, I32E, I32F, I33Z
	08	I32A, I32B, I32C, I32D, I32E, I32F, I33Z		08	I20A, I20B, I20C, I20D, I33Z, I37Z		21A	W04A, W04B
	21A	W04A, W04B		21A	W04A, W04B		21B	X05A, X05B
	21B	X05A, X05B	5t012.p↔		BOP, KVT, UOP4, VIAL	5t013.c↔		BOP, KVT, UOP4, VIAL
5t012.c↔		BOP, KVT, UOP4, VIAL		01	B03A, B03B, B06A, B06B, B17A, B17B, B17C		08	I32A, I32B, I32C, I32D, I32E, I32F, I33Z
	08	I32A, I32B, I32C, I32D, I32E, I32F, I33Z		08	I28A, I28B, I33Z		21A	W04A, W04B
	21A	W04A, W04B		21A	W04A, W04B		21B	X05A, X05B
	21B	X05A, X05B		21B	X06A, X06B, X06C	5t013.d		BOP, KVT, UOP4, VIAL
5t012.d		BOP, KVT, UOP4, VIAL	5t012.q↔		BOP, KVT, UOP4, VIAL		08	I08A, I08B, I08C, I08D, I08E, I08F, I33Z, I47A
	08	I08A, I08B, I08C, I08D, I08E, I27B, I33Z, I37Z, I47A		04	E02A, E02B, E02C		08	I08A, I08B, I08C, I08D, I08E, I08F, I33Z, I47A
	08	I28A, I28B, I33Z		08	I28A, I28B, I33Z	5t013.e↔		BOP, KVT, UOP4, VIAL
	21A	W04A, W04B		21A	W04A, W04B		08	I08A, I08B, I08C, I08D, I08E, I08F, I33Z
	21B	X05A, X05B		21B	X06A, X06B, X06C			
5t012.e↔		BOP, KVT, UOP4, VIAL	5t013.0↔		BOP, KVT, UOP4, VIAL			
	08	I08A, I08B, I08C, I08D, I08E, I27B, I33Z, I37Z		04	E02A, E02B, E02C			
	08	I28A, I28B, I33Z		08	I28A, I28B, I33Z			
	21A	W04A, W04B		21A	W04A, W04B			
	21B	X06A, X06B, X06C		21B	X06A, X06B, X06C			

ZZV	MDC	DRG	ZZV	MDC	DRG	ZZV	MDC	DRG	
5t013.f↔		BOP, KVT, UOP4, VIAL	5t014.0↔		BOP, KVT, UOP4, VIAL	5t014.f↔		BOP, KVT, UOP4, VIAL	
	01	B03A, B03B, B06A, B06B, B17A, B17B, B17C		04	E02A, E02B, E02C		01	B03A, B03B, B06A, B06B, B17A, B17B, B17C	
	08	I08A, I08B, I08C, I08D, I08E, I08F, I33Z		08	I28A, I28B, I33Z		08	I11Z, I33Z	
	21A	W01A, W01B, W01C, W02A, W02B		21A	W04A, W04B		21A	W01A, W01B, W01C, W02A, W02B	
	21B	X04Z	5t014.1↔		BOP, KVT, UOP4, VIAL		21B	X04Z	
5t013.g↔		BOP, KVT, UOP4, VIAL		08	I08A, I08B, I08C, I08D, I08E, I08F, I11Z, I33Z	5t014.g↔		BOP, KVT, UOP4, VIAL	
	01	B03A, B03B, B06A, B06B, B17A, B17B, B17C		21A	W04A, W04B		01	B03A, B03B, B06A, B06B, B17A, B17B, B17C	
	08	I08A, I08B, I08C, I08D, I08E, I08F, I33Z	5t014.2↔		BOP, KVT, UOP4, VIAL		08	I11Z, I33Z	
	21A	W01A, W01B, W01C, W02A, W02B		08	I08A, I08B, I08C, I08D, I08E, I08F, I11Z, I33Z		21A	W01A, W01B, W01C, W02A, W02B	
	21B	X04Z		21A	W04A, W04B		21B	X04Z	
5t013.h↔		BOP, KVT, UOP4, VIAL	5t014.3↔		BOP, KVT, UOP4, VIAL	5t014.h↔		BOP, KVT, UOP4, VIAL	
	01	B03A, B03B, B06A, B06B, B17A, B17B, B17C		08	I08A, I08B, I08C, I08D, I08E, I08F, I11Z, I33Z		01	B03A, B03B, B06A, B06B, B17A, B17B, B17C	
	08	I08A, I08B, I08C, I08D, I08E, I08F, I33Z		21A	W04A, W04B		08	I11Z, I33Z	
	21A	W01A, W01B, W01C, W02A, W02B		21B	X06A, X06B, X06C		21A	W01A, W01B, W01C, W02A, W02B	
	21B	X04Z	5t014.4↔		BOP, KVT, UOP4, VIAL		21B	X04Z	
5t013.i↔		BOP, KVT, UOP4, VIAL		08	I08A, I08B, I08C, I08D, I08E, I08F, I11Z, I33Z	5t014.i↔		BOP, KVT, UOP4, VIAL	
	01	B03A, B03B, B06A, B06B, B17A, B17B, B17C		21A	W04A, W04B		01	B03A, B03B, B06A, B06B, B17A, B17B, B17C	
	08	I08A, I08B, I08C, I08D, I08E, I08F, I33Z		21B	X06A, X06B, X06C		08	I11Z, I33Z	
	21A	W01A, W01B, W01C, W02A, W02B	5t014.5↔		BOP, KVT, UOP4, VIAL		21A	W01A, W01B, W01C, W02A, W02B	
	21B	X04Z		08	I08A, I08B, I08C, I08D, I08E, I08F, I11Z, I33Z	5t014.j↔		BOP, KVT, UOP4, VIAL	
5t013.k↔		BOP, KVT, UOP4, VIAL		21A	W04A, W04B		08	I11Z, I33Z	
	08	I13A, I13B, I13C, I13D, I33Z	5t014.6↔		BOP, KVT, UOP4, VIAL		21A	W04A, W04B	
	21A	W04A, W04B		08	I08A, I08B, I08C, I08D, I08E, I08F, I11Z, I33Z	5t014.k↔		BOP, KVT, UOP4, VIAL	
	21B	X04Z		21A	W04A, W04B		08	I11Z, I33Z	
5t013.l↔		BOP, KVT, UOP4, VIAL		21B	X06A, X06B, X06C	5t014.l↔		BOP, KVT, UOP4, VIAL	
	08	I13A, I13B, I13C, I13D, I33Z	5t014.7↔		BOP, KVT, UOP4, VIAL		08	I11Z, I33Z	
	21A	W04A, W04B		08	I08A, I08B, I08C, I08D, I08E, I08F, I11Z, I33Z		21A	W04A, W04B	
	21B	X04Z		21A	W04A, W04B	5t014.m↔		BOP, KVT, UOP4, VIAL	
5t013.m↔		BOP, KVT, UOP4, VIAL		21B	X06A, X06B, X06C		08	I11Z, I33Z	
	08	I13A, I13B, I13C, I13D, I33Z	5t014.8↔		BOP, KVT, UOP4, VIAL		21A	W04A, W04B	
	21A	W04A, W04B		08	I08A, I08B, I08C, I08D, I08E, I08F, I11Z, I33Z	5t014.n↔		BOP, KVT, UOP4, VIAL	
	21B	X04Z		21A	W04A, W04B		08	I11Z, I33Z	
5t013.n↔		BOP, KVT, UOP4, VIAL		21B	X06A, X06B, X06C	5t014.o↔		BOP, KVT, UOP4, VIAL	
	08	I13A, I13B, I13C, I13D, I33Z	5t014.9↔		BOP, KVT, UOP4, VIAL		08	I11Z, I33Z	
	21A	W04A, W04B		08	I08A, I08B, I08C, I08D, I08E, I08F, I11Z, I33Z	5t014.p↔		BOP, KVT, UOP4, VIAL	
	21B	X04Z		21A	W04A, W04B		08	I11Z, I33Z	
5t013.o↔		BOP, KVT, UOP4, VIAL		21B	X06A, X06B, X06C	5t014.q↔		BOP, KVT, UOP4, VIAL	
	08	I13A, I13B, I13C, I13D, I33Z	5t014.10↔		BOP, KVT, UOP4, VIAL		08	I11Z, I33Z	
	21A	W04A, W04B		08	I08A, I08B, I08C, I08D, I08E, I08F, I11Z, I33Z		21A	W04A, W04B	
	21B	X04Z		21A	W04A, W04B	5t014.r↔		BOP, KVT, UOP4, VIAL	
5t013.p↔		BOP, KVT, UOP4, VIAL		21B	X06A, X06B, X06C		08	I11Z, I33Z	
	08	I13A, I13B, I13C, I13D, I33Z	5t014.11↔		BOP, KVT, UOP4, VIAL		21A	W04A, W04B	
	21A	W04A, W04B		08	I08A, I08B, I08C, I08D, I08E, I08F, I11Z, I33Z	5t014.s↔		BOP, KVT, UOP4, VIAL	
	21B	X04Z		21A	W04A, W04B		08	I20A, I20B, I20C, I20D, I33Z	
5t013.q↔		BOP, KVT, UOP4, VIAL		21B	X06A, X06B, X06C	5t014.t↔		BOP, KVT, UOP4, VIAL	
	08	I13A, I13B, I13C, I13D, I33Z	5t014.12↔		BOP, KVT, UOP4, VIAL		05	F27A, F27B, F27C	
	21A	W04A, W04B		08	I32A, I32B, I32C, I32D, I32E, I32F, I33Z		08	I20A, I20B, I20C, I20D, I33Z	
	21B	X04Z		21A	W04A, W04B	5t014.u↔		10	K01Z
5t013.r↔		BOP, KVT, UOP4, VIAL		21B	X05A, X05B		21A	W04A, W04B	
	08	I13A, I13B, I13C, I13D, I33Z	5t014.13↔		BOP, KVT, UOP4, VIAL		21B	X04Z	
	21A	W04A, W04B		08	I32A, I32B, I32C, I32D, I32E, I32F, I33Z	5t014.v↔		BOP, KVT, UOP4, VIAL	
	21B	X04Z		21A	W04A, W04B		08	I20A, I20B, I20C, I20D, I33Z	
5t013.s↔		BOP, KVT, UOP4, VIAL		21B	X05A, X05B	5t014.w↔		BOP, KVT, UOP4, VIAL	
	08	I20A, I20B, I20C, I20D, I33Z	5t014.14↔		BOP, KVT, UOP4, VIAL		01	B03A, B03B, B06A, B06B, B17A, B17B, B17C	
5t013.t↔		BOP, KVT, UOP4, VIAL		08	I32A, I32B, I32C, I32D, I32E, I32F, I33Z		08	I28A, I28B, I33Z	
	05	F27A, F27B, F27C		21A	W04A, W04B	5t014.x		21A	W04A, W04B
	08	I20A, I20B, I20C, I20D, I33Z		21B	X05A, X05B		21B	X06A, X06B, X06C	
	10	K01Z	5t014.15↔		BOP, KVT, UOP4, VIAL		21B	X06A, X06B, X06C	
	21A	W04A, W04B		08	I32A, I32B, I32C, I32D, I32E, I32F, I33Z	5t014.y↔		BOP, KVT, UOP4, VIAL	
	21B	X04Z		21A	W04A, W04B		04	E02A, E02B, E02C	
5t013.u↔		BOP, KVT, UOP4, VIAL		21B	X05A, X05B		08	I28A, I28B, I33Z	
	08	I20A, I20B, I20C, I20D, I33Z	5t014.16↔		BOP, KVT, UOP4, VIAL		21A	W04A, W04B	
5t013.v		BOP, KVT, UOP4, VIAL		08	I32A, I32B, I32C, I32D, I32E, I32F, I33Z		21B	X06A, X06B, X06C	
	01	B03A, B03B, B06A, B06B, B17A, B17B, B17C	5t014.17↔		BOP, KVT, UOP4, VIAL	5t014.z↔		BOP, KVT, UOP4, VIAL	
	08	I28A, I28B, I33Z		08	I08A, I08B, I08C, I08D, I08E, I08F, I33Z, I47A		04	E02A, E02B, E02C	
	21A	W04A, W04B		21A	W04A, W04B		08	I28A, I28B, I33Z	
	21B	X06A, X06B, X06C		21B	X05A, X05B		21A	W04A, W04B	
5t013.w↔		BOP, KVT, UOP4, VIAL		21B	X05A, X05B		21B	X06A, X06B, X06C	
	04	E02A, E02B, E02C	5t014.18↔		BOP, KVT, UOP4, VIAL				
	08	I28A, I28B, I33Z		08	I08A, I08B, I08C, I08D, I08E, I08F, I33Z				
	21A	W04A, W04B		21A	W04A, W04B				
	21B	X06A, X06B, X06C		21B	X05A, X05B				

ZZV	MDC	DRG	ZZV	MDC	DRG	ZZV	MDC	DRG
5t015.1↔		BOP, KVT, UOP4, VIAL	5t015.f↔		BOP, KVT, UOP4, VIAL	5t016.1↔		BOP, KVT, UOP4, VIAL
	08	I08A, I08B, I08C, I08D, I08E, I08F, I13A, I13B, I13C, I13D, I33Z		01	B03A, B03B, B06A, B06B, B17A, B17B, B17C		08	I08A, I08B, I08C, I08D, I08E, I08F, I13A, I13B, I13C, I13D, I33Z
	21A	W04A, W04B		08	I08A, I08B, I08C, I08D, I08E, I27B, I33Z, I37Z		21A	W04A, W04B
	21B	X06A, X06B, X06C		21A	W01A, W01B, W01C, W02A, W02B		21B	X06A, X06B, X06C
5t015.2↔		BOP, KVT, UOP4, VIAL	5t015.g↔		BOP, KVT, UOP4, VIAL	5t016.2↔		BOP, KVT, UOP4, VIAL
	08	I08A, I08B, I08C, I08D, I08E, I08F, I13A, I13B, I13C, I13D, I33Z		01	B03A, B03B, B06A, B06B, B17A, B17B, B17C		08	I08A, I08B, I08C, I08D, I08E, I08F, I13A, I13B, I13C, I13D, I33Z
	21A	W04A, W04B		08	I08A, I08B, I08C, I08D, I08E, I27B, I33Z, I37Z		21A	W04A, W04B
	21B	X06A, X06B, X06C		21A	W01A, W01B, W01C, W02A, W02B		21B	X06A, X06B, X06C
5t015.3↔		BOP, KVT, UOP4, VIAL	5t015.h↔		BOP, KVT, UOP4, VIAL	5t016.3↔		BOP, KVT, UOP4, VIAL
	08	I08A, I08B, I08C, I08D, I08E, I08F, I13A, I13B, I13C, I13D, I33Z		01	B03A, B03B, B06A, B06B, B17A, B17B, B17C		08	I08A, I08B, I08C, I08D, I08E, I08F, I13A, I13B, I13C, I13D, I33Z
	21A	W04A, W04B		08	I08A, I08B, I08C, I08D, I08E, I27B, I33Z, I37Z		21A	W04A, W04B
	21B	X06A, X06B, X06C		21A	W01A, W01B, W01C, W02A, W02B		21B	X06A, X06B, X06C
5t015.4↔		BOP, KVT, UOP4, VIAL	5t015.i↔		BOP, KVT, UOP4, VIAL	5t016.4↔		BOP, KVT, UOP4, VIAL
	08	I08A, I08B, I08C, I08D, I08E, I08F, I21Z, I31Z, I33Z		01	B03A, B03B, B06A, B06B, B17A, B17B, B17C		08	I08A, I08B, I08C, I08D, I08E, I08F, I21Z, I31Z, I33Z
	21A	W04A, W04B		08	I08A, I08B, I08C, I08D, I08E, I27B, I33Z, I37Z		21A	W04A, W04B
	21B	X06A, X06B, X06C		21A	W01A, W01B, W01C, W02A, W02B		21B	X06A, X06B, X06C
5t015.5↔		BOP, KVT, UOP4, VIAL	5t015.k↔		BOP, KVT, UOP4, VIAL	5t016.5↔		BOP, KVT, UOP4, VIAL
	08	I08A, I08B, I08C, I08D, I08E, I08F, I21Z, I31Z, I33Z		01	B03A, B03B, B06A, B06B, B17A, B17B, B17C		08	I08A, I08B, I08C, I08D, I08E, I08F, I21Z, I31Z, I33Z
	21A	W04A, W04B		08	I08A, I08D, I08E, I13A, I13B, I13C, I13D, I27B, I33Z, I37Z		21A	W04A, W04B
	21B	X06A, X06B, X06C		10	K09A, K09B		21B	X06A, X06B, X06C
5t015.6↔		BOP, KVT, UOP4, VIAL	5t015.l↔		BOP, KVT, UOP4, VIAL	5t016.6↔		BOP, KVT, UOP4, VIAL
	08	I08A, I08B, I08C, I08D, I08E, I08F, I21Z, I31Z, I33Z		01	B03A, B03B, B06A, B06B, B17A, B17B, B17C		08	I08A, I08B, I08C, I08D, I08E, I08F, I21Z, I31Z, I33Z
	21A	W04A, W04B		08	I08A, I08D, I08E, I13A, I13B, I13C, I13D, I27B, I33Z, I37Z		21A	W04A, W04B
	21B	X06A, X06B, X06C		10	K09A, K09B		21B	X06A, X06B, X06C
5t015.7↔		BOP, KVT, UOP4, VIAL	5t015.m↔		BOP, KVT, UOP4, VIAL	5t016.7↔		BOP, KVT, UOP4, VIAL
	08	I08A, I08B, I08C, I08D, I08E, I08F, I21Z, I31Z, I33Z		01	B03A, B03B, B06A, B06B, B17A, B17B, B17C		08	I08A, I08B, I08C, I08D, I08E, I08F, I21Z, I31Z, I33Z
	21A	W04A, W04B		08	I08A, I08D, I08E, I13A, I13B, I13C, I13D, I27B, I33Z, I37Z		21A	W04A, W04B
	21B	X06A, X06B, X06C		10	K09A, K09B		21B	X06A, X06B, X06C
5t015.8↔		BOP, KVT, UOP4, VIAL	5t015.n↔		BOP, KVT, UOP4, VIAL	5t016.8↔		BOP, KVT, UOP4, VIAL
	08	I08A, I08B, I08C, I08D, I08E, I08F, I21Z, I31Z, I33Z		01	B03A, B03B, B06A, B06B, B17A, B17B, B17C		08	I08A, I08B, I08C, I08D, I08E, I08F, I21Z, I31Z, I33Z
	21A	W04A, W04B		08	I08A, I08D, I08E, I13A, I13B, I13C, I13D, I27B, I33Z, I37Z		21A	W04A, W04B
	21B	X06A, X06B, X06C		10	K09A, K09B		21B	X06A, X06B, X06C
5t015.9↔		BOP, KVT, UOP4, VIAL	5t015.o↔		BOP, KVT, UOP4, VIAL	5t016.9↔		BOP, KVT, UOP4, VIAL
	08	I08A, I08B, I08C, I08D, I08E, I08F, I21Z, I31Z, I33Z		01	B03A, B03B, B06A, B06B, B17A, B17B, B17C		08	I08A, I08B, I08C, I08D, I08E, I08F, I21Z, I31Z, I33Z
	21A	W04A, W04B		08	I08A, I08D, I08E, I13A, I13B, I13C, I13D, I27B, I33Z, I37Z		21A	W04A, W04B
	21B	X06A, X06B, X06C		10	K09A, K09B		21B	X06A, X06B, X06C
5t015.b↔		BOP, KVT, UOP4, VIAL	5t015.p↔		BOP, KVT, UOP4, VIAL	5t016.b↔		BOP, KVT, UOP4, VIAL
	08	I32A, I32B, I32C, I32D, I32E, I32F, I33Z		08	I13A, I13B, I13C, I13D, I33Z, I37Z		08	I32A, I32B, I32C, I32D, I32E, I32F, I33Z
	21A	W04A, W04B		21A	W04A, W04B		21A	W04A, W04B
	21B	X05A, X05B		21B	X04Z		21B	X05A, X05B
5t015.c↔		BOP, KVT, UOP4, VIAL	5t015.q↔		BOP, KVT, UOP4, VIAL	5t016.c↔		BOP, KVT, UOP4, VIAL
	08	I32A, I32B, I32C, I32D, I32E, I32F, I33Z		08	I20A, I20B, I20C, I20D, I33Z, I37Z		08	I32A, I32B, I32C, I32D, I32E, I32F, I33Z
	21A	W04A, W04B		08	I20A, I20B, I20C, I20D, I33Z, I37Z		21A	W04A, W04B
	21B	X05A, X05B		08	I20A, I20B, I20C, I20D, I33Z, I37Z		21B	X05A, X05B
5t015.d		BOP, KVT, UOP4, VIAL	5t015.r↔		BOP, KVT, UOP4, VIAL	5t016.d		BOP, KVT, UOP4, VIAL
	08	I08A, I08B, I08C, I08D, I08E, I27B, I33Z, I37Z, I47A		08	I20A, I20B, I20C, I20D, I33Z, I37Z		08	I08A, I08B, I08C, I08D, I08E, I27B, I33Z, I37Z, I47A
5t015.e↔		BOP, KVT, UOP4, VIAL	5t015.s		BOP, KVT, UOP4, VIAL	5t016.e↔		BOP, KVT, UOP4, VIAL
	08	I08A, I08B, I08C, I08D, I08E, I27B, I33Z, I37Z		01	B03A, B03B, B06A, B06B, B17A, B17B, B17C		08	I08A, I08B, I08C, I08D, I08E, I27B, I33Z, I37Z
				08	I28A, I28B, I33Z			
				21A	W04A, W04B			
				21B	X06A, X06B, X06C			

VYK

ZZV	MDC	DRG	ZZV	MDC	DRG	ZZV	MDC	DRG
5t016.f↔		BOP, KVT, UOP4, VIAL	5t017.0↔		BOP, KVT, UOP4, VIAL	5t017.d		BOP, KVT, UOP4, VIAL
	01	B03A, B03B, B06A, B06B, B17A, B17B, B17C		04	E02A, E02B, E02C		08	I08A, I08B, I08C, I08D, I08E, I08F, I33Z, I47A
	08	I08A, I08B, I08C, I08D, I08E, I27B, I33Z, I37Z		08	I28A, I28B, I33Z		21A	W04A, W04B
	21A	W01A, W01B, W01C, W02A, W02B		21A	W04A, W04B		21B	X06A, X06B, X06C
	21B	X04Z	5t017.1↔		BOP, KVT, UOP4, VIAL	5t017.e↔		BOP, KVT, UOP4, VIAL
5t016.g↔		BOP, KVT, UOP4, VIAL		08	I08A, I08B, I08C, I08D, I08E, I08F, I13A, I13B, I13C, I13D, I33Z		08	I08A, I08B, I08C, I08D, I08E, I08F, I33Z
	01	B03A, B03B, B06A, B06B, B17A, B17B, B17C		21A	W04A, W04B	5t017.f↔		BOP, KVT, UOP4, VIAL
	08	I08A, I08B, I08C, I08D, I08E, I27B, I33Z, I37Z	5t017.2↔		BOP, KVT, UOP4, VIAL		01	B03A, B03B, B06A, B06B, B17A, B17B, B17C
	21A	W01A, W01B, W01C, W02A, W02B		08	I08A, I08B, I08C, I08D, I08E, I08F, I13A, I13B, I13C, I13D, I33Z		08	I08A, I08B, I08C, I08D, I08E, I08F, I33Z
	21B	X04Z		21A	W04A, W04B		21A	W01A, W01B, W01C, W02A, W02B
5t016.h↔		BOP, KVT, UOP4, VIAL		21B	X06A, X06B, X06C	5t017.g↔		BOP, KVT, UOP4, VIAL
	01	B03A, B03B, B06A, B06B, B17A, B17B, B17C	5t017.3↔		BOP, KVT, UOP4, VIAL		01	B03A, B03B, B06A, B06B, B17A, B17B, B17C
	08	I08A, I08B, I08C, I08D, I08E, I27B, I33Z, I37Z		08	I08A, I08B, I08C, I08D, I08E, I08F, I13A, I13B, I13C, I13D, I33Z		08	I08A, I08B, I08C, I08D, I08E, I08F, I33Z
	21A	W01A, W01B, W01C, W02A, W02B		21A	W04A, W04B		21A	W01A, W01B, W01C, W02A, W02B
	21B	X04Z		21B	X06A, X06B, X06C		21B	X04Z
5t016.k↔		BOP, KVT, UOP4, VIAL	5t017.4↔		BOP, KVT, UOP4, VIAL	5t017.h↔		BOP, KVT, UOP4, VIAL
	01	B03A, B03B, B06A, B06B, B17A, B17B, B17C		08	I08A, I08B, I08C, I08D, I08E, I08F, I21Z, I31Z, I33Z		01	B03A, B03B, B06A, B06B, B17A, B17B, B17C
	08	I08A, I08D, I08E, I13A, I13B, I13C, I13D, I27B, I33Z, I37Z		21A	W04A, W04B		08	I08A, I08B, I08C, I08D, I08E, I08F, I33Z
	10	K09A, K09B		21B	X06A, X06B, X06C		21A	W01A, W01B, W01C, W02A, W02B
	21A	W04A, W04B	5t017.5↔		BOP, KVT, UOP4, VIAL		21B	X04Z
	21B	X04Z		08	I08A, I08B, I08C, I08D, I08E, I08F, I21Z, I31Z, I33Z	5t017.k↔		BOP, KVT, UOP4, VIAL
5t016.m↔		BOP, KVT, UOP4, VIAL		21A	W04A, W04B		08	I13A, I13B, I13C, I13D, I33Z
	01	B03A, B03B, B06A, B06B, B17A, B17B, B17C	5t017.6↔		BOP, KVT, UOP4, VIAL		21A	W04A, W04B
	08	I08A, I08D, I08E, I13A, I13B, I13C, I13D, I27B, I33Z, I37Z		08	I08A, I08B, I08C, I08D, I08E, I08F, I21Z, I31Z, I33Z		21B	X04Z
	10	K09A, K09B		21A	W04A, W04B	5t017.m↔		BOP, KVT, UOP4, VIAL
	21A	W04A, W04B		21B	X06A, X06B, X06C		08	I13A, I13B, I13C, I13D, I33Z
	21B	X04Z	5t017.7↔		BOP, KVT, UOP4, VIAL		21A	W04A, W04B
5t016.n↔		BOP, KVT, UOP4, VIAL		08	I08A, I08B, I08C, I08D, I08E, I08F, I21Z, I31Z, I33Z		21B	X04Z
	01	B03A, B03B, B06A, B06B, B17A, B17B, B17C	5t017.8↔		BOP, KVT, UOP4, VIAL	5t017.n↔		BOP, KVT, UOP4, VIAL
	08	I08A, I08D, I08E, I13A, I13B, I13C, I13D, I27B, I33Z, I37Z		08	I08A, I08B, I08C, I08D, I08E, I08F, I21Z, I31Z, I33Z		08	I13A, I13B, I13C, I13D, I33Z
	10	K09A, K09B		21A	W04A, W04B		21A	W04A, W04B
	21A	W04A, W04B		21B	X06A, X06B, X06C		21B	X04Z
	21B	X04Z	5t017.9↔		BOP, KVT, UOP4, VIAL	5t017.p↔		BOP, KVT, UOP4, VIAL
5t016.r↔		BOP, KVT, UOP4, VIAL		08	I08A, I08B, I08C, I08D, I08E, I08F, I21Z, I31Z, I33Z		08	I13A, I13B, I13C, I13D, I33Z
	08	I13A, I13B, I13C, I13D, I33Z, I37Z		21A	W04A, W04B		21A	W04A, W04B
	21A	W04A, W04B		21B	X06A, X06B, X06C		21B	X04Z
	21B	X04Z	5t017.a↔		BOP, KVT, UOP4, VIAL	5t017.q↔		BOP, KVT, UOP4, VIAL
5t016.s↔		BOP, KVT, UOP4, VIAL		08	I32A, I32B, I32C, I32D, I32E, I32F, I33Z		08	I13A, I13B, I13C, I13D, I33Z
	08	I20A, I20B, I20C, I20D, I33Z, I37Z		21A	W04A, W04B		21A	W04A, W04B
5t016.t↔		BOP, KVT, UOP4, VIAL		21B	X05A, X05B		21B	X04Z
	08	I20A, I20B, I20C, I20D, I33Z, I37Z	5t017.b↔		BOP, KVT, UOP4, VIAL	5t017.r↔		BOP, KVT, UOP4, VIAL
5t016.u↔		BOP, KVT, UOP4, VIAL		08	I32A, I32B, I32C, I32D, I32E, I32F, I33Z		08	I13A, I13B, I13C, I13D, I33Z
	08	I20A, I20B, I20C, I20D, I33Z, I37Z		21A	W04A, W04B		21A	W04A, W04B
5t016.x		BOP, KVT, UOP4		21B	X05A, X05B		21B	X04Z
	01	B03A, B03B, B06A, B06B, B17A, B17B, B17C	5t017.c↔		BOP, KVT, UOP4, VIAL	5t017.t↔		BOP, KVT, UOP4, VIAL
	08	I28A, I28B, I33Z		08	I32A, I32B, I32C, I32D, I32E, I32F, I33Z		05	F27A, F27B, F27C
	21A	W04A, W04B		21A	W04A, W04B		08	I20A, I20B, I20C, I20D, I33Z
	21B	X06A, X06B, X06C		21B	X05A, X05B		10	K01Z
							21A	W04A, W04B
							21B	X04Z

ZZV	MDC	DRG	ZZV	MDC	DRG	ZZV	MDC	DRG
5t017.u↔		BOP, KVT, UOP4, VIAL	5t018.a↔		BOP, KVT, UOP4, VIAL	5t018.r↔		BOP, KVT, UOP4, VIAL
	05	F27A, F27B, F27C		08	I32A, I32B, I32C, I32D, I32E, I32F, I33Z		08	I13A, I13B, I13C, I13D, I33Z, I37Z
	08	I20A, I20B, I20C, I20D, I33Z		21A	W04A, W04B		21A	W04A, W04B
	10	K01Z		21B	X05A, X05B		21B	X04Z
	21A	W04A, W04B	5t018.b↔		BOP, KVT, UOP4, VIAL	5t018.s↔		BOP, KVT, UOP4, VIAL
	21B	X04Z		08	I32A, I32B, I32C, I32D, I32E, I32F, I33Z		08	I20A, I20B, I20C, I20D, I33Z, I37Z
5t017.x		BOP, KVT, UOP4		21A	W04A, W04B	5t018.t↔		BOP, KVT, UOP4, VIAL
	01	B03A, B03B, B06A, B06B, B17A, B17B, B17C		21B	X05A, X05B		05	F27A, F27B, F27C
	08	I28A, I28B, I33Z	5t018.c↔		BOP, KVT, UOP4, VIAL		08	I20A, I20B, I20C, I20D, I33Z, I37Z
	21A	W04A, W04B		08	I32A, I32B, I32C, I32D, I32E, I32F, I33Z		10	K01Z
	21B	X06A, X06B, X06C		21A	W04A, W04B		21A	W04A, W04B
5t017.z↔		BOP, KVT, UOP4, VIAL		21B	X05A, X05B		21B	X04Z
	04	E02A, E02B, E02C	5t018.d		BOP, KVT, UOP4, VIAL	5t018.u↔		BOP, KVT, UOP4, VIAL
	08	I28A, I28B, I33Z		08	I08A, I08B, I08C, I08D, I08E, I27B, I33Z, I37Z, I47A		05	F27A, F27B, F27C
	21A	W04A, W04B		21A	W04A, W04B		08	I20A, I20B, I20C, I20D, I33Z, I37Z
	21B	X06A, X06B, X06C		21B	X06A, X06B, X06C		10	K01Z
5t018.0↔		BOP, KVT, UOP4, VIAL	5t018.e↔		BOP, KVT, UOP4, VIAL		21A	W04A, W04B
	04	E02A, E02B, E02C		08	I08A, I08B, I08C, I08D, I08E, I27B, I33Z, I37Z		21B	X04Z
	08	I28A, I28B, I33Z		08	I08A, I08B, I08C, I08D, I08E, I27B, I33Z, I37Z	5t018.x		BOP, KVT, UOP4
	21A	W04A, W04B	5t018.f↔		BOP, KVT, UOP4, VIAL		01	B03A, B03B, B06A, B06B, B17A, B17B, B17C
	21B	X06A, X06B, X06C		01	B03A, B03B, B06A, B06B, B17A, B17B, B17C		08	I28A, I28B, I33Z
5t018.1↔		BOP, KVT, UOP4, VIAL		08	I08A, I08B, I08C, I08D, I08E, I27B, I33Z, I37Z		21A	W04A, W04B
	08	I08A, I08B, I08C, I08D, I08E, I08F, I13A, I13B, I13C, I13D, I33Z		21A	W01A, W01B, W01C, W02A, W02B		21B	X06A, X06B, X06C
	21A	W04A, W04B	5t018.g↔		BOP, KVT, UOP4, VIAL	5t018.z↔		BOP, KVT, UOP4, VIAL
	21B	X06A, X06B, X06C		01	B03A, B03B, B06A, B06B, B17A, B17B, B17C		04	E02A, E02B, E02C
5t018.2↔		BOP, KVT, UOP4, VIAL		08	I08A, I08B, I08C, I08D, I08E, I27B, I33Z, I37Z		08	I28A, I28B, I33Z
	08	I08A, I08B, I08C, I08D, I08E, I08F, I13A, I13B, I13C, I13D, I33Z		21A	W01A, W01B, W01C, W02A, W02B		21A	W04A, W04B
	21A	W04A, W04B	5t018.h↔		BOP, KVT, UOP4, VIAL		21B	X06A, X06B, X06C
	21B	X06A, X06B, X06C		01	B03A, B03B, B06A, B06B, B17A, B17B, B17C	5t019.0↔		BOP, KVT, UOP4, VIAL
5t018.3↔		BOP, KVT, UOP4, VIAL		08	I08A, I08B, I08C, I08D, I08E, I27B, I33Z, I37Z		04	E02A, E02B, E02C
	08	I08A, I08B, I08C, I08D, I08E, I08F, I13A, I13B, I13C, I13D, I33Z		21A	W01A, W01B, W01C, W02A, W02B		08	I28A, I28B, I33Z
	21A	W04A, W04B	5t018.i↔		BOP, KVT, UOP4, VIAL		21A	W04A, W04B
	21B	X06A, X06B, X06C		01	B03A, B03B, B06A, B06B, B17A, B17B, B17C		21B	X06A, X06B, X06C
5t018.4↔		BOP, KVT, UOP4, VIAL		08	I08A, I08B, I08C, I08D, I08E, I27B, I33Z, I37Z	5t019.1↔		BOP, KVT, UOP4, VIAL
	08	I08A, I08B, I08C, I08D, I08E, I08F, I21Z, I31Z, I33Z		21A	W01A, W01B, W01C, W02A, W02B		08	I08A, I08B, I08C, I08D, I08E, I08F, I13A, I13B, I13C, I13D, I33Z
	21A	W04A, W04B	5t018.j↔		BOP, KVT, UOP4, VIAL		21A	W04A, W04B
	21B	X06A, X06B, X06C		01	B03A, B03B, B06A, B06B, B17A, B17B, B17C		21B	X06A, X06B, X06C
5t018.5↔		BOP, KVT, UOP4, VIAL		08	I08A, I08B, I08C, I08D, I08E, I27B, I33Z, I37Z	5t019.2↔		BOP, KVT, UOP4, VIAL
	08	I08A, I08B, I08C, I08D, I08E, I08F, I21Z, I31Z, I33Z	5t018.k↔		BOP, KVT, UOP4, VIAL		08	I08A, I08B, I08C, I08D, I08E, I08F, I13A, I13B, I13C, I13D, I33Z
	21A	W04A, W04B		08	I08A, I08D, I08E, I13A, I13B, I13C, I13D, I27B, I33Z, I37Z		21A	W04A, W04B
	21B	X06A, X06B, X06C		21A	W04A, W04B		21B	X06A, X06B, X06C
5t018.6↔		BOP, KVT, UOP4, VIAL		21B	X04Z	5t019.3↔		BOP, KVT, UOP4, VIAL
	08	I08A, I08B, I08C, I08D, I08E, I08F, I21Z, I31Z, I33Z	5t018.l↔		BOP, KVT, UOP4, VIAL		08	I08A, I08B, I08C, I08D, I08E, I08F, I13A, I13B, I13C, I13D, I33Z
	21A	W04A, W04B		08	I08A, I08D, I08E, I13A, I13B, I13C, I13D, I27B, I33Z, I37Z		21A	W04A, W04B
	21B	X06A, X06B, X06C		21A	W04A, W04B		21B	X06A, X06B, X06C
5t018.7↔		BOP, KVT, UOP4, VIAL	5t018.m↔		BOP, KVT, UOP4, VIAL	5t019.4↔		BOP, KVT, UOP4, VIAL
	08	I08A, I08B, I08C, I08D, I08E, I08F, I21Z, I31Z, I33Z		08	I08A, I08D, I08E, I13A, I13B, I13C, I13D, I27B, I33Z, I37Z		08	I08A, I08B, I08C, I08D, I08E, I08F, I21Z, I31Z, I33Z
	21A	W04A, W04B		21A	W04A, W04B		21A	W04A, W04B
	21B	X06A, X06B, X06C	5t018.n↔		BOP, KVT, UOP4, VIAL		21B	X06A, X06B, X06C
5t018.8↔		BOP, KVT, UOP4, VIAL		08	I08A, I08D, I08E, I13A, I13B, I13C, I13D, I27B, I33Z, I37Z	5t019.5↔		BOP, KVT, UOP4, VIAL
	08	I08A, I08B, I08C, I08D, I08E, I08F, I21Z, I31Z, I33Z	5t018.o↔		BOP, KVT, UOP4, VIAL		08	I08A, I08B, I08C, I08D, I08E, I08F, I21Z, I31Z, I33Z
	21A	W04A, W04B		08	I13A, I13B, I13C, I13D, I33Z		21A	W04A, W04B
	21B	X06A, X06B, X06C		21A	W04A, W04B		21B	X06A, X06B, X06C
5t018.9↔		BOP, KVT, UOP4, VIAL	5t018.p↔		BOP, KVT, UOP4, VIAL			
	08	I08A, I08B, I08C, I08D, I08E, I08F, I21Z, I31Z, I33Z		08	I13A, I13B, I13C, I13D, I33Z			
	21A	W04A, W04B		21A	W04A, W04B			
	21B	X06A, X06B, X06C	5t018.q↔		BOP, KVT, UOP4, VIAL			
	08	I08A, I08B, I08C, I08D, I08E, I08F, I21Z, I31Z, I33Z		08	I13A, I13B, I13C, I13D, I33Z			
	21A	W04A, W04B		21A	W04A, W04B			
	21B	X06A, X06B, X06C		21B	X04Z			

ZZV	MDC	DRG	ZZV	MDC	DRG	ZZV	MDC	DRG
5t019.6↔		BOP, KVT, UOP4, VIAL	5t019.m↔		BOP, KVT, UOP4, VIAL	5t01a.6↔		BOP, KVT, UOP4, VIAL
08		I08A, I08B, I08C, I08D, I08E, I08F, I21Z, I31Z, I33Z	08		I08A, I08D, I08E, I13A, I13B, I13C, I13D, I27B, I33Z, I37Z	08		I08A, I08B, I08C, I08D, I08E, I08F, I11Z, I33Z
21A		W04A, W04B	21A		W04A, W04B	21A		W04A, W04B
21B		X06A, X06B, X06C	21B		X04Z	21B		X06A, X06B, X06C
5t019.7↔		BOP, KVT, UOP4, VIAL	5t019.n↔		BOP, KVT, UOP4, VIAL	5t01a.8↔		BOP, KVT, UOP4, VIAL
08		I08A, I08B, I08C, I08D, I08E, I08F, I21Z, I31Z, I33Z	08		I08A, I08D, I08E, I13A, I13B, I13C, I13D, I27B, I33Z, I37Z	08		I08A, I08B, I08C, I08D, I08E, I08F, I11Z, I33Z
21A		W04A, W04B	21A		W04A, W04B	21A		W04A, W04B
21B		X06A, X06B, X06C	21B		X04Z	21B		X06A, X06B, X06C
5t019.8↔		BOP, KVT, UOP4, VIAL	5t019.p↔		BOP, KVT, UOP4, VIAL	5t01a.d		BOP, KVT, UOP4, VIAL
08		I08A, I08B, I08C, I08D, I08E, I08F, I21Z, I31Z, I33Z	08		I13A, I13B, I13C, I13D, I33Z	08		I08A, I08B, I08C, I08D, I08E, I08F, I33Z, I47A
21A		W04A, W04B	21A		W04A, W04B	5t01a.e↔		BOP, KVT, UOP4, VIAL
21B		X06A, X06B, X06C	21B		X04Z	08		I08A, I08B, I08C, I08D, I08E, I08F, I33Z
5t019.9↔		BOP, KVT, UOP4, VIAL	5t019.q↔		BOP, KVT, UOP4, VIAL	5t01a.f↔		BOP, KVT, UOP4, VIAL
08		I08A, I08B, I08C, I08D, I08E, I08F, I21Z, I31Z, I33Z	08		I13A, I13B, I13C, I13D, I33Z	01		B03A, B03B, B06A, B06B, B17A, B17B, B17C
21A		W04A, W04B	21A		W04A, W04B	08		I11Z, I33Z
21B		X06A, X06B, X06C	21B		X04Z	21A		W01A, W01B, W01C, W02A, W02B
5t019.a↔		I32A, I32B, I32C, I32D	5t019.r↔		BOP, KVT, UOP4, VIAL	21B		X04Z
5t019.b↔		BOP, KVT, UOP4, VIAL	08		I13A, I13B, I13C, I13D, I33Z, I37Z	5t01a.g↔		BOP, KVT, UOP4, VIAL
08		I32A, I32B, I32C, I32D, I32E, I32F, I33Z	21A		W04A, W04B	01		B03A, B03B, B06A, B06B, B17A, B17B, B17C
21A		W04A, W04B	21B		X04Z	08		I11Z, I33Z
21B		X05A, X05B	5t019.t↔		BOP, KVT, UOP4, VIAL	21A		W01A, W01B, W01C, W02A, W02B
5t019.c↔		BOP, KVT, UOP4, VIAL	05		F27A, F27B, F27C	21B		X04Z
08		I32A, I32B, I32C, I32D, I32E, I32F, I33Z	08		I20A, I20B, I20C, I20D, I33Z, I37Z	5t01a.h↔		BOP, KVT, UOP4, VIAL
21A		W04A, W04B	10		K01Z	01		B03A, B03B, B06A, B06B, B17A, B17B, B17C
21B		X05A, X05B	21A		W04A, W04B	08		I11Z, I33Z
5t019.d		BOP, KVT, UOP4, VIAL	21B		X04Z	21A		W01A, W01B, W01C, W02A, W02B
08		I08A, I08B, I08C, I08D, I08E, I27B, I33Z, I37Z, I47A	5t019.u↔		BOP, KVT, UOP4, VIAL	21B		X04Z
21A		W04A, W04B	05		F27A, F27B, F27C	5t01a.i↔		BOP, KVT, UOP4, VIAL
21B		X06A, X06B, X06C	08		I20A, I20B, I20C, I20D, I33Z, I37Z	08		I11Z, I33Z
5t019.e↔		BOP, KVT, UOP4, VIAL	10		K01Z	21A		W04A, W04B
08		I08A, I08B, I08C, I08D, I08E, I27B, I33Z, I37Z	21A		W04A, W04B	21B		X04Z
5t019.f↔		BOP, KVT, UOP4, VIAL	21B		X04Z	5t01a.k↔		BOP, KVT, UOP4, VIAL
01		B03A, B03B, B06A, B06B, B17A, B17B, B17C	5t019.x		BOP, KVT, UOP4	08		I11Z, I33Z
08		I08A, I08B, I08C, I08D, I08E, I27B, I33Z, I37Z	01		B03A, B03B, B06A, B06B, B17A, B17B, B17C	21A		W04A, W04B
21A		W01A, W01B, W01C, W02A, W02B	08		I28A, I28B, I33Z	21B		X04Z
21B		X04Z	21A		W04A, W04B	5t01a.m↔		BOP, KVT, UOP4, VIAL
5t019.g↔		BOP, KVT, UOP4, VIAL	21B		X06A, X06B, X06C	08		I11Z, I33Z
01		B03A, B03B, B06A, B06B, B17A, B17B, B17C	5t019.z↔		BOP, KVT, UOP4, VIAL	21A		W04A, W04B
08		I08A, I08B, I08C, I08D, I08E, I27B, I33Z, I37Z	04		E02A, E02B, E02C	21B		X04Z
21A		W01A, W01B, W01C, W02A, W02B	08		I28A, I28B, I33Z	5t01a.n↔		BOP, KVT, UOP4, VIAL
21B		X04Z	21A		W04A, W04B	08		I11Z, I33Z
5t019.h↔		BOP, KVT, UOP4, VIAL	21B		X06A, X06B, X06C	21A		W04A, W04B
01		B03A, B03B, B06A, B06B, B17A, B17B, B17C	5t01a.1↔		BOP, KVT, UOP4, VIAL	21B		X04Z
08		I08A, I08B, I08C, I08D, I08E, I27B, I33Z, I37Z	08		I08A, I08B, I08C, I08D, I08E, I08F, I11Z, I33Z	5t01a.p↔		BOP, KVT, UOP4, VIAL
21A		W01A, W01B, W01C, W02A, W02B	21A		W04A, W04B	08		I11Z, I33Z
21B		X04Z	21B		X06A, X06B, X06C	21A		W04A, W04B
5t019.i↔		BOP, KVT, UOP4, VIAL	5t01a.2↔		BOP, KVT, UOP4, VIAL	21B		X04Z
01		B03A, B03B, B06A, B06B, B17A, B17B, B17C	08		I08A, I08B, I08C, I08D, I08E, I08F, I11Z, I33Z	5t01a.q↔		BOP, KVT, UOP4, VIAL
08		I08A, I08B, I08C, I08D, I08E, I27B, I33Z, I37Z	21A		W04A, W04B	08		I11Z, I33Z
21A		W01A, W01B, W01C, W02A, W02B	21B		X06A, X06B, X06C	21A		W04A, W04B
21B		X04Z	5t01a.3↔		BOP, KVT, UOP4, VIAL	21B		X04Z
5t019.j↔		BOP, KVT, UOP4, VIAL	08		I08A, I08B, I08C, I08D, I08E, I08F, I11Z, I33Z	5t01a.r↔		BOP, KVT, UOP4, VIAL
01		B03A, B03B, B06A, B06B, B17A, B17B, B17C	5t01a.4↔		BOP, KVT, UOP4, VIAL	08		I11Z, I33Z
08		I08A, I08B, I08C, I08D, I08E, I27B, I33Z, I37Z	08		I08A, I08B, I08C, I08D, I08E, I08F, I11Z, I33Z	21A		W04A, W04B
21A		W01A, W01B, W01C, W02A, W02B	21A		W04A, W04B	21B		X04Z
21B		X04Z	21B		X06A, X06B, X06C	5t01a.s↔		BOP, KVT, UOP4, VIAL
5t019.k↔		BOP, KVT, UOP4, VIAL	5t01a.5↔		BOP, KVT, UOP4, VIAL	08		I20A, I20B, I20C, I20D, I33Z
08		I08A, I08D, I08E, I13A, I13B, I13C, I13D, I27B, I33Z, I37Z	08		I08A, I08B, I08C, I08D, I08E, I08F, I11Z, I33Z	5t01a.t↔		BOP, KVT, UOP4, VIAL
21A		W04A, W04B	21A		W04A, W04B	08		I20A, I20B, I20C, I20D, I33Z
21B		X04Z	21B		X06A, X06B, X06C	5t01a.u↔		BOP, KVT, UOP4, VIAL

VYK

ZZV	MDC	DRG	ZZV	MDC	DRG	ZZV	MDC	DRG
5t01a.x		BOP, KVT, UOP4	5t01x.c↔	08	BOP, KVT, UOP4, VIAL I32A, I32B, I32C, I32D, I32E, I32F, I33Z	5t01x.s↔	05	BOP, KVT, UOP4, VIAL F27A, F27B, F27C
	01	B03A, B03B, B06A, B06B, B17A, B17B, B17C		21A	W04A, W04B		08	I20A, I20B, I20C, I20D, I33Z
	08	I28A, I28B, I33Z		21B	X05A, X05B		10	K01Z
	21A	W04A, W04B	5t01x.d		BOP, KVT, UOP4, VIAL	5t01x.t↔	21A	W04A, W04B
	21B	X06A, X06B, X06C		08	I08A, I08B, I08C, I08D, I08E, I08F, I33Z, I47A		21B	X04Z
5t01x.0↔		BOP, KVT, UOP4, VIAL		21A	W04A, W04B		05	F27A, F27B, F27C
	04	E02A, E02B, E02C		21B	X06A, X06B, X06C		08	I20A, I20B, I20C, I20D, I20E, I20F, I33Z
	08	I28A, I28B, I33Z	5t01x.e↔		BOP, KVT, UOP4, VIAL		10	K01Z
	21A	W04A, W04B		01	B03A, B03B, B06A, B06B, B17A, B17B, B17C	5t01x.u↔	21A	W04A, W04B
	21B	X06A, X06B, X06C		08	I08A, I08B, I08C, I08D, I08E, I08F, I33Z		21B	X04Z
5t01x.1↔		BOP, KVT, UOP4, VIAL		21A	W01A, W01B, W01C, W02A, W02B		05	F27A, F27B, F27C
	08	I08A, I08B, I08C, I08D, I08E, I08F, I13A, I13B, I13C, I13D, I33Z		21B	X04Z		08	I20A, I20B, I20C, I20D, I20E, I20F, I33Z
	21A	W04A, W04B	5t01x.f↔		BOP, KVT, UOP4, VIAL		10	K01Z
	21B	X06A, X06B, X06C		01	B03A, B03B, B06A, B06B, B17A, B17B, B17C	5t01x.x	21A	W04A, W04B
5t01x.2↔		BOP, KVT, UOP4, VIAL		08	I08A, I08B, I08C, I08D, I08E, I08F, I33Z		21B	X04Z
	08	I08A, I08B, I08C, I08D, I08E, I08F, I13A, I13B, I13C, I13D, I33Z	5t01x.g↔		BOP, KVT, UOP4, VIAL		01	BOP, KVT, UOP4
	21A	W04A, W04B		01	B03A, B03B, B06A, B06B, B17A, B17B, B17C		08	I28A, I28B, I33Z
	21B	X06A, X06B, X06C		08	I08A, I08B, I08C, I08D, I08E, I08F, I33Z	5t01x.z↔	21A	W04A, W04B
5t01x.3↔		BOP, KVT, UOP4, VIAL		21A	W01A, W01B, W01C, W02A, W02B		21B	X06A, X06B, X06C
	08	I08A, I08B, I08C, I08D, I08E, I08F, I13A, I13B, I13C, I13D, I33Z		21B	X04Z		04	BOP, KVT, UOP4, VIAL E02A, E02B, E02C
	21A	W04A, W04B	5t01x.h↔		BOP, KVT, UOP4, VIAL		08	I28A, I28B, I33Z
	21B	X06A, X06B, X06C		01	B03A, B03B, B06A, B06B, B17A, B17B, B17C	5t020.0↔	21A	W04A, W04B
5t01x.4↔		BOP, KVT, UOP4, VIAL		08	I08A, I08B, I08C, I08D, I08E, I08F, I33Z		21B	X06A, X06B, X06C
	08	I08A, I08B, I08C, I08D, I08E, I08F, I21Z, I31Z, I33Z		21A	W01A, W01B, W01C, W02A, W02B		01	BOP, KVT, UOP4
	21A	W04A, W04B		21B	X04Z		04	E02A, E02B, E02C
	21B	X06A, X06B, X06C	5t01x.i↔		BOP, KVT, UOP4, VIAL		08	I12A, I12B, I12C, I28A, I28B, I28C
5t01x.5↔		BOP, KVT, UOP4, VIAL		01	B03A, B03B, B06A, B06B, B17A, B17B, B17C	5t020.1↔	21A	W04A, W04B
	08	I08A, I08B, I08C, I08D, I08E, I08F, I21Z, I31Z, I33Z		08	I08A, I08B, I08C, I08D, I08E, I08F, I33Z		21B	X06A, X06B, X06C
	21A	W04A, W04B		21A	W01A, W01B, W01C, W02A, W02B		01	B03A, B03B, B18Z
	21B	X06A, X06B, X06C		21B	X04Z		04	E02A, E02B, E02C
5t01x.6↔		BOP, KVT, UOP4, VIAL	5t01x.j↔		BOP, KVT, UOP4, VIAL		08	I12A, I12B, I12C, I28A, I28B, I28C
	08	I08A, I08B, I08C, I08D, I08E, I08F, I21Z, I31Z, I33Z		01	B03A, B03B, B06A, B06B, B17A, B17B, B17C	5t020.2↔	21A	W04A, W04B
	21A	W04A, W04B		08	I08A, I08B, I08C, I08D, I08E, I08F, I33Z		21B	X06A, X06B, X06C
	21B	X06A, X06B, X06C	5t01x.k↔		BOP, KVT, UOP4, VIAL		01	BOP, KVT, UOP4
5t01x.7↔		BOP, KVT, UOP4, VIAL		08	I13A, I13B, I13C, I13D, I33Z		04	E02A, E02B, E02C
	08	I08A, I08B, I08C, I08D, I08E, I08F, I21Z, I31Z, I33Z		21A	W04A, W04B	5t020.3↔	08	I12A, I12B, I12C, I13A, I13B, I13C, I13D, I13E
	21A	W04A, W04B		21B	X04Z		21A	W04A, W04B
	21B	X06A, X06B, X06C	5t01x.l↔		BOP, KVT, UOP4, VIAL		21B	X06A, X06B, X06C
5t01x.8↔		BOP, KVT, UOP4, VIAL		08	I13A, I13B, I13C, I13D, I33Z		01	BOP, KVT, UOP4
	08	I08A, I08B, I08C, I08D, I08E, I08F, I18A, I18B, I30Z, I33Z		21A	W04A, W04B	5t020.4↔	08	I12A, I12B, I12C, I13A, I13B, I13C, I13D, I13E
	21A	W04A, W04B		21B	X04Z		21A	W04A, W04B
	21B	X06A, X06B, X06C	5t01x.m↔		BOP, KVT, UOP4, VIAL		21B	X06A, X06B, X06C
5t01x.9↔		BOP, KVT, UOP4, VIAL		08	I13A, I13B, I13C, I13D, I33Z		01	BOP, KVT, UOP4
	08	I08A, I08B, I08C, I08D, I08E, I08F, I18A, I18B, I30Z, I33Z		21A	W04A, W04B	5t020.5↔	08	I12A, I12B, I12C, I18A, I30Z
	21A	W04A, W04B		21B	X04Z		21A	W04A, W04B
	21B	X06A, X06B, X06C	5t01x.n↔		BOP, KVT, UOP4, VIAL		21B	X06A, X06B, X06C
5t01x.a↔		BOP, KVT, UOP4, VIAL		08	I13A, I13B, I13C, I13D, I33Z		01	BOP, KVT, UOP4
	08	I32A, I32B, I32C, I32D, I32E, I32F, I33Z		21A	W04A, W04B	5t020.6↔	08	I12A, I12B, I12C, I18A, I30Z
	21A	W04A, W04B		21B	X04Z		21A	W04A, W04B
	21B	X05A, X05B	5t01x.o↔		BOP, KVT, UOP4, VIAL		21B	X06A, X06B, X06C
5t01x.b↔		BOP, KVT, UOP4, VIAL		08	I13A, I13B, I13C, I13D, I33Z		01	BOP, KVT, UOP4
	08	I32A, I32B, I32C, I32D, I32E, I32F, I33Z		21A	W04A, W04B	5t020.7↔	08	I12A, I12B, I12C, I18A, I30Z
	21A	W04A, W04B		21B	X04Z		21A	W04A, W04B
	21B	X05A, X05B					21B	X06A, X06B, X06C

ZZV	MDC	DRG	ZZV	MDC	DRG	ZZV	MDC	DRG
5t020.8↔		BOP, KVT, UOP4	5t020.p↔		BOP, KVT, UOP4	5t021.3↔		BOP, KVT, UOP4
08		I12A, I12B, I12C, I18A, I30Z	08		I12A, I12B, I12C, I13A, I13B, I13C, I13D, I13E	08		I12A, I12B, I12C, I13A, I13B, I13C, I13D, I13E
21A		W04A, W04B	21A		W04A, W04B	21A		W04A, W04B
21B		X06A, X06B, X06C	21B		X04Z	21B		X06A, X06B, X06C
5t020.9↔		BOP, KVT, UOP4	5t020.q↔		BOP, KVT, UOP4	5t021.4↔		BOP, KVT, UOP4
08		I12A, I12B, I12C, I18A, I30Z	08		I12A, I12B, I12C, I13A, I13B, I13C, I13D, I13E	08		I12A, I12B, I12C, I18A, I30Z
21A		W04A, W04B	21A		W04A, W04B	21A		W04A, W04B
21B		X06A, X06B, X06C	21B		X04Z	21B		X06A, X06B, X06C
5t020.a↔		BOP, KVT, UOP4	5t020.r↔		BOP, KVT, UOP4	5t021.5↔		BOP, KVT, UOP4
08		I12A, I12B, I12C, I32A, I32B, I32C, I32D, I32E, I32F	08		I12A, I12B, I12C, I13A, I13B, I13C, I13D, I13E	08		I12A, I12B, I12C, I21Z, I31Z
21A		W04A, W04B	21A		W04A, W04B	21A		W04A, W04B
21B		X05A, X05B	21B		X04Z	21B		X06A, X06B, X06C
5t020.b↔		BOP, KVT, UOP4	5t020.s↔		BOP, KVT, UOP4	5t021.6↔		BOP, KVT, UOP4
08		I12A, I12B, I12C, I32A, I32B, I32C, I32D, I32E, I32F	05		F27A, F27B, F27C	08		I12A, I12B, I12C, I21Z, I31Z
21A		W04A, W04B	08		I12A, I12B, I12C, I20A, I20B, I20C, I20D, I20E, I20F	21A		W04A, W04B
21B		X05A, X05B	10		K01Z	21B		X06A, X06B, X06C
5t020.c↔		BOP, KVT, UOP4	21A		W04A, W04B	5t021.7↔		BOP, KVT, UOP4
08		I12A, I12B, I12C, I32A, I32B, I32C, I32D, I32E, I32F	21B		X04Z	08		I12A, I12B, I12C, I21Z, I31Z
10		K09A, K09B	5t020.t↔		BOP, KVT, UOP4	21A		W04A, W04B
21A		W04A, W04B	05		F27A, F27B, F27C	21B		X06A, X06B, X06C
21B		X06A, X06B, X06C	08		I12A, I12B, I12C, I20A, I20B, I20C, I20D, I20E, I20F	5t021.8↔		BOP, KVT, UOP4
5t020.d		BOP, KVT, UOP4	10		K01Z	08		I12A, I12B, I12C, I21Z, I31Z
08		I08A, I08B, I08C, I08D, I08E, I08F, I12A, I12B, I12C	21A		W04A, W04B	21A		W04A, W04B
10		K09A, K09B	21B		X04Z	21B		X06A, X06B, X06C
21A		W04A, W04B	5t020.u↔		BOP, KVT, UOP4	5t021.9↔		BOP, KVT, UOP4
21B		X06A, X06B, X06C	05		F27A, F27B, F27C	08		I12A, I12B, I12C, I21Z, I31Z
5t020.e↔		BOP, KVT, UOP4	08		I12A, I12B, I12C, I20A, I20B, I20C, I20D, I20E, I20F	21A		W04A, W04B
08		I08A, I08B, I08C, I08D, I08E, I08F	10		K01Z	21B		X06A, X06B, X06C
21A		W01A, W01B, W01C, W02A, W02B	21A		W04A, W04B	5t021.a↔		BOP, KVT, UOP4
21B		X04Z	21B		X04Z	08		I12A, I12B, I12C, I32A, I32B, I32C, I32D, I32E, I32F
5t020.f↔		BOP, KVT, UOP4	5t020.x		BOP, KVT, UOP4	21A		W04A, W04B
08		I08A, I08B, I08C, I08D, I08E, I08F	08		I12A, I12B, I12C, I28A, I28B, I28C	21B		X05A, X05B
21A		W01A, W01B, W01C, W02A, W02B	21A		W04A, W04B	5t021.b↔		BOP, KVT, UOP4
21B		X04Z	21B		X06A, X06B, X06C	08		I12A, I12B, I12C, I32A, I32B, I32C, I32D, I32E, I32F
5t020.g↔		BOP, KVT, UOP4	5t020.z↔		BOP, KVT, UOP4	21A		W04A, W04B
08		I08A, I08B, I08C, I08D, I08E, I08F	01		B03A, B03B, B18Z	21B		X05A, X05B
21A		W01A, W01B, W01C, W02A, W02B	04		E02A, E02B, E02C	5t021.c↔		BOP, KVT, UOP4
21B		X04Z	08		I12A, I12B, I12C, I28A, I28B, I28C	08		I12A, I12B, I12C, I32A, I32B, I32C, I32D, I32E, I32F
5t020.h↔		BOP, KVT, UOP4	21A		W04A, W04B	10		K09A, K09B
08		I08A, I08B, I08C, I08D, I08E, I08F	21B		X06A, X06B, X06C	21A		W04A, W04B
21A		W01A, W01B, W01C, W02A, W02B	5t021.0↔		BOP, KVT, UOP4	21B		X06A, X06B, X06C
21B		X04Z	01		B03A, B03B, B18Z	5t021.d		BOP, KVT, UOP4
5t020.i↔		BOP, KVT, UOP4	04		E02A, E02B, E02C	08		I08A, I08B, I08C, I08D, I08E, I08F, I12A, I12B, I12C
08		I08A, I08B, I08C, I08D, I08E, I08F	08		I12A, I12B, I12C, I28A, I28B, I28C	10		K09A, K09B
21A		W01A, W01B, W01C, W02A, W02B	21A		W04A, W04B	21A		W04A, W04B
21B		X04Z	21B		X06A, X06B, X06C	21B		X06A, X06B, X06C
5t020.j↔		BOP, KVT, UOP4	5t021.1↔		BOP, KVT, UOP4	5t021.e↔		BOP, KVT, UOP4
08		I12A, I12B, I12C, I18A, I30Z	08		I12A, I12B, I12C, I13A, I13B, I13C, I13D, I13E	08		I08A, I08B, I08C, I08D, I08E, I08F
21A		W04A, W04B	21A		W04A, W04B	21A		W01A, W01B, W01C, W02A, W02B
21B		X04Z	21B		X06A, X06B, X06C	21B		X04Z
5t020.k↔		BOP, KVT, UOP4	5t021.2↔		BOP, KVT, UOP4	5t021.f↔		BOP, KVT, UOP4
08		I12A, I12B, I12C, I13A, I13B, I13C, I13D, I13E	08		I12A, I12B, I12C, I13A, I13B, I13C, I13D, I13E	08		I08A, I08B, I08C, I08D, I08E, I08F
21A		W04A, W04B	21A		W04A, W04B	21A		W01A, W01B, W01C, W02A, W02B
21B		X04Z	21B		X06A, X06B, X06C	21B		X04Z
5t020.l↔		BOP, KVT, UOP4	5t021.g↔		BOP, KVT, UOP4	5t021.g↔		BOP, KVT, UOP4
08		I12A, I12B, I12C, I13A, I13B, I13C, I13D, I13E	08		I08A, I08B, I08C, I08D, I08E, I08F	08		I08A, I08B, I08C, I08D, I08E, I08F
21A		W04A, W04B	21A		W04A, W04B	21A		W01A, W01B, W01C, W02A, W02B
21B		X04Z	21B		X06A, X06B, X06C	21B		X04Z

ZZV	MDC	DRG	ZZV	MDC	DRG	ZZV	MDC	DRG
5t021.h↔		BOP, KVT, UOP4	5t022.0↔	01	BOP, KVT, UOP4	5t022.e↔		BOP, KVT, UOP4
	08	I08A, I08B, I08C, I08D, I08E, I08F		04	B03A, B03B, B18Z		08	I08A, I08B, I08C, I08D, I08E, I08F
	21A	W01A, W01B, W01C, W02A, W02B		08	E02A, E02B, E02C		21A	W01A, W01B, W01C, W02A, W02B
5t021.k↔	21B	X04Z	5t022.1↔	21A	W04A, W04B	5t022.f↔	21B	X04Z
		BOP, KVT, UOP4		21B	X06A, X06B, X06C			BOP, KVT, UOP4
	08	I12A, I12B, I12C, I13A, I13B, I13C, I13D, I13E		08	BOP, KVT, UOP4		08	I08A, I08B, I08C, I08D, I08E, I08F
5t021.m↔	21A	W04A, W04B	5t022.2↔	08	I12A, I12B, I12C, I13A, I13B, I13C, I13D, I13E	5t022.g↔	21A	W01A, W01B, W01C, W02A, W02B
	21B	X04Z		21A	W04A, W04B		21B	X04Z
		BOP, KVT, UOP4		21B	X06A, X06B, X06C			BOP, KVT, UOP4
5t021.n↔	08	I12A, I12B, I12C, I13A, I13B, I13C, I13D, I13E	5t022.3↔	08	I12A, I12B, I12C, I13A, I13B, I13C, I13D, I13E	5t022.h↔	08	I08A, I08B, I08C, I08D, I08E, I08F
	21A	W04A, W04B		21A	W04A, W04B		21A	W01A, W01B, W01C, W02A, W02B
	21B	X04Z		21B	X06A, X06B, X06C		21B	X04Z
5t021.p↔		BOP, KVT, UOP4	5t022.4↔	08	I12A, I12B, I12C, I21Z, I31Z	5t022.i↔	08	I08A, I08B, I08C, I08D, I08E, I08F
	08	I12A, I12B, I12C, I13A, I13B, I13C, I13D, I13E		08	BOP, KVT, UOP4		21A	W01A, W01B, W01C, W02A, W02B
	21A	W04A, W04B		08	I12A, I12B, I12C, I21Z, I31Z		21B	X04Z
5t021.q↔	21B	X04Z	5t022.5↔	21A	W04A, W04B	5t022.j↔		BOP, KVT, UOP4
		BOP, KVT, UOP4		21B	X06A, X06B, X06C		08	I08A, I08B, I08C, I08D, I08E, I08F
	08	I12A, I12B, I12C, I13A, I13B, I13C, I13D, I13E		08	BOP, KVT, UOP4		21A	W01A, W01B, W01C, W02A, W02B
5t021.r↔	21A	W04A, W04B	5t022.6↔	21A	W04A, W04B	5t022.k↔	21B	X04Z
	21B	X04Z		21B	X06A, X06B, X06C		08	I12A, I12B, I12C, I13A, I13B, I13C, I13D, I13E
		BOP, KVT, UOP4		08	I12A, I12B, I12C, I21Z, I31Z		21A	W04A, W04B
5t021.s↔	08	I12A, I12B, I12C, I13A, I13B, I13C, I13D, I13E	5t022.7↔	21A	W04A, W04B	5t022.l↔	21B	X04Z
	21A	W04A, W04B		21B	X06A, X06B, X06C		08	I08A, I08B, I08C, I08D, I08E, I08F
	21B	X04Z		08	BOP, KVT, UOP4		21A	W01A, W01B, W01C, W02A, W02B
5t021.t↔		BOP, KVT, UOP4	5t022.8↔	08	I12A, I12B, I12C, I21Z, I31Z	5t022.m↔	21B	X04Z
	05	F27A, F27B, F27C		21A	W04A, W04B		08	I12A, I12B, I12C, I13A, I13B, I13C, I13D, I13E
	08	I12A, I12B, I12C, I20A, I20B, I20C, I20D, I20E, I20F		21B	X06A, X06B, X06C		21A	W04A, W04B
5t021.u↔	10	K01Z	5t022.9↔	08	BOP, KVT, UOP4	5t022.n↔	21B	X04Z
	21A	W04A, W04B		08	I12A, I12B, I12C, I21Z, I31Z		08	I12A, I12B, I12C, I13A, I13B, I13C, I13D, I13E
	21B	X04Z		21A	W04A, W04B		21A	W04A, W04B
5t021.v↔		BOP, KVT, UOP4	5t022.a↔	21B	X06A, X06B, X06C	5t022.o↔	21B	X04Z
	05	F27A, F27B, F27C		08	BOP, KVT, UOP4		08	I12A, I12B, I12C, I13A, I13B, I13C, I13D, I13E
	08	I12A, I12B, I12C, I20A, I20B, I20C, I20D, I20E, I20F		08	I12A, I12B, I12C, I21Z, I31Z		21A	W04A, W04B
5t021.w↔	10	K01Z	5t022.b↔	21A	W04A, W04B	5t022.p↔	21B	X04Z
	21A	W04A, W04B		08	BOP, KVT, UOP4		08	I12A, I12B, I12C, I13A, I13B, I13C, I13D, I13E
	21B	X04Z		08	I12A, I12B, I12C, I32A, I32B, I32C, I32D, I32E, I32F		21A	W04A, W04B
5t021.x↔		BOP, KVT, UOP4	5t022.c↔	21A	W04A, W04B	5t022.q↔	21B	X04Z
	08	I12A, I12B, I12C, I28A, I28B, I28C		21B	X05A, X05B		08	I12A, I12B, I12C, I13A, I13B, I13C, I13D, I13E
	21A	W04A, W04B		08	BOP, KVT, UOP4		21A	W04A, W04B
5t021.y↔	21B	X06A, X06B, X06C	5t022.d↔	08	I12A, I12B, I12C, I32A, I32B, I32C, I32D, I32E, I32F	5t022.r↔	21B	X04Z
		BOP, KVT, UOP4		10	K09A, K09B		08	I12A, I12B, I12C, I13A, I13B, I13C, I13D, I13E
	01	B03A, B03B, B18Z		21A	W04A, W04B		21A	W04A, W04B
5t021.z↔	04	E02A, E02B, E02C	5t022.e↔	21B	X06A, X06B, X06C	5t022.s↔	05	F27A, F27B, F27C
	08	I12A, I12B, I12C, I28A, I28B, I28C		08	BOP, KVT, UOP4		08	I12A, I12B, I12C, I20A, I20B, I20C, I20D, I20E, I20F
	21A	W04A, W04B		08	I08A, I08B, I08C, I08D, I08E, I08F, I12A, I12B, I12C, I37Z		10	K01Z
	X06A, X06B, X06C	21A	W04A, W04B	10	K09A, K09B	21A	W04A, W04B	
		21B	X06A, X06B, X06C	21A	W04A, W04B	21B	X04Z	
				21B	X06A, X06B, X06C		BOP, KVT, UOP4	
						05	F27A, F27B, F27C	
						08	I12A, I12B, I12C, I20A, I20B, I20C, I20D, I20E, I20F	
						10	K01Z	
						21A	W04A, W04B	
						21B	X04Z	

ZZV	MDC	DRG	ZZV	MDC	DRG	ZZV	MDC	DRG
5t022.u↔		BOP, KVT, UOP4	5t023.a↔		BOP, KVT, UOP4	5t023.q↔		BOP, KVT, UOP4
	05	F27A, F27B, F27C		08	I12A, I12B, I12C, I32A, I32B, I32C, I32D, I32E, I32F		08	I12A, I12B, I12C, I13A, I13B, I13C, I13D, I13E
	08	I12A, I12B, I12C, I20A, I20B, I20C, I20D, I20E, I20F		21A	W04A, W04B		21A	W04A, W04B
	10	K01Z		21B	X05A, X05B		21B	X04Z
	21A	W04A, W04B	5t023.b↔		BOP, KVT, UOP4	5t023.r↔		BOP, KVT, UOP4
	21B	X04Z		08	I12A, I12B, I12C, I32A, I32B, I32C, I32D, I32E, I32F		08	I12A, I12B, I12C, I13A, I13B, I13C, I13D, I13E
5t022.x		BOP, KVT, UOP4		21A	W04A, W04B		21A	W04A, W04B
	08	I12A, I12B, I12C, I28A, I28B, I28C		21B	X05A, X05B		21B	X04Z
	21A	W04A, W04B	5t023.c↔		BOP, KVT, UOP4	5t023.s↔		BOP, KVT, UOP4
	21B	X06A, X06B, X06C		08	I12A, I12B, I12C, I32A, I32B, I32C, I32D, I32E, I32F		05	F27A, F27B, F27C
5t022.z↔		BOP, KVT, UOP4		10	K09A, K09B		08	I12A, I12B, I12C, I20A, I20B, I20C, I20D, I20E, I20F
	01	B03A, B03B, B18Z		21A	W04A, W04B		10	K01Z
	04	E02A, E02B, E02C		21B	X06A, X06B, X06C		21A	W04A, W04B
	08	I12A, I12B, I12C, I28A, I28B, I28C	5t023.d		BOP, KVT, UOP4		21B	X04Z
	21A	W04A, W04B		08	I08A, I08B, I08C, I08D, I08E, I08F, I12A, I12B, I12C, I37Z	5t023.t↔		BOP, KVT, UOP4
	21B	X06A, X06B, X06C		10	K09A, K09B		05	F27A, F27B, F27C
5t023.0↔		BOP, KVT, UOP4		21A	W04A, W04B		08	I12A, I12B, I12C, I20A, I20B, I20C, I20D, I20E, I20F
	01	B03A, B03B, B18Z		21B	X06A, X06B, X06C		10	K01Z
	04	E02A, E02B, E02C	5t023.e↔		BOP, KVT, UOP4		21A	W04A, W04B
	08	I12A, I12B, I12C, I28A, I28B, I28C		08	I08A, I08B, I08C, I08D, I08E, I08F		21B	X04Z
	21A	W04A, W04B		21A	W01A, W01B, W01C, W02A, W02B	5t023.u↔		BOP, KVT, UOP4
	21B	X06A, X06B, X06C		21B	X04Z		05	F27A, F27B, F27C
5t023.1↔		BOP, KVT, UOP4	5t023.f↔		BOP, KVT, UOP4		08	I12A, I12B, I12C, I20A, I20B, I20C, I20D, I20E, I20F
	08	I12A, I12B, I12C, I13A, I13B, I13C, I13D, I13E		08	I08A, I08B, I08C, I08D, I08E, I08F		10	K01Z
	21A	W04A, W04B		21A	W01A, W01B, W01C, W02A, W02B		21A	W04A, W04B
	21B	X06A, X06B, X06C		21B	X04Z		21B	X04Z
5t023.2↔		BOP, KVT, UOP4	5t023.g↔		BOP, KVT, UOP4	5t023.x		BOP, KVT, UOP4
	08	I12A, I12B, I12C, I13A, I13B, I13C, I13D, I13E		08	I08A, I08B, I08C, I08D, I08E, I08F		08	I12A, I12B, I12C, I28A, I28B, I28C
	21A	W04A, W04B		21A	W01A, W01B, W01C, W02A, W02B		21A	W04A, W04B
	21B	X06A, X06B, X06C		21B	X04Z		21B	X06A, X06B, X06C
5t023.3↔		BOP, KVT, UOP4		21A	W01A, W01B, W01C, W02A, W02B	5t023.z↔		BOP, KVT, UOP4
	08	I12A, I12B, I12C, I13A, I13B, I13C, I13D, I13E	5t023.h↔		BOP, KVT, UOP4		01	B03A, B03B, B18Z
	21A	W04A, W04B		08	I08A, I08B, I08C, I08D, I08E, I08F		04	E02A, E02B, E02C
	21B	X06A, X06B, X06C		21A	W01A, W01B, W01C, W02A, W02B		08	I12A, I12B, I12C, I28A, I28B, I28C
5t023.4↔		BOP, KVT, UOP4		21B	X04Z		21A	W04A, W04B
	08	I12A, I12B, I12C, I21Z, I31Z	5t023.i↔		BOP, KVT, UOP4		21B	X06A, X06B, X06C
	21A	W04A, W04B		08	I08A, I08B, I08C, I08D, I08E, I08F	5t024.0↔		BOP, KVT, UOP4
	21B	X06A, X06B, X06C		21A	W01A, W01B, W01C, W02A, W02B		01	B03A, B03B, B18Z
5t023.5↔		BOP, KVT, UOP4	5t023.k↔		BOP, KVT, UOP4		04	E02A, E02B, E02C
	08	I12A, I12B, I12C, I21Z, I31Z		08	I12A, I12B, I12C, I13A, I13B, I13C, I13D, I13E		08	I12A, I12B, I12C, I28A, I28B, I28C
	21A	W04A, W04B		21A	W04A, W04B		21A	W04A, W04B
	21B	X06A, X06B, X06C		21B	X04Z		21B	X06A, X06B, X06C
5t023.6↔		BOP, KVT, UOP4	5t023.l↔		BOP, KVT, UOP4	5t024.1↔		BOP, KVT, UOP4
	08	I12A, I12B, I12C, I21Z, I31Z		08	I12A, I12B, I12C, I13A, I13B, I13C, I13D, I13E		08	I12A, I12B, I12C, I13A, I13B, I13C, I13D, I13E
	21A	W04A, W04B		21A	W04A, W04B		21A	W04A, W04B
	21B	X06A, X06B, X06C		21B	X04Z		21B	X06A, X06B, X06C
5t023.7↔		BOP, KVT, UOP4	5t023.m↔		BOP, KVT, UOP4	5t024.2↔		BOP, KVT, UOP4
	08	I12A, I12B, I12C, I21Z, I31Z		08	I12A, I12B, I12C, I13A, I13B, I13C, I13D, I13E		08	I12A, I12B, I12C, I13A, I13B, I13C, I13D, I13E
	21A	W04A, W04B		21A	W04A, W04B		21A	W04A, W04B
	21B	X06A, X06B, X06C		21B	X04Z		21B	X06A, X06B, X06C
5t023.8↔		BOP, KVT, UOP4	5t023.n↔		BOP, KVT, UOP4	5t024.3↔		BOP, KVT, UOP4
	08	I12A, I12B, I12C, I21Z, I31Z		08	I12A, I12B, I12C, I13A, I13B, I13C, I13D, I13E		08	I12A, I12B, I12C, I13A, I13B, I13C, I13D, I13E
	21A	W04A, W04B		21A	W04A, W04B		21A	W04A, W04B
	21B	X06A, X06B, X06C		21B	X04Z		21B	X06A, X06B, X06C
5t023.9↔		BOP, KVT, UOP4	5t023.o↔		BOP, KVT, UOP4	5t024.4↔		BOP, KVT, UOP4
	08	I12A, I12B, I12C, I21Z, I31Z		08	I12A, I12B, I12C, I13A, I13B, I13C, I13D, I13E		08	I12A, I12B, I12C, I21Z, I31Z
	21A	W04A, W04B		21A	W04A, W04B		21A	W04A, W04B
	21B	X06A, X06B, X06C		21B	X04Z		21B	X06A, X06B, X06C

ZZV	MDC	DRG	ZZV	MDC	DRG	ZZV	MDC	DRG
5t024.5↔		BOP, KVT, UOP4	5t024.k↔		BOP, KVT, UOP4	5t025.0↔		BOP, KVT, UOP4
	08	I12A, I12B, I12C, I21Z, I31Z		08	I12A, I12B, I12C, I13A, I13B, I13C, I13D, I13E		01	B03A, B03B, B18Z
	21A	W04A, W04B		21A	W04A, W04B		04	E02A, E02B, E02C
	21B	X06A, X06B, X06C		21B	X04Z		08	I12A, I12B, I12C, I28A, I28B, I28C
5t024.6↔		BOP, KVT, UOP4	5t024.m↔		BOP, KVT, UOP4		21A	W04A, W04B
	08	I12A, I12B, I12C, I21Z, I31Z		08	I12A, I12B, I12C, I13A, I13B, I13C, I13D, I13E		21B	X06A, X06B, X06C
	21A	W04A, W04B		21A	W04A, W04B	5t025.1↔		BOP, KVT, UOP4
	21B	X06A, X06B, X06C		21B	X04Z		08	I12A, I12B, I12C, I13A, I13B, I13C, I13D, I13E
5t024.7↔		BOP, KVT, UOP4	5t024.n↔		BOP, KVT, UOP4		21A	W04A, W04B
	08	I12A, I12B, I12C, I21Z, I31Z		08	I12A, I12B, I12C, I13A, I13B, I13C, I13D, I13E	5t025.2↔		BOP, KVT, UOP4
	21A	W04A, W04B		21A	W04A, W04B		08	I12A, I12B, I12C, I13A, I13B, I13C, I13D, I13E
	21B	X06A, X06B, X06C		21B	X04Z		21A	W04A, W04B
5t024.8↔		BOP, KVT, UOP4	5t024.p↔		BOP, KVT, UOP4		21B	X06A, X06B, X06C
	08	I12A, I12B, I12C, I21Z, I31Z		08	I12A, I12B, I12C, I13A, I13B, I13C, I13D, I13E	5t025.3↔		BOP, KVT, UOP4
	21A	W04A, W04B		21A	W04A, W04B		08	I12A, I12B, I12C, I13A, I13B, I13C, I13D, I13E
	21B	X06A, X06B, X06C		21B	X04Z		21A	W04A, W04B
5t024.9↔		BOP, KVT, UOP4	5t024.q↔		BOP, KVT, UOP4		21B	X06A, X06B, X06C
	08	I12A, I12B, I12C, I21Z, I31Z		08	I12A, I12B, I12C, I13A, I13B, I13C, I13D, I13E	5t025.4↔		BOP, KVT, UOP4
	21A	W04A, W04B		21A	W04A, W04B		08	I12A, I12B, I12C, I21Z, I31Z
	21B	X06A, X06B, X06C		21B	X04Z		21A	W04A, W04B
5t024.a↔		BOP, KVT, UOP4	5t024.r↔		BOP, KVT, UOP4		21B	X06A, X06B, X06C
	08	I12A, I12B, I12C, I32A, I32B, I32C, I32D, I32E, I32F		08	I12A, I12B, I12C, I13A, I13B, I13C, I13D, I13E	5t025.5↔		BOP, KVT, UOP4
	21A	W04A, W04B		21A	W04A, W04B		08	I12A, I12B, I12C, I21Z, I31Z
	21B	X05A, X05B		21B	X04Z		21A	W04A, W04B
5t024.b↔		BOP, KVT, UOP4	5t024.s↔		BOP, KVT, UOP4		21B	X06A, X06B, X06C
	08	I12A, I12B, I12C, I32A, I32B, I32C, I32D, I32E, I32F		05	F27A, F27B, F27C	5t025.6↔		BOP, KVT, UOP4
	21A	W04A, W04B		08	I12A, I12B, I12C, I20A, I20B, I20C, I20D, I20E, I20F		08	I12A, I12B, I12C, I21Z, I31Z
	21B	X05A, X05B		10	K01Z		21A	W04A, W04B
5t024.c↔		BOP, KVT, UOP4		10	K01Z	5t025.7↔		BOP, KVT, UOP4
	08	I12A, I12B, I12C, I32A, I32B, I32C, I32D, I32E, I32F		21A	W04A, W04B		08	I12A, I12B, I12C, I21Z, I31Z
	10	K09A, K09B		21B	X04Z		21A	W04A, W04B
	21A	W04A, W04B	5t024.t↔		BOP, KVT, UOP4		21B	X06A, X06B, X06C
	21B	X06A, X06B, X06C		05	F27A, F27B, F27C	5t025.8↔		BOP, KVT, UOP4
5t024.d		BOP, KVT, UOP4		08	I12A, I12B, I12C, I20A, I20B, I20C, I20D, I20E, I20F		08	I12A, I12B, I12C, I21Z, I31Z
	08	I08A, I08B, I08C, I08D, I08E, I08F, I12A, I12B, I12C, I37Z		10	K01Z		21A	W04A, W04B
	10	K09A, K09B		21A	W04A, W04B	5t025.9↔		BOP, KVT, UOP4
	21A	W04A, W04B		21B	X04Z		08	I12A, I12B, I12C, I21Z, I31Z
	21B	X06A, X06B, X06C	5t024.u↔		BOP, KVT, UOP4		21A	W04A, W04B
5t024.e↔		BOP, KVT, UOP4		05	F27A, F27B, F27C	5t025.a↔		BOP, KVT, UOP4
	08	I08A, I08B, I08C, I08D, I08E, I08F		08	I12A, I12B, I12C, I20A, I20B, I20C, I20D, I20E, I20F		08	I12A, I12B, I12C, I32A, I32B, I32C, I32D, I32E, I32F
	21A	W01A, W01B, W01C, W02A, W02B		10	K01Z		21A	W04A, W04B
	21B	X04Z		21A	W04A, W04B	5t025.b↔		BOP, KVT, UOP4
5t024.f↔		BOP, KVT, UOP4		21B	X04Z		08	I12A, I12B, I12C, I32A, I32B, I32C, I32D, I32E, I32F
	08	I08A, I08B, I08C, I08D, I08E, I08F	5t024.x		BOP, KVT, UOP4		21A	W04A, W04B
	21A	W01A, W01B, W01C, W02A, W02B		08	I12A, I12B, I12C, I28A, I28B, I28C		21B	X05A, X05B
	21B	X04Z		21A	W04A, W04B	5t025.c↔		BOP, KVT, UOP4
5t024.g↔		BOP, KVT, UOP4		21B	X06A, X06B, X06C		08	I12A, I12B, I12C, I32A, I32B, I32C, I32D, I32E, I32F
	08	I08A, I08B, I08C, I08D, I08E, I08F	5t024.z↔		BOP, KVT, UOP4		10	K09A, K09B
	21A	W01A, W01B, W01C, W02A, W02B		01	B03A, B03B, B18Z		21A	W04A, W04B
	21B	X04Z		04	E02A, E02B, E02C	5t025.d		BOP, KVT, UOP4
5t024.h↔		BOP, KVT, UOP4		08	I12A, I12B, I12C, I28A, I28B, I28C		08	I08A, I08B, I08C, I08D, I08E, I08F, I12A, I12B, I12C, I37Z
	08	I08A, I08B, I08C, I08D, I08E, I08F		21A	W04A, W04B		10	K09A, K09B
	21A	W01A, W01B, W01C, W02A, W02B		21B	X06A, X06B, X06C		21A	W04A, W04B
	21B	X04Z					21B	X06A, X06B, X06C

ZZV	MDC	DRG	ZZV	MDC	DRG	ZZV	MDC	DRG
5t025.e↔		BOP, KVT, UOP4	5t025.u↔	05	F27A, F27B, F27C	5t026.m↔	08	I12A, I12B, I12C, I13A, I13B, I13C, I13D, I13E
	08	I08A, I08B, I08C, I08D, I08E, I08F		08	I12A, I12B, I12C, I20A, I20B, I20C, I20D, I20E, I20F		21A	W04A, W04B
	21A	W01A, W01B, W01C, W02A, W02B		10	K01Z		21B	X04Z
5t025.f↔	21B	X04Z	5t025.x	21A	W04A, W04B	5t026.q↔	BOP, KVT, UOP4	
		BOP, KVT, UOP4		21B	X04Z		08	I12A, I12B, I12C, I13A, I13B, I13C, I13D, I13E
	08	I08A, I08B, I08C, I08D, I08E, I08F		08	I12A, I12B, I12C, I28A, I28B, I28C		21A	W04A, W04B
5t025.g↔	21A	W01A, W01B, W01C, W02A, W02B	5t025.z↔	21A	W04A, W04B	5t026.s↔	21B	X04Z
	21B	X04Z		21B	X06A, X06B, X06C		BOP, KVT, UOP4	
		BOP, KVT, UOP4		01	B03A, B03B, B18Z		05	F27A, F27B, F27C
5t025.h↔	08	I08A, I08B, I08C, I08D, I08E, I08F	5t025.0↔	04	E02A, E02B, E02C	5t026.t↔	08	I12A, I12B, I12C, I20A, I20B, I20C, I20D
	21A	W01A, W01B, W01C, W02A, W02B		08	I12A, I12B, I12C, I28A, I28B, I28C		10	K01Z
	21B	X04Z		21A	W04A, W04B		21A	W04A, W04B
5t025.k↔	08	I12A, I12B, I12C, I13A, I13B, I13C, I13D, I13E	5t026.2↔	21B	X06A, X06B, X06C	5t026.u↔	21B	X04Z
	21A	W04A, W04B		BOP, KVT, UOP4	BOP, KVT, UOP4		05	F27A, F27B, F27C
	21B	X04Z		08	I12A, I12B, I12C, I13A, I13B, I13C, I13D, I13E		08	I12A, I12B, I12C, I20A, I20B, I20C, I20D
5t025.m↔		BOP, KVT, UOP4	5t026.5↔	21A	W04A, W04B	5t026.x	10	K01Z
	08	I12A, I12B, I12C, I13A, I13B, I13C, I13D, I13E		21B	X06A, X06B, X06C		21A	W04A, W04B
	21A	W04A, W04B		BOP, KVT, UOP4	21B		X04Z	
5t025.n↔	21B	X04Z	5t026.8↔	08	I12A, I12B, I12C, I21Z, I31Z	5t026.z↔	BOP, KVT, UOP4	
		BOP, KVT, UOP4		21A	W04A, W04B		08	I12A, I12B, I12C, I28A, I28B, I28C
	08	I12A, I12B, I12C, I13A, I13B, I13C, I13D, I13E		21B	X06A, X06B, X06C		21A	W04A, W04B
5t025.p↔	21A	W04A, W04B	5t026.a↔	BOP, KVT, UOP4	5t027.0↔	21B	X06A, X06B, X06C	
	21B	X04Z		BOP, KVT, UOP4		BOP, KVT, UOP4	01	B03A, B03B, B18Z
		BOP, KVT, UOP4		08		I12A, I12B, I12C, I32A, I32B, I32C, I32D, I32E, I32F	04	E02A, E02B, E02C
5t025.q↔	08	I12A, I12B, I12C, I13A, I13B, I13C, I13D, I13E	5t026.b↔	21A	W04A, W04B	5t027.2↔	08	I12A, I12B, I12C, I28A, I28B, I28C
	21A	W04A, W04B		21B	X05A, X05B		21A	W04A, W04B
	21B	X04Z		BOP, KVT, UOP4	21B		X06A, X06B, X06C	
5t025.r↔		BOP, KVT, UOP4	5t026.c↔	08	I12A, I12B, I12C, I32A, I32B, I32C, I32D, I32E, I32F	5t027.5↔	BOP, KVT, UOP4	
	08	I12A, I12B, I12C, I13A, I13B, I13C, I13D, I13E		10	K09A, K09B		08	I12A, I12B, I12C, I21Z, I31Z
	21A	W04A, W04B		21A	W04A, W04B		21A	W04A, W04B
5t025.s↔	21B	X04Z	5t026.d	21B	X06A, X06B, X06C	5t027.8↔	21B	X06A, X06B, X06C
		BOP, KVT, UOP4		BOP, KVT, UOP4	BOP, KVT, UOP4		BOP, KVT, UOP4	
	05	F27A, F27B, F27C		08	I08A, I08B, I08C, I08D, I08E, I08F, I12A, I12B, I12C, I37Z		08	I12A, I12B, I12C, I21Z, I31Z
5t025.t↔	08	I12A, I12B, I12C, I20A, I20B, I20C, I20D, I20E, I20F	5t026.g↔	10	K09A, K09B	5t027.a↔	21B	X06A, X06B, X06C
	10	K01Z		21A	W04A, W04B		08	I12A, I12B, I12C, I32A, I32B, I32C, I32D, I32E, I32F
	21A	W04A, W04B		21B	X06A, X06B, X06C		21A	W04A, W04B
	BOP, KVT, UOP4		BOP, KVT, UOP4	21B	X06A, X06B, X06C	21A	W04A, W04B	
05	F27A, F27B, F27C		I08A, I08B, I08C, I08D, I08E, I08F	08	I08A, I08B, I08C, I08D, I08E, I08F	21B	X06A, X06B, X06C	
08	I12A, I12B, I12C, I20A, I20B, I20C, I20D, I20E, I20F		W01A, W01B, W01C, W02A, W02B	21A	W01A, W01B, W01C, W02A, W02B	08	I12A, I12B, I12C, I32A, I32B, I32C, I32D, I32E, I32F	
10	K01Z		X04Z	21B	X04Z	21A	W04A, W04B	
21A	W04A, W04B					21B	X05A, X05B	
21B	X04Z							

ZZV	MDC	DRG	ZZV	MDC	DRG	ZZV	MDC	DRG
5t027.b↔		BOP, KVT, UOP4	5t028.2↔		BOP, KVT, UOP4	5t029.a↔		BOP, KVT, UOP4
	08	I12A, I12B, I12C, I32A, I32B, I32C, I32D, I32E, I32F		08	I12A, I12B, I12C, I13A, I13B, I13C, I13D, I13E		08	I12A, I12B, I12C, I32A, I32B, I32C, I32D, I32E, I32F
	21A	W04A, W04B		21A	W04A, W04B		21A	W04A, W04B
	21B	X05A, X05B		21B	X06A, X06B, X06C		21B	X05A, X05B
5t027.c↔		BOP, KVT, UOP4	5t028.5↔		BOP, KVT, UOP4	5t029.c↔		BOP, KVT, UOP4
	08	I12A, I12B, I12C, I32A, I32B, I32C, I32D, I32E, I32F		08	I12A, I12B, I12C, I21Z, I31Z		08	I12A, I12B, I12C, I32A, I32B, I32C, I32D, I32E, I32F
	10	K09A, K09B		21A	W04A, W04B		10	K09A, K09B
	21A	W04A, W04B		21B	X06A, X06B, X06C		21A	W04A, W04B
	21B	X06A, X06B, X06C	5t028.8↔		BOP, KVT, UOP4		21B	X05A, X05B
5t027.d		BOP, KVT, UOP4		08	I12A, I12B, I12C, I21Z, I31Z	5t029.d		BOP, KVT, UOP4
	08	I08A, I08B, I08C, I08D, I08E, I08F, I12A, I12B, I12C, I37Z		21A	W04A, W04B		08	I08A, I08B, I08C, I08D, I08E, I08F, I37Z
	10	K09A, K09B		21B	X06A, X06B, X06C		08	I08A, I08B, I08C, I08D, I08E, I08F
	21A	W04A, W04B	5t028.a↔		BOP, KVT, UOP4		21A	W01A, W01B, W01C, W02A, W02B
	21B	X06A, X06B, X06C		08	I12A, I12B, I12C, I32A, I32B, I32C, I32D, I32E, I32F	5t029.g↔		BOP, KVT, UOP4
5t027.g↔		BOP, KVT, UOP4		21A	W04A, W04B		08	I08A, I08B, I08C, I08D, I08E, I08F
	08	I08A, I08B, I08C, I08D, I08E, I08F		21B	X05A, X05B		21A	W01A, W01B, W01C, W02A, W02B
	21A	W01A, W01B, W01C, W02A, W02B	5t028.b↔		BOP, KVT, UOP4		21B	X04Z
	21B	X04Z		08	I20A, I20B, I20C, I20D, I20E, I20F	5t029.m↔		BOP, KVT, UOP4
5t027.m↔		BOP, KVT, UOP4		5t028.c↔			08	I12A, I12B, I12C, I13A, I13B, I13C, I13D, I13E
	08	I12A, I12B, I12C, I13A, I13B, I13C, I13D, I13E		08	I12A, I12B, I12C, I32A, I32B, I32C, I32D, I32E, I32F		21A	W04A, W04B
	21A	W04A, W04B		10	K09A, K09B		21B	X04Z
	21B	X04Z		21A	W04A, W04B	5t029.q↔		BOP, KVT, UOP4
5t027.q↔		BOP, KVT, UOP4		21B	X05A, X05B		08	I13A, I13B, I13C, I13D, I13E
	08	I12A, I12B, I12C, I13A, I13B, I13C, I13D, I13E	5t028.d		BOP, KVT, UOP4	5t029.s↔		BOP, KVT, UOP4
	21A	W04A, W04B		08	I08A, I08B, I08C, I08D, I08E, I08F, I37Z		08	I20A, I20B, I20C, I20D
	21B	X04Z		5t028.g↔			5t029.t↔	
5t027.s↔		BOP, KVT, UOP4		08	I08A, I08B, I08C, I08D, I08E, I08F		08	I20A, I20B, I20C, I20D
	05	F27A, F27B, F27C		21A	W01A, W01B, W01C, W02A, W02B	5t029.u↔		BOP, KVT, UOP4
	08	I12A, I12B, I12C, I20A, I20B, I20C, I20D		21B	X04Z		08	I20A, I20B, I20C, I20D
	10	K01Z	5t028.m↔		BOP, KVT, UOP4	5t029.x		BOP, KVT, UOP4
	21A	W04A, W04B		08	I12A, I12B, I12C, I13A, I13B, I13C, I13D, I13E		08	I12A, I12B, I12C, I28A, I28B, I28C
	21B	X04Z		21A	W04A, W04B		21A	W04A, W04B
5t027.t↔		BOP, KVT, UOP4		21B	X04Z		21B	X06A, X06B, X06C
	05	F27A, F27B, F27C	5t028.q↔		BOP, KVT, UOP4	5t02x.0↔		BOP, KVT, UOP4
	08	I12A, I12B, I12C, I20A, I20B, I20C, I20D		08	I13A, I13B, I13C, I13D, I13E		01	B03A, B03B, B18Z
	10	K01Z		5t028.s↔			04	E02A, E02B, E02C
	21A	W04A, W04B		08	I20A, I20B, I20C, I20D		08	I12A, I12B, I12C, I28A, I28B, I28C
	21B	X04Z		5t028.t↔			21A	W04A, W04B
5t027.u↔		BOP, KVT, UOP4		08	I20A, I20B, I20C, I20D	5t02x.1↔		BOP, KVT, UOP4
	05	F27A, F27B, F27C		5t028.u↔			08	I12A, I12B, I12C, I13A, I13B, I13C, I13D, I13E
	08	I12A, I12B, I12C, I20A, I20B, I20C, I20D		08	I20A, I20B, I20C, I20D		21A	W04A, W04B
	10	K01Z	5t028.x		BOP, KVT, UOP4		21B	X06A, X06B, X06C
	21A	W04A, W04B		08	I12A, I12B, I12C, I28A, I28B, I28C	5t02x.2↔		BOP, KVT, UOP4
	21B	X04Z		21A	W04A, W04B		08	I12A, I12B, I12C, I13A, I13B, I13C, I13D, I13E
5t027.x		BOP, KVT, UOP4		21B	X06A, X06B, X06C		21A	W04A, W04B
	08	I12A, I12B, I12C, I28A, I28B, I28C	5t029.2↔		BOP, KVT, UOP4		21B	X06A, X06B, X06C
	21A	W04A, W04B		08	I12A, I12B, I12C, I13A, I13B, I13C, I13D, I13E	5t02x.3↔		BOP, KVT, UOP4
	21B	X06A, X06B, X06C		21A	W04A, W04B		08	I12A, I12B, I12C, I13A, I13B, I13C, I13D, I13E
5t027.z↔		BOP, KVT, UOP4		21B	X06A, X06B, X06C		21A	W04A, W04B
	01	B03A, B03B, B18Z	5t029.5↔		BOP, KVT, UOP4		21B	X06A, X06B, X06C
	04	E02A, E02B, E02C		08	I12A, I12B, I12C, I21Z, I31Z	5t02x.4↔		BOP, KVT, UOP4
	08	I12A, I12B, I12C, I28A, I28B, I28C		21A	W04A, W04B		08	I12A, I12B, I12C, I18A, I30Z
	21A	W04A, W04B		21B	X06A, X06B, X06C		21A	W04A, W04B
	21B	X06A, X06B, X06C	5t029.8↔		BOP, KVT, UOP4		21B	X06A, X06B, X06C
				08	I12A, I12B, I12C, I21Z, I31Z	5t02x.5↔		BOP, KVT, UOP4
				21A	W04A, W04B		08	I12A, I12B, I12C, I18A, I30Z
				21B	X06A, X06B, X06C		21A	W04A, W04B
							21B	X06A, X06B, X06C

VYK

ZZV	MDC	DRG	ZZV	MDC	DRG	ZZV	MDC	DRG
5t02x.6↔		BOP, KVT, UOP4	5t02x.m↔		BOP, KVT, UOP4	5t040.2↔		BOP, KVT, UOP4, VIAL
	08	I12A, I12B, I12C, I18A, I30Z		08	I12A, I12B, I12C, I13A, I13B, I13C, I13D, I13E		08	I08A, I08B, I08C, I08D, I08E, I08F, I12A, I12B, I12C, I13A, I13B, I13C, I13D
	21A	W04A, W04B		21A	W04A, W04B		21A	W04A, W04B
	21B	X06A, X06B, X06C		21B	X04Z		21B	X06A, X06B, X06C
5t02x.7↔		BOP, KVT, UOP4	5t02x.n↔		BOP, KVT, UOP4	5t040.3↔		BOP, KVT, UOP4, VIAL
	08	I12A, I12B, I12C, I18A, I30Z		08	I12A, I12B, I12C, I13A, I13B, I13C, I13D, I13E		08	I08A, I08B, I08C, I08D, I08E, I08F, I12A, I12B, I12C, I13A, I13B, I13C, I13D
	21A	W04A, W04B		21A	W04A, W04B		21A	W04A, W04B
	21B	X06A, X06B, X06C		21B	X04Z		21B	X06A, X06B, X06C
5t02x.8↔		BOP, KVT, UOP4	5t02x.p↔		BOP, KVT, UOP4	5t040.4↔		BOP, KVT, UOP4, VIAL
	08	I12A, I12B, I12C, I18A, I30Z		08	I12A, I12B, I12C, I13A, I13B, I13C, I13D, I13E		08	I08A, I08B, I08C, I08D, I08E, I08F, I12A, I12B, I12C, I18A, I30Z
	21A	W04A, W04B		21A	W04A, W04B		21A	W04A, W04B
	21B	X06A, X06B, X06C		21B	X04Z		21B	X06A, X06B, X06C
5t02x.9↔		BOP, KVT, UOP4	5t02x.q↔		BOP, KVT, UOP4	5t040.5↔		BOP, KVT, UOP4, VIAL
	08	I12A, I12B, I12C, I18A, I30Z		08	I12A, I12B, I12C, I13A, I13B, I13C, I13D, I13E		08	I08A, I08B, I08C, I08D, I08E, I08F, I12A, I12B, I12C, I18A, I30Z
	21A	W04A, W04B		21A	W04A, W04B		21A	W04A, W04B
	21B	X06A, X06B, X06C		21B	X04Z		21B	X06A, X06B, X06C
5t02x.a↔		BOP, KVT, UOP4	5t02x.r↔		BOP, KVT, UOP4	5t040.6↔		BOP, KVT, UOP4, VIAL
	08	I12A, I12B, I12C, I32A, I32B, I32C, I32D, I32E, I32F		08	I12A, I12B, I12C, I13A, I13B, I13C, I13D, I13E		08	I08A, I08B, I08C, I08D, I08E, I08F, I12A, I12B, I12C, I18A, I30Z
	21A	W04A, W04B		21A	W04A, W04B		21A	W04A, W04B
	21B	X05A, X05B		21B	X04Z		21B	X06A, X06B, X06C
5t02x.b↔		BOP, KVT, UOP4	5t02x.s↔		BOP, KVT, UOP4	5t040.7↔		BOP, KVT, UOP4, VIAL
	08	I12A, I12B, I12C, I32A, I32B, I32C, I32D, I32E, I32F		05	F27A, F27B, F27C		08	I08A, I08B, I08C, I08D, I08E, I08F, I12A, I12B, I12C, I21Z, I31Z
	21A	W04A, W04B		08	I12A, I12B, I12C, I20A, I20B, I20C, I20D, I20E, I20F		21A	W04A, W04B
	21B	X05A, X05B		10	K01Z		21B	X06A, X06B, X06C
5t02x.c↔		BOP, KVT, UOP4	5t02x.t↔		BOP, KVT, UOP4	5t040.8↔		BOP, KVT, UOP4, VIAL
	08	I12A, I12B, I12C, I32A, I32B, I32C, I32D, I32E, I32F		05	F27A, F27B, F27C		08	I08A, I08B, I08C, I08D, I08E, I08F, I12A, I12B, I12C, I21Z, I31Z
	10	K09A, K09B		08	I12A, I12B, I12C, I20A, I20B, I20C, I20D, I20E, I20F		21A	W04A, W04B
	21A	W04A, W04B		10	K01Z		21B	X06A, X06B, X06C
	21B	X06A, X06B, X06C		21A	W04A, W04B		21A	W04A, W04B
5t02x.d		BOP, KVT, UOP4	5t02x.u↔		BOP, KVT, UOP4	5t040.9↔		BOP, KVT, UOP4, VIAL
	08	I08A, I08B, I08C, I08D, I08E, I08F, I12A, I12B, I12C		05	F27A, F27B, F27C		08	I08A, I08B, I08C, I08D, I08E, I08F, I12A, I12B, I12C, I21Z, I31Z
	10	K09A, K09B		08	I12A, I12B, I12C, I20A, I20B, I20C, I20D, I20E, I20F		21A	W04A, W04B
	21A	W04A, W04B		10	K01Z		21B	X06A, X06B, X06C
	21B	X06A, X06B, X06C		21A	W04A, W04B		21A	W04A, W04B
5t02x.e↔		BOP, KVT, UOP4	5t02x.v↔		BOP, KVT, UOP4	5t040.a↔		BOP, KVT, UOP4, VIAL
	08	I08A, I08B, I08C, I08D, I08E, I08F		05	F27A, F27B, F27C		08	I12A, I12B, I12C, I32A, I32B, I32C, I32D, I32E, I32F
	21A	W01A, W01B, W01C, W02A, W02B		08	I12A, I12B, I12C, I20A, I20B, I20C, I20D, I20E, I20F		21A	W04A, W04B
	21B	X04Z		10	K01Z		21B	X05A, X05B
5t02x.f↔		BOP, KVT, UOP4	5t02x.w↔		BOP, KVT, UOP4	5t040.b↔		BOP, KVT, UOP4, VIAL
	08	I08A, I08B, I08C, I08D, I08E, I08F		05	F27A, F27B, F27C		08	I12A, I12B, I12C, I32A, I32B, I32C, I32D, I32E, I32F
	21A	W01A, W01B, W01C, W02A, W02B		08	I12A, I12B, I12C, I20A, I20B, I20C, I20D, I20E, I20F		21A	W04A, W04B
	21B	X04Z		10	K01Z		21B	X05A, X05B
5t02x.g↔		BOP, KVT, UOP4	5t02x.x		BOP, KVT, UOP4	5t040.c↔		BOP, KVT, UOP4, VIAL
	08	I08A, I08B, I08C, I08D, I08E, I08F		08	I12A, I12B, I12C, I28A, I28B, I28C		08	I12A, I12B, I12C, I32A, I32B, I32C, I32D, I32E, I32F
	21A	W01A, W01B, W01C, W02A, W02B		21A	W04A, W04B		21A	W04A, W04B
	21B	X04Z		21B	X06A, X06B, X06C		21B	X05A, X05B
5t02x.h↔		BOP, KVT, UOP4	5t02x.y↔		BOP, KVT, UOP4	5t040.d		BOP, KVT, UOP4, VIAL
	08	I08A, I08B, I08C, I08D, I08E, I08F		01	B03A, B03B, B18Z		08	I08A, I08B, I08C, I08D, I08E, I08F, I12A, I12B, I12C
	21A	W01A, W01B, W01C, W02A, W02B		04	E02A, E02B, E02C		21A	W04A, W04B
	21B	X04Z		08	I12A, I12B, I12C, I28A, I28B, I28C		21B	X06A, X06B, X06C
5t02x.i↔		BOP, KVT, UOP4	5t040.0↔		BOP, KVT, UOP4, VIAL			
	08	I08A, I08B, I08C, I08D, I08E, I08F		04	E02A, E02B, E02C			
	21A	W01A, W01B, W01C, W02A, W02B		08	I12A, I12B, I12C, I28A, I28B			
	21B	X04Z		21A	W04A, W04B			
5t02x.j↔		BOP, KVT, UOP4	5t040.1↔		BOP, KVT, UOP4, VIAL			
	08	I12A, I12B, I12C, I13A, I13B, I13C, I13D, I13E		08	I08A, I08B, I08C, I08D, I08E, I08F, I12A, I12B, I12C, I13A, I13B, I13C, I13D			
	21A	W04A, W04B		21A	W04A, W04B			
	21B	X04Z		21B	X06A, X06B, X06C			

ZZV	MDC	DRG	ZZV	MDC	DRG	ZZV	MDC	DRG
5t040.e↔		BOP, KVT, UOP4, VIAL	5t040.t↔		BOP, KVT, UOP4, VIAL	5t041.7↔		BOP, KVT, UOP4, VIAL
	01	B03A, B03B, B06A, B06B, B17A, B17B, B17C		08	I12A, I12B, I12C, I20C, I28A, I28B		08	I08A, I08B, I08C, I08D, I08E, I08F, I12A, I12B, I12C, I21Z, I31Z
	08	I08A, I08B, I08C, I08D, I08E, I08F		21A	W04A, W04B		21A	W04A, W04B
	21A	W01A, W01B, W01C, W02A, W02B	5t040.u↔		BOP, KVT, UOP4, VIAL		21B	X06A, X06B, X06C
	21B	X04Z		08	I12A, I12B, I12C, I20C, I28A, I28B	5t041.8↔		BOP, KVT, UOP4, VIAL
5t040.f↔		BOP, KVT, UOP4, VIAL		21A	W04A, W04B		08	I08A, I08B, I08C, I08D, I08E, I08F, I12A, I12B, I12C, I21Z, I31Z
	01	B03A, B03B, B06A, B06B, B17A, B17B, B17C	5t040.v↔		BOP, KVT, UOP4, VIAL		21A	W04A, W04B
	08	I08A, I08B, I08C, I08D, I08E, I08F		08	I12A, I12B, I12C, I20C, I28A, I28B		21B	X06A, X06B, X06C
	21A	W01A, W01B, W01C, W02A, W02B		21A	W04A, W04B	5t041.9↔		BOP, KVT, UOP4, VIAL
	21B	X04Z	5t040.w↔		BOP, KVT, UOP4, VIAL		08	I08A, I08B, I08C, I08D, I08E, I08F, I12A, I12B, I12C, I21Z, I31Z
5t040.g↔		BOP, KVT, UOP4, VIAL		08	I12A, I12B, I12C, I20C, I28A, I28B		21A	W04A, W04B
	01	B03A, B03B, B06A, B06B, B17A, B17B, B17C		21A	W04A, W04B		21B	X06A, X06B, X06C
	08	I08A, I08B, I08C, I08D, I08E, I08F	5t040.x		BOP, KVT, UOP4	5t041.a↔		BOP, KVT, UOP4, VIAL
	21A	W01A, W01B, W01C, W02A, W02B		08	I12A, I12B, I12C, I28A, I28B		08	I12A, I12B, I12C, I32A, I32B, I32C, I32D, I32E, I32F
	21B	X04Z		21A	W04A, W04B		21A	W04A, W04B
5t040.h↔		BOP, KVT, UOP4, VIAL		21B	X06A, X06B, X06C	5t041.b↔		BOP, KVT, UOP4, VIAL
	01	B03A, B03B, B06A, B06B, B17A, B17B, B17C	5t040.z↔		BOP, KVT, UOP4, VIAL		08	I12A, I12B, I12C, I32A, I32B, I32C, I32D, I32E, I32F
	08	I08A, I08B, I08C, I08D, I08E, I08F		04	E02A, E02B, E02C		21A	W04A, W04B
	21A	W01A, W01B, W01C, W02A, W02B		08	I12A, I12B, I12C, I28A, I28B		21B	X05A, X05B
	21B	X04Z		21A	W04A, W04B		21A	W04A, W04B
5t040.i↔		BOP, KVT, UOP4, VIAL		21B	X06A, X06B, X06C	5t041.c↔		BOP, KVT, UOP4, VIAL
	01	B03A, B03B, B06A, B06B, B17A, B17B, B17C	5t041.0↔		BOP, KVT, UOP4, VIAL		08	I12A, I12B, I12C, I32A, I32B, I32C, I32D, I32E, I32F
	08	I08A, I08B, I08C, I08D, I08E, I08F		04	E02A, E02B, E02C		21A	W04A, W04B
	21A	W01A, W01B, W01C, W02A, W02B		08	I12A, I12B, I12C, I28A, I28B		21B	X05A, X05B
	21B	X04Z	5t041.1↔		BOP, KVT, UOP4, VIAL	5t041.d		BOP, KVT, UOP4, VIAL
5t040.j↔		BOP, KVT, UOP4, VIAL		08	I08A, I08B, I08C, I08D, I08E, I08F, I12A, I12B, I12C, I13A, I13B, I13C, I13D		08	I08A, I08B, I08C, I08D, I08E, I08F, I12A, I12B, I12C
	08	I12A, I12B, I12C, I28A, I28B		21A	W04A, W04B		21A	W04A, W04B
	21A	W04A, W04B		21B	X06A, X06B, X06C		21B	X06A, X06B, X06C
	21B	X04Z, X06A, X06B, X06C	5t041.2↔		BOP, KVT, UOP4, VIAL	5t041.e↔		BOP, KVT, UOP4, VIAL
5t040.k↔		BOP, KVT, UOP4, VIAL		08	I08A, I08B, I08C, I08D, I08E, I08F, I12A, I12B, I12C, I13A, I13B, I13C, I13D		01	B03A, B03B, B06A, B06B, B17A, B17B, B17C
	08	I12A, I12B, I12C, I18A, I30Z		21A	W04A, W04B		08	I08A, I08B, I08C, I08D, I08E, I08F
	21A	W04A, W04B		21B	X06A, X06B, X06C		21A	W01A, W01B, W01C, W02A, W02B
	21B	X04Z	5t041.3↔		BOP, KVT, UOP4, VIAL		21B	X04Z
5t040.l↔		BOP, KVT, UOP4, VIAL		08	I08A, I08B, I08C, I08D, I08E, I08F, I12A, I12B, I12C, I13A, I13B, I13C, I13D	5t041.f↔		BOP, KVT, UOP4, VIAL
	08	I12A, I12B, I12C, I13A, I13B, I13C, I13D		21A	W04A, W04B		01	B03A, B03B, B06A, B06B, B17A, B17B, B17C
	21A	W04A, W04B		21B	X06A, X06B, X06C		08	I08A, I08B, I08C, I08D, I08E, I08F
	21B	X04Z	5t041.4↔		BOP, KVT, UOP4, VIAL		21A	W01A, W01B, W01C, W02A, W02B
5t040.m↔		BOP, KVT, UOP4, VIAL		08	I08A, I08B, I08C, I08D, I08E, I08F, I12A, I12B, I12C, I21Z, I31Z		21B	X04Z
	08	I12A, I12B, I12C, I13A, I13B, I13C, I13D		21A	W04A, W04B	5t041.g↔		BOP, KVT, UOP4, VIAL
	21A	W04A, W04B		21B	X06A, X06B, X06C		01	B03A, B03B, B06A, B06B, B17A, B17B, B17C
	21B	X04Z	5t041.5↔		BOP, KVT, UOP4, VIAL		08	I08A, I08B, I08C, I08D, I08E, I08F
5t040.n↔		BOP, KVT, UOP4, VIAL		08	I08A, I08B, I08C, I08D, I08E, I08F, I12A, I12B, I12C, I21Z, I31Z		21A	W01A, W01B, W01C, W02A, W02B
	08	I12A, I12B, I12C, I13A, I13B, I13C, I13D		21A	W04A, W04B		21B	X04Z
	21A	W04A, W04B	5t041.6↔		BOP, KVT, UOP4, VIAL	5t041.h↔		BOP, KVT, UOP4, VIAL
	21B	X04Z		08	I08A, I08B, I08C, I08D, I08E, I08F, I12A, I12B, I12C, I21Z, I31Z		01	B03A, B03B, B06A, B06B, B17A, B17B, B17C
5t040.o↔		BOP, KVT, UOP4, VIAL		21A	W04A, W04B		08	I08A, I08B, I08C, I08D, I08E, I08F
	08	I12A, I12B, I12C, I13A, I13B, I13C, I13D, I13E		21B	X06A, X06B, X06C		21A	W01A, W01B, W01C, W02A, W02B
	21A	W04A, W04B		08	I08A, I08B, I08C, I08D, I08E, I08F, I12A, I12B, I12C, I21Z, I31Z		21B	X04Z
	21B	X04Z		21A	W04A, W04B		21A	W01A, W01B, W01C, W02A, W02B
5t040.p↔		BOP, KVT, UOP4, VIAL		21B	X06A, X06B, X06C		21B	X04Z
	08	I12A, I12B, I12C, I13A, I13B, I13C, I13D, I13E		08	I08A, I08B, I08C, I08D, I08E, I08F, I12A, I12B, I12C, I21Z, I31Z		01	B03A, B03B, B06A, B06B, B17A, B17B, B17C
	21A	W04A, W04B		21A	W04A, W04B		08	I08A, I08B, I08C, I08D, I08E, I08F
	21B	X04Z		21B	X06A, X06B, X06C		21A	W01A, W01B, W01C, W02A, W02B
5t040.q↔		BOP, KVT, UOP4, VIAL		08	I08A, I08B, I08C, I08D, I08E, I08F, I12A, I12B, I12C, I21Z, I31Z		21B	X04Z
	08	I12A, I12B, I12C, I13A, I13B, I13C, I13D, I13E		21A	W04A, W04B		01	B03A, B03B, B06A, B06B, B17A, B17B, B17C
	21A	W04A, W04B		21B	X06A, X06B, X06C		08	I08A, I08B, I08C, I08D, I08E, I08F
	21B	X04Z	5t041.7↔		BOP, KVT, UOP4, VIAL		21A	W01A, W01B, W01C, W02A, W02B
5t040.r↔		BOP, KVT, UOP4, VIAL		08	I08A, I08B, I08C, I08D, I08E, I08F, I12A, I12B, I12C, I21Z, I31Z		21B	X04Z
	08	I12A, I12B, I12C, I13A, I13B, I13C, I13D, I13E		21A	W04A, W04B		01	B03A, B03B, B06A, B06B, B17A, B17B, B17C
	21A	W04A, W04B		21B	X06A, X06B, X06C		08	I08A, I08B, I08C, I08D, I08E, I08F
	21B	X04Z		08	I08A, I08B, I08C, I08D, I08E, I08F, I12A, I12B, I12C, I21Z, I31Z		21A	W01A, W01B, W01C, W02A, W02B
5t040.s↔		BOP, KVT, UOP4, VIAL		21A	W04A, W04B		21B	X04Z
	08	I12A, I12B, I12C, I20C, I28A, I28B		21B	X06A, X06B, X06C			
	21A	W04A, W04B						
	21B	X04Z, X06A, X06B, X06C						

ZZV	MDC	DRG	ZZV	MDC	DRG	ZZV	MDC	DRG
5t041.j↔		BOP, KVT, UOP4, VIAL	5t042.0↔		BOP, KVT, UOP4, VIAL	5t042.c↔		BOP, KVT, UOP4, VIAL
	08	I12A, I12B, I12C, I28A, I28B		04	E02A, E02B, E02C		08	I12A, I12B, I12C, I32A, I32B, I32C, I32D, I32E, I32F
	21A	W04A, W04B		08	I12A, I12B, I12C, I28A, I28B		21A	W04A, W04B
	21B	X04Z, X06A, X06B, X06C		21A	W04A, W04B		21B	X05A, X05B
5t041.k↔		BOP, KVT, UOP4, VIAL	5t042.1↔		BOP, KVT, UOP4, VIAL	5t042.d		BOP, KVT, UOP4, VIAL
	08	I12A, I12B, I12C, I13A, I13B, I13C, I13D		08	I08A, I08B, I08C, I08D, I08E, I08F, I12A, I12B, I12C, I13A, I13B, I13C, I13D		08	I08A, I08B, I08C, I08D, I08E, I08F, I12A, I12B, I12C
	21A	W04A, W04B		21A	W04A, W04B		21A	W04A, W04B
	21B	X04Z		21B	X06A, X06B, X06C		21B	X06A, X06B, X06C
5t041.m↔		BOP, KVT, UOP4, VIAL	5t042.2↔		BOP, KVT, UOP4, VIAL	5t042.e↔		BOP, KVT, UOP4, VIAL
	08	I12A, I12B, I12C, I13A, I13B, I13C, I13D		08	I08A, I08B, I08C, I08D, I08E, I08F, I12A, I12B, I12C, I13A, I13B, I13C, I13D, I13E		01	B03A, B03B, B06A, B06B, B17A, B17B, B17C
	21A	W04A, W04B		21A	W04A, W04B		08	I08A, I08B, I08C, I08D, I08E, I08F
	21B	X04Z		21B	X06A, X06B, X06C		21A	W01A, W01B, W01C, W02A, W02B
5t041.n↔		BOP, KVT, UOP4, VIAL	5t042.3↔		BOP, KVT, UOP4, VIAL	5t042.f↔		BOP, KVT, UOP4, VIAL
	08	I12A, I12B, I12C, I13A, I13B, I13C, I13D		08	I08A, I08B, I08C, I08D, I08E, I08F, I12A, I12B, I12C, I13A, I13B, I13C, I13D		01	B03A, B03B, B06A, B06B, B17A, B17B, B17C
	21A	W04A, W04B		21A	W04A, W04B		08	I08A, I08B, I08C, I08D, I08E, I08F
	21B	X04Z		21B	X06A, X06B, X06C		21A	W01A, W01B, W01C, W02A, W02B
5t041.p↔		BOP, KVT, UOP4, VIAL	5t042.4↔		BOP, KVT, UOP4, VIAL	5t042.g↔		BOP, KVT, UOP4, VIAL
	08	I12A, I12B, I12C, I13A, I13B, I13C, I13D, I13E		08	I08A, I08B, I08C, I08D, I08E, I08F, I12A, I12B, I12C, I21Z, I31Z		01	B03A, B03B, B06A, B06B, B17A, B17B, B17C
	21A	W04A, W04B		21A	W04A, W04B		08	I08A, I08B, I08C, I08D, I08E, I08F
	21B	X04Z		21B	X06A, X06B, X06C		21A	W01A, W01B, W01C, W02A, W02B
5t041.q↔		BOP, KVT, UOP4, VIAL	5t042.5↔		BOP, KVT, UOP4, VIAL	5t042.h↔		BOP, KVT, UOP4, VIAL
	08	I12A, I12B, I12C, I13A, I13B, I13C, I13D, I13E		08	I08A, I08B, I08C, I08D, I08E, I08F, I12A, I12B, I12C, I21Z, I31Z		01	B03A, B03B, B06A, B06B, B17A, B17B, B17C
	21A	W04A, W04B		21A	W04A, W04B		08	I08A, I08B, I08C, I08D, I08E, I08F
	21B	X04Z		21B	X06A, X06B, X06C		21A	W01A, W01B, W01C, W02A, W02B
5t041.r↔		BOP, KVT, UOP4, VIAL	5t042.6↔		BOP, KVT, UOP4, VIAL	5t042.i↔		BOP, KVT, UOP4, VIAL
	08	I12A, I12B, I12C, I13A, I13B, I13C, I13D, I13E		08	I08A, I08B, I08C, I08D, I08E, I08F, I12A, I12B, I12C, I21Z, I31Z		08	I12A, I12B, I12C, I28A, I28B
	21A	W04A, W04B		21A	W04A, W04B		21A	W04A, W04B
	21B	X04Z		21B	X06A, X06B, X06C		21B	X04Z, X06A, X06B, X06C
5t041.s↔		BOP, KVT, UOP4, VIAL	5t042.7↔		BOP, KVT, UOP4, VIAL	5t042.j↔		BOP, KVT, UOP4, VIAL
	08	I12A, I12B, I12C, I20C, I28A, I28B		08	I08A, I08B, I08C, I08D, I08E, I08F, I12A, I12B, I12C, I21Z, I31Z		08	I12A, I12B, I12C, I28A, I28B
	21A	W04A, W04B		21A	W04A, W04B		21A	W04A, W04B
	21B	X04Z, X06A, X06B, X06C		21B	X06A, X06B, X06C		21B	X04Z, X06A, X06B, X06C
5t041.t↔		BOP, KVT, UOP4, VIAL	5t042.8↔		BOP, KVT, UOP4, VIAL	5t042.k↔		BOP, KVT, UOP4, VIAL
	08	I12A, I12B, I12C, I20C, I28A, I28B		08	I08A, I08B, I08C, I08D, I08E, I08F, I12A, I12B, I12C, I21Z, I31Z		08	I12A, I12B, I12C, I13A, I13B, I13C, I13D
	21A	W04A, W04B		21A	W04A, W04B		21A	W04A, W04B
	21B	X04Z, X06A, X06B, X06C		21B	X06A, X06B, X06C		21B	X04Z
5t041.u↔		BOP, KVT, UOP4, VIAL	5t042.9↔		BOP, KVT, UOP4, VIAL	5t042.l↔		BOP, KVT, UOP4, VIAL
	08	I12A, I12B, I12C, I20C, I28A, I28B		08	I08A, I08B, I08C, I08D, I08E, I08F, I12A, I12B, I12C, I21Z, I31Z		08	I12A, I12B, I12C, I13A, I13B, I13C, I13D
	21A	W04A, W04B		21A	W04A, W04B		21A	W04A, W04B
	21B	X04Z, X06A, X06B, X06C		21B	X06A, X06B, X06C		21B	X04Z
5t041.v↔		BOP, KVT, UOP4, VIAL	5t042.a↔		BOP, KVT, UOP4, VIAL	5t042.m↔		BOP, KVT, UOP4, VIAL
	08	I12A, I12B, I12C, I20C, I28A, I28B		08	I12A, I12B, I12C, I32A, I32B, I32C, I32D, I32E, I32F		08	I12A, I12B, I12C, I13A, I13B, I13C, I13D
	21A	W04A, W04B		21A	W04A, W04B		21A	W04A, W04B
	21B	X04Z, X06A, X06B, X06C		21B	X05A, X05B		21B	X04Z
5t041.w↔		BOP, KVT, UOP4, VIAL	5t042.b↔		BOP, KVT, UOP4, VIAL	5t042.n↔		BOP, KVT, UOP4, VIAL
	08	I12A, I12B, I12C, I20C, I28A, I28B		08	I12A, I12B, I12C, I32A, I32B, I32C, I32D, I32E, I32F		08	I12A, I12B, I12C, I13A, I13B, I13C, I13D
	21A	W04A, W04B		21A	W04A, W04B		21A	W04A, W04B
	21B	X04Z, X06A, X06B, X06C		21B	X05A, X05B		21B	X04Z
5t041.x		BOP, KVT, UOP4				5t042.o↔		BOP, KVT, UOP4, VIAL
	08	I12A, I12B, I12C, I28A, I28B					08	I12A, I12B, I12C, I13A, I13B, I13C, I13D, I13E
	21A	W04A, W04B					21A	W04A, W04B
	21B	X06A, X06B, X06C					21B	X04Z
5t041.z↔		BOP, KVT, UOP4, VIAL						
	04	E02A, E02B, E02C						
	08	I12A, I12B, I12C, I28A, I28B						
	21A	W04A, W04B						
	21B	X06A, X06B, X06C						

VYK

ZZV	MDC	DRG	ZZV	MDC	DRG	ZZV	MDC	DRG
5t042.q↔		BOP, KVT, UOP4, VIAL	5t043.4↔		BOP, KVT, UOP4, VIAL	5t043.f↔		BOP, KVT, UOP4, VIAL
	08	I12A, I12B, I12C, I13A, I13B, I13C, I13D, I13E		08	I08A, I08B, I08C, I08D, I08E, I08F, I12A, I12B, I12C, I21Z, I31Z		01	B03A, B03B, B06A, B06B, B17A, B17B, B17C
	21A	W04A, W04B		21A	W04A, W04B		08	I08A, I08B, I08C, I08D, I08E, I08F
	21B	X04Z		21B	X06A, X06B, X06C		21A	W01A, W01B, W01C, W02A, W02B
5t042.r↔		BOP, KVT, UOP4, VIAL	5t043.5↔		BOP, KVT, UOP4, VIAL		21B	X04Z
	08	I12A, I12B, I12C, I13A, I13B, I13C, I13D, I13E		08	I08A, I08B, I08C, I08D, I08E, I08F, I12A, I12B, I12C, I21Z, I31Z	5t043.g↔		BOP, KVT, UOP4, VIAL
	21A	W04A, W04B		21A	W04A, W04B		01	B03A, B03B, B06A, B06B, B17A, B17B, B17C
	21B	X04Z		21B	X06A, X06B, X06C		08	I08A, I08B, I08C, I08D, I08E, I08F
5t042.s↔		BOP, KVT, UOP4, VIAL	5t043.6↔		BOP, KVT, UOP4, VIAL		21A	W01A, W01B, W01C, W02A, W02B
	08	I12A, I12B, I12C, I20C, I28A, I28B		08	I08A, I08B, I08C, I08D, I08E, I08F, I12A, I12B, I12C, I21Z, I31Z		21B	X04Z
	21A	W04A, W04B		21A	W04A, W04B	5t043.h↔		BOP, KVT, UOP4, VIAL
	21B	X04Z, X06A, X06B, X06C		21B	X06A, X06B, X06C		01	B03A, B03B, B06A, B06B, B17A, B17B, B17C
5t042.t↔		BOP, KVT, UOP4, VIAL	5t043.7↔		BOP, KVT, UOP4, VIAL		08	I08A, I08B, I08C, I08D, I08E, I08F
	08	I12A, I12B, I12C, I20C, I28A, I28B		08	I08A, I08B, I08C, I08D, I08E, I08F, I12A, I12B, I12C, I21Z, I31Z		21A	W01A, W01B, W01C, W02A, W02B
	21A	W04A, W04B		21A	W04A, W04B		21B	X04Z
	21B	X04Z, X06A, X06B, X06C		21B	X06A, X06B, X06C	5t043.i↔		BOP, KVT, UOP4, VIAL
5t042.u↔		BOP, KVT, UOP4, VIAL	5t043.8↔		BOP, KVT, UOP4, VIAL		08	I12A, I12B, I12C, I28A, I28B
	08	I12A, I12B, I12C, I20C, I28A, I28B		08	I08A, I08B, I08C, I08D, I08E, I08F, I12A, I12B, I12C, I21Z, I31Z		21A	W04A, W04B
	21A	W04A, W04B		21A	W04A, W04B		21B	X04Z, X06A, X06B, X06C
	21B	X04Z, X06A, X06B, X06C		21B	X06A, X06B, X06C	5t043.j↔		BOP, KVT, UOP4, VIAL
5t042.v↔		BOP, KVT, UOP4, VIAL	5t043.9↔		BOP, KVT, UOP4, VIAL		08	I12A, I12B, I12C, I28A, I28B
	08	I12A, I12B, I12C, I20C, I28A, I28B		08	I08A, I08B, I08C, I08D, I08E, I08F, I12A, I12B, I12C, I21Z, I31Z		21A	W04A, W04B
	21A	W04A, W04B		21A	W04A, W04B		21B	X04Z, X06A, X06B, X06C
	21B	X04Z, X06A, X06B, X06C		21B	X06A, X06B, X06C	5t043.k↔		BOP, KVT, UOP4, VIAL
5t042.w↔		BOP, KVT, UOP4, VIAL	5t043.a↔		BOP, KVT, UOP4, VIAL		08	I12A, I12B, I12C, I13A, I13B, I13C, I13D
	08	I12A, I12B, I12C, I20C, I28A, I28B		08	I08A, I08B, I08C, I08D, I08E, I08F, I12A, I12B, I12C, I21Z, I31Z		21A	W04A, W04B
	21A	W04A, W04B		21A	W04A, W04B		21B	X04Z
	21B	X04Z, X06A, X06B, X06C		21B	X06A, X06B, X06C	5t043.l↔		BOP, KVT, UOP4, VIAL
5t042.x		BOP, KVT, UOP4	5t043.b↔		BOP, KVT, UOP4, VIAL		08	I12A, I12B, I12C, I13A, I13B, I13C, I13D
	08	I12A, I12B, I12C, I28A, I28B		08	I12A, I12B, I12C, I32A, I32B, I32C, I32D, I32E, I32F		21A	W04A, W04B
	21A	W04A, W04B		21A	W04A, W04B		21B	X04Z
	21B	X06A, X06B, X06C		21B	X05A, X05B	5t043.m↔		BOP, KVT, UOP4, VIAL
5t042.z↔		BOP, KVT, UOP4, VIAL	5t043.c↔		BOP, KVT, UOP4, VIAL		08	I12A, I12B, I12C, I13A, I13B, I13C, I13D
	04	E02A, E02B, E02C		08	I12A, I12B, I12C, I32A, I32B, I32C, I32D, I32E, I32F		21A	W04A, W04B
	08	I12A, I12B, I12C, I28A, I28B		21A	W04A, W04B		21B	X04Z
	21A	W04A, W04B		21B	X05A, X05B	5t043.n↔		BOP, KVT, UOP4, VIAL
	21B	X06A, X06B, X06C		21B	X05A, X05B		08	I12A, I12B, I12C, I13A, I13B, I13C, I13D
5t043.0↔		BOP, KVT, UOP4, VIAL	5t043.d		BOP, KVT, UOP4, VIAL		21A	W04A, W04B
	04	E02A, E02B, E02C		08	I08A, I08B, I08C, I08D, I08E, I08F, I12A, I12B, I12C, I47A		21B	X04Z
	08	I12A, I12B, I12C, I28A, I28B		21A	W04A, W04B	5t043.o↔		BOP, KVT, UOP4, VIAL
	21A	W04A, W04B		21B	X06A, X06B, X06C		08	I12A, I12B, I12C, I13A, I13B, I13C, I13D, I13E
	21B	X06A, X06B, X06C		21B	X06A, X06B, X06C		21A	W04A, W04B
5t043.1↔		BOP, KVT, UOP4, VIAL	5t043.e↔		BOP, KVT, UOP4, VIAL		21B	X04Z
	08	I08A, I08B, I08C, I08D, I08E, I08F, I12A, I12B, I12C, I13A, I13B, I13C, I13D		01	B03A, B03B, B06A, B06B, B17A, B17B, B17C		08	I12A, I12B, I12C, I13A, I13B, I13C, I13D, I13E
	21A	W04A, W04B		08	I08A, I08B, I08C, I08D, I08E, I08F		21A	W04A, W04B
	21B	X06A, X06B, X06C		21A	W01A, W01B, W01C, W02A, W02B		21B	X04Z
5t043.2↔		BOP, KVT, UOP4, VIAL		21B	X04Z	5t043.p↔		BOP, KVT, UOP4, VIAL
	08	I08A, I08B, I08C, I08D, I08E, I08F, I12A, I12B, I12C, I13A, I13B, I13C, I13D, I13E					08	I12A, I12B, I12C, I13A, I13B, I13C, I13D, I13E
	21A	W04A, W04B					21A	W04A, W04B
	21B	X06A, X06B, X06C					21B	X04Z
5t043.3↔		BOP, KVT, UOP4, VIAL				5t043.q↔		BOP, KVT, UOP4, VIAL
	08	I08A, I08B, I08C, I08D, I08E, I08F, I12A, I12B, I12C, I13A, I13B, I13C, I13D, I13E					08	I12A, I12B, I12C, I13A, I13B, I13C, I13D, I13E
	21A	W04A, W04B					21A	W04A, W04B
	21B	X06A, X06B, X06C					21B	X04Z
						5t043.r↔		BOP, KVT, UOP4, VIAL
							08	I12A, I12B, I12C, I13A, I13B, I13C, I13D, I13E
							21A	W04A, W04B
							21B	X04Z
						5t043.s↔		BOP, KVT, UOP4, VIAL
							08	I12A, I12B, I12C, I20C, I28A, I28B
							21A	W04A, W04B
							21B	X04Z, X06A, X06B, X06C
						5t043.t↔		BOP, KVT, UOP4, VIAL
							08	I12A, I12B, I12C, I20C, I28A, I28B
							21A	W04A, W04B
							21B	X04Z, X06A, X06B, X06C

ZZV	MDC	DRG	ZZV	MDC	DRG	ZZV	MDC	DRG
5t043.u↔		BOP, KVT, UOP4, VIAL	5t044.6↔		BOP, KVT, UOP4, VIAL	5t044.g↔		BOP, KVT, UOP4, VIAL
	08	I12A, I12B, I12C, I20C, I28A, I28B		08	I02A, I02B, I02C, I02D, I08A, I08B, I08C, I08D, I08E, I08F, I12A, I12B, I12C, I21Z, I22A, I31Z, I32A, I32B, I32C, I32D, I32E, I32F, I50Z		01	B03A, B03B, B06A, B06B, B17A, B17B, B17C
	21A	W04A, W04B		21A	W04A, W04B		08	I02A, I02B, I02C, I02D, I08A, I08B, I08C, I08D, I08E, I08F, I22A, I32A, I32B, I32C, I32D, I50Z
	21B	X04Z, X06A, X06B, X06C		21B	X01A, X01B, X01C		21A	W01A, W01B, W01C, W02A, W02B
5t043.v↔		BOP, KVT, UOP4, VIAL	5t044.7↔		BOP, KVT, UOP4, VIAL		21B	X01A, X01B, X01C
	08	I12A, I12B, I12C, I20C, I28A, I28B		08	I02A, I02B, I02C, I02D, I08A, I08B, I08C, I08D, I08E, I08F, I12A, I12B, I12C, I21Z, I22A, I31Z, I32A, I32B, I32C, I32D, I32E, I32F, I50Z	5t044.h↔		BOP, KVT, UOP4, VIAL
	21A	W04A, W04B		21A	W04A, W04B		01	B03A, B03B, B06A, B06B, B17A, B17B, B17C
	21B	X04Z, X06A, X06B, X06C		21B	X01A, X01B, X01C		08	I02A, I02B, I02C, I02D, I08A, I08B, I08C, I08D, I08E, I08F, I22A, I32A, I32B, I32C, I32D, I50Z
5t043.w↔		BOP, KVT, UOP4, VIAL	5t044.8↔		BOP, KVT, UOP4, VIAL		21A	W01A, W01B, W01C, W02A, W02B
	08	I12A, I12B, I12C, I20C, I28A, I28B		08	I02A, I02B, I02C, I02D, I08A, I08B, I08C, I08D, I08E, I08F, I12A, I12B, I12C, I21Z, I22A, I31Z, I32A, I32B, I32C, I32D, I32E, I32F, I50Z		21B	X01A, X01B, X01C
	21A	W04A, W04B		21A	W04A, W04B	5t044.j↔		I32A, I32B, I32C, I32D
	21B	X04Z, X06A, X06B, X06C		21B	X01A, X01B, X01C	5t044.k↔		BOP, KVT, UOP4, VIAL
5t043.x		BOP, KVT, UOP4	5t044.9↔		BOP, KVT, UOP4, VIAL		08	I02A, I02B, I02C, I02D, I12A, I12B, I12C, I13A, I13B, I13C, I13D, I13E, I22A, I32A, I32B, I32C, I32D, I50Z
	08	I12A, I12B, I12C, I28A, I28B		08	I02A, I02B, I02C, I02D, I08A, I08B, I08C, I08D, I08E, I08F, I12A, I12B, I12C, I21Z, I22A, I31Z, I32A, I32B, I32C, I32D, I32E, I32F, I50Z		21A	W04A, W04B
	21A	W04A, W04B		21A	W04A, W04B	5t044.l↔		BOP, KVT, UOP4, VIAL
	21B	X06A, X06B, X06C		21B	X01A, X01B, X01C		08	I02A, I02B, I02C, I02D, I12A, I12B, I12C, I13A, I13B, I13C, I13D, I13E, I22A, I32A, I32B, I32C, I32D, I50Z
5t043.z↔		BOP, KVT, UOP4, VIAL	5t044.a↔		BOP, KVT, UOP4, VIAL		21A	W04A, W04B
	04	E02A, E02B, E02C		08	I12A, I12B, I12C, I32A, I32B, I32C, I32D, I32E, I32F, I50Z	5t044.m↔		BOP, KVT, UOP4, VIAL
	08	I12A, I12B, I12C, I28A, I28B		21A	W04A, W04B		08	I02A, I02B, I02C, I02D, I12A, I12B, I12C, I13A, I13B, I13C, I13D, I13E, I22A, I32A, I32B, I32C, I32D, I50Z
	21A	W04A, W04B		21B	X01A, X01B, X01C	5t044.n↔		BOP, KVT, UOP4, VIAL
	21B	X06A, X06B, X06C		21B	X01A, X01B, X01C		08	I02A, I02B, I02C, I02D, I12A, I12B, I12C, I13A, I13B, I13C, I13D, I13E, I22A, I32A, I32B, I32C, I32D, I50Z
5t044.0↔		I32A, I32B, I32C, I32D	5t044.b↔		BOP, KVT, UOP4, VIAL		21A	W04A, W04B
5t044.1↔		BOP, KVT, UOP4, VIAL		08	I12A, I12B, I12C, I32A, I32B, I32C, I32D, I32E, I32F		21B	X01A, X01B, X01C
	08	I02A, I02B, I02C, I02D, I08A, I08B, I08C, I08D, I08E, I08F, I12A, I12B, I12C, I13A, I13B, I13C, I13D, I13E, I22A, I32A, I32B, I32C, I32D, I50Z	5t044.c↔		BOP, KVT, UOP4, VIAL	5t044.p↔		BOP, KVT, UOP4, VIAL
	21A	W04A, W04B		08	I12A, I12B, I12C, I32A, I32B, I32C, I32D, I32E, I32F		08	I13A, I13B, I13C, I13D, I13E, I32A, I32B, I32C, I32D
	21B	X01A, X01B, X01C		21A	W04A, W04B	5t044.q↔		BOP, KVT, UOP4, VIAL
5t044.2↔		BOP, KVT, UOP4, VIAL		21B	X01A, X01B, X01C		08	I13A, I13B, I13C, I13D, I13E, I32A, I32B, I32C, I32D
	08	I02A, I02B, I02C, I02D, I08A, I08B, I08C, I08D, I08E, I08F, I12A, I12B, I12C, I13A, I13B, I13C, I13D, I13E, I22A, I32A, I32B, I32C, I32D, I50Z	5t044.d		BOP, KVT, UOP4, VIAL	5t044.r↔		BOP, KVT, UOP4, VIAL
	21A	W04A, W04B		08	I08A, I08B, I08C, I08D, I08E, I08F, I32A, I32B, I32C, I32D, I47A		08	I02A, I02B, I02C, I02D, I12A, I12B, I12C, I13A, I13B, I13C, I13D, I13E, I22A, I32A, I32B, I32C, I32D, I50Z
	21B	X01A, X01B, X01C		01	B03A, B03B, B06A, B06B, B17A, B17B, B17C	5t044.s↔		BOP, KVT, UOP4, VIAL
5t044.3↔		BOP, KVT, UOP4, VIAL	5t044.e↔		BOP, KVT, UOP4, VIAL		08	I20A, I20B, I20C, I20D, I32A, I32B, I32C, I32D
	08	I02A, I02B, I02C, I02D, I08A, I08B, I08C, I08D, I08E, I08F, I12A, I12B, I12C, I13A, I13B, I13C, I13D, I13E, I22A, I32A, I32B, I32C, I32D, I50Z		08	I02A, I02B, I02C, I02D, I08A, I08B, I08C, I08D, I08E, I08F, I22A, I32A, I32B, I32C, I32D, I50Z	5t044.t↔		BOP, KVT, UOP4, VIAL
	21A	W04A, W04B		21A	W01A, W01B, W01C, W02A, W02B		08	I20A, I20B, I20C, I20D, I32A, I32B, I32C, I32D
	21B	X01A, X01B, X01C		21B	X01A, X01B, X01C	5t044.u↔		BOP, KVT, UOP4, VIAL
5t044.4↔		BOP, KVT, UOP4, VIAL	5t044.f↔		BOP, KVT, UOP4, VIAL		08	I20A, I20B, I20C, I20D, I32A, I32B, I32C, I32D
	08	I02A, I02B, I02C, I02D, I08A, I08B, I08C, I08D, I08E, I08F, I12A, I12B, I12C, I21Z, I22A, I31Z, I32A, I32B, I32C, I32D, I32E, I32F, I50Z		01	B03A, B03B, B06A, B06B, B17A, B17B, B17C	5t044.v↔		BOP, KVT, UOP4, VIAL
	21A	W04A, W04B		08	I02A, I02B, I02C, I02D, I08A, I08B, I08C, I08D, I08E, I08F, I22A, I32A, I32B, I32C, I32D, I50Z		08	I20A, I20B, I20C, I20D, I32A, I32B, I32C, I32D
	21B	X01A, X01B, X01C		21A	W01A, W01B, W01C, W02A, W02B	5t044.w↔		BOP, KVT, UOP4, VIAL
5t044.5↔		BOP, KVT, UOP4, VIAL		21B	X01A, X01B, X01C		08	I20A, I20B, I20C, I20D, I32A, I32B, I32C, I32D
	08	I02A, I02B, I02C, I02D, I08A, I08B, I08C, I08D, I08E, I08F, I12A, I12B, I12C, I21Z, I22A, I31Z, I32A, I32B, I32C, I32D, I32E, I32F, I50Z		01	B03A, B03B, B06A, B06B, B17A, B17B, B17C		08	I20A, I20B, I20C, I20D, I32A, I32B, I32C, I32D
	21A	W04A, W04B		08	I02A, I02B, I02C, I02D, I08A, I08B, I08C, I08D, I08E, I08F, I22A, I32A, I32B, I32C, I32D, I50Z		08	I20A, I20B, I20C, I20D, I32A, I32B, I32C, I32D
	21B	X01A, X01B, X01C		21A	W01A, W01B, W01C, W02A, W02B		08	I20A, I20B, I20C, I20D, I32A, I32B, I32C, I32D
	21B	X01A, X01B, X01C		21B	X01A, X01B, X01C		08	I20A, I20B, I20C, I20D, I32A, I32B, I32C, I32D

ZZV	MDC	DRG	ZZV	MDC	DRG	ZZV	MDC	DRG
5t044.x↔		BOP, KVT, UOP4	5t045.x		BOP, KVT, UOP4	5t047.3↔		BOP, KVT, UOP4, VIAL
	08	I02A, I02B, I02C, I02D, I12A, I12B, I12C, I22A, I28A, I28B, I32A, I32B, I32C, I32D, I32E, I32F, I50Z		08	I12A, I12B, I12C, I28A, I28B		08	I08A, I08B, I08C, I08D, I08E, I08F, I12A, I12B, I12C, I13A, I13B, I13C, I13D, I46A, I47A
	21A	W04A, W04B		21A	W04A, W04B		21A	W04A, W04B
	21B	X01A, X01B, X01C		21B	X06A, X06B, X06C		21B	X06A, X06B, X06C
5t044.z↔	08	I32A, I32B, I32C, I32D	5t046.1↔	08	BOP, KVT, UOP4, VIAL	5t047.4↔	08	BOP, KVT, UOP4, VIAL
5t045.1↔		BOP, KVT, UOP4, VIAL			I08A, I08B, I08C, I08D, I08E, I08F, I13A, I13B, I13C, I13D		08	I08A, I08B, I08C, I08D, I08E, I08F, I12A, I12B, I12C, I21Z, I31Z, I46A, I47A
5t045.3↔	08	I08A, I08B, I08C, I08D, I08E, I08F, I13A, I13B, I13C, I13D	5t046.3↔	08	BOP, KVT, UOP4, VIAL		21A	W04A, W04B
		BOP, KVT, UOP4, VIAL			I08A, I08B, I08C, I08D, I08E, I08F, I13A, I13B, I13C, I13D, I46A, I47A		21B	X06A, X06B, X06C
	08	I08A, I08B, I08C, I08D, I08E, I08F, I12A, I12B, I12C, I13A, I13B, I13C, I13D	5t046.d	08	BOP, KVT, UOP4, VIAL	5t047.5↔	08	BOP, KVT, UOP4, VIAL
		BOP, KVT, UOP4, VIAL			I08A, I08B, I08C, I08D, I08E, I08F, I46A, I47A		08	I08A, I08B, I08C, I08D, I08E, I08F, I12A, I12B, I12C, I21Z, I31Z, I46A, I47A
	21A	W04A, W04B	5t046.e↔	08	BOP, KVT, UOP4, VIAL		21A	W04A, W04B
	21B	X06A, X06B, X06C			I08A, I08B, I08C, I08D, I08E, I08F, I46A, I47A		21B	X06A, X06B, X06C
5t045.4↔		BOP, KVT, UOP4, VIAL	5t046.h↔	08	BOP, KVT, UOP4, VIAL	5t047.6↔	08	BOP, KVT, UOP4, VIAL
	08	I08A, I08B, I08C, I08D, I08E, I08F, I12A, I12B, I12C, I21Z, I31Z			I08A, I08B, I08C, I08D, I08E, I08F, I30Z, I46A, I47A		08	I08A, I08B, I08C, I08D, I08E, I08F, I12A, I12B, I12C, I21Z, I31Z, I46A, I47A
	21A	W04A, W04B	5t046.k↔	08	BOP, KVT, UOP4, VIAL		21A	W04A, W04B
	21B	X06A, X06B, X06C			I13A, I13B, I13C, I13D, I46A, I47A		21B	X06A, X06B, X06C
5t045.d		BOP, KVT, UOP4, VIAL	5t046.n↔	08	BOP, KVT, UOP4, VIAL	5t047.7↔	08	BOP, KVT, UOP4, VIAL
	08	I08A, I08B, I08C, I08D, I08E, I08F, I47A			I13A, I13B, I13C, I13D, I46A, I47A		08	I08A, I08B, I08C, I08D, I08E, I08F, I12A, I12B, I12C, I21Z, I31Z, I46A, I47A
5t045.e↔		BOP, KVT, UOP4, VIAL	5t046.p↔	08	BOP, KVT, UOP4, VIAL		21A	W04A, W04B
	01	B03A, B03B, B06A, B06B, B17A, B17B, B17C			I13A, I13B, I13C, I13D, I13E, I46A, I47A		21B	X06A, X06B, X06C
	08	I08A, I08B, I08C, I08D, I08E, I08F	5t046.r↔	08	BOP, KVT, UOP4, VIAL	5t047.8↔	08	BOP, KVT, UOP4, VIAL
	21A	W01A, W01B, W01C, W02A, W02B			I13A, I13B, I13C, I13D, I13E, I46A, I47A		08	I08A, I08B, I08C, I08D, I08E, I08F, I12A, I12B, I12C, I21Z, I31Z, I46A, I47A
	21B	X04Z	5t046.s↔	08	BOP, KVT, UOP4, VIAL		21A	W04A, W04B
5t045.h↔		BOP, KVT, UOP4, VIAL			I20A, I20B, I20C, I20D, I46A, I47A		21B	X06A, X06B, X06C
	01	B03A, B03B, B06A, B06B, B17A, B17B, B17C	5t046.t↔	08	BOP, KVT, UOP4, VIAL	5t047.9↔	08	BOP, KVT, UOP4, VIAL
	08	I08A, I08B, I08C, I08D, I08E, I08F, I30Z			I20A, I20B, I20C, I20D, I46A, I47A		08	I08A, I08B, I08C, I08D, I08E, I08F, I12A, I12B, I12C, I21Z, I31Z, I46A, I47A
	21A	W01A, W01B, W01C, W02A, W02B	5t046.u↔	08	BOP, KVT, UOP4, VIAL		21A	W04A, W04B
	21B	X04Z			I20A, I20B, I20C, I20D, I46A, I47A		21B	X06A, X06B, X06C
5t045.j↔		BOP, KVT, UOP4, VIAL	5t046.v↔	08	BOP, KVT, UOP4, VIAL	5t047.a↔	08	BOP, KVT, UOP4, VIAL
	08	I12A, I12B, I12C, I28A, I28B			I20A, I20B, I20C, I20D, I46A, I47A		08	I12A, I12B, I12C, I32A, I32B, I32C, I32D, I32E, I32F, I46A, I47A
	21A	W04A, W04B	5t046.w↔	08	BOP, KVT, UOP4, VIAL		21A	W04A, W04B
	21B	X04Z, X06A, X06B, X06C			I20A, I20B, I20C, I20D, I46A, I47A		21B	X05A, X05B
5t045.k↔		BOP, KVT, UOP4, VIAL	5t047.0↔	04	E02A, E02B, E02C	5t047.b↔	08	I12A, I12B, I12C, I32A, I32B, I32C, I32D, I32E, I32F, I46A, I47A
	08	I12A, I12B, I12C, I13A, I13B, I13C, I13D		08	I12A, I12B, I12C, I28A, I28B, I46A, I47A		21A	W04A, W04B
	21A	W04A, W04B		21A	W04A, W04B		21B	X05A, X05B
	21B	X04Z		21B	X06A, X06B, X06C	5t047.c↔	08	BOP, KVT, UOP4, VIAL
5t045.n↔	08	I13A, I13B, I13C, I13D	5t047.1↔	08	BOP, KVT, UOP4, VIAL		08	I12A, I12B, I12C, I32A, I32B, I32C, I32D, I32E, I32F, I46A, I47A
5t045.p↔		BOP, KVT, UOP4, VIAL			I08A, I08B, I08C, I08D, I08E, I08F, I12A, I12B, I12C, I13A, I13B, I13C, I13D, I46A, I47A		21A	W04A, W04B
5t045.r↔	08	I13A, I13B, I13C, I13D, I13E			I08A, I08B, I08C, I08D, I08E, I08F, I12A, I12B, I12C, I13A, I13B, I13C, I13D, I46A, I47A		21B	X05A, X05B
5t045.s↔	08	I13A, I13B, I13C, I13D, I13E			I08A, I08B, I08C, I08D, I08E, I08F, I12A, I12B, I12C, I13A, I13B, I13C, I13D, I46A, I47A		08	BOP, KVT, UOP4, VIAL
		BOP, KVT, UOP4, VIAL	5t047.2↔	08	BOP, KVT, UOP4, VIAL	5t047.d	08	I08A, I08B, I08C, I08D, I08E, I08F, I12A, I12B, I12C, I46A, I47A
	08	I12A, I12B, I12C, I20C, I28A, I28B			I08A, I08B, I08C, I08D, I08E, I08F, I12A, I12B, I12C, I13A, I13B, I13C, I13D, I46A, I47A		21A	W04A, W04B
	21A	W04A, W04B			I08A, I08B, I08C, I08D, I08E, I08F, I12A, I12B, I12C, I13A, I13B, I13C, I13D, I46A, I47A		21B	X06A, X06B, X06C
	21B	X04Z, X06A, X06B, X06C			I08A, I08B, I08C, I08D, I08E, I08F, I12A, I12B, I12C, I13A, I13B, I13C, I13D, I46A, I47A		08	I08A, I08B, I08C, I08D, I08E, I08F, I12A, I12B, I12C, I46A, I47A
5t045.t↔	08	I20A, I20B, I20C, I20D		21A	W04A, W04B		21A	W04A, W04B
5t045.u↔		BOP, KVT, UOP4, VIAL		21B	X06A, X06B, X06C		21B	X06A, X06B, X06C
	08	I20A, I20B, I20C, I20D			BOP, KVT, UOP4, VIAL		08	I08A, I08B, I08C, I08D, I08E, I08F, I12A, I12B, I12C, I46A, I47A
5t045.v↔		BOP, KVT, UOP4, VIAL			I08A, I08B, I08C, I08D, I08E, I08F, I12A, I12B, I12C, I13A, I13B, I13C, I13D, I46A, I47A		21A	W04A, W04B
	08	I20A, I20B, I20C, I20D			I08A, I08B, I08C, I08D, I08E, I08F, I12A, I12B, I12C, I13A, I13B, I13C, I13D, I46A, I47A		21B	X05A, X05B
5t045.w↔		BOP, KVT, UOP4, VIAL			I08A, I08B, I08C, I08D, I08E, I08F, I12A, I12B, I12C, I13A, I13B, I13C, I13D, I46A, I47A		08	BOP, KVT, UOP4, VIAL
	08	I20A, I20B, I20C, I20D			I08A, I08B, I08C, I08D, I08E, I08F, I12A, I12B, I12C, I13A, I13B, I13C, I13D, I46A, I47A		21A	W04A, W04B
		BOP, KVT, UOP4, VIAL			I08A, I08B, I08C, I08D, I08E, I08F, I12A, I12B, I12C, I13A, I13B, I13C, I13D, I46A, I47A		21B	X06A, X06B, X06C
	08	I20A, I20B, I20C, I20D			I08A, I08B, I08C, I08D, I08E, I08F, I12A, I12B, I12C, I13A, I13B, I13C, I13D, I46A, I47A		08	I08A, I08B, I08C, I08D, I08E, I08F, I12A, I12B, I12C, I46A, I47A

ZZV	MDC	DRG	ZZV	MDC	DRG	ZZV	MDC	DRG
5t047.e↔		BOP, KVT, UOP4, VIAL	5t047.s↔	08	I12A, I12B, I12C, I20C, I28A, I28B, I46A, I47A	5t048.5↔	08	I08A, I08B, I08C, I08D, I08E, I08F, I12A, I12B, I12C, I21Z, I31Z, I46A, I47A
	01	B03A, B03B, B06A, B06B, B17A, B17B, B17C		21A	W04A, W04B		21A	W04A, W04B
	08	I08A, I08B, I08C, I08D, I08E, I08F, I46A, I47A		21B	X04Z, X06A, X06B, X06C		21B	X06A, X06B, X06C
	21A	W01A, W01B, W01C, W02A, W02B			BOP, KVT, UOP4, VIAL			BOP, KVT, UOP4, VIAL
	21B	X04Z		08	I12A, I12B, I12C, I20C, I28A, I28B, I46A, I47A	5t048.6↔	08	I08A, I08B, I08C, I08D, I08E, I08F, I12A, I12B, I12C, I21Z, I31Z, I46A, I47A
5t047.f↔		BOP, KVT, UOP4, VIAL		21A	W04A, W04B		21A	W04A, W04B
	01	B03A, B03B, B06A, B06B, B17A, B17B, B17C		21B	X04Z, X06A, X06B, X06C		21B	X06A, X06B, X06C
	08	I08A, I08B, I08C, I08D, I08E, I08F, I46A, I47A	5t047.t↔	08	I12A, I12B, I12C, I20C, I28A, I28B, I46A, I47A	5t047.u↔	08	I12A, I12B, I12C, I20C, I28A, I28B, I46A, I47A
	21A	W01A, W01B, W01C, W02A, W02B		21A	W04A, W04B		21A	W04A, W04B
	21B	X04Z		21B	X04Z, X06A, X06B, X06C		21B	X06A, X06B, X06C
5t047.g↔		BOP, KVT, UOP4, VIAL		08	I12A, I12B, I12C, I20C, I28A, I28B, I46A, I47A	5t047.v↔	08	I12A, I12B, I12C, I20C, I28A, I28B, I46A, I47A
	01	B03A, B03B, B06A, B06B, B17A, B17B, B17C		21A	W04A, W04B		21A	W04A, W04B
	08	I08A, I08B, I08C, I08D, I08E, I08F, I46A, I47A		21B	X04Z, X06A, X06B, X06C		21B	X06A, X06B, X06C
	21A	W01A, W01B, W01C, W02A, W02B	5t047.w↔	08	I12A, I12B, I12C, I20C, I28A, I28B, I46A, I47A	5t048.7↔	08	I08A, I08B, I08C, I08D, I08E, I08F, I12A, I12B, I12C, I21Z, I31Z, I46A, I47A
	21B	X04Z		21A	W04A, W04B		21A	W04A, W04B
5t047.h↔		BOP, KVT, UOP4, VIAL		21B	X04Z, X06A, X06B, X06C		21B	X06A, X06B, X06C
	01	B03A, B03B, B06A, B06B, B17A, B17B, B17C	5t047.x	08	I12A, I12B, I12C, I28A, I28B, I46A, I47A	5t048.8↔	08	I08A, I08B, I08C, I08D, I08E, I08F, I12A, I12B, I12C, I21Z, I31Z, I46A, I47A
	08	I08A, I08B, I08C, I08D, I08E, I08F, I46A, I47A		21A	W04A, W04B		21A	W04A, W04B
	21A	W01A, W01B, W01C, W02A, W02B		21B	X04Z, X06A, X06B, X06C	5t048.9↔	08	I08A, I08B, I08C, I08D, I08E, I08F, I12A, I12B, I12C, I21Z, I31Z, I46A, I47A
	21B	X04Z		08	I12A, I12B, I12C, I28A, I28B, I46A, I47A		21A	W04A, W04B
5t047.i↔		BOP, KVT, UOP4, VIAL		21B	X06A, X06B, X06C		21B	X06A, X06B, X06C
	01	B03A, B03B, B06A, B06B, B17A, B17B, B17C		08	I12A, I12B, I12C, I28A, I28B, I46A, I47A	5t048.a↔	08	I12A, I12B, I12C, I32A, I32B, I32C, I32D, I32E, I32F, I46A, I47A
	08	I08A, I08B, I08C, I08D, I08E, I08F, I46A, I47A		21A	W04A, W04B		21A	W04A, W04B
	21A	W01A, W01B, W01C, W02A, W02B	5t047.z↔	04	E02A, E02B, E02C		21B	X05A, X05B
	21B	X04Z		08	I12A, I12B, I12C, I28A, I28B, I46A, I47A	5t048.b↔	08	I12A, I12B, I12C, I32A, I32B, I32C, I32D, I32E, I32F, I46A, I47A
5t047.j↔		BOP, KVT, UOP4, VIAL		21B	X06A, X06B, X06C		21A	W04A, W04B
	08	I12A, I12B, I12C, I28A, I28B, I46A, I47A	5t048.0↔	04	E02A, E02B, E02C		21B	X05A, X05B
	21A	W04A, W04B		08	I12A, I12B, I12C, I28A, I28B, I46A, I47A	5t048.c↔	08	I12A, I12B, I12C, I32A, I32B, I32C, I32D, I32E, I32F, I46A, I47A
	21B	X04Z, X06A, X06B, X06C		21A	W04A, W04B		21A	W04A, W04B
5t047.k↔		BOP, KVT, UOP4, VIAL		21B	X06A, X06B, X06C		21B	X05A, X05B
	08	I12A, I12B, I12C, I13A, I13B, I13C, I13D, I46A, I47A		04	E02A, E02B, E02C	5t048.d	08	I08A, I08B, I08C, I08D, I08E, I08F, I12A, I12B, I12C, I46A, I47A
	21A	W04A, W04B		08	I12A, I12B, I12C, I28A, I28B, I46A, I47A		21A	W04A, W04B
	21B	X04Z	5t048.1↔	08	I08A, I08B, I08C, I08D, I08E, I08F, I12A, I12B, I12C, I13A, I13B, I13C, I13D, I46A, I47A		21B	X05A, X05B
5t047.l↔		BOP, KVT, UOP4, VIAL		21A	W04A, W04B		21A	W04A, W04B
	08	I12A, I12B, I12C, I13A, I13B, I13C, I13D, I46A, I47A		21B	X06A, X06B, X06C		21B	X05A, X05B
	21A	W04A, W04B	5t048.2↔	08	I08A, I08B, I08C, I08D, I08E, I08F, I12A, I12B, I12C, I13A, I13B, I13C, I13D, I13E, I46A, I47A		08	I08A, I08B, I08C, I08D, I08E, I08F, I12A, I12B, I12C, I46A, I47A
	21B	X04Z		21A	W04A, W04B		21A	W04A, W04B
5t047.m↔		BOP, KVT, UOP4, VIAL		21B	X06A, X06B, X06C	5t048.e↔	01	B03A, B03B, B06A, B06B, B17A, B17B, B17C
	08	I12A, I12B, I12C, I13A, I13B, I13C, I13D, I46A, I47A		08	I08A, I08B, I08C, I08D, I08E, I08F, I12A, I12B, I12C, I13A, I13B, I13C, I13D, I13E, I46A, I47A		08	I08A, I08B, I08C, I08D, I08E, I08F, I46A, I47A
	21A	W04A, W04B	5t048.3↔	08	I08A, I08B, I08C, I08D, I08E, I08F, I12A, I12B, I12C, I13A, I13B, I13C, I13D, I13E, I46A, I47A		21A	W01A, W01B, W01C, W02A, W02B
	21B	X04Z		21A	W04A, W04B		21B	X04Z
5t047.n↔		BOP, KVT, UOP4, VIAL		21B	X06A, X06B, X06C		21B	X04Z
	08	I12A, I12B, I12C, I13A, I13B, I13C, I13D, I46A, I47A	5t048.4↔	08	I08A, I08B, I08C, I08D, I08E, I08F, I12A, I12B, I12C, I21Z, I31Z, I46A, I47A	5t048.f↔	01	B03A, B03B, B06A, B06B, B17A, B17B, B17C
	21A	W04A, W04B		21A	W04A, W04B		08	I08A, I08B, I08C, I08D, I08E, I08F, I46A, I47A
	21B	X04Z		21B	X06A, X06B, X06C		21A	W01A, W01B, W01C, W02A, W02B
5t047.o↔		BOP, KVT, UOP4, VIAL		08	I08A, I08B, I08C, I08D, I08E, I08F, I12A, I12B, I12C, I21Z, I31Z, I46A, I47A		21A	W04A, W04B
	08	I12A, I12B, I12C, I13A, I13B, I13C, I13D, I13E, I46A, I47A		21A	W04A, W04B		21B	X04Z
	21A	W04A, W04B		21B	X06A, X06B, X06C		01	B03A, B03B, B06A, B06B, B17A, B17B, B17C
	21B	X04Z		08	I08A, I08B, I08C, I08D, I08E, I08F, I12A, I12B, I12C, I21Z, I31Z, I46A, I47A		08	I08A, I08B, I08C, I08D, I08E, I08F, I46A, I47A
5t047.p↔		BOP, KVT, UOP4, VIAL		21A	W04A, W04B		21A	W01A, W01B, W01C, W02A, W02B
	08	I12A, I12B, I12C, I13A, I13B, I13C, I13D, I13E, I46A, I47A		21B	X06A, X06B, X06C		21B	X04Z
	21A	W04A, W04B		08	I08A, I08B, I08C, I08D, I08E, I08F, I12A, I12B, I12C, I21Z, I31Z, I46A, I47A		01	B03A, B03B, B06A, B06B, B17A, B17B, B17C
	21B	X04Z		21A	W04A, W04B		08	I08A, I08B, I08C, I08D, I08E, I08F, I46A, I47A
5t047.q↔		BOP, KVT, UOP4, VIAL		21B	X06A, X06B, X06C		21A	W01A, W01B, W01C, W02A, W02B
	08	I12A, I12B, I12C, I13A, I13B, I13C, I13D, I13E, I46A, I47A		08	I08A, I08B, I08C, I08D, I08E, I08F, I12A, I12B, I12C, I13A, I13B, I13C, I13D, I13E, I46A, I47A		21B	X04Z
	21A	W04A, W04B		21A	W04A, W04B		01	B03A, B03B, B06A, B06B, B17A, B17B, B17C
	21B	X04Z		21B	X06A, X06B, X06C		08	I08A, I08B, I08C, I08D, I08E, I08F, I46A, I47A
5t047.r↔		BOP, KVT, UOP4, VIAL		08	I08A, I08B, I08C, I08D, I08E, I08F, I12A, I12B, I12C, I21Z, I31Z, I46A, I47A		21A	W01A, W01B, W01C, W02A, W02B
	08	I12A, I12B, I12C, I13A, I13B, I13C, I13D, I13E, I46A, I47A		21A	W04A, W04B		21B	X04Z
	21A	W04A, W04B		21B	X06A, X06B, X06C		01	B03A, B03B, B06A, B06B, B17A, B17B, B17C
	21B	X04Z		08	I08A, I08B, I08C, I08D, I08E, I08F, I12A, I12B, I12C, I21Z, I31Z, I46A, I47A		08	I08A, I08B, I08C, I08D, I08E, I08F, I46A, I47A

ZZV	MDC	DRG	ZZV	MDC	DRG	ZZV	MDC	DRG		
5t048.g↔		BOP, KVT, UOP4, VIAL	5t048.v↔	08	BOP, KVT, UOP4, VIAL 112A, 112B, 112C, 120C, 128A, 128B, 146A, 147A	5t049.v↔	08	BOP, KVT, UOP4, VIAL 120A, 120B, 120C, 120D, 146A, 147A		
	01	B03A, B03B, B06A, B06B, B17A, B17B, B17C		21A	W04A, W04B		5t049.w↔	08	BOP, KVT, UOP4, VIAL 120A, 120B, 120C, 120D, 146A, 147A	
	08	I08A, I08B, I08C, I08D, I08E, I08F, I46A, I47A		21B	X04Z, X06A, X06B, X06C			5t04a.1↔	08	BOP, KVT, UOP4, VIAL 108A, I08B, I08C, I08D, I08E, I08F, I12A, I12B, I12C, I13A, I13B, I13C, I13D, I13E
	21A	W01A, W01B, W01C, W02A, W02B		5t048.w↔	08		BOP, KVT, UOP4, VIAL 112A, 112B, 112C, 120C, 128A, 128B, 146A, 147A		5t04a.2↔	08
21B	X04Z	21A	W04A, W04B		21A	W04A, W04B				
5t048.h↔		BOP, KVT, UOP4, VIAL	5t048.x	21B	X04Z, X06A, X06B, X06C	5t04a.3↔	21B	X06A, X06B, X06C		
	01	B03A, B03B, B06A, B06B, B17A, B17B, B17C		08	BOP, KVT, UOP4		5t04a.4↔	08	BOP, KVT, UOP4, VIAL 108A, I08B, I08C, I08D, I08E, I08F, I12A, I12B, I12C, I13A, I13B, I13C, I13D, I13E	
	08	I08A, I08B, I08C, I08D, I08E, I08F, I46A, I47A		21A	W04A, W04B			5t04a.5↔	08	BOP, KVT, UOP4, VIAL 108A, I08B, I08C, I08D, I08E, I08F, I12A, I12B, I12C, I21Z, I31Z
	21A	W01A, W01B, W01C, W02A, W02B		21B	X06A, X06B, X06C		5t04a.6↔		21A	W04A, W04B
21B	X04Z	5t048.z↔	04	E02A, E02B, E02C	5t04a.7↔	21B		X06A, X06B, X06C		
5t048.j↔			BOP, KVT, UOP4, VIAL	08		I12A, I12B, I12C, 128A, 128B, 146A, I47A	5t04a.8↔	08	BOP, KVT, UOP4, VIAL 108A, I08B, I08C, I08D, I08E, I08F, I12A, I12B, I12C, I21Z, I31Z	
	08	I12A, I12B, I12C, 128A, 128B, 146A, I47A	21A	W04A, W04B	5t04a.9↔	08		BOP, KVT, UOP4, VIAL 108A, I08B, I08C, I08D, I08E, I08F, I12A, I12B, I12C, I21Z, I31Z		
	21A	W04A, W04B	21B	X06A, X06B, X06C		5t04a.a↔		21A	W04A, W04B	
	21B	X04Z, X06A, X06B, X06C	5t049.2↔	08	I08A, I08B, I08C, I08D, I08E, I08F, I12A, I12B, I12C, I13A, I13B, I13C, I13D, I13E, I46A, I47A			5t04a.d	21B	X05A, X05B
5t048.k↔		BOP, KVT, UOP4, VIAL		21A	W04A, W04B	5t049.5↔	08		BOP, KVT, UOP4, VIAL 108A, I08B, I08C, I08D, I08E, I08F, I12A, I12B, I12C, I21Z, I31Z	
	08	I12A, I12B, I12C, I13A, I13B, I13C, I13D, I46A, I47A	21B	X06A, X06B, X06C	5t049.8↔		21A	W04A, W04B		
	21A	W04A, W04B	08	I08A, I08B, I08C, I08D, I08E, I08F, I12A, I12B, I12C, I21Z, I31Z, I46A, I47A			5t04a.6↔	21B	X06A, X06B, X06C	
	21B	X04Z	5t049.5↔	08	I08A, I08B, I08C, I08D, I08E, I08F, I12A, I12B, I12C, I21Z, I31Z, I46A, I47A			5t04a.7↔	21A	W04A, W04B
5t048.l↔		BOP, KVT, UOP4, VIAL		21A	W04A, W04B	5t049.8↔	21B		X06A, X06B, X06C	
	08	I12A, I12B, I12C, I13A, I13B, I13C, I13D, I46A, I47A	21B	X06A, X06B, X06C	5t04a.8↔		08	BOP, KVT, UOP4, VIAL 108A, I08B, I08C, I08D, I08E, I08F, I12A, I12B, I12C, I21Z, I31Z		
	21A	W04A, W04B	08	I08A, I08B, I08C, I08D, I08E, I08F, I12A, I12B, I12C, I21Z, I31Z, I46A, I47A			5t04a.9↔	21A	W04A, W04B	
	21B	X04Z	5t049.8↔	21A	W04A, W04B			5t04a.a↔	21B	X06A, X06B, X06C
5t048.m↔		BOP, KVT, UOP4, VIAL		21B	X06A, X06B, X06C	5t049.d	08		BOP, KVT, UOP4, VIAL 108A, I08B, I08C, I08D, I08E, I08F, I46A, I47A	
	08	I12A, I12B, I12C, I13A, I13B, I13C, I13D, I13E, I46A, I47A	5t049.8↔	08	I08A, I08B, I08C, I08D, I08E, I08F, I12A, I12B, I12C, I21Z, I31Z, I46A, I47A		5t04a.7↔	21A	W04A, W04B	
	21A	W04A, W04B		21B	X06A, X06B, X06C			5t04a.8↔	21B	X06A, X06B, X06C
	21B	X04Z	5t049.8↔	08	I08A, I08B, I08C, I08D, I08E, I08F, I12A, I12B, I12C, I21Z, I31Z, I46A, I47A		5t04a.9↔		08	BOP, KVT, UOP4, VIAL 108A, I08B, I08C, I08D, I08E, I08F, I12A, I12B, I12C, I21Z, I31Z
5t048.n↔		BOP, KVT, UOP4, VIAL		5t049.8↔	21A	W04A, W04B		5t04a.7↔	21A	W04A, W04B
	08	I12A, I12B, I12C, I13A, I13B, I13C, I13D, I46A, I47A	21B		X06A, X06B, X06C	5t04a.8↔	21B		X06A, X06B, X06C	
	21A	W04A, W04B	08		I08A, I08B, I08C, I08D, I08E, I08F, I12A, I12B, I12C, I21Z, I31Z, I46A, I47A		5t04a.9↔		08	BOP, KVT, UOP4, VIAL 108A, I08B, I08C, I08D, I08E, I08F, I12A, I12B, I12C, I21Z, I31Z
	21B	X04Z	5t049.8↔		21A	W04A, W04B			5t04a.a↔	21A
5t048.o↔		BOP, KVT, UOP4, VIAL		5t049.8↔	21B	X06A, X06B, X06C	5t04a.8↔	21B		X06A, X06B, X06C
	08	I12A, I12B, I12C, I13A, I13B, I13C, I13D, I13E, I46A, I47A	08		I08A, I08B, I08C, I08D, I08E, I08F, I12A, I12B, I12C, I21Z, I31Z, I46A, I47A	5t04a.9↔		08	BOP, KVT, UOP4, VIAL 108A, I08B, I08C, I08D, I08E, I08F, I12A, I12B, I12C, I21Z, I31Z	
	21A	W04A, W04B	21A		W04A, W04B			5t04a.d	21A	W04A, W04B
	21B	X04Z	5t049.8↔		21B	X06A, X06B, X06C			5t04a.a↔	21B
5t048.p↔		BOP, KVT, UOP4, VIAL		5t049.d	08	I08A, I08B, I08C, I08D, I08E, I08F, I46A, I47A	5t04a.7↔	08		BOP, KVT, UOP4, VIAL 108A, I08B, I08C, I08D, I08E, I08F, I12A, I12B, I12C, I21Z, I31Z
	08	I12A, I12B, I12C, I13A, I13B, I13C, I13D, I13E, I46A, I47A	5t049.d		08	I08A, I08B, I08C, I08D, I08E, I08F, I46A, I47A		5t04a.8↔	21A	W04A, W04B
	21A	W04A, W04B			21B	X06A, X06B, X06C			5t04a.9↔	21B
	21B	X04Z	5t049.d		08	I08A, I08B, I08C, I08D, I08E, I08F, I46A, I47A		5t04a.a↔		08
5t048.q↔		BOP, KVT, UOP4, VIAL		5t049.d	21A	W04A, W04B	5t04a.7↔		21A	W04A, W04B
	08	I12A, I12B, I12C, I13A, I13B, I13C, I13D, I13E, I46A, I47A	21B		X06A, X06B, X06C	5t04a.8↔		21B	X06A, X06B, X06C	
	21A	W04A, W04B	08		I08A, I08B, I08C, I08D, I08E, I08F, I46A, I47A			5t04a.9↔	08	BOP, KVT, UOP4, VIAL 108A, I08B, I08C, I08D, I08E, I08F, I12A, I12B, I12C, I21Z, I31Z
	21B	X04Z	5t049.d		21A	W04A, W04B			5t04a.d	21A
5t048.r↔		BOP, KVT, UOP4, VIAL		5t049.d	21B	X06A, X06B, X06C	5t04a.8↔	21B		X06A, X06B, X06C
	08	I12A, I12B, I12C, I13A, I13B, I13C, I13D, I13E, I46A, I47A	08		I08A, I08B, I08C, I08D, I08E, I08F, I46A, I47A	5t04a.9↔		08	BOP, KVT, UOP4, VIAL 108A, I08B, I08C, I08D, I08E, I08F, I12A, I12B, I12C, I21Z, I31Z	
	21A	W04A, W04B	21A		W04A, W04B			5t04a.a↔	21A	W04A, W04B
	21B	X04Z	5t049.d		21B	X06A, X06B, X06C			5t04a.d	21B
5t048.s↔		BOP, KVT, UOP4, VIAL		5t049.m↔	08	I12A, I12B, I12C, I20C, 128A, 128B, I46A, I47A	5t049.9↔	08		BOP, KVT, UOP4, VIAL 108A, I08B, I08C, I08D, I08E, I08F, I12A, I12B, I12C, I21Z, I31Z
	08	I12A, I12B, I12C, I20C, 128A, 128B, I46A, I47A	08		I12A, I12B, I12C, I13A, I13B, I13C, I13D, I13E, I46A, I47A	5t04a.9↔		21A	W04A, W04B	
	21A	W04A, W04B	21A		W04A, W04B			5t04a.a↔	21B	X06A, X06B, X06C
	21B	X04Z, X06A, X06B, X06C	5t049.m↔		21B	X04Z			5t04a.d	08
5t048.t↔		BOP, KVT, UOP4, VIAL		5t049.q↔	08	I13A, I13B, I13C, I13D, I13E, I46A, I47A	5t049.9↔	21A		W04A, W04B
	08	I12A, I12B, I12C, I20C, 128A, 128B, I46A, I47A	08		I13A, I13B, I13C, I13D, I13E, I46A, I47A	5t04a.a↔		21B	X06A, X06B, X06C	
	21A	W04A, W04B	21A		W04A, W04B			5t04a.d	08	BOP, KVT, UOP4, VIAL 108A, I08B, I08C, I08D, I08E, I08F, I12A, I12B, I12C, I21Z, I31Z
	21B	X04Z, X06A, X06B, X06C	5t049.q↔		21B	X04Z			5t04a.d	21A
5t048.u↔		BOP, KVT, UOP4, VIAL		5t049.s↔	08	I20A, I20B, I20C, I20D, I46A, I47A	5t049.9↔	21B		X05A, X05B
	08	I12A, I12B, I12C, I20C, 128A, 128B, I46A, I47A	08		I20A, I20B, I20C, I20D, I46A, I47A	5t04a.a↔		08	BOP, KVT, UOP4, VIAL 108A, I08B, I08C, I08D, I08E, I08F, I12A, I12B, I12C, I21Z, I31Z	
	21A	W04A, W04B	21A		W04A, W04B			5t04a.d	21A	W04A, W04B
	21B	X04Z, X06A, X06B, X06C	5t049.s↔		21B	X06A, X06B, X06C			5t04a.d	21B
5t048.v↔		BOP, KVT, UOP4, VIAL		5t049.t↔	08	I20A, I20B, I20C, I20D, I46A, I47A	5t049.9↔	08		BOP, KVT, UOP4, VIAL 108A, I08B, I08C, I08D, I08E, I08F, I47A
	08	I12A, I12B, I12C, I20C, 128A, 128B, I46A, I47A	08		I20A, I20B, I20C, I20D, I46A, I47A	5t04a.a↔		21A	W04A, W04B	
	21A	W01A, W01B, W01C, W02A, W02B	21A		W04A, W04B			5t04a.d	21B	X05A, X05B
	21B	X04Z	5t049.t↔		21B	X06A, X06B, X06C			5t04a.d	08
5t048.w↔		BOP, KVT, UOP4, VIAL		5t049.u↔	08	I20A, I20B, I20C, I20D, I46A, I47A	5t049.9↔	08		BOP, KVT, UOP4, VIAL 108A, I08B, I08C, I08D, I08E, I08F, I47A
	01	B03A, B03B, B06A, B06B, B17A, B17B, B17C	08		I20A, I20B, I20C, I20D, I46A, I47A	5t04a.a↔		21A	W04A, W04B	
	08	I08A, I08B, I08C, I08D, I08E, I08F, I46A, I47A	08		I20A, I20B, I20C, I20D, I46A, I47A			5t04a.d	21B	X05A, X05B
	21A	W01A, W01B, W01C, W02A, W02B	5t049.u↔		21A	W04A, W04B			5t04a.d	08
21B	X04Z	21B		X06A, X06B, X06C	5t04a.d	08	BOP, KVT, UOP4, VIAL 108A, I08B, I08C, I08D, I08E, I08F, I47A			

Príloha B: Index Výkon-MDC-DRG

ZZV	MDC	DRG	ZZV	MDC	DRG	ZZV	MDC	DRG
5t04a.e↔		BOP, KVT, UOP4, VIAL	5t04b.0↔		BOP, KVT, UOP4, VIAL	5t04b.c↔		BOP, KVT, UOP4, VIAL
	01	B03A, B03B, B06A, B06B, B17A, B17B, B17C		04	E02A, E02B, E02C		08	I12A, I12B, I12C, I32A, I32B, I32C, I32D, I32E, I32F
	08	I08A, I08B, I08C, I08D, I08E, I08F		08	I12A, I12B, I12C, I28A, I28B		21A	W04A, W04B
	21A	W01A, W01B, W01C, W02A, W02B		21A	W04A, W04B		21B	X05A, X05B
	21B	X04Z	5t04b.1↔		BOP, KVT, UOP4, VIAL	5t04b.d		BOP, KVT, UOP4, VIAL
5t04a.f↔		BOP, KVT, UOP4, VIAL		08	I08A, I08B, I08C, I08D, I08E, I08F, I12A, I12B, I12C, I13A, I13B, I13C, I13D, I13E		08	I08A, I08B, I08C, I08D, I08E, I08F, I12A, I12B, I12C
	01	B03A, B03B, B06A, B06B, B17A, B17B, B17C		21A	W04A, W04B		21A	W04A, W04B
	08	I08A, I08B, I08C, I08D, I08E, I08F		21B	X06A, X06B, X06C		21B	X06A, X06B, X06C
	21A	W01A, W01B, W01C, W02A, W02B	5t04b.2↔		BOP, KVT, UOP4, VIAL	5t04b.e↔		BOP, KVT, UOP4, VIAL
	21B	X04Z		08	I08A, I08B, I08C, I08D, I08E, I08F, I12A, I12B, I12C, I13A, I13B, I13C, I13D, I13E		01	B03A, B03B, B06A, B06B, B17A, B17B, B17C
5t04a.g↔		BOP, KVT, UOP4, VIAL		21A	W04A, W04B		08	I08A, I08B, I08C, I08D, I08E, I08F
	01	B03A, B03B, B06A, B06B, B17A, B17B, B17C	5t04b.3↔		BOP, KVT, UOP4, VIAL		21A	W01A, W01B, W01C, W02A, W02B
	08	I08A, I08B, I08C, I08D, I08E, I08F		08	I08A, I08B, I08C, I08D, I08E, I08F, I12A, I12B, I12C, I13A, I13B, I13C, I13D, I13E	5t04b.f↔		BOP, KVT, UOP4, VIAL
	21A	W01A, W01B, W01C, W02A, W02B		21A	W04A, W04B		01	B03A, B03B, B06A, B06B, B17A, B17B, B17C
	21B	X04Z	5t04b.4↔		BOP, KVT, UOP4, VIAL		08	I08A, I08B, I08C, I08D, I08E, I08F
5t04a.h↔		BOP, KVT, UOP4, VIAL		08	I08A, I08B, I08C, I08D, I08E, I08F, I12A, I12B, I12C, I21Z, I31Z		21A	W01A, W01B, W01C, W02A, W02B
	01	B03A, B03B, B06A, B06B, B17A, B17B, B17C		21A	W04A, W04B	5t04b.g↔		BOP, KVT, UOP4, VIAL
	08	I08A, I08B, I08C, I08D, I08E, I08F	5t04b.5↔		BOP, KVT, UOP4, VIAL		01	B03A, B03B, B06A, B06B, B17A, B17B, B17C
	21A	W01A, W01B, W01C, W02A, W02B		08	I08A, I08B, I08C, I08D, I08E, I08F, I12A, I12B, I12C, I21Z, I31Z		08	I08A, I08B, I08C, I08D, I08E, I08F
	21B	X04Z		21A	W04A, W04B		21A	W01A, W01B, W01C, W02A, W02B
5t04a.i↔		BOP, KVT, UOP4, VIAL	5t04b.6↔		BOP, KVT, UOP4, VIAL		21B	X04Z
	08	I12A, I12B, I12C, I13A, I13B, I13C, I13D, I13E		08	I08A, I08B, I08C, I08D, I08E, I08F, I12A, I12B, I12C, I21Z, I31Z		01	B03A, B03B, B06A, B06B, B17A, B17B, B17C
	21A	W04A, W04B		21A	W04A, W04B		08	I08A, I08B, I08C, I08D, I08E, I08F
	21B	X04Z	5t04b.7↔		BOP, KVT, UOP4, VIAL		21A	W01A, W01B, W01C, W02A, W02B
5t04a.j↔		BOP, KVT, UOP4, VIAL		08	I08A, I08B, I08C, I08D, I08E, I08F, I12A, I12B, I12C, I21Z, I31Z	5t04b.h↔		BOP, KVT, UOP4, VIAL
	08	I12A, I12B, I12C, I13A, I13B, I13C, I13D, I13E		21A	W04A, W04B		01	B03A, B03B, B06A, B06B, B17A, B17B, B17C
	21A	W04A, W04B	5t04b.8↔		BOP, KVT, UOP4, VIAL		08	I08A, I08B, I08C, I08D, I08E, I08F
	21B	X04Z		08	I08A, I08B, I08C, I08D, I08E, I08F, I12A, I12B, I12C, I21Z, I31Z		21A	W01A, W01B, W01C, W02A, W02B
5t04a.k↔		BOP, KVT, UOP4, VIAL		21A	W04A, W04B	5t04b.i↔		BOP, KVT, UOP4, VIAL
	08	I12A, I12B, I12C, I13A, I13B, I13C, I13D, I13E	5t04b.9↔		BOP, KVT, UOP4, VIAL		01	B03A, B03B, B06A, B06B, B17A, B17B, B17C
	21A	W04A, W04B		08	I08A, I08B, I08C, I08D, I08E, I08F, I12A, I12B, I12C, I21Z, I31Z		08	I08A, I08B, I08C, I08D, I08E, I08F
	21B	X04Z		21A	W04A, W04B		21A	W01A, W01B, W01C, W02A, W02B
5t04a.l↔		BOP, KVT, UOP4, VIAL		21B	X06A, X06B, X06C	5t04b.j↔		BOP, KVT, UOP4, VIAL
	08	I13A, I13B, I13C, I13D, I13E	5t04b.a↔		BOP, KVT, UOP4, VIAL		08	I12A, I12B, I12C, I28A, I28B
5t04a.m↔		BOP, KVT, UOP4, VIAL		08	I12A, I12B, I12C, I32A, I32B, I32C, I32D, I32E, I32F		21A	W04A, W04B
	08	I13A, I13B, I13C, I13D, I13E		21A	W04A, W04B		21B	X04Z
	21A	W04A, W04B	5t04b.b↔		BOP, KVT, UOP4, VIAL	5t04b.k↔		BOP, KVT, UOP4, VIAL
	21B	X04Z		08	I12A, I12B, I12C, I32A, I32B, I32C, I32D, I32E, I32F		08	I12A, I12B, I12C, I13A, I13B, I13C, I13D, I13E
5t04a.n↔		BOP, KVT, UOP4, VIAL		21A	W04A, W04B		21A	W04A, W04B
	08	I12A, I12B, I12C, I13A, I13B, I13C, I13D, I13E		21B	X06A, X06B, X06C	5t04b.l↔		BOP, KVT, UOP4, VIAL
	21A	W04A, W04B		21A	W04A, W04B		08	I12A, I12B, I12C, I13A, I13B, I13C, I13D, I13E
	21B	X04Z	5t04b.c↔		BOP, KVT, UOP4, VIAL		21B	X04Z
5t04a.o↔		BOP, KVT, UOP4, VIAL		08	I08A, I08B, I08C, I08D, I08E, I08F, I12A, I12B, I12C, I21Z, I31Z	5t04b.m↔		BOP, KVT, UOP4, VIAL
	08	I13A, I13B, I13C, I13D, I13E		21A	W04A, W04B		08	I12A, I12B, I12C, I13A, I13B, I13C, I13D, I13E
	21A	W04A, W04B		21B	X06A, X06B, X06C		21A	W04A, W04B
	21B	X04Z		21A	W04A, W04B		21B	X04Z
5t04a.p↔		BOP, KVT, UOP4, VIAL		21B	X06A, X06B, X06C	5t04b.n↔		BOP, KVT, UOP4, VIAL
	08	I13A, I13B, I13C, I13D, I13E		21B	X06A, X06B, X06C		08	I12A, I12B, I12C, I13A, I13B, I13C, I13D, I13E
5t04a.q↔		BOP, KVT, UOP4, VIAL		21A	W04A, W04B		21A	W04A, W04B
	08	I13A, I13B, I13C, I13D, I13E		21B	X05A, X05B	5t04b.o↔		BOP, KVT, UOP4, VIAL
	21A	W04A, W04B		21A	W04A, W04B		08	I12A, I12B, I12C, I13A, I13B, I13C, I13D, I13E
	21B	X04Z		21B	X05A, X05B		21A	W04A, W04B
5t04a.r↔		BOP, KVT, UOP4, VIAL		21B	X06A, X06B, X06C		21B	X04Z
	08	I12A, I12B, I12C, I13A, I13B, I13C, I13D, I13E		21A	W04A, W04B			
	21A	W04A, W04B		21B	X06A, X06B, X06C			
	21B	X04Z		21A	W04A, W04B			
5t04a.s↔		BOP, KVT, UOP4, VIAL		21B	X06A, X06B, X06C			
	08	I20A, I20B, I20C, I20D		21B	X06A, X06B, X06C			
5t04a.t↔		BOP, KVT, UOP4, VIAL		21A	W04A, W04B			
	08	I20A, I20B, I20C, I20D		21B	X05A, X05B			
5t04a.u↔		BOP, KVT, UOP4, VIAL		21A	W04A, W04B			
	08	I20A, I20B, I20C, I20D		21B	X05A, X05B			
5t04a.v↔		BOP, KVT, UOP4, VIAL		21A	W04A, W04B			
	08	I20A, I20B, I20C, I20D		21B	X05A, X05B			
5t04a.w↔		BOP, KVT, UOP4, VIAL		21A	W04A, W04B			
	08	I20A, I20B, I20C, I20D		21B	X05A, X05B			
5t04a.x		BOP, KVT, UOP4		21A	W04A, W04B			
	08	I12A, I12B, I12C, I28A, I28B		21B	X05A, X05B			
	21A	W04A, W04B						
	21B	X06A, X06B, X06C						

ZZV	MDC	DRG	ZZV	MDC	DRG	ZZV	MDC	DRG
5t04b.q↔		BOP, KVT, UOP4, VIAL	5t04x.4↔		BOP, KVT, UOP4, VIAL	5t04x.f↔		BOP, KVT, UOP4, VIAL
	08	I12A, I12B, I12C, I13A, I13B, I13C, I13D, I13E		08	I08A, I08B, I08C, I08D, I08E, I08F, I12A, I12B, I12C, I21Z, I31Z		01	B03A, B03B, B06A, B06B, B17A, B17B, B17C
	21A	W04A, W04B		21A	W04A, W04B		08	I08A, I08B, I08C, I08D, I08E, I08F
	21B	X04Z		21B	X06A, X06B, X06C		21A	W01A, W01B, W01C, W02A, W02B
5t04b.r↔		BOP, KVT, UOP4, VIAL	5t04x.5↔		BOP, KVT, UOP4, VIAL		21B	X04Z
	08	I12A, I12B, I12C, I13A, I13B, I13C, I13D, I13E		08	I08A, I08B, I08C, I08D, I08E, I08F, I12A, I12B, I12C, I21Z, I31Z	5t04x.g↔		BOP, KVT, UOP4, VIAL
	21A	W04A, W04B		21A	W04A, W04B		01	B03A, B03B, B06A, B06B, B17A, B17B, B17C
	21B	X04Z		21B	X06A, X06B, X06C		08	I08A, I08B, I08C, I08D, I08E, I08F
5t04b.s↔		BOP, KVT, UOP4, VIAL	5t04x.6↔		BOP, KVT, UOP4, VIAL		21A	W01A, W01B, W01C, W02A, W02B
	08	I12A, I12B, I12C, I20C, I28A, I28B		08	I08A, I08B, I08C, I08D, I08E, I08F, I12A, I12B, I12C, I21Z, I31Z		21B	X04Z
	21A	W04A, W04B		21A	W04A, W04B	5t04x.h↔		BOP, KVT, UOP4, VIAL
	21B	X04Z, X06A, X06B, X06C		21B	X06A, X06B, X06C		01	B03A, B03B, B06A, B06B, B17A, B17B, B17C
5t04b.t↔		BOP, KVT, UOP4, VIAL	5t04x.7↔		BOP, KVT, UOP4, VIAL		08	I08A, I08B, I08C, I08D, I08E, I08F
	08	I12A, I12B, I12C, I20C, I28A, I28B		08	I08A, I08B, I08C, I08D, I08E, I08F, I12A, I12B, I12C, I21Z, I31Z		21A	W01A, W01B, W01C, W02A, W02B
	21A	W04A, W04B		21A	W04A, W04B		21B	X04Z
	21B	X04Z, X06A, X06B, X06C		21B	X06A, X06B, X06C	5t04x.j↔		BOP, KVT, UOP4, VIAL
5t04b.u↔		BOP, KVT, UOP4, VIAL	5t04x.8↔		BOP, KVT, UOP4, VIAL		08	I12A, I12B, I12C, I28A, I28B
	08	I12A, I12B, I12C, I20C, I28A, I28B		08	I08A, I08B, I08C, I08D, I08E, I08F, I12A, I12B, I12C, I21Z, I31Z		21A	W04A, W04B
	21A	W04A, W04B		21A	W04A, W04B		21B	X04Z, X06A, X06B, X06C
	21B	X04Z, X06A, X06B, X06C		21B	X06A, X06B, X06C	5t04x.k↔		BOP, KVT, UOP4, VIAL
5t04b.v↔		BOP, KVT, UOP4, VIAL	5t04x.9↔		BOP, KVT, UOP4, VIAL		08	I12A, I12B, I12C, I13A, I13B, I13C, I13D, I13E
	08	I12A, I12B, I12C, I20C, I28A, I28B		08	I08A, I08B, I08C, I08D, I08E, I08F, I12A, I12B, I12C, I21Z, I31Z		21A	W04A, W04B
	21A	W04A, W04B		21A	W04A, W04B		21B	X04Z
	21B	X04Z, X06A, X06B, X06C		21B	X06A, X06B, X06C	5t04x.m↔		BOP, KVT, UOP4, VIAL
5t04b.w↔		BOP, KVT, UOP4, VIAL	5t04x.a↔		BOP, KVT, UOP4, VIAL		08	I12A, I12B, I12C, I13A, I13B, I13C, I13D, I13E
	08	I12A, I12B, I12C, I20C, I28A, I28B		08	I12A, I12B, I12C, I32A, I32B, I32C, I32D, I32E, I32F		21A	W04A, W04B
	21A	W04A, W04B		21A	W04A, W04B		21B	X04Z
	21B	X04Z, X06A, X06B, X06C		21B	X05A, X05B	5t04x.n↔		BOP, KVT, UOP4, VIAL
5t04b.x		BOP, KVT, UOP4	5t04x.b↔		BOP, KVT, UOP4, VIAL		08	I12A, I12B, I12C, I13A, I13B, I13C, I13D, I13E
	08	I12A, I12B, I12C, I28A, I28B		08	I12A, I12B, I12C, I32A, I32B, I32C, I32D, I32E, I32F		21A	W04A, W04B
	21A	W04A, W04B		21A	W04A, W04B		21B	X04Z
	21B	X06A, X06B, X06C		21B	X05A, X05B	5t04x.p↔		BOP, KVT, UOP4, VIAL
5t04b.z↔		BOP, KVT, UOP4, VIAL	5t04x.c↔		BOP, KVT, UOP4, VIAL		08	I12A, I12B, I12C, I13A, I13B, I13C, I13D, I13E
	04	E02A, E02B, E02C		08	I12A, I12B, I12C, I32A, I32B, I32C, I32D, I32E, I32F		21A	W04A, W04B
	08	I12A, I12B, I12C, I28A, I28B		21A	W04A, W04B		21B	X04Z
	21A	W04A, W04B		21A	W04A, W04B	5t04x.q↔		BOP, KVT, UOP4, VIAL
	21B	X06A, X06B, X06C		21B	X05A, X05B		08	I12A, I12B, I12C, I13A, I13B, I13C, I13D, I13E
5t04x.0↔		BOP, KVT, UOP4, VIAL	5t04x.d		BOP, KVT, UOP4, VIAL		21A	W04A, W04B
	04	E02A, E02B, E02C		08	I08A, I08B, I08C, I08D, I08E, I08F, I12A, I12B, I12C		21B	X04Z
	08	I12A, I12B, I12C, I28A, I28B		21A	W04A, W04B	5t04x.r↔		BOP, KVT, UOP4, VIAL
	21A	W04A, W04B		21B	X06A, X06B, X06C		08	I12A, I12B, I12C, I13A, I13B, I13C, I13D, I13E
	21B	X06A, X06B, X06C		21B	X06A, X06B, X06C		21A	W04A, W04B
5t04x.1↔		BOP, KVT, UOP4, VIAL	5t04x.e↔		BOP, KVT, UOP4, VIAL		21B	X04Z
	08	I08A, I08B, I08C, I08D, I08E, I08F, I12A, I12B, I12C, I13A, I13B, I13C, I13D, I13E		01	B03A, B03B, B06A, B06B, B17A, B17B, B17C	5t04x.s↔		BOP, KVT, UOP4, VIAL
	21A	W04A, W04B		08	I08A, I08B, I08C, I08D, I08E, I08F		08	I12A, I12B, I12C, I20C, I28A, I28B
	21B	X06A, X06B, X06C		21A	W01A, W01B, W01C, W02A, W02B		21A	W04A, W04B
5t04x.2↔		BOP, KVT, UOP4, VIAL		21B	X04Z		21B	X04Z
	08	I08A, I08B, I08C, I08D, I08E, I08F, I12A, I12B, I12C, I13A, I13B, I13C, I13D, I13E					08	I12A, I12B, I12C, I20C, I28A, I28B
	21A	W04A, W04B					21A	W04A, W04B
	21B	X06A, X06B, X06C					21B	X04Z, X06A, X06B, X06C
5t04x.3↔		BOP, KVT, UOP4, VIAL					08	I12A, I12B, I12C, I20C, I28A, I28B
	08	I08A, I08B, I08C, I08D, I08E, I08F, I12A, I12B, I12C, I13A, I13B, I13C, I13D, I13E					21A	W04A, W04B
	21A	W04A, W04B					21B	X04Z, X06A, X06B, X06C
	21B	X06A, X06B, X06C						

VYK

ZZV	MDC	DRG	ZZV	MDC	DRG	ZZV	MDC	DRG
5t04x.u↔		BOP, KVT, UOP4, VIAL	5t050.7↔		BOP, KVT, UOP4, VIAL	5t050.m↔		BOP, KVT, UOP4, VIAL
	08	I12A, I12B, I12C, I20C, I28A, I28B		08	I08A, I08B, I08C, I08D, I08E, I08F, I12A, I12B, I12C, I21Z, I31Z		08	I12A, I12B, I12C, I13A, I13B, I13C, I13D
	21A	W04A, W04B		21A	W04A, W04B		21A	W04A, W04B
5t04x.v↔	21B	X04Z, X06A, X06B, X06C		21B	X06A, X06B, X06C	5t050.n↔		BOP, KVT, UOP4, VIAL
	08	BOP, KVT, UOP4, VIAL	5t050.8↔		BOP, KVT, UOP4, VIAL		08	I12A, I12B, I12C, I13A, I13B, I13C, I13D
	08	I12A, I12B, I12C, I20C, I28A, I28B		08	I08A, I08B, I08C, I08D, I08E, I08F, I12A, I12B, I12C, I21Z, I31Z		21A	W04A, W04B
	21A	W04A, W04B		21A	W04A, W04B		21B	X04Z
5t04x.w↔	21B	X04Z, X06A, X06B, X06C		21B	X06A, X06B, X06C	5t050.p↔		BOP, KVT, UOP4, VIAL
	08	BOP, KVT, UOP4, VIAL	5t050.9↔		BOP, KVT, UOP4, VIAL		08	I13A, I13B, I13C, I13D
	08	I12A, I12B, I12C, I20C, I28A, I28B		08	I08A, I08B, I08C, I08D, I08E, I08F, I12A, I12B, I12C, I21Z, I31Z	5t050.q↔		BOP, KVT, UOP4, VIAL
	21A	W04A, W04B		21A	W04A, W04B		08	I13A, I13B, I13C, I13D
5t04x.x	21B	X04Z, X06A, X06B, X06C		21B	X06A, X06B, X06C	5t050.r↔		BOP, KVT, UOP4, VIAL
	08	BOP, KVT, UOP4	5t050.a↔		BOP, KVT, UOP4, VIAL		08	I13A, I13B, I13C, I13D
	08	I12A, I12B, I12C, I28A, I28B		08	I12A, I12B, I12C, I32A, I32B, I32C, I32D, I32E, I32F	5t050.s↔		BOP, KVT, UOP4, VIAL
	21A	W04A, W04B		21A	W04A, W04B		08	I20A, I20B, I20C, I20D, I20E, I20F
	21B	X06A, X06B, X06C		21B	X05A, X05B	5t050.t↔		BOP, KVT, UOP4, VIAL
5t04x.z↔		BOP, KVT, UOP4, VIAL	5t050.d		BOP, KVT, UOP4, VIAL		08	I20A, I20B, I20C, I20D, I20E, I20F
	04	E02A, E02B, E02C		08	I08A, I08B, I08C, I08D, I08E, I08F, I12A, I12B, I12C	5t050.u↔		BOP, KVT, UOP4, VIAL
	08	I12A, I12B, I12C, I28A, I28B		21A	W04A, W04B		08	I20A, I20B, I20C, I20D, I20E, I20F
	21A	W04A, W04B		21B	X06A, X06B, X06C	5t050.v↔		BOP, KVT, UOP4, VIAL
	21B	X06A, X06B, X06C	5t050.e↔		BOP, KVT, UOP4, VIAL		08	I20A, I20B, I20C, I20D, I20E, I20F
5t050.0↔		BOP, KVT, UOP4, VIAL		01	B03A, B03B, B06A, B06B, B17A, B17B, B17C	5t050.w↔		BOP, KVT, UOP4, VIAL
	04	E02A, E02B, E02C		08	I08A, I08B, I08C, I08D, I08E, I08F		08	I20A, I20B, I20C, I20D, I20E, I20F
	08	I12A, I12B, I12C, I28A, I28B		21A	W01A, W01B, W01C, W02A, W02B	5t050.x		BOP, KVT, UOP4
	21A	W04A, W04B		21B	X04Z		03	D12A, D12B
	21B	X06A, X06B, X06C	5t050.f↔		BOP, KVT, UOP4, VIAL		08	I12A, I12B, I12C, I28A, I28B
5t050.1↔		BOP, KVT, UOP4, VIAL		01	B03A, B03B, B06A, B06B, B17A, B17B, B17C		21A	W04A, W04B
	08	I08A, I08B, I08C, I08D, I08E, I08F, I12A, I12B, I12C, I13A, I13B, I13C, I13D		08	I08A, I08B, I08C, I08D, I08E, I08F	5t050.z↔		BOP, KVT, UOP4, VIAL
	21A	W04A, W04B		21A	W01A, W01B, W01C, W02A, W02B		04	E02A, E02B, E02C
	21B	X06A, X06B, X06C		21B	X04Z		08	I12A, I12B, I12C, I28A, I28B
5t050.2↔		BOP, KVT, UOP4, VIAL	5t050.g↔		BOP, KVT, UOP4, VIAL		21A	W04A, W04B
	08	I08A, I08B, I08C, I08D, I08E, I08F, I12A, I12B, I12C, I13A, I13B, I13C, I13D		01	B03A, B03B, B06A, B06B, B17A, B17B, B17C	5t051.0↔		BOP, KVT, UOP4, VIAL
	21A	W04A, W04B		08	I08A, I08B, I08C, I08D, I08E, I08F		04	E02A, E02B, E02C
	21B	X06A, X06B, X06C		21A	W01A, W01B, W01C, W02A, W02B		08	I12A, I12B, I12C, I28A, I28B
5t050.3↔		BOP, KVT, UOP4, VIAL		21B	X04Z		21A	W04A, W04B
	08	I08A, I08B, I08C, I08D, I08E, I08F, I12A, I12B, I12C, I13A, I13B, I13C, I13D		01	B03A, B03B, B06A, B06B, B17A, B17B, B17C		21B	X06A, X06B, X06C
	21A	W04A, W04B	5t050.h↔		BOP, KVT, UOP4, VIAL	5t051.1↔		BOP, KVT, UOP4, VIAL
	21B	X06A, X06B, X06C		08	I08A, I08B, I08C, I08D, I08E, I08F		08	I08A, I08B, I08C, I08D, I08E, I08F, I12A, I12B, I12C, I13A, I13B, I13C, I13D
5t050.4↔		BOP, KVT, UOP4, VIAL		21A	W01A, W01B, W01C, W02A, W02B		21A	W04A, W04B
	08	I08A, I08B, I08C, I08D, I08E, I08F, I12A, I12B, I12C, I21Z, I31Z		21B	X04Z		21B	X06A, X06B, X06C
	21A	W04A, W04B		01	B03A, B03B, B06A, B06B, B17A, B17B, B17C	5t051.2↔		BOP, KVT, UOP4, VIAL
	21B	X06A, X06B, X06C		08	I08A, I08B, I08C, I08D, I08E, I08F		08	I08A, I08B, I08C, I08D, I08E, I08F, I12A, I12B, I12C, I13A, I13B, I13C, I13D
5t050.5↔		BOP, KVT, UOP4, VIAL		21A	W01A, W01B, W01C, W02A, W02B		21A	W04A, W04B
	08	I08A, I08B, I08C, I08D, I08E, I08F, I12A, I12B, I12C, I21Z, I31Z		21B	X04Z		21B	X06A, X06B, X06C
	21A	W04A, W04B	5t050.i↔		BOP, KVT, UOP4, VIAL	5t051.3↔		BOP, KVT, UOP4, VIAL
	21B	X06A, X06B, X06C		08	I12A, I12B, I12C, I28A, I28B		08	I08A, I08B, I08C, I08D, I08E, I08F, I12A, I12B, I12C, I13A, I13B, I13C, I13D
5t050.6↔		BOP, KVT, UOP4, VIAL		21A	W04A, W04B		21A	W04A, W04B
	08	I08A, I08B, I08C, I08D, I08E, I08F, I12A, I12B, I12C, I21Z, I31Z	5t050.j↔		BOP, KVT, UOP4, VIAL		21B	X06A, X06B, X06C
	21A	W04A, W04B		08	I12A, I12B, I12C, I28A, I28B	5t051.4↔		BOP, KVT, UOP4, VIAL
	21B	X06A, X06B, X06C		21A	W04A, W04B		08	I08A, I08B, I08C, I08D, I08E, I08F, I12A, I12B, I12C, I21Z, I31Z
				21B	X04Z		21A	W04A, W04B
							21B	X06A, X06B, X06C

ZZV	MDC	DRG	ZZV	MDC	DRG	ZZV	MDC	DRG	
5t051.5↔		BOP, KVT, UOP4, VIAL	5t051.g↔		BOP, KVT, UOP4, VIAL	5t051.w↔		BOP, KVT, UOP4, VIAL	
	08	I08A, I08B, I08C, I08D, I08E, I08F, I12A, I12B, I12C, I21Z, I31Z		01	B03A, B03B, B06A, B06B, B17A, B17B, B17C		08	I12A, I12B, I12C, I28A, I28B	
	21A	W04A, W04B		08	I08A, I08B, I08C, I08D, I08E, I08F		21A	W04A, W04B	
	21B	X06A, X06B, X06C		21A	W01A, W01B, W01C, W02A, W02B	5t051.x		21B	X04Z, X06A, X06B, X06C
5t051.6↔		BOP, KVT, UOP4, VIAL		21B	X04Z		03	D12A, D12B	
	08	I08A, I08B, I08C, I08D, I08E, I08F, I12A, I12B, I12C, I21Z, I31Z	5t051.h↔		BOP, KVT, UOP4, VIAL		08	I12A, I12B, I12C, I28A, I28B	
	21A	W04A, W04B		01	B03A, B03B, B06A, B06B, B17A, B17B, B17C		21A	W04A, W04B	
	21B	X06A, X06B, X06C		08	I08A, I08B, I08C, I08D, I08E, I08F	5t051.z↔		21B	X06A, X06B, X06C
5t051.7↔		BOP, KVT, UOP4, VIAL		21A	W01A, W01B, W01C, W02A, W02B		04	E02A, E02B, E02C	
	08	I08A, I08B, I08C, I08D, I08E, I08F, I12A, I12B, I12C, I21Z, I31Z		21B	X04Z		08	I12A, I12B, I12C, I28A, I28B	
	21A	W04A, W04B	5t051.j↔		BOP, KVT, UOP4, VIAL	5t052.0↔		21A	W04A, W04B
	21B	X06A, X06B, X06C		08	I12A, I12B, I12C, I28A, I28B		04	E02A, E02B, E02C	
5t051.8↔		BOP, KVT, UOP4, VIAL		21A	W04A, W04B		08	I12A, I12B, I12C, I28A, I28B	
	08	I08A, I08B, I08C, I08D, I08E, I08F, I12A, I12B, I12C, I21Z, I31Z		21B	X04Z, X06A, X06B, X06C		21A	W04A, W04B	
	21A	W04A, W04B	5t051.k↔		BOP, KVT, UOP4, VIAL		21B	X06A, X06B, X06C	
	21B	X06A, X06B, X06C		08	I12A, I12B, I12C, I13A, I13B, I13C, I13D	5t052.1↔		BOP, KVT, UOP4, VIAL	
5t051.9↔		BOP, KVT, UOP4, VIAL		21A	W04A, W04B		08	I08A, I08B, I08C, I08D, I08E, I08F, I12A, I12B, I12C, I13A, I13B, I13C, I13D	
	08	I08A, I08B, I08C, I08D, I08E, I08F, I12A, I12B, I12C, I21Z, I31Z		21B	X04Z		21A	W04A, W04B	
	21A	W04A, W04B	5t051.m↔		BOP, KVT, UOP4, VIAL	5t052.2↔		21B	X06A, X06B, X06C
	21B	X06A, X06B, X06C		08	I12A, I12B, I12C, I13A, I13B, I13C, I13D		08	I08A, I08B, I08C, I08D, I08E, I08F, I12A, I12B, I12C, I13A, I13B, I13C, I13D	
5t051.a↔		BOP, KVT, UOP4, VIAL		21A	W04A, W04B		21A	W04A, W04B	
	08	I12A, I12B, I12C, I32A, I32B, I32C, I32D, I32E, I32F		21B	X04Z		21B	X06A, X06B, X06C	
	21A	W04A, W04B	5t051.n↔		BOP, KVT, UOP4, VIAL	5t052.3↔		BOP, KVT, UOP4, VIAL	
	21B	X05A, X05B		08	I12A, I12B, I12C, I13A, I13B, I13C, I13D		08	I08A, I08B, I08C, I08D, I08E, I08F, I12A, I12B, I12C, I13A, I13B, I13C, I13D	
5t051.b↔		BOP, KVT, UOP4, VIAL		21A	W04A, W04B		21A	W04A, W04B	
	08	I12A, I12B, I12C, I32A, I32B, I32C, I32D, I32E, I32F		21B	X04Z		21B	X06A, X06B, X06C	
	21A	W04A, W04B	5t051.p↔		BOP, KVT, UOP4, VIAL	5t052.4↔		BOP, KVT, UOP4, VIAL	
	21B	X05A, X05B		08	I12A, I12B, I12C, I13A, I13B, I13C, I13D		08	I08A, I08B, I08C, I08D, I08E, I08F, I12A, I12B, I12C, I21Z, I31Z	
5t051.c↔		BOP, KVT, UOP4, VIAL		21A	W04A, W04B		21A	W04A, W04B	
	08	I12A, I12B, I12C, I32A, I32B, I32C, I32D, I32E, I32F		21B	X04Z		21B	X06A, X06B, X06C	
	21A	W04A, W04B	5t051.q↔		BOP, KVT, UOP4, VIAL	5t052.5↔		BOP, KVT, UOP4, VIAL	
	21B	X05A, X05B		08	I12A, I12B, I12C, I13A, I13B, I13C, I13D		08	I08A, I08B, I08C, I08D, I08E, I08F, I12A, I12B, I12C, I21Z, I31Z	
5t051.d		BOP, KVT, UOP4, VIAL		21A	W04A, W04B		21A	W04A, W04B	
	08	I08A, I08B, I08C, I08D, I08E, I08F, I12A, I12B, I12C		21B	X04Z		21B	X06A, X06B, X06C	
	21A	W04A, W04B	5t051.r↔		BOP, KVT, UOP4, VIAL	5t052.6↔		BOP, KVT, UOP4, VIAL	
	21B	X06A, X06B, X06C		08	I12A, I12B, I12C, I28A, I28B		08	I08A, I08B, I08C, I08D, I08E, I08F, I12A, I12B, I12C, I21Z, I31Z	
5t051.e↔		BOP, KVT, UOP4, VIAL		21A	W04A, W04B		21A	W04A, W04B	
	01	B03A, B03B, B06A, B06B, B17A, B17B, B17C		21B	X04Z		21B	X06A, X06B, X06C	
	08	I08A, I08B, I08C, I08D, I08E, I08F	5t051.s↔		BOP, KVT, UOP4, VIAL		08	I08A, I08B, I08C, I08D, I08E, I08F, I12A, I12B, I12C, I21Z, I31Z	
	21A	W01A, W01B, W01C, W02A, W02B		08	I12A, I12B, I12C, I28A, I28B	5t052.7↔		BOP, KVT, UOP4, VIAL	
	21B	X04Z		21A	W04A, W04B		08	I08A, I08B, I08C, I08D, I08E, I08F, I12A, I12B, I12C, I21Z, I31Z	
5t051.f↔		BOP, KVT, UOP4, VIAL		21B	X04Z, X06A, X06B, X06C		21A	W04A, W04B	
	01	B03A, B03B, B06A, B06B, B17A, B17B, B17C	5t051.t↔		BOP, KVT, UOP4, VIAL		21B	X06A, X06B, X06C	
	08	I08A, I08B, I08C, I08D, I08E, I08F		08	I12A, I12B, I12C, I28A, I28B	5t052.8↔		BOP, KVT, UOP4, VIAL	
	21A	W01A, W01B, W01C, W02A, W02B		21A	W04A, W04B		08	I08A, I08B, I08C, I08D, I08E, I08F, I12A, I12B, I12C, I21Z, I31Z	
	21B	X04Z	5t051.u↔		BOP, KVT, UOP4, VIAL		21A	W04A, W04B	
				08	I12A, I12B, I12C, I28A, I28B		21B	X06A, X06B, X06C	
				21A	W04A, W04B				
				21B	X04Z, X06A, X06B, X06C				

ZZV	MDC	DRG	ZZV	MDC	DRG	ZZV	MDC	DRG	
5t052.9↔		BOP, KVT, UOP4, VIAL	5t052.m↔		BOP, KVT, UOP4, VIAL	5t053.2↔		BOP, KVT, UOP4, VIAL	
	08	I08A, I08B, I08C, I08D, I08E, I08F, I12A, I12B, I12C, I21Z, I31Z		08	I12A, I12B, I12C, I13A, I13B, I13C, I13D		08	I08A, I08B, I08C, I08D, I08E, I08F, I12A, I12B, I12C, I13A, I13B, I13C, I13D	
	21A	W04A, W04B		21A	W04A, W04B		21A	W04A, W04B	
	21B	X06A, X06B, X06C		21B	X04Z		21B	X06A, X06B, X06C	
5t052.a↔		BOP, KVT, UOP4, VIAL	5t052.n↔		BOP, KVT, UOP4, VIAL	5t053.3↔		BOP, KVT, UOP4, VIAL	
	08	I12A, I12B, I12C, I32A, I32B, I32C, I32D, I32E, I32F		08	I12A, I12B, I12C, I13A, I13B, I13C, I13D		08	I08A, I08B, I08C, I08D, I08E, I08F, I12A, I12B, I12C, I13A, I13B, I13C, I13D	
	21A	W04A, W04B		21A	W04A, W04B		21A	W04A, W04B	
	21B	X05A, X05B		21B	X04Z		21B	X06A, X06B, X06C	
5t052.b↔		BOP, KVT, UOP4, VIAL	5t052.p↔		BOP, KVT, UOP4, VIAL	5t053.4↔		BOP, KVT, UOP4, VIAL	
	08	I12A, I12B, I12C, I32A, I32B, I32C, I32D, I32E, I32F		08	I12A, I12B, I12C, I13A, I13B, I13C, I13D		08	I08A, I08B, I08C, I08D, I08E, I08F, I12A, I12B, I12C, I21Z, I31Z	
	21A	W04A, W04B		21A	W04A, W04B		21A	W04A, W04B	
	21B	X05A, X05B		21B	X04Z		21B	X06A, X06B, X06C	
5t052.c↔		BOP, KVT, UOP4, VIAL	5t052.q↔		BOP, KVT, UOP4, VIAL	5t053.5↔		BOP, KVT, UOP4, VIAL	
	08	I12A, I12B, I12C, I32A, I32B, I32C, I32D, I32E, I32F		08	I12A, I12B, I12C, I13A, I13B, I13C, I13D		08	I08A, I08B, I08C, I08D, I08E, I08F, I12A, I12B, I12C, I21Z, I31Z	
	21A	W04A, W04B		21A	W04A, W04B		21A	W04A, W04B	
	21B	X05A, X05B		21B	X04Z		21B	X06A, X06B, X06C	
5t052.d		BOP, KVT, UOP4, VIAL	5t052.r↔		BOP, KVT, UOP4, VIAL	5t053.6↔		BOP, KVT, UOP4, VIAL	
	08	I08A, I08B, I08C, I08D, I08E, I08F, I12A, I12B, I12C		08	I12A, I12B, I12C, I13A, I13B, I13C, I13D		08	I08A, I08B, I08C, I08D, I08E, I08F, I12A, I12B, I12C, I21Z, I31Z	
	21A	W04A, W04B		21A	W04A, W04B		21A	W04A, W04B	
	21B	X06A, X06B, X06C		21B	X04Z		21B	X06A, X06B, X06C	
5t052.e↔		BOP, KVT, UOP4, VIAL	5t052.s↔		BOP, KVT, UOP4, VIAL	5t053.7↔		BOP, KVT, UOP4, VIAL	
	01	B03A, B03B, B06A, B06B, B17A, B17B, B17C		08	I12A, I12B, I12C, I28A, I28B		08	I08A, I08B, I08C, I08D, I08E, I08F, I12A, I12B, I12C, I21Z, I31Z	
	08	I08A, I08B, I08C, I08D, I08E, I08F		21A	W04A, W04B		21A	W04A, W04B	
	21A	W01A, W01B, W01C, W02A, W02B		21B	X04Z, X06A, X06B, X06C		21B	X06A, X06B, X06C	
	21B	X04Z	5t052.t↔		BOP, KVT, UOP4, VIAL	5t053.8↔		BOP, KVT, UOP4, VIAL	
5t052.f↔		BOP, KVT, UOP4, VIAL		08	I12A, I12B, I12C, I28A, I28B		08	I08A, I08B, I08C, I08D, I08E, I08F, I12A, I12B, I12C, I21Z, I31Z	
	01	B03A, B03B, B06A, B06B, B17A, B17B, B17C		21A	W04A, W04B		21A	W04A, W04B	
	08	I08A, I08B, I08C, I08D, I08E, I08F		21B	X04Z, X06A, X06B, X06C		21B	X06A, X06B, X06C	
	21A	W01A, W01B, W01C, W02A, W02B	5t052.u↔		BOP, KVT, UOP4, VIAL	5t053.9↔		BOP, KVT, UOP4, VIAL	
	21B	X04Z		08	I12A, I12B, I12C, I28A, I28B		08	I08A, I08B, I08C, I08D, I08E, I08F, I12A, I12B, I12C, I21Z, I31Z	
5t052.g↔		BOP, KVT, UOP4, VIAL		21A	W04A, W04B		21A	W04A, W04B	
	01	B03A, B03B, B06A, B06B, B17A, B17B, B17C	5t052.v↔		BOP, KVT, UOP4, VIAL		21B	X06A, X06B, X06C	
	08	I08A, I08B, I08C, I08D, I08E, I08F		08	I12A, I12B, I12C, I28A, I28B		21B	X06A, X06B, X06C	
	21A	W01A, W01B, W01C, W02A, W02B		21A	W04A, W04B	5t053.a↔		BOP, KVT, UOP4, VIAL	
	21B	X04Z		21B	X04Z, X06A, X06B, X06C		08	I12A, I12B, I12C, I32A, I32B, I32C, I32D, I32E, I32F	
5t052.h↔		BOP, KVT, UOP4, VIAL	5t052.w↔		BOP, KVT, UOP4, VIAL		21A	W04A, W04B	
	01	B03A, B03B, B06A, B06B, B17A, B17B, B17C		08	I12A, I12B, I12C, I28A, I28B		21B	X05A, X05B	
	08	I08A, I08B, I08C, I08D, I08E, I08F		21A	W04A, W04B	5t053.b↔		BOP, KVT, UOP4, VIAL	
	21A	W01A, W01B, W01C, W02A, W02B		21B	X06A, X06B, X06C		08	I12A, I12B, I12C, I32A, I32B, I32C, I32D, I32E, I32F	
	21B	X04Z		5t052.x			21A	W04A, W04B	
5t052.i↔		BOP, KVT, UOP4, VIAL		03	D12A, D12B		21B	X05A, X05B	
	01	B03A, B03B, B06A, B06B, B17A, B17B, B17C		08	I12A, I12B, I12C, I28A, I28B		21B	X06A, X06B, X06C	
	08	I08A, I08B, I08C, I08D, I08E, I08F		21A	W04A, W04B	5t053.c↔		BOP, KVT, UOP4, VIAL	
	21A	W01A, W01B, W01C, W02A, W02B		21B	X06A, X06B, X06C		08	I12A, I12B, I12C, I32A, I32B, I32C, I32D, I32E, I32F	
	21B	X04Z	5t052.y↔		BOP, KVT, UOP4, VIAL		21A	W04A, W04B	
5t052.j↔		BOP, KVT, UOP4, VIAL		04	E02A, E02B, E02C		21B	X05A, X05B	
	08	I12A, I12B, I12C, I28A, I28B		08	I12A, I12B, I12C, I28A, I28B	5t053.d		BOP, KVT, UOP4, VIAL	
	21A	W04A, W04B		21A	W04A, W04B		08	I08A, I08B, I08C, I08D, I08E, I08F, I12A, I12B, I12C, I13A, I13B, I13C, I13D	
	21B	X04Z, X06A, X06B, X06C		21B	X06A, X06B, X06C		21A	W04A, W04B	
5t052.k↔		BOP, KVT, UOP4, VIAL	5t053.0↔		BOP, KVT, UOP4, VIAL		21B	X05A, X05B	
	08	I12A, I12B, I12C, I13A, I13B, I13C, I13D		04	E02A, E02B, E02C		21B	X06A, X06B, X06C	
	21A	W04A, W04B		08	I12A, I12B, I12C, I28A, I28B		5t053.1↔		
	21B	X04Z		21A	W04A, W04B		08	I08A, I08B, I08C, I08D, I08E, I08F, I12A, I12B, I12C, I13A, I13B, I13C, I13D	
				21B	X06A, X06B, X06C		21A	W04A, W04B	
				5t053.1↔			21B	X06A, X06B, X06C	
				08	I08A, I08B, I08C, I08D, I08E, I08F, I12A, I12B, I12C, I13A, I13B, I13C, I13D				
				21A	W04A, W04B				
				21B	X06A, X06B, X06C				

ZZV	MDC	DRG	ZZV	MDC	DRG	ZZV	MDC	DRG
5t053.e↔		BOP, KVT, UOP4, VIAL	5t053.t↔	08	I12A, I12B, I12C, I28A, I28B	5t054.7↔	08	I08A, I08B, I08C, I08D, I08E, I08F, I12A, I12B, I12C, I21Z, I31Z
	01	B03A, B03B, B06A, B06B, B17A, B17B, B17C		21A	W04A, W04B		21A	W04A, W04B
	08	I08A, I08B, I08C, I08D, I08E, I08F		21B	X04Z, X06A, X06B, X06C		21B	X06A, X06B, X06C
	21A	W01A, W01B, W01C, W02A, W02B			BOP, KVT, UOP4, VIAL			BOP, KVT, UOP4, VIAL
5t053.f↔	21B	X04Z	5t053.u↔	08	I12A, I12B, I12C, I28A, I28B	5t054.8↔	08	I08A, I08B, I08C, I08D, I08E, I08F, I12A, I12B, I12C, I21Z, I31Z
		BOP, KVT, UOP4, VIAL		21A	W04A, W04B		21A	W04A, W04B
	01	B03A, B03B, B06A, B06B, B17A, B17B, B17C		21B	X04Z, X06A, X06B, X06C		21B	X06A, X06B, X06C
	08	I08A, I08B, I08C, I08D, I08E, I08F			BOP, KVT, UOP4, VIAL			BOP, KVT, UOP4, VIAL
5t053.g↔	21A	W01A, W01B, W01C, W02A, W02B	5t053.v↔	08	I12A, I12B, I12C, I28A, I28B	5t054.9↔	08	I08A, I08B, I08C, I08D, I08E, I08F, I12A, I12B, I12C, I21Z, I31Z
	21B	X04Z		21A	W04A, W04B		21A	W04A, W04B
		BOP, KVT, UOP4, VIAL		21B	X04Z, X06A, X06B, X06C		21B	X06A, X06B, X06C
	01	B03A, B03B, B06A, B06B, B17A, B17B, B17C			BOP, KVT, UOP4, VIAL			BOP, KVT, UOP4, VIAL
5t053.h↔	08	I08A, I08B, I08C, I08D, I08E, I08F	5t053.w↔	08	I12A, I12B, I12C, I28A, I28B	5t054.a↔	08	I08A, I08B, I08C, I08D, I08E, I08F, I12A, I12B, I12C, I21Z, I31Z
	21A	W01A, W01B, W01C, W02A, W02B		21A	W04A, W04B		21A	W04A, W04B
	21B	X04Z		21B	X04Z, X06A, X06B, X06C		21B	X06A, X06B, X06C
		BOP, KVT, UOP4, VIAL			BOP, KVT, UOP4, VIAL			BOP, KVT, UOP4, VIAL
5t053.i↔	01	B03A, B03B, B06A, B06B, B17A, B17B, B17C	5t053.x	03	D12A, D12B	5t054.b↔	08	I12A, I12B, I12C, I32A, I32B, I32C, I32D, I32E, I32F
	08	I08A, I08B, I08C, I08D, I08E, I08F		08	I12A, I12B, I12C, I28A, I28B		21A	W04A, W04B
	21A	W01A, W01B, W01C, W02A, W02B		21A	W04A, W04B		21A	W04A, W04B
	21B	X04Z		21B	X06A, X06B, X06C		21B	X05A, X05B
5t053.j↔		BOP, KVT, UOP4, VIAL	5t053.z↔	04	E02A, E02B, E02C	5t054.c↔	08	I12A, I12B, I12C, I32A, I32B, I32C, I32D, I32E, I32F
	08	I12A, I12B, I12C, I28A, I28B		08	I12A, I12B, I12C, I28A, I28B		21A	W04A, W04B
	21A	W04A, W04B		21A	W04A, W04B		21A	W04A, W04B
	21B	X04Z, X06A, X06B, X06C		21B	X06A, X06B, X06C		21B	X05A, X05B
5t053.k↔		BOP, KVT, UOP4, VIAL	5t054.0↔		BOP, KVT, UOP4, VIAL	5t054.d	21B	X05A, X05B
	08	I12A, I12B, I12C, I13A, I13B, I13C, I13D		04	E02A, E02B, E02C		08	I08A, I08B, I08C, I08D, I08E, I08F, I12A, I12B, I12C, I13A, I13B, I13C, I13D
	21A	W04A, W04B		08	I12A, I12B, I12C, I28A, I28B		21A	W04A, W04B
	21B	X04Z		21A	W04A, W04B		21B	X06A, X06B, X06C
5t053.l↔		BOP, KVT, UOP4, VIAL	5t054.1↔		BOP, KVT, UOP4, VIAL	5t054.e↔	21B	X05A, X05B
	08	I12A, I12B, I12C, I13A, I13B, I13C, I13D		08	I08A, I08B, I08C, I08D, I08E, I08F, I12A, I12B, I12C, I13A, I13B, I13C, I13D		01	B03A, B03B, B06A, B06B, B17A, B17B, B17C
	21A	W04A, W04B		21A	W04A, W04B		08	I08A, I08B, I08C, I08D, I08E, I08F
	21B	X04Z		21B	X06A, X06B, X06C		21A	W01A, W01B, W01C, W02A, W02B
5t053.m↔		BOP, KVT, UOP4, VIAL	5t054.2↔		BOP, KVT, UOP4, VIAL	5t054.f↔	21B	X04Z
	08	I12A, I12B, I12C, I13A, I13B, I13C, I13D		08	I08A, I08B, I08C, I08D, I08E, I08F, I12A, I12B, I12C, I13A, I13B, I13C, I13D		01	B03A, B03B, B06A, B06B, B17A, B17B, B17C
	21A	W04A, W04B		21A	W04A, W04B		08	I08A, I08B, I08C, I08D, I08E, I08F
	21B	X04Z		21B	X06A, X06B, X06C		21A	W01A, W01B, W01C, W02A, W02B
5t053.n↔		BOP, KVT, UOP4, VIAL	5t054.3↔		BOP, KVT, UOP4, VIAL	5t054.g↔	21B	X04Z
	08	I12A, I12B, I12C, I13A, I13B, I13C, I13D		08	I08A, I08B, I08C, I08D, I08E, I08F, I12A, I12B, I12C, I13A, I13B, I13C, I13D		01	B03A, B03B, B06A, B06B, B17A, B17B, B17C
	21A	W04A, W04B		21A	W04A, W04B		08	I08A, I08B, I08C, I08D, I08E, I08F
	21B	X04Z		21B	X06A, X06B, X06C		21A	W01A, W01B, W01C, W02A, W02B
5t053.o↔		BOP, KVT, UOP4, VIAL	5t054.4↔		BOP, KVT, UOP4, VIAL	5t054.h↔	21B	X04Z
	08	I12A, I12B, I12C, I13A, I13B, I13C, I13D		08	I08A, I08B, I08C, I08D, I08E, I08F, I12A, I12B, I12C, I21Z, I31Z		01	B03A, B03B, B06A, B06B, B17A, B17B, B17C
	21A	W04A, W04B		21A	W04A, W04B		08	I08A, I08B, I08C, I08D, I08E, I08F
	21B	X04Z		21B	X06A, X06B, X06C		21A	W01A, W01B, W01C, W02A, W02B
5t053.p↔		BOP, KVT, UOP4, VIAL	5t054.5↔		BOP, KVT, UOP4, VIAL	5t054.i↔	21B	X04Z
	08	I12A, I12B, I12C, I13A, I13B, I13C, I13D		08	I08A, I08B, I08C, I08D, I08E, I08F, I12A, I12B, I12C, I21Z, I31Z		01	B03A, B03B, B06A, B06B, B17A, B17B, B17C
	21A	W04A, W04B		21A	W04A, W04B		08	I08A, I08B, I08C, I08D, I08E, I08F
	21B	X04Z		21B	X06A, X06B, X06C		21A	W01A, W01B, W01C, W02A, W02B
5t053.q↔		BOP, KVT, UOP4, VIAL	5t054.6↔		BOP, KVT, UOP4, VIAL	5t054.j↔	21B	X04Z
	08	I12A, I12B, I12C, I13A, I13B, I13C, I13D		08	I08A, I08B, I08C, I08D, I08E, I08F, I12A, I12B, I12C, I21Z, I31Z		01	B03A, B03B, B06A, B06B, B17A, B17B, B17C
	21A	W04A, W04B		21A	W04A, W04B		08	I08A, I08B, I08C, I08D, I08E, I08F
	21B	X04Z		21B	X06A, X06B, X06C		21A	W01A, W01B, W01C, W02A, W02B
5t053.r↔		BOP, KVT, UOP4, VIAL	5t054.7↔		BOP, KVT, UOP4, VIAL	5t054.k↔	21B	X04Z
	08	I12A, I12B, I12C, I13A, I13B, I13C, I13D		08	I08A, I08B, I08C, I08D, I08E, I08F, I12A, I12B, I12C, I21Z, I31Z		01	B03A, B03B, B06A, B06B, B17A, B17B, B17C
	21A	W04A, W04B		21A	W04A, W04B		08	I08A, I08B, I08C, I08D, I08E, I08F
	21B	X04Z		21B	X06A, X06B, X06C		21A	W01A, W01B, W01C, W02A, W02B
5t053.s↔		BOP, KVT, UOP4, VIAL	5t054.8↔		BOP, KVT, UOP4, VIAL	5t054.l↔	21B	X04Z
	08	I12A, I12B, I12C, I28A, I28B		08	I08A, I08B, I08C, I08D, I08E, I08F, I12A, I12B, I12C, I21Z, I31Z		01	B03A, B03B, B06A, B06B, B17A, B17B, B17C
	21A	W04A, W04B		21A	W04A, W04B		08	I08A, I08B, I08C, I08D, I08E, I08F
	21B	X04Z, X06A, X06B, X06C		21B	X06A, X06B, X06C		21A	W01A, W01B, W01C, W02A, W02B

ZZV	MDC	DRG	ZZV	MDC	DRG	ZZV	MDC	DRG
5t054.j↔		BOP, KVT, UOP4, VIAL	5t05x.1↔		BOP, KVT, UOP4, VIAL	5t05x.d		BOP, KVT, UOP4, VIAL
	08	I12A, I12B, I12C, I28A, I28B		08	I08A, I08B, I08C, I08D, I08E, I08F, I12A, I12B, I12C, I13A, I13B, I13C, I13D		08	I08A, I08B, I08C, I08D, I08E, I08F, I12A, I12B, I12C
	21A	W04A, W04B		21A	W04A, W04B		21A	W04A, W04B
	21B	X04Z, X06A, X06B, X06C		21B	X06A, X06B, X06C		21B	X06A, X06B, X06C
5t054.k↔		BOP, KVT, UOP4, VIAL	5t05x.2↔		BOP, KVT, UOP4, VIAL	5t05x.e↔		BOP, KVT, UOP4, VIAL
	08	I12A, I12B, I12C, I13A, I13B, I13C, I13D		08	I08A, I08B, I08C, I08D, I08E, I08F, I12A, I12B, I12C, I13A, I13B, I13C, I13D		01	B03A, B03B, B06A, B06B, B17A, B17B, B17C
	21A	W04A, W04B		21A	W04A, W04B		08	I08A, I08B, I08C, I08D, I08E, I08F
	21B	X04Z		21B	X06A, X06B, X06C		21A	W01A, W01B, W01C, W02A, W02B
5t054.m↔		BOP, KVT, UOP4, VIAL	5t05x.3↔		BOP, KVT, UOP4, VIAL	5t05x.f↔		BOP, KVT, UOP4, VIAL
	08	I12A, I12B, I12C, I13A, I13B, I13C, I13D		08	I08A, I08B, I08C, I08D, I08E, I08F, I12A, I12B, I12C, I13A, I13B, I13C, I13D		01	B03A, B03B, B06A, B06B, B17A, B17B, B17C
	21A	W04A, W04B		21A	W04A, W04B		08	I08A, I08B, I08C, I08D, I08E, I08F
	21B	X04Z		21B	X06A, X06B, X06C		21A	W01A, W01B, W01C, W02A, W02B
5t054.n↔		BOP, KVT, UOP4, VIAL	5t05x.4↔		BOP, KVT, UOP4, VIAL	5t05x.g↔		BOP, KVT, UOP4, VIAL
	08	I12A, I12B, I12C, I13A, I13B, I13C, I13D		08	I08A, I08B, I08C, I08D, I08E, I08F, I12A, I12B, I12C, I21Z, I31Z		01	B03A, B03B, B06A, B06B, B17A, B17B, B17C
	21A	W04A, W04B		21A	W04A, W04B		08	I08A, I08B, I08C, I08D, I08E, I08F
	21B	X04Z		21B	X06A, X06B, X06C		21A	W01A, W01B, W01C, W02A, W02B
5t054.p↔		BOP, KVT, UOP4, VIAL	5t05x.5↔		BOP, KVT, UOP4, VIAL	5t05x.h↔		BOP, KVT, UOP4, VIAL
	08	I12A, I12B, I12C, I13A, I13B, I13C, I13D		08	I08A, I08B, I08C, I08D, I08E, I08F, I12A, I12B, I12C, I21Z, I31Z		01	B03A, B03B, B06A, B06B, B17A, B17B, B17C
	21A	W04A, W04B		21A	W04A, W04B		08	I08A, I08B, I08C, I08D, I08E, I08F
	21B	X04Z		21B	X06A, X06B, X06C		21A	W01A, W01B, W01C, W02A, W02B
5t054.q↔		BOP, KVT, UOP4, VIAL	5t05x.6↔		BOP, KVT, UOP4, VIAL	5t05x.i↔		BOP, KVT, UOP4, VIAL
	08	I12A, I12B, I12C, I13A, I13B, I13C, I13D		08	I08A, I08B, I08C, I08D, I08E, I08F, I12A, I12B, I12C, I21Z, I31Z		08	I12A, I12B, I12C, I28A, I28B
	21A	W04A, W04B		21A	W04A, W04B		21A	W04A, W04B
	21B	X04Z		21B	X06A, X06B, X06C		21B	X04Z, X06A, X06B, X06C
5t054.r↔		BOP, KVT, UOP4, VIAL	5t05x.7↔		BOP, KVT, UOP4, VIAL	5t05x.j↔		BOP, KVT, UOP4, VIAL
	08	I12A, I12B, I12C, I13A, I13B, I13C, I13D		08	I08A, I08B, I08C, I08D, I08E, I08F, I12A, I12B, I12C, I21Z, I31Z		08	I12A, I12B, I12C, I28A, I28B
	21A	W04A, W04B		21A	W04A, W04B		21A	W04A, W04B
	21B	X04Z		21B	X06A, X06B, X06C		21B	X04Z, X06A, X06B, X06C
5t054.s↔		BOP, KVT, UOP4, VIAL	5t05x.8↔		BOP, KVT, UOP4, VIAL	5t05x.k↔		BOP, KVT, UOP4, VIAL
	08	I12A, I12B, I12C, I28A, I28B		08	I08A, I08B, I08C, I08D, I08E, I08F, I12A, I12B, I12C, I21Z, I31Z		08	I12A, I12B, I12C, I13A, I13B, I13C, I13D
	21A	W04A, W04B		21A	W04A, W04B		21A	W04A, W04B
	21B	X04Z, X06A, X06B, X06C		21B	X06A, X06B, X06C		21B	X04Z
5t054.t↔		BOP, KVT, UOP4, VIAL	5t05x.9↔		BOP, KVT, UOP4, VIAL	5t05x.l↔		BOP, KVT, UOP4, VIAL
	08	I12A, I12B, I12C, I28A, I28B		08	I08A, I08B, I08C, I08D, I08E, I08F, I12A, I12B, I12C, I21Z, I31Z		08	I12A, I12B, I12C, I13A, I13B, I13C, I13D
	21A	W04A, W04B		21A	W04A, W04B		21A	W04A, W04B
	21B	X04Z, X06A, X06B, X06C		21B	X06A, X06B, X06C		21B	X04Z
5t054.u↔		BOP, KVT, UOP4, VIAL	5t05x.a↔		BOP, KVT, UOP4, VIAL	5t05x.m↔		BOP, KVT, UOP4, VIAL
	08	I12A, I12B, I12C, I28A, I28B		08	I12A, I12B, I12C, I32A, I32B, I32C, I32D, I32E, I32F		08	I12A, I12B, I12C, I13A, I13B, I13C, I13D
	21A	W04A, W04B		21A	W04A, W04B		21A	W04A, W04B
	21B	X04Z, X06A, X06B, X06C		21B	X05A, X05B		21B	X04Z
5t054.v↔		BOP, KVT, UOP4, VIAL	5t05x.b↔		BOP, KVT, UOP4, VIAL	5t05x.n↔		BOP, KVT, UOP4, VIAL
	08	I12A, I12B, I12C, I28A, I28B		08	I12A, I12B, I12C, I32A, I32B, I32C, I32D, I32E, I32F		08	I12A, I12B, I12C, I13A, I13B, I13C, I13D
	21A	W04A, W04B		21A	W04A, W04B		21A	W04A, W04B
	21B	X04Z, X06A, X06B, X06C		21B	X05A, X05B		21B	X04Z
5t054.w↔		BOP, KVT, UOP4, VIAL	5t05x.c↔		BOP, KVT, UOP4, VIAL	5t05x.o↔		BOP, KVT, UOP4, VIAL
	08	I12A, I12B, I12C, I28A, I28B		08	I12A, I12B, I12C, I32A, I32B, I32C, I32D, I32E, I32F		08	I12A, I12B, I12C, I13A, I13B, I13C, I13D
	21A	W04A, W04B		21A	W04A, W04B		21A	W04A, W04B
	21B	X04Z, X06A, X06B, X06C		21B	X05A, X05B		21B	X04Z
5t054.x		BOP, KVT, UOP4						
	03	D12A, D12B						
	08	I12A, I12B, I12C, I28A, I28B						
	21A	W04A, W04B						
	21B	X06A, X06B, X06C						
5t054.z↔		BOP, KVT, UOP4, VIAL						
	04	E02A, E02B, E02C						
	08	I12A, I12B, I12C, I28A, I28B						
	21A	W04A, W04B						
	21B	X06A, X06B, X06C						
5t05x.0↔		BOP, KVT, UOP4, VIAL						
	04	E02A, E02B, E02C						
	08	I12A, I12B, I12C, I28A, I28B						
	21A	W04A, W04B						
	21B	X06A, X06B, X06C						

ZZV	MDC	DRG	ZZV	MDC	DRG	ZZV	MDC	DRG
5t05x.r↔		BOP, KVT, UOP4, VIAL	5t066		BOP, KVT, UOP4	5t06f.0		BOP, KVT, UOP4
	08	I12A, I12B, I12C, I13A, I13B, I13C, I13D		03	D18Z, D28Z, D29Z		03	D18Z, D28Z, D29Z
	21A	W04A, W04B		04	E02A, E02B, E02C		04	E02A, E02B, E02C
	21B	X04Z		08	I12A, I12B, I12C, I28A, I28B		08	I12A, I12B, I12C, I28A, I28B
5t05x.s↔		BOP, KVT, UOP4, VIAL		09	J08A, J08B, J08C		09	J08A, J08B, J08C
	08	I12A, I12B, I12C, I28A, I28B		21A	W04A, W04B		21A	W04A, W04B
	21A	W04A, W04B		21B	X04Z, X05A, X05B, X06A, X06B, X06C		21B	X04Z, X05A, X05B, X06A, X06B, X06C
	21B	X04Z, X06A, X06B, X06C	5t067		BOP, KVT, UOP4	5t06f.1		BOP, KVT, UOP4
5t05x.t↔		BOP, KVT, UOP4, VIAL		03	D18Z, D28Z, D29Z		03	D18Z, D28Z, D29Z
	08	I12A, I12B, I12C, I28A, I28B		04	E02A, E02B, E02C		04	E02A, E02B, E02C
	21A	W04A, W04B		08	I12A, I12B, I12C, I28A, I28B		08	I12A, I12B, I12C, I28A, I28B
	21B	X04Z, X06A, X06B, X06C		09	J08A, J08B, J08C		09	J08A, J08B, J08C
5t05x.u↔		BOP, KVT, UOP4, VIAL		21A	W04A, W04B		21A	W04A, W04B
	08	I12A, I12B, I12C, I28A, I28B		21B	X04Z, X05A, X05B, X06A, X06B, X06C		21B	X04Z, X05A, X05B, X06A, X06B, X06C
	21A	W04A, W04B	5t068		BOP, KVT, UOP4	5t06v		BOP, KVT, UOP4
	21B	X04Z, X06A, X06B, X06C		03	D18Z, D28Z, D29Z		03	D18Z, D28Z, D29Z
5t05x.v↔		BOP, KVT, UOP4, VIAL		04	E02A, E02B, E02C		04	E02A, E02B, E02C
	08	I12A, I12B, I12C, I28A, I28B		08	I12A, I12B, I12C, I28A, I28B		08	I12A, I12B, I12C, I28A, I28B, I33Z
	21A	W04A, W04B		09	J08A, J08B, J08C		09	J08A, J08B, J08C
	21B	X04Z, X06A, X06B, X06C		21A	W04A, W04B		21A	W04A, W04B
5t05x.w↔		BOP, KVT, UOP4, VIAL		21B	X04Z, X05A, X05B, X06A, X06B, X06C		21B	X04Z, X05A, X05B, X06A, X06B, X06C
	08	I12A, I12B, I12C, I28A, I28B	5t069		BOP, KVT, UOP4	5t06x		BOP, KVT, UOP4
	21A	W04A, W04B		03	D18Z, D28Z, D29Z		03	D18Z, D28Z, D29Z
	21B	X04Z, X06A, X06B, X06C		04	E02A, E02B, E02C		04	E02A, E02B, E02C
5t05x.x		BOP, KVT, UOP4		08	I12A, I12B, I12C, I28A, I28B		08	I12A, I12B, I12C, I28A, I28B
	03	D12A, D12B		09	J08A, J08B, J08C		09	J08A, J08B, J08C
	08	I12A, I12B, I12C, I28A, I28B		21A	W04A, W04B		21A	W04A, W04B
	21A	W04A, W04B		21B	X04Z, X05A, X05B, X06A, X06B, X06C		21B	X04Z, X05A, X05B, X06A, X06B, X06C
	21B	X06A, X06B, X06C	5t06a		BOP, KVT, UOP4	5t06z		BOP, KVT, UOP4
5t05x.z↔		BOP, KVT, UOP4, VIAL		03	D18Z, D28Z, D29Z		03	D18Z, D28Z, D29Z
	04	E02A, E02B, E02C		04	E02A, E02B, E02C		04	E02A, E02B, E02C
	08	I12A, I12B, I12C, I28A, I28B		08	I12A, I12B, I12C, I28A, I28B		08	I12A, I12B, I12C, I28A, I28B
	21A	W04A, W04B		09	J08A, J08B, J08C		09	J08A, J08B, J08C
	21B	X06A, X06B, X06C		21A	W04A, W04B		21A	W04A, W04B
5t061		BOP, KVT, UOP4		21B	X04Z, X05A, X05B, X06A, X06B, X06C		21B	X04Z, X05A, X05B, X06A, X06B, X06C
	03	D18Z, D28Z, D29Z	5t06b		BOP, KVT, UOP4	5t070.0↔		BOP, KVT, UOP4, VIAL
	04	E02A, E02B, E02C		03	D18Z, D28Z, D29Z		08	I12A, I12B, I12C, I28A, I28B
	08	I12A, I12B, I12C, I28A, I28B		04	E02A, E02B, E02C		21A	W04A, W04B
	09	J08A, J08B, J08C		08	I12A, I12B, I12C, I28A, I28B		21B	X06A, X06B, X06C
	21A	W04A, W04B		09	J08A, J08B, J08C		5t070.1↔	BOP, KVT, UOP4, VIAL
	21B	X04Z, X05A, X05B, X06A, X06B, X06C		21A	W04A, W04B		08	I08A, I08B, I08C, I08D, I08E, I08F, I12A, I12B, I12C, I13A, I13B, I13C, I13D, I13E
5t063		BOP, KVT, UOP4		21B	X04Z, X05A, X05B, X06A, X06B, X06C		21A	W04A, W04B
	03	D18Z, D28Z, D29Z	5t06c		BOP, KVT, UOP4		21B	X06A, X06B, X06C
	04	E02A, E02B, E02C		03	D18Z, D28Z, D29Z		5t070.2↔	BOP, KVT, UOP4, VIAL
	08	I12A, I12B, I12C, I28A, I28B		04	E02A, E02B, E02C		08	I08A, I08B, I08C, I08D, I08E, I08F, I12A, I12B, I12C, I13A, I13B, I13C, I13D, I13E
	09	J08A, J08B, J08C		08	I12A, I12B, I12C, I28A, I28B		21A	W04A, W04B
	21A	W04A, W04B		09	J08A, J08B, J08C		21B	X06A, X06B, X06C
	21B	X04Z, X05A, X05B, X06A, X06B, X06C		21A	W04A, W04B		5t070.3↔	BOP, KVT, UOP4, VIAL
5t064		BOP, KVT, UOP4		21B	X04Z, X05A, X05B, X06A, X06B, X06C		08	I08A, I08B, I08C, I08D, I08E, I08F, I12A, I12B, I12C, I13A, I13B, I13C, I13D, I13E
	03	D18Z, D28Z, D29Z	5t06d		BOP, KVT, UOP4		21A	W04A, W04B
	04	E02A, E02B, E02C		03	D18Z, D28Z, D29Z		21B	X06A, X06B, X06C
	08	I12A, I12B, I12C, I28A, I28B		04	E02A, E02B, E02C		5t070.4↔	BOP, KVT, UOP4, VIAL
	09	J08A, J08B, J08C		08	I12A, I12B, I12C, I28A, I28B		08	I08A, I08B, I08C, I08D, I08E, I08F, I12A, I12B, I12C, I13A, I13B, I13C, I13D, I13E
	21A	W04A, W04B		09	J08A, J08B, J08C		21A	W04A, W04B
	21B	X04Z, X05A, X05B, X06A, X06B, X06C		21A	W04A, W04B		21B	X06A, X06B, X06C
5t065		BOP, KVT, UOP4		21B	X04Z, X05A, X05B, X06A, X06B, X06C		5t070.4↔	BOP, KVT, UOP4, VIAL
	03	D18Z, D28Z, D29Z					08	I08A, I08B, I08C, I08D, I08E, I08F, I12A, I12B, I12C, I13A, I13B, I13C, I13D, I13E
	04	E02A, E02B, E02C					21A	W04A, W04B
	08	I12A, I12B, I12C, I28A, I28B					21B	X06A, X06B, X06C
	09	J08A, J08B, J08C					5t070.4↔	BOP, KVT, UOP4, VIAL
	21A	W04A, W04B					08	I08A, I08B, I08C, I08D, I08E, I08F, I12A, I12B, I12C, I13A, I13B, I13C, I13D, I13E
	21B	X04Z, X05A, X05B, X06A, X06B, X06C					21A	W04A, W04B
							21B	X06A, X06B, X06C

ZZV	MDC	DRG	ZZV	MDC	DRG	ZZV	MDC	DRG
5t070.5↔		BOP, KVT, UOP4, VIAL	5t070.h↔	08	BOP, KVT, UOP4, VIAL	5t070.z↔	08	BOP, KVT, UOP4, VIAL
	08	I08A, I08B, I08C, I08D, I08E, I08F, I12A, I12B, I12C, I21Z, I31Z		08	I08A, I08B, I08C, I08D, I08E, I08F		08	I12A, I12B, I12C, I28A, I28B
	21A	W04A, W04B		21A	W01A, W01B, W01C, W02A, W02B		21A	W04A, W04B
5t070.6↔	21B	X06A, X06B, X06C	5t070.j↔	21B	X04Z	5t071.0↔	21B	X06A, X06B, X06C
	08	BOP, KVT, UOP4, VIAL		08	BOP, KVT, UOP4, VIAL		01	BOP, KVT, UOP4
	08	I08A, I08B, I08C, I08D, I08E, I08F, I12A, I12B, I12C, I21Z, I31Z		08	I12A, I12B, I12C, I18A, I18B, I30Z		01	B03A, B03B, B06A, B06B, B17A, B17B, B17C
5t070.7↔	21A	W04A, W04B	5t070.k↔	21A	W04A, W04B	5t071.1↔	04	E02A, E02B, E02C
	21B	X06A, X06B, X06C		21B	X04Z		08	I12A, I12B, I12C, I23A, I23B
	08	BOP, KVT, UOP4, VIAL		08	I12A, I12B, I12C, I13A, I13B, I13C, I13D, I13E		21A	W04A, W04B
5t070.8↔	08	I08A, I08B, I08C, I08D, I08E, I08F, I12A, I12B, I12C, I21Z, I31Z	5t070.m↔	08	I12A, I12B, I12C, I13A, I13B, I13C, I13D, I13E	5t071.2↔	21A	W04A, W04B
	21A	W04A, W04B		08	BOP, KVT, UOP4, VIAL		21B	X06A, X06B, X06C
	21B	X06A, X06B, X06C		08	I12A, I12B, I12C, I13A, I13B, I13C, I13D, I13E		01	BOP, KVT, UOP4
5t070.9↔	21B	X06A, X06B, X06C	5t070.n↔	21A	W04A, W04B	5t071.3↔	01	B03A, B03B, B06A, B06B, B17A, B17B, B17C
	08	BOP, KVT, UOP4, VIAL		08	I12A, I12B, I12C, I13A, I13B, I13C, I13D, I13E		08	I12A, I12B, I12C, I23A, I23B
	08	I08A, I08B, I08C, I08D, I08E, I08F, I12A, I12B, I12C, I21Z, I31Z		21A	W04A, W04B		21A	W04A, W04B
5t070.a↔	21A	W04A, W04B	5t070.p↔	21B	X04Z	5t071.4↔	21B	X06A, X06B, X06C
	21B	X06A, X06B, X06C		08	BOP, KVT, UOP4, VIAL		01	BOP, KVT, UOP4
	08	BOP, KVT, UOP4, VIAL		08	I12A, I12B, I12C, I13A, I13B, I13C, I13D, I13E		01	B03A, B03B, B06A, B06B, B17A, B17B, B17C
5t070.b↔	08	I12A, I12B, I12C, I32A, I32B, I32C, I32D, I32E, I32F	5t070.q↔	21A	W04A, W04B	5t071.5↔	08	I12A, I12B, I12C, I23A, I23B
	21A	W04A, W04B		21B	X04Z		21A	W04A, W04B
	21B	X05A, X05B		21A	W04A, W04B		21B	X06A, X06B, X06C
5t070.c↔	08	BOP, KVT, UOP4, VIAL	5t070.r↔	21B	X04Z	5t071.6↔	21B	X06A, X06B, X06C
	08	I12A, I12B, I12C, I32A, I32B, I32C, I32D, I32E, I32F		08	BOP, KVT, UOP4, VIAL		01	BOP, KVT, UOP4
	21A	W04A, W04B		08	I12A, I12B, I12C, I13A, I13B, I13C, I13D, I13E		01	B03A, B03B, B06A, B06B, B17A, B17B, B17C
5t070.d	21B	X05A, X05B	5t070.s↔	21A	W04A, W04B	5t071.7↔	08	I12A, I12B, I12C, I23A, I23B
	08	BOP, KVT, UOP4, VIAL		21B	X04Z		21A	W04A, W04B
	08	I12A, I12B, I12C, I32A, I32B, I32C, I32D, I32E, I32F		08	BOP, KVT, UOP4, VIAL		21B	X06A, X06B, X06C
5t070.e↔	21A	W04A, W04B	5t070.t↔	08	I12A, I12B, I12C, I20A, I20B, I20C, I20D, I20E, I20F	5t071.8↔	01	B03A, B03B, B06A, B06B, B17A, B17B, B17C
	21B	X05A, X05B		21A	W04A, W04B		08	I12A, I12B, I12C, I23A, I23B
	08	BOP, KVT, UOP4, VIAL		21B	X04Z		21A	W04A, W04B
5t070.f↔	08	I08A, I08B, I08C, I08D, I08E, I08F	5t070.u↔	08	I12A, I12B, I12C, I20A, I20B, I20C, I20D, I20E, I20F	5t071.9↔	21B	X06A, X06B, X06C
	21A	W01A, W01B, W01C, W02A, W02B		21A	W04A, W04B		01	BOP, KVT, UOP4
	21B	X04Z		21B	X04Z		01	B03A, B03B, B06A, B06B, B17A, B17B, B17C
5t070.g↔	08	BOP, KVT, UOP4, VIAL	5t070.v↔	08	I12A, I12B, I12C, I20A, I20B, I20C, I20D, I20E, I20F	5t071.9↔	08	I12A, I12B, I12C, I23A, I23B
	08	I08A, I08B, I08C, I08D, I08E, I08F		21A	W04A, W04B		21A	W04A, W04B
	21A	W01A, W01B, W01C, W02A, W02B		21B	X04Z		21B	X06A, X06B, X06C
5t070.h↔	21B	X04Z	5t070.w↔	08	BOP, KVT, UOP4, VIAL	5t071.9↔	21B	X06A, X06B, X06C
	08	I08A, I08B, I08C, I08D, I08E, I08F		08	I12A, I12B, I12C, I20A, I20B, I20C, I20D, I20E, I20F		01	B03A, B03B, B06A, B06B, B17A, B17B, B17C
	21A	W01A, W01B, W01C, W02A, W02B		21A	W04A, W04B		08	I12A, I12B, I12C, I23A, I23B
5t070.i↔	21B	X04Z	5t070.x	21B	X04Z	5t071.9↔	21A	W04A, W04B
	08	BOP, KVT, UOP4, VIAL		08	BOP, KVT, UOP4		21B	X06A, X06B, X06C
	08	I08A, I08B, I08C, I08D, I08E, I08F		08	I12A, I12B, I12C, I28A, I28B			
5t070.j↔	21A	W01A, W01B, W01C, W02A, W02B		21A	W04A, W04B			
	21B	X04Z		21B	X04Z			
	08	I08A, I08B, I08C, I08D, I08E, I08F						

ZZV	MDC	DRG	ZZV	MDC	DRG	ZZV	MDC	DRG
5t073.c↔		BOP, KVT, UOP4	5t073.r↔		BOP, KVT, UOP4	5t074.3↔		BOP, KVT, UOP4
	01	B03A, B03B, B06A, B06B, B17A, B17B, B17C		01	B03A, B03B, B06A, B06B, B17A, B17B, B17C		01	B03A, B03B, B06A, B06B, B17A, B17B, B17C
	08	I12A, I12B, I12C, I23A, I23B		08	I12A, I12B, I12C, I23A, I23B		08	I12A, I12B, I12C, I23A, I23B
	21A	W04A, W04B		21A	W04A, W04B		21A	W04A, W04B
5t073.d	21B	X05A, X05B, X06A, X06B, X06C	5t073.s↔	21B	X04Z, X06A, X06B, X06C	5t074.4↔	21B	X06A, X06B, X06C
		BOP, KVT, UOP4		01	BOP, KVT, UOP4		01	BOP, KVT, UOP4
	01	B03A, B03B, B06A, B06B, B17A, B17B, B17C		01	B03A, B03B, B06A, B06B, B17A, B17B, B17C		01	B03A, B03B, B06A, B06B, B17A, B17B, B17C
	08	I12A, I12B, I12C, I23A		08	I12A, I12B, I12C, I23A, I23B		08	I12A, I12B, I12C, I23A, I23B
5t073.e↔	21A	W04A, W04B	5t073.t↔	21A	W04A, W04B	5t074.5↔	21A	W04A, W04B
	21B	X04Z, X06A, X06B, X06C		21B	X04Z, X06A, X06B, X06C		21B	X06A, X06B, X06C
		BOP, KVT, UOP4		01	BOP, KVT, UOP4		01	BOP, KVT, UOP4
	01	B03A, B03B, B06A, B06B, B17A, B17B, B17C		01	B03A, B03B, B06A, B06B, B17A, B17B, B17C		01	B03A, B03B, B06A, B06B, B17A, B17B, B17C
5t073.f↔	08	I12A, I12B, I12C, I21Z	5t073.u↔	08	I12A, I12B, I12C, I23A, I23B	5t074.6↔	08	I12A, I12B, I12C, I23A, I23B
	21A	W04A, W04B		21A	W04A, W04B		21A	W04A, W04B
	21B	X04Z, X06A, X06B, X06C		21B	X04Z, X06A, X06B, X06C		21B	X06A, X06B, X06C
		BOP, KVT, UOP4		01	BOP, KVT, UOP4		01	BOP, KVT, UOP4
5t073.g↔	01	B03A, B03B, B06A, B06B, B17A, B17B, B17C	5t073.v↔	01	B03A, B03B, B06A, B06B, B17A, B17B, B17C	5t074.7↔	01	B03A, B03B, B06A, B06B, B17A, B17B, B17C
	08	I12A, I12B, I12C, I21Z		08	I12A, I12B, I12C, I23A, I23B		08	I12A, I12B, I12C, I23A, I23B
	21A	W04A, W04B		21A	W04A, W04B		21A	W04A, W04B
	21B	X04Z, X06A, X06B, X06C		21B	X04Z, X06A, X06B, X06C		21B	X06A, X06B, X06C
5t073.h↔		BOP, KVT, UOP4	5t073.w↔		BOP, KVT, UOP4	5t074.8↔		BOP, KVT, UOP4
	01	B03A, B03B, B06A, B06B, B17A, B17B, B17C		01	B03A, B03B, B06A, B06B, B17A, B17B, B17C		01	B03A, B03B, B06A, B06B, B17A, B17B, B17C
	08	I12A, I12B, I12C, I21Z		08	I12A, I12B, I12C, I23A, I23B		08	I12A, I12B, I12C, I23A, I23B
	21A	W04A, W04B		21A	W04A, W04B		21A	W04A, W04B
5t073.k↔	21B	X04Z, X06A, X06B, X06C	5t073.x	21B	X04Z, X06A, X06B, X06C	5t074.9↔	21B	X06A, X06B, X06C
		BOP, KVT, UOP4		01	BOP, KVT, UOP4		01	BOP, KVT, UOP4
	01	B03A, B03B, B06A, B06B, B17A, B17B, B17C		01	B03A, B03B, B06A, B06B, B17A, B17B, B17C		01	B03A, B03B, B06A, B06B, B17A, B17B, B17C
	08	I12A, I12B, I12C, I23A		08	I12A, I12B, I12C, I23A, I23B		08	I12A, I12B, I12C, I23A, I23B
5t073.m↔	21A	W04A, W04B	5t073.z↔	21A	W04A, W04B	5t074.a↔	21A	W04A, W04B
	21B	X04Z, X06A, X06B, X06C		21B	X06A, X06B, X06C		21B	X06A, X06B, X06C
		BOP, KVT, UOP4		01	BOP, KVT, UOP4		01	BOP, KVT, UOP4
	01	B03A, B03B, B06A, B06B, B17A, B17B, B17C		01	B03A, B03B, B06A, B06B, B17A, B17B, B17C		01	B03A, B03B, B06A, B06B, B17A, B17B, B17C
5t073.n↔	08	I12A, I12B, I12C, I23A	5t074.0↔	08	I12A, I12B, I12C, I23A, I23B	5t074.b↔	08	I12A, I12B, I12C, I23A, I23B
	21A	W04A, W04B		21A	W04A, W04B		21A	W04A, W04B
	21B	X04Z, X06A, X06B, X06C		21B	X06A, X06B, X06C		21B	X05A, X05B, X06A, X06B, X06C
		BOP, KVT, UOP4		01	BOP, KVT, UOP4		01	BOP, KVT, UOP4
5t073.p↔	01	B03A, B03B, B06A, B06B, B17A, B17B, B17C	5t074.1↔	01	BOP, KVT, UOP4	5t074.c↔	01	BOP, KVT, UOP4
	08	I12A, I12B, I12C, I23A, I23B		01	B03A, B03B, B06A, B06B, B17A, B17B, B17C		01	B03A, B03B, B06A, B06B, B17A, B17B, B17C
	21A	W04A, W04B		08	I12A, I12B, I12C, I23A, I23B		08	I12A, I12B, I12C, I23A, I23B
	21B	X04Z, X06A, X06B, X06C		21A	W04A, W04B		21A	W04A, W04B
5t073.q↔		BOP, KVT, UOP4	5t074.2↔	21B	X06A, X06B, X06C	5t074.d	21B	X05A, X05B, X06A, X06B, X06C
	01	B03A, B03B, B06A, B06B, B17A, B17B, B17C		01	BOP, KVT, UOP4		01	BOP, KVT, UOP4
	08	I12A, I12B, I12C, I23A, I23B		01	B03A, B03B, B06A, B06B, B17A, B17B, B17C		01	B03A, B03B, B06A, B06B, B17A, B17B, B17C
	21A	W04A, W04B		08	I12A, I12B, I12C, I23A, I23B		08	I12A, I12B, I12C, I23A, I23B
	BOP, KVT, UOP4	21A	W04A, W04B	21A	W04A, W04B			
	BOP, KVT, UOP4	21B	X06A, X06B, X06C	21B	X06A, X06B, X06C			

VYK

ZZV	MDC	DRG	ZZV	MDC	DRG	ZZV	MDC	DRG	
5t074.e↔		BOP, KVT, UOP4	5t074.s↔		BOP, KVT, UOP4	5t075.g↔		BOP, KVT, UOP4	
	01	B03A, B03B, B06A, B06B, B17A, B17B, B17C		01	B03A, B03B, B06A, B06B, B17A, B17B, B17C		01	B03A, B03B, B06A, B06B, B17A, B17B, B17C	
	08	I12A, I12B, I12C, I21Z		08	I12A, I12B, I12C, I23A, I23B		08	I12A, I12B, I12C, I21Z	
	21A	W04A, W04B		21A	W04A, W04B		21A	W04A, W04B	
5t074.f↔	21B	X04Z, X06A, X06B, X06C	5t074.t↔	21B	X04Z, X06A, X06B, X06C	5t075.h↔	21B	X04Z, X06A, X06B, X06C	
		BOP, KVT, UOP4			BOP, KVT, UOP4			BOP, KVT, UOP4	
	01	B03A, B03B, B06A, B06B, B17A, B17B, B17C		01	B03A, B03B, B06A, B06B, B17A, B17B, B17C		01	B03A, B03B, B06A, B06B, B17A, B17B, B17C	
	08	I12A, I12B, I12C, I21Z		08	I12A, I12B, I12C, I23A, I23B		08	I12A, I12B, I12C, I21Z	
5t074.g↔	21A	W04A, W04B	5t074.u↔	21A	W04A, W04B	5t075.k↔	21A	W04A, W04B	
	21B	X04Z, X06A, X06B, X06C		21B	X04Z, X06A, X06B, X06C		21B	X04Z, X06A, X06B, X06C	
		BOP, KVT, UOP4			BOP, KVT, UOP4			BOP, KVT, UOP4	
	01	B03A, B03B, B06A, B06B, B17A, B17B, B17C		01	B03A, B03B, B06A, B06B, B17A, B17B, B17C		08	I13A, I13B, I59Z	
5t074.h↔	08	I12A, I12B, I12C, I21Z	5t074.v↔	08	I12A, I12B, I12C, I23A, I23B	5t075.n↔	08	BOP, KVT, UOP4	
	21A	W04A, W04B		21A	W04A, W04B		5t075.p↔	08	I13A, I13B, I59Z
	21B	X04Z, X06A, X06B, X06C		21B	X04Z, X06A, X06B, X06C			08	BOP, KVT, UOP4
		BOP, KVT, UOP4			BOP, KVT, UOP4			08	I59Z
01	B03A, B03B, B06A, B06B, B17A, B17B, B17C	01	B03A, B03B, B06A, B06B, B17A, B17B, B17C	5t075.q↔	08	BOP, KVT, UOP4			
08	I12A, I12B, I12C, I21Z	08	I12A, I12B, I12C, I23A, I23B		5t075.r↔	08	I59Z		
21A	W04A, W04B	21A	W04A, W04B			5t075.s↔	08	BOP, KVT, UOP4	
21B	X04Z, X06A, X06B, X06C	21B	X04Z, X06A, X06B, X06C				08	I20A, I20B, I20C, I20D, I20E, I20F	
5t074.j↔		BOP, KVT, UOP4	5t074.w↔				BOP, KVT, UOP4	5t075.t↔	
	01	B03A, B03B, B06A, B06B, B17A, B17B, B17C		01	B03A, B03B, B06A, B06B, B17A, B17B, B17C		08		I20A, I20B, I20C, I20D, I20E, I20F
	08	I12A, I12B, I12C, I23A, I23B		08	I12A, I12B, I12C, I23A, I23B	5t075.u↔	08		BOP, KVT, UOP4
	21A	W04A, W04B		21A	W04A, W04B		08		I20A, I20B, I20C, I20D, I20E, I20F
5t074.k↔	21B	X04Z, X06A, X06B, X06C	5t074.x	21B	X04Z, X06A, X06B, X06C		5t075.v↔	08	BOP, KVT, UOP4
		BOP, KVT, UOP4			BOP, KVT, UOP4			08	I20A, I20B, I20C, I20D, I20E, I20F
	01	B03A, B03B, B06A, B06B, B17A, B17B, B17C		01	B03A, B03B, B06A, B06B, B17A, B17B, B17C	5t075.w↔		08	BOP, KVT, UOP4
	08	I12A, I12B, I12C, I23A, I23B		04	E02A, E02B, E02C			08	I20A, I20B, I20C, I20D, I20E, I20F
5t074.l↔	21A	W04A, W04B	5t074.z↔	08	I12A, I12B, I12C, I23A, I23B		5t075.x	08	BOP, KVT, UOP4
	21B	X04Z, X06A, X06B, X06C		01	B03A, B03B, B06A, B06B, B17A, B17B, B17C			01	B03A, B03B, B06A, B06B, B17A, B17B, B17C
		BOP, KVT, UOP4		04	E02A, E02B, E02C	08		I12A, I12B, I12C, I23A, I23B	
	01	B03A, B03B, B06A, B06B, B17A, B17B, B17C		08	I12A, I12B, I12C, I23A, I23B	5t076.1↔		21A	W04A, W04B
08	I12A, I12B, I12C, I23A, I23B	08	I12A, I12B, I12C, I23A, I23B	21B	X06A, X06B, X06C				
21A	W04A, W04B	21A	W04A, W04B	01	B03A, B03B, B06A, B06B, B17A, B17B, B17C				
5t074.m↔	21B	X04Z, X06A, X06B, X06C	5t075.1↔	21B	X06A, X06B, X06C		08	I12A, I12B, I12C, I23A, I23B	
		BOP, KVT, UOP4			BOP, KVT, UOP4	21A	W04A, W04B		
	01	B03A, B03B, B06A, B06B, B17A, B17B, B17C		08	I13A, I13B, I59Z	5t076.2↔	21B	X06A, X06B, X06C	
	08	I12A, I12B, I12C, I23A, I23B		5t075.2↔	08		BOP, KVT, UOP4	01	B03A, B03B, B06A, B06B, B17A, B17B, B17C
21A	W04A, W04B	08	I13A, I13B, I59Z		08		I12A, I12B, I12C, I23A, I23B		
5t074.n↔	21B	X04Z, X06A, X06B, X06C	5t075.3↔		08		BOP, KVT, UOP4	21A	W04A, W04B
		BOP, KVT, UOP4			08	I13A, I13B, I59Z	5t076.3↔	21B	X06A, X06B, X06C
	01	B03A, B03B, B06A, B06B, B17A, B17B, B17C		5t075.d	08	BOP, KVT, UOP4		01	B03A, B03B, B06A, B06B, B17A, B17B, B17C
	08	I12A, I12B, I12C, I23A, I23B			08	I08A, I08B, I08C, I08D, I08E, I08F		08	I12A, I12B, I12C, I23A, I23B
21A	W04A, W04B	5t075.e↔			BOP, KVT, UOP4	21A		W04A, W04B	
5t074.o↔	21B		X04Z, X06A, X06B, X06C		5t075.f↔	01	B03A, B03B, B06A, B06B, B17A, B17B, B17C	21B	X06A, X06B, X06C
			BOP, KVT, UOP4	08		I12A, I12B, I12C, I21Z	5t076.4↔	01	B03A, B03B, B06A, B06B, B17A, B17B, B17C
	01		B03A, B03B, B06A, B06B, B17A, B17B, B17C	21A		W04A, W04B		08	I12A, I12B, I12C, I23A, I23B
	08	I12A, I12B, I12C, I23A, I23B	21B	X04Z, X06A, X06B, X06C		21A		W04A, W04B	
21A	W04A, W04B		BOP, KVT, UOP4	21B	X06A, X06B, X06C				
5t074.p↔	21B	X04Z, X06A, X06B, X06C		BOP, KVT, UOP4		BOP, KVT, UOP4			
		BOP, KVT, UOP4		BOP, KVT, UOP4		BOP, KVT, UOP4			
	01	B03A, B03B, B06A, B06B, B17A, B17B, B17C		BOP, KVT, UOP4		BOP, KVT, UOP4			
	08	I12A, I12B, I12C, I23A, I23B		BOP, KVT, UOP4		BOP, KVT, UOP4			
5t074.q↔	21A	W04A, W04B		BOP, KVT, UOP4		BOP, KVT, UOP4			
	5t074.r↔	21B	X04Z, X06A, X06B, X06C		BOP, KVT, UOP4		BOP, KVT, UOP4		
			BOP, KVT, UOP4		BOP, KVT, UOP4		BOP, KVT, UOP4		
		01	B03A, B03B, B06A, B06B, B17A, B17B, B17C		BOP, KVT, UOP4		BOP, KVT, UOP4		
08		I12A, I12B, I12C, I23A, I23B		BOP, KVT, UOP4		BOP, KVT, UOP4			
21A	W04A, W04B		BOP, KVT, UOP4		BOP, KVT, UOP4				
21B	X04Z, X06A, X06B, X06C		BOP, KVT, UOP4		BOP, KVT, UOP4				

ZZV	MDC	DRG	ZZV	MDC	DRG	ZZV	MDC	DRG
5t077.x		BOP, KVT, UOP4	5t079.5↔		BOP, KVT, UOP4	5t079.n↔		BOP, KVT, UOP4
	01	B03A, B03B, B06A, B06B, B17A, B17B, B17C		01	B03A, B03B, B06A, B06B, B17A, B17B, B17C		01	B03A, B03B, B06A, B06B, B17A, B17B, B17C
	08	I12A, I12B, I12C, I23A, I23B		08	I12A, I12B, I12C, I23A, I23B		08	I12A, I12B, I12C, I23A, I23B
	21A	W04A, W04B		21A	W04A, W04B		21A	W04A, W04B
	21B	X06A, X06B, X06C		21B	X06A, X06B, X06C		21B	X04Z, X06A, X06B, X06C
5t078.1↔		BOP, KVT, UOP4	5t079.6↔		BOP, KVT, UOP4	5t079.p↔		BOP, KVT, UOP4
	08	I13A, I13B, I59Z		01	B03A, B03B, B06A, B06B, B17A, B17B, B17C		08	I59Z
5t078.2↔		BOP, KVT, UOP4		08	I12A, I12B, I12C, I23A, I23B	5t079.q↔		BOP, KVT, UOP4
	08	I13A, I13B, I59Z		21A	W04A, W04B		08	I59Z
5t078.e↔		BOP, KVT, UOP4	5t079.7↔		BOP, KVT, UOP4	5t079.r↔		BOP, KVT, UOP4
	01	B03A, B03B, B06A, B06B, B17A, B17B, B17C		01	B03A, B03B, B06A, B06B, B17A, B17B, B17C		08	I59Z
	08	I12A, I12B, I12C, I21Z		08	I12A, I12B, I12C, I23A, I23B	5t079.s↔		BOP, KVT, UOP4
	21A	W04A, W04B		21A	W04A, W04B		08	I59Z
	21B	X04Z, X06A, X06B, X06C		21B	X06A, X06B, X06C	5t079.t↔		BOP, KVT, UOP4
5t078.f↔		BOP, KVT, UOP4		08	I12A, I12B, I12C, I23A, I23B		08	I20A, I20B, I20C, I20D, I20E, I20F
	01	B03A, B03B, B06A, B06B, B17A, B17B, B17C	5t079.8↔		BOP, KVT, UOP4	5t079.x		BOP, KVT, UOP4
	08	I12A, I12B, I12C, I21Z		01	B03A, B03B, B06A, B06B, B17A, B17B, B17C		01	B03A, B03B, B06A, B06B, B17A, B17B, B17C
	21A	W04A, W04B		08	I12A, I12B, I12C, I23A, I23B		08	I12A, I12B, I12C, I23A, I23B
	21B	X04Z, X06A, X06B, X06C		21A	W04A, W04B		21A	W04A, W04B
5t078.g↔		BOP, KVT, UOP4		21B	X06A, X06B, X06C	5t07a.0↔		X06A, X06B, X06C
	01	B03A, B03B, B06A, B06B, B17A, B17B, B17C	5t079.9↔		BOP, KVT, UOP4		01	BOP, KVT, UOP4
	08	I12A, I12B, I12C, I21Z		01	B03A, B03B, B06A, B06B, B17A, B17B, B17C		01	B03A, B03B, B06A, B06B, B17A, B17B, B17C
	21A	W04A, W04B		08	I12A, I12B, I12C, I23A, I23B		04	E02A, E02B, E02C
	21B	X04Z, X06A, X06B, X06C		21A	W04A, W04B		08	I12A, I12B, I12C, I23A, I23B
5t078.h↔		BOP, KVT, UOP4	5t079.d		BOP, KVT, UOP4	5t07a.1↔		21A W04A, W04B
	01	B03A, B03B, B06A, B06B, B17A, B17B, B17C		08	I08A, I08B, I08C, I08D, I08E, I08F		21B	X06A, X06B, X06C
	08	I12A, I12B, I12C, I21Z		08	I08A, I08B, I08C, I08D, I08E, I08F		01	BOP, KVT, UOP4
	21A	W04A, W04B	5t079.e↔		BOP, KVT, UOP4		01	B03A, B03B, B06A, B06B, B17A, B17B, B17C
	21B	X04Z, X06A, X06B, X06C		08	I08A, I08B, I08C, I08D, I08E, I08F		08	I12A, I12B, I12C, I23A, I23B
5t078.x		BOP, KVT, UOP4	5t079.f↔		BOP, KVT, UOP4	5t07a.2↔		21A W04A, W04B
	01	B03A, B03B, B06A, B06B, B17A, B17B, B17C		01	B03A, B03B, B06A, B06B, B17A, B17B, B17C		21B	X06A, X06B, X06C
	08	I12A, I12B, I12C, I23A, I23B		08	I12A, I12B, I12C, I21Z		01	BOP, KVT, UOP4
	21A	W04A, W04B		21A	W04A, W04B		01	B03A, B03B, B06A, B06B, B17A, B17B, B17C
	21B	X06A, X06B, X06C	5t079.g↔		X04Z, X06A, X06B, X06C		08	I12A, I12B, I12C, I23A, I23B
5t079.1↔		BOP, KVT, UOP4		01	B03A, B03B, B06A, B06B, B17A, B17B, B17C	5t07a.3↔		21A W04A, W04B
	01	B03A, B03B, B06A, B06B, B17A, B17B, B17C		21B	X04Z, X06A, X06B, X06C		21B	X06A, X06B, X06C
	08	I12A, I12B, I12C, I23A, I23B	5t079.h↔		BOP, KVT, UOP4		01	BOP, KVT, UOP4
	21A	W04A, W04B		01	B03A, B03B, B06A, B06B, B17A, B17B, B17C		01	B03A, B03B, B06A, B06B, B17A, B17B, B17C
	21B	X06A, X06B, X06C		08	I12A, I12B, I12C, I21Z		08	I12A, I12B, I12C, I23A, I23B
5t079.2↔		BOP, KVT, UOP4		21A	W04A, W04B	5t07a.4↔		21A W04A, W04B
	01	B03A, B03B, B06A, B06B, B17A, B17B, B17C		21B	X04Z, X06A, X06B, X06C		21B	X06A, X06B, X06C
	08	I12A, I12B, I12C, I23A, I23B	5t079.i↔		BOP, KVT, UOP4		01	BOP, KVT, UOP4
	21A	W04A, W04B		01	B03A, B03B, B06A, B06B, B17A, B17B, B17C		01	B03A, B03B, B06A, B06B, B17A, B17B, B17C
	21B	X06A, X06B, X06C		08	I12A, I12B, I12C, I21Z		08	I12A, I12B, I12C, I23A, I23B
5t079.3↔		BOP, KVT, UOP4		21A	W04A, W04B	5t07a.5↔		21A W04A, W04B
	01	B03A, B03B, B06A, B06B, B17A, B17B, B17C		21B	X04Z, X06A, X06B, X06C		21B	X06A, X06B, X06C
	08	I12A, I12B, I12C, I23A, I23B	5t079.j↔		BOP, KVT, UOP4		01	BOP, KVT, UOP4
	21A	W04A, W04B		01	B03A, B03B, B06A, B06B, B17A, B17B, B17C		01	B03A, B03B, B06A, B06B, B17A, B17B, B17C
	21B	X06A, X06B, X06C		08	I12A, I12B, I12C, I23A, I23B		08	I12A, I12B, I12C, I23A, I23B
5t079.4↔		BOP, KVT, UOP4		21A	W04A, W04B	5t07a.6↔		21A W04A, W04B
	01	B03A, B03B, B06A, B06B, B17A, B17B, B17C		21B	X04Z, X06A, X06B, X06C		21B	X06A, X06B, X06C
	08	I12A, I12B, I12C, I23A, I23B	5t079.k↔		BOP, KVT, UOP4		01	BOP, KVT, UOP4
	21A	W04A, W04B		01	B03A, B03B, B06A, B06B, B17A, B17B, B17C		01	B03A, B03B, B06A, B06B, B17A, B17B, B17C
	21B	X06A, X06B, X06C		08	I12A, I12B, I12C, I23A, I23B		08	I12A, I12B, I12C, I23A, I23B
	01	B03A, B03B, B06A, B06B, B17A, B17B, B17C		21A	W04A, W04B		21A	W04A, W04B
	08	I12A, I12B, I12C, I23A, I23B	5t079.l↔		X04Z, X06A, X06B, X06C		21B	X06A, X06B, X06C
	21A	W04A, W04B		01	B03A, B03B, B06A, B06B, B17A, B17B, B17C		01	BOP, KVT, UOP4
	21B	X06A, X06B, X06C		08	I12A, I12B, I12C, I23A, I23B		01	B03A, B03B, B06A, B06B, B17A, B17B, B17C
	01	B03A, B03B, B06A, B06B, B17A, B17B, B17C		21A	W04A, W04B		08	I12A, I12B, I12C, I23A, I23B
	08	I12A, I12B, I12C, I23A, I23B		21B	X04Z, X06A, X06B, X06C		21A	W04A, W04B
	21A	W04A, W04B		21B	X04Z, X06A, X06B, X06C		21B	X06A, X06B, X06C
	21B	X06A, X06B, X06C						

VYK

ZZV	MDC	DRG	ZZV	MDC	DRG	ZZV	MDC	DRG
5t07a.7↔		BOP, KVT, UOP4	5t07a.m↔		BOP, KVT, UOP4	5t07b.0↔		BOP, KVT, UOP4
	01	B03A, B03B, B06A, B06B, B17A, B17B, B17C		01	B03A, B03B, B06A, B06B, B17A, B17B, B17C		01	B03A, B03B, B06A, B06B, B17A, B17B, B17C
	08	I12A, I12B, I12C, I23A, I23B		08	I12A, I12B, I12C, I23A, I23B		04	E02A, E02B, E02C
	21A	W04A, W04B		21A	W04A, W04B		08	I12A, I12B, I12C, I23A, I23B
5t07a.8↔	21B	X06A, X06B, X06C	5t07a.n↔	21B	X04Z, X06A, X06B, X06C	5t07b.1↔	21A	W04A, W04B
		BOP, KVT, UOP4			BOP, KVT, UOP4		21B	X06A, X06B, X06C
	01	B03A, B03B, B06A, B06B, B17A, B17B, B17C		01	B03A, B03B, B06A, B06B, B17A, B17B, B17C		01	B03A, B03B, B06A, B06B, B17A, B17B, B17C
	08	I12A, I12B, I12C, I23A, I23B		08	I12A, I12B, I12C, I23A, I23B		08	I12A, I12B, I12C, I23A, I23B
5t07a.9↔	21A	W04A, W04B	5t07a.p↔	21A	W04A, W04B	5t07b.2↔	21A	W04A, W04B
	21B	X06A, X06B, X06C		21B	X04Z, X06A, X06B, X06C		21B	X06A, X06B, X06C
		BOP, KVT, UOP4		01	B03A, B03B, B06A, B06B, B17A, B17B, B17C		01	B03A, B03B, B06A, B06B, B17A, B17B, B17C
	01	B03A, B03B, B06A, B06B, B17A, B17B, B17C		08	I12A, I12B, I12C, I23A, I23B		08	I12A, I12B, I12C, I23A, I23B
5t07a.b↔	08	I12A, I12B, I12C, I23A, I23B	5t07a.q↔	21A	W04A, W04B	5t07b.3↔	21A	W04A, W04B
	21A	W04A, W04B		21B	X04Z, X06A, X06B, X06C		21B	X06A, X06B, X06C
	21B	X05A, X05B, X06A, X06B, X06C		01	B03A, B03B, B06A, B06B, B17A, B17B, B17C		01	B03A, B03B, B06A, B06B, B17A, B17B, B17C
		BOP, KVT, UOP4		08	I12A, I12B, I12C, I23A, I23B		08	I12A, I12B, I12C, I23A, I23B
5t07a.c↔	01	B03A, B03B, B06A, B06B, B17A, B17B, B17C	5t07a.r↔	21A	W04A, W04B	5t07b.4↔	21A	W04A, W04B
	08	I12A, I12B, I12C, I23A, I23B		21B	X04Z, X06A, X06B, X06C		21B	X06A, X06B, X06C
	21A	W04A, W04B		01	B03A, B03B, B06A, B06B, B17A, B17B, B17C		01	B03A, B03B, B06A, B06B, B17A, B17B, B17C
	21B	X05A, X05B, X06A, X06B, X06C		08	I12A, I12B, I12C, I23A, I23B		08	I12A, I12B, I12C, I23A, I23B
5t07a.e↔		BOP, KVT, UOP4	5t07a.s↔	21A	W04A, W04B	5t07b.5↔	21A	W04A, W04B
	01	B03A, B03B, B06A, B06B, B17A, B17B, B17C		01	B03A, B03B, B06A, B06B, B17A, B17B, B17C		21B	X06A, X06B, X06C
	08	I12A, I12B, I12C, I21Z		08	I12A, I12B, I12C, I23A, I23B		01	B03A, B03B, B06A, B06B, B17A, B17B, B17C
	21A	W04A, W04B		21A	W04A, W04B		08	I12A, I12B, I12C, I23A, I23B
5t07a.f↔	21B	X04Z, X06A, X06B, X06C	5t07a.t↔	21B	X04Z, X06A, X06B, X06C	5t07b.6↔	21A	W04A, W04B
		BOP, KVT, UOP4		01	B03A, B03B, B06A, B06B, B17A, B17B, B17C		21B	X06A, X06B, X06C
	01	B03A, B03B, B06A, B06B, B17A, B17B, B17C		08	I12A, I12B, I12C, I23A, I23B		01	B03A, B03B, B06A, B06B, B17A, B17B, B17C
	08	I12A, I12B, I12C, I21Z		21A	W04A, W04B		08	I12A, I12B, I12C, I23A, I23B
5t07a.g↔	21A	W04A, W04B	5t07a.v↔	21B	X04Z, X06A, X06B, X06C	5t07b.7↔	21A	W04A, W04B
	21B	X04Z, X06A, X06B, X06C		01	B03A, B03B, B06A, B06B, B17A, B17B, B17C		21B	X06A, X06B, X06C
		BOP, KVT, UOP4		08	I12A, I12B, I12C, I23A, I23B		01	B03A, B03B, B06A, B06B, B17A, B17B, B17C
	01	B03A, B03B, B06A, B06B, B17A, B17B, B17C		21A	W04A, W04B		08	I12A, I12B, I12C, I23A, I23B
5t07a.h↔	08	I12A, I12B, I12C, I21Z	5t07a.w↔	21B	X04Z, X06A, X06B, X06C	5t07b.8↔	21A	W04A, W04B
	21A	W04A, W04B		01	B03A, B03B, B06A, B06B, B17A, B17B, B17C		21B	X06A, X06B, X06C
	21B	X04Z, X06A, X06B, X06C		08	I12A, I12B, I12C, I23A, I23B		01	B03A, B03B, B06A, B06B, B17A, B17B, B17C
		BOP, KVT, UOP4		21A	W04A, W04B		08	I12A, I12B, I12C, I23A, I23B
5t07a.i↔	01	B03A, B03B, B06A, B06B, B17A, B17B, B17C	5t07a.x	21B	X04Z, X06A, X06B, X06C	5t07b.9↔	21A	W04A, W04B
	08	I12A, I12B, I12C, I21Z		01	B03A, B03B, B06A, B06B, B17A, B17B, B17C		21B	X06A, X06B, X06C
	21A	W04A, W04B		08	I12A, I12B, I12C, I23A, I23B		01	B03A, B03B, B06A, B06B, B17A, B17B, B17C
	21B	X04Z, X06A, X06B, X06C		21A	W04A, W04B		08	I12A, I12B, I12C, I23A, I23B
5t07a.j↔		BOP, KVT, UOP4	5t07a.z↔	21B	X06A, X06B, X06C	5t07b.a↔	21A	W04A, W04B
	01	B03A, B03B, B06A, B06B, B17A, B17B, B17C		01	B03A, B03B, B06A, B06B, B17A, B17B, B17C		01	B03A, B03B, B06A, B06B, B17A, B17B, B17C
	08	I12A, I12B, I12C, I23A, I23B		04	E02A, E02B, E02C		08	I12A, I12B, I12C, I23A, I23B
	21A	W04A, W04B		08	I12A, I12B, I12C, I23A, I23B		21A	W04A, W04B
5t07a.k↔	21B	X04Z, X06A, X06B, X06C		BOP, KVT, UOP4	21B	X05A, X05B, X06A, X06B, X06C		
		BOP, KVT, UOP4		B03A, B03B, B06A, B06B, B17A, B17B, B17C				
	01	B03A, B03B, B06A, B06B, B17A, B17B, B17C		B17A, B17B, B17C				
	08	I12A, I12B, I12C, I23A, I23B		E02A, E02B, E02C				
	BOP, KVT, UOP4		I12A, I12B, I12C, I23A, I23B					
	B03A, B03B, B06A, B06B, B17A, B17B, B17C		21A	W04A, W04B				
	I12A, I12B, I12C, I23A, I23B		21B	X06A, X06B, X06C				
	W04A, W04B							
	X04Z, X06A, X06B, X06C							

VYK

ZZV	MDC	DRG	ZZV	MDC	DRG	ZZV	MDC	DRG
5t07b.b↔		BOP, KVT, UOP4	5t07b.q↔		BOP, KVT, UOP4	5t07c.d	08	I08A, I08B, I08C, I08D, I08E, I08F
	01	B03A, B03B, B06A, B06B, B17A, B17B, B17C		01	B03A, B03B, B06A, B06B, B17A, B17B, B17C		5t07c.e↔	01
	08	I12A, I12B, I12C, I23A, I23B		08	I12A, I12B, I12C, I23A, I23B	08		I12A, I12B, I12C, I21Z
	21A	W04A, W04B		21A	W04A, W04B	21A	W04A, W04B	
5t07b.c↔	21B	X05A, X05B, X06A, X06B, X06C	5t07b.r↔	21B	X04Z, X06A, X06B, X06C	21B	X04Z, X06A, X06B, X06C	
		BOP, KVT, UOP4			BOP, KVT, UOP4	5t07c.f↔		BOP, KVT, UOP4
	01	B03A, B03B, B06A, B06B, B17A, B17B, B17C		01	B03A, B03B, B06A, B06B, B17A, B17B, B17C		01	B03A, B03B, B06A, B06B, B17A, B17B, B17C
	08	I12A, I12B, I12C, I23A, I23B		08	I12A, I12B, I12C, I23A, I23B	08	I12A, I12B, I12C, I21Z	
5t07b.d	21A	W04A, W04B	5t07b.s↔	21A	W04A, W04B	21A	W04A, W04B	
	21B	X05A, X05B, X06A, X06B, X06C		21B	X04Z, X06A, X06B, X06C	21B	X04Z, X06A, X06B, X06C	
		BOP, KVT, UOP4			BOP, KVT, UOP4	5t07c.g↔		BOP, KVT, UOP4
	01	B03A, B03B, B06A, B06B, B17A, B17B, B17C		01	B03A, B03B, B06A, B06B, B17A, B17B, B17C		01	B03A, B03B, B06A, B06B, B17A, B17B, B17C
5t07b.e↔	08	I12A, I12B, I12C, I23A	5t07b.t↔	08	I12A, I12B, I12C, I23A, I23B	08	I12A, I12B, I12C, I21Z	
	21A	W04A, W04B		21A	W04A, W04B	21A	W04A, W04B	
	21B	X04Z, X06A, X06B, X06C		21B	X04Z, X06A, X06B, X06C	21B	X04Z, X06A, X06B, X06C	
		BOP, KVT, UOP4			BOP, KVT, UOP4	5t07c.h↔		BOP, KVT, UOP4
01	B03A, B03B, B06A, B06B, B17A, B17B, B17C	01	B03A, B03B, B06A, B06B, B17A, B17B, B17C	01	B03A, B03B, B06A, B06B, B17A, B17B, B17C			
5t07b.f↔	08	I12A, I12B, I12C, I21Z	5t07b.u↔	08	I12A, I12B, I12C, I23A, I23B	08	I12A, I12B, I12C, I21Z	
	21A	W04A, W04B		21A	W04A, W04B	21A	W04A, W04B	
	21B	X04Z, X06A, X06B, X06C		21B	X04Z, X06A, X06B, X06C	21B	X04Z, X06A, X06B, X06C	
		BOP, KVT, UOP4			BOP, KVT, UOP4	5t07c.k↔		BOP, KVT, UOP4
01	B03A, B03B, B06A, B06B, B17A, B17B, B17C	01	B03A, B03B, B06A, B06B, B17A, B17B, B17C	01	B03A, B03B, B06A, B06B, B17A, B17B, B17C			
5t07b.g↔	08	I12A, I12B, I12C, I21Z	5t07b.v↔	08	I12A, I12B, I12C, I23A, I23B	08	I12A, I12B, I12C, I23A	
	21A	W04A, W04B		21A	W04A, W04B	21A	W04A, W04B	
	21B	X04Z, X06A, X06B, X06C		21B	X04Z, X06A, X06B, X06C	21B	X04Z, X06A, X06B, X06C	
		BOP, KVT, UOP4			BOP, KVT, UOP4	5t07c.n↔		BOP, KVT, UOP4
01	B03A, B03B, B06A, B06B, B17A, B17B, B17C	01	B03A, B03B, B06A, B06B, B17A, B17B, B17C	01	B03A, B03B, B06A, B06B, B17A, B17B, B17C			
5t07b.h↔	08	I12A, I12B, I12C, I21Z	5t07b.w↔	08	I12A, I12B, I12C, I23A, I23B	08	I12A, I12B, I12C, I23A	
	21A	W04A, W04B		21A	W04A, W04B	21A	W04A, W04B	
	21B	X04Z, X06A, X06B, X06C		21B	X04Z, X06A, X06B, X06C	21B	X04Z, X06A, X06B, X06C	
		BOP, KVT, UOP4			BOP, KVT, UOP4	5t07c.x		BOP, KVT, UOP4
01	B03A, B03B, B06A, B06B, B17A, B17B, B17C	01	B03A, B03B, B06A, B06B, B17A, B17B, B17C	01	B03A, B03B, B06A, B06B, B17A, B17B, B17C			
5t07b.k↔	08	I12A, I12B, I12C, I21Z	5t07b.x	08	I12A, I12B, I12C, I23A, I23B	08	I12A, I12B, I12C, I23A	
	21A	W04A, W04B		21A	W04A, W04B	21A	W04A, W04B	
	21B	X04Z, X06A, X06B, X06C		21B	X04Z, X06A, X06B, X06C	21B	X06A, X06B, X06C	
		BOP, KVT, UOP4			BOP, KVT, UOP4	5t07d.0↔		BOP, KVT, UOP4
01	B03A, B03B, B06A, B06B, B17A, B17B, B17C	01	B03A, B03B, B06A, B06B, B17A, B17B, B17C	01	B03A, B03B, B06A, B06B, B17A, B17B, B17C			
5t07b.l↔	08	I12A, I12B, I12C, I23A	5t07b.z↔	08	I12A, I12B, I12C, I23A, I23B	04	E02A, E02B, E02C	
	21A	W04A, W04B		21A	W04A, W04B	08	I12A, I12B, I12C, I23A, I23B	
	21B	X04Z, X06A, X06B, X06C		21B	X06A, X06B, X06C	21A	W04A, W04B	
		BOP, KVT, UOP4			BOP, KVT, UOP4	21B	X06A, X06B, X06C	
5t07b.m↔	01	B03A, B03B, B06A, B06B, B17A, B17B, B17C	5t07c.1↔	01	B03A, B03B, B06A, B06B, B17A, B17B, B17C	5t07d.1↔		BOP, KVT, UOP4
	08	I12A, I12B, I12C, I23A		08	I12A, I12B, I12C, I23A, I23B		01	B03A, B03B, B06A, B06B, B17A, B17B, B17C
	21A	W04A, W04B		21A	W04A, W04B	08	I12A, I12B, I12C, I23A, I23B	
	21B	X04Z, X06A, X06B, X06C		21B	X06A, X06B, X06C	21A	W04A, W04B	
5t07b.n↔		BOP, KVT, UOP4	5t07c.2↔		BOP, KVT, UOP4	5t07d.2↔		BOP, KVT, UOP4
	01	B03A, B03B, B06A, B06B, B17A, B17B, B17C		01	B03A, B03B, B06A, B06B, B17A, B17B, B17C		01	B03A, B03B, B06A, B06B, B17A, B17B, B17C
	08	I12A, I12B, I12C, I23A		08	I12A, I12B, I12C, I23A, I23B	08	I12A, I12B, I12C, I23A, I23B	
	21A	W04A, W04B		21A	W04A, W04B	21A	W04A, W04B	
5t07b.p↔	21B	X04Z, X06A, X06B, X06C	5t07c.3↔	21B	X06A, X06B, X06C	21B	X06A, X06B, X06C	
		BOP, KVT, UOP4			BOP, KVT, UOP4		BOP, KVT, UOP4	
	01	B03A, B03B, B06A, B06B, B17A, B17B, B17C		01	B03A, B03B, B06A, B06B, B17A, B17B, B17C	08	I12A, I12B, I12C, I23A, I23B	
	08	I12A, I12B, I12C, I23A, I23B		08	I12A, I12B, I12C, I23A, I23B	21A	W04A, W04B	
21A	W04A, W04B	21A	W04A, W04B	21B	X06A, X06B, X06C			
21B	X04Z, X06A, X06B, X06C	21B	X06A, X06B, X06C					

VYK

ZZV	MDC	DRG	ZZV	MDC	DRG	ZZV	MDC	DRG										
5t07v.4↔		BOP, KVT, UOP4	5t07v.h↔		BOP, KVT, UOP4	5t07x.0↔		BOP, KVT, UOP4										
	01	B03A, B03B, B06A, B06B, B17A, B17B, B17C		01	B03A, B03B, B06A, B06B, B17A, B17B, B17C		01	B03A, B03B, B06A, B06B, B17A, B17B, B17C										
	08	I12A, I12B, I12C, I23A, I23B		08	I12A, I12B, I12C, I21Z		04	E02A, E02B, E02C										
	21A	W04A, W04B		21A	W04A, W04B		08	I23A, I23B										
5t07v.5↔	21B	X06A, X06B, X06C	5t07v.k↔	21B	X04Z, X06A, X06B, X06C	5t07x.1↔	21A	W04A, W04B										
		BOP, KVT, UOP4			BOP, KVT, UOP4		21B	X06A, X06B, X06C										
	01	B03A, B03B, B06A, B06B, B17A, B17B, B17C		01	B03A, B03B, B06A, B06B, B17A, B17B, B17C		01	B03A, B03B, B06A, B06B, B17A, B17B, B17C										
	08	I12A, I12B, I12C, I23A, I23B		08	I12A, I12B, I12C, I23A, I23B		08	I23A, I23B										
5t07v.6↔	21A	W04A, W04B	5t07v.m↔	21A	W04A, W04B	5t07x.2↔	21A	W04A, W04B										
	21B	X06A, X06B, X06C		21B	X04Z, X06A, X06B, X06C		21B	X06A, X06B, X06C										
		BOP, KVT, UOP4		01	B03A, B03B, B06A, B06B, B17A, B17B, B17C		01	B03A, B03B, B06A, B06B, B17A, B17B, B17C										
	01	B03A, B03B, B06A, B06B, B17A, B17B, B17C		08	I12A, I12B, I12C, I23A, I23B		08	I23A, I23B										
5t07v.7↔	08	I12A, I12B, I12C, I23A, I23B	5t07v.n↔	21A	W04A, W04B	5t07x.3↔	21A	W04A, W04B										
	21A	W04A, W04B		21B	X04Z, X06A, X06B, X06C		21B	X06A, X06B, X06C										
	21B	X06A, X06B, X06C			BOP, KVT, UOP4		01	B03A, B03B, B06A, B06B, B17A, B17B, B17C										
		BOP, KVT, UOP4		01	B03A, B03B, B06A, B06B, B17A, B17B, B17C		08	I23A, I23B										
5t07v.8↔	08	I12A, I12B, I12C, I23A, I23B	5t07v.p↔	21A	W04A, W04B	5t07x.4↔	21A	W04A, W04B										
	21A	W04A, W04B		01	B03A, B03B, B06A, B06B, B17A, B17B, B17C		21B	X06A, X06B, X06C										
	21B	X06A, X06B, X06C		08	I12A, I12B, I12C, I23A, I23B		01	B03A, B03B, B06A, B06B, B17A, B17B, B17C										
		BOP, KVT, UOP4		21A	W04A, W04B		08	I23A, I23B										
5t07v.9↔	01	B03A, B03B, B06A, B06B, B17A, B17B, B17C	5t07v.q↔	21B	X04Z, X06A, X06B, X06C	5t07x.5↔	21A	W04A, W04B										
	08	I12A, I12B, I12C, I23A, I23B			BOP, KVT, UOP4		21B	X06A, X06B, X06C										
	21A	W04A, W04B		01	B03A, B03B, B06A, B06B, B17A, B17B, B17C		01	B03A, B03B, B06A, B06B, B17A, B17B, B17C										
	21B	X06A, X06B, X06C		08	I12A, I12B, I12C, I23A, I23B		08	I23A, I23B										
5t07v.a↔		BOP, KVT, UOP4	5t07v.r↔	21A	W04A, W04B	5t07x.6↔	21A	W04A, W04B										
	01	B03A, B03B, B06A, B06B, B17A, B17B, B17C		01	B03A, B03B, B06A, B06B, B17A, B17B, B17C		21B	X06A, X06B, X06C										
	08	I12A, I12B, I12C, I23A, I23B		08	I12A, I12B, I12C, I23A, I23B		01	B03A, B03B, B06A, B06B, B17A, B17B, B17C										
	21A	W04A, W04B		21A	W04A, W04B		08	I23A, I23B										
5t07v.b↔	21B	X05A, X05B, X06A, X06B, X06C	5t07v.s↔	21B	X04Z, X06A, X06B, X06C	5t07x.7↔	21A	W04A, W04B										
		BOP, KVT, UOP4			BOP, KVT, UOP4		21B	X06A, X06B, X06C										
	01	B03A, B03B, B06A, B06B, B17A, B17B, B17C		01	B03A, B03B, B06A, B06B, B17A, B17B, B17C		01	B03A, B03B, B06A, B06B, B17A, B17B, B17C										
	08	I12A, I12B, I12C, I23A, I23B		08	I12A, I12B, I12C, I23A, I23B		08	I23A, I23B										
5t07v.d	21A	W04A, W04B	5t07v.t↔	21A	W04A, W04B	5t07x.8↔	21A	W04A, W04B										
	21B	X04Z, X06A, X06B, X06C		21B	X04Z, X06A, X06B, X06C		21B	X06A, X06B, X06C										
		BOP, KVT, UOP4		01	B03A, B03B, B06A, B06B, B17A, B17B, B17C		01	B03A, B03B, B06A, B06B, B17A, B17B, B17C										
	01	B03A, B03B, B06A, B06B, B17A, B17B, B17C		08	I12A, I12B, I12C, I23A, I23B		08	I23A, I23B										
5t07v.e↔	08	I12A, I12B, I12C, I23A, I23B	5t07v.u↔	21A	W04A, W04B	5t07x.9↔	21A	W04A, W04B										
	21A	W04A, W04B			BOP, KVT, UOP4		21B	X06A, X06B, X06C										
	21B	X04Z, X06A, X06B, X06C		01	B03A, B03B, B06A, B06B, B17A, B17B, B17C		01	B03A, B03B, B06A, B06B, B17A, B17B, B17C										
		BOP, KVT, UOP4		08	I12A, I12B, I12C, I23A, I23B		08	I23A, I23B										
5t07v.f↔	08	I12A, I12B, I12C, I21Z	5t07v.v↔	21A	W04A, W04B	5t07x.a↔	21A	W04A, W04B										
	21A	W04A, W04B		01	B03A, B03B, B06A, B06B, B17A, B17B, B17C		21B	X06A, X06B, X06C										
	21B	X04Z, X06A, X06B, X06C		08	I12A, I12B, I12C, I23A, I23B		01	B03A, B03B, B06A, B06B, B17A, B17B, B17C										
		BOP, KVT, UOP4		21A	W04A, W04B		08	I23A, I23B										
5t07v.g↔	01	B03A, B03B, B06A, B06B, B17A, B17B, B17C																
	08	I12A, I12B, I12C, I21Z																
	21A	W04A, W04B																
	21B	X04Z, X06A, X06B, X06C																
	BOP, KVT, UOP4																	
01	B03A, B03B, B06A, B06B, B17A, B17B, B17C																	
08	I12A, I12B, I12C, I21Z																	
21A	W04A, W04B																	
21B	X04Z, X06A, X06B, X06C																	

VYK

ZZV	MDC	DRG	ZZV	MDC	DRG	ZZV	MDC	DRG
5t07x.b↔		BOP, KVT, UOP4	5t07x.p↔		BOP, KVT, UOP4	5t080.1↔		BOP, KVT, UOP4, VIAL
	01	B03A, B03B, B06A, B06B, B17A, B17B, B17C		01	B03A, B03B, B06A, B06B, B17A, B17B, B17C		05	F27A, F27B, F27C
	08	I23A, I23B		08	I23A, I23B		08	I20A, I20B, I20C, I20D, I20E, I20F
	21A	W04A, W04B		21A	W04A, W04B		10	K01Z
	21B	X05A, X05B, X06A, X06B, X06C		21B	X04Z, X06A, X06B, X06C		21A	W04A, W04B
5t07x.c↔		BOP, KVT, UOP4	5t07x.q↔		BOP, KVT, UOP4	5t080.2↔		BOP, KVT, UOP4, VIAL
	01	B03A, B03B, B06A, B06B, B17A, B17B, B17C		01	B03A, B03B, B06A, B06B, B17A, B17B, B17C		05	F27A, F27B, F27C
	08	I23A, I23B		08	I23A, I23B		08	I20A, I20B, I20C, I20D, I20E, I20F
	21A	W04A, W04B		21A	W04A, W04B		10	K01Z
	21B	X05A, X05B, X06A, X06B, X06C		21B	X04Z, X06A, X06B, X06C		21A	W04A, W04B
5t07x.d		BOP, KVT, UOP4	5t07x.r↔		BOP, KVT, UOP4	5t080.3↔		BOP, KVT, UOP4, VIAL
	01	B03A, B03B, B06A, B06B, B17A, B17B, B17C		01	B03A, B03B, B06A, B06B, B17A, B17B, B17C		05	F27A, F27B, F27C
	08	I23A, I23B		08	I23A, I23B		08	I20A, I20B, I20C, I20D
	21A	W04A, W04B		21A	W04A, W04B		10	K01Z
	21B	X04Z, X06A, X06B, X06C		21B	X04Z, X06A, X06B, X06C		21A	W04A, W04B
5t07x.e↔		BOP, KVT, UOP4	5t07x.s↔		BOP, KVT, UOP4	5t080.4↔		BOP, KVT, UOP4, VIAL
	01	B03A, B03B, B06A, B06B, B17A, B17B, B17C		01	B03A, B03B, B06A, B06B, B17A, B17B, B17C		05	F27A, F27B, F27C
	08	I21Z		08	I23A, I23B		08	I20A, I20B, I20C, I20D
	21A	W04A, W04B		21A	W04A, W04B		10	K01Z
	21B	X04Z, X06A, X06B, X06C		21B	X04Z, X06A, X06B, X06C		21A	W04A, W04B
5t07x.f↔		BOP, KVT, UOP4	5t07x.t↔		BOP, KVT, UOP4	5t080.a↔		BOP, KVT, UOP4, VIAL
	01	B03A, B03B, B06A, B06B, B17A, B17B, B17C		01	B03A, B03B, B06A, B06B, B17A, B17B, B17C		05	F27A, F27B, F27C
	08	I21Z		08	I23A, I23B		08	I20A, I20B, I20C, I20D, I20E, I20F
	21A	W04A, W04B		21A	W04A, W04B		10	K09A, K09B
	21B	X04Z, X06A, X06B, X06C		21B	X04Z, X06A, X06B, X06C		21A	W04A, W04B
5t07x.g↔		BOP, KVT, UOP4	5t07x.u↔		BOP, KVT, UOP4	5t080.b↔		BOP, KVT, UOP4, VIAL
	01	B03A, B03B, B06A, B06B, B17A, B17B, B17C		01	B03A, B03B, B06A, B06B, B17A, B17B, B17C		05	F27A, F27B, F27C
	08	I21Z		08	I23A, I23B		08	I20A, I20B, I20C, I20D, I20E, I20F
	21A	W04A, W04B		21A	W04A, W04B		10	K09A, K09B
	21B	X04Z, X06A, X06B, X06C		21B	X04Z, X06A, X06B, X06C		21A	W04A, W04B
5t07x.h↔		BOP, KVT, UOP4	5t07x.v↔		BOP, KVT, UOP4	5t080.c↔		BOP, KVT, UOP4, VIAL
	01	B03A, B03B, B06A, B06B, B17A, B17B, B17C		01	B03A, B03B, B06A, B06B, B17A, B17B, B17C		05	F27A, F27B, F27C
	08	I21Z		08	I23A, I23B		08	I20A, I20B, I20C, I20D, I20E, I20F
	21A	W04A, W04B		21A	W04A, W04B		10	K09A, K09B
	21B	X04Z, X06A, X06B, X06C		21B	X04Z, X06A, X06B, X06C		21A	W04A, W04B
5t07x.j↔		BOP, KVT, UOP4	5t07x.w↔		BOP, KVT, UOP4	5t080.d↔		BOP, KVT, UOP4, VIAL
	01	B03A, B03B, B06A, B06B, B17A, B17B, B17C		01	B03A, B03B, B06A, B06B, B17A, B17B, B17C		05	F27A, F27B, F27C
	08	I23A, I23B		08	I23A, I23B		08	I20A, I20B, I20C, I20D, I20E, I20F
	21A	W04A, W04B		21A	W04A, W04B		10	K09A, K09B
	21B	X04Z, X06A, X06B, X06C		21B	X04Z, X06A, X06B, X06C		21A	W04A, W04B
5t07x.k↔		BOP, KVT, UOP4	5t07x.x		BOP, KVT, UOP4	5t080.e↔		BOP, KVT, UOP4, VIAL
	01	B03A, B03B, B06A, B06B, B17A, B17B, B17C		01	B03A, B03B, B06A, B06B, B17A, B17B, B17C		05	F27A, F27B, F27C
	08	I23A, I23B		08	I23A, I23B		08	I20A, I20B, I20C, I20D, I20E, I20F
	21A	W04A, W04B		21A	W04A, W04B		10	K09A, K09B
	21B	X04Z, X06A, X06B, X06C		21B	X06A, X06B, X06C		21A	W04A, W04B
5t07x.m↔		BOP, KVT, UOP4	5t07x.z↔		BOP, KVT, UOP4	5t080.f↔		BOP, KVT, UOP4, VIAL
	01	B03A, B03B, B06A, B06B, B17A, B17B, B17C		01	B03A, B03B, B06A, B06B, B17A, B17B, B17C		05	F27A, F27B, F27C
	08	I23A, I23B		04	E02A, E02B, E02C		08	I20A, I20B, I20C, I20D, I20E, I20F
	21A	W04A, W04B		08	I23A, I23B		10	K09A, K09B
	21B	X04Z, X06A, X06B, X06C		21A	W04A, W04B		21A	W04A, W04B
5t07x.n↔		BOP, KVT, UOP4	5t080.0↔		BOP, KVT, UOP4, VIAL	5t080.f↔		BOP, KVT, UOP4, VIAL
	01	B03A, B03B, B06A, B06B, B17A, B17B, B17C		05	F27A, F27B, F27C		05	F27A, F27B, F27C
	08	I23A, I23B		08	I20A, I20B, I20C, I20D, I20E, I20F		08	I20A, I20B, I20C, I20D, I20E, I20F
	21A	W04A, W04B		10	K01Z		10	K09A, K09B
	21B	X04Z, X06A, X06B, X06C		21A	W04A, W04B		21A	W04A, W04B
			21B	X04Z	21B	X04Z		

VYK

ZZV	MDC	DRG	ZZV	MDC	DRG	ZZV	MDC	DRG				
5t080.x↔		BOP, KVT, UOP4, VIAL	5t082.b↔	08	BOP, KVT, UOP4, VIAL	5t083.a↔		BOP, KVT, UOP4, VIAL				
	05	F27A, F27B, F27C			I20A, I20B, I20C, I20D, I20E, I20F		05	F27A, F27B, F27C				
	08	I20A, I20B, I20C, I20D, I20E, I20F		21A	W04A, W04B		08	I20A, I20B, I20C, I20D, I20E, I20F				
	10	K09A, K09B		21B	X04Z		10	K09A, K09B				
	21A	W04A, W04B		5t082.c↔			BOP, KVT, UOP4, VIAL	21A	W04A, W04B			
21B	X04Z	08	I20A, I20B, I20C, I20D, I20E, I20F		21B	X04Z						
5t081.0↔		BOP, KVT, UOP4, VIAL	5t082.d↔			BOP, KVT, UOP4, VIAL	5t083.b↔		BOP, KVT, UOP4, VIAL			
	08	I20A, I20B, I20C, I20D, I20E, I20F			08	I20A, I20B, I20C, I20D, I20E, I20F		05	F27A, F27B, F27C			
5t081.1↔		BOP, KVT, UOP4, VIAL	5t082.e↔			BOP, KVT, UOP4, VIAL	5t083.c↔		BOP, KVT, UOP4, VIAL			
	08	I20A, I20B, I20C, I20D, I20E, I20F		08	I20A, I20B, I20C, I20D, I20E, I20F	08		I20A, I20B, I20C, I20D, I20E, I20F				
5t081.2↔		BOP, KVT, UOP4, VIAL	5t082.f↔		BOP, KVT, UOP4, VIAL	5t083.d↔		BOP, KVT, UOP4, VIAL				
	08	I20A, I20B, I20C, I20D, I20E, I20F		08	I20A, I20B, I20C, I20D, I20E, I20F		05	F27A, F27B, F27C				
5t081.3↔		BOP, KVT, UOP4, VIAL	5t082.g↔		BOP, KVT, UOP4, VIAL	5t083.e↔		BOP, KVT, UOP4, VIAL				
	08	I20A, I20B, I20C, I20D, I20E, I20F		08	I20A, I20B, I20C, I20D, I20E, I20F		08	I20A, I20B, I20C, I20D, I20E, I20F				
5t081.4↔		BOP, KVT, UOP4, VIAL	5t082.h↔		BOP, KVT, UOP4, VIAL	5t083.f↔		BOP, KVT, UOP4, VIAL				
	08	I20A, I20B, I20C, I20D, I20E, I20F		08	I20A, I20B, I20C, I20D, I20E, I20F		05	F27A, F27B, F27C				
5t082.01		BOP, KVT, UOP4, VIAL	5t082.x↔		BOP, KVT, UOP4, VIAL	5t083.g↔		BOP, KVT, UOP4, VIAL				
	05	F27A, F27B, F27C		08	I20A, I20B, I20C, I20D, I20E, I20F		08	I20A, I20B, I20C, I20D, I20E, I20F				
	08	I20A, I20B, I20C, I20D, I20E, I20F		21A	W04A, W04B		10	K09A, K09B				
	10	K01Z		21B	X04Z		21A	W04A, W04B				
	21A	W04A, W04B		5t083.0↔			BOP, KVT, UOP4, VIAL	21B	X04Z			
21B	X04Z	05	F27A, F27B, F27C		5t083.h↔		BOP, KVT, UOP4, VIAL					
5t082.02↔		BOP, KVT, UOP4, VIAL	5t083.1↔				BOP, KVT, UOP4, VIAL	5t083.i↔		BOP, KVT, UOP4, VIAL		
	05	F27A, F27B, F27C				05	F27A, F27B, F27C		08	I20A, I20B, I20C, I20D, I20E, I20F		
5t082.1↔		BOP, KVT, UOP4, VIAL	5t083.2↔				BOP, KVT, UOP4, VIAL	5t083.j↔		BOP, KVT, UOP4, VIAL		
	08	I20A, I20B, I20C, I20D, I20E, I20F		05		F27A, F27B, F27C	08		I20A, I20B, I20C, I20D, I20E, I20F			
	10	K01Z		08	I20A, I20B, I20C, I20D, I20E, I20F	10	K01Z					
	21A	W04A, W04B		10	K01Z	21A	W04A, W04B					
	21B	X04Z		5t083.3↔		BOP, KVT, UOP4, VIAL	21B		X04Z			
5t082.2↔		BOP, KVT, UOP4, VIAL	5t083.4↔			BOP, KVT, UOP4, VIAL	5t090.0↔		BOP, KVT, UOP4			
	05	F27A, F27B, F27C			05	F27A, F27B, F27C		04	E02A, E02B, E02C			
	08	I20A, I20B, I20C, I20D, I20E, I20F			08	I20A, I20B, I20C, I20D, I20E, I20F		08	I28A, I28B			
	10	K01Z			10	K01Z		21A	W04A, W04B			
	21A	W04A, W04B		5t083.5↔		BOP, KVT, UOP4, VIAL		21B	X06A, X06B, X06C			
21B	X04Z	5t083.6↔			BOP, KVT, UOP4, VIAL	5t090.1↔		BOP, KVT, UOP4				
5t082.3↔			BOP, KVT, UOP4, VIAL		5t083.7↔			BOP, KVT, UOP4, VIAL	5t090.2↔		BOP, KVT, UOP4	
	05		F27A, F27B, F27C				05	F27A, F27B, F27C		08	I13A, I13B, I13C, I13D, I13E	
	08		I20A, I20B, I20C, I20D				08	I20A, I20B, I20C, I20D		21A	W04A, W04B	
	10		K01Z	10			K01Z	21B		X06A, X06B, X06C		
	21A	W04A, W04B	5t083.8↔			BOP, KVT, UOP4, VIAL	5t090.3↔			BOP, KVT, UOP4		
21B	X04Z	5t083.9↔			BOP, KVT, UOP4, VIAL	5t090.4↔			BOP, KVT, UOP4			
5t082.4↔				BOP, KVT, UOP4, VIAL	5t083.0↔				BOP, KVT, UOP4, VIAL	5t090.5↔		BOP, KVT, UOP4
	05			F27A, F27B, F27C				05	F27A, F27B, F27C		08	I13A, I13B, I13C, I13D, I13E
	08			I20A, I20B, I20C, I20D				08	I20A, I20B, I20C, I20D		21A	W04A, W04B
	10		K01Z	10			K01Z	21B	X06A, X06B, X06C			
	21A	W04A, W04B	5t083.1↔			BOP, KVT, UOP4, VIAL	5t090.6↔		BOP, KVT, UOP4			
21B	X04Z	5t083.2↔			BOP, KVT, UOP4, VIAL	5t090.7↔			BOP, KVT, UOP4			
5t082.a↔				BOP, KVT, UOP4, VIAL	5t083.3↔				BOP, KVT, UOP4, VIAL	5t090.8↔		BOP, KVT, UOP4
	08			I20A, I20B, I20C, I20D, I20E, I20F				05	F27A, F27B, F27C		08	I21Z, I31Z
	21A			W04A, W04B				08	I20A, I20B, I20C, I20D		21A	W04A, W04B
	21B		X04Z	10			K01Z	21B	X06A, X06B, X06C			
			21B	X04Z		21B	X06A, X06B, X06C					

ZZV	MDC	DRG	ZZV	MDC	DRG	ZZV	MDC	DRG
5t090.7↔		BOP, KVT, UOP4	5t090.k↔		BOP, KVT, UOP4	5t091.0↔		BOP, KVT, UOP4
	08	I21Z, I31Z		08	I13A, I13B, I13C, I13D, I13E		08	I12A, I12B, I12C, I28A, I28B
	21A	W04A, W04B		21A	W04A, W04B		21A	W04A, W04B
	21B	X06A, X06B, X06C		21B	X04Z		21B	X06A, X06B, X06C
5t090.8↔		BOP, KVT, UOP4	5t090.m↔		BOP, KVT, UOP4	5t091.1↔		BOP, KVT, UOP4, VIAL
	08	I21Z, I31Z		08	I13A, I13B, I13C, I13D, I13E		08	I08A, I08B, I08C, I08D, I08E, I08F, I12A, I12B, I12C, I13A, I13B, I13C, I13D, I13E
	21A	W04A, W04B		21A	W04A, W04B		21A	W04A, W04B
	21B	X06A, X06B, X06C		21B	X04Z		21B	X06A, X06B, X06C
5t090.9↔		BOP, KVT, UOP4	5t090.n↔		BOP, KVT, UOP4	5t091.3↔		BOP, KVT, UOP4, VIAL
	08	I21Z, I31Z		08	I13A, I13B, I13C, I13D, I13E		08	I08A, I08B, I08C, I08D, I08E, I08F, I12A, I12B, I12C, I13A, I13B, I13C, I13D, I13E
	21A	W04A, W04B		21A	W04A, W04B		21A	W04A, W04B
	21B	X06A, X06B, X06C		21B	X04Z		21B	X06A, X06B, X06C
5t090.a↔		BOP, KVT, UOP4	5t090.p↔		BOP, KVT, UOP4	5t091.4↔		BOP, KVT, UOP4, VIAL
	08	I32A, I32B, I32C, I32D, I32E, I32F		08	I13A, I13B, I13C, I13D, I13E		08	I08A, I08B, I08C, I08D, I08E, I08F, I12A, I12B, I12C, I13A, I13B, I13C, I13D, I13E
	21A	W04A, W04B		21A	W04A, W04B		21A	W04A, W04B
	21B	X05A, X05B		21B	X04Z		21B	X06A, X06B, X06C
5t090.b↔		BOP, KVT, UOP4	5t090.q↔		BOP, KVT, UOP4	5t091.6↔		BOP, KVT, UOP4, VIAL
	08	I32A, I32B, I32C, I32D, I32E, I32F		08	I13A, I13B, I13C, I13D, I13E		08	I08A, I08B, I08C, I08D, I08E, I08F, I12A, I12B, I12C, I21Z, I31Z
	21A	W04A, W04B		21A	W04A, W04B		21A	W04A, W04B
	21B	X05A, X05B		21B	X04Z		21B	X06A, X06B, X06C
5t090.c↔		BOP, KVT, UOP4	5t090.r↔		BOP, KVT, UOP4	5t091.7↔		BOP, KVT, UOP4, VIAL
	08	I32A, I32B, I32C, I32D, I32E, I32F		08	I13A, I13B, I13C, I13D, I13E		08	I08A, I08B, I08C, I08D, I08E, I08F, I12A, I12B, I12C, I21Z, I31Z
	21A	W04A, W04B		21A	W04A, W04B		21A	W04A, W04B
	21B	X05A, X05B		21B	X04Z		21B	X06A, X06B, X06C
5t090.d		BOP, KVT, UOP4	5t090.s↔		BOP, KVT, UOP4	5t091.9↔		BOP, KVT, UOP4, VIAL
	08	I08A, I08B, I08C, I08D, I08E, I08F		05	F27A, F27B, F27C		08	I08A, I08B, I08C, I08D, I08E, I08F, I12A, I12B, I12C, I21Z, I31Z
	21A	W04A, W04B		08	I20A, I20B, I20C, I20D, I20E, I20F		21A	W04A, W04B
	21B	X06A, X06B, X06C		10	K01Z		21B	X06A, X06B, X06C
5t090.e↔		BOP, KVT, UOP4	5t090.t↔		BOP, KVT, UOP4	5t091.b↔		BOP, KVT, UOP4, VIAL
	01	B03A, B03B, B06A, B06B, B17A, B17B, B17C		05	F27A, F27B, F27C		08	I12A, I12B, I12C, I32A, I32B, I32C, I32D, I32E, I32F
	08	I08A, I08B, I08C, I08D, I08E, I08F		08	I20A, I20B, I20C, I20D, I20E, I20F		21A	W04A, W04B
	21A	W01A, W01B, W01C, W02A, W02B		10	K01Z		21B	X05A, X05B
	21B	X04Z		21A	W04A, W04B		21A	W04A, W04B
5t090.f↔		BOP, KVT, UOP4	5t090.u↔		BOP, KVT, UOP4	5t091.c↔		BOP, KVT, UOP4, VIAL
	01	B03A, B03B, B06A, B06B, B17A, B17B, B17C		05	F27A, F27B, F27C		08	I12A, I12B, I12C, I32A, I32B, I32C, I32D, I32E, I32F
	08	I08A, I08B, I08C, I08D, I08E, I08F		08	I20A, I20B, I20C, I20D, I20E, I20F		21A	W04A, W04B
	21A	W01A, W01B, W01C, W02A, W02B		10	K01Z		21B	X05A, X05B
	21B	X04Z		21A	W04A, W04B		21A	W04A, W04B
5t090.g↔		BOP, KVT, UOP4	5t090.v↔		BOP, KVT, UOP4	5t091.d		BOP, KVT, UOP4, VIAL
	01	B03A, B03B, B06A, B06B, B17A, B17B, B17C		05	F27A, F27B, F27C		08	I08A, I08B, I08C, I08D, I08E, I08F, I12A, I12B, I12C
	08	I08A, I08B, I08C, I08D, I08E, I08F		08	I20A, I20B, I20C, I20D, I20E, I20F		21A	W04A, W04B
	21A	W01A, W01B, W01C, W02A, W02B		10	K01Z		21B	X06A, X06B, X06C
	21B	X04Z		21A	W04A, W04B		21A	W04A, W04B
5t090.h↔		BOP, KVT, UOP4	5t090.w↔		BOP, KVT, UOP4	5t091.e↔		BOP, KVT, UOP4, VIAL
	01	B03A, B03B, B06A, B06B, B17A, B17B, B17C		08	I20A, I20B, I20C, I20D, I20E, I20F		01	B03A, B03B, B06A, B06B, B17A, B17B, B17C
	08	I08A, I08B, I08C, I08D, I08E, I08F		21A	W04A, W04B		08	I08A, I08B, I08C, I08D, I08E, I08F, I12A, I12B, I12C
	21A	W01A, W01B, W01C, W02A, W02B		21B	X04Z		21A	W04A, W04B
	21B	X04Z		21A	W04A, W04B		21B	X04Z
5t090.i↔		BOP, KVT, UOP4	5t090.x		BOP, KVT, UOP4	5t091.f↔		BOP, KVT, UOP4, VIAL
	01	B03A, B03B, B06A, B06B, B17A, B17B, B17C		01	B03A, B03B, B06A, B06B, B17A, B17B, B17C		01	B03A, B03B, B06A, B06B, B17A, B17B, B17C
	08	I08A, I08B, I08C, I08D, I08E, I08F		08	I28A, I28B		08	I08A, I08B, I08C, I08D, I08E, I08F, I12A, I12B, I12C
	21A	W01A, W01B, W01C, W02A, W02B		21A	W04A, W04B		21A	W04A, W04B
	21B	X04Z		21B	X06A, X06B, X06C		21B	X04Z
5t090.j↔		BOP, KVT, UOP4	5t090.z↔		BOP, KVT, UOP4			
	01	B03A, B03B, B06A, B06B, B17A, B17B, B17C		04	E02A, E02B, E02C			
	08	I18A, I18B, I30Z		08	I28A, I28B			
	21A	W04A, W04B		21A	W04A, W04B			
	21B	X04Z		21B	X06A, X06B, X06C			

VYK

ZZV	MDC	DRG	ZZV	MDC	DRG	ZZV	MDC	DRG
5t091.h↔		BOP, KVT, UOP4, VIAL	5t092.3↔		BOP, KVT, UOP4, VIAL	5t092.p↔		BOP, KVT, UOP4, VIAL
	01	B03A, B03B, B06A, B06B, B17A, B17B, B17C		08	I08A, I08B, I08C, I08D, I08E, I08F, I13A, I13B, I13C, I13D, I13E		08	I13A, I13B, I13C, I13D, I13E
	08	I08A, I08B, I08C, I08D, I08E, I08F, I12A, I12B, I12C		21A	W04A, W04B		21A	W04A, W04B
	21A	W04A, W04B		21B	X06A, X06B, X06C		21B	X04Z
	21B	X04Z	5t092.4↔		BOP, KVT, UOP4, VIAL	5t092.r↔		BOP, KVT, UOP4, VIAL
5t091.k↔		BOP, KVT, UOP4, VIAL		08	I08A, I08B, I08C, I08D, I08E, I08F, I21Z, I31Z		08	I13A, I13B, I13C, I13D, I13E
	08	I12A, I12B, I12C, I13A, I13B, I13C, I13D, I13E		21A	W04A, W04B		21A	W04A, W04B
	21A	W04A, W04B		21B	X06A, X06B, X06C		21B	X04Z
	21B	X04Z	5t092.6↔		BOP, KVT, UOP4, VIAL	5t092.s↔		BOP, KVT, UOP4, VIAL
5t091.n↔		BOP, KVT, UOP4, VIAL		08	I08A, I08B, I08C, I08D, I08E, I08F, I21Z, I31Z		08	I20A, I20B, I20C, I20D, I20E, I20F
	08	I12A, I12B, I12C, I13A, I13B, I13C, I13D, I13E		21A	W04A, W04B		21A	W04A, W04B
	21A	W04A, W04B		21B	X06A, X06B, X06C		21B	X04Z
	21B	X04Z	5t092.7↔		BOP, KVT, UOP4, VIAL	5t092.t↔		BOP, KVT, UOP4, VIAL
5t091.p↔		BOP, KVT, UOP4, VIAL		08	I08A, I08B, I08C, I08D, I08E, I08F, I21Z, I31Z		08	I20A, I20B, I20C, I20D, I20E, I20F
	08	I12A, I12B, I12C, I13A, I13B, I13C, I13D, I13E		21A	W04A, W04B		21A	W04A, W04B
	21A	W04A, W04B		21B	X06A, X06B, X06C		21B	X04Z
	21B	X04Z	5t092.9↔		BOP, KVT, UOP4, VIAL	5t092.u↔		BOP, KVT, UOP4, VIAL
5t091.r↔		BOP, KVT, UOP4, VIAL		08	I08A, I08B, I08C, I08D, I08E, I08F, I21Z, I31Z		08	I20A, I20B, I20C, I20D, I20E, I20F
	08	I12A, I12B, I12C, I13A, I13B, I13C, I13D, I13E		21A	W04A, W04B		21A	W04A, W04B
	21A	W04A, W04B		21B	X06A, X06B, X06C		21B	X04Z
	21B	X04Z	5t092.b↔		BOP, KVT, UOP4, VIAL	5t092.v↔		BOP, KVT, UOP4, VIAL
5t091.s↔		BOP, KVT, UOP4, VIAL		08	I32A, I32B, I32C, I32D, I32E, I32F		08	I20A, I20B, I20C, I20D, I20E, I20F
	08	I12A, I12B, I12C, I20A, I20B, I20C, I20D, I20E, I20F		21A	W04A, W04B		21A	W04A, W04B
	21A	W04A, W04B		21B	X05A, X05B		21B	X04Z
	21B	X04Z	5t092.c↔		BOP, KVT, UOP4, VIAL	5t092.w↔		BOP, KVT, UOP4, VIAL
5t091.t↔		BOP, KVT, UOP4, VIAL		08	I32A, I32B, I32C, I32D, I32E, I32F		08	I20A, I20B, I20C, I20D, I20E, I20F
	08	I12A, I12B, I12C, I20A, I20B, I20C, I20D, I20E, I20F		21A	W04A, W04B		21A	W04A, W04B
	21A	W04A, W04B		21B	X05A, X05B		21B	X04Z
	21B	X04Z	5t092.d		BOP, KVT, UOP4, VIAL	5t092.z↔		BOP, KVT, UOP4, VIAL
5t091.v↔		BOP, KVT, UOP4, VIAL		08	I08A, I08B, I08C, I08D, I08E, I08F		08	I28A, I28B
	08	I12A, I12B, I12C, I20A, I20B, I20C, I20D, I20E, I20F		21A	W04A, W04B		21A	W04A, W04B
	21A	W04A, W04B		21B	X06A, X06B, X06C		21B	X06A, X06B, X06C
	21B	X04Z	5t092.e↔		BOP, KVT, UOP4, VIAL	5t093.0↔		BOP, KVT, UOP4, VIAL
5t091.w↔		BOP, KVT, UOP4, VIAL		01	B03A, B03B, B06A, B06B, B17A, B17B, B17C		04	E02A, E02B, E02C
	08	I12A, I12B, I12C, I20A, I20B, I20C, I20D, I20E, I20F		08	I08A, I08B, I08C, I08D, I08E, I08F		08	I28A, I28B
	21A	W04A, W04B		21A	W04A, W04B		21A	W04A, W04B
	21B	X04Z		21B	X04Z		21B	X06A, X06B, X06C
5t091.x		BOP, KVT, UOP4	5t092.f↔		BOP, KVT, UOP4, VIAL	5t093.1↔		BOP, KVT, UOP4, VIAL
	08	I12A, I12B, I12C, I28A, I28B		01	B03A, B03B, B06A, B06B, B17A, B17B, B17C		08	I08A, I08B, I08C, I08D, I08E, I08F, I13A, I13B, I13C, I13D, I13E
	21A	W04A, W04B		08	I08A, I08B, I08C, I08D, I08E, I08F		21A	W04A, W04B
	21B	X06A, X06B, X06C		21A	W04A, W04B		21B	X06A, X06B, X06C
5t091.z↔		BOP, KVT, UOP4		21B	X04Z	5t093.3↔		BOP, KVT, UOP4, VIAL
	08	I12A, I12B, I12C, I28A, I28B		01	B03A, B03B, B06A, B06B, B17A, B17B, B17C		08	I08A, I08B, I08C, I08D, I08E, I08F, I13A, I13B, I13C, I13D, I13E
	21A	W04A, W04B		08	I08A, I08B, I08C, I08D, I08E, I08F		21A	W04A, W04B
	21B	X06A, X06B, X06C	5t092.h↔		BOP, KVT, UOP4, VIAL		21B	X06A, X06B, X06C
5t092.0↔		BOP, KVT, UOP4, VIAL		01	B03A, B03B, B06A, B06B, B17A, B17B, B17C	5t093.4↔		BOP, KVT, UOP4, VIAL
	08	I28A, I28B		08	I08A, I08B, I08C, I08D, I08E, I08F		08	I08A, I08B, I08C, I08D, I08E, I08F, I21Z, I31Z
	21A	W04A, W04B		21A	W04A, W04B		21A	W04A, W04B
	21B	X06A, X06B, X06C		21B	X04Z		21B	X06A, X06B, X06C
5t092.1↔		BOP, KVT, UOP4, VIAL	5t092.k↔		BOP, KVT, UOP4, VIAL	5t093.6↔		BOP, KVT, UOP4, VIAL
	08	I08A, I08B, I08C, I08D, I08E, I08F, I13A, I13B, I13C, I13D, I13E		08	I13A, I13B, I13C, I13D, I13E		08	I08A, I08B, I08C, I08D, I08E, I08F, I21Z, I31Z
	21A	W04A, W04B		21A	W04A, W04B		21A	W04A, W04B
	21B	X06A, X06B, X06C		21B	X04Z		21B	X06A, X06B, X06C
			5t092.n↔		BOP, KVT, UOP4, VIAL			
				08	I13A, I13B, I13C, I13D, I13E			
				21A	W04A, W04B			
				21B	X04Z			

ZZV	MDC	DRG	ZZV	MDC	DRG	ZZV	MDC	DRG
5t093.7↔		BOP, KVT, UOP4, VIAL	5t093.s↔		BOP, KVT, UOP4, VIAL	5t09x.5↔		BOP, UOP4
	08	I08A, I08B, I08C, I08D, I08E, I08F, I21Z, I31Z		05	F27A, F27B, F27C		08	I21Z, I31Z
	21A	W04A, W04B		08	I20A, I20B, I20C, I20D, I20E, I20F		21A	W04A, W04B
	21B	X06A, X06B, X06C		10	K01Z	5t09x.6↔		X06A, X06B, X06C
5t093.9↔		BOP, KVT, UOP4, VIAL		21A	W04A, W04B			BOP, UOP4
	08	I08A, I08B, I08C, I08D, I08E, I08F, I21Z, I31Z		21B	X04Z		08	I18A, I18B, I30Z
	21A	W04A, W04B	5t093.t↔		BOP, KVT, UOP4, VIAL		21A	W04A, W04B
	21B	X06A, X06B, X06C		05	F27A, F27B, F27C	5t09x.7↔		X06A, X06B, X06C
5t093.b↔		BOP, KVT, UOP4, VIAL		08	I20A, I20B, I20C, I20D, I20E, I20F			BOP, UOP4
	08	I32A, I32B, I32C, I32D, I32E, I32F		10	K01Z		08	I18A, I18B, I30Z
	21A	W04A, W04B		21A	W04A, W04B		21A	W04A, W04B
	21B	X05A, X05B		21B	X04Z	5t09x.8↔		X06A, X06B, X06C
5t093.c↔		BOP, KVT, UOP4, VIAL	5t093.u↔		BOP, KVT, UOP4, VIAL			BOP, UOP4
	08	I32A, I32B, I32C, I32D, I32E, I32F		05	F27A, F27B, F27C		08	I18A, I18B, I30Z
	21A	W04A, W04B		08	I20A, I20B, I20C, I20D, I20E, I20F	5t09x.9↔		X06A, X06B, X06C
	21B	X05A, X05B		10	K01Z			BOP, UOP4
5t093.d		BOP, KVT, UOP4, VIAL		21A	W04A, W04B		08	I18A, I18B, I30Z
	08	I08A, I08B, I08C, I08D, I08E, I08F		21B	X04Z		21A	W04A, W04B
	21A	W04A, W04B	5t093.v↔		BOP, KVT, UOP4, VIAL	5t09x.a↔		X06A, X06B, X06C
	21B	X06A, X06B, X06C		05	F27A, F27B, F27C			BOP, UOP4
5t093.e↔		BOP, KVT, UOP4, VIAL		08	I20A, I20B, I20C, I20D, I20E, I20F		08	I32A, I32B, I32C, I32D, I32E, I32F
	01	B03A, B03B, B06A, B06B, B17A, B17B, B17C		10	K01Z	5t09x.b↔		W04A, W04B
	08	I08A, I08B, I08C, I08D, I08E, I08F		21A	W04A, W04B			X05A, X05B
	21A	W01A, W01B, W01C, W02A, W02B		21B	X04Z		08	BOP, UOP4
	21B	X04Z	5t093.w↔		BOP, KVT, UOP4, VIAL		21A	I32A, I32B, I32C, I32D, I32E, I32F
5t093.f↔		BOP, KVT, UOP4, VIAL		08	I20A, I20B, I20C, I20D, I20E, I20F	5t09x.c↔		W04A, W04B
	01	B03A, B03B, B06A, B06B, B17A, B17B, B17C		21A	W04A, W04B			X05A, X05B
	08	I08A, I08B, I08C, I08D, I08E, I08F		21B	X04Z		08	BOP, UOP4
	21A	W01A, W01B, W01C, W02A, W02B	5t093.x		BOP, KVT, UOP4		21A	I32A, I32B, I32C, I32D, I32E, I32F
	21B	X04Z		08	I28A, I28B	5t09x.d		W04A, W04B
5t093.g↔		BOP, KVT, UOP4, VIAL		21A	W04A, W04B			X05A, X05B
	01	B03A, B03B, B06A, B06B, B17A, B17B, B17C		21B	X06A, X06B, X06C		01	BOP, UOP4
	08	I08A, I08B, I08C, I08D, I08E, I08F		04	E02A, E02B, E02C			B03A, B03B, B06A, B06B, B17A, B17B, B17C
	21A	W01A, W01B, W01C, W02A, W02B	5t093.z↔		E28A, I28B		08	I08A, I08B, I08C, I08D, I08E, I08F
	21B	X04Z		21A	W04A, W04B		21A	W01A, W01B, W01C, W02A, W02B
5t093.h↔		BOP, KVT, UOP4, VIAL		21B	X06A, X06B, X06C	5t09x.e↔		W04Z
	01	B03A, B03B, B06A, B06B, B17A, B17B, B17C	5t094.†↔		I28A, I28B, I28C			BOP, UOP4
	08	I08A, I08B, I08C, I08D, I08E, I08F	5t095.†↔		I28A, I28B, I28C		01	B03A, B03B, B06A, B06B, B17A, B17B, B17C
	21A	W01A, W01B, W01C, W02A, W02B	5t096↔		BOP, UOP4		08	I08A, I08B, I08C, I08D, I08E, I08F
	21B	X04Z		08	I28A, I28B		21A	W01A, W01B, W01C, W02A, W02B
5t093.i↔		BOP, KVT, UOP4, VIAL		21A	W04A, W04B	5t09x.f↔		X04Z
	08	I13A, I13B, I13C, I13D, I13E		21B	X06A, X06B, X06C			BOP, UOP4
	21A	W04A, W04B	5t09x.0↔		BOP, UOP4		01	B03A, B03B, B06A, B06B, B17A, B17B, B17C
	21B	X04Z		08	I16Z		08	I08A, I08B, I08C, I08D, I08E, I08F
5t093.j↔		BOP, KVT, UOP4, VIAL		21A	W04A, W04B		21A	W01A, W01B, W01C, W02A, W02B
	08	I13A, I13B, I13C, I13D, I13E	5t09x.1↔		X06A, X06B, X06C			X04Z
	21A	W04A, W04B		08	I13A, I13B, I13C, I13D, I13E		01	BOP, UOP4
	21B	X04Z		21A	W04A, W04B			B03A, B03B, B06A, B06B, B17A, B17B, B17C
5t093.k↔		BOP, KVT, UOP4, VIAL		21B	X06A, X06B, X06C		08	I08A, I08B, I08C, I08D, I08E, I08F
	08	I13A, I13B, I13C, I13D, I13E	5t09x.2↔		BOP, UOP4		21A	W01A, W01B, W01C, W02A, W02B
	21A	W04A, W04B		08	I13A, I13B, I13C, I13D, I13E			X04Z
	21B	X04Z		21A	W04A, W04B	5t09x.g↔		BOP, UOP4
5t093.l↔		BOP, KVT, UOP4, VIAL		21B	X06A, X06B, X06C			B03A, B03B, B06A, B06B, B17A, B17B, B17C
	08	I13A, I13B, I13C, I13D, I13E	5t09x.3↔		BOP, UOP4		01	I08A, I08B, I08C, I08D, I08E, I08F
	21A	W04A, W04B		08	I13A, I13B, I13C, I13D, I13E		08	I08A, I08B, I08C, I08D, I08E, I08F
	21B	X04Z		21A	W04A, W04B		21A	W01A, W01B, W01C, W02A, W02B
5t093.m↔		BOP, KVT, UOP4, VIAL		21B	X06A, X06B, X06C			X04Z
	08	I13A, I13B, I13C, I13D, I13E	5t09x.4↔		BOP, UOP4		01	B03A, B03B, B06A, B06B, B17A, B17B, B17C
	21A	W04A, W04B		08	I21Z, I31Z		08	I08A, I08B, I08C, I08D, I08E, I08F
	21B	X04Z		21A	W04A, W04B		21A	W01A, W01B, W01C, W02A, W02B
				21B	X06A, X06B, X06C			X04Z

VYK

ZZV	MDC	DRG	ZZV	MDC	DRG	ZZV	MDC	DRG
5t09x.h↔		BOP, UOP4	5t09x.w↔		BOP, UOP4	5t101.m↔		BOP, KVT, UOP4, VIAL
	01	B03A, B03B, B06A, B06B, B17A, B17B, B17C		08	I20A, I20B, I20C, I20D, I20E, I20F		08	I13A, I13B, I13C, I13D
	08	I08A, I08B, I08C, I08D, I08E, I08F		21A	W04A, W04B		21A	W01A, W01B, W01C, W02A, W02B
	21A	W01A, W01B, W01C, W02A, W02B	5t09x.x		BOP, UOP4	5t101.q↔		BOP, KVT, UOP4, VIAL
	21B	X04Z		08	I28A, I28B		08	I13A, I13B, I13C, I13D
5t09x.j↔		BOP, UOP4		21A	W04A, W04B		21A	W01A, W01B, W01C, W02A, W02B
	01	B03A, B03B, B06A, B06B, B17A, B17B, B17C	5t09x.z↔		BOP, UOP4	5t101.x		BOP, KVT, UOP4
	08	I18A, I18B, I30Z		08	I16Z		08	I28A, I28B
	21A	W04A, W04B		21A	W04A, W04B		21A	W04A, W04B
	21B	X04Z	5t100.2↔		BOP, KVT, UOP4, VIAL		21B	X06A, X06B, X06C
5t09x.k↔		BOP, UOP4		08	I08A, I08B, I08C, I08D, I08E, I08F, I13A, I13B, I13C, I13D	5t103.2↔		BOP, KVT, UOP4, VIAL
	08	I13A, I13B, I13C, I13D, I13E		21A	W04A, W04B		08	I08A, I08B, I08C, I08D, I08E, I08F, I13A, I13B, I13C, I13D
	21A	W04A, W04B	5t100.5↔		BOP, KVT, UOP4, VIAL		21A	W04A, W04B
	21B	X04Z		08	I08A, I08B, I08C, I08D, I08E, I08F, I21Z, I31Z	5t103.5↔		BOP, KVT, UOP4, VIAL
5t09x.m↔		BOP, UOP4		21A	W04A, W04B		08	I08A, I08B, I08C, I08D, I08E, I08F, I21Z, I31Z
	08	I13A, I13B, I13C, I13D, I13E	5t100.8↔		BOP, KVT, UOP4, VIAL		21A	W04A, W04B
	21A	W04A, W04B		08	I08A, I08B, I08C, I08D, I08E, I08F, I21Z, I31Z	5t103.8↔		BOP, KVT, UOP4, VIAL
	21B	X04Z		21A	W04A, W04B		08	I08A, I08B, I08C, I08D, I08E, I08F, I21Z, I31Z
5t09x.n↔		BOP, UOP4	5t100.g↔		BOP, KVT, UOP4, VIAL		21A	W04A, W04B
	08	I13A, I13B, I13C, I13D, I13E		08	I08A, I08B, I08C, I08D, I08E, I08F, I21Z, I31Z	5t103.g↔		BOP, KVT, UOP4, VIAL
	21A	W04A, W04B		21A	W04A, W04B		08	I08A, I08B, I08C, I08D, I08E, I08F
	21B	X04Z	5t100.m↔		BOP, KVT, UOP4, VIAL		10	K09A, K09B
5t09x.p↔		BOP, UOP4		08	I13A, I13B, I13C, I13D	5t103.m↔		BOP, KVT, UOP4, VIAL
	08	I13A, I13B, I13C, I13D, I13E		21A	W04A, W04B		08	I13A, I13B, I13C, I13D
	21A	W04A, W04B	5t100.q↔		BOP, KVT, UOP4, VIAL		21A	W01A, W01B, W01C, W02A, W02B
	21B	X04Z		08	I13A, I13B, I13C, I13D	5t103.q↔		BOP, KVT, UOP4, VIAL
5t09x.q↔		BOP, UOP4		21A	W04A, W04B		08	I13A, I13B, I13C, I13D
	08	I13A, I13B, I13C, I13D, I13E	5t100.x		BOP, KVT, UOP4		21A	W01A, W01B, W01C, W02A, W02B
	21A	W04A, W04B		08	I28A, I28B	5t103.x		BOP, KVT, UOP4
	21B	X04Z		21A	W04A, W04B		08	I28A, I28B
5t09x.r↔		BOP, UOP4	5t101.2↔		BOP, KVT, UOP4, VIAL		21A	W04A, W04B
	08	I13A, I13B, I13C, I13D, I13E		08	I08A, I08B, I08C, I08D, I08E, I08F, I13A, I13B, I13C, I13D	5t104.2↔		BOP, KVT, UOP4, VIAL
	21A	W04A, W04B		21A	W04A, W04B		08	I08A, I08B, I08C, I08D, I08E, I08F, I13A, I13B, I13C, I13D
	21B	X04Z	5t101.5↔		BOP, KVT, UOP4, VIAL		21A	W04A, W04B
5t09x.s↔		BOP, UOP4		08	I08A, I08B, I08C, I08D, I08E, I08F, I21Z, I31Z	5t104.5↔		BOP, KVT, UOP4, VIAL
	05	F27A, F27B, F27C		21A	W04A, W04B		08	I08A, I08B, I08C, I08D, I08E, I08F, I21Z, I31Z
	08	I20A, I20B, I20C, I20D, I20E, I20F	5t101.8↔		BOP, KVT, UOP4, VIAL	5t104.8↔		BOP, KVT, UOP4, VIAL
	10	K01Z		08	I08A, I08B, I08C, I08D, I08E, I08F, I21Z, I31Z		08	I08A, I08B, I08C, I08D, I08E, I08F, I21Z, I31Z
	21A	W04A, W04B	5t101.g↔		BOP, KVT, UOP4, VIAL		21A	W04A, W04B
	21B	X04Z		08	I08A, I08B, I08C, I08D, I08E, I08F		21B	X06A, X06B, X06C
5t09x.t↔		BOP, UOP4		10	K09A, K09B		21A	W01A, W01B, W01C, W02A, W02B
	05	F27A, F27B, F27C		21A	W01A, W01B, W01C, W02A, W02B		21B	X04Z
	08	I20A, I20B, I20C, I20D, I20E, I20F		21B	X04Z			
	10	K01Z						
	21A	W04A, W04B						
	21B	X04Z						
5t09x.u↔		BOP, UOP4						
	05	F27A, F27B, F27C						
	08	I20A, I20B, I20C, I20D, I20E, I20F						
	10	K01Z						
	21A	W04A, W04B						
	21B	X04Z						
5t09x.v↔		BOP, UOP4						
	05	F27A, F27B, F27C						
	08	I20A, I20B, I20C, I20D, I20E, I20F						
	10	K01Z						
	21A	W04A, W04B						
	21B	X04Z						

ZZV	MDC	DRG	ZZV	MDC	DRG	ZZV	MDC	DRG
5t104.g↔		BOP, KVT, UOP4, VIAL	5t107.2↔		BOP, KVT, UOP4, VIAL	5t10a.2↔		BOP, KVT, UOP4, VIAL
	08	I08A, I08B, I08C, I08D, I08E, I08F		08	I08A, I08B, I08C, I08D, I08E, I08F, I13A, I13B, I13C, I13D		08	I08A, I08B, I08C, I08D, I08E, I08F, I13A, I13B, I13C, I13D
	10	K09A, K09B		21A	W04A, W04B		21A	W04A, W04B
	21A	W01A, W01B, W01C, W02A, W02B		21B	X06A, X06B, X06C		21B	X06A, X06B, X06C
	21B	X04Z	5t107.5↔		BOP, KVT, UOP4, VIAL	5t10a.5↔		BOP, KVT, UOP4, VIAL
5t104.m↔		BOP, KVT, UOP4, VIAL		08	I08A, I08B, I08C, I08D, I08E, I08F, I21Z, I31Z		08	I08A, I08B, I08C, I08D, I08E, I08F, I21Z, I31Z
	08	I13A, I13B, I13C, I13D		21A	W04A, W04B		21A	W04A, W04B
	21A	W01A, W01B, W01C, W02A, W02B		21B	X06A, X06B, X06C		21B	X06A, X06B, X06C
	21B	X04Z	5t107.8↔		BOP, KVT, UOP4, VIAL	5t10a.8↔		BOP, KVT, UOP4, VIAL
5t104.q↔		BOP, KVT, UOP4, VIAL		08	I08A, I08B, I08C, I08D, I08E, I08F, I21Z, I31Z		08	I08A, I08B, I08C, I08D, I08E, I08F, I21Z, I31Z
	08	I13A, I13B, I13C, I13D		21A	W04A, W04B		21A	W04A, W04B
	21A	W01A, W01B, W01C, W02A, W02B		21B	X06A, X06B, X06C		21B	X06A, X06B, X06C
	21B	X04Z	5t107.g↔		BOP, KVT, UOP4, VIAL	5t10a.g↔		BOP, KVT, UOP4, VIAL
5t104.x		BOP, KVT, UOP4		08	I08A, I08B, I08C, I08D, I08E, I08F		08	I08A, I08B, I08C, I08D, I08E, I08F
	08	I28A, I28B		10	K09A, K09B		10	K09A, K09B
	21A	W04A, W04B		21A	W01A, W01B, W01C, W02A, W02B		21A	W01A, W01B, W01C, W02A, W02B
	21B	X06A, X06B, X06C		21B	X04Z		21B	X04Z
5t105.2↔		BOP, KVT, UOP4, VIAL	5t107.m↔		BOP, KVT, UOP4, VIAL	5t10a.m↔		BOP, KVT, UOP4, VIAL
	08	I08A, I08B, I08C, I08D, I08E, I08F, I13A, I13B, I13C, I13D		08	I13A, I13B, I13C, I13D		08	I13A, I13B, I13C, I13D
5t105.g↔		BOP, KVT, UOP4, VIAL		21A	W01A, W01B, W01C, W02A, W02B		21A	W01A, W01B, W01C, W02A, W02B
	08	I08A, I08B, I08C, I08D, I08E, I08F		21B	X04Z		21B	X04Z
	10	K09A, K09B	5t107.q↔		BOP, KVT, UOP4, VIAL	5t10a.q↔		BOP, KVT, UOP4, VIAL
	21A	W01A, W01B, W01C, W02A, W02B		08	I13A, I13B, I13C, I13D		08	I13A, I13B, I13C, I13D
	21B	X04Z	5t107.x		BOP, KVT, UOP4		21A	W01A, W01B, W01C, W02A, W02B
5t105.x		BOP, KVT, UOP4		08	I28A, I28B		21B	X04Z
	08	I28A, I28B		21A	W04A, W04B	5t10a.x		BOP, KVT, UOP4
	21A	W04A, W04B		21B	X06A, X06B, X06C		08	I28A, I28B
	21B	X06A, X06B, X06C	5t108.2↔		BOP, KVT, UOP4, VIAL		21A	W04A, W04B
5t106.2↔		BOP, KVT, UOP4, VIAL		08	I08A, I08B, I08C, I08D, I08E, I08F, I13A, I13B, I13C, I13D		21B	X06A, X06B, X06C
	08	I08A, I08B, I08C, I08D, I08E, I08F, I13A, I13B, I13C, I13D		21A	W04A, W04B	5t10b.2↔		BOP, KVT, UOP4, VIAL
	21A	W04A, W04B		21B	X06A, X06B, X06C		08	I08A, I08B, I08C, I08D, I08E, I08F, I13A, I13B, I13C, I13D
	21B	X06A, X06B, X06C	5t108.g↔		BOP, KVT, UOP4, VIAL		21A	W04A, W04B
5t106.5↔		BOP, KVT, UOP4, VIAL		08	I08A, I08B, I08C, I08D, I08E, I08F		21B	X06A, X06B, X06C
	08	I08A, I08B, I08C, I08D, I08E, I08F, I21Z, I31Z		10	K09A, K09B	5t10b.5↔		BOP, KVT, UOP4, VIAL
	21A	W04A, W04B		21A	W01A, W01B, W01C, W02A, W02B		08	I08A, I08B, I08C, I08D, I08E, I08F, I21Z, I31Z
	21B	X06A, X06B, X06C		21B	X04Z		21A	W04A, W04B
5t106.8↔		BOP, KVT, UOP4, VIAL	5t108.m↔		BOP, KVT, UOP4, VIAL		21B	X06A, X06B, X06C
	08	I08A, I08B, I08C, I08D, I08E, I08F, I21Z, I31Z		08	I13A, I13B, I13C, I13D	5t10b.8↔		BOP, KVT, UOP4, VIAL
	21A	W04A, W04B		21A	W01A, W01B, W01C, W02A, W02B		08	I08A, I08B, I08C, I08D, I08E, I08F, I21Z, I31Z
	21B	X06A, X06B, X06C		21B	X04Z		21A	W04A, W04B
5t106.g↔		BOP, KVT, UOP4, VIAL	5t108.x		BOP, KVT, UOP4		21B	X06A, X06B, X06C
	08	I08A, I08B, I08C, I08D, I08E, I08F		08	I28A, I28B	5t10b.g↔		BOP, KVT, UOP4, VIAL
	10	K09A, K09B		21A	W04A, W04B		08	I08A, I08B, I08C, I08D, I08E, I08F
	21A	W01A, W01B, W01C, W02A, W02B		21B	X06A, X06B, X06C		10	K09A, K09B
	21B	X04Z	5t109.g↔		BOP, KVT, UOP4, VIAL		21A	W01A, W01B, W01C, W02A, W02B
5t106.m↔		BOP, KVT, UOP4, VIAL		08	I08A, I08B, I08C, I08D, I08E, I08F		21B	X04Z
	08	I13A, I13B, I13C, I13D		10	K09A, K09B	5t10b.m↔		BOP, KVT, UOP4, VIAL
	21A	W01A, W01B, W01C, W02A, W02B		21A	W01A, W01B, W01C, W02A, W02B		08	I13A, I13B, I13C, I13D
	21B	X04Z		21B	X04Z		21A	W01A, W01B, W01C, W02A, W02B
5t106.q↔		BOP, KVT, UOP4, VIAL	5t109.m↔		BOP, KVT, UOP4, VIAL		21B	X04Z
	08	I13A, I13B, I13C, I13D		08	I13A, I13B, I13C, I13D	5t10b.q↔		BOP, KVT, UOP4, VIAL
5t106.x		BOP, KVT, UOP4		21A	W01A, W01B, W01C, W02A, W02B		08	I13A, I13B, I13C, I13D
	08	I28A, I28B		21B	X04Z		21A	W01A, W01B, W01C, W02A, W02B
	21A	W04A, W04B	5t109.x		BOP, KVT, UOP4		21B	X04Z
	21B	X06A, X06B, X06C		08	I28A, I28B			
				21A	W04A, W04B			
				21B	X06A, X06B, X06C			

ZZV	MDC	DRG	ZZV	MDC	DRG	ZZV	MDC	DRG
5t10b.x		BOP, KVT, UOP4	5t10v.8↔		BOP, KVT, UOP4, VIAL	5t10z.5↔		BOP, KVT, UOP4, VIAL
	08	I28A, I28B		08	I08A, I08B, I08C, I08D, I08E, I08F, I13A, I21Z, I31Z		08	I08A, I08B, I08C, I08D, I08E, I08F, I21Z, I31Z
	21A	W04A, W04B		21A	W04A, W04B		21A	W04A, W04B
	21B	X06A, X06B, X06C		21B	X06A, X06B, X06C		21B	X06A, X06B, X06C
5t10c.2↔		BOP, KVT, UOP4, VIAL	5t10v.g↔		BOP, KVT, UOP4, VIAL	5t10z.8↔		BOP, KVT, UOP4, VIAL
	08	I08A, I08B, I08C, I08D, I08E, I08F, I13A, I13B, I13C, I13D		08	I08A, I08B, I08C, I08D, I08E, I08F, I13A		08	I08A, I08B, I08C, I08D, I08E, I08F, I21Z, I31Z
	21A	W04A, W04B		10	K09A, K09B		21A	W04A, W04B
	21B	X06A, X06B, X06C		21A	W01A, W01B, W01C, W02A, W02B		21B	X06A, X06B, X06C
5t10c.g↔		BOP, KVT, UOP4, VIAL	5t10v.m↔		BOP, KVT, UOP4, VIAL	5t10z.g↔		BOP, KVT, UOP4, VIAL
	08	I08A, I08B, I08C, I08D, I08E, I08F		08	I13A, I13B, I13C, I13D		08	I08A, I08B, I08C, I08D, I08E, I08F
	10	K09A, K09B		21A	W01A, W01B, W01C, W02A, W02B		10	K09A, K09B
	21A	W01A, W01B, W01C, W02A, W02B		21A	W01A, W01B, W01C, W02A, W02B		21A	W01A, W01B, W01C, W02A, W02B
	21B	X04Z		21B	X04Z		21B	X04Z
5t10c.x		BOP, KVT, UOP4	5t10v.q↔		BOP, KVT, UOP4, VIAL	5t10z.m↔		BOP, KVT, UOP4, VIAL
	08	I28A, I28B		08	I13A, I13B, I13C, I13D		08	I13A, I13B, I13C, I13D
	21A	W04A, W04B		21A	W01A, W01B, W01C, W02A, W02B		21A	W01A, W01B, W01C, W02A, W02B
	21B	X06A, X06B, X06C		21B	X04Z		21B	X04Z
5t10t.2↔		BOP, KVT, UOP4, VIAL	5t10v.x		BOP, KVT, UOP4	5t10z.q↔		BOP, KVT, UOP4, VIAL
	08	I08A, I08B, I08C, I08D, I08E, I08F, I13A, I13B, I13C, I13D		08	I13A, I28A, I28B		08	I13A, I13B, I13C, I13D
	21A	W04A, W04B		21A	W04A, W04B		21A	W01A, W01B, W01C, W02A, W02B
	21B	X06A, X06B, X06C		21B	X06A, X06B, X06C		21B	X04Z
5t10t.5↔		BOP, KVT, UOP4, VIAL	5t10x.2↔		BOP, KVT, UOP4, VIAL	5t10z.x		BOP, KVT, UOP4
	08	I08A, I08B, I08C, I08D, I08E, I08F, I21Z, I31Z		08	I08A, I08B, I08C, I08D, I08E, I08F, I13A, I13B, I13C, I13D		08	I28A, I28B
	21A	W04A, W04B		21A	W04A, W04B		21A	W04A, W04B
	21B	X06A, X06B, X06C		21B	X06A, X06B, X06C		21B	X06A, X06B, X06C
5t10t.8↔		BOP, KVT, UOP4, VIAL	5t10x.5↔		BOP, KVT, UOP4, VIAL	5t110.2↔		BOP, KVT, UOP4, VIAL
	08	I08A, I08B, I08C, I08D, I08E, I08F, I21Z, I31Z		08	I08A, I08B, I08C, I08D, I08E, I08F, I21Z, I31Z		08	I08A, I08B, I08C, I08D, I08E, I08F, I13A, I13B, I13C, I13D
	21A	W04A, W04B		21A	W04A, W04B		21A	W04A, W04B
	21B	X06A, X06B, X06C		21B	X06A, X06B, X06C		21B	X06A, X06B, X06C
5t10t.g↔		BOP, KVT, UOP4, VIAL	5t10x.8↔		BOP, KVT, UOP4, VIAL	5t110.5↔		BOP, KVT, UOP4, VIAL
	08	I08A, I08B, I08C, I08D, I08E, I08F		08	I08A, I08B, I08C, I08D, I08E, I08F, I21Z, I31Z		08	I08A, I08B, I08C, I08D, I08E, I08F, I21Z, I31Z
	10	K09A, K09B		21A	W04A, W04B		21A	W04A, W04B
	21A	W01A, W01B, W01C, W02A, W02B		21B	X06A, X06B, X06C		21B	X06A, X06B, X06C
	21B	X04Z		21B	X06A, X06B, X06C		21B	X06A, X06B, X06C
5t10t.m↔		BOP, KVT, UOP4, VIAL	5t10x.g↔		BOP, KVT, UOP4, VIAL	5t110.8↔		BOP, KVT, UOP4, VIAL
	08	I13A, I13B, I13C, I13D		08	I08A, I08B, I08C, I08D, I08E, I08F		08	I08A, I08B, I08C, I08D, I08E, I08F, I21Z, I31Z
	21A	W01A, W01B, W01C, W02A, W02B		10	K09A, K09B		21A	W04A, W04B
	21B	X04Z		21A	W01A, W01B, W01C, W02A, W02B		21B	X06A, X06B, X06C
5t10t.q↔		BOP, KVT, UOP4, VIAL	5t10x.m↔		BOP, KVT, UOP4, VIAL	5t110.g↔		BOP, KVT, UOP4, VIAL
	08	I13A, I13B, I13C, I13D		08	I13A, I13B, I13C, I13D		08	I08A, I08B, I08C, I08D, I08E, I08F
	21A	W01A, W01B, W01C, W02A, W02B		21A	W01A, W01B, W01C, W02A, W02B		21A	W01A, W01B, W01C, W02A, W02B
	21B	X04Z		21B	X04Z		21B	X04Z
5t10t.x		BOP, KVT, UOP4	5t10x.q↔		BOP, KVT, UOP4, VIAL	5t110.m↔		BOP, KVT, UOP4, VIAL
	08	I28A, I28B		08	I13A, I13B, I13C, I13D		08	I13A, I13B, I13C, I13D
	21A	W04A, W04B		21A	W01A, W01B, W01C, W02A, W02B		21A	W04A, W04B
	21B	X06A, X06B, X06C		21B	X04Z		21B	X04Z
5t10v.2↔		BOP, KVT, UOP4, VIAL	5t10x.x		BOP, KVT, UOP4	5t110.q↔		BOP, KVT, UOP4, VIAL
	08	I08A, I08B, I08C, I08D, I08E, I08F, I13A, I13B, I13C, I13D		08	I28A, I28B		08	I13A, I13B, I13C, I13D
	21A	W04A, W04B		21A	W04A, W04B		21A	W04A, W04B
	21B	X06A, X06B, X06C		21B	X06A, X06B, X06C		21B	X04Z
5t10v.5↔		BOP, KVT, UOP4, VIAL	5t10z.2↔		BOP, KVT, UOP4, VIAL	5t110.x		BOP, KVT, UOP4
	08	I08A, I08B, I08C, I08D, I08E, I08F, I13A, I21Z, I31Z		08	I08A, I08B, I08C, I08D, I08E, I08F, I13A, I13B, I13C, I13D		08	I28A, I28B
	21A	W04A, W04B		21A	W04A, W04B		21A	W04A, W04B
	21B	X06A, X06B, X06C		21B	X06A, X06B, X06C		21B	X06A, X06B, X06C
				21A	W04A, W04B		21B	X06A, X06B, X06C
				21B	X06A, X06B, X06C		21A	W04A, W04B
							21B	X06A, X06B, X06C

ZZV	MDC	DRG	ZZV	MDC	DRG	ZZV	MDC	DRG
5t113.5↔		BOP, KVT, UOP4, VIAL	5t115.g↔		BOP, KVT, UOP4, VIAL	5t117.m↔		BOP, KVT, UOP4, VIAL
	08	I08A, I08B, I08C, I08D, I08E, I08F, I21Z, I31Z		08	I08A, I08B, I08C, I08D, I08E, I08F		08	I13A, I13B, I13C, I13D
	21A	W04A, W04B		10	K09A, K09B		21A	W01A, W01B, W01C, W02A, W02B
	21B	X06A, X06B, X06C		21A	W01A, W01B, W01C, W02A, W02B	5t117.q↔		X04Z
5t113.8↔		BOP, KVT, UOP4, VIAL		21B	X04Z			BOP, KVT, UOP4, VIAL
	08	I08A, I08B, I08C, I08D, I08E, I08F, I21Z, I31Z	5t115.x		BOP, KVT, UOP4		08	I13A, I13B, I13C, I13D
	21A	W04A, W04B		08	I28A, I28B	5t117.x		BOP, KVT, UOP4
	21B	X06A, X06B, X06C		21A	W04A, W04B		08	I28A, I28B
5t113.g↔		BOP, KVT, UOP4, VIAL		21B	X06A, X06B, X06C		21A	W04A, W04B
	08	I08A, I08B, I08C, I08D, I08E, I08F	5t116.2↔		BOP, KVT, UOP4, VIAL		21B	X06A, X06B, X06C
	10	K09A, K09B		08	I08A, I08B, I08C, I08D, I08E, I08F, I13A, I13B, I13C, I13D	5t118.2↔		BOP, KVT, UOP4, VIAL
	21A	W01A, W01B, W01C, W02A, W02B		21A	W04A, W04B		08	I08A, I08B, I08C, I08D, I08E, I08F, I13A, I13B, I13C, I13D
	21B	X04Z		21B	X06A, X06B, X06C		21A	W04A, W04B
5t113.m↔		BOP, KVT, UOP4, VIAL	5t116.5↔		BOP, KVT, UOP4, VIAL	5t118.g↔		BOP, KVT, UOP4, VIAL
	08	I13A, I13B, I13C, I13D		08	I08A, I08B, I08C, I08D, I08E, I08F, I21Z, I31Z		08	I08A, I08B, I08C, I08D, I08E, I08F
	21A	W01A, W01B, W01C, W02A, W02B		21A	W04A, W04B		10	K09A, K09B
	21B	X04Z		21B	X06A, X06B, X06C		21A	W01A, W01B, W01C, W02A, W02B
5t113.q↔		BOP, KVT, UOP4, VIAL	5t116.8↔		BOP, KVT, UOP4, VIAL		21B	X04Z
	08	I13A, I13B, I13C, I13D		08	I08A, I08B, I08C, I08D, I08E, I08F, I21Z, I31Z	5t118.m↔		BOP, KVT, UOP4, VIAL
	21A	W04A, W04B		21A	W04A, W04B		08	I13A, I13B, I13C, I13D
	21B	X06A, X06B, X06C		21B	X06A, X06B, X06C		21A	W01A, W01B, W01C, W02A, W02B
5t113.x		BOP, KVT, UOP4	5t116.g↔		BOP, KVT, UOP4, VIAL		21B	X04Z
	08	I28A, I28B		08	I08A, I08B, I08C, I08D, I08E, I08F	5t118.x		BOP, KVT, UOP4
	21A	W04A, W04B		10	K09A, K09B		08	I28A, I28B
	21B	X06A, X06B, X06C		21A	W01A, W01B, W01C, W02A, W02B		21A	W04A, W04B
5t114.2↔		BOP, KVT, UOP4, VIAL		21B	X04Z		21B	X06A, X06B, X06C
	08	I08A, I08B, I08C, I08D, I08E, I08F, I13A, I13B, I13C, I13D	5t116.m↔		BOP, KVT, UOP4, VIAL	5t11a.2↔		BOP, KVT, UOP4, VIAL
	21A	W04A, W04B		08	I13A, I13B, I13C, I13D		08	I08A, I08B, I08C, I08D, I08E, I08F, I13A, I13B, I13C, I13D
	21B	X06A, X06B, X06C		21A	W01A, W01B, W01C, W02A, W02B		21A	W04A, W04B
5t114.5↔		BOP, KVT, UOP4, VIAL		21B	X04Z		21B	X06A, X06B, X06C
	08	I08A, I08B, I08C, I08D, I08E, I08F, I21Z, I31Z	5t116.q↔		BOP, KVT, UOP4, VIAL	5t11a.5↔		BOP, KVT, UOP4, VIAL
	21A	W04A, W04B		08	I13A, I13B, I13C, I13D		08	I08A, I08B, I08C, I08D, I08E, I08F, I21Z, I31Z
	21B	X06A, X06B, X06C	5t116.x		BOP, KVT, UOP4		21A	W04A, W04B
5t114.8↔		BOP, KVT, UOP4, VIAL		08	I28A, I28B	5t11a.8↔		BOP, KVT, UOP4, VIAL
	08	I08A, I08B, I08C, I08D, I08E, I08F, I21Z, I31Z		21A	W04A, W04B		08	I08A, I08B, I08C, I08D, I08E, I08F, I21Z, I31Z
	21A	W04A, W04B	5t117.2↔		BOP, KVT, UOP4, VIAL		21A	W04A, W04B
	21B	X06A, X06B, X06C		08	I08A, I08B, I08C, I08D, I08E, I08F, I13A, I13B, I13C, I13D		21B	X06A, X06B, X06C
5t114.g↔		BOP, KVT, UOP4, VIAL		21A	W04A, W04B	5t11a.g↔		BOP, KVT, UOP4, VIAL
	08	I08A, I08B, I08C, I08D, I08E, I08F		21B	X06A, X06B, X06C		08	I08A, I08B, I08C, I08D, I08E, I08F
	10	K09A, K09B	5t117.5↔		BOP, KVT, UOP4, VIAL		10	K09A, K09B
	21A	W01A, W01B, W01C, W02A, W02B		08	I08A, I08B, I08C, I08D, I08E, I08F, I21Z, I31Z		21A	W01A, W01B, W01C, W02A, W02B
	21B	X04Z		21A	W04A, W04B		21B	X04Z
5t114.m↔		BOP, KVT, UOP4, VIAL	5t117.8↔		BOP, KVT, UOP4, VIAL	5t11a.m↔		BOP, KVT, UOP4, VIAL
	08	I13A, I13B, I13C, I13D		08	I08A, I08B, I08C, I08D, I08E, I08F, I21Z, I31Z		08	I13A, I13B, I13C, I13D
	21A	W01A, W01B, W01C, W02A, W02B		21A	W04A, W04B		21A	W01A, W01B, W01C, W02A, W02B
	21B	X04Z		21B	X06A, X06B, X06C		21B	X04Z
5t114.q↔		BOP, KVT, UOP4, VIAL	5t117.g↔		BOP, KVT, UOP4, VIAL	5t11a.q↔		BOP, KVT, UOP4, VIAL
	08	I13A, I13B, I13C, I13D, I13E		08	I08A, I08B, I08C, I08D, I08E, I08F		08	I13A, I13B, I13C, I13D
	21A	W04A, W04B		10	K09A, K09B	5t11b.2↔		BOP, KVT, UOP4, VIAL
	21B	X06A, X06B, X06C		21A	W01A, W01B, W01C, W02A, W02B		08	I08A, I08B, I08C, I08D, I08E, I08F, I13A, I13B, I13C, I13D
5t114.x		BOP, KVT, UOP4		21B	X04Z		21A	W04A, W04B
	08	I28A, I28B					21B	X06A, X06B, X06C
	21A	W04A, W04B						
	21B	X06A, X06B, X06C						
5t115.2↔		BOP, KVT, UOP4, VIAL						
	08	I08A, I08B, I08C, I08D, I08E, I08F, I13A, I13B, I13C, I13D						

VYK

ZZV	MDC	DRG	ZZV	MDC	DRG	ZZV	MDC	DRG
5t11b.5↔		BOP, KVT, UOP4, VIAL	5t11t.m↔		BOP, KVT, UOP4, VIAL	5t11x.g↔		BOP, KVT, UOP4, VIAL
	08	I08A, I08B, I08C, I08D, I08E, I08F, I21Z, I31Z		08	I13A, I13B, I13C, I13D		08	I08A, I08B, I08C, I08D, I08E, I08F
	21A	W04A, W04B		21A	W01A, W01B, W01C, W02A, W02B		10	K09A, K09B
	21B	X06A, X06B, X06C		21B	X04Z		21A	W01A, W01B, W01C, W02A, W02B
5t11b.8↔		BOP, KVT, UOP4, VIAL	5t11t.q↔		BOP, KVT, UOP4, VIAL		21B	X04Z
	08	I08A, I08B, I08C, I08D, I08E, I08F, I21Z, I31Z		08	I13A, I13B, I13C, I13D, I13E	5t11x.m↔		BOP, KVT, UOP4, VIAL
	21A	W04A, W04B		21A	W04A, W04B		08	I13A, I13B, I13C, I13D
	21B	X06A, X06B, X06C		21B	X06A, X06B, X06C		21A	W01A, W01B, W01C, W02A, W02B
5t11b.g↔		BOP, KVT, UOP4, VIAL	5t11t.x		BOP, KVT, UOP4		21B	X04Z
	08	I08A, I08B, I08C, I08D, I08E, I08F		08	I28A, I28B	5t11x.q↔		BOP, KVT, UOP4, VIAL
	10	K09A, K09B		21A	W04A, W04B		08	I13A, I13B, I13C, I13D, I13E
	21A	W01A, W01B, W01C, W02A, W02B	5t11v.2↔		BOP, KVT, UOP4, VIAL		21A	W04A, W04B
	21B	X04Z		08	I08A, I08B, I08C, I08D, I08E, I08F, I13A, I13B, I13C, I13D		21B	X06A, X06B, X06C
5t11b.m↔		BOP, KVT, UOP4, VIAL		21A	W04A, W04B	5t11x.x		BOP, KVT, UOP4
	08	I13A, I13B, I13C, I13D		21B	X06A, X06B, X06C		08	I28A, I28B
	21A	W01A, W01B, W01C, W02A, W02B	5t11v.5↔		BOP, KVT, UOP4, VIAL		21A	W04A, W04B
	21B	X04Z		08	I08A, I08B, I08C, I08D, I08E, I08F, I13A, I21Z, I31Z		21B	X06A, X06B, X06C
5t11b.q↔		BOP, KVT, UOP4, VIAL		21A	W04A, W04B	5t11y.2↔		BOP, KVT, UOP4, VIAL
	08	I13A, I13B, I13C, I13D	5t11v.8↔		BOP, KVT, UOP4, VIAL		08	I08A, I08B, I08C, I08D, I08E, I08F, I13A, I13B, I13C, I13D
	21A	W04A, W04B		08	I08A, I08B, I08C, I08D, I08E, I08F, I13A, I21Z, I31Z		21A	W04A, W04B
	21B	X06A, X06B, X06C		21A	W04A, W04B		21B	X06A, X06B, X06C
5t11b.x		BOP, KVT, UOP4		21B	X06A, X06B, X06C	5t11y.5↔		BOP, KVT, UOP4, VIAL
	08	I28A, I28B	5t11v.g↔		BOP, KVT, UOP4, VIAL		08	I08A, I08B, I08C, I08D, I08E, I08F, I21Z, I31Z
	21A	W04A, W04B		08	I08A, I08B, I08C, I08D, I08E, I08F, I13A		21A	W04A, W04B
	21B	X06A, X06B, X06C		10	K09A, K09B		21B	X06A, X06B, X06C
5t11c.2↔		BOP, KVT, UOP4, VIAL		21A	W01A, W01B, W01C, W02A, W02B	5t11y.8↔		BOP, KVT, UOP4, VIAL
	08	I08A, I08B, I08C, I08D, I08E, I08F, I13A, I13B, I13C, I13D		21B	X04Z		08	I08A, I08B, I08C, I08D, I08E, I08F, I21Z, I31Z
	21A	W04A, W04B	5t11v.m↔		BOP, KVT, UOP4, VIAL		21A	W04A, W04B
	21B	X06A, X06B, X06C		08	I13A, I13B, I13C, I13D		21B	X06A, X06B, X06C
5t11c.g↔		BOP, KVT, UOP4, VIAL		21A	W01A, W01B, W01C, W02A, W02B	5t11y.g↔		BOP, KVT, UOP4, VIAL
	08	I08A, I08B, I08C, I08D, I08E, I08F		21B	X04Z		08	I08A, I08B, I08C, I08D, I08E, I08F
	10	K09A, K09B	5t11v.q↔		BOP, KVT, UOP4, VIAL		10	K09A, K09B
	21A	W01A, W01B, W01C, W02A, W02B		08	I13A, I13B, I13C, I13D, I13E		21A	W01A, W01B, W01C, W02A, W02B
	21B	X04Z		21A	W04A, W04B		21B	X04Z
5t11c.x		BOP, KVT, UOP4		21B	X06A, X06B, X06C	5t11y.m↔		BOP, KVT, UOP4, VIAL
	08	I28A, I28B	5t11v.x		BOP, KVT, UOP4		08	I13A, I13B, I13C, I13D
	21A	W04A, W04B		08	I13A, I28A, I28B		21A	W01A, W01B, W01C, W02A, W02B
	21B	X06A, X06B, X06C		21A	W04A, W04B		21B	X04Z
5t11t.2↔		BOP, KVT, UOP4, VIAL		21B	X06A, X06B, X06C	5t11y.q↔		BOP, KVT, UOP4, VIAL
	08	I08A, I08B, I08C, I08D, I08E, I08F, I13A, I13B, I13C, I13D	5t11x.2↔		BOP, KVT, UOP4, VIAL		08	I13A, I13B, I13C, I13D, I13E
	21A	W04A, W04B		08	I08A, I08B, I08C, I08D, I08E, I08F, I13A, I13B, I13C, I13D		21A	W04A, W04B
	21B	X06A, X06B, X06C		21A	W04A, W04B		21B	X06A, X06B, X06C
5t11t.5↔		BOP, KVT, UOP4, VIAL		21B	X06A, X06B, X06C	5t11y.x		BOP, KVT, UOP4
	08	I08A, I08B, I08C, I08D, I08E, I08F, I21Z, I31Z	5t11x.5↔		BOP, KVT, UOP4, VIAL		08	I28A, I28B
	21A	W04A, W04B		08	I08A, I08B, I08C, I08D, I08E, I08F, I21Z, I31Z		21A	W04A, W04B
	21B	X06A, X06B, X06C		21A	W04A, W04B		21B	X06A, X06B, X06C
5t11t.8↔		BOP, KVT, UOP4, VIAL		21B	X06A, X06B, X06C	5t120.1↔		BOP, KVT, UOP4, VIAL
	08	I08A, I08B, I08C, I08D, I08E, I08F, I21Z, I31Z	5t11x.8↔		BOP, KVT, UOP4, VIAL		08	I08A, I08B, I08C, I08D, I08E, I08F, I13A, I13B, I13C, I13D, I13E
	21A	W04A, W04B		08	I08A, I08B, I08C, I08D, I08E, I08F, I21Z, I31Z		21A	W04A, W04B
	21B	X06A, X06B, X06C		21A	W04A, W04B		21B	X06A, X06B, X06C
5t11t.g↔		BOP, KVT, UOP4, VIAL		21B	X06A, X06B, X06C	5t120.3↔		BOP, KVT, UOP4, VIAL
	08	I08A, I08B, I08C, I08D, I08E, I08F		21A	W04A, W04B		08	I08A, I08B, I08C, I08D, I08E, I08F, I13A, I13B, I13C, I13D, I13E
	10	K09A, K09B		21B	X06A, X06B, X06C		21A	W04A, W04B
	21A	W01A, W01B, W01C, W02A, W02B					21B	X06A, X06B, X06C
	21B	X04Z						

ZZV	MDC	DRG	ZZV	MDC	DRG	ZZV	MDC	DRG
5t120.4↔		BOP, KVT, UOP4, VIAL	5t121.3↔		BOP, KVT, UOP4, VIAL	5t121.p↔		BOP, KVT, UOP4, VIAL
	08	I08A, I08B, I08C, I08D, I08E, I08F, I21Z, I31Z		08	I08A, I08B, I08C, I08D, I08E, I08F, I13A, I13B, I13C, I13D, I13E		08	I13A, I13B, I13C, I13D, I13E
	21A	W04A, W04B		21A	W04A, W04B		21A	W01A, W01B, W01C, W02A, W02B
	21B	X06A, X06B, X06C		21B	X06A, X06B, X06C		21B	X04Z
5t120.6↔		BOP, KVT, UOP4, VIAL	5t121.4↔		BOP, KVT, UOP4, VIAL	5t121.r↔		BOP, KVT, UOP4, VIAL
	08	I08A, I08B, I08C, I08D, I08E, I08F, I13A, I13B, I21Z, I31Z		08	I08A, I08B, I08C, I08D, I08E, I08F, I21Z, I31Z		08	I13A, I13B, I13C, I13D, I13E
	21A	W04A, W04B		21A	W04A, W04B		21A	W01A, W01B, W01C, W02A, W02B
	21B	X06A, X06B, X06C		21B	X06A, X06B, X06C		21B	X04Z
5t120.7↔		BOP, KVT, UOP4, VIAL	5t121.6↔		BOP, KVT, UOP4, VIAL	5t121.x		BOP, KVT, UOP4
	08	I08A, I08B, I08C, I08D, I08E, I08F, I21Z, I31Z		08	I08A, I08B, I08C, I08D, I08E, I08F, I13A, I13B, I21Z, I31Z		08	I28A, I28B
	21A	W04A, W04B		21A	W04A, W04B		21A	W04A, W04B
	21B	X06A, X06B, X06C		21B	X06A, X06B, X06C		21B	X06A, X06B, X06C
5t120.9↔		BOP, KVT, UOP4, VIAL	5t121.7↔		BOP, KVT, UOP4, VIAL	5t123.1↔		BOP, KVT, UOP4, VIAL
	08	I08A, I08B, I08C, I08D, I08E, I08F, I21Z, I31Z		08	I08A, I08B, I08C, I08D, I08E, I08F, I21Z, I31Z		08	I08A, I08B, I08C, I08D, I08E, I08F, I13A, I13B, I13C, I13D
	21A	W04A, W04B		21A	W04A, W04B		21A	W04A, W04B
	21B	X06A, X06B, X06C		21B	X06A, X06B, X06C		21B	X06A, X06B, X06C
5t120.e↔		BOP, KVT, UOP4, VIAL	5t121.9↔		BOP, KVT, UOP4, VIAL	5t123.3↔		BOP, KVT, UOP4, VIAL
	08	I08A, I08B, I08C, I08D, I08E, I08F		08	I08A, I08B, I08C, I08D, I08E, I08F, I21Z, I31Z		08	I08A, I08B, I08C, I08D, I08E, I08F, I13A, I13B, I13C, I13D
	21A	W01A, W01B, W01C, W02A, W02B		21A	W04A, W04B		21A	W04A, W04B
	21B	X04Z		21B	X06A, X06B, X06C		21B	X06A, X06B, X06C
5t120.f↔		BOP, KVT, UOP4, VIAL	5t121.e↔		BOP, KVT, UOP4, VIAL	5t123.4↔		BOP, KVT, UOP4, VIAL
	08	I08A, I08B, I08C, I08D, I08E, I08F		01	B03A, B03B, B06A, B06B, B17A, B17B, B17C		08	I08A, I08B, I08C, I08D, I08E, I08F, I21Z, I31Z
	21A	W01A, W01B, W01C, W02A, W02B		08	I08A, I08B, I08C, I08D, I08E, I08F		21A	W04A, W04B
	21B	X04Z		10	K09A, K09B		21B	X06A, X06B, X06C
5t120.h↔		BOP, KVT, UOP4, VIAL	5t121.f↔		BOP, KVT, UOP4, VIAL	5t123.6↔		BOP, KVT, UOP4, VIAL
	08	I08A, I08B, I08C, I08D, I08E, I08F		01	B03A, B03B, B06A, B06B, B17A, B17B, B17C		08	I08A, I08B, I08C, I08D, I08E, I08F, I13A, I13B, I21Z, I31Z
	21A	W01A, W01B, W01C, W02A, W02B		08	I08A, I08B, I08C, I08D, I08E, I08F		21A	W04A, W04B
	21B	X04Z		21A	W01A, W01B, W01C, W02A, W02B		21B	X06A, X06B, X06C
5t120.j↔		BOP, KVT, UOP4, VIAL	5t121.g↔		BOP, KVT, UOP4, VIAL	5t123.7↔		BOP, KVT, UOP4, VIAL
	08	I18A, I18B, I30Z		01	B03A, B03B, B06A, B06B, B17A, B17B, B17C		08	I08A, I08B, I08C, I08D, I08E, I08F, I21Z, I31Z
	21A	W04A, W04B		08	I08A, I08B, I08C, I08D, I08E, I08F		21A	W04A, W04B
	21B	X04Z		10	K09A, K09B		21B	X06A, X06B, X06C
5t120.k↔		BOP, KVT, UOP4, VIAL	5t121.h↔		BOP, KVT, UOP4, VIAL	5t123.9↔		BOP, KVT, UOP4, VIAL
	08	I13A, I13B, I13C, I13D, I13E		01	B03A, B03B, B06A, B06B, B17A, B17B, B17C		08	I08A, I08B, I08C, I08D, I08E, I08F, I21Z, I31Z
	21A	W04A, W04B		08	I08A, I08B, I08C, I08D, I08E, I08F		21A	W04A, W04B
	21B	X04Z		21A	W01A, W01B, W01C, W02A, W02B		21B	X06A, X06B, X06C
5t120.n↔		BOP, KVT, UOP4, VIAL	5t121.i↔		BOP, KVT, UOP4, VIAL	5t123.e↔		BOP, KVT, UOP4, VIAL
	08	I13A, I13B, I13C, I13D, I13E		08	I08A, I08B, I08C, I08D, I08E, I08F		01	B03A, B03B, B06A, B06B, B17A, B17B, B17C
	21A	W04A, W04B		21A	W01A, W01B, W01C, W02A, W02B		08	I08A, I08B, I08C, I08D, I08E, I08F
	21B	X04Z		21B	X04Z		10	K09A, K09B
5t120.p↔		BOP, KVT, UOP4, VIAL	5t121.j↔		BOP, KVT, UOP4, VIAL	5t123.f↔		BOP, KVT, UOP4, VIAL
	08	I13A, I13B, I13C, I13D, I13E		08	I18A, I18B, I30Z		21A	W01A, W01B, W01C, W02A, W02B
	21A	W04A, W04B		21A	W04A, W04B		21B	X04Z
	21B	X04Z		21B	X04Z		01	B03A, B03B, B06A, B06B, B17A, B17B, B17C
5t120.r↔		BOP, KVT, UOP4, VIAL	5t121.k↔		BOP, KVT, UOP4, VIAL	5t123.g↔		BOP, KVT, UOP4, VIAL
	08	I13A, I13B, I13C, I13D, I13E		08	I13A, I13B, I13C, I13D		08	I08A, I08B, I08C, I08D, I08E, I08F
	21A	W04A, W04B		21A	W01A, W01B, W01C, W02A, W02B		10	K09A, K09B
	21B	X04Z		21B	X04Z		21A	W01A, W01B, W01C, W02A, W02B
5t120.x		BOP, KVT, UOP4	5t121.l↔		BOP, KVT, UOP4, VIAL	5t123.h↔		BOP, KVT, UOP4, VIAL
	08	I28A, I28B		08	I13A, I13B, I13C, I13D, I13E		01	B03A, B03B, B06A, B06B, B17A, B17B, B17C
	21A	W04A, W04B		21A	W01A, W01B, W01C, W02A, W02B		08	I08A, I08B, I08C, I08D, I08E, I08F
	21B	X06A, X06B, X06C		21B	X04Z		21A	W01A, W01B, W01C, W02A, W02B
5t121.1↔		BOP, KVT, UOP4, VIAL	5t121.m↔		BOP, KVT, UOP4, VIAL		21B	X04Z
	08	I08A, I08B, I08C, I08D, I08E, I08F, I13A, I13B, I13C, I13D, I13E		08	I13A, I13B, I13C, I13D, I13E			
	21A	W04A, W04B		21A	W01A, W01B, W01C, W02A, W02B			
	21B	X06A, X06B, X06C		21B	X04Z			

VYK

ZZV	MDC	DRG	ZZV	MDC	DRG	ZZV	MDC	DRG
5t123.k↔		BOP, KVT, UOP4, VIAL 08 I13A, I13B, I13C, I13D 21A W01A, W01B, W01C, W02A, W02B 21B X04Z	5t124.f↔		BOP, KVT, UOP4, VIAL 01 B03A, B03B, B06A, B06B, B17A, B17B, B17C 08 I08A, I08B, I08C, I08D, I08E, I08F 10 K09A, K09B 21A W01A, W01B, W01C, W02A, W02B 21B X04Z	5t125.h↔		BOP, KVT, UOP4, VIAL 01 B03A, B03B, B06A, B06B, B17A, B17B, B17C 08 I08A, I08B, I08C, I08D, I08E, I08F 21A W01A, W01B, W01C, W02A, W02B 21B X04Z
5t123.n↔		BOP, KVT, UOP4, VIAL 08 I13A, I13B, I13C, I13D 21A W01A, W01B, W01C, W02A, W02B 21B X04Z	5t124.h↔		BOP, KVT, UOP4, VIAL 01 B03A, B03B, B06A, B06B, B17A, B17B, B17C 08 I08A, I08B, I08C, I08D, I08E, I08F 21A W01A, W01B, W01C, W02A, W02B 21B X04Z	5t125.k↔		BOP, KVT, UOP4, VIAL 08 I13A, I13B, I13C, I13D BOP, KVT, UOP4
5t123.p↔		BOP, KVT, UOP4, VIAL 08 I13A, I13B, I13C, I13D, I13E 21A W01A, W01B, W01C, W02A, W02B 21B X04Z	5t124.j↔		BOP, KVT, UOP4, VIAL 08 I18A, I18B, I30Z 21A W04A, W04B 21B X04Z	5t125.x		BOP, KVT, UOP4, VIAL 08 I28A, I28B 21A W04A, W04B 21B X06A, X06B, X06C
5t123.r↔		BOP, KVT, UOP4, VIAL 08 I13A, I13B, I13C, I13D, I13E 21A W01A, W01B, W01C, W02A, W02B 21B X04Z	5t124.k↔		BOP, KVT, UOP4, VIAL 08 I13A, I13B, I13C, I13D 21A W01A, W01B, W01C, W02A, W02B 21B X04Z	5t128.1↔		BOP, KVT, UOP4, VIAL 08 I08A, I08B, I08C, I08D, I08E, I08F, I13A, I13B, I13C, I13D BOP, KVT, UOP4, VIAL
5t123.x		BOP, KVT, UOP4 08 I28A, I28B 21A W04A, W04B 21B X06A, X06B, X06C	5t124.l↔		BOP, KVT, UOP4, VIAL 08 I18A, I18B, I30Z 21A W04A, W04B 21B X04Z	5t128.e↔		BOP, KVT, UOP4, VIAL 01 B03A, B03B, B06A, B06B, B17A, B17B, B17C 08 I08A, I08B, I08C, I08D, I08E, I08F 10 K09A, K09B 21A W01A, W01B, W01C, W02A, W02B 21B X04Z
5t124.1↔		BOP, KVT, UOP4, VIAL 08 I08A, I08B, I08C, I08D, I08E, I08F, I13A, I13B, I13C, I13D, I13E 21A W04A, W04B 21B X06A, X06B, X06C	5t124.m↔		BOP, KVT, UOP4, VIAL 08 I13A, I13B, I13C, I13D, I13E 21A W01A, W01B, W01C, W02A, W02B 21B X04Z	5t128.f↔		BOP, KVT, UOP4, VIAL 01 B03A, B03B, B06A, B06B, B17A, B17B, B17C 08 I08A, I08B, I08C, I08D, I08E, I08F 10 K09A, K09B 21A W01A, W01B, W01C, W02A, W02B 21B X04Z
5t124.3↔		BOP, KVT, UOP4, VIAL 08 I08A, I08B, I08C, I08D, I08E, I08F, I13A, I13B, I13C, I13D, I13E 21A W04A, W04B 21B X06A, X06B, X06C	5t124.n↔		BOP, KVT, UOP4, VIAL 08 I13A, I13B, I13C, I13D, I13E 21A W01A, W01B, W01C, W02A, W02B 21B X04Z	5t128.g↔		BOP, KVT, UOP4, VIAL 08 I28A, I28B 21A W04A, W04B 21B X06A, X06B, X06C
5t124.4↔		BOP, KVT, UOP4, VIAL 08 I08A, I08B, I08C, I08D, I08E, I08F, I21Z, I31Z 21A W04A, W04B 21B X06A, X06B, X06C	5t124.o↔		BOP, KVT, UOP4, VIAL 08 I13A, I13B, I13C, I13D, I13E 21A W01A, W01B, W01C, W02A, W02B 21B X04Z	5t129.e↔		BOP, KVT, UOP4, VIAL 01 B03A, B03B, B06A, B06B, B17A, B17B, B17C 08 I08A, I08B, I08C, I08D, I08E, I08F 10 K09A, K09B 21A W01A, W01B, W01C, W02A, W02B 21B X04Z
5t124.6↔		BOP, KVT, UOP4, VIAL 08 I08A, I08B, I08C, I08D, I08E, I08F, I13A, I13B, I21Z, I31Z 21A W04A, W04B 21B X06A, X06B, X06C	5t124.p↔		BOP, KVT, UOP4, VIAL 08 I13A, I13B, I13C, I13D, I13E 21A W01A, W01B, W01C, W02A, W02B 21B X04Z	5t129.f↔		BOP, KVT, UOP4, VIAL 01 B03A, B03B, B06A, B06B, B17A, B17B, B17C 08 I08A, I08B, I08C, I08D, I08E, I08F 10 K09A, K09B 21A W01A, W01B, W01C, W02A, W02B 21B X04Z
5t124.7↔		BOP, KVT, UOP4, VIAL 08 I08A, I08B, I08C, I08D, I08E, I08F, I21Z, I31Z 21A W04A, W04B 21B X06A, X06B, X06C	5t124.q↔		BOP, KVT, UOP4, VIAL 08 I13A, I13B, I13C, I13D, I13E 21A W01A, W01B, W01C, W02A, W02B 21B X04Z	5t129.g↔		BOP, KVT, UOP4, VIAL 01 B03A, B03B, B06A, B06B, B17A, B17B, B17C 08 I08A, I08B, I08C, I08D, I08E, I08F 10 K09A, K09B 21A W01A, W01B, W01C, W02A, W02B 21B X04Z
5t124.9↔		BOP, KVT, UOP4, VIAL 08 I08A, I08B, I08C, I08D, I08E, I08F, I21Z, I31Z 21A W04A, W04B 21B X06A, X06B, X06C	5t124.r↔		BOP, KVT, UOP4, VIAL 08 I13A, I13B, I13C, I13D, I13E 21A W01A, W01B, W01C, W02A, W02B 21B X04Z	5t129.h↔		BOP, KVT, UOP4, VIAL 01 B03A, B03B, B06A, B06B, B17A, B17B, B17C 08 I08A, I08B, I08C, I08D, I08E, I08F 10 K09A, K09B 21A W01A, W01B, W01C, W02A, W02B 21B X04Z
5t124.e↔		BOP, KVT, UOP4, VIAL 01 B03A, B03B, B06A, B06B, B17A, B17B, B17C 08 I08A, I08B, I08C, I08D, I08E, I08F 10 K09A, K09B 21A W01A, W01B, W01C, W02A, W02B 21B X04Z	5t124.s↔		BOP, KVT, UOP4, VIAL 08 I13A, I13B, I13C, I13D, I13E 21A W01A, W01B, W01C, W02A, W02B 21B X04Z	5t129.i↔		BOP, KVT, UOP4, VIAL 08 I13A, I13B, I13C, I13D 21A W01A, W01B, W01C, W02A, W02B 21B X04Z

VYK

ZZV	MDC	DRG	ZZV	MDC	DRG	ZZV	MDC	DRG
5t129.n↔		BOP, KVT, UOP4, VIAL	5t12a.k↔		BOP, KVT, UOP4, VIAL	5t12b.f↔		BOP, KVT, UOP4, VIAL
	08	I13A, I13B, I13C, I13D		08	I13A, I13B, I13C, I13D		01	B03A, B03B, B06A, B06B, B17A, B17B, B17C
	21A	W01A, W01B, W01C, W02A, W02B		21A	W01A, W01B, W01C, W02A, W02B		08	I08A, I08B, I08C, I08D, I08E, I08F
	21B	X04Z		21B	X04Z		21B	X04Z
5t129.x		BOP, KVT, UOP4	5t12a.n↔		BOP, KVT, UOP4, VIAL	5t12b.h↔		BOP, KVT, UOP4, VIAL
	08	I28A, I28B		08	I13A, I13B, I13C, I13D		01	B03A, B03B, B06A, B06B, B17A, B17B, B17C
	21A	W04A, W04B		21A	W01A, W01B, W01C, W02A, W02B		08	I08A, I08B, I08C, I08D, I08E, I08F
	21B	X06A, X06B, X06C		21B	X04Z		21A	W01A, W01B, W01C, W02A, W02B
5t12a.1↔		BOP, KVT, UOP4, VIAL	5t12a.p↔		BOP, KVT, UOP4, VIAL	5t12b.k↔		BOP, KVT, UOP4, VIAL
	08	I08A, I08B, I08C, I08D, I08E, I08F, I13A, I13B, I13C, I13D		08	I13A, I13B, I13C, I13D, I13E		01	B03A, B03B, B06A, B06B, B17A, B17B, B17C
	21A	W04A, W04B		21A	W01A, W01B, W01C, W02A, W02B		08	I08A, I08B, I08C, I08D, I08E, I08F
	21B	X06A, X06B, X06C		21B	X04Z		21A	W01A, W01B, W01C, W02A, W02B
5t12a.3↔		BOP, KVT, UOP4, VIAL	5t12a.r↔		BOP, KVT, UOP4, VIAL	5t12b.n↔		BOP, KVT, UOP4, VIAL
	08	I08A, I08B, I08C, I08D, I08E, I08F, I13A, I13B, I13C, I13D		08	I13A, I13B, I13C, I13D, I13E		01	B03A, B03B, B06A, B06B, B17A, B17B, B17C
	21A	W04A, W04B		21A	W01A, W01B, W01C, W02A, W02B		08	I08A, I08B, I08C, I08D, I08E, I08F
	21B	X06A, X06B, X06C		21B	X04Z		21A	W01A, W01B, W01C, W02A, W02B
5t12a.4↔		BOP, KVT, UOP4, VIAL	5t12a.x		BOP, KVT, UOP4	5t12b.p↔		BOP, KVT, UOP4, VIAL
	08	I08A, I08B, I08C, I08D, I08E, I08F, I21Z, I31Z		08	I28A, I28B		01	B03A, B03B, B06A, B06B, B17A, B17B, B17C
	21A	W04A, W04B		21A	W04A, W04B		08	I08A, I08B, I08C, I08D, I08E, I08F
	21B	X06A, X06B, X06C		21B	X06A, X06B, X06C		21A	W01A, W01B, W01C, W02A, W02B
5t12a.6↔		BOP, KVT, UOP4, VIAL	5t12b.1↔		BOP, KVT, UOP4, VIAL	5t12b.q↔		BOP, KVT, UOP4, VIAL
	08	I08A, I08B, I08C, I08D, I08E, I08F, I13A, I13B, I21Z, I31Z		08	I08A, I08B, I08C, I08D, I08E, I08F, I13A, I13B, I13C, I13D		01	B03A, B03B, B06A, B06B, B17A, B17B, B17C
	21A	W04A, W04B		21A	W04A, W04B		08	I08A, I08B, I08C, I08D, I08E, I08F
	21B	X06A, X06B, X06C		21B	X06A, X06B, X06C		21A	W01A, W01B, W01C, W02A, W02B
5t12a.7↔		BOP, KVT, UOP4, VIAL	5t12b.3↔		BOP, KVT, UOP4, VIAL	5t12b.r↔		BOP, KVT, UOP4, VIAL
	08	I08A, I08B, I08C, I08D, I08E, I08F, I21Z, I31Z		08	I08A, I08B, I08C, I08D, I08E, I08F, I13A, I13B, I13C, I13D		01	B03A, B03B, B06A, B06B, B17A, B17B, B17C
	21A	W04A, W04B		21A	W04A, W04B		08	I08A, I08B, I08C, I08D, I08E, I08F
	21B	X06A, X06B, X06C		21B	X06A, X06B, X06C		21A	W01A, W01B, W01C, W02A, W02B
5t12a.9↔		BOP, KVT, UOP4, VIAL	5t12b.4↔		BOP, KVT, UOP4, VIAL	5t12b.x		BOP, KVT, UOP4
	08	I08A, I08B, I08C, I08D, I08E, I08F, I21Z, I31Z		08	I08A, I08B, I08C, I08D, I08E, I08F, I21Z, I31Z		08	I28A, I28B
	21A	W04A, W04B		21A	W04A, W04B		21A	W04A, W04B
	21B	X06A, X06B, X06C		21B	X06A, X06B, X06C		21B	X06A, X06B, X06C
5t12a.e↔		BOP, KVT, UOP4, VIAL	5t12b.6↔		BOP, KVT, UOP4, VIAL	5t12c.1↔		BOP, KVT, UOP4, VIAL
	01	B03A, B03B, B06A, B06B, B17A, B17B, B17C		08	I08A, I08B, I08C, I08D, I08E, I08F, I13A, I13B, I21Z, I31Z		08	I08A, I08B, I08C, I08D, I08E, I08F
	08	I08A, I08B, I08C, I08D, I08E, I08F		21A	W04A, W04B		21A	W04A, W04B
	10	K09A, K09B		21B	X06A, X06B, X06C		21B	X06A, X06B, X06C
	21A	W01A, W01B, W01C, W02A, W02B			BOP, KVT, UOP4, VIAL		21A	W01A, W01B, W01C, W02A, W02B
	21B	X04Z		08	I08A, I08B, I08C, I08D, I08E, I08F, I21Z, I31Z		21B	X06A, X06B, X06C
5t12a.f↔		BOP, KVT, UOP4, VIAL	5t12b.7↔		BOP, KVT, UOP4, VIAL	5t12c.3↔		BOP, KVT, UOP4, VIAL
	01	B03A, B03B, B06A, B06B, B17A, B17B, B17C		08	I08A, I08B, I08C, I08D, I08E, I08F, I21Z, I31Z		08	I08A, I08B, I08C, I08D, I08E, I08F, I13A, I13B, I13C, I13D
	08	I08A, I08B, I08C, I08D, I08E, I08F		21A	W04A, W04B		21A	W04A, W04B
	10	K09A, K09B		21B	X06A, X06B, X06C		21B	X06A, X06B, X06C
	21A	W01A, W01B, W01C, W02A, W02B			BOP, KVT, UOP4, VIAL		21A	W01A, W01B, W01C, W02A, W02B
	21B	X04Z		08	I08A, I08B, I08C, I08D, I08E, I08F, I21Z, I31Z		21B	X06A, X06B, X06C
5t12a.h↔		BOP, KVT, UOP4, VIAL	5t12b.9↔		BOP, KVT, UOP4, VIAL	5t12c.e↔		BOP, KVT, UOP4, VIAL
	01	B03A, B03B, B06A, B06B, B17A, B17B, B17C		08	I08A, I08B, I08C, I08D, I08E, I08F, I21Z, I31Z		01	B03A, B03B, B06A, B06B, B17A, B17B, B17C
	08	I08A, I08B, I08C, I08D, I08E, I08F		21A	W04A, W04B		08	I08A, I08B, I08C, I08D, I08E, I08F
	10	K09A, K09B		21B	X06A, X06B, X06C		10	K09A, K09B
	21A	W01A, W01B, W01C, W02A, W02B			BOP, KVT, UOP4, VIAL		21A	W01A, W01B, W01C, W02A, W02B
	21B	X04Z		08	I08A, I08B, I08C, I08D, I08E, I08F		21B	X04Z
5t12a.j↔		BOP, KVT, UOP4, VIAL	5t12b.e↔		BOP, KVT, UOP4, VIAL	5t12c.f↔		BOP, KVT, UOP4, VIAL
	08	I18A, I18B, I30Z		01	B03A, B03B, B06A, B06B, B17A, B17B, B17C		01	B03A, B03B, B06A, B06B, B17A, B17B, B17C
	21A	W04A, W04B		08	I08A, I08B, I08C, I08D, I08E, I08F		08	I08A, I08B, I08C, I08D, I08E, I08F
	21B	X04Z		10	K09A, K09B		10	K09A, K09B
				21A	W01A, W01B, W01C, W02A, W02B	21A	W01A, W01B, W01C, W02A, W02B	
				21B	X04Z	21B	X04Z	

VYK

ZZV	MDC	DRG	ZZV	MDC	DRG	ZZV	MDC	DRG
5t12c.h↔		BOP, KVT, UOP4, VIAL	5t12t.6↔		BOP, KVT, UOP4, VIAL	5t12v.1↔		BOP, KVT, UOP4, VIAL
	01	B03A, B03B, B06A, B06B, B17A, B17B, B17C		08	I08A, I08B, I08C, I08D, I08E, I08F, I13A, I13B, I21Z, I31Z		08	I08A, I08B, I08C, I08D, I08E, I08F, I13A, I13B, I13C, I13D
	08	I08A, I08B, I08C, I08D, I08E, I08F		21A	W04A, W04B		21A	W04A, W04B
	21A	W01A, W01B, W01C, W02A, W02B	5t12t.7↔		X06A, X06B, X06C	5t12v.3↔		X06A, X06B, X06C
	21B	X04Z		08	BOP, KVT, UOP4, VIAL		08	BOP, KVT, UOP4, VIAL
5t12c.k↔		BOP, KVT, UOP4, VIAL		21A	I08A, I08B, I08C, I08D, I08E, I08F, I21Z, I31Z		21A	I08A, I08B, I08C, I08D, I08E, I08F, I13A, I13B, I13C, I13D
	08	I13A, I13B, I13C, I13D		21B	W04A, W04B		21A	W04A, W04B
	21A	W01A, W01B, W01C, W02A, W02B	5t12t.9↔		X06A, X06B, X06C	5t12v.4↔		X06A, X06B, X06C
	21B	X04Z		08	BOP, KVT, UOP4, VIAL		08	BOP, KVT, UOP4, VIAL
5t12c.x		BOP, KVT, UOP4		21A	I08A, I08B, I08C, I08D, I08E, I08F, I21Z, I31Z		21A	I08A, I08B, I08C, I08D, I08E, I08F, I13A, I21Z, I31Z
	08	I28A, I28B		21B	W04A, W04B		21A	W04A, W04B
	21A	W04A, W04B	5t12t.e↔		X06A, X06B, X06C	5t12v.6↔		X06A, X06B, X06C
	21B	X06A, X06B, X06C		01	BOP, KVT, UOP4, VIAL		08	BOP, KVT, UOP4, VIAL
5t12d.h↔		BOP, KVT, UOP4, VIAL		08	B03A, B03B, B06A, B06B, B17A, B17B, B17C		08	I08A, I08B, I08C, I08D, I08E, I08F, I13A, I21Z, I31Z
	01	B03A, B03B, B06A, B06B, B17A, B17B, B17C		08	I08A, I08B, I08C, I08D, I08E, I08F		21A	W04A, W04B
	08	I08A, I08B, I08C, I08D, I08E, I08F		10	K09A, K09B	5t12v.7↔		X06A, X06B, X06C
	21A	W01A, W01B, W01C, W02A, W02B		21A	W01A, W01B, W01C, W02A, W02B		08	BOP, KVT, UOP4, VIAL
	21B	X04Z	5t12t.f↔		X04Z		21A	I08A, I08B, I08C, I08D, I08E, I08F, I13A, I21Z, I31Z
5t12d.j↔		BOP, KVT, UOP4, VIAL		01	BOP, KVT, UOP4, VIAL	5t12v.9↔		BOP, KVT, UOP4, VIAL
	08	I18A, I18B, I30Z		08	B03A, B03B, B06A, B06B, B17A, B17B, B17C		08	BOP, KVT, UOP4, VIAL
	21A	W04A, W04B		08	I08A, I08B, I08C, I08D, I08E, I08F		21A	I08A, I08B, I08C, I08D, I08E, I08F, I13A, I21Z, I31Z
	21B	X04Z		10	K09A, K09B		21A	W04A, W04B
5t12d.k↔		BOP, KVT, UOP4, VIAL		21A	W01A, W01B, W01C, W02A, W02B	5t12v.e↔		X06A, X06B, X06C
	08	I13A, I13B, I13C, I13D		21B	X04Z		01	BOP, KVT, UOP4, VIAL
	21A	W01A, W01B, W01C, W02A, W02B	5t12t.h↔		BOP, KVT, UOP4, VIAL		08	B03A, B03B, B06A, B06B, B17A, B17B, B17C
	21B	X04Z		01	BOP, KVT, UOP4, VIAL		10	K09A, K09B
5t12d.n↔		BOP, KVT, UOP4, VIAL		08	B03A, B03B, B06A, B06B, B17A, B17B, B17C		21A	I08A, I08B, I08C, I08D, I08E, I08F, I13A
	08	I13A, I13B, I13C, I13D		08	I08A, I08B, I08C, I08D, I08E, I08F		21A	W01A, W01B, W01C, W02A, W02B
	21A	W01A, W01B, W01C, W02A, W02B		21A	W01A, W01B, W01C, W02A, W02B	5t12v.f↔		X04Z
	21B	X04Z	5t12t.j↔		X04Z		01	BOP, KVT, UOP4, VIAL
5t12d.p↔		BOP, KVT, UOP4, VIAL		08	BOP, KVT, UOP4, VIAL		08	B03A, B03B, B06A, B06B, B17A, B17B, B17C
	08	I13A, I13B, I13C, I13D, I13E		21A	I18A, I18B, I30Z		10	K09A, K09B
	21A	W01A, W01B, W01C, W02A, W02B		21A	W04A, W04B		21A	I08A, I08B, I08C, I08D, I08E, I08F, I13A
	21B	X04Z	5t12t.k↔		X04Z		21A	W01A, W01B, W01C, W02A, W02B
5t12d.r↔		BOP, KVT, UOP4, VIAL		08	BOP, KVT, UOP4, VIAL	5t12v.h↔		X04Z
	08	I13A, I13B, I13C, I13D, I13E		08	I13A, I13B, I13C, I13D		01	BOP, KVT, UOP4, VIAL
	21A	W01A, W01B, W01C, W02A, W02B		21A	W01A, W01B, W01C, W02A, W02B		08	B03A, B03B, B06A, B06B, B17A, B17B, B17C
	21B	X04Z	5t12t.l↔		X04Z		21A	I08A, I08B, I08C, I08D, I08E, I08F, I13A
5t12d.x		BOP, KVT, UOP4		21B	X04Z		10	K09A, K09B
	08	I28A, I28B	5t12t.n↔		BOP, KVT, UOP4, VIAL		21A	W01A, W01B, W01C, W02A, W02B
	21A	W04A, W04B		08	I13A, I13B, I13C, I13D		21B	X04Z
	21B	X06A, X06B, X06C		21A	W01A, W01B, W01C, W02A, W02B	5t12v.i↔		BOP, KVT, UOP4, VIAL
5t12t.1↔		BOP, KVT, UOP4, VIAL		21B	X04Z		08	I08A, I08B, I08C, I08D, I08E, I08F, I13A
	08	I08A, I08B, I08C, I08D, I08E, I08F, I13A, I13B, I13C, I13D	5t12t.p↔		BOP, KVT, UOP4, VIAL		21A	W01A, W01B, W01C, W02A, W02B
	21A	W04A, W04B		08	I13A, I13B, I13C, I13D, I13E	5t12v.j↔		X04Z
	21B	X06A, X06B, X06C		21A	W01A, W01B, W01C, W02A, W02B		08	BOP, KVT, UOP4, VIAL
5t12t.3↔		BOP, KVT, UOP4, VIAL		21B	X04Z		21A	I13A, I18A, I18B, I30Z
	08	I08A, I08B, I08C, I08D, I08E, I08F, I13A, I13B, I13C, I13D	5t12t.r↔		BOP, KVT, UOP4, VIAL		21A	W04A, W04B
	21A	W04A, W04B		08	I13A, I13B, I13C, I13D, I13E	5t12v.k↔		X04Z
	21B	X06A, X06B, X06C		21A	W01A, W01B, W01C, W02A, W02B		08	BOP, KVT, UOP4, VIAL
5t12t.4↔		BOP, KVT, UOP4, VIAL		21B	X04Z		21A	I13A, I13B, I13C, I13D
	08	I08A, I08B, I08C, I08D, I08E, I08F, I21Z, I31Z	5t12t.x		BOP, KVT, UOP4		21A	W01A, W01B, W01C, W02A, W02B
	21A	W04A, W04B		08	I28A, I28B	5t12v.n↔		X04Z
	21B	X06A, X06B, X06C		21A	W04A, W04B		08	BOP, KVT, UOP4, VIAL
				21B	X06A, X06B, X06C		21A	I13A, I13B, I13C, I13D
							21A	W01A, W01B, W01C, W02A, W02B
							21B	X04Z

VYK

ZZV	MDC	DRG	ZZV	MDC	DRG	ZZV	MDC	DRG
5t12v.p↔		BOP, KVT, UOP4, VIAL	5t12x.j↔		BOP, KVT, UOP4, VIAL	5t12z.f↔		BOP, KVT, UOP4, VIAL
08		I13A, I13B, I13C, I13D, I13E	08		I18A, I18B, I30Z	01		B03A, B03B, B06A, B06B, B17A, B17B, B17C
21A		W01A, W01B, W01C, W02A, W02B	21A		W04A, W04B	08		I08A, I08B, I08C, I08D, I08E, I08F
21B		X04Z	21B		X04Z	10		K09A, K09B
5t12v.r↔		BOP, KVT, UOP4, VIAL	5t12x.k↔		BOP, KVT, UOP4, VIAL	21A		W01A, W01B, W01C, W02A, W02B
08		I13A, I13B, I13C, I13D, I13E	08		I13A, I13B, I13C, I13D	21B		X04Z
21A		W01A, W01B, W01C, W02A, W02B	21A		W04A, W04B	5t12z.h↔		BOP, KVT, UOP4, VIAL
21B		X04Z	21B		X04Z	01		B03A, B03B, B06A, B06B, B17A, B17B, B17C
5t12v.x		BOP, KVT, UOP4	5t12x.n↔		BOP, KVT, UOP4, VIAL	08		I08A, I08B, I08C, I08D, I08E, I08F
08		I13A, I28A, I28B	08		I13A, I13B, I13C, I13D	21A		W01A, W01B, W01C, W02A, W02B
21A		W04A, W04B	21A		W04A, W04B	21B		X04Z
21B		X06A, X06B, X06C	21B		X04Z	5t12z.j↔		BOP, KVT, UOP4, VIAL
5t12x.1↔		BOP, KVT, UOP4, VIAL	5t12x.p↔		BOP, KVT, UOP4, VIAL	08		I18A, I18B, I30Z
08		I08A, I08B, I08C, I08D, I08E, I08F, I13A, I13B, I13C, I13D	08		I13A, I13B, I13C, I13D, I13E	21A		W04A, W04B
21A		W04A, W04B	21A		W04A, W04B	21B		X04Z
21B		X06A, X06B, X06C	21B		X04Z	5t12z.k↔		BOP, KVT, UOP4, VIAL
5t12x.3↔		BOP, KVT, UOP4, VIAL	5t12x.r↔		BOP, KVT, UOP4, VIAL	08		I13A, I13B, I13C, I13D, I13E
08		I08A, I08B, I08C, I08D, I08E, I08F, I13A, I13B, I13C, I13D	08		I13A, I13B, I13C, I13D, I13E	21A		W04A, W04B
21A		W04A, W04B	21A		W04A, W04B	21B		X04Z
21B		X06A, X06B, X06C	21B		X04Z	5t12z.l↔		BOP, KVT, UOP4, VIAL
5t12x.4↔		BOP, KVT, UOP4, VIAL	5t12x.x		BOP, KVT, UOP4	08		I28A, I28B
08		I08A, I08B, I08C, I08D, I08E, I08F, I21Z, I31Z	08		I28A, I28B	21A		W04A, W04B
21A		W04A, W04B	21A		W04A, W04B	21B		X04Z
21B		X06A, X06B, X06C	21B		X04Z	5t12z.m↔		BOP, KVT, UOP4, VIAL
5t12x.6↔		BOP, KVT, UOP4, VIAL	5t12z.1↔		BOP, KVT, UOP4, VIAL	08		I08A, I08B, I08C, I08D, I08E, I08F, I13A, I13B, I13C, I13D
08		I08A, I08B, I08C, I08D, I08E, I08F, I13A, I13B, I21Z, I31Z	08		I08A, I08B, I08C, I08D, I08E, I08F, I13A, I13B, I13C, I13D	21A		W04A, W04B
21A		W04A, W04B	21A		W04A, W04B	21B		X06A, X06B, X06C
21B		X06A, X06B, X06C	21B		X06A, X06B, X06C	5t12z.n↔		BOP, KVT, UOP4, VIAL
5t12x.7↔		BOP, KVT, UOP4, VIAL	5t12z.3↔		BOP, KVT, UOP4, VIAL	08		I13A, I13B, I13C, I13D, I13E
08		I08A, I08B, I08C, I08D, I08E, I08F, I21Z, I31Z	08		I08A, I08B, I08C, I08D, I08E, I08F, I13A, I13B, I13C, I13D	21A		W01A, W01B, W01C, W02A, W02B
21A		W04A, W04B	21A		W04A, W04B	21B		X04Z
21B		X06A, X06B, X06C	21B		X06A, X06B, X06C	5t12z.p↔		BOP, KVT, UOP4, VIAL
5t12x.9↔		BOP, KVT, UOP4, VIAL	5t12z.4↔		BOP, KVT, UOP4, VIAL	08		I13A, I13B, I13C, I13D, I13E
08		I08A, I08B, I08C, I08D, I08E, I08F, I21Z, I31Z	08		I08A, I08B, I08C, I08D, I08E, I08F, I21Z, I31Z	21A		W01A, W01B, W01C, W02A, W02B
21A		W04A, W04B	21A		W04A, W04B	21B		X04Z
21B		X06A, X06B, X06C	21B		X06A, X06B, X06C	5t12z.r↔		BOP, KVT, UOP4, VIAL
5t12x.e↔		BOP, KVT, UOP4, VIAL	5t12z.6↔		BOP, KVT, UOP4, VIAL	08		I13A, I13B, I13C, I13D, I13E
01		B03A, B03B, B06A, B06B, B17A, B17B, B17C	08		I08A, I08B, I08C, I08D, I08E, I08F, I13A, I13B, I21Z, I31Z	21A		W01A, W01B, W01C, W02A, W02B
08		I08A, I08B, I08C, I08D, I08E, I08F	21A		W04A, W04B	21B		X04Z
10		K09A, K09B	21B		X06A, X06B, X06C	5t12z.x		BOP, KVT, UOP4
21A		W01A, W01B, W01C, W02A, W02B	5t12z.7↔		BOP, KVT, UOP4, VIAL	08		I28A, I28B
21B		X04Z	08		I08A, I08B, I08C, I08D, I08E, I08F, I21Z, I31Z	21A		W04A, W04B
5t12x.f↔		BOP, KVT, UOP4, VIAL	5t12z.9↔		BOP, KVT, UOP4, VIAL	21B		X06A, X06B, X06C
01		B03A, B03B, B06A, B06B, B17A, B17B, B17C	08		I08A, I08B, I08C, I08D, I08E, I08F, I21Z, I31Z	5t131.1↔		BOP, KVT, UOP4, VIAL
08		I08A, I08B, I08C, I08D, I08E, I08F	21A		W04A, W04B	08		I08A, I08B, I08C, I08D, I08E, I08F, I13A, I13B, I13C, I13D
10		K09A, K09B	21B		X06A, X06B, X06C	21A		W04A, W04B
21A		W01A, W01B, W01C, W02A, W02B	5t12z.e↔		BOP, KVT, UOP4, VIAL	21B		X06A, X06B, X06C
21B		X04Z	01		B03A, B03B, B06A, B06B, B17A, B17B, B17C	5t131.3↔		BOP, KVT, UOP4, VIAL
5t12x.h↔		BOP, KVT, UOP4, VIAL	08		I08A, I08B, I08C, I08D, I08E, I08F	08		I08A, I08B, I08C, I08D, I08E, I08F, I13A, I13B, I13C, I13D
01		B03A, B03B, B06A, B06B, B17A, B17B, B17C	10		K09A, K09B	21A		W04A, W04B
08		I08A, I08B, I08C, I08D, I08E, I08F	21A		W01A, W01B, W01C, W02A, W02B	21B		X06A, X06B, X06C
21A		W01A, W01B, W01C, W02A, W02B	21B		X04Z	5t131.4↔		BOP, KVT, UOP4, VIAL
21B		X04Z				08		I08A, I08B, I08C, I08D, I08E, I08F, I21Z, I31Z
						21A		W04A, W04B
						21B		X06A, X06B, X06C
						5t131.6↔		BOP, KVT, UOP4, VIAL
						08		I08A, I08B, I08C, I08D, I08E, I08F, I13A, I13B, I21Z, I31Z
						21A		W04A, W04B
						21B		X06A, X06B, X06C
						5t131.7↔		BOP, KVT, UOP4, VIAL
						08		I08A, I08B, I08C, I08D, I08E, I08F, I21Z, I31Z
						21A		W04A, W04B
						21B		X06A, X06B, X06C

ZZV	MDC	DRG	ZZV	MDC	DRG	ZZV	MDC	DRG
5t131.9↔		BOP, KVT, UOP4, VIAL	5t133.4↔		BOP, KVT, UOP4, VIAL	5t134.1↔		BOP, KVT, UOP4, VIAL
	08	I08A, I08B, I08C, I08D, I08E, I08F, I21Z, I31Z		08	I08A, I08B, I08C, I08D, I08E, I08F, I21Z, I31Z		08	I08A, I08B, I08C, I08D, I08E, I08F, I13A, I13B, I13C, I13D
	21A	W04A, W04B		21A	W04A, W04B		21A	W04A, W04B
	21B	X06A, X06B, X06C		21B	X06A, X06B, X06C		21B	X06A, X06B, X06C
5t131.e↔		BOP, KVT, UOP4, VIAL	5t133.6↔		BOP, KVT, UOP4, VIAL	5t134.3↔		BOP, KVT, UOP4, VIAL
	01	B03A, B03B, B06A, B06B, B17A, B17B, B17C		08	I08A, I08B, I08C, I08D, I08E, I08F, I13A, I13B, I21Z, I31Z		08	I08A, I08B, I08C, I08D, I08E, I08F, I13A, I13B, I13C, I13D
	08	I08A, I08B, I08C, I08D, I08E, I08F		21A	W04A, W04B		21A	W04A, W04B
	10	K09A, K09B		21B	X06A, X06B, X06C		21B	X06A, X06B, X06C
	21A	W01A, W01B, W01C, W02A, W02B	5t133.7↔		BOP, KVT, UOP4, VIAL	5t134.4↔		BOP, KVT, UOP4, VIAL
	21B	X04Z		08	I08A, I08B, I08C, I08D, I08E, I08F, I21Z, I31Z		08	I08A, I08B, I08C, I08D, I08E, I08F, I21Z, I31Z
5t131.f↔		BOP, KVT, UOP4, VIAL		21A	W04A, W04B		21A	W04A, W04B
	01	B03A, B03B, B06A, B06B, B17A, B17B, B17C		21B	X06A, X06B, X06C		21B	X06A, X06B, X06C
	08	I08A, I08B, I08C, I08D, I08E, I08F	5t133.9↔		BOP, KVT, UOP4, VIAL	5t134.6↔		BOP, KVT, UOP4, VIAL
	10	K09A, K09B		08	I08A, I08B, I08C, I08D, I08E, I08F, I21Z, I31Z		08	I08A, I08B, I08C, I08D, I08E, I08F, I13A, I13B, I21Z, I31Z
	21A	W01A, W01B, W01C, W02A, W02B		21A	W04A, W04B		21A	W04A, W04B
	21B	X04Z		21B	X06A, X06B, X06C		21B	X06A, X06B, X06C
5t131.h↔		BOP, KVT, UOP4, VIAL	5t133.e↔		BOP, KVT, UOP4, VIAL	5t134.7↔		BOP, KVT, UOP4, VIAL
	01	B03A, B03B, B06A, B06B, B17A, B17B, B17C		01	B03A, B03B, B06A, B06B, B17A, B17B, B17C		08	I08A, I08B, I08C, I08D, I08E, I08F, I21Z, I31Z
	08	I08A, I08B, I08C, I08D, I08E, I08F		08	I08A, I08B, I08C, I08D, I08E, I08F		21A	W04A, W04B
	21A	W01A, W01B, W01C, W02A, W02B		10	K09A, K09B		21B	X06A, X06B, X06C
	21B	X04Z		21A	W01A, W01B, W01C, W02A, W02B	5t134.9↔		BOP, KVT, UOP4, VIAL
5t131.i↔		BOP, KVT, UOP4, VIAL		21B	X04Z		08	I08A, I08B, I08C, I08D, I08E, I08F, I21Z, I31Z
	08	I24Z, I30Z		01	B03A, B03B, B06A, B06B, B17A, B17B, B17C		21A	W04A, W04B
	21A	W04A, W04B		08	I08A, I08B, I08C, I08D, I08E, I08F		21B	X06A, X06B, X06C
	21B	X04Z		10	K09A, K09B		08	I08A, I08B, I08C, I08D, I08E, I08F, I21Z, I31Z
5t131.k↔		BOP, KVT, UOP4, VIAL		21A	W01A, W01B, W01C, W02A, W02B	5t134.e↔		BOP, KVT, UOP4, VIAL
	08	I13A, I13B, I13C, I13D		21B	X04Z		01	B03A, B03B, B06A, B06B, B17A, B17B, B17C
	21A	W01A, W01B, W01C, W02A, W02B		01	B03A, B03B, B06A, B06B, B17A, B17B, B17C		08	I08A, I08B, I08C, I08D, I08E, I08F
	21B	X04Z	5t133.f↔		BOP, KVT, UOP4, VIAL		10	K09A, K09B
5t131.l↔		BOP, KVT, UOP4, VIAL		08	I08A, I08B, I08C, I08D, I08E, I08F		21A	W01A, W01B, W01C, W02A, W02B
	08	I13A, I13B, I13C, I13D		10	K09A, K09B		21A	W01A, W01B, W01C, W02A, W02B
	21A	W01A, W01B, W01C, W02A, W02B		21A	W01A, W01B, W01C, W02A, W02B		21B	X04Z
	21B	X04Z		21B	X04Z	5t134.f↔		BOP, KVT, UOP4, VIAL
5t131.m↔		BOP, KVT, UOP4, VIAL		01	B03A, B03B, B06A, B06B, B17A, B17B, B17C		01	B03A, B03B, B06A, B06B, B17A, B17B, B17C
	08	I13A, I13B, I13C, I13D		08	I08A, I08B, I08C, I08D, I08E, I08F		08	I08A, I08B, I08C, I08D, I08E, I08F
	21A	W01A, W01B, W01C, W02A, W02B		21A	W01A, W01B, W01C, W02A, W02B		10	K09A, K09B
	21B	X04Z		21B	X04Z		21A	W01A, W01B, W01C, W02A, W02B
5t131.n↔		BOP, KVT, UOP4, VIAL		08	I13A, I13B, I13C, I13D	5t134.h↔		BOP, KVT, UOP4, VIAL
	08	I13A, I13B, I13C, I13D		21A	W01A, W01B, W01C, W02A, W02B		01	B03A, B03B, B06A, B06B, B17A, B17B, B17C
	21A	W01A, W01B, W01C, W02A, W02B		21B	X04Z		08	I08A, I08B, I08C, I08D, I08E, I08F
	21B	X04Z		08	I13A, I13B, I13C, I13D		21A	W01A, W01B, W01C, W02A, W02B
5t131.o↔		BOP, KVT, UOP4, VIAL		21A	W01A, W01B, W01C, W02A, W02B		21B	X04Z
	08	I13A, I13B, I13C, I13D		21B	X04Z		01	B03A, B03B, B06A, B06B, B17A, B17B, B17C
	21A	W01A, W01B, W01C, W02A, W02B		08	I13A, I13B, I13C, I13D		08	I08A, I08B, I08C, I08D, I08E, I08F
	21B	X04Z		21A	W01A, W01B, W01C, W02A, W02B		21A	W01A, W01B, W01C, W02A, W02B
5t131.p↔		BOP, KVT, UOP4, VIAL		21B	X04Z		21B	X04Z
	08	I13A, I13B, I13C, I13D		08	I13A, I13B, I13C, I13D		08	I24Z, I30Z
	21A	W01A, W01B, W01C, W02A, W02B		21A	W01A, W01B, W01C, W02A, W02B		21A	W04A, W04B
	21B	X04Z		21B	X04Z		21B	X04Z
5t131.q↔		BOP, KVT, UOP4, VIAL		08	I13A, I13B, I13C, I13D	5t134.i↔		BOP, KVT, UOP4, VIAL
	08	I13A, I13B, I13C, I13D		21A	W01A, W01B, W01C, W02A, W02B		08	I24Z, I30Z
	21A	W01A, W01B, W01C, W02A, W02B		21B	X04Z		21A	W04A, W04B
	21B	X04Z		08	I13A, I13B, I13C, I13D		21B	X04Z
5t131.r↔		BOP, KVT, UOP4, VIAL		21A	W01A, W01B, W01C, W02A, W02B	5t134.k↔		BOP, KVT, UOP4, VIAL
	08	I13A, I13B, I13C, I13D		21B	X04Z		08	I13A, I13B, I13C, I13D
	21A	W01A, W01B, W01C, W02A, W02B		08	I13A, I13B, I13C, I13D		21A	W01A, W01B, W01C, W02A, W02B
	21B	X04Z		21A	W01A, W01B, W01C, W02A, W02B		21B	X04Z
5t131.x		BOP, KVT, UOP4		21B	X04Z		08	I24Z, I30Z
	08	I28A, I28B		08	I13A, I13B, I13C, I13D		21A	W01A, W01B, W01C, W02A, W02B
	21A	W04A, W04B		21A	W01A, W01B, W01C, W02A, W02B		21B	X04Z
	21B	X06A, X06B, X06C		21B	X04Z		08	I08A, I08B, I08C, I08D, I08E, I08F, I13A, I13B, I13C, I13D
5t133.1↔		BOP, KVT, UOP4, VIAL		08	I13A, I13B, I13C, I13D		21A	W01A, W01B, W01C, W02A, W02B
	08	I08A, I08B, I08C, I08D, I08E, I08F, I13A, I13B, I13C, I13D		21A	W01A, W01B, W01C, W02A, W02B		21B	X04Z
	21A	W04A, W04B		21B	X04Z		08	I13A, I13B, I13C, I13D
	21B	X06A, X06B, X06C		21A	W01A, W01B, W01C, W02A, W02B		21A	W01A, W01B, W01C, W02A, W02B
5t133.3↔		BOP, KVT, UOP4, VIAL		21B	X04Z		21B	X04Z
	08	I08A, I08B, I08C, I08D, I08E, I08F, I13A, I13B, I13C, I13D		08	I13A, I13B, I13C, I13D		08	I08A, I08B, I08C, I08D, I08E, I08F, I13A, I13B, I13C, I13D
	21A	W04A, W04B		21A	W01A, W01B, W01C, W02A, W02B		21A	W01A, W01B, W01C, W02A, W02B
	21B	X06A, X06B, X06C		21B	X04Z		21B	X04Z
	08	I08A, I08B, I08C, I08D, I08E, I08F, I13A, I13B, I13C, I13D		08	I28A, I28B		21A	W01A, W01B, W01C, W02A, W02B
	21A	W04A, W04B		21A	W04A, W04B		21B	X04Z
	21B	X06A, X06B, X06C		21B	X06A, X06B, X06C			

ZZV	MDC	DRG	ZZV	MDC	DRG	ZZV	MDC	DRG
5t134.p↔		BOP, KVT, UOP4, VIAL 08 I13A, I13B, I13C, I13D 21A W01A, W01B, W01C, W02A, W02B 21B X04Z	5t137.6↔		BOP, KVT, UOP4, VIAL 08 I08A, I08B, I08C, I08D, I08E, I08F, I21Z, I31Z 21A W04A, W04B 21B X06A, X06B, X06C	5t138.1↔		BOP, KVT, UOP4, VIAL 08 I08A, I08B, I08C, I08D, I08E, I08F, I13A, I13B, I13C, I13D 21A W04A, W04B 21B X06A, X06B, X06C
5t134.r↔		BOP, KVT, UOP4, VIAL 08 I13A, I13B, I13C, I13D 21A W01A, W01B, W01C, W02A, W02B 21B X04Z	5t137.7↔		BOP, KVT, UOP4, VIAL 08 I08A, I08B, I08C, I08D, I08E, I08F, I21Z, I31Z 21A W04A, W04B 21B X06A, X06B, X06C	5t138.3↔		BOP, KVT, UOP4, VIAL 08 I08A, I08B, I08C, I08D, I08E, I08F, I13A, I13B, I13C, I13D 21A W04A, W04B 21B X06A, X06B, X06C
5t134.x		BOP, KVT, UOP4 08 I28A, I28B 21A W04A, W04B 21B X06A, X06B, X06C	5t137.9↔		BOP, KVT, UOP4, VIAL 08 I08A, I08B, I08C, I08D, I08E, I08F, I21Z, I31Z 21A W04A, W04B 21B X06A, X06B, X06C	5t138.4↔		BOP, KVT, UOP4, VIAL 08 I08A, I08B, I08C, I08D, I08E, I08F, I21Z, I31Z 21A W04A, W04B 21B X06A, X06B, X06C
5t135.1↔		BOP, KVT, UOP4, VIAL 08 I08A, I08B, I08C, I08D, I08E, I08F, I13A, I13B, I13C, I13D	5t137.e↔		BOP, KVT, UOP4, VIAL 01 B03A, B03B, B06A, B06B, B17A, B17B, B17C 08 I08A, I08B, I08C, I08D, I08E, I08F 10 K09A, K09B 21A W01A, W01B, W01C, W02A, W02B 21B X04Z	5t138.6↔		BOP, KVT, UOP4, VIAL 08 I08A, I08B, I08C, I08D, I08E, I08F, I13A, I13B, I21Z, I31Z 21A W04A, W04B 21B X06A, X06B, X06C
5t135.3↔		BOP, KVT, UOP4, VIAL 08 I08A, I08B, I08C, I08D, I08E, I08F, I13A, I13B, I13C, I13D	5t137.f↔		BOP, KVT, UOP4, VIAL 01 B03A, B03B, B06A, B06B, B17A, B17B, B17C 08 I08A, I08B, I08C, I08D, I08E, I08F 10 K09A, K09B 21A W01A, W01B, W01C, W02A, W02B 21B X04Z	5t138.7↔		BOP, KVT, UOP4, VIAL 08 I08A, I08B, I08C, I08D, I08E, I08F, I21Z, I31Z 21A W04A, W04B 21B X06A, X06B, X06C
5t135.e↔		BOP, KVT, UOP4, VIAL 01 B03A, B03B, B06A, B06B, B17A, B17B, B17C 08 I08A, I08B, I08C, I08D, I08E, I08F 10 K09A, K09B 21A W01A, W01B, W01C, W02A, W02B 21B X04Z	5t137.g↔		BOP, KVT, UOP4, VIAL 01 B03A, B03B, B06A, B06B, B17A, B17B, B17C 08 I08A, I08B, I08C, I08D, I08E, I08F 10 K09A, K09B 21A W01A, W01B, W01C, W02A, W02B 21B X04Z	5t138.9↔		BOP, KVT, UOP4, VIAL 08 I08A, I08B, I08C, I08D, I08E, I08F, I21Z, I31Z 21A W04A, W04B 21B X06A, X06B, X06C
5t135.f↔		BOP, KVT, UOP4, VIAL 01 B03A, B03B, B06A, B06B, B17A, B17B, B17C 08 I08A, I08B, I08C, I08D, I08E, I08F 10 K09A, K09B 21A W01A, W01B, W01C, W02A, W02B 21B X04Z	5t137.h↔		BOP, KVT, UOP4, VIAL 01 B03A, B03B, B06A, B06B, B17A, B17B, B17C 08 I08A, I08B, I08C, I08D, I08E, I08F 21A W01A, W01B, W01C, W02A, W02B 21B X04Z	5t138.e↔		BOP, KVT, UOP4, VIAL 01 B03A, B03B, B06A, B06B, B17A, B17B, B17C 08 I08A, I08B, I08C, I08D, I08E, I08F 10 K09A, K09B 21A W01A, W01B, W01C, W02A, W02B 21B X04Z
5t135.h↔		BOP, KVT, UOP4, VIAL 01 B03A, B03B, B06A, B06B, B17A, B17B, B17C 08 I08A, I08B, I08C, I08D, I08E, I08F 21A W01A, W01B, W01C, W02A, W02B 21B X04Z	5t137.i↔		KVT, VIAL	5t138.f↔		BOP, KVT, UOP4, VIAL 01 B03A, B03B, B06A, B06B, B17A, B17B, B17C 08 I08A, I08B, I08C, I08D, I08E, I08F 10 K09A, K09B 21A W01A, W01B, W01C, W02A, W02B 21B X04Z
5t135.k↔		BOP, KVT, UOP4, VIAL 08 I13A, I13B, I13C, I13D	5t137.j↔		BOP, KVT, UOP4, VIAL	5t138.g↔		BOP, KVT, UOP4, VIAL 01 B03A, B03B, B06A, B06B, B17A, B17B, B17C 08 I08A, I08B, I08C, I08D, I08E, I08F 10 K09A, K09B 21A W01A, W01B, W01C, W02A, W02B 21B X04Z
5t135.x		BOP, KVT, UOP4 08 I28A, I28B 21A W04A, W04B 21B X06A, X06B, X06C	5t137.k↔		BOP, KVT, UOP4, VIAL 08 I13A, I13B, I13C, I13D 21A W01A, W01B, W01C, W02A, W02B 21B X04Z	5t138.h↔		BOP, KVT, UOP4, VIAL 01 B03A, B03B, B06A, B06B, B17A, B17B, B17C 08 I08A, I08B, I08C, I08D, I08E, I08F 21A W01A, W01B, W01C, W02A, W02B 21B X04Z
5t137.1↔		BOP, KVT, UOP4, VIAL 08 I08A, I08B, I08C, I08D, I08E, I08F, I13A, I13B, I13C, I13D 21A W04A, W04B 21B X06A, X06B, X06C	5t137.p↔		BOP, KVT, UOP4, VIAL 08 I13A, I13B, I13C, I13D 21A W01A, W01B, W01C, W02A, W02B 21B X04Z	5t138.j↔		BOP, KVT, UOP4, VIAL 08 I24Z, I30Z 21A W04A, W04B 21B X04Z
5t137.3↔		BOP, KVT, UOP4, VIAL 08 I08A, I08B, I08C, I08D, I08E, I08F, I13A, I13B, I13C, I13D 21A W04A, W04B 21B X06A, X06B, X06C	5t137.r↔		BOP, KVT, UOP4, VIAL 08 I13A, I13B, I13C, I13D 21A W01A, W01B, W01C, W02A, W02B 21B X04Z	5t138.k↔		BOP, KVT, UOP4, VIAL 08 I13A, I13B, I13C, I13D 21A W01A, W01B, W01C, W02A, W02B 21B X04Z
5t137.4↔		BOP, KVT, UOP4, VIAL 08 I08A, I08B, I08C, I08D, I08E, I08F, I21Z, I31Z 21A W04A, W04B 21B X06A, X06B, X06C	5t137.x		BOP, KVT, UOP4 08 I28A, I28B 21A W04A, W04B 21B X06A, X06B, X06C	5t138.n↔		BOP, KVT, UOP4, VIAL 08 I13A, I13B, I13C, I13D 21A W01A, W01B, W01C, W02A, W02B 21B X04Z

VYK

ZZV	MDC	DRG	ZZV	MDC	DRG	ZZV	MDC	DRG
5t138.p↔		BOP, KVT, UOP4, VIAL 08 I13A, I13B, I13C, I13D 21A W01A, W01B, W01C, W02A, W02B 21B X04Z	5t13a.7↔		BOP, KVT, UOP4, VIAL 08 I08A, I08B, I08C, I08D, I08E, I08F, I21Z, I31Z 21A W04A, W04B 21B X06A, X06B, X06C	5t13b.3↔		BOP, KVT, UOP4, VIAL 08 I08A, I08B, I08C, I08D, I08E, I08F, I13A, I13B, I13C, I13D 21A W04A, W04B 21B X06A, X06B, X06C
5t138.r↔		BOP, KVT, UOP4, VIAL 08 I13A, I13B, I13C, I13D 21A W01A, W01B, W01C, W02A, W02B 21B X04Z	5t13a.9↔		BOP, KVT, UOP4, VIAL 08 I08A, I08B, I08C, I08D, I08E, I08F, I21Z, I31Z 21A W04A, W04B 21B X06A, X06B, X06C	5t13b.4↔		BOP, KVT, UOP4, VIAL 08 I08A, I08B, I08C, I08D, I08E, I08F, I21Z, I31Z 21A W04A, W04B 21B X06A, X06B, X06C
5t138.x		BOP, KVT, UOP4 08 I28A, I28B 21A W04A, W04B 21B X06A, X06B, X06C	5t13a.e↔		BOP, KVT, UOP4, VIAL 01 B03A, B03B, B06A, B06B, B17A, B17B, B17C 08 I08A, I08B, I08C, I08D, I08E, I08F 10 K09A, K09B 21A W01A, W01B, W01C, W02A, W02B 21B X04Z	5t13b.6↔		BOP, KVT, UOP4, VIAL 08 I08A, I08B, I08C, I08D, I08E, I08F, I13A, I13B, I21Z, I31Z 21A W04A, W04B 21B X06A, X06B, X06C
5t139.e↔		BOP, KVT, UOP4, VIAL 01 B03A, B03B, B06A, B06B, B17A, B17B, B17C 08 I08A, I08B, I08C, I08D, I08E, I08F 10 K09A, K09B 21A W01A, W01B, W01C, W02A, W02B 21B X04Z	5t13a.f↔		BOP, KVT, UOP4, VIAL 01 B03A, B03B, B06A, B06B, B17A, B17B, B17C 08 I08A, I08B, I08C, I08D, I08E, I08F 10 K09A, K09B 21A W01A, W01B, W01C, W02A, W02B 21B X04Z	5t13b.7↔		BOP, KVT, UOP4, VIAL 08 I08A, I08B, I08C, I08D, I08E, I08F, I21Z, I31Z 21A W04A, W04B 21B X06A, X06B, X06C
5t139.f↔		BOP, KVT, UOP4, VIAL 01 B03A, B03B, B06A, B06B, B17A, B17B, B17C 08 I08A, I08B, I08C, I08D, I08E, I08F 10 K09A, K09B 21A W01A, W01B, W01C, W02A, W02B 21B X04Z	5t13a.h↔		BOP, KVT, UOP4, VIAL 01 B03A, B03B, B06A, B06B, B17A, B17B, B17C 08 I08A, I08B, I08C, I08D, I08E, I08F 21A W01A, W01B, W01C, W02A, W02B 21B X04Z	5t13b.9↔		BOP, KVT, UOP4, VIAL 08 I08A, I08B, I08C, I08D, I08E, I08F, I21Z, I31Z 21A W04A, W04B 21B X06A, X06B, X06C
5t139.h↔		BOP, KVT, UOP4, VIAL 01 B03A, B03B, B06A, B06B, B17A, B17B, B17C 08 I08A, I08B, I08C, I08D, I08E, I08F 21A W01A, W01B, W01C, W02A, W02B 21B X04Z	5t13a.j↔		BOP, KVT, UOP4, VIAL 08 I24Z, I30Z 21A W04A, W04B 21B X04Z	5t13b.e↔		BOP, KVT, UOP4, VIAL 01 B03A, B03B, B06A, B06B, B17A, B17B, B17C 08 I08A, I08B, I08C, I08D, I08E, I08F 10 K09A, K09B 21A W01A, W01B, W01C, W02A, W02B 21B X04Z
5t139.k↔		BOP, KVT, UOP4, VIAL 08 I13A, I13B, I13C, I13D 21A W01A, W01B, W01C, W02A, W02B 21B X04Z	5t13a.k↔		BOP, KVT, UOP4, VIAL 08 I13A, I13B, I13C, I13D 21A W01A, W01B, W01C, W02A, W02B 21B X04Z	5t13b.f↔		BOP, KVT, UOP4, VIAL 01 B03A, B03B, B06A, B06B, B17A, B17B, B17C 08 I08A, I08B, I08C, I08D, I08E, I08F 10 K09A, K09B 21A W01A, W01B, W01C, W02A, W02B 21B X04Z
5t139.n↔		BOP, KVT, UOP4, VIAL 08 I13A, I13B, I13C, I13D 21A W01A, W01B, W01C, W02A, W02B 21B X04Z	5t13a.n↔		BOP, KVT, UOP4, VIAL 08 I13A, I13B, I13C, I13D 21A W01A, W01B, W01C, W02A, W02B 21B X04Z	5t13b.h↔		BOP, KVT, UOP4, VIAL 01 B03A, B03B, B06A, B06B, B17A, B17B, B17C 08 I08A, I08B, I08C, I08D, I08E, I08F 21A W01A, W01B, W01C, W02A, W02B 21B X04Z
5t13a.1↔		BOP, KVT, UOP4 08 I28A, I28B 21A W04A, W04B 21B X06A, X06B, X06C	5t13a.p↔		BOP, KVT, UOP4, VIAL 08 I13A, I13B, I13C, I13D 21A W01A, W01B, W01C, W02A, W02B 21B X04Z	5t13b.j↔		KVT
5t13a.3↔		BOP, KVT, UOP4, VIAL 08 I08A, I08B, I08C, I08D, I08E, I08F, I13A, I13B, I13C, I13D 21A W04A, W04B 21B X06A, X06B, X06C	5t13a.r↔		BOP, KVT, UOP4, VIAL 08 I13A, I13B, I13C, I13D 21A W01A, W01B, W01C, W02A, W02B 21B X04Z	5t13b.k↔		BOP, KVT, UOP4, VIAL 08 I13A, I13B, I13C, I13D 21A W01A, W01B, W01C, W02A, W02B 21B X04Z
5t13a.4↔		BOP, KVT, UOP4, VIAL 08 I08A, I08B, I08C, I08D, I08E, I08F, I21Z, I31Z 21A W04A, W04B 21B X06A, X06B, X06C	5t13a.x		BOP, KVT, UOP4 08 I28A, I28B 21A W04A, W04B 21B X06A, X06B, X06C	5t13b.n↔		BOP, KVT, UOP4, VIAL 08 I13A, I13B, I13C, I13D 21A W01A, W01B, W01C, W02A, W02B 21B X04Z
5t13a.6↔		BOP, KVT, UOP4, VIAL 08 I08A, I08B, I08C, I08D, I08E, I08F, I13A, I13B, I21Z, I31Z 21A W04A, W04B 21B X06A, X06B, X06C	5t13b.1↔		BOP, KVT, UOP4, VIAL 08 I08A, I08B, I08C, I08D, I08E, I08F, I13A, I13B, I13C, I13D 21A W04A, W04B 21B X06A, X06B, X06C	5t13b.p↔		BOP, KVT, UOP4, VIAL 08 I13A, I13B, I13C, I13D 21A W01A, W01B, W01C, W02A, W02B 21B X04Z

ZZV	MDC	DRG	ZZV	MDC	DRG	ZZV	MDC	DRG
5t13b.r↔		BOP, KVT, UOP4, VIAL 08 I13A, I13B, I13C, I13D 21A W01A, W01B, W01C, W02A, W02B 21B X04Z	5t13d.k↔		BOP, KVT, UOP4, VIAL 08 I13A, I13B, I13C, I13D 21A W01A, W01B, W01C, W02A, W02B 21B X04Z	5t13v.f↔		BOP, KVT, UOP4, VIAL 01 B03A, B03B, B06A, B06B, B17A, B17B, B17C 08 I08A, I08B, I08C, I08D, I08E, I08F, I13A 10 K09A, K09B 21A W01A, W01B, W01C, W02A, W02B 21B X04Z
5t13b.x		BOP, KVT, UOP4 08 I28A, I28B 21A W04A, W04B 21B X06A, X06B, X06C	5t13d.n↔		BOP, KVT, UOP4, VIAL 08 I13A, I13B, I13C, I13D 21A W01A, W01B, W01C, W02A, W02B 21B X04Z	5t13v.h↔		BOP, KVT, UOP4, VIAL 01 B03A, B03B, B06A, B06B, B17A, B17B, B17C 08 I08A, I08B, I08C, I08D, I08E, I08F, I13A 21A W01A, W01B, W01C, W02A, W02B 21B X04Z
5t13c.1↔		BOP, KVT, UOP4, VIAL 08 I08A, I08B, I08C, I08D, I08E, I08F, I13A, I13B, I13C, I13D 21A W04A, W04B 21B X06A, X06B, X06C	5t13d.p↔		BOP, KVT, UOP4, VIAL 08 I13A, I13B, I13C, I13D 21A W01A, W01B, W01C, W02A, W02B 21B X04Z	5t13v.j↔		BOP, KVT, UOP4, VIAL 08 I13A, I24Z, I30Z 21A W04A, W04B 21B X04Z
5t13c.3↔		BOP, KVT, UOP4, VIAL 08 I08A, I08B, I08C, I08D, I08E, I08F, I13A, I13B, I13C, I13D 21A W04A, W04B 21B X06A, X06B, X06C	5t13d.r↔		BOP, KVT, UOP4, VIAL 08 I13A, I13B, I13C, I13D 21A W01A, W01B, W01C, W02A, W02B 21B X04Z	5t13v.k↔		BOP, KVT, UOP4, VIAL 08 I13A, I13B, I13C, I13D 21A W01A, W01B, W01C, W02A, W02B 21B X04Z
5t13c.e↔		BOP, KVT, UOP4, VIAL 01 B03A, B03B, B06A, B06B, B17A, B17B, B17C 08 I08A, I08B, I08C, I08D, I08E, I08F 10 K09A, K09B 21A W01A, W01B, W01C, W02A, W02B 21B X04Z	5t13d.x		BOP, KVT, UOP4 08 I28A, I28B 21A W04A, W04B 21B X06A, X06B, X06C	5t13v.l↔		BOP, KVT, UOP4, VIAL 08 I08A, I08B, I08C, I08D, I08E, I08F, I13A, I13B, I13C, I13D 21A W04A, W04B 21B X06A, X06B, X06C
5t13c.f↔		BOP, KVT, UOP4, VIAL 01 B03A, B03B, B06A, B06B, B17A, B17B, B17C 08 I08A, I08B, I08C, I08D, I08E, I08F 10 K09A, K09B 21A W01A, W01B, W01C, W02A, W02B 21B X04Z	5t13v.3↔		BOP, KVT, UOP4, VIAL 08 I08A, I08B, I08C, I08D, I08E, I08F, I13A, I13B, I13C, I13D 21A W04A, W04B 21B X06A, X06B, X06C	5t13v.n↔		BOP, KVT, UOP4, VIAL 08 I13A, I13B, I13C, I13D 21A W01A, W01B, W01C, W02A, W02B 21B X04Z
5t13c.h↔		BOP, KVT, UOP4, VIAL 01 B03A, B03B, B06A, B06B, B17A, B17B, B17C 08 I08A, I08B, I08C, I08D, I08E, I08F 21A W01A, W01B, W01C, W02A, W02B 21B X04Z	5t13v.4↔		BOP, KVT, UOP4, VIAL 08 I08A, I08B, I08C, I08D, I08E, I08F, I13A, I21Z, I31Z 21A W04A, W04B 21B X06A, X06B, X06C	5t13v.p↔		BOP, KVT, UOP4, VIAL 08 I13A, I13B, I13C, I13D 21A W01A, W01B, W01C, W02A, W02B 21B X04Z
5t13c.k↔		BOP, KVT, UOP4, VIAL 08 I13A, I13B, I13C, I13D 21A W01A, W01B, W01C, W02A, W02B 21B X04Z	5t13v.6↔		BOP, KVT, UOP4, VIAL 08 I08A, I08B, I08C, I08D, I08E, I08F, I13A, I21Z, I31Z 21A W04A, W04B 21B X06A, X06B, X06C	5t13v.r↔		BOP, KVT, UOP4, VIAL 08 I13A, I13B, I13C, I13D 21A W01A, W01B, W01C, W02A, W02B 21B X04Z
5t13c.x		BOP, KVT, UOP4 08 I28A, I28B 21A W04A, W04B 21B X06A, X06B, X06C	5t13v.7↔		BOP, KVT, UOP4, VIAL 08 I08A, I08B, I08C, I08D, I08E, I08F, I13A, I21Z, I31Z 21A W04A, W04B 21B X06A, X06B, X06C	5t13v.x		BOP, KVT, UOP4 08 I13A, I28A, I28B 21A W04A, W04B 21B X06A, X06B, X06C
5t13d.h↔		BOP, KVT, UOP4, VIAL 01 B03A, B03B, B06A, B06B, B17A, B17B, B17C 08 I08A, I08B, I08C, I08D, I08E, I08F 21A W01A, W01B, W01C, W02A, W02B 21B X04Z	5t13v.9↔		BOP, KVT, UOP4, VIAL 08 I08A, I08B, I08C, I08D, I08E, I08F, I13A, I21Z, I31Z 21A W04A, W04B 21B X06A, X06B, X06C	5t13x.1↔		BOP, KVT, UOP4, VIAL 08 I08A, I08B, I08C, I08D, I08E, I08F, I13A, I13B, I13C, I13D 21A W04A, W04B 21B X06A, X06B, X06C
5t13d.j↔		BOP, KVT, UOP4, VIAL 08 I24Z, I30Z 21A W04A, W04B 21B X04Z	5t13v.e↔		BOP, KVT, UOP4, VIAL 01 B03A, B03B, B06A, B06B, B17A, B17B, B17C 08 I08A, I08B, I08C, I08D, I08E, I08F, I13A 10 K09A, K09B 21A W01A, W01B, W01C, W02A, W02B 21B X04Z	5t13x.3↔		BOP, KVT, UOP4, VIAL 08 I08A, I08B, I08C, I08D, I08E, I08F, I13A, I13B, I13C, I13D 21A W04A, W04B 21B X06A, X06B, X06C
						5t13x.4↔		BOP, KVT, UOP4, VIAL 08 I08A, I08B, I08C, I08D, I08E, I08F, I21Z, I31Z 21A W04A, W04B 21B X06A, X06B, X06C
						5t13x.6↔		BOP, KVT, UOP4, VIAL 08 I08A, I08B, I08C, I08D, I08E, I08F, I13A, I13B, I21Z, I31Z 21A W04A, W04B 21B X06A, X06B, X06C
						5t13x.7↔		BOP, KVT, UOP4, VIAL 08 I08A, I08B, I08C, I08D, I08E, I08F, I21Z, I31Z 21A W04A, W04B 21B X06A, X06B, X06C

ZZV	MDC	DRG	ZZV	MDC	DRG	ZZV	MDC	DRG
5t13x.9↔		BOP, KVT, UOP4, VIAL	5t13z.4↔		BOP, KVT, UOP4, VIAL	5t13z.x		BOP, KVT, UOP4
	08	I08A, I08B, I08C, I08D, I08E, I08F, I21Z, I31Z		08	I08A, I08B, I08C, I08D, I08E, I08F, I21Z, I31Z		08	I28A, I28B
	21A	W04A, W04B		21A	W04A, W04B		21A	W04A, W04B
	21B	X06A, X06B, X06C		21B	X06A, X06B, X06C		21B	X06A, X06B, X06C
5t13x.e↔		BOP, KVT, UOP4, VIAL	5t13z.6↔		BOP, KVT, UOP4, VIAL	5t140.0↔		BOP, KVT, UOP4, VIAL
	01	B03A, B03B, B06A, B06B, B17A, B17B, B17C		08	I08A, I08B, I08C, I08D, I08E, I08F, I13A, I13B, I21Z, I31Z		08	I29Z
	08	I08A, I08B, I08C, I08D, I08E, I08F		21A	W04A, W04B		21A	W04A, W04B
	10	K09A, K09B		21B	X06A, X06B, X06C		21B	X06A, X06B, X06C
	21A	W01A, W01B, W01C, W02A, W02B	5t13z.7↔		BOP, KVT, UOP4, VIAL	5t140.a↔		BOP, KVT, UOP4, VIAL
	21B	X04Z		08	I08A, I08B, I08C, I08D, I08E, I08F, I21Z, I31Z		08	I32A, I32B, I32C, I32D, I32E, I32F
5t13x.f↔		BOP, KVT, UOP4, VIAL	5t13z.9↔		BOP, KVT, UOP4, VIAL	5t140.b↔		BOP, KVT, UOP4, VIAL
	01	B03A, B03B, B06A, B06B, B17A, B17B, B17C		08	I08A, I08B, I08C, I08D, I08E, I08F, I21Z, I31Z		08	I32A, I32B, I32C, I32D, I32E, I32F
	08	I08A, I08B, I08C, I08D, I08E, I08F		21A	W04A, W04B		21A	W04A, W04B
	10	K09A, K09B		21B	X06A, X06B, X06C		21B	X05A
	21A	W01A, W01B, W01C, W02A, W02B	5t13z.e↔		BOP, KVT, UOP4, VIAL	5t140.c↔		BOP, KVT, UOP4, VIAL
	21B	X04Z		01	B03A, B03B, B06A, B06B, B17A, B17B, B17C		01	B03A, B03B, B06A, B06B, B07Z, B17A, B17B, B17C
5t13x.h↔		BOP, KVT, UOP4, VIAL		08	I08A, I08B, I08C, I08D, I08E, I08F		08	I32A, I32B, I32C, I32D, I32E, I32F
	01	B03A, B03B, B06A, B06B, B17A, B17B, B17C		10	K09A, K09B		21A	W04A, W04B
	08	I08A, I08B, I08C, I08D, I08E, I08F		21A	W01A, W01B, W01C, W02A, W02B	5t140.u↔		BOP, KVT, UOP4, VIAL
	21A	W01A, W01B, W01C, W02A, W02B	5t13z.f↔		BOP, KVT, UOP4, VIAL		08	I20A, I20B, I20C, I20D, I20E, I20F
	21B	X04Z		01	B03A, B03B, B06A, B06B, B17A, B17B, B17C		21A	W04A, W04B
5t13x.j↔		BOP, KVT, UOP4, VIAL		08	I08A, I08B, I08C, I08D, I08E, I08F	5t140.v↔		BOP, KVT, UOP4, VIAL
	08	I24Z, I30Z		10	K09A, K09B		08	I20A, I20B, I20C, I20D, I20E, I20F
	21A	W04A, W04B		21A	W01A, W01B, W01C, W02A, W02B		21A	W04A, W04B
	21B	X04Z		21B	X04Z		21B	X04Z
5t13x.k↔		BOP, KVT, UOP4, VIAL	5t13z.h↔		BOP, KVT, UOP4, VIAL	5t140.w↔		BOP, KVT, UOP4, VIAL
	08	I13A, I13B, I13C, I13D		01	B03A, B03B, B06A, B06B, B17A, B17B, B17C		08	I20A, I20B, I20C, I20D, I20E, I20F
	21A	W01A, W01B, W01C, W02A, W02B		08	I08A, I08B, I08C, I08D, I08E, I08F		21A	W04A, W04B
	21B	X04Z		21A	W01A, W01B, W01C, W02A, W02B		21B	X04Z
5t13x.n↔		BOP, KVT, UOP4, VIAL	5t13z.j↔		BOP, KVT, UOP4, VIAL	5t140.x		BOP, KVT, UOP4
	08	I13A, I13B, I13C, I13D		08	I24Z, I30Z		08	I28A, I28B
	21A	W01A, W01B, W01C, W02A, W02B		21A	W04A, W04B		21A	W04A, W04B
	21B	X04Z		21B	X04Z		21B	X06A, X06B, X06C
5t13x.p↔		BOP, KVT, UOP4, VIAL	5t13z.k↔		BOP, KVT, UOP4, VIAL	5t140.z↔		BOP, KVT, UOP4, VIAL
	08	I13A, I13B, I13C, I13D		08	I13A, I13B, I13C, I13D		08	I28A, I28B, I28C
	21A	W01A, W01B, W01C, W02A, W02B		21A	W01A, W01B, W01C, W02A, W02B		21A	W04A, W04B
	21B	X04Z		21B	X04Z		21B	X06A, X06B, X06C
5t13x.r↔		BOP, KVT, UOP4, VIAL	5t13z.n↔		BOP, KVT, UOP4, VIAL	5t141.0↔		BOP, KVT, UOP4, VIAL
	08	I13A, I13B, I13C, I13D		08	I13A, I13B, I13C, I13D		08	I21Z
	21A	W01A, W01B, W01C, W02A, W02B		21A	W01A, W01B, W01C, W02A, W02B		21A	W04A, W04B
	21B	X04Z		21B	X04Z		21B	X06A, X06B, X06C
5t13x.x		BOP, KVT, UOP4	5t13z.p↔		BOP, KVT, UOP4, VIAL	5t141.a↔		BOP, KVT, UOP4, VIAL
	08	I28A, I28B		08	I13A, I13B, I13C, I13D		08	I32A, I32B, I32C, I32D, I32E, I32F
	21A	W04A, W04B		21A	W01A, W01B, W01C, W02A, W02B		21A	W04A, W04B
	21B	X06A, X06B, X06C		21B	X04Z		21B	X05A
5t13z.1↔		BOP, KVT, UOP4, VIAL	5t13z.r↔		BOP, KVT, UOP4, VIAL	5t141.b↔		BOP, KVT, UOP4, VIAL
	08	I08A, I08B, I08C, I08D, I08E, I08F, I13A, I13B, I13C, I13D		08	I13A, I13B, I13C, I13D		08	I32A, I32B, I32C, I32D, I32E, I32F
	21A	W04A, W04B		21A	W01A, W01B, W01C, W02A, W02B		21A	W04A, W04B
	21B	X06A, X06B, X06C		21B	X04Z		21B	X05A
5t13z.3↔		BOP, KVT, UOP4, VIAL		08	I08A, I08B, I08C, I08D, I08E, I08F, I13A, I13B, I13C, I13D	5t141.c↔		BOP, KVT, UOP4, VIAL
	08	I08A, I08B, I08C, I08D, I08E, I08F, I13A, I13B, I13C, I13D		21A	W01A, W01B, W01C, W02A, W02B		08	I32A, I32B, I32C, I32D, I32E, I32F
	21A	W04A, W04B		21B	X04Z		21A	W04A, W04B
	21B	X06A, X06B, X06C		21B	X04Z		21B	X05A

ZZV	MDC	DRG	ZZV	MDC	DRG	ZZV	MDC	DRG
5t141.u↔		BOP, KVT, UOP4, VIAL	5t144.a↔		BOP, KVT, UOP4, VIAL	5t14b.u↔		BOP, KVT, UOP4, VIAL
	08	I20A, I20B, I20C, I20D, I20E, I20F		08	I32A, I32B, I32C, I32D, I32E, I32F		08	I20A, I20B, I20C, I20D, I20E, I20F
	21A	W04A, W04B		21A	W04A, W04B		21A	W04A, W04B
	21B	X04Z		21B	X05A		21B	X04Z
5t141.v↔		BOP, KVT, UOP4, VIAL	5t144.b↔		BOP, KVT, UOP4, VIAL	5t14b.v↔		BOP, KVT, UOP4, VIAL
	08	I20A, I20B, I20C, I20D, I20E, I20F		08	I32A, I32B, I32C, I32D, I32E, I32F		08	I20A, I20B, I20C, I20D, I20E, I20F
	21A	W04A, W04B		21A	W04A, W04B		21A	W04A, W04B
	21B	X04Z		21B	X05A		21B	X04Z
5t141.w↔		BOP, KVT, UOP4, VIAL	5t144.c↔		BOP, KVT, UOP4, VIAL	5t14b.w↔		BOP, KVT, UOP4, VIAL
	08	I20A, I20B, I20C, I20D, I20E, I20F		08	I32A, I32B, I32C, I32D, I32E, I32F		08	I20A, I20B, I20C, I20D, I20E, I20F
	21A	W04A, W04B		21A	W04A, W04B		21A	W04A, W04B
	21B	X04Z		21B	X05A		21B	X04Z
5t141.x		BOP, KVT, UOP4	5t144.u↔		BOP, KVT, UOP4, VIAL	5t14b.x		BOP, KVT, UOP4
	08	I28A, I28B		08	I20A, I20B, I20C, I20D, I20E, I20F		08	I28A, I28B
	21A	W04A, W04B		21A	W04A, W04B		21A	W04A, W04B
	21B	X06A, X06B, X06C		21B	X04Z		21B	X06A, X06B, X06C
5t141.z↔		BOP, KVT, UOP4, VIAL	5t144.v↔		BOP, KVT, UOP4, VIAL	5t14b.z↔		BOP, KVT, UOP4, VIAL
	08	I28A, I28B, I28C		08	I20A, I20B, I20C, I20D, I20E, I20F		08	I28A, I28B, I28C
	21A	W04A, W04B		21A	W04A, W04B		21A	W04A, W04B
	21B	X06A, X06B, X06C		21B	X04Z		21B	X06A, X06B, X06C
5t143.0↔		BOP, KVT, UOP4, VIAL	5t144.w↔		BOP, KVT, UOP4, VIAL	5t14d.0↔		BOP, KVT, UOP4, VIAL
	08	I21Z		08	I20A, I20B, I20C, I20D, I20E, I20F		08	I29Z
	21A	W04A, W04B		21A	W04A, W04B		21A	W04A, W04B
	21B	X06A, X06B, X06C		21B	X04Z		21B	X06A, X06B, X06C
5t143.a↔		BOP, KVT, UOP4, VIAL	5t144.x		BOP, KVT, UOP4	5t14d.u↔		BOP, KVT, UOP4, VIAL
	08	I32A, I32B, I32C, I32D, I32E, I32F		08	I28A, I28B		08	I20A, I20B, I20C, I20D, I20E, I20F
	21A	W04A, W04B		21A	W04A, W04B		21A	W04A, W04B
	21B	X05A		21B	X06A, X06B, X06C		21B	X04Z
5t143.b↔		BOP, KVT, UOP4, VIAL	5t144.z↔		BOP, KVT, UOP4, VIAL	5t14d.v↔		BOP, KVT, UOP4, VIAL
	08	I32A, I32B, I32C, I32D, I32E, I32F		08	I28A, I28B, I28C		08	I20A, I20B, I20C, I20D, I20E, I20F
	21A	W04A, W04B		21A	W04A, W04B		21A	W04A, W04B
	21B	X05A		21B	X06A, X06B, X06C		21B	X04Z
5t143.c↔		BOP, KVT, UOP4, VIAL	5t14a.0↔		BOP, KVT, UOP4, VIAL	5t14d.x		BOP, KVT, UOP4
	08	I32A, I32B, I32C, I32D, I32E, I32F		08	I21Z		08	I28A, I28B
	21A	W04A, W04B		21A	W04A, W04B		21A	W04A, W04B
	21B	X05A		21B	X06A, X06B, X06C		21B	X06A, X06B, X06C
5t143.u↔		BOP, KVT, UOP4, VIAL	5t14a.x		BOP, KVT, UOP4	5t14d.z↔		BOP, KVT, UOP4, VIAL
	08	I20A, I20B, I20C, I20D, I20E, I20F		08	I28A, I28B		08	I28A, I28B, I28C
	21A	W04A, W04B		21A	W04A, W04B		21A	W04A, W04B
	21B	X04Z		21B	X06A, X06B, X06C		21B	X06A, X06B, X06C
5t143.v↔		BOP, KVT, UOP4, VIAL	5t14b.0↔		BOP, KVT, UOP4, VIAL	5t14t.0↔		BOP, KVT, UOP4, VIAL
	08	I20A, I20B, I20C, I20D, I20E, I20F		08	I29Z		08	I29Z
	21A	W04A, W04B		21A	W04A, W04B		21A	W04A, W04B
	21B	X04Z		21B	X06A, X06B, X06C		21B	X06A, X06B, X06C
5t143.w↔		BOP, KVT, UOP4, VIAL	5t14b.a↔		BOP, KVT, UOP4, VIAL	5t14t.a↔		BOP, KVT, UOP4, VIAL
	08	I20A, I20B, I20C, I20D, I20E, I20F		08	I32A, I32B, I32C, I32D, I32E, I32F		08	I32A, I32B, I32C, I32D, I32E, I32F
	21A	W04A, W04B		21A	W04A, W04B		21A	W04A, W04B
	21B	X04Z		21B	X05A		21B	X05A
5t143.x		BOP, KVT, UOP4	5t14b.b↔		BOP, KVT, UOP4, VIAL	5t14t.b↔		BOP, KVT, UOP4, VIAL
	08	I28A, I28B		08	I32A, I32B, I32C, I32D, I32E, I32F		08	I32A, I32B, I32C, I32D, I32E, I32F
	21A	W04A, W04B		21A	W04A, W04B		21A	W04A, W04B
	21B	X06A, X06B, X06C		21B	X05A		21B	X05A
5t143.z↔		BOP, KVT, UOP4, VIAL	5t14b.c↔		BOP, KVT, UOP4, VIAL	5t14t.c↔		BOP, KVT, UOP4, VIAL
	08	I28A, I28B, I28C		08	I32A, I32B, I32C, I32D, I32E, I32F		08	I32A, I32B, I32C, I32D, I32E, I32F
	21A	W04A, W04B		21A	W04A, W04B		21A	W04A, W04B
	21B	X06A, X06B, X06C		21B	X05A		21B	X05A
5t144.0↔		BOP, KVT, UOP4, VIAL				5t14t.u↔		BOP, KVT, UOP4, VIAL
	08	I21Z					08	I20A, I20B, I20C, I20D, I20E, I20F
	21A	W04A, W04B					21A	W04A, W04B
	21B	X06A, X06B, X06C					21B	X04Z

VYK

ZZV	MDC	DRG	ZZV	MDC	DRG	ZZV	MDC	DRG
5t14t.v↔		BOP, KVT, UOP4, VIAL	5t14x.v↔		BOP, KVT, UOP4, VIAL	5t150.a↔		BOP, KVT, UOP4, VIAL
	08	I20A, I20B, I20C, I20D, I20E, I20F		08	I20A, I20B, I20C, I20D, I20E, I20F		08	I32A, I32B, I32C, I32D, I32E, I32F
	21A	W04A, W04B		21A	W04A, W04B		21A	W04A, W04B
	21B	X04Z		21B	X04Z		21B	X05A
5t14t.w↔		BOP, KVT, UOP4, VIAL	5t14x.w↔		BOP, KVT, UOP4, VIAL	5t150.b↔		BOP, KVT, UOP4, VIAL
	08	I20A, I20B, I20C, I20D, I20E, I20F		08	I20A, I20B, I20C, I20D, I20E, I20F		08	I32A, I32B, I32C, I32D, I32E, I32F
	21A	W04A, W04B		21A	W04A, W04B		21A	W04A, W04B
	21B	X04Z		21B	X04Z		21B	X05A
5t14t.x		BOP, KVT, UOP4	5t14x.x		BOP, KVT, UOP4	5t150.c↔		BOP, KVT, UOP4, VIAL
	08	I28A, I28B		08	I28A, I28B		01	B03A, B03B, B06A, B06B, B07Z, B17A, B17B, B17C
	21A	W04A, W04B		21A	W04A, W04B		08	I32A, I32B, I32C, I32D, I32E, I32F
	21B	X06A, X06B, X06C		21B	X06A, X06B, X06C		21A	W04A, W04B
5t14t.z↔		BOP, KVT, UOP4, VIAL	5t14x.z↔		BOP, KVT, UOP4, VIAL		21B	X05A
	08	I28A, I28B, I28C		08	I28A, I28B, I28C	5t150.u↔		BOP, KVT, UOP4, VIAL
	21A	W04A, W04B		21A	W04A, W04B		08	I20A, I20B, I20C, I20D
	21B	X06A, X06B, X06C		21B	X06A, X06B, X06C		21A	W04A, W04B
5t14v.a↔		BOP, KVT, UOP4, VIAL	5t14z.0↔		BOP, KVT, UOP4, VIAL		21B	X04Z, X05A
	08	I13A, I32A, I32B, I32C, I32D, I32E, I32F		08	I29Z	5t150.v↔		BOP, KVT, UOP4, VIAL
	21A	W04A, W04B		21A	W04A, W04B		08	I20A, I20B, I20C, I20D
	21B	X05A		21B	X06A, X06B, X06C		21A	W04A, W04B
5t14v.b↔		BOP, KVT, UOP4, VIAL	5t14z.a↔		BOP, KVT, UOP4, VIAL		21B	X04Z, X05A
	08	I13A, I32A, I32B, I32C, I32D, I32E, I32F		08	I32A, I32B, I32C, I32D, I32E, I32F	5t150.w↔		BOP, KVT, UOP4, VIAL
	21A	W04A, W04B		21A	W04A, W04B		08	I20A, I20B, I20C, I20D, I20E, I20F
	21B	X05A		21B	X05A		21A	W04A, W04B
5t14v.u↔		BOP, KVT, UOP4, VIAL	5t14z.b↔		BOP, KVT, UOP4, VIAL		21B	X04Z, X05A
	08	I13A, I20A, I20B, I20C, I20D, I20E, I20F		08	I32A, I32B, I32C, I32D, I32E, I32F	5t150.x		BOP, KVT, UOP4
	21A	W04A, W04B		21A	W04A, W04B		08	I28A, I28B
	21B	X04Z		21B	X05A		21A	W04A, W04B
5t14v.v↔		BOP, KVT, UOP4, VIAL	5t14z.c↔		BOP, KVT, UOP4, VIAL		21B	X06A, X06B, X06C
	08	I13A, I20A, I20B, I20C, I20D, I20E, I20F		08	I32A, I32B, I32C, I32D, I32E, I32F	5t150.z↔		BOP, KVT, UOP4, VIAL
	21A	W04A, W04B		21A	W04A, W04B		08	I28A, I28B
	21B	X04Z		21B	X05A		21A	W04A, W04B
5t14v.x		BOP, KVT, UOP4	5t14z.j↔		BOP, KVT, UOP4, VIAL		21B	X05A, X06A, X06B, X06C
	08	I13A, I28A, I28B		08	I20A, I20B, I20C, I20D, I20E, I20F	5t151.0↔		BOP, KVT, UOP4, VIAL
	21A	W04A, W04B		21A	W04A, W04B		08	I21Z
	21B	X06A, X06B, X06C		21B	X04Z		21A	W04A, W04B
5t14x.0↔		BOP, KVT, UOP4, VIAL	5t14z.u↔		BOP, KVT, UOP4, VIAL		21B	X05A, X06A, X06B, X06C
	08	I29Z		08	I20A, I20B, I20C, I20D, I20E, I20F	5t151.a↔		BOP, KVT, UOP4, VIAL
	21A	W04A, W04B		21A	W04A, W04B		08	I32A, I32B, I32C, I32D, I32E, I32F
	21B	X06A, X06B, X06C		21B	X04Z		21A	W04A, W04B
5t14x.a↔		BOP, KVT, UOP4, VIAL	5t14z.v↔		BOP, KVT, UOP4, VIAL		21B	X05A
	08	I32A, I32B, I32C, I32D, I32E, I32F		08	I20A, I20B, I20C, I20D, I20E, I20F	5t151.b↔		BOP, KVT, UOP4, VIAL
	21A	W04A, W04B		21A	W04A, W04B		08	I32A, I32B, I32C, I32D, I32E, I32F
	21B	X05A, X05B		21B	X04Z		21A	W04A, W04B
5t14x.b↔		BOP, KVT, UOP4, VIAL	5t14z.w↔		BOP, KVT, UOP4, VIAL		21B	X05A
	08	I32A, I32B, I32C, I32D, I32E, I32F		08	I20A, I20B, I20C, I20D, I20E, I20F	5t151.c↔		BOP, KVT, UOP4, VIAL
	21A	W04A, W04B		21A	W04A, W04B		08	I32A, I32B, I32C, I32D, I32E, I32F
	21B	X05A, X05B		21B	X04Z		21A	W04A, W04B
5t14x.c↔		BOP, KVT, UOP4, VIAL	5t14z.x		BOP, KVT, UOP4		21B	X05A
	08	I32A, I32B, I32C, I32D, I32E, I32F		08	I28A, I28B	5t151.u↔		BOP, KVT, UOP4, VIAL
	21A	W04A, W04B		21A	W04A, W04B		08	I20A, I20B, I20C, I20D
	21B	X05A, X05B		21B	X06A, X06B, X06C		21A	W04A, W04B
5t14x.u↔		BOP, KVT, UOP4, VIAL	5t14z.z↔		BOP, KVT, UOP4, VIAL		21B	X04Z, X05A
	08	I20A, I20B, I20C, I20D, I20E, I20F		08	I28A, I28B, I28C	5t151.v↔		BOP, KVT, UOP4, VIAL
	21A	W04A, W04B		21A	W04A, W04B		08	I20A, I20B, I20C, I20D
	21B	X04Z		21B	X06A, X06B, X06C		21A	W04A, W04B
			5t150.0↔		BOP, KVT, UOP4, VIAL		21B	X04Z, X05A
				08	I28B, I29Z			
				21A	W04A, W04B			
				21B	X05A, X06A, X06B, X06C			

VYK

ZZV	MDC	DRG	ZZV	MDC	DRG	ZZV	MDC	DRG
5t151.w↔		BOP, KVT, UOP4, VIAL	5t154.c↔		BOP, KVT, UOP4, VIAL	5t15d.0↔		BOP, KVT, UOP4, VIAL
	08	I20A, I20B, I20C, I20D, I20E, I20F		08	I32A, I32B, I32C, I32D, I32E, I32F		08	I28B, I29Z
	21A	W04A, W04B		21A	W04A, W04B		21A	W04A, W04B
	21B	X04Z, X05A		21B	X05A		21B	X05A, X06A, X06B, X06C
5t151.x		BOP, KVT, UOP4	5t154.u↔		BOP, KVT, UOP4, VIAL	5t15d.u↔		BOP, KVT, UOP4, VIAL
	08	I28A, I28B		08	I20A, I20B, I20C, I20D		08	I20A, I20B, I20C, I20D
	21A	W04A, W04B		21A	W04A, W04B		21A	W04A, W04B
	21B	X06A, X06B, X06C		21B	X04Z, X05A		21B	X04Z, X05A
5t151.z↔		BOP, KVT, UOP4, VIAL	5t154.v↔		BOP, KVT, UOP4, VIAL	5t15d.v↔		BOP, KVT, UOP4, VIAL
	08	I28A, I28B, I28C		08	I20A, I20B, I20C, I20D		08	I20A, I20B, I20C, I20D
	21A	W04A, W04B		21A	W04A, W04B		21A	W04A, W04B
	21B	X05A, X06A, X06B, X06C		21B	X04Z, X05A		21B	X04Z, X05A
5t153.0↔		BOP, KVT, UOP4, VIAL	5t154.w↔		BOP, KVT, UOP4, VIAL	5t15d.x		BOP, KVT, UOP4
	08	I21Z, I28B		08	I20A, I20B, I20C, I20D, I20E, I20F		08	I28A, I28B
	21A	W04A, W04B		21A	W04A, W04B		21A	W04A, W04B
	21B	X05A, X06A, X06B, X06C		21B	X06A, X06B, X06C		21B	X06A, X06B, X06C
5t153.a↔		BOP, KVT, UOP4, VIAL	5t154.x		BOP, KVT, UOP4	5t15d.z↔		BOP, KVT, UOP4, VIAL
	08	I32A, I32B, I32C, I32D, I32E, I32F		08	I28A, I28B		08	I28A, I28B
	21A	W04A, W04B		21A	W04A, W04B		21A	W04A, W04B
	21B	X05A		21B	X06A, X06B, X06C		21B	X05A, X06A, X06B, X06C
5t153.b↔		BOP, KVT, UOP4, VIAL	5t154.z↔		BOP, KVT, UOP4, VIAL	5t15v.a↔		BOP, KVT, UOP4, VIAL
	08	I32A, I32B, I32C, I32D, I32E, I32F		08	I28A, I28B		08	I13A, I32A, I32B, I32C, I32D, I32E, I32F
	21A	W04A, W04B		21A	W04A, W04B		21A	W04A, W04B
	21B	X05A		21B	X05A, X06A, X06B, X06C		21B	X05A
5t153.c↔		BOP, KVT, UOP4, VIAL	5t15b.0↔		BOP, KVT, UOP4, VIAL	5t15v.b↔		BOP, KVT, UOP4, VIAL
	08	I32A, I32B, I32C, I32D, I32E, I32F		08	I28B, I29Z		08	I13A, I32A, I32B, I32C, I32D, I32E, I32F
	21A	W04A, W04B		21A	W04A, W04B		21A	W04A, W04B
	21B	X05A		21B	X05A, X06A, X06B, X06C		21B	X05A
5t153.u↔		BOP, KVT, UOP4, VIAL	5t15b.a↔		BOP, KVT, UOP4, VIAL	5t15v.u↔		BOP, KVT, UOP4, VIAL
	08	I20A, I20B, I20C, I20D		08	I32A, I32B, I32C, I32D, I32E, I32F		08	I13A, I20A, I20B, I20C, I20D
	21A	W04A, W04B		21A	W04A, W04B		21A	W04A, W04B
	21B	X04Z, X05A		21B	X05A		21B	X04Z, X05A
5t153.v↔		BOP, KVT, UOP4, VIAL	5t15b.b↔		BOP, KVT, UOP4, VIAL	5t15v.v↔		BOP, KVT, UOP4, VIAL
	08	I20A, I20B, I20C, I20D, I20E, I20F		08	I32A, I32B, I32C, I32D, I32E, I32F		08	I13A, I20A, I20B, I20C, I20D
	21A	W04A, W04B		21A	W04A, W04B		21A	W04A, W04B
	21B	X04Z, X05A		21B	X05A		21B	X04Z, X05A
5t153.w↔		BOP, KVT, UOP4, VIAL	5t15b.c↔		BOP, KVT, UOP4, VIAL	5t15v.x		BOP, KVT, UOP4
	08	I20A, I20B, I20C, I20D, I20E, I20F		08	I32A, I32B, I32C, I32D, I32E, I32F		08	I13A, I28A, I28B
	21A	W04A, W04B		21A	W04A, W04B		21A	W04A, W04B
	21B	X04Z, X05A		21B	X05A		21B	X06A, X06B, X06C
5t153.x		BOP, KVT, UOP4	5t15b.u↔		BOP, KVT, UOP4, VIAL	5t15x.0↔		BOP, KVT, UOP4, VIAL
	08	I28A, I28B		08	I20A, I20B, I20C, I20D		08	I28B, I29Z
	21A	W04A, W04B		21A	W04A, W04B		21A	W04A, W04B
	21B	X06A, X06B, X06C		21B	X04Z, X05A		21B	X06A, X06B, X06C
5t153.z↔		BOP, KVT, UOP4, VIAL	5t15b.v↔		BOP, KVT, UOP4, VIAL	5t15x.a↔		BOP, KVT, UOP4, VIAL
	08	I28A, I28B		08	I20A, I20B, I20C, I20D, I20E, I20F		08	I32A, I32B, I32C, I32D, I32E, I32F
	21A	W04A, W04B		21A	W04A, W04B		21A	W04A, W04B
	21B	X05A, X06A, X06B, X06C		21B	X04Z, X05A		21B	X05A, X05B
5t154.0↔		BOP, KVT, UOP4, VIAL	5t15b.w↔		BOP, KVT, UOP4, VIAL	5t15x.b↔		BOP, KVT, UOP4, VIAL
	08	I21Z, I28B		08	I20A, I20B, I20C, I20D, I20E, I20F		08	I32A, I32B, I32C, I32D, I32E, I32F
	21A	W04A, W04B		21A	W04A, W04B		21A	W04A, W04B
	21B	X05A, X06A, X06B, X06C		21B	X04Z, X05A		21B	X05A, X05B
5t154.a↔		BOP, KVT, UOP4, VIAL	5t15b.x		BOP, KVT, UOP4	5t15x.c↔		BOP, KVT, UOP4, VIAL
	08	I32A, I32B, I32C, I32D, I32E, I32F		08	I28A, I28B		08	I32A, I32B, I32C, I32D, I32E, I32F
	21A	W04A, W04B		21A	W04A, W04B		21A	W04A, W04B
	21B	X05A		21B	X06A, X06B, X06C		21B	X05A, X05B
5t154.b↔		BOP, KVT, UOP4, VIAL	5t15b.z↔		BOP, KVT, UOP4, VIAL	5t15x.u↔		BOP, KVT, UOP4, VIAL
	08	I32A, I32B, I32C, I32D, I32E, I32F		08	I28A, I28B		08	I20A, I20B, I20C, I20D, I20E, I20F
	21A	W04A, W04B		21A	W04A, W04B		21A	W04A, W04B
	21B	X05A		21B	X05A, X06A, X06B, X06C		21B	X04Z

ZZV	MDC	DRG	ZZV	MDC	DRG	ZZV	MDC	DRG
5t15x.v↔		BOP, KVT, UOP4, VIAL	5t16s.3↔		BOP, KVT, UOP4, VIAL	5t16t.z↔		BOP, KVT, UOP4, VIAL
	08	I20A, I20B, I20C, I20D, I20E, I20F		08	I20A, I20B, I20C, I20D		08	I20A, I20B, I20C, I20D
	21A	W04A, W04B		21A	W04A, W04B		21A	W04A, W04B
	21B	X04Z		21B	X04Z		21B	X04Z
5t15x.w↔		BOP, KVT, UOP4, VIAL	5t16s.4↔		BOP, KVT, UOP4, VIAL	5t172		BOP, KVT, UOP4, VIAL
	08	I20A, I20B, I20C, I20D, I20E, I20F		08	I20A, I20B, I20C, I20D		08	I08A, I08B, I08C, I08D, I08E, I08F
	21A	W04A, W04B		21A	W04A, W04B		21A	W04A, W04B
	21B	X04Z		21B	X04Z		21B	X06A, X06B, X06C
5t15x.x		BOP, KVT, UOP4	5t16s.b↔		BOP, KVT, UOP4, VIAL	5t174		BOP, KVT, UOP4, VIAL
	08	I28A, I28B		08	I20A, I20B, I20C, I20D		08	I08A, I08B, I08C, I08D, I08E, I08F
	21A	W04A, W04B		21A	W04A, W04B		21A	W04A, W04B
	21B	X06A, X06B, X06C		21B	X04Z		21B	X06A, X06B, X06C
5t15x.z↔		BOP, KVT, UOP4, VIAL	5t16s.d↔		BOP, KVT, UOP4, VIAL	5t17g		BOP, KVT, UOP4, VIAL
	08	I28A, I28B		08	I20A, I20B, I20C, I20D		08	I08A, I08B, I08C, I08D, I08E, I08F
	21A	W04A, W04B		21A	W04A, W04B		21A	W04A, W04B
	21B	X06A, X06B, X06C		21B	X04Z		21B	X06A, X06B, X06C
5t15z.0↔		BOP, KVT, UOP4, VIAL	5t16s.v↔		BOP, KVT, UOP4, VIAL	5t17h		BOP, KVT, UOP4, VIAL
	08	I28B, I29Z		08	I13A, I20A, I20B, I20C, I20D		08	I08A, I08B, I08C, I08D, I08E, I08F
	21A	W04A, W04B		21A	W04A, W04B		21A	W04A, W04B
	21B	X05A, X06A, X06B, X06C		21B	X04Z		21B	X06A, X06B, X06C
5t15z.a↔		BOP, KVT, UOP4, VIAL	5t16s.x↔		BOP, KVT, UOP4, VIAL	5t17k		BOP, KVT, UOP4, VIAL
	08	I32A, I32B, I32C, I32D, I32E, I32F		08	I20A, I20B, I20C, I20D, I20E, I20F		08	I08A, I08B, I08C, I08D, I08E, I08F
	21A	W04A, W04B		21A	W04A, W04B		21A	W04A, W04B
	21B	X05A		21B	X04Z		21B	X06A, X06B, X06C
5t15z.b↔		BOP, KVT, UOP4, VIAL	5t16s.z↔		BOP, KVT, UOP4, VIAL	5t17n		BOP, KVT, UOP4, VIAL
	08	I32A, I32B, I32C, I32D, I32E, I32F		08	I20A, I20B, I20C, I20D		08	I08A, I08B, I08C, I08D, I08E, I08F
	21A	W04A, W04B		21A	W04A, W04B		21A	W04A, W04B
	21B	X05A		21B	X04Z		21B	X06A, X06B, X06C
5t15z.c↔		BOP, KVT, UOP4, VIAL	5t16t.0↔		BOP, KVT, UOP4, VIAL	5t17o		BOP, KVT, UOP4, VIAL
	08	I32A, I32B, I32C, I32D, I32E, I32F		08	I20A, I20B, I20C, I20D		08	I08A, I08B, I08C, I08D, I08E, I08F
	21A	W04A, W04B		21A	W04A, W04B		21A	W04A, W04B
	21B	X05A		21B	X04Z		21B	X06A, X06B, X06C
5t15z.u↔		BOP, KVT, UOP4, VIAL	5t16t.1↔		BOP, KVT, UOP4, VIAL	5t17r		BOP, KVT, UOP4, VIAL
	08	I20A, I20B, I20C, I20D		08	I20A, I20B, I20C, I20D		08	I08A, I08B, I08C, I08D, I08E, I08F
	21A	W04A, W04B		21A	W04A, W04B		21A	W04A, W04B
	21B	X04Z, X05A		21B	X04Z		21B	X06A, X06B, X06C
5t15z.v↔		BOP, KVT, UOP4, VIAL	5t16t.3↔		BOP, KVT, UOP4, VIAL	5t17s		BOP, KVT, UOP4, VIAL
	08	I20A, I20B, I20C, I20D		08	I20A, I20B, I20C, I20D		08	I08A, I08B, I08C, I08D, I08E, I08F
	21A	W04A, W04B		21A	W04A, W04B		21A	W04A, W04B
	21B	X04Z, X05A		21B	X04Z		21B	X06A, X06B, X06C
5t15z.w↔		BOP, KVT, UOP4, VIAL	5t16t.4↔		BOP, KVT, UOP4, VIAL	5t17t		BOP, KVT, UOP4, VIAL
	08	I20A, I20B, I20C, I20D, I20E, I20F		08	I20A, I20B, I20C, I20D		08	I08A, I08B, I08C, I08D, I08E, I08F
	21A	W04A, W04B		21A	W04A, W04B		21A	W04A, W04B
	21B	X04Z, X05A		21B	X04Z		21B	X06A, X06B, X06C
5t15z.x		BOP, KVT, UOP4	5t16t.b↔		BOP, KVT, UOP4, VIAL	5t17u		BOP, KVT, UOP4, VIAL
	08	I28A, I28B		08	I20A, I20B, I20C, I20D		08	I08A, I08B, I08C, I08D, I08E, I08F
	21A	W04A, W04B		21A	W04A, W04B		21A	W04A, W04B
	21B	X06A, X06B, X06C		21B	X04Z		21B	X06A, X06B, X06C
5t15z.z↔		BOP, KVT, UOP4, VIAL	5t16t.d↔		BOP, KVT, UOP4, VIAL	Pre		B61A
	08	I28A, I28B		08	I20A, I20B, I20C, I20D		08	I08A, I08B, I08C, I08D, I08E, I08F
	21A	W04A, W04B		21A	W04A, W04B		21A	W04A, W04B
	21B	X05A, X06A, X06B, X06C		21B	X04Z		21B	X06A, X06B, X06C
5t16s.0↔		BOP, KVT, UOP4, VIAL	5t16t.v↔		BOP, KVT, UOP4, VIAL	5t17x		BOP, KVT, UOP4, VIAL
	08	I20A, I20B, I20C, I20D		08	I13A, I20A, I20B, I20C, I20D		08	I08A, I08B, I08C, I08D, I08E, I08F
	21A	W04A, W04B		21A	W04A, W04B		21A	W04A, W04B
	21B	X04Z		21B	X04Z		21B	X06A, X06B, X06C
5t16s.1↔		BOP, KVT, UOP4, VIAL	5t16t.x↔		BOP, KVT, UOP4, VIAL	5t17z		BOP, KVT, UOP4, VIAL
	08	I20A, I20B, I20C, I20D		08	I20A, I20B, I20C, I20D, I20E, I20F		08	I08A, I08B, I08C, I08D, I08E, I08F
	21A	W04A, W04B		21A	W04A, W04B		21A	W04A, W04B
	21B	X04Z		21B	X04Z		21B	X06A, X06B, X06C

ZZV	MDC	DRG	ZZV	MDC	DRG	ZZV	MDC	DRG												
5t18i↔		BOP, KVT, UOP4, VIAL	5t190.0↔	08	BOP, KVT, UOP4, VIAL	5t190.f	01	BOP, KVT, UOP4, VIAL												
	01	B03A, B03B, B06A, B06B, B17A, B17B, B17C		21A	I16Z		01	B03A, B03B, B06A, B06B, B17A, B17B, B17C												
	08	I08A, I08B, I08C, I08D, I08E, I08F		21B	W04A, W04B		08	I28A, I28B												
	21A	W01A, W01B, W01C, W02A, W02B		21B	X06A, X06B, X06C		21A	W04A, W04B												
5t18j↔	21B	X04Z	5t190.1↔	08	BOP, KVT, UOP4, VIAL	5t190.g↔	21B	X06A, X06B, X06C												
	5t18k↔			BOP, KVT, UOP4, VIAL	5t190.2↔		21A	W04A, W04B	5t190.h↔	08	I08A, I08B, I08C, I08D, I08E, I08F									
		01		B03A, B03B, B06A, B06B, B17A, B17B, B17C			08	I28A, I28B		21A	W01A, W01B, W01C, W02A, W02B									
		08		I08A, I08B, I08C, I08D, I08E, I08F			21A	W04A, W04B		21B	X04Z									
21A		W01A, W01B, W01C, W02A, W02B	21B	X06A, X06B, X06C		08	I18A, I18B, I30Z													
5t18n↔	21B	X04Z	5t190.3↔	21A	W04A, W04B	5t190.i↔	21A	W04A, W04B												
	5t18o↔			BOP, KVT, UOP4, VIAL	5t190.4↔		21B	X06A, X06B, X06C	5t190.j↔	21B	X04Z									
		01		B03A, B03B, B06A, B06B, B17A, B17B, B17C			08	BOP, KVT, UOP4, VIAL		5t190.k↔	08	I13A, I13B, I13C, I13D, I13E								
		08		I08A, I08B, I08C, I08D, I08E, I08F			08	I08A, I08B, I08C, I08D, I08E, I08F, I21Z, I31Z			21A	W04A, W04B								
21A		W01A, W01B, W01C, W02A, W02B	21A	W04A, W04B		21B	X04Z													
21B	X04Z	21B	X06A, X06B, X06C	08	I20A, I20B, I20C, I20D															
5t18p↔	5t18o↔		5t190.5↔	21A	W04A, W04B	5t190.l↔	08	I20A, I20B, I20C, I20D												
		01		B03A, B03B, B06A, B06B, B17A, B17B, B17C	21B		X06A, X06B, X06C	5t190.m↔	21A	W04A, W04B										
		08		I08A, I08B, I08C, I08D, I08E, I08F	5t190.6↔		08		BOP, KVT, UOP4, VIAL	5t190.n↔	21B	X04Z								
		21A		W01A, W01B, W01C, W02A, W02B			08		I08A, I08B, I08C, I08D, I08E, I08F, I21Z, I31Z		5t190.o↔	08	I20A, I20B, I20C, I20D							
21B	X04Z	21A	W04A, W04B	21A		W04A, W04B														
5t18q↔	5t18p↔		5t190.7↔	21B		X06A, X06B, X06C	5t190.p↔	21B	X04Z											
		01		B03A, B03B, B06A, B06B, B17A, B17B, B17C	5t190.8↔	08		BOP, KVT, UOP4, VIAL	5t190.q↔	08		I20A, I20B, I20C, I20D								
		08		I08A, I08B, I08C, I08D, I08E, I08F		08		I32A, I32B, I32C, I32D, I32E, I32F		5t190.r↔	21A	W04A, W04B								
		21A		W01A, W01B, W01C, W02A, W02B		21A		W04A, W04B			5t190.s↔	21B	X04Z							
21B	X04Z	21B	X05A, X05B	5t190.t↔		08	I20A, I20B, I20C, I20D, I20E, I20F													
5t18r↔	5t18q↔		5t190.9↔		5t190.a↔	08	BOP, KVT, UOP4, VIAL	5t190.x	01			B03A, B03B, B06A, B06B, B17A, B17B, B17C								
		01				B03A, B03B, B06A, B06B, B17A, B17B, B17C	08		I32A, I32B, I32C, I32D, I32E, I32F	08		I28A, I28B								
		08				I08A, I08B, I08C, I08D, I08E, I08F	21A		W04A, W04B	21A	W04A, W04B									
		21A		W01A, W01B, W01C, W02A, W02B		21B	X05A, X05B		21B	X06A, X06B, X06C										
5t18s↔	5t18r↔	21B	X04Z	5t190.b↔	5t190.b↔	5t190.c↔	5t191.0↔	08	I16Z											
		01	B03A, B03B, B06A, B06B, B17A, B17B, B17C					08	I32A, I32B, I32C, I32D, I32E, I32F	21A	W04A, W04B									
		08	I08A, I08B, I08C, I08D, I08E, I08F					21A	W04A, W04B	21B	X06A, X06B, X06C									
		21A	W01A, W01B, W01C, W02A, W02B					21B	X05A, X05B	5t191.1↔	08	I16Z								
5t18t↔	5t18s↔		5t190.c↔	5t190.c↔	5t190.d↔	5t191.2↔	5t191.3↔	21A	W04A, W04B											
		01						B03A, B03B, B06A, B06B, B17A, B17B, B17C	08		I32A, I32B, I32C, I32D, I32E, I32F	08	I28A, I28B							
		08						I08A, I08B, I08C, I08D, I08E, I08F	21A		W04A, W04B	21A	W04A, W04B							
		21A						W01A, W01B, W01C, W02A, W02B	21B	X05A, X05B	21B	X06A, X06B, X06C								
5t18u↔	5t18t↔	21B	X04Z	5t190.d↔	5t190.d↔	5t191.3↔	5t191.3↔	08	I28A, I28B											
		08	I08A, I08B, I08C, I08D, I08E, I08F					5t190.e↔	5t190.e↔	5t191.4↔	5t191.4↔	5t191.4↔	21A	W04A, W04B						
		21A	W01A, W01B, W01C, W02A, W02B										08	I08A, I08B, I08C, I08D, I08E, I08F	21A	W01A, W01B, W01C, W02A, W02B				
		21B	X04Z										21A	W01A, W01B, W01C, W02A, W02B	21B	X04Z				
5t18v↔	5t18u↔		5t190.e↔	5t190.e↔	5t191.5↔	5t191.5↔	5t191.5↔						21B	X06A, X06B, X06C						
		01						B03A, B03B, B06A, B06B, B17A, B17B, B17C	5t191.6↔	5t191.6↔	5t191.6↔	5t191.6↔	5t191.6↔	08	I28A, I28B					
		08						I08A, I08B, I08C, I08D, I08E, I08F						5t191.7↔	5t191.7↔	5t191.7↔	5t191.7↔	5t191.7↔	21A	W04A, W04B
		21A						W01A, W01B, W01C, W02A, W02B											5t191.8↔	5t191.8↔
21B	X04Z	5t191.9↔	5t191.9↔	5t191.9↔	5t191.9↔	5t191.9↔	08	I28A, I28B												

VYK

ZZV	MDC	DRG	ZZV	MDC	DRG	ZZV	MDC	DRG
5t191.4↔		BOP, KVT, UOP4, VIAL	5t191.j↔		BOP, KVT, UOP4, VIAL	5t193.8↔		BOP, KVT, UOP4, VIAL
	08	I08A, I08B, I08C, I08D, I08E, I08F, I21Z, I31Z		08	I18A, I18B, I30Z		08	I32A, I32B, I32C, I32D, I32E, I32F
	21A	W04A, W04B		21A	W04A, W04B		21A	W04A, W04B
	21B	X06A, X06B, X06C		21B	X04Z		21B	X05A, X05B
5t191.5↔		BOP, KVT, UOP4, VIAL	5t191.k↔		BOP, KVT, UOP4, VIAL	5t193.9↔		BOP, KVT, UOP4, VIAL
	08	I08A, I08B, I08C, I08D, I08E, I08F, I21Z, I31Z		08	I13A, I13B, I13C, I13D, I13E		08	I32A, I32B, I32C, I32D, I32E, I32F
	21A	W04A, W04B		21A	W04A, W04B		21A	W04A, W04B
	21B	X06A, X06B, X06C		21B	X04Z		21B	X05A, X05B
5t191.6↔		BOP, KVT, UOP4, VIAL	5t191.m↔		BOP, KVT, UOP4, VIAL	5t193.a↔		BOP, KVT, UOP4, VIAL
	08	I08A, I08B, I08C, I08D, I08E, I08F, I32A, I32B, I32C, I32D, I32E, I32F		08	I20A, I20B, I20C, I20D		08	I32A, I32B, I32C, I32D, I32E, I32F
	21A	W04A, W04B		21A	W04A, W04B		21A	W04A, W04B
	21B	X05A, X05B		21B	X04Z		21B	X05A, X05B
5t191.8↔		BOP, KVT, UOP4, VIAL	5t191.n↔		BOP, KVT, UOP4, VIAL	5t193.b↔		BOP, KVT, UOP4, VIAL
	08	I32A, I32B, I32C, I32D, I32E, I32F		08	I20A, I20B, I20C, I20D		08	I32A, I32B, I32C, I32D, I32E, I32F
	21A	W04A, W04B		21A	W04A, W04B		21A	W04A, W04B
	21B	X05A, X05B		21B	X04Z		21B	X05A, X05B
5t191.9↔		BOP, KVT, UOP4, VIAL	5t191.p↔		BOP, KVT, UOP4, VIAL	5t193.c↔		BOP, KVT, UOP4, VIAL
	08	I32A, I32B, I32C, I32D, I32E, I32F		08	I20A, I20B, I20C, I20D, I20E, I20F		08	I32A, I32B, I32C, I32D, I32E, I32F
	21A	W04A, W04B		21A	W04A, W04B		21A	W04A, W04B
	21B	X05A, X05B		21B	X04Z		21B	X05A, X05B
5t191.a↔		BOP, KVT, UOP4, VIAL	5t191.q↔		BOP, KVT, UOP4, VIAL	5t193.d↔		BOP, KVT, UOP4, VIAL
	08	I32A, I32B, I32C, I32D, I32E, I32F		08	I20A, I20B, I20C, I20D, I20E, I20F		08	I32A, I32B, I32C, I32D, I32E, I32F
	21A	W04A, W04B		21A	W04A, W04B		21A	W04A, W04B
	21B	X05A, X05B		21B	X04Z		21B	X05A, X05B
5t191.b↔		BOP, KVT, UOP4, VIAL	5t191.r↔		BOP, KVT, UOP4, VIAL	5t193.e↔		BOP, KVT, UOP4, VIAL
	08	I32A, I32B, I32C, I32D, I32E, I32F		08	I20A, I20B, I20C, I20D, I20E, I20F		08	I08A, I08B, I08C, I08D, I08E, I08F
	21A	W04A, W04B		21A	W04A, W04B		21A	W04A, W04B
	21B	X05A, X05B		21B	X04Z		21B	X06A, X06B, X06C
5t191.c↔		BOP, KVT, UOP4, VIAL	5t191.x		BOP, KVT, UOP4	5t193.f		BOP, KVT, UOP4, VIAL
	08	I32A, I32B, I32C, I32D, I32E, I32F		01	B03A, B03B, B06A, B06B, B17A, B17B, B17C		01	B03A, B03B, B06A, B06B, B17A, B17B, B17C
	21A	W04A, W04B		08	I28A, I28B		08	I28A, I28B
	21B	X05A, X05B		21A	W04A, W04B		21A	W04A, W04B
5t191.d↔		BOP, KVT, UOP4, VIAL		21B	X06A, X06B, X06C		21B	X06A, X06B, X06C
	08	I32A, I32B, I32C, I32D, I32E, I32F	5t193.0↔		BOP, KVT, UOP4, VIAL	5t193.g↔		BOP, KVT, UOP4, VIAL
	21A	W04A, W04B		08	I16Z		08	I08A, I08B, I08C, I08D, I08E, I08F
	21B	X05A, X05B		21A	W04A, W04B		21A	W01A, W01B, W01C, W02A, W02B
5t191.e↔		BOP, KVT, UOP4, VIAL	5t193.1↔		BOP, KVT, UOP4, VIAL	5t193.h↔		BOP, KVT, UOP4, VIAL
	08	I08A, I08B, I08C, I08D, I08E, I08F		08	I16Z		08	I18A, I18B, I30Z
	21A	W04A, W04B		21A	W04A, W04B		21A	W04A, W04B
	21B	X06A, X06B, X06C		21B	X06A, X06B, X06C		21B	X04Z
5t191.f		BOP, KVT, UOP4, VIAL	5t193.2↔		BOP, KVT, UOP4, VIAL	5t193.i↔		BOP, KVT, UOP4, VIAL
	01	B03A, B03B, B06A, B06B, B17A, B17B, B17C		08	I28A, I28B		08	I18A, I18B, I30Z
	08	I28A, I28B		21A	W04A, W04B		21A	W04A, W04B
	21A	W04A, W04B		21B	X06A, X06B, X06C		21B	X04Z
	21B	X06A, X06B, X06C	5t193.3↔		BOP, KVT, UOP4, VIAL	5t193.j↔		BOP, KVT, UOP4, VIAL
5t191.g↔		BOP, KVT, UOP4, VIAL		08	I28A, I28B		08	I18A, I18B, I30Z
	08	I08A, I08B, I08C, I08D, I08E, I08F		21A	W04A, W04B		21A	W04A, W04B
	21A	W01A, W01B, W01C, W02A, W02B		21B	X06A, X06B, X06C		21B	X04Z
	21B	X04Z	5t193.4↔		BOP, KVT, UOP4, VIAL	5t193.k↔		BOP, KVT, UOP4, VIAL
5t191.h↔		BOP, KVT, UOP4, VIAL		08	I08A, I08B, I08C, I08D, I08E, I08F, I21Z, I31Z		08	I13A, I13B, I13C, I13D, I13E
	08	I18A, I18B, I30Z		21A	W04A, W04B		21A	W04A, W04B
	21A	W04A, W04B		21B	X06A, X06B, X06C		21A	W04A, W04B
	21B	X04Z	5t193.5↔		BOP, KVT, UOP4, VIAL	5t193.m↔		BOP, KVT, UOP4, VIAL
				08	I08A, I08B, I08C, I08D, I08E, I08F, I21Z, I31Z		08	I20A, I20B, I20C, I20D
				21A	W04A, W04B		21A	W04A, W04B
				21B	X06A, X06B, X06C		21B	X04Z
			5t193.6↔		BOP, KVT, UOP4, VIAL	5t193.n↔		BOP, KVT, UOP4, VIAL
				08	I08A, I08B, I08C, I08D, I08E, I08F, I32A, I32B, I32C, I32D, I32E, I32F		08	I20A, I20B, I20C, I20D
				21A	W04A, W04B		21A	W04A, W04B
				21B	X05A, X05B		21B	X04Z

Príloha B: Index Výkon-MDC-DRG

ZZV	MDC	DRG	ZZV	MDC	DRG	ZZV	MDC	DRG
5t193.p↔		BOP, KVT, UOP4, VIAL	5t194.b↔		BOP, KVT, UOP4, VIAL	5t194.x		BOP, KVT, UOP4
	08	I20A, I20B, I20C, I20D		08	I32A, I32B, I32C, I32D, I32E, I32F		01	B03A, B03B, B06A, B06B, B17A, B17B, B17C
	21A	W04A, W04B		21A	W04A, W04B		08	I28A, I28B
	21B	X04Z		21B	X05A, X05B		21A	W04A, W04B
5t193.q↔		BOP, KVT, UOP4, VIAL	5t194.c↔		BOP, KVT, UOP4, VIAL	5t199.h↔		BOP, KVT, UOP4, VIAL
	08	I20A, I20B, I20C, I20D, I20E, I20F		08	I32A, I32B, I32C, I32D, I32E, I32F		08	I18A, I18B, I30Z
	21A	W04A, W04B		21A	W04A, W04B		21A	W04A, W04B
	21B	X04Z		21B	X05A, X05B		21B	X04Z
5t193.r↔		BOP, KVT, UOP4, VIAL	5t194.d↔		BOP, KVT, UOP4, VIAL	5t199.j↔		BOP, KVT, UOP4, VIAL
	08	I20A, I20B, I20C, I20D, I20E, I20F		08	I32A, I32B, I32C, I32D, I32E, I32F		08	I18A, I18B, I30Z
	21A	W04A, W04B		21A	W04A, W04B		21A	W04A, W04B
	21B	X04Z		21B	X05A, X05B		21B	X04Z
5t193.x		BOP, KVT, UOP4	5t194.e↔		BOP, KVT, UOP4, VIAL	5t199.k↔		BOP, KVT, UOP4, VIAL
	01	B03A, B03B, B06A, B06B, B17A, B17B, B17C		08	I08A, I08B, I08C, I08D, I08E, I08F		08	I13A, I13B, I13C, I13D, I13E
	08	I28A, I28B		21A	W04A, W04B		21A	W04A, W04B
	21A	W04A, W04B		21B	X06A, X06B, X06C		21B	X04Z
	21B	X06A, X06B, X06C	5t194.f		BOP, KVT, UOP4, VIAL	5t199.m↔		BOP, KVT, UOP4, VIAL
5t194.0↔		BOP, KVT, UOP4, VIAL		01	B03A, B03B, B06A, B06B, B17A, B17B, B17C		08	I20A, I20B, I20C, I20D
	08	I16Z		08	I28A, I28B		21A	W04A, W04B
	21A	W04A, W04B		21A	W04A, W04B		21B	X04Z
	21B	X06A, X06B, X06C	5t194.g↔		BOP, KVT, UOP4, VIAL	5t199.x		BOP, KVT, UOP4
5t194.1↔		BOP, KVT, UOP4, VIAL		08	I28A, I28B		01	B03A, B03B, B06A, B06B, B17A, B17B, B17C
	08	I16Z		21A	W04A, W04B		08	I28A, I28B
	21A	W04A, W04B		21B	X06A, X06B, X06C		21A	W04A, W04B
	21B	X06A, X06B, X06C	5t194.h↔		BOP, KVT, UOP4, VIAL		21B	X06A, X06B, X06C
5t194.2↔		BOP, KVT, UOP4, VIAL		08	I08A, I08B, I08C, I08D, I08E, I08F	5t19a.0↔		BOP, KVT, UOP4, VIAL
	08	I28A, I28B		21A	W01A, W01B, W01C, W02A, W02B		08	I16Z
	21A	W04A, W04B		21B	X04Z		21A	W04A, W04B
	21B	X06A, X06B, X06C	5t194.i↔		BOP, KVT, UOP4, VIAL		21B	X06A, X06B, X06C
5t194.3↔		BOP, KVT, UOP4, VIAL		08	I18A, I18B, I30Z	5t19a.1↔		BOP, KVT, UOP4, VIAL
	08	I28A, I28B		21A	W04A, W04B		08	I28A, I28B
	21A	W04A, W04B		21B	X04Z		21A	W04A, W04B
	21B	X06A, X06B, X06C	5t194.j↔		BOP, KVT, UOP4, VIAL		21B	X06A, X06B, X06C
5t194.4↔		BOP, KVT, UOP4, VIAL		08	I18A, I18B, I30Z	5t19a.3↔		BOP, KVT, UOP4, VIAL
	08	I08A, I08B, I08C, I08D, I08E, I08F, I21Z, I31Z		21A	W04A, W04B		08	I28A, I28B
	21A	W04A, W04B		21B	X04Z		21A	W04A, W04B
	21B	X06A, X06B, X06C	5t194.k↔		BOP, KVT, UOP4, VIAL		21B	X06A, X06B, X06C
5t194.5↔		BOP, KVT, UOP4, VIAL		08	I13A, I13B, I13C, I13D, I13E	5t19a.4↔		BOP, KVT, UOP4, VIAL
	08	I08A, I08B, I08C, I08D, I08E, I08F, I21Z, I31Z		21A	W04A, W04B		08	I08A, I08B, I08C, I08D, I08E, I08F, I21Z, I31Z
	21A	W04A, W04B		21B	X04Z		21A	W04A, W04B
	21B	X06A, X06B, X06C	5t194.l↔		BOP, KVT, UOP4, VIAL		21B	X06A, X06B, X06C
5t194.6↔		BOP, KVT, UOP4, VIAL		08	I20A, I20B, I20C, I20D	5t19a.5↔		BOP, KVT, UOP4, VIAL
	08	I08A, I08B, I08C, I08D, I08E, I08F, I32A, I32B, I32C, I32D, I32E, I32F		21A	W04A, W04B		08	I08A, I08B, I08C, I08D, I08E, I08F, I21Z, I31Z
	21A	W04A, W04B		21B	X04Z		21A	W04A, W04B
	21B	X05A, X05B	5t194.m↔		BOP, KVT, UOP4, VIAL		21B	X06A, X06B, X06C
5t194.7↔		BOP, KVT, UOP4, VIAL		08	I20A, I20B, I20C, I20D	5t19a.6↔		BOP, KVT, UOP4, VIAL
	08	I32A, I32B, I32C, I32D, I32E, I32F		21A	W04A, W04B		08	I08A, I08B, I08C, I08D, I08E, I08F, I32A, I32B, I32C, I32D, I32E, I32F
	21A	W04A, W04B		21B	X04Z		21A	W04A, W04B
	21B	X05A, X05B	5t194.n↔		BOP, KVT, UOP4, VIAL		21B	X05A, X05B
5t194.8↔		BOP, KVT, UOP4, VIAL		08	I20A, I20B, I20C, I20D	5t19a.8↔		BOP, KVT, UOP4, VIAL
	08	I32A, I32B, I32C, I32D, I32E, I32F		21A	W04A, W04B		08	I32A, I32B, I32C, I32D, I32E, I32F
	21A	W04A, W04B		21B	X04Z		21A	W04A, W04B
	21B	X05A, X05B	5t194.o↔		BOP, KVT, UOP4, VIAL		21B	X05A, X05B
5t194.9↔		BOP, KVT, UOP4, VIAL		08	I20A, I20B, I20C, I20D, I20E, I20F	5t19a.9↔		BOP, KVT, UOP4, VIAL
	08	I32A, I32B, I32C, I32D, I32E, I32F		21A	W04A, W04B		08	I32A, I32B, I32C, I32D, I32E, I32F
	21A	W04A, W04B		21B	X04Z		21A	W04A, W04B
	21B	X05A, X05B	5t194.p↔		BOP, KVT, UOP4, VIAL		21B	X05A, X05B
5t194.a↔		BOP, KVT, UOP4, VIAL		08	I20A, I20B, I20C, I20D, I20E, I20F		08	I32A, I32B, I32C, I32D, I32E, I32F
	08	I32A, I32B, I32C, I32D, I32E, I32F		21A	W04A, W04B		21A	W04A, W04B
	21A	W04A, W04B		21B	X04Z		21B	X05A, X05B
	21B	X05A, X05B						

VYK

ZZV	MDC	DRG	ZZV	MDC	DRG	ZZV	MDC	DRG
5t19a.a↔		BOP, KVT, UOP4, VIAL	5t19b.1↔		BOP, KVT, UOP4, VIAL	5t19b.g↔		BOP, KVT, UOP4, VIAL
	08	I32A, I32B, I32C, I32D, I32E, I32F		08	I16Z		08	I08A, I08B, I08C, I08D, I08E, I08F
	21A	W04A, W04B		21A	W04A, W04B		21A	W01A, W01B, W01C, W02A, W02B
	21B	X05A, X05B	5t19b.2↔		BOP, KVT, UOP4, VIAL		21B	X04Z
5t19a.b↔		BOP, KVT, UOP4, VIAL		08	I28A, I28B	5t19b.h↔		BOP, KVT, UOP4, VIAL
	08	I32A, I32B, I32C, I32D, I32E, I32F		21A	W04A, W04B		08	I18A, I18B, I30Z
	21A	W04A, W04B		21B	X06A, X06B, X06C		21A	W04A, W04B
	21B	X05A, X05B	5t19b.3↔		BOP, KVT, UOP4, VIAL		21B	X04Z
5t19a.c↔		BOP, KVT, UOP4, VIAL		08	I28A, I28B	5t19b.j↔		BOP, KVT, UOP4, VIAL
	08	I32A, I32B, I32C, I32D, I32E, I32F		21A	W04A, W04B		08	I18A, I18B, I30Z
	21A	W04A, W04B		21B	X06A, X06B, X06C		21A	W04A, W04B
	21B	X05A, X05B	5t19b.4↔		BOP, KVT, UOP4, VIAL		21B	X04Z
5t19a.d↔		BOP, KVT, UOP4, VIAL		08	I08A, I08B, I08C, I08D, I08E, I08F, I21Z, I31Z	5t19b.k↔		BOP, KVT, UOP4, VIAL
	08	I32A, I32B, I32C, I32D, I32E, I32F		21A	W04A, W04B		08	I13A, I13B, I13C, I13D, I13E
	21A	W04A, W04B		21B	X06A, X06B, X06C		21A	W04A, W04B
	21B	X05A, X05B	5t19b.5↔		BOP, KVT, UOP4, VIAL		21B	X04Z
5t19a.g↔		BOP, KVT, UOP4, VIAL		08	I08A, I08B, I08C, I08D, I08E, I08F, I21Z, I31Z	5t19b.m↔		BOP, KVT, UOP4, VIAL
	08	I08A, I08B, I08C, I08D, I08E, I08F		21A	W04A, W04B		08	I20A, I20B, I20C, I20D
	21A	W01A, W01B, W01C, W02A, W02B		21B	X06A, X06B, X06C		21A	W04A, W04B
	21B	X04Z	5t19b.6↔		BOP, KVT, UOP4, VIAL		21B	X04Z
5t19a.h↔		BOP, KVT, UOP4, VIAL		08	I08A, I08B, I08C, I08D, I08E, I08F, I32A, I32B, I32C, I32D, I32E, I32F	5t19b.n↔		BOP, KVT, UOP4, VIAL
	08	I18A, I18B, I30Z		21A	W04A, W04B		08	I20A, I20B, I20C, I20D
	21A	W04A, W04B		21B	X05A, X05B		21A	W04A, W04B
	21B	X04Z	5t19b.8↔		BOP, KVT, UOP4, VIAL		21B	X04Z
5t19a.j↔		BOP, KVT, UOP4, VIAL		08	I32A, I32B, I32C, I32D, I32E, I32F	5t19b.p↔		BOP, KVT, UOP4, VIAL
	08	I18A, I18B, I30Z		21A	W04A, W04B		08	I20A, I20B, I20C, I20D
	21A	W04A, W04B		21B	X05A, X05B		21A	W04A, W04B
	21B	X04Z	5t19b.9↔		BOP, KVT, UOP4, VIAL		21B	X04Z
5t19a.k↔		BOP, KVT, UOP4, VIAL		08	I32A, I32B, I32C, I32D, I32E, I32F	5t19b.q↔		BOP, KVT, UOP4, VIAL
	08	I13A, I13B, I13C, I13D, I13E		21A	W04A, W04B		08	I20A, I20B, I20C, I20D, I20E, I20F
	21A	W04A, W04B		21B	X05A, X05B		21A	W04A, W04B
	21B	X04Z	5t19b.a↔		BOP, KVT, UOP4, VIAL		21B	X04Z
5t19a.m↔		BOP, KVT, UOP4, VIAL		08	I32A, I32B, I32C, I32D, I32E, I32F	5t19b.r↔		BOP, KVT, UOP4, VIAL
	08	I20A, I20B, I20C, I20D		21A	W04A, W04B		08	I20A, I20B, I20C, I20D, I20E, I20F
	21A	W04A, W04B		21B	X05A, X05B		21A	W04A, W04B
	21B	X04Z	5t19b.b↔		BOP, KVT, UOP4, VIAL		21B	X04Z
5t19a.p↔		BOP, KVT, UOP4, VIAL		08	I32A, I32B, I32C, I32D, I32E, I32F	5t19b.x		BOP, KVT, UOP4
	08	I20A, I20B, I20C, I20D		21A	W04A, W04B		01	B03A, B03B, B06A, B06B, B17A, B17B, B17C
	21A	W04A, W04B		21B	X05A, X05B		08	I28A, I28B
	21B	X04Z	5t19b.c↔		BOP, KVT, UOP4, VIAL		21A	W04A, W04B
5t19a.q↔		BOP, KVT, UOP4, VIAL		08	I32A, I32B, I32C, I32D, I32E, I32F		21B	X06A, X06B, X06C
	08	I20A, I20B, I20C, I20D, I20E, I20F		21A	W04A, W04B	5t19d.0↔		BOP, KVT, UOP4, VIAL
	21A	W04A, W04B		21B	X05A, X05B		08	I16Z
	21B	X04Z	5t19b.d↔		BOP, KVT, UOP4, VIAL		21A	W04A, W04B
5t19a.r↔		BOP, KVT, UOP4, VIAL		08	I32A, I32B, I32C, I32D, I32E, I32F		21B	X06A, X06B, X06C
	08	I20A, I20B, I20C, I20D, I20E, I20F		21A	W04A, W04B	5t19d.1↔		BOP, KVT, UOP4, VIAL
	21A	W04A, W04B		21B	X05A, X05B		08	I28A, I28B
	21B	X04Z	5t19b.e↔		BOP, KVT, UOP4, VIAL		21A	W04A, W04B
5t19a.x		BOP, KVT, UOP4		08	I32A, I32B, I32C, I32D, I32E, I32F		21B	X06A, X06B, X06C
	01	B03A, B03B, B06A, B06B, B17A, B17B, B17C		21A	W04A, W04B	5t19d.2↔		BOP, KVT, UOP4, VIAL
	08	I28A, I28B		21B	X05A, X05B		08	I28A, I28B
	21A	W04A, W04B		08	I32A, I32B, I32C, I32D, I32E, I32F		21A	W04A, W04B
	21B	X06A, X06B, X06C		21A	W04A, W04B		21B	X06A, X06B, X06C
5t19b.0↔		BOP, KVT, UOP4, VIAL		21B	X06A, X06B, X06C	5t19d.3↔		BOP, KVT, UOP4, VIAL
	08	I16Z		08	I08A, I08B, I08C, I08D, I08E, I08F		08	I28A, I28B
	21A	W04A, W04B		21A	W04A, W04B		21A	W04A, W04B
	21B	X06A, X06B, X06C		21B	X06A, X06B, X06C		21B	X06A, X06B, X06C
			5t19b.f		BOP, KVT, UOP4, VIAL		08	I08A, I08B, I08C, I08D, I08E, I08F, I21Z, I31Z
				01	B03A, B03B, B06A, B06B, B17A, B17B, B17C		21A	W04A, W04B
				08	I28A, I28B		21B	X06A, X06B, X06C
				21A	W04A, W04B			
				21B	X06A, X06B, X06C			

ZZV	MDC	DRG	ZZV	MDC	DRG	ZZV	MDC	DRG
5t19d.5↔		BOP, KVT, UOP4, VIAL	5t19d.m↔		BOP, KVT, UOP4, VIAL	5t19t.b↔		BOP, KVT, UOP4, VIAL
	08	I08A, I08B, I08C, I08D, I08E, I08F, I21Z, I31Z		08	I20A, I20B, I20C, I20D		08	I32A, I32B, I32C, I32D, I32E, I32F
	21A	W04A, W04B		21A	W04A, W04B		21A	W04A, W04B
	21B	X06A, X06B, X06C		21B	X04Z		21B	X05A, X05B
5t19d.6↔		BOP, KVT, UOP4, VIAL	5t19d.n↔		BOP, KVT, UOP4, VIAL	5t19t.c↔		BOP, KVT, UOP4, VIAL
	08	I08A, I08B, I08C, I08D, I08E, I08F, I32A, I32B, I32C, I32D, I32E, I32F		08	I20A, I20B, I20C, I20D		08	I32A, I32B, I32C, I32D, I32E, I32F
	21A	W04A, W04B		21A	W04A, W04B		21A	W04A, W04B
	21B	X05A, X05B		21B	X04Z		21B	X05A, X05B
5t19d.8↔		BOP, KVT, UOP4, VIAL	5t19d.p↔		BOP, KVT, UOP4, VIAL	5t19t.d↔		BOP, KVT, UOP4, VIAL
	08	I32A, I32B, I32C, I32D, I32E, I32F		08	I20A, I20B, I20C, I20D		08	I32A, I32B, I32C, I32D, I32E, I32F
	21A	W04A, W04B		21A	W04A, W04B		21A	W04A, W04B
	21B	X05A, X05B		21B	X04Z		21B	X05A, X05B
5t19d.9↔		BOP, KVT, UOP4, VIAL	5t19d.q↔		BOP, KVT, UOP4, VIAL	5t19t.e↔		BOP, KVT, UOP4, VIAL
	08	I32A, I32B, I32C, I32D, I32E, I32F		08	I20A, I20B, I20C, I20D, I20E, I20F		08	I08A, I08B, I08C, I08D, I08E, I08F
	21A	W04A, W04B		21A	W04A, W04B		21A	W04A, W04B
	21B	X05A, X05B		21B	X04Z		21B	X06A, X06B, X06C
5t19d.a↔		BOP, KVT, UOP4, VIAL	5t19d.r↔		BOP, KVT, UOP4, VIAL	5t19t.f		BOP, KVT, UOP4, VIAL
	08	I32A, I32B, I32C, I32D, I32E, I32F		08	I20A, I20B, I20C, I20D, I20E, I20F		01	B03A, B03B, B06A, B06B, B17A, B17B, B17C
	21A	W04A, W04B		21A	W04A, W04B		08	I28A, I28B
	21B	X05A, X05B		21B	X04Z		21A	W04A, W04B
5t19d.b↔		BOP, KVT, UOP4, VIAL	5t19d.x		BOP, KVT, UOP4		21B	X06A, X06B, X06C
	08	I32A, I32B, I32C, I32D, I32E, I32F		01	B03A, B03B, B06A, B06B, B17A, B17B, B17C	5t19t.g↔		BOP, KVT, UOP4, VIAL
	21A	W04A, W04B		08	I28A, I28B		08	I08A, I08B, I08C, I08D, I08E, I08F
	21B	X05A, X05B		21A	W04A, W04B		21A	W01A, W01B, W01C, W02A, W02B
5t19d.c↔		BOP, KVT, UOP4, VIAL	5t19t.0↔		BOP, KVT, UOP4, VIAL		21B	X04Z
	08	I32A, I32B, I32C, I32D, I32E, I32F		08	I16Z	5t19t.h↔		BOP, KVT, UOP4, VIAL
	21A	W04A, W04B		21A	W04A, W04B		08	I18A, I18B, I30Z
	21B	X05A, X05B		21B	X06A, X06B, X06C		21A	W04A, W04B
5t19d.d↔		BOP, KVT, UOP4, VIAL	5t19t.1↔		BOP, KVT, UOP4, VIAL		21B	X04Z
	08	I32A, I32B, I32C, I32D, I32E, I32F		08	I28A, I28B	5t19t.j↔		BOP, KVT, UOP4, VIAL
	21A	W04A, W04B		21A	W04A, W04B		08	I18A, I18B, I30Z
	21B	X05A, X05B		21B	X06A, X06B, X06C		21A	W04A, W04B
5t19d.e↔		BOP, KVT, UOP4, VIAL	5t19t.4↔		BOP, KVT, UOP4, VIAL		21B	X04Z
	08	I08A, I08B, I08C, I08D, I08E, I08F		08	I08A, I08B, I08C, I08D, I08E, I08F, I21Z, I31Z	5t19t.k↔		BOP, KVT, UOP4, VIAL
	21A	W04A, W04B		21A	W04A, W04B		08	I13A, I13B, I13C, I13D, I13E
	21B	X06A, X06B, X06C		21B	X06A, X06B, X06C		21A	W04A, W04B
5t19d.f		BOP, KVT, UOP4, VIAL	5t19t.5↔		BOP, KVT, UOP4, VIAL		21B	X04Z
	01	B03A, B03B, B06A, B06B, B17A, B17B, B17C		08	I08A, I08B, I08C, I08D, I08E, I08F, I21Z, I31Z	5t19t.m↔		BOP, KVT, UOP4, VIAL
	08	I28A, I28B		21A	W04A, W04B		08	I20A, I20B, I20C, I20D
	21A	W04A, W04B		21B	X06A, X06B, X06C		21A	W04A, W04B
	21B	X06A, X06B, X06C		21B	X05A, X05B		21B	X04Z
5t19d.g↔		BOP, KVT, UOP4, VIAL	5t19t.6↔		BOP, KVT, UOP4, VIAL	5t19t.n↔		BOP, KVT, UOP4, VIAL
	08	I08A, I08B, I08C, I08D, I08E, I08F		08	I08A, I08B, I08C, I08D, I08E, I08F, I32A, I32B, I32C, I32D, I32E, I32F		08	I20A, I20B, I20C, I20D
	21A	W01A, W01B, W01C, W02A, W02B		21A	W04A, W04B		21A	W04A, W04B
	21B	X04Z		21B	X05A, X05B		21B	X04Z
5t19d.h↔		BOP, KVT, UOP4, VIAL	5t19t.8↔		BOP, KVT, UOP4, VIAL	5t19t.p↔		BOP, KVT, UOP4, VIAL
	08	I18A, I18B, I30Z		08	I32A, I32B, I32C, I32D, I32E, I32F		08	I20A, I20B, I20C, I20D
	21A	W04A, W04B		21A	W04A, W04B		21A	W04A, W04B
	21B	X04Z		21B	X05A, X05B		21B	X04Z
5t19d.j↔		BOP, KVT, UOP4, VIAL	5t19t.9↔		BOP, KVT, UOP4, VIAL	5t19t.q↔		BOP, KVT, UOP4, VIAL
	08	I18A, I18B, I30Z		08	I32A, I32B, I32C, I32D, I32E, I32F		08	I20A, I20B, I20C, I20D, I20E, I20F
	21A	W04A, W04B		21A	W04A, W04B		21A	W04A, W04B
	21B	X04Z		21B	X05A, X05B		21B	X04Z
5t19d.k↔		BOP, KVT, UOP4, VIAL	5t19t.a↔		BOP, KVT, UOP4, VIAL	5t19t.r↔		BOP, KVT, UOP4, VIAL
	08	I13A, I13B, I13C, I13D, I13E		08	I32A, I32B, I32C, I32D, I32E, I32F		08	I20A, I20B, I20C, I20D, I20E, I20F
	21A	W04A, W04B		21A	W04A, W04B		21A	W04A, W04B
	21B	X04Z		21B	X05A, X05B		21B	X04Z

ZZV	MDC	DRG	ZZV	MDC	DRG	ZZV	MDC	DRG
5t19t.x		BOP, KVT, UOP4	5t19x.e↔	08	BOP, KVT, UOP4, VIAL I08A, I08B, I08C, I08D, I08E, I08F	5t19z.3↔	08	BOP, KVT, UOP4, VIAL I28A, I28B
	01	B03A, B03B, B06A, B06B, B17A, B17B, B17C		21A	W04A, W04B		21A	W04A, W04B
	08	I28A, I28B		21B	X06A, X06B, X06C	5t19z.4↔	21B	X06A, X06B, X06C
	21A	W04A, W04B	5t19x.f		BOP, KVT, UOP4, VIAL		08	BOP, KVT, UOP4, VIAL I08A, I08B, I08C, I08D, I08E, I08F, I21Z, I31Z
5t19x.0↔	21B	X06A, X06B, X06C		08	I28A, I28B		21A	W04A, W04B
		BOP, KVT, UOP4, VIAL		21A	W04A, W04B		21B	X06A, X06B, X06C
	08	I16Z	5t19x.g↔		BOP, KVT, UOP4, VIAL	5t19z.5↔		BOP, KVT, UOP4, VIAL
	21A	W04A, W04B		08	I08A, I08B, I08C, I08D, I08E, I08F		08	I08A, I08B, I08C, I08D, I08E, I08F, I21Z, I31Z
5t19x.1↔	21B	X06A, X06B, X06C		21A	W01A, W01B, W01C, W02A, W02B		21A	W04A, W04B
		BOP, KVT, UOP4, VIAL		21B	X04Z		21B	X06A, X06B, X06C
	08	I28A, I28B	5t19x.h↔		BOP, KVT, UOP4, VIAL	5t19z.6↔		BOP, KVT, UOP4, VIAL
5t19x.2↔	21A	W04A, W04B		08	I18A, I18B, I30Z		08	I08A, I08B, I08C, I08D, I08E, I08F, I32A, I32B, I32C, I32D, I32E, I32F
	21B	X06A, X06B, X06C		21A	W04A, W04B		21A	W04A, W04B
		BOP, KVT, UOP4, VIAL		21B	X04Z		21B	X05A, X05B
5t19x.3↔	08	I28A, I28B	5t19x.j↔		BOP, KVT, UOP4, VIAL	5t19z.8↔		BOP, KVT, UOP4, VIAL
	21A	W04A, W04B		08	I18A, I18B, I30Z		08	I32A, I32B, I32C, I32D, I32E, I32F
	21B	X06A, X06B, X06C		21A	W04A, W04B		21A	W04A, W04B
5t19x.4↔		BOP, KVT, UOP4, VIAL		21B	X04Z		21B	X05A, X05B
	08	I08A, I08B, I08C, I08D, I08E, I08F, I21Z, I31Z	5t19x.k↔		BOP, KVT, UOP4, VIAL	5t19z.9↔		BOP, KVT, UOP4, VIAL
	21A	W04A, W04B		08	I13A, I13B, I13C, I13D, I13E		08	I32A, I32B, I32C, I32D, I32E, I32F
	21B	X06A, X06B, X06C		21A	W04A, W04B		21A	W04A, W04B
5t19x.5↔		BOP, KVT, UOP4, VIAL		21B	X04Z		21B	X05A, X05B
	08	I08A, I08B, I08C, I08D, I08E, I08F, I21Z, I31Z	5t19x.m↔		BOP, KVT, UOP4, VIAL	5t19z.a↔		BOP, KVT, UOP4, VIAL
	21A	W04A, W04B		08	I20A, I20B, I20C, I20D, I20E, I20F		08	I32A, I32B, I32C, I32D, I32E, I32F
	21B	X06A, X06B, X06C		21A	W04A, W04B		21A	W04A, W04B
5t19x.6↔		BOP, KVT, UOP4, VIAL		21B	X04Z		21B	X05A, X05B
	08	I08A, I08B, I08C, I08D, I08E, I08F, I32A, I32B, I32C, I32D, I32E, I32F	5t19x.n↔		BOP, KVT, UOP4, VIAL	5t19z.b↔		BOP, KVT, UOP4, VIAL
	21A	W04A, W04B		08	I20A, I20B, I20C, I20D		08	I32A, I32B, I32C, I32D, I32E, I32F
	21B	X05A, X05B		21A	W04A, W04B		21A	W04A, W04B
5t19x.8↔		BOP, KVT, UOP4, VIAL		21B	X04Z		21B	X05A, X05B
	08	I32A, I32B, I32C, I32D, I32E, I32F	5t19x.p↔		BOP, KVT, UOP4, VIAL	5t19z.c↔		BOP, KVT, UOP4, VIAL
	21A	W04A, W04B		08	I20A, I20B, I20C, I20D		08	I32A, I32B, I32C, I32D, I32E, I32F
	21B	X05A, X05B		21A	W04A, W04B		21A	W04A, W04B
5t19x.9↔		BOP, KVT, UOP4, VIAL		21B	X04Z		21B	X05A, X05B
	08	I32A, I32B, I32C, I32D, I32E, I32F	5t19x.q↔		BOP, KVT, UOP4, VIAL	5t19z.d↔		BOP, KVT, UOP4, VIAL
	21A	W04A, W04B		08	I20A, I20B, I20C, I20D, I20E, I20F		08	I32A, I32B, I32C, I32D, I32E, I32F
	21B	X05A, X05B		21A	W04A, W04B		21A	W04A, W04B
5t19x.a↔		BOP, KVT, UOP4, VIAL		21B	X04Z		21B	X05A, X05B
	08	I32A, I32B, I32C, I32D, I32E, I32F	5t19x.r↔		BOP, KVT, UOP4, VIAL	5t19z.e↔		BOP, KVT, UOP4, VIAL
	21A	W04A, W04B		08	I20A, I20B, I20C, I20D, I20E, I20F		08	I08A, I08B, I08C, I08D, I08E, I08F
	21B	X05A, X05B		21A	W04A, W04B		21A	W04A, W04B
5t19x.b↔		BOP, KVT, UOP4, VIAL		21B	X04Z		21B	X06A, X06B, X06C
	08	I32A, I32B, I32C, I32D, I32E, I32F	5t19x.x		BOP, KVT, UOP4	5t19z.f		BOP, KVT, UOP4, VIAL
	21A	W04A, W04B		01	B03A, B03B, B06A, B06B, B17A, B17B, B17C		01	B03A, B03B, B06A, B06B, B17A, B17B, B17C
	21B	X05A, X05B		08	I28A, I28B		08	I28A, I28B
5t19x.c↔		BOP, KVT, UOP4, VIAL		21A	W04A, W04B		21A	W04A, W04B
	08	I32A, I32B, I32C, I32D, I32E, I32F	5t19z.0↔		BOP, KVT, UOP4, VIAL		21B	X06A, X06B, X06C
	21A	W04A, W04B		08	I16Z		08	I28A, I28B
	21B	X05A, X05B		21A	W04A, W04B		21A	W04A, W04B
5t19x.d↔		BOP, KVT, UOP4, VIAL		21B	X06A, X06B, X06C	5t19z.g↔		BOP, KVT, UOP4, VIAL
	08	I32A, I32B, I32C, I32D, I32E, I32F		08	I16Z		08	I08A, I08B, I08C, I08D, I08E, I08F
	21A	W04A, W04B	5t19z.1↔		BOP, KVT, UOP4, VIAL		21A	W01A, W01B, W01C, W02A, W02B
	21B	X05A, X05B		08	I16Z		21B	X04Z
		BOP, KVT, UOP4, VIAL		21A	W04A, W04B			
	08	I32A, I32B, I32C, I32D, I32E, I32F	5t19z.2↔		BOP, KVT, UOP4, VIAL			
	21A	W04A, W04B		08	I28A, I28B			
	21B	X05A, X05B		21A	W04A, W04B			
		BOP, KVT, UOP4, VIAL		21B	X06A, X06B, X06C			
	08	I32A, I32B, I32C, I32D, I32E, I32F		08	I28A, I28B			
	21A	W04A, W04B		21A	W04A, W04B			
	21B	X05A, X05B		21B	X06A, X06B, X06C			

VYK

Príloha B: Index Výkon-MDC-DRG

ZZV	MDC	DRG	ZZV	MDC	DRG	ZZV	MDC	DRG
5t19z.h↔		BOP, KVT, UOP4, VIAL	5t211.5↔		BOP, KVT, UOP4, VIAL	5t211.h↔		BOP, KVT, UOP4, VIAL
	08	I18A, I18B, I30Z		08	I08A, I08B, I08C, I08D, I08E, I08F, I18A, I18B, I30Z		01	B03A, B03B, B06A, B06B, B17A, B17B, B17C
	21A	W04A, W04B		21A	W04A, W04B		08	I08A, I08B, I08C, I08D, I08E, I08F
	21B	X04Z		21B	X06A, X06B, X06C		21A	W01A, W01B, W01C, W02A, W02B
5t19z.j↔		BOP, KVT, UOP4, VIAL	5t211.6↔		BOP, KVT, UOP4, VIAL		21B	X04Z
	08	I18A, I18B, I30Z		08	I08A, I08B, I08C, I08D, I08E, I08F, I13A, I13B, I18A, I18B, I30Z	5t211.j↔		BOP, KVT, UOP4, VIAL
	21A	W04A, W04B		21A	W04A, W04B		08	I18A, I18B, I30Z
	21B	X04Z		21B	X06A, X06B, X06C		21A	W04A, W04B
5t19z.k↔		BOP, KVT, UOP4, VIAL	5t211.7↔		BOP, KVT, UOP4, VIAL		21B	X04Z
	08	I13A, I13B, I13C, I13D, I13E		08	I08A, I08B, I08C, I08D, I08E, I08F, I18A, I18B, I30Z	5t211.k↔		BOP, KVT, UOP4, VIAL
	21A	W04A, W04B		21A	W04A, W04B		08	I13A, I13B, I13C, I13D, I13E
	21B	X04Z		21B	X06A, X06B, X06C		21A	W04A, W04B
5t19z.m↔		BOP, KVT, UOP4, VIAL	5t211.8↔		BOP, KVT, UOP4, VIAL		21B	X04Z
	08	I20A, I20B, I20C, I20D		08	I08A, I08B, I08C, I08D, I08E, I08F, I18A, I18B, I30Z	5t211.m↔		BOP, KVT, UOP4, VIAL
	21A	W04A, W04B		21A	W04A, W04B		08	I13A, I13B, I13C, I13D, I13E
	21B	X04Z		21B	X06A, X06B, X06C		21A	W04A, W04B
5t19z.n↔		BOP, KVT, UOP4, VIAL	5t211.9↔		BOP, KVT, UOP4, VIAL		21B	X04Z
	08	I20A, I20B, I20C, I20D		08	I08A, I08B, I08C, I08D, I08E, I08F, I18A, I18B, I30Z	5t211.n↔		BOP, KVT, UOP4, VIAL
	21A	W04A, W04B		21A	W04A, W04B		08	I13A, I13B, I13C, I13D, I13E
	21B	X04Z		21B	X06A, X06B, X06C		21A	W04A, W04B
5t19z.p↔		BOP, KVT, UOP4, VIAL	5t211.a↔		BOP, KVT, UOP4, VIAL		21B	X04Z
	08	I20A, I20B, I20C, I20D		08	I32A, I32B, I32C, I32D, I32E, I32F, I32G	5t211.p↔		BOP, KVT, UOP4, VIAL
	21A	W04A, W04B		21A	W04A, W04B		08	I13A, I13B, I13C, I13D, I13E
	21B	X04Z		21B	X06A, X06B, X06C		21A	W04A, W04B
5t19z.q↔		BOP, KVT, UOP4, VIAL	5t211.b↔		BOP, KVT, UOP4, VIAL		21B	X04Z
	08	I20A, I20B, I20C, I20D, I20E, I20F		08	I32A, I32B, I32C, I32D, I32E, I32F, I32G	5t211.q↔		BOP, KVT, UOP4, VIAL
	21A	W04A, W04B		21A	W04A, W04B		08	I13A, I13B, I13C, I13D, I13E
	21B	X04Z		21B	X05A, X05B		21A	W04A, W04B
5t19z.r↔		BOP, KVT, UOP4, VIAL	5t211.c↔		BOP, KVT, UOP4, VIAL		21B	X04Z
	08	I20A, I20B, I20C, I20D, I20E, I20F		08	I32A, I32B, I32C, I32D, I32E, I32F, I32G	5t211.r↔		BOP, KVT, UOP4, VIAL
	21A	W04A, W04B		21A	W04A, W04B		08	I13A, I13B, I13C, I13D, I13E
	21B	X04Z		21B	X05A, X05B		21A	W04A, W04B
5t19z.x		BOP, KVT, UOP4	5t211.d		BOP, KVT, UOP4, VIAL		21B	X04Z
	01	B03A, B03B, B06A, B06B, B17A, B17B, B17C		08	I08A, I08B, I08C, I08D, I08E, I08F	5t211.s↔		BOP, KVT, UOP4, VIAL
	08	I28A, I28B		21A	W04A, W04B		08	I20A, I20B, I20C, I20D, I20E, I20F
	21A	W04A, W04B		21B	X06A, X06B, X06C		21A	W04A, W04B
	21B	X06A, X06B, X06C		21B	X05A, X05B		21B	X04Z
5t211.0↔		BOP, KVT, UOP4, VIAL	5t211.e↔		BOP, KVT, UOP4, VIAL		08	I20A, I20B, I20C, I20D, I20E, I20F
	08	I16Z		08	I08A, I08B, I08C, I08D, I08E, I08F	5t211.t↔		BOP, KVT, UOP4, VIAL
	21A	W04A, W04B		21A	W04A, W04B		08	I20A, I20B, I20C, I20D, I20E, I20F
	21B	X06A, X06B, X06C		21B	X06A, X06B, X06C		21A	W04A, W04B
5t211.1↔		BOP, KVT, UOP4, VIAL	5t211.f↔		BOP, KVT, UOP4, VIAL		21B	X04Z
	08	I08A, I08B, I08C, I08D, I08E, I08F, I13A, I13B, I13C, I13D, I13E		08	I08A, I08B, I08C, I08D, I08E, I08F	5t211.u↔		BOP, KVT, UOP4, VIAL
	21A	W04A, W04B		21A	W01A, W01B, W01C, W02A, W02B		08	I20A, I20B, I20C, I20D, I20E, I20F
	21B	X06A, X06B, X06C		21B	X04Z		21A	W04A, W04B
5t211.2↔		BOP, KVT, UOP4, VIAL	5t211.g↔		BOP, KVT, UOP4, VIAL		21B	X04Z
	08	I08A, I08B, I08C, I08D, I08E, I08F, I13A, I13B, I13C, I13D, I13E		08	I08A, I08B, I08C, I08D, I08E, I08F	5t211.v↔		BOP, KVT, UOP4, VIAL
	21A	W04A, W04B		21A	W01A, W01B, W01C, W02A, W02B		08	I20A, I20B, I20C, I20D, I20E, I20F
	21B	X06A, X06B, X06C		21B	X04Z		21A	W04A, W04B
5t211.3↔		BOP, KVT, UOP4, VIAL		21A	W01A, W01B, W01C, W02A, W02B	5t211.w↔		BOP, KVT, UOP4, VIAL
	08	I08A, I08B, I08C, I08D, I08E, I08F, I13A, I13B, I13C, I13D, I13E		21B	X04Z		08	I20A, I20B, I20C, I20D, I20E, I20F
	21A	W04A, W04B		21A	W01A, W01B, W01C, W02A, W02B		21A	W04A, W04B
	21B	X06A, X06B, X06C		21B	X04Z		21B	X04Z
5t211.4↔		BOP, KVT, UOP4, VIAL		21A	W01A, W01B, W01C, W02A, W02B	5t211.x		BOP, KVT, UOP4
	08	I08A, I08B, I08C, I08D, I08E, I08F, I18A, I18B, I30Z		21B	X04Z		08	I28A, I28B
	21A	W04A, W04B					21A	W04A, W04B
	21B	X06A, X06B, X06C					21B	X06A, X06B, X06C
						5t211.z↔		BOP, KVT, UOP4, VIAL
							08	I28A, I28B, I28C
							21A	W04A, W04B
							21B	X06A, X06B, X06C

ZZV	MDC	DRG	ZZV	MDC	DRG	ZZV	MDC	DRG
5t213.0↔		BOP, KVT, UOP4, VIAL 08 I16Z 21A W04A, W04B 21B X06A, X06B, X06C	5t213.d		BOP, KVT, UOP4, VIAL 08 I08A, I08B, I08C, I08D, I08E, I08F 21A W04A, W04B 21B X06A, X06B, X06C	5t213.u↔		BOP, KVT, UOP4, VIAL 08 I20A, I20B, I20C, I20D, I20E, I20F 21A W04A, W04B 21B X04Z
5t213.1↔		BOP, KVT, UOP4, VIAL 08 I08A, I08B, I08C, I08D, I08E, I08F, I13A, I13B, I13C, I13D, I13E 21A W04A, W04B 21B X06A, X06B, X06C	5t213.e↔		BOP, KVT, UOP4, VIAL 08 I08A, I08B, I08C, I08D, I08E, I08F 21A W01A, W01B, W01C, W02A, W02B 21B X04Z	5t213.v↔		BOP, KVT, UOP4, VIAL 08 I20A, I20B, I20C, I20D, I20E, I20F 21A W04A, W04B 21B X04Z
5t213.2↔		BOP, KVT, UOP4, VIAL 08 I08A, I08B, I08C, I08D, I08E, I08F, I13A, I13B, I13C, I13D, I13E 21A W04A, W04B 21B X06A, X06B, X06C	5t213.f↔		BOP, KVT, UOP4, VIAL 08 I08A, I08B, I08C, I08D, I08E, I08F 21A W01A, W01B, W01C, W02A, W02B 21B X04Z	5t213.w↔		BOP, KVT, UOP4, VIAL 08 I20A, I20B, I20C, I20D, I20E, I20F 21A W04A, W04B 21B X04Z
5t213.3↔		BOP, KVT, UOP4, VIAL 08 I08A, I08B, I08C, I08D, I08E, I08F, I13A, I13B, I13C, I13D, I13E 21A W04A, W04B 21B X06A, X06B, X06C	5t213.g↔		BOP, KVT, UOP4, VIAL 08 I08A, I08B, I08C, I08D, I08E, I08F 21A W01A, W01B, W01C, W02A, W02B 21B X04Z	5t213.x		BOP, KVT, UOP4 08 I28A, I28B 21A W04A, W04B 21B X06A, X06B, X06C
5t213.4↔		BOP, KVT, UOP4, VIAL 08 I08A, I08B, I08C, I08D, I08E, I08F, I18A, I18B, I30Z 21A W04A, W04B 21B X06A, X06B, X06C	5t213.h↔		BOP, KVT, UOP4, VIAL 01 B03A, B03B, B06A, B06B, B17A, B17B, B17C 08 I08A, I08B, I08C, I08D, I08E, I08F 21A W01A, W01B, W01C, W02A, W02B 21B X04Z	5t213.z↔		BOP, KVT, UOP4, VIAL 08 I28A, I28B, I28C 21A W04A, W04B 21B X06A, X06B, X06C
5t213.5↔		BOP, KVT, UOP4, VIAL 08 I08A, I08B, I08C, I08D, I08E, I08F, I18A, I18B, I30Z 21A W04A, W04B 21B X06A, X06B, X06C	5t213.i↔		BOP, KVT, UOP4, VIAL 08 I18A, I18B, I30Z 21A W04A, W04B 21B X04Z	5t214.0↔		BOP, KVT, UOP4, VIAL 08 I16Z 21A W04A, W04B 21B X06A, X06B, X06C
5t213.6↔		BOP, KVT, UOP4, VIAL 08 I08A, I08B, I08C, I08D, I08E, I08F, I13A, I13B, I18A, I18B, I30Z 21A W04A, W04B 21B X06A, X06B, X06C	5t213.j↔		BOP, KVT, UOP4, VIAL 08 I13A, I13B, I13C, I13D, I13E 21A W04A, W04B 21B X04Z	5t214.1↔		BOP, KVT, UOP4, VIAL 08 I08A, I08B, I08C, I08D, I08E, I08F, I13A, I13B, I13C, I13D, I13E 21A W04A, W04B 21B X06A, X06B, X06C
5t213.7↔		BOP, KVT, UOP4, VIAL 08 I08A, I08B, I08C, I08D, I08E, I08F, I18A, I18B, I30Z 21A W04A, W04B 21B X06A, X06B, X06C	5t213.k↔		BOP, KVT, UOP4, VIAL 08 I13A, I13B, I13C, I13D, I13E 21A W04A, W04B 21B X04Z	5t214.2↔		BOP, KVT, UOP4, VIAL 08 I08A, I08B, I08C, I08D, I08E, I08F, I13A, I13B, I13C, I13D, I13E 21A W04A, W04B 21B X06A, X06B, X06C
5t213.8↔		BOP, KVT, UOP4, VIAL 08 I08A, I08B, I08C, I08D, I08E, I08F, I18A, I18B, I30Z 21A W04A, W04B 21B X06A, X06B, X06C	5t213.l↔		BOP, KVT, UOP4, VIAL 08 I13A, I13B, I13C, I13D, I13E 21A W04A, W04B 21B X04Z	5t214.3↔		BOP, KVT, UOP4, VIAL 08 I08A, I08B, I08C, I08D, I08E, I08F, I13A, I13B, I13C, I13D, I13E 21A W04A, W04B 21B X06A, X06B, X06C
5t213.9↔		BOP, KVT, UOP4, VIAL 08 I08A, I08B, I08C, I08D, I08E, I08F, I18A, I18B, I30Z 21A W04A, W04B 21B X06A, X06B, X06C	5t213.m↔		BOP, KVT, UOP4, VIAL 08 I13A, I13B, I13C, I13D, I13E 21A W04A, W04B 21B X04Z	5t214.4↔		BOP, KVT, UOP4, VIAL 08 I08A, I08B, I08C, I08D, I08E, I08F, I18A, I18B, I24Z 21A W04A, W04B 21B X06A, X06B, X06C
5t213.a↔		BOP, KVT, UOP4, VIAL 08 I32A, I32B, I32C, I32D, I32E, I32F, I32G 21A W04A, W04B 21B X05A, X05B	5t213.n↔		BOP, KVT, UOP4, VIAL 08 I13A, I13B, I13C, I13D, I13E 21A W04A, W04B 21B X04Z	5t214.5↔		BOP, KVT, UOP4, VIAL 08 I08A, I08B, I08C, I08D, I08E, I08F, I18A, I18B, I24Z 21A W04A, W04B 21B X06A, X06B, X06C
5t213.b↔		BOP, KVT, UOP4, VIAL 08 I32A, I32B, I32C, I32D, I32E, I32F, I32G 21A W04A, W04B 21B X05A, X05B	5t213.o↔		BOP, KVT, UOP4, VIAL 08 I20A, I20B, I20C, I20D, I20E, I20F 21A W04A, W04B 21B X04Z	5t214.6↔		BOP, KVT, UOP4, VIAL 08 I08A, I08B, I08C, I08D, I08E, I08F, I13A, I13B, I18A, I18B, I24Z 21A W04A, W04B 21B X06A, X06B, X06C
5t213.c↔		BOP, KVT, UOP4, VIAL 08 I32A, I32B, I32C, I32D, I32E, I32F, I32G 21A W04A, W04B 21B X05A, X05B	5t213.p↔		BOP, KVT, UOP4, VIAL 08 I20A, I20B, I20C, I20D, I20E, I20F 21A W04A, W04B 21B X04Z	5t214.7↔		BOP, KVT, UOP4, VIAL 08 I08A, I08B, I08C, I08D, I08E, I08F, I18A, I18B, I24Z 21A W04A, W04B 21B X06A, X06B, X06C
			5t213.q↔		BOP, KVT, UOP4, VIAL 08 I20A, I20B, I20C, I20D, I20E, I20F 21A W04A, W04B 21B X04Z			
			5t213.r↔		BOP, KVT, UOP4, VIAL 08 I13A, I13B, I13C, I13D, I13E 21A W04A, W04B 21B X04Z			
			5t213.s↔		BOP, KVT, UOP4, VIAL 08 I20A, I20B, I20C, I20D, I20E, I20F 21A W04A, W04B 21B X04Z			
			5t213.t↔		BOP, KVT, UOP4, VIAL 08 I20A, I20B, I20C, I20D, I20E, I20F 21A W04A, W04B 21B X04Z			

VYK

ZZV	MDC	DRG	ZZV	MDC	DRG	ZZV	MDC	DRG
5t214.8↔		BOP, KVT, UOP4, VIAL	5t214.n↔		BOP, KVT, UOP4, VIAL	5t215.g↔		BOP, KVT, UOP4, VIAL
	08	I08A, I08B, I08C, I08D, I08E, I08F, I18A, I18B, I24Z		08	I13A, I13B, I13C, I13D, I13E		08	I08A, I08B, I08C, I08D, I08E, I08F
	21A	W04A, W04B		21A	W04A, W04B		21A	W01A, W01B, W01C, W02A, W02B
	21B	X06A, X06B, X06C		21B	X04Z		21B	X04Z
5t214.9↔		BOP, KVT, UOP4, VIAL	5t214.p↔		BOP, KVT, UOP4, VIAL	5t215.h↔		BOP, KVT, UOP4, VIAL
	08	I08A, I08B, I08C, I08D, I08E, I08F, I18A, I18B, I24Z		08	I13A, I13B, I13C, I13D, I13E		01	B03A, B03B, B06A, B06B, B17A, B17B, B17C
	21A	W04A, W04B		21A	W04A, W04B		08	I08A, I08B, I08C, I08D, I08E, I08F
	21B	X06A, X06B, X06C		21B	X04Z		21A	W01A, W01B, W01C, W02A, W02B
5t214.a↔		BOP, KVT, UOP4, VIAL	5t214.q↔		BOP, KVT, UOP4, VIAL	5t215.k↔		BOP, KVT, UOP4, VIAL
	08	I32A, I32B, I32C, I32D, I32E, I32F, I32G		08	I13A, I13B, I13C, I13D, I13E		08	I13A, I13B, I13C, I13D
	21A	W04A, W04B		21A	W04A, W04B		08	I28A, I28B
	21B	X05A, X05B		21B	X04Z		21A	W04A, W04B
5t214.b↔		BOP, KVT, UOP4, VIAL	5t214.r↔		BOP, KVT, UOP4, VIAL	5t215.x		BOP, KVT, UOP4
	08	I32A, I32B, I32C, I32D, I32E, I32F, I32G		08	I13A, I13B, I13C, I13D, I13E		08	I20A, I20B, I20C, I20D, I20E, I20F
	21A	W04A, W04B		21A	W04A, W04B		21A	W04A, W04B
	21B	X05A, X05B		21B	X04Z		21B	X06A, X06B, X06C
5t214.c↔		BOP, KVT, UOP4, VIAL	5t214.s↔		BOP, KVT, UOP4, VIAL	5t216.1↔		BOP, KVT, UOP4, VIAL
	08	I32A, I32B, I32C, I32D, I32E, I32F, I32G		08	I20A, I20B, I20C, I20D, I20E, I20F		08	I08A, I08B, I08C, I08D, I08E, I08F, I13A, I13B, I13C, I13D
	21A	W04A, W04B		21A	W04A, W04B		21A	W04A, W04B
	21B	X05A, X05B		21B	X04Z		21B	X06A, X06B, X06C
5t214.d		BOP, KVT, UOP4, VIAL	5t214.t↔		BOP, KVT, UOP4, VIAL	5t216.2↔		BOP, KVT, UOP4, VIAL
	08	I08A, I08B, I08C, I08D, I08E, I08F		08	I20A, I20B, I20C, I20D, I20E, I20F		08	I08A, I08B, I08C, I08D, I08E, I08F, I13A, I13B, I13C, I13D
	21A	W04A, W04B		21A	W04A, W04B		21A	W04A, W04B
	21B	X06A, X06B, X06C		21B	X04Z		21B	X06A, X06B, X06C
5t214.e↔		BOP, KVT, UOP4, VIAL	5t214.u↔		BOP, KVT, UOP4, VIAL	5t216.3↔		BOP, KVT, UOP4, VIAL
	08	I08A, I08B, I08C, I08D, I08E, I08F		08	I20A, I20B, I20C, I20D, I20E, I20F		08	I08A, I08B, I08C, I08D, I08E, I08F, I13A, I13B, I13C, I13D
	21A	W01A, W01B, W01C, W02A, W02B		21A	W04A, W04B		21A	W04A, W04B
	21B	X04Z		21B	X04Z		21B	X06A, X06B, X06C
5t214.f↔		BOP, KVT, UOP4, VIAL	5t214.v↔		BOP, KVT, UOP4, VIAL	5t216.4↔		BOP, KVT, UOP4, VIAL
	08	I08A, I08B, I08C, I08D, I08E, I08F		08	I20A, I20B, I20C, I20D, I20E, I20F		08	I08A, I08B, I08C, I08D, I08E, I08F, I18A, I18B, I21Z, I31Z
	21A	W01A, W01B, W01C, W02A, W02B		21A	W04A, W04B		21A	W04A, W04B
	21B	X04Z		21B	X04Z		21B	X06A, X06B, X06C
5t214.g↔		BOP, KVT, UOP4, VIAL	5t214.w↔		BOP, KVT, UOP4, VIAL	5t216.5↔		BOP, KVT, UOP4, VIAL
	08	I08A, I08B, I08C, I08D, I08E, I08F		08	I20A, I20B, I20C, I20D, I20E, I20F		08	I08A, I08B, I08C, I08D, I08E, I08F, I18A, I18B, I21Z, I31Z
	21A	W01A, W01B, W01C, W02A, W02B		21A	W04A, W04B		21A	W04A, W04B
	21B	X04Z		21B	X04Z		21B	X06A, X06B, X06C
5t214.h↔		BOP, KVT, UOP4, VIAL	5t214.x		BOP, KVT, UOP4	5t216.6↔		BOP, KVT, UOP4, VIAL
	01	B03A, B03B, B06A, B06B, B17A, B17B, B17C		08	I28A, I28B		08	I08A, I08B, I08C, I08D, I08E, I08F, I13A, I13B, I18A, I18B, I21Z, I31Z
	08	I08A, I08B, I08C, I08D, I08E, I08F		21A	W04A, W04B		21A	W04A, W04B
	21A	W01A, W01B, W01C, W02A, W02B		21B	X06A, X06B, X06C		21B	X06A, X06B, X06C
	21B	X04Z		5t214.z↔	BOP, KVT, UOP4, VIAL		08	I08A, I08B, I08C, I08D, I08E, I08F, I13A, I13B, I18A, I18B, I21Z, I31Z
	01	B03A, B03B, B06A, B06B, B17A, B17B, B17C		08	I28A, I28B, I28C		21A	W04A, W04B
	08	I08A, I08B, I08C, I08D, I08E, I08F		21A	W04A, W04B		21B	X06A, X06B, X06C
	21A	W01A, W01B, W01C, W02A, W02B		21B	X06A, X06B, X06C		21A	W04A, W04B
	21B	X04Z		5t215.1↔	BOP, KVT, UOP4, VIAL		21B	X06A, X06B, X06C
5t214.i↔		BOP, KVT, UOP4, VIAL		08	I08A, I08B, I08C, I08D, I08E, I08F, I13A, I13B, I13C, I13D	5t216.7↔		BOP, KVT, UOP4, VIAL
	08	I24Z, I30Z		5t215.2↔	BOP, KVT, UOP4, VIAL		08	I08A, I08B, I08C, I08D, I08E, I08F, I18A, I18B, I21Z, I31Z
	21A	W04A, W04B		08	I08A, I08B, I08C, I08D, I08E, I08F, I13A, I13B, I13C, I13D		21A	W04A, W04B
	21B	X04Z		5t215.e↔	BOP, KVT, UOP4, VIAL		21B	X06A, X06B, X06C
5t214.k↔		BOP, KVT, UOP4, VIAL		08	I08A, I08B, I08C, I08D, I08E, I08F	5t216.8↔		BOP, KVT, UOP4, VIAL
	08	I13A, I13B, I13C, I13D, I13E		21A	W01A, W01B, W01C, W02A, W02B		08	I08A, I08B, I08C, I08D, I08E, I08F, I18A, I18B, I21Z, I31Z
	21A	W04A, W04B		21B	X04Z		21A	W04A, W04B
	21B	X04Z		5t215.f↔	BOP, KVT, UOP4, VIAL		21B	X06A, X06B, X06C
5t214.l↔		BOP, KVT, UOP4, VIAL		08	I08A, I08B, I08C, I08D, I08E, I08F	5t216.9↔		BOP, KVT, UOP4, VIAL
	08	I13A, I13B, I13C, I13D, I13E		21A	W01A, W01B, W01C, W02A, W02B		08	I08A, I08B, I08C, I08D, I08E, I08F, I18A, I18B, I21Z, I31Z
	21A	W04A, W04B		21B	X04Z		21A	W04A, W04B
	21B	X04Z		5t215.g↔	BOP, KVT, UOP4, VIAL		21B	X06A, X06B, X06C
	08	I08A, I08B, I08C, I08D, I08E, I08F		08	I08A, I08B, I08C, I08D, I08E, I08F		08	I08A, I08B, I08C, I08D, I08E, I08F, I18A, I18B, I21Z, I31Z
	21A	W01A, W01B, W01C, W02A, W02B		21A	W01A, W01B, W01C, W02A, W02B		21A	W04A, W04B
	21B	X04Z		21B	X04Z		21B	X06A, X06B, X06C

ZZV	MDC	DRG	ZZV	MDC	DRG	ZZV	MDC	DRG
5t216.e↔	08	BOP, KVT, UOP4, VIAL I08A, I08B, I08C, I08D, I08E, I08F	5t217.4↔	08	BOP, KVT, UOP4, VIAL I08A, I08B, I08C, I08D, I08E, I08F, I18A, I18B, I21Z, I31Z	5t217.p↔	08	BOP, KVT, UOP4, VIAL I13A, I13B, I13C, I13D
	21A	W01A, W01B, W01C, W02A, W02B		21A	W04A, W04B	5t217.q↔	08	BOP, KVT, UOP4, VIAL I13A, I13B, I13C, I13D
	21B	X04Z	5t217.5↔	08	BOP, KVT, UOP4, VIAL I08A, I08B, I08C, I08D, I08E, I08F, I18A, I18B, I21Z, I31Z	5t217.r↔	08	BOP, KVT, UOP4, VIAL I13A, I13B, I13C, I13D
5t216.f↔	08	BOP, KVT, UOP4, VIAL I08A, I08B, I08C, I08D, I08E, I08F		21A	W04A, W04B	5t217.t↔	08	BOP, KVT, UOP4, VIAL I20A, I20B, I20C, I20D, I20E, I20F
	21A	W01A, W01B, W01C, W02A, W02B	5t217.6↔	08	BOP, KVT, UOP4, VIAL I08A, I08B, I08C, I08D, I08E, I08F, I13A, I13B, I18A, I18B, I21Z, I31Z		21A	W04A, W04B
	21B	X04Z		21B	X06A, X06B, X06C	5t217.x	21B	X04Z
5t216.g↔	08	BOP, KVT, UOP4, VIAL I08A, I08B, I08C, I08D, I08E, I08F	5t217.7↔	08	BOP, KVT, UOP4, VIAL I08A, I08B, I08C, I08D, I08E, I08F, I18A, I18B, I21Z, I31Z		08	BOP, KVT, UOP4 I28A, I28B
	21A	W01A, W01B, W01C, W02A, W02B		21A	W04A, W04B		21A	W04A, W04B
	21B	X04Z	5t217.8↔	08	BOP, KVT, UOP4, VIAL I08A, I08B, I08C, I08D, I08E, I08F, I18A, I18B, I21Z, I31Z	5t218.1↔	21B	X06A, X06B, X06C
5t216.h↔	01	B03A, B03B, B06A, B06B, B17A, B17B, B17C		21B	X06A, X06B, X06C		08	BOP, KVT, UOP4, VIAL I08A, I08B, I08C, I08D, I08E, I08F, I13A, I13B, I13C, I13D
	08	I08A, I08B, I08C, I08D, I08E, I08F	5t217.9↔	08	BOP, KVT, UOP4, VIAL I08A, I08B, I08C, I08D, I08E, I08F, I18A, I18B, I21Z, I31Z		21A	W04A, W04B
	21A	W01A, W01B, W01C, W02A, W02B		21A	W04A, W04B	5t218.2↔	21B	X06A, X06B, X06C
	21B	X04Z	5t217.e↔	08	BOP, KVT, UOP4, VIAL I08A, I08B, I08C, I08D, I08E, I08F		08	BOP, KVT, UOP4, VIAL I08A, I08B, I08C, I08D, I08E, I08F, I13A, I13B, I13C, I13D
5t216.k↔	08	BOP, KVT, UOP4, VIAL I13A, I13B, I13C, I13D		21B	X06A, X06B, X06C	5t218.3↔	08	BOP, KVT, UOP4, VIAL I08A, I08B, I08C, I08D, I08E, I08F, I13A, I13B, I13C, I13D
	21A	W04A, W04B	5t217.f↔	08	BOP, KVT, UOP4, VIAL I08A, I08B, I08C, I08D, I08E, I08F		21A	W04A, W04B
	21B	X04Z		21A	W04A, W04B	5t218.4↔	21B	X06A, X06B, X06C
5t216.m↔	08	BOP, KVT, UOP4, VIAL I13A, I13B, I13C, I13D	5t217.g↔	08	BOP, KVT, UOP4, VIAL I08A, I08B, I08C, I08D, I08E, I08F		08	BOP, KVT, UOP4, VIAL I08A, I08B, I08C, I08D, I08E, I08F, I18A, I18B, I30Z
	21A	W04A, W04B		21B	X06A, X06B, X06C	5t218.5↔	21A	W04A, W04B
	21B	X04Z	5t217.h↔	08	BOP, KVT, UOP4, VIAL I08A, I08B, I08C, I08D, I08E, I08F		21B	X06A, X06B, X06C
5t216.n↔	08	BOP, KVT, UOP4, VIAL I13A, I13B, I13C, I13D		21A	W01A, W01B, W01C, W02A, W02B	5t218.6↔	08	BOP, KVT, UOP4, VIAL I08A, I08B, I08C, I08D, I08E, I08F, I18A, I18B, I30Z
	21A	W04A, W04B	5t217.i↔	08	BOP, KVT, UOP4, VIAL I08A, I08B, I08C, I08D, I08E, I08F		21A	W04A, W04B
	21B	X04Z		21B	X04Z	5t218.7↔	21B	X06A, X06B, X06C
5t216.o↔	08	BOP, KVT, UOP4, VIAL I13A, I13B, I13C, I13D	5t217.j↔	08	BOP, KVT, UOP4, VIAL I08A, I08B, I08C, I08D, I08E, I08F		08	BOP, KVT, UOP4, VIAL I08A, I08B, I08C, I08D, I08E, I08F, I13A, I13B, I18A, I18B, I30Z
	21A	W04A, W04B		21A	W01A, W01B, W01C, W02A, W02B	5t218.8↔	21A	W04A, W04B
	21B	X04Z	5t217.k↔	08	BOP, KVT, UOP4, VIAL I13A, I13B, I13C, I13D		21B	X06A, X06B, X06C
5t216.p↔	08	BOP, KVT, UOP4, VIAL I13A, I13B, I13C, I13D		21A	W04A, W04B	5t218.9↔	08	BOP, KVT, UOP4, VIAL I08A, I08B, I08C, I08D, I08E, I08F, I18A, I18B, I30Z
	21A	W04A, W04B	5t217.l↔	08	BOP, KVT, UOP4, VIAL I08A, I08B, I08C, I08D, I08E, I08F		21A	W04A, W04B
	21B	X06A, X06B, X06C		21B	X04Z	5t218.e↔	21B	X06A, X06B, X06C
5t216.q↔	08	BOP, KVT, UOP4, VIAL I13A, I13B, I13C, I13D	5t217.m↔	08	BOP, KVT, UOP4, VIAL I13A, I13B, I13C, I13D		08	BOP, KVT, UOP4, VIAL I08A, I08B, I08C, I08D, I08E, I08F
	21A	W04A, W04B		21A	W04A, W04B	5t217.n↔	21A	W01A, W01B, W01C, W02A, W02B
	21B	X04Z	5t217.n↔	08	BOP, KVT, UOP4, VIAL I13A, I13B, I13C, I13D		21B	X04Z
5t216.r↔	08	BOP, KVT, UOP4, VIAL I13A, I13B, I13C, I13D		21A	W04A, W04B			
5t216.t↔	08	BOP, KVT, UOP4, VIAL I20A, I20B, I20C, I20D, I20E, I20F	5t217.o↔	08	BOP, KVT, UOP4, VIAL I08A, I08B, I08C, I08D, I08E, I08F			
	21A	W04A, W04B		21B	X04Z			
	21B	X04Z	5t217.p↔	01	B03A, B03B, B06A, B06B, B17A, B17B, B17C			
5t216.x	08	BOP, KVT, UOP4 I28A, I28B	5t217.q↔	08	I08A, I08B, I08C, I08D, I08E, I08F			
	21A	W04A, W04B		21A	W01A, W01B, W01C, W02A, W02B			
	21B	X06A, X06B, X06C	5t217.r↔	08	BOP, KVT, UOP4, VIAL I08A, I08B, I08C, I08D, I08E, I08F			
5t217.1↔	08	BOP, KVT, UOP4, VIAL I08A, I08B, I08C, I08D, I08E, I08F, I13A, I13B, I13C, I13D	5t217.s↔	08	BOP, KVT, UOP4, VIAL I08A, I08B, I08C, I08D, I08E, I08F			
	21A	W04A, W04B		21A	W04A, W04B			
	21B	X06A, X06B, X06C	5t217.t↔	08	BOP, KVT, UOP4, VIAL I13A, I13B, I13C, I13D			
5t217.2↔	08	BOP, KVT, UOP4, VIAL I08A, I08B, I08C, I08D, I08E, I08F, I13A, I13B, I13C, I13D		21B	X04Z			
	21A	W04A, W04B	5t217.u↔	08	BOP, KVT, UOP4, VIAL I13A, I13B, I13C, I13D			
	21B	X06A, X06B, X06C		21A	W04A, W04B			
5t217.3↔	08	BOP, KVT, UOP4, VIAL I08A, I08B, I08C, I08D, I08E, I08F, I13A, I13B, I13C, I13D	5t217.v↔	08	BOP, KVT, UOP4, VIAL I13A, I13B, I13C, I13D			
	21A	W04A, W04B		21B	X04Z			
	21B	X06A, X06B, X06C		21A	W04A, W04B			

ZZV	MDC	DRG	ZZV	MDC	DRG	ZZV	MDC	DRG
5t218.f↔		BOP, KVT, UOP4, VIAL	5t219.k↔		BOP, KVT, UOP4, VIAL	5t21a.9↔		BOP, KVT, UOP4, VIAL
	08	I08A, I08B, I08C, I08D, I08E, I08F		08	I13A, I13B, I13C, I13D		08	I08A, I08B, I08C, I08D, I08E, I08F, I18A, I18B, I21Z, I31Z
	21A	W01A, W01B, W01C, W02A, W02B		21A	W04A, W04B		21A	W04A, W04B
	21B	X04Z	5t219.m↔		BOP, KVT, UOP4, VIAL	5t21a.b↔		BOP, KVT, UOP4, VIAL
5t218.g↔		BOP, KVT, UOP4, VIAL		08	I13A, I13B, I13C, I13D		08	I32A, I32B, I32C, I32D, I32E, I32F, I32G
	08	I08A, I08B, I08C, I08D, I08E, I08F		21A	W04A, W04B		21A	W04A, W04B
	21A	W01A, W01B, W01C, W02A, W02B		21B	X04Z	5t21a.c↔		BOP, KVT, UOP4, VIAL
	21B	X04Z	5t219.n↔		BOP, KVT, UOP4, VIAL		08	I32A, I32B, I32C, I32D, I32E, I32F, I32G
5t218.h↔		BOP, KVT, UOP4, VIAL		08	I13A, I13B, I13C, I13D		21A	W04A, W04B
	01	B03A, B03B, B06A, B06B, B17A, B17B, B17C		21A	W04A, W04B		21B	X05A, X05B
	08	I08A, I08B, I08C, I08D, I08E, I08F		21B	X04Z	5t21a.e↔		BOP, KVT, UOP4, VIAL
	21A	W01A, W01B, W01C, W02A, W02B	5t219.s↔		BOP, KVT, UOP4, VIAL		08	I08A, I08B, I08C, I08D, I08E, I08F
	21B	X04Z		08	I20A, I20B, I20C, I20D, I20E, I20F		21A	W01A, W01B, W01C, W02A, W02B
5t218.k↔		BOP, KVT, UOP4, VIAL	5t219.t↔		BOP, KVT, UOP4, VIAL		21B	X05A, X05B
	08	I13A, I13B, I13C, I13D		08	I20A, I20B, I20C, I20D, I20E, I20F	5t21a.f↔		BOP, KVT, UOP4, VIAL
	21A	W04A, W04B		21A	W04A, W04B		08	I08A, I08B, I08C, I08D, I08E, I08F
	21B	X04Z	5t219.x		BOP, KVT, UOP4		21A	W01A, W01B, W01C, W02A, W02B
5t218.m↔		BOP, KVT, UOP4, VIAL		08	I28A, I28B		21B	X04Z
	08	I13A, I13B, I13C, I13D		21A	W04A, W04B	5t21a.g↔		BOP, KVT, UOP4, VIAL
	21A	W04A, W04B	5t21a.0↔		BOP, KVT, UOP4, VIAL		08	I08A, I08B, I08C, I08D, I08E, I08F
	21B	X04Z		08	I16Z		21A	W01A, W01B, W01C, W02A, W02B
5t218.n↔		BOP, KVT, UOP4, VIAL		21A	W04A, W04B		21B	X04Z
	08	I13A, I13B, I13C, I13D	5t21a.1↔		BOP, KVT, UOP4, VIAL		08	I08A, I08B, I08C, I08D, I08E, I08F
	21A	W04A, W04B		08	I08A, I08B, I08C, I08D, I08E, I08F, I13A, I13B, I13C, I13D, I13E		21A	W01A, W01B, W01C, W02A, W02B
	21B	X04Z		21A	W04A, W04B		21B	X04Z
5t218.p↔		BOP, KVT, UOP4, VIAL	5t21a.2↔		BOP, KVT, UOP4, VIAL	5t21a.h↔		BOP, KVT, UOP4, VIAL
	08	I13A, I13B, I13C, I13D		08	I08A, I08B, I08C, I08D, I08E, I08F, I13A, I13B, I13C, I13D, I13E		01	B03A, B03B, B06A, B06B, B17A, B17B, B17C
5t218.q↔		BOP, KVT, UOP4, VIAL		21A	W04A, W04B		08	I08A, I08B, I08C, I08D, I08E, I08F
	08	I13A, I13B, I13C, I13D		21B	X06A, X06B, X06C		21A	W01A, W01B, W01C, W02A, W02B
5t218.r↔		BOP, KVT, UOP4, VIAL	5t21a.3↔		BOP, KVT, UOP4, VIAL		21B	X04Z
	08	I13A, I13B, I13C, I13D		08	I08A, I08B, I08C, I08D, I08E, I08F, I13A, I13B, I13C, I13D, I13E	5t21a.k↔		BOP, KVT, UOP4, VIAL
5t218.x		BOP, KVT, UOP4		21A	W04A, W04B		08	I13A, I13B, I13C, I13D, I13E
	08	I28A, I28B		21B	X06A, X06B, X06C	5t21a.l↔		BOP, KVT, UOP4, VIAL
	21A	W04A, W04B	5t21a.4↔		BOP, KVT, UOP4, VIAL		08	I13A, I13B, I13C, I13D, I13E
	21B	X06A, X06B, X06C		08	I08A, I08B, I08C, I08D, I08E, I08F, I18A, I18B, I30Z, I59Z	5t21a.m↔		BOP, KVT, UOP4, VIAL
5t219.d		BOP, KVT, UOP4, VIAL		21A	W04A, W04B		08	I13A, I13B, I13C, I13D, I13E
	08	I08A, I08B, I08C, I08D, I08E, I08F		21B	X06A, X06B, X06C		21A	W04A, W04B
5t219.e↔		BOP, KVT, UOP4, VIAL	5t21a.5↔		BOP, KVT, UOP4, VIAL		21B	X04Z
	08	I08A, I08B, I08C, I08D, I08E, I08F		08	I08A, I08B, I08C, I08D, I08E, I08F, I18A, I18B, I30Z, I59Z	5t21a.n↔		BOP, KVT, UOP4, VIAL
5t219.f↔		BOP, KVT, UOP4, VIAL		21A	W04A, W04B		08	I13A, I13B, I13C, I13D, I13E
	08	I08A, I08B, I08C, I08D, I08E, I08F		21B	X06A, X06B, X06C		21A	W04A, W04B
	21A	W01A, W01B, W01C, W02A, W02B	5t21a.6↔		BOP, KVT, UOP4, VIAL		21B	X04Z
	21B	X04Z		08	I08A, I08B, I08C, I08D, I08E, I08F, I13A, I13B, I18A, I18B, I30Z, I59Z	5t21a.p↔		BOP, KVT, UOP4, VIAL
5t219.g↔		BOP, KVT, UOP4, VIAL		21A	W04A, W04B		08	I13A, I13B, I13C, I13D, I13E
	08	I08A, I08B, I08C, I08D, I08E, I08F	5t21a.7↔		BOP, KVT, UOP4, VIAL		21A	W04A, W04B
	21A	W01A, W01B, W01C, W02A, W02B		08	I08A, I08B, I08C, I08D, I08E, I08F, I18A, I18B, I30Z, I59Z		21B	X04Z
	21B	X04Z		21A	W04A, W04B	5t21a.q↔		BOP, KVT, UOP4, VIAL
5t219.h↔		BOP, KVT, UOP4, VIAL		21B	X06A, X06B, X06C		08	I13A, I13B, I13C, I13D, I13E
	01	B03A, B03B, B06A, B06B, B17A, B17B, B17C		21B	X06A, X06B, X06C		21A	W04A, W04B
	08	I08A, I08B, I08C, I08D, I08E, I08F	5t21a.8↔		BOP, KVT, UOP4, VIAL		21B	X04Z
	21A	W01A, W01B, W01C, W02A, W02B		08	I08A, I08B, I08C, I08D, I08E, I08F, I18A, I18B, I30Z, I59Z	5t21a.r↔		BOP, KVT, UOP4, VIAL
	21B	X04Z		21A	W04A, W04B		08	I13A, I13B, I13C, I13D, I13E
				21B	X06A, X06B, X06C		21A	W04A, W04B
							21B	X04Z
							08	I20A, I20B, I20C, I20D, I20E, I20F
							21A	W04A, W04B
							21B	X04Z

ZZV	MDC	DRG	ZZV	MDC	DRG	ZZV	MDC	DRG
5t21a.w↔		BOP, KVT, UOP4, VIAL	5t21b.a↔		BOP, KVT, UOP4, VIAL	5t21b.r↔		BOP, KVT, UOP4, VIAL
	08	I20A, I20B, I20C, I20D, I20E, I20F		08	I32A, I32B, I32C, I32D, I32E, I32F		08	I13A, I13B, I13C, I13D, I13E
	21A	W04A, W04B		21A	X05A, X05B		21A	W04A, W04B
	21B	X04Z		21B	X05A, X05B		21B	X04Z
5t21a.x		BOP, KVT, UOP4	5t21b.b↔		BOP, KVT, UOP4, VIAL	5t21b.s↔		BOP, KVT, UOP4, VIAL
	08	I28A, I28B		08	I32A, I32B, I32C, I32D, I32E, I32F		08	I20A, I20B, I20C, I20D, I20E, I20F
	21A	W04A, W04B		21A	W04A, W04B		21A	W04A, W04B
	21B	X06A, X06B, X06C		21B	X05A, X05B		21B	X04Z
5t21a.z↔		BOP, KVT, UOP4, VIAL	5t21b.c↔		BOP, KVT, UOP4, VIAL	5t21b.t↔		BOP, KVT, UOP4, VIAL
	08	I28A, I28B, I28C		08	I32A, I32B, I32C, I32D, I32E, I32F		08	I20A, I20B, I20C, I20D
	21A	W04A, W04B		21A	W04A, W04B		21A	W04A, W04B
	21B	X06A, X06B, X06C		21B	X05A, X05B		21B	X04Z
5t21b.0↔		BOP, KVT, UOP4, VIAL	5t21b.d		BOP, KVT, UOP4, VIAL	5t21b.u↔		BOP, KVT, UOP4, VIAL
	08	I16Z		08	I08A, I08B, I08C, I08D, I08E, I08F		08	I20A, I20B, I20C, I20D, I20E, I20F
	21A	W04A, W04B		21A	W04A, W04B		21A	W04A, W04B
	21B	X06A, X06B, X06C		21B	X06A, X06B, X06C		21B	X04Z
5t21b.1↔		BOP, KVT, UOP4, VIAL	5t21b.e↔		BOP, KVT, UOP4, VIAL	5t21b.v↔		BOP, KVT, UOP4, VIAL
	08	I08A, I08B, I08C, I08D, I08E, I08F, I13A, I13B, I13C, I13D, I13E		08	I08A, I08B, I08C, I08D, I08E, I08F		08	I20A, I20B, I20C, I20D, I20E, I20F
	21A	W04A, W04B		21A	W01A, W01B, W01C, W02A, W02B		21A	W04A, W04B
	21B	X06A, X06B, X06C		21B	X04Z		21B	X04Z
5t21b.2↔		BOP, KVT, UOP4, VIAL	5t21b.f↔		BOP, KVT, UOP4, VIAL	5t21b.w↔		BOP, KVT, UOP4, VIAL
	08	I08A, I08B, I08C, I08D, I08E, I08F, I13A, I13B, I13C, I13D, I13E		08	I08A, I08B, I08C, I08D, I08E, I08F		08	I20A, I20B, I20C, I20D, I20E, I20F
	21A	W04A, W04B		21A	W01A, W01B, W01C, W02A, W02B		21A	W04A, W04B
	21B	X06A, X06B, X06C		21B	X04Z		21B	X04Z
5t21b.3↔		BOP, KVT, UOP4, VIAL	5t21b.g↔		BOP, KVT, UOP4, VIAL	5t21b.x		BOP, KVT, UOP4
	08	I08A, I08B, I08C, I08D, I08E, I08F, I13A, I13B, I13C, I13D, I13E		08	I08A, I08B, I08C, I08D, I08E, I08F		08	I28A, I28B
	21A	W04A, W04B		21A	W01A, W01B, W01C, W02A, W02B		21A	W04A, W04B
	21B	X06A, X06B, X06C		21B	X04Z		21B	X06A, X06B, X06C
5t21b.4↔		BOP, KVT, UOP4, VIAL	5t21b.h↔		BOP, KVT, UOP4, VIAL	5t21b.z↔		BOP, KVT, UOP4, VIAL
	08	I08A, I08B, I08C, I08D, I08E, I08F, I18A, I18B, I30Z		01	B03A, B03B, B06A, B06B, B17A, B17B, B17C		08	I28A, I28B, I28C
	21A	W04A, W04B		08	I08A, I08B, I08C, I08D, I08E, I08F		21A	W04A, W04B
	21B	X06A, X06B, X06C		21A	W01A, W01B, W01C, W02A, W02B		21B	X06A, X06B, X06C
5t21b.5↔		BOP, KVT, UOP4, VIAL	5t21b.i↔		BOP, KVT, UOP4, VIAL	5t21c.1↔		BOP, KVT, UOP4, VIAL
	08	I08A, I08B, I08C, I08D, I08E, I08F, I18A, I18B, I30Z		08	I18A, I18B, I30Z		08	I08A, I08B, I08C, I08D, I08E, I08F, I13A, I13B, I13C, I13D
	21A	W04A, W04B		21A	W04A, W04B		21A	W04A, W04B
	21B	X06A, X06B, X06C		21B	X04Z		21B	X06A, X06B, X06C
5t21b.6↔		BOP, KVT, UOP4, VIAL	5t21b.j↔		BOP, KVT, UOP4, VIAL	5t21c.3↔		BOP, KVT, UOP4, VIAL
	08	I08A, I08B, I08C, I08D, I08E, I08F, I13A, I13B, I18A, I18B, I30Z		08	I18A, I18B, I30Z		08	I08A, I08B, I08C, I08D, I08E, I08F, I13A, I13B, I13C, I13D
	21A	W04A, W04B		21A	W04A, W04B		21A	W04A, W04B
	21B	X06A, X06B, X06C		21B	X04Z		21B	X06A, X06B, X06C
5t21b.7↔		BOP, KVT, UOP4, VIAL	5t21b.k↔		BOP, KVT, UOP4, VIAL	5t21c.e↔		BOP, KVT, UOP4, VIAL
	08	I08A, I08B, I08C, I08D, I08E, I08F, I18A, I18B, I30Z		08	I13A, I13B, I13C, I13D, I13E		08	I08A, I08B, I08C, I08D, I08E, I08F
	21A	W04A, W04B		21A	W04A, W04B		21A	W01A, W01B, W01C, W02A, W02B
	21B	X06A, X06B, X06C		21B	X04Z		21B	X04Z
5t21b.8↔		BOP, KVT, UOP4, VIAL	5t21b.l↔		BOP, KVT, UOP4, VIAL	5t21c.f↔		BOP, KVT, UOP4, VIAL
	08	I08A, I08B, I08C, I08D, I08E, I08F, I18A, I18B, I30Z		08	I13A, I13B, I13C, I13D, I13E		08	I08A, I08B, I08C, I08D, I08E, I08F
	21A	W04A, W04B		21A	W04A, W04B		21A	W01A, W01B, W01C, W02A, W02B
	21B	X06A, X06B, X06C		21B	X04Z		21B	X04Z
5t21b.9↔		BOP, KVT, UOP4, VIAL	5t21b.m↔		BOP, KVT, UOP4, VIAL	5t21c.g↔		BOP, KVT, UOP4, VIAL
	08	I08A, I08B, I08C, I08D, I08E, I08F, I18A, I18B, I30Z		08	I13A, I13B, I13C, I13D, I13E		08	I08A, I08B, I08C, I08D, I08E, I08F
	21A	W04A, W04B		21A	W04A, W04B		21A	W01A, W01B, W01C, W02A, W02B
	21B	X06A, X06B, X06C		21B	X04Z		21B	X04Z
			5t21b.n↔		BOP, KVT, UOP4, VIAL	5t21c.h↔		BOP, KVT, UOP4, VIAL
				08	I13A, I13B, I13C, I13D, I13E		01	B03A, B03B, B06A, B06B, B17A, B17B, B17C
				21A	W04A, W04B		08	I08A, I08B, I08C, I08D, I08E, I08F
				21B	X04Z		21A	W01A, W01B, W01C, W02A, W02B
			5t21b.o↔		BOP, KVT, UOP4, VIAL		21B	X04Z
				08	I13A, I13B, I13C, I13D, I13E			
				21A	W04A, W04B			
				21B	X04Z			

VYK

ZZV	MDC	DRG	ZZV	MDC	DRG	ZZV	MDC	DRG
5t21c.k↔		BOP, KVT, UOP4, VIAL 08 I13A, I13B, I13C, I13D 21A W04A, W04B 21B X04Z	5t21t.b↔		BOP, KVT, UOP4, VIAL 08 I32A, I32B, I32C, I32D, I32E, I32F 21A W04A, W04B 21B X05A, X05B	5t21t.s↔		BOP, KVT, UOP4, VIAL 08 I20A, I20B, I20C, I20D, I20E, I20F 21A W04A, W04B 21B X04Z
5t21c.n↔		BOP, KVT, UOP4, VIAL 08 I13A, I13B, I13C, I13D 21A W04A, W04B 21B X04Z	5t21t.c↔		BOP, KVT, UOP4, VIAL 08 I32A, I32B, I32C, I32D, I32E, I32F 21A W04A, W04B 21B X05A, X05B	5t21t.t↔		BOP, KVT, UOP4, VIAL 08 I20A, I20B, I20C, I20D 21A W04A, W04B 21B X04Z
5t21c.x		BOP, KVT, UOP4 08 I28A, I28B 21A W04A, W04B 21B X06A, X06B, X06C	5t21t.d		BOP, KVT, UOP4, VIAL 08 I08A, I08B, I08C, I08D, I08E, I08F 21A W04A, W04B 21B X06A, X06B, X06C	5t21t.u↔		BOP, KVT, UOP4, VIAL 08 I20A, I20B, I20C, I20D, I20E, I20F 21A W04A, W04B 21B X04Z
5t21t.0↔		BOP, KVT, UOP4, VIAL 08 I16Z 21A W04A, W04B 21B X06A, X06B, X06C	5t21t.e↔		BOP, KVT, UOP4, VIAL 08 I08A, I08B, I08C, I08D, I08E, I08F 21A W01A, W01B, W01C, W02A, W02B 21B X04Z	5t21t.v↔		BOP, KVT, UOP4, VIAL 08 I20A, I20B, I20C, I20D, I20E, I20F 21A W04A, W04B 21B X04Z
5t21t.1↔		BOP, KVT, UOP4, VIAL 08 I08A, I08B, I08C, I08D, I08E, I08F, I13A, I13B, I13C, I13D 21A W04A, W04B 21B X06A, X06B, X06C	5t21t.f↔		BOP, KVT, UOP4, VIAL 08 I08A, I08B, I08C, I08D, I08E, I08F 21A W01A, W01B, W01C, W02A, W02B 21B X04Z	5t21t.w↔		BOP, KVT, UOP4, VIAL 08 I20A, I20B, I20C, I20D, I20E, I20F 21A W04A, W04B 21B X04Z
5t21t.2↔		BOP, KVT, UOP4, VIAL 08 I08A, I08B, I08C, I08D, I08E, I08F, I13A, I13B, I13C, I13D 21A W04A, W04B 21B X06A, X06B, X06C	5t21t.g↔		BOP, KVT, UOP4, VIAL 08 I08A, I08B, I08C, I08D, I08E, I08F 21A W01A, W01B, W01C, W02A, W02B 21B X04Z	5t21t.x		BOP, KVT, UOP4 08 I28A, I28B 21A W04A, W04B 21B X06A, X06B, X06C
5t21t.3↔		BOP, KVT, UOP4, VIAL 08 I08A, I08B, I08C, I08D, I08E, I08F, I13A, I13B, I13C, I13D 21A W04A, W04B 21B X06A, X06B, X06C	5t21t.h↔		BOP, KVT, UOP4, VIAL 01 B03A, B03B, B06A, B06B, B17A, B17B, B17C 08 I08A, I08B, I08C, I08D, I08E, I08F 21A W01A, W01B, W01C, W02A, W02B 21B X04Z	5t21t.z↔		BOP, KVT, UOP4, VIAL 08 I28A, I28B, I28C 21A W04A, W04B 21B X06A, X06B, X06C
5t21t.4↔		BOP, KVT, UOP4, VIAL 08 I08A, I08B, I08C, I08D, I08E, I08F, I18A, I18B, I30Z, I59Z 21A W04A, W04B 21B X06A, X06B, X06C	5t21t.i↔		BOP, KVT, UOP4, VIAL 08 I08A, I08B, I08C, I08D, I08E, I08F 21A W01A, W01B, W01C, W02A, W02B 21B X04Z	5t21v.1↔		BOP, KVT, UOP4, VIAL 08 I08A, I08B, I08C, I08D, I08E, I08F, I13A, I13B, I13C, I13D 21A W04A, W04B 21B X06A, X06B, X06C
5t21t.5↔		BOP, KVT, UOP4, VIAL 08 I08A, I08B, I08C, I08D, I08E, I08F, I18A, I18B, I30Z, I59Z 21A W04A, W04B 21B X06A, X06B, X06C	5t21t.j↔		BOP, KVT, UOP4, VIAL 08 I13A, I13B, I30Z, I59Z 21A W04A, W04B 21B X04Z	5t21v.2↔		BOP, KVT, UOP4, VIAL 08 I08A, I08B, I08C, I08D, I08E, I08F, I13A, I13B, I13C, I13D 21A W04A, W04B 21B X06A, X06B, X06C
5t21t.6↔		BOP, KVT, UOP4, VIAL 08 I08A, I08B, I08C, I08D, I08E, I08F, I13A, I13B, I18A, I18B, I30Z, I59Z 21A W04A, W04B 21B X06A, X06B, X06C	5t21t.k↔		BOP, KVT, UOP4, VIAL 08 I13A, I13B, I13C, I13D 21A W04A, W04B 21B X04Z	5t21v.3↔		BOP, KVT, UOP4, VIAL 08 I08A, I08B, I08C, I08D, I08E, I08F, I13A, I13B, I13C, I13D 21A W04A, W04B 21B X06A, X06B, X06C
5t21t.7↔		BOP, KVT, UOP4, VIAL 08 I08A, I08B, I08C, I08D, I08E, I08F, I18A, I18B, I30Z, I59Z 21A W04A, W04B 21B X06A, X06B, X06C	5t21t.l↔		BOP, KVT, UOP4, VIAL 08 I13A, I13B, I13C, I13D 21A W04A, W04B 21B X04Z	5t21v.4↔		BOP, KVT, UOP4, VIAL 08 I08A, I08B, I08C, I08D, I08E, I08F, I13A, I18A, I18B, I30Z, I59Z 21A W04A, W04B 21B X06A, X06B, X06C
5t21t.8↔		BOP, KVT, UOP4, VIAL 08 I08A, I08B, I08C, I08D, I08E, I08F, I18A, I18B, I30Z, I59Z 21A W04A, W04B 21B X06A, X06B, X06C	5t21t.m↔		BOP, KVT, UOP4, VIAL 08 I13A, I13B, I13C, I13D 21A W04A, W04B 21B X04Z	5t21v.5↔		BOP, KVT, UOP4, VIAL 08 I08A, I08B, I08C, I08D, I08E, I08F, I13A, I18A, I18B, I30Z, I59Z 21A W04A, W04B 21B X06A, X06B, X06C
5t21t.9↔		BOP, KVT, UOP4, VIAL 08 I08A, I08B, I08C, I08D, I08E, I08F, I18A, I18B, I30Z, I59Z 21A W04A, W04B 21B X06A, X06B, X06C	5t21t.n↔		BOP, KVT, UOP4, VIAL 08 I13A, I13B, I13C, I13D 21A W04A, W04B 21B X04Z	5t21v.6↔		BOP, KVT, UOP4, VIAL 08 I08A, I08B, I08C, I08D, I08E, I08F, I13A, I18A, I18B, I30Z, I59Z 21A W04A, W04B 21B X06A, X06B, X06C
5t21t.a↔		BOP, KVT, UOP4, VIAL 08 I32A, I32B, I32C, I32D, I32E, I32F 21A W04A, W04B 21B X05A, X05B	5t21t.o↔		BOP, KVT, UOP4, VIAL 08 I13A, I13B, I13C, I13D 21A W04A, W04B 21B X04Z			

VYK

ZZV	MDC	DRG	ZZV	MDC	DRG	ZZV	MDC	DRG
5t21v.7↔		BOP, KVT, UOP4, VIAL	5t21v.q↔		BOP, KVT, UOP4, VIAL	5t21x.7↔		BOP, KVT, UOP4, VIAL
	08	I08A, I08B, I08C, I08D, I08E, I08F, I13A, I18A, I18B, I30Z, I59Z		08	I13A, I13B, I13C, I13D		08	I08A, I08B, I08C, I08D, I08E, I08F, I18A, I18B, I30Z
	21A	W04A, W04B		21A	W04A, W04B		21A	W04A, W04B
	21B	X06A, X06B, X06C		21B	X04Z		21B	X06A, X06B, X06C
5t21v.8↔		BOP, KVT, UOP4, VIAL	5t21v.r↔		BOP, KVT, UOP4, VIAL	5t21x.8↔		BOP, KVT, UOP4, VIAL
	08	I08A, I08B, I08C, I08D, I08E, I08F, I13A, I18A, I18B, I30Z, I59Z		08	I13A, I13B, I13C, I13D		08	I08A, I08B, I08C, I08D, I08E, I08F, I18A, I18B, I30Z
	21A	W04A, W04B		21A	W04A, W04B		21A	W04A, W04B
	21B	X06A, X06B, X06C		21B	X04Z		21B	X06A, X06B, X06C
5t21v.9↔		BOP, KVT, UOP4, VIAL	5t21v.s↔		BOP, KVT, UOP4, VIAL	5t21x.9↔		BOP, KVT, UOP4, VIAL
	08	I08A, I08B, I08C, I08D, I08E, I08F, I13A, I18A, I18B, I30Z, I59Z		08	I13A, I20A, I20B, I20C, I20D, I20E, I20F		08	I08A, I08B, I08C, I08D, I08E, I08F, I18A, I18B, I30Z
	21A	W04A, W04B		21A	W04A, W04B		21A	W04A, W04B
	21B	X06A, X06B, X06C		21B	X04Z		21B	X06A, X06B, X06C
5t21v.a↔		BOP, KVT, UOP4, VIAL	5t21v.t↔		BOP, KVT, UOP4, VIAL	5t21x.a↔		BOP, KVT, UOP4, VIAL
	08	I13A, I32A, I32B, I32C, I32D, I32E, I32F		08	I13A, I20A, I20B, I20C, I20D		08	I08A, I08B, I08C, I08D, I08E, I08F, I18A, I18B, I30Z
	21A	W04A, W04B		21A	W04A, W04B		21A	W04A, W04B
	21B	X05A, X05B		21B	X04Z		21B	X06A, X06B, X06C
5t21v.b↔		BOP, KVT, UOP4, VIAL	5t21v.u↔		BOP, KVT, UOP4, VIAL	5t21x.b↔		BOP, KVT, UOP4, VIAL
	08	I13A, I32A, I32B, I32C, I32D, I32E, I32F		08	I13A, I20A, I20B, I20C, I20D, I20E, I20F		08	I32A, I32B, I32C, I32D, I32E, I32F, I32G
	21A	W04A, W04B		21A	W04A, W04B		21A	W04A, W04B
	21B	X05A, X05B		21B	X04Z		21B	X05A, X05B
5t21v.d		BOP, KVT, UOP4, VIAL	5t21v.v↔		BOP, KVT, UOP4, VIAL	5t21x.c↔		BOP, KVT, UOP4, VIAL
	08	I08A, I08B, I08C, I08D, I08E, I08F, I13A		08	I13A, I20A, I20B, I20C, I20D, I20E, I20F		08	I32A, I32B, I32C, I32D, I32E, I32F, I32G
	21A	W04A, W04B		21A	W04A, W04B		21A	W04A, W04B
	21B	X06A, X06B, X06C		21B	X04Z		21B	X05A, X05B
5t21v.f↔		BOP, KVT, UOP4, VIAL	5t21v.x		BOP, KVT, UOP4	5t21x.d		BOP, KVT, UOP4, VIAL
	08	I08A, I08B, I08C, I08D, I08E, I08F, I13A		08	I13A, I28A, I28B		08	I08A, I08B, I08C, I08D, I08E, I08F
	21A	W01A, W01B, W01C, W02A, W02B		21A	W04A, W04B		21A	W04A, W04B
	21B	X04Z		21B	X06A, X06B, X06C		21B	X06A, X06B, X06C
5t21v.g↔		BOP, KVT, UOP4, VIAL	5t21x.0↔		BOP, KVT, UOP4, VIAL	5t21x.e↔		BOP, KVT, UOP4, VIAL
	08	I08A, I08B, I08C, I08D, I08E, I08F, I13A		08	I16Z		08	I08A, I08B, I08C, I08D, I08E, I08F
	21A	W01A, W01B, W01C, W02A, W02B		21A	W04A, W04B		21A	W01A, W01B, W01C, W02A, W02B
	21B	X04Z		21B	X06A, X06B, X06C		21B	X04Z
5t21v.h↔		BOP, KVT, UOP4, VIAL	5t21x.1↔		BOP, KVT, UOP4, VIAL	5t21x.f↔		BOP, KVT, UOP4, VIAL
	01	B03A, B03B, B06A, B06B, B17A, B17B, B17C		08	I08A, I08B, I08C, I08D, I08E, I08F, I13A, I13B, I13C, I13D, I13E		08	I08A, I08B, I08C, I08D, I08E, I08F
	08	I08A, I08B, I08C, I08D, I08E, I08F, I13A		21A	W04A, W04B		21A	W01A, W01B, W01C, W02A, W02B
	21A	W01A, W01B, W01C, W02A, W02B		21B	X06A, X06B, X06C		21B	X04Z
	21B	X04Z		5t21x.2↔	BOP, KVT, UOP4, VIAL		21A	W01A, W01B, W01C, W02A, W02B
5t21v.k↔		BOP, KVT, UOP4, VIAL		08	I08A, I08B, I08C, I08D, I08E, I08F, I13A, I13B, I13C, I13D, I13E		21B	X04Z
	08	I13A, I13B, I13C, I13D		21A	W04A, W04B		21A	W01A, W01B, W01C, W02A, W02B
	21A	W04A, W04B		21B	X06A, X06B, X06C		21B	X04Z
	21B	X04Z		5t21x.3↔	BOP, KVT, UOP4, VIAL		08	I08A, I08B, I08C, I08D, I08E, I08F
5t21v.m↔		BOP, KVT, UOP4, VIAL		08	I08A, I08B, I08C, I08D, I08E, I08F, I13A, I13B, I13C, I13D, I13E		21A	W01A, W01B, W01C, W02A, W02B
	08	I13A, I13B, I13C, I13D		21A	W04A, W04B		21A	W01A, W01B, W01C, W02A, W02B
	21A	W04A, W04B		21B	X06A, X06B, X06C		21B	X04Z
	21B	X04Z		5t21x.4↔	BOP, KVT, UOP4, VIAL		21A	W01A, W01B, W01C, W02A, W02B
5t21v.n↔		BOP, KVT, UOP4, VIAL		08	I08A, I08B, I08C, I08D, I08E, I08F, I18A, I18B, I30Z		21B	X04Z
	08	I13A, I13B, I13C, I13D		21A	W04A, W04B		08	I08A, I08B, I08C, I08D, I08E, I08F
	21A	W04A, W04B		21B	X06A, X06B, X06C		21A	W01A, W01B, W01C, W02A, W02B
	21B	X04Z		5t21x.5↔	BOP, KVT, UOP4, VIAL		21B	X04Z
5t21v.p↔		BOP, KVT, UOP4, VIAL		08	I08A, I08B, I08C, I08D, I08E, I08F, I18A, I18B, I30Z		5t21x.j↔	BOP, KVT, UOP4, VIAL
	08	I13A, I13B, I13C, I13D		21A	W04A, W04B			I18A, I18B, I30Z
	21A	W04A, W04B		21B	X06A, X06B, X06C			W04A, W04B
	21B	X04Z		5t21x.6↔	BOP, KVT, UOP4, VIAL			X04Z
	08	I13A, I13B, I13C, I13D		08	I08A, I08B, I08C, I08D, I08E, I08F, I13A, I13B, I18A, I18B, I30Z		5t21x.k↔	BOP, KVT, UOP4, VIAL
	21A	W04A, W04B		21A	W04A, W04B			I13A, I13B, I13C, I13D, I13E
	21B	X04Z		21B	X06A, X06B, X06C			W04A, W04B

VYK

ZZV	MDC	DRG	ZZV	MDC	DRG	ZZV	MDC	DRG	
5t21x.m↔		BOP, KVT, UOP4, VIAL	5t21z.3↔		BOP, KVT, UOP4, VIAL	5t21z.g↔		BOP, KVT, UOP4, VIAL	
	08	I13A, I13B, I13C, I13D, I13E		08	I08A, I08B, I08C, I08D, I08E, I08F, I13A, I13B, I13C, I13D, I13E		08	I08A, I08B, I08C, I08D, I08E, I08F	
	21A	W04A, W04B		21A	W04A, W04B		21A	W01A, W01B, W01C, W02A, W02B	
	21B	X04Z		21B	X06A, X06B, X06C		21B	X04Z	
5t21x.n↔		BOP, KVT, UOP4, VIAL	5t21z.4↔		BOP, KVT, UOP4, VIAL	5t21z.h↔		BOP, KVT, UOP4, VIAL	
	08	I13A, I13B, I13C, I13D, I13E		08	I08A, I08B, I08C, I08D, I08E, I08F, I18A, I18B, I30Z		01	B03A, B03B, B06A, B06B, B17A, B17B, B17C	
	21A	W04A, W04B		21A	W04A, W04B		08	I08A, I08B, I08C, I08D, I08E, I08F	
	21B	X04Z		21B	X06A, X06B, X06C		21A	W01A, W01B, W01C, W02A, W02B	
5t21x.p↔		BOP, KVT, UOP4, VIAL	5t21z.5↔		BOP, KVT, UOP4, VIAL		21B	X04Z	
	08	I13A, I13B, I13C, I13D, I13E		08	I08A, I08B, I08C, I08D, I08E, I08F, I18A, I18B, I30Z		5t21z.j↔	BOP, KVT, UOP4, VIAL	
	21A	W04A, W04B		21A	W04A, W04B			08	I18A, I18B, I30Z
	21B	X04Z		21B	X06A, X06B, X06C			21A	W04A, W04B
5t21x.q↔		BOP, KVT, UOP4, VIAL	5t21z.6↔		BOP, KVT, UOP4, VIAL			21B	X04Z
	08	I13A, I13B, I13C, I13D, I13E		08	I08A, I08B, I08C, I08D, I08E, I08F, I13A, I13B, I18A, I18B, I30Z		5t21z.k↔	BOP, KVT, UOP4, VIAL	
	21A	W04A, W04B		21A	W04A, W04B			08	I13A, I13B, I13C, I13D, I13E
	21B	X04Z		21B	X06A, X06B, X06C			21A	W04A, W04B
5t21x.r↔		BOP, KVT, UOP4, VIAL	5t21z.7↔		BOP, KVT, UOP4, VIAL			21B	X04Z
	08	I13A, I13B, I13C, I13D, I13E		08	I08A, I08B, I08C, I08D, I08E, I08F, I18A, I18B, I30Z		5t21z.m↔	BOP, KVT, UOP4, VIAL	
	21A	W04A, W04B		21A	W04A, W04B			08	I13A, I13B, I13C, I13D, I13E
	21B	X04Z		21B	X06A, X06B, X06C			21A	W04A, W04B
5t21x.s↔		BOP, KVT, UOP4, VIAL	5t21z.8↔		BOP, KVT, UOP4, VIAL			21B	X04Z
	08	I20A, I20B, I20C, I20D, I20E, I20F		08	I08A, I08B, I08C, I08D, I08E, I08F, I18A, I18B, I30Z		5t21z.n↔	BOP, KVT, UOP4, VIAL	
	21A	W04A, W04B		21A	W04A, W04B			08	I13A, I13B, I13C, I13D, I13E
	21B	X04Z		21B	X06A, X06B, X06C			21A	W04A, W04B
5t21x.t↔		BOP, KVT, UOP4, VIAL	5t21z.9↔		BOP, KVT, UOP4, VIAL			21B	X04Z
	08	I20A, I20B, I20C, I20D, I20E, I20F		08	I08A, I08B, I08C, I08D, I08E, I08F, I18A, I18B, I30Z		5t21z.p↔	BOP, KVT, UOP4, VIAL	
	21A	W04A, W04B		21A	W04A, W04B			08	I13A, I13B, I13C, I13D, I13E
	21B	X04Z		21B	X06A, X06B, X06C			21A	W04A, W04B
5t21x.u↔		BOP, KVT, UOP4, VIAL	5t21z.a↔		BOP, KVT, UOP4, VIAL			21B	X04Z
	08	I20A, I20B, I20C, I20D, I20E, I20F		08	I32A, I32B, I32C, I32D, I32E, I32F, I32G		5t21z.q↔	BOP, KVT, UOP4, VIAL	
	21A	W04A, W04B		21A	W04A, W04B			08	I13A, I13B, I13C, I13D, I13E
	21B	X04Z		21B	X05A, X05B			21A	W04A, W04B
5t21x.v↔		BOP, KVT, UOP4, VIAL	5t21z.b↔		BOP, KVT, UOP4, VIAL			21B	X04Z
	08	I20A, I20B, I20C, I20D, I20E, I20F		08	I32A, I32B, I32C, I32D, I32E, I32F, I32G		5t21z.r↔	BOP, KVT, UOP4, VIAL	
	21A	W04A, W04B		21A	W04A, W04B			08	I13A, I13B, I13C, I13D, I13E
	21B	X04Z		21B	X05A, X05B			21A	W04A, W04B
5t21x.w↔		BOP, KVT, UOP4, VIAL	5t21z.c↔		BOP, KVT, UOP4, VIAL			21B	X04Z
	08	I20A, I20B, I20C, I20D, I20E, I20F		08	I32A, I32B, I32C, I32D, I32E, I32F, I32G		5t21z.s↔	BOP, KVT, UOP4, VIAL	
	21A	W04A, W04B		21A	W04A, W04B			08	I20A, I20B, I20C, I20D, I20E, I20F
	21B	X04Z		21B	X05A, X05B			21A	W04A, W04B
5t21x.x		BOP, KVT, UOP4	5t21z.d		BOP, KVT, UOP4, VIAL			21B	X04Z
	08	I28A, I28B		08	I08A, I08B, I08C, I08D, I08E, I08F		5t21z.t↔	BOP, KVT, UOP4, VIAL	
	21A	W04A, W04B		21A	W04A, W04B			08	I20A, I20B, I20C, I20D, I20E, I20F
	21B	X06A, X06B, X06C		21B	X05A, X05B			21A	W04A, W04B
5t21x.z↔		BOP, KVT, UOP4, VIAL	5t21z.e↔		BOP, KVT, UOP4, VIAL			21B	X04Z
	08	I28A, I28B, I28C		08	I08A, I08B, I08C, I08D, I08E, I08F		5t21z.u↔	BOP, KVT, UOP4, VIAL	
	21A	W04A, W04B		21A	W04A, W04B			08	I20A, I20B, I20C, I20D, I20E, I20F
	21B	X06A, X06B, X06C		21B	X06A, X06B, X06C			21A	W04A, W04B
5t21z.0↔		BOP, KVT, UOP4, VIAL	5t21z.f↔		BOP, KVT, UOP4, VIAL			21B	X04Z
	08	I16Z		08	I08A, I08B, I08C, I08D, I08E, I08F		5t21z.v↔	BOP, KVT, UOP4, VIAL	
	21A	W04A, W04B		21A	W01A, W01B, W01C, W02A, W02B			08	I20A, I20B, I20C, I20D, I20E, I20F
	21B	X06A, X06B, X06C		21B	X04Z			21A	W04A, W04B
5t21z.1↔		BOP, KVT, UOP4, VIAL		08	I08A, I08B, I08C, I08D, I08E, I08F		5t21z.w↔	BOP, KVT, UOP4, VIAL	
	08	I08A, I08B, I08C, I08D, I08E, I08F, I13A, I13B, I13C, I13D, I13E		21A	W01A, W01B, W01C, W02A, W02B			08	I20A, I20B, I20C, I20D, I20E, I20F
	21A	W04A, W04B		21B	X04Z			21A	W04A, W04B
	21B	X06A, X06B, X06C		21B	X04Z			21B	X04Z
5t21z.2↔		BOP, KVT, UOP4, VIAL		08	I08A, I08B, I08C, I08D, I08E, I08F			21A	W04A, W04B
	08	I08A, I08B, I08C, I08D, I08E, I08F, I13A, I13B, I13C, I13D, I13E		21A	W01A, W01B, W01C, W02A, W02B			21B	X04Z
	21A	W04A, W04B		21B	X04Z				
	21B	X06A, X06B, X06C							

ZZV	MDC	DRG	ZZV	MDC	DRG	ZZV	MDC	DRG
5t21z.x		BOP, KVT, UOP4	5t22a.r↔		BOP, KVT, UOP4, VIAL	5t22z.h↔		BOP, KVT, UOP4, VIAL
	08	I28A, I28B		08	I20A, I20B, I20C, I20D, I20E, I20F		08	I18A, I18B, I30Z
	21A	W04A, W04B				5t22z.j↔		BOP, KVT, UOP4, VIAL
	21B	X06A, X06B, X06C	5t22d.h↔		BOP, KVT, UOP4, VIAL		08	I59Z
5t21z.z↔		BOP, KVT, UOP4, VIAL		08	I18A, I18B, I30Z	5t22z.k↔		BOP, KVT, UOP4, VIAL
	08	I28A, I28B, I28C	5t22d.j↔		BOP, KVT, UOP4, VIAL		08	I59Z
	21A	W04A, W04B		08	I59Z	5t22z.m↔		BOP, KVT, UOP4, VIAL
	21B	X06A, X06B, X06C	5t22d.k↔		BOP, KVT, UOP4, VIAL		08	I59Z
5t221.e↔		BOP, KVT, UOP4, VIAL		08	I59Z	5t22z.n↔		BOP, KVT, UOP4, VIAL
	08	I08A, I08B, I08C, I08D, I08E, I08F	5t22d.n↔		BOP, KVT, UOP4, VIAL		08	I20A, I20B, I20C, I20D, I20E, I20F
	21A	W04A, W04B		08	I20A, I20B, I20C, I20D, I20E, I20F	5t22z.p↔		BOP, KVT, UOP4, VIAL
	21B	X06A, X06B, X06C	5t22d.p↔		BOP, KVT, UOP4, VIAL		08	I20A, I20B, I20C, I20D, I20E, I20F
5t221.k↔		BOP, KVT, UOP4, VIAL		08	I20A, I20B, I20C, I20D, I20E, I20F	5t22z.q↔		BOP, KVT, UOP4, VIAL
	08	I59Z	5t22d.q↔		BOP, KVT, UOP4, VIAL		08	I20A, I20B, I20C, I20D, I20E, I20F
5t221.n↔		BOP, KVT, UOP4, VIAL		08	I20A, I20B, I20C, I20D, I20E, I20F	5t22z.r↔		BOP, KVT, UOP4, VIAL
	08	I20A, I20B, I20C, I20D, I20E, I20F	5t22t.e↔		BOP, KVT, UOP4, VIAL		08	I20A, I20B, I20C, I20D, I20E, I20F
5t221.p↔		BOP, KVT, UOP4, VIAL		08	I08A, I08B, I08C, I08D, I08E, I08F	5t300.0↔		BOP, KVT, UOP4, VIAL
	08	I20A, I20B, I20C, I20D, I20E, I20F		21A	W04A, W04B		05	F13A
5t221.q↔		BOP, KVT, UOP4, VIAL		21B	X06A, X06B, X06C		08	I12A, I12B, I12C, I16Z
	08	I20A, I20B, I20C, I20D, I20E, I20F	5t22t.h↔		BOP, KVT, UOP4, VIAL		21A	W04A, W04B
5t221.r↔		BOP, KVT, UOP4, VIAL		08	I18A, I18B, I30Z		21B	X06A, X06B, X06C
	08	I20A, I20B, I20C, I20D, I20E, I20F	5t22t.j↔		BOP, KVT, UOP4, VIAL	5t300.1↔		BOP, KVT, UOP4, VIAL
5t224.e↔		BOP, KVT, UOP4, VIAL		08	I59Z		05	F13A
	08	I08A, I08B, I08C, I08D, I08E, I08F	5t22t.k↔		BOP, KVT, UOP4, VIAL		08	I12A, I12B, I12C, I16Z
	21A	W04A, W04B		08	I59Z		21A	W04A, W04B
	21B	X06A, X06B, X06C	5t22t.n↔		BOP, KVT, UOP4, VIAL		21B	X06A, X06B, X06C
5t224.h↔		BOP, KVT, UOP4, VIAL		08	I20A, I20B, I20C, I20D, I20E, I20F	5t300.2↔		BOP, KVT, UOP4, VIAL
	08	I18A, I18B, I30Z	5t22t.p↔		BOP, KVT, UOP4, VIAL		05	F13A
5t224.j↔		BOP, KVT, UOP4, VIAL		08	I20A, I20B, I20C, I20D, I20E, I20F		08	I12A, I12B, I12C, I28A, I28B
	08	I59Z	5t22t.q↔		BOP, KVT, UOP4, VIAL		10	K09A, K09B
5t224.k↔		BOP, KVT, UOP4, VIAL		08	I20A, I20B, I20C, I20D, I20E, I20F		21A	W04A, W04B
	08	I59Z	5t22t.r↔		BOP, KVT, UOP4, VIAL	5t300.3↔		X06A, X06B, X06C
5t224.n↔		BOP, KVT, UOP4, VIAL		08	I20A, I20B, I20C, I20D, I20E, I20F		05	F13A
	08	I20A, I20B, I20C, I20D, I20E, I20F	5t22x.e↔		BOP, KVT, UOP4, VIAL		08	I12A, I12B, I12C, I28A, I28B
5t224.p↔		BOP, KVT, UOP4, VIAL		08	I08A, I08B, I08C, I08D, I08E, I08F		10	K09A, K09B
	08	I20A, I20B, I20C, I20D, I20E, I20F		21A	W04A, W04B		21A	W04A, W04B
5t224.q↔		BOP, KVT, UOP4, VIAL		21B	X06A, X06B, X06C	5t300.4↔		X06A, X06B, X06C
	08	I20A, I20B, I20C, I20D, I20E, I20F	5t22x.h↔		BOP, KVT, UOP4, VIAL		05	F13A
5t224.r↔		BOP, KVT, UOP4, VIAL		08	I18A, I18B, I30Z		08	I08A, I08B, I08C, I08D, I08E, I08F, I12A, I12B, I12C, I21Z, I31Z
	08	I20A, I20B, I20C, I20D, I20E, I20F	5t22x.j↔		BOP, KVT, UOP4, VIAL		10	K09A, K09B
5t229.h↔		BOP, KVT, UOP4, VIAL		08	I59Z		21A	W04A, W04B
	08	I18A, I18B, I30Z	5t22x.k↔		BOP, KVT, UOP4, VIAL	5t300.5↔		X06A, X06B, X06C
5t229.k↔		BOP, KVT, UOP4, VIAL		08	I59Z		05	F13A
	08	I59Z	5t22x.n↔		BOP, KVT, UOP4, VIAL		08	I08A, I08B, I08C, I08D, I08E, I08F, I12A, I12B, I12C, I21Z, I31Z
5t22a.h↔		BOP, KVT, UOP4, VIAL		08	I20A, I20B, I20C, I20D, I20E, I20F		10	K09A, K09B
	08	I18A, I18B, I30Z	5t22x.p↔		BOP, KVT, UOP4, VIAL		21A	W04A, W04B
5t22a.j↔		BOP, KVT, UOP4, VIAL		08	I20A, I20B, I20C, I20D, I20E, I20F		21B	X06A, X06B, X06C
	08	I59Z	5t22x.q↔		BOP, KVT, UOP4, VIAL	5t300.6↔		BOP, KVT, UOP4, VIAL
5t22a.k↔		BOP, KVT, UOP4, VIAL		08	I20A, I20B, I20C, I20D, I20E, I20F		05	F13A
	08	I59Z	5t22x.r↔		BOP, KVT, UOP4, VIAL		08	I08A, I08B, I08C, I08D, I08E, I08F, I12A, I12B, I12C, I32A, I32B, I32C, I32D, I32E, I32F
5t22a.n↔		BOP, KVT, UOP4, VIAL		08	I20A, I20B, I20C, I20D, I20E, I20F		21A	W04A, W04B
	08	I20A, I20B, I20C, I20D, I20E, I20F	5t22z.e↔		BOP, KVT, UOP4, VIAL		21B	X05A, X05B
5t22a.p↔		BOP, KVT, UOP4, VIAL		08	I08A, I08B, I08C, I08D, I08E, I08F			
	08	I20A, I20B, I20C, I20D, I20E, I20F		21A	W04A, W04B			
5t22a.q↔		BOP, KVT, UOP4, VIAL		21B	X06A, X06B, X06C			
	08	I20A, I20B, I20C, I20D, I20E, I20F						

VYK

ZZV	MDC	DRG	ZZV	MDC	DRG	ZZV	MDC	DRG
5t300.8↔		BOP, KVT, UOP4, VIAL	5t300.p↔		BOP, KVT, UOP4, VIAL	5t301.6↔		BOP, KVT, UOP4, VIAL
	05	F13A		05	F13A		05	F13A
	08	I12A, I12B, I12C, I32A, I32B, I32C, I32D, I32E, I32F		08	I12A, I12B, I12C, I20A, I20B, I20C, I20D		08	I08A, I08B, I08C, I08D, I08E, I08F, I32A, I32B, I32C, I32D, I32E, I32F
	21A	W04A, W04B		10	K09A, K09B		21A	W04A, W04B
	21B	X05A, X05B		21A	W04A, W04B		21B	X05A, X05B
5t300.9↔		BOP, KVT, UOP4, VIAL	5t300.q↔		BOP, KVT, UOP4, VIAL	5t301.8↔		BOP, KVT, UOP4, VIAL
	05	F13A		05	F13A		05	F13A
	08	I12A, I12B, I12C, I32A, I32B, I32C, I32D, I32E, I32F		08	I12A, I12B, I12C, I20A, I20B, I20C, I20D, I20E, I20F		08	I32A, I32B, I32C, I32D, I32E, I32F
	21A	W04A, W04B		10	K09A, K09B		21A	W04A, W04B
	21B	X05A, X05B		21A	W04A, W04B		21B	X05A, X05B
5t300.e↔		BOP, KVT, UOP4, VIAL	5t300.r↔		BOP, KVT, UOP4, VIAL	5t301.9↔		BOP, KVT, UOP4, VIAL
	05	F13A		05	F13A		05	F13A
	08	I08A, I08B, I08C, I08D, I08E, I08F, I12A, I12B, I12C, I28A, I28B		08	I12A, I12B, I12C, I20A, I20B, I20C, I20D, I20E, I20F		08	I32A, I32B, I32C, I32D, I32E, I32F
	10	K09A, K09B		10	K09A, K09B		21A	W04A, W04B
	21A	W04A, W04B		21A	W04A, W04B		21B	X05A, X05B
	21B	X04Z, X06A, X06B, X06C		21B	X04Z			BOP, KVT, UOP4, VIAL
5t300.f		BOP, KVT, UOP4, VIAL	5t300.x		BOP, KVT, UOP4	5t301.e↔		BOP, KVT, UOP4, VIAL
	05	F13A		05	F13A		05	F13A
	08	I12A, I12B, I12C, I28A, I28B		08	I12A, I12B, I12C, I28A, I28B		08	I08A, I08B, I08C, I08D, I08E, I08F, I28A, I28B
	10	K09A, K09B		10	K09A, K09B		10	K09A, K09B
	21A	W04A, W04B		21A	W04A, W04B		21A	W04A, W04B
	21B	X04Z, X06A, X06B, X06C		21B	X06A, X06B, X06C		21B	X04Z, X06A, X06B, X06C
5t300.g↔		BOP, KVT, UOP4, VIAL	5t301.0↔		BOP, KVT, UOP4, VIAL	5t301.f		BOP, KVT, UOP4, VIAL
	05	F13A		05	F13A		05	F13A
	08	I08A, I08B, I08C, I08D, I08E, I08F		08	I16Z		08	I28A, I28B
	21A	W01A, W01B, W01C, W02A, W02B		21A	W04A, W04B		10	K09A, K09B
	21B	X04Z		21B	X06A, X06B, X06C		21A	W04A, W04B
5t300.h↔		BOP, KVT, UOP4, VIAL	5t301.1↔		BOP, KVT, UOP4, VIAL	5t301.g↔		BOP, KVT, UOP4, VIAL
	05	F13A		05	F13A		05	F13A
	08	I12A, I12B, I18A, I18B, I30Z		08	I16Z		08	I08A, I08B, I08C, I08D, I08E, I08F
	10	K09A, K09B		21A	W04A, W04B		21A	W01A, W01B, W01C, W02A, W02B
	21A	W04A, W04B		21B	X06A, X06B, X06C		21B	X04Z
	21B	X04Z	5t301.2↔		BOP, KVT, UOP4, VIAL	5t301.h↔		BOP, KVT, UOP4, VIAL
5t300.j↔		BOP, KVT, UOP4, VIAL		05	F13A		05	F13A
	05	F13A		08	I28A, I28B		08	I18A, I18B, I30Z
	08	I12A, I12B, I12C, I18A, I18B, I30Z		10	K09A, K09B		21A	W04A, W04B
	10	K09A, K09B		21A	W04A, W04B		21B	X04Z
	21A	W04A, W04B	5t301.3↔		BOP, KVT, UOP4, VIAL	5t301.j↔		BOP, KVT, UOP4, VIAL
	21B	X04Z		05	F13A		05	F13A
5t300.k↔		BOP, KVT, UOP4, VIAL		08	I28A, I28B		08	I18A, I18B, I30Z
	05	F13A		10	K09A, K09B		21A	W04A, W04B
	08	I12A, I12B, I12C, I13A, I13B, I13C, I13D		21A	W04A, W04B		21B	X04Z
	10	K09A, K09B	5t301.4↔		BOP, KVT, UOP4, VIAL	5t301.k↔		BOP, KVT, UOP4, VIAL
	21A	W04A, W04B		05	F13A		05	F13A
	21B	X04Z		08	I08A, I08B, I08C, I08D, I08E, I08F, I21Z, I31Z		21A	W04A, W04B
5t300.m↔		BOP, KVT, UOP4, VIAL		10	K09A, K09B		21B	X04Z
	05	F13A		21A	W04A, W04B	5t301.m↔		BOP, KVT, UOP4, VIAL
	08	I12A, I12B, I12C, I20A, I20B, I20C, I20D		21B	X06A, X06B, X06C		05	F13A
	10	K09A, K09B	5t301.5↔		BOP, KVT, UOP4, VIAL		08	I20A, I20B, I20C, I20D, I20E, I20F
	21A	W04A, W04B		05	F13A		10	K09A, K09B
	21B	X04Z		08	I08A, I08B, I08C, I08D, I08E, I08F, I21Z, I31Z		21A	W04A, W04B
5t300.n↔		BOP, KVT, UOP4, VIAL		10	K09A, K09B	5t301.n↔		BOP, KVT, UOP4, VIAL
	05	F13A		21A	W04A, W04B		05	F13A
	08	I12A, I12B, I12C, I20A, I20B, I20C, I20D		21B	X06A, X06B, X06C		08	I20A, I20B, I20C, I20D, I20E, I20F
	10	K09A, K09B					10	K09A, K09B
	21A	W04A, W04B					21A	W04A, W04B
	21B	X04Z					21B	X04Z

VYK

ZZV	MDC	DRG	ZZV	MDC	DRG	ZZV	MDC	DRG
5t301.p↔		BOP, KVT, UOP4, VIAL	5t302.6↔		BOP, KVT, UOP4, VIAL	5t302.n↔		BOP, KVT, UOP4, VIAL
	05	F13A		05	F13A		05	F13A
	08	I20A, I20B, I20C, I20D, I20E, I20F		08	I08A, I08B, I08C, I08D, I08E, I08F, I12A, I12B, I12C, I32A, I32B, I32C, I32D, I32E, I32F		08	I12A, I12B, I12C, I20A, I20B, I20C, I20D, I20E, I20F
	10	K09A, K09B		21A	W04A, W04B		10	K09A, K09B
	21A	W04A, W04B		21B	X05A, X05B		21A	W04A, W04B
	21B	X04Z					21B	X04Z
5t301.q↔		BOP, KVT, UOP4, VIAL	5t302.8↔		BOP, KVT, UOP4, VIAL	5t302.p↔		BOP, KVT, UOP4, VIAL
	05	F13A		05	F13A		05	F13A
	08	I20A, I20B, I20C, I20D, I20E, I20F		08	I12A, I12B, I12C, I32A, I32B, I32C, I32D, I32E, I32F		08	I12A, I12B, I12C, I20A, I20B, I20C, I20D, I20E, I20F
	10	K09A, K09B		21A	W04A, W04B		10	K09A, K09B
	21A	W04A, W04B		21B	X05A, X05B		21A	W04A, W04B
	21B	X04Z	5t302.9↔		BOP, KVT, UOP4, VIAL		21B	X04Z
5t301.r↔		BOP, KVT, UOP4, VIAL		05	F13A	5t302.q↔		BOP, KVT, UOP4, VIAL
	05	F13A		08	I12A, I12B, I12C, I32A, I32B, I32C, I32D, I32E, I32F		05	F13A
	08	I20A, I20B, I20C, I20D, I20E, I20F		21A	W04A, W04B		08	I12A, I12B, I12C, I20A, I20B, I20C, I20D, I20E, I20F
	10	K09A, K09B		21B	X05A, X05B		10	K09A, K09B
	21A	W04A, W04B	5t302.e↔		BOP, KVT, UOP4, VIAL		21A	W04A, W04B
	21B	X04Z		05	F13A		21B	X04Z
5t301.x		BOP, KVT, UOP4		08	I08A, I08B, I08C, I08D, I08E, I08F, I12A, I12B, I12C, I28A, I28B	5t302.r↔		BOP, KVT, UOP4, VIAL
	05	F13A		10	K09A, K09B		05	F13A
	08	I28A, I28B		21A	W04A, W04B		08	I12A, I12B, I12C, I20A, I20B, I20C, I20D, I20E, I20F
	10	K09A, K09B		21B	X04Z, X06A, X06B, X06C		10	K09A, K09B
	21A	W04A, W04B	5t302.f		BOP, KVT, UOP4, VIAL		21A	W04A, W04B
	21B	X06A, X06B, X06C		05	F13A		21B	X04Z
5t302.0↔		BOP, KVT, UOP4, VIAL		08	I12A, I12B, I12C, I28A, I28B	5t302.x		BOP, KVT, UOP4
	05	F13A		10	K09A, K09B		05	F13A
	08	I12A, I12B, I12C, I16Z		21A	W04A, W04B		08	I12A, I12B, I12C, I28A, I28B
	21A	W04A, W04B		21B	X04Z, X06A, X06B, X06C		10	K09A, K09B
	21B	X06A, X06B, X06C	5t302.g↔		BOP, KVT, UOP4, VIAL		21A	W04A, W04B
5t302.1↔		BOP, KVT, UOP4, VIAL		05	F13A	5t303.0↔		BOP, KVT, UOP4, VIAL
	05	F13A		08	I12A, I12B, I12C, I16Z		05	F13A
	08	I12A, I12B, I12C, I16Z		21A	W04A, W04B		08	I12A, I12B, I12C, I16Z
	21A	W04A, W04B		21B	X06A, X06B, X06C		21A	W04A, W04B
	21B	X06A, X06B, X06C	5t302.h↔		BOP, KVT, UOP4, VIAL		21B	X06A, X06B, X06C
5t302.2↔		BOP, KVT, UOP4, VIAL		05	F13A	5t303.1↔		BOP, KVT, UOP4, VIAL
	05	F13A		08	I12A, I12B, I12C, I18A, I18B, I30Z		05	F13A
	08	I12A, I12B, I12C, I28A, I28B		21A	W04A, W04B		08	I12A, I12B, I12C, I16Z
	10	K09A, K09B		21B	X06A, X06B, X06C		21A	W04A, W04B
	21A	W04A, W04B					21B	X06A, X06B, X06C
	21B	X06A, X06B, X06C	5t302.j↔		BOP, KVT, UOP4, VIAL	5t303.2↔		BOP, KVT, UOP4, VIAL
5t302.3↔		BOP, KVT, UOP4, VIAL		05	F13A		05	F13A
	05	F13A		08	I12A, I12B, I12C, I18A, I18B, I30Z		08	I12A, I12B, I12C, I28A, I28B
	08	I12A, I12B, I12C, I28A, I28B		21A	W04A, W04B		21A	W04A, W04B
	10	K09A, K09B		21B	X04Z		21B	X06A, X06B, X06C
	21A	W04A, W04B	5t302.k↔		BOP, KVT, UOP4, VIAL	5t303.3↔		BOP, KVT, UOP4, VIAL
	21B	X06A, X06B, X06C		05	F13A		05	F13A
5t302.4↔		BOP, KVT, UOP4, VIAL		08	I12A, I12B, I12C		08	I12A, I12B, I12C, I28A, I28B
	05	F13A		21A	W04A, W04B		21A	W04A, W04B
	08	I08A, I08B, I08C, I08D, I08E, I08F, I12A, I12B, I12C, I21Z, I31Z		21B	X04Z		21B	X06A, X06B, X06C
	10	K09A, K09B	5t302.m↔		BOP, KVT, UOP4, VIAL	5t303.4↔		BOP, KVT, UOP4, VIAL
	21A	W04A, W04B		05	F13A		05	F13A
	21B	X06A, X06B, X06C		08	I12A, I12B, I12C, I20A, I20B, I20C, I20D, I20E, I20F		08	I08A, I08B, I08C, I08D, I08E, I08F, I12A, I12B, I12C, I21Z, I31Z
5t302.5↔		BOP, KVT, UOP4, VIAL		10	K09A, K09B	5t303.5↔		BOP, KVT, UOP4, VIAL
	05	F13A		21A	W04A, W04B		05	F13A
	08	I08A, I08B, I08C, I08D, I08E, I08F, I12A, I12B, I12C, I21Z, I31Z		21B	X04Z		08	I08A, I08B, I08C, I08D, I08E, I08F, I12A, I12B, I12C, I21Z, I31Z
	10	K09A, K09B					21A	W04A, W04B
	21A	W04A, W04B					21B	X06A, X06B, X06C
	21B	X06A, X06B, X06C					21B	X06A, X06B, X06C

VYK

ZZV	MDC	DRG	ZZV	MDC	DRG	ZZV	MDC	DRG
5t303.6↔		BOP, KVT, UOP4, VIAL	5t303.m↔		BOP, KVT, UOP4, VIAL	5t304.5↔		BOP, KVT, UOP4, VIAL
	05	F13A		05	F13A		05	F13A
	08	I08A, I08B, I08C, I08D, I08E, I08F, I12A, I12B, I12C, I32A, I32B, I32C, I32D, I32E, I32F		08	I12A, I12B, I12C, I20A, I20B, I20C, I20D		08	I08A, I08B, I08C, I08D, I08E, I08F, I12A, I12B, I12C, I21Z, I31Z
	09	J03A, J03B, J04A, J04B, J08A, J08B, J08C, J11A, J11B, J16Z		21A	W04A, W04B		21A	W04A, W04B
	21A	W04A, W04B		21B	X04Z		21B	X06A, X06B, X06C
5t303.8↔		BOP, KVT, UOP4, VIAL	5t303.n↔		BOP, KVT, UOP4, VIAL	5t304.6↔		BOP, KVT, UOP4, VIAL
	05	F13A		05	F13A		05	F13A
	08	I12A, I12B, I12C, I32A, I32B, I32C, I32D, I32E, I32F		08	I12A, I12B, I12C, I20A, I20B, I20C, I20D		08	I08A, I08B, I08C, I08D, I08E, I08F, I12A, I12B, I12C, I32A, I32B, I32C, I32D, I32E, I32F
	09	J03A, J03B, J04A, J04B, J08A, J08B, J08C, J11A, J11B, J16Z		21A	W04A, W04B		09	J03A, J03B, J04A, J04B, J08A, J08B, J08C, J11A, J11B, J16Z
	21A	W04A, W04B		21B	X04Z		21A	W04A, W04B
5t303.9↔		BOP, KVT, UOP4, VIAL	5t303.p↔		BOP, KVT, UOP4, VIAL	5t304.8↔		BOP, KVT, UOP4, VIAL
	05	F13A		05	F13A		05	F13A
	08	I12A, I12B, I12C, I32A, I32B, I32C, I32D, I32E, I32F		08	I12A, I12B, I12C, I20A, I20B, I20C, I20D, I20E, I20F		08	I12A, I12B, I12C, I32A, I32B, I32C, I32D, I32E, I32F
	09	J03A, J03B, J04A, J04B, J08A, J08B, J08C, J11A, J11B, J16Z		21A	W04A, W04B		09	J03A, J03B, J04A, J04B, J08A, J08B, J08C, J11A, J11B, J16Z
	21A	W04A, W04B		21B	X04Z		21A	W04A, W04B
5t303.e↔		BOP, KVT, UOP4, VIAL	5t303.q↔		BOP, KVT, UOP4, VIAL	5t304.9↔		BOP, KVT, UOP4, VIAL
	05	F13A		05	F13A		05	F13A
	08	I08A, I08B, I08C, I08D, I08E, I08F, I12A, I12B, I12C, I28A, I28B		08	I12A, I12B, I12C, I20A, I20B, I20C, I20D, I20E, I20F		08	I12A, I12B, I12C, I32A, I32B, I32C, I32D, I32E, I32F
	21A	W04A, W04B		21A	W04A, W04B		09	J03A, J03B, J04A, J04B, J08A, J08B, J08C, J11A, J11B, J16Z
	21B	X05A, X05B		21B	X04Z		21B	X05A, X05B
5t303.f		BOP, KVT, UOP4, VIAL	5t303.r↔		BOP, KVT, UOP4, VIAL	5t304.e↔		BOP, KVT, UOP4, VIAL
	05	F13A		05	F13A		05	F13A
	08	I08A, I08B, I08C, I08D, I08E, I08F, I12A, I12B, I12C, I28A, I28B		08	I12A, I12B, I12C, I20A, I20B, I20C, I20D, I20E, I20F		08	I12A, I12B, I12C, I32A, I32B, I32C, I32D, I32E, I32F
	21A	W04A, W04B		21A	W04A, W04B		09	J03A, J03B, J04A, J04B, J08A, J08B, J08C, J11A, J11B, J16Z
	21B	X04Z, X06A, X06B, X06C		21B	X04Z		21A	W04A, W04B
5t303.g↔		BOP, KVT, UOP4, VIAL	5t303.x		BOP, KVT, UOP4	5t304.g↔		BOP, KVT, UOP4, VIAL
	05	F13A		05	F13A		05	F13A
	08	I08A, I08B, I08C, I08D, I08E, I08F		08	I12A, I12B, I12C, I28A, I28B		08	I08A, I08B, I08C, I08D, I08E, I08F, I12A, I12B, I12C, I27A, I27B, I27C, I27D
	21A	W01A, W01B, W01C, W02A, W02B		21A	W04A, W04B		21A	W04A, W04B
	21B	X04Z		21B	X06A, X06B, X06C		21B	X05A, X05B
5t303.h↔		BOP, KVT, UOP4, VIAL	5t304.0↔		BOP, KVT, UOP4, VIAL	5t304.f		BOP, KVT, UOP4, VIAL
	05	F13A		05	F13A		05	F13A
	08	I12A, I12B, I12C, I18A, I18B, I30Z		08	I12A, I12B, I12C, I16Z		08	I12A, I12B, I12C, I27A, I27B, I27C, I27D
	21A	W04A, W04B		21A	W04A, W04B		21A	W04A, W04B
	21B	X04Z		21B	X06A, X06B, X06C		21B	X04Z, X06A, X06B, X06C
5t303.j↔		BOP, KVT, UOP4, VIAL	5t304.1↔		BOP, KVT, UOP4, VIAL	5t304.h↔		BOP, KVT, UOP4, VIAL
	05	F13A		05	F13A		05	F13A
	08	I12A, I12B, I12C, I18A, I18B, I30Z		08	I12A, I12B, I12C, I27A, I27B, I27C, I27D		08	I12A, I12B, I12C, I27A, I27B, I27C, I27D
	21A	W04A, W04B		21A	W04A, W04B		21A	W04A, W04B
	21B	X04Z		21B	X06A, X06B, X06C		21B	X04Z, X06A, X06B, X06C
5t303.k↔		BOP, KVT, UOP4, VIAL	5t304.2↔		BOP, KVT, UOP4, VIAL	5t304.i		BOP, KVT, UOP4, VIAL
	05	F13A		05	F13A		05	F13A
	08	I12A, I12B, I12C, I13A, I13B, I13C, I13D		08	I12A, I12B, I12C, I27A, I27B, I27C, I27D		08	I12A, I12B, I12C, I27A, I27B, I27C, I27D
	21A	W04A, W04B		21A	W04A, W04B		21A	W04A, W04B
	21B	X04Z		21B	X06A, X06B, X06C		21B	X04Z
		BOP, KVT, UOP4, VIAL	5t304.3↔		BOP, KVT, UOP4, VIAL	5t304.j↔		BOP, KVT, UOP4, VIAL
	05	F13A		05	F13A		05	F13A
	08	I12A, I12B, I12C, I13A, I13B, I13C, I13D		08	I12A, I12B, I12C, I27A, I27B, I27C, I27D		08	I12A, I12B, I12C, I18A, I18B, I30Z
	21A	W04A, W04B		21A	W04A, W04B		21A	W04A, W04B
	21B	X04Z		21B	X06A, X06B, X06C		21B	X04Z
		BOP, KVT, UOP4, VIAL	5t304.4↔		BOP, KVT, UOP4, VIAL			BOP, KVT, UOP4, VIAL
	05	F13A		05	F13A		05	F13A
	08	I08A, I08B, I08C, I08D, I08E, I08F, I12A, I12B, I12C, I21Z, I31Z		08	I08A, I08B, I08C, I08D, I08E, I08F, I12A, I12B, I12C, I21Z, I31Z		08	I12A, I12B, I12C, I18A, I18B, I30Z
	21A	W04A, W04B		21A	W04A, W04B		21A	W04A, W04B
	21B	X06A, X06B, X06C		21B	X06A, X06B, X06C		21B	X04Z

VYK

ZZV	MDC	DRG	ZZV	MDC	DRG	ZZV	MDC	DRG
5t304.k↔		BOP, KVT, UOP4, VIAL	5t305.4↔		BOP, KVT, UOP4, VIAL	5t305.j↔		BOP, KVT, UOP4, VIAL
	05	F13A		05	F13A		05	F13A
	08	I12A, I12B, I12C, I13A, I13B, I13C, I13D		08	I08A, I08B, I08C, I08D, I08E, I08F, I12A, I12B, I12C, I21Z, I31Z		08	I12A, I12B, I12C, I18A, I18B, I30Z
	21A	W04A, W04B		21A	W04A, W04B		21A	W04A, W04B
	21B	X04Z		21B	X06A, X06B, X06C	5t305.k↔		BOP, KVT, UOP4, VIAL
5t304.m↔		BOP, KVT, UOP4, VIAL	5t305.5↔		BOP, KVT, UOP4, VIAL		05	F13A
	05	F13A		05	F13A		08	I12A, I12B, I12C, I13A, I13B, I13C, I13D
	08	I12A, I12B, I12C, I20A, I20B, I20C, I20D, I20E, I20F		08	I08A, I08B, I08C, I08D, I08E, I08F, I12A, I12B, I12C, I21Z, I31Z		21A	W04A, W04B
	21A	W04A, W04B		21A	W04A, W04B		21B	X04Z
	21B	X04Z		21B	X06A, X06B, X06C	5t305.m↔		BOP, KVT, UOP4, VIAL
5t304.n↔		BOP, KVT, UOP4, VIAL	5t305.6↔		BOP, KVT, UOP4, VIAL		05	F13A
	05	F13A		05	F13A		08	I12A, I12B, I12C, I20A, I20B, I20C, I20D
	08	I12A, I12B, I12C, I20A, I20B, I20C, I20D, I20E, I20F		08	I08A, I08B, I08C, I08D, I08E, I08F, I12A, I12B, I12C, I32A, I32B, I32C, I32D, I32E, I32F		21A	W04A, W04B
	21A	W04A, W04B		09	J03A, J03B, J04A, J04B, J08A, J08B, J08C, J11A, J11B, J16Z		21B	X04Z
	21B	X04Z		21A	W04A, W04B	5t305.n↔		BOP, KVT, UOP4, VIAL
5t304.p↔		BOP, KVT, UOP4, VIAL	5t305.8↔		BOP, KVT, UOP4, VIAL		05	F13A
	05	F13A		05	F13A		08	I12A, I12B, I12C, I20A, I20B, I20C, I20D
	08	I12A, I12B, I12C, I20A, I20B, I20C, I20D, I20E, I20F		08	I12A, I12B, I12C, I32A, I32B, I32C, I32D, I32E, I32F		21A	W04A, W04B
	21A	W04A, W04B		09	J03A, J03B, J04A, J04B, J08A, J08B, J08C, J11A, J11B, J16Z		21B	X04Z
	21B	X04Z		21A	W04A, W04B	5t305.p↔		BOP, KVT, UOP4, VIAL
5t304.q↔		BOP, KVT, UOP4, VIAL	5t305.9↔		BOP, KVT, UOP4, VIAL		05	F13A
	05	F13A		05	F13A		08	I12A, I12B, I12C, I20A, I20B, I20C, I20D
	08	I12A, I12B, I12C, I20A, I20B, I20C, I20D, I20E, I20F		08	I12A, I12B, I12C, I32A, I32B, I32C, I32D, I32E, I32F		21A	W04A, W04B
	21A	W04A, W04B		09	J03A, J03B, J04A, J04B, J08A, J08B, J08C, J11A, J11B, J16Z		21B	X04Z
	21B	X04Z		21A	W04A, W04B	5t305.q↔		BOP, KVT, UOP4, VIAL
5t304.r↔		BOP, KVT, UOP4, VIAL	5t305.e↔		BOP, KVT, UOP4, VIAL		05	F13A
	05	F13A		05	F13A		08	I12A, I12B, I12C, I20A, I20B, I20C, I20D, I20E, I20F
	08	I12A, I12B, I12C, I20A, I20B, I20C, I20D, I20E, I20F		08	I12A, I12B, I12C, I32A, I32B, I32C, I32D, I32E, I32F		21A	W04A, W04B
	21A	W04A, W04B		09	J03A, J03B, J04A, J04B, J08A, J08B, J08C, J11A, J11B, J16Z		21B	X04Z
	21B	X04Z		21A	W04A, W04B	5t305.r↔		BOP, KVT, UOP4, VIAL
5t304.x		BOP, KVT, UOP4	5t305.f		BOP, KVT, UOP4, VIAL		05	F13A
	05	F13A		05	F13A		08	I12A, I12B, I12C, I20A, I20B, I20C, I20D, I20E, I20F
	08	I12A, I12B, I12C, I27A, I27B, I27C, I27D		08	I12A, I12B, I12C, I27A, I27B, I27C, I27D		21A	W04A, W04B
	21A	W04A, W04B		21A	W04A, W04B		21B	X04Z
	21B	X06A, X06B, X06C		21B	X05A, X05B	5t305.x		BOP, KVT, UOP4
5t305.0↔		BOP, KVT, UOP4, VIAL	5t305.g↔		BOP, KVT, UOP4, VIAL		05	F13A
	05	F13A		05	F13A		08	I12A, I12B, I12C, I27A, I27B, I27C, I27D
	08	I12A, I12B, I12C, I16Z		08	I12A, I12B, I12C, I27A, I27B, I27C, I27D		21A	W04A, W04B
	21A	W04A, W04B		21A	W04A, W04B		21B	X06A, X06B, X06C
	21B	X06A, X06B, X06C		21B	X04Z, X06A, X06B, X06C	5t306.0↔		BOP, KVT, UOP4, VIAL
5t305.1↔		BOP, KVT, UOP4, VIAL	5t305.h↔		BOP, KVT, UOP4, VIAL		08	I12A, I12B, I12C, I16Z
	05	F13A		05	F13A		21A	W04A, W04B
	08	I12A, I12B, I12C, I16Z		08	I12A, I12B, I12C, I27A, I27B, I27C, I27D		21B	X06A, X06B, X06C
	21A	W04A, W04B		21A	W04A, W04B	5t306.1↔		BOP, KVT, UOP4, VIAL
	21B	X06A, X06B, X06C		21B	X04Z, X06A, X06B, X06C		08	I12A, I12B, I12C, I16Z
5t305.2↔		BOP, KVT, UOP4, VIAL					21A	W04A, W04B
	05	F13A					21B	X06A, X06B, X06C
	08	I12A, I12B, I12C, I27A, I27B, I27C, I27D				5t306.2↔		BOP, KVT, UOP4, VIAL
	21A	W04A, W04B					08	I12A, I12B, I12C, I28A, I28B
	21B	X06A, X06B, X06C					21A	W04A, W04B
5t305.3↔		BOP, KVT, UOP4, VIAL					21B	X06A, X06B, X06C
	05	F13A					21B	X06A, X06B, X06C
	08	I12A, I12B, I12C, I27A, I27B, I27C, I27D				5t306.3↔		BOP, KVT, UOP4, VIAL
	21A	W04A, W04B					08	I12A, I12B, I12C, I28A, I28B
	21B	X06A, X06B, X06C					21A	W04A, W04B
							21B	X06A, X06B, X06C

ZZV	MDC	DRG	ZZV	MDC	DRG	ZZV	MDC	DRG
5t306.4↔		BOP, KVT, UOP4, VIAL	5t306.q↔		BOP, KVT, UOP4, VIAL	5t307.e↔		BOP, KVT, UOP4, VIAL
	08	I08A, I08B, I08C, I08D, I08E, I08F, I12A, I12B, I12C, I21Z, I31Z		08	I12A, I12B, I12C, I20A, I20B, I20C, I20D, I20E, I20F		08	I08A, I08B, I08C, I08D, I08E, I08F, I12A, I12B, I12C, I23A
	21A	W04A, W04B		21A	W04A, W04B		21A	W04A, W04B
	21B	X06A, X06B, X06C		21B	X04Z		21B	X04Z, X06A, X06B, X06C
5t306.5↔		BOP, KVT, UOP4, VIAL	5t306.r↔		BOP, KVT, UOP4, VIAL	5t307.f		BOP, KVT, UOP4, VIAL
	08	I08A, I08B, I08C, I08D, I08E, I08F, I12A, I12B, I12C, I21Z, I31Z		08	I12A, I12B, I12C, I20A, I20B, I20C, I20D, I20E, I20F		08	I12A, I12B, I12C, I23A, I23B
	21A	W04A, W04B		21A	W04A, W04B		21A	W04A, W04B
	21B	X06A, X06B, X06C		21B	X04Z		21B	X04Z, X06A, X06B, X06C
5t306.6↔		BOP, KVT, UOP4, VIAL	5t306.x		BOP, KVT, UOP4	5t307.g↔		BOP, KVT, UOP4, VIAL
	08	I08A, I08B, I08C, I08D, I08E, I08F, I12A, I12B, I12C, I32A, I32B, I32C, I32D, I32E, I32F		08	I12A, I12B, I12C, I28A, I28B		08	I08A, I08B, I08C, I08D, I08E, I08F
	21A	W04A, W04B		21A	W04A, W04B		21A	W01A, W01B, W01C, W02A, W02B
	21B	X05A, X05B		21B	X06A, X06B, X06C		21B	X04Z
5t306.8↔		BOP, KVT, UOP4, VIAL	5t307.0↔		BOP, KVT, UOP4, VIAL	5t307.h↔		BOP, KVT, UOP4, VIAL
	08	I12A, I12B, I12C, I32A, I32B, I32C, I32D, I32E, I32F		08	I12A, I12B, I12C, I16Z		08	I12A, I12B, I12C, I18A, I18B, I30Z
	21A	W04A, W04B		21A	W04A, W04B		21A	W04A, W04B
	21B	X05A, X05B		21B	X06A, X06B, X06C		21B	X04Z
5t306.9↔		BOP, KVT, UOP4, VIAL	5t307.1↔		BOP, KVT, UOP4, VIAL	5t307.j↔		BOP, KVT, UOP4, VIAL
	08	I12A, I12B, I12C, I32A, I32B, I32C, I32D, I32E, I32F		08	I12A, I12B, I12C, I16Z		08	I12A, I12B, I12C, I18A, I18B, I30Z
	21A	W04A, W04B		21A	W04A, W04B		21A	W04A, W04B
	21B	X05A, X05B		21B	X06A, X06B, X06C		21B	X04Z
5t306.e↔		BOP, KVT, UOP4, VIAL	5t307.2↔		BOP, KVT, UOP4, VIAL	5t307.k↔		BOP, KVT, UOP4, VIAL
	08	I08A, I08B, I08C, I08D, I08E, I08F		08	I12A, I12B, I12C, I23A, I23B		08	I12A, I12B, I12C, I13A, I13B, I13C, I13D
	21A	W04A, W04B		21A	W04A, W04B		21A	W04A, W04B
	21B	X05A, X05B		21B	X06A, X06B, X06C		21B	X04Z
5t306.g↔		BOP, KVT, UOP4, VIAL	5t307.3↔		BOP, KVT, UOP4, VIAL	5t307.m↔		BOP, KVT, UOP4, VIAL
	08	I08A, I08B, I08C, I08D, I08E, I08F		08	I12A, I12B, I12C, I23A, I23B		08	I12A, I12B, I12C, I20A, I20B, I20C, I20D, I20E, I20F
	21A	W01A, W01B, W01C, W02A, W02B		21A	W04A, W04B		21A	W04A, W04B
	21B	X04Z		21B	X06A, X06B, X06C		21B	X04Z
5t306.h↔		BOP, KVT, UOP4, VIAL	5t307.4↔		BOP, KVT, UOP4, VIAL	5t307.n↔		BOP, KVT, UOP4, VIAL
	01	B03A, B03B, B06A, B06B, B17A, B17B, B17C		08	I08A, I08B, I08C, I08D, I08E, I08F, I12A, I12B, I12C, I21Z, I31Z		08	I12A, I12B, I12C, I20A, I20B, I20C, I20D, I20E, I20F
	08	I12A, I12B, I12C, I18A, I18B, I30Z		21A	W04A, W04B		21A	W04A, W04B
	21A	W04A, W04B		21B	X06A, X06B, X06C		21B	X04Z
	21B	X04Z		5t307.5↔	BOP, KVT, UOP4, VIAL	5t307.p↔		BOP, KVT, UOP4, VIAL
5t306.j↔		BOP, KVT, UOP4, VIAL		08	I08A, I08B, I08C, I08D, I08E, I08F, I12A, I12B, I12C, I32A, I32B, I32C, I32D, I32E, I32F		08	I12A, I12B, I12C, I20A, I20B, I20C, I20D, I20E, I20F
	08	I13A, I13B, I13C, I13D		21A	W04A, W04B		21A	W04A, W04B
5t306.k↔		BOP, KVT, UOP4, VIAL		21B	X06A, X06B, X06C		21B	X04Z
	01	B03A, B03B, B06A, B06B, B17A, B17B, B17C		08	I08A, I08B, I08C, I08D, I08E, I08F, I12A, I12B, I12C, I21Z, I31Z		08	I12A, I12B, I12C, I20A, I20B, I20C, I20D, I20E, I20F
	08	I12A, I12B, I12C, I13A, I13B, I13C, I13D		21A	W04A, W04B		21A	W04A, W04B
	21A	W04A, W04B		21B	X05A, X05B		21B	X04Z
	21B	X04Z		5t307.6↔	BOP, KVT, UOP4, VIAL	5t307.r↔		BOP, KVT, UOP4, VIAL
5t306.m↔		BOP, KVT, UOP4, VIAL		08	I12A, I12B, I12C, I32A, I32B, I32C, I32D, I32E, I32F		08	I12A, I12B, I12C, I20A, I20B, I20C, I20D, I20E, I20F
	08	I12A, I12B, I12C, I20A, I20B, I20C, I20D, I20E, I20F		09	J03A, J03B, J04A, J04B, J08A, J08B, J08C, J11A, J11B, J16Z		21A	W04A, W04B
	21A	W04A, W04B		21A	W04A, W04B		21B	X04Z
	21B	X04Z		21B	X05A, X05B		21B	X06A, X06B, X06C
5t306.n↔		BOP, KVT, UOP4, VIAL		5t307.7↔	BOP, KVT, UOP4, VIAL	5t307.s		BOP, KVT, UOP4
	08	I12A, I12B, I12C, I20A, I20B, I20C, I20D, I20E, I20F		08	I12A, I12B, I12C, I32A, I32B, I32C, I32D, I32E, I32F		08	I12A, I12B, I12C, I23A, I23B
	21A	W04A, W04B		09	J03A, J03B, J04A, J04B, J08A, J08B, J08C, J11A, J11B, J16Z		21A	W04A, W04B
	21B	X04Z		21A	W04A, W04B		21B	X06A, X06B, X06C
5t306.p↔		BOP, KVT, UOP4, VIAL		21B	X05A, X05B		21B	X04Z
	08	I12A, I12B, I12C, I20A, I20B, I20C, I20D, I20E, I20F		5t307.8↔	BOP, KVT, UOP4, VIAL	5t307.t		BOP, KVT, UOP4, VIAL
	21A	W04A, W04B		08	I12A, I12B, I12C, I32A, I32B, I32C, I32D, I32E, I32F		08	I12A, I12B, I12C, I20A, I20B, I20C, I20D, I20E, I20F
	21B	X04Z		09	J03A, J03B, J04A, J04B, J08A, J08B, J08C, J11A, J11B, J16Z		21A	W04A, W04B
				21A	W04A, W04B		21B	X04Z
				21B	X05A, X05B		21B	X06A, X06B, X06C
				5t307.9↔	BOP, KVT, UOP4, VIAL	5t308.0↔		BOP, KVT, UOP4, VIAL
				08	I12A, I12B, I12C, I32A, I32B, I32C, I32D, I32E, I32F		08	I12A, I12B, I12C, I16Z
				09	J03A, J03B, J04A, J04B, J08A, J08B, J08C, J11A, J11B, J16Z		21A	W04A, W04B
				21A	W04A, W04B		21B	X06A, X06B, X06C
				21B	X05A, X05B		21B	X04Z
				5t308.1↔	BOP, KVT, UOP4, VIAL		08	I16Z
				08	I16Z		21A	W04A, W04B
				21A	W04A, W04B		21B	X06A, X06B, X06C
				21B	X05A, X05B			

ZZV	MDC	DRG	ZZV	MDC	DRG	ZZV	MDC	DRG
5t308.2↔		BOP, KVT, UOP4, VIAL	5t308.k↔		BOP, KVT, UOP4, VIAL	5t309.3↔		BOP, KVT, UOP4, VIAL
	08	I28A, I28B		08	I13A, I13B, I13C, I13D		01	B03A, B03B, B06A, B06B, B07Z, B17A, B17B, B17C
	10	K09A, K09B		10	K09A, K09B		08	I27A, I27B, I27C, I27D
	21A	W04A, W04B		21A	W04A, W04B		09	J03A, J03B, J04A, J04B, J08A, J08B, J08C, J11A, J11B, J16Z
	21B	X06A, X06B, X06C		21B	X04Z		10	K09A, K09B
5t308.3↔		BOP, KVT, UOP4, VIAL	5t308.m↔		BOP, KVT, UOP4, VIAL		21A	W04A, W04B
	08	I28A, I28B		08	I20A, I20B, I20C, I20D, I20E, I20F		21B	X06A, X06B, X06C
	10	K09A, K09B		10	K09A, K09B	5t309.4↔		BOP, KVT, UOP4, VIAL
	21A	W04A, W04B		21A	W04A, W04B		01	B03A, B03B, B06A, B06B, B07Z, B17A, B17B, B17C
	21B	X06A, X06B, X06C		21B	X04Z		08	I08A, I08B, I08C, I08D, I08E, I08F, I27A, I27B, I27C, I27D
5t308.4↔		BOP, KVT, UOP4, VIAL	5t308.n↔		BOP, KVT, UOP4, VIAL		09	J03A, J03B, J04A, J04B, J08A, J08B, J08C, J11A, J11B, J16Z
	08	I08A, I08B, I08C, I08D, I08E, I08F, I21Z, I31Z		08	I20A, I20B, I20C, I20D, I20E, I20F		10	K09A, K09B
	10	K09A, K09B		10	K09A, K09B		21A	W04A, W04B
	21A	W04A, W04B		21A	W04A, W04B		21B	X06A, X06B, X06C
	21B	X06A, X06B, X06C		21B	X04Z	5t309.5↔		BOP, KVT, UOP4, VIAL
5t308.5↔		BOP, KVT, UOP4, VIAL	5t308.p↔		BOP, KVT, UOP4, VIAL		01	B03A, B03B, B06A, B06B, B07Z, B17A, B17B, B17C
	08	I08A, I08B, I08C, I08D, I08E, I08F, I21Z, I31Z		08	I20A, I20B, I20C, I20D, I20E, I20F		08	I08A, I08B, I08C, I08D, I08E, I08F, I27A, I27B, I27C, I27D
	10	K09A, K09B		10	K09A, K09B		09	J03A, J03B, J04A, J04B, J08A, J08B, J08C, J11A, J11B, J16Z
	21A	W04A, W04B		21A	W04A, W04B		10	K09A, K09B
	21B	X06A, X06B, X06C		21B	X04Z		21A	W04A, W04B
5t308.6↔		BOP, KVT, UOP4, VIAL	5t308.q↔		BOP, KVT, UOP4, VIAL		21B	X06A, X06B, X06C
	08	I08A, I08B, I08C, I08D, I08E, I08F, I32A, I32B, I32C, I32D, I32E, I32F		08	I20A, I20B, I20C, I20D, I20E, I20F		01	B03A, B03B, B06A, B06B, B07Z, B17A, B17B, B17C
	21A	W04A, W04B		10	K09A, K09B		08	I08A, I08B, I08C, I08D, I08E, I08F, I27A, I27B, I27C, I27D
	21B	X05A, X05B		21A	W04A, W04B		09	J03A, J03B, J04A, J04B, J08A, J08B, J08C, J11A, J11B, J16Z
5t308.8↔		BOP, KVT, UOP4, VIAL		21B	X04Z		10	K09A, K09B
	08	I32A, I32B, I32C, I32D, I32E, I32F	5t308.r↔		BOP, KVT, UOP4, VIAL		21A	W04A, W04B
	21A	W04A, W04B		08	I20A, I20B, I20C, I20D, I20E, I20F		21B	X06A, X06B, X06C
	21B	X05A, X05B		10	K09A, K09B	5t309.6↔		BOP, KVT, UOP4, VIAL
5t308.9↔		BOP, KVT, UOP4, VIAL		21A	W04A, W04B		01	B03A, B03B, B06A, B06B, B07Z, B17A, B17B, B17C
	08	I32A, I32B, I32C, I32D, I32E, I32F		21B	X04Z		08	I08A, I08B, I08C, I08D, I08E, I08F, I27A, I27B, I27C, I27D
	21A	W04A, W04B	5t308.x		BOP, KVT, UOP4		09	J03A, J03B, J04A, J04B, J08A, J08B, J08C, J11A, J11B, J16Z
	21B	X05A, X05B		08	I28A, I28B		10	K09A, K09B
5t308.e↔		BOP, KVT, UOP4, VIAL		10	K09A, K09B		21A	W04A, W04B
	08	I08A, I08B, I08C, I08D, I08E, I08F, I28A, I28B		21A	W04A, W04B		21B	X05A, X05B, X06A, X06B, X06C
	10	K09A, K09B	5t309.0↔		BOP, KVT, UOP4, VIAL		01	B03A, B03B, B06A, B06B, B07Z, B17A, B17B, B17C
	21A	W04A, W04B		01	B03A, B03B, B06A, B06B, B07Z, B17A, B17B, B17C		08	I27A, I27B, I27C, I27D
	21B	X04Z, X06A, X06B, X06C		08	I27A, I27B, I27C, I27D		09	J03A, J03B, J04A, J04B, J08A, J08B, J08C, J11A, J11B, J16Z
5t308.f		BOP, KVT, UOP4, VIAL		09	J03A, J03B, J04A, J04B, J08A, J08B, J08C, J11A, J11B, J16Z		10	K09A, K09B
	08	I28A, I28B		10	K09A, K09B		21A	W04A, W04B
	10	K09A, K09B		21A	W04A, W04B	5t309.8↔		BOP, KVT, UOP4, VIAL
	21A	W04A, W04B		21B	X06A, X06B, X06C		01	B03A, B03B, B06A, B06B, B07Z, B17A, B17B, B17C
	21B	X04Z, X06A, X06B, X06C		21B	X06A, X06B, X06C		08	I27A, I27B, I27C, I27D
5t308.g↔		BOP, KVT, UOP4, VIAL		5t309.1↔			09	J03A, J03B, J04A, J04B, J08A, J08B, J08C, J11A, J11B, J16Z
	08	I08A, I08B, I08C, I08D, I08E, I08F		01	B03A, B03B, B06A, B06B, B07Z, B17A, B17B, B17C		10	K09A, K09B
	21A	W01A, W01B, W01C, W02A, W02B		08	I27A, I27B, I27C, I27D		21A	W04A, W04B
	21B	X04Z		09	J03A, J03B, J04A, J04B, J08A, J08B, J08C, J11A, J11B, J16Z		21B	X05A, X05B, X06A, X06B, X06C
5t308.h↔		BOP, KVT, UOP4, VIAL		10	K09A, K09B	5t309.9↔		BOP, KVT, UOP4, VIAL
	08	I18A, I18B, I30Z		21A	W04A, W04B		01	B03A, B03B, B06A, B06B, B07Z, B17A, B17B, B17C
	10	K09A, K09B		21B	X06A, X06B, X06C		08	I27A, I27B, I27C, I27D
	21A	W04A, W04B		5t309.2↔			09	J03A, J03B, J04A, J04B, J08A, J08B, J08C, J11A, J11B, J16Z
	21B	X04Z		01	B03A, B03B, B06A, B06B, B07Z, B17A, B17B, B17C		10	K09A, K09B
5t308.j↔		BOP, KVT, UOP4, VIAL		08	I27A, I27B, I27C, I27D		21A	W04A, W04B
	08	I18A, I18B, I30Z		09	J03A, J03B, J04A, J04B, J08A, J08B, J08C, J11A, J11B, J16Z		21B	X05A, X05B, X06A, X06B, X06C
	10	K09A, K09B		10	K09A, K09B			
	21A	W04A, W04B		21A	W04A, W04B			
	21B	X04Z		21B	X06A, X06B, X06C			

VYK

ZZV	MDC	DRG	ZZV	MDC	DRG	ZZV	MDC	DRG			
5t309.e↔		BOP, KVT, UOP4, VIAL	5t309.n↔		BOP, KVT, UOP4, VIAL	5t30a.3↔		BOP, KVT, UOP4, VIAL			
	01	B03A, B03B, B06A, B06B, B07Z, B17A, B17B, B17C		01	B03A, B03B, B06A, B06B, B07Z, B17A, B17B, B17C		05	F13A, F27A, F27B, F27C			
	08	I08A, I08B, I08C, I08D, I08E, I08F, I27A, I27B, I27C, I27D		08	I27A, I27B, I27C, I27D		08	I12A, I12B, I12C, I28A, I28B			
	09	J03A, J03B, J04A, J04B, J08A, J08B, J08C, J11A, J11B, J16Z		09	J03A, J03B, J04A, J04B, J08A, J08B, J08C, J11A, J11B, J16Z		10	K09A, K09B			
	10	K09A, K09B		10	K09A, K09B		21A	W04A, W04B			
	21A	W04A, W04B		21A	W04A, W04B		21B	X06A, X06B, X06C			
	21B	X04Z, X06A, X06B, X06C		21B	X04Z, X06A, X06B, X06C		5t30a.4↔	BOP, KVT, UOP4, VIAL			
	5t309.f			BOP, KVT, UOP4, VIAL	5t309.p↔			BOP, KVT, UOP4, VIAL	05	F13A, F27A, F27B, F27C	
		01		B03A, B03B, B06A, B06B, B07Z, B17A, B17B, B17C			01	B03A, B03B, B06A, B06B, B07Z, B17A, B17B, B17C	08	I08A, I08B, I08C, I08D, I08E, I08F, I12A, I12B, I12C, I21Z, I31Z	
		08		I27A, I27B, I27C, I27D			08	I27A, I27B, I27C, I27D	10	K09A, K09B	
09		J03A, J03B, J04A, J04B, J08A, J08B, J08C, J11A, J11B, J16Z	09	J03A, J03B, J04A, J04B, J08A, J08B, J08C, J11A, J11B, J16Z		21A	W04A, W04B				
10		K09A, K09B	10	K09A, K09B		21B	X06A, X06B, X06C				
21A		W04A, W04B	21A	W04A, W04B		5t30a.5↔	BOP, KVT, UOP4, VIAL				
21B		X04Z, X06A, X06B, X06C	21B	X04Z, X06A, X06B, X06C			05	F13A, F27A, F27B, F27C			
5t309.g↔			BOP, KVT, UOP4, VIAL	5t309.q↔				BOP, KVT, UOP4, VIAL	08	I08A, I08B, I08C, I08D, I08E, I08F, I12A, I12B, I12C, I21Z, I31Z	
		01	B03A, B03B, B06A, B06B, B07Z, B17A, B17B, B17C				01	B03A, B03B, B06A, B06B, B07Z, B17A, B17B, B17C	10	K09A, K09B	
		08	I27A, I27B, I27C, I27D				08	I27A, I27B, I27C, I27D	21A	W04A, W04B	
	09	J03A, J03B, J04A, J04B, J08A, J08B, J08C, J11A, J11B, J16Z	09		J03A, J03B, J04A, J04B, J08A, J08B, J08C, J11A, J11B, J16Z		21B	X06A, X06B, X06C			
	10	K09A, K09B	10		K09A, K09B		5t30a.6↔	BOP, KVT, UOP4, VIAL			
	21A	W04A, W04B	21A		W04A, W04B			05	F13A		
	21B	X04Z, X06A, X06B, X06C	21B		X04Z, X06A, X06B, X06C			08	I08A, I08B, I08C, I08D, I08E, I08F, I12A, I12B, I12C, I32A, I32B, I32C, I32D, I32E, I32F		
	5t309.h↔		BOP, KVT, UOP4, VIAL		5t309.r↔				BOP, KVT, UOP4, VIAL	21A	W04A, W04B
		01	B03A, B03B, B06A, B06B, B07Z, B17A, B17B, B17C			01		B03A, B03B, B06A, B06B, B07Z, B17A, B17B, B17C	21B	X05A, X05B	
		08	I27A, I27B, I27C, I27D			08		I27A, I27B, I27C, I27D	5t30a.8↔	BOP, KVT, UOP4, VIAL	
09		J03A, J03B, J04A, J04B, J08A, J08B, J08C, J11A, J11B, J16Z	09	J03A, J03B, J04A, J04B, J08A, J08B, J08C, J11A, J11B, J16Z		05		F13A			
10		K09A, K09B	10	K09A, K09B		08		I12A, I12B, I12C, I32A, I32B, I32C, I32D, I32E, I32F			
21A		W04A, W04B	21A	W04A, W04B		21A		W04A, W04B			
21B		X04Z, X06A, X06B, X06C	21B	X04Z, X06A, X06B, X06C		21B		X05A, X05B			
5t309.i↔			BOP, KVT, UOP4, VIAL	5t309.x			BOP, KVT, UOP4	5t30a.9↔		BOP, KVT, UOP4, VIAL	
		01	B03A, B03B, B06A, B06B, B07Z, B17A, B17B, B17C			01	B03A, B03B, B06A, B06B, B07Z, B17A, B17B, B17C			05	F13A
		08	I27A, I27B, I27C, I27D			08	I27A, I27B, I27C, I27D			08	I12A, I12B, I12C, I32A, I32B, I32C, I32D, I32E, I32F
	09	J03A, J03B, J04A, J04B, J08A, J08B, J08C, J11A, J11B, J16Z	09		J03A, J03B, J04A, J04B, J08A, J08B, J08C, J11A, J11B, J16Z	21A	W04A, W04B				
	10	K09A, K09B	10		K09A, K09B	21B	X05A, X05B				
	21A	W04A, W04B	21A		W04A, W04B	5t30a.e↔	BOP, KVT, UOP4, VIAL				
	21B	X04Z, X06A, X06B, X06C	21B		X04Z, X06A, X06B, X06C		05		F13A, F27A, F27B, F27C		
	5t309.j↔		BOP, KVT, UOP4, VIAL		5t30a.0↔				BOP, KVT, UOP4, VIAL	08	I08A, I08B, I08C, I08D, I08E, I08F, I12A, I12B, I12C, I28A, I28B
		01	B03A, B03B, B06A, B06B, B07Z, B17A, B17B, B17C				05		F13A	10	K09A, K09B
		08	I27A, I27B, I27C, I27D				08		I12A, I12B, I12C, I16Z	21A	W04A, W04B
09		J03A, J03B, J04A, J04B, J08A, J08B, J08C, J11A, J11B, J16Z	21A	W04A, W04B			21B	X06A, X06B, X06C			
10		K09A, K09B	21B	X06A, X06B, X06C			5t30a.f	BOP, KVT, UOP4, VIAL			
21A		W04A, W04B	5t30a.1↔	BOP, KVT, UOP4, VIAL				05	F13A, F27A, F27B, F27C		
21B		X04Z, X06A, X06B, X06C	05	F13A				08	I12A, I12B, I12C, I28A, I28B		
5t309.k↔			BOP, KVT, UOP4, VIAL	5t30a.2↔					BOP, KVT, UOP4, VIAL	10	K09A, K09B
		01	B03A, B03B, B06A, B06B, B07Z, B17A, B17B, B17C			05		F13A, F27A, F27B, F27C	21A	W04A, W04B	
		08	I27A, I27B, I27C, I27D			08		I12A, I12B, I12C, I28A, I28B	21B	X04Z, X06A, X06B, X06C	
	09	J03A, J03B, J04A, J04B, J08A, J08B, J08C, J11A, J11B, J16Z	10		K09A, K09B	5t30a.g↔		BOP, KVT, UOP4, VIAL			
	10	K09A, K09B	21A		W04A, W04B			05	F13A		
	21A	W04A, W04B	21B		X06A, X06B, X06C			08	I08A, I08B, I08C, I08D, I08E, I08F		
	21B	X04Z, X06A, X06B, X06C	5t30a.2↔		BOP, KVT, UOP4, VIAL			21A	W01A, W01B, W01C, W02A, W02B		
	5t309.m↔		BOP, KVT, UOP4, VIAL		5t30a.h↔			BOP, KVT, UOP4, VIAL	21B	X04Z	
		01	B03A, B03B, B06A, B06B, B07Z, B17A, B17B, B17C				05	F13A, F27A, F27B, F27C	05	F13A, F27A, F27B, F27C	
		08	I27A, I27B, I27C, I27D				08	I12A, I12B, I12C, I28A, I28B	08	I12A, I12B, I18A, I18B, I30Z	
09		J03A, J03B, J04A, J04B, J08A, J08B, J08C, J11A, J11B, J16Z	10	K09A, K09B			10	K09A, K09B			
10		K09A, K09B	21A	W04A, W04B			21A	W04A, W04B			
21A		W04A, W04B	21B	X06A, X06B, X06C			21B	X04Z			
21B		X04Z, X06A, X06B, X06C									

ZZV	MDC	DRG	ZZV	MDC	DRG	ZZV	MDC	DRG		
5t30a.j↔		BOP, KVT, UOP4, VIAL	5t30b.2↔		BOP, KVT, UOP4, VIAL	5t30b.h↔		BOP, KVT, UOP4, VIAL		
	05	F13A, F27A, F27B, F27C		05	F13A		05	F13A		
	08	I12A, I12B, I12C, I18A, I18B, I30Z		08	I12A, I12B, I12C, I28A, I28B		08	I12A, I12B, I12C, I18A, I18B, I30Z		
	10	K09A, K09B		10	K09A, K09B		10	K09A, K09B		
	21A	W04A, W04B		21A	W04A, W04B		21A	W04A, W04B		
5t30a.k↔	21B	X04Z	5t30b.3↔	21B	X06A, X06B, X06C	5t30b.j↔	21B	X04Z		
		BOP, KVT, UOP4, VIAL			BOP, KVT, UOP4, VIAL			BOP, KVT, UOP4, VIAL		
	05	F13A, F27A, F27B, F27C		05	F13A		05	F13A		
	08	I12A, I12B, I12C, I13A, I13B, I13C, I13D		08	I12A, I12B, I12C, I28A, I28B		08	I12A, I12B, I12C, I18A, I18B, I30Z		
	10	K09A, K09B		10	K09A, K09B		10	K09A, K09B		
5t30a.m↔	21A	W04A, W04B	5t30b.4↔	21A	W04A, W04B	5t30b.k↔	21A	W04A, W04B		
	21B	X04Z		21B	X06A, X06B, X06C		21B	X04Z		
		BOP, KVT, UOP4, VIAL			BOP, KVT, UOP4, VIAL			BOP, KVT, UOP4, VIAL		
	05	F13A, F27A, F27B, F27C		05	F13A		05	F13A		
	08	I12A, I12B, I12C, I20A, I20B, I20C, I20D, I20E, I20F		08	I08A, I08B, I08C, I08D, I08E, I08F, I12A, I12B, I12C, I21Z, I31Z		08	I12A, I12B, I12C, I13A, I13B, I13C, I13D		
5t30a.n↔	10	K09A, K09B	5t30b.5↔	10	K09A, K09B	5t30b.m↔	10	K09A, K09B		
	21A	W04A, W04B		21A	W04A, W04B		21A	W04A, W04B		
	21B	X04Z		21B	X06A, X06B, X06C		21B	X04Z		
		BOP, KVT, UOP4, VIAL			BOP, KVT, UOP4, VIAL			BOP, KVT, UOP4, VIAL		
	05	F13A, F27A, F27B, F27C		05	F13A		05	F13A		
5t30a.p↔	08	I12A, I12B, I12C, I20A, I20B, I20C, I20D, I20E, I20F	5t30b.6↔	08	I08A, I08B, I08C, I08D, I08E, I08F, I12A, I12B, I12C, I21Z, I31Z	5t30b.n↔	08	I12A, I12B, I12C, I20A, I20B, I20C, I20D, I20E, I20F		
	10	K09A, K09B		5t30b.8↔	10		K09A, K09B	5t30b.p↔	10	K09A, K09B
	21A	W04A, W04B			21A		W04A, W04B		21A	W04A, W04B
	21B	X04Z			21B		X06A, X06B, X06C		21B	X04Z
		BOP, KVT, UOP4, VIAL					BOP, KVT, UOP4, VIAL			BOP, KVT, UOP4, VIAL
05	F13A, F27A, F27B, F27C	05	F13A		05	F13A				
5t30a.q↔	08	I12A, I12B, I12C, I20A, I20B, I20C, I20D, I20E, I20F	5t30b.9↔	08	I08A, I08B, I08C, I08D, I08E, I08F, I12A, I12B, I12C, I32A, I32B, I32C, I32D, I32E, I32F	5t30b.q↔	08	I12A, I12B, I12C, I20A, I20B, I20C, I20D, I20E, I20F		
	10	K09A, K09B		5t30b.e↔	21A		W04A, W04B	5t30b.r↔	10	K09A, K09B
	21A	W04A, W04B			21A		W04A, W04B		21A	W04A, W04B
	21B	X04Z			21B		X05A, X05B		21B	X04Z
		BOP, KVT, UOP4, VIAL					BOP, KVT, UOP4, VIAL			BOP, KVT, UOP4, VIAL
05	F13A, F27A, F27B, F27C	05	F13A		05	F13A				
5t30a.r↔	08	I12A, I12B, I12C, I20A, I20B, I20C, I20D, I20E, I20F	5t30b.f	08	I12A, I12B, I12C, I32A, I32B, I32C, I32D, I32E, I32F	5t30b.x	08	I12A, I12B, I12C, I20A, I20B, I20C, I20D, I20E, I20F		
	10	K09A, K09B		5t30b.g↔	21A		W04A, W04B	5t30c.0↔	10	K09A, K09B
	21A	W04A, W04B			21A		W04A, W04B		21A	W04A, W04B
	21B	X04Z			21B		X04Z, X06A, X06B, X06C		21B	X06A, X06B, X06C
		BOP, KVT, UOP4, VIAL					BOP, KVT, UOP4, VIAL			BOP, KVT, UOP4, VIAL
05	F13A, F27A, F27B, F27C	05	F13A		05	F13A				
5t30a.x	08	I12A, I12B, I12C, I28A, I28B	5t30b.g↔	08	I08A, I08B, I08C, I08D, I08E, I08F, I12A, I12B, I12C, I28A, I28B	5t30c.0↔	08	I12A, I12B, I12C, I20A, I20B, I20C, I20D, I20E, I20F		
	10	K09A, K09B		5t30b.f	10		K09A, K09B	5t30b.x	10	K09A, K09B
	21A	W04A, W04B			21A		W04A, W04B		21A	W04A, W04B
	21B	X06A, X06B, X06C			21B		X04Z, X06A, X06B, X06C		21B	X04Z
		BOP, KVT, UOP4, VIAL					BOP, KVT, UOP4, VIAL			BOP, KVT, UOP4
05	F13A	05	F13A		05	F13A				
5t30b.0↔	08	I12A, I12B, I12C, I16Z	5t30b.f	08	I12A, I12B, I12C, I28A, I28B	5t30b.x	08	I12A, I12B, I12C, I28A, I28B		
	21A	W04A, W04B		5t30b.g↔	10		K09A, K09B	5t30c.0↔	10	K09A, K09B
	21B	X06A, X06B, X06C			21A		W04A, W04B		21A	W04A, W04B
		BOP, KVT, UOP4, VIAL			21B		X04Z, X06A, X06B, X06C		21B	X06A, X06B, X06C
	05	F13A			05		F13A		05	F13A
08	I12A, I12B, I12C, I16Z	08	I08A, I08B, I08C, I08D, I08E, I08F		08	I12A, I12B, I12C, I16Z				
5t30b.1↔	21A	W04A, W04B	5t30b.g↔	21A	W01A, W01B, W01C, W02A, W02B	5t30c.0↔	21A	W04A, W04B		
	21B	X06A, X06B, X06C		21B	X04Z		21B	X06A, X06B, X06C		

VYK

ZZV	MDC	DRG	ZZV	MDC	DRG	ZZV	MDC	DRG
5t30c.1↔		BOP, KVT, UOP4, VIAL 08 I12A, I12B, I12C, I16Z 21A W04A, W04B 21B X06A, X06B, X06C	5t30c.h↔		BOP, KVT, UOP4, VIAL 08 I12A, I12B, I12C, I18A, I18B, I30Z 21A W04A, W04B 21B X04Z	5t30x.2↔		BOP, KVT, UOP4, VIAL 01 B03A, B03B, B06A, B06B, B07Z, B17A, B17B, B17C 08 I27A, I27B, I27C, I27D 09 J03A, J03B, J04A, J04B, J08A, J08B, J08C, J11A, J11B, J16Z 10 K09A, K09B 21A W04A, W04B 21B X06A, X06B, X06C
5t30c.2↔		BOP, KVT, UOP4, VIAL 08 I12A, I12B, I12C, I27A, I27B, I27C, I27D 21A W04A, W04B 21B X06A, X06B, X06C	5t30c.j↔		BOP, KVT, UOP4, VIAL 08 I12A, I12B, I12C, I18A, I18B, I30Z 21A W04A, W04B 21B X04Z	5t30x.3↔		BOP, KVT, UOP4, VIAL 01 B03A, B03B, B06A, B06B, B07Z, B17A, B17B, B17C 08 I27A, I27B, I27C, I27D 09 J03A, J03B, J04A, J04B, J08A, J08B, J08C, J11A, J11B, J16Z 10 K09A, K09B 21A W04A, W04B 21B X06A, X06B, X06C
5t30c.3↔		BOP, KVT, UOP4, VIAL 08 I12A, I12B, I12C, I27A, I27B, I27C, I27D 21A W04A, W04B 21B X06A, X06B, X06C	5t30c.k↔		BOP, KVT, UOP4, VIAL 08 I12A, I12B, I12C, I13A, I13B, I13C, I13D 21A W04A, W04B 21B X04Z	5t30x.4↔		BOP, KVT, UOP4, VIAL 01 B03A, B03B, B06A, B06B, B07Z, B17A, B17B, B17C 08 I08A, I08B, I08C, I08D, I08E, I08F, I27A, I27B, I27C, I27D 09 J03A, J03B, J04A, J04B, J08A, J08B, J08C, J11A, J11B, J16Z 10 K09A, K09B 21A W04A, W04B 21B X06A, X06B, X06C
5t30c.4↔		BOP, KVT, UOP4, VIAL 08 I08A, I08B, I08C, I08D, I08E, I08F, I12A, I12B, I12C, I21Z, I31Z 21A W04A, W04B 21B X06A, X06B, X06C	5t30c.m↔		BOP, KVT, UOP4, VIAL 08 I12A, I12B, I12C, I20A, I20B, I20C, I20D 21A W04A, W04B 21B X04Z	5t30x.5↔		BOP, KVT, UOP4, VIAL 01 B03A, B03B, B06A, B06B, B07Z, B17A, B17B, B17C 08 I08A, I08B, I08C, I08D, I08E, I08F, I27A, I27B, I27C, I27D 09 J03A, J03B, J04A, J04B, J08A, J08B, J08C, J11A, J11B, J16Z 10 K09A, K09B 21A W04A, W04B 21B X06A, X06B, X06C
5t30c.5↔		BOP, KVT, UOP4, VIAL 08 I08A, I08B, I08C, I08D, I08E, I08F, I12A, I12B, I12C, I21Z, I31Z 21A W04A, W04B 21B X06A, X06B, X06C	5t30c.n↔		BOP, KVT, UOP4, VIAL 08 I12A, I12B, I12C, I20A, I20B, I20C, I20D 21A W04A, W04B 21B X04Z	5t30x.6↔		BOP, KVT, UOP4, VIAL 01 B03A, B03B, B06A, B06B, B07Z, B17A, B17B, B17C 08 I08A, I08B, I08C, I08D, I08E, I08F, I27A, I27B, I27C, I27D 09 J03A, J03B, J04A, J04B, J08A, J08B, J08C, J11A, J11B, J16Z 10 K09A, K09B 21A W04A, W04B 21B X06A, X06B, X06C
5t30c.6↔		BOP, KVT, UOP4, VIAL 08 I08A, I08B, I08C, I08D, I08E, I08F, I12A, I12B, I12C, I32A, I32B, I32C, I32D, I32E, I32F 09 J03A, J03B, J04A, J04B, J08A, J08B, J08C, J11A, J11B, J16Z 21A W04A, W04B 21B X05A, X05B	5t30c.p↔		BOP, KVT, UOP4, VIAL 08 I12A, I12B, I12C, I20A, I20B, I20C, I20D 21A W04A, W04B 21B X04Z	5t30x.8↔		BOP, KVT, UOP4, VIAL 01 B03A, B03B, B06A, B06B, B07Z, B17A, B17B, B17C 08 I27A, I27B, I27C, I27D 09 J03A, J03B, J04A, J04B, J08A, J08B, J08C, J11A, J11B, J16Z 10 K09A, K09B 21A W04A, W04B 21B X05A, X05B, X06A, X06B, X06C
5t30c.8↔		BOP, KVT, UOP4, VIAL 08 I12A, I12B, I12C, I32A, I32B, I32C, I32D, I32E, I32F 09 J03A, J03B, J04A, J04B, J08A, J08B, J08C, J11A, J11B, J16Z 21A W04A, W04B 21B X05A, X05B	5t30c.q↔		BOP, KVT, UOP4, VIAL 08 I12A, I12B, I12C, I20A, I20B, I20C, I20D, I20E, I20F 21A W04A, W04B 21B X04Z			
5t30c.9↔		BOP, KVT, UOP4, VIAL 08 I12A, I12B, I12C, I32A, I32B, I32C, I32D, I32E, I32F 09 J03A, J03B, J04A, J04B, J08A, J08B, J08C, J11A, J11B, J16Z 21A W04A, W04B 21B X05A, X05B	5t30c.r↔		BOP, KVT, UOP4, VIAL 08 I12A, I12B, I12C, I20A, I20B, I20C, I20D, I20E, I20F 21A W04A, W04B 21B X04Z	5t30c.x		BOP, KVT, UOP4 08 I12A, I12B, I12C, I27A, I27B, I27C, I27D 21A W04A, W04B 21B X06A, X06B, X06C
5t30c.e↔		BOP, KVT, UOP4, VIAL 08 I08A, I08B, I08C, I08D, I08E, I08F, I12A, I12B, I12C, I27A, I27B, I27C, I27D 21A W04A, W04B 21B X04Z, X06A, X06B, X06C	5t30x.0↔		BOP, KVT, UOP4, VIAL 01 B03A, B03B, B06A, B06B, B07Z, B17A, B17B, B17C 08 I27A, I27B, I27C, I27D 09 J03A, J03B, J04A, J04B, J08A, J08B, J08C, J11A, J11B, J16Z 10 K09A, K09B 21A W04A, W04B 21B X06A, X06B, X06C	5t30x.1↔		BOP, KVT, UOP4, VIAL 01 B03A, B03B, B06A, B06B, B07Z, B17A, B17B, B17C 08 I27A, I27B, I27C, I27D 09 J03A, J03B, J04A, J04B, J08A, J08B, J08C, J11A, J11B, J16Z 10 K09A, K09B 21A W04A, W04B 21B X06A, X06B, X06C
5t30c.f		BOP, KVT, UOP4, VIAL 08 I12A, I12B, I12C, I27A, I27B, I27C, I27D 21A W04A, W04B 21B X04Z, X06A, X06B, X06C						
5t30c.g↔		BOP, KVT, UOP4, VIAL 08 I08A, I08B, I08C, I08D, I08E, I08F 21A W01A, W01B, W01C, W02A, W02B 21B X04Z						

VYK

ZZV	MDC	DRG	ZZV	MDC	DRG	ZZV	MDC	DRG	
5t30x.9↔		BOP, KVT, UOP4, VIAL	5t30x.m↔		BOP, KVT, UOP4, VIAL	5t310.3↔		BOP, KVT, UOP4, VIAL	
	01	B03A, B03B, B06A, B06B, B07Z, B17A, B17B, B17C		01	B03A, B03B, B06A, B06B, B07Z, B17A, B17B, B17C		08	I12A, I12B, I12C, I23A, I23B	
	08	I27A, I27B, I27C, I27D		08	I27A, I27B, I27C, I27D		21A	W04A, W04B	
	09	J03A, J03B, J04A, J04B, J08A, J08B, J08C, J11A, J11B, J16Z		09	J03A, J03B, J04A, J04B, J08A, J08B, J08C, J11A, J11B, J16Z		21B	X06A, X06B, X06C	
	10	K09A, K09B		10	K09A, K09B		5t310.4↔	08	I08A, I08B, I08C, I08D, I08E, I08F, I12A, I12B, I12C, I21Z, I31Z
	21A	W04A, W04B		21A	W04A, W04B			21A	W04A, W04B
	21B	X05A, X05B, X06A, X06B, X06C		21B	X04Z, X06A, X06B, X06C			21B	X06A, X06B, X06C
5t30x.e↔		BOP, KVT, UOP4, VIAL	5t30x.n↔		BOP, KVT, UOP4, VIAL	5t310.5↔		BOP, KVT, UOP4, VIAL	
	01	B03A, B03B, B06A, B06B, B07Z, B17A, B17B, B17C		01	B03A, B03B, B06A, B06B, B07Z, B17A, B17B, B17C		08	I08A, I08B, I08C, I08D, I08E, I08F, I12A, I12B, I12C, I21Z, I31Z	
	08	I08A, I08B, I08C, I08D, I08E, I08F, I27A, I27B, I27C, I27D		08	I27A, I27B, I27C, I27D		21A	W04A, W04B	
	09	J03A, J03B, J04A, J04B, J08A, J08B, J08C, J11A, J11B, J16Z		09	J03A, J03B, J04A, J04B, J08A, J08B, J08C, J11A, J11B, J16Z		21B	X06A, X06B, X06C	
	10	K09A, K09B		10	K09A, K09B		5t310.6↔	08	I08A, I08B, I08C, I08D, I08E, I08F, I12A, I12B, I12C, I32A, I32B, I32C, I32D, I32E, I32F
	21A	W04A, W04B		21A	W04A, W04B			09	J03A, J03B, J04A, J04B, J08A, J08B, J08C, J11A, J11B, J16Z
	21B	X04Z, X06A, X06B, X06C		21B	X04Z, X06A, X06B, X06C			21A	W04A, W04B
5t30x.f		BOP, KVT, UOP4, VIAL	5t30x.p↔		BOP, KVT, UOP4, VIAL	5t310.7↔		BOP, KVT, UOP4, VIAL	
	01	B03A, B03B, B06A, B06B, B07Z, B17A, B17B, B17C		01	B03A, B03B, B06A, B06B, B07Z, B17A, B17B, B17C		08	I12A, I12B, I12C, I32A, I32B, I32C, I32D, I32E, I32F	
	08	I27A, I27B, I27C, I27D		08	I27A, I27B, I27C, I27D		09	J03A, J03B, J04A, J04B, J08A, J08B, J08C, J11A, J11B, J16Z	
	09	J03A, J03B, J04A, J04B, J08A, J08B, J08C, J11A, J11B, J16Z		09	J03A, J03B, J04A, J04B, J08A, J08B, J08C, J11A, J11B, J16Z		21A	W04A, W04B	
	10	K09A, K09B		10	K09A, K09B		21B	X05A, X05B	
	21A	W04A, W04B		21A	W04A, W04B		5t310.8↔	08	I12A, I12B, I12C, I32A, I32B, I32C, I32D, I32E, I32F
	21B	X04Z, X06A, X06B, X06C		21B	X04Z, X06A, X06B, X06C			09	J03A, J03B, J04A, J04B, J08A, J08B, J08C, J11A, J11B, J16Z
5t30x.g↔		BOP, KVT, UOP4, VIAL	5t30x.q↔		BOP, KVT, UOP4, VIAL	5t310.9↔		BOP, KVT, UOP4, VIAL	
	01	B03A, B03B, B06A, B06B, B07Z, B17A, B17B, B17C		01	B03A, B03B, B06A, B06B, B07Z, B17A, B17B, B17C		08	I12A, I12B, I12C, I32A, I32B, I32C, I32D, I32E, I32F	
	08	I27A, I27B, I27C, I27D		08	I27A, I27B, I27C, I27D		09	J03A, J03B, J04A, J04B, J08A, J08B, J08C, J11A, J11B, J16Z	
	09	J03A, J03B, J04A, J04B, J08A, J08B, J08C, J11A, J11B, J16Z		09	J03A, J03B, J04A, J04B, J08A, J08B, J08C, J11A, J11B, J16Z		21A	W04A, W04B	
	10	K09A, K09B		10	K09A, K09B		21B	X05A, X05B	
	21A	W04A, W04B		21A	W04A, W04B		5t310.e↔	08	I08A, I08B, I08C, I08D, I08E, I08F, I12A, I12B, I12C, I23A, I23B
	21B	X04Z, X06A, X06B, X06C		21B	X04Z, X06A, X06B, X06C			21A	W04A, W04B
5t30x.h↔		BOP, KVT, UOP4, VIAL	5t30x.r↔		BOP, KVT, UOP4, VIAL	5t310.f		BOP, KVT, UOP4, VIAL	
	01	B03A, B03B, B06A, B06B, B07Z, B17A, B17B, B17C		01	B03A, B03B, B06A, B06B, B07Z, B17A, B17B, B17C		08	I12A, I12B, I12C, I23A, I23B	
	08	I27A, I27B, I27C, I27D		08	I27A, I27B, I27C, I27D		21A	W04A, W04B	
	09	J03A, J03B, J04A, J04B, J08A, J08B, J08C, J11A, J11B, J16Z		09	J03A, J03B, J04A, J04B, J08A, J08B, J08C, J11A, J11B, J16Z		21B	X04Z, X06A, X06B, X06C	
	10	K09A, K09B		10	K09A, K09B		5t310.g↔	01	B03A, B03B, B06A, B06B, B17A, B17B, B17C
	21A	W04A, W04B		21A	W04A, W04B			08	I08A, I08B, I08C, I08D, I08E, I08F
	21B	X04Z, X06A, X06B, X06C		21B	X04Z, X06A, X06B, X06C			21A	W01A, W01B, W01C, W02A, W02B
5t30x.j↔		BOP, KVT, UOP4, VIAL	5t30x.x		BOP, KVT, UOP4, VIAL	5t310.1↔		BOP, KVT, UOP4, VIAL	
	01	B03A, B03B, B06A, B06B, B07Z, B17A, B17B, B17C		01	B03A, B03B, B06A, B06B, B07Z, B17A, B17B, B17C		08	I12A, I12B, I12C, I16Z	
	08	I27A, I27B, I27C, I27D		08	I27A, I27B, I27C, I27D		21A	W04A, W04B	
	09	J03A, J03B, J04A, J04B, J08A, J08B, J08C, J11A, J11B, J16Z		09	J03A, J03B, J04A, J04B, J08A, J08B, J08C, J11A, J11B, J16Z		21B	X06A, X06B, X06C	
	10	K09A, K09B		10	K09A, K09B		08	I12A, I12B, I12C, I16Z	
	21A	W04A, W04B		21A	W04A, W04B		21A	W04A, W04B	
	21B	X04Z, X06A, X06B, X06C		21B	X06A, X06B, X06C		21B	X06A, X06B, X06C	
5t30x.k↔		BOP, KVT, UOP4, VIAL	5t310.0↔		BOP, KVT, UOP4, VIAL			BOP, KVT, UOP4, VIAL	
	01	B03A, B03B, B06A, B06B, B07Z, B17A, B17B, B17C		01	B03A, B03B, B06A, B06B, B07Z, B17A, B17B, B17C		08	I12A, I12B, I12C, I16Z	
	08	I27A, I27B, I27C, I27D		08	I27A, I27B, I27C, I27D		21A	W04A, W04B	
	09	J03A, J03B, J04A, J04B, J08A, J08B, J08C, J11A, J11B, J16Z		09	J03A, J03B, J04A, J04B, J08A, J08B, J08C, J11A, J11B, J16Z		21B	X06A, X06B, X06C	
	10	K09A, K09B		10	K09A, K09B			01	B03A, B03B, B06A, B06B, B17A, B17B, B17C
	21A	W04A, W04B		21A	W04A, W04B			08	I08A, I08B, I08C, I08D, I08E, I08F
	21B	X04Z, X06A, X06B, X06C		21B	X04Z, X06A, X06B, X06C			21B	X04Z

VYK

ZZV	MDC	DRG	ZZV	MDC	DRG	ZZV	MDC	DRG
5t310.h↔		BOP, KVT, UOP4, VIAL	5t311.7↔		BOP, KVT, UOP4, VIAL	5t311.q↔		BOP, KVT, UOP4, VIAL
	08	I12A, I12B, I12C, I18A, I18B, I30Z		01	B03A, B03B, B06A, B06B, B07Z, B17A, B17B, B17C		08	I20A, I20B, I20C, I20D, I20E, I20F
	21A	W04A, W04B		08	I32A, I32B, I32C, I32D, I32E, I32F		21A	W04A, W04B
	21B	X04Z		21A	W04A, W04B		21B	X04Z
5t310.j↔		BOP, KVT, UOP4, VIAL	5t311.8↔		BOP, KVT, UOP4, VIAL	5t311.r↔		BOP, KVT, UOP4, VIAL
	08	I12A, I12B, I12C, I18A, I18B, I30Z		01	B03A, B03B, B06A, B06B, B07Z, B17A, B17B, B17C		08	I20A, I20B, I20C, I20D, I20E, I20F
	21A	W04A, W04B		08	I32A, I32B, I32C, I32D, I32E, I32F		21A	W04A, W04B
	21B	X04Z		21A	W04A, W04B		21B	X04Z
5t310.k↔		BOP, KVT, UOP4, VIAL	5t311.9↔		BOP, KVT, UOP4, VIAL	5t311.x		BOP, KVT, UOP4
	08	I12A, I12B, I12C, I13A, I13B, I13C, I13D, I13E		01	B03A, B03B, B06A, B06B, B07Z, B17A, B17B, B17C		08	I28A, I28B
	21A	W04A, W04B		08	I32A, I32B, I32C, I32D, I32E, I32F		21A	W04A, W04B
	21B	X04Z		21A	W04A, W04B		21B	X06A, X06B, X06C
5t310.m↔		BOP, KVT, UOP4, VIAL	5t311.e↔		BOP, KVT, UOP4, VIAL	5t312.0↔		BOP, KVT, UOP4, VIAL
	08	I12A, I12B, I12C, I20A, I20B, I20C, I20D, I20E, I20F		01	B03A, B03B, B06A, B06B, B07Z, B17A, B17B, B17C		08	I12A, I12B, I12C, I16Z
	21A	W04A, W04B		08	I08A, I08B, I08C, I08D, I08E, I08F, I28A, I28B		21A	W04A, W04B
	21B	X04Z		21A	W04A, W04B		21B	X06A, X06B, X06C
5t310.n↔		BOP, KVT, UOP4, VIAL	5t311.f		BOP, KVT, UOP4, VIAL	5t312.4↔		BOP, KVT, UOP4, VIAL
	08	I12A, I12B, I12C, I20A, I20B, I20C, I20D, I20E, I20F		08	I28A, I28B		08	I08A, I08B, I08C, I08D, I08E, I08F, I12A, I12B, I12C, I21Z, I31Z
	21A	W04A, W04B		21A	W04A, W04B		21A	W04A, W04B
	21B	X04Z		21B	X04Z, X06A, X06B, X06C		21B	X06A, X06B, X06C
5t310.p↔		BOP, KVT, UOP4, VIAL	5t311.g↔		BOP, KVT, UOP4, VIAL	5t312.5↔		BOP, KVT, UOP4, VIAL
	08	I12A, I12B, I12C, I20A, I20B, I20C, I20D, I20E, I20F		01	B03A, B03B, B06A, B06B, B17A, B17B, B17C		08	I08A, I08B, I08C, I08D, I08E, I08F, I12A, I12B, I12C, I21Z, I31Z
	21A	W04A, W04B		08	I08A, I08B, I08C, I08D, I08E, I08F		21A	W04A, W04B
	21B	X04Z		21A	W01A, W01B, W01C, W02A, W02B		21B	X06A, X06B, X06C
5t310.q↔		BOP, KVT, UOP4, VIAL	5t311.h↔		BOP, KVT, UOP4, VIAL	5t312.6↔		BOP, KVT, UOP4, VIAL
	08	I12A, I12B, I12C, I20A, I20B, I20C, I20D, I20E, I20F		01	B03A, B03B, B06A, B06B, B17A, B17B, B17C		01	B03A, B03B, B06A, B06B, B07Z, B17A, B17B, B17C
	21A	W04A, W04B		08	I18A, I30Z		08	I08A, I08B, I08C, I08D, I08E, I08F, I12A, I12B, I12C, I32A, I32B, I32C, I32D, I32E, I32F
	21B	X04Z		21A	W04A, W04B		21A	W04A, W04B
5t310.r↔		BOP, KVT, UOP4, VIAL	5t311.j↔		BOP, KVT, UOP4, VIAL	5t312.7↔		BOP, KVT, UOP4, VIAL
	08	I12A, I12B, I12C, I20A, I20B, I20C, I20D, I20E, I20F		01	B03A, B03B, B06A, B06B, B17A, B17B, B17C		01	B03A, B03B, B06A, B06B, B07Z, B17A, B17B, B17C
	21A	W04A, W04B		08	I18A, I30Z		08	I12A, I12B, I12C, I32A, I32B, I32C, I32D, I32E, I32F
	21B	X04Z		21A	W04A, W04B		21A	W04A, W04B
5t310.x		BOP, KVT, UOP4	5t311.k↔		BOP, KVT, UOP4, VIAL	5t312.8↔		BOP, KVT, UOP4, VIAL
	08	I12A, I12B, I12C, I23A, I23B		01	B03A, B03B, B06A, B06B, B17A, B17B, B17C		01	B03A, B03B, B06A, B06B, B07Z, B17A, B17B, B17C
	21A	W04A, W04B		08	I18A, I30Z		08	I12A, I12B, I12C, I32A, I32B, I32C, I32D, I32E, I32F
	21B	X06A, X06B, X06C		21A	W04A, W04B		21A	W04A, W04B
5t311.0↔		BOP, KVT, UOP4, VIAL	5t311.l↔		BOP, KVT, UOP4, VIAL	5t312.9↔		BOP, KVT, UOP4, VIAL
	08	I16Z		05	F27A, F27B, F27C		01	B03A, B03B, B06A, B06B, B07Z, B17A, B17B, B17C
	21A	W04A, W04B		08	I13A, I13B, I13C, I13D, I13E		08	I12A, I12B, I12C, I32A, I32B, I32C, I32D, I32E, I32F
	21B	X06A, X06B, X06C		10	K01Z		21A	W04A, W04B
5t311.4↔		BOP, KVT, UOP4, VIAL	5t311.m↔		BOP, KVT, UOP4, VIAL	5t312.e↔		BOP, KVT, UOP4, VIAL
	08	I08A, I08B, I08C, I08D, I08E, I08F, I21Z, I31Z		08	I20A, I20B, I20C, I20D		08	I08A, I08B, I08C, I08D, I08E, I08F
	21A	W04A, W04B		21A	W04A, W04B		08	I08A, I08B, I08C, I08D, I08E, I08F
	21B	X06A, X06B, X06C		21B	X04Z		08	I08A, I08B, I08C, I08D, I08E, I08F
5t311.5↔		BOP, KVT, UOP4, VIAL	5t311.n↔		BOP, KVT, UOP4, VIAL	5t312.f		BOP, KVT, UOP4, VIAL
	08	I08A, I08B, I08C, I08D, I08E, I08F, I21Z, I31Z		08	I20A, I20B, I20C, I20D		08	I08A, I08B, I08C, I08D, I08E, I08F
	21A	W04A, W04B		21A	W04A, W04B			
	21B	X06A, X06B, X06C		21B	X04Z			
5t311.6↔		BOP, KVT, UOP4, VIAL	5t311.p↔		BOP, KVT, UOP4, VIAL			
	01	B03A, B03B, B06A, B06B, B07Z, B17A, B17B, B17C		08	I20A, I20B, I20C, I20D			
	08	I08A, I08B, I08C, I08D, I08E, I08F, I32A, I32B, I32C, I32D, I32E, I32F		21A	W04A, W04B			
	21A	W04A, W04B		21B	X04Z			
	21B	X05A, X05B		21B	X04Z			

ZZV	MDC	DRG	ZZV	MDC	DRG	ZZV	MDC	DRG
5t312.g↔		BOP, KVT, UOP4, VIAL	5t313.2↔		BOP, KVT, UOP4, VIAL	5t317.h↔		BOP, KVT, UOP4, VIAL
	01	B03A, B03B, B06A, B06B, B17A, B17B, B17C		01	B03A, B03B, B06A, B06B, B17A, B17B, B17C		01	B03A, B03B, B06A, B06B, B17A, B17B, B17C
	08	I08A, I08B, I08C, I08D, I08E, I08F		08	I12A, I12B, I12C, I18A, I18B, I30Z		08	I18A, I18B, I30Z
	21A	W01A, W01B, W01C, W02A, W02B		21A	W04A, W04B		21A	W04A, W04B
	21B	X04Z		21B	X04Z		21B	X04Z
5t312.h↔		BOP, KVT, UOP4, VIAL	5t313.3↔		BOP, KVT, UOP4, VIAL	5t317.j↔		BOP, KVT, UOP4, VIAL
	08	I12A, I12B, I12C, I18A, I30Z		08	I12A, I12B, I12C, I18A, I18B, I30Z		08	I13A, I13B, I13C, I13D, I13E
	21A	W04A, W04B		10	K09A, K09B		01	B03A, B03B, B06A, B06B, B17A, B17B, B17C
	21B	X04Z		21A	W04A, W04B		05	F27A, F27B, F27C
5t312.j↔		BOP, KVT, UOP4, VIAL		21B	X04Z		08	I13A, I13B, I13C, I13D, I13E
5t312.k↔		BOP, KVT, UOP4, VIAL	5t313.4↔		BOP, KVT, UOP4, VIAL		10	K01Z
	08	I13A, I13B, I13C, I13D, I13E		01	B03A, B03B, B06A, B06B, B17A, B17B, B17C		21A	W04A, W04B
	01	B03A, B03B, B06A, B06B, B17A, B17B, B17C		08	I12A, I12B, I12C, I18A, I18B, I30Z		21B	X04Z
	05	F27A, F27B, F27C		21A	W04A, W04B	5t317.n↔		BOP, KVT, UOP4, VIAL
	08	I12A, I12B, I12C, I13A, I13B, I13C, I13D, I13E		21B	X04Z		08	I20A, I20B, I20C, I20D
	10	K01Z	5t313.5↔		BOP, KVT, UOP4, VIAL	5t317.p↔		BOP, KVT, UOP4, VIAL
	21A	W04A, W04B		08	I18A, I18B, I24Z, I30Z		08	I20A, I20B, I20C, I20D
	21B	X04Z		21A	W04A, W04B	5t317.q↔		BOP, KVT, UOP4, VIAL
5t312.m↔		BOP, KVT, UOP4, VIAL		21B	X04Z		08	I20A, I20B, I20C, I20D, I20E, I20F
	08	I12A, I12B, I12C, I20A, I20B, I20C, I20D	5t313.6↔		BOP, KVT, UOP4, VIAL	5t317.r↔		BOP, KVT, UOP4, VIAL
	21A	W04A, W04B		08	I18A, I18B, I30Z		08	I20A, I20B, I20C, I20D, I20E, I20F
	21B	X04Z		21A	W04A, W04B	5t317.x		BOP, KVT, UOP4
5t312.n↔		BOP, KVT, UOP4, VIAL		21B	X04Z		08	I28A, I28B
	08	I12A, I12B, I12C, I20A, I20B, I20C, I20D	5t317.0↔		BOP, KVT, UOP4, VIAL		21A	W04A, W04B
	21A	W04A, W04B		08	I16Z		21B	X06A, X06B, X06C
	21B	X04Z		21A	W04A, W04B	5t318.0↔		BOP, KVT, UOP4, VIAL
5t312.p↔		BOP, KVT, UOP4, VIAL		21B	X06A, X06B, X06C		08	I16Z
	08	I12A, I12B, I12C, I20A, I20B, I20C, I20D	5t317.4↔		BOP, KVT, UOP4, VIAL		21A	W04A, W04B
	21A	W04A, W04B		08	I08A, I08B, I08C, I08D, I08E, I08F, I21Z, I31Z		21B	X06A, X06B, X06C
	21B	X04Z		21A	W04A, W04B	5t318.4↔		BOP, KVT, UOP4, VIAL
5t312.q↔		BOP, KVT, UOP4, VIAL		21B	X06A, X06B, X06C		08	I08A, I08B, I08C, I08D, I08E, I08F, I21Z, I31Z
	08	I12A, I12B, I12C, I20A, I20B, I20C, I20D, I20E, I20F	5t317.5↔		BOP, KVT, UOP4, VIAL		21A	W04A, W04B
	21A	W04A, W04B		08	I08A, I08B, I08C, I08D, I08E, I08F, I21Z, I31Z		21B	X06A, X06B, X06C
	21B	X04Z		21A	W04A, W04B	5t318.7↔		BOP, KVT, UOP4, VIAL
5t312.r↔		BOP, KVT, UOP4, VIAL		21B	X06A, X06B, X06C		08	I32A, I32B, I32C, I32D, I32E, I32F
	08	I12A, I12B, I12C, I20A, I20B, I20C, I20D, I20E, I20F	5t317.7↔		BOP, KVT, UOP4, VIAL		09	J03A, J03B, J04A, J04B, J08A, J08B, J08C, J11A, J11B, J16Z
	21A	W04A, W04B		01	B03A, B03B, B06A, B06B, B07Z, B17A, B17B, B17C		21A	W04A, W04B
	21B	X04Z		08	I32A, I32B, I32C, I32D, I32E, I32F		21B	X05A, X05B
5t312.x		BOP, KVT, UOP4		21A	W04A, W04B	5t318.g↔		BOP, KVT, UOP4, VIAL
	08	I12A, I12B, I12C, I28A, I28B	5t317.8↔		BOP, KVT, UOP4, VIAL		08	I08A, I08B, I08C, I08D, I08E, I08F
	21A	W04A, W04B		01	B03A, B03B, B06A, B06B, B07Z, B17A, B17B, B17C		21A	W01A, W01B, W01C, W02A, W02B
	21B	X06A, X06B, X06C		08	I32A, I32B, I32C, I32D, I32E, I32F		21B	X04Z
5t313.0↔		BOP, KVT, UOP4, VIAL		21A	W04A, W04B	5t318.h↔		BOP, KVT, UOP4, VIAL
	08	I12A, I12B, I12C, I18A, I18B, I30Z		21B	X05A, X05B		08	I18A, I18B, I30Z
	10	K09A, K09B	5t317.e↔		BOP, KVT, UOP4, VIAL		10	K09A, K09B
	21A	W04A, W04B		08	I08A, I08B, I08C, I08D, I08E, I08F		21A	W04A, W04B
	21B	X04Z		08	I08A, I08B, I08C, I08D, I08E, I08F		21B	X04Z
5t313.1↔		BOP, KVT, UOP4, VIAL	5t317.g↔		BOP, KVT, UOP4, VIAL	5t318.k↔		BOP, KVT, UOP4, VIAL
	08	I12A, I12B, I12C, I18A, I18B, I30Z		01	B03A, B03B, B06A, B06B, B17A, B17B, B17C		08	I13A, I13B, I13C, I13D, I13E
	10	K09A, K09B		08	I08A, I08B, I08C, I08D, I08E, I08F		21A	W04A, W04B
	21A	W04A, W04B		21A	W01A, W01B, W01C, W02A, W02B		21B	X04Z
	21B	X04Z		21B	X04Z	5t318.x		BOP, KVT, UOP4
							08	I28A, I28B
							21A	W04A, W04B
							21B	X06A, X06B, X06C

ZZV	MDC	DRG	ZZV	MDC	DRG	ZZV	MDC	DRG
5t319↔		BOP, KVT, UOP4, VIAL	5t31a.q↔		BOP, KVT, UOP4, VIAL	5t31c.g↔		BOP, KVT, UOP4, VIAL
	08	I32A, I32B, I32C, I32D, I32E, I32F, I32G		08	I20A, I20B, I20C, I20D, I20E, I20F		01	B03A, B03B, B06A, B06B, B17A, B17B, B17C
	09	J03A, J03B, J04A, J04B, J08A, J08B, J08C, J11A, J11B, J16Z	5t31a.r↔		BOP, KVT, UOP4, VIAL		08	I08A, I08B, I08C, I08D, I08E, I08F
	21A	W04A, W04B		08	I20A, I20B, I20C, I20D, I20E, I20F	21A	W01A, W01B, W01C, W02A, W02B	
	21B	X05A, X05B	5t31a.x		BOP, KVT, UOP4	21B	X04Z	
5t31a.0↔		BOP, KVT, UOP4, VIAL		08	I28A, I28B	5t31c.h↔		BOP, KVT, UOP4, VIAL
	08	I16Z		21A	W04A, W04B		01	B03A, B03B, B06A, B06B, B17A, B17B, B17C
	21A	W04A, W04B	5t31c.0↔		X06A, X06B, X06C		08	I18A, I18B, I30Z
	21B	X06A, X06B, X06C		08	I16Z	21A	W04A, W04B	
5t31a.4↔		BOP, KVT, UOP4, VIAL		21A	W04A, W04B	21B	X04Z	
	08	I08A, I08B, I08C, I08D, I08E, I08F, I21Z, I31Z	5t31c.1↔		BOP, KVT, UOP4, VIAL	5t31c.j↔		BOP, KVT, UOP4, VIAL
	21A	W04A, W04B		08	I16Z		01	B03A, B03B, B06A, B06B, B17A, B17B, B17C
	21B	X06A, X06B, X06C		21A	W04A, W04B		08	I18A, I18B, I30Z
5t31a.5↔		BOP, KVT, UOP4, VIAL	5t31c.3↔		BOP, KVT, UOP4, VIAL	21A	W04A, W04B	
	08	I08A, I08B, I08C, I08D, I08E, I08F, I21Z, I31Z		08	I23A, I23B	21B	X04Z	
	21A	W04A, W04B		21A	W04A, W04B	5t31c.k↔		BOP, KVT, UOP4, VIAL
	21B	X06A, X06B, X06C	5t31c.4↔		X06A, X06B, X06C		08	I13A, I13B, I13C, I13D, I13E
5t31a.7↔		BOP, KVT, UOP4, VIAL		08	I08A, I08B, I08C, I08D, I08E, I08F, I21Z, I31Z	21A	W04A, W04B	
	01	B03A, B03B, B06A, B06B, B07Z, B17A, B17B, B17C		21A	W04A, W04B	21B	X04Z	
	08	I32A, I32B, I32C, I32D, I32E, I32F	5t31c.5↔		BOP, KVT, UOP4, VIAL	5t31c.m↔		BOP, KVT, UOP4, VIAL
	21A	W04A, W04B		08	I08A, I08B, I08C, I08D, I08E, I08F, I21Z, I31Z		08	I20A, I20B, I20C, I20D, I20E, I20F
	21B	X05A, X05B		21A	W04A, W04B	21A	W04A, W04B	
5t31a.8↔		BOP, KVT, UOP4, VIAL		21B	X06A, X06B, X06C	21B	X04Z	
	01	B03A, B03B, B06A, B06B, B07Z, B17A, B17B, B17C	5t31c.6↔		BOP, KVT, UOP4, VIAL	5t31c.n↔		BOP, KVT, UOP4, VIAL
	08	I32A, I32B, I32C, I32D, I32E, I32F		08	I08A, I08B, I08C, I08D, I08E, I08F, I32A, I32B, I32C, I32D, I32E, I32F		08	I20A, I20B, I20C, I20D, I20E, I20F
	21A	W04A, W04B		21A	W04A, W04B	21A	W04A, W04B	
	21B	X05A, X05B	5t31c.7↔		BOP, KVT, UOP4, VIAL	21B	X04Z	
5t31a.e↔		BOP, KVT, UOP4, VIAL		08	I32A, I32B, I32C, I32D, I32E, I32F	5t31c.p↔		BOP, KVT, UOP4, VIAL
	08	I08A, I08B, I08C, I08D, I08E, I08F		09	J03A, J03B, J04A, J04B, J08A, J08B, J08C, J11A, J11B, J16Z		08	I20A, I20B, I20C, I20D, I20E, I20F
5t31a.g↔		BOP, KVT, UOP4, VIAL		21A	W04A, W04B	21A	W04A, W04B	
	01	B03A, B03B, B06A, B06B, B17A, B17B, B17C	5t31c.8↔		X05A, X05B	21B	X04Z	
	08	I08A, I08B, I08C, I08D, I08E, I08F		08	I32A, I32B, I32C, I32D, I32E, I32F	5t31c.x		BOP, KVT, UOP4
	21A	W01A, W01B, W01C, W02A, W02B		09	J03A, J03B, J04A, J04B, J08A, J08B, J08C, J11A, J11B, J16Z		08	I23A, I23B
	21B	X04Z		21A	W04A, W04B	21A	W04A, W04B	
5t31a.h↔		BOP, KVT, UOP4, VIAL		21B	X05A, X05B	21B	X06A, X06B, X06C	
	01	B03A, B03B, B06A, B06B, B17A, B17B, B17C	5t31c.9↔		BOP, KVT, UOP4, VIAL	5t31d.0↔		BOP, KVT, UOP4, VIAL
	08	I08A, I08B, I08C, I08D, I08E, I08F		08	I32A, I32B, I32C, I32D, I32E, I32F		08	I16Z
	21A	W04A, W04B		09	J03A, J03B, J04A, J04B, J08A, J08B, J08C, J11A, J11B, J16Z	21A	W04A, W04B	
	21B	X04Z	5t31c.e↔		BOP, KVT, UOP4, VIAL	21B	X06A, X06B, X06C	
5t31a.i↔		BOP, KVT, UOP4, VIAL		08	I08A, I08B, I08C, I08D, I08E, I08F, I23A, I23B	5t31d.1↔		BOP, KVT, UOP4, VIAL
	08	I13A, I13B, I13C, I13D, I13E		21A	W04A, W04B		08	I16Z
5t31a.k↔		BOP, KVT, UOP4, VIAL		21B	X05A, X05B	21A	W04A, W04B	
	01	B03A, B03B, B06A, B06B, B17A, B17B, B17C		08	I32A, I32B, I32C, I32D, I32E, I32F	21B	X06A, X06B, X06C	
	05	F27A, F27B, F27C		09	J03A, J03B, J04A, J04B, J08A, J08B, J08C, J11A, J11B, J16Z	5t31d.3↔		BOP, KVT, UOP4, VIAL
	08	I13A, I13B, I13C, I13D, I13E		21A	W04A, W04B		08	I28A, I28B
	10	K01Z		21B	X05A, X05B	21A	W04A, W04B	
	21A	W04A, W04B		08	I08A, I08B, I08C, I08D, I08E, I08F, I23A, I23B	21B	X06A, X06B, X06C	
	21B	X04Z		21A	W04A, W04B			
5t31a.n↔		BOP, KVT, UOP4, VIAL		21B	X05A, X05B			
	08	I20A, I20B, I20C, I20D		08	I08A, I08B, I08C, I08D, I08E, I08F, I23A, I23B			
5t31a.p↔		BOP, KVT, UOP4, VIAL		21A	W04A, W04B			
	08	I20A, I20B, I20C, I20D		21B	X04Z, X06A, X06B, X06C			

ZZV	MDC	DRG	ZZV	MDC	DRG	ZZV	MDC	DRG
5t31d.4↔		BOP, KVT, UOP4, VIAL	5t31d.m↔		BOP, KVT, UOP4, VIAL	5t31h.h↔		BOP, KVT, UOP4, VIAL
	08	I08A, I08B, I08C, I08D, I08E, I08F, I21Z, I31Z		08	I20A, I20B, I20C, I20D		01	B03A, B03B, B06A, B06B, B17A, B17B, B17C
	21A	W04A, W04B		21A	W04A, W04B		08	I08A, I08B, I08C, I08D, I08E, I08F
	21B	X06A, X06B, X06C	5t31d.n↔		BOP, KVT, UOP4, VIAL		21A	W04A, W04B
5t31d.5↔		BOP, KVT, UOP4, VIAL		08	I20A, I20B, I20C, I20D		21B	X04Z
	08	I08A, I08B, I08C, I08D, I08E, I08F, I21Z, I31Z		21A	W04A, W04B	5t31h.j↔		BOP, KVT, UOP4, VIAL
	21A	W04A, W04B		21B	X04Z		08	I13A, I13B, I13C, I13D, I13E
	21B	X06A, X06B, X06C	5t31d.p↔		BOP, KVT, UOP4, VIAL	5t31h.k↔		BOP, KVT, UOP4, VIAL
5t31d.6↔		BOP, KVT, UOP4, VIAL		08	I20A, I20B, I20C, I20D		01	B03A, B03B, B06A, B06B, B17A, B17B, B17C
	01	B03A, B03B, B06A, B06B, B07Z, B17A, B17B, B17C		21A	W04A, W04B		05	F27A, F27B, F27C
	08	I08A, I08B, I08C, I08D, I08E, I08F, I32A, I32B, I32C, I32D, I32E, I32F		21B	X04Z		08	I13A, I13B, I13C, I13D, I13E
	21A	W04A, W04B	5t31d.q↔		BOP, KVT, UOP4, VIAL		10	K01Z
	21B	X05A, X05B		08	I20A, I20B, I20C, I20D, I20E, I20F		21A	W04A, W04B
5t31d.7↔		BOP, KVT, UOP4, VIAL		21A	W04A, W04B		21B	X04Z
	01	B03A, B03B, B06A, B06B, B07Z, B17A, B17B, B17C	5t31d.r↔		BOP, KVT, UOP4, VIAL	5t31h.n↔		BOP, KVT, UOP4, VIAL
	08	I32A, I32B, I32C, I32D, I32E, I32F		08	I20A, I20B, I20C, I20D, I20E, I20F		08	I20A, I20B, I20C, I20D
	21A	W04A, W04B		21A	W04A, W04B	5t31h.p↔		BOP, KVT, UOP4, VIAL
	21B	X05A, X05B		21B	X04Z		08	I20A, I20B, I20C, I20D
5t31d.8↔		BOP, KVT, UOP4, VIAL	5t31d.x		BOP, KVT, UOP4	5t31h.q↔		BOP, KVT, UOP4, VIAL
	01	B03A, B03B, B06A, B06B, B07Z, B17A, B17B, B17C		08	I28A, I28B		08	I20A, I20B, I20C, I20D, I20E, I20F
	08	I32A, I32B, I32C, I32D, I32E, I32F		21A	W04A, W04B	5t31h.r↔		BOP, KVT, UOP4, VIAL
	21A	W04A, W04B		21B	X06A, X06B, X06C		08	I20A, I20B, I20C, I20D, I20E, I20F
	21B	X05A, X05B	5t31g↔		BOP, KVT, UOP4, VIAL	5t31h.x		BOP, KVT, UOP4
5t31d.9↔		BOP, KVT, UOP4, VIAL		08	I18A, I18B, I30Z		08	I28A, I28B
	01	B03A, B03B, B06A, B06B, B07Z, B17A, B17B, B17C		21A	W04A, W04B		21A	W04A, W04B
	08	I32A, I32B, I32C, I32D, I32E, I32F		21B	X04Z		21B	X06A, X06B, X06C
	21A	W04A, W04B	5t31h.0↔		BOP, KVT, UOP4, VIAL	5t31j.0↔		BOP, KVT, UOP4, VIAL
	21B	X05A, X05B		08	I16Z		08	I16Z
5t31d.e↔		BOP, KVT, UOP4, VIAL		21A	W04A, W04B		21A	W04A, W04B
	08	I08A, I08B, I08C, I08D, I08E, I08F	5t31h.4↔		BOP, KVT, UOP4, VIAL		21B	X06A, X06B, X06C
	21A	W04A, W04B		08	I08A, I08B, I08C, I08D, I08E, I08F, I21Z, I31Z	5t31j.1↔		BOP, KVT, UOP4, VIAL
	21B	X05A, X05B		21A	W04A, W04B		08	I16Z
5t31d.g↔		BOP, KVT, UOP4, VIAL		21B	X06A, X06B, X06C		21A	W04A, W04B
	01	B03A, B03B, B06A, B06B, B17A, B17B, B17C	5t31h.5↔		BOP, KVT, UOP4, VIAL		21B	X06A, X06B, X06C
	08	I08A, I08B, I08C, I08D, I08E, I08F		08	I08A, I08B, I08C, I08D, I08E, I08F, I21Z, I31Z	5t31j.2↔		BOP, KVT, UOP4, VIAL
	21A	W01A, W01B, W01C, W02A, W02B		21A	W04A, W04B		08	I23A, I23B
	21B	X04Z		21B	X06A, X06B, X06C		21A	W04A, W04B
5t31d.h↔		BOP, KVT, UOP4, VIAL	5t31h.7↔		BOP, KVT, UOP4, VIAL		21B	X06A, X06B, X06C
	01	B03A, B03B, B06A, B06B, B17A, B17B, B17C		01	B03A, B03B, B06A, B06B, B07Z, B17A, B17B, B17C	5t31j.3↔		BOP, KVT, UOP4, VIAL
	08	I18A, I18B, I30Z		08	I32A, I32B, I32C, I32D, I32E, I32F		08	I23A, I23B
	21A	W04A, W04B		21A	W04A, W04B		21A	W04A, W04B
	21B	X04Z		21B	X05A, X05B	5t31j.4↔		X06A, X06B, X06C
5t31d.j↔		BOP, KVT, UOP4, VIAL	5t31h.8↔		BOP, KVT, UOP4, VIAL		08	I08A, I08B, I08C, I08D, I08E, I08F, I21Z, I31Z
	01	B03A, B03B, B06A, B06B, B17A, B17B, B17C		01	B03A, B03B, B06A, B06B, B07Z, B17A, B17B, B17C	5t31j.5↔		BOP, KVT, UOP4, VIAL
	08	I18A, I18B, I30Z		08	I32A, I32B, I32C, I32D, I32E, I32F		08	I08A, I08B, I08C, I08D, I08E, I08F, I21Z, I31Z
	21A	W04A, W04B		21A	W04A, W04B		21A	W04A, W04B
	21B	X04Z	5t31h.e↔		BOP, KVT, UOP4, VIAL		21B	X06A, X06B, X06C
5t31d.k↔		BOP, KVT, UOP4, VIAL		08	I08A, I08B, I08C, I08D, I08E, I08F	5t31j.6↔		BOP, KVT, UOP4, VIAL
	01	B03A, B03B, B06A, B06B, B17A, B17B, B17C	5t31h.g↔		BOP, KVT, UOP4, VIAL		08	I08A, I08B, I08C, I08D, I08E, I08F, I32A, I32B, I32C, I32D, I32E, I32F
	05	F27A, F27B, F27C		01	B03A, B03B, B06A, B06B, B17A, B17B, B17C		09	J03A, J03B, J04A, J04B, J08A, J08B, J08C, J11A, J11B, J16Z
	08	I13A, I13B, I13C, I13D, I13E		08	I08A, I08B, I08C, I08D, I08E, I08F		21A	W04A, W04B
	10	K01Z		21A	W01A, W01B, W01C, W02A, W02B		21B	X05A, X05B
	21A	W04A, W04B		21B	X04Z			
	21B	X04Z						

ZZV	MDC	DRG	ZZV	MDC	DRG	ZZV	MDC	DRG	
5t31j.7↔		BOP, KVT, UOP4, VIAL	5t31j.q↔		BOP, KVT, UOP4, VIAL	5t31k.g↔		BOP, KVT, UOP4, VIAL	
	08	I32A, I32B, I32C, I32D, I32E, I32F		08	I20A, I20B, I20C, I20D, I20E, I20F		01	B03A, B03B, B06A, B06B, B17A, B17B, B17C	
	09	J03A, J03B, J04A, J04B, J08A, J08B, J08C, J11A, J11B, J16Z		21A	W04A, W04B		08	I08A, I08B, I08C, I08D, I08E, I08F	
	21A	W04A, W04B	5t31j.r↔		BOP, KVT, UOP4, VIAL		21A	W01A, W01B, W01C, W02A, W02B	
	21B	X05A, X05B		08	I20A, I20B, I20C, I20D, I20E, I20F		21B	X04Z	
5t31j.8↔		BOP, KVT, UOP4, VIAL		21A	W04A, W04B	5t31k.h↔		BOP, KVT, UOP4, VIAL	
	08	I32A, I32B, I32C, I32D, I32E, I32F	5t31j.x		BOP, KVT, UOP4		01	B03A, B03B, B06A, B06B, B17A, B17B, B17C	
	09	J03A, J03B, J04A, J04B, J08A, J08B, J08C, J11A, J11B, J16Z		08	I23A, I23B		08	I18A, I18B, I30Z	
	21A	W04A, W04B		21A	W04A, W04B		21A	W04A, W04B	
	21B	X05A, X05B		21B	X06A, X06B, X06C		21B	X04Z	
5t31j.9↔		BOP, KVT, UOP4, VIAL	5t31k.0↔		BOP, KVT, UOP4, VIAL	5t31k.j↔		BOP, KVT, UOP4, VIAL	
	08	I32A, I32B, I32C, I32D, I32E, I32F		08	I16Z		01	B03A, B03B, B06A, B06B, B17A, B17B, B17C	
	09	J03A, J03B, J04A, J04B, J08A, J08B, J08C, J11A, J11B, J16Z		21A	W04A, W04B		08	I18A, I18B, I30Z	
	21A	W04A, W04B		21B	X06A, X06B, X06C		21A	W04A, W04B	
	21B	X05A, X05B	5t31k.1↔		BOP, KVT, UOP4, VIAL		21B	X04Z	
5t31j.e↔		BOP, KVT, UOP4, VIAL		08	I16Z	5t31k.k↔		BOP, KVT, UOP4, VIAL	
	08	I08A, I08B, I08C, I08D, I08E, I08F, I23A, I23B		21A	W04A, W04B		01	B03A, B03B, B06A, B06B, B17A, B17B, B17C	
	21A	W04A, W04B		21B	X06A, X06B, X06C		05	F27A, F27B, F27C	
	21B	X04Z, X06A, X06B, X06C	5t31k.3↔		BOP, KVT, UOP4, VIAL		08	I13A, I13B, I13C, I13D, I13E	
5t31j.f		BOP, KVT, UOP4, VIAL		08	I28A, I28B		10	K01Z	
	08	I23A, I23B		21A	W04A, W04B		21A	W04A, W04B	
	21A	W04A, W04B		21B	X06A, X06B, X06C		21B	X04Z	
	21B	X04Z, X06A, X06B, X06C	5t31k.4↔		BOP, KVT, UOP4, VIAL	5t31k.m↔		BOP, KVT, UOP4, VIAL	
5t31j.g↔		BOP, KVT, UOP4, VIAL		08	I08A, I08B, I08C, I08D, I08E, I08F, I21Z, I31Z		08	I20A, I20B, I20C, I20D	
	01	B03A, B03B, B06A, B06B, B17A, B17B, B17C		21A	W04A, W04B		21A	W04A, W04B	
	08	I08A, I08B, I08C, I08D, I08E, I08F		21B	X06A, X06B, X06C		21B	X04Z	
	21A	W01A, W01B, W01C, W02A, W02B	5t31k.5↔		BOP, KVT, UOP4, VIAL	5t31k.n↔		BOP, KVT, UOP4, VIAL	
	21B	X04Z		08	I08A, I08B, I08C, I08D, I08E, I08F, I21Z, I31Z		08	I20A, I20B, I20C, I20D	
5t31j.h↔		BOP, KVT, UOP4, VIAL		21A	W04A, W04B		21A	W04A, W04B	
	08	I18A, I18B, I30Z		21B	X06A, X06B, X06C		21B	X04Z	
	21A	W04A, W04B	5t31k.6↔		BOP, KVT, UOP4, VIAL	5t31k.p↔		BOP, KVT, UOP4, VIAL	
	21B	X04Z		01	B03A, B03B, B06A, B06B, B07Z, B17A, B17B, B17C		08	I20A, I20B, I20C, I20D	
5t31j.i↔		BOP, KVT, UOP4, VIAL		08	I08A, I08B, I08C, I08D, I08E, I08F, I32A, I32B, I32C, I32D, I32E, I32F		21A	W04A, W04B	
	08	I18A, I18B, I30Z		21A	W04A, W04B		21B	X04Z	
	21A	W04A, W04B	5t31k.7↔		BOP, KVT, UOP4, VIAL	5t31k.q↔		BOP, KVT, UOP4, VIAL	
	21B	X04Z		01	B03A, B03B, B06A, B06B, B07Z, B17A, B17B, B17C		08	I20A, I20B, I20C, I20D, I20E, I20F	
5t31j.k↔		BOP, KVT, UOP4, VIAL		08	I32A, I32B, I32C, I32D, I32E, I32F		21A	W04A, W04B	
	08	I13A, I13B, I13C, I13D, I13E		21A	W04A, W04B		21B	X04Z	
	21A	W04A, W04B	5t31k.8↔		BOP, KVT, UOP4, VIAL	5t31k.x		BOP, KVT, UOP4	
	21B	X04Z		01	B03A, B03B, B06A, B06B, B07Z, B17A, B17B, B17C		08	I28A, I28B	
5t31j.m↔		BOP, KVT, UOP4, VIAL		08	I32A, I32B, I32C, I32D, I32E, I32F		21A	W04A, W04B	
	08	I20A, I20B, I20C, I20D, I20E, I20F		21A	W04A, W04B		21B	X06A, X06B, X06C	
	21A	W04A, W04B		21B	X05A, X05B	5t31x.0↔		BOP, KVT, UOP4, VIAL	
	21B	X04Z		5t31k.9↔		BOP, KVT, UOP4, VIAL		08	I16Z
5t31j.n↔		BOP, KVT, UOP4, VIAL		01	B03A, B03B, B06A, B06B, B07Z, B17A, B17B, B17C		21A	W04A, W04B	
	08	I20A, I20B, I20C, I20D, I20E, I20F		08	I32A, I32B, I32C, I32D, I32E, I32F		21B	X06A, X06B, X06C	
	21A	W04A, W04B		21A	W04A, W04B	5t31x.1↔		BOP, KVT, UOP4, VIAL	
	21B	X04Z		21B	X05A, X05B		08	I16Z	
5t31j.p↔		BOP, KVT, UOP4, VIAL		5t31k.e↔		BOP, KVT, UOP4, VIAL		21A	W04A, W04B
	08	I20A, I20B, I20C, I20D, I20E, I20F		08	I08A, I08B, I08C, I08D, I08E, I08F		21B	X06A, X06B, X06C	
	21A	W04A, W04B							
	21B	X04Z							

ZZV	MDC	DRG	ZZV	MDC	DRG	ZZV	MDC	DRG
5t31x.3↔		BOP, KVT, UOP4, VIAL	5t31x.j↔		BOP, KVT, UOP4, VIAL	5t325↔		BOP, KVT, UOP4, VIAL
08		I23A, I23B	08		I18A, I18B, I30Z	01		B03A, B03B, B06A, B06B, B17A, B17B, B17C
21A		W04A, W04B	21A		W04A, W04B	08		I18A, I18B, I30Z
21B		X06A, X06B, X06C	21B		X04Z	21A		W04A, W04B
5t31x.4↔		BOP, KVT, UOP4, VIAL	5t31x.k↔		BOP, KVT, UOP4, VIAL	21B		X04Z
08		I08A, I08B, I08C, I08D, I08E, I08F, I21Z, I31Z	08		I13A, I13B, I13C, I13D, I13E	5t326↔		BOP, KVT, UOP4, VIAL
21A		W04A, W04B	21A		W04A, W04B	01		B03A, B03B, B06A, B06B, B17A, B17B, B17C
21B		X06A, X06B, X06C	21B		X04Z	08		I18A, I18B, I30Z
5t31x.5↔		BOP, KVT, UOP4, VIAL	5t31x.m↔		BOP, KVT, UOP4, VIAL	21A		W04A, W04B
08		I08A, I08B, I08C, I08D, I08E, I08F, I21Z, I31Z	08		I20A, I20B, I20C, I20D, I20E, I20F	21B		X04Z
21A		W04A, W04B	21A		W04A, W04B	5t327↔		BOP, KVT, UOP4, VIAL
21B		X06A, X06B, X06C	21B		X04Z	01		B03A, B03B, B06A, B06B, B17A, B17B, B17C
5t31x.6↔		BOP, KVT, UOP4, VIAL	5t31x.n↔		BOP, KVT, UOP4, VIAL	08		I18A, I18B, I30Z
08		I08A, I08B, I08C, I08D, I08E, I08F, I32A, I32B, I32C, I32D, I32E, I32F	08		I20A, I20B, I20C, I20D, I20E, I20F	21A		W04A, W04B
09		J03A, J03B, J04A, J04B, J08A, J08B, J08C, J11A, J11B, J16Z	21A		W04A, W04B	21B		X04Z
21A		W04A, W04B	21B		X04Z	5t328↔		BOP, KVT, UOP4, VIAL
21B		X05A, X05B	5t31x.p↔		BOP, KVT, UOP4, VIAL	01		B03A, B03B, B06A, B06B, B17A, B17B, B17C
5t31x.7↔		BOP, KVT, UOP4, VIAL	08		I20A, I20B, I20C, I20D, I20E, I20F	08		I18A, I18B, I30Z
08		I32A, I32B, I32C, I32D, I32E, I32F	21A		W04A, W04B	21A		W04A, W04B
09		J03A, J03B, J04A, J04B, J08A, J08B, J08C, J11A, J11B, J16Z	21B		X04Z	21B		X04Z
21A		W04A, W04B	5t31x.q↔		BOP, KVT, UOP4, VIAL	5t329↔		BOP, KVT, UOP4, VIAL
21B		X05A, X05B	08		I20A, I20B, I20C, I20D, I20E, I20F	01		B03A, B03B, B06A, B06B, B17A, B17B, B17C
5t31x.8↔		BOP, KVT, UOP4, VIAL	21A		W04A, W04B	08		I18A, I18B, I30Z
08		I32A, I32B, I32C, I32D, I32E, I32F	21B		X04Z	21A		W04A, W04B
09		J03A, J03B, J04A, J04B, J08A, J08B, J08C, J11A, J11B, J16Z	5t31x.r↔		BOP, KVT, UOP4, VIAL	21B		X04Z
21A		W04A, W04B	08		I20A, I20B, I20C, I20D, I20E, I20F	5t32x↔		BOP, KVT, UOP4
21B		X05A, X05B	21A		W04A, W04B	01		B03A, B03B, B06A, B06B, B17A, B17B, B17C
5t31x.9↔		BOP, KVT, UOP4, VIAL	21B		X04Z	08		I18A, I18B, I30Z
08		I32A, I32B, I32C, I32D, I32E, I32F	5t31x.x		BOP, KVT, UOP4	10		K09A, K09B
09		J03A, J03B, J04A, J04B, J08A, J08B, J08C, J11A, J11B, J16Z	08		I23A, I23B	21A		W04A, W04B
21A		W04A, W04B	21A		W04A, W04B	21B		X04Z
21B		X05A, X05B	21B		X06A, X06B, X06C	5t330↔		BOP, KVT, UOP4, VIAL
5t31x.e↔		BOP, KVT, UOP4, VIAL	5t320↔		BOP, KVT, UOP4, VIAL	01		B03A, B03B, B06A, B06B, B07Z, B17A, B17B, B17C
08		I08A, I08B, I08C, I08D, I08E, I08F, I23A, I23B	01		B03A, B03B, B06A, B06B, B17A, B17B, B17C	08		I18A, I18B, I30Z
21A		W04A, W04B	08		I18A, I18B, I30Z	10		K09A, K09B
21B		X04Z, X06A, X06B, X06C	21A		W04A, W04B	21A		W04A, W04B
5t31x.f		BOP, KVT, UOP4, VIAL	21B		X04Z	21B		X04Z
08		I23A, I23B	5t321↔		BOP, KVT, UOP4, VIAL	5t331↔		BOP, KVT, UOP4, VIAL
21A		W04A, W04B	01		B03A, B03B, B06A, B06B, B17A, B17B, B17C	01		B03A, B03B, B06A, B06B, B07Z, B17A, B17B, B17C
21B		X04Z, X06A, X06B, X06C	08		I18A, I18B, I30Z	08		I18A, I18B, I30Z
5t31x.g↔		BOP, KVT, UOP4, VIAL	21A		W04A, W04B	21A		W04A, W04B
01		B03A, B03B, B06A, B06B, B17A, B17B, B17C	21B		X04Z	21B		X04Z
08		I08A, I08B, I08C, I08D, I08E, I08F	5t322↔		BOP, KVT, UOP4, VIAL	5t332↔		BOP, KVT, UOP4, VIAL
21A		W01A, W01B, W01C, W02A, W02B	01		B03A, B03B, B06A, B06B, B17A, B17B, B17C	01		B03A, B03B, B06A, B06B, B07Z, B17A, B17B, B17C
21B		X04Z	08		I18A, I18B, I30Z	08		I18A, I18B, I30Z
5t31x.h↔		BOP, KVT, UOP4, VIAL	21A		W04A, W04B	10		K09A, K09B
08		I18A, I18B, I30Z	21B		X04Z	21A		W04A, W04B
21A		W04A, W04B	5t323↔		BOP, KVT, UOP4, VIAL	21B		X04Z
21B		X04Z	01		B03A, B03B, B06A, B06B, B17A, B17B, B17C	5t333↔		BOP, KVT, UOP4, VIAL
			08		I18A, I18B, I30Z	01		B03A, B03B, B06A, B06B, B07Z, B17A, B17B, B17C
			21A		W04A, W04B	08		I18A, I18B, I30Z
			21B		X04Z	10		K09A, K09B
			5t324↔		BOP, KVT, UOP4, VIAL	21A		W04A, W04B
			01		B03A, B03B, B06A, B06B, B17A, B17B, B17C	21B		X04Z
			08		I18A, I18B, I30Z	5t334↔		BOP, KVT, UOP4, VIAL
			21A		W04A, W04B	01		B03A, B03B, B06A, B06B, B07Z, B17A, B17B, B17C
			21B		X04Z	08		I18A, I18B, I30Z
						21A		W04A, W04B
						21B		X04Z

VYK

ZZV	MDC	DRG	ZZV	MDC	DRG	ZZV	MDC	DRG
5t335↔		BOP, KVT, UOP4, VIAL	5t343↔		BOP, KVT, UOP4, VIAL	5t361↔		BOP, KVT, UOP4, VIAL
	01	B03A, B03B, B06A, B06B, B07Z, B17A, B17B, B17C		01	B03A, B03B, B06A, B06B, B07Z, B17A, B17B, B17C		01	B03A, B03B, B06A, B06B, B17A, B17B, B17C
	08	I18A, I18B, I30Z		08	I18A, I18B, I30Z		05	F27A, F27B, F27C
	21A	W04A, W04B		10	K09A, K09B		08	I12A, I12B, I12C, I59Z
	21B	X04Z		21A	W04A, W04B		10	K01Z
5t336↔		BOP, KVT, UOP4, VIAL	5t34x↔		BOP, KVT, UOP4, VIAL	5t362↔		BOP, KVT, UOP4, VIAL
	01	B03A, B03B, B06A, B06B, B17A, B17B, B17C		08	I12A, I12B, I12C, I18A, I18B, I30Z		01	B03A, B03B, B06A, B06B, B17A, B17B, B17C
	08	I18A, I30Z		21A	W04A, W04B		05	F27A, F27B, F27C
	21A	W04A, W04B		21B	X04Z		08	I12A, I12B, I12C, I59Z
	21B	X04Z	5t350↔		BOP, KVT, UOP4, VIAL		10	K01Z
5t337↔		BOP, KVT, UOP4, VIAL		08	I29Z		21A	W04A, W04B
	01	B03A, B03B, B06A, B06B, B17A, B17B, B17C		21A	W04A, W04B		21B	X04Z
	08	I18A, I30Z	5t351↔		BOP, KVT, UOP4, VIAL	5t363↔		BOP, KVT, UOP4, VIAL
	21A	W04A, W04B		08	I29Z		01	B03A, B03B, B06A, B06B, B17A, B17B, B17C
	21B	X04Z		21A	W04A, W04B		05	F27A, F27B, F27C
5t338↔		BOP, KVT, UOP4, VIAL	5t352↔		BOP, KVT, UOP4, VIAL		08	I12A, I12B, I12C, I59Z
	01	B03A, B03B, B06A, B06B, B17A, B17B, B17C		08	I29Z		10	K01Z
	08	I18A, I30Z		21A	W04A, W04B		21A	W04A, W04B
	21A	W04A, W04B		21B	X06A, X06B, X06C		21B	X04Z
	21B	X04Z	5t353↔		BOP, KVT, UOP4, VIAL	5t364↔		BOP, KVT, UOP4, VIAL
5t339↔		BOP, KVT, UOP4, VIAL		08	I29Z		01	B03A, B03B, B06A, B06B, B17A, B17B, B17C
	01	B03A, B03B, B06A, B06B, B17A, B17B, B17C		21A	W04A, W04B		05	F27A, F27B, F27C
	08	I18A, I30Z	5t354↔		BOP, KVT, UOP4, VIAL		08	I12A, I12B, I12C, I59Z
	21A	W04A, W04B		08	I12A, I12B, I12C, I29Z		10	K01Z
	21B	X04Z		21A	W04A, W04B		21A	W04A, W04B
5t33a↔		BOP, KVT, UOP4, VIAL		21B	X06A, X06B, X06C		21B	X04Z
	01	B03A, B03B, B06A, B06B, B17A, B17B, B17C	5t355↔		BOP, KVT, UOP4, VIAL	5t365↔		BOP, KVT, UOP4, VIAL
	08	I18A, I30Z		08	I12A, I12B, I12C, I29Z		01	B03A, B03B, B06A, B06B, B17A, B17B, B17C
	21A	W04A, W04B		21A	W04A, W04B		05	F27A, F27B, F27C
	21B	X04Z		21B	X06A, X06B, X06C		08	I12A, I12B, I12C, I59Z
5t33x↔		BOP, KVT, UOP4, VIAL	5t356↔		BOP, KVT, UOP4, VIAL		10	K01Z
	01	B03A, B03B, B06A, B06B, B17A, B17B, B17C		08	I12A, I12B, I12C, I29Z		21A	W04A, W04B
	08	I18A, I18B, I30Z		21A	W04A, W04B		21B	X04Z
	21A	W04A, W04B	5t357↔		BOP, KVT, UOP4, VIAL	5t366↔		BOP, KVT, UOP4, VIAL
	21B	X04Z		08	I12A, I12B, I12C, I29Z		01	B03A, B03B, B06A, B06B, B17A, B17B, B17C
5t340↔		BOP, KVT, UOP4, VIAL		21A	W04A, W04B		05	F27A, F27B, F27C
	01	B03A, B03B, B06A, B06B, B17A, B17B, B17C	5t358↔		BOP, KVT, UOP4, VIAL		08	I12A, I12B, I12C, I59Z
	08	I12A, I12B, I12C, I18A, I18B, I30Z		08	I12A, I12B, I12C, I29Z		10	K01Z
	21A	W04A, W04B		21A	W04A, W04B		21A	W04A, W04B
	21B	X04Z		21B	X06A, X06B, X06C		21B	X04Z
5t341↔		BOP, KVT, UOP4, VIAL	5t359↔		BOP, KVT, UOP4, VIAL	5t367↔		BOP, KVT, UOP4, VIAL
	01	B03A, B03B, B06A, B06B, B17A, B17B, B17C		08	I12A, I12B, I12C, I29Z		01	B03A, B03B, B06A, B06B, B17A, B17B, B17C
	08	I12A, I12B, I12C, I18A, I18B, I30Z		21A	W04A, W04B		05	F27A, F27B, F27C
	21A	W04A, W04B	5t35a↔		BOP, KVT, UOP4, VIAL		08	I12A, I12B, I12C, I59Z
	21B	X04Z		08	I12A, I12B, I12C, I29Z		10	K01Z
5t342↔		BOP, KVT, UOP4, VIAL		21A	W04A, W04B		21A	W04A, W04B
	01	B03A, B03B, B06A, B06B, B07Z, B17A, B17B, B17C	5t35x↔		BOP, KVT, UOP4, VIAL	5t36x↔		BOP, KVT, UOP4, VIAL
	08	I12A, I12B, I12C, I18A, I18B, I30Z		08	I12A, I12B, I12C, I29Z		01	B03A, B03B, B06A, B06B, B17A, B17B, B17C
	10	K09A, K09B		21A	W04A, W04B		05	F27A, F27B, F27C
	21A	W04A, W04B	5t360↔		BOP, KVT, UOP4, VIAL		08	I12A, I12B, I12C, I59Z
	21B	X04Z		01	B03A, B03B, B06A, B06B, B17A, B17B, B17C		10	K01Z
				05	F27A, F27B, F27C		21A	W04A, W04B
				08	I12A, I12B, I12C, I59Z		21B	X04Z
				10	K01Z			
				21A	W04A, W04B			
				21B	X04Z			

ZZV	MDC	DRG	ZZV	MDC	DRG	ZZV	MDC	DRG
5t370↔		BOP, KVT, UOP4	5t382↔		BOP, KVT, UOP4, VIAL	5t387.1↔		BOP, KOP, KOPV, KVT, UOP4, VIAL
	01	B03A, B03B, B06A, B06B, B17A, B17B, B17C		01	B03A, B03B, B06A, B06B, B17A, B17B, B17C		01	B03A, B03B, B06A, B06B, B17A, B17B, B17C
	08	I12A, I12B, I12C, I27A, I27B, I27C, I27D		08	I03A, I03B, I08A, I08B, I08C, I08D, I08E, I08F		05	F27A, F27B, F27C
	21A	W04A, W04B		21A	W01A, W01B, W01C, W02A, W02B		06	G33Z
	21B	X04Z, X05A, X05B, X06A, X06B, X06C		21B	X04Z		07	H33Z, H38Z
5t371↔		BOP, KVT, UOP4	5t383↔		BOP, KOP, KOPV, KVT, UOP4, VIAL	5t387.2↔		BOP, KOP, KOPV, KVT, UOP4, VIAL
	01	B03A, B03B, B06A, B06B, B17A, B17B, B17C		01	B03A, B03B, B06A, B06B, B17A, B17B, B17C		01	B03A, B03B, B06A, B06B, B17A, B17B, B17C
	08	I12A, I12B, I12C, I27A, I27B, I27C, I27D		06	G33Z		05	F27A, F27B
	21A	W04A, W04B		07	H33Z, H38Z		06	G33Z
	21B	X04Z, X05A, X05B, X06A, X06B, X06C		08	I01Z, I03A, I03B, I04Z, I12A, I12B, I12C		07	H33Z, H38Z
5t372↔		BOP, KVT, UOP4, VIAL	5t384↔		BOP, KVT, UOP4, VIAL	5t388.1↔		BOP, KOP, KOPV, KVT, UOP4, VIAL
	08	I08A, I08B, I08C, I08D, I08E, I08F, I21Z, I31Z		01	B03A, B03B, B06A, B06B, B07Z, B17A, B17B, B17C		01	B03A, B03B, B06A, B06B, B17A, B17B, B17C
	21A	W04A, W04B		08	I12A, I12B, I12C, I16Z		05	F27A, F27B
	21B	X06A, X06B, X06C		10	K09A, K09B		06	G33Z
	5t373.0↔			BOP, KVT, UOP4, VIAL	5t385↔			BOP, KVT, UOP4, VIAL
01		B03A, B03B, B06A, B06B, B07Z, B17A, B17B, B17C	01	B03A, B03B, B06A, B06B, B17A, B17B, B17C		01	B03A, B03B, B06A, B06B, B17A, B17B, B17C	
08		I08A, I08B, I08C, I08D, I08E, I08F, I32A, I32B, I32C, I32D, I32E, I32F	08	I12A, I12B, I12C, I16Z		05	F27A, F27B, F27C	
21A		W04A, W04B	10	K09A, K09B		06	G33Z	
21B		X05A, X05B	21A	W04A, W04B		07	H33Z, H38Z	
5t374↔		BOP, KVT, UOP4, VIAL	5t386↔		BOP, KVT, UOP4, VIAL	5t388.1↔		BOP, KOP, KOPV, KVT, UOP4, VIAL
	08	I12A, I12B, I12C, I16Z		01	B03A, B03B, B06A, B06B, B17A, B17B, B17C		01	B03A, B03B, B06A, B06B, B17A, B17B, B17C
	21A	W04A, W04B		08	I08A, I08B, I08C, I08D, I08E, I08F, I12A, I12B, I12C, I21Z, I31Z		05	F27A, F27B, F27C
	21B	X06A, X06B, X06C		21A	W04A, W04B		06	G33Z
	5t375↔			BOP, KVT, UOP4, VIAL	5t387.0↔			BOP, KOP, KOPV, KVT, UOP4, VIAL
08		I12A, I12B, I12C, I16Z	01	B03A, B03B, B06A, B06B, B17A, B17B, B17C		01	B03A, B03B, B06A, B06B, B17A, B17B, B17C	
21A		W04A, W04B	05	F27A, F27B, F27C		05	F27A, F27B, F27C	
21B		X06A, X06B, X06C	06	G33Z		06	G33Z	
5t376↔			BOP, KVT, UOP4, VIAL	5t387.1↔			BOP, KOP, KOPV, KVT, UOP4, VIAL	5t388.2↔
	08	I12A, I12B, I12C, I16Z	01		B03A, B03B, B06A, B06B, B17A, B17B, B17C	01	B03A, B03B, B06A, B06B, B17A, B17B, B17C	
	21A	W04A, W04B	08		I12A, I12B, I12C, I32A, I32B, I32C, I32D, I32E, I32F	05	F27A, F27B, F27C	
	21B	X06A, X06B, X06C	10		K01Z	06	G33Z	
	5t37x↔		BOP, KVT, UOP4		5t387.2↔		BOP, KOP, KOPV, KVT, UOP4, VIAL	
01		B03A, B03B, B06A, B06B, B17A, B17B, B17C	01	B03A, B03B, B06A, B06B, B17A, B17B, B17C		01	B03A, B03B, B06A, B06B, B17A, B17B, B17C	
08		I12A, I12B, I12C, I27A, I27B, I27C, I27D	05	F27A, F27B, F27C		05	F27A, F27B, F27C	
21A		W04A, W04B	06	G33Z		06	G33Z	
21B		X06A, X06B, X06C	07	H33Z, H38Z		07	H33Z, H38Z	
5t380		BOP, KOP, KOPV, KVT, UOP4, VIAL	5t387.0↔		BOP, KOP, KOPV, KVT, UOP4, VIAL	5t388.2↔		BOP, KOP, KOPV, KVT, UOP4, VIAL
	01	B03A, B03B, B18Z		01	B03A, B03B, B06A, B06B, B17A, B17B, B17C		01	B03A, B03B, B06A, B06B, B17A, B17B, B17C
	06	G33Z		05	F27A, F27B, F27C		05	F27A, F27B, F27C
	07	H33Z, H38Z		06	G33Z		06	G33Z
	08	I06A, I06B, I06C, I06D, I06E, I08A, I08B, I08C, I08D, I08E, I08F, I09A, I09B, I09C, I09D, I09E, I12A, I12B, I12C		07	H33Z, H38Z		07	H33Z, H38Z
	11	L33Z		08	I01Z, I03A, I03B, I12A, I12B, I12C, I13A, I13B, I13C, I13D		08	I01Z, I03A, I03B, I12A, I12B, I12C, I13A, I13B, I13C, I13D, I20A, I20B, I20C, I20D
	21A	W04A, W04B		10	K01Z		08	I01Z, I03A, I03B, I12A, I12B, I12C, I13A, I13B, I13C, I13D, I20A, I20B, I20C, I20D
	21B	X06A, X06B, X06C, X33Z		11	L33Z		08	I01Z, I03A, I03B, I12A, I12B, I12C, I13A, I13B, I13C, I13D, I20A, I20B, I20C, I20D
	23	Z01A		21A	W04A, W04B		08	I01Z, I03A, I03B, I12A, I12B, I12C, I13A, I13B, I13C, I13D, I20A, I20B, I20C, I20D
	Pre	A07A		21B	X04Z, X33Z		10	K01Z
				Pre	A07A		11	L33Z
5t381		BOP, KVT, UOP4, VIAL	5t387.1↔		BOP, KOP, KOPV, KVT, UOP4, VIAL	5t388.2↔		BOP, KOP, KOPV, KVT, UOP4, VIAL
	01	B03A, B03B, B06A, B06B, B17A, B17B, B17C		01	B03A, B03B, B06A, B06B, B17A, B17B, B17C		01	B03A, B03B, B06A, B06B, B17A, B17B, B17C
	08	I12A, I12B, I12C, I28A, I28B		05	F27A, F27B, F27C		05	F27A, F27B, F27C
	21A	W04A, W04B		06	G33Z		06	G33Z
	21B	X04Z, X06A, X06B, X06C		07	H33Z, H38Z		07	H33Z, H38Z

VYK

ZZV	MDC	DRG	ZZV	MDC	DRG	ZZV	MDC	DRG	
5t388.3↔		BOP, KOP, KOPV, KVT, UOP4, VIAL	5t390.0↔	08	I12A, I12B, I12C, I16Z	5t390.j↔	01	BOP, KVT, UOP4, VIAL B03A, B03B, B06A, B06B, B17A, B17B, B17C	
	01	B03A, B03B, B06A, B06B, B17A, B17B, B17C		21A	W04A, W04B		08	I12A, I12B, I12C, I18A, I18B, I30Z	
	05	F27A, F27B, F27C		21B	X06A, X06B, X06C	21A	W04A, W04B		
	06	G33Z	5t390.1↔	08	BOP, KVT, UOP4, VIAL I12A, I12B, I12C, I16Z	21B	X04Z		
	07	H33Z, H38Z		21A	W04A, W04B	5t390.k↔	01	BOP, KVT, UOP4, VIAL B03A, B03B, B06A, B06B, B17A, B17B, B17C	
	08	I01Z, I03A, I03B, I12A, I12B, I12C, I13A, I13B, I13C, I13D, I20A, I20B, I20C, I20D		21B	X06A, X06B, X06C		08	I12A, I12B, I12C, I13A, I13B, I13C, I13D, I13E	
	10	K01Z	5t390.3↔	08	I12A, I12B, I12C, I28A, I28B	21A	W04A, W04B		
	11	L33Z		21A	W04A, W04B	21B	X04Z		
	21A	W04A, W04B		21B	X06A, X06B, X06C	5t390.m↔	08	BOP, KVT, UOP4, VIAL I12A, I12B, I12C, I20A, I20B, I20C, I20D, I20E, I20F	
	21B	X04Z, X33Z	5t390.4↔	08	I08A, I08B, I08C, I08D, I08E, I08F, I12A, I12B, I12C, I21Z, I31Z		21A	W04A, W04B	
	23	Z01A		21B	X06A, X06B, X06C	21B	X04Z		
	Pre	A07A	5t390.5↔	21A	W04A, W04B	5t390.n↔	08	BOP, KVT, UOP4, VIAL I12A, I12B, I12C, I20A, I20B, I20C, I20D, I20E, I20F	
	5t389.1↔			BOP, KVT, UOP4, VIAL	21B		X06A, X06B, X06C	21A	W04A, W04B
		01		B03A, B03B, B06A, B06B, B17A, B17B, B17C	5t390.6↔	08	I08A, I08B, I08C, I08D, I08E, I08F, I12A, I12B, I12C, I32A, I32B, I32C, I32D, I32E, I32F	21B	X04Z
		05	F27A, F27B	21A		W04A, W04B	5t390.p↔	08	BOP, KVT, UOP4, VIAL I12A, I12B, I12C, I20A, I20B, I20C, I20D, I20E, I20F
		08	I12A, I12B, I12C, I20A, I20B, I20C, I20D	21B	X06A, X06B, X06C	21A		W04A, W04B	
10		K01Z	5t390.7↔	08	BOP, KVT, UOP4, VIAL I12A, I12B, I12C, I32A, I32B, I32C, I32D, I32E, I32F	21B	X04Z		
21A		W04A, W04B		21A	W04A, W04B	5t390.q↔	08	BOP, KVT, UOP4, VIAL I12A, I12B, I12C, I20A, I20B, I20C, I20D, I20E, I20F	
21B		X04Z	21B	X05A, X05B	21A		W04A, W04B		
5t389.3↔			BOP, KVT, UOP4, VIAL	5t390.8↔	08	I12A, I12B, I12C, I32A, I32B, I32C, I32D, I32E, I32F	21B	X04Z	
		01	B03A, B03B, B06A, B06B, B17A, B17B, B17C		21A	W04A, W04B	5t390.r↔	08	BOP, KVT, UOP4, VIAL I12A, I12B, I12C, I20A, I20B, I20C, I20D, I20E, I20F
		05	F27A, F27B	21B	X05A, X05B	21A		W04A, W04B	
08		I12A, I12B, I12C, I20A, I20B, I20C, I20D	5t390.9↔	08	BOP, KVT, UOP4, VIAL I12A, I12B, I12C, I32A, I32B, I32C, I32D, I32E, I32F	21B	X04Z		
10		K01Z		21A	W04A, W04B	5t390.x	08	BOP, KVT, UOP4 I12A, I12B, I12C, I28A, I28B	
21A		W04A, W04B	21B	X05A, X05B	21A		W04A, W04B		
21B		X04Z	5t390.e↔	08	I08A, I08B, I08C, I08D, I08E, I08F, I12A, I12B, I12C, I28A, I28B	21B	X06A, X06B, X06C		
5t389.3↔				BOP, KVT, UOP4, VIAL	5t390.f	08	I12A, I12B, I12C, I28A, I28B	5t391.0↔	08
		01	B03A, B03B, B06A, B06B, B17A, B17B, B17C	21A		W04A, W04B	21A		W04A, W04B
	05	F27A, F27B	21B	X04Z, X06A, X06B, X06C	21B	X06A, X06B, X06C			
08	I12A, I12B, I12C, I20A, I20B, I20C, I20D	5t390.g↔	08	BOP, KVT, UOP4, VIAL I12A, I12B, I12C, I28A, I28B	5t391.1↔	08	BOP, KVT, UOP4, VIAL I12A, I12B, I12C, I16Z		
10	K01Z		21A	W04A, W04B		21A	W04A, W04B		
21A	W04A, W04B	5t390.h↔	08	I08A, I08B, I08C, I08D, I08E, I08F	21B	X06A, X06B, X06C			
21B	X04Z		21A	W01A, W01B, W01C, W02A, W02B	5t391.2↔	01	BOP, KVT, UOP4, VIAL B03A, B03B, B06A, B06B, B17A, B17B, B17C		
5t38a.1↔		BOP, KVT, UOP4, VIAL	5t390.g↔	08		I08A, I08B, I08C, I08D, I08E, I08F	08	I12A, I12B, I12C, I28A, I28B	
	08	I20A, I20B, I20C, I20D, I20E, I20F		21A	W04A, W04B	21A	W04A, W04B		
	21B	X04Z	21B	X04Z	21B	X06A, X06B, X06C			
5t38a.2↔		BOP, KVT, UOP4, VIAL	5t390.g↔	08	I08A, I08B, I08C, I08D, I08E, I08F	5t391.3↔	01	BOP, KVT, UOP4, VIAL B03A, B03B, B06A, B06B, B17A, B17B, B17C	
	08	I20A, I20B, I20C, I20D, I20E, I20F		21A	W04A, W04B		08	I12A, I12B, I12C, I28A, I28B	
21B	X04Z	5t390.g↔	08	I08A, I08B, I08C, I08D, I08E, I08F	21A	W04A, W04B			
5t38a.3↔			BOP, KVT, UOP4, VIAL	5t390.g↔	08	I08A, I08B, I08C, I08D, I08E, I08F	21B	X06A, X06B, X06C	
	08	I20A, I20B, I20C, I20D, I20E, I20F	21A		W04A, W04B	5t391.4↔	08	BOP, KVT, UOP4, VIAL I08A, I08B, I08C, I08D, I08E, I08F, I12A, I12B, I12C, I21Z, I31Z	
21B	X04Z	5t390.g↔	08	I08A, I08B, I08C, I08D, I08E, I08F	21A		W04A, W04B		
5t38a.4↔			BOP, KVT, UOP4, VIAL	5t390.g↔	08	I08A, I08B, I08C, I08D, I08E, I08F	21B	X06A, X06B, X06C	
	08	I20A, I20B, I20C, I20D, I20E, I20F	21A		W04A, W04B	5t391.4↔	08	BOP, KVT, UOP4, VIAL I08A, I08B, I08C, I08D, I08E, I08F, I12A, I12B, I12C, I21Z, I31Z	
21B	X04Z	5t390.g↔	08	I08A, I08B, I08C, I08D, I08E, I08F	21A		W04A, W04B		
5t38a.5↔			BOP, KVT, UOP4, VIAL	5t390.g↔	08	I08A, I08B, I08C, I08D, I08E, I08F	21B	X06A, X06B, X06C	
	08	I20A, I20B, I20C, I20D, I20E, I20F	21A		W04A, W04B	5t391.4↔	08	BOP, KVT, UOP4, VIAL I08A, I08B, I08C, I08D, I08E, I08F, I12A, I12B, I12C, I21Z, I31Z	
21B	X04Z	5t390.g↔	08	I08A, I08B, I08C, I08D, I08E, I08F	21A		W04A, W04B		
5t38a.a↔			BOP, KVT, UOP4, VIAL	5t390.g↔	08	I08A, I08B, I08C, I08D, I08E, I08F	21B	X06A, X06B, X06C	
	08	I20A, I20B, I20C, I20D, I20E, I20F	21A		W04A, W04B	5t391.4↔	08	BOP, KVT, UOP4, VIAL I08A, I08B, I08C, I08D, I08E, I08F, I12A, I12B, I12C, I21Z, I31Z	
21B	X04Z	5t390.g↔	08	I08A, I08B, I08C, I08D, I08E, I08F	21A		W04A, W04B		
5t38a.b↔			BOP, KVT, UOP4, VIAL	5t390.g↔	08	I08A, I08B, I08C, I08D, I08E, I08F	21B	X06A, X06B, X06C	
	08	I20A, I20B, I20C, I20D, I20E, I20F	21A		W04A, W04B	5t391.4↔	08	BOP, KVT, UOP4, VIAL I08A, I08B, I08C, I08D, I08E, I08F, I12A, I12B, I12C, I21Z, I31Z	
21B	X04Z	5t390.g↔	08	I08A, I08B, I08C, I08D, I08E, I08F	21A		W04A, W04B		
5t38x			BOP, KVT, UOP4	5t390.g↔	08	I08A, I08B, I08C, I08D, I08E, I08F	21B	X06A, X06B, X06C	
	01	B03A, B03B, B06A, B06B, B17A, B17B, B17C	21A		W04A, W04B	5t391.4↔	08	BOP, KVT, UOP4, VIAL I08A, I08B, I08C, I08D, I08E, I08F, I12A, I12B, I12C, I21Z, I31Z	
	08	I12A, I12B, I12C, I28A, I28B	21B	X04Z	5t391.4↔		08	BOP, KVT, UOP4, VIAL I08A, I08B, I08C, I08D, I08E, I08F, I12A, I12B, I12C, I21Z, I31Z	
	21A	W04A, W04B	5t390.g↔	08		I08A, I08B, I08C, I08D, I08E, I08F	21A	W04A, W04B	
	21B	X06A, X06B, X06C		21B	X04Z	21B	X06A, X06B, X06C		

ZZV	MDC	DRG	ZZV	MDC	DRG	ZZV	MDC	DRG		
5t391.5↔		BOP, KVT, UOP4, VIAL	5t391.j↔	01	BOP, KVT, UOP4, VIAL	5t392.5↔	08	BOP, KVT, UOP4, VIAL		
	08	I08A, I08B, I08C, I08D, I08E, I08F, I12A, I12B, I12C, I21Z, I31Z		08	B03A, B03B, B06A, B06B, B17A, B17B, B17C		08	I08A, I08B, I08C, I08D, I08E, I08F, I12A, I12B, I12C, I21Z, I31Z		
	21A	W04A, W04B		21A	W04A, W04B		21A	W04A, W04B		
5t391.6↔	21B	X06A, X06B, X06C	5t391.k↔	21B	X04Z	5t392.6↔	21B	X06A, X06B, X06C		
		BOP, KVT, UOP4, VIAL			BOP, KVT, UOP4, VIAL			BOP, KVT, UOP4, VIAL		
	01	B03A, B03B, B06A, B06B, B07Z, B17A, B17B, B17C		01	B03A, B03B, B06A, B06B, B17A, B17B, B17C		01	B03A, B03B, B06A, B06B, B07Z, B17A, B17B, B17C		
5t391.7↔	08	I08A, I08B, I08C, I08D, I08E, I08F, I12A, I12B, I12C, I32A, I32B, I32C, I32D, I32E, I32F	5t391.l↔	05	F27A, F27B, F27C	5t392.7↔	08	I08A, I08B, I08C, I08D, I08E, I08F, I12A, I12B, I12C, I32A, I32B, I32C, I32D, I32E, I32F		
	21A	W04A, W04B		5t391.m↔	08		I12A, I12B, I12C, I13A, I13B, I13C, I13D, I13E	5t392.8↔	21A	W04A, W04B
	21B	X05A, X05B			21A		W04A, W04B		21B	X05A, X05B
	BOP, KVT, UOP4, VIAL	21B	X04Z			BOP, KVT, UOP4, VIAL				
5t391.8↔	01	B03A, B03B, B06A, B06B, B07Z, B17A, B17B, B17C	5t391.n↔	21A	X04Z	5t392.9↔	01	B03A, B03B, B06A, B06B, B07Z, B17A, B17B, B17C		
	08	I12A, I12B, I12C, I32A, I32B, I32C, I32D, I32E, I32F		5t391.p↔			BOP, KVT, UOP4, VIAL	5t392.9↔	08	I12A, I12B, I12C, I32A, I32B, I32C, I32D, I32E, I32F
	21A	W04A, W04B			08		I12A, I12B, I12C, I20A, I20B, I20C, I20D, I20E, I20F		21A	W04A, W04B
21B	X05A, X05B	21A	W04A, W04B		21B	X04Z				
5t391.9↔		BOP, KVT, UOP4, VIAL	5t391.o↔	21B	X04Z	5t392.e↔	08	I12A, I12B, I12C, I32A, I32B, I32C, I32D, I32E, I32F		
	01	B03A, B03B, B06A, B06B, B07Z, B17A, B17B, B17C		5t391.q↔			BOP, KVT, UOP4, VIAL	5t392.e↔	21A	W04A, W04B
	08	I12A, I12B, I12C, I32A, I32B, I32C, I32D, I32E, I32F			08		I12A, I12B, I12C, I20A, I20B, I20C, I20D, I20E, I20F		21B	X05A, X05B
21A	W04A, W04B	21A	W04A, W04B		21B	X04Z				
5t391.e↔	21B	X05A, X05B	5t391.r↔	21B	X04Z	5t392.f	01	B03A, B03B, B06A, B06B, B17A, B17B, B17C		
		BOP, KVT, UOP4, VIAL		5t391.x			BOP, KVT, UOP4, VIAL	5t392.f	08	I08A, I08B, I08C, I08D, I08E, I08F, I12A, I12B, I12C, I28A, I28B
	01	B03A, B03B, B06A, B06B, B07Z, B17A, B17B, B17C			01		B03A, B03B, B06A, B06B, B17A, B17B, B17C		01	B03A, B03B, B06A, B06B, B17A, B17B, B17C
08	I08A, I08B, I08C, I08D, I08E, I08F, I12A, I12B, I12C, I28A, I28B	08	I12A, I12B, I12C, I28A, I28B		08	I12A, I12B, I12C, I28A, I28B				
5t391.f	21A	W04A, W04B	5t392.0↔	21A	W04A, W04B	5t392.g↔	21A	W04A, W04B		
	21B	X04Z, X06A, X06B, X06C		21B	X04Z		21B	X04Z, X06A, X06B, X06C		
		BOP, KVT, UOP4, VIAL		5t392.2↔			BOP, KVT, UOP4, VIAL	5t392.g↔	21B	X04Z, X06A, X06B, X06C
01	B03A, B03B, B06A, B06B, B17A, B17B, B17C	08	I12A, I12B, I12C, I16Z		01	B03A, B03B, B06A, B06B, B17A, B17B, B17C				
08	I08A, I08B, I08C, I08D, I08E, I08F	21A	W04A, W04B		08	I08A, I08B, I08C, I08D, I08E, I08F				
5t391.g↔	21A	W01A, W01B, W01C, W02A, W02B	5t392.3↔	21B	X06A, X06B, X06C	5t392.h↔	21A	W01A, W01B, W01C, W02A, W02B		
	21B	X04Z		5t392.4↔			BOP, KVT, UOP4, VIAL	5t392.h↔	21B	X04Z
		BOP, KVT, UOP4, VIAL			01		B03A, B03B, B06A, B06B, B17A, B17B, B17C		01	B03A, B03B, B06A, B06B, B17A, B17B, B17C
01	B03A, B03B, B06A, B06B, B17A, B17B, B17C	08	I12A, I12B, I12C, I28A, I28B		08	I12A, I12B, I12C, I18A, I18B, I30Z				
5t391.h↔	08	I12A, I12B, I12C, I18A, I18B, I30Z	5t392.4↔	21A	W04A, W04B	5t392.4↔	21A	W04A, W04B		
	21A	W04A, W04B		21B	X06A, X06B, X06C		21B	X06A, X06B, X06C		
	21B	X04Z		08	I08A, I08B, I08C, I08D, I08E, I08F, I12A, I12B, I12C, I21Z, I31Z		08	I08A, I08B, I08C, I08D, I08E, I08F, I12A, I12B, I12C, I21Z, I31Z		
	BOP, KVT, UOP4, VIAL		BOP, KVT, UOP4, VIAL		BOP, KVT, UOP4, VIAL		BOP, KVT, UOP4, VIAL			
01	B03A, B03B, B06A, B06B, B17A, B17B, B17C		BOP, KVT, UOP4, VIAL		BOP, KVT, UOP4, VIAL		BOP, KVT, UOP4, VIAL			
08	I12A, I12B, I12C, I18A, I18B, I30Z		BOP, KVT, UOP4, VIAL		BOP, KVT, UOP4, VIAL		BOP, KVT, UOP4, VIAL			
21A	W04A, W04B		BOP, KVT, UOP4, VIAL		BOP, KVT, UOP4, VIAL		BOP, KVT, UOP4, VIAL			
21B	X04Z		BOP, KVT, UOP4, VIAL		BOP, KVT, UOP4, VIAL		BOP, KVT, UOP4, VIAL			
	BOP, KVT, UOP4, VIAL		BOP, KVT, UOP4, VIAL		BOP, KVT, UOP4, VIAL		BOP, KVT, UOP4, VIAL			
01	B03A, B03B, B06A, B06B, B17A, B17B, B17C		BOP, KVT, UOP4, VIAL		BOP, KVT, UOP4, VIAL		BOP, KVT, UOP4, VIAL			
08	I12A, I12B, I12C, I18A, I18B, I30Z		BOP, KVT, UOP4, VIAL		BOP, KVT, UOP4, VIAL		BOP, KVT, UOP4, VIAL			
21A	W04A, W04B		BOP, KVT, UOP4, VIAL		BOP, KVT, UOP4, VIAL		BOP, KVT, UOP4, VIAL			
21B	X04Z		BOP, KVT, UOP4, VIAL		BOP, KVT, UOP4, VIAL		BOP, KVT, UOP4, VIAL			

VYK

ZZV	MDC	DRG	ZZV	MDC	DRG	ZZV	MDC	DRG
5t392.j↔		BOP, KVT, UOP4, VIAL	5t39x.5↔		BOP, KVT, UOP4, VIAL	5t39x.p↔		BOP, KVT, UOP4, VIAL
	01	B03A, B03B, B06A, B06B, B17A, B17B, B17C		08	I08A, I08B, I08C, I08D, I08E, I08F, I21Z, I31Z		08	I20A, I20B, I20C, I20D, I20E, I20F
	08	I12A, I12B, I12C, I18A, I18B, I30Z		21A	W04A, W04B		21A	W04A, W04B
	21A	W04A, W04B		21B	X06A, X06B, X06C		21B	X04Z
	21B	X04Z	5t39x.6↔		BOP, KVT, UOP4, VIAL	5t39x.q↔		BOP, KVT, UOP4, VIAL
5t392.k↔		BOP, KVT, UOP4, VIAL		08	I08A, I08B, I08C, I08D, I08E, I08F, I32A, I32B, I32C, I32D, I32E, I32F		08	I20A, I20B, I20C, I20D, I20E, I20F
	01	B03A, B03B, B06A, B06B, B17A, B17B, B17C		21A	W04A, W04B		21A	W04A, W04B
	05	F27A, F27B, F27C		21B	X05A, X05B		21B	X04Z
	08	I12A, I12B, I12C, I13A, I13B, I13C, I13D, I13E	5t39x.7↔		BOP, KVT, UOP4, VIAL	5t39x.r↔		BOP, KVT, UOP4, VIAL
	10	K01Z		08	I32A, I32B, I32C, I32D, I32E, I32F		08	I20A, I20B, I20C, I20D, I20E, I20F
	21A	W04A, W04B		21A	W04A, W04B		21A	W04A, W04B
	21B	X04Z		21B	X05A, X05B		21B	X04Z
5t392.m↔		BOP, KVT, UOP4, VIAL	5t39x.8↔		BOP, KVT, UOP4, VIAL	5t39x.x		BOP, KVT, UOP4
	08	I12A, I12B, I12C, I20A, I20B, I20C, I20D, I20E, I20F		08	I32A, I32B, I32C, I32D, I32E, I32F		08	I28A, I28B
	21A	W04A, W04B		21A	W04A, W04B		21A	W04A, W04B
	21B	X04Z		21B	X05A, X05B		21B	X06A, X06B, X06C
5t392.n↔		BOP, KVT, UOP4, VIAL	5t39x.9↔		BOP, KVT, UOP4, VIAL	5t400.0↔		BOP, KVT, UOP4, VIAL
	08	I12A, I12B, I12C, I20A, I20B, I20C, I20D		08	I32A, I32B, I32C, I32D, I32E, I32F		05	F13A
	21A	W04A, W04B		21A	W04A, W04B		08	I12A, I12B, I12C, I24Z
	21B	X04Z		21B	X05A, X05B		21A	W04A, W04B
5t392.p↔		BOP, KVT, UOP4, VIAL	5t39x.e↔		BOP, KVT, UOP4, VIAL	5t400.1↔		BOP, KVT, UOP4, VIAL
	08	I12A, I12B, I12C, I20A, I20B, I20C, I20D, I20E, I20F		08	I08A, I08B, I08C, I08D, I08E, I08F, I28A, I28B		05	F13A
	21A	W04A, W04B		21A	W04A, W04B		08	I12A, I12B, I12C, I24Z
	21B	X04Z		21B	X04Z, X06A, X06B, X06C		21A	W04A, W04B
5t392.q↔		BOP, KVT, UOP4, VIAL	5t39x.f		BOP, KVT, UOP4, VIAL	5t400.2↔		BOP, KVT, UOP4, VIAL
	08	I12A, I12B, I12C, I20A, I20B, I20C, I20D, I20E, I20F		08	I28A, I28B		05	F13A
	21A	W04A, W04B		21A	W04A, W04B		08	I12A, I12B, I12C, I24Z
	21B	X04Z		21B	X04Z, X06A, X06B, X06C		21A	W04A, W04B
5t392.r↔		BOP, KVT, UOP4, VIAL	5t39x.g↔		BOP, KVT, UOP4, VIAL	5t400.3↔		BOP, KVT, UOP4, VIAL
	08	I12A, I12B, I12C, I20A, I20B, I20C, I20D, I20E, I20F		08	I08A, I08B, I08C, I08D, I08E, I08F		05	F13A
	21A	W04A, W04B		21A	W01A, W01B, W01C, W02A, W02B		08	I12A, I12B, I12C, I24Z
	21B	X04Z		21B	X04Z		21A	W04A, W04B
5t392.x		BOP, KVT, UOP4	5t39x.h↔		BOP, KVT, UOP4, VIAL	5t400.4↔		BOP, KVT, UOP4, VIAL
	01	B03A, B03B, B06A, B06B, B17A, B17B, B17C		08	I18A, I18B, I30Z		05	F13A
	08	I12A, I12B, I12C, I28A, I28B		10	K09A, K09B		08	I08A, I08B, I08C, I08D, I08E, I08F, I12A, I12B, I12C, I24Z
	21A	W04A, W04B		21A	W04A, W04B		21A	W04A, W04B
	21B	X06A, X06B, X06C		21B	X04Z		21B	X06A, X06B, X06C
5t39x.0↔		BOP, KVT, UOP4, VIAL	5t39x.j↔		BOP, KVT, UOP4, VIAL	5t400.5↔		BOP, KVT, UOP4, VIAL
	08	I16Z		08	I18A, I18B, I30Z		05	F13A
	21A	W04A, W04B		10	K09A, K09B		08	I08A, I08B, I08C, I08D, I08E, I08F, I12A, I12B, I12C, I24Z
	21B	X06A, X06B, X06C		21A	W04A, W04B		21A	W04A, W04B
5t39x.1↔		BOP, KVT, UOP4, VIAL		21B	X04Z		21B	X06A, X06B, X06C
	08	I16Z	5t39x.k↔		BOP, KVT, UOP4, VIAL	5t400.6↔		BOP, KVT, UOP4, VIAL
	21A	W04A, W04B		08	I13A, I13B, I13C, I13D, I13E		05	F13A
	21B	X06A, X06B, X06C		10	K09A, K09B		08	I08A, I08B, I08C, I08D, I08E, I08F, I12A, I12B, I12C, I24Z
5t39x.2↔		BOP, KVT, UOP4, VIAL		21A	W04A, W04B		21A	W04A, W04B
	08	I28A, I28B	5t39x.m↔		BOP, KVT, UOP4, VIAL	5t400.8↔		BOP, KVT, UOP4, VIAL
	21B	X05A, X05B, X06A, X06B, X06C		08	I20A, I20B, I20C, I20D, I20E, I20F		05	F13A
5t39x.3↔		BOP, KVT, UOP4, VIAL		21A	W04A, W04B		08	I12A, I12B, I12C, I32A, I32B, I32C, I32D, I32E, I32F, I32G
	08	I28A, I28B		21B	X04Z		21A	W04A, W04B
	21B	X05A, X05B, X06A, X06B, X06C	5t39x.n↔		BOP, KVT, UOP4, VIAL	5t400.9↔		BOP, KVT, UOP4, VIAL
5t39x.4↔		BOP, KVT, UOP4, VIAL		08	I20A, I20B, I20C, I20D, I20E, I20F		05	F13A
	08	I08A, I08B, I08C, I08D, I08E, I08F, I21Z, I31Z		21A	W04A, W04B		08	I12A, I12B, I12C, I32A, I32B, I32C, I32D, I32E, I32F, I32G
	21A	W04A, W04B		21B	X04Z		21A	W04A, W04B
	21B	X06A, X06B, X06C					21B	X05A, X05B

VYK

ZZV	MDC	DRG	ZZV	MDC	DRG	ZZV	MDC	DRG
5t400.e↔		BOP, KVT, UOP4, VIAL	5t401.2↔		BOP, KVT, UOP4, VIAL	5t401.k↔		BOP, KVT, UOP4, VIAL
	05	F13A		05	F13A		05	F13A
	08	I08A, I08B, I08C, I08D, I08E, I08F, I12A, I12B, I12C, I24Z		08	I12A, I12B, I12C, I24Z		08	I12A, I12B, I12C, I24Z
	21A	W04A, W04B		21A	W04A, W04B		21A	W04A, W04B
	21B	X04Z, X06A, X06B, X06C		21B	X06A, X06B, X06C		21B	X04Z
5t400.f		BOP, KVT, UOP4, VIAL	5t401.3↔		BOP, KVT, UOP4, VIAL	5t401.m↔		BOP, KVT, UOP4, VIAL
	05	F13A		05	F13A		05	F13A
	08	I12A, I12B, I12C, I24Z		08	I12A, I12B, I12C, I24Z		08	I12A, I12B, I12C, I24Z
	21A	W04A, W04B		21A	W04A, W04B		21A	W04A, W04B
	21B	X04Z, X06A, X06B, X06C		21B	X06A, X06B, X06C		21B	X04Z, X06A, X06B, X06C
5t400.g↔		BOP, KVT, UOP4, VIAL	5t401.4↔		BOP, KVT, UOP4, VIAL	5t401.n↔		BOP, KVT, UOP4, VIAL
	05	F13A		05	F13A		05	F13A
	08	I12A, I12B, I12C, I24Z		08	I08A, I08B, I08C, I08D, I08E, I08F, I12A, I12B, I12C, I24Z		08	I12A, I12B, I12C, I24Z
	21A	W04A, W04B		21A	W04A, W04B		21A	W04A, W04B
	21B	X04Z		21B	X06A, X06B, X06C		21B	X04Z, X06A, X06B, X06C
5t400.h↔		BOP, KVT, UOP4, VIAL	5t401.5↔		BOP, KVT, UOP4, VIAL	5t401.p↔		BOP, KVT, UOP4, VIAL
	05	F13A		05	F13A		05	F13A
	08	I12A, I12B, I12C, I24Z		08	I08A, I08B, I08C, I08D, I08E, I08F, I12A, I12B, I12C, I24Z		08	I20A, I20B, I20C, I20D, I20E, I20F
	10	K09A, K09B		21A	W04A, W04B		21A	W04A, W04B
	21A	W04A, W04B		21B	X06A, X06B, X06C		21B	X04Z, X06A, X06B, X06C
	21B	X04Z		21B	X06A, X06B, X06C		21B	X04Z, X06A, X06B, X06C
5t400.j↔		BOP, KVT, UOP4, VIAL	5t401.6↔		BOP, KVT, UOP4, VIAL	5t401.q↔		BOP, KVT, UOP4, VIAL
	05	F13A		05	F13A		05	F13A
	08	I59Z		08	I08A, I08B, I08C, I08D, I08E, I08F, I12A, I12B, I12C, I24Z		08	I12A, I12B, I12C, I24Z
5t400.k↔		BOP, KVT, UOP4, VIAL		21A	W04A, W04B		21A	W04A, W04B
	05	F13A		21B	X05A, X05B		21A	W04A, W04B
	08	I12A, I12B, I12C, I24Z		21B	X06A, X06B, X06C		21B	X04Z, X06A, X06B, X06C
	21A	W04A, W04B	5t401.8↔		BOP, KVT, UOP4, VIAL	5t401.r↔		BOP, KVT, UOP4, VIAL
	21B	X04Z		05	F13A		05	F13A
5t400.m↔		BOP, KVT, UOP4, VIAL		08	I12A, I12B, I12C, I32A, I32B, I32C, I32D, I32E, I32F, I32G		08	I12A, I12B, I12C, I24Z
	05	F13A		21A	W04A, W04B		21A	W04A, W04B
	08	I12A, I12B, I12C, I24Z		21B	X05A, X05B		21A	W04A, W04B
	21A	W04A, W04B	5t401.9↔		BOP, KVT, UOP4, VIAL	5t401.x		X04Z, X06A, X06B, X06C
	21B	X04Z, X06A, X06B, X06C		05	F13A		05	F13A
5t400.n↔		BOP, KVT, UOP4, VIAL		08	I12A, I12B, I12C, I32A, I32B, I32C, I32D, I32E, I32F, I32G	5t402.0↔		BOP, KVT, UOP4, VIAL
	05	F13A		21A	W04A, W04B		08	I12A, I12B, I12C, I16Z
	08	I12A, I12B, I12C, I24Z		21B	X05A, X05B		21A	W04A, W04B
	21A	W04A, W04B		21B	X06A, X06B, X06C		21B	X06A, X06B, X06C
	21B	X04Z, X06A, X06B, X06C	5t401.e↔		BOP, KVT, UOP4, VIAL	5t402.1↔		BOP, KVT, UOP4, VIAL
5t400.p↔		BOP, KVT, UOP4, VIAL		05	F13A		08	I12A, I12B, I12C, I16Z
	05	F13A		08	I08A, I08B, I08C, I08D, I08E, I08F, I12A, I12B, I12C, I24Z		21A	W04A, W04B
	08	I20A, I20B, I20C, I20D, I20E, I20F		21A	W04A, W04B		21B	X06A, X06B, X06C
	21A	W04A, W04B		21B	X05A, X05B		21A	W04A, W04B
	21B	X04Z, X06A, X06B, X06C		21B	X06A, X06B, X06C		21B	X06A, X06B, X06C
5t400.q↔		BOP, KVT, UOP4, VIAL	5t401.f		BOP, KVT, UOP4, VIAL	5t402.2↔		BOP, KVT, UOP4, VIAL
	05	F13A		05	F13A		08	I12A, I12B, I12C, I28A, I28B
	08	I12A, I12B, I12C, I24Z		08	I12A, I12B, I12C, I24Z		21A	W04A, W04B
	21A	W04A, W04B		21A	W04A, W04B		21B	X06A, X06B, X06C
	21B	X04Z, X06A, X06B, X06C		21B	X04Z, X06A, X06B, X06C		21B	X06A, X06B, X06C
5t400.r↔		BOP, KVT, UOP4, VIAL		21B	X06A, X06B, X06C	5t402.4↔		BOP, KVT, UOP4, VIAL
	05	F13A		21B	X06A, X06B, X06C		08	I08A, I08B, I08C, I08D, I08E, I08F, I12A, I12B, I12C, I21Z, I31Z
	08	I12A, I12B, I12C, I24Z	5t401.g↔		BOP, KVT, UOP4, VIAL		21A	W04A, W04B
	21A	W04A, W04B		05	F13A		21B	X06A, X06B, X06C
	21B	X04Z, X06A, X06B, X06C		08	I12A, I12B, I12C, I24Z	5t402.5↔		BOP, KVT, UOP4, VIAL
5t400.x		BOP, KVT, UOP4		21A	W04A, W04B		08	I08A, I08B, I08C, I08D, I08E, I08F, I12A, I12B, I12C, I21Z, I31Z
	05	F13A		21B	X04Z		21A	W04A, W04B
	08	I12A, I12B, I12C, I24Z	5t401.h↔		BOP, KVT, UOP4, VIAL		21B	X06A, X06B, X06C
	21A	W04A, W04B		05	F13A	5t402.6↔		BOP, KVT, UOP4, VIAL
	21B	X05A, X05B		08	I12A, I12B, I12C, I24Z		08	I08A, I08B, I08C, I08D, I08E, I08F, I12A, I12B, I12C, I32A, I32B, I32C, I32D, I32E, I32F
5t401.0↔		BOP, KVT, UOP4, VIAL		10	K09A, K09B		21A	W04A, W04B
	05	F13A		21A	W04A, W04B		21B	X04Z
	08	I12A, I12B, I12C, I24Z	5t401.j↔		BOP, KVT, UOP4, VIAL		21A	W04A, W04B
	21A	W04A, W04B		05	F13A	5t402.8↔		X05A, X05B
	21B	X06A, X06B, X06C		08	I59Z		08	I12A, I12B, I12C, I32A, I32B, I32C, I32D, I32E, I32F
5t401.1↔		BOP, KVT, UOP4, VIAL					21A	W04A, W04B
	05	F13A					21B	X05A, X05B
	08	I12A, I12B, I12C, I24Z						
	21A	W04A, W04B						
	21B	X06A, X06B, X06C						

ZZV	MDC	DRG	ZZV	MDC	DRG	ZZV	MDC	DRG
5t402.9↔		BOP, KVT, UOP4, VIAL	5t403.4↔		BOP, KVT, UOP4, VIAL	5t403.x		BOP, KVT, UOP4
	08	I12A, I12B, I12C, I32A, I32B, I32C, I32D, I32E, I32F		01	B03A, B03B, B06A, B06B, B17A, B17B, B17C		01	B03A, B03B, B06A, B06B, B17A, B17B, B17C
	21A	W04A, W04B		08	I08A, I08B, I08C, I08D, I08E, I08F, I12A, I12B, I12C, I23A, I23B		08	I12A, I12B, I12C, I23A, I23B
	21B	X05A, X05B					21A	W04A, W04B
5t402.e↔		BOP, KVT, UOP4, VIAL					21B	X06A, X06B, X06C
	08	I08A, I08B, I08C, I08D, I08E, I08F, I12A, I12B, I12C, I28A, I28B		21A	W04A, W04B	5t404.0↔		BOP, KVT, UOP4, VIAL
	21A	W04A, W04B	5t403.5↔		BOP, KVT, UOP4, VIAL		08	I12A, I12B, I12C, I16Z
	21B	X04Z, X06A, X06B, X06C		01	B03A, B03B, B06A, B06B, B17A, B17B, B17C		21A	W04A, W04B
5t402.g↔		BOP, KVT, UOP4, VIAL		08	I08A, I08B, I08C, I08D, I08E, I08F, I12A, I12B, I12C, I23A, I23B	5t404.1↔		BOP, KVT, UOP4, VIAL
	08	I08A, I08B, I08C, I08D, I08E, I30Z					08	I12A, I12B, I12C, I16Z
	21A	W01A, W01B, W01C, W02A, W02B		21A	W04A, W04B		21A	W04A, W04B
	21B	X04Z		21B	X06A, X06B, X06C	5t404.3↔		BOP, KVT, UOP4, VIAL
5t402.h↔		BOP, KVT, UOP4, VIAL	5t403.8↔		BOP, KVT, UOP4, VIAL		08	I12A, I12B, I12C, I28A, I28B
	08	I12A, I12B, I12C, I18A, I18B, I30Z		01	B03A, B03B, B06A, B06B, B17A, B17B, B17C		21A	W04A, W04B
	21A	W04A, W04B		08	I12A, I12B, I12C, I23A, I23B	5t404.4↔		BOP, KVT, UOP4, VIAL
	21B	X04Z					08	I08A, I08B, I08C, I08D, I08E, I08F, I12A, I12B, I12C, I21Z, I31Z
5t402.j↔		BOP, KVT, UOP4, VIAL		08	I12A, I12B, I12C, I23A, I23B		10	K09A, K09B
	08	I12A, I12B, I12C, I18A, I18B, I30Z	5t403.9↔		BOP, KVT, UOP4, VIAL		21A	W04A, W04B
	21A	W04A, W04B		01	B03A, B03B, B06A, B06B, B17A, B17B, B17C		21B	X06A, X06B, X06C
	21B	X04Z		08	I12A, I12B, I12C, I23A, I23B	5t404.5↔		BOP, KVT, UOP4, VIAL
5t402.k↔		BOP, KVT, UOP4, VIAL		21A	W04A, W04B		08	I08A, I08B, I08C, I08D, I08E, I08F, I12A, I12B, I12C, I21Z, I31Z
	08	I12A, I12B, I12C, I59Z		21B	X05A, X05B, X06A, X06B, X06C		10	K09A, K09B
	21A	W04A, W04B	5t403.g↔		BOP, KVT, UOP4, VIAL		21A	W04A, W04B
	21B	X04Z		08	I12A, I12B, I12C, I21Z		21B	X06A, X06B, X06C
5t402.m↔		BOP, KVT, UOP4, VIAL		21A	W04A, W04B	5t404.6↔		BOP, KVT, UOP4, VIAL
	08	I12A, I12B, I12C, I20A, I20B, I20C, I20D, I20E, I20F		21B	X04Z		08	I08A, I08B, I08C, I08D, I08E, I08F, I12A, I12B, I12C, I32A, I32B, I32C, I32D, I32E, I32F
	21A	W04A, W04B	5t403.h↔		BOP, KVT, UOP4, VIAL		21A	W04A, W04B
	21B	X04Z		01	B03A, B03B, B06A, B06B, B17A, B17B, B17C	5t404.8↔		BOP, KVT, UOP4, VIAL
5t402.n↔		BOP, KVT, UOP4, VIAL		08	I12A, I12B, I12C, I23A, I23B		08	I12A, I12B, I12C, I32A, I32B, I32C, I32D, I32E, I32F
	08	I12A, I12B, I12C, I20A, I20B, I20C, I20D, I20E, I20F		21A	W04A, W04B		21A	W04A, W04B
	21A	W04A, W04B	5t403.j↔		BOP, KVT, UOP4, VIAL		21B	X05A, X05B
	21B	X04Z		08	I59Z	5t404.8↔		BOP, KVT, UOP4, VIAL
5t402.p↔		BOP, KVT, UOP4, VIAL	5t403.k↔		BOP, KVT, UOP4, VIAL		08	I12A, I12B, I12C, I32A, I32B, I32C, I32D, I32E, I32F
	08	I20A, I20B, I20C, I20D, I20E, I20F		01	B03A, B03B, B06A, B06B, B17A, B17B, B17C	5t404.9↔		BOP, KVT, UOP4, VIAL
5t402.q↔		BOP, KVT, UOP4, VIAL		08	I12A, I12B, I12C, I23A, I23B		08	I12A, I12B, I12C, I32A, I32B, I32C, I32D, I32E, I32F
	08	I12A, I12B, I12C, I20A, I20B, I20C, I20D, I20E, I20F		21A	W04A, W04B		21A	W04A, W04B
	21A	W04A, W04B	5t403.m↔		BOP, KVT, UOP4, VIAL		21B	X05A, X05B
	21B	X04Z		01	B03A, B03B, B06A, B06B, B17A, B17B, B17C	5t404.g↔		BOP, KVT, UOP4, VIAL
5t402.r↔		BOP, KVT, UOP4, VIAL		08	I12A, I12B, I12C, I23A, I23B		08	I08A, I08B, I08C, I08D, I08E, I30Z
	08	I12A, I12B, I12C, I20A, I20B, I20C, I20D, I20E, I20F		21A	W04A, W04B		21A	W01A, W01B, W01C, W02A, W02B
	21A	W04A, W04B	5t403.n↔		BOP, KVT, UOP4, VIAL		21B	X04Z
	21B	X04Z		08	I20A, I20B, I20C, I20D, I20E, I20F	5t404.h↔		BOP, KVT, UOP4, VIAL
5t402.x		BOP, KVT, UOP4					08	I12A, I12B, I12C, I18A, I18B, I30Z
	08	I12A, I12B, I12C, I28A, I28B	5t403.p↔		BOP, KVT, UOP4, VIAL		10	K09A, K09B
	21A	W04A, W04B		08	I20A, I20B, I20C, I20D, I20E, I20F		21A	W04A, W04B
	21B	X06A, X06B, X06C	5t403.q↔		BOP, KVT, UOP4, VIAL		21B	X04Z
5t403.0↔		BOP, KVT, UOP4, VIAL		01	B03A, B03B, B06A, B06B, B17A, B17B, B17C	5t404.j↔		BOP, KVT, UOP4, VIAL
	01	B03A, B03B, B06A, B06B, B17A, B17B, B17C		08	I12A, I12B, I12C, I23A, I23B		08	I12A, I12B, I12C, I18A, I18B, I30Z
	08	I12A, I12B, I12C, I23A, I23B					10	K09A, K09B
	21A	W04A, W04B		21A	W04A, W04B		21A	W04A, W04B
	21B	X06A, X06B, X06C	5t403.r↔		BOP, KVT, UOP4, VIAL		21B	X04Z
				08	I20A, I20B, I20C, I20D, I20E, I20F			

ZZV	MDC	DRG	ZZV	MDC	DRG	ZZV	MDC	DRG
5t404.k↔		BOP, KVT, UOP4, VIAL 08 I12A, I12B, I12C, I59Z 10 K09A, K09B 21A W04A, W04B 21B X04Z	5t405.9↔		BOP, KVT, UOP4, VIAL 08 I12A, I12B, I12C, I32A, I32B, I32C, I32D, I32E, I32F 09 J03A, J03B, J04A, J04B, J08A, J08B, J08C, J11A, J11B, J16Z 21A W04A, W04B 21B X05A, X05B	5t406.5↔		BOP, KVT, UOP4, VIAL 08 I08A, I08B, I08C, I08D, I08E, I08F, I12A, I12B, I12C, I24Z 21A W04A, W04B 21B X06A, X06B, X06C
5t404.m↔		BOP, KVT, UOP4, VIAL 08 I12A, I12B, I12C, I20A, I20B, I20C, I20D, I20E, I20F 21A W04A, W04B 21B X04Z	5t405.e↔		BOP, KVT, UOP4, VIAL 08 I08A, I08B, I08C, I08D, I08E, I08F, I12A, I12B, I12C, I28A, I28B 21A W04A, W04B 21B X04Z, X06A, X06B, X06C	5t406.6↔		BOP, KVT, UOP4, VIAL 08 I08A, I08B, I08C, I08D, I08E, I08F, I12A, I12B, I12C, I24Z 21A W04A, W04B 21B X05A, X05B
5t404.n↔		BOP, KVT, UOP4, VIAL 08 I12A, I12B, I12C, I20A, I20B, I20C, I20D, I20E, I20F 21A W04A, W04B 21B X04Z	5t405.f		BOP, KVT, UOP4, VIAL 08 I12A, I12B, I12C, I28A, I28B 21A W04A, W04B 21B X04Z, X06A, X06B, X06C	5t406.8↔		BOP, KVT, UOP4, VIAL 08 I12A, I12B, I12C, I32A, I32B, I32C, I32D, I32E, I32F, I32G 21A W04A, W04B 21B X05A, X05B
5t404.p↔		BOP, KVT, UOP4, VIAL 08 I12A, I12B, I12C, I20A, I20B, I20C, I20D, I20E, I20F 21A W04A, W04B 21B X04Z	5t405.g↔		BOP, KVT, UOP4, VIAL 08 I08A, I08B, I08C, I08D, I08E, I30Z 21A W01A, W01B, W01C, W02A, W02B 21B X04Z	5t406.9↔		BOP, KVT, UOP4, VIAL 08 I12A, I12B, I12C, I32A, I32B, I32C, I32D, I32E, I32F, I32G 21A W04A, W04B 21B X05A, X05B
5t404.q↔		BOP, KVT, UOP4, VIAL 08 I12A, I12B, I12C, I20A, I20B, I20C, I20D, I20E, I20F 21A W04A, W04B 21B X04Z	5t405.h↔		BOP, KVT, UOP4, VIAL 08 I12A, I12B, I12C, I18A, I18B, I30Z 21A W04A, W04B 21B X04Z	5t406.g↔		BOP, KVT, UOP4, VIAL 08 I12A, I12B, I12C, I24Z 21A W04A, W04B 21B X04Z
5t404.r↔		BOP, KVT, UOP4, VIAL 08 I12A, I12B, I12C, I20A, I20B, I20C, I20D, I20E, I20F 21A W04A, W04B 21B X04Z	5t405.i↔		BOP, KVT, UOP4, VIAL 08 I59Z 21A W04A, W04B 21B X04Z	5t406.h↔		BOP, KVT, UOP4, VIAL 08 I12A, I12B, I12C, I24Z 10 K09A, K09B 21A W04A, W04B 21B X04Z
5t404.x		BOP, KVT, UOP4 08 I12A, I12B, I12C, I28A, I28B 21A W04A, W04B 21B X06A, X06B, X06C	5t405.j↔		BOP, KVT, UOP4, VIAL 08 I59Z 21A W04A, W04B 21B X04Z	5t406.k↔		BOP, KVT, UOP4, VIAL 08 I12A, I12B, I12C, I24Z 21A W04A, W04B 21B X04Z
5t405.0↔		BOP, KVT, UOP4, VIAL 08 I12A, I12B, I12C, I16Z 21A W04A, W04B 21B X06A, X06B, X06C	5t405.k↔		BOP, KVT, UOP4, VIAL 08 I12A, I12B, I12C, I59Z 21A W04A, W04B 21B X04Z	5t406.l↔		BOP, KVT, UOP4, VIAL 08 I20A, I20B, I20C, I20D, I20E, I20F 21A W04A, W04B 21B X04Z
5t405.4↔		BOP, KVT, UOP4, VIAL 08 I08A, I08B, I08C, I08D, I08E, I08F, I12A, I12B, I12C, I21Z, I31Z 21A W04A, W04B 21B X06A, X06B, X06C	5t405.m↔		BOP, KVT, UOP4, VIAL 08 I12A, I12B, I12C, I20A, I20B, I20C, I20D, I20E, I20F 21A W04A, W04B 21B X04Z	5t406.m↔		BOP, KVT, UOP4, VIAL 08 I20A, I20B, I20C, I20D, I20E, I20F 21A W04A, W04B 21B X04Z
5t405.5↔		BOP, KVT, UOP4, VIAL 08 I08A, I08B, I08C, I08D, I08E, I08F, I12A, I12B, I12C, I21Z, I31Z 21A W04A, W04B 21B X06A, X06B, X06C	5t405.n↔		BOP, KVT, UOP4, VIAL 08 I12A, I12B, I12C, I20A, I20B, I20C, I20D, I20E, I20F 21A W04A, W04B 21B X04Z	5t406.n↔		BOP, KVT, UOP4, VIAL 08 I20A, I20B, I20C, I20D, I20E, I20F 21A W04A, W04B 21B X04Z
5t405.6↔		BOP, KVT, UOP4, VIAL 08 I08A, I08B, I08C, I08D, I08E, I08F, I12A, I12B, I12C, I32A, I32B, I32C, I32D, I32E, I32F 09 J03A, J03B, J04A, J04B, J08A, J08B, J08C, J11A, J11B, J16Z 21A W04A, W04B 21B X05A, X05B	5t405.p↔		BOP, KVT, UOP4, VIAL 08 I12A, I12B, I12C, I20A, I20B, I20C, I20D, I20E, I20F 21A W04A, W04B 21B X04Z	5t406.o↔		BOP, KVT, UOP4, VIAL 08 I12A, I12B, I12C, I24Z 21A W04A, W04B 21B X06A, X06B, X06C
5t405.8↔		BOP, KVT, UOP4, VIAL 08 I12A, I12B, I12C, I32A, I32B, I32C, I32D, I32E, I32F 09 J03A, J03B, J04A, J04B, J08A, J08B, J08C, J11A, J11B, J16Z 21A W04A, W04B 21B X05A, X05B	5t405.q↔		BOP, KVT, UOP4, VIAL 08 I20A, I20B, I20C, I20D, I20E, I20F 21A W04A, W04B 21B X06A, X06B, X06C	5t407.0↔		BOP, KVT, UOP4, VIAL 05 F13A 08 I12A, I12B, I12C, I16Z 21A W04A, W04B 21B X06A, X06B, X06C
			5t405.r↔		BOP, KVT, UOP4, VIAL 08 I20A, I20B, I20C, I20D, I20E, I20F 21A W04A, W04B 21B X06A, X06B, X06C	5t407.1↔		BOP, KVT, UOP4, VIAL 05 F13A 08 I12A, I12B, I12C, I16Z 21A W04A, W04B 21B X06A, X06B, X06C
			5t405.x		BOP, KVT, UOP4 08 I12A, I12B, I12C, I28A, I28B 21A W04A, W04B 21B X06A, X06B, X06C	5t407.2↔		BOP, KVT, UOP4, VIAL 05 F13A 08 I12A, I12B, I12C, I28A, I28B 21A W04A, W04B 21B X06A, X06B, X06C
			5t406.0↔		BOP, KVT, UOP4, VIAL 08 I12A, I12B, I12C, I24Z 21A W04A, W04B 21B X06A, X06B, X06C	5t407.3↔		BOP, KVT, UOP4, VIAL 05 F13A 08 I12A, I12B, I12C, I28A, I28B 21A W04A, W04B 21B X06A, X06B, X06C
			5t406.4↔		BOP, KVT, UOP4, VIAL 08 I08A, I08B, I08C, I08D, I08E, I08F, I12A, I12B, I12C, I24Z 21A W04A, W04B 21B X06A, X06B, X06C			

VYK

ZZV	MDC	DRG	ZZV	MDC	DRG	ZZV	MDC	DRG
5t407.4↔		BOP, KVT, UOP4, VIAL	5t407.j↔		BOP, KVT, UOP4, VIAL	5t408.4↔		BOP, KVT, UOP4, VIAL
05		F13A	05		F13A	05		F13A
08		I08A, I08B, I08C, I08D, I08E, I08F, I12A, I12B, I12C, I21Z, I31Z	08		I12A, I12B, I12C, I18A, I18B, I30Z	08		I08A, I08B, I08C, I08D, I08E, I08F, I12A, I12B, I12C, I18A, I18B, I30Z
21A		W04A, W04B	21A		W04A, W04B	21A		W04A, W04B
21B		X06A, X06B, X06C	21B		X04Z	21B		X06A, X06B, X06C
5t407.5↔		BOP, KVT, UOP4, VIAL	5t407.k↔		BOP, KVT, UOP4, VIAL	5t408.5↔		BOP, KVT, UOP4, VIAL
05		F13A	05		F13A	05		F13A
08		I08A, I08B, I08C, I08D, I08E, I08F, I12A, I12B, I12C, I18A, I18B, I30Z	08		I12A, I12B, I12C, I59Z	08		I08A, I08B, I08C, I08D, I08E, I08F, I12A, I12B, I12C, I18A, I18B, I30Z
21A		W04A, W04B	21A		W04A, W04B	21A		W04A, W04B
21B		X06A, X06B, X06C	21B		X04Z	21B		X06A, X06B, X06C
5t407.6↔		BOP, KVT, UOP4, VIAL	5t407.m↔		BOP, KVT, UOP4, VIAL	5t408.6↔		BOP, KVT, UOP4, VIAL
05		F13A	05		F13A	05		F13A
08		I08A, I08B, I08C, I08D, I08E, I08F, I12A, I12B, I12C, I32A, I32B, I32C, I32D, I32E, I32F	08		I12A, I12B, I12C, I20A, I20B, I20C, I20D, I20E, I20F	08		I08A, I08B, I08C, I08D, I08E, I08F, I12A, I12B, I12C, I32A, I32B, I32C, I32D, I32E, I32F
09		J03A, J03B, J04A, J04B, J08A, J08B, J08C, J11A, J11B, J16Z	09		J03A, J03B, J04A, J04B, J08A, J08B, J08C, J11A, J11B, J16Z	09		J03A, J03B, J04A, J04B, J08A, J08B, J08C, J11A, J11B, J16Z
21A		W04A, W04B	21A		W04A, W04B	21A		W04A, W04B
21B		X05A, X05B	21B		X04Z	21B		X05A, X05B
5t407.8↔		BOP, KVT, UOP4, VIAL	5t407.p↔		BOP, KVT, UOP4, VIAL	5t408.8↔		BOP, KVT, UOP4, VIAL
05		F13A	05		F13A	05		F13A
08		I12A, I12B, I12C, I32A, I32B, I32C, I32D, I32E, I32F	08		I12A, I12B, I12C, I20A, I20B, I20C, I20D, I20E, I20F	08		I12A, I12B, I12C, I32A, I32B, I32C, I32D, I32E, I32F
09		J03A, J03B, J04A, J04B, J08A, J08B, J08C, J11A, J11B, J16Z	09		J03A, J03B, J04A, J04B, J08A, J08B, J08C, J11A, J11B, J16Z	09		J03A, J03B, J04A, J04B, J08A, J08B, J08C, J11A, J11B, J16Z
21A		W04A, W04B	21A		W04A, W04B	21A		W04A, W04B
21B		X05A, X05B	21B		X04Z	21B		X05A, X05B
5t407.9↔		BOP, KVT, UOP4, VIAL	5t407.q↔		BOP, KVT, UOP4, VIAL	5t408.9↔		BOP, KVT, UOP4, VIAL
05		F13A	05		F13A	05		F13A
08		I12A, I12B, I12C, I32A, I32B, I32C, I32D, I32E, I32F	08		I12A, I12B, I12C, I20A, I20B, I20C, I20D, I20E, I20F	08		I12A, I12B, I12C, I32A, I32B, I32C, I32D, I32E, I32F
09		J03A, J03B, J04A, J04B, J08A, J08B, J08C, J11A, J11B, J16Z	09		J03A, J03B, J04A, J04B, J08A, J08B, J08C, J11A, J11B, J16Z	09		J03A, J03B, J04A, J04B, J08A, J08B, J08C, J11A, J11B, J16Z
21A		W04A, W04B	21A		W04A, W04B	21A		W04A, W04B
21B		X05A, X05B	21B		X04Z	21B		X05A, X05B
5t407.e↔		BOP, KVT, UOP4, VIAL	5t407.r↔		BOP, KVT, UOP4, VIAL	5t408.e↔		BOP, KVT, UOP4, VIAL
05		F13A	05		F13A	05		F13A
08		I08A, I08B, I08C, I08D, I08E, I08F, I12A, I12B, I12C, I28A, I28B	08		I12A, I12B, I12C, I20A, I20B, I20C, I20D, I20E, I20F	08		I08A, I08B, I08C, I08D, I08E, I08F, I12A, I12B, I12C, I28A, I28B
21A		W04A, W04B	21A		W04A, W04B	21A		W04A, W04B
21B		X04Z, X06A, X06B, X06C	21B		X04Z	21B		X04Z, X06A, X06B, X06C
5t407.f		BOP, KVT, UOP4, VIAL	5t407.x		BOP, KVT, UOP4	5t408.f		BOP, KVT, UOP4, VIAL
05		F13A	05		F13A	05		F13A
08		I12A, I12B, I12C, I28A, I28B	08		I12A, I12B, I12C, I28A, I28B	08		I12A, I12B, I12C, I28A, I28B
21A		W04A, W04B	21A		W04A, W04B	21A		W04A, W04B
21B		X04Z, X06A, X06B, X06C	21B		X06A, X06B, X06C	21B		X04Z, X06A, X06B, X06C
5t407.g↔		BOP, KVT, UOP4, VIAL	5t408.0↔		BOP, KVT, UOP4, VIAL	5t408.g↔		BOP, KVT, UOP4, VIAL
05		F13A	05		F13A	05		F13A
08		I08A, I08B, I08C, I08D, I08E, I30Z	08		I12A, I12B, I12C, I16Z	08		I08A, I08B, I08C, I08D, I08E, I30Z
21A		W01A, W01B, W01C, W02A, W02B	21A		W04A, W04B	21A		W01A, W01B, W01C, W02A, W02B
21B		X04Z	21B		X06A, X06B, X06C	21B		X04Z
5t407.h↔		BOP, KVT, UOP4, VIAL	5t408.1↔		BOP, KVT, UOP4, VIAL	5t408.h↔		BOP, KVT, UOP4, VIAL
05		F13A	05		F13A	05		F13A
08		I12A, I12B, I12C, I18A, I30Z	08		I12A, I12B, I12C, I16Z	08		I12A, I12B, I12C, I18A, I18B, I30Z
21A		W04A, W04B	21A		W04A, W04B	21A		W04A, W04B
21B		X04Z	21B		X06A, X06B, X06C	21B		X04Z
			5t408.2↔		BOP, KVT, UOP4, VIAL			
			05		F13A			
			08		I12A, I12B, I12C, I28A, I28B			
			21A		W04A, W04B			
			21B		X06A, X06B, X06C			
			5t408.3↔		BOP, KVT, UOP4, VIAL			
			05		F13A			
			08		I12A, I12B, I12C, I28A, I28B			
			21A		W04A, W04B			
			21B		X06A, X06B, X06C			

VYK

ZZV	MDC	DRG	ZZV	MDC	DRG	ZZV	MDC	DRG
5t40x.e↔		BOP, KVT, UOP4, VIAL	5t411.x		BOP, KVT, UOP4	5t412.h↔		BOP, KVT, UOP4, VIAL
	08	I08A, I08B, I08C, I08D, I08E, I08F, I24Z		08	I24Z		05	F13A
	21A	W04A, W04B		21A	W04A, W04B		08	I12A, I12B, I12C, I18A, I18B, I30Z
	21B	X04Z, X06A, X06B, X06C	5t412.0↔		BOP, KVT, UOP4, VIAL		21A	W04A, W04B
5t40x.f		BOP, KVT, UOP4, VIAL		05	F13A		21B	X04Z
	08	I24Z		08	I12A, I12B, I12C, I16Z	5t412.j↔		BOP, KVT, UOP4, VIAL
	21A	W04A, W04B		21A	W04A, W04B		05	F13A
	21B	X04Z, X06A, X06B, X06C		21B	X06A, X06B, X06C		08	I12A, I12B, I12C, I18A, I18B, I30Z
5t40x.g↔		BOP, KVT, UOP4, VIAL	5t412.1↔		BOP, KVT, UOP4, VIAL		21A	W04A, W04B
	08	I24Z		05	F13A		21B	X04Z
	21A	W04A, W04B		08	I12A, I12B, I12C, I16Z	5t412.k↔		BOP, KVT, UOP4, VIAL
	21B	X04Z		21A	W04A, W04B		05	F13A
5t40x.h↔		BOP, KVT, UOP4, VIAL		21B	X06A, X06B, X06C		08	I12A, I12B, I12C, I59Z
	08	I24Z	5t412.3↔		BOP, KVT, UOP4, VIAL		21A	W04A, W04B
	10	K09A, K09B		05	F13A		21B	X04Z
	21A	W04A, W04B		08	I12A, I12B, I12C, I28A, I28B	5t412.m↔		BOP, KVT, UOP4, VIAL
	21B	X04Z		21A	W04A, W04B		05	F13A
5t40x.j↔		BOP, KVT, UOP4, VIAL		21B	X06A, X06B, X06C		08	I12A, I12B, I12C, I20A, I20B, I20C, I20D, I20E, I20F
	08	I24Z	5t412.4↔		BOP, KVT, UOP4, VIAL		21A	W04A, W04B
	21A	W04A, W04B		05	F13A		21B	X04Z
	21B	X04Z, X06A, X06B, X06C		08	I08A, I08B, I08C, I08D, I08E, I08F, I12A, I12B, I12C, I18A, I18B, I30Z	5t412.n↔		BOP, KVT, UOP4, VIAL
5t40x.k↔		BOP, KVT, UOP4, VIAL		21A	W04A, W04B		05	F13A
	08	I24Z		21B	X06A, X06B, X06C		08	I12A, I12B, I12C, I20A, I20B, I20C, I20D, I20E, I20F
	21A	W04A, W04B	5t412.5↔		BOP, KVT, UOP4, VIAL		21A	W04A, W04B
	21B	X04Z		05	F13A		21B	X04Z
5t40x.m↔		BOP, KVT, UOP4, VIAL		08	I08A, I08B, I08C, I08D, I08E, I08F, I12A, I12B, I12C, I18A, I18B, I30Z	5t412.p↔		BOP, KVT, UOP4, VIAL
	08	I24Z		21A	W04A, W04B		05	F13A
	21A	W04A, W04B		21B	X06A, X06B, X06C		08	I12A, I12B, I12C, I20A, I20B, I20C, I20D, I20E, I20F
	21B	X04Z, X06A, X06B, X06C			BOP, KVT, UOP4, VIAL		21A	W04A, W04B
5t40x.n↔		BOP, KVT, UOP4, VIAL	5t412.6↔		BOP, KVT, UOP4, VIAL		21B	X04Z
	08	I24Z		05	F13A			BOP, KVT, UOP4, VIAL
	21A	W04A, W04B		08	I08A, I08B, I08C, I08D, I08E, I08F, I12A, I12B, I12C, I32A, I32B, I32C, I32D, I32E, I32F	5t412.q↔		BOP, KVT, UOP4, VIAL
	21B	X04Z, X06A, X06B, X06C		09	J03A, J03B, J04A, J04B, J08A, J08B, J08C, J11A, J11B, J16Z		05	F13A
5t40x.p↔		BOP, KVT, UOP4, VIAL		21A	W04A, W04B		08	I12A, I12B, I12C, I20A, I20B, I20C, I20D, I20E, I20F
	08	I24Z		21B	X05A, X05B		21A	W04A, W04B
	21A	W04A, W04B			BOP, KVT, UOP4, VIAL		21B	X04Z
	21B	X04Z, X06A, X06B, X06C	5t412.7↔		BOP, KVT, UOP4, VIAL	5t412.r↔		BOP, KVT, UOP4, VIAL
5t40x.q↔		BOP, KVT, UOP4, VIAL		05	F13A		05	F13A
	08	I24Z		08	I12A, I12B, I12C, I32A, I32B, I32C, I32D, I32E, I32F, I32G		08	I12A, I12B, I12C, I20A, I20B, I20C, I20D, I20E, I20F
	21A	W04A, W04B		09	J03A, J03B, J04A, J04B, J08A, J08B, J08C, J11A, J11B, J16Z		21A	W04A, W04B
	21B	X04Z, X06A, X06B, X06C		21A	W04A, W04B		21B	X04Z
5t40x.r↔		BOP, KVT, UOP4, VIAL	5t412.8↔		BOP, KVT, UOP4, VIAL	5t412.s↔		BOP, KVT, UOP4, VIAL
	08	I24Z		05	F13A		05	F13A
	21A	W04A, W04B		08	I12A, I12B, I12C, I32A, I32B, I32C, I32D, I32E, I32F, I32G		08	I12A, I12B, I12C, I28A, I28B
	21B	X04Z, X06A, X06B, X06C		09	J03A, J03B, J04A, J04B, J08A, J08B, J08C, J11A, J11B, J16Z		21A	W04A, W04B
5t40x.x		BOP, KVT, UOP4		21A	W04A, W04B	5t412.t↔		BOP, KVT, UOP4, VIAL
	08	I24Z		21B	X05A, X05B		05	F13A
	21A	W04A, W04B			BOP, KVT, UOP4, VIAL		08	I12A, I12B, I12C, I16Z
	21B	X06A, X06B, X06C	5t412.9↔		BOP, KVT, UOP4, VIAL		21A	W04A, W04B
5t410.h↔		BOP, KVT, UOP4, VIAL		05	F13A	5t413.0↔		BOP, KVT, UOP4, VIAL
	08	I24Z, I30Z		08	I12A, I12B, I12C, I32A, I32B, I32C, I32D, I32E, I32F, I32G		05	F13A
	21A	W04A, W04B		09	J03A, J03B, J04A, J04B, J08A, J08B, J08C, J11A, J11B, J16Z		08	I12A, I12B, I12C, I16Z
	21B	X04Z		21A	W04A, W04B		21A	W04A, W04B
5t410.x		BOP, KVT, UOP4		21B	X05A, X05B		21B	X06A, X06B, X06C
	08	I28A, I28B			BOP, KVT, UOP4, VIAL	5t413.1↔		BOP, KVT, UOP4, VIAL
	21A	W04A, W04B		05	F13A		05	F13A
	21B	X06A, X06B, X06C		08	I12A, I12B, I12C, I32A, I32B, I32C, I32D, I32E, I32F, I32G		08	I12A, I12B, I12C, I16Z
5t411.g↔		BOP, KVT, UOP4, VIAL		09	J03A, J03B, J04A, J04B, J08A, J08B, J08C, J11A, J11B, J16Z		21A	W04A, W04B
	08	I08A, I08B, I08C, I08D, I08E, I30Z	5t412.g↔		BOP, KVT, UOP4, VIAL		21B	X06A, X06B, X06C
	21A	W01A, W01B, W01C, W02A, W02B		05	F13A			BOP, KVT, UOP4, VIAL
	21B	X04Z		08	I08A, I08B, I08C, I08D, I08E, I30Z	5t413.2↔		BOP, KVT, UOP4, VIAL
5t411.h↔		BOP, KVT, UOP4, VIAL		21A	W01A, W01B, W01C, W02A, W02B		05	F13A
	08	I24Z, I30Z		21B	X04Z		08	I12A, I12B, I12C, I28A, I28B
	21A	W04A, W04B					21A	W04A, W04B
	21B	X04Z					21B	X06A, X06B, X06C

ZZV	MDC	DRG	ZZV	MDC	DRG	ZZV	MDC	DRG
5t413.4↔		BOP, KVT, UOP4, VIAL	5t413.m↔		BOP, KVT, UOP4, VIAL	5t414.6↔		BOP, KVT, UOP4, VIAL
	05	F13A		05	F13A		08	I08A, I08B, I08C, I08D, I08E, I08F, I32A, I32B, I32C, I32D, I32E, I32F
	08	I08A, I08B, I08C, I08D, I08E, I08F, I12A, I12B, I12C, I21Z, I31Z		08	I12A, I12B, I12C, I20A, I20B, I20C, I20D, I20E, I20F		09	J03A, J03B, J04A, J04B, J08A, J08B, J08C, J11A, J11B, J16Z
	21A	W04A, W04B		21A	W04A, W04B		21A	W04A, W04B
	21B	X06A, X06B, X06C	5t413.n↔		BOP, KVT, UOP4, VIAL		21B	X05A, X05B
5t413.5↔		BOP, KVT, UOP4, VIAL		05	F13A	5t414.8↔		BOP, KVT, UOP4, VIAL
	05	F13A		08	I12A, I12B, I12C, I20A, I20B, I20C, I20D, I20E, I20F		08	I32A, I32B, I32C, I32D, I32E, I32F, I32G
	08	I08A, I08B, I08C, I08D, I08E, I08F, I12A, I12B, I12C, I21Z, I31Z		21A	W04A, W04B		09	J03A, J03B, J04A, J04B, J08A, J08B, J08C, J11A, J11B, J16Z
	21A	W04A, W04B		21B	X04Z		21A	W04A, W04B
	21B	X06A, X06B, X06C	5t413.p↔		BOP, KVT, UOP4, VIAL		21B	X05A, X05B
5t413.6↔		BOP, KVT, UOP4, VIAL		05	F13A		08	I32A, I32B, I32C, I32D, I32E, I32F, I32G
	05	F13A		08	I12A, I12B, I12C, I20A, I20B, I20C, I20D, I20E, I20F		09	J03A, J03B, J04A, J04B, J08A, J08B, J08C, J11A, J11B, J16Z
	08	I08A, I08B, I08C, I08D, I08E, I08F, I12A, I12B, I12C, I32A, I32B, I32C, I32D, I32E, I32F		21A	W04A, W04B		21A	W04A, W04B
	09	J03A, J03B, J04A, J04B, J08A, J08B, J08C, J11A, J11B, J16Z		21B	X04Z		21B	X05A, X05B
	21A	W04A, W04B	5t413.q↔		BOP, KVT, UOP4, VIAL	5t414.9↔		BOP, KVT, UOP4, VIAL
	21B	X05A, X05B		05	F13A		08	I32A, I32B, I32C, I32D, I32E, I32F, I32G
5t413.8↔		BOP, KVT, UOP4, VIAL		08	I12A, I12B, I12C, I20A, I20B, I20C, I20D, I20E, I20F		09	J03A, J03B, J04A, J04B, J08A, J08B, J08C, J11A, J11B, J16Z
	05	F13A		21A	W04A, W04B		21A	W04A, W04B
	08	I12A, I12B, I12C, I32A, I32B, I32C, I32D, I32E, I32F, I32G		21B	X04Z		21B	X05A, X05B
	09	J03A, J03B, J04A, J04B, J08A, J08B, J08C, J11A, J11B, J16Z	5t413.r↔		BOP, KVT, UOP4, VIAL	5t414.e↔		BOP, KVT, UOP4, VIAL
	21A	W04A, W04B		05	F13A		08	I08A, I08B, I08C, I08D, I08E, I08F, I28A, I28B
	21B	X05A, X05B		08	I12A, I12B, I12C, I20A, I20B, I20C, I20D, I20E, I20F		21A	W04A, W04B
5t413.9↔		BOP, KVT, UOP4, VIAL		21A	W04A, W04B		21B	X04Z, X06A, X06B, X06C
	05	F13A	5t413.x		BOP, KVT, UOP4	5t414.f		BOP, KVT, UOP4, VIAL
	08	I12A, I12B, I12C, I32A, I32B, I32C, I32D, I32E, I32F, I32G		05	F13A		08	I28A, I28B
	09	J03A, J03B, J04A, J04B, J08A, J08B, J08C, J11A, J11B, J16Z		08	I12A, I12B, I12C, I28A, I28B		21A	W04A, W04B
	21A	W04A, W04B		21A	W04A, W04B		21B	X04Z, X06A, X06B, X06C
	21B	X05A, X05B		21B	X04Z	5t414.g↔		BOP, KVT, UOP4, VIAL
5t413.9↔		BOP, KVT, UOP4, VIAL		05	F13A		08	I08A, I08B, I08C, I08D, I08E, I30Z
	05	F13A		08	I12A, I12B, I12C, I28A, I28B		21A	W01A, W01B, W01C, W02A, W02B
	08	I12A, I12B, I12C, I32A, I32B, I32C, I32D, I32E, I32F, I32G		21A	W04A, W04B		21B	X04Z
	09	J03A, J03B, J04A, J04B, J08A, J08B, J08C, J11A, J11B, J16Z	5t414.0↔		BOP, KVT, UOP4, VIAL		08	I08A, I08B, I08C, I08D, I08E, I30Z
	21A	W04A, W04B		08	I16Z		21A	W01A, W01B, W01C, W02A, W02B
	21B	X05A, X05B		21A	W04A, W04B	5t414.h↔		BOP, KVT, UOP4, VIAL
5t413.g↔		BOP, KVT, UOP4, VIAL		21B	X06A, X06B, X06C		08	I24Z, I30Z
	05	F13A		05	F13A		21A	W04A, W04B
	08	I08A, I08B, I08C, I08D, I08E, I30Z		08	I12A, I12B, I12C, I28A, I28B		21B	X04Z
	21A	W01A, W01B, W01C, W02A, W02B		21A	W04A, W04B	5t414.j↔		BOP, KVT, UOP4, VIAL
	21B	X04Z		21B	X06A, X06B, X06C		08	I18A, I18B, I30Z
5t413.h↔		BOP, KVT, UOP4, VIAL		05	F13A		21A	W04A, W04B
	05	F13A		08	I28A, I28B		21B	X04Z
	08	I12A, I12B, I12C, I18A, I18B, I30Z		21A	W04A, W04B	5t414.k↔		BOP, KVT, UOP4, VIAL
	21A	W04A, W04B		21B	X06A, X06B, X06C		08	I59Z
	21B	X04Z		05	F13A		21A	W04A, W04B
5t413.j↔		BOP, KVT, UOP4, VIAL		08	I12A, I12B, I12C, I18A, I18B, I30Z		21B	X04Z
	05	F13A		08	I08A, I08B, I08C, I08D, I08E, I08F, I18A, I18B, I30Z	5t414.m↔		BOP, KVT, UOP4, VIAL
	08	I12A, I12B, I12C, I18A, I18B, I30Z		21A	W04A, W04B		08	I20A, I20B, I20C, I20D, I20E, I20F
	21A	W04A, W04B		21B	X06A, X06B, X06C		21A	W04A, W04B
	21B	X04Z		05	F13A		21B	X04Z
5t413.k↔		BOP, KVT, UOP4, VIAL		08	I08A, I08B, I08C, I08D, I08E, I08F, I18A, I18B, I30Z	5t414.n↔		BOP, KVT, UOP4, VIAL
	05	F13A		21A	W04A, W04B		08	I20A, I20B, I20C, I20D, I20E, I20F
	08	I12A, I12B, I12C, I59Z		21B	X06A, X06B, X06C		21A	W04A, W04B
	21A	W04A, W04B		05	F13A		21B	X04Z
	21B	X04Z		08	I12A, I12B, I12C, I59Z	5t414.p↔		BOP, KVT, UOP4, VIAL

VYK

ZZV	MDC	DRG	ZZV	MDC	DRG	ZZV	MDC	DRG	
5t414.q↔		BOP, KVT, UOP4, VIAL	5t41x.f		BOP, KVT, UOP4, VIAL	5t420.5↔		BOP, KVT, UOP4, VIAL	
	08	I20A, I20B, I20C, I20D, I20E, I20F		08	I28A, I28B		08	I08A, I08B, I08C, I08D, I08E, I08F, I12A, I12B, I12C, I18A, I18B, I30Z	
	21A	W04A, W04B		21A	W04A, W04B		21A	W04A, W04B	
	21B	X04Z		21B	X04Z, X06A, X06B, X06C		21B	X06A, X06B, X06C	
5t414.r↔		BOP, KVT, UOP4, VIAL	5t41x.g↔		BOP, KVT, UOP4, VIAL	5t420.6↔		BOP, KVT, UOP4, VIAL	
	08	I20A, I20B, I20C, I20D, I20E, I20F		08	I08A, I08B, I08C, I08D, I08E, I30Z		08	I08A, I08B, I08C, I08D, I08E, I08F, I12A, I12B, I12C, I32A, I32B, I32C, I32D, I32E, I32F	
	21A	W04A, W04B		21A	W01A, W01B, W01C, W02A, W02B		09	J03A, J03B, J04A, J04B, J08A, J08B, J08C, J11A, J11B, J16Z	
	21B	X04Z		21B	X04Z		21A	W04A, W04B	
5t414.x		BOP, KVT, UOP4	5t41x.h↔		BOP, KVT, UOP4, VIAL		21B	X05A, X05B	
	08	I28A, I28B		08	I24Z, I30Z		5t420.8↔	BOP, KVT, UOP4, VIAL	
	21A	W04A, W04B		21A	W04A, W04B		08	I12A, I12B, I12C, I32A, I32B, I32C, I32D, I32E, I32F, I32G	
	21B	X06A, X06B, X06C		21B	X04Z		09	J03A, J03B, J04A, J04B, J08A, J08B, J08C, J11A, J11B, J16Z	
5t41x.0↔		BOP, KVT, UOP4, VIAL	5t41x.j↔		BOP, KVT, UOP4, VIAL		21A	W04A, W04B	
	08	I16Z		08	I18A, I18B, I30Z		21B	X05A, X05B	
	21A	W04A, W04B		21A	W04A, W04B		08	I12A, I12B, I12C, I32A, I32B, I32C, I32D, I32E, I32F, I32G	
	21B	X06A, X06B, X06C		21B	X04Z		09	J03A, J03B, J04A, J04B, J08A, J08B, J08C, J11A, J11B, J16Z	
5t41x.1↔		BOP, KVT, UOP4, VIAL	5t41x.k↔		BOP, KVT, UOP4, VIAL		21A	W04A, W04B	
	08	I16Z		08	I59Z		21B	X05A, X05B	
	21A	W04A, W04B		21A	W04A, W04B		5t420.9↔	BOP, KVT, UOP4, VIAL	
	21B	X06A, X06B, X06C		21B	X04Z		08	I12A, I12B, I12C, I32A, I32B, I32C, I32D, I32E, I32F, I32G	
5t41x.2↔		BOP, KVT, UOP4, VIAL	5t41x.m↔		BOP, KVT, UOP4, VIAL		09	J03A, J03B, J04A, J04B, J08A, J08B, J08C, J11A, J11B, J16Z	
	08	I28A, I28B		08	I20A, I20B, I20C, I20D, I20E, I20F		21A	W04A, W04B	
	21A	W04A, W04B		21A	W04A, W04B		21B	X05A, X05B	
	21B	X06A, X06B, X06C		21B	X04Z		5t420.e↔	BOP, KVT, UOP4, VIAL	
5t41x.3↔		BOP, KVT, UOP4, VIAL	5t41x.n↔		BOP, KVT, UOP4, VIAL		08	I08A, I08B, I08C, I08D, I08E, I08F, I12A, I12B, I12C, I28A, I28B	
	08	I28A, I28B		08	I20A, I20B, I20C, I20D, I20E, I20F		21A	W04A, W04B	
	21A	W04A, W04B		21A	W04A, W04B		21B	X04Z, X06A, X06B, X06C	
	21B	X06A, X06B, X06C		21B	X04Z		5t420.f	BOP, KVT, UOP4, VIAL	
5t41x.4↔		BOP, KVT, UOP4, VIAL	5t41x.p↔		BOP, KVT, UOP4, VIAL		08	I12A, I12B, I12C, I28A, I28B	
	08	I08A, I08B, I08C, I08D, I08E, I08F, I18A, I18B, I30Z		08	I20A, I20B, I20C, I20D, I20E, I20F		21A	W04A, W04B	
	21A	W04A, W04B		21A	W04A, W04B		21B	X04Z, X06A, X06B, X06C	
	21B	X06A, X06B, X06C		21B	X04Z		5t420.g↔	BOP, KVT, UOP4, VIAL	
5t41x.5↔		BOP, KVT, UOP4, VIAL	5t41x.q↔		BOP, KVT, UOP4, VIAL		08	I08A, I08B, I08C, I08D, I08E, I30Z	
	08	I08A, I08B, I08C, I08D, I08E, I08F, I18A, I18B, I30Z		08	I20A, I20B, I20C, I20D, I20E, I20F		21A	W01A, W01B, W01C, W02A, W02B	
	21A	W04A, W04B		21A	W04A, W04B		21B	X04Z	
	21B	X06A, X06B, X06C		21B	X04Z		5t420.h↔	BOP, KVT, UOP4, VIAL	
5t41x.6↔		BOP, KVT, UOP4, VIAL	5t41x.r↔		BOP, KVT, UOP4, VIAL		01	B03A, B03B, B06A, B06B, B17A, B17B, B17C	
	08	I08A, I08B, I08C, I08D, I08E, I08F, I32A, I32B, I32C, I32D, I32E, I32F		08	I20A, I20B, I20C, I20D, I20E, I20F		08	I12A, I12B, I12C, I24Z, I30Z	
	09	J03A, J03B, J04A, J04B, J08A, J08B, J08C, J11A, J11B, J16Z		21A	W04A, W04B		21A	W04A, W04B	
	21A	W04A, W04B		21B	X04Z		21B	X04Z	
	21B	X05A, X05B		5t41x.x	BOP, KVT, UOP4		5t420.j↔	BOP, KVT, UOP4, VIAL	
5t41x.8↔		BOP, KVT, UOP4, VIAL		08	I28A, I28B		01	B03A, B03B, B06A, B06B, B17A, B17B, B17C	
	08	I32A, I32B, I32C, I32D, I32E, I32F, I32G		21A	W04A, W04B		08	I12A, I12B, I12C, I18A, I18B, I30Z	
	09	J03A, J03B, J04A, J04B, J08A, J08B, J08C, J11A, J11B, J16Z		21B	X06A, X06B, X06C		21A	W04A, W04B	
	21A	W04A, W04B		5t420.0↔	BOP, KVT, UOP4, VIAL		21B	X04Z	
	21B	X05A, X05B		08	I12A, I12B, I12C, I16Z		5t420.k↔	BOP, KVT, UOP4, VIAL	
5t41x.9↔		BOP, KVT, UOP4, VIAL		21A	W04A, W04B		08	I12A, I12B, I12C, I59Z	
	08	I32A, I32B, I32C, I32D, I32E, I32F, I32G		21B	X06A, X06B, X06C		21A	W04A, W04B	
	09	J03A, J03B, J04A, J04B, J08A, J08B, J08C, J11A, J11B, J16Z		5t420.1↔	BOP, KVT, UOP4, VIAL		21B	X04Z	
	21A	W04A, W04B		08	I12A, I12B, I12C, I16Z		5t420.l↔	BOP, KVT, UOP4, VIAL	
	21B	X05A, X05B		21A	W04A, W04B		08	I12A, I12B, I12C, I28A, I28B	
5t41x.e↔		BOP, KVT, UOP4, VIAL		21B	X06A, X06B, X06C		21A	W04A, W04B	
	08	I08A, I08B, I08C, I08D, I08E, I08F, I28A, I28B		5t420.3↔	BOP, KVT, UOP4, VIAL		21B	X04Z	
	21A	W04A, W04B		08	I12A, I12B, I12C, I28A, I28B		5t420.m↔	BOP, KVT, UOP4, VIAL	
	21B	X05A, X05B		21A	W04A, W04B		08	I12A, I12B, I12C, I20A, I20B, I20C, I20D, I20E, I20F	
	08	I08A, I08B, I08C, I08D, I08E, I08F, I28A, I28B		21B	X06A, X06B, X06C		21A	W04A, W04B	
	21A	W04A, W04B		5t420.4↔	BOP, KVT, UOP4, VIAL		21B	X04Z	
	21B	X04Z, X06A, X06B, X06C		08	I08A, I08B, I08C, I08D, I08E, I08F, I12A, I12B, I12C, I18A, I18B, I30Z				
				21A	W04A, W04B				
				21B	X06A, X06B, X06C				

ZZV	MDC	DRG	ZZV	MDC	DRG	ZZV	MDC	DRG
5t420.n↔		BOP, KVT, UOP4, VIAL	5t421.h↔		BOP, KVT, UOP4, VIAL	5t422.8↔		BOP, KVT, UOP4, VIAL
	08	I12A, I12B, I12C, I20A, I20B, I20C, I20D, I20E, I20F		08	I18A, I18B, I30Z		08	I12A, I12B, I12C, I32A, I32B, I32C, I32D, I32E, I32F
	21A	W04A, W04B		21A	W04A, W04B		21A	W04A, W04B
	21B	X04Z		21B	X04Z		21B	X05A, X05B
5t420.p↔		BOP, KVT, UOP4, VIAL	5t421.j↔		BOP, KVT, UOP4, VIAL	5t422.9↔		BOP, KVT, UOP4, VIAL
	08	I12A, I12B, I12C, I20A, I20B, I20C, I20D, I20E, I20F		08	I59Z		08	I12A, I12B, I12C, I32A, I32B, I32C, I32D, I32E, I32F
	21A	W04A, W04B		01	B03A, B03B, B06A, B06B, B17A, B17B, B17C		21A	W04A, W04B
	21B	X04Z		05	F27A, F27B, F27C		21B	X05A, X05B
5t420.q↔		BOP, KVT, UOP4, VIAL		08	I59Z	5t422.g↔		BOP, KVT, UOP4, VIAL
	08	I12A, I12B, I12C, I20A, I20B, I20C, I20D, I20E, I20F		10	K01Z		08	I08A, I08B, I08C, I08D, I08E, I30Z
	21A	W04A, W04B		21A	W04A, W04B		21A	W01A, W01B, W01C, W02A, W02B
	21B	X04Z		21B	X04Z		21B	X04Z
5t420.r↔		BOP, KVT, UOP4, VIAL	5t421.m↔		BOP, KVT, UOP4, VIAL	5t422.h↔		BOP, KVT, UOP4, VIAL
	08	I12A, I12B, I12C, I20A, I20B, I20C, I20D, I20E, I20F		08	I20A, I20B, I20C, I20D, I20E, I20F		08	I12A, I12B, I12C, I18A, I18B, I30Z
	21A	W04A, W04B		21A	W04A, W04B		21A	W04A, W04B
	21B	X04Z		21B	X04Z		21B	X04Z
5t420.x		BOP, KVT, UOP4	5t421.n↔		BOP, KVT, UOP4, VIAL	5t422.j↔		BOP, KVT, UOP4, VIAL
	08	I12A, I12B, I12C, I28A, I28B		08	I20A, I20B, I20C, I20D, I20E, I20F		08	I59Z
	21A	W04A, W04B		21A	W04A, W04B		5t422.k↔	BOP, KVT, UOP4, VIAL
	21B	X06A, X06B, X06C		21B	X04Z		08	I59Z
5t421.0↔		BOP, KVT, UOP4, VIAL	5t421.p↔		BOP, KVT, UOP4, VIAL		08	I12A, I12B, I12C, I59Z
	08	I16Z		08	I20A, I20B, I20C, I20D, I20E, I20F		21A	W04A, W04B
	21A	W04A, W04B		21A	W04A, W04B		21B	X04Z
	21B	X06A, X06B, X06C		21B	X04Z	5t422.m↔		BOP, KVT, UOP4, VIAL
5t421.1↔		BOP, KVT, UOP4, VIAL	5t421.q↔		BOP, KVT, UOP4, VIAL		08	I12A, I12B, I12C, I20A, I20B, I20C, I20D, I20E, I20F
	08	I16Z		08	I20A, I20B, I20C, I20D, I20E, I20F		21A	W04A, W04B
	21A	W04A, W04B		21A	W04A, W04B		21B	X04Z
	21B	X06A, X06B, X06C		21B	X04Z	5t422.n↔		BOP, KVT, UOP4, VIAL
5t421.4↔		BOP, KVT, UOP4, VIAL	5t421.r↔		BOP, KVT, UOP4, VIAL		08	I12A, I12B, I12C, I20A, I20B, I20C, I20D, I20E, I20F
	08	I08A, I08B, I08C, I08D, I08E, I08F, I21Z, I31Z		08	I20A, I20B, I20C, I20D, I20E, I20F		21A	W04A, W04B
	21A	W04A, W04B		21A	W04A, W04B		21B	X04Z
	21B	X06A, X06B, X06C	5t421.x		BOP, KVT, UOP4	5t422.p↔		BOP, KVT, UOP4, VIAL
5t421.5↔		BOP, KVT, UOP4, VIAL		08	I28A, I28B		08	I12A, I12B, I12C, I20A, I20B, I20C, I20D, I20E, I20F
	08	I08A, I08B, I08C, I08D, I08E, I08F, I21Z, I31Z		21A	W04A, W04B		21A	W04A, W04B
	21A	W04A, W04B		21B	X06A, X06B, X06C		21B	X04Z
	21B	X06A, X06B, X06C	5t422.0↔		BOP, KVT, UOP4, VIAL	5t422.q↔		BOP, KVT, UOP4, VIAL
5t421.6↔		BOP, KVT, UOP4, VIAL		08	I12A, I12B, I12C, I16Z		08	I12A, I12B, I12C, I20A, I20B, I20C, I20D, I20E, I20F
	08	I08A, I08B, I08C, I08D, I08E, I08F, I32A, I32B, I32C, I32D, I32E, I32F		21A	W04A, W04B		21A	W04A, W04B
	21A	W04A, W04B		21B	X06A, X06B, X06C		21B	X04Z
	21B	X05A, X05B	5t422.1↔		BOP, KVT, UOP4, VIAL	5t422.r↔		BOP, KVT, UOP4, VIAL
5t421.8↔		BOP, KVT, UOP4, VIAL		08	I12A, I12B, I12C, I16Z		08	I12A, I12B, I12C, I20A, I20B, I20C, I20D, I20E, I20F
	08	I32A, I32B, I32C, I32D, I32E, I32F		21A	W04A, W04B		21A	W04A, W04B
	21A	W04A, W04B		21B	X06A, X06B, X06C		21B	X04Z
	21B	X05A, X05B	5t422.4↔		BOP, KVT, UOP4, VIAL	5t422.x		BOP, KVT, UOP4
5t421.9↔		BOP, KVT, UOP4, VIAL		08	I08A, I08B, I08C, I08D, I08E, I08F, I12A, I12B, I12C, I21Z, I31Z		08	I12A, I12B, I12C, I28A, I28B
	08	I32A, I32B, I32C, I32D, I32E, I32F		21A	W04A, W04B		21A	W04A, W04B
	21A	W04A, W04B		21B	X06A, X06B, X06C		21B	X06A, X06B, X06C
	21B	X05A, X05B	5t422.5↔		BOP, KVT, UOP4, VIAL	5t423.10↔		BOP, KVT, UOP4, VIAL
5t421.e↔		BOP, KVT, UOP4, VIAL		08	I08A, I08B, I08C, I08D, I08E, I08F, I12A, I12B, I12C, I21Z, I31Z		08	I12A, I12B, I12C, I24Z, I30Z
	08	I08A, I08B, I08C, I08D, I08E, I08F, I28A, I28B		21A	W04A, W04B		10	K09A, K09B
	21A	W04A, W04B		21B	X06A, X06B, X06C		21A	W04A, W04B
	21B	X04Z, X06A, X06B, X06C	5t422.6↔		BOP, KVT, UOP4, VIAL		21B	X04Z
5t421.g↔		BOP, KVT, UOP4, VIAL		08	I08A, I08B, I08C, I08D, I08E, I08F, I12A, I12B, I12C, I32A, I32B, I32C, I32D, I32E, I32F	5t423.11↔		BOP, KVT, UOP4, VIAL
	08	I08A, I08B, I08C, I08D, I08E, I30Z		21A	W04A, W04B		08	I12A, I12B, I12C, I18A, I18B, I30Z
	21A	W01A, W01B, W01C, W02A, W02B		21B	X05A, X05B		10	K09A, K09B
	21B	X04Z					21A	W04A, W04B
							21B	X04Z

ZZV	MDC	DRG	ZZV	MDC	DRG	ZZV	MDC	DRG	
5t423.20↔		BOP, KVT, UOP4, VIAL	5t427.4↔		BOP, KVT, UOP4, VIAL	5t428.0↔		BOP, KVT, UOP4, VIAL	
	01	B03A, B03B, B06A, B06B, B17A, B17B, B17C		08	I08A, I08B, I08C, I08D, I08E, I08F, I21Z, I31Z, I32A, I32B, I32C, I32D		08	I16Z, I32A, I32B, I32C, I32D	
	08	I18A, I30Z		21A	W04A, W04B		21A	W04A, W04B	
	21A	W04A, W04B		21B	X06A, X06B, X06C	5t428.1↔	08	X06A, X06B, X06C	
	21B	X04Z				5t428.3↔	08	I32A, I32B, I32C, I32D	
5t423.21↔		BOP, KVT, UOP4, VIAL	5t427.5↔		BOP, KVT, UOP4, VIAL	5t428.4↔		BOP, KVT, UOP4, VIAL	
	01	B03A, B03B, B06A, B06B, B17A, B17B, B17C		08	I08A, I08B, I08C, I08D, I08E, I08F, I21Z, I31Z, I32A, I32B, I32C, I32D		08	I08A, I08B, I08C, I08D, I08E, I08F, I21Z, I31Z, I32A, I32B, I32C, I32D	
	08	I18A, I30Z		21A	W04A, W04B		21A	W04A, W04B	
	21A	W04A, W04B		21B	X06A, X06B, X06C		21B	X06A, X06B, X06C	
	21B	X04Z				5t428.5↔		BOP, KVT, UOP4, VIAL	
5t423.22↔		BOP, KVT, UOP4, VIAL	5t427.6↔		BOP, KVT, UOP4, VIAL		08	I08A, I08B, I08C, I08D, I08E, I08F, I21Z, I31Z, I32A, I32B, I32C, I32D	
	01	B03A, B03B, B06A, B06B, B17A, B17B, B17C		08	I08A, I08B, I08C, I08D, I08E, I08F, I32A, I32B, I32C, I32D, I32E, I32F		21A	W04A, W04B	
	08	I18A, I30Z		21A	W04A, W04B		21B	X06A, X06B, X06C	
	21A	W04A, W04B		21B	X05A, X05B				
	21B	X04Z				5t428.6↔		BOP, KVT, UOP4, VIAL	
5t423.3↔		BOP, KVT, UOP4, VIAL	5t427.8↔		BOP, KVT, UOP4, VIAL		08	I08A, I08B, I08C, I08D, I08E, I08F, I32A, I32B, I32C, I32D, I32E, I32F	
	01	B03A, B03B, B06A, B06B, B17A, B17B, B17C		08	I32A, I32B, I32C, I32D, I32E, I32F		21A	W04A, W04B	
	08	I18A, I18B, I24Z, I30Z		21A	W04A, W04B		21B	X05A, X05B	
	21A	W04A, W04B		21B	X05A, X05B				
	21B	X04Z				5t428.8↔		BOP, KVT, UOP4, VIAL	
5t423.4↔		BOP, KVT, UOP4, VIAL	5t427.9↔		BOP, KVT, UOP4, VIAL		08	I32A, I32B, I32C, I32D, I32E, I32F	
	01	B03A, B03B, B06A, B06B, B17A, B17B, B17C		08	I32A, I32B, I32C, I32D, I32E, I32F		21A	W04A, W04B	
	08	I24Z, I30Z		21A	W04A, W04B		21B	X05A, X05B	
	21A	W04A, W04B		21B	X05A, X05B				
	21B	X04Z				5t428.9↔		BOP, KVT, UOP4, VIAL	
5t423.x↔		BOP, KVT, UOP4, VIAL	5t427.e↔		BOP, KVT, UOP4, VIAL		08	I32A, I32B, I32C, I32D, I32E, I32F	
	01	B03A, B03B, B06A, B06B, B17A, B17B, B17C		08	I32A, I32B, I32C, I32D		21A	W04A, W04B	
	08	I18A, I30Z		5t427.f↔			21B	X05A, X05B	
	21A	W04A, W04B		5t427.g↔					
	21B	X04Z		08	I08A, I08B, I08C, I08D, I08E, I30Z, I32A, I32B, I32C, I32D		5t428.e↔	08	I32A, I32B, I32C, I32D
5t426.0↔		BOP, KVT, UOP4, VIAL		21A	W01A, W01B, W01C, W02A, W02B		5t428.f↔	08	I32A, I32B, I32C, I32D
	08	I16Z		21B	X04Z		5t428.g↔		BOP, KVT, UOP4, VIAL
	21A	W04A, W04B					08	I08A, I08B, I08C, I08D, I08E, I30Z, I32A, I32B, I32C, I32D	
	21B	X06A, X06B, X06C					21A	W01A, W01B, W01C, W02A, W02B	
5t426.4↔		BOP, KVT, UOP4, VIAL		21A	W04A, W04B		21B	X04Z	
	08	I08A, I08B, I08C, I08D, I08E, I08F, I18A, I18B, I30Z		21B	X04Z				
	21A	W04A, W04B					5t428.h↔		BOP, KVT, UOP4, VIAL
	21B	X06A, X06B, X06C					01	B03A, B03B, B06A, B06B, B17A, B17B, B17C	
5t426.g↔		BOP, KVT, UOP4, VIAL					08	I18A, I30Z, I32A, I32B, I32C, I32D	
	08	I08A, I08B, I08C, I08D, I08E, I30Z					21A	W04A, W04B	
	21A	W01A, W01B, W01C, W02A, W02B					21B	X04Z	
	21B	X04Z							
5t426.h↔		BOP, KVT, UOP4, VIAL							
	08	I18A, I30Z							
	21A	W04A, W04B							
	21B	X04Z							
5t426.k↔		BOP, KVT, UOP4, VIAL							
	08	I59Z							
	21A	W04A, W04B							
	21B	X04Z							
5t426.x		BOP, KVT, UOP4							
	08	I28A, I28B							
	21A	W04A, W04B							
	21B	X06A, X06B, X06C							
5t427.0↔		BOP, KVT, UOP4, VIAL							
	08	I16Z, I32A, I32B, I32C, I32D							
	21A	W04A, W04B							
	21B	X06A, X06B, X06C							
5t427.1↔									
	08	I32A, I32B, I32C, I32D							
5t427.3↔									
	08	I32A, I32B, I32C, I32D							

ZZV	MDC	DRG	ZZV	MDC	DRG	ZZV	MDC	DRG
5t428.x		BOP, KVT, UOP4	5t42c.g↔		BOP, KVT, UOP4, VIAL	5t42d.6↔		BOP, KVT, UOP4, VIAL
	08	I28A, I28B, I32A, I32B, I32C, I32D		08	I08A, I08B, I08C, I08D, I08E, I30Z		08	I08A, I08B, I08C, I08D, I08E, I08F, I32A, I32B, I32C, I32D, I32E, I32F
	21A	W04A, W04B		21A	W01A, W01B, W01C, W02A, W02B		09	J03A, J03B, J04A, J04B, J08A, J08B, J08C, J11A, J11B, J16Z
5t429↔	21B	X06A, X06B, X06C		21B	X04Z		21A	W04A, W04B
		BOP, KVT, UOP4, VIAL	5t42c.h↔		BOP, KVT, UOP4, VIAL	5t42d.8↔	21B	X05A, X05B
	08	I32A, I32B, I32C, I32D, I32E, I32F, I32G		01	B03A, B03B, B06A, B06B, B17A, B17B, B17C		08	BOP, KVT, UOP4, VIAL
	09	J03A, J03B, J04A, J04B, J08A, J08B, J08C, J11A, J11B, J16Z		08	I24Z, I30Z		08	I32A, I32B, I32C, I32D, I32E, I32F, I32G
	21A	W04A, W04B		21A	W04A, W04B		09	J03A, J03B, J04A, J04B, J08A, J08B, J08C, J11A, J11B, J16Z
	21B	X05A, X05B	5t42c.j↔		BOP, KVT, UOP4, VIAL		21A	W04A, W04B
5t42c.0↔		BOP, KVT, UOP4, VIAL		08	I59Z		21B	X05A, X05B
	08	I16Z	5t42c.k↔		BOP, KVT, UOP4, VIAL	5t42d.9↔		BOP, KVT, UOP4, VIAL
	21A	W04A, W04B		08	I59Z		08	I32A, I32B, I32C, I32D, I32E, I32F, I32G
	21B	X06A, X06B, X06C		21A	W04A, W04B		09	J03A, J03B, J04A, J04B, J08A, J08B, J08C, J11A, J11B, J16Z
5t42c.1↔		BOP, KVT, UOP4, VIAL		21B	X04Z		21A	W04A, W04B
	08	I16Z	5t42c.m↔		BOP, KVT, UOP4, VIAL		21B	X05A, X05B
	21A	W04A, W04B		08	I20A, I20B, I20C, I20D, I20E, I20F		08	I32A, I32B, I32C, I32D, I32E, I32F, I32G
	21B	X06A, X06B, X06C		21A	W04A, W04B		09	J03A, J03B, J04A, J04B, J08A, J08B, J08C, J11A, J11B, J16Z
5t42c.3↔		BOP, KVT, UOP4, VIAL		21B	X04Z		21A	W04A, W04B
	08	I28A, I28B	5t42c.n↔		BOP, KVT, UOP4, VIAL	5t42d.e↔	21B	X05A, X05B
	21A	W04A, W04B		08	I20A, I20B, I20C, I20D, I20E, I20F		08	I08A, I08B, I08C, I08D, I08E, I08F, I28A, I28B
	21B	X06A, X06B, X06C		21A	W04A, W04B		21A	W04A, W04B
5t42c.4↔		BOP, KVT, UOP4, VIAL		21B	X04Z		21B	X04Z, X06A, X06B, X06C
	08	I08A, I08B, I08C, I08D, I08E, I08F, I18A, I18B, I30Z	5t42c.p↔		BOP, KVT, UOP4, VIAL	5t42d.g↔		BOP, KVT, UOP4, VIAL
	21A	W04A, W04B		08	I20A, I20B, I20C, I20D, I20E, I20F		08	I08A, I08B, I08C, I08D, I08E, I30Z
	21B	X06A, X06B, X06C		21A	W04A, W04B		21A	W01A, W01B, W01C, W02A, W02B
5t42c.5↔		BOP, KVT, UOP4, VIAL		21B	X04Z		21B	X04Z
	08	I08A, I08B, I08C, I08D, I08E, I08F, I18A, I18B, I30Z	5t42c.q↔		BOP, KVT, UOP4, VIAL	5t42d.h↔	01	B03A, B03B, B06A, B06B, B17A, B17B, B17C
	21A	W04A, W04B		08	I20A, I20B, I20C, I20D, I20E, I20F		08	I18A, I18B, I30Z
	21B	X06A, X06B, X06C		21A	W04A, W04B		21A	W04A, W04B
5t42c.6↔		BOP, KVT, UOP4, VIAL		21B	X04Z		21B	X04Z
	08	I08A, I08B, I08C, I08D, I08E, I08F, I32A, I32B, I32C, I32D, I32E, I32F	5t42c.r↔		BOP, KVT, UOP4, VIAL	5t42d.j↔	08	I59Z
	09	J03A, J03B, J04A, J04B, J08A, J08B, J08C, J11A, J11B, J16Z		08	I20A, I20B, I20C, I20D, I20E, I20F		08	BOP, KVT, UOP4, VIAL
	21A	W04A, W04B		21A	W04A, W04B		08	I59Z
	21B	X05A, X05B		21B	X04Z		08	BOP, KVT, UOP4, VIAL
5t42c.8↔		BOP, KVT, UOP4, VIAL	5t42c.x		BOP, KVT, UOP4	5t42d.k↔		I59Z
	08	I32A, I32B, I32C, I32D, I32E, I32F, I32G		08	I28A, I28B		08	I59Z
	09	J03A, J03B, J04A, J04B, J08A, J08B, J08C, J11A, J11B, J16Z		21A	W04A, W04B		21A	W04A, W04B
	21A	W04A, W04B		21B	X06A, X06B, X06C		21B	X04Z
	21B	X05A, X05B	5t42d.0↔		BOP, KVT, UOP4, VIAL	5t42d.m↔		BOP, KVT, UOP4, VIAL
5t42c.9↔		BOP, KVT, UOP4, VIAL		08	I16Z		08	I20A, I20B, I20C, I20D, I20E, I20F
	08	I32A, I32B, I32C, I32D, I32E, I32F, I32G		21A	W04A, W04B		21A	W04A, W04B
	09	J03A, J03B, J04A, J04B, J08A, J08B, J08C, J11A, J11B, J16Z	5t42d.1↔		BOP, KVT, UOP4, VIAL	5t42d.n↔		BOP, KVT, UOP4, VIAL
	21A	W04A, W04B		08	I16Z		08	I20A, I20B, I20C, I20D, I20E, I20F
	21B	X05A, X05B		21A	W04A, W04B		21A	W04A, W04B
5t42c.e↔		BOP, KVT, UOP4, VIAL		21B	X06A, X06B, X06C		21B	X04Z
	08	I08A, I08B, I08C, I08D, I08E, I08F, I28A, I28B	5t42d.3↔		BOP, KVT, UOP4, VIAL	5t42d.p↔		BOP, KVT, UOP4, VIAL
	21A	W04A, W04B		08	I28A, I28B		08	I20A, I20B, I20C, I20D, I20E, I20F
	21B	X05A, X05B		21A	W04A, W04B		21A	W04A, W04B
5t42c.e↔		BOP, KVT, UOP4, VIAL		21B	X06A, X06B, X06C		21B	X04Z
	08	I08A, I08B, I08C, I08D, I08E, I08F, I28A, I28B	5t42d.4↔		BOP, KVT, UOP4, VIAL	5t42d.q↔		BOP, KVT, UOP4, VIAL
	21A	W04A, W04B		08	I08A, I08B, I08C, I08D, I08E, I08F, I18A, I18B, I30Z		08	I20A, I20B, I20C, I20D, I20E, I20F
	21B	X04Z, X06A, X06B, X06C		21A	W04A, W04B		21A	W04A, W04B
				21B	X06A, X06B, X06C		21B	X04Z
			5t42d.5↔		BOP, KVT, UOP4, VIAL			
				08	I08A, I08B, I08C, I08D, I08E, I08F, I18A, I18B, I30Z			
				21A	W04A, W04B			
				21B	X06A, X06B, X06C			

ZZV	MDC	DRG	ZZV	MDC	DRG	ZZV	MDC	DRG
5t42d.r↔		BOP, KVT, UOP4, VIAL	5t42e.k↔		BOP, KVT, UOP4, VIAL	5t42f.g↔		BOP, KVT, UOP4, VIAL
	08	I20A, I20B, I20C, I20D, I20E, I20F		08	I59Z		08	I08A, I08B, I08C, I08D, I08E, I30Z, I32A, I32B, I32C, I32D
	21A	W04A, W04B		21A	W04A, W04B		21A	W01A, W01B, W01C, W02A, W02B
	21B	X04Z		21B	X04Z		21B	X04Z
5t42d.x		BOP, KVT, UOP4	5t42e.m↔		BOP, KVT, UOP4, VIAL	5t42f.h↔		BOP, KVT, UOP4, VIAL
	08	I28A, I28B		08	I20A, I20B, I20C, I20D, I20E, I20F		01	B03A, B03B, B06A, B06B, B17A, B17B, B17C
	21A	W04A, W04B		21A	W04A, W04B		08	I18A, I30Z, I32A, I32B, I32C, I32D
	21B	X06A, X06B, X06C		21B	X04Z		21A	W04A, W04B
5t42e.0↔		BOP, KVT, UOP4, VIAL	5t42e.n↔		BOP, KVT, UOP4, VIAL		21B	X04Z
	08	I16Z		08	I20A, I20B, I20C, I20D, I20E, I20F	5t42f.j↔		BOP, KVT, UOP4, VIAL
	21A	W04A, W04B		21A	W04A, W04B		08	I32A, I32B, I32C, I32D, I59Z
	21B	X06A, X06B, X06C		21B	X04Z	5t42f.k↔		BOP, KVT, UOP4, VIAL
5t42e.1↔		BOP, KVT, UOP4, VIAL	5t42e.p↔		BOP, KVT, UOP4, VIAL		08	I32A, I32B, I32C, I32D, I59Z
	08	I16Z		08	I20A, I20B, I20C, I20D, I20E, I20F		21A	W04A, W04B
	21A	W04A, W04B		21A	W04A, W04B		21B	X04Z
	21B	X06A, X06B, X06C		21B	X04Z	5t42f.l↔		BOP, KVT, UOP4, VIAL
5t42e.3↔		BOP, KVT, UOP4, VIAL	5t42e.q↔		BOP, KVT, UOP4, VIAL		08	I32A, I32B, I32C, I32D
	08	I28A, I28B		08	I20A, I20B, I20C, I20D, I20E, I20F	5t42f.m↔		BOP, KVT, UOP4, VIAL
	21A	W04A, W04B		21A	W04A, W04B		08	I20A, I20B, I20C, I20D, I20E, I20F, I32A, I32B, I32C, I32D
	21B	X06A, X06B, X06C		21B	X04Z	5t42f.n↔		BOP, KVT, UOP4, VIAL
5t42e.4↔		BOP, KVT, UOP4, VIAL	5t42e.r↔		BOP, KVT, UOP4, VIAL		08	I20A, I20B, I20C, I20D, I20E, I20F, I32A, I32B, I32C, I32D
	08	I08A, I08B, I08C, I08D, I08E, I08F, I21Z, I31Z		08	I20A, I20B, I20C, I20D, I20E, I20F	5t42f.p↔		BOP, KVT, UOP4, VIAL
	21A	W04A, W04B		21A	W04A, W04B		08	I20A, I20B, I20C, I20D, I20E, I20F, I32A, I32B, I32C, I32D
	21B	X06A, X06B, X06C		21B	X04Z	5t42f.q↔		BOP, KVT, UOP4, VIAL
5t42e.5↔		BOP, KVT, UOP4, VIAL	5t42e.x		BOP, KVT, UOP4		08	I20A, I20B, I20C, I20D, I20E, I20F, I32A, I32B, I32C, I32D
	08	I08A, I08B, I08C, I08D, I08E, I08F, I21Z, I31Z		08	I28A, I28B	5t42f.r↔		BOP, KVT, UOP4, VIAL
	21A	W04A, W04B		21A	W04A, W04B		08	I20A, I20B, I20C, I20D, I20E, I20F, I32A, I32B, I32C, I32D
	21B	X06A, X06B, X06C		21B	X06A, X06B, X06C	5t42f.x		BOP, KVT, UOP4
5t42e.6↔		BOP, KVT, UOP4, VIAL	5t42f.0↔		BOP, KVT, UOP4, VIAL		08	I28A, I28B, I32A, I32B, I32C, I32D
	08	I08A, I08B, I08C, I08D, I08E, I08F, I32A, I32B, I32C, I32D, I32E, I32F		08	I16Z, I32A, I32B, I32C, I32D		21A	W04A, W04B
	21A	W04A, W04B		21A	W04A, W04B		21B	X06A, X06B, X06C
	21B	X05A, X05B		21B	X06A, X06B, X06C	5t42g↔		BOP, KVT, UOP4, VIAL
5t42e.8↔		BOP, KVT, UOP4, VIAL	5t42f.1↔		I32A, I32B, I32C, I32D		08	I32A, I32B, I32C, I32D, I32E, I32F
	08	I32A, I32B, I32C, I32D, I32E, I32F	5t42f.3↔		I32A, I32B, I32C, I32D		21A	W04A, W04B
	21A	W04A, W04B	5t42f.4↔		BOP, KVT, UOP4, VIAL		21B	X05A, X05B
	21B	X05A, X05B		08	I08A, I08B, I08C, I08D, I08E, I08F, I21Z, I31Z, I32A, I32B, I32C, I32D	5t42h.0↔		BOP, KVT, UOP4, VIAL
5t42e.9↔		BOP, KVT, UOP4, VIAL		21A	W04A, W04B		08	I16Z
	08	I32A, I32B, I32C, I32D, I32E, I32F		21B	X06A, X06B, X06C		21A	W04A, W04B
	21A	W04A, W04B	5t42f.5↔		BOP, KVT, UOP4, VIAL		21B	X06A, X06B, X06C
	21B	X05A, X05B		08	I08A, I08B, I08C, I08D, I08E, I08F, I21Z, I31Z, I32A, I32B, I32C, I32D	5t42h.1↔		BOP, KVT, UOP4, VIAL
5t42e.e↔		BOP, KVT, UOP4, VIAL		21A	W04A, W04B		08	I16Z
	08	I08A, I08B, I08C, I08D, I08E, I08F, I28A, I28B		21B	X06A, X06B, X06C		21A	W04A, W04B
	21A	W04A, W04B	5t42f.6↔		BOP, KVT, UOP4, VIAL		21B	X06A, X06B, X06C
	21B	X04Z, X06A, X06B, X06C		08	I08A, I08B, I08C, I08D, I08E, I08F, I32A, I32B, I32C, I32D, I32E, I32F	5t42h.2↔		BOP, KVT, UOP4, VIAL
5t42e.g↔		BOP, KVT, UOP4, VIAL		21A	W04A, W04B		08	I28A, I28B
	08	I18A, I18B, I30Z		21B	X05A, X05B		21A	W04A, W04B
	10	K09A, K09B	5t42f.8↔		BOP, KVT, UOP4, VIAL		21B	X06A, X06B, X06C
	21A	W04A, W04B		08	I32A, I32B, I32C, I32D, I32E, I32F	5t42h.3↔		BOP, KVT, UOP4, VIAL
	21B	X04Z		21A	W04A, W04B		08	I28A, I28B
5t42e.h↔		BOP, KVT, UOP4, VIAL		21B	X05A, X05B		21A	W04A, W04B
	01	B03A, B03B, B06A, B06B, B17A, B17B, B17C	5t42f.9↔		BOP, KVT, UOP4, VIAL		21B	X06A, X06B, X06C
	08	I18A, I18B, I24Z, I30Z		08	I32A, I32B, I32C, I32D, I32E, I32F	5t42h.4↔		BOP, KVT, UOP4, VIAL
	21A	W04A, W04B		21A	W04A, W04B		08	I08A, I08B, I08C, I08D, I08E, I08F, I21Z, I31Z
	21B	X04Z		21B	X05A, X05B		21A	W04A, W04B
5t42e.j↔		BOP, KVT, UOP4, VIAL		5t42f.e↔		5t42h.5↔		BOP, KVT, UOP4, VIAL
	08	I28A, I28B		08	I32A, I32B, I32C, I32D		08	I08A, I08B, I08C, I08D, I08E, I08F, I21Z, I31Z
	21A	W04A, W04B	5t42f.f		I32A, I32B, I32C, I32D		21A	W04A, W04B
	21B	X04Z, X06A, X06B, X06C		08	I32A, I32B, I32C, I32D		21B	X06A, X06B, X06C

ZZV	MDC	DRG	ZZV	MDC	DRG	ZZV	MDC	DRG
5t42h.6↔		BOP, KVT, UOP4, VIAL	5t42h.x		BOP, KVT, UOP4	5t42i.j↔		BOP, KVT, UOP4, VIAL
	08	I08A, I08B, I08C, I08D, I08E, I08F, I32A, I32B, I32C, I32D, I32E, I32F		08	I28A, I28B		08	I28A, I28B
	21A	W04A, W04B		21A	W04A, W04B		21A	W04A, W04B
	21B	X05A, X05B		21B	X06A, X06B, X06C		21B	X04Z, X06A, X06B, X06C
5t42h.8↔		BOP, KVT, UOP4, VIAL	5t42i.0↔		BOP, KVT, UOP4, VIAL	5t42i.k↔		BOP, KVT, UOP4, VIAL
	08	I32A, I32B, I32C, I32D, I32E, I32F		08	I16Z		08	I59Z
	21A	W04A, W04B		21A	W04A, W04B		21A	W04A, W04B
	21B	X05A, X05B		21B	X06A, X06B, X06C		21B	X04Z
5t42h.9↔		BOP, KVT, UOP4, VIAL	5t42i.1↔		BOP, KVT, UOP4, VIAL	5t42i.m↔		BOP, KVT, UOP4, VIAL
	08	I32A, I32B, I32C, I32D, I32E, I32F		08	I16Z		08	I20A, I20B, I20C, I20D, I20E, I20F
	21A	W04A, W04B		21A	W04A, W04B		21A	W04A, W04B
	21B	X05A, X05B		21B	X06A, X06B, X06C		21B	X04Z
5t42h.e↔		BOP, KVT, UOP4, VIAL	5t42i.2↔		BOP, KVT, UOP4, VIAL	5t42i.n↔		BOP, KVT, UOP4, VIAL
	08	I08A, I08B, I08C, I08D, I08E, I08F, I28A, I28B		08	I28A, I28B		08	I20A, I20B, I20C, I20D, I20E, I20F
	21A	W04A, W04B		21A	W04A, W04B		21A	W04A, W04B
	21B	X04Z, X06A, X06B, X06C		21B	X06A, X06B, X06C		21B	X04Z
5t42h.f		BOP, KVT, UOP4, VIAL	5t42i.3↔		BOP, KVT, UOP4, VIAL	5t42i.p↔		BOP, KVT, UOP4, VIAL
	08	I28A, I28B		08	I28A, I28B		08	I20A, I20B, I20C, I20D, I20E, I20F
	21A	W04A, W04B		21A	W04A, W04B		21A	W04A, W04B
	21B	X04Z, X06A, X06B, X06C		21B	X06A, X06B, X06C		21B	X04Z
5t42h.g↔		BOP, KVT, UOP4, VIAL	5t42i.4↔		BOP, KVT, UOP4, VIAL	5t42i.q↔		BOP, KVT, UOP4, VIAL
	08	I18A, I18B, I30Z		08	I08A, I08B, I08C, I08D, I08E, I08F, I21Z, I31Z		08	I20A, I20B, I20C, I20D, I20E, I20F
	10	K09A, K09B		21A	W04A, W04B		21A	W04A, W04B
	21A	W04A, W04B		21B	X06A, X06B, X06C		21B	X04Z
	21B	X04Z		21B	X06A, X06B, X06C		21B	X04Z
5t42h.h↔		BOP, KVT, UOP4, VIAL	5t42i.5↔		BOP, KVT, UOP4, VIAL	5t42i.r↔		BOP, KVT, UOP4, VIAL
	01	B03A, B03B, B06A, B06B, B17A, B17B, B17C		08	I08A, I08B, I08C, I08D, I08E, I08F, I32A, I32B, I32C, I32D, I32E, I32F		08	I20A, I20B, I20C, I20D, I20E, I20F
	08	I24Z, I30Z		21A	W04A, W04B		21A	W04A, W04B
	21A	W04A, W04B		21B	X05A, X05B		21B	X04Z
	21B	X04Z		21B	X06A, X06B, X06C		21B	X04Z
5t42h.j↔		BOP, KVT, UOP4, VIAL	5t42i.6↔		BOP, KVT, UOP4, VIAL	5t42i.x		BOP, KVT, UOP4
	08	I28A, I28B		08	I08A, I08B, I08C, I08D, I08E, I08F, I32A, I32B, I32C, I32D, I32E, I32F		08	I28A, I28B
	21A	W04A, W04B		21A	W04A, W04B		21A	W04A, W04B
	21B	X04Z, X06A, X06B, X06C		21B	X05A, X05B		21B	X06A, X06B, X06C
5t42h.k↔		BOP, KVT, UOP4, VIAL	5t42i.8↔		BOP, KVT, UOP4, VIAL	5t430↔		BOP, KVT, UOP4, VIAL
	08	I59Z		08	I32A, I32B, I32C, I32D, I32E, I32F		01	B03A, B03B, B06A, B06B, B17A, B17B, B17C
	21A	W04A, W04B		21A	W04A, W04B		08	I18A, I18B, I30Z
	21B	X04Z		21B	X05A, X05B		21A	W04A, W04B
5t42h.m↔		BOP, KVT, UOP4, VIAL	5t42i.9↔		BOP, KVT, UOP4, VIAL		21B	X04Z
	08	I20A, I20B, I20C, I20D, I20E, I20F		08	I32A, I32B, I32C, I32D, I32E, I32F		01	B03A, B03B, B06A, B06B, B17A, B17B, B17C
	21A	W04A, W04B		21A	W04A, W04B		08	I18A, I18B, I30Z
	21B	X04Z		21B	X05A, X05B		21A	W04A, W04B
5t42h.n↔		BOP, KVT, UOP4, VIAL	5t42i.e↔		BOP, KVT, UOP4, VIAL		21B	X04Z
	08	I20A, I20B, I20C, I20D, I20E, I20F		08	I08A, I08B, I08C, I08D, I08E, I08F, I28A, I28B		01	B03A, B03B, B06A, B06B, B17A, B17B, B17C
	21A	W04A, W04B		21A	W04A, W04B		08	I12A, I12B, I12C, I18A, I18B, I30Z
	21B	X04Z		21B	X04Z, X06A, X06B, X06C		21A	W04A, W04B
5t42h.p↔		BOP, KVT, UOP4, VIAL	5t42i.f		BOP, KVT, UOP4, VIAL	5t432↔		BOP, KVT, UOP4, VIAL
	08	I20A, I20B, I20C, I20D, I20E, I20F		08	I28A, I28B		01	B03A, B03B, B06A, B06B, B17A, B17B, B17C
	21A	W04A, W04B		21A	W04A, W04B		08	I12A, I12B, I12C, I18A, I18B, I30Z
	21B	X04Z		21B	X04Z, X06A, X06B, X06C		21A	W04A, W04B
5t42h.q↔		BOP, KVT, UOP4, VIAL	5t42i.g↔		BOP, KVT, UOP4, VIAL		21B	X04Z
	08	I20A, I20B, I20C, I20D, I20E, I20F		08	I18A, I18B, I30Z		5t433↔	BOP, KVT, UOP4, VIAL
	21A	W04A, W04B		10	K09A, K09B		01	B03A, B03B, B06A, B06B, B17A, B17B, B17C
	21B	X04Z		21A	W04A, W04B		08	I12A, I12B, I12C, I18A, I18B, I30Z
5t42h.r↔		BOP, KVT, UOP4, VIAL	5t42i.h↔		BOP, KVT, UOP4, VIAL		21A	W04A, W04B
	08	I20A, I20B, I20C, I20D, I20E, I20F		01	B03A, B03B, B06A, B06B, B17A, B17B, B17C		21B	X04Z
	21A	W04A, W04B		08	I24Z, I30Z		5t434↔	BOP, KVT, UOP4, VIAL
	21B	X04Z		21A	W04A, W04B		01	B03A, B03B, B06A, B06B, B17A, B17B, B17C
				21B	X04Z		08	I12A, I12B, I12C, I18A, I18B, I30Z
							21A	W04A, W04B
							21B	X04Z

ZZV	MDC	DRG	ZZV	MDC	DRG	ZZV	MDC	DRG
5t452.3↔		BOP, KVT, UOP4, VIAL	5t490.4↔		BOP, KVT, UOP4, VIAL	5t491.0↔		BOP, KVT, UOP4, VIAL
	01	B03A, B03B, B06A, B06B, B17A, B17B, B17C		08	I08A, I08B, I08C, I08D, I08E, I08F, I12A, I12B, I12C, I18A, I18B, I30Z		08	I16Z
	08	I12A, I12B, I12C, I18A, I18B, I30Z		21A	W04A, W04B		21A	W04A, W04B
	21A	W04A, W04B		21B	X06A, X06B, X06C	5t491.4↔		X06A, X06B, X06C
	21B	X04Z	5t490.5↔		BOP, KVT, UOP4, VIAL		08	BOP, KVT, UOP4, VIAL
5t452.x↔		BOP, KVT, UOP4, VIAL		08	I08A, I08B, I08C, I08D, I08E, I08F, I12A, I12B, I12C, I18A, I18B, I30Z		21A	I08A, I08B, I08C, I08D, I08E, I08F, I18A, I18B, I30Z
	01	B03A, B03B, B06A, B06B, B17A, B17B, B17C		21A	W04A, W04B		21A	W04A, W04B
	08	I12A, I12B, I12C, I18A, I18B, I30Z		21B	X06A, X06B, X06C	5t491.5↔		X06A, X06B, X06C
	21A	W04A, W04B	5t490.6↔		BOP, KVT, UOP4, VIAL		08	BOP, KVT, UOP4, VIAL
	21B	X04Z		08	I08A, I08B, I08C, I08D, I08E, I08F, I12A, I12B, I12C, I32A, I32B, I32C, I32D, I32E, I32F		21A	I08A, I08B, I08C, I08D, I08E, I08F, I18A, I18B, I30Z
5t453.0↔		BOP, KVT, UOP4, VIAL		21A	W04A, W04B	5t491.h↔		BOP, KVT, UOP4, VIAL
	01	B03A, B03B, B06A, B06B, B17A, B17B, B17C		21B	X06A, X06B, X06C		01	B03A, B03B, B06A, B06B, B17A, B17B, B17C
	08	I12A, I12B, I12C, I18A, I18B, I30Z	5t490.8↔		BOP, KVT, UOP4, VIAL		08	I18A, I18B, I30Z
	21A	W04A, W04B		08	I12A, I12B, I12C, I32A, I32B, I32C, I32D, I32E, I32F		21A	W04A, W04B
	21B	X04Z		21A	W04A, W04B		21B	X04Z
5t453.1↔		BOP, KVT, UOP4, VIAL		21B	X05A, X05B	5t491.k↔		BOP, KVT, UOP4, VIAL
	01	B03A, B03B, B06A, B06B, B17A, B17B, B17C	5t490.9↔		BOP, KVT, UOP4, VIAL		08	I59Z
	08	I12A, I12B, I12C, I18A, I18B, I30Z		08	I12A, I12B, I12C, I32A, I32B, I32C, I32D, I32E, I32F		21A	W04A, W04B
	21A	W04A, W04B		21A	W04A, W04B		21A	W04A, W04B
	21B	X04Z	5t490.g↔		BOP, KVT, UOP4, VIAL	5t491.x↔		X06A, X06B, X06C
5t453.2↔		BOP, KVT, UOP4, VIAL		08	I08A, I08B, I08C, I08D, I08E, I30Z		08	BOP, KVT, UOP4, VIAL
	01	B03A, B03B, B06A, B06B, B17A, B17B, B17C		21A	W01A, W01B, W01C, W02A, W02B		08	I28A, I28B
	08	I18A, I18B, I30Z		21B	X04Z		21A	W04A, W04B
	21A	W04A, W04B	5t490.h↔		BOP, KVT, UOP4, VIAL	5t492.0↔		X06A, X06B, X06C
	21B	X04Z		01	B03A, B03B, B06A, B06B, B17A, B17B, B17C		08	BOP, KVT, UOP4, VIAL
5t453.3↔		BOP, KVT, UOP4, VIAL		08	I12A, I12B, I12C, I18A, I18B, I30Z		21A	I16Z
	01	B03A, B03B, B06A, B06B, B17A, B17B, B17C	5t490.i↔		BOP, KVT, UOP4, VIAL		21A	W04A, W04B
	08	I12A, I12B, I12C, I18A, I18B, I30Z		01	B03A, B03B, B06A, B06B, B17A, B17B, B17C		21B	X06A, X06B, X06C
	21A	W04A, W04B		08	I12A, I12B, I12C, I18A, I18B, I30Z	5t492.x↔		BOP, KVT, UOP4, VIAL
	21B	X04Z	5t490.j↔		BOP, KVT, UOP4, VIAL		08	I28A, I28B
5t453.x↔		BOP, KVT, UOP4, VIAL		08	I59Z		21A	W04A, W04B
	01	B03A, B03B, B06A, B06B, B17A, B17B, B17C	5t490.k↔		BOP, KVT, UOP4, VIAL	5t49x.0↔		X06A, X06B, X06C
	08	I12A, I12B, I12C, I18A, I18B, I30Z		08	I12A, I12B, I12C, I59Z		08	BOP, KVT, UOP4, VIAL
	21A	W04A, W04B		21A	W04A, W04B		21A	I16Z
	21B	X04Z	5t490.m↔		BOP, KVT, UOP4, VIAL	5t49x.1↔		W04A, W04B
5t45x↔		BOP, KVT, UOP4, VIAL		08	I12A, I12B, I12C, I20A, I20B, I20C, I20D, I20E, I20F		21B	X06A, X06B, X06C
	01	B03A, B03B, B06A, B06B, B17A, B17B, B17C		21A	W04A, W04B	5t49x.2↔		BOP, KVT, UOP4, VIAL
	08	I18A, I18B, I30Z	5t490.n↔		BOP, KVT, UOP4, VIAL		08	I28A, I28B
	21A	W04A, W04B		08	I20A, I20B, I20C, I20D, I20E, I20F		21A	W04A, W04B
	21B	X04Z	5t490.p↔		BOP, KVT, UOP4, VIAL	5t49x.3↔		X06A, X06B, X06C
5t490.0↔		BOP, KVT, UOP4, VIAL		08	I20A, I20B, I20C, I20D, I20E, I20F		08	BOP, KVT, UOP4, VIAL
	08	I12A, I12B, I12C, I16Z	5t490.q↔		BOP, KVT, UOP4, VIAL		21A	I28A, I28B
	21A	W04A, W04B		08	I20A, I20B, I20C, I20D, I20E, I20F	5t49x.4↔		W04A, W04B
	21B	X06A, X06B, X06C	5t490.r↔		BOP, KVT, UOP4, VIAL		21B	X06A, X06B, X06C
5t490.1↔		BOP, KVT, UOP4, VIAL		08	I20A, I20B, I20C, I20D, I20E, I20F	5t49x.5↔		BOP, KVT, UOP4, VIAL
	08	I12A, I12B, I12C, I16Z	5t490.x		BOP, KVT, UOP4		08	I08A, I08B, I08C, I08D, I08E, I08F, I18A, I18B, I30Z
	21A	W04A, W04B		08	I12A, I12B, I12C, I28A, I28B		21A	W04A, W04B
	21B	X06A, X06B, X06C		21A	W04A, W04B		21B	X06A, X06B, X06C
5t490.3↔		BOP, KVT, UOP4, VIAL		21B	X06A, X06B, X06C			
	08	I12A, I12B, I12C, I28A, I28B						
	21A	W04A, W04B						
	21B	X06A, X06B, X06C						

VYK

ZZV	MDC	DRG	ZZV	MDC	DRG	ZZV	MDC	DRG
5t49x.6↔		BOP, KVT, UOP4, VIAL	5t49x.r↔		BOP, KVT, UOP4, VIAL	5t502.1↔		BOP, KOP, KOPV, KVT, UOP4, VIAL
	08	I08A, I08B, I08C, I08D, I08E, I08F, I32A, I32B, I32C, I32D, I32E, I32F		08	I20A, I20B, I20C, I20D, I20E, I20F		06	G33Z
	21A	W04A, W04B		10	K09A, K09B		07	H33Z, H38Z
	21B	X05A, X05B		21A	W04A, W04B		08	I01Z, I03A, I03B, I05Z, I08A, I08B, I08C, I08D, I08E, I08F, I12A, I12B, I12C, I36Z, I47A, I47B
5t49x.8↔		BOP, KVT, UOP4, VIAL	5t49x.x		BOP, KVT, UOP4		11	L33Z
	08	I32A, I32B, I32C, I32D, I32E, I32F		08	I28A, I28B		21A	W01A, W01B, W01C, W02A, W02B
	21A	W04A, W04B		21A	W04A, W04B		21B	X04Z, X33Z
	21B	X05A, X05B	5t500.0↔		BOP, KOP, KOPV, KVT, UOP4, VIAL		23	Z01A
5t49x.9↔		BOP, KVT, UOP4, VIAL		06	G33Z		Pre	A07A
	08	I32A, I32B, I32C, I32D, I32E, I32F		07	H33Z, H38Z	5t502.2↔		BOP, KOP, KOPV, KVT, UOP4, VIAL
	21A	W04A, W04B		08	I01Z, I03A, I03B, I05Z, I08A, I08B, I08C, I08D, I08E, I08F, I12A, I12B, I12C, I36Z, I47A, I47B		06	G33Z
	21B	X05A, X05B		11	L33Z		07	H33Z, H38Z
5t49x.e↔		BOP, KVT, UOP4, VIAL		21A	W01A, W01B, W01C, W02A, W02B		08	I01Z, I03A, I03B, I05Z, I08A, I08B, I08C, I08D, I08E, I08F, I12A, I12B, I12C, I36Z, I47A, I47B
	08	I08A, I08B, I08C, I08D, I08E, I08F, I28A, I28B		21B	X04Z, X33Z		11	L33Z
	21A	W04A, W04B		23	Z01A		21A	W01A, W01B, W01C, W02A, W02B
	21B	X04Z, X06A, X06B, X06C		Pre	A07A		21B	X04Z, X33Z
5t49x.f		BOP, KVT, UOP4, VIAL	5t500.1↔		BOP, KOP, KOPV, KVT, UOP4, VIAL		23	Z01A
	08	I28A, I28B		06	G33Z		Pre	A07A
	21A	W04A, W04B		07	H33Z, H38Z	5t503.0↔		BOP, KOP, KOPV, KVT, UOP4, VIAL
	21B	X04Z, X06A, X06B, X06C		08	I01Z, I03A, I03B, I05Z, I08A, I08B, I08C, I08D, I08E, I08F, I12A, I12B, I12C, I36Z, I47A, I47B		06	G33Z
5t49x.g↔		BOP, KVT, UOP4, VIAL		11	L33Z		07	H33Z, H38Z
	08	I30Z		21A	W01A, W01B, W01C, W02A, W02B		08	I01Z, I03A, I03B, I05Z, I08A, I08B, I08C, I08D, I08E, I08F, I12A, I12B, I12C, I36Z, I47A, I47B
	21A	W01A, W01B, W01C, W02A, W02B		21B	X04Z, X33Z		10	K09A, K09B
	21B	X04Z		23	Z01A		11	L33Z
5t49x.h↔		BOP, KVT, UOP4, VIAL	5t500.2↔		BOP, KOP, KOPV, KVT, UOP4, VIAL		21A	W01A, W01B, W01C, W02A, W02B
	01	B03A, B03B, B06A, B06B, B17A, B17B, B17C		06	G33Z		21B	X04Z, X33Z
	08	I18A, I18B, I30Z		07	H33Z, H38Z		23	Z01A
	21A	W04A, W04B		08	I01Z, I03A, I03B, I05Z, I08A, I08B, I08C, I08D, I08E, I08F, I12A, I12B, I12C, I36Z, I47A, I47B		Pre	A07A
	21B	X04Z		11	L33Z	5t503.1↔		BOP, KOP, KOPV, KVT, UOP4, VIAL
5t49x.j↔		BOP, KVT, UOP4, VIAL		21A	W01A, W01B, W01C, W02A, W02B		06	G33Z
	01	B03A, B03B, B06A, B06B, B17A, B17B, B17C		21B	X04Z, X33Z		07	H33Z, H38Z
	08	I18A, I18B, I30Z		23	Z01A		08	I01Z, I03A, I03B, I05Z, I08A, I08B, I08C, I08D, I08E, I08F, I12A, I12B, I12C, I36Z, I47A, I47B
	21A	W04A, W04B		Pre	A07A		10	K09A, K09B
	21B	X04Z		06	G33Z		11	L33Z
5t49x.k↔		BOP, KVT, UOP4, VIAL		07	H33Z, H38Z		21A	W01A, W01B, W01C, W02A, W02B
	08	I59Z		08	I01Z, I03A, I03B, I05Z, I08A, I08B, I08C, I08D, I08E, I08F, I12A, I12B, I12C, I36Z, I47A, I47B		21B	X04Z, X33Z
	21A	W04A, W04B		11	L33Z		23	Z01A
	21B	X04Z		21A	W01A, W01B, W01C, W02A, W02B		Pre	A07A
5t49x.m↔		BOP, KVT, UOP4, VIAL		21B	X04Z, X33Z		10	K09A, K09B
	08	I20A, I20B, I20C, I20D, I20E, I20F		23	Z01A		11	L33Z
	21A	W04A, W04B	5t502.0↔	Pre	A07A		21A	W01A, W01B, W01C, W02A, W02B
	21B	X04Z		06	G33Z		21B	X04Z, X33Z
5t49x.n↔		BOP, KVT, UOP4, VIAL		07	H33Z, H38Z		23	Z01A
	08	I20A, I20B, I20C, I20D, I20E, I20F		08	I01Z, I03A, I03B, I05Z, I08A, I08B, I08C, I08D, I08E, I08F, I12A, I12B, I12C, I36Z, I47A, I47B		Pre	A07A
	21A	W04A, W04B		11	L33Z			
	21B	X04Z		21A	W01A, W01B, W01C, W02A, W02B			
5t49x.p↔		BOP, KVT, UOP4, VIAL		21B	X04Z, X33Z			
	08	I20A, I20B, I20C, I20D, I20E, I20F		23	Z01A			
	21A	W04A, W04B		Pre	A07A			
	21B	X04Z						
5t49x.q↔		BOP, KVT, UOP4, VIAL						
	08	I20A, I20B, I20C, I20D, I20E, I20F						
	10	K09A, K09B						
	21A	W04A, W04B						
	21B	X04Z						

VYK

ZZV	MDC	DRG	ZZV	MDC	DRG	ZZV	MDC	DRG
5t504.0↔		BOP, KOP, KOPV, KVT, UOP4, VIAL	5t508.0↔		BOP, KOP, KOPV, KVT, UOP4, VIAL	5t509.01↔		BOP, KOP, KOPV, KVT, UOP4, VIAL
	06	G33Z		06	G33Z		06	G33Z
	07	H33Z, H38Z		07	H33Z, H38Z		07	H33Z, H38Z
	08	I01Z, I03A, I03B, I05Z, I08A, I08B, I08C, I08D, I08E, I08F, I12A, I12B, I12C, I36Z, I47A, I47B		08	I01Z, I03A, I03B, I05Z, I08A, I08B, I08C, I08D, I08E, I08F, I12A, I12B, I12C, I36Z, I47A, I47B		08	I01Z, I03A, I03B, I05Z, I08A, I08B, I08C, I08D, I08E, I08F, I12A, I12B, I12C, I36Z, I47A, I47B
	10	K09A, K09B		11	L33Z		10	K09A, K09B
	11	L33Z		21A	W01A, W01B, W01C, W02A, W02B		11	L33Z
	21A	W01A, W01B, W01C, W02A, W02B		21B	X04Z, X33Z		21A	W01A, W01B, W01C, W02A, W02B
	21B	X04Z, X33Z		23	Z01A		21B	X04Z, X33Z
	23	Z01A		Pre	A07A		23	Z01A
	Pre	A07A	5t508.1↔		BOP, KOP, KOPV, KVT, UOP4, VIAL	5t509.10↔		BOP, KOP, KOPV, KVT, UOP4, VIAL
5t504.1↔		BOP, KOP, KOPV, KVT, UOP4, VIAL		06	G33Z		06	G33Z
	06	G33Z		07	H33Z, H38Z		07	H33Z, H38Z
	07	H33Z, H38Z		08	I01Z, I03A, I03B, I05Z, I08A, I08B, I08C, I08D, I08E, I08F, I12A, I12B, I12C, I36Z, I47A, I47B		08	I01Z, I03A, I03B, I05Z, I08A, I08B, I08C, I08D, I08E, I08F, I12A, I12B, I12C, I36Z, I47A, I47B
	08	I01Z, I03A, I03B, I05Z, I08A, I08B, I08C, I08D, I08E, I08F, I12A, I12B, I12C, I36Z, I47A, I47B		11	L33Z		11	L33Z
	10	K09A, K09B		21A	W01A, W01B, W01C, W02A, W02B		21A	W01A, W01B, W01C, W02A, W02B
	11	L33Z		21B	X04Z, X33Z		21B	X04Z, X33Z
	21A	W01A, W01B, W01C, W02A, W02B		23	Z01A		23	Z01A
	21B	X04Z, X33Z		Pre	A07A		Pre	A07A
	23	Z01A	5t508.2↔		BOP, KOP, KOPV, KVT, UOP4, VIAL	5t509.11↔		BOP, KOP, KOPV, KVT, UOP4, VIAL
	Pre	A07A		06	G33Z		06	G33Z
5t505.0↔		BOP, KVT, UOP4, VIAL		07	H33Z, H38Z		07	H33Z, H38Z
	08	I03A, I03B, I05Z, I08A, I08B, I08C, I08D, I08E, I08F, I12A, I12B, I12C, I47A, I47B		08	I01Z, I03A, I03B, I05Z, I08A, I08B, I08C, I08D, I08E, I08F, I12A, I12B, I12C, I36Z, I47A, I47B		08	I01Z, I03A, I03B, I05Z, I08A, I08B, I08C, I08D, I08E, I08F, I12A, I12B, I12C, I36Z, I47A, I47B
	10	K09A, K09B		11	L33Z		11	L33Z
	21A	W01A, W01B, W01C, W02A, W02B		21A	W01A, W01B, W01C, W02A, W02B		21A	W01A, W01B, W01C, W02A, W02B
	21B	X04Z		21B	X04Z, X33Z		21B	X04Z, X33Z
5t505.1↔		BOP, KVT, UOP4, VIAL		23	Z01A		23	Z01A
	08	I03A, I03B, I05Z, I08A, I08B, I08C, I08D, I08E, I08F, I12A, I12B, I12C, I47A, I47B		Pre	A07A		Pre	A07A
	10	K09A, K09B	5t509.00↔		BOP, KOP, KOPV, KVT, UOP4, VIAL	5t509.12↔		BOP, KOP, KOPV, KVT, UOP4, VIAL
	21A	W01A, W01B, W01C, W02A, W02B		06	G33Z		06	G33Z
	21B	X04Z		07	H33Z, H38Z		07	H33Z, H38Z
5t507.0↔		BOP, KVT, UOP4, VIAL		08	I01Z, I03A, I03B, I05Z, I08A, I08B, I08C, I08D, I08E, I08F, I12A, I12B, I12C, I36Z, I47A, I47B		08	I01Z, I03A, I03B, I05Z, I08A, I08B, I08C, I08D, I08E, I08F, I12A, I12B, I12C, I36Z, I47A, I47B
	08	I03A, I03B, I05Z, I08A, I08B, I08C, I08D, I08E, I08F, I12A, I12B, I12C, I47A, I47B		10	K09A, K09B		10	K09A, K09B
	10	K09A, K09B		11	L33Z		11	L33Z
	21A	W01A, W01B, W01C, W02A, W02B		21A	W01A, W01B, W01C, W02A, W02B		21A	W01A, W01B, W01C, W02A, W02B
	21B	X04Z		21B	X04Z, X33Z		21B	X04Z, X33Z
5t507.1↔		BOP, KVT, UOP4, VIAL		23	Z01A		23	Z01A
	08	I03A, I03B, I05Z, I08A, I08B, I08C, I08D, I08E, I08F, I12A, I12B, I12C, I47A, I47B		Pre	A07A		Pre	A07A
	10	K09A, K09B				5t50x.0↔		BOP, KOP, KOPV, KVT, UOP4, VIAL
	21A	W01A, W01B, W01C, W02A, W02B					06	G33Z
	21B	X04Z					07	H33Z, H38Z
5t507.2↔		BOP, KVT, UOP4, VIAL					08	I01Z, I03A, I03B, I05Z, I08A, I08B, I08C, I08D, I08E, I08F, I12A, I12B, I12C, I36Z, I47A, I47B
	08	I03A, I03B, I05Z, I08A, I08B, I08C, I08D, I08E, I08F, I12A, I12B, I12C, I47A, I47B					11	L33Z
	10	K09A, K09B					21A	W01A, W01B, W01C, W02A, W02B
	21A	W01A, W01B, W01C, W02A, W02B					21B	X04Z, X33Z
	21B	X04Z					23	Z01A
							Pre	A07A

VYK

ZZV	MDC	DRG	ZZV	MDC	DRG	ZZV	MDC	DRG
5t50x.1↔		BOP, KOP, KOPV, KVT, UOP4, VIAL	5t511.2↔		BOP, KOP, KOPV, KVT, UOP4, VIAL	5t511.82↔		BOP, KOP, KOPV, KVT, UOP4, VIAL
	06	G33Z		05	F13A		05	F13A
	07	H33Z, H38Z		06	G33Z		06	G33Z
	08	I01Z, I03A, I03B, I05Z, I08A, I08B, I08C, I08D, I08E, I08F, I12A, I12B, I12C, I36Z, I47A, I47B		07	H33Z, H38Z		07	H33Z, H38Z
	11	L33Z		08	I01Z, I03A, I03B, I08A, I08B, I08C, I08D, I08E, I08F, I12A, I12B, I12C, I46A, I46B		08	I01Z, I03A, I03B, I08A, I08B, I08C, I08D, I08E, I08F, I12A, I12B, I12C, I46A, I46B
	21A	W01A, W01B, W01C, W02A, W02B		10	K09A, K09B		10	K09A, K09B
	21B	X04Z, X33Z		11	L33Z		11	L33Z
	23	Z01A		21A	W04A, W04B		21A	W04A, W04B
	Pre	A07A		21B	X04Z, X33Z		21B	X04Z, X33Z
				23	Z01A		23	Z01A
				Pre	A07A		Pre	A07A
5t50x.2↔		BOP, KOP, KOPV, KVT, UOP4, VIAL	5t511.3↔		BOP, KOP, KOPV, KVT, UOP4, VIAL	5t511.x↔		BOP, KOP, KOPV, KVT, UOP4, VIAL
	06	G33Z		05	F13A		05	F13A
	07	H33Z, H38Z		06	G33Z		06	G33Z
	08	I01Z, I03A, I03B, I05Z, I08A, I08B, I08C, I08D, I08E, I08F, I12A, I12B, I12C, I36Z, I47A, I47B		07	H33Z, H38Z		07	H33Z, H38Z
	11	L33Z		08	I01Z, I03A, I03B, I08A, I08B, I08C, I08D, I08E, I08F, I12A, I12B, I12C, I46A, I46B		08	I01Z, I03A, I03B, I08A, I08B, I08C, I08D, I08E, I08F, I12A, I12B, I12C, I46A, I46B
	21A	W01A, W01B, W01C, W02A, W02B		10	K09A, K09B		10	K09A, K09B
	21B	X04Z, X33Z		11	L33Z		11	L33Z
	23	Z01A		21A	W04A, W04B		21A	W04A, W04B
	Pre	A07A		21B	X04Z, X33Z		21B	X04Z, X33Z
				23	Z01A		23	Z01A
				Pre	A07A		Pre	A07A
5t510↔		BOP, KOP, KOPV, KVT, UOP4, VIAL	5t511.4↔		BOP, KOP, KOPV, KVT, UOP4, VIAL	5t512.10↔		BOP, KOP, KOPV, KVT, UOP4, VIAL
	05	F13A		05	F13A		05	F13A
	06	G33Z		06	G33Z		06	G33Z
	07	H33Z, H38Z		07	H33Z, H38Z		07	H33Z, H38Z
	08	I01Z, I03A, I03B, I05Z, I12A, I12B, I12C, I47A, I47B		08	I01Z, I03A, I03B, I08A, I08B, I08C, I08D, I08E, I08F, I12A, I12B, I12C, I46A, I46B		08	I01Z, I03A, I03B, I08A, I08B, I08C, I08D, I08E, I08F, I12A, I12B, I12C, I46A, I46B
	10	K09A, K09B		10	K09A, K09B		10	K09A, K09B
	11	L33Z		11	L33Z		11	L33Z
	21A	W04A, W04B		21A	W04A, W04B		21A	W04A, W04B
	21B	X04Z, X33Z		21B	X04Z, X33Z		21B	X04Z, X33Z
	23	Z01A		23	Z01A		23	Z01A
	Pre	A07A		Pre	A07A		Pre	A07A
5t511.00↔		BOP, KOP, KOPV, KVT, UOP4, VIAL	5t511.80↔		BOP, KOP, KOPV, KVT, UOP4, VIAL	5t512.11↔		BOP, KOP, KOPV, KVT, UOP4, VIAL
	05	F13A		05	F13A		05	F13A
	06	G33Z		06	G33Z		06	G33Z
	07	H33Z, H38Z		07	H33Z, H38Z		07	H33Z, H38Z
	08	I12A, I12B, I12C, I46A, I46B		08	I01Z, I03A, I03B, I08A, I08B, I08C, I08D, I08E, I08F, I12A, I12B, I12C, I46A, I46B		08	I01Z, I03A, I03B, I08A, I08B, I08C, I08D, I08E, I08F, I12A, I12B, I12C, I46A, I46B
	10	K09A, K09B		10	K09A, K09B		10	K09A, K09B
	11	L33Z		11	L33Z		11	L33Z
	21A	W04A, W04B		21A	W04A, W04B		21A	W04A, W04B
	21B	X04Z, X33Z		21B	X04Z, X33Z		21B	X04Z, X33Z
	23	Z01A		23	Z01A		23	Z01A
	Pre	A07A		Pre	A07A		Pre	A07A
5t511.01↔		BOP, KOP, KOPV, KVT, UOP4, VIAL	5t511.81↔		BOP, KOP, KOPV, KVT, UOP4, VIAL	5t512.20↔		BOP, KOP, KOPV, KVT, UOP4, VIAL
	05	F13A		05	F13A		05	F13A
	06	G33Z		06	G33Z		06	G33Z
	07	H33Z, H38Z		07	H33Z, H38Z		07	H33Z, H38Z
	08	I12A, I12B, I12C, I46A, I46B		08	I01Z, I03A, I03B, I08A, I08B, I08C, I08D, I08E, I08F, I12A, I12B, I12C, I46A, I46B		08	I01Z, I03A, I03B, I08A, I08B, I08C, I08D, I08E, I08F, I12A, I12B, I12C, I46A, I46B
	10	K09A, K09B		10	K09A, K09B		10	K09A, K09B
	11	L33Z		11	L33Z		11	L33Z
	21A	W04A, W04B		21A	W04A, W04B		21A	W04A, W04B
	21B	X04Z, X33Z		21B	X04Z, X33Z		21B	X04Z, X33Z
	23	Z01A		23	Z01A		23	Z01A
	Pre	A07A		Pre	A07A		Pre	A07A

VYK

ZZV	MDC	DRG	ZZV	MDC	DRG	ZZV	MDC	DRG			
5t512.21↔		BOP, KOP, KOPV, KVT, UOP4, VIAL	5t512.81↔		BOP, KOP, KOPV, KVT, UOP4, VIAL	5t513.81↔		BOP, KOP, KOPV, KVT, UOP4, VIAL			
	05	F13A		05	F13A		05	F13A			
	06	G33Z		06	G33Z		06	G33Z			
	07	H33Z, H38Z		07	H33Z, H38Z		07	H33Z, H38Z			
	08	I01Z, I03A, I03B, I08A, I08B, I08C, I08D, I08E, I08F, I12A, I12B, I12C, I46A, I46B		08	I01Z, I03A, I03B, I08A, I08B, I08C, I08D, I08E, I08F, I12A, I12B, I12C, I46A, I46B		08	I01Z, I03A, I03B, I08A, I08B, I08C, I08D, I08E, I08F, I12A, I12B, I12C, I46A, I46B			
	10	K09A, K09B		10	K09A, K09B		10	K09A, K09B			
	11	L33Z		11	L33Z		11	L33Z			
	21A	W04A, W04B		21A	W04A, W04B		21A	W04A, W04B			
	21B	X04Z, X33Z		21B	X04Z, X33Z		21B	X04Z, X33Z			
	23	Z01A		23	Z01A		23	Z01A			
	Pre	A07A		Pre	A07A		Pre	A07A			
	5t512.3↔			BOP, KOP, KOPV, KVT, UOP4, VIAL	5t512.82↔			BOP, KOP, KOPV, KVT, UOP4, VIAL	5t513.82↔		BOP, KOP, KOPV, KVT, UOP4, VIAL
		05		F13A			05	F13A		05	F13A
		06		G33Z			06	G33Z		06	G33Z
07		H33Z, H38Z	07	H33Z, H38Z		07	H33Z, H38Z				
08		I01Z, I03A, I03B, I08A, I08B, I08C, I08D, I08E, I08F, I12A, I12B, I12C, I46A, I46B	08	I01Z, I03A, I03B, I08A, I08B, I08C, I08D, I08E, I08F, I12A, I12B, I12C, I46A, I46B		08	I01Z, I03A, I03B, I08A, I08B, I08C, I08D, I08E, I08F, I12A, I12B, I12C, I46A, I46B				
10		K09A, K09B	10	K09A, K09B		10	K09A, K09B				
11		L33Z	11	L33Z		11	L33Z				
21A		W04A, W04B	21A	W04A, W04B		21A	W04A, W04B				
21B		X04Z, X33Z	21B	X04Z, X33Z		21B	X04Z, X33Z				
23		Z01A	23	Z01A		23	Z01A				
Pre		A07A	Pre	A07A		Pre	A07A				
5t512.60↔			BOP, KOP, KOPV, KVT, UOP4, VIAL	5t512.x↔			BOP, KOP, KOPV, KVT, UOP4, VIAL	5t513.x↔			BOP, KOP, KOPV, KVT, UOP4, VIAL
		05	F13A			05	F13A			05	F13A
		06	G33Z			06	G33Z			06	G33Z
	07	H33Z, H38Z	07		H33Z, H38Z	07	H33Z, H38Z				
	08	I12A, I12B, I12C, I46A, I46B	08		I01Z, I03A, I03B, I08A, I08B, I08C, I08D, I08E, I08F, I12A, I12B, I12C, I46A, I46B	08	I01Z, I03A, I03B, I08A, I08B, I08C, I08D, I08E, I08F, I12A, I12B, I12C, I46A, I46B				
	10	K09A, K09B	10		K09A, K09B	10	K09A, K09B				
	11	L33Z	11		L33Z	11	L33Z				
	21A	W04A, W04B	21A		W04A, W04B	21A	W04A, W04B				
	21B	X04Z, X33Z	21B		X04Z, X33Z	21B	X04Z, X33Z				
	23	Z01A	23		Z01A	23	Z01A				
	Pre	A07A	Pre		A07A	Pre	A07A				
	5t512.61↔		BOP, KOP, KOPV, KVT, UOP4, VIAL		5t513.2↔		BOP, KOP, KOPV, KVT, UOP4, VIAL		5t514.2↔		BOP, KOP, KOPV, KVT, UOP4, VIAL
		05	F13A			05	F13A			05	F13A
		06	G33Z			06	G33Z			06	G33Z
07		H33Z, H38Z	07	H33Z, H38Z		07	H33Z, H38Z				
08		I12A, I12B, I12C, I46A, I46B	08	I01Z, I03A, I03B, I08A, I08B, I08C, I08D, I08E, I08F, I12A, I12B, I12C, I46A, I46B		08	I01Z, I03A, I03B, I08A, I08B, I08C, I08D, I08E, I08F, I12A, I12B, I12C, I46A, I46B				
10		K09A, K09B	10	K09A, K09B		10	K09A, K09B				
11		L33Z	11	L33Z		11	L33Z				
21A		W04A, W04B	21A	W04A, W04B		21A	W04A, W04B				
21B		X04Z, X33Z	21B	X04Z, X33Z		21B	X04Z, X33Z				
23		Z01A	23	Z01A		23	Z01A				
Pre		A07A	Pre	A07A		Pre	A07A				
5t512.80↔			BOP, KOP, KOPV, KVT, UOP4, VIAL	5t513.80↔			BOP, KOP, KOPV, KVT, UOP4, VIAL	5t514.80↔			BOP, KOP, KOPV, KVT, UOP4, VIAL
		05	F13A			05	F13A			05	F13A
		06	G33Z			06	G33Z			06	G33Z
	07	H33Z, H38Z	07		H33Z, H38Z	07	H33Z, H38Z				
	08	I01Z, I03A, I03B, I08A, I08B, I08C, I08D, I08E, I08F, I12A, I12B, I12C, I46A, I46B	08		I01Z, I03A, I03B, I08A, I08B, I08C, I08D, I08E, I08F, I12A, I12B, I12C, I46A, I46B	08	I01Z, I03A, I03B, I08A, I08B, I08C, I08D, I08E, I08F, I12A, I12B, I12C, I46A, I46B				
	10	K09A, K09B	10		K09A, K09B	10	K09A, K09B				
	11	L33Z	11		L33Z	11	L33Z				
	21A	W04A, W04B	21A		W04A, W04B	21A	W04A, W04B				
	21B	X04Z, X33Z	21B		X04Z, X33Z	21B	X04Z, X33Z				
	23	Z01A	23		Z01A	23	Z01A				
	Pre	A07A	Pre		A07A	Pre	A07A				

ZZV	MDC	DRG	ZZV	MDC	DRG	ZZV	MDC	DRG			
5t514.81↔		BOP, KOP, KOPV, KVT, UOP4, VIAL	5t515.81↔		BOP, KOP, KOPV, KVT, UOP4, VIAL	5t516.81↔		BOP, KOP, KOPV, KVT, UOP4, VIAL			
	05	F13A		05	F13A		05	F13A			
	06	G33Z		06	G33Z		06	G33Z			
	07	H33Z, H38Z		07	H33Z, H38Z		07	H33Z, H38Z			
	08	I01Z, I03A, I03B, I08A, I08B, I08C, I08D, I08E, I08F, I12A, I12B, I12C, I46A, I46B		08	I01Z, I03A, I03B, I08A, I08B, I08C, I08D, I08E, I08F, I12A, I12B, I12C, I46A, I46B		08	I01Z, I03A, I03B, I08A, I08B, I08C, I08D, I08E, I08F, I12A, I12B, I12C, I46A, I46B			
	10	K09A, K09B		10	K09A, K09B		10	K09A, K09B			
	11	L33Z		11	L33Z		11	L33Z			
	21A	W04A, W04B		21A	W04A, W04B		21A	W04A, W04B			
	21B	X04Z, X33Z		21B	X04Z, X33Z		21B	X04Z, X33Z			
	23	Z01A		23	Z01A		23	Z01A			
	Pre	A07A		Pre	A07A		Pre	A07A			
	5t514.82↔			BOP, KOP, KOPV, KVT, UOP4, VIAL	5t515.82↔			BOP, KOP, KOPV, KVT, UOP4, VIAL	5t516.82↔		BOP, KOP, KOPV, KVT, UOP4, VIAL
		05		F13A			05	F13A		05	F13A
06		G33Z	06	G33Z		06	G33Z				
07		H33Z, H38Z	07	H33Z, H38Z		07	H33Z, H38Z				
08		I01Z, I03A, I03B, I08A, I08B, I08C, I08D, I08E, I08F, I12A, I12B, I12C, I46A, I46B	08	I01Z, I03A, I03B, I08A, I08B, I08C, I08D, I08E, I08F, I12A, I12B, I12C, I46A, I46B		08	I01Z, I03A, I03B, I08A, I08B, I08C, I08D, I08E, I08F, I12A, I12B, I12C, I46A, I46B				
10		K09A, K09B	10	K09A, K09B		10	K09A, K09B				
11		L33Z	11	L33Z		11	L33Z				
21A		W04A, W04B	21A	W04A, W04B		21A	W04A, W04B				
21B		X04Z, X33Z	21B	X04Z, X33Z		21B	X04Z, X33Z				
23		Z01A	23	Z01A		23	Z01A				
Pre		A07A	Pre	A07A		Pre	A07A				
5t514.x↔			BOP, KOP, KOPV, KVT, UOP4, VIAL	5t515.x↔			BOP, KOP, KOPV, KVT, UOP4, VIAL	5t516.x↔			BOP, KOP, KOPV, KVT, UOP4, VIAL
		05	F13A			05	F13A			05	F13A
	06	G33Z	06		G33Z	06	G33Z				
	07	H33Z, H38Z	07		H33Z, H38Z	07	H33Z, H38Z				
	08	I01Z, I03A, I03B, I08A, I08B, I08C, I08D, I08E, I08F, I12A, I12B, I12C, I46A, I46B	08		I01Z, I03A, I03B, I08A, I08B, I08C, I08D, I08E, I08F, I12A, I12B, I12C, I46A, I46B	08	I01Z, I03A, I03B, I08A, I08B, I08C, I08D, I08E, I08F, I12A, I12B, I12C, I46A, I46B				
	10	K09A, K09B	10		K09A, K09B	10	K09A, K09B				
	11	L33Z	11		L33Z	11	L33Z				
	21A	W04A, W04B	21A		W04A, W04B	21A	W04A, W04B				
	21B	X04Z, X33Z	21B		X04Z, X33Z	21B	X04Z, X33Z				
	23	Z01A	23		Z01A	23	Z01A				
	Pre	A07A	Pre		A07A	Pre	A07A				
	5t515.2↔		BOP, KOP, KOPV, KVT, UOP4, VIAL		5t516.2↔		BOP, KOP, KOPV, KVT, UOP4, VIAL		5t517↔		BOP, KVT, UOP4, VIAL
		05	F13A			05	F13A			01	B03A, B03B, B06A, B06B, B17A, B17B, B17C
06		G33Z	06	G33Z		05	F13A				
07		H33Z, H38Z	07	H33Z, H38Z		08	I03A, I03B, I05Z, I47A, I47B				
08		I01Z, I03A, I03B, I08A, I08B, I08C, I08D, I08E, I08F, I12A, I12B, I12C, I46A, I46B	08	I01Z, I03A, I03B, I08A, I08B, I08C, I08D, I08E, I08F, I12A, I12B, I12C, I46A, I46B		21A	W01A, W01B, W01C, W02A, W02B				
10		K09A, K09B	10	K09A, K09B		21B	X04Z				
11		L33Z	11	L33Z		5t518↔	BOP, KVT, UOP4, VIAL				
21A		W04A, W04B	21A	W04A, W04B			01	B03A, B03B, B06A, B06B, B17A, B17B, B17C			
21B		X04Z, X33Z	21B	X04Z, X33Z			05	F13A			
23		Z01A	23	Z01A		08	I03A, I03B, I05Z, I47A, I47B				
Pre		A07A	Pre	A07A		21A	W01A, W01B, W01C, W02A, W02B				
5t515.80↔			BOP, KOP, KOPV, KVT, UOP4, VIAL	5t516.80↔			BOP, KOP, KOPV, KVT, UOP4, VIAL	5t519↔			BOP, KVT, UOP4, VIAL
		05	F13A			05	F13A			01	B03A, B03B, B06A, B06B, B17A, B17B, B17C
	06	G33Z	06		G33Z	05	F13A				
	07	H33Z, H38Z	07		H33Z, H38Z	08	I03A, I03B, I05Z, I47A, I47B				
	08	I01Z, I03A, I03B, I08A, I08B, I08C, I08D, I08E, I08F, I12A, I12B, I12C, I46A, I46B	08		I01Z, I03A, I03B, I08A, I08B, I08C, I08D, I08E, I08F, I12A, I12B, I12C, I46A, I46B	21A	W01A, W01B, W01C, W02A, W02B				
	10	K09A, K09B	10		K09A, K09B	21B	X04Z				
	11	L33Z	11		L33Z	5t518↔	BOP, KVT, UOP4, VIAL				
	21A	W04A, W04B	21A		W04A, W04B		01		B03A, B03B, B06A, B06B, B17A, B17B, B17C		
	21B	X04Z, X33Z	21B		X04Z, X33Z		05		F13A		
	23	Z01A	23		Z01A	08	I03A, I03B, I05Z, I47A, I47B				
	Pre	A07A	Pre		A07A	21A	W01A, W01B, W01C, W02A, W02B				

ZZV	MDC	DRG	ZZV	MDC	DRG	ZZV	MDC	DRG
5t51a↔		BOP, KVT, UOP4, VIAL	5t51f.80↔		BOP, KVT, UOP4, VIAL	5t51g.80↔		BOP, KVT, UOP4, VIAL
	01	B03A, B03B, B06A, B06B, B17A, B17B, B17C		01	B03A, B03B, B06A, B06B, B17A, B17B, B17C		01	B03A, B03B, B06A, B06B, B17A, B17B, B17C
	05	F13A		05	F13A		05	F13A
	08	I08A, I08B, I08C, I08D, I08E, I08F		08	I01Z, I03A, I03B, I08A, I08B, I08C, I08D, I08E, I08F, I12A, I12B, I12C, I46A, I46B		08	I01Z, I03A, I03B, I08A, I08B, I08C, I08D, I08E, I08F, I12A, I12B, I12C, I46A, I46B
	21A	W01A, W01B, W01C, W02A, W02B		21A	W01A, W01B, W01C, W02A, W02B		21A	W01A, W01B, W01C, W02A, W02B
5t51b↔	21B	X04Z	5t51f.81↔	21B	X04Z	5t51g.81↔	21B	X04Z
		BOP, KVT, UOP4, VIAL			BOP, KVT, UOP4, VIAL			BOP, KVT, UOP4, VIAL
	01	B03A, B03B, B06A, B06B, B17A, B17B, B17C		01	B03A, B03B, B06A, B06B, B17A, B17B, B17C		01	B03A, B03B, B06A, B06B, B17A, B17B, B17C
	05	F13A		05	F13A		05	F13A
	08	I08A, I08B, I08C, I08D, I08E, I08F		08	I01Z, I03A, I03B, I08A, I08B, I08C, I08D, I08E, I08F, I12A, I12B, I12C, I46A, I46B		08	I01Z, I03A, I03B, I08A, I08B, I08C, I08D, I08E, I08F, I12A, I12B, I12C, I46A, I46B
5t51c↔	21A	W01A, W01B, W01C, W02A, W02B	5t51f.82↔	21A	W01A, W01B, W01C, W02A, W02B	5t51g.82↔	21A	W01A, W01B, W01C, W02A, W02B
	21B	X04Z		21B	X04Z		21B	X04Z
		BOP, KVT, UOP4, VIAL			BOP, KVT, UOP4, VIAL			BOP, KVT, UOP4, VIAL
	01	B03A, B03B, B06A, B06B, B17A, B17B, B17C		01	B03A, B03B, B06A, B06B, B17A, B17B, B17C		01	B03A, B03B, B06A, B06B, B17A, B17B, B17C
	05	F13A		05	F13A		05	F13A
5t51d↔	08	I08A, I08B, I08C, I08D, I08E, I08F	5t51f.x↔	08	I01Z, I03A, I03B, I08A, I08B, I08C, I08D, I08E, I08F, I12A, I12B, I12C, I46A, I46B	5t51g.x↔	08	I01Z, I03A, I03B, I08A, I08B, I08C, I08D, I08E, I08F, I12A, I12B, I12C, I46A, I46B
	21A	W01A, W01B, W01C, W02A, W02B		21A	W01A, W01B, W01C, W02A, W02B		21A	W01A, W01B, W01C, W02A, W02B
	21B	X04Z		21B	X04Z		21B	X04Z
		BOP, KVT, UOP4, VIAL			BOP, KVT, UOP4, VIAL			BOP, KVT, UOP4, VIAL
	01	B03A, B03B, B06A, B06B, B17A, B17B, B17C		01	B03A, B03B, B06A, B06B, B17A, B17B, B17C		01	B03A, B03B, B06A, B06B, B17A, B17B, B17C
5t51e↔	05	F13A	5t51g.2↔	05	F13A	5t51h↔	05	F13A
	08	I08A, I08B, I08C, I08D, I08E, I08F		08	I01Z, I03A, I03B, I08A, I08B, I08C, I08D, I08E, I08F, I12A, I12B, I12C, I46A, I46B		08	I01Z, I03A, I03B, I08A, I08B, I08C, I08D, I08E, I08F, I12A, I12B, I12C, I46A, I46B
	21A	W01A, W01B, W01C, W02A, W02B		21A	W01A, W01B, W01C, W02A, W02B		21A	W01A, W01B, W01C, W02A, W02B
	21B	X04Z		21B	X04Z		21B	X04Z
		BOP, KVT, UOP4, VIAL			BOP, KVT, UOP4, VIAL			BOP, KVT, UOP4, VIAL
5t51f.2↔	01	B03A, B03B, B06A, B06B, B17A, B17B, B17C	5t51g.50↔	01	B03A, B03B, B06A, B06B, B17A, B17B, B17C	5t51j.2↔	01	B03A, B03B, B06A, B06B, B17A, B17B, B17C
	05	F13A		05	F13A		05	F13A
	08	I01Z, I03A, I03B, I08A, I08B, I08C, I08D, I08E, I08F, I12A, I12B, I12C, I46A, I46B		08	I01Z, I03A, I03B, I08A, I08B, I08C, I08D, I08E, I08F, I12A, I12B, I12C, I46A, I46B		08	I08A, I08B, I08C, I08D, I08E, I08F
	21A	W01A, W01B, W01C, W02A, W02B		21A	W01A, W01B, W01C, W02A, W02B		21A	W01A, W01B, W01C, W02A, W02B
	21B	X04Z		21B	X04Z		21B	X04Z
5t51f.31↔		BOP, KVT, UOP4, VIAL	5t51g.51↔		BOP, KVT, UOP4, VIAL	Pre		A07A
	01	B03A, B03B, B06A, B06B, B17A, B17B, B17C		01	B03A, B03B, B06A, B06B, B17A, B17B, B17C		05	F13A
	05	F13A		05	F13A		06	G33Z
	08	I01Z, I03A, I03B, I08A, I08B, I08C, I08D, I08E, I08F, I12A, I12B, I12C, I46A, I46B		08	I01Z, I03A, I03B, I08A, I08B, I08C, I08D, I08E, I08F, I12A, I12B, I12C, I46A, I46B		07	H33Z, H38Z
	21A	W01A, W01B, W01C, W02A, W02B		21A	W01A, W01B, W01C, W02A, W02B		08	I01Z, I03A, I03B, I08A, I08B, I08C, I08D, I08E, I08F, I12A, I12B, I12C, I46A, I46B
21B	X04Z	21B	X04Z	10	K09A, K09B			
	BOP, KVT, UOP4, VIAL		BOP, KVT, UOP4, VIAL	11	L33Z			
01	B03A, B03B, B06A, B06B, B17A, B17B, B17C	01	B03A, B03B, B06A, B06B, B17A, B17B, B17C	21A	W04A, W04B			
05	F13A	05	F13A	21B	X04Z, X33Z			
08	I01Z, I03A, I03B, I08A, I08B, I08C, I08D, I08E, I08F, I12A, I12B, I12C, I46A, I46B	08	I01Z, I03A, I03B, I08A, I08B, I08C, I08D, I08E, I08F, I12A, I12B, I12C, I46A, I46B	23	Z01A			
21A	W01A, W01B, W01C, W02A, W02B	21A	W01A, W01B, W01C, W02A, W02B	Pre	A07A			
21B	X04Z	21B	X04Z					

ZZV	MDC	DRG	ZZV	MDC	DRG	ZZV	MDC	DRG			
5t51j.80↔		BOP, KOP, KOPV, KVT, UOP4, VIAL	5t51x↔		BOP, KVT, UOP4, VIAL	5t521.2↔		BOP, KOP, KOPV, KVT, UOP4, VIAL			
	05	F13A		01	B03A, B03B, B06A, B06B, B17A, B17B, B17C		06	G33Z			
	06	G33Z		05	F13A		07	H33Z, H38Z			
	07	H33Z, H38Z		08	I08A, I08B, I08C, I08D, I08E, I08F		08	I01Z, I03A, I03B, I04Z, I12A, I12B, I12C, I36Z, I44A, I44B			
	08	I01Z, I03A, I03B, I08A, I08B, I08C, I08D, I08E, I08F, I12A, I12B, I12C, I46A, I46B		21A	W01A, W01B, W01C, W02A, W02B		11	L33Z			
	10	K09A, K09B		21B	X04Z		21A	W04A, W04B			
	11	L33Z		5t520.0↔			BOP, KOP, KOPV, KVT, UOP4, VIAL	21B	X04Z, X33Z		
	21A	W04A, W04B			06		G33Z	23	Z01A		
	21B	X04Z, X33Z			07		H33Z, H38Z	Pre	A07A		
	23	Z01A			08		I01Z, I03A, I03B, I04Z, I12A, I12B, I12C, I36Z, I44A, I44B, I44C	5t522.0↔		BOP, KOP, KOPV, KVT, UOP4, VIAL	
	Pre	A07A			11		L33Z		06	G33Z	
	5t51j.81↔				BOP, KOP, KOPV, KVT, UOP4, VIAL		21A		W04A, W04B	07	H33Z, H38Z
		05			F13A		21B		X04Z, X33Z	08	I01Z, I03A, I03B, I04Z, I12A, I12B, I12C, I36Z, I44A, I44B
		06			G33Z		23		Z01A	11	L33Z
07		H33Z, H38Z	Pre		A07A	21A	W04A, W04B				
08		I01Z, I03A, I03B, I08A, I08B, I08C, I08D, I08E, I08F, I12A, I12B, I12C, I46A, I46B	5t520.1↔			BOP, KOP, KOPV, KVT, UOP4, VIAL	21B		X04Z, X33Z		
10		K09A, K09B			06	G33Z	23		Z01A		
11		L33Z			07	H33Z, H38Z	Pre		A07A		
21A		W04A, W04B			08	I01Z, I03A, I03B, I04Z, I12A, I12B, I12C, I36Z, I44A, I44B, I44C	5t522.1↔			BOP, KOP, KOPV, KVT, UOP4, VIAL	
21B		X04Z, X33Z			11	L33Z			06	G33Z	
23		Z01A		21A	W04A, W04B	07			H33Z, H38Z		
Pre		A07A		21B	X04Z, X33Z	08			I01Z, I03A, I03B, I04Z, I12A, I12B, I12C, I36Z, I44A, I44B		
5t51j.82↔				BOP, KOP, KOPV, KVT, UOP4, VIAL	Pre	A07A			11	L33Z	
		05		F13A	5t520.2↔			BOP, KOP, KOPV, KVT, UOP4, VIAL	21A	W04A, W04B	
		06		G33Z		06		G33Z	21B	X04Z, X33Z	
	07	H33Z, H38Z		07		H33Z, H38Z		23	Z01A		
	08	I01Z, I03A, I03B, I08A, I08B, I08C, I08D, I08E, I08F, I12A, I12B, I12C, I46A, I46B		08		I01Z, I03A, I03B, I04Z, I12A, I12B, I12C, I36Z, I44A, I44B, I44C		Pre	A07A		
	10	K09A, K09B		11		L33Z		5t522.2↔		BOP, KOP, KOPV, KVT, UOP4, VIAL	
	11	L33Z		21A		W04A, W04B			06	G33Z	
	21A	W04A, W04B	21B	X04Z, X33Z		07			H33Z, H38Z		
	21B	X04Z, X33Z	Pre	A07A		08			I01Z, I03A, I03B, I04Z, I12A, I12B, I12C, I36Z, I44A, I44B		
	23	Z01A	5t521.0↔			BOP, KOP, KOPV, KVT, UOP4, VIAL			11	L33Z	
	Pre	A07A		06		G33Z	21A		W04A, W04B		
	5t51j.x↔			BOP, KOP, KOPV, KVT, UOP4, VIAL		07	H33Z, H38Z		21B	X04Z, X33Z	
		05		F13A		08	I01Z, I03A, I03B, I04Z, I12A, I12B, I12C, I36Z, I44A, I44B		23	Z01A	
		06		G33Z		11	L33Z		Pre	A07A	
07		H33Z, H38Z		21A		W04A, W04B	5t523.0↔			BOP, KOP, KOPV, KVT, UOP4, VIAL	
08		I01Z, I03A, I03B, I08A, I08B, I08C, I08D, I08E, I08F, I12A, I12B, I12C, I46A, I46B		21B	X04Z, X33Z	06			G33Z		
10		K09A, K09B		Pre	A07A	07			H33Z, H38Z		
11		L33Z		5t521.1↔		BOP, KOP, KOPV, KVT, UOP4, VIAL			08	I01Z, I03A, I03B, I04Z, I12A, I12B, I12C, I36Z, I44A, I44B	
21A		W04A, W04B			06	G33Z			11	L33Z	
21B		X04Z, X33Z			07	H33Z, H38Z		21A	W04A, W04B		
23		Z01A			08	I01Z, I03A, I03B, I04Z, I12A, I12B, I12C, I36Z, I44A, I44B		21B	X04Z, X33Z		
Pre		A07A			11	L33Z		23	Z01A		
5t51k↔					BOP, KVT, UOP4, VIAL	Pre		A07A	5t523.1↔		BOP, KOP, KOPV, KVT, UOP4, VIAL
		01	B03A, B03B, B06A, B06B, B17A, B17B, B17C		5t521.1↔			BOP, KOP, KOPV, KVT, UOP4, VIAL		06	G33Z
		05	F13A			06		G33Z		07	H33Z, H38Z
	08	I03A, I03B, I05Z, I47A, I47B	07			H33Z, H38Z		08		I01Z, I03A, I03B, I04Z, I12A, I12B, I12C, I36Z, I44A, I44B	
	21A	W01A, W01B, W01C, W02A, W02B	08			I01Z, I03A, I03B, I04Z, I12A, I12B, I12C, I36Z, I44A, I44B		11		L33Z	
	21B	X04Z	11			L33Z		21A		W04A, W04B	
			21A			W04A, W04B	21B	X04Z, X33Z			
			21B			X04Z, X33Z	23	Z01A			
		Pre	A07A			Pre	A07A				

VYK

ZZV	MDC	DRG	ZZV	MDC	DRG	ZZV	MDC	DRG
5t523.2↔		BOP, KOP, KOPV, KVT, UOP4, VIAL	5t525.2↔		BOP, KOP, KOPV, KVT, UOP4, VIAL	5t527.20↔		BOP, KOP, KOPV, KVT, UOP4, VIAL
	06	G33Z		06	G33Z		06	G33Z
	07	H33Z, H38Z		07	H33Z, H38Z		07	H33Z, H38Z
	08	I01Z, I03A, I03B, I04Z, I12A, I12B, I12C, I36Z, I44A, I44B		08	I01Z, I03A, I03B, I04Z, I12A, I12B, I12C, I36Z, I43A, I43B		08	I01Z, I03A, I03B, I04Z, I12A, I12B, I12C, I36Z, I44A, I44B, I44C
	11	L33Z		11	L33Z		11	L33Z
	21A	W04A, W04B		21A	W04A, W04B		21A	W04A, W04B
	21B	X04Z, X33Z		21B	X04Z, X33Z		21B	X04Z, X33Z
	23	Z01A		23	Z01A		23	Z01A
	Pre	A07A		Pre	A07A		Pre	A07A
5t524.0↔		BOP, KOP, KOPV, KVT, UOP4, VIAL	5t526.0↔		BOP, KOP, KOPV, KVT, UOP4, VIAL	5t527.21↔		BOP, KOP, KOPV, KVT, UOP4, VIAL
	06	G33Z		06	G33Z		06	G33Z
	07	H33Z, H38Z		07	H33Z, H38Z		07	H33Z, H38Z
	08	I01Z, I03A, I03B, I04Z, I12A, I12B, I12C, I36Z, I44A, I44B		08	I01Z, I03A, I03B, I04Z, I12A, I12B, I12C, I36Z, I43A, I43B		08	I01Z, I03A, I03B, I04Z, I12A, I12B, I12C, I36Z, I44A, I44B, I44C
	11	L33Z		11	L33Z		11	L33Z
	21A	W04A, W04B		21A	W04A, W04B		21A	W04A, W04B
	21B	X04Z, X33Z		21B	X04Z, X33Z		21B	X04Z, X33Z
	23	Z01A		23	Z01A		23	Z01A
	Pre	A07A		Pre	A07A		Pre	A07A
5t524.1↔		BOP, KOP, KOPV, KVT, UOP4, VIAL	5t526.1↔		BOP, KOP, KOPV, KVT, UOP4, VIAL	5t527.22↔		BOP, KOP, KOPV, KVT, UOP4, VIAL
	06	G33Z		06	G33Z		06	G33Z
	07	H33Z, H38Z		07	H33Z, H38Z		07	H33Z, H38Z
	08	I01Z, I03A, I03B, I04Z, I12A, I12B, I12C, I36Z, I44A, I44B		08	I01Z, I03A, I03B, I04Z, I12A, I12B, I12C, I36Z, I43A, I43B		08	I01Z, I03A, I03B, I04Z, I12A, I12B, I12C, I36Z, I44A, I44B, I44C
	11	L33Z		11	L33Z		11	L33Z
	21A	W04A, W04B		21A	W04A, W04B		21A	W04A, W04B
	21B	X04Z, X33Z		21B	X04Z, X33Z		21B	X04Z, X33Z
	23	Z01A		23	Z01A		23	Z01A
	Pre	A07A		Pre	A07A		Pre	A07A
5t524.2↔		BOP, KOP, KOPV, KVT, UOP4, VIAL	5t526.2↔		BOP, KOP, KOPV, KVT, UOP4, VIAL	5t527.30↔		BOP, KOP, KOPV, KVT, UOP4, VIAL
	06	G33Z		06	G33Z		06	G33Z
	07	H33Z, H38Z		07	H33Z, H38Z		07	H33Z, H38Z
	08	I01Z, I03A, I03B, I04Z, I12A, I12B, I12C, I36Z, I44A, I44B		08	I01Z, I03A, I03B, I04Z, I12A, I12B, I12C, I36Z, I43A, I43B		08	I01Z, I03A, I03B, I04Z, I12A, I12B, I12C, I36Z, I44A, I44B, I44C
	11	L33Z		11	L33Z		11	L33Z
	21A	W04A, W04B		21A	W04A, W04B		21A	W04A, W04B
	21B	X04Z, X33Z		21B	X04Z, X33Z		21B	X04Z, X33Z
	23	Z01A		23	Z01A		23	Z01A
	Pre	A07A		Pre	A07A		Pre	A07A
5t525.0↔		BOP, KOP, KOPV, KVT, UOP4, VIAL	5t527.10↔		BOP, KOP, KOPV, KVT, UOP4, VIAL	5t527.31↔		BOP, KOP, KOPV, KVT, UOP4, VIAL
	06	G33Z		06	G33Z		06	G33Z
	07	H33Z, H38Z		07	H33Z, H38Z		07	H33Z, H38Z
	08	I01Z, I03A, I03B, I04Z, I12A, I12B, I12C, I36Z, I43A, I43B		08	I01Z, I03A, I03B, I04Z, I12A, I12B, I12C, I36Z, I44A, I44B, I44C		08	I01Z, I03A, I03B, I04Z, I12A, I12B, I12C, I36Z, I44A, I44B, I44C
	11	L33Z		11	L33Z		11	L33Z
	21A	W04A, W04B		21A	W04A, W04B		21A	W04A, W04B
	21B	X04Z, X33Z		21B	X04Z, X33Z		21B	X04Z, X33Z
	23	Z01A		23	Z01A		23	Z01A
	Pre	A07A		Pre	A07A		Pre	A07A
5t525.1↔		BOP, KOP, KOPV, KVT, UOP4, VIAL	5t527.11↔		BOP, KOP, KOPV, KVT, UOP4, VIAL			
	06	G33Z		06	G33Z			
	07	H33Z, H38Z		07	H33Z, H38Z			
	08	I01Z, I03A, I03B, I04Z, I12A, I12B, I12C, I36Z, I43A, I43B		08	I01Z, I03A, I03B, I04Z, I12A, I12B, I12C, I36Z, I44A, I44B, I44C			
	11	L33Z		11	L33Z			
	21A	W04A, W04B		21A	W04A, W04B			
	21B	X04Z, X33Z		21B	X04Z, X33Z			
	23	Z01A		23	Z01A			
	Pre	A07A		Pre	A07A			

ZZV	MDC	DRG	ZZV	MDC	DRG	ZZV	MDC	DRG
5t528.0↔		BOP, KOP, KOPV, KVT, UOP4, VIAL	5t52a.2↔		BOP, KOP, KOPV, KVT, UOP4, VIAL	5t52d.1↔		BOP, KOP, KOPV, KVT, UOP4, VIAL
	06	G33Z		06	G33Z		06	G33Z
	07	H33Z, H38Z		07	H33Z, H38Z		07	H33Z, H38Z
	08	I01Z, I03A, I03B, I04Z, I12A, I12B, I12C, I36Z, I43A, I43B		08	I01Z, I03A, I03B, I04Z, I12A, I12B, I12C, I36Z, I44A, I44B		08	I01Z, I03A, I03B, I04Z, I12A, I12B, I12C, I36Z, I44A, I44B
	11	L33Z		11	L33Z		11	L33Z
	21A	W04A, W04B		21A	W04A, W04B		21A	W04A, W04B
	21B	X04Z, X33Z		21B	X04Z, X33Z		21B	X04Z, X33Z
	23	Z01A		23	Z01A		23	Z01A
	Pre	A07A		Pre	A07A		Pre	A07A
	5t528.1↔			BOP, KOP, KOPV, KVT, UOP4, VIAL	5t52b↔			BOP, KOP, KOPV, KVT, UOP4, VIAL
06		G33Z	06	G33Z		06	G33Z	
07		H33Z, H38Z	07	H33Z, H38Z		07	H33Z, H38Z	
08		I01Z, I03A, I03B, I04Z, I12A, I12B, I12C, I36Z, I43A, I43B	08	I01Z, I03A, I03B, I04Z, I12A, I12B, I12C, I36Z, I44A, I44B		08	I01Z, I03A, I03B, I04Z, I12A, I12B, I12C, I36Z, I44A, I44B	
11		L33Z	11	L33Z		11	L33Z	
21A		W04A, W04B	21A	W04A, W04B		21A	W04A, W04B	
21B		X04Z, X33Z	21B	X04Z, X33Z		21B	X04Z, X33Z	
23		Z01A	23	Z01A		23	Z01A	
Pre		A07A	Pre	A07A		Pre	A07A	
5t528.2↔			BOP, KOP, KOPV, KVT, UOP4, VIAL	5t52c.0↔			BOP, KOP, KOPV, KVT, UOP4, VIAL	5t52e.0↔
	06	G33Z	06		G33Z	06	G33Z	
	07	H33Z, H38Z	07		H33Z, H38Z	07	H33Z, H38Z	
	08	I01Z, I03A, I03B, I04Z, I12A, I12B, I12C, I36Z, I43A, I43B	08		I01Z, I03A, I03B, I04Z, I12A, I12B, I12C, I36Z, I44A, I44B	08	I01Z, I03A, I03B, I04Z, I12A, I12B, I12C, I36Z, I44A, I44B	
	11	L33Z	11		L33Z	11	L33Z	
	21A	W04A, W04B	21A		W04A, W04B	21A	W04A, W04B	
	21B	X04Z, X33Z	21B		X04Z, X33Z	21B	X04Z, X33Z	
	23	Z01A	23		Z01A	23	Z01A	
	Pre	A07A	Pre		A07A	Pre	A07A	
	5t529.1↔		BOP, KOP, KOPV, KVT, UOP4, VIAL		5t52c.1↔		BOP, KOP, KOPV, KVT, UOP4, VIAL	
06		G33Z	06	G33Z		06	G33Z	
07		H33Z, H38Z	07	H33Z, H38Z		07	H33Z, H38Z	
08		I01Z, I03A, I03B, I04Z, I12A, I12B, I12C, I36Z, I44A, I44B	08	I01Z, I03A, I03B, I04Z, I12A, I12B, I12C, I36Z, I44A, I44B		08	I01Z, I03A, I03B, I04Z, I12A, I12B, I12C, I36Z, I44A, I44B	
11		L33Z	11	L33Z		11	L33Z	
21A		W04A, W04B	21A	W04A, W04B		21A	W04A, W04B	
21B		X04Z, X33Z	21B	X04Z, X33Z		21B	X04Z, X33Z	
23		Z01A	23	Z01A		23	Z01A	
Pre		A07A	Pre	A07A		Pre	A07A	
5t529.2↔			BOP, KOP, KOPV, KVT, UOP4, VIAL	5t52c.2↔			BOP, KOP, KOPV, KVT, UOP4, VIAL	5t52e.2↔
	06	G33Z	06		G33Z	06	G33Z	
	07	H33Z, H38Z	07		H33Z, H38Z	07	H33Z, H38Z	
	08	I01Z, I03A, I03B, I04Z, I12A, I12B, I12C, I36Z, I44A, I44B	08		I01Z, I03A, I03B, I04Z, I12A, I12B, I12C, I36Z, I44A, I44B	08	I01Z, I03A, I03B, I04Z, I12A, I12B, I12C, I36Z, I44A, I44B	
	11	L33Z	11		L33Z	11	L33Z	
	21A	W04A, W04B	21A		W04A, W04B	21A	W04A, W04B	
	21B	X04Z, X33Z	21B		X04Z, X33Z	21B	X04Z, X33Z	
	23	Z01A	23		Z01A	23	Z01A	
	Pre	A07A	Pre		A07A	Pre	A07A	
	5t52a.1↔		BOP, KOP, KOPV, KVT, UOP4, VIAL		5t52d.0↔		BOP, KOP, KOPV, KVT, UOP4, VIAL	
06		G33Z	06	G33Z		06	G33Z	
07		H33Z, H38Z	07	H33Z, H38Z		07	H33Z, H38Z	
08		I01Z, I03A, I03B, I04Z, I12A, I12B, I12C, I36Z, I44A, I44B	08	I01Z, I03A, I03B, I04Z, I12A, I12B, I12C, I36Z, I44A, I44B		08	I01Z, I03A, I03B, I04Z, I12A, I12B, I12C, I36Z, I44A, I44B	
11		L33Z	11	L33Z		11	L33Z	
21A		W04A, W04B	21A	W04A, W04B		21A	W04A, W04B	
21B		X04Z, X33Z	21B	X04Z, X33Z		21B	X04Z, X33Z	
23		Z01A	23	Z01A		23	Z01A	
Pre		A07A	Pre	A07A		Pre	A07A	

VYK

ZZV	MDC	DRG	ZZV	MDC	DRG	ZZV	MDC	DRG			
5t52x.1↔		BOP, KOP, KOPV, KVT, UOP4, VIAL	5t531.20↔		BOP, KOP, KOPV, KVT, UOP4, VIAL	5t531.51↔		BOP, KOP, KOPV, KVT, UOP4, VIAL			
	06	G33Z		05	F13A		05	F13A			
	07	H33Z, H38Z		06	G33Z		06	G33Z			
	08	I01Z, I03A, I03B, I04Z, I12A, I12B, I12C, I36Z, I44A, I44B		07	H33Z, H38Z		07	H33Z, H38Z			
	11	L33Z		08	I01Z, I03A, I03B, I04Z, I12A, I12B, I12C, I43A, I43B		08	I01Z, I03A, I03B, I04Z, I12A, I12B, I12C, I43A, I43B			
	21A	W04A, W04B		11	L33Z		11	L33Z			
	21B	X04Z, X33Z		21A	W04A, W04B		21A	W04A, W04B			
	23	Z01A		21B	X04Z, X33Z		21B	X04Z, X33Z			
	Pre	A07A		23	Z01A		23	Z01A			
	5t52x.2↔			BOP, KOP, KOPV, KVT, UOP4, VIAL	5t531.21↔			BOP, KOP, KOPV, KVT, UOP4, VIAL	5t531.52↔		BOP, KOP, KOPV, KVT, UOP4, VIAL
		06		G33Z			05	F13A		05	F13A
07		H33Z, H38Z	06	G33Z		06	G33Z				
08		I01Z, I03A, I03B, I04Z, I12A, I12B, I12C, I36Z, I44A, I44B	07	H33Z, H38Z		07	H33Z, H38Z				
11		L33Z	08	I01Z, I03A, I03B, I04Z, I12A, I12B, I12C, I43A, I43B		08	I01Z, I03A, I03B, I04Z, I12A, I12B, I12C, I43A, I43B				
21A		W04A, W04B	11	L33Z		11	L33Z				
21B		X04Z, X33Z	21A	W04A, W04B		21A	W04A, W04B				
23		Z01A	21B	X04Z, X33Z		21B	X04Z, X33Z				
Pre		A07A	23	Z01A		23	Z01A				
5t530↔			BOP, KOP, KOPV, KVT, UOP4, VIAL	5t531.30↔			BOP, KOP, KOPV, KVT, UOP4, VIAL	5t531.6↔			BOP, KOP, KOPV, KVT, UOP4, VIAL
		05	F13A			05	F13A			05	F13A
	06	G33Z	06		G33Z	06	G33Z				
	07	H33Z, H38Z	07		H33Z, H38Z	07	H33Z, H38Z				
	08	I01Z, I03A, I03B, I12A, I12B, I12C, I44A, I44B, I44C	08		I01Z, I03A, I03B, I04Z, I12A, I12B, I12C, I43A, I43B	08	I01Z, I03A, I03B, I04Z, I12A, I12B, I12C, I43A, I43B				
	11	L33Z	11		L33Z	11	L33Z				
	21A	W04A, W04B	21A		W04A, W04B	21A	W04A, W04B				
	21B	X04Z, X33Z	21B		X04Z, X33Z	21B	X04Z, X33Z				
	23	Z01A	23		Z01A	23	Z01A				
	Pre	A07A	Pre		A07A	Pre	A07A				
	5t531.10↔		BOP, KOP, KOPV, KVT, UOP4, VIAL		5t531.31↔		BOP, KOP, KOPV, KVT, UOP4, VIAL		5t531.x↔		BOP, KOP, KOPV, KVT, UOP4, VIAL
05		F13A	05	F13A		05	F13A				
06		G33Z	06	G33Z		06	G33Z				
07		H33Z, H38Z	07	H33Z, H38Z		07	H33Z, H38Z				
08		I01Z, I03A, I03B, I04Z, I12A, I12B, I12C, I43A, I43B	08	I01Z, I03A, I03B, I04Z, I12A, I12B, I12C, I43A, I43B		08	I01Z, I03A, I03B, I04Z, I12A, I12B, I12C, I43A, I43B				
11		L33Z	11	L33Z		11	L33Z				
21A		W04A, W04B	21A	W04A, W04B		21A	W04A, W04B				
21B		X04Z, X33Z	21B	X04Z, X33Z		21B	X04Z, X33Z				
23		Z01A	23	Z01A		23	Z01A				
Pre		A07A	Pre	A07A		Pre	A07A				
5t531.11↔			BOP, KOP, KOPV, KVT, UOP4, VIAL	5t531.50↔			BOP, KOP, KOPV, KVT, UOP4, VIAL	5t532.0↔			BOP, KOP, KOPV, KVT, UOP4, VIAL
	05	F13A	05		F13A	05	F13A				
	06	G33Z	06		G33Z	06	G33Z				
	07	H33Z, H38Z	07		H33Z, H38Z	07	H33Z, H38Z				
	08	I01Z, I03A, I03B, I04Z, I12A, I12B, I12C, I43A, I43B	08		I01Z, I03A, I03B, I04Z, I12A, I12B, I12C, I43A, I43B	08	I01Z, I03A, I03B, I04Z, I12A, I12B, I12C, I43A, I43B				
	11	L33Z	11		L33Z	11	L33Z				
	21A	W04A, W04B	21A		W04A, W04B	21A	W04A, W04B				
	21B	X04Z, X33Z	21B		X04Z, X33Z	21B	X04Z, X33Z				
	23	Z01A	23		Z01A	23	Z01A				
	Pre	A07A	Pre		A07A	Pre	A07A				

ZZV	MDC	DRG	ZZV	MDC	DRG	ZZV	MDC	DRG
5t532.40↔		BOP, KOP, KOPV, KVT, UOP4, VIAL	5t532.7↔		BOP, KOP, KOPV, KVT, UOP4, VIAL	5t533.0↔		BOP, KOP, KOPV, KVT, UOP4, VIAL
	05	F13A		05	F13A		05	F13A
	06	G33Z		06	G33Z		06	G33Z
	07	H33Z, H38Z		07	H33Z, H38Z		07	H33Z, H38Z
	08	I01Z, I03A, I03B, I04Z, I12A, I12B, I12C, I43A, I43B		08	I01Z, I03A, I03B, I04Z, I12A, I12B, I12C, I43A, I43B		08	I01Z, I03A, I03B, I04Z, I12A, I12B, I12C, I43A, I43B
	11	L33Z		11	L33Z		11	L33Z
	21A	W04A, W04B		21A	W04A, W04B		21A	W04A, W04B
	21B	X04Z, X33Z		21B	X04Z, X33Z		21B	X04Z, X33Z
	23	Z01A		23	Z01A		23	Z01A
	Pre	A07A		Pre	A07A		Pre	A07A
5t532.42↔		BOP, KOP, KOPV, KVT, UOP4, VIAL	5t532.8↔		BOP, KOP, KOPV, KVT, UOP4, VIAL	5t533.50↔		BOP, KOP, KOPV, KVT, UOP4, VIAL
	05	F13A		05	F13A		05	F13A
	06	G33Z		06	G33Z		06	G33Z
	07	H33Z, H38Z		07	H33Z, H38Z		07	H33Z, H38Z
	08	I01Z, I03A, I03B, I04Z, I12A, I12B, I12C, I43A, I43B		08	I01Z, I03A, I03B, I04Z, I12A, I12B, I12C, I43A, I43B		08	I01Z, I03A, I03B, I04Z, I12A, I12B, I12C, I43A, I43B
	11	L33Z		11	L33Z		11	L33Z
	21A	W04A, W04B		21A	W04A, W04B		21A	W04A, W04B
	21B	X04Z, X33Z		21B	X04Z, X33Z		21B	X04Z, X33Z
	23	Z01A		23	Z01A		23	Z01A
	Pre	A07A		Pre	A07A		Pre	A07A
5t532.50↔		BOP, KOP, KOPV, KVT, UOP4, VIAL	5t532.a0↔		BOP, KOP, KOPV, KVT, UOP4, VIAL	5t533.52↔		BOP, KOP, KOPV, KVT, UOP4, VIAL
	05	F13A		05	F13A		05	F13A
	06	G33Z		06	G33Z		06	G33Z
	07	H33Z, H38Z		07	H33Z, H38Z		07	H33Z, H38Z
	08	I01Z, I03A, I03B, I04Z, I12A, I12B, I12C, I43A, I43B		08	I01Z, I03A, I03B, I04Z, I12A, I12B, I12C, I43A, I43B		08	I01Z, I03A, I03B, I04Z, I12A, I12B, I12C, I43A, I43B
	11	L33Z		11	L33Z		11	L33Z
	21A	W04A, W04B		21A	W04A, W04B		21A	W04A, W04B
	21B	X04Z, X33Z		21B	X04Z, X33Z		21B	X04Z, X33Z
	23	Z01A		23	Z01A		23	Z01A
	Pre	A07A		Pre	A07A		Pre	A07A
5t532.52↔		BOP, KOP, KOPV, KVT, UOP4, VIAL	5t532.a1↔		BOP, KOP, KOPV, KVT, UOP4, VIAL	5t533.7↔		BOP, KOP, KOPV, KVT, UOP4, VIAL
	05	F13A		05	F13A		05	F13A
	06	G33Z		06	G33Z		06	G33Z
	07	H33Z, H38Z		07	H33Z, H38Z		07	H33Z, H38Z
	08	I01Z, I03A, I03B, I04Z, I12A, I12B, I12C, I43A, I43B		08	I01Z, I03A, I03B, I04Z, I12A, I12B, I12C, I43A, I43B		08	I01Z, I03A, I03B, I04Z, I12A, I12B, I12C, I43A, I43B
	11	L33Z		11	L33Z		11	L33Z
	21A	W04A, W04B		21A	W04A, W04B		21A	W04A, W04B
	21B	X04Z, X33Z		21B	X04Z, X33Z		21B	X04Z, X33Z
	23	Z01A		23	Z01A		23	Z01A
	Pre	A07A		Pre	A07A		Pre	A07A
5t532.6↔		BOP, KOP, KOPV, KVT, UOP4, VIAL	5t532.x↔		BOP, KOP, KOPV, KVT, UOP4, VIAL	5t533.8↔		BOP, KOP, KOPV, KVT, UOP4, VIAL
	05	F13A		05	F13A		05	F13A
	06	G33Z		06	G33Z		06	G33Z
	07	H33Z, H38Z		07	H33Z, H38Z		07	H33Z, H38Z
	08	I01Z, I03A, I03B, I04Z, I12A, I12B, I12C, I44A, I44B		08	I01Z, I03A, I03B, I04Z, I12A, I12B, I12C, I43A, I43B		08	I01Z, I03A, I03B, I04Z, I12A, I12B, I12C, I43A, I43B
	11	L33Z		11	L33Z		11	L33Z
	21A	W04A, W04B		21A	W04A, W04B		21A	W04A, W04B
	21B	X04Z, X33Z		21B	X04Z, X33Z		21B	X04Z, X33Z
	23	Z01A		23	Z01A		23	Z01A
	Pre	A07A		Pre	A07A		Pre	A07A

VYK

ZZV	MDC	DRG	ZZV	MDC	DRG	ZZV	MDC	DRG
5t533.9↔		BOP, KOP, KOPV, KVT, UOP4, VIAL	5t534.7↔		BOP, KOP, KOPV, KVT, UOP4, VIAL	5t535.11↔		BOP, KOP, KOPV, KVT, UOP4, VIAL
	05	F13A		05	F13A		05	F13A
	06	G33Z		06	G33Z		06	G33Z
	07	H33Z, H38Z		07	H33Z, H38Z		07	H33Z, H38Z
	08	I01Z, I03A, I03B, I04Z, I12A, I12B, I12C, I43A, I43B		08	I01Z, I03A, I03B, I04Z, I12A, I12B, I12C, I43A, I43B		08	I01Z, I03A, I03B, I04Z, I12A, I12B, I12C, I44A, I44B, I44C
	11	L33Z		11	L33Z		11	L33Z
	21A	W04A, W04B		21A	W04A, W04B		21A	W04A, W04B
	21B	X04Z, X33Z		21B	X04Z, X33Z		21B	X04Z, X33Z
	23	Z01A		23	Z01A		23	Z01A
	Pre	A07A		Pre	A07A		Pre	A07A
5t533.a0↔		BOP, KOP, KOPV, KVT, UOP4, VIAL	5t534.8↔		BOP, KOP, KOPV, KVT, UOP4, VIAL	5t535.20↔		BOP, KOP, KOPV, KVT, UOP4, VIAL
	05	F13A		05	F13A		05	F13A
	06	G33Z		06	G33Z		06	G33Z
	07	H33Z, H38Z		07	H33Z, H38Z		07	H33Z, H38Z
	08	I01Z, I03A, I03B, I04Z, I12A, I12B, I12C, I43A, I43B		08	I01Z, I03A, I03B, I04Z, I12A, I12B, I12C, I43A, I43B		08	I01Z, I03A, I03B, I04Z, I12A, I12B, I12C, I44A, I44B, I44C
	11	L33Z		11	L33Z		11	L33Z
	21A	W04A, W04B		21A	W04A, W04B		21A	W04A, W04B
	21B	X04Z, X33Z		21B	X04Z, X33Z		21B	X04Z, X33Z
	23	Z01A		23	Z01A		23	Z01A
	Pre	A07A		Pre	A07A		Pre	A07A
5t533.a1↔		BOP, KOP, KOPV, KVT, UOP4, VIAL	5t534.9↔		BOP, KOP, KOPV, KVT, UOP4, VIAL	5t535.21↔		BOP, KOP, KOPV, KVT, UOP4, VIAL
	05	F13A		05	F13A		05	F13A
	06	G33Z		06	G33Z		06	G33Z
	07	H33Z, H38Z		07	H33Z, H38Z		07	H33Z, H38Z
	08	I01Z, I03A, I03B, I04Z, I12A, I12B, I12C, I43A, I43B		08	I01Z, I03A, I03B, I04Z, I12A, I12B, I12C, I43A, I43B		08	I01Z, I03A, I03B, I04Z, I12A, I12B, I12C, I44A, I44B, I44C
	11	L33Z		11	L33Z		11	L33Z
	21A	W04A, W04B		21A	W04A, W04B		21A	W04A, W04B
	21B	X04Z, X33Z		21B	X04Z, X33Z		21B	X04Z, X33Z
	23	Z01A		23	Z01A		23	Z01A
	Pre	A07A		Pre	A07A		Pre	A07A
5t533.x↔		BOP, KOP, KOPV, KVT, UOP4, VIAL	5t534.x↔		BOP, KOP, KOPV, KVT, UOP4, VIAL	5t535.22↔		BOP, KOP, KOPV, KVT, UOP4, VIAL
	05	F13A		05	F13A		05	F13A
	06	G33Z		06	G33Z		06	G33Z
	07	H33Z, H38Z		07	H33Z, H38Z		07	H33Z, H38Z
	08	I01Z, I03A, I03B, I04Z, I12A, I12B, I12C, I43A, I43B		08	I01Z, I03A, I03B, I04Z, I12A, I12B, I12C, I43A, I43B		08	I01Z, I03A, I03B, I04Z, I12A, I12B, I12C, I44A, I44B, I44C
	11	L33Z		11	L33Z		11	L33Z
	21A	W04A, W04B		21A	W04A, W04B		21A	W04A, W04B
	21B	X04Z, X33Z		21B	X04Z, X33Z		21B	X04Z, X33Z
	23	Z01A		23	Z01A		23	Z01A
	Pre	A07A		Pre	A07A		Pre	A07A
5t534.0↔		BOP, KOP, KOPV, KVT, UOP4, VIAL	5t535.10↔		BOP, KOP, KOPV, KVT, UOP4, VIAL	5t535.30↔		BOP, KOP, KOPV, KVT, UOP4, VIAL
	05	F13A		05	F13A		05	F13A
	06	G33Z		06	G33Z		06	G33Z
	07	H33Z, H38Z		07	H33Z, H38Z		07	H33Z, H38Z
	08	I01Z, I03A, I03B, I04Z, I12A, I12B, I12C, I43A, I43B		08	I01Z, I03A, I03B, I04Z, I12A, I12B, I12C, I44A, I44B, I44C		08	I01Z, I03A, I03B, I04Z, I12A, I12B, I12C, I44A, I44B, I44C
	11	L33Z		11	L33Z		11	L33Z
	21A	W04A, W04B		21A	W04A, W04B		21A	W04A, W04B
	21B	X04Z, X33Z		21B	X04Z, X33Z		21B	X04Z, X33Z
	23	Z01A		23	Z01A		23	Z01A
	Pre	A07A		Pre	A07A		Pre	A07A

ZZV	MDC	DRG	ZZV	MDC	DRG	ZZV	MDC	DRG			
5t535.31↔		BOP, KOP, KOPV, KVT, UOP4, VIAL	5t536.70↔		BOP, KOP, KOPV, KVT, UOP4, VIAL	5t538.20↔		BOP, KVT, UOP4, VIAL			
	05	F13A		05	F13A		05	F13A			
	06	G33Z		06	G33Z		08	I12A, I12B, I12C, I44A, I44B			
	07	H33Z, H38Z		07	H33Z, H38Z		21A	W04A, W04B			
	08	I01Z, I03A, I03B, I04Z, I12A, I12B, I12C, I44A, I44B, I44C		08	I01Z, I03A, I03B, I04Z, I12A, I12B, I12C, I43A, I43B		21B	X04Z			
	11	L33Z		11	L33Z		5t538.22↔		BOP, KVT, UOP4, VIAL		
	21A	W04A, W04B		21A	W04A, W04B		05	F13A			
	21B	X04Z, X33Z		21B	X04Z, X33Z		08	I12A, I12B, I12C, I44A, I44B			
	23	Z01A		23	Z01A		21A	W04A, W04B			
	Pre	A07A		Pre	A07A		21B	X04Z			
	5t536.42↔			BOP, KOP, KOPV, KVT, UOP4, VIAL	5t536.71↔			BOP, KOP, KOPV, KVT, UOP4, VIAL	5t538.30↔		BOP, KVT, UOP4, VIAL
		05		F13A			05	F13A		05	F13A
		06		G33Z			06	G33Z		08	I12A, I12B, I12C, I44A, I44B
07		H33Z, H38Z	07	H33Z, H38Z		21A	W04A, W04B				
08		I01Z, I03A, I03B, I04Z, I12A, I12B, I12C, I43A, I43B	08	I01Z, I03A, I03B, I04Z, I12A, I12B, I12C, I43A, I43B		21B	X04Z				
11		L33Z	11	L33Z		5t538.32↔		BOP, KVT, UOP4, VIAL			
21A		W04A, W04B	21A	W04A, W04B		05	F13A				
21B		X04Z, X33Z	21B	X04Z, X33Z		08	I12A, I12B, I12C, I44A, I44B				
23		Z01A	23	Z01A		21A	W04A, W04B				
Pre		A07A	Pre	A07A		21B	X04Z				
5t536.52↔			BOP, KOP, KOPV, KVT, UOP4, VIAL	5t536.90↔			BOP, KOP, KOPV, KVT, UOP4, VIAL	5t538.60↔			BOP, KVT, UOP4, VIAL
		05	F13A			05	F13A			05	F13A
		06	G33Z			06	G33Z			08	I12A, I12B, I12C, I44A, I44B
	07	H33Z, H38Z	07		H33Z, H38Z	21A	W04A, W04B				
	08	I01Z, I03A, I03B, I04Z, I12A, I12B, I12C, I43A, I43B	08		I01Z, I03A, I03B, I04Z, I12A, I12B, I12C, I43A, I43B	21B	X04Z				
	11	L33Z	11		L33Z	5t538.62↔			BOP, KVT, UOP4, VIAL		
	21A	W04A, W04B	21A		W04A, W04B	05	F13A				
	21B	X04Z, X33Z	21B		X04Z, X33Z	08	I12A, I12B, I12C, I44A, I44B				
	23	Z01A	23		Z01A	21A	W04A, W04B				
	Pre	A07A	Pre		A07A	21B	X04Z				
	5t536.60↔		BOP, KOP, KOPV, KVT, UOP4, VIAL		5t536.92↔		BOP, KOP, KOPV, KVT, UOP4, VIAL		5t538.72↔		BOP, KVT, UOP4, VIAL
		05	F13A			05	F13A			05	F13A
		06	G33Z			06	G33Z			08	I12A, I12B, I12C, I44A, I44B
07		H33Z, H38Z	07	H33Z, H38Z		21A	W04A, W04B				
08		I01Z, I03A, I03B, I04Z, I12A, I12B, I12C, I43A, I43B	08	I01Z, I03A, I03B, I04Z, I12A, I12B, I12C, I43A, I43B		21B	X04Z				
11		L33Z	11	L33Z		5t538.8↔		BOP, KVT, UOP4, VIAL			
21A		W04A, W04B	21A	W04A, W04B		05	F13A				
21B		X04Z, X33Z	21B	X04Z, X33Z		08	I12A, I12B, I12C, I44A, I44B				
23		Z01A	23	Z01A		21A	W04A, W04B				
Pre		A07A	Pre	A07A		21B	X04Z				
5t536.61↔			BOP, KOP, KOPV, KVT, UOP4, VIAL	5t536.x↔			BOP, KOP, KOPV, KVT, UOP4, VIAL	5t538.9↔			BOP, KVT, UOP4, VIAL
		05	F13A			05	F13A			05	F13A
		06	G33Z			06	G33Z			08	I12A, I12B, I12C, I44A, I44B
	07	H33Z, H38Z	07		H33Z, H38Z	21A	W04A, W04B				
	08	I01Z, I03A, I03B, I04Z, I12A, I12B, I12C, I43A, I43B	08		I01Z, I03A, I03B, I04Z, I12A, I12B, I12C, I43A, I43B	21B	X04Z				
	11	L33Z	11		L33Z	5t538.a↔			BOP, KVT, UOP4, VIAL		
	21A	W04A, W04B	21A		W04A, W04B	05	F13A				
	21B	X04Z, X33Z	21B		X04Z, X33Z	08	I12A, I12B, I12C, I44A, I44B				
	23	Z01A	23		Z01A	21A	W04A, W04B				
	Pre	A07A	Pre		A07A	21B	X04Z				
	5t536.61↔		BOP, KOP, KOPV, KVT, UOP4, VIAL		5t537↔		BOP, KVT, UOP4, VIAL		5t538.c↔		BOP, KVT, UOP4, VIAL
		05	F13A			05	F13A			05	F13A
		06	G33Z			08	I04Z, I12A, I12B, I12C, I44A, I44B			08	I12A, I12B, I12C, I44A, I44B
07		H33Z, H38Z	21A	W04A, W04B		21A	W04A, W04B				
08		I01Z, I03A, I03B, I04Z, I12A, I12B, I12C, I43A, I43B	21B	X04Z		21B	X04Z				
11		L33Z									
21A		W04A, W04B									
21B		X04Z, X33Z									

VYK

ZZV	MDC	DRG	ZZV	MDC	DRG	ZZV	MDC	DRG
5t538.x↔		BOP, KVT, UOP4, VIAL	5t53x↔		BOP, KVT, UOP4, VIAL	5t549.2↔		BOP, KVT, UOP4, VIAL
	05	F13A		05	F13A		01	B03A, B03B, B06A, B06B, B07Z, B17A, B17B, B17C
	08	I12A, I12B, I12C, I44A, I44B		08	I12A, I12B, I12C, I44A, I44B		08	I12A, I12B, I12C, I32A, I32B, I32C, I32D, I32E, I32F
	21A	W04A, W04B		21A	W04A, W04B		21A	W04A, W04B
	21B	X04Z		21B	X04Z		21B	X05A, X05B
5t539.0↔		BOP, KVT, UOP4, VIAL	5t540.0↔		BOP, KVT, UOP4, VIAL	5t549.3↔		BOP, KVT, UOP4, VIAL
	05	F13A		08	I05Z, I12A, I12B, I12C		01	B03A, B03B, B06A, B06B, B07Z, B17A, B17B, B17C
	08	I12A, I12B, I12C, I44A, I44B		21A	W04A, W04B		08	I12A, I12B, I12C, I32A, I32B, I32C, I32D, I32E, I32F
	21A	W04A, W04B		21B	X06A, X06B, X06C		21A	W04A, W04B
	21B	X04Z		21B	X06A, X06B, X06C		21B	X05A, X05B
5t539.1↔		BOP, KVT, UOP4, VIAL	5t540.1↔		BOP, KVT, UOP4, VIAL	5t549.4↔		BOP, KVT, UOP4, VIAL
	05	F13A		08	I05Z, I12A, I12B, I12C		01	B03A, B03B, B06A, B06B, B07Z, B17A, B17B, B17C
	08	I12A, I12B, I12C, I44A, I44B		21A	W04A, W04B		08	I12A, I12B, I12C, I32A, I32B, I32C, I32D, I32E, I32F
	21A	W04A, W04B		21B	X06A, X06B, X06C		21A	W04A, W04B
	21B	X04Z		21B	X06A, X06B, X06C		21B	X05A, X05B
5t53a↔		BOP, KVT, UOP4, VIAL	5t540.x↔		BOP, KVT, UOP4, VIAL	5t549.5↔		BOP, KVT, UOP4, VIAL
	05	F13A		08	I05Z, I12A, I12B, I12C		01	B03A, B03B, B06A, B06B, B07Z, B17A, B17B, B17C
	08	I04Z, I12A, I12B, I12C, I44A, I44B, I44C		21A	W04A, W04B		08	I12A, I12B, I12C, I32A, I32B, I32C, I32D, I32E, I32F
	21A	W04A, W04B		21B	X06A, X06B, X06C		21A	W04A, W04B
	21B	X04Z		21B	X06A, X06B, X06C		21B	X05A, X05B
5t53b↔		BOP, KVT, UOP4, VIAL	5t541↔		BOP, KVT, UOP4, VIAL	5t549.6↔		BOP, KVT, UOP4, VIAL
	05	F13A		08	I05Z, I12A, I12B, I12C		01	B03A, B03B, B06A, B06B, B07Z, B17A, B17B, B17C
	08	I04Z, I12A, I12B, I12C, I44A, I44B, I44C		21A	W04A, W04B		08	I12A, I12B, I12C, I32A, I32B, I32C, I32D, I32E, I32F
	21A	W04A, W04B		21B	X06A, X06B, X06C		21A	W04A, W04B
	21B	X04Z		21B	X06A, X06B, X06C		21B	X05A, X05B
5t53c↔		BOP, KVT, UOP4, VIAL	5t542.0↔		BOP, KVT, UOP4, VIAL	5t549.7↔		BOP, KVT, UOP4, VIAL
	05	F13A		08	I05Z, I12A, I12B, I12C		01	B03A, B03B, B06A, B06B, B07Z, B17A, B17B, B17C
	08	I04Z, I12A, I12B, I12C, I44A, I44B, I44C		21A	W04A, W04B		08	I12A, I12B, I12C, I32A, I32B, I32C, I32D, I32E, I32F
	21A	W04A, W04B		21B	X06A, X06B, X06C		21A	W04A, W04B
	21B	X04Z		21B	X06A, X06B, X06C		21B	X05A, X05B
5t53d↔		BOP, KVT, UOP4, VIAL	5t542.1↔		BOP, KVT, UOP4, VIAL	5t549.8↔		BOP, KVT, UOP4, VIAL
	05	F13A		08	I05Z, I12A, I12B, I12C		01	B03A, B03B, B06A, B06B, B07Z, B17A, B17B, B17C
	08	I04Z, I12A, I12B, I12C, I44A, I44B, I44C		21A	W04A, W04B		08	I12A, I12B, I12C, I32A, I32B, I32C, I32D, I32E, I32F
	21A	W04A, W04B		21B	X06A, X06B, X06C		21A	W04A, W04B
	21B	X04Z		21B	X06A, X06B, X06C		21B	X05A, X05B
5t53e↔		BOP, KVT, UOP4, VIAL	5t543↔		BOP, KVT, UOP4, VIAL	5t549.9↔		BOP, KVT, UOP4, VIAL
	05	F13A		08	I05Z, I08A, I08B, I08C, I08D, I08E, I08F, I12A, I12B, I12C		01	B03A, B03B, B06A, B06B, B07Z, B17A, B17B, B17C
	08	I04Z, I12A, I12B, I12C, I44A, I44B, I44C		21A	W04A, W04B		08	I12A, I12B, I12C, I32A, I32B, I32C, I32D, I32E, I32F
	21A	W04A, W04B		21B	X06A, X06B, X06C		21A	W04A, W04B
	21B	X04Z		21B	X06A, X06B, X06C		21B	X05A, X05B
5t53f↔		BOP, KVT, UOP4, VIAL	5t544↔		BOP, KVT, UOP4, VIAL	5t54a↔		BOP, KVT, UOP4
	05	F13A		08	I05Z, I08A, I08B, I08C, I08D, I08E, I08F, I12A, I12B, I12C		01	I12A, I12B, I12C, I28A, I28B, I32A, I32B, I32C, I32D, I32E, I32F
	08	I04Z, I12A, I12B, I12C, I44A, I44B, I44C		21A	W04A, W04B		08	I12A, I12B, I12C, I28A, I28B, I32A, I32B, I32C, I32D, I32E, I32F
	21A	W04A, W04B		21B	X06A, X06B, X06C		21A	W04A, W04B
	21B	X04Z		21B	X06A, X06B, X06C		21B	X05A, X05B, X06A, X06B, X06C
5t53g↔		BOP, KVT, UOP4, VIAL	5t545↔		BOP, KVT, UOP4, VIAL	5t54x↔		BOP, KVT, UOP4
	05	F13A		08	I05Z, I08A, I08B, I08C, I08D, I08E, I08F, I12A, I12B, I12C		01	I12A, I12B, I12C, I28A, I28B
	08	I04Z, I12A, I12B, I12C, I44A, I44B		21A	W04A, W04B		08	I12A, I12B, I12C, I28A, I28B
	21A	W04A, W04B		21B	X06A, X06B, X06C		21A	W04A, W04B
	21B	X04Z		21B	X06A, X06B, X06C		21B	X05A, X05B, X06A, X06B, X06C
5t53h↔		BOP, KVT, UOP4, VIAL	5t546↔		BOP, KVT, UOP4, VIAL	5t550.0↔		BOP, KVT, UOP4
	05	F13A		08	I05Z, I08A, I08B, I08C, I08D, I08E, I08F, I12A, I12B, I12C		05	F13A
	08	I04Z, I12A, I12B, I12C, I44A, I44B		21A	W04A, W04B		08	I05Z, I12A, I12B, I12C
	21A	W04A, W04B		21B	X06A, X06B, X06C		21A	W04A, W04B
	21B	X04Z		21B	X06A, X06B, X06C		21B	X06A, X06B, X06C
5t53i↔		BOP, KVT, UOP4, VIAL	5t547↔		BOP, KVT, UOP4, VIAL	5t550.4↔		BOP, KVT, UOP4
	05	F13A		08	I08A, I08B, I08C, I08D, I08E, I08F, I12A, I12B, I12C, I21Z, I31Z, I32A, I32B, I32C, I32D, I32E, I32F		05	F13A
	08	I04Z, I12A, I12B, I12C, I44A, I44B		21A	W04A, W04B		08	I05Z, I12A, I12B, I12C
	21A	W04A, W04B		21B	X06A, X06B, X06C		21A	W04A, W04B
	21B	X04Z		21B	X06A, X06B, X06C		21B	X06A, X06B, X06C
5t53j↔		BOP, KVT, UOP4, VIAL	5t548↔		BOP, KVT, UOP4, VIAL	5t550.7↔		BOP, KVT, UOP4
	05	F13A		08	I05Z, I12A, I12B, I12C		05	F13A
	08	I04Z, I12A, I12B, I12C, I44A, I44B, I44C		21A	W04A, W04B		08	I05Z, I12A, I12B, I12C
	21A	W04A, W04B		21B	X05A, X05B		21A	W04A, W04B
	21B	X04Z		21B	X06A, X06B, X06C		21B	X06A, X06B, X06C
5t53k↔		BOP, KVT, UOP4, VIAL	5t549.1↔		BOP, KVT, UOP4, VIAL	5t550.u↔		BOP, KVT, UOP4
	05	F13A		01	B03A, B03B, B06A, B06B, B07Z, B17A, B17B, B17C		05	F13A
	08	I04Z, I12A, I12B, I12C, I44A, I44B, I44C		08	I12A, I12B, I12C, I32A, I32B, I32C, I32D, I32E, I32F		08	I05Z, I12A, I12B, I12C
	21A	W04A, W04B		21A	W04A, W04B		21A	W04A, W04B
	21B	X04Z		21B	X05A, X05B		21B	X06A, X06B, X06C

ZZV	MDC	DRG	ZZV	MDC	DRG	ZZV	MDC	DRG
5t550.v↔		BOP, KVT, UOP4	5t55a↔		BOP, KVT, UOP4, VIAL	5t55x↔		BOP, KVT, UOP4
	05	F13A		05	F13A		05	F13A
	08	I05Z, I12A, I12B, I12C		08	I08A, I08B, I08C, I08D, I08E, I08F, I12A, I12B, I12C, I23A, I23B		08	I12A, I12B, I12C, I28A, I28B
	21A	W04A, W04B		21A	W04A, W04B		21A	W04A, W04B
	21B	X06A, X06B, X06C		21B	X06A, X06B, X06C		21B	X05A, X05B, X06A, X06B, X06C
5t551↔		BOP, KVT, UOP4, VIAL	5t55b↔		BOP, KVT, UOP4, VIAL	5t560.0↔		BOP, KOP, KOPV, KVT, UOP4, VIAL
	05	F13A		05	F13A		06	G33Z
	08	I05Z, I08A, I08B, I08C, I08D, I08E, I08F, I12A, I12B, I12C		08	I12A, I12B, I12C, I23A		07	H33Z, H38Z
	21A	W04A, W04B		21A	W04A, W04B		08	I01Z, I03A, I03B, I05Z, I12A, I12B, I12C
	21B	X06A, X06B, X06C		21B	X05A, X05B, X06A, X06B, X06C		11	L33Z
5t552.0↔		BOP, KVT, UOP4, VIAL	5t55c↔		BOP, KVT, UOP4, VIAL		21A	W04A, W04B
	05	F13A		05	F13A		21B	X04Z, X33Z
	08	I05Z, I12A, I12B, I12C, I43A, I43B		08	I12A, I12B, I12C, I23A, I23B		23	Z01A
	21A	W04A, W04B		21A	W04A, W04B		Pre	A07A
	21B	X06A, X06B, X06C		21B	X05A, X05B, X06A, X06B, X06C	5t560.1↔		BOP, KOP, KOPV, KVT, UOP4, VIAL
5t552.1↔		BOP, KVT, UOP4, VIAL	5t55d↔		BOP, KVT, UOP4		06	G33Z
	05	F13A		05	F13A		07	H33Z, H38Z
	08	I05Z, I12A, I12B, I12C, I43A, I43B		08	I12A, I12B, I12C, I28A, I28B, I32A, I32B, I32C, I32D, I32E, I32F		08	I01Z, I03A, I03B, I05Z, I12A, I12B, I12C
	21A	W04A, W04B		21A	W04A, W04B		11	L33Z
	21B	X06A, X06B, X06C		21B	X05A, X05B, X06A, X06B, X06C		21A	W04A, W04B
5t553↔		BOP, KVT, UOP4, VIAL	5t55e↔		BOP, KVT, UOP4		21B	X04Z, X33Z
	05	F13A		05	F13A		23	Z01A
	08	I05Z, I08A, I08B, I08C, I08D, I08E, I08F, I12A, I12B, I12C		08	I12A, I12B, I12C, I28A, I28B		Pre	A07A
	21A	W04A, W04B		21A	W04A, W04B	5t560.2↔		BOP, KOP, KOPV, KVT, UOP4, VIAL
	21B	X06A, X06B, X06C		21B	X05A, X05B, X06A, X06B, X06C		06	G33Z
5t554↔		BOP, KVT, UOP4, VIAL	5t55f↔		BOP, KVT, UOP4, VIAL		07	H33Z, H38Z
	05	F13A		05	F13A		08	I01Z, I03A, I03B, I05Z, I12A, I12B, I12C
	08	I05Z, I08A, I08B, I08C, I08D, I08E, I08F, I12A, I12B, I12C		08	I05Z, I08A, I08B, I08C, I08D, I08E, I08F, I12A, I12B, I12C		11	L33Z
	21A	W04A, W04B		21A	W04A, W04B		21A	W04A, W04B
	21B	X06A, X06B, X06C		21B	X06A, X06B, X06C		21B	X04Z, X33Z
5t555↔		BOP, KVT, UOP4, VIAL	5t55g↔		BOP, KVT, UOP4, VIAL		23	Z01A
	05	F13A		05	F13A		Pre	A07A
	08	I05Z, I12A, I12B, I12C		08	I08A, I08B, I08C, I08D, I08E, I08F, I12A, I12B, I12C, I23A, I23B	5t561↔		BOP, KVT, UOP4, VIAL
	21A	W04A, W04B		21A	W04A, W04B		08	I12A, I12B, I12C, I20A, I20B, I20C, I20D
	21B	X05A, X05B		21B	X06A, X06B, X06C		21A	W04A, W04B
5t556↔		BOP, KVT, UOP4, VIAL	5t55h↔		BOP, KVT, UOP4, VIAL		21B	X04Z
	01	B03A, B03B, B06A, B06B, B07Z, B17A, B17B, B17C		08	I05Z, I12A, I12B, I12C	5t562↔		BOP, KVT, UOP4, VIAL
	05	F13A		21A	W04A, W04B		08	I12A, I12B, I12C, I20A, I20B, I20C, I20D
	08	I12A, I12B, I12C, I32A, I32B, I32C, I32D, I32E, I32F		21B	X06A, X06B, X06C		21A	W04A, W04B
	21A	W04A, W04B		5t55i↔			21B	X04Z
	21B	X05A, X05B		08	I05Z, I12A, I12B, I12C	5t56x↔		BOP, KVT, UOP4
5t557↔		BOP, KVT, UOP4, VIAL	5t55j↔		BOP, KVT, UOP4		08	I12A, I12B, I12C, I28A, I28B
	05	F13A		05	F13A		21A	W04A, W04B
	08	I08A, I08B, I08C, I08D, I08E, I08F, I12A, I12B, I12C, I23A, I23B		08	I12A, I12B, I12C, I28A, I28B		21B	X04Z, X06A, X06B, X06C
	21A	W04A, W04B		21A	W04A, W04B		5t570↔	BOP, KVT, UOP4
	21B	X06A, X06B, X06C		21B	X05A, X05B, X06A, X06B, X06C		05	F13A
5t558↔		BOP, KVT, UOP4, VIAL	5t55k.1↔		BOP, KVT, UOP4, VIAL		08	I12A, I12B, I12C, I28A, I28B
	05	F13A		08	I05Z, I12A, I12B, I12C		21A	W04A, W04B
	08	I12A, I12B, I12C, I23A		21A	W04A, W04B		21B	X04Z, X06A, X06B, X06C
	21A	W04A, W04B		21B	X06A, X06B, X06C			
	21B	X06A, X06B, X06C	5t55k.2↔		BOP, KVT, UOP4, VIAL			
5t559↔		BOP, KVT, UOP4, VIAL		08	I05Z, I12A, I12B, I12C			
	05	F13A		21A	W04A, W04B			
	08	I08A, I08B, I08C, I08D, I08E, I08F, I12A, I12B, I12C, I23A, I23B		21B	X06A, X06B, X06C			
	21A	W04A, W04B	5t55k.3↔		BOP, KVT, UOP4, VIAL			
	21B	X06A, X06B, X06C		08	I05Z, I12A, I12B, I12C			
				21A	W04A, W04B			
				21B	X06A, X06B, X06C			

ZZV	MDC	DRG	ZZV	MDC	DRG	ZZV	MDC	DRG	
5t571.00↔		BOP, KOP, KOPV, KVT, UOP4, VIAL	5t57x↔		BOP, KVT, UOP4	5t585		BOP, KVT, UOP4	
	05	F13A		05	F13A		08	I12A, I12B, I12C, I28A, I28B	
	06	G33Z		08	I12A, I12B, I12C, I23A		21A	W04A, W04B	
	07	H33Z, H38Z		21A	W04A, W04B		21B	X04Z, X05A, X05B, X06A, X06B, X06C	
	08	I01Z, I03A, I03B, I12A, I12B, I12C, I43A, I43B		21B	X04Z, X06A, X06B, X06C		5t586.2		BOP, KVT, UOP4
	11	L33Z		5t580				04	E02A, E02B, E02C
	21A	W04A, W04B		04	E02A, E02B, E02C		08	I12A, I12B, I12C, I28A, I28B	
	21B	X04Z, X33Z		08	I12A, I12B, I12C, I28A, I28B		21A	W04A, W04B	
	23	Z01A		21A	W04A, W04B		21B	X04Z, X05A, X05B, X06A, X06B, X06C	
	Pre	A07A		21B	X04Z, X05A, X05B, X06A, X06B, X06C		5t586.g		BOP, KVT, UOP4
	5t571.01↔			BOP, KOP, KOPV, KVT, UOP4, VIAL	5t581.2				08
		05		F13A				04	E02A, E02B, E02C
		06		G33Z	04		E02A, E02B, E02C	08	I12A, I12B, I12C, I28A, I28B
		07		H33Z, H38Z	08		I12A, I12B, I12C, I28A, I28B	21A	W04A, W04B
08		I01Z, I03A, I03B, I12A, I12B, I12C, I43A, I43B	21A	W04A, W04B	21B	X04Z, X05A, X05B, X06A, X06B, X06C			
11		L33Z	21B	X04Z, X05A, X05B, X06A, X06B, X06C	5t586.x		BOP, KVT, UOP4		
21A		W04A, W04B	5t581.g			08	I12A, I12B, I12C, I28A, I28B		
21B		X04Z, X33Z	04	E02A, E02B, E02C, E36Z	21A	W04A, W04B			
23		Z01A	06	G36Z	21B	X04Z, X05A, X05B, X06A, X06B, X06C			
Pre		A07A	08	I12A, I12B, I12C, I26Z, I28A, I28B, I95Z	5t587		BOP, KVT, UOP4		
5t571.1↔			BOP, KVT, UOP4	11		L33Z	04	E02A, E02B, E02C	
		05	F13A	21A	W04A, W04B	08	I12A, I12B, I12C, I28A, I28B		
		08	I12A, I12B, I12C, I23A	21B	X04Z, X05A, X05B, X06A, X06B, X06C	21A	W04A, W04B		
		21A	W04A, W04B	Pre	A06A, A07A, A09A, A11A, A13A	21B	X04Z, X05A, X05B, X06A, X06B, X06C		
	21B	X04Z, X06A, X06B, X06C	5t581.x		5t58x		BOP, KVT, UOP4		
	5t571.2↔		BOP, KVT, UOP4			08	I28A, I28B		
		05	F13A	04	E02A, E02B, E02C	21A	W04A, W04B		
		08	I12A, I12B, I12C, I23A	08	I12A, I12B, I12C, I28A, I28B	21B	X04Z, X05A, X05B, X06A, X06B, X06C		
		21A	W04A, W04B	21A	W04A, W04B	5t590.0↔		BOP, KVT, UOP4, VIAL	
		21B	X04Z, X06A, X06B, X06C	21B	X04Z, X05A, X05B, X06A, X06B, X06C		08	I08A, I08B, I08C, I08D, I08E, I12A, I12B, I12C, I27B, I37Z	
		5t571.3↔		BOP, KVT, UOP4	5t582		21A	W04A, W04B	
			05	F13A			21B	X06A, X06B, X06C	
			08	I12A, I12B, I12C, I23A	04	E02A, E02B, E02C	5t590.1↔		BOP, KVT, UOP4, VIAL
			21A	W04A, W04B	08	I12A, I12B, I12C, I28A, I28B		08	I08A, I08B, I08C, I08D, I08E, I12A, I12B, I12C, I27B, I37Z
21B			X04Z, X06A, X06B, X06C	21A	W04A, W04B	21A	W04A, W04B		
5t572↔				BOP, KVT, UOP4, VIAL	21B	X04Z, X05A, X05B, X06A, X06B, X06C	5t590.x↔		BOP, KVT, UOP4, VIAL
			05	F13A	5t583			08	I08A, I08B, I08C, I08D, I08E, I12A, I12B, I12C, I27B, I37Z
			08	I12A, I12B, I12C, I20A, I20B, I20C, I20D			21A	W04A, W04B	
			21A	W04A, W04B	04	E02A, E02B, E02C	21B	X06A, X06B, X06C	
	21B		X04Z	08	I12A, I12B, I12C, I28A, I28B	5t591↔		BOP, KVT, UOP4, VIAL	
	5t573↔			BOP, KVT, UOP4, VIAL	21A		W04A, W04B	08	I08A, I08B, I08C, I08D, I08E, I12A, I12B, I12C, I27B, I37Z, I47A
			05	F13A	21B	X04Z, X05A, X05B, X06A, X06B, X06C	21A	W04A, W04B	
			08	I12A, I12B, I12C, I20A, I20B, I20C, I20D	5t584.2		21B	X06A, X06B, X06C	
			21A	W04A, W04B			5t592↔		BOP, KVT, UOP4, VIAL
		21B	X04Z	04	E02A, E02B, E02C	01		B03A, B03B, B06A, B06B, B17A, B17B, B17C	
		5t575↔		BOP, KVT, UOP4, VIAL	08	I12A, I12B, I12C, I28A, I28B	08	I08A, I08B, I08C, I08D, I08E, I08F	
			05	F13A	21A	W04A, W04B	21A	W01A, W01B, W01C, W02A, W02B	
			08	I12A, I12B, I12C, I23A	21B	X04Z, X05A, X05B, X06A, X06B, X06C	21B	X04Z	
			21A	W04A, W04B	5t584.g		5t593↔		BOP, KVT, UOP4, VIAL
21B			X04Z, X06A, X06B, X06C	04		E02A, E02B, E02C, E36Z		08	I12A, I12B, I12C, I16Z
5t576↔				BOP, KVT, UOP4, VIAL	06	G36Z	21A	W04A, W04B	
			05	F13A	08	I12A, I12B, I12C, I26Z, I28A, I28B, I95Z	21B	X06A, X06B, X06C	
			08	I12A, I12B, I12C, I23A, I23B	11	L33Z	5t594↔		BOP, KVT, UOP4, VIAL
			21A	W04A, W04B	21A	W04A, W04B		08	I08A, I08B, I08C, I08D, I08E, I08F, I12A, I12B, I12C, I21Z, I31Z
	21B		X04Z, X06A, X06B, X06C	21B	X04Z, X05A, X05B, X06A, X06B, X06C	21A	W04A, W04B		
	5t577↔			BOP, KVT, UOP4, VIAL	Pre	A06A, A07A, A09A, A11A, A13A	21B	X06A, X06B, X06C	
			05	F13A	5t584.x		5t594↔		BOP, KVT, UOP4, VIAL
			08	I12A, I12B, I12C, I23A, I23B	04	E02A, E02B, E02C		08	I08A, I08B, I08C, I08D, I08E, I08F, I12A, I12B, I12C, I21Z, I31Z
			21A	W04A, W04B	08	I12A, I12B, I12C, I28A, I28B	21A	W04A, W04B	
		21B	X04Z, X06A, X06B, X06C	21A	W04A, W04B	21B	X06A, X06B, X06C		
		5t578↔		BOP, KVT, UOP4, VIAL	21B	X04Z, X05A, X05B, X06A, X06B, X06C			
			05	F13A					
			08	I12A, I12B, I12C, I23A, I23B					
			21A	W04A, W04B					
21B			X04Z, X06A, X06B, X06C						
5t579↔				BOP, KVT, UOP4, VIAL					
			05	F13A					
			08	I12A, I12B, I12C, I23A, I23B					
			21A	W04A, W04B					
	21B		X04Z, X06A, X06B, X06C						
	5t580↔			BOP, KVT, UOP4, VIAL					
			05	F13A					
			08	I12A, I12B, I12C, I23A, I23B					
			21A	W04A, W04B					
		21B	X04Z, X06A, X06B, X06C						
		5t581↔		BOP, KVT, UOP4, VIAL					
			05	F13A					
			08	I12A, I12B, I12C, I23A, I23B					
			21A	W04A, W04B					
21B			X04Z, X06A, X06B, X06C						
5t582↔				BOP, KVT, UOP4, VIAL					
			05	F13A					
			08	I12A, I12B, I12C, I23A, I23B					
			21A	W04A, W04B					
	21B		X04Z, X06A, X06B, X06C						
	5t583↔			BOP, KVT, UOP4, VIAL					
			05	F13A					
			08	I12A, I12B, I12C, I23A, I23B					
			21A	W04A, W04B					
		21B	X04Z, X06A, X06B, X06C						
		5t584↔		BOP, KVT, UOP4, VIAL					
			05	F13A					
			08	I12A, I12B, I12C, I23A, I23B					
			21A	W04A, W04B					
21B			X04Z, X06A, X06B, X06C						
5t585↔				BOP, KVT, UOP4, VIAL					
			05	F13A					
			08	I12A, I12B, I12C, I23A, I23B					
			21A	W04A, W04B					
	21B		X04Z, X06A, X06B, X06C						
	5t586↔			BOP, KVT, UOP4, VIAL					
			05	F13A					
			08	I12A, I12B, I12C, I23A, I23B					
			21A	W04A, W04B					
		21B	X04Z, X06A, X06B, X06C						
		5t587↔		BOP, KVT, UOP4, VIAL					
			05	F13A					
			08	I12A, I12B, I12C, I23A, I23B					
			21A	W04A, W04B					
21B			X04Z, X06A, X06B, X06C						
5t588↔				BOP, KVT, UOP4, VIAL					
			05	F13A					
			08	I12A, I12B, I12C, I23A, I23B					
			21A	W04A, W04B					
	21B		X04Z, X06A, X06B, X06C						
	5t589↔			BOP, KVT, UOP4, VIAL					
			05	F13A					
			08	I12A, I12B, I12C, I23A, I23B					
			21A	W04A, W04B					
		21B	X04Z, X06A, X06B, X06C						
		5t590↔		BOP, KVT, UOP4, VIAL					
			05	F13A					
			08	I12A, I12B, I12C, I23A, I23B					
			21A	W04A, W04B					
21B			X04Z, X06A, X06B, X06C						
5t591↔				BOP, KVT, UOP4, VIAL					
			05	F13A					
			08	I12A, I12B, I12C, I23A, I23B					
			21A	W04A, W04B					
	21B		X04Z, X06A, X06B, X06C						
	5t592↔			BOP, KVT, UOP4, VIAL					
			05	F13A					
			08	I12A, I12B, I12C, I23A, I23B					
			21A	W04A, W04B					
		21B	X04Z, X06A, X06B, X06C						
		5t593↔		BOP, KVT, UOP4, VIAL					
			05	F13A					
			08	I12A, I12B, I12C, I23A, I23B					
			21A	W04A, W04B					
21B			X04Z, X06A, X06B, X06C						
5t594↔				BOP, KVT, UOP4, VIAL					
			05	F13A					
			08	I12A, I12B, I12C, I23A, I23B					
			21A	W04A, W04B					
	21B		X04Z, X06A, X06B, X06C						

VYK

ZZV	MDC	DRG	ZZV	MDC	DRG	ZZV	MDC	DRG
5t595↔		BOP, KVT, UOP4, VIAL	5t603	01	BOP, KVT, UOP4, VIAL	5t61a.3		BOP, KVT, UOP4, VIAL
	08	I12A, I12B, I12C, I32A, I32B, I32C, I32D, I32E, I32F		08	B03A, B03B, B18Z		01	B03A, B03B, B18Z
	21A	W04A, W04B		11	I08A, I08B, I08C, I08D, I08E, I08F, I10A, I10B, I10C, I10D, I10E, I23A, I23B		08	I08A, I08B, I08C, I08D, I08E, I08F, I10A, I10B, I10C, I10D, I10E
5t596↔	21B	X05A, X05B		17	L09A, L38Z	11	L09A, L38Z	
		BOP, KVT, UOP4, VIAL		21A	R01A, R01B, R01C, R01D, R02Z, R12A, R12B, R12C	21A	W04A, W04B	
	01	B03A, B03B, B06A, B06B, B17A, B17B, B17C		21B	W04A, W04B	21B	X06A, X06B, X06C	
5t597↔	08	I12A, I12B, I12C, I18A, I30Z	5t604	Pre	B61A	5t61a.4		BOP, KVT, UOP4, VIAL
	21A	W04A, W04B		01	BOP, KVT, UOP4, VIAL		01	B03A, B03B, B18Z
	21B	X04Z		05	B03A, B03B, B18Z		08	I08A, I08B, I08C, I08D, I08E, I08F, I10A, I10B, I10C, I10D, I10E
5t598↔	05	F27A, F27B, F27C		08	F13A	11	L09A, L38Z	
	08	I12A, I12B, I12C, I59Z		11	I08A, I08B, I08C, I08D, I08E, I08F, I10A, I10B, I10C, I10D, I10E, I12A, I12B, I12C, I23A, I23B	21A	W04A, W04B	
	10	K01Z		11	L09A, L38Z	21B	X06A, X06B, X06C	
5t599↔	21A	W04A, W04B		21A	W04A, W04B	5t61b.1		BOP, KVT, UOP4, VIAL
	21B	X04Z		21B	X04Z, X05A, X05B, X06A, X06B, X06C		01	B03A, B03B, B18Z
		BOP, KVT, UOP4, VIAL	5t605		BOP, KVT, UOP4, VIAL		08	I08A, I08B, I08C, I08D, I08E, I08F, I10A, I10B, I10C, I10D, I10E, I10F
08	I12A, I12B, I12C, I20A, I20B, I20C, I20D			01	B03A, B03B, B18Z	11	L09A, L38Z	
21A	W04A, W04B			05	F13A	21A	W04A, W04B	
5t599	21B	X04Z		08	I08A, I08B, I08C, I08D, I08E, I08F, I10A, I10B, I10C, I10D, I10E, I12A, I12B, I12C, I23A, I23B	5t61b.2		BOP, KVT, UOP4, VIAL
		BOP, KVT, UOP4		11	L09A, L38Z		01	B03A, B03B, B18Z
	08	I12A, I12B, I12C, I28A, I28B		21A	W04A, W04B		08	I08A, I08B, I08C, I08D, I08E, I08F, I10A, I10B, I10C, I10D, I10E, I10F
5t59g	21A	W04A, W04B		21B	X04Z, X05A, X05B, X06A, X06B, X06C	5t61c.1		BOP, KVT, UOP4, VIAL
	21B	X06A, X06B, X06C	5t606		BOP, KVT, UOP4, VIAL		01	B03A, B03B, B18Z
		BOP, KVT, UOP4			01		B03A, B03B, B18Z	08
08	I12A, I12B, I12C, I28A, I28B			05	F13A	11	L09A, L38Z	
5t59x	21A	W04A, W04B		08	I08A, I08B, I08C, I08D, I08E, I08F, I10A, I10B, I10C, I10D, I10E, I12A, I12B, I12C, I23A	5t61c.2		BOP, KVT, UOP4, VIAL
	21B	X06A, X06B, X06C		11	L09A, L38Z		01	B03A, B03B, B18Z
		BOP, KVT, UOP4, VIAL	5t60x		21A		W04A, W04B	08
08	I12A, I12B, I12C, I28A, I28B			21B	X04Z, X05A, X05B, X06A, X06B, X06C	11	L09A, L38Z	
21A	W04A, W04B				BOP, KVT, UOP4, VIAL	17	R01A, R01B, R01C, R01D, R02Z, R12A, R12B, R12C	
5t600	21B	X06A, X06B, X06C		01	B03A, B03B, B18Z	5t61c.3		BOP, KVT, UOP4, VIAL
		BOP, KVT, UOP4, VIAL		05	F13A		01	B03A, B03B, B18Z
	01	B03A, B03B, B18Z		08	I08A, I08B, I08C, I08D, I08E, I08F, I10A, I10B, I10C, I10D, I10E, I12A, I12B, I12C		08	I08A, I08B, I08C, I08D, I08E, I08F, I10A, I10B, I10C, I10D, I10E
5t601	05	F13A		11	L09A, L38Z	11	L09A, L38Z	
	08	I08A, I08B, I08C, I08D, I08E, I08F, I10A, I10B, I10C, I10D, I10E, I12A, I12B, I12C		21A	W04A, W04B	17	R01A, R01B, R01C, R01D, R02Z, R12A, R12B, R12C	
	11	L09A, L38Z	5t61a.1		21B	X04Z, X05A, X05B, X06A, X06B, X06C	21A	W04A, W04B
17	R01A, R01B, R01C, R01D, R02Z, R12A, R12B, R12C				BOP, KVT, UOP4, VIAL	21B	X06A, X06B, X06C	
21A	W04A, W04B			01	B03A, B03B, B18Z		BOP, KVT, UOP4, VIAL	
5t602	21B	X06A, X06B, X06C		08	I08A, I08B, I08C, I08D, I08E, I08F, I10A, I10B, I10C, I10D, I10E	5t61d		BOP, KVT, UOP4, VIAL
		BOP, KVT, UOP4, VIAL		11	L09A, L38Z		01	B03A, B03B, B18Z
	01	B03A, B03B, B18Z		17	R01A, R01B, R01C, R01D, R02Z, R12A, R12B, R12C		08	I08A, I08B, I08C, I08D, I08E, I08F, I10A, I10B, I10C, I10D, I10E
5t602	05	F13A		21A	W04A, W04B	11	L09A, L38Z	
	08	I08A, I08B, I08C, I08D, I08E, I08F, I10A, I10B, I10C, I10D, I10E, I12A, I12B, I12C		21B	X06A, X06B, X06C	17	R01A, R01B, R01C, R01D, R02Z, R12A, R12B, R12C	
	11	L09A, L38Z			BOP, KVT, UOP4, VIAL	21A	W04A, W04B	
5t602	21A	W04A, W04B		01	B03A, B03B, B18Z	21B	X06A, X06B, X06C	
	21B	X04Z, X05A, X05B, X06A, X06B, X06C	5t61a.2		BOP, KVT, UOP4, VIAL		BOP, KVT, UOP4, VIAL	
		BOP, KVT, UOP4, VIAL			01	B03A, B03B, B18Z	01	B03A, B03B, B18Z
01	B03A, B03B, B18Z			08	I08A, I08B, I08C, I08D, I08E, I08F, I10A, I10B, I10C, I10D, I10E, I12A, I12B, I12C	08	I08A, I08B, I08C, I08D, I08E, I08F, I10A, I10B, I10C, I10D, I10E, I10F	
5t602	08	I08A, I08B, I08C, I08D, I08E, I08F, I10A, I10B, I10C, I10D, I10E, I10F		11	L09A, L38Z	11	L09A, L38Z	
	11	L09A, L38Z		21A	W04A, W04B	21A	W04A, W04B	
		BOP, KVT, UOP4, VIAL		21B	X06A, X06B, X06C	21B	X06A, X06B, X06C	

VYK

ZZV	MDC	DRG	ZZV	MDC	DRG	ZZV	MDC	DRG
5t61x		BOP, KVT, UOP4, VIAL	5t625		BOP, KVT, UOP4, VIAL	5t63x		BOP, KOP, KOPV, KVT, UOP4, VIAL
	01	B03A, B03B, B18Z		01	B03A, B03B, B18Z		01	B03A, B03B, B18Z
	08	I08A, I08B, I08C, I08D, I08E, I08F, I10A, I10B, I10C, I10D, I10E, I10F		08	I08A, I08B, I08C, I08D, I08E, I08F, I10A, I10B, I10C, I10D, I10E		06	G33Z
	11	L09A, L38Z		11	L09A, L38Z		07	H33Z, H38Z
	21A	W04A, W04B		17	R01A, R01B, R01C, R01D, R02Z, R12A, R12B, R12C		08	I06A, I06B, I06C, I06D, I06E, I08A, I08B, I08C, I08D, I08E, I08F, I09A, I09B, I09C, I09D, I09E, I10A, I10B, I10C, I10D, I10E
	21B	X06A, X06B, X06C		21A	W04A, W04B		09	J26Z
		BOP, KVT, UOP4, VIAL		21B	X06A, X06B, X06C		11	L33Z
5t620	01	B03A, B03B, B18Z	5t626		BOP, KVT, UOP4, VIAL	5t641.1		W01A, W01B, W01C, W02A, W02B
	08	I08A, I08B, I08C, I08D, I08E, I08F, I10A, I10B, I10C, I10D, I10E		01	B03A, B03B, B18Z		21A	W01A, W01B, W01C, W02A, W02B
	11	L09A, L38Z		08	I08A, I08B, I08C, I08D, I08E, I08F, I10A, I10B, I10C, I10D, I10E		21B	X06A, X06B, X06C
	17	R01A, R01B, R01C, R01D, R02Z, R12A, R12B, R12C		11	L09A, L38Z		23	Z01A
	21A	W04A, W04B		17	R01A, R01B, R01C, R01D, R02Z, R12A, R12B, R12C		Pre	A07A
	21B	X06A, X06B, X06C		21A	W04A, W04B			BOP, KOP, KOPV, KVT, UOP4, VIAL
		BOP, KVT, UOP4, VIAL		21B	X06A, X06B, X06C		01	B03A, B03B, B18Z
5t621	01	B03A, B03B, B18Z	5t627		BOP, KVT, UOP4, VIAL	5t641.2		BOP, KOP, KOPV, KVT, UOP4, VIAL
	08	I08A, I08B, I08C, I08D, I08E, I08F, I10A, I10B, I10C, I10D, I10E		01	B03A, B03B, B18Z		06	G33Z
	11	L09A, L38Z		08	I08A, I08B, I08C, I08D, I08E, I08F, I10A, I10B, I10C, I10D, I10E		07	H33Z, H38Z
	17	R01A, R01B, R01C, R01D, R02Z, R12A, R12B, R12C		11	L09A, L38Z		08	I06A, I06B, I06C, I06D, I06E, I08A, I08B, I08C, I08D, I08E, I08F, I09A, I09B, I09C, I09D, I09E
	21A	W04A, W04B		17	R01A, R01B, R01C, R01D, R02Z, R12A, R12B, R12C		09	J26Z
	21B	X06A, X06B, X06C		21A	W04A, W04B		11	L33Z
		BOP, KVT, UOP4, VIAL		21B	X06A, X06B, X06C		17	R01A, R01B, R01C, R01D, R02Z, R12A, R12B, R12C
5t622	01	B02A, B02B, B02C, B02D, B20A, B20B, B20C, B20D, B20E, B39A, B39B	5t628		BOP, KVT, UOP4, VIAL	5t641.3		W04A, W04B
	08	I08A, I08B, I08C, I08D, I08E, I08F, I10A, I10B, I10C, I10D, I10E		01	B03A, B03B, B18Z		21A	W04A, X06B, X06C, X33Z
	11	L09A, L38Z		08	I08A, I08B, I08C, I08D, I08E, I08F, I10A, I10B, I10C, I10D, I10E		23	Z01A
	17	R01A, R01B, R01C, R01D, R02Z, R12A, R12B, R12C		11	L09A, L38Z		Pre	A07A
	21A	W04A, W04B		17	R01A, R01B, R01C, R01D, R02Z, R12A, R12B, R12C			BOP, KOP, KOPV, KVT, UOP4, VIAL
	21B	X06A, X06B, X06C		21A	W04A, W04B		01	B03A, B03B, B18Z
		BOP, KVT, UOP4, VIAL		21B	X06A, X06B, X06C		06	G33Z
5t623	01	B02A, B02B, B02C, B02D, B20A, B20B, B20C, B20D, B20E, B39A, B39B	5t629		BOP, KVT, UOP4, VIAL	5t641.3		H33Z, H38Z
	08	I08A, I08B, I08C, I08D, I08E, I08F, I10A, I10B, I10C, I10D, I10E		01	B03A, B03B, B18Z		08	I06A, I06B, I06C, I06D, I06E, I08A, I08B, I08C, I08D, I08E, I08F, I09A, I09B, I09C, I09D, I09E
	11	L09A, L38Z		08	I08A, I08B, I08C, I08D, I08E, I08F, I10A, I10B, I10C, I10D, I10E		09	J26Z
	17	R01A, R01B, R01C, R01D, R02Z, R12A, R12B, R12C		11	L09A, L38Z		11	L33Z
	21A	W04A, W04B		17	R01A, R01B, R01C, R01D, R02Z, R12A, R12B, R12C		17	R01A, R01B, R01C, R01D, R02Z, R12A, R12B, R12C
	21B	X06A, X06B, X06C		21A	W04A, W04B		21A	W04A, W04B
		BOP, KVT, UOP4, VIAL		21B	X06A, X06B, X06C		21B	X06A, X06B, X06C, X33Z
5t624	01	B03A, B03B, B18Z	5t62x		BOP, KVT, UOP4, VIAL	5t641.3		Z01A
	08	I08A, I08B, I08C, I08D, I08E, I08F, I10A, I10B, I10C, I10D, I10E		01	B03A, B03B, B18Z		Pre	A07A
	11	L09A, L38Z		08	I08A, I08B, I08C, I08D, I08E, I08F, I10A, I10B, I10C, I10D, I10E			BOP, KOP, KOPV, KVT, UOP4, VIAL
	17	R01A, R01B, R01C, R01D, R02Z, R12A, R12B, R12C		11	L09A, L38Z		01	B02A, B02B, B02C, B02D, B20A, B20B, B20C, B20D, B20E, B39A, B39B
	21A	W04A, W04B		17	R01A, R01B, R01C, R01D, R02Z, R12A, R12B, R12C		06	G33Z
	21B	X06A, X06B, X06C		21A	W04A, W04B		07	H33Z, H38Z
		BOP, KVT, UOP4, VIAL		21B	X06A, X06B, X06C		08	I06A, I06B, I06C, I06D, I06E, I08A, I08B, I08C, I08D, I08E, I08F, I09A, I09B, I09C, I09D
	BOP, KVT, UOP4, VIAL	09	J26Z	09	J26Z			
	BOP, KVT, UOP4, VIAL	Pre	B61A	11	L33Z			
	BOP, KVT, UOP4, VIAL	08	I09C	17	R01A, R01B, R01C, R01D, R02Z, R12A, R12B, R12C			
	BOP, KVT, UOP4, VIAL	08	I09C	21A	W04A, W04B			
	BOP, KVT, UOP4, VIAL	08	I09C	21B	X06A, X06B, X06C, X33Z			
	BOP, KVT, UOP4, VIAL			23	Z01A			
	BOP, KVT, UOP4, VIAL			Pre	A07A			

VYK

ZZV	MDC	DRG	ZZV	MDC	DRG	ZZV	MDC	DRG			
5t641.4		BOP, KOP, KOPV, KVT, UOP4, VIAL	5t642.2		BOP, KOP, KOPV, KVT, UOP4, VIAL	5t642.6		BOP, KOP, KOPV, KVT, UOP4, VIAL			
	01	B02A, B02B, B02C, B02D, B20A, B20B, B20C, B20D, B20E, B39A, B39B		01	B03A, B03B, B18Z		01	B03A, B03B, B18Z			
	06	G33Z		06	G33Z		06	G33Z			
	07	H33Z, H38Z		07	H33Z, H38Z		07	H33Z, H38Z			
	08	I06A, I06B, I06C, I06D, I06E, I08A, I08B, I08C, I08D, I08E, I08F, I09A, I09B, I09C, I09D		08	I06A, I06B, I06C, I06D, I06E, I08A, I08B, I08C, I08D, I08E, I08F, I09A, I09B, I09C, I09D, I09E		08	I06A, I06B, I06C, I06D, I06E, I08A, I08B, I08C, I08D, I08E, I08F, I09A, I09B, I09C, I09D, I09E			
	09	J26Z		09	J26Z		09	J26Z			
	11	L33Z		11	L33Z		11	L33Z			
	17	R01A, R01B, R01C, R01D, R02Z, R12A, R12B, R12C		17	R01A, R01B, R01C, R01D, R02Z, R12A, R12B, R12C		17	R01A, R01B, R01C, R01D, R02Z, R12A, R12B, R12C			
	21A	W04A, W04B		21A	W04A, W04B		21A	W04A, W04B			
	21B	X06A, X06B, X06C, X33Z		21B	X06A, X06B, X06C, X33Z		21B	X06A, X06B, X06C, X33Z			
	23	Z01A		23	Z01A		23	Z01A			
	Pre	A07A		Pre	A07A		Pre	A07A			
	5t641.5			BOP, KOP, KOPV, KVT, UOP4, VIAL	5t642.3			BOP, KOP, KOPV, KVT, UOP4, VIAL	5t643.1		BOP, KOP, KOPV, KVT, UOP4, VIAL
		01		B02A, B02B, B02C, B02D, B20A, B20B, B20C, B20D, B20E, B39A, B39B			01	B03A, B03B, B18Z		01	B03A, B03B, B18Z
06		G33Z	06	G33Z		06	G33Z				
07		H33Z, H38Z	07	H33Z, H38Z		07	H33Z, H38Z				
08		I06A, I06B, I06C, I06D, I06E, I08A, I08B, I08C, I08D, I08E, I08F, I09A, I09B, I09C, I09D	08	I06A, I06B, I06C, I06D, I06E, I08A, I08B, I08C, I08D, I08E, I08F, I09A, I09B, I09C, I09D, I09E		08	I06A, I06B, I06C, I06D, I06E, I08A, I08B, I08C, I08D, I08E, I08F, I09A, I09B, I09C, I09D, I09E				
09		J26Z	09	J26Z		09	J26Z				
11		L33Z	11	L33Z		11	L33Z				
17		R01A, R01B, R01C, R01D, R02Z, R12A, R12B, R12C	17	R01A, R01B, R01C, R01D, R02Z, R12A, R12B, R12C		17	R01A, R01B, R01C, R01D, R02Z, R12A, R12B, R12C				
21A		W04A, W04B	21A	W04A, W04B		21A	W04A, W04B				
21B		X06A, X06B, X06C, X33Z	21B	X06A, X06B, X06C, X33Z		21B	X06A, X06B, X06C, X33Z				
23		Z01A	23	Z01A		23	Z01A				
Pre		A07A	Pre	A07A		Pre	A07A				
5t641.6			BOP, KOP, KOPV, KVT, UOP4, VIAL	5t642.4			BOP, KOP, KOPV, KVT, UOP4, VIAL	5t643.2			BOP, KOP, KOPV, KVT, UOP4, VIAL
		01	B02A, B02B, B02C, B02D, B20A, B20B, B20C, B20D, B20E, B39A, B39B			01	B03A, B03B, B18Z			01	B03A, B03B, B18Z
	06	G33Z	06		G33Z	06	G33Z				
	07	H33Z, H38Z	07		H33Z, H38Z	07	H33Z, H38Z				
	08	I06A, I06B, I06C, I08A, I08B, I08C, I08D, I08E, I08F	08		I06A, I06B, I06C, I06D, I06E, I08A, I08B, I08C, I08D, I08E, I08F, I09A, I09B, I09C, I09D, I09E	08	I06A, I06B, I06C, I06D, I06E, I08A, I08B, I08C, I08D, I08E, I08F, I09A, I09B, I09C, I09D, I09E				
	09	J26Z	09		J26Z	09	J26Z				
	11	L33Z	11		L33Z	11	L33Z				
	17	R01A, R01B, R01C, R01D, R02Z, R12A, R12B, R12C	17		R01A, R01B, R01C, R01D, R02Z, R12A, R12B, R12C	17	R01A, R01B, R01C, R01D, R02Z, R12A, R12B, R12C				
	21A	W04A, W04B	21A		W04A, W04B	21A	W04A, W04B				
	21B	X06A, X06B, X06C, X33Z	21B		X06A, X06B, X06C, X33Z	21B	X06A, X06B, X06C, X33Z				
	23	Z01A	23		Z01A	23	Z01A				
	Pre	A07A	Pre		A07A	Pre	A07A				
	5t642.1		BOP, KOP, KOPV, KVT, UOP4, VIAL		5t642.5		BOP, KOP, KOPV, KVT, UOP4, VIAL		5t643.3		BOP, KOP, KOPV, KVT, UOP4, VIAL
		01	B03A, B03B, B18Z			01	B03A, B03B, B18Z			01	B02A, B02B, B02C, B02D, B20A, B20B, B20C, B20D, B20E, B39A, B39B
06		G33Z	06	G33Z		06	G33Z				
07		H33Z, H38Z	07	H33Z, H38Z		07	H33Z, H38Z				
08		I06A, I06B, I06C, I06D, I06E, I08A, I08B, I08C, I08D, I08E, I08F, I09A, I09B, I09C, I09D, I09E	08	I06A, I06B, I06C, I06D, I06E, I08A, I08B, I08C, I08D, I08E, I08F, I09A, I09B, I09C, I09D, I09E		08	I06A, I06B, I06C, I06D, I06E, I08A, I08B, I08C, I08D, I08E, I08F, I09A, I09B, I09C, I09D, I09E				
09		J26Z	09	J26Z		09	J26Z				
11		L33Z	11	L33Z		11	L33Z				
17		R01A, R01B, R01C, R01D, R02Z, R12A, R12B, R12C	17	R01A, R01B, R01C, R01D, R02Z, R12A, R12B, R12C		17	R01A, R01B, R01C, R01D, R02Z, R12A, R12B, R12C				
21A		W04A, W04B	21A	W04A, W04B		21A	W04A, W04B				
21B		X06A, X06B, X06C, X33Z	21B	X06A, X06B, X06C, X33Z		21B	X06A, X06B, X06C, X33Z				
23		Z01A	23	Z01A		23	Z01A				
Pre		A07A	Pre	A07A		Pre	A07A				

VYK

ZZV	MDC	DRG	ZZV	MDC	DRG	ZZV	MDC	DRG			
5t651.4		BOP, KOP, KOPV, KVT, UOP4, VIAL	5t655		BOP, KOP, KOPV, KVT, UOP4, VIAL	5t659		BOP, KOP, KOPV, KVT, UOP4, VIAL			
	01	B03A, B03B, B18Z		01	B02A, B02B, B02C, B02D, B20A, B20B, B20C, B20D, B20E, B39A, B39B		01	B03A, B03B, B18Z			
	06	G33Z		06	G33Z		06	G33Z			
	07	H33Z, H38Z		07	H33Z, H38Z		07	H33Z, H38Z			
	08	I06A, I06B, I06C, I06D, I06E, I08A, I08B, I08C, I08D, I08E, I08F, I09A, I09B, I09C, I09D		08	I06A, I06B, I06C, I06D, I06E, I08A, I08B, I08C, I08D, I08E, I08F, I09A, I09B, I09C, I09D, I09E		08	I06A, I06B, I06C, I06D, I06E, I08A, I08B, I08C, I08D, I08E, I08F, I09A, I09B, I09C, I09D			
	09	J26Z		09	J26Z		09	J26Z			
	11	L33Z		11	L33Z		11	L33Z			
	21A	W04A, W04B		21A	W04A, W04B		21A	W04A, W04B			
	21B	X06A, X06B, X06C, X33Z		21B	X06A, X06B, X06C, X33Z		21B	X06A, X06B, X06C, X33Z			
	23	Z01A		23	Z01A		23	Z01A			
	Pre	A07A		Pre	A07A		Pre	A07A			
	5t651.5			BOP, KOP, KOPV, KVT, UOP4, VIAL	5t656			BOP, KOP, KOPV, KVT, UOP4, VIAL	5t65a		BOP, KOP, KOPV, KVT, UOP4, VIAL
		01		B03A, B03B, B18Z			01	B02A, B02B, B02C, B02D, B20A, B20B, B20C, B20D, B20E, B39A, B39B		01	B03A, B03B, B18Z
06		G33Z	06	G33Z		06	G33Z				
07		H33Z, H38Z	07	H33Z, H38Z		07	H33Z, H38Z				
08		I06A, I06B, I06C, I06D, I06E, I08A, I08B, I08C, I08D, I08E, I08F, I09A, I09B, I09C, I09D	08	I06A, I06B, I06C, I06D, I06E, I08A, I08B, I08C, I08D, I08E, I08F		08	I06A, I06B, I06C, I06D, I06E, I08A, I08B, I08C, I08D, I08E, I08F, I09A, I09B, I09C, I09D				
09		J26Z	09	J26Z		09	J26Z				
11		L33Z	11	L33Z		11	L33Z				
21A		W04A, W04B	21A	W04A, W04B		21A	W04A, W04B				
21B		X06A, X06B, X06C, X33Z	21B	X06A, X06B, X06C, X33Z		21B	X06A, X06B, X06C, X33Z				
23		Z01A	23	Z01A		23	Z01A				
Pre		A07A	Pre	A07A		Pre	A07A				
5t652			BOP, KOP, KOPV, KVT, UOP4, VIAL	5t657			BOP, KOP, KOPV, KVT, UOP4, VIAL	5t65b			BOP, KVT, UOP4, VIAL
		01	B03A, B03B, B18Z			01	B02A, B02B, B02C, B02D, B20A, B20B, B20C, B20D, B20E, B39A, B39B			08	I08A, I08B, I08C, I08D, I08E, I08F, I28A, I28B
	06	G33Z	06		G33Z	09	J26Z				
	07	H33Z, H38Z	07		H33Z, H38Z	21A	W04A, W04B				
	08	I06A, I06B, I06C, I06D, I06E, I08A, I08B, I08C, I08D, I08E, I08F, I09A, I09B, I09C, I09D	08		I06A, I06B, I06C, I06D, I06E, I08A, I08B, I08C, I08D, I08E, I08F	21B	X06A, X06B, X06C				
	09	J26Z	09		J26Z	5t65c	BOP, KOP, KOPV, KVT, UOP4, VIAL				
	11	L33Z	11		L33Z		01		B03A, B03B, B18Z		
	21A	W04A, W04B	21A		W04A, W04B	06	G33Z				
	21B	X06A, X06B, X06C, X33Z	21B		X06A, X06B, X06C, X33Z	07	H33Z, H38Z				
	23	Z01A	23		Z01A	08	I06A, I06B, I06C, I06D, I06E, I08A, I08B, I08C, I08D, I08E, I08F, I09A, I09B, I09C, I09D, I09E				
	Pre	A07A	Pre		A07A	09	J26Z				
	5t653		BOP, KOP, KOPV, KVT, UOP4, VIAL		5t658		BOP, KOP, KOPV, KVT, UOP4, VIAL		5t65d		BOP, KOP, KOPV, KVT, UOP4, VIAL
		01	B03A, B03B, B18Z			01	B03A, B03B, B18Z			01	B03A, B03B, B18Z
06		G33Z	06	G33Z		06	G33Z				
07		H33Z, H38Z	07	H33Z, H38Z		07	H33Z, H38Z				
08		I06A, I06B, I06C, I06D, I06E, I08A, I08B, I08C, I08D, I08E, I08F, I09A, I09B, I09C, I09D	08	I06A, I06B, I06C, I06D, I06E, I08A, I08B, I08C, I08D, I08E, I08F, I09A, I09B, I09C, I09D		08	I06A, I06B, I06C, I06D, I06E, I08A, I08B, I08C, I08D, I08E, I08F, I09A, I09B, I09C, I09D, I09E				
09		J26Z	09	J26Z		09	J26Z				
11		L33Z	11	L33Z		11	L33Z				
21A		W04A, W04B	21A	W04A, W04B		21A	W04A, W04B				
21B		X06A, X06B, X06C, X33Z	21B	X06A, X06B, X06C, X33Z		21B	X06A, X06B, X06C, X33Z				
23		Z01A	23	Z01A		23	Z01A				
Pre		A07A	Pre	A07A		Pre	A07A				
5t654			BOP, KOP, KOPV, KVT, UOP4, VIAL								
		01	B03A, B03B, B18Z								
	06	G33Z									
	07	H33Z, H38Z									
	08	I06A, I06B, I06C, I06D, I06E, I08A, I08B, I08C, I08D, I08E, I08F									
	09	J26Z									
	11	L33Z									
	21A	W04A, W04B									
	21B	X06A, X06B, X06C, X33Z									
	23	Z01A									
	Pre	A07A									

VYK

ZZV	MDC	DRG	ZZV	MDC	DRG	ZZV	MDC	DRG
5t65e.1		BOP, KOP, KOPV, KVT, UOP4, VIAL	5t65e.6		BOP, KOP, KOPV, KVT, UOP4, VIAL	5t65e.b		BOP, KOP, KOPV, KVT, UOP4, VIAL
	01	B03A, B03B, B18Z		01	B03A, B03B, B18Z		01	B03A, B03B, B18Z
	06	G33Z		06	G33Z		06	G33Z
	07	H33Z, H38Z		07	H33Z, H38Z		07	H33Z, H38Z
	08	I06A, I06B, I06C, I06D, I06E, I08A, I08B, I08C, I08D, I08E, I08F, I09A, I09B, I09C, I09D, I09E		08	I06A, I06B, I06C, I06D, I06E, I08A, I08B, I08C, I08D, I08E, I08F, I09A, I09B, I09C, I09D, I09E		08	I06A, I06B, I06C, I06D, I06E, I08A, I08B, I08C, I08D, I08E, I08F, I09A, I09B, I09C, I09D, I09E
	09	J26Z		09	J26Z		09	J26Z
	11	L33Z		11	L33Z		11	L33Z
	21A	W04A, W04B		21A	W04A, W04B		21A	W04A, W04B
	21B	X06A, X06B, X06C		21B	X06A, X06B, X06C		21B	X06A, X06B, X06C
	Pre	A07A		Pre	A07A		Pre	A07A
5t65e.2		BOP, KOP, KOPV, KVT, UOP4, VIAL	5t65e.7		BOP, KOP, KOPV, KVT, UOP4, VIAL	5t65e.c		BOP, KOP, KOPV, KVT, UOP4, VIAL
	01	B03A, B03B, B18Z		01	B03A, B03B, B18Z		01	B03A, B03B, B18Z
	06	G33Z		06	G33Z		06	G33Z
	07	H33Z, H38Z		07	H33Z, H38Z		07	H33Z, H38Z
	08	I06A, I06B, I06C, I06D, I06E, I08A, I08B, I08C, I08D, I08E, I08F, I09A, I09B, I09C, I09D, I09E		08	I06A, I06B, I06C, I06D, I06E, I08A, I08B, I08C, I08D, I08E, I08F, I09A, I09B, I09C, I09D, I09E		08	I06A, I06B, I06C, I06D, I06E, I08A, I08B, I08C, I08D, I08E, I08F, I09A, I09B, I09C, I09D, I09E
	09	J26Z		09	J26Z		09	J26Z
	11	L33Z		11	L33Z		11	L33Z
	21A	W04A, W04B		21A	W04A, W04B		21A	W04A, W04B
	21B	X06A, X06B, X06C		21B	X06A, X06B, X06C		21B	X06A, X06B, X06C
	Pre	A07A		Pre	A07A		Pre	A07A
5t65e.3		BOP, KOP, KOPV, KVT, UOP4, VIAL	5t65e.8		BOP, KOP, KOPV, KVT, UOP4, VIAL	5t65e.d		BOP, KOP, KOPV, KVT, UOP4, VIAL
	01	B03A, B03B, B18Z		01	B03A, B03B, B18Z		01	B03A, B03B, B18Z
	06	G33Z		06	G33Z		06	G33Z
	07	H33Z, H38Z		07	H33Z, H38Z		07	H33Z, H38Z
	08	I06A, I06B, I06C, I06D, I06E, I08A, I08B, I08C, I08D, I08E, I08F, I09A, I09B, I09C, I09D, I09E		08	I06A, I06B, I06C, I06D, I06E, I08A, I08B, I08C, I08D, I08E, I08F, I09A, I09B, I09C, I09D, I09E		08	I06A, I06B, I06C, I06D, I06E, I08A, I08B, I08C, I08D, I08E, I08F, I09A, I09B, I09C, I09D, I09E
	09	J26Z		09	J26Z		09	J26Z
	11	L33Z		11	L33Z		11	L33Z
	21A	W04A, W04B		21A	W04A, W04B		21A	W04A, W04B
	21B	X06A, X06B, X06C		21B	X06A, X06B, X06C		21B	X06A, X06B, X06C
	Pre	A07A		Pre	A07A		Pre	A07A
5t65e.4		BOP, KOP, KOPV, KVT, UOP4, VIAL	5t65e.9		BOP, KOP, KOPV, KVT, UOP4, VIAL	5t65f		BOP, KOP, KOPV, KVT, UOP4, VIAL
	01	B03A, B03B, B18Z		01	B03A, B03B, B18Z		01	B03A, B03B, B18Z
	06	G33Z		06	G33Z		06	G33Z
	07	H33Z, H38Z		07	H33Z, H38Z		07	H33Z, H38Z
	08	I06A, I06B, I06C, I06D, I06E, I08A, I08B, I08C, I08D, I08E, I08F, I09A, I09B, I09C, I09D, I09E		08	I06A, I06B, I06C, I06D, I06E, I08A, I08B, I08C, I08D, I08E, I08F, I09A, I09B, I09C, I09D, I09E		08	I06A, I06B, I06C, I06D, I06E, I08A, I08B, I08C, I08D, I08E, I08F, I09A, I09B, I09C, I09D, I09E
	09	J26Z		09	J26Z		09	J26Z
	11	L33Z		11	L33Z		11	L33Z
	21A	W04A, W04B		21A	W04A, W04B		21A	W04A, W04B
	21B	X06A, X06B, X06C		21B	X06A, X06B, X06C		21B	X06A, X06B, X06C, X33Z
	Pre	A07A		Pre	A07A		23	Z01A
5t65e.5		BOP, KOP, KOPV, KVT, UOP4, VIAL	5t65e.a		BOP, KOP, KOPV, KVT, UOP4, VIAL			Pre A07A
	01	B03A, B03B, B18Z		01	B03A, B03B, B18Z			
	06	G33Z		06	G33Z			
	07	H33Z, H38Z		07	H33Z, H38Z			
	08	I06A, I06B, I06C, I06D, I06E, I08A, I08B, I08C, I08D, I08E, I08F, I09A, I09B, I09C, I09D, I09E		08	I06A, I06B, I06C, I06D, I06E, I08A, I08B, I08C, I08D, I08E, I08F, I09A, I09B, I09C, I09D, I09E			
	09	J26Z		09	J26Z			
	11	L33Z		11	L33Z			
	21A	W04A, W04B		21A	W04A, W04B			
	21B	X06A, X06B, X06C		21B	X06A, X06B, X06C			
	Pre	A07A		Pre	A07A			

ZZV	MDC	DRG	ZZV	MDC	DRG	ZZV	MDC	DRG			
5t65j.a1		BOP, KOP, KOPV, KVT, UOP4, VIAL	5t65k.1		BOP, KOP, KOPV, KVT, UOP4, VIAL	5t660.2	01	B03A, B03B, B18Z			
	01	B03A, B03B, B18Z		01	B03A, B03B, B18Z		08	I08A, I08B, I08C, I08D, I08E, I08F, I10A, I10B, I10C, I10D, I10E			
	06	G33Z		06	G33Z		09	J26Z			
	07	H33Z, H38Z		07	H33Z, H38Z		17	R01A, R01B, R01C, R01D, R02Z, R12A, R12B, R12C			
	08	I06A, I06B, I06C, I06D, I06E, I08A, I08B, I08C, I08D, I08E, I08F, I09A, I09B, I09C, I09D		08	I06A, I06B, I06C		21A	W01A, W01B, W01C, W02A, W02B			
	09	J26Z		09	J26Z		21B	X06A, X06B, X06C			
	11	L33Z		11	L33Z		5t660.3	01	B03A, B03B, B18Z		
	21A	W04A, W04B		21A	W04A, W04B		08	I08A, I08B, I08C, I08D, I08E, I08F, I10A, I10B, I10C, I10D, I10E			
	21B	X06A, X06B, X06C, X33Z		21B	X06A, X06B, X06C		09	J26Z			
	23	Z01A		Pre	A07A		17	R01A, R01B, R01C, R01D, R02Z, R12A, R12B, R12C			
	Pre	A07A		5t65k.2			BOP, KOP, KOPV, KVT, UOP4, VIAL	21A	W01A, W01B, W01C, W02A, W02B		
	5t65j.b0				BOP, KOP, KOPV, KVT, UOP4, VIAL		01	B03A, B03B, B18Z	21B	X06A, X06B, X06C	
		01			B03A, B03B, B18Z		06	G33Z	5t660.4	01	B03A, B03B, B18Z
		06			G33Z		07	H33Z, H38Z	08	I08A, I08B, I08C, I08D, I08E, I08F, I10A, I10B, I10C, I10D, I10E	
07		H33Z, H38Z	08		I06A, I06B, I06C	09	J26Z				
08		I06A, I06B, I06C, I06D, I06E, I08A, I08B, I08C, I08D, I08E, I08F, I09A, I09B, I09C, I09D	09		J26Z	17	R01A, R01B, R01C, R01D, R02Z, R12A, R12B, R12C				
09		J26Z	11		L33Z	21A	W01A, W01B, W01C, W02A, W02B				
11		L33Z	21A		W04A, W04B	21B	X06A, X06B, X06C				
21A		W04A, W04B	21B		X06A, X06B, X06C	5t661.1	01	B03A, B03B, B18Z			
21B		X06A, X06B, X06C, X33Z	Pre		A07A	08	I08A, I08B, I08C, I08D, I08E, I08F, I10A, I10B, I10C, I10D, I10E				
23		Z01A	5t65k.3			BOP, KOP, KOPV, KVT, UOP4, VIAL	09	J26Z			
Pre		A07A			01	B03A, B03B, B18Z	17	R01A, R01B, R01C, R01D, R02Z, R12A, R12B, R12C			
5t65j.b1					BOP, KOP, KOPV, KVT, UOP4, VIAL	06	G33Z	21A	W01A, W01B, W01C, W02A, W02B		
		01			B03A, B03B, B18Z	07	H33Z, H38Z	21B	X06A, X06B, X06C		
		06		G33Z	08	I06A, I06B, I06C	5t661.2	01	B03A, B03B, B18Z		
	07	H33Z, H38Z		09	J26Z	08	I08A, I08B, I08C, I08D, I08E, I08F, I10A, I10B, I10C, I10D, I10E				
	08	I06A, I06B, I06C, I06D, I06E, I08A, I08B, I08C, I08D, I08E, I08F, I09A, I09B, I09C, I09D		11	L33Z	09	J26Z				
	09	J26Z		21A	W04A, W04B	17	R01A, R01B, R01C, R01D, R02Z, R12A, R12B, R12C				
	11	L33Z		21B	X06A, X06B, X06C	21A	W01A, W01B, W01C, W02A, W02B				
	21A	W04A, W04B		Pre	A07A	21B	X06A, X06B, X06C				
	21B	X06A, X06B, X06C, X33Z		5t65k.4		BOP, KOP, KOPV, KVT, UOP4, VIAL	Pre	B61A			
	23	Z01A			01	B03A, B03B, B18Z	5t661.3	01	B03A, B03B, B18Z		
	Pre	A07A			06	G33Z	08	I08A, I08B, I08C, I08D, I08E, I08F, I10A, I10B, I10C, I10D, I10E			
	5t65j.b1				BOP, KOP, KOPV, KVT, UOP4, VIAL	07	H33Z, H38Z	09	J26Z		
		01	B03A, B03B, B18Z		08	I06A, I06B, I06C	17	R01A, R01B, R01C, R01D, R02Z, R12A, R12B, R12C			
		06	G33Z		09	J26Z	21A	W01A, W01B, W01C, W02A, W02B			
07		H33Z, H38Z	11		L33Z	21B	X06A, X06B, X06C				
08		I06A, I06B, I06C, I06D, I06E, I08A, I08B, I08C, I08D, I08E, I08F, I09A, I09B, I09C, I09D	21A		W04A, W04B	Pre	B61A				
09		J26Z	21B		X06A, X06B, X06C	5t661.3	01	B03A, B03B, B18Z			
11		L33Z	Pre		A07A	08	I08A, I08B, I08C, I08D, I08E, I08F, I10A, I10B, I10C, I10D, I10E				
21A		W04A, W04B	5t65x			BOP, KOP, KOPV, KVT, UOP4, VIAL	09	J26Z			
21B		X06A, X06B, X06C, X33Z			01	B03A, B03B, B18Z	17	R01A, R01B, R01C, R01D, R02Z, R12A, R12B, R12C			
23		Z01A			06	G33Z	21A	W01A, W01B, W01C, W02A, W02B			
Pre		A07A			07	H33Z, H38Z	21B	X06A, X06B, X06C			
5t65j.c0				BOP, KOP, KOPV, KVT, UOP4, VIAL	08	I06A, I06B, I06C, I06D, I06E, I08A, I08B, I08C, I08D, I08E, I08F, I09A, I09B, I09C, I09D	5t661.3	Pre	B61A		
		01		B03A, B03B, B18Z	09	J26Z	01	B03A, B03B, B18Z			
		06		G33Z	11	L33Z	08	I08A, I08B, I08C, I08D, I08E, I08F, I10A, I10B, I10C, I10D, I10E			
	07	H33Z, H38Z		21A	W04A, W04B	09	J26Z				
	08	I06A, I06B, I06C, I06D, I06E, I08A, I08B, I08C, I08D, I08E, I08F, I09A, I09B, I09C, I09D		21B	X06A, X06B, X06C	17	R01A, R01B, R01C, R01D, R02Z, R12A, R12B, R12C				
	09	J26Z		Pre	A07A	21A	W01A, W01B, W01C, W02A, W02B				
	11	L33Z		5t660.1		BOP, KOP, KOPV, KVT, UOP4, VIAL	21B	X06A, X06B, X06C			
	21A	W04A, W04B			01	B03A, B03B, B18Z	Pre	B61A			
	21B	X06A, X06B, X06C, X33Z			08	I08A, I08B, I08C, I08D, I08E, I08F, I10A, I10B, I10C, I10D, I10E	5t65j.c1	01	B03A, B03B, B18Z		
	23	Z01A			09	J26Z		08	I08A, I08B, I08C, I08D, I08E, I08F, I10A, I10B, I10C, I10D, I10E		
	Pre	A07A	11		L33Z	09		J26Z			
	5t65j.c1		BOP, KOP, KOPV, KVT, UOP4, VIAL		21A	W04A, W04B		17	R01A, R01B, R01C, R01D, R02Z, R12A, R12B, R12C		
		01	B03A, B03B, B18Z		21B	X06A, X06B, X06C		21A	W01A, W01B, W01C, W02A, W02B		
		06	G33Z		23	Z01A		21B	X06A, X06B, X06C		
07		H33Z, H38Z	Pre		A07A	Pre		B61A			
08		I06A, I06B, I06C, I06D, I06E, I08A, I08B, I08C, I08D, I08E, I08F, I09A, I09B, I09C, I09D	01		B03A, B03B, B18Z	5t65j.c1		01	B03A, B03B, B18Z		
09		J26Z	08		I08A, I08B, I08C, I08D, I08E, I08F, I10A, I10B, I10C, I10D, I10E			08	I08A, I08B, I08C, I08D, I08E, I08F, I10A, I10B, I10C, I10D, I10E		
11		L33Z	09		J26Z			09	J26Z		
21A		W04A, W04B	17		R01A, R01B, R01C, R01D, R02Z, R12A, R12B, R12C			17	R01A, R01B, R01C, R01D, R02Z, R12A, R12B, R12C		
21B		X06A, X06B, X06C, X33Z	21A		W01A, W01B, W01C, W02A, W02B			21A	W01A, W01B, W01C, W02A, W02B		
23		Z01A	21B	X06A, X06B, X06C	21B			X06A, X06B, X06C			
Pre		A07A									

ZZV	MDC	DRG	ZZV	MDC	DRG	ZZV	MDC	DRG
5t666.2	01	B03A, B03B, B18Z	5t667.4	01	B03A, B03B, B18Z	5t66x.2	01	B03A, B03B, B18Z
	08	I06A, I08A, I08B, I08C, I08D, I08E, I08F, I09A, I10A, I10B, I10C, I10D, I10E		08	I06A, I06B, I06C, I06D, I06E, I08A, I08B, I08C, I08D, I08E, I08F, I09A, I09B, I09C, I09D, I09E, I10A, I10B, I10C, I10D, I10E		08	I08A, I08B, I08C, I08D, I08E, I08F, I10A, I10B, I10C, I10D, I10E
	09	J26Z		09	J26Z		09	J26Z
	17	R01A, R01B, R01C, R01D, R02Z, R12A, R12B, R12C		09	J26Z		17	R01A, R01B, R01C, R01D, R02Z, R12A, R12B, R12C
	21A	W01A, W01B, W01C, W02A, W02B		21A	W01A, W01B, W01C, W02A, W02B		21A	W01A, W01B, W01C, W02A, W02B
5t666.3	21B	X06A, X06B, X06C	5t668.1	21B	X06A, X06B, X06C, X33Z	5t66x.3	21B	X06A, X06B, X06C
	Pre	B61A		01	B03A, B03B, B18Z		01	B03A, B03B, B18Z
	01	B03A, B03B, B18Z		08	I06A, I06B, I06C, I06D, I06E, I08A, I08B, I08C, I08D, I08E, I08F, I09A, I09B, I09C, I09D, I10A, I10B, I10C, I10D, I10E		08	I08A, I08B, I08C, I08D, I08E, I08F, I10A, I10B, I10C, I10D, I10E
	08	I06A, I08A, I08B, I08C, I08D, I08E, I08F, I09A, I10A, I10B, I10C, I10D, I10E		09	J26Z		09	J26Z
	09	J26Z		09	J26Z		17	R01A, R01B, R01C, R01D, R02Z, R12A, R12B, R12C
5t666.4	17	R01A, R01B, R01C, R01D, R02Z, R12A, R12B, R12C	5t668.2	17	R01A, R01B, R01C, R01D, R02Z, R12A, R12B, R12C	5t66x.4	17	R01A, R01B, R01C, R01D, R02Z, R12A, R12B, R12C
	21A	W01A, W01B, W01C, W02A, W02B		21A	W01A, W01B, W01C, W02A, W02B		21A	W01A, W01B, W01C, W02A, W02B
	21B	X06A, X06B, X06C		21B	X06A, X06B, X06C		21B	X06A, X06B, X06C
	Pre	B61A		Pre	B61A		Pre	B61A
	01	B03A, B03B, B18Z		01	B03A, B03B, B18Z		01	B03A, B03B, B18Z
5t667.1	08	I06A, I08A, I08B, I08C, I08D, I08E, I08F, I09A, I10A, I10B, I10C, I10D, I10E	5t668.3	08	I06A, I06B, I06C, I06D, I06E, I08A, I08B, I08C, I08D, I08E, I08F, I09A, I09B, I09C, I09D, I09E, I10A, I10B, I10C, I10D, I10E	5t690	08	I08A, I08B, I08C, I08D, I08E, I08F, I10A, I10B, I10C, I10D, I10E
	09	J26Z		09	J26Z		09	J26Z
	17	R01A, R01B, R01C, R01D, R02Z, R12A, R12B, R12C		17	R01A, R01B, R01C, R01D, R02Z, R12A, R12B, R12C		17	R01A, R01B, R01C, R01D, R02Z, R12A, R12B, R12C
	21A	W01A, W01B, W01C, W02A, W02B		21A	W01A, W01B, W01C, W02A, W02B		21A	W01A, W01B, W01C, W02A, W02B
	21B	X06A, X06B, X06C		21B	X06A, X06B, X06C		21B	X06A, X06B, X06C
5t667.2	Pre	B61A	5t668.4	21B	X06A, X06B, X06C	5t691	01	B03A, B03B, B18Z
	01	B03A, B03B, B18Z		Pre	B61A		08	I08A, I08B, I08C, I08D, I08E, I08F, I10C, I10D, I12A, I12B, I12C, I23A
	08	I06A, I06B, I06C, I06D, I06E, I08A, I08B, I08C, I08D, I08E, I08F, I09A, I09B, I09C, I09D, I09E, I10A, I10B, I10C, I10D, I10E		01	B03A, B03B, B18Z		09	J26Z
	09	J26Z		08	I06A, I06B, I06C, I06D, I06E, I08A, I08B, I08C, I08D, I08E, I08F, I09A, I09B, I09C, I09D, I09E, I10A, I10B, I10C, I10D, I10E		11	L09A, L38Z
	21A	W01A, W01B, W01C, W02A, W02B		09	J26Z		21A	W04A, W04B
5t667.3	21B	X06A, X06B, X06C, X33Z	5t66x.1	17	R01A, R01B, R01C, R01D, R02Z, R12A, R12B, R12C	5t691.1	21B	X06A, X06B, X06C
	01	B03A, B03B, B18Z		21A	W01A, W01B, W01C, W02A, W02B		01	B03A, B03B, B18Z
	08	I06A, I06B, I06C, I06D, I06E, I08A, I08B, I08C, I08D, I08E, I08F, I09A, I09B, I09C, I09D, I09E, I10A, I10B, I10C, I10D, I10E		Pre	B61A		08	I08A, I08B, I08C, I08D, I08E, I08F, I10C, I10D, I45A, I45B
	09	J26Z		01	B03A, B03B, B18Z		09	J26Z
	21A	W01A, W01B, W01C, W02A, W02B		08	I06A, I06B, I06C, I06D, I06E, I08A, I08B, I08C, I08D, I08E, I08F, I09A, I09B, I09C, I09D, I09E, I10A, I10B, I10C, I10D, I10E		11	L09A, L38Z
5t667.4	21B	X06A, X06B, X06C, X33Z	5t66x.2	09	J26Z	5t691.2	21A	W04A, W04B
	01	B03A, B03B, B18Z		17	R01A, R01B, R01C, R01D, R02Z, R12A, R12B, R12C		01	B03A, B03B, B18Z
	08	I06A, I06B, I06C, I06D, I06E, I08A, I08B, I08C, I08D, I08E, I08F, I09A, I09B, I09C, I09D, I09E, I10A, I10B, I10C, I10D, I10E		21A	W01A, W01B, W01C, W02A, W02B		08	I08A, I08B, I08C, I08D, I08E, I08F, I10C, I10D, I45A
	09	J26Z		21B	X06A, X06B, X06C		09	J26Z
	21A	W01A, W01B, W01C, W02A, W02B		Pre	B61A		11	L09A, L38Z
5t667.5	21B	X06A, X06B, X06C, X33Z	5t66x.3	Pre	B61A	5t691.3	21A	W04A, W04B
	01	B03A, B03B, B18Z		01	B03A, B03B, B18Z		21B	X06A, X06B, X06C
	08	I06A, I06B, I06C, I06D, I06E, I08A, I08B, I08C, I08D, I08E, I08F, I09A, I09B, I09C, I09D, I09E, I10A, I10B, I10C, I10D, I10E		08	I08A, I08B, I08C, I08D, I08E, I08F, I10A, I10B, I10C, I10D, I10E		Pre	B61A
	09	J26Z		09	J26Z		01	B03A, B03B, B18Z
	21A	W01A, W01B, W01C, W02A, W02B		17	R01A, R01B, R01C, R01D, R02Z, R12A, R12B, R12C		08	I08A, I08B, I08C, I08D, I08E, I08F, I10C, I10D, I45A
5t667.6	21B	X06A, X06B, X06C, X33Z	5t66x.4	09	J26Z	5t691.4	09	J26Z
	01	B03A, B03B, B18Z		17	R01A, R01B, R01C, R01D, R02Z, R12A, R12B, R12C		11	L09A, L38Z
	08	I06A, I06B, I06C, I06D, I06E, I08A, I08B, I08C, I08D, I08E, I08F, I09A, I09B, I09C, I09D, I09E, I10A, I10B, I10C, I10D, I10E		21A	W01A, W01B, W01C, W02A, W02B		21A	W04A, W04B
	09	J26Z		21B	X06A, X06B, X06C		21B	X06A, X06B, X06C
	21A	W01A, W01B, W01C, W02A, W02B		Pre	B61A		Pre	B61A

ZZV	MDC	DRG	ZZV	MDC	DRG	ZZV	MDC	DRG
5t691.4		BOP, KVT, UOP4, VIAL	5t696.2		BOP, KVT, UOP4, VIAL	5t699.3		BOP, KVT, UOP4, VIAL
	01	B03A, B03B, B18Z		01	B03A, B03B, B18Z		01	B03A, B03B, B18Z
	08	I08A, I08B, I08C, I08D, I08E, I08F, I10A, I10D, I45A		08	I08A, I08B, I08C, I08D, I08E, I08F, I10A, I10B, I10C, I10D, I10E		08	I08A, I08B, I08C, I08D, I08E, I08F, I10A, I10B, I10C, I10D, I10E
	09	J26Z		09	J26Z		11	L09A, L38Z
	11	L09A, L38Z		11	L09A, L38Z		21A	W04A, W04B
	21A	W04A, W04B		21A	W04A, W04B		21B	X06A, X06B, X06C
	21B	X06A, X06B, X06C		21B	X06A, X06B, X06C		Pre	B61A
	Pre	B61A		Pre	B61A			
5t692		BOP, KVT, UOP4, VIAL	5t696.3		BOP, KVT, UOP4, VIAL	5t699.4		BOP, KVT, UOP4, VIAL
	01	B03A, B03B, B18Z		01	B03A, B03B, B18Z		01	B03A, B03B, B18Z
	05	F13A		08	I08A, I08B, I08C, I08D, I08E, I08F, I10A, I10B, I10C, I10D, I10E		08	I08A, I08B, I08C, I08D, I08E, I08F, I10A, I10B, I10C, I10D, I10E
	08	I08A, I08B, I08C, I08D, I08E, I08F, I10A, I10B, I10C, I10D, I10E		09	J26Z		11	L09A, L38Z
	09	J26Z		11	L09A, L38Z		21A	W04A, W04B
	11	L09A, L38Z		21A	W04A, W04B		21B	X06A, X06B, X06C
	17	R01A, R01B, R01C, R01D, R02Z, R12A, R12B, R12C		21B	X06A, X06B, X06C		Pre	B61A
	21A	W04A, W04B		Pre	B61A			
5t693		BOP, KVT, UOP4, VIAL	5t696.4		BOP, KVT, UOP4, VIAL	5t69a.1		BOP, KVT, UOP4, VIAL
	01	B03A, B03B, B18Z		01	B03A, B03B, B18Z		01	B03A, B03B, B18Z
	08	I08A, I08B, I08C, I08D, I08E, I08F, I10C, I10D, I45A, I45B		08	I08A, I08B, I08C, I08D, I08E, I08F, I10A, I10B, I10C, I10D, I10E		08	I08A, I08B, I08C, I08D, I08E, I08F, I09A, I09B, I09C, I09D, I09E
	09	J26Z		09	J26Z		09	J26Z
	11	L09A, L38Z		11	L09A, L38Z		11	L09A, L38Z
	21A	W04A, W04B		21A	W04A, W04B		21A	W04A, W04B
	21B	X06A, X06B, X06C		21B	X06A, X06B, X06C		21B	X06A, X06B, X06C
	Pre	B61A		Pre	B61A		Pre	B61A
5t694		BOP, KVT, UOP4, VIAL	5t697		BOP, KVT, UOP4, VIAL	5t69a.2		BOP, KVT, UOP4, VIAL
	01	B03A, B03B, B18Z		01	B03A, B03B, B18Z		01	B03A, B03B, B18Z
	05	F13A		08	I06A, I06B, I06C, I08A, I08B, I08C, I08D, I08E, I08F, I10A, I10B, I10C, I10D, I10E		08	I08A, I08B, I08C, I08D, I08E, I08F, I09A, I09B, I09C, I09D
	08	I08A, I08B, I08C, I08D, I08E, I08F, I10A, I10B, I10C, I10D, I10E		09	J26Z		09	J26Z
	09	J26Z		11	L09A, L38Z		11	L09A, L38Z
	11	L09A, L38Z		21A	W04A, W04B		21A	W04A, W04B
	21A	W04A, W04B		21B	X06A, X06B, X06C		21B	X06A, X06B, X06C
	21B	X06A, X06B, X06C		Pre	B61A		Pre	B61A
5t695		BOP, KVT, UOP4, VIAL	5t698		BOP, KVT, UOP4, VIAL	5t69a.3		BOP, KVT, UOP4, VIAL
	01	B03A, B03B, B18Z		01	B03A, B03B, B18Z		01	B03A, B03B, B18Z
	05	F13A		08	I08A, I08B, I08C, I08D, I08E, I08F, I10A, I10B, I10C, I10D, I10E		08	I06A, I06B, I06C, I06D, I06E, I08A, I08B, I08C, I08D, I08E, I08F, I09A, I09B, I09C, I09D
	08	I08A, I08B, I08C, I08D, I08E, I08F, I09A, I09B, I09C, I09D, I09E, I10A, I10B, I10C, I10D, I10E		09	J26Z		09	J26Z
	09	J26Z		11	L09A, L38Z		11	L09A, L38Z
	11	L09A, L38Z		21A	W04A, W04B		21A	W04A, W04B
	17	R01A, R01B, R01C, R01D, R02Z, R12A, R12B, R12C		21B	X06A, X06B, X06C		21B	X06A, X06B, X06C
	21A	W04A, W04B		Pre	B61A		Pre	B61A
5t696.1		BOP, KVT, UOP4, VIAL	5t699.1		BOP, KVT, UOP4, VIAL	5t69a.4		BOP, KVT, UOP4, VIAL
	01	B03A, B03B, B18Z		01	B03A, B03B, B18Z		01	B03A, B03B, B18Z
	08	I08A, I08B, I08C, I08D, I08E, I08F, I10A, I10B, I10C, I10D, I10E		08	I08A, I08B, I08C, I08D, I08E, I08F, I10A, I10B, I10C, I10D, I10E		08	I08A, I08B, I08C, I08D, I08E, I08F, I10A, I10B, I10C, I10D, I10E
	09	J26Z		09	J26Z		09	J26Z
	11	L09A, L38Z		11	L09A, L38Z		11	L09A, L38Z
	21A	W04A, W04B		21A	W04A, W04B		21A	W04A, W04B
	21B	X06A, X06B, X06C		21B	X06A, X06B, X06C		21B	X06A, X06B, X06C
	Pre	B61A		Pre	B61A		Pre	B61A
5t696.2		BOP, KVT, UOP4, VIAL	5t699.2		BOP, KVT, UOP4, VIAL	5t69b.1		BOP, KVT, UOP4
	01	B03A, B03B, B18Z		01	B03A, B03B, B18Z		08	I10A, I10B, I10C, I10D, I10E, I10F
	08	I08A, I08B, I08C, I08D, I08E, I08F, I10A, I10B, I10C, I10D, I10E		08	I08A, I08B, I08C, I08D, I08E, I08F, I10A, I10B, I10C, I10D, I10E		11	L09A, L38Z
	09	J26Z		09	J26Z			
	11	L09A, L38Z		11	L09A, L38Z			
	21A	W04A, W04B		21A	W04A, W04B			
	21B	X06A, X06B, X06C		21B	X06A, X06B, X06C			
	Pre	B61A		Pre	B61A			
5t699.1		BOP, KVT, UOP4, VIAL	5t699.3		BOP, KVT, UOP4, VIAL	5t69b.2		BOP, KVT, UOP4
	01	B03A, B03B, B18Z		01	B03A, B03B, B18Z		08	I10A, I10B, I10C, I10D, I10E, I10F
	08	I08A, I08B, I08C, I08D, I08E, I08F, I10A, I10B, I10C, I10D, I10E		08	I08A, I08B, I08C, I08D, I08E, I08F, I10A, I10B, I10C, I10D, I10E		11	L09A, L38Z
	09	J26Z		09	J26Z			
	11	L09A, L38Z		11	L09A, L38Z			
	21A	W04A, W04B		21A	W04A, W04B			
	21B	X06A, X06B, X06C		21B	X06A, X06B, X06C			
	Pre	B61A		Pre	B61A			
5t699.2		BOP, KVT, UOP4, VIAL	5t699.4		BOP, KVT, UOP4, VIAL	5t69b.3		BOP, KVT, UOP4
	01	B03A, B03B, B18Z		01	B03A, B03B, B18Z		08	I10A, I10B, I10C, I10D, I10E, I10F
	08	I08A, I08B, I08C, I08D, I08E, I08F, I10A, I10B, I10C, I10D, I10E		08	I08A, I08B, I08C, I08D, I08E, I08F, I10A, I10B, I10C, I10D, I10E		11	L09A, L38Z
	09	J26Z		09	J26Z			
	11	L09A, L38Z		11	L09A, L38Z			
	21A	W04A, W04B		21A	W04A, W04B			
	21B	X06A, X06B, X06C		21B	X06A, X06B, X06C			
	Pre	B61A		Pre	B61A			
5t699.3		BOP, KVT, UOP4, VIAL	5t699.1		BOP, KVT, UOP4, VIAL	5t69c.1		BOP, KVT, UOP4
	01	B03A, B03B, B18Z		01	B03A, B03B, B18Z		08	I10A, I10B, I10C, I10D, I10E, I10F
	08	I08A, I08B, I08C, I08D, I08E, I08F, I10A, I10B, I10C, I10D, I10E		08	I08A, I08B, I08C, I08D, I08E, I08F, I10A, I10B, I10C, I10D, I10E		11	L09A, L38Z
	09	J26Z		09	J26Z			
	11	L09A, L38Z		11	L09A, L38Z			
	21A	W04A, W04B		21A	W04A, W04B			
	21B	X06A, X06B, X06C		21B	X06A, X06B, X06C			
	Pre	B61A		Pre	B61A			

VYK

ZZV	MDC	DRG	ZZV	MDC	DRG	ZZV	MDC	DRG	
5t69c.2		BOP, KVT, UOP4	5t69x.1		BOP, KVT, UOP4, VIAL	5t701.7↔		BOP, KVT, UOP4, VIAL	
	08	I10A, I10B, I10C, I10D, I10E, I10F		01	B03A, B03B, B18Z		08	I32A, I32B, I32C, I32D, I32E, I32F	
	11	L09A, L38Z		08	I08A, I08B, I08C, I08D, I08E, I08F, I10A, I10B, I10C, I10D, I10E		21A	W04A, W04B	
5t69c.3		BOP, KVT, UOP4		21A	W04A, W04B	5t701.8↔		X05A	
	08	I10A, I10B, I10C, I10D, I10E, I10F		21B	X06A, X06B, X06C		08	BOP, KVT, UOP4, VIAL	
	11	L09A, L38Z	5t69x.x		BOP, KVT, UOP4, VIAL		21A	I32A, I32B, I32C, I32D, I32E, I32F	
5t69d.1		BOP, KVT, UOP4, VIAL		01	B03A, B03B, B18Z		21A	W04A, W04B	
	01	B03A, B03B, B18Z		08	I08A, I08B, I08C, I08D, I08E, I08F, I10A, I10B, I10C, I10D, I10E	5t701.9↔		X05A	
	08	I08A, I08B, I08C, I08D, I08E, I08F, I10A, I10B, I10C, I10D, I10E		21A	W04A, W04B		08	BOP, KVT, UOP4, VIAL	
	11	L09A, L38Z		21B	X06A, X06B, X06C		21A	I32A, I32B, I32C, I32D, I32E, I32F	
	21A	W04A, W04B	5t701.0↔		BOP, KVT, UOP4, VIAL		21A	W04A, W04B	
	21B	X06A, X06B, X06C		08	I32A, I32B, I32C, I32D, I32E, I32F	5t702.0↔		X05A	
5t69d.2		BOP, KVT, UOP4, VIAL		09	J03A, J03B, J04A, J04B, J08A, J08B, J08C, J11A, J11B, J16Z		08	BOP, KVT, UOP4, VIAL	
	01	B03A, B03B, B18Z		21A	W04A, W04B		21A	I32A, I32B, I32C, I32D, I32E, I32F, I32G	
	08	I08A, I08B, I08C, I08D, I08E, I08F, I10A, I10B, I10C, I10D, I10E		21B	X05A	5t702.1↔		W04A, W04B	
	11	L09A, L38Z	5t701.1↔		BOP, KVT, UOP4, VIAL		08	X05A	
	21A	W04A, W04B		08	I32A, I32B, I32C, I32D, I32E, I32F		21A	BOP, KVT, UOP4, VIAL	
	21B	X06A, X06B, X06C		09	J03A, J03B, J04A, J04B, J08A, J08B, J08C, J11A, J11B, J16Z	5t702.2↔		I32A, I32B, I32C, I32D, I32E, I32F, I32G	
5t69d.3		BOP, KVT, UOP4, VIAL		21A	W04A, W04B		21A	W04A, W04B	
	01	B03A, B03B, B18Z		21B	X05A		21B	X05A	
	08	I08A, I08B, I08C, I08D, I08E, I08F, I10A, I10B, I10C, I10D, I10E	5t701.2↔		BOP, KVT, UOP4, VIAL	5t702.3↔		BOP, KVT, UOP4, VIAL	
	11	L09A, L38Z		08	I32A, I32B, I32C, I32D, I32E, I32F		08	I32A, I32B, I32C, I32D, I32E, I32F, I32G	
	21A	W04A, W04B		09	J03A, J03B, J04A, J04B, J08A, J08B, J08C, J11A, J11B, J16Z		21A	W04A, W04B	
	21B	X06A, X06B, X06C		21A	W04A, W04B	5t702.4↔		21B	X05A
5t69e		BOP, KVT, UOP4, VIAL	5t701.3↔		BOP, KVT, UOP4, VIAL		08	BOP, KVT, UOP4, VIAL	
	01	B03A, B03B, B18Z		08	I32A, I32B, I32C, I32D, I32E, I32F		21A	I32A, I32B, I32C, I32D, I32E, I32F, I32G	
	08	I08A, I08B, I08C, I08D, I08E, I08F, I10A, I10B, I10C, I10D, I10E		09	J03A, J03B, J04A, J04B, J08A, J08B, J08C, J11A, J11B, J16Z		21A	W04A, W04B	
	11	L09A, L38Z		21A	W04A, W04B	5t702.5↔		21B	X05A
	21A	W04A, W04B		21B	X05A		08	BOP, KVT, UOP4, VIAL	
	21B	X06A, X06B, X06C	5t701.4↔		BOP, KVT, UOP4, VIAL		21A	I32A, I32B, I32C, I32D, I32E, I32F, I32G	
5t69f.1		BOP, KVT, UOP4, VIAL		08	I32A, I32B, I32C, I32D, I32E, I32F		21A	W04A, W04B	
	01	B03A, B03B, B18Z		09	J03A, J03B, J04A, J04B, J08A, J08B, J08C, J11A, J11B, J16Z	5t702.6↔		21B	X05A
	08	I08A, I08B, I08C, I08D, I08E, I08F, I10A, I10B, I10C, I10D, I10E		21A	W04A, W04B		08	BOP, KVT, UOP4, VIAL	
	11	L09A, L38Z		21B	X05A		21A	I32A, I32B, I32C, I32D, I32E, I32F, I32G	
	21A	W04A, W04B	5t701.5↔		BOP, KVT, UOP4, VIAL		21A	W04A, W04B	
	21B	X06A, X06B, X06C		08	I32A, I32B, I32C, I32D, I32E, I32F	5t702.7↔		21B	X05A
5t69f.2		BOP, KVT, UOP4, VIAL		09	J03A, J03B, J04A, J04B, J08A, J08B, J08C, J11A, J11B, J16Z		08	BOP, KVT, UOP4, VIAL	
	01	B03A, B03B, B18Z		21A	W04A, W04B		21A	I32A, I32B, I32C, I32D, I32E, I32F, I32G	
	08	I08A, I08B, I08C, I08D, I08E, I08F, I10A, I10B, I10C, I10D, I10E		21B	X05A		21A	W04A, W04B	
	11	L09A, L38Z	5t701.6↔		BOP, KVT, UOP4, VIAL	5t702.8↔		21B	X05A
	21A	W04A, W04B		08	I32A, I32B, I32C, I32D, I32E, I32F		08	BOP, KVT, UOP4, VIAL	
	21B	X06A, X06B, X06C		09	J03A, J03B, J04A, J04B, J08A, J08B, J08C, J11A, J11B, J16Z		21A	I32A, I32B, I32C, I32D, I32E, I32F, I32G	
5t69f.3		BOP, KVT, UOP4, VIAL		21A	W04A, W04B		21A	W04A, W04B	
	01	B03A, B03B, B18Z		21B	X05A	5t702.9↔		21B	X05A
	08	I08A, I08B, I08C, I08D, I08E, I08F, I10A, I10B, I10C, I10D, I10E		08	I32A, I32B, I32C, I32D, I32E, I32F		08	BOP, KVT, UOP4, VIAL	
	11	L09A, L38Z		21A	W04A, W04B		21A	I32A, I32B, I32C, I32D, I32E, I32F	
	21A	W04A, W04B		21B	X05A		21A	W04A, W04B	
	21B	X06A, X06B, X06C		21B	X05A		21B	X05A	

VYK

ZZV	MDC	DRG	ZZV	MDC	DRG	ZZV	MDC	DRG
5t705.8↔		BOP, KVT, UOP4, VIAL	5t707.0↔		BOP, KVT, UOP4, VIAL	5t708.2↔		BOP, KVT, UOP4, VIAL
	08	I12A, I12B, I12C, I32A, I32B, I32C, I32D, I32E, I32F		08	I32A, I32B, I32C, I32D, I32E, I32F		01	B03A, B03B, B06A, B06B, B07Z, B17A, B17B, B17C
	21A	W04A, W04B		09	J03A, J03B, J04A, J04B, J08A, J08B, J08C, J11A, J11B, J16Z		08	I12A, I12B, I12C, I32A, I32B, I32C, I32D, I32E, I32F
	21B	X05A		21A	W04A, W04B		09	J03A, J03B, J04A, J04B, J08A, J08B, J08C, J11A, J11B, J16Z
5t705.9↔		BOP, KVT, UOP4, VIAL		21B	X05A		21A	W04A, W04B
	08	I12A, I12B, I12C, I32A, I32B, I32C, I32D, I32E, I32F	5t707.1↔		BOP, KVT, UOP4, VIAL		21B	X05A
	21A	W04A, W04B		08	I32A, I32B, I32C, I32D, I32E, I32F	5t708.3↔		BOP, KVT, UOP4, VIAL
	21B	X05A		09	J03A, J03B, J04A, J04B, J08A, J08B, J08C, J11A, J11B, J16Z		01	B03A, B03B, B06A, B06B, B07Z, B17A, B17B, B17C
5t706.0↔		BOP, KVT, UOP4, VIAL		21A	W04A, W04B		08	I12A, I12B, I12C, I32A, I32B, I32C, I32D, I32E, I32F
	01	B03A, B03B, B06A, B06B, B17A, B17B, B17C		21B	X05A		09	J03A, J03B, J04A, J04B, J08A, J08B, J08C, J11A, J11B, J16Z
	08	I12A, I12B, I12C, I32A, I32B, I32C, I32D, I32E, I32F	5t707.2↔		BOP, KVT, UOP4, VIAL		21A	W04A, W04B
	21A	W04A, W04B		08	I32A, I32B, I32C, I32D, I32E, I32F		21B	X05A
	21B	X05A		09	J03A, J03B, J04A, J04B, J08A, J08B, J08C, J11A, J11B, J16Z	5t708.4↔		BOP, KVT, UOP4, VIAL
5t706.1↔		BOP, KVT, UOP4, VIAL		21A	W04A, W04B		01	B03A, B03B, B06A, B06B, B07Z, B17A, B17B, B17C
	01	B03A, B03B, B06A, B06B, B17A, B17B, B17C		21B	X05A		08	I12A, I12B, I12C, I32A, I32B, I32C, I32D, I32E, I32F
	08	I12A, I12B, I12C, I32A, I32B, I32C, I32D, I32E, I32F	5t707.3↔		BOP, KVT, UOP4, VIAL		09	J03A, J03B, J04A, J04B, J08A, J08B, J08C, J11A, J11B, J16Z
	21A	W04A, W04B		08	I32A, I32B, I32C, I32D, I32E, I32F		21A	W04A, W04B
	21B	X05A		09	J03A, J03B, J04A, J04B, J08A, J08B, J08C, J11A, J11B, J16Z		21B	X05A
5t706.2↔		BOP, KVT, UOP4, VIAL		21A	W04A, W04B	5t708.5↔		BOP, KVT, UOP4, VIAL
	01	B03A, B03B, B06A, B06B, B17A, B17B, B17C	5t707.4↔		BOP, KVT, UOP4, VIAL		01	B03A, B03B, B06A, B06B, B07Z, B17A, B17B, B17C
	08	I12A, I12B, I12C, I32A, I32B, I32C, I32D, I32E, I32F		08	I32A, I32B, I32C, I32D, I32E, I32F		08	I12A, I12B, I12C, I32A, I32B, I32C, I32D, I32E, I32F
	21A	W04A, W04B		09	J03A, J03B, J04A, J04B, J08A, J08B, J08C, J11A, J11B, J16Z		09	J03A, J03B, J04A, J04B, J08A, J08B, J08C, J11A, J11B, J16Z
	21B	X05A		21A	W04A, W04B		21A	W04A, W04B
5t706.3↔		BOP, KVT, UOP4, VIAL		21B	X05A		21B	X05A
	08	I12A, I12B, I12C, I32A, I32B, I32C, I32D, I32E, I32F	5t707.5↔		BOP, KVT, UOP4, VIAL	5t709.0↔		BOP, KVT, UOP4, VIAL
	21A	W04A, W04B		08	I32A, I32B, I32C, I32D, I32E, I32F		01	B03A, B03B, B06A, B06B, B07Z, B17A, B17B, B17C
	21B	X05A		09	J03A, J03B, J04A, J04B, J08A, J08B, J08C, J11A, J11B, J16Z		08	I12A, I12B, I12C, I32A, I32B, I32C, I32D, I32E, I32F
5t706.4↔		BOP, KVT, UOP4, VIAL		21A	W04A, W04B		21A	W04A, W04B
	08	I12A, I12B, I12C, I32A, I32B, I32C, I32D, I32E, I32F		21B	X05A		21B	X05A
	21A	W04A, W04B	5t708.0↔		BOP, KVT, UOP4, VIAL	5t709.1↔		BOP, KVT, UOP4, VIAL
	21B	X05A		01	B03A, B03B, B06A, B06B, B07Z, B17A, B17B, B17C		01	B03A, B03B, B06A, B06B, B07Z, B17A, B17B, B17C
5t706.5↔		BOP, KVT, UOP4, VIAL		08	I12A, I12B, I12C, I32A, I32B, I32C, I32D, I32E, I32F		08	I12A, I12B, I12C, I32A, I32B, I32C, I32D, I32E, I32F
	08	I12A, I12B, I12C, I32A, I32B, I32C, I32D, I32E, I32F		09	J03A, J03B, J04A, J04B, J08A, J08B, J08C, J11A, J11B, J16Z		21A	W04A, W04B
	21A	W04A, W04B		21A	W04A, W04B		21B	X05A
	21B	X05A		21B	X05A	5t709.2↔		BOP, KVT, UOP4, VIAL
5t706.6↔		BOP, KVT, UOP4, VIAL		5t708.1↔			01	B03A, B03B, B06A, B06B, B07Z, B17A, B17B, B17C
	08	I12A, I12B, I12C, I32A, I32B, I32C, I32D, I32E, I32F		01	B03A, B03B, B06A, B06B, B07Z, B17A, B17B, B17C		08	I12A, I12B, I12C, I32A, I32B, I32C, I32D, I32E, I32F
	21A	W04A, W04B		08	I12A, I12B, I12C, I32A, I32B, I32C, I32D, I32E, I32F		21A	W04A, W04B
	21B	X05A		09	J03A, J03B, J04A, J04B, J08A, J08B, J08C, J11A, J11B, J16Z		21B	X05A
5t706.7↔		BOP, KVT, UOP4, VIAL		21A	W04A, W04B	5t709.3↔		BOP, KVT, UOP4, VIAL
	08	I12A, I12B, I12C, I32A, I32B, I32C, I32D, I32E, I32F		21B	X05A		01	B03A, B03B, B06A, B06B, B07Z, B17A, B17B, B17C
	21A	W04A, W04B		5t708.2↔			08	I12A, I12B, I12C, I32A, I32B, I32C, I32D, I32E, I32F
	21B	X05A		01	B03A, B03B, B06A, B06B, B07Z, B17A, B17B, B17C		21A	W04A, W04B
5t706.8↔		BOP, KVT, UOP4, VIAL		08	I12A, I12B, I12C, I32A, I32B, I32C, I32D, I32E, I32F		21B	X05A
	08	I12A, I12B, I12C, I32A, I32B, I32C, I32D, I32E, I32F		21A	W04A, W04B		01	B03A, B03B, B06A, B06B, B07Z, B17A, B17B, B17C
	21A	W04A, W04B		08	I12A, I12B, I12C, I32A, I32B, I32C, I32D, I32E, I32F		08	I12A, I12B, I12C, I32A, I32B, I32C, I32D, I32E, I32F
	21B	X05A		09	J03A, J03B, J04A, J04B, J08A, J08B, J08C, J11A, J11B, J16Z		21A	W04A, W04B
5t706.9↔		BOP, KVT, UOP4, VIAL		21A	W04A, W04B		21B	X05A
	08	I12A, I12B, I12C, I32A, I32B, I32C, I32D, I32E, I32F		21B	X05A			
	21A	W04A, W04B						
	21B	X05A						

VYK

ZZV	MDC	DRG	ZZV	MDC	DRG	ZZV	MDC	DRG	
5t717.2↔		BOP, KVT, UOP4, VIAL	5t718.2↔		BOP, KVT, UOP4, VIAL	5t719.2↔	08	I32A, I32B, I32C, I32D, I32E, I32F	
	01	B03A, B03B, B06A, B06B, B07Z, B17A, B17B, B17C		01	B03A, B03B, B06A, B06B, B07Z, B17A, B17B, B17C		09	J03A, J03B, J04A, J04B, J08A, J08B, J08C, J11A, J11B, J16Z	
	08	I32A, I32B, I32C, I32D, I32E, I32F		08	I32A, I32B, I32C, I32D, I32E, I32F		21A	W04A, W04B	
	09	J03A, J03B, J04A, J04B, J08A, J08B, J08C, J10A, J10B, J16Z		09	J03A, J03B, J04A, J04B, J08A, J08B, J08C, J10A, J10B, J16Z		21B	X05A	
	21A	W04A, W04B		21A	W04A, W04B		5t719.3↔		BOP, KVT, UOP4, VIAL
21B	X05A	21B	X05A	08	I32A, I32B, I32C, I32D, I32E, I32F	09	J03A, J03B, J04A, J04B, J08A, J08B, J08C, J11A, J11B, J16Z		
5t717.3↔		BOP, KVT, UOP4, VIAL	5t718.3↔		BOP, KVT, UOP4, VIAL	5t719.3↔	21A	W04A, W04B	
	01	B03A, B03B, B06A, B06B, B07Z, B17A, B17B, B17C		01	B03A, B03B, B06A, B06B, B07Z, B17A, B17B, B17C		21B	X05A	
	08	I32A, I32B, I32C, I32D, I32E, I32F		08	I32A, I32B, I32C, I32D, I32E, I32F		5t719.4↔		BOP, KVT, UOP4, VIAL
	09	J03A, J03B, J04A, J04B, J08A, J08B, J08C, J10A, J10B, J16Z		09	J03A, J03B, J04A, J04B, J08A, J08B, J08C, J10A, J10B, J16Z		08	I32A, I32B, I32C, I32D, I32E, I32F	
	21A	W04A, W04B		21A	W04A, W04B		09	J03A, J03B, J04A, J04B, J08A, J08B, J08C, J11A, J11B, J16Z	
21B	X05A	21B	X05A	21A	W04A, W04B	21B	X05A		
5t717.4↔		BOP, KVT, UOP4, VIAL	5t718.4↔		BOP, KVT, UOP4, VIAL	5t719.4↔	08	I32A, I32B, I32C, I32D, I32E, I32F	
	01	B03A, B03B, B06A, B06B, B07Z, B17A, B17B, B17C		01	B03A, B03B, B06A, B06B, B07Z, B17A, B17B, B17C		09	J03A, J03B, J04A, J04B, J08A, J08B, J08C, J11A, J11B, J16Z	
	08	I32A, I32B, I32C, I32D, I32E, I32F		08	I32A, I32B, I32C, I32D, I32E, I32F		21A	W04A, W04B	
	21A	W04A, W04B		21A	W04A, W04B		21B	X05A	
	21B	X05A		21B	X05A		5t719.5↔		BOP, KVT, UOP4, VIAL
5t717.5↔		BOP, KVT, UOP4, VIAL	5t718.5↔		BOP, KVT, UOP4, VIAL	5t719.5↔	08	I32A, I32B, I32C, I32D, I32E, I32F	
	01	B03A, B03B, B06A, B06B, B07Z, B17A, B17B, B17C		01	B03A, B03B, B06A, B06B, B07Z, B17A, B17B, B17C		09	J03A, J03B, J04A, J04B, J08A, J08B, J08C, J11A, J11B, J16Z	
	08	I32A, I32B, I32C, I32D, I32E, I32F		08	I32A, I32B, I32C, I32D, I32E, I32F		21A	W04A, W04B	
	21A	W04A, W04B		21A	W04A, W04B		21B	X05A	
	21B	X05A		21B	X05A		5t719.6↔		BOP, KVT, UOP4, VIAL
5t717.6↔		BOP, KVT, UOP4, VIAL	5t718.6↔		BOP, KVT, UOP4, VIAL	5t719.6↔	08	I32A, I32B, I32C, I32D, I32E, I32F	
	01	B03A, B03B, B06A, B06B, B07Z, B17A, B17B, B17C		01	B03A, B03B, B06A, B06B, B07Z, B17A, B17B, B17C		09	J03A, J03B, J04A, J04B, J08A, J08B, J08C, J11A, J11B, J16Z	
	08	I32A, I32B, I32C, I32D, I32E, I32F		08	I32A, I32B, I32C, I32D, I32E, I32F		21A	W04A, W04B	
	21A	W04A, W04B		21A	W04A, W04B		21B	X05A	
	21B	X05A		21B	X05A		5t719.7↔		BOP, KVT, UOP4, VIAL
5t717.7↔		BOP, KVT, UOP4, VIAL	5t718.7↔		BOP, KVT, UOP4, VIAL	5t719.7↔	08	I32A, I32B, I32C, I32D, I32E, I32F	
	01	B03A, B03B, B06A, B06B, B07Z, B17A, B17B, B17C		01	B03A, B03B, B06A, B06B, B07Z, B17A, B17B, B17C		09	J03A, J03B, J04A, J04B, J08A, J08B, J08C, J11A, J11B, J16Z	
	08	I32A, I32B, I32C, I32D, I32E, I32F		08	I32A, I32B, I32C, I32D, I32E, I32F		21A	W04A, W04B	
	21A	W04A, W04B		21A	W04A, W04B		21B	X05A	
	21B	X05A		21B	X05A		5t71a.0↔		BOP, KVT, UOP4, VIAL
5t718.0↔		BOP, KVT, UOP4, VIAL	5t719.0↔		BOP, KVT, UOP4, VIAL	5t71a.0↔	01	B03A, B03B, B06A, B06B, B07Z, B17A, B17B, B17C	
	01	B03A, B03B, B06A, B06B, B07Z, B17A, B17B, B17C		08	I32A, I32B, I32C, I32D, I32E, I32F		08	I32A, I32B, I32C, I32D, I32E, I32F	
	08	I32A, I32B, I32C, I32D, I32E, I32F		09	J03A, J03B, J04A, J04B, J08A, J08B, J08C, J11A, J11B, J16Z		09	J03A, J03B, J04A, J04B, J08A, J08B, J08C, J10A, J10B, J16Z	
	09	J03A, J03B, J04A, J04B, J08A, J08B, J08C, J10A, J10B, J16Z		21A	W04A, W04B		21A	W04A, W04B	
	21A	W04A, W04B		21B	X05A		21B	X05A	
5t718.1↔		BOP, KVT, UOP4, VIAL	5t719.1↔		BOP, KVT, UOP4, VIAL	5t71a.1↔	01	B03A, B03B, B06A, B06B, B07Z, B17A, B17B, B17C	
	01	B03A, B03B, B06A, B06B, B07Z, B17A, B17B, B17C		08	I32A, I32B, I32C, I32D, I32E, I32F		08	I32A, I32B, I32C, I32D, I32E, I32F	
	08	I32A, I32B, I32C, I32D, I32E, I32F		09	J03A, J03B, J04A, J04B, J08A, J08B, J08C, J11A, J11B, J16Z		09	J03A, J03B, J04A, J04B, J08A, J08B, J08C, J10A, J10B, J16Z	
	09	J03A, J03B, J04A, J04B, J08A, J08B, J08C, J10A, J10B, J16Z		21A	W04A, W04B		21A	W04A, W04B	
	21A	W04A, W04B		21B	X05A		21B	X05A	

ZZV	MDC	DRG	ZZV	MDC	DRG	ZZV	MDC	DRG			
5t71a.2↔		BOP, KVT, UOP4, VIAL	5t71x.4↔	08	BOP, KVT, UOP4, VIAL I32A, I32B, I32C, I32D, I32E, I32F	5t722.0↔	08	BOP, KVT, UOP4, VIAL I32A, I32B, I32C, I32D, I32E, I32F, I32G			
	01	B03A, B03B, B06A, B06B, B07Z, B17A, B17B, B17C		21A	W04A, W04B		09	J03A, J03B, J04A, J04B, J08A, J08B, J08C, J11A, J11B, J16Z			
	08	I32A, I32B, I32C, I32D, I32E, I32F		21B	X05A, X05B		21A	W04A, W04B			
	09	J03A, J03B, J04A, J04B, J08A, J08B, J08C, J10A, J10B, J16Z		21B	X05A		21B	X05A			
5t71a.3↔	21A	W04A, W04B	5t71x.5↔	08	BOP, KVT, UOP4, VIAL I32A, I32B, I32C, I32D, I32E, I32F	5t722.3↔	08	BOP, KVT, UOP4, VIAL I32A, I32B, I32C, I32D, I32E, I32F, I32G			
	21B	X05A		21A	W04A, W04B		09	J03A, J03B, J04A, J04B, J08A, J08B, J08C, J11A, J11B, J16Z			
	5t71a.4↔			BOP, KVT, UOP4, VIAL	5t71x.6↔		08	BOP, KVT, UOP4, VIAL I32A, I32B, I32C, I32D, I32E, I32F	5t723.0↔	09	J03A, J03B, J04A, J04B, J08A, J08B, J08C, J11A, J11B, J16Z
		01		B03A, B03B, B06A, B06B, B07Z, B17A, B17B, B17C			21A	W04A, W04B		21A	W04A, W04B
08		I32A, I32B, I32C, I32D, I32E, I32F	21B	X05A, X05B		21B	X05A				
09		J03A, J03B, J04A, J04B, J08A, J08B, J08C, J10A, J10B, J16Z	5t71x.7↔	08		BOP, KVT, UOP4, VIAL I32A, I32B, I32C, I32D, I32E, I32F	08	BOP, KVT, UOP4, VIAL I32A, I32B, I32C, I32D, I32E, I32F, I32G			
21A	W04A, W04B	21A		W04A, W04B	09	J03A, J03B, J04A, J04B, J08A, J08B, J08C, J11A, J11B, J16Z					
21B	X05A	21B		X05A, X05B	21A	W04A, W04B					
5t71a.5↔		BOP, KVT, UOP4, VIAL		5t720.1↔	01	BOP, KVT, UOP4, VIAL B03A, B03B, B06A, B06B, B07Z, B17A, B17B, B17C, B17D	5t723.4↔	08	BOP, KVT, UOP4, VIAL I32A, I32B, I32C, I32D, I32E, I32F, I32G		
	01	B03A, B03B, B06A, B06B, B07Z, B17A, B17B, B17C	08		I32A, I32B, I32C, I32D, I32E, I32F, I32G	09		J03A, J03B, J04A, J04B, J08A, J08B, J08C, J11A, J11B, J16Z			
	08	I32A, I32B, I32C, I32D, I32E, I32F	09		J03A, J03B, J04A, J04B, J08A, J08B, J08C, J11A, J11B, J16Z	21A		W04A, W04B			
	21A	W04A, W04B	21B		X05A	21A		W04A, W04B			
5t71a.6↔	21B	X05A	5t720.2↔	01	BOP, KVT, UOP4, VIAL B03A, B03B, B06A, B06B, B07Z, B17A, B17B, B17C, B17D	5t724.1↔	08	BOP, KVT, UOP4, VIAL I32A, I32B, I32C, I32D, I32E, I32F, I32G			
	5t71a.7↔			5t721.1↔	08		I32A, I32B, I32C, I32D, I32E, I32F, I32G	5t724.2↔	09	J03A, J03B, J04A, J04B, J08A, J08B, J08C, J11A, J11B, J16Z	
		01			B03A, B03B, B06A, B06B, B07Z, B17A, B17B, B17C		21A		W04A, W04B	21A	W04A, W04B
		08			I32A, I32B, I32C, I32D, I32E, I32F		21B		X05A	21B	X05A
09		J03A, J03B, J04A, J04B, J08A, J08B, J08C, J11A, J11B, J16Z	5t721.2↔		01	BOP, KVT, UOP4, VIAL B03A, B03B, B06A, B06B, B07Z, B17A, B17B, B17C, B17D	5t725.1↔		01	BOP, KVT, UOP4, VIAL B03A, B03B, B06A, B06B, B07Z, B17A, B17B, B17C, B17D	
21A	W04A, W04B	08		I32A, I32B, I32C, I32D, I32E, I32F, I32G	08	I32A, I32B, I32C, I32D, I32E, I32F					
21B	X05A	09		J03A, J03B, J04A, J04B, J08A, J08B, J08C, J11A, J11B, J16Z	09	J03A, J03B, J04A, J04B, J08A, J08B, J08C, J11A, J11B, J16Z					
5t71x.0↔		BOP, KVT, UOP4, VIAL		5t71x.1↔	21A	W04A, W04B		5t71x.2↔	21A	W04A, W04B	
	08	I32A, I32B, I32C, I32D, I32E, I32F	21B		X05A	21B	X05A				
	21A	W04A, W04B	5t71x.3↔		01	BOP, KVT, UOP4, VIAL I32A, I32B, I32C, I32D, I32E, I32F	5t71x.4↔		01	BOP, KVT, UOP4, VIAL B03A, B03B, B06A, B06B, B07Z, B17A, B17B, B17C, B17D	
	21B	X05A			08	I32A, I32B, I32C, I32D, I32E, I32F, I32G			08	I32A, I32B, I32C, I32D, I32E, I32F	
5t71x.1↔		BOP, KVT, UOP4, VIAL		5t71x.2↔	09	J03A, J03B, J04A, J04B, J08A, J08B, J08C, J11A, J11B, J16Z		5t71x.3↔	09	J03A, J03B, J04A, J04B, J08A, J08B, J08C, J11A, J11B, J16Z	
	08	I32A, I32B, I32C, I32D, I32E, I32F			21A	W04A, W04B			21A	W04A, W04B	
	21A	W04A, W04B	21B		X05A	21B	X05A				
	21B	X05A, X05B	5t71x.3↔		01	BOP, KVT, UOP4, VIAL I32A, I32B, I32C, I32D, I32E, I32F	5t71x.4↔		01	BOP, KVT, UOP4, VIAL B03A, B03B, B06A, B06B, B07Z, B17A, B17B, B17C, B17D	
5t71x.2↔		5t71x.3↔		08	I32A, I32B, I32C, I32D, I32E, I32F	5t71x.4↔		08	I32A, I32B, I32C, I32D, I32E, I32F		
	08			I32A, I32B, I32C, I32D, I32E, I32F	09			J03A, J03B, J04A, J04B, J08A, J08B, J08C, J11A, J11B, J16Z	09	J03A, J03B, J04A, J04B, J08A, J08B, J08C, J11A, J11B, J16Z	
	21A			W04A, W04B	21A			W04A, W04B	21A	W04A, W04B	
	21B		X05A, X05B	21B	X05A		21B	X05A			



ZZV	MDC	DRG	ZZV	MDC	DRG	ZZV	MDC	DRG			
5t736↔		BOP, KVT, UOP4, VIAL	5t740.0↔	08	BOP, KVT, UOP4, VIAL	5t741.3↔	08	BOP, KVT, UOP4, VIAL			
	01	B03A, B03B, B06A, B06B, B07Z, B17A, B17B, B17C		21A	I32A, I32B, I32C, I32D, I32E, I32F		09	I32A, I32B, I32C, I32D, I32E, I32F			
	08	I32A, I32B, I32C, I32D, I32E, I32F		21B	W04A, W04B		21A	J03A, J03B, J04A, J04B, J08A, J08B, J08C, J11A, J11B, J16Z			
	09	J03A, J03B, J04A, J04B, J08A, J08B, J08C, J10A, J10B, J16Z		21B	X05A		21B	W04A, W04B			
	10	K09A, K09B		5t740.1↔	08		BOP, KVT, UOP4, VIAL	5t741.4↔	BOP, KVT, UOP4, VIAL		
	21A	W04A, W04B		08	I32A, I32B, I32C, I32D, I32E, I32F		08	I32A, I32B, I32C, I32D, I32E, I32F			
5t737↔	21B	X05A	5t740.2↔	21A	W04A, W04B	5t741.5↔	09	J03A, J03B, J04A, J04B, J08A, J08B, J08C, J11A, J11B, J16Z			
	BOP, KVT, UOP4, VIAL	21B		X05A	21A		W04A, W04B	21A	W04A, W04B		
	01	B03A, B03B, B06A, B06B, B07Z, B17A, B17B, B17C		08	BOP, KVT, UOP4, VIAL		21B	X05A	21B	X05A	
	08	I32A, I32B, I32C, I32D, I32E, I32F		21A	W04A, W04B		08	I32A, I32B, I32C, I32D, I32E, I32F	08	I32A, I32B, I32C, I32D, I32E, I32F	
	09	J03A, J03B, J04A, J04B, J08A, J08B, J08C, J10A, J10B, J16Z		21B	X05A		21A	W04A, W04B	09	J03A, J03B, J04A, J04B, J08A, J08B, J08C, J11A, J11B, J16Z	
	21A	W04A, W04B		5t740.3↔	08		BOP, KVT, UOP4, VIAL	21A	W04A, W04B	21B	X05A
5t738↔	21B	X05A	5t740.4↔	08	I32A, I32B, I32C, I32D, I32E, I32F	5t741.6↔	08	BOP, KVT, UOP4, VIAL			
	BOP, KVT, UOP4, VIAL	21A		W04A, W04B	09		J03A, J03B, J04A, J04B, J08A, J08B, J08C, J11A, J11B, J16Z	21A	W04A, W04B		
	01	B03A, B03B, B06A, B06B, B07Z, B17A, B17B, B17C		21B	X05A		21B	X05A	21B	X05A	
	08	I32A, I32B, I32C, I32D, I32E, I32F		5t740.5↔	08		BOP, KVT, UOP4, VIAL	08	I32A, I32B, I32C, I32D, I32E, I32F	09	J03A, J03B, J04A, J04B, J08A, J08B, J08C, J11A, J11B, J16Z
	09	J03A, J03B, J04A, J04B, J08A, J08B, J08C, J10A, J10B, J16Z		08	I32A, I32B, I32C, I32D, I32E, I32F		21A	W04A, W04B	21B	X05A	
	10	K09A, K09B		21A	W04A, W04B		21B	X05A	21A	W04A, W04B	
5t739↔	21A	W04A, W04B	5t740.6↔	21B	X05A	5t741.7↔	21B	X05A			
	21B	X05A		08	BOP, KVT, UOP4, VIAL		08	I32A, I32B, I32C, I32D, I32E, I32F	09	J03A, J03B, J04A, J04B, J08A, J08B, J08C, J11A, J11B, J16Z	
	BOP, KVT, UOP4, VIAL	08		I32A, I32B, I32C, I32D, I32E, I32F	21A		W04A, W04B	21A	W04A, W04B	21B	X05A
	01	B03A, B03B, B06A, B06B, B07Z, B17A, B17B, B17C		21B	X05A		21B	X05A	08	I32A, I32B, I32C, I32D, I32E, I32F	
	08	I32A, I32B, I32C, I32D, I32E, I32F		5t740.7↔	08		BOP, KVT, UOP4, VIAL	09	J03A, J03B, J04A, J04B, J08A, J08B, J08C, J11A, J11B, J16Z	21A	W04A, W04B
	09	J03A, J03B, J04A, J04B, J08A, J08B, J08C, J10A, J10B, J16Z		08	I32A, I32B, I32C, I32D, I32E, I32F		21A	W04A, W04B	21B	X05A	
5t73a↔	10	K09A, K09B	5t740.x↔	21A	W04A, W04B	5t741.x↔	BOP, KVT, UOP4, VIAL	08	I32A, I32B, I32C, I32D, I32E, I32F		
	21A	W04A, W04B		08	I32A, I32B, I32C, I32D, I32E, I32F		08	I32A, I32B, I32C, I32D, I32E, I32F	09	J03A, J03B, J04A, J04B, J08A, J08B, J08C, J11A, J11B, J16Z	
	21B	X05A		21A	W04A, W04B		21A	W04A, W04B	21A	W04A, W04B	
	BOP, KVT, UOP4, VIAL	21B		X05A	21B		X05A	21B	X05A	21B	X05A
	01	B03A, B03B, B06A, B06B, B07Z, B17A, B17B, B17C		5t741.0↔	08		BOP, KVT, UOP4, VIAL	5t742.0↔	BOP, KVT, UOP4, VIAL	08	I32A, I32B, I32C, I32D, I32E, I32F
	08	I32A, I32B, I32C, I32D, I32E, I32F		08	I32A, I32B, I32C, I32D, I32E, I32F		09	J03A, J03B, J04A, J04B, J08A, J08B, J08C, J11A, J11B, J16Z	08	I32A, I32B, I32C, I32D, I32E, I32F	
5t73b↔	09	J03A, J03B, J04A, J04B, J08A, J08B, J08C, J10A, J10B, J16Z	5t741.1↔	21A	W04A, W04B	5t742.1↔	21A	W04A, W04B			
	21A	W04A, W04B		21B	X05A		21B	X05A	21B	X05A	
	21B	X05A		08	BOP, KVT, UOP4, VIAL		08	I32A, I32B, I32C, I32D, I32E, I32F	21A	W04A, W04B	
	BOP, KVT, UOP4, VIAL	08		I32A, I32B, I32C, I32D, I32E, I32F	09		J03A, J03B, J04A, J04B, J08A, J08B, J08C, J11A, J11B, J16Z	21A	W04A, W04B	21B	X05A
	01	B03A, B03B, B06A, B06B, B07Z, B17A, B17B, B17C		09	J03A, J03B, J04A, J04B, J08A, J08B, J08C, J11A, J11B, J16Z		21A	W04A, W04B	5t742.2↔	BOP, KVT, UOP4, VIAL	
	08	I32A, I32B, I32C, I32D, I32E, I32F		21A	W04A, W04B		21B	X05A	08	I32A, I32B, I32C, I32D, I32E, I32F	
5t73x↔	09	J03A, J03B, J04A, J04B, J08A, J08B, J08C, J10A, J10B, J16Z	5t741.2↔	21B	X05A	5t742.3↔	21A	W04A, W04B			
	21A	W04A, W04B		08	BOP, KVT, UOP4, VIAL		21A	W04A, W04B	21B	X05A	
	21B	X05A		08	I32A, I32B, I32C, I32D, I32E, I32F		21B	X05A	08	I32A, I32B, I32C, I32D, I32E, I32F	
	BOP, KVT, UOP4, VIAL	09		J03A, J03B, J04A, J04B, J08A, J08B, J08C, J11A, J11B, J16Z	09		J03A, J03B, J04A, J04B, J08A, J08B, J08C, J11A, J11B, J16Z	21A	W04A, W04B	21B	X05A
	08	I32A, I32B, I32C, I32D, I32E, I32F		21A	W04A, W04B		21B	X05A	21A	W04A, W04B	
	21A	W04A, W04B		21B	X05A		21B	X05A	21B	X05A	

VYK

ZZV	MDC	DRG	ZZV	MDC	DRG	ZZV	MDC	DRG
5t742.4↔		BOP, KVT, UOP4, VIAL	5t743.7↔		BOP, KVT, UOP4, VIAL	5t745.3↔		BOP, KVT, UOP4, VIAL
	08	I32A, I32B, I32C, I32D, I32E, I32F		08	I32A, I32B, I32C, I32D, I32E, I32F		08	I32A, I32B, I32C, I32D, I32E, I32F
	21A	W04A, W04B		21A	W04A, W04B		21A	W04A, W04B
	21B	X05A		21B	X05A		21B	X05A
5t742.5↔		BOP, KVT, UOP4, VIAL	5t743.x↔		BOP, KVT, UOP4, VIAL	5t745.4↔		BOP, KVT, UOP4, VIAL
	08	I32A, I32B, I32C, I32D, I32E, I32F		08	I32A, I32B, I32C, I32D, I32E, I32F		08	I32A, I32B, I32C, I32D, I32E, I32F
	21A	W04A, W04B		21A	W04A, W04B		21A	W04A, W04B
	21B	X05A		21B	X05A, X05B		21B	X05A
5t742.6↔		BOP, KVT, UOP4, VIAL	5t744.0↔		BOP, KVT, UOP4, VIAL	5t745.5↔		BOP, KVT, UOP4, VIAL
	08	I32A, I32B, I32C, I32D, I32E, I32F		08	I32A, I32B, I32C, I32D, I32E, I32F		08	I32A, I32B, I32C, I32D, I32E, I32F
	21A	W04A, W04B		21A	W04A, W04B		21A	W04A, W04B
	21B	X05A		21B	X05A		21B	X05A
5t742.7↔		BOP, KVT, UOP4, VIAL	5t744.1↔		BOP, KVT, UOP4, VIAL	5t745.6↔		BOP, KVT, UOP4, VIAL
	08	I32A, I32B, I32C, I32D, I32E, I32F		08	I32A, I32B, I32C, I32D, I32E, I32F		08	I32A, I32B, I32C, I32D, I32E, I32F
	21A	W04A, W04B		21A	W04A, W04B		21A	W04A, W04B
	21B	X05A		21B	X05A		21B	X05A
5t742.x↔		BOP, KVT, UOP4, VIAL	5t744.2↔		BOP, KVT, UOP4, VIAL	5t745.7↔		BOP, KVT, UOP4, VIAL
	08	I32A, I32B, I32C, I32D, I32E, I32F		08	I32A, I32B, I32C, I32D, I32E, I32F		08	I32A, I32B, I32C, I32D, I32E, I32F
	21A	W04A, W04B		21A	W04A, W04B		21A	W04A, W04B
	21B	X05A, X05B		21B	X05A		21B	X05A
5t743.0↔		BOP, KVT, UOP4, VIAL	5t744.3↔		BOP, KVT, UOP4, VIAL	5t745.x↔		BOP, KVT, UOP4, VIAL
	08	I32A, I32B, I32C, I32D, I32E, I32F		08	I32A, I32B, I32C, I32D, I32E, I32F		08	I32A, I32B, I32C, I32D, I32E, I32F
	09	J03A, J03B, J04A, J04B, J08A, J08B, J08C, J11A, J11B, J16Z		21A	W04A, W04B		21A	W04A, W04B
	21A	W04A, W04B		21B	X05A		21B	X05A, X05B
	21B	X05A	5t744.4↔		BOP, KVT, UOP4, VIAL	5t746.0↔		BOP, KVT, UOP4, VIAL
5t743.1↔		BOP, KVT, UOP4, VIAL		08	I32A, I32B, I32C, I32D, I32E, I32F		08	I32A, I32B, I32C, I32D, I32E, I32F
	08	I32A, I32B, I32C, I32D, I32E, I32F		21A	W04A, W04B		21A	W04A, W04B
	09	J03A, J03B, J04A, J04B, J08A, J08B, J08C, J11A, J11B, J16Z		21B	X05A		21B	X05A
	21A	W04A, W04B	5t744.5↔		BOP, KVT, UOP4, VIAL	5t746.1↔		BOP, KVT, UOP4, VIAL
	21B	X05A		08	I32A, I32B, I32C, I32D, I32E, I32F		08	I32A, I32B, I32C, I32D, I32E, I32F
5t743.2↔		BOP, KVT, UOP4, VIAL		21A	W04A, W04B		21A	W04A, W04B
	08	I32A, I32B, I32C, I32D, I32E, I32F		21B	X05A		21B	X05A
	21A	W04A, W04B	5t744.6↔		BOP, KVT, UOP4, VIAL	5t746.2↔		BOP, KVT, UOP4, VIAL
	21B	X05A		08	I32A, I32B, I32C, I32D, I32E, I32F		08	I32A, I32B, I32C, I32D, I32E, I32F
5t743.3↔		BOP, KVT, UOP4, VIAL		21A	W04A, W04B		21A	W04A, W04B
	08	I32A, I32B, I32C, I32D, I32E, I32F		21B	X05A		21B	X05A
	21A	W04A, W04B	5t744.7↔		BOP, KVT, UOP4, VIAL	5t746.3↔		BOP, KVT, UOP4, VIAL
	21B	X05A		08	I32A, I32B, I32C, I32D, I32E, I32F		08	I32A, I32B, I32C, I32D, I32E, I32F
5t743.4↔		BOP, KVT, UOP4, VIAL		21A	W04A, W04B		21A	W04A, W04B
	08	I32A, I32B, I32C, I32D, I32E, I32F		21B	X05A		21B	X05A
	21A	W04A, W04B	5t744.x↔		BOP, KVT, UOP4, VIAL	5t746.4↔		BOP, KVT, UOP4, VIAL
	21B	X05A		08	I32A, I32B, I32C, I32D, I32E, I32F		08	I32A, I32B, I32C, I32D, I32E, I32F
5t743.5↔		BOP, KVT, UOP4, VIAL		21A	W04A, W04B		21A	W04A, W04B
	08	I32A, I32B, I32C, I32D, I32E, I32F		21B	X05A, X05B		21B	X05A
	21A	W04A, W04B	5t745.0↔		BOP, KVT, UOP4, VIAL	5t746.5↔		BOP, KVT, UOP4, VIAL
	21B	X05A		08	I32A, I32B, I32C, I32D, I32E, I32F		08	I32A, I32B, I32C, I32D, I32E, I32F
5t743.6↔		BOP, KVT, UOP4, VIAL		21A	W04A, W04B		21A	W04A, W04B
	08	I32A, I32B, I32C, I32D, I32E, I32F		21B	X05A		21B	X05A
	21A	W04A, W04B	5t745.1↔		BOP, KVT, UOP4, VIAL	5t746.6↔		BOP, KVT, UOP4, VIAL
	21B	X05A		08	I32A, I32B, I32C, I32D, I32E, I32F		08	I32A, I32B, I32C, I32D, I32E, I32F
				21A	W04A, W04B		21A	W04A, W04B
				21B	X05A		21B	X05A
			5t745.2↔		BOP, KVT, UOP4, VIAL	5t746.7↔		BOP, KVT, UOP4, VIAL
				08	I32A, I32B, I32C, I32D, I32E, I32F		08	I32A, I32B, I32C, I32D, I32E, I32F
				21A	W04A, W04B		21A	W04A, W04B
				21B	X05A		21B	X05A

VYK

ZZV	MDC	DRG	ZZV	MDC	DRG	ZZV	MDC	DRG
5t746.x↔		BOP, KVT, UOP4, VIAL	5t74x.4↔		BOP, KVT, UOP4, VIAL	5t751.0↔		BOP, KVT, UOP4, VIAL
	08	I32A, I32B, I32C, I32D, I32E, I32F		08	I32A, I32B, I32C, I32D, I32E, I32F		08	I32A, I32B, I32C, I32D, I32E, I32F
	21A	W04A, W04B		21A	W04A, W04B		10	K09A, K09B
	21B	X05A, X05B		21B	X05A, X05B		21A	W04A, W04B
5t747.0↔		BOP, KVT, UOP4, VIAL	5t74x.5↔		BOP, KVT, UOP4, VIAL	5t751.1↔		BOP, KVT, UOP4, VIAL
	08	I32A, I32B, I32C, I32D, I32E, I32F		08	I32A, I32B, I32C, I32D, I32E, I32F		08	I32A, I32B, I32C, I32D, I32E, I32F, I32G
	21A	W04A, W04B		21A	W04A, W04B		10	K09A, K09B
	21B	X05A		21B	X05A, X05B		21A	W04A, W04B
5t747.1↔		BOP, KVT, UOP4, VIAL	5t74x.6↔		BOP, KVT, UOP4, VIAL	5t751.2↔		BOP, KVT, UOP4, VIAL
	08	I32A, I32B, I32C, I32D, I32E, I32F		08	I32A, I32B, I32C, I32D, I32E, I32F		08	I32A, I32B, I32C, I32D, I32E, I32F, I32G
	21A	W04A, W04B		21A	W04A, W04B		10	K09A, K09B
	21B	X05A		21B	X05A, X05B		21A	W04A, W04B
5t747.2↔		BOP, KVT, UOP4, VIAL	5t74x.7↔		BOP, KVT, UOP4, VIAL	5t751.3↔		BOP, KVT, UOP4, VIAL
	08	I32A, I32B, I32C, I32D, I32E, I32F		08	I32A, I32B, I32C, I32D, I32E, I32F		08	I32A, I32B, I32C, I32D, I32E, I32F
	21A	W04A, W04B		21A	W04A, W04B		10	K09A, K09B
	21B	X05A		21B	X05A, X05B		21A	W04A, W04B
5t747.3↔		BOP, KVT, UOP4, VIAL	5t74x.x↔		BOP, KVT, UOP4, VIAL	5t751.4↔		BOP, KVT, UOP4, VIAL
	08	I32A, I32B, I32C, I32D, I32E, I32F		08	I32A, I32B, I32C, I32D, I32E, I32F		08	I32A, I32B, I32C, I32D, I32E, I32F, I32G
	21A	W04A, W04B		21A	W04A, W04B		10	K09A, K09B
	21B	X05A		21B	X05A, X05B		21A	W04A, W04B
5t747.4↔		BOP, KVT, UOP4, VIAL	5t750.0↔		BOP, KVT, UOP4, VIAL	5t751.5↔		BOP, KVT, UOP4, VIAL
	08	I32A, I32B, I32C, I32D, I32E, I32F		08	I32A, I32B, I32C, I32D, I32E, I32F, I32G		08	I32A, I32B, I32C, I32D, I32E, I32F, I32G
	21A	W04A, W04B		10	K09A, K09B		10	K09A, K09B
	21B	X05A		21A	W04A, W04B		21A	W04A, W04B
5t747.5↔		BOP, KVT, UOP4, VIAL	5t750.1↔		BOP, KVT, UOP4, VIAL	5t751.x↔		BOP, KVT, UOP4, VIAL
	08	I32A, I32B, I32C, I32D, I32E, I32F		08	I32A, I32B, I32C, I32D, I32E, I32F, I32G		08	I32A, I32B, I32C, I32D, I32E, I32F, I32G
	21A	W04A, W04B		10	K09A, K09B		10	K09A, K09B
	21B	X05A		21A	W04A, W04B		21A	W04A, W04B
5t747.6↔		BOP, KVT, UOP4, VIAL	5t750.2↔		BOP, KVT, UOP4, VIAL	5t752↔		BOP, KVT, UOP4, VIAL
	08	I32A, I32B, I32C, I32D, I32E, I32F		08	I32A, I32B, I32C, I32D, I32E, I32F, I32G		08	I32A, I32B, I32C, I32D, I32E, I32F
	21A	W04A, W04B		10	K09A, K09B		21A	W04A, W04B
	21B	X05A		21A	W04A, W04B		21B	X05A, X05B
5t747.7↔		BOP, KVT, UOP4, VIAL	5t750.3↔		BOP, KVT, UOP4, VIAL	5t753↔		BOP, KVT, UOP4, VIAL
	08	I32A, I32B, I32C, I32D, I32E, I32F		08	I32A, I32B, I32C, I32D, I32E, I32F, I32G		08	I32A, I32B, I32C, I32D, I32E, I32F
	21A	W04A, W04B		10	K09A, K09B		21A	W04A, W04B
	21B	X05A		21A	W04A, W04B		21B	X05A, X05B
5t747.x↔		BOP, KVT, UOP4, VIAL	5t750.4↔		BOP, KVT, UOP4, VIAL	5t754↔		BOP, KVT, UOP4, VIAL
	08	I32A, I32B, I32C, I32D, I32E, I32F		08	I32A, I32B, I32C, I32D, I32E, I32F, I32G		08	I32A, I32B, I32C, I32D, I32E, I32F
	21A	W04A, W04B		10	K09A, K09B		21A	W04A, W04B
	21B	X05A, X05B		21A	W04A, W04B		21B	X05A, X05B
5t74x.0↔		BOP, KVT, UOP4, VIAL	5t750.5↔		BOP, KVT, UOP4, VIAL	5t755↔		BOP, KVT, UOP4, VIAL
	08	I32A, I32B, I32C, I32D, I32E, I32F		08	I32A, I32B, I32C, I32D, I32E, I32F, I32G		08	I32A, I32B, I32C, I32D, I32E, I32F
	21A	W04A, W04B		10	K09A, K09B		21A	W04A, W04B
	21B	X05A, X05B		21A	W04A, W04B		21B	X05A, X05B
5t74x.1↔		BOP, KVT, UOP4, VIAL	5t750.x↔		BOP, KVT, UOP4, VIAL	5t756↔		BOP, KVT, UOP4, VIAL
	08	I32A, I32B, I32C, I32D, I32E, I32F		08	I32A, I32B, I32C, I32D, I32E, I32F, I32G		08	I32A, I32B, I32C, I32D, I32E, I32F
	21A	W04A, W04B		10	K09A, K09B		21A	W04A, W04B
	21B	X05A, X05B		21A	W04A, W04B		21B	X05A, X05B
5t74x.2↔		BOP, KVT, UOP4, VIAL						
	08	I32A, I32B, I32C, I32D, I32E, I32F						
	21A	W04A, W04B						
	21B	X05A, X05B						
5t74x.3↔		BOP, KVT, UOP4, VIAL						
	08	I32A, I32B, I32C, I32D, I32E, I32F						
	21A	W04A, W04B						
	21B	X05A, X05B						

VYK

ZZV	MDC	DRG	ZZV	MDC	DRG	ZZV	MDC	DRG
5t775.3↔		BOP, KVT, UOP4, VIAL	5t776.4↔		BOP, KVT, UOP4, VIAL	5t77x.5↔		BOP, KVT, UOP4, VIAL
	01	B03A, B03B, B06A, B06B, B07Z, B17A, B17B, B17C		01	B03A, B03B, B06A, B06B, B07Z, B17A, B17B, B17C		01	B03A, B03B, B06A, B06B, B07Z, B17A, B17B, B17C
	08	I32A, I32B, I32C, I32D, I32E, I32F		08	I32A, I32B, I32C, I32D, I32E, I32F		08	I32A, I32B, I32C, I32D, I32E, I32F
	21A	W04A, W04B		21A	W04A, W04B		21A	W04A, W04B
	21B	X05A, X05B		21B	X05A, X05B		21B	X05A, X05B
5t775.4↔		BOP, KVT, UOP4, VIAL	5t776.5↔		BOP, KVT, UOP4, VIAL	5t77x.6↔		BOP, KVT, UOP4, VIAL
	01	B03A, B03B, B06A, B06B, B07Z, B17A, B17B, B17C		01	B03A, B03B, B06A, B06B, B07Z, B17A, B17B, B17C		01	B03A, B03B, B06A, B06B, B07Z, B17A, B17B, B17C
	08	I32A, I32B, I32C, I32D, I32E, I32F		08	I32A, I32B, I32C, I32D, I32E, I32F		08	I32A, I32B, I32C, I32D, I32E, I32F
	21A	W04A, W04B		21A	W04A, W04B		21A	W04A, W04B
	21B	X05A, X05B		21B	X05A, X05B		21B	X05A, X05B
5t775.5↔		BOP, KVT, UOP4, VIAL	5t776.6↔		BOP, KVT, UOP4, VIAL	5t77x.7↔		BOP, KVT, UOP4, VIAL
	01	B03A, B03B, B06A, B06B, B07Z, B17A, B17B, B17C		01	B03A, B03B, B06A, B06B, B07Z, B17A, B17B, B17C		01	B03A, B03B, B06A, B06B, B07Z, B17A, B17B, B17C
	08	I32A, I32B, I32C, I32D, I32E, I32F		08	I32A, I32B, I32C, I32D, I32E, I32F		08	I32A, I32B, I32C, I32D, I32E, I32F
	21A	W04A, W04B		21A	W04A, W04B		21A	W04A, W04B
	21B	X05A, X05B		21B	X05A, X05B		21B	X05A, X05B
5t775.6↔		BOP, KVT, UOP4, VIAL	5t776.7↔		BOP, KVT, UOP4, VIAL	5t77x.x↔		BOP, KVT, UOP4, VIAL
	01	B03A, B03B, B06A, B06B, B07Z, B17A, B17B, B17C		01	B03A, B03B, B06A, B06B, B07Z, B17A, B17B, B17C		01	B03A, B03B, B06A, B06B, B07Z, B17A, B17B, B17C
	08	I32A, I32B, I32C, I32D, I32E, I32F		08	I32A, I32B, I32C, I32D, I32E, I32F		08	I32A, I32B, I32C, I32D, I32E, I32F
	21A	W04A, W04B		21A	W04A, W04B		21A	W04A, W04B
	21B	X05A, X05B		21B	X05A, X05B		21B	X05A, X05B
5t775.7↔		BOP, KVT, UOP4, VIAL	5t776.x↔		BOP, KVT, UOP4, VIAL	5t780.0↔		BOP, KVT, UOP4, VIAL
	01	B03A, B03B, B06A, B06B, B07Z, B17A, B17B, B17C		01	B03A, B03B, B06A, B06B, B07Z, B17A, B17B, B17C		01	B03A, B03B, B06A, B06B, B07Z, B17A, B17B, B17C
	08	I32A, I32B, I32C, I32D, I32E, I32F		08	I32A, I32B, I32C, I32D, I32E, I32F		08	I31Z, I32A, I32B, I32C, I32D, I32E, I32F
	21A	W04A, W04B		21A	W04A, W04B		09	J03A, J03B, J04A, J04B, J08A, J08B, J08C, J10A, J10B, J16Z
	21B	X05A, X05B		21B	X05A, X05B		21A	W04A, W04B
5t775.x↔		BOP, KVT, UOP4, VIAL	5t77x.0↔		BOP, KVT, UOP4, VIAL	5t780.1↔		BOP, KVT, UOP4, VIAL
	01	B03A, B03B, B06A, B06B, B07Z, B17A, B17B, B17C		01	B03A, B03B, B06A, B06B, B07Z, B17A, B17B, B17C		01	B03A, B03B, B06A, B06B, B07Z, B17A, B17B, B17C
	08	I32A, I32B, I32C, I32D, I32E, I32F		08	I32A, I32B, I32C, I32D, I32E, I32F		08	I31Z, I32A, I32B, I32C, I32D, I32E, I32F
	21A	W04A, W04B		21A	W04A, W04B		09	J03A, J03B, J04A, J04B, J08A, J08B, J08C, J10A, J10B, J16Z
	21B	X05A, X05B		21B	X05A, X05B		21A	W04A, W04B
5t776.0↔		BOP, KVT, UOP4, VIAL	5t77x.1↔		BOP, KVT, UOP4, VIAL	5t781.0↔		BOP, KVT, UOP4, VIAL
	01	B03A, B03B, B06A, B06B, B07Z, B17A, B17B, B17C		01	B03A, B03B, B06A, B06B, B07Z, B17A, B17B, B17C		08	I21Z, I31Z, I32A
	08	I32A, I32B, I32C, I32D, I32E, I32F		08	I32A, I32B, I32C, I32D, I32E, I32F		21A	W04A, W04B
	21A	W04A, W04B		21A	W04A, W04B		21B	X06A, X06B, X06C
	21B	X05A, X05B		21B	X05A, X05B		01	BOP, KVT, UOP4, VIAL
5t776.1↔		BOP, KVT, UOP4, VIAL	5t77x.2↔		BOP, KVT, UOP4, VIAL	5t782.0↔		BOP, KVT, UOP4, VIAL
	01	B03A, B03B, B06A, B06B, B07Z, B17A, B17B, B17C		01	B03A, B03B, B06A, B06B, B07Z, B17A, B17B, B17C		01	B03A, B03B, B06A, B06B, B07Z, B17A, B17B, B17C
	08	I32A, I32B, I32C, I32D, I32E, I32F		08	I32A, I32B, I32C, I32D, I32E, I32F		05	F21A, F21B
	21A	W04A, W04B		21A	W04A, W04B		08	I32A, I32B, I32C, I32D, I32E, I32F
	21B	X05A, X05B		21B	X05A, X05B		09	J02A, J02B, J02C, J04A, J04B, J08A, J08B, J08C, J16Z, J21Z, J22A, J22B
5t776.2↔		BOP, KVT, UOP4, VIAL	5t77x.3↔		BOP, KVT, UOP4, VIAL			
	01	B03A, B03B, B06A, B06B, B07Z, B17A, B17B, B17C		01	B03A, B03B, B06A, B06B, B07Z, B17A, B17B, B17C		21A	W04A, W04B
	08	I32A, I32B, I32C, I32D, I32E, I32F		08	I32A, I32B, I32C, I32D, I32E, I32F		21B	X01A, X01B, X01C
	21A	W04A, W04B		21A	W04A, W04B			
	21B	X05A, X05B		21B	X05A, X05B			
5t776.3↔		BOP, KVT, UOP4, VIAL	5t77x.4↔		BOP, KVT, UOP4, VIAL			
	01	B03A, B03B, B06A, B06B, B07Z, B17A, B17B, B17C		01	B03A, B03B, B06A, B06B, B07Z, B17A, B17B, B17C			
	08	I32A, I32B, I32C, I32D, I32E, I32F		08	I32A, I32B, I32C, I32D, I32E, I32F			
	21A	W04A, W04B		21A	W04A, W04B			
	21B	X05A, X05B		21B	X05A, X05B			

VYK

ZZV	MDC	DRG	ZZV	MDC	DRG	ZZV	MDC	DRG
5t789.16↔		BOP, KVT, UOP4, VIAL	5t78c.0↔		BOP, KVT, UOP4, VIAL	5t793↔		BOP, KVT, UOP4, VIAL
	01	B03A, B03B, B06A, B06B, B07Z, B17A, B17B, B17C		01	B03A, B03B, B06A, B06B, B07Z, B17A, B17B, B17C		01	B03A, B03B, B06A, B06B, B07Z, B17A, B17B, B17C
	08	I32A, I32B, I32C, I32D, I32E, I32F		08	I32A, I32B, I32C, I32D, I32E, I32F		05	F01A, F01B, F01D, F05Z, F07A, F07B, F14A, F14B, F28A, F42Z, F54Z, F59A, F59B
	09	J03A, J03B, J04A, J04B, J08A, J08B, J08C, J10A, J10B, J16Z		09	J03A, J03B, J04A, J04B, J08A, J08B, J08C, J10A, J10B, J16Z		08	I28A, I28B, I28C
	21A	W04A, W04B		21A	W04A, W04B		09	J03A, J03B, J04A, J04B, J08A, J08B, J08C, J11A, J11B, J16Z
5t78a.0↔	21B	X05A, X05B	5t78c.1↔	21B	X05A, X05B	5t794↔	10	K09A, K09B
		BOP, KVT, UOP4, VIAL			BOP, KVT, UOP4, VIAL		21A	W04A, W04B
	01	B03A, B03B, B06A, B06B, B07Z, B17A, B17B, B17C		01	B03A, B03B, B06A, B06B, B07Z, B17A, B17B, B17C		21B	X05A, X05B
	08	I32A, I32B, I32C, I32D, I32E, I32F		08	I32A, I32B, I32C, I32D, I32E, I32F		01	BOP, KVT, UOP4, VIAL
	09	J03A, J03B, J04A, J04B, J08A, J08B, J08C, J10A, J10B, J16Z		09	J03A, J03B, J04A, J04B, J08A, J08B, J08C, J10A, J10B, J16Z		05	F01A, F01B, F01D, F05Z, F07A, F07B, F14A, F14B, F28A, F42Z, F54Z, F59A, F59B
5t78a.1↔	21A	W04A, W04B	5t78x.0↔	21A	W04A, W04B	5t795↔	08	I28A, I28B, I28C
	21B	X05A, X05B		21B	X05A, X05B		09	J03A, J03B, J04A, J04B, J08A, J08B, J08C, J11A, J11B, J16Z
		BOP, KVT, UOP4, VIAL			BOP, KVT, UOP4, VIAL		10	K09A, K09B
	01	B03A, B03B, B06A, B06B, B07Z, B17A, B17B, B17C		01	B03A, B03B, B06A, B06B, B07Z, B17A, B17B, B17C		21A	W04A, W04B
	08	I32A, I32B, I32C, I32D, I32E, I32F		08	I32A, I32B, I32C, I32D, I32E, I32F		21B	X05A, X05B
5t78b.00↔	09	J03A, J03B, J04A, J04B, J08A, J08B, J08C, J10A, J10B, J16Z	5t78x.1↔	09	J03A, J03B, J04A, J04B, J08A, J08B, J08C, J10A, J10B, J16Z	5t796↔	08	I32A, I32B, I32C, I32D, I32E, I32F
	21A	W04A, W04B		21A	W04A, W04B		01	BOP, KVT, UOP4, VIAL
	21B	X05A, X05B		21B	X05A, X05B		01	B03A, B03B, B06A, B06B, B07Z, B17A, B17B, B17C
		BOP, KVT, UOP4, VIAL			BOP, KVT, UOP4, VIAL		08	I32A, I32B, I32C, I32D, I32E, I32F
	01	B03A, B03B, B06A, B06B, B07Z, B17A, B17B, B17C		01	B03A, B03B, B06A, B06B, B07Z, B17A, B17B, B17C		21A	W04A, W04B
5t78b.01↔	08	I32A, I32B, I32C, I32D, I32E, I32F	5t790↔	08	I32A, I32B, I32C, I32D, I32E, I32F, I32G	5t797.0↔	21B	X07A, X07B
	09	J03A, J03B, J04A, J04B, J08A, J08B, J08C, J10A, J10B, J16Z		09	J03A, J03B, J04A, J04B, J08A, J08B, J08C, J11A, J11B, J16Z		01	BOP, KVT, UOP4, VIAL
	21A	W04A, W04B		10	K09A, K09B		08	I32A, I32B, I32C, I32D, I32E, I32F
	21B	X05A, X05B		21A	W04A, W04B		21A	W04A, W04B
		BOP, KVT, UOP4, VIAL		21B	X05A, X05B		21B	X07A, X07B
5t78b.10↔	01	B03A, B03B, B06A, B06B, B07Z, B17A, B17B, B17C	5t791↔	08	I32A, I32B, I32C, I32D, I32E, I32F	5t797.1↔	01	BOP, KVT, UOP4, VIAL
	08	I32A, I32B, I32C, I32D, I32E, I32F		21A	W04A, W04B		01	B03A, B03B, B06A, B06B, B07Z, B17A, B17B, B17C
	09	J03A, J03B, J04A, J04B, J08A, J08B, J08C, J10A, J10B, J16Z		21B	X05A, X05B		08	I32A, I32B, I32C, I32D, I32E, I32F
	21A	W04A, W04B			BOP, KVT, UOP4, VIAL		21A	W04A, W04B
	21B	X05A, X05B		08	I32A, I32B, I32C, I32D, I32E, I32F		21B	X07A, X07B
5t78b.11↔		BOP, KVT, UOP4, VIAL	5t792↔		BOP, KVT, UOP4, VIAL	5t798↔		BOP, KVT, UOP4, VIAL
	01	B03A, B03B, B06A, B06B, B07Z, B17A, B17B, B17C		08	I32A, I32B, I32C, I32D, I32E, I32F		01	B03A, B03B, B06A, B06B, B07Z, B17A, B17B, B17C
	08	I32A, I32B, I32C, I32D, I32E, I32F		09	J03A, J03B, J04A, J04B, J08A, J08B, J08C, J11A, J11B, J16Z		08	I32A, I32B, I32C, I32D, I32E, I32F
	09	J03A, J03B, J04A, J04B, J08A, J08B, J08C, J10A, J10B, J16Z		21A	W04A, W04B		21A	W04A, W04B
	21A	W04A, W04B		21B	X05A, X05B		21B	X07A, X07B
	BOP, KVT, UOP4, VIAL	5t799↔		BOP, KVT, UOP4, VIAL	5t799↔		BOP, KVT, UOP4, VIAL	
01	B03A, B03B, B06A, B06B, B07Z, B17A, B17B, B17C		21A	W04A, W04B		01	B03A, B03B, B06A, B06B, B07Z, B17A, B17B, B17C	
08	I32A, I32B, I32C, I32D, I32E, I32F		21B	X05A, X05B		08	I32A, I32B, I32C, I32D, I32E, I32F	
09	J03A, J03B, J04A, J04B, J08A, J08B, J08C, J10A, J10B, J16Z			BOP, KVT, UOP4, VIAL		21A	W04A, W04B	
21A	W04A, W04B			BOP, KVT, UOP4, VIAL		21B	X07A, X07B	
	BOP, KVT, UOP4, VIAL		BOP, KVT, UOP4, VIAL		BOP, KVT, UOP4, VIAL			
01	B03A, B03B, B06A, B06B, B07Z, B17A, B17B, B17C		BOP, KVT, UOP4, VIAL	01	B03A, B03B, B06A, B06B, B07Z, B17A, B17B, B17C			
08	I32A, I32B, I32C, I32D, I32E, I32F		BOP, KVT, UOP4, VIAL	08	I32A, I32B, I32C, I32D, I32E, I32F			
09	J03A, J03B, J04A, J04B, J08A, J08B, J08C, J10A, J10B, J16Z		BOP, KVT, UOP4, VIAL	21A	W04A, W04B			
21A	W04A, W04B		BOP, KVT, UOP4, VIAL	21B	X07A, X07B			
21B	X05A, X05B		BOP, KVT, UOP4, VIAL		BOP, KVT, UOP4, VIAL			

VYK

ZZV	MDC	DRG	ZZV	MDC	DRG	ZZV	MDC	DRG		
5t79x↔		BOP, KVT, UOP4, VIAL	5t800.7↔		BOP, KVT, UOP4	5t801.2↔		BOP, KVT, UOP4		
	08	I32A, I32B, I32C, I32D, I32E, I32F		01	B03A, B03B, B06A, B06B, B17A, B17B, B17C		01	B03A, B03B, B06A, B06B, B17A, B17B, B17C		
	21A	W04A, W04B		08	I27A, I27B, I27C, I27D		08	I27A, I27B, I27C, I27D		
5t800.0↔	21B	X05A, X05B	5t800.8↔	09	J03A, J03B, J04A, J04B, J08A, J08B, J08C, J11A, J11B, J16Z	5t801.3↔	09	J03A, J03B, J04A, J04B, J08A, J08B, J08C, J11A, J11B, J16Z		
	01	B03A, B03B, B06A, B06B, B07Z, B17A, B17B, B17C		21A	W04A, W04B		21A	W04A, W04B		
	03	D18Z, D28Z, D29Z		21B	X04Z, X06A, X06B, X06C		21B	X06A, X06B, X06C		
	08	I27A, I27B, I27C, I27D			BOP, KVT, UOP4			BOP, KVT, UOP4		
	09	J03A, J03B, J04A, J04B, J08A, J08B, J08C, J11A, J11B, J16Z		01	B03A, B03B, B06A, B06B, B17A, B17B, B17C		01	B03A, B03B, B06A, B06B, B17A, B17B, B17C		
5t800.1↔	21A	W04A, W04B	5t800.a↔	08	I27A, I27B, I27C, I27D	5t801.4↔	08	I27A, I27B, I27C, I27D		
	21B	X06A, X06B, X06C		09	J03A, J03B, J04A, J04B, J08A, J08B, J08C, J11A, J11B, J16Z		09	J03A, J03B, J04A, J04B, J08A, J08B, J08C, J11A, J11B, J16Z		
		BOP, KVT, UOP4		21A	W04A, W04B		21A	W04A, W04B		
	01	B03A, B03B, B06A, B06B, B17A, B17B, B17C		21B	X04Z, X06A, X06B, X06C		21B	X05A, X05B, X06A, X06B, X06C		
	08	I27A, I27B, I27C, I27D			BOP, KVT, UOP4			BOP, KVT, UOP4		
5t800.2↔	09	J03A, J03B, J04A, J04B, J08A, J08B, J08C, J11A, J11B, J16Z	5t800.b	01	B03A, B03B, B06A, B06B, B17A, B17B, B17C	5t801.5↔	01	B03A, B03B, B06A, B06B, B17A, B17B, B17C		
	21A	W04A, W04B		08	I27A, I27B, I27C, I27D		08	I27A, I27B, I27C, I27D		
	21B	X06A, X06B, X06C		09	J03A, J03B, J04A, J04B, J08A, J08B, J08C, J11A, J11B, J16Z		09	J03A, J03B, J04A, J04B, J08A, J08B, J08C, J11A, J11B, J16Z		
		BOP, KVT, UOP4		21A	W04A, W04B		21A	W04A, W04B		
	01	B03A, B03B, B06A, B06B, B17A, B17B, B17C		21B	X04Z, X06A, X06B, X06C		21B	X06A, X06B, X06C		
5t800.3↔	08	I27A, I27B, I27C, I27D	5t800.x↔		BOP, KVT, UOP4	5t801.6↔		BOP, KVT, UOP4		
	09	J03A, J03B, J04A, J04B, J08A, J08B, J08C, J11A, J11B, J16Z		01	B03A, B03B, B06A, B06B, B17A, B17B, B17C		01	B03A, B03B, B06A, B06B, B17A, B17B, B17C		
	21A	W04A, W04B		08	I27A, I27B, I27C, I27D		08	I27A, I27B, I27C, I27D		
	21B	X06A, X06B, X06C		09	J03A, J03B, J04A, J04B, J08A, J08B, J08C, J11A, J11B, J16Z		09	J03A, J03B, J04A, J04B, J08A, J08B, J08C, J11A, J11B, J16Z		
		BOP, KVT, UOP4		21A	W04A, W04B		21A	W04A, W04B		
5t800.4↔	01	B03A, B03B, B06A, B06B, B17A, B17B, B17C	5t801.0↔	21B	X04Z, X06A, X06B, X06C	5t801.7↔	21B	X06A, X06B, X06C		
	08	I27A, I27B, I27C, I27D			BOP, KVT, UOP4			BOP, KVT, UOP4		
	09	J03A, J03B, J04A, J04B, J08A, J08B, J08C, J11A, J11B, J16Z		01	B03A, B03B, B06A, B06B, B07Z, B17A, B17B, B17C		01	B03A, B03B, B06A, B06B, B17A, B17B, B17C		
	21A	W04A, W04B		03	D18Z, D28Z, D29Z		08	I27A, I27B, I27C, I27D	08	I27A, I27B, I27C, I27D
	21B	X06A, X06B, X06C		08	I27A, I27B, I27C, I27D		09	J03A, J03B, J04A, J04B, J08A, J08B, J08C, J11A, J11B, J16Z	09	J03A, J03B, J04A, J04B, J08A, J08B, J08C, J11A, J11B, J16Z
5t800.5↔		BOP, KVT, UOP4	5t801.1↔	09	J03A, J03B, J04A, J04B, J08A, J08B, J08C, J11A, J11B, J16Z	5t801.8↔	09	J03A, J03B, J04A, J04B, J08A, J08B, J08C, J11A, J11B, J16Z		
	01	B03A, B03B, B06A, B06B, B17A, B17B, B17C		21A	W04A, W04B		21A	W04A, W04B		
	08	I27A, I27B, I27C, I27D		21B	X06A, X06B, X06C		21B	X04Z, X06A, X06B, X06C		
	09	J03A, J03B, J04A, J04B, J08A, J08B, J08C, J11A, J11B, J16Z			BOP, KVT, UOP4			BOP, KVT, UOP4		
	21A	W04A, W04B		01	B03A, B03B, B06A, B06B, B17A, B17B, B17C		01	B03A, B03B, B06A, B06B, B17A, B17B, B17C		
5t800.6↔	21B	X06A, X06B, X06C	5t801.1↔	08	I27A, I27B, I27C, I27D	5t801.8↔	08	I27A, I27B, I27C, I27D		
		BOP, KVT, UOP4		09	J03A, J03B, J04A, J04B, J08A, J08B, J08C, J11A, J11B, J16Z		09	J03A, J03B, J04A, J04B, J08A, J08B, J08C, J11A, J11B, J16Z		
	01	B03A, B03B, B06A, B06B, B17A, B17B, B17C		21A	W04A, W04B		21A	W04A, W04B		
	08	I27A, I27B, I27C, I27D		21B	X06A, X06B, X06C		21B	X04Z, X06A, X06B, X06C		
	09	J03A, J03B, J04A, J04B, J08A, J08B, J08C, J11A, J11B, J16Z			BOP, KVT, UOP4			BOP, KVT, UOP4		

VYK

ZZV	MDC	DRG	ZZV	MDC	DRG	ZZV	MDC	DRG
5t804.1↔		BOP, KVT, UOP4	5t805.7↔		BOP, KVT, UOP4	5t806.5↔		BOP, KVT, UOP4
	08	I27A, I27B, I27C, I27D		08	I27A, I27B, I27C, I27D		01	B03A, B03B, B06A, B06B, B07Z, B17A, B17B, B17C
	21A	W04A, W04B		21A	W04A, W04B		08	I27A, I27B, I27C, I27D
	21B	X06A, X06B, X06C		21B	X04Z, X06A, X06B, X06C		09	J03A, J03B, J04A, J04B, J08A, J08B, J08C, J11A, J11B, J16Z
5t804.2↔		BOP, KVT, UOP4	5t805.8↔		BOP, KVT, UOP4		21A	W04A, W04B
	08	I27A, I27B, I27C, I27D		08	I27A, I27B, I27C, I27D		21B	X06A, X06B, X06C
	21A	W04A, W04B		21A	W04A, W04B	5t806.6↔		BOP, KVT, UOP4
	21B	X06A, X06B, X06C		21B	X04Z, X06A, X06B, X06C		01	B03A, B03B, B06A, B06B, B07Z, B17A, B17B, B17C
5t804.3↔		BOP, KVT, UOP4	5t805.a↔		BOP, KVT, UOP4		08	I27A, I27B, I27C, I27D
	08	I27A, I27B, I27C, I27D		08	I27A, I27B, I27C, I27D		09	J03A, J03B, J04A, J04B, J08A, J08B, J08C, J11A, J11B, J16Z
	21A	W04A, W04B		21A	W04A, W04B		21A	W04A, W04B
	21B	X05A, X05B, X06A, X06B, X06C		21B	X04Z, X06A, X06B, X06C		21B	X04Z, X06A, X06B, X06C
5t804.4↔		BOP, KVT, UOP4	5t805.b↔		BOP, KVT, UOP4	5t806.7↔		BOP, KVT, UOP4
	08	I27A, I27B, I27C, I27D		08	I27A, I27B, I27C, I27D		01	B03A, B03B, B06A, B06B, B07Z, B17A, B17B, B17C
	21A	W04A, W04B		21A	W04A, W04B		08	I27A, I27B, I27C, I27D
	21B	X06A, X06B, X06C		21B	X04Z, X06A, X06B, X06C		09	J03A, J03B, J04A, J04B, J08A, J08B, J08C, J11A, J11B, J16Z
5t804.6↔		BOP, KVT, UOP4	5t805.x		BOP, KVT, UOP4		21A	W04A, W04B
	08	I27A, I27B, I27C, I27D		08	I27A, I27B, I27C, I27D		21B	X04Z, X06A, X06B, X06C
	21A	W04A, W04B		21A	W04A, W04B	5t806.8↔		BOP, KVT, UOP4
	21B	X04Z, X06A, X06B, X06C		21B	X06A, X06B, X06C		01	B03A, B03B, B06A, B06B, B07Z, B17A, B17B, B17C
5t804.7↔		BOP, KVT, UOP4	5t806.0↔		BOP, KVT, UOP4		08	I27A, I27B, I27C, I27D
	08	I27A, I27B, I27C, I27D		01	B03A, B03B, B06A, B06B, B07Z, B17A, B17B, B17C		09	J03A, J03B, J04A, J04B, J08A, J08B, J08C, J11A, J11B, J16Z
	21A	W04A, W04B		08	I27A, I27B, I27C, I27D		21A	W04A, W04B
	21B	X04Z, X06A, X06B, X06C		09	J03A, J03B, J04A, J04B, J08A, J08B, J08C, J11A, J11B, J16Z		21B	X04Z, X06A, X06B, X06C
5t804.8↔		BOP, KVT, UOP4		21A	W04A, W04B	5t806.a↔		BOP, KVT, UOP4
	08	I27A, I27B, I27C, I27D	5t806.1↔		BOP, KVT, UOP4		01	B03A, B03B, B06A, B06B, B07Z, B17A, B17B, B17C
	21A	W04A, W04B		01	B03A, B03B, B06A, B06B, B07Z, B17A, B17B, B17C		08	I27A, I27B, I27C, I27D
	21B	X04Z, X06A, X06B, X06C		08	I27A, I27B, I27C, I27D		09	J03A, J03B, J04A, J04B, J08A, J08B, J08C, J11A, J11B, J16Z
5t804.a↔		BOP, KVT, UOP4		09	J03A, J03B, J04A, J04B, J08A, J08B, J08C, J11A, J11B, J16Z		21A	W04A, W04B
	08	I27A, I27B, I27C, I27D		21A	W04A, W04B		21B	X04Z
	21A	W04A, W04B		21B	X06A, X06B, X06C	5t806.a↔		BOP, KVT, UOP4
	21B	X04Z, X06A, X06B, X06C		01	B03A, B03B, B06A, B06B, B07Z, B17A, B17B, B17C		01	B03A, B03B, B06A, B06B, B07Z, B17A, B17B, B17C
5t804.b↔		BOP, KVT, UOP4	5t806.2↔		BOP, KVT, UOP4		08	I27A, I27B, I27C, I27D
	08	I27A, I27B, I27C, I27D		01	B03A, B03B, B06A, B06B, B07Z, B17A, B17B, B17C		09	J03A, J03B, J04A, J04B, J08A, J08B, J08C, J11A, J11B, J16Z
	21A	W04A, W04B		08	I27A, I27B, I27C, I27D		21A	W04A, W04B
	21B	X04Z, X06A, X06B, X06C		09	J03A, J03B, J04A, J04B, J08A, J08B, J08C, J11A, J11B, J16Z		21B	X04Z
5t804.x		BOP, KVT, UOP4		21A	W04A, W04B	5t806.b↔		BOP, KVT, UOP4
	08	I27A, I27B, I27C, I27D		21B	X06A, X06B, X06C		01	B03A, B03B, B06A, B06B, B07Z, B17A, B17B, B17C
	21A	W04A, W04B		01	B03A, B03B, B06A, B06B, B07Z, B17A, B17B, B17C		08	I27A, I27B, I27C, I27D
	21B	X06A, X06B, X06C		08	I27A, I27B, I27C, I27D		09	J03A, J03B, J04A, J04B, J08A, J08B, J08C, J11A, J11B, J16Z
5t805.0↔		BOP, KVT, UOP4		09	J03A, J03B, J04A, J04B, J08A, J08B, J08C, J11A, J11B, J16Z		21A	W04A, W04B
	08	I27A, I27B, I27C, I27D		21A	W04A, W04B		21B	X04Z
	21A	W04A, W04B		21B	X06A, X06B, X06C	5t806.x		BOP, KVT, UOP4
	21B	X06A, X06B, X06C		01	B03A, B03B, B06A, B06B, B07Z, B17A, B17B, B17C		01	B03A, B03B, B06A, B06B, B07Z, B17A, B17B, B17C
5t805.1↔		BOP, KVT, UOP4	5t806.3↔		BOP, KVT, UOP4		08	I27A, I27B, I27C, I27D
	08	I27A, I27B, I27C, I27D		01	B03A, B03B, B06A, B06B, B07Z, B17A, B17B, B17C		09	J03A, J03B, J04A, J04B, J08A, J08B, J08C, J11A, J11B, J16Z
	21A	W04A, W04B		08	I27A, I27B, I27C, I27D		21A	W04A, W04B
	21B	X06A, X06B, X06C		09	J03A, J03B, J04A, J04B, J08A, J08B, J08C, J11A, J11B, J16Z		21B	X06A, X06B, X06C
5t805.2↔		BOP, KVT, UOP4		21A	W04A, W04B		01	B03A, B03B, B06A, B06B, B07Z, B17A, B17B, B17C
	08	I27A, I27B, I27C, I27D		21B	X05A, X05B, X06A, X06B, X06C		08	I27A, I27B, I27C, I27D
	21A	W04A, W04B		01	B03A, B03B, B06A, B06B, B07Z, B17A, B17B, B17C		09	J03A, J03B, J04A, J04B, J08A, J08B, J08C, J11A, J11B, J16Z
	21B	X06A, X06B, X06C		08	I27A, I27B, I27C, I27D		21A	W04A, W04B
5t805.3↔		BOP, KVT, UOP4	5t806.4↔		BOP, KVT, UOP4		21B	X04Z
	08	I27A, I27B, I27C, I27D		01	B03A, B03B, B06A, B06B, B07Z, B17A, B17B, B17C		01	B03A, B03B, B06A, B06B, B07Z, B17A, B17B, B17C
	21A	W04A, W04B		08	I27A, I27B, I27C, I27D		08	I27A, I27B, I27C, I27D
	21B	X05A, X05B, X06A, X06B, X06C		09	J03A, J03B, J04A, J04B, J08A, J08B, J08C, J11A, J11B, J16Z		09	J03A, J03B, J04A, J04B, J08A, J08B, J08C, J11A, J11B, J16Z
5t805.4↔		BOP, KVT, UOP4		21A	W04A, W04B		21A	W04A, W04B
	08	I27A, I27B, I27C, I27D		21B	X06A, X06B, X06C		21B	X06A, X06B, X06C
	21A	W04A, W04B		01	B03A, B03B, B06A, B06B, B07Z, B17A, B17B, B17C			
	21B	X06A, X06B, X06C		08	I27A, I27B, I27C, I27D			
5t805.6↔		BOP, KVT, UOP4		09	J03A, J03B, J04A, J04B, J08A, J08B, J08C, J11A, J11B, J16Z			
	08	I27A, I27B, I27C, I27D		21A	W04A, W04B			
	21A	W04A, W04B		21B	X06A, X06B, X06C			
	21B	X04Z, X06A, X06B, X06C						

ZZV	MDC	DRG	ZZV	MDC	DRG	ZZV	MDC	DRG
5t808.x		BOP, KVT, UOP4	5t809.6↔		BOP, KVT, UOP4	5t80a.2↔		BOP, KVT, UOP4
	01	B03A, B03B, B06A, B06B, B07Z, B17A, B17B, B17C		01	B03A, B03B, B06A, B06B, B07Z, B17A, B17B, B17C		01	B03A, B03B, B06A, B06B, B07Z, B17A, B17B, B17C
	08	I12A, I12B, I12C, I27A, I27B, I27C, I27D		08	I12A, I12B, I12C, I27A, I27B, I27C, I27D		08	I12A, I12B, I12C, I27A, I27B, I27C, I27D
	09	J03A, J03B, J04A, J04B, J08A, J08B, J08C, J11A, J11B, J16Z		09	J03A, J03B, J04A, J04B, J08A, J08B, J08C, J11A, J11B, J16Z		09	J03A, J03B, J04A, J04B, J08A, J08B, J08C, J11A, J11B, J16Z
	21A	W04A, W04B		21A	W04A, W04B		21A	W04A, W04B
5t809.0↔	21B	X06A, X06B, X06C	5t809.7↔	21B	X04Z, X06A, X06B, X06C	5t80a.3↔	21B	X06A, X06B, X06C
		BOP, KVT, UOP4			BOP, KVT, UOP4			BOP, KVT, UOP4
	01	B03A, B03B, B06A, B06B, B07Z, B17A, B17B, B17C		01	B03A, B03B, B06A, B06B, B07Z, B17A, B17B, B17C		01	B03A, B03B, B06A, B06B, B07Z, B17A, B17B, B17C
	08	I12A, I12B, I12C, I27A, I27B, I27C, I27D		08	I12A, I12B, I12C, I27A, I27B, I27C, I27D		08	I12A, I12B, I12C, I27A, I27B, I27C, I27D
	09	J03A, J03B, J04A, J04B, J08A, J08B, J08C, J11A, J11B, J16Z		09	J03A, J03B, J04A, J04B, J08A, J08B, J08C, J11A, J11B, J16Z		09	J03A, J03B, J04A, J04B, J08A, J08B, J08C, J11A, J11B, J16Z
5t809.1↔	21A	W04A, W04B	5t809.8↔	21A	W04A, W04B	5t80a.4↔	21A	W04A, W04B
	21B	X06A, X06B, X06C		21B	X04Z, X06A, X06B, X06C		21B	X05A, X05B, X06A, X06B, X06C
		BOP, KVT, UOP4			BOP, KVT, UOP4			BOP, KVT, UOP4
	01	B03A, B03B, B06A, B06B, B07Z, B17A, B17B, B17C		01	B03A, B03B, B06A, B06B, B07Z, B17A, B17B, B17C		01	B03A, B03B, B06A, B06B, B07Z, B17A, B17B, B17C
	08	I12A, I12B, I12C, I27A, I27B, I27C, I27D		08	I12A, I12B, I12C, I27A, I27B, I27C, I27D		08	I12A, I12B, I12C, I27A, I27B, I27C, I27D
5t809.2↔	09	J03A, J03B, J04A, J04B, J08A, J08B, J08C, J11A, J11B, J16Z	5t809.9↔	09	J03A, J03B, J04A, J04B, J08A, J08B, J08C, J11A, J11B, J16Z	5t80a.5↔	09	J03A, J03B, J04A, J04B, J08A, J08B, J08C, J11A, J11B, J16Z
	21A	W04A, W04B		21A	W04A, W04B		21A	W04A, W04B
	21B	X06A, X06B, X06C		21B	X04Z, X06A, X06B, X06C		21B	X06A, X06B, X06C
		BOP, KVT, UOP4			BOP, KVT, UOP4			BOP, KVT, UOP4
	01	B03A, B03B, B06A, B06B, B07Z, B17A, B17B, B17C		01	B03A, B03B, B06A, B06B, B07Z, B17A, B17B, B17C		01	B03A, B03B, B06A, B06B, B07Z, B17A, B17B, B17C
5t809.3↔	08	I12A, I12B, I12C, I27A, I27B, I27C, I27D	5t809.x	08	I12A, I12B, I12C, I20D, I27A, I27B, I27C, I27D	5t80a.6↔	08	I12A, I12B, I12C, I27A, I27B, I27C, I27D
	09	J03A, J03B, J04A, J04B, J08A, J08B, J08C, J11A, J11B, J16Z		09	J03A, J03B, J04A, J04B, J08A, J08B, J08C, J11A, J11B, J16Z		09	J03A, J03B, J04A, J04B, J08A, J08B, J08C, J11A, J11B, J16Z
	21A	W04A, W04B		21A	W04A, W04B		21A	W04A, W04B
	21B	X06A, X06B, X06C		21B	X04Z, X06A, X06B, X06C		21B	X06A, X06B, X06C
		BOP, KVT, UOP4			BOP, KVT, UOP4			BOP, KVT, UOP4
5t809.4↔	01	B03A, B03B, B06A, B06B, B07Z, B17A, B17B, B17C	5t80a.0↔	01	B03A, B03B, B06A, B06B, B07Z, B17A, B17B, B17C	5t80a.7↔	01	B03A, B03B, B06A, B06B, B07Z, B17A, B17B, B17C
	08	I12A, I12B, I12C, I27A, I27B, I27C, I27D		08	I12A, I12B, I12C, I27A, I27B, I27C, I27D		08	I12A, I12B, I12C, I27A, I27B, I27C, I27D
	09	J03A, J03B, J04A, J04B, J08A, J08B, J08C, J11A, J11B, J16Z		09	J03A, J03B, J04A, J04B, J08A, J08B, J08C, J11A, J11B, J16Z		09	J03A, J03B, J04A, J04B, J08A, J08B, J08C, J11A, J11B, J16Z
	21A	W04A, W04B		21A	W04A, W04B		21A	W04A, W04B
	21B	X06A, X06B, X06C		21B	X06A, X06B, X06C		21B	X04Z, X06A, X06B, X06C
5t809.5↔		BOP, KVT, UOP4	5t80a.1↔		BOP, KVT, UOP4	5t80a.8↔		BOP, KVT, UOP4
	01	B03A, B03B, B06A, B06B, B07Z, B17A, B17B, B17C		01	B03A, B03B, B06A, B06B, B07Z, B17A, B17B, B17C		01	B03A, B03B, B06A, B06B, B07Z, B17A, B17B, B17C
	08	I12A, I12B, I12C, I27A, I27B, I27C, I27D		08	I12A, I12B, I12C, I27A, I27B, I27C, I27D		08	I12A, I12B, I12C, I27A, I27B, I27C, I27D
	09	J03A, J03B, J04A, J04B, J08A, J08B, J08C, J11A, J11B, J16Z		09	J03A, J03B, J04A, J04B, J08A, J08B, J08C, J11A, J11B, J16Z		09	J03A, J03B, J04A, J04B, J08A, J08B, J08C, J11A, J11B, J16Z
	21A	W04A, W04B		21A	W04A, W04B		21A	W04A, W04B
	X06A, X06B, X06C	21B	X06A, X06B, X06C	21B	X04Z, X06A, X06B, X06C			

VYK

ZZV	MDC	DRG	ZZV	MDC	DRG	ZZV	MDC	DRG
5t80a.9↔		BOP, KVT, UOP4	5t80b.2↔		BOP, KVT, UOP4	5t80b.5↔		BOP, KVT, UOP4
	01	B03A, B03B, B06A, B06B, B07Z, B17A, B17B, B17C		01	B03A, B03B, B06A, B06B, B07Z, B17A, B17B, B17C		01	B03A, B03B, B06A, B06B, B07Z, B17A, B17B, B17C
5t80a.x	08	I12A, I12B, I12C, I27A, I27B, I27C, I27D	03	D12A, D12B	03	D12A, D12B		
	09	J03A, J03B, J04A, J04B, J08A, J08B, J08C, J11A, J11B, J16Z	04	E02A, E02B, E02C	04	E02A, E02B, E02C		
	21A	W04A, W04B	05	F21A, F21B, F21C	05	F21A, F21B, F21C		
	21B	X04Z, X06A, X06B, X06C	06	G10Z, G12A, G12B, G12C	06	G10Z, G12A, G12B, G12C		
	01	BOP, KVT, UOP4	07	H06A, H06B, H06C	07	H06A, H06B, H06C		
	01	B03A, B03B, B06A, B06B, B07Z, B17A, B17B, B17C	08	I12A, I12B, I12C, I28A, I28B	08	I12A, I12B, I12C, I28A, I28B		
	08	I12A, I12B, I12C, I27A, I27B, I27C, I27D	09	J03A, J03B, J04A, J04B, J08A, J08B, J08C, J16Z, J21Z, J22A, J22B	09	J03A, J03B, J04A, J04B, J08A, J08B, J08C, J16Z, J21Z, J22A, J22B		
	09	J03A, J03B, J04A, J04B, J08A, J08B, J08C, J11A, J11B, J16Z	10	K09A, K09B	10	K09A, K09B		
	21A	W04A, W04B	11	L09A, L09B, L09C, L09D, L38Z	11	L09A, L09B, L09C, L09D, L38Z		
	21B	X06A, X06B, X06C	13	N11A, N11B	13	N11A, N11B		
5t80b.0↔		BOP, KVT, UOP4	21A	W04A, W04B	21A	W04A, W04B		
	01	B03A, B03B, B06A, B06B, B07Z, B17A, B17B, B17C	21B	X06A, X06B, X06C	21B	X06A, X06B, X06C		
	03	D12A, D12B	5t80b.3↔		BOP, KVT, UOP4	5t80b.6↔		BOP, KVT, UOP4
	04	E02A, E02B, E02C		01	B03A, B03B, B06A, B06B, B07Z, B17A, B17B, B17C		01	B03A, B03B, B06A, B06B, B07Z, B17A, B17B, B17C
	05	F21A, F21B, F21C	03	D12A, D12B	03	D12A, D12B		
	06	G10Z, G12A, G12B, G12C	04	E02A, E02B, E02C	04	E02A, E02B, E02C		
	07	H06A, H06B, H06C	05	F21A, F21B, F21C	05	F21A, F21B, F21C, F27A, F27B, F27C		
	08	I12A, I12B, I12C, I28A, I28B	06	G10Z, G12A, G12B, G12C	06	G10Z, G12A, G12B, G12C		
	09	J03A, J03B, J04A, J04B, J08A, J08B, J08C, J16Z, J21Z, J22A, J22B	07	H06A, H06B, H06C	07	H06A, H06B, H06C		
	10	K09A, K09B	08	I12A, I12B, I12C, I28A, I28B	08	I12A, I12B, I12C, I28A, I28B		
11	L09A, L09B, L09C, L09D, L38Z	09	J03A, J03B, J04A, J04B, J08A, J08B, J08C, J16Z, J21Z, J22A, J22B	09	J03A, J03B, J04A, J04B, J08A, J08B, J08C, J16Z, J21Z, J22A, J22B			
13	N11A, N11B	10	K09A, K09B	10	K01Z			
21A	W04A, W04B	11	L09A, L09B, L09C, L09D, L38Z	11	L09A, L09B, L09C, L09D, L38Z			
21B	X06A, X06B, X06C	13	N11A, N11B	13	N11A, N11B			
5t80b.1↔		BOP, KVT, UOP4	21A	W04A, W04B	21A	W04A, W04B		
	01	B03A, B03B, B06A, B06B, B07Z, B17A, B17B, B17C	21B	X06A, X06B, X06C	21B	X06A, X06B, X06C		
	03	D12A, D12B	5t80b.4↔		BOP, KVT, UOP4	5t80b.7↔		BOP, KVT, UOP4
	04	E02A, E02B, E02C		01	B03A, B03B, B06A, B06B, B07Z, B17A, B17B, B17C		01	B03A, B03B, B06A, B06B, B07Z, B17A, B17B, B17C
	05	F21A, F21B, F21C	03	D12A, D12B	03	D12A, D12B		
	06	G10Z, G12A, G12B, G12C	04	E02A, E02B, E02C	04	E02A, E02B, E02C		
	07	H06A, H06B, H06C	05	F21A, F21B, F21C	05	F21A, F21B, F21C, F27A, F27B, F27C		
	08	I12A, I12B, I12C, I28A, I28B	06	G10Z, G12A, G12B, G12C	06	G10Z, G12A, G12B, G12C		
	09	J03A, J03B, J04A, J04B, J08A, J08B, J08C, J16Z, J21Z, J22A, J22B	07	H06A, H06B, H06C	07	H06A, H06B, H06C		
	10	K09A, K09B	08	I12A, I12B, I12C, I28A, I28B	08	I12A, I12B, I12C, I28A, I28B		
11	L09A, L09B, L09C, L09D, L38Z	09	J03A, J03B, J04A, J04B, J08A, J08B, J08C, J16Z, J21Z, J22A, J22B	09	J03A, J03B, J04A, J04B, J08A, J08B, J08C, J16Z, J21Z, J22A, J22B			
13	N11A, N11B	10	K09A, K09B	10	K01Z			
21A	W04A, W04B	11	L09A, L09B, L09C, L09D, L38Z	11	L09A, L09B, L09C, L09D, L38Z			
21B	X06A, X06B, X06C	13	N11A, N11B	13	N11A, N11B			
		21A	W04A, W04B	21A	W04A, W04B			
		21B	X06A, X06B, X06C	21B	X06A, X06B, X06C			

ZZV	MDC	DRG	ZZV	MDC	DRG	ZZV	MDC	DRG
5t80b.8↔		BOP, KVT, UOP4	5t80c.0↔		BOP, KVT, UOP4	5t80c.3↔		BOP, KVT, UOP4
	01	B03A, B03B, B06A, B06B, B07Z, B17A, B17B, B17C		01	B03A, B03B, B06A, B06B, B07Z, B17A, B17B, B17C		01	B03A, B03B, B06A, B06B, B07Z, B17A, B17B, B17C
	03	D12A, D12B		03	D12A, D12B		03	D12A, D12B
	04	E02A, E02B, E02C		04	E02A, E02B, E02C		04	E02A, E02B, E02C
	05	F21A, F21B, F21C, F27A, F27B, F27C		05	F21A, F21B, F21C		05	F21A, F21B, F21C
	06	G10Z, G12A, G12B, G12C		06	G10Z, G12A, G12B, G12C		06	G10Z, G12A, G12B, G12C
	07	H06A, H06B, H06C		07	H06A, H06B, H06C		07	H06A, H06B, H06C
	08	I12A, I12B, I12C, I28A, I28B		08	I12A, I12B, I12C, I28A, I28B		08	I12A, I12B, I12C, I28A, I28B
	09	J03A, J03B, J04A, J04B, J08A, J08B, J08C, J16Z, J21Z, J22A, J22B		09	J03A, J03B, J04A, J04B, J08A, J08B, J08C, J16Z, J21Z, J22A, J22B		09	J03A, J03B, J04A, J04B, J08A, J08B, J08C, J16Z, J21Z, J22A, J22B
	10	K01Z		10	K09A, K09B		10	K09A, K09B
	11	L09A, L09B, L09C, L09D, L38Z		11	L09A, L09B, L09C, L09D, L38Z		11	L09A, L09B, L09C, L09D, L38Z
	13	N11A, N11B		13	N11A, N11B		13	N11A, N11B
	21A	W04A, W04B		21A	W04A, W04B		21A	W04A, W04B
	21B	X06A, X06B, X06C		21B	X06A, X06B, X06C		21B	X06A, X06B, X06C
5t80b.9↔		BOP, KVT, UOP4	5t80c.1↔		BOP, KVT, UOP4	5t80c.4↔		BOP, KVT, UOP4
	01	B03A, B03B, B06A, B06B, B07Z, B17A, B17B, B17C		01	B03A, B03B, B06A, B06B, B07Z, B17A, B17B, B17C		01	B03A, B03B, B06A, B06B, B07Z, B17A, B17B, B17C
	03	D12A, D12B		03	D12A, D12B		03	D12A, D12B
	04	E02A, E02B, E02C		04	E02A, E02B, E02C		04	E02A, E02B, E02C
	05	F21A, F21B, F21C, F27A, F27B, F27C		05	F21A, F21B, F21C		05	F21A, F21B, F21C
	06	G10Z, G12A, G12B, G12C		06	G10Z, G12A, G12B, G12C		06	G10Z, G12A, G12B, G12C
	07	H06A, H06B, H06C		07	H06A, H06B, H06C		07	H06A, H06B, H06C
	08	I12A, I12B, I12C, I28A, I28B		08	I12A, I12B, I12C, I28A, I28B		08	I12A, I12B, I12C, I28A, I28B
	09	J03A, J03B, J04A, J04B, J08A, J08B, J08C, J16Z, J21Z, J22A, J22B		09	J03A, J03B, J04A, J04B, J08A, J08B, J08C, J16Z, J21Z, J22A, J22B		09	J03A, J03B, J04A, J04B, J08A, J08B, J08C, J16Z, J21Z, J22A, J22B
	10	K01Z		10	K09A, K09B		10	K09A, K09B
	11	L09A, L09B, L09C, L09D, L38Z		11	L09A, L09B, L09C, L09D, L38Z		11	L09A, L09B, L09C, L09D, L38Z
	13	N11A, N11B		13	N11A, N11B		13	N11A, N11B
	21A	W04A, W04B		21A	W04A, W04B		21A	W04A, W04B
	21B	X06A, X06B, X06C		21B	X06A, X06B, X06C		21B	X06A, X06B, X06C
5t80b.x		BOP, KVT, UOP4	5t80c.2↔		BOP, KVT, UOP4	5t80c.5↔		BOP, KVT, UOP4
	01	B03A, B03B, B06A, B06B, B07Z, B17A, B17B, B17C		01	B03A, B03B, B06A, B06B, B07Z, B17A, B17B, B17C		01	B03A, B03B, B06A, B06B, B07Z, B17A, B17B, B17C
	03	D12A, D12B		03	D12A, D12B		03	D12A, D12B
	04	E02A, E02B, E02C		04	E02A, E02B, E02C		04	E02A, E02B, E02C
	05	F21A, F21B, F21C		05	F21A, F21B, F21C		05	F21A, F21B, F21C
	06	G10Z, G12A, G12B, G12C		06	G10Z, G12A, G12B, G12C		06	G10Z, G12A, G12B, G12C
	07	H06A, H06B, H06C		07	H06A, H06B, H06C		07	H06A, H06B, H06C
	08	I12A, I12B, I12C, I28A, I28B		08	I12A, I12B, I12C, I28A, I28B		08	I12A, I12B, I12C, I28A, I28B
	09	J03A, J03B, J04A, J04B, J08A, J08B, J08C, J16Z, J21Z, J22A, J22B		09	J03A, J03B, J04A, J04B, J08A, J08B, J08C, J16Z, J21Z, J22A, J22B		09	J03A, J03B, J04A, J04B, J08A, J08B, J08C, J16Z, J21Z, J22A, J22B
	10	K09A, K09B		10	K09A, K09B		10	K09A, K09B
	11	L09A, L09B, L09C, L09D, L38Z		11	L09A, L09B, L09C, L09D, L38Z		11	L09A, L09B, L09C, L09D, L38Z
	13	N11A, N11B		13	N11A, N11B		13	N11A, N11B
	21A	W04A, W04B		21A	W04A, W04B		21A	W04A, W04B
	21B	X06A, X06B, X06C		21B	X06A, X06B, X06C		21B	X06A, X06B, X06C

VYK

ZZV	MDC	DRG	ZZV	MDC	DRG	ZZV	MDC	DRG
5t80c.6↔		BOP, KVT, UOP4	5t80c.9↔		BOP, KVT, UOP4	5t80d.1↔		BOP, KVT, UOP4
	01	B03A, B03B, B06A, B06B, B07Z, B17A, B17B, B17C		01	B03A, B03B, B06A, B06B, B07Z, B17A, B17B, B17C		01	B03A, B03B, B06A, B06B, B07Z, B17A, B17B, B17C
	03	D12A, D12B		03	D12A, D12B		03	D12A, D12B
	04	E02A, E02B, E02C		04	E02A, E02B, E02C		04	E02A, E02B, E02C
	05	F21A, F21B, F21C, F27A, F27B, F27C		05	F21A, F21B, F21C, F27A, F27B, F27C		05	F21A, F21B, F21C
	06	G10Z, G12A, G12B, G12C		06	G10Z, G12A, G12B, G12C		06	G10Z, G12A, G12B, G12C
	07	H06A, H06B, H06C		07	H06A, H06B, H06C		07	H06A, H06B, H06C
	08	I12A, I12B, I12C, I28A, I28B		08	I12A, I12B, I12C, I20D, I28A, I28B		08	I12A, I12B, I12C, I28A, I28B
	09	J03A, J03B, J04A, J04B, J08A, J08B, J08C, J16Z, J21Z, J22A, J22B		09	J03A, J03B, J04A, J04B, J08A, J08B, J08C, J16Z, J21Z, J22A, J22B		09	J03A, J03B, J04A, J04B, J08A, J08B, J08C, J16Z, J21Z, J22A, J22B
	10	K01Z		10	K01Z		10	K09A, K09B
	11	L09A, L09B, L09C, L09D, L38Z		11	L09A, L09B, L09C, L09D, L38Z		11	L09A, L09B, L09C, L09D, L38Z
	13	N11A, N11B		13	N11A, N11B		13	N11A, N11B
	21A	W04A, W04B		21A	W04A, W04B		21A	W04A, W04B
	21B	X06A, X06B, X06C		21B	X06A, X06B, X06C		21B	X06A, X06B, X06C
5t80c.7↔		BOP, KVT, UOP4	5t80c.x		BOP, KVT, UOP4	5t80d.2↔		BOP, KVT, UOP4
	01	B03A, B03B, B06A, B06B, B07Z, B17A, B17B, B17C		01	B03A, B03B, B06A, B06B, B07Z, B17A, B17B, B17C		01	B03A, B03B, B06A, B06B, B07Z, B17A, B17B, B17C
	03	D12A, D12B		03	D12A, D12B		03	D12A, D12B
	04	E02A, E02B, E02C		04	E02A, E02B, E02C		04	E02A, E02B, E02C
	05	F21A, F21B, F21C, F27A, F27B, F27C		05	F21A, F21B, F21C		05	F21A, F21B, F21C
	06	G10Z, G12A, G12B, G12C		06	G10Z, G12A, G12B, G12C		06	G10Z, G12A, G12B, G12C
	07	H06A, H06B, H06C		07	H06A, H06B, H06C		07	H06A, H06B, H06C
	08	I12A, I12B, I12C, I28A, I28B		08	I12A, I12B, I12C, I28A, I28B		08	I12A, I12B, I12C, I28A, I28B
	09	J03A, J03B, J04A, J04B, J08A, J08B, J08C, J16Z, J21Z, J22A, J22B		09	J03A, J03B, J04A, J04B, J08A, J08B, J08C, J16Z, J21Z, J22A, J22B		09	J03A, J03B, J04A, J04B, J08A, J08B, J08C, J16Z, J21Z, J22A, J22B
	10	K01Z		11	L09A, L09B, L09C, L09D, L38Z		10	K09A, K09B
	11	L09A, L09B, L09C, L09D, L38Z		13	N11A, N11B		11	L09A, L09B, L09C, L09D, L38Z
	13	N11A, N11B		21A	W04A, W04B		13	N11A, N11B
	21A	W04A, W04B		21B	X06A, X06B, X06C		21A	W04A, W04B
	21B	X06A, X06B, X06C		21B	X06A, X06B, X06C		21B	X06A, X06B, X06C
5t80c.8↔		BOP, KVT, UOP4	5t80d.0↔		BOP, KVT, UOP4	5t80d.3↔		BOP, KVT, UOP4
	01	B03A, B03B, B06A, B06B, B07Z, B17A, B17B, B17C		01	B03A, B03B, B06A, B06B, B07Z, B17A, B17B, B17C		01	B03A, B03B, B06A, B06B, B07Z, B17A, B17B, B17C
	03	D12A, D12B		03	D12A, D12B		03	D12A, D12B
	04	E02A, E02B, E02C		04	E02A, E02B, E02C		04	E02A, E02B, E02C
	05	F21A, F21B, F21C, F27A, F27B, F27C		05	F21A, F21B, F21C		05	F21A, F21B, F21C
	06	G10Z, G12A, G12B, G12C		06	G10Z, G12A, G12B, G12C		06	G10Z, G12A, G12B, G12C
	07	H06A, H06B, H06C		07	H06A, H06B, H06C		07	H06A, H06B, H06C
	08	I12A, I12B, I12C, I28A, I28B		08	I12A, I12B, I12C, I28A, I28B		08	I12A, I12B, I12C, I28A, I28B
	09	J03A, J03B, J04A, J04B, J08A, J08B, J08C, J16Z, J21Z, J22A, J22B		09	J03A, J03B, J04A, J04B, J08A, J08B, J08C, J16Z, J21Z, J22A, J22B		09	J03A, J03B, J04A, J04B, J08A, J08B, J08C, J16Z, J21Z, J22A, J22B
	10	K01Z		10	K09A, K09B		10	K09A, K09B
	11	L09A, L09B, L09C, L09D, L38Z		11	L09A, L09B, L09C, L09D, L38Z		11	L09A, L09B, L09C, L09D, L38Z
	13	N11A, N11B		13	N11A, N11B		13	N11A, N11B
	21A	W04A, W04B		21A	W04A, W04B		21A	W04A, W04B
	21B	X06A, X06B, X06C		21B	X06A, X06B, X06C		21B	X06A, X06B, X06C

ZZV	MDC	DRG	ZZV	MDC	DRG	ZZV	MDC	DRG
5t80x.5		BOP, KVT, UOP4	5t810.1↔		BOP, KVT, UOP4	5t810.8↔		BOP, KVT, UOP4
	01	B03A, B03B, B06A, B06B, B07Z, B17A, B17B, B17C		01	B03A, B03B, B06A, B06B, B17A, B17B, B17C		01	B03A, B03B, B06A, B06B, B17A, B17B, B17C
	08	I27A, I27B, I27C, I27D		08	I27A, I27B, I27C, I27D		08	I27A, I27B, I27C, I27D
	09	J03A, J03B, J04A, J04B, J08A, J08B, J08C, J11A, J11B, J16Z		09	J03A, J03B, J04A, J04B, J08A, J08B, J11A, J11B, J16Z		09	J03A, J03B, J04A, J04B, J08A, J08B, J11A, J11B, J16Z
	21A	W04A, W04B		21A	W04A, W04B		21A	W04A, W04B
5t80x.6↔	21B	X06A, X06B, X06C	5t810.2↔	21B	X06A, X06B, X06C	5t810.9↔	21B	X04Z, X06A, X06B, X06C
		BOP, KVT, UOP4			BOP, KVT, UOP4			BOP, KVT, UOP4
	01	B03A, B03B, B06A, B06B, B07Z, B17A, B17B, B17C		01	B03A, B03B, B06A, B06B, B17A, B17B, B17C		01	B03A, B03B, B06A, B06B, B17A, B17B, B17C
	08	I27A, I27B, I27C, I27D		08	I27A, I27B, I27C, I27D		08	I27A, I27B, I27C, I27D
	09	J03A, J03B, J04A, J04B, J08A, J08B, J08C, J11A, J11B, J16Z		09	J03A, J03B, J04A, J04B, J08A, J08B, J11A, J11B, J16Z		09	J03A, J03B, J04A, J04B, J08A, J08B, J11A, J11B, J16Z
5t80x.7↔	21A	W04A, W04B	5t810.3↔	21A	W04A, W04B	5t810.x	21A	W04A, W04B
	21B	X04Z, X06A, X06B, X06C		21B	X06A, X06B, X06C		21B	X04Z, X06A, X06B, X06C
		BOP, KVT, UOP4			BOP, KVT, UOP4			BOP, KVT, UOP4
	01	B03A, B03B, B06A, B06B, B07Z, B17A, B17B, B17C		01	B03A, B03B, B06A, B06B, B17A, B17B, B17C		01	B03A, B03B, B06A, B06B, B17A, B17B, B17C
	08	I27A, I27B, I27C, I27D		08	I27A, I27B, I27C, I27D		08	I27A, I27B, I27C, I27D
5t80x.8↔	09	J03A, J03B, J04A, J04B, J08A, J08B, J08C, J11A, J11B, J16Z	5t810.4↔	09	J03A, J03B, J04A, J04B, J08A, J08B, J11A, J11B, J16Z	5t811.0↔	09	J03A, J03B, J04A, J04B, J08A, J08B, J11A, J11B, J16Z
	21A	W04A, W04B		21A	W04A, W04B		21A	W04A, W04B
	21B	X04Z, X06A, X06B, X06C		21B	X05A, X05B, X06A, X06B, X06C		21B	X06A, X06B, X06C
		BOP, KVT, UOP4			BOP, KVT, UOP4			BOP, KVT, UOP4
	01	B03A, B03B, B06A, B06B, B07Z, B17A, B17B, B17C		01	B03A, B03B, B06A, B06B, B17A, B17B, B17C		01	B03A, B03B, B06A, B06B, B07Z, B17A, B17B, B17C
5t80x.9↔	08	I27A, I27B, I27C, I27D	5t810.5↔	01	B03A, B03B, B06A, B06B, B17A, B17B, B17C	5t811.1↔	05	F27A, F27B, F27C
	09	J03A, J03B, J04A, J04B, J08A, J08B, J08C, J11A, J11B, J16Z		08	I27A, I27B, I27C, I27D		08	I12A, I12B, I12C, I27A, I27B, I27C, I27D
	21A	W04A, W04B		09	J03A, J03B, J04A, J04B, J08A, J08B, J11A, J11B, J16Z		09	J08A
	21B	X04Z, X06A, X06B, X06C		21A	W04A, W04B		10	K09A, K09B
		BOP, KVT, UOP4		21B	X06A, X06B, X06C		21A	W04A, W04B
5t80x.x	01	B03A, B03B, B06A, B06B, B07Z, B17A, B17B, B17C	5t810.6↔	01	B03A, B03B, B06A, B06B, B17A, B17B, B17C	5t811.2↔	21B	X06A, X06B, X06C
	08	I27A, I27B, I27C, I27D		08	I27A, I27B, I27C, I27D		01	B03A, B03B, B06A, B06B, B07Z, B17A, B17B, B17C
	09	J03A, J03B, J04A, J04B, J08A, J08B, J08C, J11A, J11B, J16Z		09	J03A, J03B, J04A, J04B, J08A, J08B, J11A, J11B, J16Z		05	F27A, F27B, F27C
	21A	W04A, W04B		21A	W04A, W04B		08	I12A, I12B, I12C, I27A, I27B, I27C, I27D
	21B	X06A, X06B, X06C		21B	X04Z, X06A, X06B, X06C		09	J08A
5t810.0↔		BOP, KVT, UOP4	5t810.7↔		BOP, KVT, UOP4	5t811.3↔	10	K09A, K09B
	01	B03A, B03B, B06A, B06B, B17A, B17B, B17C		01	B03A, B03B, B06A, B06B, B17A, B17B, B17C		21A	W04A, W04B
	03	D18Z, D28Z, D29Z		08	I27A, I27B, I27C, I27D		21B	X06A, X06B, X06C
	08	I27A, I27B, I27C, I27D		08	I27A, I27B, I27C, I27D			BOP, KVT, UOP4
	09	J03A, J03B, J04A, J04B, J08A, J08B, J11A, J11B, J16Z		09	J03A, J03B, J04A, J04B, J08A, J08B, J11A, J11B, J16Z		01	B03A, B03B, B06A, B06B, B07Z, B17A, B17B, B17C
21A	W04A, W04B	21A	W04A, W04B	05	F27A, F27B, F27C			
21B	X06A, X06B, X06C	21B	X04Z, X06A, X06B, X06C	08	I12A, I12B, I12C, I27A, I27B, I27C, I27D			
				09	J08A			
				10	K09A, K09B			
				21A	W04A, W04B			
				21B	X06A, X06B, X06C			
					BOP, KVT, UOP4			
				01	B03A, B03B, B06A, B06B, B07Z, B17A, B17B, B17C			
				05	F27A, F27B, F27C			
				08	I12A, I12B, I12C, I27A, I27B, I27C, I27D			
				09	J08A			
				10	K09A, K09B			
				21A	W04A, W04B			
				21B	X05A, X05B, X06A, X06B, X06C			

ZZV	MDC	DRG	ZZV	MDC	DRG	ZZV	MDC	DRG			
5t811.4↔		BOP, KVT, UOP4	5t812.0↔		BOP, KVT, UOP4	5t812.6↔		BOP, KVT, UOP4			
	01	B03A, B03B, B06A, B06B, B07Z, B17A, B17B, B17C		01	B03A, B03B, B06A, B06B, B07Z, B17A, B17B, B17C		01	B03A, B03B, B06A, B06B, B07Z, B17A, B17B, B17C			
	05	F27A, F27B, F27C		05	F27A, F27B, F27C		05	F27A, F27B, F27C			
	08	I12A, I12B, I12C, I27A, I27B, I27C, I27D		08	I12A, I12B, I12C, I27A, I27B, I27C, I27D		08	I12A, I12B, I12C, I27A, I27B, I27C, I27D			
	09	J08A		09	J08A		09	J08A			
	10	K09A, K09B		10	K09A, K09B		10	K09A, K09B			
	21A	W04A, W04B		21A	W04A, W04B		21A	W04A, W04B			
	21B	X06A, X06B, X06C		21B	X06A, X06B, X06C		21B	X04Z, X06A, X06B, X06C			
	5t811.5↔			BOP, KVT, UOP4	5t812.1↔			BOP, KVT, UOP4	5t812.7↔		BOP, KVT, UOP4
		01		B03A, B03B, B06A, B06B, B07Z, B17A, B17B, B17C			01	B03A, B03B, B06A, B06B, B07Z, B17A, B17B, B17C		01	B03A, B03B, B06A, B06B, B07Z, B17A, B17B, B17C
05		F27A, F27B, F27C	05	F27A, F27B, F27C		05	F27A, F27B, F27C				
08		I12A, I12B, I12C, I27A, I27B, I27C, I27D	08	I12A, I12B, I12C, I27A, I27B, I27C, I27D		08	I12A, I12B, I12C, I27A, I27B, I27C, I27D				
09		J08A	09	J08A		09	J08A				
10		K09A, K09B	10	K09A, K09B		10	K09A, K09B				
21A		W04A, W04B	21A	W04A, W04B		21A	W04A, W04B				
21B		X06A, X06B, X06C	21B	X06A, X06B, X06C		21B	X04Z, X06A, X06B, X06C				
5t811.6↔			BOP, KVT, UOP4	5t812.2↔			BOP, KVT, UOP4	5t812.8↔			BOP, KVT, UOP4
		01	B03A, B03B, B06A, B06B, B07Z, B17A, B17B, B17C			01	B03A, B03B, B06A, B06B, B07Z, B17A, B17B, B17C			01	B03A, B03B, B06A, B06B, B07Z, B17A, B17B, B17C
	05	F27A, F27B, F27C	05		F27A, F27B, F27C	05	F27A, F27B, F27C				
	08	I12A, I12B, I12C, I27A, I27B, I27C, I27D	08		I12A, I12B, I12C, I27A, I27B, I27C, I27D	08	I12A, I12B, I12C, I27A, I27B, I27C, I27D				
	09	J08A	09		J08A	09	J08A				
	10	K09A, K09B	10		K09A, K09B	10	K09A, K09B				
	21A	W04A, W04B	21A		W04A, W04B	21A	W04A, W04B				
	21B	X04Z, X06A, X06B, X06C	21B		X06A, X06B, X06C	21B	X04Z, X06A, X06B, X06C				
	5t811.7↔		BOP, KVT, UOP4		5t812.3↔		BOP, KVT, UOP4		5t812.9↔		BOP, KVT, UOP4
		01	B03A, B03B, B06A, B06B, B07Z, B17A, B17B, B17C			01	B03A, B03B, B06A, B06B, B07Z, B17A, B17B, B17C			01	B03A, B03B, B06A, B06B, B07Z, B17A, B17B, B17C
05		F27A, F27B, F27C	05	F27A, F27B, F27C		05	F27A, F27B, F27C				
08		I12A, I12B, I12C, I27A, I27B, I27C, I27D	08	I12A, I12B, I12C, I27A, I27B, I27C, I27D		08	I12A, I12B, I12C, I27A, I27B, I27C, I27D				
09		J08A	09	J08A		09	J08A				
10		K09A, K09B	10	K09A, K09B		10	K09A, K09B				
21A		W04A, W04B	21A	W04A, W04B		21A	W04A, W04B				
21B		X04Z, X06A, X06B, X06C	21B	X05A, X05B, X06A, X06B, X06C		21B	X04Z				
5t811.8↔			BOP, KVT, UOP4	5t812.4↔			BOP, KVT, UOP4	5t812.x			BOP, KVT, UOP4
		01	B03A, B03B, B06A, B06B, B07Z, B17A, B17B, B17C			01	B03A, B03B, B06A, B06B, B07Z, B17A, B17B, B17C			01	B03A, B03B, B06A, B06B, B07Z, B17A, B17B, B17C
	05	F27A, F27B, F27C	05		F27A, F27B, F27C	05	F27A, F27B, F27C				
	08	I12A, I12B, I12C, I27A, I27B, I27C, I27D	08		I12A, I12B, I12C, I27A, I27B, I27C, I27D	08	I12A, I12B, I12C, I27A, I27B, I27C, I27D				
	09	J08A	09		J08A	09	J08A				
	10	K09A, K09B	09		J08A	10	K09A, K09B				
	21A	W04A, W04B	10		K09A, K09B	21A	W04A, W04B				
	21B	X04Z, X06A, X06B, X06C	21A		W04A, W04B	21B	X06A, X06B, X06C				
	5t811.9↔		BOP, KVT, UOP4		5t812.5↔		BOP, KVT, UOP4		5t813.0↔		BOP, KVT, UOP4
		01	B03A, B03B, B06A, B06B, B07Z, B17A, B17B, B17C			01	B03A, B03B, B06A, B06B, B07Z, B17A, B17B, B17C			08	I27A, I27B, I27C, I27D
05		F27A, F27B, F27C	05	F27A, F27B, F27C		09	J08A				
08		I12A, I12B, I12C, I27A, I27B, I27C, I27D	05	F27A, F27B, F27C		21A	W04A, W04B				
09		J08A	08	I12A, I12B, I12C, I27A, I27B, I27C, I27D		21B	X06A, X06B, X06C				
10		K09A, K09B	09	J08A			BOP, KVT, UOP4				
21A		W04A, W04B	09	J08A		5t813.1↔	08	I27A, I27B, I27C, I27D			
21B		X04Z	10	K09A, K09B			09	J08A			
5t811.x			BOP, KVT, UOP4	5t812.5↔			BOP, KVT, UOP4	5t813.2↔			BOP, KVT, UOP4
		01	B03A, B03B, B06A, B06B, B07Z, B17A, B17B, B17C			01	B03A, B03B, B06A, B06B, B07Z, B17A, B17B, B17C			08	I27A, I27B, I27C, I27D
	05	F27A, F27B, F27C	05		F27A, F27B, F27C	09	J08A				
	08	I12A, I12B, I12C, I27A, I27B, I27C, I27D	08		I12A, I12B, I12C, I27A, I27B, I27C, I27D	21A	W04A, W04B				
	09	J08A	09		J08A	21B	X06A, X06B, X06C				
	10	K09A, K09B	10		K09A, K09B		BOP, KVT, UOP4				
	21A	W04A, W04B	21A		W04A, W04B		I27A, I27B, I27C, I27D				
	21B	X06A, X06B, X06C	21B		X06A, X06B, X06C		J08A				

VYK

ZZV	MDC	DRG	ZZV	MDC	DRG	ZZV	MDC	DRG
5t816.1↔		BOP, KVT, UOP4	5t816.8↔		BOP, KVT, UOP4	5t817.4↔		BOP, KVT, UOP4
	01	B03A, B03B, B06A, B06B, B07Z, B17A, B17B, B17C		01	B03A, B03B, B06A, B06B, B07Z, B17A, B17B, B17C		01	B03A, B03B, B06A, B06B, B07Z, B17A, B17B, B17C
	08	I12A, I12B, I12C, I27A, I27B, I27C, I27D		08	I12A, I12B, I12C, I27A, I27B, I27C, I27D		08	I12A, I12B, I12C, I27A, I27B, I27C, I27D
	09	J03A, J03B, J04A, J04B, J08A, J08B, J11A, J11B, J16Z		09	J03A, J03B, J04A, J04B, J08A, J08B, J11A, J11B, J16Z		09	J03A, J03B, J04A, J04B, J08A, J08B, J11A, J11B, J16Z
	21A	W04A, W04B		21A	W04A, W04B		21A	W04A, W04B
5t816.2↔	21B	X06A, X06B, X06C	5t816.9↔	21B	X04Z, X06A, X06B, X06C	5t817.5↔	21B	X06A, X06B, X06C
		BOP, KVT, UOP4			BOP, KVT, UOP4			BOP, KVT, UOP4
	01	B03A, B03B, B06A, B06B, B07Z, B17A, B17B, B17C		01	B03A, B03B, B06A, B06B, B07Z, B17A, B17B, B17C		01	B03A, B03B, B06A, B06B, B07Z, B17A, B17B, B17C
	08	I12A, I12B, I12C, I27A, I27B, I27C, I27D		08	I12A, I12B, I12C, I27A, I27B, I27C, I27D		08	I12A, I12B, I12C, I27A, I27B, I27C, I27D
	09	J03A, J03B, J04A, J04B, J08A, J08B, J11A, J11B, J16Z		09	J03A, J03B, J04A, J04B, J08A, J08B, J11A, J11B, J16Z		09	J03A, J03B, J04A, J04B, J08A, J08B, J11A, J11B, J16Z
5t816.3↔	21A	W04A, W04B	5t816.x	21A	W04A, W04B	5t817.6↔	21A	W04A, W04B
	21B	X06A, X06B, X06C		21B	X04Z		21B	X06A, X06B, X06C
		BOP, KVT, UOP4			BOP, KVT, UOP4			BOP, KVT, UOP4
	01	B03A, B03B, B06A, B06B, B07Z, B17A, B17B, B17C		01	B03A, B03B, B06A, B06B, B07Z, B17A, B17B, B17C		01	B03A, B03B, B06A, B06B, B07Z, B17A, B17B, B17C
	08	I12A, I12B, I12C, I27A, I27B, I27C, I27D		08	I12A, I12B, I12C, I27A, I27B, I27C, I27D		08	I12A, I12B, I12C, I27A, I27B, I27C, I27D
5t816.4↔	09	J03A, J03B, J04A, J04B, J08A, J08B, J11A, J11B, J16Z	5t817.0↔	09	J03A, J03B, J04A, J04B, J08A, J08B, J11A, J11B, J16Z	5t817.7↔	09	J03A, J03B, J04A, J04B, J08A, J08B, J11A, J11B, J16Z
	21A	W04A, W04B		21A	W04A, W04B		21A	W04A, W04B
	21B	X04Z, X06A, X06B, X06C		21B	X06A, X06B, X06C		21B	X04Z, X06A, X06B, X06C
		BOP, KVT, UOP4			BOP, KVT, UOP4			BOP, KVT, UOP4
	01	B03A, B03B, B06A, B06B, B07Z, B17A, B17B, B17C		01	B03A, B03B, B06A, B06B, B07Z, B17A, B17B, B17C		01	B03A, B03B, B06A, B06B, B07Z, B17A, B17B, B17C
5t816.5↔	08	I12A, I12B, I12C, I27A, I27B, I27C, I27D	5t817.1↔	08	I12A, I12B, I12C, I27A, I27B, I27C, I27D	5t817.8↔	08	I12A, I12B, I12C, I27A, I27B, I27C, I27D
	09	J03A, J03B, J04A, J04B, J08A, J08B, J11A, J11B, J16Z		09	J03A, J03B, J04A, J04B, J08A, J08B, J11A, J11B, J16Z		09	J03A, J03B, J04A, J04B, J08A, J08B, J11A, J11B, J16Z
	21A	W04A, W04B		21A	W04A, W04B		21A	W04A, W04B
	21B	X06A, X06B, X06C		21B	X06A, X06B, X06C		21B	X04Z, X06A, X06B, X06C
		BOP, KVT, UOP4			BOP, KVT, UOP4			BOP, KVT, UOP4
5t816.6↔	01	B03A, B03B, B06A, B06B, B07Z, B17A, B17B, B17C	5t817.2↔	01	B03A, B03B, B06A, B06B, B07Z, B17A, B17B, B17C	5t817.9↔	01	B03A, B03B, B06A, B06B, B07Z, B17A, B17B, B17C
	08	I12A, I12B, I12C, I27A, I27B, I27C, I27D		08	I12A, I12B, I12C, I27A, I27B, I27C, I27D		08	I12A, I12B, I12C, I27A, I27B, I27C, I27D
	09	J03A, J03B, J04A, J04B, J08A, J08B, J11A, J11B, J16Z		09	J03A, J03B, J04A, J04B, J08A, J08B, J11A, J11B, J16Z		09	J03A, J03B, J04A, J04B, J08A, J08B, J11A, J11B, J16Z
	21A	W04A, W04B		21A	W04A, W04B		21A	W04A, W04B
	21B	X04Z, X06A, X06B, X06C		21B	X06A, X06B, X06C		21B	X04Z
5t816.7↔		BOP, KVT, UOP4	5t817.3↔		BOP, KVT, UOP4	5t817.x		BOP, KVT, UOP4
	01	B03A, B03B, B06A, B06B, B07Z, B17A, B17B, B17C		01	B03A, B03B, B06A, B06B, B07Z, B17A, B17B, B17C		01	B03A, B03B, B06A, B06B, B07Z, B17A, B17B, B17C
	08	I12A, I12B, I12C, I27A, I27B, I27C, I27D		08	I12A, I12B, I12C, I27A, I27B, I27C, I27D		08	I12A, I12B, I12C, I27A, I27B, I27C, I27D
	09	J03A, J03B, J04A, J04B, J08A, J08B, J11A, J11B, J16Z		09	J03A, J03B, J04A, J04B, J08A, J08B, J11A, J11B, J16Z		09	J03A, J03B, J04A, J04B, J08A, J08B, J11A, J11B, J16Z
	21A	W04A, W04B		21A	W04A, W04B		21A	W04A, W04B
21B	X04Z, X06A, X06B, X06C	21B	X04Z, X06A, X06B, X06C	21B	X06A, X06B, X06C			

VYK

ZZV	MDC	DRG	ZZV	MDC	DRG	ZZV	MDC	DRG
5t818.0↔		BOP, KVT, UOP4	5t818.7↔		BOP, KVT, UOP4	5t819.3↔		BOP, KVT, UOP4
	01	B03A, B03B, B06A, B06B, B07Z, B17A, B17B, B17C		01	B03A, B03B, B06A, B06B, B07Z, B17A, B17B, B17C		01	B03A, B03B, B06A, B06B, B07Z, B17A, B17B, B17C
	08	I12A, I12B, I12C, I27A, I27B, I27C, I27D		08	I12A, I12B, I12C, I27A, I27B, I27C, I27D		08	I12A, I12B, I12C, I27A, I27B, I27C, I27D
	09	J03A, J03B, J04A, J04B, J08A, J08B, J11A, J11B, J16Z		09	J03A, J03B, J04A, J04B, J08A, J08B, J11A, J11B, J16Z		09	J03A, J03B, J04A, J04B, J08A, J08B, J11A, J11B, J16Z
	21A	W04A, W04B		21A	W04A, W04B		21A	W04A, W04B
5t818.1↔	21B	X06A, X06B, X06C	5t818.8↔	21B	X04Z, X06A, X06B, X06C	5t819.4↔	21B	X05A, X05B, X06A, X06B, X06C
		BOP, KVT, UOP4			BOP, KVT, UOP4			BOP, KVT, UOP4
	01	B03A, B03B, B06A, B06B, B07Z, B17A, B17B, B17C		01	B03A, B03B, B06A, B06B, B07Z, B17A, B17B, B17C		01	B03A, B03B, B06A, B06B, B07Z, B17A, B17B, B17C
	08	I12A, I12B, I12C, I27A, I27B, I27C, I27D		08	I12A, I12B, I12C, I27A, I27B, I27C, I27D		08	I12A, I12B, I12C, I27A, I27B, I27C, I27D
	09	J03A, J03B, J04A, J04B, J08A, J08B, J11A, J11B, J16Z		09	J03A, J03B, J04A, J04B, J08A, J08B, J11A, J11B, J16Z		09	J03A, J03B, J04A, J04B, J08A, J08B, J11A, J11B, J16Z
5t818.2↔	21A	W04A, W04B	5t818.9↔	21A	W04A, W04B	5t819.5↔	21A	W04A, W04B
	21B	X06A, X06B, X06C		21B	X04Z, X06A, X06B, X06C		21B	X06A, X06B, X06C
		BOP, KVT, UOP4			BOP, KVT, UOP4			BOP, KVT, UOP4
	01	B03A, B03B, B06A, B06B, B07Z, B17A, B17B, B17C		01	B03A, B03B, B06A, B06B, B07Z, B17A, B17B, B17C		01	B03A, B03B, B06A, B06B, B07Z, B17A, B17B, B17C
	08	I12A, I12B, I12C, I27A, I27B, I27C, I27D		08	I12A, I12B, I12C, I27A, I27B, I27C, I27D		08	I12A, I12B, I12C, I27A, I27B, I27C, I27D
5t818.3↔	09	J03A, J03B, J04A, J04B, J08A, J08B, J11A, J11B, J16Z	5t818.x	09	J03A, J03B, J04A, J04B, J08A, J08B, J11A, J11B, J16Z	5t819.6↔	09	J03A, J03B, J04A, J04B, J08A, J08B, J11A, J11B, J16Z
	21A	W04A, W04B		21A	W04A, W04B		21A	W04A, W04B
	21B	X06A, X06B, X06C		21B	X04Z		21B	X06A, X06B, X06C
		BOP, KVT, UOP4			BOP, KVT, UOP4			BOP, KVT, UOP4
	01	B03A, B03B, B06A, B06B, B07Z, B17A, B17B, B17C		01	B03A, B03B, B06A, B06B, B07Z, B17A, B17B, B17C		01	B03A, B03B, B06A, B06B, B07Z, B17A, B17B, B17C
5t818.4↔	08	I12A, I12B, I12C, I27A, I27B, I27C, I27D	5t819.0↔	08	I12A, I12B, I12C, I27A, I27B, I27C, I27D	5t819.7↔	08	I12A, I12B, I12C, I27A, I27B, I27C, I27D
	09	J03A, J03B, J04A, J04B, J08A, J08B, J11A, J11B, J16Z		09	J03A, J03B, J04A, J04B, J08A, J08B, J11A, J11B, J16Z		09	J03A, J03B, J04A, J04B, J08A, J08B, J11A, J11B, J16Z
	21A	W04A, W04B		21A	W04A, W04B		21A	W04A, W04B
	21B	X05A, X05B, X06A, X06B, X06C		21B	X06A, X06B, X06C		21B	X04Z, X06A, X06B, X06C
		BOP, KVT, UOP4			BOP, KVT, UOP4			BOP, KVT, UOP4
5t818.5↔	01	B03A, B03B, B06A, B06B, B07Z, B17A, B17B, B17C	5t819.1↔	01	B03A, B03B, B06A, B06B, B07Z, B17A, B17B, B17C	5t819.8↔	01	B03A, B03B, B06A, B06B, B07Z, B17A, B17B, B17C
	08	I12A, I12B, I12C, I27A, I27B, I27C, I27D		08	I12A, I12B, I12C, I27A, I27B, I27C, I27D		08	I12A, I12B, I12C, I27A, I27B, I27C, I27D
	09	J03A, J03B, J04A, J04B, J08A, J08B, J11A, J11B, J16Z		09	J03A, J03B, J04A, J04B, J08A, J08B, J11A, J11B, J16Z		09	J03A, J03B, J04A, J04B, J08A, J08B, J11A, J11B, J16Z
	21A	W04A, W04B		21A	W04A, W04B		21A	W04A, W04B
	21B	X06A, X06B, X06C		21B	X06A, X06B, X06C		21B	X04Z, X06A, X06B, X06C
5t818.6↔		BOP, KVT, UOP4	5t819.2↔		BOP, KVT, UOP4	5t819.9↔		BOP, KVT, UOP4
	01	B03A, B03B, B06A, B06B, B07Z, B17A, B17B, B17C		01	B03A, B03B, B06A, B06B, B07Z, B17A, B17B, B17C		01	B03A, B03B, B06A, B06B, B07Z, B17A, B17B, B17C
	08	I12A, I12B, I12C, I27A, I27B, I27C, I27D		08	I12A, I12B, I12C, I27A, I27B, I27C, I27D		08	I12A, I12B, I12C, I27A, I27B, I27C, I27D
	09	J03A, J03B, J04A, J04B, J08A, J08B, J11A, J11B, J16Z		09	J03A, J03B, J04A, J04B, J08A, J08B, J11A, J11B, J16Z		09	J03A, J03B, J04A, J04B, J08A, J08B, J11A, J11B, J16Z
	21A	W04A, W04B		21A	W04A, W04B		21A	W04A, W04B
21B	X04Z, X06A, X06B, X06C	21B	X06A, X06B, X06C	21B	X04Z			

ZZV	MDC	DRG	ZZV	MDC	DRG	ZZV	MDC	DRG
5t819.x		BOP, KVT, UOP4	5t81a.6↔		BOP, KVT, UOP4	5t81b.2↔		BOP, KVT, UOP4
	01	B03A, B03B, B06A, B06B, B07Z, B17A, B17B, B17C		01	B03A, B03B, B06A, B06B, B07Z, B17A, B17B, B17C		01	B03A, B03B, B06A, B06B, B07Z, B17A, B17B, B17C
	08	I12A, I12B, I12C, I27A, I27B, I27C, I27D		08	I12A, I12B, I12C, I27A, I27B, I27C, I27D		08	I12A, I12B, I12C, I27A, I27B, I27C, I27D
	09	J03A, J03B, J04A, J04B, J08A, J08B, J11A, J11B, J16Z		09	J03A, J03B, J04A, J04B, J08A, J08B, J11A, J11B, J16Z		09	J03A, J03B, J04A, J04B, J08A, J08B, J11A, J11B, J16Z
	21A	W04A, W04B		21A	W04A, W04B		21A	W04A, W04B
5t81a.0↔	21B	X06A, X06B, X06C	5t81a.7↔	21B	X04Z, X06A, X06B, X06C	5t81b.3↔	21B	X06A, X06B, X06C
		BOP, KVT, UOP4			BOP, KVT, UOP4			BOP, KVT, UOP4
	01	B03A, B03B, B06A, B06B, B07Z, B17A, B17B, B17C		01	B03A, B03B, B06A, B06B, B07Z, B17A, B17B, B17C		01	B03A, B03B, B06A, B06B, B07Z, B17A, B17B, B17C
	08	I12A, I12B, I12C, I27A, I27B, I27C, I27D		08	I12A, I12B, I12C, I27A, I27B, I27C, I27D		08	I12A, I12B, I12C, I27A, I27B, I27C, I27D
	09	J03A, J03B, J04A, J04B, J08A, J08B, J11A, J11B, J16Z		09	J03A, J03B, J04A, J04B, J08A, J08B, J11A, J11B, J16Z		09	J03A, J03B, J04A, J04B, J08A, J08B, J11A, J11B, J16Z
5t81a.1↔	21A	W04A, W04B	5t81a.8↔	21A	W04A, W04B	5t81b.4↔	21A	W04A, W04B
	21B	X06A, X06B, X06C		21B	X04Z, X06A, X06B, X06C		21B	X05A, X05B, X06A, X06B, X06C
		BOP, KVT, UOP4			BOP, KVT, UOP4			BOP, KVT, UOP4
	01	B03A, B03B, B06A, B06B, B07Z, B17A, B17B, B17C		01	B03A, B03B, B06A, B06B, B07Z, B17A, B17B, B17C		01	B03A, B03B, B06A, B06B, B07Z, B17A, B17B, B17C
	08	I12A, I12B, I12C, I27A, I27B, I27C, I27D		08	I12A, I12B, I12C, I27A, I27B, I27C, I27D		08	I12A, I12B, I12C, I27A, I27B, I27C, I27D
5t81a.2↔	09	J03A, J03B, J04A, J04B, J08A, J08B, J11A, J11B, J16Z	5t81a.9↔	09	J03A, J03B, J04A, J04B, J08A, J08B, J11A, J11B, J16Z	5t81b.5↔	09	J03A, J03B, J04A, J04B, J08A, J08B, J11A, J11B, J16Z
	21A	W04A, W04B		21A	W04A, W04B		21A	W04A, W04B
	21B	X06A, X06B, X06C		21B	X04Z, X06A, X06B, X06C		21B	X06A, X06B, X06C
		BOP, KVT, UOP4			BOP, KVT, UOP4			BOP, KVT, UOP4
	01	B03A, B03B, B06A, B06B, B07Z, B17A, B17B, B17C		01	B03A, B03B, B06A, B06B, B07Z, B17A, B17B, B17C		01	B03A, B03B, B06A, B06B, B07Z, B17A, B17B, B17C
5t81a.3↔	08	I12A, I12B, I12C, I27A, I27B, I27C, I27D	5t81a.x	08	I12A, I12B, I12C, I27A, I27B, I27C, I27D	5t81b.6↔	08	I12A, I12B, I12C, I27A, I27B, I27C, I27D
	09	J03A, J03B, J04A, J04B, J08A, J08B, J11A, J11B, J16Z		09	J03A, J03B, J04A, J04B, J08A, J08B, J11A, J11B, J16Z		09	J03A, J03B, J04A, J04B, J08A, J08B, J11A, J11B, J16Z
	21A	W04A, W04B		21A	W04A, W04B		21A	W04A, W04B
	21B	X06A, X06B, X06C		21B	X04Z		21B	X06A, X06B, X06C
		BOP, KVT, UOP4			BOP, KVT, UOP4			BOP, KVT, UOP4
5t81a.4↔	01	B03A, B03B, B06A, B06B, B07Z, B17A, B17B, B17C	5t81b.0↔	01	B03A, B03B, B06A, B06B, B07Z, B17A, B17B, B17C	5t81b.7↔	01	B03A, B03B, B06A, B06B, B07Z, B17A, B17B, B17C
	08	I12A, I12B, I12C, I27A, I27B, I27C, I27D		08	I12A, I12B, I12C, I27A, I27B, I27C, I27D		08	I12A, I12B, I12C, I27A, I27B, I27C, I27D
	09	J03A, J03B, J04A, J04B, J08A, J08B, J11A, J11B, J16Z		09	J03A, J03B, J04A, J04B, J08A, J08B, J11A, J11B, J16Z		09	J03A, J03B, J04A, J04B, J08A, J08B, J11A, J11B, J16Z
	21A	W04A, W04B		21A	W04A, W04B		21A	W04A, W04B
	21B	X06A, X06B, X06C		21B	X06A, X06B, X06C		21B	X04Z, X06A, X06B, X06C
5t81a.5↔		BOP, KVT, UOP4	5t81b.1↔		BOP, KVT, UOP4	5t81b.8↔		BOP, KVT, UOP4
	01	B03A, B03B, B06A, B06B, B07Z, B17A, B17B, B17C		01	B03A, B03B, B06A, B06B, B07Z, B17A, B17B, B17C		01	B03A, B03B, B06A, B06B, B07Z, B17A, B17B, B17C
	08	I12A, I12B, I12C, I27A, I27B, I27C, I27D		08	I12A, I12B, I12C, I27A, I27B, I27C, I27D		08	I12A, I12B, I12C, I27A, I27B, I27C, I27D
	09	J03A, J03B, J04A, J04B, J08A, J08B, J11A, J11B, J16Z		09	J03A, J03B, J04A, J04B, J08A, J08B, J11A, J11B, J16Z		09	J03A, J03B, J04A, J04B, J08A, J08B, J11A, J11B, J16Z
	21A	W04A, W04B		21A	W04A, W04B		21A	W04A, W04B
	X06A, X06B, X06C	21B	X06A, X06B, X06C	21B	X04Z, X06A, X06B, X06C			

VYK

ZZV	MDC	DRG	ZZV	MDC	DRG	ZZV	MDC	DRG
5t81b.9↔		BOP, KVT, UOP4	5t81c.5↔		BOP, KVT, UOP4	5t81d.1↔		BOP, KVT, UOP4
	01	B03A, B03B, B06A, B06B, B07Z, B17A, B17B, B17C		01	B03A, B03B, B06A, B06B, B07Z, B17A, B17B, B17C		01	B03A, B03B, B06A, B06B, B07Z, B17A, B17B, B17C
	08	I12A, I12B, I12C, I27A, I27B, I27C, I27D		08	I12A, I12B, I12C, I27A, I27B, I27C, I27D		08	I27A, I27B, I27C, I27D
	09	J03A, J03B, J04A, J04B, J08A, J08B, J11A, J11B, J16Z		09	J03A, J03B, J04A, J04B, J08A, J08B, J11A, J11B, J16Z		09	J03A, J03B, J04A, J04B, J08A, J08B, J11A, J11B, J16Z
	21A	W04A, W04B		21A	W04A, W04B		21A	W04A, W04B
5t81b.x	21B	X04Z	5t81c.6↔	21B	X06A, X06B, X06C	5t81d.2↔	21B	X05A, X05B, X06A, X06B, X06C
		BOP, KVT, UOP4			BOP, KVT, UOP4			BOP, KVT, UOP4
	01	B03A, B03B, B06A, B06B, B07Z, B17A, B17B, B17C		01	B03A, B03B, B06A, B06B, B07Z, B17A, B17B, B17C		01	B03A, B03B, B06A, B06B, B07Z, B17A, B17B, B17C
	08	I12A, I12B, I12C, I27A, I27B, I27C, I27D		08	I12A, I12B, I12C, I27A, I27B, I27C, I27D		08	I27A, I27B, I27C, I27D
	09	J03A, J03B, J04A, J04B, J08A, J08B, J11A, J11B, J16Z		09	J03A, J03B, J04A, J04B, J08A, J08B, J11A, J11B, J16Z		09	J03A, J03B, J04A, J04B, J08A, J08B, J11A, J11B, J16Z
5t81c.0↔	21A	W04A, W04B	5t81c.7↔	21A	W04A, W04B	5t81d.3↔	21A	W04A, W04B
	21B	X06A, X06B, X06C		21B	X05A, X05B, X06A, X06B, X06C		21B	X05A, X05B, X06A, X06B, X06C
		BOP, KVT, UOP4			BOP, KVT, UOP4			BOP, KVT, UOP4
	01	B03A, B03B, B06A, B06B, B07Z, B17A, B17B, B17C		01	B03A, B03B, B06A, B06B, B07Z, B17A, B17B, B17C		01	B03A, B03B, B06A, B06B, B07Z, B17A, B17B, B17C
	08	I12A, I12B, I12C, I27A, I27B, I27C, I27D		08	I12A, I12B, I12C, I27A, I27B, I27C, I27D		08	I27A, I27B, I27C, I27D
5t81c.1↔	09	J03A, J03B, J04A, J04B, J08A, J08B, J11A, J11B, J16Z	5t81c.8↔	09	J03A, J03B, J04A, J04B, J08A, J08B, J11A, J11B, J16Z	5t81d.4↔	09	J03A, J03B, J04A, J04B, J08A, J08B, J11A, J11B, J16Z
	21A	W04A, W04B		21A	W04A, W04B		21A	W04A, W04B
	21B	X06A, X06B, X06C		21B	X04Z, X06A, X06B, X06C		21B	X06A, X06B, X06C
		BOP, KVT, UOP4			BOP, KVT, UOP4			BOP, KVT, UOP4
	01	B03A, B03B, B06A, B06B, B07Z, B17A, B17B, B17C		01	B03A, B03B, B06A, B06B, B07Z, B17A, B17B, B17C		01	B03A, B03B, B06A, B06B, B07Z, B17A, B17B, B17C
5t81c.2↔	08	I12A, I12B, I12C, I27A, I27B, I27C, I27D	5t81c.9↔	08	I12A, I12B, I12C, I27A, I27B, I27C, I27D	5t81d.5↔	08	I27A, I27B, I27C, I27D
	09	J03A, J03B, J04A, J04B, J08A, J08B, J11A, J11B, J16Z		09	J03A, J03B, J04A, J04B, J08A, J08B, J11A, J11B, J16Z		09	J03A, J03B, J04A, J04B, J08A, J08B, J11A, J11B, J16Z
	21A	W04A, W04B		21A	W04A, W04B		21A	W04A, W04B
	21B	X06A, X06B, X06C		21B	X04Z, X06A, X06B, X06C		21B	X06A, X06B, X06C
		BOP, KVT, UOP4			BOP, KVT, UOP4			BOP, KVT, UOP4
5t81c.3↔	01	B03A, B03B, B06A, B06B, B07Z, B17A, B17B, B17C	5t81c.x	01	B03A, B03B, B06A, B06B, B07Z, B17A, B17B, B17C	5t81d.6↔	01	B03A, B03B, B06A, B06B, B07Z, B17A, B17B, B17C
	08	I12A, I12B, I12C, I27A, I27B, I27C, I27D		08	I12A, I12B, I12C, I27A, I27B, I27C, I27D		08	I27A, I27B, I27C, I27D
	09	J03A, J03B, J04A, J04B, J08A, J08B, J11A, J11B, J16Z		09	J03A, J03B, J04A, J04B, J08A, J08B, J11A, J11B, J16Z		09	J03A, J03B, J04A, J04B, J08A, J08B, J11A, J11B, J16Z
	21A	W04A, W04B		21A	W04A, W04B		21A	W04A, W04B
	21B	X06A, X06B, X06C		21B	X04Z		21B	X06A, X06B, X06C
5t81c.4↔		BOP, KVT, UOP4	5t81d.0↔		BOP, KVT, UOP4	5t81d.7↔		BOP, KVT, UOP4
	01	B03A, B03B, B06A, B06B, B07Z, B17A, B17B, B17C		01	B03A, B03B, B06A, B06B, B07Z, B17A, B17B, B17C		01	B03A, B03B, B06A, B06B, B07Z, B17A, B17B, B17C
	08	I12A, I12B, I12C, I27A, I27B, I27C, I27D		08	I27A, I27B, I27C, I27D		08	I27A, I27B, I27C, I27D
	09	J03A, J03B, J04A, J04B, J08A, J08B, J11A, J11B, J16Z		09	J03A, J03B, J04A, J04B, J08A, J08B, J11A, J11B, J16Z		09	J03A, J03B, J04A, J04B, J08A, J08B, J11A, J11B, J16Z
	21A	W04A, W04B		21A	W04A, W04B		21A	W04A, W04B
	X06A, X06B, X06C	21B	X06A, X06B, X06C	21B	X04Z, X06A, X06B, X06C			

ZZV	MDC	DRG	ZZV	MDC	DRG	ZZV	MDC	DRG
5t81d.8↔		BOP, KVT, UOP4	5t81x.8↔	08	I27A, I27B, I27C, I27D	5t820.7↔	01	B03A, B03B, B06A, B06B, B17A, B17B, B17C
	01	B03A, B03B, B06A, B06B, B07Z, B17A, B17B, B17C		09	J08A		08	I12A, I12B, I12C, I27A, I27B, I27C, I27D
	08	I27A, I27B, I27C, I27D		21A	W04A, W04B		21A	W04A, W04B
	09	J03A, J03B, J04A, J04B, J08A, J08B, J11A, J11B, J16Z		21B	X04Z, X06A, X06B, X06C		21B	X04Z, X06A, X06B, X06C
	21A	W04A, W04B			BOP, KVT, UOP4			BOP, KVT, UOP4
21B	X04Z, X06A, X06B, X06C		08	I27A, I27B, I27C, I27D	01	B03A, B03B, B06A, B06B, B17A, B17B, B17C		
5t81d.9↔		BOP, KVT, UOP4	5t81x.x	08	I27A, I27B, I27C, I27D	5t820.8↔	08	I12A, I12B, I12C, I27A, I27B, I27C, I27D
	01	B03A, B03B, B06A, B06B, B07Z, B17A, B17B, B17C		09	J08A		21A	W04A, W04B
	08	I27A, I27B, I27C, I27D		21A	W04A, W04B		21B	X04Z, X06A, X06B, X06C
	09	J03A, J03B, J04A, J04B, J08A, J08B, J11A, J11B, J16Z		21B	X06A, X06B, X06C			BOP, KVT, UOP4
	21A	W04A, W04B			BOP, KVT, UOP4		01	B03A, B03B, B06A, B06B, B17A, B17B, B17C
21B	X04Z, X06A, X06B, X06C		01	B03A, B03B, B06A, B06B, B17A, B17B, B17C	08	I12A, I12B, I12C, I27A, I27B, I27C, I27D		
5t81d.x		BOP, KVT, UOP4	5t820.0↔	08	I12A, I12B, I12C, I27A, I27B, I27C, I27D	5t820.9↔	08	I12A, I12B, I12C, I27A, I27B, I27C, I27D
	01	B03A, B03B, B06A, B06B, B07Z, B17A, B17B, B17C		01	B03A, B03B, B06A, B06B, B17A, B17B, B17C		01	B03A, B03B, B06A, B06B, B17A, B17B, B17C
	08	I27A, I27B, I27C, I27D		08	I12A, I12B, I12C, I27A, I27B, I27C, I27D		08	I12A, I12B, I12C, I27A, I27B, I27C, I27D
	09	J03A, J03B, J04A, J04B, J08A, J08B, J11A, J11B, J16Z		21A	W04A, W04B		21A	W04A, W04B
	21A	W04A, W04B		21B	X06A, X06B, X06C		21B	X04Z, X06A, X06B, X06C
21B	X04Z, X06A, X06B, X06C		BOP, KVT, UOP4		BOP, KVT, UOP4			
5t81x.0↔		BOP, KVT, UOP4	5t820.1↔	01	B03A, B03B, B06A, B06B, B17A, B17B, B17C	5t820.x	01	B03A, B03B, B06A, B06B, B17A, B17B, B17C
	08	I27A, I27B, I27C, I27D		08	I12A, I12B, I12C, I27A, I27B, I27C, I27D		08	I12A, I12B, I12C, I27A, I27B, I27C, I27D
	09	J08A		21A	W04A, W04B		21A	W04A, W04B
	21A	W04A, W04B		21B	X06A, X06B, X06C		21B	X06A, X06B, X06C
	21B	X06A, X06B, X06C			BOP, KVT, UOP4			BOP, KVT, UOP4
5t81x.1↔		BOP, KVT, UOP4	5t820.2↔	01	B03A, B03B, B06A, B06B, B17A, B17B, B17C	5t821.0↔	01	B03A, B03B, B06A, B06B, B17A, B17B, B17C
	08	I27A, I27B, I27C, I27D		08	I12A, I12B, I12C, I27A, I27B, I27C, I27D		08	I12A, I12B, I12C, I27A, I27B, I27C, I27D
	09	J08A		21A	W04A, W04B		21A	W04A, W04B
	21A	W04A, W04B		21B	X06A, X06B, X06C		21B	X06A, X06B, X06C
	21B	X06A, X06B, X06C			BOP, KVT, UOP4			BOP, KVT, UOP4
5t81x.2↔		BOP, KVT, UOP4	5t820.3↔	01	B03A, B03B, B06A, B06B, B17A, B17B, B17C	5t821.1↔	01	B03A, B03B, B06A, B06B, B17A, B17B, B17C
	08	I27A, I27B, I27C, I27D		08	I12A, I12B, I12C, I27A, I27B, I27C, I27D		08	I12A, I12B, I12C, I27A, I27B, I27C, I27D
	09	J08A		21A	W04A, W04B		21A	W04A, W04B
	21A	W04A, W04B		21B	X06A, X06B, X06C		21B	X06A, X06B, X06C
	21B	X06A, X06B, X06C			BOP, KVT, UOP4			BOP, KVT, UOP4
5t81x.3↔		BOP, KVT, UOP4	5t820.4↔	01	B03A, B03B, B06A, B06B, B17A, B17B, B17C	5t821.2↔	01	B03A, B03B, B06A, B06B, B17A, B17B, B17C
	08	I27A, I27B, I27C, I27D		08	I12A, I12B, I12C, I27A, I27B, I27C, I27D		08	I12A, I12B, I12C, I27A, I27B, I27C, I27D
	09	J08A		21A	W04A, W04B		21A	W04A, W04B
	21A	W04A, W04B		21B	X05A, X05B, X06A, X06B, X06C		21B	X06A, X06B, X06C
	21B	X05A, X05B, X06A, X06B, X06C			BOP, KVT, UOP4			BOP, KVT, UOP4
5t81x.4		BOP, KVT, UOP4	5t820.5↔	01	B03A, B03B, B06A, B06B, B17A, B17B, B17C	5t821.3↔	01	B03A, B03B, B06A, B06B, B17A, B17B, B17C
	08	I27A, I27B, I27C, I27D		08	I12A, I12B, I12C, I27A, I27B, I27C, I27D		08	I12A, I12B, I12C, I27A, I27B, I27C, I27D
	09	J08A		21A	W04A, W04B		21A	W04A, W04B
	21A	W04A, W04B		21B	X06A, X06B, X06C		21B	X06A, X06B, X06C
	21B	X06A, X06B, X06C			BOP, KVT, UOP4			BOP, KVT, UOP4
5t81x.5		BOP, KVT, UOP4	5t820.6↔	01	B03A, B03B, B06A, B06B, B17A, B17B, B17C	5t821.4↔	01	B03A, B03B, B06A, B06B, B17A, B17B, B17C
	08	I27A, I27B, I27C, I27D		08	I12A, I12B, I12C, I27A, I27B, I27C, I27D		08	I12A, I12B, I12C, I27A, I27B, I27C, I27D
	09	J08A		21A	W04A, W04B		21A	W04A, W04B
	21A	W04A, W04B		21B	X06A, X06B, X06C		21B	X06A, X06B, X06C
	21B	X06A, X06B, X06C			BOP, KVT, UOP4			BOP, KVT, UOP4
5t81x.6↔		BOP, KVT, UOP4	5t81x.7↔	01	B03A, B03B, B06A, B06B, B17A, B17B, B17C	5t81x.7↔	01	B03A, B03B, B06A, B06B, B17A, B17B, B17C
	08	I27A, I27B, I27C, I27D		08	I12A, I12B, I12C, I27A, I27B, I27C, I27D		08	I12A, I12B, I12C, I27A, I27B, I27C, I27D
	09	J08A		21A	W04A, W04B		21A	W04A, W04B
	21A	W04A, W04B		21B	X04Z, X06A, X06B, X06C		21B	X06A, X06B, X06C
	21B	X04Z, X06A, X06B, X06C			BOP, KVT, UOP4			BOP, KVT, UOP4
5t81x.7↔		BOP, KVT, UOP4		08	I27A, I27B, I27C, I27D		08	I27A, I27B, I27C, I27D
	08	I27A, I27B, I27C, I27D		09	J08A		09	J08A
	09	J08A		21A	W04A, W04B		21A	W04A, W04B
	21A	W04A, W04B		21B	X04Z, X06A, X06B, X06C		21B	X04Z, X06A, X06B, X06C
	21B	X04Z, X06A, X06B, X06C						

VYK

ZZV	MDC	DRG	ZZV	MDC	DRG	ZZV	MDC	DRG
5t821.5↔		BOP, KVT, UOP4	5t822.4↔	08	I12A, I12B, I12C, I27A, I27B, I27C, I27D	5t823.6↔	08	I12A, I12B, I12C, I27A, I27B, I27C, I27D
	01	B03A, B03B, B06A, B06B, B17A, B17B, B17C		10	K09A, K09B		10	K09A, K09B
	08	I12A, I12B, I12C, I27A, I27B, I27C, I27D		21A	W04A, W04B		21A	W04A, W04B
	21A	W04A, W04B		21B	X06A, X06B, X06C		21B	X04Z, X06A, X06B, X06C
5t821.6↔		BOP, KVT, UOP4	5t822.6↔	08	I12A, I12B, I12C, I27A, I27B, I27C, I27D	5t823.7↔	08	I12A, I12B, I12C, I27A, I27B, I27C, I27D
	01	B03A, B03B, B06A, B06B, B17A, B17B, B17C		10	K09A, K09B		10	K09A, K09B
	08	I12A, I12B, I12C, I27A, I27B, I27C, I27D		21A	W04A, W04B		21A	W04A, W04B
	21A	W04A, W04B		21B	X04Z, X06A, X06B, X06C		21B	X04Z, X06A, X06B, X06C
5t821.7↔		BOP, KVT, UOP4	5t822.7↔	08	I12A, I12B, I12C, I27A, I27B, I27C, I27D	5t823.8↔	08	I12A, I12B, I12C, I27A, I27B, I27C, I27D
	01	B03A, B03B, B06A, B06B, B17A, B17B, B17C		10	K09A, K09B		10	K09A, K09B
	08	I12A, I12B, I12C, I27A, I27B, I27C, I27D		21A	W04A, W04B		21A	W04A, W04B
	21A	W04A, W04B		21B	X04Z, X06A, X06B, X06C		21B	X04Z, X06A, X06B, X06C
5t821.8↔		BOP, KVT, UOP4	5t822.8↔	08	I12A, I12B, I12C, I27A, I27B, I27C, I27D	5t823.9↔	08	I12A, I12B, I12C, I27A, I27B, I27C, I27D
	01	B03A, B03B, B06A, B06B, B17A, B17B, B17C		10	K09A, K09B		10	K09A, K09B
	08	I12A, I12B, I12C, I27A, I27B, I27C, I27D		21A	W04A, W04B		21A	W04A, W04B
	21A	W04A, W04B		21B	X04Z, X06A, X06B, X06C		21B	X04Z, X06A, X06B, X06C
5t821.9↔		BOP, KVT, UOP4	5t822.9↔	08	I12A, I12B, I12C, I27A, I27B, I27C, I27D	5t823.x	08	I12A, I12B, I12C, I27A, I27B, I27C, I27D
	01	B03A, B03B, B06A, B06B, B17A, B17B, B17C		10	K09A, K09B		10	K09A, K09B
	08	I12A, I12B, I12C, I27A, I27B, I27C, I27D		21A	W04A, W04B		21A	W04A, W04B
	21A	W04A, W04B		21B	X04Z, X06A, X06B, X06C		21B	X04Z, X06A, X06B, X06C
5t821.x		BOP, KVT, UOP4	5t822.x	08	I12A, I12B, I12C, I27A, I27B, I27C, I27D	5t824.0↔	01	B03A, B03B, B06A, B06B, B07Z, B17A, B17B, B17C
	01	B03A, B03B, B06A, B06B, B17A, B17B, B17C		10	K09A, K09B		08	I12A, I12B, I12C, I27A, I27B, I27C, I27D
	08	I12A, I12B, I12C, I27A, I27B, I27C, I27D		21A	W04A, W04B		09	J03A, J03B, J04A, J04B, J08A, J08B, J08C, J11A, J11B, J16Z
	21A	W04A, W04B		21B	X06A, X06B, X06C		21A	W04A, W04B
5t822.0↔		BOP, KVT, UOP4	5t823.0↔	08	I12A, I12B, I12C, I27A, I27B, I27C, I27D	5t824.1↔	21B	X06A, X06B, X06C
	08	I12A, I12B, I12C, I27A, I27B, I27C, I27D		10	K09A, K09B		01	B03A, B03B, B06A, B06B, B07Z, B17A, B17B, B17C
	10	K09A, K09B		21A	W04A, W04B		08	I12A, I12B, I12C, I27A, I27B, I27C, I27D
	21A	W04A, W04B		21B	X06A, X06B, X06C		09	J03A, J03B, J04A, J04B, J08A, J08B, J08C, J11A, J11B, J16Z
5t822.1↔		BOP, KVT, UOP4	5t823.1↔	08	I12A, I12B, I12C, I27A, I27B, I27C, I27D	5t824.2↔	21A	W04A, W04B
	08	I12A, I12B, I12C, I27A, I27B, I27C, I27D		10	K09A, K09B		21B	X06A, X06B, X06C
	10	K09A, K09B		21A	W04A, W04B		01	B03A, B03B, B06A, B06B, B07Z, B17A, B17B, B17C
	21A	W04A, W04B		21B	X06A, X06B, X06C		08	I12A, I12B, I12C, I27A, I27B, I27C, I27D
5t822.2↔		BOP, KVT, UOP4	5t823.2↔	08	I12A, I12B, I12C, I27A, I27B, I27C, I27D	5t824.2↔	09	J03A, J03B, J04A, J04B, J08A, J08B, J08C, J11A, J11B, J16Z
	08	I12A, I12B, I12C, I27A, I27B, I27C, I27D		10	K09A, K09B		21A	W04A, W04B
	10	K09A, K09B		21A	W04A, W04B		21B	X06A, X06B, X06C
	21A	W04A, W04B		21B	X06A, X06B, X06C		01	B03A, B03B, B06A, B06B, B07Z, B17A, B17B, B17C
5t822.3↔		BOP, KVT, UOP4	5t823.3↔	08	I12A, I12B, I12C, I27A, I27B, I27C, I27D	5t824.2↔	08	I12A, I12B, I12C, I27A, I27B, I27C, I27D
	08	I12A, I12B, I12C, I27A, I27B, I27C, I27D		10	K09A, K09B		09	J03A, J03B, J04A, J04B, J08A, J08B, J08C, J11A, J11B, J16Z
	10	K09A, K09B		21A	W04A, W04B		21A	W04A, W04B
	21A	W04A, W04B		21B	X05A, X05B, X06A, X06B, X06C		21B	X06A, X06B, X06C

ZZV	MDC	DRG	ZZV	MDC	DRG	ZZV	MDC	DRG
5t826.2↔		BOP, KVT, UOP4	5t826.9↔		BOP, KVT, UOP4	5t827.5↔		BOP, KVT, UOP4
	01	B03A, B03B, B06A, B06B, B07Z, B17A, B17B, B17C		01	B03A, B03B, B06A, B06B, B07Z, B17A, B17B, B17C		01	B03A, B03B, B06A, B06B, B07Z, B17A, B17B, B17C
	08	I12A, I12B, I12C, I27A, I27B, I27C, I27D		08	I12A, I12B, I12C, I27A, I27B, I27C, I27D		08	I12A, I12B, I12C, I27A, I27B, I27C, I27D
	09	J03A, J03B, J04A, J04B, J08A, J08B, J08C, J11A, J11B, J16Z		09	J03A, J03B, J04A, J04B, J08A, J08B, J08C, J11A, J11B, J16Z		09	J03A, J03B, J04A, J04B, J08A, J08B, J08C, J11A, J11B, J16Z
	21A	W04A, W04B		21A	W04A, W04B		21A	W04A, W04B
5t826.3↔	21B	X06A, X06B, X06C	5t826.x	21B	X04Z, X06A, X06B, X06C	5t827.6↔	21B	X06A, X06B, X06C
		BOP, KVT, UOP4			BOP, KVT, UOP4			BOP, KVT, UOP4
	01	B03A, B03B, B06A, B06B, B07Z, B17A, B17B, B17C		01	B03A, B03B, B06A, B06B, B07Z, B17A, B17B, B17C		01	B03A, B03B, B06A, B06B, B07Z, B17A, B17B, B17C
	08	I12A, I12B, I12C, I27A, I27B, I27C, I27D		08	I12A, I12B, I12C, I27A, I27B, I27C, I27D		08	I12A, I12B, I12C, I27A, I27B, I27C, I27D
	09	J03A, J03B, J04A, J04B, J08A, J08B, J08C, J11A, J11B, J16Z		09	J03A, J03B, J04A, J04B, J08A, J08B, J08C, J11A, J11B, J16Z		09	J03A, J03B, J04A, J04B, J08A, J08B, J08C, J11A, J11B, J16Z
5t826.4↔	21A	W04A, W04B	5t827.0↔	21A	W04A, W04B	5t827.7↔	21A	W04A, W04B
	21B	X05A, X05B, X06A, X06B, X06C		21B	X06A, X06B, X06C		21B	X04Z, X06A, X06B, X06C
		BOP, KVT, UOP4			BOP, KVT, UOP4			BOP, KVT, UOP4
	01	B03A, B03B, B06A, B06B, B07Z, B17A, B17B, B17C		01	B03A, B03B, B06A, B06B, B07Z, B17A, B17B, B17C		01	B03A, B03B, B06A, B06B, B07Z, B17A, B17B, B17C
	08	I12A, I12B, I12C, I27A, I27B, I27C, I27D		08	I12A, I12B, I12C, I27A, I27B, I27C, I27D		08	I12A, I12B, I12C, I27A, I27B, I27C, I27D
5t826.5↔	09	J03A, J03B, J04A, J04B, J08A, J08B, J08C, J11A, J11B, J16Z	5t827.1↔	09	J03A, J03B, J04A, J04B, J08A, J08B, J08C, J11A, J11B, J16Z	5t827.8↔	09	J03A, J03B, J04A, J04B, J08A, J08B, J08C, J11A, J11B, J16Z
	21A	W04A, W04B		21A	W04A, W04B		21A	W04A, W04B
	21B	X06A, X06B, X06C		21B	X06A, X06B, X06C		21B	X04Z, X06A, X06B, X06C
		BOP, KVT, UOP4			BOP, KVT, UOP4			BOP, KVT, UOP4
	01	B03A, B03B, B06A, B06B, B07Z, B17A, B17B, B17C		01	B03A, B03B, B06A, B06B, B07Z, B17A, B17B, B17C		01	B03A, B03B, B06A, B06B, B07Z, B17A, B17B, B17C
5t826.6↔	08	I12A, I12B, I12C, I27A, I27B, I27C, I27D	5t827.2↔	08	I12A, I12B, I12C, I27A, I27B, I27C, I27D	5t827.9↔	08	I12A, I12B, I12C, I27A, I27B, I27C, I27D
	09	J03A, J03B, J04A, J04B, J08A, J08B, J08C, J11A, J11B, J16Z		09	J03A, J03B, J04A, J04B, J08A, J08B, J08C, J11A, J11B, J16Z		09	J03A, J03B, J04A, J04B, J08A, J08B, J08C, J11A, J11B, J16Z
	21A	W04A, W04B		21A	W04A, W04B		21A	W04A, W04B
	21B	X04Z, X06A, X06B, X06C		21B	X06A, X06B, X06C		21B	X04Z, X06A, X06B, X06C
		BOP, KVT, UOP4			BOP, KVT, UOP4			BOP, KVT, UOP4
5t826.7↔	01	B03A, B03B, B06A, B06B, B07Z, B17A, B17B, B17C	5t827.3↔	01	B03A, B03B, B06A, B06B, B07Z, B17A, B17B, B17C	5t827.x	01	B03A, B03B, B06A, B06B, B07Z, B17A, B17B, B17C
	08	I12A, I12B, I12C, I27A, I27B, I27C, I27D		08	I12A, I12B, I12C, I27A, I27B, I27C, I27D		08	I12A, I12B, I12C, I27A, I27B, I27C, I27D
	09	J03A, J03B, J04A, J04B, J08A, J08B, J08C, J11A, J11B, J16Z		09	J03A, J03B, J04A, J04B, J08A, J08B, J08C, J11A, J11B, J16Z		09	J03A, J03B, J04A, J04B, J08A, J08B, J08C, J11A, J11B, J16Z
	21A	W04A, W04B		21A	W04A, W04B		21A	W04A, W04B
	21B	X04Z, X06A, X06B, X06C		21B	X06A, X06B, X06C		21B	X04Z, X06A, X06B, X06C
5t826.8↔		BOP, KVT, UOP4	5t827.4↔		BOP, KVT, UOP4	5t828.0↔		BOP, KVT, UOP4
	01	B03A, B03B, B06A, B06B, B07Z, B17A, B17B, B17C		01	B03A, B03B, B06A, B06B, B07Z, B17A, B17B, B17C		01	B03A, B03B, B06A, B06B, B07Z, B17A, B17B, B17C
	08	I12A, I12B, I12C, I27A, I27B, I27C, I27D		08	I12A, I12B, I12C, I27A, I27B, I27C, I27D		08	I12A, I12B, I12C, I27A, I27B, I27C, I27D
	09	J03A, J03B, J04A, J04B, J08A, J08B, J08C, J11A, J11B, J16Z		09	J03A, J03B, J04A, J04B, J08A, J08B, J08C, J11A, J11B, J16Z		09	J03A, J03B, J04A, J04B, J08A, J08B, J08C, J11A, J11B, J16Z
	21A	W04A, W04B		21A	W04A, W04B		21A	W04A, W04B
21B	X04Z, X06A, X06B, X06C	21B	X06A, X06B, X06C	21B	X06A, X06B, X06C			

ZZV	MDC	DRG	ZZV	MDC	DRG	ZZV	MDC	DRG
5t828.1↔		BOP, KVT, UOP4	5t828.8↔		BOP, KVT, UOP4	5t829.4↔		BOP, KVT, UOP4
	01	B03A, B03B, B06A, B06B, B07Z, B17A, B17B, B17C		01	B03A, B03B, B06A, B06B, B07Z, B17A, B17B, B17C		01	B03A, B03B, B06A, B06B, B07Z, B17A, B17B, B17C
	08	I12A, I12B, I12C, I27A, I27B, I27C, I27D		08	I12A, I12B, I12C, I27A, I27B, I27C, I27D		08	I12A, I12B, I12C, I27A, I27B, I27C, I27D
	09	J03A, J03B, J04A, J04B, J08A, J08B, J08C, J11A, J11B, J16Z		09	J03A, J03B, J04A, J04B, J08A, J08B, J08C, J11A, J11B, J16Z		09	J03A, J03B, J04A, J04B, J08A, J08B, J08C, J11A, J11B, J16Z
	21A	W04A, W04B		21A	W04A, W04B		21A	W04A, W04B
5t828.2↔	21B	X06A, X06B, X06C	5t828.9↔	21B	X04Z, X06A, X06B, X06C	5t829.5↔	21B	X06A, X06B, X06C
		BOP, KVT, UOP4			BOP, KVT, UOP4			BOP, KVT, UOP4
	01	B03A, B03B, B06A, B06B, B07Z, B17A, B17B, B17C		01	B03A, B03B, B06A, B06B, B07Z, B17A, B17B, B17C		01	B03A, B03B, B06A, B06B, B07Z, B17A, B17B, B17C
	08	I12A, I12B, I12C, I27A, I27B, I27C, I27D		08	I12A, I12B, I12C, I27A, I27B, I27C, I27D		08	I12A, I12B, I12C, I27A, I27B, I27C, I27D
	09	J03A, J03B, J04A, J04B, J08A, J08B, J08C, J11A, J11B, J16Z		09	J03A, J03B, J04A, J04B, J08A, J08B, J08C, J11A, J11B, J16Z		09	J03A, J03B, J04A, J04B, J08A, J08B, J08C, J11A, J11B, J16Z
5t828.3↔	21A	W04A, W04B	5t828.x	21A	W04A, W04B	5t829.6↔	21A	W04A, W04B
	21B	X06A, X06B, X06C		21B	X04Z, X06A, X06B, X06C		21B	X06A, X06B, X06C
		BOP, KVT, UOP4			BOP, KVT, UOP4			BOP, KVT, UOP4
	01	B03A, B03B, B06A, B06B, B07Z, B17A, B17B, B17C		01	B03A, B03B, B06A, B06B, B07Z, B17A, B17B, B17C		01	B03A, B03B, B06A, B06B, B07Z, B17A, B17B, B17C
	08	I12A, I12B, I12C, I27A, I27B, I27C, I27D		08	I12A, I12B, I12C, I27A, I27B, I27C, I27D		08	I12A, I12B, I12C, I27A, I27B, I27C, I27D
5t828.4↔	09	J03A, J03B, J04A, J04B, J08A, J08B, J08C, J11A, J11B, J16Z	5t829.0↔	09	J03A, J03B, J04A, J04B, J08A, J08B, J08C, J11A, J11B, J16Z	5t829.7↔	09	J03A, J03B, J04A, J04B, J08A, J08B, J08C, J11A, J11B, J16Z
	21A	W04A, W04B		21A	W04A, W04B		21A	W04A, W04B
	21B	X05A, X05B, X06A, X06B, X06C		21B	X06A, X06B, X06C		21B	X04Z, X06A, X06B, X06C
		BOP, KVT, UOP4			BOP, KVT, UOP4			BOP, KVT, UOP4
	01	B03A, B03B, B06A, B06B, B07Z, B17A, B17B, B17C		01	B03A, B03B, B06A, B06B, B07Z, B17A, B17B, B17C		01	B03A, B03B, B06A, B06B, B07Z, B17A, B17B, B17C
5t828.5↔	08	I12A, I12B, I12C, I27A, I27B, I27C, I27D	5t829.1↔	08	I12A, I12B, I12C, I27A, I27B, I27C, I27D	5t829.8↔	08	I12A, I12B, I12C, I27A, I27B, I27C, I27D
	09	J03A, J03B, J04A, J04B, J08A, J08B, J08C, J11A, J11B, J16Z		09	J03A, J03B, J04A, J04B, J08A, J08B, J08C, J11A, J11B, J16Z		09	J03A, J03B, J04A, J04B, J08A, J08B, J08C, J11A, J11B, J16Z
	21A	W04A, W04B		21A	W04A, W04B		21A	W04A, W04B
	21B	X06A, X06B, X06C		21B	X06A, X06B, X06C		21B	X04Z, X06A, X06B, X06C
		BOP, KVT, UOP4			BOP, KVT, UOP4			BOP, KVT, UOP4
5t828.6↔	01	B03A, B03B, B06A, B06B, B07Z, B17A, B17B, B17C	5t829.2↔	01	B03A, B03B, B06A, B06B, B07Z, B17A, B17B, B17C	5t829.9↔	01	B03A, B03B, B06A, B06B, B07Z, B17A, B17B, B17C
	08	I12A, I12B, I12C, I27A, I27B, I27C, I27D		08	I12A, I12B, I12C, I27A, I27B, I27C, I27D		08	I12A, I12B, I12C, I27A, I27B, I27C, I27D
	09	J03A, J03B, J04A, J04B, J08A, J08B, J08C, J11A, J11B, J16Z		09	J03A, J03B, J04A, J04B, J08A, J08B, J08C, J11A, J11B, J16Z		09	J03A, J03B, J04A, J04B, J08A, J08B, J08C, J11A, J11B, J16Z
	21A	W04A, W04B		21A	W04A, W04B		21A	W04A, W04B
	21B	X04Z, X06A, X06B, X06C		21B	X06A, X06B, X06C		21B	X04Z, X06A, X06B, X06C
5t828.7↔		BOP, KVT, UOP4	5t829.3↔		BOP, KVT, UOP4	5t829.x		BOP, KVT, UOP4
	01	B03A, B03B, B06A, B06B, B07Z, B17A, B17B, B17C		01	B03A, B03B, B06A, B06B, B07Z, B17A, B17B, B17C		01	B03A, B03B, B06A, B06B, B07Z, B17A, B17B, B17C
	08	I12A, I12B, I12C, I27A, I27B, I27C, I27D		08	I12A, I12B, I12C, I27A, I27B, I27C, I27D		08	I12A, I12B, I12C, I27A, I27B, I27C, I27D
	09	J03A, J03B, J04A, J04B, J08A, J08B, J08C, J11A, J11B, J16Z		09	J03A, J03B, J04A, J04B, J08A, J08B, J08C, J11A, J11B, J16Z		09	J03A, J03B, J04A, J04B, J08A, J08B, J08C, J11A, J11B, J16Z
	21A	W04A, W04B		21A	W04A, W04B		21A	W04A, W04B
21B	X04Z, X06A, X06B, X06C	21B	X05A, X05B, X06A, X06B, X06C	21B	X06A, X06B, X06C			

ZZV	MDC	DRG	ZZV	MDC	DRG	ZZV	MDC	DRG			
5t82d.9↔		BOP, KVT, UOP4	5t82e.6↔		BOP, KVT, UOP4	5t82f.3↔		BOP, KVT, UOP4			
	01	B03A, B03B, B06A, B06B, B07Z, B17A, B17B, B17C		01	B03A, B03B, B06A, B06B, B07Z, B17A, B17B, B17C		01	B03A, B03B, B06A, B06B, B07Z, B17A, B17B, B17C			
	08	I12A, I12B, I12C, I27A, I27B, I27C, I27D		08	I12A, I12B, I12C, I27A, I27B, I27C, I27D		08	I12A, I12B, I12C, I27A, I27B, I27C, I27D			
	09	J03A, J03B, J04A, J04B, J08A, J08B, J08C, J11A, J11B, J16Z		21A	W04A, W04B		21A	W04A, W04B			
	10	K09A, K09B		21B	X04Z, X05A, X05B, X06A, X06B, X06C		21B	X04Z, X05A, X05B, X06A, X06B, X06C			
	21A	W04A, W04B		5t82e.7↔			BOP, KVT, UOP4	5t82f.4↔		BOP, KVT, UOP4	
	21B	X04Z, X06A, X06B, X06C			01		B03A, B03B, B06A, B06B, B07Z, B17A, B17B, B17C		01	B03A, B03B, B06A, B06B, B07Z, B17A, B17B, B17C	
	5t82d.x				BOP, KVT, UOP4		08		I12A, I12B, I12C, I27A, I27B, I27C, I27D	08	I12A, I12B, I12C, I27A, I27B, I27C, I27D
		01			B03A, B03B, B06A, B06B, B07Z, B17A, B17B, B17C		21A		W04A, W04B	21A	W04A, W04B
		08			I12A, I12B, I12C, I27A, I27B, I27C, I27D		21B		X04Z, X05A, X05B, X06A, X06B, X06C	21B	X04Z, X05A, X05B, X06A, X06B, X06C
09		J03A, J03B, J04A, J04B, J08A, J08B, J08C, J11A, J11B, J16Z	5t82e.8↔			BOP, KVT, UOP4	5t82f.5↔			BOP, KVT, UOP4	
10		K09A, K09B			01	B03A, B03B, B06A, B06B, B07Z, B17A, B17B, B17C			01	B03A, B03B, B06A, B06B, B07Z, B17A, B17B, B17C	
21A		W04A, W04B			08	I12A, I12B, I12C, I27A, I27B, I27C, I27D			08	I12A, I12B, I12C, I27A, I27B, I27C, I27D	
21B		X06A, X06B, X06C			21A	W04A, W04B			21A	W04A, W04B	
5t82e.0↔					BOP, KVT, UOP4	21B			X04Z, X05A, X05B, X06A, X06B, X06C	21B	X04Z, X05A, X05B, X06A, X06B, X06C
		01		B03A, B03B, B06A, B06B, B07Z, B17A, B17B, B17C	5t82e.9↔			BOP, KVT, UOP4	5t82f.6↔		BOP, KVT, UOP4
		08		I12A, I12B, I12C, I27A, I27B, I27C, I27D		01		B03A, B03B, B06A, B06B, B07Z, B17A, B17B, B17C		01	B03A, B03B, B06A, B06B, B07Z, B17A, B17B, B17C
	21A	W04A, W04B		08		I12A, I12B, I12C, I27A, I27B, I27C, I27D		08		I12A, I12B, I12C, I27A, I27B, I27C, I27D	
	21B	X04Z, X05A, X05B, X06A, X06B, X06C		21A		W04A, W04B		21A		W04A, W04B	
	5t82e.1↔			BOP, KVT, UOP4		21B		X04Z, X05A, X05B, X06A, X06B, X06C		21B	X04Z, X05A, X05B, X06A, X06B, X06C
		01	B03A, B03B, B06A, B06B, B07Z, B17A, B17B, B17C	5t82e.x			BOP, KVT, UOP4	5t82f.7↔			BOP, KVT, UOP4
		08	I12A, I12B, I12C, I27A, I27B, I27C, I27D			01	B03A, B03B, B06A, B06B, B07Z, B17A, B17B, B17C			01	B03A, B03B, B06A, B06B, B07Z, B17A, B17B, B17C
		21A	W04A, W04B			08	I12A, I12B, I12C, I27A, I27B, I27C, I27D			08	I12A, I12B, I12C, I27A, I27B, I27C, I27D
		21B	X04Z, X05A, X05B, X06A, X06B, X06C			21A	W04A, W04B			21A	W04A, W04B
5t82e.2↔			BOP, KVT, UOP4			21B	X04Z, X05A, X05B, X06A, X06B, X06C			21B	X04Z, X05A, X05B, X06A, X06B, X06C
		01	B03A, B03B, B06A, B06B, B07Z, B17A, B17B, B17C		5t82f.0↔		BOP, KVT, UOP4		5t82f.8↔		BOP, KVT, UOP4
		08	I12A, I12B, I12C, I27A, I27B, I27C, I27D			01	B03A, B03B, B06A, B06B, B07Z, B17A, B17B, B17C			01	B03A, B03B, B06A, B06B, B07Z, B17A, B17B, B17C
		21A	W04A, W04B			08	I12A, I12B, I12C, I27A, I27B, I27C, I27D			08	I12A, I12B, I12C, I27A, I27B, I27C, I27D
		21B	X04Z, X05A, X05B, X06A, X06B, X06C			21A	W04A, W04B			21A	W04A, W04B
	5t82e.3↔		BOP, KVT, UOP4			21B	X04Z, X05A, X05B, X06A, X06B, X06C			21B	X04Z, X05A, X05B, X06A, X06B, X06C
		01	B03A, B03B, B06A, B06B, B07Z, B17A, B17B, B17C	5t82f.1↔			BOP, KVT, UOP4	5t82f.9↔			BOP, KVT, UOP4
		08	I12A, I12B, I12C, I27A, I27B, I27C, I27D			01	B03A, B03B, B06A, B06B, B07Z, B17A, B17B, B17C			01	B03A, B03B, B06A, B06B, B07Z, B17A, B17B, B17C
		21A	W04A, W04B			08	I12A, I12B, I12C, I27A, I27B, I27C, I27D			08	I12A, I12B, I12C, I27A, I27B, I27C, I27D
		21B	X04Z, X05A, X05B, X06A, X06B, X06C			21A	W04A, W04B			21A	W04A, W04B
5t82e.4↔			BOP, KVT, UOP4			21B	X04Z, X05A, X05B, X06A, X06B, X06C			21B	X04Z, X05A, X05B, X06A, X06B, X06C
		01	B03A, B03B, B06A, B06B, B07Z, B17A, B17B, B17C		5t82f.2↔		BOP, KVT, UOP4		5t82f.x		BOP, KVT, UOP4
		08	I12A, I12B, I12C, I27A, I27B, I27C, I27D			01	B03A, B03B, B06A, B06B, B07Z, B17A, B17B, B17C			01	B03A, B03B, B06A, B06B, B07Z, B17A, B17B, B17C
		21A	W04A, W04B			08	I12A, I12B, I12C, I27A, I27B, I27C, I27D			08	I12A, I12B, I12C, I27A, I27B, I27C, I27D
		21B	X04Z, X05A, X05B, X06A, X06B, X06C			21A	W04A, W04B			21A	W04A, W04B
	5t82e.5↔		BOP, KVT, UOP4			21B	X04Z, X05A, X05B, X06A, X06B, X06C			21B	X04Z, X05A, X05B, X06A, X06B, X06C
		01	B03A, B03B, B06A, B06B, B07Z, B17A, B17B, B17C								
		08	I12A, I12B, I12C, I27A, I27B, I27C, I27D								
		21A	W04A, W04B								
		21B	X04Z, X05A, X05B, X06A, X06B, X06C								

VYK

ZZV	MDC	DRG	ZZV	MDC	DRG	ZZV	MDC	DRG
5t82x.5		BOP, KVT, UOP4	5t830.6↔		BOP, KVT, UOP4	5t831.3↔		BOP, KVT, UOP4
	08	I27A, I27B, I27C, I27D		01	B03A, B03B, B06A, B06B, B07Z, B17A, B17B, B17C		08	I12A, I12B, I12C, I27A, I27B, I27C, I27D
	21A	W04A, W04B		08	I12A, I12B, I12C, I27A, I27B, I27C, I27D		09	J03A, J03B, J04A, J04B, J08A, J08B, J08C, J11A, J11B, J16Z
5t82x.6	21B	X06A, X06B, X06C		21A	W04A, W04B		10	K09A, K09B
		BOP, KVT, UOP4		21B	X04Z, X06A, X06B, X06C		21A	W04A, W04B
	08	I27A, I27B, I27C, I27D	5t830.7↔		BOP, KVT, UOP4		21B	X05A, X05B, X06A, X06B, X06C
	21A	W04A, W04B		01	B03A, B03B, B06A, B06B, B07Z, B17A, B17B, B17C	5t831.4↔		BOP, KVT, UOP4
	21B	X04Z, X06A, X06B, X06C		08	I12A, I12B, I12C, I27A, I27B, I27C, I27D		08	I12A, I12B, I12C, I27A, I27B, I27C, I27D
5t82x.7↔		BOP, KVT, UOP4		21A	W04A, W04B		09	J03A, J03B, J04A, J04B, J08A, J08B, J08C, J11A, J11B, J16Z
	08	I27A, I27B, I27C, I27D		21B	X04Z, X06A, X06B, X06C		10	K09A, K09B
	21A	W04A, W04B	5t830.8↔		BOP, KVT, UOP4		21A	W04A, W04B
	21B	X04Z, X06A, X06B, X06C		01	B03A, B03B, B06A, B06B, B07Z, B17A, B17B, B17C		21B	X06A, X06B, X06C
5t82x.8↔		BOP, KVT, UOP4		08	I12A, I12B, I12C, I27A, I27B, I27C, I27D			BOP, KVT, UOP4
	08	I27A, I27B, I27C, I27D		21A	W04A, W04B		08	I12A, I12B, I12C, I27A, I27B, I27C, I27D
	21A	W04A, W04B		21B	X04Z, X06A, X06B, X06C		09	J03A, J03B, J04A, J04B, J08A, J08B, J08C, J11A, J11B, J16Z
	21B	X04Z, X06A, X06B, X06C			BOP, KVT, UOP4		10	K09A, K09B
5t82x.9↔		BOP, KVT, UOP4	5t830.9↔		BOP, KVT, UOP4		21A	W04A, W04B
	08	I27A, I27B, I27C, I27D		01	B03A, B03B, B06A, B06B, B07Z, B17A, B17B, B17C		21B	X06A, X06B, X06C
	21A	W04A, W04B		08	I12A, I12B, I12C, I27A, I27B, I27C, I27D	5t831.5↔		BOP, KVT, UOP4
	21B	X04Z, X06A, X06B, X06C		21A	W04A, W04B		08	I12A, I12B, I12C, I27A, I27B, I27C, I27D
5t82x.x		BOP, KVT, UOP4		21B	X04Z, X06A, X06B, X06C		09	J03A, J03B, J04A, J04B, J08A, J08B, J08C, J11A, J11B, J16Z
	08	I27A, I27B, I27C, I27D			BOP, KVT, UOP4		10	K09A, K09B
	21A	W04A, W04B	5t830.x		BOP, KVT, UOP4		21A	W04A, W04B
	21B	X06A, X06B, X06C		01	B03A, B03B, B06A, B06B, B07Z, B17A, B17B, B17C		21B	X06A, X06B, X06C
5t830.0↔		BOP, KVT, UOP4		08	I12A, I12B, I12C, I27A, I27B, I27C, I27D	5t831.6↔		BOP, KVT, UOP4
	01	B03A, B03B, B06A, B06B, B07Z, B17A, B17B, B17C		21A	W04A, W04B		08	I12A, I12B, I12C, I27A, I27B, I27C, I27D
	08	I12A, I12B, I12C, I27A, I27B, I27C, I27D		21B	X04Z, X06A, X06B, X06C		09	J03A, J03B, J04A, J04B, J08A, J08B, J08C, J11A, J11B, J16Z
	21A	W04A, W04B			BOP, KVT, UOP4		10	K09A, K09B
	21B	X06A, X06B, X06C		01	B03A, B03B, B06A, B06B, B07Z, B17A, B17B, B17C		21A	W04A, W04B
5t830.1↔		BOP, KVT, UOP4		08	I12A, I12B, I12C, I27A, I27B, I27C, I27D		21B	X06A, X06B, X06C
	01	B03A, B03B, B06A, B06B, B07Z, B17A, B17B, B17C		21A	W04A, W04B	5t831.7↔		BOP, KVT, UOP4
	08	I12A, I12B, I12C, I27A, I27B, I27C, I27D		21B	X06A, X06B, X06C		08	I12A, I12B, I12C, I27A, I27B, I27C, I27D
	21A	W04A, W04B			BOP, KVT, UOP4		09	J03A, J03B, J04A, J04B, J08A, J08B, J08C, J11A, J11B, J16Z
	21B	X06A, X06B, X06C		08	I12A, I12B, I12C, I27A, I27B, I27C, I27D		10	K09A, K09B
5t830.2↔		BOP, KVT, UOP4		09	J03A, J03B, J04A, J04B, J08A, J08B, J08C, J11A, J11B, J16Z		21A	W04A, W04B
	01	B03A, B03B, B06A, B06B, B07Z, B17A, B17B, B17C		10	K09A, K09B		21B	X04Z, X06A, X06B, X06C
	08	I12A, I12B, I12C, I27A, I27B, I27C, I27D		21A	W04A, W04B			BOP, KVT, UOP4
	21A	W04A, W04B		21B	X06A, X06B, X06C		08	I12A, I12B, I12C, I27A, I27B, I27C, I27D
	21B	X06A, X06B, X06C			BOP, KVT, UOP4		09	J03A, J03B, J04A, J04B, J08A, J08B, J08C, J11A, J11B, J16Z
5t830.3↔		BOP, KVT, UOP4		5t831.1↔			10	K09A, K09B
	01	B03A, B03B, B06A, B06B, B07Z, B17A, B17B, B17C			BOP, KVT, UOP4		21A	W04A, W04B
	08	I12A, I12B, I12C, I27A, I27B, I27C, I27D		08	I12A, I12B, I12C, I27A, I27B, I27C, I27D	5t831.8↔		BOP, KVT, UOP4
	21A	W04A, W04B		09	J03A, J03B, J04A, J04B, J08A, J08B, J08C, J11A, J11B, J16Z		08	I12A, I12B, I12C, I27A, I27B, I27C, I27D
	21B	X05A, X05B, X06A, X06B, X06C		10	K09A, K09B		09	J03A, J03B, J04A, J04B, J08A, J08B, J08C, J11A, J11B, J16Z
5t830.4↔		BOP, KVT, UOP4		21A	W04A, W04B		10	K09A, K09B
	01	B03A, B03B, B06A, B06B, B07Z, B17A, B17B, B17C		21B	X06A, X06B, X06C		21A	W04A, W04B
	08	I12A, I12B, I12C, I27A, I27B, I27C, I27D			BOP, KVT, UOP4		21B	X04Z, X06A, X06B, X06C
	21A	W04A, W04B		08	I12A, I12B, I12C, I27A, I27B, I27C, I27D			BOP, KVT, UOP4
	21B	X06A, X06B, X06C		09	J03A, J03B, J04A, J04B, J08A, J08B, J08C, J11A, J11B, J16Z	5t831.9↔		I12A, I12B, I12C, I27A, I27B, I27C, I27D
5t830.5↔		BOP, KVT, UOP4		10	K09A, K09B		08	I12A, I12B, I12C, I27A, I27B, I27C, I27D
	01	B03A, B03B, B06A, B06B, B07Z, B17A, B17B, B17C		21A	W04A, W04B		09	J03A, J03B, J04A, J04B, J08A, J08B, J08C, J11A, J11B, J16Z
	08	I12A, I12B, I12C, I27A, I27B, I27C, I27D		21B	X06A, X06B, X06C		10	K09A, K09B
	21A	W04A, W04B			BOP, KVT, UOP4		21A	W04A, W04B
	21B	X06A, X06B, X06C		08	I12A, I12B, I12C, I27A, I27B, I27C, I27D		21B	X04Z, X06A, X06B, X06C

ZZV	MDC	DRG	ZZV	MDC	DRG	ZZV	MDC	DRG
5t831.x		BOP, KVT, UOP4	5t832.7↔		BOP, KVT, UOP4	5t833.3↔		BOP, KVT, UOP4
	08	I12A, I12B, I12C, I27A, I27B, I27C, I27D		01	B03A, B03B, B06A, B06B, B07Z, B17A, B17B, B17C		01	B03A, B03B, B06A, B06B, B07Z, B17A, B17B, B17C
	09	J03A, J03B, J04A, J04B, J08A, J08B, J08C, J11A, J11B, J16Z		08	I08A, I08B, I08C, I08D, I12A, I12B, I12C, I13A, I13B, I27A, I27B, I27C, I27D		08	I08A, I08B, I08C, I08D, I12A, I12B, I12C, I13A, I13B, I27A, I27B, I27C, I27D
	10	K09A, K09B		21A	W04A, W04B		09	J03A, J03B, J04A, J04B, J08A, J08B, J08C, J11A, J11B, J16Z
	21A	W04A, W04B		21B	X04Z, X06A, X06B, X06C		21A	W04A, W04B
	21B	X06A, X06B, X06C	5t832.8↔		BOP, KVT, UOP4		21B	X05A, X05B, X06A, X06B, X06C
5t832.0↔		BOP, KVT, UOP4		01	B03A, B03B, B06A, B06B, B07Z, B17A, B17B, B17C	5t833.4↔		BOP, KVT, UOP4
	01	B03A, B03B, B06A, B06B, B07Z, B17A, B17B, B17C		08	I08A, I08B, I08C, I08D, I12A, I12B, I12C, I13A, I13B, I27A, I27B, I27C, I27D		01	B03A, B03B, B06A, B06B, B07Z, B17A, B17B, B17C
	08	I08A, I08B, I08C, I08D, I12A, I12B, I12C, I13A, I13B, I27A, I27B, I27C, I27D		21A	W04A, W04B		08	I08A, I08B, I08C, I08D, I12A, I12B, I12C, I13A, I13B, I27A, I27B, I27C, I27D
	21A	W04A, W04B		21B	X04Z, X06A, X06B, X06C		09	J03A, J03B, J04A, J04B, J08A, J08B, J08C, J11A, J11B, J16Z
	21B	X06A, X06B, X06C	5t832.9↔		BOP, KVT, UOP4		21A	W04A, W04B
5t832.1↔		BOP, KVT, UOP4		01	B03A, B03B, B06A, B06B, B07Z, B17A, B17B, B17C		21B	X06A, X06B, X06C
	01	B03A, B03B, B06A, B06B, B07Z, B17A, B17B, B17C		08	I08A, I08B, I08C, I08D, I12A, I12B, I12C, I13A, I13B, I27A, I27B, I27C, I27D	5t833.5↔		BOP, KVT, UOP4
	08	I08A, I08B, I08C, I08D, I12A, I12B, I12C, I13A, I13B, I27A, I27B, I27C, I27D		21A	W04A, W04B		01	B03A, B03B, B06A, B06B, B07Z, B17A, B17B, B17C
	21A	W04A, W04B		21B	X04Z, X06A, X06B, X06C		08	I08A, I08B, I08C, I08D, I12A, I12B, I12C, I13A, I13B, I27A, I27B, I27C, I27D
	21B	X06A, X06B, X06C	5t832.x		BOP, KVT, UOP4		09	J03A, J03B, J04A, J04B, J08A, J08B, J08C, J11A, J11B, J16Z
5t832.2↔		BOP, KVT, UOP4		01	B03A, B03B, B06A, B06B, B07Z, B17A, B17B, B17C		21A	W04A, W04B
	01	B03A, B03B, B06A, B06B, B07Z, B17A, B17B, B17C		08	I08A, I08B, I08C, I08D, I12A, I12B, I12C, I13A, I13B, I27A, I27B, I27C, I27D		21B	X06A, X06B, X06C
	08	I08A, I08B, I08C, I08D, I12A, I12B, I12C, I13A, I13B, I27A, I27B, I27C, I27D		21A	W04A, W04B	5t833.6↔		BOP, KVT, UOP4
	21A	W04A, W04B		21B	X06A, X06B, X06C		01	B03A, B03B, B06A, B06B, B07Z, B17A, B17B, B17C
	21B	X06A, X06B, X06C	5t833.0↔		BOP, KVT, UOP4		08	I08A, I08B, I08C, I08D, I12A, I12B, I12C, I13A, I13B, I27A, I27B, I27C, I27D
5t832.3↔		BOP, KVT, UOP4		01	B03A, B03B, B06A, B06B, B07Z, B17A, B17B, B17C		09	J03A, J03B, J04A, J04B, J08A, J08B, J08C, J11A, J11B, J16Z
	01	B03A, B03B, B06A, B06B, B07Z, B17A, B17B, B17C		08	I08A, I08B, I08C, I08D, I12A, I12B, I12C, I13A, I13B, I27A, I27B, I27C, I27D		21A	W04A, W04B
	08	I08A, I08B, I08C, I08D, I12A, I12B, I12C, I13A, I13B, I27A, I27B, I27C, I27D		09	J03A, J03B, J04A, J04B, J08A, J08B, J08C, J11A, J11B, J16Z		21B	X06A, X06B, X06C
	21A	W04A, W04B		21A	W04A, W04B	5t833.7↔		BOP, KVT, UOP4
	21B	X05A, X05B, X06A, X06B, X06C		21B	X06A, X06B, X06C		01	B03A, B03B, B06A, B06B, B07Z, B17A, B17B, B17C
5t832.4↔		BOP, KVT, UOP4		01	B03A, B03B, B06A, B06B, B07Z, B17A, B17B, B17C		08	I08A, I08B, I08C, I08D, I12A, I12B, I12C, I13A, I13B, I27A, I27B, I27C, I27D
	01	B03A, B03B, B06A, B06B, B07Z, B17A, B17B, B17C		08	I08A, I08B, I08C, I08D, I12A, I12B, I12C, I13A, I13B, I27A, I27B, I27C, I27D		09	J03A, J03B, J04A, J04B, J08A, J08B, J08C, J11A, J11B, J16Z
	08	I08A, I08B, I08C, I08D, I12A, I12B, I12C, I13A, I13B, I27A, I27B, I27C, I27D		09	J03A, J03B, J04A, J04B, J08A, J08B, J08C, J11A, J11B, J16Z		21A	W04A, W04B
	21A	W04A, W04B		21A	W04A, W04B		21B	X06A, X06B, X06C
	21B	X06A, X06B, X06C	5t833.1↔		BOP, KVT, UOP4		5t833.8↔	BOP, KVT, UOP4
5t832.5↔		BOP, KVT, UOP4		01	B03A, B03B, B06A, B06B, B07Z, B17A, B17B, B17C		01	B03A, B03B, B06A, B06B, B07Z, B17A, B17B, B17C
	01	B03A, B03B, B06A, B06B, B07Z, B17A, B17B, B17C		08	I08A, I08B, I08C, I08D, I12A, I12B, I12C, I13A, I13B, I27A, I27B, I27C, I27D		08	I08A, I08B, I08C, I08D, I12A, I12B, I12C, I13A, I13B, I27A, I27B, I27C, I27D
	08	I08A, I08B, I08C, I08D, I12A, I12B, I12C, I13A, I13B, I27A, I27B, I27C, I27D		09	J03A, J03B, J04A, J04B, J08A, J08B, J08C, J11A, J11B, J16Z		09	J03A, J03B, J04A, J04B, J08A, J08B, J08C, J11A, J11B, J16Z
	21A	W04A, W04B		21A	W04A, W04B		21A	W04A, W04B
	21B	X06A, X06B, X06C		21B	X06A, X06B, X06C		21B	X04Z, X06A, X06B, X06C
5t832.6↔		BOP, KVT, UOP4	5t833.2↔		BOP, KVT, UOP4		01	B03A, B03B, B06A, B06B, B07Z, B17A, B17B, B17C
	01	B03A, B03B, B06A, B06B, B07Z, B17A, B17B, B17C		01	B03A, B03B, B06A, B06B, B07Z, B17A, B17B, B17C		08	I08A, I08B, I08C, I08D, I12A, I12B, I12C, I13A, I13B, I27A, I27B, I27C, I27D
	08	I08A, I08B, I08C, I08D, I12A, I12B, I12C, I13A, I13B, I27A, I27B, I27C, I27D		08	I08A, I08B, I08C, I08D, I12A, I12B, I12C, I13A, I13B, I27A, I27B, I27C, I27D		09	J03A, J03B, J04A, J04B, J08A, J08B, J08C, J11A, J11B, J16Z
	21A	W04A, W04B		09	J03A, J03B, J04A, J04B, J08A, J08B, J08C, J11A, J11B, J16Z		21A	W04A, W04B
	21B	X06A, X06B, X06C		21A	W04A, W04B		21B	X06A, X06B, X06C
	21B	X06A, X06B, X06C		21B	X06A, X06B, X06C			

ZZV	MDC	DRG	ZZV	MDC	DRG	ZZV	MDC	DRG
5t833.9↔		BOP, KVT, UOP4	5t834.4↔		BOP, KVT, UOP4	5t834.x		BOP, KVT, UOP4
	01	B03A, B03B, B06A, B06B, B07Z, B17A, B17B, B17C		01	B03A, B03B, B06A, B06B, B07Z, B17A, B17B, B17C		01	B03A, B03B, B06A, B06B, B07Z, B17A, B17B, B17C
	08	I08A, I08B, I08C, I08D, I12A, I12B, I12C, I13A, I13B, I27A, I27B, I27C, I27D		08	I08A, I08B, I08C, I08D, I08E, I12A, I12B, I12C, I13A, I13B, I27A, I27B, I27C, I27D		08	I08A, I08B, I08C, I08D, I08E, I12A, I12B, I12C, I13A, I13B, I27A, I27B, I27C, I27D
	09	J03A, J03B, J04A, J04B, J08A, J08B, J08C, J11A, J11B, J16Z		09	J03A, J03B, J04A, J04B, J08A, J08B, J08C, J11A, J11B, J16Z		09	J03A, J03B, J04A, J04B, J08A, J08B, J08C, J11A, J11B, J16Z
	21A	W04A, W04B		21A	W04A, W04B		21A	W04A, W04B
5t833.x	21B	X04Z, X06A, X06B, X06C	5t834.5↔	21B	X06A, X06B, X06C	5t835.0↔	21B	X06A, X06B, X06C
		BOP, KVT, UOP4			BOP, KVT, UOP4			BOP, KVT, UOP4
	01	B03A, B03B, B06A, B06B, B07Z, B17A, B17B, B17C		01	B03A, B03B, B06A, B06B, B07Z, B17A, B17B, B17C		01	B03A, B03B, B06A, B06B, B07Z, B17A, B17B, B17C
	08	I08A, I08B, I08C, I08D, I12A, I12B, I12C, I13A, I13B, I27A, I27B, I27C, I27D		08	I08A, I08B, I08C, I08D, I08E, I12A, I12B, I12C, I13A, I13B, I27A, I27B, I27C, I27D		08	I08A, I08B, I08C, I08D, I12A, I12B, I12C, I13A, I13B, I27A, I27B, I27C, I27D
	09	J03A, J03B, J04A, J04B, J08A, J08B, J08C, J11A, J11B, J16Z		09	J03A, J03B, J04A, J04B, J08A, J08B, J08C, J11A, J11B, J16Z		10	K09A, K09B
5t834.0↔	21A	W04A, W04B	5t834.6↔	21A	W04A, W04B	5t835.1↔	21A	W04A, W04B
	21B	X06A, X06B, X06C		21B	X06A, X06B, X06C		21B	X06A, X06B, X06C
		BOP, KVT, UOP4			BOP, KVT, UOP4			BOP, KVT, UOP4
	01	B03A, B03B, B06A, B06B, B07Z, B17A, B17B, B17C		01	B03A, B03B, B06A, B06B, B07Z, B17A, B17B, B17C		01	B03A, B03B, B06A, B06B, B07Z, B17A, B17B, B17C
	08	I08A, I08B, I08C, I08D, I08E, I12A, I12B, I12C, I13A, I13B, I27A, I27B, I27C, I27D		08	I08A, I08B, I08C, I08D, I08E, I12A, I12B, I12C, I13A, I13B, I27A, I27B, I27C, I27D		08	I08A, I08B, I08C, I08D, I12A, I12B, I12C, I13A, I13B, I27A, I27B, I27C, I27D
5t834.1↔	09	J03A, J03B, J04A, J04B, J08A, J08B, J08C, J11A, J11B, J16Z	5t834.7↔	09	J03A, J03B, J04A, J04B, J08A, J08B, J08C, J11A, J11B, J16Z	5t835.2↔	01	B03A, B03B, B06A, B06B, B07Z, B17A, B17B, B17C
	21A	W04A, W04B		21A	W04A, W04B		01	B03A, B03B, B06A, B06B, B07Z, B17A, B17B, B17C
	21B	X06A, X06B, X06C		21B	X04Z, X06A, X06B, X06C		08	I08A, I08B, I08C, I08D, I12A, I12B, I12C, I13A, I13B, I27A, I27B, I27C, I27D
		BOP, KVT, UOP4			BOP, KVT, UOP4		10	K09A, K09B
	01	B03A, B03B, B06A, B06B, B07Z, B17A, B17B, B17C		01	B03A, B03B, B06A, B06B, B07Z, B17A, B17B, B17C		21A	W04A, W04B
5t834.2↔	08	I08A, I08B, I08C, I08D, I08E, I12A, I12B, I12C, I13A, I13B, I27A, I27B, I27C, I27D	5t834.8↔	08	I08A, I08B, I08C, I08D, I08E, I12A, I12B, I12C, I13A, I13B, I27A, I27B, I27C, I27D	5t835.3↔	21B	X06A, X06B, X06C
	09	J03A, J03B, J04A, J04B, J08A, J08B, J08C, J11A, J11B, J16Z		09	J03A, J03B, J04A, J04B, J08A, J08B, J08C, J11A, J11B, J16Z		01	B03A, B03B, B06A, B06B, B07Z, B17A, B17B, B17C
	21A	W04A, W04B		21A	W04A, W04B		08	I08A, I08B, I08C, I08D, I12A, I12B, I12C, I13A, I13B, I27A, I27B, I27C, I27D
	21B	X06A, X06B, X06C		21B	X04Z, X06A, X06B, X06C		10	K09A, K09B
		BOP, KVT, UOP4			BOP, KVT, UOP4		21A	W04A, W04B
5t834.3↔	01	B03A, B03B, B06A, B06B, B07Z, B17A, B17B, B17C	5t834.9↔	01	B03A, B03B, B06A, B06B, B07Z, B17A, B17B, B17C	5t835.4↔	21B	X05A, X05B, X06A, X06B, X06C
	08	I08A, I08B, I08C, I08D, I08E, I12A, I12B, I12C, I13A, I13B, I27A, I27B, I27C, I27D		08	I08A, I08B, I08C, I08D, I08E, I12A, I12B, I12C, I13A, I13B, I27A, I27B, I27C, I27D		01	B03A, B03B, B06A, B06B, B07Z, B17A, B17B, B17C
	09	J03A, J03B, J04A, J04B, J08A, J08B, J08C, J11A, J11B, J16Z		09	J03A, J03B, J04A, J04B, J08A, J08B, J08C, J11A, J11B, J16Z		08	I08A, I08B, I08C, I08D, I12A, I12B, I12C, I13A, I13B, I27A, I27B, I27C, I27D
	21A	W04A, W04B		21A	W04A, W04B		10	K09A, K09B
	21B	X06A, X06B, X06C		21B	X04Z, X06A, X06B, X06C		21A	W04A, W04B
5t834.4↔		BOP, KVT, UOP4	5t834.9↔		BOP, KVT, UOP4	5t835.5↔	21B	X06A, X06B, X06C
	01	B03A, B03B, B06A, B06B, B07Z, B17A, B17B, B17C		01	B03A, B03B, B06A, B06B, B07Z, B17A, B17B, B17C		01	B03A, B03B, B06A, B06B, B07Z, B17A, B17B, B17C
	08	I08A, I08B, I08C, I08D, I08E, I12A, I12B, I12C, I13A, I13B, I27A, I27B, I27C, I27D		08	I08A, I08B, I08C, I08D, I08E, I12A, I12B, I12C, I13A, I13B, I27A, I27B, I27C, I27D		08	I08A, I08B, I08C, I08D, I12A, I12B, I12C, I13A, I13B, I27A, I27B, I27C, I27D
	09	J03A, J03B, J04A, J04B, J08A, J08B, J08C, J11A, J11B, J16Z		09	J03A, J03B, J04A, J04B, J08A, J08B, J08C, J11A, J11B, J16Z		10	K09A, K09B
	21A	W04A, W04B		21A	W04A, W04B		21A	W04A, W04B
	X05A, X05B, X06A, X06B, X06C		X04Z, X06A, X06B, X06C	21B	X06A, X06B, X06C			

VYK

ZZV	MDC	DRG	ZZV	MDC	DRG	ZZV	MDC	DRG
5t837.5↔		BOP, KVT, UOP4	5t838.1↔		BOP, KVT, UOP4	5t838.8↔		BOP, KVT, UOP4
	01	B03A, B03B, B06A, B06B, B07Z, B17A, B17B, B17C		01	B03A, B03B, B06A, B06B, B07Z, B17A, B17B, B17C		01	B03A, B03B, B06A, B06B, B07Z, B17A, B17B, B17C
	08	I08A, I08B, I08C, I08D, I08E, I12A, I12B, I12C, I13A, I13B, I27A, I27B, I27C, I27D		08	I08A, I08B, I08C, I08D, I08E, I12A, I12B, I12C, I13A, I13B, I27A, I27B, I27C, I27D		08	I08A, I08B, I08C, I08D, I08E, I12A, I12B, I12C, I13A, I13B, I27A, I27B, I27C, I27D
	10	K09A, K09B		10	K09A, K09B		10	K09A, K09B
	21A	W04A, W04B		21A	W04A, W04B		21A	W04A, W04B
5t837.6↔	21B	X06A, X06B, X06C	5t838.2↔	21B	X06A, X06B, X06C	5t838.9↔	21B	X04Z, X06A, X06B, X06C
		BOP, KVT, UOP4			BOP, KVT, UOP4			BOP, KVT, UOP4
	01	B03A, B03B, B06A, B06B, B07Z, B17A, B17B, B17C		01	B03A, B03B, B06A, B06B, B07Z, B17A, B17B, B17C		01	B03A, B03B, B06A, B06B, B07Z, B17A, B17B, B17C
	08	I08A, I08B, I08C, I08D, I08E, I12A, I12B, I12C, I13A, I13B, I27A, I27B, I27C, I27D		08	I08A, I08B, I08C, I08D, I08E, I12A, I12B, I12C, I13A, I13B, I27A, I27B, I27C, I27D		08	I08A, I08B, I08C, I08D, I08E, I12A, I12B, I12C, I13A, I13B, I27A, I27B, I27C, I27D
	10	K09A, K09B		10	K09A, K09B		10	K09A, K09B
5t837.7↔	21A	W04A, W04B	5t838.3↔	21A	W04A, W04B	5t838.x	21A	W04A, W04B
	21B	X04Z, X06A, X06B, X06C		21B	X06A, X06B, X06C		21B	X04Z, X06A, X06B, X06C
		BOP, KVT, UOP4			BOP, KVT, UOP4			BOP, KVT, UOP4
	01	B03A, B03B, B06A, B06B, B07Z, B17A, B17B, B17C		01	B03A, B03B, B06A, B06B, B07Z, B17A, B17B, B17C		01	B03A, B03B, B06A, B06B, B07Z, B17A, B17B, B17C
	08	I08A, I08B, I08C, I08D, I08E, I12A, I12B, I12C, I13A, I13B, I27A, I27B, I27C, I27D		08	I08A, I08B, I08C, I08D, I08E, I12A, I12B, I12C, I13A, I13B, I27A, I27B, I27C, I27D		08	I08A, I08B, I08C, I08D, I08E, I12A, I12B, I12C, I13A, I13B, I27A, I27B, I27C, I27D
5t837.8↔	10	K09A, K09B	5t838.4↔	10	K09A, K09B	5t839.0↔	10	K09A, K09B
	21A	W04A, W04B		21A	W04A, W04B		21A	W04A, W04B
	21B	X04Z, X06A, X06B, X06C		21B	X05A, X05B, X06A, X06B, X06C		21B	X06A, X06B, X06C
		BOP, KVT, UOP4			BOP, KVT, UOP4			BOP, KVT, UOP4
	01	B03A, B03B, B06A, B06B, B07Z, B17A, B17B, B17C		01	B03A, B03B, B06A, B06B, B07Z, B17A, B17B, B17C		01	B03A, B03B, B06A, B06B, B07Z, B17A, B17B, B17C
5t837.9↔	08	I08A, I08B, I08C, I08D, I08E, I12A, I12B, I12C, I13A, I13B, I27A, I27B, I27C, I27D	5t838.5↔	08	I08A, I08B, I08C, I08D, I08E, I12A, I12B, I12C, I13A, I13B, I27A, I27B, I27C, I27D	5t839.1↔	08	I12A, I12B, I12C, I27A, I27B, I27C, I27D
	10	K09A, K09B		10	K09A, K09B		09	J03A, J03B, J04A, J04B, J08A, J08B, J08C, J11A, J11B, J16Z
	21A	W04A, W04B		21A	W04A, W04B		21A	W04A, W04B
	21B	X04Z, X06A, X06B, X06C		21B	X06A, X06B, X06C		21B	X06A, X06B, X06C
		BOP, KVT, UOP4			BOP, KVT, UOP4			BOP, KVT, UOP4
5t837.x	01	B03A, B03B, B06A, B06B, B07Z, B17A, B17B, B17C	5t838.6↔	01	B03A, B03B, B06A, B06B, B07Z, B17A, B17B, B17C	5t839.2↔	01	B03A, B03B, B06A, B06B, B07Z, B17A, B17B, B17C
	08	I08A, I08B, I08C, I08D, I08E, I12A, I12B, I12C, I13A, I13B, I27A, I27B, I27C, I27D		08	I08A, I08B, I08C, I08D, I08E, I12A, I12B, I12C, I13A, I13B, I27A, I27B, I27C, I27D		08	I12A, I12B, I12C, I27A, I27B, I27C, I27D
	10	K09A, K09B		10	K09A, K09B		09	J03A, J03B, J04A, J04B, J08A, J08B, J08C, J11A, J11B, J16Z
	21A	W04A, W04B		21A	W04A, W04B		21A	W04A, W04B
	21B	X06A, X06B, X06C		21B	X04Z, X06A, X06B, X06C		21B	X06A, X06B, X06C
5t838.0↔		BOP, KVT, UOP4	5t838.7↔		BOP, KVT, UOP4	5t839.3↔		BOP, KVT, UOP4
	01	B03A, B03B, B06A, B06B, B07Z, B17A, B17B, B17C		01	B03A, B03B, B06A, B06B, B07Z, B17A, B17B, B17C		01	B03A, B03B, B06A, B06B, B07Z, B17A, B17B, B17C
	08	I08A, I08B, I08C, I08D, I08E, I12A, I12B, I12C, I13A, I13B, I27A, I27B, I27C, I27D		08	I08A, I08B, I08C, I08D, I08E, I12A, I12B, I12C, I13A, I13B, I27A, I27B, I27C, I27D		08	I12A, I12B, I12C, I27A, I27B, I27C, I27D
	10	K09A, K09B		10	K09A, K09B		09	J03A, J03B, J04A, J04B, J08A, J08B, J08C, J11A, J11B, J16Z
	21A	W04A, W04B		21A	W04A, W04B		21A	W04A, W04B
	X06A, X06B, X06C	21B	X04Z, X06A, X06B, X06C	21B	X05A, X05B, X06A, X06B, X06C			

ZZV	MDC	DRG	ZZV	MDC	DRG	ZZV	MDC	DRG
5t840.7↔		BOP, KVT, UOP4	5t841.2↔		BOP, KVT, UOP4	5t841.8↔		BOP, KVT, UOP4
	01	B03A, B03B, B06A, B06B, B07Z, B17A, B17B, B17C		01	B03A, B03B, B06A, B06B, B07Z, B17A, B17B, B17C		01	B03A, B03B, B06A, B06B, B07Z, B17A, B17B, B17C
	08	I08A, I08B, I08C, I08D, I12A, I12B, I12C, I13A, I13B, I27A, I27B, I27C, I27D		08	I08A, I08B, I08C, I08D, I12A, I12B, I12C, I13A, I13B, I27A, I27B, I27C, I27D		08	I08A, I08B, I08C, I08D, I12A, I12B, I12C, I13A, I13B, I27A, I27B, I27C, I27D
	21A	W04A, W04B		09	J03A, J03B, J04A, J04B, J08A, J08B, J08C, J11A, J11B, J16Z		09	J03A, J03B, J04A, J04B, J08A, J08B, J08C, J11A, J11B, J16Z
5t840.8↔	21B	X04Z, X06A, X06B, X06C	5t841.3↔		BOP, KVT, UOP4	5t841.a↔		BOP, KVT, UOP4
		BOP, KVT, UOP4		21A	W04A, W04B		21A	W04A, W04B
	01	B03A, B03B, B06A, B06B, B07Z, B17A, B17B, B17C		21B	X06A, X06B, X06C		21B	X04Z, X06A, X06B, X06C
	08	I08A, I08B, I08C, I08D, I12A, I12B, I12C, I13A, I13B, I27A, I27B, I27C, I27D		01	B03A, B03B, B06A, B06B, B07Z, B17A, B17B, B17C		01	B03A, B03B, B06A, B06B, B07Z, B17A, B17B, B17C
5t840.a↔	21A	W04A, W04B	5t841.4↔		BOP, KVT, UOP4	5t841.b↔		BOP, KVT, UOP4
	21B	X04Z, X06A, X06B, X06C		01	B03A, B03B, B06A, B06B, B07Z, B17A, B17B, B17C		01	B03A, B03B, B06A, B06B, B07Z, B17A, B17B, B17C
		BOP, KVT, UOP4		08	I08A, I08B, I08C, I08D, I12A, I12B, I12C, I13A, I13B, I27A, I27B, I27C, I27D		08	I08A, I08B, I08C, I08D, I12A, I12B, I12C, I13A, I13B, I27A, I27B, I27C, I27D
	01	B03A, B03B, B06A, B06B, B07Z, B17A, B17B, B17C		09	J03A, J03B, J04A, J04B, J08A, J08B, J08C, J11A, J11B, J16Z		09	J03A, J03B, J04A, J04B, J08A, J08B, J08C, J11A, J11B, J16Z
5t840.b↔	08	I08A, I08B, I08C, I08D, I12A, I12B, I12C, I13A, I13B, I27A, I27B, I27C, I27D	5t841.5↔		BOP, KVT, UOP4	5t841.x		BOP, KVT, UOP4
	21A	W04A, W04B		21A	W04A, W04B		21A	W04A, W04B
	21B	X04Z, X06A, X06B, X06C		21B	X06A, X06B, X06C		21B	X04Z, X06A, X06B, X06C
		BOP, KVT, UOP4		01	B03A, B03B, B06A, B06B, B07Z, B17A, B17B, B17C		01	B03A, B03B, B06A, B06B, B07Z, B17A, B17B, B17C
5t840.x	01	B03A, B03B, B06A, B06B, B07Z, B17A, B17B, B17C	5t841.6↔		BOP, KVT, UOP4	5t842.0↔		BOP, KVT, UOP4
	08	I08A, I08B, I08C, I08D, I12A, I12B, I12C, I13A, I13B, I27A, I27B, I27C, I27D		01	B03A, B03B, B06A, B06B, B07Z, B17A, B17B, B17C		01	B03A, B03B, B06A, B06B, B07Z, B17A, B17B, B17C
	21A	W04A, W04B		08	I08A, I08B, I08C, I08D, I12A, I12B, I12C, I13A, I13B, I27A, I27B, I27C, I27D		08	I08A, I08B, I08C, I08D, I12A, I12B, I12C, I13A, I13B, I27A, I27B, I27C, I27D
	21B	X06A, X06B, X06C		09	J03A, J03B, J04A, J04B, J08A, J08B, J08C, J11A, J11B, J16Z		09	J03A, J03B, J04A, J04B, J08A, J08B, J08C, J11A, J11B, J16Z
5t841.0↔		BOP, KVT, UOP4	5t841.7↔		BOP, KVT, UOP4	5t842.1↔		BOP, KVT, UOP4
	01	B03A, B03B, B06A, B06B, B07Z, B17A, B17B, B17C		01	B03A, B03B, B06A, B06B, B07Z, B17A, B17B, B17C		01	B03A, B03B, B06A, B06B, B07Z, B17A, B17B, B17C
	08	I08A, I08B, I08C, I08D, I12A, I12B, I12C, I13A, I13B, I27A, I27B, I27C, I27D		08	I08A, I08B, I08C, I08D, I12A, I12B, I12C, I13A, I13B, I27A, I27B, I27C, I27D		08	I08A, I08B, I08C, I08D, I12A, I12B, I12C, I13A, I13B, I27A, I27B, I27C, I27D
	09	J03A, J03B, J04A, J04B, J08A, J08B, J08C, J11A, J11B, J16Z		09	J03A, J03B, J04A, J04B, J08A, J08B, J08C, J11A, J11B, J16Z		09	J03A, J03B, J04A, J04B, J08A, J08B, J08C, J11A, J11B, J16Z
5t841.1↔	21A	W04A, W04B	5t842.2↔		BOP, KVT, UOP4	5t842.2↔		BOP, KVT, UOP4
	21B	X06A, X06B, X06C		21A	W04A, W04B		21A	W04A, W04B
		BOP, KVT, UOP4		21B	X04Z, X06A, X06B, X06C		21B	X06A, X06B, X06C
	01	B03A, B03B, B06A, B06B, B07Z, B17A, B17B, B17C		01	B03A, B03B, B06A, B06B, B07Z, B17A, B17B, B17C		01	B03A, B03B, B06A, B06B, B07Z, B17A, B17B, B17C
5t841.2↔	08	I08A, I08B, I08C, I08D, I12A, I12B, I12C, I13A, I13B, I27A, I27B, I27C, I27D	5t842.2↔		BOP, KVT, UOP4	5t842.2↔		BOP, KVT, UOP4
	09	J03A, J03B, J04A, J04B, J08A, J08B, J08C, J11A, J11B, J16Z		01	B03A, B03B, B06A, B06B, B07Z, B17A, B17B, B17C		01	B03A, B03B, B06A, B06B, B07Z, B17A, B17B, B17C
	21A	W04A, W04B		08	I08A, I08B, I08C, I08D, I12A, I12B, I12C, I13A, I13B, I27A, I27B, I27C, I27D		08	I08A, I08B, I08C, I08D, I12A, I12B, I12C, I13A, I13B, I27A, I27B, I27C, I27D
	21B	X06A, X06B, X06C		09	J03A, J03B, J04A, J04B, J08A, J08B, J08C, J11A, J11B, J16Z		09	J03A, J03B, J04A, J04B, J08A, J08B, J08C, J11A, J11B, J16Z

ZZV	MDC	DRG	ZZV	MDC	DRG	ZZV	MDC	DRG
5t845.6↔		BOP, KVT, UOP4	5t846.0↔		BOP, KVT, UOP4	5t846.7↔		BOP, KVT, UOP4
	01	B03A, B03B, B06A, B06B, B07Z, B17A, B17B, B17C		01	B03A, B03B, B06A, B06B, B07Z, B17A, B17B, B17C		01	B03A, B03B, B06A, B06B, B07Z, B17A, B17B, B17C
	08	I08A, I08B, I08C, I08D, I12A, I12B, I12C, I13A, I13B, I27A, I27B, I27C, I27D		08	I08A, I08B, I08C, I08D, I08E, I12A, I12B, I12C, I13A, I13B, I27A, I27B, I27C, I27D		08	I08A, I08B, I08C, I08D, I08E, I12A, I12B, I12C, I13A, I13B, I27A, I27B, I27C, I27D
	09	J03A, J03B, J04A, J04B, J08A, J08B, J08C, J11A, J11B, J16Z		10	K09A, K09B		10	K09A, K09B
	21A	W04A, W04B		21A	W04A, W04B		21A	W04A, W04B
5t845.7↔	21B	X04Z, X06A, X06B, X06C	5t846.1↔	21B	X06A, X06B, X06C	5t846.8↔	21B	X04Z, X06A, X06B, X06C
		BOP, KVT, UOP4			BOP, KVT, UOP4			BOP, KVT, UOP4
	01	B03A, B03B, B06A, B06B, B07Z, B17A, B17B, B17C		01	B03A, B03B, B06A, B06B, B07Z, B17A, B17B, B17C		01	B03A, B03B, B06A, B06B, B07Z, B17A, B17B, B17C
	08	I08A, I08B, I08C, I08D, I12A, I12B, I12C, I13A, I13B, I27A, I27B, I27C, I27D		08	I08A, I08B, I08C, I08D, I08E, I12A, I12B, I12C, I13A, I13B, I27A, I27B, I27C, I27D		08	I08A, I08B, I08C, I08D, I08E, I12A, I12B, I12C, I13A, I13B, I27A, I27B, I27C, I27D
	09	J03A, J03B, J04A, J04B, J08A, J08B, J08C, J11A, J11B, J16Z		10	K09A, K09B		10	K09A, K09B
5t845.8↔	21A	W04A, W04B	5t846.2↔	21A	W04A, W04B	5t846.a↔	21A	W04A, W04B
	21B	X04Z, X06A, X06B, X06C		21B	X06A, X06B, X06C		21B	X04Z, X06A, X06B, X06C
		BOP, KVT, UOP4			BOP, KVT, UOP4			BOP, KVT, UOP4
	01	B03A, B03B, B06A, B06B, B07Z, B17A, B17B, B17C		01	B03A, B03B, B06A, B06B, B07Z, B17A, B17B, B17C		01	B03A, B03B, B06A, B06B, B07Z, B17A, B17B, B17C
	08	I08A, I08B, I08C, I08D, I12A, I12B, I12C, I13A, I13B, I27A, I27B, I27C, I27D		08	I08A, I08B, I08C, I08D, I08E, I12A, I12B, I12C, I13A, I13B, I27A, I27B, I27C, I27D		08	I08A, I08B, I08C, I08D, I08E, I12A, I12B, I12C, I13A, I13B, I20D, I27A, I27B, I27C, I27D
5t845.a↔	09	J03A, J03B, J04A, J04B, J08A, J08B, J08C, J11A, J11B, J16Z	5t846.3↔	10	K09A, K09B	5t846.b↔	10	K09A, K09B
	21A	W04A, W04B		21A	W04A, W04B		21A	W04A, W04B
	21B	X04Z, X06A, X06B, X06C		21B	X06A, X06B, X06C		21B	X04Z, X06A, X06B, X06C
		BOP, KVT, UOP4			BOP, KVT, UOP4			BOP, KVT, UOP4
	01	B03A, B03B, B06A, B06B, B07Z, B17A, B17B, B17C		01	B03A, B03B, B06A, B06B, B07Z, B17A, B17B, B17C		01	B03A, B03B, B06A, B06B, B07Z, B17A, B17B, B17C
5t845.b↔	08	I08A, I08B, I08C, I08D, I12A, I12B, I12C, I13A, I13B, I20D, I27A, I27B, I27C, I27D	5t846.4↔	08	I08A, I08B, I08C, I08D, I08E, I12A, I12B, I12C, I13A, I13B, I27A, I27B, I27C, I27D	5t846.x	08	I08A, I08B, I08C, I08D, I08E, I12A, I12B, I12C, I13A, I13B, I20D, I27A, I27B, I27C, I27D
	09	J03A, J03B, J04A, J04B, J08A, J08B, J08C, J11A, J11B, J16Z		10	K09A, K09B		10	K09A, K09B
	21A	W04A, W04B		21A	W04A, W04B		21A	W04A, W04B
	21B	X04Z, X06A, X06B, X06C		21B	X05A, X05B, X06A, X06B, X06C		21B	X04Z, X06A, X06B, X06C
		BOP, KVT, UOP4			BOP, KVT, UOP4			BOP, KVT, UOP4
5t845.x	01	B03A, B03B, B06A, B06B, B07Z, B17A, B17B, B17C	5t846.5↔	01	B03A, B03B, B06A, B06B, B07Z, B17A, B17B, B17C	5t847.0↔	01	B03A, B03B, B06A, B06B, B07Z, B17A, B17B, B17C
	08	I08A, I08B, I08C, I08D, I12A, I12B, I12C, I13A, I13B, I20D, I27A, I27B, I27C, I27D		08	I08A, I08B, I08C, I08D, I08E, I12A, I12B, I12C, I13A, I13B, I27A, I27B, I27C, I27D		08	I08A, I08B, I08C, I08D, I08E, I12A, I12B, I12C, I13A, I13B, I27A, I27B, I27C, I27D
	09	J03A, J03B, J04A, J04B, J08A, J08B, J08C, J11A, J11B, J16Z		10	K09A, K09B		10	K09A, K09B
	21A	W04A, W04B		21A	W04A, W04B		21A	W04A, W04B
	21B	X04Z, X06A, X06B, X06C		21B	X06A, X06B, X06C		21B	X06A, X06B, X06C
	BOP, KVT, UOP4		BOP, KVT, UOP4		BOP, KVT, UOP4			
5t846.6↔	01	B03A, B03B, B06A, B06B, B07Z, B17A, B17B, B17C	5t846.6↔	01	B03A, B03B, B06A, B06B, B07Z, B17A, B17B, B17C	5t847.1↔	01	B03A, B03B, B06A, B06B, B07Z, B17A, B17B, B17C
	08	I08A, I08B, I08C, I08D, I12A, I12B, I12C, I13A, I13B, I27A, I27B, I27C, I27D		08	I08A, I08B, I08C, I08D, I08E, I12A, I12B, I12C, I13A, I13B, I27A, I27B, I27C, I27D		08	I08A, I08B, I08C, I08D, I08E, I12A, I12B, I12C, I13A, I13B, I27A, I27B, I27C, I27D
	09	J03A, J03B, J04A, J04B, J08A, J08B, J08C, J11A, J11B, J16Z		10	K09A, K09B		10	K09A, K09B
	21A	W04A, W04B		21A	W04A, W04B		21A	W04A, W04B
	21B	X06A, X06B, X06C		21B	X04Z, X06A, X06B, X06C		21B	X06A, X06B, X06C

VYK

ZZV	MDC	DRG	ZZV	MDC	DRG	ZZV	MDC	DRG
5t847.2↔		BOP, KVT, UOP4	5t847.a↔		BOP, KVT, UOP4	5t848.4↔		BOP, KVT, UOP4
	01	B03A, B03B, B06A, B06B, B07Z, B17A, B17B, B17C		01	B03A, B03B, B06A, B06B, B07Z, B17A, B17B, B17C		01	B03A, B03B, B06A, B06B, B07Z, B17A, B17B, B17C
	08	I08A, I08B, I08C, I08D, I08E, I12A, I12B, I12C, I13A, I13B, I27A, I27B, I27C, I27D		08	I08A, I08B, I08C, I08D, I08E, I12A, I12B, I12C, I13A, I13B, I20D, I27A, I27B, I27C, I27D		08	I08A, I08B, I08C, I08D, I08E, I12A, I12B, I12C, I13A, I13B, I27A, I27B, I27C, I27D
	10	K09A, K09B		10	K09A, K09B		10	K09A, K09B
	21A	W04A, W04B		21A	W04A, W04B		21A	W04A, W04B
5t847.3↔	21B	X06A, X06B, X06C	5t847.b↔	21B	X04Z, X06A, X06B, X06C	5t848.5↔	21B	X06A, X06B, X06C
		BOP, KVT, UOP4			BOP, KVT, UOP4			BOP, KVT, UOP4
	01	B03A, B03B, B06A, B06B, B07Z, B17A, B17B, B17C		01	B03A, B03B, B06A, B06B, B07Z, B17A, B17B, B17C		01	B03A, B03B, B06A, B06B, B07Z, B17A, B17B, B17C
	08	I08A, I08B, I08C, I08D, I08E, I12A, I12B, I12C, I13A, I13B, I27A, I27B, I27C, I27D		08	I08A, I08B, I08C, I08D, I08E, I12A, I12B, I12C, I13A, I13B, I20D, I27A, I27B, I27C, I27D		08	I08A, I08B, I08C, I08D, I08E, I12A, I12B, I12C, I13A, I13B, I27A, I27B, I27C, I27D
	10	K09A, K09B		10	K09A, K09B		10	K09A, K09B
5t847.4↔	21A	W04A, W04B	5t847.x	21A	W04A, W04B	5t848.6↔	21A	W04A, W04B
	21B	X06A, X06B, X06C		21B	X04Z, X06A, X06B, X06C		21B	X06A, X06B, X06C
		BOP, KVT, UOP4			BOP, KVT, UOP4			BOP, KVT, UOP4
	01	B03A, B03B, B06A, B06B, B07Z, B17A, B17B, B17C		01	B03A, B03B, B06A, B06B, B07Z, B17A, B17B, B17C		01	B03A, B03B, B06A, B06B, B07Z, B17A, B17B, B17C
	08	I08A, I08B, I08C, I08D, I08E, I12A, I12B, I12C, I13A, I13B, I27A, I27B, I27C, I27D		08	I08A, I08B, I08C, I08D, I08E, I12A, I12B, I12C, I13A, I13B, I27A, I27B, I27C, I27D		08	I08A, I08B, I08C, I08D, I08E, I12A, I12B, I12C, I13A, I13B, I27A, I27B, I27C, I27D
5t847.5↔	10	K09A, K09B	5t848.0↔	10	K09A, K09B	5t848.7↔	10	K09A, K09B
	21A	W04A, W04B		21A	W04A, W04B		21A	W04A, W04B
	21B	X06A, X06B, X06C		21B	X06A, X06B, X06C		21B	X04Z, X06A, X06B, X06C
		BOP, KVT, UOP4			BOP, KVT, UOP4			BOP, KVT, UOP4
	01	B03A, B03B, B06A, B06B, B07Z, B17A, B17B, B17C		01	B03A, B03B, B06A, B06B, B07Z, B17A, B17B, B17C		01	B03A, B03B, B06A, B06B, B07Z, B17A, B17B, B17C
5t847.6↔	08	I08A, I08B, I08C, I08D, I08E, I12A, I12B, I12C, I13A, I13B, I27A, I27B, I27C, I27D	5t848.1↔	08	I08A, I08B, I08C, I08D, I08E, I12A, I12B, I12C, I13A, I13B, I27A, I27B, I27C, I27D	5t848.8↔	08	I08A, I08B, I08C, I08D, I08E, I12A, I12B, I12C, I13A, I13B, I27A, I27B, I27C, I27D
	10	K09A, K09B		10	K09A, K09B		10	K09A, K09B
	21A	W04A, W04B		21A	W04A, W04B		21A	W04A, W04B
	21B	X04Z, X06A, X06B, X06C		21B	X06A, X06B, X06C		21B	X04Z, X06A, X06B, X06C
		BOP, KVT, UOP4			BOP, KVT, UOP4			BOP, KVT, UOP4
5t847.7↔	01	B03A, B03B, B06A, B06B, B07Z, B17A, B17B, B17C	5t848.2↔	01	B03A, B03B, B06A, B06B, B07Z, B17A, B17B, B17C	5t848.a↔	01	B03A, B03B, B06A, B06B, B07Z, B17A, B17B, B17C
	08	I08A, I08B, I08C, I08D, I08E, I12A, I12B, I12C, I13A, I13B, I27A, I27B, I27C, I27D		08	I08A, I08B, I08C, I08D, I08E, I12A, I12B, I12C, I13A, I13B, I27A, I27B, I27C, I27D		08	I08A, I08B, I08C, I08D, I08E, I12A, I12B, I12C, I13A, I13B, I20D, I27A, I27B, I27C, I27D
	10	K09A, K09B		10	K09A, K09B		10	K09A, K09B
	21A	W04A, W04B		21A	W04A, W04B		21A	W04A, W04B
	21B	X04Z, X06A, X06B, X06C		21B	X06A, X06B, X06C		21B	X04Z, X06A, X06B, X06C
5t847.8↔		BOP, KVT, UOP4	5t848.3↔		BOP, KVT, UOP4	5t848.b↔		BOP, KVT, UOP4
	01	B03A, B03B, B06A, B06B, B07Z, B17A, B17B, B17C		01	B03A, B03B, B06A, B06B, B07Z, B17A, B17B, B17C		01	B03A, B03B, B06A, B06B, B07Z, B17A, B17B, B17C
	08	I08A, I08B, I08C, I08D, I08E, I12A, I12B, I12C, I13A, I13B, I27A, I27B, I27C, I27D		08	I08A, I08B, I08C, I08D, I08E, I12A, I12B, I12C, I13A, I13B, I27A, I27B, I27C, I27D		08	I08A, I08B, I08C, I08D, I08E, I12A, I12B, I12C, I13A, I13B, I20D, I27A, I27B, I27C, I27D
	10	K09A, K09B		10	K09A, K09B		10	K09A, K09B
	21A	W04A, W04B		21A	W04A, W04B		21A	W04A, W04B
	X04Z, X06A, X06B, X06C		X05A, X05B, X06A, X06B, X06C		X04Z, X06A, X06B, X06C			

ZZV	MDC	DRG	ZZV	MDC	DRG	ZZV	MDC	DRG
5t850.3↔		BOP, KVT, UOP4	5t851.2↔	08	I12A, I12B, I12C, I27A, I27B, I27C, I27D	5t852.4↔	08	I12A, I12B, I12C, I27A, I27B, I27C, I27D
	01	B03A, B03B, B06A, B06B, B07Z, B17A, B17B, B17C		21A	W04A, W04B		21A	W04A, W04B
	08	I12A, I12B, I12C, I27A, I27B, I27C, I27D		21B	X06A, X06B, X06C		21B	X06A, X06B, X06C
	21A	W04A, W04B						
5t850.4↔	21B	X05A, X05B, X06A, X06B, X06C	5t851.3↔	08	I12A, I12B, I12C, I27A, I27B, I27C, I27D	5t852.5↔	08	I12A, I12B, I12C, I27A, I27B, I27C, I27D
				21A	W04A, W04B		21A	W04A, W04B
				21B	X05A, X05B, X06A, X06B, X06C		21B	X06A, X06B, X06C
5t850.5↔		BOP, KVT, UOP4	5t851.4↔	08	I12A, I12B, I12C, I27A, I27B, I27C, I27D	5t852.6↔	08	I12A, I12B, I12C, I27A, I27B, I27C, I27D
	01	B03A, B03B, B06A, B06B, B07Z, B17A, B17B, B17C		21A	W04A, W04B		21A	W04A, W04B
	08	I12A, I12B, I12C, I27A, I27B, I27C, I27D		21B	X06A, X06B, X06C		21B	X06A, X06B, X06C
	21A	W04A, W04B						
5t850.6↔	21B	X06A, X06B, X06C	5t851.5↔	08	I12A, I12B, I12C, I27A, I27B, I27C, I27D	5t852.7↔	08	I12A, I12B, I12C, I27A, I27B, I27C, I27D
				21A	W04A, W04B		21A	W04A, W04B
				21B	X06A, X06B, X06C		21B	X04Z, X06A, X06B, X06C
5t850.7↔		BOP, KVT, UOP4	5t851.6↔	08	I12A, I12B, I12C, I27A, I27B, I27C, I27D	5t852.8↔	08	I12A, I12B, I12C, I27A, I27B, I27C, I27D
	01	B03A, B03B, B06A, B06B, B07Z, B17A, B17B, B17C		21A	W04A, W04B		21A	W04A, W04B
	08	I12A, I12B, I12C, I27A, I27B, I27C, I27D		21B	X04Z, X06A, X06B, X06C		21B	X04Z, X06A, X06B, X06C
	21A	W04A, W04B						
5t850.8↔	21B	X05A, X05B, X06A, X06B, X06C	5t851.7↔	08	I12A, I12B, I12C, I27A, I27B, I27C, I27D	5t852.9↔	08	I12A, I12B, I12C, I20D, I27A, I27B, I27C, I27D
				21A	W04A, W04B		21A	W04A, W04B
				21B	X04Z, X06A, X06B, X06C		21B	X04Z, X06A, X06B, X06C
5t850.9↔		BOP, KVT, UOP4	5t851.8↔	08	I12A, I12B, I12C, I27A, I27B, I27C, I27D	5t852.x	08	I12A, I12B, I12C, I27A, I27B, I27C, I27D
	01	B03A, B03B, B06A, B06B, B07Z, B17A, B17B, B17C		21A	W04A, W04B		21A	W04A, W04B
	08	I12A, I12B, I12C, I27A, I27B, I27C, I27D		21B	X04Z, X06A, X06B, X06C		21B	X06A, X06B, X06C
	21A	W04A, W04B						
5t850.x	21B	X04Z, X06A, X06B, X06C	5t851.9↔	08	I12A, I12B, I12C, I20D, I27A, I27B, I27C, I27D	5t853.0↔	08	I12A, I12B, I12C, I27A, I27B, I27C, I27D
				21A	W04A, W04B		21A	W04A, W04B
				21B	X04Z, X06A, X06B, X06C		21B	X06A, X06B, X06C
5t851.0↔		BOP, KVT, UOP4	5t852.0↔	08	I12A, I12B, I12C, I27A, I27B, I27C, I27D	5t853.1↔	08	I12A, I12B, I12C, I27A, I27B, I27C, I27D
	01	B03A, B03B, B06A, B06B, B07Z, B17A, B17B, B17C		21A	W04A, W04B		21A	W04A, W04B
	08	I12A, I12B, I12C, I27A, I27B, I27C, I27D		21B	X06A, X06B, X06C		21B	X06A, X06B, X06C
	21A	W04A, W04B						
5t851.1↔	21B	X06A, X06B, X06C	5t852.1↔	08	I12A, I12B, I12C, I27A, I27B, I27C, I27D	5t853.2↔	08	I12A, I12B, I12C, I27A, I27B, I27C, I27D
				21A	W04A, W04B		21A	W04A, W04B
				21B	X06A, X06B, X06C		21B	X06A, X06B, X06C
			5t852.2↔	08	I12A, I12B, I12C, I27A, I27B, I27C, I27D	5t853.3↔	08	I12A, I12B, I12C, I27A, I27B, I27C, I27D
		21A		W04A, W04B	21A		W04A, W04B	
		21B		X06A, X06B, X06C	21B		X05A, X05B, X06A, X06B, X06C	
			5t852.3↔	08	I12A, I12B, I12C, I27A, I27B, I27C, I27D	5t853.4↔	08	I12A, I12B, I12C, I27A, I27B, I27C, I27D
		21A		W04A, W04B	21A		W04A, W04B	
		21B		X05A, X05B, X06A, X06B, X06C	21B		X06A, X06B, X06C	
						5t853.5↔	08	I12A, I12B, I12C, I27A, I27B, I27C, I27D
							21A	W04A, W04B
							21B	X06A, X06B, X06C

VYK

ZZV	MDC	DRG	ZZV	MDC	DRG	ZZV	MDC	DRG
5t853.6↔		BOP, KVT, UOP4	5t854.8↔		BOP, KVT, UOP4	5t856.1↔		BOP, KVT, UOP4
	08	I12A, I12B, I12C, I27A, I27B, I27C, I27D		08	I12A, I12B, I12C, I27A, I27B, I27C, I27D		08	I27A, I27B, I27C, I27D
	21A	W04A, W04B		21A	W04A, W04B		21A	W04A, W04B
	21B	X04Z, X06A, X06B, X06C		21B	X04Z, X06A, X06B, X06C	5t856.2↔		X06A, X06B, X06C
5t853.7↔		BOP, KVT, UOP4	5t854.9↔		BOP, KVT, UOP4			BOP, KVT, UOP4
	08	I12A, I12B, I12C, I27A, I27B, I27C, I27D		08	I12A, I12B, I12C, I27A, I27B, I27C, I27D		08	I27A, I27B, I27C, I27D
	21A	W04A, W04B		21A	W04A, W04B		21A	W04A, W04B
	21B	X04Z, X06A, X06B, X06C		21B	X04Z, X06A, X06B, X06C	5t856.3↔		X06A, X06B, X06C
5t853.8↔		BOP, KVT, UOP4	5t854.x		BOP, KVT, UOP4			BOP, KVT, UOP4
	08	I12A, I12B, I12C, I27A, I27B, I27C, I27D		08	I12A, I12B, I12C, I27A, I27B, I27C, I27D		08	I32A, I32B, I32C, I32D, I32E, I32F
	21A	W04A, W04B		21A	W04A, W04B		09	J03A, J03B, J04A, J04B, J08A, J08B, J08C, J11A, J11B, J16Z
	21B	X04Z, X06A, X06B, X06C		21B	X06A, X06B, X06C		21A	W04A, W04B
5t853.9↔		BOP, KVT, UOP4	5t855.0↔		BOP, KVT, UOP4		21B	X05A, X05B
	08	I12A, I12B, I12C, I27A, I27B, I27C, I27D		08	I27A, I27B, I27C, I27D	5t856.4↔		BOP, KVT, UOP4
	21A	W04A, W04B		21A	W04A, W04B		08	I27A, I27B, I27C, I27D
	21B	X04Z, X06A, X06B, X06C		21B	X06A, X06B, X06C		21A	W04A, W04B
5t853.x		BOP, KVT, UOP4	5t855.1↔		BOP, KVT, UOP4		21B	X06A, X06B, X06C
	08	I12A, I12B, I12C, I27A, I27B, I27C, I27D		08	I27A, I27B, I27C, I27D	5t856.5↔		BOP, KVT, UOP4
	21A	W04A, W04B		21A	W04A, W04B		08	I27A, I27B, I27C, I27D
	21B	X06A, X06B, X06C		21B	X06A, X06B, X06C		21A	W04A, W04B
5t854.0↔		BOP, KVT, UOP4	5t855.2↔		BOP, KVT, UOP4		21B	X06A, X06B, X06C
	08	I12A, I12B, I12C, I27A, I27B, I27C, I27D		08	I27A, I27B, I27C, I27D	5t856.6↔		BOP, KVT, UOP4
	21A	W04A, W04B		21A	W04A, W04B		08	I27A, I27B, I27C, I27D
	21B	X06A, X06B, X06C		21B	X06A, X06B, X06C		21A	W04A, W04B
5t854.1↔		BOP, KVT, UOP4	5t855.3↔		BOP, KVT, UOP4		21B	X04Z, X06A, X06B, X06C
	08	I12A, I12B, I12C, I27A, I27B, I27C, I27D		08	I32A, I32B, I32C, I32D, I32E, I32F	5t856.7↔		BOP, KVT, UOP4
	21A	W04A, W04B		09	J03A, J03B, J04A, J04B, J08A, J08B, J08C, J11A, J11B, J16Z		08	I27A, I27B, I27C, I27D
	21B	X06A, X06B, X06C		21A	W04A, W04B		21A	W04A, W04B
5t854.2↔		BOP, KVT, UOP4	5t855.4↔		BOP, KVT, UOP4		21B	X04Z, X06A, X06B, X06C
	08	I12A, I12B, I12C, I27A, I27B, I27C, I27D		08	I27A, I27B, I27C, I27D	5t856.8↔		BOP, KVT, UOP4
	21A	W04A, W04B		21A	W04A, W04B		08	I27A, I27B, I27C, I27D
	21B	X06A, X06B, X06C		21B	X05A, X05B		21A	W04A, W04B
5t854.3↔		BOP, KVT, UOP4	5t855.5↔		BOP, KVT, UOP4		21B	X04Z
	08	I12A, I12B, I12C, I27A, I27B, I27C, I27D		08	I27A, I27B, I27C, I27D	5t856.9↔		BOP, KVT, UOP4
	21A	W04A, W04B		21A	W04A, W04B		08	I20D, I27A, I27B, I27C, I27D
	21B	X05A, X05B, X06A, X06B, X06C		21B	X06A, X06B, X06C		21A	W04A, W04B
5t854.4↔		BOP, KVT, UOP4	5t855.6↔		BOP, KVT, UOP4		21B	X04Z
	08	I12A, I12B, I12C, I27A, I27B, I27C, I27D		08	I27A, I27B, I27C, I27D	5t856.x		BOP, KVT, UOP4
	21A	W04A, W04B		21A	W04A, W04B		08	I27A, I27B, I27C, I27D
	21B	X06A, X06B, X06C		21B	X06A, X06B, X06C		21A	W04A, W04B
5t854.5↔		BOP, KVT, UOP4	5t855.7↔		BOP, KVT, UOP4		21B	X06A, X06B, X06C
	08	I12A, I12B, I12C, I27A, I27B, I27C, I27D		08	I27A, I27B, I27C, I27D	5t857.0↔		BOP, KVT, UOP4
	21A	W04A, W04B		21A	W04A, W04B		01	B03A, B03B, B06A, B06B, B07Z, B17A, B17B, B17C
	21B	X06A, X06B, X06C		21B	X04Z, X06A, X06B, X06C		08	I12A, I12B, I12C, I27A, I27B, I27C, I27D
5t854.6↔		BOP, KVT, UOP4	5t855.8↔		BOP, KVT, UOP4		09	J03A, J03B, J04A, J04B, J08A, J08B, J08C, J11A, J11B, J16Z
	08	I12A, I12B, I12C, I27A, I27B, I27C, I27D		08	I27A, I27B, I27C, I27D		21A	W04A, W04B
	21A	W04A, W04B		21A	W04A, W04B		21B	X06A, X06B, X06C
	21B	X06A, X06B, X06C		21B	X04Z	5t857.1↔		BOP, KVT, UOP4
5t854.7↔		BOP, KVT, UOP4	5t855.9↔		BOP, KVT, UOP4		01	B03A, B03B, B06A, B06B, B07Z, B17A, B17B, B17C
	08	I12A, I12B, I12C, I27A, I27B, I27C, I27D		08	I20D, I27A, I27B, I27C, I27D		08	I12A, I12B, I12C, I27A, I27B, I27C, I27D
	21A	W04A, W04B		21A	W04A, W04B		09	J03A, J03B, J04A, J04B, J08A, J08B, J08C, J11A, J11B, J16Z
	21B	X04Z, X06A, X06B, X06C		21B	X06A, X06B, X06C		21A	W04A, W04B
	08	I12A, I12B, I12C, I27A, I27B, I27C, I27D	5t855.x		BOP, KVT, UOP4		21B	X06A, X06B, X06C
	21A	W04A, W04B		08	I27A, I27B, I27C, I27D			
	21B	X04Z, X06A, X06B, X06C	5t856.0↔		BOP, KVT, UOP4			
				08	I27A, I27B, I27C, I27D			
				21A	W04A, W04B			
				21B	X06A, X06B, X06C			

ZZV	MDC	DRG	ZZV	MDC	DRG	ZZV	MDC	DRG
5t857.2↔		BOP, KVT, UOP4	5t857.9↔		BOP, KVT, UOP4	5t858.5↔		BOP, KVT, UOP4
	01	B03A, B03B, B06A, B06B, B07Z, B17A, B17B, B17C		01	B03A, B03B, B06A, B06B, B07Z, B17A, B17B, B17C		01	B03A, B03B, B06A, B06B, B07Z, B17A, B17B, B17C
	08	I12A, I12B, I12C, I27A, I27B, I27C, I27D		08	I12A, I12B, I12C, I20D, I27A, I27B, I27C, I27D		08	I12A, I12B, I12C, I20D, I27A, I27B, I27C, I27D
	09	J03A, J03B, J04A, J04B, J08A, J08B, J08C, J11A, J11B, J16Z		09	J03A, J03B, J04A, J04B, J08A, J08B, J08C, J11A, J11B, J16Z		09	J03A, J03B, J04A, J04B, J08A, J08B, J08C, J11A, J11B, J16Z
	21A	W04A, W04B		21A	W04A, W04B		21A	W04A, W04B
5t857.3↔	21B	X06A, X06B, X06C	5t857.x	21B	X04Z, X06A, X06B, X06C	5t858.6↔	21B	X04Z, X06A, X06B, X06C
		BOP, KVT, UOP4			BOP, KVT, UOP4			BOP, KVT, UOP4
	01	B03A, B03B, B06A, B06B, B07Z, B17A, B17B, B17C		01	B03A, B03B, B06A, B06B, B07Z, B17A, B17B, B17C		01	B03A, B03B, B06A, B06B, B07Z, B17A, B17B, B17C
	08	I12A, I12B, I12C, I27A, I27B, I27C, I27D		08	I12A, I12B, I12C, I27A, I27B, I27C, I27D		08	I12A, I12B, I12C, I27A, I27B, I27C, I27D
	09	J03A, J03B, J04A, J04B, J08A, J08B, J08C, J11A, J11B, J16Z		09	J03A, J03B, J04A, J04B, J08A, J08B, J08C, J11A, J11B, J16Z		09	J03A, J03B, J04A, J04B, J08A, J08B, J08C, J11A, J11B, J16Z
5t857.4↔	21A	W04A, W04B	5t858.0↔	21A	W04A, W04B	5t858.7↔	21A	W04A, W04B
	21B	X05A, X05B, X06A, X06B, X06C		21B	X06A, X06B, X06C		21B	X04Z, X06A, X06B, X06C
		BOP, KVT, UOP4			BOP, KVT, UOP4			BOP, KVT, UOP4
	01	B03A, B03B, B06A, B06B, B07Z, B17A, B17B, B17C		01	B03A, B03B, B06A, B06B, B07Z, B17A, B17B, B17C		01	B03A, B03B, B06A, B06B, B07Z, B17A, B17B, B17C
	08	I12A, I12B, I12C, I27A, I27B, I27C, I27D		08	I12A, I12B, I12C, I27A, I27B, I27C, I27D		08	I12A, I12B, I12C, I27A, I27B, I27C, I27D
5t857.5↔	09	J03A, J03B, J04A, J04B, J08A, J08B, J08C, J11A, J11B, J16Z	5t858.1↔	09	J03A, J03B, J04A, J04B, J08A, J08B, J08C, J11A, J11B, J16Z	5t858.8↔	09	J03A, J03B, J04A, J04B, J08A, J08B, J08C, J11A, J11B, J16Z
	21A	W04A, W04B		21A	W04A, W04B		21A	W04A, W04B
	21B	X06A, X06B, X06C		21B	X06A, X06B, X06C		21B	X04Z, X06A, X06B, X06C
		BOP, KVT, UOP4			BOP, KVT, UOP4			BOP, KVT, UOP4
	01	B03A, B03B, B06A, B06B, B07Z, B17A, B17B, B17C		01	B03A, B03B, B06A, B06B, B07Z, B17A, B17B, B17C		01	B03A, B03B, B06A, B06B, B07Z, B17A, B17B, B17C
5t857.6↔	08	I12A, I12B, I12C, I20D, I27A, I27B, I27C, I27D	5t858.2↔	08	I12A, I12B, I12C, I27A, I27B, I27C, I27D	5t858.9↔	08	I12A, I12B, I12C, I27A, I27B, I27C, I27D
	09	J03A, J03B, J04A, J04B, J08A, J08B, J08C, J11A, J11B, J16Z		09	J03A, J03B, J04A, J04B, J08A, J08B, J08C, J11A, J11B, J16Z		09	J03A, J03B, J04A, J04B, J08A, J08B, J08C, J11A, J11B, J16Z
	21A	W04A, W04B		21A	W04A, W04B		21A	W04A, W04B
	21B	X04Z, X06A, X06B, X06C		21B	X06A, X06B, X06C		21B	X04Z, X06A, X06B, X06C
		BOP, KVT, UOP4			BOP, KVT, UOP4			BOP, KVT, UOP4
5t857.7↔	01	B03A, B03B, B06A, B06B, B07Z, B17A, B17B, B17C	5t858.3↔	01	B03A, B03B, B06A, B06B, B07Z, B17A, B17B, B17C	5t858.x	01	B03A, B03B, B06A, B06B, B07Z, B17A, B17B, B17C
	08	I12A, I12B, I12C, I27A, I27B, I27C, I27D		08	I12A, I12B, I12C, I27A, I27B, I27C, I27D		08	I12A, I12B, I12C, I27A, I27B, I27C, I27D
	09	J03A, J03B, J04A, J04B, J08A, J08B, J08C, J11A, J11B, J16Z		09	J03A, J03B, J04A, J04B, J08A, J08B, J08C, J11A, J11B, J16Z		09	J03A, J03B, J04A, J04B, J08A, J08B, J08C, J11A, J11B, J16Z
	21A	W04A, W04B		21A	W04A, W04B		21A	W04A, W04B
	21B	X04Z, X06A, X06B, X06C		21B	X06A, X06B, X06C		21B	X04Z, X06A, X06B, X06C
5t857.8↔		BOP, KVT, UOP4	5t858.4↔		BOP, KVT, UOP4	5t859.0↔		BOP, KVT, UOP4
	01	B03A, B03B, B06A, B06B, B07Z, B17A, B17B, B17C		01	B03A, B03B, B06A, B06B, B07Z, B17A, B17B, B17C		01	B03A, B03B, B06A, B06B, B07Z, B17A, B17B, B17C
	08	I12A, I12B, I12C, I27A, I27B, I27C, I27D		08	I12A, I12B, I12C, I27A, I27B, I27C, I27D		08	I12A, I12B, I12C, I27A, I27B, I27C, I27D
	09	J03A, J03B, J04A, J04B, J08A, J08B, J08C, J11A, J11B, J16Z		09	J03A, J03B, J04A, J04B, J08A, J08B, J08C, J11A, J11B, J16Z		09	J03A, J03B, J04A, J04B, J08A, J08B, J08C, J11A, J11B, J16Z
	21A	W04A, W04B		21A	W04A, W04B		21A	W04A, W04B
21B	X04Z, X06A, X06B, X06C	21B	X06A, X06B, X06C	21B	X06A, X06B, X06C			

ZZV	MDC	DRG	ZZV	MDC	DRG	ZZV	MDC	DRG
5t85b.2↔		BOP, KVT, UOP4	5t85x.4		BOP, KVT, UOP4	5t860.3↔		BOP, KVT, UOP4
	08	I12A, I12B, I12C, I27A, I27B, I27C, I27D		08	I12A, I12B, I12C, I27A, I27B, I27C, I27D		08	I12A, I12B, I12C, I27A, I27B, I27C, I27D
	21A	W04A, W04B		21A	W04A, W04B		09	J03A, J03B, J04A, J04B, J08A, J08B, J08C, J11A, J11B, J16Z
5t85b.3↔	21B	X06A, X06B, X06C	5t85x.5	21B	X06A, X06B, X06C		10	K09A, K09B
		BOP, KVT, UOP4			BOP, KVT, UOP4		21A	W04A, W04B
	08	I12A, I12B, I12C, I27A, I27B, I27C, I27D		08	I12A, I12B, I12C, I27A, I27B, I27C, I27D		21B	X05A, X05B, X06A, X06B, X06C
	21A	W04A, W04B		21A	W04A, W04B	5t860.4↔		BOP, KVT, UOP4
	21B	X05A, X05B, X06A, X06B, X06C		21B	X06A, X06B, X06C		08	I12A, I12B, I12C, I27A, I27B, I27C, I27D
5t85b.4↔		BOP, KVT, UOP4	5t85x.6		BOP, KVT, UOP4		09	J03A, J03B, J04A, J04B, J08A, J08B, J08C, J11A, J11B, J16Z
	08	I12A, I12B, I12C, I27A, I27B, I27C, I27D		08	I12A, I12B, I12C, I27A, I27B, I27C, I27D		10	K09A, K09B
	21A	W04A, W04B		21A	W04A, W04B		21A	W04A, W04B
	21B	X06A, X06B, X06C		21B	X04Z, X06A, X06B, X06C		21B	X06A, X06B, X06C
5t85b.5↔		BOP, KVT, UOP4	5t85x.7↔		BOP, KVT, UOP4	5t860.5↔		BOP, KVT, UOP4
	08	I12A, I12B, I12C, I27A, I27B, I27C, I27D		08	I12A, I12B, I12C, I27A, I27B, I27C, I27D		08	I12A, I12B, I12C, I27A, I27B, I27C, I27D
	21A	W04A, W04B		21A	W04A, W04B		09	J03A, J03B, J04A, J04B, J08A, J08B, J08C, J11A, J11B, J16Z
	21B	X06A, X06B, X06C		21B	X04Z, X06A, X06B, X06C		10	K09A, K09B
5t85b.6↔		BOP, KVT, UOP4	5t85x.8↔		BOP, KVT, UOP4		21A	W04A, W04B
	08	I12A, I12B, I12C, I27A, I27B, I27C, I27D		08	I12A, I12B, I12C, I27A, I27B, I27C, I27D		21B	X06A, X06B, X06C
	21A	W04A, W04B		21A	W04A, W04B	5t860.6↔		BOP, KVT, UOP4
	21B	X04Z, X06A, X06B, X06C		21B	X04Z, X06A, X06B, X06C		08	I12A, I12B, I12C, I27A, I27B, I27C, I27D
5t85b.7↔		BOP, KVT, UOP4	5t85x.9↔		BOP, KVT, UOP4		09	J03A, J03B, J04A, J04B, J08A, J08B, J08C, J11A, J11B, J16Z
	08	I12A, I12B, I12C, I27A, I27B, I27C, I27D		08	I12A, I12B, I12C, I27A, I27B, I27C, I27D		10	K09A, K09B
	21A	W04A, W04B		21A	W04A, W04B		21A	W04A, W04B
	21B	X04Z, X06A, X06B, X06C		21B	X04Z, X06A, X06B, X06C		21B	X06A, X06B, X06C
5t85b.8↔		BOP, KVT, UOP4	5t85x.x		BOP, KVT, UOP4	5t860.7↔		BOP, KVT, UOP4
	08	I12A, I12B, I12C, I27A, I27B, I27C, I27D		08	I12A, I12B, I12C, I27A, I27B, I27C, I27D		08	I12A, I12B, I12C, I27A, I27B, I27C, I27D
	21A	W04A, W04B		21A	W04A, W04B		09	J03A, J03B, J04A, J04B, J08A, J08B, J08C, J11A, J11B, J16Z
	21B	X04Z, X06A, X06B, X06C		21B	X06A, X06B, X06C		10	K09A, K09B
5t85b.9↔		BOP, KVT, UOP4	5t860.0↔		BOP, KVT, UOP4		21A	W04A, W04B
	08	I12A, I12B, I12C, I27A, I27B, I27C, I27D		08	I12A, I12B, I12C, I27A, I27B, I27C, I27D		21B	X04Z, X06A, X06B, X06C
	21A	W04A, W04B		09	J03A, J03B, J04A, J04B, J08A, J08B, J08C, J11A, J11B, J16Z		08	I12A, I12B, I12C, I27A, I27B, I27C, I27D
	21B	X04Z, X06A, X06B, X06C		10	K09A, K09B		09	J03A, J03B, J04A, J04B, J08A, J08B, J08C, J11A, J11B, J16Z
5t85b.x		BOP, KVT, UOP4			BOP, KVT, UOP4		10	K09A, K09B
	08	I12A, I12B, I12C, I27A, I27B, I27C, I27D			BOP, KVT, UOP4		21A	W04A, W04B
	21A	W04A, W04B	5t860.1↔		BOP, KVT, UOP4		21B	X04Z, X06A, X06B, X06C
	21B	X06A, X06B, X06C		08	I12A, I12B, I12C, I27A, I27B, I27C, I27D	5t860.8↔		BOP, KVT, UOP4
5t85x.0↔		BOP, KVT, UOP4			BOP, KVT, UOP4		08	I12A, I12B, I12C, I27A, I27B, I27C, I27D
	08	I12A, I12B, I12C, I27A, I27B, I27C, I27D		09	J03A, J03B, J04A, J04B, J08A, J08B, J08C, J11A, J11B, J16Z		09	J03A, J03B, J04A, J04B, J08A, J08B, J08C, J11A, J11B, J16Z
	21A	W04A, W04B		10	K09A, K09B		10	K09A, K09B
	21B	X06A, X06B, X06C		21A	W04A, W04B		21A	W04A, W04B
5t85x.1↔		BOP, KVT, UOP4	5t860.2↔		BOP, KVT, UOP4		21B	X04Z, X06A, X06B, X06C
	08	I12A, I12B, I12C, I27A, I27B, I27C, I27D		08	I12A, I12B, I12C, I27A, I27B, I27C, I27D		08	I12A, I12B, I12C, I27A, I27B, I27C, I27D
	21A	W04A, W04B		09	J03A, J03B, J04A, J04B, J08A, J08B, J08C, J11A, J11B, J16Z		09	J03A, J03B, J04A, J04B, J08A, J08B, J08C, J11A, J11B, J16Z
	21B	X06A, X06B, X06C		10	K09A, K09B		10	K09A, K09B
5t85x.2↔		BOP, KVT, UOP4			BOP, KVT, UOP4	5t860.9↔		BOP, KVT, UOP4
	08	I12A, I12B, I12C, I27A, I27B, I27C, I27D			BOP, KVT, UOP4		08	I12A, I12B, I12C, I27A, I27B, I27C, I27D
	21A	W04A, W04B			BOP, KVT, UOP4		09	J03A, J03B, J04A, J04B, J08A, J08B, J08C, J11A, J11B, J16Z
	21B	X06A, X06B, X06C			BOP, KVT, UOP4		10	K09A, K09B
5t85x.3↔		BOP, KVT, UOP4			BOP, KVT, UOP4		21A	W04A, W04B
	08	I12A, I12B, I12C, I27A, I27B, I27C, I27D			BOP, KVT, UOP4		21B	X04Z, X06A, X06B, X06C
	21A	W04A, W04B			BOP, KVT, UOP4			
	21B	X05A, X05B, X06A, X06B, X06C			BOP, KVT, UOP4			

VYK

ZZV	MDC	DRG	ZZV	MDC	DRG	ZZV	MDC	DRG
5t862.6↔		BOP, KVT, UOP4	5t863.1↔		BOP, KVT, UOP4	5t863.7↔		BOP, KVT, UOP4
	01	B03A, B03B, B06A, B06B, B07Z, B17A, B17B, B17C		01	B03A, B03B, B06A, B06B, B07Z, B17A, B17B, B17C		01	B03A, B03B, B06A, B06B, B07Z, B17A, B17B, B17C
	08	I08A, I08B, I08C, I08D, I08E, I12A, I12B, I12C, I13A, I13B, I27A, I27B, I27C, I27D		08	I08A, I08B, I08C, I08D, I08E, I12A, I12B, I12C, I13A, I13B, I27A, I27B, I27C, I27D		08	I08A, I08B, I08C, I08D, I08E, I12A, I12B, I12C, I13A, I13B, I27A, I27B, I27C, I27D
	09	J03A, J03B, J04A, J04B, J08A, J08B, J08C, J11A, J11B, J16Z		09	J03A, J03B, J04A, J04B, J08A, J08B, J08C, J11A, J11B, J16Z		09	J03A, J03B, J04A, J04B, J08A, J08B, J08C, J11A, J11B, J16Z
	21A	W04A, W04B		21A	W04A, W04B		21A	W04A, W04B
5t862.7↔	21B	X04Z, X06A, X06B, X06C	5t863.2↔	21B	X06A, X06B, X06C	5t863.8↔	21B	X04Z, X06A, X06B, X06C
		BOP, KVT, UOP4			BOP, KVT, UOP4			BOP, KVT, UOP4
	01	B03A, B03B, B06A, B06B, B07Z, B17A, B17B, B17C		01	B03A, B03B, B06A, B06B, B07Z, B17A, B17B, B17C		01	B03A, B03B, B06A, B06B, B07Z, B17A, B17B, B17C
	08	I08A, I08B, I08C, I08D, I08E, I12A, I12B, I12C, I13A, I13B, I27A, I27B, I27C, I27D		08	I08A, I08B, I08C, I08D, I08E, I12A, I12B, I12C, I13A, I13B, I27A, I27B, I27C, I27D		08	I08A, I08B, I08C, I08D, I08E, I12A, I12B, I12C, I13A, I13B, I27A, I27B, I27C, I27D
	09	J03A, J03B, J04A, J04B, J08A, J08B, J08C, J11A, J11B, J16Z		09	J03A, J03B, J04A, J04B, J08A, J08B, J08C, J11A, J11B, J16Z		09	J03A, J03B, J04A, J04B, J08A, J08B, J08C, J11A, J11B, J16Z
5t862.8↔	21A	W04A, W04B	5t863.3↔	21A	W04A, W04B	5t863.9↔	21A	W04A, W04B
	21B	X04Z, X06A, X06B, X06C		21B	X06A, X06B, X06C		21B	X04Z, X06A, X06B, X06C
		BOP, KVT, UOP4			BOP, KVT, UOP4			BOP, KVT, UOP4
	01	B03A, B03B, B06A, B06B, B07Z, B17A, B17B, B17C		01	B03A, B03B, B06A, B06B, B07Z, B17A, B17B, B17C		01	B03A, B03B, B06A, B06B, B07Z, B17A, B17B, B17C
	08	I08A, I08B, I08C, I08D, I08E, I12A, I12B, I12C, I13A, I13B, I27A, I27B, I27C, I27D		08	I08A, I08B, I08C, I08D, I08E, I12A, I12B, I12C, I13A, I13B, I27A, I27B, I27C, I27D		08	I08A, I08B, I08C, I08D, I08E, I12A, I12B, I12C, I13A, I13B, I27A, I27B, I27C, I27D
5t862.9↔	09	J03A, J03B, J04A, J04B, J08A, J08B, J08C, J11A, J11B, J16Z	5t863.4↔	09	J03A, J03B, J04A, J04B, J08A, J08B, J08C, J11A, J11B, J16Z	5t863.x	09	J03A, J03B, J04A, J04B, J08A, J08B, J08C, J11A, J11B, J16Z
	21A	W04A, W04B		21A	W04A, W04B		21A	W04A, W04B
	21B	X04Z, X06A, X06B, X06C		21B	X05A, X05B, X06A, X06B, X06C		21B	X04Z, X06A, X06B, X06C
		BOP, KVT, UOP4			BOP, KVT, UOP4			BOP, KVT, UOP4
	01	B03A, B03B, B06A, B06B, B07Z, B17A, B17B, B17C		01	B03A, B03B, B06A, B06B, B07Z, B17A, B17B, B17C		01	B03A, B03B, B06A, B06B, B07Z, B17A, B17B, B17C
5t862.x	08	I08A, I08B, I08C, I08D, I08E, I12A, I12B, I12C, I13A, I13B, I27A, I27B, I27C, I27D	5t863.5↔	08	I08A, I08B, I08C, I08D, I08E, I12A, I12B, I12C, I13A, I13B, I27A, I27B, I27C, I27D	5t864.0↔	08	I08A, I08B, I08C, I08D, I08E, I12A, I12B, I12C, I13A, I13B, I27A, I27B, I27C, I27D
	09	J03A, J03B, J04A, J04B, J08A, J08B, J08C, J11A, J11B, J16Z		09	J03A, J03B, J04A, J04B, J08A, J08B, J08C, J11A, J11B, J16Z		09	J03A, J03B, J04A, J04B, J08A, J08B, J08C, J11A, J11B, J16Z
	21A	W04A, W04B		21A	W04A, W04B		21A	W04A, W04B
	21B	X06A, X06B, X06C		21B	X06A, X06B, X06C		21B	X06A, X06B, X06C
		BOP, KVT, UOP4			BOP, KVT, UOP4			BOP, KVT, UOP4
5t863.0↔	01	B03A, B03B, B06A, B06B, B07Z, B17A, B17B, B17C	5t863.6↔	01	B03A, B03B, B06A, B06B, B07Z, B17A, B17B, B17C	5t864.1↔	01	B03A, B03B, B06A, B06B, B07Z, B17A, B17B, B17C
	08	I08A, I08B, I08C, I08D, I08E, I12A, I12B, I12C, I13A, I13B, I27A, I27B, I27C, I27D		08	I08A, I08B, I08C, I08D, I08E, I12A, I12B, I12C, I13A, I13B, I27A, I27B, I27C, I27D		08	I08A, I08B, I08C, I08D, I08E, I12A, I12B, I12C, I13A, I13B, I27A, I27B, I27C, I27D
	09	J03A, J03B, J04A, J04B, J08A, J08B, J08C, J11A, J11B, J16Z		09	J03A, J03B, J04A, J04B, J08A, J08B, J08C, J11A, J11B, J16Z		09	J02A, J02B, J02C, J04A, J04B, J08A, J08B, J08C, J16Z, J21Z, J22A, J22B
	21A	W04A, W04B		21A	W04A, W04B		21A	W04A, W04B
	21B	X06A, X06B, X06C		21B	X04Z, X06A, X06B, X06C		21B	X06A, X06B, X06C

VYK

ZZV	MDC	DRG	ZZV	MDC	DRG	ZZV	MDC	DRG
5t865.9↔		BOP, KVT, UOP4	5t866.4↔		BOP, KVT, UOP4	5t866.x		BOP, KVT, UOP4
	01	B03A, B03B, B06A, B06B, B07Z, B17A, B17B, B17C		01	B03A, B03B, B06A, B06B, B07Z, B17A, B17B, B17C		01	B03A, B03B, B06A, B06B, B07Z, B17A, B17B, B17C
	08	I08A, I08B, I08C, I08D, I08E, I12A, I12B, I12C, I13A, I13B, I27A, I27B, I27C, I27D		08	I08A, I08B, I08C, I08D, I08E, I12A, I12B, I12C, I13A, I13B, I27A, I27B, I27C, I27D		08	I08A, I08B, I08C, I08D, I08E, I12A, I12B, I12C, I13A, I13B, I27A, I27B, I27C, I27D
	09	J02A, J02B, J02C, J04A, J04B, J08A, J08B, J08C, J16Z, J21Z, J22A, J22B		09	J02A, J02B, J02C, J04A, J04B, J08A, J08B, J08C, J16Z, J21Z, J22A, J22B		09	J02A, J02B, J02C, J04A, J04B, J08A, J08B, J08C, J16Z, J21Z, J22A, J22B
	21A	W04A, W04B		21A	W04A, W04B		21A	W04A, W04B
5t865.x	21B	X04Z, X06A, X06B, X06C	5t866.5↔	21B	X06A, X06B, X06C	5t867.0↔	21B	X06A, X06B, X06C
		BOP, KVT, UOP4			BOP, KVT, UOP4			BOP, KVT, UOP4
	01	B03A, B03B, B06A, B06B, B07Z, B17A, B17B, B17C		01	B03A, B03B, B06A, B06B, B07Z, B17A, B17B, B17C		01	B03A, B03B, B06A, B06B, B07Z, B17A, B17B, B17C
	08	I08A, I08B, I08C, I08D, I08E, I12A, I12B, I12C, I13A, I13B, I27A, I27B, I27C, I27D		08	I08A, I08B, I08C, I08D, I08E, I12A, I12B, I12C, I13A, I13B, I27A, I27B, I27C, I27D		08	I08A, I08B, I08C, I08D, I08E, I12A, I12B, I12C, I13A, I13B, I27A, I27B, I27C, I27D
	09	J02A, J02B, J02C, J04A, J04B, J08A, J08B, J08C, J16Z, J21Z, J22A, J22B		09	J02A, J02B, J02C, J04A, J04B, J08A, J08B, J08C, J16Z, J21Z, J22A, J22B		09	J02A, J02B, J02C, J04A, J04B, J08A, J08B, J08C, J16Z, J21Z, J22A, J22B
5t866.0↔	21A	W04A, W04B	5t866.6↔	21A	W04A, W04B	5t867.1↔	21A	W04A, W04B
	21B	X06A, X06B, X06C		21B	X06A, X06B, X06C		21B	X06A, X06B, X06C
		BOP, KVT, UOP4			BOP, KVT, UOP4			BOP, KVT, UOP4
	01	B03A, B03B, B06A, B06B, B07Z, B17A, B17B, B17C		01	B03A, B03B, B06A, B06B, B07Z, B17A, B17B, B17C		01	B03A, B03B, B06A, B06B, B07Z, B17A, B17B, B17C
	08	I08A, I08B, I08C, I08D, I08E, I12A, I12B, I12C, I13A, I13B, I27A, I27B, I27C, I27D		08	I08A, I08B, I08C, I08D, I08E, I12A, I12B, I12C, I13A, I13B, I27A, I27B, I27C, I27D		08	I08A, I08B, I08C, I08D, I08E, I12A, I12B, I12C, I13A, I13B, I27A, I27B, I27C, I27D
5t866.1↔	09	J02A, J02B, J02C, J04A, J04B, J08A, J08B, J08C, J16Z, J21Z, J22A, J22B	5t866.7↔	09	J02A, J02B, J02C, J04A, J04B, J08A, J08B, J08C, J16Z, J21Z, J22A, J22B	5t867.2↔	09	J02A, J02B, J02C, J04A, J04B, J08A, J08B, J08C, J16Z, J21Z, J22A, J22B
	21A	W04A, W04B		21A	W04A, W04B		21A	W04A, W04B
	21B	X06A, X06B, X06C		21B	X06A, X06B, X06C		21B	X06A, X06B, X06C
		BOP, KVT, UOP4			BOP, KVT, UOP4			BOP, KVT, UOP4
	01	B03A, B03B, B06A, B06B, B07Z, B17A, B17B, B17C		01	B03A, B03B, B06A, B06B, B07Z, B17A, B17B, B17C		01	B03A, B03B, B06A, B06B, B07Z, B17A, B17B, B17C
5t866.2↔	08	I08A, I08B, I08C, I08D, I08E, I12A, I12B, I12C, I13A, I13B, I27A, I27B, I27C, I27D	5t866.8↔	08	I08A, I08B, I08C, I08D, I08E, I12A, I12B, I12C, I13A, I13B, I27A, I27B, I27C, I27D	5t867.3↔	08	I08A, I08B, I08C, I08D, I08E, I12A, I12B, I12C, I13A, I13B, I27A, I27B, I27C, I27D
	09	J02A, J02B, J02C, J04A, J04B, J08A, J08B, J08C, J16Z, J21Z, J22A, J22B		09	J02A, J02B, J02C, J04A, J04B, J08A, J08B, J08C, J16Z, J21Z, J22A, J22B		09	J02A, J02B, J02C, J04A, J04B, J08A, J08B, J08C, J16Z, J21Z, J22A, J22B
	21A	W04A, W04B		21A	W04A, W04B		21A	W04A, W04B
	21B	X06A, X06B, X06C		21B	X04Z, X06A, X06B, X06C		21B	X06A, X06B, X06C
		BOP, KVT, UOP4			BOP, KVT, UOP4			BOP, KVT, UOP4
5t866.3↔	01	B03A, B03B, B06A, B06B, B07Z, B17A, B17B, B17C	5t866.9↔	01	B03A, B03B, B06A, B06B, B07Z, B17A, B17B, B17C	5t867.4↔	01	B03A, B03B, B06A, B06B, B07Z, B17A, B17B, B17C
	08	I08A, I08B, I08C, I08D, I08E, I12A, I12B, I12C, I13A, I13B, I27A, I27B, I27C, I27D		08	I08A, I08B, I08C, I08D, I08E, I12A, I12B, I12C, I13A, I13B, I27A, I27B, I27C, I27D		08	I08A, I08B, I08C, I08D, I08E, I12A, I12B, I12C, I13A, I13B, I27A, I27B, I27C, I27D
	09	J02A, J02B, J02C, J04A, J04B, J08A, J08B, J08C, J16Z, J21Z, J22A, J22B		09	J02A, J02B, J02C, J04A, J04B, J08A, J08B, J08C, J16Z, J21Z, J22A, J22B		09	J02A, J02B, J02C, J04A, J04B, J08A, J08B, J08C, J16Z, J21Z, J22A, J22B
	21A	W04A, W04B		21A	W04A, W04B		21A	W04A, W04B
	21B	X05A, X05B, X06A, X06B, X06C		21B	X04Z, X06A, X06B, X06C		21B	X06A, X06B, X06C

VYK

ZZV	MDC	DRG	ZZV	MDC	DRG	ZZV	MDC	DRG
5t874.6↔		BOP, KVT, UOP4	5t875.1↔		BOP, KVT, UOP4	5t875.7↔		BOP, KVT, UOP4
	01	B03A, B03B, B06A, B06B, B07Z, B17A, B17B, B17C		01	B03A, B03B, B06A, B06B, B07Z, B17A, B17B, B17C		01	B03A, B03B, B06A, B06B, B07Z, B17A, B17B, B17C
	08	I08A, I08B, I08C, I08D, I08E, I12A, I12B, I12C, I13A, I13B, I27A, I27B, I27C, I27D		08	I08A, I08B, I08C, I08D, I08E, I12A, I12B, I12C, I13A, I13B, I27A, I27B, I27C		08	I08A, I08B, I08C, I08D, I08E, I12A, I12B, I12C, I13A, I13B, I27A, I27B, I27C
	09	J02A, J02B, J04A, J04B, J08A, J08B, J08C, J16Z, J21Z, J22A, J22B		09	J02A, J02B, J04A, J04B, J08A, J08B, J08C, J16Z, J21Z, J22A, J22B		09	J02A, J02B, J04A, J04B, J08A, J08B, J08C, J16Z, J21Z, J22A, J22B
	21A	W04A, W04B		21A	W04A, W04B		21A	W04A, W04B
5t874.7↔	21B	X04Z, X06A, X06B, X06C	5t875.2↔	21B	X06A, X06B, X06C	5t875.8↔	21B	X04Z, X06A, X06B, X06C
		BOP, KVT, UOP4			BOP, KVT, UOP4			BOP, KVT, UOP4
	01	B03A, B03B, B06A, B06B, B07Z, B17A, B17B, B17C		01	B03A, B03B, B06A, B06B, B07Z, B17A, B17B, B17C		01	B03A, B03B, B06A, B06B, B07Z, B17A, B17B, B17C
	08	I08A, I08B, I08C, I08D, I08E, I12A, I12B, I12C, I13A, I13B, I27A, I27B, I27C, I27D		08	I08A, I08B, I08C, I08D, I08E, I12A, I12B, I12C, I13A, I13B, I27A, I27B, I27C		08	I08A, I08B, I08C, I08D, I08E, I12A, I12B, I12C, I13A, I13B, I27A, I27B, I27C
	09	J02A, J02B, J04A, J04B, J08A, J08B, J08C, J16Z, J21Z, J22A, J22B		09	J02A, J02B, J04A, J04B, J08A, J08B, J08C, J16Z, J21Z, J22A, J22B		09	J02A, J02B, J04A, J04B, J08A, J08B, J08C, J16Z, J21Z, J22A, J22B
5t874.8↔	21A	W04A, W04B	5t875.3↔	21A	W04A, W04B	5t875.9↔	21A	W04A, W04B
	21B	X04Z, X06A, X06B, X06C		21B	X06A, X06B, X06C		21B	X04Z, X06A, X06B, X06C
		BOP, KVT, UOP4			BOP, KVT, UOP4			BOP, KVT, UOP4
	01	B03A, B03B, B06A, B06B, B07Z, B17A, B17B, B17C		01	B03A, B03B, B06A, B06B, B07Z, B17A, B17B, B17C		01	B03A, B03B, B06A, B06B, B07Z, B17A, B17B, B17C
	08	I08A, I08B, I08C, I08D, I08E, I12A, I12B, I12C, I13A, I13B, I27A, I27B, I27C, I27D		08	I08A, I08B, I08C, I08D, I08E, I12A, I12B, I12C, I13A, I13B, I27A, I27B, I27C		08	I08A, I08B, I08C, I08D, I08E, I12A, I12B, I12C, I13A, I13B, I27A, I27B, I27C
5t874.9↔	09	J02A, J02B, J04A, J04B, J08A, J08B, J08C, J16Z, J21Z, J22A, J22B	5t875.4↔	09	J02A, J02B, J04A, J04B, J08A, J08B, J08C, J16Z, J21Z, J22A, J22B	5t875.x	09	J02A, J02B, J04A, J04B, J08A, J08B, J08C, J16Z, J21Z, J22A, J22B
	21A	W04A, W04B		21A	W04A, W04B		21A	W04A, W04B
	21B	X04Z, X06A, X06B, X06C		21B	X05A, X05B, X06A, X06B, X06C		21B	X04Z, X06A, X06B, X06C
		BOP, KVT, UOP4			BOP, KVT, UOP4			BOP, KVT, UOP4
	01	B03A, B03B, B06A, B06B, B07Z, B17A, B17B, B17C		01	B03A, B03B, B06A, B06B, B07Z, B17A, B17B, B17C		01	B03A, B03B, B06A, B06B, B07Z, B17A, B17B, B17C
5t874.x	08	I08A, I08B, I08C, I08D, I08E, I12A, I12B, I12C, I13A, I13B, I27A, I27B, I27C, I27D	5t875.5↔	08	I08A, I08B, I08C, I08D, I08E, I12A, I12B, I12C, I13A, I13B, I27A, I27B, I27C	5t876.0↔	08	I08A, I08B, I08C, I08D, I08E, I12A, I12B, I12C, I13A, I13B, I27A, I27B, I27C
	09	J02A, J02B, J04A, J04B, J08A, J08B, J08C, J16Z, J21Z, J22A, J22B		09	J02A, J02B, J04A, J04B, J08A, J08B, J08C, J16Z, J21Z, J22A, J22B		09	J02A, J02B, J04A, J04B, J08A, J08B, J08C, J16Z, J21Z, J22A, J22B
	21A	W04A, W04B		21A	W04A, W04B		21A	W04A, W04B
	21B	X06A, X06B, X06C		21B	X06A, X06B, X06C		21B	X06A, X06B, X06C
		BOP, KVT, UOP4			BOP, KVT, UOP4			BOP, KVT, UOP4
5t875.0↔	01	B03A, B03B, B06A, B06B, B07Z, B17A, B17B, B17C	5t875.6↔	01	B03A, B03B, B06A, B06B, B07Z, B17A, B17B, B17C	5t876.1↔	01	B03A, B03B, B06A, B06B, B07Z, B17A, B17B, B17C
	08	I08A, I08B, I08C, I08D, I08E, I12A, I12B, I12C, I13A, I13B, I27A, I27B, I27C		08	I08A, I08B, I08C, I08D, I08E, I12A, I12B, I12C, I13A, I13B, I27A, I27B, I27C		08	I08A, I08B, I08C, I08D, I08E, I12A, I12B, I12C, I13A, I13B, I27A, I27B, I27C
	09	J02A, J02B, J04A, J04B, J08A, J08B, J08C, J16Z, J21Z, J22A, J22B		09	J02A, J02B, J04A, J04B, J08A, J08B, J08C, J16Z, J21Z, J22A, J22B		09	J02A, J02B, J04A, J04B, J08A, J08B, J08C, J16Z, J21Z, J22A, J22B
	21A	W04A, W04B		21A	W04A, W04B		21A	W04A, W04B
	21B	X06A, X06B, X06C		21B	X04Z, X06A, X06B, X06C		21B	X06A, X06B, X06C

ZZV	MDC	DRG	ZZV	MDC	DRG	ZZV	MDC	DRG
5t876.2↔		BOP, KVT, UOP4	5t876.8↔		BOP, KVT, UOP4	5t877.3↔		BOP, KVT, UOP4
	01	B03A, B03B, B06A, B06B, B07Z, B17A, B17B, B17C		01	B03A, B03B, B06A, B06B, B07Z, B17A, B17B, B17C		01	B03A, B03B, B06A, B06B, B07Z, B17A, B17B, B17C
	08	I08A, I08B, I08C, I08D, I08E, I12A, I12B, I12C, I13A, I13B, I27A, I27B, I27C		08	I08A, I08B, I08C, I08D, I08E, I12A, I12B, I12C, I13A, I13B, I27A, I27B, I27C		08	I08A, I08B, I08C, I08D, I08E, I12A, I12B, I12C, I13A, I13B, I27A, I27B, I27C
	09	J02A, J02B, J04A, J04B, J08A, J08B, J08C, J16Z, J21Z, J22A, J22B		09	J02A, J02B, J04A, J04B, J08A, J08B, J08C, J16Z, J21Z, J22A, J22B		09	J02A, J02B, J04A, J04B, J08A, J08B, J08C, J16Z, J21Z, J22A, J22B
	21A	W04A, W04B		21A	W04A, W04B		21A	W04A, W04B
5t876.3↔	21B	X06A, X06B, X06C	5t876.9↔	21B	X04Z, X06A, X06B, X06C	5t877.4↔	21B	X05A, X05B, X06A, X06B, X06C
		BOP, KVT, UOP4			BOP, KVT, UOP4			BOP, KVT, UOP4
	01	B03A, B03B, B06A, B06B, B07Z, B17A, B17B, B17C		01	B03A, B03B, B06A, B06B, B07Z, B17A, B17B, B17C		01	B03A, B03B, B06A, B06B, B07Z, B17A, B17B, B17C
	08	I08A, I08B, I08C, I08D, I08E, I12A, I12B, I12C, I13A, I13B, I27A, I27B, I27C		08	I08A, I08B, I08C, I08D, I08E, I12A, I12B, I12C, I13A, I13B, I27A, I27B, I27C		08	I08A, I08B, I08C, I08D, I08E, I12A, I12B, I12C, I13A, I13B, I27A, I27B, I27C
	09	J02A, J02B, J04A, J04B, J08A, J08B, J08C, J16Z, J21Z, J22A, J22B		09	J02A, J02B, J04A, J04B, J08A, J08B, J08C, J16Z, J21Z, J22A, J22B		09	J02A, J02B, J04A, J04B, J08A, J08B, J08C, J16Z, J21Z, J22A, J22B
5t876.4↔	21A	W04A, W04B	5t876.x	21A	W04A, W04B	5t877.5↔	21A	W04A, W04B
	21B	X05A, X05B, X06A, X06B, X06C		21B	X04Z, X06A, X06B, X06C		21B	X06A, X06B, X06C
		BOP, KVT, UOP4		01	B03A, B03B, B06A, B06B, B07Z, B17A, B17B, B17C		01	B03A, B03B, B06A, B06B, B07Z, B17A, B17B, B17C
	01	B03A, B03B, B06A, B06B, B07Z, B17A, B17B, B17C		08	I08A, I08B, I08C, I08D, I08E, I12A, I12B, I12C, I13A, I13B, I27A, I27B, I27C		08	I08A, I08B, I08C, I08D, I08E, I12A, I12B, I12C, I13A, I13B, I27A, I27B, I27C
	08	I08A, I08B, I08C, I08D, I08E, I12A, I12B, I12C, I13A, I13B, I27A, I27B, I27C		09	J02A, J02B, J04A, J04B, J08A, J08B, J08C, J16Z, J21Z, J22A, J22B		09	J02A, J02B, J04A, J04B, J08A, J08B, J08C, J16Z, J21Z, J22A, J22B
5t876.5↔	09	J02A, J02B, J04A, J04B, J08A, J08B, J08C, J16Z, J21Z, J22A, J22B	5t877.0↔	21A	W04A, W04B	5t877.6↔	09	J02A, J02B, J04A, J04B, J08A, J08B, J08C, J16Z, J21Z, J22A, J22B
	21A	W04A, W04B		21B	X06A, X06B, X06C		21A	W04A, W04B
	21B	X06A, X06B, X06C		01	B03A, B03B, B06A, B06B, B07Z, B17A, B17B, B17C		21B	X06A, X06B, X06C
		BOP, KVT, UOP4		08	I08A, I08B, I08C, I08D, I08E, I12A, I12B, I12C, I13A, I13B, I27A, I27B, I27C		01	B03A, B03B, B06A, B06B, B07Z, B17A, B17B, B17C
	01	B03A, B03B, B06A, B06B, B07Z, B17A, B17B, B17C		09	J02A, J02B, J04A, J04B, J08A, J08B, J08C, J16Z, J21Z, J22A, J22B		08	I08A, I08B, I08C, I08D, I08E, I12A, I12B, I12C, I13A, I13B, I27A, I27B, I27C
5t876.6↔	08	I08A, I08B, I08C, I08D, I08E, I12A, I12B, I12C, I13A, I13B, I27A, I27B, I27C	5t877.1↔	21A	W04A, W04B	5t877.7↔	09	J02A, J02B, J04A, J04B, J08A, J08B, J08C, J16Z, J21Z, J22A, J22B
	09	J02A, J02B, J04A, J04B, J08A, J08B, J08C, J16Z, J21Z, J22A, J22B		21B	X06A, X06B, X06C		21A	W04A, W04B
	21A	W04A, W04B		01	B03A, B03B, B06A, B06B, B07Z, B17A, B17B, B17C		21B	X04Z, X06A, X06B, X06C
	21B	X04Z, X06A, X06B, X06C		08	I08A, I08B, I08C, I08D, I08E, I12A, I12B, I12C, I13A, I13B, I27A, I27B, I27C		01	B03A, B03B, B06A, B06B, B07Z, B17A, B17B, B17C
		BOP, KVT, UOP4		09	J02A, J02B, J04A, J04B, J08A, J08B, J08C, J16Z, J21Z, J22A, J22B		08	I08A, I08B, I08C, I08D, I08E, I12A, I12B, I12C, I13A, I13B, I27A, I27B, I27C
5t876.7↔	01	B03A, B03B, B06A, B06B, B07Z, B17A, B17B, B17C	5t877.2↔	01	B03A, B03B, B06A, B06B, B07Z, B17A, B17B, B17C	5t877.8↔	09	J02A, J02B, J04A, J04B, J08A, J08B, J08C, J16Z, J21Z, J22A, J22B
	08	I08A, I08B, I08C, I08D, I08E, I12A, I12B, I12C, I13A, I13B, I27A, I27B, I27C		08	I08A, I08B, I08C, I08D, I08E, I12A, I12B, I12C, I13A, I13B, I27A, I27B, I27C		01	B03A, B03B, B06A, B06B, B07Z, B17A, B17B, B17C
	09	J02A, J02B, J04A, J04B, J08A, J08B, J08C, J16Z, J21Z, J22A, J22B		09	J02A, J02B, J04A, J04B, J08A, J08B, J08C, J16Z, J21Z, J22A, J22B		08	I08A, I08B, I08C, I08D, I08E, I12A, I12B, I12C, I13A, I13B, I27A, I27B, I27C
	21A	W04A, W04B		21A	W04A, W04B		09	J02A, J02B, J04A, J04B, J08A, J08B, J08C, J16Z, J21Z, J22A, J22B
	21B	X04Z, X06A, X06B, X06C		21B	X06A, X06B, X06C		21A	W04A, W04B

ZZV	MDC	DRG	ZZV	MDC	DRG	ZZV	MDC	DRG
5t877.9↔		BOP, KVT, UOP4	5t878.4↔		BOP, KVT, UOP4	5t878.x		BOP, KVT, UOP4
	01	B03A, B03B, B06A, B06B, B07Z, B17A, B17B, B17C		01	B03A, B03B, B06A, B06B, B07Z, B17A, B17B, B17C		01	B03A, B03B, B06A, B06B, B07Z, B17A, B17B, B17C
	08	I08A, I08B, I08C, I08D, I08E, I12A, I12B, I12C, I13A, I13B, I27A, I27B, I27C		08	I08A, I08B, I08C, I08D, I08E, I12A, I12B, I12C, I13A, I13B, I27A, I27B, I27C		08	I08A, I08B, I08C, I08D, I08E, I12A, I12B, I12C, I13A, I13B, I27A, I27B, I27C
	09	J02A, J02B, J04A, J04B, J08A, J08B, J08C, J16Z, J21Z, J22A, J22B		09	J02A, J02B, J04A, J04B, J08A, J08B, J08C, J16Z, J21Z, J22A, J22B		09	J02A, J02B, J04A, J04B, J08A, J08B, J08C, J16Z, J21Z, J22A, J22B
	21A	W04A, W04B		21A	W04A, W04B		21A	W04A, W04B
5t877.x	21B	X04Z, X06A, X06B, X06C	5t878.5↔	21B	X06A, X06B, X06C	5t879.0↔	21B	X04Z
		BOP, KVT, UOP4			BOP, KVT, UOP4			BOP, KVT, UOP4
	01	B03A, B03B, B06A, B06B, B07Z, B17A, B17B, B17C		01	B03A, B03B, B06A, B06B, B07Z, B17A, B17B, B17C		01	B03A, B03B, B06A, B06B, B07Z, B17A, B17B, B17C
	08	I08A, I08B, I08C, I08D, I08E, I12A, I12B, I12C, I13A, I13B, I27A, I27B, I27C		08	I08A, I08B, I08C, I08D, I08E, I12A, I12B, I12C, I13A, I13B, I27A, I27B, I27C		08	I08A, I08B, I08C, I08D, I08E, I12A, I12B, I12C, I13A, I13B, I27A, I27B, I27C
	09	J02A, J02B, J04A, J04B, J08A, J08B, J08C, J16Z, J21Z, J22A, J22B		09	J02A, J02B, J04A, J04B, J08A, J08B, J08C, J16Z, J21Z, J22A, J22B		09	J02A, J02B, J04A, J04B, J08A, J08B, J08C, J16Z, J21Z, J22A, J22B
5t878.0↔	21A	W04A, W04B	5t878.6↔	21A	W04A, W04B	5t879.1↔	21A	W04A, W04B
	21B	X06A, X06B, X06C		21B	X06A, X06B, X06C		21B	X06A, X06B, X06C
		BOP, KVT, UOP4			BOP, KVT, UOP4			BOP, KVT, UOP4
	01	B03A, B03B, B06A, B06B, B07Z, B17A, B17B, B17C		01	B03A, B03B, B06A, B06B, B07Z, B17A, B17B, B17C		01	B03A, B03B, B06A, B06B, B07Z, B17A, B17B, B17C
	08	I08A, I08B, I08C, I08D, I08E, I12A, I12B, I12C, I13A, I13B, I27A, I27B, I27C		08	I08A, I08B, I08C, I08D, I08E, I12A, I12B, I12C, I13A, I13B, I27A, I27B, I27C		08	I08A, I08B, I08C, I08D, I08E, I12A, I12B, I12C, I13A, I13B, I27A, I27B, I27C
5t878.1↔	09	J02A, J02B, J04A, J04B, J08A, J08B, J08C, J16Z, J21Z, J22A, J22B	5t878.7↔	09	J02A, J02B, J04A, J04B, J08A, J08B, J08C, J16Z, J21Z, J22A, J22B	5t879.2↔	09	J02A, J02B, J04A, J04B, J08A, J08B, J08C, J16Z, J21Z, J22A, J22B
	21A	W04A, W04B		21A	W04A, W04B		21A	W04A, W04B
	21B	X06A, X06B, X06C		21B	X04Z, X06A, X06B, X06C		21B	X06A, X06B, X06C
		BOP, KVT, UOP4			BOP, KVT, UOP4			BOP, KVT, UOP4
	01	B03A, B03B, B06A, B06B, B07Z, B17A, B17B, B17C		01	B03A, B03B, B06A, B06B, B07Z, B17A, B17B, B17C		01	B03A, B03B, B06A, B06B, B07Z, B17A, B17B, B17C
5t878.2↔	08	I08A, I08B, I08C, I08D, I08E, I12A, I12B, I12C, I13A, I13B, I27A, I27B, I27C	5t878.8↔	08	I08A, I08B, I08C, I08D, I08E, I12A, I12B, I12C, I13A, I13B, I27A, I27B, I27C	5t879.3↔	08	I08A, I08B, I08C, I08D, I08E, I12A, I12B, I12C, I13A, I13B, I27A, I27B, I27C
	09	J02A, J02B, J04A, J04B, J08A, J08B, J08C, J16Z, J21Z, J22A, J22B		09	J02A, J02B, J04A, J04B, J08A, J08B, J08C, J16Z, J21Z, J22A, J22B		09	J02A, J02B, J04A, J04B, J08A, J08B, J08C, J16Z, J21Z, J22A, J22B
	21A	W04A, W04B		21A	W04A, W04B		21A	W04A, W04B
	21B	X06A, X06B, X06C		21B	X04Z, X06A, X06B, X06C		21B	X06A, X06B, X06C
		BOP, KVT, UOP4			BOP, KVT, UOP4			BOP, KVT, UOP4
5t878.3↔	01	B03A, B03B, B06A, B06B, B07Z, B17A, B17B, B17C	5t878.9↔	01	B03A, B03B, B06A, B06B, B07Z, B17A, B17B, B17C	5t879.4↔	01	B03A, B03B, B06A, B06B, B07Z, B17A, B17B, B17C
	08	I08A, I08B, I08C, I08D, I08E, I12A, I12B, I12C, I13A, I13B, I27A, I27B, I27C		08	I08A, I08B, I08C, I08D, I08E, I12A, I12B, I12C, I13A, I13B, I27A, I27B, I27C		08	I08A, I08B, I08C, I08D, I08E, I12A, I12B, I12C, I13A, I13B, I27A, I27B, I27C
	09	J02A, J02B, J04A, J04B, J08A, J08B, J08C, J16Z, J21Z, J22A, J22B		09	J02A, J02B, J04A, J04B, J08A, J08B, J08C, J16Z, J21Z, J22A, J22B		09	J02A, J02B, J04A, J04B, J08A, J08B, J08C, J16Z, J21Z, J22A, J22B
	21A	W04A, W04B		21A	W04A, W04B		21A	W04A, W04B
	21B	X05A, X05B, X06A, X06B, X06C		21B	X04Z, X06A, X06B, X06C		21B	X05A, X05B, X06A, X06B, X06C

ZZV	MDC	DRG	ZZV	MDC	DRG	ZZV	MDC	DRG
5t879.5↔		BOP, KVT, UOP4	5t87a.0↔		BOP, KVT, UOP4	5t87a.4↔		BOP, KVT, UOP4
	01	B03A, B03B, B06A, B06B, B07Z, B17A, B17B, B17C		01	B03A, B03B, B06A, B06B, B07Z, B17A, B17B, B17C		01	B03A, B03B, B06A, B06B, B07Z, B17A, B17B, B17C
	08	I08A, I08B, I08C, I08D, I08E, I12A, I12B, I12C, I13A, I13B, I27A, I27B, I27C		03	D12A		05	F21A, F21B, F21C
	09	J02A, J02B, J04A, J04B, J08A, J08B, J08C, J16Z, J21Z, J22A, J22B		05	F21A, F21B, F21C		06	G10Z, G12A, G12B
	21A	W04A, W04B		08	I02A, I02B, I02C, I02D, I08A, I08B, I08C, I08D, I08E, I12A, I12B, I12C, I13A, I13B, I22A, I32A, I32B, I32C, I32D, I32E, I32F, I50Z		08	I02A, I02B, I02C, I02D, I08A, I08B, I08C, I08D, I08E, I12A, I12B, I12C, I13A, I13B, I22A, I32A, I32B, I32C, I32D, I32E, I32F, I50Z
5t879.6↔	21B	X06A, X06B, X06C	09	J02A, J02B, J04A, J04B, J08A, J08B, J08C, J16Z, J21Z, J22A, J22B	09	J02A, J02B, J04A, J04B, J08A, J08B, J08C, J16Z, J21Z, J22A, J22B		
		BOP, KVT, UOP4	21A	W04A, W04B	21A	W04A, W04B		
	01	B03A, B03B, B06A, B06B, B07Z, B17A, B17B, B17C	21B	X01A, X01B, X01C	21B	X01A, X01B, X01C		
	08	I08A, I08B, I08C, I08D, I08E, I12A, I12B, I12C, I13A, I13B, I27A, I27B, I27C	5t87a.1↔	BOP, KVT, UOP4	5t87a.5↔	BOP, KVT, UOP4		
	09	J02A, J02B, J04A, J04B, J08A, J08B, J08C, J16Z, J21Z, J22A, J22B	01	B03A, B03B, B06A, B06B, B07Z, B17A, B17B, B17C	01	B03A, B03B, B06A, B06B, B07Z, B17A, B17B, B17C		
5t879.7↔	21A	W04A, W04B	05	F21A, F21B, F21C	05	F21A, F21B, F21C		
	21B	X05A, X05B, X06A, X06B, X06C	08	I02A, I02B, I02C, I02D, I08A, I08B, I08C, I08D, I08E, I12A, I12B, I12C, I13A, I13B, I22A, I32A, I32B, I32C, I32D, I32E, I32F, I50Z	06	G10Z, G12A, G12B		
		BOP, KVT, UOP4	09	J02A, J02B, J04A, J04B, J08A, J08B, J08C, J16Z, J21Z, J22A, J22B	08	I02A, I02B, I02C, I02D, I08A, I08B, I08C, I08D, I08E, I12A, I12B, I12C, I13A, I13B, I22A, I32A, I32B, I32C, I32D, I32E, I32F, I50Z		
	01	B03A, B03B, B06A, B06B, B07Z, B17A, B17B, B17C	21A	W04A, W04B	09	J02A, J02B, J04A, J04B, J08A, J08B, J08C, J16Z, J21Z, J22A, J22B		
	08	I08A, I08B, I08C, I08D, I08E, I12A, I12B, I12C, I13A, I13B, I27A, I27B, I27C	21B	X01A, X01B, X01C	21A	W04A, W04B		
5t879.8↔	09	J02A, J02B, J04A, J04B, J08A, J08B, J08C, J16Z, J21Z, J22A, J22B	5t87a.2↔	BOP, KVT, UOP4	21B	X01A, X01B, X01C		
	21A	W04A, W04B	01	B03A, B03B, B06A, B06B, B07Z, B17A, B17B, B17C	5t87a.6↔	BOP, KVT, UOP4		
	21B	X05A, X05B, X06A, X06B, X06C	05	F21A, F21B, F21C	01	B03A, B03B, B06A, B06B, B07Z, B17A, B17B, B17C		
		BOP, KVT, UOP4	08	I02A, I02B, I02C, I02D, I08A, I08B, I08C, I08D, I08E, I12A, I12B, I12C, I13A, I13B, I22A, I32A, I32B, I32C, I32D, I32E, I32F, I50Z	05	F21A, F21B, F21C		
	01	B03A, B03B, B06A, B06B, B07Z, B17A, B17B, B17C	09	J02A, J02B, J04A, J04B, J08A, J08B, J08C, J16Z, J21Z, J22A, J22B	06	G10Z, G12A, G12B		
5t879.9↔	08	I08A, I08B, I08C, I08D, I08E, I12A, I12B, I12C, I13A, I13B, I27A, I27B, I27C	21A	W04A, W04B	08	I02A, I02B, I02C, I02D, I08A, I08B, I08C, I08D, I08E, I12A, I12B, I12C, I13A, I13B, I22A, I32A, I32B, I32C, I32D, I32E, I32F, I50Z		
	09	J02A, J02B, J04A, J04B, J08A, J08B, J08C, J16Z, J21Z, J22A, J22B	21B	X01A, X01B, X01C	09	J02A, J02B, J04A, J04B, J08A, J08B, J08C, J16Z, J21Z, J22A, J22B		
	21A	W04A, W04B	5t87a.3↔	BOP, KVT, UOP4	21A	W04A, W04B		
	21B	X05A, X05B, X06A, X06B, X06C	01	B03A, B03B, B06A, B06B, B07Z, B17A, B17B, B17C	21B	X01A, X01B, X01C		
		BOP, KVT, UOP4	05	F21A, F21B, F21C	5t87a.7↔	BOP, KVT, UOP4		
5t879.x	01	B03A, B03B, B06A, B06B, B07Z, B17A, B17B, B17C	08	I02A, I02B, I02C, I02D, I08A, I08B, I08C, I08D, I08E, I12A, I12B, I12C, I13A, I13B, I22A, I32A, I32B, I32C, I32D, I32E, I32F, I50Z	01	B03A, B03B, B06A, B06B, B07Z, B17A, B17B, B17C		
	08	I08A, I08B, I08C, I08D, I08E, I12A, I12B, I12C, I13A, I13B, I27A, I27B, I27C	09	J02A, J02B, J04A, J04B, J08A, J08B, J08C, J16Z, J21Z, J22A, J22B	05	F21A, F21B, F21C, F27A, F27B, F27C		
	09	J02A, J02B, J04A, J04B, J08A, J08B, J08C, J16Z, J21Z, J22A, J22B	21A	W04A, W04B	08	I02A, I02B, I02C, I02D, I08A, I08B, I08C, I08D, I08E, I12A, I12B, I12C, I13A, I13B, I22A, I32A, I32B, I32C, I32D, I32E, I32F, I50Z		
	21A	W04A, W04B	21B	X01A, X01B, X01C	09	J02A, J02B, J04A, J04B, J08A, J08B, J08C, J16Z, J21Z, J22A, J22B		
	21B	X05A, X05B, X06A, X06B, X06C			10	K01Z		

VYK

ZZV	MDC	DRG	ZZV	MDC	DRG	ZZV	MDC	DRG			
5t87a.8↔		BOP, KVT, UOP4	5t87x.2↔		BOP, KVT, UOP4	5t87x.8↔		BOP, KVT, UOP4			
	01	B03A, B03B, B06A, B06B, B07Z, B17A, B17B, B17C		01	B03A, B03B, B06A, B06B, B07Z, B17A, B17B, B17C		01	B03A, B03B, B06A, B06B, B07Z, B17A, B17B, B17C			
	05	F21A, F21B, F21C, F27A, F27B, F27C		08	I08A, I08B, I08C, I08D, I08E, I12A, I12B, I12C, I13A, I13B, I27A, I27B, I27C, I27D		08	I08A, I08B, I08C, I08D, I08E, I12A, I12B, I12C, I13A, I13B, I27A, I27B, I27C, I27D			
	08	I02A, I02B, I02C, I02D, I08A, I08B, I08C, I08D, I08E, I12A, I12B, I12C, I13A, I13B, I22A, I32A, I32B, I32C, I32D, I32E, I32F, I50Z		09	J02A, J02B, J02C, J04A, J04B, J08A, J08B, J08C, J16Z, J21Z, J22A, J22B		09	J02A, J02B, J02C, J04A, J04B, J08A, J08B, J08C, J16Z, J21Z, J22A, J22B			
	09	J02A, J02B, J04A, J04B, J08A, J08B, J08C, J16Z, J21Z, J22A, J22B		21A	W04A, W04B		21A	W04A, W04B			
	10	K01Z		21B	X06A, X06B, X06C		21B	X04Z, X06A, X06B, X06C			
	21A	W04A, W04B		5t87x.3↔			BOP, KVT, UOP4	5t87x.9↔		BOP, KVT, UOP4	
	21B	X01A, X01B, X01C			01		B03A, B03B, B06A, B06B, B07Z, B17A, B17B, B17C		01	B03A, B03B, B06A, B06B, B07Z, B17A, B17B, B17C	
	5t87a.9↔				BOP, KVT, UOP4		08		I08A, I08B, I08C, I08D, I08E, I12A, I12B, I12C, I13A, I13B, I27A, I27B, I27C, I27D	08	I08A, I08B, I08C, I08D, I08E, I12A, I12B, I12C, I13A, I13B, I27A, I27B, I27C, I27D
		01			B03A, B03B, B06A, B06B, B07Z, B17A, B17B, B17C		09		J02A, J02B, J02C, J04A, J04B, J08A, J08B, J08C, J16Z, J21Z, J22A, J22B	09	J02A, J02B, J02C, J04A, J04B, J08A, J08B, J08C, J16Z, J21Z, J22A, J22B
05		F21A, F21B, F21C, F27A, F27B, F27C	21A		W04A, W04B	21A	W04A, W04B				
08		I02A, I02B, I02C, I02D, I08A, I08B, I08C, I08D, I08E, I12A, I12B, I12C, I13A, I13B, I22A, I32A, I32B, I32C, I32D, I32E, I32F, I50Z	21B		X05A, X05B, X06A, X06B, X06C	21B	X06A, X06B, X06C				
09		J02A, J02B, J04A, J04B, J08A, J08B, J08C, J16Z, J21Z, J22A, J22B	5t87x.4			BOP, KVT, UOP4	5t87x.x			BOP, KVT, UOP4	
10		K01Z			01	B03A, B03B, B06A, B06B, B07Z, B17A, B17B, B17C			01	B03A, B03B, B06A, B06B, B07Z, B17A, B17B, B17C	
21A		W04A, W04B			08	I08A, I08B, I08C, I08D, I08E, I12A, I12B, I12C, I13A, I13B, I27A, I27B, I27C, I27D			08	I08A, I08B, I08C, I08D, I08E, I12A, I12B, I12C, I13A, I13B, I27A, I27B, I27C, I27D	
21B		X01A, X01B, X01C			09	J02A, J02B, J02C, J04A, J04B, J08A, J08B, J08C, J16Z, J21Z, J22A, J22B			09	J02A, J02B, J02C, J04A, J04B, J08A, J08B, J08C, J16Z, J21Z, J22A, J22B	
5t87a.x↔				BOP, KVT, UOP4	21A	W04A, W04B		21A	W04A, W04B		
		01		B03A, B03B, B06A, B06B, B07Z, B17A, B17B, B17C	21B	X06A, X06B, X06C		21B	X06A, X06B, X06C		
	05	F21A, F21B, F21C		5t87x.5		BOP, KVT, UOP4		5t880.0↔		BOP, KVT, UOP4	
	08	I02A, I02B, I02C, I02D, I08A, I08B, I08C, I08D, I08E, I12A, I12B, I12C, I13A, I13B, I22A, I32A, I32B, I32C, I32D, I32E, I32F, I50Z			01	B03A, B03B, B06A, B06B, B07Z, B17A, B17B, B17C			01	B03A, B03B, B06A, B06B, B07Z, B17A, B17B, B17C	
	09	J02A, J02B, J04A, J04B, J08A, J08B, J08C, J16Z, J21Z, J22A, J22B			08	I08A, I08B, I08C, I08D, I08E, I12A, I12B, I12C, I13A, I13B, I27A, I27B, I27C, I27D			03	D12A	
	21A	W04A, W04B			09	J02A, J02B, J02C, J04A, J04B, J08A, J08B, J08C, J16Z, J21Z, J22A, J22B			05	F21A, F21B, F21C, F27A, F27B, F27C	
	21B	X01A, X01B, X01C	21A		W04A, W04B	08	I08A, I08B, I08C, I08D, I08E, I12A, I12B, I12C, I13A, I13B, I32A, I32B, I32C, I32D				
	5t87x.0↔		BOP, KVT, UOP4		21B	X06A, X06B, X06C	09		J02A, J02B, J02C, J04A, J04B, J08A, J08B, J08C, J16Z, J21Z, J22A, J22B		
		01	B03A, B03B, B06A, B06B, B07Z, B17A, B17B, B17C		5t87x.6		BOP, KVT, UOP4		10	K01Z	
		08	I08A, I08B, I08C, I08D, I08E, I12A, I12B, I12C, I13A, I13B, I27A, I27B, I27C, I27D			01	B03A, B03B, B06A, B06B, B07Z, B17A, B17B, B17C		21A	W04A, W04B	
09		J02A, J02B, J02C, J04A, J04B, J08A, J08B, J08C, J16Z, J21Z, J22A, J22B	08			I08A, I08B, I08C, I08D, I08E, I12A, I12B, I12C, I13A, I13B, I27A, I27B, I27C, I27D	21B		X04Z, X05A, X05B, X06A, X06B, X06C		
21A		W04A, W04B	09			J02A, J02B, J02C, J04A, J04B, J08A, J08B, J08C, J16Z, J21Z, J22A, J22B	22		Y01Z, Y03A, Y03B		
21B		X06A, X06B, X06C	21A	W04A, W04B		5t880.1↔		BOP, KVT, UOP4			
5t87x.1↔			BOP, KVT, UOP4	21B			X04Z, X06A, X06B, X06C	01	B03A, B03B, B06A, B06B, B07Z, B17A, B17B, B17C		
		01	B03A, B03B, B06A, B06B, B07Z, B17A, B17B, B17C	5t87x.7↔				BOP, KVT, UOP4	03	D12A	
		08	I08A, I08B, I08C, I08D, I08E, I12A, I12B, I12C, I13A, I13B, I27A, I27B, I27C, I27D				01	B03A, B03B, B06A, B06B, B07Z, B17A, B17B, B17C	05	F21A, F21B, F21C, F27A, F27B, F27C	
		09	J02A, J02B, J02C, J04A, J04B, J08A, J08B, J08C, J16Z, J21Z, J22A, J22B				08	I08A, I08B, I08C, I08D, I08E, I12A, I12B, I12C, I13A, I13B, I27A, I27B, I27C, I27D	08	I08A, I08B, I08C, I08D, I08E, I12A, I12B, I12C, I13A, I13B, I32A, I32B, I32C, I32D	
	21A	W04A, W04B	09				J02A, J02B, J02C, J04A, J04B, J08A, J08B, J08C, J16Z, J21Z, J22A, J22B	09	J02A, J02B, J02C, J04A, J04B, J08A, J08B, J08C, J16Z, J21Z, J22A, J22B		
	21B	X06A, X06B, X06C	21A		W04A, W04B		10	K01Z			
		BOP, KVT, UOP4	21B		X04Z, X06A, X06B, X06C		21A	W04A, W04B			
	01	B03A, B03B, B06A, B06B, B07Z, B17A, B17B, B17C	01		B03A, B03B, B06A, B06B, B07Z, B17A, B17B, B17C		21B	X04Z, X05A, X05B, X06A, X06B, X06C			
	08	I08A, I08B, I08C, I08D, I08E, I12A, I12B, I12C, I13A, I13B, I27A, I27B, I27C, I27D	08		I08A, I08B, I08C, I08D, I08E, I12A, I12B, I12C, I13A, I13B, I27A, I27B, I27C, I27D		22	Y01Z, Y03A, Y03B			
	09	J02A, J02B, J02C, J04A, J04B, J08A, J08B, J08C, J16Z, J21Z, J22A, J22B	09		J02A, J02B, J02C, J04A, J04B, J08A, J08B, J08C, J16Z, J21Z, J22A, J22B						
21A	W04A, W04B										
21B	X06A, X06B, X06C										

VYK

ZZV	MDC	DRG	ZZV	MDC	DRG	ZZV	MDC	DRG			
5t884.6↔		BOP, KVT, UOP4	5t884.x		BOP, KVT, UOP4	5t885.5↔		KOP, KOPV			
	01	B03A, B03B, B06A, B06B, B07Z, B17A, B17B, B17C		01	B03A, B03B, B06A, B06B, B07Z, B17A, B17B, B17C		06	G33Z			
	03	D12A		03	D12A		07	H33Z, H38Z			
	05	F21A, F21B, F21C, F27A, F27B, F27C		05	F21A, F21B, F21C, F27A, F27B, F27C		08	I02A, I02B, I02C, I02D, I22A, I32A, I32B, I32C, I32D, I34Z, I50Z			
	08	I08A, I08B, I08C, I08D, I08E, I12A, I12B, I12C, I13A, I13B, I32A, I32B, I32C, I32D		08	I08A, I08B, I08C, I08D, I08E, I12A, I12B, I12C, I13A, I13B, I32A, I32B, I32C, I32D		09	J01Z, J02A, J02B			
	09	J02A, J02B, J02C, J04A, J04B, J08A, J08B, J08C, J16Z, J21Z, J22A, J22B		09	J02A, J02B, J02C, J04A, J04B, J08A, J08B, J08C, J16Z, J21Z, J22A, J22B		11	L33Z			
	10	K01Z		10	K01Z		21B	X01A, X01B, X01C, X33Z			
	21A	W04A, W04B		21A	W04A, W04B		Pre	A07A			
	21B	X04Z, X05A, X05B, X06A, X06B, X06C		21B	X04Z, X05A, X05B, X06A, X06B, X06C		5t885.6↔	KOP, KOPV			
	22	Y01Z, Y03A, Y03B		22	Y01Z, Y03A, Y03B		06	G33Z			
	5t884.7↔			BOP, KVT, UOP4	5t885.0↔			KOP, KOPV	5t885.7↔		KOP, KOPV
		01		B03A, B03B, B06A, B06B, B07Z, B17A, B17B, B17C			03	D02A, D02B		06	G33Z
		03		D12A			06	G33Z		07	H33Z, H38Z
05		F21A, F21B, F21C, F27A, F27B, F27C	07	H33Z, H38Z		08	I02A, I02B, I02C, I02D, I22A, I32A, I32B, I32C, I32D, I34Z, I50Z				
08		I08A, I08B, I08C, I08D, I08E, I12A, I12B, I12C, I13A, I13B, I32A, I32B, I32C, I32D	08	I02A, I02B, I02C, I02D, I22A, I32A, I32B, I32C, I32D, I34Z, I50Z		09	J01Z, J02A, J02B				
09		J02A, J02B, J02C, J04A, J04B, J08A, J08B, J08C, J16Z, J21Z, J22A, J22B	09	J01Z, J02A, J02B		11	L33Z				
10		K01Z	11	L33Z		21B	X01A, X01B, X01C, X33Z				
21A		W04A, W04B	21B	X01A, X01B, X01C, X33Z		Pre	A07A				
21B		X04Z, X05A, X05B, X06A, X06B, X06C	Pre	A07A		5t885.8↔	KOP, KOPV				
22		Y01Z, Y03A, Y03B	5t885.1↔	KOP, KOPV		06	G33Z				
5t884.8↔			BOP, KVT, UOP4	5t885.2↔			KOP, KOPV	5t885.9↔			KOP, KOPV
		01	B03A, B03B, B06A, B06B, B07Z, B17A, B17B, B17C			06	G33Z			06	G33Z
		03	D12A			07	H33Z, H38Z			07	H33Z, H38Z
	05	F21A, F21B, F21C, F27A, F27B, F27C	08		I02A, I02B, I02C, I02D, I22A, I32A, I32B, I32C, I32D, I34Z, I50Z	08	I02A, I02B, I02C, I02D, I22A, I32A, I32B, I32C, I32D, I34Z, I50Z				
	08	I08A, I08B, I08C, I08D, I08E, I12A, I12B, I12C, I13A, I13B, I32A, I32B, I32C, I32D	09		J01Z, J02A, J02B	09	J01Z, J02A, J02B				
	09	J02A, J02B, J02C, J04A, J04B, J08A, J08B, J08C, J16Z, J21Z, J22A, J22B	11		L33Z	11	L33Z				
	10	K01Z	21B		X01A, X01B, X01C, X33Z	21B	X01A, X01B, X01C, X33Z				
	21A	W04A, W04B	Pre		A07A	Pre	A07A				
	21B	X04Z, X05A, X05B, X06A, X06B, X06C	5t885.3↔		KOP, KOPV	5t885.9↔	KOP, KOPV				
	22	Y01Z, Y03A, Y03B	06		G33Z	06	G33Z				
	5t884.9↔		BOP, KVT, UOP4		5t885.4↔		KOP, KOPV		5t885.x↔		KOP, KOPV
		01	B03A, B03B, B06A, B06B, B07Z, B17A, B17B, B17C			06	G33Z			06	G33Z
		03	D12A			07	H33Z, H38Z			07	H33Z, H38Z
05		F21A, F21B, F21C, F27A, F27B, F27C	08	I02A, I02B, I02C, I02D, I22A, I32A, I32B, I32C, I32D, I32E, I32F, I34Z, I50Z		08	I02A, I02B, I02C, I02D, I22A, I32A, I32B, I32C, I32D, I32E, I32F, I34Z, I50Z				
08		I08A, I08B, I08C, I08D, I08E, I12A, I12B, I12C, I13A, I13B, I32A, I32B, I32C, I32D	09	J01Z, J02A, J02B		09	J01Z, J02A, J02B				
09		J02A, J02B, J02C, J04A, J04B, J08A, J08B, J08C, J16Z, J21Z, J22A, J22B	11	L33Z		11	L33Z				
10		K01Z	21B	X01A, X01B, X01C, X33Z		21B	X01A, X01B, X01C, X33Z				
21A		W04A, W04B	Pre	A07A		Pre	A07A				
21B		X04Z, X05A, X05B, X06A, X06B, X06C	5t885.4↔	KOP, KOPV		5t885.x↔	KOP, KOPV				
22		Y01Z, Y03A, Y03B	06	G33Z		06	G33Z				
			07	H33Z, H38Z		07	H33Z, H38Z				
			08	I02A, I02B, I02C, I02D, I22A, I32A, I32B, I32C, I32D, I34Z, I50Z		08	I02A, I02B, I02C, I02D, I22A, I32A, I32B, I32C, I32D, I32E, I32F, I34Z, I50Z				
			09	J01Z, J02A, J02B		09	J01Z, J02A, J02B				
		11	L33Z	11	L33Z						
		21B	X01A, X01B, X01C, X33Z	21B	X01A, X01B, X01C, X33Z						
		Pre	A07A	Pre	A07A						

VYK

ZZV	MDC	DRG	ZZV	MDC	DRG	ZZV	MDC	DRG
5t887.8↔		KOP, KOPV	5t888.2↔		BOP, KOP, KOPV, KVT, UOP4	5t888.6↔		BOP, KOP, KOPV, KVT, UOP4
	06	G33Z		06	G33Z		04	E02A, E02B, E02C
	07	H33Z, H38Z		07	H33Z, H38Z		06	G33Z
	08	I02A, I02B, I02C, I02D, I22A, I32A, I32B, I32C, I32D, I34Z, I50Z		08	I02A, I02B, I02C, I02D, I08A, I08B, I08C, I08D, I08E, I12A, I12B, I12C, I13A, I13B, I22A, I28A, I28B, I32A, I32B, I32C, I32D, I50Z		07	H33Z, H38Z
	09	J01Z, J02A, J02B		09	J01Z, J02A, J02B, J16Z		08	I02A, I02B, I02C, I02D, I08A, I08B, I08C, I08D, I08E, I12A, I12B, I12C, I13A, I13B, I22A, I28A, I28B, I32A, I32B, I32C, I32D, I50Z
	11	L33Z		11	L33Z		09	J01Z, J02A, J02B, J16Z
	21B	X01A, X01B, X01C, X33Z		21A	W04A, W04B		11	L33Z
	Pre	A07A		21B	X01A, X01B, X01C, X33Z		21A	W04A, W04B
				Pre	A07A		21B	X01A, X01B, X01C, X33Z
							Pre	A07A
5t887.9↔		KOP, KOPV	5t888.3↔		BOP, KOP, KOPV, KVT, UOP4	5t888.7↔		BOP, KOP, KOPV, KVT, UOP4
	06	G33Z		06	G33Z		06	G33Z
	07	H33Z, H38Z		07	H33Z, H38Z		07	H33Z, H38Z
	08	I02A, I02B, I02C, I02D, I22A, I32A, I32B, I32C, I32D, I34Z, I50Z		08	I02A, I02B, I02C, I02D, I08A, I08B, I08C, I08D, I08E, I12A, I12B, I12C, I13A, I13B, I22A, I28A, I28B, I32A, I32B, I32C, I32D, I32E, I32F, I50Z		08	I02A, I02B, I02C, I02D, I08A, I08B, I08C, I08D, I08E, I12A, I12B, I12C, I13A, I13B, I22A, I28A, I28B, I32A, I32B, I32C, I32D, I50Z
	09	J01Z, J02A, J02B		09	J01Z, J02A, J02B, J16Z		09	J01Z, J02A, J02B, J16Z
	11	L33Z		11	L33Z		11	L33Z
	21B	X01A, X01B, X01C, X33Z		21A	W04A, W04B		21A	W04A, W04B
	Pre	A07A		21B	X01A, X01B, X01C, X33Z		21B	X01A, X01B, X01C, X33Z
				Pre	A07A		Pre	A07A
5t887.x↔		KOP, KOPV	5t888.4↔		BOP, KOP, KOPV, KVT, UOP4	5t888.8↔		BOP, KOP, KOPV, KVT, UOP4
	06	G33Z		04	E02A, E02B, E02C		06	G33Z
	07	H33Z, H38Z		06	G33Z		07	H33Z, H38Z
	08	I02A, I02B, I02C, I02D, I22A, I32A, I32B, I32C, I32D, I32E, I32F, I34Z, I50Z		07	H33Z, H38Z		08	I02A, I02B, I02C, I02D, I08A, I08B, I08C, I08D, I08E, I12A, I12B, I12C, I13A, I13B, I22A, I28A, I28B, I32A, I32B, I32C, I32D, I50Z
	09	J01Z, J02A, J02B		08	I02A, I02B, I02C, I02D, I08A, I08B, I08C, I08D, I08E, I12A, I12B, I12C, I13A, I13B, I22A, I28A, I28B, I32A, I32B, I32C, I32D, I50Z		09	J01Z, J02A, J02B, J16Z
	11	L33Z		11	L33Z		11	L33Z
	21B	X01A, X01B, X01C, X33Z		21A	W04A, W04B		21A	W04A, W04B
	Pre	A07A		21B	X01A, X01B, X01C, X33Z		21B	X01A, X01B, X01C, X33Z
				Pre	A07A		Pre	A07A
5t888.0↔		BOP, KOP, KOPV, KVT, UOP4	5t888.5↔		BOP, KOP, KOPV, KVT, UOP4	5t888.9↔		BOP, KOP, KOPV, KVT, UOP4
	03	D02A		04	E02A, E02B, E02C		06	G33Z
	06	G33Z		06	G33Z		07	H33Z, H38Z
	07	H33Z, H38Z		07	H33Z, H38Z		08	I02A, I02B, I02C, I02D, I08A, I08B, I08C, I08D, I08E, I12A, I12B, I12C, I13A, I13B, I22A, I28A, I28B, I32A, I32B, I32C, I32D, I50Z
	08	I02A, I02B, I02C, I02D, I08A, I08B, I08C, I08D, I08E, I12A, I12B, I12C, I13A, I13B, I22A, I28A, I28B, I32A, I32B, I32C, I32D, I50Z		08	I02A, I02B, I02C, I02D, I08A, I08B, I08C, I08D, I08E, I12A, I12B, I12C, I13A, I13B, I22A, I28A, I28B, I32A, I32B, I32C, I32D, I50Z		09	J01Z, J02A, J02B, J16Z
	09	J01Z, J02A, J02B, J16Z		09	J01Z, J02A, J02B, J16Z		11	L33Z
	11	L33Z		11	L33Z		11	L33Z
	21A	W04A, W04B		21A	W04A, W04B		21A	W04A, W04B
	21B	X01A, X01B, X01C, X33Z		21B	X01A, X01B, X01C, X33Z		21B	X01A, X01B, X01C, X33Z
	Pre	A07A		Pre	A07A		Pre	A07A
5t888.1↔		BOP, KOP, KOPV, KVT, UOP4			5t888.x↔		BOP, KOP, KOPV, KVT, UOP4	
	06	G33Z	04	E02A, E02B, E02C		06	G33Z	
	07	H33Z, H38Z	06	G33Z		07	H33Z, H38Z	
	08	I02A, I02B, I02C, I02D, I08A, I08B, I08C, I08D, I08E, I12A, I12B, I12C, I13A, I13B, I22A, I28A, I28B, I32A, I32B, I32C, I32D, I50Z	07	H33Z, H38Z		08	I02A, I02B, I02C, I02D, I08A, I08B, I08C, I08D, I08E, I12A, I12B, I12C, I13A, I13B, I22A, I28A, I28B, I32A, I32B, I32C, I32D, I50Z	
	09	J01Z, J02A, J02B, J16Z	08	I02A, I02B, I02C, I02D, I08A, I08B, I08C, I08D, I08E, I12A, I12B, I12C, I13A, I13B, I22A, I28A, I28B, I32A, I32B, I32C, I32D, I50Z		09	J01Z, J02A, J02B, J16Z	
	11	L33Z	09	J01Z, J02A, J02B, J16Z		11	L33Z	
	21A	W04A, W04B	11	L33Z		21A	W04A, W04B	
	21B	X01A, X01B, X01C, X33Z	21A	W04A, W04B		21B	X01A, X01B, X01C, X33Z	
	Pre	A07A	21B	X01A, X01B, X01C, X33Z		Pre	A07A	
			Pre	A07A				

Príloha B: Index Vykon-MDC-DRG

ZZV	MDC	DRG	ZZV	MDC	DRG	ZZV	MDC	DRG	
5t88x.9↔		KOP, KOPV	5t891.6↔		BOP, KVT, UOP4	5t892.6↔		BOP, KVT, UOP4	
	06	G33Z		01	B03A, B03B, B06A, B06B, B17A, B17B, B17C		08	I12A, I12B, I12C, I27A, I27B, I27C, I27D	
	07	H33Z, H38Z		08	I12A, I12B, I12C, I27A, I27B, I27C, I27D		21A	W04A, W04B	
	08	I02A, I02B, I02C, I02D, I22A, I32A, I32B, I32C, I32D, I34Z, I50Z		21A	W04A, W04B	5t892.7↔		21B	X04Z, X06A, X06B, X06C
	09	J01Z, J02A, J02B		21B	X04Z, X06A, X06B, X06C		08	I12A, I12B, I12C, I27A, I27B, I27C, I27D	
	11	L33Z	5t891.7↔		BOP, KVT, UOP4		21A	W04A, W04B	
	21B	X01A, X01B, X01C, X33Z		01	B03A, B03B, B06A, B06B, B17A, B17B, B17C		21B	X04Z, X06A, X06B, X06C	
	Pre	A07A		08	I12A, I12B, I12C, I27A, I27B, I27C, I27D	5t892.8↔		08	I12A, I12B, I12C, I27A, I27B, I27C, I27D
5t88x.x↔		KOP, KOPV		21A	W04A, W04B		21A	W04A, W04B	
	06	G33Z		21B	X04Z, X06A, X06B, X06C		21B	X04Z, X06A, X06B, X06C	
	07	H33Z, H38Z	5t891.8↔		BOP, KVT, UOP4	5t892.9↔		08	I12A, I12B, I12C, I27A, I27B, I27C, I27D
	08	I02A, I02B, I02C, I02D, I22A, I32A, I32B, I32C, I32D, I32E, I32F, I34Z, I50Z		01	B03A, B03B, B06A, B06B, B17A, B17B, B17C		21A	W04A, W04B	
	09	J01Z, J02A, J02B		08	I12A, I12B, I12C, I27A, I27B, I27C, I27D		21B	X04Z, X06A, X06B, X06C	
	11	L33Z		21A	W04A, W04B		21B	X04Z, X06A, X06B, X06C	
	21B	X01A, X01B, X01C, X33Z		21B	X04Z, X06A, X06B, X06C	5t892.x		08	I12A, I12B, I12C, I27A, I27B, I27C, I27D
	Pre	A07A	5t891.9↔		BOP, KVT, UOP4		21A	W04A, W04B	
5t891.0↔		BOP, KVT, UOP4		01	B03A, B03B, B06A, B06B, B17A, B17B, B17C		21B	X06A, X06B, X06C	
	01	B03A, B03B, B06A, B06B, B17A, B17B, B17C		08	I12A, I12B, I12C, I27A, I27B, I27C, I27D	5t893.0↔		08	I12A, I12B, I12C, I27A, I27B, I27C, I27D
	08	I12A, I12B, I12C, I27A, I27B, I27C, I27D		21A	W04A, W04B		21A	W04A, W04B	
	21A	W04A, W04B		21B	X04Z, X06A, X06B, X06C		21B	X06A, X06B, X06C	
	21B	X06A, X06B, X06C	5t891.x		BOP, KVT, UOP4		21A	W04A, W04B	
5t891.1↔		BOP, KVT, UOP4		01	B03A, B03B, B06A, B06B, B17A, B17B, B17C	5t893.1↔		21B	X06A, X06B, X06C
	01	B03A, B03B, B06A, B06B, B17A, B17B, B17C		08	I12A, I12B, I12C, I27A, I27B, I27C, I27D		08	I12A, I12B, I12C, I27A, I27B, I27C, I27D	
	08	I12A, I12B, I12C, I27A, I27B, I27C, I27D		21A	W04A, W04B		21A	W04A, W04B	
	21A	W04A, W04B		21B	X06A, X06B, X06C		21B	X06A, X06B, X06C	
	21B	X06A, X06B, X06C	5t892.0↔		BOP, KVT, UOP4	5t893.2↔		08	I12A, I12B, I12C, I27A, I27B, I27C, I27D
5t891.2↔		BOP, KVT, UOP4		08	I12A, I12B, I12C, I27A, I27B, I27C, I27D		21A	W04A, W04B	
	01	B03A, B03B, B06A, B06B, B17A, B17B, B17C		21A	W04A, W04B		21B	X06A, X06B, X06C	
	08	I12A, I12B, I12C, I27A, I27B, I27C, I27D	5t892.1↔		BOP, KVT, UOP4	5t893.3↔		21A	W04A, W04B
	21A	W04A, W04B		08	I12A, I12B, I12C, I27A, I27B, I27C, I27D		21B	X06A, X06B, X06C	
	21B	X06A, X06B, X06C		21A	W04A, W04B		08	I12A, I12B, I12C, I27A, I27B, I27C, I27D	
5t891.3↔		BOP, KVT, UOP4		21B	X06A, X06B, X06C		21A	W04A, W04B	
	01	B03A, B03B, B06A, B06B, B17A, B17B, B17C	5t892.2↔		BOP, KVT, UOP4	5t893.4↔		21B	X06A, X06B, X06C
	08	I12A, I12B, I12C, I27A, I27B, I27C, I27D		08	I12A, I12B, I12C, I27A, I27B, I27C, I27D		08	I12A, I12B, I12C, I27A, I27B, I27C, I27D	
	21A	W04A, W04B		21A	W04A, W04B		21A	W04A, W04B	
	21B	X05A, X05B, X06A, X06B, X06C	5t892.3↔		X06A, X06B, X06C	5t893.5↔		21B	X06A, X06B, X06C
5t891.4↔		BOP, KVT, UOP4		08	I12A, I12B, I12C, I27A, I27B, I27C, I27D		08	I12A, I12B, I12C, I27A, I27B, I27C, I27D	
	01	B03A, B03B, B06A, B06B, B17A, B17B, B17C		21A	W04A, W04B		21A	W04A, W04B	
	08	I12A, I12B, I12C, I27A, I27B, I27C, I27D		21B	X05A, X05B, X06A, X06B, X06C		21B	X06A, X06B, X06C	
	21A	W04A, W04B	5t892.4↔		BOP, KVT, UOP4	5t893.6↔		08	I12A, I12B, I12C, I27A, I27B, I27C, I27D
	21B	X05A, X05B, X06A, X06B, X06C		08	I12A, I12B, I12C, I27A, I27B, I27C, I27D		21A	W04A, W04B	
5t891.5↔		BOP, KVT, UOP4		21A	W04A, W04B		21B	X04Z, X06A, X06B, X06C	
	01	B03A, B03B, B06A, B06B, B17A, B17B, B17C	5t892.5↔		BOP, KVT, UOP4	5t893.7↔		08	I12A, I12B, I12C, I27A, I27B, I27C, I27D
	08	I12A, I12B, I12C, I27A, I27B, I27C, I27D		08	I12A, I12B, I12C, I27A, I27B, I27C, I27D		21A	W04A, W04B	
	21A	W04A, W04B		21A	W04A, W04B		21B	X04Z, X06A, X06B, X06C	
	21B	X06A, X06B, X06C		21B	X06A, X06B, X06C		21B	X04Z, X06A, X06B, X06C	

ZZV	MDC	DRG	ZZV	MDC	DRG	ZZV	MDC	DRG
5t893.8↔		BOP, KVT, UOP4	5t89x.x		BOP, KVT, UOP4	5t90x↔		BOP, KVT, UOP4
	08	I12A, I12B, I12C, I27A, I27B, I27C, I27D		08	I12A, I12B, I12C, I27A, I27B, I27C, I27D		05	F13A
	21A	W04A, W04B		21A	W04A, W04B		08	I28A, I28B, I32A, I32B, I32C, I32D, I32E, I32F
5t893.9↔	21B	X04Z, X06A, X06B, X06C	5t900↔	21B	X06A, X06B, X06C		11	L09A, L38Z
		BOP, KVT, UOP4			BOP, KVT, UOP4, VIAL		21A	W04A, W04B
	08	I12A, I12B, I12C, I27A, I27B, I27C, I27D		05	F13A	5t910↔	21B	X05A, X05B, X07A, X07B
	21A	W04A, W04B		08	I02A, I02B, I02C, I02D, I08A, I08B, I08C, I08D, I08E, I08F, I22A, I50Z			BOP, KVT, UOP4, VIAL
5t893.x	21B	X04Z, X06A, X06B, X06C		11	L09A, L38Z		05	F13A
		BOP, KVT, UOP4		21A	W04A, W04B		08	I02A, I02B, I02C, I02D, I08A, I08B, I08C, I08D, I08E, I08F, I22A, I50Z
	08	I12A, I12B, I12C, I27A, I27B, I27C, I27D	5t901↔	21B	X01A, X01B, X01C, X07A		11	L09A, L38Z
	21A	W04A, W04B			BOP, KVT, UOP4, VIAL		21A	W01A, W01B, W01C, W02A, W02B
5t89x.0↔	21B	X06A, X06B, X06C		05	F13A		21B	X01A, X01B, X01C, X04Z, X07A
		BOP, KVT, UOP4		08	I02A, I02B, I02C, I02D, I08A, I08B, I08C, I08D, I08E, I08F, I22A, I50Z	5t911↔		BOP, KVT, UOP4, VIAL
	08	I12A, I12B, I12C, I27A, I27B, I27C, I27D		11	L09A, L38Z		05	F13A
	21A	W04A, W04B		21A	W04A, W04B		08	I02A, I02B, I02C, I02D, I18A, I18B, I22A, I30Z, I50Z
5t89x.1↔	21B	X06A, X06B, X06C	5t902↔	21B	X01A, X01B, X01C, X07A		11	L09A, L38Z
		BOP, KVT, UOP4			BOP, KVT, UOP4, VIAL		21A	W04A, W04B
	08	I12A, I12B, I12C, I27A, I27B, I27C, I27D		05	F13A		21B	X01A, X01B, X01C, X04Z, X07A
	21A	W04A, W04B		08	I02A, I02B, I02C, I02D, I08A, I08B, I08C, I08D, I08E, I08F, I22A, I50Z	5t912↔		BOP, KVT, UOP4, VIAL
5t89x.2↔	21B	X06A, X06B, X06C		11	L09A, L38Z		05	F13A
		BOP, KVT, UOP4		21A	W04A, W04B		08	I02A, I02B, I02C, I02D, I22A, I50Z
	08	I12A, I12B, I12C, I27A, I27B, I27C, I27D	5t903↔	21B	X01A, X01B, X01C, X07A		11	L09A, L38Z
	21A	W04A, W04B			BOP, KVT, UOP4, VIAL		21A	W01A, W01B, W01C, W02A, W02B
5t89x.3↔	21B	X06A, X06B, X06C		05	F13A		21B	X01A, X01B, X01C, X04Z, X07A
		BOP, KVT, UOP4		08	I02A, I02B, I02C, I02D, I22A, I32A, I32B, I32C, I32D, I32E, I32F, I50Z	5t913↔		BOP, KVT, UOP4, VIAL
	08	I12A, I12B, I12C, I27A, I27B, I27C, I27D		11	L09A, L38Z		05	F13A
	21A	W04A, W04B		21A	W04A, W04B		08	I02A, I02B, I02C, I02D, I20A, I20B, I20C, I20D, I22A, I50Z
5t89x.4	21B	X05A, X05B, X06A, X06B, X06C	5t904↔	21B	X01A, X01B, X01C, X05A, X05B, X07A		11	L09A, L38Z
		BOP, KVT, UOP4			BOP, KVT, UOP4, VIAL		21A	W04A, W04B
	08	I12A, I12B, I12C, I27A, I27B, I27C, I27D		05	F13A		21B	X01A, X01B, X01C, X04Z, X07A
	21A	W04A, W04B		08	I02A, I02B, I02C, I02D, I22A, I32A, I32B, I32C, I32D, I32E, I32F, I50Z	5t914↔		BOP, KVT, UOP4, VIAL
5t89x.5	21B	X06A, X06B, X06C		11	L09A, L38Z		05	F13A
		BOP, KVT, UOP4		21A	W04A, W04B		08	I02A, I02B, I02C, I02D, I20A, I20B, I20C, I20D, I22A, I50Z
	08	I12A, I12B, I12C, I27A, I27B, I27C, I27D		21B	X01A, X01B, X01C, X05A, X05B, X07A		11	L09A, L38Z
	21A	W04A, W04B	5t905↔		BOP, KVT, UOP4, VIAL		21A	W04A, W04B
5t89x.6	21B	X04Z, X06A, X06B, X06C		05	F13A		21B	X01A, X01B, X01C, X04Z, X07A
		BOP, KVT, UOP4		08	I02A, I02B, I02C, I02D, I22A, I22B, I32A, I32B, I32C, I32D, I32E, I32F, I50Z	5t915↔		BOP, KVT, UOP4, VIAL
	08	I12A, I12B, I12C, I27A, I27B, I27C, I27D		11	L09A, L38Z		05	F13A
	21A	W04A, W04B		21A	W04A, W04B		08	I02A, I02B, I02C, I02D, I20A, I20B, I20C, I20D, I22A, I22B, I50Z
5t89x.7↔	21B	X04Z, X06A, X06B, X06C		21B	X01A, X01B, X01C, X05A, X05B, X07A, X07B		11	L09A, L38Z
		BOP, KVT, UOP4	5t906↔		BOP, KVT, UOP4, VIAL		21A	W04A, W04B
	08	I12A, I12B, I12C, I27A, I27B, I27C, I27D		05	F13A		21B	X01A, X01B, X01C, X04Z, X07A, X07B
	21A	W04A, W04B		08	I02A, I02B, I02C, I02D, I22A, I22B, I32A, I32B, I32C, I32D, I32E, I32F, I50Z	5t91x↔		BOP, KVT, UOP4
5t89x.8↔	21B	X04Z, X06A, X06B, X06C		11	L09A, L38Z		05	F13A
		BOP, KVT, UOP4		21A	W04A, W04B		08	I02A, I02B, I02C, I02D, I22A, I22B, I28A, I28B, I50Z
	08	I12A, I12B, I12C, I27A, I27B, I27C, I27D		21B	X01A, X01B, X01C, X05A, X05B, X07A, X07B		11	L09A, L38Z
	21A	W04A, W04B			BOP, KVT, UOP4, VIAL		21A	W04A, W04B
5t89x.9↔	21B	X04Z, X06A, X06B, X06C		05	F13A		21B	X01A, X01B, X01C, X04Z, X07A, X07B
		BOP, KVT, UOP4		08	I02A, I02B, I02C, I02D, I22A, I22B, I32A, I32B, I32C, I32D, I32E, I32F, I50Z			
	08	I12A, I12B, I12C, I27A, I27B, I27C, I27D		11	L09A, L38Z			
	21A	W04A, W04B		21A	W04A, W04B			
	21B	X04Z, X06A, X06B, X06C		21B	X01A, X01B, X01C, X05A, X05B, X07A, X07B			

ZZV	MDC	DRG	ZZV	MDC	DRG	ZZV	MDC	DRG
5t920↔		BOP, KVT, UOP4	5t930↔		BOP, KVT, UOP4	5t936↔		BOP, KVT, UOP4
	05	F13A, F13C		05	F13A, F13C		05	F13A, F13C
	08	I07Z		08	I07Z		08	I32A, I32B, I32C, I32D, I32E, I32F
	09	J03A, J03B, J04A, J04B, J08A, J08B, J08C, J11A, J11B, J16Z		09	J03A, J03B, J04A, J04B, J08A, J08B, J08C, J11A, J11B, J16Z		09	J03A, J03B, J04A, J04B, J08A, J08B, J08C, J11A, J11B, J16Z
	11	L09A, L38Z		11	L09A, L38Z		21A	W04A, W04B
	21A	W04A, W04B		21A	W04A, W04B		21B	X05A, X05B
	21B	X06A, X06B, X06C		21B	X05A, X05B		22	Y01Z, Y02A, Y02B, Y03A, Y03B
	22	Y01Z, Y02A, Y02B, Y03A, Y03B		22	Y01Z, Y02A, Y02B, Y03A, Y03B			
5t921↔		BOP, KVT, UOP4	5t931↔		BOP, KVT, UOP4	5t937↔		BOP, KVT, UOP4
	05	F13A, F13C		05	F13A, F13C		05	F13A, F13C
	08	I07Z		08	I07Z		08	I32A, I32B, I32C, I32D, I32E, I32F
	09	J03A, J03B, J04A, J04B, J08A, J08B, J08C, J11A, J11B, J16Z		09	J03A, J03B, J04A, J04B, J08A, J08B, J08C, J11A, J11B, J16Z		09	J03A, J03B, J04A, J04B, J08A, J08B, J08C, J11A, J11B, J16Z
	11	L09A, L38Z		21A	W04A, W04B		21A	W04A, W04B
	21A	W04A, W04B		21B	X05A, X05B		21B	X05A, X05B
	21B	X06A, X06B, X06C		22	Y01Z, Y02A, Y02B, Y03A, Y03B		22	Y01Z, Y02A, Y02B, Y03A, Y03B
	22	Y01Z, Y02A, Y02B, Y03A, Y03B						
5t922↔		BOP, KVT, UOP4	5t932↔		BOP, KVT, UOP4	5t938↔		BOP, KVT, UOP4
	05	F13A, F13C		05	F13A, F13C		05	F13A, F13C
	08	I07Z		08	I07Z		08	I32A, I32B, I32C, I32D, I32E, I32F
	09	J03A, J03B, J04A, J04B, J08A, J08B, J08C, J11A, J11B, J16Z		09	J03A, J03B, J04A, J04B, J08A, J08B, J08C, J11A, J11B, J16Z		09	J03A, J03B, J04A, J04B, J08A, J08B, J08C, J11A, J11B, J16Z
	11	L09A, L38Z		21A	W04A, W04B		21A	W04A, W04B
	21A	W04A, W04B		21B	X05A, X05B		21B	X05A, X05B
	21B	X06A, X06B, X06C		22	Y01Z, Y02A, Y02B, Y03A, Y03B		22	Y01Z, Y02A, Y02B, Y03A, Y03B
	22	Y01Z, Y02A, Y02B, Y03A, Y03B						
5t923↔		BOP, KVT, UOP4	5t933↔		BOP, KVT, UOP4	5t939↔		BOP, KVT, UOP4
	05	F13A, F13C		05	F13A, F13C		05	F13A, F13C
	08	I07Z		08	I32A, I32B, I32C, I32D, I32E, I32F		08	I32A, I32B, I32C, I32D, I32E, I32F
	09	J03A, J03B, J04A, J04B, J08A, J08B, J08C, J11A, J11B, J16Z		09	J03A, J03B, J04A, J04B, J08A, J08B, J08C, J11A, J11B, J16Z		09	J03A, J03B, J04A, J04B, J08A, J08B, J08C, J11A, J11B, J16Z
	11	L09A, L38Z		21A	W04A, W04B		21A	W04A, W04B
	21A	W04A, W04B		21B	X05A, X05B		21B	X05A, X05B
	21B	X06A, X06B, X06C		22	Y01Z, Y02A, Y02B, Y03A, Y03B		22	Y01Z, Y02A, Y02B, Y03A, Y03B
	22	Y01Z, Y02A, Y02B, Y03A, Y03B						
5t924↔		BOP, KVT, UOP4	5t934↔		BOP, KVT, UOP4	5t93a↔		BOP, KVT, UOP4
	05	F13A, F13C		05	F13A, F13C		05	F13A, F13C
	08	I07Z		08	I32A, I32B, I32C, I32D, I32E, I32F		08	I07Z
	09	J03A, J03B, J04A, J04B, J08A, J08B, J08C, J11A, J11B, J16Z		09	J03A, J03B, J04A, J04B, J08A, J08B, J08C, J11A, J11B, J16Z		09	J03A, J03B, J04A, J04B, J08A, J08B, J08C, J11A, J11B, J16Z
	11	L09A, L38Z		21A	W04A, W04B		21A	W04A, W04B
	21A	W04A, W04B		21B	X05A, X05B		21B	X05A, X05B
	21B	X06A, X06B, X06C		22	Y01Z, Y02A, Y02B, Y03A, Y03B		22	Y01Z, Y02A, Y02B, Y03A, Y03B
	22	Y01Z, Y02A, Y02B, Y03A, Y03B						
5t92x↔		BOP, KVT, UOP4	5t935↔		BOP, KVT, UOP4	5t93x↔		BOP, KVT, UOP4
	05	F13A, F13C		05	F13A, F13C		05	F13A, F13C
	08	I07Z		08	I32A, I32B, I32C, I32D, I32E, I32F		08	I32A, I32B, I32C, I32D, I32E, I32F
	09	J03A, J03B, J04A, J04B, J08A, J08B, J08C, J11A, J11B, J16Z		09	J03A, J03B, J04A, J04B, J08A, J08B, J08C, J11A, J11B, J16Z		09	J03A, J03B, J04A, J04B, J08A, J08B, J08C, J11A, J11B, J16Z
	21A	W04A, W04B		21A	W04A, W04B		21A	W04A, W04B
	21B	X06A, X06B, X06C		21B	X05A, X05B		21B	X05A, X05B
	22	Y01Z, Y02A, Y02B, Y03A, Y03B		22	Y01Z, Y02A, Y02B, Y03A, Y03B		22	Y01Z, Y02A, Y02B, Y03A, Y03B

VYK

ZZV	MDC	DRG	ZZV	MDC	DRG	ZZV	MDC	DRG			
5t940↔		BOP, KVT, UOP4	5t945↔		BOP, KVT, UOP4	5t94a↔		BOP, KVT, UOP4			
	05	F13A, F28A, F28B, F28C		05	F13A, F27A, F27B, F27C, F28A, F28B, F28C		05	F13A, F27A, F27B, F27C, F28A, F28B, F28C			
	08	I07Z, I37Z		08	I07Z		08	I07Z			
	09	J03A, J03B, J04A, J04B, J08A, J08B, J08C, J11A, J11B, J16Z		09	J03A, J03B, J04A, J04B, J08A, J08B, J08C, J11A, J11B, J16Z		09	J03A, J03B, J04A, J04B, J08A, J08B, J08C, J11A, J11B, J16Z			
	11	L09A, L38Z		10	K01Z		10	K01Z			
	21A	W01A, W01B, W01C, W02A, W02B		11	L09A, L38Z		11	L09A, L38Z			
	21B	X04Z		21A	W01A, W01B, W01C, W02A, W02B		21A	W04A, W04B			
	22	Y01Z, Y02A, Y02B, Y03A, Y03B		21B	X04Z		21B	X04Z			
	5t941↔			BOP, KVT, UOP4	5t946↔			BOP, KVT, UOP4	5t94x↔		BOP, KVT, UOP4
		05		F13A, F28A, F28B, F28C			05	F13A, F27A, F27B, F27C, F28A, F28B, F28C		05	F13A, F27A, F27B, F27C, F28A, F28B, F28C
08		I07Z, I37Z	08	I07Z		08	I07Z				
09		J03A, J03B, J04A, J04B, J08A, J08B, J08C, J11A, J11B, J16Z	09	J03A, J03B, J04A, J04B, J08A, J08B, J08C, J11A, J11B, J16Z		09	J03A, J03B, J04A, J04B, J08A, J08B, J08C, J11A, J11B, J16Z				
11		L09A, L38Z	10	K01Z		10	K01Z				
21A		W01A, W01B, W01C, W02A, W02B	11	L09A, L38Z		21A	W04A, W04B				
21B		X04Z	21A	W01A, W01B, W01C, W02A, W02B		21B	X04Z				
22		Y01Z, Y02A, Y02B, Y03A, Y03B	21B	X04Z		22	Y01Z, Y02A, Y02B, Y03A, Y03B				
5t942↔			BOP, KVT, UOP4	5t947↔			BOP, KVT, UOP4	5t950↔			BOP, KVT, UOP4
		05	F13A, F28A, F28B, F28C			05	F13A, F27A, F27B, F27C, F28A, F28B, F28C			05	F13A, F27A, F27B, F27C, F28A, F28B, F28C
	08	I07Z	08		I07Z	08	I07Z				
	09	J03A, J03B, J04A, J04B, J08A, J08B, J08C, J11A, J11B, J16Z	09		J03A, J03B, J04A, J04B, J08A, J08B, J08C, J11A, J11B, J16Z	09	J03A, J03B, J04A, J04B, J08A, J08B, J08C, J11A, J11B, J16Z				
	11	L09A, L38Z	10		K01Z	10	K01Z				
	21A	W01A, W01B, W01C, W02A, W02B	11		L09A, L38Z	21A	W04A, W04B				
	21B	X04Z	21A		W04A, W04B	21B	X04Z				
	22	Y01Z, Y02A, Y02B, Y03A, Y03B	21B		X04Z	22	Y01Z, Y02A, Y02B, Y03A, Y03B				
	5t943↔		BOP, KVT, UOP4		5t948↔		BOP, KVT, UOP4		5t951↔		BOP, KVT, UOP4
		05	F13A, F27A, F27B, F27C, F28A, F28B, F28C			05	F13A, F27A, F27B, F27C, F28A, F28B, F28C			05	F13A, F27A, F27B, F27C, F28A, F28B, F28C
08		I07Z	08	I07Z		08	I07Z				
09		J03A, J03B, J04A, J04B, J08A, J08B, J08C, J11A, J11B, J16Z	09	J03A, J03B, J04A, J04B, J08A, J08B, J08C, J11A, J11B, J16Z		09	J03A, J03B, J04A, J04B, J08A, J08B, J08C, J11A, J11B, J16Z				
10		K01Z	10	K01Z		10	K01Z				
11		L09A, L38Z	11	L09A, L38Z		21A	W04A, W04B				
21A		W01A, W01B, W01C, W02A, W02B	21A	W04A, W04B		21B	X04Z				
21B		X04Z	21B	X04Z		22	Y01Z, Y02A, Y02B, Y03A, Y03B				
22		Y01Z, Y02A, Y02B, Y03A, Y03B	22	Y01Z, Y02A, Y02B, Y03A, Y03B		22	Y01Z, Y02A, Y02B, Y03A, Y03B				
5t944↔			BOP, KVT, UOP4	5t949↔			BOP, KVT, UOP4	5t952↔			BOP, KVT, UOP4
	05	F13A, F27A, F27B, F27C, F28A, F28B, F28C	05		F13A, F27A, F27B, F27C, F28A, F28B, F28C	05	F13A, F27A, F27B, F27C, F28A, F28B, F28C				
	08	I07Z	08		I07Z	08	I07Z				
	09	J03A, J03B, J04A, J04B, J08A, J08B, J08C, J11A, J11B, J16Z	09		J03A, J03B, J04A, J04B, J08A, J08B, J08C, J11A, J11B, J16Z	09	J03A, J03B, J04A, J04B, J08A, J08B, J08C, J11A, J11B, J16Z				
	10	K01Z	10		K01Z	10	K01Z				
	11	L09A, L38Z	11		L09A, L38Z	21A	W04A, W04B				
	21A	W01A, W01B, W01C, W02A, W02B	21A		W04A, W04B	21B	X04Z				
	21B	X04Z	21B		X04Z	22	Y01Z, Y02A, Y02B, Y03A, Y03B				
	22	Y01Z, Y02A, Y02B, Y03A, Y03B	22		Y01Z, Y02A, Y02B, Y03A, Y03B	22	Y01Z, Y02A, Y02B, Y03A, Y03B				

ZZV	MDC	DRG	ZZV	MDC	DRG	ZZV	MDC	DRG
5t953↔		BOP, KVT, UOP4	5t958↔		BOP, KVT, UOP4	5t963↔		BOP, KVT, UOP4
	05	F13A, F27A, F27B, F27C, F28A, F28B, F28C		05	F13A, F13C, F27A, F27B, F27C		05	F13A, F13C, F27A, F27B, F27C
	08	I07Z		08	I20A, I20B, I20C, I20D, I20E, I20F		08	I14Z
	09	J03A, J03B, J04A, J04B, J08A, J08B, J08C, J11A, J11B, J16Z		09	J03A, J03B, J04A, J04B, J08A, J08B, J08C, J11A, J11B, J16Z		09	J03A, J03B, J04A, J04B, J08A, J08B, J08C, J11A, J11B, J16Z
	10	K01Z		10	K01Z		10	K01Z
	21A	W04A, W04B		21A	W04A, W04B		21A	W04A, W04B
	21B	X04Z		21B	X04Z		21B	X04Z, X06A, X06B, X06C
	22	Y01Z, Y02A, Y02B, Y03A, Y03B		22	Y01Z, Y02A, Y02B, Y03A, Y03B		22	Y01Z, Y03A, Y03B
	5t954↔			BOP, KVT, UOP4	5t95x↔			BOP, KVT, UOP4
05		F13A, F27A, F27B, F27C, F28A, F28B, F28C	05	F13A, F13C, F27A, F27B, F27C		05	F13A, F13C, F27A, F27B, F27C	
08		I07Z	08	I20A, I20B, I20C, I20D, I20E, I20F		08	I14Z	
09		J03A, J03B, J04A, J04B, J08A, J08B, J08C, J11A, J11B, J16Z	09	J03A, J03B, J04A, J04B, J08A, J08B, J08C, J11A, J11B, J16Z		09	J03A, J03B, J04A, J04B, J08A, J08B, J08C, J11A, J11B, J16Z	
10		K01Z	10	K01Z		10	K01Z	
21A		W04A, W04B	21A	W04A, W04B		21A	W04A, W04B	
21B		X04Z	21B	X04Z		21B	X04Z, X06A, X06B, X06C	
22		Y01Z, Y02A, Y02B, Y03A, Y03B	22	Y01Z, Y02A, Y02B, Y03A, Y03B		22	Y01Z, Y03A, Y03B	
5t955↔			BOP, KVT, UOP4	5t960↔			BOP, KVT, UOP4	5t965↔
	05	F13A, F27A, F27B, F27C, F28A, F28B, F28C	05		F13A, F13C, F27A, F27B, F27C	05	F13A, F13C, F27A, F27B, F27C	
	08	I07Z	08		I14Z	08	I14Z	
	09	J03A, J03B, J04A, J04B, J08A, J08B, J08C, J11A, J11B, J16Z	09		J03A, J03B, J04A, J04B, J08A, J08B, J08C, J11A, J11B, J16Z	09	J03A, J03B, J04A, J04B, J08A, J08B, J08C, J11A, J11B, J16Z	
	10	K01Z	10		K01Z	10	K01Z	
	21A	W04A, W04B	21A		W04A, W04B	21A	W04A, W04B	
	21B	X04Z	21B		X04Z	21B	X04Z, X06A, X06B, X06C	
	22	Y01Z, Y02A, Y02B, Y03A, Y03B	22		Y01Z, Y03A, Y03B	22	Y01Z, Y03A, Y03B	
	5t956↔		BOP, KVT, UOP4		5t961↔		BOP, KVT, UOP4	
05		F13A, F27A, F27B, F27C, F28A, F28B, F28C	05	F13A, F13C, F27A, F27B, F27C		05	F13A, F13C, F27A, F27B, F27C	
08		I07Z	08	I14Z		08	I14Z	
09		J03A, J03B, J04A, J04B, J08A, J08B, J08C, J11A, J11B, J16Z	09	J03A, J03B, J04A, J04B, J08A, J08B, J08C, J11A, J11B, J16Z		09	J03A, J03B, J04A, J04B, J08A, J08B, J08C, J11A, J11B, J16Z	
10		K01Z	10	K01Z		10	K01Z	
21A		W04A, W04B	21A	W04A, W04B		21A	W04A, W04B	
21B		X04Z	21B	X05A, X05B, X06A, X06B, X06C		21B	X06A, X06B, X06C	
22		Y01Z, Y02A, Y02B, Y03A, Y03B	22	Y01Z, Y03A, Y03B		22	Y01Z, Y03A, Y03B	
5t957↔			BOP, KVT, UOP4	5t962↔			BOP, KVT, UOP4	5t970↔
	05	F13A, F13C, F27A, F27B, F27C	05		F13A, F13C, F27A, F27B, F27C	05	F13A, F13C, F27A, F27B, F27C	
	08	I20A, I20B, I20C, I20D, I20E, I20F	08		I14Z	08	I20A, I20B, I20C, I20D	
	09	J03A, J03B, J04A, J04B, J08A, J08B, J08C, J11A, J11B, J16Z	09		J03A, J03B, J04A, J04B, J08A, J08B, J08C, J11A, J11B, J16Z	09	J03A, J03B, J04A, J04B, J08A, J08B, J08C, J11A, J11B, J16Z	
	10	K01Z	10		K01Z	10	K01Z	
	21A	W04A, W04B	21A		W04A, W04B	21A	W04A, W04B	
	21B	X04Z	21B		X05A, X05B	21B	X04Z, X06A, X06B, X06C	
	22	Y01Z, Y02A, Y02B, Y03A, Y03B	22		Y01Z, Y03A, Y03B	22	X04Z, X06A, X06B, X06C	
	5t958↔		BOP, KVT, UOP4		5t963↔		BOP, KVT, UOP4	
05		F13A, F13C, F27A, F27B, F27C	05	F13A, F13C, F27A, F27B, F27C		05	F13A, F13C, F27A, F27B, F27C	
08		I20A, I20B, I20C, I20D, I20E, I20F	08	I14Z		08	I28A, I28B	
09		J03A, J03B, J04A, J04B, J08A, J08B, J08C, J11A, J11B, J16Z	09	J03A, J03B, J04A, J04B, J08A, J08B, J08C, J11A, J11B, J16Z		Pre	A22Z	
10		K01Z	10	K01Z		08	BOP, KVT, UOP4	
21A		W04A, W04B	21A	W04A, W04B		08	I28A, I28B	
21B		X04Z	21B	X05A, X05B		08	BOP, KVT, UOP4	
22		Y01Z, Y02A, Y02B, Y03A, Y03B	22	Y01Z, Y03A, Y03B		08	I08A, I08B, I08C, I08D, I08E, I08F	
5t959↔			BOP, KVT, UOP4	5t964↔			BOP, KVT, UOP4	5t97x
	05	F13A, F13C, F27A, F27B, F27C	05		F13A, F13C, F27A, F27B, F27C	08	I28A, I28B	
	08	I20A, I20B, I20C, I20D, I20E, I20F	08		I14Z	08	BOP, KVT, UOP4	
	09	J03A, J03B, J04A, J04B, J08A, J08B, J08C, J11A, J11B, J16Z	09		J03A, J03B, J04A, J04B, J08A, J08B, J08C, J11A, J11B, J16Z	08	I28A, I28B	
	10	K01Z	10		K01Z	08	BOP, KVT, UOP4	
	21A	W04A, W04B	21A		W04A, W04B	11	L09A, L38Z	
	21B	X04Z	21B		X05A, X05B	21A	W01A, W01B, W01C, W02A, W02B	
	22	Y01Z, Y02A, Y02B, Y03A, Y03B	22		Y01Z, Y03A, Y03B	21B	X04Z	

VYK

ZZV	MDC	DRG	ZZV	MDC	DRG	ZZV	MDC	DRG	
5t991		BOP, KVT, UOP4	5t994.6↔		BOP, KVT, UOP4, VIAL	5u113↔		BOP, KVT, UOP4	
	01	B03A, B03B, B06A, B06B, B07Z, B17A, B17B, B17C		01	B03A, B03B, B06A, B06B, B07Z, B17A, B17B, B17C		09	J03A, J03B, J04A, J04B, J06Z, J07A, J07B, J08A, J08B, J08C, J16Z, J24A, J24B, J24C, J24D, J25Z	
	03	D12A		08	I32A, I32B, I32C, I32D, I32E, I32F		21A	W04A, W04B	
	04	E02A, E02B, E02C		09	J03A, J03B, J04A, J04B, J08A, J08B, J08C, J10A, J10B, J16Z		21B	X06A, X06B, X06C	
	05	F21A, F21B, F21C, F27A, F27B, F27C		21A	W04A, W04B			BOP, KVT, UOP4	
	06	G10Z, G12A, G12B		21B	X04Z, X06A, X06B, X06C		09	J03A, J03B, J04A, J04B, J06Z, J07A, J07B, J08A, J08B, J08C, J16Z, J24A, J24B, J24C, J24D, J25Z	
	07	H06A, H06B, H06C		5t995.2↔				10	K09A, K09B
	08	I28A, I28B		08	I20A, I20B, I20C		21A	W04A, W04B	
	09	J03A, J03B, J04A, J04B, J08A, J08B, J08C, J16Z, J21Z, J22A, J22B		21B	X04Z, X06A, X06B, X06C		21B	X06A, X06B, X06C	
	10	K01Z		5t995.3↔					BOP, KVT, UOP4
	11	L09A, L09B, L09C, L09D, L38Z		08	I20A, I20B, I20C		5u115.0↔		BOP, KVT, UOP4
	13	N11A, N11B		21A	W04A, W04B		09	J03A, J03B, J04A, J04B, J08A, J08B, J08C, J16Z, J23Z, J24A, J24B, J24C, J24D, J26Z	
	21A	W04A, W04B		21B	X04Z, X06A, X06B, X06C		10	K07Z	
	21B	X06A, X06B, X06C		5t995.4↔				21A	W04A, W04B
	5t992			BOP, KVT, UOP4	08		I20A, I20B, I20C	21B	X06A, X06B, X06C
		08		I28A, I28B	21A		W04A, W04B		BOP, KVT, UOP4
		21A		W04A, W04B	21B		X04Z, X06A, X06B, X06C	09	J03A, J03B, J04A, J04B, J08A, J08B, J08C, J16Z, J23Z, J24A, J24B, J24C, J24D, J26Z
21B		X04Z, X05A, X05B, X06A, X06B, X06C	5t995.5↔			10	K07Z		
5t993		BOP, KVT, UOP4	08	I20A, I20B, I20C	21A	W04A, W04B			
	08	I28A, I28B	21B	X04Z, X06A, X06B, X06C	21B	X06A, X06B, X06C			
	11	L09A, L38Z	5t995.6↔				BOP, KVT, UOP4		
	21A	W04A, W04B	08	I20A, I20B, I20C	09	J03A, J03B, J04A, J04B, J08A, J08B, J08C, J16Z, J23Z, J24A, J24B, J24C, J24D, J26Z			
21B	X04Z, X05A, X05B, X06A, X06B, X06C	21A	W04A, W04B	10	K07Z				
5t994.2↔		BOP, KVT, UOP4, VIAL	21B	X04Z, X06A, X06B, X06C	21A	W04A, W04B			
	01	B03A, B03B, B06A, B06B, B07Z, B17A, B17B, B17C	5u110.0↔			21B	X06A, X06B, X06C		
	08	I32A, I32B, I32C, I32D, I32E, I32F	09	J03A, J03B, J04A, J04B, J06Z, J07A, J07B, J08A, J08B, J08C, J16Z, J24A, J24B, J24C, J24D, J25Z	5u121↔		BOP, KVT, UOP4		
	09	J03A, J03B, J04A, J04B, J08A, J08B, J08C, J10A, J10B, J16Z	10	K09A, K09B	09	J03A, J03B, J04A, J04B, J06Z, J08A, J08B, J08C, J16Z, J23Z, J24A, J24B, J24C, J24D, J26Z			
5t994.3↔		BOP, KVT, UOP4, VIAL	16	Q03A, Q03B	11	L09A, L38Z			
	01	B03A, B03B, B06A, B06B, B07Z, B17A, B17B, B17C	21A	W04A, W04B	19	U01Z			
	08	I32A, I32B, I32C, I32D, I32E, I32F	21A	W04A, W04B	21A	W04A, W04B			
	09	J03A, J03B, J04A, J04B, J08A, J08B, J08C, J10A, J10B, J16Z	21B	X06A, X06B, X06C	21B	X06A, X06B, X06C			
5t994.4↔		BOP, KVT, UOP4, VIAL	5u110.1↔				BOP, KVT, UOP4		
	01	B03A, B03B, B06A, B06B, B07Z, B17A, B17B, B17C	09	J03A, J03B, J04A, J04B, J06Z, J07A, J07B, J08A, J08B, J08C, J16Z, J24A, J24B, J24C, J24D, J25Z	03	D12A			
	08	I32A, I32B, I32C, I32D, I32E, I32F	10	K09A, K09B	04	E02A, E02B, E02C			
	09	J03A, J03B, J04A, J04B, J08A, J08B, J08C, J10A, J10B, J16Z	16	Q03A, Q03B	06	G10Z, G12A, G12B			
5t994.5↔		BOP, KVT, UOP4, VIAL	21A	W04A, W04B	08	I28A, I28B			
	01	B03A, B03B, B06A, B06B, B07Z, B17A, B17B, B17C	21B	X06A, X06B, X06C	09	J03A, J03B, J04A, J04B, J08A, J08B, J08C, J11A, J11B, J16Z, J21Z, J23Z, J24A, J24B, J24C, J24D, J26Z			
	08	I32A, I32B, I32C, I32D, I32E, I32F	5u111↔			10	K09A, K09B		
	09	J03A, J03B, J04A, J04B, J08A, J08B, J08C, J10A, J10B, J16Z	09	J03A, J03B, J04A, J04B, J06Z, J07A, J07B, J08A, J08B, J08C, J16Z, J24A, J24B, J24C, J24D, J25Z	11	L09A, L09B, L09C, L09D, L38Z			
5t994.6↔		BOP, KVT, UOP4, VIAL	10	K09A, K09B	13	N11A			
	01	B03A, B03B, B06A, B06B, B07Z, B17A, B17B, B17C	16	Q03A, Q03B	14	962Z, O02A, O02B			
	08	I32A, I32B, I32C, I32D, I32E, I32F	21A	W04A, W04B	16	Q03A, Q03B			
	09	J03A, J03B, J04A, J04B, J08A, J08B, J08C, J10A, J10B, J16Z	21B	X06A, X06B, X06C		BOP, KVT, UOP4			
5t994.7↔		BOP, KVT, UOP4, VIAL	5u112↔			09	J03A, J03B, J04A, J04B, J06Z, J08A, J08B, J08C, J14A, J16Z, J23Z, J24A, J24B, J24C, J26Z		
	01	B03A, B03B, B06A, B06B, B07Z, B17A, B17B, B17C	09	J03A, J03B, J04A, J04B, J06Z, J07A, J07B, J08A, J08B, J08C, J16Z, J24A, J24B, J24C, J24D, J25Z	11	L09A, L38Z			
	08	I32A, I32B, I32C, I32D, I32E, I32F	10	K09A, K09B	21A	W04A, W04B			
	09	J03A, J03B, J04A, J04B, J08A, J08B, J08C, J10A, J10B, J16Z	21A	W04A, W04B	21B	X06A, X06B, X06C			
5t994.8↔		BOP, KVT, UOP4, VIAL	21B	X06A, X06B, X06C					
	01	B03A, B03B, B06A, B06B, B07Z, B17A, B17B, B17C	5u112↔						
	08	I32A, I32B, I32C, I32D, I32E, I32F	09	J03A, J03B, J04A, J04B, J06Z, J07A, J07B, J08A, J08B, J08C, J16Z, J24A, J24B, J24C, J24D, J25Z					
	09	J03A, J03B, J04A, J04B, J08A, J08B, J08C, J10A, J10B, J16Z	10	K09A, K09B					
5t994.9↔		BOP, KVT, UOP4, VIAL	21A	W04A, W04B					
	01	B03A, B03B, B06A, B06B, B07Z, B17A, B17B, B17C	21B	X06A, X06B, X06C					
	08	I32A, I32B, I32C, I32D, I32E, I32F	5u112↔						
	09	J03A, J03B, J04A, J04B, J08A, J08B, J08C, J10A, J10B, J16Z	09	J03A, J03B, J04A, J04B, J06Z, J07A, J07B, J08A, J08B, J08C, J16Z, J24A, J24B, J24C, J24D, J25Z					
5t994.10↔		BOP, KVT, UOP4, VIAL	10	K09A, K09B					
	01	B03A, B03B, B06A, B06B, B07Z, B17A, B17B, B17C	21A	W04A, W04B					
	08	I32A, I32B, I32C, I32D, I32E, I32F	21B	X06A, X06B, X06C					
	09	J03A, J03B, J04A, J04B, J08A, J08B, J08C, J10A, J10B, J16Z	5u112↔						

ZZV	MDC	DRG	ZZV	MDC	DRG	ZZV	MDC	DRG
5u123.02		BOP, KVT, UOP4	5u210.1↔		BOP, KVT, UOP4	5u211.4↔		BOP, KVT, UOP4
	09	J03A, J03B, J04A, J04B, J06Z, J08A, J08B, J08C, J14A, J16Z, J23Z, J24A, J24B, J24C, J26Z		09	J03A, J03B, J04A, J04B, J06Z, J08A, J08B, J08C, J16Z, J23Z, J24A, J24B, J24C, J26Z		09	J03A, J03B, J04A, J04B, J08A, J08B, J08C, J14A, J14B, J16Z, J23Z, J24A, J24B, J24C, J26Z
	11	L09A, L38Z		11	L09A, L38Z		11	L09A, L38Z
	21A	W04A, W04B		19	U01Z		19	U01Z
	21B	X06A, X06B, X06C		21A	W04A, W04B		21A	W04A, W04B
5u123.1		BOP, KVT, UOP4	5u210.2↔		BOP, KVT, UOP4	5u211.5↔		BOP, KVT, UOP4
	03	D12A		09	J03A, J03B, J04A, J04B, J06Z, J08A, J08B, J08C, J16Z, J23Z, J24A, J24B, J24C, J26Z		09	J03A, J03B, J04A, J04B, J08A, J08B, J08C, J14A, J14B, J16Z, J23Z, J24A, J24B, J24C, J26Z
	04	E02A, E02B, E02C		11	L09A, L38Z		11	L09A, L38Z
	06	G10Z, G12A, G12B		19	U01Z		19	U01Z
	08	I28A, I28B		21A	W04A, W04B		21A	W04A, W04B
	09	J03A, J03B, J04A, J04B, J08A, J08B, J08C, J11A, J11B, J16Z, J21Z, J23Z, J24A, J24B, J24C, J24D, J26Z	21B	X06A, X06B	21B	X06A, X06B		
	10	K09A, K09B	5u210.3↔		BOP, KVT, UOP4	5u211.7↔		BOP, KVT, UOP4
	11	L09A, L09B, L09C, L09D, L38Z		09	J03A, J03B, J04A, J04B, J06Z, J08A, J08B, J08C, J16Z, J23Z, J24A, J24B, J24C, J26Z		09	J01Z, J02A, J02B, J14A
	13	N11A		10	K07Z		11	L09A, L38Z
	14	962Z, O02A, O02B		21A	W04A, W04B		19	U01Z
16	Q03A, Q03B	21B		X06A, X06B	21A		W04A, W04B	
5u123.2		BOP, KVT, UOP4	5u210.4↔		BOP, KVT, UOP4	5u211.x↔		BOP, KVT, UOP4
	09	J03A, J03B, J04A, J04B, J06Z, J08A, J08B, J08C, J16Z, J23Z, J24A, J24B, J24C, J26Z		09	J03A, J03B, J04A, J04B, J06Z, J08A, J08B, J08C, J16Z, J23Z, J24A, J24B, J24C, J26Z		09	J03A, J03B, J04A, J04B, J08A, J08B, J08C, J14A, J14B, J16Z, J23Z, J24A, J24B, J24C, J26Z
	11	L09A, L38Z		10	K07Z		11	L09A, L38Z
	21A	W04A, W04B		21A	W04A, W04B		19	U01Z
	21B	X06A, X06B, X06C		21B	X06A, X06B		21A	W04A, W04B
5u123.x		BOP, KVT, UOP4	5u210.7↔		BOP, KVT, UOP4	5u212.1↔		BOP, KVT, UOP4
	09	J03A, J03B, J04A, J04B, J06Z, J08A, J08B, J08C, J16Z, J23Z, J24A, J24B, J24C, J26Z		09	J01Z, J02A, J02B, J14A		09	J01Z, J02A, J02B, J14A
	11	L09A, L38Z		11	L09A, L38Z		11	L09A, L38Z
	21A	W04A, W04B		19	U01Z		19	U01Z
	21B	X06A, X06B, X06C		21A	W04A, W04B		21A	W04A, W04B
5u124.0		BOP, KVT, UOP4	5u211.1↔		BOP, KVT, UOP4	5u212.2↔		BOP, KVT, UOP4
	09	J03A, J03B, J04A, J04B, J06Z, J08A, J08B, J08C, J16Z, J23Z, J24A, J24B, J24C, J24D, J26Z		09	J03A, J03B, J04A, J04B, J07A, J07B, J08A, J08B, J08C, J16Z, J24A, J24B, J24C, J25Z		09	J03A, J03B, J04A, J04B, J08A, J08B, J08C, J14A, J14B, J16Z, J23Z, J24A, J24B, J24C, J26Z
	11	L09A, L38Z		21A	W04A, W04B		19	U01Z
	21A	W04A, W04B		21B	X06A, X06B		21A	W04A, W04B
	21B	X06A, X06B, X06C		21B	X06A, X06B		21B	X06A, X06B
5u124.1		BOP, KVT, UOP4	5u211.2↔		BOP, KVT, UOP4	5u213.1↔		BOP, KVT, UOP4
	09	J03A, J03B, J04A, J04B, J06Z, J08A, J08B, J08C, J16Z, J23Z, J24A, J24B, J24C, J24D, J26Z		09	J03A, J03B, J04A, J04B, J08A, J08B, J08C, J16Z, J23Z, J24A, J24B, J24C, J26Z		09	J03A, J03B, J04A, J04B, J08A, J08B, J08C, J14A, J14B, J16Z, J23Z, J24A, J24B, J24C, J26Z
	11	L09A, L38Z		21A	W04A, W04B		11	L09A, L38Z
	21A	W04A, W04B		21B	X06A, X06B		19	U01Z
	21B	X06A, X06B, X06C		09	J03A, J03B, J04A, J04B, J08A, J08B, J08C, J14A, J14B, J16Z, J23Z, J24A, J24B, J24C, J26Z		21A	W04A, W04B
5u191↔		BOP, KVT, UOP4	5u211.3↔		BOP, KVT, UOP4	5u213.2↔		BOP, KVT, UOP4
	09	J03A, J03B, J04A, J04B, J07A, J07B, J08A, J08B, J08C, J16Z, J24A, J24B, J24C, J24D, J25Z		09	J03A, J03B, J04A, J04B, J08A, J08B, J08C, J14A, J14B, J16Z, J23Z, J24A, J24B, J24C, J26Z		09	J03A, J03B, J04A, J04B, J08A, J08B, J08C, J14A, J14B, J16Z, J23Z, J24A, J24B, J24C, J26Z
	21A	W04A, W04B		11	L09A, L38Z		11	L09A, L38Z
	21B	X06A, X06B, X06C		19	U01Z		19	U01Z
				21A	W04A, W04B		21A	W04A, W04B
		21B	X06A, X06B	21B	X06A, X06B			

ZZV	MDC	DRG	ZZV	MDC	DRG	ZZV	MDC	DRG		
5u213.3↔		BOP, KVT, UOP4	5u217.1↔		BOP, KVT, UOP4	5u222.3↔		BOP, KVT, UOP4		
	09	J14A, J26Z		09	J03A, J03B, J04A, J04B, J06Z, J07A, J07B, J08A, J08B, J08C, J16Z, J24A, J24B, J24C, J25Z		09	J03A, J03B, J04A, J04B, J08A, J08B, J08C, J16Z, J23Z, J24A, J24B, J24C, J26Z		
	11	L09A, L38Z					21A	W04A, W04B	21A	W04A, W04B
	19	U01Z		21A	W04A, W04B		21B	X06A, X06B	21B	X06A, X06B
	21A	W04A, W04B								
5u213.4↔		BOP, KVT, UOP4	5u220.1↔		BOP, KVT, UOP4	5u222.4↔		BOP, KVT, UOP4		
	09	J03A, J03B, J04A, J04B, J08A, J08B, J08C, J14A, J14B, J16Z, J23Z, J24A, J24B, J24C, J26Z		09	J03A, J03B, J04A, J04B, J08A, J08B, J08C, J16Z, J23Z, J24A, J24B, J24C, J26Z		09	J03A, J03B, J04A, J04B, J08A, J08B, J08C, J16Z, J23Z, J24A, J24B, J24C, J26Z		
	11	L09A, L38Z		21A	W04A, W04B		21A	W04A, W04B		
	19	U01Z		21B	X06A, X06B		21B	X06A, X06B		
	21A	W04A, W04B								
5u213.5↔		BOP, KVT, UOP4	5u220.2↔		BOP, KVT, UOP4	5u222.5↔		BOP, KVT, UOP4		
	09	J03A, J03B, J04A, J04B, J08A, J08B, J08C, J14A, J14B, J16Z, J23Z, J24A, J24B, J24C, J26Z		09	J03A, J03B, J04A, J04B, J08A, J08B, J08C, J16Z, J23Z, J24A, J24B, J24C, J26Z		09	J03A, J03B, J04A, J04B, J08A, J08B, J08C, J16Z, J23Z, J24A, J24B, J24C, J26Z		
	11	L09A, L38Z		21A	W04A, W04B		21A	W04A, W04B		
	19	U01Z		21B	X06A, X06B		21B	X06A, X06B		
	21A	W04A, W04B								
5u214.1↔		BOP, KVT, UOP4	5u220.3↔		BOP, KVT, UOP4	5u222.6↔		BOP, KVT, UOP4		
	09	J03A, J03B, J04A, J04B, J06Z, J08A, J08B, J08C, J16Z, J23Z, J24A, J24B, J24C, J26Z		09	J03A, J03B, J04A, J04B, J08A, J08B, J08C, J16Z, J23Z, J24A, J24B, J24C, J26Z		09	J03A, J03B, J04A, J04B, J08A, J08B, J08C, J16Z, J23Z, J24A, J24B, J24C, J26Z		
	10	K07Z		21A	W04A, W04B		21A	W04A, W04B		
	21A	W04A, W04B		21B	X06A, X06B		21B	X06A, X06B		
	21B	X06A, X06B								
5u214.2↔		BOP, KVT, UOP4	5u221.0↔		BOP, KVT, UOP4	5u223.1↔		BOP, KVT, UOP4		
	09	J03A, J03B, J04A, J04B, J06Z, J08A, J08B, J08C, J16Z, J23Z, J24A, J24B, J24C, J26Z		09	J03A, J03B, J04A, J04B, J08A, J08B, J08C, J16Z, J23Z, J24A, J24B, J24C, J26Z		09	J03A, J03B, J04A, J04B, J08A, J08B, J08C, J16Z, J23Z, J24A, J24B, J24C, J26Z		
	10	K07Z		21A	W04A, W04B		21A	W04A, W04B		
	11	L09A, L38Z		21B	X06A, X06B		21B	X06A, X06B		
	21A	W04A, W04B								
5u215↔		BOP, KVT, UOP4	5u221.1↔		BOP, KVT, UOP4	5u223.2↔		BOP, KVT, UOP4		
	09	J03A, J03B, J04A, J04B, J08A, J08B, J08C, J16Z, J23Z, J24A, J24B, J24C, J26Z		09	J03A, J03B, J04A, J04B, J08A, J08B, J08C, J16Z, J23Z, J24A, J24B, J24C, J26Z		09	J03A, J03B, J04A, J04B, J08A, J08B, J08C, J16Z, J23Z, J24A, J24B, J24C, J26Z		
	21A	W04A, W04B		21A	W04A, W04B		21A	W04A, W04B		
	21B	X06A, X06B		21B	X06A, X06B		21B	X06A, X06B		
5u216.1↔		BOP, KVT, UOP4	5u222.0↔		BOP, KVT, UOP4	5u224↔		BOP, KVT, UOP4		
	09	J03A, J03B, J04A, J04B, J06Z, J08A, J08B, J08C, J16Z, J23Z, J24A, J24B, J24C, J26Z		09	J03A, J03B, J04A, J04B, J07A, J07B, J08A, J08B, J08C, J16Z, J24A, J24B, J24C, J24D, J25Z		09	J03A, J03B, J04A, J04B, J08A, J08B, J08C, J16Z, J23Z, J24A, J24B, J24C, J26Z		
	21A	W04A, W04B		10	K09A, K09B		21A	W04A, W04B		
	21B	X06A, X06B		21A	W04A, W04B		21B	X06A, X06B		
				21B	X06A, X06B					
5u216.7		BOP, KVT, UOP4	5u222.1↔		BOP, KVT, UOP4	5u230.1↔		BOP, KVT, UOP4		
	09	J03A, J03B, J04A, J04B, J06Z, J08A, J08B, J08C, J16Z, J23Z, J24A, J24B, J24C, J26Z		09	J03A, J03B, J04A, J04B, J07A, J07B, J08A, J08B, J08C, J16Z, J24A, J24B, J24C, J24D, J25Z		09	J03A, J03B, J04A, J04B, J07A, J07B, J08A, J08B, J08C, J16Z, J24A, J24B, J24C, J24D, J25Z		
	11	L09A, L38Z		10	K09A, K09B		19	U01Z		
	19	U01Z		21A	W04A, W04B		21A	W04A, W04B		
	21A	W04A, W04B		21A	W04A, W04B		21B	X06A, X06B		
5u217.0↔		BOP, KVT, UOP4	5u222.2↔		BOP, KVT, UOP4	5u230.2↔		BOP, KVT, UOP4		
	09	J03A, J03B, J04A, J04B, J06Z, J07A, J07B, J08A, J08B, J08C, J16Z, J24A, J24B, J24C, J25Z		09	J03A, J03B, J04A, J04B, J08A, J08B, J08C, J16Z, J23Z, J24A, J24B, J24C, J26Z		09	J03A, J03B, J04A, J04B, J07A, J07B, J08A, J08B, J08C, J16Z, J24A, J24B, J24C, J24D, J25Z		
	21A	W04A, W04B		21A	W04A, W04B		19	U01Z		
	21B	X06A, X06B		21B	X06A, X06B		21A	W04A, W04B		
				21B	X06A, X06B		21B	X06A, X06B		

VYK

ZZV	MDC	DRG	ZZV	MDC	DRG	ZZV	MDC	DRG
5u921↔		BOP, KVT, UOP4	5v131.0	03	D08A, D08B, D18Z, D22A, D22B, D30A, D30B	5v141.4		BOP, KVT, UOP4
	09	J03A, J03B, J04A, J04B, J07A, J07B, J08A, J08B, J08C, J16Z, J24A, J24B, J24C, J24D, J25Z		05	F13A		01	B03A, B03B, B06A, B06B, B07Z, B17A, B17B, B17C
	19	U01Z		09	J03A, J03B, J04A, J04B, J08A, J08B, J08C, J11A, J11B, J11C, J16Z		02	C20A, C20B
	21A	W04A, W04B	5v131.4‡	02	C14Z		03	D12A
	21B	X06A, X06B		09	J11A, J11B, J11C		05	F13A, F21A, F21B, F21C
5u922↔		BOP, KVT, UOP4	5v131.5‡	09	J11A, J11B, J11C		08	I27A, I27B, I27C, I27D
	09	J03A, J03B, J04A, J04B, J07A, J07B, J08A, J08B, J08C, J16Z, J24A, J24B, J24C, J24D, J25Z	5v131.6‡↔	09	J11A, J11B, J11C		09	J03A, J03B, J04A, J04B, J08A, J08B, J08C, J11A, J11B, J11C, J16Z, J21Z
	19	U01Z	5v131.7‡↔	09	J11A, J11B, J11C		10	K09A, K09B
	21A	W04A, W04B	5v131.8‡↔	09	J11A, J11B, J11C	21A	21A	W04A, W04B
	21B	X06A, X06B	5v131.9‡↔	09	J11A, J11B, J11C	21B	21B	X06A, X06B, X06C
5u923↔		BOP, KVT, UOP4	5v131.a‡	09	J11A, J11B, J11C		22	Y01Z, Y03A, Y03B
	09	J03A, J03B, J04A, J04B, J07A, J07B, J08A, J08B, J08C, J16Z, J24A, J24B, J24C, J24D, J25Z	5v131.b‡	09	J11A, J11B, J11C	5v141.5		BOP, KVT, UOP4
	19	U01Z	5v131.c‡	09	J11A, J11B, J11C		01	B03A, B03B, B06A, B06B, B07Z, B17A, B17B, B17C
	21A	W04A, W04B	5v131.d‡	09	J11A, J11B, J11C		03	D12A
	21B	X06A, X06B	5v131.e‡↔	09	J11A, J11B, J11C		05	F13A, F21A, F21B, F21C
5v110‡	03	D40Z	5v131.f‡↔	09	J11A, J11B, J11C		08	I27A, I27B, I27C, I27D
5v111.4‡	02	C14Z	5v131.g‡↔	09	J11A, J11B, J11C		09	J03A, J03B, J04A, J04B, J08A, J08B, J08C, J11A, J11B, J11C, J16Z, J21Z
5v112.4‡	02	C14Z	5v131.x‡	02	C14Z		10	K09A, K09B
5v113.0‡	09	J11A, J11B	5v132.4‡	09	J11A, J11B, J11C		21A	W04A, W04B
5v113.4‡	02	C14Z	5v132.6‡↔	09	J11A, J11B, J11C		21B	X06A, X06B, X06C
	09	J11A, J11B	5v132.c‡	09	J11A, J11B, J11C		22	Y01Z, Y03A, Y03B
5v113.5‡	09	J11A, J11B	5v132.x‡	09	J11A, J11B	5v141.6↔		BOP, KVT, UOP4
5v113.6‡↔	09	J11A, J11B, J11C	5v133.x‡	09	J11A, J11B		01	B03A, B03B, B06A, B06B, B07Z, B17A, B17B, B17C
5v113.7‡↔	09	J11A, J11B	5v140.0		BOP, KVT, UOP4		05	F13A, F21A, F21B, F21C
5v113.8‡↔	09	J11A, J11B		03	D08A, D08B, D18Z, D22A, D22B, D30A, D30B		08	I27A, I27B, I27C, I27D
5v113.9‡↔	09	J11A, J11B	5v140.4‡	02	C20A, C20B		09	J03A, J03B, J04A, J04B, J08A, J08B, J08C, J11A, J11B, J11C, J16Z, J21Z
5v113.a‡	09	J11A, J11B, J11C		09	J11A, J11B, J11C		10	K09A, K09B
5v113.b‡	09	J11A, J11B	5v140.5‡	09	J11A, J11B, J11C		21A	W04A, W04B
5v113.c‡	09	J11A, J11B	5v140.6‡↔	09	J11A, J11B, J11C		21B	X06A, X06B, X06C
5v113.d‡	09	J11A, J11B, J11C	5v140.7‡↔	09	J11A, J11B, J11C		22	Y01Z, Y03A, Y03B
5v113.e‡↔	09	J11A, J11B	5v140.8‡↔	09	J11A, J11B, J11C	5v141.7↔		BOP, KVT, UOP4
5v113.f‡↔	09	J11A, J11B	5v140.9‡↔	09	J11A, J11B, J11C		01	B03A, B03B, B06A, B06B, B07Z, B17A, B17B, B17C
5v113.g‡↔	09	J11A, J11B	5v140.a‡	09	J11A, J11B, J11C		05	F13A, F21A, F21B, F21C
5v113.x‡	09	J11A, J11B	5v140.b‡	09	J11A, J11B, J11C		08	I27A, I27B, I27C, I27D
5v114.4‡	02	C14Z	5v140.c‡	09	J11A, J11B, J11C		09	J03A, J03B, J04A, J04B, J08A, J08B, J08C, J11A, J11B, J11C, J16Z, J21Z
5v130.0	03	D08A, D08B, D18Z, D22A, D22B, D30A, D30B	5v140.d‡	09	J11A, J11B, J11C		10	K09A, K09B
	05	F13A	5v140.e‡↔	09	J11A, J11B, J11C		21A	W04A, W04B
	09	J03A, J03B, J04A, J04B, J08A, J08B, J08C, J11A, J11B, J11C, J16Z	5v140.f‡↔	09	J11A, J11B, J11C		21B	X06A, X06B, X06C
5v130.4‡	02	C14Z	5v140.g‡↔	09	J11A, J11B, J11C		22	Y01Z, Y03A, Y03B
	09	J11A, J11B, J11C	5v140.x‡	09	J11A, J11B, J11C	5v141.8↔		BOP, KVT, UOP4
5v130.5‡	09	J11A, J11B, J11C	5v141.0		BOP, KVT, UOP4		01	B03A, B03B, B06A, B06B, B07Z, B17A, B17B, B17C
5v130.6‡↔	09	J11A, J11B, J11C		01	B03A, B03B, B06A, B06B, B07Z, B17A, B17B, B17C		05	F13A, F21A, F21B, F21C
5v130.7‡↔	09	J11A, J11B, J11C		03	D12A		08	I27A, I27B, I27C, I27D
5v130.8‡↔	09	J11A, J11B, J11C		05	F13A, F21A, F21B, F21C		09	J03A, J03B, J04A, J04B, J08A, J08B, J08C, J11A, J11B, J11C, J16Z, J21Z
5v130.9‡↔	09	J11A, J11B, J11C		09	J03A, J03B, J04A, J04B, J08A, J08B, J08C, J11A, J11B, J11C, J16Z, J21Z		10	K09A, K09B
5v130.a‡	09	J11A, J11B, J11C		10	K09A, K09B		21A	W04A, W04B
5v130.b‡	09	J11A, J11B, J11C		21A	W04A, W04B		21B	X06A, X06B, X06C
5v130.c‡	09	J11A, J11B, J11C		21B	X06A, X06B, X06C		22	Y01Z, Y03A, Y03B
5v130.d‡	09	J11A, J11B, J11C		22	Y01Z, Y03A, Y03B			
5v130.e‡↔	09	J11A, J11B, J11C						
5v130.f‡↔	09	J11A, J11B, J11C						
5v130.g‡↔	09	J11A, J11B, J11C						
5v130.x‡	09	J11A, J11B, J11C						

VYK

ZZV	MDC	DRG	ZZV	MDC	DRG	ZZV	MDC	DRG			
5v141.9↔		BOP, KVT, UOP4	5v141.e↔		BOP, KVT, UOP4	5v142.x† 5v143.0	09	J11A, J11B, J11C			
	01	B03A, B03B, B06A, B06B, B07Z, B17A, B17B, B17C		01	B03A, B03B, B06A, B06B, B07Z, B17A, B17B, B17C		01	B03A, B03B, B06A, B06B, B07Z, B17A, B17B, B17C			
	05	F13A, F21A, F21B, F21C		05	F13A, F21A, F21B, F21C		03	D12A			
	08	I27A, I27B, I27C, I27D		08	I27A, I27B, I27C, I27D		05	F13A, F21A, F21B, F21C			
	09	J03A, J03B, J04A, J04B, J08A, J08B, J08C, J11A, J11B, J11C, J16Z, J21Z		09	J03A, J03B, J04A, J04B, J08A, J08B, J08C, J11A, J11B, J11C, J16Z, J21Z		09	J03A, J03B, J04A, J04B, J08A, J08B, J08C, J11A, J11B, J11C, J16Z, J21Z			
	10	K09A, K09B		10	K09A, K09B		10	K09A, K09B			
	21A	W04A, W04B		21A	W04A, W04B		21A	W04A, W04B			
	21B	X05A, X05B, X06A, X06B, X06C		21B	X04Z, X06A, X06B, X06C		21B	X06A, X06B, X06C			
	22	Y01Z, Y03A, Y03B		22	Y01Z, Y03A, Y03B		22	Y01Z, Y03A, Y03B			
	5v141.a			BOP, KVT, UOP4	5v141.f↔			BOP, KVT, UOP4	5v143.4		BOP, KVT, UOP4
		01		B03A, B03B, B06A, B06B, B07Z, B17A, B17B, B17C			01	B03A, B03B, B06A, B06B, B07Z, B17A, B17B, B17C		01	B03A, B03B, B06A, B06B, B07Z, B17A, B17B, B17C
		05		F13A, F21A, F21B, F21C			05	F13A, F21A, F21B, F21C		02	C20A, C20B
08		I27A, I27B, I27C, I27D	08	I27A, I27B, I27C, I27D		03	D12A				
09		J03A, J03B, J04A, J04B, J08A, J08B, J08C, J11A, J11B, J11C, J16Z, J21Z	09	J03A, J03B, J04A, J04B, J08A, J08B, J08C, J11A, J11B, J11C, J16Z, J21Z		05	F13A, F21A, F21B, F21C				
10		K09A, K09B	10	K09A, K09B		08	I27A, I27B, I27C, I27D				
21A		W04A, W04B	21A	W04A, W04B		09	J03A, J03B, J04A, J04B, J08A, J08B, J08C, J11A, J11B, J11C, J16Z, J21Z				
21B		X06A, X06B, X06C	21B	X04Z, X06A, X06B, X06C		10	K09A, K09B				
22		Y01Z, Y03A, Y03B	22	Y01Z, Y03A, Y03B		21A	W04A, W04B				
5v141.b			BOP, KVT, UOP4	5v141.g↔			BOP, KVT, UOP4	5v143.5		21B	X06A, X06B, X06C
		01	B03A, B03B, B06A, B06B, B07Z, B17A, B17B, B17C			01	B03A, B03B, B06A, B06B, B07Z, B17A, B17B, B17C			22	Y01Z, Y03A, Y03B
		05	F13A, F21A, F21B, F21C			05	F13A, F21A, F21B, F21C				BOP, KVT, UOP4
	08	I27A, I27B, I27C, I27D	08		I27A, I27B, I27C, I27D	01	B03A, B03B, B06A, B06B, B07Z, B17A, B17B, B17C				
	09	J03A, J03B, J04A, J04B, J08A, J08B, J08C, J11A, J11B, J11C, J16Z, J21Z	09		J03A, J03B, J04A, J04B, J08A, J08B, J08C, J11A, J11B, J11C, J16Z, J21Z	03	D12A				
	10	K09A, K09B	10		K09A, K09B	05	F13A, F21A, F21B, F21C				
	21A	W04A, W04B	21A		W04A, W04B	08	I27A, I27B, I27C, I27D				
	21B	X06A, X06B, X06C	21B		X04Z, X06A, X06B, X06C	09	J03A, J03B, J04A, J04B, J08A, J08B, J08C, J11A, J11B, J11C, J16Z, J21Z				
	22	Y01Z, Y03A, Y03B	22		Y01Z, Y03A, Y03B	10	K09A, K09B				
	5v141.c		BOP, KVT, UOP4		5v141.x		BOP, KVT, UOP4		5v143.6↔	21A	W04A, W04B
		01	B03A, B03B, B06A, B06B, B07Z, B17A, B17B, B17C			01	B03A, B03B, B06A, B06B, B07Z, B17A, B17B, B17C			21B	X06A, X06B, X06C
		05	F13A, F21A, F21B, F21C			05	F13A, F21A, F21B, F21C			22	Y01Z, Y03A, Y03B
08		I27A, I27B, I27C, I27D	08	I27A, I27B, I27C, I27D			BOP, KVT, UOP4				
09		J03A, J03B, J04A, J04B, J08A, J08B, J08C, J11A, J11B, J11C, J16Z, J21Z	09	J03A, J03B, J04A, J04B, J08A, J08B, J08C, J11A, J11B, J11C, J16Z, J21Z		01	B03A, B03B, B06A, B06B, B07Z, B17A, B17B, B17C				
10		K09A, K09B	10	K09A, K09B		05	F13A, F21A, F21B, F21C				
21A		W04A, W04B	21A	W04A, W04B		08	I27A, I27B, I27C, I27D				
21B		X04Z, X06A, X06B, X06C	21B	X06A, X06B, X06C		09	J03A, J03B, J04A, J04B, J08A, J08B, J08C, J11A, J11B, J11C, J16Z, J21Z				
22		Y01Z, Y03A, Y03B	22	Y01Z, Y03A, Y03B		10	K09A, K09B				
5v141.d			BOP, KVT, UOP4	5v142.0			BOP, KVT, UOP4	5v143.7↔		21A	W04A, W04B
		01	B03A, B03B, B06A, B06B, B07Z, B17A, B17B, B17C			03	D08A, D08B, D18Z, D22A, D22B, D30A, D30B			21B	X06A, X06B, X06C
		05	F13A, F21A, F21B, F21C			05	F13A			22	Y01Z, Y03A, Y03B
	08	I27A, I27B, I27C, I27D	09		J03A, J03B, J04A, J04B, J08A, J08B, J08C, J11A, J11B, J11C, J16Z		BOP, KVT, UOP4				
	09	J03A, J03B, J04A, J04B, J08A, J08B, J08C, J11A, J11B, J11C, J16Z, J21Z	02		C20A, C20B	01	B03A, B03B, B06A, B06B, B07Z, B17A, B17B, B17C				
	10	K09A, K09B	09		J11A, J11B, J11C	05	F13A, F21A, F21B, F21C				
	21A	W04A, W04B	09		J11A, J11B, J11C	08	I27A, I27B, I27C, I27D				
	21B	X04Z, X06A, X06B, X06C	09		J11A, J11B, J11C	09	J03A, J03B, J04A, J04B, J08A, J08B, J08C, J11A, J11B, J11C, J16Z, J21Z				
	22	Y01Z, Y03A, Y03B	09		J11A, J11B, J11C	10	K09A, K09B				
			09		J11A, J11B, J11C	21A	W04A, W04B				
			08		I10A, I10B, I10C, I10D, I10E	21B	X06A, X06B, X06C				
			09		J11A, J11B, J11C	22	Y01Z, Y03A, Y03B				
		09	J11A, J11B, J11C								
		09	J11A, J11B, J11C								
		09	J11A, J11B, J11C								
		09	J11A, J11B, J11C								
		09	J11A, J11B, J11C								
		09	J11A, J11B, J11C								
		09	J11A, J11B, J11C								
		09	J11A, J11B, J11C								

ZZV	MDC	DRG	ZZV	MDC	DRG	ZZV	MDC	DRG			
5v143.8↔		BOP, KVT, UOP4	5v143.d		BOP, KVT, UOP4	5v144.4		BOP, KVT, UOP4			
	01	B03A, B03B, B06A, B06B, B07Z, B17A, B17B, B17C		01	B03A, B03B, B06A, B06B, B07Z, B17A, B17B, B17C		01	B03A, B03B, B06A, B06B, B07Z, B17A, B17B, B17C			
	05	F13A, F21A, F21B, F21C		05	F13A, F21A, F21B, F21C		02	C20A, C20B			
	08	I27A, I27B, I27C, I27D		08	I27A, I27B, I27C, I27D		03	D12A			
	09	J03A, J03B, J04A, J04B, J08A, J08B, J08C, J11A, J11B, J11C, J16Z, J21Z		09	J03A, J03B, J04A, J04B, J08A, J08B, J08C, J11A, J11B, J11C, J16Z, J21Z		05	F13A, F21A, F21B			
	10	K09A, K09B		10	K09A, K09B		08	I02A, I02B, I02C, I02D, I22A, I22B, I50Z			
	21A	W04A, W04B		21A	W04A, W04B		09	J02A, J02B, J02C, J04A, J04B, J08A, J08B, J08C, J16Z, J21Z, J22A, J22B			
	21B	X05A, X05B, X06A, X06B, X06C		21B	X04Z, X06A, X06B, X06C		21A	W04A, W04B			
	22	Y01Z, Y03A, Y03B		22	Y01Z, Y03A, Y03B		21B	X01A, X01B, X01C			
	5v143.9↔			BOP, KVT, UOP4	5v143.e↔			BOP, KVT, UOP4	5v144.5		BOP, KVT, UOP4
		01		B03A, B03B, B06A, B06B, B07Z, B17A, B17B, B17C			01	B03A, B03B, B06A, B06B, B07Z, B17A, B17B, B17C		01	B03A, B03B, B06A, B06B, B07Z, B17A, B17B, B17C
		05		F13A, F21A, F21B, F21C			05	F13A, F21A, F21B, F21C		03	D12A
08		I27A, I27B, I27C, I27D	08	I27A, I27B, I27C, I27D		05	F13A, F21A, F21B				
09		J03A, J03B, J04A, J04B, J08A, J08B, J08C, J11A, J11B, J11C, J16Z, J21Z	09	J03A, J03B, J04A, J04B, J08A, J08B, J08C, J11A, J11B, J11C, J16Z, J21Z		06	G10Z, G12A, G12B				
10		K09A, K09B	10	K09A, K09B		08	I28A, I28B				
21A		W04A, W04B	21A	W04A, W04B		09	J02A, J02B, J02C, J04A, J04B, J08A, J08B, J08C, J16Z, J21Z, J22A, J22B				
21B		X05A, X05B, X06A, X06B, X06C	21B	X04Z, X06A, X06B, X06C		21A	W04A, W04B				
22		Y01Z, Y03A, Y03B	22	Y01Z, Y03A, Y03B		21B	X01A, X01B, X01C				
5v143.a			BOP, KVT, UOP4	5v143.f↔			BOP, KVT, UOP4	5v144.6↔			BOP, KVT, UOP4
		01	B03A, B03B, B06A, B06B, B07Z, B17A, B17B, B17C			01	B03A, B03B, B06A, B06B, B07Z, B17A, B17B, B17C			01	B03A, B03B, B06A, B06B, B07Z, B17A, B17B, B17C
		05	F13A, F21A, F21B, F21C			05	F13A, F21A, F21B, F21C			05	F13A, F21A, F21B, F27A, F27B, F27C
	08	I27A, I27B, I27C, I27D	08		I27A, I27B, I27C, I27D	08	I02A, I02B, I02C, I02D, I22A, I22B, I50Z				
	09	J03A, J03B, J04A, J04B, J08A, J08B, J08C, J11A, J11B, J11C, J16Z, J21Z	09		J03A, J03B, J04A, J04B, J08A, J08B, J08C, J11A, J11B, J11C, J16Z, J21Z	09	J02A, J02B, J02C, J04A, J04B, J08A, J08B, J08C, J16Z, J21Z, J22A, J22B				
	10	K09A, K09B	10		K09A, K09B	10	K01Z				
	21A	W04A, W04B	21A		W04A, W04B	21A	W04A, W04B				
	21B	X06A, X06B, X06C	21B		X04Z, X06A, X06B, X06C	21B	X01A, X01B, X01C				
	22	Y01Z, Y03A, Y03B	22		Y01Z, Y03A, Y03B		BOP, KVT, UOP4				
	5v143.b		BOP, KVT, UOP4		5v143.g↔		BOP, KVT, UOP4		5v144.7↔		BOP, KVT, UOP4
		01	B03A, B03B, B06A, B06B, B07Z, B17A, B17B, B17C			01	B03A, B03B, B06A, B06B, B07Z, B17A, B17B, B17C			01	B03A, B03B, B06A, B06B, B07Z, B17A, B17B, B17C
		05	F13A, F21A, F21B, F21C			05	F13A, F21A, F21B, F21C			05	F13A, F21A, F21B
08		I27A, I27B, I27C, I27D	08	I27A, I27B, I27C, I27D		08	I02A, I02B, I02C, I02D, I22A, I22B, I50Z				
09		J03A, J03B, J04A, J04B, J08A, J08B, J08C, J11A, J11B, J11C, J16Z, J21Z	09	J03A, J03B, J04A, J04B, J08A, J08B, J08C, J11A, J11B, J11C, J16Z, J21Z		09	J02A, J02B, J02C, J04A, J04B, J08A, J08B, J08C, J16Z, J21Z, J22A, J22B				
10		K09A, K09B	10	K09A, K09B		21A	W04A, W04B				
21A		W04A, W04B	21A	W04A, W04B		21B	X01A, X01B, X01C				
21B		X06A, X06B, X06C	21B	X04Z, X06A, X06B, X06C			BOP, KVT, UOP4				
22		Y01Z, Y03A, Y03B	22	Y01Z, Y03A, Y03B		01	B03A, B03B, B06A, B06B, B07Z, B17A, B17B, B17C				
5v143.c			BOP, KVT, UOP4	5v143.x† 5v144.0			BOP, KVT, UOP4	5v144.8↔			BOP, KVT, UOP4
		01	B03A, B03B, B06A, B06B, B07Z, B17A, B17B, B17C			03	D08A, D08B, D18Z, D22A, D22B, D30A, D30B			01	B03A, B03B, B06A, B06B, B07Z, B17A, B17B, B17C
		05	F13A, F21A, F21B, F21C			05	F13A			05	F13A, F21A, F21B
	08	I27A, I27B, I27C, I27D	09		J03A, J03B, J04A, J04B, J08A, J08B, J08C, J10A, J10B, J16Z	08	I02A, I02B, I02C, I02D, I22A, I22B, I32A, I32B, I32C, I32D, I32E, I32F, I50Z				
	09	J03A, J03B, J04A, J04B, J08A, J08B, J08C, J11A, J11B, J11C, J16Z, J21Z	21A		W04A, W04B	09	J02A, J02B, J02C, J04A, J04B, J08A, J08B, J08C, J16Z, J21Z, J22A, J22B				
	10	K09A, K09B	21B		X06A, X06B, X06C	21A	W04A, W04B				
	21A	W04A, W04B				21B	X01A, X01B, X01C				
	21B	X04Z, X06A, X06B, X06C					BOP, KVT, UOP4				
	22	Y01Z, Y03A, Y03B				01	B03A, B03B, B06A, B06B, B07Z, B17A, B17B, B17C				

VYK

ZZV	MDC	DRG	ZZV	MDC	DRG	ZZV	MDC	DRG			
5v144.9↔		BOP, KVT, UOP4	5v144.e↔		BOP, KVT, UOP4	5v145.4		BOP, KVT, UOP4			
	01	B03A, B03B, B06A, B06B, B07Z, B17A, B17B, B17C		01	B03A, B03B, B06A, B06B, B07Z, B17A, B17B, B17C		01	B03A, B03B, B06A, B06B, B07Z, B17A, B17B, B17C			
	05	F13A, F21A, F21B		05	F13A, F21A, F21B, F27A, F27B, F27C		02	C20A, C20B			
	08	I32A, I32B, I32C, I32D, I32E, I32F		08	I02A, I02B, I02C, I02D, I22A, I22B, I50Z		03	D12A			
	09	J03A, J03B, J04A, J04B, J08A, J08B, J08C, J16Z, J21Z, J22A, J22B		09	J02A, J02B, J02C, J04A, J04B, J08A, J08B, J08C, J16Z, J21Z, J22A, J22B		05	F13A, F21A, F21B			
	21A	W04A, W04B		10	K01Z		08	I02A, I02B, I02C, I02D, I22A, I22B, I50Z			
	21B	X01A, X01B, X01C		21A	W04A, W04B		09	J02A, J02B, J02C, J04A, J04B, J08A, J08B, J08C, J16Z, J21Z, J22A, J22B			
	5v144.a			BOP, KVT, UOP4	5v144.f↔			BOP, KVT, UOP4	5v145.5		BOP, KVT, UOP4
		01		B03A, B03B, B06A, B06B, B07Z, B17A, B17B, B17C			01	B03A, B03B, B06A, B06B, B07Z, B17A, B17B, B17C		01	B03A, B03B, B06A, B06B, B07Z, B17A, B17B, B17C
		05		F13A, F21A, F21B			05	F13A, F21A, F21B, F27A, F27B, F27C		03	D12A
06		G10Z, G12A, G12B	08	I02A, I02B, I02C, I02D, I22A, I22B, I50Z		05	F13A, F21A, F21B				
08		I02A, I02B, I02C, I02D, I22A, I22B, I50Z	09	J02A, J02B, J02C, J04A, J04B, J08A, J08B, J08C, J16Z, J21Z, J22A, J22B		06	G10Z, G12A, G12B				
09		J02A, J02B, J02C, J04A, J04B, J08A, J08B, J08C, J14A, J16Z, J21Z, J22A, J22B	10	K01Z		08	I28A, I28B				
21A		W04A, W04B	21A	W04A, W04B		09	J02A, J02B, J02C, J04A, J04B, J08A, J08B, J08C, J16Z, J21Z, J22A, J22B				
21B		X01A, X01B, X01C	21B	X01A, X01B, X01C		21A	W04A, W04B				
5v144.b			BOP, KVT, UOP4	5v144.g↔			BOP, KVT, UOP4	5v145.6↔			BOP, KVT, UOP4
		01	B03A, B03B, B06A, B06B, B07Z, B17A, B17B, B17C			01	B03A, B03B, B06A, B06B, B07Z, B17A, B17B, B17C			01	B03A, B03B, B06A, B06B, B07Z, B17A, B17B, B17C
	05	F13A, F21A, F21B	05		F13A, F21A, F21B, F27A, F27B, F27C	05	F13A, F21A, F21B, F27A, F27B, F27C				
	06	G10Z, G12A, G12B	08		I02A, I02B, I02C, I02D, I22A, I22B, I50Z	08	I02A, I02B, I02C, I02D, I22A, I22B, I50Z				
	08	I02A, I02B, I02C, I02D, I22A, I22B, I50Z	09		J02A, J02B, J02C, J04A, J04B, J08A, J08B, J08C, J16Z, J21Z, J22A, J22B	09	J02A, J02B, J02C, J04A, J04B, J08A, J08B, J08C, J16Z, J21Z, J22A, J22B				
	09	J02A, J02B, J02C, J04A, J04B, J08A, J08B, J08C, J16Z, J21Z, J22A, J22B	10		K01Z	10	K01Z				
	21A	W04A, W04B	21A		W04A, W04B	21A	W04A, W04B				
	21B	X01A, X01B, X01C	21B		X01A, X01B, X01C	21B	X01A, X01B, X01C				
	5v144.c		BOP, KVT, UOP4		5v144.x↔		BOP, KVT, UOP4		5v145.7↔		BOP, KVT, UOP4
		01	B03A, B03B, B06A, B06B, B07Z, B17A, B17B, B17C			01	B03A, B03B, B06A, B06B, B07Z, B17A, B17B, B17C			01	B03A, B03B, B06A, B06B, B07Z, B17A, B17B, B17C
05		F13A, F21A, F21B	05	F13A, F21A, F21B		05	F13A, F21A, F21B				
06		G10Z, G12A, G12B	08	I02A, I02B, I02C, I02D, I22A, I22B, I50Z		08	I02A, I02B, I02C, I02D, I22A, I22B, I50Z				
08		I02A, I02B, I02C, I02D, I22A, I22B, I50Z	09	J02A, J02B, J02C, J04A, J04B, J08A, J08B, J08C, J16Z, J21Z, J22A, J22B		09	J02A, J02B, J02C, J04A, J04B, J08A, J08B, J08C, J16Z, J21Z, J22A, J22B				
09		J02A, J02B, J02C, J04A, J04B, J08A, J08B, J08C, J16Z, J21Z, J22A, J22B	09	J02A, J02B, J02C, J04A, J04B, J08A, J08B, J08C, J16Z, J21Z, J22A, J22B		21A	W04A, W04B				
10		K09A, K09B	21A	W04A, W04B		21B	X01A, X01B, X01C				
12		M04A, M04B, M04C, M04D, M37Z, M38Z	21B	X01A, X01B, X01C		01	B03A, B03B, B06A, B06B, B07Z, B17A, B17B, B17C				
21A		W04A, W04B	5v145.0			BOP, KVT, UOP4	05	F13A, F21A, F21B			
21B		X01A, X01B, X01C		03		D08A, D08B, D18Z, D22A, D22B, D30A, D30B	08	I02A, I02B, I02C, I02D, I22A, I22B, I32A, I32B, I32C, I32D, I32E, I32F, I50Z			
5v144.d		BOP, KVT, UOP4		05	F13A	09	J02A, J02B, J02C, J04A, J04B, J08A, J08B, J08C, J16Z, J21Z, J22A, J22B				
	01	B03A, B03B, B06A, B06B, B07Z, B17A, B17B, B17C		09	J03A, J03B, J04A, J04B, J08A, J08B, J08C, J10A, J10B, J16Z	21A	W04A, W04B				
	05	F13A, F21A, F21B		21A	W04A, W04B	21B	X01A, X01B, X01C				
	06	G10Z, G12A, G12B		21B	X06A, X06B, X06C	01	B03A, B03B, B06A, B06B, B07Z, B17A, B17B, B17C				
	08	I02A, I02B, I02C, I02D, I22A, I22B, I50Z				05	F13A, F21A, F21B				
	09	J02A, J02B, J02C, J04A, J04B, J08A, J08B, J08C, J16Z, J21Z, J22A, J22B				08	I02A, I02B, I02C, I02D, I22A, I22B, I32A, I32B, I32C, I32D, I32E, I32F, I50Z				
	21A	W04A, W04B				09	J02A, J02B, J02C, J04A, J04B, J08A, J08B, J08C, J16Z, J21Z, J22A, J22B				
	21B	X01A, X01B, X01C				21A	W04A, W04B				
					21B	X01A, X01B, X01C					

ZZV	MDC	DRG	ZZV	MDC	DRG	ZZV	MDC	DRG	
5v145.9↔		BOP, KVT, UOP4	5v145.e↔		BOP, KVT, UOP4	5v146.f↔	09	J11A, J11B, J11C	
	01	B03A, B03B, B06A, B06B, B07Z, B17A, B17B, B17C		01	B03A, B03B, B06A, B06B, B07Z, B17A, B17B, B17C		5v146.g↔	09	J11A, J11B, J11C
	05	F13A, F21A, F21B		05	F13A, F21A, F21B, F27A, F27B, F27C		5v146.x↔	09	J11A, J11B, J11C
	08	I32A, I32B, I32C, I32D, I32E, I32F		08	I02A, I02B, I02C, I02D, I22A, I22B, I50Z		5v14x.x↔	09	J11A, J11B, J11C
	09	J03A, J03B, J04A, J04B, J08A, J08B, J08C, J16Z, J21Z, J22A, J22B		09	J02A, J02B, J02C, J04A, J04B, J08A, J08B, J08C, J16Z, J21Z, J22A, J22B		5v150.0	01	B03A, B03B, B06A, B06B, B07Z, B17A, B17B, B17C, B17D
	21A	W04A, W04B						03	D13Z
	21B	X01A, X01B, X01C						04	E02A, E02B, E02C
								05	F21A, F21B, F21C
								06	G10Z, G12A, G12B
								07	H06A, H06B, H06C
5v145.a		BOP, KVT, UOP4	5v145.f↔		BOP, KVT, UOP4	5v150.4	08	I28A, I28B, I28C	
	01	B03A, B03B, B06A, B06B, B07Z, B17A, B17B, B17C		01	B03A, B03B, B06A, B06B, B07Z, B17A, B17B, B17C			09	J11A, J11B, J11C
	05	F13A, F21A, F21B		05	F13A, F21A, F21B, F27A, F27B, F27C			10	K09A, K09B
	06	G10Z, G12A, G12B		08	I02A, I02B, I02C, I02D, I22A, I22B, I50Z			11	L09A, L09B, L09C, L09D, L38Z
	08	I02A, I02B, I02C, I02D, I22A, I22B, I50Z		09	J02A, J02B, J02C, J04A, J04B, J08A, J08B, J08C, J16Z, J21Z, J22A, J22B			13	N11A, N11B
	09	J02A, J02B, J02C, J04A, J04B, J08A, J08B, J08C, J16Z, J21Z, J22A, J22B		09	J02A, J02B, J02C, J04A, J04B, J08A, J08B, J08C, J16Z, J21Z, J22A, J22B			21A	W04A, W04B
	21A	W04A, W04B		10	K01Z			21B	X06A, X06B, X06C
	21B	X01A, X01B, X01C		21A	W04A, W04B			01	B03A, B03B, B06A, B06B, B07Z, B17A, B17B, B17C, B17D
				21B	X01A, X01B, X01C			02	C14Z
								03	D13Z
5v145.b		BOP, KVT, UOP4	5v145.g↔		BOP, KVT, UOP4	5v150.5	04	E02A, E02B, E02C	
	01	B03A, B03B, B06A, B06B, B07Z, B17A, B17B, B17C		01	B03A, B03B, B06A, B06B, B07Z, B17A, B17B, B17C			05	F21A, F21B, F21C
	05	F13A, F21A, F21B		05	F13A, F21A, F21B, F27A, F27B, F27C			06	G10Z, G12A, G12B
	06	G10Z, G12A, G12B		08	I02A, I02B, I02C, I02D, I22A, I22B, I50Z			07	H06A, H06B, H06C
	08	I02A, I02B, I02C, I02D, I22A, I22B, I50Z		09	J02A, J02B, J02C, J04A, J04B, J08A, J08B, J08C, J16Z, J21Z, J22A, J22B			08	I28A, I28B, I28C
	09	J02A, J02B, J02C, J04A, J04B, J08A, J08B, J08C, J16Z, J21Z, J22A, J22B		09	J02A, J02B, J02C, J04A, J04B, J08A, J08B, J08C, J16Z, J21Z, J22A, J22B			09	J11A, J11B, J11C
	21A	W04A, W04B		10	K01Z			10	K09A, K09B
	21B	X01A, X01B, X01C		21A	W04A, W04B			11	L09A, L09B, L09C, L09D, L38Z
				21B	X01A, X01B, X01C			13	N11A, N11B
								21A	W04A, W04B
5v145.c		BOP, KVT, UOP4	5v145.x↔		BOP, KVT, UOP4	5v150.6↔	21B	X06A, X06B, X06C	
	01	B03A, B03B, B06A, B06B, B07Z, B17A, B17B, B17C		01	B03A, B03B, B06A, B06B, B07Z, B17A, B17B, B17C			01	B03A, B03B, B06A, B06B, B07Z, B17A, B17B, B17C, B17D
	05	F13A, F21A, F21B		05	F13A, F21A, F21B			03	D13Z
	06	G10Z, G12A, G12B		08	I02A, I02B, I02C, I02D, I22A, I22B, I32A, I32B, I32C, I32D, I32E, I32F, I50Z			04	E02A, E02B, E02C
	08	I02A, I02B, I02C, I02D, I22A, I22B, I50Z		09	J02A, J02B, J02C, J04A, J04B, J08A, J08B, J08C, J16Z, J21Z, J22A, J22B			05	F21A, F21B, F21C
	09	J02A, J02B, J02C, J04A, J04B, J08A, J08B, J08C, J16Z, J21Z, J22A, J22B		09	J02A, J02B, J02C, J04A, J04B, J08A, J08B, J08C, J16Z, J21Z, J22A, J22B			06	G10Z, G12A, G12B
	10	K09A, K09B		21A	W04A, W04B			07	H06A, H06B, H06C
	12	M04A, M04B, M04C, M04D, M37Z, M38Z		21B	X01A, X01B, X01C			08	I28A, I28B, I28C
	21A	W04A, W04B						09	J11A, J11B, J11C
	21B	X01A, X01B, X01C						10	K09A, K09B
5v145.d		BOP, KVT, UOP4	5v146.0		BOP, KVT, UOP4	5v150.6↔	11	L09A, L09B, L09C, L09D, L38Z	
	01	B03A, B03B, B06A, B06B, B07Z, B17A, B17B, B17C		03	D08A, D08B, D18Z, D22A, D22B, D30A, D30B			13	N11A, N11B
	05	F13A, F21A, F21B		05	F13A			21A	W04A, W04B
	06	G10Z, G12A, G12B		09	J03A, J03B, J04A, J04B, J08A, J08B, J08C, J11A, J11B, J11C, J16Z			21B	X06A, X06B, X06C
	08	I02A, I02B, I02C, I02D, I22A, I22B, I50Z						01	B03A, B03B, B06A, B06B, B07Z, B17A, B17B, B17C, B17D
	09	J02A, J02B, J02C, J04A, J04B, J08A, J08B, J08C, J16Z, J21Z, J22A, J22B		02	C20A, C20B			03	D13Z
	21A	W04A, W04B		09	J11A, J11B, J11C			04	E02A, E02B, E02C
	21B	X01A, X01B, X01C		09	J11A, J11B, J11C			05	F21A, F21B, F21C
				09	J11A, J11B, J11C			06	G10Z, G12A, G12B
				09	J11A, J11B, J11C			07	H06A, H06B, H06C

ZZV	MDC	DRG	ZZV	MDC	DRG	ZZV	MDC	DRG			
5v150.7↔	01	B03A, B03B, B06A, B06B, B07Z, B17A, B17B, B17C, B17D	5v150.b	01	B03A, B03B, B06A, B06B, B07Z, B17A, B17B, B17C, B17D	5v150.f↔	01	B03A, B03B, B06A, B06B, B07Z, B17A, B17B, B17C, B17D			
	03	D13Z		03	D13Z		03	D13Z			
	04	E02A, E02B, E02C		04	E02A, E02B, E02C		04	E02A, E02B, E02C			
	05	F21A, F21B, F21C		05	F21A, F21B, F21C		05	F21A, F21B, F21C			
	06	G10Z, G12A, G12B		06	G10Z, G12A, G12B		06	G10Z, G12A, G12B			
	07	H06A, H06B, H06C		07	H06A, H06B, H06C		07	H06A, H06B, H06C			
	08	I28A, I28B, I28C		08	I28A, I28B, I28C		08	I28A, I28B, I28C			
	09	J11A, J11B, J11C		09	J11A, J11B, J11C		09	J11A, J11B, J11C			
	10	K09A, K09B		10	K09A, K09B		10	K09A, K09B, K09C			
	11	L09A, L09B, L09C, L09D, L38Z		11	L09A, L09B, L09C, L09D, L38Z		11	L09A, L09B, L09C, L09D, L38Z			
	13	N11A, N11B		13	N11A, N11B		13	N11A, N11B			
	21A	W04A, W04B		21A	W04A, W04B		21A	W04A, W04B			
	21B	X06A, X06B, X06C		21B	X06A, X06B, X06C		21B	X06A, X06B, X06C			
	5v150.8↔	01		B03A, B03B, B06A, B06B, B07Z, B17A, B17B, B17C, B17D	5v150.c		01	B03A, B03B, B06A, B06B, B07Z, B17A, B17B, B17C, B17D	5v150.g↔	01	B03A, B03B, B06A, B06B, B07Z, B17A, B17B, B17C, B17D
		03		D13Z			03	D13Z		03	D13Z
		04		E02A, E02B, E02C			04	E02A, E02B, E02C		04	E02A, E02B, E02C
		05		F21A, F21B, F21C			05	F21A, F21B, F21C		05	F21A, F21B, F21C
		06		G10Z, G12A, G12B			06	G10Z, G12A, G12B		06	G10Z, G12A, G12B
07		H06A, H06B, H06C	07	H06A, H06B, H06C		07	H06A, H06B, H06C				
08		I28A, I28B, I28C	08	I28A, I28B, I28C		08	I28A, I28B, I28C				
09		J11A, J11B, J11C	09	J11A, J11B, J11C		09	J11A, J11B, J11C				
10		K09A, K09B	10	K09A, K09B		10	K09A, K09B, K09C				
11		L09A, L09B, L09C, L09D, L38Z	11	L09A, L09B, L09C, L09D, L38Z		11	L09A, L09B, L09C, L09D, L38Z				
13		N11A, N11B	12	M06Z, M09A, M09B, M38Z		13	N11A, N11B				
21A		W04A, W04B	13	N11A, N11B		21A	W04A, W04B				
21B		X06A, X06B, X06C	21A	W04A, W04B		21B	X06A, X06B, X06C				
5v150.9↔		01	B03A, B03B, B06A, B06B, B07Z, B17A, B17B, B17C, B17D	5v150.d		01	B03A, B03B, B06A, B06B, B07Z, B17A, B17B, B17C, B17D	5v150.x		01	B03A, B03B, B06A, B06B, B07Z, B17A, B17B, B17C, B17D
		03	D13Z			03	D13Z			03	D13Z
		04	E02A, E02B, E02C			04	E02A, E02B, E02C			04	E02A, E02B, E02C
		05	F21A, F21B, F21C			04	E02A, E02B, E02C			05	F21A, F21B, F21C
		06	G10Z, G12A, G12B			05	F21A, F21B, F21C			06	G10Z, G12A, G12B
	07	H06A, H06B, H06C	06		G10Z, G12A, G12B	07	H06A, H06B, H06C				
	08	I28A, I28B, I28C	07		H06A, H06B, H06C	08	I28A, I28B, I28C				
	09	J22A, J22B	08		I28A, I28B, I28C	09	J11A, J11B, J11C				
	10	K09A, K09B	09		J11A, J11B, J11C	10	K09A, K09B				
	11	L09A, L09B, L09C, L09D, L38Z	10		K09A, K09B	11	L09A, L09B, L09C, L09D, L38Z				
	13	N11A, N11B	11		L09A, L09B, L09C, L09D, L38Z	13	N11A, N11B				
	21A	W04A, W04B	13		N11A, N11B	21A	W04A, W04B				
	21B	X06A, X06B, X06C	21A		W04A, W04B	21B	X06A, X06B, X06C				
	5v150.a	01	B03A, B03B, B06A, B06B, B07Z, B17A, B17B, B17C, B17D		5v150.e↔	01	B03A, B03B, B06A, B06B, B07Z, B17A, B17B, B17C, B17D		5v151.0	01	B03A, B03B, B06A, B06B, B07Z, B17A, B17B, B17C, B17D
		03	D13Z			03	D13Z			03	D13Z
		04	E02A, E02B, E02C			03	D13Z			04	E02A, E02B, E02C
		05	F21A, F21B, F21C			04	E02A, E02B, E02C			05	F13A, F21A, F21B, F21C
		06	G10Z, G12A, G12B			05	F21A, F21B, F21C			06	G10Z, G12A, G12B
07		H06A, H06B, H06C	06	G10Z, G12A, G12B		07	H06A, H06B, H06C				
08		I28A, I28B, I28C	07	H06A, H06B, H06C		08	I12A, I12B, I12C, I28A, I28B				
09		J11A, J11B, J11C	08	I28A, I28B, I28C		09	J03A, J03B, J04A, J04B, J08A, J08B, J08C, J16Z, J21Z, J22A, J22B				
10		K09A, K09B	09	J11A, J11B, J11C		10	K09A, K09B				
11		L09A, L09B, L09C, L09D, L38Z	10	K09A, K09B, K09C		11	L09A, L09B, L09C, L09D, L38Z				
13		N11A, N11B	11	L09A, L09B, L09C, L09D, L38Z		13	N11A, N11B				
21A		W04A, W04B	13	N11A, N11B		21A	W04A, W04B				
21B		X06A, X06B, X06C	21A	W04A, W04B		21B	X06A, X06B, X06C				
			21B	X06A, X06B, X06C							

ZZV	MDC	DRG	ZZV	MDC	DRG	ZZV	MDC	DRG
5v151.4	01	B03A, B03B, B06A, B06B, B07Z, B17A, B17B, B17C, B17D	5v151.7↔	01	B03A, B03B, B06A, B06B, B07Z, B17A, B17B, B17C, B17D	5v151.a	01	B03A, B03B, B06A, B06B, B07Z, B17A, B17B, B17C, B17D
	02	C14Z		03	D13Z		03	D13Z
	03	D13Z		04	E02A, E02B, E02C		04	E02A, E02B, E02C
	04	E02A, E02B, E02C		05	F13A, F21A, F21B, F21C		05	F13A, F21A, F21B, F21C
	05	F13A, F21A, F21B, F21C		06	G10Z, G12A, G12B		06	G10Z, G12A, G12B
	06	G10Z, G12A, G12B		07	H06A, H06B, H06C		07	H06A, H06B, H06C
	07	H06A, H06B, H06C		08	I12A, I12B, I12C, I28A, I28B		08	I12A, I12B, I12C, I28A, I28B
	08	I12A, I12B, I12C, I28A, I28B		09	J03A, J03B, J04A, J04B, J08A, J08B, J08C, J16Z, J21Z, J22A, J22B		09	J03A, J03B, J04A, J04B, J08A, J08B, J08C, J16Z, J21Z, J22A, J22B
	09	J03A, J03B, J04A, J04B, J08A, J08B, J08C, J16Z, J21Z, J22A, J22B		10	K09A, K09B		10	K09A, K09B
	10	K09A, K09B		11	L09A, L09B, L09C, L09D, L38Z		11	L09A, L09B, L09C, L09D, L38Z
	11	L09A, L09B, L09C, L09D, L38Z		13	N11A, N11B		13	N11A, N11B
	13	N11A, N11B		21A	W04A, W04B		21A	W04A, W04B
	21A	W04A, W04B		21B	X06A, X06B, X06C		21B	X06A, X06B, X06C
21B	X06A, X06B, X06C							
5v151.5	01	B03A, B03B, B06A, B06B, B07Z, B17A, B17B, B17C, B17D	5v151.8↔	01	B03A, B03B, B06A, B06B, B07Z, B17A, B17B, B17C, B17D	5v151.b	01	B03A, B03B, B06A, B06B, B07Z, B17A, B17B, B17C, B17D
	03	D13Z		03	D13Z		03	D13Z
	04	E02A, E02B, E02C		04	E02A, E02B, E02C		04	E02A, E02B, E02C
	05	F13A, F21A, F21B, F21C		05	F13A, F21A, F21B, F21C		05	F13A, F21A, F21B, F21C
	06	G10Z, G12A, G12B		06	G10Z, G12A, G12B		06	G10Z, G12A, G12B
	07	H06A, H06B, H06C		07	H06A, H06B, H06C		07	H06A, H06B, H06C
	08	I12A, I12B, I12C, I28A, I28B		08	I12A, I12B, I12C, I28A, I28B		08	I12A, I12B, I12C, I28A, I28B
	09	J03A, J03B, J04A, J04B, J08A, J08B, J08C, J16Z, J21Z, J22A, J22B		09	J03A, J03B, J04A, J04B, J08A, J08B, J08C, J16Z, J21Z, J22A, J22B		09	J03A, J03B, J04A, J04B, J08A, J08B, J08C, J16Z, J21Z, J22A, J22B
	10	K09A, K09B		10	K09A, K09B		10	K09A, K09B
	11	L09A, L09B, L09C, L09D, L38Z		11	L09A, L09B, L09C, L09D, L38Z		11	L09A, L09B, L09C, L09D, L38Z
	13	N11A, N11B		13	N11A, N11B		13	N11A, N11B
	21A	W04A, W04B		21A	W04A, W04B		21A	W04A, W04B
	21B	X06A, X06B, X06C		21B	X06A, X06B, X06C		21B	X06A, X06B, X06C
5v151.6↔	01	B03A, B03B, B06A, B06B, B07Z, B17A, B17B, B17C, B17D	5v151.9↔	01	B03A, B03B, B06A, B06B, B07Z, B17A, B17B, B17C, B17D	5v151.c	01	B03A, B03B, B06A, B06B, B07Z, B17A, B17B, B17C, B17D
	03	D13Z		03	D13Z		03	D13Z
	04	E02A, E02B, E02C		04	E02A, E02B, E02C		04	E02A, E02B, E02C
	05	F13A, F21A, F21B, F21C		05	F13A, F21A, F21B, F21C		05	F13A, F21A, F21B, F21C
	06	G10Z, G12A, G12B		06	G10Z, G12A, G12B		06	G10Z, G12A, G12B
	07	H06A, H06B, H06C		07	H06A, H06B, H06C		07	H06A, H06B, H06C
	08	I12A, I12B, I12C, I28A, I28B		08	I12A, I12B, I12C, I28A, I28B		08	I12A, I12B, I12C, I28A, I28B
	09	J03A, J03B, J04A, J04B, J08A, J08B, J08C, J16Z, J21Z, J22A, J22B		09	J03A, J03B, J04A, J04B, J08A, J08B, J08C, J16Z, J21Z, J22A, J22B		09	J03A, J03B, J04A, J04B, J08A, J08B, J08C, J16Z, J21Z, J22A, J22B
	10	K09A, K09B		10	K09A, K09B		10	K09A, K09B
	11	L09A, L09B, L09C, L09D, L38Z		11	L09A, L09B, L09C, L09D, L38Z		11	L09A, L09B, L09C, L09D, L38Z
	13	N11A, N11B		13	N11A, N11B		12	M06Z, M09A, M09B, M38Z
	21A	W04A, W04B		21A	W04A, W04B		13	N11A, N11B
	21B	X06A, X06B, X06C		21B	X06A, X06B, X06C		21A	W04A, W04B
				21B	X06A, X06B, X06C			

VYK

ZZV	MDC	DRG	ZZV	MDC	DRG	ZZV	MDC	DRG
5v151.d	01	B03A, B03B, B06A, B06B, B07Z, B17A, B17B, B17C, B17D	5v151.g↔	01	B03A, B03B, B06A, B06B, B07Z, B17A, B17B, B17C, B17D	5v152.4	01	B03A, B03B, B06A, B06B, B07Z, B17A, B17B, B17C
	03	D13Z		03	D13Z		02	C14Z
	04	E02A, E02B, E02C		04	E02A, E02B, E02C		03	D13Z
	05	F13A, F21A, F21B, F21C		05	F13A, F21A, F21B, F21C, F27A, F27B, F27C		04	E02A, E02B, E02C
	06	G10Z, G12A, G12B		06	G10Z, G12A, G12B		05	F13A, F21A, F21B, F21C
	07	H06A, H06B, H06C		07	H06A, H06B, H06C		06	G10Z, G12A, G12B
	08	I12A, I12B, I12C, I28A, I28B		08	I12A, I12B, I12C, I28A, I28B		07	H06A, H06B, H06C
	09	J03A, J03B, J04A, J04B, J08A, J08B, J08C, J16Z, J21Z, J22A, J22B		09	J03A, J03B, J04A, J04B, J08A, J08B, J08C, J16Z, J21Z, J22A, J22B		08	I12A, I12B, I12C, I28A, I28B
	10	K09A, K09B		10	K01Z		09	J03A, J03B, J04A, J04B, J08A, J08B, J08C, J16Z, J21Z, J22A, J22B
	11	L09A, L09B, L09C, L09D, L38Z		11	L09A, L09B, L09C, L09D, L38Z		10	K09A, K09B
	13	N11A, N11B		13	N11A, N11B		11	L09A, L09B, L09C, L09D, L38Z
	21A	W04A, W04B		21A	W04A, W04B		13	N11A, N11B
	21B	X06A, X06B, X06C		21B	X06A, X06B, X06C		21A	W04A, W04B
	5v151.e↔	01		B03A, B03B, B06A, B06B, B07Z, B17A, B17B, B17C, B17D	5v151.x		01	B03A, B03B, B06A, B06B, B07Z, B17A, B17B, B17C, B17D
03		D13Z	03	D13Z		03	D13Z	
04		E02A, E02B, E02C	04	E02A, E02B, E02C		04	E02A, E02B, E02C	
05		F13A, F21A, F21B, F21C, F27A, F27B, F27C	05	F13A, F21A, F21B, F21C		05	F13A, F21A, F21B, F21C	
06		G10Z, G12A, G12B	06	G10Z, G12A, G12B		06	G10Z, G12A, G12B	
07		H06A, H06B, H06C	07	H06A, H06B, H06C		07	H06A, H06B, H06C	
08		I12A, I12B, I12C, I28A, I28B	08	I12A, I12B, I12C, I28A, I28B		08	I12A, I12B, I12C, I28A, I28B	
09		J03A, J03B, J04A, J04B, J08A, J08B, J08C, J16Z, J21Z, J22A, J22B	09	J03A, J03B, J04A, J04B, J08A, J08B, J08C, J16Z, J21Z, J22A, J22B		09	J03A, J03B, J04A, J04B, J08A, J08B, J08C, J16Z, J21Z, J22A, J22B	
10		K01Z	10	K09A, K09B		10	K09A, K09B	
11		L09A, L09B, L09C, L09D, L38Z	11	L09A, L09B, L09C, L09D, L38Z		11	L09A, L09B, L09C, L09D, L38Z	
13		N11A, N11B	13	N11A, N11B		13	N11A, N11B	
21A		W04A, W04B	21A	W04A, W04B		21A	W04A, W04B	
21B		X06A, X06B, X06C	21B	X06A, X06B, X06C		21B	X06A, X06B, X06C	
5v151.f↔		01	B03A, B03B, B06A, B06B, B07Z, B17A, B17B, B17C, B17D	5v152.0		01	B03A, B03B, B06A, B06B, B07Z, B17A, B17B, B17C	5v152.6↔
	03	D13Z	03		D13Z	03	D13Z	
	04	E02A, E02B, E02C	04		E02A, E02B, E02C	04	E02A, E02B, E02C	
	05	F13A, F21A, F21B, F21C, F27A, F27B, F27C	05		F13A, F21A, F21B, F21C	05	F13A, F21A, F21B, F21C	
	06	G10Z, G12A, G12B	06		G10Z, G12A, G12B	06	G10Z, G12A, G12B	
	07	H06A, H06B, H06C	07		H06A, H06B, H06C	07	H06A, H06B, H06C	
	08	I12A, I12B, I12C, I28A, I28B	08		I12A, I12B, I12C, I28A, I28B	08	I12A, I12B, I12C, I28A, I28B	
	09	J03A, J03B, J04A, J04B, J08A, J08B, J08C, J16Z, J21Z, J22A, J22B	09		J03A, J03B, J04A, J04B, J08A, J08B, J08C, J16Z, J21Z, J22A, J22B	09	J03A, J03B, J04A, J04B, J08A, J08B, J08C, J16Z, J21Z, J22A, J22B	
	10	K01Z	10		K09A, K09B	10	K09A, K09B	
	11	L09A, L09B, L09C, L09D, L38Z	11		L09A, L09B, L09C, L09D, L38Z	11	L09A, L09B, L09C, L09D, L38Z	
	13	N11A, N11B	13		N11A, N11B	13	N11A, N11B	
	21A	W04A, W04B	21A		W04A, W04B	21A	W04A, W04B	
	21B	X06A, X06B, X06C	21B		X06A, X06B, X06C	21B	X06A, X06B, X06C	
	5v151.g↔	01	B03A, B03B, B06A, B06B, B07Z, B17A, B17B, B17C, B17D		5v152.1	01	B03A, B03B, B06A, B06B, B07Z, B17A, B17B, B17C, B17D	
03		D13Z	03	D13Z		03	D13Z	
04		E02A, E02B, E02C	04	E02A, E02B, E02C		04	E02A, E02B, E02C	
05		F13A, F21A, F21B, F21C, F27A, F27B, F27C	05	F13A, F21A, F21B, F21C		05	F13A, F21A, F21B, F21C	
06		G10Z, G12A, G12B	06	G10Z, G12A, G12B		06	G10Z, G12A, G12B	
07		H06A, H06B, H06C	07	H06A, H06B, H06C		07	H06A, H06B, H06C	
08		I12A, I12B, I12C, I28A, I28B	08	I12A, I12B, I12C, I28A, I28B		08	I12A, I12B, I12C, I28A, I28B	
09		J03A, J03B, J04A, J04B, J08A, J08B, J08C, J16Z, J21Z, J22A, J22B	09	J03A, J03B, J04A, J04B, J08A, J08B, J08C, J16Z, J21Z, J22A, J22B		09	J03A, J03B, J04A, J04B, J08A, J08B, J08C, J16Z, J21Z, J22A, J22B	
10		K01Z	10	K09A, K09B		10	K09A, K09B	
11		L09A, L09B, L09C, L09D, L38Z	11	L09A, L09B, L09C, L09D, L38Z		11	L09A, L09B, L09C, L09D, L38Z	
13		N11A, N11B	13	N11A, N11B		13	N11A, N11B	
21A		W04A, W04B	21A	W04A, W04B		21A	W04A, W04B	
21B		X06A, X06B, X06C	21B	X06A, X06B, X06C		21B	X06A, X06B, X06C	

ZZV	MDC	DRG	ZZV	MDC	DRG	ZZV	MDC	DRG			
5v152.8↔	01	B03A, B03B, B06A, B06B, B07Z, B17A, B17B, B17C	5v152.c	01	B03A, B03B, B06A, B06B, B07Z, B17A, B17B, B17C	5v152.f↔	01	B03A, B03B, B06A, B06B, B07Z, B17A, B17B, B17C			
	03	D13Z		03	D13Z		03	D13Z			
	04	E02A, E02B, E02C		04	E02A, E02B, E02C		04	E02A, E02B, E02C			
	05	F13A, F21A, F21B, F21C		05	F13A, F21A, F21B, F21C		05	F13A, F21A, F21B, F21C, F27A, F27B, F27C			
	06	G10Z, G12A, G12B		06	G10Z, G12A, G12B		06	G10Z, G12A, G12B			
	07	H06A, H06B, H06C		07	H06A, H06B, H06C		07	H06A, H06B, H06C			
	08	I12A, I12B, I12C, I28A, I28B		08	I12A, I12B, I12C, I28A, I28B		08	I12A, I12B, I12C, I28A, I28B			
	09	J03A, J03B, J04A, J04B, J08A, J08B, J08C, J16Z, J21Z, J22A, J22B		09	J03A, J03B, J04A, J04B, J08A, J08B, J08C, J16Z, J21Z, J22A, J22B		09	J03A, J03B, J04A, J04B, J08A, J08B, J08C, J16Z, J21Z, J22A, J22B			
	10	K09A, K09B		10	K09A, K09B		10	K01Z			
	11	L09A, L09B, L09C, L09D, L38Z		11	L09A, L09B, L09C, L09D, L38Z		11	L09A, L09B, L09C, L09D, L38Z			
	13	N11A, N11B		12	M06Z, M09A, M09B, M38Z		13	N11A, N11B			
	21A	W04A, W04B		13	N11A, N11B		21A	W04A, W04B			
	21B	X06A, X06B, X06C		21A	W04A, W04B		21A	W04A, W04B			
	5v152.9↔	01		B03A, B03B, B06A, B06B, B07Z, B17A, B17B, B17C	5v152.d		01	B03A, B03B, B06A, B06B, B07Z, B17A, B17B, B17C	5v152.g↔	01	B03A, B03B, B06A, B06B, B07Z, B17A, B17B, B17C
		03		D13Z			03	D13Z		03	D13Z
04		E02A, E02B, E02C	04	E02A, E02B, E02C		04	E02A, E02B, E02C				
05		F13A, F21A, F21B, F21C	05	F13A, F21A, F21B, F21C		05	F13A, F21A, F21B, F21C, F27A, F27B, F27C				
06		G10Z, G12A, G12B	06	G10Z, G12A, G12B		06	G10Z, G12A, G12B				
07		H06A, H06B, H06C	07	H06A, H06B, H06C		07	H06A, H06B, H06C				
08		I12A, I12B, I12C, I28A, I28B	08	I12A, I12B, I12C, I28A, I28B		08	I12A, I12B, I12C, I28A, I28B				
09		J03A, J03B, J04A, J04B, J08A, J08B, J08C, J16Z, J21Z, J22A, J22B	09	J03A, J03B, J04A, J04B, J08A, J08B, J08C, J16Z, J21Z, J22A, J22B		09	J03A, J03B, J04A, J04B, J08A, J08B, J08C, J16Z, J21Z, J22A, J22B				
10		K09A, K09B	10	K09A, K09B		10	K01Z				
11		L09A, L09B, L09C, L09D, L38Z	11	L09A, L09B, L09C, L09D, L38Z		11	L09A, L09B, L09C, L09D, L38Z				
13		N11A, N11B	13	N11A, N11B		13	N11A, N11B				
21A		W04A, W04B	21A	W04A, W04B		21A	W04A, W04B				
21B		X06A, X06B, X06C	21B	X06A, X06B, X06C		21B	X06A, X06B, X06C				
5v152.a		01	B03A, B03B, B06A, B06B, B07Z, B17A, B17B, B17C	5v152.e↔		01	B03A, B03B, B06A, B06B, B07Z, B17A, B17B, B17C	5v152.x		01	B03A, B03B, B06A, B06B, B07Z, B17A, B17B, B17C
		03	D13Z			03	D13Z			03	D13Z
	04	E02A, E02B, E02C	04		E02A, E02B, E02C	04	E02A, E02B, E02C				
	05	F13A, F21A, F21B, F21C	05		F13A, F21A, F21B, F21C, F27A, F27B, F27C	05	F13A, F21A, F21B, F21C				
	06	G10Z, G12A, G12B	06		G10Z, G12A, G12B	06	G10Z, G12A, G12B				
	07	H06A, H06B, H06C	07		H06A, H06B, H06C	07	H06A, H06B, H06C				
	08	I12A, I12B, I12C, I28A, I28B	08		I12A, I12B, I12C, I28A, I28B	08	I12A, I12B, I12C, I28A, I28B				
	09	J03A, J03B, J04A, J04B, J08A, J08B, J08C, J16Z, J21Z, J22A, J22B	09		J03A, J03B, J04A, J04B, J08A, J08B, J08C, J16Z, J21Z, J22A, J22B	09	J03A, J03B, J04A, J04B, J08A, J08B, J08C, J16Z, J21Z, J22A, J22B				
	10	K09A, K09B	10		K01Z	10	K09A, K09B				
	11	L09A, L09B, L09C, L09D, L38Z	11		L09A, L09B, L09C, L09D, L38Z	11	L09A, L09B, L09C, L09D, L38Z				
	13	N11A, N11B	13		N11A, N11B	13	N11A, N11B				
	21A	W04A, W04B	21A		W04A, W04B	21A	W04A, W04B				
	21B	X06A, X06B, X06C	21B		X06A, X06B, X06C	21B	X06A, X06B, X06C				
	5v152.b	01	B03A, B03B, B06A, B06B, B07Z, B17A, B17B, B17C						5v153	01	B03A, B03B, B06A, B06B, B07Z, B17A, B17B, B17C, B17D
		03	D13Z							03	D13Z
04		E02A, E02B, E02C	04	E02A, E02B, E02C							
05		F13A, F21A, F21B, F21C	05	F21A, F21B, F21C							
06		G10Z, G12A, G12B	06	G10Z, G12A, G12B							
07		H06A, H06B, H06C	07	H06A, H06B, H06C							
08		I12A, I12B, I12C, I28A, I28B	08	I28A, I28B							
09		J03A, J03B, J04A, J04B, J08A, J08B, J08C, J16Z, J21Z, J22A, J22B	09	J11A, J11B							
10		K09A, K09B	10	K09A, K09B							
11		L09A, L09B, L09C, L09D, L38Z	11	L09A, L09B, L09C, L09D, L38Z							
13		N11A, N11B	13	N11A, N11B							
21A		W04A, W04B	21A	W04A, W04B							
21B		X06A, X06B, X06C	21B	X06A, X06B, X06C							

VYK

ZZV	MDC	DRG	ZZV	MDC	DRG	ZZV	MDC	DRG		
5v15x.x	01	B03A, B03B, B06A, B06B, B07Z, B17A, B17B, B17C, B17D	5v193		BOP, KVT, UOP4	5v210.7↔		BOP, KVT, UOP4		
	03	D13Z		09	J03A, J03B, J04A, J04B, J08A, J08B, J08C, J09A, J09B, J16Z		01	B03A, B03B, B06A, B06B, B07Z, B17A, B17B, B17C		
	04	E02A, E02B, E02C		21A	W04A, W04B		03	D12A, D12B		
	05	F21A, F21B, F21C		21B	X06A, X06B, X06C		05	F13A, F21A, F21B, F21C, F27A, F27B, F27C		
	06	G10Z, G12A, G12B		5v194†	09		J09A, J09B	08	I12A, I12B, I12C	
	07	H06A, H06B, H06C		5v201.1†	05		F13A	09	J02A, J02B, J02C, J04A, J04B, J08A, J08B, J08C, J16Z, J21Z, J22A, J22B	
	08	I28A, I28B		5v210.0			BOP, KVT, UOP4	10	K01Z	
	09	J11A, J11B			01		B03A, B03B, B06A, B06B, B07Z, B17A, B17B, B17C	21A	W04A, W04B	
	10	K09A, K09B			03		D12A, D12B	21B	X04Z, X05A, X05B, X06A, X06B, X06C	
	11	L09A, L09B, L09C, L09D, L38Z			05		F13A, F21A, F21B, F21C, F27A, F27B, F27C	5v210.8↔		BOP, KVT, UOP4
	13	N11A, N11B			08		I12A, I12B, I12C		01	B03A, B03B, B06A, B06B, B07Z, B17A, B17B, B17C
21A	W04A, W04B	09	J02A, J02B, J02C, J04A, J04B, J08A, J08B, J08C, J16Z, J21Z, J22A, J22B		03	D12A, D12B				
21B	X06A, X06B, X06C	10	K01Z		05	F13A, F21A, F21B, F21C, F27A, F27B, F27C				
5v171↔		BOP, KVT, UOP4	5v210.4			BOP, KVT, UOP4	08		I12A, I12B, I12C	
	08	I32A, I32B, I32C, I32D, I32E, I32F, I32G			01	B03A, B03B, B06A, B06B, B07Z, B17A, B17B, B17C	09		J02A, J02B, J02C, J04A, J04B, J08A, J08B, J08C, J16Z, J21Z, J22A, J22B	
	09	J03A, J03B, J04A, J04B, J08A, J08B, J08C, J11A, J11B, J11C, J16Z			03	D12A, D12B				
5v173↔	21A	W04A, W04B	05		F13A, F21A, F21B, F21C, F27A, F27B, F27C	10	K01Z			
	21B	X05A, X05B	08	I12A, I12B, I12C	21A	W04A, W04B				
		BOP, KVT, UOP4	09	J02A, J02B, J02C, J04A, J04B, J08A, J08B, J08C, J16Z, J21Z, J22A, J22B	21B	X04Z, X05A, X05B, X06A, X06B, X06C				
5v177↔	08	I32A, I32B, I32C, I32D, I32E, I32F, I32G	5v210.5		BOP, KVT, UOP4	5v210.9↔			BOP, KVT, UOP4	
	09	J03A, J03B, J04A, J04B, J08A, J08B, J08C, J11A, J11B, J11C, J16Z		01	B03A, B03B, B06A, B06B, B07Z, B17A, B17B, B17C		01	B03A, B03B, B06A, B06B, B07Z, B17A, B17B, B17C		
	21A	W04A, W04B		03	D12A, D12B		03	D12A, D12B		
5v178↔	21B	X05A, X05B	05	F13A, F21A, F21B, F21C, F27A, F27B, F27C	05	F13A, F21A, F21B, F21C, F27A, F27B, F27C				
		BOP, KVT, UOP4	08	I12A, I12B, I12C	08	I12A, I12B, I12C				
	08	I32A, I32B, I32C, I32D, I32E, I32F	09	J02A, J02B, J02C, J04A, J04B, J08A, J08B, J08C, J16Z, J21Z, J22A, J22B	09	J02A, J02B, J02C, J04A, J04B, J08A, J08B, J08C, J16Z, J21Z, J22A, J22B				
5v179↔	09	J03A, J03B, J04A, J04B, J08A, J08B, J08C, J11A, J11B, J11C, J16Z	5v210.6↔		BOP, KVT, UOP4	5v210.a		BOP, KVT, UOP4		
	21A	W04A, W04B		01	B03A, B03B, B06A, B06B, B07Z, B17A, B17B, B17C		01	B03A, B03B, B06A, B06B, B07Z, B17A, B17B, B17C		
	21B	X05A, X05B		03	D12A, D12B		03	D12A, D12B		
5v191		BOP, KVT, UOP4	05	F13A, F21A, F21B, F21C, F27A, F27B, F27C	05	F13A, F21A, F21B, F21C, F27A, F27B, F27C				
	09	J03A, J03B, J04A, J04B, J08A, J08B, J08C, J09A, J09B, J16Z	08	I12A, I12B, I12C	08	I12A, I12B, I12C				
	21A	W04A, W04B	09	J02A, J02B, J02C, J04A, J04B, J08A, J08B, J08C, J16Z, J21Z, J22A, J22B	09	J02A, J02B, J02C, J04A, J04B, J08A, J08B, J08C, J16Z, J21Z, J22A, J22B				
5v192	21B	X06A, X06B, X06C	5v210.b		BOP, KVT, UOP4	5v210.b		BOP, KVT, UOP4		
		BOP, KVT, UOP4		01	B03A, B03B, B06A, B06B, B07Z, B17A, B17B, B17C		01	B03A, B03B, B06A, B06B, B07Z, B17A, B17B, B17C		
	09	J03A, J03B, J04A, J04B, J08A, J08B, J08C, J09A, J09B, J16Z		03	D12A, D12B		03	D12A, D12B		
	W04A, W04B	05	F13A, F21A, F21B, F21C, F27A, F27B, F27C	05	F13A, F21A, F21B, F21C, F27A, F27B, F27C					
	X06A, X06B, X06C	08	I12A, I12B, I12C	08	I12A, I12B, I12C					
	BOP, KVT, UOP4	09	J02A, J02B, J02C, J04A, J04B, J08A, J08B, J08C, J16Z, J21Z, J22A, J22B	09	J02A, J02B, J02C, J04A, J04B, J08A, J08B, J08C, J16Z, J21Z, J22A, J22B					
	W04A, W04B	10	K01Z	10	K01Z					
	X06A, X06B, X06C	21A	W04A, W04B	21A	W04A, W04B					
		21B	X04Z, X05A, X05B, X06A, X06B, X06C	21B	X04Z, X05A, X05B, X06A, X06B, X06C					

ZZV	MDC	DRG	ZZV	MDC	DRG	ZZV	MDC	DRG			
5v212.c		BOP, KVT, UOP4	5v212.x		BOP, KVT, UOP4	5v220.6↔		BOP, KVT, UOP4			
	01	B03A, B03B, B06A, B06B, B07Z, B17A, B17B, B17C		01	B03A, B03B, B06A, B06B, B07Z, B17A, B17B, B17C		01	B03A, B03B, B06A, B06B, B07Z, B17A, B17B, B17C			
	03	D12A, D12B		03	D12A, D12B		05	F13A, F21A, F21B, F28A			
	05	F13A, F21A, F21B, F21C, F27A, F27B, F27C		05	F13A, F21A, F21B, F21C, F27A, F27B, F27C		08	I02A, I02B, I02C, I02D, I22A, I22B, I50Z			
	08	I12A, I12B, I12C		08	I12A, I12B, I12C		09	J02A, J02B, J02C, J04A, J04B, J08A, J08B, J08C, J16Z, J21Z, J22A, J22B			
	09	J02A, J02B, J02C, J04A, J04B, J08A, J08B, J08C, J16Z, J21Z, J22A, J22B		09	J02A, J02B, J02C, J04A, J04B, J08A, J08B, J08C, J16Z, J21Z, J22A, J22B		21A	W04A, W04B			
	10	K01Z		10	K01Z		21B	X01A, X01B, X01C			
	21A	W04A, W04B		21A	W04A, W04B			BOP, KVT, UOP4			
	21B	X04Z, X05A, X05B, X06A, X06B, X06C		21B	X04Z, X05A, X05B, X06A, X06B, X06C		01	B03A, B03B, B06A, B06B, B07Z, B17A, B17B, B17C			
	5v212.d			BOP, KVT, UOP4	5v21x.x			BOP, KVT, UOP4	5v220.7↔		BOP, KVT, UOP4
		01		B03A, B03B, B06A, B06B, B07Z, B17A, B17B, B17C			01	B03A, B03B, B06A, B06B, B07Z, B17A, B17B, B17C		05	F13A, F21A, F21B, F28A
03		D12A, D12B	03	D12A, D12B		08	I02A, I02B, I02C, I02D, I22A, I22B, I50Z				
05		F13A, F21A, F21B, F21C, F27A, F27B, F27C	05	F13A, F21A, F21B, F21C, F27A, F27B, F27C		09	J02A, J02B, J02C, J04A, J04B, J08A, J08B, J08C, J16Z, J21Z, J22A, J22B				
08		I12A, I12B, I12C	09	J02A, J02B, J02C, J04A, J04B, J08A, J08B, J08C, J16Z, J21Z, J22A, J22B		21A	W04A, W04B				
09		J02A, J02B, J02C, J04A, J04B, J08A, J08B, J08C, J16Z, J21Z, J22A, J22B	10	K01Z		21B	X01A, X01B, X01C				
10		K01Z	21A	W04A, W04B			BOP, KVT, UOP4				
21A		W04A, W04B	21B	X04Z, X05A, X05B, X06A, X06B, X06C		01	B03A, B03B, B06A, B06B, B07Z, B17A, B17B, B17C				
21B		X04Z, X05A, X05B, X06A, X06B, X06C		BOP, KVT, UOP4		05	F13A, F21A, F21B, F28A				
5v212.e↔			BOP, KVT, UOP4	5v220.0			BOP, KVT, UOP4	5v220.8↔			BOP, KVT, UOP4
		01	B03A, B03B, B06A, B06B, B07Z, B17A, B17B, B17C			03	D08A, D08B, D18Z, D22A, D22B, D30A, D30B			08	I02A, I02B, I02C, I02D, I22A, I22B, I32A, I32B, I32C, I32D, I32E, I32F, I50Z
	03	D12A, D12B	05		F13A, F28A	09	J02A, J02B, J02C, J04A, J04B, J08A, J08B, J08C, J16Z, J21Z, J22A, J22B				
	05	F13A, F21A, F21B, F21C, F27A, F27B, F27C	09		J03A, J03B, J04A, J04B, J08A, J08B, J08C, J10A, J10B, J16Z	21A	W04A, W04B				
	08	I12A, I12B, I12C	21A		W04A, W04B	21B	X01A, X01B, X01C				
	09	J02A, J02B, J02C, J04A, J04B, J08A, J08B, J08C, J16Z, J21Z, J22A, J22B	21B		X06A, X06B, X06C		BOP, KVT, UOP4				
	10	K01Z			BOP, KVT, UOP4	01	B03A, B03B, B06A, B06B, B07Z, B17A, B17B, B17C				
	21A	W04A, W04B	01		B03A, B03B, B06A, B06B, B07Z, B17A, B17B, B17C	05	F13A, F21A, F21B, F28A				
	21B	X04Z, X05A, X05B, X06A, X06B, X06C	02		C20A, C20B	08	I12A, I12B, I12C, I32A, I32B, I32C, I32D, I32E, I32F				
	5v212.f↔		BOP, KVT, UOP4		5v220.4		BOP, KVT, UOP4		5v220.9↔		BOP, KVT, UOP4
		01	B03A, B03B, B06A, B06B, B07Z, B17A, B17B, B17C			03	D18Z, D28Z, D29Z			09	J03A, J03B, J04A, J04B, J08A, J08B, J08C, J16Z, J21Z, J22A, J22B
03		D12A, D12B	05	F13A, F21A, F21B, F28A		21A	W04A, W04B				
05		F13A, F21A, F21B, F21C, F27A, F27B, F27C	08	I02A, I02B, I02C, I02D, I22A, I22B, I50Z		21B	X01A, X01B, X01C				
08		I12A, I12B, I12C	09	J02A, J02B, J02C, J04A, J04B, J08A, J08B, J08C, J16Z, J21Z, J22A, J22B			BOP, KVT, UOP4				
09		J02A, J02B, J02C, J04A, J04B, J08A, J08B, J08C, J16Z, J21Z, J22A, J22B	21A	W04A, W04B		01	B03A, B03B, B06A, B06B, B07Z, B17A, B17B, B17C				
10		K01Z	21B	X01A, X01B, X01C		05	F13A, F21A, F21B, F28A				
21A		W04A, W04B		BOP, KVT, UOP4		06	G10Z, G12A, G12B				
21B		X04Z, X05A, X05B, X06A, X06B, X06C	01	B03A, B03B, B06A, B06B, B07Z, B17A, B17B, B17C		08	I02A, I02B, I02C, I02D, I22A, I22B, I50Z				
5v212.g↔			BOP, KVT, UOP4	5v220.5			BOP, KVT, UOP4	5v220.a			BOP, KVT, UOP4
		01	B03A, B03B, B06A, B06B, B07Z, B17A, B17B, B17C			03	D18Z, D28Z, D29Z			09	J02A, J02B, J02C, J04A, J04B, J08A, J08B, J08C, J16Z, J21Z, J22A, J22B
	03	D12A, D12B	05		F13A, F21A, F21B, F28A	21A	W04A, W04B				
	05	F13A, F21A, F21B, F21C, F27A, F27B, F27C	06		G10Z, G12A, G12B	21B	X01A, X01B, X01C				
	08	I12A, I12B, I12C	08		I28A, I28B		BOP, KVT, UOP4				
	09	J02A, J02B, J02C, J04A, J04B, J08A, J08B, J08C, J16Z, J21Z, J22A, J22B	09		J02A, J02B, J02C, J04A, J04B, J08A, J08B, J08C, J16Z, J21Z, J22A, J22B	01	B03A, B03B, B06A, B06B, B07Z, B17A, B17B, B17C				
	10	K01Z	21A		W04A, W04B	05	F13A, F21A, F21B, F28A				
	21A	W04A, W04B	21B		X01A, X01B, X01C	06	G10Z, G12A, G12B				
	21B	X04Z, X05A, X05B, X06A, X06B, X06C			BOP, KVT, UOP4	08	I02A, I02B, I02C, I02D, I22A, I22B, I50Z				
	5v212.h↔		BOP, KVT, UOP4		5v220.b		BOP, KVT, UOP4		5v220.b		BOP, KVT, UOP4
		01	B03A, B03B, B06A, B06B, B07Z, B17A, B17B, B17C			01	B03A, B03B, B06A, B06B, B07Z, B17A, B17B, B17C			01	B03A, B03B, B06A, B06B, B07Z, B17A, B17B, B17C
03		D12A, D12B	03	D18Z, D28Z, D29Z		05	F13A, F21A, F21B, F28A				
05		F13A, F21A, F21B, F21C, F27A, F27B, F27C	05	F13A, F21A, F21B, F28A		06	G10Z, G12A, G12B				
08		I12A, I12B, I12C	06	G10Z, G12A, G12B		08	I02A, I02B, I02C, I02D, I22A, I22B, I50Z				
09		J02A, J02B, J02C, J04A, J04B, J08A, J08B, J08C, J16Z, J21Z, J22A, J22B	08	I28A, I28B		09	J02A, J02B, J02C, J04A, J04B, J08A, J08B, J08C, J16Z, J21Z, J22A, J22B				
10		K01Z	09	J02A, J02B, J02C, J04A, J04B, J08A, J08B, J08C, J16Z, J21Z, J22A, J22B		21A	W04A, W04B				
21A		W04A, W04B	21A	W04A, W04B		21B	X01A, X01B, X01C				
21B		X04Z, X05A, X05B, X06A, X06B, X06C	21B	X01A, X01B, X01C			BOP, KVT, UOP4				

ZZV	MDC	DRG	ZZV	MDC	DRG	ZZV	MDC	DRG			
5v220.c		BOP, KVT, UOP4	5v220.x↔		BOP, KVT, UOP4	5v221.8↔		BOP, KVT, UOP4			
	01	B03A, B03B, B06A, B06B, B07Z, B17A, B17B, B17C		01	B03A, B03B, B06A, B06B, B07Z, B17A, B17B, B17C		01	B03A, B03B, B06A, B06B, B07Z, B17A, B17B, B17C			
	05	F13A, F21A, F21B, F28A		05	F13A, F21A, F21B, F28A		05	F13A, F21A, F21B, F28A			
	06	G10Z, G12A, G12B		08	I02A, I02B, I02C, I02D, I22A, I22B, I32A, I32B, I32C, I32D, I32E, I32F, I50Z		08	I02A, I02B, I02C, I02D, I22A, I22B, I32A, I32B, I32C, I32D, I32E, I32F, I50Z			
	08	I02A, I02B, I02C, I02D, I22A, I22B, I50Z		09	J02A, J02B, J02C, J04A, J04B, J08A, J08B, J08C, J16Z, J21Z, J22A, J22B		09	J02A, J02B, J02C, J04A, J04B, J08A, J08B, J08C, J16Z, J21Z, J22A, J22B			
	09	J02A, J02B, J02C, J04A, J04B, J08A, J08B, J08C, J16Z, J21Z, J22A, J22B		21A	W04A, W04B		21A	W04A, W04B			
	10	K09A, K09B		21B	X01A, X01B, X01C		21B	X01A, X01B, X01C			
	12	M04A, M04B, M04C, M04D, M37Z, M38Z			BOP, KVT, UOP4			BOP, KVT, UOP4			
	21A	W04A, W04B		01	B03A, B03B, B06A, B06B, B07Z, B17A, B17B, B17C		01	B03A, B03B, B06A, B06B, B07Z, B17A, B17B, B17C			
	21B	X01A, X01B, X01C		03	D18Z, D28Z, D29Z		05	F13A, F21A, F21B, F28A			
	5v220.d			BOP, KVT, UOP4	5v221.0			BOP, KVT, UOP4	5v221.9↔		BOP, KVT, UOP4
		01		B03A, B03B, B06A, B06B, B07Z, B17A, B17B, B17C			01	B03A, B03B, B06A, B06B, B07Z, B17A, B17B, B17C		01	B03A, B03B, B06A, B06B, B07Z, B17A, B17B, B17C
05		F13A, F21A, F21B, F28A	05	F13A, F21A, F21B, F28A		05	F13A, F21A, F21B, F28A				
06		G10Z, G12A, G12B	09	J02A, J02B, J02C, J04A, J04B, J08A, J08B, J08C, J16Z, J21Z, J22A, J22B		08	I12A, I12B, I12C, I32A, I32B, I32C, I32D, I32E, I32F				
08		I02A, I02B, I02C, I02D, I22A, I22B, I50Z	21A	W04A, W04B		09	J02A, J02B, J02C, J04A, J04B, J08A, J08B, J08C, J16Z, J21Z, J22A, J22B				
09		J02A, J02B, J02C, J04A, J04B, J08A, J08B, J08C, J16Z, J21Z, J22A, J22B	21B	X01A, X01B, X01C		21A	W04A, W04B				
21A		W04A, W04B		BOP, KVT, UOP4		21B	X01A, X01B, X01C				
21B		X01A, X01B, X01C	01	B03A, B03B, B06A, B06B, B07Z, B17A, B17B, B17C			BOP, KVT, UOP4				
5v220.e↔			BOP, KVT, UOP4	5v221.4			BOP, KVT, UOP4	5v221.a			BOP, KVT, UOP4
		01	B03A, B03B, B06A, B06B, B07Z, B17A, B17B, B17C			01	B03A, B03B, B06A, B06B, B07Z, B17A, B17B, B17C			01	B03A, B03B, B06A, B06B, B07Z, B17A, B17B, B17C
		05	F13A, F21A, F21B, F27A, F27B, F27C, F28A			02	C20A, C20B			05	F13A, F21A, F21B, F28A
		08	I02A, I02B, I02C, I02D, I22A, I22B, I50Z			03	D18Z, D28Z, D29Z			06	G10Z, G12A, G12B
	09	J02A, J02B, J02C, J04A, J04B, J08A, J08B, J08C, J16Z, J21Z, J22A, J22B	05		F13A, F21A, F21B, F28A	08	I02A, I02B, I02C, I02D, I22A, I22B, I50Z				
	21A	W04A, W04B	08		I02A, I02B, I02C, I02D, I22A, I22B, I50Z	09	J02A, J02B, J02C, J04A, J04B, J08A, J08B, J08C, J16Z, J21Z, J22A, J22B				
	21B	X01A, X01B, X01C	09		J02A, J02B, J02C, J04A, J04B, J08A, J08B, J08C, J16Z, J21Z, J22A, J22B	21A	W04A, W04B				
	5v220.f↔		BOP, KVT, UOP4		5v221.5		BOP, KVT, UOP4		5v221.b		BOP, KVT, UOP4
		01	B03A, B03B, B06A, B06B, B07Z, B17A, B17B, B17C			01	B03A, B03B, B06A, B06B, B07Z, B17A, B17B, B17C			01	B03A, B03B, B06A, B06B, B07Z, B17A, B17B, B17C
		05	F13A, F21A, F21B, F27A, F27B, F27C, F28A			03	D18Z, D28Z, D29Z			05	F13A, F21A, F21B, F28A
		08	I02A, I02B, I02C, I02D, I22A, I22B, I50Z			05	F13A, F21A, F21B, F28A			06	G10Z, G12A, G12B
		09	J02A, J02B, J02C, J04A, J04B, J08A, J08B, J08C, J16Z, J21Z, J22A, J22B			08	I02A, I02B, I02C, I02D, I22A, I22B, I50Z			08	I02A, I02B, I02C, I02D, I22A, I22B, I50Z
10		K01Z	09	J02A, J02B, J02C, J04A, J04B, J08A, J08B, J08C, J16Z, J21Z, J22A, J22B		09	J02A, J02B, J02C, J04A, J04B, J08A, J08B, J08C, J16Z, J21Z, J22A, J22B				
21A		W04A, W04B	21A	W04A, W04B		21A	W04A, W04B				
21B		X01A, X01B, X01C	21B	X01A, X01B, X01C		21B	X01A, X01B, X01C				
5v220.g↔			BOP, KVT, UOP4	5v221.6↔			BOP, KVT, UOP4	5v221.c			BOP, KVT, UOP4
		01	B03A, B03B, B06A, B06B, B07Z, B17A, B17B, B17C			01	B03A, B03B, B06A, B06B, B07Z, B17A, B17B, B17C			01	B03A, B03B, B06A, B06B, B07Z, B17A, B17B, B17C
		05	F13A, F21A, F21B, F27A, F27B, F27C, F28A			05	F13A, F21A, F21B, F28A			05	F13A, F21A, F21B, F28A
		08	I02A, I02B, I02C, I02D, I12A, I12B, I12C, I22A, I22B, I50Z			08	I02A, I02B, I02C, I02D, I22A, I22B, I50Z			06	G10Z, G12A, G12B
	09	J02A, J02B, J02C, J04A, J04B, J08A, J08B, J08C, J16Z, J21Z, J22A, J22B	09		J02A, J02B, J02C, J04A, J04B, J08A, J08B, J08C, J16Z, J21Z, J22A, J22B	08	I02A, I02B, I02C, I02D, I22A, I22B, I50Z				
	10	K01Z	21A		W04A, W04B	09	J02A, J02B, J02C, J04A, J04B, J08A, J08B, J08C, J16Z, J21Z, J22A, J22B				
	21A	W04A, W04B	21B		X01A, X01B, X01C	21A	W04A, W04B				
	21B	X01A, X01B, X01C			BOP, KVT, UOP4	21B	X01A, X01B, X01C				
	5v220.h↔		BOP, KVT, UOP4		5v221.7↔		BOP, KVT, UOP4		5v221.d		BOP, KVT, UOP4
		01	B03A, B03B, B06A, B06B, B07Z, B17A, B17B, B17C			01	B03A, B03B, B06A, B06B, B07Z, B17A, B17B, B17C			01	B03A, B03B, B06A, B06B, B07Z, B17A, B17B, B17C
		05	F13A, F21A, F21B, F27A, F27B, F27C, F28A			05	F13A, F21A, F21B, F28A			05	F13A, F21A, F21B, F28A
		08	I02A, I02B, I02C, I02D, I12A, I12B, I12C, I22A, I22B, I50Z			08	I02A, I02B, I02C, I02D, I22A, I22B, I50Z			06	G10Z, G12A, G12B
09		J02A, J02B, J02C, J04A, J04B, J08A, J08B, J08C, J16Z, J21Z, J22A, J22B	09	J02A, J02B, J02C, J04A, J04B, J08A, J08B, J08C, J16Z, J21Z, J22A, J22B		08	I02A, I02B, I02C, I02D, I22A, I22B, I50Z				
10		K01Z	21A	W04A, W04B		09	J02A, J02B, J02C, J04A, J04B, J08A, J08B, J08C, J16Z, J21Z, J22A, J22B				
21A		W04A, W04B	21B	X01A, X01B, X01C		21A	W04A, W04B				
21B		X01A, X01B, X01C		BOP, KVT, UOP4		21B	X01A, X01B, X01C				

ZZV	MDC	DRG	ZZV	MDC	DRG	ZZV	MDC	DRG			
5v221.e↔		BOP, KVT, UOP4	5v222.4		BOP, KVT, UOP4	5v222.a		BOP, KVT, UOP4			
	01	B03A, B03B, B06A, B06B, B07Z, B17A, B17B, B17C		01	B03A, B03B, B06A, B06B, B07Z, B17A, B17B, B17C		01	B03A, B03B, B06A, B06B, B07Z, B17A, B17B, B17C			
	05	F13A, F21A, F21B, F27A, F27B, F27C, F28A		02	C20A, C20B		05	F13A, F21A, F21B, F21C			
	08	I02A, I02B, I02C, I02D, I22A, I22B, I50Z		03	D12A, D12B		06	G10Z, G12A, G12B			
	09	J02A, J02B, J02C, J04A, J04B, J08A, J08B, J08C, J16Z, J21Z, J22A, J22B		05	F13A, F21A, F21B, F21C		08	I02A, I02B, I02C, I02D, I22A, I22B, I50Z			
	10	K01Z		08	I02A, I02B, I02C, I02D, I22A, I22B, I50Z		09	J02A, J02B, J02C, J04A, J04B, J08A, J08B, J08C, J16Z, J21Z, J22A, J22B			
	21A	W04A, W04B		09	J02A, J02B, J02C, J04A, J04B, J08A, J08B, J08C, J16Z, J21Z, J22A, J22B		21A	W04A, W04B			
	21B	X01A, X01B, X01C		21A	W04A, W04B		21B	X01A, X01B, X01C			
	5v221.f↔			BOP, KVT, UOP4	5v222.5			BOP, KVT, UOP4	5v222.b		BOP, KVT, UOP4
		01		B03A, B03B, B06A, B06B, B07Z, B17A, B17B, B17C			01	B03A, B03B, B06A, B06B, B07Z, B17A, B17B, B17C		01	B03A, B03B, B06A, B06B, B07Z, B17A, B17B, B17C
05		F13A, F21A, F21B, F27A, F27B, F27C, F28A	03	D12A, D12B		05	F13A, F21A, F21B, F21C				
08		I02A, I02B, I02C, I02D, I22A, I22B, I50Z	05	F13A, F21A, F21B, F21C		06	G10Z, G12A, G12B				
09		J02A, J02B, J02C, J04A, J04B, J08A, J08B, J08C, J16Z, J21Z, J22A, J22B	06	G10Z, G12A, G12B		08	I02A, I02B, I02C, I02D, I22A, I22B, I50Z				
10		K01Z	08	I28A, I28B		09	J02A, J02B, J02C, J04A, J04B, J08A, J08B, J08C, J16Z, J21Z, J22A, J22B				
21A		W04A, W04B	09	J02A, J02B, J02C, J04A, J04B, J08A, J08B, J08C, J16Z, J21Z, J22A, J22B		21A	W04A, W04B				
21B		X01A, X01B, X01C	21A	W04A, W04B		21B	X01A, X01B, X01C				
5v221.g↔			BOP, KVT, UOP4	5v222.6↔			BOP, KVT, UOP4	5v222.c			BOP, KVT, UOP4
		01	B03A, B03B, B06A, B06B, B07Z, B17A, B17B, B17C			01	B03A, B03B, B06A, B06B, B07Z, B17A, B17B, B17C			01	B03A, B03B, B06A, B06B, B07Z, B17A, B17B, B17C
	05	F13A, F21A, F21B, F27A, F27B, F27C, F28A	05		F13A, F21A, F21B, F21C	05	F13A, F21A, F21B, F21C				
	08	I02A, I02B, I02C, I02D, I12A, I12B, I12C, I22A, I22B, I50Z	08		I02A, I02B, I02C, I02D, I22A, I22B, I50Z	06	G10Z, G12A, G12B				
	09	J02A, J02B, J02C, J04A, J04B, J08A, J08B, J08C, J16Z, J21Z, J22A, J22B	09		J02A, J02B, J02C, J04A, J04B, J08A, J08B, J08C, J16Z, J21Z, J22A, J22B	08	I02A, I02B, I02C, I02D, I22A, I22B, I50Z				
	10	K01Z	21A		W04A, W04B	09	J02A, J02B, J02C, J04A, J04B, J08A, J08B, J08C, J16Z, J21Z, J22A, J22B				
	21A	W04A, W04B	21B		X01A, X01B, X01C	10	K09A, K09B				
	21B	X01A, X01B, X01C	21B		X01A, X01B, X01C	12	M04A, M04B, M04C, M04D, M37Z, M38Z				
	5v221.x↔		BOP, KVT, UOP4		5v222.7↔		BOP, KVT, UOP4		5v222.d		BOP, KVT, UOP4
		01	B03A, B03B, B06A, B06B, B07Z, B17A, B17B, B17C			01	B03A, B03B, B06A, B06B, B07Z, B17A, B17B, B17C			01	B03A, B03B, B06A, B06B, B07Z, B17A, B17B, B17C
05		F13A, F21A, F21B, F28A	05	F13A, F21A, F21B, F21C		05	F13A, F21A, F21B, F21C				
08		I02A, I02B, I02C, I02D, I22A, I22B, I32A, I32B, I32C, I32D, I32E, I32F, I50Z	08	I02A, I02B, I02C, I02D, I22A, I22B, I50Z		06	G10Z, G12A, G12B				
09		J02A, J02B, J02C, J04A, J04B, J08A, J08B, J08C, J16Z, J21Z, J22A, J22B	09	J02A, J02B, J02C, J04A, J04B, J08A, J08B, J08C, J16Z, J21Z, J22A, J22B		08	I02A, I02B, I02C, I02D, I22A, I22B, I50Z				
21A		W04A, W04B	21A	W04A, W04B		09	J02A, J02B, J02C, J04A, J04B, J08A, J08B, J08C, J16Z, J21Z, J22A, J22B				
21B		X01A, X01B, X01C	21B	X01A, X01B, X01C		21A	W04A, W04B				
5v222.0			BOP, KVT, UOP4	5v222.8↔			BOP, KVT, UOP4	5v222.e↔			BOP, KVT, UOP4
		03	D08A, D08B, D18Z, D22A, D22B, D30A, D30B			01	B03A, B03B, B06A, B06B, B07Z, B17A, B17B, B17C			01	B03A, B03B, B06A, B06B, B07Z, B17A, B17B, B17C
		05	F13A			05	F13A, F21A, F21B, F21C			05	F13A, F21A, F21B, F21C, F27A, F27B, F27C
	09	J03A, J03B, J04A, J04B, J08A, J08B, J08C, J10A, J10B, J16Z	08		I02A, I02B, I02C, I02D, I22A, I22B, I32A, I32B, I32C, I32D, I32E, I32F, I50Z	08	I02A, I02B, I02C, I02D, I22A, I22B, I50Z				
	21A	W04A, W04B	21A		W04A, W04B	09	J02A, J02B, J02C, J04A, J04B, J08A, J08B, J08C, J16Z, J21Z, J22A, J22B				
	21B	X06A, X06B, X06C	21B		X01A, X01B, X01C	21A	W04A, W04B				
	5v222.9↔		BOP, KVT, UOP4		5v222.9↔		BOP, KVT, UOP4		5v222.9↔		BOP, KVT, UOP4
		01	B03A, B03B, B06A, B06B, B07Z, B17A, B17B, B17C			01	B03A, B03B, B06A, B06B, B07Z, B17A, B17B, B17C			01	B03A, B03B, B06A, B06B, B07Z, B17A, B17B, B17C
		05	F13A, F21A, F21B, F21C			05	F13A, F21A, F21B, F21C			05	F13A, F21A, F21B, F21C
		08	I12A, I12B, I12C, I32A, I32B, I32C, I32D, I32E, I32F			08	I12A, I12B, I12C, I32A, I32B, I32C, I32D, I32E, I32F			08	I02A, I02B, I02C, I02D, I22A, I22B, I50Z
09		J03A, J03B, J04A, J04B, J08A, J08B, J08C, J16Z, J21Z, J22A, J22B	09	J03A, J03B, J04A, J04B, J08A, J08B, J08C, J16Z, J21Z, J22A, J22B		09	J02A, J02B, J02C, J04A, J04B, J08A, J08B, J08C, J16Z, J21Z, J22A, J22B				
21A		W04A, W04B	21A	W04A, W04B		10	K01Z				
21B		X01A, X01B, X01C	21B	X01A, X01B, X01C		21A	W04A, W04B				
						21B	X01A, X01B, X01C				

ZZV	MDC	DRG	ZZV	MDC	DRG	ZZV	MDC	DRG										
5v222.f↔		BOP, KVT, UOP4	5v224.4		BOP, KVT, UOP4	5v224.9↔		BOP, KVT, UOP4										
	01	B03A, B03B, B06A, B06B, B07Z, B17A, B17B, B17C		01	B03A, B03B, B06A, B06B, B07Z, B17A, B17B, B17C		01	B03A, B03B, B06A, B06B, B07Z, B17A, B17B, B17C										
	05	F13A, F21A, F21B, F21C, F27A, F27B, F27C		02	C20A, C20B		05	F13A, F21A, F21B, F28A										
	08	I02A, I02B, I02C, I02D, I22A, I22B, I50Z		03	D18Z, D25A, D25B, D25C, D25D		08	I12A, I12B, I12C, I32A, I32B, I32C, I32D, I32E, I32F										
	09	J02A, J02B, J02C, J04A, J04B, J08A, J08B, J08C, J16Z, J21Z, J22A, J22B		05	F13A, F21A, F21B, F28A		09	J02A, J02B, J02C, J04A, J04B, J08A, J08B, J08C, J16Z, J21Z, J22A, J22B										
	10	K01Z		08	I02A, I02B, I02C, I02D, I12A, I12B, I12C, I22A, I50Z		21A	W04A, W04B										
	21A	W04A, W04B		09	J02A, J02B, J02C, J04A, J04B, J08A, J08B, J08C, J16Z, J21Z, J22A, J22B		21B	X01A, X01B										
	21B	X01A, X01B, X01C		21A	W04A, W04B			BOP, KVT, UOP4										
	5v222.g↔			BOP, KVT, UOP4	5v224.5			BOP, KVT, UOP4	5v224.a		BOP, KVT, UOP4							
		01		B03A, B03B, B06A, B06B, B07Z, B17A, B17B, B17C			01	B03A, B03B, B06A, B06B, B07Z, B17A, B17B, B17C		01	B03A, B03B, B06A, B06B, B07Z, B17A, B17B, B17C							
05		F13A, F21A, F21B, F21C, F27A, F27B, F27C	03	D18Z, D25A, D25B, D25C, D25D		05	F13A, F21A, F21B, F28A											
08		I02A, I02B, I02C, I02D, I12A, I12B, I12C, I22A, I22B, I50Z	05	F13A, F21A, F21B, F28A		06	G10Z, G12A, G12B											
09		J02A, J02B, J02C, J04A, J04B, J08A, J08B, J08C, J16Z, J21Z, J22A, J22B	08	I02A, I02B, I02C, I02D, I12A, I12B, I12C, I22A, I50Z		08	I02A, I02B, I02C, I02D, I12A, I12B, I12C, I22A, I50Z											
10		K01Z	09	J02A, J02B, J02C, J04A, J04B, J08A, J08B, J08C, J16Z, J21Z, J22A, J22B		09	J02A, J02B, J02C, J04A, J04B, J08A, J08B, J08C, J16Z, J21Z, J22A, J22B											
21A		W04A, W04B	09	J02A, J02B, J02C, J04A, J04B, J08A, J08B, J08C, J16Z, J21Z, J22A, J22B		21A	W04A, W04B											
21B		X01A, X01B, X01C	21A	W04A, W04B		21B	X01A, X01B											
5v222.x↔			BOP, KVT, UOP4	5v224.6↔			BOP, KVT, UOP4	5v224.b			BOP, KVT, UOP4							
		01	B03A, B03B, B06A, B06B, B07Z, B17A, B17B, B17C			01	B03A, B03B, B06A, B06B, B07Z, B17A, B17B, B17C			01	B03A, B03B, B06A, B06B, B07Z, B17A, B17B, B17C							
	05	F13A, F21A, F21B, F21C	05		F13A, F21A, F21B, F28A	05	F13A, F21A, F21B, F28A											
	08	I02A, I02B, I02C, I02D, I22A, I22B, I32A, I32B, I32C, I32D, I32E, I32F, I50Z	08		I02A, I02B, I02C, I02D, I12A, I12B, I12C, I22A, I50Z	06	G10Z, G12A, G12B											
	09	J02A, J02B, J02C, J04A, J04B, J08A, J08B, J08C, J16Z, J21Z, J22A, J22B	09		J02A, J02B, J02C, J04A, J04B, J08A, J08B, J08C, J16Z, J21Z, J22A, J22B	08	I02A, I02B, I02C, I02D, I12A, I12B, I12C, I22A, I50Z											
	21A	W04A, W04B	09		J02A, J02B, J02C, J04A, J04B, J08A, J08B, J08C, J16Z, J21Z, J22A, J22B	09	J02A, J02B, J02C, J04A, J04B, J08A, J08B, J08C, J16Z, J21Z, J22A, J22B											
	21B	X01A, X01B, X01C	21A		W04A, W04B	21A	W04A, W04B											
	5v223.0‡	09	J11A, J11B		5v224.7↔		BOP, KVT, UOP4		5v224.c		BOP, KVT, UOP4							
		5v223.4‡	02			C20A, C20B	01			B03A, B03B, B06A, B06B, B07Z, B17A, B17B, B17C	01	B03A, B03B, B06A, B06B, B07Z, B17A, B17B, B17C						
			09			J11A, J11B	05			F13A, F21A, F21B, F28A	05	F13A, F21A, F21B, F28A						
5v223.5‡			09	J11A, J11B		08	I02A, I02B, I02C, I02D, I12A, I12B, I12C, I22A, I50Z	06		G10Z, G12A, G12B								
			5v223.6‡↔	09		J11A, J11B	09	J02A, J02B, J02C, J04A, J04B, J08A, J08B, J08C, J16Z, J21Z, J22A, J22B		08	I02A, I02B, I02C, I02D, I12A, I12B, I12C, I22A, I50Z							
				5v223.7‡↔		09	J11A, J11B	5v224.8↔			BOP, KVT, UOP4	5v224.d		BOP, KVT, UOP4				
						5v223.8‡↔	09			J11A, J11B	01		B03A, B03B, B06A, B06B, B07Z, B17A, B17B, B17C	01	B03A, B03B, B06A, B06B, B07Z, B17A, B17B, B17C			
							5v223.9‡↔			09	J11A, J11B		05	F13A, F21A, F21B, F28A	05	F13A, F21A, F21B, F28A		
										5v223.a‡	09		J11A, J11B	08	I02A, I02B, I02C, I02D, I12A, I12B, I12C, I22A, I50Z	06	G10Z, G12A, G12B	
											5v223.b‡		09	J11A, J11B	09	J02A, J02B, J02C, J04A, J04B, J08A, J08B, J08C, J16Z, J21Z, J22A, J22B	08	I02A, I02B, I02C, I02D, I12A, I12B, I12C, I22A, I50Z
	5v223.c‡				09				J11A, J11B				5v224.8↔		BOP, KVT, UOP4	5v224.d		BOP, KVT, UOP4
		5v223.d‡			09				J11A, J11B					01	B03A, B03B, B06A, B06B, B07Z, B17A, B17B, B17C		01	B03A, B03B, B06A, B06B, B07Z, B17A, B17B, B17C
					5v223.e‡↔				09					J11A, J11B	05		F13A, F21A, F21B, F28A	05
5v223.f‡↔									09					J11A, J11B	08		I02A, I02B, I02C, I02D, I12A, I12B, I12C, I22A, I32A, I32B, I32C, I32D, I32E, I32F, I50Z	06
			5v223.g‡↔						09					J11A, J11B	09		J02A, J02B, J02C, J04A, J04B, J08A, J08B, J08C, J16Z, J21Z, J22A, J22B	08
				5v223.x‡				09	J11A, J11B			5v224.8↔			BOP, KVT, UOP4		5v224.d	
						5v224.0			BOP, KVT, UOP4					01	B03A, B03B, B06A, B06B, B07Z, B17A, B17B, B17C			09
							01	B03A, B03B, B06A, B06B, B07Z, B17A, B17B, B17C	05					F13A, F21A, F21B, F28A	21A			W04A, W04B
							03	D18Z, D25A, D25B, D25C, D25D	08	I02A, I02B, I02C, I02D, I12A, I12B, I12C, I22A, I32A, I32B, I32C, I32D, I32E, I32F, I50Z				21B	X01A, X01B			
							05	F13A, F21A, F21B, F28A	09	J02A, J02B, J02C, J04A, J04B, J08A, J08B, J08C, J16Z, J21Z, J22A, J22B				BOP, KVT, UOP4				
	08						I12A, I12B, I12C	21A	W04A, W04B	01	B03A, B03B, B06A, B06B, B07Z, B17A, B17B, B17C							
	09	J02A, J02B, J02C, J04A, J04B, J08A, J08B, J08C, J16Z, J21Z, J22A, J22B					21B	X01A, X01B	05	F13A, F21A, F21B, F28A								
	21A	W04A, W04B					BOP, KVT, UOP4	06	G10Z, G12A, G12B									
21B	X01A, X01B				BOP, KVT, UOP4		08	I02A, I02B, I02C, I02D, I12A, I12B, I12C, I22A, I50Z										

VYK

ZZV	MDC	DRG	ZZV	MDC	DRG	ZZV	MDC	DRG		
5v224.e↔		BOP, KVT, UOP4	5v225.4		BOP, KVT, UOP4	5v225.9↔		BOP, KVT, UOP4		
	01	B03A, B03B, B06A, B06B, B07Z, B17A, B17B, B17C		01	B03A, B03B, B06A, B06B, B07Z, B17A, B17B, B17C		01	B03A, B03B, B06A, B06B, B07Z, B17A, B17B, B17C		
	05	F13A, F21A, F21B, F27A, F27B, F27C, F28A		02	C20A, C20B		05	F13A, F21A, F21B, F28A		
	08	I02A, I02B, I02C, I02D, I12A, I12B, I12C, I22A, I50Z		03	D18Z, D25A, D25B, D25C, D25D		08	I12A, I12B, I12C, I32A, I32B, I32C, I32D, I32E, I32F		
	09	J02A, J02B, J02C, J04A, J04B, J08A, J08B, J08C, J16Z, J21Z, J22A, J22B		05	F13A, F21A, F21B, F28A		09	J02A, J02B, J02C, J04A, J04B, J08A, J08B, J08C, J16Z, J21Z, J22A, J22B		
	10	K01Z		08	I02A, I02B, I02C, I02D, I12A, I12B, I12C, I22A, I50Z		21A	W04A, W04B		
	21A	W04A, W04B		09	J02A, J02B, J02C, J04A, J04B, J08A, J08B, J08C, J16Z, J21Z, J22A, J22B		21B	X01A, X01B		
	21B	X01A, X01B		21A	W04A, W04B		5v225.a	BOP, KVT, UOP4		
	5v224.f↔			BOP, KVT, UOP4	21B			X01A, X01B	01	B03A, B03B, B06A, B06B, B07Z, B17A, B17B, B17C
		01		B03A, B03B, B06A, B06B, B07Z, B17A, B17B, B17C	5v225.5			BOP, KVT, UOP4	05	F13A, F21A, F21B, F28A
		05		F13A, F21A, F21B, F27A, F27B, F27C, F28A			01	B03A, B03B, B06A, B06B, B07Z, B17A, B17B, B17C	06	G10Z, G12A, G12B
08		I02A, I02B, I02C, I02D, I12A, I12B, I12C, I22A, I50Z	03	D18Z, D25A, D25B, D25C, D25D		08	I02A, I02B, I02C, I02D, I12A, I12B, I12C, I22A, I50Z			
09		J02A, J02B, J02C, J04A, J04B, J08A, J08B, J08C, J16Z, J21Z, J22A, J22B	05	F13A, F21A, F21B, F28A		09	J02A, J02B, J02C, J04A, J04B, J08A, J08B, J08C, J16Z, J21Z, J22A, J22B			
10		K01Z	08	I02A, I02B, I02C, I02D, I12A, I12B, I12C, I22A, I50Z		21A	W04A, W04B			
21A		W04A, W04B	09	J02A, J02B, J02C, J04A, J04B, J08A, J08B, J08C, J16Z, J21Z, J22A, J22B		21B	X01A, X01B			
21B		X01A, X01B	21A	W04A, W04B		5v225.b	BOP, KVT, UOP4			
5v224.g↔			BOP, KVT, UOP4	21B			X01A, X01B	01	B03A, B03B, B06A, B06B, B07Z, B17A, B17B, B17C	
		01	B03A, B03B, B06A, B06B, B07Z, B17A, B17B, B17C	5v225.6↔			BOP, KVT, UOP4	05	F13A, F21A, F21B, F28A	
		05	F13A, F21A, F21B, F27A, F27B, F27C, F28A			01	B03A, B03B, B06A, B06B, B07Z, B17A, B17B, B17C	06	G10Z, G12A, G12B	
	08	I02A, I02B, I02C, I02D, I12A, I12B, I12C, I22A, I50Z	05			F13A, F21A, F21B, F28A	08	I02A, I02B, I02C, I02D, I12A, I12B, I12C, I22A, I50Z		
	09	J02A, J02B, J02C, J04A, J04B, J08A, J08B, J08C, J16Z, J21Z, J22A, J22B	08		I02A, I02B, I02C, I02D, I12A, I12B, I12C, I22A, I50Z	09	J02A, J02B, J02C, J04A, J04B, J08A, J08B, J08C, J16Z, J21Z, J22A, J22B			
	10	K01Z	09		J02A, J02B, J02C, J04A, J04B, J08A, J08B, J08C, J16Z, J21Z, J22A, J22B	21A	W04A, W04B			
	21A	W04A, W04B	21A		W04A, W04B	21B	X01A, X01B			
	21B	X01A, X01B	21B		X01A, X01B	5v225.c	BOP, KVT, UOP4			
	5v224.x↔		BOP, KVT, UOP4		5v225.7↔			BOP, KVT, UOP4	01	B03A, B03B, B06A, B06B, B07Z, B17A, B17B, B17C
		01	B03A, B03B, B06A, B06B, B07Z, B17A, B17B, B17C			01	B03A, B03B, B06A, B06B, B07Z, B17A, B17B, B17C	05	F13A, F21A, F21B, F28A	
		05	F13A, F21A, F21B, F27A, F27B, F27C, F28A			05	F13A, F21A, F21B, F28A	06	G10Z, G12A, G12B	
08		I02A, I02B, I02C, I02D, I12A, I12B, I12C, I22A, I32A, I32B, I32C, I32D, I32E, I32F, I50Z	08			I02A, I02B, I02C, I02D, I12A, I12B, I12C, I22A, I50Z	08	I02A, I02B, I02C, I02D, I12A, I12B, I12C, I22A, I50Z		
09		J02A, J02B, J02C, J04A, J04B, J08A, J08B, J08C, J16Z, J21Z, J22A, J22B	09	J02A, J02B, J02C, J04A, J04B, J08A, J08B, J08C, J16Z, J21Z, J22A, J22B		09	J02A, J02B, J02C, J04A, J04B, J08A, J08B, J08C, J16Z, J21Z, J22A, J22B			
10		K01Z	21A	W04A, W04B		21A	W04A, W04B			
21A		W04A, W04B	21B	X01A, X01B		21B	X01A, X01B			
21B		X01A, X01B	5v225.8↔			BOP, KVT, UOP4	5v225.d	BOP, KVT, UOP4		
5v225.0				BOP, KVT, UOP4		01		B03A, B03B, B06A, B06B, B07Z, B17A, B17B, B17C	01	B03A, B03B, B06A, B06B, B07Z, B17A, B17B, B17C
		01	B03A, B03B, B06A, B06B, B07Z, B17A, B17B, B17C	05		F13A, F21A, F21B, F28A	05	F13A, F21A, F21B, F28A		
		03	D18Z, D25A, D25B, D25C, D25D	08		I02A, I02B, I02C, I02D, I12A, I12B, I12C, I22A, I32A, I32B, I32C, I32D, I32E, I32F, I50Z	06	G10Z, G12A, G12B		
	05	F13A, F21A, F21B, F28A	09	J02A, J02B, J02C, J04A, J04B, J08A, J08B, J08C, J16Z, J21Z, J22A, J22B	08	I02A, I02B, I02C, I02D, I12A, I12B, I12C, I22A, I50Z				
	08	I12A, I12B, I12C	21A	W04A, W04B	09	J02A, J02B, J02C, J04A, J04B, J08A, J08B, J08C, J16Z, J21Z, J22A, J22B				
	09	J02A, J02B, J02C, J04A, J04B, J08A, J08B, J08C, J16Z, J21Z, J22A, J22B	21B	X01A, X01B	21A	W04A, W04B				
	21A	W04A, W04B			21B	X01A, X01B				
	21B	X01A, X01B								

ZZV	MDC	DRG	ZZV	MDC	DRG	ZZV	MDC	DRG			
5v225.e↔		BOP, KVT, UOP4	5v226.4		BOP, KVT, UOP4	5v226.a		BOP, KVT, UOP4			
	01	B03A, B03B, B06A, B06B, B07Z, B17A, B17B, B17C		01	B03A, B03B, B06A, B06B, B07Z, B17A, B17B, B17C		01	B03A, B03B, B06A, B06B, B07Z, B17A, B17B, B17C			
	05	F13A, F21A, F21B, F27A, F27B, F27C, F28A		02	C20A, C20B		05	F13A, F21A, F21B, F28A			
	08	I02A, I02B, I02C, I02D, I12A, I12B, I12C, I22A, I50Z		03	D12A, D12B		06	G10Z, G12A, G12B			
	09	J02A, J02B, J02C, J04A, J04B, J08A, J08B, J08C, J16Z, J21Z, J22A, J22B		05	F13A, F21A, F21B, F28A		08	I02A, I02B, I02C, I02D, I12A, I12B, I12C, I22A, I50Z			
	10	K01Z		08	I02A, I02B, I02C, I02D, I12A, I12B, I12C, I22A, I50Z		09	J02A, J02B, J02C, J04A, J04B, J08A, J08B, J08C, J16Z, J21Z, J22A, J22B			
	21A	W04A, W04B		09	J02A, J02B, J02C, J04A, J04B, J08A, J08B, J08C, J16Z, J21Z, J22A		21A	W04A, W04B			
	21B	X01A, X01B		21A	W04A, W04B		21B	X01A, X01B			
	5v225.f↔			BOP, KVT, UOP4	5v226.5			BOP, KVT, UOP4	5v226.b		BOP, KVT, UOP4
		01		B03A, B03B, B06A, B06B, B07Z, B17A, B17B, B17C			01	B03A, B03B, B06A, B06B, B07Z, B17A, B17B, B17C		01	B03A, B03B, B06A, B06B, B07Z, B17A, B17B, B17C
05		F13A, F21A, F21B, F27A, F27B, F27C, F28A	03	D12A, D12B		05	F13A, F21A, F21B, F28A				
08		I02A, I02B, I02C, I02D, I12A, I12B, I12C, I22A, I50Z	05	F13A, F21A, F21B, F28A		06	G10Z, G12A, G12B				
09		J02A, J02B, J02C, J04A, J04B, J08A, J08B, J08C, J16Z, J21Z, J22A, J22B	06	G10Z, G12A, G12B		08	I02A, I02B, I02C, I02D, I12A, I12B, I12C, I22A, I50Z				
10		K01Z	08	I12A, I12B, I12C, I28A, I28B		09	J02A, J02B, J02C, J04A, J04B, J08A, J08B, J08C, J16Z, J21Z, J22A, J22B				
21A		W04A, W04B	09	J02A, J02B, J02C, J04A, J04B, J08A, J08B, J08C, J16Z, J21Z, J22A, J22B		21A	W04A, W04B				
21B		X01A, X01B	21A	W04A, W04B		21B	X01A, X01B				
5v225.g↔			BOP, KVT, UOP4	5v226.6↔			BOP, KVT, UOP4	5v226.c			BOP, KVT, UOP4
		01	B03A, B03B, B06A, B06B, B07Z, B17A, B17B, B17C			01	B03A, B03B, B06A, B06B, B07Z, B17A, B17B, B17C			01	B03A, B03B, B06A, B06B, B07Z, B17A, B17B, B17C
	05	F13A, F21A, F21B, F27A, F27B, F27C, F28A	05		F13A, F21A, F21B, F28A	05	F13A, F21A, F21B, F28A				
	08	I02A, I02B, I02C, I02D, I12A, I12B, I12C, I22A, I50Z	08		I02A, I02B, I02C, I02D, I12A, I12B, I12C, I22A, I50Z	06	G10Z, G12A, G12B				
	09	J02A, J02B, J02C, J04A, J04B, J08A, J08B, J08C, J16Z, J21Z, J22A, J22B	09		J02A, J02B, J02C, J04A, J04B, J08A, J08B, J08C, J16Z, J21Z, J22A, J22B	08	I02A, I02B, I02C, I02D, I12A, I12B, I12C, I22A, I50Z				
	10	K01Z	21A		W04A, W04B	09	J02A, J02B, J02C, J04A, J04B, J08A, J08B, J08C, J16Z, J21Z, J22A, J22B				
	21A	W04A, W04B	21B		X01A, X01B	10	K09A, K09B				
	21B	X01A, X01B	5v226.7↔			12	M04A, M04B, M04C, M04D, M37Z, M38Z				
	5v225.x↔				BOP, KVT, UOP4	01	B03A, B03B, B06A, B06B, B07Z, B17A, B17B, B17C		21A	W04A, W04B	
		01	B03A, B03B, B06A, B06B, B07Z, B17A, B17B, B17C		05	F13A, F21A, F21B, F28A	21B		X01A, X01B		
05		F13A, F21A, F21B, F28A	08	I02A, I02B, I02C, I02D, I12A, I12B, I12C, I22A, I50Z	5v226.d		BOP, KVT, UOP4				
08		I02A, I02B, I02C, I02D, I12A, I12B, I12C, I22A, I32A, I32B, I32C, I32D, I32E, I32F, I50Z	09	J02A, J02B, J02C, J04A, J04B, J08A, J08B, J08C, J16Z, J21Z, J22A, J22B		01	B03A, B03B, B06A, B06B, B07Z, B17A, B17B, B17C				
09		J02A, J02B, J02C, J04A, J04B, J08A, J08B, J08C, J16Z, J21Z, J22A, J22B	21A	W04A, W04B		05	F13A, F21A, F21B, F28A				
21A		W04A, W04B	21B	X01A, X01B		06	G10Z, G12A, G12B				
21B		X01A, X01B	5v226.8↔			08	I02A, I02B, I02C, I02D, I12A, I12B, I12C, I22A, I50Z				
5v226.0				BOP, KVT, UOP4		01	BOP, KVT, UOP4	09	J02A, J02B, J02C, J04A, J04B, J08A, J08B, J08C, J16Z, J21Z, J22A, J22B		
		03	D08A, D08B, D18Z, D22A, D22B, D30A, D30B	01		B03A, B03B, B06A, B06B, B07Z, B17A, B17B, B17C	21A	W04A, W04B			
		05	F13A, F28A	05		F13A, F21A, F21B, F28A	21B	X01A, X01B			
	08	I12A, I12B, I12C	08	I02A, I02B, I02C, I02D, I12A, I12B, I12C, I22A, I32A, I32B, I32C, I32D, I32E, I32F, I50Z		5v226.e↔		BOP, KVT, UOP4			
	09	J03A, J03B, J04A, J04B, J08A, J08B, J08C, J10A, J10B, J16Z	09	J02A, J02B, J02C, J04A, J04B, J08A, J08B, J08C, J16Z, J21Z, J22A, J22B			01	B03A, B03B, B06A, B06B, B07Z, B17A, B17B, B17C			
	21A	W04A, W04B	21A	W04A, W04B	05		F13A, F21A, F21B, F27A, F27B, F27C, F28A				
	21B	X01A, X01B, X06A, X06B, X06C	21B	X01A, X01B	08		I02A, I02B, I02C, I02D, I12A, I12B, I12C, I22A, I50Z				
	5v226.1		BOP, KVT, UOP4	5v226.9↔			BOP, KVT, UOP4	09	J02A, J02B, J02C, J04A, J04B, J08A, J08B, J08C, J16Z, J21Z, J22A, J22B		
		01	B03A, B03B, B06A, B06B, B07Z, B17A, B17B, B17C		01		B03A, B03B, B06A, B06B, B07Z, B17A, B17B, B17C	10	K01Z		
		05	F13A, F21A, F21B, F28A		05		F13A, F21A, F21B, F28A	21A	W04A, W04B		
08		I12A, I12B, I12C, I32A, I32B, I32C, I32D, I32E, I32F	08		I12A, I12B, I12C, I32A, I32B, I32C, I32D, I32E, I32F		21B	X01A, X01B			
09		J03A, J03B, J04A, J04B, J08A, J08B, J08C, J16Z, J21Z, J22A, J22B	09		J03A, J03B, J04A, J04B, J08A, J08B, J08C, J16Z, J21Z, J22A, J22B						
21A		W04A, W04B	21A		W04A, W04B						
21B		X01A, X01B	21B		X01A, X01B						

VYK

ZZV	MDC	DRG	ZZV	MDC	DRG	ZZV	MDC	DRG
5v226.f↔		BOP, KVT, UOP4	5v228.g†↔	09	J11A, J11B	5v22a.7↔		BOP, KVT, UOP4
	01	B03A, B03B, B06A, B06B, B07Z, B17A, B17B, B17C	5v228.x†	09	J11A, J11B		01	B03A, B03B, B06A, B06B, B07Z, B17A, B17B, B17C
	05	F13A, F21A, F21B, F27A, F27B, F27C, F28A	5v229.0†	09	J11A, J11B		05	F13A, F21A, F21B, F21C
	08	I02A, I02B, I02C, I02D, I12A, I12B, I12C, I22A, I50Z	5v229.4†	02	C20A, C20B		08	I02A, I02B, I02C, I02D, I22A, I22B, I50Z
	09	J02A, J02B, J02C, J04A, J04B, J08A, J08B, J08C, J16Z, J21Z, J22A, J22B		09	J11A, J11B		09	J02A, J02B, J02C, J04A, J04B, J08A, J08B, J08C, J16Z, J21Z, J22A, J22B
	10	K01Z	5v229.5†	09	J11A, J11B		21A	W04A, W04B
	21A	W04A, W04B	5v229.6†↔	09	J11A, J11B		21B	X01A, X01B, X01C
	21B	X01A, X01B	5v229.7†↔	09	J11A, J11B	5v22a.8↔		BOP, KVT, UOP4
5v226.g↔		BOP, KVT, UOP4	5v229.8†↔	09	J11A, J11B		01	B03A, B03B, B06A, B06B, B07Z, B17A, B17B, B17C
	01	B03A, B03B, B06A, B06B, B07Z, B17A, B17B, B17C	5v229.9†↔	09	J11A, J11B		05	F13A, F21A, F21B, F21C
	05	F13A, F21A, F21B, F27A, F27B, F27C, F28A	5v229.a†	09	J11A, J11B		08	I02A, I02B, I02C, I02D, I22A, I22B, I32A, I32B, I32C, I32D, I32E, I32F, I50Z
	08	I02A, I02B, I02C, I02D, I12A, I12B, I12C, I22A, I50Z	5v229.b†	09	J11A, J11B		09	J02A, J02B, J02C, J04A, J04B, J08A, J08B, J08C, J16Z, J21Z, J22A, J22B
	09	J02A, J02B, J02C, J04A, J04B, J08A, J08B, J08C, J16Z, J21Z, J22A, J22B	5v229.c†	09	J11A, J11B		21A	W04A, W04B
	10	K01Z	5v229.d†	09	J11A, J11B		21B	X01A, X01B, X01C
	21A	W04A, W04B	5v229.e†↔	09	J11A, J11B	5v22a.9↔		BOP, KVT, UOP4
	21B	X01A, X01B	5v229.f†↔	09	J11A, J11B		01	B03A, B03B, B06A, B06B, B07Z, B17A, B17B, B17C
5v226.x↔		BOP, KVT, UOP4	5v229.g†↔	09	J11A, J11B		05	F13A, F21A, F21B, F21C
	01	B03A, B03B, B06A, B06B, B07Z, B17A, B17B, B17C	5v229.x†	09	J11A, J11B		08	I12A, I12B, I12C, I32A, I32B, I32C, I32D, I32E, I32F
	05	F13A, F21A, F21B, F28A	5v22a.0		BOP, KVT, UOP4		09	J02A, J02B, J02C, J04A, J04B, J08A, J08B, J08C, J16Z, J21Z, J22A, J22B
	08	I02A, I02B, I02C, I02D, I12A, I12B, I12C, I22A, I32A, I32B, I32C, I32D, I32E, I32F, I50Z		01	B03A, B03B, B06A, B06B, B07Z, B17A, B17B, B17C		21A	W04A, W04B
	09	J02A, J02B, J02C, J04A, J04B, J08A, J08B, J08C, J16Z, J21Z, J22A, J22B		03	D12A		21B	X01A, X01B, X01C
	21A	W04A, W04B		05	F13A, F21A, F21B, F21C			BOP, KVT, UOP4
	21B	X01A, X01B		09	J02A, J02B, J02C, J04A, J04B, J08A, J08B, J08C, J16Z, J21Z, J22A, J22B		01	B03A, B03B, B06A, B06B, B07Z, B17A, B17B, B17C
5v226.x↔		BOP, KVT, UOP4		21A	W04A, W04B		05	F13A, F21A, F21B, F21C
	01	B03A, B03B, B06A, B06B, B07Z, B17A, B17B, B17C	5v22a.4		X01A, X01B, X01C		08	I12A, I12B, I12C, I32A, I32B, I32C, I32D, I32E, I32F
	05	F13A, F21A, F21B, F28A		01	BOP, KVT, UOP4		09	J02A, J02B, J02C, J04A, J04B, J08A, J08B, J08C, J16Z, J21Z, J22A, J22B
	08	I02A, I02B, I02C, I02D, I12A, I12B, I12C, I22A, I32A, I32B, I32C, I32D, I32E, I32F, I50Z		02	C20A, C20B		21A	W04A, W04B
	09	J02A, J02B, J02C, J04A, J04B, J08A, J08B, J08C, J16Z, J21Z, J22A, J22B		03	D12A		21B	X01A, X01B, X01C
	21A	W04A, W04B		05	F13A, F21A, F21B, F21C	5v22a.a		BOP, KVT, UOP4
	21B	X01A, X01B		08	I02A, I02B, I02C, I02D, I22A, I22B, I50Z		01	B03A, B03B, B06A, B06B, B07Z, B17A, B17B, B17C
5v227.0†	09	J11A, J11B		09	J02A, J02B, J02C, J04A, J04B, J08A, J08B, J08C, J16Z, J21Z, J22A, J22B		05	F13A, F21A, F21B, F21C
5v227.4†	02	C20A, C20B		21A	W04A, W04B		06	G10Z, G12A, G12B
	09	J11A, J11B		21B	X01A, X01B, X01C		08	I02A, I02B, I02C, I02D, I22A, I22B, I50Z
5v227.5†	09	J11A, J11B	5v22a.5		BOP, KVT, UOP4		09	J02A, J02B, J02C, J04A, J04B, J08A, J08B, J08C, J16Z, J21Z, J22A, J22B
5v227.6†↔	09	J11A, J11B		01	B03A, B03B, B06A, B06B, B07Z, B17A, B17B, B17C		21A	W04A, W04B
5v227.7†↔	09	J11A, J11B		03	D12A		21B	X01A, X01B, X01C
5v227.8†↔	09	J11A, J11B		05	F13A, F21A, F21B, F21C	5v22a.b		BOP, KVT, UOP4
5v227.9↔	08	I32A, I32B, I32C, I32D		08	I02A, I02B, I02C, I02D, I22A, I22B, I50Z		01	B03A, B03B, B06A, B06B, B07Z, B17A, B17B, B17C
	09	J11A, J11B		09	J02A, J02B, J02C, J04A, J04B, J08A, J08B, J08C, J16Z, J21Z, J22A, J22B		05	F13A, F21A, F21B, F21C
	21B	X01A, X01B		21A	W04A, W04B		06	G10Z, G12A, G12B
5v227.a†	09	J11A, J11B		21B	X01A, X01B, X01C		08	I02A, I02B, I02C, I02D, I22A, I22B, I50Z
5v227.b†	09	J11A, J11B			BOP, KVT, UOP4		09	J02A, J02B, J02C, J04A, J04B, J08A, J08B, J08C, J16Z, J21Z, J22A, J22B
5v227.c†	09	J11A, J11B	5v22a.6↔		BOP, KVT, UOP4		21A	W04A, W04B
5v227.d†	09	J11A, J11B		01	B03A, B03B, B06A, B06B, B07Z, B17A, B17B, B17C		21B	X01A, X01B, X01C
5v227.e†↔	09	J11A, J11B		05	F13A, F21A, F21B, F21C	5v22a.c		BOP, KVT, UOP4
5v227.f†↔	09	J11A, J11B		08	I02A, I02B, I02C, I02D, I22A, I22B, I50Z		01	B03A, B03B, B06A, B06B, B07Z, B17A, B17B, B17C
5v227.g†↔	09	J11A, J11B		09	J02A, J02B, J02C, J04A, J04B, J08A, J08B, J08C, J16Z, J21Z, J22A, J22B		05	F13A, F21A, F21B, F21C
5v227.x†	09	J11A, J11B		21A	W04A, W04B		06	G10Z, G12A, G12B
5v228.0†	09	J11A, J11B		21B	X01A, X01B, X01C		08	I02A, I02B, I02C, I02D, I22A, I22B, I50Z
5v228.4†	02	C20A, C20B			BOP, KVT, UOP4		09	J02A, J02B, J02C, J04A, J04B, J08A, J08B, J08C, J16Z, J21Z, J22A, J22B
	09	J11A, J11B		01	B03A, B03B, B06A, B06B, B07Z, B17A, B17B, B17C		21A	W04A, W04B
5v228.5†	09	J11A, J11B		05	F13A, F21A, F21B, F21C		21B	X01A, X01B, X01C
5v228.6†↔	09	J11A, J11B		08	I02A, I02B, I02C, I02D, I22A, I22B, I50Z			BOP, KVT, UOP4
5v228.7†↔	09	J11A, J11B		09	J02A, J02B, J02C, J04A, J04B, J08A, J08B, J08C, J16Z, J21Z, J22A, J22B		01	B03A, B03B, B06A, B06B, B07Z, B17A, B17B, B17C
5v228.8†↔	09	J11A, J11B		21A	W04A, W04B		05	F13A, F21A, F21B, F21C
5v228.9†↔	09	J11A, J11B		21B	X01A, X01B, X01C		06	G10Z, G12A, G12B
5v228.a†	09	J11A, J11B			BOP, KVT, UOP4		08	I02A, I02B, I02C, I02D, I22A, I22B, I50Z
5v228.b†	09	J11A, J11B		01	B03A, B03B, B06A, B06B, B07Z, B17A, B17B, B17C		09	J02A, J02B, J02C, J04A, J04B, J08A, J08B, J08C, J16Z, J21Z, J22A, J22B
5v228.c†	09	J11A, J11B		05	F13A, F21A, F21B, F21C		21A	W04A, W04B
5v228.d†	09	J11A, J11B		08	I02A, I02B, I02C, I02D, I22A, I22B, I50Z		21B	X01A, X01B, X01C
5v228.e†↔	09	J11A, J11B		09	J02A, J02B, J02C, J04A, J04B, J08A, J08B, J08C, J16Z, J21Z, J22A, J22B			BOP, KVT, UOP4
5v228.f†↔	09	J11A, J11B		21A	W04A, W04B		01	B03A, B03B, B06A, B06B, B07Z, B17A, B17B, B17C
	09	J11A, J11B		21B	X01A, X01B, X01C		05	F13A, F21A, F21B, F21C

ZZV	MDC	DRG	ZZV	MDC	DRG	ZZV	MDC	DRG
5v22b.g↔		BOP, KVT, UOP4	5v230.4		BOP, KVT, UOP4	5v230.9↔		BOP, KVT, UOP4
	01	B03A, B03B, B06A, B06B, B07Z, B17A, B17B, B17C		01	B03A, B03B, B06A, B06B, B07Z, B17A, B17B, B17C		01	B03A, B03B, B06A, B06B, B07Z, B17A, B17B, B17C
	05	F13A, F21A, F21B		02	C20A, C20B		05	F13A, F21A, F21B, F21C
	08	I02A, I02B, I02C, I02D, I12A, I12B, I12C, I22A, I22B, I50Z		03	D12A, D12B		08	I12A, I12B, I12C, I32A, I32B, I32C, I32D, I32E, I32F
	09	J02A, J02B, J02C, J04A, J04B, J08A, J08B, J08C, J16Z, J21Z, J22A, J22B		05	F13A, F21A, F21B, F21C		09	J03A, J03B, J04A, J04B, J08A, J08B, J08C, J16Z, J21Z, J22A, J22B
	21A	W04A, W04B		08	I02A, I02B, I02C, I02D, I22A, I22B, I50Z		21A	W04A, W04B
	21B	X01A, X01B, X01C		09	J02A, J02B, J02C, J04A, J04B, J08A, J08B, J08C, J16Z, J21Z, J22A, J22B		21B	X01A, X01B, X01C
5v22b.x↔		BOP, KVT, UOP4		21A	W04A, W04B	5v230.a		BOP, KVT, UOP4
	01	B03A, B03B, B06A, B06B, B07Z, B17A, B17B, B17C		21B	X01A, X01B, X01C		01	B03A, B03B, B06A, B06B, B07Z, B17A, B17B, B17C
	05	F13A, F21A, F21B	5v230.5		BOP, KVT, UOP4		05	F13A, F21A, F21B, F21C
	08	I02A, I02B, I02C, I02D, I12A, I12B, I12C, I22A, I22B, I32A, I32B, I32C, I32D, I32E, I32F, I50Z		01	B03A, B03B, B06A, B06B, B07Z, B17A, B17B, B17C		06	G10Z, G12A, G12B
	09	J02A, J02B, J02C, J04A, J04B, J08A, J08B, J08C, J16Z, J21Z, J22A, J22B		03	D12A, D12B		08	I02A, I02B, I02C, I02D, I22A, I22B, I50Z
	21A	W04A, W04B		05	F13A, F21A, F21B, F21C, F27A, F27B, F27C		09	J02A, J02B, J02C, J04A, J04B, J08A, J08B, J08C, J16Z, J21Z, J22A, J22B
	21B	X01A, X01B, X01C		06	G10Z, G12A, G12B		21A	W04A, W04B
5v22c.0‡	09	J11A, J11B		08	I28A, I28B		21B	X01A, X01B, X01C
5v22c.4‡	02	C20A, C20B		09	J02A, J02B, J02C, J04A, J04B, J08A, J08B, J08C, J16Z, J21Z, J22A, J22B	5v230.b		BOP, KVT, UOP4
	09	J11A, J11B		10	K01Z		01	B03A, B03B, B06A, B06B, B07Z, B17A, B17B, B17C
5v22c.5‡	09	J11A, J11B		21A	W04A, W04B		05	F13A, F21A, F21B, F21C
5v22c.6‡↔	09	J11A, J11B		21B	X01A, X01B, X01C		06	G10Z, G12A, G12B
5v22c.7‡↔	09	J11A, J11B	5v230.6↔		BOP, KVT, UOP4		08	I02A, I02B, I02C, I02D, I22A, I22B, I32A, I32B, I32C, I32D, I32E, I32F, I50Z
5v22c.8‡↔	09	J11A, J11B		01	B03A, B03B, B06A, B06B, B07Z, B17A, B17B, B17C		09	J02A, J02B, J02C, J04A, J04B, J08A, J08B, J08C, J16Z, J21Z, J22A, J22B
5v22c.9‡↔	09	J11A, J11B		05	F13A, F21A, F21B, F21C		21A	W04A, W04B
5v22c.a‡	09	J11A, J11B		08	I02A, I02B, I02C, I02D, I22A, I22B, I50Z		21B	X01A, X01B, X01C
5v22c.b‡	09	J11A, J11B		09	J02A, J02B, J02C, J04A, J04B, J08A, J08B, J08C, J16Z, J21Z, J22A, J22B	5v230.c		BOP, KVT, UOP4
5v22c.c‡	09	J11A, J11B		21A	W04A, W04B		01	B03A, B03B, B06A, B06B, B07Z, B17A, B17B, B17C
5v22c.d‡	09	J11A, J11B		21B	X01A, X01B, X01C		05	F13A, F21A, F21B, F21C
5v22c.e‡↔	09	J11A, J11B			BOP, KVT, UOP4		06	G10Z, G12A, G12B
5v22c.f‡↔	09	J11A, J11B		01	B03A, B03B, B06A, B06B, B07Z, B17A, B17B, B17C		08	I02A, I02B, I02C, I02D, I22A, I22B, I50Z
5v22c.g‡↔	09	J11A, J11B	5v230.7↔		BOP, KVT, UOP4		09	J02A, J02B, J02C, J04A, J04B, J08A, J08B, J08C, J16Z, J21Z, J22A, J22B
5v22c.x‡	09	J11A, J11B		01	B03A, B03B, B06A, B06B, B07Z, B17A, B17B, B17C		10	K09A, K09B
5v22d.0‡	09	J11A, J11B		05	F13A, F21A, F21B, F21C		12	M04A, M04B, M04C, M04D, M37Z, M38Z
5v22d.4‡	02	C20A, C20B		08	I02A, I02B, I02C, I02D, I22A, I22B, I50Z		21A	W04A, W04B
	09	J11A, J11B		09	J02A, J02B, J02C, J04A, J04B, J08A, J08B, J08C, J16Z, J21Z, J22A, J22B		21B	X01A, X01B, X01C
5v22d.5‡	09	J11A, J11B		21A	W04A, W04B	5v230.d		BOP, KVT, UOP4
5v22d.6‡↔	09	J11A, J11B		21B	X01A, X01B, X01C		01	B03A, B03B, B06A, B06B, B07Z, B17A, B17B, B17C
5v22d.7‡↔	09	J11A, J11B			BOP, KVT, UOP4		05	F13A, F21A, F21B, F21C
5v22d.8‡↔	09	J11A, J11B		01	B03A, B03B, B06A, B06B, B07Z, B17A, B17B, B17C		06	G10Z, G12A, G12B
5v22d.9‡↔	09	J11A, J11B		05	F13A, F21A, F21B, F21C		08	I02A, I02B, I02C, I02D, I22A, I22B, I50Z
5v22d.a‡	09	J11A, J11B		08	I02A, I02B, I02C, I02D, I22A, I22B, I50Z		09	J02A, J02B, J02C, J04A, J04B, J08A, J08B, J08C, J16Z, J21Z, J22A, J22B
5v22d.b‡	09	J11A, J11B	5v230.8↔		BOP, KVT, UOP4		10	K09A, K09B
5v22d.c‡	09	J11A, J11B		01	B03A, B03B, B06A, B06B, B07Z, B17A, B17B, B17C		12	M04A, M04B, M04C, M04D, M37Z, M38Z
5v22d.d‡	09	J11A, J11B		05	F13A, F21A, F21B, F21C		21A	W04A, W04B
5v22d.e‡↔	09	J11A, J11B		08	I02A, I02B, I02C, I02D, I22A, I22B, I32A, I32B, I32C, I32D, I32E, I32F, I50Z		21B	X01A, X01B, X01C
5v22d.f‡↔	09	J11A, J11B		09	J02A, J02B, J02C, J04A, J04B, J08A, J08B, J08C, J16Z, J21Z, J22A, J22B		01	B03A, B03B, B06A, B06B, B07Z, B17A, B17B, B17C
5v22d.g‡↔	09	J11A, J11B		21A	W04A, W04B		05	F13A, F21A, F21B, F21C
5v22d.x‡	09	J11A, J11B		21B	X01A, X01B, X01C		06	G10Z, G12A, G12B
5v22e‡	09	J11A, J11B			BOP, KVT, UOP4		08	I02A, I02B, I02C, I02D, I22A, I22B, I50Z
5v22x.x‡	09	J11A, J11B		01	B03A, B03B, B06A, B06B, B07Z, B17A, B17B, B17C		09	J02A, J02B, J02C, J04A, J04B, J08A, J08B, J08C, J16Z, J21Z, J22A, J22B
5v230.0		BOP, KVT, UOP4		05	F13A, F21A, F21B, F21C		21A	W04A, W04B
	03	D18Z, D28Z, D29Z		08	I02A, I02B, I02C, I02D, I22A, I22B, I32A, I32B, I32C, I32D, I32E, I32F, I50Z		21B	X01A, X01B, X01C
	05	F13A		09	J02A, J02B, J02C, J04A, J04B, J08A, J08B, J08C, J16Z, J21Z, J22A, J22B		01	B03A, B03B, B06A, B06B, B07Z, B17A, B17B, B17C
	09	J03A, J03B, J04A, J04B, J08A, J08B, J08C, J11A, J11B, J11C, J16Z		21A	W04A, W04B		05	F13A, F21A, F21B, F21C
	21A	W04A, W04B		21B	X01A, X01B, X01C		06	G10Z, G12A, G12B
	21B	X06A, X06B, X06C			BOP, KVT, UOP4		08	I02A, I02B, I02C, I02D, I22A, I22B, I50Z

ZZV	MDC	DRG	ZZV	MDC	DRG	ZZV	MDC	DRG			
5v230.e↔		BOP, KVT, UOP4	5v231.4		BOP, KVT, UOP4	5v231.9↔		BOP, KVT, UOP4			
	01	B03A, B03B, B06A, B06B, B07Z, B17A, B17B, B17C		01	B03A, B03B, B06A, B06B, B07Z, B17A, B17B, B17C		01	B03A, B03B, B06A, B06B, B07Z, B17A, B17B, B17C			
	05	F13A, F21A, F21B, F21C, F27A, F27B, F27C		02	C20A, C20B		05	F13A, F21A, F21B			
	08	I02A, I02B, I02C, I02D, I22A, I22B, I50Z		03	D12A, D12B		08	I12A, I12B, I12C, I32A, I32B, I32C, I32D, I32E, I32F			
	09	J02A, J02B, J02C, J04A, J04B, J08A, J08B, J08C, J16Z, J21Z, J22A, J22B		05	F13A, F21A, F21B		09	J03A, J03B, J04A, J04B, J08A, J08B, J08C, J16Z, J21Z, J22A, J22B			
	10	K01Z		08	I02A, I02B, I02C, I02D, I22A, I22B, I50Z		21A	W04A, W04B			
	21A	W04A, W04B		09	J02A, J02B, J02C, J04A, J04B, J08A, J08B, J08C, J16Z, J21Z, J22A, J22B		21B	X01A, X01B, X01C			
	21B	X01A, X01B, X01C		21A	W04A, W04B		5v231.a	BOP, KVT, UOP4			
	5v230.f↔			BOP, KVT, UOP4	5v231.5			BOP, KVT, UOP4	5v231.a	01	B03A, B03B, B06A, B06B, B07Z, B17A, B17B, B17C
		01		B03A, B03B, B06A, B06B, B07Z, B17A, B17B, B17C			01	B03A, B03B, B06A, B06B, B07Z, B17A, B17B, B17C		05	F13A, F21A, F21B
05		F13A, F21A, F21B, F21C, F27A, F27B, F27C	03	D12A, D12B		06	G10Z, G12A, G12B				
08		I02A, I02B, I02C, I02D, I22A, I22B, I50Z	05	F13A, F21A, F21B, F27A, F27B, F27C		08	I02A, I02B, I02C, I02D, I22A, I22B, I50Z				
09		J02A, J02B, J02C, J04A, J04B, J08A, J08B, J08C, J16Z, J21Z, J22A, J22B	06	G10Z, G12A, G12B		09	J02A, J02B, J02C, J04A, J04B, J08A, J08B, J08C, J16Z, J21Z, J22A, J22B				
10		K01Z	08	I28A, I28B		21A	W04A, W04B				
21A		W04A, W04B	09	J02A, J02B, J02C, J04A, J04B, J08A, J08B, J08C, J16Z, J21Z, J22A, J22B		21B	X01A, X01B, X01C				
21B		X01A, X01B, X01C	10	K01Z		5v231.b	BOP, KVT, UOP4				
5v230.g↔			BOP, KVT, UOP4	5v231.6↔			BOP, KVT, UOP4	5v231.c		01	B03A, B03B, B06A, B06B, B07Z, B17A, B17B, B17C
		01	B03A, B03B, B06A, B06B, B07Z, B17A, B17B, B17C			01	B03A, B03B, B06A, B06B, B07Z, B17A, B17B, B17C			05	F13A, F21A, F21B
	05	F13A, F21A, F21B, F21C, F27A, F27B, F27C	05		F13A, F21A, F21B	06	G10Z, G12A, G12B				
	08	I02A, I02B, I02C, I02D, I12A, I12B, I12C, I22A, I22B, I50Z	08		I02A, I02B, I02C, I02D, I22A, I22B, I50Z	08	I02A, I02B, I02C, I02D, I22A, I22B, I32A, I32B, I32C, I32D, I32E, I32F, I50Z				
	09	J02A, J02B, J02C, J04A, J04B, J08A, J08B, J08C, J16Z, J21Z, J22A, J22B	08		I02A, I02B, I02C, I02D, I22A, I22B, I50Z	09	J02A, J02B, J02C, J04A, J04B, J08A, J08B, J08C, J16Z, J21Z, J22A, J22B				
	10	K01Z	09		J02A, J02B, J02C, J04A, J04B, J08A, J08B, J08C, J16Z, J21Z, J22A, J22B	21A	W04A, W04B				
	21A	W04A, W04B	21A		W04A, W04B	21B	X01A, X01B, X01C				
	21B	X01A, X01B, X01C	21B		X01A, X01B, X01C	5v231.c	BOP, KVT, UOP4				
	5v230.x↔		BOP, KVT, UOP4		5v231.7↔		BOP, KVT, UOP4		5v231.c	01	B03A, B03B, B06A, B06B, B07Z, B17A, B17B, B17C
		01	B03A, B03B, B06A, B06B, B07Z, B17A, B17B, B17C			01	B03A, B03B, B06A, B06B, B07Z, B17A, B17B, B17C			05	F13A, F21A, F21B
05		F13A, F21A, F21B, F21C	05	F13A, F21A, F21B		06	G10Z, G12A, G12B				
08		I02A, I02B, I02C, I02D, I22A, I22B, I32A, I32B, I32C, I32D, I32E, I32F, I50Z	08	I02A, I02B, I02C, I02D, I22A, I22B, I50Z		08	I02A, I02B, I02C, I02D, I22A, I22B, I50Z				
09		J02A, J02B, J02C, J04A, J04B, J08A, J08B, J08C, J16Z, J21Z, J22A, J22B	08	I02A, I02B, I02C, I02D, I22A, I22B, I50Z		09	J02A, J02B, J02C, J04A, J04B, J08A, J08B, J08C, J16Z, J21Z, J22A, J22B				
21A		W04A, W04B	09	J02A, J02B, J02C, J04A, J04B, J08A, J08B, J08C, J16Z, J21Z, J22A, J22B		10	K09A, K09B				
21B		X01A, X01B, X01C	21A	W04A, W04B		12	M04A, M04B, M04C, M04D, M37Z, M38Z				
5v231.0			BOP, KVT, UOP4	5v231.8↔			BOP, KVT, UOP4	5v231.d		21A	W04A, W04B
		03	D18Z, D28Z, D29Z			01	B03A, B03B, B06A, B06B, B07Z, B17A, B17B, B17C			21B	X01A, X01B, X01C
		05	F13A			05	F13A, F21A, F21B			5v231.d	BOP, KVT, UOP4
	09	J03A, J03B, J04A, J04B, J08A, J08B, J08C, J11A, J11B, J16Z	08		I02A, I02B, I02C, I02D, I22A, I22B, I32A, I32B, I32C, I32D, I32E, I32F, I50Z	01	B03A, B03B, B06A, B06B, B07Z, B17A, B17B, B17C				
	21A	W04A, W04B	08		I02A, I02B, I02C, I02D, I22A, I22B, I50Z	05	F13A, F21A, F21B				
	21B	X06A, X06B, X06C	09		J02A, J02B, J02C, J04A, J04B, J08A, J08B, J08C, J16Z, J21Z, J22A, J22B	06	G10Z, G12A, G12B				
	5v231.0		BOP, KVT, UOP4		5v231.8↔		BOP, KVT, UOP4		5v231.d	08	I02A, I02B, I02C, I02D, I22A, I22B, I50Z
		03	D18Z, D28Z, D29Z			01	B03A, B03B, B06A, B06B, B07Z, B17A, B17B, B17C			08	I02A, I02B, I02C, I02D, I22A, I22B, I50Z
		05	F13A			05	F13A, F21A, F21B			09	J02A, J02B, J02C, J04A, J04B, J08A, J08B, J08C, J16Z, J21Z, J22A, J22B
		09	J03A, J03B, J04A, J04B, J08A, J08B, J08C, J11A, J11B, J16Z			08	I02A, I02B, I02C, I02D, I22A, I22B, I32A, I32B, I32C, I32D, I32E, I32F, I50Z			21A	W04A, W04B
21A		W04A, W04B	09	J02A, J02B, J02C, J04A, J04B, J08A, J08B, J08C, J16Z, J21Z, J22A, J22B		21B	X01A, X01B, X01C				
21B		X06A, X06B, X06C	21A	W04A, W04B		21A	W04A, W04B				
5v231.0			BOP, KVT, UOP4	5v231.8↔			BOP, KVT, UOP4	5v231.d		21B	X01A, X01B, X01C
		03	D18Z, D28Z, D29Z			01	B03A, B03B, B06A, B06B, B07Z, B17A, B17B, B17C			01	B03A, B03B, B06A, B06B, B07Z, B17A, B17B, B17C
		05	F13A			05	F13A, F21A, F21B			05	F13A, F21A, F21B
		09	J03A, J03B, J04A, J04B, J08A, J08B, J08C, J11A, J11B, J16Z			08	I02A, I02B, I02C, I02D, I22A, I22B, I32A, I32B, I32C, I32D, I32E, I32F, I50Z			06	G10Z, G12A, G12B
	21A	W04A, W04B	09		J02A, J02B, J02C, J04A, J04B, J08A, J08B, J08C, J16Z, J21Z, J22A, J22B	08	I02A, I02B, I02C, I02D, I22A, I22B, I50Z				
	21B	X06A, X06B, X06C	21A		W04A, W04B	09	J02A, J02B, J02C, J04A, J04B, J08A, J08B, J08C, J16Z, J21Z, J22A, J22B				
	5v231.0		BOP, KVT, UOP4		5v231.8↔		BOP, KVT, UOP4		5v231.d	21A	W04A, W04B
		03	D18Z, D28Z, D29Z			01	B03A, B03B, B06A, B06B, B07Z, B17A, B17B, B17C			21B	X01A, X01B, X01C
		05	F13A			05	F13A, F21A, F21B			5v231.d	BOP, KVT, UOP4
		09	J03A, J03B, J04A, J04B, J08A, J08B, J08C, J11A, J11B, J16Z			08	I02A, I02B, I02C, I02D, I22A, I22B, I32A, I32B, I32C, I32D, I32E, I32F, I50Z			01	B03A, B03B, B06A, B06B, B07Z, B17A, B17B, B17C
21A		W04A, W04B	09	J02A, J02B, J02C, J04A, J04B, J08A, J08B, J08C, J16Z, J21Z, J22A, J22B		05	F13A, F21A, F21B				
21B		X06A, X06B, X06C	21A	W04A, W04B		06	G10Z, G12A, G12B				
5v231.0			BOP, KVT, UOP4	5v231.8↔			BOP, KVT, UOP4	5v231.d		08	I02A, I02B, I02C, I02D, I22A, I22B, I50Z
		03	D18Z, D28Z, D29Z			01	B03A, B03B, B06A, B06B, B07Z, B17A, B17B, B17C			08	I02A, I02B, I02C, I02D, I22A, I22B, I50Z
		05	F13A			05	F13A, F21A, F21B			09	J02A, J02B, J02C, J04A, J04B, J08A, J08B, J08C, J16Z, J21Z, J22A, J22B
		09	J03A, J03B, J04A, J04B, J08A, J08B, J08C, J11A, J11B, J16Z			08	I02A, I02B, I02C, I02D, I22A, I22B, I32A, I32B, I32C, I32D, I32E, I32F, I50Z			21A	W04A, W04B
	21A	W04A, W04B	09		J02A, J02B, J02C, J04A, J04B, J08A, J08B, J08C, J16Z, J21Z, J22A, J22B	21B	X01A, X01B, X01C				
	21B	X06A, X06B, X06C	21A		W04A, W04B	21A	W04A, W04B				

ZZV	MDC	DRG	ZZV	MDC	DRG	ZZV	MDC	DRG			
5v231.e↔		BOP, KVT, UOP4	5v232.4		BOP, KVT, UOP4	5v232.9↔		BOP, KVT, UOP4			
	01	B03A, B03B, B06A, B06B, B07Z, B17A, B17B, B17C		01	B03A, B03B, B06A, B06B, B07Z, B17A, B17B, B17C		01	B03A, B03B, B06A, B06B, B07Z, B17A, B17B, B17C			
	05	F13A, F21A, F21B, F27A, F27B, F27C		02	C20A, C20B		05	F13A, F21A, F21B			
	08	I02A, I02B, I02C, I02D, I22A, I22B, I50Z		03	D12A, D12B		08	I12A, I12B, I12C, I32A, I32B, I32C, I32D, I32E, I32F			
	09	J02A, J02B, J02C, J04A, J04B, J08A, J08B, J08C, J16Z, J21Z, J22A, J22B		05	F13A, F21A, F21B		09	J03A, J03B, J04A, J04B, J08A, J08B, J08C, J16Z, J21Z, J22A, J22B			
	10	K01Z		08	I02A, I02B, I02C, I02D, I22A, I22B, I50Z		21A	W04A, W04B			
	21A	W04A, W04B		09	J02A, J02B, J02C, J04A, J04B, J08A, J08B, J08C, J16Z, J21Z, J22A, J22B		21B	X01A, X01B, X01C			
	21B	X01A, X01B, X01C		21A	W04A, W04B		5v232.a	BOP, KVT, UOP4			
		BOP, KVT, UOP4		21B	X01A, X01B, X01C			01	B03A, B03B, B06A, B06B, B07Z, B17A, B17B, B17C		
	5v231.f↔			BOP, KVT, UOP4	5v232.5			BOP, KVT, UOP4	5v232.b		BOP, KVT, UOP4
		01		B03A, B03B, B06A, B06B, B07Z, B17A, B17B, B17C			01	B03A, B03B, B06A, B06B, B07Z, B17A, B17B, B17C		05	F13A, F21A, F21B
05		F13A, F21A, F21B, F27A, F27B, F27C	03	D12A, D12B		06	G10Z, G12A, G12B				
08		I02A, I02B, I02C, I02D, I22A, I22B, I50Z	05	F13A, F21A, F21B, F27A, F27B, F27C		08	I02A, I02B, I02C, I02D, I22A, I22B, I50Z				
09		J02A, J02B, J02C, J04A, J04B, J08A, J08B, J08C, J16Z, J21Z, J22A, J22B	06	G10Z, G12A, G12B		09	J02A, J02B, J02C, J04A, J04B, J08A, J08B, J08C, J16Z, J21Z, J22A, J22B				
10		K01Z	08	I28A, I28B		21A	W04A, W04B				
21A		W04A, W04B	09	J02A, J02B, J02C, J04A, J04B, J08A, J08B, J08C, J16Z, J21Z, J22A, J22B		21B	X01A, X01B, X01C				
21B		X01A, X01B, X01C	10	K01Z		5v232.c	BOP, KVT, UOP4				
		BOP, KVT, UOP4	21A	W04A, W04B			01	B03A, B03B, B06A, B06B, B07Z, B17A, B17B, B17C			
5v231.g↔			BOP, KVT, UOP4	5v232.6↔			BOP, KVT, UOP4	5v232.c			BOP, KVT, UOP4
		01	B03A, B03B, B06A, B06B, B07Z, B17A, B17B, B17C			01	B03A, B03B, B06A, B06B, B07Z, B17A, B17B, B17C			05	F13A, F21A, F21B
	05	F13A, F21A, F21B, F27A, F27B, F27C	05		F13A, F21A, F21B	06	G10Z, G12A, G12B				
	08	I02A, I02B, I02C, I02D, I12A, I12B, I12C, I22A, I22B, I50Z	08		I02A, I02B, I02C, I02D, I22A, I22B, I50Z	08	I02A, I02B, I02C, I02D, I22A, I22B, I32A, I32B, I32C, I32D, I32E, I32F, I50Z				
	09	J02A, J02B, J02C, J04A, J04B, J08A, J08B, J08C, J16Z, J21Z, J22A, J22B	08		I02A, I02B, I02C, I02D, I22A, I22B, I50Z	09	J02A, J02B, J02C, J04A, J04B, J08A, J08B, J08C, J16Z, J21Z, J22A, J22B				
	10	K01Z	09		J02A, J02B, J02C, J04A, J04B, J08A, J08B, J08C, J16Z, J21Z, J22A, J22B	21A	W04A, W04B				
	21A	W04A, W04B	21A		W04A, W04B	21B	X01A, X01B, X01C				
	21B	X01A, X01B, X01C	21B		X01A, X01B, X01C	5v232.d	BOP, KVT, UOP4				
		BOP, KVT, UOP4			BOP, KVT, UOP4		01		B03A, B03B, B06A, B06B, B07Z, B17A, B17B, B17C		
	5v231.x↔		BOP, KVT, UOP4		5v232.7↔		BOP, KVT, UOP4		5v232.d		BOP, KVT, UOP4
		01	B03A, B03B, B06A, B06B, B07Z, B17A, B17B, B17C			01	B03A, B03B, B06A, B06B, B07Z, B17A, B17B, B17C			05	F13A, F21A, F21B
05		F13A, F21A, F21B	05	F13A, F21A, F21B		06	G10Z, G12A, G12B				
08		I02A, I02B, I02C, I02D, I22A, I22B, I32A, I32B, I32C, I32D, I32E, I32F, I50Z	08	I02A, I02B, I02C, I02D, I22A, I22B, I50Z		08	I02A, I02B, I02C, I02D, I22A, I22B, I50Z				
09		J02A, J02B, J02C, J04A, J04B, J08A, J08B, J08C, J16Z, J21Z, J22A, J22B	08	I02A, I02B, I02C, I02D, I22A, I22B, I50Z		09	J02A, J02B, J02C, J04A, J04B, J08A, J08B, J08C, J16Z, J21Z, J22A, J22B				
10		K01Z	09	J02A, J02B, J02C, J04A, J04B, J08A, J08B, J08C, J16Z, J21Z, J22A, J22B		10	K09A, K09B				
21A		W04A, W04B	21A	W04A, W04B		12	M04A, M04B, M04C, M04D, M37Z, M38Z				
21B		X01A, X01B, X01C	21B	X01A, X01B, X01C		21A	W04A, W04B				
		BOP, KVT, UOP4	5v232.8↔	BOP, KVT, UOP4		21B	X01A, X01B, X01C				
		BOP, KVT, UOP4		01		B03A, B03B, B06A, B06B, B07Z, B17A, B17B, B17C		BOP, KVT, UOP4			
5v232.0			BOP, KVT, UOP4	5v232.8↔			BOP, KVT, UOP4	5v232.d			BOP, KVT, UOP4
	03	D18Z, D28Z, D29Z	05		F13A, F21A, F21B	01	B03A, B03B, B06A, B06B, B07Z, B17A, B17B, B17C				
	05	F13A	08		I02A, I02B, I02C, I02D, I22A, I22B, I32A, I32B, I32C, I32D, I32E, I32F, I50Z	05	F13A, F21A, F21B				
	09	J03A, J03B, J04A, J04B, J08A, J08B, J08C, J11A, J11B, J16Z	08		I02A, I02B, I02C, I02D, I22A, I22B, I32A, I32B, I32C, I32D, I32E, I32F, I50Z	06	G10Z, G12A, G12B				
	21A	W04A, W04B	09		J02A, J02B, J02C, J04A, J04B, J08A, J08B, J08C, J16Z, J21Z, J22A, J22B	08	I02A, I02B, I02C, I02D, I22A, I22B, I50Z				
	21B	X06A, X06B, X06C	21A		W04A, W04B	09	J02A, J02B, J02C, J04A, J04B, J08A, J08B, J08C, J16Z, J21Z, J22A, J22B				
		BOP, KVT, UOP4	21B		X01A, X01B, X01C	21A	W04A, W04B				
	BOP, KVT, UOP4		BOP, KVT, UOP4	21B	X01A, X01B, X01C						

VYK

ZZV	MDC	DRG	ZZV	MDC	DRG	ZZV	MDC	DRG			
5v232.e↔		BOP, KVT, UOP4	5v233.4		BOP, KVT, UOP4	5v233.a		BOP, KVT, UOP4			
	01	B03A, B03B, B06A, B06B, B07Z, B17A, B17B, B17C		01	B03A, B03B, B06A, B06B, B07Z, B17A, B17B, B17C		01	B03A, B03B, B06A, B06B, B07Z, B17A, B17B, B17C			
	05	F13A, F21A, F21B, F27A, F27B, F27C		02	C20A, C20B		05	F13A, F21A, F21B, F21C			
	08	I02A, I02B, I02C, I02D, I22A, I22B, I50Z		03	D12A, D12B		06	G10Z, G12A, G12B			
	09	J02A, J02B, J02C, J04A, J04B, J08A, J08B, J08C, J16Z, J21Z, J22A, J22B		05	F13A, F21A, F21B, F21C		08	I02A, I02B, I02C, I02D, I22A, I22B, I50Z			
	10	K01Z		08	I02A, I02B, I02C, I02D, I22A, I22B, I50Z		09	J02A, J02B, J02C, J04A, J04B, J08A, J08B, J08C, J16Z, J21Z, J22A, J22B			
	21A	W04A, W04B		09	J02A, J02B, J02C, J04A, J04B, J08A, J08B, J08C, J16Z, J21Z, J22A, J22B		21A	W04A, W04B			
	21B	X01A, X01B, X01C		21A	W04A, W04B		21B	X01A, X01B, X01C			
	5v232.f↔			BOP, KVT, UOP4	5v233.5			BOP, KVT, UOP4	5v233.b		BOP, KVT, UOP4
		01		B03A, B03B, B06A, B06B, B07Z, B17A, B17B, B17C			01	B03A, B03B, B06A, B06B, B07Z, B17A, B17B, B17C		01	B03A, B03B, B06A, B06B, B07Z, B17A, B17B, B17C
05		F13A, F21A, F21B, F27A, F27B, F27C	03	D12A, D12B		05	F13A, F21A, F21B, F21C				
08		I02A, I02B, I02C, I02D, I22A, I22B, I50Z	05	F13A, F21A, F21B, F21C		06	G10Z, G12A, G12B				
09		J02A, J02B, J02C, J04A, J04B, J08A, J08B, J08C, J16Z, J21Z, J22A, J22B	08	I02A, I02B, I02C, I02D, I22A, I22B, I50Z		08	I02A, I02B, I02C, I02D, I22A, I22B, I50Z				
10		K01Z	09	J02A, J02B, J02C, J04A, J04B, J08A, J08B, J08C, J16Z, J21Z, J22A, J22B		09	J02A, J02B, J02C, J04A, J04B, J08A, J08B, J08C, J16Z, J21Z, J22A, J22B				
21A		W04A, W04B	21A	W04A, W04B		21A	W04A, W04B				
21B		X01A, X01B, X01C	21B	X01A, X01B, X01C		21B	X01A, X01B, X01C				
5v232.g↔			BOP, KVT, UOP4	5v233.6↔			BOP, KVT, UOP4	5v233.c			BOP, KVT, UOP4
		01	B03A, B03B, B06A, B06B, B07Z, B17A, B17B, B17C			01	B03A, B03B, B06A, B06B, B07Z, B17A, B17B, B17C			01	B03A, B03B, B06A, B06B, B07Z, B17A, B17B, B17C
	05	F13A, F21A, F21B, F27A, F27B, F27C	05		F13A, F21A, F21B, F21C	05	F13A, F21A, F21B, F21C				
	08	I02A, I02B, I02C, I02D, I12A, I12B, I12C, I22A, I22B, I50Z	08		I02A, I02B, I02C, I02D, I22A, I22B, I50Z	06	G10Z, G12A, G12B				
	09	J02A, J02B, J02C, J04A, J04B, J08A, J08B, J08C, J16Z, J21Z, J22A, J22B	09		J02A, J02B, J02C, J04A, J04B, J08A, J08B, J08C, J16Z, J21Z, J22A, J22B	08	I02A, I02B, I02C, I02D, I22A, I22B, I50Z				
	10	K01Z	21A		W04A, W04B	09	J02A, J02B, J02C, J04A, J04B, J08A, J08B, J08C, J16Z, J21Z, J22A, J22B				
	21A	W04A, W04B	21B		X01A, X01B, X01C	21A	W04A, W04B				
	21B	X01A, X01B, X01C	5v233.7↔			21B	X01A, X01B, X01C				
	5v232.x↔		BOP, KVT, UOP4		5v233.7↔		BOP, KVT, UOP4		5v233.d		BOP, KVT, UOP4
		01	B03A, B03B, B06A, B06B, B07Z, B17A, B17B, B17C			01	B03A, B03B, B06A, B06B, B07Z, B17A, B17B, B17C			01	B03A, B03B, B06A, B06B, B07Z, B17A, B17B, B17C
05		F13A, F21A, F21B	05	F13A, F21A, F21B, F21C		05	F13A, F21A, F21B, F21C				
08		I02A, I02B, I02C, I02D, I22A, I22B, I32A, I32B, I32C, I32D, I32E, I32F, I50Z	08	I02A, I02B, I02C, I02D, I22A, I22B, I50Z		06	G10Z, G12A, G12B				
09		J02A, J02B, J02C, J04A, J04B, J08A, J08B, J08C, J16Z, J21Z, J22A, J22B	09	J02A, J02B, J02C, J04A, J04B, J08A, J08B, J08C, J16Z, J21Z, J22A, J22B		08	I02A, I02B, I02C, I02D, I22A, I22B, I50Z				
21A		W04A, W04B	21A	W04A, W04B		09	J02A, J02B, J02C, J04A, J04B, J08A, J08B, J08C, J16Z, J21Z, J22A, J22B				
21B		X01A, X01B, X01C	21B	X01A, X01B, X01C		21A	W04A, W04B				
5v233.0			BOP, KVT, UOP4	5v233.8↔			BOP, KVT, UOP4	5v233.e↔			BOP, KVT, UOP4
		03	D18Z, D28Z, D29Z			01	B03A, B03B, B06A, B06B, B07Z, B17A, B17B, B17C			01	B03A, B03B, B06A, B06B, B07Z, B17A, B17B, B17C
		05	F13A			05	F13A, F21A, F21B, F21C			05	F13A, F21A, F21B, F21C
	09	J03A, J03B, J04A, J04B, J08A, J08B, J08C, J11A, J11B, J16Z	08		I02A, I02B, I02C, I02D, I22A, I22B, I32A, I32B, I32C, I32D, I32E, I32F, I50Z	08	I02A, I02B, I02C, I02D, I22A, I22B, I50Z				
	21A	W04A, W04B	09		J02A, J02B, J02C, J04A, J04B, J08A, J08B, J08C, J16Z, J21Z, J22A, J22B	08	I02A, I02B, I02C, I02D, I22A, I22B, I50Z				
	21B	X06A, X06B, X06C	21A		W04A, W04B	09	J02A, J02B, J02C, J04A, J04B, J08A, J08B, J08C, J16Z, J21Z, J22A, J22B				
	5v233.9↔		BOP, KVT, UOP4		5v233.9↔		BOP, KVT, UOP4		5v233.e↔		BOP, KVT, UOP4
		01	B03A, B03B, B06A, B06B, B07Z, B17A, B17B, B17C			01	B03A, B03B, B06A, B06B, B07Z, B17A, B17B, B17C			01	B03A, B03B, B06A, B06B, B07Z, B17A, B17B, B17C
		05	F13A, F21A, F21B, F21C			05	F13A, F21A, F21B, F21C			05	F13A, F21A, F21B, F21C, F27A, F27B, F27C
		08	I12A, I12B, I12C, I32A, I32B, I32C, I32D, I32E, I32F			08	I12A, I12B, I12C, I32A, I32B, I32C, I32D, I32E, I32F			08	I02A, I02B, I02C, I02D, I22A, I22B, I50Z
09		J02A, J02B, J02C, J03A, J03B, J04A, J04B, J08A, J08B, J08C, J16Z, J21Z, J22A, J22B	09	J02A, J02B, J02C, J03A, J03B, J04A, J04B, J08A, J08B, J08C, J16Z, J21Z, J22A, J22B		09	J02A, J02B, J02C, J04A, J04B, J08A, J08B, J08C, J16Z, J21Z, J22A, J22B				
21A		W04A, W04B	21A	W04A, W04B		10	K01Z				
21B		X01A, X01B, X01C	21B	X01A, X01B, X01C		21A	W04A, W04B				
			21B	X01A, X01B, X01C		21B	X01A, X01B, X01C				

ZZV	MDC	DRG	ZZV	MDC	DRG	ZZV	MDC	DRG			
5v233.f↔		BOP, KVT, UOP4	5v234.5		BOP, KVT, UOP4	5v234.b		BOP, KVT, UOP4			
	01	B03A, B03B, B06A, B06B, B07Z, B17A, B17B, B17C		01	B03A, B03B, B06A, B06B, B07Z, B17A, B17B, B17C		01	B03A, B03B, B06A, B06B, B07Z, B17A, B17B, B17C			
	05	F13A, F21A, F21B, F21C, F27A, F27B, F27C		03	D12A, D12B		05	F13A, F21A, F21B, F21C			
	08	I02A, I02B, I02C, I02D, I22A, I22B, I50Z		05	F13A, F21A, F21B, F21C, F27A, F27B, F27C		06	G10Z, G12A, G12B			
	09	J02A, J02B, J02C, J04A, J04B, J08A, J08B, J08C, J16Z, J21Z, J22A, J22B		06	G10Z, G12A, G12B		08	I02A, I02B, I02C, I02D, I22A, I22B, I50Z			
	10	K01Z		08	I28A, I28B		09	J02A, J02B, J02C, J04A, J04B, J08A, J08B, J08C, J16Z, J21Z, J22A, J22B			
	21A	W04A, W04B		09	J02A, J02B, J02C, J04A, J04B, J08A, J08B, J08C, J16Z, J21Z, J22A, J22B		21A	W04A, W04B			
	21B	X01A, X01B, X01C		10	K01Z		21B	X01A, X01B, X01C			
	5v233.g↔			BOP, KVT, UOP4	5v234.6↔			BOP, KVT, UOP4	5v234.c		BOP, KVT, UOP4
		01		B03A, B03B, B06A, B06B, B07Z, B17A, B17B, B17C			01	B03A, B03B, B06A, B06B, B07Z, B17A, B17B, B17C		01	B03A, B03B, B06A, B06B, B07Z, B17A, B17B, B17C
		05		F13A, F21A, F21B, F21C, F27A, F27B, F27C			05	F13A, F21A, F21B, F21C		05	F13A, F21A, F21B, F21C
08		I02A, I02B, I02C, I02D, I12A, I12B, I12C, I22A, I22B, I50Z	05	F13A, F21A, F21B, F21C		06	G10Z, G12A, G12B				
09		J02A, J02B, J02C, J04A, J04B, J08A, J08B, J08C, J16Z, J21Z, J22A, J22B	08	I02A, I02B, I02C, I02D, I22A, I22B, I50Z		08	I02A, I02B, I02C, I02D, I22A, I22B, I50Z				
10		K01Z	09	J02A, J02B, J02C, J04A, J04B, J08A, J08B, J08C, J16Z, J21Z, J22A, J22B		09	J02A, J02B, J02C, J04A, J04B, J08A, J08B, J08C, J16Z, J21Z, J22A, J22B				
21A		W04A, W04B	21A	W04A, W04B		10	K09A, K09B				
21B		X01A, X01B, X01C	21B	X01A, X01B, X01C		12	M04A, M04B, M04C, M04D, M37Z, M38Z				
5v233.x↔			BOP, KVT, UOP4	5v234.7↔			BOP, KVT, UOP4	5v234.d			BOP, KVT, UOP4
		01	B03A, B03B, B06A, B06B, B07Z, B17A, B17B, B17C			01	B03A, B03B, B06A, B06B, B07Z, B17A, B17B, B17C			21A	W04A, W04B
		05	F13A, F21A, F21B, F21C			05	F13A, F21A, F21B, F21C			21B	X01A, X01B, X01C
	08	I02A, I02B, I02C, I02D, I22A, I22B, I32A, I32B, I32C, I32D, I32E, I32F, I50Z	08		I02A, I02B, I02C, I02D, I22A, I22B, I50Z	01	B03A, B03B, B06A, B06B, B07Z, B17A, B17B, B17C				
	09	J02A, J02B, J02C, J04A, J04B, J08A, J08B, J08C, J16Z, J21Z, J22A, J22B	09		J02A, J02B, J02C, J04A, J04B, J08A, J08B, J08C, J16Z, J21Z, J22A, J22B	05	F13A, F21A, F21B, F21C				
	21A	W04A, W04B	21A		W04A, W04B	06	G10Z, G12A, G12B				
	21B	X01A, X01B, X01C	21B		X01A, X01B, X01C	08	I02A, I02B, I02C, I02D, I22A, I22B, I50Z				
	5v234.0		BOP, KVT, UOP4		5v234.8↔		BOP, KVT, UOP4		5v234.e↔		BOP, KVT, UOP4
		03	D18Z, D28Z, D29Z			01	B03A, B03B, B06A, B06B, B07Z, B17A, B17B, B17C			01	B03A, B03B, B06A, B06B, B07Z, B17A, B17B, B17C
		05	F13A			05	F13A, F21A, F21B, F21C			05	F13A, F21A, F21B, F21C, F27A, F27B, F27C
		09	J03A, J03B, J04A, J04B, J08A, J08B, J08C, J11A, J11B, J16Z			08	I02A, I02B, I02C, I02D, I22A, I22B, I32A, I32B, I32C, I32D, I32E, I32F, I50Z			08	I02A, I02B, I02C, I02D, I22A, I22B, I50Z
21A		W04A, W04B	09	J02A, J02B, J02C, J04A, J04B, J08A, J08B, J08C, J16Z, J21Z, J22A, J22B		09	J02A, J02B, J02C, J04A, J04B, J08A, J08B, J08C, J16Z, J21Z, J22A, J22B				
21B		X06A, X06B, X06C	21A	W04A, W04B		21A	W04A, W04B				
5v234.4			BOP, KVT, UOP4	5v234.9↔			BOP, KVT, UOP4	5v234.f↔			BOP, KVT, UOP4
		01	B03A, B03B, B06A, B06B, B07Z, B17A, B17B, B17C			01	B03A, B03B, B06A, B06B, B07Z, B17A, B17B, B17C			01	B03A, B03B, B06A, B06B, B07Z, B17A, B17B, B17C
		02	C20A, C20B			05	F13A, F21A, F21B, F21C			05	F13A, F21A, F21B, F21C, F27A, F27B, F27C
		03	D12A, D12B			08	I12A, I12B, I12C, I32A, I32B, I32C, I32D, I32E, I32F			08	I02A, I02B, I02C, I02D, I22A, I22B, I50Z
		05	F13A, F21A, F21B, F21C			09	J03A, J03B, J04A, J04B, J08A, J08B, J08C, J16Z, J21Z, J22A, J22B			09	J02A, J02B, J02C, J04A, J04B, J08A, J08B, J08C, J16Z, J21Z, J22A, J22B
	08	I02A, I02B, I02C, I02D, I22A, I22B, I50Z	21A		W04A, W04B	10	K01Z				
	09	J02A, J02B, J02C, J04A, J04B, J08A, J08B, J08C, J16Z, J21Z, J22A, J22B	21B		X01A, X01B, X01C	21A	W04A, W04B				
	21A	W04A, W04B	5v234.a			BOP, KVT, UOP4	21B		X01A, X01B, X01C		
	21B	X01A, X01B, X01C			01	B03A, B03B, B06A, B06B, B07Z, B17A, B17B, B17C	09		J02A, J02B, J02C, J04A, J04B, J08A, J08B, J08C, J16Z, J21Z, J22A, J22B		
					05	F13A, F21A, F21B, F21C	10		K01Z		
					06	G10Z, G12A, G12B	21A		W04A, W04B		
		08	I02A, I02B, I02C, I02D, I22A, I22B, I50Z	21B	X01A, X01B, X01C						
		09	J02A, J02B, J02C, J04A, J04B, J08A, J08B, J08C, J16Z, J21Z, J22A, J22B								
		21A	W04A, W04B								
		21B	X01A, X01B, X01C								

ZZV	MDC	DRG	ZZV	MDC	DRG	ZZV	MDC	DRG			
5v234.g↔		BOP, KVT, UOP4	5v235.6↔		BOP, KVT, UOP4	5v235.b		BOP, KVT, UOP4			
	01	B03A, B03B, B06A, B06B, B07Z, B17A, B17B, B17C		01	B03A, B03B, B06A, B06B, B07Z, B17A, B17B, B17C		01	B03A, B03B, B06A, B06B, B07Z, B17A, B17B, B17C			
	05	F13A, F21A, F21B, F21C, F27A, F27B, F27C		05	F13A, F21A, F21B		05	F13A, F21A, F21B			
	08	I02A, I02B, I02C, I02D, I12A, I12B, I12C, I22A, I22B, I50Z		08	I02A, I02B, I02C, I02D, I12A, I12B, I12C, I22A, I22B, I50Z		06	G10Z, G12A, G12B			
	09	J02A, J02B, J02C, J04A, J04B, J08A, J08B, J08C, J16Z, J21Z, J22A, J22B		09	J02A, J02B, J02C, J04A, J04B, J08A, J08B, J08C, J16Z, J21Z, J22A, J22B		08	I02A, I02B, I02C, I02D, I12A, I12B, I12C, I22A, I22B, I50Z			
	10	K01Z		21A	W04A, W04B		09	J02A, J02B, J02C, J04A, J04B, J08A, J08B, J08C, J16Z, J21Z, J22A, J22B			
	21A	W04A, W04B		21B	X01A, X01B		21A	W04A, W04B			
	21B	X01A, X01B, X01C			BOP, KVT, UOP4		21B	X01A, X01B			
	5v234.x↔			BOP, KVT, UOP4	5v235.7↔			BOP, KVT, UOP4	5v235.c		BOP, KVT, UOP4
		01		B03A, B03B, B06A, B06B, B07Z, B17A, B17B, B17C			01	B03A, B03B, B06A, B06B, B07Z, B17A, B17B, B17C		01	B03A, B03B, B06A, B06B, B07Z, B17A, B17B, B17C
05		F13A, F21A, F21B, F21C	05	F13A, F21A, F21B		05	F13A, F21A, F21B				
08		I02A, I02B, I02C, I02D, I22A, I22B, I32A, I32B, I32C, I32D, I32E, I32F, I50Z	08	I02A, I02B, I02C, I02D, I12A, I12B, I12C, I22A, I22B, I32A, I32B, I32C, I32D, I32E, I32F, I50Z		06	G10Z, G12A, G12B				
09		J02A, J02B, J02C, J04A, J04B, J08A, J08B, J08C, J16Z, J21Z, J22A, J22B	09	J02A, J02B, J02C, J04A, J04B, J08A, J08B, J08C, J16Z, J21Z, J22A, J22B		08	I02A, I02B, I02C, I02D, I12A, I12B, I12C, I22A, I22B, I50Z				
21A		W04A, W04B	21A	W04A, W04B		09	J02A, J02B, J02C, J04A, J04B, J08A, J08B, J08C, J16Z, J21Z, J22A, J22B				
21B		X01A, X01B, X01C	21B	X01A, X01B		21A	W04A, W04B				
5v235.0			BOP, KVT, UOP4	5v235.8↔			BOP, KVT, UOP4	5v235.d			BOP, KVT, UOP4
		03	D18Z, D25A, D25B, D25C, D25D			01	B03A, B03B, B06A, B06B, B07Z, B17A, B17B, B17C			01	B03A, B03B, B06A, B06B, B07Z, B17A, B17B, B17C
		05	F13A			05	F13A, F21A, F21B			05	F13A, F21A, F21B
	08	I12A, I12B, I12C	08		I02A, I02B, I02C, I02D, I12A, I12B, I12C, I22A, I22B, I32A, I32B, I32C, I32D, I32E, I32F, I50Z	06	G10Z, G12A, G12B				
	09	J03A, J03B, J04A, J04B, J08A, J08B, J08C, J11A, J11B, J11C, J16Z	09		J02A, J02B, J02C, J04A, J04B, J08A, J08B, J08C, J16Z, J21Z, J22A, J22B	08	I02A, I02B, I02C, I02D, I12A, I12B, I12C, I22A, I22B, I50Z				
	21A	W04A, W04B	21A		W04A, W04B	09	J02A, J02B, J02C, J04A, J04B, J08A, J08B, J08C, J16Z, J21Z, J22A, J22B				
	21B	X01A, X01B, X06A, X06B, X06C	21B		X01A, X01B	21A	W04A, W04B				
	5v235.4		BOP, KVT, UOP4		5v235.9↔		BOP, KVT, UOP4		5v235.e↔		BOP, KVT, UOP4
		01	B03A, B03B, B06A, B06B, B07Z, B17A, B17B, B17C			01	B03A, B03B, B06A, B06B, B07Z, B17A, B17B, B17C			01	B03A, B03B, B06A, B06B, B07Z, B17A, B17B, B17C
		02	C20A, C20B			05	F13A, F21A, F21B			05	F13A, F21A, F21B, F27A, F27B, F27C
03		D12A, D12B	08	I12A, I12B, I12C, I32A, I32B, I32C, I32D, I32E, I32F		08	I02A, I02B, I02C, I02D, I12A, I12B, I12C, I22A, I22B, I50Z				
05		F13A, F21A, F21B	09	J02A, J02B, J02C, J04A, J04B, J08A, J08B, J08C, J16Z, J21Z, J22A, J22B		09	J02A, J02B, J02C, J04A, J04B, J08A, J08B, J08C, J16Z, J21Z, J22A, J22B				
08		I02A, I02B, I02C, I02D, I12A, I12B, I12C, I22A, I22B, I32A, I32B, I32C, I32D, I50Z	21A	W04A, W04B		10	K01Z				
09		J02A, J02B, J02C, J04A, J04B, J08A, J08B, J08C, J16Z, J21Z, J22A, J22B	21B	X01A, X01B		21A	W04A, W04B				
21A		W04A, W04B		BOP, KVT, UOP4		21B	X01A, X01B				
21B		X01A, X01B	5v235.a			BOP, KVT, UOP4	5v235.f↔			BOP, KVT, UOP4	
5v235.5				BOP, KVT, UOP4		01		B03A, B03B, B06A, B06B, B07Z, B17A, B17B, B17C		01	B03A, B03B, B06A, B06B, B07Z, B17A, B17B, B17C
	01	B03A, B03B, B06A, B06B, B07Z, B17A, B17B, B17C		05	F13A, F21A, F21B	05		F13A, F21A, F21B, F27A, F27B, F27C			
	03	D12A, D12B		06	G10Z, G12A, G12B	08		I02A, I02B, I02C, I02D, I12A, I12B, I12C, I22A, I22B, I50Z			
	05	F13A, F21A, F21B		08	I02A, I02B, I02C, I02D, I12A, I12B, I12C, I22A, I22B, I50Z	08		I02A, I02B, I02C, I02D, I12A, I12B, I12C, I22A, I22B, I50Z			
	08	I02A, I02B, I02C, I02D, I12A, I12B, I12C, I22A, I22B, I50Z		09	J02A, J02B, J02C, J04A, J04B, J08A, J08B, J08C, J16Z, J21Z, J22A, J22B	09		J02A, J02B, J02C, J04A, J04B, J08A, J08B, J08C, J16Z, J21Z, J22A, J22B			
	09	J02A, J02B, J02C, J04A, J04B, J08A, J08B, J08C, J16Z, J21Z, J22A, J22B		21A	W04A, W04B	10		K01Z			
	21A	W04A, W04B		21B	X01A, X01B	21A		W04A, W04B			
	21B	X01A, X01B			BOP, KVT, UOP4	21B		X01A, X01B			

ZZV	MDC	DRG	ZZV	MDC	DRG	ZZV	MDC	DRG
5v235.g↔		BOP, KVT, UOP4	5v236.6↔		BOP, KVT, UOP4	5v236.b		BOP, KVT, UOP4
	01	B03A, B03B, B06A, B06B, B07Z, B17A, B17B, B17C		01	B03A, B03B, B06A, B06B, B07Z, B17A, B17B, B17C		01	B03A, B03B, B06A, B06B, B07Z, B17A, B17B, B17C
	05	F13A, F21A, F21B, F27A, F27B, F27C		05	F13A, F21A, F21B		05	F13A, F21A, F21B
	08	I02A, I02B, I02C, I02D, I12A, I12B, I12C, I22A, I22B, I32A, I32B, I32C, I32D, I50Z		08	I02A, I02B, I02C, I02D, I12A, I12B, I12C, I22A, I22B, I50Z		06	G10Z, G12A, G12B
	09	J02A, J02B, J02C, J04A, J04B, J08A, J08B, J08C, J16Z, J21Z, J22A, J22B		09	J02A, J02B, J04A, J04B, J08A, J08B, J08C, J16Z, J21Z, J22A, J22B		08	I02A, I02B, I02C, I02D, I12A, I12B, I12C, I22A, I22B, I50Z
	10	K01Z					09	J02A, J02B, J04A, J04B, J08A, J08B, J08C, J16Z, J21Z, J22A, J22B
	21A	W04A, W04B		21A	W04A, W04B		13	N11A
	21B	X01A, X01B		21B	X01A, X01B		21A	W04A, W04B
							21B	X01A, X01B
5v235.x↔		BOP, KVT, UOP4	5v236.7↔		BOP, KVT, UOP4	5v236.c		BOP, KVT, UOP4
	01	B03A, B03B, B06A, B06B, B07Z, B17A, B17B, B17C		01	B03A, B03B, B06A, B06B, B07Z, B17A, B17B, B17C		01	B03A, B03B, B06A, B06B, B07Z, B17A, B17B, B17C
	05	F13A, F21A, F21B		05	F13A, F21A, F21B		05	F13A, F21A, F21B
	08	I02A, I02B, I02C, I02D, I12A, I12B, I12C, I22A, I22B, I32A, I32B, I32C, I32D, I32E, I32F, I50Z		08	I02A, I02B, I02C, I02D, I12A, I12B, I12C, I22A, I22B, I32A, I32B, I32C, I32D, I32E, I32F, I50Z		06	G10Z, G12A, G12B
	09	J02A, J02B, J02C, J04A, J04B, J08A, J08B, J08C, J16Z, J21Z, J22A, J22B		09	J02A, J02B, J04A, J04B, J08A, J08B, J08C, J16Z, J21Z, J22A, J22B		08	I02A, I02B, I02C, I02D, I12A, I12B, I12C, I22A, I22B, I50Z
	21A	W04A, W04B		21A	W04A, W04B		09	J02A, J02B, J04A, J04B, J08A, J08B, J08C, J16Z, J21Z, J22A, J22B
	21B	X01A, X01B		21B	X01A, X01B		13	N11A
							21A	W04A, W04B
							21B	X01A, X01B
5v236.0		BOP, KVT, UOP4	5v236.8↔		BOP, KVT, UOP4	5v236.d		BOP, KVT, UOP4
	03	D18Z, D25A, D25B, D25C, D25D		01	B03A, B03B, B06A, B06B, B07Z, B17A, B17B, B17C		01	B03A, B03B, B06A, B06B, B07Z, B17A, B17B, B17C
	05	F13A		05	F13A, F21A, F21B		05	F13A, F21A, F21B
	08	I12A, I12B, I12C		08	I02A, I02B, I02C, I02D, I12A, I12B, I12C, I22A, I22B, I32A, I32B, I32C, I32D, I32E, I32F, I50Z		06	G10Z, G12A, G12B
	09	J03A, J03B, J04A, J04B, J08A, J08B, J08C, J11A, J11B, J16Z		09	J02A, J02B, J04A, J04B, J08A, J08B, J08C, J16Z, J21Z, J22A, J22B		08	I02A, I02B, I02C, I02D, I12A, I12B, I12C, I22A, I22B, I50Z
	21A	W04A, W04B		21A	W04A, W04B		09	J02A, J02B, J04A, J04B, J08A, J08B, J08C, J16Z, J21Z, J22A, J22B
	21B	X01A, X01B, X06A, X06B, X06C		21B	X01A, X01B		13	N11A
							21A	W04A, W04B
							21B	X01A, X01B
5v236.4		BOP, KVT, UOP4	5v236.9↔		BOP, KVT, UOP4	5v236.e↔		BOP, KVT, UOP4
	01	B03A, B03B, B06A, B06B, B07Z, B17A, B17B, B17C		01	B03A, B03B, B06A, B06B, B07Z, B17A, B17B, B17C		01	B03A, B03B, B06A, B06B, B07Z, B17A, B17B, B17C
	02	C20A, C20B		05	F13A, F21A, F21B		05	F13A, F21A, F21B
	03	D12A, D12B		08	I12A, I12B, I12C, I32A, I32B, I32C, I32D, I32E, I32F		08	I02A, I02B, I02C, I02D, I12A, I12B, I12C, I22A, I22B, I50Z
	05	F13A, F21A, F21B		09	J02A, J02B, J04A, J04B, J08A, J08B, J08C, J16Z, J21Z, J22A, J22B		09	J02A, J02B, J04A, J04B, J08A, J08B, J08C, J16Z, J21Z, J22A, J22B
	08	I02A, I02B, I02C, I02D, I12A, I12B, I12C, I22A, I22B, I50Z		21A	W04A, W04B		08	I02A, I02B, I02C, I02D, I12A, I12B, I12C, I22A, I22B, I50Z
	09	J02A, J02B, J04A, J04B, J08A, J08B, J08C, J16Z, J21Z, J22A		21B	X01A, X01B		09	J02A, J02B, J04A, J04B, J08A, J08B, J08C, J16Z, J21Z, J22A, J22B
	21A	W04A, W04B					10	K01Z
	21B	X01A, X01B					21A	W04A, W04B
							21B	X01A, X01B
5v236.5		BOP, KVT, UOP4	5v236.a		BOP, KVT, UOP4	5v236.f↔		BOP, KVT, UOP4
	01	B03A, B03B, B06A, B06B, B07Z, B17A, B17B, B17C		01	B03A, B03B, B06A, B06B, B07Z, B17A, B17B, B17C		01	B03A, B03B, B06A, B06B, B07Z, B17A, B17B, B17C
	03	D12A		05	F13A, F21A, F21B		05	F13A, F21A, F21B, F27A, F27B, F27C
	05	F13A, F21A, F21B		06	G10Z, G12A, G12B		05	F13A, F21A, F21B, F27A, F27B, F27C
	08	I02A, I02B, I02C, I02D, I12A, I12B, I12C, I22A, I22B, I50Z		08	I02A, I02B, I02C, I02D, I12A, I12B, I12C, I22A, I22B, I50Z		08	I02A, I02B, I02C, I02D, I12A, I12B, I12C, I22A, I22B, I50Z
	09	J02A, J02B, J04A, J04B, J08A, J08B, J08C, J16Z, J21Z, J22A, J22B		09	J02A, J02B, J04A, J04B, J08A, J08B, J08C, J16Z, J21Z, J22A, J22B		08	I02A, I02B, I02C, I02D, I12A, I12B, I12C, I22A, I22B, I50Z
	21A	W04A, W04B		21A	W04A, W04B		09	J02A, J02B, J04A, J04B, J08A, J08B, J08C, J16Z, J21Z, J22A, J22B
	21B	X01A, X01B		21B	X01A, X01B		10	K01Z
							21A	W04A, W04B
							21B	X01A, X01B

VYK

Príloha B: Index Výkon-MDC-DRG

ZZV	MDC	DRG	ZZV	MDC	DRG	ZZV	MDC	DRG
5v237.x↔		BOP, KVT, UOP4	5v238.8↔		BOP, KVT, UOP4	5v238.d		BOP, KVT, UOP4
	01	B03A, B03B, B06A, B06B, B07Z, B17A, B17B, B17C		01	B03A, B03B, B06A, B06B, B07Z, B17A, B17B, B17C		01	B03A, B03B, B06A, B06B, B07Z, B17A, B17B, B17C
	05	F13A, F21A, F21B		05	F13A, F21A, F21B		05	F13A, F21A, F21B
	08	I02A, I02B, I02C, I02D, I12A, I12B, I12C, I22A, I32A, I32B, I32C, I32D, I32E, I32F, I50Z		08	I02A, I02B, I02C, I02D, I12A, I12B, I12C, I22A, I32A, I32B, I32C, I32D, I32E, I32F, I50Z		06	G10Z, G12A, G12B
	09	J02A, J02B, J04A, J04B, J08A, J08B, J08C, J16Z, J21Z, J22A, J22B		09	J02A, J02B, J04A, J04B, J08A, J08B, J08C, J16Z, J21Z, J22A, J22B		08	I02A, I02B, I02C, I02D, I12A, I12B, I12C, I22A, I50Z
	21A	W04A, W04B		21A	W04A, W04B		09	J02A, J02B, J04A, J04B, J08A, J08B, J08C, J16Z, J21Z, J22A, J22B
	21B	X01A, X01B		21B	X01A, X01B		13	N11A
5v238.0		BOP, KVT, UOP4	5v238.9↔		BOP, KVT, UOP4	5v238.e↔		BOP, KVT, UOP4
	03	D18Z, D25A, D25B, D25C, D25D		01	B03A, B03B, B06A, B06B, B07Z, B17A, B17B, B17C		01	B03A, B03B, B06A, B06B, B07Z, B17A, B17B, B17C
	05	F13A		05	F13A, F21A, F21B		05	F13A, F21A, F21B, F27A, F27B, F27C
	08	I12A, I12B, I12C		08	I12A, I12B, I12C, I32A, I32B, I32C, I32D, I32E, I32F		08	I02A, I02B, I02C, I02D, I12A, I12B, I12C, I22A, I50Z
	09	J03A, J03B, J04A, J04B, J08A, J08B, J08C, J11A, J11B, J16Z		09	J02A, J02B, J03A, J03B, J04A, J04B, J08A, J08B, J08C, J16Z, J21Z, J22A, J22B		09	J02A, J02B, J04A, J04B, J08A, J08B, J08C, J16Z, J21Z, J22A, J22B
	21A	W04A, W04B		21A	W04A, W04B		10	K01Z
	21B	X01A, X01B, X06A, X06B, X06C		21B	X01A, X01B		21A	W04A, W04B
5v238.4		BOP, KVT, UOP4	5v238.a		BOP, KVT, UOP4	5v238.f↔		BOP, KVT, UOP4
	01	B03A, B03B, B06A, B06B, B07Z, B17A, B17B, B17C		01	B03A, B03B, B06A, B06B, B07Z, B17A, B17B, B17C		01	B03A, B03B, B06A, B06B, B07Z, B17A, B17B, B17C
	02	C20A, C20B		05	F13A, F21A, F21B		05	F13A, F21A, F21B, F27A, F27B, F27C
	03	D12A, D12B		06	G10Z, G12A, G12B		08	I02A, I02B, I02C, I02D, I12A, I12B, I12C, I22A, I50Z
	05	F13A, F21A, F21B		08	I02A, I02B, I02C, I02D, I12A, I12B, I12C, I22A, I50Z		09	J02A, J02B, J04A, J04B, J08A, J08B, J08C, J16Z, J21Z, J22A, J22B
	08	I02A, I02B, I02C, I02D, I12A, I12B, I12C, I22A, I50Z		09	J02A, J02B, J04A, J04B, J08A, J08B, J08C, J16Z, J21Z, J22A, J22B		21A	W04A, W04B
	09	J02A, J02B, J04A, J04B, J08A, J08B, J08C, J16Z, J21Z, J22A, J22B		21A	W04A, W04B		21B	X01A, X01B
	21A	W04A, W04B		21B	X01A, X01B		10	K01Z
	21B	X01A, X01B	5v238.b		BOP, KVT, UOP4	5v238.g↔		BOP, KVT, UOP4
5v238.5		BOP, KVT, UOP4		01	B03A, B03B, B06A, B06B, B07Z, B17A, B17B, B17C		01	B03A, B03B, B06A, B06B, B07Z, B17A, B17B, B17C
	01	B03A, B03B, B06A, B06B, B07Z, B17A, B17B, B17C		05	F13A, F21A, F21B		05	F13A, F21A, F21B, F27A, F27B, F27C
	03	D12A, D12B		06	G10Z, G12A, G12B		08	I02A, I02B, I02C, I02D, I12A, I12B, I12C, I22A, I50Z
	05	F13A, F21A, F21B		08	I02A, I02B, I02C, I02D, I12A, I12B, I12C, I22A, I50Z		09	J02A, J02B, J04A, J04B, J08A, J08B, J08C, J16Z, J21Z, J22A, J22B
	08	I02A, I02B, I02C, I02D, I12A, I12B, I12C, I22A, I50Z		09	J02A, J02B, J04A, J04B, J08A, J08B, J08C, J16Z, J21Z, J22A, J22B		21A	W04A, W04B
	09	J02A, J02B, J04A, J04B, J08A, J08B, J08C, J16Z, J21Z, J22A, J22B		13	N11A		21B	X01A, X01B
	21A	W04A, W04B		21A	W04A, W04B		10	K01Z
	21B	X01A, X01B	5v238.c		BOP, KVT, UOP4	5v238.x↔		BOP, KVT, UOP4
5v238.6↔		BOP, KVT, UOP4		01	B03A, B03B, B06A, B06B, B07Z, B17A, B17B, B17C		01	B03A, B03B, B06A, B06B, B07Z, B17A, B17B, B17C
	01	B03A, B03B, B06A, B06B, B07Z, B17A, B17B, B17C		05	F13A, F21A, F21B		05	F13A, F21A, F21B
	05	F13A, F21A, F21B		06	G10Z, G12A, G12B		08	I02A, I02B, I02C, I02D, I12A, I12B, I12C, I22A, I50Z
	08	I02A, I02B, I02C, I02D, I12A, I12B, I12C, I22A, I50Z		08	I02A, I02B, I02C, I02D, I12A, I12B, I12C, I22A, I50Z		09	J02A, J02B, J04A, J04B, J08A, J08B, J08C, J16Z, J21Z, J22A, J22B
	09	J02A, J02B, J04A, J04B, J08A, J08B, J08C, J16Z, J21Z, J22A, J22B		09	J02A, J02B, J04A, J04B, J08A, J08B, J08C, J16Z, J21Z, J22A, J22B		21A	W04A, W04B
	21A	W04A, W04B		13	N11A		21B	X01A, X01B
	21B	X01A, X01B		21A	W04A, W04B		21A	W04A, W04B
5v238.7↔		BOP, KVT, UOP4		21B	X01A, X01B		21B	X01A, X01B
	01	B03A, B03B, B06A, B06B, B07Z, B17A, B17B, B17C						
	05	F13A, F21A, F21B						
	08	I02A, I02B, I02C, I02D, I12A, I12B, I12C, I22A, I50Z						
	09	J02A, J02B, J04A, J04B, J08A, J08B, J08C, J16Z, J21Z, J22A, J22B						
	21A	W04A, W04B						
	21B	X01A, X01B						

VYK

ZZV	MDC	DRG	ZZV	MDC	DRG	ZZV	MDC	DRG			
5v239.0		BOP, KVT, UOP4	5v239.8↔		BOP, KVT, UOP4	5v239.d		BOP, KVT, UOP4			
	03	D18Z, D25A, D25B, D25C, D25D		01	B03A, B03B, B06A, B06B, B07Z, B17A, B17B, B17C		01	B03A, B03B, B06A, B06B, B07Z, B17A, B17B, B17C			
	05	F13A		05	F13A, F21A, F21B		05	F13A, F21A, F21B			
	08	I12A, I12B, I12C		08	I02A, I02B, I02C, I02D, I12A, I12B, I12C, I22A, I22B, I32A, I32B, I32C, I32D, I32E, I32F, I50Z		06	G10Z, G12A, G12B			
	09	J03A, J03B, J04A, J04B, J08A, J08B, J08C, J11A, J11B, J16Z		09	J02A, J02B, J04A, J04B, J08A, J08B, J08C, J16Z, J21Z, J22A, J22B		08	I02A, I02B, I02C, I02D, I12A, I12B, I12C, I22A, I22B, I50Z			
	21A	W04A, W04B		21A	W04A, W04B		09	J02A, J02B, J04A, J04B, J08A, J08B, J08C, J16Z, J21Z, J22A, J22B			
	21B	X01A, X01B, X06A, X06B, X06C		21B	X01A, X01B		13	N11A			
	5v239.4			BOP, KVT, UOP4	5v239.9↔			BOP, KVT, UOP4	5v239.e↔		BOP, KVT, UOP4
		01		B03A, B03B, B06A, B06B, B07Z, B17A, B17B, B17C			01	B03A, B03B, B06A, B06B, B07Z, B17A, B17B, B17C		01	B03A, B03B, B06A, B06B, B07Z, B17A, B17B, B17C
		02		C20A, C20B			05	F13A, F21A, F21B		05	F13A, F21A, F21B
03		D12A, D12B	08	I12A, I12B, I12C, I32A, I32B, I32C, I32D, I32E, I32F		08	I02A, I02B, I02C, I02D, I12A, I12B, I12C, I22A, I22B, I50Z				
05		F13A, F21A, F21B	09	J02A, J02B, J04A, J04B, J08A, J08B, J08C, J16Z, J21Z, J22A, J22B		08	I02A, I02B, I02C, I02D, I12A, I12B, I12C, I22A, I22B, I50Z				
08		I02A, I02B, I02C, I02D, I12A, I12B, I12C, I22A, I22B, I50Z	21A	W04A, W04B		09	J02A, J02B, J04A, J04B, J08A, J08B, J08C, J16Z, J21Z, J22A, J22B				
09		J02A, J02B, J04A, J04B, J08A, J08B, J08C, J16Z, J21Z, J22A, J22B	21B	X01A, X01B		10	K01Z				
21A		W04A, W04B	5v239.a			BOP, KVT, UOP4	21A	W04A, W04B			
21B		X01A, X01B		01		B03A, B03B, B06A, B06B, B07Z, B17A, B17B, B17C	21B	X01A, X01B			
5v239.5				BOP, KVT, UOP4		5v239.b		BOP, KVT, UOP4		5v239.f↔	
	01	B03A, B03B, B06A, B06B, B07Z, B17A, B17B, B17C		01	B03A, B03B, B06A, B06B, B07Z, B17A, B17B, B17C		01	B03A, B03B, B06A, B06B, B07Z, B17A, B17B, B17C			
	03	D12A, D12B		05	F13A, F21A, F21B		05	F13A, F21A, F21B			
	05	F13A, F21A, F21B		06	G10Z, G12A, G12B		05	F13A, F21A, F21B, F27A, F27B, F27C			
	08	I02A, I02B, I02C, I02D, I12A, I12B, I12C, I22A, I22B, I50Z		08	I02A, I02B, I02C, I02D, I12A, I12B, I12C, I22A, I22B, I50Z		08	I02A, I02B, I02C, I02D, I12A, I12B, I12C, I22A, I22B, I50Z			
	09	J02A, J02B, J04A, J04B, J08A, J08B, J08C, J16Z, J21Z, J22A, J22B		09	J02A, J02B, J04A, J04B, J08A, J08B, J08C, J16Z, J21Z, J22A, J22B		09	J02A, J02B, J04A, J04B, J08A, J08B, J08C, J16Z, J21Z, J22A, J22B			
	21A	W04A, W04B		21A	W04A, W04B		10	K01Z			
	21B	X01A, X01B		21B	X01A, X01B		21A	W04A, W04B			
	5v239.6↔		BOP, KVT, UOP4	5v239.c			BOP, KVT, UOP4	5v239.g↔			BOP, KVT, UOP4
		01	B03A, B03B, B06A, B06B, B07Z, B17A, B17B, B17C		01		B03A, B03B, B06A, B06B, B07Z, B17A, B17B, B17C		01		B03A, B03B, B06A, B06B, B07Z, B17A, B17B, B17C
05		F13A, F21A, F21B	05		F13A, F21A, F21B	05	F13A, F21A, F21B, F27A, F27B, F27C				
08		I02A, I02B, I02C, I02D, I12A, I12B, I12C, I22A, I22B, I50Z	06		G10Z, G12A, G12B	08	I02A, I02B, I02C, I02D, I12A, I12B, I12C, I22A, I22B, I50Z				
09		J02A, J02B, J04A, J04B, J08A, J08B, J08C, J16Z, J21Z, J22A, J22B	08		I02A, I02B, I02C, I02D, I12A, I12B, I12C, I22A, I22B, I50Z	09	J02A, J02B, J04A, J04B, J08A, J08B, J08C, J16Z, J21Z, J22A, J22B				
21A		W04A, W04B	09		J02A, J02B, J04A, J04B, J08A, J08B, J08C, J16Z, J21Z, J22A, J22B	08	I02A, I02B, I02C, I02D, I12A, I12B, I12C, I22A, I22B, I50Z				
21B		X01A, X01B	13		N11A	09	J02A, J02B, J04A, J04B, J08A, J08B, J08C, J16Z, J21Z, J22A, J22B				
5v239.7↔			BOP, KVT, UOP4		5v239.x↔		BOP, KVT, UOP4		5v239.x↔		BOP, KVT, UOP4
		01	B03A, B03B, B06A, B06B, B07Z, B17A, B17B, B17C			01	B03A, B03B, B06A, B06B, B07Z, B17A, B17B, B17C			01	B03A, B03B, B06A, B06B, B07Z, B17A, B17B, B17C
		05	F13A, F21A, F21B			05	F13A, F21A, F21B			05	F13A, F21A, F21B
	08	I02A, I02B, I02C, I02D, I12A, I12B, I12C, I22A, I22B, I32A, I32B, I32C, I32D, I32E, I32F, I50Z	06	G10Z, G12A, G12B		08	I02A, I02B, I02C, I02D, I12A, I12B, I12C, I22A, I22B, I32A, I32B, I32C, I32D, I32E, I32F, I50Z				
	09	J02A, J02B, J04A, J04B, J08A, J08B, J08C, J16Z, J21Z, J22A, J22B	08	I02A, I02B, I02C, I02D, I12A, I12B, I12C, I22A, I22B, I50Z		08	I02A, I02B, I02C, I02D, I12A, I12B, I12C, I22A, I22B, I32A, I32B, I32C, I32D, I32E, I32F, I50Z				
	21A	W04A, W04B	09	J02A, J02B, J04A, J04B, J08A, J08B, J08C, J16Z, J21Z, J22A, J22B		09	J02A, J02B, J04A, J04B, J08A, J08B, J08C, J16Z, J21Z, J22A, J22B				
	21B	X01A, X01B	13	N11A		09	J02A, J02B, J04A, J04B, J08A, J08B, J08C, J16Z, J21Z, J22A, J22B				
			21A	W04A, W04B		21A	W04A, W04B				
			21B	X01A, X01B		21B	X01A, X01B				

VYK

ZZV	MDC	DRG	ZZV	MDC	DRG	ZZV	MDC	DRG					
5v23a.0		BOP, KVT, UOP4	5v23a.9↔		BOP, KVT, UOP4	5v23a.e↔		BOP, KVT, UOP4					
	03	D18Z, D28Z, D29Z		01	B03A, B03B, B06A, B06B, B07Z, B17A, B17B, B17C		01	B03A, B03B, B06A, B06B, B07Z, B17A, B17B, B17C					
	05	F13A		05	F13A, F21A, F21B, F21C		05	F13A, F21A, F21B, F21C, F27A, F27B, F27C					
	09	J03A, J03B, J04A, J04B, J08A, J08B, J08C, J11A, J11B, J16Z		08	I12A, I12B, I12C, I32A, I32B, I32C, I32D, I32E, I32F		08	I02A, I02B, I02C, I02D, I22A, I22B, I50Z					
	21A	W04A, W04B		09	J03A, J03B, J04A, J04B, J08A, J08B, J08C, J16Z, J21Z, J22A, J22B		09	J02A, J02B, J02C, J04A, J04B, J08A, J08B, J08C, J16Z, J21Z, J22A, J22B					
	21B	X06A, X06B, X06C					10	K01Z					
	5v23a.4			BOP, KVT, UOP4	5v23a.a			BOP, KVT, UOP4	5v23a.f↔		BOP, KVT, UOP4		
		01		B03A, B03B, B06A, B06B, B07Z, B17A, B17B, B17C			21A	W04A, W04B		21A	W04A, W04B		
		02		C20A, C20B			21B	X01A, X01B, X01C		21B	X01A, X01B, X01C		
		03		D12A, D12B			01	B03A, B03B, B06A, B06B, B07Z, B17A, B17B, B17C		01	B03A, B03B, B06A, B06B, B07Z, B17A, B17B, B17C		
05		F13A, F21A, F21B, F21C	05	F13A, F21A, F21B, F21C		05	F13A, F21A, F21B, F21C, F27A, F27B, F27C						
08		I02A, I02B, I02C, I02D, I22A, I22B, I50Z	06	G10Z, G12A, G12B		06	G10Z, G12A, G12B						
09		J02A, J02B, J02C, J04A, J04B, J08A, J08B, J08C, J16Z, J21Z, J22A, J22B	08	I02A, I02B, I02C, I02D, I22A, I22B, I50Z		08	I02A, I02B, I02C, I02D, I22A, I22B, I50Z						
21A		W04A, W04B	09	J02A, J02B, J02C, J04A, J04B, J08A, J08B, J08C, J16Z, J21Z, J22A, J22B		09	J02A, J02B, J02C, J04A, J04B, J08A, J08B, J08C, J16Z, J21Z, J22A, J22B						
21B		X01A, X01B, X01C	21A	W04A, W04B		10	K01Z						
5v23a.5			BOP, KVT, UOP4	5v23a.b			BOP, KVT, UOP4	5v23a.g↔			BOP, KVT, UOP4		
	01	B03A, B03B, B06A, B06B, B07Z, B17A, B17B, B17C	01		B03A, B03B, B06A, B06B, B07Z, B17A, B17B, B17C	01	B03A, B03B, B06A, B06B, B07Z, B17A, B17B, B17C						
	03	D12A, D12B	05		F13A, F21A, F21B, F21C	05	F13A, F21A, F21B, F21C, F27A, F27B, F27C						
	05	F13A, F21A, F21B, F21C, F27A, F27B, F27C	06		G10Z, G12A, G12B	06	G10Z, G12A, G12B						
	06	G10Z, G12A, G12B	08		I02A, I02B, I02C, I02D, I22A, I22B, I32A, I32B, I32C, I32D, I32E, I32F, I50Z	08	I02A, I02B, I02C, I02D, I12A, I12B, I12C, I22A, I22B, I50Z						
	08	I28A, I28B	09		J02A, J02B, J02C, J04A, J04B, J08A, J08B, J08C, J16Z, J21Z, J22A, J22B	09	J02A, J02B, J02C, J04A, J04B, J08A, J08B, J08C, J16Z, J21Z, J22A, J22B						
	09	J02A, J02B, J02C, J04A, J04B, J08A, J08B, J08C, J16Z, J21Z, J22A, J22B	21A		W04A, W04B	09	J02A, J02B, J02C, J04A, J04B, J08A, J08B, J08C, J16Z, J21Z, J22A, J22B						
	10	K01Z	21B		X01A, X01B, X01C	10	K01Z						
	21A	W04A, W04B				21A	W04A, W04B						
	21B	X01A, X01B, X01C	5v23a.c			BOP, KVT, UOP4	5v23a.x↔			BOP, KVT, UOP4			
5v23a.6↔		BOP, KVT, UOP4		5v23a.d		BOP, KVT, UOP4		5v23b.0		BOP, KVT, UOP4			
	01	B03A, B03B, B06A, B06B, B07Z, B17A, B17B, B17C			01	B03A, B03B, B06A, B06B, B07Z, B17A, B17B, B17C			03	D18Z, D25A, D25B, D25C, D25D			
	05	F13A, F21A, F21B, F21C			05	F13A, F21A, F21B, F21C			05	F13A			
	08	I02A, I02B, I02C, I02D, I22A, I22B, I50Z			06	G10Z, G12A, G12B			08	I12A, I12B, I12C			
	09	J02A, J02B, J02C, J04A, J04B, J08A, J08B, J08C, J16Z, J21Z, J22A, J22B			08	I02A, I02B, I02C, I02D, I22A, I22B, I50Z			09	J03A, J03B, J04A, J04B, J08A, J08B, J08C, J11A, J11B, J16Z			
	21A	W04A, W04B			09	J02A, J02B, J02C, J04A, J04B, J08A, J08B, J08C, J16Z, J21Z, J22A, J22B			21A	W04A, W04B			
	21B	X01A, X01B, X01C			10	K09A, K09B			21B	X01A, X01B, X01C			
	5v23a.7↔				BOP, KVT, UOP4								
		01			B03A, B03B, B06A, B06B, B07Z, B17A, B17B, B17C	12			M04A, M04B, M04C, M04D, M37Z, M38Z				
		05	F13A, F21A, F21B, F21C		21A	W04A, W04B							
08		I02A, I02B, I02C, I02D, I22A, I22B, I50Z	21B	X01A, X01B, X01C									
09		J02A, J02B, J02C, J04A, J04B, J08A, J08B, J08C, J16Z, J21Z, J22A, J22B											
21A		W04A, W04B											
21B		X01A, X01B, X01C											
5v23a.8↔			BOP, KVT, UOP4										
		01	B03A, B03B, B06A, B06B, B07Z, B17A, B17B, B17C										
		05	F13A, F21A, F21B, F21C										
	08	I02A, I02B, I02C, I02D, I22A, I22B, I32A, I32B, I32C, I32D, I32E, I32F, I50Z											
	09	J02A, J02B, J02C, J04A, J04B, J08A, J08B, J08C, J16Z, J21Z, J22A, J22B											
	21A	W04A, W04B											
	21B	X01A, X01B, X01C											

ZZV	MDC	DRG	ZZV	MDC	DRG	ZZV	MDC	DRG
5v23b.4		BOP, KVT, UOP4	5v23b.9↔		BOP, KVT, UOP4	5v23b.e↔		BOP, KVT, UOP4
	01	B03A, B03B, B06A, B06B, B07Z, B17A, B17B, B17C		01	B03A, B03B, B06A, B06B, B07Z, B17A, B17B, B17C		01	B03A, B03B, B06A, B06B, B07Z, B17A, B17B, B17C
	02	C20A, C20B		05	F13A, F21A, F21B		05	F13A, F21A, F21B, F27A, F27B, F27C
	03	D12A, D12B		08	I12A, I12B, I12C, I32A, I32B, I32C, I32D, I32E, I32F		08	I02A, I02B, I02C, I02D, I12A, I12B, I12C, I22A, I22B, I50Z
	05	F13A, F21A, F21B		09	J02A, J02B, J04A, J04B, J08A, J08B, J08C, J16Z, J21Z, J22A, J22B		09	J02A, J02B, J04A, J04B, J08A, J08B, J08C, J16Z, J21Z, J22A, J22B
	08	I02A, I02B, I02C, I02D, I12A, I12B, I12C, I22A, I22B, I50Z		21A	W04A, W04B		10	K01Z
	09	J02A, J02B, J04A, J04B, J08A, J08B, J08C, J16Z, J21Z, J22A, J22B		21B	X01A, X01B		21A	W04A, W04B
	21A	W04A, W04B		01	B03A, B03B, B06A, B06B, B07Z, B17A, B17B, B17C		21B	X01A, X01B
	21B	X01A, X01B		05	F13A, F21A, F21B			BOP, KVT, UOP4
				06	G10Z, G12A, G12B		01	B03A, B03B, B06A, B06B, B07Z, B17A, B17B, B17C
	5v23b.5			BOP, KVT, UOP4	5v23b.a			BOP, KVT, UOP4
01		B03A, B03B, B06A, B06B, B07Z, B17A, B17B, B17C	01	B03A, B03B, B06A, B06B, B07Z, B17A, B17B, B17C		01	B03A, B03B, B06A, B06B, B07Z, B17A, B17B, B17C	
03		D12A, D12B	05	F13A, F21A, F21B		05	F13A, F21A, F21B, F27A, F27B, F27C	
05		F13A, F21A, F21B	06	G10Z, G12A, G12B		05	F13A, F21A, F21B, F27A, F27B, F27C	
08		I02A, I02B, I02C, I02D, I12A, I12B, I12C, I22A, I22B, I50Z	08	I02A, I02B, I02C, I02D, I12A, I12B, I12C, I22A, I22B, I50Z		08	I02A, I02B, I02C, I02D, I12A, I12B, I12C, I22A, I22B, I50Z	
09		J02A, J02B, J04A, J04B, J08A, J08B, J08C, J16Z, J21Z, J22A, J22B	09	J02A, J02B, J04A, J04B, J08A, J08B, J08C, J16Z, J21Z, J22A, J22B		09	J02A, J02B, J04A, J04B, J08A, J08B, J08C, J16Z, J21Z, J22A, J22B	
21A		W04A, W04B	21A	W04A, W04B		10	K01Z	
21B		X01A, X01B	21B	X01A, X01B		21A	W04A, W04B	
			01	B03A, B03B, B06A, B06B, B07Z, B17A, B17B, B17C		21B	X01A, X01B	
			05	F13A, F21A, F21B			BOP, KVT, UOP4	
			06	G10Z, G12A, G12B		01	B03A, B03B, B06A, B06B, B07Z, B17A, B17B, B17C	
5v23b.6↔		BOP, KVT, UOP4	5v23b.b		BOP, KVT, UOP4	5v23b.g↔		BOP, KVT, UOP4
	01	B03A, B03B, B06A, B06B, B07Z, B17A, B17B, B17C		01	B03A, B03B, B06A, B06B, B07Z, B17A, B17B, B17C		01	B03A, B03B, B06A, B06B, B07Z, B17A, B17B, B17C
	05	F13A, F21A, F21B		05	F13A, F21A, F21B		05	F13A, F21A, F21B, F27A, F27B, F27C
	08	I02A, I02B, I02C, I02D, I12A, I12B, I12C, I22A, I22B, I50Z		06	G10Z, G12A, G12B		05	F13A, F21A, F21B, F27A, F27B, F27C
	09	J02A, J02B, J04A, J04B, J08A, J08B, J08C, J16Z, J21Z, J22A, J22B		08	I02A, I02B, I02C, I02D, I12A, I12B, I12C, I22A, I22B, I50Z		08	I02A, I02B, I02C, I02D, I12A, I12B, I12C, I22A, I22B, I50Z
	21A	W04A, W04B		09	J02A, J02B, J04A, J04B, J08A, J08B, J08C, J16Z, J21Z, J22A, J22B		09	J02A, J02B, J04A, J04B, J08A, J08B, J08C, J16Z, J21Z, J22A, J22B
	21B	X01A, X01B		13	N11A		10	K01Z
				21A	W04A, W04B		21A	W04A, W04B
				21B	X01A, X01B		21B	X01A, X01B
					BOP, KVT, UOP4			BOP, KVT, UOP4
				01	B03A, B03B, B06A, B06B, B07Z, B17A, B17B, B17C		01	B03A, B03B, B06A, B06B, B07Z, B17A, B17B, B17C
5v23b.7↔		BOP, KVT, UOP4	5v23b.c		BOP, KVT, UOP4	5v23b.x↔		BOP, KVT, UOP4
	01	B03A, B03B, B06A, B06B, B07Z, B17A, B17B, B17C		01	B03A, B03B, B06A, B06B, B07Z, B17A, B17B, B17C		01	B03A, B03B, B06A, B06B, B07Z, B17A, B17B, B17C
	05	F13A, F21A, F21B		05	F13A, F21A, F21B		05	F13A, F21A, F21B
	08	I02A, I02B, I02C, I02D, I12A, I12B, I12C, I22A, I22B, I32A, I32B, I32C, I32D, I32E, I32F, I50Z		06	G10Z, G12A, G12B		05	F13A, F21A, F21B
	09	J02A, J02B, J04A, J04B, J08A, J08B, J08C, J16Z, J21Z, J22A, J22B		08	I02A, I02B, I02C, I02D, I12A, I12B, I12C, I22A, I22B, I50Z		08	I02A, I02B, I02C, I02D, I12A, I12B, I12C, I22A, I22B, I32A, I32B, I32C, I32D, I32E, I32F, I50Z
	21A	W04A, W04B		09	J02A, J02B, J04A, J04B, J08A, J08B, J08C, J16Z, J21Z, J22A, J22B		09	J02A, J02B, J04A, J04B, J08A, J08B, J08C, J16Z, J21Z, J22A, J22B
	21B	X01A, X01B		13	N11A		09	J02A, J02B, J04A, J04B, J08A, J08B, J08C, J16Z, J21Z, J22A, J22B
				21A	W04A, W04B		21A	W04A, W04B
				21B	X01A, X01B		21B	X01A, X01B
					BOP, KVT, UOP4			BOP, KVT, UOP4
				01	B03A, B03B, B06A, B06B, B07Z, B17A, B17B, B17C		01	B03A, B03B, B06A, B06B, B07Z, B17A, B17B, B17C
5v23b.8↔		BOP, KVT, UOP4	5v23b.d		BOP, KVT, UOP4	5v23x.x↔		BOP, KVT, UOP4
	01	B03A, B03B, B06A, B06B, B07Z, B17A, B17B, B17C		01	B03A, B03B, B06A, B06B, B07Z, B17A, B17B, B17C		01	B03A, B03B, B06A, B06B, B07Z, B17A, B17B, B17C
	05	F13A, F21A, F21B		05	F13A, F21A, F21B		05	F13A, F21A, F21B, F21C
	08	I02A, I02B, I02C, I02D, I12A, I12B, I12C, I22A, I22B, I32A, I32B, I32C, I32D, I32E, I32F, I50Z		06	G10Z, G12A, G12B		08	I02A, I02B, I02C, I02D, I22A, I22B, I32A, I32B, I32C, I32D, I32E, I32F, I50Z
	09	J02A, J02B, J04A, J04B, J08A, J08B, J08C, J16Z, J21Z, J22A, J22B		08	I02A, I02B, I02C, I02D, I12A, I12B, I12C, I22A, I22B, I50Z		08	I02A, I02B, I02C, I02D, I22A, I22B, I32A, I32B, I32C, I32D, I32E, I32F, I50Z
	21A	W04A, W04B		09	J02A, J02B, J04A, J04B, J08A, J08B, J08C, J16Z, J21Z, J22A, J22B		09	J02A, J02B, J02C, J04A, J04B, J08A, J08B, J08C, J16Z, J21Z, J22A, J22B
	21B	X01A, X01B		13	N11A		21A	W04A, W04B
				21A	W04A, W04B		21B	X01A, X01B, X01C
				21B	X01A, X01B			
					BOP, KVT, UOP4			
				01	B03A, B03B, B06A, B06B, B07Z, B17A, B17B, B17C			

ZZV	MDC	DRG	ZZV	MDC	DRG	ZZV	MDC	DRG			
5v250.0		KOP, KOPV	5v250.9↔		KOP, KOPV	5v250.g↔		KOP, KOPV			
	03	D02A, D02B, D18Z, D24A, D24B		06	G33Z		06	G33Z			
	06	G33Z		07	H33Z, H38Z		07	H33Z, H38Z			
	07	H33Z, H38Z		08	I32A, I32B, I32C, I32D, I32E, I32F, I34Z		08	I02A, I02B, I02C, I02D, I22A, I32A, I32B, I32C, I32D, I34Z, I50Z			
	08	I32A, I32B, I32C, I32D		09	J01Z, J02A, J02B		09	J01Z, J02A, J02B			
	09	J01Z, J02A, J02B		11	L33Z		11	L33Z			
	11	L33Z		21B	X01A, X01B, X33Z		21B	X01A, X01B, X33Z			
	21B	X01A, X01B, X33Z		Pre	A07A		Pre	A07A			
	Pre	A07A			KOP, KOPV			KOP, KOPV			
	5v250.4			KOP, KOPV	5v250.a			KOP, KOPV	5v250.x↔		KOP, KOPV
		02		C20A, C20B			06	G33Z		06	G33Z
03		D02A, D02B, D18Z, D24A, D24B	07	H33Z, H38Z		07	H33Z, H38Z				
06		G33Z	08	I02A, I02B, I02C, I02D, I22A, I32A, I32B, I32C, I32D, I34Z, I50Z		08	I02A, I02B, I02C, I02D, I22A, I32A, I32B, I32C, I32D, I32E, I32F, I34Z, I50Z				
07		H33Z, H38Z	09	J01Z, J02A, J02B		09	J01Z, J02A, J02B				
08		I02A, I02B, I02C, I02D, I22A, I32A, I32B, I32C, I32D, I34Z, I50Z	11	L33Z		11	L33Z				
09		J01Z, J02A, J02B	21B	X01A, X01B, X33Z		21B	X01A, X01B, X33Z				
11		L33Z	Pre	A07A		Pre	A07A				
21B		X01A, X01B, X33Z		KOP, KOPV			KOP, KOPV				
Pre		A07A		G33Z			G33Z				
5v250.5			KOP, KOPV	5v250.b			KOP, KOPV	5v251.0			BOP, KVT, UOP4
	03	D02A, D02B, D18Z, D24A, D24B	06		G33Z	03	D02A, D02B, D18Z, D24A, D24B				
	06	G33Z	07		H33Z, H38Z	05	F13A				
	07	H33Z, H38Z	08		I02A, I02B, I02C, I02D, I22A, I32A, I32B, I32C, I32D, I34Z, I50Z	08	I12A, I12B, I12C				
	08	I02A, I02B, I02C, I02D, I22A, I32A, I32B, I32C, I32D, I34Z, I50Z	09		J01Z, J02A, J02B	09	J03A, J03B, J04A, J04B, J08A, J08B, J08C, J11A, J11B, J16Z				
	09	J01Z, J02A, J02B	11		L33Z	21A	W04A, W04B				
	11	L33Z	21B		X01A, X01B, X33Z	21B	X01A, X01B, X06A, X06B, X06C				
	21B	X01A, X01B, X33Z	Pre		A07A		BOP, KVT, UOP4				
	Pre	A07A			KOP, KOPV		B03A, B03B, B06A, B06B, B07Z, B17A, B17B, B17C				
	5v250.6↔		KOP, KOPV		5v250.c		KOP, KOPV		5v251.4		C20A, C20B
		06	G33Z			06	G33Z			03	D02A, D02B, D18Z, D24A, D24B
07		H33Z, H38Z	07	H33Z, H38Z		05	F13A, F21A, F21B				
08		I02A, I02B, I02C, I02D, I22A, I32A, I32B, I32C, I32D, I34Z, I50Z	08	I02A, I02B, I02C, I02D, I22A, I32A, I32B, I32C, I32D, I34Z, I50Z		08	I02A, I02B, I02C, I02D, I12A, I12B, I12C, I22A, I50Z				
09		J01Z, J02A, J02B	09	J01Z, J02A, J02B		09	J02A, J02B, J04A, J04B, J08A, J08B, J08C, J16Z, J21Z, J22A, J22B				
11		L33Z	11	L33Z		21A	W04A, W04B				
21B		X01A, X01B, X33Z	21B	X01A, X01B, X33Z		21B	X01A, X01B				
Pre		A07A	Pre	A07A			BOP, KVT, UOP4				
5v250.7↔			KOP, KOPV	5v250.d			KOP, KOPV	5v251.5			B03A, B03B, B06A, B06B, B07Z, B17A, B17B, B17C
		06	G33Z			06	G33Z			03	D02A, D02B, D18Z, D24A, D24B
		07	H33Z, H38Z			07	H33Z, H38Z			05	F13A, F21A, F21B
	08	I02A, I02B, I02C, I02D, I22A, I32A, I32B, I32C, I32D, I34Z, I50Z	08		I02A, I02B, I02C, I02D, I22A, I32A, I32B, I32C, I32D, I34Z, I50Z	08	I02A, I02B, I02C, I02D, I12A, I12B, I12C, I22A, I50Z				
	09	J01Z, J02A, J02B	09		J01Z, J02A, J02B	09	J02A, J02B, J04A, J04B, J08A, J08B, J08C, J16Z, J21Z, J22A, J22B				
	11	L33Z	11		L33Z	21A	W04A, W04B				
	21B	X01A, X01B, X33Z	21B		X01A, X01B, X33Z	21B	X01A, X01B				
	Pre	A07A	Pre		A07A		BOP, KVT, UOP4				
	5v250.8↔		KOP, KOPV		5v250.e↔		KOP, KOPV		5v251.6↔		B03A, B03B, B06A, B06B, B07Z, B17A, B17B, B17C
		06	G33Z			06	G33Z			05	F13A, F21A, F21B
		07	H33Z, H38Z			07	H33Z, H38Z			08	I02A, I02B, I02C, I02D, I12A, I12B, I12C, I22A, I50Z
08		I02A, I02B, I02C, I02D, I22A, I32A, I32B, I32C, I32D, I32E, I32F, I34Z, I50Z	08	I02A, I02B, I02C, I02D, I22A, I32A, I32B, I32C, I32D, I34Z, I50Z		09	J02A, J02B, J04A, J04B, J08A, J08B, J08C, J16Z, J21Z, J22A, J22B				
09		J01Z, J02A, J02B	09	J01Z, J02A, J02B		21A	W04A, W04B				
11		L33Z	11	L33Z		21B	X01A, X01B				
21B		X01A, X01B, X33Z	21B	X01A, X01B, X33Z			BOP, KVT, UOP4				
Pre		A07A	Pre	A07A		01	B03A, B03B, B06A, B06B, B07Z, B17A, B17B, B17C				
5v250.9↔			KOP, KOPV	5v250.f↔			KOP, KOPV	5v251.6↔			F13A, F21A, F21B
		06	G33Z			06	G33Z			08	I02A, I02B, I02C, I02D, I12A, I12B, I12C, I22A, I50Z
		07	H33Z, H38Z			07	H33Z, H38Z			09	J02A, J02B, J04A, J04B, J08A, J08B, J08C, J16Z, J21Z, J22A, J22B
	08	I02A, I02B, I02C, I02D, I22A, I32A, I32B, I32C, I32D, I32E, I32F, I34Z, I50Z	08		I02A, I02B, I02C, I02D, I22A, I32A, I32B, I32C, I32D, I34Z, I50Z	21A	W04A, W04B				
	09	J01Z, J02A, J02B	09		J01Z, J02A, J02B	21B	X01A, X01B				
	11	L33Z	11		L33Z		BOP, KVT, UOP4				
	21B	X01A, X01B, X33Z	21B		X01A, X01B, X33Z	01	B03A, B03B, B06A, B06B, B07Z, B17A, B17B, B17C				
	Pre	A07A	Pre		A07A	05	F13A, F21A, F21B				

ZZV	MDC	DRG	ZZV	MDC	DRG	ZZV	MDC	DRG			
5v251.7↔		BOP, KVT, UOP4	5v251.d		BOP, KVT, UOP4	5v252.0		BOP, KVT, UOP4			
	01	B03A, B03B, B06A, B06B, B07Z, B17A, B17B, B17C		01	B03A, B03B, B06A, B06B, B07Z, B17A, B17B, B17C		03	D02A, D02B, D18Z, D24A, D24B			
	05	F13A, F21A, F21B		05	F13A, F21A, F21B		05	F13A			
	08	I02A, I02B, I02C, I02D, I12A, I12B, I12C, I22A, I50Z		06	G10Z, G12A, G12B		08	I12A, I12B, I12C			
	09	J02A, J02B, J04A, J04B, J08A, J08B, J08C, J16Z, J21Z, J22A, J22B		08	I02A, I02B, I02C, I02D, I12A, I12B, I12C, I22A, I50Z		09	J03A, J03B, J04A, J04B, J08A, J08B, J08C, J11A, J11B, J16Z			
	21A	W04A, W04B		09	J02A, J02B, J04A, J04B, J08A, J08B, J08C, J16Z, J21Z, J22A, J22B		21A	W04A, W04B			
	21B	X01A, X01B		21A	W04A, W04B		21B	X01A, X01B, X06A, X06B, X06C			
	5v251.8↔			BOP, KVT, UOP4	5v251.e↔			BOP, KVT, UOP4	5v252.4		BOP, KVT, UOP4
		01		B03A, B03B, B06A, B06B, B07Z, B17A, B17B, B17C			01	B03A, B03B, B06A, B06B, B07Z, B17A, B17B, B17C		01	B03A, B03B, B06A, B06B, B07Z, B17A, B17B, B17C
		05		F13A, F21A, F21B			05	F13A, F21A, F21B, F27A, F27B, F27C		02	C20A, C20B
08		I02A, I02B, I02C, I02D, I12A, I12B, I12C, I22A, I32A, I32B, I32C, I32D, I32E, I32F, I50Z	08	I02A, I02B, I02C, I02D, I12A, I12B, I12C, I22A, I50Z		03	D02A, D02B, D18Z, D24A, D24B				
09		J02A, J02B, J04A, J04B, J08A, J08B, J08C, J16Z, J21Z, J22A, J22B	09	J02A, J02B, J04A, J04B, J08A, J08B, J08C, J16Z, J21Z, J22A, J22B		05	F13A, F21A, F21B				
21A		W04A, W04B	10	K01Z		08	I02A, I02B, I02C, I02D, I12A, I12B, I12C, I22A, I50Z				
21B		X01A, X01B	21A	W04A, W04B		09	J02A, J02B, J04A, J04B, J08A, J08B, J08C, J16Z, J21Z, J22A, J22B				
5v251.9↔			BOP, KVT, UOP4	5v251.f↔			BOP, KVT, UOP4	5v252.5			BOP, KVT, UOP4
		01	B03A, B03B, B06A, B06B, B07Z, B17A, B17B, B17C			01	B03A, B03B, B06A, B06B, B07Z, B17A, B17B, B17C			01	B03A, B03B, B06A, B06B, B07Z, B17A, B17B, B17C
		05	F13A, F21A, F21B			05	F13A, F21A, F21B, F27A, F27B, F27C			03	D02A, D02B, D18Z, D24A, D24B
	08	I12A, I12B, I12C, I32A, I32B, I32C, I32D, I32E, I32F	08		I02A, I02B, I02C, I02D, I12A, I12B, I12C, I22A, I50Z	05	F13A, F21A, F21B				
	09	J02A, J02B, J04A, J04B, J08A, J08B, J08C, J16Z, J21Z, J22A, J22B	09		J02A, J02B, J04A, J04B, J08A, J08B, J08C, J16Z, J21Z, J22A, J22B	08	I02A, I02B, I02C, I02D, I12A, I12B, I12C, I22A, I50Z				
	21A	W04A, W04B	10		K01Z	09	J02A, J02B, J04A, J04B, J08A, J08B, J08C, J16Z, J21Z, J22A, J22B				
	21B	X01A, X01B	21A		W04A, W04B	21A	W04A, W04B				
	5v251.a		BOP, KVT, UOP4		5v251.g↔		BOP, KVT, UOP4		5v252.6↔		BOP, KVT, UOP4
		01	B03A, B03B, B06A, B06B, B07Z, B17A, B17B, B17C			01	B03A, B03B, B06A, B06B, B07Z, B17A, B17B, B17C			01	B03A, B03B, B06A, B06B, B07Z, B17A, B17B, B17C
		05	F13A, F21A, F21B			05	F13A, F21A, F21B, F27A, F27B, F27C			05	F13A, F21A, F21B
06		G10Z, G12A, G12B	08	I02A, I02B, I02C, I02D, I12A, I12B, I12C, I22A, I50Z		08	I02A, I02B, I02C, I02D, I12A, I12B, I12C, I22A, I50Z				
08		I02A, I02B, I02C, I02D, I12A, I12B, I12C, I22A, I50Z	09	J02A, J02B, J04A, J04B, J08A, J08B, J08C, J16Z, J21Z, J22A, J22B		09	J02A, J02B, J04A, J04B, J08A, J08B, J08C, J16Z, J21Z, J22A, J22B				
09		J02A, J02B, J04A, J04B, J08A, J08B, J08C, J16Z, J21Z, J22A, J22B	10	K01Z		21A	W04A, W04B				
21A		W04A, W04B	21A	W04A, W04B		21B	X01A, X01B				
21B		X01A, X01B	5v251.x↔			BOP, KVT, UOP4	5v252.7↔			BOP, KVT, UOP4	
5v251.b				BOP, KVT, UOP4		01		B03A, B03B, B06A, B06B, B07Z, B17A, B17B, B17C		01	B03A, B03B, B06A, B06B, B07Z, B17A, B17B, B17C
		01		B03A, B03B, B06A, B06B, B07Z, B17A, B17B, B17C		05		F13A, F21A, F21B		05	F13A, F21A, F21B
	05	F13A, F21A, F21B		08	I02A, I02B, I02C, I02D, I12A, I12B, I12C, I22A, I50Z	08		I02A, I02B, I02C, I02D, I12A, I12B, I12C, I22A, I50Z			
	06	G10Z, G12A, G12B		09	J02A, J02B, J04A, J04B, J08A, J08B, J08C, J16Z, J21Z, J22A, J22B	09		J02A, J02B, J04A, J04B, J08A, J08B, J08C, J16Z, J21Z, J22A, J22B			
	08	I02A, I02B, I02C, I02D, I12A, I12B, I12C, I22A, I50Z		21A	W04A, W04B	21A		W04A, W04B			
	09	J02A, J02B, J04A, J04B, J08A, J08B, J08C, J16Z, J21Z, J22A, J22B		21B	X01A, X01B	21B		X01A, X01B			
	21A	W04A, W04B		5v251.c		BOP, KVT, UOP4		5v252.7↔		BOP, KVT, UOP4	
	21B	X01A, X01B			01	B03A, B03B, B06A, B06B, B07Z, B17A, B17B, B17C			01	B03A, B03B, B06A, B06B, B07Z, B17A, B17B, B17C	
	5v251.c				BOP, KVT, UOP4	05			F13A, F21A, F21B	05	F13A, F21A, F21B
		01	B03A, B03B, B06A, B06B, B07Z, B17A, B17B, B17C		08	I02A, I02B, I02C, I02D, I12A, I12B, I12C, I22A, I50Z	08		I02A, I02B, I02C, I02D, I12A, I12B, I12C, I22A, I50Z		
05		F13A, F21A, F21B	09		J02A, J02B, J04A, J04B, J08A, J08B, J08C, J16Z, J21Z, J22A, J22B	09	J02A, J02B, J04A, J04B, J08A, J08B, J08C, J16Z, J21Z, J22A, J22B				
06		G10Z, G12A, G12B	21A		W04A, W04B	21A	W04A, W04B				
08		I02A, I02B, I02C, I02D, I12A, I12B, I12C, I22A, I50Z	21B		X01A, X01B	21B	X01A, X01B				
09		J02A, J02B, J04A, J04B, J08A, J08B, J08C, J16Z, J21Z, J22A, J22B									
21A		W04A, W04B									
21B		X01A, X01B									

ZZV	MDC	DRG	ZZV	MDC	DRG	ZZV	MDC	DRG
5v252.8↔		BOP, KVT, UOP4	5v252.e↔		BOP, KVT, UOP4	5v260.4		BOP, KVT, UOP4
	01	B03A, B03B, B06A, B06B, B07Z, B17A, B17B, B17C		01	B03A, B03B, B06A, B06B, B07Z, B17A, B17B, B17C		01	B03A, B03B, B06A, B06B, B07Z, B17A, B17B, B17C
	05	F13A, F21A, F21B		05	F13A, F21A, F21B, F27A, F27B, F27C		02	C20A, C20B
	08	I02A, I02B, I02C, I02D, I12A, I12B, I12C, I22A, I32A, I32B, I32C, I32D, I32E, I32F, I50Z		08	I02A, I02B, I02C, I02D, I12A, I12B, I12C, I22A, I50Z		03	D12A
	09	J02A, J02B, J04A, J04B, J08A, J08B, J08C, J16Z, J21Z, J22A, J22B		09	J02A, J02B, J04A, J04B, J08A, J08B, J08C, J16Z, J21Z, J22A, J22B		05	F13A, F21A, F21B
	21A	W04A, W04B		10	K01Z		08	I02A, I02B, I02C, I02D, I12A, I12B, I12C, I22A, I50Z
	21B	X01A, X01B		21A	W04A, W04B		09	J02A, J02B, J04A, J04B, J08A, J08B, J16Z, J21Z, J22A, J22B
				21B	X01A, X01B		21A	W04A, W04B
							21B	X01A, X01B
5v252.9↔		BOP, KVT, UOP4	5v252.f↔		BOP, KVT, UOP4	5v260.5		BOP, KVT, UOP4
	01	B03A, B03B, B06A, B06B, B07Z, B17A, B17B, B17C		01	B03A, B03B, B06A, B06B, B07Z, B17A, B17B, B17C		01	B03A, B03B, B06A, B06B, B07Z, B17A, B17B, B17C
	05	F13A, F21A, F21B		05	F13A, F21A, F21B, F27A, F27B, F27C		03	D12A
	08	I12A, I12B, I12C, I32A, I32B, I32C, I32D, I32E, I32F		08	I02A, I02B, I02C, I02D, I12A, I12B, I12C, I22A, I50Z		05	F13A, F21A, F21B
	09	J02A, J02B, J04A, J04B, J08A, J08B, J08C, J16Z, J21Z, J22A, J22B		09	J02A, J02B, J04A, J04B, J08A, J08B, J08C, J16Z, J21Z, J22A, J22B		08	I02A, I02B, I02C, I02D, I12A, I12B, I12C, I22A, I50Z
	21A	W04A, W04B		10	K01Z		09	J02A, J02B, J04A, J04B, J08A, J08B, J16Z, J21Z, J22A, J22B
	21B	X01A, X01B		21A	W04A, W04B		21A	W04A, W04B
				21B	X01A, X01B		21B	X01A, X01B
5v252.a		BOP, KVT, UOP4	5v252.g↔		BOP, KVT, UOP4	5v260.6↔		BOP, KVT, UOP4
	01	B03A, B03B, B06A, B06B, B07Z, B17A, B17B, B17C		01	B03A, B03B, B06A, B06B, B07Z, B17A, B17B, B17C		01	B03A, B03B, B06A, B06B, B07Z, B17A, B17B, B17C
	05	F13A, F21A, F21B		05	F13A, F21A, F21B, F27A, F27B, F27C		05	F13A, F21A, F21B
	06	G10Z, G12A, G12B		08	I02A, I02B, I02C, I02D, I12A, I12B, I12C, I22A, I50Z		08	I02A, I02B, I02C, I02D, I12A, I12B, I12C, I22A, I50Z
	08	I02A, I02B, I02C, I02D, I12A, I12B, I12C, I22A, I50Z		08	I02A, I02B, I02C, I02D, I12A, I12B, I12C, I22A, I50Z		09	J02A, J02B, J04A, J04B, J08A, J08B, J16Z, J21Z, J22A, J22B
	09	J02A, J02B, J04A, J04B, J08A, J08B, J08C, J16Z, J21Z, J22A, J22B		09	J02A, J02B, J04A, J04B, J08A, J08B, J08C, J16Z, J21Z, J22A, J22B		21A	W04A, W04B
	21A	W04A, W04B		10	K01Z		21B	X01A, X01B
	21B	X01A, X01B		21A	W04A, W04B			
				21B	X01A, X01B			
5v252.b		BOP, KVT, UOP4	5v252.x↔		BOP, KVT, UOP4	5v260.7↔		BOP, KVT, UOP4
	01	B03A, B03B, B06A, B06B, B07Z, B17A, B17B, B17C		01	B03A, B03B, B06A, B06B, B07Z, B17A, B17B, B17C		01	B03A, B03B, B06A, B06B, B07Z, B17A, B17B, B17C
	05	F13A, F21A, F21B		05	F13A, F21A, F21B		05	F13A, F21A, F21B
	06	G10Z, G12A, G12B		08	I02A, I02B, I02C, I02D, I12A, I12B, I12C, I22A, I32A, I32B, I32C, I32D, I32E, I32F, I50Z		08	I02A, I02B, I02C, I02D, I12A, I12B, I12C, I22A, I50Z
	08	I02A, I02B, I02C, I02D, I12A, I12B, I12C, I22A, I50Z		08	I02A, I02B, I02C, I02D, I12A, I12B, I12C, I22A, I32A, I32B, I32C, I32D, I32E, I32F, I50Z		09	J02A, J02B, J04A, J04B, J08A, J08B, J16Z, J21Z, J22A, J22B
	09	J02A, J02B, J04A, J04B, J08A, J08B, J08C, J16Z, J21Z, J22A, J22B		09	J02A, J02B, J04A, J04B, J08A, J08B, J08C, J16Z, J21Z, J22A, J22B		21A	W04A, W04B
	21A	W04A, W04B		09	J02A, J02B, J04A, J04B, J08A, J08B, J16Z, J21Z, J22A, J22B		21B	X01A, X01B
	21B	X01A, X01B		10	K01Z			
				21A	W04A, W04B			
				21B	X01A, X01B			
5v252.c		BOP, KVT, UOP4	5v260.0		BOP, KVT, UOP4	5v260.8↔		BOP, KVT, UOP4
	01	B03A, B03B, B06A, B06B, B07Z, B17A, B17B, B17C		03	D18Z, D25A, D25B, D25C, D25D		01	B03A, B03B, B06A, B06B, B07Z, B17A, B17B, B17C
	05	F13A, F21A, F21B		05	F13A		05	F13A, F21A, F21B
	06	G10Z, G12A, G12B		08	I12A, I12B, I12C		08	I02A, I02B, I02C, I02D, I12A, I12B, I12C, I22A, I32A, I32B, I32C, I32D, I32E, I32F, I50Z
	08	I02A, I02B, I02C, I02D, I12A, I12B, I12C, I22A, I50Z		09	J03A, J03B, J04A, J04B, J08A, J08B, J11A, J11B, J16Z		09	J02A, J02B, J04A, J04B, J08A, J08B, J16Z, J21Z, J22A, J22B
	09	J02A, J02B, J04A, J04B, J08A, J08B, J08C, J16Z, J21Z, J22A, J22B		09	J03A, J03B, J04A, J04B, J08A, J08B, J11A, J11B, J16Z		21A	W04A, W04B
	21A	W04A, W04B		21A	W04A, W04B		21B	X01A, X01B
	21B	X01A, X01B		21B	X01A, X01B, X06A, X06B, X06C			
5v252.d		BOP, KVT, UOP4			5v260.9↔		BOP, KVT, UOP4	
	01	B03A, B03B, B06A, B06B, B07Z, B17A, B17B, B17C				01	B03A, B03B, B06A, B06B, B07Z, B17A, B17B, B17C	
	05	F13A, F21A, F21B				05	F13A, F21A, F21B	
	06	G10Z, G12A, G12B				08	I12A, I12B, I12C, I32A, I32B, I32C, I32D, I32E, I32F	
	08	I02A, I02B, I02C, I02D, I12A, I12B, I12C, I22A, I50Z				09	J02A, J02B, J04A, J04B, J08A, J08B, J16Z, J21Z, J22A, J22B	
	09	J02A, J02B, J04A, J04B, J08A, J08B, J08C, J16Z, J21Z, J22A, J22B				21A	W04A, W04B	
	21A	W04A, W04B				21B	X01A, X01B	
	21B	X01A, X01B						

ZZV	MDC	DRG	ZZV	MDC	DRG	ZZV	MDC	DRG			
5v260.a		BOP, KVT, UOP4	5v260.f↔		BOP, KVT, UOP4	5v261.5		BOP, KVT, UOP4			
	01	B03A, B03B, B06A, B06B, B07Z, B17A, B17B, B17C		01	B03A, B03B, B06A, B06B, B07Z, B17A, B17B, B17C		01	B03A, B03B, B06A, B06B, B07Z, B17A, B17B, B17C			
	05	F13A, F21A, F21B		05	F13A, F21A, F21B, F27A, F27B, F27C		03	D12A			
	06	G10Z, G12A, G12B		08	I02A, I02B, I02C, I02D, I12A, I12B, I12C, I22A, I50Z		05	F13A, F21A, F21B			
	08	I02A, I02B, I02C, I02D, I12A, I12B, I12C, I22A, I50Z		09	J02A, J02B, J04A, J04B, J08A, J08B, J16Z, J21Z, J22A, J22B		08	I02A, I02B, I02C, I02D, I12A, I12B, I12C, I22A, I50Z			
	09	J02A, J02B, J04A, J04B, J08A, J08B, J16Z, J21Z, J22A, J22B		10	K01Z		09	J02A, J02B, J04A, J04B, J08A, J08B, J16Z, J21Z, J22A, J22B			
	21A	W04A, W04B		21A	W04A, W04B		21A	W04A, W04B			
	21B	X01A, X01B		21B	X01A, X01B		21B	X01A, X01B, X33Z			
	5v260.b			BOP, KVT, UOP4	5v260.g↔			BOP, KVT, UOP4	5v261.6↔		BOP, KVT, UOP4
		01		B03A, B03B, B06A, B06B, B07Z, B17A, B17B, B17C			01	B03A, B03B, B06A, B06B, B07Z, B17A, B17B, B17C		01	B03A, B03B, B06A, B06B, B07Z, B17A, B17B, B17C
05		F13A, F21A, F21B	05	F13A, F21A, F21B, F27A, F27B, F27C		05	F13A, F21A, F21B				
06		G10Z, G12A, G12B	08	I02A, I02B, I02C, I02D, I12A, I12B, I12C, I22A, I50Z		08	I02A, I02B, I02C, I02D, I12A, I12B, I12C, I22A, I50Z				
08		I02A, I02B, I02C, I02D, I12A, I12B, I12C, I22A, I50Z	09	J02A, J02B, J04A, J04B, J08A, J08B, J16Z, J21Z, J22A, J22B		09	J02A, J02B, J04A, J04B, J08A, J08B, J16Z, J21Z, J22A, J22B				
09		J02A, J02B, J04A, J04B, J08A, J08B, J16Z, J21Z, J22A, J22B	10	K01Z		21A	W04A, W04B				
21A		W04A, W04B	21A	W04A, W04B		21B	X01A, X01B, X33Z				
21B		X01A, X01B	21B	X01A, X01B			BOP, KVT, UOP4				
5v260.c			BOP, KVT, UOP4	5v260.x↔			BOP, KVT, UOP4	5v261.7↔			BOP, KVT, UOP4
		01	B03A, B03B, B06A, B06B, B07Z, B17A, B17B, B17C			01	B03A, B03B, B06A, B06B, B07Z, B17A, B17B, B17C			01	B03A, B03B, B06A, B06B, B07Z, B17A, B17B, B17C
	05	F13A, F21A, F21B	05		F13A, F21A, F21B	05	F13A, F21A, F21B				
	06	G10Z, G12A, G12B	08		I02A, I02B, I02C, I02D, I12A, I12B, I12C, I22A, I50Z	08	I02A, I02B, I02C, I02D, I12A, I12B, I12C, I22A, I50Z				
	08	I02A, I02B, I02C, I02D, I12A, I12B, I12C, I22A, I50Z	09		J02A, J02B, J04A, J04B, J08A, J08B, J16Z, J21Z, J22A, J22B	09	J02A, J02B, J04A, J04B, J08A, J08B, J16Z, J21Z, J22A, J22B				
	09	J02A, J02B, J04A, J04B, J08A, J08B, J16Z, J21Z, J22A, J22B	09		J02A, J02B, J04A, J04B, J08A, J08B, J16Z, J21Z, J22A, J22B	21A	W04A, W04B				
	10	K09A, K09B	21A		W04A, W04B	21B	X01A, X01B, X33Z				
	12	M04A, M04B, M04C, M04D, M37Z, M38Z	21B		X01A, X01B		BOP, KVT, UOP4				
	21A	W04A, W04B	21B		X01A, X01B	01	B03A, B03B, B06A, B06B, B07Z, B17A, B17B, B17C				
	21B	X01A, X01B	21B		X01A, X01B	05	F13A, F21A, F21B				
5v260.d		BOP, KVT, UOP4	5v261.0		BOP, KVT, UOP4	5v261.8↔		BOP, KVT, UOP4			
	01	B03A, B03B, B06A, B06B, B07Z, B17A, B17B, B17C		03	D18Z, D25A, D25B, D25C, D25D		01	B03A, B03B, B06A, B06B, B07Z, B17A, B17B, B17C			
	05	F13A, F21A, F21B		05	F13A		05	F13A, F21A, F21B			
	06	G10Z, G12A, G12B		08	I12A, I12B, I12C		08	I02A, I02B, I02C, I02D, I12A, I12B, I12C, I22A, I32A, I32B, I32C, I32D, I32E, I32F, I50Z			
	08	I02A, I02B, I02C, I02D, I12A, I12B, I12C, I22A, I50Z		09	J03A, J03B, J04A, J04B, J08A, J08B, J10A, J10B, J16Z		09	J02A, J02B, J04A, J04B, J08A, J08B, J16Z, J21Z, J22A, J22B			
	09	J02A, J02B, J04A, J04B, J08A, J08B, J16Z, J21Z, J22A, J22B		21A	W04A, W04B		21A	W04A, W04B			
	21A	W04A, W04B		21B	X01A, X01B, X06A, X06B, X06C, X33Z		21B	X01A, X01B, X33Z			
	21B	X01A, X01B			BOP, KVT, UOP4			BOP, KVT, UOP4			
	5v260.e↔			BOP, KVT, UOP4	5v261.4			BOP, KVT, UOP4	5v261.9↔		BOP, KVT, UOP4
		01		B03A, B03B, B06A, B06B, B07Z, B17A, B17B, B17C			01	B03A, B03B, B06A, B06B, B07Z, B17A, B17B, B17C		01	B03A, B03B, B06A, B06B, B07Z, B17A, B17B, B17C
05		F13A, F21A, F21B, F27A, F27B, F27C	02	C20A, C20B		05	F13A, F21A, F21B				
08		I02A, I02B, I02C, I02D, I12A, I12B, I12C, I22A, I50Z	03	D12A		08	I12A, I12B, I12C, I32A, I32B, I32C, I32D, I32E, I32F				
09		J02A, J02B, J04A, J04B, J08A, J08B, J16Z, J21Z, J22A, J22B	05	F13A, F21A, F21B		09	J02A, J02B, J04A, J04B, J08A, J08B, J16Z, J21Z, J22A, J22B				
10		K01Z	08	I02A, I02B, I02C, I02D, I12A, I12B, I12C, I22A, I50Z		21A	W04A, W04B				
21A		W04A, W04B	09	J02A, J02B, J04A, J04B, J08A, J08B, J16Z, J21Z, J22A, J22B		21B	X01A, X01B, X33Z				
21B		X01A, X01B	21A	W04A, W04B			BOP, KVT, UOP4				
5v260.f↔			BOP, KVT, UOP4	5v261.6↔			BOP, KVT, UOP4	5v261.a			BOP, KVT, UOP4
		01	B03A, B03B, B06A, B06B, B07Z, B17A, B17B, B17C			01	B03A, B03B, B06A, B06B, B07Z, B17A, B17B, B17C			01	B03A, B03B, B06A, B06B, B07Z, B17A, B17B, B17C
	05	F13A, F21A, F21B	05		F13A, F21A, F21B	05	F13A, F21A, F21B				
	06	G10Z, G12A, G12B	08		I02A, I02B, I02C, I02D, I12A, I12B, I12C, I22A, I50Z	06	G10Z, G12A, G12B				
	08	I02A, I02B, I02C, I02D, I12A, I12B, I12C, I22A, I50Z	09		J02A, J02B, J04A, J04B, J08A, J08B, J16Z, J21Z, J22A, J22B	08	I02A, I02B, I02C, I02D, I12A, I12B, I12C, I22A, I50Z				
	09	J02A, J02B, J04A, J04B, J08A, J08B, J16Z, J21Z, J22A, J22B	21A		W04A, W04B	09	J02A, J02B, J04A, J04B, J08A, J08B, J16Z, J21Z, J22A, J22B				
	21A	W04A, W04B	21B		X01A, X01B, X33Z	21A	W04A, W04B				
	21B	X01A, X01B			BOP, KVT, UOP4	21B	X01A, X01B, X33Z				

ZZV	MDC	DRG	ZZV	MDC	DRG	ZZV	MDC	DRG			
5v261.b		BOP, KVT, UOP4	5v261.g↔		BOP, KVT, UOP4	5v262.6↔		BOP, KVT, UOP4			
	01	B03A, B03B, B06A, B06B, B07Z, B17A, B17B, B17C		01	B03A, B03B, B06A, B06B, B07Z, B17A, B17B, B17C		01	B03A, B03B, B06A, B06B, B07Z, B17A, B17B, B17C			
	05	F13A, F21A, F21B		05	F13A, F21A, F21B, F27A, F27B, F27C		05	F13A, F21A, F21B			
	06	G10Z, G12A, G12B		08	I02A, I02B, I02C, I02D, I12A, I12B, I12C, I22A, I50Z		08	I02A, I02B, I02C, I02D, I12A, I12B, I12C, I22A, I50Z			
	08	I02A, I02B, I02C, I02D, I12A, I12B, I12C, I22A, I50Z		08	I02A, I02B, I02C, I02D, I12A, I12B, I12C, I22A, I50Z		09	J02A, J02B, J04A, J04B, J08A, J08B, J16Z, J21Z, J22A, J22B			
	09	J02A, J02B, J04A, J04B, J08A, J08B, J16Z, J21Z, J22A, J22B		09	J02A, J02B, J04A, J04B, J08A, J08B, J16Z, J21Z, J22A, J22B		21A	W04A, W04B			
	21A	W04A, W04B		10	K01Z		21B	X01A, X01B, X33Z			
	21B	X01A, X01B, X33Z		21A	W04A, W04B		5v262.7↔		BOP, KVT, UOP4		
	5v261.c			BOP, KVT, UOP4	5v261.x↔				BOP, KVT, UOP4	01	B03A, B03B, B06A, B06B, B07Z, B17A, B17B, B17C
		01		B03A, B03B, B06A, B06B, B07Z, B17A, B17B, B17C				01	B03A, B03B, B06A, B06B, B07Z, B17A, B17B, B17C	05	F13A, F21A, F21B
		05		F13A, F21A, F21B				05	F13A, F21A, F21B	08	I02A, I02B, I02C, I02D, I12A, I12B, I12C, I22A, I50Z
		06		G10Z, G12A, G12B				08	I02A, I02B, I02C, I02D, I12A, I12B, I12C, I22A, I32A, I32B, I32C, I32D, I32E, I32F, I50Z	09	J02A, J02B, J04A, J04B, J08A, J08B, J16Z, J21Z, J22A, J22B
		08		I02A, I02B, I02C, I02D, I12A, I12B, I12C, I22A, I50Z				09	J02A, J02B, J04A, J04B, J08A, J08B, J16Z, J21Z, J22A, J22B	21A	W04A, W04B
		09		J02A, J02B, J04A, J04B, J08A, J08B, J16Z, J21Z, J22A, J22B				21A	W04A, W04B	21B	X01A, X01B, X33Z
		10		K09A, K09B				21B	X01A, X01B, X33Z	5v262.8↔	
12		M04A, M04B, M04C, M04D, M37Z, M38Z		BOP, KVT, UOP4		01		B03A, B03B, B06A, B06B, B07Z, B17A, B17B, B17C			
21A		W04A, W04B	5v262.0			03		D02A, D02B, D18Z, D24A, D24B			
21B		X01A, X01B, X33Z		05		F13A		08	I02A, I02B, I02C, I02D, I12A, I12B, I12C, I22A, I50Z		
5v261.d				BOP, KVT, UOP4		08		I12A, I12B, I12C	09		J02A, J02B, J04A, J04B, J08A, J08B, J16Z, J21Z, J22A, J22B
		01		B03A, B03B, B06A, B06B, B07Z, B17A, B17B, B17C		09		J03A, J03B, J04A, J04B, J08A, J08B, J11A, J11B, J16Z	21A		W04A, W04B
		05		F13A, F21A, F21B		21A		W04A, W04B	21B		X01A, X01B, X33Z
		06		G10Z, G12A, G12B		21B		X01A, X01B, X06A, X06B, X06C, X33Z	5v262.9↔		
		08		I02A, I02B, I02C, I02D, I12A, I12B, I12C, I22A, I50Z		22	Y01Z, Y03A, Y03B	01			B03A, B03B, B06A, B06B, B07Z, B17A, B17B, B17C
	09	J02A, J02B, J04A, J04B, J08A, J08B, J16Z, J21Z, J22A, J22B		5v262.4		05	F13A, F21A, F21B				
	21A	W04A, W04B			01	B03A, B03B, B06A, B06B, B07Z, B17A, B17B, B17C	08	I12A, I12B, I12C, I32A, I32B, I32C, I32D, I32E, I32F			
	21B	X01A, X01B, X33Z			02	C20A, C20B	09	J02A, J02B, J04A, J04B, J08A, J08B, J16Z, J21Z, J22A, J22B			
	5v261.e↔				BOP, KVT, UOP4	03	D12A	21A			W04A, W04B
		01			B03A, B03B, B06A, B06B, B07Z, B17A, B17B, B17C	05	F13A, F21A, F21B	21B			X01A, X01B, X33Z
		05			F13A, F21A, F21B, F27A, F27B, F27C	08	I02A, I02B, I02C, I02D, I12A, I12B, I12C, I22A, I50Z	5v262.a			
		08			I02A, I02B, I02C, I02D, I12A, I12B, I12C, I22A, I50Z	09	J02A, J02B, J04A, J04B, J08A, J08B, J16Z, J21Z, J22A, J22B			01	B03A, B03B, B06A, B06B, B07Z, B17A, B17B, B17C
		09			J02A, J02B, J04A, J04B, J08A, J08B, J16Z, J21Z, J22A, J22B	21A	W04A, W04B			05	F13A, F21A, F21B
		10	K01Z		21B	X01A, X01B, X33Z	06			G10Z, G12A, G12B	
		21A	W04A, W04B		5v262.5		08			I02A, I02B, I02C, I02D, I12A, I12B, I12C, I22A, I50Z	
21B		X01A, X01B, X33Z	01			B03A, B03B, B06A, B06B, B07Z, B17A, B17B, B17C	09			J02A, J02B, J04A, J04B, J08A, J08B, J16Z, J21Z, J22A, J22B	
5v261.f↔			BOP, KVT, UOP4			03	D12A			21A	W04A, W04B
		01	B03A, B03B, B06A, B06B, B07Z, B17A, B17B, B17C			05	F13A, F21A, F21B			21B	X01A, X01B, X33Z
		05	F13A, F21A, F21B, F27A, F27B, F27C			08	I02A, I02B, I02C, I02D, I12A, I12B, I12C, I22A, I50Z		5v262.b		BOP, KVT, UOP4
		08	I02A, I02B, I02C, I02D, I12A, I12B, I12C, I22A, I50Z			09	J02A, J02B, J04A, J04B, J08A, J08B, J16Z, J21Z, J22A, J22B			01	B03A, B03B, B06A, B06B, B07Z, B17A, B17B, B17C
		09	J02A, J02B, J04A, J04B, J08A, J08B, J16Z, J21Z, J22A, J22B	21A		W04A, W04B	05			F13A, F21A, F21B	
		10	K01Z	21B		X01A, X01B, X33Z	06			G10Z, G12A, G12B	
		21A	W04A, W04B				08			I02A, I02B, I02C, I02D, I12A, I12B, I12C, I22A, I50Z	
	21B	X01A, X01B, X33Z				09	J02A, J02B, J04A, J04B, J08A, J08B, J16Z, J21Z, J22A, J22B				
						21A	W04A, W04B				
						21B	X01A, X01B, X33Z				
								BOP, KVT, UOP4			
						01	B03A, B03B, B06A, B06B, B07Z, B17A, B17B, B17C				
						05	F13A, F21A, F21B				
					06	G10Z, G12A, G12B					
					08	I02A, I02B, I02C, I02D, I12A, I12B, I12C, I22A, I50Z					
				09	J02A, J02B, J04A, J04B, J08A, J08B, J16Z, J21Z, J22A, J22B						
				21A	W04A, W04B						
				21B	X01A, X01B, X33Z						

ZZV	MDC	DRG	ZZV	MDC	DRG	ZZV	MDC	DRG			
5v262.c		BOP, KVT, UOP4	5v262.x↔		BOP, KVT, UOP4	5v263.8↔		BOP, KVT, UOP4			
	01	B03A, B03B, B06A, B06B, B07Z, B17A, B17B, B17C		01	B03A, B03B, B06A, B06B, B07Z, B17A, B17B, B17C		01	B03A, B03B, B06A, B06B, B07Z, B17A, B17B, B17C			
	05	F13A, F21A, F21B		05	F13A, F21A, F21B		05	F13A, F21A, F21B			
	06	G10Z, G12A, G12B		08	I02A, I02B, I02C, I02D, I12A, I12B, I12C, I22A, I32A, I32B, I32C, I32D, I32E, I32F, I50Z		08	I02A, I02B, I02C, I02D, I12A, I12B, I12C, I22A, I32A, I32B, I32C, I32D, I32E, I32F, I50Z			
	08	I02A, I02B, I02C, I02D, I12A, I12B, I12C, I22A, I50Z		09	J02A, J02B, J04A, J04B, J08A, J08B, J16Z, J21Z, J22A, J22B		09	J02A, J02B, J04A, J04B, J08A, J08B, J16Z, J21Z, J22A, J22B			
	09	J02A, J02B, J04A, J04B, J08A, J08B, J16Z, J21Z, J22A, J22B		21A	W04A, W04B		21A	W04A, W04B			
	10	K09A, K09B		21B	X01A, X01B, X33Z		21B	X01A, X01B, X33Z			
	12	M04A, M04B, M04C, M04D, M37Z, M38Z		5v263.0	BOP, KVT, UOP4		5v263.9↔	BOP, KVT, UOP4			
	21A	W04A, W04B		03	D02A, D02B, D18Z, D24A, D24B		01	B03A, B03B, B06A, B06B, B07Z, B17A, B17B, B17C			
	21B	X01A, X01B, X33Z		05	F13A		05	F13A, F21A, F21B			
	5v262.d			BOP, KVT, UOP4	5v263.4			BOP, KVT, UOP4	5v263.a		BOP, KVT, UOP4
		01		B03A, B03B, B06A, B06B, B07Z, B17A, B17B, B17C			01	B03A, B03B, B06A, B06B, B07Z, B17A, B17B, B17C		01	B03A, B03B, B06A, B06B, B07Z, B17A, B17B, B17C
05		F13A, F21A, F21B	02	C20A, C20B		05	F13A, F21A, F21B				
06		G10Z, G12A, G12B	03	D12A		06	G10Z, G12A, G12B				
08		I02A, I02B, I02C, I02D, I12A, I12B, I12C, I22A, I50Z	05	F13A, F21A, F21B		08	I02A, I02B, I02C, I02D, I12A, I12B, I12C, I22A, I50Z				
09		J02A, J02B, J04A, J04B, J08A, J08B, J16Z, J21Z, J22A, J22B	08	I02A, I02B, I02C, I02D, I12A, I12B, I12C, I22A, I50Z		09	J02A, J02B, J04A, J04B, J08A, J08B, J16Z, J21Z, J22A, J22B				
21A		W04A, W04B	09	J02A, J02B, J04A, J04B, J08A, J08B, J16Z, J21Z, J22A, J22B		21A	W04A, W04B				
21B		X01A, X01B, X33Z	21A	W04A, W04B		21B	X01A, X01B, X33Z				
5v262.e↔			BOP, KVT, UOP4	5v263.5			BOP, KVT, UOP4	5v263.b			BOP, KVT, UOP4
		01	B03A, B03B, B06A, B06B, B07Z, B17A, B17B, B17C			01	B03A, B03B, B06A, B06B, B07Z, B17A, B17B, B17C			01	B03A, B03B, B06A, B06B, B07Z, B17A, B17B, B17C
		05	F13A, F21A, F21B, F27A, F27B, F27C			03	D12A			05	F13A, F21A, F21B
		08	I02A, I02B, I02C, I02D, I12A, I12B, I12C, I22A, I50Z			05	F13A, F21A, F21B			06	G10Z, G12A, G12B
	09	J02A, J02B, J04A, J04B, J08A, J08B, J16Z, J21Z, J22A, J22B	08		I02A, I02B, I02C, I02D, I12A, I12B, I12C, I22A, I50Z	08	I02A, I02B, I02C, I02D, I12A, I12B, I12C, I22A, I50Z				
	10	K01Z	09		J02A, J02B, J04A, J04B, J08A, J08B, J16Z, J21Z, J22A, J22B	09	J02A, J02B, J04A, J04B, J08A, J08B, J16Z, J21Z, J22A, J22B				
	21A	W04A, W04B	21A		W04A, W04B	21A	W04A, W04B				
	21B	X01A, X01B, X33Z	21B		X01A, X01B, X33Z	21B	X01A, X01B, X33Z				
	5v262.f↔		BOP, KVT, UOP4		5v263.6↔		BOP, KVT, UOP4		5v263.c		BOP, KVT, UOP4
		01	B03A, B03B, B06A, B06B, B07Z, B17A, B17B, B17C			01	B03A, B03B, B06A, B06B, B07Z, B17A, B17B, B17C			01	B03A, B03B, B06A, B06B, B07Z, B17A, B17B, B17C
		05	F13A, F21A, F21B, F27A, F27B, F27C			05	F13A, F21A, F21B			05	F13A, F21A, F21B
		08	I02A, I02B, I02C, I02D, I12A, I12B, I12C, I22A, I50Z			08	I02A, I02B, I02C, I02D, I12A, I12B, I12C, I22A, I50Z			06	G10Z, G12A, G12B
09		J02A, J02B, J04A, J04B, J08A, J08B, J16Z, J21Z, J22A, J22B	08	I02A, I02B, I02C, I02D, I12A, I12B, I12C, I22A, I50Z		08	I02A, I02B, I02C, I02D, I12A, I12B, I12C, I22A, I50Z				
10		K01Z	09	J02A, J02B, J04A, J04B, J08A, J08B, J16Z, J21Z, J22A, J22B		09	J02A, J02B, J04A, J04B, J08A, J08B, J16Z, J21Z, J22A, J22B				
21A		W04A, W04B	21A	W04A, W04B		21A	W04A, W04B				
21B		X01A, X01B, X33Z	21B	X01A, X01B, X33Z		21B	X01A, X01B, X33Z				
5v262.g↔			BOP, KVT, UOP4	5v263.7↔			BOP, KVT, UOP4				BOP, KVT, UOP4
		01	B03A, B03B, B06A, B06B, B07Z, B17A, B17B, B17C			01	B03A, B03B, B06A, B06B, B07Z, B17A, B17B, B17C			01	B03A, B03B, B06A, B06B, B07Z, B17A, B17B, B17C
		05	F13A, F21A, F21B, F27A, F27B, F27C			05	F13A, F21A, F21B			05	F13A, F21A, F21B
		08	I02A, I02B, I02C, I02D, I12A, I12B, I12C, I22A, I50Z			08	I02A, I02B, I02C, I02D, I12A, I12B, I12C, I22A, I50Z			06	G10Z, G12A, G12B
	09	J02A, J02B, J04A, J04B, J08A, J08B, J16Z, J21Z, J22A, J22B	08		I02A, I02B, I02C, I02D, I12A, I12B, I12C, I22A, I50Z	08	I02A, I02B, I02C, I02D, I12A, I12B, I12C, I22A, I50Z				
	10	K01Z	09		J02A, J02B, J04A, J04B, J08A, J08B, J16Z, J21Z, J22A, J22B	09	J02A, J02B, J04A, J04B, J08A, J08B, J16Z, J21Z, J22A, J22B				
	21A	W04A, W04B	21A		W04A, W04B	10	K09A, K09B				
	21B	X01A, X01B, X33Z	21B		X01A, X01B, X33Z	12	M04A, M04B, M04C, M04D, M37Z, M38Z				
			01		B03A, B03B, B06A, B06B, B07Z, B17A, B17B, B17C	21A	W04A, W04B				
			05		F13A, F21A, F21B	21B	X01A, X01B, X33Z				
			08		I02A, I02B, I02C, I02D, I12A, I12B, I12C, I22A, I50Z						
			09		J02A, J02B, J04A, J04B, J08A, J08B, J16Z, J21Z, J22A, J22B						

VYK

ZZV	MDC	DRG	ZZV	MDC	DRG	ZZV	MDC	DRG			
5v272.0		BOP, KVT, UOP4	5v272.9↔		BOP, KVT, UOP4	5v272.e↔		BOP, KVT, UOP4			
	01	B03A, B03B, B06A, B06B, B07Z, B17A, B17B, B17C		01	B03A, B03B, B06A, B06B, B07Z, B17A, B17B, B17C		01	B03A, B03B, B06A, B06B, B07Z, B17A, B17B, B17C			
	03	D12A, D12B		05	F13A, F21A, F21B, F21C		05	F13A, F21A, F21B, F21C, F27A, F27B, F27C			
	05	F13A, F21A, F21B, F21C		08	I12A, I12B, I12C, I32A, I32B, I32C, I32D, I32E, I32F		08	I02A, I02B, I02C, I02D, I12A, I12B, I12C, I22A, I50Z			
	08	I12A, I12B, I12C		09	J02A, J02B, J02C, J04A, J04B, J08A, J08B, J08C, J16Z, J21Z, J22A, J22B		09	J02A, J02B, J02C, J04A, J04B, J08A, J08B, J08C, J16Z, J21Z, J22A, J22B			
	09	J02A, J02B, J02C, J04A, J04B, J08A, J08B, J08C, J16Z, J21Z, J22A, J22B		21A	W04A, W04B		10	K01Z			
	21A	W04A, W04B		21A	W04A, W04B		21A	W04A, W04B			
	21B	X01A, X01B		21B	X01A, X01B		21B	X01A, X01B			
	5v272.4			BOP, KVT, UOP4	5v272.a			BOP, KVT, UOP4	5v272.f↔		BOP, KVT, UOP4
		01		B03A, B03B, B06A, B06B, B07Z, B17A, B17B, B17C			01	B03A, B03B, B06A, B06B, B07Z, B17A, B17B, B17C		01	B03A, B03B, B06A, B06B, B07Z, B17A, B17B, B17C
03		D12A, D12B	05	F13A, F21A, F21B, F21C		05	F13A, F21A, F21B, F21C, F27A, F27B, F27C				
05		F13A, F21A, F21B, F21C	06	G10Z, G12A, G12B		08	I02A, I02B, I02C, I02D, I12A, I12B, I12C, I22A, I50Z				
08		I02A, I02B, I02C, I02D, I12A, I12B, I12C, I22A, I50Z	08	I02A, I02B, I02C, I02D, I12A, I12B, I12C, I22A, I50Z		08	I02A, I02B, I02C, I02D, I12A, I12B, I12C, I22A, I50Z				
09		J02A, J02B, J02C, J04A, J04B, J08A, J08B, J08C, J16Z, J21Z, J22A, J22B	09	J02A, J02B, J02C, J04A, J04B, J08A, J08B, J08C, J16Z, J21Z, J22A, J22B		09	J02A, J02B, J02C, J04A, J04B, J08A, J08B, J08C, J16Z, J21Z, J22A, J22B				
21A		W04A, W04B	21A	W04A, W04B		10	K01Z				
21B		X01A, X01B	21B	X01A, X01B		21A	W04A, W04B				
5v272.5			BOP, KVT, UOP4	5v272.b			BOP, KVT, UOP4	5v272.g↔			BOP, KVT, UOP4
		01	B03A, B03B, B06A, B06B, B07Z, B17A, B17B, B17C			01	B03A, B03B, B06A, B06B, B07Z, B17A, B17B, B17C			01	B03A, B03B, B06A, B06B, B07Z, B17A, B17B, B17C
	03	D12A, D12B	05		F13A, F21A, F21B, F21C	05	F13A, F21A, F21B, F21C, F27A, F27B, F27C				
	05	F13A, F21A, F21B, F21C	06		G10Z, G12A, G12B	08	I02A, I02B, I02C, I02D, I12A, I12B, I12C, I22A, I50Z				
	08	I02A, I02B, I02C, I02D, I12A, I12B, I12C, I22A, I50Z	08		I02A, I02B, I02C, I02D, I12A, I12B, I12C, I22A, I50Z	08	I02A, I02B, I02C, I02D, I12A, I12B, I12C, I22A, I50Z				
	09	J02A, J02B, J02C, J04A, J04B, J08A, J08B, J08C, J16Z, J21Z, J22A, J22B	09		J02A, J02B, J02C, J04A, J04B, J08A, J08B, J08C, J16Z, J21Z, J22A, J22B	09	J02A, J02B, J02C, J04A, J04B, J08A, J08B, J08C, J16Z, J21Z, J22A, J22B				
	21A	W04A, W04B	21A		W04A, W04B	10	K01Z				
	21B	X01A, X01B	21B		X01A, X01B	21A	W04A, W04B				
	5v272.6↔		BOP, KVT, UOP4		5v272.c		BOP, KVT, UOP4		5v272.x↔		BOP, KVT, UOP4
		01	B03A, B03B, B06A, B06B, B07Z, B17A, B17B, B17C			01	B03A, B03B, B06A, B06B, B07Z, B17A, B17B, B17C			01	B03A, B03B, B06A, B06B, B07Z, B17A, B17B, B17C
05		F13A, F21A, F21B, F21C	05	F13A, F21A, F21B, F21C		05	F13A, F21A, F21B, F21C				
08		I02A, I02B, I02C, I02D, I12A, I12B, I12C, I22A, I50Z	06	G10Z, G12A, G12B		08	I02A, I02B, I02C, I02D, I12A, I12B, I12C, I22A, I50Z				
09		J02A, J02B, J02C, J04A, J04B, J08A, J08B, J08C, J16Z, J21Z, J22A, J22B	08	I02A, I02B, I02C, I02D, I12A, I12B, I12C, I22A, I50Z		08	I02A, I02B, I02C, I02D, I12A, I12B, I12C, I22A, I32A, I32B, I32C, I32D, I32E, I32F, I50Z				
21A		W04A, W04B	09	J02A, J02B, J02C, J04A, J04B, J08A, J08B, J08C, J16Z, J21Z, J22A, J22B		09	J02A, J02B, J02C, J04A, J04B, J08A, J08B, J08C, J16Z, J21Z, J22A, J22B				
21B		X01A, X01B	21A	W04A, W04B		21A	W04A, W04B				
5v272.7↔			BOP, KVT, UOP4	5v272.d			BOP, KVT, UOP4	5v273.0			BOP, KVT, UOP4
		01	B03A, B03B, B06A, B06B, B07Z, B17A, B17B, B17C			01	B03A, B03B, B06A, B06B, B07Z, B17A, B17B, B17C			01	B03A, B03B, B06A, B06B, B07Z, B17A, B17B, B17C
		05	F13A, F21A, F21B, F21C			05	F13A, F21A, F21B, F21C			03	D12A, D12B
	08	I02A, I02B, I02C, I02D, I12A, I12B, I12C, I22A, I50Z	06		G10Z, G12A, G12B	05	F13A, F21A, F21B, F21C				
	09	J02A, J02B, J02C, J04A, J04B, J08A, J08B, J08C, J16Z, J21Z, J22A, J22B	08		I02A, I02B, I02C, I02D, I12A, I12B, I12C, I22A, I50Z	08	I12A, I12B, I12C				
	21A	W04A, W04B	09		J02A, J02B, J02C, J04A, J04B, J08A, J08B, J08C, J16Z, J21Z, J22A, J22B	09	J02A, J02B, J02C, J04A, J04B, J08A, J08B, J08C, J16Z, J21Z, J22A, J22B				
	21B	X01A, X01B	21A		W04A, W04B	21A	W04A, W04B				
	5v272.8↔		BOP, KVT, UOP4				BOP, KVT, UOP4				BOP, KVT, UOP4
		01	B03A, B03B, B06A, B06B, B07Z, B17A, B17B, B17C			01	B03A, B03B, B06A, B06B, B07Z, B17A, B17B, B17C			21B	X01A, X01B
		05	F13A, F21A, F21B, F21C			05	F13A, F21A, F21B, F21C				
08		I02A, I02B, I02C, I02D, I12A, I12B, I12C, I22A, I32A, I32B, I32C, I32D, I32E, I32F, I50Z	06	G10Z, G12A, G12B							
09		J02A, J02B, J02C, J04A, J04B, J08A, J08B, J08C, J16Z, J21Z, J22A, J22B	08	I02A, I02B, I02C, I02D, I12A, I12B, I12C, I22A, I50Z							
21A		W04A, W04B	09	J02A, J02B, J02C, J04A, J04B, J08A, J08B, J08C, J16Z, J21Z, J22A, J22B							
21B		X01A, X01B	21A	W04A, W04B							

VYK

ZZV	MDC	DRG	ZZV	MDC	DRG	ZZV	MDC	DRG		
5v276.9↔		BOP, KVT, UOP4	5v276.e↔		BOP, KVT, UOP4	5v282	03	D08A, D08B, D18Z, D22A, D22B, D30A, D30B		
	01	B03A, B03B, B06A, B06B, B07Z, B17A, B17B, B17C		01	B03A, B03B, B06A, B06B, B07Z, B17A, B17B, B17C		05	F13A		
	05	F13A, F21A, F21B, F21C		05	F13A, F21A, F21B, F21C, F27A, F27B, F27C		09	J03A, J03B, J04A, J04B, J08A, J08B, J08C, J10A, J10B, J16Z		
	08	I12A, I12B, I12C, I32A, I32B, I32C, I32D, I32E, I32F		08	I02A, I02B, I02C, I02D, I12A, I12B, I12C, I22A, I50Z		21A	W04A, W04B		
	09	J02A, J02B, J02C, J04A, J04B, J08A, J08B, J08C, J16Z, J21Z, J22A, J22B		09	J02A, J02B, J02C, J04A, J04B, J08A, J08B, J08C, J16Z, J21Z, J22A, J22B		21B	X06A, X06B, X06C		
	21A	W04A, W04B		10	K01Z		22	Y01Z, Y03A, Y03B		
	21B	X01A, X01B		21A	W04A, W04B		5v283	BOP, KVT, UOP4		
	5v276.a			BOP, KVT, UOP4	21B			X01A, X01B	03	D08A, D08B, D18Z, D22A, D22B, D30A, D30B
		01		B03A, B03B, B06A, B06B, B07Z, B17A, B17B, B17C	5v276.f↔				05	F13A
		05		F13A, F21A, F21B, F21C				01	BOP, KVT, UOP4	09
06		G10Z, G12A, G12B	01	B03A, B03B, B06A, B06B, B07Z, B17A, B17B, B17C		21A		W04A, W04B		
08		I02A, I02B, I02C, I02D, I12A, I12B, I12C, I22A, I50Z	05	F13A, F21A, F21B, F21C, F27A, F27B, F27C		21B		X06A, X06B, X06C		
09		J02A, J02B, J02C, J04A, J04B, J08A, J08B, J08C, J16Z, J21Z, J22A, J22B	08	I02A, I02B, I02C, I02D, I12A, I12B, I12C, I22A, I50Z		22		Y01Z, Y03A, Y03B		
21A		W04A, W04B	09	J02A, J02B, J02C, J04A, J04B, J08A, J08B, J08C, J16Z, J21Z, J22A, J22B		5v290.0		BOP, KVT, UOP4		
21B		X01A, X01B	10	K01Z				01	B03A, B03B, B06A, B06B, B07Z, B17A, B17B, B17C	
5v276.b			BOP, KVT, UOP4	21A				W04A, W04B	03	D12A
		01	B03A, B03B, B06A, B06B, B07Z, B17A, B17B, B17C	21B			X01A, X01B	05	F21A, F21B, F21C	
	05	F13A, F21A, F21B, F21C	5v276.g↔				09	J02A, J02B, J02C, J04A, J04B, J08A, J08B, J08C, J16Z, J21Z, J22A, J22B		
	06	G10Z, G12A, G12B		01	BOP, KVT, UOP4		21A	W04A, W04B		
	08	I02A, I02B, I02C, I02D, I12A, I12B, I12C, I22A, I50Z		01	B03A, B03B, B06A, B06B, B07Z, B17A, B17B, B17C		21B	X01A, X01B, X01C		
	09	J02A, J02B, J02C, J04A, J04B, J08A, J08B, J08C, J16Z, J21Z, J22A, J22B		05	F13A, F21A, F21B, F21C, F27A, F27B, F27C		22	Y01Z, Y02A, Y02B, Y02C		
	21A	W04A, W04B		08	I02A, I02B, I02C, I02D, I12A, I12B, I12C, I22A, I50Z		5v290.5	BOP, KVT, UOP4		
	21B	X01A, X01B		09	J02A, J02B, J02C, J04A, J04B, J08A, J08B, J08C, J16Z, J21Z, J22A, J22B			01	B03A, B03B, B06A, B06B, B07Z, B17A, B17B, B17C	
	5v276.c			BOP, KVT, UOP4	10	K01Z		03	D12A	
		01		B03A, B03B, B06A, B06B, B07Z, B17A, B17B, B17C	21A	W04A, W04B		05	F21A, F21B, F21C	
05		F13A, F21A, F21B, F21C		21B	X01A, X01B	08		I02A, I02B, I02C, I02D, I22A, I22B, I50Z		
06		G10Z, G12A, G12B		5v276.x↔		09		J02A, J02B, J02C, J04A, J04B, J08A, J08B, J08C, J16Z, J21Z, J22A, J22B		
08		I02A, I02B, I02C, I02D, I12A, I12B, I12C, I22A, I50Z	01		BOP, KVT, UOP4	21A		W04A, W04B		
09		J02A, J02B, J02C, J04A, J04B, J08A, J08B, J08C, J16Z, J21Z, J22A, J22B	01		B03A, B03B, B06A, B06B, B07Z, B17A, B17B, B17C	21B		X01A, X01B, X01C		
21A		W04A, W04B	05		F13A, F21A, F21B, F21C	22		Y01Z, Y02A, Y02B, Y02C		
21B		X01A, X01B	08		I02A, I02B, I02C, I02D, I12A, I12B, I12C, I22A, I32A, I32B, I32C, I32D, I32E, I32F, I50Z	5v290.6↔		BOP, KVT, UOP4		
5v276.d			BOP, KVT, UOP4		09		J02A, J02B, J02C, J04A, J04B, J08A, J08B, J08C, J16Z, J21Z, J22A, J22B	01	B03A, B03B, B06A, B06B, B07Z, B17A, B17B, B17C	
		01	B03A, B03B, B06A, B06B, B07Z, B17A, B17B, B17C		21A		W04A, W04B	05	F21A, F21B, F21C	
	03	D12A, D12B	21B		X01A, X01B		08	I02A, I02B, I02C, I02D, I22A, I22B, I50Z		
	05	F13A, F21A, F21B, F21C	5v27x.x				09	J02A, J02B, J02C, J04A, J04B, J08A, J08B, J08C, J16Z, J21Z, J22A, J22B		
	06	G10Z, G12A, G12B			05		F13A	21A	W04A, W04B	
	08	I02A, I02B, I02C, I02D, I12A, I12B, I12C, I22A, I50Z		08	I12A, I12B, I12C		21B	X01A, X01B, X01C		
	09	J02A, J02B, J02C, J04A, J04B, J08A, J08B, J08C, J16Z, J21Z, J22A, J22B		09	J03A, J03B, J04A, J04B, J08A, J08B, J08C, J10A, J10B, J16Z		22	Y01Z, Y02A, Y02B, Y02C		
	21A	W04A, W04B		21A	W04A, W04B		5v290.7↔	BOP, KVT, UOP4		
	21B	X01A, X01B		21B	X06A, X06B, X06C			01	B03A, B03B, B06A, B06B, B07Z, B17A, B17B, B17C	
	5v276.e↔			BOP, KVT, UOP4	5v281			05	F21A, F21B, F21C	
01		B03A, B03B, B06A, B06B, B07Z, B17A, B17B, B17C		03		D08A, D08B, D18Z, D22A, D22B, D30A, D30B		08	I02A, I02B, I02C, I02D, I22A, I22B, I50Z	
05		F13A, F21A, F21B, F21C		05		F13A		09	J02A, J02B, J02C, J04A, J04B, J08A, J08B, J08C, J16Z, J21Z, J22A, J22B	
08		I12A, I12B, I12C, I32A, I32B, I32C, I32D, I32E, I32F		09		J03A, J03B, J04A, J04B, J08A, J08B, J08C, J10A, J10B, J16Z		21A	W04A, W04B	
09		J02A, J02B, J02C, J04A, J04B, J08A, J08B, J08C, J16Z, J21Z, J22A, J22B	21A	W04A, W04B		21B		X01A, X01B, X01C		
21A		W04A, W04B	21B	X06A, X06B, X06C		22		Y01Z, Y02A, Y02B, Y02C		
21B		X01A, X01B								

ZZV	MDC	DRG	ZZV	MDC	DRG	ZZV	MDC	DRG
5v290.8↔		BOP, KVT, UOP4	5v290.d		BOP, KVT, UOP4	5v292.0		BOP, KVT, UOP4
	01	B03A, B03B, B06A, B06B, B07Z, B17A, B17B, B17C		01	B03A, B03B, B06A, B06B, B07Z, B17A, B17B, B17C		01	B03A, B03B, B06A, B06B, B07Z, B17A, B17B, B17C
	05	F21A, F21B, F21C		05	F21A, F21B, F21C		03	D12A
	08	I02A, I02B, I02C, I02D, I22A, I22B, I32A, I32B, I32C, I32D, I32E, I32F, I50Z		06	G10Z, G12A, G12B		05	F13A, F21A, F21B, F21C
	09	J02A, J02B, J02C, J04A, J04B, J08A, J08B, J08C, J16Z, J21Z, J22A, J22B		08	I02A, I02B, I02C, I02D, I22A, I22B, I50Z		09	J02A, J02B, J02C, J04A, J04B, J08A, J08B, J08C, J16Z, J21Z, J22A, J22B
	21A	W04A, W04B		09	J02A, J02B, J02C, J04A, J04B, J08A, J08B, J08C, J16Z, J21Z, J22A, J22B		21A	W04A, W04B
	21B	X01A, X01B, X01C		21A	W04A, W04B		21B	X01A, X01B, X01C
	22	Y01Z, Y02A, Y02B, Y02C		21B	X01A, X01B, X01C		01	B03A, B03B, B06A, B06B, B07Z, B17A, B17B, B17C
		BOP, KVT, UOP4		22	Y01Z, Y02A, Y02B, Y02C		03	D12A
		BOP, KVT, UOP4			BOP, KVT, UOP4		05	F13A, F21A, F21B, F21C
5v290.9↔		BOP, KVT, UOP4	5v290.e↔		BOP, KVT, UOP4	5v292.4		BOP, KVT, UOP4
	01	B03A, B03B, B06A, B06B, B07Z, B17A, B17B, B17C		01	B03A, B03B, B06A, B06B, B07Z, B17A, B17B, B17C		01	B03A, B03B, B06A, B06B, B07Z, B17A, B17B, B17C
	05	F21A, F21B, F21C		05	F21A, F21B, F21C, F27A, F27B, F27C		03	D12A
	08	I32A, I32B, I32C, I32D, I32E, I32F		08	I02A, I02B, I02C, I02D, I22A, I22B, I50Z		05	F13A, F21A, F21B, F21C
	09	J02A, J02B, J02C, J04A, J04B, J08A, J08B, J08C, J16Z, J21Z, J22A, J22B		09	J02A, J02B, J02C, J04A, J04B, J08A, J08B, J08C, J16Z, J21Z, J22A, J22B		08	I02A, I02B, I02C, I02D, I22A, I22B, I50Z
	21A	W04A, W04B		09	J02A, J02B, J02C, J04A, J04B, J08A, J08B, J08C, J16Z, J21Z, J22A, J22B		09	J02A, J02B, J02C, J04A, J04B, J08A, J08B, J08C, J16Z, J21Z, J22A, J22B
	21B	X01A, X01B, X01C		10	K01Z		21A	W04A, W04B
	22	Y01Z, Y02A, Y02B, Y02C		21A	W04A, W04B		21B	X01A, X01B, X01C
		BOP, KVT, UOP4		21B	X01A, X01B, X01C		01	B03A, B03B, B06A, B06B, B07Z, B17A, B17B, B17C
		BOP, KVT, UOP4			BOP, KVT, UOP4		03	D12A
5v290.a		BOP, KVT, UOP4	5v290.f↔		BOP, KVT, UOP4	5v292.5		BOP, KVT, UOP4
	01	B03A, B03B, B06A, B06B, B07Z, B17A, B17B, B17C		01	B03A, B03B, B06A, B06B, B07Z, B17A, B17B, B17C		01	B03A, B03B, B06A, B06B, B07Z, B17A, B17B, B17C
	05	F21A, F21B, F21C		05	F21A, F21B, F21C, F27A, F27B, F27C		03	D12A
	06	G10Z, G12A, G12B		08	I02A, I02B, I02C, I02D, I22A, I22B, I50Z		05	F13A, F21A, F21B, F21C
	08	I02A, I02B, I02C, I02D, I22A, I22B, I50Z		08	I02A, I02B, I02C, I02D, I22A, I22B, I50Z		08	I02A, I02B, I02C, I02D, I22A, I22B, I50Z
	09	J02A, J02B, J02C, J04A, J04B, J08A, J08B, J08C, J16Z, J21Z, J22A, J22B		09	J02A, J02B, J02C, J04A, J04B, J08A, J08B, J08C, J16Z, J21Z, J22A, J22B		09	J02A, J02B, J02C, J04A, J04B, J08A, J08B, J08C, J16Z, J21Z, J22A, J22B
	21A	W04A, W04B		09	J02A, J02B, J02C, J04A, J04B, J08A, J08B, J08C, J16Z, J21Z, J22A, J22B		21A	W04A, W04B
	21B	X01A, X01B, X01C		10	K01Z		21B	X01A, X01B, X01C
	22	Y01Z, Y02A, Y02B, Y02C		21A	W04A, W04B		01	B03A, B03B, B06A, B06B, B07Z, B17A, B17B, B17C
		BOP, KVT, UOP4		21B	X01A, X01B, X01C		03	D12A
5v290.b		BOP, KVT, UOP4	5v290.g↔		BOP, KVT, UOP4	5v292.6↔		BOP, KVT, UOP4
	01	B03A, B03B, B06A, B06B, B07Z, B17A, B17B, B17C		01	B03A, B03B, B06A, B06B, B07Z, B17A, B17B, B17C		01	B03A, B03B, B06A, B06B, B07Z, B17A, B17B, B17C
	05	F21A, F21B, F21C		05	F21A, F21B, F21C, F27A, F27B, F27C		03	D12A
	06	G10Z, G12A, G12B		08	I02A, I02B, I02C, I02D, I22A, I22B, I50Z		05	F13A, F21A, F21B, F21C
	08	I02A, I02B, I02C, I02D, I22A, I22B, I50Z		08	I02A, I02B, I02C, I02D, I22A, I22B, I50Z		06	G10Z, G12A, G12B
	09	J02A, J02B, J02C, J04A, J04B, J08A, J08B, J08C, J16Z, J21Z, J22A, J22B		09	J02A, J02B, J02C, J04A, J04B, J08A, J08B, J08C, J16Z, J21Z, J22A, J22B		08	I02A, I02B, I02C, I02D, I22A, I22B, I32A, I32B, I32C, I32D, I32E, I32F, I50Z
	21A	W04A, W04B		09	J02A, J02B, J02C, J04A, J04B, J08A, J08B, J08C, J16Z, J21Z, J22A, J22B		09	J02A, J02B, J02C, J04A, J04B, J08A, J08B, J08C, J16Z, J21Z, J22A, J22B
	21B	X01A, X01B, X01C		10	K01Z		21A	W04A, W04B
	22	Y01Z, Y02A, Y02B, Y02C		21A	W04A, W04B		21B	X01A, X01B, X01C
		BOP, KVT, UOP4		21B	X01A, X01B, X01C		01	B03A, B03B, B06A, B06B, B07Z, B17A, B17B, B17C
5v290.c		BOP, KVT, UOP4	5v290.x↔		BOP, KVT, UOP4	5v292.7↔		BOP, KVT, UOP4
	01	B03A, B03B, B06A, B06B, B07Z, B17A, B17B, B17C		01	B03A, B03B, B06A, B06B, B07Z, B17A, B17B, B17C		01	B03A, B03B, B06A, B06B, B07Z, B17A, B17B, B17C
	05	F21A, F21B, F21C		05	F21A, F21B, F21C		03	D12A
	06	G10Z, G12A, G12B		08	I02A, I02B, I02C, I02D, I22A, I22B, I32A, I32B, I32C, I32D, I32E, I32F, I50Z		05	F13A, F21A, F21B, F21C
	08	I02A, I02B, I02C, I02D, I22A, I22B, I50Z		08	I02A, I02B, I02C, I02D, I22A, I22B, I32A, I32B, I32C, I32D, I32E, I32F, I50Z		08	I02A, I02B, I02C, I02D, I22A, I22B, I32A, I32B, I32C, I32D, I32E, I32F, I50Z
	09	J02A, J02B, J02C, J04A, J04B, J08A, J08B, J08C, J16Z, J21Z, J22A, J22B		09	J02A, J02B, J02C, J04A, J04B, J08A, J08B, J08C, J16Z, J21Z, J22A, J22B		09	J02A, J02B, J02C, J04A, J04B, J08A, J08B, J08C, J16Z, J21Z, J22A, J22B
	21A	W04A, W04B		09	J02A, J02B, J02C, J04A, J04B, J08A, J08B, J08C, J16Z, J21Z, J22A, J22B		21A	W04A, W04B
	21B	X01A, X01B, X01C		10	K01Z		21B	X01A, X01B, X01C
	22	Y01Z, Y02A, Y02B, Y02C		21A	W04A, W04B		01	B03A, B03B, B06A, B06B, B07Z, B17A, B17B, B17C
		BOP, KVT, UOP4		21B	X01A, X01B, X01C		03	D12A

ZZV	MDC	DRG	ZZV	MDC	DRG	ZZV	MDC	DRG			
5v292.8↔		BOP, KVT, UOP4	5v292.d		BOP, KVT, UOP4	5v292.x↔		BOP, KVT, UOP4			
	01	B03A, B03B, B06A, B06B, B07Z, B17A, B17B, B17C		01	B03A, B03B, B06A, B06B, B07Z, B17A, B17B, B17C		01	B03A, B03B, B06A, B06B, B07Z, B17A, B17B, B17C			
	05	F13A, F21A, F21B, F21C		05	F13A, F21A, F21B, F21C, F27A, F27B, F27C		03	D12A			
	08	I02A, I02B, I02C, I02D, I22A, I22B, I32A, I32B, I32C, I32D, I32E, I32F, I50Z		06	G10Z, G12A, G12B		05	F13A, F21A, F21B, F21C, F27A, F27B, F27C			
	09	J02A, J02B, J02C, J04A, J04B, J08A, J08B, J08C, J16Z, J21Z, J22A, J22B		08	I02A, I02B, I02C, I02D, I22A, I22B, I32A, I32B, I32C, I32D, I32E, I32F, I50Z		06	G10Z, G12A, G12B			
	21A	W04A, W04B		09	J02A, J02B, J02C, J04A, J04B, J08A, J08B, J08C, J16Z, J21Z, J22A, J22B		08	I02A, I02B, I02C, I02D, I22A, I22B, I32A, I32B, I32C, I32D, I32E, I32F, I50Z			
	21B	X01A, X01B, X01C		10	K01Z		09	J02A, J02B, J02C, J04A, J04B, J08A, J08B, J08C, J16Z, J21Z, J22A, J22B			
	5v292.9↔			BOP, KVT, UOP4	5v292.e↔			BOP, KVT, UOP4	5v294‡ 5v295		BOP, KVT, UOP4
		01		B03A, B03B, B06A, B06B, B07Z, B17A, B17B, B17C			01	B03A, B03B, B06A, B06B, B07Z, B17A, B17B, B17C		09	J11A, J11B
		05		F13A, F21A, F21B, F21C			05	F13A, F21A, F21B, F21C, F27A, F27B, F27C		01	B03A, B03B, B06A, B06B, B07Z, B17A, B17B, B17C, B17D
08		I32A, I32B, I32C, I32D, I32E, I32F	06	G10Z, G12A, G12B		03	D13Z				
09		J02A, J02B, J02C, J04A, J04B, J08A, J08B, J08C, J16Z, J21Z, J22A, J22B	08	I02A, I02B, I02C, I02D, I22A, I22B, I32A, I32B, I32C, I32D, I32E, I32F, I50Z		04	E02A, E02B, E02C				
21A		W04A, W04B	09	J02A, J02B, J02C, J04A, J04B, J08A, J08B, J08C, J16Z, J21Z, J22A, J22B		05	F21A, F21B, F21C				
21B		X01A, X01B, X01C	10	K01Z		06	G10Z, G12A, G12B				
5v292.a			BOP, KVT, UOP4	5v292.f↔			BOP, KVT, UOP4	5v296‡ 5v297.0↔			BOP, KVT, UOP4
		01	B03A, B03B, B06A, B06B, B07Z, B17A, B17B, B17C			01	B03A, B03B, B06A, B06B, B07Z, B17A, B17B, B17C			01	B03A, B03B, B06A, B06B, B07Z, B17A, B17B, B17C
		03	D12A			05	F13A, F21A, F21B, F21C, F27A, F27B, F27C			05	F13A
	05	F13A, F21A, F21B, F21C, F27A, F27B, F27C	08		I02A, I02B, I02C, I02D, I22A, I22B, I50Z	01	B03A, B03B, B06A, B06B, B07Z, B17A, B17B, B17C				
	06	G10Z, G12A, G12B	09		J02A, J02B, J02C, J04A, J04B, J08A, J08B, J08C, J16Z, J21Z, J22A, J22B	05	F13A, F21A, F21B, F21C, F27A, F27B, F27C				
	08	I02A, I02B, I02C, I02D, I22A, I22B, I32A, I32B, I32C, I32D, I32E, I32F, I50Z	10		K01Z	08	I02A, I02B, I02C, I02D, I12A, I12B, I12C, I22A, I22B, I32A, I32B, I32C, I32D, I50Z				
	09	J02A, J02B, J02C, J04A, J04B, J08A, J08B, J08C, J16Z, J21Z, J22A, J22B	21A		W04A, W04B	09	J02A, J02B, J02C, J04A, J04B, J08A, J08B, J08C, J16Z, J21Z, J22A, J22B				
	10	K01Z	21B		X01A, X01B, X01C	10	K01Z				
	21A	W04A, W04B	5v292.g↔			BOP, KVT, UOP4	5v297.1			BOP, KVT, UOP4	
	21B	X01A, X01B, X01C			01	B03A, B03B, B06A, B06B, B07Z, B17A, B17B, B17C			01	B03A, B03B, B06A, B06B, B07Z, B17A, B17B, B17C	
5v292.b		BOP, KVT, UOP4		5v292.h↔		BOP, KVT, UOP4		5v297.1		BOP, KVT, UOP4	
	01	B03A, B03B, B06A, B06B, B07Z, B17A, B17B, B17C			01	B03A, B03B, B06A, B06B, B07Z, B17A, B17B, B17C			01	B03A, B03B, B06A, B06B, B07Z, B17A, B17B, B17C	
	03	D12A			05	F13A, F21A, F21B, F21C, F27A, F27B, F27C			05	F13A, F21A, F21B, F21C, F27A, F27B, F27C	
	05	F13A, F21A, F21B, F21C, F27A, F27B, F27C			08	I02A, I02B, I02C, I02D, I22A, I22B, I50Z			08	I02A, I02B, I02C, I02D, I12A, I12B, I12C, I22A, I22B, I50Z	
	06	G10Z, G12A, G12B			09	J02A, J02B, J02C, J04A, J04B, J08A, J08B, J08C, J16Z, J21Z, J22A, J22B			09	J02A, J02B, J02C, J04A, J04B, J08A, J08B, J08C, J16Z, J21Z, J22A, J22B	
	08	I02A, I02B, I02C, I02D, I22A, I22B, I32A, I32B, I32C, I32D, I32E, I32F, I50Z			10	K01Z			10	K01Z	
	09	J02A, J02B, J02C, J04A, J04B, J08A, J08B, J08C, J16Z, J21Z, J22A, J22B			21A	W04A, W04B			21A	W04A, W04B	
	10	K01Z			21B	X01A, X01B, X01C			21B	X01A, X01B	
	21A	W04A, W04B	5v292.c			BOP, KVT, UOP4	5v297.1			BOP, KVT, UOP4	
	21B	X01A, X01B, X01C			01	B03A, B03B, B06A, B06B, B07Z, B17A, B17B, B17C			01	B03A, B03B, B06A, B06B, B07Z, B17A, B17B, B17C	
5v292.c		BOP, KVT, UOP4		5v292.i↔		BOP, KVT, UOP4		5v297.1		BOP, KVT, UOP4	
	01	B03A, B03B, B06A, B06B, B07Z, B17A, B17B, B17C			01	B03A, B03B, B06A, B06B, B07Z, B17A, B17B, B17C			01	B03A, B03B, B06A, B06B, B07Z, B17A, B17B, B17C	
	05	F13A, F21A, F21B, F21C			05	F13A, F21A, F21B, F21C, F27A, F27B, F27C			05	F13A, F21A, F21B, F21C, F27A, F27B, F27C	
	06	G10Z, G12A, G12B			08	I02A, I02B, I02C, I02D, I22A, I22B, I50Z			06	G10Z, G12A, G12B	
	08	I02A, I02B, I02C, I02D, I22A, I22B, I50Z			09	J02A, J02B, J02C, J04A, J04B, J08A, J08B, J08C, J16Z, J21Z, J22A, J22B			08	I02A, I02B, I02C, I02D, I12A, I12B, I12C, I22A, I22B, I50Z	
	09	J02A, J02B, J02C, J04A, J04B, J08A, J08B, J08C, J16Z, J21Z, J22A, J22B			10	K01Z			09	J02A, J02B, J02C, J04A, J04B, J08A, J08B, J08C, J16Z, J21Z, J22A, J22B	
	21A	W04A, W04B			21A	W04A, W04B			21A	W04A, W04B	
	21B	X01A, X01B, X01C			21B	X01A, X01B, X01C			21B	X01A, X01B	

ZZV	MDC	DRG	ZZV	MDC	DRG	ZZV	MDC	DRG
5v401.9↔		BOP, KVT, UOP4	5v401.x		BOP, KVT, UOP4	5v402.b		BOP, KVT, UOP4
	09	J03A, J03B, J04A, J04B, J08A, J08B, J08C, J10A, J10B, J16Z		09	J03A, J03B, J04A, J04B, J08A, J08B, J08C, J10A, J10B, J16Z		09	J03A, J03B, J04A, J04B, J08A, J08B, J08C, J10A, J10B, J16Z
	10	K07Z		10	K07Z		10	K07Z
	21A	W04A, W04B		21A	W04A, W04B		21A	W04A, W04B
	21B	X05A, X05B, X06A, X06B, X06C		21B	X06A, X06B, X06C		21B	X06A, X06B, X06C
5v401.a		BOP, KVT, UOP4	5v402.0		BOP, KVT, UOP4	5v402.c		BOP, KVT, UOP4
	09	J03A, J03B, J04A, J04B, J08A, J08B, J08C, J10A, J10B, J16Z		09	J03A, J03B, J04A, J04B, J08A, J08B, J08C, J10A, J10B, J16Z		09	J03A, J03B, J04A, J04B, J08A, J08B, J08C, J10A, J10B, J16Z
	10	K07Z		10	K07Z		10	K07Z
	21A	W04A, W04B		21A	W04A, W04B		21A	W04A, W04B
	21B	X06A, X06B, X06C		21B	X06A, X06B, X06C		21B	X04Z, X06A, X06B, X06C
5v401.b		BOP, KVT, UOP4	5v402.4		BOP, KVT, UOP4	5v402.d		BOP, KVT, UOP4
	09	J03A, J03B, J04A, J04B, J08A, J08B, J08C, J10A, J10B, J16Z		09	J03A, J03B, J04A, J04B, J08A, J08B, J08C, J10A, J10B, J16Z		09	J03A, J03B, J04A, J04B, J08A, J08B, J08C, J10A, J10B, J16Z
	10	K07Z		10	K07Z		10	K07Z
	21A	W04A, W04B		21A	W04A, W04B		21A	W04A, W04B
	21B	X06A, X06B, X06C		21B	X06A, X06B, X06C		21B	X04Z, X06A, X06B, X06C
5v401.c		BOP, KVT, UOP4	5v402.5		BOP, KVT, UOP4	5v402.e↔		BOP, KVT, UOP4
	09	J03A, J03B, J04A, J04B, J08A, J08B, J08C, J10A, J10B, J16Z		09	J03A, J03B, J04A, J04B, J08A, J08B, J08C, J10A, J10B, J16Z		09	J03A, J03B, J04A, J04B, J08A, J08B, J08C, J10A, J10B, J16Z
	10	K07Z		10	K07Z		10	K07Z
	21A	W04A, W04B		21A	W04A, W04B		21A	W04A, W04B
	21B	X04Z, X06A, X06B, X06C		21B	X06A, X06B, X06C		21B	X04Z, X06A, X06B, X06C
5v401.d		BOP, KVT, UOP4	5v402.6↔		BOP, KVT, UOP4	5v402.f↔		BOP, KVT, UOP4
	09	J03A, J03B, J04A, J04B, J08A, J08B, J08C, J10A, J10B, J16Z		09	J03A, J03B, J04A, J04B, J08A, J08B, J08C, J10A, J10B, J16Z		09	J03A, J03B, J04A, J04B, J08A, J08B, J08C, J10A, J10B, J16Z
	10	K07Z		10	K07Z		10	K07Z
	21A	W04A, W04B		21A	W04A, W04B		21A	W04A, W04B
	21B	X04Z, X06A, X06B, X06C		21B	X06A, X06B, X06C		21B	X04Z, X06A, X06B, X06C
5v401.e↔		BOP, KVT, UOP4	5v402.7↔		BOP, KVT, UOP4	5v402.g↔		BOP, KVT, UOP4
	09	J03A, J03B, J04A, J04B, J08A, J08B, J08C, J10A, J10B, J16Z		09	J03A, J03B, J04A, J04B, J08A, J08B, J08C, J10A, J10B, J16Z		09	J03A, J03B, J04A, J04B, J08A, J08B, J08C, J10A, J10B, J16Z
	10	K07Z		10	K07Z		10	K07Z
	21A	W04A, W04B		21A	W04A, W04B		21A	W04A, W04B
	21B	X04Z, X06A, X06B, X06C		21B	X06A, X06B, X06C		21B	X04Z, X06A, X06B, X06C
5v401.f↔		BOP, KVT, UOP4	5v402.8↔		BOP, KVT, UOP4	5v402.x		BOP, KVT, UOP4
	09	J03A, J03B, J04A, J04B, J08A, J08B, J08C, J10A, J10B, J16Z		09	J03A, J03B, J04A, J04B, J08A, J08B, J08C, J10A, J10B, J16Z		09	J03A, J03B, J04A, J04B, J08A, J08B, J08C, J10A, J10B, J16Z
	10	K07Z		10	K07Z		10	K07Z
	21A	W04A, W04B		21A	W04A, W04B		21A	W04A, W04B
	21B	X04Z, X06A, X06B, X06C		21B	X05A, X05B, X06A, X06B, X06C		21B	X06A, X06B, X06C
5v401.g↔		BOP, KVT, UOP4	5v402.9↔		BOP, KVT, UOP4	5v403		BOP, KVT, UOP4
	09	J03A, J03B, J04A, J04B, J08A, J08B, J08C, J10A, J10B, J16Z		09	J03A, J03B, J04A, J04B, J08A, J08B, J08C, J10A, J10B, J16Z		09	J03A, J03B, J04A, J04B, J08A, J08B, J08C, J10A, J10B, J16Z
	10	K07Z		10	K07Z		10	K07Z
	21A	W04A, W04B		21A	W04A, W04B		21A	W04A, W04B
	21B	X04Z, X06A, X06B, X06C		21B	X05A, X05B, X06A, X06B, X06C		21B	X06A, X06B, X06C
5v401.n		BOP, KVT, UOP4	5v402.a		BOP, KVT, UOP4	5v40x.x		BOP, KVT, UOP4
	09	J03A, J03B, J04A, J04B, J08A, J08B, J08C, J10A, J10B, J16Z		09	J03A, J03B, J04A, J04B, J08A, J08B, J08C, J10A, J10B, J16Z		03	D08A, D08B, D18Z, D22A, D22B, D30A, D30B
	10	K07Z		10	K07Z		09	J03A, J03B, J04A, J04B, J08A, J08B, J08C, J11A, J11B, J16Z
	21A	W04A, W04B		10	K07Z		09	J11A, J11B
	21B	X06A, X06B, X06C		21A	W04A, W04B		02	C14Z
				21B	X06A, X06B, X06C		09	J11A, J11B, J11C
							09	J11A, J11B
							09	J11A, J11B
							09	J11A, J11B
							09	J11A, J11B
							09	J11A, J11B
							09	J11A, J11B



ZZV	MDC	DRG	ZZV	MDC	DRG	ZZV	MDC	DRG
5v420.a‡	09	J11A, J11B	5v425.c‡	06	G26Z	5v426.d		BOP, KVT, UOP4
5v420.b‡	09	J11A, J11B		09	J11A, J11B, J11C		06	G26Z
5v420.c‡	09	J11A, J11B		13	N09A, N09B		09	J03A, J03B, J04A, J04B, J08A, J08B, J08C, J10A, J10B, J16Z
5v420.d‡	09	J11A, J11B	5v425.d‡	06	G26Z		13	N09A, N09B
5v420.e‡↔	09	J11A, J11B		09	J11A, J11B, J11C		22	Y01Z, Y03A, Y03B
5v420.f‡↔	09	J11A, J11B		13	N09A, N09B	5v426.e↔		BOP, KVT, UOP4
5v420.g‡↔	09	J11A, J11B	5v425.e‡↔	09	J11A, J11B, J11C		09	J03A, J03B, J04A, J04B, J08A, J08B, J08C, J10A, J10B, J16Z
5v420.x‡	09	J11A, J11B	5v425.f‡↔	09	J11A, J11B, J11C		22	Y01Z, Y03A, Y03B
5v421.0‡	09	J11A, J11B	5v425.g‡↔	09	J11A, J11B, J11C		09	J03A, J03B, J04A, J04B, J08A, J08B, J08C, J10A, J10B, J16Z
5v421.4‡	02	C14Z	5v425.x‡	06	G26Z		22	Y01Z, Y03A, Y03B
	09	J11A, J11B		09	J11A, J11B, J11C	5v426.f↔		BOP, KVT, UOP4
5v421.5‡	09	J11A, J11B		13	N09A, N09B		09	J03A, J03B, J04A, J04B, J08A, J08B, J08C, J10A, J10B, J16Z
5v421.6‡↔	09	J11A, J11B	5v426.0		BOP, KVT, UOP4		22	Y01Z, Y03A, Y03B
5v421.7‡↔	09	J11A, J11B		09	J03A, J03B, J04A, J04B, J08A, J08B, J08C, J10A, J10B, J16Z	5v426.g↔		BOP, KVT, UOP4
5v421.8‡↔	09	J11A, J11B		22	Y01Z, Y03A, Y03B		09	J03A, J03B, J04A, J04B, J08A, J08B, J08C, J10A, J10B, J16Z
5v421.9‡↔	09	J11A, J11B	5v426.4		BOP, KVT, UOP4		22	Y01Z, Y03A, Y03B
5v421.a‡	09	J11A, J11B		02	C20A, C20B	5v426.g↔		BOP, KVT, UOP4
5v421.b‡	09	J11A, J11B		09	J03A, J03B, J04A, J04B, J08A, J08B, J08C, J10A, J10B, J16Z		09	J03A, J03B, J04A, J04B, J08A, J08B, J08C, J10A, J10B, J16Z
5v421.c‡	09	J11A, J11B		22	Y01Z, Y03A, Y03B	5v426.x		BOP, KVT, UOP4
5v421.d‡	09	J11A, J11B		09	J03A, J03B, J04A, J04B, J08A, J08B, J08C, J10A, J10B, J16Z		06	G26Z
5v421.e‡↔	09	J11A, J11B	5v426.5		BOP, KVT, UOP4		09	J03A, J03B, J04A, J04B, J08A, J08B, J08C, J10A, J10B, J16Z
5v421.f‡↔	09	J11A, J11B		09	J03A, J03B, J04A, J04B, J08A, J08B, J08C, J10A, J10B, J16Z		13	N09A, N09B
5v421.g‡↔	09	J11A, J11B		22	Y01Z, Y03A, Y03B		22	Y01Z, Y03A, Y03B
5v421.x‡	09	J11A, J11B		09	J03A, J03B, J04A, J04B, J08A, J08B, J08C, J10A, J10B, J16Z	5v426.6↔		BOP, KVT, UOP4
5v422.0‡	09	J11A, J11B		22	Y01Z, Y03A, Y03B		09	J03A, J03B, J04A, J04B, J08A, J08B, J08C, J10A, J10B, J16Z
5v422.4‡	02	C14Z	5v426.6↔		BOP, KVT, UOP4		22	Y01Z, Y03A, Y03B
	09	J11A, J11B, J11C		09	J03A, J03B, J04A, J04B, J08A, J08B, J08C, J10A, J10B, J16Z	5v427.0		BOP, KVT, UOP4
5v422.5‡	09	J11A, J11B, J11C		22	Y01Z, Y03A, Y03B		09	J03A, J03B, J04A, J04B, J08A, J08B, J08C, J10A, J10B, J16Z
5v422.6‡↔	09	J11A, J11B, J11C		09	J03A, J03B, J04A, J04B, J08A, J08B, J08C, J10A, J10B, J16Z		22	Y01Z, Y03A, Y03B
5v422.7‡↔	09	J11A, J11B, J11C	5v426.7↔		BOP, KVT, UOP4		09	J03A, J03B, J04A, J04B, J08A, J08B, J08C, J10A, J10B, J16Z
5v422.8‡↔	09	J11A, J11B, J11C		09	J03A, J03B, J04A, J04B, J08A, J08B, J08C, J10A, J10B, J16Z	5v427.4		BOP, KVT, UOP4
5v422.9‡↔	09	J11A, J11B, J11C		22	Y01Z, Y03A, Y03B		02	C20A, C20B
5v422.a‡	09	J11A, J11B, J11C		09	J03A, J03B, J04A, J04B, J08A, J08B, J08C, J10A, J10B, J16Z		09	J03A, J03B, J04A, J04B, J08A, J08B, J08C, J10A, J10B, J16Z
5v422.b‡	09	J11A, J11B, J11C	5v426.8↔		BOP, KVT, UOP4		22	Y01Z, Y03A, Y03B
5v422.c‡	09	J11A, J11B, J11C		09	J03A, J03B, J04A, J04B, J08A, J08B, J08C, J10A, J10B, J16Z	5v427.5		BOP, KVT, UOP4
5v422.d‡	09	J11A, J11B, J11C		22	Y01Z, Y03A, Y03B		09	J03A, J03B, J04A, J04B, J08A, J08B, J08C, J10A, J10B, J16Z
5v422.e‡↔	09	J11A, J11B, J11C	5v426.9↔		BOP, KVT, UOP4		22	Y01Z, Y03A, Y03B
5v422.f‡↔	09	J11A, J11B, J11C		09	J03A, J03B, J04A, J04B, J08A, J08B, J08C, J10A, J10B, J16Z	5v427.6↔		BOP, KVT, UOP4
5v422.g‡↔	09	J11A, J11B, J11C		22	Y01Z, Y03A, Y03B		09	J03A, J03B, J04A, J04B, J08A, J08B, J08C, J10A, J10B, J16Z
5v422.x‡	09	J11A, J11B	5v426.a		BOP, KVT, UOP4		22	Y01Z, Y03A, Y03B
5v423.4‡	02	C14Z		09	J03A, J03B, J04A, J04B, J08A, J08B, J08C, J10A, J10B, J16Z	5v427.7↔		BOP, KVT, UOP4
5v424.0‡	09	J11A, J11B, J11C		22	Y01Z, Y03A, Y03B		09	J03A, J03B, J04A, J04B, J08A, J08B, J08C, J10A, J10B, J16Z
5v424.4‡	02	C14Z	5v426.b		BOP, KVT, UOP4		22	Y01Z, Y03A, Y03B
	09	J11A, J11B, J11C		09	J03A, J03B, J04A, J04B, J08A, J08B, J08C, J10A, J10B, J16Z	5v427.8↔		BOP, KVT, UOP4
5v424.5‡	09	J11A, J11B		22	Y01Z, Y03A, Y03B		09	J03A, J03B, J04A, J04B, J08A, J08B, J08C, J10A, J10B, J16Z
5v424.6‡↔	09	J11A, J11B	5v426.c		BOP, KVT, UOP4		22	Y01Z, Y03A, Y03B
5v424.7‡↔	09	J11A, J11B		06	G26Z	5v427.9↔		BOP, KVT, UOP4
5v424.8‡↔	09	J11A, J11B		09	J03A, J03B, J04A, J04B, J08A, J08B, J08C, J10A, J10B, J16Z		09	J03A, J03B, J04A, J04B, J08A, J08B, J08C, J10A, J10B, J16Z
5v424.9‡↔	09	J11A, J11B, J11C		13	N09A, N09B		22	Y01Z, Y03A, Y03B
5v424.a‡	09	J11A, J11B, J11C		22	Y01Z, Y03A, Y03B	5v427.a		BOP, KVT, UOP4
5v424.b‡	09	J11A, J11B		09	J03A, J03B, J04A, J04B, J08A, J08B, J08C, J10A, J10B, J16Z		09	J03A, J03B, J04A, J04B, J08A, J08B, J08C, J10A, J10B, J16Z
5v424.c‡	09	J11A, J11B		06	G26Z		22	Y01Z, Y03A, Y03B
5v424.d‡	09	J11A, J11B		09	J03A, J03B, J04A, J04B, J08A, J08B, J08C, J10A, J10B, J16Z		09	J03A, J03B, J04A, J04B, J08A, J08B, J08C, J10A, J10B, J16Z
5v424.e‡↔	09	J11A, J11B		13	N09A, N09B		22	Y01Z, Y03A, Y03B
5v424.f‡↔	09	J11A, J11B		22	Y01Z, Y03A, Y03B		09	J03A, J03B, J04A, J04B, J08A, J08B, J08C, J10A, J10B, J16Z
5v424.g‡↔	09	J11A, J11B, J11C		06	G26Z		22	Y01Z, Y03A, Y03B
5v424.x‡	09	J11A, J11B		09	J03A, J03B, J04A, J04B, J08A, J08B, J08C, J10A, J10B, J16Z		09	J03A, J03B, J04A, J04B, J08A, J08B, J08C, J10A, J10B, J16Z
5v425.0‡	09	J11A, J11B, J11C		13	N09A, N09B		22	Y01Z, Y03A, Y03B
5v425.4‡	02	C14Z		22	Y01Z, Y03A, Y03B		09	J03A, J03B, J04A, J04B, J08A, J08B, J08C, J10A, J10B, J16Z
	09	J11A, J11B, J11C		09	J03A, J03B, J04A, J04B, J08A, J08B, J08C, J10A, J10B, J16Z		22	Y01Z, Y03A, Y03B
5v425.5‡	09	J11A, J11B, J11C		06	G26Z		09	J03A, J03B, J04A, J04B, J08A, J08B, J08C, J10A, J10B, J16Z
5v425.6‡↔	09	J11A, J11B, J11C		09	J03A, J03B, J04A, J04B, J08A, J08B, J08C, J10A, J10B, J16Z		22	Y01Z, Y03A, Y03B
5v425.7‡↔	09	J11A, J11B, J11C		13	N09A, N09B		09	J03A, J03B, J04A, J04B, J08A, J08B, J08C, J10A, J10B, J16Z
5v425.8‡↔	09	J11A, J11B, J11C		22	Y01Z, Y03A, Y03B		22	Y01Z, Y03A, Y03B
5v425.9‡↔	09	J11A, J11B, J11C		06	G26Z		09	J03A, J03B, J04A, J04B, J08A, J08B, J08C, J10A, J10B, J16Z
5v425.a‡	09	J11A, J11B, J11C		09	J03A, J03B, J04A, J04B, J08A, J08B, J08C, J10A, J10B, J16Z		22	Y01Z, Y03A, Y03B
5v425.b‡	09	J11A, J11B, J11C		13	N09A, N09B		09	J03A, J03B, J04A, J04B, J08A, J08B, J08C, J10A, J10B, J16Z
	09	J11A, J11B, J11C		22	Y01Z, Y03A, Y03B		22	Y01Z, Y03A, Y03B

ZZV	MDC	DRG	ZZV	MDC	DRG	ZZV	MDC	DRG
5v427.b		BOP, KVT, UOP4	5v428.8↔		BOP, KVT, UOP4	5v42a.5		BOP, KVT, UOP4
	09	J03A, J03B, J04A, J04B, J08A, J08B, J08C, J10A, J10B, J16Z		09	J03A, J03B, J04A, J04B, J08A, J08B, J08C, J10A, J10B, J16Z		09	J03A, J03B, J04A, J04B, J08A, J08B, J08C, J10A, J10B, J16Z
	22	Y01Z, Y03A, Y03B		22	Y01Z, Y03A, Y03B		22	Y01Z, Y03A, Y03B
5v427.c		BOP, KVT, UOP4	5v428.9↔		BOP, KVT, UOP4	5v42a.6↔		BOP, KVT, UOP4
	06	G26Z		09	J03A, J03B, J04A, J04B, J08A, J08B, J08C, J10A, J10B, J16Z		09	J03A, J03B, J04A, J04B, J08A, J08B, J08C, J10A, J10B, J16Z
	09	J03A, J03B, J04A, J04B, J08A, J08B, J08C, J10A, J10B, J16Z		22	Y01Z, Y03A, Y03B		22	Y01Z, Y03A, Y03B
	13	N09A, N09B	5v428.a		BOP, KVT, UOP4	5v42a.7↔		BOP, KVT, UOP4
	22	Y01Z, Y03A, Y03B		09	J03A, J03B, J04A, J04B, J08A, J08B, J08C, J10A, J10B, J16Z		09	J03A, J03B, J04A, J04B, J08A, J08B, J08C, J10A, J10B, J16Z
5v427.d		BOP, KVT, UOP4		22	Y01Z, Y03A, Y03B		22	Y01Z, Y03A, Y03B
	06	G26Z	5v428.b		BOP, KVT, UOP4	5v42a.8↔		BOP, KVT, UOP4
	09	J03A, J03B, J04A, J04B, J08A, J08B, J08C, J10A, J10B, J16Z		09	J03A, J03B, J04A, J04B, J08A, J08B, J08C, J10A, J10B, J16Z		09	J03A, J03B, J04A, J04B, J08A, J08B, J08C, J10A, J10B, J16Z
	13	N09A, N09B		22	Y01Z, Y03A, Y03B		22	Y01Z, Y03A, Y03B
	22	Y01Z, Y03A, Y03B	5v428.c		BOP, KVT, UOP4	5v42a.9↔		BOP, KVT, UOP4
5v427.e↔		BOP, KVT, UOP4		06	G26Z		09	J03A, J03B, J04A, J04B, J08A, J08B, J08C, J10A, J10B, J16Z
	09	J03A, J03B, J04A, J04B, J08A, J08B, J08C, J10A, J10B, J16Z		09	J03A, J03B, J04A, J04B, J08A, J08B, J08C, J10A, J10B, J16Z		22	Y01Z, Y03A, Y03B
	22	Y01Z, Y03A, Y03B		13	N09A, N09B	5v42a.a		BOP, KVT, UOP4
5v427.f↔		BOP, KVT, UOP4		22	Y01Z, Y03A, Y03B		09	J03A, J03B, J04A, J04B, J08A, J08B, J08C, J10A, J10B, J16Z
	09	J03A, J03B, J04A, J04B, J08A, J08B, J08C, J10A, J10B, J16Z	5v428.d		BOP, KVT, UOP4		22	Y01Z, Y03A, Y03B
	22	Y01Z, Y03A, Y03B		06	G26Z	5v42a.b		BOP, KVT, UOP4
5v427.g↔		BOP, KVT, UOP4		09	J03A, J03B, J04A, J04B, J08A, J08B, J08C, J10A, J10B, J16Z		09	J03A, J03B, J04A, J04B, J08A, J08B, J08C, J10A, J10B, J16Z
	09	J03A, J03B, J04A, J04B, J08A, J08B, J08C, J10A, J10B, J16Z		13	N09A, N09B		22	Y01Z, Y03A, Y03B
	22	Y01Z, Y03A, Y03B	5v428.e↔		BOP, KVT, UOP4	5v42a.c		BOP, KVT, UOP4
5v427.x		BOP, KVT, UOP4		09	J03A, J03B, J04A, J04B, J08A, J08B, J08C, J10A, J10B, J16Z		06	G26Z
	06	G26Z		22	Y01Z, Y03A, Y03B		09	J03A, J03B, J04A, J04B, J08A, J08B, J08C, J10A, J10B, J16Z
	09	J03A, J03B, J04A, J04B, J08A, J08B, J08C, J10A, J10B, J16Z	5v428.f↔		BOP, KVT, UOP4	5v42a.d		BOP, KVT, UOP4
	13	N09A, N09B		09	J03A, J03B, J04A, J04B, J08A, J08B, J08C, J10A, J10B, J16Z		06	G26Z
	22	Y01Z, Y03A, Y03B		22	Y01Z, Y03A, Y03B		09	J03A, J03B, J04A, J04B, J08A, J08B, J08C, J10A, J10B, J16Z
5v428.0		BOP, KVT, UOP4		09	J03A, J03B, J04A, J04B, J08A, J08B, J08C, J10A, J10B, J16Z		13	N09A, N09B
	09	J03A, J03B, J04A, J04B, J08A, J08B, J08C, J10A, J10B, J16Z	5v428.g↔		BOP, KVT, UOP4		22	Y01Z, Y03A, Y03B
	22	Y01Z, Y03A, Y03B		09	J03A, J03B, J04A, J04B, J08A, J08B, J08C, J10A, J10B, J16Z	5v42a.e↔		BOP, KVT, UOP4
5v428.4		BOP, KVT, UOP4		22	Y01Z, Y03A, Y03B		09	J03A, J03B, J04A, J04B, J08A, J08B, J08C, J10A, J10B, J16Z
	02	C20A, C20B	5v428.x		BOP, KVT, UOP4		22	Y01Z, Y03A, Y03B
	09	J03A, J03B, J04A, J04B, J08A, J08B, J08C, J10A, J10B, J16Z		06	G26Z	5v42a.f↔		BOP, KVT, UOP4
	22	Y01Z, Y03A, Y03B		09	J03A, J03B, J04A, J04B, J08A, J08B, J08C, J10A, J10B, J16Z		09	J03A, J03B, J04A, J04B, J08A, J08B, J08C, J10A, J10B, J16Z
5v428.5		BOP, KVT, UOP4		13	N09A, N09B		22	Y01Z, Y03A, Y03B
	09	J03A, J03B, J04A, J04B, J08A, J08B, J08C, J10A, J10B, J16Z		22	Y01Z, Y03A, Y03B	5v42a.g↔		BOP, KVT, UOP4
	22	Y01Z, Y03A, Y03B	5v429.4†		C20A, C20B		09	J03A, J03B, J04A, J04B, J08A, J08B, J08C, J10A, J10B, J16Z
5v428.6↔		BOP, KVT, UOP4	5v429.c†		G26Z		22	Y01Z, Y03A, Y03B
	09	J03A, J03B, J04A, J04B, J08A, J08B, J08C, J10A, J10B, J16Z	5v429.d†		G26Z	5v42a.x		BOP, KVT, UOP4
	22	Y01Z, Y03A, Y03B	5v429.x†		G26Z		09	J03A, J03B, J04A, J04B, J08A, J08B, J08C, J10A, J10B, J16Z
5v428.7↔		BOP, KVT, UOP4	5v42a.0		BOP, KVT, UOP4		22	Y01Z, Y03A, Y03B
	09	J03A, J03B, J04A, J04B, J08A, J08B, J08C, J10A, J10B, J16Z		09	J03A, J03B, J04A, J04B, J08A, J08B, J08C, J10A, J10B, J16Z	5v42a.x		BOP, KVT, UOP4
	22	Y01Z, Y03A, Y03B	5v42a.4		BOP, KVT, UOP4		06	G26Z
	09	J03A, J03B, J04A, J04B, J08A, J08B, J08C, J10A, J10B, J16Z		02	C20A, C20B		09	J03A, J03B, J04A, J04B, J08A, J08B, J08C, J10A, J10B, J16Z
	22	Y01Z, Y03A, Y03B		09	J03A, J03B, J04A, J04B, J08A, J08B, J08C, J10A, J10B, J16Z		13	N09A, N09B
				22	Y01Z, Y03A, Y03B		22	Y01Z, Y03A, Y03B

ZZV	MDC	DRG	ZZV	MDC	DRG	ZZV	MDC	DRG
5v42b.0		BOP, KVT, UOP4	5v42b.x		BOP, KVT, UOP4	5v443.g↔	09	J11A, J11B, J11C
	09	J03A, J03B, J04A, J04B, J08A, J08B, J08C, J10A, J10B, J16Z		06	G26Z	5v443.x†	09	J11A, J11B, J11C
	22	Y01Z, Y03A, Y03B		09	J03A, J03B, J04A, J04B, J08A, J08B, J08C, J10A, J10B, J16Z	5v444.0		BOP, KVT, UOP4
5v42b.4		BOP, KVT, UOP4		13	N09A, N09B		09	J03A, J03B, J04A, J04B, J08A, J08B, J08C, J10A, J10B, J16Z
	02	C20A, C20B		22	Y01Z, Y03A, Y03B	5v444.4		BOP, KVT, UOP4
	09	J03A, J03B, J04A, J04B, J08A, J08B, J08C, J10A, J10B, J16Z	5v440.0†	09	J11A, J11B, J11C		02	C20A, C20B
	22	Y01Z, Y03A, Y03B	5v440.4†	02	C14Z		09	J03A, J03B, J04A, J04B, J08A, J08B, J08C, J10A, J10B, J16Z
5v42b.5		BOP, KVT, UOP4	5v440.5†	09	J11A, J11B, J11C	5v444.5		BOP, KVT, UOP4
	09	J03A, J03B, J04A, J04B, J08A, J08B, J08C, J10A, J10B, J16Z	5v440.6†↔	09	J11A, J11B, J11C		09	J03A, J03B, J04A, J04B, J08A, J08B, J08C, J10A, J10B, J16Z
	22	Y01Z, Y03A, Y03B	5v440.7†↔	09	J11A, J11B, J11C			BOP, KVT, UOP4
5v42b.6↔		BOP, KVT, UOP4	5v440.8†↔	09	J11A, J11B, J11C	5v444.6↔		BOP, KVT, UOP4
	09	J03A, J03B, J04A, J04B, J08A, J08B, J08C, J10A, J10B, J16Z	5v440.9†↔	09	J11A, J11B, J11C		09	J03A, J03B, J04A, J04B, J08A, J08B, J08C, J10A, J10B, J16Z
	22	Y01Z, Y03A, Y03B	5v440.a†	09	J11A, J11B, J11C			BOP, KVT, UOP4
5v42b.7↔		BOP, KVT, UOP4	5v440.b†	09	J11A, J11B, J11C	5v444.7↔		BOP, KVT, UOP4
	09	J03A, J03B, J04A, J04B, J08A, J08B, J08C, J10A, J10B, J16Z	5v440.c†	09	J11A, J11B, J11C		09	J03A, J03B, J04A, J04B, J08A, J08B, J08C, J10A, J10B, J16Z
	22	Y01Z, Y03A, Y03B	5v440.d†	09	J11A, J11B, J11C			BOP, KVT, UOP4
5v42b.8↔		BOP, KVT, UOP4	5v440.e†↔	09	J11A, J11B, J11C	5v444.8↔		BOP, KVT, UOP4
	09	J03A, J03B, J04A, J04B, J08A, J08B, J08C, J10A, J10B, J16Z	5v440.f†↔	09	J11A, J11B, J11C		09	J03A, J03B, J04A, J04B, J08A, J08B, J08C, J10A, J10B, J16Z
	22	Y01Z, Y03A, Y03B	5v440.g†↔	09	J11A, J11B, J11C			BOP, KVT, UOP4
5v42b.9↔		BOP, KVT, UOP4	5v440.x†	09	J11A, J11B, J11C	5v444.9↔		BOP, KVT, UOP4
	09	J03A, J03B, J04A, J04B, J08A, J08B, J08C, J10A, J10B, J16Z	5v441.0†	09	J11A, J11B, J11C		09	J03A, J03B, J04A, J04B, J08A, J08B, J08C, J10A, J10B, J16Z
	22	Y01Z, Y03A, Y03B	5v441.4†	02	C14Z			BOP, KVT, UOP4
5v42b.a		BOP, KVT, UOP4		09	J11A, J11B, J11C	5v444.a		BOP, KVT, UOP4
	09	J03A, J03B, J04A, J04B, J08A, J08B, J08C, J10A, J10B, J16Z	5v441.5†	09	J11A, J11B, J11C		09	J03A, J03B, J04A, J04B, J08A, J08B, J08C, J10A, J10B, J16Z
	22	Y01Z, Y03A, Y03B	5v441.6†↔	09	J11A, J11B, J11C			BOP, KVT, UOP4
5v42b.b		BOP, KVT, UOP4	5v441.7†↔	09	J11A, J11B, J11C	5v444.b		BOP, KVT, UOP4
	09	J03A, J03B, J04A, J04B, J08A, J08B, J08C, J10A, J10B, J16Z	5v441.8†↔	09	J11A, J11B, J11C		09	J03A, J03B, J04A, J04B, J08A, J08B, J08C, J10A, J10B, J16Z
	22	Y01Z, Y03A, Y03B	5v441.9†↔	09	J11A, J11B, J11C			BOP, KVT, UOP4
5v42b.c		BOP, KVT, UOP4	5v441.a†	09	J11A, J11B, J11C	5v444.c		BOP, KVT, UOP4
	06	G26Z	5v441.b†	09	J11A, J11B, J11C		06	G26Z
	09	J03A, J03B, J04A, J04B, J08A, J08B, J08C, J10A, J10B, J16Z	5v441.c†	09	J11A, J11B, J11C		09	J03A, J03B, J04A, J04B, J08A, J08B, J08C, J10A, J10B, J16Z
	13	N09A, N09B	5v441.d†	09	J11A, J11B, J11C		13	N09A, N09B
	22	Y01Z, Y03A, Y03B	5v441.e†↔	09	J11A, J11B, J11C			BOP, KVT, UOP4
5v42b.d		BOP, KVT, UOP4	5v441.f†↔	09	J11A, J11B, J11C	5v444.d		BOP, KVT, UOP4
	06	G26Z	5v441.g†↔	09	J11A, J11B, J11C		06	G26Z
	09	J03A, J03B, J04A, J04B, J08A, J08B, J08C, J10A, J10B, J16Z	5v442.0†	09	J11A, J11B, J11C		09	J03A, J03B, J04A, J04B, J08A, J08B, J08C, J10A, J10B, J16Z
	13	N09A, N09B	5v442.4†	02	C14Z		13	N09A, N09B
	22	Y01Z, Y03A, Y03B		09	J11A, J11B, J11C			BOP, KVT, UOP4
5v42b.e↔		BOP, KVT, UOP4	5v442.5†	09	J11A, J11B, J11C	5v444.e↔		BOP, KVT, UOP4
	09	J03A, J03B, J04A, J04B, J08A, J08B, J08C, J10A, J10B, J16Z	5v442.6†↔	09	J11A, J11B, J11C		09	J03A, J03B, J04A, J04B, J08A, J08B, J08C, J10A, J10B, J16Z
	22	Y01Z, Y03A, Y03B	5v442.7†↔	09	J11A, J11B, J11C			BOP, KVT, UOP4
5v42b.f↔		BOP, KVT, UOP4	5v442.8†↔	09	J11A, J11B, J11C	5v444.f↔		BOP, KVT, UOP4
	09	J03A, J03B, J04A, J04B, J08A, J08B, J08C, J10A, J10B, J16Z	5v442.9†↔	09	J11A, J11B, J11C		09	J03A, J03B, J04A, J04B, J08A, J08B, J08C, J10A, J10B, J16Z
	13	N09A, N09B	5v442.a†	09	J11A, J11B, J11C			BOP, KVT, UOP4
	22	Y01Z, Y03A, Y03B	5v442.b†	09	J11A, J11B, J11C	5v444.g↔		BOP, KVT, UOP4
	09	J03A, J03B, J04A, J04B, J08A, J08B, J08C, J10A, J10B, J16Z	5v442.c†	09	J11A, J11B, J11C		09	J03A, J03B, J04A, J04B, J08A, J08B, J08C, J10A, J10B, J16Z
	22	Y01Z, Y03A, Y03B	5v442.d†	09	J11A, J11B, J11C			BOP, KVT, UOP4
	09	J03A, J03B, J04A, J04B, J08A, J08B, J08C, J10A, J10B, J16Z	5v442.e†↔	09	J11A, J11B, J11C	5v444.x		BOP, KVT, UOP4
	13	N09A, N09B	5v442.f†↔	09	J11A, J11B, J11C		06	G26Z
	22	Y01Z, Y03A, Y03B	5v442.g†↔	09	J11A, J11B, J11C		09	J03A, J03B, J04A, J04B, J08A, J08B, J08C, J10A, J10B, J16Z
	09	J03A, J03B, J04A, J04B, J08A, J08B, J08C, J10A, J10B, J16Z	5v442.x†	09	J11A, J11B, J11C		13	N09A, N09B
	22	Y01Z, Y03A, Y03B	5v443.0†	09	J11A, J11B, J11C			BOP, KVT, UOP4
	09	J03A, J03B, J04A, J04B, J08A, J08B, J08C, J10A, J10B, J16Z	5v443.4†	02	C14Z			BOP, KVT, UOP4
	22	Y01Z, Y03A, Y03B		09	J11A, J11B, J11C			BOP, KVT, UOP4
	09	J03A, J03B, J04A, J04B, J08A, J08B, J08C, J10A, J10B, J16Z	5v443.5†	09	J11A, J11B, J11C		09	J03A, J03B, J04A, J04B, J08A, J08B, J08C, J10A, J10B, J16Z
	22	Y01Z, Y03A, Y03B	5v443.6†↔	09	J11A, J11B, J11C			BOP, KVT, UOP4
	09	J03A, J03B, J04A, J04B, J08A, J08B, J08C, J10A, J10B, J16Z	5v443.7†↔	09	J11A, J11B, J11C			BOP, KVT, UOP4
	22	Y01Z, Y03A, Y03B	5v443.8†↔	09	J11A, J11B, J11C			BOP, KVT, UOP4
	09	J03A, J03B, J04A, J04B, J08A, J08B, J08C, J10A, J10B, J16Z	5v443.9†↔	09	J11A, J11B, J11C			BOP, KVT, UOP4
	22	Y01Z, Y03A, Y03B	5v443.a†	09	J11A, J11B, J11C			BOP, KVT, UOP4
	09	J03A, J03B, J04A, J04B, J08A, J08B, J08C, J10A, J10B, J16Z	5v443.b†	09	J11A, J11B, J11C			BOP, KVT, UOP4
	22	Y01Z, Y03A, Y03B	5v443.c†	09	J11A, J11B, J11C			BOP, KVT, UOP4
	09	J03A, J03B, J04A, J04B, J08A, J08B, J08C, J10A, J10B, J16Z	5v443.d†	09	J11A, J11B, J11C			BOP, KVT, UOP4
	22	Y01Z, Y03A, Y03B	5v443.e†↔	09	J11A, J11B, J11C			BOP, KVT, UOP4
	09	J03A, J03B, J04A, J04B, J08A, J08B, J08C, J10A, J10B, J16Z	5v443.f†↔	09	J11A, J11B, J11C			BOP, KVT, UOP4
	22	Y01Z, Y03A, Y03B		09	J11A, J11B, J11C			BOP, KVT, UOP4

VYK

ZZV	MDC	DRG	ZZV	MDC	DRG	ZZV	MDC	DRG
5v448.a‡	09	J11A, J11B	5v450.7↔		BOP, KVT, UOP4	5v450.d		BOP, KVT, UOP4
5v448.b‡	09	J11A, J11B	01		B03A, B03B, B06A, B06B, B07Z, B17A, B17B, B17C	01		B03A, B03B, B06A, B06B, B07Z, B17A, B17B, B17C
5v448.c‡	09	J11A, J11B	05		F13A, F21A, F21B, F21C	05		F13A, F21A, F21B, F21C
5v448.d‡	09	J11A, J11B	08		I02A, I02B, I02C, I02D, I22A, I22B, I50Z	06		G10Z, G12A, G12B
5v448.e‡↔	09	J11A, J11B	09		J02A, J02B, J02C, J04A, J04B, J08A, J08B, J08C, J16Z, J21Z, J22A, J22B	08		I02A, I02B, I02C, I02D, I22A, I22B, I50Z
5v448.f‡↔	09	J11A, J11B	21A		W04A, W04B	09		J02A, J02B, J02C, J04A, J04B, J08A, J08B, J08C, J16Z, J21Z, J22A, J22B
5v448.g‡↔	09	J11A, J11B	21B		X01A, X01B, X01C	21A		W04A, W04B
5v448.x‡	09	J11A, J11B			BOP, KVT, UOP4	21B		X01A, X01B, X01C
5v449.0‡	09	J11A, J11B	5v450.8↔		BOP, KVT, UOP4	5v450.e↔		BOP, KVT, UOP4
5v449.4‡	02	C20A, C20B	01		B03A, B03B, B06A, B06B, B07Z, B17A, B17B, B17C	01		B03A, B03B, B06A, B06B, B07Z, B17A, B17B, B17C
	09	J11A, J11B, J11C	05		F13A, F21A, F21B, F21C	05		F13A, F21A, F21B, F21C
5v449.5‡	09	J11A, J11B	08		I02A, I02B, I02C, I02D, I22A, I22B, I32A, I32B, I32C, I32D, I32E, I32F, I50Z	08		I02A, I02B, I02C, I02D, I22A, I22B, I50Z
5v449.6‡↔	09	J11A, J11B	09		J02A, J02B, J02C, J04A, J04B, J08A, J08B, J08C, J16Z, J21Z, J22A, J22B	09		J02A, J02B, J02C, J04A, J04B, J08A, J08B, J08C, J16Z, J21Z, J22A, J22B
5v449.7‡↔	09	J11A, J11B	21A		W04A, W04B	21A		W04A, W04B
5v449.8‡↔	09	J11A, J11B	21B		X01A, X01B, X01C	21B		X01A, X01B, X01C
5v449.9‡↔	09	J11A, J11B	5v450.9↔		BOP, KVT, UOP4	5v450.f↔		BOP, KVT, UOP4
5v449.a‡	09	J11A, J11B	01		B03A, B03B, B06A, B06B, B07Z, B17A, B17B, B17C	01		B03A, B03B, B06A, B06B, B07Z, B17A, B17B, B17C
5v449.b‡	09	J11A, J11B	05		F13A, F21A, F21B, F21C	05		F13A, F21A, F21B, F21C
5v449.c‡	09	J11A, J11B	08		I12A, I12B, I12C, I32A, I32B, I32C, I32D, I32E, I32F	08		I02A, I02B, I02C, I02D, I22A, I22B, I50Z
5v449.d‡	09	J11A, J11B	09		J02A, J02B, J02C, J04A, J04B, J08A, J08B, J08C, J16Z, J21Z, J22A, J22B	09		J02A, J02B, J02C, J04A, J04B, J08A, J08B, J08C, J16Z, J21Z, J22A, J22B
5v449.e‡↔	09	J11A, J11B	21A		W04A, W04B	21A		W04A, W04B
5v449.f‡↔	09	J11A, J11B	21B		X01A, X01B, X01C	21B		X01A, X01B, X01C
5v449.g‡↔	09	J11A, J11B	5v450.a		BOP, KVT, UOP4	5v450.g↔		BOP, KVT, UOP4
5v449.x‡	09	J11A, J11B	01		B03A, B03B, B06A, B06B, B07Z, B17A, B17B, B17C	01		B03A, B03B, B06A, B06B, B07Z, B17A, B17B, B17C
5v450.0		BOP, KVT, UOP4	05		F13A, F21A, F21B, F21C	05		F13A, F21A, F21B, F21C
	01	B03A, B03B, B06A, B06B, B07Z, B17A, B17B, B17C	08		I02A, I02B, I02C, I02D, I22A, I22B, I50Z	08		I02A, I02B, I02C, I02D, I12A, I12B, I12C, I22A, I22B, I50Z
	03	D12A	09		J02A, J02B, J02C, J04A, J04B, J08A, J08B, J08C, J16Z, J21Z, J22A, J22B	09		J02A, J02B, J02C, J04A, J04B, J08A, J08B, J08C, J16Z, J21Z, J22A, J22B
	05	F13A, F21A, F21B, F21C	21A		W04A, W04B	21A		W04A, W04B
	09	J02A, J02B, J02C, J04A, J04B, J08A, J08B, J08C, J16Z, J21Z, J22A, J22B	21B		X01A, X01B, X01C	21B		X01A, X01B, X01C
5v450.4	21A	W04A, W04B	5v450.b		BOP, KVT, UOP4	5v450.x↔		BOP, KVT, UOP4
	21B	X01A, X01B, X01C	01		B03A, B03B, B06A, B06B, B07Z, B17A, B17B, B17C	01		B03A, B03B, B06A, B06B, B07Z, B17A, B17B, B17C
		BOP, KVT, UOP4	05		F13A, F21A, F21B, F21C	05		F13A, F21A, F21B, F21C
	01	B03A, B03B, B06A, B06B, B07Z, B17A, B17B, B17C	06		G10Z, G12A, G12B	08		I02A, I02B, I02C, I02D, I22A, I22B, I32A, I32B, I32C, I32D, I32E, I32F, I50Z
	02	C20A, C20B	08		I02A, I02B, I02C, I02D, I22A, I22B, I50Z	09		J02A, J02B, J02C, J04A, J04B, J08A, J08B, J08C, J16Z, J21Z, J22A, J22B
	03	D12A	09		J02A, J02B, J02C, J04A, J04B, J08A, J08B, J08C, J16Z, J21Z, J22A, J22B	21A		W04A, W04B
	05	F13A, F21A, F21B, F21C	21A		W04A, W04B	21B		X01A, X01B, X01C
	08	I02A, I02B, I02C, I02D, I22A, I22B, I50Z	21B		X01A, X01B, X01C	5v450.0		BOP, KVT, UOP4
	09	J02A, J02B, J02C, J04A, J04B, J08A, J08B, J08C, J16Z, J21Z, J22A, J22B	5v450.c		BOP, KVT, UOP4	01		B03A, B03B, B06A, B06B, B07Z, B17A, B17B, B17C
	21A	W04A, W04B	01		B03A, B03B, B06A, B06B, B07Z, B17A, B17B, B17C	05		F13A, F21A, F21B, F21C
	21B	X01A, X01B, X01C	05		F13A, F21A, F21B, F21C	08		I02A, I02B, I02C, I02D, I22A, I22B, I50Z
5v450.5		BOP, KVT, UOP4	06		G10Z, G12A, G12B	09		J02A, J02B, J02C, J04A, J04B, J08A, J08B, J08C, J16Z, J21Z, J22A, J22B
	01	B03A, B03B, B06A, B06B, B07Z, B17A, B17B, B17C	08		I02A, I02B, I02C, I02D, I22A, I22B, I50Z	21A		W04A, W04B
	03	D12A	09		J02A, J02B, J02C, J04A, J04B, J08A, J08B, J08C, J16Z, J21Z, J22A, J22B	21B		X01A, X01B, X01C
	05	F13A, F21A, F21B, F21C	21A		W04A, W04B			
	08	I02A, I02B, I02C, I02D, I22A, I22B, I50Z	21B		X01A, X01B, X01C			
	09	J02A, J02B, J02C, J04A, J04B, J08A, J08B, J08C, J16Z, J21Z, J22A, J22B	5v450.6↔		BOP, KVT, UOP4	5v451.0		BOP, KVT, UOP4
	21A	W04A, W04B	01		B03A, B03B, B06A, B06B, B07Z, B17A, B17B, B17C	01		B03A, B03B, B06A, B06B, B07Z, B17A, B17B, B17C
	21B	X01A, X01B, X01C	05		F13A, F21A, F21B, F21C	05		F13A, F21A, F21B, F21C
5v450.6↔		BOP, KVT, UOP4	06		G10Z, G12A, G12B	09		J02A, J02B, J02C, J04A, J04B, J08A, J08B, J08C, J16Z, J21Z, J22A, J22B
	01	B03A, B03B, B06A, B06B, B07Z, B17A, B17B, B17C	08		I02A, I02B, I02C, I02D, I22A, I22B, I50Z	21A		W04A, W04B
	05	F13A, F21A, F21B, F21C	09		J02A, J02B, J02C, J04A, J04B, J08A, J08B, J08C, J16Z, J21Z, J22A, J22B	21B		X01A, X01B, X01C
	08	I02A, I02B, I02C, I02D, I22A, I22B, I50Z	21A		W04A, W04B			
	09	J02A, J02B, J02C, J04A, J04B, J08A, J08B, J08C, J16Z, J21Z, J22A, J22B	21B		X01A, X01B, X01C			
	21A	W04A, W04B						
	21B	X01A, X01B, X01C						

ZZV	MDC	DRG	ZZV	MDC	DRG	ZZV	MDC	DRG			
5v451.5		BOP, KVT, UOP4	5v451.b		BOP, KVT, UOP4	5v451.x↔		BOP, KVT, UOP4			
	01	B03A, B03B, B06A, B06B, B07Z, B17A, B17B, B17C		01	B03A, B03B, B06A, B06B, B07Z, B17A, B17B, B17C		01	B03A, B03B, B06A, B06B, B07Z, B17A, B17B, B17C			
	02	C20A, C20B		05	F13A, F21A, F21B, F21C		05	F13A, F21A, F21B, F21C			
	05	F13A, F21A, F21B, F21C		06	G10Z, G12A, G12B		08	I02A, I02B, I02C, I02D, I22A, I22B, I50Z			
	08	I02A, I02B, I02C, I02D, I22A, I22B, I50Z		08	I02A, I02B, I02C, I02D, I22A, I22B, I50Z		09	J02A, J02B, J02C, J04A, J04B, J08A, J08B, J08C, J16Z, J21Z, J22A, J22B			
	09	J02A, J02B, J02C, J04A, J04B, J08A, J08B, J08C, J16Z, J21Z, J22A, J22B		09	J02A, J02B, J02C, J04A, J04B, J08A, J08B, J08C, J16Z, J21Z, J22A, J22B		09	J02A, J02B, J02C, J04A, J04B, J08A, J08B, J08C, J16Z, J21Z, J22A, J22B			
	21A	W04A, W04B		21A	W04A, W04B		21A	W04A, W04B			
	21B	X01A, X01B, X01C		21B	X01A, X01B, X01C		21B	X01A, X01B, X01C			
	5v451.6↔			BOP, KVT, UOP4	5v451.c			BOP, KVT, UOP4	5v452.0		BOP, UOP4
		01		B03A, B03B, B06A, B06B, B07Z, B17A, B17B, B17C			01	B03A, B03B, B06A, B06B, B07Z, B17A, B17B, B17C		01	B03A, B03B, B06A, B06B, B07Z, B17A, B17B, B17C
05		F13A, F21A, F21B, F21C	05	F13A, F21A, F21B, F21C		03	D18Z, D28Z, D29Z				
08		I02A, I02B, I02C, I02D, I22A, I22B, I50Z	06	G10Z, G12A, G12B		05	F13A, F21A, F21B, F21C				
09		J02A, J02B, J02C, J04A, J04B, J08A, J08B, J08C, J16Z, J21Z, J22A, J22B	08	I02A, I02B, I02C, I02D, I22A, I22B, I50Z		09	J02A, J02B, J02C, J04A, J04B, J08A, J08B, J08C, J16Z, J21Z, J22A, J22B				
21A		W04A, W04B	09	J02A, J02B, J02C, J04A, J04B, J08A, J08B, J08C, J16Z, J21Z, J22A, J22B		21A	W04A, W04B				
21B		X01A, X01B, X01C	21A	W04A, W04B		21B	X01A, X01B, X01C				
5v451.7↔			BOP, KVT, UOP4	5v451.d			BOP, KVT, UOP4	5v452.4			BOP, UOP4
		01	B03A, B03B, B06A, B06B, B07Z, B17A, B17B, B17C			01	B03A, B03B, B06A, B06B, B07Z, B17A, B17B, B17C			01	B03A, B03B, B06A, B06B, B07Z, B17A, B17B, B17C
		05	F13A, F21A, F21B, F21C			05	F13A, F21A, F21B, F21C			02	C20A, C20B
	08	I02A, I02B, I02C, I02D, I22A, I22B, I50Z	06		G10Z, G12A, G12B	03	D18Z, D28Z, D29Z				
	09	J02A, J02B, J02C, J04A, J04B, J08A, J08B, J08C, J16Z, J21Z, J22A, J22B	08		I02A, I02B, I02C, I02D, I22A, I22B, I50Z	05	F13A, F21A, F21B, F21C				
	21A	W04A, W04B	09		J02A, J02B, J02C, J04A, J04B, J08A, J08B, J08C, J16Z, J21Z, J22A, J22B	08	I02A, I02B, I02C, I02D, I22A, I22B, I50Z				
	21B	X01A, X01B, X01C	21A		W04A, W04B	09	J02A, J02B, J02C, J04A, J04B, J08A, J08B, J08C, J16Z, J21Z, J22A, J22B				
	5v451.8↔		BOP, KVT, UOP4		5v451.e↔		BOP, KVT, UOP4		5v452.5		BOP, UOP4
		01	B03A, B03B, B06A, B06B, B07Z, B17A, B17B, B17C			01	B03A, B03B, B06A, B06B, B07Z, B17A, B17B, B17C			01	B03A, B03B, B06A, B06B, B07Z, B17A, B17B, B17C
		05	F13A, F21A, F21B, F21C			05	F13A, F21A, F21B, F21C			03	D18Z, D28Z, D29Z
08		I02A, I02B, I02C, I02D, I22A, I22B, I32A, I32B, I32C, I32D, I32E, I32F, I50Z	08	I02A, I02B, I02C, I02D, I22A, I22B, I50Z		05	F13A, F21A, F21B, F21C				
09		J02A, J02B, J02C, J04A, J04B, J08A, J08B, J08C, J16Z, J21Z, J22A, J22B	09	J02A, J02B, J02C, J04A, J04B, J08A, J08B, J08C, J16Z, J21Z, J22A, J22B		08	I02A, I02B, I02C, I02D, I22A, I22B, I50Z				
21A		W04A, W04B	09	J02A, J02B, J02C, J04A, J04B, J08A, J08B, J08C, J16Z, J21Z, J22A, J22B		09	J02A, J02B, J02C, J04A, J04B, J08A, J08B, J08C, J16Z, J21Z, J22A, J22B				
21B		X01A, X01B, X01C	21A	W04A, W04B		21A	W04A, W04B				
5v451.9↔			BOP, KVT, UOP4	5v451.f↔			BOP, KVT, UOP4	5v452.6↔			BOP, UOP4
		01	B03A, B03B, B06A, B06B, B07Z, B17A, B17B, B17C			01	B03A, B03B, B06A, B06B, B07Z, B17A, B17B, B17C			01	B03A, B03B, B06A, B06B, B07Z, B17A, B17B, B17C
		05	F13A, F21A, F21B, F21C			05	F13A, F21A, F21B, F21C			05	F13A, F21A, F21B, F21C
	08	I12A, I12B, I12C, I32A, I32B, I32C, I32D, I32E, I32F	08		I02A, I02B, I02C, I02D, I22A, I22B, I50Z	08	I02A, I02B, I02C, I02D, I22A, I22B, I50Z				
	09	J02A, J02B, J02C, J04A, J04B, J08A, J08B, J08C, J16Z, J21Z, J22A, J22B	09		J02A, J02B, J02C, J04A, J04B, J08A, J08B, J08C, J16Z, J21Z, J22A, J22B	09	J02A, J02B, J02C, J04A, J04B, J08A, J08B, J08C, J16Z, J21Z, J22A, J22B				
	21A	W04A, W04B	21A		W04A, W04B	21A	W04A, W04B				
	21B	X01A, X01B, X01C	21B		X01A, X01B, X01C	21B	X01A, X01B, X01C				
	5v451.a		BOP, KVT, UOP4		5v451.g↔		BOP, KVT, UOP4		5v452.7↔		BOP, UOP4
		01	B03A, B03B, B06A, B06B, B07Z, B17A, B17B, B17C			01	B03A, B03B, B06A, B06B, B07Z, B17A, B17B, B17C			01	B03A, B03B, B06A, B06B, B07Z, B17A, B17B, B17C
		05	F13A, F21A, F21B, F21C			05	F13A, F21A, F21B, F21C			05	F13A, F21A, F21B, F21C
06		G10Z, G12A, G12B	08	I02A, I02B, I02C, I02D, I12A, I12B, I12C, I22A, I22B, I50Z		08	I02A, I02B, I02C, I02D, I22A, I22B, I50Z				
08		I02A, I02B, I02C, I02D, I22A, I22B, I50Z	09	J02A, J02B, J02C, J04A, J04B, J08A, J08B, J08C, J16Z, J21Z, J22A, J22B		08	I02A, I02B, I02C, I02D, I22A, I22B, I50Z				
09		J02A, J02B, J02C, J04A, J04B, J08A, J08B, J08C, J16Z, J21Z, J22A, J22B	09	J02A, J02B, J02C, J04A, J04B, J08A, J08B, J08C, J16Z, J21Z, J22A, J22B		09	J02A, J02B, J02C, J04A, J04B, J08A, J08B, J08C, J16Z, J21Z, J22A, J22B				
21A		W04A, W04B	21A	W04A, W04B		21A	W04A, W04B				
21B		X01A, X01B, X01C	21B	X01A, X01B, X01C		21B	X01A, X01B, X01C				

VYK

ZZV	MDC	DRG	ZZV	MDC	DRG	ZZV	MDC	DRG			
5v453.a		BOP, KVT, UOP4	5v453.g↔		BOP, KVT, UOP4	5v454.7↔		BOP, KVT, UOP4			
	01	B03A, B03B, B06A, B06B, B07Z, B17A, B17B, B17C		01	B03A, B03B, B06A, B06B, B07Z, B17A, B17B, B17C		01	B03A, B03B, B06A, B06B, B07Z, B17A, B17B, B17C			
	05	F13A, F21A, F21B, F21C		05	F13A, F21A, F21B, F21C		05	F13A, F21A, F21B, F21C			
	06	G10Z, G12A, G12B		08	I02A, I02B, I02C, I02D, I12A, I12B, I12C, I22A, I22B, I50Z		08	I02A, I02B, I02C, I02D, I22A, I22B, I50Z			
	08	I02A, I02B, I02C, I02D, I22A, I22B, I50Z		09	J02A, J02B, J02C, J04A, J04B, J08A, J08B, J08C, J16Z, J21Z, J22A, J22B		09	J02A, J02B, J02C, J04A, J04B, J08A, J08B, J08C, J16Z, J21Z, J22A, J22B			
	09	J02A, J02B, J02C, J04A, J04B, J08A, J08B, J08C, J16Z, J21Z, J22A, J22B		21A	W04A, W04B		21A	W04A, W04B			
	21A	W04A, W04B		21B	X01A, X01B, X01C		21B	X01A, X01B, X01C			
	21B	X01A, X01B, X01C		5v453.x↔			BOP, KVT, UOP4	5v454.8↔		BOP, KVT, UOP4	
	5v453.b				BOP, KVT, UOP4		01		B03A, B03B, B06A, B06B, B07Z, B17A, B17B, B17C	01	B03A, B03B, B06A, B06B, B07Z, B17A, B17B, B17C
		01			B03A, B03B, B06A, B06B, B07Z, B17A, B17B, B17C		05		F13A, F21A, F21B, F21C	05	F13A, F21A, F21B, F21C
05		F13A, F21A, F21B, F21C	08		I02A, I02B, I02C, I02D, I22A, I22B, I32A, I32B, I32C, I32D, I32E, I32F, I50Z	08	I02A, I02B, I02C, I02D, I22A, I22B, I32A, I32B, I32C, I32D, I32E, I32F, I50Z				
06		G10Z, G12A, G12B	09		J02A, J02B, J02C, J04A, J04B, J08A, J08B, J08C, J16Z, J21Z, J22A, J22B	09	J02A, J02B, J02C, J04A, J04B, J08A, J08B, J08C, J16Z, J21Z, J22A, J22B				
08		I02A, I02B, I02C, I02D, I22A, I22B, I50Z	21A		W04A, W04B	21A	W04A, W04B				
09		J02A, J02B, J02C, J04A, J04B, J08A, J08B, J08C, J16Z, J21Z, J22A, J22B	21B		X01A, X01B, X01C	21B	X01A, X01B, X01C				
21A		W04A, W04B	5v454.0			BOP, KVT, UOP4	5v454.9↔			BOP, KVT, UOP4	
21B		X01A, X01B, X01C			01	B03A, B03B, B06A, B06B, B07Z, B17A, B17B, B17C			01	B03A, B03B, B06A, B06B, B07Z, B17A, B17B, B17C	
5v453.c					BOP, KVT, UOP4	03			D18Z, D28Z, D29Z	05	F13A, F21A, F21B, F21C
		01		B03A, B03B, B06A, B06B, B07Z, B17A, B17B, B17C	05	F13A, F21A, F21B, F21C		08	I12A, I12B, I12C, I32A, I32B, I32C, I32D, I32E, I32F		
	05	F13A, F21A, F21B, F21C		09	J02A, J02B, J02C, J04A, J04B, J08A, J08B, J08C, J16Z, J21Z, J22A, J22B	09		J02A, J02B, J02C, J04A, J04B, J08A, J08B, J08C, J16Z, J21Z, J22A, J22B			
	06	G10Z, G12A, G12B		21A	W04A, W04B	21A		W04A, W04B			
	08	I02A, I02B, I02C, I02D, I22A, I22B, I50Z		21B	X01A, X01B, X01C	21B		X01A, X01B, X01C			
	09	J02A, J02B, J02C, J04A, J04B, J08A, J08B, J08C, J16Z, J21Z, J22A, J22B		5v454.4		BOP, KVT, UOP4		5v454.a		BOP, KVT, UOP4	
	21A	W04A, W04B			01	B03A, B03B, B06A, B06B, B07Z, B17A, B17B, B17C			01	B03A, B03B, B06A, B06B, B07Z, B17A, B17B, B17C	
	21B	X01A, X01B, X01C			02	C20A, C20B			05	F13A, F21A, F21B, F21C	
	5v453.d		BOP, KVT, UOP4		03	D18Z, D28Z, D29Z	06		G10Z, G12A, G12B		
		01	B03A, B03B, B06A, B06B, B07Z, B17A, B17B, B17C		05	F13A, F21A, F21B, F21C	08		I02A, I02B, I02C, I02D, I22A, I22B, I50Z		
05		F13A, F21A, F21B, F21C	08		I02A, I02B, I02C, I02D, I22A, I22B, I50Z	09	J02A, J02B, J02C, J04A, J04B, J08A, J08B, J08C, J16Z, J21Z, J22A, J22B				
06		G10Z, G12A, G12B	09		J02A, J02B, J02C, J04A, J04B, J08A, J08B, J08C, J16Z, J21Z, J22A, J22B	21A	W04A, W04B				
08		I02A, I02B, I02C, I02D, I22A, I22B, I50Z	21B		X01A, X01B, X01C	21B	X01A, X01B, X01C				
09		J02A, J02B, J02C, J04A, J04B, J08A, J08B, J08C, J16Z, J21Z, J22A, J22B	5v454.5			BOP, KVT, UOP4	5v454.b			BOP, KVT, UOP4	
21A		W04A, W04B			01	B03A, B03B, B06A, B06B, B07Z, B17A, B17B, B17C			01	B03A, B03B, B06A, B06B, B07Z, B17A, B17B, B17C	
21B		X01A, X01B, X01C		03	D18Z, D28Z, D29Z	05		F13A, F21A, F21B, F21C			
5v453.e↔				BOP, KVT, UOP4	05	F13A, F21A, F21B, F21C		06	G10Z, G12A, G12B		
		01		B03A, B03B, B06A, B06B, B07Z, B17A, B17B, B17C	08	I02A, I02B, I02C, I02D, I22A, I22B, I50Z		08	I02A, I02B, I02C, I02D, I22A, I22B, I50Z		
	05	F13A, F21A, F21B, F21C		09	J02A, J02B, J02C, J04A, J04B, J08A, J08B, J08C, J16Z, J21Z, J22A, J22B	09		J02A, J02B, J02C, J04A, J04B, J08A, J08B, J08C, J16Z, J21Z, J22A, J22B			
	08	I02A, I02B, I02C, I02D, I22A, I22B, I50Z		21A	W04A, W04B	21A		W04A, W04B			
	09	J02A, J02B, J02C, J04A, J04B, J08A, J08B, J08C, J16Z, J21Z, J22A, J22B		21B	X01A, X01B, X01C	21B		X01A, X01B, X01C			
	21A	W04A, W04B		5v454.6↔		BOP, KVT, UOP4		5v454.f↔		BOP, KVT, UOP4	
	21B	X01A, X01B, X01C			01	B03A, B03B, B06A, B06B, B07Z, B17A, B17B, B17C			01	B03A, B03B, B06A, B06B, B07Z, B17A, B17B, B17C	
	5v453.f↔		BOP, KVT, UOP4		05	F13A, F21A, F21B, F21C	05		F13A, F21A, F21B, F21C		
		01	B03A, B03B, B06A, B06B, B07Z, B17A, B17B, B17C		08	I02A, I02B, I02C, I02D, I22A, I22B, I50Z	08		I02A, I02B, I02C, I02D, I22A, I22B, I50Z		
		05	F13A, F21A, F21B, F21C		09	J02A, J02B, J02C, J04A, J04B, J08A, J08B, J08C, J16Z, J21Z, J22A, J22B	09		J02A, J02B, J02C, J04A, J04B, J08A, J08B, J08C, J16Z, J21Z, J22A, J22B		
08		I02A, I02B, I02C, I02D, I22A, I22B, I50Z	21A		W04A, W04B	21A	W04A, W04B				
09		J02A, J02B, J02C, J04A, J04B, J08A, J08B, J08C, J16Z, J21Z, J22A, J22B	21B		X01A, X01B, X01C	21B	X01A, X01B, X01C				
21A		W04A, W04B									
21B		X01A, X01B, X01C									

ZZV	MDC	DRG	ZZV	MDC	DRG	ZZV	MDC	DRG
5v456.g↔		BOP, KVT, UOP4	5v457.6↔		BOP, UOP4	5v457.c		BOP, UOP4
	01	B03A, B03B, B06A, B06B, B07Z, B17A, B17B, B17C		01	B03A, B03B, B06A, B06B, B07Z, B17A, B17B, B17C		01	B03A, B03B, B06A, B06B, B07Z, B17A, B17B, B17C
	05	F13A, F21A, F21B, F21C		05	F13A, F21A, F21B		05	F13A, F21A, F21B
	08	I02A, I02B, I02C, I02D, I12A, I12B, I12C, I22A, I22B, I50Z		08	I02A, I02B, I02C, I02D, I12A, I12B, I12C, I22A, I22B, I50Z		06	G10Z, G12A, G12B
	09	J02A, J02B, J02C, J04A, J04B, J08A, J08B, J08C, J16Z, J21Z, J22A, J22B		09	J02A, J02B, J02C, J04A, J04B, J08A, J08B, J08C, J16Z, J21Z, J22A, J22B		08	I02A, I02B, I02C, I02D, I12A, I12B, I12C, I22A, I22B, I50Z
21A	W04A, W04B	21A	W04A, W04B	09	J02A, J02B, J02C, J04A, J04B, J08A, J08B, J08C, J16Z, J21Z, J22A, J22B			
21B	X01A, X01B, X01C	21B	X01A, X01B, X01C	21A	W04A, W04B			
5v456.x↔		BOP, KVT, UOP4	5v457.7↔		BOP, UOP4	5v457.d		BOP, UOP4
	01	B03A, B03B, B06A, B06B, B07Z, B17A, B17B, B17C		01	B03A, B03B, B06A, B06B, B07Z, B17A, B17B, B17C		01	B03A, B03B, B06A, B06B, B07Z, B17A, B17B, B17C
	05	F13A, F21A, F21B, F21C		05	F13A, F21A, F21B		05	F13A, F21A, F21B
	08	I02A, I02B, I02C, I02D, I12A, I12B, I12C, I22A, I22B, I32A, I32B, I32C, I32D, I32E, I32F, I50Z		08	I02A, I02B, I02C, I02D, I12A, I12B, I12C, I22A, I22B, I50Z		06	G10Z, G12A, G12B
	09	J02A, J02B, J02C, J04A, J04B, J08A, J08B, J08C, J16Z, J21Z, J22A, J22B		09	J02A, J02B, J02C, J04A, J04B, J08A, J08B, J08C, J16Z, J21Z, J22A, J22B		08	I02A, I02B, I02C, I02D, I12A, I12B, I12C, I22A, I22B, I50Z
21A	W04A, W04B	21A	W04A, W04B	09	J02A, J02B, J02C, J04A, J04B, J08A, J08B, J08C, J16Z, J21Z, J22A, J22B			
21B	X01A, X01B, X01C	21B	X01A, X01B, X01C	21A	W04A, W04B			
5v457.0		BOP, UOP4	5v457.8↔		BOP, UOP4	5v457.e↔		BOP, UOP4
	01	B03A, B03B, B06A, B06B, B07Z, B17A, B17B, B17C		01	B03A, B03B, B06A, B06B, B07Z, B17A, B17B, B17C		01	B03A, B03B, B06A, B06B, B07Z, B17A, B17B, B17C
	03	D18Z, D25A, D25B, D25C, D25D		05	F13A, F21A, F21B		05	F13A, F21A, F21B, F27A, F27B, F27C
	05	F13A, F21A, F21B		08	I02A, I02B, I02C, I02D, I12A, I12B, I12C, I22A, I22B, I32A, I32B, I32C, I32D, I32E, I32F, I50Z		08	I02A, I02B, I02C, I02D, I12A, I12B, I12C, I22A, I22B, I50Z
	08	I12A, I12B, I12C		09	J02A, J02B, J02C, J04A, J04B, J08A, J08B, J08C, J16Z, J21Z, J22A, J22B		09	J02A, J02B, J02C, J04A, J04B, J08A, J08B, J08C, J16Z, J21Z, J22A, J22B
09	J02A, J02B, J02C, J04A, J04B, J08A, J08B, J08C, J16Z, J21Z, J22A, J22B	21A	W04A, W04B	10	K01Z			
21A	W04A, W04B	21B	X01A, X01B, X01C	21A	W04A, W04B			
21B	X01A, X01B, X01C	21B	X01A, X01B, X01C	21B	X01A, X01B, X01C			
5v457.4		BOP, UOP4	5v457.9↔		BOP, UOP4	5v457.f↔		BOP, UOP4
	01	B03A, B03B, B06A, B06B, B07Z, B17A, B17B, B17C		01	B03A, B03B, B06A, B06B, B07Z, B17A, B17B, B17C		01	B03A, B03B, B06A, B06B, B07Z, B17A, B17B, B17C
	02	C20A, C20B		05	F13A, F21A, F21B		05	F13A, F21A, F21B, F27A, F27B, F27C
	03	D18Z, D25A, D25B, D25C, D25D		08	I12A, I12B, I12C, I32A, I32B, I32C, I32D, I32E, I32F		08	I02A, I02B, I02C, I02D, I12A, I12B, I12C, I22A, I22B, I50Z
	05	F13A, F21A, F21B		09	J02A, J02B, J02C, J04A, J04B, J08A, J08B, J08C, J16Z, J21Z, J22A, J22B		09	J02A, J02B, J02C, J04A, J04B, J08A, J08B, J08C, J16Z, J21Z, J22A, J22B
08	I02A, I02B, I02C, I02D, I12A, I12B, I12C, I22A, I22B, I50Z	21A	W04A, W04B	08	I02A, I02B, I02C, I02D, I12A, I12B, I12C, I22A, I22B, I50Z			
09	J02A, J02B, J02C, J04A, J04B, J08A, J08B, J08C, J16Z, J21Z, J22A	21B	X01A, X01B, X01C	09	J02A, J02B, J02C, J04A, J04B, J08A, J08B, J08C, J16Z, J21Z, J22A, J22B			
21A	W04A, W04B	21B	X01A, X01B, X01C	10	K01Z			
21B	X01A, X01B, X01C		BOP, UOP4	21A	W04A, W04B			
5v457.5		BOP, UOP4	5v457.a		BOP, UOP4	5v457.g↔		BOP, UOP4
	01	B03A, B03B, B06A, B06B, B07Z, B17A, B17B, B17C		01	B03A, B03B, B06A, B06B, B07Z, B17A, B17B, B17C		01	B03A, B03B, B06A, B06B, B07Z, B17A, B17B, B17C
	03	D18Z, D25A, D25B, D25C, D25D		05	F13A, F21A, F21B		05	F13A, F21A, F21B, F27A, F27B, F27C
	05	F13A, F21A, F21B		06	G10Z, G12A, G12B		08	I02A, I02B, I02C, I02D, I12A, I12B, I12C, I22A, I22B, I50Z
	08	I02A, I02B, I02C, I02D, I12A, I12B, I12C, I22A, I22B, I50Z		08	I02A, I02B, I02C, I02D, I12A, I12B, I12C, I22A, I22B, I50Z		08	I02A, I02B, I02C, I02D, I12A, I12B, I12C, I22A, I22B, I50Z
09	J02A, J02B, J02C, J04A, J04B, J08A, J08B, J08C, J16Z, J21Z, J22A, J22B	09	J02A, J02B, J02C, J04A, J04B, J08A, J08B, J08C, J16Z, J21Z, J22A, J22B	05	F13A, F21A, F21B, F27A, F27B, F27C			
21A	W04A, W04B	21A	W04A, W04B	08	I02A, I02B, I02C, I02D, I12A, I12B, I12C, I22A, I22B, I50Z			
21B	X01A, X01B, X01C	21B	X01A, X01B, X01C	09	J02A, J02B, J02C, J04A, J04B, J08A, J08B, J08C, J16Z, J21Z, J22A, J22B			
5v457.5		BOP, UOP4	5v457.b		BOP, UOP4	5v457.g↔		BOP, UOP4
	01	B03A, B03B, B06A, B06B, B07Z, B17A, B17B, B17C		01	B03A, B03B, B06A, B06B, B07Z, B17A, B17B, B17C		01	B03A, B03B, B06A, B06B, B07Z, B17A, B17B, B17C
	03	D18Z, D25A, D25B, D25C, D25D		05	F13A, F21A, F21B		05	F13A, F21A, F21B, F27A, F27B, F27C
	05	F13A, F21A, F21B		06	G10Z, G12A, G12B		08	I02A, I02B, I02C, I02D, I12A, I12B, I12C, I22A, I22B, I50Z
	08	I02A, I02B, I02C, I02D, I12A, I12B, I12C, I22A, I22B, I50Z		08	I02A, I02B, I02C, I02D, I12A, I12B, I12C, I22A, I22B, I50Z		08	I02A, I02B, I02C, I02D, I12A, I12B, I12C, I22A, I22B, I50Z
09	J02A, J02B, J02C, J04A, J04B, J08A, J08B, J08C, J16Z, J21Z, J22A, J22B	09	J02A, J02B, J02C, J04A, J04B, J08A, J08B, J08C, J16Z, J21Z, J22A, J22B	09	J02A, J02B, J02C, J04A, J04B, J08A, J08B, J08C, J16Z, J21Z, J22A, J22B			
21A	W04A, W04B	21A	W04A, W04B	10	K01Z			
21B	X01A, X01B, X01C	21B	X01A, X01B, X01C	21A	W04A, W04B			
				21B	X01A, X01B, X01C			

ZZV	MDC	DRG	ZZV	MDC	DRG	ZZV	MDC	DRG			
5v45a.2		BOP, KK11, KKI, KKII, KKP, KVT, UOP4	5v460.0↔		BOP, KVT, UOP4	5v464.0↔		BOP, KVT, UOP4			
	01	B03A, B03B, B06A, B06B, B07Z, B17A, B17B, B17C		08	I20A, I20B, I20C, I20D, I20E, I20F, I32A, I32B, I32C, I32D, I32E, I32F		08	I20A, I20B, I20C, I20D, I20E, I20F, I32A, I32B, I32C, I32D, I32E, I32F			
	05	F13A, F21A, F21B, F21C		09	J03A, J03B, J04A, J04B, J08A, J08B, J08C, J10A, J10B, J16Z		09	J03A, J03B, J04A, J04B, J08A, J08B, J08C, J10A, J10B, J16Z			
	06	G10Z, G12A, G12B		21A	W04A, W04B		21A	W04A, W04B			
	08	I02A, I02B, I02C, I02D, I12A, I12B, I12C, I22A, I22B, I50Z		21B	X05A, X05B		21B	X05A, X05B			
	09	J02A, J02B, J02C, J04A, J04B, J08A, J08B, J08C, J16Z, J21Z, J22A, J22B		5v460.x↔			5v464.1↔				
	21A	W04A, W04B		08	I20A, I20B, I20C, I20D, I20E, I20F, I32A, I32B, I32C, I32D, I32E, I32F		08	I20A, I20B, I20C, I20D, I32A, I32B, I32C, I32D, I32E, I32F			
	21B	X01A, X01B		09	J03A, J03B, J04A, J04B, J08A, J08B, J08C, J10A, J10B, J16Z		09	J03A, J03B, J04A, J04B, J08A, J08B, J08C, J10A, J10B, J16Z			
	5v45a.3			BOP, KVT, UOP4	5v461.0↔			BOP, KVT, UOP4	5v465↔		BOP, KVT, UOP4
		01		B03A, B03B, B06A, B06B, B07Z, B17A, B17B, B17C			08	I20A, I20B, I20C, I20D, I32A, I32B, I32C, I32D, I32E, I32F		08	I20A, I20B, I20C, I20D, I32A, I32B, I32C, I32D, I32E, I32F
05		F13A, F21A, F21B, F21C	09	J03A, J03B, J04A, J04B, J08A, J08B, J08C, J10A, J10B, J16Z		09	J03A, J03B, J04A, J04B, J08A, J08B, J08C, J10A, J10B, J16Z				
06		G10Z, G12A, G12B	21A	W04A, W04B		21A	W04A, W04B				
08		I02A, I02B, I02C, I02D, I12A, I12B, I12C, I22A, I22B, I50Z	21B	X05A, X05B		21B	X05A, X05B				
09		J02A, J02B, J02C, J04A, J04B, J08A, J08B, J08C, J16Z, J21Z, J22A, J22B	5v461.x↔			5v46x↔					
21A		W04A, W04B	08	I20A, I20B, I20C, I20D, I20E, I20F, I32A, I32B, I32C, I32D, I32E, I32F		08	I20A, I20B, I20C, I20D, I20E, I20F, I32A, I32B, I32C, I32D, I32E, I32F				
21B		X01A, X01B	09	J03A, J03B, J04A, J04B, J08A, J08B, J08C, J10A, J10B, J16Z		09	J03A, J03B, J04A, J04B, J08A, J08B, J08C, J10A, J10B, J16Z				
5v45a.4			BOP, KVT, UOP4	5v462.0↔			BOP, KVT, UOP4	5v470↔			BOP, KVT, UOP4
		01	B03A, B03B, B06A, B06B, B07Z, B17A, B17B, B17C			08	I20A, I20B, I20C, I20D, I20E, I20F, I32A, I32B, I32C, I32D, I32E, I32F			08	I20A, I20B, I20C, I20D, I20E, I20F, I32A, I32B, I32C, I32D, I32E, I32F
	05	F13A, F21A, F21B, F21C	09		J03A, J03B, J04A, J04B, J08A, J08B, J08C, J10A, J10B, J16Z	09	J03A, J03B, J04A, J04B, J08A, J08B, J08C, J10A, J10B, J16Z				
	06	G10Z, G12A, G12B	21A		W04A, W04B	21A	W04A, W04B				
	08	I02A, I02B, I02C, I02D, I12A, I12B, I12C, I22A, I22B, I32A, I32B, I32C, I32D, I32E, I32F, I50Z	21B		X05A, X05B	21B	X05A, X05B				
	09	J02A, J02B, J02C, J04A, J04B, J08A, J08B, J08C, J16Z, J21Z, J22A, J22B	5v462.x↔			5v471↔					
	21A	W04A, W04B	08		I20A, I20B, I20C, I20D, I32A, I32B, I32C, I32D, I32E, I32F	08	I20A, I20B, I20C, I20D, I32A, I32B, I32C, I32D, I32E, I32F				
	21B	X01A, X01B	09		J03A, J03B, J04A, J04B, J08A, J08B, J08C, J10A, J10B, J16Z	09	J03A, J03B, J04A, J04B, J08A, J08B, J08C, J10A, J10B, J16Z				
	5v45a.x		BOP, KVT, UOP4		5v462.1↔		BOP, KVT, UOP4		5v471↔		BOP, KVT, UOP4
		01	B03A, B03B, B06A, B06B, B07Z, B17A, B17B, B17C			08	I20A, I20B, I20C, I20D, I32A, I32B, I32C, I32D, I32E, I32F			08	I20A, I20B, I20C, I20D, I32A, I32B, I32C, I32D, I32E, I32F
05		F13A, F21A, F21B, F21C	09	J03A, J03B, J04A, J04B, J08A, J08B, J08C, J10A, J10B, J16Z		09	J03A, J03B, J04A, J04B, J08A, J08B, J08C, J10A, J10B, J16Z				
08		I02A, I02B, I02C, I02D, I12A, I12B, I12C, I22A, I22B, I32A, I32B, I32C, I32D, I32E, I32F, I50Z	21A	W04A, W04B		21A	W04A, W04B				
09		J02A, J02B, J02C, J04A, J04B, J08A, J08B, J08C, J16Z, J21Z, J22A, J22B	21B	X05A, X05B		21B	X05A, X05B				
21A		W04A, W04B	5v462.x↔			5v472↔					
21B		X01A, X01B	08	I20A, I20B, I20C, I20D, I20E, I20F, I32A, I32B, I32C, I32D, I32E, I32F		08	I20A, I20B, I20C, I20D, I20E, I20F, I32A, I32B, I32C, I32D, I32E, I32F				
5v45x.x↔			BOP, KVT, UOP4	5v463↔			BOP, KVT, UOP4	5v473↔			BOP, KVT, UOP4
		01	B03A, B03B, B06A, B06B, B07Z, B17A, B17B, B17C			08	I20A, I20B, I20C, I20D, I20E, I20F, I32A, I32B, I32C, I32D, I32E, I32F			08	I20A, I20B, I20C, I20D, I20E, I20F, I32A, I32B, I32C, I32D, I32E, I32F
		05	F13A, F21A, F21B, F21C			09	J03A, J03B, J04A, J04B, J08A, J08B, J08C, J10A, J10B, J16Z			09	J03A, J03B, J04A, J04B, J08A, J08B, J08C, J10A, J10B, J16Z
	08	I02A, I02B, I02C, I02D, I22A, I22B, I32A, I32B, I32C, I32D, I32E, I32F, I50Z	21A		W04A, W04B	21A	W04A, W04B				
	09	J02A, J02B, J02C, J04A, J04B, J08A, J08B, J08C, J16Z, J21Z, J22A, J22B	21B		X05A, X05B	21B	X05A, X05B				
	21A	W04A, W04B	5v463↔			5v473↔					
	21B	X01A, X01B, X01C	08		I20A, I20B, I20C, I20D, I20E, I20F, I32A, I32B, I32C, I32D, I32E, I32F	08	I20A, I20B, I20C, I20D, I32A, I32B, I32C, I32D, I32E, I32F				
			09		J03A, J03B, J04A, J04B, J08A, J08B, J08C, J10A, J10B, J16Z	09	J03A, J03B, J04A, J04B, J08A, J08B, J08C, J10A, J10B, J16Z				
			21A		W04A, W04B	21A	W04A, W04B				
			21B		X05A, X05B	21B	X05A, X05B				

ZZV	MDC	DRG	ZZV	MDC	DRG	ZZV	MDC	DRG
5v47x↔		BOP, KVT, UOP4	5v501.9↔		BOP, KVT, UOP4	5v502.g↔		BOP, KVT, UOP4
	08	I20A, I20B, I20C, I20D, I20E, I20F, I32A, I32B, I32C, I32D, I32E, I32F		09	J08A, J08B, J08C, J16Z, J21Z, J22A, J22B		09	J08A, J08B, J08C, J16Z, J21Z, J22A, J22B
				22	Y01Z, Y03A, Y03B		22	Y01Z, Y03A, Y03B
	09	J03A, J03B, J04A, J04B, J08A, J08B, J08C, J10A, J10B, J16Z	5v501.a		BOP, KVT, UOP4	5v503.6↔		BOP, KVT, UOP4
				09	J08A, J08B, J08C, J16Z, J21Z, J22A, J22B		09	J08A, J08B, J08C, J16Z, J21Z, J22A, J22B
	21A	W04A, W04B		22	Y01Z, Y03A, Y03B		22	Y01Z, Y03A, Y03B
	21B	X05A, X05B	5v501.b		BOP, KVT, UOP4	5v503.7↔		BOP, KVT, UOP4
5v500.5		BOP, KVT, UOP4		09	J08A, J08B, J08C, J16Z, J21Z, J22A, J22B		09	J08A, J08B, J08C, J16Z, J21Z, J22A, J22B
	09	J08A, J08B, J08C, J16Z, J21Z, J22A, J22B		22	Y01Z, Y03A, Y03B		22	Y01Z, Y03A, Y03B
	22	Y01Z, Y03A, Y03B	5v501.e↔		BOP, KVT, UOP4	5v503.8↔		BOP, KVT, UOP4
5v500.6↔		BOP, KVT, UOP4		09	J08A, J08B, J08C, J16Z, J21Z, J22A, J22B		09	J08A, J08B, J08C, J16Z, J21Z, J22A, J22B
	09	J08A, J08B, J08C, J16Z, J21Z, J22A, J22B		22	Y01Z, Y03A, Y03B		22	Y01Z, Y03A, Y03B
	22	Y01Z, Y03A, Y03B	5v501.f↔		BOP, KVT, UOP4	5v503.9↔		BOP, KVT, UOP4
5v500.7↔		BOP, KVT, UOP4		09	J08A, J08B, J08C, J16Z, J21Z, J22A, J22B		09	J08A, J08B, J08C, J16Z, J21Z, J22A, J22B
	09	J08A, J08B, J08C, J16Z, J21Z, J22A, J22B		22	Y01Z, Y03A, Y03B		22	Y01Z, Y03A, Y03B
	22	Y01Z, Y03A, Y03B	5v501.g↔		BOP, KVT, UOP4	5v503.c		BOP, KVT, UOP4
5v500.8↔		BOP, KVT, UOP4		09	J08A, J08B, J08C, J16Z, J21Z, J22A, J22B		09	J08A, J08B, J08C, J16Z, J21Z, J22A, J22B
	09	J08A, J08B, J08C, J16Z, J21Z, J22A, J22B		22	Y01Z, Y03A, Y03B		22	Y01Z, Y03A, Y03B
	22	Y01Z, Y03A, Y03B	5v501.j		BOP, KVT, UOP4	5v503.e↔		BOP, KVT, UOP4
5v500.9↔		BOP, KVT, UOP4		09	J08A, J08B, J08C, J16Z, J21Z, J22A, J22B		09	J08A, J08B, J08C, J16Z, J21Z, J22A, J22B
	09	J08A, J08B, J08C, J16Z, J21Z, J22A, J22B		22	Y01Z, Y03A, Y03B		22	Y01Z, Y03A, Y03B
	22	Y01Z, Y03A, Y03B	5v502.5		BOP, KVT, UOP4	5v503.f↔		BOP, KVT, UOP4
5v500.a		BOP, KVT, UOP4		09	J08A, J08B, J08C, J16Z, J21Z, J22A, J22B		09	J08A, J08B, J08C, J16Z, J21Z, J22A, J22B
	09	J08A, J08B, J08C, J16Z, J21Z, J22A, J22B		22	Y01Z, Y03A, Y03B		22	Y01Z, Y03A, Y03B
	22	Y01Z, Y03A, Y03B	5v502.6↔		BOP, KVT, UOP4	5v503.g↔		BOP, KVT, UOP4
5v500.b		BOP, KVT, UOP4		09	J08A, J08B, J08C, J16Z, J21Z, J22A, J22B		09	J08A, J08B, J08C, J16Z, J21Z, J22A, J22B
	09	J08A, J08B, J08C, J16Z, J21Z, J22A, J22B		22	Y01Z, Y03A, Y03B		22	Y01Z, Y03A, Y03B
	22	Y01Z, Y03A, Y03B	5v502.7↔		BOP, KVT, UOP4	5v503.k		BOP, KVT, UOP4
5v500.e↔		BOP, KVT, UOP4		09	J08A, J08B, J08C, J16Z, J21Z, J22A, J22B		09	J08A, J08B, J08C, J16Z, J21Z, J22A, J22B
	09	J08A, J08B, J08C, J16Z, J21Z, J22A, J22B		22	Y01Z, Y03A, Y03B		22	Y01Z, Y03A, Y03B
	22	Y01Z, Y03A, Y03B	5v502.8↔		BOP, KVT, UOP4	5v503.m		BOP, KVT, UOP4
5v500.f↔		BOP, KVT, UOP4		09	J08A, J08B, J08C, J16Z, J21Z, J22A, J22B		09	J08A, J08B, J08C, J16Z, J21Z, J22A, J22B
	09	J08A, J08B, J08C, J16Z, J21Z, J22A, J22B		22	Y01Z, Y03A, Y03B		22	Y01Z, Y03A, Y03B
	22	Y01Z, Y03A, Y03B	5v502.9↔		BOP, KVT, UOP4	5v50x.x		BOP, KVT, UOP4
5v500.g↔		BOP, KVT, UOP4		09	J08A, J08B, J08C, J16Z, J21Z, J22A, J22B		09	J08A, J08B, J08C, J16Z, J21Z, J22A, J22B
	09	J08A, J08B, J08C, J16Z, J21Z, J22A, J22B		22	Y01Z, Y03A, Y03B		22	Y01Z, Y03A, Y03B
	22	Y01Z, Y03A, Y03B	5v502.a		BOP, KVT, UOP4	5v511.0		BOP, KVT, UOP4
5v500.j		BOP, KVT, UOP4		09	J08A, J08B, J08C, J16Z, J21Z, J22A, J22B		05	F13A
	09	J08A, J08B, J08C, J16Z, J21Z, J22A, J22B		22	Y01Z, Y03A, Y03B		09	J08A, J08B, J08C, J16Z, J21Z, J22A, J22B
	22	Y01Z, Y03A, Y03B	5v502.b		BOP, KVT, UOP4		22	Y01Z, Y03A, Y03B
5v501.5		BOP, KVT, UOP4		09	J08A, J08B, J08C, J16Z, J21Z, J22A, J22B	5v511.1		BOP, KVT, UOP4
	09	J08A, J08B, J08C, J16Z, J21Z, J22A, J22B		22	Y01Z, Y03A, Y03B		05	F13A
	22	Y01Z, Y03A, Y03B	5v502.c		BOP, KVT, UOP4		09	J08A, J08B, J08C, J16Z, J21Z, J22A, J22B
5v501.6↔		BOP, KVT, UOP4		09	J08A, J08B, J08C, J16Z, J21Z, J22A, J22B		22	Y01Z, Y03A, Y03B
	09	J08A, J08B, J08C, J16Z, J21Z, J22A, J22B		22	Y01Z, Y03A, Y03B	5v511.2↔		BOP, KVT, UOP4
	22	Y01Z, Y03A, Y03B	5v502.e↔		BOP, KVT, UOP4		05	F13A
5v501.7↔		BOP, KVT, UOP4		09	J08A, J08B, J08C, J16Z, J21Z, J22A, J22B		09	J08A, J08B, J08C, J16Z, J21Z, J22A, J22B
	09	J08A, J08B, J08C, J16Z, J21Z, J22A, J22B		22	Y01Z, Y03A, Y03B		22	Y01Z, Y03A, Y03B
	22	Y01Z, Y03A, Y03B	5v502.f↔		BOP, KVT, UOP4	5v511.3↔		BOP, KVT, UOP4
5v501.8↔		BOP, KVT, UOP4		09	J08A, J08B, J08C, J16Z, J21Z, J22A, J22B		05	F13A
	09	J08A, J08B, J08C, J16Z, J21Z, J22A, J22B		22	Y01Z, Y03A, Y03B		09	J08A, J08B, J08C, J16Z, J21Z, J22A, J22B
	22	Y01Z, Y03A, Y03B					22	Y01Z, Y03A, Y03B

ZZV	MDC	DRG	ZZV	MDC	DRG	ZZV	MDC	DRG
5v511.4		BOP, KVT, UOP4	5v511.j		BOP, KVT, UOP4	5v512.a		BOP, KVT, UOP4
	05	F13A		05	F13A		05	F13A
	09	J08A, J08B, J08C, J16Z, J21Z, J22A, J22B		09	J08A, J08B, J08C, J16Z, J21Z, J22A, J22B		09	J08A, J08B, J08C, J16Z, J21Z, J22A, J22B
5v511.5	22	Y01Z, Y03A, Y03B	5v511.k	22	Y01Z, Y03A, Y03B	5v512.b	22	Y01Z, Y03A, Y03B
		BOP, KVT, UOP4			BOP, KVT, UOP4			BOP, KVT, UOP4
	05	F13A		05	F13A		05	F13A
5v511.6↔	09	J08A, J08B, J08C, J16Z, J21Z, J22A, J22B	5v511.m	09	J08A, J08B, J08C, J16Z, J21Z, J22A, J22B	5v512.c	09	J08A, J08B, J08C, J16Z, J21Z, J22A, J22B
	22	Y01Z, Y03A, Y03B		22	Y01Z, Y03A, Y03B		22	Y01Z, Y03A, Y03B
		BOP, KVT, UOP4			BOP, KVT, UOP4			BOP, KVT, UOP4
5v511.7↔	05	F13A	5v511.x	05	F13A	5v512.d	05	F13A
	09	J08A, J08B, J08C, J16Z, J21Z, J22A, J22B		09	J08A, J08B, J08C, J16Z, J21Z, J22A, J22B		09	J08A, J08B, J08C, J16Z, J21Z, J22A, J22B
	22	Y01Z, Y03A, Y03B		22	Y01Z, Y03A, Y03B		22	Y01Z, Y03A, Y03B
5v511.8↔		BOP, KVT, UOP4	5v512.0		BOP, KVT, UOP4	5v512.e↔		BOP, KVT, UOP4
	05	F13A		05	F13A		05	F13A
	09	J08A, J08B, J08C, J16Z, J21Z, J22A, J22B		09	J08A, J08B, J08C, J16Z, J21Z, J22A, J22B		09	J08A, J08B, J08C, J16Z, J21Z, J22A, J22B
5v511.9↔	22	Y01Z, Y03A, Y03B	5v512.1	22	Y01Z, Y03A, Y03B	5v512.f↔	22	Y01Z, Y03A, Y03B
		BOP, KVT, UOP4			BOP, KVT, UOP4			BOP, KVT, UOP4
	05	F13A		05	F13A		05	F13A
5v511.a	09	J08A, J08B, J08C, J16Z, J21Z, J22A, J22B	5v512.2↔	09	J08A, J08B, J08C, J16Z, J21Z, J22A, J22B	5v512.g↔	09	J08A, J08B, J08C, J16Z, J21Z, J22A, J22B
	22	Y01Z, Y03A, Y03B		22	Y01Z, Y03A, Y03B		22	Y01Z, Y03A, Y03B
		BOP, KVT, UOP4			BOP, KVT, UOP4			BOP, KVT, UOP4
5v511.b	05	F13A	5v512.3↔	05	F13A	5v512.h	05	F13A
	09	J08A, J08B, J08C, J16Z, J21Z, J22A, J22B		09	J08A, J08B, J08C, J16Z, J21Z, J22A, J22B		09	J08A, J08B, J08C, J16Z, J21Z, J22A, J22B
	22	Y01Z, Y03A, Y03B		22	Y01Z, Y03A, Y03B		22	Y01Z, Y03A, Y03B
5v511.c		BOP, KVT, UOP4	5v512.4		BOP, KVT, UOP4	5v512.j		BOP, KVT, UOP4
	05	F13A		05	F13A		05	F13A
	09	J08A, J08B, J08C, J16Z, J21Z, J22A, J22B		09	J08A, J08B, J08C, J16Z, J21Z, J22A, J22B		09	J08A, J08B, J08C, J16Z, J21Z, J22A, J22B
5v511.d	22	Y01Z, Y03A, Y03B	5v512.5	22	Y01Z, Y03A, Y03B	5v512.k	22	Y01Z, Y03A, Y03B
		BOP, KVT, UOP4			BOP, KVT, UOP4			BOP, KVT, UOP4
	05	F13A		05	F13A		05	F13A
5v511.e↔	09	J08A, J08B, J08C, J16Z, J21Z, J22A, J22B	5v512.6↔	09	J08A, J08B, J08C, J16Z, J21Z, J22A, J22B	5v512.m	09	J08A, J08B, J08C, J16Z, J21Z, J22A, J22B
	22	Y01Z, Y03A, Y03B		22	Y01Z, Y03A, Y03B		22	Y01Z, Y03A, Y03B
		BOP, KVT, UOP4			BOP, KVT, UOP4			BOP, KVT, UOP4
5v511.f↔	05	F13A	5v512.7↔	05	F13A	5v512.x	05	F13A
	09	J08A, J08B, J08C, J16Z, J21Z, J22A, J22B		09	J08A, J08B, J08C, J16Z, J21Z, J22A, J22B		09	J08A, J08B, J08C, J16Z, J21Z, J22A, J22B
	22	Y01Z, Y03A, Y03B		22	Y01Z, Y03A, Y03B		22	Y01Z, Y03A, Y03B
5v511.g↔		BOP, KVT, UOP4	5v512.8↔		BOP, KVT, UOP4	5v513.0		BOP, KVT, UOP4
	05	F13A		05	F13A		05	F13A
	09	J08A, J08B, J08C, J16Z, J21Z, J22A, J22B		09	J08A, J08B, J08C, J16Z, J21Z, J22A, J22B		09	J08A, J08B, J08C, J16Z, J21Z, J22A, J22B
5v511.h	22	Y01Z, Y03A, Y03B	5v512.9↔	22	Y01Z, Y03A, Y03B	5v513.1	22	Y01Z, Y03A, Y03B
		BOP, KVT, UOP4			BOP, KVT, UOP4			BOP, KVT, UOP4
	05	F13A		05	F13A		05	F13A
	09	J08A, J08B, J08C, J16Z, J21Z, J22A, J22B		09	J08A, J08B, J08C, J16Z, J21Z, J22A, J22B		09	J08A, J08B, J08C, J16Z, J21Z, J22A, J22B
	22	Y01Z, Y03A, Y03B		22	Y01Z, Y03A, Y03B		22	Y01Z, Y03A, Y03B

ZZV	MDC	DRG	ZZV	MDC	DRG	ZZV	MDC	DRG
5v522		BOP, KVT, UOP4	5v530.7↔		BOP, KVT, UOP4	5v530.f↔		BOP, KVT, UOP4
	05	F13A		05	F13A		05	F13A
	09	J08A, J08B, J08C, J16Z, J21Z, J22A, J22B		08	I02A, I02B, I02C, I02D, I22A, I22B, I50Z		08	I02A, I02B, I02C, I02D, I22A, I22B, I50Z
5v523	22	Y01Z, Y03A, Y03B		09	J08A, J08B, J08C, J16Z, J21Z, J22A, J22B		09	J08A, J08B, J08C, J16Z, J21Z, J22A, J22B
		BOP, KVT, UOP4		21B	X01A, X01B, X01C		21B	X01A, X01B, X01C
	05	F13A		22	Y01Z, Y02A, Y02B, Y02C		22	Y01Z, Y02A, Y02B, Y02C
	09	J08A, J08B, J08C, J16Z, J21Z, J22A, J22B	5v530.8↔		BOP, KVT, UOP4	5v530.g↔		BOP, KVT, UOP4
	22	Y01Z, Y03A, Y03B		05	F13A		05	F13A
5v52x		BOP, KVT, UOP4		08	I02A, I02B, I02C, I02D, I22A, I22B, I32A, I32B, I32C, I32D, I32E, I32F, I50Z		08	I02A, I02B, I02C, I02D, I22A, I22B, I50Z
	05	F13A		09	J08A, J08B, J08C, J16Z, J21Z, J22A, J22B		09	J08A, J08B, J08C, J16Z, J21Z, J22A, J22B
	09	J08A, J08B, J08C, J16Z, J21Z, J22A, J22B		21B	X01A, X01B, X01C		21B	X01A, X01B, X01C
	22	Y01Z, Y03A, Y03B		22	Y01Z, Y02A, Y02B, Y02C		22	Y01Z, Y02A, Y02B, Y02C
5v530.0		BOP, KVT, UOP4	5v530.9↔		BOP, KVT, UOP4	5v530.x↔		BOP, KVT, UOP4
	05	F13A		05	F13A		05	F13A
	09	J08A, J08B, J08C, J16Z, J21Z, J22A, J22B		08	I32A, I32B, I32C, I32D, I32E, I32F		08	I02A, I02B, I02C, I02D, I22A, I22B, I32A, I32B, I32C, I32D, I32E, I32F, I50Z
	22	Y01Z, Y02A, Y02B, Y02C		09	J08A, J08B, J08C, J16Z, J21Z, J22A, J22B		09	J08A, J08B, J08C, J16Z, J21Z, J22A, J22B
5v530.1		BOP, KVT, UOP4	5v530.a		BOP, KVT, UOP4	5v531.0		BOP, KVT, UOP4
	05	F13A		05	F13A		05	F13A
	08	I02A, I02B, I02C, I02D, I22A, I22B, I50Z		08	I02A, I02B, I02C, I02D, I22A, I22B, I50Z		09	J08A, J08B, J08C, J16Z, J21Z, J22A, J22B
	09	J08A, J08B, J08C, J16Z, J21Z, J22A, J22B		09	J08A, J08B, J08C, J16Z, J21Z, J22A, J22B		21B	X01A, X01B, X01C
	21B	X01A, X01B, X01C		22	Y01Z, Y02A, Y02B, Y02C		22	Y01Z, Y02A, Y02B, Y02C
	22	Y01Z, Y02A, Y02B, Y02C		05	F13A		22	Y01Z, Y02A, Y02B, Y02C
5v530.2↔		BOP, KVT, UOP4	5v530.b		BOP, KVT, UOP4	5v531.1		BOP, KVT, UOP4
	05	F13A		05	F13A		05	F13A
	08	I02A, I02B, I02C, I02D, I22A, I22B, I50Z		08	I02A, I02B, I02C, I02D, I22A, I22B, I50Z		08	I02A, I02B, I02C, I02D, I22A, I22B, I50Z
	09	J08A, J08B, J08C, J16Z, J21Z, J22A, J22B		09	J08A, J08B, J08C, J16Z, J21Z, J22A, J22B		09	J08A, J08B, J08C, J16Z, J21Z, J22A, J22B
	21B	X01A, X01B, X01C		09	J08A, J08B, J08C, J16Z, J21Z, J22A, J22B		21B	X01A, X01B, X01C
	22	Y01Z, Y02A, Y02B, Y02C		21B	X01A, X01B, X01C		22	Y01Z, Y02A, Y02B, Y02C
5v530.3↔		BOP, KVT, UOP4	5v530.c		BOP, KVT, UOP4	5v531.2↔		BOP, KVT, UOP4
	05	F13A		05	F13A		05	F13A
	08	I02A, I02B, I02C, I02D, I22A, I22B, I50Z		08	I02A, I02B, I02C, I02D, I22A, I22B, I50Z		08	I02A, I02B, I02C, I02D, I22A, I22B, I50Z
	09	J08A, J08B, J08C, J16Z, J21Z, J22A, J22B		08	I02A, I02B, I02C, I02D, I22A, I22B, I50Z		09	J08A, J08B, J08C, J16Z, J21Z, J22A, J22B
	21B	X01A, X01B, X01C		09	J08A, J08B, J08C, J16Z, J21Z, J22A, J22B		21B	X01A, X01B, X01C
	22	Y01Z, Y02A, Y02B, Y02C		21B	X01A, X01B, X01C		22	Y01Z, Y02A, Y02B, Y02C
5v530.4		BOP, KVT, UOP4	5v530.d		BOP, KVT, UOP4	5v531.3↔		BOP, KVT, UOP4
	05	F13A		05	F13A		05	F13A
	08	I02A, I02B, I02C, I02D, I22A, I22B, I50Z		08	I02A, I02B, I02C, I02D, I22A, I22B, I50Z		08	I02A, I02B, I02C, I02D, I22A, I22B, I50Z
	09	J08A, J08B, J08C, J16Z, J21Z, J22A, J22B		08	I02A, I02B, I02C, I02D, I22A, I22B, I50Z		09	J08A, J08B, J08C, J16Z, J21Z, J22A, J22B
	21B	X01A, X01B, X01C		09	J08A, J08B, J08C, J16Z, J21Z, J22A, J22B		21B	X01A, X01B, X01C
	22	Y01Z, Y02A, Y02B, Y02C		21B	X01A, X01B, X01C		22	Y01Z, Y02A, Y02B, Y02C
5v530.5		BOP, KVT, UOP4	5v530.e↔		BOP, KVT, UOP4	5v531.4		BOP, KVT, UOP4
	05	F13A		05	F13A		05	F13A
	08	I02A, I02B, I02C, I02D, I22A, I22B, I50Z		08	I02A, I02B, I02C, I02D, I22A, I22B, I50Z		08	I02A, I02B, I02C, I02D, I22A, I22B, I50Z
	09	J08A, J08B, J08C, J16Z, J21Z, J22A, J22B		08	I02A, I02B, I02C, I02D, I22A, I22B, I50Z		09	J08A, J08B, J08C, J16Z, J21Z, J22A, J22B
	21B	X01A, X01B, X01C		09	J08A, J08B, J08C, J16Z, J21Z, J22A, J22B		21B	X01A, X01B, X01C
	22	Y01Z, Y02A, Y02B, Y02C		21B	X01A, X01B, X01C		22	Y01Z, Y02A, Y02B, Y02C
5v530.6↔		BOP, KVT, UOP4		09	J08A, J08B, J08C, J16Z, J21Z, J22A, J22B	5v531.5		BOP, KVT, UOP4
	05	F13A		21B	X01A, X01B, X01C		05	F13A
	08	I02A, I02B, I02C, I02D, I22A, I22B, I50Z		22	Y01Z, Y02A, Y02B, Y02C		08	I02A, I02B, I02C, I02D, I22A, I22B, I50Z
	09	J08A, J08B, J08C, J16Z, J21Z, J22A, J22B					09	J08A, J08B, J08C, J16Z, J21Z, J22A, J22B
	21B	X01A, X01B, X01C					21B	X01A, X01B, X01C
	22	Y01Z, Y02A, Y02B, Y02C					22	Y01Z, Y02A, Y02B, Y02C

ZZV	MDC	DRG	ZZV	MDC	DRG	ZZV	MDC	DRG
5v531.6↔		BOP, KVT, UOP4	5v531.e↔		BOP, KVT, UOP4	5v532.4		BOP, KVT, UOP4
	05	F13A		05	F13A		05	F13A
	08	I02A, I02B, I02C, I02D, I22A, I22B, I50Z		08	I02A, I02B, I02C, I02D, I22A, I22B, I50Z		08	I02A, I02B, I02C, I02D, I22A, I22B, I50Z
	09	J08A, J08B, J08C, J16Z, J21Z, J22A, J22B		09	J08A, J08B, J08C, J16Z, J21Z, J22A, J22B		09	J08A, J08B, J08C, J16Z, J21Z, J22A, J22B
	21B	X01A, X01B, X01C		21B	X01A, X01B, X01C		21B	X01A, X01B, X01C
5v531.7↔	22	Y01Z, Y02A, Y02B, Y02C	5v531.f↔	22	Y01Z, Y02A, Y02B, Y02C	5v532.5	22	Y01Z, Y02A, Y02B, Y02C
		BOP, KVT, UOP4			BOP, KVT, UOP4			BOP, KVT, UOP4
	05	F13A		05	F13A		05	F13A
	08	I02A, I02B, I02C, I02D, I22A, I22B, I50Z		08	I02A, I02B, I02C, I02D, I22A, I22B, I50Z		08	I02A, I02B, I02C, I02D, I22A, I22B, I50Z
	09	J08A, J08B, J08C, J16Z, J21Z, J22A, J22B		09	J08A, J08B, J08C, J16Z, J21Z, J22A, J22B		09	J08A, J08B, J08C, J16Z, J21Z, J22A, J22B
5v531.8↔	21B	X01A, X01B, X01C	5v531.g↔	21B	X01A, X01B, X01C	5v532.6↔	21B	X01A, X01B, X01C
	22	Y01Z, Y02A, Y02B, Y02C		22	Y01Z, Y02A, Y02B, Y02C		22	Y01Z, Y02A, Y02B, Y02C
		BOP, KVT, UOP4			BOP, KVT, UOP4			BOP, KVT, UOP4
	05	F13A		05	F13A		05	F13A
	08	I02A, I02B, I02C, I02D, I22A, I22B, I32A, I32B, I32C, I32D, I32E, I32F, I50Z		08	I02A, I02B, I02C, I02D, I22A, I22B, I50Z		08	I02A, I02B, I02C, I02D, I22A, I22B, I50Z
5v531.9↔	09	J08A, J08B, J08C, J16Z, J21Z, J22A, J22B	5v531.h	09	J08A, J08B, J08C, J16Z, J21Z, J22A, J22B	5v532.7↔	09	J08A, J08B, J08C, J16Z, J21Z, J22A, J22B
	21B	X01A, X01B, X01C		21B	X01A, X01B, X01C		21B	X01A, X01B, X01C
	22	Y01Z, Y02A, Y02B, Y02C		22	Y01Z, Y02A, Y02B, Y02C		22	Y01Z, Y02A, Y02B, Y02C
		BOP, KVT, UOP4			BOP, KVT, UOP4			BOP, KVT, UOP4
	05	F13A		05	F13A		05	F13A
5v531.a	08	I32A, I32B, I32C, I32D, I32E, I32F	5v531.x	08	I02A, I02B, I02C, I02D, I22A, I22B, I50Z	5v532.8↔	08	I02A, I02B, I02C, I02D, I22A, I22B, I50Z
	09	J08A, J08B, J08C, J16Z, J21Z, J22A, J22B		09	J08A, J08B, J08C, J16Z, J21Z, J22A, J22B		09	J08A, J08B, J08C, J16Z, J21Z, J22A, J22B
	21B	X01A, X01B, X01C		21B	X01A, X01B, X01C		21B	X01A, X01B, X01C
	22	Y01Z, Y02A, Y02B, Y02C		22	Y01Z, Y02A, Y02B, Y02C		22	Y01Z, Y02A, Y02B, Y02C
		BOP, KVT, UOP4			BOP, KVT, UOP4			BOP, KVT, UOP4
5v531.b	05	F13A	5v532.0	05	F13A	5v532.9↔	05	F13A
	08	I02A, I02B, I02C, I02D, I22A, I22B, I50Z		08	I02A, I02B, I02C, I02D, I22A, I22B, I50Z		08	I32A, I32B, I32C, I32D, I32E, I32F
	09	J08A, J08B, J08C, J16Z, J21Z, J22A, J22B		09	J08A, J08B, J08C, J16Z, J21Z, J22A, J22B		09	J08A, J08B, J08C, J16Z, J21Z, J22A, J22B
	21B	X01A, X01B, X01C		21B	X01A, X01B, X01C		21B	X01A, X01B, X01C
	22	Y01Z, Y02A, Y02B, Y02C		22	Y01Z, Y02A, Y02B, Y02C		22	Y01Z, Y02A, Y02B, Y02C
5v531.c		BOP, KVT, UOP4	5v532.1		BOP, KVT, UOP4	5v532.a		BOP, KVT, UOP4
	05	F13A		05	F13A		05	F13A
	08	I02A, I02B, I02C, I02D, I22A, I22B, I50Z		08	I02A, I02B, I02C, I02D, I22A, I22B, I50Z		08	I02A, I02B, I02C, I02D, I22A, I22B, I50Z
	09	J08A, J08B, J08C, J16Z, J21Z, J22A, J22B		09	J08A, J08B, J08C, J16Z, J21Z, J22A, J22B		09	J08A, J08B, J08C, J16Z, J21Z, J22A, J22B
	21B	X01A, X01B, X01C		21B	X01A, X01B, X01C		21B	X01A, X01B, X01C
5v531.d	22	Y01Z, Y02A, Y02B, Y02C	5v532.2↔	22	Y01Z, Y02A, Y02B, Y02C	5v532.b	22	Y01Z, Y02A, Y02B, Y02C
		BOP, KVT, UOP4			BOP, KVT, UOP4			BOP, KVT, UOP4
	05	F13A		05	F13A		05	F13A
	08	I02A, I02B, I02C, I02D, I22A, I22B, I50Z		08	I02A, I02B, I02C, I02D, I22A, I22B, I50Z		08	I02A, I02B, I02C, I02D, I22A, I22B, I50Z
	09	J08A, J08B, J08C, J16Z, J21Z, J22A, J22B		09	J08A, J08B, J08C, J16Z, J21Z, J22A, J22B		09	J08A, J08B, J08C, J16Z, J21Z, J22A, J22B
	21B	X01A, X01B, X01C	5v532.3↔	21B	X01A, X01B, X01C		21B	X01A, X01B, X01C
	22	Y01Z, Y02A, Y02B, Y02C		22	Y01Z, Y02A, Y02B, Y02C		22	Y01Z, Y02A, Y02B, Y02C
		BOP, KVT, UOP4		05	F13A		05	F13A
	05	F13A		08	I02A, I02B, I02C, I02D, I22A, I22B, I50Z		08	I02A, I02B, I02C, I02D, I22A, I22B, I50Z
	08	I02A, I02B, I02C, I02D, I22A, I22B, I50Z		09	J08A, J08B, J08C, J16Z, J21Z, J22A, J22B		09	J08A, J08B, J08C, J16Z, J21Z, J22A, J22B

VYK

ZZV	MDC	DRG	ZZV	MDC	DRG	ZZV	MDC	DRG
5v534.2↔		BOP, KVT, UOP4	5v534.a		BOP, KVT, UOP4	5v535.1		BOP, KVT, UOP4
	05	F13A		05	F13A		05	F13A
	08	I02A, I02B, I02C, I02D, I22A, I22B, I50Z		08	I02A, I02B, I02C, I02D, I22A, I22B, I50Z		08	I02A, I02B, I02C, I02D, I22A, I22B, I50Z
	09	J08A, J08B, J08C, J16Z, J21Z, J22A, J22B		09	J08A, J08B, J08C, J16Z, J21Z, J22A, J22B		09	J08A, J08B, J08C, J16Z, J21Z, J22A, J22B
	21B	X01A, X01B, X01C		21B	X01A, X01B, X01C		21B	X01A, X01B, X01C
5v534.3↔	22	Y01Z, Y02A, Y02B, Y02C	5v534.b	22	Y01Z, Y02A, Y02B, Y02C	5v535.2↔	22	Y01Z, Y02A, Y02B, Y02C
		BOP, KVT, UOP4			BOP, KVT, UOP4			BOP, KVT, UOP4
	05	F13A		05	F13A		05	F13A
	08	I02A, I02B, I02C, I02D, I22A, I22B, I50Z		08	I02A, I02B, I02C, I02D, I22A, I22B, I50Z		08	I02A, I02B, I02C, I02D, I22A, I22B, I50Z
	09	J08A, J08B, J08C, J16Z, J21Z, J22A, J22B		09	J08A, J08B, J08C, J16Z, J21Z, J22A, J22B		09	J08A, J08B, J08C, J16Z, J21Z, J22A, J22B
5v534.4	21B	X01A, X01B, X01C	5v534.c	21B	X01A, X01B, X01C	5v535.3↔	21B	X01A, X01B, X01C
	22	Y01Z, Y02A, Y02B, Y02C		22	Y01Z, Y02A, Y02B, Y02C		22	Y01Z, Y02A, Y02B, Y02C
		BOP, KVT, UOP4			BOP, KVT, UOP4			BOP, KVT, UOP4
	05	F13A		05	F13A		05	F13A
	08	I02A, I02B, I02C, I02D, I22A, I22B, I50Z		08	I02A, I02B, I02C, I02D, I22A, I22B, I50Z		08	I02A, I02B, I02C, I02D, I22A, I22B, I50Z
5v534.5	09	J08A, J08B, J08C, J16Z, J21Z, J22A, J22B	5v534.d	09	J08A, J08B, J08C, J16Z, J21Z, J22A, J22B	5v535.4	09	J08A, J08B, J08C, J16Z, J21Z, J22A, J22B
	21B	X01A, X01B, X01C		21B	X01A, X01B, X01C		21B	X01A, X01B, X01C
	22	Y01Z, Y02A, Y02B, Y02C		22	Y01Z, Y02A, Y02B, Y02C		22	Y01Z, Y02A, Y02B, Y02C
		BOP, KVT, UOP4			BOP, KVT, UOP4			BOP, KVT, UOP4
	05	F13A		05	F13A		05	F13A
5v534.6↔	08	I02A, I02B, I02C, I02D, I22A, I22B, I50Z	5v534.e↔	08	I02A, I02B, I02C, I02D, I22A, I22B, I50Z	5v535.5	08	I02A, I02B, I02C, I02D, I22A, I22B, I50Z
	09	J08A, J08B, J08C, J16Z, J21Z, J22A, J22B		09	J08A, J08B, J08C, J16Z, J21Z, J22A, J22B		09	J08A, J08B, J08C, J16Z, J21Z, J22A, J22B
	21B	X01A, X01B, X01C		21B	X01A, X01B, X01C		21B	X01A, X01B, X01C
	22	Y01Z, Y02A, Y02B, Y02C		22	Y01Z, Y02A, Y02B, Y02C		22	Y01Z, Y02A, Y02B, Y02C
		BOP, KVT, UOP4			BOP, KVT, UOP4			BOP, KVT, UOP4
5v534.7↔	05	F13A	5v534.f↔	05	F13A	5v535.6↔	05	F13A
	08	I02A, I02B, I02C, I02D, I22A, I22B, I50Z		08	I02A, I02B, I02C, I02D, I22A, I22B, I50Z		08	I02A, I02B, I02C, I02D, I22A, I22B, I50Z
	09	J08A, J08B, J08C, J16Z, J21Z, J22A, J22B		09	J08A, J08B, J08C, J16Z, J21Z, J22A, J22B		09	J08A, J08B, J08C, J16Z, J21Z, J22A, J22B
	21B	X01A, X01B, X01C		21B	X01A, X01B, X01C		21B	X01A, X01B, X01C
	22	Y01Z, Y02A, Y02B, Y02C		22	Y01Z, Y02A, Y02B, Y02C		22	Y01Z, Y02A, Y02B, Y02C
5v534.8↔		BOP, KVT, UOP4	5v534.g↔		BOP, KVT, UOP4	5v535.7↔		BOP, KVT, UOP4
	05	F13A		05	F13A		05	F13A
	08	I02A, I02B, I02C, I02D, I22A, I22B, I32A, I32B, I32C, I32D, I32E, I32F, I50Z		08	I02A, I02B, I02C, I02D, I22A, I22B, I50Z		08	I02A, I02B, I02C, I02D, I22A, I22B, I50Z
	09	J08A, J08B, J08C, J16Z, J21Z, J22A, J22B		09	J08A, J08B, J08C, J16Z, J21Z, J22A, J22B		09	J08A, J08B, J08C, J16Z, J21Z, J22A, J22B
	21B	X01A, X01B, X01C		21B	X01A, X01B, X01C		21B	X01A, X01B, X01C
5v534.9↔	22	Y01Z, Y02A, Y02B, Y02C	5v534.x↔	22	Y01Z, Y02A, Y02B, Y02C	5v535.8↔	22	Y01Z, Y02A, Y02B, Y02C
		BOP, KVT, UOP4			BOP, KVT, UOP4			BOP, KVT, UOP4
	05	F13A		05	F13A		05	F13A
	08	I32A, I32B, I32C, I32D, I32E, I32F		08	I02A, I02B, I02C, I02D, I22A, I22B, I32A, I32B, I32C, I32D, I32E, I32F, I50Z		08	I02A, I02B, I02C, I02D, I22A, I22B, I50Z
	09	J08A, J08B, J08C, J16Z, J21Z, J22A, J22B		09	J08A, J08B, J08C, J16Z, J21Z, J22A, J22B		09	J08A, J08B, J08C, J16Z, J21Z, J22A, J22B
5v535.0	22	Y01Z, Y02A, Y02B, Y02C	5v535.0	21B	X01A, X01B, X01C	5v535.0	21B	X01A, X01B, X01C
		BOP, KVT, UOP4		22	Y01Z, Y02A, Y02B, Y02C		22	Y01Z, Y02A, Y02B, Y02C
	05	F13A		05	F13A		05	F13A
	09	J08A, J08B, J08C, J16Z, J21Z, J22A, J22B		09	J08A, J08B, J08C, J16Z, J21Z, J22A, J22B		09	J08A, J08B, J08C, J16Z, J21Z, J22A, J22B
	22	Y01Z, Y02A, Y02B, Y02C		22	Y01Z, Y02A, Y02B, Y02C		22	Y01Z, Y02A, Y02B, Y02C

ZZV	MDC	DRG	ZZV	MDC	DRG	ZZV	MDC	DRG
5v535.9↔		BOP, KVT, UOP4	5v535.x↔		BOP, KVT, UOP4	5v536.8↔		BOP, KVT, UOP4
	05	F13A		05	F13A		05	F13A
	08	I32A, I32B, I32C, I32D, I32E, I32F		08	I02A, I02B, I02C, I02D, I22A, I22B, I32A, I32B, I32C, I32D, I32E, I32F, I50Z		08	I02A, I02B, I02C, I02D, I22A, I22B, I32A, I32B, I32C, I32D, I32E, I32F, I50Z
	09	J08A, J08B, J08C, J16Z, J21Z, J22A, J22B		09	J08A, J08B, J08C, J16Z, J21Z, J22A, J22B		09	J08A, J08B, J08C, J16Z, J21Z, J22A, J22B
	22	Y01Z, Y02A, Y02B, Y02C		21B	X01A, X01B, X01C		21B	X01A, X01B, X01C
5v535.a		BOP, KVT, UOP4		22	Y01Z, Y02A, Y02B, Y02C		22	Y01Z, Y02A, Y02B, Y02C
	05	F13A	5v536.0		BOP, KVT, UOP4	5v536.9↔		BOP, KVT, UOP4
	08	I02A, I02B, I02C, I02D, I22A, I22B, I50Z		05	F13A		05	F13A
	09	J08A, J08B, J08C, J16Z, J21Z, J22A, J22B		09	J08A, J08B, J08C, J16Z, J21Z, J22A, J22B		08	I32A, I32B, I32C, I32D, I32E, I32F
	21B	X01A, X01B, X01C		22	Y01Z, Y02A, Y02B, Y02C		09	J08A, J08B, J08C, J16Z, J21Z, J22A, J22B
	22	Y01Z, Y02A, Y02B, Y02C	5v536.1		BOP, KVT, UOP4		22	Y01Z, Y02A, Y02B, Y02C
5v535.b		BOP, KVT, UOP4		05	F13A	5v536.a		BOP, KVT, UOP4
	05	F13A		08	I02A, I02B, I02C, I02D, I22A, I22B, I50Z		05	F13A
	08	I02A, I02B, I02C, I02D, I22A, I22B, I50Z		09	J08A, J08B, J08C, J16Z, J21Z, J22A, J22B		08	I02A, I02B, I02C, I02D, I22A, I22B, I50Z
	09	J08A, J08B, J08C, J16Z, J21Z, J22A, J22B		21B	X01A, X01B, X01C		09	J08A, J08B, J08C, J16Z, J21Z, J22A, J22B
	21B	X01A, X01B, X01C		22	Y01Z, Y02A, Y02B, Y02C		21B	X01A, X01B, X01C
	22	Y01Z, Y02A, Y02B, Y02C	5v536.2↔		BOP, KVT, UOP4		22	Y01Z, Y02A, Y02B, Y02C
5v535.c		BOP, KVT, UOP4		05	F13A	5v536.b		BOP, KVT, UOP4
	05	F13A		08	I02A, I02B, I02C, I02D, I22A, I22B, I50Z		05	F13A
	08	I02A, I02B, I02C, I02D, I22A, I22B, I50Z		09	J08A, J08B, J08C, J16Z, J21Z, J22A, J22B		08	I02A, I02B, I02C, I02D, I22A, I22B, I50Z
	09	J08A, J08B, J08C, J16Z, J21Z, J22A, J22B		21B	X01A, X01B, X01C		09	J08A, J08B, J08C, J16Z, J21Z, J22A, J22B
	21B	X01A, X01B, X01C		22	Y01Z, Y02A, Y02B, Y02C		21B	X01A, X01B, X01C
	22	Y01Z, Y02A, Y02B, Y02C	5v536.3↔		BOP, KVT, UOP4		22	Y01Z, Y02A, Y02B, Y02C
5v535.d		BOP, KVT, UOP4		05	F13A	5v536.c		BOP, KVT, UOP4
	05	F13A		08	I02A, I02B, I02C, I02D, I22A, I22B, I50Z		05	F13A
	08	I02A, I02B, I02C, I02D, I22A, I22B, I50Z		09	J08A, J08B, J08C, J16Z, J21Z, J22A, J22B		08	I02A, I02B, I02C, I02D, I22A, I22B, I50Z
	09	J08A, J08B, J08C, J16Z, J21Z, J22A, J22B		21B	X01A, X01B, X01C		09	J08A, J08B, J08C, J16Z, J21Z, J22A, J22B
	21B	X01A, X01B, X01C		22	Y01Z, Y02A, Y02B, Y02C		21B	X01A, X01B, X01C
	22	Y01Z, Y02A, Y02B, Y02C	5v536.4		BOP, KVT, UOP4		22	Y01Z, Y02A, Y02B, Y02C
5v535.e↔		BOP, KVT, UOP4		05	F13A	5v536.d		BOP, KVT, UOP4
	05	F13A		08	I02A, I02B, I02C, I02D, I22A, I22B, I50Z		05	F13A
	08	I02A, I02B, I02C, I02D, I22A, I22B, I50Z		09	J08A, J08B, J08C, J16Z, J21Z, J22A, J22B		08	I02A, I02B, I02C, I02D, I22A, I22B, I50Z
	09	J08A, J08B, J08C, J16Z, J21Z, J22A, J22B		21B	X01A, X01B, X01C		09	J08A, J08B, J08C, J16Z, J21Z, J22A, J22B
	21B	X01A, X01B, X01C		22	Y01Z, Y02A, Y02B, Y02C		21B	X01A, X01B, X01C
	22	Y01Z, Y02A, Y02B, Y02C	5v536.5		BOP, KVT, UOP4		22	Y01Z, Y02A, Y02B, Y02C
5v535.f↔		BOP, KVT, UOP4		05	F13A	5v536.e↔		BOP, KVT, UOP4
	05	F13A		08	I02A, I02B, I02C, I02D, I22A, I22B, I50Z		05	F13A
	08	I02A, I02B, I02C, I02D, I22A, I22B, I50Z		09	J08A, J08B, J08C, J16Z, J21Z, J22A, J22B		08	I02A, I02B, I02C, I02D, I22A, I22B, I50Z
	09	J08A, J08B, J08C, J16Z, J21Z, J22A, J22B		21B	X01A, X01B, X01C		09	J08A, J08B, J08C, J16Z, J21Z, J22A, J22B
	21B	X01A, X01B, X01C		22	Y01Z, Y02A, Y02B, Y02C		21B	X01A, X01B, X01C
	22	Y01Z, Y02A, Y02B, Y02C	5v536.6↔		BOP, KVT, UOP4		22	Y01Z, Y02A, Y02B, Y02C
5v535.g↔		BOP, KVT, UOP4		05	F13A	5v536.f↔		BOP, KVT, UOP4
	05	F13A		08	I02A, I02B, I02C, I02D, I22A, I22B, I50Z		05	F13A
	08	I02A, I02B, I02C, I02D, I22A, I22B, I50Z		09	J08A, J08B, J08C, J16Z, J21Z, J22A, J22B		08	I02A, I02B, I02C, I02D, I22A, I22B, I50Z
	09	J08A, J08B, J08C, J16Z, J21Z, J22A, J22B		21B	X01A, X01B, X01C		09	J08A, J08B, J08C, J16Z, J21Z, J22A, J22B
	21B	X01A, X01B, X01C		22	Y01Z, Y02A, Y02B, Y02C		21B	X01A, X01B, X01C
	22	Y01Z, Y02A, Y02B, Y02C	5v536.7↔		BOP, KVT, UOP4		22	Y01Z, Y02A, Y02B, Y02C
	22	Y01Z, Y02A, Y02B, Y02C		05	F13A			
				08	I02A, I02B, I02C, I02D, I22A, I22B, I50Z			
				09	J08A, J08B, J08C, J16Z, J21Z, J22A, J22B			
				21B	X01A, X01B, X01C			
				22	Y01Z, Y02A, Y02B, Y02C			

ZZV	MDC	DRG	ZZV	MDC	DRG	ZZV	MDC	DRG
5v536.g↔		BOP, KVT, UOP4	5v537.7↔		BOP, KVT, UOP4	5v537.f↔		BOP, KVT, UOP4
	05	F13A		05	F13A		05	F13A
	08	I02A, I02B, I02C, I02D, I22A, I22B, I50Z		08	I02A, I02B, I02C, I02D, I22A, I22B, I50Z		08	I02A, I02B, I02C, I02D, I22A, I22B, I50Z
	09	J08A, J08B, J08C, J16Z, J21Z, J22A, J22B		09	J08A, J08B, J08C, J16Z, J21Z, J22A, J22B		09	J08A, J08B, J08C, J16Z, J21Z, J22A, J22B
	21B	X01A, X01B, X01C		21B	X01A, X01B, X01C		21B	X01A, X01B, X01C
5v536.x↔	22	Y01Z, Y02A, Y02B, Y02C	5v537.8↔	22	Y01Z, Y02A, Y02B, Y02C	5v537.g↔	22	Y01Z, Y02A, Y02B, Y02C
		BOP, KVT, UOP4			BOP, KVT, UOP4			BOP, KVT, UOP4
	05	F13A		05	F13A		05	F13A
	08	I02A, I02B, I02C, I02D, I22A, I22B, I32A, I32B, I32C, I32D, I32E, I32F, I50Z		08	I02A, I02B, I02C, I02D, I22A, I22B, I32A, I32B, I32C, I32D, I32E, I32F, I50Z		08	I02A, I02B, I02C, I02D, I22A, I22B, I50Z
	09	J08A, J08B, J08C, J16Z, J21Z, J22A, J22B		09	J08A, J08B, J08C, J16Z, J21Z, J22A, J22B		09	J08A, J08B, J08C, J16Z, J21Z, J22A, J22B
5v537.0	21B	X01A, X01B, X01C	5v537.9↔	21B	X01A, X01B, X01C	5v537.x↔	21B	X01A, X01B, X01C
	22	Y01Z, Y02A, Y02B, Y02C		22	Y01Z, Y02A, Y02B, Y02C		22	Y01Z, Y02A, Y02B, Y02C
		BOP, KVT, UOP4			BOP, KVT, UOP4			BOP, KVT, UOP4
	05	F13A		05	F13A		05	F13A
	08	I02A, I02B, I02C, I02D, I22A, I22B, I50Z		08	I32A, I32B, I32C, I32D, I32E, I32F		08	I02A, I02B, I02C, I02D, I22A, I22B, I32A, I32B, I32C, I32D, I32E, I32F, I50Z
5v537.1	09	J08A, J08B, J08C, J16Z, J21Z, J22A, J22B	5v537.a	09	J08A, J08B, J08C, J16Z, J21Z, J22A, J22B	5v538.0	09	J08A, J08B, J08C, J16Z, J21Z, J22A, J22B
	21B	X01A, X01B, X01C		22	Y01Z, Y02A, Y02B, Y02C		21B	X01A, X01B, X01C
	22	Y01Z, Y02A, Y02B, Y02C			BOP, KVT, UOP4		22	Y01Z, Y02A, Y02B, Y02C
		BOP, KVT, UOP4		05	F13A			BOP, KVT, UOP4
	05	F13A		05	F13A		05	F13A
5v537.2↔	08	I02A, I02B, I02C, I02D, I22A, I22B, I50Z	5v537.b	08	I02A, I02B, I02C, I02D, I22A, I22B, I50Z	5v538.1	08	I02A, I02B, I02C, I02D, I22A, I22B, I50Z
	09	J08A, J08B, J08C, J16Z, J21Z, J22A, J22B		09	J08A, J08B, J08C, J16Z, J21Z, J22A, J22B		09	J08A, J08B, J08C, J16Z, J21Z, J22A, J22B
	21B	X01A, X01B, X01C		21B	X01A, X01B, X01C		21B	X01A, X01B, X01C
	22	Y01Z, Y02A, Y02B, Y02C		22	Y01Z, Y02A, Y02B, Y02C		22	Y01Z, Y02A, Y02B, Y02C
		BOP, KVT, UOP4			BOP, KVT, UOP4			BOP, KVT, UOP4
5v537.3↔	05	F13A	5v537.c	05	F13A	5v538.2↔	05	F13A
	08	I02A, I02B, I02C, I02D, I22A, I22B, I50Z		08	I02A, I02B, I02C, I02D, I22A, I22B, I50Z		08	I02A, I02B, I02C, I02D, I22A, I22B, I50Z
	09	J08A, J08B, J08C, J16Z, J21Z, J22A, J22B		09	J08A, J08B, J08C, J16Z, J21Z, J22A, J22B		09	J08A, J08B, J08C, J16Z, J21Z, J22A, J22B
	21B	X01A, X01B, X01C		21B	X01A, X01B, X01C		21B	X01A, X01B, X01C
	22	Y01Z, Y02A, Y02B, Y02C		22	Y01Z, Y02A, Y02B, Y02C		22	Y01Z, Y02A, Y02B, Y02C
5v537.4		BOP, KVT, UOP4	5v537.d		BOP, KVT, UOP4	5v538.3↔		BOP, KVT, UOP4
	05	F13A		05	F13A		05	F13A
	08	I02A, I02B, I02C, I02D, I22A, I22B, I50Z		08	I02A, I02B, I02C, I02D, I22A, I22B, I50Z		08	I02A, I02B, I02C, I02D, I22A, I22B, I50Z
	09	J08A, J08B, J08C, J16Z, J21Z, J22A, J22B		09	J08A, J08B, J08C, J16Z, J21Z, J22A, J22B		09	J08A, J08B, J08C, J16Z, J21Z, J22A, J22B
	21B	X01A, X01B, X01C		21B	X01A, X01B, X01C		21B	X01A, X01B, X01C
5v537.5	22	Y01Z, Y02A, Y02B, Y02C	5v537.e↔	22	Y01Z, Y02A, Y02B, Y02C	5v538.4	22	Y01Z, Y02A, Y02B, Y02C
		BOP, KVT, UOP4			BOP, KVT, UOP4			BOP, KVT, UOP4
	05	F13A		05	F13A		05	F13A
	08	I02A, I02B, I02C, I02D, I22A, I22B, I50Z		08	I02A, I02B, I02C, I02D, I22A, I22B, I50Z		08	I02A, I02B, I02C, I02D, I22A, I22B, I50Z
	09	J08A, J08B, J08C, J16Z, J21Z, J22A, J22B		08	I02A, I02B, I02C, I02D, I22A, I22B, I50Z		09	J08A, J08B, J08C, J16Z, J21Z, J22A, J22B
5v537.6↔	21B	X01A, X01B, X01C	5v537.9↔	09	J08A, J08B, J08C, J16Z, J21Z, J22A, J22B	5v538.5	21B	X01A, X01B, X01C
	22	Y01Z, Y02A, Y02B, Y02C		21B	X01A, X01B, X01C		22	Y01Z, Y02A, Y02B, Y02C
		BOP, KVT, UOP4		22	Y01Z, Y02A, Y02B, Y02C			BOP, KVT, UOP4
	05	F13A			BOP, KVT, UOP4		05	F13A
	08	I02A, I02B, I02C, I02D, I22A, I22B, I50Z			F13A		08	I02A, I02B, I02C, I02D, I22A, I22B, I50Z
5v537.7↔	09	J08A, J08B, J08C, J16Z, J21Z, J22A, J22B	5v537.9↔	08	I02A, I02B, I02C, I02D, I22A, I22B, I50Z	5v538.5	09	J08A, J08B, J08C, J16Z, J21Z, J22A, J22B
	21B	X01A, X01B, X01C		09	J08A, J08B, J08C, J16Z, J21Z, J22A, J22B		21B	X01A, X01B, X01C
	22	Y01Z, Y02A, Y02B, Y02C		21B	X01A, X01B, X01C		22	Y01Z, Y02A, Y02B, Y02C
		BOP, KVT, UOP4		22	Y01Z, Y02A, Y02B, Y02C			BOP, KVT, UOP4
	05	F13A			Y01Z, Y02A, Y02B, Y02C		05	F13A
5v537.8↔	08	I02A, I02B, I02C, I02D, I22A, I22B, I50Z	5v537.9↔	05	F13A	5v538.5	08	I02A, I02B, I02C, I02D, I22A, I22B, I50Z
	09	J08A, J08B, J08C, J16Z, J21Z, J22A, J22B		08	I02A, I02B, I02C, I02D, I22A, I22B, I50Z		09	J08A, J08B, J08C, J16Z, J21Z, J22A, J22B
	21B	X01A, X01B, X01C		09	J08A, J08B, J08C, J16Z, J21Z, J22A, J22B		21B	X01A, X01B, X01C
	22	Y01Z, Y02A, Y02B, Y02C		21B	X01A, X01B, X01C		22	Y01Z, Y02A, Y02B, Y02C
		BOP, KVT, UOP4		22	Y01Z, Y02A, Y02B, Y02C			BOP, KVT, UOP4

VYK

ZZV	MDC	DRG	ZZV	MDC	DRG	ZZV	MDC	DRG
5v538.6↔		BOP, KVT, UOP4	5v538.e↔		BOP, KVT, UOP4	5v539.5		BOP, KVT, UOP4
	05	F13A		05	F13A		05	F13A
	08	I02A, I02B, I02C, I02D, I22A, I22B, I50Z		08	I02A, I02B, I02C, I02D, I22A, I22B, I50Z		08	I02A, I02B, I02C, I02D, I22A, I22B, I50Z
	09	J08A, J08B, J08C, J16Z, J21Z, J22A, J22B		09	J08A, J08B, J08C, J16Z, J21Z, J22A, J22B		09	J08A, J08B, J08C, J16Z, J21Z, J22A, J22B
	21B	X01A, X01B, X01C		21B	X01A, X01B, X01C		21B	X01A, X01B, X01C
5v538.7↔	22	Y01Z, Y02A, Y02B, Y02C	5v538.f↔	22	Y01Z, Y02A, Y02B, Y02C	5v539.6↔	22	Y01Z, Y02A, Y02B, Y02C
		BOP, KVT, UOP4			BOP, KVT, UOP4			BOP, KVT, UOP4
	05	F13A		05	F13A		05	F13A
	08	I02A, I02B, I02C, I02D, I22A, I22B, I50Z		08	I02A, I02B, I02C, I02D, I22A, I22B, I50Z		08	I02A, I02B, I02C, I02D, I22A, I22B, I50Z
	09	J08A, J08B, J08C, J16Z, J21Z, J22A, J22B		09	J08A, J08B, J08C, J16Z, J21Z, J22A, J22B		09	J08A, J08B, J08C, J16Z, J21Z, J22A, J22B
5v538.8↔	21B	X01A, X01B, X01C	5v538.g↔	21B	X01A, X01B, X01C	5v539.7↔	21B	X01A, X01B, X01C
	22	Y01Z, Y02A, Y02B, Y02C		22	Y01Z, Y02A, Y02B, Y02C		22	Y01Z, Y02A, Y02B, Y02C
		BOP, KVT, UOP4			BOP, KVT, UOP4			BOP, KVT, UOP4
	05	F13A		05	F13A		05	F13A
	08	I02A, I02B, I02C, I02D, I22A, I22B, I32A, I32B, I32C, I32D, I32E, I32F, I50Z		08	I02A, I02B, I02C, I02D, I22A, I22B, I50Z		08	I02A, I02B, I02C, I02D, I22A, I22B, I50Z
5v538.9↔	09	J08A, J08B, J08C, J16Z, J21Z, J22A, J22B	5v538.x↔	09	J08A, J08B, J08C, J16Z, J21Z, J22A, J22B	5v539.8↔	09	J08A, J08B, J08C, J16Z, J21Z, J22A, J22B
	21B	X01A, X01B, X01C		21B	X01A, X01B, X01C		21B	X01A, X01B, X01C
	22	Y01Z, Y02A, Y02B, Y02C		22	Y01Z, Y02A, Y02B, Y02C		22	Y01Z, Y02A, Y02B, Y02C
		BOP, KVT, UOP4			BOP, KVT, UOP4			BOP, KVT, UOP4
	05	F13A		05	F13A		05	F13A
5v538.a	08	I32A, I32B, I32C, I32D, I32E, I32F	5v539.0	08	I02A, I02B, I02C, I02D, I22A, I22B, I32A, I32B, I32C, I32D, I32E, I32F, I50Z	5v539.9↔	08	I02A, I02B, I02C, I02D, I22A, I22B, I32A, I32B, I32C, I32D, I32E, I32F, I50Z
	09	J08A, J08B, J08C, J16Z, J21Z, J22A, J22B		09	J08A, J08B, J08C, J16Z, J21Z, J22A, J22B		09	J08A, J08B, J08C, J16Z, J21Z, J22A, J22B
	22	Y01Z, Y02A, Y02B, Y02C		21B	X01A, X01B, X01C		21B	X01A, X01B, X01C
		BOP, KVT, UOP4		22	Y01Z, Y02A, Y02B, Y02C		22	Y01Z, Y02A, Y02B, Y02C
	05	F13A			BOP, KVT, UOP4			BOP, KVT, UOP4
5v538.b	08	I02A, I02B, I02C, I02D, I22A, I22B, I50Z	5v539.1	05	F13A	5v539.a	05	F13A
	09	J08A, J08B, J08C, J16Z, J21Z, J22A, J22B		08	I02A, I02B, I02C, I02D, I22A, I22B, I50Z		08	I32A, I32B, I32C, I32D, I32E, I32F
	21B	X01A, X01B, X01C		09	J08A, J08B, J08C, J16Z, J21Z, J22A, J22B		09	J08A, J08B, J08C, J16Z, J21Z, J22A, J22B
	22	Y01Z, Y02A, Y02B, Y02C		22	Y01Z, Y02A, Y02B, Y02C		22	Y01Z, Y02A, Y02B, Y02C
		BOP, KVT, UOP4			BOP, KVT, UOP4			BOP, KVT, UOP4
5v538.c	05	F13A	5v539.2↔	05	F13A	5v539.b	05	F13A
	08	I02A, I02B, I02C, I02D, I22A, I22B, I50Z		08	I02A, I02B, I02C, I02D, I22A, I22B, I50Z		08	I02A, I02B, I02C, I02D, I22A, I22B, I50Z
	09	J08A, J08B, J08C, J16Z, J21Z, J22A, J22B		09	J08A, J08B, J08C, J16Z, J21Z, J22A, J22B		09	J08A, J08B, J08C, J16Z, J21Z, J22A, J22B
	21B	X01A, X01B, X01C		21B	X01A, X01B, X01C		21B	X01A, X01B, X01C
	22	Y01Z, Y02A, Y02B, Y02C		22	Y01Z, Y02A, Y02B, Y02C		22	Y01Z, Y02A, Y02B, Y02C
5v538.d		BOP, KVT, UOP4	5v539.3↔		BOP, KVT, UOP4	5v539.c		BOP, KVT, UOP4
	05	F13A		05	F13A		05	F13A
	08	I02A, I02B, I02C, I02D, I22A, I22B, I50Z		08	I02A, I02B, I02C, I02D, I22A, I22B, I50Z		08	I02A, I02B, I02C, I02D, I22A, I22B, I50Z
	09	J08A, J08B, J08C, J16Z, J21Z, J22A, J22B		09	J08A, J08B, J08C, J16Z, J21Z, J22A, J22B		09	J08A, J08B, J08C, J16Z, J21Z, J22A, J22B
	21B	X01A, X01B, X01C		21B	X01A, X01B, X01C		21B	X01A, X01B, X01C
5v539.4	22	Y01Z, Y02A, Y02B, Y02C	5v539.4	05	F13A	5v539.c	22	Y01Z, Y02A, Y02B, Y02C
		BOP, KVT, UOP4		08	I02A, I02B, I02C, I02D, I22A, I22B, I50Z		05	F13A
	05	F13A		09	J08A, J08B, J08C, J16Z, J21Z, J22A, J22B		08	I02A, I02B, I02C, I02D, I22A, I22B, I50Z
	08	I02A, I02B, I02C, I02D, I22A, I22B, I50Z		21B	X01A, X01B, X01C		09	J08A, J08B, J08C, J16Z, J21Z, J22A, J22B
	09	J08A, J08B, J08C, J16Z, J21Z, J22A, J22B		22	Y01Z, Y02A, Y02B, Y02C		21B	X01A, X01B, X01C
	BOP, KVT, UOP4		BOP, KVT, UOP4	22	Y01Z, Y02A, Y02B, Y02C			
21B	X01A, X01B, X01C		BOP, KVT, UOP4		BOP, KVT, UOP4			
22	Y01Z, Y02A, Y02B, Y02C		BOP, KVT, UOP4		BOP, KVT, UOP4			

ZZV	MDC	DRG	ZZV	MDC	DRG	ZZV	MDC	DRG
5v541.m		BOP, KVT, UOP4	5v543.9↔		BOP, KVT, UOP4	5v544.4		BOP, KVT, UOP4
	05	F13A		05	F13A		05	F13A
	09	J02A, J02B, J02C, J04A, J04B, J08A, J08B, J08C, J16Z, J21Z, J22A, J22B		09	J02A, J02B, J02C, J04A, J04B, J08A, J08B, J08C, J16Z, J21Z, J22A, J22B		09	J02A, J02B, J02C, J04A, J04B, J08A, J08B, J08C, J16Z, J21Z, J22A, J22B
5v541.x	22	Y01Z, Y03A, Y03B	5v543.a	22	Y01Z, Y03A, Y03B	5v544.5	22	Y01Z, Y03A, Y03B
		BOP, KVT, UOP4			BOP, KVT, UOP4			BOP, KVT, UOP4
	05	F13A		05	F13A		05	F13A
5v542.1	09	J02A, J02B, J02C, J04A, J04B, J08A, J08B, J08C, J16Z, J21Z, J22A, J22B	5v543.b	09	J02A, J02B, J02C, J04A, J04B, J08A, J08B, J08C, J16Z, J21Z, J22A, J22B	5v544.6↔	09	J02A, J02B, J02C, J04A, J04B, J08A, J08B, J08C, J16Z, J21Z, J22A, J22B
	22	Y01Z, Y03A, Y03B		22	Y01Z, Y03A, Y03B		22	Y01Z, Y03A, Y03B
		BOP, KVT, UOP4			BOP, KVT, UOP4			BOP, KVT, UOP4
5v542.2↔	05	F13A	5v543.c	05	F13A	5v544.7↔	05	F13A
	09	J02A, J02B, J02C, J04A, J04B, J08A, J08B, J08C, J16Z, J21Z, J22A, J22B		09	J02A, J02B, J02C, J04A, J04B, J08A, J08B, J08C, J16Z, J21Z, J22A, J22B		09	J02A, J02B, J02C, J04A, J04B, J08A, J08B, J08C, J16Z, J21Z, J22A, J22B
	22	Y01Z, Y03A, Y03B		22	Y01Z, Y03A, Y03B		22	Y01Z, Y03A, Y03B
5v542.h		BOP, KVT, UOP4	5v543.d		BOP, KVT, UOP4	5v544.8↔		BOP, KVT, UOP4
	05	F13A		05	F13A		05	F13A
	09	J02A, J02B, J02C, J04A, J04B, J08A, J08B, J08C, J16Z, J21Z, J22A, J22B		09	J02A, J02B, J02C, J04A, J04B, J08A, J08B, J08C, J16Z, J21Z, J22A, J22B		09	J02A, J02B, J02C, J04A, J04B, J08A, J08B, J08C, J16Z, J21Z, J22A, J22B
5v542.x	22	Y01Z, Y03A, Y03B	5v543.e↔	22	Y01Z, Y03A, Y03B	5v544.9↔	22	Y01Z, Y03A, Y03B
		BOP, KVT, UOP4			BOP, KVT, UOP4			BOP, KVT, UOP4
	05	F13A		05	F13A		05	F13A
5v543.4	09	J02A, J02B, J02C, J04A, J04B, J08A, J08B, J08C, J16Z, J21Z, J22A, J22B	5v543.f↔	09	J02A, J02B, J02C, J04A, J04B, J08A, J08B, J08C, J16Z, J21Z, J22A, J22B	5v544.a	09	J02A, J02B, J02C, J04A, J04B, J08A, J08B, J08C, J16Z, J21Z, J22A, J22B
	22	Y01Z, Y03A, Y03B		22	Y01Z, Y03A, Y03B		22	Y01Z, Y03A, Y03B
		BOP, KVT, UOP4			BOP, KVT, UOP4			BOP, KVT, UOP4
5v543.5	05	F13A	5v543.g↔	05	F13A	5v544.b	05	F13A
	09	J02A, J02B, J02C, J04A, J04B, J08A, J08B, J08C, J16Z, J21Z, J22A, J22B		09	J02A, J02B, J02C, J04A, J04B, J08A, J08B, J08C, J16Z, J21Z, J22A, J22B		09	J02A, J02B, J02C, J04A, J04B, J08A, J08B, J08C, J16Z, J21Z, J22A, J22B
	22	Y01Z, Y03A, Y03B		22	Y01Z, Y03A, Y03B		22	Y01Z, Y03A, Y03B
5v543.6↔		BOP, KVT, UOP4	5v543.h		BOP, KVT, UOP4	5v544.c		BOP, KVT, UOP4
	05	F13A		05	F13A		05	F13A
	09	J02A, J02B, J02C, J04A, J04B, J08A, J08B, J08C, J16Z, J21Z, J22A, J22B		09	J02A, J02B, J02C, J04A, J04B, J08A, J08B, J08C, J16Z, J21Z, J22A, J22B		09	J02A, J02B, J02C, J04A, J04B, J08A, J08B, J08C, J16Z, J21Z, J22A, J22B
5v543.7↔	22	Y01Z, Y03A, Y03B	5v543.j	22	Y01Z, Y03A, Y03B	5v544.d	22	Y01Z, Y03A, Y03B
		BOP, KVT, UOP4			BOP, KVT, UOP4			BOP, KVT, UOP4
	05	F13A		05	F13A		05	F13A
5v543.8↔	09	J02A, J02B, J02C, J04A, J04B, J08A, J08B, J08C, J16Z, J21Z, J22A, J22B	5v543.x	09	J02A, J02B, J02C, J04A, J04B, J08A, J08B, J08C, J16Z, J21Z, J22A, J22B	5v544.e↔	09	J02A, J02B, J02C, J04A, J04B, J08A, J08B, J08C, J16Z, J21Z, J22A, J22B
	22	Y01Z, Y03A, Y03B		22	Y01Z, Y03A, Y03B		22	Y01Z, Y03A, Y03B
		BOP, KVT, UOP4			BOP, KVT, UOP4			BOP, KVT, UOP4

VYK

ZZV	MDC	DRG	ZZV	MDC	DRG	ZZV	MDC	DRG	
5v544.f↔		BOP, KVT, UOP4	5v545.8↔		BOP, KVT, UOP4	5v545.k		BOP, KVT, UOP4	
	05	F13A		05	F13A		05	F13A	
	09	J02A, J02B, J02C, J04A, J04B, J08A, J08B, J08C, J16Z, J21Z, J22A, J22B		09	J02A, J02B, J02C, J04A, J04B, J08A, J08B, J08C, J16Z, J21Z, J22A, J22B		09	J02A, J02B, J02C, J04A, J04B, J08A, J08B, J08C, J16Z, J21Z, J22A, J22B	
5v544.g↔		BOP, KVT, UOP4	5v545.9↔		BOP, KVT, UOP4	5v545.m		BOP, KVT, UOP4	
	05	F13A		05	F13A		05	F13A	
	09	J02A, J02B, J02C, J04A, J04B, J08A, J08B, J08C, J16Z, J21Z, J22A, J22B		09	J02A, J02B, J02C, J04A, J04B, J08A, J08B, J08C, J16Z, J21Z, J22A, J22B		09	J02A, J02B, J02C, J04A, J04B, J08A, J08B, J08C, J16Z, J21Z, J22A, J22B	
5v544.h		BOP, KVT, UOP4	5v545.a		BOP, KVT, UOP4	5v545.x		BOP, KVT, UOP4	
	05	F13A		05	F13A		05	F13A	
	09	J02A, J02B, J02C, J04A, J04B, J08A, J08B, J08C, J16Z, J21Z, J22A, J22B		09	J02A, J02B, J02C, J04A, J04B, J08A, J08B, J08C, J16Z, J21Z, J22A, J22B		09	J02A, J02B, J02C, J04A, J04B, J08A, J08B, J08C, J16Z, J21Z, J22A, J22B	
5v544.j		BOP, KVT, UOP4	5v545.b		BOP, KVT, UOP4	5v54x		BOP, KVT, UOP4	
	05	F13A		05	F13A		05	F13A	
	09	J02A, J02B, J02C, J04A, J04B, J08A, J08B, J08C, J16Z, J21Z, J22A, J22B		09	J02A, J02B, J02C, J04A, J04B, J08A, J08B, J08C, J16Z, J21Z, J22A, J22B		09	J02A, J02B, J02C, J04A, J04B, J08A, J08B, J08C, J16Z, J21Z, J22A, J22B	
5v544.k		BOP, KVT, UOP4	5v545.c		BOP, KVT, UOP4	5v551.0		BOP, KVT, UOP4	
	05	F13A		05	F13A		03	D08A, D08B, D18Z, D22A, D22B, D30A, D30B	
	09	J02A, J02B, J02C, J04A, J04B, J08A, J08B, J08C, J16Z, J21Z, J22A, J22B		09	J02A, J02B, J02C, J04A, J04B, J08A, J08B, J08C, J16Z, J21Z, J22A, J22B		05	F13A	
5v544.m		BOP, KVT, UOP4	5v545.d		BOP, KVT, UOP4	5v551.1		BOP, KVT, UOP4	
	05	F13A		05	F13A		09	J03A, J03B, J04A, J04B, J08A, J08B, J08C, J10A, J10B, J16Z, J21Z, J22A, J22B	
	09	J02A, J02B, J02C, J04A, J04B, J08A, J08B, J08C, J16Z, J21Z, J22A, J22B		09	J02A, J02B, J02C, J04A, J04B, J08A, J08B, J08C, J16Z, J21Z, J22A, J22B		21A	W04A, W04B	
5v544.x		BOP, KVT, UOP4	5v545.e↔		BOP, KVT, UOP4	5v551.2↔		BOP, KVT, UOP4	
	05	F13A		05	F13A		21B	X06A, X06B, X06C	
	09	J02A, J02B, J02C, J04A, J04B, J08A, J08B, J08C, J16Z, J21Z, J22A, J22B		09	J02A, J02B, J02C, J04A, J04B, J08A, J08B, J08C, J16Z, J21Z, J22A, J22B		22	Y01Z, Y03A, Y03B	
5v545.4		BOP, KVT, UOP4	5v545.f↔		BOP, KVT, UOP4	5v551.3↔		BOP, KVT, UOP4	
	05	F13A		05	F13A		05	F13A	
	09	J02A, J02B, J02C, J04A, J04B, J08A, J08B, J08C, J16Z, J21Z, J22A, J22B		09	J02A, J02B, J02C, J04A, J04B, J08A, J08B, J08C, J16Z, J21Z, J22A, J22B		09	J08A, J08B, J08C, J16Z, J21Z, J22A, J22B	
5v545.5		BOP, KVT, UOP4	5v545.g↔		BOP, KVT, UOP4	5v551.4		BOP, KVT, UOP4	
	05	F13A		05	F13A		05	F13A	
	09	J02A, J02B, J02C, J04A, J04B, J08A, J08B, J08C, J16Z, J21Z, J22A, J22B		09	J02A, J02B, J02C, J04A, J04B, J08A, J08B, J08C, J16Z, J21Z, J22A, J22B		08	I02A, I02B, I02C, I02D, I22A, I22B, I50Z	
5v545.6↔		BOP, KVT, UOP4	5v545.h		BOP, KVT, UOP4	5v551.5		BOP, KVT, UOP4	
	05	F13A		05	F13A		08	I02A, I02B, I02C, I02D, I22A, I22B, I50Z	
	09	J02A, J02B, J02C, J04A, J04B, J08A, J08B, J08C, J16Z, J21Z, J22A, J22B		09	J02A, J02B, J02C, J04A, J04B, J08A, J08B, J08C, J16Z, J21Z, J22A, J22B		21B	X01A, X01B, X01C	
5v545.7↔		BOP, KVT, UOP4	5v545.j		BOP, KVT, UOP4	5v551.5		BOP, KVT, UOP4	
	05	F13A		05	F13A		22	Y01Z, Y02A, Y02B, Y02C	
	09	J02A, J02B, J02C, J04A, J04B, J08A, J08B, J08C, J16Z, J21Z, J22A, J22B		09	J02A, J02B, J02C, J04A, J04B, J08A, J08B, J08C, J16Z, J21Z, J22A, J22B		05	F13A	
		Y01Z, Y03A, Y03B			Y01Z, Y03A, Y03B			08	I02A, I02B, I02C, I02D, I22A, I22B, I50Z
		Y01Z, Y03A, Y03B			Y01Z, Y03A, Y03B			09	J08A, J08B, J08C, J16Z, J21Z, J22A, J22B
		Y01Z, Y03A, Y03B			Y01Z, Y03A, Y03B			21B	X01A, X01B, X01C
		Y01Z, Y03A, Y03B			Y01Z, Y03A, Y03B			22	Y01Z, Y02A, Y02B, Y02C
		Y01Z, Y03A, Y03B			Y01Z, Y03A, Y03B			22	Y01Z, Y02A, Y02B, Y02C

VYK

ZZV	MDC	DRG	ZZV	MDC	DRG	ZZV	MDC	DRG
5v551.6↔		BOP, KVT, UOP4	5v551.e↔		BOP, KVT, UOP4	5v552.0		BOP, KVT, UOP4
	05	F13A		05	F13A		03	D08A, D08B, D18Z, D22A, D22B, D30A, D30B
	08	I02A, I02B, I02C, I02D, I22A, I22B, I50Z		08	I02A, I02B, I02C, I02D, I22A, I22B, I50Z		05	F13A
	09	J08A, J08B, J08C, J16Z, J21Z, J22A, J22B		09	J08A, J08B, J08C, J16Z, J21Z, J22A, J22B		09	J03A, J03B, J04A, J04B, J08A, J08B, J08C, J10A, J10B, J16Z, J21Z, J22A, J22B
	21B	X01A, X01B, X01C		21B	X01A, X01B, X01C		21A	W04A, W04B
5v551.7↔	22	Y01Z, Y02A, Y02B, Y02C	5v551.f↔	22	Y01Z, Y02A, Y02B, Y02C	21B	X06A, X06B, X06C	
		BOP, KVT, UOP4			BOP, KVT, UOP4	22	Y01Z, Y03A, Y03B	
	05	F13A		05	F13A	5v552.1	BOP, KVT, UOP4	
	08	I02A, I02B, I02C, I02D, I22A, I22B, I50Z		08	I02A, I02B, I02C, I02D, I22A, I22B, I50Z	05	F13A	
	09	J08A, J08B, J08C, J16Z, J21Z, J22A, J22B		09	J08A, J08B, J08C, J16Z, J21Z, J22A, J22B	09	J08A, J08B, J08C, J16Z, J21Z, J22A, J22B	
5v551.8↔	21B	X01A, X01B, X01C	5v551.g↔	21B	X01A, X01B, X01C	22	Y01Z, Y02A, Y02B, Y03A, Y03B	
	22	Y01Z, Y02A, Y02B, Y02C		22	Y01Z, Y02A, Y02B, Y02C	5v552.2↔	BOP, KVT, UOP4	
		BOP, KVT, UOP4			BOP, KVT, UOP4	05	F13A	
	05	F13A		05	F13A	09	J08A, J08B, J08C, J16Z, J21Z, J22A, J22B	
	08	I02A, I02B, I02C, I02D, I22A, I22B, I32A, I32B, I32C, I32D, I32E, I32F, I50Z		08	I02A, I02B, I02C, I02D, I22A, I22B, I50Z	22	Y01Z, Y03A, Y03B	
5v551.9↔	09	J08A, J08B, J08C, J16Z, J21Z, J22A, J22B	5v551.h	09	J08A, J08B, J08C, J16Z, J21Z, J22A, J22B	5v552.3↔	BOP, KVT, UOP4	
	21B	X01A, X01B, X01C		21B	X01A, X01B, X01C	05	F13A	
	22	Y01Z, Y02A, Y02B, Y02C		22	Y01Z, Y02A, Y02B, Y02C	09	J08A, J08B, J08C, J16Z, J21Z, J22A, J22B	
		BOP, KVT, UOP4			BOP, KVT, UOP4	22	Y01Z, Y03A, Y03B	
	05	F13A		05	F13A	5v552.4	BOP, KVT, UOP4	
5v551.a	08	I32A, I32B, I32C, I32D, I32E, I32F	5v551.j	08	I02A, I02B, I02C, I02D, I22A, I22B, I50Z	05	F13A	
	09	J08A, J08B, J08C, J16Z, J21Z, J22A, J22B		09	J08A, J08B, J08C, J16Z, J21Z, J22A, J22B	08	I02A, I02B, I02C, I02D, I22A, I22B, I50Z	
	21B	X01A, X01B, X01C		21B	X01A, X01B, X01C	09	J08A, J08B, J08C, J16Z, J21Z, J22A, J22B	
	22	Y01Z, Y02A, Y02B, Y02C		22	Y01Z, Y02A, Y02B, Y02C	21B	X01A, X01B, X01C	
		BOP, KVT, UOP4			BOP, KVT, UOP4	22	Y01Z, Y02A, Y02B, Y02C	
5v551.b	05	F13A	5v551.k	05	F13A	5v552.5	BOP, KVT, UOP4	
	08	I02A, I02B, I02C, I02D, I22A, I22B, I50Z		08	I02A, I02B, I02C, I02D, I22A, I22B, I50Z	05	F13A	
	09	J08A, J08B, J08C, J16Z, J21Z, J22A, J22B		09	J08A, J08B, J08C, J16Z, J21Z, J22A, J22B	08	I02A, I02B, I02C, I02D, I22A, I22B, I50Z	
	21B	X01A, X01B, X01C		21B	X01A, X01B, X01C	09	J08A, J08B, J08C, J16Z, J21Z, J22A, J22B	
	22	Y01Z, Y02A, Y02B, Y02C		22	Y01Z, Y02A, Y02B, Y02C	21B	X01A, X01B, X01C	
5v551.c		BOP, KVT, UOP4	5v551.l		BOP, KVT, UOP4	22	Y01Z, Y02A, Y02B, Y02C	
	05	F13A		05	F13A	5v552.6↔	BOP, KVT, UOP4	
	08	I02A, I02B, I02C, I02D, I22A, I22B, I50Z		08	I02A, I02B, I02C, I02D, I22A, I22B, I50Z	05	F13A	
	09	J08A, J08B, J08C, J16Z, J21Z, J22A, J22B		09	J08A, J08B, J08C, J16Z, J21Z, J22A, J22B	08	I02A, I02B, I02C, I02D, I22A, I22B, I50Z	
	21B	X01A, X01B, X01C		21B	X01A, X01B, X01C	09	J08A, J08B, J08C, J16Z, J21Z, J22A, J22B	
5v551.d	22	Y01Z, Y02A, Y02B, Y02C	5v551.m	22	Y01Z, Y02A, Y02B, Y02C	21B	X01A, X01B, X01C	
		BOP, KVT, UOP4			BOP, KVT, UOP4	22	Y01Z, Y02A, Y02B, Y02C	
	05	F13A		05	F13A	5v552.7↔	BOP, KVT, UOP4	
	08	I02A, I02B, I02C, I02D, I22A, I22B, I50Z		08	I02A, I02B, I02C, I02D, I22A, I22B, I32A, I32B, I32C, I32D, I32E, I32F, I50Z	05	F13A	
	09	J08A, J08B, J08C, J16Z, J21Z, J22A, J22B		09	J08A, J08B, J08C, J16Z, J21Z, J22A, J22B	08	I02A, I02B, I02C, I02D, I22A, I22B, I50Z	
5v551.e	21B	X01A, X01B, X01C	5v551.n	21B	X01A, X01B, X01C	09	J08A, J08B, J08C, J16Z, J21Z, J22A, J22B	
	22	Y01Z, Y02A, Y02B, Y02C		22	Y01Z, Y02A, Y02B, Y02C	21B	X01A, X01B, X01C	
		BOP, KVT, UOP4			BOP, KVT, UOP4	22	Y01Z, Y02A, Y02B, Y02C	
	05	F13A		05	F13A	5v552.8↔	BOP, KVT, UOP4	
	08	I02A, I02B, I02C, I02D, I22A, I22B, I50Z		08	I02A, I02B, I02C, I02D, I22A, I22B, I32A, I32B, I32C, I32D, I32E, I32F, I50Z	05	F13A	
5v551.f	09	J08A, J08B, J08C, J16Z, J21Z, J22A, J22B	5v551.o	09	J08A, J08B, J08C, J16Z, J21Z, J22A, J22B	08	I02A, I02B, I02C, I02D, I22A, I22B, I50Z	
	21B	X01A, X01B, X01C		21B	X01A, X01B, X01C	09	J08A, J08B, J08C, J16Z, J21Z, J22A, J22B	
	22	Y01Z, Y02A, Y02B, Y02C		22	Y01Z, Y02A, Y02B, Y02C	21B	X01A, X01B, X01C	
		BOP, KVT, UOP4			BOP, KVT, UOP4	22	Y01Z, Y02A, Y02B, Y02C	
	05	F13A		05	F13A	22	Y01Z, Y02A, Y02B, Y02C	

ZZV	MDC	DRG	ZZV	MDC	DRG	ZZV	MDC	DRG
5v552.9↔		BOP, KVT, UOP4	5v552.h		BOP, KVT, UOP4	5v553.3↔		BOP, KVT, UOP4
	05	F13A		05	F13A		02	C01A, C01B, C16Z, C20A, C20B
	08	I32A, I32B, I32C, I32D, I32E, I32F		08	I02A, I02B, I02C, I02D, I22A, I22B, I50Z		05	F13A
	09	J08A, J08B, J08C, J16Z, J21Z, J22A, J22B		09	J08A, J08B, J08C, J16Z, J21Z, J22A, J22B		08	I17Z
5v552.a	22	Y01Z, Y02A, Y02B, Y02C		21B	X01A, X01B, X01C		09	J03A, J03B, J04A, J04B, J08A, J08B, J08C, J10A, J10B, J16Z, J21Z, J22A, J22B
		BOP, KVT, UOP4	5v552.j		BOP, KVT, UOP4		10	K09A, K09B
	05	F13A		05	F13A		21A	W04A, W04B
	08	I02A, I02B, I02C, I02D, I22A, I22B, I50Z		08	I02A, I02B, I02C, I02D, I22A, I22B, I50Z		21B	X06A, X06B, X06C
	09	J08A, J08B, J08C, J16Z, J21Z, J22A, J22B		09	J08A, J08B, J08C, J16Z, J21Z, J22A, J22B	5v553.4‡	09	J11A, J11B
	21B	X01A, X01B, X01C		21B	X01A, X01B, X01C		22	Y01Z, Y02A, Y02B, Y02C
5v552.b	22	Y01Z, Y02A, Y02B, Y02C		22	Y01Z, Y02A, Y02B, Y02C	5v553.5‡	09	J11A, J11B
		BOP, KVT, UOP4	5v552.k		BOP, KVT, UOP4		22	Y01Z, Y02A, Y02B, Y02C
	05	F13A		05	F13A	5v553.6‡↔	09	J11A, J11B
	08	I02A, I02B, I02C, I02D, I22A, I22B, I50Z		09	J08A, J08B, J08C, J16Z, J21Z, J22A, J22B		22	Y01Z, Y02A, Y02B, Y02C
	09	J08A, J08B, J08C, J16Z, J21Z, J22A, J22B		10	K09A, K09B	5v553.7‡↔	09	J11A, J11B
	21B	X01A, X01B, X01C		12	M04A, M04B, M04C, M04D, M37Z, M38Z		22	Y01Z, Y02A, Y02B, Y02C
5v552.c	22	Y01Z, Y02A, Y02B, Y02C		21A	W04A, W04B	5v553.8‡↔	09	J11A, J11B
		BOP, KVT, UOP4		21B	X06A, X06B, X06C		22	Y01Z, Y02A, Y02B, Y02C
	05	F13A	5v552.m		BOP, KVT, UOP4	5v553.9‡↔	09	J11A, J11B
	09	J08A, J08B, J08C, J16Z, J21Z, J22A, J22B		05	F13A		22	Y01Z, Y02A, Y02B, Y02C
	10	K09A, K09B		08	I02A, I02B, I02C, I02D, I22A, I22B, I32A, I32B, I32C, I32D, I32E, I32F, I50Z	5v553.a‡	09	J11A, J11B
	12	M04A, M04B, M04C, M04D, M37Z, M38Z		09	J08A, J08B, J08C, J16Z, J21Z, J22A, J22B		22	Y01Z, Y02A, Y02B, Y02C
	21A	W04A, W04B		21B	X01A, X01B, X01C	5v553.b‡	09	J11A, J11B
	21B	X06A, X06B, X06C		22	Y01Z, Y02A, Y02B, Y02C		22	Y01Z, Y02A, Y02B, Y02C
5v552.d	22	Y01Z, Y03A, Y03B		21B	X01A, X01B, X01C	5v553.c‡	09	J11A, J11B
		BOP, KVT, UOP4	5v552.x↔		BOP, KVT, UOP4		22	Y01Z, Y02A, Y02B, Y02C
	05	F13A		05	F13A	5v553.d‡	09	J11A, J11B
	08	I02A, I02B, I02C, I02D, I22A, I22B, I50Z		08	I02A, I02B, I02C, I02D, I22A, I22B, I32A, I32B, I32C, I32D, I32E, I32F, I50Z		22	Y01Z, Y02A, Y02B, Y02C
	09	J08A, J08B, J08C, J16Z, J21Z, J22A, J22B		09	J08A, J08B, J08C, J16Z, J21Z, J22A, J22B	5v553.e‡↔	09	J11A, J11B
	21B	X01A, X01B, X01C		21B	X01A, X01B, X01C		22	Y01Z, Y02A, Y02B, Y02C
5v552.e↔	22	Y01Z, Y02A, Y02B, Y02C		22	Y01Z, Y02A, Y02B, Y02C	5v553.f‡↔	09	J11A, J11B
		BOP, KVT, UOP4		05	F13A		22	Y01Z, Y02A, Y02B, Y02C
	05	F13A	5v553.0‡		J11A, J11B	5v553.g‡↔	09	J11A, J11B
	08	I02A, I02B, I02C, I02D, I22A, I22B, I50Z		22	Y01Z, Y02A, Y02B, Y02C		22	Y01Z, Y02A, Y02B, Y02C
	09	J08A, J08B, J08C, J16Z, J21Z, J22A, J22B	5v553.1		Y01Z, Y03A, Y03B	5v553.h‡	09	J11A, J11B
	21B	X01A, X01B, X01C		03	D09Z, D30A		22	Y01Z, Y02A, Y02B, Y02C
5v552.f↔	22	Y01Z, Y02A, Y02B, Y02C		05	F13A	5v553.i‡	09	J11A, J11B
		BOP, KVT, UOP4		08	I28A, I28B		22	Y01Z, Y02A, Y02B, Y02C
	05	F13A		09	J03A, J03B, J04A, J04B, J08A, J08B, J08C, J10A, J10B, J16Z, J21Z, J22A, J22B	5v553.k‡	09	J11A, J11B
	08	I02A, I02B, I02C, I02D, I22A, I22B, I50Z		21A	W04A, W04B		22	Y01Z, Y02A, Y02B, Y02C
	09	J08A, J08B, J08C, J16Z, J21Z, J22A, J22B		21B	X06A, X06B, X06C	5v553.m‡	09	J11A, J11B
	21B	X01A, X01B, X01C		22	Y01Z, Y02A, Y02B, Y03A, Y03B		22	Y01Z, Y02A, Y02B, Y02C
5v552.g↔	22	Y01Z, Y02A, Y02B, Y02C	5v553.2↔		BOP, KVT, UOP4	5v554.0	06	G33Z
		BOP, KVT, UOP4		03	D09Z, D30A		07	H33Z, H38Z
	05	F13A		05	F13A		08	I32A, I32B, I32C, I32D
	08	I02A, I02B, I02C, I02D, I22A, I22B, I50Z		09	J03A, J03B, J04A, J04B, J08A, J08B, J08C, J10A, J10B, J16Z, J21Z, J22A, J22B		09	J01Z, J02A, J02B
	09	J08A, J08B, J08C, J16Z, J21Z, J22A, J22B		21A	W04A, W04B		11	L33Z
	21B	X01A, X01B, X01C		21B	X06A, X06B, X06C		21B	X01A, X01B, X01C, X33Z
	22	Y01Z, Y02A, Y02B, Y02C		22	Y01Z, Y02A, Y02B, Y03A, Y03B		22	Y01Z, Y03A, Y03B
		BOP, KVT, UOP4		Pre	A07A		Pre	A07A
	05	F13A		06	G33Z	5v554.1	06	G33Z
	08	I02A, I02B, I02C, I02D, I22A, I22B, I50Z		07	H33Z, H38Z		07	H33Z, H38Z
	09	J08A, J08B, J08C, J16Z, J21Z, J22A, J22B		08	I02A, I02B, I02C, I02D, I22A, I22B, I32A, I32B, I32C, I32D, I34Z, I50Z		08	I02A, I02B, I02C, I02D, I22A, I22B, I32A, I32B, I32C, I32D, I34Z, I50Z
	21B	X01A, X01B, X01C		21A	W04A, W04B		09	J01Z, J02A, J02B
	22	Y01Z, Y02A, Y02B, Y02C		21B	X06A, X06B, X06C		11	L33Z
		BOP, KVT, UOP4		22	Y01Z, Y03A, Y03B		21B	X01A, X01B, X01C, X33Z
							22	Y01Z, Y03A, Y03B
							Pre	A07A

VYK

ZZV	MDC	DRG	ZZV	MDC	DRG	ZZV	MDC	DRG			
5v554.2↔		KOP, KOPV	5v554.8↔		KOP, KOPV	5v554.e↔		KOP, KOPV			
	06	G33Z		06	G33Z		06	G33Z			
	07	H33Z, H38Z		07	H33Z, H38Z		07	H33Z, H38Z			
	08	I02A, I02B, I02C, I02D, I22A, I22B, I32A, I32B, I32C, I32D, I34Z, I50Z		08	I02A, I02B, I02C, I02D, I22A, I22B, I32A, I32B, I32C, I32D, I32E, I32F, I34Z, I50Z		08	I02A, I02B, I02C, I02D, I22A, I22B, I32A, I32B, I32C, I32D, I34Z, I50Z			
	09	J01Z, J02A, J02B		09	J01Z, J02A, J02B		09	J01Z, J02A, J02B			
	11	L33Z		11	L33Z		11	L33Z			
	21B	X01A, X01B, X01C, X33Z		21B	X01A, X01B, X01C, X33Z		21B	X01A, X01B, X01C, X33Z			
	22	Y01Z, Y03A, Y03B		22	Y01Z, Y02A, Y02B, Y02C		22	Y01Z, Y02A, Y02B, Y02C			
	Pre	A07A		Pre	A07A		Pre	A07A			
	5v554.3↔			KOP, KOPV	5v554.9↔			KOP, KOPV	5v554.f↔		KOP, KOPV
		06		G33Z			06	G33Z		06	G33Z
07		H33Z, H38Z	07	H33Z, H38Z		07	H33Z, H38Z				
08		I02A, I02B, I02C, I02D, I22A, I22B, I32A, I32B, I32C, I32D, I34Z, I50Z	08	I32A, I32B, I32C, I32D, I32E, I32F, I34Z		08	I02A, I02B, I02C, I02D, I22A, I22B, I32A, I32B, I32C, I32D, I34Z, I50Z				
09		J01Z, J02A, J02B	09	J01Z, J02A, J02B		09	J01Z, J02A, J02B				
11		L33Z	11	L33Z		11	L33Z				
21B		X01A, X01B, X01C, X33Z	21B	X01A, X01B, X01C, X33Z		21B	X01A, X01B, X01C, X33Z				
22		Y01Z, Y03A, Y03B	22	Y01Z, Y02A, Y02B, Y02C		22	Y01Z, Y02A, Y02B, Y02C				
Pre		A07A	Pre	A07A		Pre	A07A				
5v554.4			KOP, KOPV	5v554.a			KOP, KOPV	5v554.g↔			KOP, KOPV
		06	G33Z			06	G33Z			06	G33Z
	07	H33Z, H38Z	07		H33Z, H38Z	07	H33Z, H38Z				
	08	I02A, I02B, I02C, I02D, I22A, I22B, I32A, I32B, I32C, I32D, I34Z, I50Z	08		I02A, I02B, I02C, I02D, I22A, I22B, I32A, I32B, I32C, I32D, I34Z, I50Z	08	I02A, I02B, I02C, I02D, I22A, I22B, I32A, I32B, I32C, I32D, I34Z, I50Z				
	09	J01Z, J02A, J02B	09		J01Z, J02A, J02B	09	J01Z, J02A, J02B				
	11	L33Z	11		L33Z	11	L33Z				
	21B	X01A, X01B, X01C, X33Z	21B		X01A, X01B, X01C, X33Z	21B	X01A, X01B, X01C, X33Z				
	22	Y01Z, Y02A, Y02B, Y02C	22		Y01Z, Y02A, Y02B, Y02C	22	Y01Z, Y02A, Y02B, Y02C				
	Pre	A07A	Pre		A07A	Pre	A07A				
	5v554.5		KOP, KOPV		5v554.b		KOP, KOPV		5v554.x↔		KOP, KOPV
		06	G33Z			06	G33Z			06	G33Z
07		H33Z, H38Z	07	H33Z, H38Z		07	H33Z, H38Z				
08		I02A, I02B, I02C, I02D, I22A, I22B, I32A, I32B, I32C, I32D, I34Z, I50Z	08	I02A, I02B, I02C, I02D, I22A, I22B, I32A, I32B, I32C, I32D, I34Z, I50Z		08	I02A, I02B, I02C, I02D, I22A, I22B, I32A, I32B, I32C, I32D, I34Z, I50Z				
09		J01Z, J02A, J02B	09	J01Z, J02A, J02B		09	J01Z, J02A, J02B				
11		L33Z	11	L33Z		11	L33Z				
21B		X01A, X01B, X01C, X33Z	21B	X01A, X01B, X01C, X33Z		21B	X01A, X01B, X01C, X33Z				
22		Y01Z, Y02A, Y02B, Y02C	22	Y01Z, Y02A, Y02B, Y02C		22	Y01Z, Y03A, Y03B				
Pre		A07A	Pre	A07A		Pre	A07A				
5v554.6↔			KOP, KOPV	5v554.c			KOP, KOPV	5v555.0			BOP, KVT, UOP4
		06	G33Z			06	G33Z			03	D18Z, D25A, D25B, D25C, D25D
	07	H33Z, H38Z	07		H33Z, H38Z	05	F13A				
	08	I02A, I02B, I02C, I02D, I22A, I22B, I32A, I32B, I32C, I32D, I34Z, I50Z	08		I02A, I02B, I02C, I02D, I22A, I22B, I32A, I32B, I32C, I32D, I34Z, I50Z	09	J03A, J03B, J04A, J04B, J08A, J08B, J08C, J11A, J11B, J16Z, J21Z, J22A, J22B				
	09	J01Z, J02A, J02B	09		J01Z, J02A, J02B	21A	W04A, W04B				
	11	L33Z	11		L33Z	21B	X06A, X06B, X06C				
	21B	X01A, X01B, X01C, X33Z	21B		X01A, X01B, X01C, X33Z	22	Y01Z, Y03A, Y03B				
	22	Y01Z, Y02A, Y02B, Y02C	22		Y01Z, Y03A, Y03B	Pre	BOP, KVT, UOP4				
	Pre	A07A	Pre		A07A	03	D12A				
	5v554.7↔		KOP, KOPV		5v554.d		KOP, KOPV		5v555.1		D12A
		06	G33Z			06	G33Z			05	F13A
07		H33Z, H38Z	07	H33Z, H38Z		09	J02A, J02B, J02C, J04A, J04B, J08A, J08B, J08C, J11A, J16Z, J21Z, J22A, J22B				
08		I02A, I02B, I02C, I02D, I22A, I22B, I32A, I32B, I32C, I32D, I34Z, I50Z	08	I02A, I02B, I02C, I02D, I22A, I22B, I32A, I32B, I32C, I32D, I34Z, I50Z		21A	W04A, W04B				
09		J01Z, J02A, J02B	09	J01Z, J02A, J02B		21B	X01A, X01B, X01C				
11		L33Z	11	L33Z		22	Y01Z, Y02A, Y02B, Y03A, Y03B				
21B		X01A, X01B, X01C, X33Z	21B	X01A, X01B, X01C, X33Z							
22		Y01Z, Y02A, Y02B, Y02C	22	Y01Z, Y03A, Y03B							
Pre		A07A	Pre	A07A							

VYK

ZZV	MDC	DRG	ZZV	MDC	DRG	ZZV	MDC	DRG
5v555.2↔		BOP, KVT, UOP4	5v555.8↔		BOP, KVT, UOP4	5v555.e↔		BOP, KVT, UOP4
	03	D12A		05	F13A		05	F13A
	05	F13A		08	I02A, I02B, I02C, I02D, I22A, I22B, I32A, I32B, I32C, I32D, I32E, I32F, I50Z		08	I02A, I02B, I02C, I02D, I22A, I22B, I50Z
	09	J02A, J02B, J02C, J04A, J04B, J08A, J08B, J08C, J16Z, J21Z, J22A, J22B		09	J02A, J02B, J02C, J04A, J04B, J08A, J08B, J08C, J16Z, J21Z, J22A, J22B		09	J02A, J02B, J02C, J04A, J04B, J08A, J08B, J08C, J16Z, J21Z, J22A, J22B
	21A	W04A, W04B		21A	W04A, W04B		21A	W04A, W04B
	21B	X01A, X01B, X01C		21B	X01A, X01B, X01C		21B	X01A, X01B, X01C
	22	Y01Z, Y03A, Y03B		21B	X01A, X01B, X01C		21B	X01A, X01B, X01C
5v555.3↔		BOP, KVT, UOP4	5v555.9↔		BOP, KVT, UOP4	5v555.f↔		BOP, KVT, UOP4
	02	C01A, C01B, C16Z, C20A, C20B		05	F13A		05	F13A
	05	F13A		08	I32A, I32B, I32C, I32D, I32E, I32F		08	I02A, I02B, I02C, I02D, I22A, I22B, I50Z
	08	I17Z		09	J02A, J02B, J02C, J04A, J04B, J08A, J08B, J08C, J16Z, J21Z, J22A, J22B		09	J02A, J02B, J02C, J04A, J04B, J08A, J08B, J08C, J16Z, J21Z, J22A, J22B
	09	J03A, J03B, J04A, J04B, J08A, J08B, J08C, J10A, J10B, J16Z, J21Z, J22A, J22B		21A	W04A, W04B		21A	W04A, W04B
	21A	W04A, W04B		21A	W04A, W04B		21A	W04A, W04B
	21B	X06A, X06B, X06C		21B	X01A, X01B, X01C		21B	X01A, X01B, X01C
	22	Y01Z, Y03A, Y03B		21B	X01A, X01B, X01C		22	Y01Z, Y02A, Y02B, Y02C
5v555.4		BOP, KVT, UOP4	5v555.a		BOP, KVT, UOP4	5v555.g↔		BOP, KVT, UOP4
	03	D12A		05	F13A		05	F13A
	05	F13A		08	I02A, I02B, I02C, I02D, I22A, I22B, I50Z		08	I02A, I02B, I02C, I02D, I22A, I22B, I50Z
	08	I02A, I02B, I02C, I02D, I22A, I22B, I50Z		09	J02A, J02B, J02C, J04A, J04B, J08A, J08B, J08C, J16Z, J21Z, J22A, J22B		09	J02A, J02B, J02C, J04A, J04B, J08A, J08B, J08C, J16Z, J21Z, J22A, J22B
	09	J02A, J02B, J02C, J04A, J04B, J08A, J08B, J08C, J16Z, J21Z, J22A, J22B		21A	W04A, W04B		21A	W04A, W04B
	21A	W04A, W04B		21B	X01A, X01B, X01C		21B	X01A, X01B, X01C
	21B	X01A, X01B, X01C		21B	X01A, X01B, X01C		21B	X01A, X01B, X01C
	22	Y01Z, Y02A, Y02B, Y02C		22	Y01Z, Y02A, Y02B, Y02C		22	Y01Z, Y02A, Y02B, Y02C
5v555.5		BOP, KVT, UOP4	5v555.b		BOP, KVT, UOP4	5v555.x↔		BOP, KVT, UOP4
	03	D12A		05	F13A		05	F13A
	05	F13A		08	I02A, I02B, I02C, I02D, I22A, I22B, I50Z		08	I02A, I02B, I02C, I02D, I22A, I22B, I32A, I32B, I32C, I32D, I32E, I32F, I50Z
	08	I02A, I02B, I02C, I02D, I22A, I22B, I50Z		09	J02A, J02B, J02C, J04A, J04B, J08A, J08B, J08C, J16Z, J21Z, J22A, J22B		09	J02A, J02B, J02C, J04A, J04B, J08A, J08B, J08C, J16Z, J21Z, J22A, J22B
	09	J02A, J02B, J02C, J04A, J04B, J08A, J08B, J08C, J16Z, J21Z, J22A, J22B		21A	W04A, W04B		21A	W04A, W04B
	21A	W04A, W04B		21B	X01A, X01B, X01C		21A	W04A, W04B
	21B	X01A, X01B, X01C		21B	X01A, X01B, X01C		21B	X01A, X01B, X01C
	22	Y01Z, Y02A, Y02B, Y02C		22	Y01Z, Y02A, Y02B, Y02C		21B	X01A, X01B, X01C
5v555.6↔		BOP, KVT, UOP4	5v555.c		BOP, KVT, UOP4	5v555.0		BOP, KVT, UOP4
	05	F13A		05	F13A		03	D02A, D02B, D18Z, D24A, D24B
	08	I02A, I02B, I02C, I02D, I22A, I22B, I50Z		08	I02A, I02B, I02C, I02D, I22A, I22B, I50Z		05	F13A
	09	J02A, J02B, J02C, J04A, J04B, J08A, J08B, J08C, J16Z, J21Z, J22A, J22B		09	J02A, J02B, J02C, J04A, J04B, J08A, J08B, J08C, J16Z, J21Z, J22A, J22B		09	J03A, J03B, J04A, J04B, J08A, J08B, J08C, J11A, J11B, J16Z, J21Z, J22A, J22B
	21A	W04A, W04B		21A	W04A, W04B		21A	W04A, W04B
	21B	X01A, X01B, X01C		21B	X01A, X01B, X01C		21A	W04A, W04B
	22	Y01Z, Y02A, Y02B, Y02C		22	Y01Z, Y03A, Y03B		21B	X06A, X06B, X06C
5v555.7↔		BOP, KVT, UOP4	5v555.d		BOP, KVT, UOP4	5v555.1		BOP, KVT, UOP4
	05	F13A		05	F13A		03	D12A
	08	I02A, I02B, I02C, I02D, I22A, I22B, I50Z		08	I02A, I02B, I02C, I02D, I22A, I22B, I50Z		05	F13A
	09	J02A, J02B, J02C, J04A, J04B, J08A, J08B, J08C, J16Z, J21Z, J22A, J22B		09	J02A, J02B, J02C, J04A, J04B, J08A, J08B, J08C, J16Z, J21Z, J22A, J22B		09	J02A, J02B, J02C, J04A, J04B, J08A, J08B, J08C, J16Z, J21Z, J22A, J22B
	21A	W04A, W04B		21A	W04A, W04B		21A	W04A, W04B
	21B	X01A, X01B, X01C		21B	X01A, X01B, X01C		21B	X01A, X01B, X01C
	22	Y01Z, Y02A, Y02B, Y02C		22	Y01Z, Y03A, Y03B		21B	X01A, X01B, X01C
	21A	W04A, W04B		22	Y01Z, Y03A, Y03B		22	Y01Z, Y02A, Y02B, Y03A, Y03B
	21B	X01A, X01B, X01C		22	Y01Z, Y03A, Y03B		22	Y01Z, Y02A, Y02B, Y03A, Y03B
	22	Y01Z, Y02A, Y02B, Y02C		22	Y01Z, Y03A, Y03B		22	Y01Z, Y02A, Y02B, Y03A, Y03B

VYK

ZZV	MDC	DRG	ZZV	MDC	DRG	ZZV	MDC	DRG
5v556.2↔		BOP, KVT, UOP4	5v556.8↔		BOP, KVT, UOP4	5v556.e↔		BOP, KVT, UOP4
	03	D12A		05	F13A		05	F13A
	05	F13A		08	I02A, I02B, I02C, I02D, I22A, I22B, I32A, I32B, I32C, I32D, I32E, I32F, I50Z		08	I02A, I02B, I02C, I02D, I22A, I22B, I50Z
	09	J02A, J02B, J02C, J04A, J04B, J08A, J08B, J08C, J16Z, J21Z, J22A, J22B		09	J02A, J02B, J02C, J04A, J04B, J08A, J08B, J08C, J16Z, J21Z, J22A, J22B		09	J02A, J02B, J02C, J04A, J04B, J08A, J08B, J08C, J16Z, J21Z, J22A, J22B
	21A	W04A, W04B		21A	W04A, W04B		21A	W04A, W04B
	21B	X01A, X01B, X01C		21B	X01A, X01B, X01C		21B	X01A, X01B, X01C
	22	Y01Z, Y03A, Y03B		21B	X01A, X01B, X01C		22	Y01Z, Y02A, Y02B, Y02C
		BOP, KVT, UOP4		22	Y01Z, Y02A, Y02B, Y02C			BOP, KVT, UOP4
		C01A, C01B, C16Z, C20A, C20B			BOP, KVT, UOP4			F13A
		F13A			F13A			I02A, I02B, I02C, I02D, I22A, I22B, I50Z
5v556.3↔		BOP, KVT, UOP4	5v556.9↔		BOP, KVT, UOP4	5v556.f↔		BOP, KVT, UOP4
	02	C01A, C01B, C16Z, C20A, C20B		05	F13A		05	F13A
	05	F13A		08	I32A, I32B, I32C, I32D, I32E, I32F		08	I02A, I02B, I02C, I02D, I22A, I22B, I50Z
	08	I17Z		09	J02A, J02B, J02C, J04A, J04B, J08A, J08B, J08C, J16Z, J21Z, J22A, J22B		09	J02A, J02B, J02C, J04A, J04B, J08A, J08B, J08C, J16Z, J21Z, J22A, J22B
	09	J03A, J03B, J04A, J04B, J08A, J08B, J08C, J10A, J10B, J16Z, J21Z, J22A, J22B		09	J02A, J02B, J02C, J04A, J04B, J08A, J08B, J08C, J16Z, J21Z, J22A, J22B		09	J02A, J02B, J02C, J04A, J04B, J08A, J08B, J08C, J16Z, J21Z, J22A, J22B
	10	K09A, K09B		21A	W04A, W04B		21A	W04A, W04B
	21A	W04A, W04B		21B	X01A, X01B, X01C		21B	X01A, X01B, X01C
	21B	X06A, X06B, X06C		21B	X01A, X01B, X01C		22	Y01Z, Y02A, Y02B, Y02C
	22	Y01Z, Y03A, Y03B		22	Y01Z, Y02A, Y02B, Y02C			BOP, KVT, UOP4
		BOP, KVT, UOP4			BOP, KVT, UOP4			F13A
5v556.4		BOP, KVT, UOP4	5v556.a		BOP, KVT, UOP4	5v556.g↔		BOP, KVT, UOP4
	03	D12A		05	F13A		05	F13A
	05	F13A		08	I02A, I02B, I02C, I02D, I22A, I22B, I50Z		08	I02A, I02B, I02C, I02D, I22A, I22B, I50Z
	08	I02A, I02B, I02C, I02D, I22A, I22B, I50Z		09	J02A, J02B, J02C, J04A, J04B, J08A, J08B, J08C, J16Z, J21Z, J22A, J22B		09	J02A, J02B, J02C, J04A, J04B, J08A, J08B, J08C, J16Z, J21Z, J22A, J22B
	09	J02A, J02B, J02C, J04A, J04B, J08A, J08B, J08C, J16Z, J21Z, J22A, J22B		21A	W04A, W04B		21A	W04A, W04B
	21A	W04A, W04B		21B	X01A, X01B, X01C		21B	X01A, X01B, X01C
	21B	X01A, X01B, X01C		21B	X01A, X01B, X01C		22	Y01Z, Y02A, Y02B, Y02C
	22	Y01Z, Y02A, Y02B, Y02C		22	Y01Z, Y02A, Y02B, Y02C			BOP, KVT, UOP4
		BOP, KVT, UOP4			BOP, KVT, UOP4			F13A
		D12A			F13A			I02A, I02B, I02C, I02D, I22A, I22B, I50Z
5v556.5		BOP, KVT, UOP4	5v556.b		BOP, KVT, UOP4	5v556.x↔		BOP, KVT, UOP4
	03	D12A		05	F13A		05	F13A
	05	F13A		08	I02A, I02B, I02C, I02D, I22A, I22B, I50Z		08	I02A, I02B, I02C, I02D, I22A, I22B, I32A, I32B, I32C, I32D, I32E, I32F, I50Z
	08	I02A, I02B, I02C, I02D, I22A, I22B, I50Z		09	J02A, J02B, J02C, J04A, J04B, J08A, J08B, J08C, J16Z, J21Z, J22A, J22B		09	J02A, J02B, J02C, J04A, J04B, J08A, J08B, J08C, J16Z, J21Z, J22A, J22B
	09	J02A, J02B, J02C, J04A, J04B, J08A, J08B, J08C, J16Z, J21Z, J22A, J22B		21A	W04A, W04B		21A	W04A, W04B
	21A	W04A, W04B		21B	X01A, X01B, X01C		21B	X01A, X01B, X01C
	21B	X01A, X01B, X01C		22	Y01Z, Y02A, Y02B, Y02C		22	Y01Z, Y02A, Y02B, Y02C
	22	Y01Z, Y02A, Y02B, Y02C			BOP, KVT, UOP4			BOP, KVT, UOP4
		BOP, KVT, UOP4			BOP, KVT, UOP4			F13A
		D12A			F13A			I02A, I02B, I02C, I02D, I22A, I22B, I50Z
5v556.6↔		BOP, KVT, UOP4	5v556.c		BOP, KVT, UOP4	5v557.0‡		BOP, KVT, UOP4
	05	F13A		05	F13A		09	J11A, J11B
	08	I02A, I02B, I02C, I02D, I22A, I22B, I50Z		08	I02A, I02B, I02C, I02D, I22A, I22B, I50Z		22	Y01Z, Y03A, Y03B
	09	J02A, J02B, J02C, J04A, J04B, J08A, J08B, J08C, J16Z, J21Z, J22A, J22B		09	J02A, J02B, J02C, J04A, J04B, J08A, J08B, J08C, J16Z, J21Z, J22A, J22B			BOP, KVT, UOP4
	21A	W04A, W04B		21A	W04A, W04B		03	D09Z, D30A
	21B	X01A, X01B, X01C		21B	X01A, X01B, X01C		05	F13A
	22	Y01Z, Y02A, Y02B, Y02C		22	Y01Z, Y02A, Y02B, Y02C		08	I28A, I28B
		BOP, KVT, UOP4			BOP, KVT, UOP4		09	J03A, J03B, J04A, J04B, J08A, J08B, J08C, J10A, J10B, J16Z, J21Z, J22A, J22B
		F13A			F13A			BOP, KVT, UOP4
		I02A, I02B, I02C, I02D, I22A, I22B, I50Z			I02A, I02B, I02C, I02D, I22A, I22B, I50Z			D09Z, D30A
5v556.7↔		BOP, KVT, UOP4	5v556.d		BOP, KVT, UOP4	5v557.1		BOP, KVT, UOP4
	05	F13A		05	F13A		03	D09Z, D30A
	08	I02A, I02B, I02C, I02D, I22A, I22B, I50Z		08	I02A, I02B, I02C, I02D, I22A, I22B, I50Z		05	F13A
	09	J02A, J02B, J02C, J04A, J04B, J08A, J08B, J08C, J16Z, J21Z, J22A, J22B		09	J02A, J02B, J02C, J04A, J04B, J08A, J08B, J08C, J16Z, J21Z, J22A, J22B		08	I28A, I28B
	21A	W04A, W04B		21A	W04A, W04B		09	J03A, J03B, J04A, J04B, J08A, J08B, J08C, J10A, J10B, J16Z, J21Z, J22A, J22B
	21B	X01A, X01B, X01C		21B	X01A, X01B, X01C			BOP, KVT, UOP4
	22	Y01Z, Y02A, Y02B, Y02C		22	Y01Z, Y03A, Y03B		21A	W04A, W04B
		BOP, KVT, UOP4			BOP, KVT, UOP4		21B	X06A, X06B, X06C
		F13A			F13A		22	Y01Z, Y02A, Y02B, Y03A, Y03B
		I02A, I02B, I02C, I02D, I22A, I22B, I50Z			I02A, I02B, I02C, I02D, I22A, I22B, I50Z			BOP, KVT, UOP4
5v556.8↔		BOP, KVT, UOP4	5v556.e↔		BOP, KVT, UOP4	5v557.2↔		BOP, KVT, UOP4
	05	F13A		05	F13A		03	D09Z, D30A
	08	I02A, I02B, I02C, I02D, I22A, I22B, I32A, I32B, I32C, I32D, I32E, I32F, I50Z		08	I02A, I02B, I02C, I02D, I22A, I22B, I50Z		05	F13A
	09	J02A, J02B, J02C, J04A, J04B, J08A, J08B, J08C, J16Z, J21Z, J22A, J22B		09	J02A, J02B, J02C, J04A, J04B, J08A, J08B, J08C, J16Z, J21Z, J22A, J22B		09	J03A, J03B, J04A, J04B, J08A, J08B, J08C, J10A, J10B, J16Z, J21Z, J22A, J22B
	21A	W04A, W04B		21A	W04A, W04B			BOP, KVT, UOP4
	21B	X01A, X01B, X01C		21B	X01A, X01B, X01C		21A	W04A, W04B
	22	Y01Z, Y02A, Y02B, Y02C		22	Y01Z, Y03A, Y03B		21B	X06A, X06B, X06C
		BOP, KVT, UOP4			BOP, KVT, UOP4		22	Y01Z, Y03A, Y03B
		F13A			F13A			BOP, KVT, UOP4
		I02A, I02B, I02C, I02D, I22A, I22B, I50Z			I02A, I02B, I02C, I02D, I22A, I22B, I50Z			D09Z, D30A

VYK

ZZV	MDC	DRG	ZZV	MDC	DRG	ZZV	MDC	DRG
5v557.3↔		BOP, KVT, UOP4	5v558.3↔		BOP, KVT, UOP4	5v559.3↔		BOP, KVT, UOP4
	02	C01A, C01B, C16Z, C20A, C20B		02	C01A, C01B, C16Z, C20A, C20B		02	C01A, C01B, C16Z, C20A, C20B
	05	F13A		05	F13A		05	F13A
	08	I17Z		08	I17Z		08	I17Z
	09	J03A, J03B, J04A, J04B, J08A, J08B, J08C, J10A, J10B, J16Z, J21Z, J22A, J22B		09	J03A, J03B, J04A, J04B, J08A, J08B, J08C, J10A, J10B, J16Z, J21Z, J22A, J22B		09	J03A, J03B, J04A, J04B, J08A, J08B, J08C, J10A, J10B, J16Z, J21Z, J22A, J22B
	10	K09A, K09B		10	K09A, K09B		10	K09A, K09B
	21A	W04A, W04B		21A	W04A, W04B		21A	W04A, W04B
	21B	X06A, X06B, X06C		21B	X06A, X06B, X06C		21B	X06A, X06B, X06C
	22	Y01Z, Y03A, Y03B		22	Y01Z, Y02A, Y03A, Y03B		22	Y01Z, Y02A, Y03A, Y03B
5v557.4‡	09	J11A, J11B	5v558.4‡	09	J11A, J11B	5v559.4‡	09	J11A, J11B
	22	Y01Z, Y02A, Y02B, Y02C		22	Y01Z, Y02A, Y02B, Y02C		22	Y01Z, Y02A, Y02B, Y02C
5v557.5‡	09	J11A, J11B	5v558.5‡	09	J11A, J11B	5v559.5‡	09	J11A, J11B
	22	Y01Z, Y02A, Y02B, Y02C		22	Y01Z, Y02A, Y02B, Y02C		22	Y01Z, Y02A, Y02B, Y02C
5v557.6‡↔	09	J11A, J11B	5v558.6‡↔	09	J11A, J11B	5v559.6‡↔	09	J11A, J11B
	22	Y01Z, Y02A, Y02B, Y02C		22	Y01Z, Y02A, Y02B, Y02C		22	Y01Z, Y02A, Y02B, Y02C
5v557.7‡↔	09	J11A, J11B	5v558.7‡↔	09	J11A, J11B	5v559.7‡↔	09	J11A, J11B
	22	Y01Z, Y02A, Y02B, Y02C		22	Y01Z, Y02A, Y02B, Y02C		22	Y01Z, Y02A, Y02B, Y02C
5v557.8‡↔	09	J11A, J11B	5v558.8‡↔	09	J11A, J11B	5v559.8‡↔	09	J11A, J11B
	22	Y01Z, Y02A, Y02B, Y02C		22	Y01Z, Y02A, Y02B, Y02C		22	Y01Z, Y02A, Y02B, Y02C
5v557.9‡↔	09	J11A, J11B	5v558.9‡↔	09	J11A, J11B	5v559.9‡↔	09	J11A, J11B
	22	Y01Z, Y02A, Y02B, Y02C		22	Y01Z, Y02A, Y02B, Y02C		22	Y01Z, Y02A, Y02B, Y02C
5v557.a‡	09	J11A, J11B	5v558.a‡	09	J11A, J11B	5v559.a‡	09	J11A, J11B
	22	Y01Z, Y02A, Y02B, Y02C		22	Y01Z, Y02A, Y02B, Y02C		22	Y01Z, Y02A, Y02B, Y02C
5v557.b‡	09	J11A, J11B	5v558.b‡	09	J11A, J11B	5v559.b‡	09	J11A, J11B
	22	Y01Z, Y02A, Y02B, Y02C		22	Y01Z, Y02A, Y02B, Y02C		22	Y01Z, Y02A, Y02B, Y02C
5v557.c‡	09	J11A, J11B	5v558.c‡	09	J11A, J11B	5v559.c‡	09	J11A, J11B
	22	Y01Z, Y03A, Y03B		22	Y01Z, Y02A, Y03A, Y03B		22	Y01Z, Y02A, Y03A, Y03B
5v557.d‡	09	J11A, J11B	5v558.d‡	09	J11A, J11B	5v559.d‡	09	J11A, J11B
	22	Y01Z, Y02A, Y02B, Y02C		22	Y01Z, Y02A, Y02B, Y02C		22	Y01Z, Y02A, Y02B, Y02C
5v557.e‡↔	09	J11A, J11B	5v558.e‡↔	09	J11A, J11B	5v559.e‡↔	09	J11A, J11B
	22	Y01Z, Y02A, Y02B, Y02C		22	Y01Z, Y02A, Y02B, Y02C		22	Y01Z, Y02A, Y02B, Y02C
5v557.f‡↔	09	J11A, J11B	5v558.f‡↔	09	J11A, J11B	5v559.f‡↔	09	J11A, J11B
	22	Y01Z, Y02A, Y02B, Y02C		22	Y01Z, Y02A, Y02B, Y02C		22	Y01Z, Y02A, Y02B, Y02C
5v557.g‡↔	09	J11A, J11B	5v558.g‡↔	09	J11A, J11B	5v559.g‡↔	09	J11A, J11B
	22	Y01Z, Y02A, Y02B, Y02C		22	Y01Z, Y02A, Y02B, Y02C		22	Y01Z, Y02A, Y02B, Y02C
5v557.x‡	09	J11A, J11B	5v558.x‡	09	J11A, J11B	5v559.x‡	09	J11A, J11B
	22	Y01Z, Y02A, Y02B, Y02C		22	Y01Z, Y02A, Y02B, Y02C		22	Y01Z, Y02A, Y02B, Y02C
5v558.0‡	09	J11A, J11B	5v559.0‡	09	J11A, J11B	5v55a.0‡	09	J11A, J11B
	22	Y01Z, Y02A, Y03A, Y03B		22	Y01Z, Y02A, Y03A, Y03B		22	Y01Z, Y03A, Y03B
5v558.1		BOP, KVT, UOP4	5v559.1		BOP, KVT, UOP4	5v55a.1		BOP, KVT, UOP4
	03	D09Z, D30A		03	D09Z, D30A		03	D09Z, D30A
	05	F13A		05	F13A		05	F13A
	08	I28A, I28B		08	I28A, I28B		08	I28A, I28B
	09	J03A, J03B, J04A, J04B, J08A, J08B, J08C, J10A, J10B, J16Z, J21Z, J22A, J22B		09	J03A, J03B, J04A, J04B, J08A, J08B, J08C, J10A, J10B, J16Z, J21Z, J22A, J22B		09	J03A, J03B, J04A, J04B, J08A, J08B, J08C, J10A, J10B, J16Z, J21Z, J22A, J22B
	21A	W04A, W04B		21A	W04A, W04B		21A	W04A, W04B
	21B	X06A, X06B, X06C		21B	X06A, X06B, X06C		21B	X06A, X06B, X06C
	22	Y01Z, Y02A, Y03A, Y03B		22	Y01Z, Y02A, Y03A, Y03B		22	Y01Z, Y02A, Y02B, Y03A, Y03B
5v558.2↔		BOP, KVT, UOP4	5v559.2↔		BOP, KVT, UOP4	5v55a.2↔		BOP, KVT, UOP4
	03	D09Z, D30A		03	D09Z, D30A		03	D09Z, D30A
	05	F13A		05	F13A		05	F13A
	09	J03A, J03B, J04A, J04B, J08A, J08B, J08C, J10A, J10B, J16Z, J21Z, J22A, J22B		09	J03A, J03B, J04A, J04B, J08A, J08B, J08C, J10A, J10B, J16Z, J21Z, J22A, J22B		09	J03A, J03B, J04A, J04B, J08A, J08B, J08C, J10A, J10B, J16Z, J21Z, J22A, J22B
	21A	W04A, W04B		21A	W04A, W04B		21A	W04A, W04B
	21B	X06A, X06B, X06C		21B	X06A, X06B, X06C		21B	X06A, X06B, X06C
	22	Y01Z, Y02A, Y03A, Y03B		22	Y01Z, Y02A, Y03A, Y03B		22	Y01Z, Y03A, Y03B

ZZV	MDC	DRG	ZZV	MDC	DRG	ZZV	MDC	DRG
5v55a.3↔		BOP, KVT, UOP4	5v55b.3↔		BOP, KVT, UOP4	5v55c.3↔		BOP, KVT, UOP4
	02	C01A, C01B, C16Z, C20A, C20B		02	C01A, C01B, C16Z, C20A, C20B		02	C01A, C01B, C16Z, C20A, C20B
	05	F13A		05	F13A		05	F13A
	08	I17Z		08	I17Z		08	I17Z
	09	J03A, J03B, J04A, J04B, J08A, J08B, J08C, J10A, J10B, J16Z, J21Z, J22A, J22B		09	J03A, J03B, J04A, J04B, J08A, J08B, J08C, J10A, J10B, J16Z, J21Z, J22A, J22B		09	J03A, J03B, J04A, J04B, J08A, J08B, J08C, J10A, J10B, J16Z, J21Z, J22A, J22B
	10	K09A, K09B		10	K09A, K09B		10	K09A, K09B
	21A	W04A, W04B		21A	W04A, W04B		21A	W04A, W04B
	21B	X06A, X06B, X06C		21B	X06A, X06B, X06C		21B	X06A, X06B, X06C
	22	Y01Z, Y03A, Y03B		22	Y01Z, Y03A, Y03B		22	Y01Z, Y03A, Y03B
5v55a.4‡	09	J11A, J11B	5v55b.4‡	09	J11A, J11B	5v55c.4‡	09	J11A, J11B
	22	Y01Z, Y02A, Y02B, Y02C		22	Y01Z, Y02A, Y02B, Y02C		22	Y01Z, Y02A, Y02B, Y02C
5v55a.5‡	09	J11A, J11B	5v55b.5‡	09	J11A, J11B	5v55c.5‡	09	J11A, J11B
	22	Y01Z, Y02A, Y02B, Y02C		22	Y01Z, Y02A, Y02B, Y02C		22	Y01Z, Y02A, Y02B, Y02C
5v55a.6‡↔	09	J11A, J11B	5v55b.6‡↔	09	J11A, J11B	5v55c.6‡↔	09	J11A, J11B
	22	Y01Z, Y02A, Y02B, Y02C		22	Y01Z, Y02A, Y02B, Y02C		22	Y01Z, Y02A, Y02B, Y02C
5v55a.7‡↔	09	J11A, J11B	5v55b.7‡↔	09	J11A, J11B	5v55c.7‡↔	09	J11A, J11B
	22	Y01Z, Y02A, Y02B, Y02C		22	Y01Z, Y02A, Y02B, Y02C		22	Y01Z, Y02A, Y02B, Y02C
5v55a.8‡↔	09	J11A, J11B	5v55b.8‡↔	09	J11A, J11B	5v55c.8‡↔	09	J11A, J11B
	22	Y01Z, Y02A, Y02B, Y02C		22	Y01Z, Y02A, Y02B, Y02C		22	Y01Z, Y02A, Y02B, Y02C
5v55a.9‡↔	09	J11A, J11B	5v55b.9‡↔	09	J11A, J11B	5v55c.9‡↔	09	J11A, J11B
	22	Y01Z, Y02A, Y02B, Y02C		22	Y01Z, Y02A, Y02B, Y02C		22	Y01Z, Y02A, Y02B, Y02C
5v55a.a‡	09	J11A, J11B	5v55b.a‡	09	J11A, J11B	5v55c.a‡	09	J11A, J11B
	22	Y01Z, Y02A, Y02B, Y02C		22	Y01Z, Y02A, Y02B, Y02C		22	Y01Z, Y02A, Y02B, Y02C
5v55a.b‡	09	J11A, J11B	5v55b.b‡	09	J11A, J11B	5v55c.b‡	09	J11A, J11B
	22	Y01Z, Y02A, Y02B, Y02C		22	Y01Z, Y02A, Y02B, Y02C		22	Y01Z, Y02A, Y02B, Y02C
5v55a.c‡	09	J11A, J11B	5v55b.c‡	09	J11A, J11B	5v55c.c‡	09	J11A, J11B
	22	Y01Z, Y03A, Y03B		22	Y01Z, Y03A, Y03B		22	Y01Z, Y03A, Y03B
5v55a.d‡	09	J11A, J11B	5v55b.d‡	09	J11A, J11B	5v55c.d‡	09	J11A, J11B
	22	Y01Z, Y02A, Y02B, Y02C		22	Y01Z, Y02A, Y02B, Y02C		22	Y01Z, Y02A, Y02B, Y02C
5v55a.e‡↔	09	J11A, J11B	5v55b.e‡↔	09	J11A, J11B	5v55c.e‡↔	09	J11A, J11B
	22	Y01Z, Y02A, Y02B, Y02C		22	Y01Z, Y02A, Y02B, Y02C		22	Y01Z, Y02A, Y02B, Y02C
5v55a.f‡↔	09	J11A, J11B	5v55b.f‡↔	09	J11A, J11B	5v55c.f‡↔	09	J11A, J11B
	22	Y01Z, Y02A, Y02B, Y02C		22	Y01Z, Y02A, Y02B, Y02C		22	Y01Z, Y02A, Y02B, Y02C
5v55a.g‡↔	09	J11A, J11B	5v55b.g‡↔	09	J11A, J11B	5v55c.g‡↔	09	J11A, J11B
	22	Y01Z, Y02A, Y02B, Y02C		22	Y01Z, Y02A, Y02B, Y02C		22	Y01Z, Y02A, Y02B, Y02C
5v55a.x‡	09	J11A, J11B	5v55b.x‡	09	J11A, J11B	5v55c.x‡	09	J11A, J11B
	22	Y01Z, Y02A, Y02B, Y02C		22	Y01Z, Y02A, Y02B, Y02C		22	Y01Z, Y02A, Y02B, Y02C
5v55b.0‡	09	J11A, J11B	5v55c.0‡	09	J11A, J11B	5v55d.0‡	09	J11A, J11B
	22	Y01Z, Y03A, Y03B		22	Y01Z, Y03A, Y03B		22	Y01Z, Y03A, Y03B
5v55b.1		BOP, KVT, UOP4	5v55c.1		BOP, KVT, UOP4	5v55d.1		BOP, KVT, UOP4
	03	D09Z, D30A		03	D09Z, D30A		03	D09Z, D30A
	05	F13A		05	F13A		05	F13A
	08	I28A, I28B		08	I28A, I28B		08	I28A, I28B
	09	J03A, J03B, J04A, J04B, J08A, J08B, J08C, J10A, J10B, J16Z, J21Z, J22A, J22B		09	J03A, J03B, J04A, J04B, J08A, J08B, J08C, J10A, J10B, J16Z, J21Z, J22A, J22B		09	J03A, J03B, J04A, J04B, J08A, J08B, J08C, J10A, J10B, J16Z, J21Z, J22A, J22B
	21A	W04A, W04B		21A	W04A, W04B		21A	W04A, W04B
	21B	X06A, X06B, X06C		21B	X06A, X06B, X06C		21B	X06A, X06B, X06C
	22	Y01Z, Y02A, Y02B, Y03A, Y03B		22	Y01Z, Y02A, Y02B, Y03A, Y03B		22	Y01Z, Y02A, Y02B, Y03A, Y03B
5v55b.2↔		BOP, KVT, UOP4	5v55c.2↔		BOP, KVT, UOP4	5v55d.2↔		BOP, KVT, UOP4
	03	D09Z, D30A		03	D09Z, D30A		03	D09Z, D30A
	05	F13A		05	F13A		05	F13A
	09	J03A, J03B, J04A, J04B, J08A, J08B, J08C, J10A, J10B, J16Z, J21Z, J22A, J22B		09	J03A, J03B, J04A, J04B, J08A, J08B, J08C, J10A, J10B, J16Z, J21Z, J22A, J22B		09	J03A, J03B, J04A, J04B, J08A, J08B, J08C, J10A, J10B, J16Z, J21Z, J22A, J22B
	21A	W04A, W04B		21A	W04A, W04B		21A	W04A, W04B
	21B	X06A, X06B, X06C		21B	X06A, X06B, X06C		21B	X06A, X06B, X06C
	22	Y01Z, Y03A, Y03B		22	Y01Z, Y03A, Y03B		22	Y01Z, Y03A, Y03B

VYK

ZZV	MDC	DRG	ZZV	MDC	DRG	ZZV	MDC	DRG
5v55d.3↔		BOP, KVT, UOP4	5v560.2↔		BOP, KVT, UOP4	5v560.8↔		BOP, KVT, UOP4
	02	C01A, C01B, C16Z, C20A, C20B		03	D12A		05	F13A
	05	F13A		05	F13A		08	I02A, I02B, I02C, I02D, I22A, I22B, I32A, I32B, I32C, I32D, I32E, I32F, I50Z
	08	I17Z		09	J02A, J02B, J02C, J04A, J04B, J08A, J08B, J08C, J10A, J10B, J16Z, J21Z, J22A, J22B		09	J02A, J02B, J02C, J04A, J04B, J08A, J08B, J08C, J16Z, J21Z, J22A, J22B
	09	J03A, J03B, J04A, J04B, J08A, J08B, J08C, J10A, J10B, J16Z, J21Z, J22A, J22B		21A	W04A, W04B		21A	W04A, W04B
	10	K09A, K09B		21B	X01A, X01B, X01C		21B	X01A, X01B, X01C
	21A	W04A, W04B	5v560.3↔		BOP, KVT, UOP4		22	Y01Z, Y02A, Y02B, Y02C
	21B	X06A, X06B, X06C		02	C01A, C01B, C16Z, C20A, C20B	5v560.9↔		BOP, KVT, UOP4
	22	Y01Z, Y03A, Y03B		05	F13A		05	F13A
5v55d.4‡	09	J11A, J11B		08	I17Z		08	I32A, I32B, I32C, I32D, I32E, I32F
	22	Y01Z, Y02A, Y02B, Y02C		09	J03A, J03B, J04A, J04B, J08A, J08B, J08C, J10A, J10B, J16Z, J21Z, J22A, J22B		09	J02A, J02B, J02C, J04A, J04B, J08A, J08B, J08C, J16Z, J21Z, J22A, J22B
5v55d.5‡	09	J11A, J11B		10	K09A, K09B		21A	W04A, W04B
	22	Y01Z, Y02A, Y02B, Y02C		21A	W04A, W04B		21B	X01A, X01B, X01C
5v55d.6‡↔	09	J11A, J11B		21B	X06A, X06B, X06C		22	Y01Z, Y02A, Y02B, Y02C
	22	Y01Z, Y02A, Y02B, Y02C		22	Y01Z, Y03A, Y03B	5v560.a		BOP, KVT, UOP4
5v55d.7‡↔	09	J11A, J11B	5v560.4		BOP, KVT, UOP4		05	F13A
	22	Y01Z, Y02A, Y02B, Y02C		03	D12A		08	I02A, I02B, I02C, I02D, I22A, I22B, I50Z
5v55d.8‡↔	09	J11A, J11B		05	F13A		09	J02A, J02B, J02C, J04A, J04B, J08A, J08B, J08C, J16Z, J21Z, J22A, J22B
	22	Y01Z, Y02A, Y02B, Y02C		08	I02A, I02B, I02C, I02D, I22A, I22B, I50Z		21A	W04A, W04B
5v55d.9‡↔	09	J11A, J11B		09	J02A, J02B, J02C, J04A, J04B, J08A, J08B, J08C, J16Z, J21Z, J22A, J22B		21B	X01A, X01B, X01C
	22	Y01Z, Y02A, Y02B, Y02C		21A	W04A, W04B		22	Y01Z, Y02A, Y02B, Y02C
5v55d.a‡	09	J11A, J11B		21B	X01A, X01B, X01C	5v560.b		BOP, KVT, UOP4
	22	Y01Z, Y02A, Y02B, Y02C		22	Y01Z, Y02A, Y02B, Y02C		05	F13A
5v55d.b‡	09	J11A, J11B		22	Y01Z, Y02A, Y02B, Y02C		08	I02A, I02B, I02C, I02D, I22A, I22B, I50Z
	22	Y01Z, Y02A, Y02B, Y02C		21A	W04A, W04B		09	J02A, J02B, J02C, J04A, J04B, J08A, J08B, J08C, J16Z, J21Z, J22A, J22B
5v55d.c‡	09	J11A, J11B		21B	X01A, X01B, X01C		21A	W04A, W04B
	22	Y01Z, Y03A, Y03B		22	Y01Z, Y02A, Y02B, Y02C		21B	X01A, X01B, X01C
5v55d.d‡	09	J11A, J11B		22	Y01Z, Y02A, Y02B, Y02C		22	Y01Z, Y02A, Y02B, Y02C
	22	Y01Z, Y02A, Y02B, Y02C	5v560.5		BOP, KVT, UOP4		22	Y01Z, Y02A, Y02B, Y02C
5v55d.e‡↔	09	J11A, J11B		03	D12A		05	F13A
	22	Y01Z, Y02A, Y02B, Y02C		05	F13A		08	I02A, I02B, I02C, I02D, I22A, I22B, I50Z
5v55d.f‡↔	09	J11A, J11B		08	I02A, I02B, I02C, I02D, I22A, I22B, I50Z		09	J02A, J02B, J02C, J04A, J04B, J08A, J08B, J08C, J16Z, J21Z, J22A, J22B
	22	Y01Z, Y02A, Y02B, Y02C		09	J02A, J02B, J02C, J04A, J04B, J08A, J08B, J08C, J16Z, J21Z, J22A, J22B		21A	W04A, W04B
5v55d.g‡↔	09	J11A, J11B		21A	W04A, W04B		21B	X01A, X01B, X01C
	22	Y01Z, Y02A, Y02B, Y02C		21B	X01A, X01B, X01C		22	Y01Z, Y02A, Y02B, Y02C
5v55d.x‡	09	J11A, J11B		22	Y01Z, Y02A, Y02B, Y02C	5v560.c		BOP, KVT, UOP4
	22	Y01Z, Y02A, Y02B, Y02C		21A	W04A, W04B		05	F13A
5v560.0		BOP, KVT, UOP4		21B	X01A, X01B, X01C		08	I02A, I02B, I02C, I02D, I22A, I22B, I50Z
	03	D18Z, D25A, D25B, D25C, D25D		22	Y01Z, Y02A, Y02B, Y02C		09	J02A, J02B, J02C, J04A, J04B, J08A, J08B, J08C, J16Z, J21Z, J22A, J22B
	05	F13A	5v560.6↔		BOP, KVT, UOP4		21A	W04A, W04B
	09	J03A, J03B, J04A, J04B, J08A, J08B, J08C, J11A, J11B, J16Z, J21Z, J22A, J22B		05	F13A		21B	X01A, X01B, X01C
	21A	W04A, W04B		08	I02A, I02B, I02C, I02D, I22A, I22B, I50Z		22	Y01Z, Y02A, Y02B, Y02C
	21B	X06A, X06B, X06C		09	J02A, J02B, J02C, J04A, J04B, J08A, J08B, J08C, J16Z, J21Z, J22A, J22B	5v560.d		BOP, KVT, UOP4
	22	Y01Z, Y03A, Y03B		21A	W04A, W04B		05	F13A
5v560.1		BOP, KVT, UOP4		21B	X01A, X01B, X01C		08	I02A, I02B, I02C, I02D, I22A, I22B, I50Z
	03	D12A		22	Y01Z, Y02A, Y02B, Y02C		09	J02A, J02B, J02C, J04A, J04B, J08A, J08B, J08C, J16Z, J21Z, J22A, J22B
	05	F13A	5v560.7↔		BOP, KVT, UOP4		21A	W04A, W04B
	09	J02A, J02B, J02C, J04A, J04B, J08A, J08B, J08C, J16Z, J21Z, J22A, J22B		05	F13A		21B	X01A, X01B, X01C
	21A	W04A, W04B		08	I02A, I02B, I02C, I02D, I22A, I22B, I50Z		22	Y01Z, Y02A, Y02B, Y02C
	21B	X01A, X01B, X01C		09	J02A, J02B, J02C, J04A, J04B, J08A, J08B, J08C, J16Z, J21Z, J22A, J22B	5v560.e↔		BOP, KVT, UOP4
	22	Y01Z, Y02A, Y02B, Y03A, Y03B		21A	W04A, W04B		05	F13A
				21B	X01A, X01B, X01C		09	J02A, J02B, J02C, J04A, J04B, J08A, J08B, J08C, J16Z, J21Z, J22A, J22B
				22	Y01Z, Y02A, Y02B, Y02C		21A	W04A, W04B
							21B	X01A, X01B, X01C
							22	Y01Z, Y02A, Y02B, Y02C

ZZV	MDC	DRG	ZZV	MDC	DRG	ZZV	MDC	DRG
5v560.f↔		BOP, KVT, UOP4	5v561.3↔		BOP, KVT, UOP4	5v561.9↔		BOP, KVT, UOP4
	05	F13A		02	C01A, C01B, C16Z, C20A, C20B		05	F13A
	08	I02A, I02B, I02C, I02D, I22A, I22B, I50Z		05	F13A		08	I32A, I32B, I32C, I32D, I32E, I32F
	09	J02A, J02B, J02C, J04A, J04B, J08A, J08B, J08C, J16Z, J21Z, J22A, J22B		08	I17Z		09	J02A, J02B, J02C, J04A, J04B, J08A, J08B, J08C, J16Z, J21Z, J22A, J22B
	21A	W04A, W04B		09	J03A, J03B, J04A, J04B, J08A, J08B, J08C, J10A, J10B, J16Z, J21Z, J22A, J22B		21A	W04A, W04B
	21B	X01A, X01B, X01C		10	K09A, K09B		21B	X01A, X01B, X01C
	22	Y01Z, Y02A, Y02B, Y02C		21A	W04A, W04B		22	Y01Z, Y02A, Y02B, Y02C
		BOP, KVT, UOP4		21B	X06A, X06B, X06C			BOP, KVT, UOP4
		F13A		22	Y01Z, Y03A, Y03B		05	F13A
		I02A, I02B, I02C, I02D, I22A, I22B, I50Z			BOP, KVT, UOP4		08	I02A, I02B, I02C, I02D, I22A, I22B, I50Z
5v560.g↔		BOP, KVT, UOP4	5v561.4		BOP, KVT, UOP4	5v561.a		BOP, KVT, UOP4
	05	F13A		03	D12A		05	F13A
	08	I02A, I02B, I02C, I02D, I22A, I22B, I50Z		05	F13A		08	I02A, I02B, I02C, I02D, I22A, I22B, I50Z
	09	J02A, J02B, J02C, J04A, J04B, J08A, J08B, J08C, J16Z, J21Z, J22A, J22B		08	I02A, I02B, I02C, I02D, I22A, I22B, I50Z		09	J02A, J02B, J02C, J04A, J04B, J08A, J08B, J08C, J16Z, J21Z, J22A, J22B
	21A	W04A, W04B		09	J02A, J02B, J02C, J04A, J04B, J08A, J08B, J08C, J16Z, J21Z, J22A, J22B		21A	W04A, W04B
	21B	X01A, X01B, X01C		21A	W04A, W04B		21B	X01A, X01B, X01C
	22	Y01Z, Y02A, Y02B, Y02C		21B	X01A, X01B, X01C		22	Y01Z, Y02A, Y02B, Y02C
		BOP, KVT, UOP4		22	Y01Z, Y02A, Y02B, Y02C			BOP, KVT, UOP4
		F13A		21A	W04A, W04B		05	F13A
		I02A, I02B, I02C, I02D, I22A, I22B, I32A, I32B, I32C, I32D, I32E, I32F, I50Z		21B	X01A, X01B, X01C		08	I02A, I02B, I02C, I02D, I22A, I22B, I50Z
5v560.x↔		BOP, KVT, UOP4	5v561.5		BOP, KVT, UOP4	5v561.b		BOP, KVT, UOP4
	05	F13A		03	D12A		05	F13A
	08	I02A, I02B, I02C, I02D, I22A, I22B, I32A, I32B, I32C, I32D, I32E, I32F, I50Z		05	F13A		08	I02A, I02B, I02C, I02D, I22A, I22B, I50Z
	09	J02A, J02B, J02C, J04A, J04B, J08A, J08B, J08C, J16Z, J21Z, J22A, J22B		08	I02A, I02B, I02C, I02D, I22A, I22B, I50Z		09	J02A, J02B, J02C, J04A, J04B, J08A, J08B, J08C, J16Z, J21Z, J22A, J22B
	21A	W04A, W04B		09	J02A, J02B, J02C, J04A, J04B, J08A, J08B, J08C, J16Z, J21Z, J22A, J22B		21A	W04A, W04B
	21B	X01A, X01B, X01C		21A	W04A, W04B		21B	X01A, X01B, X01C
	22	Y01Z, Y02A, Y02B, Y02C		21B	X01A, X01B, X01C		22	Y01Z, Y02A, Y02B, Y02C
		BOP, KVT, UOP4		22	Y01Z, Y02A, Y02B, Y02C			BOP, KVT, UOP4
		F13A		21A	W04A, W04B		05	F13A
		I02A, I02B, I02C, I02D, I22A, I22B, I32A, I32B, I32C, I32D, I32E, I32F, I50Z		21B	X01A, X01B, X01C		08	I02A, I02B, I02C, I02D, I22A, I22B, I50Z
5v561.0		BOP, KVT, UOP4	5v561.6↔		BOP, KVT, UOP4	5v561.c		BOP, KVT, UOP4
	03	D18Z, D25A, D25B, D25C, D25D		05	F13A		05	F13A
	05	F13A		08	I02A, I02B, I02C, I02D, I22A, I22B, I50Z		08	I02A, I02B, I02C, I02D, I22A, I22B, I50Z
	09	J03A, J03B, J04A, J04B, J08A, J08B, J08C, J11A, J11B, J16Z, J21Z, J22A, J22B		09	J02A, J02B, J02C, J04A, J04B, J08A, J08B, J08C, J16Z, J21Z, J22A, J22B		09	J02A, J02B, J02C, J04A, J04B, J08A, J08B, J08C, J16Z, J21Z, J22A, J22B
	21A	W04A, W04B		21A	W04A, W04B		21A	W04A, W04B
	21B	X06A, X06B, X06C		21B	X01A, X01B, X01C		21B	X01A, X01B, X01C
	22	Y01Z, Y03A, Y03B		22	Y01Z, Y02A, Y02B, Y02C		22	Y01Z, Y02A, Y02B, Y02C
		BOP, KVT, UOP4		22	Y01Z, Y02A, Y02B, Y02C			BOP, KVT, UOP4
		D12A		21A	W04A, W04B		05	F13A
		F13A		21B	X01A, X01B, X01C		08	I02A, I02B, I02C, I02D, I22A, I22B, I50Z
5v561.1		BOP, KVT, UOP4	5v561.7↔		BOP, KVT, UOP4	5v561.d		BOP, KVT, UOP4
	03	D12A		05	F13A		05	F13A
	05	F13A		08	I02A, I02B, I02C, I02D, I22A, I22B, I50Z		08	I02A, I02B, I02C, I02D, I22A, I22B, I50Z
	09	J02A, J02B, J02C, J04A, J04B, J08A, J08B, J08C, J16Z, J21Z, J22A, J22B		09	J02A, J02B, J02C, J04A, J04B, J08A, J08B, J08C, J16Z, J21Z, J22A, J22B		09	J02A, J02B, J02C, J04A, J04B, J08A, J08B, J08C, J16Z, J21Z, J22A, J22B
	21A	W04A, W04B		21A	W04A, W04B		21A	W04A, W04B
	21B	X01A, X01B, X01C		21B	X01A, X01B, X01C		21B	X01A, X01B, X01C
	22	Y01Z, Y02A, Y02B, Y03A, Y03B		22	Y01Z, Y02A, Y02B, Y02C		22	Y01Z, Y02A, Y02B, Y02C
		BOP, KVT, UOP4		22	Y01Z, Y02A, Y02B, Y02C			BOP, KVT, UOP4
		D12A		21A	W04A, W04B		05	F13A
		F13A		21B	X01A, X01B, X01C		08	I02A, I02B, I02C, I02D, I22A, I22B, I50Z
5v561.2↔		BOP, KVT, UOP4	5v561.8↔		BOP, KVT, UOP4	5v561.e↔		BOP, KVT, UOP4
	03	D12A		05	F13A		05	F13A
	05	F13A		08	I02A, I02B, I02C, I02D, I22A, I22B, I50Z		08	I02A, I02B, I02C, I02D, I22A, I22B, I50Z
	09	J02A, J02B, J02C, J04A, J04B, J08A, J08B, J08C, J16Z, J21Z, J22A, J22B		09	J02A, J02B, J02C, J04A, J04B, J08A, J08B, J08C, J16Z, J21Z, J22A, J22B		09	J02A, J02B, J02C, J04A, J04B, J08A, J08B, J08C, J16Z, J21Z, J22A, J22B
	21A	W04A, W04B		21A	W04A, W04B		21A	W04A, W04B
	21B	X01A, X01B, X01C		21B	X01A, X01B, X01C		21B	X01A, X01B, X01C
	22	Y01Z, Y03A, Y03B		22	Y01Z, Y02A, Y02B, Y02C		22	Y01Z, Y02A, Y02B, Y02C
		BOP, KVT, UOP4		22	Y01Z, Y02A, Y02B, Y02C			BOP, KVT, UOP4
		D12A		21A	W04A, W04B		05	F13A
		F13A		21B	X01A, X01B, X01C		08	I02A, I02B, I02C, I02D, I22A, I22B, I50Z

ZZV	MDC	DRG	ZZV	MDC	DRG	ZZV	MDC	DRG
5v561.g↔		BOP, KVT, UOP4	5v562.4		BOP, KVT, UOP4	5v562.a		BOP, KVT, UOP4
	05	F13A		03	D12A		05	F13A
	08	I02A, I02B, I02C, I02D, I22A, I22B, I50Z		05	F13A		08	I02A, I02B, I02C, I02D, I22A, I22B, I50Z
	09	J02A, J02B, J02C, J04A, J04B, J08A, J08B, J08C, J16Z, J21Z, J22A, J22B		08	I02A, I02B, I02C, I02D, I22A, I22B, I50Z		09	J02A, J02B, J02C, J04A, J04B, J08A, J08B, J08C, J16Z, J21Z, J22A, J22B
	21A	W04A, W04B		09	J02A, J02B, J02C, J04A, J04B, J08A, J08B, J08C, J16Z, J21Z, J22A, J22B		21A	W04A, W04B
	21B	X01A, X01B, X01C		21A	W04A, W04B		21B	X01A, X01B, X01C
	22	Y01Z, Y02A, Y02B, Y02C		21B	X01A, X01B, X01C		22	Y01Z, Y02A, Y02B, Y02C
5v561.x↔		BOP, KVT, UOP4	5v562.5		BOP, KVT, UOP4	5v562.b		BOP, KVT, UOP4
	05	F13A		03	D12A		05	F13A
	08	I02A, I02B, I02C, I02D, I22A, I22B, I32A, I32B, I32C, I32D, I32E, I32F, I50Z		05	F13A		08	I02A, I02B, I02C, I02D, I22A, I22B, I50Z
	09	J02A, J02B, J02C, J04A, J04B, J08A, J08B, J08C, J16Z, J21Z, J22A, J22B		08	I02A, I02B, I02C, I02D, I22A, I22B, I50Z		09	J02A, J02B, J02C, J04A, J04B, J08A, J08B, J08C, J16Z, J21Z, J22A, J22B
	21A	W04A, W04B		09	J02A, J02B, J02C, J04A, J04B, J08A, J08B, J08C, J16Z, J21Z, J22A, J22B		21A	W04A, W04B
	21B	X01A, X01B, X01C		21A	W04A, W04B		21B	X01A, X01B, X01C
	22	Y01Z, Y02A, Y02B, Y02C		21B	X01A, X01B, X01C		22	Y01Z, Y02A, Y02B, Y02C
5v562.0		BOP, KVT, UOP4	5v562.6↔		BOP, KVT, UOP4	5v562.c		BOP, KVT, UOP4
	03	D18Z, D25A, D25B, D25C, D25D		03	D12A		05	F13A
	05	F13A		05	F13A		08	I02A, I02B, I02C, I02D, I22A, I22B, I50Z
	09	J03A, J03B, J04A, J04B, J08A, J08B, J08C, J11A, J11B, J16Z, J21Z, J22A, J22B		08	I02A, I02B, I02C, I02D, I22A, I22B, I50Z		09	J02A, J02B, J02C, J04A, J04B, J08A, J08B, J08C, J16Z, J21Z, J22A, J22B
	21A	W04A, W04B		09	J02A, J02B, J02C, J04A, J04B, J08A, J08B, J08C, J16Z, J21Z, J22A, J22B		21A	W04A, W04B
	21B	X06A, X06B, X06C		21A	W04A, W04B		21B	X01A, X01B, X01C
	22	Y01Z, Y03A, Y03B		21B	X01A, X01B, X01C		22	Y01Z, Y02A, Y02B, Y02C
5v562.1		BOP, KVT, UOP4	5v562.7↔		BOP, KVT, UOP4	5v562.d		BOP, KVT, UOP4
	03	D12A		03	D12A		05	F13A
	05	F13A		05	F13A		08	I02A, I02B, I02C, I02D, I22A, I22B, I50Z
	09	J02A, J02B, J02C, J04A, J04B, J08A, J08B, J08C, J16Z, J21Z, J22A, J22B		08	I02A, I02B, I02C, I02D, I22A, I22B, I50Z		09	J02A, J02B, J02C, J04A, J04B, J08A, J08B, J08C, J16Z, J21Z, J22A, J22B
	21A	W04A, W04B		09	J02A, J02B, J02C, J04A, J04B, J08A, J08B, J08C, J16Z, J21Z, J22A, J22B		21A	W04A, W04B
	21B	X01A, X01B, X01C		21A	W04A, W04B		21B	X01A, X01B, X01C
	22	Y01Z, Y02A, Y02B, Y03A, Y03B		21B	X01A, X01B, X01C		22	Y01Z, Y02A, Y02B, Y02C
5v562.2↔		BOP, KVT, UOP4	5v562.8↔		BOP, KVT, UOP4	5v562.e↔		BOP, KVT, UOP4
	03	D12A		03	D12A		05	F13A
	05	F13A		05	F13A		08	I02A, I02B, I02C, I02D, I22A, I22B, I50Z
	09	J02A, J02B, J02C, J04A, J04B, J08A, J08B, J08C, J16Z, J21Z, J22A, J22B		08	I02A, I02B, I02C, I02D, I22A, I22B, I50Z		09	J02A, J02B, J02C, J04A, J04B, J08A, J08B, J08C, J16Z, J21Z, J22A, J22B
	21A	W04A, W04B		09	J02A, J02B, J02C, J04A, J04B, J08A, J08B, J08C, J16Z, J21Z, J22A, J22B		21A	W04A, W04B
	21B	X01A, X01B, X01C		21A	W04A, W04B		21B	X01A, X01B, X01C
	22	Y01Z, Y03A, Y03B		21B	X01A, X01B, X01C		22	Y01Z, Y02A, Y02B, Y02C
5v562.3↔		BOP, KVT, UOP4	5v562.9↔		BOP, KVT, UOP4	5v562.f↔		BOP, KVT, UOP4
	02	C01A, C01B, C16Z, C20A, C20B		02	Y01Z, Y02A, Y02B, Y02C		05	F13A
	05	F13A		05	F13A		08	I02A, I02B, I02C, I02D, I22A, I22B, I50Z
	08	I17Z		08	I32A, I32B, I32C, I32D, I32E, I32F		09	J02A, J02B, J02C, J04A, J04B, J08A, J08B, J08C, J16Z, J21Z, J22A, J22B
	09	J03A, J03B, J04A, J04B, J08A, J08B, J08C, J10A, J10B, J16Z, J21Z, J22A, J22B		09	J02A, J02B, J02C, J04A, J04B, J08A, J08B, J08C, J16Z, J21Z, J22A, J22B		21A	W04A, W04B
	10	K09A, K09B		21A	W04A, W04B		21B	X01A, X01B, X01C
	21A	W04A, W04B		21B	X01A, X01B, X01C		22	Y01Z, Y02A, Y02B, Y02C
21B	X06A, X06B, X06C	22	Y01Z, Y02A, Y02B, Y02C					
22	Y01Z, Y03A, Y03B							

ZZV	MDC	DRG	ZZV	MDC	DRG	ZZV	MDC	DRG			
5v562.x↔		BOP, KVT, UOP4	5v563.5		BOP, KVT, UOP4	5v563.c		BOP, KVT, UOP4			
	05	F13A		03	D12A		05	F13A			
	08	I02A, I02B, I02C, I02D, I22A, I22B, I32A, I32B, I32C, I32D, I32E, I32F, I50Z		05	F13A		08	I02A, I02B, I02C, I02D, I22A, I22B, I50Z			
	09	J02A, J02B, J02C, J04A, J04B, J08A, J08B, J08C, J16Z, J21Z, J22A, J22B		08	I02A, I02B, I02C, I02D, I22A, I22B, I50Z		09	J02A, J02B, J02C, J04A, J04B, J08A, J08B, J08C, J16Z, J21Z, J22A, J22B			
	21A	W04A, W04B		09	J02A, J02B, J02C, J04A, J04B, J08A, J08B, J08C, J16Z, J21Z, J22A, J22B		21A	W04A, W04B			
	21B	X01A, X01B, X01C		21A	W04A, W04B		21B	X01A, X01B, X01C			
	22	Y01Z, Y02A, Y02B, Y02C		21B	X01A, X01B, X01C		22	Y01Z, Y02A, Y02B, Y02C			
	5v563.0			BOP, KVT, UOP4	5v563.6↔			BOP, KVT, UOP4	5v563.d		BOP, KVT, UOP4
		03		D18Z, D25A, D25B, D25C, D25D			05	F13A, F21A, F21B		05	F13A
		05		F13A			09	J02A, J02B, J02C, J04A, J04B, J08A, J08B, J08C, J16Z, J21Z, J22A, J22B		08	I02A, I02B, I02C, I02D, I22A, I22B, I50Z
09		J03A, J03B, J04A, J04B, J08A, J08B, J08C, J11A, J11B, J16Z, J21Z, J22A, J22B	21A	W04A, W04B		09	J02A, J02B, J02C, J04A, J04B, J08A, J08B, J08C, J16Z, J21Z, J22A, J22B				
21A		W04A, W04B	21B	X01A, X01B, X01C		21A	W04A, W04B				
21B		X06A, X06B, X06C	22	Y01Z, Y02A, Y02B, Y02C		21B	X01A, X01B, X01C				
22		Y01Z, Y03A, Y03B	22	Y01Z, Y02A, Y02B, Y02C		22	Y01Z, Y02A, Y02B, Y02C				
5v563.1			BOP, KVT, UOP4	5v563.7↔			BOP, KVT, UOP4	5v563.e↔			BOP, KVT, UOP4
		03	D12A			05	F13A			05	F13A
		05	F13A			08	I02A, I02B, I02C, I02D, I22A, I22B, I50Z			08	I02A, I02B, I02C, I02D, I22A, I22B, I50Z
	09	J02A, J02B, J02C, J04A, J04B, J08A, J08B, J08C, J16Z, J21Z, J22A, J22B	09		J02A, J02B, J02C, J04A, J04B, J08A, J08B, J08C, J16Z, J21Z, J22A, J22B	09	J02A, J02B, J02C, J04A, J04B, J08A, J08B, J08C, J16Z, J21Z, J22A, J22B				
	21A	W04A, W04B	21A		W04A, W04B	21A	W04A, W04B				
	21B	X01A, X01B, X01C	21B		X01A, X01B, X01C	21B	X01A, X01B, X01C				
	22	Y01Z, Y02A, Y02B, Y03A, Y03B	22		Y01Z, Y02A, Y02B, Y02C	22	Y01Z, Y02A, Y02B, Y02C				
	5v563.2↔		BOP, KVT, UOP4		5v563.8↔		BOP, KVT, UOP4		5v563.f↔		BOP, KVT, UOP4
		03	D12A			05	F13A			05	F13A
		05	F13A			08	I02A, I02B, I02C, I02D, I22A, I22B, I32A, I32B, I32C, I32D, I32E, I32F, I50Z			08	I02A, I02B, I02C, I02D, I22A, I22B, I50Z
09		J02A, J02B, J02C, J04A, J04B, J08A, J08B, J08C, J16Z, J21Z, J22A, J22B	09	J02A, J02B, J02C, J04A, J04B, J08A, J08B, J08C, J16Z, J21Z, J22A, J22B		09	J02A, J02B, J02C, J04A, J04B, J08A, J08B, J08C, J16Z, J21Z, J22A, J22B				
21A		W04A, W04B	21A	W04A, W04B		21A	W04A, W04B				
21B		X01A, X01B, X01C	21B	X01A, X01B, X01C		21B	X01A, X01B, X01C				
22		Y01Z, Y03A, Y03B	22	Y01Z, Y02A, Y02B, Y02C		22	Y01Z, Y02A, Y02B, Y02C				
5v563.3↔			BOP, KVT, UOP4	5v563.9↔			BOP, KVT, UOP4	5v563.g↔			BOP, KVT, UOP4
		02	C01A, C01B, C16Z, C20A, C20B			05	F13A			05	F13A
		05	F13A			08	I32A, I32B, I32C, I32D, I32E, I32F			08	I02A, I02B, I02C, I02D, I22A, I22B, I50Z
	08	I17Z	09		J02A, J02B, J02C, J04A, J04B, J08A, J08B, J08C, J16Z, J21Z, J22A, J22B	09	J02A, J02B, J02C, J04A, J04B, J08A, J08B, J08C, J16Z, J21Z, J22A, J22B				
	09	J03A, J03B, J04A, J04B, J08A, J08B, J08C, J10A, J10B, J16Z, J21Z, J22A, J22B	21A		W04A, W04B	21A	W04A, W04B				
	10	K09A, K09B	21B		X01A, X01B, X01C	21B	X01A, X01B, X01C				
	21A	W04A, W04B	22		Y01Z, Y02A, Y02B, Y02C	22	Y01Z, Y02A, Y02B, Y02C				
	21B	X06A, X06B, X06C	22		Y01Z, Y02A, Y02B, Y02C	22	Y01Z, Y02A, Y02B, Y02C				
	22	Y01Z, Y03A, Y03B	22		Y01Z, Y02A, Y02B, Y02C	22	Y01Z, Y02A, Y02B, Y02C				
	5v563.4		BOP, KVT, UOP4		5v563.a		BOP, KVT, UOP4		5v563.x↔		BOP, KVT, UOP4
03		D12A	05	F13A		05	F13A				
05		F13A	08	I02A, I02B, I02C, I02D, I22A, I22B, I50Z		08	I02A, I02B, I02C, I02D, I22A, I22B, I32A, I32B, I32C, I32D, I32E, I32F, I50Z				
08		I02A, I02B, I02C, I02D, I22A, I22B, I50Z	09	J02A, J02B, J02C, J04A, J04B, J08A, J08B, J08C, J16Z, J21Z, J22A, J22B		09	J02A, J02B, J02C, J04A, J04B, J08A, J08B, J08C, J16Z, J21Z, J22A, J22B				
09		J02A, J02B, J02C, J04A, J04B, J08A, J08B, J08C, J16Z, J21Z, J22A, J22B	21A	W04A, W04B		09	J02A, J02B, J02C, J04A, J04B, J08A, J08B, J08C, J16Z, J21Z, J22A, J22B				
21A		W04A, W04B	21B	X01A, X01B, X01C		21A	W04A, W04B				
21B		X01A, X01B, X01C	22	Y01Z, Y02A, Y02B, Y02C		21B	X01A, X01B, X01C				
22		Y01Z, Y02A, Y02B, Y02C	22	Y01Z, Y02A, Y02B, Y02C		22	Y01Z, Y02A, Y02B, Y02C				
5v563.b			BOP, KVT, UOP4	5v563.b			BOP, KVT, UOP4	5v563.x↔			BOP, KVT, UOP4
		05	F13A			05	F13A			05	F13A
	08	I02A, I02B, I02C, I02D, I22A, I22B, I50Z	08		I02A, I02B, I02C, I02D, I22A, I22B, I50Z	08	I02A, I02B, I02C, I02D, I22A, I22B, I32A, I32B, I32C, I32D, I32E, I32F, I50Z				
	09	J02A, J02B, J02C, J04A, J04B, J08A, J08B, J08C, J16Z, J21Z, J22A, J22B	09		J02A, J02B, J02C, J04A, J04B, J08A, J08B, J08C, J16Z, J21Z, J22A, J22B	09	J02A, J02B, J02C, J04A, J04B, J08A, J08B, J08C, J16Z, J21Z, J22A, J22B				
	21A	W04A, W04B	21A		W04A, W04B	09	J02A, J02B, J02C, J04A, J04B, J08A, J08B, J08C, J16Z, J21Z, J22A, J22B				
	21B	X01A, X01B, X01C	21B		X01A, X01B, X01C	21A	W04A, W04B				
	22	Y01Z, Y02A, Y02B, Y02C	22		Y01Z, Y02A, Y02B, Y02C	21B	X01A, X01B, X01C				
	05	F13A	22		Y01Z, Y02A, Y02B, Y02C	22	Y01Z, Y02A, Y02B, Y02C				
	08	I02A, I02B, I02C, I02D, I22A, I22B, I50Z	22		Y01Z, Y02A, Y02B, Y02C	22	Y01Z, Y02A, Y02B, Y02C				
	09	J02A, J02B, J02C, J04A, J04B, J08A, J08B, J08C, J16Z, J21Z, J22A, J22B	22		Y01Z, Y02A, Y02B, Y02C	22	Y01Z, Y02A, Y02B, Y02C				

ZZV	MDC	DRG	ZZV	MDC	DRG	ZZV	MDC	DRG					
5v564.0		BOP, KVT, UOP4	5v564.6↔		BOP, KVT, UOP4	5v564.c		BOP, KVT, UOP4					
	03	D18Z, D25A, D25B, D25C, D25D		05	F13A		05	F13A					
	05	F13A		08	I02A, I02B, I02C, I02D, I22A, I22B, I50Z		08	I02A, I02B, I02C, I02D, I22A, I22B, I50Z					
	09	J03A, J03B, J04A, J04B, J08A, J08B, J08C, J11A, J11B, J16Z, J21Z, J22A, J22B		09	J02A, J02B, J02C, J04A, J04B, J08A, J08B, J08C, J16Z, J21Z, J22A, J22B		09	J02A, J02B, J02C, J04A, J04B, J08A, J08B, J08C, J16Z, J21Z, J22A, J22B					
	21A	W04A, W04B		21A	W04A, W04B		21A	W04A, W04B					
	21B	X06A, X06B, X06C		21B	X01A, X01B, X01C		21B	X01A, X01B, X01C					
	22	Y01Z, Y03A, Y03B		22	Y01Z, Y02A, Y02B, Y02C		22	Y01Z, Y02A, Y02B, Y02C					
	5v564.1			BOP, KVT, UOP4	5v564.7↔			BOP, KVT, UOP4	5v564.d		BOP, KVT, UOP4		
		03		D12A			05	F13A		05	F13A		
		05		F13A			08	I02A, I02B, I02C, I02D, I22A, I22B, I50Z		08	I02A, I02B, I02C, I02D, I22A, I22B, I50Z		
09		J02A, J02B, J02C, J04A, J04B, J08A, J08B, J08C, J16Z, J21Z, J22A, J22B	09	J02A, J02B, J02C, J04A, J04B, J08A, J08B, J08C, J16Z, J21Z, J22A, J22B		09	J02A, J02B, J02C, J04A, J04B, J08A, J08B, J08C, J16Z, J21Z, J22A, J22B						
21A		W04A, W04B	21A	W04A, W04B		21A	W04A, W04B						
21B		X01A, X01B, X01C	21B	X01A, X01B, X01C		21B	X01A, X01B, X01C						
22		Y01Z, Y02A, Y02B, Y03A, Y03B	22	Y01Z, Y02A, Y02B, Y02C		22	Y01Z, Y02A, Y02B, Y02C						
5v564.2↔			BOP, KVT, UOP4	5v564.8↔			BOP, KVT, UOP4	5v564.e↔			BOP, KVT, UOP4		
		03	D12A			05	F13A			05	F13A		
		05	F13A			08	I02A, I02B, I02C, I02D, I22A, I22B, I32A, I32B, I32C, I32D, I32E, I32F, I50Z			08	I02A, I02B, I02C, I02D, I22A, I22B, I50Z		
	09	J02A, J02B, J02C, J04A, J04B, J08A, J08B, J08C, J16Z, J21Z, J22A, J22B	09		J02A, J02B, J02C, J04A, J04B, J08A, J08B, J08C, J16Z, J21Z, J22A, J22B	09	J02A, J02B, J02C, J04A, J04B, J08A, J08B, J08C, J16Z, J21Z, J22A, J22B						
	21A	W04A, W04B	21A		W04A, W04B	21A	W04A, W04B						
	21B	X01A, X01B, X01C	21B		X01A, X01B, X01C	21B	X01A, X01B, X01C						
	22	Y01Z, Y03A, Y03B	22		Y01Z, Y02A, Y02B, Y02C	22	Y01Z, Y02A, Y02B, Y02C						
	5v564.3↔		BOP, KVT, UOP4		5v564.9↔		BOP, KVT, UOP4		5v564.f↔		BOP, KVT, UOP4		
		02	C01A, C01B, C16Z, C20A, C20B			05	F13A			05	F13A		
		05	F13A			08	I32A, I32B, I32C, I32D, I32E, I32F			08	I02A, I02B, I02C, I02D, I22A, I22B, I50Z		
08		I17Z	09	J02A, J02B, J02C, J04A, J04B, J08A, J08B, J08C, J16Z, J21Z, J22A, J22B		09	J02A, J02B, J02C, J04A, J04B, J08A, J08B, J08C, J16Z, J21Z, J22A, J22B						
09		J03A, J03B, J04A, J04B, J08A, J08B, J08C, J10A, J10B, J16Z, J21Z, J22A, J22B	21A	W04A, W04B		21A	W04A, W04B						
10		K09A, K09B	21B	X01A, X01B, X01C		21B	X01A, X01B, X01C						
21A		W04A, W04B	22	Y01Z, Y02A, Y02B, Y02C		22	Y01Z, Y02A, Y02B, Y02C						
21B		X06A, X06B, X06C	5v564.a			BOP, KVT, UOP4	5v564.g↔			BOP, KVT, UOP4			
22		Y01Z, Y03A, Y03B		05		F13A		05		F13A			
5v564.4				BOP, KVT, UOP4		5v564.b				BOP, KVT, UOP4	5v564.x↔		BOP, KVT, UOP4
	03	D12A		05	F13A			05	F13A				
	05	F13A		08	I02A, I02B, I02C, I02D, I22A, I22B, I50Z			08	I02A, I02B, I02C, I02D, I22A, I22B, I50Z				
	08	I02A, I02B, I02C, I02D, I22A, I22B, I50Z		09	J02A, J02B, J02C, J04A, J04B, J08A, J08B, J08C, J16Z, J21Z, J22A, J22B			09	J02A, J02B, J02C, J04A, J04B, J08A, J08B, J08C, J16Z, J21Z, J22A, J22B				
	09	J02A, J02B, J02C, J04A, J04B, J08A, J08B, J08C, J16Z, J21Z, J22A, J22B		21A	W04A, W04B			21A	W04A, W04B				
	21A	W04A, W04B		21B	X01A, X01B, X01C			21B	X01A, X01B, X01C				
	21B	X01A, X01B, X01C		22	Y01Z, Y02A, Y02B, Y02C			22	Y01Z, Y02A, Y02B, Y02C				
	22	Y01Z, Y02A, Y02B, Y02C		5v564.5				BOP, KVT, UOP4	5v564.y↔			BOP, KVT, UOP4	
	5v564.5		BOP, KVT, UOP4		5v564.5			BOP, KVT, UOP4		5v564.y↔			BOP, KVT, UOP4
		03	D12A				05	F13A				05	F13A
05		F13A	08			I02A, I02B, I02C, I02D, I22A, I22B, I50Z	08	I02A, I02B, I02C, I02D, I22A, I22B, I50Z					
08		I02A, I02B, I02C, I02D, I22A, I22B, I50Z	09			J02A, J02B, J02C, J04A, J04B, J08A, J08B, J08C, J16Z, J21Z, J22A, J22B	09	J02A, J02B, J02C, J04A, J04B, J08A, J08B, J08C, J16Z, J21Z, J22A, J22B					
09		J02A, J02B, J02C, J04A, J04B, J08A, J08B, J08C, J16Z, J21Z, J22A, J22B	21A			W04A, W04B	21A	W04A, W04B					
21A		W04A, W04B	21B			X01A, X01B, X01C	21B	X01A, X01B, X01C					
21B		X01A, X01B, X01C	22			Y01Z, Y02A, Y02B, Y02C	22	Y01Z, Y02A, Y02B, Y02C					
22		Y01Z, Y02A, Y02B, Y02C											

VYK

ZZV	MDC	DRG	ZZV	MDC	DRG	ZZV	MDC	DRG			
5v565.0		BOP, KVT, UOP4	5v565.6↔		BOP, KVT, UOP4	5v565.c		BOP, KVT, UOP4			
	03	D18Z, D25A, D25B, D25C, D25D		05	F13A		05	F13A			
	05	F13A		08	I02A, I02B, I02C, I02D, I22A, I22B, I50Z		08	I02A, I02B, I02C, I02D, I22A, I22B, I50Z			
	09	J03A, J03B, J04A, J04B, J08A, J08B, J08C, J11A, J11B, J16Z, J21Z, J22A, J22B		09	J02A, J02B, J02C, J04A, J04B, J08A, J08B, J08C, J16Z, J21Z, J22A, J22B		09	J02A, J02B, J02C, J04A, J04B, J08A, J08B, J08C, J16Z, J21Z, J22A, J22B			
	21A	W04A, W04B		21A	W04A, W04B		21A	W04A, W04B			
	21B	X06A, X06B, X06C		21B	X01A, X01B, X01C		21B	X01A, X01B, X01C			
	22	Y01Z, Y03A, Y03B		22	Y01Z, Y02A, Y02B, Y02C		22	Y01Z, Y03A, Y03B			
	5v565.1			BOP, KVT, UOP4	5v565.7↔			BOP, KVT, UOP4	5v565.d		BOP, KVT, UOP4
		03		D12A			05	F13A		05	F13A
		05		F13A			08	I02A, I02B, I02C, I02D, I22A, I22B, I50Z		08	I02A, I02B, I02C, I02D, I22A, I22B, I50Z
09		J02A, J02B, J02C, J04A, J04B, J08A, J08B, J08C, J16Z, J21Z, J22A, J22B	09	J02A, J02B, J02C, J04A, J04B, J08A, J08B, J08C, J16Z, J21Z, J22A, J22B		09	J02A, J02B, J02C, J04A, J04B, J08A, J08B, J08C, J16Z, J21Z, J22A, J22B				
21A		W04A, W04B	21A	W04A, W04B		21A	W04A, W04B				
21B		X01A, X01B, X01C	21B	X01A, X01B, X01C		21B	X01A, X01B, X01C				
22		Y01Z, Y02A, Y02B, Y03A, Y03B	22	Y01Z, Y02A, Y02B, Y02C		22	Y01Z, Y02A, Y02B, Y02C				
5v565.2↔		BOP, KVT, UOP4	5v565.8↔		BOP, KVT, UOP4	5v565.e↔		BOP, KVT, UOP4			
	03	D12A		05	F13A		05	F13A			
	05	F13A		08	I02A, I02B, I02C, I02D, I22A, I22B, I32A, I32B, I32C, I32D, I32E, I32F, I50Z		08	I02A, I02B, I02C, I02D, I22A, I22B, I50Z			
	09	J02A, J02B, J02C, J04A, J04B, J08A, J08B, J08C, J16Z, J21Z, J22A, J22B		09	J02A, J02B, J02C, J04A, J04B, J08A, J08B, J08C, J16Z, J21Z, J22A, J22B		09	J02A, J02B, J02C, J04A, J04B, J08A, J08B, J08C, J16Z, J21Z, J22A, J22B			
	21A	W04A, W04B		21A	W04A, W04B		21A	W04A, W04B			
	21B	X01A, X01B, X01C		21B	X01A, X01B, X01C		21B	X01A, X01B, X01C			
	22	Y01Z, Y03A, Y03B		22	Y01Z, Y02A, Y02B, Y02C		22	Y01Z, Y02A, Y02B, Y02C			
	5v565.3↔			BOP, KVT, UOP4	5v565.9↔			BOP, KVT, UOP4	5v565.f↔		BOP, KVT, UOP4
		02		C01A, C01B, C16Z, C20A, C20B			05	F13A		05	F13A
		05		F13A			08	I32A, I32B, I32C, I32D, I32E, I32F		08	I02A, I02B, I02C, I02D, I22A, I22B, I50Z
08		I17Z	09	J02A, J02B, J02C, J04A, J04B, J08A, J08B, J08C, J16Z, J21Z, J22A, J22B		09	J02A, J02B, J02C, J04A, J04B, J08A, J08B, J08C, J16Z, J21Z, J22A, J22B				
09		J03A, J03B, J04A, J04B, J08A, J08B, J08C, J10A, J10B, J16Z, J21Z, J22A, J22B	09	J02A, J02B, J02C, J04A, J04B, J08A, J08B, J08C, J16Z, J21Z, J22A, J22B		21A	W04A, W04B				
21A		W04A, W04B	21A	W04A, W04B		21B	X01A, X01B, X01C				
21B		X01A, X01B, X01C	21B	X01A, X01B, X01C		22	Y01Z, Y02A, Y02B, Y02C				
22		Y01Z, Y03A, Y03B	22	Y01Z, Y02A, Y02B, Y02C		22	Y01Z, Y02A, Y02B, Y02C				
5v565.4			BOP, KVT, UOP4	5v565.a			BOP, KVT, UOP4	5v565.g↔			BOP, KVT, UOP4
		02	C01A, C01B, C16Z, C20A, C20B			05	F13A			05	F13A
	05	F13A	08		I02A, I02B, I02C, I02D, I22A, I22B, I50Z	08	I02A, I02B, I02C, I02D, I22A, I22B, I50Z				
	08	I17Z	09		J02A, J02B, J02C, J04A, J04B, J08A, J08B, J08C, J16Z, J21Z, J22A, J22B	09	J02A, J02B, J02C, J04A, J04B, J08A, J08B, J08C, J16Z, J21Z, J22A, J22B				
	09	J03A, J03B, J04A, J04B, J08A, J08B, J08C, J10A, J10B, J16Z, J21Z, J22A, J22B	09		J02A, J02B, J02C, J04A, J04B, J08A, J08B, J08C, J16Z, J21Z, J22A, J22B	21A	W04A, W04B				
	21A	W04A, W04B	21A		W04A, W04B	21B	X01A, X01B, X01C				
	21B	X01A, X01B, X01C	21B		X01A, X01B, X01C	22	Y01Z, Y02A, Y02B, Y02C				
	22	Y01Z, Y03A, Y03B	22		Y01Z, Y02A, Y02B, Y02C	22	Y01Z, Y02A, Y02B, Y02C				
	5v565.5		BOP, KVT, UOP4		5v565.b		BOP, KVT, UOP4		5v565.x↔		BOP, KVT, UOP4
		03	D12A			05	F13A			05	F13A
05		F13A	08	I02A, I02B, I02C, I02D, I22A, I22B, I50Z		08	I02A, I02B, I02C, I02D, I22A, I22B, I32A, I32B, I32C, I32D, I32E, I32F, I50Z				
08		I02A, I02B, I02C, I02D, I22A, I22B, I50Z	09	J02A, J02B, J02C, J04A, J04B, J08A, J08B, J08C, J16Z, J21Z, J22A, J22B		09	J02A, J02B, J02C, J04A, J04B, J08A, J08B, J08C, J16Z, J21Z, J22A, J22B				
09		J02A, J02B, J02C, J04A, J04B, J08A, J08B, J08C, J16Z, J21Z, J22A, J22B	09	J02A, J02B, J02C, J04A, J04B, J08A, J08B, J08C, J16Z, J21Z, J22A, J22B		21A	W04A, W04B				
21A		W04A, W04B	21A	W04A, W04B		21B	X01A, X01B, X01C				
21B		X01A, X01B, X01C	21B	X01A, X01B, X01C		22	Y01Z, Y02A, Y02B, Y02C				
22		Y01Z, Y02A, Y02B, Y02C	22	Y01Z, Y02A, Y02B, Y02C		22	Y01Z, Y02A, Y02B, Y02C				
5v565.5			BOP, KVT, UOP4								
		03	D12A								
	05	F13A									
	08	I02A, I02B, I02C, I02D, I22A, I22B, I50Z									
	09	J02A, J02B, J02C, J04A, J04B, J08A, J08B, J08C, J16Z, J21Z, J22A, J22B									
	22	Y01Z, Y02A, Y02B, Y02C									

ZZV	MDC	DRG	ZZV	MDC	DRG	ZZV	MDC	DRG					
5v570.0		BOP, KVT, UOP4	5v570.6↔		BOP, KVT, UOP4	5v570.c		BOP, KVT, UOP4					
	03	D18Z, D25A, D25B, D25C, D25D		05	F13A		05	F13A					
	05	F13A		08	I02A, I02B, I02C, I02D, I22A, I22B, I50Z		08	I02A, I02B, I02C, I02D, I22A, I22B, I50Z					
	09	J03A, J03B, J04A, J04B, J08A, J08B, J08C, J11A, J11B, J16Z, J21Z, J22A, J22B		09	J02A, J02B, J02C, J04A, J04B, J08A, J08B, J08C, J16Z, J21Z, J22A, J22B		09	J02A, J02B, J02C, J04A, J04B, J08A, J08B, J08C, J16Z, J21Z, J22A, J22B					
	21A	W04A, W04B		21A	W04A, W04B		21A	W04A, W04B					
	21B	X06A, X06B, X06C		21B	X01A, X01B, X01C		21B	X01A, X01B, X01C					
	22	Y01Z, Y03A, Y03B		22	Y01Z, Y02A, Y02B, Y02C		22	Y01Z, Y03A, Y03B					
	5v570.1			BOP, KVT, UOP4	5v570.7↔			BOP, KVT, UOP4	5v570.d		BOP, KVT, UOP4		
		03		D12A			05	F13A		05	F13A		
		05		F13A			08	I02A, I02B, I02C, I02D, I22A, I22B, I50Z		08	I02A, I02B, I02C, I02D, I22A, I22B, I50Z		
09		J02A, J02B, J02C, J04A, J04B, J08A, J08B, J08C, J16Z, J21Z, J22A, J22B	09	J02A, J02B, J02C, J04A, J04B, J08A, J08B, J08C, J16Z, J21Z, J22A, J22B		09	J02A, J02B, J02C, J04A, J04B, J08A, J08B, J08C, J16Z, J21Z, J22A, J22B						
21A		W04A, W04B	21A	W04A, W04B		21A	W04A, W04B						
21B		X01A, X01B, X01C	21B	X01A, X01B, X01C		21B	X01A, X01B, X01C						
22		Y01Z, Y02A, Y02B, Y03A, Y03B	22	Y01Z, Y02A, Y02B, Y02C		22	Y01Z, Y02A, Y02B, Y02C						
5v570.2↔			BOP, KVT, UOP4	5v570.8↔			BOP, KVT, UOP4	5v570.e↔			BOP, KVT, UOP4		
		03	D12A			05	F13A			05	F13A		
		05	F13A			08	I02A, I02B, I02C, I02D, I22A, I22B, I32A, I32B, I32C, I32D, I32E, I32F, I50Z			08	I02A, I02B, I02C, I02D, I22A, I22B, I50Z		
	09	J02A, J02B, J02C, J04A, J04B, J08A, J08B, J08C, J16Z, J21Z, J22A, J22B	09		J02A, J02B, J02C, J04A, J04B, J08A, J08B, J08C, J16Z, J21Z, J22A, J22B	09	J02A, J02B, J02C, J04A, J04B, J08A, J08B, J08C, J16Z, J21Z, J22A, J22B						
	21A	W04A, W04B	21A		W04A, W04B	21A	W04A, W04B						
	21B	X01A, X01B, X01C	21B		X01A, X01B, X01C	21B	X01A, X01B, X01C						
	22	Y01Z, Y03A, Y03B	22		Y01Z, Y02A, Y02B, Y02C	22	Y01Z, Y02A, Y02B, Y02C						
	5v570.3↔		BOP, KVT, UOP4		5v570.9↔		BOP, KVT, UOP4		5v570.f↔		BOP, KVT, UOP4		
		02	C01A, C01B, C16Z, C20A, C20B			05	F13A			05	F13A		
		05	F13A			08	I32A, I32B, I32C, I32D, I32E, I32F			08	I02A, I02B, I02C, I02D, I22A, I22B, I50Z		
08		I17Z	09	J02A, J02B, J02C, J04A, J04B, J08A, J08B, J08C, J16Z, J21Z, J22A, J22B		09	J02A, J02B, J02C, J04A, J04B, J08A, J08B, J08C, J16Z, J21Z, J22A, J22B						
09		J03A, J03B, J04A, J04B, J08A, J08B, J08C, J10A, J10B, J16Z, J21Z, J22A, J22B	21A	W04A, W04B		21A	W04A, W04B						
10		K09A, K09B	21B	X01A, X01B, X01C		21B	X01A, X01B, X01C						
21A		W04A, W04B	22	Y01Z, Y02A, Y02B, Y02C		22	Y01Z, Y02A, Y02B, Y02C						
21B		X06A, X06B, X06C	5v570.a			BOP, KVT, UOP4	5v570.g↔			BOP, KVT, UOP4			
22		Y01Z, Y03A, Y03B		05		F13A		05		F13A			
5v570.4				BOP, KVT, UOP4		5v570.b				BOP, KVT, UOP4	5v570.x↔		BOP, KVT, UOP4
	03	D12A		05	F13A			05	F13A				
	05	F13A		08	I02A, I02B, I02C, I02D, I22A, I22B, I50Z			08	I02A, I02B, I02C, I02D, I22A, I22B, I50Z				
	08	I02A, I02B, I02C, I02D, I22A, I22B, I50Z		09	J02A, J02B, J02C, J04A, J04B, J08A, J08B, J08C, J16Z, J21Z, J22A, J22B			09	J02A, J02B, J02C, J04A, J04B, J08A, J08B, J08C, J16Z, J21Z, J22A, J22B				
	09	J02A, J02B, J02C, J04A, J04B, J08A, J08B, J08C, J16Z, J21Z, J22A, J22B		21A	W04A, W04B			21A	W04A, W04B				
	21A	W04A, W04B		21B	X01A, X01B, X01C			21B	X01A, X01B, X01C				
	21B	X01A, X01B, X01C		22	Y01Z, Y02A, Y02B, Y02C			22	Y01Z, Y02A, Y02B, Y02C				
	22	Y01Z, Y02A, Y02B, Y02C		5v570.5				BOP, KVT, UOP4	5v570.y↔			BOP, KVT, UOP4	
	5v570.5		BOP, KVT, UOP4		5v570.5			BOP, KVT, UOP4		5v570.y↔			BOP, KVT, UOP4
		03	D12A				05	F13A				05	F13A
05		F13A	08			I02A, I02B, I02C, I02D, I22A, I22B, I50Z	08	I02A, I02B, I02C, I02D, I22A, I22B, I50Z					
08		I02A, I02B, I02C, I02D, I22A, I22B, I50Z	09			J02A, J02B, J02C, J04A, J04B, J08A, J08B, J08C, J16Z, J21Z, J22A, J22B	09	J02A, J02B, J02C, J04A, J04B, J08A, J08B, J08C, J16Z, J21Z, J22A, J22B					
09		J02A, J02B, J02C, J04A, J04B, J08A, J08B, J08C, J16Z, J21Z, J22A, J22B	21A			W04A, W04B	21A	W04A, W04B					
21A		W04A, W04B	21B			X01A, X01B, X01C	21B	X01A, X01B, X01C					
21B		X01A, X01B, X01C	22			Y01Z, Y02A, Y02B, Y02C	22	Y01Z, Y02A, Y02B, Y02C					
22		Y01Z, Y02A, Y02B, Y02C											

VYK

ZZV	MDC	DRG	ZZV	MDC	DRG	ZZV	MDC	DRG
5v571.0		BOP, KVT, UOP4	5v571.6↔	05	F13A	5v571.c	05	F13A
	03	D18Z, D25A, D25B, D25C, D25D		08	I02A, I02B, I02C, I02D, I22A, I22B, I50Z		08	I02A, I02B, I02C, I02D, I22A, I22B, I50Z
	05	F13A		09	J02A, J02B, J02C, J04A, J04B, J08A, J08B, J08C, J11A, J11B, J16Z, J21Z, J22A, J22B		09	J02A, J02B, J02C, J04A, J04B, J08A, J08B, J08C, J16Z, J21Z, J22A, J22B
	09	J03A, J03B, J04A, J04B, J08A, J08B, J08C, J11A, J11B, J16Z, J21Z, J22A, J22B		21A	W04A, W04B		21A	W04A, W04B
	21A	W04A, W04B		21B	X01A, X01B, X01C		21B	X01A, X01B, X01C
	21B	X06A, X06B, X06C		22	Y01Z, Y02A, Y02B, Y02C		22	Y01Z, Y03A, Y03B
	22	Y01Z, Y03A, Y03B						
5v571.1		BOP, KVT, UOP4	5v571.7↔	05	F13A	5v571.d	05	F13A
	03	D12A		08	I02A, I02B, I02C, I02D, I22A, I22B, I50Z		08	I02A, I02B, I02C, I02D, I22A, I22B, I50Z
	05	F13A		09	J02A, J02B, J02C, J04A, J04B, J08A, J08B, J08C, J16Z, J21Z, J22A, J22B		09	J02A, J02B, J02C, J04A, J04B, J08A, J08B, J08C, J16Z, J21Z, J22A, J22B
	09	J02A, J02B, J02C, J04A, J04B, J08A, J08B, J08C, J16Z, J21Z, J22A, J22B		21A	W04A, W04B		21A	W04A, W04B
	21A	W04A, W04B		21B	X01A, X01B, X01C		21B	X01A, X01B, X01C
	21B	X01A, X01B, X01C		22	Y01Z, Y02A, Y02B, Y02C		22	Y01Z, Y02A, Y02B, Y02C
	22	Y01Z, Y02A, Y02B, Y03A, Y03B						
5v571.2↔		BOP, KVT, UOP4	5v571.8↔	05	F13A	5v571.e↔	05	F13A
	03	D12A		08	I02A, I02B, I02C, I02D, I22A, I22B, I32A, I32B, I32C, I32D, I32E, I32F, I50Z		08	I02A, I02B, I02C, I02D, I22A, I22B, I50Z
	05	F13A		09	J02A, J02B, J02C, J04A, J04B, J08A, J08B, J08C, J16Z, J21Z, J22A, J22B		09	J02A, J02B, J02C, J04A, J04B, J08A, J08B, J08C, J16Z, J21Z, J22A, J22B
	09	J02A, J02B, J02C, J04A, J04B, J08A, J08B, J08C, J16Z, J21Z, J22A, J22B		21A	W04A, W04B		21A	W04A, W04B
	21A	W04A, W04B		21B	X01A, X01B, X01C		21B	X01A, X01B, X01C
	21B	X01A, X01B, X01C		22	Y01Z, Y02A, Y02B, Y02C		22	Y01Z, Y02A, Y02B, Y02C
	22	Y01Z, Y03A, Y03B						
5v571.3↔		BOP, KVT, UOP4	5v571.9↔	05	F13A	5v571.f↔	05	F13A
	02	C01A, C01B, C16Z, C20A, C20B		08	I32A, I32B, I32C, I32D, I32E, I32F		08	I02A, I02B, I02C, I02D, I22A, I22B, I50Z
	05	F13A		09	J02A, J02B, J02C, J04A, J04B, J08A, J08B, J08C, J16Z, J21Z, J22A, J22B		09	J02A, J02B, J02C, J04A, J04B, J08A, J08B, J08C, J16Z, J21Z, J22A, J22B
	08	I17Z		21A	W04A, W04B		21A	W04A, W04B
	09	J03A, J03B, J04A, J04B, J08A, J08B, J08C, J10A, J10B, J16Z, J21Z, J22A, J22B		21B	X01A, X01B, X01C		21B	X01A, X01B, X01C
	21A	W04A, W04B		22	Y01Z, Y02A, Y02B, Y02C		22	Y01Z, Y02A, Y02B, Y02C
	21B	X06A, X06B, X06C						
	21B	X06A, X06B, X06C						
	22	Y01Z, Y03A, Y03B						
5v571.4		BOP, KVT, UOP4	5v571.a	05	F13A	5v571.g↔	05	F13A
	03	D12A		08	I02A, I02B, I02C, I02D, I22A, I22B, I50Z		08	I02A, I02B, I02C, I02D, I22A, I22B, I50Z
	05	F13A		09	J02A, J02B, J02C, J04A, J04B, J08A, J08B, J08C, J16Z, J21Z, J22A, J22B		09	J02A, J02B, J02C, J04A, J04B, J08A, J08B, J08C, J16Z, J21Z, J22A, J22B
	08	I02A, I02B, I02C, I02D, I22A, I22B, I50Z		21A	W04A, W04B		21A	W04A, W04B
	09	J02A, J02B, J02C, J04A, J04B, J08A, J08B, J08C, J16Z, J21Z, J22A, J22B		21B	X01A, X01B, X01C		21B	X01A, X01B, X01C
	21A	W04A, W04B		22	Y01Z, Y02A, Y02B, Y02C		22	Y01Z, Y02A, Y02B, Y02C
	21B	X01A, X01B, X01C						
	22	Y01Z, Y02A, Y02B, Y02C						
5v571.5		BOP, KVT, UOP4	5v571.b	05	F13A	5v571.x↔	05	F13A
	03	D12A		08	I02A, I02B, I02C, I02D, I22A, I22B, I50Z		08	I02A, I02B, I02C, I02D, I22A, I22B, I32A, I32B, I32C, I32D, I32E, I32F, I50Z
	05	F13A		09	J02A, J02B, J02C, J04A, J04B, J08A, J08B, J08C, J16Z, J21Z, J22A, J22B		09	J02A, J02B, J02C, J04A, J04B, J08A, J08B, J08C, J16Z, J21Z, J22A, J22B
	08	I02A, I02B, I02C, I02D, I22A, I22B, I50Z		21A	W04A, W04B		21A	W04A, W04B
	09	J02A, J02B, J02C, J04A, J04B, J08A, J08B, J08C, J16Z, J21Z, J22A, J22B		21B	X01A, X01B, X01C		21B	X01A, X01B, X01C
	21A	W04A, W04B		22	Y01Z, Y02A, Y02B, Y02C		22	Y01Z, Y02A, Y02B, Y02C
	21B	X01A, X01B, X01C						
	22	Y01Z, Y02A, Y02B, Y02C						

ZZV	MDC	DRG	ZZV	MDC	DRG	ZZV	MDC	DRG					
5v572.0		BOP, KVT, UOP4	5v572.6↔		BOP, KVT, UOP4	5v572.c		BOP, KVT, UOP4					
	03	D02A, D02B, D18Z, D24A, D24B		05	F13A		05	F13A					
	05	F13A		08	I02A, I02B, I02C, I02D, I22A, I22B, I50Z		08	I02A, I02B, I02C, I02D, I22A, I22B, I50Z					
	09	J03A, J03B, J04A, J04B, J08A, J08B, J08C, J11A, J11B, J16Z, J21Z, J22A, J22B		09	J02A, J02B, J02C, J04A, J04B, J08A, J08B, J08C, J16Z, J21Z, J22A, J22B		09	J02A, J02B, J02C, J04A, J04B, J08A, J08B, J08C, J16Z, J21Z, J22A, J22B					
	21A	W04A, W04B		21A	W04A, W04B		21A	W04A, W04B					
	21B	X06A, X06B, X06C		21B	X01A, X01B, X01C		21B	X01A, X01B, X01C					
	22	Y01Z, Y03A, Y03B		22	Y01Z, Y02A, Y02B, Y02C		22	Y01Z, Y03A, Y03B					
	5v572.1			BOP, KVT, UOP4	5v572.7↔			BOP, KVT, UOP4	5v572.d		BOP, KVT, UOP4		
		03		D12A			05	F13A		05	F13A		
		05		F13A			08	I02A, I02B, I02C, I02D, I22A, I22B, I50Z		08	I02A, I02B, I02C, I02D, I22A, I22B, I50Z		
09		J02A, J02B, J02C, J04A, J04B, J08A, J08B, J08C, J16Z, J21Z, J22A, J22B	09	J02A, J02B, J02C, J04A, J04B, J08A, J08B, J08C, J16Z, J21Z, J22A, J22B		09	J02A, J02B, J02C, J04A, J04B, J08A, J08B, J08C, J16Z, J21Z, J22A, J22B						
21A		W04A, W04B	21A	W04A, W04B		21A	W04A, W04B						
21B		X01A, X01B, X01C	21B	X01A, X01B, X01C		21B	X01A, X01B, X01C						
22		Y01Z, Y02A, Y02B, Y03A, Y03B	22	Y01Z, Y02A, Y02B, Y02C		22	Y01Z, Y02A, Y02B, Y02C						
5v572.2↔			BOP, KVT, UOP4	5v572.8↔			BOP, KVT, UOP4	5v572.e↔			BOP, KVT, UOP4		
		03	D12A			05	F13A			05	F13A		
		05	F13A			08	I02A, I02B, I02C, I02D, I22A, I22B, I32A, I32B, I32C, I32D, I32E, I32F, I50Z			08	I02A, I02B, I02C, I02D, I22A, I22B, I50Z		
	09	J02A, J02B, J02C, J04A, J04B, J08A, J08B, J08C, J16Z, J21Z, J22A, J22B	09		J02A, J02B, J02C, J04A, J04B, J08A, J08B, J08C, J16Z, J21Z, J22A, J22B	09	J02A, J02B, J02C, J04A, J04B, J08A, J08B, J08C, J16Z, J21Z, J22A, J22B						
	21A	W04A, W04B	21A		W04A, W04B	21A	W04A, W04B						
	21B	X01A, X01B, X01C	21B		X01A, X01B, X01C	21B	X01A, X01B, X01C						
	22	Y01Z, Y03A, Y03B	22		Y01Z, Y02A, Y02B, Y02C	22	Y01Z, Y02A, Y02B, Y02C						
	5v572.3↔		BOP, KVT, UOP4		5v572.9↔		BOP, KVT, UOP4		5v572.f↔		BOP, KVT, UOP4		
		02	C01A, C01B, C16Z, C20A, C20B			05	F13A			05	F13A		
		05	F13A			08	I32A, I32B, I32C, I32D, I32E, I32F			08	I02A, I02B, I02C, I02D, I22A, I22B, I50Z		
08		I17Z	09	J02A, J02B, J02C, J04A, J04B, J08A, J08B, J08C, J16Z, J21Z, J22A, J22B		09	J02A, J02B, J02C, J04A, J04B, J08A, J08B, J08C, J16Z, J21Z, J22A, J22B						
09		J03A, J03B, J04A, J04B, J08A, J08B, J08C, J10A, J10B, J16Z, J21Z, J22A, J22B	21A	W04A, W04B		21A	W04A, W04B						
10		K09A, K09B	21B	X01A, X01B, X01C		21B	X01A, X01B, X01C						
21A		W04A, W04B	22	Y01Z, Y02A, Y02B, Y02C		22	Y01Z, Y02A, Y02B, Y02C						
21B		X06A, X06B, X06C	5v572.a			BOP, KVT, UOP4	5v572.g↔			BOP, KVT, UOP4			
22		Y01Z, Y03A, Y03B		05		F13A		05		F13A			
5v572.4				BOP, KVT, UOP4		5v572.b				BOP, KVT, UOP4	5v572.x↔		BOP, KVT, UOP4
	03	D12A		05	F13A			05	F13A				
	05	F13A		08	I02A, I02B, I02C, I02D, I22A, I22B, I50Z			08	I02A, I02B, I02C, I02D, I22A, I22B, I50Z				
	08	I02A, I02B, I02C, I02D, I22A, I22B, I50Z		09	J02A, J02B, J02C, J04A, J04B, J08A, J08B, J08C, J16Z, J21Z, J22A, J22B			09	J02A, J02B, J02C, J04A, J04B, J08A, J08B, J08C, J16Z, J21Z, J22A, J22B				
	09	J02A, J02B, J02C, J04A, J04B, J08A, J08B, J08C, J16Z, J21Z, J22A, J22B		21A	W04A, W04B			21A	W04A, W04B				
	21A	W04A, W04B		21B	X01A, X01B, X01C			21B	X01A, X01B, X01C				
	21B	X01A, X01B, X01C		22	Y01Z, Y02A, Y02B, Y02C			22	Y01Z, Y02A, Y02B, Y02C				
	22	Y01Z, Y02A, Y02B, Y02C		5v572.5				BOP, KVT, UOP4	5v572.y↔			BOP, KVT, UOP4	
	5v572.5		BOP, KVT, UOP4		5v572.5			BOP, KVT, UOP4		5v572.y↔			BOP, KVT, UOP4
		03	D12A				05	F13A				05	F13A
05		F13A	08			I02A, I02B, I02C, I02D, I22A, I22B, I50Z	08	I02A, I02B, I02C, I02D, I22A, I22B, I32A, I32B, I32C, I32D, I32E, I32F, I50Z					
08		I02A, I02B, I02C, I02D, I22A, I22B, I50Z	09			J02A, J02B, J02C, J04A, J04B, J08A, J08B, J08C, J16Z, J21Z, J22A, J22B	09	J02A, J02B, J02C, J04A, J04B, J08A, J08B, J08C, J16Z, J21Z, J22A, J22B					
09		J02A, J02B, J02C, J04A, J04B, J08A, J08B, J08C, J16Z, J21Z, J22A, J22B	21A			W04A, W04B	21A	W04A, W04B					
21A		W04A, W04B	21B			X01A, X01B, X01C	21B	X01A, X01B, X01C					
21B		X01A, X01B, X01C	22			Y01Z, Y02A, Y02B, Y02C	22	Y01Z, Y02A, Y02B, Y02C					
22		Y01Z, Y02A, Y02B, Y02C											

VYK

ZZV	MDC	DRG	ZZV	MDC	DRG	ZZV	MDC	DRG			
5v573.0		BOP, KVT, UOP4	5v573.6↔	05	F13A	5v573.c	05	F13A			
	03	D02A, D02B, D18Z, D24A, D24B		08	I02A, I02B, I02C, I02D, I22A, I22B, I50Z		08	I02A, I02B, I02C, I02D, I22A, I22B, I50Z			
	05	F13A		09	J02A, J02B, J02C, J04A, J04B, J08A, J08B, J08C, J11A, J11B, J16Z, J21Z, J22A, J22B		09	J02A, J02B, J02C, J04A, J04B, J08A, J08B, J08C, J16Z, J21Z, J22A, J22B			
	09	J03A, J03B, J04A, J04B, J08A, J08B, J08C, J11A, J11B, J16Z, J21Z, J22A, J22B		21A	W04A, W04B		21A	W04A, W04B			
	21A	W04A, W04B		21B	X01A, X01B, X01C		21B	X01A, X01B, X01C			
	21B	X06A, X06B, X06C		22	Y01Z, Y02A, Y02B, Y02C		22	Y01Z, Y03A, Y03B			
	22	Y01Z, Y03A, Y03B		5v573.7↔	05		F13A	5v573.d	05	F13A	
	5v573.1				BOP, KVT, UOP4		08		I02A, I02B, I02C, I02D, I22A, I22B, I50Z	08	I02A, I02B, I02C, I02D, I22A, I22B, I50Z
		03			D12A		09		J02A, J02B, J02C, J04A, J04B, J08A, J08B, J08C, J16Z, J21Z, J22A, J22B	09	J02A, J02B, J02C, J04A, J04B, J08A, J08B, J08C, J16Z, J21Z, J22A, J22B
		05			F13A		21A		W04A, W04B	21A	W04A, W04B
09		J02A, J02B, J02C, J04A, J04B, J08A, J08B, J08C, J16Z, J21Z, J22A, J22B	21B		X01A, X01B, X01C	21B	X01A, X01B, X01C				
21A		W04A, W04B	22		Y01Z, Y02A, Y02B, Y02C	22	Y01Z, Y02A, Y02B, Y02C				
21B		X01A, X01B, X01C	5v573.8↔		05	F13A	5v573.e↔		05	F13A	
22		Y01Z, Y02A, Y02B, Y03A, Y03B			08	I02A, I02B, I02C, I02D, I22A, I22B, I32A, I32B, I32C, I32D, I32E, I32F, I50Z			08	I02A, I02B, I02C, I02D, I22A, I22B, I50Z	
5v573.2↔					BOP, KVT, UOP4	09			J02A, J02B, J02C, J04A, J04B, J08A, J08B, J08C, J16Z, J21Z, J22A, J22B	09	J02A, J02B, J02C, J04A, J04B, J08A, J08B, J08C, J16Z, J21Z, J22A, J22B
		03			D12A	21A			W04A, W04B	21A	W04A, W04B
		05		F13A	21B	X01A, X01B, X01C		21B	X01A, X01B, X01C		
	09	J02A, J02B, J02C, J04A, J04B, J08A, J08B, J08C, J16Z, J21Z, J22A, J22B		22	Y01Z, Y02A, Y02B, Y02C	22		Y01Z, Y02A, Y02B, Y02C			
	21A	W04A, W04B		5v573.9↔	05	F13A		5v573.f↔	05	F13A	
	21B	X01A, X01B, X01C			08	I32A, I32B, I32C, I32D, I32E, I32F			08	I02A, I02B, I02C, I02D, I22A, I22B, I50Z	
	22	Y01Z, Y03A, Y03B			09	J02A, J02B, J02C, J04A, J04B, J08A, J08B, J08C, J16Z, J21Z, J22A, J22B			09	J02A, J02B, J02C, J04A, J04B, J08A, J08B, J08C, J16Z, J21Z, J22A, J22B	
	5v573.3↔				BOP, KVT, UOP4	21A			W04A, W04B	21A	W04A, W04B
		02	C01A, C01B, C16Z, C20A, C20B		21B	X01A, X01B, X01C	21B		X01A, X01B, X01C		
		05	F13A		22	Y01Z, Y02A, Y02B, Y02C	22		Y01Z, Y02A, Y02B, Y02C		
08		I17Z	5v573.a		05	F13A	5v573.g↔		05	F13A	
09		J03A, J03B, J04A, J04B, J08A, J08B, J08C, J10A, J10B, J16Z, J21Z, J22A, J22B			08	I02A, I02B, I02C, I02D, I22A, I22B, I50Z			08	I02A, I02B, I02C, I02D, I22A, I22B, I50Z	
10		K09A, K09B			09	J02A, J02B, J02C, J04A, J04B, J08A, J08B, J08C, J16Z, J21Z, J22A, J22B			09	J02A, J02B, J02C, J04A, J04B, J08A, J08B, J08C, J16Z, J21Z, J22A, J22B	
21A		W04A, W04B			21A	W04A, W04B			21A	W04A, W04B	
21B		X06A, X06B, X06C		21B	X01A, X01B, X01C	21B		X01A, X01B, X01C			
22		Y01Z, Y03A, Y03B		22	Y01Z, Y02A, Y02B, Y02C	22		Y01Z, Y02A, Y02B, Y02C			
5v573.4				BOP, KVT, UOP4	5v573.b	05		F13A	5v573.x↔	05	F13A
	03	D12A		08		I02A, I02B, I02C, I02D, I22A, I22B, I50Z		08		I02A, I02B, I02C, I02D, I22A, I22B, I50Z	
	05	F13A		09		J02A, J02B, J02C, J04A, J04B, J08A, J08B, J08C, J16Z, J21Z, J22A, J22B		09		J02A, J02B, J02C, J04A, J04B, J08A, J08B, J08C, J16Z, J21Z, J22A, J22B	
	08	I02A, I02B, I02C, I02D, I22A, I22B, I50Z		21A		W04A, W04B		21A		W04A, W04B	
	09	J02A, J02B, J02C, J04A, J04B, J08A, J08B, J08C, J16Z, J21Z, J22A, J22B	21B	X01A, X01B, X01C		21B	X01A, X01B, X01C				
	21A	W04A, W04B	22	Y01Z, Y02A, Y02B, Y02C		22	Y01Z, Y02A, Y02B, Y02C				
	21B	X01A, X01B, X01C	5v573.5	05		F13A	5v573.y↔	05		F13A	
	22	Y01Z, Y02A, Y02B, Y02C		08		I02A, I02B, I02C, I02D, I22A, I22B, I50Z		08		I02A, I02B, I02C, I02D, I22A, I22B, I32A, I32B, I32C, I32D, I32E, I32F, I50Z	
	5v573.5			BOP, KVT, UOP4		09		J02A, J02B, J02C, J04A, J04B, J08A, J08B, J08C, J16Z, J21Z, J22A, J22B		09	J02A, J02B, J02C, J04A, J04B, J08A, J08B, J08C, J16Z, J21Z, J22A, J22B
		03		D12A		21A		W04A, W04B		21A	W04A, W04B
05		F13A		21B	X01A, X01B, X01C	21B		X01A, X01B, X01C			
08		I02A, I02B, I02C, I02D, I22A, I22B, I50Z		22	Y01Z, Y02A, Y02B, Y02C	22		Y01Z, Y02A, Y02B, Y02C			
09		J02A, J02B, J02C, J04A, J04B, J08A, J08B, J08C, J16Z, J21Z, J22A, J22B									
21A		W04A, W04B									
21B		X01A, X01B, X01C									
22		Y01Z, Y02A, Y02B, Y02C									

ZZV	MDC	DRG	ZZV	MDC	DRG	ZZV	MDC	DRG			
5v580.3↔		BOP, KVT, UOP4	5v584.3↔		BOP, KVT, UOP4	5v584.9↔		BOP, KVT, UOP4			
	02	C01A, C01B, C16Z, C20A, C20B		03	D12A, D12B		05	F13A			
	05	F13A		05	F13A		08	I32A, I32B, I32C, I32D, I32E, I32F			
	08	I17Z		08	I02A, I02B, I02C, I02D, I22A, I22B, I50Z		09	J02A, J02B, J02C, J04A, J04B, J08A, J08B, J08C, J16Z, J21Z, J22A, J22B			
	09	J03A, J03B, J04A, J04B, J08A, J08B, J08C, J10A, J10B, J16Z, J21Z, J22A, J22B		09	J02A, J02B, J02C, J04A, J04B, J08A, J08B, J08C, J16Z, J21Z, J22A, J22B		21A	W04A, W04B			
	21A	W04A, W04B		21A	W04A, W04B		21B	X01A, X01B, X01C			
	21B	X06A, X06B, X06C		21B	X01A, X01B, X01C		22	Y01Z, Y02A, Y02B, Y02C			
	22	Y01Z, Y03A, Y03B		22	Y01Z, Y02A, Y02B, Y02C			BOP, KVT, UOP4			
	5v581.3↔			BOP, KVT, UOP4	5v584.4			BOP, KVT, UOP4	5v584.a		F13A
		02		C01A, C01B, C16Z, C20A, C20B			03	D12A, D12B		08	I02A, I02B, I02C, I02D, I22A, I22B, I50Z
05		F13A	05	F13A		09	J02A, J02B, J02C, J04A, J04B, J08A, J08B, J08C, J16Z, J21Z, J22A, J22B				
08		I17Z	08	I02A, I02B, I02C, I02D, I22A, I22B, I50Z		21A	W04A, W04B				
09		J03A, J03B, J04A, J04B, J08A, J08B, J08C, J10A, J10B, J16Z, J21Z, J22A, J22B	09	J02A, J02B, J02C, J04A, J04B, J08A, J08B, J08C, J16Z, J21Z, J22A, J22B		21B	X01A, X01B, X01C				
21A		W04A, W04B	21A	W04A, W04B		22	Y01Z, Y02A, Y02B, Y02C				
21B		X06A, X06B, X06C	21B	X01A, X01B, X01C			BOP, KVT, UOP4				
22		Y01Z, Y03A, Y03B	22	Y01Z, Y02A, Y02B, Y02C		05	F13A				
5v582.3↔			BOP, KVT, UOP4	5v584.5			BOP, KVT, UOP4	5v584.b			F13A
		02	C01A, C01B, C16Z, C20A, C20B			03	D12A, D12B			08	I02A, I02B, I02C, I02D, I22A, I22B, I50Z
	05	F13A	05		F13A	09	J02A, J02B, J02C, J04A, J04B, J08A, J08B, J08C, J16Z, J21Z, J22A, J22B				
	08	I17Z	08		I02A, I02B, I02C, I02D, I22A, I22B, I50Z	21A	W04A, W04B				
	09	J03A, J03B, J04A, J04B, J08A, J08B, J08C, J10A, J10B, J16Z, J21Z, J22A, J22B	09		J02A, J02B, J02C, J04A, J04B, J08A, J08B, J08C, J16Z, J21Z, J22A, J22B	21B	X01A, X01B, X01C				
	21A	W04A, W04B	21B		X01A, X01B, X01C	22	Y01Z, Y02A, Y02B, Y02C				
	21B	X06A, X06B, X06C	22		Y01Z, Y02A, Y02B, Y02C		BOP, KVT, UOP4				
	22	Y01Z, Y03A, Y03B	03		D12A, D12B	05	F13A				
	5v584.0		BOP, KVT, UOP4		5v584.6↔		BOP, KVT, UOP4		5v584.c		F13A
		03	D12A, D12B			05	F13A			08	I02A, I02B, I02C, I02D, I22A, I22B, I50Z
05		F13A	08	I02A, I02B, I02C, I02D, I22A, I22B, I50Z		09	J02A, J02B, J02C, J04A, J04B, J08A, J08B, J08C, J16Z, J21Z, J22A, J22B				
09		J02A, J02B, J02C, J04A, J04B, J08A, J08B, J08C, J16Z, J21Z, J22A, J22B	09	J02A, J02B, J02C, J04A, J04B, J08A, J08B, J08C, J16Z, J21Z, J22A, J22B		21A	W04A, W04B				
21A		W04A, W04B	21A	W04A, W04B		21B	X01A, X01B, X01C				
21B		X01A, X01B, X01C	21B	X01A, X01B, X01C		22	Y01Z, Y02A, Y02B, Y02C				
22		Y01Z, Y02A, Y02B, Y02C	22	Y01Z, Y02A, Y02B, Y02C			BOP, KVT, UOP4				
5v584.1			BOP, KVT, UOP4	5v584.7↔			BOP, KVT, UOP4	5v584.d			F13A
		03	D12A, D12B			05	F13A			08	I02A, I02B, I02C, I02D, I22A, I22B, I50Z
		05	F13A			08	I02A, I02B, I02C, I02D, I22A, I22B, I50Z			09	J02A, J02B, J02C, J04A, J04B, J08A, J08B, J08C, J16Z, J21Z, J22A, J22B
	09	J02A, J02B, J02C, J04A, J04B, J08A, J08B, J08C, J16Z, J21Z, J22A, J22B	09		J02A, J02B, J02C, J04A, J04B, J08A, J08B, J08C, J16Z, J21Z, J22A, J22B	21A	W04A, W04B				
	21A	W04A, W04B	21A		W04A, W04B	21B	X01A, X01B, X01C				
	21B	X01A, X01B, X01C	21B		X01A, X01B, X01C	22	Y01Z, Y02A, Y02B, Y02C				
	22	Y01Z, Y02A, Y02B, Y02C	22		Y01Z, Y02A, Y02B, Y02C		BOP, KVT, UOP4				
	5v584.2↔		BOP, KVT, UOP4		5v584.8↔		BOP, KVT, UOP4		5v584.e↔		F13A
		03	D12A, D12B			05	F13A			08	I02A, I02B, I02C, I02D, I22A, I22B, I50Z
		05	F13A			08	I02A, I02B, I02C, I02D, I22A, I22B, I32A, I32B, I32C, I32D, I32E, I32F, I50Z			09	J02A, J02B, J02C, J04A, J04B, J08A, J08B, J08C, J16Z, J21Z, J22A, J22B
09		J02A, J02B, J02C, J04A, J04B, J08A, J08B, J08C, J16Z, J21Z, J22A, J22B	09	J02A, J02B, J02C, J04A, J04B, J08A, J08B, J08C, J16Z, J21Z, J22A, J22B		21A	W04A, W04B				
21A		W04A, W04B	21A	W04A, W04B		21B	X01A, X01B, X01C				
21B		X01A, X01B, X01C	21B	X01A, X01B, X01C		22	Y01Z, Y02A, Y02B, Y02C				
22		Y01Z, Y02A, Y02B, Y02C	22	Y01Z, Y02A, Y02B, Y02C			BOP, KVT, UOP4				
5v584.3↔			BOP, KVT, UOP4	5v584.9↔			BOP, KVT, UOP4	5v584.f↔			F13A
		03	D12A, D12B			05	F13A			08	I02A, I02B, I02C, I02D, I22A, I22B, I50Z
		05	F13A			08	I02A, I02B, I02C, I02D, I22A, I22B, I32A, I32B, I32C, I32D, I32E, I32F, I50Z			09	J02A, J02B, J02C, J04A, J04B, J08A, J08B, J08C, J16Z, J21Z, J22A, J22B
	09	J02A, J02B, J02C, J04A, J04B, J08A, J08B, J08C, J16Z, J21Z, J22A, J22B	09		J02A, J02B, J02C, J04A, J04B, J08A, J08B, J08C, J16Z, J21Z, J22A, J22B	21A	W04A, W04B				
	21A	W04A, W04B	21A		W04A, W04B	21B	X01A, X01B, X01C				
	21B	X01A, X01B, X01C	21B		X01A, X01B, X01C	22	Y01Z, Y02A, Y02B, Y02C				
	22	Y01Z, Y02A, Y02B, Y02C	22		Y01Z, Y02A, Y02B, Y02C		BOP, KVT, UOP4				

Príloha B: Index Výkon-MDC-DRG

ZZV	MDC	DRG	ZZV	MDC	DRG	ZZV	MDC	DRG
5v584.g↔		BOP, KVT, UOP4	5v585.5		BOP, KVT, UOP4	5v585.b		BOP, KVT, UOP4
	05	F13A		03	D12A, D12B		05	F13A
	08	I02A, I02B, I02C, I02D, I22A, I22B, I50Z		05	F13A		08	I02A, I02B, I02C, I02D, I22A, I22B, I50Z
	09	J02A, J02B, J02C, J04A, J04B, J08A, J08B, J08C, J16Z, J21Z, J22A, J22B		08	I02A, I02B, I02C, I02D, I22A, I22B, I50Z		09	J02A, J02B, J02C, J04A, J04B, J08A, J08B, J08C, J16Z, J21Z, J22A, J22B
	21A	W04A, W04B		09	J02A, J02B, J02C, J04A, J04B, J08A, J08B, J08C, J16Z, J21Z, J22A, J22B		21A	W04A, W04B
	21B	X01A, X01B, X01C		21A	W04A, W04B		21B	X01A, X01B, X01C
	22	Y01Z, Y02A, Y02B, Y02C		21B	X01A, X01B, X01C		22	Y01Z, Y02A, Y02B, Y02C
5v584.x		BOP, KVT, UOP4	5v585.6↔		BOP, KVT, UOP4	5v585.c		BOP, KVT, UOP4
	05	F13A		05	F13A		05	F13A
	08	I02A, I02B, I02C, I02D, I22A, I22B, I50Z		05	F13A		08	I02A, I02B, I02C, I02D, I22A, I22B, I50Z
	09	J02A, J02B, J02C, J04A, J04B, J08A, J08B, J08C, J16Z, J21Z, J22A, J22B		08	I02A, I02B, I02C, I02D, I22A, I22B, I50Z		09	J02A, J02B, J02C, J04A, J04B, J08A, J08B, J08C, J16Z, J21Z, J22A, J22B
	21A	W04A, W04B		09	J02A, J02B, J02C, J04A, J04B, J08A, J08B, J08C, J16Z, J21Z, J22A, J22B		21A	W04A, W04B
	21B	X01A, X01B, X01C		21A	W04A, W04B		21B	X01A, X01B, X01C
	22	Y01Z, Y02A, Y02B, Y02C		21B	X01A, X01B, X01C		22	Y01Z, Y02A, Y02B, Y02C
5v585.0		BOP, KVT, UOP4	5v585.7↔		BOP, KVT, UOP4	5v585.d		BOP, KVT, UOP4
	03	D12A, D12B		05	F13A		05	F13A
	05	F13A		05	F13A		08	I02A, I02B, I02C, I02D, I22A, I22B, I50Z
	09	J02A, J02B, J02C, J04A, J04B, J08A, J08B, J08C, J16Z, J21Z, J22A, J22B		08	I02A, I02B, I02C, I02D, I22A, I22B, I50Z		09	J02A, J02B, J02C, J04A, J04B, J08A, J08B, J08C, J16Z, J21Z, J22A, J22B
	21A	W04A, W04B		09	J02A, J02B, J02C, J04A, J04B, J08A, J08B, J08C, J16Z, J21Z, J22A, J22B		21A	W04A, W04B
	21B	X01A, X01B, X01C		21A	W04A, W04B		21B	X01A, X01B, X01C
	22	Y01Z, Y02A, Y02B, Y02C		21B	X01A, X01B, X01C		22	Y01Z, Y02A, Y02B, Y02C
5v585.1		BOP, KVT, UOP4	5v585.8↔		BOP, KVT, UOP4	5v585.e↔		BOP, KVT, UOP4
	03	D12A, D12B		05	F13A		05	F13A
	05	F13A		05	F13A		08	I02A, I02B, I02C, I02D, I22A, I22B, I50Z
	09	J02A, J02B, J02C, J04A, J04B, J08A, J08B, J08C, J16Z, J21Z, J22A, J22B		08	I02A, I02B, I02C, I02D, I22A, I22B, I50Z		09	J02A, J02B, J02C, J04A, J04B, J08A, J08B, J08C, J16Z, J21Z, J22A, J22B
	21A	W04A, W04B		09	J02A, J02B, J02C, J04A, J04B, J08A, J08B, J08C, J16Z, J21Z, J22A, J22B		21A	W04A, W04B
	21B	X01A, X01B, X01C		21A	W04A, W04B		21B	X01A, X01B, X01C
	22	Y01Z, Y02A, Y02B, Y02C		21B	X01A, X01B, X01C		22	Y01Z, Y02A, Y02B, Y02C
5v585.2↔		BOP, KVT, UOP4	5v585.9↔		BOP, KVT, UOP4	5v585.f↔		BOP, KVT, UOP4
	03	D12A, D12B		05	F13A		05	F13A
	05	F13A		05	F13A		08	I02A, I02B, I02C, I02D, I22A, I22B, I50Z
	09	J02A, J02B, J02C, J04A, J04B, J08A, J08B, J08C, J16Z, J21Z, J22A, J22B		08	I32A, I32B, I32C, I32D, I32E, I32F, I50Z		09	J02A, J02B, J02C, J04A, J04B, J08A, J08B, J08C, J16Z, J21Z, J22A, J22B
	21A	W04A, W04B		09	J02A, J02B, J02C, J04A, J04B, J08A, J08B, J08C, J16Z, J21Z, J22A, J22B		21A	W04A, W04B
	21B	X01A, X01B, X01C		21A	W04A, W04B		21B	X01A, X01B, X01C
	22	Y01Z, Y02A, Y02B, Y02C		21B	X01A, X01B, X01C		22	Y01Z, Y02A, Y02B, Y02C
5v585.3↔		BOP, KVT, UOP4	5v585.a		BOP, KVT, UOP4	5v585.g↔		BOP, KVT, UOP4
	03	D12A, D12B		05	F13A		05	F13A
	05	F13A		05	F13A		08	I02A, I02B, I02C, I02D, I22A, I22B, I50Z
	08	I02A, I02B, I02C, I02D, I22A, I22B, I50Z		08	I02A, I02B, I02C, I02D, I22A, I22B, I50Z		09	J02A, J02B, J02C, J04A, J04B, J08A, J08B, J08C, J16Z, J21Z, J22A, J22B
	09	J02A, J02B, J02C, J04A, J04B, J08A, J08B, J08C, J16Z, J21Z, J22A, J22B		09	J02A, J02B, J02C, J04A, J04B, J08A, J08B, J08C, J16Z, J21Z, J22A, J22B		21A	W04A, W04B
	21A	W04A, W04B		21A	W04A, W04B		21B	X01A, X01B, X01C
	21B	X01A, X01B, X01C		21B	X01A, X01B, X01C		22	Y01Z, Y02A, Y02B, Y02C
5v585.4		BOP, KVT, UOP4						
	03	D12A, D12B						
	05	F13A						
	08	I02A, I02B, I02C, I02D, I22A, I22B, I50Z						
	09	J02A, J02B, J02C, J04A, J04B, J08A, J08B, J08C, J16Z, J21Z, J22A, J22B						
	21A	W04A, W04B						
	21B	X01A, X01B, X01C						
22	Y01Z, Y02A, Y02B, Y02C							

ZZV	MDC	DRG	ZZV	MDC	DRG	ZZV	MDC	DRG			
5v585.x↔		BOP, KVT, UOP4	5v586.5		BOP, KVT, UOP4	5v586.b		BOP, KVT, UOP4			
	05	F13A		03	D12A, D12B		05	F13A			
	08	I02A, I02B, I02C, I02D, I22A, I22B, I32A, I32B, I32C, I32D, I32E, I32F, I50Z		05	F13A		08	I02A, I02B, I02C, I02D, I22A, I22B, I50Z			
	09	J02A, J02B, J02C, J04A, J04B, J08A, J08B, J08C, J16Z, J21Z, J22A, J22B		08	I02A, I02B, I02C, I02D, I22A, I22B, I50Z		09	J02A, J02B, J02C, J04A, J04B, J08A, J08B, J08C, J16Z, J21Z, J22A, J22B			
	21A	W04A, W04B		09	J02A, J02B, J02C, J04A, J04B, J08A, J08B, J08C, J16Z, J21Z, J22A, J22B		21A	W04A, W04B			
	21B	X01A, X01B, X01C		21A	W04A, W04B		21B	X01A, X01B, X01C			
	22	Y01Z, Y02A, Y02B, Y02C		21B	X01A, X01B, X01C		22	Y01Z, Y02A, Y02B, Y02C			
	5v586.0			BOP, KVT, UOP4	5v586.6↔			BOP, KVT, UOP4	5v586.c		BOP, KVT, UOP4
		03		D12A, D12B			05	F13A		05	F13A
		05		F13A			08	I02A, I02B, I02C, I02D, I22A, I22B, I50Z		08	I02A, I02B, I02C, I02D, I22A, I22B, I50Z
09		J02A, J02B, J02C, J04A, J04B, J08A, J08B, J08C, J16Z, J21Z, J22A, J22B	08	I02A, I02B, I02C, I02D, I22A, I22B, I50Z		09	J02A, J02B, J02C, J04A, J04B, J08A, J08B, J08C, J16Z, J21Z, J22A, J22B				
21A		W04A, W04B	09	J02A, J02B, J02C, J04A, J04B, J08A, J08B, J08C, J16Z, J21Z, J22A, J22B		21A	W04A, W04B				
21B		X01A, X01B, X01C	21A	W04A, W04B		21B	X01A, X01B, X01C				
22		Y01Z, Y02A, Y02B, Y02C	21B	X01A, X01B, X01C		22	Y01Z, Y02A, Y02B, Y02C				
5v586.1			BOP, KVT, UOP4	5v586.7↔			BOP, KVT, UOP4	5v586.d			BOP, KVT, UOP4
		03	D12A, D12B			05	F13A			05	F13A
		05	F13A			08	I02A, I02B, I02C, I02D, I22A, I22B, I50Z			08	I02A, I02B, I02C, I02D, I22A, I22B, I50Z
	09	J02A, J02B, J02C, J04A, J04B, J08A, J08B, J08C, J16Z, J21Z, J22A, J22B	08		I02A, I02B, I02C, I02D, I22A, I22B, I50Z	09	J02A, J02B, J02C, J04A, J04B, J08A, J08B, J08C, J16Z, J21Z, J22A, J22B				
	21A	W04A, W04B	09		J02A, J02B, J02C, J04A, J04B, J08A, J08B, J08C, J16Z, J21Z, J22A, J22B	21A	W04A, W04B				
	21B	X01A, X01B, X01C	21A		W04A, W04B	21B	X01A, X01B, X01C				
	22	Y01Z, Y02A, Y02B, Y02C	21B		X01A, X01B, X01C	22	Y01Z, Y02A, Y02B, Y02C				
	5v586.2↔		BOP, KVT, UOP4		5v586.8↔		BOP, KVT, UOP4		5v586.e↔		BOP, KVT, UOP4
		03	D12A, D12B			05	F13A			05	F13A
		05	F13A			08	I02A, I02B, I02C, I02D, I22A, I22B, I50Z			08	I02A, I02B, I02C, I02D, I22A, I22B, I50Z
09		J02A, J02B, J02C, J04A, J04B, J08A, J08B, J08C, J16Z, J21Z, J22A, J22B	08	I02A, I02B, I02C, I02D, I22A, I22B, I50Z		09	J02A, J02B, J02C, J04A, J04B, J08A, J08B, J08C, J16Z, J21Z, J22A, J22B				
21A		W04A, W04B	09	J02A, J02B, J02C, J04A, J04B, J08A, J08B, J08C, J16Z, J21Z, J22A, J22B		21A	W04A, W04B				
21B		X01A, X01B, X01C	21A	W04A, W04B		21B	X01A, X01B, X01C				
22		Y01Z, Y02A, Y02B, Y02C	21B	X01A, X01B, X01C		22	Y01Z, Y02A, Y02B, Y02C				
5v586.3↔			BOP, KVT, UOP4	5v586.9↔			BOP, KVT, UOP4	5v586.f↔			BOP, KVT, UOP4
		03	D12A, D12B			05	F13A			05	F13A
		05	F13A			08	I32A, I32B, I32C, I32D, I32E, I32F			08	I02A, I02B, I02C, I02D, I22A, I22B, I50Z
	08	I02A, I02B, I02C, I02D, I22A, I22B, I50Z	08		I32A, I32B, I32C, I32D, I32E, I32F	09	J02A, J02B, J02C, J04A, J04B, J08A, J08B, J08C, J16Z, J21Z, J22A, J22B				
	09	J02A, J02B, J02C, J04A, J04B, J08A, J08B, J08C, J16Z, J21Z, J22A, J22B	09		J02A, J02B, J02C, J04A, J04B, J08A, J08B, J08C, J16Z, J21Z, J22A, J22B	21A	W04A, W04B				
	21A	W04A, W04B	21A		W04A, W04B	21B	X01A, X01B, X01C				
	21B	X01A, X01B, X01C	21B		X01A, X01B, X01C	22	Y01Z, Y02A, Y02B, Y02C				
	22	Y01Z, Y02A, Y02B, Y02C	22		Y01Z, Y02A, Y02B, Y02C	22	Y01Z, Y02A, Y02B, Y02C				
	5v586.4		BOP, KVT, UOP4		5v586.a		BOP, KVT, UOP4		5v586.g↔		BOP, KVT, UOP4
		03	D12A, D12B			05	F13A			05	F13A
05		F13A	08	I02A, I02B, I02C, I02D, I22A, I22B, I50Z		08	I02A, I02B, I02C, I02D, I22A, I22B, I50Z				
08		I02A, I02B, I02C, I02D, I22A, I22B, I50Z	08	I02A, I02B, I02C, I02D, I22A, I22B, I50Z		09	J02A, J02B, J02C, J04A, J04B, J08A, J08B, J08C, J16Z, J21Z, J22A, J22B				
09		J02A, J02B, J02C, J04A, J04B, J08A, J08B, J08C, J16Z, J21Z, J22A, J22B	09	J02A, J02B, J02C, J04A, J04B, J08A, J08B, J08C, J16Z, J21Z, J22A, J22B		21A	W04A, W04B				
21A		W04A, W04B	21A	W04A, W04B		21B	X01A, X01B, X01C				
21B		X01A, X01B, X01C	21B	X01A, X01B, X01C		22	Y01Z, Y02A, Y02B, Y02C				
22		Y01Z, Y02A, Y02B, Y02C	22	Y01Z, Y02A, Y02B, Y02C		22	Y01Z, Y02A, Y02B, Y02C				

ZZV	MDC	DRG	ZZV	MDC	DRG	ZZV	MDC	DRG
5v591.7↔		BOP, KVT, UOP4	5v591.d		BOP, KVT, UOP4	5v611.20		BOP, KVT, UOP4
	05	F13A		05	F13A		09	J03A, J03B, J04A, J04B, J08A, J08B, J08C, J10A, J10B, J16Z
	08	I02A, I02B, I02C, I02D, I22A, I22B, I50Z		08	I02A, I02B, I02C, I02D, I22A, I22B, I50Z		10	K07Z
	09	J02A, J02B, J02C, J04A, J04B, J08A, J08B, J08C, J16Z, J21Z, J22A, J22B		09	J02A, J02B, J02C, J04A, J04B, J08A, J08B, J08C, J16Z, J21Z, J22A, J22B		21A	W04A, W04B
	21A	W04A, W04B		21A	W04A, W04B		21B	X06A, X06B, X06C
	21B	X01A, X01B, X01C		21B	X01A, X01B, X01C			BOP, KVT, UOP4
	22	Y01Z, Y03A, Y03B		22	Y01Z, Y03A, Y03B		09	J03A, J03B, J04A, J04B, J08A, J08B, J08C, J10A, J10B, J16Z
5v591.8↔		BOP, KVT, UOP4	5v591.e↔		BOP, KVT, UOP4	5v611.21		BOP, KVT, UOP4
	05	F13A		05	F13A		10	K07Z
	08	I02A, I02B, I02C, I02D, I22A, I22B, I32A, I32B, I32C, I32D, I32E, I32F, I50Z		08	I02A, I02B, I02C, I02D, I22A, I22B, I50Z		21A	W04A, W04B
	09	J02A, J02B, J02C, J04A, J04B, J08A, J08B, J08C, J16Z, J21Z, J22A, J22B		09	J02A, J02B, J02C, J04A, J04B, J08A, J08B, J08C, J16Z, J21Z, J22A, J22B		21B	X06A, X06B, X06C
	21A	W04A, W04B		21A	W04A, W04B			BOP, KVT, UOP4
	21B	X01A, X01B, X01C		21B	X01A, X01B, X01C		09	J03A, J03B, J04A, J04B, J08A, J08B, J08C, J10A, J10B, J16Z
	22	Y01Z, Y03A, Y03B		22	Y01Z, Y03A, Y03B		10	K07Z
5v591.9↔		BOP, KVT, UOP4	5v591.f↔		BOP, KVT, UOP4	5v611.30		BOP, KVT, UOP4
	05	F13A		05	F13A		09	J03A, J03B, J04A, J04B, J08A, J08B, J08C, J10A, J10B, J16Z
	08	I32A, I32B, I32C, I32D, I32E, I32F		08	I02A, I02B, I02C, I02D, I22A, I22B, I50Z		10	K07Z
	09	J02A, J02B, J02C, J04A, J04B, J08A, J08B, J08C, J16Z, J21Z, J22A, J22B		09	J02A, J02B, J02C, J04A, J04B, J08A, J08B, J08C, J16Z, J21Z, J22A, J22B		21A	W04A, W04B
	21A	W04A, W04B		21A	W04A, W04B		21B	X06A, X06B, X06C
	21B	X01A, X01B, X01C		21B	X01A, X01B, X01C			BOP, KVT, UOP4
	22	Y01Z, Y03A, Y03B		22	Y01Z, Y03A, Y03B		09	J03A, J03B, J04A, J04B, J08A, J08B, J08C, J10A, J10B, J16Z
5v591.a		BOP, KVT, UOP4	5v591.g↔		BOP, KVT, UOP4	5v611.31		BOP, KVT, UOP4
	05	F13A		05	F13A		09	J03A, J03B, J04A, J04B, J08A, J08B, J08C, J10A, J10B, J16Z
	08	I02A, I02B, I02C, I02D, I22A, I22B, I50Z		08	I02A, I02B, I02C, I02D, I22A, I22B, I50Z		10	K07Z
	09	J02A, J02B, J02C, J04A, J04B, J08A, J08B, J08C, J16Z, J21Z, J22A, J22B		09	J02A, J02B, J02C, J04A, J04B, J08A, J08B, J08C, J16Z, J21Z, J22A, J22B		21A	W04A, W04B
	21A	W04A, W04B		21A	W04A, W04B		21B	X06A, X06B, X06C
	21B	X01A, X01B, X01C		21B	X01A, X01B, X01C			BOP, KVT, UOP4
	22	Y01Z, Y03A, Y03B		22	Y01Z, Y03A, Y03B		09	J03A, J03B, J04A, J04B, J08A, J08B, J08C, J10A, J10B, J16Z
5v591.b		BOP, KVT, UOP4	5v591.x↔		BOP, KVT, UOP4	5v611.x1		BOP, KVT, UOP4
	05	F13A		05	F13A		10	K07Z
	08	I02A, I02B, I02C, I02D, I22A, I22B, I50Z		08	I02A, I02B, I02C, I02D, I22A, I22B, I50Z		21A	W04A, W04B
	09	J02A, J02B, J02C, J04A, J04B, J08A, J08B, J08C, J16Z, J21Z, J22A, J22B		09	J02A, J02B, J02C, J04A, J04B, J08A, J08B, J08C, J16Z, J21Z, J22A, J22B		21B	X06A, X06B, X06C
	21A	W04A, W04B		21A	W04A, W04B			BOP, KVT, UOP4
	21B	X01A, X01B, X01C		21B	X01A, X01B, X01C		09	J03A, J03B, J04A, J04B, J08A, J08B, J08C, J10A, J10B, J16Z
	22	Y01Z, Y03A, Y03B		22	Y01Z, Y03A, Y03B		10	K07Z
5v591.c		BOP, KVT, UOP4	5v611.10		BOP, KVT, UOP4	5v620.4		BOP, KVT, UOP4
	05	F13A		05	F13A		01	B03A, B03B, B06A, B06B, B07Z, B17A, B17B, B17C
	08	I02A, I02B, I02C, I02D, I22A, I22B, I50Z		08	I02A, I02B, I02C, I02D, I22A, I22B, I50Z		02	C20A, C20B
	09	J02A, J02B, J02C, J04A, J04B, J08A, J08B, J08C, J16Z, J21Z, J22A, J22B		09	J02A, J02B, J02C, J04A, J04B, J08A, J08B, J08C, J16Z, J21Z, J22A, J22B		03	D18Z, D28Z, D29Z
	21A	W04A, W04B		21A	W04A, W04B		05	F13A, F21A, F21B, F28A
	21B	X01A, X01B, X01C		21B	X01A, X01B, X01C		08	I02A, I02B, I02C, I02D, I22A, I22B, I50Z
	22	Y01Z, Y03A, Y03B		22	Y01Z, Y03A, Y03B		09	J02A, J02B, J02C, J04A, J04B, J08A, J08B, J08C, J16Z, J21Z, J22A, J22B
5v591.c		BOP, KVT, UOP4	5v611.11		BOP, KVT, UOP4	5v620.5		BOP, KVT, UOP4
	05	F13A		05	F13A		01	B03A, B03B, B06A, B06B, B07Z, B17A, B17B, B17C
	08	I02A, I02B, I02C, I02D, I22A, I22B, I50Z		08	I02A, I02B, I02C, I02D, I22A, I22B, I50Z		03	D18Z, D28Z, D29Z
	09	J02A, J02B, J02C, J04A, J04B, J08A, J08B, J08C, J16Z, J21Z, J22A, J22B		09	J02A, J02B, J02C, J04A, J04B, J08A, J08B, J08C, J16Z, J21Z, J22A, J22B		05	F13A, F21A, F21B, F28A
	21A	W04A, W04B		21A	W04A, W04B		06	G10Z, G12A, G12B
	21B	X01A, X01B, X01C		21B	X01A, X01B, X01C		08	I28A, I28B
	22	Y01Z, Y03A, Y03B		22	Y01Z, Y03A, Y03B		09	J02A, J02B, J02C, J04A, J04B, J08A, J08B, J08C, J16Z, J21Z, J22A, J22B
						21A	W04A, W04B	
						21B	X01A, X01B, X01C	

VYK

ZZV	MDC	DRG	ZZV	MDC	DRG	ZZV	MDC	DRG			
5v620.6↔		BOP, KVT, UOP4	5v620.c		BOP, KVT, UOP4	5v620.s↔		BOP, KVT, UOP4			
	01	B03A, B03B, B06A, B06B, B07Z, B17A, B17B, B17C		01	B03A, B03B, B06A, B06B, B07Z, B17A, B17B, B17C		01	B03A, B03B, B06A, B06B, B07Z, B17A, B17B, B17C			
	05	F13A, F21A, F21B, F28A		05	F13A, F21A, F21B, F28A		05	F13A, F21A, F21B, F28A			
	08	I02A, I02B, I02C, I02D, I22A, I22B, I50Z		06	G10Z, G12A, G12B		08	I02A, I02B, I02C, I02D, I22A, I22B, I50Z			
	09	J02A, J02B, J02C, J04A, J04B, J08A, J08B, J08C, J16Z, J21Z, J22A, J22B		08	I02A, I02B, I02C, I02D, I22A, I22B, I50Z		09	J02A, J02B, J02C, J04A, J04B, J08A, J08B, J08C, J16Z, J21Z, J22A, J22B			
	21A	W04A, W04B		09	J02A, J02B, J02C, J04A, J04B, J08A, J08B, J08C, J16Z, J21Z, J22A, J22B		09	J02A, J02B, J02C, J04A, J04B, J08A, J08B, J08C, J16Z, J21Z, J22A, J22B			
	21B	X01A, X01B, X01C		10	K09A, K09B		21A	W04A, W04B			
	5v620.7↔			BOP, KVT, UOP4	5v620.d			BOP, KVT, UOP4	5v620.x↔		BOP, KVT, UOP4
		01		B03A, B03B, B06A, B06B, B07Z, B17A, B17B, B17C			21A	W04A, W04B		01	B03A, B03B, B06A, B06B, B07Z, B17A, B17B, B17C
		05		F13A, F21A, F21B, F28A			21B	X01A, X01B, X01C		05	F13A, F21A, F21B, F28A
08		I02A, I02B, I02C, I02D, I22A, I22B, I50Z	01	B03A, B03B, B06A, B06B, B07Z, B17A, B17B, B17C		08	I02A, I02B, I02C, I02D, I22A, I22B, I32A, I32B, I32C, I32D, I32E, I32F, I50Z				
09		J02A, J02B, J02C, J04A, J04B, J08A, J08B, J08C, J16Z, J21Z, J22A, J22B	05	F13A, F21A, F21B, F28A		09	J02A, J02B, J02C, J04A, J04B, J08A, J08B, J08C, J16Z, J21Z, J22A, J22B				
21A		W04A, W04B	06	G10Z, G12A, G12B		09	J02A, J02B, J02C, J04A, J04B, J08A, J08B, J08C, J16Z, J21Z, J22A, J22B				
21B		X01A, X01B, X01C	08	I02A, I02B, I02C, I02D, I22A, I22B, I50Z		21A	W04A, W04B				
5v620.8↔			BOP, KVT, UOP4	5v620.e↔			BOP, KVT, UOP4	5v621.6↔			BOP, KVT, UOP4
		01	B03A, B03B, B06A, B06B, B07Z, B17A, B17B, B17C			01	B03A, B03B, B06A, B06B, B07Z, B17A, B17B, B17C			01	B03A, B03B, B06A, B06B, B07Z, B17A, B17B, B17C
		05	F13A, F21A, F21B, F28A			05	F13A, F21A, F21B, F28A			05	F13A, F21A, F21B, F28A
	08	I02A, I02B, I02C, I02D, I22A, I22B, I32A, I32B, I32C, I32D, I32E, I32F, I50Z	05		F13A, F21A, F21B, F28A	08	I02A, I02B, I02C, I02D, I22A, I22B, I50Z				
	09	J02A, J02B, J02C, J04A, J04B, J08A, J08B, J08C, J16Z, J21Z, J22A, J22B	05		F13A, F21A, F21B, F28A, F27B, F27C, F28A	09	J02A, J02B, J02C, J04A, J04B, J08A, J08B, J08C, J16Z, J21Z, J22A, J22B				
	21A	W04A, W04B	08		I02A, I02B, I02C, I02D, I22A, I22B, I50Z	09	J02A, J02B, J02C, J04A, J04B, J08A, J08B, J08C, J16Z, J21Z, J22A, J22B				
	21B	X01A, X01B, X01C	09		J02A, J02B, J02C, J04A, J04B, J08A, J08B, J08C, J16Z, J21Z, J22A, J22B	21A	W04A, W04B				
	5v620.9↔		BOP, KVT, UOP4		5v620.f↔		BOP, KVT, UOP4		5v621.7↔		BOP, KVT, UOP4
		01	B03A, B03B, B06A, B06B, B07Z, B17A, B17B, B17C			01	B03A, B03B, B06A, B06B, B07Z, B17A, B17B, B17C			01	B03A, B03B, B06A, B06B, B07Z, B17A, B17B, B17C
		05	F13A, F21A, F21B, F28A			05	F13A, F21A, F21B, F27A, F27B, F27C, F28A			05	F13A, F21A, F21B, F28A
08		I12A, I12B, I12C, I32A, I32B, I32C, I32D, I32E, I32F	08	I02A, I02B, I02C, I02D, I22A, I22B, I50Z		08	I02A, I02B, I02C, I02D, I22A, I22B, I50Z				
09		J03A, J03B, J04A, J04B, J08A, J08B, J08C, J16Z, J21Z, J22A, J22B	09	J02A, J02B, J02C, J04A, J04B, J08A, J08B, J08C, J16Z, J21Z, J22A, J22B		09	J02A, J02B, J02C, J04A, J04B, J08A, J08B, J08C, J16Z, J21Z, J22A, J22B				
21A		W04A, W04B	10	K01Z		09	J02A, J02B, J02C, J04A, J04B, J08A, J08B, J08C, J16Z, J21Z, J22A, J22B				
21B		X01A, X01B, X01C	21A	W04A, W04B		21A	W04A, W04B				
5v620.a			BOP, KVT, UOP4	5v620.g↔			BOP, KVT, UOP4	5v621.8↔			BOP, KVT, UOP4
		01	B03A, B03B, B06A, B06B, B07Z, B17A, B17B, B17C			01	B03A, B03B, B06A, B06B, B07Z, B17A, B17B, B17C			01	B03A, B03B, B06A, B06B, B07Z, B17A, B17B, B17C
		05	F13A, F21A, F21B, F28A			05	F13A, F21A, F21B, F27A, F27B, F27C, F28A			05	F13A, F21A, F21B, F28A
	06	G10Z, G12A, G12B	08		I02A, I02B, I02C, I02D, I22A, I22B, I50Z	08	I02A, I02B, I02C, I02D, I22A, I22B, I32A, I32B, I32C, I32D, I32E, I32F, I50Z				
	08	I02A, I02B, I02C, I02D, I22A, I22B, I50Z	09		J02A, J02B, J02C, J04A, J04B, J08A, J08B, J08C, J16Z, J21Z, J22A, J22B	08	I02A, I02B, I02C, I02D, I22A, I22B, I32A, I32B, I32C, I32D, I32E, I32F, I50Z				
	09	J02A, J02B, J02C, J04A, J04B, J08A, J08B, J08C, J16Z, J21Z, J22A, J22B	10		K01Z	09	J02A, J02B, J02C, J04A, J04B, J08A, J08B, J08C, J16Z, J21Z, J22A, J22B				
	21A	W04A, W04B	21A		W04A, W04B	21A	W04A, W04B				
	21B	X01A, X01B, X01C	21B		X01A, X01B, X01C	21B	X01A, X01B, X01C				
	5v620.b		BOP, KVT, UOP4		5v621.9↔		BOP, KVT, UOP4		5v621.9↔		BOP, KVT, UOP4
		01	B03A, B03B, B06A, B06B, B07Z, B17A, B17B, B17C			01	B03A, B03B, B06A, B06B, B07Z, B17A, B17B, B17C			01	B03A, B03B, B06A, B06B, B07Z, B17A, B17B, B17C
05		F13A, F21A, F21B, F28A	05	F13A, F21A, F21B, F28A		05	F13A, F21A, F21B, F28A				
06		G10Z, G12A, G12B	08	I02A, I02B, I02C, I02D, I12A, I12B, I12C, I22A, I22B, I50Z		08	I12A, I12B, I12C, I32A, I32B, I32C, I32D, I32E, I32F				
08		I02A, I02B, I02C, I02D, I22A, I22B, I50Z	09	J02A, J02B, J02C, J04A, J04B, J08A, J08B, J08C, J16Z, J21Z, J22A, J22B		08	I12A, I12B, I12C, I32A, I32B, I32C, I32D, I32E, I32F				
09		J02A, J02B, J02C, J04A, J04B, J08A, J08B, J08C, J16Z, J21Z, J22A, J22B	10	K01Z		09	J03A, J03B, J04A, J04B, J08A, J08B, J08C, J16Z, J21Z, J22A, J22B				
21A		W04A, W04B	21A	W04A, W04B		21A	W04A, W04B				
21B		X01A, X01B, X01C	21B	X01A, X01B, X01C		21B	X01A, X01B, X01C				

ZZV	MDC	DRG	ZZV	MDC	DRG	ZZV	MDC	DRG			
5v621.e↔		BOP, KVT, UOP4	5v622.5		BOP, KVT, UOP4	5v622.b		BOP, KVT, UOP4			
	01	B03A, B03B, B06A, B06B, B07Z, B17A, B17B, B17C		01	B03A, B03B, B06A, B06B, B07Z, B17A, B17B, B17C		01	B03A, B03B, B06A, B06B, B07Z, B17A, B17B, B17C			
	05	F13A, F21A, F21B, F27A, F27B, F27C, F28A		03	D18Z, D28Z, D29Z		05	F13A, F21A, F21B, F28A			
	08	I02A, I02B, I02C, I02D, I22A, I22B, I50Z		05	F13A, F21A, F21B, F28A		06	G10Z, G12A, G12B			
	09	J02A, J02B, J02C, J04A, J04B, J08A, J08B, J08C, J16Z, J21Z, J22A, J22B		06	G10Z, G12A, G12B		08	I02A, I02B, I02C, I02D, I22A, I22B, I50Z			
	10	K01Z		08	I28A, I28B		09	J02A, J02B, J02C, J04A, J04B, J08A, J08B, J08C, J16Z, J21Z, J22A, J22B			
	21A	W04A, W04B		09	J02A, J02B, J02C, J04A, J04B, J08A, J08B, J08C, J16Z, J21Z, J22A, J22B		21A	W04A, W04B			
	21B	X01A, X01B, X01C		21A	W04A, W04B		21B	X01A, X01B, X01C			
	5v621.f↔			BOP, KVT, UOP4	5v622.6↔			BOP, KVT, UOP4	5v622.c		BOP, KVT, UOP4
		01		B03A, B03B, B06A, B06B, B07Z, B17A, B17B, B17C			01	B03A, B03B, B06A, B06B, B07Z, B17A, B17B, B17C		01	B03A, B03B, B06A, B06B, B07Z, B17A, B17B, B17C
05		F13A, F21A, F21B, F27A, F27B, F27C, F28A	05	F13A, F21A, F21B, F28A		05	F13A, F21A, F21B, F28A				
08		I02A, I02B, I02C, I02D, I22A, I22B, I50Z	08	I02A, I02B, I02C, I02D, I22A, I22B, I50Z		06	G10Z, G12A, G12B				
09		J02A, J02B, J02C, J04A, J04B, J08A, J08B, J08C, J16Z, J21Z, J22A, J22B	09	J02A, J02B, J02C, J04A, J04B, J08A, J08B, J08C, J16Z, J21Z, J22A, J22B		08	I02A, I02B, I02C, I02D, I22A, I22B, I50Z				
10		K01Z	21A	W04A, W04B		09	J02A, J02B, J02C, J04A, J04B, J08A, J08B, J08C, J16Z, J21Z, J22A, J22B				
21A		W04A, W04B	21B	X01A, X01B, X01C		10	K09A, K09B				
21B		X01A, X01B, X01C	21B	X01A, X01B, X01C		12	M04A, M04B, M04C, M04D, M37Z, M38Z				
5v621.g↔			BOP, KVT, UOP4	5v622.7↔			BOP, KVT, UOP4	5v622.d			BOP, KVT, UOP4
		01	B03A, B03B, B06A, B06B, B07Z, B17A, B17B, B17C			01	B03A, B03B, B06A, B06B, B07Z, B17A, B17B, B17C			21A	W04A, W04B
	05	F13A, F21A, F21B, F27A, F27B, F27C, F28A	05		F13A, F21A, F21B, F28A	21B	X01A, X01B, X01C				
	08	I02A, I02B, I02C, I02D, I12A, I12B, I12C, I22A, I22B, I50Z	08		I02A, I02B, I02C, I02D, I22A, I22B, I50Z	01	B03A, B03B, B06A, B06B, B07Z, B17A, B17B, B17C				
	09	J02A, J02B, J02C, J04A, J04B, J08A, J08B, J08C, J16Z, J21Z, J22A, J22B	09		J02A, J02B, J02C, J04A, J04B, J08A, J08B, J08C, J16Z, J21Z, J22A, J22B	05	F13A, F21A, F21B, F28A				
	10	K01Z	21A		W04A, W04B	08	I02A, I02B, I02C, I02D, I22A, I22B, I50Z				
	21A	W04A, W04B	21B		X01A, X01B, X01C	09	J02A, J02B, J02C, J04A, J04B, J08A, J08B, J08C, J16Z, J21Z, J22A, J22B				
	21B	X01A, X01B, X01C	21B		X01A, X01B, X01C	21A	W04A, W04B				
	5v621.x↔		BOP, KVT, UOP4		5v622.8↔		BOP, KVT, UOP4		5v622.e↔		BOP, KVT, UOP4
		01	B03A, B03B, B06A, B06B, B07Z, B17A, B17B, B17C			01	B03A, B03B, B06A, B06B, B07Z, B17A, B17B, B17C			01	B03A, B03B, B06A, B06B, B07Z, B17A, B17B, B17C
05		F13A, F21A, F21B, F28A	05	F13A, F21A, F21B, F28A		05	F13A, F21A, F21B, F28A				
08		I02A, I02B, I02C, I02D, I22A, I22B, I32A, I32B, I32C, I32D, I32E, I32F, I50Z	08	I02A, I02B, I02C, I02D, I22A, I22B, I32A, I32B, I32C, I32D, I32E, I32F, I50Z		08	I02A, I02B, I02C, I02D, I22A, I22B, I50Z				
09		J02A, J02B, J02C, J04A, J04B, J08A, J08B, J08C, J16Z, J21Z, J22A, J22B	09	J02A, J02B, J02C, J04A, J04B, J08A, J08B, J08C, J16Z, J21Z, J22A, J22B		09	J02A, J02B, J02C, J04A, J04B, J08A, J08B, J08C, J16Z, J21Z, J22A, J22B				
21A		W04A, W04B	21A	W04A, W04B		10	K01Z				
21B		X01A, X01B, X01C	21B	X01A, X01B, X01C		21A	W04A, W04B				
5v622.4			BOP, KVT, UOP4	5v622.9↔			BOP, KVT, UOP4	5v622.f↔			BOP, KVT, UOP4
		01	B03A, B03B, B06A, B06B, B07Z, B17A, B17B, B17C			01	B03A, B03B, B06A, B06B, B07Z, B17A, B17B, B17C			01	B03A, B03B, B06A, B06B, B07Z, B17A, B17B, B17C
		02	C20A, C20B			05	F13A, F21A, F21B, F28A			05	F13A, F21A, F21B, F27A, F27B, F27C, F28A
	03	D18Z, D28Z, D29Z	08		I12A, I12B, I12C, I32A, I32B, I32C, I32D, I32E, I32F	08	I02A, I02B, I02C, I02D, I22A, I22B, I50Z				
	05	F13A, F21A, F21B, F28A	09		J03A, J03B, J04A, J04B, J08A, J08B, J08C, J16Z, J21Z, J22A, J22B	09	J02A, J02B, J02C, J04A, J04B, J08A, J08B, J08C, J16Z, J21Z, J22A, J22B				
	08	I02A, I02B, I02C, I02D, I22A, I22B, I50Z	21A		W04A, W04B	10	K01Z				
	09	J02A, J02B, J02C, J04A, J04B, J08A, J08B, J08C, J16Z, J21Z, J22A, J22B	21B		X01A, X01B, X01C	21A	W04A, W04B				
	21A	W04A, W04B	21B		X01A, X01B, X01C	21B	X01A, X01B, X01C				
	5v622.a↔		BOP, KVT, UOP4		5v622.a↔		BOP, KVT, UOP4		5v622.f↔		BOP, KVT, UOP4
		01	B03A, B03B, B06A, B06B, B07Z, B17A, B17B, B17C			01	B03A, B03B, B06A, B06B, B07Z, B17A, B17B, B17C			01	B03A, B03B, B06A, B06B, B07Z, B17A, B17B, B17C
05		F13A, F21A, F21B, F28A	05	F13A, F21A, F21B, F28A		05	F13A, F21A, F21B, F27A, F27B, F27C, F28A				
06		G10Z, G12A, G12B	06	G10Z, G12A, G12B		08	I02A, I02B, I02C, I02D, I22A, I22B, I50Z				
08		I02A, I02B, I02C, I02D, I22A, I22B, I50Z	08	I02A, I02B, I02C, I02D, I22A, I22B, I50Z		09	J02A, J02B, J02C, J04A, J04B, J08A, J08B, J08C, J16Z, J21Z, J22A, J22B				
09		J02A, J02B, J02C, J04A, J04B, J08A, J08B, J08C, J16Z, J21Z, J22A, J22B	09	J02A, J02B, J02C, J04A, J04B, J08A, J08B, J08C, J16Z, J21Z, J22A, J22B		10	K01Z				
21A		W04A, W04B	21A	W04A, W04B		21A	W04A, W04B				
21B		X01A, X01B, X01C	21B	X01A, X01B, X01C		21B	X01A, X01B, X01C				

ZZV	MDC	DRG	ZZV	MDC	DRG	ZZV	MDC	DRG			
5v622.g↔		BOP, KVT, UOP4	5v623.9↔		BOP, KVT, UOP4	5v624.1		BOP, KVT, UOP4			
	01	B03A, B03B, B06A, B06B, B07Z, B17A, B17B, B17C		01	B03A, B03B, B06A, B06B, B07Z, B17A, B17B, B17C		01	B03A, B03B, B06A, B06B, B07Z, B17A, B17B, B17C			
	05	F13A, F21A, F21B, F27A, F27B, F27C, F28A		05	F13A, F21A, F21B, F28A		02	C20A, C20B			
	08	I02A, I02B, I02C, I02D, I12A, I12B, I12C, I22A, I22B, I50Z		08	I12A, I12B, I12C, I32A, I32B, I32C, I32D, I32E, I32F		03	D18Z, D28Z, D29Z			
	09	J02A, J02B, J02C, J04A, J04B, J08A, J08B, J08C, J16Z, J21Z, J22A, J22B		09	J03A, J03B, J04A, J04B, J08A, J08B, J08C, J16Z, J21Z, J22A, J22B		05	F13A, F21A, F21B, F28A			
	10	K01Z		21A	W04A, W04B		08	I02A, I02B, I02C, I02D, I22A, I22B, I50Z			
	21A	W04A, W04B		21B	X01A, X01B, X01C		09	J02A, J02B, J02C, J04A, J04B, J08A, J08B, J08C, J16Z, J21Z, J22A, J22B			
	21B	X01A, X01B, X01C		5v623.e↔			BOP, KVT, UOP4	21A	W04A, W04B		
	5v622.s↔				BOP, KVT, UOP4		01	B03A, B03B, B06A, B06B, B07Z, B17A, B17B, B17C	21B	X01A, X01B, X01C	
		01			B03A, B03B, B06A, B06B, B07Z, B17A, B17B, B17C		05	F13A, F21A, F21B, F27A, F27B, F27C, F28A	5v624.4		BOP, KVT, UOP4
05		F13A, F21A, F21B, F28A	08		I02A, I02B, I02C, I02D, I22A, I22B, I50Z	01	B03A, B03B, B06A, B06B, B07Z, B17A, B17B, B17C				
08		I02A, I02B, I02C, I02D, I22A, I22B, I32A, I32B, I32C, I32D, I32E, I32F, I50Z	09		J02A, J02B, J02C, J04A, J04B, J08A, J08B, J08C, J16Z, J21Z, J22A, J22B	02	C20A, C20B				
09		J02A, J02B, J02C, J04A, J04B, J08A, J08B, J08C, J16Z, J21Z, J22A, J22B	10		K01Z	03	D18Z, D28Z, D29Z				
21A		W04A, W04B	21A		W04A, W04B	05	F13A, F21A, F21B, F28A				
21B		X01A, X01B, X01C	21B		X01A, X01B, X01C	08	I02A, I02B, I02C, I02D, I22A, I22B, I50Z				
5v622.x↔			BOP, KVT, UOP4		5v623.f↔		BOP, KVT, UOP4	5v624.5			BOP, KVT, UOP4
		01	B03A, B03B, B06A, B06B, B07Z, B17A, B17B, B17C			01	B03A, B03B, B06A, B06B, B07Z, B17A, B17B, B17C			01	B03A, B03B, B06A, B06B, B07Z, B17A, B17B, B17C
		05	F13A, F21A, F21B, F28A	05		F13A, F21A, F21B, F27A, F27B, F27C, F28A	03			D18Z, D28Z, D29Z	
	08	I02A, I02B, I02C, I02D, I22A, I22B, I32A, I32B, I32C, I32D, I32E, I32F, I50Z	08	I02A, I02B, I02C, I02D, I22A, I22B, I50Z		05	F13A, F21A, F21B, F28A				
	09	J02A, J02B, J02C, J04A, J04B, J08A, J08B, J08C, J16Z, J21Z, J22A, J22B	09	J02A, J02B, J02C, J04A, J04B, J08A, J08B, J08C, J16Z, J21Z, J22A, J22B		06	G10Z, G12A, G12B				
	21A	W04A, W04B	10	K01Z		08	I28A, I28B				
	21B	X01A, X01B, X01C	21A	W04A, W04B		09	J02A, J02B, J02C, J04A, J04B, J08A, J08B, J08C, J16Z, J21Z, J22A, J22B				
	5v623.6↔		BOP, KVT, UOP4	5v623.g↔			BOP, KVT, UOP4		5v624.6↔		BOP, KVT, UOP4
		01	B03A, B03B, B06A, B06B, B07Z, B17A, B17B, B17C			01	B03A, B03B, B06A, B06B, B07Z, B17A, B17B, B17C			01	B03A, B03B, B06A, B06B, B07Z, B17A, B17B, B17C
		05	F13A, F21A, F21B, F28A			05	F13A, F21A, F21B, F27A, F27B, F27C, F28A			05	F13A, F21A, F21B, F28A
08		I02A, I02B, I02C, I02D, I22A, I22B, I50Z	08		I02A, I02B, I02C, I02D, I12A, I12B, I12C, I22A, I22B, I50Z	08	I02A, I02B, I02C, I02D, I22A, I22B, I50Z				
09		J02A, J02B, J02C, J04A, J04B, J08A, J08B, J08C, J16Z, J21Z, J22A, J22B	09		J02A, J02B, J02C, J04A, J04B, J08A, J08B, J08C, J16Z, J21Z, J22A, J22B	09	J02A, J02B, J02C, J04A, J04B, J08A, J08B, J08C, J16Z, J21Z, J22A, J22B				
21A		W04A, W04B	10		K01Z	21A	W04A, W04B				
21B		X01A, X01B, X01C	21A		W04A, W04B	21B	X01A, X01B, X01C				
5v623.7↔			BOP, KVT, UOP4		5v623.x↔		BOP, KVT, UOP4	5v624.7↔			BOP, KVT, UOP4
		01	B03A, B03B, B06A, B06B, B07Z, B17A, B17B, B17C			01	B03A, B03B, B06A, B06B, B07Z, B17A, B17B, B17C			01	B03A, B03B, B06A, B06B, B07Z, B17A, B17B, B17C
		05	F13A, F21A, F21B, F28A			05	F13A, F21A, F21B, F28A			05	F13A, F21A, F21B, F28A
	08	I02A, I02B, I02C, I02D, I22A, I22B, I50Z	08	I02A, I02B, I02C, I02D, I22A, I22B, I32A, I32B, I32C, I32D, I32E, I32F, I50Z		08	I02A, I02B, I02C, I02D, I22A, I22B, I50Z				
	09	J02A, J02B, J02C, J04A, J04B, J08A, J08B, J08C, J16Z, J21Z, J22A, J22B	09	J02A, J02B, J02C, J04A, J04B, J08A, J08B, J08C, J16Z, J21Z, J22A, J22B		09	J02A, J02B, J02C, J04A, J04B, J08A, J08B, J08C, J16Z, J21Z, J22A, J22B				
	21A	W04A, W04B	10	K01Z		21A	W04A, W04B				
	21B	X01A, X01B, X01C	21A	W04A, W04B		21B	X01A, X01B, X01C				
	5v623.8↔		BOP, KVT, UOP4	5v624.0			BOP, KVT, UOP4				BOP, KVT, UOP4
		01	B03A, B03B, B06A, B06B, B07Z, B17A, B17B, B17C			01	B03A, B03B, B06A, B06B, B07Z, B17A, B17B, B17C			01	B03A, B03B, B06A, B06B, B07Z, B17A, B17B, B17C
		05	F13A, F21A, F21B, F28A			03	D08A, D08B, D18Z, D22A, D22B, D30A, D30B			05	F13A, F28A
08		I02A, I02B, I02C, I02D, I22A, I22B, I32A, I32B, I32C, I32D, I32E, I32F, I50Z	05		F13A, F28A	08	I02A, I02B, I02C, I02D, I22A, I22B, I50Z				
09		J02A, J02B, J02C, J04A, J04B, J08A, J08B, J08C, J16Z, J21Z, J22A, J22B	09		J03A, J03B, J04A, J04B, J08A, J08B, J08C, J10A, J10B, J16Z	09	J02A, J02B, J02C, J04A, J04B, J08A, J08B, J08C, J16Z, J21Z, J22A, J22B				
21A		W04A, W04B	21A		W04A, W04B	21A	W04A, W04B				
21B		X01A, X01B, X01C	21B		X01A, X01B, X01C	21B	X01A, X01B, X01C				

VYK

ZZV	MDC	DRG	ZZV	MDC	DRG	ZZV	MDC	DRG
5v624.8↔		BOP, KVT, UOP4	5v624.d		BOP, KVT, UOP4	5v624.n↔		BOP, KVT, UOP4
	01	B03A, B03B, B06A, B06B, B07Z, B17A, B17B, B17C		01	B03A, B03B, B06A, B06B, B07Z, B17A, B17B, B17C		01	B03A, B03B, B06A, B06B, B07Z, B17A, B17B, B17C
	05	F13A, F21A, F21B, F28A		05	F13A, F21A, F21B, F28A		05	F13A, F21A, F21B, F28A
	08	I02A, I02B, I02C, I02D, I22A, I22B, I32A, I32B, I32C, I32D, I32E, I32F, I50Z		06	G10Z, G12A, G12B		06	G10Z, G12A, G12B
	09	J02A, J02B, J02C, J04A, J04B, J08A, J08B, J08C, J16Z, J21Z, J22A, J22B		08	I02A, I02B, I02C, I02D, I22A, I22B, I50Z		08	I02A, I02B, I02C, I02D, I22A, I22B, I50Z
	21A	W04A, W04B		09	J02A, J02B, J02C, J04A, J04B, J08A, J08B, J08C, J16Z, J21Z, J22A, J22B		09	J02A, J02B, J02C, J04A, J04B, J08A, J08B, J08C, J16Z, J21Z, J22A, J22B
5v624.9↔	21B	X01A, X01B, X01C	5v624.e↔	21A	W04A, W04B	5v624.p↔	21A	W04A, W04B
		BOP, KVT, UOP4		21B	X01A, X01B, X01C		21B	X01A, X01B, X01C
	01	B03A, B03B, B06A, B06B, B07Z, B17A, B17B, B17C			BOP, KVT, UOP4		01	B03A, B03B, B06A, B06B, B07Z, B17A, B17B, B17C
	05	F13A, F21A, F21B, F28A		01	B03A, B03B, B06A, B06B, B07Z, B17A, B17B, B17C		05	F13A, F21A, F21B, F28A
	08	I12A, I12B, I12C, I32A, I32B, I32C, I32D, I32E, I32F		05	F13A, F21A, F21B, F27A, F27B, F27C, F28A		08	I02A, I02B, I02C, I02D, I22A, I22B, I32A, I32B, I32C, I32D, I32E, I32F, I50Z
	09	J03A, J03B, J04A, J04B, J08A, J08B, J08C, J16Z, J21Z, J22A, J22B		08	I02A, I02B, I02C, I02D, I22A, I22B, I50Z		09	J02A, J02B, J02C, J04A, J04B, J08A, J08B, J08C, J16Z, J21Z, J22A, J22B
5v624.a	21A	W04A, W04B	5v624.f↔	09	J02A, J02B, J02C, J04A, J04B, J08A, J08B, J08C, J16Z, J21Z, J22A, J22B	5v624.r	21A	W04A, W04B
	21B	X01A, X01B, X01C		10	K01Z		21A	W04A, W04B
		BOP, KVT, UOP4		21A	W04A, W04B		21B	X01A, X01B, X01C
	01	B03A, B03B, B06A, B06B, B07Z, B17A, B17B, B17C		21B	X01A, X01B, X01C			BOP, KVT, UOP4
	05	F13A, F21A, F21B, F28A		01	BOP, KVT, UOP4		01	B03A, B03B, B06A, B06B, B07Z, B17A, B17B, B17C
	06	G10Z, G12A, G12B		01	B03A, B03B, B06A, B06B, B07Z, B17A, B17B, B17C		02	C20A, C20B
5v624.b	08	I02A, I02B, I02C, I02D, I22A, I22B, I50Z	5v624.g↔	05	F13A, F21A, F21B, F27A, F27B, F27C, F28A	03	D18Z, D28Z, D29Z	
	09	J02A, J02B, J02C, J04A, J04B, J08A, J08B, J08C, J16Z, J21Z, J22A, J22B		08	I02A, I02B, I02C, I02D, I22A, I22B, I50Z	05	F13A, F21A, F21B, F28A	
	21A	W04A, W04B		09	J02A, J02B, J02C, J04A, J04B, J08A, J08B, J08C, J16Z, J21Z, J22A, J22B	08	I02A, I02B, I02C, I02D, I22A, I22B, I50Z	
	21B	X01A, X01B, X01C		10	K01Z	09	J02A, J02B, J02C, J04A, J04B, J08A, J08B, J08C, J16Z, J21Z, J22A, J22B	
		BOP, KVT, UOP4		21A	W04A, W04B	21A	W04A, W04B	
	01	B03A, B03B, B06A, B06B, B07Z, B17A, B17B, B17C		21B	X01A, X01B, X01C	21B	X01A, X01B, X01C	
5v624.c	05	F13A, F21A, F21B, F28A	5v624.h	21B	X01A, X01B, X01C	5v624.s↔		BOP, KVT, UOP4
	06	G10Z, G12A, G12B			BOP, KVT, UOP4		01	B03A, B03B, B06A, B06B, B07Z, B17A, B17B, B17C
	08	I02A, I02B, I02C, I02D, I22A, I22B, I50Z		01	B03A, B03B, B06A, B06B, B07Z, B17A, B17B, B17C		05	F13A, F21A, F21B, F28A
	09	J02A, J02B, J02C, J04A, J04B, J08A, J08B, J08C, J16Z, J21Z, J22A, J22B		05	F13A, F21A, F21B, F27A, F27B, F27C, F28A		08	I02A, I02B, I02C, I02D, I22A, I22B, I32A, I32B, I32C, I32D, I32E, I32F, I50Z
	21A	W04A, W04B		08	I02A, I02B, I02C, I02D, I12A, I12B, I12C, I22A, I22B, I50Z		09	J02A, J02B, J02C, J04A, J04B, J08A, J08B, J08C, J16Z, J21Z, J22A, J22B
	21B	X01A, X01B, X01C		09	J02A, J02B, J02C, J04A, J04B, J08A, J08B, J08C, J16Z, J21Z, J22A, J22B		21A	W04A, W04B
	BOP, KVT, UOP4	10	K01Z	21B	X01A, X01B, X01C			
01	B03A, B03B, B06A, B06B, B07Z, B17A, B17B, B17C	21A	W04A, W04B	5v624.t↔		BOP, KVT, UOP4		
05	F13A, F21A, F21B, F28A	21A	W04A, W04B		01	B03A, B03B, B06A, B06B, B07Z, B17A, B17B, B17C		
06	G10Z, G12A, G12B	21B	X01A, X01B, X01C		05	F13A, F21A, F21B, F28A		
08	I02A, I02B, I02C, I02D, I22A, I22B, I50Z		BOP, KVT, UOP4		08	I02A, I02B, I02C, I02D, I22A, I22B, I32A, I32B, I32C, I32D, I32E, I32F, I50Z		
09	J02A, J02B, J02C, J04A, J04B, J08A, J08B, J08C, J16Z, J21Z, J22A, J22B	01	B03A, B03B, B06A, B06B, B07Z, B17A, B17B, B17C		09	J02A, J02B, J02C, J04A, J04B, J08A, J08B, J08C, J16Z, J21Z, J22A, J22B		
10	K09A, K09B	02	C20A, C20B		21A	W04A, W04B		
12	M04A, M04B, M04C, M04D, M37Z, M38Z	03	D18Z, D28Z, D29Z	21B	X01A, X01B, X01C			
21A	W04A, W04B	05	F13A, F21A, F21B, F28A		BOP, KVT, UOP4			
21B	X01A, X01B, X01C	08	I02A, I02B, I02C, I02D, I22A, I22B, I50Z	01	B03A, B03B, B06A, B06B, B07Z, B17A, B17B, B17C			
		09	J02A, J02B, J02C, J04A, J04B, J08A, J08B, J08C, J16Z, J21Z, J22A, J22B	05	F13A, F21A, F21B, F28A			
		21A	W04A, W04B	08	I02A, I02B, I02C, I02D, I22A, I22B, I50Z			
		21B	X01A, X01B, X01C	09	J02A, J02B, J02C, J04A, J04B, J08A, J08B, J08C, J16Z, J21Z, J22A, J22B			

ZZV	MDC	DRG	ZZV	MDC	DRG	ZZV	MDC	DRG			
5v624.u↔		BOP, KVT, UOP4	5v625.1		BOP, KVT, UOP4	5v625.8↔		BOP, KVT, UOP4			
	01	B03A, B03B, B06A, B06B, B07Z, B17A, B17B, B17C		01	B03A, B03B, B06A, B06B, B07Z, B17A, B17B, B17C		01	B03A, B03B, B06A, B06B, B07Z, B17A, B17B, B17C			
	05	F13A, F21A, F21B, F28A		02	C20A, C20B		05	F13A, F21A, F21B, F28A			
	08	I02A, I02B, I02C, I02D, I22A, I22B, I32A, I32B, I32C, I32D, I32E, I32F, I50Z		03	D18Z, D28Z, D29Z		08	I02A, I02B, I02C, I02D, I22A, I22B, I50Z			
	09	J02A, J02B, J02C, J04A, J04B, J08A, J08B, J08C, J16Z, J21Z, J22A, J22B		05	F13A, F21A, F21B, F28A		09	J02A, J02B, J02C, J04A, J04B, J08A, J08B, J08C, J16Z, J21Z, J22A, J22B			
	21A	W04A, W04B		08	I02A, I02B, I02C, I02D, I22A, I22B, I50Z		21A	W04A, W04B			
	21B	X01A, X01B, X01C		09	J02A, J02B, J02C, J04A, J04B, J08A, J08B, J08C, J16Z, J21Z, J22A, J22B		21B	X01A, X01B, X01C			
	5v624.v↔			BOP, KVT, UOP4	5v625.4			BOP, KVT, UOP4	5v625.9↔		BOP, KVT, UOP4
		01		B03A, B03B, B06A, B06B, B07Z, B17A, B17B, B17C			01	B03A, B03B, B06A, B06B, B07Z, B17A, B17B, B17C		01	B03A, B03B, B06A, B06B, B07Z, B17A, B17B, B17C
		05		F13A, F21A, F21B, F28A			02	C20A, C20B		05	F13A, F21A, F21B, F28A
08		I02A, I02B, I02C, I02D, I22A, I22B, I32A, I32B, I32C, I32D, I32E, I32F, I50Z	03	D18Z, D28Z, D29Z		08	I12A, I12B, I12C, I32A, I32B, I32C, I32D, I32E, I32F				
09		J02A, J02B, J02C, J04A, J04B, J08A, J08B, J08C, J16Z, J21Z, J22A, J22B	05	F13A, F21A, F21B, F28A		09	J03A, J03B, J04A, J04B, J08A, J08B, J08C, J16Z, J21Z, J22A, J22B				
21A		W04A, W04B	08	I02A, I02B, I02C, I02D, I22A, I22B, I50Z		21A	W04A, W04B				
21B		X01A, X01B, X01C	09	J02A, J02B, J02C, J04A, J04B, J08A, J08B, J08C, J16Z, J21Z, J22A, J22B		21B	X01A, X01B, X01C				
5v624.w↔			BOP, KVT, UOP4	5v625.5			BOP, KVT, UOP4	5v625.a			BOP, KVT, UOP4
		01	B03A, B03B, B06A, B06B, B07Z, B17A, B17B, B17C			21A	W04A, W04B			01	B03A, B03B, B06A, B06B, B07Z, B17A, B17B, B17C
		05	F13A, F21A, F21B, F28A			21B	X01A, X01B, X01C			05	F13A, F21A, F21B, F28A
	08	I02A, I02B, I02C, I02D, I22A, I22B, I32A, I32B, I32C, I32D, I32E, I32F, I50Z	01		B03A, B03B, B06A, B06B, B07Z, B17A, B17B, B17C	06	G10Z, G12A, G12B				
	09	J02A, J02B, J02C, J04A, J04B, J08A, J08B, J08C, J16Z, J21Z, J22A, J22B	03		D18Z, D28Z, D29Z	08	I02A, I02B, I02C, I02D, I22A, I22B, I50Z				
	21A	W04A, W04B	05		F13A, F21A, F21B, F28A	09	J02A, J02B, J02C, J04A, J04B, J08A, J08B, J08C, J16Z, J21Z, J22A, J22B				
	21B	X01A, X01B, X01C	06		G10Z, G12A, G12B	21A	W04A, W04B				
	5v624.x↔		BOP, KVT, UOP4		5v625.6↔		BOP, KVT, UOP4		5v625.b		BOP, KVT, UOP4
		01	B03A, B03B, B06A, B06B, B07Z, B17A, B17B, B17C			21A	W04A, W04B			01	B03A, B03B, B06A, B06B, B07Z, B17A, B17B, B17C
		05	F13A, F21A, F21B, F28A			21B	X01A, X01B, X01C			05	F13A, F21A, F21B, F28A
08		I02A, I02B, I02C, I02D, I22A, I22B, I32A, I32B, I32C, I32D, I32E, I32F, I50Z	01	B03A, B03B, B06A, B06B, B07Z, B17A, B17B, B17C		06	G10Z, G12A, G12B				
09		J02A, J02B, J02C, J04A, J04B, J08A, J08B, J08C, J16Z, J21Z, J22A, J22B	05	F13A, F21A, F21B, F28A		08	I02A, I02B, I02C, I02D, I22A, I22B, I50Z				
21A		W04A, W04B	08	I02A, I02B, I02C, I02D, I22A, I22B, I50Z		09	J02A, J02B, J02C, J04A, J04B, J08A, J08B, J08C, J16Z, J21Z, J22A, J22B				
21B		X01A, X01B, X01C	09	J02A, J02B, J02C, J04A, J04B, J08A, J08B, J08C, J16Z, J21Z, J22A, J22B		21A	W04A, W04B				
5v624.y			BOP, KVT, UOP4	5v625.7↔			BOP, KVT, UOP4	5v625.c			BOP, KVT, UOP4
		01	B03A, B03B, B06A, B06B, B07Z, B17A, B17B, B17C			21A	W04A, W04B			01	B03A, B03B, B06A, B06B, B07Z, B17A, B17B, B17C
		02	C20A, C20B			21B	X01A, X01B, X01C			05	F13A, F21A, F21B, F28A
	03	D18Z, D28Z, D29Z	01		B03A, B03B, B06A, B06B, B07Z, B17A, B17B, B17C	06	G10Z, G12A, G12B				
	05	F13A, F21A, F21B, F28A	05		F13A, F21A, F21B, F28A	08	I02A, I02B, I02C, I02D, I22A, I22B, I50Z				
	08	I02A, I02B, I02C, I02D, I22A, I22B, I50Z	08		I02A, I02B, I02C, I02D, I22A, I22B, I50Z	09	J02A, J02B, J02C, J04A, J04B, J08A, J08B, J08C, J16Z, J21Z, J22A, J22B				
	09	J02A, J02B, J02C, J04A, J04B, J08A, J08B, J08C, J16Z, J21Z, J22A, J22B	09		J02A, J02B, J02C, J04A, J04B, J08A, J08B, J08C, J16Z, J21Z, J22A, J22B	21A	W04A, W04B				
	21A	W04A, W04B	21A		W04A, W04B	21B	X01A, X01B, X01C				
	21B	X01A, X01B, X01C	21B		X01A, X01B, X01C	01	B03A, B03B, B06A, B06B, B07Z, B17A, B17B, B17C				
	5v625.0		BOP, KVT, UOP4								
03		D08A, D08B, D18Z, D22A, D22B, D30A, D30B									
05		F13A, F28A									
09		J03A, J03B, J04A, J04B, J08A, J08B, J08C, J10A, J10B, J16Z									
21A		W04A, W04B									
21B		X06A, X06B, X06C									

ZZV	MDC	DRG	ZZV	MDC	DRG	ZZV	MDC	DRG			
5v625.d		BOP, KVT, UOP4	5v625.n↔		BOP, KVT, UOP4	5v625.t↔		BOP, KVT, UOP4			
	01	B03A, B03B, B06A, B06B, B07Z, B17A, B17B, B17C		01	B03A, B03B, B06A, B06B, B07Z, B17A, B17B, B17C		01	B03A, B03B, B06A, B06B, B07Z, B17A, B17B, B17C			
	05	F13A, F21A, F21B, F28A		05	F13A, F21A, F21B, F28A		05	F13A, F21A, F21B, F28A			
	06	G10Z, G12A, G12B		06	G10Z, G12A, G12B		08	I02A, I02B, I02C, I02D, I22A, I22B, I50Z			
	08	I02A, I02B, I02C, I02D, I22A, I22B, I50Z		08	I02A, I02B, I02C, I02D, I22A, I22B, I50Z		09	J02A, J02B, J02C, J04A, J04B, J08A, J08B, J08C, J16Z, J21Z, J22A, J22B			
	09	J02A, J02B, J02C, J04A, J04B, J08A, J08B, J08C, J16Z, J21Z, J22A, J22B		09	J02A, J02B, J02C, J04A, J04B, J08A, J08B, J08C, J16Z, J21Z, J22A, J22B		09	J02A, J02B, J02C, J04A, J04B, J08A, J08B, J08C, J16Z, J21Z, J22A, J22B			
	21A	W04A, W04B		21A	W04A, W04B		21A	W04A, W04B			
	21B	X01A, X01B, X01C		21B	X01A, X01B, X01C		21B	X01A, X01B, X01C			
	5v625.e↔			BOP, KVT, UOP4	5v625.p↔			BOP, KVT, UOP4	5v625.u↔		BOP, KVT, UOP4
		01		B03A, B03B, B06A, B06B, B07Z, B17A, B17B, B17C			01	B03A, B03B, B06A, B06B, B07Z, B17A, B17B, B17C		01	B03A, B03B, B06A, B06B, B07Z, B17A, B17B, B17C
05		F13A, F21A, F21B, F27A, F27B, F27C, F28A	05	F13A, F21A, F21B, F28A		05	F13A, F21A, F21B, F28A				
08		I02A, I02B, I02C, I02D, I22A, I22B, I50Z	08	I02A, I02B, I02C, I02D, I22A, I22B, I32A, I32B, I32C, I32D, I32E, I32F, I50Z		08	I02A, I02B, I02C, I02D, I22A, I22B, I32A, I32B, I32C, I32D, I32E, I32F, I50Z				
09		J02A, J02B, J02C, J04A, J04B, J08A, J08B, J08C, J16Z, J21Z, J22A, J22B	09	J02A, J02B, J02C, J04A, J04B, J08A, J08B, J08C, J16Z, J21Z, J22A, J22B		09	J02A, J02B, J02C, J04A, J04B, J08A, J08B, J08C, J16Z, J21Z, J22A, J22B				
10		K01Z	21A	W04A, W04B		21A	W04A, W04B				
21A		W04A, W04B	21B	X01A, X01B, X01C		21B	X01A, X01B, X01C				
21B		X01A, X01B, X01C		BOP, KVT, UOP4			BOP, KVT, UOP4				
5v625.f↔			BOP, KVT, UOP4	5v625.q↔			BOP, KVT, UOP4	5v625.w↔			BOP, KVT, UOP4
		01	B03A, B03B, B06A, B06B, B07Z, B17A, B17B, B17C			01	B03A, B03B, B06A, B06B, B07Z, B17A, B17B, B17C			01	B03A, B03B, B06A, B06B, B07Z, B17A, B17B, B17C
	05	F13A, F21A, F21B, F27A, F27B, F27C, F28A	05		F13A, F21A, F21B, F28A	05	F13A, F21A, F21B, F28A				
	08	I02A, I02B, I02C, I02D, I22A, I22B, I50Z	08		I02A, I02B, I02C, I02D, I22A, I22B, I32A, I32B, I32C, I32D, I32E, I32F, I50Z	08	I02A, I02B, I02C, I02D, I22A, I22B, I32A, I32B, I32C, I32D, I32E, I32F, I50Z				
	09	J02A, J02B, J02C, J04A, J04B, J08A, J08B, J08C, J16Z, J21Z, J22A, J22B	09		J02A, J02B, J02C, J04A, J04B, J08A, J08B, J08C, J16Z, J21Z, J22A, J22B	09	J02A, J02B, J02C, J04A, J04B, J08A, J08B, J08C, J16Z, J21Z, J22A, J22B				
	10	K01Z	21A		W04A, W04B	21A	W04A, W04B				
	21A	W04A, W04B	21B		X01A, X01B, X01C	21B	X01A, X01B, X01C				
	21B	X01A, X01B, X01C			BOP, KVT, UOP4		BOP, KVT, UOP4				
	5v625.g↔		BOP, KVT, UOP4		5v625.r		BOP, KVT, UOP4		5v625.x↔		BOP, KVT, UOP4
		01	B03A, B03B, B06A, B06B, B07Z, B17A, B17B, B17C			01	B03A, B03B, B06A, B06B, B07Z, B17A, B17B, B17C			01	B03A, B03B, B06A, B06B, B07Z, B17A, B17B, B17C
05		F13A, F21A, F21B, F27A, F27B, F27C, F28A	02	C20A, C20B		05	F13A, F21A, F21B, F28A				
08		I02A, I02B, I02C, I02D, I12A, I12B, I12C, I22A, I22B, I50Z	03	D18Z, D28Z, D29Z		08	I02A, I02B, I02C, I02D, I22A, I22B, I50Z				
09		J02A, J02B, J02C, J04A, J04B, J08A, J08B, J08C, J16Z, J21Z, J22A, J22B	05	F13A, F21A, F21B, F28A		08	I02A, I02B, I02C, I02D, I22A, I22B, I50Z				
10		K01Z	08	I02A, I02B, I02C, I02D, I22A, I22B, I50Z		09	J02A, J02B, J02C, J04A, J04B, J08A, J08B, J08C, J16Z, J21Z, J22A, J22B				
21A		W04A, W04B	09	J02A, J02B, J02C, J04A, J04B, J08A, J08B, J08C, J16Z, J21Z, J22A, J22B		21A	W04A, W04B				
21B		X01A, X01B, X01C	21A	W04A, W04B		21B	X01A, X01B, X01C				
5v625.h			BOP, KVT, UOP4	5v625.s↔			BOP, KVT, UOP4	5v625.y			BOP, KVT, UOP4
		01	B03A, B03B, B06A, B06B, B07Z, B17A, B17B, B17C			01	B03A, B03B, B06A, B06B, B07Z, B17A, B17B, B17C			01	B03A, B03B, B06A, B06B, B07Z, B17A, B17B, B17C
	02	C20A, C20B	05		F13A, F21A, F21B, F28A	02	C20A, C20B				
	03	D18Z, D28Z, D29Z	08		I02A, I02B, I02C, I02D, I22A, I22B, I32A, I32B, I32C, I32D, I32E, I32F, I50Z	03	D18Z, D28Z, D29Z				
	05	F13A, F21A, F21B, F28A	09		J02A, J02B, J02C, J04A, J04B, J08A, J08B, J08C, J16Z, J21Z, J22A, J22B	05	F13A, F21A, F21B, F28A				
	08	I02A, I02B, I02C, I02D, I22A, I22B, I50Z	21A		W04A, W04B	08	I02A, I02B, I02C, I02D, I22A, I22B, I50Z				
	09	J02A, J02B, J02C, J04A, J04B, J08A, J08B, J08C, J16Z, J21Z, J22A, J22B	21B		X01A, X01B, X01C	09	J02A, J02B, J02C, J04A, J04B, J08A, J08B, J08C, J16Z, J21Z, J22A, J22B				
	21A	W04A, W04B			BOP, KVT, UOP4	21A	W04A, W04B				
	21B	X01A, X01B, X01C			BOP, KVT, UOP4	21B	X01A, X01B, X01C				

ZZV	MDC	DRG	ZZV	MDC	DRG	ZZV	MDC	DRG			
5v626.1		BOP, KVT, UOP4	5v626.8↔		BOP, KVT, UOP4	5v626.d		BOP, KVT, UOP4			
	01	B03A, B03B, B06A, B06B, B07Z, B17A, B17B, B17C		01	B03A, B03B, B06A, B06B, B07Z, B17A, B17B, B17C		01	B03A, B03B, B06A, B06B, B07Z, B17A, B17B, B17C			
	02	C20A, C20B		05	F13A, F21A, F21B, F28A		05	F13A, F21A, F21B, F28A			
	03	D18Z, D28Z, D29Z		08	I02A, I02B, I02C, I02D, I22A, I22B, I32A, I32B, I32C, I32D, I32E, I32F, I50Z		06	G10Z, G12A, G12B			
	05	F13A, F21A, F21B, F28A		09	J02A, J02B, J02C, J04A, J04B, J08A, J08B, J08C, J16Z, J21Z, J22A, J22B		08	I02A, I02B, I02C, I02D, I22A, I22B, I50Z			
	08	I02A, I02B, I02C, I02D, I22A, I22B, I50Z		21A	W04A, W04B		09	J02A, J02B, J02C, J04A, J04B, J08A, J08B, J08C, J16Z, J21Z, J22A, J22B			
	09	J02A, J02B, J02C, J04A, J04B, J08A, J08B, J08C, J16Z, J21Z, J22A, J22B		21B	X01A, X01B, X01C		21A	W04A, W04B			
	21A	W04A, W04B		5v626.9↔			21B	X01A, X01B, X01C			
	21B	X01A, X01B, X01C		01	BOP, KVT, UOP4		5v626.e↔		BOP, KVT, UOP4		
	5v626.4			BOP, KVT, UOP4	5v626.a			BOP, KVT, UOP4	5v626.f↔		BOP, KVT, UOP4
01		B03A, B03B, B06A, B06B, B07Z, B17A, B17B, B17C	01	B03A, B03B, B06A, B06B, B07Z, B17A, B17B, B17C		01	B03A, B03B, B06A, B06B, B07Z, B17A, B17B, B17C				
02		C20A, C20B	05	F13A, F21A, F21B, F28A		05	F13A, F21A, F21B, F27A, F27B, F27C, F28A				
03		D18Z, D28Z, D29Z	08	I12A, I12B, I12C, I32A, I32B, I32C, I32D, I32E, I32F		08	I02A, I02B, I02C, I02D, I22A, I22B, I50Z				
05		F13A, F21A, F21B, F28A	09	J03A, J03B, J04A, J04B, J08A, J08B, J08C, J16Z, J21Z, J22A, J22B		09	J02A, J02B, J02C, J04A, J04B, J08A, J08B, J08C, J16Z, J21Z, J22A, J22B				
08		I02A, I02B, I02C, I02D, I22A, I22B, I50Z	21A	W04A, W04B		10	K01Z				
09		J02A, J02B, J02C, J04A, J04B, J08A, J08B, J08C, J16Z, J21Z, J22A, J22B	21B	X01A, X01B, X01C		21A	W04A, W04B				
21A		W04A, W04B	01	BOP, KVT, UOP4		21B	X01A, X01B, X01C				
21B		X01A, X01B, X01C	05	F13A, F21A, F21B, F28A		5v626.g↔		BOP, KVT, UOP4			
5v626.5			BOP, KVT, UOP4	5v626.b			BOP, KVT, UOP4	5v626.h			BOP, KVT, UOP4
	01	B03A, B03B, B06A, B06B, B07Z, B17A, B17B, B17C	01		B03A, B03B, B06A, B06B, B07Z, B17A, B17B, B17C	01	B03A, B03B, B06A, B06B, B07Z, B17A, B17B, B17C				
	03	D18Z, D28Z, D29Z	05		F13A, F21A, F21B, F28A	02	C20A, C20B				
	05	F13A, F21A, F21B, F28A	06		G10Z, G12A, G12B	03	D18Z, D28Z, D29Z				
	06	G10Z, G12A, G12B	08		I02A, I02B, I02C, I02D, I22A, I22B, I50Z	05	F13A, F21A, F21B, F28A				
	08	I28A, I28B	09		J02A, J02B, J02C, J04A, J04B, J08A, J08B, J08C, J16Z, J21Z, J22A, J22B	08	I02A, I02B, I02C, I02D, I22A, I22B, I50Z				
	09	J02A, J02B, J02C, J04A, J04B, J08A, J08B, J08C, J16Z, J21Z, J22A, J22B	21A		W04A, W04B	09	J02A, J02B, J02C, J04A, J04B, J08A, J08B, J08C, J16Z, J21Z, J22A, J22B				
	21A	W04A, W04B	21B		X01A, X01B, X01C	10	K01Z				
	21B	X01A, X01B, X01C	01		BOP, KVT, UOP4	21A	W04A, W04B				
	5v626.6↔		BOP, KVT, UOP4		5v626.c		BOP, KVT, UOP4		5v626.h		BOP, KVT, UOP4
01		B03A, B03B, B06A, B06B, B07Z, B17A, B17B, B17C	01	B03A, B03B, B06A, B06B, B07Z, B17A, B17B, B17C		01	B03A, B03B, B06A, B06B, B07Z, B17A, B17B, B17C				
05		F13A, F21A, F21B, F28A	05	F13A, F21A, F21B, F28A		02	C20A, C20B				
08		I02A, I02B, I02C, I02D, I22A, I22B, I50Z	06	G10Z, G12A, G12B		03	D18Z, D28Z, D29Z				
09		J02A, J02B, J02C, J04A, J04B, J08A, J08B, J08C, J16Z, J21Z, J22A, J22B	08	I02A, I02B, I02C, I02D, I22A, I22B, I50Z		05	F13A, F21A, F21B, F28A				
21A		W04A, W04B	09	J02A, J02B, J02C, J04A, J04B, J08A, J08B, J08C, J16Z, J21Z, J22A, J22B		08	I02A, I02B, I02C, I02D, I22A, I22B, I50Z				
21B		X01A, X01B, X01C	21A	W04A, W04B		09	J02A, J02B, J02C, J04A, J04B, J08A, J08B, J08C, J16Z, J21Z, J22A, J22B				
5v626.7↔			BOP, KVT, UOP4	5v626.c			BOP, KVT, UOP4	5v626.h			BOP, KVT, UOP4
		01	B03A, B03B, B06A, B06B, B07Z, B17A, B17B, B17C			01	B03A, B03B, B06A, B06B, B07Z, B17A, B17B, B17C			01	B03A, B03B, B06A, B06B, B07Z, B17A, B17B, B17C
		05	F13A, F21A, F21B, F28A			05	F13A, F21A, F21B, F28A			02	C20A, C20B
	08	I02A, I02B, I02C, I02D, I22A, I22B, I50Z	06		G10Z, G12A, G12B	03	D18Z, D28Z, D29Z				
	09	J02A, J02B, J02C, J04A, J04B, J08A, J08B, J08C, J16Z, J21Z, J22A, J22B	08		I02A, I02B, I02C, I02D, I22A, I22B, I50Z	05	F13A, F21A, F21B, F28A				
	21A	W04A, W04B	09		J02A, J02B, J02C, J04A, J04B, J08A, J08B, J08C, J16Z, J21Z, J22A, J22B	08	I02A, I02B, I02C, I02D, I22A, I22B, I50Z				
	21B	X01A, X01B, X01C	10		K09A, K09B	09	J02A, J02B, J02C, J04A, J04B, J08A, J08B, J08C, J16Z, J21Z, J22A, J22B				
	5v626.8↔		BOP, KVT, UOP4		5v626.c		BOP, KVT, UOP4		5v626.h		BOP, KVT, UOP4
		01	B03A, B03B, B06A, B06B, B07Z, B17A, B17B, B17C			12	M04A, M04B, M04C, M04D, M37Z, M38Z			21A	W04A, W04B
		05	F13A, F21A, F21B, F28A			21A	W04A, W04B			21B	X01A, X01B, X01C
08		I02A, I02B, I02C, I02D, I22A, I22B, I50Z	21B	X01A, X01B, X01C							

VYK

ZZV	MDC	DRG	ZZV	MDC	DRG	ZZV	MDC	DRG			
5v626.n↔		BOP, KVT, UOP4	5v626.t↔		BOP, KVT, UOP4	5v627.1		BOP, KVT, UOP4			
	01	B03A, B03B, B06A, B06B, B07Z, B17A, B17B, B17C		01	B03A, B03B, B06A, B06B, B07Z, B17A, B17B, B17C		01	B03A, B03B, B06A, B06B, B07Z, B17A, B17B, B17C			
	05	F13A, F21A, F21B, F28A		05	F13A, F21A, F21B, F28A		02	C20A, C20B			
	06	G10Z, G12A, G12B		08	I02A, I02B, I02C, I02D, I22A, I22B, I32A, I32B, I32C, I32D, I32E, I32F, I50Z		03	D18Z, D28Z, D29Z			
	08	I02A, I02B, I02C, I02D, I22A, I22B, I50Z		09	J02A, J02B, J02C, J04A, J04B, J08A, J08B, J08C, J16Z, J21Z, J22A, J22B		05	F13A, F21A, F21B, F28A			
	09	J02A, J02B, J02C, J04A, J04B, J08A, J08B, J08C, J16Z, J21Z, J22A, J22B		21A	W04A, W04B		08	I02A, I02B, I02C, I02D, I22A, I22B, I50Z			
	21A	W04A, W04B		21B	X01A, X01B, X01C		09	J02A, J02B, J02C, J04A, J04B, J08A, J08B, J08C, J16Z, J21Z, J22A, J22B			
	21B	X01A, X01B, X01C			BOP, KVT, UOP4		21A	W04A, W04B			
	5v626.p↔			BOP, KVT, UOP4	5v626.u↔			BOP, KVT, UOP4	5v627.4		BOP, KVT, UOP4
		01		B03A, B03B, B06A, B06B, B07Z, B17A, B17B, B17C			01	B03A, B03B, B06A, B06B, B07Z, B17A, B17B, B17C		01	B03A, B03B, B06A, B06B, B07Z, B17A, B17B, B17C
05		F13A, F21A, F21B, F28A	05	F13A, F21A, F21B, F28A		02	C20A, C20B				
08		I02A, I02B, I02C, I02D, I22A, I22B, I32A, I32B, I32C, I32D, I32E, I32F, I50Z	08	I02A, I02B, I02C, I02D, I22A, I22B, I32A, I32B, I32C, I32D, I32E, I32F, I50Z		03	D18Z, D28Z, D29Z				
09		J02A, J02B, J02C, J04A, J04B, J08A, J08B, J08C, J16Z, J21Z, J22A, J22B	09	J02A, J02B, J02C, J04A, J04B, J08A, J08B, J08C, J16Z, J21Z, J22A, J22B		05	F13A, F21A, F21B, F28A				
21A		W04A, W04B	21A	W04A, W04B		08	I02A, I02B, I02C, I02D, I22A, I22B, I50Z				
21B		X01A, X01B, X01C	21B	X01A, X01B, X01C		09	J02A, J02B, J02C, J04A, J04B, J08A, J08B, J08C, J16Z, J21Z, J22A, J22B				
5v626.q↔			BOP, KVT, UOP4	5v626.w↔			BOP, KVT, UOP4	5v627.5			BOP, KVT, UOP4
		01	B03A, B03B, B06A, B06B, B07Z, B17A, B17B, B17C			01	B03A, B03B, B06A, B06B, B07Z, B17A, B17B, B17C			01	B03A, B03B, B06A, B06B, B07Z, B17A, B17B, B17C
		05	F13A, F21A, F21B, F28A			05	F13A, F21A, F21B, F28A			03	D18Z, D28Z, D29Z
	08	I02A, I02B, I02C, I02D, I22A, I22B, I32A, I32B, I32C, I32D, I32E, I32F, I50Z	08		I02A, I02B, I02C, I02D, I22A, I22B, I32A, I32B, I32C, I32D, I32E, I32F, I50Z	05	F13A, F21A, F21B, F28A				
	09	J02A, J02B, J02C, J04A, J04B, J08A, J08B, J08C, J16Z, J21Z, J22A, J22B	09		J02A, J02B, J02C, J04A, J04B, J08A, J08B, J08C, J16Z, J21Z, J22A, J22B	06	G10Z, G12A, G12B				
	21A	W04A, W04B	21A		W04A, W04B	08	I28A, I28B				
	21B	X01A, X01B, X01C	21B		X01A, X01B, X01C	09	J02A, J02B, J02C, J04A, J04B, J08A, J08B, J08C, J16Z, J21Z, J22A, J22B				
	5v626.r		BOP, KVT, UOP4		5v626.x↔		BOP, KVT, UOP4		5v627.6↔		BOP, KVT, UOP4
		01	B03A, B03B, B06A, B06B, B07Z, B17A, B17B, B17C			01	B03A, B03B, B06A, B06B, B07Z, B17A, B17B, B17C			01	B03A, B03B, B06A, B06B, B07Z, B17A, B17B, B17C
		02	C20A, C20B			05	F13A, F21A, F21B, F28A			05	F13A, F21A, F21B, F28A
03		D18Z, D28Z, D29Z	08	I02A, I02B, I02C, I02D, I22A, I22B, I32A, I32B, I32C, I32D, I32E, I32F, I50Z		08	I02A, I02B, I02C, I02D, I22A, I22B, I50Z				
05		F13A, F21A, F21B, F28A	09	J02A, J02B, J02C, J04A, J04B, J08A, J08B, J08C, J16Z, J21Z, J22A, J22B		09	J02A, J02B, J02C, J04A, J04B, J08A, J08B, J08C, J16Z, J21Z, J22A, J22B				
08		I02A, I02B, I02C, I02D, I22A, I22B, I50Z	21A	W04A, W04B		09	J02A, J02B, J02C, J04A, J04B, J08A, J08B, J08C, J16Z, J21Z, J22A, J22B				
09		J02A, J02B, J02C, J04A, J04B, J08A, J08B, J08C, J16Z, J21Z, J22A, J22B	21B	X01A, X01B, X01C		21A	W04A, W04B				
21A		W04A, W04B		BOP, KVT, UOP4		21B	X01A, X01B, X01C				
21B		X01A, X01B, X01C	5v626.y			BOP, KVT, UOP4	5v627.7↔			BOP, KVT, UOP4	
5v626.s↔				BOP, KVT, UOP4		01		B03A, B03B, B06A, B06B, B07Z, B17A, B17B, B17C		01	B03A, B03B, B06A, B06B, B07Z, B17A, B17B, B17C
	01	B03A, B03B, B06A, B06B, B07Z, B17A, B17B, B17C		02	C20A, C20B	05		F13A, F21A, F21B, F28A			
	05	F13A, F21A, F21B, F28A		03	D18Z, D28Z, D29Z	08		I02A, I02B, I02C, I02D, I22A, I22B, I50Z			
	08	I02A, I02B, I02C, I02D, I22A, I22B, I32A, I32B, I32C, I32D, I32E, I32F, I50Z		05	F13A, F21A, F21B, F28A	09		J02A, J02B, J02C, J04A, J04B, J08A, J08B, J08C, J16Z, J21Z, J22A, J22B			
	09	J02A, J02B, J02C, J04A, J04B, J08A, J08B, J08C, J16Z, J21Z, J22A, J22B		08	I02A, I02B, I02C, I02D, I22A, I22B, I50Z	21A		W04A, W04B			
	21A	W04A, W04B		09	J02A, J02B, J02C, J04A, J04B, J08A, J08B, J08C, J16Z, J21Z, J22A, J22B	21B		X01A, X01B, X01C			
	21B	X01A, X01B, X01C		5v627.0		BOP, KVT, UOP4		03	D08A, D08B, D18Z, D22A, D22B, D30A, D30B		
	5v626.t↔				BOP, KVT, UOP4	05		F13A, F28A	05	F13A, F28A	
		01			B03A, B03B, B06A, B06B, B07Z, B17A, B17B, B17C	09		J03A, J03B, J04A, J04B, J08A, J08B, J08C, J10A, J10B, J16Z	09	J03A, J03B, J04A, J04B, J08A, J08B, J08C, J10A, J10B, J16Z	
		05	F13A, F21A, F21B, F28A		21A	W04A, W04B	21A	W04A, W04B			
08		I02A, I02B, I02C, I02D, I22A, I22B, I32A, I32B, I32C, I32D, I32E, I32F, I50Z	21B		X01A, X01B, X01C	21B	X06A, X06B, X06C				
09		J02A, J02B, J02C, J04A, J04B, J08A, J08B, J08C, J16Z, J21Z, J22A, J22B			BOP, KVT, UOP4		BOP, KVT, UOP4				
21A		W04A, W04B			BOP, KVT, UOP4		BOP, KVT, UOP4				
21B		X01A, X01B, X01C			BOP, KVT, UOP4		BOP, KVT, UOP4				
					BOP, KVT, UOP4		BOP, KVT, UOP4				
					BOP, KVT, UOP4		BOP, KVT, UOP4				
				BOP, KVT, UOP4		BOP, KVT, UOP4					

ZZV	MDC	DRG	ZZV	MDC	DRG	ZZV	MDC	DRG			
5v627.8↔		BOP, KVT, UOP4	5v627.d		BOP, KVT, UOP4	5v627.n↔		BOP, KVT, UOP4			
	01	B03A, B03B, B06A, B06B, B07Z, B17A, B17B, B17C		01	B03A, B03B, B06A, B06B, B07Z, B17A, B17B, B17C		01	B03A, B03B, B06A, B06B, B07Z, B17A, B17B, B17C			
	05	F13A, F21A, F21B, F28A		05	F13A, F21A, F21B, F28A		05	F13A, F21A, F21B, F28A			
	08	I02A, I02B, I02C, I02D, I22A, I22B, I32A, I32B, I32C, I32D, I32E, I32F, I50Z		06	G10Z, G12A, G12B		06	G10Z, G12A, G12B			
	09	J02A, J02B, J02C, J04A, J04B, J08A, J08B, J08C, J16Z, J21Z, J22A, J22B		08	I02A, I02B, I02C, I02D, I22A, I22B, I50Z		08	I02A, I02B, I02C, I02D, I22A, I22B, I50Z			
	21A	W04A, W04B		09	J02A, J02B, J02C, J04A, J04B, J08A, J08B, J08C, J16Z, J21Z, J22A, J22B		09	J02A, J02B, J02C, J04A, J04B, J08A, J08B, J08C, J16Z, J21Z, J22A, J22B			
	21B	X01A, X01B, X01C		21A	W04A, W04B		21A	W04A, W04B			
		BOP, KVT, UOP4		21B	X01A, X01B, X01C		21B	X01A, X01B, X01C			
	5v627.9↔			BOP, KVT, UOP4	5v627.e↔			BOP, KVT, UOP4	5v627.p↔		BOP, KVT, UOP4
		01		B03A, B03B, B06A, B06B, B07Z, B17A, B17B, B17C			01	B03A, B03B, B06A, B06B, B07Z, B17A, B17B, B17C		01	B03A, B03B, B06A, B06B, B07Z, B17A, B17B, B17C
05		F13A, F21A, F21B, F28A	05	F13A, F21A, F21B, F27A, F27B, F27C, F28A		05	F13A, F21A, F21B, F28A				
08		I12A, I12B, I12C, I32A, I32B, I32C, I32D, I32E, I32F	08	I02A, I02B, I02C, I02D, I22A, I22B, I50Z		08	I02A, I02B, I02C, I02D, I22A, I22B, I32A, I32B, I32C, I32D, I32E, I32F, I50Z				
09		J03A, J03B, J04A, J04B, J08A, J08B, J08C, J16Z, J21Z, J22A, J22B	09	J02A, J02B, J02C, J04A, J04B, J08A, J08B, J08C, J16Z, J21Z, J22A, J22B		09	J02A, J02B, J02C, J04A, J04B, J08A, J08B, J08C, J16Z, J21Z, J22A, J22B				
21A		W04A, W04B	10	K01Z		21A	W04A, W04B				
21B		X01A, X01B, X01C	21A	W04A, W04B		21B	X01A, X01B, X01C				
		BOP, KVT, UOP4	21B	X01A, X01B, X01C			BOP, KVT, UOP4				
5v627.a			BOP, KVT, UOP4	5v627.f↔			BOP, KVT, UOP4	5v627.q↔			BOP, KVT, UOP4
		01	B03A, B03B, B06A, B06B, B07Z, B17A, B17B, B17C			01	B03A, B03B, B06A, B06B, B07Z, B17A, B17B, B17C			01	B03A, B03B, B06A, B06B, B07Z, B17A, B17B, B17C
	05	F13A, F21A, F21B, F28A	05		F13A, F21A, F21B, F27A, F27B, F27C, F28A	05	F13A, F21A, F21B, F28A				
	06	G10Z, G12A, G12B	08		I02A, I02B, I02C, I02D, I22A, I22B, I50Z	08	I02A, I02B, I02C, I02D, I22A, I22B, I32A, I32B, I32C, I32D, I32E, I32F, I50Z				
	08	I02A, I02B, I02C, I02D, I22A, I22B, I50Z	08		I02A, I02B, I02C, I02D, I22A, I22B, I50Z	09	J02A, J02B, J02C, J04A, J04B, J08A, J08B, J08C, J16Z, J21Z, J22A, J22B				
	09	J02A, J02B, J02C, J04A, J04B, J08A, J08B, J08C, J16Z, J21Z, J22A, J22B	09		J02A, J02B, J02C, J04A, J04B, J08A, J08B, J08C, J16Z, J21Z, J22A, J22B	21A	W04A, W04B				
	21A	W04A, W04B	10		K01Z	21B	X01A, X01B, X01C				
	21B	X01A, X01B, X01C	21A		W04A, W04B		BOP, KVT, UOP4				
		BOP, KVT, UOP4	21B		X01A, X01B, X01C	01	B03A, B03B, B06A, B06B, B07Z, B17A, B17B, B17C				
	5v627.b		BOP, KVT, UOP4		5v627.g↔		BOP, KVT, UOP4		5v627.r		BOP, KVT, UOP4
01		B03A, B03B, B06A, B06B, B07Z, B17A, B17B, B17C	01	B03A, B03B, B06A, B06B, B07Z, B17A, B17B, B17C		02	C20A, C20B				
05		F13A, F21A, F21B, F28A	05	F13A, F21A, F21B, F27A, F27B, F27C, F28A		03	D18Z, D28Z, D29Z				
06		G10Z, G12A, G12B	08	I02A, I02B, I02C, I02D, I12A, I12B, I12C, I22A, I22B, I50Z		05	F13A, F21A, F21B, F28A				
08		I02A, I02B, I02C, I02D, I22A, I22B, I50Z	08	I02A, I02B, I02C, I02D, I12A, I12B, I12C, I22A, I22B, I50Z		08	I02A, I02B, I02C, I02D, I22A, I22B, I50Z				
09		J02A, J02B, J02C, J04A, J04B, J08A, J08B, J08C, J16Z, J21Z, J22A, J22B	09	J02A, J02B, J02C, J04A, J04B, J08A, J08B, J08C, J16Z, J21Z, J22A, J22B		09	J02A, J02B, J02C, J04A, J04B, J08A, J08B, J08C, J16Z, J21Z, J22A, J22B				
21A		W04A, W04B	10	K01Z		21A	W04A, W04B				
21B		X01A, X01B, X01C	21A	W04A, W04B		21B	X01A, X01B, X01C				
		BOP, KVT, UOP4	21B	X01A, X01B, X01C			BOP, KVT, UOP4				
5v627.c			BOP, KVT, UOP4	5v627.h			BOP, KVT, UOP4	5v627.s↔			BOP, KVT, UOP4
	01	B03A, B03B, B06A, B06B, B07Z, B17A, B17B, B17C	01		B03A, B03B, B06A, B06B, B07Z, B17A, B17B, B17C	01	B03A, B03B, B06A, B06B, B07Z, B17A, B17B, B17C				
	05	F13A, F21A, F21B, F28A	02		C20A, C20B	05	F13A, F21A, F21B, F28A				
	06	G10Z, G12A, G12B	03		D18Z, D28Z, D29Z	08	I02A, I02B, I02C, I02D, I22A, I22B, I32A, I32B, I32C, I32D, I32E, I32F, I50Z				
	08	I02A, I02B, I02C, I02D, I22A, I22B, I50Z	05		F13A, F21A, F21B, F28A	09	J02A, J02B, J02C, J04A, J04B, J08A, J08B, J08C, J16Z, J21Z, J22A, J22B				
	09	J02A, J02B, J02C, J04A, J04B, J08A, J08B, J08C, J16Z, J21Z, J22A, J22B	08		I02A, I02B, I02C, I02D, I22A, I22B, I50Z	21A	W04A, W04B				
	10	K09A, K09B	09		J02A, J02B, J02C, J04A, J04B, J08A, J08B, J08C, J16Z, J21Z, J22A, J22B	21B	X01A, X01B, X01C				
	12	M04A, M04B, M04C, M04D, M37Z, M38Z	21A		W04A, W04B		BOP, KVT, UOP4				
	21A	W04A, W04B	21B		X01A, X01B, X01C		BOP, KVT, UOP4				
	21B	X01A, X01B, X01C			BOP, KVT, UOP4		BOP, KVT, UOP4				

VYK

ZZV	MDC	DRG	ZZV	MDC	DRG	ZZV	MDC	DRG
5v627.t↔		BOP, KVT, UOP4	5v62x.1		BOP, KVT, UOP4	5v62x.8↔		BOP, KVT, UOP4
	01	B03A, B03B, B06A, B06B, B07Z, B17A, B17B, B17C		01	B03A, B03B, B06A, B06B, B07Z, B17A, B17B, B17C		01	B03A, B03B, B06A, B06B, B07Z, B17A, B17B, B17C
	05	F13A, F21A, F21B, F28A		02	C20A, C20B		05	F13A, F21A, F21B, F28A
	08	I02A, I02B, I02C, I02D, I22A, I22B, I32A, I32B, I32C, I32D, I32E, I32F, I50Z		03	D18Z, D28Z, D29Z		08	I02A, I02B, I02C, I02D, I22A, I22B, I50Z
	09	J02A, J02B, J02C, J04A, J04B, J08A, J08B, J08C, J16Z, J21Z, J22A, J22B		05	F13A, F21A, F21B, F28A		09	J02A, J02B, J02C, J04A, J04B, J08A, J08B, J08C, J16Z, J21Z, J22A, J22B
	21A	W04A, W04B		08	I02A, I02B, I02C, I02D, I22A, I22B, I50Z		21A	W04A, W04B
	21B	X01A, X01B, X01C		09	J02A, J02B, J02C, J04A, J04B, J08A, J08B, J08C, J16Z, J21Z, J22A, J22B		21B	X01A, X01B, X01C
		BOP, KVT, UOP4		21A	W04A, W04B			BOP, KVT, UOP4
		B03A, B03B, B06A, B06B, B07Z, B17A, B17B, B17C		21B	X01A, X01B, X01C			B03A, B03B, B06A, B06B, B07Z, B17A, B17B, B17C
		F13A, F21A, F21B, F28A			BOP, KVT, UOP4			F13A, F21A, F21B, F28A
5v627.u↔		BOP, KVT, UOP4	5v62x.4		BOP, KVT, UOP4	5v62x.9↔		BOP, KVT, UOP4
	01	B03A, B03B, B06A, B06B, B07Z, B17A, B17B, B17C		01	B03A, B03B, B06A, B06B, B07Z, B17A, B17B, B17C		01	B03A, B03B, B06A, B06B, B07Z, B17A, B17B, B17C
	05	F13A, F21A, F21B, F28A		02	C20A, C20B		05	F13A, F21A, F21B, F28A
	08	I02A, I02B, I02C, I02D, I22A, I22B, I32A, I32B, I32C, I32D, I32E, I32F, I50Z		03	D18Z, D28Z, D29Z		08	I02A, I02B, I02C, I02D, I22A, I22B, I50Z
	09	J02A, J02B, J02C, J04A, J04B, J08A, J08B, J08C, J16Z, J21Z, J22A, J22B		05	F13A, F21A, F21B, F28A		09	J02A, J02B, J02C, J04A, J04B, J08A, J08B, J08C, J16Z, J21Z, J22A, J22B
	21A	W04A, W04B		08	I02A, I02B, I02C, I02D, I22A, I22B, I50Z		21A	W04A, W04B
	21B	X01A, X01B, X01C		09	J02A, J02B, J02C, J04A, J04B, J08A, J08B, J08C, J16Z, J21Z, J22A, J22B		21B	X01A, X01B, X01C
		BOP, KVT, UOP4		21A	W04A, W04B			BOP, KVT, UOP4
		B03A, B03B, B06A, B06B, B07Z, B17A, B17B, B17C		21B	X01A, X01B, X01C			B03A, B03B, B06A, B06B, B07Z, B17A, B17B, B17C
		F13A, F21A, F21B, F28A			BOP, KVT, UOP4			F13A, F21A, F21B, F28A
5v627.w↔		BOP, KVT, UOP4	5v62x.5		BOP, KVT, UOP4	5v62x.a		BOP, KVT, UOP4
	01	B03A, B03B, B06A, B06B, B07Z, B17A, B17B, B17C		01	B03A, B03B, B06A, B06B, B07Z, B17A, B17B, B17C		01	B03A, B03B, B06A, B06B, B07Z, B17A, B17B, B17C
	05	F13A, F21A, F21B, F28A		03	D18Z, D28Z, D29Z		05	F13A, F21A, F21B, F28A
	08	I02A, I02B, I02C, I02D, I22A, I22B, I32A, I32B, I32C, I32D, I32E, I32F, I50Z		06	G10Z, G12A, G12B		08	I02A, I02B, I02C, I02D, I22A, I22B, I50Z
	09	J02A, J02B, J02C, J04A, J04B, J08A, J08B, J08C, J16Z, J21Z, J22A, J22B		08	I28A, I28B		09	J02A, J02B, J02C, J04A, J04B, J08A, J08B, J08C, J16Z, J21Z, J22A, J22B
	21A	W04A, W04B		09	J02A, J02B, J02C, J04A, J04B, J08A, J08B, J08C, J16Z, J21Z, J22A, J22B		21A	W04A, W04B
	21B	X01A, X01B, X01C		21A	W04A, W04B		21B	X01A, X01B, X01C
		BOP, KVT, UOP4		21B	X01A, X01B, X01C			BOP, KVT, UOP4
		B03A, B03B, B06A, B06B, B07Z, B17A, B17B, B17C			BOP, KVT, UOP4			B03A, B03B, B06A, B06B, B07Z, B17A, B17B, B17C
		F13A, F21A, F21B, F28A			B03A, B03B, B06A, B06B, B07Z, B17A, B17B, B17C			F13A, F21A, F21B, F28A
5v627.x↔		BOP, KVT, UOP4	5v62x.6↔		BOP, KVT, UOP4	5v62x.b		BOP, KVT, UOP4
	01	B03A, B03B, B06A, B06B, B07Z, B17A, B17B, B17C		01	B03A, B03B, B06A, B06B, B07Z, B17A, B17B, B17C		01	B03A, B03B, B06A, B06B, B07Z, B17A, B17B, B17C
	05	F13A, F21A, F21B, F28A		05	F13A, F21A, F21B, F28A		05	F13A, F21A, F21B, F28A
	08	I02A, I02B, I02C, I02D, I22A, I22B, I32A, I32B, I32C, I32D, I32E, I32F, I50Z		08	I02A, I02B, I02C, I02D, I22A, I22B, I50Z		08	I02A, I02B, I02C, I02D, I22A, I22B, I50Z
	09	J02A, J02B, J02C, J04A, J04B, J08A, J08B, J08C, J16Z, J21Z, J22A, J22B		09	J02A, J02B, J02C, J04A, J04B, J08A, J08B, J08C, J16Z, J21Z, J22A, J22B		09	J02A, J02B, J02C, J04A, J04B, J08A, J08B, J08C, J16Z, J21Z, J22A, J22B
	21A	W04A, W04B		21A	W04A, W04B		21A	W04A, W04B
	21B	X01A, X01B, X01C		21B	X01A, X01B, X01C		21B	X01A, X01B, X01C
		BOP, KVT, UOP4			BOP, KVT, UOP4			BOP, KVT, UOP4
		B03A, B03B, B06A, B06B, B07Z, B17A, B17B, B17C			B03A, B03B, B06A, B06B, B07Z, B17A, B17B, B17C			B03A, B03B, B06A, B06B, B07Z, B17A, B17B, B17C
		F13A, F21A, F21B, F28A			F13A, F21A, F21B, F28A			F13A, F21A, F21B, F28A
5v627.y		BOP, KVT, UOP4	5v62x.7↔		BOP, KVT, UOP4	5v62x.c		BOP, KVT, UOP4
	01	B03A, B03B, B06A, B06B, B07Z, B17A, B17B, B17C		01	B03A, B03B, B06A, B06B, B07Z, B17A, B17B, B17C		01	B03A, B03B, B06A, B06B, B07Z, B17A, B17B, B17C
	02	C20A, C20B		05	F13A, F21A, F21B, F28A		05	F13A, F21A, F21B, F28A
	03	D18Z, D28Z, D29Z		08	I02A, I02B, I02C, I02D, I22A, I22B, I50Z		06	G10Z, G12A, G12B
	05	F13A, F21A, F21B, F28A		09	J02A, J02B, J02C, J04A, J04B, J08A, J08B, J08C, J16Z, J21Z, J22A, J22B		08	I02A, I02B, I02C, I02D, I22A, I22B, I50Z
	08	I02A, I02B, I02C, I02D, I22A, I22B, I50Z		21A	W04A, W04B		09	J02A, J02B, J02C, J04A, J04B, J08A, J08B, J08C, J16Z, J21Z, J22A, J22B
	09	J02A, J02B, J02C, J04A, J04B, J08A, J08B, J08C, J16Z, J21Z, J22A, J22B		21B	X01A, X01B, X01C		21A	W04A, W04B
	21A	W04A, W04B			BOP, KVT, UOP4		21B	X01A, X01B, X01C
	21B	X01A, X01B, X01C			B03A, B03B, B06A, B06B, B07Z, B17A, B17B, B17C			BOP, KVT, UOP4
		BOP, KVT, UOP4			F13A, F21A, F21B, F28A			B03A, B03B, B06A, B06B, B07Z, B17A, B17B, B17C
5v62x.0		BOP, KVT, UOP4		B03A, B03B, B06A, B06B, B07Z, B17A, B17B, B17C		F13A, F21A, F21B, F28A		
	03	D08A, D08B, D18Z, D22A, D22B, D30A, D30B		I02A, I02B, I02C, I02D, I22A, I22B, I50Z		G10Z, G12A, G12B		
	05	F13A, F28A		J02A, J02B, J02C, J04A, J04B, J08A, J08B, J08C, J16Z, J21Z, J22A, J22B		I02A, I02B, I02C, I02D, I22A, I22B, I50Z		
	09	J03A, J03B, J04A, J04B, J08A, J08B, J08C, J10A, J10B, J16Z		W04A, W04B		J02A, J02B, J02C, J04A, J04B, J08A, J08B, J08C, J16Z, J21Z, J22A, J22B		
	21A	W04A, W04B		X06A, X06B, X06C		K09A, K09B		
	21B	X06A, X06B, X06C				M04A, M04B, M04C, M04D, M37Z, M38Z		
		BOP, KVT, UOP4				W04A, W04B		
		D08A, D08B, D18Z, D22A, D22B, D30A, D30B				X01A, X01B, X01C		
		F13A, F28A						
		J03A, J03B, J04A, J04B, J08A, J08B, J08C, J10A, J10B, J16Z						
	W04A, W04B							

ZZV	MDC	DRG	ZZV	MDC	DRG	ZZV	MDC	DRG			
5v62x.d		BOP, KVT, UOP4	5v62x.n↔		BOP, KVT, UOP4	5v62x.u↔		BOP, KVT, UOP4			
	01	B03A, B03B, B06A, B06B, B07Z, B17A, B17B, B17C		01	B03A, B03B, B06A, B06B, B07Z, B17A, B17B, B17C		01	B03A, B03B, B06A, B06B, B07Z, B17A, B17B, B17C			
	05	F13A, F21A, F21B, F28A		05	F13A, F21A, F21B, F28A		05	F13A, F21A, F21B, F28A			
	06	G10Z, G12A, G12B		06	G10Z, G12A, G12B		08	I02A, I02B, I02C, I02D, I22A, I22B, I50Z			
	08	I02A, I02B, I02C, I02D, I22A, I22B, I50Z		08	I02A, I02B, I02C, I02D, I22A, I22B, I50Z		09	J02A, J02B, J02C, J04A, J04B, J08A, J08B, J08C, J16Z, J21Z, J22A, J22B			
	09	J02A, J02B, J02C, J04A, J04B, J08A, J08B, J08C, J16Z, J21Z, J22A, J22B		09	J02A, J02B, J02C, J04A, J04B, J08A, J08B, J08C, J16Z, J21Z, J22A, J22B		09	J02A, J02B, J02C, J04A, J04B, J08A, J08B, J08C, J16Z, J21Z, J22A, J22B			
	21A	W04A, W04B		21A	W04A, W04B		21A	W04A, W04B			
	21B	X01A, X01B, X01C		21B	X01A, X01B, X01C		21B	X01A, X01B, X01C			
	5v62x.e↔			BOP, KVT, UOP4	5v62x.p↔			BOP, KVT, UOP4	5v62x.v↔		BOP, KVT, UOP4
		01		B03A, B03B, B06A, B06B, B07Z, B17A, B17B, B17C			01	B03A, B03B, B06A, B06B, B07Z, B17A, B17B, B17C		01	B03A, B03B, B06A, B06B, B07Z, B17A, B17B, B17C
05		F13A, F21A, F21B, F27A, F27B, F27C, F28A	05	F13A, F21A, F21B, F28A		05	F13A, F21A, F21B, F28A				
08		I02A, I02B, I02C, I02D, I22A, I22B, I50Z	08	I02A, I02B, I02C, I02D, I22A, I22B, I32A, I32B, I32C, I32D, I32E, I32F, I50Z		08	I02A, I02B, I02C, I02D, I22A, I22B, I32A, I32B, I32C, I32D, I32E, I32F, I50Z				
09		J02A, J02B, J02C, J04A, J04B, J08A, J08B, J08C, J16Z, J21Z, J22A, J22B	09	J02A, J02B, J02C, J04A, J04B, J08A, J08B, J08C, J16Z, J21Z, J22A, J22B		09	J02A, J02B, J02C, J04A, J04B, J08A, J08B, J08C, J16Z, J21Z, J22A, J22B				
10		K01Z	21A	W04A, W04B		21A	W04A, W04B				
21A		W04A, W04B	21B	X01A, X01B, X01C		21B	X01A, X01B, X01C				
21B		X01A, X01B, X01C		BOP, KVT, UOP4			BOP, KVT, UOP4				
5v62x.f↔			BOP, KVT, UOP4	5v62x.r			BOP, KVT, UOP4	5v62x.w↔			BOP, KVT, UOP4
		01	B03A, B03B, B06A, B06B, B07Z, B17A, B17B, B17C			01	B03A, B03B, B06A, B06B, B07Z, B17A, B17B, B17C			01	B03A, B03B, B06A, B06B, B07Z, B17A, B17B, B17C
	05	F13A, F21A, F21B, F27A, F27B, F27C, F28A	02		C20A, C20B	05	F13A, F21A, F21B, F28A				
	08	I02A, I02B, I02C, I02D, I22A, I22B, I50Z	03		D18Z, D28Z, D29Z	08	I02A, I02B, I02C, I02D, I22A, I22B, I32A, I32B, I32C, I32D, I32E, I32F, I50Z				
	09	J02A, J02B, J02C, J04A, J04B, J08A, J08B, J08C, J16Z, J21Z, J22A, J22B	05		F13A, F21A, F21B, F28A	09	J02A, J02B, J02C, J04A, J04B, J08A, J08B, J08C, J16Z, J21Z, J22A, J22B				
	10	K01Z	08		I02A, I02B, I02C, I02D, I22A, I22B, I50Z	09	J02A, J02B, J02C, J04A, J04B, J08A, J08B, J08C, J16Z, J21Z, J22A, J22B				
	21A	W04A, W04B	09		J02A, J02B, J02C, J04A, J04B, J08A, J08B, J08C, J16Z, J21Z, J22A, J22B	21A	W04A, W04B				
	21B	X01A, X01B, X01C	21A		W04A, W04B	21B	X01A, X01B, X01C				
	5v62x.g↔		BOP, KVT, UOP4		5v62x.s↔		BOP, KVT, UOP4		5v62x.x↔		BOP, KVT, UOP4
		01	B03A, B03B, B06A, B06B, B07Z, B17A, B17B, B17C			01	B03A, B03B, B06A, B06B, B07Z, B17A, B17B, B17C			01	B03A, B03B, B06A, B06B, B07Z, B17A, B17B, B17C
05		F13A, F21A, F21B, F27A, F27B, F27C, F28A	05	F13A, F21A, F21B, F28A		05	F13A, F21A, F21B, F28A				
08		I02A, I02B, I02C, I02D, I12A, I12B, I12C, I22A, I22B, I50Z	08	I02A, I02B, I02C, I02D, I22A, I22B, I32A, I32B, I32C, I32D, I32E, I32F, I50Z		08	I02A, I02B, I02C, I02D, I22A, I22B, I32A, I32B, I32C, I32D, I32E, I32F, I50Z				
09		J02A, J02B, J02C, J04A, J04B, J08A, J08B, J08C, J16Z, J21Z, J22A, J22B	09	J02A, J02B, J02C, J04A, J04B, J08A, J08B, J08C, J16Z, J21Z, J22A, J22B		09	J02A, J02B, J02C, J04A, J04B, J08A, J08B, J08C, J16Z, J21Z, J22A, J22B				
10		K01Z	21A	W04A, W04B		21A	W04A, W04B				
21A		W04A, W04B	21B	X01A, X01B, X01C		21B	X01A, X01B, X01C				
21B		X01A, X01B, X01C		BOP, KVT, UOP4			BOP, KVT, UOP4				
5v62x.h			BOP, KVT, UOP4	5v62x.t↔			BOP, KVT, UOP4	5v62x.y			BOP, KVT, UOP4
		01	B03A, B03B, B06A, B06B, B07Z, B17A, B17B, B17C			01	B03A, B03B, B06A, B06B, B07Z, B17A, B17B, B17C			01	B03A, B03B, B06A, B06B, B07Z, B17A, B17B, B17C
	02	C20A, C20B	05		F13A, F21A, F21B, F28A	02	C20A, C20B				
	03	D18Z, D28Z, D29Z	08		I02A, I02B, I02C, I02D, I22A, I22B, I32A, I32B, I32C, I32D, I32E, I32F, I50Z	03	D18Z, D28Z, D29Z				
	05	F13A, F21A, F21B, F28A	09		J02A, J02B, J02C, J04A, J04B, J08A, J08B, J08C, J16Z, J21Z, J22A, J22B	05	F13A, F21A, F21B, F28A				
	08	I02A, I02B, I02C, I02D, I22A, I22B, I50Z	09		J02A, J02B, J02C, J04A, J04B, J08A, J08B, J08C, J16Z, J21Z, J22A, J22B	08	I02A, I02B, I02C, I02D, I22A, I22B, I50Z				
	09	J02A, J02B, J02C, J04A, J04B, J08A, J08B, J08C, J16Z, J21Z, J22A, J22B	21A		W04A, W04B	09	J02A, J02B, J02C, J04A, J04B, J08A, J08B, J08C, J16Z, J21Z, J22A, J22B				
	21A	W04A, W04B	21B		X01A, X01B, X01C	21A	W04A, W04B				
	21B	X01A, X01B, X01C			BOP, KVT, UOP4	21B	X01A, X01B, X01C				

VYK

ZZV	MDC	DRG	ZZV	MDC	DRG	ZZV	MDC	DRG			
5v631.t↔		BOP, KVT, UOP4	5v632.0		BOP, KVT, UOP4	5v632.7↔		BOP, KVT, UOP4			
	01	B03A, B03B, B06A, B06B, B07Z, B17A, B17B, B17C		01	B03A, B03B, B06A, B06B, B07Z, B17A, B17B, B17C		01	B03A, B03B, B06A, B06B, B07Z, B17A, B17B, B17C			
	05	F13A, F21A, F21B, F27A, F27B, F27C, F28A		03	D18Z, D25A, D25B, D25C, D25D		05	F13A, F21A, F21B, F28A			
	08	I02A, I02B, I02C, I02D, I12A, I12B, I12C, I22A, I32A, I32B, I32C, I32D, I32E, I32F, I50Z		05	F13A, F21A, F21B, F28A		08	I02A, I02B, I02C, I02D, I12A, I12B, I12C, I22A, I50Z			
	09	J02A, J02B, J02C, J04A, J04B, J08A, J08B, J08C, J16Z, J21Z, J22A, J22B		08	I12A, I12B, I12C		09	J02A, J02B, J02C, J04A, J04B, J08A, J08B, J08C, J16Z, J21Z, J22A, J22B			
	10	K01Z		09	J02A, J02B, J02C, J04A, J04B, J08A, J08B, J08C, J16Z, J21Z, J22A, J22B		21A	W04A, W04B			
	21A	W04A, W04B		21A	W04A, W04B		21B	X01A, X01B			
	21B	X01A, X01B		21B	X01A, X01B			BOP, KVT, UOP4			
	5v631.u↔			BOP, KVT, UOP4	5v632.1			BOP, KVT, UOP4	5v632.8↔		BOP, KVT, UOP4
		01		B03A, B03B, B06A, B06B, B07Z, B17A, B17B, B17C			01	B03A, B03B, B06A, B06B, B07Z, B17A, B17B, B17C		01	B03A, B03B, B06A, B06B, B07Z, B17A, B17B, B17C
		05		F13A, F21A, F21B, F27A, F27B, F27C, F28A			02	C20A, C20B		05	F13A, F21A, F21B, F28A
08		I02A, I02B, I02C, I02D, I12A, I12B, I12C, I22A, I32A, I32B, I32C, I32D, I32E, I32F, I50Z	03	D18Z, D25A, D25B, D25C, D25D		08	I02A, I02B, I02C, I02D, I12A, I12B, I12C, I22A, I50Z				
09		J02A, J02B, J02C, J04A, J04B, J08A, J08B, J08C, J16Z, J21Z, J22A, J22B	05	F13A, F21A, F21B, F28A		09	J02A, J02B, J02C, J04A, J04B, J08A, J08B, J08C, J16Z, J21Z, J22A, J22B				
10		K01Z	08	I02A, I02B, I02C, I02D, I12A, I12B, I12C, I22A, I50Z		21A	W04A, W04B				
21A		W04A, W04B	09	J02A, J02B, J02C, J04A, J04B, J08A, J08B, J08C, J16Z, J21Z, J22A, J22B		21B	X01A, X01B				
21B		X01A, X01B	21A	W04A, W04B			BOP, KVT, UOP4				
5v631.w↔			BOP, KVT, UOP4	5v632.4			BOP, KVT, UOP4	5v632.9↔			BOP, KVT, UOP4
		01	B03A, B03B, B06A, B06B, B07Z, B17A, B17B, B17C			01	B03A, B03B, B06A, B06B, B07Z, B17A, B17B, B17C			01	B03A, B03B, B06A, B06B, B07Z, B17A, B17B, B17C
		05	F13A, F21A, F21B, F27A, F27B, F27C, F28A			02	C20A, C20B			05	F13A, F21A, F21B, F28A
	08	I02A, I02B, I02C, I02D, I12A, I12B, I12C, I22A, I32A, I32B, I32C, I32D, I32E, I32F, I50Z	03		D18Z, D25A, D25B, D25C, D25D	08	I12A, I12B, I12C, I32A, I32B, I32C, I32D, I32E, I32F				
	09	J02A, J02B, J02C, J04A, J04B, J08A, J08B, J08C, J16Z, J21Z, J22A, J22B	05		F13A, F21A, F21B, F28A	09	J02A, J02B, J02C, J04A, J04B, J08A, J08B, J08C, J16Z, J21Z, J22A, J22B				
	10	K01Z	08		I02A, I02B, I02C, I02D, I12A, I12B, I12C, I22A, I50Z	21A	W04A, W04B				
	21A	W04A, W04B	09		J02A, J02B, J02C, J04A, J04B, J08A, J08B, J08C, J16Z, J21Z, J22A, J22B	21B	X01A, X01B				
	21B	X01A, X01B	21A		W04A, W04B		BOP, KVT, UOP4				
	5v631.x↔		BOP, KVT, UOP4		5v632.5		BOP, KVT, UOP4		5v632.a		BOP, KVT, UOP4
		01	B03A, B03B, B06A, B06B, B07Z, B17A, B17B, B17C			01	B03A, B03B, B06A, B06B, B07Z, B17A, B17B, B17C			01	B03A, B03B, B06A, B06B, B07Z, B17A, B17B, B17C
		05	F13A, F21A, F21B, F27A, F27B, F27C, F28A			03	D18Z, D25A, D25B, D25C, D25D			05	F13A, F21A, F21B, F28A
08		I02A, I02B, I02C, I02D, I12A, I12B, I12C, I22A, I32A, I32B, I32C, I32D, I32E, I32F, I50Z	05	F13A, F21A, F21B, F28A		06	G10Z, G12A, G12B				
09		J02A, J02B, J02C, J04A, J04B, J08A, J08B, J08C, J16Z, J21Z, J22A, J22B	08	I02A, I02B, I02C, I02D, I12A, I12B, I12C, I22A, I50Z		08	I02A, I02B, I02C, I02D, I12A, I12B, I12C, I22A, I50Z				
10		K01Z	09	J02A, J02B, J02C, J04A, J04B, J08A, J08B, J08C, J16Z, J21Z, J22A, J22B		09	J02A, J02B, J02C, J04A, J04B, J08A, J08B, J08C, J16Z, J21Z, J22A, J22B				
21A		W04A, W04B	21A	W04A, W04B		21A	W04A, W04B				
21B		X01A, X01B	21B	X01A, X01B		21B	X01A, X01B				
5v631.y			BOP, KVT, UOP4	5v632.6↔			BOP, KVT, UOP4	5v632.b			BOP, KVT, UOP4
		01	B03A, B03B, B06A, B06B, B07Z, B17A, B17B, B17C			01	B03A, B03B, B06A, B06B, B07Z, B17A, B17B, B17C			01	B03A, B03B, B06A, B06B, B07Z, B17A, B17B, B17C
		02	C20A, C20B			03	D18Z, D25A, D25B, D25C, D25D			05	F13A, F21A, F21B, F28A
	03	D18Z, D25A, D25B, D25C, D25D	05		F13A, F21A, F21B, F28A	06	G10Z, G12A, G12B				
	05	F13A, F21A, F21B, F28A	08		I02A, I02B, I02C, I02D, I12A, I12B, I12C, I22A, I50Z	08	I02A, I02B, I02C, I02D, I12A, I12B, I12C, I22A, I50Z				
	08	I02A, I02B, I02C, I02D, I12A, I12B, I12C, I22A, I50Z	09		J02A, J02B, J02C, J04A, J04B, J08A, J08B, J08C, J16Z, J21Z, J22A, J22B	09	J02A, J02B, J02C, J04A, J04B, J08A, J08B, J08C, J16Z, J21Z, J22A, J22B				
	09	J02A, J02B, J02C, J04A, J04B, J08A, J08B, J08C, J16Z, J21Z, J22A, J22B	21A		W04A, W04B	21A	W04A, W04B				
	21A	W04A, W04B	21B		X01A, X01B	21B	X01A, X01B				
	21B	X01A, X01B	01		B03A, B03B, B06A, B06B, B07Z, B17A, B17B, B17C		BOP, KVT, UOP4				
	5v631.z		BOP, KVT, UOP4		5v632.7↔		BOP, KVT, UOP4		5v632.c		BOP, KVT, UOP4
		01	B03A, B03B, B06A, B06B, B07Z, B17A, B17B, B17C			05	F13A, F21A, F21B, F28A			01	B03A, B03B, B06A, B06B, B07Z, B17A, B17B, B17C
02		C20A, C20B	08	I02A, I02B, I02C, I02D, I12A, I12B, I12C, I22A, I50Z		05	F13A, F21A, F21B, F28A				
03		D18Z, D25A, D25B, D25C, D25D	09	J02A, J02B, J02C, J04A, J04B, J08A, J08B, J08C, J16Z, J21Z, J22A, J22B		06	G10Z, G12A, G12B				
05		F13A, F21A, F21B, F28A	21A	W04A, W04B		08	I02A, I02B, I02C, I02D, I12A, I12B, I12C, I22A, I50Z				
08		I02A, I02B, I02C, I02D, I12A, I12B, I12C, I22A, I50Z	21B	X01A, X01B		09	J02A, J02B, J02C, J04A, J04B, J08A, J08B, J08C, J16Z, J21Z, J22A, J22B				
09		J02A, J02B, J02C, J04A, J04B, J08A, J08B, J08C, J16Z, J21Z, J22A, J22B	01	B03A, B03B, B06A, B06B, B07Z, B17A, B17B, B17C		21A	W04A, W04B				
21A		W04A, W04B	05	F13A, F21A, F21B, F28A		21B	X01A, X01B				
21B		X01A, X01B	08	I02A, I02B, I02C, I02D, I12A, I12B, I12C, I22A, I50Z			BOP, KVT, UOP4				

VYK

ZZV	MDC	DRG	ZZV	MDC	DRG	ZZV	MDC	DRG			
5v633.n↔		BOP, KVT, UOP4	5v633.t↔		BOP, KVT, UOP4	5v63x.0		BOP, KVT, UOP4			
	01	B03A, B03B, B06A, B06B, B07Z, B17A, B17B, B17C		01	B03A, B03B, B06A, B06B, B07Z, B17A, B17B, B17C		01	B03A, B03B, B06A, B06B, B07Z, B17A, B17B, B17C			
	05	F13A, F21A, F21B, F28A		05	F13A, F21A, F21B, F27A, F27B, F27C, F28A		03	D18Z, D25A, D25B, D25C, D25D			
	06	G10Z, G12A, G12B		08	I02A, I02B, I02C, I02D, I12A, I12B, I12C, I22A, I50Z		05	F13A, F21A, F21B, F28A			
	08	I02A, I02B, I02C, I02D, I12A, I12B, I12C, I22A, I50Z		08	I02A, I02B, I02C, I02D, I12A, I12B, I12C, I22A, I32A, I32B, I32C, I32D, I32E, I32F, I50Z		08	I12A, I12B, I12C			
	09	J02A, J02B, J02C, J04A, J04B, J08A, J08B, J08C, J16Z, J21Z, J22A, J22B		09	J02A, J02B, J02C, J04A, J04B, J08A, J08B, J08C, J16Z, J21Z, J22A, J22B		09	J02A, J02B, J02C, J04A, J04B, J08A, J08B, J08C, J16Z, J21Z, J22A, J22B			
	21A	W04A, W04B		10	K01Z		21A	W04A, W04B			
	21B	X01A, X01B		21A	W04A, W04B		21B	X01A, X01B			
	5v633.p↔			BOP, KVT, UOP4	5v633.u↔			BOP, KVT, UOP4	5v63x.1		BOP, KVT, UOP4
		01		B03A, B03B, B06A, B06B, B07Z, B17A, B17B, B17C			01	B03A, B03B, B06A, B06B, B07Z, B17A, B17B, B17C		01	B03A, B03B, B06A, B06B, B07Z, B17A, B17B, B17C
		05		F13A, F21A, F21B, F27A, F27B, F27C, F28A			05	F13A, F21A, F21B, F27A, F27B, F27C, F28A		02	C20A, C20B
08		I02A, I02B, I02C, I02D, I12A, I12B, I12C, I22A, I32A, I32B, I32C, I32D, I32E, I32F, I50Z	05	F13A, F21A, F21B, F27A, F27B, F27C, F28A		03	D18Z, D25A, D25B, D25C, D25D				
09		J02A, J02B, J02C, J04A, J04B, J08A, J08B, J08C, J16Z, J21Z, J22A, J22B	08	I02A, I02B, I02C, I02D, I12A, I12B, I12C, I22A, I32A, I32B, I32C, I32D, I32E, I32F, I50Z		05	F13A, F21A, F21B, F28A				
10		K01Z	08	I02A, I02B, I02C, I02D, I12A, I12B, I12C, I22A, I32A, I32B, I32C, I32D, I32E, I32F, I50Z		08	I02A, I02B, I02C, I02D, I12A, I12B, I12C, I22A, I50Z				
21A		W04A, W04B	09	J02A, J02B, J02C, J04A, J04B, J08A, J08B, J08C, J16Z, J21Z, J22A, J22B		09	J02A, J02B, J02C, J04A, J04B, J08A, J08B, J08C, J16Z, J21Z, J22A, J22B				
21B		X01A, X01B	10	K01Z		21A	W04A, W04B				
5v633.q↔			BOP, KVT, UOP4	5v633.w↔			BOP, KVT, UOP4	5v63x.4			BOP, KVT, UOP4
		01	B03A, B03B, B06A, B06B, B07Z, B17A, B17B, B17C			01	B03A, B03B, B06A, B06B, B07Z, B17A, B17B, B17C			01	B03A, B03B, B06A, B06B, B07Z, B17A, B17B, B17C
		05	F13A, F21A, F21B, F27A, F27B, F27C, F28A			05	F13A, F21A, F21B, F27A, F27B, F27C, F28A			02	C20A, C20B
	08	I02A, I02B, I02C, I02D, I12A, I12B, I12C, I22A, I32A, I32B, I32C, I32D, I32E, I32F, I50Z	05		F13A, F21A, F21B, F27A, F27B, F27C, F28A	03	D18Z, D25A, D25B, D25C, D25D				
	09	J02A, J02B, J02C, J04A, J04B, J08A, J08B, J08C, J16Z, J21Z, J22A, J22B	08		I02A, I02B, I02C, I02D, I12A, I12B, I12C, I22A, I32A, I32B, I32C, I32D, I32E, I32F, I50Z	05	F13A, F21A, F21B, F28A				
	10	K01Z	08		I02A, I02B, I02C, I02D, I12A, I12B, I12C, I22A, I32A, I32B, I32C, I32D, I32E, I32F, I50Z	08	I02A, I02B, I02C, I02D, I12A, I12B, I12C, I22A, I50Z				
	21A	W04A, W04B	09		J02A, J02B, J02C, J04A, J04B, J08A, J08B, J08C, J16Z, J21Z, J22A, J22B	09	J02A, J02B, J02C, J04A, J04B, J08A, J08B, J08C, J16Z, J21Z, J22A, J22B				
	21B	X01A, X01B	10		K01Z	21A	W04A, W04B				
	5v633.r↔		BOP, KVT, UOP4		5v633.x↔		BOP, KVT, UOP4		5v63x.5		BOP, KVT, UOP4
		01	B03A, B03B, B06A, B06B, B07Z, B17A, B17B, B17C			01	B03A, B03B, B06A, B06B, B07Z, B17A, B17B, B17C			01	B03A, B03B, B06A, B06B, B07Z, B17A, B17B, B17C
		05	F13A, F21A, F21B, F27A, F27B, F27C, F28A			05	F13A, F21A, F21B, F27A, F27B, F27C, F28A			03	D18Z, D25A, D25B, D25C, D25D
08		I02A, I02B, I02C, I02D, I12A, I12B, I12C, I22A, I32A, I32B, I32C, I32D, I32E, I32F, I50Z	05	F13A, F21A, F21B, F27A, F27B, F27C, F28A		05	F13A, F21A, F21B, F28A				
09		J02A, J02B, J02C, J04A, J04B, J08A, J08B, J08C, J16Z, J21Z, J22A, J22B	08	I02A, I02B, I02C, I02D, I12A, I12B, I12C, I22A, I32A, I32B, I32C, I32D, I32E, I32F, I50Z		08	I02A, I02B, I02C, I02D, I12A, I12B, I12C, I22A, I50Z				
10		K01Z	08	I02A, I02B, I02C, I02D, I12A, I12B, I12C, I22A, I32A, I32B, I32C, I32D, I32E, I32F, I50Z		09	J02A, J02B, J02C, J04A, J04B, J08A, J08B, J08C, J16Z, J21Z, J22A, J22B				
21A		W04A, W04B	09	J02A, J02B, J02C, J04A, J04B, J08A, J08B, J08C, J16Z, J21Z, J22A, J22B		21A	W04A, W04B				
21B		X01A, X01B	10	K01Z		21B	X01A, X01B				
5v633.s↔			BOP, KVT, UOP4	5v633.y			BOP, KVT, UOP4	5v63x.6↔			BOP, KVT, UOP4
		01	B03A, B03B, B06A, B06B, B07Z, B17A, B17B, B17C			01	B03A, B03B, B06A, B06B, B07Z, B17A, B17B, B17C			01	B03A, B03B, B06A, B06B, B07Z, B17A, B17B, B17C
		05	F13A, F21A, F21B, F27A, F27B, F27C, F28A			01	B03A, B03B, B06A, B06B, B07Z, B17A, B17B, B17C			05	F13A, F21A, F21B, F28A
	08	I02A, I02B, I02C, I02D, I12A, I12B, I12C, I22A, I32A, I32B, I32C, I32D, I32E, I32F, I50Z	02		C20A, C20B	08	I02A, I02B, I02C, I02D, I12A, I12B, I12C, I22A, I50Z				
	09	J02A, J02B, J02C, J04A, J04B, J08A, J08B, J08C, J16Z, J21Z, J22A, J22B	03		D18Z, D25A, D25B, D25C, D25D	09	J02A, J02B, J02C, J04A, J04B, J08A, J08B, J08C, J16Z, J21Z, J22A, J22B				
	10	K01Z	05		F13A, F21A, F21B, F28A	21A	W04A, W04B				
	21A	W04A, W04B	08		I02A, I02B, I02C, I02D, I12A, I12B, I12C, I22A, I50Z	21B	X01A, X01B				
	21B	X01A, X01B	09		J02A, J02B, J02C, J04A, J04B, J08A, J08B, J08C, J16Z, J21Z, J22A, J22B						
			10		K01Z						
			21A		W04A, W04B						
			21B		X01A, X01B						

ZZV	MDC	DRG	ZZV	MDC	DRG	ZZV	MDC	DRG			
5v63x.7↔		BOP, KVT, UOP4	5v63x.d		BOP, KVT, UOP4	5v63x.n↔		BOP, KVT, UOP4			
	01	B03A, B03B, B06A, B06B, B07Z, B17A, B17B, B17C		01	B03A, B03B, B06A, B06B, B07Z, B17A, B17B, B17C		01	B03A, B03B, B06A, B06B, B07Z, B17A, B17B, B17C			
	05	F13A, F21A, F21B, F28A		05	F13A, F21A, F21B, F28A		05	F13A, F21A, F21B, F28A			
	08	I02A, I02B, I02C, I02D, I12A, I12B, I12C, I22A, I50Z		06	G10Z, G12A, G12B		06	G10Z, G12A, G12B			
	09	J02A, J02B, J02C, J04A, J04B, J08A, J08B, J08C, J16Z, J21Z, J22A, J22B		08	I02A, I02B, I02C, I02D, I12A, I12B, I12C, I22A, I50Z		08	I02A, I02B, I02C, I02D, I12A, I12B, I12C, I22A, I50Z			
	21A	W04A, W04B		09	J02A, J02B, J02C, J04A, J04B, J08A, J08B, J08C, J16Z, J21Z, J22A, J22B		09	J02A, J02B, J02C, J04A, J04B, J08A, J08B, J08C, J16Z, J21Z, J22A, J22B			
	21B	X01A, X01B		21A	W04A, W04B		21A	W04A, W04B			
	5v63x.8↔			BOP, KVT, UOP4	5v63x.e↔			BOP, KVT, UOP4	5v63x.p↔		BOP, KVT, UOP4
		01		B03A, B03B, B06A, B06B, B07Z, B17A, B17B, B17C			01	B03A, B03B, B06A, B06B, B07Z, B17A, B17B, B17C		01	B03A, B03B, B06A, B06B, B07Z, B17A, B17B, B17C
		05		F13A, F21A, F21B, F28A			05	F13A, F21A, F21B, F27A, F27B, F27C, F28A		05	F13A, F21A, F21B, F27A, F27B, F27C, F28A
08		I02A, I02B, I02C, I02D, I12A, I12B, I12C, I22A, I32A, I32B, I32C, I32D, I32E, I32F, I50Z	08	I02A, I02B, I02C, I02D, I12A, I12B, I12C, I22A, I50Z		08	I02A, I02B, I02C, I02D, I12A, I12B, I12C, I22A, I32A, I32B, I32C, I32D, I32E, I32F, I50Z				
09		J02A, J02B, J02C, J04A, J04B, J08A, J08B, J08C, J16Z, J21Z, J22A, J22B	09	J02A, J02B, J02C, J04A, J04B, J08A, J08B, J08C, J16Z, J21Z, J22A, J22B		09	J02A, J02B, J02C, J04A, J04B, J08A, J08B, J08C, J16Z, J21Z, J22A, J22B				
21A		W04A, W04B	10	K01Z		10	K01Z				
21B		X01A, X01B	21A	W04A, W04B		21A	W04A, W04B				
5v63x.9↔			BOP, KVT, UOP4	5v63x.f↔			BOP, KVT, UOP4	5v63x.q↔			BOP, KVT, UOP4
		01	B03A, B03B, B06A, B06B, B07Z, B17A, B17B, B17C			01	B03A, B03B, B06A, B06B, B07Z, B17A, B17B, B17C			01	B03A, B03B, B06A, B06B, B07Z, B17A, B17B, B17C
		05	F13A, F21A, F21B, F28A			05	F13A, F21A, F21B, F27A, F27B, F27C, F28A			05	F13A, F21A, F21B, F27A, F27B, F27C, F28A
	08	I12A, I12B, I12C, I32A, I32B, I32C, I32D, I32E, I32F	08		I02A, I02B, I02C, I02D, I12A, I12B, I12C, I22A, I50Z	08	I02A, I02B, I02C, I02D, I12A, I12B, I12C, I22A, I32A, I32B, I32C, I32D, I32E, I32F, I50Z				
	09	J02A, J02B, J02C, J04A, J04B, J08A, J08B, J08C, J16Z, J21Z, J22A, J22B	09		J02A, J02B, J02C, J04A, J04B, J08A, J08B, J08C, J16Z, J21Z, J22A, J22B	09	J02A, J02B, J02C, J04A, J04B, J08A, J08B, J08C, J16Z, J21Z, J22A, J22B				
	21A	W04A, W04B	10		K01Z	10	K01Z				
	21B	X01A, X01B	21A		W04A, W04B	21A	W04A, W04B				
	5v63x.a		BOP, KVT, UOP4		5v63x.g↔		BOP, KVT, UOP4		5v63x.r↔		BOP, KVT, UOP4
		01	B03A, B03B, B06A, B06B, B07Z, B17A, B17B, B17C			01	B03A, B03B, B06A, B06B, B07Z, B17A, B17B, B17C			01	B03A, B03B, B06A, B06B, B07Z, B17A, B17B, B17C
		05	F13A, F21A, F21B, F28A			05	F13A, F21A, F21B, F27A, F27B, F27C, F28A			05	F13A, F21A, F21B, F27A, F27B, F27C, F28A
06		G10Z, G12A, G12B	08	I02A, I02B, I02C, I02D, I12A, I12B, I12C, I22A, I50Z		08	I02A, I02B, I02C, I02D, I12A, I12B, I12C, I22A, I32A, I32B, I32C, I32D, I32E, I32F, I50Z				
08		I02A, I02B, I02C, I02D, I12A, I12B, I12C, I22A, I50Z	09	J02A, J02B, J02C, J04A, J04B, J08A, J08B, J08C, J16Z, J21Z, J22A, J22B		09	J02A, J02B, J02C, J04A, J04B, J08A, J08B, J08C, J16Z, J21Z, J22A, J22B				
09		J02A, J02B, J02C, J04A, J04B, J08A, J08B, J08C, J16Z, J21Z, J22A, J22B	10	K01Z		10	K01Z				
21A		W04A, W04B	21A	W04A, W04B		21A	W04A, W04B				
21B		X01A, X01B	21B	X01A, X01B		21B	X01A, X01B				
5v63x.b			BOP, KVT, UOP4	5v63x.h			BOP, KVT, UOP4	5v63x.s↔			BOP, KVT, UOP4
		01	B03A, B03B, B06A, B06B, B07Z, B17A, B17B, B17C			01	B03A, B03B, B06A, B06B, B07Z, B17A, B17B, B17C			01	B03A, B03B, B06A, B06B, B07Z, B17A, B17B, B17C
	05	F13A, F21A, F21B, F28A	02		C20A, C20B	05	F13A, F21A, F21B, F27A, F27B, F27C, F28A				
	06	G10Z, G12A, G12B	03		D18Z, D25A, D25B, D25C, D25D	08	I02A, I02B, I02C, I02D, I12A, I12B, I12C, I22A, I50Z				
	08	I02A, I02B, I02C, I02D, I12A, I12B, I12C, I22A, I50Z	05		F13A, F21A, F21B, F28A	08	I02A, I02B, I02C, I02D, I12A, I12B, I12C, I22A, I32A, I32B, I32C, I32D, I32E, I32F, I50Z				
	09	J02A, J02B, J02C, J04A, J04B, J08A, J08B, J08C, J16Z, J21Z, J22A, J22B	08		I02A, I02B, I02C, I02D, I12A, I12B, I12C, I22A, I50Z	09	J02A, J02B, J02C, J04A, J04B, J08A, J08B, J08C, J16Z, J21Z, J22A, J22B				
	21A	W04A, W04B	21A		W04A, W04B	10	K01Z				
	21B	X01A, X01B	21B		X01A, X01B	21A	W04A, W04B				
	5v63x.c		BOP, KVT, UOP4		5v63x.i		BOP, KVT, UOP4		5v63x.t↔		BOP, KVT, UOP4
		01	B03A, B03B, B06A, B06B, B07Z, B17A, B17B, B17C			01	B03A, B03B, B06A, B06B, B07Z, B17A, B17B, B17C			01	B03A, B03B, B06A, B06B, B07Z, B17A, B17B, B17C
05		F13A, F21A, F21B, F28A	02	C20A, C20B		05	F13A, F21A, F21B, F27A, F27B, F27C, F28A				
06		G10Z, G12A, G12B	03	D18Z, D25A, D25B, D25C, D25D		08	I02A, I02B, I02C, I02D, I12A, I12B, I12C, I22A, I32A, I32B, I32C, I32D, I32E, I32F, I50Z				
08		I02A, I02B, I02C, I02D, I12A, I12B, I12C, I22A, I50Z	05	F13A, F21A, F21B, F28A		09	J02A, J02B, J02C, J04A, J04B, J08A, J08B, J08C, J16Z, J21Z, J22A, J22B				
09		J02A, J02B, J02C, J04A, J04B, J08A, J08B, J08C, J16Z, J21Z, J22A, J22B	08	I02A, I02B, I02C, I02D, I12A, I12B, I12C, I22A, I50Z		10	K01Z				
21A		W04A, W04B	21A	W04A, W04B		21A	W04A, W04B				
21B		X01A, X01B	21B	X01A, X01B		21B	X01A, X01B				

VYK

ZZV	MDC	DRG	ZZV	MDC	DRG	ZZV	MDC	DRG
5v63x.t↔		BOP, KVT, UOP4	5z110.1‡	11	L20B	8c225	01	B12Z
	01	B03A, B03B, B06A, B06B, B07Z, B17A, B17B, B17C	5z110.2‡	11	L20B	05	F01A, F01B, F01D, F05Z, F06C, F06D, F06E, F12A, F12B, F15Z, F24A, F24B, F36A, F36B, F52A, F52B, F56A, F56B, F58A, F58B	
	05	F13A, F21A, F21B, F27A, F27B, F27C, F28A	5z110.3‡	11	L20B	Pre	A13F	
	08	I02A, I02B, I02C, I02D, I12A, I12B, I12C, I22A, I32A, I32B, I32C, I32D, I32E, I32F, I50Z	5z110.4‡	11	L20B	8c22x	05	F01A, F01B, F01D, F15Z, F24A, F24B, F28A, F36A, F36B, F54Z, F59A, F59B
	09	J02A, J02B, J02C, J04A, J04B, J08A, J08B, J08C, J16Z, J21Z, J22A, J22B	5z110.5‡	11	L20B	10	K09A, K09B	
			5z110.6‡	11	L20B	8c320.1‡↔	11	L11Z, L19Z, L42A, L42B
			5z110.x‡	11	L20B	8c320.2‡↔	11	L11Z, L19Z, L42A, L42B
			5z112.4‡	05	F30Z, F42Z	8c322‡	07	H41A, H41B, H41C
			5z113‡		KVT	8c323‡	11	L11Z, L19Z, L42A, L42B
			5z121.21‡	Pre	A17A	8c324‡↔	11	L11Z, L19Z, L42A, L42B
			5z136.0‡	Pre	B61A	8d102‡	11	L42A
			5z136.1‡	Pre	B61A	8d103‡	11	L42A, L64A, L74Z
5v63x.u↔		BOP, KVT, UOP4	5z136.2‡	Pre	B61A	8d104‡	11	L42A, L64A, L74Z
	01	B03A, B03B, B06A, B06B, B07Z, B17A, B17B, B17C	5z142‡	02	C10A	8d117‡	11	L42A
	05	F13A, F21A, F21B, F27A, F27B, F27C, F28A		05	F13A	8d119‡	11	L42A
	08	I02A, I02B, I02C, I02D, I12A, I12B, I12C, I22A, I32A, I32B, I32C, I32D, I32E, I32F, I50Z	8a210.1‡	15	P66C, P67B, P67C	8d125‡	11	L42A
	09	J02A, J02B, J02C, J04A, J04B, J08A, J08B, J08C, J16Z, J21Z, J22A, J22B	8a210.2‡	15	P66C, P67B, P67C	8d210‡	15	P66C, P67B, P67C
			8a210.3‡	15	P66C, P67B, P67C	8d220‡	07	H41A, H41B, H41C
			8a220.2‡	15	P66C, P67B, P67C	8d221‡	07	H41A, H41B, H41C
			8a220.3‡	15	P66C, P67B, P67C	8d240.1‡	06	G40Z, G46A, G46B, G46C, G47Z, G50Z
			8a973.2↔		BOP, KVT, UOP4	8d240.2‡	06	G40Z, G46A, G46B, G46C, G47Z, G50Z
				02	C01A, C01B, C10A, C10B, C10C, C16Z	8d241.1‡	06	G40Z, G46A, G46B, G46C, G47Z, G50Z
			8a973.3↔		BOP, KVT, UOP4	8d241.2‡	06	G40Z, G46A, G46B, G46C, G47Z, G50Z
				02	C01A, C01B, C10A, C10B, C10C, C16Z	8d242	07	H41A, H41B, H41C
5v63x.w↔		BOP, KVT, UOP4	8a973.4↔		BOP, KVT, UOP4	8d242	06	BOP, KVT, UOP4
	01	B03A, B03B, B06A, B06B, B07Z, B17A, B17B, B17C		02	C01A, C01B, C10A, C10B, C10C, C16Z	07	H05Z	
	05	F13A, F21A, F21B, F27A, F27B, F27C, F28A	8c104‡	06	G40Z, G48A, G48B, G48C	8d243	06	G03A, G10Z, G33Z, G38Z
	08	I02A, I02B, I02C, I02D, I12A, I12B, I12C, I22A, I32A, I32B, I32C, I32D, I32E, I32F, I50Z	8c105‡	06	G40Z, G46A, G46B, G46C, G47Z, G50Z	07	H02A, H02B, H33Z, H38Z	
	09	J02A, J02B, J02C, J04A, J04B, J08A, J08B, J08C, J16Z, J21Z, J22A, J22B	8c106‡	06	G40Z, G46A, G46B, G46C, G47Z, G50Z	11	L33Z	
			8c107‡	06	G40Z, G46A, G46B, G46C, G47Z, G50Z	17	R01A, R01B, R01C, R01D, R02Z, R12A, R12B, R12C	
			8c108‡	06	G40Z, G46A, G46B, G46C, G47Z, G50Z	21A	W04A, W04B	
			8c109‡	06	G40Z, G48A, G48B, G48C	21B	X06A, X06B, X06C, X33Z	
			8c220.1	01	B12Z	23	Z01A	
				05	F01A, F01B, F01D, F05Z, F06C, F06D, F06E, F12A, F12B, F15Z, F24A, F24B, F36A, F36B, F52A, F52B, F56A, F56B, F58A, F58B	Pre	A07A	
					Pre	8d301‡	06	G40Z, G46A, G46B, G46C, G47Z, G50Z
			8c220.x	05	F01A, F01B, F01D, F15Z, F24A, F24B, F28A, F36A, F36B, F54Z, F59A, F59B	8f100.11‡↔		KKI, KKP
5v63x.x↔		BOP, KVT, UOP4	8c221	01	B12Z	8f101.0		KKI, KKP
	01	B03A, B03B, B06A, B06B, B07Z, B17A, B17B, B17C		05	F01A, F01B, F01D, F05Z, F06C, F06D, F06E, F12A, F12B, F15Z, F24A, F24B, F36A, F36B, F52A, F52B, F56A, F56B, F58A, F58B	05	F21A, F21B, F21C	
	05	F13A, F21A, F21B, F27A, F27B, F27C, F28A			Pre	06	G10Z, G12A, G12B	
	08	I02A, I02B, I02C, I02D, I12A, I12B, I12C, I22A, I32A, I32B, I32C, I32D, I32E, I32F, I50Z			01	07	H12A, H12B	
	09	J02A, J02B, J02C, J04A, J04B, J08A, J08B, J08C, J16Z, J21Z, J22A, J22B			05	11	L09A, L09B, L09C, L09D, L38Z	
					01	13	N11A, N11B	
					05	17	R01A, R01B, R01C, R01D, R02Z, R12A, R12B, R12C	
					Pre	21A	W04A, W04B	
					01	21B	X06A, X06B, X06C	
					05	22	Y01Z, Y03A, Y03B	
					Pre			
					01			
5v63x.y		BOP, KVT, UOP4	8c223					
	01	B03A, B03B, B06A, B06B, B07Z, B17A, B17B, B17C						
	02	C20A, C20B						
	03	D18Z, D25A, D25B, D25C, D25D						
	05	F13A, F21A, F21B, F28A						
	08	I02A, I02B, I02C, I02D, I12A, I12B, I12C, I22A, I50Z						
	09	J02A, J02B, J02C, J04A, J04B, J08A, J08B, J08C, J16Z, J21Z, J22A, J22B						
5z110.0‡	11	L20B						

VYK

ZZV	MDC	DRG	ZZV	MDC	DRG	ZZV	MDC	DRG				
8f101.1		KKI, KKP	8f103.1		KK11, KKI, KKII, KKP	8f608.52		BOP, KVT, UOP4				
	05	F21A, F21B, F21C		05	F21A, F21B, F21C		11	L18A, L18B, L19Z, L20A, L20B, L20C, L38Z				
	06	G10Z, G12A, G12B		06	G10Z, G12A, G12B		8f608.60	BOP, KVT, UOP4				
	07	H12A, H12B		07	H12A, H12B		11	L18A, L18B, L19Z, L20A, L20B, L20C, L38Z				
	11	L09A, L09B, L09C, L09D, L38Z		10	K09A, K09B		8f608.61	BOP, KVT, UOP4				
	13	N11A, N11B		11	L09A, L09B, L09C, L09D, L38Z		11	L18A, L18B, L19Z, L20A, L20B, L20C, L38Z				
	17	R01A, R01B, R01C, R01D, R02Z, R12A, R12B, R12C		13	N11A, N11B		8f608.62	BOP, KVT, UOP4				
	21A	W04A, W04B		17	R01A, R01B, R01C, R01D, R02Z, R12A, R12B, R12C		11	L18A, L18B, L19Z, L20A, L20B, L20C, L38Z				
	21B	X06A, X06B, X06C		21A	W04A, W04B		8f608.70	BOP, KVT, UOP4				
	22	Y01Z, Y03A, Y03B		21B	X06A, X06B, X06C		11	L18A, L18B, L19Z, L20A, L20B, L20C, L38Z				
	8f101.2			KKI, KKP	8f103.x			Y01Z, Y03A, Y03B	8f608.71		BOP, KVT, UOP4	
		05		F21A, F21B, F21C			05	F21A, F21B, F21C		11	L18A, L18B, L19Z, L20A, L20B, L20C, L38Z	
		06		G10Z, G12A, G12B			06	G10Z, G12A, G12B		8f608.72	BOP, KVT, UOP4	
		07		H12A, H12B			07	H12A, H12B		11	L18A, L18B, L19Z, L20A, L20B, L20C, L38Z	
11		L09A, L09B, L09C, L09D, L38Z	11	L09A, L09B, L09C, L09D, L38Z		8f608.8	BOP, KVT, UOP4					
13		N11A, N11B	13	N11A, N11B		11	L18A, L18B, L19Z, L20A, L20B, L20C, L38Z					
17		R01A, R01B, R01C, R01D, R02Z, R12A, R12B, R12C	17	R01A, R01B, R01C, R01D, R02Z, R12A, R12B, R12C		8g113	01	B03A, B03B, B06A, B06B, B07Z, B17A, B17B, B17C, B17D				
21A		W04A, W04B	21A	W04A, W04B		03	D13Z					
21B		X06A, X06B, X06C	21B	X06A, X06B, X06C		04	E02A, E02B, E02C					
22		Y01Z, Y03A, Y03B	22	Y01Z, Y03A, Y03B		05	F13A, F21A, F21B, F21C					
8f101.x			KKI, KKP	8f108.0↔			C01A, C01B, C13Z, C16Z	8g114			G10Z, G12A, G12B	
		05	F21A, F21B, F21C			02	C01A, C01B, C13Z, C16Z			06	H06A, H06B, H06C	
		06	G10Z, G12A, G12B			03	D12A, D12B			07	I12A, I12B, I12C, I28A, I28B	
		07	H12A, H12B			8f108.1↔	03			D06A, D06B, D06C	08	J03A, J03B, J04A, J04B, J08A, J08B, J08C, J16Z, J21Z, J22A, J22B
	11	L09A, L09B, L09C, L09D, L38Z	8f108.2↔↔		13	N10Z	09		K09A, K09B			
	13	N11A, N11B	8f108.3↔		02	C01A, C01B, C13Z, C16Z	11		L09A, L09B, L09C, L09D, L38Z			
	17	R01A, R01B, R01C, R01D, R02Z, R12A, R12B, R12C	03		D12A, D12B	11	L42A		13	N11A, N11B		
	21A	W04A, W04B	8f300.5↔		02	C14Z	11		L42A	21A	W04A, W04B	
	21B	X06A, X06B, X06C	21A		W04A, W04B	8f300.6↔	21B		X06A, X06B, X06C	21B	X06A, X06B, X06C	
	22	Y01Z, Y03A, Y03B	21B		X06A, X06B, X06C	02	C01A, C01B, C15Z, C16Z		01	B02A, B02B, B02C, B02D, B20A, B20B, B20C, B20D, B20E, B39A, B39B	03	D13Z
	8f101.0↔		KKI, KKP		8f304.0↔↔		L42A		8g114		E02A, E02B, E02C	
		05	F21A, F21B, F21C			8f304.1↔↔	11			L42A	04	E02A, E02B, E02C
		06	G10Z, G12A, G12B			8f306.0↔	13			N25Z	05	F13A, F21A, F21B, F21C
		07	H12A, H12B			8f400.0↔	02			C01A, C01B, C13Z, C16Z	06	G10Z, G12A, G12B
11		L09A, L09B, L09C, L09D, L38Z	8f403.0	03		D12A, D12B	07	H06A, H06B, H06C				
13		N11A, N11B	8f606.4	04		E02A, E02B, E02C	08	I12A, I12B, I12C, I28A, I28B				
17		R01A, R01B, R01C, R01D, R02Z, R12A, R12B, R12C	01	BOP, KVT, UOP4, VIAL		09	J03A, J03B, J04A, J04B, J08A, J08B, J08C, J16Z, J21Z, J22A, J22B					
21A		W04A, W04B	08	I08A, I08B, I08C, I08D, I08E, I08F, I10A, I10B, I10C, I10D, I10E		10	K09A, K09B					
21B		X06A, X06B, X06C	11	L09A, L38Z		11	L09A, L09B, L09C, L09D, L38Z					
22		Y01Z, Y03A, Y03B	17	R01A, R01B, R01C, R01D, R02Z, R12A, R12B, R12C		13	N11A, N11B					
8f103.0			KKI, KKP	8f608.40			BOP, KVT, UOP4	8f608.41			BOP, KVT, UOP4	
		05	F21A, F21B, F21C			11	L18A, L18B, L19Z, L20A, L20B, L20C, L38Z			11	L18A, L18B, L19Z, L20A, L20B, L20C, L38Z	
		06	G10Z, G12A, G12B			8f608.41	BOP, KVT, UOP4			8f608.42	BOP, KVT, UOP4	
		07	H12A, H12B			11	L18A, L18B, L19Z, L20A, L20B, L20C, L38Z			11	L18A, L18B, L19Z, L20A, L20B, L20C, L38Z	
	11	L09A, L09B, L09C, L09D, L38Z	8f608.50		BOP, KVT, UOP4	8f608.51	BOP, KVT, UOP4					
	13	N11A, N11B	11		L18A, L18B, L19Z, L20A, L20B, L20C, L38Z	11	L18A, L18B, L19Z, L20A, L20B, L20C, L38Z					
	17	R01A, R01B, R01C, R01D, R02Z, R12A, R12B, R12C	8f608.51		BOP, KVT, UOP4	11	L18A, L18B, L19Z, L20A, L20B, L20C, L38Z					
	21A	W04A, W04B	11		L18A, L18B, L19Z, L20A, L20B, L20C, L38Z							
	21B	X06A, X06B, X06C										
	22	Y01Z, Y03A, Y03B										

ZZV	MDC	DRG	ZZV	MDC	DRG	ZZV	MDC	DRG	
8g115	01	B03A, B03B, B06A, B06B, B07Z, B17A, B17B, B17C, B17D	8g121.2	01	B03A, B03B, B06A, B06B, B07Z, B17A, B17B, B17C, B17D	8g121.5	01	B03A, B03B, B06A, B06B, B07Z, B17A, B17B, B17C, B17D	
	03	D13Z		03	D13Z		03	D13Z	
	04	E02A, E02B, E02C		04	E02A, E02B, E02C		04	E02A, E02B, E02C	
	05	F13A, F21A, F21B, F21C		05	F13A, F21A, F21B, F21C		05	F13A, F21A, F21B, F21C	
	06	G10Z, G12A, G12B		06	G10Z, G12A, G12B		06	G10Z, G12A, G12B	
	07	H06A, H06B, H06C		07	H06A, H06B, H06C		07	H06A, H06B, H06C	
	08	I12A, I12B, I12C, I28A, I28B		08	I12A, I12B, I12C, I28A, I28B		08	I12A, I12B, I12C, I28A, I28B	
	09	J03A, J03B, J04A, J04B, J08A, J08B, J08C, J16Z, J21Z, J22A, J22B		09	J03A, J03B, J04A, J04B, J08A, J08B, J08C, J16Z, J21Z, J22A, J22B		09	J03A, J03B, J04A, J04B, J08A, J08B, J08C, J16Z, J21Z, J22A, J22B	
	10	K09A, K09B		10	K09A, K09B		10	K09A, K09B	
	11	L09A, L09B, L09C, L09D, L38Z		11	L09A, L09B, L09C, L09D, L38Z		11	L09A, L09B, L09C, L09D, L38Z	
	13	N11A, N11B		13	N11A, N11B		13	N11A, N11B	
	21A	W04A, W04B		21A	W04A, W04B		21A	W04A, W04B	
	21B	X06A, X06B, X06C		21B	X06A, X06B, X06C		21B	X06A, X06B, X06C	
	8g121.0	01		B03A, B03B, B06A, B06B, B07Z, B17A, B17B, B17C, B17D	8g121.3		01	B03A, B03B, B06A, B06B, B07Z, B17A, B17B, B17C, B17D	8g210
03		D13Z	03	D13Z		03	D13Z		
04		E02A, E02B, E02C	04	E02A, E02B, E02C		04	E02A, E02B, E02C		
05		F13A, F21A, F21B, F21C	05	F13A, F21A, F21B, F21C		05	F21A, F21B, F21C		
06		G10Z, G12A, G12B	06	G10Z, G12A, G12B		06	G10Z, G12A, G12B		
07		H06A, H06B, H06C	07	H06A, H06B, H06C		07	H06A, H06B, H06C		
08		I12A, I12B, I12C, I28A, I28B	08	I12A, I12B, I12C, I28A, I28B		08	I28A, I28B		
09		J03A, J03B, J04A, J04B, J08A, J08B, J08C, J16Z, J21Z, J22A, J22B	09	J03A, J03B, J04A, J04B, J08A, J08B, J08C, J16Z, J21Z, J22A, J22B		09	J11A, J11B		
10		K09A, K09B	10	K09A, K09B		10	K09A, K09B		
11		L09A, L09B, L09C, L09D, L38Z	11	L09A, L09B, L09C, L09D, L38Z		11	L09A, L09B, L09C, L09D, L38Z		
13		N11A, N11B	13	N11A, N11B		13	N11A, N11B		
21A		W04A, W04B	21A	W04A, W04B		21A	W04A, W04B		
21B		X06A, X06B, X06C	21B	X06A, X06B, X06C		21B	X06A, X06B, X06C		
8g121.1		01	B03A, B03B, B06A, B06B, B07Z, B17A, B17B, B17C, B17D	8g121.4		01	B03A, B03B, B06A, B06B, B07Z, B17A, B17B, B17C, B17D	8m105†	
	03	D13Z	03		D13Z	8m110	BOP, KK11, KKI, KKII, KKP, KVT, UOP4		
	04	E02A, E02B, E02C	04		E02A, E02B, E02C		01		B02A, B02B, B02C, B16Z, B39A, B39B
	05	F13A, F21A, F21B, F21C	05		F13A, F21A, F21B, F21C		02		C02A, C02B, C16Z
	06	G10Z, G12A, G12B	06		G10Z, G12A, G12B		03		D18Z, D20A, D20B
	07	H06A, H06B, H06C	07		H06A, H06B, H06C		04		E08A, E08B, E08C
	08	I12A, I12B, I12C, I28A, I28B	08		I12A, I12B, I12C, I28A, I28B		06		G15Z, G29A, G29B
	09	J03A, J03B, J04A, J04B, J08A, J08B, J08C, J16Z, J21Z, J22A, J22B	09		J03A, J03B, J04A, J04B, J08A, J08B, J08C, J16Z, J21Z, J22A, J22B		07		H01A, H01B, H16Z
	10	K09A, K09B	10		K09A, K09B		08		I54Z
	11	L09A, L09B, L09C, L09D, L38Z	11		L09A, L09B, L09C, L09D, L38Z		09		J16Z, J18Z
	13	N11A, N11B	13		N11A, N11B		10		K15A, K15B, K15C
	21A	W04A, W04B	21A		W04A, W04B		11		L12Z
	21B	X06A, X06B, X06C	21B		X06A, X06B, X06C		12		M10A, M10B, M60A
							13		N16Z, N60A
				17	R05Z, R06Z, R07A, R07B				
				8m131.0	BOP, KK11, KKI, KKII, KKP, KVT, UOP4				
					01	B02A, B02B, B02C, B15Z, B16Z, B39A, B39B			
					02	C02A, C02B, C16Z			
					03	D18Z, D19Z, D20A, D20B			
					04	E08A, E08B, E08C			
					06	G15Z, G27A, G27B, G29A, G29B			
					07	H01A, H01B, H15Z, H16Z			
					08	I39Z, I54Z			
					09	J16Z, J17Z, J18Z			
					10	K15A, K15B, K15C			
					11	L12Z			
					12	M10A, M10B, M60A			
					13	N15Z, N16Z, N60A			
					17	R05Z, R06Z, R07A, R07B			

ZZV	MDC	DRG	ZZV	MDC	DRG	ZZV	MDC	DRG			
8m134.1		BOP, KK11, KKI, KKII, KKP, KVT, UOP4	8m140.2		BOP, KK11, KKI, KKII, KKP, KVT, UOP4	8m143		BOP, KK11, KKI, KKII, KKP, KVT, UOP4			
	01	B02A, B02B, B02C, B15Z, B16Z, B39A, B39B		01	B02A, B02B, B02C, B15Z, B16Z, B39A, B39B		01	B02A, B02B, B02C, B15Z, B16Z, B39A, B39B			
	02	C02A, C02B, C16Z		02	C02A, C02B, C16Z		02	C02A, C02B, C16Z			
	03	D18Z, D19Z, D20A, D20B		03	D18Z, D19Z, D20A, D20B		03	D18Z, D19Z, D20A, D20B			
	04	E08A, E08B, E08C		04	E08A, E08B, E08C		04	E08A, E08B, E08C			
	06	G15Z, G27A, G27B, G29A, G29B		06	G15Z, G27A, G27B, G29A, G29B		06	G15Z, G27A, G27B, G29A, G29B			
	07	H01A, H01B, H15Z, H16Z		07	H01A, H01B, H15Z, H16Z		07	H01A, H01B, H15Z, H16Z			
	08	I39Z, I54Z		08	I39Z, I54Z		08	I39Z, I54Z			
	09	J16Z, J17Z, J18Z		09	J16Z, J17Z, J18Z		09	J16Z, J17Z, J18Z			
	10	K15A, K15B, K15C		10	K15A, K15B, K15C		10	K15A, K15B, K15C			
	11	L12Z		11	L12Z		11	L12Z			
	12	M10A, M10B, M60A		12	M10A, M10B, M60A		12	M10A, M10B, M60A			
	13	N15Z, N16Z, N60A		13	N15Z, N16Z, N60A		13	N15Z, N16Z, N60A			
	17	R05Z, R06Z, R07A, R07B		17	R05Z, R06Z, R07A, R07B		17	R05Z, R06Z, R07A, R07B			
	8m13x			BOP, KK11, KKI, KKII, KKP, KVT, UOP4	8m141.1			BOP, KK11, KKI, KKII, KKP, KVT, UOP4	8m144		BOP, KK11, KKI, KKII, KKP, KVT, UOP4
		01		B02A, B02B, B02C, B15Z, B16Z, B39A, B39B			01	B02A, B02B, B02C, B15Z, B16Z, B39A, B39B		01	B02A, B02B, B02C, B15Z, B16Z, B39A, B39B
		02		C02A, C02B, C16Z			02	C02A, C02B, C16Z		02	C02A, C02B, C16Z
03		D18Z, D19Z, D20A, D20B	03	D18Z, D19Z, D20A, D20B		03	D18Z, D19Z, D20A, D20B				
04		E08A, E08B, E08C	04	E08A, E08B, E08C		04	E08A, E08B, E08C				
06		G15Z, G27A, G27B, G29A, G29B	06	G15Z, G27A, G27B, G29A, G29B		06	G15Z, G27A, G27B, G29A, G29B				
07		H01A, H01B, H15Z, H16Z	07	H01A, H01B, H15Z, H16Z		07	H01A, H01B, H15Z, H16Z				
08		I39Z, I54Z	08	I39Z, I54Z		08	I39Z, I54Z				
09		J16Z, J17Z, J18Z	09	J16Z, J17Z, J18Z		09	J16Z, J17Z, J18Z				
10		K15A, K15B, K15C	10	K15A, K15B, K15C		10	K15A, K15B, K15C				
11		L12Z	11	L12Z		11	L12Z				
12		M10A, M10B, M60A	12	M10A, M10B, M60A		12	M10A, M10B, M60A				
13		N15Z, N16Z, N60A	13	N15Z, N16Z, N60A		13	N15Z, N16Z, N60A				
17		R05Z, R06Z, R07A, R07B	17	R05Z, R06Z, R07A, R07B		17	R05Z, R06Z, R07A, R07B				
21A		W01A, W01B, W01C, W36Z	21A	W01A, W01B, W01C, W36Z		21A	W01A, W01B, W01C, W36Z				
21B		X06A, X06B, X06C	21B	X06A, X06B, X06C		21B	X06A, X06B, X06C				
8m140.1			BOP, KK11, KKI, KKII, KKP, KVT, UOP4	8m141.2			BOP, KK11, KKI, KKII, KKP, KVT, UOP4	8m145.0			BOP, KK11, KKI, KKII, KKP, KVT, UOP4
	01	B02A, B02B, B02C, B15Z, B16Z, B39A, B39B	01		B02A, B02B, B02C, B15Z, B16Z, B39A, B39B	01	B02A, B02B, B02C, B15Z, B16Z, B39A, B39B				
	02	C02A, C02B, C16Z	02		C02A, C02B, C16Z	02	C02A, C02B, C16Z				
	03	D18Z, D19Z, D20A, D20B	03		D18Z, D19Z, D20A, D20B	03	D18Z, D19Z, D20A, D20B				
	04	E08A, E08B, E08C	04		E08A, E08B, E08C	04	E08A, E08B, E08C				
	06	G15Z, G27A, G27B, G29A, G29B	06		G15Z, G27A, G27B, G29A, G29B	06	G15Z, G27A, G27B, G29A, G29B				
	07	H01A, H01B, H15Z, H16Z	07		H01A, H01B, H15Z, H16Z	07	H01A, H01B, H15Z, H16Z				
	08	I39Z, I54Z	08		I39Z, I54Z	08	I39Z, I54Z				
	09	J16Z, J17Z, J18Z	09		J16Z, J17Z, J18Z	09	J16Z, J17Z, J18Z				
	10	K15A, K15B, K15C	10		K15A, K15B, K15C	10	K15A, K15B, K15C				
	11	L12Z	11		L12Z	11	L12Z				
	12	M10A, M10B, M60A	12		M10A, M10B, M60A	12	M10A, M10B, M60A				
	13	N15Z, N16Z, N60A	13		N15Z, N16Z, N60A	13	N15Z, N16Z, N60A				
	17	R05Z, R06Z, R07A, R07B	17		R05Z, R06Z, R07A, R07B	17	R05Z, R06Z, R07A, R07B				
	21A	W01A, W01B, W01C, W36Z	21A		W01A, W01B, W01C, W36Z	21A	W01A, W01B, W01C, W36Z				
	21B	X06A, X06B, X06C	21B		X06A, X06B, X06C	21B	X06A, X06B, X06C				

ZZV	MDC	DRG	ZZV	MDC	DRG	ZZV	MDC	DRG		
8m145.1		BOP, KK11, KKI, KKII, KKP, KVT, UOP4	8m147		BOP, KK11, KKI, KKII, KKP, KVT, UOP4	8m150.01		BOP, KK11, KKI, KKII, KKP, KVT, UOP4		
	01	B02A, B02B, B02C, B15Z, B16Z, B39A, B39B		01	B02A, B02B, B02C, B15Z, B16Z, B39A, B39B		01	B02A, B02B, B02C, B15Z, B16Z, B39A, B39B		
	02	C02A, C02B, C16Z		02	C02A, C02B, C16Z		02	C02A, C02B, C16Z		
	03	D18Z, D19Z, D20A, D20B		03	D18Z, D19Z, D20A, D20B		03	D18Z, D19Z, D20A, D20B		
	04	E08A, E08B, E08C		04	E08A, E08B, E08C		04	E08A, E08B, E08C		
	06	G15Z, G27A, G27B, G29A, G29B		06	G15Z, G27A, G27B, G29A, G29B		06	G15Z, G27A, G27B, G29A, G29B		
	07	H01A, H01B, H15Z, H16Z		07	H01A, H01B, H15Z, H16Z		07	H01A, H01B, H15Z, H16Z		
	08	I39Z, I54Z		08	I39Z, I54Z		08	I39Z, I54Z		
	09	J16Z, J17Z, J18Z		09	J16Z, J17Z, J18Z		09	J16Z, J17Z, J18Z		
	10	K15A, K15B, K15C		10	K15A, K15B, K15C		10	K15A, K15B, K15C		
	11	L12Z		11	L12Z		11	L12Z		
	12	M10A, M10B, M60A		12	M10A, M10B, M60A		12	M10A, M10B, M60A		
	13	N15Z, N16Z, N60A		13	N15Z, N16Z, N60A		13	N15Z, N16Z, N60A		
	17	R05Z, R06Z, R07A, R07B		17	R05Z, R06Z, R07A, R07B		17	R05Z, R06Z, R07A, R07B		
	21A	W01A, W01B, W01C, W36Z		8m148			BOP, KK11, KKI, KKII, KKP, KVT, UOP4	8m150.10		BOP, KK11, KKI, KKII, KKP, KVT, UOP4
	21B	X06A, X06B, X06C			01		B02A, B02B, B02C, B15Z, B16Z, B39A, B39B		01	B02A, B02B, B02C, B15Z, B16Z, B39A, B39B
	8m145.2			BOP, KK11, KKI, KKII, KKP, KVT, UOP4	8m148			BOP, KK11, KKI, KKII, KKP, KVT, UOP4	8m150.10	
01		B02A, B02B, B02C, B15Z, B16Z, B39A, B39B	01	B02A, B02B, B02C, B15Z, B16Z, B39A, B39B		01	B02A, B02B, B02C, B15Z, B16Z, B39A, B39B			
02		C02A, C02B, C16Z	02	C02A, C02B, C16Z		02	C02A, C02B, C16Z			
03		D18Z, D19Z, D20A, D20B	03	D18Z, D19Z, D20A, D20B		03	D18Z, D19Z, D20A, D20B			
04		E08A, E08B, E08C	04	E08A, E08B, E08C		04	E08A, E08B, E08C			
06		G15Z, G27A, G27B, G29A, G29B	06	G15Z, G27A, G27B, G29A, G29B		06	G15Z, G27A, G27B, G29A, G29B			
07		H01A, H01B, H15Z, H16Z	07	H01A, H01B, H15Z, H16Z		07	H01A, H01B, H15Z, H16Z			
08		I39Z, I54Z	08	I39Z, I54Z		08	I39Z, I54Z			
09		J16Z, J17Z, J18Z	09	J16Z, J17Z, J18Z		09	J16Z, J17Z, J18Z			
10		K15A, K15B, K15C	10	K15A, K15B, K15C		10	K15A, K15B, K15C			
11		L12Z	11	L12Z		11	L12Z			
12		M10A, M10B, M60A	12	M10A, M10B, M60A		12	M10A, M10B, M60A			
13		N15Z, N16Z, N60A	13	N15Z, N16Z, N60A		13	N15Z, N16Z, N60A			
17		R05Z, R06Z, R07A, R07B	17	R05Z, R06Z, R07A, R07B		17	R05Z, R06Z, R07A, R07B			
21A		W01A, W01B, W01C, W36Z	8m14x			BOP, KK11, KKI, KKII, KKP, KVT, UOP4	8m150.11			BOP, KK11, KKI, KKII, KKP, KVT, UOP4
21B		X06A, X06B, X06C		01		B02A, B02B, B02C, B15Z, B16Z, B39A, B39B		01		B02A, B02B, B02C, B15Z, B16Z, B39A, B39B
8m146			BOP, KK11, KKI, KKII, KKP, KVT, UOP4	8m14x			BOP, KK11, KKI, KKII, KKP, KVT, UOP4	8m150.11		
	01	B02A, B02B, B02C, B15Z, B16Z, B39A, B39B	01		B02A, B02B, B02C, B15Z, B16Z, B39A, B39B	01	B02A, B02B, B02C, B15Z, B16Z, B39A, B39B			
	02	C02A, C02B, C16Z	02		C02A, C02B, C16Z	02	C02A, C02B, C16Z			
	03	D18Z, D19Z, D20A, D20B	03		D18Z, D19Z, D20A, D20B	03	D18Z, D19Z, D20A, D20B			
	04	E08A, E08B, E08C	04		E08A, E08B, E08C	04	E08A, E08B, E08C			
	06	G15Z, G27A, G27B, G29A, G29B	06		G15Z, G27A, G27B, G29A, G29B	06	G15Z, G27A, G27B, G29A, G29B			
	07	H01A, H01B, H15Z, H16Z	07		H01A, H01B, H15Z, H16Z	07	H01A, H01B, H15Z, H16Z			
	08	I39Z, I54Z	08		I39Z, I54Z	08	I39Z, I54Z			
	09	J16Z, J17Z, J18Z	09		J16Z, J17Z, J18Z	09	J16Z, J17Z, J18Z			
	10	K15A, K15B, K15C	10		K15A, K15B, K15C	10	K15A, K15B, K15C			
	11	L12Z	11		L12Z	11	L12Z			
	12	M10A, M10B, M60A	12		M10A, M10B, M60A	12	M10A, M10B, M60A			
	13	N15Z, N16Z, N60A	13		N15Z, N16Z, N60A	13	N15Z, N16Z, N60A			
	17	R05Z, R06Z, R07A, R07B	17		R05Z, R06Z, R07A, R07B	17	R05Z, R06Z, R07A, R07B			
	21A	W01A, W01B, W01C, W36Z	8m150.00			BOP, KK11, KKI, KKII, KKP, KVT, UOP4	8m151			BOP, KK11, KKI, KKII, KKP, KVT, UOP4
	21B	X06A, X06B, X06C			01	B02A, B02B, B02C, B15Z, B16Z, B39A, B39B			01	B02A, B02B, B02C, B15Z, B16Z, B39A, B39B
			8m150.00			BOP, KK11, KKI, KKII, KKP, KVT, UOP4	8m151			BOP, KK11, KKI, KKII, KKP, KVT, UOP4
		01		B02A, B02B, B02C, B15Z, B16Z, B39A, B39B	01	B02A, B02B, B02C, B15Z, B16Z, B39A, B39B				
		02		C02A, C02B, C16Z	02	C02A, C02B, C16Z				
		03		D18Z, D19Z, D20A, D20B	03	D18Z, D19Z, D20A, D20B				
		04		E08A, E08B, E08C	04	E08A, E08B, E08C				
		06		G15Z, G27A, G27B, G29A, G29B	06	G15Z, G27A, G27B, G29A, G29B				
		07		H01A, H01B, H15Z, H16Z	07	H01A, H01B, H15Z, H16Z				
		08		I39Z, I54Z	08	I39Z, I54Z				
		09		J16Z, J17Z, J18Z	09	J16Z, J17Z, J18Z				
		10		K15A, K15B, K15C	10	K15A, K15B, K15C				
		11		L12Z	11	L12Z				
		12		M10A, M10B, M60A	12	M10A, M10B, M60A				
		13		N15Z, N16Z, N60A	13	N15Z, N16Z, N60A				
		17		R05Z, R06Z, R07A, R07B	17	R05Z, R06Z, R07A, R07B				

VYK

ZZV	MDC	DRG	ZZV	MDC	DRG	ZZV	MDC	DRG			
8m152		BOP, KK11, KKI, KKII, KKP, KVT, UOP4	8m161.x		BOP, KK11, KKI, KKII, KKP, KVT, UOP4	8m163.1		BOP, KK11, KKI, KKII, KKP, KVT, UOP4			
	01	B02A, B02B, B02C, B15Z, B16Z, B39A, B39B		01	B02A, B02B, B02C, B03A, B03B, B06A, B06B, B07Z, B16Z, B17A, B17B, B17C, B39A, B39B		01	B02A, B02B, B02C, B16Z, B39A, B39B			
	02	C02A, C02B, C16Z		02	C02A, C02B, C16Z		02	C02A, C02B, C16Z			
	03	D18Z, D19Z, D20A, D20B		03	D12A, D18Z, D20A, D20B		03	D18Z, D20A, D20B			
	04	E08A, E08B, E08C		04	E03Z, E08A, E08B, E08C		04	E08A, E08B, E08C			
	06	G15Z, G27A, G27B, G29A, G29B		06	G10Z, G12A, G12B, G15Z, G29A, G29B		06	G15Z, G29A, G29B			
	07	H01A, H01B, H15Z, H16Z		07	H01A, H01B, H16Z		07	H01A, H01B, H16Z			
	08	I39Z, I54Z		08	I54Z		08	I54Z			
	09	J16Z, J17Z, J18Z		09	J03A, J03B, J04A, J04B, J08A, J08B, J08C, J11A, J11B, J16Z, J18Z		09	J16Z, J18Z			
	10	K15A, K15B, K15C		10	K15A, K15B, K15C		10	K15A, K15B, K15C			
	11	L12Z		11	L12Z		11	L12Z			
	12	M10A, M10B, M60A		12	M10A, M10B, M60A		12	M10A, M10B, M60A			
	13	N15Z, N16Z, N60A		13	N09A, N14Z, N16Z		13	N09A, N14Z, N16Z			
	17	R05Z, R06Z, R07A, R07B		17	R05Z, R06Z, R07A, R07B		17	R05Z, R06Z, R07A, R07B			
	8m161.0			BOP, KK11, KKI, KKII, KKP, KVT, UOP4	8m162			BOP, KK11, KKI, KKII, KKP, KVT, UOP4	8m164.1		BOP, KK11, KKI, KKII, KKP, KVT, UOP4
		01		B02A, B02B, B02C, B16Z, B39A, B39B			01	B02A, B02B, B02C, B03A, B03B, B06A, B06B, B07Z, B16Z, B17A, B17B, B17C, B39A, B39B		01	B02A, B02B, B02C, B03A, B03B, B06A, B06B, B07Z, B16Z, B17A, B17B, B17C, B39A, B39B
		02		C02A, C02B, C16Z			02	C02A, C02B, C16Z		02	C02A, C02B, C16Z
03		D18Z, D20A, D20B	03	D12A, D18Z, D20A, D20B		03	D12A, D18Z, D20A, D20B				
04		E08A, E08B, E08C	04	E03Z, E08A, E08B, E08C		04	E03Z, E08A, E08B, E08C				
06		G15Z, G29A, G29B	05	F15Z, F24A, F24B, F36A, F36B, F52A, F52B, F56A, F56B		05	F15Z, F24A, F24B, F36A, F36B, F52A, F52B, F56A, F56B				
07		H01A, H01B, H16Z	06	G10Z, G12A, G12B, G15Z, G29A, G29B		06	G10Z, G12A, G12B, G15Z, G29A, G29B				
08		I54Z	07	H01A, H01B, H16Z		07	H01A, H01B, H16Z				
09		J16Z, J18Z	08	I54Z		08	I54Z				
10		K15A, K15B, K15C	09	J03A, J03B, J04A, J04B, J08A, J08B, J08C, J11A, J11B, J16Z, J18Z		09	J03A, J03B, J04A, J04B, J08A, J08B, J08C, J11A, J11B, J16Z, J18Z				
11		L12Z	10	K15A, K15B, K15C		10	K15A, K15B, K15C				
12		M10A, M10B, M60A	11	L12Z		11	L12Z				
13		N09A, N14Z, N16Z	12	M10A, M10B, M60A		12	M10A, M10B, M60A				
17		R05Z, R06Z, R07A, R07B	13	N09A, N14Z, N16Z		13	N09A, N14Z, N16Z				
8m161.1			BOP, KK11, KKI, KKII, KKP, KVT, UOP4	8m163.0			BOP, KK11, KKI, KKII, KKP, KVT, UOP4	8m164.2			BOP, KK11, KKI, KKII, KKP, KVT, UOP4
		01	B02A, B02B, B02C, B16Z, B39A, B39B			01	B02A, B02B, B02C, B16Z, B39A, B39B			01	B02A, B02B, B02C, B03A, B03B, B06A, B06B, B07Z, B16Z, B17A, B17B, B17C, B39A, B39B
		02	C02A, C02B, C16Z			02	C02A, C02B, C16Z			02	C02A, C02B, C16Z
	03	D18Z, D20A, D20B	03		D18Z, D20A, D20B	03	D12A, D18Z, D20A, D20B				
	04	E08A, E08B, E08C	04		E08A, E08B, E08C	04	E03Z, E08A, E08B, E08C				
	06	G15Z, G29A, G29B	06		G15Z, G29A, G29B	05	F15Z, F24A, F24B, F36A, F36B, F52A, F52B, F56A, F56B				
	07	H01A, H01B, H16Z	07		H01A, H01B, H16Z	06	G10Z, G12A, G12B, G15Z, G29A, G29B				
	08	I54Z	08		I54Z	07	H01A, H01B, H16Z				
	09	J16Z, J18Z	09		J16Z, J18Z	08	I54Z				
	10	K15A, K15B, K15C	10		K15A, K15B, K15C	09	J03A, J03B, J04A, J04B, J08A, J08B, J08C, J11A, J11B, J16Z, J18Z				
	11	L12Z	11		L12Z	10	K15A, K15B, K15C				
	12	M10A, M10B, M60A	12		M10A, M10B, M60A	11	L12Z				
	13	N09A, N14Z, N16Z	13		N09A, N14Z, N16Z	12	M10A, M10B, M60A				
	17	R05Z, R06Z, R07A, R07B	17		R05Z, R06Z, R07A, R07B	13	N09A, N14Z, N16Z				
	8m161.2		BOP, KK11, KKI, KKII, KKP, KVT, UOP4		8m163.0		BOP, KK11, KKI, KKII, KKP, KVT, UOP4		8m164.2		BOP, KK11, KKI, KKII, KKP, KVT, UOP4
		01	B02A, B02B, B02C, B16Z, B39A, B39B			01	B02A, B02B, B02C, B16Z, B39A, B39B			01	B02A, B02B, B02C, B03A, B03B, B06A, B06B, B07Z, B16Z, B17A, B17B, B17C, B39A, B39B
		02	C02A, C02B, C16Z			02	C02A, C02B, C16Z			02	C02A, C02B, C16Z
03		D18Z, D20A, D20B	03	D18Z, D20A, D20B		03	D12A, D18Z, D20A, D20B				
04		E08A, E08B, E08C	04	E08A, E08B, E08C		04	E03Z, E08A, E08B, E08C				
06		G15Z, G29A, G29B	06	G15Z, G29A, G29B		05	F15Z, F24A, F24B, F36A, F36B, F52A, F52B, F56A, F56B				
07		H01A, H01B, H16Z	07	H01A, H01B, H16Z		06	G10Z, G12A, G12B, G15Z, G29A, G29B				
08		I54Z	08	I54Z		07	H01A, H01B, H16Z				
09		J16Z, J18Z	09	J16Z, J18Z		08	I54Z				
10		K15A, K15B, K15C	10	K15A, K15B, K15C		09	J03A, J03B, J04A, J04B, J08A, J08B, J08C, J11A, J11B, J16Z, J18Z				
11		L12Z	11	L12Z		10	K15A, K15B, K15C				
12		M10A, M10B, M60A	12	M10A, M10B, M60A		11	L12Z				
13		N09A, N14Z, N16Z	13	N09A, N14Z, N16Z		12	M10A, M10B, M60A				
17		R05Z, R06Z, R07A, R07B	17	R05Z, R06Z, R07A, R07B		13	N09A, N14Z, N16Z				
						17	R05Z, R06Z, R07A, R07B				
						21A	W04A, W04B				
						21B	X04Z, X05A, X05B, X06A, X06B, X06C				

ZZV	MDC	DRG	ZZV	MDC	DRG	ZZV	MDC	DRG			
8m165.01		BOP, KK11, KKI, KKII, KKP, KVT, UOP4	8m165.03		BOP, KK11, KKI, KKII, KKP, KVT, UOP4	8m165.11		BOP, KK11, KKI, KKII, KKP, KVT, UOP4			
	01	B02A, B02B, B02C, B03A, B03B, B06A, B06B, B07Z, B16Z, B17A, B17B, B17C, B39A, B39B		01	B02A, B02B, B02C, B03A, B03B, B06A, B06B, B07Z, B16Z, B17A, B17B, B17C, B39A, B39B		01	B02A, B02B, B02C, B03A, B03B, B06A, B06B, B07Z, B16Z, B17A, B17B, B17C, B39A, B39B			
	02	C02A, C02B, C16Z		02	C02A, C02B, C16Z		02	C02A, C02B, C16Z			
	03	D12A, D18Z, D20A, D20B		03	D12A, D18Z, D20A, D20B		03	D12A, D18Z, D20A, D20B			
	04	E03Z, E08A, E08B, E08C		04	E03Z, E08A, E08B, E08C		04	E03Z, E08A, E08B, E08C			
	06	G10Z, G12A, G12B, G15Z, G29A, G29B		06	G10Z, G12A, G12B, G15Z, G29A, G29B		06	G10Z, G12A, G12B, G15Z, G29A, G29B			
	07	H01A, H01B, H16Z		07	H01A, H01B, H16Z		07	H01A, H01B, H16Z			
	08	I54Z		08	I54Z		08	I54Z			
	09	J03A, J03B, J04A, J04B, J08A, J08B, J08C, J11A, J11B, J16Z, J18Z		09	J03A, J03B, J04A, J04B, J08A, J08B, J08C, J11A, J11B, J16Z, J18Z		09	J03A, J03B, J04A, J04B, J08A, J08B, J08C, J11A, J11B, J16Z, J18Z			
	10	K15A, K15B, K15C		10	K15A, K15B, K15C		10	K15A, K15B, K15C			
	11	L12Z		11	L12Z		11	L12Z			
	12	M10A, M10B, M60A		12	M10A, M10B, M60A		12	M10A, M10B, M60A			
	13	N09A, N14Z, N16Z		13	N09A, N14Z, N16Z		13	N09A, N14Z, N16Z			
	17	R05Z, R06Z, R07A, R07B		17	R05Z, R06Z, R07A, R07B		17	R05Z, R06Z, R07A, R07B			
	21A	W04A, W04B		21A	W04A, W04B		21A	W04A, W04B			
	21B	X04Z, X05A, X05B, X06A, X06B, X06C		21B	X04Z, X05A, X05B, X06A, X06B, X06C		21B	X04Z, X05A, X05B, X06A, X06B, X06C			
	8m165.02			BOP, KK11, KKI, KKII, KKP, KVT, UOP4	8m165.0x			BOP, KK11, KKI, KKII, KKP, KVT, UOP4	8m165.12		BOP, KK11, KKI, KKII, KKP, KVT, UOP4
		01		B02A, B02B, B02C, B03A, B03B, B06A, B06B, B07Z, B16Z, B17A, B17B, B17C, B39A, B39B			01	B02A, B02B, B02C, B03A, B03B, B06A, B06B, B07Z, B16Z, B17A, B17B, B17C, B39A, B39B		01	B02A, B02B, B02C, B03A, B03B, B06A, B06B, B07Z, B16Z, B17A, B17B, B17C, B39A, B39B
		02		C02A, C02B, C16Z			02	C02A, C02B, C16Z		02	C02A, C02B, C16Z
		03		D12A, D18Z, D20A, D20B			03	D12A, D18Z, D20A, D20B		03	D12A, D18Z, D20A, D20B
04		E03Z, E08A, E08B, E08C	04	E03Z, E08A, E08B, E08C		04	E03Z, E08A, E08B, E08C				
06		G10Z, G12A, G12B, G15Z, G29A, G29B	06	G10Z, G12A, G12B, G15Z, G29A, G29B		06	G10Z, G12A, G12B, G15Z, G29A, G29B				
07		H01A, H01B, H16Z	07	H01A, H01B, H16Z		07	H01A, H01B, H16Z				
08		I54Z	08	I54Z		08	I54Z				
09		J03A, J03B, J04A, J04B, J08A, J08B, J08C, J11A, J11B, J16Z, J18Z	09	J03A, J03B, J04A, J04B, J08A, J08B, J08C, J11A, J11B, J16Z, J18Z		09	J03A, J03B, J04A, J04B, J08A, J08B, J08C, J11A, J11B, J16Z, J18Z				
10		K15A, K15B, K15C	10	K15A, K15B, K15C		10	K15A, K15B, K15C				
11		L12Z	11	L12Z		11	L12Z				
12		M10A, M10B, M60A	12	M10A, M10B, M60A		12	M10A, M10B, M60A				
13		N09A, N14Z, N16Z	13	N09A, N14Z, N16Z		13	N09A, N14Z, N16Z				
17		R05Z, R06Z, R07A, R07B	17	R05Z, R06Z, R07A, R07B		17	R05Z, R06Z, R07A, R07B				
21A		W04A, W04B	21A	W04A, W04B		21A	W04A, W04B				
21B		X04Z, X05A, X05B, X06A, X06B, X06C	21B	X04Z, X05A, X05B, X06A, X06B, X06C		21B	X04Z, X05A, X05B, X06A, X06B, X06C				

VYK

ZZV	MDC	DRG	ZZV	MDC	DRG	ZZV	MDC	DRG		
8m165.13		BOP, KK11, KKI, KKII, KKP, KVT, UOP4	8m165.21		BOP, KK11, KKI, KKII, KKP, KVT, UOP4	8m167		BOP, KK11, KKI, KKII, KKP, KVT, UOP4		
	01	B02A, B02B, B02C, B03A, B03B, B06A, B06B, B07Z, B16Z, B17A, B17B, B17C, B39A, B39B		01	B02A, B02B, B02C, B03A, B03B, B06A, B06B, B07Z, B16Z, B17A, B17B, B17C, B39A, B39B		01	B02A, B02B, B02C, B16Z, B39A, B39B		
	02	C02A, C02B, C16Z		02	C02A, C02B, C16Z		02	C02A, C02B, C16Z		
	03	D12A, D18Z, D20A, D20B		03	D12A, D18Z, D20A, D20B		03	D18Z, D20A, D20B		
	04	E03Z, E08A, E08B, E08C		04	E03Z, E08A, E08B, E08C		04	E08A, E08B, E08C		
	06	G10Z, G12A, G12B, G15Z, G29A, G29B		06	G10Z, G12A, G12B, G15Z, G29A, G29B		06	G15Z, G29A, G29B		
	07	H01A, H01B, H16Z		07	H01A, H01B, H16Z		07	H01A, H01B, H16Z		
	08	I54Z		08	I54Z		08	I54Z		
	09	J03A, J03B, J04A, J04B, J08A, J08B, J08C, J11A, J11B, J16Z, J18Z		09	J03A, J03B, J04A, J04B, J08A, J08B, J08C, J11A, J11B, J16Z, J18Z		09	J16Z, J18Z		
	10	K15A, K15B, K15C		10	K15A, K15B, K15C		10	K15A, K15B, K15C		
	11	L12Z		11	L12Z		11	L12Z		
	12	M10A, M10B, M60A		12	M10A, M10B, M60A		12	M10A, M10B, M60A		
	13	N09A, N14Z, N16Z		13	N09A, N14Z, N16Z		13	N09A, N14Z, N16Z		
	17	R05Z, R06Z, R07A, R07B		17	R05Z, R06Z, R07A, R07B		17	R05Z, R06Z, R07A, R07B		
	21A	W04A, W04B		21A	W04A, W04B					
	21B	X04Z, X05A, X05B, X06A, X06B, X06C		21B	X04Z, X05A, X05B, X06A, X06B, X06C		8m16x	BOP, KK11, KKI, KKII, KKP, KVT, UOP4		
	8m165.1x			BOP, KK11, KKI, KKII, KKP, KVT, UOP4	8m165.22			BOP, KK11, KKI, KKII, KKP, KVT, UOP4		
		01		B02A, B02B, B02C, B03A, B03B, B06A, B06B, B07Z, B16Z, B17A, B17B, B17C, B39A, B39B		01	B02A, B02B, B02C, B03A, B03B, B06A, B06B, B07Z, B16Z, B17A, B17B, B17C, B39A, B39B	01	B02A, B02B, B02C, B03A, B03B, B06A, B06B, B07Z, B16Z, B17A, B17B, B17C, B39A, B39B	
		02		C02A, C02B, C16Z		02	C02A, C02B, C16Z	02	C02A, C02B, C16Z	
		03		D12A, D18Z, D20A, D20B		03	D12A, D18Z, D20A, D20B	03	D12A, D18Z, D20A, D20B	
		04		E03Z, E08A, E08B, E08C		04	E03Z, E08A, E08B, E08C	04	E03Z, E08A, E08B, E08C	
06		G10Z, G12A, G12B, G15Z, G29A, G29B	06	G10Z, G12A, G12B, G15Z, G29A, G29B		06	G10Z, G12A, G12B, G15Z, G29A, G29B			
07		H01A, H01B, H16Z	07	H01A, H01B, H16Z		07	H01A, H01B, H16Z			
08		I54Z	08	I54Z		08	I54Z			
09		J03A, J03B, J04A, J04B, J08A, J08B, J08C, J11A, J11B, J16Z, J18Z	09	J03A, J03B, J04A, J04B, J08A, J08B, J08C, J11A, J11B, J16Z, J18Z		09	J03A, J03B, J04A, J04B, J08A, J08B, J08C, J11A, J11B, J16Z, J18Z			
10		K15A, K15B, K15C	10	K15A, K15B, K15C		10	K15A, K15B, K15C			
11		L12Z	11	L12Z		11	L12Z			
12		M10A, M10B, M60A	12	M07Z, M10A, M10B, M60A		12	M10A, M10B, M60A			
13		N09A, N14Z, N16Z	13	N09A, N14Z, N16Z		13	N09A, N14Z, N16Z			
17		R05Z, R06Z, R07A, R07B	17	R05Z, R06Z, R07A, R07B		17	R05Z, R06Z, R07A, R07B			
21A		W04A, W04B	21A	W04A, W04B		21A	W04A, W04B			
21B		X04Z, X05A, X05B, X06A, X06B, X06C	21B	X04Z, X05A, X05B, X06A, X06B, X06C		21B	X04Z, X05A, X05B, X06A, X06B, X06C			
			8m166			BOP, KK11, KKI, KKII, KKP, KVT, UOP4	8m170.0		BOP, KK11, KKI, KKII, KKP, KVT, UOP4	
				01		B02A, B02B, B02C, B16Z, B39A, B39B		01	B02A, B02B, B02C, B16Z, B39A, B39B	
				02		C02A, C02B, C16Z		02	C02A, C02B, C16Z	
				03		D18Z, D20A, D20B		03	D18Z, D20A, D20B	
				04		E08A, E08B, E08C		04	E08A, E08B, E08C	
		06		G15Z, G29A, G29B	06	G15Z, G29A, G29B				
		07		H01A, H01B, H16Z	07	H01A, H01B, H16Z				
		08		I54Z	08	I54Z				
		09		J16Z, J18Z	09	J16Z, J18Z				
		10		K15A, K15B, K15C	10	K15A, K15B, K15C				
		11		L12Z	11	L12Z				
		12		M10A, M10B, M60A	12	M10A, M10B, M60A				
		13		N09A, N14Z, N16Z	13	N16Z, N60A				
		17		R05Z, R06Z, R07A, R07B	17	R05Z, R06Z, R07A, R07B				

ZZV	MDC	DRG	ZZV	MDC	DRG	ZZV	MDC	DRG			
8m170.1		BOP, KK11, KKI, KKII, KKP, KVT, UOP4	8m171.2		BOP, KK11, KKI, KKII, KKP, KVT, UOP4	8m172.0		BOP, KK11, KKI, KKII, KKP, KVT, UOP4			
	01	B02A, B02B, B02C, B16Z, B39A, B39B		01	B02A, B02B, B02C, B16Z, B39A, B39B		01	B02A, B02B, B02C, B16Z, B39A, B39B			
	02	C02A, C02B, C16Z		02	C02A, C02B, C16Z		02	C02A, C02B, C16Z			
	03	D18Z, D20A, D20B		03	D18Z, D20A, D20B		03	D18Z, D20A, D20B			
	04	E08A, E08B, E08C		04	E08A, E08B, E08C		04	E08A, E08B, E08C			
	06	G15Z, G29A, G29B		06	G15Z, G29A, G29B		06	G15Z, G29A, G29B			
	07	H01A, H01B, H16Z		07	H01A, H01B, H16Z		07	H01A, H01B, H16Z			
	08	I54Z		08	I54Z		08	I54Z			
	09	J16Z, J18Z		09	J16Z, J18Z		09	J16Z, J18Z			
	10	K15A, K15B, K15C		10	K15A, K15B, K15C		10	K15A, K15B, K15C			
	11	L12Z		11	L12Z		11	L12Z			
	12	M10A, M10B, M60A		12	M10A, M10B, M60A		12	M10A, M10B, M60A			
	13	N16Z, N60A		13	N16Z, N60A		13	N16Z, N60A			
	17	R05Z, R06Z, R07A, R07B		17	R05Z, R06Z, R07A, R07B		17	R05Z, R06Z, R07A, R07B			
	8m170.2			BOP, KK11, KKI, KKII, KKP, KVT, UOP4	8m171.3			BOP, KK11, KKI, KKII, KKP, KVT, UOP4	8m172.10		BOP, KK11, KKI, KKII, KKP, KVT, UOP4
		01		B02A, B02B, B02C, B16Z, B39A, B39B			01	B02A, B02B, B02C, B16Z, B39A, B39B		01	B02A, B02B, B02C, B16Z, B39A, B39B
		02		C02A, C02B, C16Z			02	C02A, C02B, C16Z		02	C02A, C02B, C16Z
03		D18Z, D20A, D20B	03	D18Z, D20A, D20B		03	D18Z, D20A, D20B				
04		E08A, E08B, E08C	04	E08A, E08B, E08C		04	E08A, E08B, E08C				
06		G15Z, G29A, G29B	06	G15Z, G29A, G29B		06	G15Z, G29A, G29B				
07		H01A, H01B, H16Z	07	H01A, H01B, H16Z		07	H01A, H01B, H16Z				
08		I54Z	08	I54Z		08	I54Z				
09		J16Z, J18Z	09	J16Z, J18Z		09	J16Z, J18Z				
10		K15A, K15B, K15C	10	K15A, K15B, K15C		10	K15A, K15B, K15C				
11		L12Z	11	L12Z		11	L12Z				
12		M10A, M10B, M60A	12	M10A, M10B, M60A		12	M10A, M10B, M60A				
13		N16Z, N60A	13	N16Z, N60A		13	N16Z, N60A				
17		R05Z, R06Z, R07A, R07B	17	R05Z, R06Z, R07A, R07B		17	R05Z, R06Z, R07A, R07B				
8m170.x			BOP, KK11, KKI, KKII, KKP, KVT, UOP4	8m171.4			BOP, KK11, KKI, KKII, KKP, KVT, UOP4	8m172.11			BOP, KK11, KKI, KKII, KKP, KVT, UOP4
		01	B02A, B02B, B02C, B16Z, B39A, B39B			01	B02A, B02B, B02C, B16Z, B39A, B39B			01	B02A, B02B, B02C, B16Z, B39A, B39B
		02	C02A, C02B, C16Z			02	C02A, C02B, C16Z			02	C02A, C02B, C16Z
	03	D18Z, D20A, D20B	03		D18Z, D20A, D20B	03	D18Z, D20A, D20B				
	04	E08A, E08B, E08C	04		E08A, E08B, E08C	04	E08A, E08B, E08C				
	06	G15Z, G29A, G29B	06		G15Z, G29A, G29B	06	G15Z, G29A, G29B				
	07	H01A, H01B, H16Z	07		H01A, H01B, H16Z	07	H01A, H01B, H16Z				
	08	I54Z	08		I54Z	08	I54Z				
	09	J16Z, J18Z	09		J16Z, J18Z	09	J16Z, J18Z				
	10	K15A, K15B, K15C	10		K15A, K15B, K15C	10	K15A, K15B, K15C				
	11	L12Z	11		L12Z	11	L12Z				
	12	M10A, M10B, M60A	12		M10A, M10B, M60A	12	M10A, M10B, M60A				
	13	N16Z, N60A	13		N16Z, N60A	13	N16Z, N60A				
	17	R05Z, R06Z, R07A, R07B	17		R05Z, R06Z, R07A, R07B	17	R05Z, R06Z, R07A, R07B				
	8m171.1		BOP, KK11, KKI, KKII, KKP, KVT, UOP4		8m171.x		BOP, KK11, KKI, KKII, KKP, KVT, UOP4		8m172.20		BOP, KK11, KKI, KKII, KKP, KVT, UOP4
		01	B02A, B02B, B02C, B16Z, B39A, B39B			01	B02A, B02B, B02C, B16Z, B39A, B39B			01	B02A, B02B, B02C, B16Z, B39A, B39B
		02	C02A, C02B, C16Z			02	C02A, C02B, C16Z			02	C02A, C02B, C16Z
03		D18Z, D20A, D20B	03	D18Z, D20A, D20B		03	D18Z, D20A, D20B				
04		E08A, E08B, E08C	04	E08A, E08B, E08C		04	E08A, E08B, E08C				
06		G15Z, G29A, G29B	06	G15Z, G29A, G29B		06	G15Z, G29A, G29B				
07		H01A, H01B, H16Z	07	H01A, H01B, H16Z		07	H01A, H01B, H16Z				
08		I54Z	08	I54Z		08	I54Z				
09		J16Z, J18Z	09	J16Z, J18Z		09	J16Z, J18Z				
10		K15A, K15B, K15C	10	K15A, K15B, K15C		10	K15A, K15B, K15C				
11		L12Z	11	L12Z		11	L12Z				
12		M10A, M10B, M60A	12	M10A, M10B, M60A		12	M10A, M10B, M60A				
13		N16Z, N60A	13	N16Z, N60A		13	N16Z, N60A				
17		R05Z, R06Z, R07A, R07B	17	R05Z, R06Z, R07A, R07B		17	R05Z, R06Z, R07A, R07B				

ZZV	MDC	DRG	ZZV	MDC	DRG	ZZV	MDC	DRG			
8m172.21		BOP, KK11, KKI, KKII, KKP, KVT, UOP4	8m180.x		BOP, KK11, KKI, KKII, KVT, UOP4	8m183.1		BOP, KK11, KKI, KKII, KVT, UOP4			
	01	B02A, B02B, B02C, B16Z, B39A, B39B		01	B02A, B02B, B02C, B16Z, B39A, B39B		01	B02A, B02B, B02C, B16Z, B39A, B39B			
	02	C02A, C02B, C16Z		02	C02A, C02B, C16Z		02	C02A, C02B, C16Z			
	03	D18Z, D20A, D20B		03	D18Z, D20A, D20B		03	D18Z, D20A, D20B			
	04	E08A, E08B, E08C		04	E08A, E08B, E08C		04	E08A, E08B, E08C			
	06	G15Z, G29A, G29B		06	G15Z, G29A, G29B		06	G15Z, G29A, G29B			
	07	H01A, H01B, H16Z		07	H01A, H01B, H16Z		07	H01A, H01B, H16Z			
	08	I54Z		08	I54Z		08	I54Z			
	09	J16Z, J18Z		09	J16Z, J18Z		09	J16Z, J18Z			
	10	K15A, K15B, K15C		10	K15A, K15B, K15C		10	K15A, K15B, K15C			
	11	L12Z		11	L12Z		11	L12Z			
	12	M10A, M10B, M60A		12	M10A, M10B, M60A		12	M10A, M10B, M60A			
	13	N16Z, N60A		13	N16Z, N60A		13	N16Z, N60A			
	17	R05Z, R06Z, R07A, R07B		17	R05Z, R06Z, R07A, R07B		17	R05Z, R06Z, R07A, R07B			
	8m172.3			BOP, KK11, KKI, KKII, KKP, KVT, UOP4	8m181.0			BOP, KK11, KKI, KKII, KVT, UOP4	8m183.2		BOP, KK11, KKI, KKII, KVT, UOP4
		01		B02A, B02B, B02C, B16Z, B39A, B39B			01	B02A, B02B, B02C, B16Z, B39A, B39B		01	B02A, B02B, B02C, B16Z, B39A, B39B
		02		C02A, C02B, C16Z			02	C02A, C02B, C16Z		02	C02A, C02B, C16Z
03		D18Z, D20A, D20B	03	D18Z, D20A, D20B		03	D18Z, D20A, D20B				
04		E08A, E08B, E08C	04	E08A, E08B, E08C		04	E08A, E08B, E08C				
06		G15Z, G29A, G29B	06	G15Z, G29A, G29B		06	G15Z, G29A, G29B				
07		H01A, H01B, H16Z	07	H01A, H01B, H16Z		07	H01A, H01B, H16Z				
08		I54Z	08	I54Z		08	I54Z				
09		J16Z, J18Z	09	J16Z, J18Z		09	J16Z, J18Z				
10		K15A, K15B, K15C	10	K15A, K15B, K15C		10	K15A, K15B, K15C				
11		L12Z	11	L12Z		11	L12Z				
12		M10A, M10B, M60A	12	M10A, M10B, M60A		12	M10A, M10B, M60A				
13		N16Z, N60A	13	N16Z, N60A		13	N16Z, N60A				
17		R05Z, R06Z, R07A, R07B	17	R05Z, R06Z, R07A, R07B		17	R05Z, R06Z, R07A, R07B				
8m180.0			BOP, KK11, KKI, KKII, KVT, UOP4	8m181.1			BOP, KK11, KKI, KKII, KVT, UOP4	8m183.3			BOP, KK11, KKI, KKII, KVT, UOP4
		01	B02A, B02B, B02C, B16Z, B39A, B39B			01	B02A, B02B, B02C, B16Z, B39A, B39B			01	B02A, B02B, B02C, B16Z, B39A, B39B
		02	C02A, C02B, C16Z			02	C02A, C02B, C16Z			02	C02A, C02B, C16Z
	03	D18Z, D20A, D20B	03		D18Z, D20A, D20B	03	D18Z, D20A, D20B				
	04	E08A, E08B, E08C	04		E08A, E08B, E08C	04	E08A, E08B, E08C				
	06	G15Z, G29A, G29B	06		G15Z, G29A, G29B	06	G15Z, G29A, G29B				
	07	H01A, H01B, H16Z	07		H01A, H01B, H16Z	07	H01A, H01B, H16Z				
	08	I54Z	08		I54Z	08	I54Z				
	09	J16Z, J18Z	09		J16Z, J18Z	09	J16Z, J18Z				
	10	K15A, K15B, K15C	10		K15A, K15B, K15C	10	K15A, K15B, K15C				
	11	L12Z	11		L12Z	11	L12Z				
	12	M10A, M10B, M60A	12		M10A, M10B, M60A	12	M10A, M10B, M60A				
	13	N16Z, N60A	13		N16Z, N60A	13	N16Z, N60A				
	17	R05Z, R06Z, R07A, R07B	17		R05Z, R06Z, R07A, R07B	17	R05Z, R06Z, R07A, R07B				
	8m180.1		BOP, KK11, KKI, KKII, KVT, UOP4		8m181.x		BOP, KK11, KKI, KKII, KVT, UOP4		8m183.4		BOP, KK11, KKI, KKII, KVT, UOP4
		01	B02A, B02B, B02C, B16Z, B39A, B39B			01	B02A, B02B, B02C, B16Z, B39A, B39B			01	B02A, B02B, B02C, B16Z, B39A, B39B
		02	C02A, C02B, C16Z			02	C02A, C02B, C16Z			02	C02A, C02B, C16Z
03		D18Z, D20A, D20B	03	D18Z, D20A, D20B		03	D18Z, D20A, D20B				
04		E08A, E08B, E08C	04	E08A, E08B, E08C		04	E08A, E08B, E08C				
06		G15Z, G29A, G29B	06	G15Z, G29A, G29B		06	G15Z, G29A, G29B				
07		H01A, H01B, H16Z	07	H01A, H01B, H16Z		07	H01A, H01B, H16Z				
08		I54Z	08	I54Z		08	I54Z				
09		J16Z, J18Z	09	J16Z, J18Z		09	J16Z, J18Z				
10		K15A, K15B, K15C	10	K15A, K15B, K15C		10	K15A, K15B, K15C				
11		L12Z	11	L12Z		11	L12Z				
12		M10A, M10B, M60A	12	M10A, M10B, M60A		12	M10A, M10B, M60A				
13		N16Z, N60A	13	N16Z, N60A		13	N16Z, N60A				
17		R05Z, R06Z, R07A, R07B	17	R05Z, R06Z, R07A, R07B		17	R05Z, R06Z, R07A, R07B				

VYK

ZZV	MDC	DRG	ZZV	MDC	DRG	ZZV	MDC	DRG	
8m183.5		BOP, KK11, KKI, KKII, KVT, UOP4	8m301.x†		KK11, KKI, KKII, KKP	8m302.62†	17	R60C, R60D, R60E, R60F, R63D, R63E, R63H	
	01	B02A, B02B, B02C, B16Z, B39A, B39B		17	R60F, R63D, R63I		Pre	A42A	
	02	C02A, C02B, C16Z	8m302.11†	17	R60C, R60D, R60E, R60F, R63D, R63E, R63H	8m302.63†	17	R60C, R60D, R60E, R60F, R63D, R63E, R63H	
	03	D18Z, D20A, D20B		Pre	A42A		Pre	A42A	
	04	E08A, E08B, E08C	8m302.12†	17	R60C, R60D, R60E, R60F, R63D, R63E, R63H	8m302.64†	17	R60C, R60D, R60E, R60F, R63D, R63E, R63H	
	06	G15Z, G29A, G29B		17	R60C, R60D, R60E, R60F, R63D, R63E, R63H		Pre	A42A	
	07	H01A, H01B, H16Z	8m302.13†	Pre	A42A	8m302.71†	17	R60C, R60D, R60E, R60F, R63D, R63E, R63H	
	08	I54Z		17	R60C, R60D, R60E, R60F, R63D, R63E, R63H		Pre	A42A	
	09	J16Z, J18Z	8m302.14†	17	R60C, R60D, R60E, R60F, R63D, R63E, R63H	8m302.72†	17	R60C, R60D, R60E, R60F, R63D, R63E, R63H	
	10	K15A, K15B, K15C		Pre	A42A		Pre	A42A	
	11	L12Z	8m302.14†	17	R60C, R60D, R60E, R60F, R63D, R63E, R63H	8m302.73†	17	R60C, R60D, R60E, R60F, R63D, R63E, R63H	
	12	M10A, M10B, M60A		Pre	A42A		Pre	A42A	
	13	N16Z, N60A	8m302.21†	17	R60C, R60D, R60E, R60F, R63D, R63E, R63H	8m302.74†	17	R60C, R60D, R60E, R60F, R63D, R63E, R63H	
	17	R05Z, R06Z, R07A, R07B		Pre	A42A		Pre	A42A	
	8m183.7		BOP, KK11, KKI, KKII, KVT, UOP4	8m302.21†	17	R60C, R60D, R60E, R60F, R63D, R63E, R63H	8m302.81†	17	R60C, R60D, R60E, R60F, R63D, R63E, R63H
		01	B02A, B02B, B02C, B16Z, B39A, B39B		Pre	A42A		Pre	A42A
		02	C02A, C02B, C16Z	8m302.22†	17	R60C, R60D, R60E, R60F, R63D, R63E, R63H	8m302.82†	17	R60C, R60D, R60E, R60F, R63D, R63E, R63H
03		D18Z, D20A, D20B	Pre		A42A	Pre		A42A	
04		E08A, E08B, E08C	8m302.23†	17	R60C, R60D, R60E, R60F, R63D, R63E, R63H	8m302.83†	17	R60C, R60D, R60E, R60F, R63D, R63E, R63H	
06		G15Z, G29A, G29B		Pre	A42A		Pre	A42A	
07		H01A, H01B, H16Z	8m302.24†	17	R60C, R60D, R60E, R60F, R63D, R63E, R63H	8m302.84†	17	R60C, R60D, R60E, R60F, R63D, R63E, R63H	
08		I54Z		Pre	A42A		Pre	A42A	
09		J16Z, J18Z	8m302.31†	17	R60C, R60D, R60E, R60F, R63D, R63E, R63H	8m302.91†	17	R60C, R60D, R60E, R60F, R63D, R63E, R63H	
10		K15A, K15B, K15C		Pre	A42A		Pre	A42A	
11		L12Z	8m302.32†	17	R60C, R60D, R60E, R60F, R63D, R63E, R63H	8m302.92†	17	R60C, R60D, R60E, R60F, R63D, R63E, R63H	
12		M10A, M10B, M60A		Pre	A42A		Pre	A42A	
13		N16Z, N60A	8m302.33†	17	R60C, R60D, R60E, R60F, R63D, R63E, R63H	8m302.93†	17	R60C, R60D, R60E, R60F, R63D, R63E, R63H	
17		R05Z, R06Z, R07A, R07B		Pre	A42A		Pre	A42A	
8m183.x			BOP, KK11, KKI, KKII, KVT, UOP4	8m302.32†	17	R60C, R60D, R60E, R60F, R63D, R63E, R63H	8m302.94†	17	R60C, R60D, R60E, R60F, R63D, R63E, R63H
		01	B02A, B02B, B02C, B16Z, B39A, B39B		Pre	A42A		Pre	A42A
		02	C02A, C02B, C16Z	8m302.33†	17	R60C, R60D, R60E, R60F, R63D, R63E, R63H	8m303.11†	17	R60C, R60D, R60E, R60F, R63D, R63E, R63H
	03	D18Z, D20A, D20B	Pre		A42A	Pre		A42A	
	04	E08A, E08B, E08C	8m302.34†	17	R60C, R60D, R60E, R60F, R63D, R63E, R63H	8m303.12†	17	R60C, R60D, R60E, R60F, R63D, R63E, R63H	
	06	G15Z, G29A, G29B		Pre	A42A		Pre	A42A	
	07	H01A, H01B, H16Z	8m302.41†	17	R60C, R60D, R60E, R60F, R63D, R63E, R63H	8m303.13†	17	R60C, R60D, R60E, R60F, R63D, R63E, R63H	
	08	I54Z		Pre	A42A		Pre	A42A	
	09	J16Z, J18Z	8m302.42†	17	R60C, R60D, R60E, R60F, R63D, R63E, R63H	8m303.14†	17	R60C, R60D, R60E, R60F, R63D, R63E, R63H	
	10	K15A, K15B, K15C		Pre	A42A		Pre	A42A	
	11	L12Z	8m302.43†	17	R60C, R60D, R60E, R60F, R63D, R63E, R63H	8m303.15†	17	R60C, R60D, R60E, R60F, R63D, R63E, R63H	
	12	M10A, M10B, M60A		Pre	A42A		Pre	A42A	
	13	N16Z, N60A	8m302.44†	17	R60C, R60D, R60E, R60F, R63D, R63E, R63H	8m303.16†	17	R60C, R60D, R60E, R60F, R63D, R63E, R63H	
	17	R05Z, R06Z, R07A, R07B		Pre	A42A		Pre	A42A	
	8m301.0†		KK11, KKI, KKII, KKP	8m302.43†	17	R60C, R60D, R60E, R60F, R63D, R63E, R63H	8m303.12†	17	R60C, R60D, R60E, R60F, R63D, R63E, R63H
		17	R60F, R63D, R63I		Pre	A42A		Pre	A42A
	8m301.1†		KK11, KKI, KKII, KKP	8m302.44†	17	R60C, R60D, R60E, R60F, R63D, R63E, R63H	8m303.13†	17	R60C, R60D, R60E, R60F, R63D, R63E, R63H
17		R60F, R63D, R63I	Pre		A42A	Pre		A42A	
8m301.2†↔		KK11, KKI, KKII, KKP	8m302.51†	17	R60C, R60D, R60E, R60F, R63D, R63E, R63H	8m303.14†	17	R60C, R60D, R60E, R60F, R63D, R63E, R63H	
	17	R60F, R63D, R63I		Pre	A42A		Pre	A42A	
8m301.3†		KK11, KKI, KKII, KKP	8m302.52†	17	R60C, R60D, R60E, R60F, R63D, R63E, R63H	8m303.15†	17	R60C, R60D, R60E, R60F, R63D, R63E, R63H	
	17	R60F, R63D, R63I		Pre	A42A		Pre	A42A	
8m301.4†		KK11, KKI, KKII, KKP	8m302.53†	17	R60C, R60D, R60E, R60F, R63D, R63E, R63H	8m303.16†	17	R60C, R60D, R60E, R60F, R63D, R63E, R63H	
	17	R60F, R63D, R63I		Pre	A42A		Pre	A42A	
8m301.5†↔		KK11, KKI, KKII, KKP	8m302.54†	17	R60C, R60D, R60E, R60F, R63D, R63E, R63H	8m303.16†	17	R60C, R60D, R60E, R60F, R63D, R63E, R63H	
	17	R60F, R63D, R63I		Pre	A42A		Pre	A42A	
8m301.6†		KK11, KKI, KKII, KKP	8m302.61†	17	R60C, R60D, R60E, R60F, R63D, R63E, R63H	8m303.16†	17	R60C, R60D, R60E, R60F, R63D, R63E, R63H	
	17	R60F, R63D, R63I		Pre	A42A		Pre	A42A	

ZZV	MDC	DRG	ZZV	MDC	DRG	ZZV	MDC	DRG
8m303.92‡		KKP	8m400.1		BOP, KK11, KKI, KKII, KKP, KVT, UOP4	8m402.1		BOP, KK11, KKI, KKII, KKP, KVT, UOP4
	17	R60C, R60D, R60E, R60F, R63D, R63E, R63H		01	B02A, B02B, B02C, B16Z, B39A, B39B		01	B02A, B02B, B02C, B16Z, B39A, B39B
8m303.93‡	Pre	A42A		02	C02A, C02B, C16Z		02	C02A, C02B, C16Z
	17	R60C, R60D, R60E, R60F, R63D, R63E, R63H		03	D18Z, D20A, D20B		03	D18Z, D20A, D20B
	Pre	A42A		04	E03Z, E08A, E08B, E08C		04	E03Z, E08A, E08B, E08C
8m303.94‡		KKP		06	G15Z, G29A, G29B		06	G15Z, G29A, G29B
	17	R60C, R60D, R60E, R60F, R63D, R63E, R63H		07	H01A, H01B, H16Z		07	H01A, H01B, H16Z
	Pre	A42A		08	I54Z		08	I54Z
8m303.95‡		KKP		09	J16Z, J18Z		09	J16Z, J18Z
	17	R60C, R60D, R60E, R60F, R63D, R63E, R63H		10	K15A, K15B, K15C		10	K15A, K15B, K15C
	Pre	A42A		11	L12Z		11	L12Z
8m303.96‡		KKP	8m401.0		BOP, KK11, KKI, KKII, KKP, KVT, UOP4	8m403		BOP, KK11, KKI, KKII, KKP, KVT, UOP4
	17	R60C, R60D, R60E, R60F, R63D, R63E, R63H		01	B02A, B02B, B02C, B16Z, B39A, B39B		01	B02A, B02B, B02C, B16Z, B39A, B39B
	Pre	A42A		02	C02A, C02B, C16Z		02	C02A, C02B, C16Z
8m303.97‡		KKP		03	D18Z, D20A, D20B		03	D18Z, D20A, D20B
	17	R60C, R60D, R60E, R60F, R63D, R63E, R63H		04	E03Z, E08A, E08B, E08C		04	E03Z, E08A, E08B, E08C
	Pre	A42A		06	G15Z, G29A, G29B		06	G15Z, G29A, G29B
8m304.1‡		KKP		07	H01A, H01B, H16Z		07	H01A, H01B, H16Z
	08	I65A		08	I54Z		08	I54Z
	12	M60B		09	J16Z, J18Z		09	J16Z, J18Z
	17	R16Z, R60A, R60B, R60C, R60D, R60E, R61A, R63A, R63B, R63C, R63E, R63G		10	K15A, K15B, K15C		10	K15A, K15B, K15C, K15D
	Pre	A42A		11	L12Z		11	L12Z
8m304.2‡		KKP		12	M10A, M10B, M60A		12	M10A, M10B, M60A
	08	I65A	8m401.1		BOP, KK11, KKI, KKII, KKP, KVT, UOP4	8m411		BOP, KK11, KKI, KKII, KVT, UOP4
	12	M60B		01	B02A, B02B, B02C, B16Z, B39A, B39B		01	B02A, B02B, B02C, B16Z, B39A, B39B
	17	R16Z, R60A, R61A, R63A		02	C02A, C02B, C16Z		02	C02A, C02B, C16Z
	Pre	A42A		03	D18Z, D20A, D20B		03	D18Z, D20A, D20B
8m305.0‡		KK11, KKII, KKP		04	E03Z, E08A, E08B, E08C		04	E03Z
	17	R60F, R63D, R63I		06	G15Z, G29A, G29B		06	G15Z, G29A, G29B
	Pre	A42A		07	H01A, H01B, H16Z		07	H01A, H01B, H16Z
8m305.1‡		KK11, KKII, KKP		08	I54Z		08	I54Z
	17	R60F, R63D, R63I		09	J16Z, J18Z		09	J16Z, J18Z
	Pre	A42A		10	K15A, K15B, K15C		10	K15A, K15B, K15C
8m305.x‡		KK11, KKII, KKP		11	L12Z		11	L12Z
	17	R60F, R63D, R63I		12	M10A, M10B, M60A		12	M10A, M10B, M60A
	Pre	A42A		13	N16Z, N60A		13	N16Z, N60A
8m311.0‡		KK11, KKI, KKII, KKP		17	R14Z		17	R14Z
	17	R60F, R63D, R63I	8m402.0		BOP, KK11, KKI, KKII, KKP, KVT, UOP4	8m412		BOP, KK11, KKI, KKII, KKP, KVT, UOP4
	Pre	A42A		01	B02A, B02B, B02C, B16Z, B39A, B39B		01	B02A, B02B, B02C, B16Z, B39A, B39B
8m311.1‡		KK11, KKI, KKII, KKP		02	C02A, C02B, C16Z		02	C02A, C02B, C16Z
	17	R60F, R63D, R63I		03	D18Z, D20A, D20B		03	D18Z, D20A, D20B
	Pre	A42A		04	E03Z, E08A, E08B, E08C		04	E03Z, E08A, E08B, E08C
8m400.0		KKP		06	G15Z, G29A, G29B		06	G15Z, G29A, G29B
	01	B02A, B02B, B02C, B16Z, B39A, B39B		07	H01A, H01B, H16Z		07	H01A, H01B, H16Z
	02	C02A, C02B, C16Z		08	I54Z		08	I54Z
	03	D18Z, D20A, D20B		09	J16Z, J18Z		09	J16Z, J18Z
	04	E03Z, E08A, E08B, E08C		10	K15A, K15B, K15C		10	K15A, K15B, K15C
	06	G15Z, G29A, G29B		11	L12Z		11	L12Z
	07	H01A, H01B, H16Z		12	M10A, M10B, M60A		12	M10A, M10B, M60A
	08	I54Z		13	N16Z, N60A		13	N16Z, N60A
	09	J16Z, J18Z		17	R14Z		17	R14Z
	10	K15A, K15B, K15C, K15D						
	11	L12Z						
	12	M10A, M10B, M60A						
	13	N16Z, N60A						
	17	R14Z						

ZZV	MDC	DRG	ZZV	MDC	DRG	ZZV	MDC	DRG			
8m414.1		BOP, KK11, KKI, KKII, KKP, KVT, UOP4	8m416.02		BOP, KK11, KKI, KKII, KKP, KVT, UOP4	8m416.x		BOP, KK11, KKI, KKII, KKP, KVT, UOP4			
	01	B02A, B02B, B02C, B16Z, B39A, B39B		01	B02A, B02B, B02C, B16Z, B39A, B39B		01	B02A, B02B, B02C, B16Z, B39A, B39B			
	02	C02A, C02B, C16Z		02	C02A, C02B, C16Z		02	C02A, C02B, C16Z			
	03	D18Z, D20A, D20B		03	D18Z, D20A, D20B		03	D18Z, D20A, D20B			
	04	E03Z, E08A, E08B, E08C		04	E03Z, E08A, E08B, E08C		04	E03Z, E08A, E08B, E08C			
	06	G15Z, G29A, G29B		06	G15Z, G29A, G29B		06	G15Z, G29A, G29B			
	07	H01A, H01B, H16Z		07	H01A, H01B, H16Z		07	H01A, H01B, H16Z			
	08	I54Z		08	I54Z		08	I54Z			
	09	J16Z, J18Z		09	J16Z, J18Z		09	J16Z, J18Z			
	10	K15A, K15B, K15C		10	K15A, K15B, K15C		10	K15A, K15B, K15C			
	11	L12Z		11	L12Z		11	L12Z			
	12	M10A, M10B, M60A		12	M10A, M10B, M60A		12	M10A, M10B, M60A			
	13	N16Z, N60A		13	N16Z, N60A		13	N16Z, N60A			
	17	R14Z		17	R14Z		17	R14Z			
	8m414.2			BOP, KK11, KKI, KKII, KKP, KVT, UOP4	8m416.1			BOP, KK11, KKI, KKII, KKP, KVT, UOP4	8m417		BOP, KK11, KKI, KKII, KKP, KVT, UOP4
		01		B02A, B02B, B02C, B16Z, B39A, B39B			01	B02A, B02B, B02C, B16Z, B39A, B39B		01	B02A, B02B, B02C, B16Z, B39A, B39B
		02		C02A, C02B, C16Z			02	C02A, C02B, C16Z		02	C02A, C02B, C16Z
03		D18Z, D20A, D20B	03	D18Z, D20A, D20B		03	D18Z, D20A, D20B				
04		E03Z, E08A, E08B, E08C	04	E03Z, E08A, E08B, E08C		04	E03Z, E08A, E08B, E08C				
06		G15Z, G29A, G29B	06	G15Z, G29A, G29B		06	G15Z, G29A, G29B				
07		H01A, H01B, H16Z	07	H01A, H01B, H16Z		07	H01A, H01B, H16Z				
08		I54Z	08	I54Z		08	I54Z				
09		J16Z, J18Z	09	J16Z, J18Z		09	J16Z, J18Z				
10		K15A, K15B, K15C	10	K15A, K15B, K15C		10	K15A, K15B, K15C				
11		L12Z	11	L12Z		11	L12Z				
12		M10A, M10B, M60A	12	M10A, M10B, M60A		12	M10A, M10B, M60A				
13		N16Z, N60A	13	N16Z, N60A		13	N16Z, N60A				
17		R14Z	17	R14Z		17	R14Z				
8m415			BOP, KK11, KKI, KKII, KKP, KVT, UOP4	8m416.2			BOP, KK11, KKI, KKII, KKP, KVT, UOP4	8m418.0			BOP, KK11, KKI, KKII, KKP, KVT, UOP4
		01	B02A, B02B, B02C, B16Z, B39A, B39B			01	B02A, B02B, B02C, B16Z, B39A, B39B			01	B02A, B02B, B02C, B16Z, B39A, B39B
		02	C02A, C02B, C16Z			02	C02A, C02B, C16Z			02	C02A, C02B, C16Z
	03	D18Z, D20A, D20B	03		D18Z, D20A, D20B	03	D18Z, D20A, D20B				
	04	E03Z, E08A, E08B, E08C	04		E03Z, E08A, E08B, E08C	04	E03Z, E08A, E08B, E08C				
	06	G15Z, G29A, G29B	06		G15Z, G29A, G29B	06	G15Z, G29A, G29B				
	07	H01A, H01B, H16Z	07		H01A, H01B, H16Z	07	H01A, H01B, H16Z				
	08	I54Z	08		I54Z	08	I54Z				
	09	J16Z, J18Z	09		J16Z, J18Z	09	J16Z, J18Z				
	10	K15A, K15B, K15C	10		K15A, K15B, K15C	10	K15A, K15B, K15C				
	11	L12Z	11		L12Z	11	L12Z				
	12	M10A, M10B, M60A	12		M10A, M10B, M60A	12	M10A, M10B, M60A				
	13	N16Z, N60A	13		N16Z, N60A	13	N16Z, N60A				
	17	R14Z	17		R14Z	17	R14Z				
	8m416.01		BOP, KK11, KKI, KKII, KKP, KVT, UOP4		8m416.3		BOP, KK11, KKI, KKII, KKP, KVT, UOP4		8m418.1		BOP, KK11, KKI, KKII, KKP, KVT, UOP4
		01	B02A, B02B, B02C, B16Z, B39A, B39B			01	B02A, B02B, B02C, B16Z, B39A, B39B			01	B02A, B02B, B02C, B16Z, B39A, B39B
		02	C02A, C02B, C16Z			02	C02A, C02B, C16Z			02	C02A, C02B, C16Z
03		D18Z, D20A, D20B	03	D18Z, D20A, D20B		03	D18Z, D20A, D20B				
04		E03Z, E08A, E08B, E08C	04	E03Z, E08A, E08B, E08C		04	E03Z, E08A, E08B, E08C				
06		G15Z, G29A, G29B	06	G15Z, G29A, G29B		06	G15Z, G29A, G29B				
07		H01A, H01B, H16Z	07	H01A, H01B, H16Z		07	H01A, H01B, H16Z				
08		I54Z	08	I54Z		08	I54Z				
09		J16Z, J18Z	09	J16Z, J18Z		09	J16Z, J18Z				
10		K15A, K15B, K15C	10	K15A, K15B, K15C		10	K15A, K15B, K15C				
11		L12Z	11	L12Z		11	L12Z				
12		M10A, M10B, M60A	12	M10A, M10B, M60A		12	M10A, M10B, M60A				
13		N16Z, N60A	13	N16Z, N60A		13	N16Z, N60A				
17		R14Z	17	R14Z		17	R14Z				

ZZV	MDC	DRG	ZZV	MDC	DRG	ZZV	MDC	DRG		
8m418.2		BOP, KK11, KKI, KKII, KKP, KVT, UOP4	8m41a		BOP, KK11, KKI, KKII, KKP, KVT, UOP4	8n124.2‡		VRH		
	01	B02A, B02B, B02C, B16Z, B39A, B39B		01	B02A, B02B, B02C, B16Z, B39A, B39B		01	B42A, B42B, B48Z		
	02	C02A, C02B, C16Z		02	C02A, C02B, C16Z	08	I96Z			
	03	D18Z, D20A, D20B		03	D18Z, D20A, D20B	8n124.3‡		VRH		
	04	E03Z, E08A, E08B, E08C		04	E03Z, E08A, E08B, E08C	01	B42A, B42B, B48Z			
	06	G15Z, G29A, G29B		06	G15Z, G29A, G29B	08	I96Z			
	07	H01A, H01B, H16Z		07	H01A, H01B, H16Z	8n124.4‡		VRH		
	08	I54Z		08	I54Z	01	B42A, B42B, B48Z			
	09	J16Z, J18Z		09	J16Z, J18Z	08	I96Z			
	10	K15A, K15B, K15C		10	K15A, K15B, K15C	8n125.1‡		VRH		
	11	L12Z		11	L12Z	01	B42A, B42B, B48Z			
	12	M10A, M10B, M60A		12	M10A, M10B, M60A	08	I96Z			
	13	N16Z, N60A		13	N16Z, N60A	8n125.2‡		VRH		
	17	R14Z		17	R14Z	01	B42A, B42B, B48Z			
	8m418.30			BOP, KK11, KKI, KKII, KKP, KVT, UOP4	8n100.2‡		GVRH	8n125.3‡		VRH
					8n100.3‡		GVRH	01	B42A, B42B, B48Z	
		01		B02A, B02B, B02C, B16Z, B39A, B39B	8n110.2‡		VRH	08	I96Z	
02		C02A, C02B, C16Z			8n125.4‡		VRH			
03		D18Z, D20A, D20B	8n110.3‡		01	B11Z, B42A, B42B				
04		E03Z, E08A, E08B, E08C			08	VRH				
06		G15Z, G29A, G29B			8n126.1‡		VRH			
07		H01A, H01B, H16Z	8n110.4‡		01	B11Z, B42A, B42B				
08		I54Z			08	I96Z				
09		J16Z, J18Z			8n126.2‡		VRH			
10		K15A, K15B, K15C	8n110.5‡		01	B11Z, B43Z				
11		L12Z			08	I96Z				
12		M10A, M10B, M60A			8n126.3‡		VRH			
13		N16Z, N60A	8n110.6‡		01	B11Z, B43Z				
17		R14Z			08	I96Z				
8m418.31			BOP, KK11, KKI, KKII, KKP, KVT, UOP4	8n121.1‡		VRH	8n126.4‡		VRH	
						01	B42A, B42B, B48Z			
	01	B02A, B02B, B02C, B16Z, B39A, B39B	8n121.2‡		08	I96Z				
	02	C02A, C02B, C16Z			8n202.1‡	15	P65C, P66C, P67B, P67C			
	03	D18Z, D20A, D20B	8n121.3‡		8n202.2‡	15	P65C, P66C, P67B, P67C			
	04	E03Z, E08A, E08B, E08C			8n202.3‡	15	P65C, P66C, P67B, P67C			
	06	G15Z, G29A, G29B	8n121.4‡		8n202.4‡	15	P65C, P66C, P67B, P67C			
	07	H01A, H01B, H16Z			8n202.5‡	15	P65C, P66C, P67B, P67C			
	08	I54Z	8n122.1‡		8n202.6‡	15	P65C, P66C, P67B, P67C			
	09	J16Z, J18Z			8n202.7‡	15	P65C, P66C, P67B, P67C			
	10	K15A, K15B, K15C	8n122.2‡		8n219.1‡	15	P65C, P66C, P67B, P67C			
	11	L12Z			8n219.2‡	15	P65C, P66C, P67B, P67C			
	12	M10A, M10B, M60A			8n21d‡		KVT			
	13	N16Z, N60A	8n122.3‡		8p100.1‡	15	P65A, P65B, P66A, P66B, P67A, P67B			
	17	R14Z			8p100.2‡	15	P65A, P65B, P66A, P66B, P67A, P67B			
	8m419		BOP, KK11, KKI, KKII, KKP, KVT, UOP4	8n122.4‡		VRH	8p100.3‡	15	P65A, P65B, P66A, P66B, P67A, P67B	
						01	B42A, B42B, B48Z			
01		B02A, B02B, B02C, B16Z, B39A, B39B			08	I96Z				
02		C02A, C02B, C16Z	8n123.1‡		8p100.4‡	15	P65A, P65B, P66A, P66B, P67A, P67B			
03		D18Z, D20A, D20B			8p100.5‡	15	P65A, P65B, P66A, P66B, P67A, P67B			
04		E03Z, E08A, E08B, E08C			8p101‡	15	P65A, P65B, P66A, P66B, P67A, P67B			
06		G15Z, G29A, G29B			8p102.1‡	15	P65A, P65B, P66A, P66B, P67A, P67B			
07		H01A, H01B, H16Z	8n123.2‡		8p102.2‡	15	P65A, P65B, P66A, P66B, P67A, P67B			
08		I54Z			8p102.a‡	15	P65A, P65B, P66A, P66B, P67A, P67B			
09		J16Z, J18Z			8p102.b‡	15	P65A, P65B, P66A, P66B, P67A, P67B			
10		K15A, K15B, K15C	8n123.3‡		8p102.c‡	15	P65A, P65B, P66A, P66B, P67A, P67B			
11		L12Z			8p102.d‡	15	P65A, P65B, P66A, P66B, P67A, P67B			
12		M10A, M10B, M60A			8p107‡	15	P65A, P65B, P66A, P66B, P67A, P67B			
13		N16Z, N60A	8n123.4‡							
17		R14Z								
			8n124.1‡							

ZZV	MDC	DRG	ZZV	MDC	DRG	ZZV	MDC	DRG
8p133‡	15	P65A, P65B, P66A, P66B, P67A, P67B	8r124.0n‡	11	DIAL, KK11, KKI, KKII, KKP L02B, L09A, L09B, L38Z	8r144.1j‡	11	DIAL, KK11, KKI, KKII, KKP L02B, L09A, L09B, L38Z
8p141‡	03	D15A, D15B, D18Z	8r124.1a‡	11	DIAL, KK11, KKI, KKII, KKP	8r144.1k‡	11	DIAL, KK11, KKI, KKII, KKP
	04	E02A, E02B, E02C	8r124.1b‡	11	DIAL, KK11, KKI, KKII, KKP	8r144.1m‡	11	DIAL, KK11, KKI, KKII, KKP
	21A	W01A, W01B, W01C, W36Z	8r124.1c‡	11	DIAL, KK11, KKI, KKII, KKP	8r144.1n‡	11	DIAL, KK11, KKI, KKII, KKP
8q111‡	05	F62A	8r124.1d‡	11	DIAL, KK11, KKI, KKII, KKP	8r145.0a‡	11	DIAL, KK11, KKI, KKII, KKP
8q121‡	05	F62A	8r124.1e‡	11	DIAL, KK11, KKI, KKII, KKP	8r145.0b‡	11	DIAL, KK11, KKI, KKII, KKP
8q123‡	05	F62A	8r124.1f‡	11	DIAL, KK11, KKI, KKII, KKP	8r145.0c‡	11	DIAL, KK11, KKI, KKII, KKP
8q124‡	05	F62A	8r124.1g‡	11	DIAL, KK11, KKI, KKII, KKP	8r145.0d‡	11	DIAL, KK11, KKI, KKII, KKP
8q902‡	15	P05A, P05B, P05C, P66A, P66B, P66C, P66D, P67A	8r124.1h‡	11	DIAL, KK11, KKI, KKII, KKP	8r145.0e‡	11	DIAL, KK11, KKI, KKII, KKP
8r110‡		DIAL, KKI, KKP	8r124.1i‡	11	DIAL, KK11, KKI, KKII, KKP	8r145.0f‡	11	DIAL, KK11, KKI, KKII, KKP
8r113.0‡		DIAL, KK11, KKI, KKII, KKP	8r124.1j‡	11	DIAL, KK11, KKI, KKII, KKP	8r145.0g‡	11	DIAL, KK11, KKI, KKII, KKP
8r113.2‡	11	L02B, L09A, L09B, L38Z	8r124.1k‡	11	DIAL, KK11, KKI, KKII, KKP	8r145.0h‡	11	DIAL, KK11, KKI, KKII, KKP
8r113.3‡	11	L02B, L09A, L09B, L38Z	8r124.1m‡	11	DIAL, KK11, KKI, KKII, KKP	8r145.0j‡	11	DIAL, KK11, KKI, KKII, KKP
8r113.4‡	11	L02B, L09A, L09B, L38Z	8r124.1n‡	11	DIAL, KK11, KKI, KKII, KKP	8r145.0k‡	11	DIAL, KK11, KKI, KKII, KKP
8r113.5‡	11	L02B, L09A, L09B, L38Z	8r141.1‡	11	L02B, L09A, L09B, L38Z	8r145.0m‡	11	DIAL, KK11, KKI, KKII, KKP
8r113.7‡	11	L02B, L09A, L09B, L38Z	8r141.2‡	11	L02B, L09A, L09B, L38Z	8r145.0n‡	11	DIAL, KK11, KKI, KKII, KKP
8r113.8‡	11	L02B, L09A, L09B, L38Z	8r142.1‡	11	L02B, L09A, L09B, L38Z	8r145.0o‡	11	DIAL, KK11, KKI, KKII, KKP
8r113.9‡	11	L02B, L09A, L09B, L38Z	8r142.2‡	11	L02B, L09A, L09B, L38Z	8r145.0p‡	11	DIAL, KK11, KKI, KKII, KKP
8r113.a‡	11	L02B, L09A, L09B, L38Z	8r143.1‡	11	DIAL, KKI, KKP	8r151.1‡	11	L02B, L09A, L09B, L38Z
8r113.b‡	11	L02B, L09A, L09B, L38Z	8r143.2‡	11	DIAL, KKI, KKP	8r151.2‡	11	L02B, L09A, L09B, L38Z
8r113.c‡	11	L02B, L09A, L09B, L38Z	8r144.0a‡	11	DIAL, KK11, KKI, KKII, KKP	8r152.1‡	11	L02B, L09A, L09B, L38Z
8r114.0‡	11	DIAL, KK11, KKI, KKII, KKP	8r144.0b‡	11	DIAL, KK11, KKI, KKII, KKP	8r152.2‡	11	L02B, L09A, L09B, L38Z
8r114.2‡	11	L02B, L09A, L09B, L38Z	8r144.0c‡	11	DIAL, KK11, KKI, KKII, KKP	8r154.0a‡	11	DIAL, KK11, KKI, KKII, KKP
8r114.3‡	11	L02B, L09A, L09B, L38Z	8r144.0d‡	11	DIAL, KK11, KKI, KKII, KKP	8r154.0b‡	11	DIAL, KK11, KKI, KKII, KKP
8r114.4‡	11	L02B, L09A, L09B, L38Z	8r144.0e‡	11	DIAL, KK11, KKI, KKII, KKP	8r154.0c‡	11	DIAL, KK11, KKI, KKII, KKP
8r114.5‡	11	L02B, L09A, L09B, L38Z	8r144.0f‡	11	DIAL, KK11, KKI, KKII, KKP	8r154.0d‡	11	DIAL, KK11, KKI, KKII, KKP
8r114.7‡	11	L02B, L09A, L09B, L38Z	8r144.0g‡	11	DIAL, KK11, KKI, KKII, KKP	8r154.0e‡	11	DIAL, KK11, KKI, KKII, KKP
8r114.8‡	11	L02B, L09A, L09B, L38Z	8r144.0h‡	11	DIAL, KK11, KKI, KKII, KKP	8r154.0f‡	11	DIAL, KK11, KKI, KKII, KKP
8r114.9‡	11	L02B, L09A, L09B, L38Z	8r144.0i‡	11	DIAL, KK11, KKI, KKII, KKP	8r154.0g‡	11	DIAL, KK11, KKI, KKII, KKP
8r114.a‡	11	L02B, L09A, L09B, L38Z	8r144.0j‡	11	DIAL, KK11, KKI, KKII, KKP	8r154.0h‡	11	DIAL, KK11, KKI, KKII, KKP
8r114.b‡	11	L02B, L09A, L09B, L38Z	8r144.0k‡	11	DIAL, KK11, KKI, KKII, KKP	8r154.0i‡	11	DIAL, KK11, KKI, KKII, KKP
8r114.c‡	11	L02B, L09A, L09B, L38Z	8r144.0m‡	11	DIAL, KK11, KKI, KKII, KKP	8r154.0j‡	11	DIAL, KK11, KKI, KKII, KKP
8r121.1‡		DIAL, KKI, KKP	8r144.0n‡	11	DIAL, KK11, KKI, KKII, KKP	8r154.0k‡	11	DIAL, KK11, KKI, KKII, KKP
8r121.2‡	11	L02B, L09A, L09B, L38Z	8r144.0o‡	11	DIAL, KK11, KKI, KKII, KKP	8r154.0m‡	11	DIAL, KK11, KKI, KKII, KKP
8r122.1‡	11	L02B, L09A, L09B, L38Z	8r144.0p‡	11	DIAL, KK11, KKI, KKII, KKP	8r154.0n‡	11	DIAL, KK11, KKI, KKII, KKP
8r122.2‡	11	L02B, L09A, L09B, L38Z	8r144.1a‡	11	DIAL, KK11, KKI, KKII, KKP	8r154.0o‡	11	DIAL, KK11, KKI, KKII, KKP
8r123.1‡	11	DIAL, KKI, KKP	8r144.1b‡	11	DIAL, KK11, KKI, KKII, KKP	8r154.0p‡	11	DIAL, KK11, KKI, KKII, KKP
	11	L02B, L09A, L09B, L38Z	8r144.1c‡	11	DIAL, KK11, KKI, KKII, KKP	8r154.1a‡	11	DIAL, KK11, KKI, KKII, KKP
8r123.2‡	11	DIAL, KKI, KKP	8r144.1d‡	11	DIAL, KK11, KKI, KKII, KKP	8r154.1b‡	11	DIAL, KK11, KKI, KKII, KKP
	11	L02B, L09A, L09B, L38Z	8r144.1e‡	11	DIAL, KK11, KKI, KKII, KKP	8r154.1c‡	11	DIAL, KK11, KKI, KKII, KKP
8r123.3‡	11	DIAL, KKI, KKP	8r144.1f‡	11	DIAL, KK11, KKI, KKII, KKP	8r154.1d‡	11	DIAL, KK11, KKI, KKII, KKP
	11	L02B, L09A, L09B, L38Z	8r144.1g‡	11	DIAL, KK11, KKI, KKII, KKP	8r154.1e‡	11	DIAL, KK11, KKI, KKII, KKP
8r124.0a‡	11	DIAL, KK11, KKI, KKII, KKP	8r144.1h‡	11	DIAL, KK11, KKI, KKII, KKP	8r154.1f‡	11	DIAL, KK11, KKI, KKII, KKP
8r124.0b‡	11	DIAL, KK11, KKI, KKII, KKP				8r154.1g‡	11	DIAL, KK11, KKI, KKII, KKP
8r124.0c‡	11	DIAL, KK11, KKI, KKII, KKP						
	11	L02B, L09A, L09B, L38Z						
8r124.0d‡	11	DIAL, KK11, KKI, KKII, KKP						
	11	L02B, L09A, L09B, L38Z						
8r124.0e‡	11	DIAL, KK11, KKI, KKII, KKP						
	11	L02B, L09A, L09B, L38Z						
8r124.0f‡	11	DIAL, KK11, KKI, KKII, KKP						
	11	L02B, L09A, L09B, L38Z						
8r124.0g‡	11	DIAL, KK11, KKI, KKII, KKP						
	11	L02B, L09A, L09B, L38Z						
8r124.0h‡	11	DIAL, KK11, KKI, KKII, KKP						
	11	L02B, L09A, L09B, L38Z						
8r124.0j‡	11	DIAL, KK11, KKI, KKII, KKP						
	11	L02B, L09A, L09B, L38Z						
8r124.0k‡	11	DIAL, KK11, KKI, KKII, KKP						
	11	L02B, L09A, L09B, L38Z						
8r124.0m‡	11	DIAL, KK11, KKI, KKII, KKP						
	11	L02B, L09A, L09B, L38Z						

ZZV	MDC	DRG	ZZV	MDC	DRG	ZZV	MDC	DRG
8r154.1h‡		DIAL, KK11, KKI, KKII, KKP	8r176.1b‡		KK11, KKI, KKII, KKP	8r20c.4‡	15	P65C, P66C, P67B, P67C
	11	L02B, L09A, L09B, L38Z	8r176.1c‡		KK11, KKI, KKII, KKP	8r20c.5‡	15	P65C, P66C, P67B, P67C
8r154.1j‡		DIAL, KK11, KKI, KKII, KKP	8r176.1d‡		KK11, KKI, KKII, KKP	8r20c.6‡	15	P65C, P66C, P67B, P67C
	11	L02B, L09A, L09B, L38Z	8r176.1e‡		KK11, KKI, KKII, KKP	8r20c.7‡	15	P65C, P66C, P67B, P67C
8r154.1k‡		DIAL, KK11, KKI, KKII, KKP	8r176.21‡		KK11, KKI, KKII, KKP	8r20c.8‡	15	P65C, P66C, P67B, P67C
	11	L02B, L09A, L09B, L38Z	8r176.22‡		KK11, KKI, KKII, KKP	8r20c.9‡	15	P65C, P66C, P67B, P67C
8r154.1m‡		DIAL, KK11, KKI, KKII, KKP	8r176.23‡		KK11, KKI, KKII, KKP	8r20c.a‡	15	P65C, P66C, P67B, P67C
	11	L02B, L09A, L09B, L38Z	8r176.24‡		KK11, KKI, KKII, KKP	8r20c.b‡	15	P65C, P66C, P67B, P67C
8r154.1n‡		DIAL, KK11, KKI, KKII, KKP	8r176.25‡		KK11, KKI, KKII, KKP	8r20c.c‡	15	P65C, P66C, P67B, P67C
	11	L02B, L09A, L09B, L38Z	8r176.26‡		KK11, KKI, KKII, KKP	8r20c.d‡	15	P65C, P66C, P67B, P67C
8r155.0a‡		DIAL, KK11, KKI, KKII, KKP	8r176.27‡		KK11, KKI, KKII, KKP	8r20c.e‡	15	P65C, P66C, P67B, P67C
8r155.0b‡		DIAL, KK11, KKI, KKII, KKP	8r176.28‡		KK11, KKI, KKII, KKP	8r222.0	05	F96Z
8r155.0c‡		DIAL, KK11, KKI, KKII, KKP	8r176.29‡		KK11, KKI, KKII, KKP	8r222.1	05	F96Z
	11	L02B, L09A, L09B, L38Z	8r176.2a‡		KK11, KKI, KKII, KKP	8r222.2		BOP, KVT, UOP4
8r155.0d‡		DIAL, KK11, KKI, KKII, KKP	8r176.2b‡		KK11, KKI, KKII, KKP		11	L06A, L06B
	11	L02B, L09A, L09B, L38Z	8r176.2c‡		KK11, KKI, KKII, KKP		12	M06Z, M09A, M09B, M38Z
8r155.0e‡		DIAL, KK11, KKI, KKII, KKP	8r176.2d‡		KK11, KKI, KKII, KKP		13	N13A, N13B
	11	L02B, L09A, L09B, L38Z	8r176.2e‡		KK11, KKI, KKII, KKP	8r222.6‡	08	I64A
8r155.0f‡		DIAL, KK11, KKI, KKII, KKP	8r176.31‡		KK11, KKI, KKII, KKP	8r22a.0	Pre	A09A, A11A, A13A, A15A, A15B, A15C, A15D, A18Z
	11	L02B, L09A, L09B, L38Z	8r176.32‡		KK11, KKI, KKII, KKP	8r22a.1	Pre	A09A, A11A, A13A, A15A, A15C, A15D, A18Z
8r155.0g‡		DIAL, KK11, KKI, KKII, KKP	8r176.33‡		KK11, KKI, KKII, KKP	8r22a.2	Pre	A09A, A11A, A13A, A15A, A15B, A15C, A15D, A18Z
	11	L02B, L09A, L09B, L38Z	8r176.34‡		KK11, KKI, KKII, KKP	8r22a.3	Pre	A09A, A11A, A13A, A15A, A15C, A15D, A18Z
8r155.0h‡		DIAL, KK11, KKI, KKII, KKP	8r176.35‡		KK11, KKI, KKII, KKP	8r22b.00	Pre	A04A, A04B, A04D, A09A, A18Z
	11	L02B, L09A, L09B, L38Z	8r176.36‡		KK11, KKI, KKII, KKP	8r22b.02	Pre	A04A, A04B, A04D, A09A, A18Z
8r155.0j‡		DIAL, KK11, KKI, KKII, KKP	8r176.37‡		KK11, KKI, KKII, KKP	8r22b.03	Pre	A04A, A04B, A04D, A09A, A18Z
	11	L02B, L09A, L09B, L38Z	8r176.38‡		KK11, KKI, KKII, KKP	8r22b.10	Pre	A04A, A04B, A04C, A04D, A09A, A18Z
8r155.0k‡		DIAL, KK11, KKI, KKII, KKP	8r176.39‡		KK11, KKI, KKII, KKP	8r22b.11	Pre	A04A, A04B, A04D, A09A, A18Z
	11	L02B, L09A, L09B, L38Z	8r176.3a‡		KK11, KKI, KKII, KKP	8r22c.00	Pre	A04A, A04B, A04D, A09A, A18Z
8r155.0m‡		DIAL, KK11, KKI, KKII, KKP	8r176.3b‡		KK11, KKI, KKII, KKP	8r22c.01	Pre	A04A, A04B, A04D, A09A, A18Z
	11	L02B, L09A, L09B, L38Z	8r176.3c‡		KK11, KKI, KKII, KKP	8r22c.10	Pre	A04A, A04B, A04C, A04D, A09A, A18Z
8r155.0n‡		DIAL, KK11, KKI, KKII, KKP	8r176.3d‡		KK11, KKI, KKII, KKP	8r22c.11	Pre	A04A, A04B, A04D, A09A, A18Z
	11	L02B, L09A, L09B, L38Z	8r176.3e‡		KK11, KKI, KKII, KKP	8r22e.00	Pre	A04A, A04B, A04D, A09A, A18Z
8r170‡		KK11, KKI, KKII, KKP	8r209.3‡	15	P65C, P66C, P67B, P67C	8r22e.02	Pre	A04A, A04B, A04D, A09A, A18Z
	10	K60A	8r209.4‡	15	P65C, P66C, P67B, P67C	8r22e.03	Pre	A04A, A04B, A04D, A09A, A18Z
8r171.1‡		KK11, KKI, KKII, KKP	8r209.5‡	15	P65C, P66C, P67B, P67C	8r22e.10	Pre	A04A, A04B, A04C, A04D, A09A, A18Z
8r171.20‡		KK11, KKI, KKII, KKP	8r209.6‡	15	P65C, P66C, P67B, P67C	8r22f.00	Pre	A04A, A04B, A04D, A09A, A18Z
8r171.21‡		KK11, KKI, KKII, KKP	8r209.7‡	15	P65C, P66C, P67B, P67C	8r22f.01	Pre	A04A, A04B, A04D, A09A, A18Z
8r171.2x‡		KK11, KKI, KKII, KKP	8r209.8‡	15	P65C, P66C, P67B, P67C	8r22f.10	Pre	A04A, A04B, A04C, A04D, A09A, A18Z
8r173‡		KK11, KKI, KKII, KKP	8r209.9‡	15	P65C, P66C, P67B, P67C	8r22f.11	Pre	A04A, A04B, A04D, A09A, A18Z
8r175.0‡		KK11, KKI, KKII, KKP	8r209.a‡	15	P65C, P66C, P67B, P67C	8r24c.2‡		KK11, KKI, KKII, KKP
	Pre	A17A	8r209.b‡	15	P65C, P66C, P67B, P67C	8r250.60‡		KK11, KKI, KKII, KKP
8r175.11‡		KK11, KKI, KKII, KKP	8r209.c‡	15	P65C, P66C, P67B, P67C		15	P65C, P66C, P67B, P67C
	Pre	A17A	8r209.d‡	15	P65C, P66C, P67B, P67C	8r250.61‡		KK11, KKI, KKII, KKP
8r175.12‡		KK11, KKI, KKII, KKP	8r209.e‡	15	P65C, P66C, P67B, P67C		15	P65C, P66C, P67B, P67C
	Pre	A17A	8r209.f‡	15	P65C, P66C, P67B, P67C	8r250.62‡		KK11, KKI, KKII, KKP
8r176.01‡		KK11, KKI, KKII, KKP	8r209.g‡	15	P65C, P66C, P67B, P67C		15	P65C, P66C, P67B, P67C
8r176.02‡		KK11, KKI, KKII, KKP	8r209.h‡	15	P65C, P66C, P67B, P67C			
8r176.03‡		KK11, KKI, KKII, KKP	8r20a.1‡	15	P65C, P66C, P67B, P67C			
8r176.04‡		KK11, KKI, KKII, KKP	8r20a.2‡	15	P65C, P66C, P67B, P67C			
8r176.05‡		KK11, KKI, KKII, KKP	8r20a.3‡	15	P65C, P66C, P67B, P67C			
8r176.06‡		KK11, KKI, KKII, KKP	8r20a.4‡	15	P65C, P66C, P67B, P67C			
8r176.07‡		KK11, KKI, KKII, KKP	8r20a.5‡	15	P65C, P66C, P67B, P67C			
8r176.08‡		KK11, KKI, KKII, KKP	8r20a.6‡	15	P65C, P66C, P67B, P67C			
8r176.09‡		KK11, KKI, KKII, KKP	8r20a.7‡	15	P65C, P66C, P67B, P67C			
8r176.0a‡		KK11, KKI, KKII, KKP	8r20a.8‡	15	P65C, P66C, P67B, P67C			
8r176.0b‡		KK11, KKI, KKII, KKP	8r20a.9‡	15	P65C, P66C, P67B, P67C			
8r176.0c‡		KK11, KKI, KKII, KKP	8r20a.a‡	15	P65C, P66C, P67B, P67C			
8r176.0d‡		KK11, KKI, KKII, KKP	8r20a.b‡	15	P65C, P66C, P67B, P67C			
8r176.0e‡		KK11, KKI, KKII, KKP	8r20a.c‡	15	P65C, P66C, P67B, P67C			
8r176.11‡		KK11, KKI, KKII, KKP	8r20b.1‡	15	P65C, P66C, P67B, P67C			
8r176.12‡		KK11, KKI, KKII, KKP	8r20b.2‡	15	P65C, P66C, P67B, P67C			
8r176.13‡		KK11, KKI, KKII, KKP	8r20b.3‡	15	P65C, P66C, P67B, P67C			
8r176.14‡		KK11, KKI, KKII, KKP	8r20b.4‡	15	P65C, P66C, P67B, P67C			
8r176.15‡		KK11, KKI, KKII, KKP	8r20b.5‡	15	P65C, P66C, P67B, P67C			
8r176.16‡		KK11, KKI, KKII, KKP	8r20b.6‡	15	P65C, P66C, P67B, P67C			
8r176.17‡		KK11, KKI, KKII, KKP	8r20b.7‡	15	P65C, P66C, P67B, P67C			
8r176.18‡		KK11, KKI, KKII, KKP	8r20c.1‡	15	P65C, P66C, P67B, P67C			
8r176.19‡		KK11, KKI, KKII, KKP	8r20c.2‡	15	P65C, P66C, P67B, P67C			
8r176.1a‡		KK11, KKI, KKII, KKP	8r20c.3‡	15	P65C, P66C, P67B, P67C			

ZZV	MDC	DRG	ZZV	MDC	DRG	ZZV	MDC	DRG
8r250.70‡		KK11, KKI, KKII, KKP	8r251.91‡		KK11, KKI, KKII, KKP	8r303.00		BOP, KOP, UOP4
8r250.71‡	15	P65C, P66C, P67B, P67C	8r251.92‡	15	P65C, P66C, P67B, P67C	01		B02A, B02B, B02C, B02D, B20A, B20B, B20C, B20D, B20E, B20F, B39A, B39B
8r250.72‡	15	P65C, P66C, P67B, P67C	8r251.a0‡	15	P65C, P66C, P67B, P67C	05		F01A, F01B, F01D, F14A, F14B, F15Z, F24A, F24B, F28A, F36A, F36B, F54Z, F59A, F59B
8r250.80‡	15	P65C, P66C, P67B, P67C	8r251.a1‡	15	P65C, P66C, P67B, P67C	21B		X33Z
8r250.81‡	15	P65C, P66C, P67B, P67C	8r251.a2‡	15	P65C, P66C, P67B, P67C	23		Z01A
8r250.82‡	15	P65C, P66C, P67B, P67C	8r251.b0‡	15	P65C, P66C, P67B, P67C	8r303.01↔		BOP, KOP, UOP4
8r250.90‡	15	P65C, P66C, P67B, P67C	8r251.b1‡	15	P65C, P66C, P67B, P67C	01		B02A, B02B, B02C, B02D, B20A, B20B, B20C, B20D, B20E, B20F, B39A, B39B
8r250.91‡	15	P65C, P66C, P67B, P67C	8r251.b2‡	15	P65C, P66C, P67B, P67C	05		F01A, F01B, F01D, F14A, F14B, F15Z, F24A, F24B, F28A, F36A, F36B, F54Z, F59A, F59B
8r250.92‡	15	P65C, P66C, P67B, P67C	8r251.c0‡	15	P65C, P66C, P67B, P67C	21B		X33Z
8r250.a0‡	15	P65C, P66C, P67B, P67C	8r251.c1‡	15	P65C, P66C, P67B, P67C	23		Z01A
8r250.a1‡	15	P65C, P66C, P67B, P67C	8r251.c2‡	15	P65C, P66C, P67B, P67C	8r303.02↔	05	F01A, F01B, F01D, F15Z, F24A, F24B, F28A, F36A, F36B, F54Z, F59A, F59B
8r250.a2‡	15	P65C, P66C, P67B, P67C	8r251.d0‡	15	P65C, P66C, P67B, P67C	10		K09A, K09B
8r250.b0‡	15	P65C, P66C, P67B, P67C	8r251.d1‡	15	P65C, P66C, P67B, P67C	8r303.03↔	05	F01A, F01B, F01D, F15Z, F24A, F24B, F28A, F36A, F36B, F54Z, F59A, F59B
8r250.b1‡	15	P65C, P66C, P67B, P67C	8r251.d2‡	15	P65C, P66C, P67B, P67C	10		K09A, K09B
8r250.c0‡	15	P65C, P66C, P67B, P67C	8r251.e0‡	15	P65C, P66C, P67B, P67C	11		L09A, L09B, L09C, L09D, L38Z
8r250.c1‡	15	P65C, P66C, P67B, P67C	8r251.e1‡	15	P65C, P66C, P67B, P67C	8r303.04	05	F01A, F01B, F01D, F15Z, F19A, F19B, F19C, F24A, F24B, F36A, F36B
8r250.d0‡	15	P65C, P66C, P67B, P67C	8r251.e2‡	15	P65C, P66C, P67B, P67C	8r303.05	05	F01A, F01B, F01D, F15Z, F19A, F19B, F19C, F24A, F24B, F36A, F36B
8r250.d1‡	15	P65C, P66C, P67B, P67C	8r251.f0‡	15	P65C, P66C, P67B, P67C	8r303.06	05	F01A, F01B, F01D, F15Z, F19A, F19B, F19C, F24A, F24B, F36A, F36B
8r250.e0‡	15	P65C, P66C, P67B, P67C	8r251.f1‡	15	P65C, P66C, P67B, P67C	8r303.07	05	F01A, F01B, F01D, F14A, F14B, F15Z, F24A, F24B, F28A, F36A, F36B, F54Z, F59A, F59B
8r250.e1‡	15	P65C, P66C, P67B, P67C	8r251.f2‡	15	P65C, P66C, P67B, P67C	8r303.08↔	05	F01A, F01B, F01D, F15Z, F24A, F24B, F28A, F36A, F36B, F54Z, F59A, F59B
8r250.f0‡	15	P65C, P66C, P67B, P67C	8r251.g0‡	15	P65C, P66C, P67B, P67C	8r303.09↔	05	F01A, F01B, F01D, F15Z, F24A, F24B, F28A, F36A, F36B, F54Z, F59A, F59B
8r250.f1‡	15	P65C, P66C, P67B, P67C	8r251.g1‡	15	P65C, P66C, P67B, P67C	8r303.0a	05	F01A, F01B, F01D, F14A, F14B, F15Z, F24A, F24B, F28A, F36A, F36B, F54Z, F59A, F59B
8r250.g0‡	15	P65C, P66C, P67B, P67C	8r251.g2‡	15	P65C, P66C, P67B, P67C	06		G10Z, G12A, G12B
8r250.g1‡	15	P65C, P66C, P67B, P67C	8r263.7‡		KK11, KKI, KKII, KKP	11		L09A, L09B, L09C, L09D, L38Z
8r251.60‡	15	P65C, P66C, P67B, P67C	8r280.1‡	15	P65C, P66C, P67B, P67C	8r303.0b↔	05	F01A, F01B, F01D, F15Z, F24A, F24B, F28A, F36A, F36B, F54Z, F59A, F59B
8r251.61‡	15	P65C, P66C, P67B, P67C	8r280.2‡	15	P65C, P66C, P67B, P67C	10		K09A, K09B
8r251.62‡	15	P65C, P66C, P67B, P67C	8r280.3‡	15	P65C, P66C, P67B, P67C	8r303.0c↔	05	F01A, F01B, F01D, F15Z, F24A, F24B, F28A, F36A, F36B, F54Z, F59A, F59B
8r251.70‡	15	P65C, P66C, P67B, P67C	8r280.4‡	15	P65C, P66C, P67B, P67C	10		K09A, K09B
8r251.71‡	15	P65C, P66C, P67B, P67C	8r280.5‡	15	P65C, P66C, P67B, P67C	8r303.0d	05	F01A, F01B, F01D, F14A, F14B, F15Z, F24A, F24B, F28A, F36A, F36B, F54Z, F59A, F59B
8r251.72‡	15	P65C, P66C, P67B, P67C	8r280.6‡	15	P65C, P66C, P67B, P67C	10		K09A, K09B
8r251.77‡	15	P65C, P66C, P67B, P67C	8r280.7‡	15	P65C, P66C, P67B, P67C	05		F01A, F01B, F01D, F15Z, F24A, F24B, F28A, F36A, F36B, F54Z, F59A, F59B
8r251.80‡	15	P65C, P66C, P67B, P67C	8r280.8‡	15	P65C, P66C, P67B, P67C	10		K09A, K09B
8r251.81‡	15	P65C, P66C, P67B, P67C	8r280.9‡	15	P65C, P66C, P67B, P67C	05		F01A, F01B, F01D, F14A, F14B, F15Z, F24A, F24B, F28A, F36A, F36B, F54Z, F59A, F59B
8r251.82‡	15	P65C, P66C, P67B, P67C	8r280.a‡	15	P65C, P66C, P67B, P67C	10		K09A, K09B
8r251.90‡	15	P65C, P66C, P67B, P67C	8r280.b‡	15	P65C, P66C, P67B, P67C			
			8r280.c‡	15	P65C, P66C, P67B, P67C			
				15	P65C, P66C, P67B, P67C			

ZZV	MDC	DRG	ZZV	MDC	DRG	ZZV	MDC	DRG
8r303.0e	05	F01A, F01B, F01D, F14A, F14B, F15Z, F24A, F24B, F28A, F36A, F36B, F54Z, F59A, F59B	8r303.77	05	F01A, F01B, F01D, F14A, F14B, F15Z, F24A, F24B, F28A, F36A, F36B, F54Z, F59A, F59B	8r303.7e	05	F01A, F01B, F01D, F14A, F14B, F15Z, F24A, F24B, F28A, F36A, F36B, F54Z, F59A, F59B
	10	K09A, K09B		09	J11A, J11B, J11C		09	J11A, J11B, J11C
8r303.0f	05	F01A, F01B, F01D, F14A, F14B, F15Z, F24A, F24B, F28A, F36A, F36B, F54Z, F59A, F59B	8r303.78↔	05	F01A, F01B, F01D, F14A, F14B, F15Z, F24A, F24B, F28A, F36A, F36B, F54Z, F59A, F59B	8r303.7f	01	B03A, B03B, B06A, B06B, B07Z, B17A, B17B, B17C
				09	J11A, J11B, J11C		05	F01A, F01B, F01D, F14A, F14B, F15Z, F24A, F24B, F28A, F36A, F36B, F54Z, F59A, F59B
8r303.0g	05	F01A, F01B, F01D, F14A, F14B, F15Z, F24A, F24B, F28A, F36A, F36B, F54Z, F59A, F59B		09	J11A, J11B, J11C		09	J11A, J11B, J11C
				10	K09A, K09B		10	K09A, K09B
	06	G10Z, G12A, G12B		21A	W04A, W04B		21A	W04A, W04B
	11	L09A, L09B, L09C, L09D, L38Z	8r303.79↔	21B	X06A, X06B, X06C		21B	X06A, X06B, X06C
				05	F01A, F01B, F01D, F14A, F14B, F15Z, F24A, F24B, F28A, F36A, F36B, F54Z, F59A, F59B	8r303.7g	05	F01A, F01B, F01D, F14A, F14B, F15Z, F24A, F24B, F28A, F36A, F36B, F54Z, F59A, F59B
8r303.0x↔	05	F01A, F01B, F01D, F15Z, F24A, F24B, F28A, F36A, F36B, F54Z, F59A, F59B		06	G10Z, G12A, G12B		06	G10Z, G12A, G12B
				07	H06A, H06B		07	H06A, H06B
8r303.70		BOP, KOP, UOP4		09	J11A, J11B, J11C		09	J11A, J11B, J11C
	01	B02A, B02B, B02C, B02D, B20A, B20B, B20C, B20D, B20E, B20F, B39A, B39B		11	L09A, L09B, L09C, L09D, L38Z		11	L09A, L09B, L09C, L09D, L38Z
	05	F01A, F01B, F01D, F14A, F14B, F15Z, F24A, F24B, F28A, F36A, F36B, F54Z, F59A, F59B		12	M06Z, M09A, M09B, M38Z		12	M06Z, M09A, M09B, M38Z
				13	N04Z		13	N04Z
	09	J11A, J11B, J11C	8r303.7a	21A	W04A, W04B	8r303.7h	21A	W04A, W04B
	21A	W01A, W01B, W01C, W36Z		21B	X06A, X06B, X06C		21B	X06A, X06B, X06C
	21B	X06A, X06B, X06C, X33Z		05	F01A, F01B, F01D, F14A, F14B, F15Z, F24A, F24B, F28A, F36A, F36B, F54Z, F59A, F59B		05	F01A, F01B, F01D, F14A, F14B, F15Z, F24A, F24B, F28A, F36A, F36B, F54Z, F59A, F59B
8r303.71↔		BOP, UOP4		06	G10Z, G12A, G12B		09	J11A, J11B, J11C
	01	B04A, B04B, B04C, B04D		07	H06A, H06B		10	K09A, K09B
	03	D12A		09	J11A, J11B, J11C		21A	W04A, W04B
	05	F01A, F01B, F01D, F14A, F14B, F15Z, F24A, F24B, F28A, F36A, F36B, F54Z, F59A, F59B		11	L09A, L09B, L09C, L09D, L38Z	8r303.7x↔	21B	X04Z
							05	F01A, F01B, F01D, F14A, F14B, F15Z, F24A, F24B, F28A, F36A, F36B, F54Z, F59A, F59B
	09	J11A, J11B, J11C	8r303.7b↔	21A	W04A, W04B		09	J11A, J11B, J11C
	21A	W04A, W04B		21B	X06A, X06B, X06C		10	K09A, K09B
8r303.72↔	21B	X06A, X06B, X06C		05	F01A, F01B, F01D, F14A, F14B, F15Z, F24A, F24B, F28A, F36A, F36B, F54Z, F59A, F59B		21A	W04A, W04B
	05	F01A, F01B, F01D, F14A, F14B, F15Z, F24A, F24B, F28A, F36A, F36B, F54Z, F59A, F59B		09	J11A, J11B, J11C		21B	X04Z
				10	K09A, K09B	8r303.81		BOP, KOP, UOP4
	09	J11A, J11B, J11C		21A	W04A, W04B		01	B02A, B02B, B02C, B02D, B20A, B20B, B20C, B20D, B20E, B39A, B39B
	10	K09A, K09B		21B	X04Z		05	F01A, F01B, F01D, F14A, F14B, F15Z, F24A, F24B, F28A, F36A, F36B, F54Z, F59A, F59B
	21A	W04A, W04B	8r303.7c↔	05	F01A, F01B, F01D, F14A, F14B, F15Z, F24A, F24B, F28A, F36A, F36B, F54Z, F59A, F59B		10	K09A, K09B
	21B	X06A, X06B, X06C		09	J11A, J11B, J11C		21B	X33Z
8r303.73↔	05	F01A, F01B, F01D, F14A, F14B, F15Z, F24A, F24B, F28A, F36A, F36B, F54Z, F59A, F59B		10	K09A, K09B	8r304.01	01	B12Z
				21A	W04A, W04B		05	F01A, F01B, F01D, F12A, F12B, F15Z, F24A, F24B, F36A, F36B, F52A, F52B, F56A, F56B, F58A, F58B
	09	J11A, J11B, J11C		21B	X04Z		Pre	A13F
	10	K09A, K09B	8r303.7d	01	B03A, B03B, B06A, B06B, B07Z, B17A, B17B, B17C	8r304.02	01	B12Z
	21A	W04A, W04B		03	D12A		05	F01A, F01B, F01D, F12A, F12B, F15Z, F24A, F24B, F36A, F36B, F52A, F52B, F56A, F56B, F58A, F58B
	21B	X06A, X06B, X06C		05	F01A, F01B, F01D, F14A, F14B, F15Z, F24A, F24B, F28A, F36A, F36B, F54Z, F59A, F59B		Pre	A13F
8r303.74	05	F01A, F01B, F01D, F15Z, F19A, F19B, F19C, F24A, F24B, F36A, F36B		06	G10Z, G12A, G12B		01	B12Z
				09	J11A, J11B, J11C		05	F01A, F01B, F01D, F12A, F12B, F15Z, F24A, F24B, F36A, F36B, F52A, F52B, F56A, F56B, F58A, F58B
8r303.75	05	F01A, F01B, F01D, F15Z, F19A, F19B, F19C, F24A, F24B, F36A, F36B		10	K09A, K09B		Pre	A13F
				11	L09A, L09B, L09C, L09D, L38Z	8r304.10	01	B12Z
	09	J11A, J11B, J11C		21A	W04A, W04B		05	F01A, F01B, F01D, F05Z, F06C, F06D, F06E, F12A, F12B, F15Z, F19A, F19B, F19C, F24A, F24B, F36A, F36B, F56A, F56B
8r303.76	05	F01A, F01B, F01D, F15Z, F19A, F19B, F19C, F24A, F24B, F36A, F36B		21B	X04Z, X05A, X05B, X06A, X06B, X06C		Pre	A13F
	09	J11A, J11B, J11C						

ZZV	MDC	DRG	ZZV	MDC	DRG	ZZV	MDC	DRG
8r304.11	01	B12Z	8r304.42	01	B12Z	8r304.60	04	E02A, E02B, E02C
	05	F01A, F01B, F01D, F05Z, F06C, F06D, F06E, F12A, F12B, F15Z, F19A, F19B, F19C, F24A, F24B, F36A, F36B, F56A, F56B		05	F01A, F01B, F01D, F12A, F12B, F15Z, F24A, F24B, F36A, F36B, F52A, F52B, F56A, F56B, F58A, F58B		05	F01A, F01B, F01D, F19A, F19B, F19C
8r304.12	Pre	A13F	8r304.43	Pre	A13F	8r304.61	Pre	A13F
	01	B12Z		01	B12Z		04	E02A, E02B, E02C
8r304.13	05	F01A, F01B, F01D, F12A, F12B, F19A, F19B, F19C	8r304.44	05	F01A, F01B, F01D, F12A, F12B, F15Z, F24A, F24B, F36A, F36B, F52A, F52B, F56A, F56B, F58A, F58B	8r304.63	05	F01A, F01B, F01D, F19A, F19B, F19C
	Pre	A13F		Pre	A13F		Pre	A13F
8r304.1x	01	B12Z	8r304.45	01	B12Z	8r304.64	05	F01A, F01B, F01D, F14A, F14B, F15Z, F19A, F19B, F19C, F24A, F24B, F36A, F36B, F54Z
	05	F01A, F01B, F01D, F12A, F12B, F19A, F19B, F19C		05	F01A, F01B, F01D, F12A, F12B, F15Z, F24A, F24B, F36A, F36B, F52A, F52B, F56A, F56B, F58A, F58B		09	J03A, J03B, J04A, J04B, J08A, J08B, J08C, J11A, J11B, J16Z
8r304.31	Pre	A13F	8r304.46	Pre	A13F	8r304.70	10	K09A, K09B
	01	B12Z		01	B12Z		21A	W04A, W04B
8r304.32	05	F01A, F01B, F01D, F12A, F12B, F15Z, F24A, F24B, F36A, F36B, F52A, F52B, F56A, F56B, F58A, F58B	8r304.47	05	F01A, F01B, F01D, F12A, F12B, F15Z, F24A, F24B, F36A, F36B, F52A, F52B, F56A, F56B, F58A, F58B	8r304.71	21B	X06A, X06B, X06C
	Pre	A13F		Pre	A13F		04	E02A, E02B, E02C
8r304.33	01	B12Z	8r304.50	01	B12Z	8r304.72	05	F01A, F01B, F01D, F19A, F19B, F19C
	05	F01A, F01B, F01D, F12A, F12B, F15Z, F24A, F24B, F36A, F36B, F52A, F52B, F56A, F56B, F58A, F58B		05	F01A, F01B, F01D, F19A, F19B, F19C		10	K09A, K09B
8r304.34	Pre	A13F	8r304.51	Pre	A13F	8r304.73	Pre	A13F
	01	B12Z		04	E02A, E02B, E02C		04	E02A, E02B, E02C
8r304.35	05	F01A, F01B, F01D, F12A, F12B, F15Z, F24A, F24B, F36A, F36B, F52A, F52B, F56A, F56B, F58A, F58B	8r304.52	05	F01A, F01B, F01D, F19A, F19B, F19C	8r304.74	05	F01A, F01B, F01D, F19A, F19B, F19C
	Pre	A13F		10	K09A, K09B		10	K09A, K09B
8r304.36	01	B12Z	8r304.53	Pre	A13F	8r304.73	Pre	A13F
	05	F01A, F01B, F01D, F12A, F12B, F15Z, F24A, F24B, F36A, F36B, F52A, F52B, F56A, F56B, F58A, F58B		04	E02A, E02B, E02C		05	F01A, F01B, F01D, F14A, F14B, F15Z, F19A, F19B, F19C, F24A, F24B, F36A, F36B, F54Z
8r304.37	Pre	A13F	8r304.54	05	F01A, F01B, F01D, F14A, F14B, F15Z, F19A, F19B, F19C, F24A, F24B, F36A, F36B, F54Z	8r304.74	09	J03A, J03B, J04A, J04B, J08A, J08B, J08C, J11A, J11B, J16Z
	01	B12Z		09	J03A, J03B, J04A, J04B, J08A, J08B, J08C, J11A, J11B, J16Z		10	K09A, K09B
8r304.41	05	F01A, F01B, F01D, F12A, F12B, F15Z, F24A, F24B, F36A, F36B, F52A, F52B, F56A, F56B, F58A, F58B	8r304.54	21A	W04A, W04B	8r304.74	21A	W04A, W04B
	Pre	A13F		21B	X06A, X06B, X06C		21B	X06A, X06B, X06C
				05	F01A, F01B, F01D, F14A, F14B, F15Z, F24A, F24B, F28A, F36A, F36B, F54Z, F59A, F59B	09	J03A, J03B, J04A, J04B, J08A, J08B, J08C, J11A, J11B, J16Z	
				09	J03A, J03B, J04A, J04B, J08A, J08B, J08C, J11A, J11B, J16Z	10	K09A, K09B	
				10	K09A, K09B	21A	W04A, W04B	
				21A	W04A, W04B	21B	X06A, X06B, X06C	
				21B	X06A, X06B, X06C			

ZZV	MDC	DRG	ZZV	MDC	DRG	ZZV	MDC	DRG	
8r304.75	05	F01A, F01B, F01D, F14A, F14B, F15Z, F19A, F19B, F19C, F24A, F24B, F36A, F36B, F54Z	8r304.e1	01	B12Z	8r305.32	04	E02A, E02B, E02C	
	09	J03A, J03B, J04A, J04B, J08A, J08B, J08C, J11A, J11B, J16Z		05	F01A, F01B, F01D, F12A, F12B, F15Z, F24A, F24B, F36A, F36B, F52A, F52B, F56A, F56B, F58A, F58B		05	F01A, F01B, F01D, F19A, F19B, F19C	
		10	K09A, K09B	Pre	A13F		10	K09A, K09B	
		21A	W04A, W04B	8r304.e2	01		B12Z	Pre	A13F
		21B	X06A, X06B, X06C		05		F01A, F01B, F01D, F12A, F12B, F15Z, F24A, F24B, F36A, F36B, F52A, F52B, F56A, F56B, F58A, F58B	04	E02A, E02B, E02C
8r304.80	04	E02A, E02B, E02C	8r305.12	04	E02A, E02B, E02C	8r305.34	05	F01A, F01B, F01D, F19A, F19B, F19C	
	05	F01A, F01B, F01D, F19A, F19B, F19C		05	F01A, F01B, F01D, F19A, F19B, F19C		10	K09A, K09B	
	10	K09A, K09B		Pre	A13F		Pre	A13F	
8r304.81	Pre	A13F	8r305.13	04	E02A, E02B, E02C	8r305.35	04	E02A, E02B, E02C	
	04	E02A, E02B, E02C		05	F01A, F01B, F01D, F19A, F19B, F19C		05	F01A, F01B, F01D, F19A, F19B, F19C	
	05	F01A, F01B, F01D, F19A, F19B, F19C		10	K09A, K09B		10	K09A, K09B	
8r304.83	10	K09A, K09B	8r305.1x↔	Pre	A13F	8r305.40	Pre	A13F	
	Pre	A13F		04	E02A, E02B, E02C		04	E02A, E02B, E02C	
	05	F01A, F01B, F01D, F14A, F14B, F15Z, F19A, F19B, F19C, F24A, F24B, F36A, F36B, F54Z		05	F01A, F01B, F01D, F19A, F19B, F19C		05	F01A, F01B, F01D, F19A, F19B, F19C	
	09	J03A, J03B, J04A, J04B, J08A, J08B, J08C, J11A, J11B, J16Z		10	K09A, K09B		10	K09A, K09B	
	10	K09A, K09B		Pre	A13F		Pre	A13F	
8r304.84	21A	W04A, W04B	8r305.21↔	04	E02A, E02B, E02C	8r305.41↔	04	E02A, E02B, E02C	
	21B	X06A, X06B, X06C		05	F01A, F01B, F01D, F19A, F19B, F19C		05	F01A, F01B, F01D, F19A, F19B, F19C	
	05	F01A, F01B, F01D, F14A, F14B, F15Z, F24A, F24B, F28A, F36A, F36B, F54Z, F59A, F59B		10	K09A, K09B		10	K09A, K09B	
	09	J03A, J03B, J04A, J04B, J08A, J08B, J08C, J11A, J11B, J16Z		Pre	A13F		Pre	A13F	
	10	K09A, K09B		04	E02A, E02B, E02C		04	E02A, E02B, E02C	
8r304.85	21A	W04A, W04B	8r305.23	05	F01A, F01B, F01D, F19A, F19B, F19C	8r305.42	05	F01A, F01B, F01D, F19A, F19B, F19C	
	21B	X06A, X06B, X06C		10	K09A, K09B		10	K09A, K09B	
	05	F01A, F01B, F01D, F14A, F14B, F15Z, F19A, F19B, F19C, F24A, F24B, F36A, F36B, F54Z		Pre	A13F		Pre	A13F	
	09	J03A, J03B, J04A, J04B, J08A, J08B, J08C, J11A, J11B, J16Z		04	E02A, E02B, E02C		05	F01A, F01B, F01D, F19A, F19B, F19C	
	10	K09A, K09B		05	F01A, F01B, F01D, F19A, F19B, F19C		10	K09A, K09B	
8r304.a	21A	W04A, W04B	8r305.24	10	K09A, K09B	8r305.44	04	E02A, E02B, E02C	
	21B	X06A, X06B, X06C		Pre	A13F		05	F01A, F01B, F01D, F19A, F19B, F19C	
	04	E02A, E02B, E02C		04	E02A, E02B, E02C		10	K09A, K09B	
	05	F01A, F01B, F01D, F19A, F19B, F19C		05	F01A, F01B, F01D, F19A, F19B, F19C		Pre	A13F	
	10	K09A, K09B		10	K09A, K09B		04	E02A, E02B, E02C	
8r304.d1	Pre	A13F	8r305.25	Pre	A13F	8r305.45	05	F01A, F01B, F01D, F19A, F19B, F19C	
	01	B12Z		04	E02A, E02B, E02C		04	E02A, E02B, E02C	
	05	F01A, F01B, F01D, F12A, F12B, F15Z, F24A, F24B, F36A, F36B, F52A, F52B, F56A, F56B, F58A, F58B		05	F01A, F01B, F01D, F19A, F19B, F19C		05	F01A, F01B, F01D, F19A, F19B, F19C	
8r304.d2	Pre	A13F	8r305.30	10	K09A, K09B	8r305.46	10	K09A, K09B	
	01	B12Z		Pre	A13F		04	E02A, E02B, E02C	
	05	F01A, F01B, F01D, F12A, F12B, F15Z, F24A, F24B, F36A, F36B, F52A, F52B, F56A, F56B, F58A, F58B		04	E02A, E02B, E02C		05	F01A, F01B, F01D, F19A, F19B, F19C	
8r304.d2	Pre	A13F	8r305.31↔	05	F01A, F01B, F01D, F19A, F19B, F19C	8r305.4x↔	04	E02A, E02B, E02C	
	01	B12Z		10	K09A, K09B		05	F01A, F01B, F01D, F19A, F19B, F19C	
	05	F01A, F01B, F01D, F12A, F12B, F15Z, F24A, F24B, F36A, F36B, F52A, F52B, F56A, F56B, F58A, F58B		Pre	A13F		10	K09A, K09B	
	Pre	A13F		04	E02A, E02B, E02C		Pre	A13F	
	05	F01A, F01B, F01D, F12A, F12B, F15Z, F24A, F24B, F36A, F36B, F52A, F52B, F56A, F56B, F58A, F58B		04	E02A, E02B, E02C		04	E02A, E02B, E02C	
8r304.d2	Pre	A13F	8r305.31↔	05	F01A, F01B, F01D, F19A, F19B, F19C	8r306.01	05	F01A, F01B, F01D, F19A, F19B, F19C	
	01	B12Z		10	K09A, K09B		01	B02A, B02B, B02C, B20A, B20B, B20C, B20D, B20E, B39A, B39B	
	05	F01A, F01B, F01D, F12A, F12B, F15Z, F24A, F24B, F36A, F36B, F52A, F52B, F56A, F56B, F58A, F58B		Pre	A13F		05	F01A, F01B, F01D, F05Z, F07A, F07B, F08A, F08B, F08C, F08D, F08E, F28A, F42Z	
	Pre	A13F		04	E02A, E02B, E02C		06	G33Z	
	01	B12Z		05	F01A, F01B, F01D, F19A, F19B, F19C		07	H33Z, H38Z	
	05	F01A, F01B, F01D, F12A, F12B, F15Z, F24A, F24B, F36A, F36B, F52A, F52B, F56A, F56B, F58A, F58B		10	K09A, K09B		11	L33Z	
	Pre	A13F		Pre	A13F		21B	X33Z	
	01	B12Z		04	E02A, E02B, E02C		23	Z01A	
	05	F01A, F01B, F01D, F12A, F12B, F15Z, F24A, F24B, F36A, F36B, F52A, F52B, F56A, F56B, F58A, F58B		05	F01A, F01B, F01D, F19A, F19B, F19C		Pre	A07A	
	Pre	A13F		10	K09A, K09B				
	Pre	A13F		Pre	A13F				

ZZV	MDC	DRG	ZZV	MDC	DRG	ZZV	MDC	DRG		
8r306.02		BOP, KOP, KOPV, KVT, UOP4	8r306.06		BOP, KOP, KOPV, KVT, UOP4	8r313.0		BOP, UOP4		
	01	B02A, B02B, B02C, B20A, B20B, B20C, B20D, B20E, B39A, B39B		01	B02A, B02B, B02C, B20A, B20B, B20C, B20D, B20E, B39A, B39B		01	B04A, B04B, B04C, B04D		
	05	F01A, F01B, F01D, F05Z, F07A, F07B, F08A, F08B, F08C, F08D, F08E, F28A, F42Z		05	F01A, F01B, F01D, F05Z, F07A, F07B, F08A, F08B, F08C, F08D, F08E, F28A, F42Z		05	F01A, F01B, F01D, F14A, F14B, F15Z, F24A, F24B, F28A, F36A, F36B, F54Z, F59A, F59B		
	06	G33Z		06	G33Z		23	Z01A		
	07	H33Z, H38Z		07	H33Z, H38Z		8r313.1	BOP, UOP4		
	11	L33Z		11	L33Z			01	B04A, B04B, B04C, B04D	
	21B	X33Z		21B	X33Z		05	F01A, F01B, F01D, F14A, F14B, F15Z, F24A, F24B, F28A, F36A, F36B, F54Z, F59A, F59B		
	23	Z01A		23	Z01A		23	Z01A		
	Pre	A07A		Pre	A07A		8r315	01	B12Z	
	8r306.03			BOP, KOP, KOPV, KVT, UOP4	8r306.0x				BOP, KOP, KOPV, KVT, UOP4	05
		01		B02A, B02B, B02C, B20A, B20B, B20C, B20D, B20E, B39A, B39B			01	B02A, B02B, B02C, B20A, B20B, B20C, B20D, B20E, B39A, B39B	Pre	A13F
05		F01A, F01B, F01D, F05Z, F07A, F07B, F08A, F08B, F08C, F08D, F08E, F28A, F42Z	05	F01A, F01B, F01D, F05Z, F07A, F07B, F08A, F08B, F08C, F08D, F08E, F28A, F42Z		8r316	01	B12Z		
06		G33Z	06	G33Z			05	F01A, F01B, F01D, F12A, F12B, F15Z, F24A, F24B, F36A, F36B, F52A, F52B, F56A, F56B, F58A, F58B		
07		H33Z, H38Z	07	H33Z, H38Z		Pre	A13F			
11		L33Z	11	L33Z		8r317	05	F01A, F01B, F01D, F14A, F14B, F15Z, F24A, F24B, F28A, F36A, F36B, F54Z, F59A, F59B		
21B		X33Z	21B	X33Z			06	G10Z, G12A, G12B		
23		Z01A	23	Z01A		11	L09A, L09B, L09C, L09D, L38Z			
Pre		A07A	Pre	A07A		8r318	05	F01A, F01B, F01D, F14A, F14B, F15Z, F24A, F24B, F28A, F36A, F36B, F54Z, F59A, F59B		
8r306.04			BOP, KOP, KOPV, KVT, UOP4	8r307.0				KKP	8r319	05
		01	B02A, B02B, B02C, B20A, B20B, B20C, B20D, B20E, B39A, B39B			05	F01A, F01B, F01D, F05Z, F07A, F07B, F09A, F09B, F09C, F42Z	05		F01A, F01B, F01D, F14A, F14B, F15Z, F24A, F24B, F28A, F36A, F36B, F54Z, F59A, F59B
	05	F01A, F01B, F01D, F05Z, F07A, F07B, F08A, F08B, F08C, F08D, F08E, F28A, F42Z	23		Z01A	06	G10Z, G12A, G12B			
	06	G33Z	8r307.10		05	F01A, F01B, F01D, F05Z, F07A, F07B, F09A, F09B, F09C, F42Z	11	L09A, L09B, L09C, L09D, L38Z		
	07	H33Z, H38Z			23	Z01A	8r319	05		F01A, F01B, F01D, F15Z, F24A, F24B, F28A, F36A, F36B, F54Z, F59A, F59B
	11	L33Z	8r307.11		05	F01A, F01B, F01D, F05Z, F07A, F07B, F09A, F09B, F09C, F42Z		8r31a		05
	21B	X33Z			23	Z01A	8r31b			05
	23	Z01A	8r308.1		05	F01A, F01B, F01D, F14A, F14B, F28A, F54Z, F59A, F59B		8r410		05
	Pre	A07A			06	G15Z, G19A, G19B, G38Z	06			G10Z, G12A, G12B
	8r306.05		BOP, KOP, KOPV, KVT, UOP4		8r310		KOP	09		J03A, J03B, J04A, J04B, J08A, J08B, J08C, J11A, J11B, J16Z
		01	B02A, B02B, B02C, B20A, B20B, B20C, B20D, B20E, B39A, B39B			05	F01A, F01B, F01D, F15Z, F19A, F19B, F19C, F24A, F24B, F36A, F36B	10		K09A, K09B
05		F01A, F01B, F01D, F05Z, F07A, F07B, F08A, F08B, F08C, F08D, F08E, F28A, F42Z	06	H01A, H01B, H09A, H09B, H09C, H38Z		11	L09A, L09B, L09C, L09D, L38Z			
06		G33Z	23	Z01A		21A	W04A, W04B			
07		H33Z, H38Z	05	F01A, F01B, F01D, F15Z, F19A, F19B, F19C, F24A, F24B, F36A, F36B		21B	X06A, X06B, X06C			
11		L33Z	8r311.0	05		F01A, F01B, F01D, F15Z, F19A, F19B, F19C, F24A, F24B, F36A, F36B				
21B		X33Z		8r311.1		05	F01A, F01B, F01D, F14A, F14B, F15Z, F24A, F24B, F28A, F36A, F36B, F54Z, F59A, F59B			
23		Z01A	06			G10Z, G12A, G12B				
Pre		A07A	11	L09A, L09B, L09C, L09D, L38Z						

VYK

ZZV	MDC	DRG	ZZV	MDC	DRG	ZZV	MDC	DRG
8r411↔		BOP, UOP4	8r417		BOP, KOP, KVT, UOP4	8r421		BOP, KOP, KVT, UOP4
	01	B04A, B04B, B04C, B04D		04	E36Z		04	E36Z
	05	F01A, F01B, F01D, F14A, F14B, F15Z, F24A, F24B, F28A, F36A, F36B, F54Z, F59A, F59B		05	F01A, F01B, F01D, F05Z, F07A, F07B, F08A, F08B, F08C, F08D, F08E, F27A, F28A, F36A, F42Z, F51A, F51B		05	F01A, F01B, F01D, F05Z, F07A, F07B, F08A, F08B, F08C, F08D, F08E, F27A, F28A, F36A, F42Z, F51A, F51B
	09	J03A, J03B, J04A, J04B, J08A, J08B, J08C, J11A, J11B, J16Z		06	G36Z		06	G36Z
	10	K09A, K09B		08	I08A, I08B, I08C, I08D, I08E, I13A, I13B, I26Z		08	I08A, I08B, I08C, I08D, I08E, I13A, I13B, I26Z
	21A	W04A, W04B		11	L33Z		11	L33Z
	21B	X06A, X06B, X06C		21A	W36Z		21A	W36Z
8r412↔				21B	X33Z		21B	X33Z
	05	F01A, F01B, F01D, F14A, F14B, F15Z, F24A, F24B, F28A, F36A, F36B, F54Z, F59A, F59B		23	Z01A		23	Z01A
	09	J03A, J03B, J04A, J04B, J08A, J08B, J08C, J11A, J11B, J16Z	8r41b	Pre	A06A, A07A, A09A, A11A, A13A	8r424	Pre	A06A, A07A, A09A, A11A, A13A
	10	K09A, K09B			BOP, KOP, UOP4			BOP, KVT, UOP4
	21A	W04A, W04B		01	B02A, B02B, B02C, B20A, B20B, B20C, B20D, B20E, B39A, B39B		05	F01A, F01B, F01D, F05Z, F07A, F07B, F08A, F08B, F08C, F08D, F08E, F27A, F28A, F42Z
	21B	X06A, X06B, X06C		05	F01A, F01B, F01D, F14A, F14B, F15Z, F24A, F24B, F28A, F36A, F36B, F54Z, F59A, F59B		08	I08A, I08B, I08C, I08D, I08E, I13A, I13B
8r413				09	J03A, J03B, J04A, J04B, J08A, J08B, J08C, J11A, J11B, J16Z		21B	X33Z
	05	F01A, F01B, F01D, F14A, F14B, F15Z, F19A, F19B, F19C, F24A, F24B, F36A, F36B, F54Z		10	K09A, K09B	8r427	23	Z01A
	09	J03A, J03B, J04A, J04B, J08A, J08B, J08C, J11A, J11B, J16Z		21A	W04A, W04B		01	B12Z
	10	K09A, K09B		21B	X06A, X06B, X06C, X33Z		05	F01A, F01B, F01D, F12A, F12B, F19A, F19B, F19C
	21A	W04A, W04B	8r41c	01	B12Z		Pre	A13F
	21B	X06A, X06B, X06C		05	F01A, F01B, F01D, F12A, F12B, F15Z, F24A, F24B, F36A, F36B, F52A, F52B, F56A, F56B, F58A, F58B	8r430.10	01	BOP, KOP, UOP4
8r414.0				Pre	A13F		05	F01A, F01B, F01D, F14A, F14B, F15Z, F24A, F24B, F28A, F36A, F36B, F54Z, F59A, F59B
8r414.1			8r41d	05	F01A, F01B, F01D, F14A, F14B, F15Z, F24A, F24B, F28A, F36A, F36B, F54Z, F59A, F59B		09	J03A, J03B, J04A, J04B, J08A, J08B, J08C, J11A, J11B, J16Z
	05	F01A, F01B, F01D, F14A, F14B, F15Z, F24A, F24B, F28A, F36A, F36B, F54Z, F59A, F59B		09	J03A, J03B, J04A, J04B, J08A, J08B, J08C, J11A, J11B, J16Z		10	K09A, K09B
	06	G10Z, G12A, G12B		10	K09A, K09B		21A	W04A, W04B
	11	L09A, L09B, L09C, L09D, L38Z		21A	W04A, W04B	8r430.12↔	21B	X06A, X06B, X06C, X33Z
8r415↔				21B	X04Z, X06A, X06B, X06C		05	F01A, F01B, F01D, F14A, F14B, F15Z, F24A, F24B, F28A, F36A, F36B, F54Z, F59A, F59B
	05	F01A, F01B, F01D, F14A, F14B, F15Z, F24A, F24B, F28A, F36A, F36B, F54Z, F59A, F59B	8r420	05	F01A, F01B, F01D, F14A, F14B, F15Z, F19A, F19B, F19C, F24A, F24B, F36A, F36B, F54Z		09	J03A, J03B, J04A, J04B, J08A, J08B, J08C, J11A, J11B, J16Z
	09	J03A, J03B, J04A, J04B, J08A, J08B, J08C, J11A, J11B, J16Z		09	J03A, J03B, J04A, J04B, J08A, J08B, J08C, J11A, J11B, J16Z		10	K09A, K09B
	10	K09A, K09B		10	K09A, K09B		21A	W04A, W04B
	21A	W04A, W04B		21A	W04A, W04B	8r430.13↔	21B	X06A, X06B, X06C
	21B	X06A, X06B, X06C		21B	X06A, X06B, X06C		05	F01A, F01B, F01D, F14A, F14B, F15Z, F24A, F24B, F28A, F36A, F36B, F54Z, F59A, F59B
8r416↔				21A	W04A, W04B		09	J03A, J03B, J04A, J04B, J08A, J08B, J08C, J11A, J11B, J16Z
	05	F01A, F01B, F01D, F14A, F14B, F15Z, F24A, F24B, F28A, F36A, F36B, F54Z, F59A, F59B		10	K09A, K09B		10	K09A, K09B
	09	J03A, J03B, J04A, J04B, J08A, J08B, J08C, J11A, J11B, J16Z		21A	W04A, W04B		21A	W04A, W04B
	10	K09A, K09B		21B	X06A, X06B, X06C		21B	X05A, X05B, X06A, X06B, X06C
	21A	W04A, W04B						
	21B	X06A, X06B, X06C						

ZZV	MDC	DRG	ZZV	MDC	DRG	ZZV	MDC	DRG
8r430.14	05	F01A, F01B, F01D, F14A, F14B, F15Z, F19A, F19B, F19C, F24A, F24B, F36A, F36B, F54Z	8r430.1a	05	F01A, F01B, F01D, F14A, F14B, F15Z, F24A, F24B, F28A, F36A, F36B, F54Z, F59A, F59B	8r430.1g	05	F01A, F01B, F01D, F14A, F14B, F15Z, F24A, F24B, F28A, F36A, F36B, F54Z, F59A, F59B
	09	J03A, J03B, J04A, J04B, J08A, J08B, J08C, J11A, J11B, J16Z		06	G10Z, G12A, G12B		06	G10Z, G12A, G12B
	10	K09A, K09B		09	J03A, J03B, J04A, J04B, J08A, J08B, J08C, J11A, J11B, J16Z		09	J03A, J03B, J04A, J04B, J08A, J08B, J08C, J11A, J11B, J16Z
	21A	W04A, W04B		10	K09A, K09B		10	K09A, K09B
	21B	X06A, X06B, X06C		11	L09A, L09B, L09C, L09D, L38Z		11	L09A, L09B, L09C, L09D, L38Z
8r430.15	05	F01A, F01B, F01D, F14A, F14B, F15Z, F19A, F19B, F19C, F24A, F24B, F36A, F36B, F54Z	8r430.1b↔	21A	W04A, W04B	8r430.1h↔	21A	W04A, W04B
	09	J03A, J03B, J04A, J04B, J08A, J08B, J08C, J11A, J11B, J16Z		21B	X06A, X06B, X06C		21B	X06A, X06B, X06C
	10	K09A, K09B		05	F01A, F01B, F01D, F14A, F14B, F15Z, F24A, F24B, F28A, F36A, F36B, F54Z, F59A, F59B		01	B04A, B04B, B04C, B04D
	21A	W04A, W04B		09	J03A, J03B, J04A, J04B, J08A, J08B, J08C, J11A, J11B, J16Z		05	F01A, F01B, F01D, F14A, F14B, F15Z, F24A, F24B, F28A, F36A, F36B, F54Z, F59A, F59B
	21B	X06A, X06B, X06C		10	K09A, K09B		09	J03A, J03B, J04A, J04B, J08A, J08B, J08C, J11A, J11B, J16Z
8r430.16	05	F01A, F01B, F01D, F14A, F14B, F15Z, F19A, F19B, F19C, F24A, F24B, F36A, F36B, F54Z	8r430.1c↔	21A	W04A, W04B	8r430.1j↔	10	K09A, K09B
	09	J03A, J03B, J04A, J04B, J08A, J08B, J08C, J11A, J11B, J16Z		21B	X04Z, X06A, X06B, X06C		21A	W04A, W04B
	10	K09A, K09B		05	F01A, F01B, F01D, F14A, F14B, F15Z, F24A, F24B, F28A, F36A, F36B, F54Z, F59A, F59B		21B	X06A, X06B, X06C
	21A	W04A, W04B		09	J03A, J03B, J04A, J04B, J08A, J08B, J08C, J11A, J11B, J16Z		01	B04A, B04B, B04C, B04D
	21B	X06A, X06B, X06C		10	K09A, K09B		05	F01A, F01B, F01D, F14A, F14B, F15Z, F24A, F24B, F28A, F36A, F36B, F54Z, F59A, F59B
8r430.17	05	F01A, F01B, F01D, F14A, F14B, F15Z, F24A, F24B, F28A, F36A, F36B, F54Z, F59A, F59B	8r430.1d	21A	W04A, W04B	8r430.1k↔	09	J03A, J03B, J04A, J04B, J08A, J08B, J08C, J11A, J11B, J16Z
	09	J03A, J03B, J04A, J04B, J08A, J08B, J08C, J11A, J11B, J16Z		21B	X04Z, X06A, X06B, X06C		10	K09A, K09B
	10	K09A, K09B		05	F01A, F01B, F01D, F14A, F14B, F15Z, F24A, F24B, F28A, F36A, F36B, F54Z, F59A, F59B		21A	W04A, W04B
	21A	W04A, W04B		09	J03A, J03B, J04A, J04B, J08A, J08B, J08C, J11A, J11B, J16Z		21B	X06A, X06B, X06C
	21B	X06A, X06B, X06C		10	K09A, K09B		01	B04A, B04B, B04C, B04D
8r430.18↔	05	F01A, F01B, F01D, F14A, F14B, F15Z, F24A, F24B, F28A, F36A, F36B, F54Z, F59A, F59B	8r430.1e	21A	W04A, W04B	8r430.1m↔	05	F01A, F01B, F01D, F14A, F14B, F15Z, F24A, F24B, F28A, F36A, F36B, F54Z, F59A, F59B
	09	J03A, J03B, J04A, J04B, J08A, J08B, J08C, J11A, J11B, J16Z		21B	X04Z, X05A, X05B, X06A, X06B, X06C		09	J03A, J03B, J04A, J04B, J08A, J08B, J08C, J11A, J11B, J16Z
	10	K09A, K09B		05	F01A, F01B, F01D, F14A, F14B, F15Z, F24A, F24B, F28A, F36A, F36B, F54Z, F59A, F59B		10	K09A, K09B
	21A	W04A, W04B		09	J03A, J03B, J04A, J04B, J08A, J08B, J08C, J11A, J11B, J16Z		21A	W04A, W04B
	21B	X06A, X06B, X06C		10	K09A, K09B		21B	X06A, X06B, X06C
8r430.19↔	05	F01A, F01B, F01D, F14A, F14B, F15Z, F24A, F24B, F28A, F36A, F36B, F54Z, F59A, F59B	8r430.1f	21A	W04A, W04B	8r430.1m↔	01	B04A, B04B, B04C, B04D
	09	J03A, J03B, J04A, J04B, J08A, J08B, J08C, J11A, J11B, J16Z		21B	X04Z, X05A, X05B, X06A, X06B, X06C		05	F01A, F01B, F01D, F14A, F14B, F15Z, F24A, F24B, F28A, F36A, F36B, F54Z, F59A, F59B
	10	K09A, K09B		05	F01A, F01B, F01D, F14A, F14B, F15Z, F24A, F24B, F28A, F36A, F36B, F54Z, F59A, F59B		09	J03A, J03B, J04A, J04B, J08A, J08B, J08C, J11A, J11B, J16Z
	21A	W04A, W04B		09	J03A, J03B, J04A, J04B, J08A, J08B, J08C, J11A, J11B, J16Z		10	K09A, K09B
	21B	X06A, X06B, X06C		10	K09A, K09B		21A	W04A, W04B
				21A	W04A, W04B	21B	X06A, X06B, X06C	
				21B	X04Z, X05A, X05B, X06A, X06B, X06C			

VYK

Príloha B: Index Výkon-MDC-DRG

ZZV	MDC	DRG	ZZV	MDC	DRG	ZZV	MDC	DRG					
8r430.1n↔		BOP, UOP4	8r430.25	05	F01A, F01B, F01D, F15Z, F19A, F19B, F19C, F24A, F24B, F36A, F36B	8r430.2c↔	05	F01A, F01B, F01D, F14A, F14B, F15Z, F24A, F24B, F28A, F36A, F36B, F54Z, F59A, F59B					
	01	B04A, B04B, B04C, B04D		09	J03A, J03B, J04A, J04B, J08A, J08B, J08C, J11A, J11B, J16Z		09	J03A, J03B, J04A, J04B, J08A, J08B, J08C, J11A, J11B, J16Z					
	05	F01A, F01B, F01D, F14A, F14B, F15Z, F24A, F24B, F28A, F36A, F36B, F54Z, F59A, F59B		10	K09A, K09B		10	K09A, K09B					
	09	J03A, J03B, J04A, J04B, J08A, J08B, J08C, J11A, J11B, J16Z		21A	W04A, W04B		21A	W04A, W04B					
	10	K09A, K09B		21B	X06A, X06B, X06C		21A	W04A, W04B					
	21A	W04A, W04B		8r430.26	05		F01A, F01B, F01D, F15Z, F19A, F19B, F19C, F24A, F24B, F36A, F36B	8r430.2d	05	F01A, F01B, F01D, F14A, F14B, F15Z, F24A, F24B, F28A, F36A, F36B, F54Z, F59A, F59B			
	21B	X06A, X06B, X06C			09		J03A, J03B, J04A, J04B, J08A, J08B, J08C, J11A, J11B, J16Z		09	J03A, J03B, J04A, J04B, J08A, J08B, J08C, J11A, J11B, J16Z			
	8r430.1x↔				BOP, UOP4		8r430.27		10	K09A, K09B	8r430.2e	10	K09A, K09B
		05			F01A, F01B, F01D, F14A, F14B, F15Z, F24A, F24B, F28A, F36A, F36B, F54Z, F59A, F59B				21A	W04A, W04B		21A	W04A, W04B
		09			J03A, J03B, J04A, J04B, J08A, J08B, J08C, J11A, J11B, J16Z				21B	X06A, X06B, X06C		21B	X04Z, X05A, X05B, X06A, X06B, X06C
10		K09A, K09B	05		F01A, F01B, F01D, F14A, F14B, F15Z, F24A, F24B, F28A, F36A, F36B, F54Z, F59A, F59B	05			F01A, F01B, F01D, F14A, F14B, F15Z, F24A, F24B, F28A, F36A, F36B, F54Z, F59A, F59B				
21A		W04A, W04B	09		J03A, J03B, J04A, J04B, J08A, J08B, J08C, J11A, J11B, J16Z	09			J03A, J03B, J04A, J04B, J08A, J08B, J08C, J11A, J11B, J16Z				
21B		X06A, X06B, X06C	10		K09A, K09B	10			K09A, K09B				
8r430.20			KOP		8r430.28↔	21A			W04A, W04B	8r430.2f		10	K09A, K09B
		01	B02A, B02B, B02C, B20A, B20B, B20C, B20D, B20E, B39A, B39B			21B			X06A, X06B, X06C			21A	W04A, W04B
		05	F01A, F01B, F01D, F14A, F14B, F15Z, F24A, F24B, F28A, F36A, F36B, F54Z, F59A, F59B	05		F01A, F01B, F01D, F14A, F14B, F15Z, F24A, F24B, F28A, F36A, F36B, F54Z, F59A, F59B		21B	X04Z, X05A, X05B, X06A, X06B, X06C				
		09	J03A, J03B, J04A, J04B, J08A, J08B, J08C, J11A, J11B, J16Z	09		J03A, J03B, J04A, J04B, J08A, J08B, J08C, J11A, J11B, J16Z		05	F01A, F01B, F01D, F14A, F14B, F15Z, F24A, F24B, F28A, F36A, F36B, F54Z, F59A, F59B				
	10	K09A, K09B	10	K09A, K09B		09	J03A, J03B, J04A, J04B, J08A, J08B, J08C, J11A, J11B, J16Z						
	21A	W04A, W04B	21A	W04A, W04B		10	K09A, K09B						
	21B	X06A, X06B, X06C, X33Z	21B	X06A, X06B, X06C		21A	W04A, W04B						
	8r430.22↔	05	F01A, F01B, F01D, F14A, F14B, F15Z, F24A, F24B, F28A, F36A, F36B, F54Z, F59A, F59B	8r430.29↔		05	F01A, F01B, F01D, F14A, F14B, F15Z, F24A, F24B, F28A, F36A, F36B, F54Z, F59A, F59B	8r430.2g	21B		X04Z, X05A, X05B, X06A, X06B, X06C		
		09	J03A, J03B, J04A, J04B, J08A, J08B, J08C, J11A, J11B, J16Z			09	J03A, J03B, J04A, J04B, J08A, J08B, J08C, J11A, J11B, J16Z		05		F01A, F01B, F01D, F14A, F14B, F15Z, F24A, F24B, F28A, F36A, F36B, F54Z, F59A, F59B		
		10	K09A, K09B			10	K09A, K09B		06		G10Z, G12A, G12B		
21A		W04A, W04B	21A		W04A, W04B	09	J03A, J03B, J04A, J04B, J08A, J08B, J08C, J11A, J11B, J16Z						
21B		X06A, X06B, X06C	21B		X06A, X06B, X06C	10	K09A, K09B						
8r430.23↔		05	F01A, F01B, F01D, F14A, F14B, F15Z, F24A, F24B, F28A, F36A, F36B, F54Z, F59A, F59B		8r430.2a	05	F01A, F01B, F01D, F14A, F14B, F15Z, F24A, F24B, F28A, F36A, F36B, F54Z, F59A, F59B		8r430.2h↔	11	L09A, L09B, L09C, L09D, L38Z		
		09	J03A, J03B, J04A, J04B, J08A, J08B, J08C, J11A, J11B, J16Z			06	G10Z, G12A, G12B			21A	W04A, W04B		
		10	K09A, K09B			09	J03A, J03B, J04A, J04B, J08A, J08B, J08C, J11A, J11B, J16Z			21B	X06A, X06B, X06C		
		21A	W04A, W04B			10	K09A, K09B			01	B04A, B04B, B04C, B04D		
		21B	X05A, X05B, X06A, X06B, X06C			11	L09A, L09B, L09C, L09D, L38Z			05	F01A, F01B, F01D, F14A, F14B, F15Z, F24A, F24B, F28A, F36A, F36B, F54Z, F59A, F59B		
	8r430.24	05	F01A, F01B, F01D, F15Z, F19A, F19B, F19C, F24A, F24B, F36A, F36B	8r430.2b↔		21A	W04A, W04B	8r430.2i		09	J03A, J03B, J04A, J04B, J08A, J08B, J08C, J11A, J11B, J16Z		
		09	J03A, J03B, J04A, J04B, J08A, J08B, J08C, J11A, J11B, J16Z			21B	X06A, X06B, X06C			10	K09A, K09B		
		10	K09A, K09B			05	F01A, F01B, F01D, F14A, F14B, F15Z, F24A, F24B, F28A, F36A, F36B, F54Z, F59A, F59B			21A	W04A, W04B		
		21A	W04A, W04B			09	J03A, J03B, J04A, J04B, J08A, J08B, J08C, J11A, J11B, J16Z			21B	X06A, X06B, X06C		
		21B	X06A, X06B, X06C			10	K09A, K09B						
			21A		W04A, W04B								
			21B		X04Z, X06A, X06B, X06C								

VYK

ZZV	MDC	DRG	ZZV	MDC	DRG	ZZV	MDC	DRG	
8r430.2j↔		BOP, UOP4	8r430.30		BOP, KOP, UOP4	8r430.37	05	F01A, F01B, F01D, F14A, F14B, F15Z, F24A, F24B, F28A, F36A, F36B, F54Z, F59A, F59B	
	01	B04A, B04B, B04C, B04D		01	B02A, B02B, B02C, B20A, B20B, B20C, B20D, B20E, B39A, B39B		09	J03A, J03B, J04A, J04B, J08A, J08B, J08C, J11A, J11B, J16Z	
	05	F01A, F01B, F01D, F14A, F14B, F15Z, F24A, F24B, F28A, F36A, F36B, F54Z, F59A, F59B		05	F01A, F01B, F01D, F14A, F14B, F15Z, F24A, F24B, F28A, F36A, F36B, F54Z, F59A, F59B		10	K09A, K09B	
	09	J03A, J03B, J04A, J04B, J08A, J08B, J08C, J11A, J11B, J16Z		09	J03A, J03B, J04A, J04B, J08A, J08B, J08C, J11A, J11B, J16Z		21A	W04A, W04B	
	10	K09A, K09B		10	K09A, K09B		21B	X06A, X06B, X06C	
	21A	W04A, W04B		21A	W04A, W04B		8r430.38↔	05	F01A, F01B, F01D, F14A, F14B, F15Z, F24A, F24B, F28A, F36A, F36B, F54Z, F59A, F59B
	21B	X06A, X06B, X06C		21B	X06A, X06B, X06C, X33Z			09	J03A, J03B, J04A, J04B, J08A, J08B, J08C, J11A, J11B, J16Z
8r430.2k↔		BOP, UOP4	8r430.32↔		F01A, F01B, F01D, F14A, F14B, F15Z, F24A, F24B, F28A, F36A, F36B, F54Z, F59A, F59B	8r430.39↔	05	F01A, F01B, F01D, F14A, F14B, F15Z, F24A, F24B, F28A, F36A, F36B, F54Z, F59A, F59B	
	01	B04A, B04B, B04C, B04D		05	F01A, F01B, F01D, F14A, F14B, F15Z, F24A, F24B, F28A, F36A, F36B, F54Z, F59A, F59B		09	J03A, J03B, J04A, J04B, J08A, J08B, J08C, J11A, J11B, J16Z	
	05	F01A, F01B, F01D, F14A, F14B, F15Z, F24A, F24B, F28A, F36A, F36B, F54Z, F59A, F59B		09	J03A, J03B, J04A, J04B, J08A, J08B, J08C, J11A, J11B, J16Z		10	K09A, K09B	
	09	J03A, J03B, J04A, J04B, J08A, J08B, J08C, J11A, J11B, J16Z		10	K09A, K09B		21A	W04A, W04B	
	10	K09A, K09B		21A	W04A, W04B		21B	X06A, X06B, X06C	
	21A	W04A, W04B		21B	X06A, X06B, X06C		8r430.3a	05	F01A, F01B, F01D, F14A, F14B, F15Z, F24A, F24B, F28A, F36A, F36B, F54Z, F59A, F59B
	21B	X06A, X06B, X06C		21B	X06A, X06B, X06C			06	G10Z, G12A, G12B
8r430.2m↔		BOP, UOP4	8r430.33↔		F01A, F01B, F01D, F14A, F14B, F15Z, F24A, F24B, F28A, F36A, F36B, F54Z, F59A, F59B	8r430.3b↔	09	J03A, J03B, J04A, J04B, J08A, J08B, J08C, J11A, J11B, J16Z	
	01	B04A, B04B, B04C, B04D		09	J03A, J03B, J04A, J04B, J08A, J08B, J08C, J11A, J11B, J16Z		10	K09A, K09B	
	05	F01A, F01B, F01D, F14A, F14B, F15Z, F24A, F24B, F28A, F36A, F36B, F54Z, F59A, F59B		10	K09A, K09B		21A	W04A, W04B	
	09	J03A, J03B, J04A, J04B, J08A, J08B, J08C, J11A, J11B, J16Z		21A	W04A, W04B		21B	X06A, X06B, X06C	
	10	K09A, K09B		21B	X05A, X05B, X06A, X06B, X06C		8r430.3c↔	05	F01A, F01B, F01D, F14A, F14B, F15Z, F24A, F24B, F28A, F36A, F36B, F54Z, F59A, F59B
	21A	W04A, W04B		21B	X06A, X06B, X06C			09	J03A, J03B, J04A, J04B, J08A, J08B, J08C, J11A, J11B, J16Z
	21B	X06A, X06B, X06C		21B	X06A, X06B, X06C		10	K09A, K09B	
8r430.2n↔		BOP, UOP4	8r430.34		F01A, F01B, F01D, F15Z, F19A, F19B, F19C, F24A, F24B, F36A, F36B	8r430.3x↔	21A	W04A, W04B	
	01	B04A, B04B, B04C, B04D		05	F01A, F01B, F01D, F15Z, F19A, F19B, F19C, F24A, F24B, F36A, F36B		21A	W04A, W04B	
	05	F01A, F01B, F01D, F14A, F14B, F15Z, F24A, F24B, F28A, F36A, F36B, F54Z, F59A, F59B		09	J03A, J03B, J04A, J04B, J08A, J08B, J08C, J11A, J11B, J16Z		21B	X04Z, X06A, X06B, X06C	
	09	J03A, J03B, J04A, J04B, J08A, J08B, J08C, J11A, J11B, J16Z		10	K09A, K09B		8r430.3c↔	05	F01A, F01B, F01D, F14A, F14B, F15Z, F24A, F24B, F28A, F36A, F36B, F54Z, F59A, F59B
	10	K09A, K09B		21A	W04A, W04B			09	J03A, J03B, J04A, J04B, J08A, J08B, J08C, J11A, J11B, J16Z
	21A	W04A, W04B		21B	X06A, X06B, X06C		10	K09A, K09B	
	21B	X06A, X06B, X06C		21B	X06A, X06B, X06C		21A	W04A, W04B	
8r430.2x↔		BOP, UOP4	8r430.35		F01A, F01B, F01D, F15Z, F19A, F19B, F19C, F24A, F24B, F36A, F36B	8r430.3c↔	21B	X04Z, X06A, X06B, X06C	
	01	B04A, B04B, B04C, B04D		05	F01A, F01B, F01D, F15Z, F19A, F19B, F19C, F24A, F24B, F36A, F36B		8r430.3c↔	05	F01A, F01B, F01D, F14A, F14B, F15Z, F24A, F24B, F28A, F36A, F36B, F54Z, F59A, F59B
	05	F01A, F01B, F01D, F14A, F14B, F15Z, F24A, F24B, F28A, F36A, F36B, F54Z, F59A, F59B		09	J03A, J03B, J04A, J04B, J08A, J08B, J08C, J11A, J11B, J16Z			09	J03A, J03B, J04A, J04B, J08A, J08B, J08C, J11A, J11B, J16Z
	09	J03A, J03B, J04A, J04B, J08A, J08B, J08C, J11A, J11B, J16Z		10	K09A, K09B		10	K09A, K09B	
	10	K09A, K09B		21A	W04A, W04B		21A	W04A, W04B	
	21A	W04A, W04B		21B	X06A, X06B, X06C		21B	X04Z, X06A, X06B, X06C	
	21B	X06A, X06B, X06C		21B	X06A, X06B, X06C		21B	X04Z, X06A, X06B, X06C	

VYK

ZZV	MDC	DRG	ZZV	MDC	DRG	ZZV	MDC	DRG
8r430.3d	05	F01A, F01B, F01D, F14A, F14B, F15Z, F24A, F24B, F28A, F36A, F36B, F54Z, F59A, F59B	8r430.3k↔	01	B0P, UOP4	8r430.43↔	05	F01A, F01B, F01D, F14A, F14B, F15Z, F24A, F24B, F28A, F36A, F36B, F54Z, F59A, F59B
		09			J03A, J03B, J04A, J04B, J08A, J08B, J08C, J11A, J11B, J16Z			09
	10	K09A, K09B		10	K09A, K09B		10	K09A, K09B
	21A	W04A, W04B		21A	W04A, W04B		21A	W04A, W04B
	21B	X04Z, X05A, X05B, X06A, X06B, X06C		21B	X06A, X06B, X06C		21B	X05A, X05B, X06A, X06B, X06C
8r430.3e	05	F01A, F01B, F01D, F14A, F14B, F15Z, F24A, F24B, F28A, F36A, F36B, F54Z, F59A, F59B	8r430.3m↔	01	B0P, UOP4	8r430.44	05	F01A, F01B, F01D, F15Z, F19A, F19B, F19C, F24A, F24B, F36A, F36B
		09			J03A, J03B, J04A, J04B, J08A, J08B, J08C, J11A, J11B, J16Z			09
	10	K09A, K09B		10	K09A, K09B		10	K09A, K09B
	21A	W04A, W04B		21A	W04A, W04B		21A	W04A, W04B
	21B	X04Z, X05A, X05B, X06A, X06B, X06C		21B	X06A, X06B, X06C		21B	X06A, X06B, X06C
8r430.3f	05	F01A, F01B, F01D, F14A, F14B, F15Z, F24A, F24B, F28A, F36A, F36B, F54Z, F59A, F59B	8r430.3n↔	01	B0P, UOP4	8r430.45	05	F01A, F01B, F01D, F15Z, F19A, F19B, F19C, F24A, F24B, F36A, F36B
		09			J03A, J03B, J04A, J04B, J08A, J08B, J08C, J11A, J11B, J16Z			09
	10	K09A, K09B		10	K09A, K09B		10	K09A, K09B
	21A	W04A, W04B		21A	W04A, W04B		21A	W04A, W04B
	21B	X04Z, X05A, X05B, X06A, X06B, X06C		21B	X06A, X06B, X06C		21B	X06A, X06B, X06C
8r430.3g	05	F01A, F01B, F01D, F14A, F14B, F15Z, F24A, F24B, F28A, F36A, F36B, F54Z, F59A, F59B	8r430.3x↔	05	F01A, F01B, F01D, F14A, F14B, F15Z, F24A, F24B, F28A, F36A, F36B, F54Z, F59A, F59B	8r430.46	05	F01A, F01B, F01D, F15Z, F19A, F19B, F19C, F24A, F24B, F36A, F36B
		06			G10Z, G12A, G12B			09
	09	J03A, J03B, J04A, J04B, J08A, J08B, J08C, J11A, J11B, J16Z		09	J03A, J03B, J04A, J04B, J08A, J08B, J08C, J11A, J11B, J16Z		09	J03A, J03B, J04A, J04B, J08A, J08B, J08C, J11A, J11B, J16Z
	10	K09A, K09B		10	K09A, K09B		10	K09A, K09B
	11	L09A, L09B, L09C, L09D, L38Z		11	L09A, L09B, L09C, L09D, L38Z		11	L09A, L09B, L09C, L09D, L38Z
	21A	W04A, W04B		21A	W04A, W04B		21A	W04A, W04B
8r430.3h↔	01	B0P, UOP4	8r430.40	01	B0P, KOP, UOP4	8r430.47	05	F01A, F01B, F01D, F14A, F14B, F15Z, F24A, F24B, F28A, F36A, F36B, F54Z, F59A, F59B
		05			F01A, F01B, F01D, F14A, F14B, F15Z, F24A, F24B, F28A, F36A, F36B, F54Z, F59A, F59B			05
	09	J03A, J03B, J04A, J04B, J08A, J08B, J08C, J11A, J11B, J16Z		09	J03A, J03B, J04A, J04B, J08A, J08B, J08C, J11A, J11B, J16Z		09	J03A, J03B, J04A, J04B, J08A, J08B, J08C, J11A, J11B, J16Z
	10	K09A, K09B		10	K09A, K09B		10	K09A, K09B
	21A	W04A, W04B		21A	W04A, W04B		21A	W04A, W04B
8r430.3i↔	01	B0P, UOP4	8r430.42↔	01	B0P, KOP, UOP4	8r430.48↔	05	F01A, F01B, F01D, F14A, F14B, F15Z, F24A, F24B, F28A, F36A, F36B, F54Z, F59A, F59B
		05			F01A, F01B, F01D, F14A, F14B, F15Z, F24A, F24B, F28A, F36A, F36B, F54Z, F59A, F59B			05
	09	J03A, J03B, J04A, J04B, J08A, J08B, J08C, J11A, J11B, J16Z		09	J03A, J03B, J04A, J04B, J08A, J08B, J08C, J11A, J11B, J16Z		09	J03A, J03B, J04A, J04B, J08A, J08B, J08C, J11A, J11B, J16Z
	10	K09A, K09B		10	K09A, K09B		10	K09A, K09B
	21A	W04A, W04B		21A	W04A, W04B		21A	W04A, W04B
8r430.3j↔	01	B0P, UOP4	8r430.44↔	01	B0P, KOP, UOP4	8r430.49↔	05	F01A, F01B, F01D, F14A, F14B, F15Z, F24A, F24B, F28A, F36A, F36B, F54Z, F59A, F59B
		05			F01A, F01B, F01D, F14A, F14B, F15Z, F24A, F24B, F28A, F36A, F36B, F54Z, F59A, F59B			05
	09	J03A, J03B, J04A, J04B, J08A, J08B, J08C, J11A, J11B, J16Z		09	J03A, J03B, J04A, J04B, J08A, J08B, J08C, J11A, J11B, J16Z		09	J03A, J03B, J04A, J04B, J08A, J08B, J08C, J11A, J11B, J16Z
	10	K09A, K09B		10	K09A, K09B		10	K09A, K09B
	21A	W04A, W04B		21A	W04A, W04B		21A	W04A, W04B
21B	X06A, X06B, X06C	21B	X06A, X06B, X06C	21B	X06A, X06B, X06C			

ZZV	MDC	DRG	ZZV	MDC	DRG	ZZV	MDC	DRG									
8r430.4a	05	F01A, F01B, F01D, F14A, F14B, F15Z, F24A, F24B, F28A, F36A, F36B, F54Z, F59A, F59B	8r430.4g	05	F01A, F01B, F01D, F14A, F14B, F15Z, F24A, F24B, F28A, F36A, F36B, F54Z, F59A, F59B	8r430.4n↔	01	BOP, UOP4									
		06			G10Z, G12A, G12B			06	G10Z, G12A, G12B	05	B04A, B04B, B04C, B04D						
		09			J03A, J03B, J04A, J04B, J08A, J08B, J08C, J11A, J11B, J16Z			09	J03A, J03B, J04A, J04B, J08A, J08B, J08C, J11A, J11B, J16Z	09	F01A, F01B, F01D, F14A, F14B, F15Z, F24A, F24B, F28A, F36A, F36B, F54Z, F59A, F59B						
		10			K09A, K09B			10	K09A, K09B	09	J03A, J03B, J04A, J04B, J08A, J08B, J08C, J11A, J11B, J16Z						
		11			L09A, L09B, L09C, L09D, L38Z			11	L09A, L09B, L09C, L09D, L38Z	10	K09A, K09B						
		21A			W04A, W04B			21A	W04A, W04B	21A	W04A, W04B						
		21B			X06A, X06B, X06C			21B	X06A, X06B, X06C	21B	X06A, X06B, X06C						
		8r430.4b↔			05			F01A, F01B, F01D, F14A, F14B, F15Z, F24A, F24B, F28A, F36A, F36B, F54Z, F59A, F59B	8r430.4h↔	01	B04A, B04B, B04C, B04D	8r430.4x↔	05	F01A, F01B, F01D, F14A, F14B, F15Z, F24A, F24B, F28A, F36A, F36B, F54Z, F59A, F59B			
								09			J03A, J03B, J04A, J04B, J08A, J08B, J08C, J11A, J11B, J16Z			05	F01A, F01B, F01D, F14A, F14B, F15Z, F24A, F24B, F28A, F36A, F36B, F54Z, F59A, F59B		
								10			K09A, K09B			09	J03A, J03B, J04A, J04B, J08A, J08B, J08C, J11A, J11B, J16Z	09	J03A, J03B, J04A, J04B, J08A, J08B, J08C, J11A, J11B, J16Z
21A	W04A, W04B		10	K09A, K09B		10	K09A, K09B										
21B	X04Z, X06A, X06B, X06C		21A	W04A, W04B		21A	W04A, W04B										
8r430.4c↔	05		F01A, F01B, F01D, F14A, F14B, F15Z, F24A, F24B, F28A, F36A, F36B, F54Z, F59A, F59B	8r430.4j↔		01	B04A, B04B, B04C, B04D	8r430.50			01			B02A, B02B, B02C, B20A, B20B, B20C, B20D, B20E, B39A, B39B			
			09				J03A, J03B, J04A, J04B, J08A, J08B, J08C, J11A, J11B, J16Z							05	F01A, F01B, F01D, F14A, F14B, F15Z, F24A, F24B, F28A, F36A, F36B, F54Z, F59A, F59B		
			10				K09A, K09B							09	J03A, J03B, J04A, J04B, J08A, J08B, J08C, J11A, J11B, J16Z	09	J03A, J03B, J04A, J04B, J08A, J08B, J08C, J11A, J11B, J16Z
			21A				W04A, W04B							10	K09A, K09B	10	K09A, K09B
			21B				X04Z, X06A, X06B, X06C							21A	W04A, W04B	21A	W04A, W04B
		8r430.4d	05		F01A, F01B, F01D, F14A, F14B, F15Z, F24A, F24B, F28A, F36A, F36B, F54Z, F59A, F59B		8r430.4k↔		01	B04A, B04B, B04C, B04D		8r430.52↔	05	F01A, F01B, F01D, F14A, F14B, F15Z, F24A, F24B, F28A, F36A, F36B, F54Z, F59A, F59B			
					09					J03A, J03B, J04A, J04B, J08A, J08B, J08C, J11A, J11B, J16Z				05	F01A, F01B, F01D, F14A, F14B, F15Z, F24A, F24B, F28A, F36A, F36B, F54Z, F59A, F59B		
					10					K09A, K09B				09	J03A, J03B, J04A, J04B, J08A, J08B, J08C, J11A, J11B, J16Z	09	J03A, J03B, J04A, J04B, J08A, J08B, J08C, J11A, J11B, J16Z
					21A					W04A, W04B				10	K09A, K09B	10	K09A, K09B
					21B					X04Z, X05A, X05B, X06A, X06B, X06C				21A	W04A, W04B	21A	W04A, W04B
8r430.4e	05			F01A, F01B, F01D, F14A, F14B, F15Z, F24A, F24B, F28A, F36A, F36B, F54Z, F59A, F59B	8r430.4m↔	01		B04A, B04B, B04C, B04D		8r430.53↔	05			F01A, F01B, F01D, F14A, F14B, F15Z, F24A, F24B, F28A, F36A, F36B, F54Z, F59A, F59B			
				09				J03A, J03B, J04A, J04B, J08A, J08B, J08C, J11A, J11B, J16Z						05	F01A, F01B, F01D, F14A, F14B, F15Z, F24A, F24B, F28A, F36A, F36B, F54Z, F59A, F59B		
				10				K09A, K09B						09	J03A, J03B, J04A, J04B, J08A, J08B, J08C, J11A, J11B, J16Z	09	J03A, J03B, J04A, J04B, J08A, J08B, J08C, J11A, J11B, J16Z
				21A				W04A, W04B						10	K09A, K09B	10	K09A, K09B
				21B				X04Z, X05A, X05B, X06A, X06B, X06C						21A	W04A, W04B	21A	W04A, W04B
		8r430.4f	05	F01A, F01B, F01D, F14A, F14B, F15Z, F24A, F24B, F28A, F36A, F36B, F54Z, F59A, F59B			8r430.4n↔	01	B04A, B04B, B04C, B04D			8r430.54	05	F01A, F01B, F01D, F15Z, F19A, F19B, F19C, F24A, F24B, F36A, F36B			
				09					J03A, J03B, J04A, J04B, J08A, J08B, J08C, J11A, J11B, J16Z					05	F01A, F01B, F01D, F14A, F14B, F15Z, F24A, F24B, F28A, F36A, F36B, F54Z, F59A, F59B		
				10					K09A, K09B					09	J03A, J03B, J04A, J04B, J08A, J08B, J08C, J11A, J11B, J16Z	09	J03A, J03B, J04A, J04B, J08A, J08B, J08C, J11A, J11B, J16Z
				21A					W04A, W04B					10	K09A, K09B	10	K09A, K09B
				21B					X04Z, X05A, X05B, X06A, X06B, X06C					21A	W04A, W04B	21A	W04A, W04B

Príloha B: Index Výkon-MDC-DRG

ZZV	MDC	DRG	ZZV	MDC	DRG	ZZV	MDC	DRG
8r430.55	05	F01A, F01B, F01D, F15Z, F19A, F19B, F19C, F24A, F24B, F36A, F36B	8r430.5c↔	05	F01A, F01B, F01D, F14A, F14B, F15Z, F24A, F24B, F28A, F36A, F36B, F54Z, F59A, F59B	8r430.5j↔		BOP, UOP4
	09	J03A, J03B, J04A, J04B, J08A, J08B, J08C, J11A, J11B, J16Z		09	J03A, J03B, J04A, J04B, J08A, J08B, J08C, J11A, J11B, J16Z		01	B04A, B04B, B04C, B04D
	10	K09A, K09B		10	K09A, K09B		05	F01A, F01B, F01D, F14A, F14B, F15Z, F24A, F24B, F28A, F36A, F36B, F54Z, F59A, F59B
	21A	W04A, W04B		21A	W04A, W04B		09	J03A, J03B, J04A, J04B, J08A, J08B, J08C, J11A, J11B, J16Z
	21B	X06A, X06B, X06C		21B	X04Z, X06A, X06B, X06C		10	K09A, K09B
8r430.56	05	F01A, F01B, F01D, F15Z, F19A, F19B, F19C, F24A, F24B, F36A, F36B	8r430.5d	05	F01A, F01B, F01D, F14A, F14B, F15Z, F24A, F24B, F28A, F36A, F36B, F54Z, F59A, F59B	8r430.5k↔	21A	W04A, W04B
	09	J03A, J03B, J04A, J04B, J08A, J08B, J08C, J11A, J11B, J16Z		09	J03A, J03B, J04A, J04B, J08A, J08B, J08C, J11A, J11B, J16Z		21B	X06A, X06B, X06C
	10	K09A, K09B		10	K09A, K09B		01	B04A, B04B, B04C, B04D
	21A	W04A, W04B		21A	W04A, W04B		05	F01A, F01B, F01D, F14A, F14B, F15Z, F24A, F24B, F28A, F36A, F36B, F54Z, F59A, F59B
	21B	X06A, X06B, X06C		21B	X04Z, X05A, X05B, X06A, X06B, X06C		09	J03A, J03B, J04A, J04B, J08A, J08B, J08C, J11A, J11B, J16Z
8r430.57	05	F01A, F01B, F01D, F14A, F14B, F15Z, F24A, F24B, F28A, F36A, F36B, F54Z, F59A, F59B	8r430.5e	05	F01A, F01B, F01D, F14A, F14B, F15Z, F24A, F24B, F28A, F36A, F36B, F54Z, F59A, F59B	8r430.5m↔	10	K09A, K09B
	09	J03A, J03B, J04A, J04B, J08A, J08B, J08C, J11A, J11B, J16Z		09	J03A, J03B, J04A, J04B, J08A, J08B, J08C, J11A, J11B, J16Z		21A	W04A, W04B
	10	K09A, K09B		10	K09A, K09B		21B	X06A, X06B, X06C
	21A	W04A, W04B		10	W04A, W04B		01	B04A, B04B, B04C, B04D
	21B	X06A, X06B, X06C		21A	W04A, W04B		05	F01A, F01B, F01D, F14A, F14B, F15Z, F24A, F24B, F28A, F36A, F36B, F54Z, F59A, F59B
8r430.58↔	05	F01A, F01B, F01D, F14A, F14B, F15Z, F24A, F24B, F28A, F36A, F36B, F54Z, F59A, F59B	8r430.5f	05	F01A, F01B, F01D, F14A, F14B, F15Z, F24A, F24B, F28A, F36A, F36B, F54Z, F59A, F59B	8r430.5n↔	09	J03A, J03B, J04A, J04B, J08A, J08B, J08C, J11A, J11B, J16Z
	09	J03A, J03B, J04A, J04B, J08A, J08B, J08C, J11A, J11B, J16Z		09	J03A, J03B, J04A, J04B, J08A, J08B, J08C, J11A, J11B, J16Z		10	K09A, K09B
	10	K09A, K09B		10	K09A, K09B		21A	W04A, W04B
	21A	W04A, W04B		21B	X04Z, X05A, X05B, X06A, X06B, X06C		21B	X06A, X06B, X06C
	21B	X06A, X06B, X06C		05	F01A, F01B, F01D, F14A, F14B, F15Z, F24A, F24B, F28A, F36A, F36B, F54Z, F59A, F59B		01	B04A, B04B, B04C, B04D
8r430.59↔	05	F01A, F01B, F01D, F14A, F14B, F15Z, F24A, F24B, F28A, F36A, F36B, F54Z, F59A, F59B	8r430.5g	05	F01A, F01B, F01D, F14A, F14B, F15Z, F24A, F24B, F28A, F36A, F36B, F54Z, F59A, F59B	8r430.5x↔	05	F01A, F01B, F01D, F14A, F14B, F15Z, F24A, F24B, F28A, F36A, F36B, F54Z, F59A, F59B
	09	J03A, J03B, J04A, J04B, J08A, J08B, J08C, J11A, J11B, J16Z		06	G10Z, G12A, G12B		09	J03A, J03B, J04A, J04B, J08A, J08B, J08C, J11A, J11B, J16Z
	10	K09A, K09B		09	J03A, J03B, J04A, J04B, J08A, J08B, J08C, J11A, J11B, J16Z		10	K09A, K09B
	21A	W04A, W04B		11	L09A, L09B, L09C, L09D, L38Z		21A	W04A, W04B
	21B	X06A, X06B, X06C		21A	W04A, W04B		21B	X06A, X06B, X06C
8r430.5a	05	F01A, F01B, F01D, F14A, F14B, F15Z, F24A, F24B, F28A, F36A, F36B, F54Z, F59A, F59B	8r430.5h↔	01	B04A, B04B, B04C, B04D	8r430.5y↔	09	J03A, J03B, J04A, J04B, J08A, J08B, J08C, J11A, J11B, J16Z
	06	G10Z, G12A, G12B		05	F01A, F01B, F01D, F14A, F14B, F15Z, F24A, F24B, F28A, F36A, F36B, F54Z, F59A, F59B		10	K09A, K09B
	09	J03A, J03B, J04A, J04B, J08A, J08B, J08C, J11A, J11B, J16Z		09	J03A, J03B, J04A, J04B, J08A, J08B, J08C, J11A, J11B, J16Z		21A	W04A, W04B
	10	K09A, K09B		10	K09A, K09B		21B	X06A, X06B, X06C
	11	L09A, L09B, L09C, L09D, L38Z		01	B04A, B04B, B04C, B04D			
8r430.5b↔	21A	W04A, W04B	8r430.5i↔	05	F01A, F01B, F01D, F14A, F14B, F15Z, F24A, F24B, F28A, F36A, F36B, F54Z, F59A, F59B	8r430.5z↔	05	F01A, F01B, F01D, F14A, F14B, F15Z, F24A, F24B, F28A, F36A, F36B, F54Z, F59A, F59B
	21B	X06A, X06B, X06C		09	J03A, J03B, J04A, J04B, J08A, J08B, J08C, J11A, J11B, J16Z		09	J03A, J03B, J04A, J04B, J08A, J08B, J08C, J11A, J11B, J16Z
	05	F01A, F01B, F01D, F14A, F14B, F15Z, F24A, F24B, F28A, F36A, F36B, F54Z, F59A, F59B		10	K09A, K09B		10	K09A, K09B
	09	J03A, J03B, J04A, J04B, J08A, J08B, J08C, J11A, J11B, J16Z		21A	W04A, W04B		21A	W04A, W04B
	10	K09A, K09B		21B	X06A, X06B, X06C		21B	X06A, X06B, X06C

VYK

ZZV	MDC	DRG	ZZV	MDC	DRG	ZZV	MDC	DRG		
8r430.60	01	BOP, KOP, UOP4	8r430.67	05	F01A, F01B, F01D, F14A, F14B, F15Z, F24A, F24B, F28A, F36A, F36B, F54Z, F59A, F59B	8r430.6d	05	F01A, F01B, F01D, F14A, F14B, F15Z, F24A, F24B, F28A, F36A, F36B, F54Z, F59A, F59B		
		B02A, B02B, B02C, B20A, B20B, B20C, B20D, B20E, B39A, B39B			09			J03A, J03B, J04A, J04B, J08A, J08B, J08C, J11A, J11B, J16Z	09	J03A, J03B, J04A, J04B, J08A, J08B, J08C, J11A, J11B, J16Z
	05	F01A, F01B, F01D, F14A, F14B, F15Z, F24A, F24B, F28A, F36A, F36B, F54Z, F59A, F59B		10			K09A, K09B	10		K09A, K09B
		09			J03A, J03B, J04A, J04B, J08A, J08B, J08C, J11A, J11B, J16Z		21A		W04A, W04B	21A
	10			K09A, K09B	21B			X06A, X06B, X06C	21B	
		21A		W04A, W04B			8r430.68↔	05		F01A, F01B, F01D, F14A, F14B, F15Z, F24A, F24B, F28A, F36A, F36B, F54Z, F59A, F59B
	21B			X06A, X06B, X06C, X33Z	09				J03A, J03B, J04A, J04B, J08A, J08B, J08C, J11A, J11B, J16Z	09
		8r430.62↔		05			F01A, F01B, F01D, F14A, F14B, F15Z, F24A, F24B, F28A, F36A, F36B, F54Z, F59A, F59B	10	K09A, K09B	
	09				J03A, J03B, J04A, J04B, J08A, J08B, J08C, J11A, J11B, J16Z		21A		W04A, W04B	21A
				10	K09A, K09B			21B	X06A, X06B, X06C	
21A	W04A, W04B		8r430.69↔		05	F01A, F01B, F01D, F14A, F14B, F15Z, F24A, F24B, F28A, F36A, F36B, F54Z, F59A, F59B	8r430.6f		05	F01A, F01B, F01D, F14A, F14B, F15Z, F24A, F24B, F28A, F36A, F36B, F54Z, F59A, F59B
	21B	X06A, X06B, X06C		09		J03A, J03B, J04A, J04B, J08A, J08B, J08C, J11A, J11B, J16Z		09		J03A, J03B, J04A, J04B, J08A, J08B, J08C, J11A, J11B, J16Z
8r430.63↔		05			F01A, F01B, F01D, F14A, F14B, F15Z, F24A, F24B, F28A, F36A, F36B, F54Z, F59A, F59B	10			K09A, K09B	10
	09			J03A, J03B, J04A, J04B, J08A, J08B, J08C, J11A, J11B, J16Z	21A			W04A, W04B	21A	
		10	K09A, K09B	21B		X06A, X06B, X06C	21B	X04Z, X05A, X05B, X06A, X06B, X06C		
	21A		W04A, W04B		8r430.6a	05		F01A, F01B, F01D, F14A, F14B, F15Z, F24A, F24B, F28A, F36A, F36B, F54Z, F59A, F59B	8r430.6g	05
21B		X06A, X06B, X06C	06	G10Z, G12A, G12B			06	G10Z, G12A, G12B		
	8r430.64	05		F01A, F01B, F01D, F15Z, F19A, F19B, F19C, F24A, F24B, F36A, F36B		09		J03A, J03B, J04A, J04B, J08A, J08B, J08C, J11A, J11B, J16Z		09
09			J03A, J03B, J04A, J04B, J08A, J08B, J08C, J11A, J11B, J16Z	10			K09A, K09B	10		
		10	K09A, K09B		11	L09A, L09B, L09C, L09D, L38Z	11		L09A, L09B, L09C, L09D, L38Z	
21A			W04A, W04B	21A		W04A, W04B		21A	W04A, W04B	
	21B	X06A, X06B, X06C	8r430.6b↔		05	F01A, F01B, F01D, F14A, F14B, F15Z, F24A, F24B, F28A, F36A, F36B, F54Z, F59A, F59B	8r430.6h↔		21B	X06A, X06B, X06C
8r430.65		05		F01A, F01B, F01D, F15Z, F19A, F19B, F19C, F24A, F24B, F36A, F36B		09		J03A, J03B, J04A, J04B, J08A, J08B, J08C, J11A, J11B, J16Z		09
	09		J03A, J03B, J04A, J04B, J08A, J08B, J08C, J11A, J11B, J16Z	10	K09A, K09B		10	K09A, K09B		
		10	K09A, K09B		21A	W04A, W04B		21A	W04A, W04B	
	21A		W04A, W04B	8r430.6c↔		05	F01A, F01B, F01D, F14A, F14B, F15Z, F24A, F24B, F28A, F36A, F36B, F54Z, F59A, F59B		8r430.6j↔	01
21B		X06A, X06B, X06C	09		J03A, J03B, J04A, J04B, J08A, J08B, J08C, J11A, J11B, J16Z		05	F01A, F01B, F01D, F14A, F14B, F15Z, F24A, F24B, F28A, F36A, F36B, F54Z, F59A, F59B		
	8r430.66	05			F01A, F01B, F01D, F15Z, F19A, F19B, F19C, F24A, F24B, F36A, F36B	10		K09A, K09B		10
09			J03A, J03B, J04A, J04B, J08A, J08B, J08C, J11A, J11B, J16Z		21A		W04A, W04B	21A		
		10	K09A, K09B	21B		X06A, X06B, X06C	21B		X06A, X06B, X06C	
21A			W04A, W04B		8r430.6c↔	05		F01A, F01B, F01D, F14A, F14B, F15Z, F24A, F24B, F28A, F36A, F36B, F54Z, F59A, F59B	8r430.6j↔	21B
	21B	X06A, X06B, X06C	09	J03A, J03B, J04A, J04B, J08A, J08B, J08C, J11A, J11B, J16Z			09	J03A, J03B, J04A, J04B, J08A, J08B, J08C, J11A, J11B, J16Z		
10		K09A, K09B		10	K09A, K09B	10		K09A, K09B		
	21A	W04A, W04B	21A		W04A, W04B		21A	W04A, W04B		
21B		X06A, X06B, X06C		21B	X04Z, X06A, X06B, X06C	21B		X04Z, X06A, X06B, X06C		

VYK

ZZV	MDC	DRG	ZZV	MDC	DRG	ZZV	MDC	DRG			
8r431.37	05	F01A, F01B, F01D, F14A, F14B, F15Z, F24A, F24B, F28A, F36A, F36B, F54Z, F59A, F59B	8r431.3d	05	F01A, F01B, F01D, F14A, F14B, F15Z, F24A, F24B, F28A, F36A, F36B, F54Z, F59A, F59B	8r431.3k↔		BOP, UOP4			
	09	J03A, J03B, J04A, J04B, J08A, J08B, J08C, J11A, J11B, J16Z		09	J03A, J03B, J04A, J04B, J08A, J08B, J08C, J11A, J11B, J16Z		01	B04A, B04B, B04C, B04D			
	10	K09A, K09B		10	K09A, K09B		05	F01A, F01B, F01D, F14A, F14B, F15Z, F24A, F24B, F28A, F36A, F36B, F54Z, F59A, F59B			
	21A	W04A, W04B		21A	W04A, W04B		09	J03A, J03B, J04A, J04B, J08A, J08B, J08C, J11A, J11B, J16Z			
	21B	X06A, X06B, X06C		21B	X04Z, X05A, X05B, X06A, X06B, X06C		10	K09A, K09B			
8r431.38↔	05	F01A, F01B, F01D, F14A, F14B, F15Z, F24A, F24B, F28A, F36A, F36B, F54Z, F59A, F59B	8r431.3e	05	F01A, F01B, F01D, F14A, F14B, F15Z, F24A, F24B, F28A, F36A, F36B, F54Z, F59A, F59B	8r431.3m↔	21A	W04A, W04B			
	09	J03A, J03B, J04A, J04B, J08A, J08B, J08C, J11A, J11B, J16Z		09	J03A, J03B, J04A, J04B, J08A, J08B, J08C, J11A, J11B, J16Z		21B	X06A, X06B, X06C			
	10	K09A, K09B		10	K09A, K09B			BOP, UOP4			
	21A	W04A, W04B		21A	W04A, W04B		01	B04A, B04B, B04C, B04D			
	21B	X06A, X06B, X06C		21B	X04Z, X05A, X05B, X06A, X06B, X06C		05	F01A, F01B, F01D, F14A, F14B, F15Z, F24A, F24B, F28A, F36A, F36B, F54Z, F59A, F59B			
8r431.39↔	05	F01A, F01B, F01D, F14A, F14B, F15Z, F24A, F24B, F28A, F36A, F36B, F54Z, F59A, F59B	8r431.3f	05	F01A, F01B, F01D, F14A, F14B, F15Z, F24A, F24B, F28A, F36A, F36B, F54Z, F59A, F59B	8r431.3n↔	09	J03A, J03B, J04A, J04B, J08A, J08B, J08C, J11A, J11B, J16Z			
	09	J03A, J03B, J04A, J04B, J08A, J08B, J08C, J11A, J11B, J16Z		09	J03A, J03B, J04A, J04B, J08A, J08B, J08C, J11A, J11B, J16Z		10	K09A, K09B			
	10	K09A, K09B		10	K09A, K09B		21A	W04A, W04B			
	21A	W04A, W04B		21A	W04A, W04B		21B	X06A, X06B, X06C			
	21B	X06A, X06B, X06C		21B	X04Z, X05A, X05B, X06A, X06B, X06C			BOP, UOP4			
8r431.3a	05	F01A, F01B, F01D, F14A, F14B, F15Z, F24A, F24B, F28A, F36A, F36B, F54Z, F59A, F59B	8r431.3g	05	F01A, F01B, F01D, F14A, F14B, F15Z, F24A, F24B, F28A, F36A, F36B, F54Z, F59A, F59B	8r431.3x↔	01	B04A, B04B, B04C, B04D			
	06	G10Z, G12A, G12B		06	G10Z, G12A, G12B		05	F01A, F01B, F01D, F14A, F14B, F15Z, F24A, F24B, F28A, F36A, F36B, F54Z, F59A, F59B			
	09	J03A, J03B, J04A, J04B, J08A, J08B, J08C, J11A, J11B, J16Z		09	J03A, J03B, J04A, J04B, J08A, J08B, J08C, J11A, J11B, J16Z		09	J03A, J03B, J04A, J04B, J08A, J08B, J08C, J11A, J11B, J16Z			
	10	K09A, K09B		10	K09A, K09B		10	K09A, K09B			
	11	L09A, L09B, L09C, L09D, L38Z		11	L09A, L09B, L09C, L09D, L38Z		21A	W04A, W04B			
	21A	W04A, W04B		21A	W04A, W04B		21B	X06A, X06B, X06C			
	21B	X06A, X06B, X06C		21B	X06A, X06B, X06C			BOP, UOP4			
	8r431.3b↔	05		F01A, F01B, F01D, F14A, F14B, F15Z, F24A, F24B, F28A, F36A, F36B, F54Z, F59A, F59B	8r431.3h↔		01	B04A, B04B, B04C, B04D	8r431.40	01	B02A, B02B, B02C, B20A, B20B, B20C, B20D, B20E, B39A, B39B
		09		J03A, J03B, J04A, J04B, J08A, J08B, J08C, J11A, J11B, J16Z			05	F01A, F01B, F01D, F14A, F14B, F15Z, F24A, F24B, F28A, F36A, F36B, F54Z, F59A, F59B		05	F01A, F01B, F01D, F14A, F14B, F15Z, F24A, F24B, F28A, F36A, F36B, F54Z, F59A, F59B
		10		K09A, K09B			09	J03A, J03B, J04A, J04B, J08A, J08B, J08C, J11A, J11B, J16Z		09	J03A, J03B, J04A, J04B, J08A, J08B, J08C, J11A, J11B, J16Z
		21A		W04A, W04B			10	K09A, K09B		10	K09A, K09B
21B		X04Z, X06A, X06B, X06C	21A	W04A, W04B		21A	W04A, W04B				
8r431.3c↔	05	F01A, F01B, F01D, F14A, F14B, F15Z, F24A, F24B, F28A, F36A, F36B, F54Z, F59A, F59B	8r431.3j↔	01	B04A, B04B, B04C, B04D	8r431.42↔	21B	X06A, X06B, X06C			
	09	J03A, J03B, J04A, J04B, J08A, J08B, J08C, J11A, J11B, J16Z		05	F01A, F01B, F01D, F14A, F14B, F15Z, F24A, F24B, F28A, F36A, F36B, F54Z, F59A, F59B		05	F01A, F01B, F01D, F14A, F14B, F15Z, F24A, F24B, F28A, F36A, F36B, F54Z, F59A, F59B			
	10	K09A, K09B		09	J03A, J03B, J04A, J04B, J08A, J08B, J08C, J11A, J11B, J16Z		09	J03A, J03B, J04A, J04B, J08A, J08B, J08C, J11A, J11B, J16Z			
	21A	W04A, W04B		10	K09A, K09B		10	K09A, K09B			
	21B	X04Z, X06A, X06B, X06C		21A	W04A, W04B		21A	W04A, W04B			

VYK

ZZV	MDC	DRG	ZZV	MDC	DRG	ZZV	MDC	DRG
8r431.43↔	05	F01A, F01B, F01D, F14A, F14B, F15Z, F24A, F24B, F28A, F36A, F36B, F54Z, F59A, F59B	8r431.4a	05	F01A, F01B, F01D, F14A, F14B, F15Z, F24A, F24B, F28A, F36A, F36B, F54Z, F59A, F59B	8r431.4g	05	F01A, F01B, F01D, F14A, F14B, F15Z, F24A, F24B, F28A, F36A, F36B, F54Z, F59A, F59B
	09	J03A, J03B, J04A, J04B, J08A, J08B, J08C, J11A, J11B, J16Z		06	G10Z, G12A, G12B		06	G10Z, G12A, G12B
	10	K09A, K09B		09	J03A, J03B, J04A, J04B, J08A, J08B, J08C, J11A, J11B, J16Z		09	J03A, J03B, J04A, J04B, J08A, J08B, J08C, J11A, J11B, J16Z
	21A	W04A, W04B		10	K09A, K09B		10	K09A, K09B
	21B	X05A, X05B, X06A, X06B, X06C		11	L09A, L09B, L09C, L09D, L38Z		11	L09A, L09B, L09C, L09D, L38Z
8r431.44	05	F01A, F01B, F01D, F15Z, F19A, F19B, F19C, F24A, F24B, F36A, F36B	8r431.4b↔	21A	W04A, W04B	8r431.4h↔	21A	W04A, W04B
	09	J03A, J03B, J04A, J04B, J08A, J08B, J08C, J11A, J11B, J16Z		21B	X06A, X06B, X06C		21B	X06A, X06B, X06C
	10	K09A, K09B		05	F01A, F01B, F01D, F14A, F14B, F15Z, F24A, F24B, F28A, F36A, F36B, F54Z, F59A, F59B		01	B04A, B04B, B04C, B04D
	21A	W04A, W04B		09	J03A, J03B, J04A, J04B, J08A, J08B, J08C, J11A, J11B, J16Z		05	F01A, F01B, F01D, F14A, F14B, F15Z, F24A, F24B, F28A, F36A, F36B, F54Z, F59A, F59B
	21B	X06A, X06B, X06C		10	K09A, K09B		09	J03A, J03B, J04A, J04B, J08A, J08B, J08C, J11A, J11B, J16Z
8r431.45	05	F01A, F01B, F01D, F15Z, F19A, F19B, F19C, F24A, F24B, F36A, F36B	8r431.4c↔	21A	W04A, W04B	8r431.4j↔	10	K09A, K09B
	09	J03A, J03B, J04A, J04B, J08A, J08B, J08C, J11A, J11B, J16Z		21B	X04Z, X06A, X06B, X06C		21A	W04A, W04B
	10	K09A, K09B		05	F01A, F01B, F01D, F14A, F14B, F15Z, F24A, F24B, F28A, F36A, F36B, F54Z, F59A, F59B		21B	X06A, X06B, X06C
	21A	W04A, W04B		09	J03A, J03B, J04A, J04B, J08A, J08B, J08C, J11A, J11B, J16Z		01	B04A, B04B, B04C, B04D
	21B	X06A, X06B, X06C		10	K09A, K09B		05	F01A, F01B, F01D, F14A, F14B, F15Z, F24A, F24B, F28A, F36A, F36B, F54Z, F59A, F59B
8r431.46	05	F01A, F01B, F01D, F15Z, F19A, F19B, F19C, F24A, F24B, F36A, F36B	8r431.4d	21A	W04A, W04B	8r431.4k↔	09	J03A, J03B, J04A, J04B, J08A, J08B, J08C, J11A, J11B, J16Z
	09	J03A, J03B, J04A, J04B, J08A, J08B, J08C, J11A, J11B, J16Z		21B	X04Z, X06A, X06B, X06C		10	K09A, K09B
	10	K09A, K09B		05	F01A, F01B, F01D, F14A, F14B, F15Z, F24A, F24B, F28A, F36A, F36B, F54Z, F59A, F59B		21A	W04A, W04B
	21A	W04A, W04B		09	J03A, J03B, J04A, J04B, J08A, J08B, J08C, J11A, J11B, J16Z		21B	X06A, X06B, X06C
	21B	X06A, X06B, X06C		10	K09A, K09B		01	B04A, B04B, B04C, B04D
8r431.47	05	F01A, F01B, F01D, F14A, F14B, F15Z, F24A, F24B, F28A, F36A, F36B, F54Z, F59A, F59B	8r431.4e	21A	W04A, W04B	8r431.4m↔	05	F01A, F01B, F01D, F14A, F14B, F15Z, F24A, F24B, F28A, F36A, F36B, F54Z, F59A, F59B
	09	J03A, J03B, J04A, J04B, J08A, J08B, J08C, J11A, J11B, J16Z		21B	X04Z, X05A, X05B, X06A, X06B, X06C		09	J03A, J03B, J04A, J04B, J08A, J08B, J08C, J11A, J11B, J16Z
	10	K09A, K09B		05	F01A, F01B, F01D, F14A, F14B, F15Z, F24A, F24B, F28A, F36A, F36B, F54Z, F59A, F59B		10	K09A, K09B
	21A	W04A, W04B		09	J03A, J03B, J04A, J04B, J08A, J08B, J08C, J11A, J11B, J16Z		21A	W04A, W04B
	21B	X06A, X06B, X06C		10	K09A, K09B		21B	X06A, X06B, X06C
8r431.48↔	05	F01A, F01B, F01D, F14A, F14B, F15Z, F24A, F24B, F28A, F36A, F36B, F54Z, F59A, F59B	8r431.4f	09	J03A, J03B, J04A, J04B, J08A, J08B, J08C, J11A, J11B, J16Z	8r431.4m↔	01	B04A, B04B, B04C, B04D
	09	J03A, J03B, J04A, J04B, J08A, J08B, J08C, J11A, J11B, J16Z		10	K09A, K09B		05	F01A, F01B, F01D, F14A, F14B, F15Z, F24A, F24B, F28A, F36A, F36B, F54Z, F59A, F59B
	10	K09A, K09B		21A	W04A, W04B		09	J03A, J03B, J04A, J04B, J08A, J08B, J08C, J11A, J11B, J16Z
	21A	W04A, W04B		21B	X04Z, X05A, X05B, X06A, X06B, X06C		10	K09A, K09B
	21B	X06A, X06B, X06C		05	F01A, F01B, F01D, F14A, F14B, F15Z, F24A, F24B, F28A, F36A, F36B, F54Z, F59A, F59B		21A	W04A, W04B
8r431.49↔	05	F01A, F01B, F01D, F14A, F14B, F15Z, F24A, F24B, F28A, F36A, F36B, F54Z, F59A, F59B	8r431.4f	09	J03A, J03B, J04A, J04B, J08A, J08B, J08C, J11A, J11B, J16Z	8r431.4m↔	21B	X06A, X06B, X06C
	09	J03A, J03B, J04A, J04B, J08A, J08B, J08C, J11A, J11B, J16Z		10	K09A, K09B		01	B04A, B04B, B04C, B04D
	10	K09A, K09B		21A	W04A, W04B		05	F01A, F01B, F01D, F14A, F14B, F15Z, F24A, F24B, F28A, F36A, F36B, F54Z, F59A, F59B
	21A	W04A, W04B		21B	X04Z, X05A, X05B, X06A, X06B, X06C		09	J03A, J03B, J04A, J04B, J08A, J08B, J08C, J11A, J11B, J16Z
	21B	X06A, X06B, X06C		05	F01A, F01B, F01D, F14A, F14B, F15Z, F24A, F24B, F28A, F36A, F36B, F54Z, F59A, F59B		10	K09A, K09B

ZZV	MDC	DRG	ZZV	MDC	DRG	ZZV	MDC	DRG			
8r431.4n↔		BOP, UOP4	8r431.55	05	F01A, F01B, F01D, F15Z, F19A, F19B, F19C, F24A, F24B, F36A, F36B	8r431.5c↔	05	F01A, F01B, F01D, F14A, F14B, F15Z, F24A, F24B, F28A, F36A, F36B, F54Z, F59A, F59B			
	01	B04A, B04B, B04C, B04D		09	J03A, J03B, J04A, J04B, J08A, J08B, J08C, J11A, J11B, J16Z		09	J03A, J03B, J04A, J04B, J08A, J08B, J08C, J11A, J11B, J16Z			
	05	F01A, F01B, F01D, F14A, F14B, F15Z, F24A, F24B, F28A, F36A, F36B, F54Z, F59A, F59B		10	K09A, K09B		10	K09A, K09B			
	09	J03A, J03B, J04A, J04B, J08A, J08B, J08C, J11A, J11B, J16Z		21A	W04A, W04B		10	K09A, K09B			
	10	K09A, K09B		21B	X06A, X06B, X06C		21A	W04A, W04B			
	21A	W04A, W04B		8r431.56	05		F01A, F01B, F01D, F15Z, F19A, F19B, F19C, F24A, F24B, F36A, F36B	8r431.5d	21B	X04Z, X05A, X05B, X06A, X06B, X06C	
	21B	X06A, X06B, X06C			09		J03A, J03B, J04A, J04B, J08A, J08B, J08C, J11A, J11B, J16Z		05	F01A, F01B, F01D, F14A, F14B, F15Z, F24A, F24B, F28A, F36A, F36B, F54Z, F59A, F59B	
	8r431.4x↔	05			F01A, F01B, F01D, F14A, F14B, F15Z, F24A, F24B, F28A, F36A, F36B, F54Z, F59A, F59B		10		K09A, K09B	09	J03A, J03B, J04A, J04B, J08A, J08B, J08C, J11A, J11B, J16Z
		09			J03A, J03B, J04A, J04B, J08A, J08B, J08C, J11A, J11B, J16Z		21A		W04A, W04B	10	K09A, K09B
		10			K09A, K09B		21B		X06A, X06B, X06C	21A	W04A, W04B
21A		W04A, W04B	8r431.57		05	F01A, F01B, F01D, F14A, F14B, F15Z, F24A, F24B, F28A, F36A, F36B, F54Z, F59A, F59B	8r431.5e		21B	X04Z, X05A, X05B, X06A, X06B, X06C	
21B		X06A, X06B, X06C			09	J03A, J03B, J04A, J04B, J08A, J08B, J08C, J11A, J11B, J16Z			05	F01A, F01B, F01D, F14A, F14B, F15Z, F24A, F24B, F28A, F36A, F36B, F54Z, F59A, F59B	
8r431.50					BOP, KOP, UOP4	10			K09A, K09B	09	J03A, J03B, J04A, J04B, J08A, J08B, J08C, J11A, J11B, J16Z
		01			B02A, B02B, B02C, B20A, B20B, B20C, B20D, B20E, B39A, B39B	21A			W04A, W04B	10	K09A, K09B
		05			F01A, F01B, F01D, F14A, F14B, F15Z, F24A, F24B, F28A, F36A, F36B, F54Z, F59A, F59B	21B			X06A, X06B, X06C	21A	W04A, W04B
		09		J03A, J03B, J04A, J04B, J08A, J08B, J08C, J11A, J11B, J16Z	8r431.58↔	05		F01A, F01B, F01D, F14A, F14B, F15Z, F24A, F24B, F28A, F36A, F36B, F54Z, F59A, F59B	8r431.5f	21B	X04Z, X05A, X05B, X06A, X06B, X06C
		10		K09A, K09B		09		J03A, J03B, J04A, J04B, J08A, J08B, J08C, J11A, J11B, J16Z		05	F01A, F01B, F01D, F14A, F14B, F15Z, F24A, F24B, F28A, F36A, F36B, F54Z, F59A, F59B
	21A	W04A, W04B		10		K09A, K09B		09		J03A, J03B, J04A, J04B, J08A, J08B, J08C, J11A, J11B, J16Z	
	21B	X06A, X06B, X06C, X33Z		21A		W04A, W04B		10		K09A, K09B	
	8r431.52↔	05		F01A, F01B, F01D, F14A, F14B, F15Z, F24A, F24B, F28A, F36A, F36B, F54Z, F59A, F59B		21B		X06A, X06B, X06C		8r431.5g	05
		09	J03A, J03B, J04A, J04B, J08A, J08B, J08C, J11A, J11B, J16Z	8r431.59↔		05	F01A, F01B, F01D, F14A, F14B, F15Z, F24A, F24B, F28A, F36A, F36B, F54Z, F59A, F59B	06			G10Z, G12A, G12B
		10	K09A, K09B			09	J03A, J03B, J04A, J04B, J08A, J08B, J08C, J11A, J11B, J16Z	09			J03A, J03B, J04A, J04B, J08A, J08B, J08C, J11A, J11B, J16Z
21A		W04A, W04B	10			K09A, K09B	10	K09A, K09B			
21B		X06A, X06B, X06C	21A			W04A, W04B	11	L09A, L09B, L09C, L09D, L38Z			
8r431.53↔		05	F01A, F01B, F01D, F14A, F14B, F15Z, F24A, F24B, F28A, F36A, F36B, F54Z, F59A, F59B			8r431.5a	05	F01A, F01B, F01D, F14A, F14B, F15Z, F24A, F24B, F28A, F36A, F36B, F54Z, F59A, F59B			8r431.5h↔
		09	J03A, J03B, J04A, J04B, J08A, J08B, J08C, J11A, J11B, J16Z		06		G10Z, G12A, G12B	01	B04A, B04B, B04C, B04D		
		10	K09A, K09B		09		J03A, J03B, J04A, J04B, J08A, J08B, J08C, J11A, J11B, J16Z	05	F01A, F01B, F01D, F14A, F14B, F15Z, F24A, F24B, F28A, F36A, F36B, F54Z, F59A, F59B		
		21A	W04A, W04B		10		K09A, K09B	09	J03A, J03B, J04A, J04B, J08A, J08B, J08C, J11A, J11B, J16Z		
		21B	X05A, X05B, X06A, X06B, X06C		11		L09A, L09B, L09C, L09D, L38Z	10	K09A, K09B		
	8r431.54	05	F01A, F01B, F01D, F15Z, F19A, F19B, F19C, F24A, F24B, F36A, F36B		8r431.5b↔		21A	W04A, W04B	8r431.5i↔	21A	
		09	J03A, J03B, J04A, J04B, J08A, J08B, J08C, J11A, J11B, J16Z	21B			X06A, X06B, X06C	21B		X06A, X06B, X06C	
		10	K09A, K09B	05			F01A, F01B, F01D, F14A, F14B, F15Z, F24A, F24B, F28A, F36A, F36B, F54Z, F59A, F59B	01		B04A, B04B, B04C, B04D	
		21A	W04A, W04B	09			J03A, J03B, J04A, J04B, J08A, J08B, J08C, J11A, J11B, J16Z	05		F01A, F01B, F01D, F14A, F14B, F15Z, F24A, F24B, F28A, F36A, F36B, F54Z, F59A, F59B	
		21B	X06A, X06B, X06C	10			K09A, K09B	09		J03A, J03B, J04A, J04B, J08A, J08B, J08C, J11A, J11B, J16Z	
			21A	W04A, W04B		10	K09A, K09B				
			21B	X04Z, X06A, X06B, X06C		21A	W04A, W04B				
						21B	X06A, X06B, X06C				

Príloha B: Index Výkon-MDC-DRG

ZZV	MDC	DRG	ZZV	MDC	DRG	ZZV	MDC	DRG			
8r431.5j↔		BOP, UOP4	8r431.60		BOP, KOP, UOP4	8r431.67	05	F01A, F01B, F01D, F14A, F14B, F15Z, F24A, F24B, F28A, F36A, F36B, F54Z, F59A, F59B			
	01	B04A, B04B, B04C, B04D		01	B02A, B02B, B02C, B20A, B20B, B20C, B20D, B20E, B39A, B39B		09	J03A, J03B, J04A, J04B, J08A, J08B, J08C, J11A, J11B, J16Z			
	05	F01A, F01B, F01D, F14A, F14B, F15Z, F24A, F24B, F28A, F36A, F36B, F54Z, F59A, F59B		05	F01A, F01B, F01D, F14A, F14B, F15Z, F24A, F24B, F28A, F36A, F36B, F54Z, F59A, F59B		10	K09A, K09B			
	09	J03A, J03B, J04A, J04B, J08A, J08B, J08C, J11A, J11B, J16Z		09	J03A, J03B, J04A, J04B, J08A, J08B, J08C, J11A, J11B, J16Z		21A	W04A, W04B			
	10	K09A, K09B		10	K09A, K09B		21B	X06A, X06B, X06C			
	21A	W04A, W04B		21A	W04A, W04B		8r431.68↔	05	F01A, F01B, F01D, F14A, F14B, F15Z, F24A, F24B, F28A, F36A, F36B, F54Z, F59A, F59B		
	21B	X06A, X06B, X06C		21B	X06A, X06B, X06C, X33Z			09	J03A, J03B, J04A, J04B, J08A, J08B, J08C, J11A, J11B, J16Z		
	8r431.5k↔			BOP, UOP4	8r431.62↔			F01A, F01B, F01D, F14A, F14B, F15Z, F24A, F24B, F28A, F36A, F36B, F54Z, F59A, F59B	8r431.69↔	05	F01A, F01B, F01D, F14A, F14B, F15Z, F24A, F24B, F28A, F36A, F36B, F54Z, F59A, F59B
		01		B04A, B04B, B04C, B04D			05	F01A, F01B, F01D, F14A, F14B, F15Z, F24A, F24B, F28A, F36A, F36B, F54Z, F59A, F59B		10	K09A, K09B
		05		F01A, F01B, F01D, F14A, F14B, F15Z, F24A, F24B, F28A, F36A, F36B, F54Z, F59A, F59B			09	J03A, J03B, J04A, J04B, J08A, J08B, J08C, J11A, J11B, J16Z		21A	W04A, W04B
09		J03A, J03B, J04A, J04B, J08A, J08B, J08C, J11A, J11B, J16Z	09	J03A, J03B, J04A, J04B, J08A, J08B, J08C, J11A, J11B, J16Z		21B	X06A, X06B, X06C				
10		K09A, K09B	10	K09A, K09B		8r431.6a	05	F01A, F01B, F01D, F14A, F14B, F15Z, F24A, F24B, F28A, F36A, F36B, F54Z, F59A, F59B			
21A		W04A, W04B	21A	W04A, W04B			06	G10Z, G12A, G12B			
21B		X06A, X06B, X06C	21B	X06A, X06B, X06C		09	J03A, J03B, J04A, J04B, J08A, J08B, J08C, J11A, J11B, J16Z				
8r431.5m↔			BOP, UOP4	8r431.63↔			F01A, F01B, F01D, F14A, F14B, F15Z, F24A, F24B, F28A, F36A, F36B, F54Z, F59A, F59B	8r431.6b↔		05	F01A, F01B, F01D, F14A, F14B, F15Z, F24A, F24B, F28A, F36A, F36B, F54Z, F59A, F59B
		01	B04A, B04B, B04C, B04D			05	F01A, F01B, F01D, F14A, F14B, F15Z, F24A, F24B, F28A, F36A, F36B, F54Z, F59A, F59B			09	J03A, J03B, J04A, J04B, J08A, J08B, J08C, J11A, J11B, J16Z
		05	F01A, F01B, F01D, F14A, F14B, F15Z, F24A, F24B, F28A, F36A, F36B, F54Z, F59A, F59B			09	J03A, J03B, J04A, J04B, J08A, J08B, J08C, J11A, J11B, J16Z			10	K09A, K09B
	09	J03A, J03B, J04A, J04B, J08A, J08B, J08C, J11A, J11B, J16Z	09		J03A, J03B, J04A, J04B, J08A, J08B, J08C, J11A, J11B, J16Z	11	L09A, L09B, L09C, L09D, L38Z				
	10	K09A, K09B	10		K09A, K09B	21A	W04A, W04B				
	21A	W04A, W04B	21A		W04A, W04B	21B	X06A, X06B, X06C				
	21B	X06A, X06B, X06C	21B		X06A, X06B, X06C	8r431.6c↔	05		F01A, F01B, F01D, F14A, F14B, F15Z, F24A, F24B, F28A, F36A, F36B, F54Z, F59A, F59B		
	8r431.5n↔		BOP, UOP4		8r431.64				F01A, F01B, F01D, F15Z, F19A, F19B, F19C, F24A, F24B, F36A, F36B	8r431.6c↔	09
		01	B04A, B04B, B04C, B04D			05	F01A, F01B, F01D, F15Z, F19A, F19B, F19C, F24A, F24B, F36A, F36B		09		J03A, J03B, J04A, J04B, J08A, J08B, J08C, J11A, J11B, J16Z
		05	F01A, F01B, F01D, F14A, F14B, F15Z, F24A, F24B, F28A, F36A, F36B, F54Z, F59A, F59B			09	J03A, J03B, J04A, J04B, J08A, J08B, J08C, J11A, J11B, J16Z		10		K09A, K09B
09		J03A, J03B, J04A, J04B, J08A, J08B, J08C, J11A, J11B, J16Z	09	J03A, J03B, J04A, J04B, J08A, J08B, J08C, J11A, J11B, J16Z		21A	W04A, W04B				
10		K09A, K09B	10	K09A, K09B		21B	X06A, X06B, X06C				
21A		W04A, W04B	10	K09A, K09B		8r431.66	05	F01A, F01B, F01D, F15Z, F19A, F19B, F19C, F24A, F24B, F36A, F36B			
21B		X06A, X06B, X06C	09	J03A, J03B, J04A, J04B, J08A, J08B, J08C, J11A, J11B, J16Z			09	J03A, J03B, J04A, J04B, J08A, J08B, J08C, J11A, J11B, J16Z			
8r431.5x↔			BOP, UOP4	8r431.65			F01A, F01B, F01D, F15Z, F19A, F19B, F19C, F24A, F24B, F36A, F36B	8r431.6c↔	05		F01A, F01B, F01D, F14A, F14B, F15Z, F24A, F24B, F28A, F36A, F36B, F54Z, F59A, F59B
		01	B04A, B04B, B04C, B04D			05	F01A, F01B, F01D, F15Z, F19A, F19B, F19C, F24A, F24B, F36A, F36B		09		J03A, J03B, J04A, J04B, J08A, J08B, J08C, J11A, J11B, J16Z
		05	F01A, F01B, F01D, F14A, F14B, F15Z, F24A, F24B, F28A, F36A, F36B, F54Z, F59A, F59B			09	J03A, J03B, J04A, J04B, J08A, J08B, J08C, J11A, J11B, J16Z		10		K09A, K09B
	09	J03A, J03B, J04A, J04B, J08A, J08B, J08C, J11A, J11B, J16Z	09		J03A, J03B, J04A, J04B, J08A, J08B, J08C, J11A, J11B, J16Z	21A	W04A, W04B				
	10	K09A, K09B	10		K09A, K09B	21B	X04Z, X06A, X06B, X06C				
	21A	W04A, W04B	10		K09A, K09B	8r431.6c↔	05		F01A, F01B, F01D, F14A, F14B, F15Z, F24A, F24B, F28A, F36A, F36B, F54Z, F59A, F59B		
	21B	X06A, X06B, X06C	09		J03A, J03B, J04A, J04B, J08A, J08B, J08C, J11A, J11B, J16Z		09		J03A, J03B, J04A, J04B, J08A, J08B, J08C, J11A, J11B, J16Z		
	8r431.5x↔		BOP, UOP4		8r431.66		F01A, F01B, F01D, F15Z, F19A, F19B, F19C, F24A, F24B, F36A, F36B		8r431.6c↔	10	K09A, K09B
		01	B04A, B04B, B04C, B04D			05	F01A, F01B, F01D, F15Z, F19A, F19B, F19C, F24A, F24B, F36A, F36B			21A	W04A, W04B
		05	F01A, F01B, F01D, F14A, F14B, F15Z, F24A, F24B, F28A, F36A, F36B, F54Z, F59A, F59B			09	J03A, J03B, J04A, J04B, J08A, J08B, J08C, J11A, J11B, J16Z			21B	X06A, X06B, X06C
09		J03A, J03B, J04A, J04B, J08A, J08B, J08C, J11A, J11B, J16Z	09	J03A, J03B, J04A, J04B, J08A, J08B, J08C, J11A, J11B, J16Z		8r431.6c↔	05	F01A, F01B, F01D, F14A, F14B, F15Z, F24A, F24B, F28A, F36A, F36B, F54Z, F59A, F59B			
10		K09A, K09B	10	K09A, K09B			09	J03A, J03B, J04A, J04B, J08A, J08B, J08C, J11A, J11B, J16Z			
21A		W04A, W04B	10	K09A, K09B		10	K09A, K09B				
21B		X06A, X06B, X06C	21A	W04A, W04B		21A	W04A, W04B				
			21B	X06A, X06B, X06C		21B	X04Z, X06A, X06B, X06C				

VYK

ZZV	MDC	DRG	ZZV	MDC	DRG	ZZV	MDC	DRG	
8r431.6d	05	F01A, F01B, F01D, F14A, F14B, F15Z, F24A, F24B, F28A, F36A, F36B, F54Z, F59A, F59B	8r431.6k↔	01	BOP, UOP4	8r432.13↔	05	F01A, F01B, F01D, F14A, F14B, F15Z, F24A, F24B, F28A, F36A, F36B, F54Z, F59A, F59B	
		09			J03A, J03B, J04A, J04B, J08A, J08B, J08C, J11A, J11B, J16Z			09	J03A, J03B, J04A, J04B, J08A, J08B, J08C, J11A, J11B, J16Z
		10			K09A, K09B			10	K09A, K09B
		21A			W04A, W04B			21A	W04A, W04B
		21B			X04Z, X05A, X05B, X06A, X06B, X06C			21B	X05A, X05B, X06A, X06B, X06C
8r431.6e	05	F01A, F01B, F01D, F14A, F14B, F15Z, F24A, F24B, F28A, F36A, F36B, F54Z, F59A, F59B	8r431.6m↔	01	BOP, UOP4	8r432.14	05	F01A, F01B, F01D, F14A, F14B, F15Z, F19A, F19B, F19C, F24A, F24B, F36A, F36B, F54Z	
		09			J03A, J03B, J04A, J04B, J08A, J08B, J08C, J11A, J11B, J16Z			09	J03A, J03B, J04A, J04B, J08A, J08B, J08C, J11A, J11B, J16Z
		10			K09A, K09B			10	K09A, K09B
		21A			W04A, W04B			21A	W04A, W04B
		21B			X04Z, X05A, X05B, X06A, X06B, X06C			21B	X06A, X06B, X06C
8r431.6f	05	F01A, F01B, F01D, F14A, F14B, F15Z, F24A, F24B, F28A, F36A, F36B, F54Z, F59A, F59B	8r431.6n↔	01	BOP, UOP4	8r432.15	05	F01A, F01B, F01D, F14A, F14B, F15Z, F19A, F19B, F19C, F24A, F24B, F36A, F36B, F54Z	
		09			J03A, J03B, J04A, J04B, J08A, J08B, J08C, J11A, J11B, J16Z			09	J03A, J03B, J04A, J04B, J08A, J08B, J08C, J11A, J11B, J16Z
		10			K09A, K09B			10	K09A, K09B
		21A			W04A, W04B			21A	W04A, W04B
		21B			X04Z, X05A, X05B, X06A, X06B, X06C			21B	X06A, X06B, X06C
8r431.6g	05	F01A, F01B, F01D, F14A, F14B, F15Z, F24A, F24B, F28A, F36A, F36B, F54Z, F59A, F59B	8r431.6x↔	01	B04A, B04B, B04C, B04D	8r432.16	05	F01A, F01B, F01D, F14A, F14B, F15Z, F19A, F19B, F19C, F24A, F24B, F36A, F36B, F54Z	
		06			G10Z, G12A, G12B			09	J03A, J03B, J04A, J04B, J08A, J08B, J08C, J11A, J11B, J16Z
		09			J03A, J03B, J04A, J04B, J08A, J08B, J08C, J11A, J11B, J16Z			10	K09A, K09B
		10			K09A, K09B			21A	W04A, W04B
		11			L09A, L09B, L09C, L09D, L38Z			21B	X06A, X06B, X06C
8r431.6h↔	01	BOP, UOP4	8r432.10	01	B02A, B02B, B02C, B02D, B20A, B20B, B20C, B20D, B20E, B39A, B39B	8r432.17	05	F01A, F01B, F01D, F14A, F14B, F15Z, F24A, F24B, F28A, F36A, F36B, F54Z, F59A, F59B	
		05			F01A, F01B, F01D, F14A, F14B, F15Z, F24A, F24B, F28A, F36A, F36B, F54Z, F59A, F59B			09	J03A, J03B, J04A, J04B, J08A, J08B, J08C, J11A, J11B, J16Z
		09			J03A, J03B, J04A, J04B, J08A, J08B, J08C, J11A, J11B, J16Z			10	K09A, K09B
		10			K09A, K09B			21A	W04A, W04B
		21A			W04A, W04B			21B	X06A, X06B, X06C
8r431.6j↔	01	BOP, UOP4	8r432.12↔	05	F01A, F01B, F01D, F14A, F14B, F15Z, F24A, F24B, F28A, F36A, F36B, F54Z, F59A, F59B	8r432.18↔	05	F01A, F01B, F01D, F14A, F14B, F15Z, F24A, F24B, F28A, F36A, F36B, F54Z, F59A, F59B	
		05			F01A, F01B, F01D, F14A, F14B, F15Z, F24A, F24B, F28A, F36A, F36B, F54Z, F59A, F59B			09	J03A, J03B, J04A, J04B, J08A, J08B, J08C, J11A, J11B, J16Z
		09			J03A, J03B, J04A, J04B, J08A, J08B, J08C, J11A, J11B, J16Z			10	K09A, K09B
		10			K09A, K09B			21A	W04A, W04B
		21A			W04A, W04B			21B	X06A, X06B, X06C
8r431.6k↔	01	B04A, B04B, B04C, B04D	8r432.12↔	05	F01A, F01B, F01D, F14A, F14B, F15Z, F24A, F24B, F28A, F36A, F36B, F54Z, F59A, F59B	8r432.19↔	05	F01A, F01B, F01D, F14A, F14B, F15Z, F24A, F24B, F28A, F36A, F36B, F54Z, F59A, F59B	
		05			F01A, F01B, F01D, F14A, F14B, F15Z, F24A, F24B, F28A, F36A, F36B, F54Z, F59A, F59B			09	J03A, J03B, J04A, J04B, J08A, J08B, J08C, J11A, J11B, J16Z
		09			J03A, J03B, J04A, J04B, J08A, J08B, J08C, J11A, J11B, J16Z			10	K09A, K09B
		10			K09A, K09B			21A	W04A, W04B
		21A			W04A, W04B			21B	X06A, X06B, X06C

VYK

ZZV	MDC	DRG	ZZV	MDC	DRG	ZZV	MDC	DRG			
8r432.1a	05	F01A, F01B, F01D, F14A, F14B, F15Z, F24A, F24B, F28A, F36A, F36B, F54Z, F59A, F59B	8r432.1g	05	F01A, F01B, F01D, F14A, F14B, F15Z, F24A, F24B, F28A, F36A, F36B, F54Z, F59A, F59B	8r432.1n↔		BOP, UOP4			
		06			G10Z, G12A, G12B			06	G10Z, G12A, G12B	01	B04A, B04B, B04C, B04D
	09	J03A, J03B, J04A, J04B, J08A, J08B, J08C, J11A, J11B, J16Z		09	J03A, J03B, J04A, J04B, J08A, J08B, J08C, J11A, J11B, J16Z		05	F01A, F01B, F01D, F14A, F14B, F15Z, F24A, F24B, F28A, F36A, F36B, F54Z, F59A, F59B			
	10	K09A, K09B		10	K09A, K09B		09	J03A, J03B, J04A, J04B, J08A, J08B, J08C, J11A, J11B, J16Z			
	11	L09A, L09B, L09C, L09D, L38Z		11	L09A, L09B, L09C, L09D, L38Z		10	K09A, K09B			
	21A	W04A, W04B		21A	W04A, W04B		21A	W04A, W04B			
	21B	X06A, X06B, X06C		21B	X06A, X06B, X06C		21B	X06A, X06B, X06C			
	8r432.1b↔	05		F01A, F01B, F01D, F14A, F14B, F15Z, F24A, F24B, F28A, F36A, F36B, F54Z, F59A, F59B	8r432.1h↔			BOP, UOP4	8r432.1x↔	05	F01A, F01B, F01D, F14A, F14B, F15Z, F24A, F24B, F28A, F36A, F36B, F54Z, F59A, F59B
				09				J03A, J03B, J04A, J04B, J08A, J08B, J08C, J11A, J11B, J16Z			01
		10		K09A, K09B			05	F01A, F01B, F01D, F14A, F14B, F15Z, F24A, F24B, F28A, F36A, F36B, F54Z, F59A, F59B		09	J03A, J03B, J04A, J04B, J08A, J08B, J08C, J11A, J11B, J16Z
21A		W04A, W04B	09	J03A, J03B, J04A, J04B, J08A, J08B, J08C, J11A, J11B, J16Z		10	K09A, K09B				
21B		X04Z, X06A, X06B, X06C	10	K09A, K09B		21A	W04A, W04B				
8r432.1c↔		05	F01A, F01B, F01D, F14A, F14B, F15Z, F24A, F24B, F28A, F36A, F36B, F54Z, F59A, F59B	8r432.1j↔			BOP, UOP4	8r432.20		01	B02A, B02B, B02C, B02D, B20A, B20B, B20C, B20D, B20E, B39A, B39B
			09				J03A, J03B, J04A, J04B, J08A, J08B, J08C, J11A, J11B, J16Z				05
		10	K09A, K09B			09	J03A, J03B, J04A, J04B, J08A, J08B, J08C, J11A, J11B, J16Z			10	K09A, K09B
		21A	W04A, W04B			10	K09A, K09B			21A	W04A, W04B
		21B	X04Z, X06A, X06B, X06C			21A	W04A, W04B			21B	X06A, X06B, X06C
	8r432.1d	05	F01A, F01B, F01D, F14A, F14B, F15Z, F24A, F24B, F28A, F36A, F36B, F54Z, F59A, F59B		8r432.1k↔		BOP, UOP4		8r432.22↔	05	F01A, F01B, F01D, F14A, F14B, F15Z, F24A, F24B, F28A, F36A, F36B, F54Z, F59A, F59B
			09				J03A, J03B, J04A, J04B, J08A, J08B, J08C, J11A, J11B, J16Z				01
		10	K09A, K09B			05	F01A, F01B, F01D, F14A, F14B, F15Z, F24A, F24B, F28A, F36A, F36B, F54Z, F59A, F59B			10	K09A, K09B
		21A	W04A, W04B			09	J03A, J03B, J04A, J04B, J08A, J08B, J08C, J11A, J11B, J16Z			21A	W04A, W04B
		21B	X04Z, X05A, X05B, X06A, X06B, X06C			10	K09A, K09B			21B	X06A, X06B, X06C
8r432.1e		05	F01A, F01B, F01D, F14A, F14B, F15Z, F24A, F24B, F28A, F36A, F36B, F54Z, F59A, F59B	8r432.1m↔			BOP, UOP4	8r432.23↔		05	F01A, F01B, F01D, F14A, F14B, F15Z, F24A, F24B, F28A, F36A, F36B, F54Z, F59A, F59B
			09				J03A, J03B, J04A, J04B, J08A, J08B, J08C, J11A, J11B, J16Z				01
		10	K09A, K09B			05	F01A, F01B, F01D, F14A, F14B, F15Z, F24A, F24B, F28A, F36A, F36B, F54Z, F59A, F59B			10	K09A, K09B
		21A	W04A, W04B			09	J03A, J03B, J04A, J04B, J08A, J08B, J08C, J11A, J11B, J16Z			21A	W04A, W04B
		21B	X04Z, X05A, X05B, X06A, X06B, X06C			10	K09A, K09B			21B	X06A, X06B, X06C
	8r432.1f	05	F01A, F01B, F01D, F14A, F14B, F15Z, F24A, F24B, F28A, F36A, F36B, F54Z, F59A, F59B				BOP, UOP4		8r432.24	05	F01A, F01B, F01D, F15Z, F19A, F19B, F19C, F24A, F24B, F36A, F36B
			09				J03A, J03B, J04A, J04B, J08A, J08B, J08C, J11A, J11B, J16Z				01
		10	K09A, K09B			05	F01A, F01B, F01D, F14A, F14B, F15Z, F24A, F24B, F28A, F36A, F36B, F54Z, F59A, F59B			10	K09A, K09B
		21A	W04A, W04B			09	J03A, J03B, J04A, J04B, J08A, J08B, J08C, J11A, J11B, J16Z			21A	W04A, W04B
		21B	X04Z, X05A, X05B, X06A, X06B, X06C			10	K09A, K09B			21B	X06A, X06B, X06C

ZZV	MDC	DRG	ZZV	MDC	DRG	ZZV	MDC	DRG
8r432.25	05	F01A, F01B, F01D, F15Z, F19A, F19B, F19C, F24A, F24B, F36A, F36B	8r432.2c↔	05	F01A, F01B, F01D, F14A, F14B, F15Z, F24A, F24B, F28A, F36A, F36B, F54Z, F59A, F59B	8r432.2j↔		BOP, UOP4
	09	J03A, J03B, J04A, J04B, J08A, J08B, J08C, J11A, J11B, J16Z		09	J03A, J03B, J04A, J04B, J08A, J08B, J08C, J11A, J11B, J16Z		01	B04A, B04B, B04C, B04D
	10	K09A, K09B		10	K09A, K09B		05	F01A, F01B, F01D, F14A, F14B, F15Z, F24A, F24B, F28A, F36A, F36B, F54Z, F59A, F59B
	21A	W04A, W04B		21A	W04A, W04B		09	J03A, J03B, J04A, J04B, J08A, J08B, J08C, J11A, J11B, J16Z
	21B	X06A, X06B, X06C		21B	X04Z, X06A, X06B, X06C		10	K09A, K09B
8r432.26	05	F01A, F01B, F01D, F15Z, F19A, F19B, F19C, F24A, F24B, F36A, F36B	8r432.2d	05	F01A, F01B, F01D, F14A, F14B, F15Z, F24A, F24B, F28A, F36A, F36B, F54Z, F59A, F59B	8r432.2k↔	21A	W04A, W04B
	09	J03A, J03B, J04A, J04B, J08A, J08B, J08C, J11A, J11B, J16Z		09	J03A, J03B, J04A, J04B, J08A, J08B, J08C, J11A, J11B, J16Z		21B	X06A, X06B, X06C
	10	K09A, K09B		10	K09A, K09B		01	B04A, B04B, B04C, B04D
	21A	W04A, W04B		21A	W04A, W04B		05	F01A, F01B, F01D, F14A, F14B, F15Z, F24A, F24B, F28A, F36A, F36B, F54Z, F59A, F59B
	21B	X06A, X06B, X06C		21B	X04Z, X05A, X05B, X06A, X06B, X06C		09	J03A, J03B, J04A, J04B, J08A, J08B, J08C, J11A, J11B, J16Z
8r432.27	05	F01A, F01B, F01D, F14A, F14B, F15Z, F24A, F24B, F28A, F36A, F36B, F54Z, F59A, F59B	8r432.2e	05	F01A, F01B, F01D, F14A, F14B, F15Z, F24A, F24B, F28A, F36A, F36B, F54Z, F59A, F59B	8r432.2m↔	21A	W04A, W04B
	09	J03A, J03B, J04A, J04B, J08A, J08B, J08C, J11A, J11B, J16Z		09	J03A, J03B, J04A, J04B, J08A, J08B, J08C, J11A, J11B, J16Z		21B	X06A, X06B, X06C
	10	K09A, K09B		10	K09A, K09B		BOP, UOP4	
	21A	W04A, W04B		21A	W04A, W04B		01	B04A, B04B, B04C, B04D
	21B	X06A, X06B, X06C		21B	X04Z, X05A, X05B, X06A, X06B, X06C		05	F01A, F01B, F01D, F14A, F14B, F15Z, F24A, F24B, F28A, F36A, F36B, F54Z, F59A, F59B
8r432.28↔	05	F01A, F01B, F01D, F14A, F14B, F15Z, F24A, F24B, F28A, F36A, F36B, F54Z, F59A, F59B	8r432.2f	05	F01A, F01B, F01D, F14A, F14B, F15Z, F24A, F24B, F28A, F36A, F36B, F54Z, F59A, F59B	8r432.2n↔	09	J03A, J03B, J04A, J04B, J08A, J08B, J08C, J11A, J11B, J16Z
	09	J03A, J03B, J04A, J04B, J08A, J08B, J08C, J11A, J11B, J16Z		09	J03A, J03B, J04A, J04B, J08A, J08B, J08C, J11A, J11B, J16Z		10	K09A, K09B
	10	K09A, K09B		10	K09A, K09B		21A	W04A, W04B
	21A	W04A, W04B		21A	W04A, W04B		21B	X06A, X06B, X06C
	21B	X06A, X06B, X06C		21B	X04Z, X05A, X05B, X06A, X06B, X06C		BOP, UOP4	
8r432.29↔	05	F01A, F01B, F01D, F14A, F14B, F15Z, F24A, F24B, F28A, F36A, F36B, F54Z, F59A, F59B	8r432.2g	05	F01A, F01B, F01D, F14A, F14B, F15Z, F24A, F24B, F28A, F36A, F36B, F54Z, F59A, F59B	8r432.2x↔	01	B04A, B04B, B04C, B04D
	09	J03A, J03B, J04A, J04B, J08A, J08B, J08C, J11A, J11B, J16Z		09	J03A, J03B, J04A, J04B, J08A, J08B, J08C, J11A, J11B, J16Z		05	F01A, F01B, F01D, F14A, F14B, F15Z, F24A, F24B, F28A, F36A, F36B, F54Z, F59A, F59B
	10	K09A, K09B		10	K09A, K09B		09	J03A, J03B, J04A, J04B, J08A, J08B, J08C, J11A, J11B, J16Z
	21A	W04A, W04B		11	L09A, L09B, L09C, L09D, L38Z		10	K09A, K09B
	21B	X06A, X06B, X06C		21A	W04A, W04B		21A	W04A, W04B
8r432.2a	05	F01A, F01B, F01D, F14A, F14B, F15Z, F24A, F24B, F28A, F36A, F36B, F54Z, F59A, F59B	8r432.2h↔	05	F01A, F01B, F01D, F14A, F14B, F15Z, F24A, F24B, F28A, F36A, F36B, F54Z, F59A, F59B	8r432.2y↔	21B	X06A, X06B, X06C
	06	G10Z, G12A, G12B		06	G10Z, G12A, G12B		05	F01A, F01B, F01D, F14A, F14B, F15Z, F24A, F24B, F28A, F36A, F36B, F54Z, F59A, F59B
	09	J03A, J03B, J04A, J04B, J08A, J08B, J08C, J11A, J11B, J16Z		09	J03A, J03B, J04A, J04B, J08A, J08B, J08C, J11A, J11B, J16Z		09	J03A, J03B, J04A, J04B, J08A, J08B, J08C, J11A, J11B, J16Z
	10	K09A, K09B		10	K09A, K09B		10	K09A, K09B
	11	L09A, L09B, L09C, L09D, L38Z		21A	W04A, W04B		21A	W04A, W04B
8r432.2b↔	21A	W04A, W04B	8r432.2i↔	01	B04A, B04B, B04C, B04D	8r432.2z↔	21B	X06A, X06B, X06C
	21B	X06A, X06B, X06C		05	F01A, F01B, F01D, F14A, F14B, F15Z, F24A, F24B, F28A, F36A, F36B, F54Z, F59A, F59B		05	F01A, F01B, F01D, F14A, F14B, F15Z, F24A, F24B, F28A, F36A, F36B, F54Z, F59A, F59B
	05	F01A, F01B, F01D, F14A, F14B, F15Z, F24A, F24B, F28A, F36A, F36B, F54Z, F59A, F59B		09	J03A, J03B, J04A, J04B, J08A, J08B, J08C, J11A, J11B, J16Z		09	J03A, J03B, J04A, J04B, J08A, J08B, J08C, J11A, J11B, J16Z
	09	J03A, J03B, J04A, J04B, J08A, J08B, J08C, J11A, J11B, J16Z		10	K09A, K09B		10	K09A, K09B
	10	K09A, K09B		21A	W04A, W04B		21A	W04A, W04B
21A	W04A, W04B	21B	X06A, X06B, X06C	21B	X06A, X06B, X06C			

VYK

ZZV	MDC	DRG	ZZV	MDC	DRG	ZZV	MDC	DRG							
8r432.30	01	BOP, KOP, UOP4	8r432.37	05	F01A, F01B, F01D, F14A, F14B, F15Z, F24A, F24B, F28A, F36A, F36B, F54Z, F59A, F59B	8r432.3d	05	F01A, F01B, F01D, F14A, F14B, F15Z, F24A, F24B, F28A, F36A, F36B, F54Z, F59A, F59B							
		B02A, B02B, B02C, B02D, B20A, B20B, B20C, B20D, B20E, B39A, B39B			09			J03A, J03B, J04A, J04B, J08A, J08B, J08C, J11A, J11B, J16Z	09	J03A, J03B, J04A, J04B, J08A, J08B, J08C, J11A, J11B, J16Z					
	05	F01A, F01B, F01D, F14A, F14B, F15Z, F24A, F24B, F28A, F36A, F36B, F54Z, F59A, F59B		10			K09A, K09B	10		K09A, K09B					
		09			J03A, J03B, J04A, J04B, J08A, J08B, J08C, J11A, J11B, J16Z		21A		W04A, W04B	21A	W04A, W04B				
					21B				X06A, X06B, X06C, X33Z		21B	X04Z, X05A, X05B, X06A, X06B, X06C			
	8r432.32↔	05		F01A, F01B, F01D, F14A, F14B, F15Z, F24A, F24B, F28A, F36A, F36B, F54Z, F59A, F59B	8r432.38↔		05	F01A, F01B, F01D, F14A, F14B, F15Z, F24A, F24B, F28A, F36A, F36B, F54Z, F59A, F59B	8r432.3e	05	F01A, F01B, F01D, F14A, F14B, F15Z, F24A, F24B, F28A, F36A, F36B, F54Z, F59A, F59B				
				09				J03A, J03B, J04A, J04B, J08A, J08B, J08C, J11A, J11B, J16Z			10	K09A, K09B	10	K09A, K09B	
21A			W04A, W04B			21A		W04A, W04B							
			21B					X06A, X06B, X06C				21B		X04Z, X05A, X05B, X06A, X06B, X06C	
8r432.33↔			05	F01A, F01B, F01D, F14A, F14B, F15Z, F24A, F24B, F28A, F36A, F36B, F54Z, F59A, F59B		8r432.39↔		05			F01A, F01B, F01D, F14A, F14B, F15Z, F24A, F24B, F28A, F36A, F36B, F54Z, F59A, F59B	8r432.3f	05	F01A, F01B, F01D, F14A, F14B, F15Z, F24A, F24B, F28A, F36A, F36B, F54Z, F59A, F59B	
	09	J03A, J03B, J04A, J04B, J08A, J08B, J08C, J11A, J11B, J16Z		10	K09A, K09B		10		K09A, K09B						
		21A			W04A, W04B				21A	W04A, W04B					
					21B					X06A, X06B, X06C	21B			X04Z, X05A, X05B, X06A, X06B, X06C	
	8r432.34	05		F01A, F01B, F01D, F15Z, F19A, F19B, F19C, F24A, F24B, F36A, F36B	8r432.3a		06		G10Z, G12A, G12B	8r432.3g	05			F01A, F01B, F01D, F14A, F14B, F15Z, F24A, F24B, F28A, F36A, F36B, F54Z, F59A, F59B	
09			J03A, J03B, J04A, J04B, J08A, J08B, J08C, J11A, J11B, J16Z	10		K09A, K09B		06	G10Z, G12A, G12B						
			10			K09A, K09B	10		K09A, K09B						
						21A			W04A, W04B		11	L09A, L09B, L09C, L09D, L38Z			
8r432.35			05	F01A, F01B, F01D, F15Z, F19A, F19B, F19C, F24A, F24B, F36A, F36B		8r432.3b↔	05	F01A, F01B, F01D, F14A, F14B, F15Z, F24A, F24B, F28A, F36A, F36B, F54Z, F59A, F59B	8r432.3h↔		01	B04A, B04B, B04C, B04D			
				09				J03A, J03B, J04A, J04B, J08A, J08B, J08C, J11A, J11B, J16Z				10	K09A, K09B	05	F01A, F01B, F01D, F14A, F14B, F15Z, F24A, F24B, F28A, F36A, F36B, F54Z, F59A, F59B
								21A					W04A, W04B		21A
	21B	X06A, X06B, X06C			21B					X06A, X06B, X06C					
	8r432.36	05		F01A, F01B, F01D, F15Z, F19A, F19B, F19C, F24A, F24B, F36A, F36B	8r432.3c↔			05		F01A, F01B, F01D, F14A, F14B, F15Z, F24A, F24B, F28A, F36A, F36B, F54Z, F59A, F59B		8r432.3j↔	01	BOP, UOP4	
09			J03A, J03B, J04A, J04B, J08A, J08B, J08C, J11A, J11B, J16Z	10		K09A, K09B	05		F01A, F01B, F01D, F14A, F14B, F15Z, F24A, F24B, F28A, F36A, F36B, F54Z, F59A, F59B						
			10			K09A, K09B			10	K09A, K09B					
						21A				W04A, W04B	21A			W04A, W04B	
			21B	X06A, X06B, X06C		21B	X04Z, X06A, X06B, X06C		21B	X06A, X06B, X06C					

VYK

ZZV	MDC	DRG	ZZV	MDC	DRG	ZZV	MDC	DRG			
8r432.3k↔		BOP, UOP4	8r432.43↔	05	F01A, F01B, F01D, F14A, F14B, F15Z, F24A, F24B, F28A, F36A, F36B, F54Z, F59A, F59B	8r432.4a	05	F01A, F01B, F01D, F14A, F14B, F15Z, F24A, F24B, F28A, F36A, F36B, F54Z, F59A, F59B			
	01	B04A, B04B, B04C, B04D		09	J03A, J03B, J04A, J04B, J08A, J08B, J08C, J11A, J11B, J16Z		06	G10Z, G12A, G12B			
	05	F01A, F01B, F01D, F14A, F14B, F15Z, F24A, F24B, F28A, F36A, F36B, F54Z, F59A, F59B		10	K09A, K09B		09	J03A, J03B, J04A, J04B, J08A, J08B, J08C, J11A, J11B, J16Z			
	09	J03A, J03B, J04A, J04B, J08A, J08B, J08C, J11A, J11B, J16Z		21A	W04A, W04B		10	K09A, K09B			
	10	K09A, K09B		21B	X06A, X06B, X06C		11	L09A, L09B, L09C, L09D, L38Z			
	21A	W04A, W04B		8r432.44	05		F01A, F01B, F01D, F15Z, F19A, F19B, F19C, F24A, F24B, F36A, F36B	21A	W04A, W04B		
	21B	X06A, X06B, X06C			09		J03A, J03B, J04A, J04B, J08A, J08B, J08C, J11A, J11B, J16Z	21B	X06A, X06B, X06C		
	8r432.3m↔				BOP, UOP4		10	K09A, K09B	8r432.4b↔	05	F01A, F01B, F01D, F14A, F14B, F15Z, F24A, F24B, F28A, F36A, F36B, F54Z, F59A, F59B
		01			B04A, B04B, B04C, B04D		21A	W04A, W04B		09	J03A, J03B, J04A, J04B, J08A, J08B, J08C, J11A, J11B, J16Z
		05			F01A, F01B, F01D, F14A, F14B, F15Z, F24A, F24B, F28A, F36A, F36B, F54Z, F59A, F59B		21B	X06A, X06B, X06C		10	K09A, K09B
09		J03A, J03B, J04A, J04B, J08A, J08B, J08C, J11A, J11B, J16Z	8r432.45		05	F01A, F01B, F01D, F15Z, F19A, F19B, F19C, F24A, F24B, F36A, F36B	21A	W04A, W04B			
10		K09A, K09B			09	J03A, J03B, J04A, J04B, J08A, J08B, J08C, J11A, J11B, J16Z	21B	X04Z, X06A, X06B, X06C			
21A		W04A, W04B			10	K09A, K09B	8r432.4c↔	05		F01A, F01B, F01D, F14A, F14B, F15Z, F24A, F24B, F28A, F36A, F36B, F54Z, F59A, F59B	
21B		X06A, X06B, X06C			21A	W04A, W04B		09		J03A, J03B, J04A, J04B, J08A, J08B, J08C, J11A, J11B, J16Z	
8r432.3n↔					BOP, UOP4	21B		X06A, X06B, X06C		10	K09A, K09B
		01		B04A, B04B, B04C, B04D	8r432.46	05		F01A, F01B, F01D, F15Z, F19A, F19B, F19C, F24A, F24B, F36A, F36B		21A	W04A, W04B
		05		F01A, F01B, F01D, F14A, F14B, F15Z, F24A, F24B, F28A, F36A, F36B, F54Z, F59A, F59B		09		J03A, J03B, J04A, J04B, J08A, J08B, J08C, J11A, J11B, J16Z		21B	X04Z, X06A, X06B, X06C
	09	J03A, J03B, J04A, J04B, J08A, J08B, J08C, J11A, J11B, J16Z		10		K09A, K09B		05	F01A, F01B, F01D, F14A, F14B, F15Z, F24A, F24B, F28A, F36A, F36B, F54Z, F59A, F59B		
	10	K09A, K09B		21A		W04A, W04B		09	J03A, J03B, J04A, J04B, J08A, J08B, J08C, J11A, J11B, J16Z		
	21A	W04A, W04B		8r432.47		05		F01A, F01B, F01D, F14A, F14B, F15Z, F24A, F24B, F28A, F36A, F36B, F54Z, F59A, F59B	10	K09A, K09B	
	21B	X06A, X06B, X06C	09			J03A, J03B, J04A, J04B, J08A, J08B, J08C, J11A, J11B, J16Z		21A	W04A, W04B		
	8r432.3x↔	05	F01A, F01B, F01D, F14A, F14B, F15Z, F24A, F24B, F28A, F36A, F36B, F54Z, F59A, F59B			10		K09A, K09B	21B	X04Z, X05A, X05B, X06A, X06B, X06C	
		09	J03A, J03B, J04A, J04B, J08A, J08B, J08C, J11A, J11B, J16Z			21A	W04A, W04B	8r432.4d	05	F01A, F01B, F01D, F14A, F14B, F15Z, F24A, F24B, F28A, F36A, F36B, F54Z, F59A, F59B	
		10	K09A, K09B			21B	X06A, X06B, X06C		09	J03A, J03B, J04A, J04B, J08A, J08B, J08C, J11A, J11B, J16Z	
21A		W04A, W04B	8r432.48↔			05	F01A, F01B, F01D, F14A, F14B, F15Z, F24A, F24B, F28A, F36A, F36B, F54Z, F59A, F59B		10	K09A, K09B	
21B		X06A, X06B, X06C			09	J03A, J03B, J04A, J04B, J08A, J08B, J08C, J11A, J11B, J16Z	21A		W04A, W04B		
8r432.40					BOP, KOP, UOP4	10	K09A, K09B		21B	X04Z, X05A, X05B, X06A, X06B, X06C	
		01			B02A, B02B, B02C, B02D, B20A, B20B, B20C, B20D, B20E, B39A, B39B	21A	W04A, W04B		8r432.4e	05	F01A, F01B, F01D, F14A, F14B, F15Z, F24A, F24B, F28A, F36A, F36B, F54Z, F59A, F59B
		05			F01A, F01B, F01D, F14A, F14B, F15Z, F24A, F24B, F28A, F36A, F36B, F54Z, F59A, F59B	21B	X06A, X06B, X06C			09	J03A, J03B, J04A, J04B, J08A, J08B, J08C, J11A, J11B, J16Z
		09		J03A, J03B, J04A, J04B, J08A, J08B, J08C, J11A, J11B, J16Z	8r432.49↔	05	F01A, F01B, F01D, F14A, F14B, F15Z, F24A, F24B, F28A, F36A, F36B, F54Z, F59A, F59B			10	K09A, K09B
		10		K09A, K09B		09	J03A, J03B, J04A, J04B, J08A, J08B, J08C, J11A, J11B, J16Z			21A	W04A, W04B
	21A	W04A, W04B		10		K09A, K09B	21B			X04Z, X05A, X05B, X06A, X06B, X06C	
	21B	X06A, X06B, X06C, X33Z		21A		W04A, W04B	8r432.4f	05		F01A, F01B, F01D, F14A, F14B, F15Z, F24A, F24B, F28A, F36A, F36B, F54Z, F59A, F59B	
	8r432.42↔	05		F01A, F01B, F01D, F14A, F14B, F15Z, F24A, F24B, F28A, F36A, F36B, F54Z, F59A, F59B		21B		X06A, X06B, X06C		09	J03A, J03B, J04A, J04B, J08A, J08B, J08C, J11A, J11B, J16Z
		09	J03A, J03B, J04A, J04B, J08A, J08B, J08C, J11A, J11B, J16Z	8r432.49↔		05		F01A, F01B, F01D, F14A, F14B, F15Z, F24A, F24B, F28A, F36A, F36B, F54Z, F59A, F59B		10	K09A, K09B
		10	K09A, K09B			09		J03A, J03B, J04A, J04B, J08A, J08B, J08C, J11A, J11B, J16Z		21A	W04A, W04B
21A		W04A, W04B	10			K09A, K09B		21B		X04Z, X05A, X05B, X06A, X06B, X06C	
21B		X06A, X06B, X06C	21A			W04A, W04B					
			21B			X06A, X06B, X06C					

VYK

ZZV	MDC	DRG	ZZV	MDC	DRG	ZZV	MDC	DRG			
8r432.4g	05	F01A, F01B, F01D, F14A, F14B, F15Z, F24A, F24B, F28A, F36A, F36B, F54Z, F59A, F59B	8r432.4n↔	01	BOP, UOP4	8r432.55	05	F01A, F01B, F01D, F15Z, F19A, F19B, F19C, F24A, F24B, F36A, F36B			
		06			G10Z, G12A, G12B			09	J03A, J03B, J04A, J04B, J08A, J08B, J08C, J11A, J11B, J16Z	10	K09A, K09B
	09	J03A, J03B, J04A, J04B, J08A, J08B, J08C, J11A, J11B, J16Z		10	K09A, K09B		21A		W04A, W04B		
	10	K09A, K09B			10			K09A, K09B	21A	W04A, W04B	
	11	L09A, L09B, L09C, L09D, L38Z		10			K09A, K09B	21B		X06A, X06B, X06C	
	21A	W04A, W04B			21A		W04A, W04B		21B	X06A, X06B, X06C	
	21B	X06A, X06B, X06C		21B			X06A, X06B, X06C	21B		X06A, X06B, X06C	
	8r432.4h↔	01			B04A, B04B, B04C, B04D		8r432.4x↔		05	F01A, F01B, F01D, F14A, F14B, F15Z, F24A, F24B, F28A, F36A, F36B, F54Z, F59A, F59B	8r432.56
				05	F01A, F01B, F01D, F14A, F14B, F15Z, F24A, F24B, F28A, F36A, F36B, F54Z, F59A, F59B			09		J03A, J03B, J04A, J04B, J08A, J08B, J08C, J11A, J11B, J16Z	
		09		J03A, J03B, J04A, J04B, J08A, J08B, J08C, J11A, J11B, J16Z	09				J03A, J03B, J04A, J04B, J08A, J08B, J08C, J11A, J11B, J16Z	21A	
		10		K09A, K09B				10	K09A, K09B		
21A		W04A, W04B	10	K09A, K09B	21B	X06A, X06B, X06C					
21B		X06A, X06B, X06C		21B		X06A, X06B, X06C		21B	X06A, X06B, X06C		
8r432.4j↔		01	B04A, B04B, B04C, B04D		8r432.50	01			B02A, B02B, B02C, B02D, B20A, B20B, B20C, B20D, B20E, B39A, B39B	8r432.57	
			05	F01A, F01B, F01D, F14A, F14B, F15Z, F24A, F24B, F28A, F36A, F36B, F54Z, F59A, F59B				09	J03A, J03B, J04A, J04B, J08A, J08B, J08C, J11A, J11B, J16Z		
		09	J03A, J03B, J04A, J04B, J08A, J08B, J08C, J11A, J11B, J16Z	10		K09A, K09B			21A		
		10	K09A, K09B			10		K09A, K09B			
		21A	W04A, W04B	10				K09A, K09B	21B		
	21B	X06A, X06B, X06C	21B			X06A, X06B, X06C	21B	X06A, X06B, X06C			
	8r432.4k↔	01		B04A, B04B, B04C, B04D		8r432.52↔		05	F01A, F01B, F01D, F14A, F14B, F15Z, F24A, F24B, F28A, F36A, F36B, F54Z, F59A, F59B		8r432.58↔
			05	F01A, F01B, F01D, F14A, F14B, F15Z, F24A, F24B, F28A, F36A, F36B, F54Z, F59A, F59B			09		J03A, J03B, J04A, J04B, J08A, J08B, J08C, J11A, J11B, J16Z		
		09	J03A, J03B, J04A, J04B, J08A, J08B, J08C, J11A, J11B, J16Z	10				K09A, K09B	21A		
		10	K09A, K09B				10	K09A, K09B			
		21A	W04A, W04B	10				K09A, K09B	21B		
21B		X06A, X06B, X06C	21B		X06A, X06B, X06C		21B	X06A, X06B, X06C			
8r432.4m↔		01		B04A, B04B, B04C, B04D	8r432.53↔			05	F01A, F01B, F01D, F14A, F14B, F15Z, F24A, F24B, F28A, F36A, F36B, F54Z, F59A, F59B	8r432.59↔	
			05	F01A, F01B, F01D, F14A, F14B, F15Z, F24A, F24B, F28A, F36A, F36B, F54Z, F59A, F59B			09		J03A, J03B, J04A, J04B, J08A, J08B, J08C, J11A, J11B, J16Z		
		09	J03A, J03B, J04A, J04B, J08A, J08B, J08C, J11A, J11B, J16Z	10				K09A, K09B	21A		
		10	K09A, K09B				10	K09A, K09B			
		21A	W04A, W04B	10				K09A, K09B	21B		
	21B	X06A, X06B, X06C	21B			X06A, X06B, X06C	21B	X06A, X06B, X06C			
	8r432.4n↔	01		B04A, B04B, B04C, B04D		8r432.54		05	F01A, F01B, F01D, F15Z, F19A, F19B, F19C, F24A, F24B, F36A, F36B		8r432.5a
			05	F01A, F01B, F01D, F14A, F14B, F15Z, F24A, F24B, F28A, F36A, F36B, F54Z, F59A, F59B			09		J03A, J03B, J04A, J04B, J08A, J08B, J08C, J11A, J11B, J16Z		
		09	J03A, J03B, J04A, J04B, J08A, J08B, J08C, J11A, J11B, J16Z	10				K09A, K09B	21A		
		10	K09A, K09B				10	K09A, K09B			
		21A	W04A, W04B	10				K09A, K09B	21B		
21B		X06A, X06B, X06C	21B		X06A, X06B, X06C		21B	X06A, X06B, X06C			
8r432.4o↔		01		B04A, B04B, B04C, B04D	8r432.55			05	F01A, F01B, F01D, F15Z, F19A, F19B, F19C, F24A, F24B, F36A, F36B	8r432.5b↔	
			05	F01A, F01B, F01D, F14A, F14B, F15Z, F24A, F24B, F28A, F36A, F36B, F54Z, F59A, F59B			09		J03A, J03B, J04A, J04B, J08A, J08B, J08C, J11A, J11B, J16Z		
		09	J03A, J03B, J04A, J04B, J08A, J08B, J08C, J11A, J11B, J16Z	10				K09A, K09B	21A		
		10	K09A, K09B				10	K09A, K09B			
		21A	W04A, W04B	10				K09A, K09B	21B		
	21B	X06A, X06B, X06C	21B			X06A, X06B, X06C	21B	X06A, X06B, X06C			

VYK

ZZV	MDC	DRG	ZZV	MDC	DRG	ZZV	MDC	DRG				
8r432.5c↔	05	F01A, F01B, F01D, F14A, F14B, F15Z, F24A, F24B, F28A, F36A, F36B, F54Z, F59A, F59B	8r432.5j↔	01	BOP, UOP4	8r432.60	01	BOP, KOP, UOP4				
		09			J03A, J03B, J04A, J04B, J08A, J08B, J08C, J11A, J11B, J16Z			05	F01A, F01B, F01D, F14A, F14B, F15Z, F24A, F24B, F28A, F36A, F36B, F54Z, F59A, F59B	05	F01A, F01B, F01D, F14A, F14B, F15Z, F24A, F24B, F28A, F36A, F36B, F54Z, F59A, F59B	
					10			K09A, K09B	09	J03A, J03B, J04A, J04B, J08A, J08B, J08C, J11A, J11B, J16Z	09	J03A, J03B, J04A, J04B, J08A, J08B, J08C, J11A, J11B, J16Z
								21A	W04A, W04B	10	K09A, K09B	10
					21B			X04Z, X06A, X06B, X06C	21A	W04A, W04B	21A	W04A, W04B
8r432.5d	05	F01A, F01B, F01D, F14A, F14B, F15Z, F24A, F24B, F28A, F36A, F36B, F54Z, F59A, F59B	8r432.5k↔	01	BOP, UOP4	8r432.62↔	05	F01A, F01B, F01D, F14A, F14B, F15Z, F24A, F24B, F28A, F36A, F36B, F54Z, F59A, F59B				
		09			J03A, J03B, J04A, J04B, J08A, J08B, J08C, J11A, J11B, J16Z			05	F01A, F01B, F01D, F14A, F14B, F15Z, F24A, F24B, F28A, F36A, F36B, F54Z, F59A, F59B	09	J03A, J03B, J04A, J04B, J08A, J08B, J08C, J11A, J11B, J16Z	
					10			K09A, K09B	09	J03A, J03B, J04A, J04B, J08A, J08B, J08C, J11A, J11B, J16Z	10	K09A, K09B
								21A	W04A, W04B	10	K09A, K09B	21A
					21B			X04Z, X05A, X05B, X06A, X06B, X06C	21B	X06A, X06B, X06C	21B	X06A, X06B, X06C
8r432.5e	05	F01A, F01B, F01D, F14A, F14B, F15Z, F24A, F24B, F28A, F36A, F36B, F54Z, F59A, F59B	8r432.5m↔	01	B04A, B04B, B04C, B04D	8r432.63↔	05	F01A, F01B, F01D, F14A, F14B, F15Z, F24A, F24B, F28A, F36A, F36B, F54Z, F59A, F59B				
		09			J03A, J03B, J04A, J04B, J08A, J08B, J08C, J11A, J11B, J16Z			05	F01A, F01B, F01D, F14A, F14B, F15Z, F24A, F24B, F28A, F36A, F36B, F54Z, F59A, F59B	09	J03A, J03B, J04A, J04B, J08A, J08B, J08C, J11A, J11B, J16Z	
					10			K09A, K09B	09	J03A, J03B, J04A, J04B, J08A, J08B, J08C, J11A, J11B, J16Z	10	K09A, K09B
								21A	W04A, W04B	10	K09A, K09B	21A
					21B			X04Z, X05A, X05B, X06A, X06B, X06C	21B	X06A, X06B, X06C	21B	X06A, X06B, X06C
8r432.5f	05	F01A, F01B, F01D, F14A, F14B, F15Z, F24A, F24B, F28A, F36A, F36B, F54Z, F59A, F59B	8r432.5n↔	01	B04A, B04B, B04C, B04D	8r432.64	05	F01A, F01B, F01D, F15Z, F19A, F19B, F19C, F24A, F24B, F36A, F36B				
		09			J03A, J03B, J04A, J04B, J08A, J08B, J08C, J11A, J11B, J16Z			05	F01A, F01B, F01D, F14A, F14B, F15Z, F24A, F24B, F28A, F36A, F36B, F54Z, F59A, F59B	09	J03A, J03B, J04A, J04B, J08A, J08B, J08C, J11A, J11B, J16Z	
					10			K09A, K09B	09	J03A, J03B, J04A, J04B, J08A, J08B, J08C, J11A, J11B, J16Z	10	K09A, K09B
								21A	W04A, W04B	10	K09A, K09B	21A
					21B			X04Z, X05A, X05B, X06A, X06B, X06C	21B	X06A, X06B, X06C	21B	X06A, X06B, X06C
8r432.5g	05	F01A, F01B, F01D, F14A, F14B, F15Z, F24A, F24B, F28A, F36A, F36B, F54Z, F59A, F59B	8r432.5x↔	01	B04A, B04B, B04C, B04D	8r432.65	05	F01A, F01B, F01D, F15Z, F19A, F19B, F19C, F24A, F24B, F36A, F36B				
		06			G10Z, G12A, G12B			05	F01A, F01B, F01D, F14A, F14B, F15Z, F24A, F24B, F28A, F36A, F36B, F54Z, F59A, F59B	09	J03A, J03B, J04A, J04B, J08A, J08B, J08C, J11A, J11B, J16Z	
					09			J03A, J03B, J04A, J04B, J08A, J08B, J08C, J11A, J11B, J16Z	09	J03A, J03B, J04A, J04B, J08A, J08B, J08C, J11A, J11B, J16Z	10	K09A, K09B
								10	K09A, K09B	09	J03A, J03B, J04A, J04B, J08A, J08B, J08C, J11A, J11B, J16Z	10
					11				L09A, L09B, L09C, L09D, L38Z	10	K09A, K09B	11
8r432.5h↔	01	B04A, B04B, B04C, B04D	8r432.5y↔	01	B04A, B04B, B04C, B04D	8r432.66	05	F01A, F01B, F01D, F15Z, F19A, F19B, F19C, F24A, F24B, F36A, F36B				
		05			F01A, F01B, F01D, F14A, F14B, F15Z, F24A, F24B, F28A, F36A, F36B, F54Z, F59A, F59B			05	F01A, F01B, F01D, F14A, F14B, F15Z, F24A, F24B, F28A, F36A, F36B, F54Z, F59A, F59B	09	J03A, J03B, J04A, J04B, J08A, J08B, J08C, J11A, J11B, J16Z	
					09			J03A, J03B, J04A, J04B, J08A, J08B, J08C, J11A, J11B, J16Z	09	J03A, J03B, J04A, J04B, J08A, J08B, J08C, J11A, J11B, J16Z	10	K09A, K09B
								10	K09A, K09B	10	K09A, K09B	10
					21A				W04A, W04B	21A	W04A, W04B	21A
21B	X06A, X06B, X06C	21B	X06A, X06B, X06C	21B	X06A, X06B, X06C							

VYK

ZZV	MDC	DRG	ZZV	MDC	DRG	ZZV	MDC	DRG			
8r432.67	05	F01A, F01B, F01D, F14A, F14B, F15Z, F24A, F24B, F28A, F36A, F36B, F54Z, F59A, F59B	8r432.6d	05	F01A, F01B, F01D, F14A, F14B, F15Z, F24A, F24B, F28A, F36A, F36B, F54Z, F59A, F59B	8r432.6k↔		BOP, UOP4			
	09	J03A, J03B, J04A, J04B, J08A, J08B, J08C, J11A, J11B, J16Z		09	J03A, J03B, J04A, J04B, J08A, J08B, J08C, J11A, J11B, J16Z		01	B04A, B04B, B04C, B04D			
	10	K09A, K09B		10	K09A, K09B		05	F01A, F01B, F01D, F14A, F14B, F15Z, F24A, F24B, F28A, F36A, F36B, F54Z, F59A, F59B			
	21A	W04A, W04B		21A	W04A, W04B		09	J03A, J03B, J04A, J04B, J08A, J08B, J08C, J11A, J11B, J16Z			
	21B	X06A, X06B, X06C		21B	X04Z, X05A, X05B, X06A, X06B, X06C		10	K09A, K09B			
8r432.68↔	05	F01A, F01B, F01D, F14A, F14B, F15Z, F24A, F24B, F28A, F36A, F36B, F54Z, F59A, F59B	8r432.6e	05	F01A, F01B, F01D, F14A, F14B, F15Z, F24A, F24B, F28A, F36A, F36B, F54Z, F59A, F59B	8r432.6m↔	21A	W04A, W04B			
	09	J03A, J03B, J04A, J04B, J08A, J08B, J08C, J11A, J11B, J16Z		09	J03A, J03B, J04A, J04B, J08A, J08B, J08C, J11A, J11B, J16Z		21B	X06A, X06B, X06C			
	10	K09A, K09B		10	K09A, K09B			BOP, UOP4			
	21A	W04A, W04B		21A	W04A, W04B		01	B04A, B04B, B04C, B04D			
	21B	X06A, X06B, X06C		21B	X04Z, X05A, X05B, X06A, X06B, X06C		05	F01A, F01B, F01D, F14A, F14B, F15Z, F24A, F24B, F28A, F36A, F36B, F54Z, F59A, F59B			
8r432.69↔	05	F01A, F01B, F01D, F14A, F14B, F15Z, F24A, F24B, F28A, F36A, F36B, F54Z, F59A, F59B	8r432.6f	05	F01A, F01B, F01D, F14A, F14B, F15Z, F24A, F24B, F28A, F36A, F36B, F54Z, F59A, F59B	8r432.6n↔	09	J03A, J03B, J04A, J04B, J08A, J08B, J08C, J11A, J11B, J16Z			
	09	J03A, J03B, J04A, J04B, J08A, J08B, J08C, J11A, J11B, J16Z		09	J03A, J03B, J04A, J04B, J08A, J08B, J08C, J11A, J11B, J16Z		10	K09A, K09B			
	10	K09A, K09B		10	K09A, K09B		21A	W04A, W04B			
	21A	W04A, W04B		21A	W04A, W04B		21B	X06A, X06B, X06C			
	21B	X06A, X06B, X06C		21B	X04Z, X05A, X05B, X06A, X06B, X06C			BOP, UOP4			
8r432.6a	05	F01A, F01B, F01D, F14A, F14B, F15Z, F24A, F24B, F28A, F36A, F36B, F54Z, F59A, F59B	8r432.6g	05	F01A, F01B, F01D, F14A, F14B, F15Z, F24A, F24B, F28A, F36A, F36B, F54Z, F59A, F59B	8r432.6x↔	01	B04A, B04B, B04C, B04D			
	06	G10Z, G12A, G12B		06	G10Z, G12A, G12B		05	F01A, F01B, F01D, F14A, F14B, F15Z, F24A, F24B, F28A, F36A, F36B, F54Z, F59A, F59B			
	09	J03A, J03B, J04A, J04B, J08A, J08B, J08C, J11A, J11B, J16Z		09	J03A, J03B, J04A, J04B, J08A, J08B, J08C, J11A, J11B, J16Z		09	J03A, J03B, J04A, J04B, J08A, J08B, J08C, J11A, J11B, J16Z			
	10	K09A, K09B		10	K09A, K09B		10	K09A, K09B			
	11	L09A, L09B, L09C, L09D, L38Z		11	L09A, L09B, L09C, L09D, L38Z		21A	W04A, W04B			
	21A	W04A, W04B		21A	W04A, W04B		21B	X06A, X06B, X06C			
	21B	X06A, X06B, X06C		21B	X06A, X06B, X06C			BOP, UOP4			
	8r432.6b↔	05		F01A, F01B, F01D, F14A, F14B, F15Z, F24A, F24B, F28A, F36A, F36B, F54Z, F59A, F59B	8r432.6h↔		01	B04A, B04B, B04C, B04D	8r433.10	01	B02A, B02B, B02C, B02D, B20A, B20B, B20C, B20D, B20E, B39A, B39B
		09		J03A, J03B, J04A, J04B, J08A, J08B, J08C, J11A, J11B, J16Z			05	F01A, F01B, F01D, F14A, F14B, F15Z, F24A, F24B, F28A, F36A, F36B, F54Z, F59A, F59B		05	F01A, F01B, F01D, F14A, F14B, F15Z, F24A, F24B, F28A, F36A, F36B, F54Z, F59A, F59B
		10		K09A, K09B			09	J03A, J03B, J04A, J04B, J08A, J08B, J08C, J11A, J11B, J16Z		09	J03A, J03B, J04A, J04B, J08A, J08B, J08C, J11A, J11B, J16Z
		21A		W04A, W04B			10	K09A, K09B		10	K09A, K09B
21B		X04Z	21A	W04A, W04B		21A	W04A, W04B				
8r432.6c↔	05	F01A, F01B, F01D, F14A, F14B, F15Z, F24A, F24B, F28A, F36A, F36B, F54Z, F59A, F59B	8r432.6j↔	01	B04A, B04B, B04C, B04D	8r433.12↔	21B	X06A, X06B, X06C			
	09	J03A, J03B, J04A, J04B, J08A, J08B, J08C, J11A, J11B, J16Z		05	F01A, F01B, F01D, F14A, F14B, F15Z, F24A, F24B, F28A, F36A, F36B, F54Z, F59A, F59B		05	F01A, F01B, F01D, F14A, F14B, F15Z, F24A, F24B, F28A, F36A, F36B, F54Z, F59A, F59B			
	10	K09A, K09B		09	J03A, J03B, J04A, J04B, J08A, J08B, J08C, J11A, J11B, J16Z		09	J03A, J03B, J04A, J04B, J08A, J08B, J08C, J11A, J11B, J16Z			
	21A	W04A, W04B		10	K09A, K09B		10	K09A, K09B			
	21B	X04Z, X06A, X06B, X06C		21A	W04A, W04B		21A	W04A, W04B			

VYK

ZZV	MDC	DRG	ZZV	MDC	DRG	ZZV	MDC	DRG
8r433.13↔	05	F01A, F01B, F01D, F14A, F14B, F15Z, F24A, F24B, F28A, F36A, F36B, F54Z, F59A, F59B	8r433.1a	05	F01A, F01B, F01D, F14A, F14B, F15Z, F24A, F24B, F28A, F36A, F36B, F54Z, F59A, F59B	8r433.1g	05	F01A, F01B, F01D, F14A, F14B, F15Z, F24A, F24B, F28A, F36A, F36B, F54Z, F59A, F59B
	09	J03A, J03B, J04A, J04B, J08A, J08B, J08C, J11A, J11B, J16Z		06	G10Z, G12A, G12B		06	G10Z, G12A, G12B
	10	K09A, K09B		09	J03A, J03B, J04A, J04B, J08A, J08B, J08C, J11A, J11B, J16Z		09	J03A, J03B, J04A, J04B, J08A, J08B, J08C, J11A, J11B, J16Z
	21A	W04A, W04B		10	K09A, K09B		10	K09A, K09B
	21B	X05A, X05B, X06A, X06B, X06C		11	L09A, L09B, L09C, L09D, L38Z		11	L09A, L09B, L09C, L09D, L38Z
8r433.14	05	F01A, F01B, F01D, F14A, F14B, F15Z, F19A, F19B, F19C, F24A, F24B, F36A, F36B, F54Z	8r433.1b↔	21A	W04A, W04B	8r433.1h↔	21A	W04A, W04B
	09	J03A, J03B, J04A, J04B, J08A, J08B, J08C, J11A, J11B, J16Z		21B	X06A, X06B, X06C		21B	X06A, X06B, X06C
	10	K09A, K09B		05	F01A, F01B, F01D, F14A, F14B, F15Z, F24A, F24B, F28A, F36A, F36B, F54Z, F59A, F59B		01	B04A, B04B, B04C, B04D
	21A	W04A, W04B		09	J03A, J03B, J04A, J04B, J08A, J08B, J08C, J11A, J11B, J16Z		05	F01A, F01B, F01D, F14A, F14B, F15Z, F24A, F24B, F28A, F36A, F36B, F54Z, F59A, F59B
	21B	X06A, X06B, X06C		10	K09A, K09B		09	J03A, J03B, J04A, J04B, J08A, J08B, J08C, J11A, J11B, J16Z
8r433.15	05	F01A, F01B, F01D, F14A, F14B, F15Z, F19A, F19B, F19C, F24A, F24B, F36A, F36B, F54Z	8r433.1c↔	21A	W04A, W04B	8r433.1j↔	10	K09A, K09B
	09	J03A, J03B, J04A, J04B, J08A, J08B, J08C, J11A, J11B, J16Z		21B	X04Z, X06A, X06B, X06C		21A	W04A, W04B
	10	K09A, K09B		05	F01A, F01B, F01D, F14A, F14B, F15Z, F24A, F24B, F28A, F36A, F36B, F54Z, F59A, F59B		21B	X06A, X06B, X06C
	21A	W04A, W04B		09	J03A, J03B, J04A, J04B, J08A, J08B, J08C, J11A, J11B, J16Z		01	B04A, B04B, B04C, B04D
	21B	X06A, X06B, X06C		10	K09A, K09B		05	F01A, F01B, F01D, F14A, F14B, F15Z, F24A, F24B, F28A, F36A, F36B, F54Z, F59A, F59B
8r433.16	05	F01A, F01B, F01D, F14A, F14B, F15Z, F19A, F19B, F19C, F24A, F24B, F36A, F36B, F54Z	8r433.1d	21A	W04A, W04B	8r433.1k↔	09	J03A, J03B, J04A, J04B, J08A, J08B, J08C, J11A, J11B, J16Z
	09	J03A, J03B, J04A, J04B, J08A, J08B, J08C, J11A, J11B, J16Z		21B	X04Z, X06A, X06B, X06C		10	K09A, K09B
	10	K09A, K09B		05	F01A, F01B, F01D, F14A, F14B, F15Z, F24A, F24B, F28A, F36A, F36B, F54Z, F59A, F59B		21A	W04A, W04B
	21A	W04A, W04B		09	J03A, J03B, J04A, J04B, J08A, J08B, J08C, J11A, J11B, J16Z		21B	X06A, X06B, X06C
	21B	X06A, X06B, X06C		10	K09A, K09B		01	B04A, B04B, B04C, B04D
8r433.17	05	F01A, F01B, F01D, F14A, F14B, F15Z, F24A, F24B, F28A, F36A, F36B, F54Z, F59A, F59B	8r433.1e	21A	W04A, W04B	8r433.1m↔	05	F01A, F01B, F01D, F14A, F14B, F15Z, F24A, F24B, F28A, F36A, F36B, F54Z, F59A, F59B
	09	J03A, J03B, J04A, J04B, J08A, J08B, J08C, J11A, J11B, J16Z		21B	X04Z, X05A, X05B, X06A, X06B, X06C		09	J03A, J03B, J04A, J04B, J08A, J08B, J08C, J11A, J11B, J16Z
	10	K09A, K09B		05	F01A, F01B, F01D, F14A, F14B, F15Z, F24A, F24B, F28A, F36A, F36B, F54Z, F59A, F59B		10	K09A, K09B
	21A	W04A, W04B		09	J03A, J03B, J04A, J04B, J08A, J08B, J08C, J11A, J11B, J16Z		21A	W04A, W04B
	21B	X06A, X06B, X06C		10	K09A, K09B		21B	X06A, X06B, X06C
8r433.18↔	05	F01A, F01B, F01D, F14A, F14B, F15Z, F24A, F24B, F28A, F36A, F36B, F54Z, F59A, F59B	8r433.1f	21A	W04A, W04B	8r433.1n↔	01	B04A, B04B, B04C, B04D
	09	J03A, J03B, J04A, J04B, J08A, J08B, J08C, J11A, J11B, J16Z		21B	X04Z, X05A, X05B, X06A, X06B, X06C		05	F01A, F01B, F01D, F14A, F14B, F15Z, F24A, F24B, F28A, F36A, F36B, F54Z, F59A, F59B
	10	K09A, K09B		05	F01A, F01B, F01D, F14A, F14B, F15Z, F24A, F24B, F28A, F36A, F36B, F54Z, F59A, F59B		09	J03A, J03B, J04A, J04B, J08A, J08B, J08C, J11A, J11B, J16Z
	21A	W04A, W04B		09	J03A, J03B, J04A, J04B, J08A, J08B, J08C, J11A, J11B, J16Z		10	K09A, K09B
	21B	X06A, X06B, X06C		10	K09A, K09B		21A	W04A, W04B
8r433.19↔	05	F01A, F01B, F01D, F14A, F14B, F15Z, F24A, F24B, F28A, F36A, F36B, F54Z, F59A, F59B	8r433.1g	21B	X04Z, X05A, X05B, X06A, X06B, X06C	8r433.1o↔	21B	X06A, X06B, X06C
	09	J03A, J03B, J04A, J04B, J08A, J08B, J08C, J11A, J11B, J16Z		10	K09A, K09B		01	B04A, B04B, B04C, B04D
	10	K09A, K09B		21A	W04A, W04B		05	F01A, F01B, F01D, F14A, F14B, F15Z, F24A, F24B, F28A, F36A, F36B, F54Z, F59A, F59B
	21A	W04A, W04B		21B	X06A, X06B, X06C		09	J03A, J03B, J04A, J04B, J08A, J08B, J08C, J11A, J11B, J16Z
	21B	X06A, X06B, X06C		10	K09A, K09B		10	K09A, K09B

VYK

ZZV	MDC	DRG	ZZV	MDC	DRG	ZZV	MDC	DRG			
8r433.1n↔		BOP, UOP4	8r433.25	05	F01A, F01B, F01D, F15Z, F19A, F19B, F19C, F24A, F24B, F36A, F36B	8r433.2c↔	05	F01A, F01B, F01D, F14A, F14B, F15Z, F24A, F24B, F28A, F36A, F36B, F54Z, F59A, F59B			
	01	B04A, B04B, B04C, B04D		09	J03A, J03B, J04A, J04B, J08A, J08B, J08C, J11A, J11B, J16Z		09	J03A, J03B, J04A, J04B, J08A, J08B, J08C, J11A, J11B, J16Z			
	05	F01A, F01B, F01D, F14A, F14B, F15Z, F24A, F24B, F28A, F36A, F36B, F54Z, F59A, F59B		10	K09A, K09B		10	K09A, K09B			
	09	J03A, J03B, J04A, J04B, J08A, J08B, J08C, J11A, J11B, J16Z		21A	W04A, W04B		10	K09A, K09B			
	10	K09A, K09B		21B	X06A, X06B, X06C		21A	W04A, W04B			
	21A	W04A, W04B		8r433.26	05		F01A, F01B, F01D, F15Z, F19A, F19B, F19C, F24A, F24B, F36A, F36B	8r433.2d	05	F01A, F01B, F01D, F14A, F14B, F15Z, F24A, F24B, F28A, F36A, F36B, F54Z, F59A, F59B	
	21B	X06A, X06B, X06C			09		J03A, J03B, J04A, J04B, J08A, J08B, J08C, J11A, J11B, J16Z		09	J03A, J03B, J04A, J04B, J08A, J08B, J08C, J11A, J11B, J16Z	
	8r433.1x↔	05			F01A, F01B, F01D, F14A, F14B, F15Z, F24A, F24B, F28A, F36A, F36B, F54Z, F59A, F59B		10		K09A, K09B	10	K09A, K09B
	09	J03A, J03B, J04A, J04B, J08A, J08B, J08C, J11A, J11B, J16Z			21A		W04A, W04B		21A	W04A, W04B	
	10	K09A, K09B			21B		X06A, X06B, X06C		21B	X04Z, X05A, X05B, X06A, X06B, X06C	
21A	W04A, W04B	8r433.27	05		F01A, F01B, F01D, F14A, F14B, F15Z, F24A, F24B, F28A, F36A, F36B, F54Z, F59A, F59B	8r433.2e	05		F01A, F01B, F01D, F14A, F14B, F15Z, F24A, F24B, F28A, F36A, F36B, F54Z, F59A, F59B		
21B	X06A, X06B, X06C		09		J03A, J03B, J04A, J04B, J08A, J08B, J08C, J11A, J11B, J16Z		09		J03A, J03B, J04A, J04B, J08A, J08B, J08C, J11A, J11B, J16Z		
8r433.20	01		B02A, B02B, B02C, B02D, B20A, B20B, B20C, B20D, B20E, B39A, B39B		10		K09A, K09B		10	K09A, K09B	
05	F01A, F01B, F01D, F14A, F14B, F15Z, F24A, F24B, F28A, F36A, F36B, F54Z, F59A, F59B		21A		W04A, W04B		21A		W04A, W04B		
09	J03A, J03B, J04A, J04B, J08A, J08B, J08C, J11A, J11B, J16Z		21B		X06A, X06B, X06C		21B		X04Z, X05A, X05B, X06A, X06B, X06C		
10	K09A, K09B		8r433.28↔	05	F01A, F01B, F01D, F14A, F14B, F15Z, F24A, F24B, F28A, F36A, F36B, F54Z, F59A, F59B		8r433.2f	05	F01A, F01B, F01D, F14A, F14B, F15Z, F24A, F24B, F28A, F36A, F36B, F54Z, F59A, F59B		
21A	W04A, W04B			09	J03A, J03B, J04A, J04B, J08A, J08B, J08C, J11A, J11B, J16Z			09	J03A, J03B, J04A, J04B, J08A, J08B, J08C, J11A, J11B, J16Z		
21B	X06A, X06B, X06C, X33Z			10	K09A, K09B			10	K09A, K09B		
8r433.22↔	05			F01A, F01B, F01D, F14A, F14B, F15Z, F24A, F24B, F28A, F36A, F36B, F54Z, F59A, F59B	21A			W04A, W04B	21A	W04A, W04B	
09	J03A, J03B, J04A, J04B, J08A, J08B, J08C, J11A, J11B, J16Z			21B	X06A, X06B, X06C			21B	X04Z, X05A, X05B, X06A, X06B, X06C		
10	K09A, K09B	8r433.29↔		05	F01A, F01B, F01D, F14A, F14B, F15Z, F24A, F24B, F28A, F36A, F36B, F54Z, F59A, F59B	8r433.2g		05	F01A, F01B, F01D, F14A, F14B, F15Z, F24A, F24B, F28A, F36A, F36B, F54Z, F59A, F59B		
21A	W04A, W04B			09	J03A, J03B, J04A, J04B, J08A, J08B, J08C, J11A, J11B, J16Z			05	F01A, F01B, F01D, F14A, F14B, F15Z, F24A, F24B, F28A, F36A, F36B, F54Z, F59A, F59B		
21B	X06A, X06B, X06C			10	K09A, K09B			06	G10Z, G12A, G12B		
8r433.23↔	05			F01A, F01B, F01D, F14A, F14B, F15Z, F24A, F24B, F28A, F36A, F36B, F54Z, F59A, F59B	21A			W04A, W04B	09	J03A, J03B, J04A, J04B, J08A, J08B, J08C, J11A, J11B, J16Z	
09	J03A, J03B, J04A, J04B, J08A, J08B, J08C, J11A, J11B, J16Z			21B	X06A, X06B, X06C			10	K09A, K09B		
10	K09A, K09B		8r433.2a	05	F01A, F01B, F01D, F14A, F14B, F15Z, F24A, F24B, F28A, F36A, F36B, F54Z, F59A, F59B		11	L09A, L09B, L09C, L09D, L38Z			
21A	W04A, W04B			06	G10Z, G12A, G12B		21A	W04A, W04B			
21B	X05A, X05B, X06A, X06B, X06C			09	J03A, J03B, J04A, J04B, J08A, J08B, J08C, J11A, J11B, J16Z		21B	X06A, X06B, X06C			
8r433.24	05			F01A, F01B, F01D, F15Z, F19A, F19B, F19C, F24A, F24B, F36A, F36B	10		K09A, K09B	8r433.2h↔	01	B04A, B04B, B04C, B04D	
09	J03A, J03B, J04A, J04B, J08A, J08B, J08C, J11A, J11B, J16Z			11	L09A, L09B, L09C, L09D, L38Z		05		F01A, F01B, F01D, F14A, F14B, F15Z, F24A, F24B, F28A, F36A, F36B, F54Z, F59A, F59B		
10	K09A, K09B	8r433.2b↔		05	F01A, F01B, F01D, F14A, F14B, F15Z, F24A, F24B, F28A, F36A, F36B, F54Z, F59A, F59B	09	J03A, J03B, J04A, J04B, J08A, J08B, J08C, J11A, J11B, J16Z				
21A	W04A, W04B			09	J03A, J03B, J04A, J04B, J08A, J08B, J08C, J11A, J11B, J16Z	10	K09A, K09B				
21B	X06A, X06B, X06C			10	K09A, K09B	21A	W04A, W04B				
				21A	W04A, W04B	21B	X06A, X06B, X06C				
				21B	X04Z, X06A, X06B, X06C						

ZZV	MDC	DRG	ZZV	MDC	DRG	ZZV	MDC	DRG			
8r433.2j↔		BOP, UOP4	8r433.30		BOP, KOP, UOP4	8r433.37	05	F01A, F01B, F01D, F14A, F14B, F15Z, F24A, F24B, F28A, F36A, F36B, F54Z, F59A, F59B			
	01	B04A, B04B, B04C, B04D		01	B02A, B02B, B02C, B02D, B20A, B20B, B20C, B20D, B20E, B39A, B39B		09	J03A, J03B, J04A, J04B, J08A, J08B, J08C, J11A, J11B, J16Z			
	05	F01A, F01B, F01D, F14A, F14B, F15Z, F24A, F24B, F28A, F36A, F36B, F54Z, F59A, F59B		05	F01A, F01B, F01D, F14A, F14B, F15Z, F24A, F24B, F28A, F36A, F36B, F54Z, F59A, F59B		10	K09A, K09B			
	09	J03A, J03B, J04A, J04B, J08A, J08B, J08C, J11A, J11B, J16Z		09	J03A, J03B, J04A, J04B, J08A, J08B, J08C, J11A, J11B, J16Z		21A	W04A, W04B			
	10	K09A, K09B		10	K09A, K09B		21B	X06A, X06B, X06C			
	21A	W04A, W04B		21A	W04A, W04B		8r433.38↔	05	F01A, F01B, F01D, F14A, F14B, F15Z, F24A, F24B, F28A, F36A, F36B, F54Z, F59A, F59B		
	21B	X06A, X06B, X06C		21B	X06A, X06B, X06C, X33Z			09	J03A, J03B, J04A, J04B, J08A, J08B, J08C, J11A, J11B, J16Z		
	8r433.2k↔			BOP, UOP4	8r433.32↔				F01A, F01B, F01D, F14A, F14B, F15Z, F24A, F24B, F28A, F36A, F36B, F54Z, F59A, F59B	10	K09A, K09B
		01		B04A, B04B, B04C, B04D				05	F01A, F01B, F01D, F14A, F14B, F15Z, F24A, F24B, F28A, F36A, F36B, F54Z, F59A, F59B	21A	W04A, W04B
		05		F01A, F01B, F01D, F14A, F14B, F15Z, F24A, F24B, F28A, F36A, F36B, F54Z, F59A, F59B				09	J03A, J03B, J04A, J04B, J08A, J08B, J08C, J11A, J11B, J16Z	21B	X06A, X06B, X06C
09		J03A, J03B, J04A, J04B, J08A, J08B, J08C, J11A, J11B, J16Z	10	K09A, K09B		8r433.39↔		05	F01A, F01B, F01D, F14A, F14B, F15Z, F24A, F24B, F28A, F36A, F36B, F54Z, F59A, F59B		
10		K09A, K09B	21A	W04A, W04B				09	J03A, J03B, J04A, J04B, J08A, J08B, J08C, J11A, J11B, J16Z		
21A		W04A, W04B	21A	W04A, W04B				10	K09A, K09B		
21B		X06A, X06B, X06C	21B	X06A, X06B, X06C				21A	W04A, W04B		
8r433.2m↔			BOP, UOP4	8r433.33↔					F01A, F01B, F01D, F14A, F14B, F15Z, F24A, F24B, F28A, F36A, F36B, F54Z, F59A, F59B	21B	X06A, X06B, X06C
		01	B04A, B04B, B04C, B04D				05	F01A, F01B, F01D, F14A, F14B, F15Z, F24A, F24B, F28A, F36A, F36B, F54Z, F59A, F59B	8r433.3a	05	F01A, F01B, F01D, F14A, F14B, F15Z, F24A, F24B, F28A, F36A, F36B, F54Z, F59A, F59B
		05	F01A, F01B, F01D, F14A, F14B, F15Z, F24A, F24B, F28A, F36A, F36B, F54Z, F59A, F59B				09	J03A, J03B, J04A, J04B, J08A, J08B, J08C, J11A, J11B, J16Z		06	G10Z, G12A, G12B
	09	J03A, J03B, J04A, J04B, J08A, J08B, J08C, J11A, J11B, J16Z	10		K09A, K09B		09	J03A, J03B, J04A, J04B, J08A, J08B, J08C, J11A, J11B, J16Z			
	10	K09A, K09B	21A		W04A, W04B		10	K09A, K09B			
	21A	W04A, W04B	21B		X05A, X05B, X06A, X06B, X06C		11	L09A, L09B, L09C, L09D, L38Z			
	21B	X06A, X06B, X06C	8r433.34		05	F01A, F01B, F01D, F15Z, F19A, F19B, F19C, F24A, F24B, F36A, F36B	21A	W04A, W04B			
	8r433.2n↔				BOP, UOP4	09	J03A, J03B, J04A, J04B, J08A, J08B, J08C, J11A, J11B, J16Z	21B		X06A, X06B, X06C	
		01			B04A, B04B, B04C, B04D	10	K09A, K09B	8r433.3b↔		05	F01A, F01B, F01D, F14A, F14B, F15Z, F24A, F24B, F28A, F36A, F36B, F54Z, F59A, F59B
		05			F01A, F01B, F01D, F14A, F14B, F15Z, F24A, F24B, F28A, F36A, F36B, F54Z, F59A, F59B	21A	W04A, W04B			09	J03A, J03B, J04A, J04B, J08A, J08B, J08C, J11A, J11B, J16Z
09		J03A, J03B, J04A, J04B, J08A, J08B, J08C, J11A, J11B, J16Z		21B	X06A, X06B, X06C	10	K09A, K09B				
10		K09A, K09B		8r433.35	05	F01A, F01B, F01D, F15Z, F19A, F19B, F19C, F24A, F24B, F36A, F36B	21A		W04A, W04B		
21A		W04A, W04B			09	J03A, J03B, J04A, J04B, J08A, J08B, J08C, J11A, J11B, J16Z	21B		X04Z, X06A, X06B, X06C		
21B		X06A, X06B, X06C			10	K09A, K09B	8r433.3c↔		05	F01A, F01B, F01D, F14A, F14B, F15Z, F24A, F24B, F28A, F36A, F36B, F54Z, F59A, F59B	
8r433.2x↔					BOP, UOP4	21A			W04A, W04B	09	J03A, J03B, J04A, J04B, J08A, J08B, J08C, J11A, J11B, J16Z
		01			B04A, B04B, B04C, B04D	21B			X06A, X06B, X06C	10	K09A, K09B
		05	F01A, F01B, F01D, F14A, F14B, F15Z, F24A, F24B, F28A, F36A, F36B, F54Z, F59A, F59B		8r433.36	05			F01A, F01B, F01D, F15Z, F19A, F19B, F19C, F24A, F24B, F36A, F36B	21A	W04A, W04B
	09	J03A, J03B, J04A, J04B, J08A, J08B, J08C, J11A, J11B, J16Z	09			J03A, J03B, J04A, J04B, J08A, J08B, J08C, J11A, J11B, J16Z			21B	X04Z, X06A, X06B, X06C	
	10	K09A, K09B	10			K09A, K09B		8r433.3x↔	05	F01A, F01B, F01D, F14A, F14B, F15Z, F24A, F24B, F28A, F36A, F36B, F54Z, F59A, F59B	
	21A	W04A, W04B	21A			W04A, W04B			09	J03A, J03B, J04A, J04B, J08A, J08B, J08C, J11A, J11B, J16Z	
	21B	X06A, X06B, X06C	21B			X06A, X06B, X06C			10	K09A, K09B	
	05	F01A, F01B, F01D, F14A, F14B, F15Z, F24A, F24B, F28A, F36A, F36B, F54Z, F59A, F59B	10	K09A, K09B		21A			W04A, W04B		
	09	J03A, J03B, J04A, J04B, J08A, J08B, J08C, J11A, J11B, J16Z	21A	W04A, W04B		21B			X04Z, X06A, X06B, X06C		
	10	K09A, K09B	21B	X06A, X06B, X06C							
21A	W04A, W04B										
21B	X06A, X06B, X06C										

ZZV	MDC	DRG	ZZV	MDC	DRG	ZZV	MDC	DRG	
8r433.3d	05	F01A, F01B, F01D, F14A, F14B, F15Z, F24A, F24B, F28A, F36A, F36B, F54Z, F59A, F59B	8r433.3k↔	01	B0P, UOP4	8r433.43↔	05	F01A, F01B, F01D, F14A, F14B, F15Z, F24A, F24B, F28A, F36A, F36B, F54Z, F59A, F59B	
		09			J03A, J03B, J04A, J04B, J08A, J08B, J08C, J11A, J11B, J16Z			09	J03A, J03B, J04A, J04B, J08A, J08B, J08C, J11A, J11B, J16Z
		10			K09A, K09B			10	K09A, K09B
		21A			W04A, W04B			21A	W04A, W04B
		21B			X04Z, X05A, X05B, X06A, X06B, X06C			21B	X05A, X05B, X06A, X06B, X06C
8r433.3e	05	F01A, F01B, F01D, F14A, F14B, F15Z, F24A, F24B, F28A, F36A, F36B, F54Z, F59A, F59B	8r433.3m↔	01	B0P, UOP4	8r433.44	05	F01A, F01B, F01D, F15Z, F19A, F19B, F19C, F24A, F24B, F36A, F36B	
		09			J03A, J03B, J04A, J04B, J08A, J08B, J08C, J11A, J11B, J16Z			09	J03A, J03B, J04A, J04B, J08A, J08B, J08C, J11A, J11B, J16Z
		10			K09A, K09B			10	K09A, K09B
		21A			W04A, W04B			21A	W04A, W04B
		21B			X04Z, X05A, X05B, X06A, X06B, X06C			21B	X06A, X06B, X06C
8r433.3f	05	F01A, F01B, F01D, F14A, F14B, F15Z, F24A, F24B, F28A, F36A, F36B, F54Z, F59A, F59B	8r433.3n↔	01	B0P, UOP4	8r433.45	05	F01A, F01B, F01D, F15Z, F19A, F19B, F19C, F24A, F24B, F36A, F36B	
		09			J03A, J03B, J04A, J04B, J08A, J08B, J08C, J11A, J11B, J16Z			09	J03A, J03B, J04A, J04B, J08A, J08B, J08C, J11A, J11B, J16Z
		10			K09A, K09B			10	K09A, K09B
		21A			W04A, W04B			21A	W04A, W04B
		21B			X04Z, X05A, X05B, X06A, X06B, X06C			21B	X06A, X06B, X06C
8r433.3g	05	F01A, F01B, F01D, F14A, F14B, F15Z, F24A, F24B, F28A, F36A, F36B, F54Z, F59A, F59B	8r433.3x↔	01	B04A, B04B, B04C, B04D	8r433.46	05	F01A, F01B, F01D, F15Z, F19A, F19B, F19C, F24A, F24B, F36A, F36B	
		06			G10Z, G12A, G12B			05	F01A, F01B, F01D, F14A, F14B, F15Z, F24A, F24B, F28A, F36A, F36B, F54Z, F59A, F59B
		09			J03A, J03B, J04A, J04B, J08A, J08B, J08C, J11A, J11B, J16Z			09	J03A, J03B, J04A, J04B, J08A, J08B, J08C, J11A, J11B, J16Z
		10			K09A, K09B			10	K09A, K09B
		11			L09A, L09B, L09C, L09D, L38Z			10	K09A, K09B
8r433.3h↔	01	B04A, B04B, B04C, B04D	8r433.40	01	B02A, B02B, B02C, B02D, B20A, B20B, B20C, B20D, B20E, B39A, B39B	8r433.47	05	F01A, F01B, F01D, F14A, F14B, F15Z, F24A, F24B, F28A, F36A, F36B, F54Z, F59A, F59B	
		05			F01A, F01B, F01D, F14A, F14B, F15Z, F24A, F24B, F28A, F36A, F36B, F54Z, F59A, F59B			05	F01A, F01B, F01D, F14A, F14B, F15Z, F24A, F24B, F28A, F36A, F36B, F54Z, F59A, F59B
		09			J03A, J03B, J04A, J04B, J08A, J08B, J08C, J11A, J11B, J16Z			09	J03A, J03B, J04A, J04B, J08A, J08B, J08C, J11A, J11B, J16Z
		10			K09A, K09B			10	K09A, K09B
		21A			W04A, W04B			21A	W04A, W04B
8r433.3j↔	01	B0P, UOP4	8r433.42↔	01	B0P, KOP, UOP4	8r433.48↔	05	F01A, F01B, F01D, F14A, F14B, F15Z, F24A, F24B, F28A, F36A, F36B, F54Z, F59A, F59B	
		05			F01A, F01B, F01D, F14A, F14B, F15Z, F24A, F24B, F28A, F36A, F36B, F54Z, F59A, F59B			05	F01A, F01B, F01D, F14A, F14B, F15Z, F24A, F24B, F28A, F36A, F36B, F54Z, F59A, F59B
		09			J03A, J03B, J04A, J04B, J08A, J08B, J08C, J11A, J11B, J16Z			09	J03A, J03B, J04A, J04B, J08A, J08B, J08C, J11A, J11B, J16Z
		10			K09A, K09B			10	K09A, K09B
		21A			W04A, W04B			21A	W04A, W04B
8r433.3k↔	01	B04A, B04B, B04C, B04D	8r433.44	01	B04A, B04B, B04C, B04D	8r433.49↔	05	F01A, F01B, F01D, F14A, F14B, F15Z, F24A, F24B, F28A, F36A, F36B, F54Z, F59A, F59B	
		05			F01A, F01B, F01D, F14A, F14B, F15Z, F24A, F24B, F28A, F36A, F36B, F54Z, F59A, F59B			09	J03A, J03B, J04A, J04B, J08A, J08B, J08C, J11A, J11B, J16Z
		09			J03A, J03B, J04A, J04B, J08A, J08B, J08C, J11A, J11B, J16Z			10	K09A, K09B
		10			K09A, K09B			21A	W04A, W04B
		21A			W04A, W04B			21B	X06A, X06B, X06C
8r433.3l↔	01	B04A, B04B, B04C, B04D	8r433.45	01	B04A, B04B, B04C, B04D	8r433.49↔	05	F01A, F01B, F01D, F14A, F14B, F15Z, F24A, F24B, F28A, F36A, F36B, F54Z, F59A, F59B	
		05			F01A, F01B, F01D, F14A, F14B, F15Z, F24A, F24B, F28A, F36A, F36B, F54Z, F59A, F59B			09	J03A, J03B, J04A, J04B, J08A, J08B, J08C, J11A, J11B, J16Z
		09			J03A, J03B, J04A, J04B, J08A, J08B, J08C, J11A, J11B, J16Z			10	K09A, K09B
		10			K09A, K09B			21A	W04A, W04B
		21A			W04A, W04B			21B	X06A, X06B, X06C

ZZV	MDC	DRG	ZZV	MDC	DRG	ZZV	MDC	DRG			
8r433.4a	05	F01A, F01B, F01D, F14A, F14B, F15Z, F24A, F24B, F28A, F36A, F36B, F54Z, F59A, F59B	8r433.4g	05	F01A, F01B, F01D, F14A, F14B, F15Z, F24A, F24B, F28A, F36A, F36B, F54Z, F59A, F59B	8r433.4n↔		BOP, UOP4			
	06	G10Z, G12A, G12B		06	G10Z, G12A, G12B		01	B04A, B04B, B04C, B04D			
	09	J03A, J03B, J04A, J04B, J08A, J08B, J08C, J11A, J11B, J16Z		09	J03A, J03B, J04A, J04B, J08A, J08B, J08C, J11A, J11B, J16Z		05	F01A, F01B, F01D, F14A, F14B, F15Z, F24A, F24B, F28A, F36A, F36B, F54Z, F59A, F59B			
	10	K09A, K09B		10	K09A, K09B		09	J03A, J03B, J04A, J04B, J08A, J08B, J08C, J11A, J11B, J16Z			
	11	L09A, L09B, L09C, L09D, L38Z		11	L09A, L09B, L09C, L09D, L38Z		10	K09A, K09B			
	21A	W04A, W04B		21A	W04A, W04B		21A	W04A, W04B			
	21B	X06A, X06B, X06C		21B	X06A, X06B, X06C		21B	X06A, X06B, X06C			
	8r433.4b↔	05		F01A, F01B, F01D, F14A, F14B, F15Z, F24A, F24B, F28A, F36A, F36B, F54Z, F59A, F59B	8r433.4h↔			BOP, UOP4	8r433.4x↔	05	F01A, F01B, F01D, F14A, F14B, F15Z, F24A, F24B, F28A, F36A, F36B, F54Z, F59A, F59B
		09		J03A, J03B, J04A, J04B, J08A, J08B, J08C, J11A, J11B, J16Z			01	B04A, B04B, B04C, B04D		09	J03A, J03B, J04A, J04B, J08A, J08B, J08C, J11A, J11B, J16Z
		10		K09A, K09B			05	F01A, F01B, F01D, F14A, F14B, F15Z, F24A, F24B, F28A, F36A, F36B, F54Z, F59A, F59B		10	K09A, K09B
21A		W04A, W04B	09	J03A, J03B, J04A, J04B, J08A, J08B, J08C, J11A, J11B, J16Z		21A	W04A, W04B				
21B		X04Z, X06A, X06B, X06C	10	K09A, K09B		21B	X06A, X06B, X06C				
8r433.4c↔		05	F01A, F01B, F01D, F14A, F14B, F15Z, F24A, F24B, F28A, F36A, F36B, F54Z, F59A, F59B	8r433.4j↔		21A	W04A, W04B	8r433.50		01	B02A, B02B, B02C, B02D, B20A, B20B, B20C, B20D, B20E, B39A, B39B
		09	J03A, J03B, J04A, J04B, J08A, J08B, J08C, J11A, J11B, J16Z			21B	X06A, X06B, X06C			05	F01A, F01B, F01D, F14A, F14B, F15Z, F24A, F24B, F28A, F36A, F36B, F54Z, F59A, F59B
		10	K09A, K09B				BOP, UOP4			09	J03A, J03B, J04A, J04B, J08A, J08B, J08C, J11A, J11B, J16Z
		21A	W04A, W04B			01	B04A, B04B, B04C, B04D			10	K09A, K09B
		21B	X04Z, X06A, X06B, X06C			05	F01A, F01B, F01D, F14A, F14B, F15Z, F24A, F24B, F28A, F36A, F36B, F54Z, F59A, F59B			21A	W04A, W04B
	8r433.4d	05	F01A, F01B, F01D, F14A, F14B, F15Z, F24A, F24B, F28A, F36A, F36B, F54Z, F59A, F59B		8r433.4k↔	09	J03A, J03B, J04A, J04B, J08A, J08B, J08C, J11A, J11B, J16Z		8r433.52↔	21B	X06A, X06B, X06C
		09	J03A, J03B, J04A, J04B, J08A, J08B, J08C, J11A, J11B, J16Z			01	B04A, B04B, B04C, B04D			05	F01A, F01B, F01D, F14A, F14B, F15Z, F24A, F24B, F28A, F36A, F36B, F54Z, F59A, F59B
		10	K09A, K09B			05	F01A, F01B, F01D, F14A, F14B, F15Z, F24A, F24B, F28A, F36A, F36B, F54Z, F59A, F59B			09	J03A, J03B, J04A, J04B, J08A, J08B, J08C, J11A, J11B, J16Z
		21A	W04A, W04B			09	J03A, J03B, J04A, J04B, J08A, J08B, J08C, J11A, J11B, J16Z			10	K09A, K09B
		21B	X04Z, X05A, X05B, X06A, X06B, X06C			10	K09A, K09B			21A	W04A, W04B
8r433.4e		05	F01A, F01B, F01D, F14A, F14B, F15Z, F24A, F24B, F28A, F36A, F36B, F54Z, F59A, F59B	8r433.4m↔		21A	W04A, W04B	8r433.53↔		21B	X06A, X06B, X06C
		09	J03A, J03B, J04A, J04B, J08A, J08B, J08C, J11A, J11B, J16Z			21B	X06A, X06B, X06C			05	F01A, F01B, F01D, F14A, F14B, F15Z, F24A, F24B, F28A, F36A, F36B, F54Z, F59A, F59B
		10	K09A, K09B				BOP, UOP4			09	J03A, J03B, J04A, J04B, J08A, J08B, J08C, J11A, J11B, J16Z
		21A	W04A, W04B			01	B04A, B04B, B04C, B04D			10	K09A, K09B
		21B	X04Z, X05A, X05B, X06A, X06B, X06C			05	F01A, F01B, F01D, F14A, F14B, F15Z, F24A, F24B, F28A, F36A, F36B, F54Z, F59A, F59B			21A	W04A, W04B
	8r433.4f	05	F01A, F01B, F01D, F14A, F14B, F15Z, F24A, F24B, F28A, F36A, F36B, F54Z, F59A, F59B		8r433.4n↔	09	J03A, J03B, J04A, J04B, J08A, J08B, J08C, J11A, J11B, J16Z		8r433.54	21B	X05A, X05B, X06A, X06B, X06C
		09	J03A, J03B, J04A, J04B, J08A, J08B, J08C, J11A, J11B, J16Z			10	K09A, K09B			05	F01A, F01B, F01D, F15Z, F19A, F19B, F19C, F24A, F24B, F36A, F36B
		10	K09A, K09B			21A	W04A, W04B			09	J03A, J03B, J04A, J04B, J08A, J08B, J08C, J11A, J11B, J16Z
		21A	W04A, W04B			21B	X06A, X06B, X06C			10	K09A, K09B
		21B	X04Z, X05A, X05B, X06A, X06B, X06C				BOP, UOP4			21A	W04A, W04B

ZZV	MDC	DRG	ZZV	MDC	DRG	ZZV	MDC	DRG		
8r433.60		BOP, KOP, UOP4	8r433.67	05	F01A, F01B, F01D, F14A, F14B, F15Z, F24A, F24B, F28A, F36A, F36B, F54Z, F59A, F59B	8r433.6d	05	F01A, F01B, F01D, F14A, F14B, F15Z, F24A, F24B, F28A, F36A, F36B, F54Z, F59A, F59B		
	01	B02A, B02B, B02C, B02D, B20A, B20B, B20C, B20D, B20E, B39A, B39B		09	J03A, J03B, J04A, J04B, J08A, J08B, J08C, J11A, J11B, J16Z		09	J03A, J03B, J04A, J04B, J08A, J08B, J08C, J11A, J11B, J16Z		
	05	F01A, F01B, F01D, F14A, F14B, F15Z, F24A, F24B, F28A, F36A, F36B, F54Z, F59A, F59B		10	K09A, K09B		10	K09A, K09B		
	09	J03A, J03B, J04A, J04B, J08A, J08B, J08C, J11A, J11B, J16Z		21A	W04A, W04B		21A	W04A, W04B		
	10	K09A, K09B		21B	X06A, X06B, X06C		21B	X04Z, X05A, X05B, X06A, X06B, X06C		
	21A	W04A, W04B		8r433.68↔	05		F01A, F01B, F01D, F14A, F14B, F15Z, F24A, F24B, F28A, F36A, F36B, F54Z, F59A, F59B	8r433.6e	05	F01A, F01B, F01D, F14A, F14B, F15Z, F24A, F24B, F28A, F36A, F36B, F54Z, F59A, F59B
	21B	X06A, X06B, X06C, X33Z			09		J03A, J03B, J04A, J04B, J08A, J08B, J08C, J11A, J11B, J16Z		09	J03A, J03B, J04A, J04B, J08A, J08B, J08C, J11A, J11B, J16Z
8r433.62↔	05	F01A, F01B, F01D, F14A, F14B, F15Z, F24A, F24B, F28A, F36A, F36B, F54Z, F59A, F59B	8r433.69↔	10	K09A, K09B	8r433.6f	10	K09A, K09B		
	09	J03A, J03B, J04A, J04B, J08A, J08B, J08C, J11A, J11B, J16Z		21A	W04A, W04B		21A	W04A, W04B		
	10	K09A, K09B		21B	X06A, X06B, X06C		21B	X04Z, X05A, X05B, X06A, X06B, X06C		
	21A	W04A, W04B		8r433.6a	05		F01A, F01B, F01D, F14A, F14B, F15Z, F24A, F24B, F28A, F36A, F36B, F54Z, F59A, F59B	8r433.6g	05	F01A, F01B, F01D, F14A, F14B, F15Z, F24A, F24B, F28A, F36A, F36B, F54Z, F59A, F59B
	21B	X06A, X06B, X06C			06		G10Z, G12A, G12B		06	G10Z, G12A, G12B
8r433.63↔	05	F01A, F01B, F01D, F14A, F14B, F15Z, F24A, F24B, F28A, F36A, F36B, F54Z, F59A, F59B	8r433.6b↔	09	J03A, J03B, J04A, J04B, J08A, J08B, J08C, J11A, J11B, J16Z	8r433.6h↔	09	J03A, J03B, J04A, J04B, J08A, J08B, J08C, J11A, J11B, J16Z		
	09	J03A, J03B, J04A, J04B, J08A, J08B, J08C, J11A, J11B, J16Z		10	K09A, K09B		10	K09A, K09B		
	10	K09A, K09B		11	L09A, L09B, L09C, L09D, L38Z		11	L09A, L09B, L09C, L09D, L38Z		
	21A	W04A, W04B		21A	W04A, W04B		21A	W04A, W04B		
	21B	X05A, X05B, X06A, X06B, X06C		21B	X06A, X06B, X06C		21B	X06A, X06B, X06C		
8r433.64	05	F01A, F01B, F01D, F15Z, F19A, F19B, F19C, F24A, F24B, F36A, F36B	8r433.6c↔	05	F01A, F01B, F01D, F14A, F14B, F15Z, F24A, F24B, F28A, F36A, F36B, F54Z, F59A, F59B	8r433.6i↔	01	B04A, B04B, B04C, B04D		
	09	J03A, J03B, J04A, J04B, J08A, J08B, J08C, J11A, J11B, J16Z		09	J03A, J03B, J04A, J04B, J08A, J08B, J08C, J11A, J11B, J16Z		05	F01A, F01B, F01D, F14A, F14B, F15Z, F24A, F24B, F28A, F36A, F36B, F54Z, F59A, F59B		
	10	K09A, K09B		10	K09A, K09B		09	J03A, J03B, J04A, J04B, J08A, J08B, J08C, J11A, J11B, J16Z		
	21A	W04A, W04B		21A	W04A, W04B		10	K09A, K09B		
	21B	X06A, X06B, X06C		21B	X04Z, X06A, X06B, X06C		21A	W04A, W04B		
8r433.65	05	F01A, F01B, F01D, F15Z, F19A, F19B, F19C, F24A, F24B, F36A, F36B	8r433.6j↔	05	F01A, F01B, F01D, F14A, F14B, F15Z, F24A, F24B, F28A, F36A, F36B, F54Z, F59A, F59B	8r433.6k↔	01	BOP, UOP4		
	09	J03A, J03B, J04A, J04B, J08A, J08B, J08C, J11A, J11B, J16Z		09	J03A, J03B, J04A, J04B, J08A, J08B, J08C, J11A, J11B, J16Z		05	F01A, F01B, F01D, F14A, F14B, F15Z, F24A, F24B, F28A, F36A, F36B, F54Z, F59A, F59B		
	10	K09A, K09B		10	K09A, K09B		09	J03A, J03B, J04A, J04B, J08A, J08B, J08C, J11A, J11B, J16Z		
	21A	W04A, W04B		10	K09A, K09B		10	K09A, K09B		
	21B	X06A, X06B, X06C		21A	W04A, W04B		21A	W04A, W04B		
8r433.66	05	F01A, F01B, F01D, F15Z, F19A, F19B, F19C, F24A, F24B, F36A, F36B	8r433.6l↔	05	F01A, F01B, F01D, F14A, F14B, F15Z, F24A, F24B, F28A, F36A, F36B, F54Z, F59A, F59B	8r433.6m↔	01	B04A, B04B, B04C, B04D		
	09	J03A, J03B, J04A, J04B, J08A, J08B, J08C, J11A, J11B, J16Z		09	J03A, J03B, J04A, J04B, J08A, J08B, J08C, J11A, J11B, J16Z		05	F01A, F01B, F01D, F14A, F14B, F15Z, F24A, F24B, F28A, F36A, F36B, F54Z, F59A, F59B		
	10	K09A, K09B		10	K09A, K09B		09	J03A, J03B, J04A, J04B, J08A, J08B, J08C, J11A, J11B, J16Z		
	21A	W04A, W04B		10	K09A, K09B		10	K09A, K09B		
	21B	X06A, X06B, X06C		21A	W04A, W04B		21A	W04A, W04B		

VYK

ZZV	MDC	DRG	ZZV	MDC	DRG	ZZV	MDC	DRG			
8r434.0g	05	F01A, F01B, F01D, F14A, F14B, F15Z, F24A, F24B, F28A, F36A, F36B, F54Z, F59A, F59B	8r434.0n↔	01	BOP, UOP4	8r434.15	05	F01A, F01B, F01D, F14A, F14B, F15Z, F24A, F24B, F28A, F36A, F36B, F54Z, F59A, F59B			
		06			G10Z, G12A, G12B			09	J03A, J03B, J04A, J04B, J08A, J08B, J08C, J11A, J11B, J16Z		
	09	J03A, J03B, J04A, J04B, J08A, J08B, J08C, J11A, J11B, J16Z		10	K09A, K09B		10	K09A, K09B			
	10	K09A, K09B		10	K09A, K09B		21A	W04A, W04B			
	11	L09A, L09B, L09C, L09D, L38Z		21A	W04A, W04B		21B	X06A, X06B, X06C			
	21A	W04A, W04B		8r434.0x↔	05		F01A, F01B, F01D, F14A, F14B, F15Z, F24A, F24B, F28A, F36A, F36B, F54Z, F59A, F59B	09	J03A, J03B, J04A, J04B, J08A, J08B, J08C, J11A, J11B, J16Z		
	21B	X06A, X06B, X06C					10		K09A, K09B		
	8r434.0h↔	01		B04A, B04B, B04C, B04D	8r434.10		01	B02A, B02B, B02C, B02D, B20A, B20B, B20C, B20D, B20E, B39A, B39B	8r434.16	05	F01A, F01B, F01D, F14A, F14B, F15Z, F24A, F24B, F28A, F36A, F36B, F54Z, F59A, F59B
				05				F01A, F01B, F01D, F14A, F14B, F15Z, F24A, F24B, F28A, F36A, F36B, F54Z, F59A, F59B			09
		09		J03A, J03B, J04A, J04B, J08A, J08B, J08C, J11A, J11B, J16Z			10	K09A, K09B		10	K09A, K09B
10		K09A, K09B	21A	W04A, W04B		21A	W04A, W04B				
21A		W04A, W04B	21B	X06A, X06B, X06C		21B	X06A, X06B, X06C				
21B		X06A, X06B, X06C	8r434.12↔	05		F01A, F01B, F01D, F14A, F14B, F15Z, F24A, F24B, F28A, F36A, F36B, F54Z, F59A, F59B	09	J03A, J03B, J04A, J04B, J08A, J08B, J08C, J11A, J11B, J16Z			
BOP, UOP4		09				J03A, J03B, J04A, J04B, J08A, J08B, J08C, J11A, J11B, J16Z					
8r434.0j↔		01	B04A, B04B, B04C, B04D	8r434.13↔		01	F01A, F01B, F01D, F14A, F14B, F15Z, F24A, F24B, F28A, F36A, F36B, F54Z, F59A, F59B	8r434.18↔		05	F01A, F01B, F01D, F14A, F14B, F15Z, F24A, F24B, F28A, F36A, F36B, F54Z, F59A, F59B
			05				F01A, F01B, F01D, F14A, F14B, F15Z, F24A, F24B, F28A, F36A, F36B, F54Z, F59A, F59B				09
		09	J03A, J03B, J04A, J04B, J08A, J08B, J08C, J11A, J11B, J16Z			10	K09A, K09B			10	K09A, K09B
	10	K09A, K09B	21A		W04A, W04B	21A	W04A, W04B				
	21A	W04A, W04B	21B		X06A, X06B, X06C	21B	X06A, X06B, X06C				
	21B	X06A, X06B, X06C	8r434.14		05	F01A, F01B, F01D, F14A, F14B, F15Z, F24A, F24B, F28A, F36A, F36B, F54Z, F59A, F59B	09		J03A, J03B, J04A, J04B, J08A, J08B, J08C, J11A, J11B, J16Z		
	BOP, UOP4	09				J03A, J03B, J04A, J04B, J08A, J08B, J08C, J11A, J11B, J16Z					
	8r434.0k↔	01	B04A, B04B, B04C, B04D		8r434.1a	01	F01A, F01B, F01D, F14A, F14B, F15Z, F24A, F24B, F28A, F36A, F36B, F54Z, F59A, F59B		05	F01A, F01B, F01D, F14A, F14B, F15Z, F24A, F24B, F28A, F36A, F36B, F54Z, F59A, F59B	
			05				F01A, F01B, F01D, F14A, F14B, F15Z, F24A, F24B, F28A, F36A, F36B, F54Z, F59A, F59B			06	G10Z, G12A, G12B
		09	J03A, J03B, J04A, J04B, J08A, J08B, J08C, J11A, J11B, J16Z			09	J03A, J03B, J04A, J04B, J08A, J08B, J08C, J11A, J11B, J16Z				
10		K09A, K09B	10	K09A, K09B							
21A		W04A, W04B	11	L09A, L09B, L09C, L09D, L38Z							
21B		X06A, X06B, X06C	21A	W04A, W04B							
8r434.0m↔		01	B04A, B04B, B04C, B04D	8r434.14		01	F01A, F01B, F01D, F14A, F14B, F15Z, F24A, F24B, F28A, F36A, F36B, F54Z, F59A, F59B	21B	X06A, X06B, X06C		
			05				F01A, F01B, F01D, F14A, F14B, F15Z, F24A, F24B, F28A, F36A, F36B, F54Z, F59A, F59B		09	J03A, J03B, J04A, J04B, J08A, J08B, J08C, J11A, J11B, J16Z	
		09	J03A, J03B, J04A, J04B, J08A, J08B, J08C, J11A, J11B, J16Z			10	K09A, K09B				
		10	K09A, K09B			21A	W04A, W04B				
	21A	W04A, W04B	21B		X06A, X06B, X06C						
	21B	X06A, X06B, X06C	8r434.14		05	F01A, F01B, F01D, F14A, F14B, F15Z, F24A, F24B, F28A, F36A, F36B, F54Z, F59A, F59B	09	J03A, J03B, J04A, J04B, J08A, J08B, J08C, J11A, J11B, J16Z			
	BOP, UOP4	09				J03A, J03B, J04A, J04B, J08A, J08B, J08C, J11A, J11B, J16Z					
	8r434.0n↔	01	B04A, B04B, B04C, B04D		8r434.14	01	F01A, F01B, F01D, F14A, F14B, F15Z, F24A, F24B, F28A, F36A, F36B, F54Z, F59A, F59B	10	K09A, K09B		
			05				F01A, F01B, F01D, F14A, F14B, F15Z, F24A, F24B, F28A, F36A, F36B, F54Z, F59A, F59B		21A	W04A, W04B	
		09	J03A, J03B, J04A, J04B, J08A, J08B, J08C, J11A, J11B, J16Z			21B	X06A, X06B, X06C				
10		K09A, K09B	8r434.14	05		F01A, F01B, F01D, F14A, F14B, F15Z, F24A, F24B, F28A, F36A, F36B, F54Z, F59A, F59B	09	J03A, J03B, J04A, J04B, J08A, J08B, J08C, J11A, J11B, J16Z			
21A		W04A, W04B				10		K09A, K09B			
21B		X06A, X06B, X06C	21A	W04A, W04B							

VYK

ZZV	MDC	DRG	ZZV	MDC	DRG	ZZV	MDC	DRG									
8r434.1b↔	05	F01A, F01B, F01D, F14A, F14B, F15Z, F24A, F24B, F28A, F36A, F36B, F54Z, F59A, F59B	8r434.1h↔	01	BOP, UOP4	8r435.00	01	BOP, KOP, UOP4									
		09			J03A, J03B, J04A, J04B, J08A, J08B, J08C, J11A, J11B, J16Z			05	B04A, B04B, B04C, B04D	05	B02A, B02B, B02C, B02D, B20A, B20B, B20C, B20D, B20E, B39A, B39B						
					10				K09A, K09B		09	F01A, F01B, F01D, F14A, F14B, F15Z, F24A, F24B, F28A, F36A, F36B, F54Z, F59A, F59B	09	F01A, F01B, F01D, F14A, F14B, F15Z, F24A, F24B, F28A, F36A, F36B, F54Z, F59A, F59B			
									21A			W04A, W04B		10	K09A, K09B	09	J03A, J03B, J04A, J04B, J08A, J08B, J08C, J11A, J11B, J16Z
												21B			X04Z, X06A, X06B, X06C		21A
8r434.1c↔	05	F01A, F01B, F01D, F14A, F14B, F15Z, F24A, F24B, F28A, F36A, F36B, F54Z, F59A, F59B	8r434.1j↔	01	BOP, UOP4	8r435.02↔	05	F01A, F01B, F01D, F14A, F14B, F15Z, F24A, F24B, F28A, F36A, F36B, F54Z, F59A, F59B									
		09			J03A, J03B, J04A, J04B, J08A, J08B, J08C, J11A, J11B, J16Z			05	F01A, F01B, F01D, F14A, F14B, F15Z, F24A, F24B, F28A, F36A, F36B, F54Z, F59A, F59B	09	J03A, J03B, J04A, J04B, J08A, J08B, J08C, J11A, J11B, J16Z						
					10				K09A, K09B		09	J03A, J03B, J04A, J04B, J08A, J08B, J08C, J11A, J11B, J16Z	10	K09A, K09B			
									21A			W04A, W04B		21A	W04A, W04B	21B	X06A, X06B, X06C
												21B			X04Z, X06A, X06B, X06C		21B
8r434.1d	05	F01A, F01B, F01D, F14A, F14B, F15Z, F24A, F24B, F28A, F36A, F36B, F54Z, F59A, F59B	8r434.1k↔	01	BOP, UOP4	8r435.03↔	05	F01A, F01B, F01D, F14A, F14B, F15Z, F24A, F24B, F28A, F36A, F36B, F54Z, F59A, F59B									
		09			J03A, J03B, J04A, J04B, J08A, J08B, J08C, J11A, J11B, J16Z			05	F01A, F01B, F01D, F14A, F14B, F15Z, F24A, F24B, F28A, F36A, F36B, F54Z, F59A, F59B	09	J03A, J03B, J04A, J04B, J08A, J08B, J08C, J11A, J11B, J16Z						
					10				K09A, K09B		09	J03A, J03B, J04A, J04B, J08A, J08B, J08C, J11A, J11B, J16Z	10	K09A, K09B			
									21A			W04A, W04B		21A	W04A, W04B	21B	X05A, X05B, X06A, X06B, X06C
												21B			X04Z, X05A, X05B, X06A, X06B, X06C		21B
8r434.1e	05	F01A, F01B, F01D, F14A, F14B, F15Z, F24A, F24B, F28A, F36A, F36B, F54Z, F59A, F59B	8r434.1m↔	01	BOP, UOP4	8r435.04	05	F01A, F01B, F01D, F14A, F14B, F15Z, F19A, F19B, F19C, F24A, F24B, F36A, F36B, F54Z									
		09			J03A, J03B, J04A, J04B, J08A, J08B, J08C, J11A, J11B, J16Z			05	F01A, F01B, F01D, F14A, F14B, F15Z, F24A, F24B, F28A, F36A, F36B, F54Z, F59A, F59B	09	J03A, J03B, J04A, J04B, J08A, J08B, J08C, J11A, J11B, J16Z						
					10				K09A, K09B		09	J03A, J03B, J04A, J04B, J08A, J08B, J08C, J11A, J11B, J16Z	10	K09A, K09B			
									21A			W04A, W04B		21A	W04A, W04B	21B	X06A, X06B, X06C
												21B			X04Z, X05A, X05B, X06A, X06B, X06C		21B
8r434.1f	05	F01A, F01B, F01D, F14A, F14B, F15Z, F24A, F24B, F28A, F36A, F36B, F54Z, F59A, F59B	8r434.1n↔	01	BOP, UOP4	8r435.05	05	F01A, F01B, F01D, F14A, F14B, F15Z, F19A, F19B, F19C, F24A, F24B, F36A, F36B, F54Z									
		09			J03A, J03B, J04A, J04B, J08A, J08B, J08C, J11A, J11B, J16Z			05	F01A, F01B, F01D, F14A, F14B, F15Z, F24A, F24B, F28A, F36A, F36B, F54Z, F59A, F59B	09	J03A, J03B, J04A, J04B, J08A, J08B, J08C, J11A, J11B, J16Z						
					10				K09A, K09B		09	J03A, J03B, J04A, J04B, J08A, J08B, J08C, J11A, J11B, J16Z	10	K09A, K09B			
									21A			W04A, W04B		21A	W04A, W04B	21B	X06A, X06B, X06C
												21B			X04Z, X05A, X05B, X06A, X06B, X06C		21B
8r434.1g	05	F01A, F01B, F01D, F14A, F14B, F15Z, F24A, F24B, F28A, F36A, F36B, F54Z, F59A, F59B	8r434.1x↔	01	BOP, UOP4	8r435.06	05	F01A, F01B, F01D, F14A, F14B, F15Z, F19A, F19B, F19C, F24A, F24B, F36A, F36B, F54Z									
		06			G10Z, G12A, G12B			05	F01A, F01B, F01D, F14A, F14B, F15Z, F24A, F24B, F28A, F36A, F36B, F54Z, F59A, F59B	09	J03A, J03B, J04A, J04B, J08A, J08B, J08C, J11A, J11B, J16Z						
					09				J03A, J03B, J04A, J04B, J08A, J08B, J08C, J11A, J11B, J16Z		09	J03A, J03B, J04A, J04B, J08A, J08B, J08C, J11A, J11B, J16Z	10	K09A, K09B			
									10			K09A, K09B		21A	W04A, W04B	21A	W04A, W04B
												11			L09A, L09B, L09C, L09D, L38Z		21B
	21A	W04A, W04B	09	J03A, J03B, J04A, J04B, J08A, J08B, J08C, J11A, J11B, J16Z	10	K09A, K09B	21A	W04A, W04B									
	21B	X06A, X06B, X06C	10	K09A, K09B	21A	W04A, W04B	21B	X06A, X06B, X06C									
			21A	W04A, W04B	21B	X06A, X06B, X06C											
			21B	X06A, X06B, X06C													

ZZV	MDC	DRG	ZZV	MDC	DRG	ZZV	MDC	DRG			
8r435.07	05	F01A, F01B, F01D, F14A, F14B, F15Z, F24A, F24B, F28A, F36A, F36B, F54Z, F59A, F59B	8r435.0d	05	F01A, F01B, F01D, F14A, F14B, F15Z, F24A, F24B, F28A, F36A, F36B, F54Z, F59A, F59B	8r435.0k↔	01	BOP, UOP4			
		09			J03A, J03B, J04A, J04B, J08A, J08B, J08C, J11A, J11B, J16Z			09	J03A, J03B, J04A, J04B, J08A, J08B, J08C, J11A, J11B, J16Z	05	F01A, F01B, F01D, F14A, F14B, F15Z, F24A, F24B, F28A, F36A, F36B, F54Z, F59A, F59B
		10			K09A, K09B			10	K09A, K09B	09	J03A, J03B, J04A, J04B, J08A, J08B, J08C, J11A, J11B, J16Z
		21A			W04A, W04B			21A	W04A, W04B	10	K09A, K09B
		21B			X06A, X06B, X06C			21B	X04Z, X05A, X05B, X06A, X06B, X06C	21A	W04A, W04B
8r435.08↔	05	F01A, F01B, F01D, F14A, F14B, F15Z, F24A, F24B, F28A, F36A, F36B, F54Z, F59A, F59B	8r435.0e	05	F01A, F01B, F01D, F14A, F14B, F15Z, F24A, F24B, F28A, F36A, F36B, F54Z, F59A, F59B	8r435.0m↔	21B	X06A, X06B, X06C			
		09			J03A, J03B, J04A, J04B, J08A, J08B, J08C, J11A, J11B, J16Z			09	J03A, J03B, J04A, J04B, J08A, J08B, J08C, J11A, J11B, J16Z	01	BOP, UOP4
		10			K09A, K09B			10	K09A, K09B	05	F01A, F01B, F01D, F14A, F14B, F15Z, F24A, F24B, F28A, F36A, F36B, F54Z, F59A, F59B
		21A			W04A, W04B			21A	W04A, W04B	09	J03A, J03B, J04A, J04B, J08A, J08B, J08C, J11A, J11B, J16Z
		21B			X06A, X06B, X06C			21B	X04Z, X05A, X05B, X06A, X06B, X06C	10	K09A, K09B
8r435.09↔	05	F01A, F01B, F01D, F14A, F14B, F15Z, F24A, F24B, F28A, F36A, F36B, F54Z, F59A, F59B	8r435.0f	05	F01A, F01B, F01D, F14A, F14B, F15Z, F24A, F24B, F28A, F36A, F36B, F54Z, F59A, F59B	8r435.0n↔	21A	W04A, W04B			
		09			J03A, J03B, J04A, J04B, J08A, J08B, J08C, J11A, J11B, J16Z			09	J03A, J03B, J04A, J04B, J08A, J08B, J08C, J11A, J11B, J16Z	21B	X06A, X06B, X06C
		10			K09A, K09B			10	K09A, K09B	BOP, UOP4	
		21A			W04A, W04B			21A	W04A, W04B	01	B04A, B04B, B04C, B04D
		21B			X06A, X06B, X06C			21B	X04Z, X05A, X05B, X06A, X06B, X06C	05	F01A, F01B, F01D, F14A, F14B, F15Z, F24A, F24B, F28A, F36A, F36B, F54Z, F59A, F59B
8r435.0a	05	F01A, F01B, F01D, F14A, F14B, F15Z, F24A, F24B, F28A, F36A, F36B, F54Z, F59A, F59B	8r435.0g	05	F01A, F01B, F01D, F14A, F14B, F15Z, F24A, F24B, F28A, F36A, F36B, F54Z, F59A, F59B	8r435.0x↔	09	J03A, J03B, J04A, J04B, J08A, J08B, J08C, J11A, J11B, J16Z			
		06			G10Z, G12A, G12B			06	G10Z, G12A, G12B	10	K09A, K09B
		09			J03A, J03B, J04A, J04B, J08A, J08B, J08C, J11A, J11B, J16Z			09	J03A, J03B, J04A, J04B, J08A, J08B, J08C, J11A, J11B, J16Z	21A	W04A, W04B
		10			K09A, K09B			10	K09A, K09B	21B	X06A, X06B, X06C
		11			L09A, L09B, L09C, L09D, L38Z			11	L09A, L09B, L09C, L09D, L38Z	05	F01A, F01B, F01D, F14A, F14B, F15Z, F24A, F24B, F28A, F36A, F36B, F54Z, F59A, F59B
8r435.0b↔	05	F01A, F01B, F01D, F14A, F14B, F15Z, F24A, F24B, F28A, F36A, F36B, F54Z, F59A, F59B	8r435.0h↔	01	B04A, B04B, B04C, B04D	8r435.10	01	B02A, B02B, B02C, B02D, B20A, B20B, B20C, B20D, B20E, B39A, B39B			
		09			J03A, J03B, J04A, J04B, J08A, J08B, J08C, J11A, J11B, J16Z			05	F01A, F01B, F01D, F14A, F14B, F15Z, F24A, F24B, F28A, F36A, F36B, F54Z, F59A, F59B	05	F01A, F01B, F01D, F14A, F14B, F15Z, F24A, F24B, F28A, F36A, F36B, F54Z, F59A, F59B
		10			K09A, K09B			10	K09A, K09B	09	J03A, J03B, J04A, J04B, J08A, J08B, J08C, J11A, J11B, J16Z
		21A			W04A, W04B			21A	W04A, W04B	10	K09A, K09B
		21B			X04Z, X06A, X06B, X06C			21B	X06A, X06B, X06C	21A	W04A, W04B
8r435.0c↔	05	F01A, F01B, F01D, F14A, F14B, F15Z, F24A, F24B, F28A, F36A, F36B, F54Z, F59A, F59B	8r435.0j↔	01	B04A, B04B, B04C, B04D	8r435.12↔	05	F01A, F01B, F01D, F14A, F14B, F15Z, F24A, F24B, F28A, F36A, F36B, F54Z, F59A, F59B			
		09			J03A, J03B, J04A, J04B, J08A, J08B, J08C, J11A, J11B, J16Z			05	F01A, F01B, F01D, F14A, F14B, F15Z, F24A, F24B, F28A, F36A, F36B, F54Z, F59A, F59B	09	J03A, J03B, J04A, J04B, J08A, J08B, J08C, J11A, J11B, J16Z
		10			K09A, K09B			10	K09A, K09B	10	K09A, K09B
		21A			W04A, W04B			21A	W04A, W04B	21A	W04A, W04B
		21B			X04Z, X06A, X06B, X06C			21B	X06A, X06B, X06C	21B	X06A, X06B, X06C

ZZV	MDC	DRG	ZZV	MDC	DRG	ZZV	MDC	DRG
8r435.13↔	05	F01A, F01B, F01D, F14A, F14B, F15Z, F24A, F24B, F28A, F36A, F36B, F54Z, F59A, F59B	8r435.1a	05	F01A, F01B, F01D, F14A, F14B, F15Z, F24A, F24B, F28A, F36A, F36B, F54Z, F59A, F59B	8r435.1g	05	F01A, F01B, F01D, F14A, F14B, F15Z, F24A, F24B, F28A, F36A, F36B, F54Z, F59A, F59B
	09	J03A, J03B, J04A, J04B, J08A, J08B, J08C, J11A, J11B, J16Z		06	G10Z, G12A, G12B		06	G10Z, G12A, G12B
	10	K09A, K09B		09	J03A, J03B, J04A, J04B, J08A, J08B, J08C, J11A, J11B, J16Z		09	J03A, J03B, J04A, J04B, J08A, J08B, J08C, J11A, J11B, J16Z
	21A	W04A, W04B		10	K09A, K09B		10	K09A, K09B
	21B	X05A, X05B, X06A, X06B, X06C		11	L09A, L09B, L09C, L09D, L38Z		11	L09A, L09B, L09C, L09D, L38Z
8r435.14	05	F01A, F01B, F01D, F14A, F14B, F15Z, F19A, F19B, F19C, F24A, F24B, F36A, F36B, F54Z	8r435.1b↔	21A	W04A, W04B	8r435.1h↔	21A	W04A, W04B
	09	J03A, J03B, J04A, J04B, J08A, J08B, J08C, J11A, J11B, J16Z		21B	X06A, X06B, X06C		21B	X06A, X06B, X06C
	10	K09A, K09B		05	F01A, F01B, F01D, F14A, F14B, F15Z, F24A, F24B, F28A, F36A, F36B, F54Z, F59A, F59B		01	B04A, B04B, B04C, B04D
	21A	W04A, W04B		09	J03A, J03B, J04A, J04B, J08A, J08B, J08C, J11A, J11B, J16Z		05	F01A, F01B, F01D, F14A, F14B, F15Z, F24A, F24B, F28A, F36A, F36B, F54Z, F59A, F59B
	21B	X06A, X06B, X06C		10	K09A, K09B		09	J03A, J03B, J04A, J04B, J08A, J08B, J08C, J11A, J11B, J16Z
8r435.15	05	F01A, F01B, F01D, F14A, F14B, F15Z, F19A, F19B, F19C, F24A, F24B, F36A, F36B, F54Z	8r435.1c↔	21A	W04A, W04B	8r435.1j↔	10	K09A, K09B
	09	J03A, J03B, J04A, J04B, J08A, J08B, J08C, J11A, J11B, J16Z		21B	X04Z, X06A, X06B, X06C		21A	W04A, W04B
	10	K09A, K09B		05	F01A, F01B, F01D, F14A, F14B, F15Z, F24A, F24B, F28A, F36A, F36B, F54Z, F59A, F59B		21B	X06A, X06B, X06C
	21A	W04A, W04B		09	J03A, J03B, J04A, J04B, J08A, J08B, J08C, J11A, J11B, J16Z		01	B04A, B04B, B04C, B04D
	21B	X06A, X06B, X06C		10	K09A, K09B		05	F01A, F01B, F01D, F14A, F14B, F15Z, F24A, F24B, F28A, F36A, F36B, F54Z, F59A, F59B
8r435.16	05	F01A, F01B, F01D, F14A, F14B, F15Z, F19A, F19B, F19C, F24A, F24B, F36A, F36B, F54Z	8r435.1d	21A	W04A, W04B	8r435.1k↔	09	J03A, J03B, J04A, J04B, J08A, J08B, J08C, J11A, J11B, J16Z
	09	J03A, J03B, J04A, J04B, J08A, J08B, J08C, J11A, J11B, J16Z		21B	X04Z, X06A, X06B, X06C		10	K09A, K09B
	10	K09A, K09B		05	F01A, F01B, F01D, F14A, F14B, F15Z, F24A, F24B, F28A, F36A, F36B, F54Z, F59A, F59B		21A	W04A, W04B
	21A	W04A, W04B		09	J03A, J03B, J04A, J04B, J08A, J08B, J08C, J11A, J11B, J16Z		21B	X06A, X06B, X06C
	21B	X06A, X06B, X06C		10	K09A, K09B		01	B04A, B04B, B04C, B04D
8r435.17	05	F01A, F01B, F01D, F14A, F14B, F15Z, F24A, F24B, F28A, F36A, F36B, F54Z, F59A, F59B	8r435.1e	21A	W04A, W04B	8r435.1m↔	05	F01A, F01B, F01D, F14A, F14B, F15Z, F24A, F24B, F28A, F36A, F36B, F54Z, F59A, F59B
	09	J03A, J03B, J04A, J04B, J08A, J08B, J08C, J11A, J11B, J16Z		21B	X04Z, X05A, X05B, X06A, X06B, X06C		09	J03A, J03B, J04A, J04B, J08A, J08B, J08C, J11A, J11B, J16Z
	10	K09A, K09B		05	F01A, F01B, F01D, F14A, F14B, F15Z, F24A, F24B, F28A, F36A, F36B, F54Z, F59A, F59B		10	K09A, K09B
	21A	W04A, W04B		09	J03A, J03B, J04A, J04B, J08A, J08B, J08C, J11A, J11B, J16Z		21A	W04A, W04B
	21B	X06A, X06B, X06C		10	K09A, K09B		21B	X06A, X06B, X06C
8r435.18↔	05	F01A, F01B, F01D, F14A, F14B, F15Z, F24A, F24B, F28A, F36A, F36B, F54Z, F59A, F59B	8r435.1f	21A	W04A, W04B	8r435.1n↔	01	B04A, B04B, B04C, B04D
	09	J03A, J03B, J04A, J04B, J08A, J08B, J08C, J11A, J11B, J16Z		21B	X04Z, X05A, X05B, X06A, X06B, X06C		05	F01A, F01B, F01D, F14A, F14B, F15Z, F24A, F24B, F28A, F36A, F36B, F54Z, F59A, F59B
	10	K09A, K09B		05	F01A, F01B, F01D, F14A, F14B, F15Z, F24A, F24B, F28A, F36A, F36B, F54Z, F59A, F59B		09	J03A, J03B, J04A, J04B, J08A, J08B, J08C, J11A, J11B, J16Z
	21A	W04A, W04B		09	J03A, J03B, J04A, J04B, J08A, J08B, J08C, J11A, J11B, J16Z		10	K09A, K09B
	21B	X06A, X06B, X06C		10	K09A, K09B		21A	W04A, W04B
8r435.19↔	05	F01A, F01B, F01D, F14A, F14B, F15Z, F24A, F24B, F28A, F36A, F36B, F54Z, F59A, F59B	8r435.1g	21B	X04Z, X05A, X05B, X06A, X06B, X06C	8r435.1o↔	21B	X06A, X06B, X06C
	09	J03A, J03B, J04A, J04B, J08A, J08B, J08C, J11A, J11B, J16Z		10	K09A, K09B		01	B04A, B04B, B04C, B04D
	10	K09A, K09B		21A	W04A, W04B		05	F01A, F01B, F01D, F14A, F14B, F15Z, F24A, F24B, F28A, F36A, F36B, F54Z, F59A, F59B
	21A	W04A, W04B		21B	X06A, X06B, X06C		09	J03A, J03B, J04A, J04B, J08A, J08B, J08C, J11A, J11B, J16Z
	21B	X06A, X06B, X06C		10	K09A, K09B		10	K09A, K09B

VYK

ZZV	MDC	DRG	ZZV	MDC	DRG	ZZV	MDC	DRG			
8r435.1n↔		BOP, UOP4	8r436.5f	05	F01A, F01B, F01D, F15Z, F19A, F19B, F19C, F24A, F24B, F36A, F36B	8r510		BOP, KOP, UOP4			
	01	B04A, B04B, B04C, B04D		09	J03A, J03B, J04A, J04B, J08A, J08B, J08C, J11A, J11B, J16Z		01	B02A, B02B, B02C, B02D, B20A, B20B, B20C, B20D, B20E, B20F, B39A, B39B			
	05	F01A, F01B, F01D, F14A, F14B, F15Z, F24A, F24B, F28A, F36A, F36B, F54Z, F59A, F59B		10	K09A, K09B		05	F01A, F01B, F01D, F14A, F14B, F15Z, F24A, F24B, F28A, F36A, F36B, F54Z, F59A, F59B			
	09	J03A, J03B, J04A, J04B, J08A, J08B, J08C, J11A, J11B, J16Z		21A	W04A, W04B		09	J11A, J11B, J11C			
	10	K09A, K09B		21B	X06A, X06B, X06C		21A	W01A, W01B, W01C, W36Z			
	21A	W04A, W04B		8r437.6a	05		F01A, F01B, F01D, F14A, F14B, F15Z, F19A, F19B, F19C, F24A, F24B, F36A, F36B, F54Z	21B	X06A, X06B, X06C, X33Z		
	21B	X06A, X06B, X06C			09		J03A, J03B, J04A, J04B, J08A, J08B, J08C, J11A, J11B, J16Z	8r511	BOP, KOP, UOP4		
	8r435.1x↔	05			F01A, F01B, F01D, F14A, F14B, F15Z, F24A, F24B, F28A, F36A, F36B, F54Z, F59A, F59B		10		K09A, K09B	01	B02A, B02B, B02C, B02D, B20A, B20B, B20C, B20D, B20E, B20F, B39A, B39B
		09			J03A, J03B, J04A, J04B, J08A, J08B, J08C, J11A, J11B, J16Z		21A		W04A, W04B	05	F01A, F01B, F01D, F14A, F14B, F15Z, F24A, F24B, F28A, F36A, F36B, F54Z, F59A, F59B
		10			K09A, K09B		21B		X06A, X06B, X06C	09	J11A, J11B, J11C
21A		W04A, W04B	8r437.6b		05	F01A, F01B, F01D, F15Z, F19A, F19B, F19C, F24A, F24B, F36A, F36B	21A		W01A, W01B, W01C, W36Z		
21B		X06A, X06B, X06C			09	J03A, J03B, J04A, J04B, J08A, J08B, J08C, J11A, J11B, J16Z	21B		X06A, X06B, X06C, X33Z		
8r436.5a		05			F01A, F01B, F01D, F15Z, F19A, F19B, F19C, F24A, F24B, F36A, F36B	10	K09A, K09B		8r512	BOP, KOP, UOP4	
		09			J03A, J03B, J04A, J04B, J08A, J08B, J08C, J11A, J11B, J16Z	21A	W04A, W04B			01	B02A, B02B, B02C, B02D, B20A, B20B, B20C, B20D, B20E, B20F, B39A, B39B
		10			K09A, K09B	21B	X06A, X06B, X06C			05	F01A, F01B, F01D, F14A, F14B, F15Z, F24A, F24B, F28A, F36A, F36B, F54Z, F59A, F59B
		21A		W04A, W04B	8r438.6c	05	F01A, F01B, F01D, F14A, F14B, F15Z, F19A, F19B, F19C, F24A, F24B, F36A, F36B, F54Z			09	J11A, J11B, J11C
		21B		X06A, X06B, X06C		09	J03A, J03B, J04A, J04B, J08A, J08B, J08C, J11A, J11B, J16Z	21A		W01A, W01B, W01C, W36Z	
	8r436.5b	05		F01A, F01B, F01D, F15Z, F19A, F19B, F19C, F24A, F24B, F36A, F36B		10	K09A, K09B	21B		X06A, X06B, X06C, X33Z	
		09		J03A, J03B, J04A, J04B, J08A, J08B, J08C, J11A, J11B, J16Z		21A	W04A, W04B	8r513		BOP, UOP4	
		10		K09A, K09B		21B	X06A, X06B, X06C			01	B04A, B04B, B04C, B04D
		21A	W04A, W04B	8r438.6d		05	F01A, F01B, F01D, F15Z, F19A, F19B, F19C, F24A, F24B, F36A, F36B			03	D12A
		21B	X06A, X06B, X06C			09	J03A, J03B, J04A, J04B, J08A, J08B, J08C, J11A, J11B, J16Z			05	F01A, F01B, F01D, F14A, F14B, F15Z, F24A, F24B, F28A, F36A, F36B, F54Z, F59A, F59B
8r436.5c		05	F01A, F01B, F01D, F15Z, F19A, F19B, F19C, F24A, F24B, F36A, F36B			10	K09A, K09B		09	J11A, J11B, J11C	
		09	J03A, J03B, J04A, J04B, J08A, J08B, J08C, J11A, J11B, J16Z			21A	W04A, W04B		21A	W04A, W04B	
		10	K09A, K09B			21B	X06A, X06B, X06C		21B	X06A, X06B, X06C	
		21A	W04A, W04B		8r439.6e	05	F01A, F01B, F01D, F14A, F14B, F15Z, F19A, F19B, F19C, F24A, F24B, F36A, F36B, F54Z		8r514	05	F01A, F01B, F01D, F14A, F14B, F15Z, F24A, F24B, F28A, F36A, F36B, F54Z, F59A, F59B
		21B	X06A, X06B, X06C			09	J03A, J03B, J04A, J04B, J08A, J08B, J08C, J11A, J11B, J16Z			06	G10Z, G12A, G12B
	8r436.5d	05	F01A, F01B, F01D, F15Z, F19A, F19B, F19C, F24A, F24B, F36A, F36B			10	K09A, K09B			07	H06A, H06B
		09	J03A, J03B, J04A, J04B, J08A, J08B, J08C, J11A, J11B, J16Z			21A	W04A, W04B	09		J11A, J11B, J11C	
		10	K09A, K09B			21B	X06A, X06B, X06C	11		L09A, L09B, L09C, L09D, L38Z	
		21A	W04A, W04B	8r439.6f		05	F01A, F01B, F01D, F15Z, F19A, F19B, F19C, F24A, F24B, F36A, F36B	21A		W04A, W04B	
		21B	X06A, X06B, X06C			09	J03A, J03B, J04A, J04B, J08A, J08B, J08C, J11A, J11B, J16Z	21B		X06A, X06B, X06C	
8r436.5e		05	F01A, F01B, F01D, F15Z, F19A, F19B, F19C, F24A, F24B, F36A, F36B			10	K09A, K09B	8r515		05	F01A, F01B, F01D, F14A, F14B, F15Z, F24A, F24B, F28A, F36A, F36B, F54Z, F59A, F59B
		09	J03A, J03B, J04A, J04B, J08A, J08B, J08C, J11A, J11B, J16Z			21A	W04A, W04B			06	G10Z, G12A, G12B
		10	K09A, K09B			21B	X06A, X06B, X06C			07	H06A, H06B
		21A	W04A, W04B		05	F01A, F01B, F01D, F15Z, F19A, F19B, F19C, F24A, F24B, F36A, F36B	09		J11A, J11B, J11C		
		21B	X06A, X06B, X06C		09	J03A, J03B, J04A, J04B, J08A, J08B, J08C, J11A, J11B, J16Z	11		L09A, L09B, L09C, L09D, L38Z		
	8r436.5e	05	F01A, F01B, F01D, F15Z, F19A, F19B, F19C, F24A, F24B, F36A, F36B		10	K09A, K09B	12		M06Z, M09A, M09B, M38Z		
		09	J03A, J03B, J04A, J04B, J08A, J08B, J08C, J11A, J11B, J16Z		21A	W04A, W04B	13		N04Z		
		10	K09A, K09B		21B	X06A, X06B, X06C	21A		W04A, W04B		
		21A	W04A, W04B			21B	X06A, X06B, X06C				
		21B	X06A, X06B, X06C								

VYK

ZZV	MDC	DRG	ZZV	MDC	DRG	ZZV	MDC	DRG
8r516	05	F01A, F01B, F01D, F14A, F14B, F15Z, F24A, F24B, F28A, F36A, F36B, F54Z, F59A, F59B	8r610.06		BOP, KVT, UOP4	8r611.05		BOP, KVT, UOP4
	09	J11A, J11B, J11C		05	F01A, F01B, F01D, F12A, F12B, F50A, F50B, F50C, F50D		05	F01A, F01B, F01D, F12A, F12B, F50A, F50B, F50C
	10	K09A, K09B	8r610.07		BOP, KVT, UOP4	8r611.06		BOP, KVT, UOP4
	21A	W04A, W04B		05	F01A, F01B, F01D, F12A, F12B, F50A, F50B, F50C, F50D		05	F01A, F01B, F01D, F12A, F12B, F50A, F50B, F50C
	21B	X06A, X06B, X06C				8r611.07		BOP, KVT, UOP4
8r517	01	B03A, B03B, B06A, B06B, B07Z, B17A, B17B, B17C	8r610.08		BOP, KVT, UOP4		05	F01A, F01B, F01D, F12A, F12B, F50A, F50B, F50C
	05	F01A, F01B, F01D, F14A, F14B, F15Z, F24A, F24B, F28A, F36A, F36B, F54Z, F59A, F59B		05	F01A, F01B, F01D, F12A, F12B, F50A, F50B, F50C, F50D	8r612.00		BOP, KVT, UOP4
	09	J11A, J11B, J11C	8r610.10		BOP, KVT, UOP4		05	F01A, F01B, F01D, F12A, F12B, F50A, F50B, F50C, F50D
	10	K09A, K09B		05	F01A, F01B, F01D, F12A, F12B, F50A, F50B, F50C, F50D	8r612.03		BOP, KVT, UOP4
	21A	W04A, W04B	8r610.13		BOP, KVT, UOP4		05	F01A, F01B, F01D, F12A, F12B, F50A, F50B, F50C, F50D
	21B	X06A, X06B, X06C		05	F01A, F01B, F01D, F12A, F12B, F50A, F50B, F50C, F50D	8r612.04		BOP, KVT, UOP4
8r518	05	F01A, F01B, F01D, F14A, F14B, F15Z, F24A, F24B, F28A, F36A, F36B, F54Z, F59A, F59B	8r610.14		BOP, KVT, UOP4		05	F01A, F01B, F01D, F12A, F12B, F50A, F50B, F50C, F50D
	06	G10Z, G12A, G12B		05	F01A, F01B, F01D, F12A, F12B, F50A, F50B, F50C, F50D	8r612.05		BOP, KVT, UOP4
	07	H06A, H06B					05	F01A, F01B, F01D, F12A, F12B, F50A, F50B, F50C, F50D
	09	J11A, J11B, J11C	8r610.15		BOP, KVT, UOP4	8r612.06		BOP, KVT, UOP4
	11	L09A, L09B, L09C, L09D, L38Z		05	F01A, F01B, F01D, F12A, F12B, F50A, F50B, F50C, F50D		05	F01A, F01B, F01D, F12A, F12B, F50A, F50B, F50C, F50D
	21A	W04A, W04B	8r610.16		BOP, KVT, UOP4			
	21B	X06A, X06B, X06C		05	F01A, F01B, F01D, F12A, F12B, F50A, F50B, F50C, F50D	8r612.07		BOP, KVT, UOP4
8r519	05	F01A, F01B, F01D, F14A, F14B, F15Z, F24A, F24B, F28A, F36A, F36B, F54Z, F59A, F59B	8r610.17		BOP, KVT, UOP4		05	F01A, F01B, F01D, F12A, F12B, F50A, F50B, F50C, F50D
	09	J11A, J11B, J11C		05	F01A, F01B, F01D, F12A, F12B, F50A, F50B, F50C, F50D	8r61b		F01A, F01B, F01D, F14A, F14B, F15Z, F24A, F24B, F28A, F36A, F36B, F54Z, F59A, F59B
	10	K09A, K09B					06	G10Z, G12A, G12B
	21A	W04A, W04B	8r610.30		BOP, KVT, UOP4		11	L09A, L09B, L09C, L09D, L38Z
	21B	X04Z		05	F01A, F01B, F01D, F12A, F12B, F50A, F50B, F50C, F50D	8r61c		BOP, KVT, UOP4
8r51a		BOP, UOP4	8r610.31		BOP, KVT, UOP4		05	F01A, F01B, F01D, F12A, F12B, F50A, F50B, F50C, F50D
	01	B04A, B04B, B04C, B04D		05	F01A, F01B, F01D, F12A, F12B, F50A, F50B, F50C, F50D	8r61x		BOP, KVT, UOP4
	03	D12A	8r610.32		BOP, KVT, UOP4		05	F01A, F01B, F01D, F12A, F12B, F50A, F50B, F50C, F50D
	05	F01A, F01B, F01D, F14A, F14B, F15Z, F24A, F24B, F28A, F36A, F36B, F54Z, F59A, F59B		05	F01A, F01B, F01D, F12A, F12B, F50A, F50B, F50C, F50D	8r716		KKP
	09	J11A, J11B, J11C	8r610.33		BOP, KVT, UOP4		05	F01A, F01B, F01D, F05Z, F07A, F07B, F09A, F09B, F09C, F42Z
	21A	W04A, W04B		05	F01A, F01B, F01D, F12A, F12B, F50A, F50B, F50C, F50D	8r717.0		Z01A
	21B	X06A, X06B, X06C					05	KOP, KOPV
8r520.01‡	07	H06B	8r610.34		BOP, KVT, UOP4		06	F05Z, F07A, F07B, F42Z
8r520.02‡	07	H06B		05	F01A, F01B, F01D, F12A, F12B, F50A, F50B, F50C, F50D		06	G33Z
8r520.03‡	07	H06B					07	H33Z, H38Z
8r520.04‡	07	H06B					11	L33Z
8r520.3‡	07	H06B	8r610.35		BOP, KVT, UOP4		Pre	A07A
8r610.00		BOP, KVT, UOP4		05	F01A, F01B, F01D, F12A, F12B, F50A, F50B, F50C, F50D	8r717.1		KOP, KOPV
	05	F01A, F01B, F01D, F12A, F12B, F50A, F50B, F50C, F50D		05	F01A, F01B, F01D, F12A, F12B, F50A, F50B, F50C, F50D		05	F05Z, F07A, F07B, F42Z
8r610.03		BOP, KVT, UOP4	8r611.00		BOP, KVT, UOP4		06	G33Z
	05	F01A, F01B, F01D, F12A, F12B, F50A, F50B, F50C, F50D		05	F01A, F01B, F01D, F12A, F12B, F50A, F50B, F50C, F50D		07	H33Z, H38Z
8r610.04		BOP, KVT, UOP4					11	L33Z
	05	F01A, F01B, F01D, F12A, F12B, F50A, F50B, F50C, F50D	8r611.03		BOP, KVT, UOP4	8r717.2		Pre A07A
				05	F01A, F01B, F01D, F12A, F12B, F50A, F50B, F50C, F50D		05	KOP, KOPV
8r610.05		BOP, KVT, UOP4	8r611.04		BOP, KVT, UOP4		05	F05Z, F07A, F07B, F42Z
	05	F01A, F01B, F01D, F12A, F12B, F50A, F50B, F50C, F50D		05	F01A, F01B, F01D, F12A, F12B, F50A, F50B, F50C, F50D		06	G33Z
							07	H33Z, H38Z
							11	L33Z
							Pre	A07A

ZZV	MDC	DRG	ZZV	MDC	DRG	ZZV	MDC	DRG	
8r717.3	05	KOP, KOPV	8r741.1	01	B03A, B03B, B06A, B06B, B07Z, B17A, B17B, B17C	8r915.02	05	F01A, F01B, F01D, F14A, F14B, F15Z, F24A, F24B, F28A, F36A, F36B, F54Z, F59A, F59B	
		F03B, F05Z, F07A, F07B, F42Z			05			F01A, F01B, F01D, F14A, F14B, F15Z, F24A, F24B, F28A, F36A, F36B, F54Z, F59A, F59B	
		G33Z			09			J11A, J11B, J11C	
		H33Z, H38Z			8r741.2			01	B03A, B03B, B06A, B06B, B07Z, B17A, B17B, B17C
		L33Z						05	F01A, F01B, F01D, F14A, F14B, F15Z, F24A, F24B, F28A, F36A, F36B, F54Z, F59A, F59B
Pre	A07A	09	J11A, J11B, J11C						
8r717.4	05	KOP, KOPV	8r741.5	05	F01A, F01B, F01D, F14A, F14B, F15Z, F24A, F24B, F28A, F36A, F36B, F54Z, F59A, F59B	8r915.0x	05	F01A, F01B, F01D, F14A, F14B, F15Z, F24A, F24B, F28A, F36A, F36B, F54Z, F59A, F59B	
		F03B, F05Z, F07A, F07B, F42Z			10			K09A, K09B	
		G33Z			8r915.10			05	F01A, F01B, F01D, F14A, F14B, F15Z, F24A, F24B, F28A, F36A, F36B, F54Z, F59A, F59B
		H33Z, H38Z						10	K09A, K09B
		L33Z			8r915.11			05	F01A, F01B, F01D, F14A, F14B, F15Z, F24A, F24B, F28A, F36A, F36B, F54Z, F59A, F59B
Pre	A07A	10	K09A, K09B						
8r717.x	05	KOP, KOPV	8r750	06	G10Z, G12A, G12B	8r915.1x	05	F01A, F01B, F01D, F14A, F14B, F15Z, F24A, F24B, F28A, F36A, F36B, F54Z, F59A, F59B	
		F05Z, F07A, F07B, F42Z			07			H06A, H06B, H06C	
		G33Z			09			J11A, J11B, J11C	
		H33Z, H38Z			11			L09A, L09B, L09C, L09D, L38Z	
		L33Z			21A			W04A, W04B	
8r722.3	05	KKP	8r750‡	Pre	A09E, A11F, A13F	8r915.x	05	F01A, F01B, F01D, F14A, F14B, F15Z, F24A, F24B, F28A, F36A, F36B, F54Z, F59A, F59B	
		F01A, F01B, F01D, F05Z, F07A, F07B, F09A, F09B, F09C, F42Z			Pre			A09E, A11F, A13F	
		Z01A			Pre			A09E, A11F, A13F	
		23			Z01A			Pre	A09E, A11F, A13F
								Pre	A09E, A11F, A13F
8r730	01	BOP, UOP4	8r751.00‡	Pre	A09E, A11F, A13F	8r917.0	05	F01A, F01B, F01D, F15Z, F24A, F24B, F28A, F36A, F36B, F54Z, F59A, F59B	
		B04A, B04B, B04C, B04D			Pre			A09E, A11F, A13F	
		F01A, F01B, F01D, F14A, F14B, F15Z, F24A, F24B, F28A, F36A, F36B, F54Z, F59A, F59B			Pre			A09E, A11F, A13F	
		K09A, K09B			Pre			A09E, A11F, A13F	
		BOP, UOP4			Pre			A09E, A11F, A13F	
8r731.0	01	B04A, B04B, B04C, B04D	8r751.01‡	Pre	A09E, A11F, A13F	8r917.1	05	F01A, F01B, F01D, F15Z, F24A, F24B, F28A, F36A, F36B, F54Z, F59A, F59B	
		F01A, F01B, F01D, F14A, F14B, F15Z, F24A, F24B, F28A, F36A, F36B, F54Z, F59A, F59B			Pre			A09E, A11F, A13F	
		K09A, K09B			Pre			A09E, A11F, A13F	
		BOP, UOP4			Pre			A09E, A11F, A13F	
		B04A, B04B, B04C, B04D			Pre			A09E, A11F, A13F	
8r731.1	05	F01A, F01B, F01D, F14A, F14B, F15Z, F24A, F24B, F28A, F36A, F36B, F54Z, F59A, F59B	8r751.02‡	Pre	A09E, A11F, A13F	8r917.2	05	F01A, F01B, F01D, F15Z, F24A, F24B, F28A, F36A, F36B, F54Z, F59A, F59B	
		F01A, F01B, F01D, F14A, F14B, F15Z, F24A, F24B, F28A, F36A, F36B, F54Z, F59A, F59B			Pre			A09E, A11F, A13F	
		K09A, K09B			Pre			A09E, A11F, A13F	
		BOP, UOP4			Pre			A09E, A11F, A13F	
		B04A, B04B, B04C, B04D			Pre			A09E, A11F, A13F	
8r731.2	05	F01A, F01B, F01D, F14A, F14B, F15Z, F24A, F24B, F28A, F36A, F36B, F54Z, F59A, F59B	8r751.03‡	Pre	A09E, A11F, A13F	8r918	05	F01A, F01B, F01D, F14A, F14B, F15Z, F24A, F24B, F28A, F36A, F36B, F54Z, F59A, F59B	
		F01A, F01B, F01D, F14A, F14B, F15Z, F24A, F24B, F28A, F36A, F36B, F54Z, F59A, F59B			Pre			A13F	
		K09A, K09B			Pre			A13F	
		BOP, UOP4			Pre			A13F	
		B04A, B04B, B04C, B04D			Pre			A13F	
8r732	05	F01A, F01B, F01D, F14A, F14B, F15Z, F24A, F24B, F28A, F36A, F36B, F54Z, F59A, F59B	8r751.21‡	Pre	A09E, A11F, A13F	8r921	04	E02A, E02B, E02C	
		F01A, F01B, F01D, F14A, F14B, F15Z, F24A, F24B, F28A, F36A, F36B, F54Z, F59A, F59B			Pre			A13F	
		K09A, K09B			Pre			A13F	
		BOP, UOP4			Pre			A13F	
		B04A, B04B, B04C, B04D			Pre			A13F	
8r732	05	F01A, F01B, F01D, F14A, F14B, F15Z, F24A, F24B, F28A, F36A, F36B, F54Z, F59A, F59B	8r751.22‡	Pre	A09E, A11F, A13F	14	962Z, O02A, O02B		
		F01A, F01B, F01D, F14A, F14B, F15Z, F24A, F24B, F28A, F36A, F36B, F54Z, F59A, F59B			Pre			A13F	
		K09A, K09B			Pre			A13F	
		BOP, UOP4			Pre			A13F	
		B04A, B04B, B04C, B04D			Pre			A13F	
8r732	05	F01A, F01B, F01D, F14A, F14B, F15Z, F24A, F24B, F28A, F36A, F36B, F54Z, F59A, F59B	8r751.23‡	Pre	A09E, A11F, A13F	21A	W04A, W04B		
		F01A, F01B, F01D, F14A, F14B, F15Z, F24A, F24B, F28A, F36A, F36B, F54Z, F59A, F59B			Pre			A13F	
		K09A, K09B			Pre			A13F	
		BOP, UOP4			Pre			A13F	
		B04A, B04B, B04C, B04D			Pre			A13F	
8r741.0	01	B02A, B02B, B02C, B02D, B20A, B20B, B20C, B20D, B20E, B39A, B39B	8r751.24‡	Pre	A09E, A11F, A13F	21B	X06A, X06B, X06C		
		F01A, F01B, F01D, F14A, F14B, F15Z, F24A, F24B, F28A, F36A, F36B, F54Z, F59A, F59B			Pre			A13F	
		F01A, F01B, F01D, F14A, F14B, F15Z, F24A, F24B, F28A, F36A, F36B, F54Z, F59A, F59B			Pre			A13F	
		J11A, J11B, J11C			Pre			A13F	
		W01A, W01B, W01C, W36Z			Pre			A13F	
8r741.0	05	F01A, F01B, F01D, F14A, F14B, F15Z, F24A, F24B, F28A, F36A, F36B, F54Z, F59A, F59B	8r752	05	F01A, F01B, F01D, F14A, F14B, F15Z, F24A, F24B, F28A, F36A, F36B, F54Z, F56A, F56B, F59A, F59B	8r914.0	01	B12Z	
		F01A, F01B, F01D, F14A, F14B, F15Z, F24A, F24B, F28A, F36A, F36B, F54Z, F59A, F59B			05			F12A, F12B, F95A, F95B	
		J11A, J11B, J11C			15			P02A, P02B, P02C	
		W01A, W01B, W01C, W36Z			Pre			A13F	
		B02A, B02B, B02C, B02D, B20A, B20B, B20C, B20D, B20E, B39A, B39B			Pre			A13F	
8r741.0	05	F01A, F01B, F01D, F14A, F14B, F15Z, F24A, F24B, F28A, F36A, F36B, F54Z, F59A, F59B	8r914.1	01	B12Z	8r914.1	01	B12Z	
		F01A, F01B, F01D, F14A, F14B, F15Z, F24A, F24B, F28A, F36A, F36B, F54Z, F59A, F59B			05			F12A, F12B, F95A, F95B	
		J11A, J11B, J11C			15			P02A, P02B, P02C	
		W01A, W01B, W01C, W36Z			Pre			A13F	
		B02A, B02B, B02C, B02D, B20A, B20B, B20C, B20D, B20E, B39A, B39B			Pre			A13F	
8r741.0	05	F01A, F01B, F01D, F14A, F14B, F15Z, F24A, F24B, F28A, F36A, F36B, F54Z, F59A, F59B	8r914.2	01	B12Z	8r914.2	01	B12Z	
		F01A, F01B, F01D, F14A, F14B, F15Z, F24A, F24B, F28A, F36A, F36B, F54Z, F59A, F59B			05			F12A, F12B, F95A, F95B	
		J11A, J11B, J11C			15			P02A, P02B, P02C	
		W01A, W01B, W01C, W36Z			Pre			A13F	
		B02A, B02B, B02C, B02D, B20A, B20B, B20C, B20D, B20E, B39A, B39B			Pre			A13F	
8r741.0	05	F01A, F01B, F01D, F14A, F14B, F15Z, F24A, F24B, F28A, F36A, F36B, F54Z, F59A, F59B	8r914.4	01	B12Z	8r914.4	01	B12Z	
		F01A, F01B, F01D, F14A, F14B, F15Z, F24A, F24B, F28A, F36A, F36B, F54Z, F59A, F59B			05			F12A, F12B, F95A, F95B	
		J11A, J11B, J11C			15			P02A, P02B, P02C	
		W01A, W01B, W01C, W36Z			Pre			A13F	
		B02A, B02B, B02C, B02D, B20A, B20B, B20C, B20D, B20E, B39A, B39B			Pre			A13F	
8r741.0	05	F01A, F01B, F01D, F14A, F14B, F15Z, F24A, F24B, F28A, F36A, F36B, F54Z, F59A, F59B	8r915.01	05	F01A, F01B, F01D, F14A, F14B, F15Z, F24A, F24B, F28A, F36A, F36B, F54Z, F59A, F59B	8r915.01	05	F01A, F01B, F01D, F14A, F14B, F15Z, F24A, F24B, F28A, F36A, F36B, F54Z, F59A, F59B	
		F01A, F01B, F01D, F14A, F14B, F15Z, F24A, F24B, F28A, F36A, F36B, F54Z, F59A, F59B			10			K09A, K09B	
		J11A, J11B, J11C			10			K09A, K09B	
		W01A, W01B, W01C, W36Z			10			K09A, K09B	
		B02A, B02B, B02C, B02D, B20A, B20B, B20C, B20D, B20E, B39A, B39B			10			K09A, K09B	

VYK

ZZV	MDC	DRG	ZZV	MDC	DRG	ZZV	MDC	DRG	
8r925		BOP, KOP, KOPV, KVT, UOP4	8t911‡	05	F49A, F49D	8v131‡	01	B02A, B02B, B02C, B02D, B20A, B20B, B20D, B70B	
	04	E05A, E05B, E05C, E08A, E08B, E08C		06	G40Z, G46A, G46B, G48A, G48B, G48C		01	B02A, B02B, B02C, B02D, B20A, B20B, B20D, B70B	
	05	F01A, F01B, F01D, F05Z, F07A, F07B, F09A, F09B, F09C, F30Z, F42Z	8t914‡	05	F49A, F49D	8v133‡	01	B02A, B02B, B02C, B02D, B20A, B20B, B20D, B70B	
				06	G40Z, G46A, G46B, G48A, G48B, G48C		01	B49Z	
	06	G15Z, G19A, G19B, G33Z, G38Z	8u103		KK11, KKI, KKII, KKP	8v151.2‡	01	B49Z	
	07	H33Z, H38Z		01	B09A, B09B	8v151.3‡	01	B49Z	
	08	I08A, I08B, I08C, I08D, I08E, I13A, I13B		17	R01A, R01B, R01C, R01D, R02Z, R12A, R12B, R12C	8v161.1‡	01	B39A, B39B, B39C, B42A, B44A, B44C, B69B, B69C, B70A, B70B, B70C, B70D, B70G	
	11	L09A, L33Z, L38Z	8u104	21A	W04A, W04B	8v161.2‡	01	B39A, B39B, B42A, B44A, B44C, B69A, B70A, B70B, B70G	
	15	P02A, P02B, P02C		21B	X06A, X06B, X06C		Pre	A09E, A11F, A13F	
	21A	W04A, W04B		01	B09A, B09B	8v162.0‡	01	B69C, B70C, B70D, B70G	
	21B	X06A, X06B, X06C, X33Z		17	R01A, R01B, R01C, R01D, R02Z, R12A, R12B, R12C		8v162.1‡	01	B69C, B70C, B70D, B70G
	23	Z01A	8u105	21A	W04A, W04B	8v163.0‡	01	B69C, B70C, B70G	
	Pre	A07A		21B	X06A, X06B, X06C	8v163.1‡	01	B69C, B70C, B70G	
	8r926	01	B12Z		01	B09A, B09B	8v172.1‡	08	I97Z
		05	F01A, F01B, F01D, F12A, F12B, F19A, F19B, F19C		17	R01A, R01B, R01C, R01D, R02Z, R12A, R12B, R12C	8v172.2‡	08	I97Z
	8r928	Pre	A13F	8u106	21A	W04A, W04B	8v173.1‡	08	I97Z
		01	B12Z		21B	X06A, X06B, X06C	8v173.2‡	08	I97Z
	05	F01A, F01B, F01D, F05Z, F06C, F06D, F06E, F12A, F12B, F15Z, F24A, F24B, F36A, F36B, F52A, F52B, F56A, F56B, F58A, F58B	8u110‡		KK11, KKI, KKII, KKP	8v181.01‡	10	K60A	
				01	B09A, B09B	8v181.02‡	10	K60A	
	Pre	A13F	8u133.0‡		KK11, KKI, KKII, KKP	8v181.03‡	10	K60A	
			01	B12Z	8u133.1‡		KK11, KKI, KKII, KKP	8v181.1‡	10
05	F01A, F01B, F01D, F05Z, F06C, F06D, F06E, F12A, F12B, F15Z, F24A, F24B, F36A, F36B, F52A, F52B, F56A, F56B, F58A, F58B	8u161‡	01	B02A, B02B, B02C, B20B	8v181.2‡	10	K60A		
		8u162‡	01	B02A, B02B, B02C, B20B	8v181.3‡	10	K60A		
8r929	01	B12Z	8u163‡	01	B02A, B02B, B02C, B20B	8v192‡	01	B71A, B71B	
			05	F01A, F01B, F01D, F05Z, F06C, F06D, F06E, F12A, F12B, F15Z, F24A, F24B, F36A, F36B, F52A, F52B, F56A, F56B, F58A, F58B	8u901.1		BOP, KOP, KVT, UOP4	8v193‡	01
Pre	A13F	8r930	01	B09A, B09B		08	I32A		
			05	F01A, F01B, F01D, F05Z, F06C, F06D, F06E, F12A, F12B, F15Z, F24A, F24B, F36A, F36B, F52A, F52B, F56A, F56B, F58A, F58B	08	I15A, I15B	8v194‡	01	B71A, B71B
01	B12Z	8r931	17	R01A, R01B, R01C, R01D, R02Z, R12A, R12B, R12C		08	I32A		
			05	F01A, F01B, F01D, F15Z, F24A, F24B, F28A, F36A, F36B, F54Z, F59A, F59B	21A	W01A, W01B, W01C, W36Z	8v1a2.1‡	04	E77B
8r932	01	B12Z	8u901.2	01	BOP, KOP, KVT, UOP4		05	F77Z	
				05	F01A, F01B, F01D, F12A, F12B, F15Z, F24A, F24B, F36A, F36B, F52A, F52B, F56A, F56B, F58A, F58B	08	I15A, I15B		06
Pre	A13F	8r933‡	08	I15A, I15B		09	J77Z		
			01	B04C	17	R01A, R01B, R01C, R01D, R02Z, R12A, R12B, R12C		10	K25Z, K77Z
8r939	05	F59A	8u901.3	21A	W01A, W01B, W01C, W36Z		11	L63A	
8r980	01	B12Z		01	BOP, KOP, KVT, UOP4	8v1a2.2‡	04	E77B	
05	F01A, F01B, F01D, F05Z, F06C, F06D, F06E, F12A, F12B, F15Z, F24A, F24B, F36A, F36B, F52A, F52B, F56A, F56B, F58A, F58B	8u904‡	08	I15A, I15B		05	F77Z		
			05	F01A, F01B, F01D, F05Z, F06C, F06D, F06E, F12A, F12B, F15Z, F24A, F24B, F36A, F36B, F52A, F52B, F56A, F56B, F58A, F58B	01	B09A, B09B		06	G77Z
Pre	A13F	8u906‡	17	R01A, R01B, R01C, R01D, R02Z, R12A, R12B, R12C		09	J77Z		
			01	B47Z	21A	W01A, W01B, W01C, W36Z	8v1a3.1‡	04	E77B
08	I42Z		06	G40Z, G46A, G46B, G46C, G47Z, G50Z		05	F77Z		
19	U42Z	8t250‡		KK11, KKI, KKII, KKP		06	G77Z		
			23	Z44Z	05	F62A		09	J77Z
05	F49A, F49D	8t910‡	8v111‡	01	B76A		10	K25Z, K77Z	
			06	G40Z, G46A, G46B, G48A, G48B, G48C	8v112‡	01	B76A		11
01	B47Z	8t250‡	8v113‡	01	B76A		18B	T77Z	
			08	I42Z	Pre	B61A, B61B	8v1a3.2‡	04	E77B
23	Z44Z	8t910‡	8v121.0‡	Pre	B61A, B61B		05	F77Z	
			05	F49A, F49D	8v121.1‡	Pre	B61A, B61B		06
06	G40Z, G46A, G46B, G48A, G48B, G48C	8t910‡	8v121.2‡	Pre	B61A, B61B		09	J77Z	
			06	G40Z, G46A, G46B, G48A, G48B, G48C	8v121.3‡	Pre	B61A, B61B		10
01	B47Z	8t250‡	8v122.2‡	Pre	B61A, B61B		11	L63A	
			08	I42Z	8v122.3‡	Pre	B61A, B61B		18B
19	U42Z	8t250‡	8v122.4‡	Pre	B61A, B61B				
			23	Z44Z					

ZZV	MDC	DRG	ZZV	MDC	DRG	ZZV	MDC	DRG
8v1a4.1‡	04	E77B	8v31c‡		S1105, S553	8v326‡	04	E40A, E77A
	05	F77Z		01	B36A		06	G01Z
	06	G77Z		Pre	A07C, A09C, A11A, A13A, A36A	8v327‡	04	E40A, E77A
	09	J77Z					06	G01Z
	10	K25Z, K77Z	8v31d‡		S1105, S553	8v328‡	04	E40A, E77A
	11	L63A		01	B36A		06	G01Z
	18B	T77Z		Pre	A07C, A09A, A09B, A09C, A11A, A13A, A36A	8v329‡	04	E40A, E77A
8v1a4.2‡	04	E77B	8v31e‡		S1105, S553	8v32a‡	04	E40A, E77A
	05	F77Z		01	B36A		06	G01Z
	06	G77Z		Pre	A06A, A07A, A07C, A09A, A09B, A09C, A11A, A13A, A36A	8v32b‡	04	E40A, E77A
	09	J77Z					06	G01Z
	10	K25Z, K77Z	8v31f‡		S1105, S553	8v32c‡	04	E40A, E77A
	11	L63A		01	B36A		06	G01Z
	18B	T77Z		Pre	A06A, A07A, A07C, A09A, A09B, A09C, A11A, A13A, A36A	8v32d‡	04	E40A, E77A
8v224.0‡		PTX					06	G01Z
8v224.1‡		PTX	8v31g‡		S1105, S553	8v32e‡	04	E40A, E77A
8v224.2‡		PTX		01	B36A		06	G01Z
8v224.3‡		PTX		Pre	A06A, A07A, A07C, A09A, A09B, A09C, A11A, A13A, A36A	8v32f‡	04	E40A, E77A
8v224.4‡		PTX					06	G01Z
8v224.5‡		PTX		01	B36A	8v32g‡	04	E40A, E77A
8v224.6‡		PTX		Pre	A06A, A07A, A07C, A09A, A09B, A09C, A11A, A13A, A36A		06	G01Z
8v224.x‡		PTX				8v32h‡	04	E40A, E77A
8v225.0‡		PTX	8v31h‡		S1105, S553		06	G01Z
8v225.1‡		PTX		01	B36A	8v32j‡	04	E40A, E77A
8v225.2‡		PTX		Pre	A06A, A07A, A07C, A09A, A09B, A09C, A11A, A13A, A36A		06	G01Z
8v225.3‡		PTX				8v32k‡	04	E40A, E77A
8v225.4‡		PTX					06	G01Z
8v225.5‡		PTX	8v31j‡		S1105, S553	8v32l‡	04	E40A, E77A
8v225.6‡		PTX		01	B36A		06	G01Z
8v225.x‡		PTX		Pre	A06A, A07A, A07C, A09A, A09B, A09C, A11A, A13A, A36A	8v32m‡	04	E40A, E77A
8v226.0‡		PTX					06	G01Z
8v226.1‡		PTX	8v31k‡		S1105, S553	8v32n‡	04	E40A, E77A
8v226.2‡		PTX		01	B36A		06	G01Z
8v226.3‡		PTX		Pre	A06A, A07A, A07C, A09A, A09B, A09C, A11A, A13A, A36A	8v32o‡	04	E40A, E77A
8v226.4‡		PTX					06	G01Z
8v226.5‡		PTX				8v32p‡	04	E40A, E77A
8v226.6‡		PTX	8v31l‡		S1105, S553		06	G01Z
8v226.x‡		PTX		01	B36A	8v32q‡	04	E40A, E77A
8v314‡		S553		Pre	A06A, A07A, A07C, A09A, A09B, A09C, A11A, A13A, A36A		06	G01Z
8v315‡		S553				8v412‡	20	V40Z
	17	R36Z	8v31m‡		S1105, S553	8v413‡	20	V40Z
	21A	W36Z		01	B36A	8v414‡	20	V40Z
8v316‡		S1105, S553		Pre	A06A, A07A, A07C, A09A, A09B, A09C, A11A, A13A, A36A	8z211‡	09	J11A, J11B
8v317‡		S1105, S553				91515	13	N11A, N11B
	Pre	A09D				91516	13	N11A, N11B
8v318‡		S1105, S553	8v31n‡		S1105, S553	91518	13	N11A, N11B
	01	B36A		01	B36A	91519	13	N11A, N11B
	Pre	A09D, A11A, A13A, A36A		Pre	A06A, A07A, A07C, A09A, A09B, A09C, A11A, A13A, A36A	91520	13	N01A, N01B, N01C, N01D, N01E, N02A, N02B, N02C, N03A, N03B, N07Z, N25Z, N38Z
8v319‡		S1105, S553				91521	13	N11A, N11B
	01	B36A	8v322‡	04	E40A, E77A	91522‡	13	N11A, N11B
	Pre	A09D, A11A, A13A, A36A	8v323‡	04	E40A, E77A	99700‡	01	B46Z
8v31a‡		S1105, S553		06	G01Z		19	U41Z
	01	B36A	8v324‡	04	E40A, E77A	99701‡	19	U43Z
	Pre	A07C, A09C, A11A, A13A, A36A		06	G01Z			
8v31b‡		S1105, S553	8v325‡	04	E40A, E77A			
	01	B36A		06	G01Z			
	Pre	A07C, A09C, A11A, A13A, A36A						

Globálne tabuľky výkonov

Tabuľky výkonov používané vo viacerých MDC

Všetky OP výkony

Všetky OP výkony

MDC	DRG
01	B03A, B03B
05	F13A
10	K25Z
12	M60B, M60C
13	N60B
14	O01A, O01B, O01C, O01D, O01E, O01F, O01G, O01H, O04A, O04B
15	P01Z, P03A, P03B, P03C, P04A, P04B, P04C, P05A, P05B, P05C, P06A, P06B, P06C, P61A, P61C, P62A

MDC	DRG
16	Q02A, Q02B, Q02C
17	R03Z, R04A, R04B, R11A, R11B, R11C, R13Z, R14Z, R16Z
18A	S01Z
18B	T01A, T01B, T01C
21A	W05Z
23	Z01A, Z01B

Prehľad funkcií

Tento prehľad obsahuje zoznam funkcií s uvedením DRG, v ktorých sú tieto funkcie používané. Presná definícia funkcií vrátane prislúchajúcich zoznamov kódov sa nachádza na konci zväzku 4 Definičnej príručky

Určité OP-výkony [BOP]

MDC	DRG
01	B11Z, B36A, B36B, B39A, B39B, B39C
05	F29Z, F36A, F36B, F43B
06	G14Z, G38Z

MDC	DRG
08	I34Z, I96Z
14	O05A, O05B
Pre	A11A, A11C, A11E, A13A, A13B, A13C, A13E, A13G

Komplexné OP-výkony [KOP]

MDC	DRG
06	G10Z, G12A
07	H06A
08	I02A, I02B, I02C
11	L09A, L38Z
17	R01A, R01C, R02Z, R12B

MDC	DRG
18B	T01A
21B	X01A, X01B, X06B
22	Y02A, Y02B
Pre	A06A, A06B, A07A, A07B, A07C, A09A, A09B, A09C, A11A, A11B, A11D, A13A, A13B, A13D, B61A

Komplikujúce konštelácie I [KKI]

MDC	DRG
01	B02A, B02B, B02C, B02D, B39A, B66A
04	E01A, E62A, E62B
05	F03A, F05Z, F06A, F06C, F07A, F08A, F09A, F14A, F14B, F15Z, F36A, F36B, F42Z, F43B, F61A
07	H06A, H07A
08	I02A, I02B, I02C, I02D, I22A, I22B
14	O01A, O01B, O01C, O01D, O01F, O02A
17	R61A

MDC	DRG
18B	T01A, T60A, T60B, T60C, T61A
21A	W01A, W01B, W01C, W02A, W04A
21B	X01A
22	Y02A, Y02B
23	Z01A
Pre	A36A, A36B

Dialýza [DIAL]

MDC	DRG
05	F49A, F49D, F62A
06	G67A, G67B
07	H06A

MDC	DRG
11	L60A, L60B, L60C, L71Z
17	R60B, R60C, R60D, R60E, R62A, R63B, R63C, R63D, R63F
22	Y02A, Y02B

Polytrauma [PTR]

MDC	DRG
Pre	A06A, A06B, A07A, A07B, A07C, A09A, A09B, A09C

MDC	DRG
-----	-----

Výkon na viacerých lokalizáciach [VIAL]

MDC	DRG
08	I02A, I02B, I02C, I02D, I08A, I08B, I08C, I08D, I08E, I13A, I13B, I22A, I22B
21A	W01A, W01B, W01C, W02A, W04A

MDC	DRG
21B	X01A

Intenzívna komplexná ZS > 1104 bodov [S1105]**MDC DRG**

01	B36A, B36B
05	F36A
06	G36Z

MDC DRG

17	R36Z
21A	W36Z
Pre	A11E, A13A, A13B, A13C, A13G

Intenzívna komplexná ZS > 552 bodov [S553]**MDC DRG**

01	B36A, B36B
04	E36Z
05	F36A, F36B
07	H36Z
08	I26Z

MDC DRG

11	L36Z
18B	T36Z
22	Y02A, Y02B
Pre	A13E, A13G, A36A, A36B

Geriatrická včasná rehabilitačná ZS [GFK]**MDC DRG**

01	B44A, B44B, B44C, B44D
04	E42Z
05	F48Z
06	G14Z, G38Z, G52Z
07	H44Z

MDC DRG

08	I34Z, I41Z
09	J44Z
10	K01Z, K44Z
11	L44Z
19	U40Z

Včasná rehabilitácia [VRH]**MDC DRG**

04	E41Z
05	F29Z, F45Z
06	G51Z
08	I40Z

MDC DRG

10	K01Z, K43Z
21A	W01A, W05Z, W40Z
Pre	A43Z

Komplexné OP-výkony vo viacerých dňoch [KOPV]**MDC DRG**

01	B01Z
03	D33Z
05	F06A, F06B
07	H33Z, H38Z

MDC DRG

10	K33Z
13	N33Z
15	P03A, P03B, P04A, P04B, P05A, P05B, P06A

Určité OP-výkony v štyroch dňoch [UOP4]**MDC DRG**

22	Y02A
----	------

MDC DRG**Predtransplantačná hospitalizácia [PTX]****MDC DRG**

04	E37Z
05	F37Z

MDC DRG

07	H37Z
----	------

Ťažké problémy u novorodencov [TPN]**MDC DRG**

15	P65A, P65B, P66A, P66B, P67A, P67B
----	------------------------------------

MDC DRG

Viaceré ťažké problémy u novorodencov [VTPN]

MDC	DRG
15	P03A, P03B, P04A, P04B, P05A, P05B, P05C, P06A, P06B, P65A, P66A, P66B, P66C, P66D, P67A

MDC	DRG
-----	-----

Komplikujúce konštelácie pred-MDC [KKP]

MDC	DRG
Pre	A07B, A09B, A09C, A11A, A11B, A11C, A11E, A13A, A13B, A13C, A13E, A13G

MDC	DRG
-----	-----

Komplikujúce konštelácie II [KKII]

MDC	DRG
06	G03A, G16A, G19A, G38Z, G40Z, G46A, G46B, G46C, G48A, G48B, G48C
07	H38Z, H78Z

MDC	DRG
12	M38Z
13	N01A, N38Z

Komplikujúce konštelácie MDC 11 [KK11]

MDC	DRG
11	L38Z

MDC	DRG
-----	-----

Komplexná vákuová terapia [KVT]

MDC	DRG
06	G35Z
08	I02B, I98Z

MDC	DRG
09	J35Z
21A	W01A, W01B, W01C

Multiviscerálny výkon [MVV]

MDC	DRG
06	G37Z, G38Z
11	L02A, L02B, L02C, L37Z, L38Z

MDC	DRG
13	N01B, N38Z

Bez úmrtia alebo preloženia [Not EP]

MDC	DRG
Pre	A13C, A13E

MDC	DRG
-----	-----

Exitus alebo preloženie [EP]

MDC	DRG
15	P60A, P60B, P60C

MDC	DRG
-----	-----

Príloha C

Prítomnosť CC, vyradenie CC, stanovenie CCL a PCCL

C.1 Úvod

Prítomnosť komplikácií a/alebo komorbidít (CC) môže zdravotnú starostlivosť komplikovať, čo môže byť spojené s vyššími nákladmi. Preto je pre klasifikáciu DRG dôležité ich prítomnosť identifikovať a vziať do úvahy.

Komplikácie a/alebo komorbidity (CC) CC- kódy komplikácií a/alebo komorbidít reprezentujú vedľajšie diagnózy, ktoré spravidla vedú k signifikantne vyššej spotrebe zdrojov

Táto príloha sa zaoberá komplikáciami a komorbiditami (CC) a postupmi, ktorými Grouper priraduje k jednotlivým záznamom hodnoty PCCL. Ku kódom označeným znakom „•“ sa nepriraduje žiadna hodnota CCL pri prepustení na vlastnú žiadosť bez odporúčenia lekára.

C.2 Komplikácie a komorbidity

Vo verzii SK-DRG Systém 2020 sú v tejto prílohe vymenované kódy diagnóz posudzované ako CC pre všetky prípady okrem neonatologickej starostlivosti.

Kód diagnózy môže stratiť svoj status CC, (i) keď je v úzkej súvislosti s hlavnou diagnózou hospitalizačného prípadu, alebo (ii) keď sa ten istý kód už nachádza na inom mieste v tom istom zázname.

Vo verzii SK-DRG Systém 2020 majú aj iné faktory, ako napr. pohlavie pacientov alebo príčina prepustenia, vplyv na CC status kódu diagnózy. Zoznam CC, ktorý tvorí prevažnú časť tejto prílohy, obsahuje všetky CC a tomu zodpovedajúce CCL.

C.3 Stupeň komplikácií a komorbidít (CCL) a stupeň klinickej závažnosti prípadu (PCCL)

Stupne závažností komplikácií a/alebo komorbidít (CCL) sú stupne, ktoré sú priradené ku všetkým vedľajším diagnózam. Ich hodnota môže byť medzi 0 až 4 pri operačných a neonatologických hospitalizačných prípadoch a 0 až 3 pri hospitalizačných prípadoch v medicínskom segmente. V rôznych základných-DRG môžu nadobúdať tie isté diagnózy rôzne hodnoty CCL. Napríklad diagnóza J96.00 Akútna respiračná insuficiencia, inde neklasifikovaná: typ1[hypoxická] v základnej-DRG B70 Apoplexia má hodnotu CCL 2, zatiaľ čo v základnej-DRG B71 Ochorenia mozgových nervov a periférnych nervov má hodnotu CCL 3.

Aká hodnota CCL bude skutočne priradená k diagnóze závisí od toho, či ide pri danom kóde o platnú CC a či je vo vzťahu k základnej-DRG záznamu považovaná za ľahkú, stredne ťažkú, ťažkú alebo veľmi ťažkú CC.

Možné hodnoty pre CCL sú definované nasledovne:

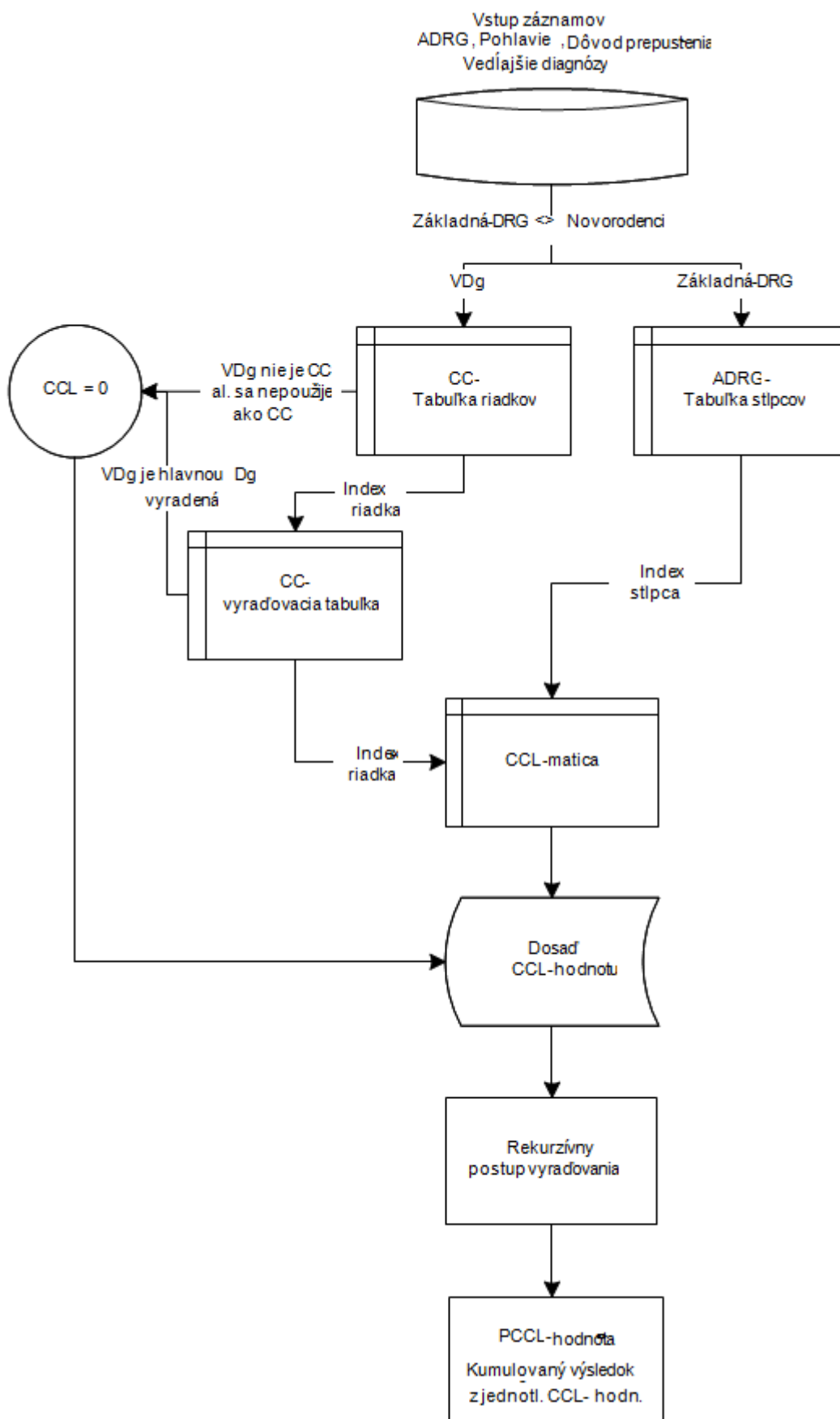
CCL = 0	Kód nie je žiadnou komplikáciou alebo komorbiditou, alebo kód označuje komplikáciu alebo komorbiditu úzko zviazanú s hlavnou diagnózou alebo ten istý kód je už obsiahnutý v zázname na inom mieste
CCL = 1	Hodnota vyjadruje ľahkú CC
CCL = 2	Hodnota vyjadruje stredne ťažkú CC
CCL = 3	Hodnota vyjadruje ťažkú CC
CCL = 4	Hodnota vyjadruje veľmi ťažkú CC

Grouper priraduje každej diagnóze v zázname hodnotu CCL automaticky, avšak pri novorodencoch a v prípadoch mimo novorodencov používa odlišné postupy. V prípadoch, v ktorých nejde o novorodencov, postupuje Grouper nasledovne:

1. Grouper identifikuje základnú-DRG, ktorej hospitalizačný prípad prislúcha.
2. Grouper overuje, či základná-DRG obsahuje diagnózy Polytrauma (základná-DRG W01-61) alebo HIV (základná-DRG S01-65). Nakoľko diagnóza Trauma je zohľadnená už pri zaradovaní do MDC 21, nie je vedľajšia diagnóza Trauma rozpoznaná ako CC a jej CCL hodnota je 0. Podobne sa postupuje aj pri diagnózach HIV v MDC 18.
3. Grouper overuje, či diagnóza nie je duplikátom hlavnej diagnózy alebo už predtým spracovanej inej vedľajšej diagnózy. Pokiaľ je, priradí sa kódu CCL hodnota 0.
4. Grouper overuje, či kód vzhľadom na úzky vzťah k hlavnej diagnóze nemá byť ako CC vyradený. Pokiaľ je tomu tak, CC má hodnotu 0.
5. Grouper na základe čísla základnej-DRG určí číslo stĺpca z ADRG-tabuľky stĺpcov. Ak je toto priradené číslo nula, obdrží príslušný kód pre CC hodnotu 0.
6. Grouper s prihliadnutím na faktory pohlavie pacienta a/alebo dôvod prepustenia určí z CC-tabuľky riadkov číslo riadku.
7. Grouper určí hodnotu CCL podľa CCL-Matice pomocou čísla riadku a stĺpca.

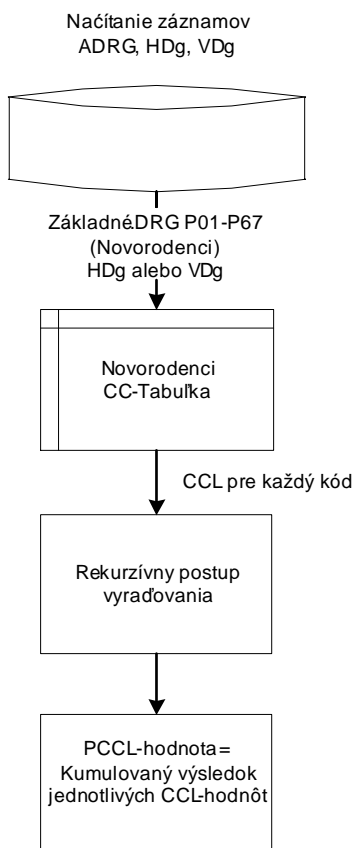
Obrázok č. 1 zobrazuje postupnosť krokov pri priradovaní hodnôt CCL okrem prípadov novorodencov. (Pozn: hoci Grouper určuje CCL hodnoty aj v týchto prípadoch, nepoužíva ich ku kalkulácii PCCL.)

OBRÁZOK C.1 Postup pre určenie PCCL pre prípady okrem novorodencov



Pre hospitalizačné prípady novorodencov - t.zn. prípady priradené k základnej-DRG P01-P67 - sú používané iné postupy. Všetky kódy diagnóz sú tu použité ako vedľajšie diagnózy. Detaily k hodnotám CC a PCCL sú uvádzané podľa samostatnej tabuľky CC pre novorodencov. Diagnózy, ktoré sa v tejto tabuľke nenachádzajú, majú nulovú hodnotu CC. Obrázok č. 2 poskytuje prehľad o postupnosti jednotlivých krokov v priradovaní hodnôt CC u novorodencov [Pozn.: Hodnoty CCL a PCCL stanovené pre novorodencov neslúžia k zaradovaniu do DRG-skupín. Hospitalizačné prípady novorodencov sú zaradované do DRG na základe zoznamu vážnych problémov prostredníctvom MDC 15 (pozri zväzok 2)].

OBRÁZOK C.2 Postup pre určenie PCCL u novorodencov



Stupeň klinickej závažnosti prípadu (PCCL): PCCL je stupeň klinickej komplexnosti prípadu – je vyjadrením miery kumulatívneho efektu CC každého hospitalizačného prípadu. Stanovuje sa komplexným postupom tak, aby sa zabránilo viacnásobnému zhodnoteniu podobných „obtiaží“. PCCL môže nadobúdať nasledovné hodnoty:

- 0 = žiadne CC
- 1 = ľahké CC
- 2 = stredne ťažké CC
- 3 = ťažké CC
- 4 = veľmi ťažké CC

Potom, ako bola ku každej diagnóze záznamu stanovená hodnota CCL (nezávisle na tom, či ide o novorodencov alebo iný hospitalizačný prípad), zotriedi Grouper zostupne podľa hodnoty CCL všetky vedľajšie diagnózy a spustí proces vyradovania. V tomto procese, ktorý zabezpečuje vyradenie nesignifikantných diagnóz a zohľadnenie podobných diagnóz iba jedenkrát, je každá diagnóza v poradí posudzovaná tak, akoby bola hlavnou diagnózou. To znamená, že každá diagnóza je jedna po druhej posudzovaná ako „kotviaca diagnóza“ a status CC iných diagnóz je posudzovaný vo vzťahu k tejto „kotviacej diagnóze“. Výsledkom procesu je, že niektoré vedľajšie diagnózy sú ako CC vyradené (hodnota CCL= nula).

Je potrebné si uvedomiť, že Grouperom vymedzené hodnoty CCL sú tie, ktoré boli priradené pred procesom vyradovania.

Na konci rekurzívneho postupu vyradovania vypočíta Grouper pomocou vzorca na základe zostávajúcich hodnôt CCL hodnotu PCCL.

Vzorec pre výpočet PCCL

Pokiaľ je {CCL(i)} zotriedený zoznam CCL hodnôt po ukončení vyradovacieho postupu, je vzorec na výpočet PCCL nasledovný:

$$PCCL = \begin{cases} 0 & \text{v prípade, že neexistujú žiadne VD} \\ 4 & \text{ak } x > 4 \\ x & \text{vo všetkých iných prípadoch} \end{cases}$$

$$\text{Pričom } x = \text{round} \left\{ \frac{\ln \left\{ \sum_{i=k}^{\infty} CCL(i) * \exp(-\alpha * (i-k)) \right\}}{\ln(3/\alpha) / 4} \right\}$$

Parameter $\alpha = 0,4$

$k = 1$ pre základné-DRG P01 - P67, $k = 2$ pre všetky ostatné základné-DRG

Tento algoritmus vyvinul Dr. Xichuan (Mark) Zhang v rámci CCL Refinement projektu.

Nasledujúca tabuľka obsahuje hodnoty pre PCCL, ktoré vzniknú pri rozličných kombináciách CCL-hodnôt.

TABUĽKA C.1 Kombinácie CCL-hodnôt k dosiahnutiu PCCL od 1 do 4

PCCL	CCL1	CCL2	CCL3	CCL4	CCL5	CCL6
4	4	3				
3	4	2				
3	4	1	1			
3	3	3				
3	3	2	2			
3	3	2	1	1		
3	2	2	2	2		
3	2	2	2	1	1	1
3	4					
3	4	1				
3	3	2				
3	3	2	1			
3	2	2				
3	2	2	2			
2	2	2				
2	2	1				
2	3					
2	1	1	1	1	1	
1	2					
1	1	1				
0	1					

ICD	Text	OP. CCL	Med. CCL	ICD	Text	OP. CCL	Med. CCL
A01.0	Brušný týfus	4	4	A16.3	TBC vnútrohr.lymf.uzl.bez úd.o	3,4	3
A01.1	Paratyfus A	4	4		bakter.molek.biolog./hist.pot.		
A01.2	Paratyfus B	4	4	A16.4	TBC hrt.,priedušn.a prieduš.bez úd.o	3,4	3
A01.3	Paratyfus C	4	4		bakt.mol-bio./hist.pot.		
A01.4	Paratyfus,blížšie neurčený	4	4	A16.5	TBC pleuritída,bez úd.o	3,4	3
A02.0	Salmonelová enteritída	2,4	2,4		bakter.molek.biolog./hist.pot.		
A02.1	Salmonelová sepsa	2,4	2,4	A16.7	Prim.TBC dých.súst,bez úd.o	3,4	3,4
A02.2	Lokalizovaná salmonelová infekcia	4	4		bakter.molek.biolog./hist.pot.		
A02.8	Iná salmonelová infekcia,blížšie určená	4	4	A16.8	Iná TBC dých.súst.,bez úd.o	3,4	3
A02.9	Salmonelová infekcia,blížšie neurčená	4	4		bakter.molek.biolog./hist.pot.		
A03.0	Šigelóza zapríčinená Shigella dysenteriae	4	4	A16.9	TBC dých.súst.,bez úd.o	3,4	3,4
A03.1	Šigelóza zapríčinená Shigella flexneri	4	4		bakter.molek.biolog./hist.pot.,b.n		
A03.2	Šigelóza zapríčinená Shigella boydii	4	4	A17.0	Tuberkulóza meningitída (G01*)	3,4	3,4
A03.3	Šigelóza zapríčinená Shigella sonnei	4	4	A17.1	Meningový tuberkulóm (G07*)	3,4	3,4
A03.8	Iná šigelóza	4	4	A17.8	Iná tuberkulóza nervovej sústavy	3,4	3,4
A03.9	Šigelóza,blížšie neurčená	4	4	A17.9	Tuberkulóza nervovej sústavy,blížšie neurčená	3,4	3,4
A04.0	Infekcia zapríčinená enteropatogénnou Escherichia coli	4	4	A18.0	Tuberkulóza kostí a kĺbov	2	2
A04.1	Infekcia zapríčinená enterotoxikogénnou Escherichia coli	4	4	A18.1	Tuberkulóza močovopohlavnej sústavy	2,3,4	2,3
A04.2	Infekcia zapríčinená enteroinvazívnou Escherichia coli	4	4	A18.2	Tuberkulóza periférna lymfadenopatia	2,3,4	1,2,3
A04.3	Infekcia zapríčinená enterohemoragickou Escherichia coli	3,4	3,4	A18.3	TBC čriev,peritonea a mezenteriových lymfatických uzlín	3,4	3
A04.4	Iné črevné infekcie zapríčinené Escherichia coli	4	4	A18.5	Tuberkulóza oka	2,3,4	2,4
A04.5	Enteritída zapríčinená kamylobakterom	4	4	A18.6	Tuberkulóza ucha	2	2
A04.6	Enteritída zapríčinená Yersinia enterocolitica	4	4	A18.7	Tuberkulóza nadobličiek (E35.1*)	2	1,2
A04.7	Enterokolitída zapríčinená Clostridium difficile	2,3,4	1,2,3,4	A18.8	Tuberkulóza iných blížšie určených orgánov	2	2
A04.8	Iná baktériová črevná infekcia,blížšie určená	4	4	A19.0	Akútna miliárna TBC na jedinom bliž.urč.mieste	3,4	3
A04.9	Baktériová črevná infekcia,blížšie neurčená	2	2	A19.1	Akútna miliárna tuberkulóza na viacerých miestach	3,4	3
A05.0	Potravinová otrava zapríčinená stafylokokmi	4	4	A19.2	Akútna miliárna tuberkulóza,blížšie neurčená	3,4	3
A05.1	Botulizmus	4	4	A19.8	Iná miliárna tuberkulóza	3,4	3
A05.2	Potravinová otrava zapríčinená Clostridium perfringens	4	4	A19.9	Miliárna tuberkulóza,blížšie neurčená	3,4	3
A05.3	Potravinová otrava zapríčinená Vibrio parahaemolyticus	4	4	A26.0	Kožný eryzpeloid	4	4
A07.1	Giardióza [lambliaza]	2	2	A26.7	Eryzpelotrixová sepsa	4	4
A07.3	Izosporiáza	2	2	A26.8	Iná forma eryzpeloidu	4	4
A08.0	Rotavírusová enteritída	1,2	2	A26.9	Blížšie neurčený eryzpeloid	4	4
A08.1	Akútna gastroenteritída zapríčinená norovírusom [Norwalk]	1,2,3,4	1,2,3	A27.0	Leptospiroza zapríčinená Leptospira icterohaemorrhagiae	4	4
A08.5	Iné,blížšie určené črevné infekcie	4	4	A27.8	Iná forma leptospirózy	4	4
A09.0	Iná a bliž.neurč.gastroenteritída a kolitída infekčného pôvodu	1,2,4	2,4	A27.9	Leptospiroza,blížšie neurčená	4	4
A15.0	TBC pľúc,potvrđ.mikros.vyš.spúta s a bez dôk.kultiv./mol-biol.	3,4	3,4	A28.0	Pasteurelóza	4	4
A15.1	Tuberkulóza pľúc,potvrđená len kultivačne	3,4	3,4	A28.1	Choroba z mačacieho škrabnutia	4	4
A15.2	Tuberkulóza pľúc,potvrđená histologicky	3,4	3,4	A28.2	Extraintestinálna yersinióza	4	4
A15.3	TBC pľúc,potvrđená inými.a bliž.nurč.metódami	3,4	3,4	A28.8	Iná baktériová zoonóza,blíž.určená,nezatriedená inde	4	4
A15.4	TBC vnútrohruď.lymf.uzlín,potvrđ.bakter.molek.biolog./hist.	3,4	3	A28.9	Baktériová zoonóza,blížšie neurčená	4	4
A15.5	TBC hrtana priedušnice a prieduš.potv.bakt.molek.biolog./hist.	3,4	3	A31.0	Pľúcna mykobakteriáza	3,4	3
A15.6	TBC pleuritída,potvedná bakteriál.molek.biolog./hist.	3,4	3	A31.80	Diseminovaná atypická mykobakteriáza	3,4	3
A15.7	Primárna TBC dých.org.potv.bakt.molek.biolog./hist.	3,4	3,4	A32.0	Kožná listerióza	4	4
A15.8	Iná TBC dých.org.potvedná bakteriál.molek.biolog./hist.	3,4	3	A32.1	Listerióva meningitída a meningoencefalitída	3,4	3,4
A15.9	TBC dých.súst,potvrđená bakteriál.molek.biolog./hist.,b.n	3,4	3,4	A32.7	Listerióva sepsa	3,4	3,4
A16.0	TBC pľúc,bakter.molek.biolog.a hist.negat.	3,4	3,4	A32.8	Iná forma listeriózy	4	4
A16.1	TBC pľúc,bez vyk.bakter.molek.biolog.a hist.vyš.	3,4	3,4	A32.9	Listerióza,blížšie neurčená	4	4
A16.2	TBC pľúc,bez úd.o bakteriál.molek.biolog./hist.potvrđená	3,4	3,4	A33	Tetanus novorodencov	4	4
				A34	Tetanus počas gravidity,pôrodu a v šestonedelí	2	2
				A35	Iný tetanus	3,4	3,4
				A37.0	Pertussis zapríčinený Bordetella pertussis	4	4
				A37.1	Pertussis zapríčinený Bordetella parapertussis	4	4
				A37.8	Pertussis zapríčinený iným druhom bordetely	4	4
				A37.9	Pertussis,blížšie neurčený	4	4
				A39.0	Meningokoková meningitída (G01*)	3,4	3,4
				A39.1	Waterhouseov-Friderichsenov syndróm (E35.1*)	3,4	3,4
				A39.2	Akútna meningokoková sepsa	3,4	3,4
				A39.3	Chronická meningokoková sepsa	3,4	3,4
				A39.4	Meningokoková sepsa,blížšie neurčená	3,4	3,4

CCL

ICD	Text	OP. CCL	Med. CCL	ICD	Text	OP. CCL	Med. CCL
A39.5	Meningokokové ochorenie srdca	1,2,3,4	1,2,4	A96.0	Hemoragická horúčka zapríčinená vírusom Junin	4	4
A39.8	Iná meningokoková infekcia	3,4	3	A96.1	Hemoragická horúčka zapríčinená vírusom Machupo	4	4
A39.9	Meningokoková infekcia, bližšie neurčená	3,4	3	A96.2	Horúčka Lassa	4	4
A40.0	Sepsa zapríčinená streptokokom zo skupiny A	3,4	1,3,4	A96.8	Iná arenavírusová hemoragická horúčka	4	4
A40.1	Sepsa zapríčinená streptokokom zo skupiny B	3,4	1,3	A96.9	Arenavírusová hemoragická horúčka, bližšie neurčená	4	4
A40.2	Sepsa zapríčinená streptokokom zo skupiny D	3,4	1,3,4	A98.3	Choroba zapríčinená vírusom Marburg	4	4
A40.3	Sepsa zapríčinená Streptococcus pneumoniae	3,4	1,3,4	A98.5	Hemoragická horúčka s renálnym syndrómom	3,4	2,3,4
A40.8	Iná streptokoková sepsa	3,4	1,3	B00.0	Herpetický ekzém	4	4
A40.9	Sepsa zapríčinená streptokokmi, bližšie neurčená	3,4	1,3	B00.1	Herpetická vezikulárna dermatitída	2,4	2,4
A41.0	Sepsa zapríčinená Staphylococcus aureus	3,4	1,3	B00.2	Herpetická gingivostomatitída a tonzilofaryngitída	4	4
A41.1	Sepsa zapríčinená iným bližšie určeným stafylokokom	3,4	1,3	B00.3	Herpetická meningitída(G02.0*)	3,4	3,4
A41.2	Sepsa zapríčinená bližšie neurčeným stafylokokom	3,4	1,3	B00.4	Herpetická encefalitída(G05.1*)	3,4	3,4
A41.3	Sepsa zapríčinená Haemophilus influenzae	3,4	1,3,4	B00.5	Očná infekcia herpetickým vírusom	4	4
A41.4	Sepsa zapríčinená anaeróbnou baktériou	3,4	1,3	B00.7	Diseminovaná herpetická choroba	2,3,4	3,4
A41.51	Sepsa zapríčinená Escherichia coli[E. coli]	3,4	1,3	B00.8	Iná forma herpetickej infekcie	2,4	2,4
A41.52	Sepsa zapríčinená pseudomonas	3,4	1,3,4	B00.9	Herpetická infekcia, bližšie neurčená	4	4
A41.58	Sepsa zapríčinená inou gramnegatívnou baktériou	3,4	1,3,4	B01.0	Varicelová meningitída(G02.0*)	2,4	2,4
A41.8	Iná sepsa, bližšie určená	3,4	1,3	B01.1	Varicelová encefalitída(G05.1*)	3,4	3,4
A41.9	Sepsa, bližšie neurčená	3,4	1,3	B01.2	Varicelový zápal pľúc(J17.1*)	3,4	3,4
A42.0	Pľúcna aktinomykóza	3,4	3	B01.8	Varicela s inými komplikáciami	2,4	2,4
A42.1	Brušná aktinomykóza	3,4	3	B01.9	Varicela bez komplikácií	2,4	2,4
A42.7	Aktinomykotická sepsa	3,4	3	B02.0	Zosterová encefalitída(G05.1*)	3,4	3,4
A43.0	Pľúcna nokardióza	3,4	3	B02.1	Zosterová meningitída(G02.0*)	3,4	3,4
A48.0	Plynová gangréna	3,4	3,4	B02.2	Zoster s postihnutím iných častí nervovej sústavy	3,4	3,4
A48.1	Legionelóza s pneumóniou[Legionárska choroba]	3,4	3,4	B02.3	Zosterová choroba oka	4	4
A48.2	Legionelóza bez pneumónie[Pontiacka horúčka]	3,4	3,4	B02.7	Diseminovaný zoster	2,4	2,4
A48.3	Syndróm toxického šoku	3,4	3	B02.8	Zoster s inými komplikáciami	2,4	2,4
A49.0	Stafylokoková infekcia bez bližšieho určenia miesta	3,4	3	B02.9	Zoster bez komplikácií	4	4
A49.1	Streptokoková infekcia bez bližšieho určenia miesta	3,4	3	B05.0	Osýpky komplikované encefalitídou(G05.1*)	3,4	3,4
A49.2	Infekcia haemophilus influenzae na b.n.m.	3,4	3	B05.1	Osýpky komplikované meningitídou(G05.1*)	2,4	2,4
A50.0	Včasný vrodenný syfilis, symptomatický	4	4	B05.2	Osýpky komplikované pneumóniou(J17.1*)	3,4	3,4
A50.1	Včasný vrodenný syfilis, latentný	4	4	B05.3	Osýpky komplikované zápalom stredného ucha	2,4	2,4
A50.2	Včasný vrodenný syfilis, bližšie neurčený	4	4	B05.4	Osýpky s črevnými komplikáciami	2,4	2,4
A50.3	Neskorá vrodenná syfilitická okulopatia	4	4	B05.8	Osýpky s inými komplikáciami	2,4	2,4
A50.4	Neskorý vrodenný neurosyfilis[Juvenilný neurosyfilis]	3,4	3,4	B06.0	Ružienka s nervovými komplikáciami	2,4	2,4
A52.0	Kardiovaskulárny syfilis	1,2,3	1,2	B06.8	Ružienka s inými komplikáciami	2,4	2,4
A52.1	Neurosyfilis, symptomatický	2,3	1,2,3	B08.5	Enterovírusová vezikulárna faryngitída	4	4
A52.2	Neurosyfilis, asymptomatický	3,4	3	B15.0	Akútna hepatitída A s pečeňovou kómou	4	4
A52.3	Neurosyfilis, bližšie neurčený	2,3	1,2,3	B15.9	Akútna hepatitída A bez pečeňovej kómy	4	4
A54.0	Gonok. inf. dol. časti moč.-pohl. súst. bez absc. uretr./preds. žliaz	2	2	B16.0	Akútna hepatit. B s Delta vírusom(koinfekcia) ,s pečeň. kómou	1,2,3,4	1,2,3,4
A54.1	Gonok. inf. dol. časti moč.-pohl. súst. s absc. uretr. a preds. žliaz	2	2	B16.1	Akútna hepatit. B s Delta vírusom(koinfekcia) ,bez pečeň. kómy	1,2,3,4	1,2,3,4
A54.2	Gonok. pelveoperitonitída a iná gonokok. moč.-pohl. infekcia	2	2	B16.2	Akútna hepatit. B bez Delta vírusu, s pečeňovou kómou	1,2,3,4	1,2,3,4
A71.1	Trachóm, aktívne štádium	4	4	B16.9	Akútna hepatit. B bez Delta vírusu, bez pečeňovej kómy	1,2,3,4	1,2,3,4
A74.8	Iná chlamýdiová choroba	4	4	B17.0	Akútna Delta-vírus.(super)infekcia nosiča vírusu hepatit. B	1,2,3,4	1,2,3,4
A81.1	Subakútna sklerotizujúca panencefalitída	2,3,4	1,2,3,4	B17.1	Akútna hepatitída C	1,2,3,4	1,2,3,4
A81.2	Progresívna multifokálna leukoencefalopatia	2,3	1,2,3	B17.2	Akútna hepatitída E	1,2,3,4	1,2,3,4
A84.1	Stredo európska kliešťová encefalitída	2,3	1,2,3	B17.8	Iná akútna vírusová hepatitída, bližšie určená	1,2,3,4	1,2,3,4
A85.0	Enterovírusová encefalitída (G05.1*)	2,3	1,2,3	B17.9	Akútna vírusová hepatitída, bližšie neurčená	1,2,3,4	1,2,3,4
A85.8	Iná vírusová encefalitída, bližšie určená	2,3	1,2,3	B18.0	Chronická hepatitída B s Delta vírusom	1,2,3,4	1,2,4
A86	Vírusová encefalitída, bližšie neurčená	2,3,4	1,2,3,4	B18.1	Chronická hepatitída B bez Delta vírusu	1,2,3,4	1,2,4
A87.0	Enterovírusová meningitída (G02.0*)	2,3	1,2,3	B18.2	Chronická hepatitída C	1,2,3,4	1,2,4
A89	Vírusová infekcia CNS, bliž. neurč.	4	4	B18.8	Iná chronická vírusová hepatitída	1,2,3,4	1,2,4
				B18.9	Chronická vírusová hepatitída, bližšie neurčená	1,2,3,4	1,2,4
				B19.0	Vírusová hepatit. s pečeňovou kómou, bliž. neurč.	1,2,3,4	1,2,3,4
				B19.9	Vírusová hepatit. bez pečeňovej kómy, bliž. neurč.	1,2,3,4	1,2,3,4

ICD	Text	OP. CCL	Med. CCL	ICD	Text	OP. CCL	Med. CCL
B20.0	Choroba HIV následnými mykobakteriovými infekciami	1,2,3,4	1,2,3,4	B37.4	Kandidóza iných častí močovopohlavnej sústavy	2,4	2,4
B20.1	Choroba HIV následnými inými bakteriiovými infekciami	1,2,3,4	1,2,3,4	B37.5	Kandidová meningitída(G02.1*)	3,4	3,4
B20.2	Choroba HIV následnými cytomegalovírusovou chorobou	1,2,3,4	1,2,3,4	B37.6	Kandidová endokarditída(I39.8*)	3,4	3,4
B20.3	Choroba HIV následnými do inými vírusovými infekciami	1,2,3,4	1,2,3,4	B37.7	Kandidová sepsa	3,4	3
B20.4	Choroba HIV s následnými kandidózami	1,2,3,4	1,2,3,4	B37.81	Kandidová ezofagitída	2,4	2,3,4
B20.5	Choroba HIV s následnými inými mykózami	1,2,3,4	1,2,3,4	B37.88	Kandidóza na iných miestach	3,4	2,3
B20.6	Choroba HIV s následnou pneumocystovou pneumóniou	1,2,3,4	1,2,3,4	B38.0	Akútna kokcidioidomykóza pľúc	3,4	3,4
B20.7	Choroba HIV s následnými viacpočetnými infekciami	1,2,3,4	1,2,3,4	B38.1	Chronická kokcidioidomykóza pľúc	3,4	3,4
B20.8	Choroba HIV následnými iných.infekčnými a parazit.chorobami	1,2,3,4	1,2,3,4	B38.2	Kokcidioidomykóza pľúc,blížšie neurčená	3,4	3,4
B20.9	Choroba HIV následnými infekčnými/paraz.chor.blíž.neurč.	1,2,3,4	1,2,3,4	B38.3	Kokcidioidomykóza kože	4	4
B21.0	Choroba HIV s následným Kaposiho sarkómom	1,2,3,4	1,2,3,4	B38.4	Kokcidioidomykotická meningitída (G02.1*)	3,4	3,4
B21.1	Choroba HIV s následným Burkittovým lymfómom	1,2,3,4	1,2,3,4	B38.7	Diseminovaná kokcidioidomykóza	3,4	3,4
B21.2	Choroba HIV násled.inými typmi nehdogkinovho lymfómu	1,2,3,4	1,2,3,4	B38.8	Iná forma kokcidioidomykózy	3,4	3,4
B21.3	Choroba HIV násled.inými zhub.nád.lymf.krvotv.a príb.tkan.	1,2,3,4	1,2,3,4	B38.9	Kokcidioidomykóza,blížšie neurčená	2	2
B21.7	Choroba HIV násled.viacpočetnými zhub.nádormi	1,2,3,4	1,2,3,4	B39.0	Akútna histoplazmóza pľúc zapríčinená Histoplasma capsulatum	2,4	2,4
B21.8	Choroba HIV s následnými inými zhubnými nádormi	1,2,3,4	1,2,3,4	B39.1	Chronická histoplazmóza pľúc zapríč.Histoplasma capsulatum	2,4	2,4
B21.9	Choroba HIV následnými.zhubnými nádormi,blíž.neur.	1,2,3,4	1,2,3,4	B39.2	Histoplazmóza pľúc zapríč.Histoplasma capsulatum,blíž.neurč.	2,4	2,4
B22.0	Choroba HIV s následnou encefalopatiou	1,2,3,4	1,2,3,4	B39.3	Diseminovaná histoplazmóza zapríč.Histoplasma capsulatum	2	2
B22.1	Choroba HIV s následnou lymfoidnou intersticiál.pneumonitídou	1,2,3,4	1,2,3,4	B39.4	Histoplazmóza zapríč.Histoplasma capsulatum,blíž.neurč.	2	2
B22.2	Choroba HIV s následným syndrómom celkového upadania	1,2,3,4	1,2,3,4	B39.5	Histoplazmóza zapríčinená Histoplasma duboisii	2	2
B22.7	Choroba HIVs následnými rozličnými chorobami zatried.inde	1,2,3,4	1,2,3,4	B39.9	Histoplazmóza,blížšie neurčená	2	2
B23.0	Syndróm akútnej infekcie HIV	1,2,3,4	1,2,3,4	B40.0	Akútna blastomykóza pľúc	2,4	2,4
B23.8	Choroba HIV s inými následnými,blíž.urč.stavmi	1,2,3,4	1,2,3,4	B40.1	Chronická blastomykóza pľúc	2,4	2,4
B24	Choroba HIV,blížšie neurčená	1,2,3,4	1,2,3,4	B40.2	Blastomykóza pľúc,blížšie neurčená	2,4	2,4
B25.0	Cytomegalovírusová pneumónia(J17.1*)	3,4	3,4	B40.3	Blastomykóza kože	2,4	2,4
B25.1	Cytomegalovírusová hepatitída(K77.0*)	3,4	3,4	B40.7	Diseminovaná blastomykóza	2,4	2,4
B25.2	Cytomegalovírusová pankreatitída(K87.1*)	3,4	3,4	B40.8	Iná forma blastomykózy	2,4	2,4
B25.80	Cytomegalovírusová infekcia tráviacej trubice	3,4	3,4	B40.9	Blastomykóza,blížšie neurčená	2,4	2,4
B25.88	Iná cytomegalovírusová choroba	3,4	3,4	B41.0	Parakokcidioidomykóza pľúc	2,4	2,4
B25.9	Cytomegalovírusová choroba,blížšie neurčená	3,4	3,4	B41.7	Diseminovaná parakokcidioidomykóza	2,4	2,4
B26.0	Parotitická orchitída(N51.1*)	2,4	2,4	B41.8	Iná forma parakokcidioidomykózy	2,4	2,4
B26.1	Parotitická meningitída(G02.0*)	3,4	3,4	B41.9	Parakokcidioidomykóza,blížšie neurčená	2,4	2,4
B26.2	Parotitická encefalitída(G05.1*)	3,4	3,4	B44.0	Invazívna aspergilóza pľúc	3,4	3,4
B26.3	Parotitická pankreatitída(K87.1*)	2,3,4	2,4	B44.1	Iná aspergilóza pľúc	3,4	3,4
B26.8	Parotitída s inými komplikáciami	2,4	2,4	B44.2	Aspergilóza tonzíl	3,4	3,4
B27.0	Mononukleóza zapríčinená gamma - Herpes vírusom	4	4	B44.7	Diseminovaná aspergilóza	3,4	3,4
B27.1	Cytomegalovírusová mononukleóza	4	4	B44.8	Iná forma aspergilózy	3,4	3,4
B27.8	Iná infekčná mononukleóza	4	4	B44.9	Aspergilóza,blížšie neurčená	3,4	3,4
B27.9	Infekčná mononukleóza,blížšie neurčená	4	4	B45.0	Kryptokokóza pľúc	3,4	3,4
B30.1	Konjunktivitída zapríčinená adenovírusom (H13.1*)	4	4	B45.1	Kryptokokóza mozgu	3,4	3,4
B30.3	Akútna epidemická hemorag.konjunktivitída (enterovír.)	4	4	B45.2	Kryptokokóza kože	3,4	3,4
B33.2	Vírusová kardiitída	4	4	B45.3	Kryptokokóza kostí	3,4	3,4
B34.0	Adenovírusová infekcia bez blížšieho určenia miesta	4	4	B45.7	Diseminovaná kryptokokóza	3,4	3,4
B37.0	Kandidová stomatitída	2,3	2,3	B45.8	Iná forma kryptokokózy	3,4	3,4
B37.1	Pľúcna kandidóza	3,4	3,4	B45.9	Kryptokokóza,blížšie neurčená	3,4	3,4
				B46.0	Mukormykóza pľúc	2,4	2,4
				B46.1	Rinocerebrálna mukormykóza	2,4	2,4
				B46.2	Mukormykóza tráviacej trubice	2,4	2,4
				B46.3	Mukormykóza kože	2,4	2,4
				B46.4	Diseminovaná mukormykóza	2,4	2,4
				B46.5	Mukormykóza,blížšie neurčená	2,4	2,4
				B46.8	Iná zygomykóza	2,4	2,4
				B46.9	Zygomykóza,blížšie neurčená	2,4	2,4
				B47.0	Eumycetóm	3,4	3,4
				B47.1	Aktinomycetóm	3,4	3,4
				B48.2	Allescheriáza	2,4	2,4
				B48.7	Mykóza zapríčinená oportunistickým patogénom	3,4	3,4
				B50.0	Malária zapríč.Plasmodium falciparum s mozgov.kompl.	4	4

ICD	Text	OP. CCL	Med. CCL	ICD	Text	OP. CCL	Med. CCL
B50.8	Iná ťažká a kompl.malária zapríč.Plasmodium falciparum	4	4	B97.1	Enterovírus ako príčina chorôb zatriedených inde	4	4
B50.9	Malária zapríčinená Plasmodium falciparum, b.n.	4	4	C00.0	Zhubný nádor vonkajšej hornej pery	4	4
B51.0	Malária zapríčinená Plasmodium vivax s ruptúrou sleziny	4	4	C00.1	Zhubný nádor vonkajšej dolnej pery	4	4
B51.8	Malária zapríčinená Plasmodium vivax s i.kompl.	4	4	C00.2	Zhubný nádor vonkajšej pery, bližšie neurčený	4	4
B51.9	Malária zapríčinená Plasmodium vivax bez kompl.	4	4	C00.3	Zhubný nádor vnútornej strany hornej pery	4	4
B52.0	Malária zapríčinená Plasmodium malariae s nefropatiou	4	4	C00.4	Zhubný nádor vnútornej strany dolnej pery	4	4
B52.8	Malária zapríčinená Plasmodium malariae s i.kompl.	4	4	C00.5	Zhubný nádor vnútornej strany pery, bliž. neurč.	4	4
B52.9	Malária zapríčinená Plasmodium malariae bez kompl.	4	4	C00.6	Zhubný nádor spojky perí	4	4
B53.0	Malária zapríčinená Plasmodium ovale	4	4	C00.8	Zhubný nádor pery presahujúci viaceré oblasti	4	4
B53.1	Malária zapríčinená opíciami plazmódiami	4	4	C00.9	Zhubný nádor pery, bližšie neurčený	4	4
B53.8	Iná parazitologicky potvrdená malária, nezatriedená inde	4	4	C01	Zhubný nádor koreňa jazyka	4	4
B54	Malária, bližšie neurčená	4	4	C02.0	Zhubný nádor chrbtovej strany jazyka	4	4
B57.0	Akútna Chagasova choroba s postihnutím srdca	1,2,3	1,2	C02.1	Zhubný nádor okraja jazyka	4	4
B57.2	Chagasova choroba (chronická) s postihnutím srdca	1,2,3	1,2	C02.2	Zhubný nádor spodnej strany jazyka	4	4
B58.0	Toxoplazmová okulopatia	1,2,3,4	1,2,4	C02.3	Zhubný nádor predných dvoch tretín jazyka, bliž. neurč. časť	4	4
B58.1	Toxoplazmová hepatitída (K77.0*)	1,2,3,4	1,2,3,4	C02.8	Zhubný nádor jazyka presahujúci viaceré oblasti	4	4
B58.2	Toxoplazmová meningoencefalitída (G05.2*)	3,4	3,4	C02.9	Zhubný nádor jazyka, bližšie neurčený	4	4
B58.3	Toxoplazmóza pľúc (J17.3*)	3,4	3,4	C03.0	Zhubný nádor horného dásna	4	4
B58.8	Toxoplazmóza s postihnutím iných orgánov	2,4	2,4	C03.1	Zhubný nádor dolného dásna	4	4
B58.9	Toxoplazmóza, bližšie neurčená	4	4	C03.9	Zhubný nádor dásna, bližšie neurčený	4	4
B59	Pneumocystóza (J17.3*)	3,4	3,4	C04.0	Zhubný nádor prednej časti ústnej spodiny	4	4
B60.0	Babezióza	2	2	C04.1	Zhubný nádor bočnej časti ústnej spodiny	4	4
B60.1	Akantamebóza	2	2	C04.8	Zhub. nádor ústnej spodiny presah. viaceré obl.	4	4
B60.2	Naeglerióza	2	2	C04.9	Zhubný nádor ústnej spodiny, bližšie neurčený	4	4
B60.8	Iná protozoárna choroba, bližšie určená	2	2	C05.0	Zhubný nádor tvrdého podnebia	4	4
B78.0	Črevná strongyloidóza	2	2	C05.1	Zhubný nádor mäkkého podnebia	4	4
B78.1	Kožná strongyloidóza	2	2	C05.2	Zhubný nádor uvuly	4	4
B78.7	Diseminovaná strongyloidóza	2	2	C05.8	Zhubný nádor podnebia presahujúci viaceré oblasti	4	4
B78.9	Strongyloidóza, bližšie neurčená	2	2	C05.9	Zhubný nádor podnebia, bližšie neurčený	4	4
B79	Trichuridóza	2	2	C06.0	Zhubný nádor sliznice líca	4	4
B90.0	Následky tuberkulózy centrálnej nervovej sústavy	1,2	2	C06.1	Zhubný nádor vestibulum oris	4	4
B90.1	Následky tuberkulózy močovopohlavnej sústavy	2,3,4	2,3	C06.2	Zhubný nádor retromolárnej časti úst	4	4
B90.9	Následky respiračnej a bliž. nerč. TBC	2	2	C06.8	Zhubný nádor iných a bliž. neurč. častí. úst. presah. viaceré obl.	4	4
B91	Následky poliomyelitídy	1,2	2	C06.9	Zhubný nádor úst, bližšie neurčený	4	4
B95.2	Streptokok skupiny D ako príčina chorôb zatried. inde	1,2	1,2	C07	Zhubný nádor priušnej žľazy	4	4
B95.3	Streptococcus pneumoniae ako príčina chorôb zatried. inde	1,2	1,2	C08.0	Zhubný nádor submandibulárnej slinnej žľazy	4	4
B95.42	Streptokok skupiny G ako príčina chorôb zatried. inde	1,2	1,2	C08.1	Zhubný nádor sublingválnej slinnej žľazy	4	4
B95.48	Iný streptokok, bliž. urč. ako príčina chorôb zatried. inde	1,2	1,2	C08.8	Zhubný nádor veľkých slinných žliaz. presah. viac. obl.	4	4
B95.5	Streptokok, bliž. neurč., ako príčina chorôb zatried. inde	1,2	1,2	C08.9	Zhubný nádor veľkej slinnej žľazy, bližšie neurčený	4	4
B95.6	Staphylococcus aureus ako príčina chorôb zatried. inde	1,2	1,2	C09.0	Zhubný nádor fossa tonsillaris	4	4
B95.7	Iný stafylokok ako príčina chorôb zatriedených inde	1,2	1,2	C09.1	Zhubný nádor podnebného oblúka (predná časť) (zadná časť)	4	4
B95.8	Stafylokok, bliž. neurč., ako príčina chorôb zatried. inde	1,2	1,2	C09.8	Zhubný nádor mandle presahujúci viaceré oblasti	4	4
B96.3	Haemophilus a Moraxella ako príčina chorôb zatried. inde	3,4	3	C10.0	Zhubný nádor vallecule epiglottica	4	4
B96.5	Pseudomonas a iná neferment. baktéria ako príč. chorôb. z. i.	2,3,4	2,3	C10.1	Zhubný nádor prednej plochy epiglottis	4	4
B97.0	Adenovírus ako príčina chorôb zatriedených inde	4	4	C10.2	Zhubný nádor bočnej steny orofaryngu	4	4
				C10.3	Zhubný nádor zadnej steny orofaryngu	4	4
				C10.4	Zhubný nádor branchiálneho rázštetu	4	4
				C10.8	Zhubný nádor orofaryngu presahujúci viaceré oblasti	4	4
				C10.9	Zhubný nádor orofaryngu, bližšie neurčený	4	4
				C11.0	Zhubný nádor hornej steny nazofaryngu	4	4
				C11.1	Zhubný nádor zadnej steny nazofaryngu	4	4
				C11.2	Zhubný nádor bočnej steny nazofaryngu	4	4
				C11.3	Zhubný nádor prednej steny nazofaryngu	4	4
				C11.8	Zhubný nádor nosohltana presah. viac. obl.	4	4
				C11.9	Zhubný nádor nazofaryngu, bližšie neurčený	4	4
				C12	Zhubný nádor recessus piriformis	4	4

ICD	Text	OP. CCL	Med. CCL	ICD	Text	OP. CCL	Med. CCL
C13.0	Zhubný nádor regio postcricioidea	4	4	C24.1	Zhubný nádor ampulla Vateri	1,2,3,4	1,2,4
C13.1	Zhubný nádor hypofaryngovej strany aryepiglotickej krkvy	4	4	C24.8	Zhubný nádor žilcových ciest presah.viac.obl.	1,2,3,4	1,2,4
C13.2	Zhubný nádor zadnej steny hypofaryngu	4	4	C24.9	Zhubný nádor žilcových ciest, bližšie neurčený	1,2,3,4	1,2,4
C13.8	Zhubný nádor hypofaryngu presah.viac.obl.	4	4	C25.0	Zhubný nádor hlavy podžalúdkovej žľazy	1,2,3,4	1,2,4
C13.9	Zhubný nádor hypofaryngu, bližšie neurčený	4	4	C25.1	Zhubný nádor tela podžalúdkovej žľazy	1,2,3,4	1,2,4
C14.0	Zhubný nádor faryngu, bližšie neurčený	4	4	C25.2	Zhubný nádor chvosta podžalúdkovej žľazy	1,2,3,4	1,2,4
C14.2	Zhubný nádor Waldeyerovho lymfatického okruhu	4	4	C25.3	Zhubný nádor vývodu podžalúdkovej žľazy	1,2,3,4	1,2,4
C14.8	Zhub.nádor pery, ústnej dutiny a hltana presah.viac.obl.	4	4	C25.4	Zhubný nádor endokrinnnej časti podžalúdkovej žľazy	1,2,3,4	1,2,4
C15.0	Zhubný nádor krčnej časti pažeráka	1,2,3,4	1,2,4	C25.7	Zhubný nádor iných častí podžalúdkovej žľazy	1,2,3,4	1,2,4
C15.1	Zhubný nádor hrudníkovej časti pažeráka	1,2,3,4	1,2,4	C25.8	Zhubný nádor podžalúdkovej žľazy presah.viac.obl.	1,2,3,4	1,2,4
C15.2	Zhubný nádor brušnej časti pažeráka	1,2,3,4	1,2,4	C25.9	Zhubný nádor podžalúdkovej žľazy, bližšie neurčený	1,2,3,4	1,2,4
C15.3	Zhubný nádor hornej tretiny pažeráka	1,2,3,4	1,2,4	C26.0	Zhubný nádor bliž.neurč.časti črevného traktu	4	4
C15.4	Zhubný nádor strednej tretiny pažeráka	1,2,3,4	1,2,4	C26.1	Zhubný nádor sleziny	4	4
C15.5	Zhubný nádor dolnej tretiny pažeráka	1,2,3,4	1,2,4	C26.8	Zhubný nádor tráviacej sústavy presah.viac.obl.	1,2,3,4	1,2,4
C15.8	Zhubný nádor pažeráka presahujúci viaceré oblasti	1,2,3,4	1,2,4	C26.9	Zhubný nádor na nepresne určenom mieste tráviacej súst.	4	4
C15.9	Zhubný nádor pažeráka, bližšie neurčený	1,2,3,4	1,2,4	C30.0	Zhubný nádor nosovej dutiny	4	4
C16.0	Zhubný nádor kardia	1,2,3,4	1,2,4	C30.1	Zhubný nádor stredného ucha	4	4
C16.1	Zhubný nádor fundu žalúdka	1,2,3,4	1,2,4	C31.0	Zhubný nádor čelustnej dutiny	4	4
C16.2	Zhubný nádor tela žalúdka	1,2,3,4	1,2,4	C31.1	Zhubný nádor čuchovej dutiny	4	4
C16.3	Zhubný nádor antra pyloru	1,2,3,4	1,2,4	C31.2	Zhubný nádor čelovej dutiny	4	4
C16.4	Zhubný nádor pyloru	1,2,3,4	1,2,4	C31.3	Zhubný nádor dutiny klinovej kosti	4	4
C16.5	Zhub.nádor malej kurvatúry žalúdka, bliž.neurč.	1,2,3,4	1,2,4	C31.8	Zhubný nádor prinosovej dutiny presah.viac.obl.	4	4
C16.6	Zhub.nádor veľkej kurvatúry žalúdka, bliž.neurč.	1,2,3,4	1,2,4	C31.9	Zhubný nádor bližšie neurčenej prinosovej dutiny	4	4
C16.8	Zhubný nádor žalúdka presahujúci viaceré oblasti	1,2,3,4	1,2,4	C32.0	Zhubný nádor glottis	4	4
C16.9	Zhubný nádor žalúdka, bližšie neurčený	1,2,3,4	1,2,4	C32.1	Zhubný nádor supraglottis	4	4
C17.0	Zhubný nádor dvanástnika	1,2,3,4	1,2,4	C32.2	Zhubný nádor subglottis	4	4
C17.1	Zhubný nádor jejúna	1,2,3,4	1,2,4	C32.3	Zhubný nádor hrtanovej chrupky	4	4
C17.2	Zhubný nádor ilea	1,2,3,4	1,2,4	C32.8	Zhubný nádor hrtana presahujúci viaceré oblasti	4	4
C17.3	Zhubný nádor Meckelovho divertikula	1,2,3,4	1,2,4	C32.9	Zhubný nádor hrtana, bližšie neurčený	4	4
C17.8	Zhubný nádor tenkého čreva presah.viac.obl.	1,2,3,4	1,2,4	C33	Zhubný nádor priedušnice	1,2,3,4	1,2,4
C17.9	Zhubný nádor tenkého čreva, bližšie neurčený	1,2,3,4	1,2,4	C34.0	Zhubný nádor hlavnej priedušky	1,2,3,4	1,2,4
C18.0	Zhubný nádor slepého čreva	1,2,3,4	1,2,4	C34.1	Zhubný nádor priedušky alebo pľúc v hornom laloku	1,2,3,4	1,2,4
C18.1	Zhubný nádor červovitého príviesku slepého čreva	1,2,3,4	1,2,4	C34.2	Zhubný nádor priedušky alebo pľúc v strednom laloku	1,2,3,4	1,2,4
C18.2	Zhubný nádor vzostupnej časti hrubého čreva	1,2,3,4	1,2,4	C34.3	Zhubný nádor priedušky alebo pľúc v dolnom laloku	1,2,3,4	1,2,4
C18.3	Zhubný nádor pečeňového ohybu hrubého čreva	1,2,3,4	1,2,4	C34.8	Zhubný nádor priedušky alebo pľúc, presah.viac.obl.	1,2,3,4	1,2,4
C18.4	Zhubný nádor priečnej časti hrubého čreva	1,2,3,4	1,2,4	C34.9	Zhubný nádor priedušky alebo pľúc, bližšie neurčený	1,2,3,4	1,2,4
C18.5	Zhubný nádor slezinového ohybu hrubého čreva	1,2,3,4	1,2,4	C37	Zhubný nádor týmusu	1,2,3,4	1,2,4
C18.6	Zhubný nádor zostupnej časti hrubého čreva	1,2,3,4	1,2,4	C38.0	Zhubný nádor srdca	1,2,3,4	1,2,4
C18.7	Zhubný nádor esovitej časti hrubého čreva	1,2,3,4	1,2,4	C38.1	Zhubný nádor predného mediastína	1,2,3,4	1,2,4
C18.8	Zhubný nádor hrubého čreva presah.viac.obl.	1,2,3,4	1,2,4	C38.2	Zhubný nádor zadného mediastína	1,2,3,4	1,2,4
C18.9	Zhubný nádor hrubého čreva, bližšie neurčený	1,2,3,4	1,2,4	C38.3	Zhubný nádor bližšie neurčenej časti mediastína	1,2,3,4	1,2,4
C19	Zhubný nádor rektosigmoidového spojenia hrubého čreva	1,2,3,4	1,2,4	C38.4	Zhubný nádor pohrudnice	1,2,3,4	1,2,4
C20	Zhubný nádor konečníka	1,2,3,4	1,2,4	C38.8	Zhubný nádor srdca, mediastína a pohrudnice presah.viac.obl.	1,2,3,4	1,2,4
C21.0	Zhubný nádor anusu, bližšie neurčený	1,2,3,4	1,2,4	C39.0	Zhubný nádor bliž.neurč.časti horných dýchacích ciest	4	4
C21.1	Zhubný nádor análneho kanála	1,2,3,4	1,2,4	C39.8	Zhubný nádor dých.a vnútrohrod.orgánov presah.viac.obl.	4	4
C21.2	Zhubný nádor kloakovej oblasti	1,2,3,4	1,2,4	C39.9	Zhubný nádor na nepres.urč.miestach dýchacej sústavy	4	4
C21.8	Zhubný nádor rekta, anusu a análneho kanála presah.viac.obl.	1,2,3,4	1,2,4	C40.0	Zhubný nádor kosti a klb.chrupky lopatky a dlhých kostí HK	1,2,3,4	1,2,3,4
C22.0	Hepatocelulárny karcinóm	1,2,3,4	1,2,4	C40.1	Zhubný nádor kosti a kĺbovej chrupky krátkych kostí HK	1,2,3,4	1,2,3,4
C22.1	Karcinóm vnútropečeňových žilcových ciest	1,2,3,4	1,2,4				
C22.2	Hepatoblastóm	1,2,3,4	1,2,4				
C22.3	Angiosarkóm pečene	1,2,3,4	1,2,4				
C22.4	Iný sarkóm pečene	1,2,3,4	1,2,4				
C22.7	Iný karcinóm pečene, bližšie určený	1,2,3,4	1,2,4				
C22.9	Zhubný nádor pečene, bližšie neurčený	1,2,3,4	1,2,4				
C23	Zhubný nádor žľazníka	1,2,3,4	1,2,4				
C24.0	Zhubný nádor mimopečeňových žilcových ciest	1,2,3,4	1,2,4				

CCL

ICD	Text	OP. CCL	Med. CCL	ICD	Text	OP. CCL	Med. CCL
C40.2	Zhubný nádor kosti a kĺbovej chrupky dlhých kostí DK	1,2,3,4	1,2,3,4	C47.3	Zhubný nádor periférnych nervov hrudníka	4	4
C40.3	Zhubný nádor kosti a kĺbovej chrupky krátkych kostí DK	1,2,3,4	1,2,3,4	C47.4	Zhubný nádor periférnych nervov brucha	4	4
C40.8	Zhubný nádor kosti a kĺb.chrupky končatín,presah.viac.obl.	1,2,3,4	1,2,3,4	C47.5	Zhubný nádor periférnych nervov panvy	4	4
C40.9	Zhubný nádor kosti a kĺbovej chrupky končatiny,blíž.neurč.	4	4	C47.6	Zhubný nádor periférnych nervov trupu,blíž.neurč.	4	4
C41.01	Zhubný nádor kosti a kĺbovej chrupky v kraniofaciálnej obl.	1,2,3,4	1,2,3	C47.8	Zhub.nádor perifér.nervov a autonóm.nerv.súst.presah.viac.obl.	4	4
C41.02	Zhubný nádor kosti a kĺbovej chrupky v maxilofaciálnej obl.	1,2,3,4	1,2,3	C47.9	Zhubný nádor perifér.nervov a autonóm.nerv.súst.,blíž.neurč.	4	4
C41.1	Zhubný nádor kosti a kĺbovej chrupky dolnej čeľuste(sánky)	1,2,3,4	1,2,3,4	C48.0	Zhubný nádor retroperitonea	4	4
C41.2	Zhubný nádor kosti a kĺbovej chrupky chrbtice	1,2,3,4	1,2,3,4	C48.1	Zhubný nádor pobrušnice,blížšie určenej časti	4	4
C41.30	Zhubný nádor kosti a kĺbovej chrupky rebra	1,2,3,4	1,2,3,4	C48.2	Zhubný nádor pobrušnice,blížšie neurčenej časti	4	4
C41.31	Zhubný nádor kosti a kĺbovej chrupky hrudnej kosti	1,2,3,4	1,2,3,4	C48.8	Zhubný nádor retroperitonea a pobrušnice presah.viac.obl.	4	4
C41.32	Zhubný nádor kosti a kĺbovej chrupky kľúčnej kosti	1,2,3,4	1,2,3,4	C49.0	Zhubný nádor spojivového a mäkk.tkaniva hlavy,tváre a krku	4	4
C41.4	Zhubný nádor kosti a kĺbovej chrupky panvovej kosti	1,2,3,4	1,2,3,4	C49.1	Zhubný nádor spojivového a mäkk.tkaniva HK vrátane pleca	4	4
C41.8	Zhubný nádor kosti a kĺbovej chrupky presah.viac.obl.	1,2,3,4	1,2,3,4	C49.2	Zhubný nádor spojivového a mäkk.tkaniva DK vrátane bedra	4	4
C41.9	Zhubný nádor kosti a kĺbovej chrupky,blíž.neurč.	4	4	C49.3	Zhubný nádor spojivového a mäkkého tkaniva hrudníka	4	4
C43.0	Malígný melanóm pery	4	4	C49.4	Zhubný nádor spojivového a mäkkého tkaniva brucha	4	4
C43.1	Malígný melanóm mihalnice vrátane očného kútika	4	4	C49.5	Zhubný nádor spojivového a mäkkého tkaniva malej panvy	4	4
C43.2	Malígný melanóm ucha a vonkajšieho zvukovodu	4	4	C49.6	Zhubný nádor spojivového a mäkkého tkaniva trupu,blíž.neurč.	4	4
C43.3	Malígný melanóm inej a blíž.neurč.časti tváre	4	4	C49.8	Zhub.nádor spojiv.a mäkk.tkan.,presah.viac.obl.	4	4
C43.4	Malígný melanóm vlasatej časti hlavy a krku	4	4	C49.9	Zhub.nádor spojiv.a mäkk.tkan.,b.n.	4	4
C43.5	Malígný melanóm trupu	4	4	C50.0	Zhubný nádor prsníkovej bradavky a dvorčeka	2,3,4	2,4
C43.6	Malígný melanóm hornej končatiny vrátane pleca	4	4	C50.1	Zhubný nádor strednej časti prsníka	4	4
C43.7	Malígný melanóm dolnej končatiny vrátane bedra	4	4	C50.2	Zhubný nádor horného vnútorného kvadrantu prsníka	4	4
C43.8	Malígný melanóm presahujúci viaceré oblasti	4	4	C50.3	Zhubný nádor dolného vnútorného kvadrantu prsníka	4	4
C43.9	Malígný melanóm kože,blížšie neurčený	4	4	C50.4	Zhubný nádor horného vonkajšieho kvadrantu prsníka	4	4
C44.0	Iný zhubný nádor kože pery	4	4	C50.5	Zhubný nádor dolného vonkajšieho kvadrantu prsníka	4	4
C44.1	Iný zhubný nádor kože mihalnice vrátane očného kútika	4	4	C50.6	Zhubný nádor axilárnej časti prsníka	4	4
C44.2	Iný zhubný nádor kože ucha a vonkajšieho zvukovodu	4	4	C50.8	Zhubný nádor prsníka presahujúci viaceré oblasti	4	4
C44.3	Iný zhubný nádor kože iných.a blíž.neurč.častí tváre	4	4	C50.9	Zhubný nádor prsníka,blížšie neurčený	4	4
C44.4	Iný zhubný nádor kože vlasatej časti hlavy a krku	4	4	C51.0	Zhubný nádor veľkého pysku	4	4
C44.5	Iný zhubný nádor kože trupu	4	4	C51.1	Zhubný nádor malého pysku	4	4
C44.6	Zhubný nádor kože hornej končatiny vrátane pleca	4	4	C51.2	Zhubný nádor klitorisu	4	4
C44.7	Zhubný nádor kože dolnej končatiny vrátane bedra	4	4	C51.8	Zhubný nádor vulvy presahujúci viaceré oblasti	4	4
C44.8	Zhubný nádor kože presahujúci viaceré oblasti	4	4	C51.9	Zhubný nádor vulvy,blížšie neurčený	4	4
C44.9	Zhubný nádor kože,blížšie neurčený	4	4	C52	Zhubný nádor pošvy	4	4
C45.0	Mezotelióm pohrudnice	1,2,3,4	1,2,4	C53.0	Zhubný nádor endocervixu maternice	4	4
C45.1	Mezotelióm pobrušnice	1,2,3,4	1,2,4	C53.1	Zhubný nádor exocervixu maternice	4	4
C45.2	Mezotelióm osrdcovníka	1,2,3,4	1,2,4	C53.8	Zhubný nádor krčka maternice presah.viac.obl.	4	4
C45.7	Mezotelióm na inom mieste	2,3,4	1,2,3,4	C53.9	Zhubný nádor krčka maternice,blížšie neurčený	4	4
C45.9	Mezotelióm,blížšie neurčený	2,3,4	1,2,3,4	C54.0	Zhubný nádor istmu maternice	4	4
C46.3	Kaposiho sarkóm lymfatických uzlín	1,2,3	1,2	C54.1	Zhubný nádor endometria	4	4
C46.8	Kaposiho sarkóm viacerých orgánov	2	2	C54.2	Zhubný nádor myometria	4	4
C47.0	Zhubný nádor periférnych nervov hlavy,tváre a krku	4	4	C54.3	Zhubný nádor dna maternice	4	4
C47.1	Zhubný nádor periférnych nervov HK vrátane pleca	4	4	C54.8	Zhub.nádor tela maternice presah.viac.obl.	4	4
C47.2	Zhubný nádor periférnych nervov DK vrátane bedra	4	4	C54.9	Zhubný nádor tela maternice,blížšie neurčený	4	4
				C55	Zhubný nádor blížšie neurčenej časti maternice	4	4
				C56	Zhubný nádor vaječníka	4	4

ICD	Text	OP. CCL	Med. CCL	ICD	Text	OP. CCL	Med. CCL
C57.0	Zhubný nádor vajíčkovodu	4	4	C70.1	Zhubný nádor mozgovomiechových obalov. miecha	1,2,3,4	1,2,3,4
C57.1	Zhubný nádor širokého väzu maternice	4	4	C70.9	Zhubný nádor mozgovomiechových obalov, bližšie neurčený	1,2,3,4	1,2,3,4
C57.2	Zhubný nádor oblého väzu maternice	4	4	C71.0	Zhubný nádor mozgu okrem lalokov a komôr	1,2,3,4	1,2,3,4
C57.3	Zhubný nádor parametria	4	4	C71.1	Zhubný nádor čelového laloka mozgu	1,2,3,4	1,2,3,4
C57.4	Zhubný nádor adnexov maternice, bližšie neurčený	4	4	C71.2	Zhubný nádor spánkového laloka mozgu	1,2,3,4	1,2,3,4
C57.7	Zhubný nádor iných ženských pohlavných orgánov, bliž. urč.	4	4	C71.3	Zhubný nádor temenného laloka mozgu	1,2,3,4	1,2,3,4
C57.8	Zhubný nádor ženských pohlavných orgánov, presah. viac. obl.	4	4	C71.4	Zhubný nádor záhlavového laloka mozgu	1,2,3,4	1,2,3,4
C57.9	Zhubný nádor ženského pohlavného orgánu, bliž. neurč.	4	4	C71.5	Zhubný nádor mozgovej komory mozgu	1,2,3,4	1,2,3,4
C60.0	Zhubný nádor predkožky penisu	4	4	C71.6	Zhubný nádor mozočka	1,2,3,4	1,2,3,4
C60.1	Zhubný nádor žalúdu penisu	4	4	C71.7	Zhubný nádor mozgového kmeňa	1,2,3,4	1,2,3,4
C60.2	Zhubný nádor tela penisu	4	4	C71.8	Zhubný nádor mozgu presahujúci viaceré oblasti	1,2,3,4	1,2,3,4
C60.8	Zhubný nádor penisu presahujúci viaceré oblasti	4	4	C71.9	Zhubný nádor mozgu, bližšie neurčený	1,2,3,4	1,2,3,4
C60.9	Zhubný nádor penisu, bližšie neurčený	4	4	C72.0	Zhubný nádor miechy	1,2,3,4	1,2,3,4
C62.0	Zhubný nádor nezostúpeného semenníka	4	4	C72.1	Zhubný nádor cauda equina	1,2,3,4	1,2,3,4
C62.1	Zhubný nádor zostúpeného semenníka	4	4	C72.2	Zhubný nádor čuchového nervu [n. olfactorii]	1,2,3,4	1,2,3,4
C62.9	Zhubný nádor semenníka, bližšie neurčený	4	4	C72.3	Zhubný nádor zrakového nervu [n. opticus]	1,2,3,4	1,2,3,4
C63.0	Zhubný nádor nadsemenníka	4	4	C72.4	Zhubný nádor sluchového nervu	1,2,3,4	1,2,3,4
C63.1	Zhubný nádor semenného povrazca	4	4	C72.5	Zhubný nádor iných a bliž. neurč. hlavových nervov	1,2,3,4	1,2,3,4
C63.2	Zhubný nádor mieška	4	4	C72.8	Zhubný nádor, lézia presahujúca mozog a iné časti CNS	1,2,3,4	1,2,3,4
C63.7	Zhubný nádor iných mužských pohlavných orgánov, bliž. urč.	4	4	C72.9	Zhubný nádor centrálnej nervovej sústavy, bližšie neurčený	4	4
C63.8	Zhubný nádor mužských pohlavných orgánov presah. viac. obl.	4	4	C73	Zhubný nádor štítnej žľazy	4	4
C63.9	Zhubný nádor mužského pohlavného orgánu, bliž. neurč.	4	4	C74.0	Zhubný nádor kôry nadobličky	4	4
C64	Zhubný nádor obličky okrem obličkovej panvičky	2,4	2,4	C74.1	Zhubný nádor drene nadobličky	4	4
C65	Zhubný nádor obličkovej panvičky	2,4	2,4	C74.9	Zhubný nádor nadobličky, bližšie neurčený	4	4
C66	Zhubný nádor močovodu	2,4	2,4	C75.0	Zhubný nádor prítlačnej žľazy	4	4
C67.0	Zhubný nádor trigonum močového mechúra	4	4	C75.1	Zhubný nádor podmozgovej žľazy	4	4
C67.1	Zhubný nádor klenby močového mechúra	4	4	C75.2	Zhubný nádor kraniofaryngového vývodu	4	4
C67.2	Zhubný nádor bočnej steny močového mechúra	4	4	C75.3	Zhubný nádor epifýzy	4	4
C67.3	Zhubný nádor prednej steny močového mechúra	4	4	C75.4	Zhubný nádor glomus caroticum	4	4
C67.4	Zhubný nádor zadnej steny močového mechúra	4	4	C75.5	Zhubný nádor glomus aorticum a iných paraganglií	4	4
C67.5	Zhubný nádor krčka močového mechúra	4	4	C75.8	Zhubný nádor s postih. viacerých žliaz, bliž. neurč.	4	4
C67.6	Zhubný nádor ústia močovodu	4	4	C75.9	Zhubný nádor žliaz s vnútorným vylučovaním, bliž. neurč.	4	4
C67.7	Zhubný nádor urachu	4	4	C76.0	Zhubný nádor na i. a nepres. urč. miestach hlavy, tváre a krku	4	4
C67.8	Zhubný nádor močového mechúra, presah. viac. obl.	4	4	C76.1	Zhubný nádor na iných a nepres. urč. miestach hrudníka	4	4
C67.9	Zhubný nádor močového mechúra, bližšie neurčený	4	4	C76.2	Zhubný nádor na iných a nepres. urč. miestach brucha	4	4
C68.0	Zhubný nádor močovej rúry	4	4	C76.3	Zhubný nádor na iných a nepres. urč. miestach panvy	4	4
C68.1	Zhubný nádor parauretrálnej žľazy	4	4	C76.4	Zhubný nádor na iných a nepres. urč. miestach HK	4	4
C68.8	Zhubný nádor močových orgánov presah. viac. obl.	4	4	C76.5	Zhubný nádor na iných a nepres. urč. miestach DK	4	4
C68.9	Zhubný nádor bližšie neurčených močových orgánov	4	4	C76.7	Zhubný nádor na iných a nepresne určených miestach	4	4
C69.0	Zhubný nádor spojovky	4	4	C76.8	Zhubný nádor na iných a nepres. urč. miestach, presah. viac. obl.	4	4
C69.1	Zhubný nádor rohovky	4	4	C77.0	Sekundár. a bliž. neu. zhub. nádor lymf. uzliny hlavy, tváre a krku	1,2,3,4	1,2,3,4
C69.2	Zhubný nádor sietnice	4	4	C77.1	Sekundárny a bliž. neu. zhub. nádor vnútrohrud. lymf. uzliny	1,2,4	1,2,4
C69.3	Zhubný nádor cievovky	4	4	C77.2	Sekundárny a bliž. neu. zhub. nádor vnútrobruš. lymf. uzliny	1,2,4	1,2,4
C69.4	Zhubný nádor vráskovca	4	4	C77.3	Sekundárny a bliž. neu. zhub. nádor lymf. uzliny pazuchy a HK	1,2,4	1,2,4
C69.5	Zhubný nádor slznej žľazy a nosovoslného kanála	4	4	C77.4	Sekundárny a bliž. neu. zhub. nádor lymf. uzliny slabiny a DK	1,2,4	1,2,4
C69.6	Zhubný nádor očnice	4	4	C77.5	Sekundárny a bliž. neu. zhub. nádor vnútropanv. lymf. uzliny	1,2,4	1,2,4
C69.8	Zhub. nádor oka a očných adnexov presah. viac. obl.	4	4				
C69.9	Zhubný nádor oka, bližšie neurčený	4	4				
C70.0	Zhubný nádor mozgovomiechových obalov. mozog	1,2,3,4	1,2,3,4				

CCL

ICD	Text	OP. CCL	Med. CCL	ICD	Text	OP. CCL	Med. CCL
C77.8	Sekundárny a bliž.neu.zhub.nádor lymf.uzliny viac.obl.	1,2,4	1,2,4	C83.8	Iný nefolikulový lymfóm	1,2,3,4	1,2,4
C77.9	Sekundárny a bliž.neu.zhub.nádor bliž.neurč.lymf.uzlín	1,2,4	1,2,4	C83.9	Nefolikulový lymfóm,bližšie neurčený	1,2,3,4	1,2,4
C78.0	Sekundárny zhubný nádor pľúc	2,3,4	1,2,3,4	C84.0	Mycosis fungoides	1,2,3,4	1,2,4
C78.1	Sekundárny zhubný nádor mediastína	2,3,4	1,2,3,4	C84.1	Sézaryho choroba	1,2,3,4	1,2,4
C78.2	Sekundárny zhubný nádor pohrudnice	1,2,3,4	1,2,3,4	C84.4	Periférny lymfóm z T-buniek,nezatriedený	1,2,3,4	1,2,4
C78.3	Sekundárny zhubný nádor iných a bliž.neurč.dýchacích orgánov	1,2,3,4	1,2,4	C84.5	Iný lymfóm zo zreých T/NK-buniek	1,2,3,4	1,2,4
C78.4	Sekundárny zhubný nádor tenkého čreva	1,2,3,4	1,2,4	C84.6	Anaplastický veľkobunkový lymfóm,ALK-pozitívny	1,2,3,4	1,2,4
C78.5	Sekundárny zhubný nádor hrubého čreva a konečníka	1,2,3,4	1,2,4	C84.7	Anaplastický veľkobunkový lymfóm,ALK-negatívny	1,2,3,4	1,2,4
C78.6	Sekundárny zhubný nádor retroperitonea a pobrušnice	1,2,3,4	1,2,4	C84.8	Kožný lymfóm z T-buniek,bližšie neurčený	1,2,3,4	1,2,4
C78.7	Sekundárny zhubný nádor pečene a vnútropečeň.žilčovodov	1,2,3,4	1,2,4	C84.9	Lymfóm zo zreých T/NK-buniek,bližšie neurčený	1,2,3,4	1,2,4
C78.8	Sekundárny zhubný nádor i.a bliž.neurč.tráviacich orgánov	1,2,3,4	1,2,4	C85.1	Lymfóm z B-buniek,bližšie neurčený	1,2,3,4	1,2,4
C79.0	Sekundárny zhubný nádor obličky a obličkovej panvičky	1,2,3,4	1,2,3,4	C85.2	Mediastinálny (týmsový) veľkobunkový lymfóm z B-buniek	1,2,3,4	1,2,4
C79.1	Sekundárny zhubný nádor moč.mechúra a i.a b.neurč.moč.org.	1,2,3,4	1,2,4	C85.7	Iný bližšie určený typ non-Hodgkinovho lymfómu	1,2,3,4	1,2,4
C79.2	Sekundárny zhubný nádor kože	2,3,4	2,4	C85.9	Non-Hodgkinov lymfóm,bližšie neurčený	1,2,3,4	1,2,4
C79.3	Sekundárny zhubný nádor mozgu a mozgových plien	1,2,3,4	1,2,4	C86.0	Extranodálny lymfóm z NK/T- buniek,nosový typ	1,2,3,4	1,2,4
C79.4	Sekundárny zhubný nádor i.a bliž.neu.častí nervov.súst.	1,2,3,4	1,2,4	C86.1	Hepatosplenický lymfóm z T-buniek	1,2,3,4	1,2,4
C79.5	Sekundárny zhubný nádor kosti a kostnej dreve	1,2,3,4	1,2,3,4	C86.2	Enteropatický (intestinálny) lymfóm z T-buniek	1,2,3,4	1,2,4
C79.6	Sekundárny zhubný nádor vaječníka	3,4	3,4	C86.3	Podkožný panikulitída podobný lymfóm z T-buniek	1,2,3,4	1,2,4
C79.7	Sekundárny zhubný nádor nadobličky	1,2,3,4	1,2,3,4	C86.4	Blastový lymfóm z NK-buniek	1,2,3,4	1,2,4
C79.81	Sekundárny zhubný nádor prsníka	2,3,4	2,4	C86.5	Angioimunoblastový lymfóm z T-buniek	1,2,3,4	1,2,4
C79.82	Sekundárny zhubný nádor pohlavných orgánov	3,4	3,4	C86.6	Primárna kožná CD30-pozitívna lymfoprolif.chor.z T-buniek	1,2,3,4	1,2,4
C79.83	Sekundárny zhubný nádor perikardu	1,2,3,4	1,2,4	C88.00	Waldenströmova makroglobulinémia,bez komplet.remisie	1,2,3,4	1,2,4
C79.84	Iné sekundárne zhubné nádory srdca	1,2,3,4	1,2,4	C88.01	Waldenströmova makroglobulinémia,v komplet.remisie	1,2,3,4	1,2,4
C79.88	Sekundárny zhubný nádor na iných bliž.urč.miestach	1,2,3,4	1,2,4	C88.20	Iná choroba ťažkých reťazcov,bez komplet.rem.	4	4
C79.9	Sekundárny zhubný nádor bez bliž.urč.miesta	1,2,3,4	1,2	C88.21	Iná choroba ťažkých reťazcov,v kompletnej remisii	4	4
C80.0	Zhubný nádor,bliž.neznámej primárnej lokalizácie,tak označený	1,2,3,4	1,2	C88.30	Imunoproliferatívna choroba tenkého čreva,bez komplet.rem.	1,2,3,4	1,2,4
C80.9	Zhubný nádor,bližšie neurčenej primárnej lokalizácie	1,2,3,4	1,2	C88.31	Imunoproliferatívna choroba tenkého čreva,v komplet.remisii	1,2,3,4	1,2,4
C81.0	Nodulárny Hodgkinov lymfóm s prevahou lymfocytov	1,2,3,4	1,2,4	C88.40	Extranod.lymf.z B-bun.marginál.zóny lymf.tka.sliz.bez kompl.r.	1,2,3,4	1,2,4
C81.1	Klasický Hodgkinov lymfóm s nodulárnou sklerózou	1,2,3,4	1,2,4	C88.41	Extranod.lymf.z B-bun.marginál.zóny lymf.tka.sliz.,v kompl.r.	1,2,3,4	1,2,4
C81.2	Klasický Hodgkinov lymfóm so zmiešanou celularitou	1,2,3,4	1,2,4	C88.70	Iná zhubná imunoproliferatívna choroba,bez komplet.rem.	1,2,3,4	1,2,4
C81.3	Klasický Hodgkinov lymfóm chudobný na lymfocyty	1,2,3,4	1,2,4	C88.71	Iná zhubná imunoproliferatívna choroba,v komplet.rem.	1,2,3,4	1,2,4
C81.4	Klasický Hodgkinov lymfóm bohatý na lymfocyty	1,2,3,4	1,2,4	C88.90	Zhubná imunoproliferatívna choroba,bliž.neurč.,bez kompl.rem.	1,2,3,4	1,2,4
C81.7	Iný klasický Hodgkinov lymfóm	1,2,3,4	1,2,4	C88.91	Zhubná imunoproliferatívna choroba,bliž.neurč.,v kompl.rem.	1,2,3,4	1,2,4
C81.9	Hodgkinov lymfóm,bližšie neurčený	1,2,3,4	1,2,4	C90.00	Mnohopočetný myelóm,bez kompletnej remisie	1,2,3,4	1,2,4
C82.0	Folikulový lymfóm,štádium I	1,2,3,4	1,2,4	C90.01	Mnohopočetný myelóm,v kompletnej remisii	1,2,3,4	1,2,4
C82.1	Folikulový lymfóm,štádium II	1,2,3,4	1,2,4	C90.10	Plazmocytová leukémia,bez kompletnej remisie	1,2,3,4	1,2,4
C82.2	Folikulový lymfóm,štádium III,bližšie neurčený	1,2,3,4	1,2,4	C90.11	Plazmocytová leukémia,v kompletnej remisii	1,2,3,4	1,2,4
C82.3	Folikulový lymfóm,štádium IIIa	1,2,3,4	1,2,4	C90.20	Extramedulárny plazmocytóm,bez kompletnej remisie	1,2,3,4	1,2,4
C82.4	Folikulový lymfóm,štádium IIIb	1,2,3,4	1,2,4	C90.21	Extramedulárny plazmocytóm,v kompletnej remisii	1,2,3,4	1,2,4
C82.5	Difúzny lymfóm folikulového centra	1,2,3,4	1,2,4	C90.30	Solitárny plazmocytóm,bez kompletnej remisie	1,2,3,4	1,2,4
C82.6	Kožný lymfóm folikulového centra	1,2,3,4	1,2,4	C90.31	Solitárny plazmocytóm,v kompletnej remisii	1,2,3,4	1,2,4
C82.7	Iný typ folikulového lymfómu	1,2,3,4	1,2,4	C91.00	Akútna lymfoblastová leukémia,bez komplet.remisie	1,2,3,4	1,2,3,4
C82.9	Folikulový lymfóm,bližšie neurčený	1,2,3,4	1,2,4				
C83.0	Malobunkový lymfóm z B-buniek	1,2,3,4	1,2,4				
C83.1	Lymfóm z plášťových buniek	1,2,3,4	1,2,4				
C83.3	Difúzny veľkobunkový lymfóm z B-buniek	1,2,3,4	1,2,4				
C83.5	Lymfoblastový lymfóm	1,2,3,4	1,2,4				
C83.7	Burkittov lymfóm	1,2,3,4	1,2,4				

ICD	Text	OP. CCL	Med. CCL	ICD	Text	OP. CCL	Med. CCL
C91.01	Akútna lymfoblastová leukémia,v komplet.remisii	1,2,3,4	1,2,3,4	C93.00	Akút.monoblastová/monocyto vá leukémia,bez komplet.remisie	1,2,3,4	1,2,3,4
C91.10	Chronická lymfatická leukémia,bez komplet remisie	1,2,3,4	1,2,4	C93.01	Akút.monoblastová/monocyto vá leukémia,v komplet.rem.	1,2,3,4	1,2,3,4
C91.11	Chronická lymfatická leukémia,v kompletnej remisii	1,2,3,4	1,2,4	C93.10	Chronická myelomonocyto vá leukémia bez.komplet.remisie	1,2,3,4	1,2,4
C91.30	Prolymfocyto vá leukémia z B-buniek,bez komplet.remisie	1,2,3,4	1,2,4	C93.11	Chronická myelomonocyto vá leukémia,v komplet.rem.	1,2,3,4	1,2,4
C91.31	Prolymfocyto vá leukémia z B-buniek,v komplet.remisii	1,2,3,4	1,2,4	C93.30	Juvenilná myelomonocyto vá leukémia,bez komplet.rem.	1,2,3,4	1,2,4
C91.40	Vlasatobunková leukémia,bez kompletnej remisie	1,2,3,4	1,2,4	C93.31	Juvenilná myelomonocyto vá leukémia,v komplet.rem.	1,2,3,4	1,2,4
C91.41	Vlasatobunková leukémia,v kompletnej remisii	1,2,3,4	1,2,4	C93.70	Iná monocyto vá leukémia,bez kompletnej remisie	1,2,3,4	1,2,4
C91.50	Leukém./lymf.z dos.T-buniek spoj.s infek.HTLV-1,b.kompl.rem.	1,2,3,4	1,2,4	C93.71	Iná monocyto vá leukémia,v kompletnej remisii	1,2,3,4	1,2,4
C91.51	Leukém./lymf.z dos.T-buniek spoj.s infek.HTLV-1,v kompl.rem.	1,2,3,4	1,2,4	C93.90	Monocyto vá leukémia,blíž.neurč.,bez kompl.rem.	1,2,3,4	1,2,4
C91.60	Prolymfocyto vá leukémia z T-buniek,bez kompl.rem.	1,2,3,4	1,2,4	C93.91	Monocyto vá leukémia,blíž.neurč.,v kompl.rem.	1,2,3,4	1,2,4
C91.61	Prolymfocyto vá leukémia z T-buniek,v komplet.rem.	1,2,3,4	1,2,4	C94.00	Akútna erytro leukémia,bez kompletnej remisie	1,2,3,4	1,2,3,4
C91.70	Iná lymfatická leukémia,bez kompletnej remisie	1,2,3,4	1,2,4	C94.01	Akútna erytro leukémia,v kompletnej remisii	1,2,3,4	1,2,3,4
C91.71	Iná lymfatická leukémia,v kompletnej remisii	1,2,3,4	1,2,4	C94.20	Akútna megakaryoblastová leukémia,bez komplet.rem.	1,2,3,4	1,2,4
C91.80	Leukémia zo zreých B-buniek Burkittovho typu,bez kompl.rem.	1,2,3,4	1,2,3,4	C94.21	Akútna megakaryoblastová leukémia,v komplet.rem.	1,2,3,4	1,2,4
C91.81	Leukémia zo zreých B-buniek Burkittovho typu,v kompl.rem.	1,2,3,4	1,2,3,4	C94.30	Mastocyto vá leukémia,bez kompletnej remisie	1,2,3,4	1,2,4
C91.90	Lymfatická leukémia,blíž.neurč.,bez kompl.rem.	1,2,3,4	1,2,4	C94.31	Mastocyto vá leukémia,v kompletnej remisii	1,2,3,4	1,2,4
C91.91	Lymfatická leukémia,blíž.neurč.,v kompl.rem.	1,2,3,4	1,2,4	C94.40	Akút.panmyelóza s myelofibrózou,bez komplet.rem.	1,2,3,4	1,2,4
C92.00	Akútna myeloblastová leukémia (AML),bez kompl.rem.	1,2,3,4	1,2,3,4	C94.41	Akút.panmyelóza s myelofibrózou,v komplet.rem.	1,2,3,4	1,2,4
C92.01	Akútna myeloblastová leukémia (AML),v kompl.rem.	1,2,3,4	1,2,3,4	C94.60	Myelodyspl.a myeloprolif.choroba.,bez komplet.rem.,i.n.	4	4
C92.10	Chronická myeloická leukémia BCR/ABL-pozit.,b.komplet.rem.	1,2,3,4	1,2,4	C94.61	Myelodyspl.a myeloprolif.choroba.,v komplet.rem.,inde.nezat.	4	4
C92.11	Chronická myeloická leukémia BCR/ABL-pozit.,v komplet.rem.	1,2,3,4	1,2,4	C94.70	Iná bližšie určená leukémia,bez kompletnej remisie	1,2,3,4	1,2,4
C92.20	Atypická chron.myeloická leuk.,BCR/ABL-neg.,b.komplet.rem.	1,2,3,4	1,2,4	C94.71	Iná bližšie určená leukémia,v kompletnej remisii	1,2,3,4	1,2,4
C92.21	Atypická chron.myeloická leuk. BCR/ABL-neg.,v komplet.rem.	1,2,3,4	1,2,4	C95.00	Akútna leukémia blíž.neurč.bunkového typu,bez komplet.rem.	1,2,3,4	1,2,3,4
C92.30	Myelosarkóm,bez kompletnej remisie	1,2,3,4	1,2,4	C95.01	Akútna leukémia blíž.neurč.bunkového typu,v komplet.rem.	1,2,3,4	1,2,3,4
C92.31	Myelosarkóm,v kompletnej remisii	1,2,3,4	1,2,4	C95.10	Chronická leukémia blíž.neurč.bunkového typu,bez komplet.rem.	1,2,3	1,2
C92.40	Akútna promyelocyto vá leukémia,bez komplet.rem.	1,2,3,4	1,2,3,4	C95.11	Chronická leukémia blíž.neurč.bunkového typu,v komplet.rem.	1,2,3	1,2
C92.41	Akútna promyelocyto vá leukémia,v komplet.rem.	1,2,3,4	1,2,3,4	C95.70	Iná leukémia blíž.neurč.bunkového typu,bez komplet.rem.	1,2,3,4	1,2,4
C92.50	Akútna myelomonocyto vá leukémia,b.komplet.rem.	1,2,3,4	1,2,3,4	C95.71	Iná leukémia blíž.neurč.bunkového typu,v komplet.rem.	1,2,3,4	1,2,4
C92.51	Akútna myelomonocyto vá leukémia,v komplet.rem.	1,2,3,4	1,2,3,4	C95.90	Leukémia,blížšie neurčená,bez kompletnej remisie	1,2,3,4	1,2,4
C92.60	Akútna myeloická leukémia s 11q23 abnormal.,bez komplet.rem.	1,2,3,4	1,2,3,4	C95.91	Leukémia,blížšie neurčená,v kompletnej remisii	1,2,3,4	1,2,4
C92.61	Akútna myeloická leukémia s 11q23 abnormal.,v komplet.rem.	1,2,3,4	1,2,3,4	C96.0	Multifokálna a multisyst.histiocytóza z Langerhansových bun.	1,2,3,4	1,2,4
C92.70	Iná myeloická leukémia,bez kompletnej remisie	1,2,3,4	1,2,4	C96.2	Zhubný mastocyto vá nádor	1,2,3,4	1,2,4
C92.71	Iná myeloická leukémia,v kompletnej remisii	1,2,3,4	1,2,4	C96.4	Sarkóm z dendritických buniek (akcesórnych buniek)	1,2,3,4	1,2,4
C92.80	Akútna myeloická leukém.s multilineár.dyspl.,bez komplet.rem.	1,2,3,4	1,2,3,4	C96.7	Iný blíž.ur.zhub.nád.lymf.,hematopoetic.a príbuz.tkan.	1,2,3,4	1,2,4
C92.81	Akútna myeloická leukém.s multilineár.dyspl.,v komplet.rem.	1,2,3,4	1,2,3,4	C96.8	Histiocytový sarkóm	1,2,3,4	1,2,4
C92.90	Myeloická leukémia blíž.neurč.,bez kompl.remisie	1,2,3,4	1,2,4	C96.9	Zhubný nádor lymf.,hematopoetického a príbuz.tkan.,blíž.n.	1,2,3,4	1,2,4
C92.91	Myeloická leukémia blíž.neurč.,v kompl.remisii	1,2,3,4	1,2,4	C97	Zhubné nádory s primárnym výskytom na roz.m.	1,2,3,4	1,2,4
				D10.0	Nezhubný nádor pery	4	4
				D10.1	Nezhubný nádor jazyka	4	4

ICD	Text	OP. CCL	Med. CCL	ICD	Text	OP. CCL	Med. CCL
D10.2	Nezhubný nádor spodiny úst	4	4	D16.9	Nezhubný nádor kosti a kĺbovej chrupky,blíž.neurč.	4	4
D10.3	Nezhubný nádor inej a bližšie neurčenej časti úst	4	4	D18.00	Hemangióm bez bližšieho určenia miesta	4	4
D10.5	Nezhubný nádor inej časti orofaryngu	4	4	D18.10	Lymfangióm - hygroma colli cysticum	4	4
D10.6	Nezhubný nádor nazofaryngu	4	4	D18.11	Lymfangióm axily	4	4
D10.7	Nezhubný nádor hypofaryngu	4	4	D18.12	Lymfangióm ingvíny	4	4
D10.9	Nezhubný nádor faryngu,blížšie neurčený	4	4	D18.13	Lymfangióm retroperitonea	4	4
D11.0	Nezhubný nádor príušnej žľazy	4	4	D18.18	Lymfangióm na inom mieste	4	4
D11.7	Nezhubný nádor inej veľkej slinnej žľazy	4	4	D18.19	Lymfangióm bez bližšieho určenia miesta	4	4
D11.9	Nezhubný nádor blíž.neurč.veľkej slinnej žľazy	4	4	D19.0	Nezhubný nádor mezotelového tkaniva pohrudnice	4	4
D12.0	Nezhubný nádor slepého čreva	4	4	D19.1	Nezhubný nádor mezotelového tkaniva pobrušnice	4	4
D12.1	Nezhubný nádor červovitého privesku slepého čreva	4	4	D19.7	Nezhubný nádor mezotelového tkaniva na inom mieste	4	4
D12.2	Nezhubný nádor vzostupnej časti hrubého čreva	4	4	D19.9	Nezhubný nádor mezotelového tkaniva,blíž.neurč.	4	4
D12.3	Nezhubný nádor priečnej časti hrubého čreva	4	4	D20.0	Nezhubný nádor retroperitonea	4	4
D12.4	Nezhubný nádor zostupnej časti hrubého čreva	4	4	D20.1	Nezhubný nádor pobrušnice	4	4
D12.5	Nezhubný nádor esovitej časti hrubého čreva	4	4	D21.0	Nezhubný nádor spojiv.a iného mäkk.tkan.hlavy,tváre a krku	4	4
D12.6	Nezhubný nádor hrubého čreva,blížšie neurčený	4	4	D21.1	Nezhubný nádor spojiv.a iného mäkk.tkan.HK vrátane pleca	4	4
D12.7	Nezhubný nádor rektosigmoidového spojenia	4	4	D21.2	Nezhubný nádor spojiv.a iného mäkk.tkan.DK vrátane bedra	4	4
D12.8	Nezhubný nádor konečníka	4	4	D21.3	Nezhubný nádor spojiv.a iného mäkk.tkaniva hrudníka	4	4
D12.9	Nezhubný nádor anusu a análneho kanála	4	4	D21.4	Nezhubný nádor spojiv.a iného mäkk.tkaniva brucha	4	4
D13.0	Nezhubný nádor pažeráka	4	4	D21.5	Nezhubný nádor spojiv.a iného mäkk.tkaniva panvy	4	4
D13.1	Nezhubný nádor žalúdka	4	4	D21.6	Nezhubný nádor spojiv.a iného mäkk.tkaniva trupu,blíž.neurč.	4	4
D13.2	Nezhubný nádor dvanástnika	4	4	D21.9	Nezhubný nádor spojiv.a iného mäkk.tkaniva,blíž.neurč.	4	4
D13.3	Nezhubný nádor iných a blíž.neurč.častí tenkého čreva	4	4	D24	Nezhubný nádor prsníka	4	4
D13.4	Nezhubný nádor pečene	4	4	D25.0	Submukózný leiomyóm maternice	4	4
D13.5	Nezhubný nádor extrahepatálnych žilových ciest	4	4	D25.1	Intramurálny leiomyóm maternice	4	4
D13.6	Nezhubný nádor podžalúdkovej žľazy	4	4	D25.2	Subserózný leiomyóm maternice	4	4
D13.7	Nezhubný nádor endokrinného pankreasu	4	4	D25.9	Leiomyóm maternice,blížšie neurčený	4	4
D13.9	Nezhubný nádor na neurčenom mieste tráviacej súst.	4	4	D26.0	Iný nezhubný nádor krčka maternice	4	4
D14.0	Nezhubný nádor stred.ucha,nos.dutiny a prinos.dutín	4	4	D26.1	Iný nezhubný nádor tela maternice	4	4
D14.1	Nezhubný nádor hrtana	4	4	D26.9	Iný nezhubný nádor maternice,blížšie neurčený	4	4
D14.2	Nezhubný nádor priedušnice	4	4	D27	Nezhubný nádor vaječníka	4	4
D14.3	Nezhubný nádor priedušky a pľúc	4	4	D28.0	Nezhubný nádor vulvy	4	4
D14.4	Nezhubný nádor dýchacej sústavy,blížšie neurčený	4	4	D28.1	Nezhubný nádor pošvy	4	4
D15.0	Nezhubný nádor týmusu	4	4	D28.2	Nezhubný nádor vajčkovodov a väzov maternice	4	4
D15.1	Nezhubný nádor srdca	4	4	D28.7	Nezhubný nádor iných blíž.urč.ženských pohlav.org.	4	4
D15.2	Nezhubný nádor mediastína	4	4	D28.9	Nezhubný nádor blíž.neurč.ženských pohlav.org.	4	4
D15.7	Nezhubný nádor iných určených vnútrohrod.org.	4	4	D29.0	Nezhubný nádor penisu	4	4
D15.9	Nezhubný nádor vnútrohrod.orgánov, blíž.neurč.	4	4	D29.1	Nezhubný nádor prostaty	4	4
D16.0	Nezhub.nádor lopatky a dlhých kostí HK	4	4	D29.2	Nezhubný nádor semenníka	4	4
D16.1	Nezhubný nádor krátkych kostí HK	4	4	D29.3	Nezhubný nádor nadsemenníka	4	4
D16.2	Nezhubný nádor dlhých kostí DK	4	4	D29.4	Nezhubný nádor mieška (skróta)	4	4
D16.3	Nezhubný nádor krátkych kostí DK	4	4	D29.7	Nezhubný nádor iných mužských pohlavných orgánov	4	4
D16.41	Nezhubný nádor kosti a kĺb.chrupky,kraniofaciálna obl.	4	4	D29.9	Nezhubný nádor blíž.neurč.mužských pohlav.org.	4	4
D16.42	Nezhubný nádor kosti a kĺb.chrupky,maxilofaciálna obl.	4	4	D30.0	Nezhubný nádor obličky	4	4
D16.5	Nezhubný nádor kostí dolnej čeľuste	4	4	D30.1	Nezhubný nádor obličkovej panvičky	4	4
D16.6	Nezhubný nádor chrčtice	4	4	D30.2	Nezhubný nádor močového	4	4
D16.70	Nezhubný nádor kosti a kĺbovej chrupky rebier	4	4	D30.3	Nezhubný nádor močového mechúra	4	4
D16.71	Nezhubný nádor kosti a kĺbovej chrupky hrudnej kosti	4	4	D30.4	Nezhubný nádor močovej rúry	4	4
D16.72	Nezhubný nádor kosti a kĺbovej chrupky kľúčnej kosti	4	4	D30.7	Nezhubný nádor iných močových orgánov	4	4
D16.8	Nezhubný nádor panv.kostí,kríž.kosti a kostrče	4	4				

ICD	Text	OP. CCL	Med. CCL	ICD	Text	OP. CCL	Med. CCL
D30.9	Nezhubný nádor močového orgánu, bližšie neurčeného	4	4	D38.1	Nádor s neurčitým/neznám. správaním: priedušn., prieduška, pľúca	4	4
D31.0	Nezhubný nádor spojovky	4	4	D38.2	Nádor s neurčitým/neznám. správaním: pohrudnica	4	4
D31.1	Nezhubný nádor rohovky	4	4	D38.3	Nádor s neurčitým/neznám. správaním: mediastínium	4	4
D31.2	Nezhubný nádor sietnice	4	4	D38.4	Nádor s neurčitým/neznám. správaním: týmus	4	4
D31.3	Nezhubný nádor cievovky	4	4	D38.5	Nádor s neurčitým/neznám. správaním: iný dých. org.	4	4
D31.4	Nezhubný nádor vráskovca	4	4	D38.6	Nádor s neurčitým/neznám. správaním: bliž. neurč. dých. org.	4	4
D31.5	Nezhubný nádor slznej žľazy a nosovoslného kanála	4	4	D39.0	Nádor s neurčitým/neznám. správaním: maternica	4	4
D31.6	Nezhubný nádor očnice, bližšie neurčený	4	4	D39.1	Nádor s neurčitým/neznám. správaním: vaječník	4	4
D31.9	Nezhubný nádor oka, bližšie neurčený	4	4	D39.2	Nádor s neurčitým/neznám. správaním: placenta	4	4
D32.0	Nezhubný nádor mozgovomiechových obalov: mozog	4	4	D39.7	Nádor s neurčitým/neznám. správaním: i. žen. pohl. org.	4	4
D32.1	Nezhubný nádor mozgovomiechových obalov: miecha	4	4	D39.9	Nádor s neurčitým/neznám. správaním: bliž. neurč. žen. pohl. org.	4	4
D32.9	Nezhubný nádor mozgovomiechových plien, bliž. neurč.	4	4	D40.0	Nádor s neurčitým/neznám. správaním: predstojnica (prostata)	4	4
D33.0	Nezhubný nádor mozgu: supratentoriálne	4	4	D40.1	Nádor s neurčitým/neznám. správaním: semenník	4	4
D33.1	Nezhubný nádor mozgu: infratentoriálne	4	4	D40.7	Nádor s neurčitým/neznám. správaním: i. muž. pohl. org.	4	4
D33.2	Nezhubný nádor mozgu, bližšie neurčený	4	4	D40.9	Nádor s neurčitým/neznám. správaním: bliž. neurč. muž. pohl. org.	4	4
D33.3	Nezhubný nádor hlavových nervov	4	4	D41.0	Nádor s neurčitým/neznám. správaním: oblička	4	4
D33.4	Nezhubný nádor miechy	4	4	D41.1	Nádor s neurčitým/neznám. správaním: obličková panvička	4	4
D33.7	Nezhubný nádor iných, bliž. urč. častí CNS	4	4	D41.2	Nádor s neurčitým/neznám. správaním: močovod	4	4
D33.9	Nezhubný nádor CNS, bližšie neurčený	4	4	D41.3	Nádor s neurčitým/neznám. správaním: močová rúra	4	4
D34	Nezhubný nádor štítnej žľazy	4	4	D41.4	Nádor s neurčitým/neznám. správaním: močový mechúr	4	4
D35.0	Nezhubný nádor nadobličky	4	4	D41.7	Nádor s neurčitým/neznám. správaním: i. moč. org.	4	4
D35.1	Nezhubný nádor prítstnej žľazy	4	4	D41.9	Nádor s neurčitým/neznám. správaním: bliž. neurč. moč. org.	4	4
D35.2	Nezhubný nádor podmozgovej žľazy	4	4	D42.0	Nádor s neurč./neznám. správaním: mozgovomiech. obaly: mozog	4	4
D35.3	Nezhubný nádor kraniofaryngového vývodu	4	4	D42.1	Nádor s neurč./neznám. správaním: mozgovomiech. obaly: miecha	4	4
D35.4	Nezhubný nádor epifýzy	4	4	D42.9	Nádor s neurčitým/neznám. správaním: mozgovomiech. obaly b.n.	4	4
D35.5	Nezhubný nádor glomus caroticum	4	4	D43.0	NádNádor s neurč./neznám. správaním: mozog-supratentoriálne	4	4
D35.6	Nezhubný nádor glomus aorticum a iných paraganglií	4	4	D43.1	Nádor s neurčitým/neznám. správaním: mozog - infratentoriálne	4	4
D35.7	Nezhubný nádor iných, bliž. urč. žliaz s vnút. vylučovaním	4	4	D43.2	Nádor s neurčitým/neznám. správaním: mozog, bliž. neurč.	4	4
D35.8	Nezhubný nádor viacerých žliaz s vnútorným vylučovaním	4	4	D43.3	Nádor s neurčitým/neznám. správaním: hlavové nervy	4	4
D35.9	Nezhubný nádor žľazy s vnút. vylučovaním, bliž. neurč.	4	4				
D36.0	Nezhubný nádor lymfatických uzlín	4	4				
D36.1	Nezhubný nádor periférnych nervov a autonóm. nerv. sústavy	4	4				
D36.7	Nezhubný nádor na iných, bližšie určených miestach	4	4				
D36.9	Nezhubný nádor bez bližšieho určenia miesta	4	4				
D37.0	Nádor pery, ústnej dutiny a hltana s neurč./nezn. správ.	4	4				
D37.1	Nádor s neurčitým alebo neznámym správaním: žalúdok	4	4				
D37.2	Nádor s neurčitým/neznám. správaním: tenké črevo	4	4				
D37.3	Nádor s neurčitým/neznám. správaním: červovitý privesok	4	4				
D37.4	Nádor s neurčitým/neznám. správaním: hrubé črevo	4	4				
D37.5	Nádor s neurčitým/neznám. správaním: konečník	4	4				
D37.6	Nádor s neurčitým/neznám. správaním: pečeň, žlčník, žlčové cesty	4	4				
D37.70	Nádor s neurčitým/neznám. správaním: pankreas	4	4				
D37.78	Nádor s neurčitým/neznám. správaním: iný tráv. org.	4	4				
D37.9	Nádor s neurčitým/neznám. správaním: bliž. neurč. tráv. org.	4	4				
D38.0	Nádor s neurčitým/neznám. správaním: hrtan	4	4				

ICD	Text	OP. CCL	Med. CCL	ICD	Text	OP. CCL	Med. CCL
D43.4	Nádor s neurčitým/neznam.správaním: miecha	4	4	D48.9	Nádor s neurčitým/neznam.správ.,bliž.neurč.	4	4
D43.7	Nádor s neurčitým/neznam.správaním:i.časť CNS	4	4	D50.0	Anémia z nedostatku železa pri chronických stratách krvi(D50.0)	1,2,3	1,2
D43.9	Nádor s neurčitým/neznam.správaním:CNS,časť bliž.neurč.	4	4	D50.1	Sideropenická dysfágia	2,3	1,2,3
D44.0	Nádor s neurčitým/neznam.správaním:štítna žľaza	4	4	D50.8	Iná anémia z nedostatku železa	1,2,3	1,2
D44.1	Nádor s neurčitým/neznam.správaním:nadoblička	4	4	D50.9	Bližšie neurčená anémia z nedostatku železa	1,2,3	1,2
D44.2	Nádor s neurčitým/neznam.správaním:príštitna žľaza	4	4	D52.0	Anémia z nedostatku kyseliny listovej v potrave	2,3	1,2,3
D44.3	Nádor s neurčitým/neznam.správaním:podmozg.žľaza	4	4	D52.1	Anémia z nedostatku kyseliny listovej zapríč.liekmí	2,3	1,2,3
D44.4	Nádor s neurčitým/neznam.správaním:raniofaryngový vývod	4	4	D52.8	Iná anémia z nedostatku kyseliny listovej	2,3	1,2,3
D44.5	Nádor s neurčitým/neznamým správáním:epifýza	4	4	D52.9	Anémia z nedostatku kyseliny listovej,bliž.neurč.	2,3	1,2,3
D44.6	Nádor s neurčitým/neznam.správaním:glomus caroticum	4	4	D53.0	Anémia z nedostatku bielkovín	2,3	1,2,3
D44.7	Nádor s neurč./neznam.správ.:glomus aorticum a i.paragangliá	4	4	D53.1	Iná megaloblastová anémia,nezatriedená inde	2,3	1,2,3
D44.8	Nádor s neurčitým/neznam.správaním:viac.endokrinné žľazy	2	1,2	D53.2	Skorbutová anémia	2,3	1,2,3
D44.9	Nádor s neurčitým/neznam.správaním:bliž.n.žľaza s vnút.vyluč.	4	4	D53.8	Iná bližšie určená nutričná anémia	2,3	1,2,3
D45	Polycythaemia vera	4	4	D53.9	Bližšie neurčená nutričná anémia	2,3	1,2,3
D46.0	Refraktérna anémia bez prstencových sideroblastov,potvrđ.	4	4	D55.0	Anémia zapríč.nedost.aktiv.glukóza-6-fosfát-dehydrogenázy	4	4
D46.1	Refraktérna anémia s prstencovými sideroblastmi	4	4	D55.1	Anémia zapríč.inou poruchou metabolizmu glutatiónu	4	4
D46.2	Refraktérna anémia s veľkým množstvom blastov	1,2,3,4	1,2,4	D56.0	Alfa-talasémia	2,3	1,2,3
D46.4	Refraktérna anémia,bližšie neurčená	4	4	D56.1	Beta-talasémia	2,3	1,2,3
D46.5	Refraktérna anémia s dyspláziou viacerých línií	4	4	D56.2	Delta-beta-talasémia	2,3	1,2,3
D46.6	Myelodysplastický synd.s izolovanou chromozóm.anom.del (5q)	4	4	D56.3	Talasemická črta	2,3	1,2,3
D46.7	Iný myelodysplastický syndróm	4	4	D56.4	Dedičné pretrvávanie fetálneho hemoglobínu	2,3	1,2,3
D46.9	Myelodysplastický syndróm,bližšie neurčený	4	4	D56.8	Iná talasémia	2,3	1,2,3
D47.0	Histiocytový a mastocytový nádor s neurč./neznam.správ.	4	4	D56.9	Talasémia,bližšie neurčená	2,3	1,2,3
D47.1	Chronická myeloproliferatívna choroba	4	4	D57.0	Kosáčikovitá anémia s krízou	2,3,4	1,2,3,4
D47.2	Monoklonová gamapatia nejasného významu (MGUS)	4	4	D57.1	Kosáčikovitá anémia bez krízy	2,3	1,2,3
D47.3	Esenciálna(hemoragická)trombocytémia	4	4	D57.2	Zdvojená heterozygotná kosáčikovitá choroba	2,3	1,2,3
D47.4	Osteomyelofibróza	4	4	D57.8	Iná kosáčikovitá porucha	2,3	1,2,3
D47.5	Chron.eozinofilová leukémia (hypereozinofilový synd.)	4	4	D58.9	Dedičná hemolytická anémia,bližšie neurčená	2,3	1,2,3
D47.7	Iný bliž.urč.nádor lymf.,krvotv.a príb.tk.s neu./nez.správ.	4	4	D59.0	Autoimunitná hemolytická anémia zapríčinená liekmí	2,3	1,2,3
D47.9	Nádor lymf.,krvotv.a príbuz.tk.s neu./nez.správ.,b.n.	4	4	D59.1	Iná autoimunitná hemolytická anémia	2,3	1,2,3
D48.0	Nádor s neurčitým/neznam.správ.kosť a kĺbová chrupka	4	4	D59.2	Neautoimunitná hemolytická anémia zapr.liek.	2,3	1,2,3
D48.1	Nádor s neurčitým/neznam.správ.spojivové a i.mäkké tkanivo	4	4	D59.3	Hemolyticko-uremický syndróm	2,3,4	1,2,3,4
D48.2	Nádor s neurčitým/neznam.správ.perif.nervy a auton.nerv.súst.	4	4	D59.4	Iná neautoimunitná hemolytická anémia	2,3	1,2,3
D48.3	Nádor s neurčitým/neznam.správ.retroperitoneum	4	4	D59.5	Paroxysmálna nočná hemoglobínúria	2,3	1,2,3
D48.4	Nádor s neurčitým/neznam.správ.pobrušnica	4	4	D59.6	Hemoglobínúria zapríč.hemolýzou z iných vonk.príčin	2,3	1,2,3
D48.5	Nádor s neurčitým/neznam.správ.koža	4	4	D59.8	Iná získaná hemolytická anémia	2,3	1,2,3
D48.6	Nádor s neurčitým/neznam.správ.prsník	4	4	D59.9	Získaná hemolytická anémia,bližšie neurčená	2,3	1,2,3
D48.7	Nádor s neurčitým/neznam.správ.iné bliž.urč.miesto	4	4	D60.0	Chronická získaná čistá aplázia červených krviniek	2,3,4	1,2,3,4
				D60.1	Prechodná získaná čistá aplázia červených krviniek	2,3,4	1,2,3,4
				D60.8	Iná získaná čistá aplázia červených krviniek	2,3,4	1,2,3,4
				D60.9	Získaná čistá aplázia červených krviniek,bližšie neurčená	2,3,4	1,2,3,4
				D61.0	Vrodená aplastická anémia	2,3,4	1,2,3,4
				D61.10	Aplastická anémia zapríčinená cytostatickou liečbou	2,3,4	1,2,3,4
				D61.18	Iná aplastická anémia zapríčinená liekmí	2,3,4	1,2,3,4
				D61.19	Aplastická anémia zapríčinená liekmí,bližšie neurčená	2,3,4	1,2,3,4
				D61.2	Aplastická anémia z iných vonkajších príčin	2,3,4	1,2,3,4
				D61.3	Idiopatická aplastická anémia	2,3,4	1,2,3,4
				D61.8	Iná aplastická anémia,bližšie určená	2,3,4	1,2,3,4
				D61.9	Aplastická anémia,bližšie neurčená	2,3,4	1,2,3,4
				D62	Akútna posthemoragická anémia	1,2,3,4	1,2
				D63.0	Anémia pri nádorových chorobách	1,2,3,4	1,2
				D64.0	Dedičná sideroblastová [sideroachrestická] anémia	2,3,4	1,2,3,4
				D64.1	Sekundárna sideroblastová anémia zapríč.ochorením	2,3,4	1,2,3,4

ICD	Text	OP. CCL	Med. CCL	ICD	Text	OP. CCL	Med. CCL
D64.2	Sekundárna sideroblastová anémia zapríč.liekmi toxic.lát.	2,3,4	1,2,3,4	D73.3	Absces sleziny	2	2
D64.3	Iná sideroblastová [sideroachrestická] anémia	2,3,4	1,2,3,4	D73.5	Infarkt sleziny	2	2
D65.0	Získaná afibrinogenémia	2,3	1,2,3	D80.0	Dedičná hypogamaglobulinémia	2,3,4	1,2,3,4
D65.1	Diseminovaná intravaskulárna koagulácia [DIK, DIC]	2,3	1,2,3	D80.2	Selektívny nedostatok imunoglobulínu A [IgA]	4	4
D65.2	Získané fibrinolytické krvácanie	2,3	1,2,3	D80.3	Selektívny nedostatok podtried imunoglobulínu G(IgG)	2,3,4	1,2,3,4
D65.9	Defibrinačný syndróm, bližšie neurčený	2,3	1,2,3	D80.4	Selektívny nedostatok imunoglobulínu M[IgM]	2,3,4	1,2,3,4
D66	Dedičný nedostatok faktora VIII	2,3,4	1,2,3,4	D80.5	Imunodeficit so zvýšeným imunoglobulínu M [IgM]	2,3,4	1,2,3,4
D67	Dedičný nedostatok faktora IX	2,3,4	1,2,3,4	D80.6	Deficit protil.s takmer norm.imunoglob./s hyperimunog.	2,3,4	1,2,3
D68.0	Von Willebrandova choroba	2,3,4	1,2,3,4	D80.7	Prechodná hypogamaglobulinémia v detstve	2,3,4	1,2,3
D68.1	Dedičný nedostatok faktora XI	2,3,4	1,2,3,4	D80.8	Iný imunodeficit s prevahou nedostatku protilátok	2,3,4	1,2,3
D68.2	Dedičný nedostatok iných koagulačných faktorov	2,3,4	1,2,3,4	D80.9	Imunodef.bliž.neurč s prevahou nedostatku protilátok	2,3,4	1,2,3
D68.30	Stav krvácanosti zapríčinený antikoagulantami	1,2,3,4	1,2,3,4	D81.0	Ťažký komb.imunodef.(SCID)s retikulovou dysgenézou	2,3,4	1,2,3,4
D68.31	Stav krvácanosti zapríč.zvýš.protilátok proti faktoru VIII	2,3,4	1,2,3,4	D81.1	Ťažký komb.imunodef.(SCID)s malým počtom T-bun.a B-buniek	2,3,4	1,2,3,4
D68.32	Stav krvác.zapr.zvýš.plazma.konc.protil.proti i.fak.zráž.krvi	2,3,4	1,2,3,4	D81.2	Ťažký komb.imunodef.(SCID)s malým/norm.počtom B-buniek	2,3,4	1,2,3,4
D68.38	Iný stav krvác.zapr.i.a b.n.protilátkami	2,3,4	1,2,3,4	D81.3	Deficit adenozyndezaminázy [ADA]	4	4
D68.4	Získaný nedostatok koagulačného faktora	1,2,3	1,2,3	D81.4	Nezelofov syndróm	2,3,4	1,2,3,4
D68.5	Primárny trombofilný stav (trombofília)	2,3	1,2,3	D81.5	Nedostatok purinnukleozid-fosforylázy [PNP]	4	4
D68.6	Iný trombofilný stav (trombofília)	2,3	1,2,3	D81.6	Deficit hlavného komplexu histokompatibility I.triedy	2,3,4	1,2,3,4
D68.8	Iná porucha zrážanlivosti krvi, bližšie určená	1,2,3	1,2,3	D81.7	Deficit hlavného komplexu histokompatibility II.triedy	2,3,4	1,2,3,4
D68.9	Porucha zrážanlivosti krvi, bližšie neurčená	1,2,3	1,2,3	D81.8	Iný kombinovaný imunodeficit	2,3,4	1,2,3,4
D69.0	Alergická purpura	2,3	1,2,3	D81.9	Kombinovaný imunodeficit, bližšie neurčený	2,3,4	1,2,3,4
D69.1	Kvalitatívna porucha doštičiek	2,3	1,2,3	D82.0	Wiskottov-Aldrichov syndróm	2,3,4	1,2,3,4
D69.2	Iná netrombocytopenická purpura	2,3	1,2,3	D82.1	Di Georgeov syndróm	2,3,4	1,2,3,4
D69.3	Idiopatická trombocytopenická purpura	2,3	1,2,3	D82.2	Imunodeficit spojený s disproporčným malým vzrastom	2,3,4	1,2,3
D69.40	Iná primárna trombocytopenia.nereag.na transf.lieč.	2,3	1,2,3	D82.3	Imunodef.spoj.s vrod.defektnou odpov.na EBV	2,3,4	1,2,3
D69.41	Iná primárna trombocytopenia.reag.na transf.lieč.	2,3	1,2,3	D82.4	Syndróm nadbytku imunoglobulínu E [IgE]	2,3,4	1,2,3
D69.52	Trombocytopenia indukovaná heparínom, typ I	2,3	1,2,3	D82.8	Imunodef.spojený s i.ťažkými poruchami, b.u.	2,3,4	1,2,3
D69.53	Trombocytopenia zapríčinená heparínom, typ II	2,3	1,2,3	D82.9	Imunodef.spojený s ťažkou poruchou, b.n.	2,3,4	1,2,3
D69.57	Iná sekundárna trombocytopenia, označ. ako refrakt.na transf.lieč.	2,3	1,2,3	D83.0	Bežný premen.imunodef.s prev.abnor.v počte a funkcii B-buniek	2,3,4	1,2,3,4
D69.58	Iná sekundárna trombocytopenia, neozn. ako refrakt.na transf.lieč.	2,3	1,2,3	D83.1	Bežný premen.imunodeficit s prevaž.poruch.imunoreg.T-buniek	2,3,4	1,2,3,4
D69.59	Sekundárna trombocytopenia, bližšie neurčená	2,3	1,2,3	D83.2	Bežný premen.imunodeficit s autoprotil.proti B-/T-bunkám	2,3,4	1,2,3,4
D69.60	Trombocytopenia, bliž. neu. označ. ako nereag.na transf.lieč.	2,3	1,2,3	D83.8	Iný bežný premenlivý imunodeficit	2,3,4	1,2,3,4
D69.61	Trombocytopenia, bliž. neu. neozn. ako nereag.na transf.lieč.	2,3	1,2,3	D83.9	Bežný premenlivý imunodeficit, bližšie neurčený	2,3,4	1,2,3,4
D69.8	Iný stav krvácanosti, bližšie určený	2,3	1,2,3	D84.0	Porucha lymfocytového funkčného antigénu 1 [LFA-1]	2,3,4	1,2,3
D69.9	Stav krvácanosti, bližšie neurčený	2,3,4	1,2,3,4	D84.1	Porucha komplementového systému	2,3,4	1,2,3
D70.0	Vrodená agranulocytóza a neutropénia	2,3,4	1,2,3,4	D84.8	Iný imunodeficit, bližšie určený	2,3,4	1,2,3
D70.10	Agranulocytóza a neutrop. zapr.liek.s krit.f.do 4 dni	2,3,4	1,2,3,4	D84.9	Imunodeficit, bližšie neurčený	2,3,4	1,2,3
D70.11	Agranulocytóza a neutrop. zapr.liek.s krit.f.10 do 20 dni	2,3,4	1,2,3,4	D86.0	Sarkoidóza pľúc	2	2
D70.12	Agranulocytóza a neutrop. zapr.liek.s krit.f.20 a viac dni	2,3,4	1,2,3,4	D86.1	Sarkoidóza lymfatických uzlín	2	2
D70.13	Agranulocytóza a neutrop. zapr.liek.s krit.f.4 do 7 dni	2,3,4	1,2,3,4	D86.2	Sarkoidóza pľúc so sarkoidózou lymfatických uzlín	2	2
D70.14	Agranulocytóza a neutrop. zapr.liek.s krit.f.7 do 10 dni	2,3,4	1,2,3,4	D86.3	Sarkoidóza kože	2	2
D70.18	Agranulocytóza a neutrop. zapr.liek.s i.pribehom	2,3,4	1,2,3,4	D86.8	Sarkoidóza na iných a viacerých miestach	2	2
D70.19	Agranulocytóza a neutrop. zapr.liek., b.n.	2,3,4	1,2,3,4	D86.9	Sarkoidóza, bližšie neurčená	2	2
D70.3	Iná agranulocytóza	2,3,4	1,2,3,4	D89.0	Polyklonálna hypergamaglobulinémia	4	4
D70.5	Cyklická neutropénia	2,3,4	1,2,3,4	D89.1	Kryoglobulinémia	4	4
D70.6	Iná neutropénia	2,3,4	1,2,3,4	E00.0	Vrodený syndróm z nedostatku jódu, neurologický typ	4	4
D70.7	Neutropénia, bližšie neurčená	2,3,4	1,2,3,4	E00.1	Vrodený syndróm z nedostatku jódu, myxedémový typ	4	4
D71	Funkčná porucha polymorfonukleárných neutrofilov	2,3,4	1,2,3	E00.2	Vrodený syndróm z nedostatku jódu, zmiešaný typ	4	4
D73.1	Hypersplenizmus	2	2				

ICD	Text	OP. CCL	Med. CCL	ICD	Text	OP. CCL	Med. CCL
E00.9	Vrodený syndróm z nedostatku jódu, bližšie neurčený	4	4	E12.21	DM spojený s podvýž.:s obličk.kompl.,dekomp.	2,3,4	1,2
E01.8	Iná chor.ŠŽ spojená s nedost.jódu a pridruž.stavy	4	4	E12.30	DM spojený s podvýž.:s očnými kompl.,kompenz.	1,2,3,4	1,2
E02	Subklinická hypotyreóza z nedostatku jódu	4	4	E12.31	DM spojený s podvýž.:s očnými kompl.,dekomp.	1,2,3,4	1,2
E03.0	Vrodená hypotyreóza s difúznou strumou	4	4	E12.40	DM spojený s podvýž.: nervovými kompl.,kompenz.	2	2
E03.1	Vrodená hypotyreóza bez strumy	4	4	E12.41	DM spojený s podvýž.:s nervovými kompl.,dekomp.	2	2
E03.5	Myxedémová kóma	3,4	3,4	E12.50	DM spojený s podvýž.:s perif.ciev. kompl.,kompenz.	2,3,4	2,3
E05.0	Hypertyreóza s difúznou strumou	2	1,2	E12.51	DM spojený s podvýž.:s perif.ciev. kompl.,dekomp.	2,3,4	2,3
E05.1	Hypertyreóza s jedným toxickým tyreoidálnym uzlom	2	1,2	E12.60	DM spojený s podvýž.:s i.b.u.kompl.,kompenz.	2	2,3
E05.2	Hypertyreóza s toxickou viacuzlovou strumou	2	1,2	E12.61	DM spojený s podvýž.:s i.b.u.kompl.,dekomp.	2	2,3
E05.3	Hypertyreóza zaprič.ektopickým tkan.ŠŽ	2	1,2	E12.72	DM spojený s podvýž.:s viac.kompl.,kompenz.	2	2,3
E05.4	Hypertyreóza zaprič.umelo(hyperthyreosis factitia)	2	1,2	E12.73	DM spojený s podvýž.:s viac.kompl.,dekomp.	2	2,3
E05.5	Tyreotoxická kríza	2	1,2	E12.74	DM spo.s pod.:s viac.kompl.,so synd.diab.nohy,kompenz.	2	2,3
E06.0	Akútna tyreoiditída	4	4	E12.75	DM spo.s pod.:s viac.kompl.,so synd.diab.nohy,dekomp.	2	2,3
E06.4	Tyreoiditída zapríčinená liekom	4	4	E12.80	DM spojený s podvýž.:s bliž.neu.kompl.,kompenz.	2	2,3
E07.1	Dyshormonogénna struma (hrvol)	4	4	E12.81	DM spojený s podvýž.:s bliž.neu.kompl.,dekomp.	2	2,3
E10.01	Diabetes mellitus 1.typu: s kómou, dekompenzovaný	2	2,3	E12.90	DM spojený s podvýž.:bez kompl.,kompenz.	2	2,3
E10.11	DM 1.typu:s ketoacidózou,dekomp.	2	2,3	E12.91	DM spojený s podvýž.:bez kompl.,dekomp.	2	2,3
E10.20	DM 1.typu:s obličk.kompl.,kompenz.	2,3,4	1,2	E13.01	Iný DM, bliž.ur.:s kómou,dekomp.	2	2,3
E10.21	DM 1.typu:s obličk.kompl.,dekomp.	2,3,4	1,2	E13.11	Iný DM, bliž.ur.:s ketoacidózou,dekomp.	2	2,3
E10.30	DM 1.typu:s očnými kompl.,kompenz.	1,2,3,4	1,2	E13.20	Iný DM, bliž.ur.:s obličk.kompl.,kompenz.	2,3,4	1,2
E10.31	DM 1.typu:s očnými kompl.,dekomp.	1,2,3,4	1,2	E13.21	Iný DM, bliž.ur.:s obličk.kompl.,dekomp.	2,3,4	1,2
E10.40	DM 1.typu:s i.mnohopočet.kompl.,kompenz.	2	2	E13.30	Iný DM, bliž.ur.:s očnými kompl.,kompenz.	1,2,3,4	1,2
E10.41	DM 1.typu:s nervovými kompl.,dekomp.	2	2	E13.31	Iný DM, bliž.ur.:s očnými kompl.,dekomp.	1,2,3,4	1,2
E10.50	DM 1.typu:s perif.cievnými kompl.,kompenz.	2,3,4	2,3	E13.40	Iný DM, bliž.ur.:s nervovými kompl.,kompenz.	2	2
E10.51	DM 1.typu:s perif.cievnými kompl.,dekomp.	2,3,4	2,3	E13.41	Iný DM, bliž.ur.:s nervovými kompl.,dekomp.	2	2
E10.60	DM 1.typu:s i.bliž.ur.kompl.,kompenz.	2	2,3	E13.50	Iný DM, bliž.ur.:s perif.cievnými kompl.,kompenz.	2,3,4	2,3
E10.61	DM 1.typu:s i.bliž.ur.kompl.,dekomp.	2	2,3	E13.51	Iný DM, bliž.ur.:s perif.cievnými kompl.,dekomp.	2,3,4	2,3
E10.72	DM 1.typu:s i.mnohopočet.kompl.,kompenz.	2	2,3	E13.60	Iný DM, bliž.ur.:s i.bliž.ur.kompl.,kompenz.	2	2,3
E10.73	DM 1.typu:s i. mnohopočet.kompl.,dekomp.	2	2,3	E13.61	Iný DM, bliž.ur.:s i.bliž.ur.kompl.,dekomp.	2	2,3
E10.74	DM 1.typu:s mnohopočet.kompl.,so synd.diab.nohy,kompenz.	2	2,3	E13.72	Iný DM, bliž.ur.:s i.mnohopočet.kompl.,kompenz.	2	2,3
E10.75	DM 1.typu:s mnohopočet.kompl.,so synd.diab.nohy,dekomp.	2	2,3	E13.73	Iný DM, bliž.ur.:s i.mnohopočet.kompl.,dekomp.	2	2,3
E10.80	DM 1.typu:s bliž.neu.kompl.,kompenz.	2	2,3	E13.74	Iný DM, bliž.ur.:s mnohop.kompl.,so synd.diab.nohy,kompenz.	2	2,3
E10.81	DM 1.typu:s bliž.neu.kompl.,dekomp.	2	2,3	E13.75	Iný DM, bliž.ur.:s mnohop.kompl.,so synd.diabet.nohy,dekomp.	2	2,3
E10.90	DM 1.typu:bez kompl.,kompenz.	2	2,3	E13.80	Iný DM, bliž.ur.:s bliž.neurč.kompl.,kompenz.	2	2,3
E10.91	DM 1.typu:bez kompl.,dekomp.	2	2,3	E13.81	Iný DM, bliž.ur.:s bliž.neurč.kompl.,dekomp.	2	2,3
E11.01	DM 2.typu: s kómou, dekompenzovaný	1,2	2,3	E13.90	Iný DM, bližšie určený:bez kompl.,kompenz.	2	2,3
E11.11	DM 2.typu:s ketoacidózou,dekomp.	1,2	2,3	E13.91	Iný DM, bližšie určený:bez kompl.,dekomp.	2	2,3
E11.20	DM 2.typu:s obličk.kompl.,kompenz.	1,2,3,4	1,2	E14.30	DM, bliž.neu.:s očnými kompl.,kompenz.	1,2,3,4	1,2
E11.21	DM 2.typu:s obličk.kompl.,dekomp.	1,2,3,4	1,2	E14.31	DM, bliž.neu.:s očnými kompl.,dekomp.	1,2,3,4	1,2
E11.30	DM 2.typu:s očnými kompl.,kompenz.	1,2,3,4	1,2	E14.60	DM, bliž.neu.:s i.bliž.ur.kompl.,kompenz.	1,2	1,2,3
E11.31	DM 2.typu:s očnými kompl.,dekomp.	1,2,3,4	1,2	E14.61	DM, bliž.neu.:s i.bliž.ur.kompl.,dekomp.	1,2	1,2,3
E11.40	DM 2.typu:s nervovými kompl.,kompenz.	1,2	2	E14.72	DM, bliž.neu.:s i.mnohopočet.kompl.,kompenz.	1,2	2,3
E11.41	DM 2.typu:s nervovými kompl.,dekomp.	1,2	2	E14.73	DM, bliž.neu.:s mnohopočet.kompl.,dekomp.	1,2	2,3
E11.50	DM 2.typu:s perif.cievnými kompl.,kompenz.	2,3,4	2,3	E14.74	DM, bliž.neu.:s mnohop.kompl.,so synd.diab..nohy,kompenz.	1,2	2,3
E11.51	DM 2.typu:s perif.cievnými kompl.,dekomp.	2,3,4	2,3	E14.75	DM, bliž.neu.:s mnohop.kompl.,so synd.diab.nohy,dekomp.	1,2	2,3
E11.60	DM 2.typu:s i.bliž.urč.kompl.,kompenz.	1,2	1,2,3	E15	Nediabetická hypoglykemická kóma	2,3,4	2,3,4
E11.61	DM 2.typu:s i.bliž.urč.kompl.,dekomp.	1,2	1,2,3	E20.0	Idiopatická hypoparatyreóza	2,4	1,2,4
E11.72	DM 2.typu:s i.mnohopočet.kompl.,kompenz.	1,2	2,3				
E11.73	DM 2.typu:s i.mnohopočet.kompl.,dekomp.	1,2	2,3				
E11.74	DM 2.typu:s mnohopočet.kompl.,so synd.diab.nohy,kompenz.	1,2	2,3				
E11.75	DM 2.typu:s mnohopočet.kompl.,so synd.diab.nohy,dekomp.	1,2	2,3				
E11.80	DM 2.typu:s bliž.neurč.kompl.,kompenz.	1,2	1,2,3				
E11.81	DM 2.typu:s bliž.neurč.kompl.,dekomp.	1,2	1,2,3				
E11.91	DM 2.typu:bez kompl.,dekomp.	1,2	1,2,3				
E12.01	DM spojený s podvýž.:s kómou ,dekomp.	2	2,3				
E12.11	DM spojený s podvýž.:s ketoacidózou,dekomp.	2	2,3				
E12.20	DM spojený s podvýž.:s obličk.kompl.,kompenz.	2,3,4	1,2				

ICD	Text	OP. CCL	Med. CCL	ICD	Text	OP. CCL	Med. CCL
E20.1	Pseudohypoparatyreóza	2,3,4	2,3	E64.9	Následky bližšie neurčených nedostatkov vo výžive	2,3,4	2,3
E20.8	Iná hypoparatyreóza	2,4	1,2,4	E70.0	Klasická fenylketonúria	4	4
E20.9	Hypoparatyreóza, bližšie neurčená	2,4	1,2,4	E70.1	Iná hyperfenylalaninémia	4	4
E21.0	Primárna hyperparatyreóza	2	1,2	E70.2	Porucha metabolizmu tyrozínu	4	4
E21.1	Sekundárna hyperparatyreóza, nezatriedená inde	2	1,2	E70.3	Albinizmus	4	4
E21.2	Iná hyperparatyreóza	2	1,2	E70.8	Iná porucha metabolizmu aromatických aminokyselín	4	4
E21.3	Hyperparatyreóza, bližšie neurčená	2	1,2	E70.9	Porucha metaboliz. aromatic. aminokyselín, b.n.	4	4
E23.0	Hypopituitarizmus	2	1,2	E71.0	Choroba javorového sirupu [Leucinóza]	4	4
E23.2	Diabetes insipidus	2,4	1,2,4	E71.1	Iná porucha metabolizmu aminokysel. rozve.ref'azcom	4	4
E24.0	Centrálny Cushingov syndróm	2	1,2	E71.2	Porucha metab. aminokyselín s rozve.ref'azcom, b.n.	4	4
E24.1	Nelsonov syndróm	2	1,2	E72.0	Porucha transportu aminokyselín	4	4
E24.2	Cushingov syndróm zapríčinený liekom	2	1,2	E72.1	Porucha metabolizmu aminokyselín obsahujúcich síru	4	4
E24.3	Ektopický ACTH-syndróm	2	1,2	E72.2	Porucha metabolického cyklu močoviny	4	4
E24.4	Pseudo-Cushingov syndróm zapríčinený alkoholom	2	1,2	E72.3	Porucha metabolizmu lyzínu a hydroxylyzínu	4	4
E24.8	Iný Cushingov syndróm	2	1,2	E72.4	Porucha metabolizmu ornitínu	4	4
E24.9	Cushingov syndróm, bližšie neurčený	2	1,2	E72.5	Porucha metabolizmu glycínu	4	4
E25.00	Adrenogenit. por., typ 3 (nedost. 21-hydrox.) , klas. for.	4	4	E72.8	Iná porucha metabol. aminokyselín, bliž. určená	4	4
E25.01	Adrenogenit. por., typ 3 (nedost. 21-hydrox.) , for. s neskl. nás.	4	4	E72.9	Porucha metabolizmu aminokyselín, bližšie neurčená	4	4
E25.08	Iná vrod. adrenogenitálna por. spoj. s nedost. enz.	4	4	E74.0	Choroba z nahromadenia glykogénu (glykogenóza)	4	4
E25.09	Vrod. adrenogenitálna por. spoj. s nedost. enz., b.n.	4	4	E74.1	Porucha metabolizmu fruktózy	4	4
E25.8	Iná adrenogenitálna porucha	4	4	E74.2	Porucha metabolizmu galaktózy	4	4
E25.9	Adrenogenitálna porucha, bližšie neurčená	4	4	E76.0	Mukopolysacharidóza, typ I	4	4
E27.0	Iná hyperfunkcia kôry nadobličiek	2,4	1,2,4	E76.1	Mukopolysacharidóza, typ II	4	4
E27.1	Prim. nedostatočnosť kôry nadoblič. (Addisonova chor.)	2,4	1,2,4	E76.2	Iná mukopolysacharidóza	4	4
E27.2	Addisonova kríza	2,4	1,2,4	E76.3	Mukopolysacharidóza, bližšie neurčená	4	4
E27.3	Nedostatočnosť kôry nadobličiek zapríčinená liekmi	2,4	1,2,4	E76.8	Iná porucha metabolizmu glykozaminoglykánů	4	4
E27.4	Iná a bliž. neu. nedostatočnosť kôry nadobličiek	2,4	1,2,4	E76.9	Porucha metabol. glykozaminoglykánů, b.n.	4	4
E27.5	Hyperfunkcia drene nadobličiek	2,4	1,2,4	E78.6	Nedostatok lipoproteínů	4	4
E27.8	Iná choroba nadobličiek, bližšie určená	4	4	E78.9	Porucha metabolizmu lipoproteínů, bližšie neurčená	4	4
E29.0	Hyperfunkcia semenníkov	4	4	E79.0	Hyperurikémia bez znakov zápal. artritídy/tofovej dny	4	4
E31.0	Autoimunitná polyglandulárna insuficiencia	2	1,2	E79.1	Leschov-Nyhanov syndróm	4	4
E31.1	Polyglandulárna hyperfunkcia	2	1,2	E79.8	Iná porucha metabolizmu purínu a pyrimidínu	4	4
E31.8	Iná polyglandulárna dysfunkcia	2	1,2	E79.9	Porucha metabol. purínu a pyrimidínu, b.n.	4	4
E31.9	Polyglandulárna dysfunkcia, bližšie neurčená	2	1,2	E80.0	Dedičná erytropoetická porfýria	4	4
E32.1	Absces týmusu	2,3,4	1,2,3,4	E80.1	Porphyria cutanea tarda	4	4
E34.0	Karcinoidový syndróm	2	1,2	E80.2	Iná porfýria	4	4
E34.3	Nízky vzrast, nezatriedený inde	4	4	E83.0	Porucha metabolizmu medi	4	4
E35.1	Choroba štítnej žľazy pri chorobách zatriedených inde	4	4	E84.0	Cystická fibróza s pľúcnymi prejavmi	2,3,4	2,4
E40	Kvašiorkor	2,3,4	2,3	E84.1	Cystická fibróza s črevnými prejavmi	2,4	2,3,4
E41	Nutričný marasmus	2,3,4	2,3	E84.80	Cystická fibróza s pľúcnymi a črevnými prejavmi	2,3,4	2,4
E42	Marantický kvašiorkor	2,3,4	2,3	E84.87	Cystická fibróza s inými mnohopočetnými prejavmi	2,3,4	2,4
E43	Ťažká proteinovo-energetická podvýživa, b.n.	2,3,4	2,3	E84.88	Cystická fibróza s inými prejavmi	2,3,4	2,4
E44.0	Proteinovo-energetická podvýživa stredného stupňa	2,3,4	2,3	E84.9	Cystická fibróza, bližšie neurčená	2,3,4	2,4
E44.1	Proteinovo-energetická podvýživa mierneho stupňa	2,3,4	2,3	E87.0	Hyperosmolalita a hypernatriémia	1,2,3	2,3
E45	Zaostávanie vo výv. v dôsl. proteinovo-energet. podvýživy	2,3,4	2,3	E87.1	Hypoosmolalita a hyponatriémia	1,2	
E46	Proteinovo-energetická podvýživa, bližšie neurčená	1,2,3,4	1,2,3	E87.4	Zmiešaná porucha acidobázickej rovnováhy	1,2	
E53.8	Nedost. iného bliž. urč. vit. skupiny B	1,2,3,4	1,2,3	E87.5	Hyperkaliémia	1	1
E56.1	Nedostatok vitamínu K	2,3,4	2,3	E87.6	Hypokaliémia	1,2	1
E61.1	Nedostatok železa	2,3,4	2,3	E88.1	Lipodystrofia, nezatriedená inde	4	4
E61.7	Nedostatok viacerých stopových prvků	2,3,4	2,3	E88.3	Syndróm z rozpadu nádoru (tumor lysis syndrome)	3,4	3
E63.0	Nedostatok esenciálnych mastných kyselín	2,3,4	2,3	E89.1	Hypoinzulínémia po lekárskom výkone	2,3,4	2,3
E64.0	Následky proteinovo-energetickej podvýživy	2,3,4	2,3	E89.2	Hypoparatyreóza po lekárskom výkone	2,4	1,2,4
E64.1	Následky nedostatku vitamínu A	2,3,4	2,3	E89.6	Hypofunkcia kôry nadoblič./drene nadoblič. po lek. výkone	2,4	1,2,4
E64.2	Následky nedostatku vitamínu C	2,3,4	2,3				
E64.8	Následky iných nedostatkov vo výžive	2,3,4	2,3				

ICD	Text	OP. CCL	Med. CCL	ICD	Text	OP. CCL	Med. CCL
F00.0	Demencia pri Alzheimerovej chor.so skorým začiat.(typ 2)	2,3,4	1,2,3	F11.9	Porucha psych.a správ.zapr.užív.opiát.,b.n.	2	2
F00.1	Demencia pri Alzheimerovej chor.s neskorým začiat.(typ 1)	2,3,4	1,2,3	F12.3	Porucha psych.a správ.zaprič.užív.kanab.:abstin.synd.	2	2
F00.2	Demencia pri Alzheimerovej chor.,atypická/zmiešaná forma	2,3,4	1,2,3	F12.4	Porucha psych.a správ.zaprič.užív.kanab.:ab.synd.s delír.	2	2
F00.9	Demencia pri Alzheimerovej chorobe,b.n.	2,3,4	1,2,3	F12.5	Porucha psych.a správ.zaprič.užív.kanab.:psych.porucha	2	2
F01.0	Vaskulárna demencia s akútnym začiatkom	2,3,4	1,2,3	F12.6	Porucha psych.a správ.zaprič.užív.kanab.:amne.synd.	2	2
F01.1	Mnohoinfarktová demencia	2,3,4	1,2,3	F12.7	Porucha psych.a správ.zaprič.užív.kanab.:rez.a nesk.psych.p.	2	2
F01.2	Subkortikálna vaskulárna demencia	2,3,4	1,2,3	F12.8	Iná porucha psych.a správ.,zaprič.užív.kanabinoidov	2	2
F01.3	Zmiešaná kortikálna a subkortikálna vaskul.demencia	2,3,4	1,2,3	F12.9	Porucha psych.a správ.,zaprič.užív.kanab.,b.n.	2	2
F01.8	Iná vaskulárna demencia	2,3,4	1,2,3	F13.0	Porucha psych.a správ.zaprič.užív.sedat./hypno.:akút.intox.	2	1,2
F01.9	Vaskulárna demencia,blížšie neurčená	2,3,4	1,2,3	F13.1	Porucha psych.a správ.zaprič.užív.sedat./hypno.:škod.užív.	2	1,2
F02.0	Demencia pri Pickovej chorobe (G31.0†)	2,3,4	1,2,3	F13.2	Porucha psych.a správ.zaprič.užív.sedat./hypno.:synd.závisl.	2	1,2
F02.1	Demencia pri Creutzfeldtovej-Jakobovej chorobe	2,3,4	1,2,3	F13.3	Porucha psych.a správ.zaprič.užív.sedat./hypno.:abstin.synd.	2	2
F02.2	Demencia pri Huntingtonovej chorobe (G10†)	2,3,4	1,2,3	F13.4	Porucha psych.a správ.zapr.užív.sedat./hypno.:ab.synd.s delír.	2	2
F02.3	Demencia pri Parkinsonovej chorobe (G20.-†)	2,3,4	1,2,3	F13.5	Porucha psych.a správ.zaprič.užív.sedat./hypno.:psych.porucha a	2	2
F02.4	Demencia pri chorobe HIV (B22†)	2,3,4	1,2,3,4	F13.6	Porucha psych.a správ.zaprič.užív.sedat./hypno.:amne.synd.	2	2
F04	Org.amnestický synd.,nezaprič.alkoh./i.psychoakt.lát.	2,3,4	1,2,3	F13.7	Porucha psych.a správ.zapri.užív.sed./hyp.:rez.a nesk.psych.p.	2	2
F05.0	Delírium bez demencie	2,3,4	1,2,3	F13.8	Iná Porucha psych.a správ ,zapr.užív.sedat./hypno	2	2
F05.1	Delírium pri demencii	2,3,4	1,2,3	F13.9	Porucha psych.a správ.zapr.užív.sedat./hypno.,b.n.	2	2
F05.8	Iné delírium	2,3,4	1,2,3	F14.0	Porucha psych.a správ.zapr.užív.kokai.:akút.intox.	2	1,2
F05.9	Delírium,blížšie neurčené	2,3,4	1,2,3	F14.1	Porucha psych.a správ.zaprič.užív.kokai.:škod.užív.	2	1,2
F06.0	Organická halucinóza	2,3,4	1,2,3	F14.2	Porucha psych.a správ.zaprič.užív.kokai.:synd.závisl.	2	1,2
F06.1	Organická katatonická porucha	2,3,4	1,2,3	F14.3	Porucha psych.a správ.zaprič.užív.kokai.:bstin.synd.	2	2
F06.2	Organická porucha s bludmi [podobná schizofréni]	2,3,4	1,2,3	F14.4	Porucha psych.a správ.zaprič.užív.kokai.:ab.synd.s delír.	2	2
F06.3	Organická afektívna porucha	2,3,4	1,2,3	F14.5	Porucha psych.a správ.zaprič.užív.kokai.:psych.porucha	2	2
F06.4	Organická úzkostná porucha	2,3,4	1,2,3	F14.6	Porucha psych.a správ.zaprič.užív.kokai.:amne.synd.	2	2
F06.5	Organická disociatívna porucha	2,3,4	1,2,3	F14.7	Porucha psych.a správ.zaprič.užív.kokai.:rez.a nesk.psych.p.	2	2
F06.6	Emočná labilita [asténia] na organickom podklade	2,3,4	1,2,3	F14.8	Iná porucha psychiky a správ.zaprič.užív.kokainu	2	2
F07.0	Porucha osobnosti na organickom podklade	2,3,4	1,2,3	F14.9	Porucha psych.a správ.zaprič.užív.kokai.,bliž.neurč.	2	2
F10.1	Porucha psych.a správ.zaprič.užív.alkoholu:škod.užív.	1,2	1,2	F15.0	Porucha psych.a správ.zaprič.užív.i.stim.vr.kof.:akút.intox.	2	1,2
F10.2	Porucha psych.a správ.zaprič.užív.alkoholu:ynd.závisl.	1,2	1,2	F15.1	Porucha psych.a správ.zaprič.užív.i.stim.vr.kof.:škod.užív.	2	1,2
F10.3	Porucha psych.a správ.zaprič.užív.alkoholu:abstin.synd.	1,2	1,2	F15.2	Porucha psych.a správ.zaprič.užív.i.stim.vr.kof.:synd.závisl.	2	2
F10.4	Porucha psych.a správ.zaprič.užív.alkoholu:ab.synd.s delír.	2,3,4	1,2,3	F15.3	Porucha psych.a správ.zaprič.užív.i.stim.vr.kof.:abstin.synd.	2	2
F10.5	Porucha psych.a správ.zaprič.užív.alkoholu:psych.por.	1,2	1,2	F15.4	Porucha psych.a správ.zapri.užív.i.stim.vr.kof.:ab.synd.s del.	2	2
F10.6	Porucha psych.a správ.zaprič.užív.alkoholu:amne.synd.	2,3,4	1,2,3	F15.5	Porucha psych.a správ.zapri.užív.i.stim.vr.kof.:psych.porucha	2	2
F10.7	Porucha psych.a správ.zaprič.užív.alkoh.:rez.a nesk.psych.p.	1,2	1,2	F15.6	Porucha psych.a správ.zaprič.užív.i.stim.vr.kof.:amne.synd.	2	2
F10.8	Iná porucha psychiky a správania zaprič.užív.alkoholu	1,2	1,2				
F11.0	Porucha psych.a správ.zaprič.užív.opiát.:akút.intox.	2	1,2				
F11.1	Porucha psych.a správ.zaprič.užív.opiát.:škod.užív.	2	1,2				
F11.2	Porucha psych.a správ.zaprič.užív.opiát.:synd.závisl.	2	1,2				
F11.3	Porucha psych.a správ.zaprič.užív.opiát.:abstin.synd.	2	2				
F11.4	Porucha psych.a správ.zaprič.užív.opiát.:ab.synd.s delír.	2	2				
F11.5	Porucha psych.a správ.zaprič.užív.opiát.:psych.porucha	2	2				
F11.6	Porucha psych.a správ.zaprič.užív.opiát.:amne.synd.	2	2				
F11.7	Porucha psych.a správ.zaprič.užív.opiát.:rez.a nesk.psych.p.	2	2				
F11.8	Iná porucha psych.a správ.zaprič.užív.opiátov	2	2				

ICD	Text	OP. CCL	Med. CCL	ICD	Text	OP. CCL	Med. CCL
F15.7	Porucha psych.a správ.zapr.uží.i.stim.vr.kof.:rez./nesk.psy.p.	2	2	F20.8	Iná schizofrénia	2	2
F15.8	Iná porucha psych.a správ.zaprič.uživ.i.stim.vr.kof.	2	2	F20.9	Schizofrénia, bližšie neurčená	2	2
F15.9	Porucha psych.a správ.zaprič.uživ.i.stimul.vrát.kof.,b.n.	2	2	F23.0	Akút.polymorfna psychotická por.bez prízn.schizofrénie	2	2
F16.0	Porucha psych.a správ.zaprič.uživ.haluc.:akút.intox.	2	1,2	F23.1	Akút.polymorfna psychotická por.s prízn.schizofrénie	2	2
F16.1	Porucha psych.a správ.zaprič.uživ.haluc.:škod.uživ.	2	1,2	F23.2	Akútna psychotická porucha podobná schizofrénii	2	2
F16.2	Porucha psych.a správ.zaprič.uživ.haluc.:synd.závisl.	2	1,2	F23.3	Iné akútne psychotické poruchy s prevahou bludov	2	2
F16.3	Porucha psych.a správ.zaprič.uživ.haluc.:abstin.synd.	2	2	F23.8	Iné akútne a prechodné psychotické poruchy	2	2
F16.4	Porucha psych.a správ.zaprič.uživ.haluc.:ab.synd.s del.	2	2	F23.9	Akút.psychotická por.a prech.psychotická por.,b.n.	2	2
F16.5	Porucha psych.a správ.zap.uživ.haluc.:psych.porucha	2	2	F25.0	Schizoafektívna porucha,manický typ	2	2
F16.6	Porucha psych.a správ.zaprič.uživ.haluc.:amne.synd.	2	2	F25.1	Schizoafektívna porucha,depresívny typ	2	2
F16.7	Porucha psych.a správ.zaprič.uživ.haluc.:rez.a nesk.psy.p.	2	2	F25.2	Schizoafektívna porucha,zmiešaný typ	2	2
F16.8	Iná porucha psych.a správ.zaprič.uživ.haluc.	2	2	F25.8	Iná schizoafektívna porucha	2	2
F16.9	Porucha psych.a správ.zaprič.uživ.haluc.,b.n.	2	2	F25.9	Schizoafektívna porucha, bližšie neurčená	2	2
F18.0	Porucha psych.a správ.zaprič.uživ.prch.rozp.:akút.intox.	2	1,2	F29	Neorganická psychóza,bližšie neurčená	2	2
F18.1	Porucha psych.a správ.zaprič.uživ.prch.rozp.:škod.uživ.	2	1,2	F30.0	Hypománia	2	2
F18.2	Porucha psych.a správ.zaprič.uživ.prch.rozp.:synd.závisl.	2	1,2	F30.1	Mánia bez psychotických príznakov	2	2
F18.3	Porucha psych.a správ.zaprič.uživ.prch.rozp.:abstin.synd.	2	2	F30.2	Mánia s psychotickými príznakmi	2	2
F18.4	Porucha psych.a správ.zaprič.uživ.prch.rozp.:abs.synd.s del.	2	2	F30.8	Iná manická epizóda	2	2
F18.5	Porucha psych.a správ.zaprič.uživ.prch.rozp.:psych.porucha	2	2	F30.9	Manická epizóda, bližšie neurčená	2	2
F18.6	Porucha psych.a správ.zaprič.uživ.prch.rozp.:amne.synd.	2	2	F31.0	Bipolárna afekt.porucha,terajš.hypomanická epizóda	2	2
F18.7	Porucha psych.a správ.zapr.uží.prch.rozp.:rezid./nesk.psy.p.	2	2	F31.1	Bipolárna afekt.porucha,terajš.manic.epiz.bez psychot.príz.	2	2
F18.8	Iná porucha psych.a správ.zaprič.uživ.prchav.rozpúš.	2	2	F31.2	Bipolárna afekt.porucha,terajš.manic.epiz.s psychot.príz.	2	2
F18.9	Porucha psych.a správ.zaprič.uživ.prchav.rozpúš.,b.n.	2	2	F31.4	Bipolárna afekt.porucha,terajš.epiz.ťaž.depre. b.psych.príz.	2	2
F19.0	Porucha psych.a správ.zaprič.uží.drog,i.psyh.l.:akút.intox.	2	1,2	F31.5	Bipolárna afekt.porucha,terajš.epiz.ťaž.depre.s psych.príz.	2	2
F19.1	Porucha psych.a správ.zaprič.uží.drog,i.psyh.l.:škod.uživ.	2	1,2	F31.6	Bipolárna afekt.porucha,terajš.zmiešaná epizóda	2	2
F19.2	Porucha psych.a správ.zaprič.uží.drog,i.psyh.l.:synd.závisl.	2	1,2	F31.8	Iná bipolárna afektívna porucha	2	2
F19.3	Porucha psych.a správ.zaprič.uží.drog,i.psyh.l.:abstin.synd.	2	2	F31.9	Bipolárna afektívna porucha,bližšie neurčená	2	2
F19.4	Porucha psych.a správ.zapri.uží.drog,i.psyh.l.:abs.synd.s del	2	2	F32.2	Epizóda ťažkej depresie bez psychotických príznakov	2	2
F19.5	Porucha psych.a správ.zapri.uží.drog,i.psyh.l.:psych.porucha	2	2	F32.3	Epizóda ťažkej depresie s psychotickými príznakmi	2	2
F19.6	Porucha psych.a správ.zaprič.uží.drog,i.psyh.l.:amne. synd.	2	2	F33.2	Recidivujúca depres.porucha,terajš.ťaž.epiz.bez psychot.príz.	2	2
F19.7	Porucha psych.a správ.zapr.už.dro,i.psyh.l.:rez./nes.psy.p.	2	2	F33.3	Recidivujúca depres.porucha,terajš.ťaž.epiz.s psychot.príz.	2	2
F19.8	Iná porucha psych.a správ.zaprič.uživ.v.drog,i.psyh.l.	2	2	F33.8	Iná recidivujúca depresívna porucha	2	2
F19.9	Porucha psych.a správ.zaprič.uživ.v.drog,i.psyh.l.,b.n.	2	2	F33.9	Recidivujúca depresívna porucha,bližšie neurčená	2	2
F20.0	Paranoidná schizofrénia	2	2	F50.0	Mentálna anorexia	1,2	1,2
F20.1	Hebefrénna schizofrénia	2	2	F50.1	Atypická mentálna anorexia	1,2	1,2
F20.2	Katatónická schizofrénia	2	2	F50.2	Mentálna bulímia	1,2	1,2
F20.3	Nediferencovaná schizofrénia	2	2	F50.3	Atypická mentálna bulímia	1,2	1,2
F20.5	Reziduálna schizofrénia	2	2	F50.4	Prejedanie spojené s inými psychickými poruchami	1,2	1,2
F20.6	Jednoduchá schizofrénia	2	2	F50.8	Iná porucha príjmu potravy	1,2	1,2
				F50.9	Porucha príjmu potravy,bližšie neurčená	1,2	1,2
				F84.0	Detský autizmus	1,2	1,2
				F84.1	Atypický autizmus	1,2	1,2
				F84.2	Rettov syndróm	2,3	1,2,3
				F84.3	Iná detská dezintegračná porucha	1,2	1,2
				F84.4	Hyperakt.por.spojená s duševnou zaost.a stereot.pohybmi	1,2	1,2
				F84.5	Aspergerov syndróm	1,2	1,2
				F84.8	Iná pervazívna vývinová porucha	1,2	1,2
				F84.9	Pervazívna vývinová porucha, bližšie neurčená	1,2	1,2

ICD	Text	OP. CCL	Med. CCL	ICD	Text	OP. CCL	Med. CCL
F98.2	Porucha príjmu potravy v ranom detstve	1,2	1,2	G35.11	SM s relaps-remitujúcim prieb.,s prejav.relapsu/progr.	2	2
G00.0	Meningitída zapríčinená Haemophilus influenzae	3,4	3,4	G35.20	SM s primár.progresívnym prieb.,bez prejav.relapsu/progr.	2	2
G00.1	Pneumokoková meningitída	3,4	3,4	G35.21	SM s primár.progresívnym prieb.,s prejav.relapsu/progr.	2	2
G00.2	Streptokoková meningitída	3,4	3,4	G35.30	SM so sekund.progresívnym prieb.,bez prejav.relapsu/progr.	2	2
G00.3	Stafylokoková meningitída	3,4	3,4	G35.31	SM so sekund.progresívnym prieb.,s prejav.elapsu/progr.	2	2
G00.8	Iná baktériová meningitída	3,4	3,4	G35.9	Roztrúsená skleróza, bližšie neurčená	2	2
G00.9	Baktériová meningitída,bližšie neurčená	3,4	3,4	G40.3	Generalizovaná idiopatická epilepsia a epileptický syndróm	1,2,3,4	1,2
G01	Meningitída pri baktériových chorobách zatried.inde	3,4	3,4	G40.6	Záchvaty grand mal,bliž.neurč.so záchv./bez záchv. petit mal	1,2,3,4	1,2
G02.0	Meningitída pri vírusových chorobách zatried.inde	3,4	3,4	G41.0	Status epilepticus grand mal	1,2,3,4	1,2
G02.1	Meningitída pri mykózach zatriedených inde	3,4	3,4	G41.1	Status epilepticus petit mal	1,2,3,4	1,2
G02.8	Meningitída pri iných bliž.urč.infekč.a parazit.chor.z.i.	3,4	3,4	G41.2	Komplexný čiastkový epileptický stav	1,2,3,4	1,2
G03.0	Nehnisová meningitída	3,4	3,4	G41.8	Iný status epilepticus	1,2,3,4	1,2
G03.1	Chronická meningitída	3,4	3,4	G41.9	Status epilepticus,bližšie neurčený	1,2,3,4	1,2
G03.2	Benigna recidivujúca meningitída [Mollaretova]	3,4	3,4	G46.3	Syndróm cievného postihnutia mozgového kmeňa	3,4	2,3
G03.8	Meningitída zapríčinená inými bliž.urč.pričinami	3,4	3,4	G46.4	Syndróm cievného postihnutia mozočka	3,4	2,3
G03.9	Meningitída,bližšie neurčená	3,4	3,4	G52.7	Porucha viacerých hlavových nervov	4	4
G04.0	Akútna diseminovaná encefalitída	3,4	3	G53.1	Obrna viac.hlavových nervov pri inf.a paraz.chor.z.i	4	4
G04.1	Tropická spastická paraplégia	3,4	3	G53.2	Obrna viacerých hlav.nervov pri sarkoidóze	4	4
G04.2	Baktériová meningoencefalitída a meningomyelitída,n.i.	3,4	3	G53.3	Obrna viacerých hlav.nervov pri nád.chor.	4	4
G04.8	Iná encefalitída,myelitída a encefalomyelitída	3,4	3	G54.1	Poškodenie plexus lumbosacralis	4	4
G04.9	Encefalitída,myelit.a encefalomyelit.,b.n.	3,4	3	G55.1	Kompresia nerv.koreňov a spletí pri pošk.medzistav.plat.	4	4
G05.0	Encefalitída,myelitída a encefalomyelit.pri bakt.chor.z.i.	3,4	3,4	G55.2	Kompresia nerv.koreňov a spletí pri spondylóze	4	4
G05.1	Encefalitída,myelitída a encefalomyelit.pri vir.chor.z.i.	3,4	3,4	G61.0	Guillainov-Barrého syndróm	2	2
G05.2	Encefalitída,myelit.a encefalomy.pri i.inf.a paraz.chor.z.i.	3,4	3,4	G70.0	Myasthenia gravis	2,3,4	1,2,3,4
G05.8	Encefalitída,myelitída a encefalomyelit.pri i.chor.z.i.	3,4	3,4	G70.2	Vrodená a vývinová myasténia	2,3,4	1,2,3,4
G06.0	Intrakraniálny absces a granulóm	3,4	3,4	G70.8	Iná myoneurálna porucha,bližšie určená	4	4
G06.1	Intraspínálny absces a granulóm	3,4	3,4	G71.0	Svalová dystrofia	2,3,4	1,2,3,4
G06.2	Extradurálny a subdurálny absces,bližšie neurčený	3,4	3,4	G71.1	Myotonická porucha	4	4
G07	Intrakran.a intraspín.absces a granulóm pri chor.z.i.	3,4	3,4	G71.2	Vrodená myopatia	2,3,4	1,2,3,4
G08	Intrakran.a intraspín.flebitída a tromboflebitída	1,2,4	2,4	G71.3	Mitochondriová myopatia,nezatriedená inde	2,3	1,2,3
G12.0	Det'ská spinálna svalová atrofia,typ I	2,3,4	1,2,3,4	G71.8	Iná primárna choroba svalov	2,3	1,2,3
G12.1	Iná zdedená spinálna svalová atrofia	2,3,4	1,2,3,4	G71.9	Primárna choroba svalov,bližšie neurčená	2,3,4	1,2,3,4
G12.2	Choroba motorického neurónu	2,3	1,2,3	G72.0	Myopatia zapríčinená liekmi	3,4	3
G12.8	Iná spinálna svalová atrofia a príbuzný syndróm	2,3,4	1,2,3,4	G72.1	Alkoholová myopatia	3,4	3
G12.9	Spinálna svalová atrofia,bližšie neurčená	2,3,4	1,2,3,4	G72.2	Myopatia zapríčinená inými toxickými látkami	3,4	3
G14	Postpoliomyelitický syndróm	1,2	2	G72.4	Zápalová myopatia,nezatriedená inde	2,3	1,2,3
G20.00	Parkinson.chor.bez obm./s min.obm.,bez mot.fluktuácie	2,3	1,2,3	G73.0	Myastenický syndróm pri endokrinných chorobách	2,3	1,2,3
G20.01	Parkinson.chor.bez obm./s min.obm.,s mot.fluktuáciou	2,3	1,2,3	G73.1	Eatonov-Lambertov myastenický syndróm (C00-D48†)	2,3	1,2,3
G20.10	Parkinson.chor.s mier.až str.ťaž.obm.,b.mot.fluktuácie	2,3	1,2,3	G73.2	Iný myastenický synd. pri nádorovej chor.	2,3	1,2,3
G20.11	Parkinson.chor.s mier.až str.ťaž.pbm.,s mot.fluktuáciou	2,3	1,2,3	G73.3	Myastenický syndróm pri iných chor.z.i.	2,3	1,2,3
G20.20	Parkinson.chor.s veľmi ťaž.obm.,bez mot.fluktuácie	2,3	1,2,3	G73.6	Myopatia pri metabolických chorobách	3,4	3
G20.21	Parkinson.chor.s veľmi ťaž.obm.,s motoric.fluktuáciou	2,3	1,2,3	G80.0	Spastická tetraplegická det'ská mozgová obrna	2,4	2,3
G20.90	Parkinson.chor.bliž.neu.,bez motoric.fluktuácie	2,3	1,2,3	G80.1	Spastická diplegická det'ská mozgová obrna	2,4	2,3
G20.91	Parkinson.chor.bliž.neu.,s motoric.fluktuáciou	2,3	1,2,3	G80.2	Spastická hemiplegická det'ská mozgová obrna	2,4	2,3
G35.0	Roztrúsená skleróza.prvá manifestácia	2	2	G80.3	Dyskinetická det'ská mozgová obrna	2,4	2,3
G35.10	SM s relaps-remitujúcim prieb.,bez prejav.relapsu/progr.	2	2	G80.4	Ataktická det'ská mozgová obrna	2,4	2,3
				G80.8	Iná det'ská mozgová obrna	2,4	2,3
				G80.9	Det'ská mozgová obrna,bližšie neurčená	2,4	2,3
				G81.0	Chabá hemiparéza a hemiplegia	2,3	1,2,3
				G81.1	Spastická hemiparéza a hemiplegia	2,3	1,2,3
				G81.9	Hemiparéza a hemiplegia,bližšie neurčená	2,3	1,2,3
				G82.00	Chabá parapar.a parapl.,ak.komplet.prieč.poš.miechy n.pöv.	2,4	2,3

ICD	Text	OP. CCL	Med. CCL	ICD	Text	OP. CCL	Med. CCL
G82.01	Chabá parapar.a akút.nekompet.prieč.poš.miechy n.pôv.	2,4	2,3	G83.3	Monoparéza a monoplégia, bližšie neurčená	4	4
G82.02	Chabá parapar.a parapl., chron.komplet.prieč.poš.miechy	2,4	2,3	G83.40	Syndróm cauda equina, kompletný	2,3,4	1,2,3,4
G82.03	Chabá parapar.a parapl., chron.nekomplet.prieč.poš.miechy	2,4	2,3	G83.41	Syndróm cauda equina, nekompletný	2,3,4	1,2,3,4
G82.09	Chabá paraparéza a paraplégia, bližšie neurčená	2,4	2,3	G83.49	Syndróm cauda equina, bližšie neurčený	2,3,4	1,2,3,4
G82.10	Spast.parapar.a parapl., ak.komplet.prieč.poš.miechy neúr.pôv.	2,4	2,3	G83.80	Locked-in syndróm	2,3	1,2,3
G82.11	Spast.parapar.a parapl., ak.nekomplet.prieč.poš.miechy neúr.pôv.	2,4	2,3	G83.88	Iný paralytický syndróm, bližšie určený	2,3	1,2,3
G82.12	Spast.parapar.a parapl., chron.komplet.prieč.poš.miechy	2,4	2,3	G91.1	Obštrukčný hydrocefalus	2,3,4	1,2,3,4
G82.13	Spast.parapar.a parapl., chron.nekomplet.prieč.poš.miechy	2,4	2,3	G91.20	Idiopatický normotenzný hydrocefalus	2,3,4	1,2,3,4
G82.19	Spastická paraparéza a paraplégia, bližšie neurčená	2,4	2,3	G91.21	Sekundárny normotenzný hydrocefalus	2,3,4	1,2,3,4
G82.20	Parapar.a parapl., b.n.akút.komplet.prieč.poš.miechy neúr.pôv.	2,4	2,3	G91.29	Normotenzný hydrocefalus, bližšie neurčený	2,3,4	1,2,3,4
G82.21	Parapar.a parapl., b.n.akút.nekomplet.prieč.poš.miechy neúr.pôv.	2,4	2,3	G91.3	Poúrazový hydrocefalus, bližšie neurčený	2,3,4	1,2,3,4
G82.22	Parapar.a parapl., bliž.neu.chron.komplet.prieč.poš.miechy	2,4	2,3	G91.8	Iný hydrocefalus	2,3,4	1,2,3,4
G82.23	Parapar.a parapl., bliž.neu.chron.nekomplet.prieč.poš.miechy	2,4	2,3	G91.9	Hydrocefalus, bližšie neurčený	2,3,4	1,2,3,4
G82.29	Paraparéza a paraplégia, bližšie neurčená	2,4	2,3	G92	Toxická encefalopatia	3,4	3
G82.30	Chabá tetrap.a tetrapl.akút.komplet.prieč.poš.miechy neúr.pôv.	2,4	2,3,4	G93.1	Anoxické poškodenie mozgu, nezatriedené inde	2,3	1,2,3
G82.31	Chabá tetrap.a tetrapl.akút.nekompl.prieč.poš.miechy neúr.pôv.	2,4	2,3	G94.0	Hydrocefalus pri infekčných a parazitových chor.z.i	2,3,4	1,2,3,4
G82.32	Chabá tetrap.a tetrapl.chron.komplet.prieč.poš.miechy	2,4	2,3,4	G94.1	Hydrocefalus pri nádorovej chorobe (C00-D48†)	2,3,4	1,2,3,4
G82.33	Chabá tetrap.a tetrapl.chron.nekomplet.prieč.poš.miechy	2,4	2,3	G94.2	Hydrocefalus pri iných chorobách zatriedených inde	2,3,4	1,2,3,4
G82.39	Chabá tetraparéza a tetraplégia, bližšie neurčená	2,4	2,3,4	G95.1	Cievna myelopatia	4	4
G82.40	Spast.tetrap.a tetrapl.akút.komplet.prieč.poš.miechy neúr.pôv.	2,4	2,3,4	G95.2	Kompresia miechy, bližšie neurčená	4	4
G82.41	Spast.tetrap.a tetrapl.akút.nekomp.prieč.poš.miechy neúr.pôv.	2,4	2,3	G95.9	Choroba miechy, bližšie neurčená	4	4
G82.42	Spast.tetrap.a tetrapl.chron.komplet.prieč.poš.miechy	2,4	2,3,4	G96.0	Presakovanie mozgovomiechového moku	1,3,4	3,4
G82.43	Spast.tetrap.a tetrapl.chron.nekomplet.prieč.poš.miechy	2,4	2,3	G97.0	Presakovanie mozgovomiechového moku po spinálnej punkcii	1,3,4	1,3,4
G82.49	Spastická tetraparéza a tetraplégia, bližšie neurč.	2,4	2,3,4	G97.1	Iná reakcia na spinálnu a lumbálnu punkciu	1,3,4	1,3
G82.50	Tetrapa.a tetrapl., b.n.akút.komplet.prieč.poš.miechy neúr.pôv.	2,4	2,3,4	G97.2	Vnútroľbovú hypotenzia po komorovom skrate	1,2,3	1,2
G82.51	Tetrapa.a tetrapl., b.n.akút.nekompl., prieč.poš.miechy netr.pôv.	2,4	2,3	G97.80	Pooperačná likvorea	3,4	3
G82.52	Tetrapar.a tetrapl., b.n.chron.komplet.prieč.poš.miechy	2,4	2,3,4	H13.3	Očný pemfigoid (L12.-†)	4	4
G82.53	Tetrapar.a tetrapl., b.n.chron.nekomplet.prieč.poš.miechy	2,4	2,3	H16.8	Iná keratitída	4	4
G82.59	Tetraparéza a tetraplégia, bližšie neurčená	2,4	2,3,4	H19.1	Herpetická keratitída a keratokonjunktivitída (B00.5†)	4	4
G83.0	Diparéza a diplégia horných končatín	2,3,4	1,2,3,4	H19.2	Keratitída a keratokonjunkt., pri i.infekč.a parazit. chor.z.i.	4	4
G83.1	Monoparéza a monoplégia dolnej končatiny	4	4	H32.0	Chorioretinitída pri infekčných a parazit. chorobách z.i.	4	4
G83.2	Monoparéza a monoplégia hornej končatiny	4	4	H47.1	Opuch papily zrakového nervu, bližšie neurčený	1,2	2
				H58.0	Anomálie funkcie zrenice pri chor.z.i.	4	4
				H59.0	Afacká bulózna keratopatia po operácii katarakty	2,3,4	2,3
				H60.1	Flegmóna vonkajšieho ucha	2	2
				H62.1	Zápal vonkajšieho ucha pri vírusových chor.z.i.	4	4
				H66.0	Akútny hnisový zápal stredného ucha	4	4
				H95.0	Recidivujúci cholesteatóm v dutine po mastoidektómii	2	2
				H95.1	Iná choroba po mastoidektómii	2	2
				H95.8	Iná choroba ucha a hlávkového výbežku	2	2
				H95.9	Choroba ucha a hlávkového výbežku po lek.výk., b.n.	2	2
				I05.0	Mitrálna stenóza	2,3	2,3
				I05.1	Reumatická mitrálna insuficiencia	2,3	2,3
				I05.2	Mitrálna stenóza s insuficienciou	2,3	2,3
				I05.8	Iná choroba mitrálnej chlopne	2,3	2,3
				I06.0	Reumatická aortálna stenóza	2,3	2,3
				I06.1	Reumatická aortálna insuficiencia	2,3	2,3
				I06.2	Reumatická aortálna stenóza s insuficienciou	2,3	2,3
				I06.8	Iná reumatická choroba aortálnej chlopne	2,3	2,3
				I07.0	Trikuspidálna stenóza	2,3	2,3
				I07.1	Trikuspidálna insuficiencia	1,2,3	1,2,3
				I07.2	Trikuspidálna stenóza s insuficienciou	2,3	2,3
				I07.8	Iná choroba trikuspidálnej chlopne	2,3	2,3
				I08.0	Kombinovaná choroba mitrálnej a aortálnej chlopne	2,3	2,3

ICD	Text	OP. CCL	Med. CCL	ICD	Text	OP. CCL	Med. CCL
108.1	Súčasná choroba mitrálnej a trikuspid.chlopne	1,2,3	1,2,3	I26.0	Pľúcna embólia s prejavmi akútneho cor pulmonale	3,4	2,3,4
108.2	Súčasná choroba aortálnej a trikuspid.hlopne	2,3	2,3	I26.9	Pľúcna embólia bez prejavov akútneho cor pulmonale	3,4	2,3,4
108.3	Súčasná choroba mitrálnej,aortál.a trikuspidál.chlopne	2,3	2,3	I27.0	Primárna pľúcna hypertenzia	1,2,3,4	1,2,4
108.8	Iná choroba viacerých chlopní	2,3	2,3	I27.1	Srdcová choroba pri kyfoskolióze	4	4
108.9	Choroba viacerých chlopní,bližšie neurčená	1,2,3	1,2,3	I27.20	Pľúcna hypertenzia pri chron.tromboembol.chor.	4	4
109.0	Reumatická myokarditída	1,2,3	1,2	I27.28	Iná bližšie určená sekundárna pľúcna hypertenzia	4	4
109.1	Reumatická choroba endokardu bliž.neurč.chlopne	2,3	2,3	I27.8	Iné srdcovopľúcne choroby,bližšie určené	4	4
109.8	Iná reumatická choroba srdca,bližšie určená	1,2,3	1,2	I27.9	Srdcovopľúcna choroba,bližšie neurčená	4	4
I11.00	Hyperten.chor.srdca s kong.srdc.zlyh.bez prej.hypert.kríz.	1,2	1,2,3	I30.0	Akútna nešpecifická idiopatická perikarditída	1,2,3,4	1,2,4
I11.01	Hyperten.chor.srdca s kong.srdc.zlyh.s hypert.kríz.	1,2	1,2,3	I30.1	Infekčná perikarditída	2,3,4	3,4
I12.00	Hypertenzná chor.oblič.s obličk.zlyh.bez prej.hypert.krízy	4	4	I30.8	Iná forma akútnej perikarditídy	2,3,4	3,4
I12.01	Hypertenzná chor.oblič.s obličk.zlyh.s prej.hypert.krízy	4	4	I30.9	Akútna perikarditída,bližšie neurčená	1,2,3,4	1,2,4
I12.90	Hypertenzná chor.oblič.bez obličk.zlyh.bez prej.hypert.krízy	4	4	I31.0	Chronická adhezívna perikarditída	2,3,4	3
I12.91	Hypertenzná chor.oblič.bez obličk.zlyh.s prej.hypert.krízy	4	4	I31.1	Chronická konstriktívna perikarditída	2,3,4	3
I13.00	Hypert.chor.srd.a oblič.s kong.srdc.zlyh.,b.hyper.kríz.	1,2	2,3	I31.2	Hemoperikard,nezatriedený inde	2,3,4	3,4
I13.01	Hypert.chor.srd.a oblič.s kong.srdc.zlyh.,s hyper.kríz.	1,2	2,3	I31.3	Perikardový výpotok (nezápalový)	1,2,3,4	1,2,4
I13.20	Hypert.chor.srdca a oblič.s kong.srdc.a obl.zlyh.bez hyp.kríz.	1,2	2,3	I31.8	Iná choroba perikardu,bližšie určená	4	4
I13.21	Hypert.chor.srdca a oblič.s kong.srdc.a obl.zlyh.s hyp.kríz.	1,2	2,3	I31.9	Choroba perikardu,bližšie neurčená	4	4
I15.00	Renovaskulárna artér.hypertenzia bez hypert.krízy	4	4	I32.0	Perikarditída pri bakt.chor.z.i.	1,2,3,4	1,2,4
I15.01	Renovaskulárna artér.hypertenzia s hypert.krízou	4	4	I32.1	Perikarditída pri i.infekč.a parazit.chor.z.i.	1,2,3,4	1,2,4
I15.10	Sekundár.artér.hypert.zapr.i.chor.oblič.bez hypert.krízy	4	4	I32.8	Perikarditída pri iných chorobách zatriedených inde	1,2,3,4	1,2,4
I15.11	Sekundár.artér.hypert.zapr.i.chor.oblič.s hypert.krízou	4	4	I33.0	Akútna a subakútna infekčná endokarditída	3,4	3,4
I20.0	Nestabilná angina pectoris	2	2,3	I33.9	Akútna endokarditída,bližšie neurčená	3,4	3,4
I20.1	Angina pectoris s dokázaným krčom vencovitých tepien	2	2,3	I34.1	Prolaps mitrálnej chlopne	2,3	2,3
I21.0	Akútny transmurálny infarkt myokardu prednej steny	3,4	2,3	I34.2	Nereumatická mitrálna stenóza	1	1
I21.1	Akútny transmurálny infarkt myokardu spodnej steny	3,4	2,3	I34.80	Nereumatická mitrálna stenóza a insuficiencia	1,2	1,2
I21.2	Akútny transmurálny IM na i.miestach	3,4	2,3	I35.0	Aortálna stenóza	2,3	2,3
I21.3	Akútny transmurálny IM bez bliž.urč.miesta	3,4	2,3	I35.2	Aortálna stenóza s aortálnou insuficienciou	2,3	2,3
I21.4	Akútny subendokardiálny infarkt myokardu	3,4	2,3	I36.0	Nereumatická trikuspidálna stenóza	2,3	2,3
I21.9	Akútny infarkt myokardu,bližšie neurčený	3,4	2,3	I36.1	Nereumatická trikuspidálna insuficiencia	2,3	2,3
I23.0	Hemoperikard ako akútna komplikácia po akútnom IM	2,3,4	3	I36.2	Nereumatická trikuspidálna stenóza a insuficiencia	2,3	2,3
I23.1	Defekt predsieň.septa ako akútna komplikácia po akútnom IM	1,2,3	1,2	I36.8	Iná nereumatická choroba trikuspidálnej chlopne	2,3	2,3
I23.2	Defekt komorovej priehradky ako akútna komplikácia po akút. IM	1,2,3	1,2	I37.0	Pulmonálna stenóza	2,3	2,3
I23.3	Ruptúra srdc.steny bez hemoperik.ako akútna kompl.po akút.IM	1,2,3	1,2	I37.1	Pulmonálna insuficiencia	2,3	2,3
I23.4	Ruptúra chordae tendineae ako akútna kompl.po akút.IM	2,3	2,3	I37.2	Pulmonálna stenóza a insuficiencia	2,3	2,3
I23.5	Ruptúra papilárneho svalu ako akútna kompl.po akút.IM	2,3	2,3	I37.8	Iná choroba pulmonálnej chlopne	2,3	2,3
I23.6	Trombóza predsieň.preds.uška a komo. ako ak.kompl.po ak.IM	1,2,3	1,2	I39.0	Choroba mitrál.chlopne pri chorobách zatried.i.	2,3,4	2,3,4
I23.8	Iná akútna komplikácia po akútnom infarkte myokardu	1,2,3	1,2	I39.1	Choroba aortál.chlopne pri chorobách zatried.i.	2,3,4	2,3,4
I24.0	Koronárna trombóza,ktorá nevedla k IM	2	2,3	I39.2	Choroba trikuspid.chlopne pri chorobách zatried.i.	2,3,4	2,3,4
I24.1	Poinfarktový syndróm	1,2,3	1,2	I39.3	Choroba pulmoná.chlopne pri chorobách zatried.i.	2,3,4	2,3,4
I24.8	Iná forma akútnej ischemickej choroby srdca	2	2,3	I39.4	Choroba viacerých chlopní pri chorobách.zatried.i.	2,3,4	2,3,4
				I39.8	Endokarditída n.chlopne pri chor.z.i.	4	4
				I40.0	Infekčná myokarditída	1,2,3,4	1,2,4
				I40.1	Izolovaná myokarditída	1,2,3	1,2
				I40.8	Iná akútna myokarditída	1,2,3	1,2
				I40.9	Akútna myokarditída, bližšie neurčená	1,2,3,4	1,2,4
				I41.0	Myokarditída pri baktériových chor.z.i.	1,2,3,4	1,2,4
				I41.1	Myokarditída pri vírusových chor.z.i.	1,2,3,4	1,2,4
				I41.2	Myokarditída pri i.infekč.a parazit.chorobách zatried.i.	1,2,3,4	1,2,4
				I41.8	Myokarditída pri iných chorobách zatriedených inde	1,2,3,4	1,2,4
				I42.0	Dilatačná kardiomyopatia	1,2,3	1,2
				I42.1	Obštrukčná hypertrofičná kardiomyopatia	1,2,3	1,2
				I42.2	Iná hypertrofičná kardiomyopatia	1,2,3	1,2
				I42.3	Endomyokardová(eozinofilná)choroba	1,2,3	1,2
				I42.4	Endokardová fibroelastóza	1,2,3	1,2

ICD	Text	OP. CCL	Med. CCL	ICD	Text	OP. CCL	Med. CCL
I42.5	Iná reštrikčná kardiomyopatia	1,2,3	1,2	I60.2	Subarachnoidálne krvácanie z a.communicans anterior	3,4	2,3,4
I42.6	Alkoholová kardiomyopatia	1,2,3	1,2	I60.3	Subarachnoidálne krvácanie z a.communicans posterior	3,4	2,3,4
I42.7	Kardiomyopatia zapríč.liekmi a inými vpk.faktormi	1,2,3	1,2	I60.4	Subarachnoidálne krvácanie z a.basilaris	3,4	2,3,4
I42.80	Arytmogénna pravokomorová kardiomyopatia [ARVCM]	1,2,3	1,2	I60.5	Subarachnoidálne krvácanie z a.vertebralis	3,4	2,3,4
I42.88	Iná kardiomyopatia	1,2,3	1,2	I60.6	Subarachnoidálne krvácanie z i.intrakraniálnych tep.	3,4	2,3,4
I42.9	Kardiomyopatia,blížšie neurčená	1,2,3	1,2	I60.7	Subarachnoidálne krvácanie z intrakraniálnej tepny,b.n.	3,4	2,3,4
I43.0	Kardiomyopatia pri infekč.a parazit.chorobách zatried.i.	1,2,3	1,2	I60.8	Iné subarachnoidálne krvácanie	3,4	2,3,4
I43.1	Kardiomyopatia pri metabolických chorobách	2,3,4	3,4	I60.9	Subarachnoidálne krvácanie,blížšie neurčené	3,4	2,3,4
I43.2	Kardiomyopatia pri poruchách výživy	2,3,4	3,4	I61.0	Vnútromozgové krvácanie do mozg.hemisféry,subkortikálne	3,4	2,3,4
I43.8	Kardiomyopatia pri iných chorobách zatried.i.	1,2,3	1,2	I61.1	Vnútromozgové krvácanie do hemisféry,kortikálne	3,4	2,3,4
I44.0	Atrioventrikulárna blokáda 1. stupňa	4	4	I61.2	Vnútromozgové krvácanie do hemisféry,blížšie neurčené	3,4	2,3,4
I44.1	Atrioventrikulárna blokáda 2. stupňa	2,3,4	1,2,3,4	I61.3	Vnútromozgové krvácanie do mozgového kmeňa	3,4	2,3,4
I44.2	Atrioventrikulárna blokáda 3. stupňa	2,3,4	1,2,3,4	I61.4	Vnútromozgové krvácanie do mozočka (cerebela)	3,4	2,3,4
I44.3	Iná a blížšie neurčená atrioventrikulárna blokáda	4	4	I61.5	Vnútromozgové vnútrokomorové (intraventrik.)krvácanie	3,4	2,3,4
I44.4	Ľavá predná fascikulárna blokáda	4	4	I61.6	Vnútromozgové krvácanie na viacerých miestach	3,4	2,3,4
I44.5	Ľavá zadná fascikulárna blokáda	4	4	I61.8	Iné vnútromozgové krvácanie	3,4	2,3,4
I44.6	Iná a blížšie neurčená fascikulárna blokáda	4	4	I61.9	Vnútromozgové krvácanie,blížšie neurčené	3,4	2,3,4
I44.7	Blokáda ľavého ramienka,blížšie neurčená	4	4	I62.00	Subdurálne krvácanie (neúrazové),akútne	3,4	2,3,4
I45.0	Pravá fascikulárna blokáda	4	4	I62.01	Subdurálne krvácanie (neúrazové),subakútne	3,4	2,3,4
I45.1	Iná a blížšie neurčená blokáda pravého ramienka	4	4	I62.02	Subdurálne krvácanie (neúrazové),chronické	3,4	2,3,4
I45.2	Bifascikulárna blokáda	4	4	I62.09	Subdurálne krvácanie (neúrazové),blížšie neurčené	3,4	2,3,4
I45.3	Trifascikulárna blokáda	2,3,4	1,2,3,4	I62.1	Neúrazové extradurálne krvácanie	3,4	2,3,4
I45.4	Nešpecifická intraventrikulárna blokáda	4	4	I62.9	Intrakraniálne krvácanie(neúrazové),b.n.	3,4	2,3,4
I45.5	Iná blížšie určená srdcová blokáda	2,3,4	1,2,3,4	I63.0	Mozgový infarkt,zaprič.trombózou prív.mozg.tep.	3,4	2,3,4
I45.6	Syndróm preexcitácie	2,3,4	1,2,3,4	I63.1	Mozgový infarkt,zaprič.embolizáciou prív.mozg.tep.	3,4	2,3,4
I45.8	Iné poruchy vedenia srdcových vzruchov,b.u.	2,3,4	2,3,4	I63.2	Mozgový infarkt,zaprič.blíž.n.záverom/zúž.prívod.mozg.tep.	3,4	2,3,4
I45.9	Porucha vedenia srdcových vzruchov,b.n.	2,3,4	1,2,3,4	I63.3	Mozgový infarkt,zaprič.trombózou mozg.tep.	3,4	2,3,4
I46.0	Zastavenie srdca s úspešnou resuscitáciou	2,3,4	1,2,3,4	I63.4	Mozgový infarkt,zaprič.embóliou mozg.tep.	3,4	2,3,4
I46.1	Náhla srdcová smrť, takto opísaná	4	4	I63.5	Mozgový infarkt,zaprič.b.n.uzáverom/zúž.mozg.tep.	3,4	2,3,4
I46.9	Zastavenie srdca,blížšie neurčené	4	4	I63.6	Mozgový infarkt,zaprič.nehnis.mozg.žilovou trombózou	1,2,4	2,4
I47.1	Supraventrikulárna tachykardia	2,3,4	2,3,4	I63.8	Iný mozgový infarkt	3,4	2,3,4
I47.2	Komorová tachykardia	2,3,4	1,2,3,4	I63.9	Mozgový infarkt,blížšie neurčený	1,2,4	2,4
I47.9	Paroxyzmálna tachykardia,blížšie neurčená	2,3,4	1,2,3,4	I64	Cievna mozgová príhoda blíž.neurč.ako krvácanie/infarkt	3,4	1,2,3
I48.0	Fibrilácia predsieni,paroxyzmálna	4	4	I65.0	Uzáver a zúženie a.vertebralis	2,3,4	1,2,3,4
I48.1	Fibrilácia predsieni,perzistentná	4	4	I65.1	Uzáver a zúženie a.basilaris	2,3,4	1,2,3,4
I48.2	Fibrilácia predsieni,permanetná	4	4	I65.2	Uzáver a zúženie a.carotis	1,2,3,4	2,3,4
I48.3	Flater predsieni,typický	4	4	I65.3	Uzáver a zúženie viac.prívod.mozgových tepien,obojsstranne	2,3,4	1,2,3,4
I48.4	Flater predsieni,atypický	4	4	I65.8	Uzáver a zúženie iných prívodných mozgových tepien	4	4
I48.9	Fibrilácia a flater predsieni,blížšie neurčené	4	4	I65.9	Uzáver a zúženie blíž.neur.prívodnej mozgovej tepny	4	4
I49.0	Flater komôr a fibrilácia komôr	2,3,4	1,2,3,4	I66.0	Uzáver a zúženie a.cerebri media	2,3,4	2,3,4
I50.00	Primárne zlyhávanie pravej komory	2,3,4	1,2,3,4	I66.1	Uzáver a zúženie a.cerebri anterior	2,3,4	2,3,4
I50.01	Sekundárne zlyhávanie pravej komory	2,3,4	1,2,3,4	I66.2	Uzáver a zúženie a.cerebri posterior	2,3,4	2,3,4
I50.11	Zlyhávanie ľavej komory: bez ťažkostí	4	4	I66.3	Uzáver a zúženie mozočkových tepien	2,3,4	2,3,4
I50.12	Zlyhávanie ľavej komory,s ťažkosťami pri veľkom zaťažení	4	4	I66.4	Uzáver a zúženie viac.mozgových tepien,obojsstranne	2,3,4	2,3,4
I50.13	Zlyhávanie ľavej komory,s ťažkosťami pri malom zaťažení	2,3,4	1,2,3,4	I66.8	Uzáver a zúženie inej mozgovej tepny	2,3,4	2,3,4
I50.14	Zlyhávanie ľavej komory,s ťažkosťami v pokoji	2,3,4	2,3,4				
I50.19	Zlyhávanie ľavej komory,blížšie neurčené	4	4				
I50.9	Zlyhávanie srdca,blížšie neurčené	4	4				
I51.0	Získaný defekt srdcovej priehradky	1,2,3	1,2				
I51.1	Ruptúra chordae tendinae,nezatriedená inde	1,2,3,4	2,3,4				
I51.2	Ruptúra papilárneho svaly,nezatriedená inde	1,2,3,4	2,3,4				
I51.3	Vnútrošrdcová trombóza,nezatriedená inde	1,2,3	1,2				
I51.4	Myokarditída,blížšie neurčená	4	4				
I51.5	Degenerácia myokardu	4	4				
I51.6	Srdcovocievna choroba,blížšie neurčená	4	4				
I60.0	Subarachnoidálne krvácanie z karotického sifónu a bifurkácie	3,4	2,3,4				
I60.1	Subarachnoidálne krvácanie z a.cerebri media	3,4	2,3,4				

ICD	Text	OP. CCL	Med. CCL	ICD	Text	OP. CCL	Med. CCL
I66.9	Uzáver a zúženie bližšie neurčenej mozgovej tepny	4	4	I80.1	Trombóza, flebitída a tromboflebitída v. femoralis	2,3,4	1,2,3,4
I67.0	Disekcia mozgovej tepny	1,2	1,2	I80.2	Trombóza, flebitída a tromboflebit. i. hlbkových žíl DK	2,3,4	1,2,3,4
I67.10	Získaná mozgová aneuryzma	4	4	I80.3	Trombóza, flebitída a tromboflebit. DK, b.n.	2,3,4	1,2,3
I67.11	Získaná mozgová artériovenózna fistula	3,4	2,3,4	I81	Trombóza v. portae	1,2,3,4	1,2,3,4
I67.4	Hypertenzná encefalopatia	2	1,2	I82.0	Buddov-Chiarho syndróm	1,2,3,4	1,2,3,4
I67.5	Syndróm moyamoya	1,2	2	I82.1	Migrujúca tromboflebitída	2,3,4	2,3
I67.6	Nehnisová trombóza intrakraniálneho žilového systému	1,2,4	2,4	I82.2	Embólia a trombóza v. cava	2,3,4	2,3,4
I67.7	Mozgová arteritída, nezatriedená inde	1,2,3,4	1,2	I82.3	Embólia a trombóza obličkovej žily	2,3,4	1,2,4
I67.80	Vazospazmy pri subarachnoidálnom krvácaní	3,4	2,3	I82.8	Embólia a trombóza iných bližšie určených žíl	2,3,4	2,3
I68.1	Mozgová arteritída pri infekč. a parazit. chorobách z.i.	1,2,3,4	1,2	I82.9	Embólia a trombóza bližšie neurčenej žily	1,2,4	1,2
I68.2	Mozgová arteritída pri iných chorobách zatried. i.	1,2,3,4	1,2	I83.0	Varixy dolných končatín s vredom	1,2,3	1,2
I69.0	Následky subarachnoidálneho krvácania	1,2,3,4	1,2,3	I83.2	Varixy dolných končatín s vredom a zápalom	1,2,3	1,2
I69.1	Následky vnútromozgového krvácania	1,2,3,4	1,2,3	I85.0	Varixy pažeráka s krvácaním	1,2,3,4	2,3,4
I69.2	Následky iného neúrazového intrakraniálneho krvácania	1,2,3,4	1,2,3	I89.1	Lymfangitída	4	4
I69.3	Následky mozgového infarktu	1,2,3,4	1,2,3	I89.8	Iné neinfekčné chor. lymfatických ciev a lymfát. uzlín, b.u.	4	4
I70.23	Ateroskleróza končat. tep. s postih. panvy a DK, s ulceráciami	1,2,3,4	1,2,3	I97.0	Postkardiotomický syndróm	1,2,3,4	1,2,4
I70.24	Ateroskleróza končat. tep. s postih. panvy a DK, s gangrén.	1,2,3,4	1,2,3	I97.1	Iná funkčná porucha po operácii srdca	1,2,3,4	1,2,4
I71.00	Disekcia aorty bez bliž. urč. miesta bez prej. ruptúry	3,4	3,4	I97.8	Iná komplikácia obeh. súst. po lekár. výkone, n.i.	1,2,3,4	1,2,3
I71.01	Disekcia hrudníkovej aorty, bez prejavov ruptúry	3,4	3,4	I97.9	Komplikácia obeh. súst. po lekár. výkone, b.n.	1,2,3	1,2
I71.02	Disekcia brušnej aorty, bez prejavov ruptúry	3,4	3,4	I98.0	Kardiovaskulárny syfilis	4	4
I71.03	Disekcia hrudník. -bruš. aorty, bez prejav. ruptúry	3,4	3,4	I98.1	Porucha obeh. súst. pri iných infekč. a parazit. chor. z.i.	4	4
I71.04	Disekcia aorty bez bliž. urč. miesta, s ruptúrou	3,4	3,4	I98.2	Varixy pažeráka a žalúdka pri chorobách zatried. i. bez krvác.	3,4	1,2,3
I71.05	Disekcia hrudníkovej aorty, s ruptúrou	3,4	3,4	I98.3	Varixy pažeráka a žalúdka pri chorobách zatried. i. s krvác.	3,4	1,3
I71.06	Disekcia brušnej aorty, s ruptúrou	3,4	3,4	J01.0	Akútny zápal čelustnej dutiny	2	2
I71.07	Disekcia hrudníkovo-brušnej aorty, s ruptúrou	3,4	3,4	J01.1	Akútny zápal čelovej dutiny	2	2
I71.1	Aneurizma hrudníkovej aorty, s ruptúrou	3,4	3,4	J01.2	Akútny zápal čuchovej dutiny	2	2
I71.2	Aneurizma hrudníkovej aorty, bez prejavov ruptúry	4	4	J01.3	Akútny zápal klinovitej dutiny	2	2
I71.3	Aneurizma brušnej aorty, s ruptúrou	3,4	3,4	J01.4	Akútna pansinusitída	2	2
I71.4	Aneurizma brušnej aorty, bez prejavov ruptúry	4	4	J01.8	Iný akútny zápal prínosových dutín	2	2
I71.5	Aneurizma hrudníkovo-brušnej aorty, s ruptúrou	3,4	3,4	J01.9	Zápal prínosových dutín, bližšie neurčený	2	2
I71.6	Aneurizma hrudník. -bruš. aorty, bez údajov o ruptúre	4	4	J05.0	Akútny obštrukčný zápal hrtana[krup]	2	2
I71.8	Aneurizma aorty bez bliž. urč. miesta, s ruptúrou	3,4	3,4	J05.1	Akútny zápal hrtanovej príklopky[epiglottitída]	2	2
I71.9	Aneurizma aorty bez bliž. urč. miesta, bez prejavov ruptúry	4	4	J09	Chríпка zapríč. určitým identifikov. vírusom chrípkou	2,3,4	1,2,3,4
I72.0	Aneurizma a disekcia krčnej tepny	3,4	3	J10.0	Chríпка zapríč. i. identifikov. vírus. chrípkou so zápalom pľúc	2,3,4	1,2,3,4
I73.0	Raynaudov syndróm	1,2	1,2	J10.1	Chríпка zapríč. i. identifikov. vírus. chrípkou s i. respir. prejav.	2,4	2,4
I73.8	Iné choroby periférnych ciev, bližšie určené	4	4	J10.8	Chríпка zapríč. i. identifikov. vírus. chrípkou s i. prej.	4	4
I73.9	Choroba periférnych ciev, bližšie neurčená	4	4	J11.0	Chríпка zapríč. neidentifikov. vírusom so zápalom pľúc	2,3,4	1,2,3,4
I74.0	Embólia a trombóza brušnej aorty	2,3,4	2,3,4	J11.1	Chríпка zapríč. neidentifikov. vírusom s i. respir. prejav.	2,4	2,4
I74.1	Embólia a trombóza i. a bliž. ne. častí aorty	2,3,4	2,3,4	J11.8	Chríпка zapríč. neidentifikov. vírusom s i. prejavmi	4	4
I74.2	Embólia a trombóza tepien horných končatín	2,3,4	2,3,4	J12.0	Zápal pľúc zapríčinený adenovírusom	4	4
I74.3	Embólia a trombóza tepien dolných končatín	2,3,4	2,3,4	J12.1	Zápal pľúc zapríč. respiračným syncytiálnym vírusom	4	4
I74.4	Embólia a trombóza tepien končatín, b.n.	2,3,4	2,3,4	J12.2	Zápal pľúc zapríčinený vírusom parainfluenzy	4	4
I74.5	Embólia a trombóza a. iliaca	2,3,4	2,3,4	J12.3	Zápal pľúc zapríčinený ľudským metapneumovírusom	4	4
I74.8	Embólia a trombóza iných tepien	2,3,4	2,3,4	J12.8	Iný vírusový zápal pľúc	4	4
I74.9	Embólia a trombóza bližšie neurčenej tepny	2,3,4	2,3,4	J12.9	Vírusový zápal pľúc, bližšie neurčený	4	4
I77.2	Ruptúra tepny	4	4	J13	Zápal pľúc zapríčinený Streptococcus pneumoniae	2,3,4	1,2,3,4
I77.5	Nekróza tepny	4	4	J14	Zápal pľúc zapríčinený Haemophilus influenzae	2,3,4	1,2,3,4
I79.0	Aneurizma aorty pri chorobách zatriedených inde	4	4	J15.0	Zápal pľúc zapríčinený Klebsiella pneumoniae	3,4	3,4
I79.2	Periférna angiopatia pri chor. z.i.	4	4	J15.1	Zápal pľúc zapríčinený pseudomonas	3,4	3,4
I80.0	Trombóza, flebitída a tromboflebit. povrch. žíl DK	1,2,3,4	1,2,3	J15.2	Zápal pľúc zapríčinený stafylokokom	3,4	3,4
				J15.3	Zápal pľúc zapríčinený streptokokom skupiny B	2,3,4	1,2,3,4

ICD	Text	OP. CCL	Med. CCL	ICD	Text	OP. CCL	Med. CCL
J15.4	Zápal pľúc zapríčinený iným streptokokom	2,3,4	1,2,3,4	J44.02	CHOCHP s ak.infek.dol.DC,FEV1 >= 50 % a < 70 % prís.hodn.	1,2,3	1,2,3
J15.5	Zápal pľúc zapríčinený Escherichia coli	3,4	3,4	J44.03	CHOCHP s ak.infek.dolných DC,FEV1 >= 70 % prís.hodn.	1,2	1,2
J15.6	Zápal pľúc,zapr.i.aeróbnou gramnegat.baktériou	3,4	3,4	J44.09	CHOCHP s akútnou infekc.dolných DC,hodn.FEV1 bliž.neurč.	1,2	1,2
J15.7	Zápal pľúc zapríčinený Mycoplasma pneumoniae	2,3,4	1,2,3,4	J44.10	CHOCHP s akút.exacer.chor.bliž.neurč.FEV1<35 % prís.hodn.	1,2,3	1,2,3
J15.8	Iný baktériový zápal pľúc	3,4	3,4	J44.11	CHOCHP s ak.exacer.chor.bl.neu.FEV1 >= 35% a <50 %prís.h.	1,2,3	1,2,3
J15.9	Baktériový zápal pľúc,bližšie neurčený	2,3,4	1,2,3,4	J44.12	CHOCHP s ak.exacer.chor.bl.neu.FEV1>= 50 % a <70 %prís.h.	1,2,3	1,2,3
J16.0	Zápal pľúc zapríčinený chlamýdiami	2,3,4	1,2,3,4	J44.13	CHOCHP s ak.exacer.chor.bliž.neurč.FEV1 >= 70 % prísluš.h.	1,2	1,2
J16.8	Zápal pľúc zapríč.iným bliž.urč.infekčným organ.	2,3,4	1,2,3,4	J44.19	CHOCHP s ak.exacer.chor.bliž.neurč.,hodnota FEV1 b.n.	1,2	1,2
J17.0	Zápal pľúc pri baktériových chorobách z.i.	3,4	3,4	J44.80	Iná CHOCHP,bliž.urč.FEV1 < 35 % prís.hodnoty	1,2,3	1,2,3
J17.1	Zápal pľúc pri vírusových chorobách z.i.	3,4	3,4	J44.81	Iná CHOCHP,bliž.urč.FEV1 >= 35 % a < 50 % prís.hodnoty	1,2,3	1,2,3
J17.2	Zápal pľúc pri mykózach zatriedených inde	3,4	3,4	J46	Status asthmaticus	2	1,2
J17.3	Zápal pľúc pri parazitových chorobách	3,4	3,4	J47	Bronchiectázie	2,3	1,2,3
J17.8	Zápal pľúc pri iných chorobách zatriedených inde	4	4	J67.0	Farmárske pľúca	2	2
J18.0	Bronchopneumónia,bližšie neurčená	2,3,4	1,2,3,4	J67.1	Bagasóza	2	2
J18.1	Lobárny zápal pľúc,bližšie neurčený	2,3,4	1,2,3,4	J67.2	Pľúcna choroba chovateľov vtákov	2	2
J18.2	Hypostatický zápal pľúc,bližšie neurčený	2,3,4	2,3	J67.3	Suberóza	2	2
J18.8	Iný zápal pľúc,zapríč.bliž.neurč.organizmom	2,3,4	1,2,3,4	J67.4	Sladovnícke pľúca	2	2
J18.9	Zápal pľúc,bližšie neurčený	2,3,4	1,2,3,4	J67.5	Pľúcna choroba pestovateľov húb	2	2
J20.0	Akútna bronchitída zapríč.Mycoplasma pneumoniae	2	1,2	J67.6	Pľúcna choroba lúpačov javorovej kôry	2	2
J20.1	Akútna bronchitída zapríč.Haemophilus influenzae	2	1,2	J67.7	Pľúcna choroba zapríč.ventilačnými a zvlhčovacími zariaden.	2	2
J20.2	Akútna bronchitída zapríčinená streptokokom	2	1,2	J67.8	Alergická alveolitída zapríč.i.organickým prachom	2	2
J20.3	Akútna bronchitída zapríčinená vírusom Coxsackie	2	1,2	J67.9	Alergická alveolitída zapríč.bliž.neurč.organickým prachom	2	2
J20.4	Akút.bronchitída zapríč.vírusom parainfluenzy	2	1,2	J68.0	Bronchit.a pneumonit.,zapríč.chem.,plyn.,dym.a výpar.	2,3	1,2
J20.5	Akút.bronchitída zapríč.respirač.syncytiálnym vírusom	2	1,2	J68.1	Akútny pľúcny edém,zapríč.chemikál.plyn.dym.a výparmi	2,3,4	2,3
J20.6	Akútna bronchitída zapríčinená rinovírusom	2	1,2	J69.0	Zápal pľúc,zapríč.vdýchnutím potravy a zvratkov	3,4	3,4
J20.7	Akútna bronchitída zapríčinená vírusom ECHO	2	1,2	J69.1	Zápal pľúc,zapríčinený olejmi a esenciami	3,4	3,4
J20.8	Akút.bronchitída zapríč.iným.bliž.urč.organ.	2	1,2	J69.8	Zápal pľúc,zapríč.i.tuhými látkami a tekutinami	3,4	3,4
J20.9	Akútna bronchitída,bližšie neurčená	2	1,2	J70.0	Akútne pľúcne prejavy zapríčinené žiarením	2,3	1,2
J21.0	Akútna bronchiolitída zapríč.respirač.syncytiálnym vírusom	4	4	J70.1	Chronické a iné pľúcne prejavy zapríčinené žiarením	2	2
J21.1	Akútna bronchiolitída zapríč.ludským metapneumovírusom	4	4	J70.2	Akútna pľúcna intersticiálna choroba zapríč.liekmi	2,3	1,2
J21.8	Akútna bronchiolitída zapríč.i.bliž.urč.organ.	4	4	J70.3	Chronická pľúcna intersticiálna choroba zapríč.liekmi	2,3	1,2
J21.9	Akútna bronchiolitída,bližšie neurčená	4	4	J70.4	Pľúcna intersticiálna choroba zapríč.liekmi,b.n.	2,3	1,2
J36	Peritonizilárny absces	2	2	J80	Syndróm respiračnej tiesne [ARDS]	1,2	1,2
J38.00	Obrna hlasiviek a hrtana, bližšie neurčená	2,4	2,4	J81	Pľúcny opuch	2,3,4	2,3
J38.01	Jednostranná čiastočná obrna hlasiviek a hrtana	2	2	J84.0	Alveolové a parietoalveolové stavy	2	2
J38.02	Jednostranná kompletná obrna hlasiviek a hrtana	2,4	2,4	J84.1	Iná choroba interstícia pľúc s fibrózou	2	2
J38.03	Obojstranná čiastočná obrna hlasiviek a hrtana	2,4	2,4	J84.8	Iná choroba interstícia pľúc,bližšie určená	2	2
J38.4	Opuch hrtana	2	2	J84.9	Choroba interstícia pľúc,bližšie neurčená	2	2
J38.6	Stenóza hrtana	4	4	J85.0	Gangréna a nekróza pľúc	3,4	3,4
J38.7	Iná choroba hrtana	4	4	J85.1	Absces pľúc so zápalom pľúc	3,4	3,4
J39.0	Retrofaryngový a parafaryngový absces	2,4	2,4	J85.2	Absces pľúc bez zápalu pľúc	3,4	3,4
J41.1	Hlienovohnisová chronická bronchitída	1,2,3	1,2,3	J85.3	Absces mediastína	3,4	3,4
J41.8	Zmiešaná jednod.a hlienovohnis.chron.bronchitída	1,2,3	1,2,3	J86.0	Pyotorax s fistulou	3,4	3,4
J42	Chronická bronchitída,bližšie neurčená	1	1	J86.9	Pyotorax bez fistuly	3,4	3,4
J43.0	MacLeodov syndróm	2,3	1,2,3	J90	Pohrudnicový výpotok,nezatriedený inde	1,2,3,4	1,2,3,4
J43.1	Panlobulárny emfyzém	2,3	1,2,3	J91	Pohrudnicový výpotok pri chor.z.i.	2,3,4	1,2,3,4
J43.2	Centrilobulárny emfyzém	2,3	1,2,3	J93.0	Spontánny tenzný pneumotorax	2,3,4	2,3
J43.8	Iný emfyzém	2,3	1,2,3				
J43.9	Emfyzém, bližšie neurčený	1,2,3	1,2,3				
J44.00	CHOCHP s akútnou infekc.dolných DC,FEV1 < 35 % prís.hodn.	1,2,3	1,2,3				
J44.01	CHOCHP s ak.infekc.dolných DC,FEV1 >= 35 < 50 %prís.h.	1,2,3	1,2,3				

ICD	Text	OP. CCL	Med. CCL	ICD	Text	OP. CCL	Med. CCL
J93.1	Iný spontánny pneumotorax	2,3,4	2,3	K26.4	Vred dvanástnika,chron./bliž.neurč.s krvácáním	1,2,3,4	2,3
J93.8	Iný pneumotorax	2,3,4	2,3				
J93.9	Pneumotorax,bližšie neurčený	2,3,4	2,3	K26.5	Vred dvanástnika,chron./bliž.neurč.s perforáciou	2,3,4	2
J94.0	Chylózný pohrudnicový výpotok	2,3,4	2,3,4				
J94.1	Fibrotorax	2,3,4	1,2,3	K26.6	Vred dvanástnika,chron./bliž.neurč.s krvác.a perfor.	1,2,3,4	2,3
J94.2	Hemotorax	2,3,4	2,3,4				
J94.8	Iná choroba pohrudnice,bližšie určená	4	4	K27.0	Peptický vred bez bliž.urč.miesta,akút.s krvácáním	1,2,3,4	2,3
J94.9	Choroba pohrudnice,bližšie neurčená	4	4				
J95.0	Porucha funkcie tracheostómie	3,4	1,3,4	K27.1	Peptický vred bez bliž.urč.miesta,akút.s perforáciou	2,3,4	2
J95.1	Akútna pulmonálna insuficien.po hrudníkovej operácii	2,3,4	2,3	K27.2	Peptický vred bez bliž.urč.miesta,akút.s krvác.a perfor.	1,2,3,4	2,3
J95.2	Akútna pulmonálna insuficien.po mimohrudník.chir.výkone	2,3,4	2,3	K27.4	Peptický vred bez bliž.urč.m.,chron./bli.neu.s krvác.a perfor.	1,2,3,4	2,3
J95.3	Chronická pulmonálna insuficien.po chir.výkone	2,3,4	2,3	K27.5	Peptický vred bez bliž.urč.miesta,chron./bliž.neurč.s perfor.	2,3,4	2
J95.4	Mendelsonov syndróm	3,4	1,3				
J95.5	Subglotická stenóza po chirurgickom výkone	3,4	1,3	K27.6	Peptický vred bez bliž.urč.m.,chron./bli.neu.s krvác.a perfor.	1,2,3,4	2,3
J95.80	Iatrogénny pneumotorax	3,4	1,3,4				
J95.81	Stenóza priedušnice po lekárskom výkone	3,4	1,3	K28.0	Peptický vred jejúna, akútny s krvácáním	1,2,3,4	2,3
J95.88	Iná porucha dýchacích orgánov po lekárskom výkone	3,4	1,3	K28.1	Peptický vred jejúna, akútny s perforáciou	2,3,4	2
				K28.2	Peptický vred jejúna,akútny s krvácáním a perforáciou	1,2,3,4	2,3
J96.00	Akútna respirač.insuficien.n.i.,typ I(hypoxém.)	2,3,4	1,2,3				
J96.01	Akútna respirač.insuficien.n.i.,typ II (hypoxém.-hyperkap.typ)	2,3,4	1,2,3	K28.4	Peptický vred jejúna,chron./bliž.neurč.s krvácáním	1,2,3,4	2,3
J96.09	Akútna respirač.insuficien.n.i.,typ bliž.neurč.	2,3,4	1,2,3	K28.5	Peptický vred jejúna,chron./bliž.neurč.s perforáciou	2,3,4	2
J96.10	Chronická respirač.insuficien.,nezat.i.,typ I (hypoxém.)	2,3,4	1,2,3	K28.6	Peptický vred jejúna,chron./bliž.neurč.s krvác.a perfor.	1,2,3,4	2,3
J96.11	Chronická respirač.insuficien.,n.i.,typ II (hypoxém.-hyperkap.)	2,3,4	1,2,3				
J96.19	Chronická respirač.insuficien.,nezat.i.,typ bliž.neurč.	2,3,4	1,2,3	K29.0	Akútna hemoragická gastritída	1,2,3,4	2,3
J98.1	Kolaps pľúc	3,4	1,3	K31.0	Akútna dilatácia žalúdka	2,4	2,3
J98.2	Intersticiálny emfyzém	2,3,4	2,3	K31.1	Hypertrofická pylorostenóza dospelých	2,3,4	2
J98.50	Mediastinitída	2,3,4	1,2,3	K31.5	Nepriechodnosť dvanástnika	2,3,4	2
J99.0	Reumatoidná choroba pľúc (M05.1-†)	2	2	K31.6	Fistula žalúdka a dvanástnika	2,4	2,3,4
J99.1	Choroba dýchac.súst.pri i.difúzných chor.spojiv.tkan.	2	2	K31.82	Angiodysplázia žalúdka a dvanástnika s prejavmi krvác.	1,2,3,4	2,3
J99.8	Choroba dýchac.súst.pri iných chorobách z.i.	2	2	K35.2	Akútna apendicitída s generalizovanou peritonitídou	3,4	3,4
K07.1	Anomálie polohy čelustí oproti lebkovej spodine	4	4	K35.30	Akútna apendicitída s lokaliz.peritonitídou,bez perfor./rupt.	2,4	2,3,4
K07.8	Iné dentofaciálne anomálie	4	4	K35.31	Akút.apendicitída s lokaliz.peritonitídou,s perfor./ruptúrou	3,4	3,4
K11.3	Absces slinnej žľazy	2	2	K35.32	Akútna apendicitída s abscesom pobrušnice	2,4	2,3,4
K11.4	Fistula slinnej žľazy	2	2	K35.8	Akútna apendicitída,bližšie neurčená	2,4	2,3,4
K12.20	Flegmóna ústnej spodiny	2,3	2,3	K37	Apendicitída,bližšie neurčená	4	4
K12.21	Submandib.absces bez rozšír.do mediast.,parafaryn./cerv.pries.	2,3	2,3	K40.00	Obojstran.slabin.prietrž s obšt.bez gang.neozn.ako recid.	2,4	2,3,4
K12.22	Submandib.absces s rozšír.do mediast.,parafaryn./cerv.pries.	2,3	2,3	K40.01	Obojstranná slabin.prietrž s obšt.bez gang.recidiv.	2,4	2,3,4
K12.23	Absces lica	2,3	2,3	K40.10	Obojstranná slabinová prietrž s gang.neozn.ako recidiv.	2,4	2,3,4
K12.28	Iná flegmóna a absces úst	2,3	2,3	K40.11	Obojstranná slabinová prietrž s gang.recidivujúca	2,4	2,3,4
K12.29	Flegmóna a absces úst,bližšie neurčený	2,3	2,3				
K22.2	Nepriechodnosť pažeráka	4	4	K40.30	Jednostr./neurč.slabin.prietrž s obšt.bez gang.neozn.ako recid.	2,4	2,3,4
K22.3	Prederavenie pažeráka	2,4	2,3,4				
K22.4	Dyskinéza pažeráka	4	4	K40.31	Jednostr./neurč.slabin.prietrž s obšt.bez gang.recid.	2,4	2,3,4
K22.6	Malloryho-Weissov syndróm	1,2,3,4	2,3				
K23.0	Tuberkulóza pažeráka (A18.8†)	2,4	2,3	K40.40	Jednostran./neurč.slabin.prietrž s gang.neozn.ako recid.	2,4	2,3,4
K25.0	Vred žalúdka,akútny s krvácáním	1,2,3,4	2,3				
K25.1	Vred žalúdka,akútny s perforáciou	2,3,4	2	K40.41	Jednostran./neurč.slabin.prietrž s gang.recid.	2,4	2,3,4
K25.2	Vred žalúdka,akútny s krvácáním a perforáciou	1,2,3,4	2,3	K41.0	Obojstranná stehnová prietrž s obšt.bez gang.	2,4	2,3,4
K25.4	Vred žalúdka,chron./bliž.neurč.s krvácáním	1,2,3,4	2,3	K41.1	Obojstranná stehnová prietrž s gangrénou	2,4	2,3,4
K25.5	Vred žalúdka,chron./bliž.neurč.s perforáciou	2,3,4	2	K41.3	Jednostran./bliž.neu.stehno.prietrž s obšt.bez gang.	2,4	2,3,4
K25.6	Vred žalúdka,chron./bliž.neurč.s krvác.a perfor.	1,2,3,4	2,3				
K26.0	Vred dvanástnika,akútny s krvácáním	1,2,3,4	2,3	K41.4	Jednostran./bliž.neu.stehno.prietrž s gang.	2,4	2,3,4
K26.1	Vred dvanástnika,akútny s perforáciou	2,3,4	2	K42.0	Pupková prietrž s obštrukciou bez gangrény	2,4	2,3,4
K26.2	Vred dvanástnika,akútny s krvácáním a perforáciou	1,2,3,4	2,3	K42.1	Pupková prietrž s gangrénou	2,4	2,3,4
				K43.0	Prietrž v jazve s obštrukciou bez gangrény	2,4	2,3,4
				K43.1	Prietrž v jazve s gangrénou	2,4	2,3,4

ICD	Text	OP. CCL	Med. CCL	ICD	Text	OP. CCL	Med. CCL
K43.3	Parastomická prietrž s obštrukciou bez gangrény	2,4	2,3,4	K57.93	Divertikulitída čreva, časť bliž. neur. bez perfor./absc.s krv.	1,2,3,4	2,3
K43.4	Parastomická prietrž s gangrénou	2,4	2,3,4	K59.3	Megakolon, nezatriedený inde	4	4
K44.0	Bránicová prietrž s obštrukciou bez gangrény	2,4	2,3,4	K61.0	Análny absces	2,4	2,3,4
K44.1	Bránicová prietrž s gangrénou	2,4	2,3,4	K61.1	Rektálny absces	2,4	2,3,4
K45.0	Iná brušná prietrž, bliž. urč. s obštruk. bez gangrény	2,4	2,3	K61.2	Anorektálny absces	2,4	2,3,4
K45.1	Iná brušná prietrž, bližšie určená s gangrénou	2,4	2,3,4	K61.3	Ischiorektálny absces	2,4	2,3,4
K46.0	Brušná prietrž, bliž. neurč. s obštruk. bez gangrény	2,4	2,3	K61.4	Vnútrošfinkterový absces	2,4	2,3,4
K46.1	Brušná prietrž, bližšie neurčená s gangrénou	2,4	2,3,4	K62.2	Prolaps anusu	4	4
K52.0	Gastroenteritída a kolitída zapríč. radiáciou (postradiač.)	2,4	2,3	K62.3	Prolaps konečníka	4	4
K52.1	Toxická gastroenteritída a kolitída	2,4	2,3,4	K62.4	Stenóza anusu a konečníka	4	4
K55.0	Akútna cievna choroba čreva	3,4	3,4	K62.5	Krvácanie z anusu a konečníka	1,2,3,4	2,3
K55.21	Angiodysplázia hrubého čreva, bez prejavov krvác.	4	4	K63.0	Absces čreva	2,4	2,3,4
K55.22	Angiodysplázia hrubého čreva, s krvácaním	1,2,3,4	2,3	K63.1	Perforácia čreva (neúrazová)	3,4	3,4
K55.82	Angiodysplázia tenkého čreva, s krvácaním	1,2,3,4	2,3	K63.2	Fistula čreva	4	4
K56.0	Paralytický ileus	2,3,4	2,3,4	K63.3	Vred čreva	4	4
K56.1	Invaginácia	2,3,4	2,3,4	K65.0	Akútny zápal pobrušnice	3,4	3,4
K56.2	Volvulus	2,3,4	2,3,4	K65.8	Iný zápal pobrušnice	3,4	3,4
K56.3	Ileus zapríčinený žľovým kameňom	2,3,4	2,3	K65.9	Zápal pobrušnice, bližšie neurčený	3,4	3,4
K56.4	Iná obturácia čreva	2,3,4	2,3,4	K66.0	Pobrušnicové zrasty	4	4
K56.5	Črevné adhézie[zrasty] s nepriechodnosťou	2,3,4	2,3	K66.1	Hemoperitoneum	2,4	2,3,4
K56.6	Iný a bližšie neurčený mechanický ileus	2,3,4	2,3,4	K66.8	Iné choroby pobrušnice, bližšie určené	4	4
K56.7	Ileus, bližšie neurčený	2,3,4	2,3,4	K67.0	Zápal pobrušnice, zapríčinený chlamýdiami (A74.8†)	3,4	3,4
K57.00	Divertikulóza tenkého čreva s perfor. a absc., bez prej.krv.	2,4	2,3	K67.1	Gonokokový zápal pobrušnice (A54.8†)	3,4	3,4
K57.01	Divertikulóza tenkého čreva s perfor. abscesom a krvác.	1,2,3,4	2,3	K67.2	Syfilitický zápal pobrušnice (A52.7†)	3,4	3
K57.02	Divertikulitída tenkého čreva s perfor. a absc. bez prej.krvác.	2,4	2,3	K67.3	Tuberkulózný zápal pobrušnice (A18.3†)	3,4	3,4
K57.03	Divertikulitída tenkého čreva s perfor. absc. a krvácaním	1,2,3,4	2,3	K67.8	Iná choroba pobrušnice pri infekč. chor.z.i.	3,4	3,4
K57.11	Divertikulóza tenkého čreva bez perfor. a absc. s krvác.	1,2,3,4	2,3	K70.2	Alkoholová fibróza a skleróza pečene	2,3	2
K57.13	Divertikulitída tenkého čreva bez perfor. a absc. s krvác.	1,2,3,4	2,3	K70.3	Alkoholová cirhóza pečene	2,3	1,2
K57.21	Divertikulóza hrubého čreva s perfor. absc. a krvácaním	1,2,3,4	2,3	K70.4	Alkoholové zlyhávanie pečene	2,3	2
K57.23	Divertikulitída hrubého čreva s perfor. absc. a krvác.	1,2,3,4	2,3	K71.0	Toxická choroba pečene s cholestázou	1,2,3,4	1,2,3,4
K57.31	Divertikulóza hrubého čreva bez perfor./absc.s krvác.	1,2,3,4	2,3	K71.1	Toxická choroba pečene s pečeneovou nekrózou	1,2,3,4	1,2,3,4
K57.33	Divertikulitída hrubého čreva bez perfor./absc.s krvác.	1,2,3,4	2,3	K71.2	Toxická choroba pečene s akútnou hepatitídou	1,2,3,4	1,2,3,4
K57.40	Divertik. tenk.-hrub. čreva s perfor. a absc. bez prej.krv.	2,4	2,3	K71.3	Toxická chor. pečene s chronick. perzistujúcou hepatitídou	1,2,3,4	1,2,3,4
K57.41	Divertikulóza tenk.-hrub. čreva s perfor. absc. a krvác.	1,2,3,4	2,3	K71.4	Toxická chor. pečene s chronick. lobulárnou hepatitídou	1,2,3,4	1,2,3,4
K57.42	Divertikulitída tenk.-hrub. čreva s perfor. a absc. bez prej.krv.	2,4	2,3	K71.5	Toxická choroba pečene s chron. aktívnou hepatitídou	1,2,3,4	1,2,3,4
K57.43	Divertikulitída tenk.-hrub. čreva s perfor. absc. a krvác.	1,2,3,4	2,3	K71.6	Toxická choroba pečene s hepatitídou, n.i.	1,2,3,4	1,2,3,4
K57.51	Divertikulóza tenk.-hrub. čreva bez perfor./absc.s krvác.	1,2,3,4	2,3	K71.7	Toxická choroba pečene s fibrózou a cirhózou pečene	2,3,4	2,4
K57.53	Divertikulitída tenk.-hrub. čreva bez perfor./absc.s krvác.	1,2,3,4	2,3	K71.8	Toxická choroba pečene s inými poruchami pečene	1,2,3,4	1,2,3,4
K57.80	Divertikulóza čreva, časť bliž. ne. s perfor. a absc. bez prej.krv.	2,4	2,3	K71.9	Toxická choroba pečene, bližšie neurčená	1,2,3,4	1,2,4
K57.81	Divertikulóza čreva, časť bliž. neurč. s perfor. absc. a krvác.	1,2,3,4	2,3	K72.0	Akútne a subakútne pečeneové zlyhávanie	1,2,3,4	1,2,3,4
K57.82	Divertikulitída čreva, časť bliž. ne. s perf. a absc. bez prej.krv.	2,4	2,3	K72.1	Chronické pečeneové zlyhávanie	1,2,3,4	1,2,3
K57.83	Divertikulitída čreva, časť bliž. neurč. s perfor. absc. a krvác.	1,2,3,4	2,3	K72.71	Pečeneová encefalopatia, 1. stupeň	1,2,3,4	1,2
K57.91	Divertikulóza čreva, časť bliž. neurč. bez perfor./absc.s krvác.	1,2,3,4	2,3	K72.72	Pečeneová encefalopatia, 2. stupeň	1,2,3,4	1,2,3
				K72.73	Pečeneová encefalopatia, 3. stupeň	1,2,3,4	1,2,3
				K72.74	Pečeneová encefalopatia, 4. stupeň	1,2,3,4	1,2,3
				K72.79	Pečeneová encefalopatia neurčeného stupňa	1,2,3,4	1,2
				K72.9	Pečeneové zlyhávanie, bližšie neurčené	1,2,3,4	1,2,3
				K73.1	Chronická lobulárna hepatitída, nezatriedená inde	1,2,3,4	1,2,3
				K73.2	Chronická aktívna hepatitída, nezatriedená inde	1,2,3,4	1,2,3
				K73.8	Iná chronická hepatitída, nezatriedená inde	1,2,3,4	1,2,3
				K74.0	Fibróza pečene	2,3,4	2,4
				K74.2	Fibróza pečene so sklerózou pečene	2,3,4	2,4
				K74.3	Primárna biliárna cirhóza	2,3,4	2,4
				K74.4	Sekundárna biliárna cirhóza	2,3,4	2,4
				K74.5	Biliárna cirhóza, bližšie neurčená	2,3,4	2,4
				K74.6	Iná a bližšie neurčená cirhóza pečene	1,2,3,4	1,2,4
				K75.0	Absces pečene	1,2,3,4	1,2,3,4

ICD	Text	OP. CCL	Med. CCL	ICD	Text	OP. CCL	Med. CCL
K75.1	Flebitída vrátnice (v. portae)	1,2,3,4	1,2,3,4	K85.80	Iná akútna pankreatitída,bez orgánovej komplikácie	2,3	2
K75.2	Nešpecifická reaktívna hepatitída	1,2,3,4	1,2,3,4	K85.81	Iná akútna pankreatitída,s orgánovou komplikáciou	2,3	2
K75.3	Granulomatózna hepatitída,nezatriedená inde	1,2,3,4	1,2,3,4	K85.90	Akútna pankreatitída,bliž.neurč.bez org.kompl.	2,3	2
K75.4	Autoimunitná hepatitída	1,2,3,4	1,2,3,4	K85.91	Akútna pankreatitída,bliž.neurč.s org.kompl.	2,3	2
K75.8	Iná zápalová choroba pečene,bližšie určená	1,2,3,4	1,2,3,4	K86.0	Chronická pankreatitída zapríčinená alkoholom	2,3	1,2
K75.9	Zápalová choroba pečene,bližšie neurčená	1,2,3,4	1,2,3,4	K86.1	Iná chronická pankreatitída	2,3	1,2
K76.0	Stukovatenie pečene, nezatriedené inde	4	4	K86.2	Cysta pankreasu	2,3	2
K76.2	Centrálna hemoragická nekróza pečene	1,2,3,4	1,2,3,4	K86.3	Pseudocysta pankreasu	2,3	2
K76.3	Infarkt pečene	1,2,3,4	1,2,3,4	K90.2	Syndróm slepej slučky,nezatriedený inde	4	4
K76.4	Pelióza pečene	1,2,3,4	1,2,3,4	K90.3	Pankreatická steatorea	4	4
K76.5	Venoocluzívna choroba pečene(Stuartov-Brasov syndróm)	1,2,3,4	1,2,3	K91.1	Syndrómy po operácii žalúdka	4	4
K76.6	Portálna hypertenzia	4	4	K91.2	Malabsorpcia po chirurgickom výkone,n.i.	2,4	2,3
K76.7	Hepatorenálny syndróm	1,2,3,4	1,2,3,4	K91.3	Mechanická črevná nepriechodnosť po chir.výk.	2,3,4	3
K77.0	Pečeňová porucha pri infekč./parazit.chor.z.i.	1,2,3,4	1,2,3,4	K91.4	Porucha funkcie kolostómie a enterostómie	1,2	1
K77.11	Postihnutie pečene pri akút.chor.štepú proti host.GvH,1.štád.	1,2,3,4	1,2,3,4	K91.80	Generalizovaná mukozitída pri imunokompromitácii	3,4	3
K77.12	Postihnutie pečene pri akút.chor.štepú proti host.GvH,2.štád.	1,2,3,4	1,2,3,4	K91.88	Iná porucha tráviacej súst.po lekár.výkone,n.i.	1,2	1
K77.13	Postihnutie pečene pri akút.chor.štepú proti host.GvH,3.štád.	1,2,3,4	1,2,3,4	K92.0	Hemateméza	1,2,3,4	2,3
K77.14	Postihnutie pečene pri akút.chor.štepú proti host.GvH,4.štád.	1,2,3,4	1,2,3,4	K92.1	Meléna	1,2,3,4	2,3
K77.8	Pečeňová porucha pri iných chorobáchz.i.	1,2,3,4	1,2,3,4	K92.2	Gastrointestinálne krvácanie,bližšie neurčené	1,2,3,4	2,3
K80.00	Kameň žlčníka s akút.cholecystitídou,bez prej.obštr.žlč.ciest	2,3,4	2,3	K93.0	TBC čriev,pobrušnice a lymfatických uzlín mezenteria	2,4	2,3
K80.01	Kameň žlčníka s akút.cholecystitídou,s obštr.žlč.ciest	2,3,4	2,3	K93.1	Megakolon pri Chagasovej chorobe (B57.3†)	4	4
K80.10	Kameň žlčníka s i.cholecystitídou,bez prej.obštr.žlč. ciest	2,3,4	2,3	L00.0	Synd.obar.kože zapríč.stafylok.s postih.men.ako 30% povrch.t.	4	4
K80.11	Kameň žlčníka s i.cholecystitídou,s obštr.žlč. ciest	2,3,4	2,3	L00.1	Synd.obarenej kože zapríč.stafylok.s postih.30%p.t.a viac	4	4
K80.21	Kameň žlčníka bez cholecystitídou,s obštr.žlč.ciest	2,3,4	2,3	L01.0	Kontaktné impetigo akejkol.lok.zaprič.ktorýmkol.organiz.	2,3,4	2,3
K80.30	Kameň žlč.výv.s cholecystitídou,bez prej.obštr.žlč. ciest	2,3,4	2,3	L01.1	Sekundárna impetiginizácia inej choroby kože	2,3,4	2,3
K80.31	Kameň žlč.výv.s cholecystitídou,s obštr.žlč. ciest	2,3,4	2,3	L03.10	Flegmóna hornej končatiny	2,3,4	2,3
K80.40	Kameň žlč.výv.s cholecystitídou,bez prej.obštr.žlč.ciest	2,3,4	2,3	L03.11	Flegmóna dolnej končatiny	2,3,4	2,3
K80.41	Kameň žlč.výv.s cholecystitídou,s obštr.žlč.ciest	2,3,4	2,3	L03.2	Flegmóna tváre	2,3,4	2,3
K80.50	Kameň žlč.výv.bez cholan./cholecy.bez prej.obštr.žlč.ciest	2,3,4	2,3	L03.3	Flegmóna trupu	2,3,4	2,3
K80.51	Kameň žlč.výv.bez cholangit./cholecy.s obš.žlč.ciest	2,3,4	2,3	L03.8	Flegmóna na inom mieste	2,3,4	2,3
K80.80	Iná cholelitiáza,bez prejavov obšt. žlč.ciest	2,3,4	2,3	L03.9	Flegmóna,bližšie neurčená	2,3,4	2,3
K80.81	Iná cholelitiáza,s obštrukciou žlčových ciest	2,3,4	2,3	L05.0	Pilonidálna cysta s abscesom	2,3,4	2,3
K81.0	Akútna cholecystitída	2,3,4	2,3	L10.0	Pemphigus vulgaris	2	2
K82.0	Obštrukcia žlčníka	2,3,4	2,3	L10.1	Pemphigus vegetans	2	2
K82.1	Hydrops žlčníka	2,3,4	2,3	L10.2	Pemphigus foliaceus	2,4	2,4
K82.2	Perforácia žlčníka	2,3,4	2,3	L10.3	Brazílsky pemfigus [fogo selvagem]	2	2
K82.3	Fistula žlčníka	2,3,4	2,3	L10.4	Pemphigus erythematosus	2	2
K83.0	Zápal žlčových ciest	2,3,4	2,3	L10.5	Pemfigus, zapríčinený liekom	2	2
K83.2	Perforácia žlčových ciest	2,3,4	2,3	L10.8	Iný pemfigus	2	2
K83.3	Fistula žlčových ciest	2,3,4	2,3	L10.9	Pemfigus, bližšie neurčený	2	2
K85.00	Idiopatická akútna pankreatitída,bez org.kompl.	2,3	2	L11.8	Iná akantolytická dermatóza,bližšie určená	4	4
K85.01	Idiopatická akútna pankreatitída,s org.kompl.	2,3	2	L11.9	Akantolytická dermatóza,bližšie neurčená	4	4
K85.10	Akútna biliárna pankreatitída,bez org.kompl.	2,3	2	L12.0	Pľuzgierový(bulózny)pemfigoid	2,4	2,4
K85.11	Akútna biliárna pankreatitída,s org.kompl.	2,3	2	L12.1	Jazvový pemfigoid	2	2
K85.20	Akút.pankreatitída zapr.alkoholom,bez org.kompl.	2,3	2	L12.2	Chronická pľuzgierová(bulózna)choroba detského veku	2	2
K85.21	Akút.pankreatitída zapr.alkoholom,s org.kompl.	2,3	2	L12.3	Získaná pľuzgierová (bulózna) epidermolýza	2,4	2,4
K85.30	Akútna pankreatitída zaprič.liekom,bez org.kompl.	2,3	2	L12.8	Iný pemfigoid	2,4	2,4
K85.31	Akútna pankreatitída zaprič.liekom,s org.kompl.	2,3	2	L12.9	Pemfigoid,bližšie neurčený	2,4	2,4
				L13.0	Herpetiformná dermatitída(dermatitis herpetiformis)	4	4
				L13.1	Dermatitis pustulosa subcornealis	4	4
				L13.8	Iné pľuzgierové(bulózne)dermatózy,bližšie určené	4	4
				L14	Pľuzgierová dermatóza pri choroba zatried.i.	4	4
				L40.1	Generalizovaná pustulová psoriáza	4	4
				L40.5	Artropatická psoriáza (M07.0-M07.3*, M09.0-*)	1,2	1,2

ICD	Text	OP. CCL	Med. CCL	ICD	Text	OP. CCL	Med. CCL
L44.4	Detská papulárna akrodermatitída(Giannotti-Crosti synd.)	2	2	M00.11	Artritída a polyartrit.zaprič.pneumok.v obl.pleca	2,4	2,4
L51.0	Nepluzgierový multiformný erytém	4	4	M00.12	Artritída a polyartrit.zaprič.pneumok.v obl.nadlaktia	2,4	2,4
L51.1	Pluzgierový multiformný erytém	4	4	M00.13	Artritída a polyartrit.zaprič.pneumok.v obl.predlak.	2,4	2,4
L51.20	Toxická nekrolýza epidermy s postih.men.ako 30%povrchu t.	4	4	M00.14	Artritída a polyartrit.zaprič.pneumok.v obl.ruky	2,4	2,4
L51.21	Toxická nekrolýza epidermy s postih.30%povrch.tela a viac	4	4	M00.15	Artritída a polyartrit.zaprič.pneumok.panv.obl.a stehna	2,4	2,4
L51.8	Iný multiformný erytém	4	4	M00.16	Artritída a polyartrit.zaprič.pneumok.v obl.predkol.	2,4	2,4
L51.9	Multiformný erytém,blížšie neurčený	4	4	M00.17	Artritída a polyartrit.zaprič.pneumok.v obl.čl.a nohy	2,4	2,4
L53.0	Toxický erytém	2	2	M00.18	Artritída a polyartrit.zaprič.pneumok.na i.mieste	2,4	2,4
L53.1	Erythema annulare centrifugum	2	2	M00.19	Artritída a polyartrit.zaprič.pneumok.na n.mieste	2,4	2,4
L53.2	Erythema marginatum	2	2	M00.20	Artritída a polyartrit.zaprič.i.streptok.na viac.m.	2,4	2,4
L53.3	Iný chronický obrazcový erytém	2	2	M00.21	Artritída a polyartrit.zaprič.i.streptok.v obl.pleca	2,4	2,4
L74.4	Anhidróza	4	4	M00.22	Artritída a polyartrit.zaprič.i.streptok.v obl.nadlaktia	2,4	2,4
L89.10	Dekubitus 2.stupňa: Hlava	3,4	2,3	M00.23	Artritída a polyartrit.zaprič.i.streptok.v obl.predlak.	2,4	2,4
L89.11	Dekubitus 2.stupňa: Horná končatina	3,4	2,3	M00.24	Artritída a polyartrit.zaprič.i.streptok.v obl.ruky	2,4	2,4
L89.12	Dekubitus 2.stupňa: Trňový výbežok	3,4	2,3	M00.25	Artritída a polyartrit.zaprič.i.streptok.panv.obl.a stehna	2,4	2,4
L89.13	Dekubitus 2.stupňa: Lopata bedrovej kosti	3,4	2,3	M00.26	Artritída a polyartrit.zaprič.i.streptok.v obl.predkol.	2,4	2,4
L89.14	Dekubitus 2.stupňa: Krížová oblasť	3,4	2,3	M00.27	Artritída a polyartrit.zaprič.i.streptok.v obl.čl.a nohy	2,4	2,4
L89.15	Dekubitus 2.stupňa: Sedacia oblasť	3,4	2,3	M00.28	Artritída a polyartrit.zaprič.i.streptok.na i.mieste	2,4	2,4
L89.16	Dekubitus 2.stupňa: Trochanter	3,4	2,3	M00.29	Artritída a polyartrit.zaprič.i.streptok.na n.mieste	2,4	2,4
L89.17	Dekubitus 2.stupňa: Päta	3,4	2,3	M00.80	Artritída a polyartrit.zaprič.i.blíž.urč.baktér.viac.mies.	4	4
L89.18	Dekubitus 2.stupňa: Iná oblasť dolnej končatiny	3,4	2,3	M00.81	Artritída a polyartrit.zaprič.i.blíž.urč.baktér.v obl.pleca	4	4
L89.19	Dekubitus 2 stupňa: Blížšie neurčené miesto	3,4	2,3	M00.82	Artritída a polyartrit. zapr.i.blíž.urč.baktér.v obl.nadlaktia	4	4
L89.20	Dekubitus 3.stupňa: Hlava	3,4	2,3	M00.83	Artritída a polyartrit. zapr.i.blíž.urč.baktér.v obl.predlak.	4	4
L89.21	Dekubitus 3.stupňa: Horná končatina	3,4	2,3	M00.84	Artritída a polyartrit.zapr.i.blíž.urč.baktér.v obl.ruky	4	4
L89.22	Dekubitus 3.stupňa: Trňový výbežok	3,4	2,3	M00.85	Artritída a polyartrit.zapr.i.blíž.urč.baktér.panv.obl.a steh.	4	4
L89.23	Dekubitus 3.stupňa: Lopata bedrovej kosti	3,4	2,3	M00.86	Artritída a polyartrit.zapr.i.blíž.urč.baktér.v obl.predkol.	4	4
L89.24	Dekubitus 3.stupňa: Krížová oblasť	3,4	2,3	M00.87	Artritída a polyartrit.zapr.i.blíž.urč.baktér.v obl.čl.a nohy	4	4
L89.25	Dekubitus 3.stupňa: Sedacia oblasť	3,4	2,3	M00.88	Artritída a polyartrit. zapr.i.blíž.urč.baktér.na i.mieste	4	4
L89.26	Dekubitus 3.stupňa: Trochanter	3,4	2,3	M00.89	Artritída a polyartrit.zapr.i.blíž.urč.baktér.mies.blíž.urč.	4	4
L89.27	Dekubitus 3.stupňa: Päta	3,4	2,3	M00.90	Pyogénna artritída,blíž.neurč.na viac.miestach	2,4	2
L89.28	Dekubitus 3.stupňa: Iná oblasť dolnej končatiny	3,4	2,3	M00.91	Pyogénna artritída,blíž.neurč.v obl.pleca	2,4	2
L89.29	Dekubitus 3.stupňa: Blížšie neurčené miesto	3,4	2,3	M00.92	Pyogénna artritída,blíž.neurč.v obl.nadlaktia	2,4	2
L89.30	Dekubitus 4.stupňa: Hlava	3,4	2,3	M00.93	Pyogénna artritída,blíž.neurč.v obl.predlak.	2,4	2
L89.31	Dekubitus 4.stupňa: Horná končatina	3,4	2,3	M00.94	Pyogénna artritída,blíž.neurč.v obl.ruky	2,4	2
L89.32	Dekubitus 4.stupňa: Trňový výbežok	3,4	2,3	M00.95	Pyogénna artritída,blíž.neurč.v panv.obl.a stehna	2,4	2
L89.33	Dekubitus 4.stupňa: Lopata bedrovej kosti	3,4	2,3	M00.96	Pyogénna artritída,blíž.neurč.v obl.predkol.	2,4	2
L89.34	Dekubitus 4.stupňa: Krížová oblasť	3,4	2,3	M00.97	Pyogénna artritída,blíž.neurč.v obl.čl.a nohy	2,4	2
L89.35	Dekubitus 4.stupňa: Sedacia oblasť	3,4	2,3	M00.98	Pyogénna artritída,blíž.neurč.na i.mieste	2,4	2
L89.36	Dekubitus 4.stupňa: Trochanter	3,4	2,3	M00.99	Pyogénna artritída,blíž.neurč.,miesto blíž.neurč.	2,4	2
L89.37	Dekubitus 4.stupňa: Päta	3,4	2,3	M01.00	Artritída zaprič.meningok.na viac.m.	2,4	2,4
L89.38	Dekubitus 4.stupňa: Iná oblasť dolnej končatiny	3,4	2,3				
L89.39	Dekubitus 4.stupňa: Blížšie neurčené miesto	3,4	2,3				
L94.4	Gottronov syndróm	1,2	1,2				
L98.3	Eozinofilná celulitída(Wellsov syndróm)	2,3,4	2,3				
M00.00	Artritída a polyartrit.zaprič.stafylo. na viac.m.	2,4	2,4				
M00.01	Artritída a polyartrit.zaprič.stafylok v obl.pleca	2,4	2,4				
M00.02	Artritída a polyartrit.zaprič.stafylok.v obl.nadlaktia	2,4	2,4				
M00.03	Artritída a polyartrit.zaprič.stafylok.v obl.predlak.	2,4	2,4				
M00.04	Artritída a polyartrit.zaprič.stafylok.v obl.ruky	2,4	2,4				
M00.05	Artritída a polyartrit.zaprič.stafylok.panv.obl.a stehna	2,4	2,4				
M00.06	Artritída a polyartrit.zaprič.stafylok.v obl.predkol.	2,4	2,4				
M00.07	Artritída a polyartrit.zaprič.stafylok.v obl.čl.a nohy	2,4	2,4				
M00.08	Artritída a polyartrit.zaprič.stafylok.na i.mieste	2,4	2,4				
M00.09	Artritída a polyartrit.zaprič.stafylok.na n.mieste	2,4	2,4				
M00.10	Artritída a polyartrit.zaprič.pneumok.,na viac.m.	2,4	2,4				

ICD	Text	OP. CCL	Med. CCL	ICD	Text	OP. CCL	Med. CCL
M01.01	Artritída zaprič.meningok.v obl.pleca	2,4	2,4	M05.23	Reumat.artritída s vaskulitídou,v obl.predlak.	1,2	1,2
M01.02	Artritída zaprič.meningok.v obl. nadlaktia	2,4	2,4	M05.24	Reumat.artritída s vaskulitídou,v obl.ruky	1,2	1,2
M01.03	Artritída zaprič.meningok.v obl.predlak.	2,4	2,4	M05.25	Reumat.artritída s vaskulitídou,v obl.panv.a stehna	1,2	1,2
M01.04	Artritída zaprič.meningok.v obl.ruky	2,4	2,4	M05.26	Reumat.artritída s vaskulitídou,v obl.predkol.	1,2	1,2
M01.05	Artritída zaprič.meningok.panv.obl.a stehna	2,4	2,4	M05.27	Reumat.artritída s vaskulitídou,v obl.čl.a nohy	1,2	1,2
M01.06	Artritída zaprič.meningok.v obl.predkol.	2,4	2,4	M05.28	Reumat.artritída s vaskulitídou,na i.mieste	1,2	1,2
M01.07	Artritída zaprič.meningok.v obl.čl.a nohy	2,4	2,4	M05.29	Reumat.artritída s vaskulitídou,miesto bliž.neurč.	1,2	1,2
M01.08	Artritída zaprič.meningok.na i.mieste	2,4	2,4	M05.30	Reumatoidná artritída s postih.i.org.a súst.,na viac.miast.	1,2	1,2
M01.09	Artritída zaprič.meningok.na n. mieste	2,4	2,4	M05.31	Reumatoidná artritída s postih.i.org.a súst.,v obl.pleca	1,2	1,2
M01.10	Tuberkulózná artritída na viac.m.	4	4	M05.32	Reumatoidná artritída s postih.i.org.a súst.,v obl.nadlaktia	1,2	1,2
M01.11	TBC artritída v obl.pleca	4	4	M05.33	Reumatoidná artritída s postih.i.org.a súst.,v obl.predlak.	1,2	1,2
M01.12	TBC artritída nadlaktia	4	4	M05.34	Reumatoidná artritída s postih.i.org.a súst.,v obl.ruky	1,2	1,2
M01.13	TBC artritída predlak.	4	4	M05.35	Reumat.artritída s postih.i.org.a súst.,v obl.panv.a steh.	1,2	1,2
M01.14	TBC artritída ruky	4	4	M05.36	Reumatoidná artritída s postih.i.org.a súst.,v obl.predkol.	1,2	1,2
M01.15	TBC artritída panv.obl.a stehna	4	4	M05.37	Reumatoidná artritída s postih.i.org.a súst.,v obl.čl.a nohy	1,2	1,2
M01.16	TBC artritída predkol.	4	4	M05.38	Reumatoidná artritída s postih.i.org.a súst.,na i.mieste	1,2	1,2
M01.17	TBC artritída čl.a nohy	4	4	M05.39	Reumatoidná artritída s postih.i.org.a súst.,miesto b.n.	1,2	1,2
M01.18	TBC artritída na i.mieste	4	4	M06.10	Stilova chor.dospelých s postih.kíbov na viac.miastach	1,2	1,2
M01.19	Tuberkulózná artritída na n.mieste	4	4	M06.11	Stilova chor.dospelých s postih.kíbov v pleca	1,2	1,2
M01.30	Artritída pri i.baktér.chor.zatried.i.na viac.m.	4	4	M06.12	Stilova chor.dospelých s postih.kíbov nadlaktia	1,2	1,2
M01.31	Artritída pri i.baktér.chor.zatried.i.obl.pleca	4	4	M06.13	Stilova chor.dospelých s postih.kíbov predlak.	1,2	1,2
M01.32	Artritída pri i.baktér.chor.zatried.i.v obl.nadlaktia	4	4	M06.14	Stilova chor.dospelých s postih.kíbov ruky	1,2	1,2
M01.33	Artritída pri i.baktér.chor.zatried.i.v obl.predlak.	4	4	M06.15	Stilova chor.dospelých s postih.Kíbov panvy a stehna	1,2	1,2
M01.34	Artritída pri i.baktér.chor.zatried.i.v obl.ruky	4	4	M06.16	Stilova chor.dospelých s postih.kíbov predkol.	1,2	1,2
M01.35	Artritída pri i.baktér.chor.zatried.i.panv.obl.a stehna	4	4	M06.17	Stilova chor.dospelých s postih.kíbov čl.a nohy	1,2	1,2
M01.36	Artritída pri i.baktér.chor.zatried.i.v obl.predkol.	4	4	M06.18	Stilova chor.dospelých s postih.kíbov na i.mieste	1,2	1,2
M01.37	Artritída pri i.baktér.chor.zatried.i.v obl.čl.a nohy	4	4	M06.19	Stilova chor.dospelých s postih.kíbov na n.mieste	1,2	1,2
M01.38	Artritída pri i.baktér.chor.zatried.i.na i.mieste	4	4	M07.04	Distálna psoriatická artritída ruky	1,2	1,2
M01.39	Artritída pri i.baktér.chor.zatried.i.miasto bližš.neurč.	4	4	M07.07	Distálna psoriatická artritída čl.a nohy	1,2	1,2
M01.40	Artritída pri ružienke na viac.m.	4	4	M07.09	Distálna psoriatická artritída na n.mieste	1,2	1,2
M01.41	Artritída pri ružienke v obl.pleca.	4	4	M07.10	Arthritis mutilans, na viacerých miestach (L40.5†)	1,2	1,2
M01.42	Artritída pri ružienke v obl.nadlaktia	4	4	M07.11	Arthritis mutilans v obl.pleca	1,2	1,2
M01.43	Artritída pri ružienke v obl.predlak.	4	4	M07.12	Arthritis mutilans v obl.nadlaktia	1,2	1,2
M01.44	Artritída pri ružienke v obl.ruky	4	4	M07.13	Arthritis mutilans v obl. predlak.	1,2	1,2
M01.45	Artritída pri ružienke panv.obl.a stehna	4	4	M07.14	Arthritis mutilans v obl.ruky	1,2	1,2
M01.46	Artritída pri ružienke v obl.predkol.	4	4	M07.15	Arthritis mutilans panv.obl.a stehna	1,2	1,2
M01.47	Artritída pri ružienke v obl.čl.a nohy	4	4	M07.16	Arthritis mutilans v obl.predkol.	1,2	1,2
M01.48	Artritída pri ružienke na i.mieste	4	4	M07.17	Arthritis mutilans v obl.čl.a nohy	1,2	1,2
M01.49	Artritída pri ružienke na n. mieste	4	4	M07.18	Arthritis mutilans na i.mieste	1,2	1,2
M01.60	Artritída pri mykózach na viac.m.	2,4	2,4	M07.19	Arthritis mutilans na n.mieste	1,2	1,2
M01.61	Artritída pri mykózach v obl.pleca	2,4	2,4	M07.2	Psoriatická spondylitída (L40.5†)	1,2	1,2
M01.62	Artritída pri mykózach v obl.nadlaktia	2,4	2,4	M07.30	Iná psoriatická artritídana viac.m.	1,2	1,2
M01.63	Artritída pri mykózach v obl. predlak.	2,4	2,4	M07.31	Iná psoriatická artritídav obl.pleca	1,2	1,2
M01.64	Artritída pri mykózach v obl.ruky	2,4	2,4	M07.32	Iná psoriatická artritídav obl.nadlaktia	1,2	1,2
M01.65	Artritída pri mykózach panv.obl.a stehna	2,4	2,4	M07.33	Iná psoriatická artritídav obl.predlak.	1,2	1,2
M01.66	Artritída pri mykózach v obl.predkol.	2,4	2,4	M07.34	Iná psoriatická artritídav obl.ruky	1,2	1,2
M01.67	Artritída pri mykózach v obl.čl. a nohy	2,4	2,4	M07.35	Iná psoriatická artritídav obl.panv.a stehna	1,2	1,2
M01.68	Artritída pri mykózach na i.mieste	2,4	2,4	M07.36	Iná psoriatická artritídav obl.predkol.	1,2	1,2
M01.69	Artritída pri mykózach na n.mieste	2,4	2,4	M07.37	Iná psoriatická artritídav obl.čl.a nohy	1,2	1,2
M05.00	Feltyho syndróm na viacerých miestach	1,2	1,2	M07.38	Iná psoriatická artritídana i.mieste	1,2	1,2
M05.01	Feltyho syndróm v obl.pleca	1,2	1,2				
M05.02	Feltyho syndróm nadlaktia	1,2	1,2				
M05.03	Feltyho syndróm predlak.	1,2	1,2				
M05.04	Feltyho syndróm ruky	1,2	1,2				
M05.05	Feltyho syndróm panv.obl.a stehna	1,2	1,2				
M05.06	Feltyho syndróm predkol.	1,2	1,2				
M05.07	Feltyho syndróm čl.a nohy	1,2	1,2				
M05.08	Feltyho syndróm na i.mieste	1,2	1,2				
M05.09	Feltyho syndróm,miesto bližšie neurčené	1,2	1,2				
M05.20	Reumat.artritída s vaskulitídou,na viac.m.	1,2	1,2				
M05.21	Reumat.artritída s vaskulitídou,v obl.pleca	1,2	1,2				
M05.22	Reumat.artritída s vaskulitídou,v obl.nadlaktia	1,2	1,2				

ICD	Text	OP. CCL	Med. CCL	ICD	Text	OP. CCL	Med. CCL
M07.39	Iná psoriatická artritída na n.mieste	1,2	1,2	M08.20	Juven.chron.artritída so systém.začiat.,na v.miast.	1,2	1,2
M07.40	Artritída pri Crohn.chor. s postih.kĺbov na viac.m.	1,2	1,2	M08.21	Juven.chron.artritída so systém.začiat.,v obl.pleca	1,2	1,2
M07.41	Artritída pri Crohn.chor.s postih.kĺbov v obl.pleca	1,2	1,2	M08.22	Juven.chron.artritída so systém.začiat.,v o.nadlaktia	1,2	1,2
M07.42	Artritída pri Crohn.chor.s postih.kĺbov nadlaktia	1,2	1,2	M08.23	Juven.chron.artritída so systém.začiat.,v o.predlak.	1,2	1,2
M07.43	Artritída pri Crohn.chor.s postih.kĺbov predlak.	1,2	1,2	M08.24	Juven.chron.artritída so systém.začiat.,v o.ruky	1,2	1,2
M07.44	Artritída pri Crohn.chor.s postih.kĺbov ruky	1,2	1,2	M08.25	Juven.chron.artritída so systém.začiat.,v o.panvy a stehna	1,2	1,2
M07.45	Artritída pri Crohn.chor.s postih.kĺbov panvy a stehna	1,2	1,2	M08.26	Juven.chron.artritída so systém.začiat.,v o.predkol.	1,2	1,2
M07.46	Artritída pri Crohn.chor.s postih.kĺbov predkol.	1,2	1,2	M08.27	Juven.chron.artritída so systém.začiat.,v o.čl.a nohy	1,2	1,2
M07.47	Artritída pri Crohn.chor.s postih.kĺbov čl.a nohy	1,2	1,2	M08.28	Juven.chron.artritída so systém.začiat.,na i.mieste	1,2	1,2
M07.48	Artritída pri Crohn.chor.s postih.kĺbov na i.mieste	1,2	1,2	M08.29	Juven.chron.artritída so systém.začiat.,na n.mieste	1,2	1,2
M07.49	Artritída pri Crohn.chor.s postih.kĺbov na n.mieste	1,2	1,2	M08.3	Juven.chron.artritída (séronegatívna),polyartikulárna forma	1,2	1,2
M07.50	Artritída pri ulcer.kolitíde s postih.kĺbov na viac.m.	1,2	1,2	M08.40	Juven.chron.artritída,oligoart.forma,s postih.na viac.m.	1,2	1,2
M07.51	Artritída pri ulcer.kolitíde s postih.kĺbov v obl.pleca	1,2	1,2	M08.41	Juven.chron.artritída,oligoart.forma,s postih.v obl.pleca	1,2	1,2
M07.52	Artritída pri ulcer.kolitíde s postih.kĺbov nadlaktia	1,2	1,2	M08.42	Juven.chron.artritída,oligoart.forma,s postih.nadlaktia	1,2	1,2
M07.53	Artritída pri ulcer.kolitíde s postih.kĺbov predlak.	1,2	1,2	M08.43	Juven.chron.artritída,oligoart.forma,s postih.predlak.	1,2	1,2
M07.54	Artritída pri ulcer.kolitíde s postih.kĺbov ruky	1,2	1,2	M08.44	Juven.chron.artritída,oligoart.forma,s postih.ruky	1,2	1,2
M07.55	Artritída pri ulcer.kolitíde s postih.kĺbov pan.a stehna	1,2	1,2	M08.45	Juven.chron.artritída,oligoart.forma,s postih.pan.a stehna	1,2	1,2
M07.56	Artritída pri ulcer.kolitíde s postih.kĺbov predkol.	1,2	1,2	M08.46	Juven.chron.artritída,oligoart.forma,s postih.predkol.	1,2	1,2
M07.57	Artritída pri ulcer.kolitíde s postih.kĺbov čl.a nohy	1,2	1,2	M08.47	Juven.chron.artritída,oligoart.forma,s postih.čl.a nohy	1,2	1,2
M07.58	Artritída pri ulcer.kolitíde s postih.kĺbov na i.mieste	1,2	1,2	M08.48	Juven.chron.artritída,oligoart.forma,s postih.na i.mieste	1,2	1,2
M07.59	Artritída pri ulcer.kolitíde s postih.kĺbov na n.mieste	1,2	1,2	M08.49	Juven.chron.artritída,oligoart.forma,s postih.na n.mieste	1,2	1,2
M08.00	Juvenilná reumatoid.artritída dospelých na viac.m.	1,2	1,2	M08.70	Juven.artritída s vaskulit.s postih.kĺb.na viac.m.	1,2	1,2
M08.01	Juvenilná reumatoid.artritída dospelých v obl.pleca	1,2	1,2	M08.71	Juven.artritída s vaskulit.s postih.kĺb.v obl.pleca	1,2	1,2
M08.02	Juvenilná reumatoid.artritída dospelých v obl.nadlaktia	1,2	1,2	M08.72	Juven.artritída s vaskulit.s postih.kĺb.v obl.nadlaktia	1,2	1,2
M08.03	Juvenilná reumatoid.artritída dospelých v obl.predlak.	1,2	1,2	M08.73	Juven.artritída s vaskulit.s postih.kĺb.v obl.predlak.	1,2	1,2
M08.04	Juvenilná reumatoid.artritída dospelých v obl.ruky	1,2	1,2	M08.74	Juven.artritída s vaskulit.s postih.kĺb.v obl.ruky	1,2	1,2
M08.05	Juvenilná reumatoid.artritída dospelých v obl.panvy a stehna	1,2	1,2	M08.75	Juven.artritída s vaskulit.s postih.kĺb.v obl.panvy a stehna	1,2	1,2
M08.06	Juvenilná reumatoid.artritída dospelých v obl.predkol.	1,2	1,2	M08.76	Juven.artritída s vaskulit.s postih.kĺb.v obl.predkol.	1,2	1,2
M08.07	Juvenilná reumatoid.artritída dospelých v obl.čl.a nohy	1,2	1,2	M08.77	Juven.artritída s vaskulit.s postih.kĺb.v obl.čl.a nohy	1,2	1,2
M08.08	Juvenilná reumatoid.artritída dospelých na i.mieste	1,2	1,2	M08.78	Juven.artritída s vaskulit.s postih.kĺb.na i.mieste	1,2	1,2
M08.09	Juvenilná reumatoid.artritída dospelých,miesto bliž.neurč.	1,2	1,2	M08.79	Juven.artritída s vaskulit.s postih.kĺb.,miesto bliž.neurč.	1,2	1,2
M08.10	Juven.ankylozujúca spondylitída na viac.miastach	1,2	1,2	M08.80	Iná juvenilná artritída na viacerých miestach	1,2	1,2
M08.11	Juven.ankylozujúca spondylitída v obl.pleca	1,2	1,2	M08.81	Iná juvenilná artritída v obl.pleca	1,2	1,2
M08.12	Juven.ankylozujúca spondylitída nadlaktia	1,2	1,2	M08.82	Iná juvenilná artritída nadlaktia	1,2	1,2
M08.13	Juven.ankylozujúca spondylitída predlak.	1,2	1,2	M08.83	Iná juvenilná artritída predlak.	1,2	1,2
M08.14	Juven.ankylozujúca spondylitída ruky	1,2	1,2	M08.84	Iná juvenilná artritída ruky	1,2	1,2
M08.15	Juven.ankylozujúca spondylitída panv.obl.a stehna	1,2	1,2	M08.85	Iná juvenilná artritída panv.obl.a stehna	1,2	1,2
M08.16	Juven.ankylozujúca spondylitída predkol.	1,2	1,2	M08.86	Iná juvenilná artritída predkol.	1,2	1,2
M08.17	Juven.ankylozujúca spondylitída čl.a nohy	1,2	1,2	M08.87	Iná juvenilná artritída čl.a nohy	1,2	1,2
M08.18	Juven.ankylozujúca spondylitída na i.mieste	1,2	1,2				
M08.19	Juven.ankylozujúca spondylitída na n.mieste	1,2	1,2				

ICD	Text	OP. CCL	Med. CCL	ICD	Text	OP. CCL	Med. CCL
M08.88	Iná juvenilná artritída na i.mieste	1,2	1,2	M09.29	Juven.artritída pri ulcer.kolitíde,s postih.klb.na n.mieste	1,2	1,2
M08.89	Iná juvenilná artritída,miesto bližšie neurčené	1,2	1,2	M09.80	Juven.artritída pri i.chor.zatr.i.s postih.klb.na viac.m.	1,2	1,2
M08.90	Juven.artritída,bliž.neurč.na viac.m.	1,2	1,2	M09.81	Juven.artritída pri i.chor.zatr.i.s postih.klb.v obl.pleca	1,2	1,2
M08.91	Juven.artritída,bliž.neurč.v obl.pleca	1,2	1,2	M09.82	Juven.artritída pri i.chor.zatr.i.s postih.klb.nadlaktia	1,2	1,2
M08.92	Juven.artritída,bliž.neurč.v obl.nadlaktia	1,2	1,2	M09.83	Juven.artritída pri i.chor.zatr.i.s postih.klb.predlak.	1,2	1,2
M08.93	Juven.artritída,bliž.neurč.v obl.predlak.	1,2	1,2	M09.84	Juven.artritída pri i.chor.zatr.i.s postih.klb.ruky	1,2	1,2
M08.94	Juven.artritída,bliž.neurč.v obl.ruky	1,2	1,2	M09.85	Juven.artritída pri i.chor.zatr.i.s postih.klb.panvy a stehna	1,2	1,2
M08.95	Juven.artritída,bliž.neurč.panv.obl.a stehna	1,2	1,2	M09.86	Juven.artritída pri i.chor.zatr.i.s postih.klb.predkol.	1,2	1,2
M08.96	Juven.artritída,bliž.neurč.v obl.predkol.	1,2	1,2	M09.87	Juven.artritída pri i.chor.zatr.i.s postih.klb.čl.a nohy	1,2	1,2
M08.97	Juven.artritída,bliž.neurč.v obl.čl.a nohy	1,2	1,2	M09.88	Juven.artritída pri i.chor.zatr.i.s postih.klb.na i.mieste	1,2	1,2
M08.98	Juven.artritída,bliž.neurč.na i.mieste	1,2	1,2	M09.89	Juven.artritída pri i.chor.zatr.i.s postih.klb.m.bliž.neurč.	1,2	1,2
M08.99	Juven.artritída,bliž.neurč.,miesto bliž.neurč.	1,2	1,2	M10.10	Dna zapríčinená olovom, na viacerých miestach	4	4
M09.00	Juven.artritída pri psoriáze,s postih.klb.na viac m.	1,2	1,2	M10.11	Dna zapríč. olovom,v obl.pleca	4	4
M09.01	Juven.artritída pri psoriáze,s postih.klb.v obl.pleca	1,2	1,2	M10.12	Dna zapríč. olovom,v obl.nadlaktia	4	4
M09.02	Juven.artritída pri psoriáze,s postih.klb.nadlaktia	1,2	1,2	M10.13	Dna zapríč. olovom,v obl.predlak.	4	4
M09.03	Juven.artritída pri psoriáze,s postih.klb.predlak.	1,2	1,2	M10.14	Dna zapríč. olovom,v obl.ruky	4	4
M09.04	Juven.artritída pri psoriáze,s postih.klb.ruky	1,2	1,2	M10.15	Dna zapríč. olovom,v obl.panvy a stehna	4	4
M09.05	Juven.artritída pri psoriáze,s postih.klb.panvy a stehna	1,2	1,2	M10.16	Dna zapríč. olovom,v obl.predkol.	4	4
M09.06	Juven.artritída pri psoriáze,s postih.klb.predkol.	1,2	1,2	M10.17	Dna zapríč. olovom,v obl.čl.a nohy	4	4
M09.07	Juven.artritída pri psoriáze,s postih.klb.čl.a nohy	1,2	1,2	M10.18	Dna zapríč. olovom na i.mieste	4	4
M09.08	Juven.artritída pri psoriáze,s postih.klb.na i.mieste	1,2	1,2	M10.19	Dna zapríčinená olovom,miesto bliž.neurč.	4	4
M09.09	Juven.artritída pri psoriáze,s postih.klb.na n.mieste	1,2	1,2	M10.20	Dna zapríčinená liekmi, na viacerých miestach	4	4
M09.10	Juven.artritída pri Crohn.chor.,s postih.klb.na viac.m.	1,2	1,2	M10.21	Dna zapríč.liekmi,v obl.pleca	4	4
M09.11	Juven.artritída pri Crohn.chor.,s postih.klb.v obl.pleca	1,2	1,2	M10.22	Dna zapríč.liekmi,v obl.nadlaktia	4	4
M09.12	Juven.artritída pri Crohn.chor.,s postih.klb.nadlaktia	1,2	1,2	M10.23	Dna zapríč.liekmi,v obl.predlak.	4	4
M09.13	Juven.artritída pri Crohn.chor.,s postih.klb.predlak.	1,2	1,2	M10.24	Dna zapríč.liekmi,v obl.ruky	4	4
M09.14	Juven.artritída pri Crohn.chor.,s postih.klb.ruky	1,2	1,2	M10.25	Dna zapríč.liekmi,v obl.panvy a stehna	4	4
M09.15	Juven.artritída pri Crohn.chor.,s postih.klb.panvy a stehna	1,2	1,2	M10.26	Dna zapríč.liekmi,v obl.predkol.	4	4
M09.16	Juven.artritída pri Crohn.chor.,s postih.klb.predkol.	1,2	1,2	M10.27	Dna zapríč.liekmi,v obl.čl. a nohy	4	4
M09.17	Juven.artritída pri Crohn.chor.,s postih.klb.čl.a nohy	1,2	1,2	M10.28	Dna zapríč.liekmi,na i.mieste	4	4
M09.18	Juven.artritída pri Crohn.chor.,s postih.klb.na i.mieste	1,2	1,2	M10.29	Dna zapríčinená liekmi, miesto bližšie neurčené	4	4
M09.19	Juven.artritída pri Crohn.chor.,s postih.klb.na n.mieste	1,2	1,2	M14.8	Artropatia pri i.bliž.urč.chorobách zatried.i.	4	4
M09.20	Juven.artritída pri ulcer.kolitíde,s postih.klb.na viac.m.	1,2	1,2	M30.0	Polyarteriitis nodosa	1,2	1,2
M09.21	Juven.artritída pri ulcer.kolitíde,s postih.klb.v obl.pleca	1,2	1,2	M30.1	Polyarteritída s postihnutím pľúc	1,2	1,2
M09.22	Juven.artritída pri ulcer.kolitíde,s postih.klb.nadlaktia	1,2	1,2	M30.2	Juvenilná polyarteritída	1,2	1,2
M09.23	Juven.artritída pri ulcer.kolitíde,s postih.klb.predlak.	1,2	1,2	M30.8	Iné choroby príbuzné polyarteriitis nodosa	1,2	1,2
M09.24	Juven.artritída pri ulcer.kolitíde,s postih.klb.ruky	1,2	1,2	M31.0	Hypersenzitívna vaskulitída	1,2	1,2
M09.25	Juven.artritída pri ulcer.kolit.,s post.klb.panvy a stehna	1,2	1,2	M31.1	Trombotická mikroangiopatia	1,2	1,2
M09.26	Juven.artritída pri ulcer.kolitíde,s postih.klb.predkol.	1,2	1,2	M31.2	Letálny granulóm strednej čiary	2,3,4	1,2,3
M09.27	Juven.artritída pri ulcer.kolitíde,s postih.klb.čl.a nohy	1,2	1,2	M31.3	Wegenerova granulomatóza	1,2	1,2
M09.28	Juven.artritída pri ulcer.kolitíde,s postih.klb.na i.mieste	1,2	1,2	M31.4	Syndróm aortálneho oblúka [Takayasu syndrom]	1,2	1,2
				M31.5	Obrovskobunková arteritída s polymyalgia rheumatica	1,2	1,2
				M31.6	Iná obrovskobunková arteritída	1,2	1,2
				M31.7	Mikroskopická polyangiitída	1,2	1,2
				M31.8	Iná nekrotizujúca vaskulopatia,bližšie určená	1,2	1,2
				M31.9	Nekrotizujúca vaskulopatia,bližšie neurčená	1,2	1,2
				M32.0	Lupus erythematosus, zapríčinený liekmi	1,2,4	1,2,4
				M32.1	Systémový lupus erythematosus s postih.org./systémov	1,2,4	1,2,4
				M32.8	Iná forma systémového lupus erythematosus	1,2,4	1,2,4
				M32.9	Systémový lupus erythematosus,bližšie neurčený	1,2,4	1,2,4
				M33.0	Juvenilná dermatomyozitída	1,2	1,2
				M33.1	Iná dermatomyozitída	1,2	1,2

ICD	Text	OP. CCL	Med. CCL	ICD	Text	OP. CCL	Med. CCL
M33.2	Polymyozitída	1,2	1,2	M48.59	Kompresia tela stavca : oblasť bliž.neurč.,nezatr.inde.	2,3,4	1,2,3,4
M33.9	Dermatopolymyozitída,bližšie neurčená	1,2	1,2	M49.50	Kompresia tela stavca pri chorobe zatried.i.,na viac.m.chrbt.	2,3,4	1,2,3,4
M34.0	Progressívna systémová skleróza	1,2	1,2	M49.51	Kompresia tela stavca pri chorobe zatr.i.,okcip.-atl.axiál.o.	2,3,4	1,2,3,4
M34.1	Syndróm CR(E)ST	1,2	1,2	M49.52	Kompresia tela stavca pri chorobe zatr.i.,v krčnej obl.	2,3,4	1,2,3,4
M34.2	Systémová skleróza,zapríčinená liekmi/chemickými lát.	1,2	1,2	M49.53	Kompresia tela stavca pri chorobe zatr.i.,v krčnohrud.obl.	2,3,4	1,2,3,4
M34.8	Iná forma systémovej sklerózy	1,2	1,2	M49.54	Kompresia tela stavca pri chorobe zatr.i.,v hrudník.obl.	2,3,4	1,2,3,4
M34.9	Systémová skleróza,bližšie neurčená	1,2	1,2	M49.55	Kompresia tela stavca pri chor.zatr.i.,v hrudník.driek.obl.	2,3,4	1,2,3,4
M35.1	Iné prekrývajúce sa syndrómy	1,2	1,2	M49.56	Kompresia tela stavca pri chorobe zatr.i.,v driekovej obl.	2,3,4	1,2,3,4
M35.4	Difúzna (eozinofilná) fasciitída	2	2	M49.57	Kompresia tela stavca pri chorobe zatr.i.,v driek.križ.obl.	2,3,4	1,2,3,4
M35.5	Multifokálna fibroskleróza	1,2	1,2	M49.58	Kompresia tela stavca pri chor.zatr.i.,križ.a križ.kostrč.obl.	2,3,4	1,2,3,4
M35.8	Iné systémove postihnutie spojiva,bližšie určené	1,2	1,2	M49.59	Kompresia tela stavca pri chor.zatr.i.:oblasť bliž.neurč.	2,3,4	1,2,3,4
M36.0	Dermatomyozitída – polymyozitída pri nádorovej chorobe	1,2	1,2	M60.00	Infekčná myozitída na viacerých miestach	2	2
M36.1	Artropatia pri nádorovej chorobe	4	4	M60.01	Inf.myoziitída v obl.pleca	2	2
M36.2	Hemofilická artropatia	4	4	M60.02	Infekčná myozitída nadlaktia	2	2
M36.3	Artropatia pri i.chorobách krvi zatried.i.	4	4	M60.03	Infekčná myozitída predlak.	2	2
M36.8	Systémové choroba spojiva pri i.chorobách zatried.i.	4	4	M60.04	Infekčná myozitída ruky	2	2
M46.20	Osteomyelitída stavca na viac.m.chrbt.	4	4	M60.05	Infekčná myozitída panv.obl.a stehna	2	2
M46.21	Osteomyelitída stavca v okcip.-atl.-axiál. obl.	4	4	M60.06	Infekčná myozitída predkol.	2	2
M46.22	Osteomyelitída stavca v krčnej oblasti	4	4	M60.07	Infekčná myozitída čl.a nohy	2	2
M46.23	Osteomyelitída stavca v krčnohrudníkovej oblasti	4	4	M60.08	Infekčná myozitída na i.mieste	2	2
M46.24	Osteomyelitída stavca v hrudníkovej oblasti	4	4	M60.09	Infekčná myozitída,miesto bližšie neurčené	2	2
M46.25	Osteomyelitída stavca v hrudníkovodriekovej oblasti	4	4	M62.00	Diastáza svalu na viacerých miestach	2	2
M46.26	Osteomyelitída stavca v driekovej oblasti	4	4	M62.01	Diastáza svalu v obl.pleca	2	2
M46.27	Osteomyelitída stavca v driekovokrižovej oblasti	4	4	M62.02	Diastáza svalu nadlaktia	2	2
M46.28	Osteomyelitída stavca v križ.a križovokostrč.obl.	4	4	M62.03	Diastáza svalu predlak.	2	2
M46.29	Osteomyelitída stavca v: oblasť bližšie neurčená	4	4	M62.04	Diastáza svalu ruky	2	2
M48.40	Únavová zlomenina stavca na viac.m.chrbt.	2,3,4	1,2,3,4	M62.05	Diastáza svalu panv.obl.a stehna	2	2
M48.41	Únavová zlomenina stavca v okcip.atl.axiál.obl.	2,3,4	1,2,3,4	M62.06	Diastáza svalu predkolenia	2	2
M48.42	Únavová zlomenina stavca v krčnej oblasti	2,3,4	1,2,3,4	M62.07	Diastáza svalu čl.a nohy	2	2
M48.43	Únavová zlomenina stavca v krčnohrudníkovej oblasti	2,3,4	1,2,3,4	M62.08	Diastáza svalu na i.mieste	2	2
M48.44	Únavová zlomenina stavca v hrudníkovej oblasti	2,3,4	1,2,3,4	M62.09	Diastáza svalu,miesto bližšie neurčené	2	2
M48.45	Únavová zlomenina stavca v hrudníkovodriek.obl.	2,3,4	1,2,3,4	M62.10	Iné roztrhnutie svalu (neúrazové) na viac.m.	2	2
M48.46	Únavová zlomenina stavca v driekovej oblasti	2,3,4	1,2,3,4	M62.11	Iné roztrhnutie svalu (neúraz.)v obl.pleca	2	2
M48.47	Únavová zlomenina stavca v driekovokrižovej oblasti	2,3,4	1,2,3,4	M62.12	Iné roztrhnutie svalu (neúraz.)v obl.nadlaktia	2	2
M48.48	Únavová zlomenina stavca v križ.a križovokostrč.obl.	2,3,4	1,2,3,4	M62.13	Iné roztrhnutie svalu (neúraz.)v obl.predlak.	2	2
M48.49	Únavová zlomenina stavca: oblasť bližšie neurčená	2,3,4	1,2,3,4	M62.14	Iné roztrhnutie svalu (neúraz.)v obl.ruky	2	2
M48.50	Kompresia tela stavca na v.miast.chrbt.,nezatr.inde	2,3,4	1,2,3,4	M62.15	Iné roztrhnutie svalu (neúraz.)v obl.panvy a stehna	2	2
M48.51	Kompresia tela stavca v okcip.-atl.-axiál.obl.,nezatr.inde	2,3,4	1,2,3,4	M62.16	Iné roztrhnutie svalu (neúraz.)v obl.predkol.	2	2
M48.52	Kompresia tela stavca v krčnej obl.,nezatr.inde	2,3,4	1,2,3,4	M62.17	Iné roztrhnutie svalu (neúraz.)v obl.čl. a nohy	2	2
M48.53	Kompresia tela stavca v krč.hrud.obl.,nezatr.inde	2,3,4	1,2,3,4	M62.18	Iné roztrhnutie svalu (neúraz.)na i.mieste	2	2
M48.54	Kompresia tela stavca v hrud.obl.,nezatr.inde	2,3,4	1,2,3,4	M62.19	Iné roztrhnutie svalu (neúrazové),miesto bliž.neurč.	2	2
M48.55	Kompresia tela stavca v hrud.driek.obl.,nezatr.inde	2,3,4	1,2,3,4	M62.20	Ischemický infarkt svalu na viac.m.	2	2
M48.56	Kompresia tela stavca v driek.obl.,nezatr.inde	2,3,4	1,2,3,4	M62.21	Ischemický infarkt svalu v obl.pleca	2	2
M48.57	Kompresia tela stavca v driek.križ.obl.,nezatr.inde	2,3,4	1,2,3,4	M62.22	Ischemický infarkt svalu nadlaktia	2	2
M48.58	Kompresia tela stavca v križ.a križ.kostrč.obl.,nezatr.inde	2,3,4	1,2,3,4	M62.23	Ischemický infarkt svalu predlak.	2	2
				M62.24	Ischemický infarkt svalu ruky	2	2
				M62.25	Ischemický infarkt svalu panv.obl.a stehna	2	2
				M62.26	Ischemický infarkt svalu predkol.	2	2
				M62.27	Ischemický infarkt svalu čl.a nohy	2	2
				M62.28	Ischemický infarkt svalu na i.mieste	2	2
				M62.29	Ischemický infarkt svalu na n.mieste	2	2
				M62.30	Syndróm nehybnosti (paraplegický) na viac.m.	2	2
				M62.31	Syndróm nehybnosti (paraplegický)v obl.pleca	2	2

ICD	Text	OP. CCL	Med. CCL	ICD	Text	OP. CCL	Med. CCL
M62.32	Syndróm nehybnosti (paraplegický)v obl.nadlaktia	2	2	M63.09	Myozitída pri baktériovej chorobe zatried.i.,miesto bliž.neurč	2	2
M62.33	Syndróm nehybnosti (paraplegický)v obl.predlak.	2	2	M63.10	Myozitída pri prvoko.a parazit.infek.zatried.i.na viac.m.	2	2
M62.34	Syndróm nehybnosti (paraplegický)v obl.ruky	2	2	M63.11	Myozitída pri prvoko.a parazit.infek.zatried.i.v obl.pleca	2	2
M62.35	Syndróm nehybnosti (paraplegický)v obl.panvy a stehna	2	2	M63.12	Myozitída pri prvoko.a parazit.infek.zatried.i.v obl.nadlaktia	2	2
M62.36	Syndróm nehybnosti (paraplegický)v obl.predkol.	2	2	M63.13	Myozitída pri prvoko.a parazit.infek.zatried.i.v obl.predlak.	2	2
M62.37	Syndróm nehybnosti (paraplegický)v obl.čl.a nohy	2	2	M63.14	Myozitída pri prvoko.a parazit.infek.zatried.i.v obl.ruky	2	2
M62.38	Syndróm nehybnosti (paraplegický)na i.mieste	2	2	M63.15	Myozitída pri prvoko.a parazit.infek.zatr.i.v obl.pan.a steh.	2	2
M62.39	Syndróm nehybnosti (paraplegický),miesto bliž.neurč.	2	2	M63.16	Myozitída pri prvoko.a parazit.infek.zatried.i.v obl.predkol.	2	2
M62.40	Kontraktúra svalu na viacerých miestach	2	2	M63.17	Myozitída pri prvoko.a parazit.infek.zatried.i.v obl.čl.a nohy	2	2
M62.41	Kontraktúra svalu v obl.pleca	2	2	M63.18	Myozitída pri prvoko.a parazit.infek.zatried.i.na i.mieste	2	2
M62.42	Kontraktúra svalu nadlaktia	2	2	M63.19	Myozitída pri prvoko.a parazit.infek.zatr.i,miesto bliž.neurč.	2	2
M62.43	Kontraktúra svalu predlak.	2	2	M63.20	Myozitída pri inej infek.chorobe zatried.i.na viac.m.	2	2
M62.44	Kontraktúra svalu ruky	2	2	M63.21	Myozitída pri inej infek.chorobe zatried.i.v obl.pleca	2	2
M62.45	Kontraktúra svalu panv.obl.a stehna	2	2	M63.22	Myozitída pri inej infek.chorobe zatried.i.v obl.nadlaktia	2	2
M62.46	Kontraktúra svalu predkol.	2	2	M63.23	Myozitída pri inej infek.chorobe zatried.i.v obl.predlak.	2	2
M62.47	Kontraktúra svalu čl.a nohy	2	2	M63.24	Myozitída pri inej infek.chorobe zatried.i.v obl.ruky	2	2
M62.48	Kontraktúra svalu na i.mieste	2	2	M63.25	Myozitída pri inej infek.chorobe zatried.i.v obl.pan.a stehna	2	2
M62.49	Kontraktúra svalu,miesto bližšie neurčené	2	2	M63.26	Myozitída pri inej infek.chorobe zatried.i.v obl.predkol.	2	2
M62.50	Zmenšenie a atrofia svalu,nezatr.i.na viac.m.	2	2	M63.27	Myozitída pri inej infek.chorobe zatried.i.v obl.čl.a nohy	2	2
M62.51	Zmenšenie a atrofia svalu,nezatr.i.v obl.pleca	2	2	M63.28	Myozitída pri inej infek.chorobe zatried.i.na i.mieste	2	2
M62.52	Zmenšenie a atrofia svalu,nezatr.i.v obl.nadlaktia	2	2	M63.29	Myozitída pri inej infek.chorobe zatried.i.,miesto bliž.neurč.	2	2
M62.53	Zmenšenie a atrofia svalu,nezatr.i.v obl.predlak.	2	2	M63.30	Myozitída pri sarkoidóze na viac.m.	2	2
M62.54	Zmenšenie a atrofia svalu,nezatr.i.v obl.ruky	2	2	M63.31	Myozitída pri sarkoidóze,v obl.pleca	2	2
M62.55	Zmenšenie a atrofia svalu,nezatr.i.v obl.panvy a stehna	2	2	M63.32	Myozitída pri sarkoidóze,v obl.nadlaktia	2	2
M62.56	Zmenšenie a atrofia svalu,nezatr.i.v obl.predkol.	2	2	M63.33	Myozitída pri sarkoidóze,v obl.predlak.	2	2
M62.57	Zmenšenie a atrofia svalu,nezatr.i.v obl.čl.a nohy	2	2	M63.34	Myozitída pri sarkoidóze,v obl.ruky	2	2
M62.58	Zmenšenie a atrofia svalu,nezatr.i.na i.mieste	2	2	M63.35	Myozitída pri sarkoidóze,v obl.panv.a stehna	2	2
M62.59	Zmenšenie a atrofia svalu,nezatr.i.,miesto bliž.neurč.	2	2	M63.36	Myozitída pri sarkoidóze,v obl.predkol.	2	2
M62.80	Iné choroby svalov,bliž.urč.na viac.m.	2	2	M63.37	Myozitída pri sarkoidóze,v obl.čl. a nohy	2	2
M62.81	Iné choroby svalov,bliž.urč.v obl.pleca	2	2	M63.38	Myozitída pri sarkoidóze,na i.mieste	2	2
M62.82	Iné choroby svalov,bliž.urč.v obl.nadlaktia	2	2	M63.39	Myozitída pri sarkoidóze,miesto bliž.neurč.	2	2
M62.83	Iné choroby svalov,bliž.urč.v obl.predlak.	2	2	M63.80	Iné choroby svalov pri chor.zatried.i.na viac.m.	2	2
M62.84	Iné choroby svalov,bliž.urč.v obl.ruky	2	2	M63.81	Iné choroby svalov pri chor.zatried.i.v obl.pleca	2	2
M62.85	Iné choroby svalov,bliž.urč.v obl.panvy a stehna	2	2	M63.82	Iné choroby svalov pri chor.zatried.i.v obl.nadlaktia	2	2
M62.86	Iné choroby svalov,bliž.urč.v obl.predkol.	2	2	M63.83	Iné choroby svalov pri chor.zatried.i.v obl.predlak.	2	2
M62.87	Iné choroby svalov,bliž.urč.v obl.čl.a nohy	2	2	M63.84	Iné choroby svalov pri chor.zatried.i.v obl.ruky	2	2
M62.88	Iné choroby svalov,bliž.urč.na i.mieste	2	2	M63.85	Iné choroby svalov pri chor.zatried.i.v obl.pan.a stehna	2	2
M63.00	Myozitída pri baktériovej chorobe zatried.i.na viac.m.	2	2	M63.86	Iné choroby svalov pri chor.zatried.i.v obl.predkol.	2	2
M63.01	Myozitída pri baktériovej chorobe zatried.i.v obl.pleca	2	2	M63.87	Iné choroby svalov pri chor.zatried.i.v obl.čl.a nohy	2	2
M63.02	Myozitída pri baktériovej chorobe zatried.i.v obl.nadlaktia	2	2	M63.88	Iné choroby svalov pri chor.zatried.i.na i.mieste	2	2
M63.03	Myozitída pri baktériovej chorobe zatried.i.v obl.predlak.	2	2				
M63.04	Myozitída pri baktériovej chorobe zatried.i.v obl.ruky	2	2				
M63.05	Myozitída pri baktériovej chor.zatried.i.v obl.panvy a stehna	2	2				
M63.06	Myozitída pri baktériovej chorobe zatried.i.v obl.predkol.	2	2				
M63.07	Myozitída pri baktériovej chorobe zatried.i.v obl.čl.a nohy	2	2				
M63.08	Myozitída pri baktériovej chorobe zatried.i.na i.mieste	2	2				

ICD	Text	OP. CCL	Med. CCL	ICD	Text	OP. CCL	Med. CCL
M63.89	Iné choroby svalov pri chor.zatried.i.,miesto bliž.neurč.	2	2	M84.46	Patologická zlomenina,nezatr.i.v obl.predkol.	2,3,4	1,2,3,4
M73.00	Gonokoková burzitída na viacerých miestach (A54.4†)	4	4	M84.47	Patologická zlomenina,nezatr.i.v obl.čl.a nohy	2,3,4	1,2,3,4
M73.01	Gonokokov burzitída v obl.pleca	4	4	M84.48	Patologická zlomenina,nezatr.i.na i.mieste	2,3,4	1,2,3,4
M73.02	Gonokokov burzitída nadlaktia	4	4	M84.49	Patologická zlomenina,nezatr.i.,miesto bliž.neurč.	2,3,4	1,2,3,4
M73.03	Gonokokov burzitída predlak.	4	4	M86.00	Akútna hematogénna osteomyelitída na viac.m.	2,3,4	2,4
M73.04	Gonokokov burzitída ruky	4	4	M86.01	Akútna hematogénna osteomyelitída v obl.pleca	2,3,4	2,4
M73.05	Gonokokov burzitída panv.obl.a stehna	4	4	M86.02	Akútna hematogénna osteomyelitída nadlaktia	2,3,4	2,4
M73.06	Gonokokov burzitída predkol.	4	4	M86.03	Akútna hematogénna osteomyelitída predlak.	2,3,4	2,4
M73.07	Gonokokov burzitída čl.a nohy	4	4	M86.04	Akútna hematogénna osteomyelitída ruky	2,3,4	2,4
M73.08	Gonokokov burzitída na i.mieste	4	4	M86.05	Akútna hematogénna osteomyelitída panv.obl.a stehna	2,3,4	2,4
M73.09	Gonokokov burzitída,miesto bliž.neurč.	4	4	M86.06	Akútna hematogénna osteomyelitída predkol.	2,3,4	2,4
M84.00	Zle zahojená zlomenina na viacerých miestach	2,3	2	M86.07	Akútna hematogénna osteomyelitída čl.a nohy	2,3,4	2,4
M84.01	Zle zahojená zlomenina v obl.pleca	2,3	2	M86.08	Akútna hematogénna osteomyelitída na i.mieste	2,3,4	2,4
M84.02	Zle zahojená zlomenina nadlaktia	2,3	2	M86.09	Akútna hematogénna osteomyelitída,miesto bliž.neurč.	2,3,4	2,4
M84.03	Zle zahojená zlomenina predlak.	2,3	2	M86.10	Iná akútna osteomyelitída na viacerých miestach	2,3,4	2,4
M84.04	Zle zahojená zlomenina ruky	2,3	2	M86.11	Iná akútna osteomyelitída v obl.pleca	2,3,4	2,4
M84.05	Zle zahojená zlomenina panv.obl.a stehna	2,3	2	M86.12	Iná akútna osteomyelitída nadlaktia	2,3,4	2,4
M84.06	Zle zahojená zlomenina predkol.	2,3	2	M86.13	Iná akútna osteomyelitída predlakútna	2,3,4	2,4
M84.07	Zle zahojená zlomenina čl.a nohy	2,3	2	M86.14	Iná akútna osteomyelitída ruky	2,3,4	2,4
M84.08	Zle zahojená zlomenina na i.mieste	2,3	2	M86.15	Iná akútna osteomyelitída panv.obl.a stehna	2,3,4	2,4
M84.09	Zle zahojená zlomenina,miesto bliž.neurč.	2,3	2	M86.16	Iná akútna osteomyelitída predkol.	2,3,4	2,4
M84.10	Pseudoartróza po zlomenine na viacerých miestach	2,3	2	M86.17	Iná akútna osteomyelitída l.a nohy	2,3,4	2,4
M84.11	Pseudoartróza po zlomenine v obl.pleca	2,3	2	M86.18	Iná akútna osteomyelitída na i.mieste	2,3,4	2,4
M84.12	Pseudoartróza po zlomenine nadlaktia	2,3	2	M86.19	Iná akútna osteomyelitída,miesto bliž.neurč.	2,3,4	2,4
M84.13	Pseudoartróza po zlomenine predlak.	2,3	2	M86.20	Subakútna osteomyelitída na viacerých miestach	2,3,4	2,4
M84.14	Pseudoartróza po zlomenine ruky	2,3	2	M86.21	Subakútna osteomyelitída v obl.pleca	2,3,4	2,4
M84.15	Pseudoartróza po zlomenine panv.obl.a stehna	2,3	2	M86.22	Subakútna osteomyelitída nadlaktia	2,3,4	2,4
M84.16	Pseudoartróza po zlomenine predkol.	2,3	2	M86.23	Subakútna osteomyelitída predlak.	2,3,4	2,4
M84.17	Pseudoartróza po zlomenine čl. a nohy	2,3	2	M86.24	Subakútna osteomyelitída ruky	2,3,4	2,4
M84.18	Pseudoartróza po zlomenine na i.mieste	2,3	2	M86.25	Subakútna osteomyelitída panv.obl.a stehna	2,3,4	2,4
M84.19	Pseudoartróza po zlomenine,miesto bliž.neurč.	2,3	2	M86.26	Subakútna osteomyelitída predkol.	2,3,4	2,4
M84.20	Predĺžené hojenie zlomeniny na viacerých miestach	2,3	2	M86.27	Subakútna osteomyelitída čl.a nohy	2,3,4	2,4
M84.21	Predĺžené zahojenie zlomeniny v obl.pleca	2,3	2	M86.28	Subakútna osteomyelitída na i.mieste	2,3,4	2,4
M84.22	Predĺžené zahojenie zlomeniny nadlaktia	2,3	2	M86.29	Subakútna osteomyelitída,miesto bliž.neurč.	2,3,4	2,4
M84.23	Predĺžené zahojenie zlomeniny predlak.	2,3	2	M86.30	Chron.multifokálna osteomyelitída na viac.m.	2,3,4	2,4
M84.24	Predĺžené zahojenie zlomeniny ruky	2,3	2	M86.31	Chron.multifokálna osteomyelitída v obl.pleca	2,3,4	2,4
M84.25	Predĺžené zahojenie zlomeniny panv.obl.a stehna	2,3	2	M86.32	Chron.multifokálna osteomyelitída nadlaktia	2,3,4	2,4
M84.26	Predĺžené zahojenie zlomeniny predkol.	2,3	2	M86.33	Chron.multifokálna osteomyelitída predlak.	2,3,4	2,4
M84.27	Predĺžené zahojenie zlomeniny čl.a nohy	2,3	2	M86.34	Chron.multifokálna osteomyelitída ruky	2,3,4	2,4
M84.28	Predĺžené zahojenie zlomeniny na i.mieste	2,3	2	M86.35	Chron.multifokálna osteomyelitída panv.obl.a stehna	2,3,4	2,4
M84.29	Predĺžené zahojenie zlomeniny na n.mieste	2,3	2	M86.36	Chron.multifokálna osteomyelitída predkol.	2,3,4	2,4
M84.30	Únavová zlomenina,nezatr.i.na viac.m.	2,3,4	1,2,3,4	M86.37	Chron.multifokálna osteomyelitída čl.a nohy	2,3,4	2,4
M84.31	Únavová zlomenina,nezatr.i.v obl.pleca	2,3,4	1,2,3,4	M86.38	Chron.multifokálna osteomyelitída na i.mieste	2,3,4	2,4
M84.32	Únavová zlomenina,nezatr.i.v obl.nadlaktia	2,3,4	1,2,3,4	M86.39	Chron.multifokálna osteomyelitída,miesto bliž.neurč.	2,3,4	2,4
M84.33	Únavová zlomenina,nezatr.i.v obl.predlak.	2,3,4	1,2,3,4	M86.40	Chronická osteomyelitída s fistulou na viac.m.	2,3,4	2,4
M84.34	Únavová zlomenina,nezatr.i.v obl.ruky	2,3,4	1,2,3,4	M86.41	Chronická osteomyelitída s fistulou v obl.pleca	2,3,4	2,4
M84.35	Únavová zlomenina,nezatr.i.v obl.panvy a stehna	2,3,4	1,2,3,4	M86.42	Chronická osteomyelitída s fistulou nadlaktia	2,3,4	2,4
M84.36	Únavová zlomenina,nezatr.i.v obl.predkol.	2,3,4	1,2,3,4	M86.43	Chronická osteomyelitída s fistulou predlak.	2,3,4	2,4
M84.37	Únavová zlomenina,nezatr.i.v obl.čl.a nohy	2,3,4	1,2,3,4	M86.44	Chronická osteomyelitída s fistulou ruky	2,3,4	2,4
M84.38	Únavová zlomenina,nezatr.i.na i.mieste	2,3,4	1,2,3,4	M86.45	Chronická osteomyelitída s fistulou panv.obl.a stehna	2,3,4	2,4
M84.39	Únavová zlomenina,nezatr.i.,miesto bliž.neurč.	2,3,4	1,2,3,4	M86.46	Chronická osteomyelitída s fistulou predkol.	2,3,4	2,4
M84.40	Patologická zlomenina,nezatr.i.na viac.m.	2,3,4	1,2,3,4	M86.47	Chronická osteomyelitída s fistulou čl.a nohy	2,3,4	2,4
M84.41	Patologická zlomenina,nezatr.i.v obl.pleca	2,3,4	1,2,3,4	M86.48	Chronická osteomyelitída s fistulou na i.mieste	2,3,4	2,4
M84.42	Patologická zlomenina,nezatr.i.v obl.nadlaktia	2,3,4	1,2,3,4				
M84.43	Patologická zlomenina,nezatr.i.v obl.predlak.	2,3,4	1,2,3,4				
M84.44	Patologická zlomenina,nezatr.i.v obl.ruky	2,3,4	1,2,3,4				
M84.45	Patologická zlomenina,nezatr.i.v obl.panv.obl.a stehna	2,3,4	1,2,3,4				

ICD	Text	OP. CCL	Med. CCL	ICD	Text	OP. CCL	Med. CCL
M86.49	Chronická osteomyelitída s fistulou,miesto bliž.neurč.	2,3,4	2,4	M87.18	Osteonekróza zaprič.liekmi,na i.mieste	4	4
M86.50	Iná chronická hematogénna osteomyelit.na viac.m.	2,3,4	2,4	M87.19	Osteonekróza zaprič.liekmi,miesto bliž.neurč.	4	4
M86.51	Iná chronická hematogénna osteomyelit.v obl.pleca	2,3,4	2,4	M87.20	Osteonekróza zaprič.predchádz.úrazom,na viac.m.	4	4
M86.52	Iná chronická hematogénna osteomyelit.nadlaktia	2,3,4	2,4	M87.21	Osteonekróza zaprič.predchádz.úrazom,v obl.pleca	4	4
M86.53	Iná chronická hematogénna osteomyelit.predlak.	2,3,4	2,4	M87.22	Osteonekróza zaprič.predchádz.úrazom,nadlaktia	4	4
M86.54	Iná chronická hematogénna osteomyelit.ruky	2,3,4	2,4	M87.23	Osteonekróza zaprič.predchádz.úrazom,predlak.	4	4
M86.55	Iná chronická hematogénna osteomyelit.panv.obl.a stehna	2,3,4	2,4	M87.24	Osteonekróza zaprič.predchádz.úrazom,ruky	4	4
M86.56	Iná chronická hematogénna osteomyelit.predkol.	2,3,4	2,4	M87.25	Osteonekróza zaprič.predchádz.úrazom,panv.obl.a stehna	4	4
M86.57	Iná chronická hematogénna osteomyelit.čl.a nohy	2,3,4	2,4	M87.26	Osteonekróza zaprič.predchádz.úrazom,predkol.	4	4
M86.58	Iná chronická hematogénna osteomyelit.na i.mieste	2,3,4	2,4	M87.27	Osteonekróza zaprič.predchádz.úrazom,čl.a nohy	4	4
M86.59	Iná chronická hematogénna osteomyelit.,miesto bliž.neurč.	2,3,4	2,4	M87.28	Osteonekróza zaprič.predchádz.úrazom,na i.mieste	4	4
M86.60	Iná chronická osteomyelitída na viacerých miestach	4	4	M87.29	Osteonekróza zaprič.predchádz.úrazom,miesto bliž.neurč.	4	4
M86.61	Iná chronická osteomyelitída v obl.pleca	4	4	M87.30	Iná sekundárna osteonekróza na viacerých miestach	4	4
M86.62	Iná chronická osteomyelitída nadlaktia	4	4	M87.31	Iná sekundárna osteonekróza v obl.pleca	4	4
M86.63	Iná chronická osteomyelitída predlak.	4	4	M87.32	Iná sekundárna osteonekróza nadlaktia	4	4
M86.64	Iná chronická osteomyelitída ruky	4	4	M87.33	Iná sekundárna osteonekróza predlak.	4	4
M86.65	Iná chronická osteomyelitída panv.obl.a stehna	4	4	M87.34	Iná sekundárna osteonekróza ruky	4	4
M86.66	Iná chronická osteomyelitída predkol.	4	4	M87.35	Iná sekundárna osteonekróza panv.obl.a stehna	4	4
M86.67	Iná chronická osteomyelitída čl.a nohy	4	4	M87.36	Iná sekundárna osteonekróza predkol.	4	4
M86.68	Iná chronická osteomyelitída na i.mieste	4	4	M87.37	Iná sekundárna osteonekróza čl.a nohy	4	4
M86.69	Iná chronická osteomyelitída,miesto bliž.neurč.	4	4	M87.38	Iná sekundárna osteonekróza na i.mieste	4	4
M86.80	Iná osteomyelitída na viacerých miestach	4	4	M87.39	Iná sekundárna osteonekróza,miesto bliž.neurč.	4	4
M86.81	Iná osteomyelitída v obl.pleca	4	4	M87.80	Iná osteonekróza na viacerých miestach	4	4
M86.82	Iná osteomyelitída nadlaktia	4	4	M87.81	Iná osteonekróza v obl.pleca	4	4
M86.83	Iná osteomyelitída predlak.	4	4	M87.82	Iná osteonekróza nadlaktia	4	4
M86.84	Iná osteomyelitída ruky	4	4	M87.83	Iná osteonekróza predlak.	4	4
M86.85	Iná osteomyelitída panv.obl.a stehna	4	4	M87.84	Iná osteonekróza ruky	4	4
M86.86	Iná osteomyelitída predkol.	4	4	M87.85	Iná osteonekróza panv.obl.a stehna	4	4
M86.87	Iná osteomyelitída čl.a nohy	4	4	M87.86	Iná osteonekróza predkol.	4	4
M86.88	Iná osteomyelitída na i.mieste	4	4	M87.87	Iná osteonekróza čl.a nohy	4	4
M86.89	Iná osteomyelitída,miesto bliž.neurč.	4	4	M87.88	Iná osteonekróza na i.mieste	4	4
M86.90	Osteomyelitída,bliž.neurč.na viac.m.	4	4	M87.89	Iná osteonekróza,miesto bližšie neurčené	4	4
M86.91	Osteomyelitída,bliž.neurč.v obl.pleca	4	4	M87.90	Osteonekróza,bliž.neurč.na viac.m.	4	4
M86.92	Osteomyelitída,bliž.neurč.v obl.nadlaktia	4	4	M87.91	Osteonekróza,bliž.neurč.v obl.pleca	4	4
M86.93	Osteomyelitída,bliž.neurč.v obl.predlak.	4	4	M87.92	Osteonekróza,bliž.neurč.v obl.nadlaktia	4	4
M86.94	Osteomyelitída,bliž.neurč.v obl.ruky	4	4	M87.93	Osteonekróza,bliž.neurč.v obl.predlak.	4	4
M86.95	Osteomyelitída,bliž.neurč.panv.obl.a stehna	4	4	M87.94	Osteonekróza,bliž.neurč.v obl.ruky	4	4
M86.96	Osteomyelitída,bliž.neurč.v obl.predkol.	4	4	M87.95	Osteonekróza,bliž.neurč.panv.obl.a stehna	4	4
M86.97	Osteomyelitída,bliž.neurč.v obl.čl.a nohy	4	4	M87.96	Osteonekróza,bliž.neurč.v obl.predkol.	4	4
M86.98	Osteomyelitída,bliž.neurč.na i.mieste	4	4	M87.97	Osteonekróza,bliž.neurč.v obl.čl.a nohy	4	4
M86.99	Osteomyelitída,bliž.neurč.n,miesto bliž.neurč.	4	4	M87.98	Osteonekróza,bliž.neurč.na i.mieste	4	4
M87.02	Idiop.aseptická nekróza kosti nadlaktia	4	4	M87.99	Osteonekróza,bliž.neurč.,miesto bliž.neur.	4	4
M87.05	Idiop.aseptická nekróza kosti panv.obl.a stehna	4	4	M90.00	Tuberkulóza kosti na viacerých miestach (A18.0†)	2,4	2,4
M87.06	Idiop.aseptická nekróza kosti predkol.	4	4	M90.01	TBC kosti v obl.pleca	2,4	2,4
M87.07	Idiop.aseptická nekróza kosti čl.a nohy	4	4	M90.02	TBC kosti nadlaktia	2,4	2,4
M87.09	Idiop.aseptická nekróza kosti ,miesto bliž.neurč.	4	4	M90.03	TBC kosti predlak.	2,4	2,4
M87.10	Osteonekróza zaprič.liekmi,na viac.m.	4	4	M90.04	TBC kosti ruky	2,4	2,4
M87.11	Osteonekróza zaprič.liekmi,v obl.pleca	4	4	M90.05	TBC kosti panv.obl.a stehna	2,4	2,4
M87.12	Osteonekróza zaprič.liekmi,v obl.nadlaktia	4	4	M90.06	TBC kosti predkol.	2,4	2,4
M87.13	Osteonekróza zaprič.liekmi,v obl.predlak.	4	4	M90.07	TBC kosti čl.a nohy	2,4	2,4
M87.14	Osteonekróza zaprič.liekmi,v obl.ruky	4	4	M90.08	TBC kosti na i.mieste	2,4	2,4
M87.15	Osteonekróza zaprič.liekmi,panv.obl.a stehna	4	4	M90.09	Tuberkulóza kosti,miesto bližšie neurčené (A18.0†)	2,4	2,4
M87.16	Osteonekróza zaprič.liekmi,v obl.predkol.	4	4	M90.10	Periostitída pri i.infekč.chor.zatried.i.na viac.m.	2,4	2,4
M87.17	Osteonekróza zaprič.liekmi,v obl.čl.a nohy	4	4				

ICD	Text	OP. CCL	Med. CCL	ICD	Text	OP. CCL	Med. CCL
M90.11	Periostitída pri i.infekč.chor.zatried.i.v obl.pleca	2,4	2,4	M90.49	Osteonekróza zapríč.hemoglobinopat.,miesto bliž.neurč.	2,4	2
M90.12	Periostitída pri i.infekč.chor.zatried.i.v obl.nadlaktia	2,4	2,4	M90.60	Deform.osteodystrofia pri nádoroch,na viac.m.	2,4	2
M90.13	Periostitída pri i.infekč.chor.zatried.i.v obl.predlak.	2,4	2,4	M90.61	Deform.osteodystrofia pri nádoroch,v obl.pleca	2,4	2
M90.14	Periostitída pri i.infekč.chor.zatried.i.v obl.ruky	2,4	2,4	M90.62	Deform.osteodystrofia pri nádoroch,v obl.nadlaktia	2,4	2
M90.15	Periostitída pri i.infekč.chor.zatried.i.v obl.panvy a stehna	2,4	2,4	M90.63	Deform.osteodystrofia pri nádoroch,v obl.predlak.	2,4	2
M90.16	Periostitída pri i.infekč.chor.zatried.i.v obl.predkol.	2,4	2,4	M90.64	Deform.osteodystrofia pri nádoroch,v obl.ruky	2,4	2
M90.17	Periostitída pri i.infekč.chor.zatried.i.v obl.čl.a nohy	2,4	2,4	M90.65	Deform. osteodystrofia pri nádoroch,v obl.panvy a stehna	2,4	2
M90.18	Periostitída pri i.infekč.chor.zatried.i.na i.mieste	2,4	2,4	M90.66	Deform.osteodystrofia pri nádoroch,v obl.predkol.	2,4	2
M90.19	Periostitída pri i.infekč.chor.zatried.i.,miesto bliž.neurč.	2,4	2,4	M90.67	Deform.osteodystrofia pri nádoroch,v obl.čl.a nohy	2,4	2
M90.20	Osteopatia pri i.infekč.chor.zatried.i.na viac.m.	2,4	2,4	M90.68	Deform.osteodystrofia pri nádoroch,na i.mieste	2,4	2
M90.21	Osteopatia pri i.infekč.chor.zatried.i.v obl.pleca	2,4	2,4	M90.69	Deform.osteodystrofia pri nádoroch,miesto bliž.neurč.	2,4	2
M90.22	Osteopatia pri i.infekč.chor.zatried.i.v obl.nadlaktia	2,4	2,4	M90.70	Zlomenina kosti pri nádore,na viac.m.t	2,3,4	1,2,3,4
M90.23	Osteopatia pri i.infekč.chor.zatried.i.v obl.predlak.	2,4	2,4	M90.71	Zlomenina kosti pri nádore,v obl.pleca	2,3,4	1,2,3,4
M90.24	Osteopatia pri i.infekč.chor.zatried.i.v obl.ruky	2,4	2,4	M90.72	Zlomenina kosti pri nádore,v obl.nadlaktia	2,3,4	1,2,3,4
M90.25	Osteopatia pri i.infekč.chor.zatried.i.v obl.panvy a stehna	2,4	2,4	M90.73	Zlomenina kosti pri nádore,v obl.predlak.	2,3,4	1,2,3,4
M90.26	Osteopatia pri i.infekč.chor.zatried.i.v obl.predkol.	2,4	2,4	M90.74	Zlomenina kosti pri nádore,v obl.ruky	2,3,4	1,2,3,4
M90.27	Osteopatia pri i.infekč.chor.zatried.i. obl.čl.a nohy	2,4	2,4	M90.75	Zlomenina kosti pri nádore,v obl.panvy a stehna	2,3,4	1,2,3,4
M90.28	Osteopatia pri i.infekč.chor.zatried.i.na i.mieste	2,4	2,4	M90.76	Zlomenina kosti pri nádore,v obl.predkol.	2,3,4	1,2,3,4
M90.29	Osteopatia pri i.infekč.chor.zatried.i.miesto bliž.neurč.	2,4	2,4	M90.77	Zlomenina kosti pri nádore,v obl.čl.a nohy	2,3,4	1,2,3,4
M90.30	Osteonekróza pri kesónovej chor.na viac.m.	2,4	2	M90.78	Zlomenina kosti pri nádore,na i.mieste	2,3,4	1,2,3,4
M90.31	Osteonekróza pri kesónovej chor.v obl.pleca	2,4	2	M90.79	Zlomenina kosti pri nádore,miesto bliž.neurč.	2,3,4	1,2,3,4
M90.32	Osteonekróza pri kesónovej chor.v obl.nadlaktia	2,4	2	M96.0	Pseudoartróza po fúzii alebo artrodéze	2,3	2
M90.33	Osteonekróza pri kesónovej chor.v obl.predlak.	2,4	2	M96.6	Zlomen.kosti po vlož.ortop.impl.,kĺb.protézy/kostnej platničky	2,3,4	2,3,4
M90.34	Osteonekróza pri kesónovej chor.v obl.ruky	2,4	2	M96.80	Elektívne ponechané otvor.sternum po chirurg.výk.na hrudníku	2,3,4	2,3,4
M90.35	Osteonekróza pri kesónovej chor.v obl.panvy a stehna	2,4	2	M96.81	Nestabilný hrudný kôš po chir.výk. na hrudníku	2,3,4	2,3,4
M90.36	Osteonekróza pri kesónovej chor.v obl.predkol.	2,4	2	M96.88	Iná choroba sústavy sval.a kostí po lek.výk.	2,3,4	2,3,4
M90.37	Osteonekróza pri kesónovej chor.v obl.čl.a nohy	2,4	2	M96.9	Choroba svalovej a kostrovej sústavy po lekár.výk.bliž.neurč.	2,3,4	2,4
M90.38	Osteonekróza pri kesónovej chor.na i.mieste	2,4	2	N00.0	Akútny nefritický syndróm:malé abnormality glomerulov	2,3,4	2,3
M90.39	Osteonekróza pri kesónovej chor.miesto bliž.neurč.	2,4	2	N00.1	Akútny nefritický synd.:fok.a segm.lézie glomerulov	2,3,4	2,3
M90.40	Osteonekróza zapríč.hemoglobinopatiou,na viac.m.(D50-D64†)	2,4	2	N00.2	Akútny nefritický synd.:dif.membránová glomerulonefrit.	2,3,4	2,3
M90.41	Osteonekróza zapríč.hemoglobinopat.v obl.pleca	2,4	2	N00.3	Akútny nefritický synd.:dif.mezangioprolif.glomerulonefrit.	2,3,4	2,3
M90.42	Osteonekróza zapríč.hemoglobinopat.v obl.nadlaktia	2,4	2	N00.4	Akútny nefritický synd.:dif.endokap.prolif.glomerulonefrit.	2,3,4	2,3
M90.43	Osteonekróza zapríč.hemoglobinopat.v obl.predlak.	2,4	2	N00.5	Akútny nefritický synd.:dif.mezangiokap.glomerulonefrit.	2,3,4	2,3
M90.44	Osteonekróza zapríč.hemoglobinopat.v obl.ruky	2,4	2	N00.6	Akútny nefritický synd.:chor.denzných depozitov	2,3,4	2,3
M90.45	Osteonekróza zapríč.hemoglobinopat.v obl.panvy a stehna	2,4	2	N00.7	Akútny nefritický synd.:dif.glomerulonefrit.s výrastkami	2,3,4	2,3
M90.46	Osteonekróza zapríč.hemoglobinopat.v obl.predkol.	2,4	2	N00.8	Akútny nefritický synd.: iné morfológické zmeny	2,3,4	2,3
M90.47	Osteonekróza zapríč.hemoglobinopat.v obl.čl.a nohy	2,4	2	N00.9	Akútny nefritický synd.:morfol.zmena,bliž.neurč.	2,3,4	2,3
M90.48	Osteonekróza zapríč.hemoglobinopat.,na i.mieste	2,4	2	N01.0	Rýchlo progred.nefritický synd.:malé abn.glomerulov	2,3,4	2,3
				N01.1	Rýchlo progred.nefrit.synd.:fok.a segm.lézie glomer.	2,3,4	2,3
				N01.2	Rýchlo progred.nefrit.ynd.:dif.membránová glom.nefrit.	2,3,4	2,3
				N01.3	Rýchlo progred.nefrit.synd.:dif.mezangioprolif glom.nefrit.	2,3,4	2,3

ICD	Text	OP. CCL	Med. CCL	ICD	Text	OP. CCL	Med. CCL
N01.4	Rýchlo progred.nefrit.synd.:dif.endokap.prolif.glom.ne frit.	2,3,4	2,3	N15.11	Perinefritický absces	2,3,4	2,3,4
N01.5	Rýchlo progred.nefrit.synd.:dif.mezangiokap.glomerul onefrit.	2,3,4	2,3	N17.0	Akútne zlyhanie obličiek s tubulovou nekrózou	2,3,4	2,3,4
N01.6	Rýchlo progred.nefritický synd.:chor.denzných depozitov	2,3,4	2,3	N17.1	Akútne zlyhanie obličiek s akútnou kortikálnou nekrózou	2,3,4	2,3,4
N01.7	Rýchlo progred.nefritický synd.:dif.glomerulonefrit.s výras.	2,3,4	2,3	N17.2	Akútne zlyhanie obličiek s dreňovou nekrózou	2,3,4	2,3,4
N01.8	Rýchlo progred.nefritický synd.:i.morfol.zemny	2,3,4	2,3	N17.8	Iné akútne zlyhanie obličiek	2,3,4	2,3,4
N01.9	Rýchlo progred.nefritický synd.:morfol.zmena,b.n.	2,3,4	2,3	N17.9	Akútne zlyhanie obličiek,blížšie neurčené	2,3,4	2,3,4
N02.0	Recid.a pretrv.hematúria:malé abn.glomerulov	2,3	2,3	N18.1	Chronická choroba obličiek,1.štádium	1,2,4	1,2,3,4
N02.1	Recid.a pretrv.hematúria:fok.a segm.lézie glomerulov	2,3	2,3	N18.2	Chronická choroba obličiek,2.štádium	1,2,4	1,2,3,4
N02.2	Recid.a pretrv.hematúria:dif.membránová glomerulonefrit.	2,3	2,3	N18.3	Chronická choroba obličiek,3.štádium	1,2,3,4	1,2,3,4
N02.3	Recid.a pretrv.hematúria:dif.mezangioprolif glomerulonefrit.	2,3	2,3	N18.4	Chronická choroba obličiek,4.štádium	2,3,4	2,3,4
N02.4	Recid.a pretrv.hematúria:dif.endokap.prolif glomerulonefrit.	2,3	2,3	N18.5	Chronická choroba obličiek,5.štádium	2,3,4	2,3
N02.5	Recid.a pretrv.hematúria:dif.mezangiokap glomerulonefrit.	2,3	2,3	N18.80	Jednostranná chronická porucha funkcie obličky	1,2,4	1,2,3,4
N02.6	Recid.a pretrv.hematúria:chor.denzných depozitov	2,3	2,3	N18.89	Iná chronická choroba obličiek,štádium,b.n.	4	4
N02.7	Recid.a pretrv.hematúria:dif.glomerulonefrit.s výrastkami	2,3	2,3	N18.9	Chronická choroba obličiek,blížšie neurčená	4	4
N02.8	Recid.a pretrv.hematúria:iné morfol.zmeny	2,3	2,3	N19	Zlyhanie obličiek,blížšie neurčené	4	4
N02.9	Recid.a pretrv.hematúria:morfol.zmena,blíž.neurč.	2,3	2,3	N20.0	Konkrement obličky	4	4
N03.6	Chron.nefritický synd.:chor.denzných depozitov	2,3,4	1,2,4	N20.1	Konkrement močovodu	2,3,4	1,2,3
N04.0	Nefrotický syndróm:malé abnormality glomerulov	2,3,4	2,3,4	N20.2	Konkrement obličky s konkrementom močovodu	4	4
N04.1	Nefrotický synd.:fok.a segm.lézie glomerulov	2,3,4	1,2,4	N25.1	Nefrogénny diabetes insipidus	4	4
N04.2	Nefrotický synd.:dif.membránová glomerulonefrit.	2,3,4	1,2,4	N28.0	Ischémia a infarkt obličky	4	4
N04.3	Nefrotický synd.:dif.mezangioprolif.glomerulonefrit.	2,3,4	2,3,4	N30.0	Akútna cystitída	1	1
N04.4	Nefrotický synd.:dif.endokap.prolif.glomerulonefrit.	2,3,4	2,3,4	N30.1	Intersticiálna cystitída (chronická)	2,3,4	2,3
N04.5	Nefrotický synd.:dif.mezangiokap.glomerulonefrit.	2,3,4	2,3,4	N30.4	Postradiačná cystitída	2,3,4	1,2
N04.6	Nefrotický syndróm: choroba denzných depozitov	2,3,4	2,3,4	N31.2	Atonický neurogénny močový mechúr,nezatr.i.	2,3,4	1,2
N04.7	Nefrotický synd.:dif.glomerulonefrit.s výrastkami	2,3,4	1,2,4	N32.0	Obštrukcia krčka močového mechúra	2,3,4	1,2
N04.8	Nefrotický syndróm: iné morfológické zmeny	2,3,4	1,2,4	N32.1	Vezikointestinálna fistula	2,3,4	2,3,4
N04.9	Nefrotický synd.:morfol.zmena,blíž.neurč.	2,3,4	1,2,4	N32.2	Fistula močového mechúra,nezatriedená inde	2,3,4	2,3,4
N08.3	Glomerul.choroba pri DM	4	4	N32.3	Divertikul močového mechúra	4	4
N10	Akútna tubulointersticiálna nefritída	2,3,4	2,3,4	N32.4	Ruptúra močového mechúra,neúrazová	2,3,4	2,3,4
N12	Tubulointersticiálna nefritída,n.ako akút./chron.	2,3,4	2,3	N33.0	Tuberkulózná cystitída (A18.1†)	2,3,4	2,3
N13.0	Hydronefróza s obštrukciou pyeloureterového prechodu	2,3,4	1,2,3	N33.8	Choroba močového mechúra pri iných chor.zi	2,3,4	2,3
N13.1	Hydronefróza so striktúrou močovodu,n.i.	2,3,4	1,2,3	N34.0	Absces močovej rúry	2,3,4	2,3,4
N13.2	Hydronefróza pri obštrukcii kameňom obličky a močovodu	2,3,4	1,2,3	N35.0	Pouúrazová striktúra uretry	2	2
N13.3	Iná a bližšie neurčená hydronefróza	2,3,4	1,2,3	N35.8	Iná striktúra uretry	4	4
N13.4	Hydroureter	2,3,4	1,2,3	N36.0	Fistula uretry	4	4
N13.5	Zalomenie a striktúra močovodu bez hydronefrózy	4	4	N36.1	Divertikul uretry	4	4
N13.6	Pyonefros	2,3,4	1,2,3	N39.3	Stresová inkontinencia moču	1	1
N13.8	Iná obštrukčná a refluxová uropatia	4	4	N39.40	Reflexná inkontinencia moču	1	1
N13.9	Obštrukčná a refluxová uropatia, bližšie neurčená	2,4	1,2,4	N39.41	Inkontinencia moču z pretekania	1	1
N15.10	Absces obličky	2,3,4	2,3,4	N39.42	Nutkavá inkontinencia moču	1	1
				N39.43	Extrauretrálna inkontinencia moču	1	1
				N39.47	Recidivujúca inkontinencia moču	1	1
				N39.48	Iná inkontinencia moču,blížšie určená	1	1
				N41.0	Akútna prostatitída	2	2
				N41.2	Absces prostaty	2	2
				N41.3	Prostatocystitída	2	2
				N42.1	Kongescia a krvácanie z prostaty	1,2	1,2
				N43.1	Infikovaná hydrokéla	2,4	2,4
				N44.0	Torzia semenníka	4	4
				N44.1	Torzia hidatídy [Morgagni]	4	4
				N45.0	Orchitída,epididymitída a epididymoorchitída s abscesom	2,4	2,4
				N63	Hrčka v prsníku,blížšie neurčená	1,2	2
				N70.0	Akútna salpingitída a ooforitída	2	2
				N71.0	Akútna zápalová choroba maternice	2	2
				N73.0	Akútna parametritída a panvová celulitída	2	2
				N73.3	Akútna pelveoperitonitída u žien	2	2
				N73.5	Pelveoperitonitída u žien,blížšie neurčená	2	2
				N74.0	Tuberkulózná infekcia krčka maternice (A18.1†)	2	2
				N74.1	Tuberkulózný zápal ženských panvov.org.	2	2
				N75.1	Absces Bartholinovej žľazy	2	2
				N76.4	Absces vulvy	2,4	2,4

ICD	Text	OP. CCL	Med. CCL	ICD	Text	OP. CCL	Med. CCL
N82.0	Vezikovaginálna fistula	4	4	O13	Gestačná artér.hypert.bez významnej proteínúrie	2	2
N82.1	Iná fistula medzi ženskými moč.a pohlav.orgánmi	4	4	O14.0	Mierna a stredne ťažká preeklampsia	2	2
N82.2	Fistula medzi pošvou a tenkým črevom	2,4	2,3,4	O14.1	Ťažká preeklampsia	2	2
N82.3	Fistula medzi pošvou a hrubým črevom	2,4	2,3,4	O14.2	Syndróm HELLP	2	2
N82.4	Iná fistula medzi ženskými pohlav.org.a črevom	2,4	2,3,4	O14.9	Preeklampsia,blížšie neurčená	2	2
N82.5	Fistula medzi ženskými pohlavnými orgánmi a kožou	4	4	O15.0	Eklampsia v gravidite	2	2
N82.8	Iná fistula ženských pohlavných orgánov	4	4	O15.1	Eklampsia pri pôrode	2	2
N82.9	Fistula ženských pohlavných orgánov,blíž.neurč.	4	4	O15.2	Eklampsia v šestonedelí	2	2
N83.5	Torzia vaječníka, topky vaječníka a vajíčkovodu	4	4	O15.9	Eklampsia,časovo bližšie neurčená	2	2
N83.7	Hematóm širokého väzu matrice	1,2	1	O20.0	Hrozíaci potrat (abortus imminens)	2	2
N98.0	Infekcia spojená s umelým oplodnením	2,3,4	2,3	O20.8	Iné krvácanie vo včasnej gravidite	2	2
N98.2	Komplikácie pri pokuse zaviesť oplod.vajíčko po oplod.in vitro	2,3,4	2,3	O20.9	Krvácanie vo včasnej gravidite,blížšie neurčené	2	2
N98.3	Komplikácie pri pokuse zaviesť embryo pri prenose embrya	2,3,4	2,3	O22.2	Povrchová tromboflebitída v gravidite	2	2
N98.8	Iné komplikácie spojené s umelým oplodnením	2,3,4	2,3	O22.3	Hĺbková flebotrombóza v gravidite	2	2
N98.9	Komplikácie spojené s umelým oplodnením,b.n.	2,3,4	2,3	O22.5	Trombóza mozgových žíl v gravidite	2	2
N99.1	Striktúra uretry po lekárskom výkone	4	4	O23.0	Infekcia obličiek v gravidite	2	2
N99.3	Prolaps pošvovej klenby po hysterektómii	1,2	1	O23.1	Infekcia močového mechúra v gravidite	2	2
O03.0	Spont.potrat:nekomplet.potrat,kompl.infekc.po hl.a panv.org.	2	2	O23.2	Infekcia močovej rúry v gravidite	2	2
O03.1	Spont.potrat:nekomplet.potrat,kompl.oneskor./nadmer.krvác.	2	2	O23.3	Infekcia iných častí močovej sústavy v gravidite	2	2
O03.2	Spont.potrat:nekomplet.potrat,komplikovaný embóliou	2	2	O23.4	Infekcia moč.sústavy v gravidite,b.n.	2	2
O03.3	Spont.potrat:nekomplet.potrat s i.a bliž.neurč.kompl.	2	2	O23.5	Infekcia pohlavných orgánov v gravidite	2	2
O03.4	Spont.potrat:nekomplet.potrat bez kompl.	2	2	O23.9	Iná a bliž.neu.infekcia močovopohl.org.v grav.	2	2
O03.5	Spont.potrat:komplet./bliž.n.potrat,kompl.inf.p ohl.a panv.org.	2	2	O24.0	DM v gravidite predtým existuj.DM,typ 1	1,2	1,2
O03.6	Spont.potrat:komplet./bliž.n.potrat,kompl.oneskor./nadm.krvác.	2	2	O24.1	DM v gravidite predtým existuj.DM,typ 2	1,2	1,2
O03.7	Spont.potrat:komplet./bliž.neurč.potrat,kompl.embóliou	2	2	O24.2	DM v gravidite predtým existuj.DM súvis.s podvýživou	1,2	1,2
O03.8	Spont.potrat:komplet./bliž.neurč.potrat s i.a bliž.neur.kompl.	2	2	O24.3	DM v gravidite predtým existuj.DM,b.n.	1,2	1,2
O03.9	Spont.potrat:komplet./bliž.n.eurč.potrat bez kompl.	2	2	O24.4	Diabetes mellitus so vznikom v gravidite	1,2	1,2
O08.0	Infekcia pohlav.a panv.org.po potrate,mimomat.gr.a gr.s MH	2	2	O24.9	Diabetes mellitus v gravidite,blížšie neurčený	1,2	1,2
O08.1	Onesk./nadm.krvác.po potr,mimomat.gr.a grav.s malou hydati.	2	2	O26.6	Choroba pečene v gravidite,pri pôrode a v šestonedelí	2	2
O08.2	Embólia po potrate,mimomat.grav.a grav.s molou hydatidosou	2	2	O29.0	Pľúcne komplikácie anestézie v gravidite	2	2
O08.3	Šok po potrate,mimomat.grav.a grav.s molou hydatidosou	2	2	O29.1	Srdcové komplikácie anestézie v gravidite	2	2
O08.4	Zlyháv.obličiek po potrate,mimomat.grav.a grav.s mal hydati.	2	2	O29.2	Komplikácie v CNS v spoj.s anestéziou v gavidite	2	2
O08.5	Metabické poruchy po potrate,mimomat.gr.a gr.s mal.hydati.	2	2	O29.3	Toxická reakcia na lokálnu anestéziu v gravidite	2	2
O08.6	Pošk.panv.org.a tk.po potr,mimomat.gr.a grav.s malou hydati.	2	2	O29.4	Bolesť hlavy,po spinál.a epidurál.anest.v grav.	2	2
O08.7	Iné žil.kompl.po potrate,mimomat.grav.a grav.s malou hydati.	2	2	O29.5	Iná komplikácia spinál.a epidurál.anestézie v grav.	2	2
O08.8	Iné kompl.po potrate,mimomat.grav.a grav.s molou hydatid.	2	2	O29.6	Neúspešná alebo sťažená intubácia v gravidite	2	2
O08.9	Kompl.po potrate,mimomat.grav.a grav.s molou hydatid.b.n.	2	2	O29.8	Iné komplikácie anestézie v gravidite	2	2
O11	Pred.exi.art.hypert.,kompl.grav.,pôr.a šest.,s nas.preek.	2	2	O29.9	Komplikácia anestézie v gravidite,blížšie neurčená	2	2
				O44.00	Nízko uložená placenta bez krvácania	1,2	2
				O44.01	Placenta praevia bez krvácania	1,2	2
				O44.10	Nízko uložená placenta s prebiehajúcim krvácaním	1,2	2
				O44.11	Placenta praevia s prebiehajúcim krvácaním	1,2	2
				O45.0	Predčasné odlupovanie placenty s poruchou koagulácie	2	2
				O46.0	Krvácanie pred pôrodom s poruchou zrážanlivosti	2	2
				O46.8	Iné krvácanie pred pôrodom	2	2
				O46.9	Krvácanie pred pôrodom, bližšie neurčené	2	2
				O47.0	Falošná pôr.činnosť pred ukonč.37.týž.gravidity	2	2
				O67.0	Krvácanie pri pôrode s poruchou koagulácie	2	2
				O67.8	Iné krvácanie pri pôrode	1,2	2
				O67.9	Krvácanie pri pôrode,blížšie neurčené	1,2	2
				O71.0	Ruptúra matrice pred začiatkom pôrodnej činnosti	2	2
				O71.1	Ruptúra matrice počas pôrodnej činnosti	2	2
				O72.3	Poruchy zrážanlivosti krvi po pôrode	2	2

ICD	Text	OP. CCL	Med. CCL	ICD	Text	OP. CCL	Med. CCL
O74.0	Aspiračná pneumónia zapríč.anestéziou počas pôr.č. a pôrodu	2	2	P10.0	Subdurálne kvácanie zapríč.poran.pri pôrode	4	4
O74.1	Iné pľúcne kompl.anestézie počas pôrod čin.a pôrodu	2	2	P10.1	Mozgové krvácanie zapríčinené poranením pri pôrode	4	4
O74.2	Srdcové kompl.anestézie počas pôrod.čin.a pôrodu	2	2	P10.2	Vnútrokomorové kvácanie zapríč.poran.pri pôrode	4	4
O74.3	Komplik.CNS s spojení s anestéziou počas pôrod čin.	2	2	P10.3	Subarachnoidálne kvácanie zapríč.poran.pri pôrode	4	4
O74.4	Toxická reakcia na lokálnu anestéziu počas pôr.čin.a pôrodu	2	2	P10.4	Roztrhnutie tentória zapríč.poran.pri pôrode	4	4
O74.5	Bolesť hlavy,zapr.spinál.a epidurál.anest.počas pôr.čin.a pôr.	2	2	P10.8	Iné vnútroleb.poran.a kvácania zapríč.poran.pri pôrode	4	4
O74.6	Iné kompl.spinál.a epidurál.anestézie počas pôr.čin.a pôrodu	2	2	P10.9	Bliž.neur.vnútroleb.poran.a kvácanie zapríč.poran. pri pôrode	4	4
O74.7	Neúspešná/sťažená intubácia počas pôr.čin.a pôrodu	2	2	P11.1	Iné poškodenie mozgu,zapříč.poran.pri pôrode,b.u.	4	4
O74.8	Iné komplik.anestézie počas pôr.čin.a pôrodu	2	2	P11.2	Bliž.neur.poškodenie mozgu,zapříč.poran.pri pôrode	4	4
O74.9	Komplik.anestézie počas pôr.čin.a pôrodu,b.n.	2	2	P11.50	Pôrodné poran.chrbtice a miechy s akút. ochmutím	2,4	2,3
O75.1	Šok počas pôrodnej činnosti,po nej a po pôrode	2	2	P11.51	Pôrodné poran.chrbtice a miechy s chron.ochmutím	2,4	2,3
O75.3	Iná infekcia počas pôrodnej činnosti	2	2	P11.59	Pôrodné poran.chrbtice a miechy,b.n.	2,4	2,3
O85	Puerperálna sepsa	2	2	P15.6	Nekróza podkožného tuku,zapříč.poran. ri pôrode	4	4
O86.0	Infekcia pôrodnickej operačnej rany	2	2	P21.0	Ťažká pôrodná asfyxia	1,2	2
O86.1	Iná infekcia pohlavných orgánov po pôrode	2	2	P22.0	Synd.respiračnej tiesne novorod.	4	4
O86.3	Iná infekcia močovopohlavnej sústavy po pôrode	2	2	P23.0	Vrodený zápal pľúc,zapříčinený vírusom	4	4
O86.8	Iná puerperálna infekcia,bližšie určená	2	2	P23.1	Vrodený zápal pľúc,zapříčinený chlamýdiou	4	4
O87.0	Povrchová tromboflebitída v šestonedelí	2	2	P23.2	Vrodený zápal pľúc,zapříčinený stafylokokom	4	4
O87.1	Hĺbková žilová trombóza (flebotrombóza) v šestonedelí	2	2	P23.3	Vrodený zápal pľúc,zapr.streptok.skupiny B	4	4
O87.3	Trombóza mozgových žíl v šestonedelí	2	2	P23.4	Vrodený zápal pľúc,zapříčinený Escherichia coli	4	4
O88.0	Vzduchová embólia v gestačnom období	2	2	P23.5	Vrodený zápal pľúc,zapříčinený pseudomonas	4	4
O88.1	Embólia plodovou vodou	2	2	P23.6	Vrodený zápal pľúc,zapříčinený inou baktériou	4	4
O88.20	Tromboembólia pľúc v gestačnom období	2	2	P23.8	Vrodený zápal pľúc,zapříčinený iným organizmom	4	4
O88.28	Iná tromboembólia v gestačnom období	2	2	P23.9	Vrodený zápal pľúc,bližšie neurčený	4	4
O88.3	Pyemická a septická embólia v gestačnom období	2	2	P24.0	Novorodenecká aspirácia smolky	4	4
O88.8	Iná embólia v gestačnom období	2	2	P24.1	Novorodenecká aspirácia plodovej vody a hlienu	4	4
O89.0	Pľúcne komplikácie anestézie v šestonedelí	2	2	P24.2	Novorodenecká aspirácia krvi	4	4
O89.1	Srdcové komplikácie anestézie v šestonedelí	2	2	P24.3	Novorod.aspirácia mlieka a regurgitovanej potravy	4	4
O89.2	Komplikácie CNS v spojení s anestéziou v šestonedelí	2	2	P24.8	Iný novorodenecký syndróm z aspirácie	4	4
O89.3	Toxická reakcia na lokálnu anestéziu v šestonedelí	2	2	P24.9	Novorodenecký syndróm z aspirácie,bližšie neurčený	4	4
O89.4	Bolesť hlavy,zapříč.spinál.a epidurál.anest.v šeston.	2	2	P25.0	Interstic.emfyzém so vznikom v perinatálnom obd.	4	4
O89.5	Iné kompl.spin.a epid.anestézie v šeston.	2	2	P25.1	Pneumotorax so vznikom v perinatálnom období	4	4
O89.6	Neúspešná alebo sťažená intubácia v šestonedelí	2	2	P25.2	Pneumomediastínium so vznikom v perinatálnom období	4	4
O89.8	Iné komplikácie anestézie v šestonedelí	2	2	P25.3	Pneumoperikard so vznikom v perinatálnom období	4	4
O89.9	Kompl.anestézie v šestonedelí,b.n.	2	2	P25.8	Iné stavy súvis.s interstic.emfyz.so vznik.v perinat.obd.	4	4
O90.1	Dehiscencia pôrodnickej rany hrádze	2	2	P26.0	Tracheobronchiálne krvácanie so vznik.v perinat.obd.	4	4
O90.3	Kardiomyopatia v šestonedelí	2	2	P26.1	Masívne pľúcne krvác.so vznikom v perinat.obd.	4	4
O90.4	Akútne poškodenie obličiek po pôrode	2	2	P26.8	Iné pľúcne krvác.so vznikom v perinat.období	4	4
O98.0	TBC,kompl.graviditu,pôrod a šestonedelie	2	2	P26.9	Pľúcne krvác.so vznik.v perinat.období.b.n.	4	4
O99.0	Anémia,komplikujúca graviditu,pôrod a šestonedelie	2	2	P27.0	Wilsonov-Mikityho syndróm	2,3,4	2,4
O99.4	Choroba obeh.súst.kompl.grav.pôrod a šeston.	2	2	P27.1	Bronchopulmonálna dysplázia so vznik.v perin.obd.	2,3,4	2,4
P01.6	Poškodenie plodu a novorodenca smrťou matky	3	3	P27.8	Iná chronická respirač.chor.so vznik.v perinatál.obd.	2,3,4	2,4
P07.00	Novorodeneč s pôrod.hmotnosť.menej ako 500 gr.	2,3,4	1,2,3	P27.9	Bliž.neurč.chron.respirač.choroba so vznikom v perinat.období	2,3,4	2,4
P07.01	Novorodeneč s pôrod.hmotnosť.od 500 do 750 gr.	2,3,4	1,2,3				
P07.02	Novorodeneč s pôrod.hmotnosť.od 750 do 1000 gr.	2,3,4	1,2,3				
P07.2	Novorodeneč s extrémnou nezrelosťou	2,3,4	1,2,3				

ICD	Text	OP. CCL	Med. CCL	ICD	Text	OP. CCL	Med. CCL
P35.0	Rubeolová embryopatia	2,4	2,4	P71.9	Prechodná porucha metabol.vápnika a horčíka u novorod.,b.n.	2,3,4	2,3
P35.1	Vrodená cytomegalovírusová infekcia	2,4	2,4	P72.0	Struma u novorodenca,nezatriedená inde	2,3,4	2,3
P35.2	Vrodená infekcia vírusom herpes simplex	2,4	2,4	P72.1	Prechodná hypertyreóza u novorodenca	4	4
P35.3	Vrodená vírusová hepatitída	1,2,3,4	1,2,3,4	P74.0	Neskorá metabolická acidóza u novorodenca	2,3,4	2,3
P35.8	Iná vrodená vírusová choroba	2,4	2,4	P74.1	Dehydratácia u novorodenca	2,3,4	2,3
P35.9	Vrodená vírusová choroba,blížšie neurčená	2,4	2,4	P74.2	Porucha rovnováhy sodíka u novorodenca	2,3,4	2,3
P36.0	Sepsa u novorod.zaprič.sterpt.zo skupiny B	4	4	P74.3	Porucha rovnováhy draslíka u novorodenca	2,3,4	2,3
P36.1	Sepsa u novorod.zaprič.i.a b.n.sterpt.	4	4	P74.4	Iná prechodná elektrolytová porucha u novorodenca	2,3,4	2,3
P36.2	Sepsa u novorod.zaprič.staphylococcus aureus	4	4	P76.2	Črevná nepriechod.zaprič.zahusteným mliekom	2,3,4	2,3
P36.3	Sepsa u novorod.zaprič.i.a bliž.neirč.stafylokokom	4	4	P77	Nekrotizujúca enterokolitída plodu a novorodenca	2,4	2,3,4
P36.4	Sepsa u novorodenca,zapričinená escherichia coli	4	4	P78.0	Perinatálna perforácia čreva	4	4
P36.5	Sepsa u novorod.zaprič.anaeróbnym mikroorganizmom	4	4	P78.1	Iná novorodenecká peritonitída	4	4
P36.8	Iná baktériová sepsa u novorodenca	4	4	P83.0	Sclerema neonatorum	4	4
P36.9	Baktériová sepsa u novorodenca,blížšie neurčená	4	4	P83.2	Hydrops plodu, nezapričinený hemolytickou chorobou	4	4
P37.0	Vrodená tuberkulóza	4	4	P90	Krče [konvulzie] u novorodenca	1,2,3,4	1,2,4
P37.1	Vrodená toxoplazmóza	4	4	P91.3	Mozgová dráždivosť novorodencov	1,2	2
P37.2	Novorodenecká (diseminovaná) listerióza	4	4	P91.5	Kóma u novorodenca	3,4	3
P37.3	Vrodená malária plasmodium falciparum	4	4	P92.0	Vracanie u novorodenca	1,2	1,2,3
P37.4	Iná vrodená malária	4	4	P92.1	Regurgitácia a ruminácia u novorodenca	2,3,4	2,3
P37.8	Iná vrodená infekčná a parazit.choroba,b.u.	4	4	P92.2	Pomalý príjem potravy u novorodenca	1,2	1,2,3
P37.9	Vrod.infekčná/parazitová choroba,b.n.	4	4	P92.3	Podvýživa (znížený príjem potravy) u novorodenca	2,3,4	2,3
P52.0	Vnútrokomorové(neúraz.)krvác.plodu a novorod.1.st.	4	4	P92.4	Nadmerná výživa u novorodenca	2,3,4	2,3
P52.1	Vnútrokomorové(neúraz.)krvác.plodu a novorod.2.st.	4	4	P92.5	Problém s dojčením u novorodenca	2,3,4	2,3
P52.2	Vnútrokomorové(neúraz.)krvác.plodu a novorod.3.st.	2,3,4	1,2,3,4	P94.0	Prechodná myasthenia gravis u novorodenca	2,3,4	1,2,3,4
P52.3	Vnútrokomorové(neúraz.)krvác.plodu a novorod.,b.n.	4	4	P96.1	Abstin.synd.u novorod.matky užív.návyk.látky a drogy	4	4
P52.5	Subarachnoidálne (neúraz.)krvác.plodu a novorod.	4	4	P96.2	Abstin.synd.novorod.pri lieč.podávaní liečiv	4	4
P53	Hemoragická choroba plodu a novorodenca	2,3,4	1,2,3,4	Q00.0	Anencefália	3,4	3,4
P54.4	Krvácanie do nadobličky u novorodenca	4	4	Q00.1	Kraniorachischiza	3,4	3,4
P55.0	Rh izoimunizácia plodu a novorodenca	2,3	1,2,3	Q00.2	Iniencefália	3,4	3,4
P55.1	ABO izoimunizácia plodu a novorodenca	2,3	1,2,3	Q01.0	Čelová encefalokéla	3,4	3,4
P55.8	Iná hemolytická choroba plodu a novorodenca	2,3	1,2,3	Q01.1	Nosovočelová encefalokéla	3,4	3,4
P55.9	Hemolytická chor.plodu a novorod.,b.n.	2,3	1,2,3	Q01.2	Okcipitálna encefalokéla	3,4	3,4
P56.0	Hydrops plodu v dôsledku izoimunizácie	4	4	Q01.8	Encefalokéla na inom mieste	3,4	3,4
P56.9	Hydrops plodu v dôsl.i.a b.n.hemolytickej chor.	4	4	Q01.9	Encefalokéla,blížšie neurčená	4	4
P57.0	Jadrový ikterus v dôsledku izoimunizácie	4	4	Q02	Mikrocefália	3,4	3
P57.8	Iný jadrový ikterus,blížšie určený	4	4	Q03.0	Chyby mozgového mokovodu	3,4	3,4
P57.9	Jadrový ikterus,blížšie neurčený	4	4	Q03.1	Atrézia prístredného a boč.otvoru štvrtej komory	3,4	3,4
P59.1	Syndróm hustej žilce	1,2,3,4	1,2,3,4	Q03.8	Iný vrodený hydrocefalus	2,3,4	1,2,3,4
P59.2	Novorod.žltáčka z iného a bliž.neurč.pošk.pečeňových buniek	1,2,3,4	1,2,3,4	Q03.9	Vrodený hydrocefalus, bližšie neurčený	2,3,4	1,2,3,4
P60	Diseminovaná intravaskulárna koagul.plodu a novorod.	2,3,4	1,2,3,4	Q04.0	Vrodená chyba corpus callosum	3,4	3,4
P61.0	Prechodná novorodenecká trombocytopenia	2,3,4	1,2,3,4	Q04.1	Arinencefália	3,4	3,4
P61.6	Iná prechodná novorodenecká porucha zrážania	2,3	1,2,3	Q04.2	Holoproencefália	3,4	3,4
P70.2	Diabetes mellitus u novorodenca	2,4	2,3,4	Q04.3	Iná redukčná deformita mozgu	3,4	3,4
P70.3	Iatrogénna hypoglykémia u novorodenca	2,3	2	Q04.4	Septooptická dysplázia	3,4	3,4
P70.4	Iná hypoglykémia u novorodenca	2,3	2	Q04.5	Megalencefália	3,4	3,4
P71.0	Hypokalcémia z kravského mlieka u novorodenca	2,3,4	2,3	Q04.6	Vrodená cysta mozgu	3,4	3,4
P71.1	Iná hypokalcémia u novorodenca	2,3,4	2,3	Q04.8	Iná vrodená chyba mozgu,blížšie určená	4	4
P71.2	Hypomagneziémia u novorodenca	2,3,4	2,3	Q05.0	Krčná spina bifida s hydrocefalom	3,4	3,4
P71.3	Novorod.tetania bez nedost.kalcia/magnézia	2,3,4	2,3	Q05.1	Hrudníková spina bifida s hydrocefalom	3,4	3,4
P71.4	Prechodná hypoparatyreóza u novorodenca	2,3,4	2,3	Q05.2	Drieková spina bifida s hydrocefalom	3,4	3,4
P71.8	Iná preh.porucha metabol.vápnika a horčíka u novorod.	2,3,4	2,3	Q05.3	Krížová spina bifida s hydrocefalom	3,4	3,4
				Q05.4	Spina bifida s hydrocefalom,b.n.	3,4	3,4
				Q05.5	Krčná spina bifida bez hydrocefalu	3,4	3,4
				Q05.6	Hrudníková spina bifida bez hydrocefalu	3,4	3,4
				Q05.7	Drieková spina bifida bez hydrocefalu	3,4	3,4
				Q05.8	Krížová spina bifida bez hydrocefalu	3,4	3,4
				Q05.9	Spina bifida (rázštep chrbtice),blížšie neurčená	1,2,4	2,4
				Q06.0	Amyélie	3,4	3,4
				Q06.1	Hypoplázia a dysplázia miechy	3,4	3,4

ICD	Text	OP. CCL	Med. CCL	ICD	Text	OP. CCL	Med. CCL
Q06.2	Diastematomyélie	3,4	3,4	Q21.88	Iná vrodená chyba srdcových priehradiek	3,4	3
Q06.3	Iná vrodená chyba konského chvosta (cauda equina)	3,4	3,4	Q22.0	Atrézia pulmonálnej chlopne	3,4	3,4
Q06.4	Hydromyélie	3,4	3,4	Q22.1	Vrodené zúženie pulmonálnej chlopne	3,4	3,4
Q06.8	Iná vrodená chyba miechy, bližšie určená	3,4	3,4	Q22.2	Vrodená pulmonálna insuficiencia	1,2,3	1,2
Q07.0	Arnoldov-Chiariho syndróm	3,4	3,4	Q22.3	Iná vrodená chyba pulmonálnej chlopne	1,2,3	1,2
Q07.8	Iná vrodená chyba nervovej sústavy, bližšie určená	3,4	3	Q22.4	Vrodená trikuspidálna stenóza	1,2,3,4	1,2,4
Q10.0	Vrodená ptóza	3	3	Q22.5	Ebsteinova anomália	2,3,4	2,3,4
Q10.1	Vrodené ektropium	3	3	Q22.6	Hypoplastický pravokomorový syndróm	3,4	3,4
Q10.2	Vrodené entropium	3	3	Q22.8	Iná vrodená chyba trikuspidálnej chlopne	1,2,3,4	1,2,4
Q10.3	Iná vrodená chyba mihalnice	3	3	Q22.9	Vrod.chyba trikuspidálnej chlopne, b.n.	1,2,3,4	1,2,4
Q10.6	Iná vrodená chyba slzných orgánov	3	3	Q23.0	Vrodená aortálna stenóza	3,4	3,4
Q10.7	Vrodená chyba očnice	3	3	Q23.1	Vrodená aortálna insuficiencia	1,2,3,4	1,2,4
Q11.0	Cystická očná guľa	3,4	3	Q23.2	Vrodená mitrálna stenóza	1,2,3,4	1,2,4
Q11.1	Iný anoftalmus	3,4	3	Q23.3	Vrodená mitrálna insuficiencia	1,2,3,4	1,2,4
Q11.2	Mikroftalmus	3,4	3	Q23.4	Hypoplastický ľavokomorový syndróm	3,4	3,4
Q11.3	Makroftalmus	3,4	3	Q23.8	Iná vrodená chyba aortálnej a mitrálnej chlopne	1,2,3,4	1,2,4
Q12.0	Vrodený sivý zákal (katarakta)	3	3	Q23.9	Vrod.hyba aortálnej a mitrálnej chlopne, b.n.	1,2,3,4	1,2,4
Q12.1	Vrodená dislokácia šošovky	3	3	Q24.0	Dextrokardia	3,4	3
Q12.2	Kolobóm šošovky	3	3	Q24.1	Levokardia	3,4	3
Q12.3	Vrodená afakia	3	3	Q24.2	Cor triatriatum (trojpredsieňové srdce)	3,4	3,4
Q12.4	Sférofakia	3	3	Q24.3	Infundibulárna stenóza pľúcnice	3,4	3,4
Q12.8	Iná vrodená chyba šošovky	3	3	Q24.4	Vrodená subaortálna stenóza	1,2,3,4	1,2,4
Q12.9	Vrodená chyba šošovky, bližšie neurčená	3	3	Q24.5	Chyba koronárnych ciev	4	4
Q13.0	Kolobóm dúhovky	3	3	Q24.6	Vrodená srdcová blokáda	3,4	3,4
Q13.1	Chýbanie dúhovky	3	3	Q24.8	Iná vrodená chyba srdca, bližšie určená	4	4
Q13.2	Iná vrodená chyba dúhovky	3	3	Q25.0	Otvorený tepnový spoj [Ductus arteriosus patens]	3,4	3
Q13.3	Vrodený zákal rohovky	3	3	Q25.1	Koarktácia aorty	3,4	3,4
Q13.4	Iná vrodená chyba rohovky	3	3	Q25.2	Atrézia aorty	3,4	3,4
Q13.5	Belasá skléra	3	3	Q25.3	Stenóza aorty	1,2,3,4	1,2,4
Q13.8	Iná vrodená chyba predného segmentu oka	3	3	Q25.5	Atrézia pľúcnej tepny	3,4	3
Q14.0	Vrodená chyba sklovca	3	3	Q25.6	Stenóza pľúcnej tepny	3,4	3
Q14.1	Vrodená chyba sietnice	3	3	Q25.7	Iná vrodená chyba pľúcnej tepny	3,4	3
Q14.2	Vrodená chyba terča zrakového nervu	3	3	Q26.0	Vrodená stenóza dutej žily	3,4	3
Q14.3	Vrodená chyba cievovky	3	3	Q26.1	Pretrvávajúca ľavá horná dutá žila	3,4	3
Q14.8	Iná vrodená chyba zadného segmentu oka	3	3	Q26.2	Kompletný anomálny návrat pľúcnych žíl	3,4	3,4
Q15.0	Vrodený glaukóm	4	4	Q26.3	Čiastočný anomálny návrat pľúcnych žíl	3,4	3,4
Q15.8	Iná vrodená chyba oka, bližšie určená	3	3	Q26.4	Anomálny návrat pľúcnych žíl, bližšie neurčený	3,4	3
Q16.0	Vrodené chýbanie ušnice	3	3	Q26.5	Anomálny návrat v. portae	3,4	3
Q16.1	Vrod.chýbanie, atrézia a striktúra (vonkajšieho) zvukovodu	3	3	Q26.6	Fistula medzi v. portae a a.hepatica	3,4	3
Q16.2	Chýbanie sluchovej [Eustachovej] trubice (vrodené)	3	3	Q27.0	Vrodené chýbanie a hypoplázia pupkovej tepny	3,4	3
Q16.3	Vrodená chyba sluchových kostičiek	3	3	Q28.00	Vrod.artériovenózna aneurizma precerebrálnych ciev	3,4	3,4
Q16.4	Iná vrodená chyba stredného ucha	3	3	Q28.01	Vrodená artériovenózna fistula precerebrálnych ciev	3,4	3,4
Q16.5	Vrodená chyba vnútorného ucha	3	3	Q28.08	Iná vrod.artériovenózna chyba precerebrálnych ciev	3,4	3,4
Q16.9	Vrod.chyba ucha, zapríč.zhoršenie sluchu, b.n.	3	3	Q28.09	Vrod.artériovenózna chyba precerebrálnych ciev, b.n.	4	4
Q20.0	Spoločný tepnový kmeň [truncus arteriosus communis]	3,4	3,4	Q28.10	Vrodená aneurizma precerebrálnych ciev	3,4	3,4
Q20.1	Dvojvýtoková pravá komora	3,4	3,4	Q28.11	Vrodená fistula precerebrálnych ciev	3,4	3,4
Q20.2	Dvojvýtoková ľavá komora	3,4	3,4	Q28.18	Iná vrodená chyba precerebrálnych ciev	3,4	3,4
Q20.3	Nezhodné [diskordantné] komorovotepnové spojenie	3,4	3,4	Q28.19	Vrod.chyba precerebrálnych ciev, b.n.	4	4
Q20.4	Dvojvýtoková komora	3,4	3,4	Q28.20	Vrodená artériovenózna aneurizma cerebrálnych ciev	3,4	3,4
Q20.5	Nezhodné (diskordantné) predsieňovokomorové spojenie	3,4	3,4	Q28.21	Vrodená artériovenózna fistula cerebrálnych ciev	3,4	3,4
Q20.6	Súmernosť [izomerizmus] predsieňových ušík	3,4	3	Q28.28	Iná vrodená artériovenózna chyba cerebrálnych ciev	3,4	3,4
Q20.8	Iná vrodená chyba srdcových dutín a ich spojení	3,4	3	Q28.29	Vrod.artériovenózna malformácia cerebrálnych ciev, b.n.	4	4
Q20.9	Vrod.chyba srdcových dutín a ich spojení, b.n.	3,4	3	Q28.30	Vrodená aneurizma cerebrálnych ciev	3,4	3,4
Q21.0	Defekt medzikomorovej priehradky	3,4	3	Q28.31	Vrodená fistula cerebrálnych ciev	3,4	3,4
Q21.1	Defekt predsieňovej priehradky	4	4	Q28.38	Iná vrodená chyba cerebrálnych ciev	4	4
Q21.2	Defekt predsieňovo-komorovej priehradky	3,4	3,4	Q28.39	Vrodená chyba cerebrálnych ciev, bližšie neurčená	4	4
Q21.3	Fallotova tetralógia	3,4	3,4				
Q21.4	Defekt aortopulmonálneho septa	3,4	3,4				
Q21.80	Fallotova pentalógia	3,4	3				

ICD	Text	OP. CCL	Med. CCL	ICD	Text	OP. CCL	Med. CCL
Q28.80	Iná vrodená aneuryzma	3	3	Q42.0	Vrod.chýbanie,atrézia a stenóza konečníka s fistulou	3,4	3,4
Q28.81	Iná vrodená fistula obehovej sústavy	3	3	Q42.1	Vrod.chýbanie,atrézia a stenóza konečníka bez fistuly	3,4	3,4
Q28.88	Iná vrodená chyba obehovej sústavy,blížšie určená	3	3	Q42.2	Vrod.chýbanie,atrézia a stenóza anusu s fistulou	3,4	3,4
Q30.0	Atrézia choán	4	4	Q42.3	Vrod.chýbanie,atrézia a stenóza anusu bez fistuly	3,4	3,4
Q31.0	Diafragma hrtana	3,4	3,4	Q42.8	Vrod.chýbanie,atrézia a stenóza č.hrub.čreva	3,4	3,4
Q31.1	Vrodená subglotická stenóza	3,4	3,4	Q42.9	Vrod.chýbanie,atrézia a stenóza bliž.neurč.č.hrub.čreva	3,4	3,4
Q31.2	Hypoplázia hrtana	3,4	3,4	Q43.0	Meckelov divertikul	4	4
Q31.3	Laryngokéla	3,4	3,4	Q43.1	Hirschprungova choroba	3,4	3,4
Q31.5	Vrodená laryngomalácia	3,4	3,4	Q43.2	Iná vrodená porucha funkcie hrubého čreva	4	4
Q31.8	Iná vrodená chyba hrtana	3,4	3,4	Q43.3	Vrodená chyba fixácie čriev	4	4
Q31.9	Vrodená chyba hrtana,blížšie neurčená	4	4	Q43.40	Zdvojenie tenkého čreva	3,4	3
Q32.0	Vrodená tracheomalácia	3,4	3,4	Q43.41	Zdvojenie hrubého čreva	3,4	3
Q32.1	Iná vrodená chyba priedušnice	3,4	3,4	Q43.42	Zdvojenie rekta	3,4	3
Q32.2	Vrodená malácia priedušky	3,4	3,4	Q43.49	Zdvojenie čreva,blížšie neurčené	3	3
Q32.3	Vrodené zúženie priedušky	3,4	3,4	Q43.5	Ektopický anus	3,4	3
Q32.4	Iná vrodená chyba priedušiek	3,4	3,4	Q43.6	Vrodená fistula rekta a anusu	3,4	3
Q33.0	Vrodené cystické pľúca	3,4	3,4	Q43.7	Pretrvávajúca kloaka	3,4	3
Q33.1	Prídavný lalok pľúc	3,4	3	Q43.8	Iná vrodená chyba čreva,blížšie určená	3	3
Q33.2	Sekvestrácia pľúc	3,4	3,4	Q43.9	Vrodená chyba čreva,blížšie neurčená	3	3
Q33.3	Nevyvinutie pľúc	3,4	3,4	Q44.0	Agenéza,aplázia a hypoplázia žľaz	3,4	3
Q33.4	Vrodené bronchiektázie	3,4	3,4	Q44.2	Atrézia žľazových ciest	3,4	3,4
Q33.5	Ektopické tkanivo v pľúcach	3,4	3	Q44.3	Vrodené stenóza alebo striktúra žľazových ciest	3,4	3,4
Q33.6	Hypoplázia a dysplázia pľúc	3,4	3,4	Q44.4	Cysta žľazovodu	3,4	3
Q33.8	Iná vrodená chyba pľúc	3,4	3	Q44.5	Iná vrodená chyba žľazových ciest	2,3,4	2,3
Q35.1	Rázštep tvrdého podnebia	3,4	3	Q44.6	Cystická choroba pečene	3,4	3,4
Q35.3	Rázštep mäkkého podnebia	3	3	Q45.0	Agenéza,aplázia a hypoplázia podžalúdkovej žľazy	3,4	3,4
Q35.5	Rázštep tvrdého podnebia s rázštep.mäkk.podn.	3,4	3	Q45.1	Prstencová podžalúdková žľaza[pancreas anulare]	4	4
Q35.7	Rázštep čapika [uvuly]	3	3	Q45.2	Vrodená cysta podžalúdkovej žľazy	4	4
Q35.9	Rázštep podnebia,blížšie neurčený	3	3	Q45.3	Iná vrodená chyba podžalúdkovej žľazy a jej vývodu	4	4
Q36.0	Obojstranný rázštep pery	3	3	Q50.0	Vrodené chýbanie vaječníka	3,4	3
Q36.1	Stredový rázštep pery	3	3	Q50.2	Vrodená torzia vaječníka	3,4	3
Q36.9	Jednostranný rázštep pery	3	3	Q51.0	Agenéza a aplázia maternice	3,4	3
Q37.0	Rázštep tvrd.podnebia s obojstr.rázštep.pery	3,4	3,4	Q51.1	Dvojitá maternica s dvoj.krčkom a dvoj.pošvou	3,4	3
Q37.1	Rázštep tvrd.podnebia s jednostr.rázštep.pery	3,4	3,4	Q51.2	Iné zdvojenie maternice	3,4	3
Q37.2	Rázštep mäkk.podnebia s obojstr.rázštep.pery	3,4	3,4	Q51.5	Agenéza a aplázia krčka maternice	3,4	3
Q37.3	Rázštep mäkk.podnebia s jednostr.rázštep.pery	3,4	3,4	Q51.7	Vrod. fistula medzi maternicou,tráviacim a moč.traktom	3,4	3
Q37.4	Rázštep tvrd.a mäk.podnebia s obojstr.rázštep.pery	3,4	3,4	Q52.0	Vrodené chýbanie pošvy	3,4	3
Q37.5	Rázštep tvrd.a mäk.podnebia s jednostr.rázštep.pery	3,4	3,4	Q52.1	Zdvojenie pošvy	3,4	3
Q37.8	Rázštep podnebia s obojstr.rázštep.pery,b.n.	4	4	Q52.2	Vrodená fistula medzi konečníkom a pošvou	3,4	3
Q37.9	Rázštep podnebia s jednostr.rázštep.pery,b.n.	4	4	Q54.0	Hypospádia žalúda [balanická]	3,4	3
Q38.7	Vačok hltana (faryngový pouch)	4	4	Q54.1	Hypospádia penisu [penilná]	3,4	3
Q39.0	Atrézia pažeráka bez fistuly	3,4	3,4	Q54.2	Hypospádia penisu a skróta [penoskrotálna]	3,4	3
Q39.1	Atrézia pažeráka s fistulou medzi priedušn.a pažerákom	3,4	3,4	Q54.3	Hypospádia perineálna	3,4	3
Q39.2	Vrod.fistula m.priedušn.a pažerákom bez atrézie	3,4	3,4	Q55.0	Chýbanie a aplázia semenníka	3,4	3
Q39.3	Vrodené zúženie (stenóza alebo striktúra) pažeráka	4	4	Q55.1	Hypoplázia semenníka a mieška	3,4	3
Q39.4	Pažeráková membrána	2,4	2,3,4	Q55.3	Atrézia semenovodu	3,4	3
Q39.5	Vrodené rozšírenie pažeráka	3	3	Q55.4	Iná vrod.chyba semenov.,nadsemen.,semen.vač.a prostaty	3,4	3
Q39.6	Divertikul pažeráka (vrodený)	3	3	Q55.5	Vrodené chýbanie a aplázia penisu	3,4	3
Q39.8	Iná vrodená chyba pažeráka	3	3	Q55.6	Iná vrodená chyba penisu	3,4	3
Q40.0	Vrodená hypertrofická pylorostenóza	3,4	3	Q56.0	Hermafroditizmus,nezatriedený inde	3,4	3,4
Q40.1	Vrodená hiátová hernia	3	3	Q56.1	Mušský pseudohermafroditizmus,nezatriedený inde	3,4	3,4
Q41.0	Vrodené chýbanie,atrézia a stenóza dvanástnika	3,4	3,4	Q56.2	Ženský pseudohermafroditizmus,nezatriedený inde	3,4	3,4
Q41.1	Vrodené chýbanie,atrézia a stenóza jejúna	3,4	3,4	Q56.3	Pseudohermafroditizmus,blížšie neurčený	3,4	3,4
Q41.2	Vrodené chýbanie,atrézia a stenóza ilea	3,4	3,4	Q56.4	Neurčité pohlavie,blížšie neurčené	3,4	3,4
Q41.8	Vrod.chýbanie,atrézia a stenóza bliž.urč.časti ten.čreva	3,4	3,4	Q60.0	Jednostranná agenéza obličky	4	4
Q41.9	Vrod.chýbanie,atrézia a stenóza ten.čreva b.n.č.	4	4				

ICD	Text	OP. CCL	Med. CCL	ICD	Text	OP. CCL	Med. CCL
Q60.1	Obojstranná agenéza obličky	3,4	3,4	Q75.1	Kranofaciálna dyzostóza	3,4	3,4
Q60.2	Agénéza obličky, bližšie neurčená	4	4	Q75.2	Hypertelionizmus	3,4	3,4
Q60.3	Jednostranná hypoplázia obličky	4	4	Q75.3	Makrocefália	3,4	3,4
Q60.4	Obojstranná hypoplázia obličky	4	4	Q75.4	Mandibulofaciálna dyzostóza	3,4	3,4
Q60.5	Hypoplázia obličky, bližšie neurčená	4	4	Q75.5	Okulomandibulárna dyzostóza	3,4	3,4
Q60.6	Potterovej syndróm	3,4	3,4	Q75.8	Iná vrod.chyba kostí lebky a tvárových kostí, b.u.	3,4	3,4
Q61.0	Vrodená samostatná (solitárna) cysta obličky	3	3	Q75.9	Vrod.chyba kostí lebky a tvárových kostí, b.n.	4	4
Q61.1	Polycystické obličky, autozomálne recesívne	3,4	3,4	Q76.1	Klippel-Feilov syndróm	3,4	3,4
Q61.2	Polycystické obličky, autozomálne dominantné	3,4	3	Q76.3	Vrodená skolióza zapríčinená vrodenuou chybou kostí	3,4	3
Q61.3	Polycystické obličky, bližšie neurčené	3	3	Q76.4	Iná vrodená chyba chrčtice bez skoliózy	3	3
Q61.4	Dysplázia obličiek	3	3	Q77.0	Achondrogenéza	3,4	3,4
Q61.5	Medulárna cystická oblička	3	3	Q77.1	Letálny nanizmus	3,4	3,4
Q61.8	Iná cystická choroba obličiek	3	3	Q77.2	Syndróm krátkeho rebra	3,4	3,4
Q61.9	Cystická choroba obličiek, bližšie neurčená	3	3	Q77.3	Chondrodysplasia punctata	3,4	3,4
Q62.0	Vrodená hydronefróza	3,4	3	Q77.4	Achondroplázia	3,4	3,4
Q62.1	Atrézia a vrodená stenóza močovodu	3,4	3	Q77.5	Diastrofická dysplázia	3,4	3,4
Q62.2	Vrodený megaureter	3,4	3	Q77.6	Chondroektodermálna dysplázia	3,4	3,4
Q62.3	Iná obštrukčná chyba obličkovej panvičky a močovodu	3,4	3	Q77.7	Spondyloepifýzová dysplázia	3,4	3,4
Q62.4	Agénéza močovodu	3,4	3	Q77.8	Iná osteochondrodyspl.s por.rastu dlhých kostí a chrčt.	3,4	3,4
Q62.7	Vrodený veziko-uretero-renálny reflux	3,4	3	Q77.9	Osteochondrodyspl.s por.rastu dlhých kostí a chrčt., b.n.	4	4
Q64.0	Epispádia	3,4	3	Q78.0	Osteogenesis imperfecta	3,4	3,4
Q64.1	Exstrofia močového mechúra	3,4	3,4	Q78.1	Polyostotická fibrózna dysplázia	3,4	3,4
Q64.2	Vrodená zadná chlopňa močovej rúry	4	4	Q78.2	Osteopetróza	3,4	3,4
Q64.3	Iná atrézia a stenóza močovej rúry a krčka moč.mech.	4	4	Q78.3	Progresívna diafýzová dysplázia	3,4	3,4
Q64.4	Chyba urachu [prvomočovodu]	3,4	3	Q78.4	Enchondromatóza	3,4	3,4
Q64.5	Vrodené chýbanie mechúra a močovej rúry	3,4	3	Q78.5	Metafýzová dysplázia	3,4	3
Q64.6	Vrodený divertikul mechúra	3	3	Q78.6	Mnohopočetné vrodené exostózy	3,4	3,4
Q64.7	Iná vrodená chyba močového mechúra a močovej rúry	3	3	Q78.8	Iná osteochondrodysplázia, bližšie určená	3,4	3
Q65.0	Jednostranné vrodené vyklíbenie bedra	3,4	3	Q78.9	Osteochondrodysplázia, bližšie neurčená	4	4
Q65.1	Obojstranné vrodené vyklíbenie bedra	3,4	3	Q79.0	Vrodená diafragmatická hernia (bránicová prietrž)	3,4	3,4
Q65.2	Vrodené vyklíbenie bedra, bližšie neurčené	3	3	Q79.1	Iná vrodená chyba bránice	3,4	3,4
Q65.3	Jednostranná vrodená subluxácia bedra	3,4	3	Q79.2	Exomfalus	3,4	3,4
Q65.4	Obojstranná vrodená subluxácia bedra	3,4	3	Q79.3	Gastroschíza	3,4	3,4
Q65.5	Vrodená subluxácia bedra, bližšie neurčená	3	3	Q79.4	Agénéza brušných svalov [Prune belly syndróm]	3,4	3,4
Q65.6	Nestabilné bedro	3,4	3	Q79.5	Iná vrodená chyba brušnej steny	4	4
Q67.2	Dolichocefália	3,4	3	Q79.6	Ehlersov-Danlosov syndróm	3,4	3,4
Q67.3	Plagiocefália	3,4	3	Q79.8	Iná vrodená chyba svalov a kostí	3,4	3
Q67.5	Vrodená deformita chrčtice	3	3	Q80.0	Ichthyosis vulgaris	4	4
Q68.2	Vrodená deformita kolena	3	3	Q80.1	Ichtyóza viazaná na chromozóm X	4	4
Q71.0	Vrod.kompletné chýbanie HK (končatín)	3,4	3	Q80.2	Lamelárna ichtyóza	4	4
Q71.1	Vrod.chýbanie ramena a predlaktia s prítomnosťou ruky	3,4	3	Q80.3	Vrodená bulózne ichtyoziformná erythrodermia	4	4
Q71.2	Vrodené chýbanie predlaktia a ruky	3,4	3	Q80.4	Ichthyosis congenita gravis [Harlekinfetus]	4	4
Q71.3	Vrodené chýbanie ruky a prsta (prstov)	3,4	3	Q80.8	Iná vrodená ichtyóza	4	4
Q71.4	Pozdĺžny redukčný defekt vretenovitej kosti (radius)	3,4	3	Q80.9	Vrodená ichtyóza, bližšie neurčená	4	4
Q71.5	Skrátenie lakt'ovej kosti	3,4	3	Q81.0	Jednoduchá bulózna epidermolýza	3,4	3
Q71.6	Klepetovitá ruka	3,4	3	Q81.1	Letálna bulózna epidermolýza	3,4	3
Q71.8	Iný redukčný defekt hornej končatiny (končatín)	3,4	3	Q81.2	Dystrofická bulózna epidermolýza	3,4	3
Q71.9	Redukčný defekt hornej končatiny, bližšie neurčený	3	3	Q81.8	Iná bulózna epidermolýza	3,4	3
Q72.0	Vrod.kompletné chýbanie DK (končatín)	3,4	3	Q82.0	Dedičný lymfedém	3	3
Q72.1	Vrod.chýbanie stehna a predkolenia s prítomnou nohou	3,4	3	Q82.4	Ektodermálna dysplázia (anhidrotická)	4	4
Q72.2	Vrodené chýbanie predkolenia a nohy	3,4	3	Q85.0	Neurofibromatóza (benigna)	3,4	3,4
Q72.3	Vrodené chýbanie nohy a prstov	3,4	3	Q85.1	Tuberózna skleróza	3,4	3,4
Q72.4	Skrátenie stehnovkej kosti	3,4	3	Q85.8	Iná fakomatóza, nezatriedená inde	3,4	3,4
Q72.5	Skrátenie píšťaly	3,4	3	Q85.9	Fakomatóza, bližšie neurčená	4	4
Q72.6	Skrátenie ihlice	3,4	3	Q86.0	FAS - Fetálny alkoholový syndróm (dysmorfický)	3,4	3
Q72.7	Rázštep nohy	3,4	3	Q86.1	Hydantoínový syndróm plodu	3,4	3,4
Q72.8	Iný redukčný defekt dolnej končatiny (končatín)	3,4	3	Q86.2	Dysmorfizmus, zapríčinený warfarínom	3,4	3,4
Q74.3	Arthrogryposis multiplex congenita	3,4	3	Q86.8	Iný syndróm vrod.chýb zapríč.známymi vonk.príčinami	3,4	3,4
Q75.0	Kraniosynostóza	3,4	3,4	Q87.0	Syndróm vrod.chýb postih.najmä výzor tváre	3,4	3,4

ICD	Text	OP. CCL	Med. CCL	ICD	Text	OP. CCL	Med. CCL
Q87.1	Syndróm vrod.chýb spojený najmä s nízkym vzrastom	3,4	3,4	Q95.9	Vyváž.prestavba a štrukt.marker (abn.gén),b.n.	4	4
Q87.2	Syndrómy vrodených chýb zahŕňajúce najmä končatiny	3,4	3,4	Q96.0	Karyotyp 45,X	3,4	3
Q87.3	Syndróm vrod.chýb zahŕňajúci skoný nadmerný rast	3,4	3,4	Q96.1	Karyotyp 46,X izo (Xq)	3,4	3
Q87.4	Marfanov syndróm	3,4	3,4	Q96.2	Karyotyp 46,X s pat.pohl.chrom.,s výnimkou izo (Xq)	3,4	3
Q87.5	Iné syndrómy vrodených chýb s inými zmenami kostí	3,4	3,4	Q96.3	Mozaicizmus, 45,X/46, XX alebo XY	3,4	3
Q87.8	Iné syndróm vrodených chýb,nezat.inde.,b.u.	3,4	3,4	Q96.4	Mozaicizmus,45,X/i.bunková línia (e)s pat.pohl.chromoz.	3,4	3
Q89.0	Vrodená chyba sleziny	3	3	Q96.8	Iný variant Turnerovho syndrómu	3,4	3
Q89.1	Vrodená chyba nadobličiek	4	4	Q96.9	Turnerov syndróm,blížšie neurčený	3	3
Q89.3	Obrátená poloha (situs inversus)	3	3	Q97.0	Karyotyp 47,XXX	3,4	3
Q89.4	Spojené (zrastené) dvojčatá	3,4	3,4	Q97.1	Ženský fenotyp s viac ako troma chromozómami X	3,4	3
Q89.7	Mnohopočetné vrodené chyby, nezatriedené inde	4	4	Q97.2	Mozaicizmus, línie s rozličným počtom X chromozómov	3,4	3
Q89.8	Iná vrodená chyba,blížšie určená	4	4	Q97.3	Ženský fenotyp s karyotypom 46, XY	3,4	3
Q90.0	Trizómia 21,meiotická nondisjunkcia	3,4	3,4	Q97.8	Iná abnormál.pohlav.chromoz.so žensk.fenotypom,b.u.	3,4	3
Q90.1	Trizómia 21,mozaicizmus (mitotická nondisjunkcia)	3,4	3,4	Q97.9	Abnormalita pohlav.chromoz.so žensk.fenotypom,b.n.	3	3
Q90.2	Trizómia 21,translokácia	3,4	3,4	Q98.0	Klinefelterov syndróm karyotyp 47,XXY	3,4	3
Q90.9	Downov syndróm,blížšie neurčený	3,4	3,4	Q98.1	Klinefelterov syndróm.muž.fenotyp s viac ako dvoma chromoz.X	3,4	3
Q91.0	Trizómia 18,meiotická nondisjunkcia	3,4	3,4	Q98.2	Klinefelterov syndróm muž.fenotyp s karyotypom 46,XX	3,4	3
Q91.1	Trizómia 18,mozaicizmus (mitotická nondisjunkcia)	3,4	3,4	Q98.3	Iný mužský fenotyp s karyotypom 46,XX	3,4	3
Q91.2	Trizómia 18,translokácia	3,4	3,4	Q98.4	Klinefelterov syndróm,blížšie neurčený	3	3
Q91.3	Edwardsov syndróm,blížšie neurčený	3,4	3,4	Q98.5	Karyotyp 47,XYY	3,4	3
Q91.4	Trizómia 13,meiotická nondisjunkcia	3,4	3,4	Q98.6	Mužský fenotyp so štruktúrnou abnormal.pohl.chromoz.	3,4	3
Q91.5	Trizómia 13,mozaicizmus (mitotická nondisjunkcia)	3,4	3,4	Q98.7	Mužský fenotyp s mozaicizmom pohlavných chromozómov	3,4	3
Q91.6	Trizómia 13,translokácia	3,4	3,4	Q98.8	Iná abnorml.pohlav.chromoz.s mužsk.fenotypom,b.u.	3,4	3
Q91.7	Patauov syndróm,blížšie neurčený	3,4	3,4	Q98.9	Abnormalita pohlav.chromoz.s mužsk.fenotypom,b.n.	3	3
Q92.0	Kompletná chromoz.trizómia,meiotická nondisjunkcia	3,4	3,4	Q99.0	Chiméra 46,XX/46,XY	3,4	3,4
Q92.1	Kompletná chromoz.trizómia,mozaicizmus	3,4	3,4	Q99.1	Pravý hermafrodit 46,XX	3,4	3,4
Q92.2	Veľká čiastočná trizómia	3,4	3,4	Q99.2	Fragilný chromozóm X	3,4	3,4
Q92.3	Malá čiastočná trizómia	3,4	3,4	Q99.8	Iná chromozómová abnormalita,blížšie určená	3,4	3
Q92.4	Duplikácie viditeľné iba v prometafáze	3,4	3,4	R02	Gangréna, nezatriedená inde	4	4
Q92.5	Duplikácie s inou komplexnou prestavbou	3,4	3,4	R04.2	Hemoptýza	1,2	1,2
Q92.6	Nadpočetné (marker) chromozómy	3,4	3,4	R04.8	Krvácanie z iných miest v dýchacích cestách	1,2	1,2
Q92.7	Triploidia a polyploidia	3,4	3,4	R04.9	Krvácanie z dýchacích ciest,blížšie neurčené	1,2	1,2
Q92.8	Iná trizómia a čiast.trizómia autozómov,n.i.	3,4	3,4	R09.2	Zastavenie dýchania	3,4	1,3
Q92.9	Trizómia a čiastočná trizómia autozómov,b.n.	4	4	R15	Inkontinencia stolice	1	1
Q93.0	Kompletná chromoz. monozómia,meiotická nondisjunkcia	3,4	3,4	R16.2	Hepatomegália so splenomegáliou,nezatriedená inde	4	4
Q93.1	Kompletná chromoz.monozómia,mozaicizmus	3,4	3,4	R18	Ascites	1,2,3	1,2,3
Q93.2	Prsteňovitý alebo dicentrický chromozóm	3,4	3,4	R29.0	Tetania	2,3,4	2,3
Q93.3	Delécia krátkeho ramena chromozómu 4	3,4	3,4	R31	Hematúria,blížšie neurčená	1,2	1,2
Q93.4	Delécia krátkeho ramena chromozómu 5	3,4	3,4	R40.2	Kóma, blížšie neurčená	3,4	3,4
Q93.5	Iná delécia časti chromozómu	3,4	3,4	R47.0	Dysfázia a afázia	1	1
Q93.6	Delécia viditeľná iba v prometafáze	3,4	3,4	R47.1	Dysartria a anartria	1,2	1,2
Q93.7	Delécia s inou komplexnou prestavbou	3,4	3,4	R47.8	Iná a blížšie neurčená porucha reči	1	1
Q93.8	Iná delécia autozómov	3,4	3,4	R56.0	Febrilné krče	1,2	1,2
Q93.9	Delécia autozómov,blížšie neurčená	4	4	R56.8	Iné krče,blížšie neurčené	1	1
Q95.0	Vyvážená translokácia a inzercia u normálneho jednotlivca	3,4	3	R57.0	Kardiogénny šok	2,3,4	2,3
Q95.1	Chromozómová inverzia u normálneho jednotlivca	3,4	3	R57.1	Hypovolemický šok	3,4	3
Q95.2	Vyváž.autozóm.prestavba u abnormál.jednotlivca	3,4	3,4	R57.2	Septický šok	3,4	3
Q95.3	Vyváž.prest.medzi pohlav.a autozóm.chromoz.u abn.jednotlivca	3,4	3,4	R57.8	Iný šok	3,4	2,3
Q95.4	Jednotlivec s nadpočetným (marker) heterochromatínom	3,4	3,4	R57.9	Šok,blížšie neurčený	2,3,4	2,3
Q95.5	Jednotlivec s fragilnými miestami na autozónoch	3,4	3,4	R58	Krvácanie, nezatriedené inde	1,2,3	1,2
Q95.8	Iné vyváž.prestavba a štrukt.marker (abn.chromozómy)	3,4	3,4	R63.3	Ťažkosti s výživou a nesprávne usmerňovanie výživy	1,2	1,2
				R64	Kachexia (vycivenosť)	1,2,3	1,2,3
				R65.0	SIRS infekčného pôvodu bez orgánového zlyh.	3,4	1,3

ICD	Text	OP. CCL	Med. CCL	ICD	Text	OP. CCL	Med. CCL
R65.1	SIRS infekčnej genézy s orgánovým zlyh.	3,4	1,3	S06.32	Ložiskové pomliaždenie mozočka	2,3,4	2,4
R65.2	SIRS neinfekčnej genézy bez orgánového zlyh.	3,4	1,3	S06.33	Ložiskový hematóm mozgu	2,3,4	2,4
R65.3	SIRS neinfekčnej genézy s orgánovým zlyh.	3,4	1,3	S06.34	Ložiskový hematóm mozočka	2,3,4	2,4
R65.9	Syndróm systémovej zápalovej odpovede (SIRS),bliž.neurč.	3,4	1,3	S06.38	Iné ložiskové poranenie mozgu a mozočka	2,3,4	2,4
R82.0	Chylúria	2,3	2,3	S06.4	Epidurálne krvácanie	2,3,4	2,4
R82.1	Myoglobinúria	2,3,4	2,3	S06.5	Subdurálne krvácanie po úraze	2,3,4	2,4
S01.35	Otvorená rana ucha: sluchová trubica	4	4	S06.6	Subarachnoidálne krvácanie po úraze	2,3,4	2,4
S01.36	Otvorená rana ucha: sluchové kostičky	4	4	S06.70	Bezvedomie pri poranení lebky a mozgu,menej.ako 30 min.	1,2,4	1,2,4
S01.37	Otvorená rana ucha: bubienok	4	4	S06.71	Bezvedomie pri poranení lebky a mozgu,30 min.až 24hod.	2,3,4	2,4
S01.38	Otvorená rana: vnútorné ucho	4	4	S06.72	Bezvedom.s poran.lebky a mozgu,viac ako24 h,návrat pív.st.v.	2,3,4	2,4
S01.39	Otvorená rana ucha:iné a viaceré časti ucha a sluch.štruktúr	4	4	S06.73	Bezvedomie,poranenie leb.a mozgu, > 24hod.,bez náv.r.p.s.v.	2,3,4	2
S01.50	Otvorená rana pery a ústnej dutiny:ústa,bl.neurč.časti	4	4	S06.79	Bezvedomie pri poranení lebky a mozgu bliž.neurčeného trvania	1,2,4	1,2,4
S01.52	Otvorená rana pery a ústnej dutiny: sliznica líca	4	4	S06.8	Iné vnútrolebkové poranenie	2,3,4	2,4
S01.53	Otvorená rana pery a ústnej dutiny:ďasna	4	4	S06.9	Vnútrolebkové poranenie, bližšie neurčené	4	4
S01.54	Otvorená rana pery a ústnej dutiny:jazyk a ústna spodina	4	4	S07.0	Drvivé poranenie tváre	2,3,4	2,4
S01.55	Otvorená rana pery a ústnej dutiny: podnebie	4	4	S07.1	Drvivé poranenie lebky	2,3,4	2,4
S01.59	Otvorená rana pery a úst.dut.:iné,viaceré časti pier,úst.dut.	4	4	S07.8	Drvivé poranenie iných častí hlavy	2,3,4	2,4
S02.0	Zlomenina lebkovej klenby	2,3,4	2,4	S07.9	Drvivé poranenie hlavy,časť bližšie neurčená	2,3,4	2,4
S02.1	Zlomenina spodiny lebky	2,3,4	2,4	S08.8	Úrazová amputácia inej časti hlavy	2,3	2
S02.2	Zlomenina nosových kostí	4	4	S09.0	Poranenie cievy hlavy,nezatriedené inde	2,3	2
S02.3	Zlomenina spodiny očné	1,2,3,4	1,2,4	S09.2	Úrazové roztrhnutie ušného bubienka	4	4
S02.4	Zlomenina jarmovej kosti a hornej čeluste	2,3,4	2,3,4	S09.9	Poranenie hlavy,bližšie neurčené	4	4
S02.60	Zlomenina sánky: bližšie neurčená časť	2,3,4	2,3,4	S11.01	Otvorená rana hrtana	2,4	2,4
S02.61	Zlomenina sánky: processus condylaris	2,3,4	2,3,4	S11.02	Otvorená rana krčnej časti priedušnice	2,3,4	2,4
S02.62	Zlomenina sánky: subkondylová	2,3,4	2,3,4	S11.1	Otvorená rana postihujúca štítnu žľazu	4	4
S02.63	Zlomenina sánky: processus coronoideus	2,3,4	2,3,4	S11.21	Otvorená rana hltana	4	4
S02.64	Zlomenina sánky: ramus mandibulae, bližšie neurčený	2,3,4	2,3,4	S11.22	Otvorená rana krčnej časti pažeráka	4	4
S02.65	Zlomenina sánky: angulus mandibulae	2,3,4	2,3,4	S12.0	Zlomenina 1.krčného stavca	2,3,4	2,4
S02.66	Zlomenina sánky: symphysis mandibulae	2,3,4	2,3,4	S12.1	Zlomenina 2.krčného stavca	2,3,4	2,4
S02.67	Zlomenina sánky: pars alveolaris	2,3,4	2,3,4	S12.21	Zlomenina 3.krčného stavca	2,3,4	2,4
S02.68	Zlom.sánky:corpus mandibulae,iné a bližšie neurčené časti	2,3,4	2,3,4	S12.22	Zlomenina 4. krčného stavca	2,3,4	2,4
S02.69	Zlomenina sánky: viaceré časti	2,3,4	2,3,4	S12.23	Zlomenina 5. krčného stavca	2,3,4	2,4
S02.7	Viaceré zlomeniny lebky a tvárových kostí	2,3	2	S12.24	Zlomenina 6. krčného stavca	2,3,4	2,4
S02.8	Zlomenina inej kosti lebky a tváre	2,3	2	S12.25	Zlomenina 7. krčného stavca	2,3,4	2,4
S02.9	Zlomenina kosti lebky a tváre,bližšie neurčená časť	1,2,3	1,2	S12.7	Viaceré zlomeniny krčnej chrčtice	2,3,4	2,4
S05.2	Tržná rana,roztrhnutie oka s prolapsom/stratou vnútrooč.tk.	1,2,3,4	1,2,4	S12.8	Zlomenina iných častí krku	2,4	2,4
S05.3	Tržná rana oka bez prolapsu al.straty vnútroočného tkaniva	1,2,3,4	1,2,4	S12.9	Zlomenina krku, bližšie neurčenej časti	2,4	2,4
S05.4	Penetrujúca rana očné s cudzím telesom/bez cudzieh.telesa	1,2,3,4	1,2,4	S13.0	Úrazové natrhnutie krčnej medzistavcovej platničky	2,3,4	2,4
S05.5	Penetrujúca rana očnej gule s cudzím telesom	4	4	S13.10	Vykĺbenie krčného stavca v bližšie neurčenej úrovni	2,3,4	2,4
S05.6	Penetrujúca rana očnej gule bez cudzieho telesa	4	4	S13.11	Vykĺbenie krčného stavca v úrovni C1/C2	2,3,4	2,4
S05.7	Avulzia (vytrhnutie) oka	1,2,3,4	1,2,4	S13.12	Vykĺbenie krčného stavca v úrovni C2/C3	2,3,4	2,4
S05.8	Iné poranenie oka a očné	1,2,3,4	1,2,4	S13.13	Vykĺbenie krčného stavca v úrovni C3/C4	2,3,4	2,4
S06.0	Otras mozgu	4	4	S13.14	Vykĺbenie krčného stavca v úrovni C4/C5	2,3,4	2,4
S06.1	Pourazový opuch mozgu	2,3,4	2,4	S13.15	Vykĺbenie krčného stavca v úrovni C5/C6	2,3,4	2,4
S06.20	Difúzne poranenie mozgu a mozočka,bližšie neurčené	2,3,4	2,4	S13.16	Vykĺbenie krčného stavca v úrovni C6/C7	2,3,4	2,4
S06.21	Difúzne pomliaždenie mozgu	2,3,4	2,4	S13.17	Vykĺbenie krčného stavca v úrovni C7/Th1	2,3,4	2,4
S06.22	Difúzne pomliaždenie mozočka	2,3,4	2,4	S13.18	Vykĺbenie krčného stavca v inej úrovni	2,3,4	2,4
S06.23	Viaceré vnútromozgové a mozočkové hematómy	2,3,4	2,4	S13.2	Vykĺbenie inej a bližšie neurčenej časti krku	2,3,4	2,4
S06.28	Iné difúzne poranenie mozgu a mozočka	2,3,4	2,4	S13.3	Viaceré vykĺbenia v oblasti krku	2,3,4	2,4
S06.30	Ložiskové poranenie mozgu a mozočkabližšie neurčené	2,3,4	2,4	S14.0	Otras a opuch krčnej miechy	2,4	2,3,4
S06.31	Ložiskové pomliaždenie mozgu	2,3,4	2,4	S14.10	Poranenie krčnej miechy, bližšie neurčené	2,4	2,3,4
				S14.11	Kompletné priečne poranenie krčnej miechy	2,4	2,3,4
				S14.12	Poranenie centr.časti krč.miechy (nekompletné prieč.poranenie)	2,4	2,3,4
				S14.13	Iné nekompletné priečne poranenie krčnej miechy	2,4	2,3,4
				S14.2	Poranenie krčného nervového koreňa	2,4	2,4
				S14.3	Poranenie plexus brachialis	2,4	2,4
				S14.5	Poranenie nervov krčného sympatika	4	4
				S14.70	Funkčná úroveň pri poranení krčnej miechy;bližšie neurčená	2,4	2,3,4

ICD	Text	OP. CCL	Med. CCL	ICD	Text	OP. CCL	Med. CCL
S14.71	Funkčná úroveň pri poranení krčnej miechy: C1	2,4	2,3,4	S23.11	Vykĺbenie hrudníkového stavca v úrovni Th1/Th2 a Th2/Th3	4	4
S14.72	Funkčná úroveň pri poranení krčnej miechy: C2	2,4	2,3,4	S23.12	Vykĺbenie hrudníkového stavca v úrovni Th3/Th4 a Th4/Th5	4	4
S14.73	Funkčná úroveň pri poranení krčnej miechy: C3	2,4	2,3,4	S23.13	Vykĺbenie hrudníkového stavca v úrovni Th5/Th6 a Th6/Th7	4	4
S14.74	Funkčná úroveň pri poranení krčnej miechy: C4	2,4	2,3,4	S23.14	Vykĺbenie hrudníkového stavca v úrovni Th7/Th8 a Th8/Th9	4	4
S14.75	Funkčná úroveň pri poranení krčnej miechy: C5	2,4	2,3,4	S23.15	Vykĺbenie hrudníkového stavca v úrovni Th9/Th10 a Th10/Th11	4	4
S14.76	Funkčná úroveň pri poranení krčnej miechy: C6	2,4	2,3,4	S23.16	Vykĺbenie hrudníkového stavca v úrovni Th11/Th12	4	4
S14.77	Funkčná úroveň pri poranení krčnej miechy: C7	2,4	2,3,4	S23.17	Vykĺbenie hrudníkového stavca v úrovni Th12/L1	4	4
S14.78	Funkčná úroveň pri poranení krčnej miechy: C8	2,4	2,3,4	S24.0	Otras a opuch hrudníkovej miechy	2,4	2,3,4
S15.00	Poranenie a.carotis, časť bližšie neurčená	2,3,4	2,4	S24.10	Poranenie hrudníkovej miechy, bližšie neurčené	2,4	2,3,4
S15.01	Poranenie a.carotis communis	2,3,4	2,4	S24.11	Kompletné priečne poranenie hrudníkovej miechy	2,4	2,3,4
S15.02	Poranenie a.carotis externa	2,3,4	2,4	S24.12	Nekompletné priečne poranenie hrudníkovej miechy	2,4	2,3,4
S15.03	Poranenie a.carotis interna	2,3,4	2,4	S24.2	Poranenie hrudníkového nervového koreňa	2,4	2,4
S15.1	Poranenie a.vertebralis	2,3	2	S24.4	Poranenie nervov hrudníkového sympatika	4	4
S15.2	Poranenie v.jugularis externa	2,3	2	S24.70	Funkčná výška pri poranení hrudníkovej miechy: úroveň b.n.	2,4	2,3,4
S15.3	Poranenie v.jugularis interna	2,3,4	2,4	S24.71	Funkčná výška pri poranení hrudníkovej miechy: Th1	2,4	2,3,4
S15.7	Poranenie viacerých krvných ciev v úrovni krku	2,3	2	S24.72	Funkčná výška pri poranení hrudníkovej miechy: Th2/Th3	2,4	2,3,4
S15.8	Poranenie iných krvných ciev v úrovni krku	2,3	2	S24.73	Funkčná výška pri poranení hrudníkovej miechy: Th4/Th5	2,4	2,3,4
S15.9	Poranenie krvných ciev v úrovni krku, bližšie neurčených	2,3	2	S24.74	Funkčná výška pri poranení hrudníkovej miechy: Th6/Th7	2,4	2,3,4
S17.0	Drvivé poranenie hrtana a priedušnice	2,3,4	2,4	S24.75	Funkčná výška pri poranení hrudníkovej miechy: Th8/Th9	2,4	2,3,4
S17.8	Drvivé poranenie inej časti krku	2,3,4	2,4	S24.76	Funkčná výška pri poranení hrudníkovej miechy: Th10/Th11	2,4	2,3,4
S17.9	Drvivé poranenie bližšie neurčenej časti krku	2,3,4	2,4	S24.77	Funkčná výška pri poranení hrudníkovej miechy: Th12	2,4	2,3,4
S21.1	Otvorená rana prednej steny hrudníka	4	4	S25.0	Poranenie hrudníkovej aorty	2,3,4	2,4
S21.2	Otvorená rana zadnej steny hrudníka	4	4	S25.1	Poranenie truncus brachiocephalicus alebo a.subclavia	2,3,4	2,4
S21.7	Viaceré otvorené rany steny hrudníka	4	4	S25.2	Poranenie hornej dutej žily	2,3,4	2,4
S21.80	Otvor.rana i.časti hrudníka, b.n.	4	4	S25.3	Poran.v.innominata(v.brachiocephalica)alebo v.subclavia	2,3,4	2,4
S21.83	Otvor.rana každej č.hrud.v spojení s vnútrohrud.por.	4	4	S25.4	Poranenie pľúcnych krvných ciev	2,3	2
S21.87	Poškodenie mäk.č.II.st.pri otvor.zlomeninách,vykĺben.na hrud.	4	4	S25.7	Poranenie viacerých krvných ciev hrudníka	2,3	2
S21.88	Poškodenie mäk.č.III.st.pri otvor.zlomeninách,vykĺben.na hrud.	4	4	S26.0	Poran.srdca so zakrvác.do osrdcovník.vaku	1,2,3,4	1,2,4
S21.89	Poškodenie mäk.č.III.st.pri otvor.zlomeninách,vykĺben.na hrud.	4	4	S26.81	Pomliaždenie srdca	1,2,3,4	1,2,4
S21.9	Otvorená rana hrudníka, bližšie neurčenej časti	4	4	S26.82	Tržné poranenie srdca bez otvorenia srdcovej dutiny	1,2,3,4	1,2,4
S22.00	Zlomenina hrudníkového stavca, úroveň bližšie neurčená	2,3,4	2,4	S26.83	Tržné poranenie srdca s otvorením srdcovej dutiny	1,2,3,4	1,2,4
S22.01	Zlomenina hrudníkového stavca Th1 a Th2	2,3,4	2,4	S26.88	Iné poranenia srdca	4	4
S22.02	Zlomenina hrudníkového stavca Th3 a Th4	2,3,4	2,4	S26.9	Poranenie srdca, bližšie neurčené	1,2,3,4	1,2,4
S22.03	Zlomenina hrudníkového stavca Th5 a Th6	2,3,4	2,4	S27.0	Úrazový pneumotorax	2,3,4	2,3,4
S22.04	Zlomenina hrudníkového stavca Th7 a Th8	2,3,4	2,4	S27.1	Úrazový hemotorax	2,3,4	2,3,4
S22.05	Zlomenina hrudníkového stavca Th9 a Th10	2,3,4	2,4	S27.2	Úrazový hemopneumotorax	2,3,4	2,3,4
S22.06	Zlomenina hrudníkového stavca Th11 a Th12	2,3,4	2,4	S27.32	Tržné poranenie pľúc	2,3,4	2,4
S22.1	Viaceré zlomeniny hrudníkovej chrbtice	2,3,4	2,4	S27.38	Iné a bližšie neurčené poranenie pľúc	4	4
S22.2	Zlomenina mostíka (sterna)	2,3,4	2,4	S27.4	Poranenie priedušky	2,3,4	2,4
S22.40	Sériová zlomenina rebier, bližšie neurčená	2,3,4	2,4	S27.5	Poranenie priedušnice v oblasti hrudníka	2,3,4	1,2,4
S22.41	Sériová zlomenina rebier s postihnutím prvého rebra	2,3,4	2,4	S27.6	Poranenie pohrudnice	2,3,4	1,2,4
S22.42	Sériová zlomenina rebier s postihnutím dvoch rebier	2,3,4	2	S27.7	Viaceré poranenia vnútrohrudníkových orgánov	4	4
S22.43	Sériová zlomenina rebier s postihnutím troch rebier	2,3,4	2	S27.81	Poranenie bránice	4	4
S22.44	Sériová zlomenina rebier s postihnutím štyroch a viac rebier	2,3,4	2,4	S27.82	Poranenie ductus thoracicus	2,3,4	1,2,4
S22.5	Instabilný (vlajúci) hrudník	2,3,4	2,4	S27.83	Poranenie hrudnej časti pažeráka	2,4	2,3,4
S23.0	Úrazové natrhnutie hrudníkovej medzistavcovej platničky	4	4	S27.84	Poranenie dojčenskej žlazy [týmusu]	2,3,4	1,2,4
S23.10	Vykĺbenie hrudníkového stavca v bližšie neurčenej úrovni	4	4				

ICD	Text	OP. CCL	Med. CCL	ICD	Text	OP. CCL	Med. CCL
S27.88	Poran.iných b.u.vnútrohrud.org.a štruktúr	4	4	S34.76	Funkčná úroveň pri poranení driekovokrižovej	2,4	2,3,4
S27.9	Poran.vnútrohrudníkového orgánu,b.n.	4	4		miechy: S1		
S28.0	Rozdrvený hrudník	2,3,4	2,4	S34.77	Funkčná úroveň pri poranení driekovokrižovej	2,4	2,3,4
S28.1	Úrazová amputácia časti hrudníka	2,3,4	2,4		miechy: S2 – S5		
S31.0	Otvorená rana drieku a panvy	4	4	S35.0	Poranenie brušnej aorty	2,3,4	2,4
S31.1	Otvorená rana brušnej steny	4	4	S35.1	Poranenie dolnej dutej žily	2,3,4	2,4
S31.3	Otvorená rana skróta a semenníkov	4	4	S35.2	Poranenie truncus coeliacus alebo	2,3,4	2,4
S31.7	Viaceré otvorené rany brucha, drieku a panvy	4	4		a.mesenterica		
S31.80	Otvorená rana inej a bližšie neurčenej časti brucha	4	4	S35.3	Poranenie v. portae alebo v. lienalis	2,3,4	2,4
				S35.4	Poranenie krvných ciev obličky	2,3,4	2,4
S31.83	Otvor.rana(kaž.č.brucha,drieku,panvy)spoj.s	4	4	S35.5	Poranenie iliakálnych krvných ciev	2,3,4	2,4
	vnútrobruš.poran.			S35.7	Poranenie viacerých krvných ciev	2,3,4	2,4
S31.87	Poškodenie mäk.č.II.st.pri	4	4		brucha,drieku a panvy		
	otv.zlom.,vyklb.driek.chrbtice,panvy			S35.8	Poranenie iných krvných ciev brucha,drieku a	4	4
S31.88	Poškoden.mäk.č.II.st.pri	4	4		panvy		
	otv.zlom.,vyklb.driek.chrbtice,panvy			S35.9	Poranenie bl.neurč.krvnej cievy v úrovni	4	4
S31.89	Poškoden.mäk.č.III.st.pri	4	4		brucha,drieku a panvy		
	otv.zlom.,vyklb.driek.chrbtice,panvy			S36.00	Poranenie slezinybližšie neurčené	2,3,4	1,2,3
S32.00	Zlomenina driekového stavca,úroveň	2,3,4	2,4	S36.01	Hematóm sleziny	2,3,4	1,2,3,4
	bližšie neurčená			S36.02	Roztrhnutie puzdra sleziny,bez väčších trhlín	2,3,4	1,2,3,4
S32.01	Zlomenina driekového stavca L1	2,3,4	2,4		parenchýmu		
S32.02	Zlomenina driekového stavca L2	2,3,4	2,4	S36.03	Tržné poranenie sleziny vrátane parenchýmu	2,3,4	1,2,3,4
S32.03	Zlomenina driekového stavca L3	2,3,4	2,4	S36.04	Masívna ruptúra parenchýmu sleziny	2,3,4	1,2,3
S32.04	Zlomenina driekového stavca L4	2,3,4	2,4	S36.08	Iné poranenie sleziny	2,3,4	1,2,3
S32.05	Zlomenina driekového stavca L5	2,3,4	2,4	S36.10	Poranenie pečene,bližšie neurčené	1,2,3,4	1,2,3,4
S32.1	Zlomenina križovej kosti	2,3,4	2,4	S36.11	Pomliaždenie a hematóm pečene	1,2,3,4	1,2,3,4
S32.2	Zlomenina kostrče	2,3,4	2,4	S36.12	Tržné poranenie pečene,bližšie neurčené	1,2,3,4	1,2,3,4
S32.4	Zlomenina acetabula	3,4	2,3	S36.13	Lahké tržné poranenie pečene	1,2,3,4	1,2,3,4
S32.5	Zlomenina os pubis	3,4	2,3	S36.14	Stredne ťažké poranenie pečene	1,2,3,4	1,2,3,4
S32.82	Zlomenina driekovej chrbtice a križovej	2,3,4	2,4	S36.15	Ťažké tržné poranenie pečene	1,2,3,4	1,2,3,4
	kosti,bl.neurč.časť			S36.16	Iné poranenie pečene	1,2,3,4	1,2,3,4
S32.83	Zlomenina panvy,bližšie neurčená časť	2,3	2	S36.17	Poranenie žľazníka	2,3,4	2,3,4
S32.89	Zlomenina iných a viacerých častí panvy	3,4	2,3,4	S36.18	Poranenie žľazových ciest	2,3,4	2,3,4
S33.0	Úrazové natrhnutie driekovej medzistavcovej	4	4	S36.40	Poranenie tenkého čreva,časť bližšie	4	4
	platničky				neurčená		
S33.10	Vyklb.driek.stavca,úroveň b.n.	4	4	S36.50	Poranenie hrubého čreva,časť bližšie	4	4
S33.11	Vyklbenie driekového stavca L1/L2	4	4		neurčená		
S33.12	Vyklbenie driekového stavca L2/L3	4	4	S36.52	Poranenie colon transversum	4	4
S33.13	Vyklbenie driekového stavca L3/L4	4	4	S36.53	Poranenie colon descendens	4	4
S33.14	Vyklbenie driekového stavca L4/L5	4	4	S36.59	Poranenie iných a viacerých častí hrubého	4	4
S33.15	Vyklbenie driekového stavca L5/S1	4	4		čreva		
S34.0	Otras a opuch driekovej časti miechy	2,4	2,3,4	S36.6	Poranenie konečníka	4	4
S34.10	Kompletné priečne poranenie driekovej časti	2,4	2,3,4	S36.7	Poranenie viacerých vnútrobrušných orgánov	4	4
	miechy			S36.81	Poranenie pobrušnice	2,4	2,3,4
S34.11	Nekompletné priečne poranenie driekovej	2,4	2,3,4	S36.83	Poranenie retroperitonea	2,3,4	2,3,4
	časti miechy			S36.88	Poranenie iných vnútrobrušných orgánov	2,4	2,3
S34.18	Iné poranenie driekovej časti miechy	2,4	2,3,4	S36.9	Poranenie bližšie neurčeného vnútrobrušného	2,4	2,3
S34.2	Poranenie driekového a križového nervového	2,4	2,4		orgánu		
	koreňa			S37.00	Poranenie obličky,bližšie neurčené	2,3,4	1,2
S34.30	Kompletný úrazový syndróm cauda equina	2,4	2,3,4	S37.01	Pomliaždenie a hematóm obličky	2,3,4	1,2
S34.31	Nekompletný úrazový syndróm cauda equina	2,4	2,3,4	S37.02	Tržné poranenie obličky	2,3,4	1,2,4
S34.38	Iné a bližšie neurčené poranenie cauda	2,4	2,3,4	S37.03	Kompletná ruptúra parenchýmu obličky	2,3,4	1,2
	equina			S37.1	Poranenie močovodu	2,3,4	2,3,4
S34.4	Poranenie plexus lumbosacralis	2,4	2,4	S37.20	Poranenie močového mechúra,bližšie	2,3,4	2,3
S34.5	Poranenie nervov driek.a križ.sympatika.a	4	4		neurčené		
	panvov.sympat.n.			S37.21	Pomliaždenie močového mechúra	2,3,4	2,3
S34.70	Funkčná úroveň pri poranení driekovokrižovej	2,4	2,3,4	S37.22	Roztrhnutie močového mechúra	2,3,4	2,3
	miechy: b.ne.			S37.28	Iné poranenie močového mechúra	2,3,4	2,3
S34.71	Funkčná úroveň pri poranení driekovokrižovej	2,4	2,3,4	S37.30	Poranenie močovej rúry,bližšie neurčené	2,3,4	2,3
	miechy: L1			S37.31	Poranenie močovej rúry,pars membranacea	2,3,4	2,3
S34.72	Funkčná úroveň pri poranení driekovokrižovej	2,4	2,3,4	S37.32	Poranenie močovej rúry,pars spongiosa	2,3,4	2,3
	miechy: L2			S37.33	Poranenie močovej rúry,pars prostatica	2,3,4	2,3
S34.73	Funkčná úroveň pri poranení driekovokrižovej	2,4	2,3,4	S37.38	Poranenie močovej rúry,iná časť	2,3,4	2,3
	miechy: L3			S37.4	Poranenie vaječníka	1,2	1
S34.74	Funkčná úroveň pri poranení driekovokrižovej	2,4	2,3,4	S37.5	Poranenie vajčkovodu	1,2	1
	miechy: L4			S37.6	Poranenie matrice	1,2	1
S34.75	Funkčná úroveň pri poranení driekovokrižovej	2,4	2,3,4	S37.7	Poranenie viacerých panvových orgánov	1,2	1,2
	miechy: L5			S37.81	Poranenie nadobličky	1,2	1
				S37.82	Poranenie prostaty	1,2	1,2

ICD	Text	OP. CCL	Med. CCL	ICD	Text	OP. CCL	Med. CCL
S37.83	Poranenie semenného vďaka	1,2	1,2	S68.3	Kombinovaná úraz.amput.(č.)prsta (prstov)s i.č.zápäs.a ruky	2,3	2
S37.84	Poranenie semenovodu	1,2	1,2	S68.4	Úrazová amputácia ruky v úrovni zápastia	2,3	2
S37.9	Poranenie bližšie neurčeného panvového orgánu	1,2	1	S68.8	Úrazová amputácia inej časti zápastia a ruky	2,3	2
S38.0	Drvivé poranenie vonkajších pohlavných orgánov	4	4	S68.9	Úraz.amput.zápäs.a ruky v b.n.úr.	2,3	2
S38.1	Drvivé poranenie iných a bl.neurč.častí brucha,drieku a panvy	4	4	S70.1	Pomliaždenie stehna	4	4
S38.3	Úrazová amputácia iných a bl.neurč.častí brucha,drieku a panvy	4	4	S72.00	Zlomenina krčka stehn.kosti,časť b.n.	2,3,4	2,3
S39.6	Poranenie vnútrobruš.orgánov s poranením panvových orgánov	1,2	1,2	S72.01	Zlomenina krčka stehnej kosti, intrakapsulárna	2,3,4	2,3
S39.7	Viacere poranenia brucha, drieku a panvy	2,3	2	S72.02	Zlomenina krčka stehn.kosti,prox.epifýza (rozp.epifýzy)	2,3,4	2,3
S42.21	Zlomenina horného konca ramennej kosti,hlava	4	4	S72.03	Zlomenina krčka stehnej kosti,subkapitálna	2,3,4	2,3
S42.22	Zlomenina hor.konca ramennej kosti,collum chirurgicum	2,3	2	S72.04	Zlomenina krčka stehnej kosti,mediocervikálna	2,3,4	2,3
S42.23	Zlomenina hor.konca ramennej kosti,collum anatomicum	2,3	2	S72.05	Zlomenina krčka stehnej kosti,báza	2,3,4	2,3
S42.29	Zlomenina hor.konca ramennej kosti,iné a mnohopoč.častí	4	4	S72.08	Zlomenina krčka stehnej kosti,iná časť	2,3,4	2,3
S45.0	Poranenie a.axillaris	4	4	S72.10	Zlomenina stehnej kosti,trochanterová,b.n.	2,3,4	2,3
S45.1	Poranenie a.brachialis	4	4	S72.11	Zlomenina stehnej kosti, intertrochanterová	2,3,4	2,3
S45.2	Poranenie v.axillaris a v.brachialis	4	4	S72.2	Subtrochanterová zlomenina	2,3,4	2,3
S45.3	Poranenie povrchovej žily v úrovni pleca a ramena	4	4	S72.3	Zlomenina diafýzy stehnej kosti	2,3,4	2,3
S45.7	Poranenie viacerých krvných ciev v úrovni pleca a ramena	4	4	S72.40	Zlomen.dolného konca stehn.kosti,č.b.n.	2,3,4	2,3
S45.8	Poranenie iných krvných ciev v úrovni pleca a ramena	4	4	S72.41	Zlomen.dolné.konca stehn.kosti,condylus (lateralis)(medialis)	2,3,4	2,3
S45.9	Poranenie bliž.neurč.krvnej cievy v úrovni pleca a ramena	4	4	S72.42	Zlomen.dolného konca stehn.kosti,epifýza (rozpustenie epifýzy)	2,3,4	2,3
S47	Drvivé poranenie pleca a ramena	4	4	S72.43	Zlomen.dolného konca stehn.kosti,suprakondylová	2,3,4	2,3
S48.0	Úrazová amputácia v plecovom kĺbe	2,3	2	S72.44	Zlomen.dolného konca stehn.kosti,interkondylová	2,3,4	2,3
S48.1	Úrazová amputácia v úrovni medzi plecóm a lakťóm	2,3	2	S72.8	Zlomenina inej časti stehnej kosti	2,3,4	2,3
S48.9	Úrazová amputácia v obl.pleca a ram.,úroveň b.n.	2,3	2	S72.9	Zlomenina stehnej kosti,časť bližšie neurčená	2,3,4	2,3
S55.0	Poranenie a.ulnaris v úrovni predlaktia	4	4	S75.0	Poranenie a.femoralis	2,3	2
S55.1	Poranenie a.radialis v úrovni predlaktia	4	4	S75.7	Poranenie viacerých krvných ciev v úrovni bedra a stehna	4	4
S55.2	Poranenie žily v úrovni predlaktia	4	4	S75.8	Poranenie iných krvných ciev v úrovni bedra a stehna	4	4
S55.7	Poranenie viac.krvných ciev v úrovni predlak.	4	4	S75.9	Poran.enie bliž.neurč.krvných ciev v úrovni bedra a stehna	4	4
S55.8	Poranenie iných krvných ciev v úrovni predlaktia	4	4	S77.0	Drvivé poranenie bedra	4	4
S55.9	Poranenie bliž.neurč.krvnej cievy v úrovni predlak.	4	4	S77.1	Drvivé poranenie stehna	4	4
S57.0	Drvivé poranenie lakťa	4	4	S77.2	Drvivé poranenie bedra a stehna	4	4
S57.8	Drvivé poranenie iných častí predlaktia	4	4	S78.0	Úrazová amputácia v bedrovom kĺbe	2,3	2
S57.9	Drvivé poranenie predlaktia,bliž.neurč.častí	4	4	S78.1	Úrazová amputácia v úrovni medzi bedrom a kolenom	2,3	2
S58.0	Úrazová amputácia v lakti	2,3	2	S78.9	Úrazová amput.bedra a stehna v b.n.úrovni	2,3	2
S58.1	Úrazová amputácia medzi lakťóm a zápästím	2,3	2	S82.11	Zlomenina hor.konca pišťaly,so zlom.ihlice (každá č.)	4	4
S58.9	Úraz.amput.predlak.,úroveň b.n.	2,3	2	S82.41	Zlomenina ihlice, izolovaná,horný koniec	4	4
S62.8	Zlomenina iných.a bliž.neurč.častí zápäs.a ruky	4	4	S85.1	Poranenie (pred.)zad.)pišťal.tepny	4	4
S65.0	Poranenie a.ulnaris v úrovni zápastia a ruky	4	4	S85.2	Poranenie ihlicovej tepny [a.peronea]	4	4
S65.1	Poranenie a.radialis v úrovni zápastia a ruky	4	4	S85.7	Poranenie viac.krv. ciev v úrov.predkol.	4	4
S65.2	Poranenie ciev povrchového dlaňového oblúka	4	4	S85.9	Poranenie bliž.neurč.krv.cievy v úrov.predkol.	4	4
S65.3	Poranenie ciev hĺbkového dlaňového oblúka	4	4	S87.0	Drvivé poranenie kolena	4	4
S65.4	Poranenie krvnej cievy (ciev) palca	4	4	S87.8	Drvivé poranenie i.a bliž.neurč.častí predkol.	4	4
S65.5	Poranenie krvnej cievy (ciev) iného prsta ruky	4	4	S88.0	Úrazová amputácia v úrovni kolena	2,3	2
S65.7	Poranenie viacerých krvných ciev v úrov.zápäs.a ruky	4	4	S88.1	Úrazová amputácia v úrovni medzi kolenom a členkom	2,3	2
S65.8	Poranenie i.krvnej cievy v úrov.zápäs.a ruky	4	4	S88.9	Úrazová amputácia predkol.v bliž.neurč.úrovni	2,3	2
S65.9	Poranenie bliž.neurč.krvnej cievy v úrov.zápása ruky	4	4	S95.0	Poranenie a.dorsalis pedis	4	4
S67.0	Drvivé poran.palca a iného prsta/prstov ruky	4	4	S95.1	Poranenie a.plantaris pedis	4	4
S67.8	Drvivé poran.i.a bliž.neurč.častí zápäs.a ruky	4	4	S95.2	Poranenie v. dorsalis pedis	4	4
				S95.7	Poranenie viac.krvných .ciev v úrov.členka a nohy	4	4
				S95.8	Poranenie inej krvnej cievy v úrovni členka a nohy	4	4
				S95.9	Poranenie bliž.neurč.krvnej cievy v úrov.členka a nohy	4	4

ICD	Text	OP. CCL	Med. CCL	ICD	Text	OP. CCL	Med. CCL
S97.0	Drvivé poranenie členka	4	4	T14.5	Poranenie krvnej cievy (ciev):oblasť blíž.neurč tela	4	4
S97.1	Drvivé poranenie prsta (prstov) nohy	4	4	T14.7	Drvivé poran.a úraz.amput.oblasť blíž.neurč.tela	4	4
S97.8	Drvivé poranenie inej časti členka a nohy	4	4	T20.3	Popálenina hlavy a krku 3. stupňa	4	4
S98.0	Úrazová amputácia nohy v úrovni členka	2,3	2	T20.7	Poleptanie hlavy a krku 3. stupňa	4	4
S98.3	Úrazová amputácia inej časti nohy	2,3	2	T21.30	Popálenina trupu 3. stupňa,časť blížšie neurčená	4	4
S98.4	Úrazová amputácia nohy v blížšie neurčenej úrovni	2,3	2	T21.31	Popálenina trupu 3. stupňa,prsník	4	4
T02.00	Zlomeniny postih.hlavu aj krk,zatv./bez b.u.	2,3,4	2,4	T21.32	Popál.trupu 3.st.,stena hrud.s výn.prsníka a bradavky	4	4
T02.01	Zlomeniny postihujúce hlavu aj krk, otvorené	2,3,4	2,4	T21.33	Popálenina trupu 3. stupňa,brušná stena	4	4
T02.11	Zlom.postih.hrud.-driek.križ.obl./hrud.aj panv.,otvor.	4	4	T21.34	Popál.trupu 3.st.,chrbát	4	4
T02.40	Zlomeniny postih.viac.obl.oboch HK,zatv./bez b.u.	4	4	T21.35	Popálenina trupu 3. stupňa,vonkajšie genitálie	4	4
T02.41	Zlomeniny postih.viac.obl.oboch HK,otvor.	4	4	T21.39	Popálenina trupu 3. stupňa,iná časť	4	4
T02.50	Zlomeniny viac.obl.oboch DK,zatv./bez b.u.	4	4	T21.70	Poleptanie trupu 3.stupňa,časť blížšie neurčená	4	4
T02.51	Zlomeniny viac.obl.oboch DK,otvor.	4	4	T21.71	Poleptanie trupu 3.stupňa,prsník	4	4
T02.60	Zlomeniny postih viac.obl.Hk a DK,zatv./bez b.u.	4	4	T21.72	Polept.trupu 3.st.,stena hrud.s výn.prsníka a bradavky	4	4
T02.61	Zlomeniny viac.obl.HK,DK,otvor.	4	4	T21.73	Poleptanie trupu 3 stupňa,brušná stena	4	4
T02.70	Zlomen.postih.hrud.driek.končat./hrud.panv.k onč.zatv./bez b.u.	4	4	T21.74	Poleptanie trupu 3.stupňa,chrbát	4	4
T02.71	Zlomen.postih.hrud.s driek.a konč./hrud.s panv.a konč.,otvor.	4	4	T21.75	Poleptanie trupu 3.stupňa,vonkajšie genitálie	4	4
T04.0	Drvivé poranenie postihujúce hlavu aj krk	2,3,4	2,4	T21.79	Poleptanie trupu 3.stupňa,iná časť	4	4
T04.1	Drvivé poran.postih.hrud.aj brucho,hrud.aj driek,hrud.aj panvu	4	4	T22.30	Popál.pleca a HK okr.zápäs.a ruky,3.st.,časť blíž.neurč.	4	4
T04.2	Drvivé poran.postih.viac.obl.HK	4	4	T22.31	Popál.pleca a HK okr.zápäs.a ruky,3.st.,lak.a predlak.	4	4
T04.3	Drvivé poran.postih.viac.obl.DK	4	4	T22.32	Popál.pleca a HK okr.zápäs.a ruky,3.st.,ram.a plece	4	4
T04.4	Drvivé poran.postih.viac.obl.HK.aj DK	2,3,4	2,4	T22.33	Popál.pleca a HK okr.zápäs.a ruky,3.st.,podpazušie	4	4
T04.7	Drv.por.pos.hr.,bru.a konč./hr.,drie.a konč./hr.,pan.a kon.	2,3,4	2,4	T22.70	Polept.pleca a HK okr.zápäs.a ruky,3.st.,časť blíž.neurč.	4	4
T04.8	Drvivé poran.postih.i.komb.telesných obl.	2,3,4	2,4	T22.71	Polept.pleca a HK okr.zápäs.a ruky,3.st.,lak.a predlak.	4	4
T04.9	Viaceré drvivé poranenia,blížšie neurčené	2,3,4	2,4	T22.72	Polept.pleca a HK okr.zápäs.a ruky,3.st.,ram.a ple.	4	4
T05.0	Úrazová amputácia oboch rúk	2,3	2	T22.73	Polept.pleca a HK okr.zápäs.a ruky,3.st.,podpazušie	4	4
T05.1	Úrazová amput.jednej ruky a druhej HK (okr.ruky)	2,3	2	T23.3	Popálenina zápastia a ruky 3.stupňa	4	4
T05.2	Úrazová amput.oboch HK (ktorákoľvek úr.)	2,3	2	T23.7	Poleptanie zápastia a ruky 3.stupňa	4	4
T05.3	Úrazová amputácia oboch nôh	2,3	2	T24.3	Popál.bedra a DK okr.čl.a nohy 3.st.	4	4
T05.4	Úrazová amput.jednej nohy a druhej DK (okr.nohy)	2,3	2	T24.7	Polept.bedra a DK okr.čl.a nohy 3.st.	4	4
T05.5	Úrazová amput.oboch DK	2,3	2	T25.3	Popálenina členka a nohy 3.stupňa	4	4
T05.6	Úrazová amput.HK.aj DKv akejkoľvek komb.	2,3	2	T25.7	Poleptanie členka a nohy 3.stupňa	4	4
T05.8	Úrazová amput.post.i.komb.telesných obl.	4	4	T26.0	Popálenina mihalnice a okolia oka	4	4
T06.0	Poran.mozg.a hlav.nerv.komb.s por.nerv.a miechy v úr.krku	2,4	2,3,4	T26.1	Popálenina rohovky a spojovkového vaku	4	4
T06.1	Poran.nervov a miechy postih.i.viac.telesné obl.	2,4	2,3,4	T26.2	Popál.s následnou rupt.a deštruk.očnej gule	4	4
T06.3	Poranenie krvných ciev postihujúce viaceré oblasti	4	4	T26.3	Popálenina iných častí oka a očných adnexov	4	4
T06.5	Poran.vnútrohrud.aj vnútrobruš.org./vn-hrud.aj panv.org.	2,3	2	T26.4	Popál.b.n.časti oka a oč.adnexov	4	4
T08.0	Zlomenina chrčtice v blíž.neuč.úrovni,zatvor./bez b.u.	2,3,4	2,4	T26.5	Poleptanie mihalnice a okolia oka	4	4
T08.1	Zlomenina chrčtice v blíž.neurč.úrovni,otvorená	2,3,4	2,4	T26.6	Poleptanie rohovky a spojovkového vaku	4	4
T09.1	Otvorená rana trupu v blížšie neurčenej úrovni	4	4	T26.7	Polept.s následnou rupt. a deštruk.očnej gule	4	4
T09.3	Poranenie miechy v blížšie neurčenej úrovni	2,4	2,3,4	T26.8	Poleptanie iných častí oka a očných adnexov	4	4
T09.4	Poran.blíž.neurč.nervu,miech.koreňa a nerv.spleti trupu	2,4	2,4	T26.9	Poleptanie blíž.neurč.časti oka a očnýchadnexov	4	4
T09.6	Úrazová amputácia trupu v blížšie neurčenej úrovni	4	4	T27.0	Popálenina hrtana a priedušnice	4	4
T11.4	Poranenie blíž.neurč.cievy HK,v blíž.neurč.úrovni	4	4	T27.1	Popálenina hrtana a priedušnice s plúcami	3,4	3,4
T11.6	Úrazová amputácia HK,v blíž.neurč.úrovni	2,3	2	T27.2	Popálenina iných častí dýchacích ciest	4	4
T13.4	Poranenie blíž.neurč.krv.cievy DK,v blíž.neurč.úrovni	4	4	T27.3	Popálenina blížšie neurčenej časti dýchacích ciest	4	4
T13.6	Úrazová amputácia DK,v blíž.neurč.úrovni	2,3	2	T27.4	Poleptanie hrtana a priedušnice	4	4
				T27.5	Poleptanie hrtana a priedušnice s plúcami	3,4	3,4
				T27.6	Poleptanie iných častí dýchacích ciest	4	4
				T27.7	Poleptanie blížšie neurčenej časti dýchacích ciest	4	4
				T28.0	Popálenina úst a hltana	4	4
				T28.1	Popálenina pažeráka	4	4

ICD	Text	OP. CCL	Med. CCL	ICD	Text	OP. CCL	Med. CCL
T28.2	Popálenina iných častí tráviacej sústavy	4	4	T32.32	Polept.30-39%povr.tela,20-29%polept.3.st.	4	4
T28.3	Popálenina vnútorných močovopohlavných orgánov	4	4	T32.33	Polept.30-39%povr.tela,30-39%polept.3.st.	4	4
T28.4	Popálenina iných a bliž.neurč.vnút.org.	4	4	T32.42	Polept.40-49%povr.tela,20-29%polept.3.st.	4	4
T28.5	Poleptanie úst a hltana	4	4	T32.43	Polept.40-49%povr.tela,30-39%polept.3.st.	4	4
T28.6	Poleptanie pažeráka	4	4	T32.44	Polept.40-49%povr.tela,40-49%polept.3.st.	4	4
T28.7	Poleptanie iných častí tráviacej sústavy	4	4	T32.50	Polept.50-59%povr.tela,<ako10 %/b.n.č.-polept.3.st.	4	4
T28.8	Poleptanie vnútorných močovopohlavných orgánov	4	4	T32.51	Polept.50-59%povr.tela,10-19%polept.3.st.	4	4
T28.9	Poleptanie iných a bliž.neurč.vnút.org.	4	4	T32.52	Polept.50-59%povr.tela,20-29%polept.3.st.	4	4
T29.0	Popálenina viac.obl.tela bliž.neurč.stupňa	4	4	T32.53	Polept.50-59%povr.tela,30-39%polept.3.st.	4	4
T29.3	Popál.viac.obl.tela,uvadený najmen.raz 3.st.	4	4	T32.54	Polept.50-59%povr.tela,40-49%polept.3.st.	4	4
T29.4	Polept.viac.častí tela bliž.neurč.stupňa	4	4	T32.55	Polept.50-59%povr.tela,50-59%polept.3.st.	4	4
T29.7	Polept.viac.častí tela,uvadený najmen.raz 3.st.	4	4	T32.60	Polept.60-69%povr.tela,<ako10 %/b.n.č.-polept.3.st.	4	4
T31.22	Popál.20-29%povr.tela,20-29%popál.3.st.	4	4	T32.61	Polept.60-69%povr.tela,10-19%polept.3.st.	4	4
T31.32	Popál.30-39%povr.tela,20-29%popál.3.st.	4	4	T32.62	Polept.60-69%povr.tela,20-29%polept.3.st.	4	4
T31.33	Popál.30-39%povr.tela,30-39%popál.3.st.	4	4	T32.63	Polept.60-69%povr.tela,30-39%polept.3.st.	4	4
T31.42	Popál.40-49%povr.tela,20-29%popál.3.st.	4	4	T32.64	Polept.60-69%povr.tela,40-49%polept.3.st.	4	4
T31.43	Popál.40-49%povr.tela,30-39%popál.3.st.	4	4	T32.65	Polept.60-69%povr.tela,50-59%polept.3.st.	4	4
T31.44	Popál.40-49%povr.tela,40-49%popál.3.st.	4	4	T32.66	Polept.60-69%povr.tela,60-69%polept.3.st.	4	4
T31.50	Popál.50-59%povr.tela,<ako10 %/b.n.č.-popál.3.st.	4	4	T32.70	Polept.70-79%povr.tela,<ako10 %/b.n.č.-polept.3.st.	4	4
T31.51	Popál.50-59%povr.tela,10-19%popál.3.st.	4	4	T32.71	Polept.70-79%povr.tela,10-19%polept.3.st.	4	4
T31.52	Popál.50-59%povr.tela,20-29%popál.3.st.	4	4	T32.72	Polept.70-79%povr.tela,20-29%polept.3.st.	4	4
T31.53	Popál.50-59%povr.tela,30-39%popál.3.st.	4	4	T32.73	Polept.70-79%povr.tela,30-39%polept.3.st.	4	4
T31.54	Popál.50-59%povr.tela,40-49%popál.3.st.	4	4	T32.74	Polept.70-79%povr.tela,40-49%polept.3.st.	4	4
T31.55	Popál.50-59%povr.tela,50-59%popál.3.st.	4	4	T32.75	Polept.70-79%povr.tela,50-59%polept.3.st.	4	4
T31.60	Popál.60-69%povr.tela,<ako10 %/b.n.č.-popál.3.st.	4	4	T32.76	Polept.70-79%povr.tela,60-69%polept.3.st.	4	4
T31.61	Popál.60-69%povr.tela,10-19%popál.3.st.	4	4	T32.77	Polept.70-79%povr.tela,70-79%polept.3.st.	4	4
T31.62	Popál.60-69%povr.tela,20-29%popál.3.st.	4	4	T32.80	Polept.80-89%povr.tela,<ako10 %/b.n.č.-polept.3.st.	4	4
T31.63	Popál.60-69%povr.tela,30-39%popál.3.st.	4	4	T32.81	Polept.80-89%povr.tela,10-19%polept.3.st.	4	4
T31.64	Popál.60-69%povr.tela,40-49%popál.3.st.	4	4	T32.82	Polept.80-89%povr.tela,20-29%polept.3.st.	4	4
T31.65	Popál.60-69%povr.tela,50-59%popál.3.st.	4	4	T32.83	Polept.80-89%povr.tela,30-39%polept.3.st.	4	4
T31.66	Popál.60-69%povr.tela,60-69%popál.3.st.	4	4	T32.84	Polept.80-89%povr.tela,40-49%polept.3.st.	4	4
T31.70	Popál.70-79%povr.tela,<ako10 %/b.n.č.-popál.3.st.	4	4	T32.85	Polept.80-89%povr.tela,50-59%polept.3.st.	4	4
T31.71	Popál.70-79%povr.tela,10-19%popál.3.st.	4	4	T32.86	Polept.80-89%povr.tela,60-69%polept.3.st.	4	4
T31.72	Popál.70-79%povr.tela,20-29%popál.3.st.	4	4	T32.87	Polept.80-89%povr.tela,70-79%polept.3.st.	4	4
T31.73	Popál.70-79%povr.tela,30-39%popál.3.st.	4	4	T32.88	Polept.80-89%povr.tela,80-89%polept.3.st.	4	4
T31.74	Popál.70-79%povr.tela,40-49%popál.3.st.	4	4	T32.90	Polept.90 a viac%povr.tela,<ako10 %/b.n.č.-polept.3.st.	4	4
T31.75	Popál.70-79%povr.tela,50-59%popál.3.st.	4	4	T32.91	Polept.90 a viac%povr.tela,10-19%polept.3.st.	4	4
T31.76	Popál.70-79%povr.tela,60-69%popál.3.st.	4	4	T32.92	Polept.90 a viac%povr.tela,20-29%polept.3.st.	4	4
T31.77	Popál.70-79%povr.tela,70-79%popál.3.st.	4	4	T32.93	Polept.90 a viac%povr.tela,30-39%polept.3.st.	4	4
T31.80	Popál.80-89%povr.tela,<ako10 %/b.n.č.-popál.3.st.	4	4	T32.94	Polept.90 a viac%povr.tela,40-49%polept.3.st.	4	4
T31.81	Popál.80-89%povr.tela,10-19%popál.3.st.	4	4	T32.95	Polept.90 a viac%povr.tela,50-59%polept.3.st.	4	4
T31.82	Popál.80-89%povr.tela,20-29%popál.3.st.	4	4	T32.96	Polept.90 a viac%povr.tela,60-69%polept.3.st.	4	4
T31.83	Popál.80-89%povr.tela,30-39%popál.3.st.	4	4	T32.97	Polept.90 a viac%povr.tela,70-79%polept.3.st.	4	4
T31.84	Popál.80-89%povr.tela,40-49%popál.3.st.	4	4	T32.98	Polept.90 a viac%povr.tela,80-89%polept.3.st.	4	4
T31.85	Popál.80-89%povr.tela,50-59%popál.3.st.	4	4	T32.99	Polept.90 a viac%povr.tela,90 a viac polept.3.st.	4	4
T31.86	Popál.80-89%povr.tela,60-69%popál.3.st.	4	4	T33.0	Povrchová omrzlina hlavy	4	4
T31.87	Popál.80-89%povr.tela,70-79%popál.3.st.	4	4	T33.1	Povrchová omrzlina krku	4	4
T31.88	Popál.80-89%povr.tela,80-89%popál.3.st.	4	4	T33.2	Povrchová omrzlina hrudníka	4	4
T31.90	Popál.90 a viac%povr.tela,<ako10 %/b.n.č.-popál.3.st.	4	4	T33.3	Povrchová omrzlina brušnej steny, drieku a panvy	4	4
T31.91	Popál.90 a viac%povr.tela,10-19%popál.3.st.	4	4	T33.4	Povrchová omrzlina hornej končatiny	4	4
T31.92	Popál.90 a viac%povr.tela,20-29%popál.3.st.	4	4	T33.5	Povrchová omrzlina zápästia a ruky	4	4
T31.93	Popál.90 a viac%povr.tela,30-39%popál.3.st.	4	4	T33.6	Povrchová omrzlina bedra a stehna	4	4
T31.94	Popál.90 a viac%povr.tela,40-49%popál.3.st.	4	4	T33.7	Povrchová omrzlina kolena a predkolena	4	4
T31.95	Popál.90 a viac%povr.tela,50-59%popál.3.st.	4	4	T33.8	Povrchová omrzlina členka a nohy	4	4
T31.96	Popál.90 a viac%povr.tela,60-69%popál.3.st.	4	4				
T31.97	Popál.90 a viac%povr.tela,70-79%popál.3.st.	4	4				
T31.98	Popál.90 a viac%povr.tela,80-89%popál.3.st.	4	4				
T31.99	Popál.90 a viac%povr.tela,90 %/viac popál.3.st.	4	4				
T32.22	Polept.20-29%povr.tela,20-29%polept.3.st.	4	4				

ICD	Text	OP. CCL	Med. CCL	ICD	Text	OP. CCL	Med. CCL
T33.9	Povrch.omrzlina na i.a b.n.miestach	4	4	T40.1	Otrava heroínom	4	4
T34.0	Omrzlina s nekrózou tkaniva hlavy	4	4	T40.2	Otrava inými opioidmi	4	4
T34.1	Omrzlina s nekrózou tkaniva krku	4	4	T40.3	Otrava metadónom	4	4
T34.2	Omrzlina s nekrózou tkaniva hrudníka	4	4	T40.4	Otrava inými syntetickými opiátmi	4	4
T34.3	Omrz.l.s nekroz.tkaniva brušnej steny,drieku a panvy	4	4	T40.5	Otrava kokainom	4	4
T34.4	Omrzlina s nekrózou tkaniva hornej končatiny	4	4	T40.6	Otrava inými a bližšie neurčenými opiátmi	4	4
T34.5	Omrzlina s nekrózou tkaniva zápästia a ruky	4	4	T40.7	Otrava derivátmi cannabis	4	4
T34.6	Omrzlina s nekrózou tkaniva bedra a stehna	4	4	T40.8	Otrava lysergidom [LSD]	4	4
T34.7	Omrzlina s nekrózou tkaniva kolena a predkolenia	4	4	T40.9	Otrava i.a b.n.psychodysleptikami (halucinogénmi)	4	4
T34.8	Omrzlina s nekrózou tkaniva členka a nohy	4	4	T41.0	Otrava inhalačnými anestetikami	4	4
T34.9	Omrzlina s nekroz.tkan.na i.a bliž.neurč.miestach	4	4	T41.1	Otrava intravenóznymi anestetikami	4	4
T35.0	Povrchová omrzlina postihujúca viaceré časti tela	4	4	T41.2	Otrava i.a bliž.neurč.celkovými anestetikami	4	4
T35.1	Omrz.l.s tkanivovou nekroz.post.viac.č.tela	4	4	T41.3	Otrava lokálnymi anestetikami	4	4
T35.2	Omrzlina hlavy a krku, bližšie neurčená	4	4	T41.4	Otrava anestetikami,bližšie neurčenými	4	4
T35.3	Omrz.l.hrud.,brucha,drieku a panvy b.n.	4	4	T41.5	Otrava liečebnými plynmi	4	4
T35.4	Omrzlina hornej končatiny,bližšie neurčená	4	4	T42.0	Otrava derivátmi hydantoínu	4	4
T35.5	Omrzlina dolnej končatiny,bližšie neurčená	4	4	T42.1	Otrava iminostilbénmi	4	4
T35.6	Omrzlina postihujúcv viac.časti tela,b.n.	4	4	T42.2	Otrava sukcinimidmi a oxazolidínmi	4	4
T35.7	Omrzlina bliž.neurč.časti tela,b.n.	4	4	T42.3	Otrava barbiturátmi	4	4
T36.0	Otrava penicilínmi	4	4	T42.4	Otrava benzodiazepinmi	4	4
T36.1	Otrava cefalosp.a i.betalaktámovými ATB	4	4	T42.5	Otrava zmiešanými antiepilept.,n.i.	4	4
T36.2	Otrava liekmi zo skupiny chloramfenikolu	4	4	T42.6	Otrava i.antiepilept.,sedatívami a hypnotikami	4	4
T36.3	Otrava makrolidmi	4	4	T42.7	Otrava antiepileptik.sedatív.a hypnotik.,b.n.	4	4
T36.4	Otrava tetracyklínmi	4	4	T42.8	Otrava antiparkins.a i.centrálnymi myorelax.	4	4
T36.5	Otrava aminoglykozidmi	4	4	T43.0	Otrava tricyckými a tetracyckými antidepresívami	4	4
T36.6	Otrava rifamycínmi	4	4	T43.1	Otrava.antidep.mi skup.inhib.monoaminoxidázy	4	4
T36.7	Otrava pro.-plesň.ATB používanými systémovo	4	4	T43.2	Otrava inými a bližšie neurčenými antidepresívami	4	4
T36.8	Otrava inými celkovo účinkujúcimi antibiotikami	4	4	T43.3	Otrava fenotiazínovými antipsychotikami a neuroleptikami	4	4
T36.9	Otrava.celk.účink.ATB,b.n.	4	4	T43.4	Otrava butyrofenónovými a tioxanténovými neuroleptikami	4	4
T37.0	Otrava sulfonamidmi	4	4	T43.5	Otrava i.a bliž.neurč.antipsychotikami a neuroleptikami	4	4
T37.1	Otrava antimykobaktériovými liekmi	4	4	T43.6	Otrava psychostimulanciami s nebezpečenstvom návyku	4	4
T37.2	Otrava antimalarikami a liek.účink.na i.krv.prvky	4	4	T43.8	Otrava i.psychotropnými látkami,n.i.	4	4
T37.3	Otrava inými antiprotozoárnymi liekmi	4	4	T43.9	Otrava psychotropnou látkou,bližšie neurčenou	4	4
T37.4	Otrava antihelmintikami	4	4	T44.0	Otrava inhibítormi cholinesterázy	4	4
T37.5	Otrava protivírusovými liekmi	4	4	T44.1	Otrava i.parasympatikomimetikami (cholínergikami)	4	4
T37.8	Otrava i.bliž.urč.celk.účink.protiinf.a antiparaz.liekmi	4	4	T44.2	Otrava liekmi blok.gangliá,n.i.	4	4
T37.9	Otrava celk.účink.protiinf.a antiparaz.liekmi,b.n.	4	4	T44.3	Otrava i.parasympatikolytikami a spazmolytikami,n.i.	4	4
T38.0	Otrava glukokortikoidmi a ich syntetickými analógmi	4	4	T44.4	Otrava agonistami prevaž.alfa-adrenorec.,n.i.	4	4
T38.1	Otrava hormónmi štítnej žľazy a ich náhradami	4	4	T44.5	Otrava.agonistami prevaž.beta-adrenorec.,n.i.	4	4
T38.2	Otrava tyreostatikami	4	4	T44.6	Otrava.antagon.alfa-adrenorec.,n.i.	4	4
T38.3	Otrava inzulínom a orálnymi antidiabetikami	4	4	T44.7	Otrava antagon.beta-adrenorec.,n.i.	4	4
T38.4	Otrava orálnymi kontraceptívami	4	4	T44.8	Otrava prostr.,úč.cent.a blok.adrenergý neurón,n.i.	4	4
T38.5	Otrava inými estrogénmi a progesterónmi	4	4	T44.9	Otrava i.a bliž.neurč.liekmi,účink.prim.na auton.nervov.súst.	4	4
T38.6	Otr.antigonadotrop.,antiestrogén.,antiandrogé n.,n.i.	4	4	T45.0	Otrava antialergikami a antiemetikami	4	4
T38.7	Otrava androgénmi a príbuznými anabolikami	4	4	T45.1	Otrava antineoplastickými a imunosupresívnymi liekmi	4	4
T38.8	Otrava i.a bliž.neurč.hormónmi a ich syntetickými náhradami	4	4	T45.2	Otrava vitamínmi, nezatriedenými inde	4	4
T38.9	Otrava i.a bliž.neurč.antagonistami hormónov	4	4	T45.3	Otrava enzýmami, nezatriedenými inde	4	4
T39.0	Otrava salicylátmi	4	4	T45.4	Otrava železom a jeho zlúčeninami	4	4
T39.1	Otrava derivátmi 4-aminofenolu	4	4	T45.5	Otrava antikoagulanciami	4	4
T39.2	Otrava pyrazolónovými derivátmi	4	4	T45.6	Otrava liekmi, ovplyvňujúcimi fibrinolýzu	4	4
T39.3	Otrava inými nesteroidovými antiflogistikami	4	4	T45.7	Otrava antagon.antikoagulancí,vit.K a i.koagulanciami	4	4
T39.4	Otrava antireumatikami, nezatriedenými inde	4	4	T45.8	Otrava i.prostr.,účink.najmä celk.a na zložky krvi	4	4
T39.8	Otrava i.neopioid.analget.a antipyret.,n.i.	4	4				
T39.9	Otrava neopioid.analget.antipyr.a antireumatik.,b.n.	4	4				
T40.0	Otrava opióm	4	4				

ICD	Text	OP. CCL	Med. CCL	ICD	Text	OP. CCL	Med. CCL
T45.9	Otrava bliž.neurč.prostr.účink.najmä celk.a na zložky krvi	4	4	T50.6	Otrava antidótami a chelátujúcimi prostr.,n.i.	4	4
T46.0	Otrava srdcovými glykozidmi a liečiv.s pod.účink.	4	4	T50.7	Otrava analeptikami a antagon.opioidových rec.	4	4
T46.1	Otrava kalciovými antagonistami	4	4	T50.8	Otrava diagnostickými prostriedkami	4	4
T46.2	Otrava inými antiarytmikami, nezatriedenými inde	4	4	T50.9	Otrava i.a bliž.neurč.liekmi,liečivami a biolog.látkami	4	4
T46.3	Otrava koronárnymi vazodilatanciami,n.i.	4	4	T51.0	Toxický účinok etanolu	4	4
T46.4	Otrava inhibítormi enzýmu,konvertujúceho angiotenzín	4	4	T51.1	Toxický účinok metanolu	4	4
T46.5	Otrava i.antihypertenzívami,n.i.	4	4	T51.2	Toxický účinok 2-propanolu	4	4
T46.6	Otrava hypolipidemikami a pr.artériosklerotickými liek.	4	4	T51.3	Otrava zmesou vyšších alkoh.,vznik.pri alkoh.kvasení	4	4
T46.7	Otrava periférnymi vazodilatanciami	4	4	T51.8	Toxický účinok iných alkoholov	4	4
T46.8	Otrava antivariálnymi liek. vr.sklerotizujúcich látok	4	4	T51.9	Toxický účinok alkoholu,bližšie neurčeného	4	4
T46.9	Otrava i.a bliž.neurč.prostr.účink.najmä na obehovú súst.	4	4	T52.0	Toxický účinok výrobkov z ropy	4	4
T47.0	Otrava antagonistami histamínových H2-receptorov	4	4	T52.1	Toxický účinok benzénu	4	4
T47.1	Otrava i.antacidami a liek,tlmiacimi žal.sekr.	4	4	T52.2	Toxický účinok homológov benzénu	4	4
T47.2	Otrava dráždivými (stimulujúcimi) preháďadlami	4	4	T52.3	Toxický účinok glykolov	4	4
T47.3	Otrava salinickými a osmotickými preháďadlami	4	4	T52.4	Toxický účinok ketónov	4	4
T47.4	Otrava inými preháďadlami	4	4	T52.8	Toxický účinok iných organických rozpúšťadiel	4	4
T47.5	Otrava digestívami	4	4	T52.9	Toxický účinok org.rozpúšť.,b.n.	4	4
T47.6	Otrava liekmi proti hnačke	4	4	T53.0	Toxický účinok karbóntetrachloridu	4	4
T47.7	Otrava emetikami	4	4	T53.1	Toxický účinok chloroformu	4	4
T47.8	Otrava i.prostr.,účink.najmä na tráv.súst.	4	4	T53.2	Toxický účinok trichlóretylénu	4	4
T47.9	Otrava bliž.neurč.liekom,účinkuj.najmä na tráv.súst.	4	4	T53.3	Toxický účinok tetrachlóretylénu	4	4
T48.0	Otrava oxytocikami	4	4	T53.4	Toxický účinok dichlómetánu	4	4
T48.1	Otrava relaxanciami kostr.svalov	4	4	T53.5	Toxický účinok chlórfluórokarbónov	4	4
T48.2	Otrava i.a bliž.neurč.prostr.účink.najmä na svaly	4	4	T53.6	Toxický účin.i.halog.derivátov alif.uhľov.	4	4
T48.3	Otrava antitusikami	4	4	T53.7	Toxický účin.i.halog.derivátov arom.uhľov.	4	4
T48.4	Otrava expektoranciami	4	4	T53.9	Toxický účin.halog.derivátov alif.a arom.uhľov.,n.u.	4	4
T48.5	Otrava liekmi proti prechladnutiu	4	4	T54.0	Toxický účinok fenolu a homológov fenolu	4	4
T48.6	Otrava antiastmatikami,nezatriedenými inde	4	4	T54.1	Toxický účinok inej leptavej organickej zlúčeniny	4	4
T48.7	Otrava i.a bliž.neurč.prostr.účink.najmä na dýchaciu súst.	4	4	T54.2	Toxický účinok leptavej kys.a lát.podobnej kysel.	4	4
T49.0	Otrava pr.plesň.,protiinf.a protizáp.liek.s mies.ú.,n.i.	4	4	T54.3	Toxický účinok leptavého lúhu a látky podobnej lúhom	4	4
T49.1	Otrava antipruriginózami	4	4	T54.9	Toxický účinok leptavej látky,bližšie neurčenej	4	4
T49.2	Otrava lokálnymi adstringenciami a detergentami	4	4	T55	Toxický účinok mydla a detergentia	4	4
T49.3	Otrava emolienkami,demulcenciami a ochrannými prostr.	4	4	T56.0	Toxický účinok oliva a jeho zlúčenín	4	4
T49.4	Otrava keratolyt.,keratoplast.a i.liek.a prípr.na oš.vla.	4	4	T56.1	Toxický účinok ortuti a jej zlúčenín	4	4
T49.5	Otrava liekmi a prípravkami používanými v oftalmológii	4	4	T56.2	Toxický účinok chrómu a jeho zlúčenín	4	4
T49.6	Otrava liek.a prípravkami používanými v ORL	4	4	T56.3	Toxický účinok kadmia a jeho zlúčenín	4	4
T49.7	Otrava zubnými liekmi na miestne použitie	4	4	T56.4	Toxický účinok medi a jej zlúčenín	4	4
T49.8	Otrava inými prostriedkami na miestne použitie	4	4	T56.5	Toxický účinok zinku a jeho zlúčenín	4	4
T49.9	Otrava prostried.na miestne pouz.,b.n.	4	4	T56.6	Toxický účinok cínu a jeho zlúčenín	4	4
T50.0	Otrava mineralokortikoidmi a ich antagonistami	4	4	T56.7	Toxický účinok berýlia a jeho zlúčenín	4	4
T50.1	Otrava slučkovými diuretikami	4	4	T56.8	Toxický účinok iného kovu	4	4
T50.2	Otrava inhib.karboanhydrázy,benzotiadiazid.a.i.diuret	4	4	T56.9	Toxický účinok bližšie neurčeného kovu	4	4
T50.3	Otrava prostr.ovplyvň.elektrolyt.energat.a vodnú rovnov.	4	4	T57.0	Toxický účinok arzénu a jeho zlúčenín	4	4
T50.4	Otrava liekmi,ovplyvň.metaboliz.kys.močovej	4	4	T57.1	Toxický účinok fosforu a jeho zlúčenín	4	4
T50.5	Otrava liekmi,znižuj.chuť do jedenia (anorektiká)	4	4	T57.2	Toxický účinok mangánu a jeho zlúčenín	4	4
				T57.3	Toxický účinok kyanovodíku	4	4
				T57.8	Toxický účinok i.anorganickej látky,b.u.	4	4
				T57.9	Toxický účinok bližšie neurčenej anorganickej látky	4	4
				T58	Toxický účinok oxidu uhoľnatého (CO)	4	4
				T59.0	Toxický účinok oxidu dusíka	4	4
				T59.1	Toxický účinok oxidu siričitého	4	4
				T59.2	Toxický účinok formaldehydu	4	4
				T59.3	Toxický účinok szotvorného plynu	4	4
				T59.4	Toxický účinok plynného chlóru	4	4
				T59.5	Toxický účinok plynného fluóru a fluorovodíka	4	4
				T59.6	Toxický účinok sírovodíka	4	4
				T59.7	Toxický účinok oxidu uhličitého	4	4
				T59.8	Toxický účinok iného plynu,dymu a výparov,b.u.	4	4

ICD	Text	OP. CCL	Med. CCL	ICD	Text	OP. CCL	Med. CCL
T59.9	Toxický účinok plynu,dymu a výparov,b.n.	4	4	T82.1	Mechanická komplik.zaprič.srdc.elektronickou pomôc.	2,3,4	2,3,4
T60.0	Toxický úč.organofosfátového a karbamátového insekticidu	4	4	T82.2	Mechanická komplik.zaprič.obch.venc.tepny a chlop.náhr.	1,2,3,4	1,2,4
T60.1	Toxický účinok halogénovaného insekticidu	4	4	T82.3	Mechanická komplik.zaprič.i.cievnym transpl.	1,2,3,4	1,2,4
T60.2	Toxický účinok iného insekticidu	4	4	T82.4	Mechanická komplik.zaprič.cievnym dialyzačným katétrom	2,3,4	3,4
T60.3	Toxický účinok herbicidu a fungicidu	4	4	T82.5	Mechanická komplik.zaprič.i.srdc.a ciev.pom.a impl.	1,2,3,4	1,2,4
T60.4	Toxický účinok rodenticidu	4	4	T82.6	Infekcia a zápal.reakcia zaprič.srdc.chlop.protézou	2,3,4	3,4
T60.8	Toxický účinok iného pesticidu	4	4	T82.7	Infekcia a zápal.reak.zapr.i.srdc.a ciev.prot.,impl.a transpl.	2,3,4	3,4
T60.9	Toxický účinok bližšie neurčeného pesticidu	4	4	T82.8	Iná kompl.zapr.srdc.a ciev.prot.,impl.a transpl.,b.u.	1,2,3,4	1,2,4
T63.0	Toxický účinok hadieho jedu	4	4	T82.9	Kompl.zaprič.srdc.a ciev.protézou,impl.a transpl.,b.n.	4	4
T63.1	Toxický účinok jedu iných plazov	4	4	T83.0	Mechanická komplik.zaprič.moč.katétrom	4	4
T63.2	Toxický účinok jedu škorpióna	4	4	T83.1	Mechanická komplik.zaprič.i.moč.pomôc.a impl.	4	4
T63.3	Toxický účinok jedu pavúka	4	4	T83.2	Mechanická komplik.zaprič.transpl.moč.org.	2,3,4	1,2,4
T63.4	Toxický účinok jedu iných článkonožcov	4	4	T83.4	Mechanická komplik.zaprič.i.prot.,impl.a transpl.v pohl.súst.	4	4
T63.5	Toxický účinok kontaktu s rybou	4	4	T83.5	Infekcia a zápal.reak.zaprič.proté.impl.a transpl.v moč.súst.	1,4	1,4
T63.6	Toxický účinok kontaktu s inými morským živočíchom	4	4	T83.6	Infekcia a zápal.reak.zaprič.proté.impl.a transpl.v pohl.súst	1,4	1,4
T63.8	Toxický účinok kontaktu s iným jedovatým živočíchom	4	4	T83.8	Iná kompl.zaprič.proté.impl.a transpl.v moč-pohl.súst.	4	4
T63.9	Toxický účinok kont.s jedovatým živoč.,b.n.	4	4	T83.9	Bliž.neu.kompl.zaprič.proté.,impl.a transp.v moč-pohl.súst.	4	4
T64	Toxický účinok aflatoxínu a i.mykotoxínov,znečis.potravu	4	4	T84.0	Mechanická komplik.zaprič.kĺbovou endoprotézou	2,3,4	2,3,4
T65.0	Toxický účinok kyanidu	4	4	T84.1	Mechanická komplik.zaprič.pomôc.na vnút.fixáciu kostí konč.	1,2,3,4	2,3,4
T65.1	Toxický účinok strychnínu a jeho solí	4	4	T84.2	Mechanická komplik.zaprič.pomôc.na vnút.fixáciu i.kostí	1,2,3,4	2,3,4
T65.2	Toxický účinok tabaku a nikotínu	4	4	T84.3	Mechanická komplik.zaprič.i.kostnou pomôc.,impl.a transpl.	2,3,4	2,3,4
T65.3	Tox.úč.nitroderiv.a aminoderiv.benzénu a jeho homológov	4	4	T84.4	Mechanická komplik.zaprič.i.vnút.ortop.pomôc.,impl.a transpl.	2,3,4	2,3,4
T65.4	Toxický účinok karbóndisulfidu	4	4	T84.5	Infekcia a zápal.reak.zaprič.kĺbovou endoprot.	2,3,4	2,3,4
T65.5	Toxický účinok nitroglycerínu a i.nitrokyselín a esterov	4	4	T84.6	Infekcia a zápal.reak.zaprič.vnút.kostnou fixačnou pomôc.	2,3,4	2,3,4
T65.6	Toxický účinok náterov a farieb,n.i.	4	4	T84.7	Infekcia a zápal.reak.zaprič.i.ortop.endoprot.,impl.a štepom	2,3,4	2,3,4
T65.8	Toxický účinok inej bližšie určenej látky	4	4	T84.8	Iná kompl.zaprič.ortop.endoprot.impl.a štepom	1,2,3,4	2,3,4
T65.9	Toxický účinok bližšie neurčenej látky	4	4	T84.9	Bliž.neu.kompl.vnút.ortoped.protet.pomôc.,im pl. a štepu	1,2,3,4	2,3,4
T67.0	Tepelný a slnečný úpal	4	4	T85.0	Mechanická komplik.zaprič.vnútrolebkovou komor.skratkou	3,4	3,4
T67.1	Synkopa z horúčavy	4	4	T85.1	Mechanická komplik.zaprič.implant.elekton.stím.nerv.súst.	3,4	3,4
T71	Zadusenie	4	4	T85.2	Mechanická komplik.zaprič.vnútroočnou šošovkou	1,2,3,4	1,2,4
T73.1	Účinky smädu	4	4	T85.3	Mechanická komplik.zaprič.i.očnou protet.pom.,impl.a transpl.	1,2,3,4	1,2,4
T75.4	Účinok elektrického prúdu	4	4	T85.4	Mechanická komplik.zaprič.prot./impl.prsníka	1,2,4	2,4
T79.0	Vzduchová embólia (poúrazová)	1,3,4	2,3,4	T85.5	Mechanická komplik.zaprič.gastroint.prot.,impl.a transpl.	2,3,4	2,3,4
T79.1	Tuková embólia (poúrazová)	1,3,4	2,3,4	T85.6	Mechanická komplik.zaprič.gastroint.prot.impl.a transpl.	2,3,4	2,3,4
T79.2	Poúrazové druhotné a opakované krvácanie	1,2,4	1,2	T85.7	Inf.a zápal.reak.zapr.katétrom na peritoneálnu dialýzu	2,3,4	1,2,4
T79.3	Poúrazová infekcia rany,nezatriedená inde	1,2,3,4	2,3	T85.78	Inf.a zápal.reak.zapr.i.vnút.prot.,impl./transpl.	2,3,4	2,3,4
T79.4	Úrazový šok	1,2,4	1,2				
T79.5	Úrazová anúria	1,3,4	2,3				
T79.6	Poúrazová ischémia svalu	4	4				
T79.7	Poúrazový podkožný emfyzém	1,2,3,4	2,3,4				
T80.0	Vzduchová embólia po infúzii,transf.a liečebnej injekcii	3,4	2,3,4				
T80.3	Reakcia zapríčinená inkompatibilitou v systéme ABO	2,3	1,2,3				
T80.4	Reakcia zapríčinená inkompatibilitou v systéme Rh	2,3	1,2,3				
T80.5	Anafylaktický šok, zapríčinený sérom	2	2				
T80.6	Iná reakcia na sérum	2	2				
T81.0	Krvácanie a hematóm,komplikujúci výk.,n.i.	1	1				
T81.1	Šok počas výkonu alebo po výkone,nezatriedený inde	2,3,4	1,2,3				
T81.2	Náhodné naštiepenie a natrhnutie poč.výkonu,n.i.	2,3,4	1,2,3				
T81.3	Rozpad operačnej rany,nezatriedený inde	1,2,3,4	1,2,3,4				
T81.5	Cudz.teleso náhodne ponech.v tel.dutíne/oper.rane po výk.	2,3,4	1,2,3,4				
T81.6	Akút.reakcia na cudziu látku,ponech.náhodne poč.výk.	2,3,4	1,2,3,4				
T81.7	Cievna komplikácia po výkone, nezatriedená inde	1	1				
T81.8	Iná komplikácia výkonu, nezatriedená inde	1	1				
T82.0	Mechanická komplik.zaprič.srdc.chlop.protézou	2,3,4	2,3,4				

ICD	Text	OP. CCL	Med. CCL	ICD	Text	OP. CCL	Med. CCL
T85.81	Iná kompl.zapr.vnúť.prot.,impl./transpl.,v nerv.súst.	1,2,4	2,4	T88.6	Anafyl.šok ako nežiad.úč.spr.ind.a spr.pod.lieku/lieč.	2	2
T85.82	Kapsulová fibróza prsníka,zapr.prot./impl.prsníka	2,3,4	2,3,4	T91.3	Neskoré následky poranenia miechy	2,4	2,3
T85.88	Iná kompl.zapr.vnúť.prot.,impl./transpl.,n.i.	1,2,4	2,4	U60.1	Klinické kategórie choroby HIV: kategória A	3,4	3
T85.9	Kompl.zapr.vnúť.prot.,impl./transpl.,b.n.	4	4	U60.2	Klinické kategórie choroby HIV: kategória B	3,4	3
T86.00	Zlyha.transpl.krv.kmeň.buniek	3,4	3	U60.3	Klinické kategórie choroby HIV: kategória C	3,4	3
T86.01	Akút.choroba graft versus host[GVDH]:1.a 2.st.	3,4	3	U61.1	Počet pomocných T-buniek pri chorobe HIV	3,4	3
T86.02	Akút.choroba graft versus host[GVDH]:3.a 4.st.	3,4	3	U61.2	Počet pomocných T-buniek pri chorobe HIV	3,4	3
T86.03	Chron.choroba graft versus host,ohraničená forma	3,4	3	U61.3	Počet pomocných T-buniek pri chorobe HIV	3,4	3
T86.04	Chron.choroba graft versus host,rozšírená forma	3,4	3	U80.0	Staph.aur.rez.na OXA,glp.ATB,chin.,streptogr./oxazolid.	1,3,4	1,2,3
T86.09	Choroba graft versus host [GVHD]: bližšie neurčená	3,4	3	U80.1	Str.pn.rez.na PNC,OXA,makrolid.ATB,oxazolid./streptogr.	3,4	3
T86.10	Akútne zhoršenie funkcie transplantovanej obličky	3,4	3,4	U80.2	Ent.faecalis rez.na glp.ATB,oxazolid.streptogr./v.úr.amg.rez.	1,2,3,4	1,2,3
T86.11	Chron.zhoršenie funkcie transpl.obličky	3,4	3,4	U80.3	Ent.faecium rez.na glp.ATB,oxazolid.,streptogr./v.úr.amg.rez.	2,3	1,2,3
T86.12	Predĺžené prijatie funkcie transplantátu	3,4	3,4	U80.4	Esch.klebs.prot.rez.chin.karbap.amik./dok.rez.vš.btl.ATB	3,4	1,2,3
T86.19	Iná a bliž.neurč.funkč.porucha zlyháv.odvrh.transpl.obličky	3,4	3,4	U80.5	Enterobacter,citrobacter a serratia rez.- karbap.,chin./amik.	2,3	1,2,3
T86.2	Zlyhávanie a odvrnutie transplantovaného srdca	3,4	3,4	U80.6	Ps.aer.a i.non-ferm.p.rez.karbap.chin.amik.ceft./pip.s tazob.	3,4	2,3
T86.3	Zlyhávanie a odvrnutie súčasne transpl.srdca a pľúc	3,4	3,4	U80.7	Burkh.a stenotroph.rez.-chin.,amik.,ceft.,pip.s tazob./CTM	3,4	3
T86.40	Akútne zhoršenie funkcie transplantovanej pečene	3,4	3,4	U82.0	Myc.tbc s rez.pr.jed./viac.antituberk.prv.radu	2,3	1,2,3
T86.41	Chronické zhoršenie funkcie transplantovanej pečene	3,4	3,4	U82.1	Multirezistentná tuberkulóza [MDR-TB]	2,3	1,2,3
T86.49	Iná a bliž.neurč.por.funkcie,zlyh. a odvrh.transpl.pečene	3,4	3,4	U82.2	Atp.mykobakt./nocardia s rez.na jed./viac.liek.prv.radu	2,3	1,2,3
T86.50	Porucha prekrvenia transplantovanej kože	2,3,4	2,3,4	U83	Kandida s rezistenciou na flukonazol/vonikonazol	1,2,3,4	1,2,3
T86.51	Nekróza transplantovanej kože	2,3,4	2,3,4	U84	Herpesvírusy s rezistenciou na virostatiká	2,3	1,2,3
T86.52	Strata kožného transplantátu	2,3,4	2,3,4	U85	Vírus HIV s rezistenciou na virostatiká/inhib.proteináz	3,4	3
T86.59	Iná a bliž.neurč.por.funkcie,zlyh.a odvrh.transpl.kože	2,3,4	2,3,4	U99.01	Inkontinencia moču, 2. stupeň	1	1
T86.81	Zlyhanie a odvrnutie transplantovaných pľúc	3,4	3,4	U99.02	Inkontinencia moču a stolice, 3. stupeň, trvalá	1	1
T86.82	Zlyhanie a odvrnutie transplantovaného pankreasu	3,4	3,4	U99.03	Inkont.moču a stolice, 3. stupeň, trvalá a nezvratná	1	1
T86.88	Zlyh.a odvrnutie i.transpl.orgánu a tkan.	3,4	3,4	Z43.0	Ošetrovanie tracheostómie	2,3	1,2
T86.9	Zlyhávanie a odvrnutie b.n.orgánu a tkan.	2,3,4	2,3,4	Z76.8	Osoba,ktorá vyhľad.zdrav.služby za i,b.u.okolností	3	3
T87.0	Kompl.súvisiaca so znovupripojením (č.)HK	2,3	2,3	Z90.3	Získané chýbanie časti žalúdka	4	4
T87.1	Kompl.súvisiaca so znovupripojením (č.)DK	2,3	2,3	Z90.0	Stav s predtým vytvorenou tracheostómiou	2,3	1,2
T87.2	Komplikácia inej znovupripojenej časti tela	2,3	2,3	Z94.0	Stav po transplantácii obličky	3,4	2,3
T87.4	Infekcia kýpťa po amputácii	2,3,4	3	Z94.1	Stav po transplantácii srdca	3,4	2,3
T87.5	Nekróza kýpťa po amputácii	3,4	3	Z94.2	Stav po transplantácii pľúc	3,4	2,3
T88.0	Infekcia po imunizácii	3,4	3	Z94.3	Stav po transplantácii srdca a pľúc	3,4	2,3
T88.1	Iná komplikácia po imunizácii, nezatriedená inde	4	4	Z94.4	Stav po transplantácii pečene	3,4	2,3
T88.2	Šok,zapríčinény anestéziou	2,4	1,2	Z94.80	Stav po traspl.krvotv.(kmeň.)bun.,bez súč.imunosupr.	3,4	2,3
T88.3	Maligna hypertermia zapríčinená anestéziou	2,3,4	2,3,4	Z94.81	Stav po traspl.krvotv.(kmeň.)bun.,so súč.imunosupr.	3,4	2,3
T88.4	Nevydarená alebo ťažká intubácia	4	4	Z94.88	Stav po transplantácii iného orgánu alebo tkaniva	3,4	2,3

CCL

Príloha D

Overovanie demografických a klinických údajov

D.1 Úvod

Pred priradením prípadu k MDC kategórii overuje Grouper na základe demografických a klinických údajov platnosť jednotlivých premenných. Keď sa v procese spracovania zistia určité závažné inkonzistencie alebo neplatné údaje, v dôsledku čoho nie je možné zaradiť prípad do žiadnej MDC/DRG je výsledkom zaradenia jedna z troch DRG skupín: 960Z, 961Z alebo 963Z.

V nasledujúcej časti tejto prílohy sú uvedené bližšie informácie k jednotlivým premenným.

D.2 Prípustné hodnoty pre demografické premenné

Premenná	Prípustné hodnoty	Poznámka
Dĺžka ošetrovacej doby v dňoch	Prípustné hodnoty: 1-9999	V prípade platnosti vypočítanej hodnoty a aj zadanej hodnoty sa berie do úvahy nižšia hodnota
Pohlavie	N, 0 nezistené M, 1 mužské F, 2 ženské	
Vek v dňoch	Prípustné hodnoty: 1 – 364/5 dní	Ak je možné vypočítať vek z údajov o narodení a z dátumu prijatia – berie grouper do úvahy vypočítanú hodnotu veku. Ak táto nemôže byť vypočítaná a neexistuje ani zadaná hodnota veku, je hospitalizačný prípad zaradený do DRG 960Z.
Vek v rokoch	Prípustné hodnoty: 0 – 124 rokov	
Hmotnosť pri prijatí	hodnoty: 250 až 19999	Tento údaj sa overuje, ak je pacient mladší ako 1 rok. Ak je pole prázdne alebo má hodnotu NULL, použije sa pre ďalšie spracovanie hodnota 2500 gramov.
Dĺžka UPV	Prípustné hodnoty: 1-9999	
Druh prijatia	1 odporúčenie lekárom 2 akútny príjem 3 neodkladné preloženie 4 pôrod/narodenie novorodenca 5 preloženie z inej nemocnice, ošetrovacia doba v prekladajúcej nemocnici \geq 24 hod. 6 preloženie z inej nemocnice, ošetrovacia doba v prekladajúcej nemocnici $<$ 24 hod. 9 doprovod (sprevádzajúca osoba)	
Dôvod prijatia	1 ústavná zdravotná starostlivosť 4 pôrod/narodenie novorodenca 5 opätovné prijatie kvôli komplikáciám 6 príjem do nemocnice na odber orgánov	
Dôvod prepustenia	1 hospitalizácia riadne ukončená, pacient prepustený domov 2 prepustenie do ústavu sociálnej starostlivosti, hospicu 4 preloženie do inej nemocnice 5 hospitalizácia ukončená bez súhlasu lekára 6 zomrel a bol pitvaný 7 zomrel a nebol pitvaný 10 preloženie do rehabilitačného zariadenia 11 prepustenie do domácej ošetrovateľskej starostlivosti 12 preloženie na psychiatrickú liečbu do inej nemocnice 13 preloženie v rámci nemocnice na non-DRG oddelenie (s iným úhradovým mechanizmom)	

D.3 Prípustné hodnoty pre klinické premenné

Gruper overuje platnosť všetkých diagnóz a výkonov nielen vo vzťahu k číselníkom MKCH-10-SK a ZZV-DRG ale aj vo vzťahu k veku a pohlaviu pacienta. Okrem toho sa overuje, či je diagnóza povolená ako hlavná diagnóza (pozri pravidlá kódovania v systéme DRG).

Premenná	Prípustné hodnoty	Poznámka
Diagnózy (MKCH-10-SK)	Platný terminálny kód z MKCH-10-SK-2020	Viacnásobne zadaná rovnaká diagnóza sa ignoruje. Za platný terminálny kód sa považuje kód podľa MKCH, ktorý už nemá definované ďalšie členenie.
Zdravotné výkony (ZZV-DRG)	Platný terminálny kód zo ZZV-DRG-2020	

D.4 Konflikty klinických premenných s vekom

Platnosť klinických premenných sa overuje ďalej v súvislosti s vekom pacienta. K tomuto účelu sa rozlišujú vekové kategórie, definované kritériami uvedenými v nasledovnej tabuľke. Tieto kategórie slúžia výlučne pre účely DRG. V stĺpci „poznámka“ sú vymenované označenia tabuliek, ktoré sú použité v zaradovacom algoritme pre overenie prípadného konfliktu klinickej premennej s vekom.

Kategória	Vek	Poznámky
Dojča	1 deň – 364/5 dní	Diagnózy - D.4a
Malé dieťa	< 2 roky	Diagnózy - D.4b
Dieťa	< 10 rokov	Diagnózy - D.4c
Deti a dorast	< 19 rokov	Diagnózy - D.4d
„Post-neonatal“	> 27 dní	Diagnózy - D.4e
Starší ako dojča	≥ 1 rok	Diagnózy - D.4f
Puberta	8-19 rokov	Diagnózy - D.4g
Plodný vek	12-55 rokov	Diagnózy - D.4h, Výkony D.4i
Dospelý	≥ 15 rokov	Diagnózy - D.4j
„Zrelý“ dospelý	≥ 30 rokov	Diagnózy - D.4k

D.5 Konflikty klinických premenných s pohlavím

Platnosť vykázaných klinických údajov je overovaná v zaradovacom algoritme aj v kontexte pohlavia pacienta. Tabuľky D.5a-d obsahujú diagnózy a zdravotné výkony, ktoré môžu byť vykonávané iba u pacientov s príslušným pohlavím.

D.4a Konflikt s vekom: Dojča

Kód	Popis	Kód	Popis
A33	Tetanus novorodencov	P10.3	Subarachnoidálne kvácanie zaprič.poran.pri pôrode
P00.0	Pošk.plodu a novorodneca artériovou hypertenziou matky	P10.4	Roztrhnutie tentória zaprič.poran.pri pôrode
P00.1	Pošk.plodu a novorod.chor.obličiek a moč.ciest matky	P10.8	Iné vnútroleb.poran.a kvácania zaprič.poran.pri pôrode
P00.2	Pošk.plodu a novorod.infekč.a parazit.chorobami matky	P10.9	Bliž.neur.vnútroleb.poran.a kvácanie zaprič.poran. pri pôrode
P00.3	Pošk.plodu a novorod.i.obehov.a dých.chorobami matky	P11.0	Mozgový opuch,zapričinený poranením pri pôrode
P00.4	Pošk.plodu a novorod.poruchami výživy matky	P11.1	Iné poškodenie mozgu,zaprič.poran.pri pôrode,b.u.
P00.5	Poškodenie plodu a novorodenca poranením matky	P11.2	Bliž.neur.poškodenie mozgu,zaprič.poran.pri pôrode
P00.6	Pošk.plodu a novorodenca chir.výkonom u matky	P11.3	Pôrodné poranenie tvárového nervu
P00.7	Pošk.plodu a novorodenca .iným.lekár.výkon.u matky,n.i.	P11.4	Pôrodné poranenie iných hlavových nervov
P00.8	Poškodenie plodu a novorodenca inými stavmi matky	P11.50	Pôrodné poran.chrbtice a miechy s akút. ochrnutím
P00.9	Poškodenie plodu a novorodenca bliž.neurč.stavmi matky	P11.51	Pôrodné poran.chrbtice a miechy s chron.ochrnutím
P01.0	Poškodenie plodu a novorod.insuficienciou krčka maternice	P11.59	Pôrodné poran.chrbtice a miechy,b.n.
P01.1	Poškodenie plodu a novorod.predčasným puknutím blán	P11.9	Pôrodné poranenie centrálnej nervovej sústavy,b.n.
P01.2	Poškodenie plodu a novorodenca oligohydramniómom	P12.0	Zakrvácanie pod okosticu lebky,zaprič.poran.pri pôrode
P01.3	Poškodenie plodu a novorodenca polyhydramniómom	P12.1	Pôrodný nádor záhlavia,zaprič.poranením pri pôrode
P01.4	Poškodenie plodu a novorodenca ektopickou graviditou	P12.2	Epikraniál.subaponeurotické krvác.,zaprič.poran.pri pôrode
P01.5	Poškodenie plodu a novorodenca viacpočetnou graviditou	P12.3	Podliatina vlas.časti hlavy zaprič.poranením pri pôrode
P01.6	Poškodenie plodu a novorodenca smrťou matky	P12.4	Poranenie vlasovej časti hlavy novorod.,zaprič.monitor.
P01.7	Pošk.plodu a novor.nepřavid.naliehaním pred začiat.pôrodu	P12.8	Iné pôrodné poranenia vlasatej časti hlavy
P01.8	Pošk.plodu a novorod..i.materskými komplik.gravidity	P12.9	Pôrodné poranenia vlasatej časti hlavy,b.n.
P01.9	Pošk.plodu a novorod.materskými kompl.gravidity b.n.	P13.0	Zlomenina lebky zapričinená poranením pri pôrode
P02.0	Poškodenie plodu a novorodenca vcestnou placentou	P13.1	Iné pôrodné poranenia lebky
P02.1	Pošk.plodu a novorod.i.form.odlúpenia placenty a krvác.	P13.2	Pôrodné poranenie stehnovej kosti
P02.2	Pošk.plodu a novorod.i.a b.n.morf.a funkč.abn.placenty	P13.3	Pôrodné poranenie iných dlhých kostí
P02.3	Pošk.plodu a novorod.placentovými transfúznymi synd.	P13.4	Zlomenina kľúčnej kosti,zaprič.poranením pri pôrode
P02.4	Pošk.plodu a novorod.vyklznutým pupočníkom	P13.8	Pôrodné poranenie iných častí kostry
P02.5	Pošk.plodu a novorod.i.stlačením pupočníka	P13.9	Pôrodné poranenie kostry,bližšie neurčené
P02.6	Pošk.plodu a novorod.i.a bliž.neurč.stavmi pupoč.	P14.0	Erbovo ochrnutie zapričinené poranením pri pôrode
P02.7	Poškodenie plodu a novorodenca chorioamnionitidou	P14.1	Klumpkeovej ochrnutie zaprič.poranením pri pôrode
P02.8	Poškodenie plodu a novorod.i.abnrmalit.blán	P14.2	Ochrnutie bránicového nervu zaprič.poran.pri pôr.
P02.9	Poškodenie plodu a novorod.bliž.neurč.abnormalit.blán	P14.3	Iné poranenie plexus brachialis pri pôrode
P03.0	Pošk.plodu a novorod.pôr.panvov.koncom a extrakciou	P14.8	Pôrodné poranenie i.častí perif.nervovj sústavy
P03.1	Pošk.plod a nov.i.nepr.nalie.,drž.tela,pol.,disp.,poč.pôr.čin.	P14.9	Pôrodné poranenie perif.nervovej.sústavy ,b.n.
P03.2	Poškodenie plodu a novorodenca kliešťovým pôrodom	P15.0	Pôrodné poranenie pečene
P03.3	Pošk.plodu a novorod.plodu pôr.vákuovým extraktorom	P15.1	Pôrodné poranenie sleziny
P03.4	Pošk.plodu a novorod.pôr.cisárskym rezom	P15.2	Poranenie kývača hlavy,zaprič.poran.pri pôrode
P03.5	Poškodenie plodu a novorodenca náhlým pôrodom	P15.3	Pôrodné poranenie oka
P03.6	Pošk.plodu a novorod.abn.maternicovými kontrakciami	P15.4	Pôrodné poranenie tváre
P03.8	Pošk.plodu a novorod.i.bliž.urč.kompl.pôr.činn.a pôrodu	P15.5	Pôrodné poranenie vonkajších genitálií
P03.9	Pošk.plodu a novorod.kompl.pôr.činn.a pôrodu,b.n.	P15.6	Nekróza podkožného tuku,zaprič.poran. ri pôrode
P04.0	Pošk.plodu a novorod.anest.,analg.m.v grav.poč.pôr.čin.a pôr.	P15.8	Iné pôrodné poranenie,bližšie určené
P04.1	Poškodenie plodu a novorodenca inou liečbou matky	P15.9	Pôrodné poranenie,bližšie neurčené
P04.2	Pošk.plodu a novorod.užív.tabaku matkou	P20.0	Vnútromat.hypoxia zaznamen.po prvýkrát pred zač.pôr.čin.
P04.3	Pošk.plodu a novorod.užív.alkoholu matkou	P20.1	Vnútromat.hypoxia zaznamen.po prvýkrát,poč.pôr.čin.a pôrodu
P04.4	Pošk.plodu a novorod.užív.návykových liekov a drog matkou	P20.9	Vnútromaternicová hypoxia, bližšie neurčená
P04.5	Pošk.plodu a novorod.chem.lát.z potravj matky	P21.0	Ťažká pôrodná asfyxia
P04.6	Pošk.plodu a novorod.pri vyst.matky chem.lát.zo živ.prostr.	P21.1	Ľahká a stredná pôrodná asfyxia
P04.8	Pošk.plodu a novorod.i.škodl.vplyvmi pôsob.na matku	P21.9	Pôrodná asfyxia,bližšie neurčená
P04.9	Pošk.plodu a novorod.škodl.vplyvom pôsob.na matku,b.n.	P22.0	Synd.respiračnej tiesne novorod.
P05.0	Plod priveľmi ľahký na svoj gestačný vek	P22.1	Prechodná tachypnea novorodenca
P05.1	Plod priveľmi malý na svoj gestačný vek	P22.8	Iná respiračná tieseň novorodenca
P05.2	Podvýž.plo.bez uv.,či ide o p.ľah./p.malý plo.na svoj ges.vek	P22.9	Respiračná tieseň novorodenca,bližšie neurčená
P05.9	Pomalý rast plodu,bližšie neurčený	P23.0	Vrodený zápal pľúc,zapričinený vírusom
P07.00	Novorodenec s pôrod.hmotnosť.menej ako 500 gr.	P23.1	Vrodený zápal pľúc,zapričinený chlamýdiou
P07.01	Novorodenec s pôrod.hmotnosť.od 500 do 750 gr.	P23.2	Vrodený zápal pľúc,zapričinený stafylokokom
P07.02	Novorodenec s pôrod.hmotnosť.od 750 do 1000 gr.	P23.3	Vrodený zápal pľúc,zapr.streptok.skupiny B
P07.10	Novorodenec s pôrod.hmotnosť.od 1000 do 1250 gr.	P23.4	Vrodený zápal pľúc,zapričinený Escherichia coli
P07.11	Novorodenec s pôrod.hmotnosť.od 1250 do 1500 gr.	P23.5	Vrodený zápal pľúc,zapričinený pseudomonas
P07.12	Novorodenec s pôrod.hmotnosť.od 1500 do 2500 gr.	P23.6	Vrodený zápal pľúc,zapričinený inou baktériou
P07.2	Novorodenec s extrémnou nezrelosťou	P23.8	Vrodený zápal pľúc,zapričinený iným organizmom
P07.3	Iný predčasne narodený novorodenec	P23.9	Vrodený zápal pľúc,bližšie neurčený
P08.0	Výnimočne veľký novorodenec	P24.0	Novorodenecká aspirácia smolky
P08.1	Iný novorodenec priveľmi ťažký vzhľ.na dĺžku gravidity	P24.1	Novorodenecká aspirácia plodovej vody a hlienu
P08.2	Prenáš.novorod.ktorý nie je priveľmi ťaž.vzhľ.na dĺž.grav.	P24.2	Novorodenecká aspirácia krvi
P10.0	Subdurálne kvácanie zaprič.poran.pri pôrode	P24.3	Novorod.aspirácia mlieka a regurgitovanej potravj
P10.1	Mozgové kvácanie zapričinené poranením pri pôrode	P24.8	Iný novorodenecký syndróm z aspirácie
P10.2	Vnútrokomorové kvácanie zaprič.poran.pri pôrode	P24.9	Novorodenecký syndróm z aspirácie,bližšie neurčený

Kód	Popis	Kód	Popis
P25.0	Interstic.emfyzém so vznikom v perinatálnom obd.	P52.6	Mozočkové(neúraz.)krvác. a krvác.do zad.jamy plodu a nov.
P25.1	Pneumotorax so vznikom v perinatálnom období	P52.8	Iné vnútrolebkové (neúraz.)krvác.plodu a novorod.
P25.2	Pneumomediastinum so vznikom v perinatálnom období	P52.9	Vnútrolebkové (neúraz.)krvác.plodu a novorod.,b.n.
P25.3	Pneumoperikard so vznikom v perinatálnom období	P53	Hemoragická choroba plodu a novorodenca
P25.8	Iné stavy súvis.s interstic.emfyz.so vznik.v perinat.obd.	P54.0	Hemateméza u novorodenca
P26.0	Tracheobronchiálne krvácanie so vznik.v perinat.obd.	P54.1	Meléna u novorodenca
P26.1	Masívne pľúcne krvác.so vznikom v perinat.obd.	P54.2	Krvácanie z konečníka u novorodenca
P26.8	Iné pľúcne krvác.so vznikom v perinat.obdobi	P54.3	Iné gastrointestinálne krvácanie u novorodenca
P26.9	Pľúcne krvác.so vznik.v perinat.obdobi.b.n.	P54.4	Krvácanie do nadobličky u novorodenca
P27.0	Wilsonov-Mikityho syndróm	P54.5	Kožné krvácanie u novorodenca
P27.1	Bronchopulmonálna dysplázia so vznik.v perin.obd.	P54.6	Pošvové krvácanie u novorodenca
P27.8	Iná chronická respirač.chor.so vznik.v perinatál.obd.	P54.8	Iné bližšie určené krvácanie novorodenca
P27.9	Bliž.neurč.chron.respirač.choroba so vznikom v perinat.obdobi	P54.9	Krvácanie novorodenca, bližšie neurčené
P28.0	Primárna atelektáza novorodenca	P55.0	Rh izoimunizácia plodu a novorodenca
P28.1	Iná a bližšie neurčená atelektáza novorodenca	P55.1	ABO izoimunizácia plodu a novorodenca
P28.2	Záchvaty cyanózy novorodenca	P55.8	Iná hemolytická choroba plodu a novorodenca
P28.3	Primárne spánkové apnoe novorodenca	P55.9	Hemolytická chor.plodu a novorod.,b.n.
P28.4	Iné apnoe novorodenca	P56.0	Hydrops plodu v dôsledku izoimunizácie
P28.5	Respiračné zlyhanie novorodenca	P56.9	Hydrops plodu v dôsl.i.a b.n.hemolytickej chor.
P28.8	Iná porucha dýchania novorodenca,bližšie určená	P57.0	Jadrový ikterus v dôsledku izoimunizácie
P28.9	Porucha dýchania novorodenca,bližšie neurčená	P57.8	Iný jadrový ikterus,bližšie určený
P29.0	Srdcové zlyhávanie u novorodenca	P57.9	Jadrový ikterus,bližšie neurčený
P29.1	Porucha srdcového rytmu u novorodenca	P58.0	Novorodenecká žltáčka zapríčinená podliatinami
P29.2	Arteriálna hypertenzia u novorodenca	P58.1	Novorodenecká žltáčka zapríčinená krvácaním
P29.3	Pretrvávajúci fetálny obeh	P58.2	Novorodenecká žltáčka zapríčinená infekciou
P29.4	Prechodná ischémia myokardu u novorodenca	P58.3	Novorodenecká žltáčka zapríčinená polycytémiou
P29.8	Iná srdcovocievna porucha so vznik.v perinat.obd.	P58.4	Novorod.žltáčka zaprič.liek/tox.,prenes.z matky/pod.nov.
P29.9	Srdcovocievna porucha so vznik.v perinat.obd.,b.n.	P58.5	Novorod.žltáčka zaprič.prehltnutím materskej krvi
P36.0	Sepsa u novorod.zaprič.sterpt.zo skupiny B	P58.8	Novorod.žltáčka zaprič.i.bliž.urč.nadmernou hemolýzou
P36.1	Sepsa u novorod.zaprič.i.a b.n.sterpt.	P58.9	Novorod.žltáčka zaprič.nadmernou hemolýzou,b.n.
P36.2	Sepsa u novorod.zaprič.staphylococcus aureus	P59.0	Novorod.žltáčka súvisiaca s predč.pôrodom
P36.3	Sepsa u novorod.zaprič.i.a bliž.neirč.stafylokokom	P59.1	Syndróm hustej žlče
P36.4	Sepsa u novorodenca,zapričinená escherichia coli	P59.2	Novorod.žltáčka z iného a bliž.neurč.pošk.pečeňových buniek
P36.5	Sepsa u novorod.zaprič.anaeróbnym mikroorganizmom	P59.3	Novorod.žltáčka z inhibítorov materského mlieka
P36.8	Iná baktériová sepsa u novorodenca	P59.8	Novorod.žltáčka z iných bliž.urč.pričin
P36.9	Baktériová sepsa u novorodenca,bližšie neurčená	P59.9	Novorodenecká žltáčka,bližšie neurčená
P37.0	Vrodená tuberkulóza	P60	Diseminovaná intravaskulárna koagul.plodu a novorod.
P37.1	Vrodená toxoplazmóza	P61.0	Prechodná novorodenecká trombocytopenia
P37.2	Novorodenecká (diseminovaná) listerióza	P61.1	Novorodenecká polycytémia
P37.3	Vrodená malária plasmodium falciparum	P61.2	Anémia nedonosných
P37.4	Iná vrodená malária	P61.3	Vrodená anémia z fetálnej straty krvi
P37.5	Kandidóza u novorodenca	P61.4	Iná vrodená anémia,nezatriedené inde
P37.8	Iná vrodená infekčná a parazit.choroba,b.u.	P61.5	Prechodná novorodenecká neutropénia
P37.9	Vrod.infekčná/parazitová choroba,b.n.	P61.6	Iná prechodná novorodenecká porucha zrážania
P38	Omfalítida u novorod.bez krvác./s miernym krvác.	P61.8	Iná perinatálna hematologická porucha,b.u.
P39.0	Novorodenecká infekčná mastitída (zápal prsníkov)	P61.9	Perinatálna hematologická porucha, bližšie neurčená
P39.1	Novorodenecká konjunktivitída a dakryocystitída	P70.0	Syndróm dieťaťa matky s gestačným diabetes mellitus
P39.2	Intraamniotická infekcia plodu, nezatriedená inde	P70.1	Syndróm dieťaťa matky s diabetes mellitus
P39.3	Novorodenecká infekcia močovej sústavy	P70.2	Diabetes mellitus u novorodenca
P39.4	Novorodenecká kožná infekcia	P70.3	Iatrogénna hypoglykémia u novorodenca
P39.8	Iná bliž.urč.infekcia špecifická pre perinat.obdobie	P70.4	Iná hypoglykémia u novorodenca
P39.9	Infekcia špecifická pre perinatálnom obd.,b.n.	P70.8	Iná prech.porucha metab.sacharidov plodu a novorod.
P50.0	Fetálna strata krvi pri vasa praevia (vcestných cievach)	P70.9	Prech.porucha metabol.sacharidov plodu a novorod.,b.n.
P50.1	Fetálna strata krvi z roztrhnutého pupočníka	P71.0	Hypokalcémia z kravského mlieka u novorodenca
P50.2	Fetálna strata krvi z placenty	P71.1	Iná hypokalcémia u novorodenca
P50.3	Krvácanie do dvojčat'a (fetofetálne)	P71.2	Hypomagneziémia u novorodenca
P50.4	Krvácanie do obehu matky	P71.3	Novorod.tetania bez nedost.kalcia/magnézia
P50.5	Fetálna strata krvi z prezez.pupoč.druhého dvojčat'a	P71.4	Prechodná hypoparatyreóza u novorodenca
P50.8	Iná fetálna strata krvi	P71.8	Iná prech.porucha metabol.vápnika a horčíka u novorod.
P50.9	Fetálna strata krvi, bližšie neurčená	P71.9	Prechodná porucha metabol.vápnika a horčíka u novorod.,b.n.
P51.0	Masívne krvácanie z pupočníka novorodenca	P72.0	Struma u novorodenca,nezatriedená inde
P51.8	Iné krvácanie z pupočníka novorodenca	P72.1	Prechodná hypertyreóza u novorodenca
P51.9	Krvácanie z pupočníka novorodenca,bližšie neurčené	P72.2	Iná prech.porucha funkcie štítnej žľazy u novorod.,n.i.
P52.0	Vnútrokomorové(neúraz.)krvác.plodu a novorod.1.st.	P72.8	Iná prechod.endokrinná porucha u novorod.,b.u.
P52.1	Vnútrokomorové(neúraz.)krvác.plodu a novorod.2.st.	P72.9	Prech.endokrinná por.u novorod.,b.n.
P52.2	Vnútrokomorové(neúraz.)krvác.plodu a novorod.3.st.	P74.0	Neskorá metabolická acidóza u novorodenca
P52.3	Vnútrokomorové(neúraz.)krvác.plodu a novorod.,b.n.	P74.1	Dehydratácia u novorodenca
P52.4	Mozgové (neúrazové) krvácanie plodu a novorodenca	P74.2	Porucha rovnováhy sodíka u novorodenca
P52.5	Subarachnoidálne (neúraz.)krvác.plodu a novorod.	P74.3	Porucha rovnováhy draslíka u novorodenca

Kód	Popis	Kód	Popis
P74.4	Iná prechodná elektrolytová porucha u novorodenca	P91.5	Kóma u novorodenca
P74.5	Prechodná tyrozinémia u novorodenca	P91.6	Hypoxicko-ischemická encefalopatia u novorodenca
P74.8	Iná prechodná metabolická porucha u novorodenca	P91.80	Locked-in syndróm a apalický syndróm novorodenca
P74.9	Prechodná metabol.porucha u novorod.,b.n.	P91.88	Iná porucha mozgovej funkcie novorod.,b.u.
P75	Mekóniový ileus pri cystickej fibróze (E84.1†)	P91.9	Mozgová porucha u novorodenca, bližšie neurčená
P76.0	Syndróm mekóniovej zátky	P92.0	Vracanie u novorodenca
P76.1	Prechodný ileus u novorodenca	P92.1	Regurgitácia a ruminácia u novorodenca
P76.2	Črevná nepriechod.zaprič.zahusteným mliekom	P92.2	Pomalý príjem potravy u novorodenca
P76.8	Iná črevná nepriechod.u novorod.,b.u.	P92.3	Podvýživa (znížený príjem potravy) u novorodenca
P76.9	Črevná nepriechod.u novorod.,b.n.	P92.4	Nadmerná výživa u novorodenca
P77	Nekrotizujúca enterokolitída plodu a novorodenca	P92.5	Problém s dojčením u novorodenca
P78.0	Perinatálna perforácia čreva	P92.8	Iný problém s výživou (kŕmením) u novorodenca
P78.1	Iná novorodenecká peritonitída	P92.9	Prob.s výživou u novorod.,b.n.
P78.2	Novorod.hemateméza a meléna zapr.prehlt.mater.krvi	P93	Reakcia na lieky a intox.liekmí podanými plodu a novorod.
P78.3	Neinfekčná novorodenecká hnačka	P94.0	Prechodná myasthenia gravis u novorodenca
P78.8	Iná perinatálna porucha tráviacej sústavy,b.u.	P94.1	Vrodená svalová hypertónia
P78.9	Perinatálna porucha tráviaceho systému,b.n.	P94.2	Vrodená svalová hypotónia
P80.0	Syndróm poškodenia chladom (podchladenia) u novorod.	P94.8	Iná porucha svalového tonusu u novorodenca
P80.8	Iná hypotermia u novorodenca	P94.9	Porucha svalového tonusu u novorod.,b.n.
P80.9	Hypotermia u novorodenca, bližšie neurčená	P95	Smrť plodu z bližšie neurčenej príčiny
P81.0	Hypertermia u novorodenca z prehriateho prostredia	P96.0	Vrodené zlyhávanie obličiek
P81.8	Iná porucha regulácie telesnej teploty u novorod.,b.u.	P96.1	Abstin.synd.u novorod.matky užív.návyk.látky a drogy
P81.9	Porucha regulácie telesnej teploty u novorod.,b.n.	P96.2	Abstin.synd.novorod.pri lieč.podávaní liečiv
P83.0	Sclerema neonatorum	P96.3	Široké lebkové švy u novorodenca
P83.1	Novorodenecký toxický erytém	P96.4	Ukončenie gravidity ako príč.pošk.plodu a novorod.
P83.2	Hydrops plodu, nezapríčený hemolytickou chorobou	P96.5	Kompl.vnútromat.výkon,nez.i.,ako príč.pat.stav.plodu a nov.
P83.3	Iný opuch špecifický pre plod a novorod.,b.u.	P96.8	Iná porucha so začiatkom v perinat.obd.,b.u.
P83.4	Zdureníe prsných žliaz u novorodenca	P96.9	Porucha so začiatkom v perinat.obd.,b.n.
P83.5	Kongenitálna hydrokéla	Q86.0	FAS - Fetálny alkoholový syndróm (dysmorfický)
P83.6	Pupkový polyp u novorodenca	Z38.0	Jedno dieťa, narodené v nemocnici
P83.8	Iná choroba kože špecifická pre plod a novorod.,b.u.	Z38.1	Jedno dieťa, narodené mimo nemocnice
P83.9	Porucha kože špecifická pre plod a novorod.,b.n.	Z38.2	Jedno dieťa, miesto narodenia bližšie neurčené
P90	Kríče [konvulzie] u novorodenca	Z38.3	Dvojčatá, narodené v nemocnici
P91.0	Mozgová ischémia u novorodenca	Z38.4	Dvojčatá, narodené mimo nemocnice
P91.1	Získaná periventrikulárna cysta u novorodenca	Z38.5	Dvojčatá, miesto narodenia bližšie neurčené
P91.2	Mozgová leukomalácia u novorodenca	Z38.6	Deti z i.viacnásobnej gravid.,narodené v nemocnici
P91.3	Mozgová dráždivosť novorodencov	Z38.7	Deti z i.viacnásobnej gravid.,narodené mimo nemocnice
P91.4	Mozgový útlm novorodencov	Z38.8	Deti z i.viacnásobnej gravid.,b.n.miesto narodenia

D.4b Konflikt s vekom: Malé dieťa

Kód	Popis	Kód	Popis
Q89.4	Spojené (zrastené) dvojčatá	R95.0	Syndróm náhlej smrti dojčťa [SIDS] so zmienkou o pitve
R06.80	Akútna život ohrozujúca príhoda v dojčenskom veku	R95.9	Syndróm náhlej smrti dojčťa [SIDS] bez zmienky o pitve

D.4b

D.4c Konflikt s vekom: Dieťa

Kód	Popis	Kód	Popis
E30.1	Predčasná puberta	R68.1	Nešpecifické príz.charakter.pre dojčenský vek

D.4d Konflikt s vekom: Deti a dorast

Kód	Popis	Kód	Popis
E55.0	Aktívna rachitída	M09.03	Juven.artritída pri psoriáze,s postih.klb.predlak.
G93.7	Reyeov syndróm	M09.04	Juven.artritída pri psoriáze,s postih.klb.ruky
L21.1	Seboroická dermatitída detského veku	M09.05	Juven.artritída pri psoriáze,s postih.klb.panvy a stehna
M08.00	Juvenilná reumatoid.artritída dospelých na viac.m.	M09.06	Juven.artritída pri psoriáze,s postih.klb.predkol.
M08.01	Juvenilná reumatoid.artritída dospelých v obl.pleca	M09.07	Juven.artritída pri psoriáze,s postih.klb.čl.a nohy
M08.02	Juvenilná reumatoid.artritída dospelých v obl.nadlaktia	M09.08	Juven.artritída pri psoriáze,s postih.klb.na i.mieste
M08.03	Juvenilná reumatoid.artritída dospelých v obl.predlak.	M09.09	Juven.artritída pri psoriáze,s postih.klb.na n.mieste
M08.04	Juvenilná reumatoid.artritída dospelých v obl.ruky	M09.10	Juven.artritída pri Crohn.chor.,s postih.klb.na viac.m.
M08.05	Juvenilná reumatoid.artritída dospelých v obl.panvy a stehna	M09.11	Juven.artritída pri Crohn.chor.,s postih.klb.v obl.pleca
M08.06	Juvenilná reumatoid.artritída dospelých v obl.predkol.	M09.12	Juven.artritída pri Crohn.chor.,s postih.klb.nadlaktia
M08.07	Juvenilná reumatoid.artritída dospelých v obl.čl.a nohy	M09.13	Juven.artritída pri Crohn.chor.,s postih.klb.predlak.
M08.08	Juvenilná reumatoid.artritída dospelých na i.mieste	M09.14	Juven.artritída pri Crohn.chor.,s postih.klb.ruky
M08.09	Juvenilná reumatoid.artritída dospelých,miesto bliž.neurč.	M09.15	Juven.artritída pri Crohn.chor.,s postih.klb.panvy a stehna
M08.10	Juven.ankylozujúca spondylitída na viac.miestach	M09.16	Juven.artritída pri Crohn.chor.,s postih.klb.predkol.
M08.11	Juven.ankylozujúca spondylitída v obl.pleca	M09.17	Juven.artritída pri Crohn.chor.,s postih.klb.čl.a nohy
M08.12	Juven.ankylozujúca spondylitída nadlaktia	M09.18	Juven.artritída pri Crohn.chor.,s postih.klb.na i.mieste
M08.13	Juven.ankylozujúca spondylitída predlak.	M09.19	Juven.artritída pri Crohn.chor.,s postih.klb.na n.mieste
M08.14	Juven.ankylozujúca spondylitída ruky	M09.20	Juven.artritída pri ulcer.kolitíde,s postih.klb.na viac.m.
M08.15	Juven.ankylozujúca spondylitída panv.obl.a stehna	M09.21	Juven.artritída pri ulcer.kolitíde,s postih.klb.v obl.pleca
M08.16	Juven.ankylozujúca spondylitída predkol.	M09.22	Juven.artritída pri ulcer.kolitíde,s postih.klb.nadlaktia
M08.17	Juven.ankylozujúca spondylitída čl.a nohy	M09.23	Juven.artritída pri ulcer.kolitíde,s postih.klb.predlak.
M08.18	Juven.ankylozujúca spondylitída na i.mieste	M09.24	Juven.artritída pri ulcer.kolitíde,s postih.klb.ruky
M08.19	Juven.ankylozujúca spondylitída na n.mieste	M09.25	Juven.artritída pri ulcer.kolit.,s post.klb.panvy a stehna
M08.20	Juven.chron.artritída so systém.začiat.,na v.miest.	M09.26	Juven.artritída pri ulcer.kolitíde,s postih.klb.predkol.
M08.21	Juven.chron.artritída so systém.začiat.,v obl.pleca	M09.27	Juven.artritída pri ulcer.kolitíde,s postih.klb.čl. a nohy
M08.22	Juven.chron.artritída so systém.začiat.,v o.nadlaktia	M09.28	Juven.artritída pri ulcer.kolitíde,s postih.klb.na i.mieste
M08.23	Juven.chron.artritída so systém.začiat.,v o.predlak.	M09.29	Juven.artritída pri ulcer.kolitíde,s postih.klb.na n.mieste
M08.24	Juven.chron.artritída so systém.začiat.,v o.ruky	M09.80	Juven.artritída pri i.chor.zatr.i.s postih.klb.na viac.m.
M08.25	Juven.chron.artritída so systém.začiat.,v o.panvy a stehna	M09.81	Juven.artritída pri i.chor.zatr.i.s postih.klb.v obl.pleca
M08.26	Juven.chron.artritída so systém.začiat.,v o.predkol.	M09.82	Juven.artritída pri i.chor.zatr.i.s postih.klb.nadlaktia
M08.27	Juven.chron.artritída so systém.začiat.,v o.čl.a nohy	M09.83	Juven.artritída pri i.chor.zatr.i.s postih.klb.predlak.
M08.28	Juven.chron.artritída so systém.začiat.,na i.mieste	M09.84	Juven.artritída pri i.chor.zatr.i.s postih.klb.ruky
M08.29	Juven.chron.artritída so systém.začiat.,na n.mieste	M09.85	Juven.artritída pri i.chor.zatr.i.s postih.klb.panvy a stehna
M08.3	Juven.chron.artritída (séronegatívna),polyartikulárna forma	M09.86	Juven.artritída pri i.chor.zatr.i.s postih.klb.predkol.
M08.40	Juven.chron.artritída,oligoart.forma,s postih.na viac.m.	M09.87	Juven.artritída pri i.chor.zatr.i.s postih.klb.čl.a nohy
M08.41	Juven.chron.artritída,oligoart.forma,s postih.v obl.pleca	M09.88	Juven.artritída pri i.chor.zatr.i.s postih.klb.na i.mieste
M08.42	Juven.chron.artritída,oligoart.forma,s postih.nadlaktia	M09.89	Juven.artritída pri i.chor.zatr.i.s postih.klb.,m.bliž.neurč.
M08.43	Juven.chron.artritída,oligoart.forma,s postih.predlak.	M30.2	Juvenilná polyarteritída
M08.44	Juven.chron.artritída,oligoart.forma,s postih.ruky	M33.0	Juvenilná dermatomyozitída
M08.45	Juven.chron.artritída,oligoart.forma,s postih.pan.a stehna	M41.10	Juvenilná idiopat.skolióza na viac.m.chrbtice
M08.46	Juven.chron.artritída,oligoart.forma,s postih.predkol.	M41.11	Juvenilná idiopat.skolióza okcip.-atlanto.-axiál.oblasti
M08.47	Juven.chron.artritída,oligoart.forma,s postih.čl.a nohy	M41.12	Juvenilná idiopat.skolióza krčnej oblasti
M08.48	Juven.chron.artritída,oligoart.forma,s postih.na i.mieste	M41.13	Juvenilná idiopat.skolióza krčnohrudnej oblasti
M08.49	Juven.chron.artritída,oligoart.forma,s postih.na n.mieste	M41.14	Juvenilná idiopat.skolióza hrudníkovej oblasti
M08.80	Iná juvenilná artritída na viacerých miestach	M41.15	Juvenilná idiopat.skolióza hrudníkovodriekovej oblasti
M08.81	Iná juvenilná artritída v obl.pleca	M41.16	Juvenilná idiopat.skolióza driekovej oblasti
M08.82	Iná juvenilná artritída nadlaktia	M41.17	Juvenilná idiopat.skolióza driekovokrížovej oblasti
M08.83	Iná juvenilná artritída predlak.	M41.18	Juvenilná idiopat.skolióza krížovej a krížovokostř.oblasti
M08.84	Iná juvenilná artritída ruky	M41.19	Juvenilná idiopat.skolióza:oblasť bliž.neurč.
M08.85	Iná juvenilná artritída panv.obl.a stehna	M42.00	Juvenilna osteochondróza chrbtice na viac.m.
M08.86	Iná juvenilná artritída predkol.	M42.01	Juvenilna osteochondróza chrbtice v okcip.-atlanto.-axiál.obl.
M08.87	Iná juvenilná artritída čl.a nohy	M42.02	Juvenilná osteochondróza chrbtice v krčnej oblasti
M08.88	Iná juvenilná artritída na i.mieste	M42.03	Juvenilná osteochondróza chrbtice v krčnohrudníkovej obl.
M08.89	Iná juvenilná artritída,miesto bližšie neurčené	M42.04	Juvenilná osteochondróza chrbtice v hrudníkovej obl.
M08.90	Juven.artritída,bliž.neurč.na viac.m.	M42.05	Juvenilná osteochondróza chrbtice v hrudník-driekovej obl.
M08.91	Juven.artritída,bliž.neurč.v obl.pleca	M42.06	Juvenilná osteochondróza chrbtice v driekovej obl.
M08.92	Juven.artritída,bliž.neurč.v obl.nadlaktia	M42.07	Juvenilná osteochondróza chrbtice v driek.-krížovej obl.
M08.93	Juven.artritída,bliž.neurč.v obl.predlak.	M42.08	Juvenilná osteochondróza chrbt.v kríž.a krížovokostř.obl.
M08.94	Juven.artritída,bliž.neurč.v obl.ruky	M42.09	Juvenilná osteochondróza chrbtice:oblasť bliž.neurč.
M08.95	Juven.artritída,bliž.neurč.panv.obl.a stehna	M89.10	Zastavenie rastu v epifýze,na viacerých miestach
M08.96	Juven.artritída,bliž.neurč.v obl.predkol.	M89.11	Zastavenie rastu v epifýze,v obl.pleca
M08.97	Juven.artritída,bliž.neurč.v obl.čl.a nohy	M89.12	Zastavenie rastu v epifýze,v obl.nadlaktia
M08.98	Juven.artritída,bliž.neurč.na i.mieste	M89.13	Zastavenie rastu v epifýze,v obl.predlak.
M08.99	Juven.artritída,bliž.neurč.,miesto bliž.neurč.	M89.14	Zastavenie rastu v epifýze,v obl.ruky
M09.00	Juven.artritída pri psoriáze,s postih.klb.na viac.m.	M89.15	Zastavenie rastu v epifýze,v obl.panv.a stehna
M09.01	Juven.artritída pri psoriáze,s postih.klb.v obl.pleca	M89.16	Zastavenie rastu v epifýze,v obl.predkol.
M09.02	Juven.artritída pri psoriáze,s postih.klb.nadlaktia	M89.17	Zastavenie rastu v epifýze,v obl.čl.a nohy

Kód	Popis	Kód	Popis
M89.18	Zastavenie rastu v epifýze, na i. mieste	M91.8	Iná juvenilná osteochondróza bedra a panvy
M89.19	Zastavenie rastu v epifýze, miesto bliž. neurč.	M91.9	Juvenilná osteochond. bedra a panvy, b.n.
M89.20	Iné poruchy vývinu a rastu kosti na viac.m.	M92.0	Juvenilná osteochondróza ramennej kosti
M89.21	Iné poruchy vývinu a rastu kosti v obl. pleca	M92.1	Juvenilná osteochondróza vretennej a lakt'ovej kosti
M89.22	Iné poruchy vývinu a rastu kosti nadlaktia	M92.2	Juvenilná osteochondróza ruky
M89.23	Iné poruchy vývinu a rastu kosti predlak.	M92.3	Iná juvenilná osteochondróza hornej končatiny
M89.24	Iné poruchy vývinu a rastu kosti ruky	M92.4	Juvenilná osteochondróza pately
M89.25	Iné poruchy vývinu a rastu kosti panv. obl. a stehna	M92.5	Juvenilná osteochondróza píštalý a ihlice
M89.26	Iné poruchy vývinu a rastu kosti predkol.	M92.6	Juvenilná osteochondróza priehlavku
M89.27	Iné poruchy vývinu a rastu kosti čl. a nohy	M92.7	Juvenilná osteochondróza predpriehlavku (metatarzu)
M89.28	Iné poruchy vývinu a rastu kosti na i. mieste	M92.8	Iná juvenilná osteochondróza, bližšie určená
M89.29	Iné poruchy vývinu a rastu kosti, miesto bliž. neurč.	M92.9	Juvenilná osteochondróza, bližšie neurčená
M91.0	Juvenilná osteochondróza panvy	R62.0	Oneskorené dosiahnutie očakáv. stupňa. fyziol. vývinu
M91.1	Juvenilná osteochond. hlavice steh. kosti	R62.8	Iné zaostávanie v očakávanom fyziologickom vývine
M91.2	Coxa plana	R62.9	Zaostávanie v očakávanom normálnom fyziol. vývine, b.n.
M91.3	Pseudokoxalgia		

D.4e Konflikt s vekom: Post-neonatal

Kód	Popis	Kód	Popis
E12.01	DM spojený s podvýž.:s kórou ,dekomp.	E14.60	DM,blíž.neu.:s i.blíž.ur.kompl.,kompenz.
E12.11	DM spojený s podvýž.:s ketoacidózou,dekomp.	E14.61	DM,blíž.neu.:s i.blíž.ur.kompl.,dekomp.
E12.20	DM spojený s podvýž.:s obličk.kompl.,kompenz.	E14.72	DM,blíž.neu.:s i.mnohopočet.kompl.,kompenz.
E12.21	DM spojený s podvýž.:s obličk.kompl.,dekomp.	E14.73	DM,blíž.neu.:s mnohopočet.kompl.,dekomp.
E12.30	DM spojený s podvýž.:s očnými kompl.,kompenz.	E14.74	DM,blíž.neu.:s mnohop.kompl.,so synd.diab..nohy,kompenz.
E12.31	DM spojený s podvýž.:s očnými kompl.,dekomp.	E14.75	DM,blíž.neu.:s mnohop.kompl.,so synd.diab.noxy,dekomp.
E12.40	DM spojený s podvýž.: nervovými kompl.,kompenz.	E14.80	DM,blíž.neu.:s blíž.neu.kompl.,kompenz.
E12.41	DM spojený s podvýž.:s nervovými kompl.,dekomp.	E14.81	DM,blíž.neu.:s blíž.neu.kompl.,dekomp.
E12.50	DM spojený s podvýž.:s perif.ciev. kompl.,kompenz.	E14.90	DM,blíž.neu.:bez kompl.,kompenz.
E12.51	DM spojený s podvýž.:s perif.ciev. kompl.,dekomp.	E14.91	DM,blíž.neu.:bez kompl.,dekomp.
E12.60	DM spojený s podvýž.:s i.b.u.kompl.,kompenz.	E56.1	Nedostatok vitamínu K
E12.61	DM spojený s podvýž.:s i.b.u.kompl.,dekomp.	E63.0	Nedostatok esenciálnych mastných kyselín
E12.72	DM spojený s podvýž.:s viac.kompl.,kompenz.	E63.1	Nedost.vo výžive v dôsl.nerov. v zložení potravy
E12.73	DM spojený s podvýž.:s viac.kompl.,dekomp.	E63.8	Iný nedostatok vo výžive,blížšie určený
E12.74	DM spo.s pod.:s viac.kompl.,so synd.diab.noxy,kompenz.	E63.9	Nedostatok vo výžive,blížšie neurčený
E12.75	DM spo.s pod.:s viac.kompl.,so synd.diab.noxy,dekomp.	E64.0	Následky proteínovo-energetickej podvýživy
E12.80	DM spojený s podvýž.:s blíž.neu.kompl.,kompenz.	E64.1	Následky nedostatku vitamínu A
E12.81	DM spojený s podvýž.:s blíž.neu.kompl.,dekomp.	E64.2	Následky nedostatku vitamínu C
E12.90	DM spojený s podvýž.:bez kompl.,kompenz.	E64.3	Následky rachitídy
E12.91	DM spojený s podvýž.:bez kompl.,dekomp.	E64.8	Následky iných nedostatkov vo výžive
E13.01	Iný DM,blíž.ur.:s kórou,dekomp.	E64.9	Následky blížšie neurčených nedostatkov vo výžive
E13.11	Iný DM,blíž.ur.:s ketoacidózou,dekomp.	E65	Lokalizovaná obezita
E13.20	Iný DM,blíž.ur.:s obličk.kompl.,kompez.	E66.00	Obezita zapr.nadm.ener.prij.,BMI:od 30 do men.ako 35
E13.21	Iný DM,blíž.ur.:s obličk.kompl.,dekomp.	E66.01	Obezita zapr.nadm.ener.prij.,BMI:od 35 do men.ako 40
E13.30	Iný DM,blíž.ur.:s očnými kompl.,kompenz.	E66.02	Obezita zapr.nadm.ener.prij.,BMI:40 a viac
E13.31	Iný DM,blíž.ur.:s očnými kompl.,dekomp.	E66.09	Obezita zapr.nadm.ener.prij.,BMI:neurčený
E13.40	Iný DM,blíž.ur.:s nervovými kompl.,kompenz.	E66.10	Obezita zapr.liek.,BMI:od 30 do men.ako 35
E13.41	Iný DM,blíž.ur.:s nervovými kompl.,dekomp.	E66.11	Obezita zapr.liek.,BMI:od 35 do men.ako 40
E13.50	Iný DM,blíž.ur.:s perif.cievnyimi kompl.,kompenz.	E66.12	Obezita zapríčinená liekmi,BMI:40 a viac
E13.51	Iný DM,blíž.ur.:s perif.cievnyimi kompl.,dekomp.	E66.19	Obezita zapríčinená liekmi,BMI:neurčený
E13.60	Iný DM,blíž.ur.:s i.blíž.ur.kompl.,kompenz.	E66.20	Extr.obezita s alveol.hypovent.,BMI:od 30 do men.ako 35
E13.61	Iný DM,blíž.ur.:s i.blíž.ur.kompl.,dekomp.	E66.21	Extr.obezita s alveol.hypovent.,BMI:od 35 do men.ako 40
E13.72	Iný DM,blíž.ur.:s i.mnohopočet.kompl.,kompenz.	E66.22	Extr.obezita s alveol.hypovent.,BMI:40 a viac
E13.73	Iný DM,blíž.ur.:s i.mnohopočet.kompl.,dekomp.	E66.29	Extr.obezita s alveol.hypovent.,BMI:.,b.n.
E13.74	Iný DM,blíž.ur.:s mnohop.kompl.,so synd.diab.noxy,kompenz.	E66.80	Iná obezita,BMI:od 30 do menej ako 35
E13.75	Iný DM,blíž.ur.:s mnohop.kompl.,so synd.diabet.noxy,dekomp.	E66.81	Iná obezita,BMI:od 35 do menej ako 40
E13.80	Iný DM,blíž.ur.:s blíž.neurč.kompl.,kompenz.	E66.82	Iná obezita,BMI:40 a viac
E13.81	Iný DM,blíž.ur.:s blíž.neurč.kompl.,dekomp.	E66.89	Iná obezita,BMI:neurčený
E13.90	Iný DM,blížšie určený:bez kompl.,kompenz.	E66.90	Obezita,blíž.neu.,BMI:od 30 do men.ako 35
E13.91	Iný DM,blížšie určený:bez kompl.,dekomp.	E66.91	Obezita,blíž.neu.,BMI:od 35 do men.ako 40
E14.01	DM,blíž.neu.:s kórou,dekomp.	E66.92	Obezita,blížšie neurčená, BMI:40 a viac
E14.11	DM,blíž.neu.:s ketoacidózou,dekomp.	E66.99	Obezita,blížšie neurčená, BMI:neurčený
E14.20	DM,blíž.neu.:s obličk.kompl.,kompenz.	E67.0	Hypervitaminóza A
E14.21	DM,blíž.neu.:s obličk.kompl.,dekomp.	E67.1	Hyperkarotenémia
E14.30	DM,blíž.neu.:s očnými kompl.,kompenz.	E67.2	Syndróm nadbytku vitamínu B6
E14.31	DM,blíž.neu.:s očnými kompl.,dekomp.	E67.3	Hypervitaminóza D
E14.40	DM,blíž.neu.:s nervovými kompl.,kompens.	E67.8	Iná blížšie určená nadmerná výživa
E14.41	DM,blíž.neu.:s nervovými kompl.,dekomp.	E68	Následok nadmernej výživy
E14.50	DM,blíž.neu.:s perif.ciev.kompl.,kompenz.	K92.1	Meléna
E14.51	DM,blíž.neu.:s perif.ciev.kompl.,dekomp.		

D.4f Konflikt s vekom: Starší ako dojča

Kód	Popis	Kód	Popis
A50.3	Neskorá vrodená syfilitická okulopatia	J44.12	CHOCHP s ak.exacer.chor.bl.neu.FEV1 >= 50 % a <70 %prís.h.
A50.4	Neskorý vrodenný neurosyfilis[Juvenilný neurosyfilis]	J44.13	CHOCHP s ak.exacer.chor.bliž.neurč.FEV1 >= 70 % prísluš.h.
A50.5	Iný neskorý vrodenný syfilis,symptomatický	J44.19	CHOCHP s ak.exacer.chor.bliž.neurč.,hodnota FEV1 b.n.
A50.6	Neskorý vrodenný syfilis,latentný	J44.80	Iná CHOCHP,bliž.urč.FEV1 < 35 % prís.hodnoty
A50.7	Neskorý vrodenný syfilis,bližšie neurčený	J44.81	Iná CHOCHP,bliž.urč.FEV1 >= 35 % a < 50 % prís.hodnoty
B94.0	Následky trachómu	J44.82	Iná CHOCHP,bliž.urč.FEV1 >= 50 % a < 70 % prís.hodnoty
B94.1	Následky vírusovej encefalitídy	J44.83	Iná CHOCHP,bliž.urč.FEV1 >= 70 % prís.hodnoty
B94.2	Následky vírusovej hepatitídy	J44.89	Iná CHOCHP,bliž.urč.hodnota FEV1 bliž.neurč.
B94.8	Následky iných.bliž.urč.infekčných a parazitových chorôb	K00.0	Anodoncia
B94.9	Následky bliž.neurč.infekčných/parazitových chorôb	K00.1	Nadpočetné zuby
F80.0	Špecifická porucha artikulácie	K00.2	Abnormalita veľkosti a tvaru zubov
F80.1	Expresívna porucha reči	K00.3	Škvmité zuby
F80.20	Porucha sluchového vnímania a spracovania	K00.4	Porucha tvorby zubov
F80.28	Iná perceptívna porucha reči	K00.5	Dedičná porucha zubnej štruktúry,nezatriedená inde
F80.3	Získaná afázia s epilepsiou (Landauov-Kleffnerov syndróm)	K00.6	Porucha prerezávania zubov
F80.8	Iná vývinová porucha reči a jazyka	K00.7	Syndróm rastu chrupu
F80.9	Vývinová porucha reči a jazyka,bližšie neurčená	K00.8	Iná porucha zubného vývinu
F81.0	Špecifická porucha čítania	K00.9	Porucha zubného vývinu,bližšie neurčená
F81.1	Špecifická porucha hláskovania	K01.0	Neprezerané zuby
F81.2	Špecifická porucha aritmetických schopností	K01.1	Vrastené zuby
F81.3	Zmiešaná porucha školských zručností	K02.0	Kaz ohraničený na sklovinu
F81.8	Iná vývinová porucha školských zručností	K02.1	Kaz dentínu
F81.9	Vývinová porucha školských zručností,b.n.	K02.2	Kaz cementu
F82.0	Špecifická porucha vývinu hrubej motoriky	K02.3	Zastavený zubný kaz
F82.1	Špecifická porucha vývinu jemnej motoriky a grafomotoriky	K02.4	Odontoklázia
F82.2	Špecifická porucha vývinu ústnej motoriky	K02.5	Zubný kaz s obnažením drene
F82.9	Špecifická porucha vývinu motorických funkcií,b.n.	K02.8	Iný zubný kaz
F83	Zmiešaná špecifická vývinová porucha	K02.9	Zubný kaz,bližšie neurčený
F88	Iná porucha psychického vývinu	K03.0	Nadmerné obrusovanie zubov
F89	Porucha psychického vývinu, bližšie neurčená	K03.1	Abrázia zubov
H40.0	Podозrenie na glaukóm	K03.2	Erózia zubov
H40.1	Primárny glaukóm s otvoreným uhlom	K03.3	Patologická resorpcia zubov
H40.2	Primárny glaukóm so zatvoreným uhlom	K03.4	Hypercementóza
H40.3	Sekundárny glaukóm po poranení oka	K03.5	Ankylóza zubov
H40.4	Sekundárny glaukóm po zápale oka	K03.6	Usadeniny[povlaky]na zochob
H40.5	Sekundárny glaukóm pri iných chorobách	K03.7	Farebné zmeny tvrdých zubných tkanív po prerezaní zubov
H40.6	Sekundárny glaukóm zapríčinený liekmi	K03.8	Iné choroby tvrdých tkanív zubov,bližšie určené
H40.8	Iný glaukóm	K03.9	Choroby tvrdých tkanív zubov,bližšie neurčené
H40.9	Glaukóm,bližšie neurčený	K04.0	Zápal zubnej drene
H42.0	Glaukóm pri endokrín.,nutričných a metabol.chor.z.i.	K04.1	Nekróza zubnej drene
H42.8	Glaukóm pri iných chorobách zatriedených inde	K04.2	Degenerácia zubnej drene
I09.0	Reumatická myokarditída	K04.3	Abnormálna tvorba tvrdého tkaniva v zubnej dreni
I09.1	Reumatická choroba endokardu bliž.neurč.chlopne	K04.4	Akútna apikálna periodontitída dreňového pôvodu
I09.2	Chronická reumatická perikarditída	K04.5	Chronická apikálna periodontitída
I09.8	Iná reumatická choroba srdca,bližšie určená	K04.6	Periapikálny absces s fistulou
I09.9	Reumatická choroba srdca,bližšie neurčená	K04.7	Periapikálny absces bez fistuly
I26.0	Pľúcna embólia s prejavmi akútneho cor pulmonale	K04.8	Radikulárna cysta
I27.0	Primárna pľúcna hypertenzia	K04.9	Iná a bliž.neurč.choroba zubnej drene a periapikálnych tkan.
I27.1	Srdcová choroba pri kyfoskolióze	K05.0	Akútny zápal ďasien
J37.0	Chronický zápal hrtana	K05.1	Chronický zápal ďasien
J37.1	Chronický zápal hrtana a priedušnice	K05.2	Akútna parodontitída
J41.0	Jednoduchá chronická bronchitída	K05.3	Chronická parodontitída
J41.1	Hlienovohnisová chronická bronchitída	K05.4	Parodontóza
J41.8	Zmiešaná jednod.a hlienovohnis.chron.bronchitída	K05.5	Iná choroba parodontu
J42	Chronická bronchitída,bližšie neurčená	K05.6	Choroba parodontu,bližšie neurčená
J43.0	MacLeodov syndróm	K06.0	Atrofia ďasien
J43.1	Panlobulárny emfyzém	K06.1	Hypertrofia ďasien
J43.2	Centrilobulárny emfyzém	K06.2	Pošk.ďasien a bezzubého alveol.hrebeňa,zapr.traumou
J43.8	Iný emfyzém	K06.8	Iná choroba ďasien a bezzubého alveol.hrebeňa,b.u.
J43.9	Emfyzém, bližšie neurčený	K06.9	Choroba ďasien a bezzubého alveol.hrebeňa,b.n.
J44.00	CHOCHP s akútnou infekc.dolných DC,FEV1 < 35 % prís.hodn.	K07.0	Väčšie anomálie veľkosti čelustí
J44.01	CHOCHP s ak.infekc.dolných DC,FEV1 >= 35 < 50 %prís.h.	K07.1	Anomálie polohy čelustí oproti lebkovej spodine
J44.02	CHOCHP s ak.infek.dol.DC,FEV1 >= 50 % a < 70 % prís.hodn.	K07.2	Anomálie vzájomnej polohy zubných oblúkov
J44.03	CHOCHP s ak.infek.dolných DC,FEV1 >= 70 % prís.hodn.	K07.3	Anomálie postavenia zubov
J44.09	CHOCHP s akútnou infekc.dolných DC,hodn.FEV1 bliž.neurč.	K07.4	Chybný zhryz,bližšie neurčený
J44.10	CHOCHP s akút.exacer.chor.bliž.neurč.FEV1<35 % prís.hodn.	K07.5	Dentofaciálne funkčné abnormality
J44.11	CHOCHP s ak.exacer.chor.bl.neu.FEV1 >= 35% a <50 %prís.h.	K07.6	Choroba temporomandibulárneho kĺbu

Kód	Popis	Kód	Popis
K07.8	Iné dentofaciálne anomálie	N01.5	Rýchlo progred.nefrit.synd.:dif.mezangiokap.glomerulonefrit.
K07.9	Dentofaciálna anomália,blížšie neurčená	N01.6	Rýchlo progred.nefritický synd.:chor.denzných depozitov
K08.0	Exfoliácia zubov zapríčinená systémovou chorobou	N01.7	Rýchlo progred.nefritický synd.:dif.glomerulonefrit.s výras.
K08.1	Strata zubov zapríč.úrazom,extrakci./lokál.chor.parodontu	N01.8	Rýchlo progred.nefritický synd.:i.morfol.zemny
K08.2	Atrofia bezzubého alveolového hrebeňa	N01.9	Rýchlo progred.nefritický synd.:morfol.zmena,b.n.
K08.3	Retinovaný zubný koreň[radix relicta]	N03.0	Chron.nefritický syndróm:malé abn.glomerulov
K08.81	Patologická zlomenina zuba	N03.1	Chron.nefritický synd.:fok.a segm.lézie glomerulov
K08.88	Iné choroba zubov a podpomých štruktúr,b.u.	N03.2	Chron.nefritický synd.:dif.membránová glomerulonefrit.
K08.9	Choroba zubov a podpomých štruktúr,b.n.	N03.3	Chron.nefritický synd.:dif.mezangioprolif.glomerulonefrit.
K22.0	Achalázia kardie	N03.4	Chron.nefritický synd.:dif.endokap.prolif.glomerulonefrit.
K22.2	Nepriechodnosť pažeráka	N03.5	Chron.nefritický synd.:dif.mezangiokap.glomerulonefrit.
K22.9	Choroba pažeráka,blížšie neurčená	N03.6	Chron.nefritický synd.:chor.denzných depozitov
K73.0	Chronická perzistujúca hepatitída,n.i.	N03.7	Chron.nefritický synd.:dif.glomerulonefrit.s výrastkami
K73.1	Chronická lobulárna hepatitída, nezatriedená inde	N03.8	Chron.nefritický synd.:i.morfol.zmeny
K73.2	Chronická aktívna hepatitída,nezatriedená inde	N03.9	Chron.nefritický synd.:morfol.zmena,blíž.neurč.
K73.8	Iná chronická hepatitída,nezatriedená inde	N18.1	Chronická choroba obličiek,1.štádium
K73.9	Chronická hepatitída,blížšie neurčená	N18.2	Chronická choroba obličiek,2.štádium
K76.0	Stukovatenie pečene, nezatriedené inde	N18.3	Chronická choroba obličiek,3.štádium
N01.0	Rýchlo progred.nefritický synd.:malé abn.glomerulov	N18.4	Chronická choroba obličiek,4.štádium
N01.1	Rýchlo progred.nefrit.synd.:fok.a segm.lézie glomer.	N18.80	Jednostranná chronická porucha funkcie obličky
N01.2	Rýchlo progred.nefrit.ynd.:dif.membránová glom.nefrit.	N18.89	Iná chronická choroba obličiek,štádium,b.n.
N01.3	Rýchlo progred.nefrit.synd.:dif.mezangioprolif glom.nefrit.	N18.9	Chronická choroba obličiek,blížšie neurčená
N01.4	Rýchlo progred.nefrit.synd.:dif.endokap.prolif.glom.nefrit.	N19	Zlyhanie obličiek,blížšie neurčené

D.4g Konflikt s vekom: Puberta

Kód	Popis	Kód	Popis
E30.8	Iná porucha puberty	M35.2	Behçetova choroba
E30.9	Porucha puberty, bližšie neurčená	N92.2	Nadmerná menštruácia v puberte

D.4g

D.4h Konflikt s vekom: Diagnózy v plodnom veku

Kód	Popis	Kód	Popis
A34	Tetanus počas gravidity, pôrodu a v šestonedelí	O03.6	Spont.potrat:komplet./bliž.n.potrat,kompl.oneskor./nadm.krvác.
C58	Zhubný nádor placenty	O03.7	Spont.potrat:komplet./bliž.neurč.potrat,kompl.embóliou
F53.0	Mierna duševná porucha a por.správ.v šestonedelí,nezat.inde	O03.8	Spont.potrat:komplet./bliž.neurč.potrat s i.a bliž.neur.kompl.
F53.1	Ťažká duševná porucha a por.správ.v šestonedelí,nezat.inde	O03.9	Spont.potrat:komplet./bliž.n.eurč.potrat bez kompl.
F53.8	Iná duševná porucha a por.správ.v šestonedelí,nezat.inde	O04.0	Lek.potrat:nekomplet.potrat,kompl.infek.pohlav.a panv.org.
F53.9	Duševná porucha v šestonedelí,bližšie neurčená	O04.1	Lek.potrat:nekomplet.potrat,kompl.oneskor./nadmer.krvác.
M83.00	Osteomalácia v šestonedelí na viacerých miestach	O04.2	Lek.potrat:nekomplet.potrat,komplikovaný embóliou
M83.01	Osteomalácia v šestonedelí v obl.pleca	O04.3	Lek.potrat:nekomplet.potrat s i.a bliž.neurč.kompl.
M83.02	Osteomalácia v šestonedelí v obl.nadlaktia	O04.4	Lekársky potrat:nekompletný potrat bez komplikácií
M83.03	Osteomalácia v šestonedelí v obl.predlak.	O04.5	Lek.potrat:komplet./bliž.neu.potrat,kompl.inf.pohl.a panv.org.
M83.04	Osteomalácia v šestonedelí v obl.ruky	O04.6	Lek.potrat:komplet./bliž.n.potrat,kompl.oneskor./nadmer.krvác.
M83.05	Osteomalácia v šestonedelí v obl.panv.obl.a stehna	O04.7	Lek.potrat:komplet./bliž.neurč.potrat,kompl.embóliou
M83.06	Osteomalácia v šestonedelí v obl.predkol.	O04.8	Lek.potrat:komplet./bliž.neur.potrat s i.a b.n.kompl.
M83.07	Osteomalácia v šestonedelí v obl.čl.a nohy	O04.9	Lek.potrat:komplet./bliž.neur.potrat bez kompl.
M83.08	Osteomalácia v šestonedelí na i.mieste	O05.0	Iný potrat:nekomplet.potrat,kompl.inf.pohl.a panv.org.
M83.09	Osteomalácia v šestonedelí,miesto bliž.neurč.	O05.1	Iný potrat:nekomplet.potrat,kompl.oneskor./nadmer.krvác.
N91.0	Primárna amenorea	O05.2	Iný potrat:nekomplet.potrat,kompl.embóliou
N91.1	Sekundárna amenorea	O05.3	Iný potrat:nekomplet.potrat s i.a bliž.neurč.kompl.
N91.2	Amenorea,bližšie neurčená	O05.4	Iný potrat: nekompletný potrat bez komplikácií
N91.3	Primárna oligomenorea	O05.5	Iný potrat:komplet./bliž.neu.potrat,kompl.inf.pohl.a panv.org.
N91.4	Sekundárna oligomenorea	O05.6	Iný potrat:komplet./bliž.n.potrat,kompl.oneskor./nadmer.krvác.
N91.5	Oligomenorea,bližšie neurčená	O05.7	Iný potrat:komplet./bliž.neurč.potrat,kompl.embóliou
N92.0	Nadmerná/častá menštruácia s pravidelným cyklom	O05.8	Iný potrat:komplet./bliž.neurč.potrat s i.a b.n.kompl.
N92.1	Nadmerná/častá menštruácia s nepravidelným cyklom	O05.9	Iný potrat:komplet./bliž.neurč.potrat bez kompl.
N92.3	Ovulačné krvácanie	O06.0	Potrat,bliž.neurč:nekomplet.potrat,kompl.inf.pohl.a panv.org.
N92.4	Nadmerné krvácanie v premenopauze	O06.1	Potrat,bliž.neu.:nekomplet.potrat,kompl.oneskor./nadmer.krvác.
N92.5	Iná nepravidelná menštruácia,bližšie určená	O06.2	Potrat,bliž.neurč:nekomplet.potrat,kompl.embóliou
N92.6	Nepravidelná menštruácia,bližšie neurčená	O06.3	Potrat,bliž.neurč:nekomplet.potrat s i.a b.n.kompl.
N94.0	Ovulačná bolesť (Mittelschmerz)	O06.4	Potrat,bliž.neurč:neúplný potrat bez kompl.
N94.1	Dyspareunia	O06.5	Potrat,bliž.n.:komplet./bliž.n.potrat,kompl.inf.pohl.a panv.org.
N94.2	Vaginizmus	O06.6	Potrat,bliž.n.:komplet./bli.n.potrat,kompl.oneskor./nadmer.krvác.
N94.3	Predmenštruačný syndróm	O06.7	Potrat,bliž.neurč:komplet./bliž.neurč.potrat,kompl.embóliou
N94.4	Primárna dysmenorea	O06.8	Potrat,bliž.neurč:komplet./bliž.neurč.potrat s i.a b.n.kompl.
N94.5	Sekundárna dysmenorea	O06.9	Potrat,bliž.neurč:komplet./bliž.neurč.potrat bez kompl.
N94.6	Dysmenorea,bližšie neurčená	O07.0	Neúsp.lek.pokus o potrat,kompl.inf.pohl.a panv.org.
N96	Sklon k habituálnemu potrácaniu	O07.1	Neúsp.lek.pokus o potrat,kompl.oneskor./nadmer.krvác.
N97.0	Ženská neplodnosť spojená s anovuláciou	O07.2	Neúsp.lek.pokus o potrat,kompl.embóliou
N97.1	Ženská neplodnosť tubárneho pôvodu	O07.3	Neúsp.lek.pokus o potrat s i.a bliž.neur.kompl.
N97.2	Ženská neplodnosť maternicového pôvodu	O07.4	Neúspešný lekársky pokus o potrat bez komplikácií
N97.3	Ženská neplodnosť krčkového pôvodu	O07.5	Iný a bliž.neu.neús.pokus o potrat,kompl.inf.pohl.a panv.org.
N97.4	Ženská neplodnosť spojená s mužskými faktormi	O07.6	Iný a bliž.neu.neús.pokus o potrat,kompl.oneskor./nadm.krvác.
N97.8	Ženská neplodnosť iného pôvodu	O07.7	Iný a bliž.neurč.neús.pokus o potrat,kompl.embóliou
N97.9	Ženská neplodnosť,bližšie neurčená	O07.8	Iný a bliž.neurč.neús.pokus o potrat s i.a b.n.kompl.
N98.0	Infekcia spojená s umelým oplodnením	O07.9	Iný a bliž.neurč.neús.pokus o potrat bez kompl.
N98.1	Hyperstimulácia vaječníkov	O08.0	Infekcia pohlav.a panv.org.po potrate,mimomat.gr.a gr.s MH
N98.2	Komplikácie pri pokuse zaviesť oplod.vajíčko po oplod.in.vitro	O08.1	Onesk./nadm.krvác.po potr,mimomat.gr.a grav.s malou hydati.
N98.3	Komplikácie pri pokuse zaviesť embryo pri prenose embrya	O08.2	Embólia po potrate,mimomat.grav.a grav.s molou hydatidososa
N98.8	Iné komplikácie spojené s umelým oplodnením	O08.3	Šok po potrate,mimomat.grav.a grav.s molou hydatidososa
N98.9	Komplikácie spojené s umelým oplodnením,b.n.	O08.4	Zlyháv.obličiek po potrate,mimomat.grav.a grav.s mal hydati.
O00.0	Abdominálna gravidita	O08.5	Metabické poruchy po potrate,mimomat.gr.a gr.s mal hydati.
O00.1	Tubárna gravidita	O08.6	Pošk.panv.org.a tk.po potr,mimomat.gr.a grav.s malou hydati.
O00.2	Ováriová gravidita	O08.7	Iné žil.kompl.po potrate,mimomat.grav.a grav.s malou hydati.
O00.8	Iná mimomaternicová gravidita	O08.8	Iné kompl.po potrate,mimomat.grav.a grav.s molou hydatid.
O00.9	Mimomaternicová gravidita,bližšie neurčená	O08.9	Kompl.po potrate,mimomat.grav.a grav.s molou hydatid.b.n.
O01.0	Klasická mola hydatidososa	O09.0	Trvanie gravidity menej ako 5 ukončených týždňov
O01.1	Nekompletná a parciálna mola hydatidososa	O09.1	Trvanie gravidity od začat.5 po ukonč.13.týždeň
O01.9	Mola hydatidososa,bližšie neurčená	O09.2	Trvanie gravidity od začat.14.po ukonč.19.týž.
O02.0	Poškodené plodové vajce a nehydatidová mola	O09.3	Trvanie gravidity od začat.20.po ukonč.25.týž.
O02.1	Missed abortion (zadržaný potrat)	O09.4	Trvanie gravidity od začat.26.po ukonč.33.týž.
O02.8	Iný abnormálny výtvor počatia,bližšie určený	O09.5	Trvanie gravidity od začat.34.po ukonč.36.týž.
O02.9	Abnormálny výtvor počatia,bližšie neurčený	O09.9	Artériová hypertenzia matky,bližšie neurčená
O03.0	Spont.potrat:nekomplet.potrat,kompl.infek.pohl.a panv.org.	O10.0	Predt.exist.prim.artér.hypert.,kompl.grav.,pôr.a šeston.
O03.1	Spont.potrat:nekomplet.potrat,kompl.oneskor./nadmer.krvác.	O10.1	Predt.exist.hypert.chor.srdca,kompl.grav.,pôr.a šeston.
O03.2	Spont.potrat:nekomplet.potrat,komplikovaný embóliou	O10.2	Predt.exist.hypert.chor.oblič.,kompl.grav.,pôr.a šeston.
O03.3	Spont.potrat:nekomplet.potrat s i.a bliž.neurč.kompl.	O10.3	Predt.exi.hypert.chor.srd.a oblič.,kompl.grav.,pôr.a šest.
O03.4	Spont.potrat:nekomplet.potrat bez kompl.	O10.4	Predt.exist.sek.artér.hypert.,kompl.grav.,pôr.a šeston.
O03.5	Spont.potrat:komplet./bliž.n.potrat,kompl.inf.pohl.a panv.org.	O10.9	Predt.exist.artér.hypert.,kompl.grav.,pôr.a šeston.,b.n.

Kód	Popis	Kód	Popis
O11	Pred.exi.art.hypert.,kompl.grav.,pôr.a šest.,s nas.preek.	O29.4	Bolesť hlavy,po spinál.a epidurál.anest.v grav.
O12.0	Gestačné opuchy	O29.5	Iná komplikácia spinál.a epidurál.anestézie v grav.
O12.1	Gestačná proteinúria	O29.6	Neúspešná alebo sťažená intubácia v gravidite
O12.2	Gestačné opuchy s proteinúriou	O29.8	Iné komplikácie anestézie v gravidite
O13	Gestačná artér.hypert.bez významnej proteinúrie	O29.9	Komplikácia anestézie v gravidite,bližšie neurčená
O14.0	Mierna a stredne ťažká preeklampsia	O30.0	Gravidita s dvojčatami
O14.1	Ťažká preeklampsia	O30.1	Gravidita s trojčatami
O14.2	Syndróm HELLP	O30.2	Gravidita so štvorčatami
O14.9	Preeklampsia,bližšie neurčená	O30.8	Iná viacplodová gravidita
O15.0	Eklampsia v gravidite	O30.9	Viacplodová gravidita,bližšie neurčená
O15.1	Eklampsia pri pôrode	O31.0	Fetus papyraceus
O15.2	Eklampsia v šestonedelí	O31.1	Pokračujúca gravidita po potrate jedného/viac.plodov
O15.9	Eklampsia,časovo bližšie neurčená	O31.2	Pokračujúca gravidita po vnútrmat.smrťi jedného/viac.plodov
O16	Arteriálna hypertenzia matky,bližšie neurčená	O31.8	Iná kompl.špecifická pre viacplodovú graviditu
O20.0	Hrozíaci potrat (abortus imminens)	O32.0	Starostlivosť o matku pre nestabilnú polohu plodu
O20.8	Iné krvácanie vočasnej gravidite	O32.1	Starostl.o matku pre naliehanie plodu panv.koncom
O20.9	Krvácanie vočasnej gravidite,bližšie neurčené	O32.2	Starostl.o matku pre priečna a šikmá polohu plodu
O21.0	Hyperemesis gravidarum mierneho stupňa	O32.3	Star.o mat.pre tvár.a čel.polohu plod.a pri nalieh.plod.brad.
O21.1	Hyperemesis gravidarum s poruchou vnút.prostredia	O32.4	Star.o matku pre veľká hlavička plodu v termíne
O21.2	Neskoré vracanie v gravidite	O32.5	Star.o mat.pre viacplod.grav.s nespr.nalie.a nespr.poloh.plod
O21.8	Iné vracanie,komplikujúce graviditu	O32.6	Star.o matku pre súčasné nespráv.nalieh a nespráv.poloh.plodu
O21.9	Vracanie počas gravidity,bližšie neurčené	O32.8	Star.o matku pre iné nespr.naliehanie/nespr.poloha plodu
O22.0	Variety dolných končatín v gravidite	O32.9	Star.o matku pre iné nepravid.naliehanie/nespr.plo.plodu,b.n.
O22.1	Variety pohlavných orgánov v gravidite	O33.0	Star.o mat.pre nepomer medzi plod.a panv.,zapr.def.panv.k.
O22.2	Povrchová tromboflebitída v gravidite	O33.1	Star.o mat.pre nepomer medzi plod.a panv.zapr.celk.zúž.panva
O22.3	Hĺbková flebotrombóza v gravidite	O33.2	Star.o mat.pre nepomer medzi plod.a panv.zapr.zúž.panv.vch.
O22.4	Hemoroidy v gravidite	O33.3	Star.o mat.pre nepomer medzi plod.a panv.zapr.zúž.panv.vých.
O22.5	Trombóza mozgových žíl v gravidite	O33.4	Star.o mat.pre nep.medzi plod.a panv.,zapr.rozl.pr.matka/plod
O22.8	Iné žilové choroby ako komplikácie v gravidite	O33.5	Star.o matku pre nepom.medzi plod.a panv.,zapr.nezvy.vel.plod.
O22.9	Žilová choroba ako komplikácia v gravidite,b.n.	O33.6	Star.o matku pre nepom.medzi plod.a panv.,zapr.hydrocefus pl.
O23.0	Infekcia obličiek v gravidite	O33.7	Star.o mat. pre nepom.medzi plod.a panv.,zapr.i.abnormal.pl.
O23.1	Infekcia močového mechúra v gravidite	O33.8	Star.o matku pre nepom.medzi plod.a panv.z i.pričin
O23.2	Infekcia močovej rúry v gravidite	O33.9	Star.o matku pre nepom.medzi plod.a panvou,b.n.
O23.3	Infekcia iných častí močovej sústavy v gravidite	O34.0	Starostlivosť o matku pre vrodenú chybu maternice
O23.4	Infekcia moč.sústavy v gravidite,b.n.	O34.1	Starostlivosť o matku pre nádor tela maternice
O23.5	Infekcia pohlavných orgánov v gravidite	O34.2	Star.o matku jazvu na maternici po predchádz.chir.výk.
O23.9	Iná a bliž.neu.infekcia močovopohl.org.v grav.	O34.30	Star.o matku pri dlž.kčka mater.p.10 mm/pri insuf.pot.vag.USG
O24.0	DM v gravidite predtým existuj.DM,typ 1	O34.31	Starostlivosť o matku pri prolapse plodového vaku
O24.1	DM v gravidite predtým existuj.DM,typ 2	O34.38	Star.o matku pri i.insuficiencii krčka maternice
O24.2	DM v gravidite predtým existuj.DM súvis.s podvýživou	O34.39	Star.o matku pri b.n.insuficiencii krčka maternice
O24.3	DM v gravidite predtým existuj.DM,b.n.	O34.4	Star.o matku pre iné abnor.krčka maternice
O24.4	Diabetes mellitus so vznikom v gravidite	O34.5	Star.o matku pre Iné abnor.gravidnej maternice
O24.9	Diabetes mellitus v gravidite,bližšie neurčený	O34.6	Starostlivosť o matku pre abnormalitu pošvy
O25	Podvýživa v gravidite	O34.7	Star.o matku pre abnor.vulvy a hrádze
O26.0	Nadmerný hmotnostný prírastok v gravidite	O34.8	Star.o matku pre i.abnormal.panv.org.
O26.1	Malý hmotnostný prírastok v gravidite	O34.9	Star.o matku pre abnormal.panv.org.,b.n.
O26.2	Starost.o gravidnú ženu pri habituálnom potrácaní	O35.0	Star.o matku pre(susp.)výv.chybu CNS plodu
O26.3	Ponechané vnútrmat.antikoncepčné teliesko v grav.	O35.1	Star.o matku pre(susp.)chromozómovú anomáliu plodu
O26.4	Herpes gestationis	O35.2	Star.o matku pre(susp.)dedičnú chorobu plodu
O26.5	Syndróm arteriovej hypotenzie matky	O35.3	Star.o matku pre(susp.)pošk.plodu vír.chor.matky
O26.6	Choroba pečene v gravidite,pri pôrode a v šestonedelí	O35.4	Star.o matku pre(susp.)pošk.plodu alkoholom
O26.7	Sublux.symphysis ossis pubis v grav.,pri pôrode a v šeston.	O35.5	Star.o matku pre(susp.)pošk.plodu liekom/drogou
O26.81	Choroba obličiek súvisiaca s graviditou	O35.6	Star.o matku pre(susp.)pošk.plodu žiarením
O26.82	Syndróm karpálneho tunela počas gravidity	O35.7	Star.o matku pre(susp.)pošk.plodu iným lekárom.výkon.
O26.83	Periférna neuritída počas gravidity	O35.8	Star.o matku-inú (susp.)abn.a (susp.)pošk.plodu
O26.88	Iné stavy súvisiace s graviditou,bližšie určené	O35.9	Star.o matku pre(susp.)b.n.abn.a (susp.)pošk.plodu
O26.9	Stav súvisiaci s graviditou,bližšie neurčený	O36.0	Star.o matku pre izoimunizáciu v systéme Rh
O28.0	Abnorm.hematol.nález v prenatal.skríningu matky	O36.1	Starostlivosť o matku pre inú izoimunizáciu
O28.1	Abnorm.biochem.nález v prenatal.skríningu matky	O36.2	Starostlivosť o matku pre fetálny hypodrops
O28.2	Abnorm.cytolog.nález v prenatal.skríningu matky	O36.3	Starostlivosť o matku pre príznaky hypoxie plodu
O28.3	Abnorm.UZV nález v prenatal.skríningu matky	O36.4	Star.o matku pre vnútrmaternicovú smrť plodu
O28.4	Abnorm.rádiolog.nález v prenatal.skríningu matky	O36.5	Starostlivosť o matku pre zníženú hmotnosť plodu
O28.5	Abnorm.chromoz.a genetic.nález v prenatal.skríningu matky	O36.6	Starostlivosť o matku pre nadmernú hmotnosť plodu
O28.8	Iný abnormálny nález v prenatal.skríningu matky	O36.7	Starost.o matku pre abdom.grav.so živým plodu
O28.9	Abnorm.nález v prenatal.skríningu matky,b.n.	O36.8	Starost.o matku pre i.problémy plodu,b.u.
O29.0	Pľúcne komplikácie anestézie v gravidite	O36.9	Starost.o matku pre problémy plodu,b.n.
O29.1	Srdcové komplikácie anestézie v gravidite	O40	Polyhydramnion
O29.2	Komplikácie v CNS v spoj.s anestéziou v gravidite	O41.0	Oligohydramnion
O29.3	Toxická reakcia na lokálnu anestéziu v gravidite	O41.1	Infekcia plodového vaku a plodových obalov

Kód	Popis	Kód	Popis
O41.8	Iné poruchy plodovej vody a obalov, bližšie určené	O66.9	Nepokračujúci pôrod, bližšie neurčený
O41.9	Poruchy plodovej vody a obalov, bližšie neurčené	O67.0	Krvácanie pri pôrode s poruchou koagulácie
O42.0	Predčasné puknutie plod.obalov, zač.pôr.čín.do 24hod.	O67.8	Iné krvácanie pri pôrode
O42.11	Predčasné puknutie plod.obalov, zač.pôr.činn.po 1-7dňoch	O67.9	Krvácanie pri pôrode, bližšie neurčené
O42.12	Predčasné puknutie plod.obalov, zač.pôr.činn.po viac ako 7d.	O68.0	Kompl.pôrod.čín.a pôrodu pre abn.srd.frekv.plodu
O42.2	Predčasné puknutie plod.obalov, pôrododdialený liečbou	O68.1	Kompl.pôrod.čín.a pôrodu pre mekónium v plod.vode
O42.9	Predčasné pukn. plod.obalov, b.n.	O68.2	Kompl.pôrod.čín.a pôro.pre abn.srdc.fr.plod.s mekón.v plod.v.
O43.0	Syndróm placentárnej transfúzie	O68.3	Kompl.pôrod.čín.a pôrodu pre biochem.dôkaz distresu plodu
O43.1	Malformácia placenty	O68.8	Kompl.pôrod.čín.a pôrodu pre iný dôkaz distresu plodu
O43.20	Placenta accreta	O68.9	Kompl.pôrod.čín.a pôrodu pre distres plodu, b.n.
O43.21	Placenta increta alebo placenta percreta	O69.0	Kompl.pôr.čín.a pôr.pre prolaps pupočín.
O43.8	Iná porucha placenty	O69.1	Kompl.pôr.čín.a pôr.pre ovin.pupočín.ok.krku, s kompr.krku
O43.9	Porucha placenty, bližšie neurčená	O69.2	Kompl.pôr.čín.a pôr.pre i.zapletenie pupočín., s kompr.
O44.00	Nízko uložená placenta bez krvácania	O69.3	Kompl.pôr.čín.a pôr.pre krátky pupočník
O44.01	Placenta praevia bez krvácania	O69.4	Kompl.pôr.čín.a pôr.pre vcestné cievy
O44.10	Nízko uložená placenta s prebiehajúcim krvácaním	O69.5	Kompl.pôr.čín.a pôr.pre pošk.ciev pupočín.
O44.11	Placenta praevia s prebiehajúcim krvácaním	O69.8	Kompl.pôr.čín.a pôr.pre i.por.pupočín.
O45.0	Predčasné odlupovanie placenty s poruchou koagulácie	O69.9	Kompl.pôr.čín.a pôr.pre poruchu pupoč., b.n.
O45.8	Iné predčasné odlupovanie placenty	O70.0	Natrhnutie hrádze 1.stupňa pri pôrode
O45.9	Predčasné odlupovanie placenty, bližšie neurčené	O70.1	Natrhnutie hrádze 2.stupňa pri pôrode
O46.0	Krvácanie pred pôrodom s poruchou zrážanlivosti	O70.2	Natrhnutie hrádze 3.stupňa pri pôrode
O46.8	Iné krvácanie pred pôrodom	O70.3	Natrhnutie hrádze 4.stupňa pri pôrode
O46.9	Krvácanie pred pôrodom, bližšie neurčené	O70.9	Natrhnutie hrádze pri pôrode, bližšie neurčené
O47.0	Falošná pôr.činnosť pred ukonč.37.týž.gravidity	O71.0	Ruptúra maternice pred začiatkom pôrodnej činnosti
O47.1	Falošná pôr.činnosť po ukonč. 37.týž.gravidity a neskôr	O71.1	Ruptúra maternice počas pôrodnej činnosti
O47.9	Falošná pôrodná činnosť, bližšie neurčená	O71.2	Inverzia maternice po pôrode
O48	Predĺžená gravidita	O71.3	Natrhnutie krčka maternice pri pôrode
O60.0	Predčasná pôrodná činnosť bez pôrodu	O71.4	Samostatná vysoká lacerácia pošvy pri pôrode
O60.1	Predčasná pôrodná činnosť s predčasným pôrodom	O71.5	Iné poranenie panvových orgánov pri pôrode
O60.2	Predčasná pôrodná činnosť s pôrodom v termíne	O71.6	Poškodenie panvových kĺbov a väzov pri pôrode
O60.3	Predčasný pôrod bez spontánnej pôrodnej činnosti	O71.7	Hematóm panvy pri pôrode
O61.0	Neúspešná lieková indukcia pôrodnej činnosti	O71.8	Iné poranenie pri pôrode, bližšie určené
O61.1	Neúspešná inštrumentálna indukcia pôrodnej činnosti	O71.9	Poranenie pri pôrode, bližšie neurčené
O61.8	Iná neúspešná indukcia pôrodnej činnosti	O72.0	Krvácanie v 3.pôrodnej dobe
O61.9	Neúspešná indukcia pôrod.činnosti, b.n.	O72.1	Iné krvácanie bezprostredne po pôrode
O62.0	Primárne slabá pôrodná činnosť	O72.2	Oneskorené a sekundárne krvácanie po pôrode
O62.1	Sekundárne slabá pôrodná činnosť	O72.3	Poruchy zrážanlivosti krvi po pôrode
O62.2	Iná slabá pôrodná činnosť	O73.0	Zadržanie placenty bez krvácania
O62.3	Náhly pôrod (partus praecipitatus)	O73.1	Zadržanie častí placenty a blán bez krvácania
O62.4	Hyperton., nekoord. a predĺžené kontrakcie maternice	O74.0	Aspiračná pneumónia zapríč.anestéziou počas pôr.č. a pôrodu
O62.8	Iná porucha pôrodnej činnosti	O74.1	Iné pľúcne kompl.anestézie počas pôrod.čín.a pôrodu
O62.9	Porucha pôrodnej činnosti, bližšie neurčená	O74.2	Srdcové kompl.anestézie počas pôrod.čín.a pôrodu
O63.0	Predĺžená prvá pôrodná doba	O74.3	Komplik.CNS s spojením s anestéziou počas pôrod.čín.
O63.1	Predĺžená druhá pôrodná doba	O74.4	Toxická reakcia na lokálnu anestéziu počas pôr.čín.a pôrodu
O63.2	Oneskorený pôrod druhého dvojčaťa, trojčaťa atď.	O74.5	Bolesť hlavy, zapr.spinál.a epidurál.anest.pčas pôr.čín.a pôr.
O63.9	Predĺžený pôrod, bližšie neurčený	O74.6	Iné kompl.spinál.a epidurál.anestézie počas pôr.čín.a pôrodu
O64.0	Nepokračujúci pôrod, zapríč.neúplnou rotáciou hlavičky plodu	O74.7	Neúspešná/sťažená intubácia počas pôr.čín.a pôrodu
O64.1	Nepokračujúci pôrod, zapríč.pohou panvovým koncom	O74.8	Iné komplik.anestézie počas pôr.čín.a pôrodu
O64.2	Nepokračujúci pôrod, zapríč.tvárovou polohou	O74.9	Komplik.anestézie počas pôr.čín.a pôrodu, b.n.
O64.3	Nepokračujúci pôrod, zapríč.čelovou polohou	O75.0	Distres matky počas pôrodnej činnosti a pôrodu
O64.4	Nepokračujúci pôrod, zapríč.naliehaním pliecka	O75.1	Šok počas pôrodnej činnosti, po nej a po pôrode
O64.5	Nepokračujúci pôrod, zapríč.komb.por.naliehaním plodu	O75.2	Horúčka počas pôrodu, nezatriedená inde
O64.8	Nepokračujúci pôrod, zapríč.i.nespr.pol.a naliehaním plodu	O75.3	Iná infekcia počas pôrodnej činnosti
O64.9	Nepokračujúci pôrod, zapríč.nespr.pol.a naliehaním plodu, b.n.	O75.4	Iná komplikácia pôrodných operácií a výkonov
O65.0	Nepokračujúci pôrod, zapríč.deformovanou panvou	O75.5	Protrahovaný pôrod po umelom pretrhnutí plodových blán
O65.1	Nepokračujúci pôrod, zapríč.celkovo zúženou panvou	O75.6	Protrahovaný pôrod po spont./bliž.neurč.puknutí plod.blán
O65.2	Nepokračujúci pôrod, zapríč.zúžením panvového vchodu	O75.7	Vaginálny pôrod po predchádzajúcom cisárskom reze
O65.3	Nepokrač.pôr.zapr.zúž.panv.vých.a kontr.stred.časti.panv.dut.	O75.8	Iná komplikácie pôrod.činn.a pôrodu, b.u.
O65.4	Nepokračujúci pôrod, zapríč.nepom.medzi plod.a panv., b.n.	O75.9	Komplikácia pôrod.činn.a pôrodu, b.n.
O65.5	Nepokračujúci pôrod, zapríč.abn.panv.org.matky	O80.0	Spontánny pôrod jedného plodu záhlavím
O65.8	Nepokračujúci pôrod, zapríč.i.abn.panvy matky	O80.1	Spontánny pôrod jedného plodu panvovým koncom
O65.9	Nepokračujúci pôrod, zapríč.abnor.panvy matky, b.n.	O80.8	Iný spontánny pôrod jedného plodu
O66.0	Nepokračujúci pôrod, zapríč.dystokiou pliecka plodu	O80.9	Spontánny pôrod jedného plodu, bližšie neurčený
O66.1	Komplikác.pôrodu, zapríč.zakliesnením dvojčiat	O81.0	Pôrod jedného plodu východovými kliešťami
O66.2	Nepokrač.pôrod, zapríč.nezvyčajne veľkým plodom	O81.1	Pôrod jedného plodu strednými kliešťami
O66.3	Nepokrač.pôrod, zapríč.inými.abnormalitami plodu	O81.2	Pôrod jedného plodu stred.kliešťami s rotáciou hlavičky
O66.4	Neúspešný pokus o pôrod, bližšie neurčený	O81.3	Iný pôrod jedného plodu kliešťami, bližšie neurčený
O66.5	Neúspeš.použ.vákuového extraktora/klieští, b.n.	O81.4	Pôrod jedného plodu vákuovým extraktorom
O66.8	Iný nepokračujúci pôrod, bližšie určený	O81.5	Pôrod jedného plodu s použ.kombi.klieští a vákuo.extrak.

Kód	Popis	Kód	Popis
O82.0	Pôrod jedného plodu elektívnym cisárskym rezom	O92.50	Zastavenie laktácie,bez ťažkostí pri priložení
O82.1	Pôrod jedného plodu naliehavým cisárskym rezom	O92.51	Zastavenie laktácie,s ťažkosťami pri priložení
O82.2	Pôrod jedného plodu cisárskym rezom s hysterektómiou	O92.60	Galaktorea,bez ťažkostí pri priložení
O82.8	Iný pôrod jedného plodu cisárskym rezom	O92.61	Galaktorea,s ťažkosťami pri priložení
O82.9	Pôrod cisárskym rezom,blížšie neurčený	O92.70	Iná a bliž.neurč.porucha laktácie,bez ťažk.pri priložení
O83.0	Extrakcia plodu pri polohe panvovým koncom	O92.71	Iná a bliž.neurč.porucha laktácie,s ťažk.pri priložení
O83.1	Iné vedenie pôrodu jedného plodu pri polohe panvo.koncom	O94	Následky kompl.gravidity,pôrodu a šestonedelia
O83.2	Iné operačné vedenie pôrodu jedného plodu	O95	Smrť v gravidite z bližšie neurčenej príčiny
O83.3	Pôrod živého plodu pri brušnej gravidite	O96.0	Smrť z priam.pôr.príč.,kt.nast.po 42 d.,ale m.ako 1.r.od pôr.
O83.4	Zmenšovacie operácie na uľahčenie pôrodu jedného plodu	O96.1	Smrť z nepriam.pôr.príč.,kt.nast.po 42 d.,-men.ako 1.r.od pôr.
O83.8	Iné vedenie pôrodu jedného plodu,blížšie určené	O96.9	Smrť z bliž.ne.pôr.príč.,kt.nastala po42 d.,m.ako 1.r.od pôr.
O83.9	Vedenie pôrodu jedného plodu,blížšie neurčené	O97.0	Smrť z následkov priamej pôrodnickej príčiny
O84.0	Pôrody pri viacplodovej gravidite,všetky spontánne	O97.1	Smrť z následkov nepriamej pôrodnickej príčiny
O84.1	Pôrody pri viacplod.grav.všetky kliešť.a vákuumextrak.	O97.9	Smrť z následkov b.n. pôrod.príčiny
O84.2	Pôrody pri viacplod.grav.všetky cisárskym rezom	O98.0	TBC,kompl.graviditu,pôrod a šestonedelie
O84.8	Iné pôrody pri viacplodovej gravidite	O98.1	Syfilis,kompl.graviditu,pôrod a šestonedelie
O84.9	Pôrody pri viacplodovej gravidite,blížšie neurčené	O98.2	Kvapavka,kompl.graviditu,pôrod a šestonedelie
O85	Puerperálna sepsa	O98.3	Iná infcia s prevaž.pohl.spôs.pren.,kompl.grav.,pôr.a šesto.
O86.0	Infekcia pôrodnickej operačnej rany	O98.4	Vír.hepatitída,kompl.grav.,pôrod a šeston.
O86.1	Iná infekcia pohlavných orgánov po pôrode	O98.5	Iná vírus.choroba,kompl.grav.,pôrod a šeston.
O86.2	Infekcia močových orgánov po pôrode	O98.6	Prvoková choroba,kompl.grav.pôrod a šeston.
O86.3	Iná infekcia močovopohlavnej sústavy po pôrode	O98.7	Choroba HIV,kompl. graviditu,pôrod a šestonedelie
O86.4	Horúčka neznámeho pôvodu po pôrode	O98.8	Iná infekč.a parazit.chor.matky,kompl.grav.pôrod a šeston.
O86.8	Iná puerperálna infekcia,blížšie určená	O98.9	Infekč.a parazit.chor.matky,kompl.grav.pôrod a šeston. b.n.
O87.0	Povrchová tromboflebitída v šestonedelí	O99.0	Anémia,komplikujúca graviditu,pôrod a šestonedelie
O87.1	Hĺbková žilová trombóza (flebotrombóza) v šestonedelí	O99.1	Iné chor.krvi a krvotv.,urč.por.imun.,kompl.grav.pôr.šesto.
O87.2	Hemoroidy v šestonedelí	O99.2	Endokrin.nutričné a metabol.chor.kompl.grav.pôr.a šesto.
O87.3	Trombóza mozgových žíl v šestonedelí	O99.3	Duševná choroba a chor.nervov.súst.kompl.grav.pôr.a šesto.
O87.8	Iné žilové choroby ako komplikácie v šestonedelí	O99.4	Choroba obeh.súst.kompl.grav.pôrod a šeston.
O87.9	Žilová chor.ako komplikácia v šestonedelí,b.n.	O99.5	Choroba dých.súst.kompl.grav.pôrod a šeston.
O88.0	Vzduchová embólia v gestačnom období	O99.6	Choroba tráv.súst.kompl.grav.pôrod a šeston.
O88.1	Embólia plodovou vodou	O99.7	Choroba kože a podkož.tkan.kompl.grav.pôrod a šeston.
O88.20	Tromboembólia pľúc v gestačnom období	O99.8	Iné choroby a stavy komplikujúci grav.pôrod a šeston.b.u.
O88.28	Iná tromboembólia v gestačnom období	T83.3	Mechanická komplik.zapríč.vnúťmatr.antikoncepčnou pomôc.
O88.3	Pyemická a septická embólia v gestačnom období	Z30.1	Zavedenie (vnúťmatr.) antikoncepčného telieska
O88.8	Iná embólia v gestačnom období	Z32.0	Gravidita, (ešte) nepotvrdená
O89.0	Pľúcne komplikácie anestézie v šestonedelí	Z32.1	Potvrdená gravidita
O89.1	Srdoové komplikácie anestézie v šestonedelí	Z34.0	Dohľad nad normálnou prvou graviditou
O89.2	Komplikácie CNS v spojení s anestéziou v šestonedelí	Z34.8	Dohľad nad inou normálnou graviditou
O89.3	Toxická reakcia na lokálnu anestéziu v šestonedelí	Z34.9	Dohľad nad normálnou graviditou, bližšie neurčenou
O89.4	Bolesť hlavy,zapríč.spinál.a epidurál.anest.v šeston.	Z35.0	Dohľad nad graviditou s anamnézou neplodnosti
O89.5	Iné kompl.spin.a epid.anestézie v šeston.	Z35.1	Dohľad nad graviditou s anamnézou potratu
O89.6	Neúspešná alebo sťažená intubácia v šestonedelí	Z35.2	Dohľad nad gravid.s i.nepriaznivou pôr.anamnézou
O89.8	Iné komplikácie anestézie v šestonedelí	Z35.3	Dohľad nad gravid.s anamnézou nedost.prenatálnej star.
O89.9	Kompl.anestézie v šestonedelí,b.n.	Z35.4	Dohľad nad graviditou mnohoroďičky
O90.0	Dehiscencia rany po cisárskom reze	Z35.5	Dohľad nad staršou prvoroďičkou
O90.1	Dehiscencia pôrodnickej rany hrádze	Z35.6	Dohľad nad veľmi mladou prvoroďičkou
O90.2	Hematóm pôrodnickej rany	Z35.7	Dohľad nad rizik. gravid.v dôsledku sociál.problem.
O90.3	Kardiomyopatia v šestonedelí	Z35.8	Dohľad nad inou rizikovou graviditou
O90.4	Akútne poškodenie obličiek po pôrode	Z35.9	Dohľad nad rizikovou graviditou, bližšie neurčenou
O90.5	Zápal štítnej žľazy po pôrode	Z36.0	Prenatálny skrining chromozómových anomálií
O90.8	Iná komplikácia šestonedelia,nezatriedená inde	Z36.1	Prenatál.skrin.na zvýšenú hodnotu alfafetoproteínu
O90.9	Komplikácia šestonedelia,blížšie neurčená	Z36.2	Iný prenatálny skrining, založený na amniocentéze
O91.00	Infekcie bradavky v súvis.s pôr.bez ťažk.pri priložení	Z36.3	Prenatál.skrin. malformácii UZV a i.fyzik.metódami
O91.01	Infekcie bradavky v súvis.s pôr.s ťažk.pri priložení	Z36.4	Prenatál.skrin. spomalenia rastu plodu UZV a i.fyzik.met.
O91.10	Abces prsníka v súvis.s pôr.bez ťažk.pri priložení	Z36.5	Prenatálny skrining izoimunizácie
O91.11	Abces prsníka v súvis.s pôr.s ťažk.pri priložení	Z36.8	Iný prenatálny skrining
O91.20	Nehnisová mastitída v súvis.s pôr.bez ťažk.pri priložení	Z36.9	Prenatálny skrining, bližšie neurčený
O91.21	Nehnisová mastitída v súvis.s pôr.s ťažk.pri priložení	Z37.0	Jedno dieťa, živonarodené
O92.00	Retrakcia bradavky v súvis.s pôr.bez ťažk.pri priložení	Z37.1	Jedno dieťa, mŕtvonarodené
O92.01	Retrakcia bradavky v súvis.s pôr.s ťažk.pri priložení	Z37.2	Dvojčatá, živonarodené
O92.10	Trhlínka bradavky v súvis.s pôr.bez ťažk.pri priložení	Z37.3	Dvojčatá, jedno živonarodené, jedno mŕtvonarodené
O92.11	Trhlínka bradavky v súvis.s pôr.s ťažk.pri priložení	Z37.4	Dvojčatá, mŕtvonarodené
O92.20	Iná a bliž.neurč.chor.prsní.v súvis.s pôr.bez ťažk.pri prilož.	Z37.5	Iný viacpočetný pôrod, všetky deti živonarodené
O92.21	Iná a bliž.neurč.chor.prsníka v súvis.s pôr.s ťažk.pri prilož.	Z37.6	Iný viacpočetný pôrod, niektoré deti živonarodené
O92.30	Agalakcia,bez ťažkostí pri priložení	Z37.7	Iný viacpočetný pôrod, všetky deti mŕtvonarodené
O92.31	Agalakcia,s ťažkosťami pri priložení	Z37.9	Výsledok pôrodu, bližšie neurčený
O92.40	Hypogalakcia,bez ťažkostí pri priložení	Z39.0	Starostlivosť a vyšetrenie matky ihneď po pôrode
O92.41	Hypogalakcia,s ťažkosťami pri priložení		

Kód	Popis	Kód	Popis
Z39.1	Starostlivosť a vyšetrenie matky počas laktácie	Z64.0	Problémy súvisiace s nechcenou graviditou
Z39.2	Ďalšie bežné sledovanie matky po pôrode		

D.4i Konflikt s vekom: Výkony v plodnom veku

Kód	Popis	Kód	Popis
5r111‡	Asistovaný pôrod pomocou inštrumentov	5r334.4↔	Parc.salpingektómia s rek.vag.lsk.as.
5r112‡	Asist.pôrod koncom panv.s mauálnymi hmatmi	5r334.6↔	Parc.salpingektómia s rek:konv.z vag.-otv.chir.
5r113‡	Kombinov.pôrod pomocou inštrumentov a špec.úchyto	5r334.7↔	Parc.salpingektómia s rek:vag.
5r114‡	Vedenie pôrodu koncom panv.pri viacplod.grav.	5r334.x↔	Parc.salpingektómia s rekonštr.iná
5r11x‡	Iný spont.a vag.OP pôrod pri polohe koncom panv.	5r335.0↔	Totál.salpingektómia:lpt.
5r121‡	Pôrod pomocou východových klieští	5r335.1↔	Totál.salpingektómia:vag.lsk.as.
5r122‡	Pôrod pomocou stredových klieští	5r335.4↔	Totál.salpingektómia:lsk.
5r12x‡	Pôrod pomocou klieští:iný	5r335.6↔	Totál.salpingektómia:konv.z vag.-otv.chir.
5r131‡	Ukonč.pôr.pri polohe KP manuál.extrakciu plodu	5r335.7↔	Totál.salpingektómia:vag.
5r132‡	Ukončenie pôr.pri polohe KP inštrum.extrakciu pl.	5r335.x↔	Totál.salpingektómia:ost.
5r133‡	Ukonč.pôr.pri polohe KP manuál.a inštrum.extrak.plodu	5r336.0	Lokál.medikam.liečba pri tubárnej gravid:lpt.
5r13x‡	Ukončenie pôr.pri polohe KP inou extrakciu plodu	5r336.1	Lok.medikam.liečba pri tubár.gravid:vag.lsk.asist
5r141‡	Ukončenie pôr.vákuumextrakciu z panv.východu	5r336.4	Lok.medikam.liečba pri tuba.gravidite:lsk.
5r142‡	Ukončenie pôr.vákuumextrakciu z panv.hlbiny	5r336.6	Lok.medikam.liečba pri tuba.grav:konv.z vag.-otv.chir.
5r14x‡	Ukončenie pôrodu vákuumextrakciu:ost.	5r336.7	Lokál.medikam.liečba pri tuba.gravid:vag.
5r211‡	Vnúť.obrat plodu vnút.hmatmi bez extrakcie	5r336.x	Lok.medikam.liečba pri tubárnej grav:ost.
5r212‡	Kombinovaný obrat plodu bez extrakcie	5r339	Operácia extrauterinnej gravidity:ost.
5r213‡	Obrat plodu s extrakciu bez ďalších kompl.	5r341	Odstránenie extrauter.embrya:otv.chir.
5r214‡	Obrat plodu s extrakciu kliešťami	5r342	Odstr.extrauterinneho embrya:lsk.
5r215‡	Rotácia hlavičky pomocou klieští	5r343	Odstr.extrauterinneho embrya kuldoskopiou
5r216‡	Obrat plodu s extrakciu pri iných kompl.	5r34x	Iné odstránenie extrauterinneho embrya
5r217‡	Obrat na druhom dvojčati	5r411‡	Intrauterinná transfúzia plodu
5r221‡	Neúspešný kliešťový pôrod	5r412‡	Intrauterinná infúzia plodu
5r222‡	Neúspešná extrakcia vákuovou pumpou	5r413	Intrauterinná laserová terapia plodu
5r223‡	Neúspešné vnútorné otočenie	5r414‡	Výmena plodovej vody
5r224‡	Neúspešné kombinované otočenie	5r415‡	Vysokofrekv.ablácia nádor.buniek a/alebo ciev placenty
5r231‡	Embryotómia	5r416‡	Zavedenie shuntu u plodu intrauterinne
5r232‡	Deštrukcia plodu	5r417‡	Intrauterinná terapia plodu drenážou
5r233‡	Dekapitácia	5r418‡	Medikament.intrauterinná terapia plodu
5r234‡	Iné zmenšovacie operácie na plode	5r421‡	Terap.amniocentéza s násl.amniioinfúziou
5r235	Amniotómia	5r422‡	Terapeutická amniocentéza s kordocentézou
5r311.1	Primárny cisársky rez	5r423‡	Terapeutická amniocentéza za účelom fetocídy
5r311.2	Sekundárny cisársky rez	5r491	Segment.resekcia polycystic.plúc plodu
5r312.1	Primárny Misgav-Ladach cisársky rez	5r492	Intrauterinná OP plodu postihnúťého VVCH
5r312.2	Sekundárny Misgav-Ladach cisársky rez	5r493‡	Intraamniálna inj.apl.medikament.k ukonč.gravidity
5r313	Opakovaný cisársky rez	5r911	Sutúra ruptúry alebo nástrihu hrádze
5r314	Cisársky rez extraperitoneálne	5r912	Sutúra ruptúry alebo nástrihu krčka maternice
5r315.1	Primárny cisársky rez supracervikálny	5r913‡	Sutúra ruptúry alebo nástrihu pošvy
5r315.2	Cisársky rez supracervikálny	5r914.1‡	Ošetrovanie ruptúry I.stupňa
5r316.1	Primár.korporálny cisársky rez pozdĺžnou incíziou	5r914.2‡	Ošetrovanie ruptúry II.stupňa
5r316.2	Sekundár.korporálny cisársky rez pozdĺžnou incíziou	5r914.3‡	Ošetrovanie ruptúry III.stupňa
5r317.1	Primárny cisársky rez korporálny T-incíziou	5r914.4‡	Ošetrovanie ruptúry IV.stupňa
5r317.2	Sekundárny SC korporálny T-incíziou	5r921‡	Revízia dutiny maternice po pôrode
5r321	Cisársky rez a sterilizácia	5r922‡	Revízia dutiny maternice po spontán.potrata
5r322	Cisársky rez s násled.hysterektómiou s adnexektómiou	5r923‡	Manuálne vybavenie zadržanej placenty
5r323	Cisársky rez s následnou hysterektómiou	5r924	Inštrumentálne vybavenie zadržanej placenty
5r331.0↔	Salpingotómia: otv.chir.	5r925‡	Iné vybavenie zadržanej placenty
5r331.1↔	Salpingotómia:vag.s lsk.asist.	5r931	Rekonštrukcia močového mechúra a utery
5r331.4↔	Salpingotómia:lsk.	5r932‡	Rekonštrukcia konečníka a análneho zvierača
5r331.6↔	Salpingotómia:konv.z vag.-otv.chir.	5r991	Kyretáž pre ukončenie tehotnosti
5r331.7↔	Salpingotómia:vag.	91110	Intenzív.oše.st.o rodičku pri prekotnom pôrode
5r331.x↔	Salpingotómia:ost.	91111	Intenz.oše.st.o rodičku-I.doba pôrod.pri fyziol.pôrode
5r332.0↔	Salpingotómia s rekonštr:otv.chir.	91112	Intenz.oše.st.o rodičku-II.doba pôrod.pri fyz.pôrode
5r332.1↔	Salpingotómia s rekonštrukciu:lpt.	91113	Intenz.oše.st.o rodičku-III.doba pôrod.pri fyz.pôrode
5r332.4↔	Salpingotómia s rekonštrukciu:lsk.	91114	Apl.metód nefarmakol.tlmenia bolesti v I.dobe pôrodnej
5r332.6↔	Salpingotómia s rekonštr:konv.z vag.-otv.chir.	91121	Uvoľnenie dolného pólu plodového vajca
5r332.7↔	Salpingotómia s rekonštrukciu:vag.	91127	Sledovanie a vedenie rizikového pôrodu
5r332.x↔	Salpingotómia s rekonštr:ost.	91128.1	Sledovanie a vedenie nerizikového pôrodu:1-plodová grav.
5r333.0↔	Parciálna salpingektómia:otv.chir.	91128.2	Sledovanie a vedenie nerizikového pôrodu:viacplodová grav.
5r333.1↔	Parc.salpingektómia:vag.lsk.as.	91515	Transfer embrya
5r333.4↔	Parc.salpingektómia:lsk.	91516	Zavedenie zmrazeného embrya
5r333.6↔	Parc.salpingektómia:konv.z vag.-otv.chir.	91518	Inseminácia umelá cerviko-vaginálna
5r333.7↔	Parc.salpingektómia:vag.	91519	Inseminácia umelá intrakavitálna alebo intratubárna
5r333.x↔	Parc.salpingektómia:ost.	91520	V.asist.reprod.s odber.oocytov k in vitro fertili.b.pren.embryi
5r334.0↔	Parc.salpingektómia s rekonštr:lpt.	91521	Výkon asist.reprodukcie komplexný cyklus s prenosom embryi
5r334.1↔	Parc.salpingektómia s rekonštr:lsk.	91522‡	Asistovaná fertilizácia

D.4j Konflikt s vekom: Dospelý

Kód	Popis	Kód	Popis
A51.0	Primárny genitálny syfilis	G30.9	Alzheimerova choroba, bližšie neurčená
A51.1	Primárny análny syfilis	G31.0	Ohraničená atrofia mozgu
A51.2	Primárny syfilis na inom mieste	G31.1	Starecká degenerácia mozgu, nezatriedená inde
A51.3	Sekundárny syfilis kože a slizníc	G31.2	Degenerácia nervovej sústavy zapríčinená alkoholom
A51.4	Iná forma sekundárneho syfilisu	G31.81	Mitochondriová cytopatia
A51.5	Včasný syfilis, latentný	G31.82	Demencia s Lewyho telieskami
A51.9	Včasný syfilis, bližšie neurčený	G31.88	Iná degeneratívna choroba nervovej súst., bliž. urč.
A52.0	Kardiovaskulárny syfilis	G31.9	Degeneratívna choroba nervovej súst., bliž. neurč.
A52.1	Neurosyfilis, symptomatický	G32.0	Subak. kombinovaná degenerácia miechy pri chor. z. i.
A52.2	Neurosyfilis, asymptomatický	G32.8	Iná bliž. urč. degeneratívna chor. nervovej súst. pri chor. z. i.
A52.3	Neurosyfilis, bližšie neurčený	G35.0	Roztrúsená skleróza, prvá manifestácia
A52.7	Neskorý syfilis, symptomatický, iná forma	G35.10	SM s relaps-remitujúcim priebeh., bez prejav. relapsu/progr.
A52.8	Neskorý syfilis, latentný	G35.11	SM s relaps-remitujúcim priebeh., s prejav. relapsu/progr.
A52.9	Neskorý syfilis, bližšie neurčený	G35.20	SM s primár. progresívnym priebeh., bez prejav. relapsu/progr.
A53.0	Latentný syfilis, bliž. neurč. ako včasný/neskorý	G35.21	SM s primár. progresívnym priebeh., s prejav. relapsu/progr.
A53.9	Syfilis, bližšie neurčený	G35.30	SM so sekund. progresívnym priebeh., bez prejav. relapsu/progr.
A54.0	Gonok. inf. dol. časti moč.-pohl. súst. bez abs. uretr./preds. žliaz	G35.31	SM so sekund. progresívnym priebeh., s prejav. elapsu/progr.
A54.1	Gonok. inf. dol. časti moč.-pohl. súst. s abs. uretr. a preds. žliaz	G35.9	Roztrúsená skleróza, bližšie neurčená
A54.2	Gonok. pelveoperitonitída a iná gonokok. moč.-pohl. infekcia	I10.00	Benigna primárna artér. hypert. bez hypertenznej krízy
A54.3	Gonokoková infekcia oka	I10.01	Benigna primárna artér. hypert. s prej. hypertenznej krízy
A54.4	Gonokoková infekcia svalovo-kostrovej sústavy	I10.10	Maligna prim. artér. hypert. bez prej. hypert. krízy
A54.5	Gonokoková faryngitída	I10.11	Maligna prim. artér. hypert. s prej. hypert. krízy
A54.6	Gonokoková infekcia anusu a rekta	I10.90	Primárna artér. hypert. bliž. neu. bez prej. hypert. krízy
A54.8	Iná gonokoková infekcia	I10.91	Primárna artér. hypert. bliž. neu. s prej. hypert. krízy
A54.9	Gonokoková infekcia, bližšie neurčená	I11.00	Hyperten. chor. srdca s kong. srdc. zlyh. bez prej. hypert. kríz.
A55	Lymphogranuloma venereum (chlamýdiový)	I11.01	Hyperten. chor. srdca s kong. srdc. zlyh. s hypert. kríz.
A56.0	Chlamýdiová infekcia dolných častí moč.-pohlav. súst.	I11.90	Hyperten. chor. srdca bez kongest. srdc. zlyh. bez hypert. kríz.
A56.1	Chlamýdiová infekcia panvovej pobrušnice a moč.-pohlav. org.	I11.91	Hyperten. chor. srdca bez kongest. srdc. zlyh. s hypert. kríz.
A56.2	Chlamýdiová infekcia moč.-pohlav. súst., bliž. neurč.	I13.00	Hypert. chor. srd. a oblič. s kong. srdc. zlyh., b. hyper. kríz.
A56.3	Chlamýdiová infekcia anusu a rekta	I13.01	Hypert. chor. srd. a oblič. s kong. srdc. zlyh., s hyper. kríz.
A56.4	Chlamýdiová infekcia faryngu	I13.10	Hypert. chor. srd. a oblič. s oblič. zlyh., bez hypert. kríz.
A56.8	Pohlavne prenosná chlamýdiová infekcia na iných miestach	I13.11	Hypert. chor. srd. a oblič. s oblič. zlyh., s hypert. kríz.
A57	Mäkký vred [ulcus molle]	I13.20	Hypert. chor. srdca a oblič. s kong. srdc. a obl. zlyh. bez hyp. kríz.
A58	Granuloma venereum (inguinale)	I13.21	Hypert. chor. srdca a oblič. s kong. srdc. a obl. zlyh. s hyp. kríz.
A59.0	Urogenitálna trichomonóza	I13.90	Hypertenzná chor. srdca a oblič. bez prej. hypert. krízy, b. n.
A59.8	Trichomonóza na iných miestach	I13.91	Hypertenzná chor. srdca a oblič. bliž. neu. s prej. hypert. rízy
A59.9	Trichomonóza, bližšie neurčená	I15.20	Sekundár. artér. hypert., zapr. endokr. chor. bez hypert. kríz.
A60.0	Infekcia genitálií a moč.-pohlav. súst. herpetickým vírusom	I15.21	Sekundár. artér. hypert., zapr. endokr. chor. s hypert. kríz.
A60.1	Infekcia perianálnej kože a rekta, zapríč. herpetickým vírusom	I15.80	Iná sekundárna artér. hypert. bez prej. hypert. krízy
A60.9	Anogenitálna infekcia zapríč. herpetickým vírusom, bliž. neurč.	I15.81	Iná sekundárna artér. hypert. s prej. hypert. krízy
A63.0	Anogenitálne (venerické) bradavice	I15.90	Sekundárna artér. hypert. bliž. neu. bez prej. hypert. krízy
A63.8	Iná prevažne pohlavne prenosná choroba, bliž. urč.	I15.91	Sekundárna artér. hypert. bliž. neu. s prej. hypert. krízy
A64	Pohlavne prenosná choroba, bližšie neurčená	I20.0	Nestabilná angina pectoris
B91	Následky poliomyelitídy	I20.1	Angina pectoris s dokázaným kľúčom vencovitých tepien
F01.0	Vaskulárna demencia s akútnym začiatkom	I20.8	Iná forma angina pectoris
F01.1	Mnohoinfarktová demencia	I20.9	Angina pectoris, bližšie neurčená
F01.2	Subkortikálna vaskulárna demencia	I21.0	Akútny transmúrny infarkt myokardu prednej steny
F01.3	Zmiešaná kortikálna a subkortikálna vaskul. demencia	I21.1	Akútny transmúrny infarkt myokardu spodnej steny
F01.8	Iná vaskulárna demencia	I21.2	Akútny transmúrny IM na i. miestach
F01.9	Vaskulárna demencia, bližšie neurčená	I21.3	Akútny transmúrny IM bez bliž. urč. miesta
F03	Demencia, bližšie neurčená	I21.4	Akútny subendokardiálny infarkt myokardu
G12.2	Choroba motorického neurónu	I21.9	Akútny infarkt myokardu, bližšie neurčený
G14	Postpoliomyelitický syndróm	I22.0	Ďalší infarkt myokardu prednej steny
G20.00	Parkinson. chor. bez obm./s min. obm., bez mot. fluktuácie	I22.1	Ďalší infarkt myokardu spodnej steny
G20.01	Parkinson. chor. bez obm./s min. obm., s mot. fluktuáciou	I22.8	Ďalší infarkt myokardu na inom mieste
G20.10	Parkinson. chor. s mier. až str. ťaž. obm., b. mot. fluktuácie	I22.9	Ďalší infarkt myokardu bez bližšieho určenia miesta
G20.11	Parkinson. chor. s mier. až str. ťaž. pbm., s mot. fluktuáciou	I23.0	Hemoperikard ako akútna komplikácia po akútnom IM
G20.20	Parkinson. chor. s veľmi ťaž. obm., bez mot. fluktuácie	I23.1	Defekt predsieň. septa ako akútna komplikácia po akútnom IM
G20.21	Parkinson. chor. s veľmi ťaž. obm., s motoric. fluktuáciou	I23.2	Defekt komorovej priehradky ako akútna komplikácia po akút. IM
G20.90	Parkinson. chor. bliž. neu., bez motoric. fluktuácie	I23.3	Ruptúra srdc. steny bez hemoperik. ako akútna kompl. po akút. IM
G20.91	Parkinson. chor. bliž. neu., s motoric. fluktuáciou	I23.4	Ruptúra chordae tendineae ako akútna kompl. po akút. IM
G25.80	Periodické pohyby nôh v spánku	I23.5	Ruptúra papilárneho svalu ako akútna kompl. po akút. IM
G25.81	Syndróm nepokojných nôh	I23.6	Trombóza predsieň. preds. uška a komo. ako ak. kompl. po ak. IM
G25.88	Iná extrapyramídová porucha a por. hybnosti, bliž. urč.	I23.8	Iná akútna komplikácia po akútnom infarkte myokardu
G25.9	Extrapyramídová porucha a por. hybnosti, bliž. neurč.	I24.0	Koronárna trombóza, ktorá nevedla k IM
G26	Extrapyramídové porucha a por. hybnosti pri chor. zatried. inde	I24.8	Iná forma akútnej ischemickej choroby srdca
G30.8	Iná Alzheimerova choroba (F00.2*)	I24.9	Akútna ischemická choroba srdca, bližšie neurčená

Kód	Popis	Kód	Popis
I25.0	Aterosklerotická srdcovocievna choroba,takto označená	J84.0	Alveolové a parietoalveolové stavy
I25.10	Aterosklerotická chor.srdca,bez hemodynam.závažných stenóz	J84.1	Iná choroba interstícia pľúc s fibrózou
I25.11	Aterosklerotická chor.srdca,jednocielne postihnutie	J84.8	Iná choroba interstícia pľúc,blížšie určená
I25.12	Aterosklerotická chor.srdca,dvojcielne postihnutie	J84.9	Choroba interstícia pľúc,blížšie neurčená
I25.13	Aterosklerotická chor.srdca,trojcielne postihnutie	K25.0	Vred žalúdka,akútny s krvácaním
I25.14	Aterosklerotická chor.srdca,stenóza ľavého hlavného kmeňa	K25.1	Vred žalúdka,akútny s perforáciou
I25.15	Aterosklerotická choroba srdca so stenózou bajpasu	K25.2	Vred žalúdka,akútny s krvácaním a perforáciou
I25.16	Aterosklerotická choroba srdca so stenózou stentu	K25.3	Vred žalúdka,akútny bez krvácania alebo perforácie
I25.19	Aterosklerotická choroba srdca,blížšie neurčená	K25.4	Vred žalúdka,chron./bliž.neurč.s krvácaním
I25.20	Starý infarkt myokardu,od 29 dní až po 4 mesiace	K25.5	Vred žalúdka,chron./bliž.neurč.s perforáciou
I25.21	Starý infarkt myokardu,od 4 mesiacov až po 1 rok	K25.6	Vred žalúdka,chron./bliž.neurč.s krvác.a perfor.
I25.22	Starý infarkt myokardu,od 1 roka vyššie	K25.7	Vred žalúdka,chron.bez krvácania/perforácie
I25.29	Starý infarkt myokardu,blížšie neurčený	K25.9	Vred žalúdka,bliž.neurč.ako akút./chron.bez krvác./perfor.
I25.3	Aneurizma (steny) srdca	K26.0	Vred dvanástnika,akútny s krvácaním
I25.4	Aneurizma vencovitej tepny	K26.1	Vred dvanástnika,akútny s perforáciou
I25.5	Ischemická kardiomyopatia	K26.2	Vred dvanástnika,akútny s krvácaním a perforáciou
I25.6	Nebolestivá (tichá) ischemia myokardu	K26.3	Vred dvanástnika,akútny bez krvácania alebo perforácie
I25.8	Iná forma chronickej ischemickej choroby srdca	K26.4	Vred dvanástnika,chron./bliž.neurč.s krvácaním
I25.9	Chronická ischemická choroba srdca,b.n.	K26.5	Vred dvanástnika,chron./bliž.neurč.s perforáciou
I70.0	Ateroskleróza aorty	K26.6	Vred dvanástnika,chron./bliž.neurč.s krvác.a perfor.
I70.1	Ateroskleróza obličkovej tepny	K26.7	Vred dvanástnika,chron.bez krvác./perfor.
I70.20	Ateroskleróza i.a bliž.neu.končat.tepien	K26.9	Vred dvanástnika,bliž.neurč.ako akút./chron.bez krvác./perfor.
I70.21	Ateroskle.končat.tep.s postih.panvy a DK,s isch.bolest'.po zát.	K27.0	Peptický vred bez bliž.urč.miesta,akút.s krvácaním
I70.22	Ateroskleróza končat.tep.s postih.panvy a DK,s bolest'.v pokoji	K27.1	Peptický vred bez bliž.urč.miesta,akút.s perforáciou
I70.23	Ateroskleróza končat.tep.s postih.panvy a DK,s ulceráciami	K27.2	Peptický vred bez bliž.urč.miesta,akút.s krvác.a perfor.
I70.24	Ateroskleróza končat.tep.s postih.panvy a DK,s gangrén.	K27.3	Peptický vred bez bliž.urč.miesta,akút.bez krvác./perfor.
I70.25	Ateroskleróza končat.tep.s postih.pleca a HK,všetky štádiá	K27.4	Peptický vred bez bliž.urč.m,chron./bli.neu.s krvác.a perfor.
I70.8	Ateroskleróza iných tepien	K27.5	Peptický vred bez bliž.urč.miesta,chron./bliž.neurč.s perfor.
I70.9	Generalizovaná a blížšie neurčená ateroskleróza	K27.6	Peptický vred bez bliž.urč.m,chron./bli.neu.s krvác.a perfor.
I83.0	Varixy dolných končatín s vredom	K27.7	Peptický vred bez bliž.urč.miesta,chron.bez krvác./perfor.
I83.1	Varixy dolných končatín so zápalom	K27.9	Pept.vred bez bliž.urč.m.b.n.ako akút./chro.,bez krvác./perf.
I83.2	Varixy dolných končatín s vredom a zápalom	K28.0	Peptický vred jejúna, akútny s krvácaním
I83.9	Varixy dolných končatín bez vrodu alebo zápalu	K28.1	Peptický vred jejúna, akútny s perforáciou
I97.2	Postmastektomický lymfedém	K28.2	Peptický vred jejúna,akútny s krvácaním a perforáciou
I98.2	Varixy pažeráka a žalúdka pri chorobách zatried.i.bez krvác.	K28.3	Peptický vred jejúna,akútny bez krvácania/perforácie
I98.3	Varixy pažeráka a žalúdka pri chorobách zatried.i.s krvác.	K28.4	Peptický vred jejúna,chron./bliž.neurč.s krvácaním
J44.90	CHOCHP,blíž.neurč.FEV1 < 35 % prís.hodnoty	K28.5	Peptický vred jejúna,chron./bliž.neurč.s perforáciou
J44.91	CHOCHP,blíž.neurč.FEV1 >= 35 % a < 50 % prís.hodn.	K28.6	Peptický vred jejúna,chron./bliž.neurč.s krvác.a perfor.
J44.92	CHOCHP,blíž.neurč.FEV1 >= 50 % a < 70 % prís.hodn.	K28.7	Peptický vred jejúna,chron.bez krvác./perfor.
J44.93	CHOCHP,blíž.neurč.FEV1 >= 70 % príslušnej hodnoty	K28.9	Pept.vred jejúna,bliž.neu.ako akút./chron.,bez krvác./perfor.
J44.99	CHOCHP,blíž.neurč.,hodnota FEV1 bliž.neurč.	K64.0	Hemoroidy 1.stupňa
J60	Pneumokonióza baníkov uhoľných baní	K64.1	Hemoroidy 2.stupňa
J61	Pneumokonióza zapr.abzbestom a i.anorg.vláknami	K64.2	Hemoroidy 3.stupňa
J62.0	Pneumokonióza zapríčinená prachom mastenca (talkom)	K64.3	Hemoroidy 4.stupňa
J62.8	Pneumokonióza zapríč.i.prachom obsahujúcim kremeň	K64.4	Reziduálne hemoroidálne kožné protuberancie
J63.0	Aluminóza (pľúc)	K64.5	Perianálna žilová trombóza
J63.1	Bauxitová fibróza (pľúc)	K64.8	Iné hemoroidy,blížšie určené
J63.2	Berylióza	K64.9	Hemoroidy,blížšie neurčené
J63.3	Grafitová fibróza (pľúc)	K70.0	Alkoholová tuková choroba pečene
J63.4	Sideróza	K70.1	Alkoholová hepatitída
J63.5	Stanóza	K70.2	Alkoholová fibróza a skleróza pečene
J63.8	Pneumokonióza zapríč.i.bliž.urč.anorganickými prachmi	K70.3	Alkoholová cirhóza pečene
J64	Pneumokonióza,blížšie neurčená	K70.4	Alkoholové zlyhávanie pečene
J65	Pneumokonióza združená s tuberkulózou	K70.9	Alkoholová choroba pečene,blížšie neurčená
J66.0	Bysinóza	K80.00	Kameň žlčníka s akút.cholecystitídou,bez prej.obštr.žlč.ciest
J66.1	Choroba spracovateľov ľanu	K80.01	Kameň žlčníka s akút.cholecystitídou,s obštr.žlč.ciest
J66.2	Kanabinóza	K80.10	Kameň žlčníka s i.cholecystitídou,bez prej.obštr.žlč.ciest
J66.8	Choroba dých ciest,zaprič.i.bliž.urč.organickým prachom	K80.11	Kameň žlčníka s i.cholecystitídou,s obštr.žlč.ciest
J67.0	Farmárske pľúca	K80.20	Kameň žlčníka bez cholecystitídou,bez prej.obštr.žlč.ciest
J67.1	Bagasóza	K80.21	Kameň žlčníka bez cholecystitídou,s obštr.žlč.ciest
J67.2	Pľúcna choroba chovateľov vtákov	K80.30	Kameň žlč.výv.s cholecystitídou,bez prej.obštr.žlč.ciest
J67.3	Suberóza	K80.31	Kameň žlč.výv.s cholecystitídou,s obštr.žlč.ciest
J67.4	Sladovnícke pľúca	K80.40	Kameň žlč.výv.s cholecystitídou,bez prej.obštr.žlč.ciest
J67.5	Pľúcna choroba pestovateľov húb	K80.41	Kameň žlč.výv.s cholecystitídou,s obštr.žlč.ciest
J67.6	Pľúcna choroba lúpačov javorovej kôry	K80.50	Kameň žlč.výv.bez cholant./cholecyst.bez prej.obštr.žlč.ciest
J67.7	Pľúcna choroba zaprič.ventilačnými a zvlhčovacími zariad.	K80.51	Kameň žlč.výv.bez cholant./cholecyst.s obš.žlč.ciest
J67.8	Alergická alveolitída zaprič.i.organickým prachom	K80.80	Iná cholelitiáza,bez prejavov obštr. žlč.ciest
J67.9	Alergická alveolitída zaprič.bliž.neurč.organickým prachom	K80.81	Iná cholelitiáza,s obštrukciou žlčových ciest
J80	Syndróm respiračnej tiesne [ARDS]	K81.0	Akútna cholecystitída

Kód	Popis	Kód	Popis
K81.1	Chronická cholecystitída	M05.30	Reumatoidná artritída s postih.i.org.a súst.,na viac.miest.
K81.8	Iná cholecystitída	M05.31	Reumatoidná artritída s postih.i.org.a súst.,v obl.pleca
K81.9	Cholecystitída,blížšie neurčená	M05.32	Reumatoidná artritída s postih.i.org.a súst.,v obl.nadlaktia
K82.0	Obštrukcia žlčníka	M05.33	Reumatoidná artritída s postih.i.org.a súst.,v obl.predlak.
K82.1	Hydrops žlčníka	M05.34	Reumatoidná artritída s postih.i.org.a súst.,v obl.ruky
K82.2	Perforácia žlčníka	M05.35	Reumat.artritída s postih.i.org.a súst.,v obl.panv.a steh.
K82.3	Fistula žlčníka	M05.36	Reumatoidná artritída s postih.i.org.a súst.,v obl.predkol.
K82.4	Cholesterolóza žlčníka	M05.37	Reumatoidná artritída s postih.i.org.a súst.,v obl.čl.a nohy
K82.8	Iná choroba žlčníka,blížšie určená	M05.38	Reumatoidná artritída s postih.i.org.a súst.,na i.mieste
K82.9	Choroba žlčníka,blížšie neurčená	M05.39	Reumatoidná artritída s postih.i.org.a súst.,miesto b.n.
K83.0	Zápal žlčových ciest	M05.80	Iná séropozitívna reumatoid.artritída na viac.m.
K83.1	Obštrukcia žlčových ciest	M05.81	Iná séropozitívna reumatoid.artritída v obl.pleca
K83.2	Perforácia žlčových ciest	M05.82	Iná séropozitívna reumatoid.artritída v obl.nadlaktia
K83.3	Fistula žlčových ciest	M05.83	Iná séropozitívna reumatoid.artritída v obl.predlak.
K83.4	Spazmus Oddiho zvierača	M05.84	Iná séropozitívna reumatoid.artritída v obl.ruky
K83.5	Žlčová cysta	M05.85	Iná séropozitívna reumatoid.artritída v obl.panv.o.a stehna
K83.8	Iná choroba žlčových ciest,blížšie určená	M05.86	Iná séropozitívna reumatoid.artritída v obl.predkol.
K83.9	Choroba žlčových ciest,blížšie neurčená	M05.87	Iná séropozitívna reumatoid.artritída v obl.čl.a nohy
K85.00	Idiopatická akútna pankreatitída,bez org.kompl.	M05.88	Iná séropozitívna reumatoid.artritída na i.mieste
K85.01	Idiopatická akútna pankreatitída,s org.kompl.	M05.89	Iná séropozitívna reumatoid.artritída miesto b.n.
K85.10	Akútna biliárna pankreatitída,bez org.kompl.	M05.90	Séropoz.reumatoid.artritída,blíž.neurč.na viac.m.
K85.11	Akútna biliárna pankreatitída,s org.kompl.	M05.91	Séropoz.reumatoid.artritída,blíž.neurč.v obl.pleca
K85.20	Akút.pankreatitída zapr.alkoholom,bez org.kompl.	M05.92	Séropoz.reumatoid.artritída,blíž.neurč.v obl.nadlaktia
K85.21	Akút.pankreatitída zapr.alkoholom,s org.kompl.	M05.93	Séropoz.reumatoid.artritída,blíž.neurč.v obl.predlak.
K85.30	Akútna pankreatitída zaprič.liekom,bez org.kompl.	M05.94	Séropoz.reumatoid.artritída,blíž.neurč.v obl.ruky
K85.31	Akútna pankreatitída zaprič.liekom,s org.kompl.	M05.95	Séropoz.reumatoid.artritída,blíž.neurč.v obl.panv.a stehna
K85.80	Iná akútna pankreatitída,bez orgánovej komplikácie	M05.96	Séropoz.reumatoid.artritída,blíž.neurč.v obl.predkol.
K85.81	Iná akútna pankreatitída,s orgánovou komplikáciou	M05.97	Séropoz.reumatoid.artritída,blíž.neurč.v obl.čl.a nohy
K85.90	Akútna pankreatitída,blíž.neurč.bez org.kompl.	M05.98	Séropoz.reumatoid.artritída,blíž.neurč.na i.mieste,b.n.
K85.91	Akútna pankreatitída,blíž.neurč.s org.kompl.	M05.99	Séropoz.reumatoid.artritída,blíž.neurč.,miesto blíž.neurč.
K86.0	Chronická pankreatitída zapríčinená alkoholom	M06.00	Séronegat.reumatoid.artritída,na viac.m.
K86.1	Iná chronická pankreatitída	M06.01	Séronegat.reumatoid.artritída,v obl.pleca
K86.2	Cysta pankreasu	M06.02	Séronegat.reumatoid.artritída,v obl.nadlaktia
K86.3	Pseudocysta pankreasu	M06.03	Séronegat.reumatoid.artritída,v obl.predlak.
K86.8	Iná choroba podžalúdkovej žľazy,blížšie určená	M06.04	Séronegat.reumatoid.artritída,v obl.ruky
K86.9	Choroba podžalúdkovej žľazy,blížšie neurčená	M06.05	Séronegat.reumatoid.artritída,v obl.panv.a stehna
K87.0	Choroba žlčníka a žlč.ciest pri chor.z.i.	M06.06	Séronegat.reumatoid.artritída,v obl.predkol.
K87.1	Choroby pankreasu pri chorobách zatriedených inde	M06.07	Séronegat.reumatoid.artritída,v obl.čl. a nohy
K91.5	Postcholecystektomický syndróm	M06.08	Séronegat.reumatoid.artritída,na i.mieste
M02.30	Reiterova choroba na viacerých miestach	M06.09	Séronegat.reumatoid.artritída,miesto b.n.
M02.31	Reiterova choroba v obl.pleca	M06.10	Stillova chor.dospelých s postih.kĺbov na viac.miestach
M02.32	Reiterova choroba v obl.nadlaktia	M06.11	Stillova chor.dospelých s postih.kĺbov v pleca
M02.33	Reiterova choroba v obl.predlak.	M06.12	Stillova chor.dospelých s postih.kĺbov nadlaktia
M02.34	Reiterova choroba v obl.ruky	M06.13	Stillova chor.dospelých s postih.kĺbov predlak.
M02.35	Reiterova choroba v obl.panv.a stehna	M06.14	Stillova chor.dospelých s postih.kĺbov ruky
M02.36	Reiterova choroba v obl.predkol.	M06.15	Stillova chor.dospelých s postih.Kĺbov panvy a stehna
M02.37	Reiterova choroba v obl.čl. a nohy	M06.16	Stillova chor.dospelých s postih.kĺbov predkol.
M02.38	Reiterova choroba na i.mieste	M06.17	Stillova chor.dospelých s postih.kĺbov čl.a nohy
M02.39	Reiterova choroba,miesto blíž.neurč.	M06.18	Stillova chor.dospelých s postih.kĺbov na i.mieste
M05.10	Séropoz.reumat.artritída s plúc.prej.,na viac.m.	M06.19	Stillova chor.dospelých s postih.kĺbov na n.mieste
M05.11	Séropoz.reumat.artritída s plúc.prej.,v obl.pleca	M06.80	Iná reumatoid.artritída,blíž.urč.na viac.m.
M05.12	Séropoz.reumat.artritída s plúc.prej.,v obl.nadlaktia	M06.81	Iná reumatoid.artritída,blíž.urč.v obl.pleca
M05.13	Séropoz.reumat.artritída s plúc.prej.,v obl.predlak.	M06.82	Iná reumatoid.artritída,blíž.urč.v obl.nadlaktia
M05.14	Séropoz.reumat.artritída s plúc.prej.,v obl.ruky	M06.83	Iná reumatoid.artritída,blíž.urč.v obl.predlak.
M05.15	Séropoz.reumat.artritída s plúc.prej.,v obl.panv.a steh.	M06.84	Iná reumatoid.artritída,blíž.urč.v obl.ruky
M05.16	Séropoz.reumat.artritída s plúc.prej.,v obl.predkol.	M06.85	Iná reumatoid.artritída,blíž.urč.v obl.panv.a stehna
M05.17	Séropoz.reumat.artritída s plúc.prej.,v obl.čl. a nohy	M06.86	Iná reumatoid.artritída,blíž.urč.v obl. predkol.,
M05.18	Séropoz.reumat.artritída s plúc.prej.,v obl.na i.mieste	M06.87	Iná reumatoid.artritída,blíž.urč.v obl.čl.a nohy
M05.19	Séropoz.reumat.artritída s plúc.prej.,miesto b.n.	M06.88	Iná reumatoid.artritída,blíž.urč.v obl.na i.mieste
M05.20	Reumat.artritída s vaskulitídou,na viac.m.	M06.89	Iná reumatoid.artritída,blíž.urč.,miesto blíž.neurč.
M05.21	Reumat.artritída s vaskulitídou,v obl.pleca	M06.90	Reumatoid.artritída,blíž.neurč.na viac.m.
M05.22	Reumat.artritída s vaskulitídou,v obl.nadlaktia	M06.91	Reumatoid.artritída,blíž.neurč.v obl.pleca
M05.23	Reumat.artritída s vaskulitídou,v obl.predlak.	M06.92	Reumatoid.artritída,blíž.neurč.v obl.nadlaktia
M05.24	Reumat.artritída s vaskulitídou,v obl.ruky	M06.93	Reumatoid.artritída,blíž.neurč.v obl. predlak.
M05.25	Reumat.artritída s vaskulitídou,v obl.panv.a stehna	M06.94	Reumatoid.artritída,blíž.neurč.v obl.ruky
M05.26	Reumat.artritída s vaskulitídou,v obl.predkol.	M06.95	Reumatoid.artritída,blíž.neurč.panv.obl.a stehna
M05.27	Reumat.artritída s vaskulitídou,v obl.čl.a nohy	M06.96	Reumatoid.artritída,blíž.neurč. v obl.predkol.
M05.28	Reumat.artritída s vaskulitídou,na i.mieste	M06.97	Reumatoid.artritída,blíž.neurč.v obl.čl.a nohy
M05.29	Reumat.artritída s vaskulitídou,miesto blíž.neurč.	M06.98	Reumatoid.artritída,blíž.neurč.na i.mieste

Kód	Popis	Kód	Popis
M06.99	Reumatoid.artritída,blíž.neurč.,miesto blíž.neurč.	M15.2	Bouchardove uzly (s artropatiou)
M07.00	Distálna psoriatická artritída na viac.miestach	M15.3	Sekundárna mnohopočetná artróza
M07.04	Distálna psoriatická artritída ruky	M15.4	Erozívna (osteo-)artróza
M07.07	Distálna psoriatická artritída čl.a nohy	M15.8	Iná polyartróza
M07.09	Distálna psoriatická artritída na n.mieste	M15.9	Polyartróza,blížšie neurčená
M07.10	Arthritis mutilans, na viacerých miestach (L40.5†)	M30.0	Polyarteriitis nodosa
M07.11	Arthritis mutilans v obl.pleca	M31.5	Obrovskobunková artritída s polymyalgia rheumatica
M07.12	Arthritis mutilans v obl.nadlaktia	M31.7	Mikroskopická polyangiitída
M07.13	Arthritis mutilans v obl. predlak.	M33.1	Iná dermatomyozitída
M07.14	Arthritis mutilans v obl.ruky	M35.3	Polymyalgia rheumatica
M07.15	Arthritis mutilans panv.obl.a stehna	M42.10	Osteochondróza chrbtice v dospelosti na v.miest.
M07.16	Arthritis mutilans v obl.predkol.	M42.11	Osteochondróza chrbt.v dosp.v okcip.-atlanto.-axiál.obl.
M07.17	Arthritis mutilans v obl.čl.a nohy	M42.12	Osteochondróza chrbtice v dospelosti v krčnej obl.
M07.18	Arthritis mutilans na i.mieste	M42.13	Osteochondróza chrbtice v dospel.v krčnrohudník.obl.
M07.19	Arthritis mutilans na n.mieste	M42.14	Osteochondróza chrbtice v dospel.v hrudník.obl.
M07.2	Psoriatická spondylitída (L40.5†)	M42.15	Osteochondróza chrbtice v dospel.v hrudník-driek.obl.
M07.30	Iná psoriatická artritída na viac.m.	M42.16	Osteochondróza chrbtice v dospel.v driekovej obl.
M07.31	Iná psoriatická artritída v obl.pleca	M42.17	Osteochondróza chrbtice v dospel.v driekovokríž.obl.
M07.32	Iná psoriatická artritída v obl.nadlaktia	M42.18	Osteochondróza chrbtice v dospel.v kríž.a krížovokostreč.obl.
M07.33	Iná psoriatická artritída v obl.predlak.	M42.19	Osteochondróza chrbt.ice v dospel.:oblasť blíž.neurč.
M07.34	Iná psoriatická artritída v obl.ruky	M45.00	Ankylozujúca spondylitída na viac.m.chrbt.
M07.35	Iná psoriatická artritída v obl.panv.a stehna	M45.01	Ankylozujúca spondylitída okcip.-atl.-axiál.obl.
M07.36	Iná psoriatická artritída v obl.predkol.	M45.02	Ankylozujúca spondylitída krčnej oblasti
M07.37	Iná psoriatická artritída v obl.čl.a nohy	M45.03	Ankylozujúca spondylitída krčnrohudníkovej oblasti
M07.38	Iná psoriatická artritída na i.mieste	M45.04	Ankylozujúca spondylitída hrudníkovej oblasti
M07.39	Iná psoriatická artritída na n.mieste	M45.05	Ankylozujúca spondylitída hrudníkovodriek.obl.
M07.40	Artritída pri Crohn.chor. s postih.kĺbov na viac.m.	M45.06	Ankylozujúca spondylitída driekovej oblasti
M07.41	Artritída pri Crohn.chor.s postih.kĺbov v obl.pleca	M45.07	Ankylozujúca spondylitída driekovokrížovej oblasti
M07.42	Artritída pri Crohn.chor.s postih.kĺbov nadlaktia	M45.08	Ankylozujúca spondylitída kríž.a krížovokostreč.obl.
M07.43	Artritída pri Crohn.chor.s postih.kĺbov predlak.	M45.09	Ankylozujúca spondylitída:oblasť blížšie neurčená
M07.44	Artritída pri Crohn.chor.s postih.kĺbov ruky	M48.00	Stenóza spinálneho kanála na viac.m.chrbt.
M07.45	Artritída pri Crohn.chor.s postih.kĺbov panvy a stehna	M48.01	Stenóza spinálneho kanála v okcip.-atl.-axiál.obl.
M07.46	Artritída pri Crohn.chor.s postih.kĺbov predkol.	M48.02	Stenóza spinálneho kanála v krčnej oblasti
M07.47	Artritída pri Crohn.chor.s postih.kĺbov čl.a nohy	M48.03	Stenóza spinálneho kanála v krčnrohudník.obl.
M07.48	Artritída pri Crohn.chor.s postih.kĺbov na i.mieste	M48.04	Stenóza spinálneho kanála v hrudníkovej oblasti
M07.49	Artritída pri Crohn.chor.s postih.kĺbov na n.mieste	M48.05	Stenóza spinálneho kanála v hrudníkovodriek. obl.
M07.50	Artritída pri ulcer.kolitíde s postih.kĺbov na viac.m.	M48.06	Stenóza spinálneho kanála v driekovej oblasti
M07.51	Artritída pri ulcer.kolitíde s postih.kĺbov v obl.pleca	M48.07	Stenóza spinálneho kanála v driekovokríž. obl.
M07.52	Artritída pri ulcer.kolitíde s postih.kĺbov nadlaktia	M48.08	Stenóza spinálneho kanála v kríž.a krížovokostreč.obl.
M07.53	Artritída pri ulcer.kolitíde s postih.kĺbov predlak.	M48.09	Stenóza spinálneho kanála:oblasť blížšie neurčená
M07.54	Artritída pri ulcer.kolitíde s postih.kĺbov ruky	M50.1	Poškodenie krčnej medzistav.plat.s radikulopatiou
M07.55	Artritída pri ulcer.kolitíde s postih.kĺbov pan.a stehna	M50.2	Iná dislokácia krčnej medzistavcovej platničky
M07.56	Artritída pri ulcer.kolitíde s postih.kĺbov predkol.	M50.3	Iná degenerácia krčnej medzistavcovej platničky
M07.57	Artritída pri ulcer.kolitíde s postih.kĺbov čl.a nohy	M50.8	Iné poškodenie krčnej medzistavcovej platničky
M07.58	Artritída pri ulcer.kolitíde s postih.kĺbov na i.mieste	M50.9	Poškodenie krčnej medzistav.platničky,blíž.neurč.
M07.59	Artritída pri ulcer.kolitíde s postih.kĺbov na n.mieste	M51.0	Poškodenie driekov a i.medzistavcových platnič.s myelopatiou
M07.60	Iná enteropatická artritída na viacerých miestach	M51.1	Poškodenie driekov a i.medzistavc.platnič.s radikulopatiou
M07.61	Iná enteropatická artritída obl.pleca	M51.2	Iná dislokácia medzistavcovej platničky,b.u.
M07.62	Iná enteropatická artritída nadlaktia	M51.3	Iná degenerácia medzistavcovej platničky,b.u.
M07.63	Iná enteropatická artritída predlak.	M51.4	Schmorlove uzly
M07.64	Iná enteropatická artritída ruky	M51.8	Iná poškodenie medzistavcovej platničky,b.u.
M07.65	Iná enteropatická artritída panv.obl.a stehna	M51.9	Poškodenie medzistavcovej platničky,b.n.
M07.66	Iná enteropatická artritída predkol.	M72.0	Fibromatóza palm.aponeurózy (Dupuytrenova kontraktúra)
M07.67	Iná enteropatická artritída čl.a nohy	M75.0	Adhezívna kapsulitída pleca
M07.68	Iná enteropatická artritída na i.mieste	M75.1	Syndróm manžety rotátorov
M07.69	Iná enteropatická artritída,miesto blíž.neurč.	M75.3	Vápenatejúca tendinitída pleca
M08.70	Juven.artritída s vaskulit.s postih.kĺb.na viac.m.	M75.4	Syndróm narazeného ramena
M08.71	Juven.artritída s vaskulit.s postih.kĺb.v obl.pleca	M80.10	Postovariektom.osteopor.s pat.zlomeninou na viac.m.
M08.72	Juven.artritída s vaskulit.s postih.kĺb.v obl.nadlaktia	M80.11	Postovariektom.osteopor.s pat.zlomeninou v obl.pleca
M08.73	Juven.artritída s vaskulit.s postih.kĺb.v obl.predlak.	M80.12	Postovariektom.osteopor.s pat.zlomeninou nadlaktia
M08.74	Juven.artritída s vaskulit.s postih.kĺb.v obl.ruky	M80.13	Postovariektom.osteopor.s pat.zlomeninou predlak.
M08.75	Juven.artritída s vaskulit.s postih.kĺb.v obl.panvy a stehna	M80.14	Postovariektom.osteopor.s pat.zlomeninou ruky
M08.76	Juven.artritída s vaskulit.s postih.kĺb.v obl.predkol.	M80.15	Postovariektom.osteopor.s pat.zlome. panv.obl.a stehna
M08.77	Juven.artritída s vaskulit.s postih.kĺb.v obl.čl.a nohy	M80.16	Postovariektom.osteopor.s pat.zlomeninou predkol.
M08.78	Juven.artritída s vaskulit.s postih.kĺb.na i.mieste	M80.17	Postovariektom.osteopor.s pat.zlomeninou čl.a nohy
M08.79	Juven.artritída s vaskulit.s postih.kĺb.,miesto blíž.neurč.	M80.18	Postovariektom.osteopor.s pat.zlomeninou na i.mieste
M14.0	Dnová artropatia,zaprič.enzým.defektmi a i.dedič.poruchami	M80.19	Postovariektom.osteopor.s pat.zlomeninou,miesto blíž.neurč.
M15.0	Primárna generalizovaná (osteo-)artróza	M80.50	Idiopat.osteoporóza s pat.zlomeninou na viac.m.
M15.1	Heberdenove uzly (s artropatiou)	M80.51	Idiopat.osteoporóza s pat.zlomeninou v obl.pleca

Kód	Popis	Kód	Popis
M80.52	Idiopatická osteoporóza s pat.zlomeninou nadlaktia	M83.81	Iná osteomalácia v dospelosti v obl.pleca
M80.53	Idiopatická osteoporóza s pat.zlomeninou predlak.	M83.82	Iná osteomalácia v dospelosti v obl.nadlaktia
M80.54	Idiopatická osteoporóza s pat.zlomeninou ruky	M83.83	Iná osteomalácia v dospelosti v obl.predlak.
M80.55	Idiopatická osteoporóza s pat.zlomeninou panv.obl.a stehna	M83.84	Iná osteomalácia v dospelosti v obl.ruky
M80.56	Idiopatická osteoporóza s pat.zlomeninou predkol.	M83.85	Iná osteomalácia v dospelosti v obl.panvy a stehna
M80.57	Idiopatická osteoporóza s pat.zlomeninou čl.a nohy	M83.86	Iná osteomalácia v dospelosti v obl.predkol.
M80.58	Idiopatická osteoporóza s pat.zlomeninou na i.mieste	M83.87	Iná osteomalácia v dospelosti v obl.čl.a nohy
M80.59	Idiopatická osteoporóza s pat.zlomeninou,miesto bliž.neurč.	M83.88	Iná osteomalácia v dospelosti na i.mieste
M81.10	Postvariektomická osteopor.na viac.m.	M83.89	Iná osteomalácia v dospelosti,miesto bliž.neurč.
M81.11	Postvariektomická osteopor.v obl.pleca	M83.90	Osteomalácia v dospelosti,bliž.neurč.na viac.miest.
M81.12	Postvariektomická osteopor.nadlaktia	M83.91	Osteomalácia v dospelosti,bliž.neurč.v obl.pleca
M81.13	Postvariektomická osteopor.predlak.	M83.92	Osteomalácia v dospelosti,bliž.neurč.v obl.nadlaktia
M81.14	Postvariektomická osteopor.ruky	M83.93	Osteomalácia v dospelosti,bliž.neurč.v obl.predlak.
M81.15	Postvariektomická osteopor.panv.obl.a stehna	M83.94	Osteomalácia v dospelosti,bliž.neurč.v obl.ruky
M81.16	Postvariektomická osteopor.predkol.	M83.95	Osteomalácia v dospelosti,bliž.neurč.v obl.a stehna
M81.17	Postvariektomická osteopor.čl.a nohy	M83.96	Osteomalácia v dospelosti,bliž.neurč.v obl.predkol.
M81.18	Postvariektomická osteopor.na i.mieste	M83.97	Osteomalácia v dospelosti,bliž.neurč.v obl.čl.a nohy
M81.19	Postvariektomická osteopor.,miesto bliž.neurč.	M83.98	Osteomalácia v dospelosti,bliž.neurč.na i.mieste
M81.50	Idiopatická osteoporóza na viacerých miestach	M83.99	Osteomalácia v dospelosti,miesto bliž.neurč.
M81.51	Idiopatická osteoporóza v obl.pleca	M88.0	Deformujúca osteodystrofia [Pagetova choroba] lebky
M81.52	Idiopatická osteoporóza nadlaktia	M88.80	Deformujúca osteodystrofia i.kostí,na viac.miest.
M81.53	Idiopatická osteoporóza predlak.	M88.81	Deformujúca osteodystrofia i.kostí,v obl.pleca
M81.54	Idiopatická osteoporóza ruky	M88.82	Deformujúca osteodystrofia i.kostí,v obl.nadlaktia
M81.55	Idiopatická osteoporóza panv.obl.a stehna	M88.83	Deformujúca osteodystrofia i.kostí,v obl.predlak.
M81.56	Idiopatická osteoporóza predkol.	M88.84	Deformujúca osteodystrofia i.kostí,v obl.ruky
M81.57	Idiopatická osteoporóza čl.a nohy	M88.85	Deformujúca osteodystrofia i.kostí,panv.obl.a stehna
M81.58	Idiopatická osteoporóza na i.mieste	M88.86	Deformujúca osteodystrofia i.kostí,v obl.predkol.
M81.59	Idiopatická osteoporóza,miesto bliž.neurč.	M88.87	Deformujúca osteodystrofia i.kostí,v obl.čl.a nohy
M83.20	Osteomalácia v dospel.zapríč.malabsorpciou,na viacer.miest.	M88.88	Deformujúca osteodystrofia i.kostí,na i.mieste
M83.21	Osteomalácia v dospelosti zapríč.malabsorpciou v obl.pleca	M88.89	Deformujúca osteodystrofia i.kostí,miesto bliž.neurč.
M83.22	Osteomalácia v dospel.zapríč.malabsorpciou,v obl.nadlaktia	M88.90	Deformujúca osteodystrofia,bliž.neur.na viac.m.
M83.23	Osteomalácia v dospel.zapríč.malabsorpciou,v obl.predlak.	M88.91	Deformujúca osteodystrofia,bliž.neur.v obl.pleca
M83.24	Osteomalácia v dospel.zapríč.malabsorpciou,v obl.ruky	M88.92	Deformujúca osteodystrofia,bliž.neur.v obl.nadlaktia
M83.25	Osteomalácia v dospel.zapríč.malabsorpciou,v obl.pan. a stehna	M88.93	Deformujúca osteodystrofia,bliž.neur.v obl.predlak.
M83.26	Osteomalácia v dospel.zapríč.malabsorpciou,v obl.predkol.	M88.94	Deformujúca osteodystrofia,bliž.neur.v obl.ruky
M83.27	Osteomalácia v dospel.zapríč.malabsorpciou,v obl.čl.a nohy	M88.95	Deformujúca osteodystrofia,bliž.neur.panv.obl.a stehna
M83.28	Osteomalácia v dospel.zapríč.malabsorpciou,na i.mieste	M88.96	Deformujúca osteodystrofia,bliž.neur.v obl.predkol.,
M83.29	Osteomalácia v dospel.zapríč.malabsorpciou,miesto bliž.neurč.	M88.97	Deformujúca osteodystrofia,bliž.neur.v obl.čl.a nohy
M83.30	Osteomalácia dospelých zapríč.podvýživou,na viac.m.	M88.98	Deformujúca osteodystrofia,bliž.neur.na i.mieste
M83.31	Osteomalácia dospelých zapríč.podvýživou,v obl.pleca	M88.99	Deformujúca osteodystrofia,bliž.neur.,miesto bliž.neurč.
M83.32	Osteomalácia dospelých zapríč.podvýživou,v obl.nadlaktia	M93.1	Kienböckova choroba dospelých
M83.33	Osteomalácia dospelých zapríč.podvýživou,v obl.predlak.	M96.1	Postlaminektomický syndróm,nezatriedený inde
M83.34	Osteomalácia dospelých zapríč.podvýživou,v obl.ruky	M96.3	Kyfóza po laminektómii
M83.35	Osteomalácia dospel.zapríč.podvýživou,v obl.panvy a stehna	N14.0	Nefropatia zapríčinená analgetikami
M83.36	Osteomalácia dospelých zapríč.podvýživou,v obl.predkol.	N18.5	Chronická choroba obličiek,5.štádium
M83.37	Osteomalácia dospelých zapríč.podvýživou,v obl.čl.a nohy	N34.1	Zápal močovej rúry,bližšie neučený
M83.38	Osteomalácia dospelých zapríč.podvýživou,na i.mieste	N34.2	Iný zápal močovej rúry
M83.39	Osteomalácia dospelých zapríč.podvýživou,miesto bliž.neurč.	N39.3	Stresová inkontinencia moču
M83.40	Hliniková kostná choroba na viacerých miestach	N41.0	Akútna prostatitída
M83.41	Hliniková kostná choroba v obl.pleca	N46	Mužská neplodnosť
M83.42	Hliniková kostná choroba nadlaktia	N48.4	Impotencia organického pôvodu
M83.43	Hliniková kostná choroba predlak.	N60.0	Solitárna cysta prsníka
M83.44	Hliniková kostná choroba ruky	N60.1	Difúzna cystická mastopatia
M83.45	Hliniková kostná choroba panv.obl.a stehna	N60.2	Fibroadenóza prsníka
M83.46	Hliniková kostná choroba predkol.	N60.3	Fibroskleróza prsníka
M83.47	Hliniková kostná choroba čl.a nohy	N60.4	Rozšírenie mliekovodu prsníka
M83.48	Hliniková kostná choroba na i.mieste	N60.8	Iná benígna dysplázia prsníka
M83.49	Hliniková kostná choroba,miesto bliž.neurč.	N60.9	Benígna dysplázia prsníka,bližšie neurčená
M83.50	Iná osteomalácia v dospelosti zapr.liekmi,na viac.m.	N64.3	Galaktorea bez súvislosti s pôrodom
M83.51	Iná osteomalácia v dospelosti zapr.liekmi v obl.pleca	N70.1	Chronická salpingitída a ooforitída
M83.52	Iná osteomalácia v dospelosti zapr.liekmi v obl.nadlaktia	N71.1	Chronická zápalová choroba maternice
M83.53	Iná osteomalácia v dospelosti zapr.liekmi v obl.predlak.	N72	Zápalová choroba krčka maternice
M83.54	Iná osteomalácia v dospelosti zapr.liekmi v obl.ruky	N73.1	Chronická parametritída a panvová celulitída
M83.55	Iná osteomalácia v dospelosti zapr.liek.v obl.pan.a stehna	N73.4	Chronická pelveoperitonitída u žien
M83.56	Iná osteomalácia v dospelosti zapr.liekmi v obl.predkol.	N80.0	Endometrióza maternice
M83.57	Iná osteomalácia v dospelosti zapr.liekmi v obl.čl.a nohy	N80.1	Endometrióza vaječníka
M83.58	Iná osteomalácia v dospelosti zapr.liekmi na i.mieste	N80.2	Endometrióza vajčkovodu
M83.59	Iná osteomalácia v dospelosti zapr.liekmi,miest bliž.neurč.	N80.3	Endometrióza panvového peritonea
M83.80	Iná osteomalácia v dospelosti na viacerých miestach	N80.4	Endometrióza rektovaginálneho septa a pošvy

Kód	Popis	Kód	Popis
N80.5	Endometrióza čreva	N81.4	Uterovaginálny prolaps, bližšie neurčený
N80.6	Endometrióza v kožnej jazve	N81.5	Pošvová enterokéla
N80.8	Iná endometrióza	N81.6	Rektokéla
N80.9	Endometrióza, bližšie neurčená	N81.8	Iný prolaps pohlavných orgánov u ženy
N81.0	Uretrokéla u ženy	N81.9	Prolaps pohlavných orgánov u ženy, bližšie neurčený
N81.1	Cystokéla	N99.2	Adhézie pošvy po chirurgickom výkone
N81.2	Nekompletný uterovaginálny prolaps	N99.3	Prolaps pošvovej klenby po hysterektómii
N81.3	Kompletný uterovaginálny prolaps	R86.1	Abn. nález vo vzorkách z muž. pohl. org.: abn. hodn. hormón.

D.4k Konflikt s vekom: Dospelý v zrelom veku

Kód	Popis	Kód	Popis
B90.0	Následky tuberkulózy centrálnej nervovej sústavy	M81.08	Postmenopauzálna osteopor.na i.mieste
B90.1	Následky tuberkulózy močovopohlavnej sústavy	M81.09	Postmenopauzálna osteoporóza,miesto bliž.neurč.
B90.2	Následky tuberkulózy kostí a kĺbov	M83.10	Starecká osteomalácia na viacerých miestach
B90.8	Následky tuberkulózy iných orgánov	M83.11	Starecká osteomalácia v obl.pleca
B90.9	Následky respiračnej a bliž.nerč.TBC	M83.12	Starecká osteomalácia nadlaktia
B92	Následky lepy	M83.13	Starecká osteomalácia predlak.
C61	Zhubný nádor prostaty	M83.14	Starecká osteomalácia ruky
G30.1	Alzheimerova choroba s neskorým začiatkom (F00.1*)	M83.15	Starecká osteomalácia panv.obl.a stehna
H25.0	Začínajúca senilná katarakta	M83.16	Starecká osteomalácia predkol.
H25.1	Senilná katarakta nukleárna[fakoskleróm]	M83.17	Starecká osteomalácia čl.a nohy
H25.2	Senilná katarakta, Morgagniho typ	M83.18	Starecká osteomalácia na i.mieste
H25.8	Iná senilná katarakta	M83.19	Starecká osteomalácia, miesto bližšie neurčené
H25.9	Senilná katarakta,bližšie neurčená	N40	Hyperplázia prostaty
M80.00	Postmenopauz.osteopor.s patol.zlomeninou na viac.m.	N41.1	Chronická prostatitída
M80.01	Postmenopauz.osteopor.s patol.zlomeninou v obl.pleca	N41.2	Absces prostaty
M80.02	Postmenopauz.osteopor.s patol.zlomeninou nadlaktia	N41.3	Prostatocystitída
M80.03	Postmenopauz.osteopor.s patol.zlomeninou predlak.	N41.8	Iná zápalová choroba prostaty
M80.04	Postmenopauz.osteopor.s patol.lomeninou ruky	N41.9	Zápalová choroba prostaty,bližšie neurčená
M80.05	Postmenopauz.osteopor.s patol.zlomeninou panv.obl.a stehna	N42.0	Konkrement prostaty
M80.06	Postmenopauz.osteopor.s patol.zlomeninou predkol.	N42.1	Kongescia a krvácanie z prostaty
M80.07	Postmenopauz.osteopor.s patol.zlomeninou čl.a nohy	N42.2	Atrofia prostaty
M80.08	Postmenopauz.osteopor.s patol.zlomeninou na i.mieste	N42.8	Iná choroba prostaty,bližšie určená
M80.09	Postmenopauz.osteopor.s patol.zlomeninou,miesto bliž.neurč.	N42.9	Choroba prostaty,bližšie neurčená
M81.00	Postmenopauzálna osteoporóza na viacerých miestach	N51.0	Choroby prostaty pri chorobách zatriedených inde
M81.01	Postmenopauzálna osteopor.v obl.pleca	N95.0	Pomenopauzové krvácanie
M81.02	Postmenopauzálna osteopor.nadlaktia	N95.1	Menopauzové a klimakterické poruchy
M81.03	Postmenopauzálna osteopor.predlak.	N95.2	Pomenopauzová atrofická vaginitída
M81.04	Postmenopauzálna osteopor.ruky	N95.3	Poruchy spojené s arteficiálnou menopauzou
M81.05	Postmenopauzálna osteopor.panv.obl.a stehna	N95.8	Iná menopauzové a perimenopauzové poruchy,b.u.
M81.06	Postmenopauzálna osteopor.predkol.	N95.9	Menopauzové a perimenopauzové poruchy,b.n.
M81.07	Postmenopauzálna osteopor.čl.a nohy	R54	Senilita

D.5a Konflikt s pohlavím: Choroby ženy

Kód	Popis	Kód	Popis
A34	Tetanus počas gravidity,pôrodu a v šestonedelí	F52.6	Neorganická dyspareunia
B37.3	Kandidóza vulvy a pošvy(N77.1*)	F53.0	Mierna duševná porucha a por.správ.v šestonedelí,nezat.inde
C51.0	Zhubný nádor veľkého pysku	F53.1	Ťažká duševná porucha a por.správ.v šestonedelí,nezat.inde
C51.1	Zhubný nádor malého pysku	F53.8	Iná duševná porucha a por.správ.v šestonedelí,nezat.inde
C51.2	Zhubný nádor klitorisu	F53.9	Duševná porucha v šestonedelí,blížšie neurčená
C51.8	Zhubný nádor vulvy presahujúci viaceré oblasti	I86.3	Varixy vulvy
C51.9	Zhubný nádor vulvy,blížšie neurčený	I97.2	Postmastektomický lymfédém
C52	Zhubný nádor pošvy	L29.2	Svrbenie vulvy
C53.0	Zhubný nádor endocervixu maternice	L70.5	Acne excoriée des jeunes filles
C53.1	Zhubný nádor exocervixu maternice	M80.00	Postmenopauz.osteopor.s patol.zlomeninou na viac.m.
C53.8	Zhubný nádor krčka maternice presah.viac.obl.	M80.01	Postmenopauz.osteopor.s patol.zlomeninou v obl.pleca
C53.9	Zhubný nádor krčka maternice,blížšie neurčený	M80.02	Postmenopauz.osteopor.s patol.zlomeninou nadlaktia
C54.0	Zhubný nádor istmu maternice	M80.03	Postmenopauz.osteopor.s patol.zlomeninou predlak.
C54.1	Zhubný nádor endometria	M80.04	Postmenopauz.osteopor.s patol.lomeninou ruky
C54.2	Zhubný nádor myometria	M80.05	Postmenopauz.osteopor.s patol.zlomeninou panv.obl.a stehna
C54.3	Zhubný nádor dna maternice	M80.06	Postmenopauz.osteopor.s patol.zlomeninou predkol.
C54.8	Zhub.nádor tela maternice presah.viac.obl.	M80.07	Postmenopauz.osteopor.s patol.zlomeninou čl.a nohy
C54.9	Zhubný nádor tela maternice,blížšie neurčený	M80.08	Postmenopauz.osteopor.s patol.zlomeninou na i.mieste
C55	Zhubný nádor blížšie neurčenej časti maternice	M80.09	Postmenopauz.osteopor.s patol.zlomeninou,miesto blíž.neurč.
C56	Zhubný nádor vaječníka	M80.10	Postovariektom.osteopor.s pat.zlomeninou na viac.m.
C57.0	Zhubný nádor vajíčkovodu	M80.11	Postovariektom.osteopor.s pat.zlomeninou v obl.pleca
C57.1	Zhubný nádor širokého väzu maternice	M80.12	Postovariektom.osteopor.s pat.zlomeninou nadlaktia
C57.2	Zhubný nádor oblého väzu maternice	M80.13	Postovariektom.osteopor.s pat.zlomeninou predlak.
C57.3	Zhubný nádor parametria	M80.14	Postovariektom.osteopor.s pat.zlomeninou ruky
C57.4	Zhubný nádor adnexe maternice,blížšie neurčený	M80.15	Postovariektom.osteopor.s pat.zlome. panv.obl.a stehna
C57.7	Zhubný nádor iných ženských pohlavných orgánov,blíž.urč.	M80.16	Postovariektom.osteopor.s pat.zlomeninou predkol.
C57.8	Zhubný nádor ženských.pohlavných orgánov,presah.viac.obl.	M80.17	Postovariektom.osteopor.s pat.zlomeninou čl.a nohy
C57.9	Zhubný nádor ženského pohlavného orgánu,blíž.neurč.	M80.18	Postovariektom.osteopor.s pat.zlomeninou na i.mieste
C58	Zhubný nádor placenty	M80.19	Postovariektom.osteopor.s pat.zlomeninou,miesto blíž.neurč.
C79.6	Sekundárny zhubný nádor vaječníka	M81.00	Postmenopauzálna osteoporóza na viacerých miestach
D06.0	Karcinóm in situ endocervixu	M81.01	Postmenopauzálna osteopor.v obl.pleca
D06.1	Karcinóm in situ exocervixu	M81.02	Postmenopauzálna osteopor.nadlaktia
D06.7	Karcinóm in situ inej časti krčka maternice	M81.03	Postmenopauzálna osteopor.predlak.
D06.9	Karcinóm in situ krčka maternice,blížšie neurčený	M81.04	Postmenopauzálna osteopor.ruky
D07.0	Karcinóm in situ endometria	M81.05	Postmenopauzálna osteopor.panv.obl.a stehna
D07.1	Karcinóm in situ vulvy	M81.06	Postmenopauzálna osteopor.predkol.
D07.2	Karcinóm in situ pošvy	M81.07	Postmenopauzálna osteopor.čl.a nohy
D07.3	Karcinóm in situ iných blíž.neurč.ženských pohlav.org.	M81.08	Postmenopauzálna osteopor.na i.mieste
D24	Nezhubný nádor prsníka	M81.09	Postmenopauzálna osteoporóza,miesto blíž.neurč.
D25.0	Submukózný leiomyóm maternice	M81.10	Postovariektomická osteopor.na viac.m.
D25.1	Intramurálny leiomyóm maternice	M81.11	Postovariektomická osteopor.v obl.pleca
D25.2	Subserózný leiomyóm maternice	M81.12	Postovariektomická osteopor.nadlaktia
D25.9	Leiomyóm maternice,blížšie neurčený	M81.13	Postovariektomická osteopor.predlak.
D26.0	Iný nezhubný nádor krčka maternice	M81.14	Postovariektomická osteopor.ruky
D26.1	Iný nezhubný nádor tela maternice	M81.15	Postovariektomická osteopor.panv.obl.a stehna
D26.7	Iný nezhubný nádor iných blíž.urč.ženských pohlav.org.	M81.16	Postovariektomická osteopor.predkol.
D26.9	Iný nezhubný nádor maternice,blížšie neurčený	M81.17	Postovariektomická osteopor.čl.a nohy
D27	Nezhubný nádor vaječníka	M81.18	Postovariektomická osteopor.na i.mieste
D28.0	Nezhubný nádor vulvy	M81.19	Postovariektomická osteopor.,miesto blíž.neurč.
D28.1	Nezhubný nádor pošvy	M83.00	Osteomalácia v šestonedelí na viacerých miestach
D28.2	Nezhubný nádor vajíčkovodov a väzov maternice	M83.01	Osteomalácia v šestonedelí v obl.pleca
D28.7	Nezhubný nádor iných blíž.urč.ženských pohlav.org.	M83.02	Osteomalácia v šestonedelí v obl.nadlaktia
D28.9	Nezhubný nádor blíž.neurč.ženských pohlav.org.	M83.03	Osteomalácia v šestonedelí v obl.predlak.
D39.0	Nádor s neurčitým/nezným.správaním:maternica	M83.04	Osteomalácia v šestonedelí v obl.ruky
D39.1	Nádor s neurčitým/nezným.správaním:vaječník	M83.05	Osteomalácia v šestonedelí v obl.panv.obl.a stehna
D39.2	Nádor s neurčitým/nezným.správaním:placenta	M83.06	Osteomalácia v šestonedelí v obl.predkol.
D39.7	Nádor s neurčitým/nezným.správaním:i.žen.pohl.org.	M83.07	Osteomalácia v šestonedelí v obl.čl.a nohy
D39.9	Nádor s neurčitým/nezným.správaním:blíž.neurč.žen.pohl.org.	M83.08	Osteomalácia v šestonedelí na i.mieste
D48.6	Nádor s neurčitým/nezným.správ.prsník	M83.09	Osteomalácia v šestonedelí,miesto blíž.neurč.
E28.0	Porucha funkcie vaječníkov s nadbytkom estrogénov	N60.1	Difúzna cystická mastopatia
E28.1	Porucha funkcie vaječníkov s nadbytkom androgénov	N60.2	Fibroadenóza prsníka
E28.2	Syndróm polycystických ovárií	N60.3	Fibroskleróza prsníka
E28.3	Primárna nedostatočnosť vaječníkov	N60.4	Rozšírenie mliekovodu prsníka
E28.8	Iná porucha funkcie vaječníkov	N60.8	Iná benígna dysplázia prsníka
E28.9	Porucha funkcie vaječníkov,blížšie neurčená	N60.9	Benígna dysplázia prsníka,blížšie neurčená
E89.4	Zlyhanie vaječníkov po lekárskom výkone	N64.0	Fisúra a fistula bradavky
F52.5	Neorganický vaginizmus	N64.1	Tuková nekróza prsníka

Kód	Popis	Kód	Popis
N64.2	Atrofia prsníka	N83.2	Iná a bližšie neurčená cysta vaječníkov
N64.3	Galaktorea bez súvislosti s pôrodom	N83.3	Získaná atrofia vaječníka a vajíčkovodu
N64.4	Mastodýnia	N83.4	Prolaps a hernia vaječníka a vajíčkovodu
N70.0	Akútna salpingitída a ooforitída	N83.5	Torzia vaječníka, topky vaječníka a vajíčkovodu
N70.1	Chronická salpingitída a ooforitída	N83.6	Hematosalpinx
N70.9	Salpingitída a ooforitída, bližšie neurčená	N83.7	Hematóm širokého väzu maternice
N71.0	Akútna zápalová choroba maternice	N83.8	Iné nezápal.zmeny vaječníka, vajíčkovodu a šir.väzu maternice
N71.1	Chronická zápalová choroba maternice	N83.9	Nezápal.zmeny vaječníka, vajíčkov.a šir.väzu maternice, b.n.
N71.9	Zápalová choroba maternice, bližšie neurčená	N84.0	Polyp tela maternice
N72	Zápalová choroba krčka maternice	N84.1	Polyp krčka maternice
N73.0	Akútna parametritída a panvová celulitída	N84.2	Polyp pošvy
N73.1	Chronická parametritída a panvová celulitída	N84.3	Polyp vulvy
N73.2	Parametritída a panvová celulitída, b.n.	N84.8	Polyp iných častí ženských pohlavných orgánov
N73.3	Akútna pelveoperitonitída u žien	N84.9	Polyp ženských pohlavných orgánov, bližšie neurčený
N73.4	Chronická pelveoperitonitída u žien	N85.0	Glandulárna hyperplázia endometria
N73.5	Pelveoperitonitída u žien, bližšie neurčená	N85.1	Adenomatózna hyperplázia endometria
N73.6	Panvové peritoneálne adhézie u žien	N85.2	Hypertrofia maternice
N73.8	Iné zápalové choroby ženských panvov.orgánov, b.u.	N85.3	Subinvolúcia maternice
N73.9	Zápalová choroba ženských panvov.orgánov, b.n.	N85.4	Malpozícia maternice
N74.0	Tuberkulózná infekcia krčka maternice (A18.1†)	N85.5	Inverzia maternice
N74.1	Tuberkulózný zápal ženských panvov.org.	N85.6	Vnútromaternicové zrasty
N74.2	Syfilitický zápal ženských panvov.org.	N85.7	Hematometra
N74.3	Gonokokový zápal ženských panvov.org.	N85.8	Iná nezápalová choroba maternice, bližšie určená
N74.4	Chlamýdiový zápal ženských panvových orgánov	N85.9	Nezápalová choroba maternice, bližšie neurčená
N74.8	Zápalová choroba ženských panvov.org. pri i.chor.z.i.	N86	Erózia a ektopium krčka maternice
N75.0	Cysta Bartholinovej žľazy	N87.0	Ľahká dysplázia krčka maternice
N75.1	Absces Bartholinovej žľazy	N87.1	Stredná dysplázia krčka maternice
N75.8	Iné choroby Bartholinovej žľazy	N87.2	Ťažká dysplázia krčka maternice, nezatriedená inde
N75.9	Choroba Bartholinovej žľazy, bližšie neurčená	N87.9	Dysplázia krčka maternice, bližšie neurčená
N76.0	Akútna vaginitída	N88.0	Leukoplakia krčka maternice
N76.1	Subakútna a chronická vaginitída	N88.1	Stará lacerácia krčka maternice
N76.2	Akútna vulvitída	N88.2	Striktúra a stenóza krčka maternice
N76.3	Subakútna a chronická vulvitída	N88.3	Inkompetencia krčka maternice
N76.4	Absces vulvy	N88.4	Hypertrofické predĺženie krčka maternice
N76.5	Ulcerácia pošvy	N88.8	Iná nezápalová choroba krčka maternice, b.u.
N76.6	Ulcerácia vulvy	N88.9	Nezápalová choroba krčka maternice, b.n.
N76.80	Fournierova gangréna u ženy	N89.0	Ľahká dysplázia pošvy
N76.88	Iné zápaly pošvy a vulvy, bližšie určené	N89.1	Stredne pokročilá dysplázia pošvy
N77.0	Ulcerácia vulvy pri infek./parazit.chor.z.i.	N89.2	Ťažká dysplázia pošvy, nezatriedená inde
N77.1	Vaginitída, vulvitída a vulvovaginit.pri infek./paraz.chor.z.i.	N89.3	Dysplázia pošvy, bližšie neurčená
N77.8	Vulvovaginálna ulcerácia a zápal pri iných chorobách z.i.	N89.4	Leukoplakia pošvy
N80.0	Endometrióza maternice	N89.5	Striktúra a atrézia pošvy
N80.1	Endometrióza vaječníka	N89.6	Tesný prsteneč hymenu
N80.2	Endometrióza vajíčkovodu	N89.7	Hematokolpos
N80.3	Endometrióza panvového peritonea	N89.8	Iná nezápalová choroba pošvy, bližšie určená
N80.4	Endometrióza rektovaginálneho septa a pošvy	N89.9	Nezápalová choroba pošvy, bližšie neurčená
N80.5	Endometrióza čreva	N90.0	Ľahká dysplázia vulvy
N80.6	Endometrióza v kožnej jazve	N90.1	Stredne ťažká dysplázia vulvy
N80.8	Iná endometrióza	N90.2	Ťažká dysplázia vulvy, nezatriedená inde
N80.9	Endometrióza, bližšie neurčená	N90.3	Dysplázia vulvy, bližšie neurčená
N81.0	Uretrokéla u ženy	N90.4	Leukoplakia vulvy
N81.1	Cystokéla	N90.5	Atrofia vulvy
N81.2	Nekompletný uterovaginálny prolaps	N90.6	Hypertrofia vulvy
N81.3	Kompletný uterovaginálny prolaps	N90.7	Cysta vulvy
N81.4	Uterovaginálny prolaps, bližšie neurčený	N90.8	Iná nezápalová choroba vulvy a hrádze, b.u.
N81.5	Pošvová enterokéla	N90.9	Nezápalová choroba vulvy a hrádze, bližšie neurčená
N81.6	Rektokéla	N91.0	Primárna amenorea
N81.8	Iný prolaps pohlavných orgánov u ženy	N91.1	Sekundárna amenorea
N81.9	Prolaps pohlavných orgánov u ženy, bližšie neurčený	N91.2	Amenorea, bližšie neurčená
N82.0	Vezikovaginálna fistula	N91.3	Primárna oligomenorea
N82.1	Iná fistula medzi ženskými moč.a pohlav.oránmi	N91.4	Sekundárna oligomenorea
N82.2	Fistula medzi pošvou a tenkým črevom	N91.5	Oligomenorea, bližšie neurčená
N82.3	Fistula medzi pošvou a hrubým črevom	N92.0	Nadmerná/častá menštruácia s pravidelným cyklom
N82.4	Iná fistula medzi ženskými pohlav.org.a črevom	N92.1	Nadmerná/častá menštruácia s nepravidelným cyklom
N82.5	Fistula medzi ženskými pohlavnými orgánmi a kožou	N92.2	Nadmerná menštruácia v puberte
N82.8	Iná fistula ženských pohlavných orgánov	N92.3	Ovulačné krvácanie
N82.9	Fistula ženských pohlavných orgánov, bliž. neurč.	N92.4	Nadmerné krvácanie v premenopauze
N83.0	Folikulová cysta vaječníka	N92.5	Iná nepravidelná menštruácia, bližšie určená
N83.1	Luteálna cysta	N92.6	Nepravidelná menštruácia, bližšie neurčená

Kód	Popis	Kód	Popis
N93.0	Postkoitálne a kontaktné krvácanie	O05.3	Iný potrat:nekomplet.potrat s i.a bliž.neurč.kompl.
N93.8	Iné abnormálne krvác.z maternice/pošvy,b.u.	O05.4	Iný potrat: nekompletný potrat bez komplikácií
N93.9	Abnormál.krvácanie z maternice/pošvy,b.n.	O05.5	Iný potrat:komplet./bliž.neu.potrat,kompl.inf.pohl.a panv.org.
N94.0	Ovulačná bolesť (Mittelschmerz)	O05.6	Iný potrat:komplet./bliž.n.potrat,kompl.oneskor./nadmer.krvác.
N94.1	Dyspareunia	O05.7	Iný potrat:komplet./bliž.neurč.potrat,kompl.embóliou
N94.2	Vaginizmus	O05.8	Iný potrat:komplet./bliž.neurč.potrat s i.a b.n.kompl.
N94.3	Predmenštruačný syndróm	O05.9	Iný potrat:komplet./bliž.neurč.potrat bez kompl.
N94.4	Primárna dysmenorea	O06.0	Potrat,bliž.neurč:nekomplet.potrat,kompl.inf.pohl.a panv.org.
N94.5	Sekundárna dysmenorea	O06.1	Potrat,bliž.neu.:nekomplet.potrat,kompl.oneskor./nadmer.krvác.
N94.6	Dysmenorea,bližšie neurčená	O06.2	Potrat,bliž.neurč:nekomplet.potrat,kompl.embóliou
N94.8	Iná odchýlka spoj.so žensk.pohlav.org.a menštruač.cyklo,b.u.	O06.3	Potrat,bliž.neurč:nekomplet.potrat s i.a b.n.kompl.
N94.9	Odchýlka spoj.so žensk.pohlav.org.a menštruač.cyklo,b.n.	O06.4	Potrat,bliž.neurč:neúplný potrat bez kompl.
N95.0	Pomenopauzové krvácanie	O06.5	Potrat,bliž.n.:komplet./bliž.n.potrat,kompl.inf.pohl.a panv.org.
N95.1	Menopauzové a klimakterické poruchy	O06.6	Potrat,bliž.n.:komplet./bli.n.potrat,kompl.oneskor./nadmer.krvác.
N95.2	Pomenopauzová atrofická vaginitída	O06.7	Potrat,bliž.neurč:komplet./bliž.neurč.potrat,kompl.embóliou
N95.3	Poruchy spojené s arteficiálnou menopauzou	O06.8	Potrat,bliž.neurč:komplet./bliž.neurč.potrat s i.a b.n.kompl.
N95.8	Iná menopauzové a perimenopauzové poruchy,b.u.	O06.9	Potrat,bliž.neurč:komplet./bliž.neurč.potrat bez kompl.
N95.9	Menopauzové a perimenopauzové poruchy,b.n.	O07.0	Neúsp.lek.pokus o potrat,kompl.inf.pohl.a panv.org.
N96	Sklon k habituálnemu potrácianiu	O07.1	Neúsp.lek.pokus o potrat,kompl.oneskor./nadmer.krvác.
N97.0	Ženská neplodnosť spojená s anovuláciou	O07.2	Neúsp.lek.pokus o potrat,kompl.embóliou
N97.1	Ženská neplodnosť tubárneho pôvodu	O07.3	Neúsp.lek.pokus o potrat s i.a bliž.neur.kompl.
N97.2	Ženská neplodnosť maternicového pôvodu	O07.4	Neúspešný lekársky pokus o potrat bez komplikácií
N97.3	Ženská neplodnosť krčkového pôvodu	O07.5	Iný a bliž.neu.neús.pokus o potrat,kompl.inf.pohl.a panv.org.
N97.4	Ženská neplodnosť spojená s mužskými faktormi	O07.6	Iný a bliž.neu.neús.pokus o potrat,kompl.oneskor./nadm.krvác.
N97.8	Ženská neplodnosť iného pôvodu	O07.7	Iný a bliž.neurč.neús.pokus o potrat,kompl.embóliou
N97.9	Ženská neplodnosť,bližšie neurčená	O07.8	Iný a bliž.neurč.neús.pokus o potrat s i.a b.n.kompl.
N98.0	Infekcia spojená s umelým oplodnením	O07.9	Iný a bliž.neurč.neús.pokus o potrat bez kompl.
N98.1	Hyperstimulácia vaječníkov	O08.0	Infekcia pohlav.a panv.org.po potrate,mimomat.gr.a gr.s MH
N98.2	Komplikácie pri pokuse zaviesť oplod.vajíčko po oplod.in vitro	O08.1	Onesk./nadm.krvác.po potr,mimomat.gr.a grav.s malou hydati.
N98.3	Komplikácie pri pokuse zaviesť embryo pri prenose embrya	O08.2	Embólia po potrate,mimomat.grav.a grav.s molou hydatidosa
N98.8	Iné komplikácie spojené s umelým oplodnením	O08.3	Šok po potrate,mimomat.grav.a grav.s molou hydatidosa
N98.9	Komplikácie spojené s umelým oplodnením,b.n.	O08.4	Zlyháv.obličiek po potrate,mimomat.grav.a grav.s mal hydati.
N99.2	Adhézie pošvy po chirurgickom výkone	O08.5	Metabické poruchy po potrate,mimomat.gr.a gr.s mal.hydati.
N99.3	Prolaps pošvovej klenby po hysterektómii	O08.6	Pošk.panv.org.a tk.po potr,mimomat.gr.a grav.s malou hydati.
O00.0	Abdominálna gravidita	O08.7	Iné žil.kompl.po potrate,mimomat.grav.a grav.s malou hydati.
O00.1	Tubárna gravidita	O08.8	Iné kompl.po potrate,mimomat.grav.a grav.s molou hydatid.
O00.2	Ováriová gravidita	O08.9	Kompl.po potrate,mimomat.grav.a grav.s molou hydatid.b.n.
O00.8	Iná mimomaternicová gravidita	O09.0	Trvanie gravidity menej ako 5 ukončených týždňov
O00.9	Mimomaternicová gravidita,bližšie neurčená	O09.1	Trvanie gravidity od začat.5 po ukonč.13.týždeň
O01.0	Klasická mola hydatidosa	O09.2	Trvanie gravidity od začat.14.po ukonč.19.týž.
O01.1	Nekompletná a parciálna mola hydatidosa	O09.3	Trvanie gravidity od začat.20.po ukonč.25.týž.
O01.9	Mola hydatidosa,bližšie neurčená	O09.4	Trvanie gravidity od začat.26.po ukonč.33.týž.
O02.0	Poškodené plodové vajce a nehydatidová mola	O09.5	Trvanie gravidity od začat.34.po ukonč.36.týž.
O02.1	Missed abortion (zadržaný potrat)	O09.9	Artériová hypertenzia matky,bližšie neurčená
O02.8	Iný abnormálny výtvor počatia,bližšie určený	O10.0	Predt.exist.prim.artér.hypert.,kompl.grav.,pôr.a šeston.
O02.9	Abnormálny výtvor počatia,bližšie neurčený	O10.1	Predt.exist.hypert.chor.srdca,kompl.grav.,pôr.a šeston.
O03.0	Spont.potrat:nekomplet.potrat,kompl.infekc.pohl.a panv.org.	O10.2	Predt.exist.hypert.chor.oblič.,kompl.grav.,pôr.a šeston.
O03.1	Spont.potrat:nekomplet.potrat,kompl.oneskor./nadmer.krvác.	O10.3	Predt.exi.hypert.chor.srd.a oblič.,kompl.grav.,pôr.a šest.
O03.2	Spont.potrat:nekomplet.potrat,komplikovaný embóliou	O10.4	Predt.exist.sek.artér.hypert.,kompl.grav.,pôr.a šeston.
O03.3	Spont.potrat:nekomplet.potrat s i.a bliž.neurč.kompl.	O10.9	Predt.exist.artér.hypert.,kompl.grav.,pôr.a šeston.,b.n.
O03.4	Spont.potrat:nekomplet.potrat bez kompl.	O11	Predt.exi.art.hypert.,kompl.grav.,pôr.a šest.,s nas.preek.
O03.5	Spont.potrat:komplet./bliž.n.potrat,kompl.inf.pohl.a panv.org.	O12.0	Gestačné opuchy
O03.6	Spont.potrat:komplet./bliž.n.potrat,kompl.oneskor./nadm.krvác.	O12.1	Gestačná proteinúria
O03.7	Spont.potrat:komplet./bliž.neurč.potrat,kompl.embóliou	O12.2	Gestačné opuchy s proteinúriou
O03.8	Spont.potrat:komplet./bliž.neurč.potrat s i.a bliž.neur.kompl.	O13	Gestačná artér.hypert.bez významnej proteinúrie
O03.9	Spont.potrat:komplet./bliž.n.eurč.potrat bez kompl.	O14.0	Mierna a stredne ťažká preeklampsia
O04.0	Lek.potrat:nekomplet.potrat,kompl.infek.pohlav.a panv.org.	O14.1	Ťažká preeklampsia
O04.1	Lek.potrat:nekomplet.potrat,kompl.oneskor./nadmer.krvác.	O14.2	Syndróm HELLP
O04.2	Lek.potrat:nekomplet.potrat,komplikovaný embóliou	O14.9	Preeklampsia,bližšie neurčená
O04.3	Lek.potrat:nekomplet.potrat s i.a bliž.neurč.kompl.	O15.0	Eklampsia v gravidite
O04.4	Lekársky potrat:nekompletný potrat bez komplikácií	O15.1	Eklampsia pri pôrode
O04.5	Lek.potrat:komplet./bliž.neu.potrat,kompl.inf.pohl.a panv.org.	O15.2	Eklampsia v šestonedelí
O04.6	Lek.potrat:komplet./bliž.n.potrat,kompl.oneskor./nadmer.krvác.	O15.9	Eklampsia,časovo bližšie neurčená
O04.7	Lek.potrat:komplet./bliž.neurč.potrat,kompl.embóliou	O16	Artériová hypertenzia matky,bližšie neurčená
O04.8	Lek.potrat:komplet./bliž.neur.potrat s i.a b.n.kompl.	O20.0	Hroziaci potrat (abortus imminens)
O04.9	Lek.potrat:komplet./bliž.neur.potrat bez kompl.	O20.8	Iné krvácanie vočasnej gravidite
O05.0	Iný potrat:nekomplet.potrat,kompl.inf.pohl.a panv.org.	O20.9	Krvácanie vočasnej gravidite,bližšie neurčené
O05.1	Iný potrat:nekomplet.potrat,kompl.oneskor./nadmer.krvác.	O21.0	Hyperemesis gravidarum mierneho stupňa
O05.2	Iný potrat:nekomplet.potrat,kompl.embóliou	O21.1	Hyperemesis gravidarum s poruchou vnút.prostredia

Kód	Popis	Kód	Popis
O21.2	Neskoré vracanie v gravidite	O32.5	Star.o mat.pre viacplod.grav.s nespr.nalieh.a nespr.poloh.plod
O21.8	Iné vracanie,komplikujúce graviditu	O32.6	Star.o matku pre súčasné nespráv.nalieh a nespráv.poloh.plodu
O21.9	Vracanie počas gravidity,bližšie neurčené	O32.8	Star.o matku pre iné nespr.naliehanie/nespr.poloha plodu
O22.0	Variety dolných končatín v gravidite	O32.9	Star.o matku pre iné nepravid.naliehanie/nespr.polo.plodu,b.n.
O22.1	Variety pohlavných orgánov v gravidite	O33.0	Star.o mat.pre nepomer medzi plodom a panv.,zapr.def.panv.k.
O22.2	Povrchová tromboflebitída v gravidite	O33.1	Star.o mat.pre nepomer medzi plod.a panv.zapr.celk.zúž.panva
O22.3	Hĺbková flebotrombóza v gravidite	O33.2	Star.o mat.pre nepomer medzi plod.a panv.zapr.zúž.panv.vch.
O22.4	Hemoroidy v gravidite	O33.3	Star.o mat.pre nepomer medzi plod.a panv.zapr.zúž.panv.vých.
O22.5	Trombóza mozgových žíl v gravidite	O33.4	Star.o mat.pre nep.medzi plod.a panv.,zapr.rozl.pr.matka/plod
O22.8	Iné žilové choroby ako komplikácie v gravidite	O33.5	Star.o matku pre nepom.medzi plod.a panv.,zapr.nezvy.vyf.plod.
O22.9	Žilová choroba ako komplikácia v gravidite,b.n.	O33.6	Star.o matku pre nepom.medzi plod.a panv.,zapr.hydrocefus pl.
O23.0	Infekcia obličiek v gravidite	O33.7	Star.o mat. pre nepom.medzi plod.a panv.,zapr.i.abnormal.pl.
O23.1	Infekcia močového mechúra v gravidite	O33.8	Star.o matku pre nepom.medzi plod.a panv.z i.príčin
O23.2	Infekcia močovej rúry v gravidite	O33.9	Star.o matku pre nepom.medzi plod.a panvou,b.n.
O23.3	Infekcia iných častí močovej sústavy v gravidite	O34.0	Starostlivosť o matku pre vrodenú chybu maternice
O23.4	Infekcia moč.sústavy v gravidite,b.n.	O34.1	Starostlivosť o matku pre nádor tela maternice
O23.5	Infekcia pohlavných orgánov v gravidite	O34.2	Star.o matku jazvu na maternici po predchádz.chir.výk.
O23.9	Iná a bliž.neu.infekcia močovopohl.org.v grav.	O34.30	Star.o matku pri dlž.kčka mater.p.10 mm/pri insuf.pot.vag.USG
O24.0	DM v gravidite predtým existuj.DM,typ 1	O34.31	Starostlivosť o matku pri prolapse plodového vaku
O24.1	DM v gravidite predtým existuj.DM,typ 2	O34.38	Star.o matku pri i.insuficiencii krčka maternice
O24.2	DM v gravidite predtým existuj.DM súvis.s podvýživou	O34.39	Star.o matku pri b.n.insuficiencii krčka maternice
O24.3	DM v gravidite predtým existuj.DM,b.n.	O34.4	Star.o matku pre iné abnor.krčka maternice
O24.4	Diabetes mellitus so vznikom v gravidite	O34.5	Star.o matku pre Iné abnor.gravidnej maternice
O24.9	Diabetes mellitus v gravidite,bližšie neurčený	O34.6	Starostlivosť o matku pre abnormalitu pošvy
O25	Podvýživa v gravidite	O34.7	Star.o matku pre abnor.vulvy a hrádze
O26.0	Nadmerný hmotnostný prírastok v gravidite	O34.8	Star.o matku pre i.abnormal.panv.org.
O26.1	Malý hmotnostný prírastok v gravidite	O34.9	Star.o matku pre abnormal.panv.org.,b.n.
O26.2	Starost.o gravidnú ženu pri habituálnom potrácaní	O35.0	Star.o matku pre(susp.)výv.chybu CNS plodu
O26.3	Ponechané vnútromat.antikoncepčné teliesko v grav.	O35.1	Star.o matku pre(susp.)chromozómovú anomáliu plodu
O26.4	Herpes gestationis	O35.2	Star.o matku pre(susp.)dedičnú chorobu plodu
O26.5	Syndróm arteriovej hypotenzie matky	O35.3	Star.o matku pre(susp.)pošk.plodu vír.chor.matky
O26.6	Choroba pečene v gravidite,pri pôrode a v šestonedelí	O35.4	Star.o matku pre(susp.)pošk.plodu alkoholom
O26.7	Sublux.symphysis ossis pubis v grav.,pri pôrode a v šeston.	O35.5	Star.o matku pre(susp.)pošk.plodu liekom/drogou
O26.81	Choroba obličiek súvisiaca s graviditou	O35.6	Star.o matku pre(susp.)pošk.plodu žiarením
O26.82	Syndróm karpálneho tunela počas gravidity	O35.7	Star.o matku pre(susp.)pošk.plodu iným lekář.výkon.
O26.83	Periférna neuritída počas gravidity	O35.8	Star.o matku-inú (susp.)abn.a (susp.)pošk.plodu
O26.88	Iné stavy súvisiace s graviditou,bližšie určené	O35.9	Star.o matku pre(susp.)b.n.abn.a (susp.)pošk.plodu
O26.9	Stav súvisiaci s graviditou,bližšie neurčený	O36.0	Star.o matku pre izoimunizáciu v systéme Rh
O28.0	Abnorm.hematol.nález v prenatal.skríningu matky	O36.1	Starostlivosť o matku pre inú izoimunizáciu
O28.1	Abnorm.biochem.nález v prenatal.skríningu matky	O36.2	Starostlivosť o matku pre fetálny hydrops
O28.2	Abnorm.cytolog.nález v prenatal.skríningu matky	O36.3	Starostlivosť o matku pre príznaky hypoxie plodu
O28.3	Abnorm.UZV nález v prenatal.skríningu matky	O36.4	Star.o matku pre vnútromaternicovú smrť plodu
O28.4	Abnorm.rádiolog.nález v prenatal.skríningu matky	O36.5	Starostlivosť o matku pre zníženú hmotnosť plodu
O28.5	Abnorm.chromoz.a genetic.nález v prenatal.skríningu matky	O36.6	Starostlivosť o matku pre nadmernú hmotnosť plodu
O28.8	Iný abnormálny nález v prenatal.skríningu matky	O36.7	Starost.o matku pre abdom.grav.so živým plodu
O28.9	Abnorm.nález v prenatal.skríningu matky,b.n.	O36.8	Starost.o matku pre i.problémy plodu,b.u.
O29.0	Plúcne komplikácie anestézie v gravidite	O36.9	Starost.o matku pre problémy plodu,b.n.
O29.1	Srdcové komplikácie anestézie v gravidite	O40	Polyhydramnion
O29.2	Komplikácie v CNS v spoj.s anestéziou v gravidite	O41.0	Oligohydramnion
O29.3	Toxická reakcia na lokálnu anestéziu v gravidite	O41.1	Infekcia plodového vaku a plodových obalov
O29.4	Bolesť hlavy,po spinál.a epidurál.anest.v grav.	O41.8	Iné poruchy plodovej vody a obalov,bližšie určené
O29.5	Iná komplikácia spinál.a epidurál.anestézie v grav.	O41.9	Poruchy plodovej vody a obalov,bližšie neurčené
O29.6	Neúspešná alebo sťažená intubácia v gravidite	O42.0	Predčasné puknutie plod.obalov,zač.pór.čin.do 24hod.
O29.8	Iné komplikácie anestézie v gravidite	O42.11	Predčasné puknutie plod.obalov,zač.pór.činn.po 1-7dňoch
O29.9	Komplikácia anestézie v gravidite,bližšie neurčená	O42.12	Predčasné puknutie plod.obalov,zač.pór.činn.po viac ako 7d.
O30.0	Gravidita s dvojčatami	O42.2	Predčasné puknutie plod.obalov,pôrododialený liečbou
O30.1	Gravidita s trojčatami	O42.9	Predčasné pukn. plod.obalov,b.n.
O30.2	Gravidita so štvorčatami	O43.0	Syndróm placentárnej transfúzie
O30.8	Iná viacplodová gravidita	O43.1	Malformácia placenty
O30.9	Viacplodová gravidita,bližšie neurčená	O43.20	Placenta accreta
O31.0	Fetus papyraceus	O43.21	Placenta increta alebo placenta percreta
O31.1	Pokračujúca gravidita po potrate jedného/viac.plodov	O43.8	Iná porucha placenty
O31.2	Pokračujúca gravidita po vnútromat.smrťi jedného/viac.plodov	O43.9	Porucha placenty,bližšie neurčená
O31.8	Iná kompl.špecifická pre viacplodovú graviditu	O44.00	Nízko uložená placenta bez krvácania
O32.0	Starostlivosť o matku pre nestabilnú polohu plodu	O44.01	Placenta praevia bez krvácania
O32.1	Starostl.o matku pre naliehanie plodu panv.koncom	O44.10	Nízko uložená placenta s prebiehajúcim krvácaním
O32.2	Starostl.o matku pre priečna a šikmá polohu plodu	O44.11	Placenta praevia s prebiehajúcim krvácaním
O32.3	Star.o mat.pre tvár.a čel.polohu plod.a pri nalieh.plod.brad.	O45.0	Predčasné odlupovanie placenty s poruchou koagulácie
O32.4	Star.o matku pre veľká hlavička plodu v termine	O45.8	Iné predčasné odlupovanie placenty

Kód	Popis	Kód	Popis
O45.9	Predčasné odlupovanie placenty, bližšie neurčené	O70.1	Natrhnutie hrádze 2. stupňa pri pôrode
O46.0	Krvácanie pred pôrodom s poruchou zrážanlivosti	O70.2	Natrhnutie hrádze 3. stupňa pri pôrode
O46.8	Iné krvácanie pred pôrodom	O70.3	Natrhnutie hrádze 4. stupňa pri pôrode
O46.9	Krvácanie pred pôrodom, bližšie neurčené	O70.9	Natrhnutie hrádze pri pôrode, bližšie neurčené
O47.0	Falošná pôr. činnosť pred ukonč. 37. týž. gravidity	O71.0	Ruptúra maternice pred začiatkom pôrodnej činnosti
O47.1	Falošná pôr. činnosť po ukonč. 37. týž. gravidity a neskôr	O71.1	Ruptúra maternice počas pôrodnej činnosti
O47.9	Falošná pôrodná činnosť, bližšie neurčená	O71.2	Inverzia maternice po pôrode
O48	Predĺžená gravidita	O71.3	Natrhnutie krčka maternice pri pôrode
O60.0	Predčasná pôrodná činnosť bez pôrodu	O71.4	Samostatná vysoká lacerácia pošvy pri pôrode
O60.1	Predčasná pôrodná činnosť s predčasným pôrodom	O71.5	Iné poranenie panvových orgánov pri pôrode
O60.2	Predčasná pôrodná činnosť s pôrodom v termíne	O71.6	Poškodenie panvových kĺbov a väzov pri pôrode
O60.3	Predčasný pôrod bez spontánnej pôrodnej činnosti	O71.7	Hematóm panvy pri pôrode
O61.0	Neúspešná lieková indukcia pôrodnej činnosti	O71.8	Iné poranenie pri pôrode, bližšie určené
O61.1	Neúspešná inštrumentálna indukcia pôrodnej činnosti	O71.9	Poranenie pri pôrode, bližšie neurčené
O61.8	Iná neúspešná indukcia pôrodnej činnosti	O72.0	Krvácanie v 3. pôrodnej dobe
O61.9	Neúspešná indukcia pôrod. činnosti, b.n.	O72.1	Iné krvácanie bezprostredne po pôrode
O62.0	Primárne slabá pôrodná činnosť	O72.2	Oneskorené a sekundárne krvácanie po pôrode
O62.1	Sekundárne slabá pôrodná činnosť	O72.3	Poruchy zrážanlivosti krvi po pôrode
O62.2	Iná slabá pôrodná činnosť	O73.0	Zadržanie placenty bez krvácania
O62.3	Náhly pôrod (partus praecipitatus)	O73.1	Zadržanie častí placenty a blán bez krvácania
O62.4	Hyperton., nekoord. a predĺžené kontrakcie maternice	O74.0	Aspiračná pneumónia zapríč. anestéziou počas pôr. č. a pôrodu
O62.8	Iná porucha pôrodnej činnosti	O74.1	Iné pľúcne kompl. anestézie počas pôrod. čin. a pôrodu
O62.9	Porucha pôrodnej činnosti, bližšie neurčená	O74.2	Srdcové kompl. anestézie počas pôrod. čin. a pôrodu
O63.0	Predĺžená prvá pôrodná doba	O74.3	Komplik. CNS s spojením s anestéziou počas pôrod. čin.
O63.1	Predĺžená druhá pôrodná doba	O74.4	Toxická reakcia na lokálnu anestéziu počas pôrod. čin. a pôrodu
O63.2	Oneskorený pôrod druhého dvojčaťa, trojčaťa atď.	O74.5	Bolesť hlavy, zapr. spinál. a epidurál. anest. počas pôrod. čin. a pôrod.
O63.9	Predĺžený pôrod, bližšie neurčený	O74.6	Iné kompl. spinál. a epidurál. anestézie počas pôrod. čin. a pôrodu
O64.0	Nepokračujúci pôrod, zapríč. neúplnou rotáciou hlavičky plodu	O74.7	Neúspešná/sťažená intubácia počas pôrod. čin. a pôrodu
O64.1	Nepokračujúci pôrod, zapríč. polohou panvovým koncom	O74.8	Iné kompl. anestézie počas pôrod. čin. a pôrodu
O64.2	Nepokračujúci pôrod, zapríč. tvárovou polohou	O74.9	Komplik. anestézie počas pôrod. čin. a pôrodu, b.n.
O64.3	Nepokračujúci pôrod, zapríč. čelovou polohou	O75.0	Distres matky počas pôrodnej činnosti a pôrodu
O64.4	Nepokračujúci pôrod, zapríč. naliehaním pliecka	O75.1	Šok počas pôrodnej činnosti, po nej a po pôrode
O64.5	Nepokračujúci pôrod, zapríč. komb. por. naliehaním plodu	O75.2	Horúčka počas pôrodu, nezatriedená inde
O64.8	Nepokračujúci pôrod, zapríč. i. nespr. pol. a naliehaním plodu	O75.3	Iná infekcia počas pôrodnej činnosti
O64.9	Nepokračujúci pôrod, zapríč. nespr. pol. a naliehaním plodu, b.n.	O75.4	Iná komplikácia pôrodných operácií a výkonov
O65.0	Nepokračujúci pôrod, zapríč. deformovanou panvou	O75.5	Protrahovaný pôrod po umelom pretrhnutí plodových blán
O65.1	Nepokračujúci pôrod, zapríč. celkovo zúženou panvou	O75.6	Protrahovaný pôrod po spont./bliž. neurč. puknutí plod. blán
O65.2	Nepokračujúci pôrod, zapríč. zúžením panvového vchodu	O75.7	Vaginálny pôrod po predchádzajúcom cisárskom reze
O65.3	Nepokrač. pôr. zapr. zúž. panv. vých. a kontr. stred. časti. panv. dut.	O75.8	Iná komplikácie pôrod. činn. a pôrodu, b.u.
O65.4	Nepokračujúci pôrod, zapríč. nepom. medzi plod. a panv., b.n.	O75.9	Komplikácia pôrod. činn. a pôrodu, b.n.
O65.5	Nepokračujúci pôrod, zapríč. abn. panv. org. matky	O80.0	Spontánny pôrod jedného plodu záhlavím
O65.8	Nepokračujúci pôrod, zapríč. i. abn. panvy matky	O80.1	Spontánny pôrod jedného plodu panvovým koncom
O65.9	Nepokračujúci pôrod, zapríč. abnor. panvy matky, b.n.	O80.8	Iný spontánny pôrod jedného plodu
O66.0	Nepokračujúci pôrod, zapríč. dystokiou pliecka plodu	O80.9	Spontánny pôrod jedného plodu, bližšie neurčený
O66.1	Komplikác. pôrodu, zapríč. zakliesnením dvojčiat	O81.0	Pôrod jedného plodu východovými kliešťami
O66.2	Nepokrač. pôrod, zapríč. nezvyčajne veľkým plodom	O81.1	Pôrod jedného plodu strednými kliešťami
O66.3	Nepokrač. pôrod, zapríč. inými. abnormalitami plodu	O81.2	Pôrod jedného plodu stred. kliešťami s rotáciou hlavičky
O66.4	Neúspešný pokus o pôrod, bližšie neurčený	O81.3	Iný pôrod jedného plodu kliešťami, bližšie neurčený
O66.5	Neúspeš. použ. vákuového extraktora/kliešti, b.n.	O81.4	Pôrod jedného plodu vákuovým extraktorom
O66.8	Iný nepokračujúci pôrod, bližšie určený	O81.5	Pôrod jedného plodu s použ. kombi. kliešti a vákuo. ekstrak.
O66.9	Nepokračujúci pôrod, bližšie neurčený	O82.0	Pôrod jedného plodu elektívnym cisárskym rezom
O67.0	Krvácanie pri pôrode s poruchou koagulácie	O82.1	Pôrod jedného plodu naliehavým cisárskym rezom
O67.8	Iné krvácanie pri pôrode	O82.2	Pôrod jedného plodu cisárskym rezom s hysterektómiou
O67.9	Krvácanie pri pôrode, bližšie neurčené	O82.8	Iný pôrod jedného plodu cisárskym rezom
O68.0	Kompl. pôrod. čin. a pôrodu pre abn. srd. frekv. plodu	O82.9	Pôrod cisárskym rezom, bližšie neurčený
O68.1	Kompl. pôrod. čin. a pôrodu pre mekónium v plod. vode	O83.0	Extrakcia plodu pri polohe panvovým koncom
O68.2	Kompl. pôrod. čin. a pôro. pre abn. srdc. fr. plod. s mekón. v plod. v.	O83.1	Iné vedenie pôrodu jedného plodu pri polohe panvo. koncom
O68.3	Kompl. pôrod. čin. a pôrodu pre biochem. dôkaz distresu plodu	O83.2	Iné operačné vedenie pôrodu jedného plodu
O68.8	Kompl. pôrod. čin. a pôrodu pre iný dôkaz distresu plodu	O83.3	Pôrod živého plodu pri brušnej gravidite
O68.9	Kompl. pôrod. čin. a pôrodu pre distres plodu, b.n.	O83.4	Zmenšovacie operácie na ulahčenie pôrodu jedného plodu
O69.0	Kompl. pôr. čin. a pôr. pre prolaps pupečín.	O83.8	Iné vedenie pôrodu jedného plodu, bližšie určené
O69.1	Kompl. pôr. čin. a pôr. pre ovin. pupečín. ok. krku, s kompr. krku	O83.9	Vedenie pôrodu jedného plodu, bližšie neurčené
O69.2	Kompl. pôr. čin. a pôr. pre i. zapletenie pupečín., s kompr.	O84.0	Pôrody pri viacplodovej gravidite, všetky spontánne
O69.3	Kompl. pôr. čin. a pôr. pre krátky pupečník	O84.1	Pôrody pri viacplod. grav. všetky kliešť. a vákuumextrak.
O69.4	Kompl. pôr. čin. a pôr. pre vcestné cievy	O84.2	Pôrody pri viacplod. grav. všetky cisárskym rezom
O69.5	Kompl. pôr. čin. a pôr. pre pošk. cievy pupečín.	O84.8	Iné pôrody pri viacplodovej gravidite
O69.8	Kompl. pôr. čin. a pôr. pre i. por. pupečín.	O84.9	Pôrody pri viacplodovej gravidite, bližšie neurčené
O69.9	Kompl. pôr. č. a pôr. pre poruchu pupeč., b.n.	O85	Puerperálna sepsa
O70.0	Natrhnutie hrádze 1. stupňa pri pôrode	O86.0	Infekcia pôrodnickej operačnej rany

Kód	Popis	Kód	Popis
O86.1	Iná infekcia pohlavných orgánov po pôrode	O98.5	Iná vírus.choroba,kompl.grav.,pôrod a šeston.
O86.2	Infekcia močových orgánov po pôrode	O98.6	Prvoková choroba,kompl.grav.pôrod a šeston.
O86.3	Iná infekcia močovopohlavnej sústavy po pôrode	O98.7	Choroba HIV,kompl. graviditu,pôrod a šestonedelie
O86.4	Horúčka neznámeho pôvodu po pôrode	O98.8	Iná infekč.a parazit.chor.matky,kompl.grav.pôrod a šeston.
O86.8	Iná puerperálna infekcia,bližšie určená	O98.9	Infekč.a parazit.chor.matky,kompl.grav.pôrod a šeston. b.n.
O87.0	Povrchová tromboflebitída v šestonedelí	O99.0	Anémia,komplikujúca graviditu,pôrod a šestonedelie
O87.1	Hĺbková žilová trombóza (flebotrombóza) v šestonedelí	O99.1	Iné chor.krví a krvotv.,urč.por.imun.,kompl.grav.pôr.šesto.
O87.2	Hemoroidy v šestonedelí	O99.2	Endokrin.nutričné a metabol.chor.kompl.grav.pôr.a šesto.
O87.3	Trombóza mozgových žíl v šestonedelí	O99.3	Duševná choroba a chor.nervov.súst.kompl.grav.pôr.a šesto.
O87.8	Iné žilové choroby ako komplikácie v šestonedelí	O99.4	Choroba obeh.súst.kompl.grav.pôrod a šeston.
O87.9	Žilová chor.ako komplikácie v šestonedelí,b.n.	O99.5	Choroba dých.súst.kompl.grav.pôrod a šeston.
O88.0	Vzduchová embólia v gestačnom období	O99.6	Choroba tráv.súst.kompl.grav.pôrod a šeston.
O88.1	Embólia plodovou vodou	O99.7	Choroba kože a podkož.tkan.kompl.grav.pôrod a šeston.
O88.20	Tromboembólia pľúc v gestačnom období	O99.8	Iné choroby a stavy komplikujúci grav.pôrod a šeston.b.u.
O88.28	Iná tromboembólia v gestačnom období	P54.6	Pošťové krvácanie u novorodenca
O88.3	Pyemická a septická embólia v gestačnom období	Q50.0	Vrodené chýbanie vaječníka
O88.8	Iná embólia v gestačnom období	Q50.1	Vývinová (dysontogenetická) cysta vaječníka
O89.0	Pľúcne komplikácie anestézie v šestonedelí	Q50.2	Vrodená torzia vaječníka
O89.1	Srdcové komplikácie anestézie v šestonedelí	Q50.3	Iná vrodená chyba vaječníka
O89.2	Komplikácie CNS v spojení s anestéziou v šestonedelí	Q50.4	Embryonálna cysta vajíčkovodu
O89.3	Toxická reakcia na lokálnu anestéziu v šestonedelí	Q50.5	Embryonálna cysta šir.vázu maternice
O89.4	Bolesť hlavy,zaprič.spinál.a epidurál.anest.v šeston.	Q50.6	Iná vrodená chyba vajíčkovodu a širokého väzu
O89.5	Iné kompl.spin.a epid.anestézie v šeston.	Q51.0	Agenéza a aplázia maternice
O89.6	Neúspešná alebo sťažená intubácia v šestonedelí	Q51.1	Dvojitá maternica s dvojj.krčkom a dvojj.pošvou
O89.8	Iné komplikácie anestézie v šestonedelí	Q51.2	Iné zdvojenie maternice
O89.9	Kompl.anestézie v šestonedelí,b.n.	Q51.3	Dvojrohá maternica[uterus bicornis]
O90.0	Dehiscencia rany po cisárskom reze	Q51.4	Jednorohá maternica[uterus unicornis]
O90.1	Dehiscencia pôrodnicej rany hrádze	Q51.5	Agenéza a aplázia krčka maternice
O90.2	Hematóm pôrodnicej rany	Q51.6	Embryonálna cysta krčka maternice
O90.3	Kardiomyopatia v šestonedelí	Q51.7	Vrod. fistula medzi matricou,tráviacim a moč.traktom
O90.4	Akútne poškodenie obličiek po pôrode	Q51.8	Iná vrodená chyba maternice a krčka maternice
O90.5	Zápal štítnej žľazy po pôrode	Q51.9	Vrod.chyba maternice a krčka maternice,b.n.
O90.8	Iná komplikácia šestonedelia,nezatriedená inde	Q52.0	Vrodené chýbanie pošvy
O90.9	Komplikácia šestonedelia,bližšie neurčená	Q52.1	Zdvojenie pošvy
O91.00	Infekcie bradavky v súvis.s pôr.bez ťažk.pri priložení	Q52.2	Vrodená fistula medzi konečníkom a pošvou
O91.01	Infekcie bradavky v súvis.s pôr.s ťažk.pri priložení	Q52.3	Neperforovaný hymen
O91.10	Abces prsníka v súvis.s pôr.bez ťažk.pri priložení	Q52.4	Iná vrodená chyba pošvy
O91.11	Abces prsníka v súvis.s pôr.s ťažk.pri priložení	Q52.5	Fúzia pyskov
O91.20	Nehnisová mastitída v súvis.s pôr.bez ťažk.pri priložení	Q52.6	Vrodená chyba klitorisu
O91.21	Nehnisová mastitída v súvis.s pôr.s ťažk.pri priložení	Q52.7	Iná vrodená chyba vulvy
O92.00	Retrakcia bradavky v súvis.s pôr.bez ťažk.pri priložení	Q52.8	Iná vrod.chyba ženských pohlav.org.,b.u.
O92.01	Retrakcia bradavky v súvis.s pôr.s ťažk.pri priložení	Q52.9	Vrodená chyba ženských pohlav.org.,b.n.
O92.10	Trhlina bradavky v súvis.s pôr.bez ťažk.pri priložení	R87.0	Abn.nález vo vzorkách zo žen.pohl.org.:abn.hlad.enzymov
O92.11	Trhlina bradavky v súvis.s pôr.s ťažk.pri priložení	R87.1	Abn.nález vo vzorkách zo žen.pohl.org.:abn.hlad.hormónov
O92.20	Iná a bliž.neurč.chor.prsní.v súvis.s pôr.bez ťažk.pri prilož.	R87.2	Abn.nález vo vzor.zo žen.pohl.org.abn.hlad.liek.,biol.akt.lát.
O92.21	Iná a bliž.neurč.chor.prsníka v súvis.s pôr.s ťažk.pri prilož.	R87.3	Abn.nález vo vzor.zo žen.pohl.org.abn.hlad.látok nemed.povahy
O92.30	Agalackia,bez ťažkostí pri priložení	R87.4	Abn.nález vo vzorkách zo žen.pohl.org.:abn.imun.nález
O92.31	Agalackia,s ťažkosťami pri priložení	R87.5	Abn.nález vo vzorkách zo žen.pohl.org.:abn.mikrob.nález
O92.40	Hypogalakcia,bez ťažkostí pri priložení	R87.6	Abn.nález vo vzorkách zo žen.pohl.org.:abn.cytol.nález
O92.41	Hypogalakcia,s ťažkosťami pri priložení	R87.7	Abn.nález vo vzorkách zo žen.pohl.org.:abn.hist.nález
O92.50	Zastavenie laktácie,bez ťažkostí pri priložení	R87.8	Abn.nález vo vzorkách zo žen.pohl.org.:iný abn.nález
O92.51	Zastavenie laktácie,s ťažkosťami pri priložení	R87.9	Abn.nález vo vzorkách zo žen.pohl.org.:b.n.abn.nález
O92.60	Galaktorea,bez ťažkostí pri priložení	R92	Abnorm.nález pri diag.zobrazení prsníka
O92.61	Galaktorea,s ťažkosťami pri priložení	S20.0	Pomliaždenie prsníka
O92.70	Iná a bliž.neurč.porucha laktácie,bez ťažk.pri priložení	S20.10	Iné a bl.neurč.povrch.poranenia prsníka:druh poranen.bl.neurč.
O92.71	Iná a bliž.neurč.porucha laktácie,s ťažk.pri priložení	S20.11	Iné a bl.neurč.povrch.poranenia prsníka:odrenina
O94	Následky kompl.gravidity,pôrodu a šestonedelia	S20.12	Iné a bl.neurč.povrch.poranenia prsníka:tvorba pluzg.(neterm.)
O95	Smrť v gravidite z bližšie neurčenej príčiny	S20.13	Iné a b.n.povrch.poranenia prsníka:uštip.hmyz,vpich(nejed.)
O96.0	Smrť z priam.pôr.prič.,kt.nast.po 42 d.,ale m.ako 1.r.od pôr.	S20.14	Iné a b.n.povrch.poranenia prsníka:povrch.cudz.telesá(úlomky)
O96.1	Smrť z nepriam.pôr.prič.,kt.nast.po 42 d.,-men.ako 1.r.od pôr.	S20.18	Iné a bližšie neurčené povrchové poranenia prsníka:iné
O96.9	Smrť z bliž.ne.pôr.prič.,kt.nastala po42 d.,m.ako 1.r.od pôr.	S21.0	Otvorená rana prsníka
O97.0	Smrť z následkov priamej pôrodnicej príčiny	S31.4	Otvorená rana pošvy a vulvy
O97.1	Smrť z následkov nepriamej pôrodnicej príčiny	S37.4	Poranenie vaječníka
O97.9	Smrť z následkov b.n. pôrod.príčiny	S37.5	Poranenie vajíčkovodu
O98.0	TBC,kompl.graviditu,pôrod a šestonedelie	S37.6	Poranenie maternice
O98.1	Syfilis,kompl.graviditu,pôrod a šestonedelie	T19.2	Cudzie teleso vo vulve a pošve
O98.2	Kvapavka,kompl.graviditu,pôrod a šestonedelie	T19.3	Cudzie teleso v maternici (ktorejkoľvek časti)
O98.3	Iná infcia s prevaž.pohl.spôs.pren.,kompl.grav.,pôr.a šesto.	T21.01	Popálenina trupu bližšie neurčeného stupňa,prsník
O98.4	Vír.hepatitída,kompl.grav.,pôrod a šeston.	T21.11	Popálenina trupu 1. stupňa,prsník

Kód	Popis	Kód	Popis
T21.31	Popálenina trupu 3. stupňa, prsník	Z36.2	Iný prenatalný skrining, založený na amniocentéze
T21.41	Poleptanie trupu bližšie neurčeného stupňa, prsník	Z36.3	Prenatál.skrin. malformácií UZV a i.fyzik.metódami
T21.51	Poleptanie trupu 1.stupňa, prsník	Z36.4	Prenatál.skrin. spomalenia rastu plodu UZV a i.fyzik.met.
T21.71	Poleptanie trupu 3.stupňa, prsník	Z36.5	Prenatálny skrining izoimunizácie
T83.3	Mechanická komplik.zapríč.vnútroamat.antikoncepčnou pomôc.	Z36.8	Iný prenatalný skrining
Z01.4	Gynekologické vyšetrenie (celkové) (rutinné)	Z36.9	Prenatálny skrining, bližšie neurčený
Z30.1	Zavedenie (vnútromater.) antikoncepčného telieska	Z37.0	Jedno dieťa, živonarodené
Z31.1	Umelé oplodnenie	Z37.1	Jedno dieťa, mŕtvonarodené
Z31.2	Oplodnenie in vitro	Z37.2	Dvojčatá, živonarodené
Z32.0	Gravidita, (ešte) nepotvrdená	Z37.3	Dvojčatá, jedno živonarodené, jedno mŕtvonarodené
Z32.1	Potvrdená gravidita	Z37.4	Dvojčatá, mŕtvonarodené
Z34.0	Dohľad nad normálnou prvou graviditou	Z37.5	Iný viacpočetný pôrod, všetky deti živonarodené
Z34.8	Dohľad nad inou normálnou graviditou	Z37.6	Iný viacpočetný pôrod, niektoré deti živonarodené
Z34.9	Dohľad nad normálnou graviditou, bližšie neurčenou	Z37.7	Iný viacpočetný pôrod, všetky deti mŕtvonarodené
Z35.0	Dohľad nad graviditou s anamnézou neplodnosti	Z37.9	Výsledok pôrodu, bližšie neurčený
Z35.1	Dohľad nad graviditou s anamnézou potratu	Z39.0	Starostlivosť a vyšetrenie matky ihneď po pôrode
Z35.2	Dohľad nad gravid.s i.nepriaznivou pôr.anamnézou	Z39.1	Starostlivosť a vyšetrenie matky počas laktácie
Z35.3	Dohľad nad gravid.s anamnézou nedost.prenatálnej star.	Z39.2	Ďalšie bežné sledovanie matky po pôrode
Z35.4	Dohľad nad graviditou mnohorodičky	Z40.00	Profylaktický chir.výk.pre ohrozenie zhub.nád.prsníka
Z35.5	Dohľad nad staršou prvorodičkou	Z40.01	Profylaktický chir.výk.pre ohrozenie zhub.nád.vaječ.
Z35.6	Dohľad nad veľmi mladou prvorodičkou	Z43.7	Ošetrovanie umelo vytvorenej pošvy
Z35.7	Dohľad nad rizik. gravid.v dôsledku sociál.problem.	Z44.3	Skúšanie a prispôsobovanie vonk.protézy prsníka
Z35.8	Dohľad nad inou rizikovou graviditou	Z64.0	Problémy súvisiace s nechcenou graviditou
Z35.9	Dohľad nad rizikovou graviditou, bližšie neurčenou	Z80.3	Zhubný nádor prsníka v rodinnej anamnéze
Z36.0	Prenatálny skrining chromozómových anomálií	Z87.5	Kompl.gravidity,pôr.a šestonedelia v osob.anam.
Z36.1	Prenatál.skrin.na zvýšenú hodnotu alfafetoproteínu	Z90.1	Získané chýbanie prsníka (prsníkov)

D.5b Konflikt s pohlavím: Výkony u ženy

Kód	Popis	Kód	Popis
12q10.0↔	Perkutánná (ihl.) biopsia vaječníkov	5q002.0	Excízia peritoneálnej endometriózy:lpt.
12q10.1↔	Perkutánná (ihl.) biopsia tuba uterina	5q002.1	Excízia peritoneál.endometriózy:vag.lsk.asist.
12q10.2	Perkutánná (ihl.) biopsia matrice	5q002.4	Excízia peritoneálnej endometriózy:lsk.
12q10.3↔	Perkutánná (ihl.) biopsia záves.aparátu matrice	5q002.8	Excízia peritoneálnej endometriózy:robot.
12q10.4	Perkutánná (ihl.) biopsia pošvy	5q003	Resek.rektovag.septa pri infiltr.endometrióze
12q10.5	Perkutánná (ihl.) biopsia vulvy	5q010.0↔	Parciálna resekcia vaječníka:lpt.
12q10.6	Perkutánná (ihl.) biopsia perinea žens.pohl.org.	5q010.4↔	Parciálna resekcia vaječníka:lsk.
12q10.x↔	Perkutánná (ihl.) biopsia ženských pohl.org.,ostatné	5q010.8↔	Parciálna resekcia vaječníka:robot.
12q11.0	Biopsia endometria bez incízie, dg.mikrokyretáž	5q011.0↔	Ovarektómia po predch.parc.resekcii:lpt.
12q11.1	Biopsia endometria bez incízie, aspiračná kyretáž	5q011.4↔	Ovarektómia po predch.parc.resekcii:lsk.
12q11.2	Biopsia endometria bez incízie, frakcion.kyretáž	5q011.8↔	Ovarektómia po predch.parc.resekcii:robot.
12q11.x	Biopsia endometria bez incízie, ostatné	5q012.1↔	Ovarektómia:vag.lsk.asist.
12q12.0	Biopsia krčka matrice bez incízie,abrázia	5q012.4↔	Ovarektómia:lsk.
12q12.x	Biopsia krčka matrice bez incízie,ostatné	5q012.7↔	Ovarektómia:vag.
12q20.1‡	Biopsia bez incí.chorio.klkov gravid.mat.,transvagin.zobr.m.	5q013.0↔	Rad.ovarektómia [sek.debulking-cytoredukcia]:lpt.
12q20.2‡	Biopsia bez inciz.plodu gravid.mater.s použ.zobraz.metód	5q013.4↔	Rad.ovarektómia [sek.debulking-cytoredukcia]:lsk.
12q20.3‡	Biopsia bez incí.umbilik.ciev gravid.mater.zobr.m.(kordocent.)	5q013.8↔	Rad.ovarektómia [sek.debulking-cytoredukcia]:rob.
12q20.x‡↔	Biopsia bez inciz.gravid.mater.s použ.zobraz.metód,ostatné	5q014.0↔	Radikálna ovarektómia:lpt.
12q23.0↔	Perkutánná biopsia vaječníkov s použ.zobraz.metód	5q014.4↔	Radikálna ovarektómia:lsk.
12q23.1↔	Perkutánná biopsia tuba uterina s použ.zobraz.metód	5q014.8↔	Radikálna ovarektómia:robot.
12q23.2	Perkutánná biopsia matrice s použ.zobraz.metód	5q030.0↔	Salpingoovariolyza:lpt.
12q23.3↔	Perkut.biopsia záves.ap.matrice s použ.zobraz.metód	5q030.4↔	Salpingoovariolyza:lsk.
12q23.4	Perkutánná biopsia pošvy s použ.zobraz.metód	5q030.8↔	Salpingoovariolyza:robot.
12q23.5	Perkutánná biopsia vulvy s použ.zobraz.metód	5q031.0↔	Adnexeektómia:lpt.
12q23.6	Perkut.biopsia perinea žen.pohl.org.s použ.zobraz.m.	5q031.4↔	Adnexeektómia:lsk.
12q23.x↔	Perkutánná biops.žen.pohl.org.s použ.zobraz.metód,ostatné	5q031.5↔	Adnexeektómia:konv.z endoskopie na otv.ch.
13q00.0↔	Biopsia s incíziou vaječníkov	5q031.7↔	Adnexeektómia:vaginálne
13q00.1↔	Biopsia s incíziou tuby uterina	5q031.8↔	Adnexeektómia:robot.
13q01.0↔	Biopsia s incíziou závesného aparátu matrice	5q042.0↔	Transpozícia vaječníkov:lpt.
13q01.1	Biopsia s incíziou tela matrice	5q042.4↔	Transpozícia vaječníkov:lsk.
13q01.2	Biopsia s incíziou krčka matrice	5q043.0↔	Transpozícia vaječníkov súč.s iným výk:lpt.
13q02	Biopsia s incíziou pošvy	5q043.4↔	Transpozícia vaječníkov súč.s iným výk:lsk.
13q03	Biopsia s incíziou vulvy	5q043.8↔	Transpozícia vaječníkov súč.s iným výk:robot.
13q04	Biopsia s incíziou ženského perinea	5q090.0↔	Parovariálna cystektómia:lpt.
13q05	Vaginál.biopsia s incíziou Douglasovho priestoru	5q090.1↔	Parovariálna cystektómia:s lsk.asist.
13q0x	Biopsia s incíziou ostat.ženských pohlavných orgánov	5q090.4↔	Parovariálna cystektómia:lsk.
3131a	Endosonografia ženských pohlavných orgánov	5q090.8↔	Parovariálna cystektómia:robot.
5o31a.0	Jednoduchá cystektómia u ženy:otv.chir.	5q101.0↔	Salpingektómia:lpt.
5o31a.4	Jednoduchá cystektómia u ženy:lsk.	5q101.4↔	Salpingektómia:lsk.
5o31a.x	Jednoduchá cystektómia u ženy:iný spôsob	5q101.8↔	Salpingektómia:robot.
5o31b.0	Rad.cystektómia bez uretrektómie u ženy:otv.chir.	5q110.0	Uzáver tuby pre sterilizáciu:lpt.
5o31b.4	Rad.cystektómia bez uretrektómie u ženy:lsk.	5q110.3	Uzáver tuby pre sterilizáciu:lsk.
5o31b.x	Rad.cystektómia bez uretrektómie u ženy:iný spôsob	5q110.4	Uzáver tuby pre sterilizáciu laparoskopicky
5o31d.0	Rad.cystektómia s uretrektómiou u ženy:otv.chir.	5q110.7	Uzáver tuby pre sterilizáciu:vag.
5o31d.4	Radikálna cystektómia s uretrektómiou,žena:lsk.	5q120.0↔	Narezanie vajíčkovodu:lpt.
5o31d.x	Radikálna cystektómia s uretrektómiou,žena:ost.	5q120.4↔	Narezanie vajíčkovodu:lsk.
5o40c	Plastická rekonštrukcia ženskej epispádie	5q120.8↔	Narezanie vajíčkovodu:robot.
5o40d	Plastická rekonštr.ženskej hypospádie	5q130.0↔	Neostómia:lpt.
5o41c	Jednoduchá uretrektómia u ženy ako samostat.výkon	5q130.4↔	Neostómia:lsk.
5o41d	Radikálna uretrektómia u ženy ako samostat.výkon	5q130.8↔	Neostómia:robot.
5o930.1	Transvag.závesná OP s použ.autolog.m:plastika levátorov	5q131.0↔	Fimbrioplastika:lpt.
5o930.2	Transvag.závesná OP s pou.autolog.m:pubokolokocygeál.pl	5q131.4↔	Fimbrioplastika:lsk.
5o930.3	Transvag.závesná OP s použ.autolog.m:fasciová závesná OP	5q131.8↔	Fimbrioplastika:robot.
5o930.x	Transvag.závesná OP s použ.autolog.m:ost.	5q132.0	Reanastomóza:lpt.
5o931.1	Transvag.závesná OP dury s použ.alogen.m	5q132.4	Reanastomóza:lsk.
5o931.2	Transvag.závesná OP fascie s použ.alogen.m	5q132.8	Reanastomóza:robot.
5o931.x	Transvag.závesná OP s použ.alogen.m:ost.	5q133↔	Rekonštrukcia vajíčkovodu:lpt.
5o932.1	Transvag.závesná OP s použitím alopl.mat:TVT/TOT	5q140↔	Pertubácia terapeutická
5o932.x	Transvag.závesná OP s použitím alopl.mat:iné	5q141↔	Rekanalizácia vajíčkovodov pod hysterosk.kontrolou
5o93x	Transvaginálna závesná operácia:iná	5q142↔	Rekanalizácia vajíčkovodov pod skioskop.kontr.
5o955	Uretrocystolyza u ženy	5q210	Konizácia krčka matrice
5o961	Uretrokolposuspenzia	5q211	Elektrokonizácia krčka matrice
5o962	Uretrokolposuspenzia s laterálnou fixáciou pošvy	5q212	Laserová konizácia krčka matrice
5q001.0↔	Enukleácia ovariálnej cysty:lpt.	5q213	Kryonizácia krčka matrice
5q001.1↔	Enukleácia ovariálnej cysty:vag.lsk.asist.	5q220	Excízia z krčka matrice
5q001.4↔	Enukleácia ovariálnej cysty:lsk.	5q221.0	Rad.trachelektómia a detekcia sentin.LU:lpt.
5q001.8↔	Enukleácia ovariálnej cysty:robot.	5q221.1	Rad.trachelektómia a det.sentin.LU:vag.lsk.asist.

Kód	Popis	Kód	Popis
5q221.4	Rad.trachelektómia a detekcia sentin.LU:lsk.	5q597.7	Ventrosuspenszia matrice:vag.
5q221.7	Rad.trachelektómia a detekcia sentin.LU:vag.	5q597.8	Ventrosuspenszia matrice:robot.
5q223	Amputácia krčka matrice	5q598‡	Operačná hysteroskopia elektrochirurgiou
5q230	Serkláž krčka matrice rôznymi technikami	5q610	Hymenotómia,hymenektómia
5q231.0	Abdominálna serkláž:ipt.	5q620	Exstirpácia nádoru pošvy
5q231.4	Abdominálna serkláž:lsk.	5q621	Kryonizácia v oblasti pošvy alebo vulvy
5q291	Tracheloplastika	5q630	Kolpokleisis
5q292	Odstránenie serkláže	5q632	Semikolpokleisis
5q401.0	Odstránenie myómov matrice:abd.	5q633.0	Parciálna kolpektómia:abdominálne
5q401.1	Odstránenie myómov matrice kombinovane	5q633.7	Čiastočná kolpektómia:vaginálne
5q401.4	Odstránenie myómov matrice:lsk.	5q634.0	Totálna kolpektómia:abdominálne
5q401.7	Odstránenie myómov matrice:vag.	5q634.7	Totálna kolpektómia:vaginálne
5q401.8	Odstr.myómov matrice:roboticky	5q640	Predná vaginálna plastika s plastikou panvového dna
5q402.2	Dilatácia a kyretáž:vag.s hysteroskop.asist.	5q641	Zadná vaginálna plastika s plastikou panvového dna
5q402.7	Dilatácia a kyretáž:vaginálne kyretou	5q642	Vaginál.plastika s elev.matrice s plast.panv.dna,vaginál.
5q403	Deštrukcia endometria:termoabláciou	5q650.4	Neoplastika pošvy,laparoskopicky
5q404.0	Odstránenie endometriomu techn.strippingu:ipt.	5q650.7	Neoplastika pošvy,vaginálne
5q404.4	Odstránenie endometriomu techn.strippingu:lsk.	5q651	Excízia kongenitálneho [vrod.]septa pošvy
5q404.8	Odstránenie endometriomu techn.Strippingu:rob.	5q652	Vaginálna operácia pri aplázii pošvy
5q405.0	Pelvickej exenterácia:ipt.	5q653	Vag.OP pri neúplnom zdvojení vnút.rodidiel
5q405.4	Pelvickej exenterácia:lsk.	5q654	Plastika vaginálneho vchodu
5q405.8	Pelvickej exenterácia:robot.	5q690	Fistulektómia a plastika
5q410.0	Trachelektómia:ipt.	5q691	Kolpost.intersex.malf.,Prader IV.aV.s uz.sin-vag./uretrov.fist
5q410.4	Trachelektómia:lsk.	5q692	Kolpost.pri intersex.malf.,Prader IV. a V.,plast.pošv.vchodu
5q410.7	Trachelektómia:vag.	5q693	Kolpostómia pri parc.aplázii distálnej č.pošvy
5q411.0	Subtotálna simplexná HY:abd.	5q710	Incízia Bartolínskej žľazy
5q411.4	Subtotálna simplexná HY:lsk.	5q711	Marsupializácia Bartolínskej žľazy
5q411.8	Subtotálna simplexná HY:robot.	5q712	Exstirpácia Bartolínskej žľazy
5q412	Hemihysterektómia	5q720	Excízia vulvy
5q420.0	HYE simplexná (bez odstr.vaječnikov):abd.	5q721	Elektrodiatermok.al.kryochir.zásah v obl.pošvy/vulvy
5q420.1	HYE simplexná (bez odstr.vaječnikov):vag.-lsk.as.	5q722	Resekcia malého pysku
5q420.4	HYE simplexná (bez odstr.vaječnikov):lsk.	5q730	Resekcia klitorisu
5q420.7	HYE simplexná (bez odstr.vaječnikov):vaginál.bez plastiky	5q731	Klitoridektómia
5q420.8	HYE simplexná (bez odstr.vaječnikov):robot.	5q732	Klitoridektómia s neoplastikou malých pyskov
5q421.0↔	Hysterektómia s odstr.vaječnika:abd.	5q740	Jednoduchá vulvektómia
5q421.1↔	HYE s odstr.vaječnika:kombinovaná	5q741	Radikálna vulvektómia
5q421.4↔	Hysterektómia s odstr.vaječnika:lsk.	5q742	Skinning vulvektómia
5q421.7↔	Hysterektómia s odstr.vaječnika:vag.	5q750	Labioplastika
5q421.8↔	Hysterektómia s odstr.vaječnika:robot.	5q751	Chir.ošetr.úrazu vonk.rodidiel u dieťaťa
5q422.0↔	Subtotálna HYE s odstr.vaječnika:abd.	5q752	Chir.ošetr.úrazu vonk.rodidiel a pošvy u dieťaťa
5q422.4↔	Subtotálna HYE s odstr.vaječnika:lsk.	5q790	Operácia synechiei vulvy
5q422.8↔	Subtotálna HYE s odstr.vaječnika:robot.	5r111‡	Asistovaný pôrod pomocou inštrumentov
5q424	Vaginálna HYE s prednou pošvouou plastikou	5r112‡	Asist.pôrod koncom panv.s mauálnymi hmatmi
5q425	Vaginálna HYE so zadnou pošvouou plastikou	5r113‡	Kombinov.pôrod pomocou inštrumentov a špec.úchyty
5q430.0	Radikálna hysterektómia:abdominálne	5r114‡	Vedenie pôrodu koncom panv.pri viacplod.grav.
5q430.4	Radikálna hysterektómia:lsk.	5r11x‡	Iný spont.a vag.OP pôrod pri polohe koncom panv.
5q430.7	Radikálna hysterektómia:vaginálne	5r121‡	Pôrod pomocou východových klieští
5q430.8	Radikálna hysterektómia:robot.	5r122‡	Pôrod pomocou stredových klieští
5q431.0↔	Onkologická HYE s odstr.vaječnika:abd.	5r12x‡	Pôrod pomocou klieští:iný
5q431.4↔	Onkologická HYE s odstr.vaječnika:lsk.	5r131‡	Ukonč.pôr.pri polohe KP manuál.extrakciou plodu
5q431.8↔	Onkologická HYE s odstr.vaječnika:robot.	5r132‡	Ukončenie pôr.pri polohe KP inštrum.extrakciou pl.
5q432.0	Rad.hysterektómia s transpozíciou ovárii:abd.	5r133‡	Ukonč.pôr.pri polohe KP manuál.a inštrum.extrak.plodu
5q432.4	Radikálna HYE s transpozíciou ovárii:lsk.	5r13x‡	Ukončenie pôr.pri polohe KP inou extrakciou plodu
5q432.7	Rad.HYE s transpozíciou ovárii:vaginálne	5r141‡	Ukončenie pôr.vákuumextrakciou z panv.východu
5q432.8	Radikálna HYE s transpozíciou ovárii:robot.	5r142‡	Ukončenie pôr.vákuumextrakciou z panv.hlbiny
5q501	Frakcionovaná kyretáž vákuum aspiračnou kyretou	5r14x‡	Ukončenie pôrodu vákuumextrakciou:ost.
5q502	Frakcionovaná kyretáž:vaginálnou kyretou	5r211‡	Vnút.obrat plodu vnút.hmatmi bez extrakcie
5q520	Radikálna parametrektómia	5r212‡	Kombinovaný obrat plodu bez extrakcie
5q530.0	Rekonštrukčná OP VVCH matrice:ipt.	5r213‡	Obrat plodu s extrakciou bez ďalších kompl.
5q530.3	Rekonštrukčná OP VVCH matrice:hysterosk.	5r214‡	Obrat plodu s extrakciou kliešťami
5q530.4	Rekonštrukčná OP VVCH matrice:lsk.	5r215‡	Rotácia hlavičky pomocou klieští
5q530.8	Rekonštrukčná OP VVCH matrice:robot.	5r216‡	Obrat plodu s extrakciou pri iných kompl.
5q590	Odstránenie intrauterinného telieska	5r217‡	Obrat na druhom dvojčati
5q591	Odstránenie intrauterinného telieska [IUD] háčikom	5r221‡	Neúspešný kliešťový pôrod
5q593	Kyretáž vákuovou kyretou	5r222‡	Neúspešná extrakcia vákuovou pumpou
5q594	Intrauterinná aspirácia u virgo	5r223‡	Neúspešné vnútorné otočenie
5q595	Elektrodiatermokoag./kryochir.zásah v obl.krčka matrice	5r224‡	Neúspešné kombinované otočenie
5q597.0	Ventrosuspenszia matrice:ipt.	5r231‡	Embryotómia
5q597.4	Ventrosuspenszia matrice:lsk.	5r232‡	Deštrukcia plodu

Kód	Popis	Kód	Popis
5r233‡	Dekapitácia	5r414‡	Výmena plodovej vody
5r234‡	Iné zmenšovacie operácie na plode	5r415‡	Vysokofrekv.ablácia nádor.buniek a/alebo ciev placenty
5r235	Amniotómia	5r416‡	Zavedenie shuntu u plodu intrauterinne
5r311.1	Primárny cisársky rez	5r417‡	Intrauterinná terapia plodu drenážou
5r311.2	Sekundárny cisársky rez	5r418‡	Medikament.intrauterinná terapia plodu
5r312.1	Primárny Misgav-Ladach cisársky rez	5r421‡	Terap.amniocentéza s násl.amniocentézou
5r312.2	Sekundárny Misgav-Ladach cisársky rez	5r422‡	Terapeutická amniocentéza s kordocentézou
5r313	Opakovaný cisársky rez	5r423‡	Terapeutická amniocentéza za účelom fetocídy
5r314	Cisársky rez extraperitoneálne	5r491	Segment.resekcia polycystic.pľúc plodu
5r315.1	Primárny cisársky rez supracervikálny	5r492	Intrauterinná OP plodu postihnutého VVCH
5r315.2	Cisársky rez supracervikálny	5r493‡	Intraamniálna inj.apl.medikament.k ukonč.gravidity
5r316.1	Primár.korporálny cisársky rez pozdĺžnou incíziou	5r911	Sutúra ruptúry alebo nástrihu hrádze
5r316.2	Sekundár.korporálny cisársky rez pozdĺžnou incíziou	5r912	Sutúra ruptúry alebo nástrihu krčka maternice
5r317.1	Primárny cisársky rez korporálny T-incíziou	5r913‡	Sutúra ruptúry alebo nástrihu pošvy
5r317.2	Sekundárny SC korporálny T-incíziou	5r914.1‡	Ošetrovanie ruptúry I.stupňa
5r321	Cisársky rez a sterilizácia	5r914.2‡	Ošetrovanie ruptúry II.stupňa
5r322	Cisársky rez s násled.hysterektómiou s adnexektómiou	5r914.3‡	Ošetrovanie ruptúry III.stupňa
5r323	Cisársky rez s následnou hysterektómiou	5r914.4‡	Ošetrovanie ruptúry IV.stupňa
5r331.0↔	Salpingotómia: otv.chir.	5r921‡	Revízia dutiny maternice po pôrode
5r331.1↔	Salpingotómia:vag.s lsk.asist.	5r922‡	Revízia dutiny maternice po spontán.potrato
5r331.4↔	Salpingotómia:lsk.	5r923‡	Manuálne vybavenie zadržanej placenty
5r331.6↔	Salpingotómia:konv.z vag.-otv.chir.	5r924	Inštrumentálne vybavenie zadržanej placenty
5r331.7↔	Salpingotómia:vag.	5r925‡	Iné vybavenie zadržanej placenty
5r331.x↔	Salpingotómia:ost.	5r931	Rekonštrukcia močového mechúra a utery
5r332.0↔	Salpingotómia s rekonštr.otv.chir.	5r932‡	Rekonštrukcia konečníka a análneho zvierača
5r332.1↔	Salpingotómia s rekonštrukciou:lpt.	5r991	Kyretáž pre ukončenie tehotnosti
5r332.4↔	Salpingotómia s rekonštrukciou:lsk.	5u210.1↔	Korekcia asymetrie prsníka vloženími implantátů
5r332.6↔	Salpingotómia s rekonštr.konv.z vag.-otv.chir.	5u210.2↔	Korekcia asymetrie prsníka vloženími implantátů-expandéru
5r332.7↔	Salpingotómia s rekonštrukciou:vag.	5u211.3↔	Rekonštrukcia prsníka muskulokutánnym lalokom
5r332.x↔	Salpingotómia s rekonštr:ost.	5u214.1↔	Redukč.mamoplastika pre hypertrof.lahk.a stred.závaž.st.
5r333.0↔	Parciálna salpingektómia:otv.chir.	5u214.2↔	Redukčná mamoplastika s transplantáciou areoly
5r333.1↔	Parc.salpingektómia:vag.lsk.as.	5u216.1↔	Zväčšenie prsníka vloženími implantátů
5r333.4↔	Parc.salpingektómia:lsk.	5u217.0↔	Mastopexia
5r333.6↔	Parc.salpingektómia:konv.z vag.-otv.chir.	5u217.1↔	Mastopexia s vloženími prsníkových implantátů
5r333.7↔	Parc.salpingektómia:vag.	5u220.1↔	Výmena protetického implantátů prsníka
5r333.x↔	Parc.salpingektómia:ost.	5u220.2↔	Výmena expandér-implantátů prsníka
5r334.0↔	Parc.salpingektómia s rekonštr:lpt.	5u220.3↔	Výmena expandér-implantátů za implantátů prsníka
5r334.1↔	Parc.salpingektómia s rekonštr:lsk.	5u221.x↔	Odstránenie protetického materiálu z prsníka,ost.
5r334.4↔	Parc.salpingektómia s rek:vag.lsk.as.	5u223.1↔	Revízia implantátů prsníka s výmenou
5r334.6↔	Parc.salpingektómia s rek:konv.z vag.-otv.chir.	5u224↔	Operačná revízia periprotetickej kapsuly prsníka
5r334.7↔	Parc.salpingektómia s rek:vag.	8c160	Hysteroskop.odstránenie cudzieho telesa z maternice
5r334.x↔	Parc.salpingektómia s rekonštr:iná	8c260	Odstránenie cudzieho telesa z pošvy dieťaťa
5r335.0↔	Totál.salpingektómia:lpt.	8f108.2‡↔	Terap.katetri.a kanyl.vajčkovodu cez hysterosk.prístup
5r335.1↔	Totál.salpingektómia:vag.lsk.as.	8f306.0↔	Perkutánná terapeutická punkcia a aspirácia vaječníka
5r335.4↔	Totál.salpingektómia:lsk.	8f306.1	Perkutánná terapeutická punkcia a aspirácia maternice
5r335.6↔	Totál.salpingektómia:konv.z vag.-otv.chir.	8f306.x↔	Perkut.terapeut.punkcia a aspirácia žens.pohlav.org, ost
5r335.7↔	Totál.salpingektómia:vag.	91110	Intenzív.oše.st.o rodičku pri prekotnom pôrode
5r335.x↔	Totál.salpingektómia:ost.	91111	Intenz.oše.st.o rodičku-I.doba pôrod.pri fyziol.pôrode
5r336.0	Lokál.medikam.liečba pri tubárnej gravid:lpt.	91112	Intenz.oše.st.o rodičku-II.doba pôrod.pri fyz.pôrode
5r336.1	Lok.medikam.liečba pri tubár.gravid:vag.lsk.asist	91113	Intenz.oše.st.o rodičku-III.doba pôrod.pri fyz.pôrode
5r336.4	Lok.medikam.liečba pri tuba.gravidite:lsk.	91114	Apl.metód nefarmakol.tlmenia bolesti v I.dobe pôrodnej
5r336.6	Lok.medikam.liečba pri tuba.grav:konv.z vag.-otv.chir.	91121	Uvoľnenie dolného pólu plodového vajca
5r336.7	Lokál.medikam.liečba pri tuba.gravid:vag.	91127	Sledovanie a vedenie rizikového pôrodu
5r336.x	Lok.medikam.liečba pri tubárnej gravid:ost.	91128.1	Sledovanie a vedenie nerizikového pôrodu:1-plodová grav.
5r339	Operácia extrauterinnej gravidity:ost.	91128.2	Sledovanie a vedenie nerizikového pôrodu:viacplodová grav.
5r341	Odstránenie extrauter.embrya:otv.chir.	91515	Transfer embrya
5r342	Odstr.extrauterinneho embrya:lsk.	91516	Zavedenie zmrazeného embrya
5r343	Odstr.extrauterinneho embrya kuldoskopiou	91518	Inseminácia umelá cerviko-vaginálna
5r34x	Iné odstránenie extrauterinneho embrya	91519	Inseminácia umelá intrakavitálna alebo intratubárna
5r411‡	Intrauterinná transfúzia plodu	91520	V.asist.reprod.s odber.oocytov k in vitro fertili.b.pren.embryi
5r412‡	Intrauterinná infúzia plodu	91521	Výkon asist.reprodukcie komplexný cyklus s prenosom embryi
5r413	Intrauterinná laserová terapia plodu	91522‡	Asistovaná fertilizácia

D.5c Konflikt s pohlavím: Choroby muža

Kód	Popis	Kód	Popis
B26.0	Parotitická orchitída(N51.1*)	N48.0	Leukoplakia penisu
C60.0	Zhubný nádor predkožky penisu	N48.1	Balanopostitída
C60.1	Zhubný nádor žaluďa penisu	N48.2	Iná zápalová choroba penisu
C60.2	Zhubný nádor tela penisu	N48.30	Nízkoprietokový priapizmus
C60.8	Zhubný nádor penisu presahujúci viaceré oblasti	N48.31	Vysokoprietokový priapizmus
C60.9	Zhubný nádor penisu, bližšie neurčený	N48.38	Iný priapizmus
C61	Zhubný nádor prostaty	N48.39	Priapizmus, bližšie neurčený
C62.0	Zhubný nádor nezostúpeného semenníka	N48.4	Impotencia organického pôvodu
C62.1	Zhubný nádor zostúpeného semenníka	N48.5	Vred penisu
C62.9	Zhubný nádor semenníka, bližšie neurčený	N48.6	Induratio penis plastica (balanitis xerotica obliterans)
C63.0	Zhubný nádor nadsemenníka	N48.8	Iné choroby penisu, bližšie určené
C63.1	Zhubný nádor semenného povrazca	N48.9	Choroba penisu, bližšie neurčená
C63.2	Zhubný nádor mieška	N49.0	Zápalová choroba semenných mechúrikov
C63.7	Zhubný nádor iných mužských pohlavných orgánov, bliž. urč.	N49.1	Zápal. chor. semen. povrazca, semenník. pošv. obalu a semenov.
C63.8	Zhubný nádor mužských pohlavných orgánov presah. viac. obl.	N49.2	Zápalová choroba mieška
C63.9	Zhubný nádor mužského pohlavného orgánu, bliž. neurč.	N49.80	Fourmierova gangréna u muža
D07.4	Karcinóm in situ penisu	N49.88	Zápalová choroba i. bliž. urč. mužských pohlav. org.
D07.5	Karcinóm in situ prostaty	N49.9	Zápalová choroba bliž. neu. mužských pohlav. org.
D07.6	Karcinóm in situ iných a bliž. neurč. mužských pohlav. org.	N50.0	Atrofia semenníka
D17.6	Nezhubný lipomatózny nádor semenného povrazca	N50.1	Cievne choroby mužských pohlavných orgánov
D29.0	Nezhubný nádor penisu	N50.8	Iné choroby mužských pohlavných org., b. u.
D29.1	Nezhubný nádor prostaty	N50.9	Choroby mužských pohlavných org., b. n.
D29.2	Nezhubný nádor semenníka	N51.0	Choroby prostaty pri chorobách zatriedených inde
D29.3	Nezhubný nádor nadsemenníka	N51.1	Choroby semenníka a nadsemenníka pri chor. z. i.
D29.4	Nezhubný nádor mieška (skróta)	N51.2	Balanitída pri chorobách zatriedených inde
D29.7	Nezhubný nádor iných mužských pohlavných orgánov	N51.8	Iné choroby mužských pohlav. org. pri chorobách. z. i.
D29.9	Nezhubný nádor bliž. neurč. mužských pohlav. org.	Q53.0	Ektopický semenník
D40.0	Nádor s neurčitým/neznam. správaním: predstojnica (prostata)	Q53.1	Jednostranne nezostúpený semenník
D40.1	Nádor s neurčitým/neznam. správaním: semenník	Q53.2	Obojstranne nezostúpený semenník
D40.7	Nádor s neurčitým/neznam. správaním: i. muž. pohl. org.	Q53.9	Nezostúpený semenník, bližšie neurčený
D40.9	Nádor s neurčitým/neznam. správaním: bliž. neurč. muž. pohl. org.	Q54.0	Hypospádia žaluďa [balanická]
E29.0	Hyperfunkcia semenníkov	Q54.1	Hypospádia penisu [penilná]
E29.1	Hypofunkcia semenníkov	Q54.2	Hypospádia penisu a skróta [penoskrotálna]
E29.8	Iná porucha funkcie semenníkov	Q54.3	Hypospádia perineálna
E29.9	Porucha funkcie semenníkov, bližšie neurčená	Q54.4	Vrodené ventrálné ohnutie penisu [vrodená chordea]
E89.5	Hypofunkcia semenníkov po lekárskom výkone	Q54.8	Iná hypospádia
F52.4	Predčasná ejakulácia	Q54.9	Hypospádia, bližšie neurčená
I86.1	Varixy skróta	Q55.0	Chýbanie a aplázia semenníka
L29.1	Svrbenie skróta	Q55.1	Hypoplázia semenníka a mieška
N36.3	Prolaps sliznice uretry	Q55.2	Iná vrodená chyba semenníka a mieška
N40	Hyperplázia prostaty	Q55.3	Atrézia semenovodu
N41.0	Akútna prostatitída	Q55.4	Iná vrod. chyba semenov., nadsemen., semen. vač. a prostaty
N41.1	Chronická prostatitída	Q55.5	Vrodené chýbanie a aplázia penisu
N41.2	Absces prostaty	Q55.6	Iná vrodená chyba penisu
N41.3	Prostatocystitída	Q55.8	Iná vrod. chyba mužských pohlav. org., b. u.
N41.8	Iná zápalová choroba prostaty	Q55.9	Vrod. chyba mužských pohlav. org., b. n.
N41.9	Zápalová choroba prostaty, bližšie neurčená	R86.0	Abn. nález vo vzorkách z muž. pohl. org.: abn. hodn. enzým.
N42.0	Konkrement prostaty	R86.1	Abn. nález vo vzorkách z muž. pohl. org.: abn. hodn. hormón.
N42.1	Kongescia a krvácanie z prostaty	R86.2	Abn. nález vo vzor. z muž. pohl. org. abn. hodn. liek. a biol. akt. lát.
N42.2	Atrofia prostaty	R86.3	Abn. nález vo vzorkách z muž. pohl. org.: abn. hodn. lát. nemed. p.
N42.3	Dysplázia prostaty	R86.4	Abn. nález vo vzorkách z muž. pohl. org.: abn. imun. nález
N42.8	Iná choroba prostaty, bližšie určená	R86.5	Abn. nález vo vzorkách z muž. pohl. org.: abn. mikrob. nález
N42.9	Choroba prostaty, bližšie neurčená	R86.6	Abn. nález vo vzorkách z muž. pohl. org.: abn. cytol. nález
N43.0	Encystovaná hydrokéla	R86.7	Abn. nález vo vzorkách z muž. pohl. org.: abn. hist. nález
N43.1	Infikovaná hydrokéla	R86.8	Abn. nález vo vzorkách z muž. pohl. org.: iný abn. nález
N43.2	Iná hydrokéla	R86.9	Abn. nález vo vzorkách z muž. pohl. org.: b. n. abn. nález
N43.3	Hydrokéla, bližšie neurčená	S31.2	Otvorená rana penisu
N43.4	Spermatokéla	S31.3	Otvorená rana skróta a semenníkov
N44.0	Torzia semenníka	S37.32	Poranenie močovej rúry, pars spongiosa
N44.1	Torzia hidatídy [Morgagni]	S37.33	Poranenie močovej rúry, pars prostatica
N45.0	Orchitída, epididymitída a epididymoorchitída s abscesom	S37.82	Poranenie prostaty
N45.9	Orchitída, epididymitída a epididymoorchitída bez abscesu	S37.83	Poranenie semenného vácika
N46	Mužská neplodnosť	S37.84	Poranenie semenovodu
N47	Hyperplastická predkožka, fimóza a parafimóza		

D.5d Konflikt s pohlavím: Výkony u muža

Kód	Popis	Kód	Popis
12o20.1	Perkutánná biopsia prostaty s použ.zobraz.metód	5o31c.4	Rad.cystektómia bez uretrekt.,šetr.nerv.ciev.zv.žena:lsk.
12o20.2↔	Perkutánná biopsia vesiculae seminales s použ.zobraz.m.	5o31c.x	Rad.cystektómia bez uretrektómie,šetr.nerv.ciev.zv.žena:ost.
12o20.3	Perkutánná biopsia penisu s použ.zobraz.metód	5o400	Rekonštr.prostat/membranóz.časti moč.rúry po poran.
12o20.4‡↔	Perkutánná biopsia semenníka s použ.zobraz.metód	5o401	Uzavretie uretrostómie
12o20.5↔	Perkutánná biopsia nadsemenníka s použ.zobraz.metód	5o40a.1	1-dobá plast.rekonštr.moč.rúry s použ.kože predkožky
12o20.6↔	Perkutánná biopsia ductus deferens s použ.zobraz.m.	5o40a.2	1-dobá plast.rekonštr.moč.rúry s použ.kože penisu
12o20.7↔	Perkutánná biopsia funiculus spermatis s použ.zobraz.m.	5o40b.1	2-dobá plast.rekonštr.moč.rúry:1.doba s použ.kože predkožky
12o20.8	Perk.biops.moč.sys.a muž.pohl.org.zobr.m.:pre urč.št.ch.	5o40b.2	2-dobá plast.rekonštr.moč.rúry:1.doba s použ.kože penisu
12o21	Perkut.biopsia perivezikál.tk. s použ.zobraz.m.	5o413	Jednoduchá uretrektómia u muža ako samostat.výkon
12o22	Perkut.biopsia peripostat.tk. s použ.zobraz.m.	5o414	Radikálna uretrektómia u muža ako samostat.výkon
12p10.1	Perkutánná (ihlová) biopsia prostaty	5o49b	Posunutie vonkajšieho ústia moč.rú.a glanduloplastika
12p10.2↔	Perkutánná (ihlová) biopsia vesiculae seminales	5o49c	Duckettova plastika
12p10.3	Perkutánná (ihlová) biopsia penisu	5p111.t	Incizia prostaty, transuretrálne
12p10.4‡↔	Perkutánná (ihlová) biopsia semenníkov	5p111.x	Incizia prostaty, ostatné
12p10.5↔	Perkutánná (ihlová) biopsia nadsemenníkov	5p112	Incizia periprostatického tkaniva bez drenáže
12p10.6↔	Perkutánná (ihlová) biopsia ductus deferens	5p113	Incizia a drenáž periprostatického tkaniva
12p10.7↔	Perkutánná (ihlová) biopsia funiculus spermaticus	5p114	Incizia abscesu prostaty transuretrálna
12p10.8	Perkutánná (ihlová) biopsia skrota	5p115	Drenáž abscesu prostaty transrektálne
12p10.9	Perkut.(ihl.) biopsia perinea mužs.pohl.org.	5p116	Excizia periprostatického tkaniva
12p10.x↔	Perkut.(ihl.) biopsia mužs.pohl.org.,ost.	5p11x	Incizia prostaty,Incizia/excizia periprostatického tk:ost.
12p30.01	Ihl.biopsia prostaty transrektál.,menej ako 20 vzoriek	5p121.1	Prostatektómia:suprapubicky-transvezikálne,ipt.
12p30.02	Ihl.biopsia prostaty transrektál., 20 a viac vzoriek	5p121.2	Prostatektómia retropubicky:laparotomicky
12p30.2	Biopsia prostaty transrektálne,aspiračné	5p121.3	Prostatektómia retropubicky:laparoskopicky
12p30.3↔	Biopsia vesiculae seminales transrektálne	5p121.4	Prostatektómia transperineálne:ipt.
12p30.x↔	Biopsia mužs.pohl.org.transrektálne,ostatné	5p121.x	Prostatektómia:ost.
13p00.0	Biopsia s incíziou prostaty	5p122.2	Rad.prostatektómia bez reg.LNE:retropubicky
13p00.1	Biopsia s incíziou periprostatického tkaniva	5p122.3	Rad.prostatektómia bez reg.LNE:perineálne
13p01.0	Biopsia s incíziou glans penis	5p122.4	Radikál.prostatektómia bez reg.LNE:lsk.
13p01.1	Biopsia s incíziou tela penisu	5p122.8	Rad.prostatektómia bez reg.LNE:rob.
13p02.0↔	Biopsia s incíziou semenníkov	5p123.2	Rad.prostatekt.b.reg.LNE,šetr.nervovociiev.zv:retropub
13p02.1↔	Biopsia s incíziou epididymis	5p123.3	Rad.prostatekt.b.reg.lymfadenekt,šetr.nerv.ciev.zv:perineál
13p02.2↔	Biopsia s incíziou ductus deferens	5p123.4	Rad.prostatektómia bez reg.LNE,šetrenie nervovociiev.zv:lsk.
13p02.3↔	Biopsia s incíziou vesiculae seminalis	5p123.8	Rad.prostatekt.bez reg.LNE,šetrenie nervovociiev.zv:robot.
13p02.4↔	Biopsia s incíziou funiculus spermaticus	5p124.2	Rad.prostatektómia s regionál.LNE:retropubicky
13p03	Biopsia s incíziou mužského perinea	5p124.3	Rad.prostatekt.s reg.lymfadenek:perineál,lsk.lymfadenekt
15p10.0↔	Dg.punkcia a aspirácia semenníka	5p124.4	Radikál.prostatektómia s reg.LNE:lsk.
15p10.1↔	Dg.punkcia a aspirácia nadsemenníka	5p124.8	Rad.prostatektómia s reg.LNE:robot.
15p10.2↔	Dg.punkcia a aspirácia hydrokély	5p125.2	Rad.prostatekt.s reg.LNE,šetr.nervovociiev.zv:retropub
15p10.3↔	Dg.punkcia a aspirácia spermatokély	5p125.3	Rad.prostatekt.s r.LNE,šet.n.c.zv:perin,lsk.lymfadenekt
15p10.4	Dg.punkcia a aspirácia prostaty	5p125.4	Rad.prostatektómia s reg.LNE,šetrenie nervovociiev.zv:lsk.
15p10.5↔	Dg.punkcia a aspirácia semenných mechúrikov	5p125.5	Rad.prostatektómia s reg.LNE,šetrenie nervovociiev.zv:rob.
15p10.x↔	Ostatné dg.punkcie a aspirácie mužs.pohl.orgánov	5p126.2	Radik. prostatekt.s rozšír.LNE:retropubicky
31317.1	Endosonografia mužských pohlav.orgánov,transrektálne	5p126.3	Radik.prostatekt.s rozš.LNE:perineál.a lsk.lymfadenekt.
31317.2‡	Endosonografia mužských pohlav.orgánov,transuretrálne	5p126.4	Radik. prostatekt. s rozšír.lymfadenekt:laparoskopicky
5b323.1↔	Laparotomická adrenalectómia u muža	5p126.8	Radik. prostatekt. s rozš.lymfadenekt:roboticky
5b323.2↔	Lumbotomická adrenalectómia u muža	5p127.2	Radik.prostatekt.s rozš.LNE,šetr.nerv.ciev.zváz:retropub
5b323.4↔	Laparoskopická adrenalectómia u muža	5p127.3	Rad.prostatekt.s rozš.LNE,šetr.nerv.c.zváz:perineál.a lsk.LNE
5b323.x↔	Adrenalectómia u muža, ostatné	5p127.4	Radik.prostatekt.s rozš.LNE,šetr.nerv.ciev.zváz:lsk.
5n810.1↔	Uzavr.inguin.her.bez plast:s res.steny hydrokély	5p127.5	Radik.prostatekt.s rozš.LNE,šetr.nerv.ciev.zváz:robot.
5n810.2↔	Uzavr.inguin.her.bez plas:s funikulol.a dislok.semenníka	5p12x	Iná radikálna prostatektómia
5n815.1↔	Uzavr.inguin.her.pri recidíve s plast.s funikulo-orchidolýzou	5p131	Transrektál.a perkutánná termodeštrukcia tkaniva prostaty
5o311.0	Jednoduchá cystektómia u muža:otv.chir.	5p132	Transrektál.a perkutánná deštrukcia tkaniva prostaty UZV
5o311.4	Jednoduchá cystektómia u muža:lsk.	5p133	Transrekt.a perkut.deštrukcia tk.prostaty nosičmi žiarenia
5o311.x	Jednoduchá cystektómia u muža:ostatné	5p134	Aplikácia rádiových zrn do prostaty
5o312.0	Radik.cystektómia u muža bez uretrektóm:otv.chir	5p135	Kryodeštrukcia tkaniva prostaty
5o312.4	Radikálna cystektómia u muža bez uretrektómie:lsk.	5p136	Mikrovlnná deštrukcia prostaty
5o312.x	Radik.cystektómia u muža bez uretrektómie:ost.	5p13x	Transrektálna a perkutánná deštr.tk.prostaty:ost.
5o313.0	Rad.cystekt.b.uretrekt,šetr.nerv.ciev.zv.zach.pot.muža:o.chir	5p140.1	Transuretr.endores.tk.prostaty:elektrores.TURP
5o313.4	Rad.cystekt.b.uretrekt,šetr.nerv.ciev.zv.zach.pot.,muž:lsk.	5p140.2	Transuretr.endores.tk.prost:elektrores s epicystostóm.trok.
5o313.x	Rad.cystekt.b.uretrekt.,šetr.nerv.ciev.zv.zach.pot.,muž:ost.	5p141	Transuretrálna endoresekcia tk.prostaty:kryoablácia
5o314.0	Rad.cystektómia s uretrektómiou,muž:otv.chir.	5p142	Transuretr.endores.tk.prostaty:termores/termodešt.
5o314.4	Rad.cystektómia s uretrektómiou,muž:lsk.	5p143.1	Transuretr.endores.tk.prostaty:intersticiál.laser.deštr
5o314.x	Rad.cystektómia s uretrektómiou,muž:ost.	5p143.2	Transuretrál.endoresekcia tk.prostaty:viz.kontr.las.ab [VLAP]
5o315.0	Eviscerácia malej panvy u muža:otv.chir.	5p143.3	Transuretr.endores.tk.prostaty:laser.vaporizácia prostaty
5o315.4	Eviscerácia malej panvy u muža:lsk.	5p143.x	Transuretrálna endoresekcia tk.prostaty:laserová deštr.iná
5o315.x	Eviscerácia malej panvy u muža:ostatné	5p144	Transur.endores.tk.prostaty:transuretr.ihl.abl.tk.prost[TUNA]
5o31c.0	Rad.cystektómia bez uretrekt.,šetr.nerv.ciev.zv.žena:otv.ch.	5p145	Transur.endores.tk.prostaty:elektrická vaporizácia

Kód	Popis	Kód	Popis
5p146	Transur.endores.tk.prostaty:bipolár.resekcia(enukleácia)	5p404↔	Operácia hydrokély testis obojstranná
5p14x	Transuretrálna endoresekcia tk.prostaty:ost.	5p40x↔	Oper.th.varikokély a hydrokély semenného povrazca:ost
5p151↔	Incízia na semenných mechúrikoch	5p411↔	Excízia cysty v oblasti nadsemenníka
5p152↔	Excízia na semenných mechúrikoch	5p412↔	Excízia spermatokély v obl.nadsemenníka
5p153↔	Exstirpácia na semenných mechúrikoch	5p413↔	Excízia Morgan.hydatídy v obl.nadsemenníka
5p15x↔	Operácie na semenných mechúrikoch:ost.	5p41x↔	Excízia v oblasti nadsemenníka,ost.
5p190.1	Ošetrovanie krvácania na prostate:laparotom.	5p421↔	Parciálna epididymektómia
5p190.t	Ošetrovanie krvácania na prostate:transuretrál.	5p422↔	Totálna epididymektómia
5p191	Rekonštrukcia prostaty po poranení	5p42x↔	Epididymektómia, ostatné
5p192	Dilatácia prostatickej močovej rúry	5p431↔	Sutúra semenného povrazca po poranení
5p193	Zavedenie stentu do prostatickej močovej rúry	5p432↔	Plastická rekonštrukcia semenného povrazca
5p194	Výmena stentu v prostatickej močovej rúre	5p433‡↔	Detorkv.semen.povrazca pri torzii,vrát.kontralat.orchidopex
5p195‡	Odstránenie stentu z prostatickej močovej rúry	5p434‡↔	Detorzia testis manuálne
5p196	Iné operácie na prostate:revízia	5p43x‡↔	Rekonštrukcia semenného povrazca:ost.
5p197	Zavedenie prostatickej endoprotézy	5p451↔	Sklerotizácia semenovodu
5p198‡	Odstránenie prostatickej endoprotézy	5p452↔	Ligatúra semenovodu
5p19x‡	Iné operácie na prostate:ost	5p453↔	Resekcia semenovodu [vazoresekcia]
5p201	Excízia fistuly skróta	5p45x↔	Deštrukcia,ligatúra a resekcia semenovodu:ost.
5p20x	Iná excízia a deštr.chor.tk.skróta	5p461↔	Sutúra semenovodu a nadsemenníka po poranení
5p211	Parciálna resekcia chorého tkaniva skróta	5p462↔	Vazovazostómia
5p212	Radikálna resekcia chorého tkaniva skróta	5p463↔	Epididymovazostómia
5p221	Operácia skróta pre úraz	5p464↔	Tubulovazostómia
5p230	Incízia skróta a tunica vaginalis testis:bez d.zásahov	5p465↔	Vytvorenie umelej spermatokély
5p231	Incízia skróta a tunica vaginalis testis:drenáž	5p46x↔	Rekonštrukcia semenovodu a nadsemenníka:ost.
5p233	Incízia skróta a tunica vaginalis testis:odstr.cudz.t.	5p491↔	Incízia rozrušenia zrastov, epididymotómia
5p23x	Incízia skróta a tunica vaginalis testis:iná	5p492↔	Incízia rozrušenia zrastov spermatického povrazca
5p240	Sutúra skróta a tunica vaginalis testis po poranení	5p493↔	Adheziolyza semenného povrazca
5p241	Plastická rekonštrukcia skróta a tunica vaginalis testis	5p494↔	Odber tkaniva nadsemenníka v prípr.pred umel.oplodnením
5p242	Vytvor.a rekonštrukcia skróta a tunica vaginalis testis	5p49x↔	Iné OP na semen.povrazci,nadsemenníku a semenovode:ost
5p24x	Plastická rekonštr.skróta a tunica vaginalis testis:ost.	5p501	Frenulotómia predkožky
5p301.0↔	Orchiektómia bez epididymektómie:inguin.reten.cia semenn	5p502	Dorzálne preťatie predkožky
5p301.2↔	Orchiektómia bez epididymektómie:skrotálne	5p503	Cirkumcizia
5p302.0↔	Orchiektómia s epididymektómiou:inguin.reten.semenníka	5p504	Frenuloplastika a plastika predkožky
5p302.2↔	Orchiektómia s epididymektómiou:skrotálne	5p505.1	Krvavá repozícia na predkožke pre parafimózu v celk.anestézii
5p303.1↔	Abdominálna reten.cia semenníka:lpt.	5p505.2	Nekrvavá repoz. na predkožke pre parafimózu v CA
5p303.4↔	Abdominálna reten.cia semenníka:lsk.	5p506	Uvoľn.prepučiálnych zrastov na predkožke[synechiolyza]
5p304↔	"Rad.orchiekt,epididymekt.a odstránením""spermatic cord""	5p509	Operácie na predkožke:ost.
5p305.0↔	Odstr.zostávajúceho semenníka:inguinálne	5p511	Lok.excízia chor.tk.penisu
5p305.2↔	Odstr.zostávajúceho semenníka:skrotálne	5p512	Lok.deštrukcia chor.tk.penisu
5p306↔	Orchiektómia u novorod.pre intrauter.torziu testis:inguinál.	5p51x	Lok.excízia a deštr.chor.tk.penisu:ost.
5p30x↔	Orchiektómia:ost.	5p521	Čiastočná amputácia penisu
5p311↔	Orchidopexia s funikulolýzou	5p522	Totálna amputácia penisu
5p312↔	Orchidopexia skrotálne	5p523	Emaskulinizácia penisu
5p31x↔	Orchidopexia:ost.	5p530	Sutúra penisu pri poranení
5p320.1↔	Oper.premies.abd.ulož.semenníka bez mikrovask.anast:lpt.	5p531	Narovnanie tela penisu
5p320.4↔	Oper.premiestn.abd.ulož.sem.bez mikrovaskul.anastom:lsk.	5p532	Plast.rekonštrukcia penisu pri zmene pohlavia
5p321.1↔	OP premiestn.abdomin.ulož.sem.s mikrovaskul.anast:lpt.	5p533	Úprava penoskrotálnej transpozície
5p321.4↔	OP premiestn.abd.ulož.sem.s mikrovaskulárnou anast:lsk.	5p534	Operácia zanoreného penisu
5p32x↔	OP premiestnenie abdominál.uloženého semenníka:ost.	5p535	Operácia zlomeniny penisu
5p341‡↔	Implantácia protézy semenníka	5p536	Preťatie ligamentum suspensorium penis
5p342‡↔	Výmena protézy semenníka	5p537	Operácie pri induratio penis plastica
5p343‡↔	Odstránenie protézy semenníka	5p53x	Plastická rekonštrukcia penisu:ost.
5p34x‡↔	Implantácia,výmena a odstr.protézy semenníka:ost.	5p541	Plast.rek.epispád,muž:narovnanie tela penisu a chordektóm
5p351↔	Sutúra semeníka po poranení	5p542	Plast.rek.episp.muž:uvoľ.kaver.tel,ventr.transpoz.moč.rúry
5p35x↔	Rekonštrukcia semeníka:ost.	5p543.0	Plast.rekonštr.epispádie,muž:vytv.moč.rúry pou.kože predkož
5p391.0	Explorácia pri kryptorchizme:inguin.	5p543.1	Plast.rekonštr.epispádie,muž:vytv.moč.rúry pou.kože penisu
5p391.1↔	Explorácia pri kryptorchizme:lpt.	5p543.2	Plast.rekonštr.epispádie,muž:vytv.moč.rúry pou.bukál.slizn.
5p391.4	Explorácia pri kryptorchizme:lsk.	5p543.3	Plast.rekonštr.epispád,muž:vytv.moč.rúry pou.slizn.m.mech
5p391.x	Explorácia pri kryptorchizme:ost	5p543.x	Plast.rekonštr.epispádie,muž:vytv.moč.rúry:ost.
5p392↔	Odobratie tk.semenníka v príprave umel.oplodnenia	5p54x	Plastická rekonštrukcia epispádie u muža:ost
5p393↔	Incízia semeníka	5p551	Plast.rekonštr.hyospádie,muž:meatoglandulárna plast.
5p394↔	Excízia a deštrukcia chorého tkaniva semenníka	5p552	Plast.rek.hyosp.muž:narovnanie tela pen,chordekt
5p39x‡↔	Iné operácie na semenníku:ost	5p553.0	Plast.rekonštr.hyospádie,muž:vytv.moč.rúry:s kože predkožky
5p401.2↔	Sklerotizácia testikulárnej žily:skrotálne	5p553.1	Plast.rekonštr.hyospádie,muž:vytv.moč.rúry:s kože penisu
5p402.0↔	Resekcia testikulárnej žily a testikulárnej tepny:inguin	5p553.2	Pl.rekonštr.hyospádie,muž:vytv.moč.rúry:transpl.bukál.sl
5p402.1↔	Resekcia testikulárnej žily a testikulárnej tepny:otv.mikrochir	5p553.3	Pl.rekonštr.hyospád,muž:vytv.moč.rúry:transpl.sl.m.mech
5p402.3↔	Resekcia testikulárnej žily a testikulárnej tepny:lumb	5p553.x	Plast.rekonštr.hyospádie,muž:vytv.moč.rúry:iné
5p402.4↔	Resekcia testikulárnej žily a testikulárnej tepny:lsk.	5p554	King-Duplay plastika
5p403↔	OP hydrokély semenn.povrazca	5p555	Plastická rekonštr.hyospádie u muža:sekundárny výkon

Kód	Popis	Kód	Popis
5p556	Mathieau plastika	5p598	Odstránenie penilnej protézy
5p55x	Plastická rekonštr.hypospádie u muža:ost.	5p599	Replantácia na penise
5p590	Incizia na penise	5p59x	Iné operácie na penise:ost.
5p591	Adheziolýza na penise	5p5a0	OP na zmenu pohlavia:zo ženy na muža
5p592	Uzavretie venózneho úniku penisu	5p5a1	OP na zmenu pohlavia:z muža na ženu
5p593	Revaskularizač.OP na penise	5q293	Vaporizácia laserová
5p594	Shuntové OP kavemóz.telesách penisu	5u115.0↔	Operácia gynekomastie bez liposukcie
5p595.1	Implantácia semirigidnej penilnej protézy	5u115.1↔	Operácia gynekomastie s liposukciou
5p595.2	Implantácia hydraulickéj penilnej protézy	8f305.0↔	Perkutánná terapeutická punkcia a aspirácia hydrokély
5p595.x	Implantácia penilnej protézy,ost.	8f305.1↔	Perkutánná terapeutická punkcia a aspirácia spermatokély
5p596	Revízia penilnej protézy	8f305.2	Perkutánná terapeutická punkcia a aspirácia prostaty
5p597.1	Výmena penilnej protézy na semirigidnu protézu	8f305.3↔	Perkut.terapeut.punkcia a aspirácia semenných mechúrikov
5p597.2	Výmena penilnej protézy na hydraulickú protézu	8f305.x↔	Perkut.terapeut.punkcia a aspirácia mužs.pohlav.org.,ost
5p597.x	Výmena penilnej protézy, ostatné		

D.6 Status groupera

Na konci zaradovania hospitalizačného prípadu sa priradí každému hospitalizačnému prípadu tzv. status groupera (ďalej GST). Ak nie je možné zaradiť prípad do DRG skupiny na základe chýbajúcich alebo neplatných informácií, je hospitalizačný prípad zaradený do DRG 960Z *Nezaraditeľné do skupín*.

Bližšie údaje k jednotlivým hodnotám GST sa nachádzajú v nasledovnej tabuľke.

Kód	Popis	Poznámky
00	Normálne zaradenie	
01	Neplatná alebo chýbajúca hlavná diagnóza	
02	Diagnóza nie je prípustná ako hlavná diagnóza	Ak sa napr. ako hlavná diagnóza uvedie diagnóza začínajúca na V, W, X, Y Zoznam neprípustných hlavných diagnóz je uvedený v tabuľke D.7
04	neplatný vek	Ak nie je možné stanoviť vek pacienta v platnom rozsahu
05	neplatné pohlavie	
06	neplatný dôvod prijatia, prepustenia, druh prijatia	
07	neplatná hmotnosť pri prijatí	Ak je vek pacienta < 1rok, hlavná diagnóza je novorodenecká a hodnota premennej hmotnosť pri prijatí je neplatná
08	neplatná ošetrovacia doba	Ak ošetrovaciu dobu nie je možné z údajov vypočítať

D.7 Nepripustná hlavná diagnóza

Kód	Popis	Kód	Popis
A63.0	Anogenitálne (venerické) bradavice	F02.0	Demencia pri Pickovej chorobe (G31.0†)
B23.0	Syndróm akútnej infekcie HIV	F02.1	Demencia pri Creutzfeldtovej-Jakobovej chorobe
B90.0	Následky tuberkulózy centrálnej nervovej sústavy	F02.2	Demencia pri Huntingtonovej chorobe (G10†)
B90.1	Následky tuberkulózy močovopohlavnej sústavy	F02.3	Demencia pri Parkinsonovej chorobe (G20.-†)
B90.2	Následky tuberkulózy kostí a kĺbov	F02.4	Demencia pri chorobe HIV (B22†)
B90.8	Následky tuberkulózy iných orgánov	F02.8	Demencia pri i.bliž.urč.chorobách z.i.
B90.9	Následky respiračnej a bliž.nerč.TBC	G01	Meningitída pri bakteriálnych chorobách zatried.inde
B91	Následky poliomyelitídy	G02.0	Meningitída pri vírusových chorobách zatried.inde
B92	Následky lepry	G02.1	Meningitída pri mykózach zatriedených inde
B94.0	Následky trachómu	G02.8	Meningitída pri iných bliž.urč.infekč.a parazit.chor.z.i.
B94.1	Následky vírusovej encefalitídy	G05.0	Encefalitída,myelitída a encefalomyelit.pri bakt.chor.z.i.
B94.2	Následky vírusovej hepatitídy	G05.1	Encefalitída,myelitída a encefalomyelit.pri vir.chor.z.i.
B94.8	Následky iných.bliž.urč.infekčných a parazitových chorôb	G05.2	Encefalitída,myelit.a encefalomy.pri i.inf.a paraz.chor.z.i.
B94.9	Následky bliž.neurč.infekčných/parazitových chorôb	G05.8	Encefalitída,myelitída a encefalomyelit.pri i.chor.z.i.
B95.0	Streptokok skupiny A ako príčina chorôb zatried.inde	G07	Intrakran.a intrasp.in.absces a granulóm pri chor.z.i.
B95.1	Streptokok skupiny B ako príčina chorôb zatried.inde	G09	Následky zápalových chorôb centrálnej nerv.sústavy
B95.2	Streptokok skupiny D ako príčina chorôb zatried.inde	G13.0	Paraneoplastická neuromyopatia a neuropatia
B95.3	Streptococcus pneumoniae ako príčina chorôb zatried.inde	G13.1	Iná systémová atrofia post.najmä CNS pri nádor.chor.
B95.41	Streptokok skupiny C ako príčina chorôb zatried.inde	G13.2	Systémová atrofia post.najmä CNS pri myxedéme
B95.42	Streptokok skupiny G ako príčina chorôb zatried.inde	G13.8	Systémová atrofia post.najmä CNS pri i.chor.z.i.
B95.48	Iný streptokok,bliž.urč.ako príčina chorôb zatried.inde	G14	Postpoliomyelitický syndróm
B95.5	Streptokok,bliž.neurč.,ako príčina chorôb zatried.inde	G22	Parkinsonov syndróm pri chorobách zatriedených inde
B95.6	Staphylococcus aureus ako príčina chorôb zatried.inde	G26	Extrapyramídové porucha a por.hybnosti pri chor.zatried.inde
B95.7	Iný stafylokok ako príčina chorôb zatriedených inde	G31.1	Starecká degenerácia mozgu,nezatriedená inde
B95.8	Stafylokok,bliž.neurč.,ako príčina chorôb zatried.inde	G32.0	Subak.kombinovaná degenerácia miechy pri chor.z.i.
B95.90	Iný grampozit.aerób.mikroorganiz.bliž.urč.,ako príč.chor.z.i.	G32.8	Iná bliž.urč.degeneratívna chor.nervovej súst.pri chor.z.i.
B95.91	Iný grampozit.aerób.nesporul.mikroorg.bl.ur.ako príč.chor.z.i.	G46.0	Syndróm strednej mozgovej tepny
B96.0	Mykoplasma a ureaplasma ako príčina chorôb zatried.inde	G46.1	Syndróm prednej mozgovej tepny
B96.2	Escherichia coli a iné Enterobact.ako príčina.chor.zatried.i.	G46.2	Syndróm zadnej mozgovej tepny
B96.3	Haemophilus a Moraxella ako príčina chorôb zatried.inde	G46.3	Syndróm cievneho postihnutia mozgového kmeňa
B96.5	Pseudomonas a iná neferment.baktéria ako príč.chorôb.z.i.	G46.4	Syndróm cievneho postihnutia mozočka
B96.6	Bacteroides fragilis a i.gramneg.anaerób.bak.príč.chor.z.i.	G46.5	Čistý motorický lakunárny syndróm
B96.7	Clostridium perfringens a i.grampoz.anaer.bakt.príč.chor.z.i.	G46.6	Čistý senzorický lakunárny syndróm
B96.8	Iná baktéria,bliž.urč.,ako príčina chorôb zatriedených inde	G46.7	Iný lakunárny syndróm
B97.0	Adenovírus ako príčina chorôb zatriedených inde	G46.8	Iný cievny mozgový syndróm pri cievnych mozgov.chorobách
B97.1	Enterovírus ako príčina chorôb zatriedených inde	G53.0	Neuralgia po herpes zoster (B02.2†)
B97.2	Koronavírus ako príčina chorôb zatriedených inde	G53.1	Obna viac.hlavových nervov pri inf.a paraz.chor.z.i.
B97.3	Retrovírus ako príčina chorôb zatriedených inde	G53.2	Obna viacerých hlav.nervov pri sarkoidóze
B97.4	Respiračný syncytiálny vírus ako príč.chorôb zatried.i.	G53.3	Obna viacerých hlav.nervov pri nád.chor.
B97.5	Reovírus ako príčina chorôb zatriedených inde	G53.8	Iná choroba hlav.nervu pri iných chorobách z.i.
B97.6	Parvovírus ako príčina chorôb zatriedených inde	G55.0	Kompresia nerv.koreňov a spletí pri nád.chor.
B97.7	Papilomavírus ako príčina chorôb zatriedených inde	G55.1	Kompresia nerv.koreňov a spletí pri pošk.medzistav.plat.
B97.8	Iný vírus ako príčina chorôb zatriedených inde	G55.2	Kompresia nerv.koreňov a spletí pri spondylóze
B98.0	Helicobacter pylori ako príčina chorôb zatried.inde	G55.3	Kompresia nerv.koreňov a spletí pri i.dorzopatiách
B98.1	Vibrio vulnificus ako príčina chorôb.zatried.inde	G55.8	Kompresia nerv.koreňov a spletí pri i.chor.z.i.
C94.8	Blastová kríza pri chronickej myeloidkej leukémii (CML)	G59.0	Diabetická mononeuropatia
C95.8	Leukémia refraktérna na štandardnú indukčnú liečbu	G59.8	Iná mononeuropatia pri chorobách zatriedených inde
C97	Zhubné nádory s primárnym výskytom na roz.m.	G63.0	Polyneuropatia pri inf.a paraz.chor.z.i.
D63.0	Anémia pri nádorových chorobách	G63.1	Polyneuropatia pri nádorovej chorobe(C00-D48†)
D63.8	Anémia pri iných chron.chobách zatried.inde	G63.2	Diabetická polyneuropatia
D77	Iné poruchy krvi a krvotv.org.pri chor.z.i.	G63.3	Polyneuropatia pri iných endokrin.a metabol.chorobách
E35.0	Endokrinná porucha, bližšie neurčená	G63.4	Polyneuropatia pri nedostatku vo výžive (E40-E64†)
E35.1	Choroba štítnej žľazy pri chorobách zatriedených inde	G63.5	Polyneuropatia pri systémových chor.spojiva
E35.8	Choroba nadobličiek pri chorobách zatriedených inde	G63.6	Polyneuropatia pri iných svalovokotr.chorobách
E64.0	Následky proteínovo-energetickej podvýživy	G63.8	Polyneuropatia pri iných chorobách.z.i.
E64.1	Následky nedostatku vitamínu A	G73.0	Myastenický syndróm pri endokrinných chorobách
E64.2	Následky nedostatku vitamínu C	G73.1	Eatonov-Lambertov myastenický syndróm (C00-D48†)
E64.3	Následky rachitídy	G73.2	Iný myastenický synd. pri nádorovej chor.
E64.8	Následky iných nedostatkov vo výžive	G73.3	Myastenický syndróm pri iných chor.z.i.
E64.9	Následky bližšie neurčených nedostatkov vo výžive	G73.4	Myopatia pri infekčných a parazitových chor.z.i.
E68	Následok nadmernej výživy	G73.5	Myopatia pri endokrinných chorobách
E87.7	Preťaženie tekutinou	G73.6	Myopatia pri metabolických chorobách
E90	Nutričná a metab.por.pri chor.z.i.	G73.7	Myopatia pri iných chorobách zatriedených inde
F00.0	Demencia pri Alzheimerovej chor.so skorým začiat.(typ 2)	G82.60	Funkčná úroveň pri poškodení miechy: C1 – C3
F00.1	Demencia pri Alzheimerovej chor.s neskorým začiat.(typ 1)	G82.61	Funkčná úroveň pri poškodení miechy: C4 – C5
F00.2	Demencia pri Alzheimerovej chor.,atypická/zmiešaná forma	G82.62	Funkčná úroveň pri poškodení miechy: C6 – C8
F00.9	Demencia pri Alzheimerovej chorobe,b.n.	G82.63	Funkčná úroveň pri poškodení miechy: Th1 – Th6

Kód	Popis	Kód	Popis
G82.64	Funkčná úroveň pri poškodení miechy: Th7 – Th10	I25.29	Starý infarkt myokardu, bližšie neurčený
G82.65	Funkčná úroveň pri poškodení miechy: Th11 – L1	I32.0	Perikarditída pri bakt.chor.z.i.
G82.66	Funkčná úroveň pri poškodení miechy: L2 – S1	I32.1	Perikarditída pri i.infekč.a parazit.chor.z.i.
G82.67	Funkčná úroveň pri poškodení miechy: S2 – S5	I32.8	Perikarditída pri iných chorobách zatriedených inde
G82.69	Funkčná úroveň pri poškod.miechy bliž.neur.	I39.0	Choroba mitrál.chlopne pri chorobách zatried.i.
G94.0	Hydrocefalus pri infekčných a parazitových chor.z.i	I39.1	Choroba aortál.chlopne pri chorobách zatried.i.
G94.1	Hydrocefalus pri nádorovej chorobe (C00-D48†)	I39.2	Choroba trikuspid.chlopne pri chorobách zatried.i.
G94.2	Hydrocefalus pri iných chorobách zatriedených inde	I39.3	Choroba pulmonál.chlopne pri chorobách zatried.i.
G94.8	Iná choroba mozgu pri chorobách zatriedených inde,b.u.	I39.4	Choroba viacerých chlopni pri chorobách.zatried.i.
G99.0	Autonómna neuropatia pri endokrin.a metabol.chorobách	I39.8	Endokarditída n.chlopne pri chor.z.i.
G99.1	Iná choroba autonómnej nervovej súst.pri iných chor.z.i.	I41.0	Myokarditída pri baktériových chor.z.i.
G99.2	Myelopatia pri chorobách zatriedených inde	I41.1	Myokarditída pri vírusových chor.z.i.
G99.8	Iná choroba nervovej súst.pri chorobách zatried.i.,b.u.	I41.2	Myokarditída pri i.infekč.a parazit.chorobách zatried.i.
H03.0	Parazitové zamorenie mihalnice pri chor.zatried.i.	I41.8	Myokarditída pri iných chorobách zatriedených inde
H03.1	Postihnutie mihalnice pri iných infekčných chor.zatried.i.	I43.0	Kardiomyopatia pri infekč.a parazit.chorobách zatried.i.
H03.8	Postihnutie mihalnice pri iných chorobách zatried.i.	I43.1	Kardiomyopatia pri metabolických chorobách
H06.0	Choroba slzných orgánov pri chorobách z.i.	I43.2	Kardiomyopatia pri poruchách výživy
H06.1	Parazitové zamorenie očnice pri chorách z.i.	I43.8	Kardiomyopatia pri iných chorobách zatried.i.
H06.2	Exoftalmus pri poruche funkcie štítnej žľazy (E05.-†)	I52.0	Iná choroba srdca pri baktériových chor.z.i.
H06.3	Iná choroba očnice pri chorobách zatriedených inde	I52.1	Iná choroba srdca pri i.infekč.a parazit.chor.z.i.
H13.0	Filáriová infekcia spojovky (B74.-†)	I52.8	Iná choroba srdca pri iných chor.z.i.
H13.1	Konjunktivitída pri infekčných a parazit.chor.z.i.	I67.80	Vazospazmy pri subarachnoidálnom krvácaní
H13.2	Konjunktivitída pri iných chorobách zatried.i.	I68.0	Mozgová amyloidová angiopatia
H13.3	Očný pemfigoid (L12.-†)	I68.1	Mozgová arteritída pri infekč.a parazit.chorobách z.i.
H13.8	Iná choroba spojovky pri chorobách zatried.i.	I68.2	Mozgová arteritída pri iných chorobách .zatried.i.
H19.0	Skleritída a episkleritída pri chorobách zatried.i.	I68.8	Iná cievna choroba mozgu pri chorobách zatried.i.
H19.1	Herpetická keratitída a keratokonjunktivitída (B00.5†)	I69.0	Následky subarachnoidálneho krvácania
H19.2	Keratitída a keratokonjunkt.pri i.infekč.a parazit.chor.z.i.	I69.1	Následky vnútromozgového krvácania
H19.3	Keratitída a keratokonjunkt.pri iných chorob.zatried.i.	I69.2	Následky iného neúrazového intrakraniálneho krvácania
H19.8	Iná choroba očného bielka a rohovky pri chorách z.i.	I69.3	Následky mozgového infarktu
H22.0	Iridocyklitída pri inf.a paraz.chor.z.i.	I69.4	Následky cievnej mozg.príhody bliž.neu.ako krvác./infarkt
H22.1	Iridocyklitída pri iných chorobách zatried.i.	I69.8	Následky iných a bliž.neu.cievnych chor.mozgu
H22.8	Iná choroba dúhovky a vráskovca pri chor.z.i.	I79.0	Aneurizma aorty pri chorobách zatriedených inde
H28.0	Diabetická katarakta (E10-E14, štvrtá pozícia .3†)	I79.1	Aortitída pri chorobách zatriedených inde
H28.1	Zákal šošovky pri i.endokrin.,nutričných a metabol.chor.	I79.2	Periféra angiopatia pri chor.z.i.
H28.2	Zákal šošovky pri iných chorobách zatriedených inde	I79.8	Iná choroba tepien,tepničiek a vlásočnic pri chor.,z.i.
H28.8	Iná choroba šošovky pri chorobách zatriedených inde	I98.0	Kardiovaskulárny syfilis
H32.0	Chorioretinitída pri infekčných a parazit.chorobách z.i.	I98.1	Porucha obeh.súst.pri iných infekč.a parazit.chor.z.i.
H32.8	Iná choroba cievovky a sietnice pri chorobách z.i.	I98.2	Varixy pažeráka a žalúdka pri chorobách zatried.i.bez krvác.
H36.0	Diabetická retinopatia	I98.3	Varixy pažeráka a žalúdka pri chorobách zatried.i.s krvác.
H36.8	Iná choroba sietnice pri chor.z.i.	I98.8	Iná bliž.urč.porucha obehovej súst.pri chorobách z.i.
H42.0	Glaukóm pri endokrin.,nutričných a metabol.chor.z.i.	J17.0	Zápal pľúc pri baktériových chorobách z.i.
H42.8	Glaukóm pri iných chorobách zatriedených inde	J17.1	Zápal pľúc pri vírusových chorobách z.i.
H45.0	Krvácanie do sklovca pri chorobách z.i.	J17.2	Zápal pľúc pri mykózach zatriedených inde
H45.1	Endoftalmitída pri chorobách zatriedených inde	J17.3	Zápal pľúc pri parazitových chorobách
H45.8	Iná choroba sklovca a očnej gule pri chor.z.i.	J17.8	Zápal pľúc pri iných chorobách zatriedených inde
H48.0	Atrofia zrakového nervu pri chorách z.i.	J91	Pohrudnicový výpotok pri chor.z.i.
H48.1	Retinobulbárna neuritída pri chorobách z.i.	J99.0	Reumatoidná choroba pľúc (M05.1-†)
H48.8	Iná choroba zrakového nervu a zrak.dráh pri chor.z.i.	J99.1	Choroba dýchac.súst.pri i.difúzných chor.spojiv.tkan.
H58.0	Anomálie funkcie zrenice pri chor.z.i.	J99.8	Choroba dýchac.súst.pri iných chorobách z.i.
H58.1	Poruchy videnia pri chorobách zatriedených inde	K23.0	Tuberkulóza pažeráka (A18.8†)
H58.8	Iná choroba oka a jeho adnexov,bliž.urč. pri chor.z.i.	K23.1	Megaezofág pri Chagasovej chorobe (B57.3†)
H62.0	Zápal vonkajšieho ucha pri baktériov.chor.z.i.	K23.8	Choroba pažeráka pri i.chorobe,z.i.
H62.1	Zápal vonkajšieho ucha pri vírusových chor.z.i.	K67.0	Zápal pobrušnice,zapričinený chlamýdiami (A74.8†)
H62.2	Zápal vonkajšieho ucha pri mykózach z.i.	K67.1	Gonokokový zápal pobrušnice (A54.8†)
H62.3	Zápal vonkajšieho ucha pri iných infekč.a parazit.chor.z.i.	K67.2	Syfilitický zápal pobrušnice (A52.7†)
H62.4	Zápal vonkajšieho ucha pri iných chorobách z.i.	K67.3	Tuberkulózný zápal pobrušnice (A18.3†)
H62.8	Iná choroba vonkajšieho ucha pri chorobách z.i.	K67.8	Iná choroba pobrušnice pri infekč.chor.z.i.
H67.0	Zápal stredného ucha pri baktér.chor.z.i.	K72.71	Pečeňová encefalopatia,1.stupeň
H67.1	Zápal stredného ucha pri vírus.chor.z.i.	K72.72	Pečeňová encefalopatia,2.stupeň
H67.8	Zápal stredného ucha pri iných chor.z.i.	K72.73	Pečeňová encefalopatia,3.stupeň
H75.0	Mastoiditída pri infekč.a parazit.chorobách z.i.	K72.74	Pečeňová encefalopatia,4.stupeň
H75.8	Iná choroba sred.ucha a hlávk.výbež.,bliž.urč.,pri chor.z.i.	K72.79	Pečeňová encefalopatia neurčeného stupňa
H82	Závratový syndróm pri chorobách zatriedených inde	K77.0	Pečeňová porucha pri infekč./parazit.chor.z.i.
H94.0	Zápal sluch.nervu pri infekč.a parazit.chor.z.i.	K77.11	Postihnutie pečene pri akút.chor.štetu proti host.GvH,1.štád.
H94.8	Iná bliž.urč.choroba ucha pri chorobách zatried.i.	K77.12	Postihnutie pečene pri akút.chor.štetu proti host.GvH,2.štád.
I25.20	Starý infarkt myokardu,od 29 dní až po 4 mesiace	K77.13	Postihnutie pečene pri akút.chor.štetu proti host.GvH,3.štád.
I25.21	Starý infarkt myokardu,od 4 mesiacov až po 1 rok	K77.14	Postihnutie pečene pri akút.chor.štetu proti host.GvH,4.štád.
I25.22	Starý infarkt myokardu,od 1 roka vyššie	K77.8	Pečeňová porucha pri iných chorobáchz.i.

Kód	Popis	Kód	Popis
K87.0	Choroba žľazníka a žľaz. ciest pri chor.z.i.	M01.47	Artritída pri ružienke v obl.čl.a nohy
K87.1	Choroby pankreasu pri chorobách zatriedených inde	M01.48	Artritída pri ružienke na i.mieste
K93.0	TBC čriev,pobrušnice a lymfatických uzlín mezenteria	M01.49	Artritída pri ružienkeni na n. mieste
K93.1	Megakolon pri Chagasovej chorobe (B57.3†)	M01.50	Artritída pri i.vírus.chor.zatried.i.na viac.m.
K93.21	Postihnutie tráv.trub.pri akút.chor.štetu proti host.GvH,1.št.	M01.51	Artritída pri i.vírus.chor.zatried.i.v obl.pleca
K93.22	Postihnutie tráv.trub.pri akút.chor.štetu proti host.GvH,2.št.	M01.52	Artritída pri i.vírus.chor.zatried.i.v obl.nadlaktia
K93.23	Postihnutie tráv.trub.pri akút.chor.štetu proti host.GvH,3.št.	M01.53	Artritída pri i.vírus.chor.zatried.i.v obl.predlak.
K93.24	Postihnutie tráv.trub.pri akút.chor.štetu proti host.GvH,4.št.	M01.54	Artritída pri i.vírus.chor.zatried.i.v obl.ruky
K93.8	Choroby i.tráviacich org.,b.u.,pri chorobách z.i.	M01.55	Artritída pri i.vírus.chor.zatried.i.panv.obl.a stehna
L14	Pluzgierová dermatóza pri choroba zatried.i.	M01.56	Artritída pri i.vírus.chor.zatried.i.v obl.predkol.
L45	Papuloskvamózna choroba kože pri chor.z.i.	M01.57	Artritída pri i.vírus.chor.zatried.i.v obl.čl.a nohy
L54.0	Erythema marginatum pri akútnej reumatickej horúčke	M01.58	Artritída pri i.vírus.chor.zatried.i.na i.mieste
L54.8	Erytém pri iných chorobách zatriedených inde	M01.59	Artritída pri i.vírus.chor.zatried.i.miesto bližš.neurč.
L62.0	Nechty tvaru hod.sklička pri pachydermoperiostóze	M01.60	Artritída pri mykózach na viac.m.
L62.8	Choroba nechty pri inej chorobe zatriedenej inde	M01.61	Artritída pri mykózach v obl.pleca
L86	Keratoderma pri chorobách zatriedených inde	M01.62	Artritída pri mykózach v obl.nadlaktia
L99.0	Amyloidóza kože (E85.-†)	M01.63	Artritída pri mykózach v obl. predlak.
L99.11	Postih.kože pri akút.chor.štetu proti hostit.GvHD:1.štád.	M01.64	Artritída pri mykózach v obl.ruky
L99.12	Postih.kože pri akút.chor.štetu proti hostit.GvHD:2.štád.	M01.65	Artritída pri mykózach panv.obl.a stehna
L99.13	Postih.kože pri akút.chor.štetu proti hostit.GvHD:3.štád.	M01.66	Artritída pri mykózach v obl.predkol.
L99.14	Postih.kože pri akút.chor.štetu proti hostit.GvHD:4.štád.	M01.67	Artritída pri mykózach v obl.čl. a nohy
L99.8	Iná choroba kože a podkožného tkaniva pri chor.zatried.i,b.u.	M01.68	Artritída pri mykózach na i.mieste
M01.00	Artritída zaprič.meningok.na viac.m.	M01.69	Artritída pri mykózach na mieste
M01.01	Artritída zaprič.meningok.v obl.pleca	M01.80	Artritída pri i.infekč.a parazit.chor.zatried.i.na viac.m.
M01.02	Artritída zaprič.meningok.v obl. nadlaktia	M01.81	Artritída pri i.infekč.a parazit.chor.zatried.i.v obl.pleca
M01.03	Artritída zaprič.meningok.v obl.predlak.	M01.82	Artritída pri i.infekč.a parazit.chor.zat.i.v obl.nadlaktia
M01.04	Artritída zaprič.meningok.v obl.ruky	M01.83	Artritída pri i.infekč.a parazit.chor.zatried.i.v obl.predlak.
M01.05	Artritída zaprič.meningok.panv.obl.a stehna	M01.84	Artritída pri i.infekč.a parazit.chor.zatried.i.v obl.ruky
M01.06	Artritída zaprič.meningok.v obl.predkol.	M01.85	Artritída pri i.inf.a parazit.chor.zatr.i.panv.obl.a stehna
M01.07	Artritída zaprič.meningok.v obl.čl.a nohy	M01.86	Artritída pri i.infekč.a parazit.chor.zatried.i.v obl.predkol.
M01.08	Artritída zaprič.meningok.na i.mieste	M01.87	Artritída pri i.infekč.a parazit.chor.zat.i.v obl.čl.a nohy
M01.09	Artritída zaprič.meningok.na n. mieste	M01.88	Artritída pri i.infekč.a parazit.chor.zatried.i.na i.mieste
M01.10	Tuberkulózna artritída na viac.m.	M01.89	Artritída pri i.infekč.a parazit.chor.zat.i.,m.bližš.neurč.
M01.11	TBC artritída v obl.pleca	M03.00	Artritída po meningokok.inf.na viac.m.
M01.12	TBC artritída nadlaktia	M03.01	Artritída po meningokok.inf.v obl.pleca
M01.13	TBC artritída predlak.	M03.02	Artritída po meningokok.inf.v obl.nadlaktia
M01.14	TBC artritída ruky	M03.03	Artritída po meningokok.inf.v obl.predlak.
M01.15	TBC artritída panv.obl.a stehna	M03.04	Artritída po meningokok.inf.v obl.ruk
M01.16	TBC artritída predkol.	M03.05	Artritída po meningokok.inf.v obl.panvy a stehna
M01.17	TBC artritída čl.a nohy	M03.06	Artritída po meningokok.inf.v obl.predkol.
M01.18	TBC artritída na i.mieste	M03.07	Artritída po meningokok.inf.v obl.čl.a nohy
M01.19	Tuberkulózna artritída na n.mieste	M03.08	Artritída po meningokok.inf.na i.mieste
M01.20	Artritída pri Lymsej chorobe na viac.m.	M03.09	Artritída po meningokok.inf.na i.mieste
M01.21	Artritída pri Lymsej chorobe v obl.pleca	M03.10	Poinfekčná artritída pri syfilise na viac.miestach
M01.22	Artritída pri Lymsej chorobe v obl.nadlaktiaze	M03.11	Poinfekčná artritída pri syfilise v obl.pleca
M01.23	Artritída pri Lymsej chorobe v obl.predlak.	M03.12	Poinfekčná artritída pri syfilise v obl.nadlaktia
M01.24	Artritída pri Lymsej chorobe v obl.ruky	M03.13	Poinfekčná artritída pri syfilise v obl.predlak.
M01.25	Artritída pri Lymsej chorobe panv.obl.a stehna	M03.14	Poinfekčná artritída pri syfilise v obl.ruky
M01.26	Artritída pri Lymsej chorobe v obl.predkol.	M03.15	Poinfekčná artritída pri syfilise v obl.panvy a stehna
M01.27	Artritída pri Lymsej chorobe v obl.čl.a nohy	M03.16	Poinfekčná artritída pri syfilise v obl.predkol.
M01.28	Artritída pri Lymsej chorobe na i.mieste	M03.17	Poinfekčná artritída pri syfilise v obl.čl. a nohy
M01.29	Artritída pri Lymsej chorobe miesto bližšie	M03.18	Poinfekčná artritída pri syfilise na i.mieste
M01.30	Artritída pri i.baktér.chor.zatried.i.na viac.m.	M03.19	Poinfekčná artritída pri syfilise miesto bližš.neurč.
M01.31	Artritída pri i.baktér.chor.zatried.i.obl.pleca	M03.20	Iné poidfek.artritída pri chor.zat.i.na viac.m
M01.32	Artritída pri i.baktér.chor.zatried.i.v obl.nadlaktia	M03.21	Iné poidfek.artritída pri chor.zat.i.v obl.pleca
M01.33	Artritída pri i.baktér.chor.zatried.i.v obl.predlak.	M03.22	Iné poidfek.artritída pri chor.zat.i.v obl.nadlaktia
M01.34	Artritída pri i.baktér.chor.zatried.i.v obl.ruky	M03.23	Iné poidfek.artritída pri chor.zat.i.v obl.predlak.
M01.35	Artritída pri i.baktér.chor.zatried.i.panv.obl.a stehna	M03.24	Iné poidfek.artritída pri chor.zat.i.v obl.ruky
M01.36	Artritída pri i.baktér.chor.zatried.i.v obl.predkol.	M03.25	Iné poidfek.artritída pri chor.zat.i.v obl.panv.a stehna.
M01.37	Artritída pri i.baktér.chor.zatried.i.v obl.čl.a nohy	M03.26	Iné poidfek.artritída pri chor.zat.i.v obl.predkol.
M01.38	Artritída pri i.baktér.chor.zatried.i.na i.mieste	M03.27	Iné poidfek.artritída pri chor.zat.i.v obl.čl.a nohy
M01.39	Artritída pri i.baktér.chor.zatried.i.miesto bližš.neurč.	M03.28	Iné poidfek.artritída pri chor.zat.i.na i.mieste
M01.40	Artritída pri ružienke na viac.m.	M03.29	Iné poidfek.artritída pri chor.zat.i.,miesto bližš.neurč.
M01.41	Artritída pri ružienke v obl.pleca.	M03.60	Reaktívna artritída pri i.chorobách z.i.,na viac.m.
M01.42	Artritída pri ružienke v obl.nadlaktia	M03.61	Reaktívna artritída pri i.chorobách z.i.v obl.pleca
M01.43	Artritída pri ružienke v obl.predlak.	M03.62	Reaktívna artritída pri i.chorobách z.i.v obl.nadlaktia
M01.44	Artritída pri ružienke v obl.ruky	M03.63	Reaktívna artritída pri i.chorobách z.i.v obl.predlak.
M01.45	Artritída pri ružienke panv.obl.a stehna	M03.64	Reaktívna artritída pri i.chorobách z.i.v obl.ruky
M01.46	Artritída pri ružienke v obl.predkol.	M03.65	Reaktívna artritída pri i.chorobách z.i.v obl.panv.a stehna

Kód	Popis	Kód	Popis
M03.66	Reaktívna artritída pri i.chorobách z.i.v obl.predkol.	M09.10	Juven.artritída pri Crohn.chor.,s postih.klb.na viac.m.
M03.67	Reaktívna artritída pri i.chorobách z.i.v obl.čl.a nohy	M09.11	Juven.artritída pri Crohn.chor.,s postih.klb.v obl.pleca
M03.68	Reaktívna artritída pri i.chorobách z.i.na i.mieste	M09.12	Juven.artritída pri Crohn.chor.,s postih.klb.nadlaktia
M03.69	Reaktívna artritída pri i.chorobách z.i.miesto bliž.neurč.	M09.13	Juven.artritída pri Crohn.chor.,s postih.klb.predlak.
M07.00	Distálna psoriatická artritída na viac.miestach	M09.14	Juven.artritída pri Crohn.chor.,s postih.klb.ruky
M07.04	Distálna psoriatická artritída ruy	M09.15	Juven.artritída pri Crohn.chor.,s postih.klb.panvy a stehna
M07.07	Distálna psoriatická artritída čl.a nohy	M09.16	Juven.artritída pri Crohn.chor.,s postih.klb.predkol.
M07.09	Distálna psoriatická artritída na n.mieste	M09.17	Juven.artritída pri Crohn.chor.,s postih.klb.čl.a nohy
M07.10	Arthritis mutilans, na viacerých miestach (L40.5†)	M09.18	Juven.artritída pri Crohn.chor.,s postih.klb.na i.mieste
M07.11	Arthritis mutilans v obl.pleca	M09.19	Juven.artritída pri Crohn.chor.,s postih.klb.na n.mieste
M07.12	Arthritis mutilans v obl.nadlaktia	M09.20	Juven.artritída pri ulcer.kolitíde,s postih.klb.na viac.m.
M07.13	Arthritis mutilans v obl. predlak.	M09.21	Juven.artritída pri ulcer.kolitíde,s postih.klb.v obl.pleca
M07.14	Arthritis mutilans v obl.ruky	M09.22	Juven.artritída pri ulcer.kolitíde,s postih.klb.nadlaktia
M07.15	Arthritis mutilans panv.obl.a stehna	M09.23	Juven.artritída pri ulcer.kolitíde,s postih.klb.predlak.
M07.16	Arthritis mutilans v obl.predkol.	M09.24	Juven.artritída pri ulcer.kolitíde,s postih.klb.ruky
M07.17	Arthritis mutilans v obl.čl.a nohy	M09.25	Juven.artritída pri ulcer.kolit.,s post.klb.panvy a stehna
M07.18	Arthritis mutilans na i.mieste	M09.26	Juven.artritída pri ulcer.kolitíde,s postih.klb.predkol.
M07.19	Arthritis mutilans na n.mieste	M09.27	Juven.artritída pri ulcer.kolitíde,s postih.klb.čl. a nohy
M07.2	Psoriatická spondylitída (L40.5†)	M09.28	Juven.artritída pri ulcer.kolitíde,s postih.klb.na i.mieste
M07.30	Iná psoriatická artritídana viac.m.	M09.29	Juven.artritída pri ulcer.kolitíde,s postih.klb.na n.mieste
M07.31	Iná psoriatická artritídav obl.pleca	M09.80	Juven.artritída pri i.chor.zatr.i.s postih.klb.na viac.m.
M07.32	Iná psoriatická artritídav obl.nadlaktia	M09.81	Juven.artritída pri i.chor.zatr.i.s postih.klb.v obl.pleca
M07.33	Iná psoriatická artritídav obl.predlak.	M09.82	Juven.artritída pri i.chor.zatr.i.s postih.klb.nadlaktia
M07.34	Iná psoriatická artritídav obl.ruky	M09.83	Juven.artritída pri i.chor.zatr.i.s postih.klb.predlak.
M07.35	Iná psoriatická artritídav obl.panv.a stehna	M09.84	Juven.artritída pri i.chor.zatr.i.s postih.klb.ruky
M07.36	Iná psoriatická artritídav obl.predkol.	M09.85	Juven.artritída pri i.chor.zatr.i.s postih.klb.panvy a stehna
M07.37	Iná psoriatická artritídav obl.čl.a nohy	M09.86	Juven.artritída pri i.chor.zatr.i.s postih.klb.predkol.
M07.38	Iná psoriatická artritídana i.mieste	M09.87	Juven.artritída pri i.chor.zatr.i.s postih.klb.čl.a nohy
M07.39	Iná psoriatická artritídana n.mieste	M09.88	Juven.artritída pri i.chor.zatr.i.s postih.klb.na i.mieste
M07.40	Artritída pri Crohn.chor.s postih.klbov na viac.m.	M09.89	Juven.artritída pri i.chor.zatr.i.s postih.klb.,m.bliž.neurč.
M07.41	Artritída pri Crohn.chor.s postih.klbov v obl.pleca	M14.0	Dnová artropatia,zaprič.enzym.defektmi a i.dedič.poruchami
M07.42	Artritída pri Crohn.chor.s postih.klbov nadlaktia	M14.1	Kryštalová artropat.pri i.metabolic.poruchách z.i.
M07.43	Artritída pri Crohn.chor.s postih.klbov predlak.	M14.2	Diabetická artropatia (E10-E14, štvrtá pozícia .6†)
M07.44	Artritída pri Crohn.chor.s postih.klbov ruky	M14.3	Multicentrická retikulohistiocytóza (E78.8†)
M07.45	Artritída pri Crohn.chor.s postih.klbov panvy a stehna	M14.4	Artropatia pri amyloidóze (E85.-†)
M07.46	Artritída pri Crohn.chor.s postih.klbov predkol.	M14.5	Artropatia pri i.endokrin.nutričných a metabol.chorobách
M07.47	Artritída pri Crohn.chor.s postih.klbov čl.a nohy	M14.6	Neuropatická artropatia
M07.48	Artritída pri Crohn.chor.s postih.klbov na i.mieste	M14.8	Artropatia pri i.bliž.urč.chorobách zatried.i.
M07.49	Artritída pri Crohn.chor.s postih.klbov na n.mieste	M36.0	Dermatomyozitída – polymyozitída pri nádorovej chorobe
M07.50	Artritída pri ulcer.kolitíde s postih.klbov na viac.m.	M36.1	Artropatia pri nádorovej chorobe
M07.51	Artritída pri ulcer.kolitíde s postih.klbov v obl.pleca	M36.2	Hemofilická artropatia
M07.52	Artritída pri ulcer.kolitíde s postih.klbov nadlaktia	M36.3	Artropatia pri i.chorobách krvi zatried.i.
M07.53	Artritída pri ulcer.kolitíde s postih.klbov predlak.	M36.4	Artropatia pri hypersenzitívnych reakciách zatried.i.
M07.54	Artritída pri ulcer.kolitíde s postih.klbov ruky	M36.8	Systémové choroba spojiva pri i.chorobách zatried.i.
M07.55	Artritída pri ulcer.kolitíde s postih.klbov pan.a stehna	M49.00	Tuberkulóza chrbtice na viacerých miestach
M07.56	Artritída pri ulcer.kolitíde s postih.klbov predkol.	M49.01	TBC chrbtice v okcip.-atl.-axiál.obl.
M07.57	Artritída pri ulcer.kolitíde s postih.klbov čl.a nohy	M49.02	Tuberkulóza chrbtice v krčnej oblasti (A18.0†)
M07.58	Artritída pri ulcer.kolitíde s postih.klbov na i.mieste	M49.03	TBC chrbtice v krčnohrudníkovej oblasti
M07.59	Artritída pri ulcer.kolitíde s postih.klbov na n.mieste	M49.04	Tuberkulóza chrbtice v hrudníkovej oblasti (A18.0†)
M07.60	Iná enteropatická artritída na viacerých miestach	M49.05	TBC chrbtice v hrudníkovodriekovej oblasti
M07.61	Iná enteropatická artritída obl.pleca	M49.06	Tuberkulóza chrbtice v driekovej oblasti (A18.0†)
M07.62	Iná enteropatická artritída nadlaktia	M49.07	TBC chrbtice v driekovokřížovej oblasti
M07.63	Iná enteropatická artritída predlak.	M49.08	TBC chrbtice v križ.a križovokostrč.oblasti
M07.64	Iná enteropatická artritída ruky	M49.09	Tuberkulóza v neurčenej oblasti chrbtice (A18.0†)
M07.65	Iná enteropatická artritída panv.obl.a stehna	M49.10	Brucelová spondylitída na viac.m.chrbt.
M07.66	Iná enteropatická artritída predkol.	M49.11	Brucelová spondylitída v okcip.-atl.-axiál.obl.
M07.67	Iná enteropatická artritída čl.a nohy	M49.12	Brucelová spondylitída v krčnej oblasti (A23.-†)
M07.68	Iná enteropatická artritída na i.mieste	M49.13	Brucelová spondylitída v krčnohrudník.oblasti
M07.69	Iná enteropatická artritída,miesto bliž.neurč.	M49.14	Brucelová spondylitída v hrudníkovej oblasti
M09.00	Juven.artritída pri psoriáze,s postih.klb.na viac.m.	M49.15	Brucelová spondylitída v hrudníkovodriek.oblasti
M09.01	Juven.artritída pri psoriáze,s postih.klb.v obl.pleca	M49.16	Brucelová spondylitída v driekovej oblasti (A23.-†)
M09.02	Juven.artritída pri psoriáze,s postih.klb.nadlaktia	M49.17	Brucelová spondylitída v driekovokřížovej oblasti
M09.03	Juven.artritída pri psoriáze,s postih.klb.predlak.	M49.18	Brucelová spondylitída v križ.a križovokostrč.oblasti
M09.04	Juven.artritída pri psoriáze,s postih.klb.ruky	M49.19	Brucelová spondylitída v b.n.obl.
M09.05	Juven.artritída pri psoriáze,s postih.klb.panvy a stehna	M49.20	Enterobaktériová spondylitída a na viac.m.chrbtice
M09.06	Juven.artritída pri psoriáze,s postih.klb.predkol.	M49.21	Enterobaktériová spondylitída v okcip.-atl.-axiál.obl.
M09.07	Juven.artritída pri psoriáze,s postih.klb.čl.a nohy	M49.22	Enterobaktériová spondylitída v krčnej oblasti
M09.08	Juven.artritída pri psoriáze,s postih.klb.na i.mieste	M49.23	Enterobaktériová spondylitída v krčnohrud.oblasti
M09.09	Juven.artritída pri psoriáze,s postih.klb.na n.mieste	M49.24	Enterobaktériová spondylitída v hrudník.oblasti

Kód	Popis	Kód	Popis
M49.25	Enterobaktériová spondylitída v hrudníkovodriek.oblasti	M63.24	Myozitída pri inej infek.chorobe zatried.i.v obl.ruky
M49.26	Enterobaktériová spondylitída v driekovej oblasti	M63.25	Myozitída pri inej infek.chorobe zatried.i.v obl.pan.a stehna
M49.27	Enterobaktériová spondylitída v driekovokríž.oblasti	M63.26	Myozitída pri inej infek.chorobe zatried.i.v obl.predkol.
M49.28	Enterobaktériová spondylitída v kríž.a krížovokostř.oblasti	M63.27	Myozitída pri inej infek.chorobe zatried.i.v obl.čl.a nohy
M49.29	Enterobaktériová spondylitída v neurčenej oblasti	M63.28	Myozitída pri inej infek.chorobe zatried.i.na i.mieste
M49.30	Spondylopat.pri i.inf/paraz.chor.zatried.i.na viac.m.chrbt.	M63.29	Myozitída pri inej infek.chorobe zatried.i.,miesto bliž.neurč.
M49.31	Spondylopat.pri i.inf/paraz.chor.zatried.i.v ok.-atl.-ax.-o.	M63.30	Myozitída pri sarkoidóze na viac.m.
M49.32	Spondylopat.pri i.inf/paraz.chor.zatried.i.v krčnej obl.	M63.31	Myozitída pri sarkoidóze,v obl.pleca
M49.33	Spondylopat.pri i.inf/paraz.chor.zatried.i.v krč.hrud.obl.	M63.32	Myozitída pri sarkoidóze,v obl.nadlaktia
M49.34	Spondylopat.pri i.inf/paraz.chor.zatried.i.v hrud.obl.	M63.33	Myozitída pri sarkoidóze,v obl.predlak.
M49.35	Spondylopat.pri i.inf/paraz.chor.zatried.i.v hrud.driek.obl.	M63.34	Myozitída pri sarkoidóze,v obl.ruky
M49.36	Spondylopat.pri i.inf/paraz.chor.zatried.i.v driek.obl.	M63.35	Myozitída pri sarkoidóze,v obl.panv.a stehna
M49.37	Spondylopat.pri i.inf/paraz.chor.zatried.i.v driek.kríž.obl.	M63.36	Myozitída pri sarkoidóze,v obl.predkol.
M49.38	Spondylopat.pri i.inf/paraz.chor.z.i.v kríž.a kríž.kostrč.obl.	M63.37	Myozitída pri sarkoidóze,v obl.čl. a nohy
M49.39	Spondylopat.pri i.inf/paraz.chor.zatried.i.oblasť bliž.neurč.	M63.38	Myozitída pri sarkoidóze,na i.mieste
M49.40	Neuropatická spondylopatia na viac.m.chrbt.	M63.39	Myozitída pri sarkoidóze,miesto bliž.neurč.
M49.41	Neuropatická spondylopatia v okcip.-atl.-axiál.obl.	M63.80	Iné choroby svalov pri chor.zatried.i.na viac.m.
M49.42	Neuropatická spondylopatia v krčnej oblasti	M63.81	Iné choroby svalov pri chor.zatried.i.v obl.pleca
M49.43	Neuropatická spondylopatia v krčnohrud. obl.	M63.82	Iné choroby svalov pri chor.zatried.i.v obl.nadlaktia
M49.44	Neuropatická spondylopatia v hrudníkovej oblasti	M63.83	Iné choroby svalov pri chor.zatried.i.v obl.predlak.
M49.45	Neuropatická spondylopatia v hrudníkovodriek.obl.	M63.84	Iné choroby svalov pri chor.zatried.i.v obl.ruky
M49.46	Neuropatická spondylopatia v driekovej oblasti	M63.85	Iné choroby svalov pri chor.zatried.i.v obl.pan.a stehna
M49.47	Neuropatická spondylopatia v driekovokríž.j obl.	M63.86	Iné choroby svalov pri chor.zatried.i.v obl.predkol.
M49.48	Neuropatická spondylopatia v kríž.a krížovokostř.obl.	M63.87	Iné choroby svalov pri chor.zatried.i.v obl.čl.a nohy
M49.49	Neuropatická spondylopatia v neurčenej oblasti chrbtice	M63.88	Iné choroby svalov pri chor.zatried.i.na i.mieste
M49.50	Kompresia tela stavca pri chorobe zatried.i.,na viac.m.chrbt.	M63.89	Iné choroby svalov pri chor.zatried.i.,miesto bliž.neurč.
M49.51	Kompresia tela stavca pri chorobe zatr.i.,okcip.-atl.axiál.o.	M68.00	Synovit.a tendosynovit.pri baktér.chor.zatried.i.na viac.m.
M49.52	Kompresia tela stavca pri chorobe zatr.i.,v krčnej obl.	M68.01	Synovit.a tendosynovit.pri baktér.chor.zatried.i.v obl.pleca
M49.53	Kompresia tela stavca pri chorobe zatr.i.,v krčnohrud.obl.	M68.02	Synovit.a tendosynovit.pri baktér.chor.zat.i.v obl.nadlaktia
M49.54	Kompresia tela stavca pri chorobe zatr.i.,v hrudník.obl.	M68.03	Synovit.a tendosynovit.pri baktér.chor.zat.i.v obl.predlak.
M49.55	Kompresia tela stavca pri chor.zatr.i.,v hrudník.driek.obl.	M68.04	Synovit.a tendosynovit.pri baktér.chor.zatried.i.v obl.ruky
M49.56	Kompresia tela stavca pri chorobe zatr.i.,v driekovej obl.	M68.05	Synovit.a tendosynovit.pri baktér.chor.zat.i.v obl.pan.a steh.
M49.57	Kompresia tela stavca pri chorobe zatr.i.,v driek.kríž.obl.	M68.06	Synovit.a tendosynovit.pri baktér.chor.zat.i.v obl.predkol.
M49.58	Kompresia tela stavca pri chor.zatr.i.,kríž.a kríž.kostrč.obl.	M68.07	Synovit.a tendosynovit.pri baktér.chor.zat.i.v obl.čl.a nohy
M49.59	Kompresia tela stavca pri chor.zatr.i.,oblasť bliž.neurč.	M68.08	Synovit.a tendosynovit.pri baktér.chor.zatried.i.na i.mieste
M49.80	Spondylopatia pri i.chorobe zatried.i.na viac.m.chrbt.	M68.09	Synovit.a tendosynovit.pri baktér.chor.zatried.i.na i.mieste
M49.81	Spondylopatia pri i.chorobe zatried.i.v okcip.atl.axiál.obl.	M68.80	Iná chor.synov.blany a šliach pri chor.zatried.i.na viac.m.
M49.82	Spondylopatia pri i.chorobe zatried.i.v krčnej obl.	M68.81	Iná chor.synov.blany a šliach pri chor.zatried.i.v obl.pleca
M49.83	Spondylopatia pri i.chorobe zatried.i.v krč.hrud.obl.	M68.82	Iná chor.synov.blany a šliach pri chor.zatried.i.obl.nadlaktia
M49.84	Spondylopatia pri i.chorobe zatried.i.v hrud.obl.	M68.83	Iná chor.synov.blany a šliach pri chor.zatr.i.v obl.predlak.
M49.85	Spondylopatia pri i.chorobe zatried.i.v hrud.driek.obl.	M68.84	Iná chor.synov.blany a šliach pri chor.zatr.i.v obl.ruky
M49.86	Spondylopatia pri i.chorobe zatried.i.v driek.obl.	M68.85	Iná chor.synov.blany a šliach pri chor.zatr.i.v.o.pan.a steh.
M49.87	Spondylopatia pri i.chorobe zatried.i.v driek.kríž.obl.	M68.86	Iná chor.synov.blany a šliach pri chor.zatr.i.obl.predkol.
M49.88	Spondylopatia pri i.chorobe zatr.i.v kríž.a kríž.kostrč.obl.	M68.87	Iná chor.synov.blany a šliach pri chor.zatr.i.obl.čl. a nohy
M49.89	Spondylopatia pri i.chorobe.zatried.i.v neurč.oblasti	M68.88	Iná chor.synov.blany a šliach pri chor.zatried.i.v inej obl.
M63.00	Myozitída pri baktériovej chorobe zatried.i.na viac.m.	M68.89	Iná chor.synov.blany a šliach pri chor.zatr.i.,m.bliž.neurč.
M63.01	Myozitída pri baktériovej chorobe zatried.i.v obl.pleca	M73.00	Gonokoková burzitída na viacerých miestach (A54.4†)
M63.02	Myozitída pri baktériovej chorobe zatried.i.v obl.nadlaktia	M73.01	Gonokokov burzitída v obl.pleca
M63.03	Myozitída pri baktériovej chorobe zatried.i.v obl.predlak.	M73.02	Gonokokov burzitída nadlaktia
M63.04	Myozitída pri baktériovej chorobe zatried.i.v obl.ruky	M73.03	Gonokokov burzitída predlak.
M63.05	Myozitída pri baktériovej chor.zatried.i.v obl.panvy a stehna	M73.04	Gonokokov burzitída ruky
M63.06	Myozitída pri baktériovej chorobe zatried.i.v obl.predkol.	M73.05	Gonokokov burzitída panv.obl.a stehna
M63.07	Myozitída pri baktériovej chorobe zatried.i.v obl.čl.a nohy	M73.06	Gonokokov burzitída predkol.
M63.08	Myozitída pri baktériovej chorobe zatried.i.na i.mieste	M73.07	Gonokokov burzitída čl.a nohy
M63.09	Myozitída pri baktériovej chorobe zatried.i.,miesto bliž.neurč.	M73.08	Gonokokov burzitída na i.mieste
M63.10	Myozitída pri prvoko.a parazit.infek.zatried.i.na viac.m.	M73.09	Gonokokov burzitída,miesto bliž.neurč.
M63.11	Myozitída pri prvoko.a parazit.infek.zatried.i.v obl.pleca	M73.10	Syfilitická burzitída na viac.m.
M63.12	Myozitída pri prvoko.a parazit.infek.zatried.i.v obl.nadlaktia	M73.11	Syfilitická burzitída v obl.pleca
M63.13	Myozitída pri prvoko.a parazit.infek.zatried.i.v obl.predlak.	M73.12	Syfilitická burzitída nadlaktia
M63.14	Myozitída pri prvoko.a parazit.infek.zatried.i.v obl.ruky	M73.13	Syfilitická burzitída predlak.
M63.15	Myozitída pri prvoko.a parazit.infek.zatr.i.v obl.pan.a steh.	M73.14	Syfilitická burzitída ruky
M63.16	Myozitída pri prvoko.a parazit.infek.zatried.i.v obl.predkol.	M73.15	Syfilitická burzitída panv.obl.a stehna
M63.17	Myozitída pri prvoko.a parazit.infek.zatried.i.v obl.čl.a nohy	M73.16	Syfilitická burzitída predkol.
M63.18	Myozitída pri prvoko.a parazit.infek.zatried.i.na i.mieste	M73.17	Syfilitická burzitída čl.a nohy
M63.19	Myozitída pri prvoko.a parazit.infek.zatr.i.,miesto bliž.neurč.	M73.18	Syfilitická burzitída na i.mieste
M63.20	Myozitída pri inej infek.chorobe zatried.i.na viac.m.	M73.19	Syfilitická burzitída ,miesto bliž.neurč.
M63.21	Myozitída pri inej infek.chorobe zatried.i.v obl.pleca	M73.80	Iné choroby mäk.tkan.pri chor.zatried.i.na v.miast
M63.22	Myozitída pri inej infek.chorobe zatried.i.v obl.nadlaktia	M73.81	Iné choroby mäk.tkan.pri chor.zatried.i.v obl.pleca
M63.23	Myozitída pri inej infek.chorobe zatried.i.v obl.predlak.	M73.82	Iné choroby mäk.tkan.pri chor.zatried.i.v obl.nadlaktia

Kód	Popis	Kód	Popis
M73.83	Iné choroby mäkk.tkan.pri chor.zatried.i.v obl.predlak.	M90.32	Osteonekróza pri kesónovej chor.v obl.nadlaktia
M73.84	Iné choroby mäkk.tkan.pri chor.zatried.i.v obl.ruky	M90.33	Osteonekróza pri kesónovej chor.v obl.predlak.
M73.85	Iné choroby mäkk.tkan.pri chor.zatried.i.v obl.panvy a stehna	M90.34	Osteonekróza pri kesónovej chor.v obl.ruky
M73.86	Iné choroby mäkk.tkan.pri chor.zatried.i.v obl.predkol.	M90.35	Osteonekróza pri kesónovej chor.v obl.panvy a stehna
M73.87	Iné choroby mäkk.tkan.pri chor.zatried.i.v obl.čl.a nohy	M90.36	Osteonekróza pri kesónovej chor.v obl.predkol.
M73.88	Iné choroby mäkk.tkan.pri chor.zatried.i.na i.mieste	M90.37	Osteonekróza pri kesónovej chor.v obl.čl.a nohy
M73.89	Iné choroby mäkk.tkan.pri chor.zatried.i.,miesto bliž.neurč.	M90.38	Osteonekróza pri kesónovej chor.na i.mieste
M82.00	Osteoporóza pri mnohopoč.myelóme na viac.m.	M90.39	Osteonekróza pri kesónovej chor.miesto bliž.neurč.
M82.01	Osteoporóza pri mnohopoč.myelóme v obl.pleca	M90.40	Osteonekróza zaprič.hemoglobinopatiou,na viac.m.(D50-D64†)
M82.02	Osteoporóza pri mnohopoč.myelóme v obl.nadlaktia	M90.41	Osteonekróza zaprič.hemoglobinopat.v obl.pleca
M82.03	Osteoporóza pri mnohopoč.myelóme v obl.predlak.	M90.42	Osteonekróza zaprič.hemoglobinopat.v obl.nadlaktia
M82.04	Osteoporóza pri mnohopoč.myelóme v obl.ruky	M90.43	Osteonekróza zaprič.hemoglobinopat.v obl.predlak.
M82.05	Osteoporóza pri mnohopoč.myelóme v obl.panvy a stehna	M90.44	Osteonekróza zaprič.hemoglobinopat.v obl.ruky
M82.06	Osteoporóza pri mnohopoč.myelóme v obl.predkol.	M90.45	Osteonekróza zaprič.hemoglobinopat.v obl.panvy a stehna
M82.07	Osteoporóza pri mnohopoč.myelóme v obl.čl.a nohy	M90.46	Osteonekróza zaprič.hemoglobinopat.v obl.predkol.
M82.08	Osteoporóza pri mnohopoč.myelóme na i.mieste	M90.47	Osteonekróza zaprič.hemoglobinopat.v obl.čl.a nohy
M82.09	Osteoporóza pri mnohopoč.myelóme,miesto bliž.neurč.	M90.48	Osteonekróza zaprič.hemoglobinopat.,na i.mieste
M82.10	Osteoporóza pri chor.žliaz s vnútor.vyluč.na viac.m.	M90.49	Osteonekróza zaprič.hemoglobinopat.,miesto bliž.neurč.
M82.11	Osteoporóza pri chor.žliaz s vnútor.vyluč.v obl.pleca	M90.50	Osteonekróza pri.iných chor.zatried.i.na viac.m.
M82.12	Osteoporóza pri chor.žliaz s vnútor.vyluč.v obl.nadlaktia	M90.51	Osteonekróza pri.iných chor.zatried.i.v obl.pleca
M82.13	Osteoporóza pri chor.žliaz s vnútor.vyluč.v obl.predlak.	M90.52	Osteonekróza pri.iných chor.zatried.i.v obl.nadlaktia
M82.14	Osteoporóza pri chor.žliaz s vnútor.vyluč.v obl.ruky	M90.53	Osteonekróza pri.iných chor.zatried.i.v obl.predlak.
M82.15	Osteoporóza pri chor.žliaz s vnútor.vyluč.v obl.a stehn.	M90.54	Osteonekróza pri.iných chor.zatried.i.v obl.ruky
M82.16	Osteoporóza pri chor.žliaz s vnútor.vyluč.v obl.predko.	M90.55	Osteonekróza pri.iných chor.zatried.i.v obl.panvy a stehna
M82.17	Osteoporóza pri chor.žliaz s vnútor.vyluč.v obl.čl.a nohy	M90.56	Osteonekróza pri.iných chor.zatried.i.v obl.predkol.
M82.18	Osteoporóza pri chor.žliaz s vnútor.vyluč.na inom.m.	M90.57	Osteonekróza pri.iných chor.zatried.i.v obl.čl.a nohy
M82.19	Osteoporóza pri chor.žliaz s vnútor.vyluč.,miesto bliž.neurč.	M90.58	Osteonekróza pri.iných chor.zatried.i.na i.mieste
M82.80	Osteoporóza pri iných chor.zatried.i.na viac.m.	M90.59	Osteonekróza pri.iných chor.zatried.i.miesto bliž.neurč.
M82.81	Osteoporóza pri iných chor.zatried.i.v obl.pleca	M90.60	Deform.osteodystrofia pri nádoroch,na viac.m.
M82.82	Osteoporóza pri iných chor.zatried.i.v obl.nadlaktia	M90.61	Deform.osteodystrofia pri nádoroch,v obl.pleca
M82.83	Osteoporóza pri iných chor.zatried.i.v obl.predlak.	M90.62	Deform.osteodystrofia pri nádoroch,v obl.nadlaktia
M82.84	Osteoporóza pri iných chor.zatried.i.v obl.ruky	M90.63	Deform.osteodystrofia pri nádoroch,v obl.predlak.
M82.85	Osteoporóza pri iných chor.zatried.i.v obl.panvy a stehna	M90.64	Deform.osteodystrofia pri nádoroch,v obl.ruky
M82.86	Osteoporóza pri iných chor.zatried.i.v obl.predkol.	M90.65	Deform.osteodystrofia pri nádoroch,v obl.panvy a stehna
M82.87	Osteoporóza pri iných chor.zatried.i. obl.čl.a nohy	M90.66	Deform.osteodystrofia pri nádoroch,v obl.predkol.
M82.88	Osteoporóza pri iných chor.zatried.i.na i.mieste	M90.67	Deform.osteodystrofia pri nádoroch,v obl.čl.a nohy
M82.89	Osteoporóza pri iných chor.zatried.i.,miesto bliž.neurč.	M90.68	Deform.osteodystrofia pri nádoroch,na i.mieste
M90.00	Tuberkulóza kostí na viacerých miestach (A18.0†)	M90.69	Deform.osteodystrofia pri nádoroch,miesto bliž.neurč.
M90.01	TBC kostí v obl.pleca	M90.70	Zlomenina kosti pri nádore,na viac.m.t.
M90.02	TBC kostí nadlaktia	M90.71	Zlomenina kosti pri nádore,v obl.pleca
M90.03	TBC kostí predlak.	M90.72	Zlomenina kosti pri nádore,v obl.nadlaktia
M90.04	TBC kostí ruky	M90.73	Zlomenina kosti pri nádore,v obl.predlak.
M90.05	TBC kostí panv.obl.a stehna	M90.74	Zlomenina kosti pri nádore,v obl.ruky
M90.06	TBC kostí predkol.	M90.75	Zlomenina kosti pri nádore,v obl.panvy a stehna
M90.07	TBC kostí čl.a nohy	M90.76	Zlomenina kosti pri nádore,v obl.predkol.
M90.08	TBC kostí na i.mieste	M90.77	Zlomenina kosti pri nádore,v obl.čl.a nohy
M90.09	Tuberkulóza kostí,miesto bližšie neurčené (A18.0†)	M90.78	Zlomenina kosti pri nádore,na i.mieste
M90.10	Periostitída pri i.infekč.chor.zatried.i.na viac.m.	M90.79	Zlomenina kosti pri nádore,miesto bliž.neurč.
M90.11	Periostitída pri i.infekč.chor.zatried.i.v obl.pleca	M90.80	Osteopatia pri i.chor.zatried.i.na viac.m.
M90.12	Periostitída pri i.infekč.chor.zatried.i.v obl.nadlaktia	M90.81	Osteopatia pri i.chor.zatried.i.v obl.pleca
M90.13	Periostitída pri i.infekč.chor.zatried.i.v obl.predlak.	M90.82	Osteopatia pri i.chor.zatried.i.v obl.nadlaktia
M90.14	Periostitída pri i.infekč.chor.zatried.i.v obl.ruky	M90.83	Osteopatia pri i.chor.zatried.i.v obl.predlak.
M90.15	Periostitída pri i.infekč.chor.zatried.i.v obl.panvy a stehna	M90.84	Osteopatia pri i.chor.zatried.i. obl.ruky
M90.16	Periostitída pri i.infekč.chor.zatried.i.v obl.predkol.	M90.85	Osteopatia pri i.chor.zatried.i.v obl.panvy a stehna
M90.17	Periostitída pri i.infekč.chor.zatried.i.v obl.čl.a nohy	M90.86	Osteopatia pri i.chor.zatried.i.v obl.predkol.
M90.18	Periostitída pri i.infekč.chor.zatried.i.na i.mieste	M90.87	Osteopatia pri i.chor.zatried.i.v obl.čl.a a nohy
M90.19	Periostitída pri i.infekč.chor.zatried.i.,miesto bliž.neurč.	M90.88	Osteopatia pri i.chor.zatried.i.na i.mieste
M90.20	Osteopatia pri i.infekč.chor.zatried.i.na viac.m.	M90.89	Osteopatia pri i.chor.zatried.i.miesto bliž.neurč.
M90.21	Osteopatia pri i.infekč.chor.zatried.i.v obl.pleca	M99.00	Segmentová a somatická dysfun.obl.hlavy
M90.22	Osteopatia pri i.infekč.chor.zatried.i.v obl.nadlaktia	M99.01	Segmentová a somatická dysfun.krčnej obl.
M90.23	Osteopatia pri i.infekč.chor.zatried.i.v obl.predlak.	M99.02	Segmentová a somatická dysfun.hrud.obl.
M90.24	Osteopatia pri i.infekč.chor.zatried.i.v obl.ruky	M99.03	Segmentová a somatická dysfun.v driek.obl.
M90.25	Osteopatia pri i.infekč.chor.zatried.i.v obl.panvy a stehna	M99.04	Segmentová a somatická dysfun.kríž.obl.
M90.26	Osteopatia pri i.infekč.chor.zatried.i.v obl.predkol.	M99.05	Segmentová a somatická dysfun.panv.obl.
M90.27	Osteopatia pri i.infekč.chor.zatried.i. obl.čl.a nohy	M99.06	Segmentová a somatická dysfunkcia DK
M90.28	Osteopatia pri i.infekč.chor.zatried.i.na i.mieste	M99.07	Segmentová a somatická dysfunkcia HK
M90.29	Osteopatia pri i.infekč.chor.zatried.i.miesto bliž.neurč.	M99.08	Segmentová a somatická dysf.hrudného koša
M90.30	Osteonekróza pri kesónovej chor.na viac.m.	M99.09	Segmentová a somatická dysf.v bruchu a na i.m
M90.31	Osteonekróza pri kesónovej chor.v obl.pleca	M99.10	Subluxačný komplex stavcov obl.hlavy

Kód	Popis	Kód	Popis
M99.11	Subluxačný komplex stavcov krčnej obl.	N16.2	Tubulointersticiálna chor.oblič.pri chor.krvi a por.imun.syst.
M99.12	Subluxačný komplex stavcov hrud.obl.	N16.3	Tubulointersticiálna chor.oblič.pri metabol.chor.
M99.13	Subluxačný komplex stavcov driek.obl.	N16.4	Tubulointersticiálna chor.oblič.pri systém.chor.spojiva
M99.14	Subluxačný komplex stavcov kríž.obl.	N16.5	Tubulointersticiálna chor.oblič.pri odvrh.transplantátu
M99.19	Subluxačný komplex stavcov v bruchu a na i.m.	N16.8	Tubulointersticiálna chor.oblič.pri iných chor.z.i.
M99.20	Subluxačná stenóza spin.kanála obl.hlavy	N22.0	Močový konkrement pri schistosomóze (bilharzióze)
M99.21	Subluxačná stenóza spin.kanála krčnej obl.	N22.8	Konkrement močovej sústavy pri iných chor.zatried.i.
M99.22	Subluxačná stenóza spin.kanála hrud.obl.	N29.0	Neskorý syfilis obličiek (A52.7†)
M99.23	Subluxačná stenóza spin.kanála driek.obl.	N29.1	Iná choroba obličiek a močovodov pri inf.a paraz.chor.z.i.
M99.24	Subluxačná stenóza spin.kanála kríž.obl.	N29.8	Iné choroby obličiek a močovodov pri i.chor.z.i.
M99.29	Subluxačná stenóza spin.kanála v bruchu a na i.m.	N33.0	Tuberkulóza cystitída (A18.1†)
M99.30	Kostná stenóza spin.kanála obl.hlavy	N33.8	Choroba močového mechúra pri iných chor.z.i.
M99.31	Kostná stenóza spin.kanála krčnej obl.	N37.0	Uretritída pri chorobách zatriedených inde
M99.32	Kostná stenóza spin.kanála hrud.obl.	N37.8	Iná choroba močovej trubice pri chorobách z.i.
M99.33	Kostná stenóza spin.kanála driek.obl.	N39.47	Recidivujúca inkontinencia moču
M99.34	Kostná stenóza spin.kanála kríž.obl.	N51.0	Choroby prostaty pri chorobách zatriedených inde
M99.39	Kostná stenóza spin.kanála v bruchu a na i.m.	N51.1	Choroby semenníka a nadsemenníka pri chor.z.i.
M99.40	Stenóza spinál.kanála spoj.tkan.v obl.hlavy	N51.2	Balanitída pri chorobách zatriedených inde
M99.41	Stenóza spinál.kanála spoj.tkan.v krčnej obl.	N51.8	Iné choroby mužských pohlav.org.pri chorobách.z.i.
M99.42	Stenóza spinál.kanála spoj.tkan.v hrud.obl.	N74.0	Tuberkulóza infekcia krčka maternice (A18.1†)
M99.43	Stenóza spinál.kanála spoj.tkan.v driek.obl.	N74.1	Tuberkulózný zápal ženských panvov.org.
M99.44	Stenóza spinál.kanála spoj.tkan.v kríž.obl.	N74.2	Syfilitický zápal ženských panvov.org.
M99.49	Stenóza spinál.kanála spoj.tkan.v bruchu a na i.m.	N74.3	Gonokokový zápal ženských panvov.org.
M99.50	Stenóza spinál.kanála medzistav.platnič.v obl.hlavy	N74.4	Chlamydiový zápal ženských panvových orgánov
M99.51	Stenóza spinál.kanála medzistav.platnič.v krčnej obl.	N74.8	Zápalová choroba ženských panvov.org.pri i.chor.z.i.
M99.52	Stenóza spinál.kanála medzistav.platnič.v hrud.obl.	N77.0	Ulcerácia vulvy pri infek./parazit.chor.z.i.
M99.53	Stenóza spinál.kanála medzistav.platnič.v driek.obl.	N77.1	Vaginitída,vulvitída a vulvovaginit.pri infik./paraz.chor.z.i.
M99.59	Stenóza spinál.kanála m-stav.platnič.v bruchu a na i.m.	N77.8	Vulvovaginálna ulcerácia a zápal pri iných chorobách z.i.
M99.60	Kostná/subluxačná sten.medzistav.otv.v obl.hlavy	O09.0	Trvanie gravidity menej ako 5 ukončených týždňov
M99.61	Kostná/subluxačná sten.medzistav.otv.v krčnej obl.	O09.1	Trvanie gravidity od začat.5 po ukonč.13.týždeň
M99.62	Kostná/subluxačná sten.medzistav.otv.v hrud.obl.	O09.2	Trvanie gravidity od začat.14.po ukonč.19.týž.
M99.63	Kostná/subluxačná sten.medzistav.otv.v driek.obl.	O09.3	Trvanie gravidity od začat.20.po ukonč.25.týž.
M99.64	Kostná/subluxačná sten.medzistav.otv.v kríž.obl.	O09.4	Trvanie gravidity od začat.26.po ukonč.33.týž.
M99.69	Kostná/subluxačná sten.medzistav.otv.v bruchu a na i.m.	O09.5	Trvanie gravidity od začat.34.po ukonč.36.týž.
M99.70	Stenóz.medzistav.otv.spoj.tkan./medzistav.platnič.v obl.hlavy	O09.6	Trvanie gravidity od začat.37.po ukonč.41.týž.
M99.71	Stenóz.medzistav.otv.spoj.tkan./medzistav.platnič.v krčn.obl.	O09.7	Trvanie gravidity viac ako 41 ukončených týždňov
M99.72	Stenóz.medzistav.otv.spoj.tkan./medzistav.platnič.v hrud.obl.	O09.9	Arteriálna hypertenzia matky,blížšie neurčená
M99.73	Stenóz.medzistav.otv.spoj.tkan./medzistav.platnič.v driek.obl.	O47.9	Falošná pôrodná činnosť,blížšie neurčená
M99.74	Stenóza medzistav.otvor.spoj.tkan./medzistav.plat.v kríž.obl.	O94	Následky kompl.gravidity,pôrodu a šestonedelia
M99.79	Sten.medzistav.otv.spoj.tkan./medzistav.platn.,obl.brucha.a i.m.	O95	Smrť v gravidite z blížšie neurčenej príčiny
M99.80	Iná biomechanická porucha funkcie v obl.hlavy	O96.0	Smrť z priam.pôr.prič.,kt.nast.po 42 d.,ale m.ako 1.r.od pôr.
M99.81	Iná biomechanická porucha funkcie v krčnej obl.	O96.1	Smrť z nepriam.pôr.prič.,kt.nast.po 42 d.,-men.ako 1.r.od pôr.
M99.82	Iná biomechanická porucha funkcie v hrud.obl.	O96.9	Smrť z blíž.ne.pôr.prič.,kt.nastala po42 d.,m.ako 1.r.od pôr.
M99.83	Iná biomechanická porucha funkcie v driek.obl.	O97.0	Smrť z následkov priamej pôrodnickej príčiny
M99.84	Iná biomechanická porucha funkcie v kríž.obl.	O97.1	Smrť z následkov nepriamej pôrodnickej príčiny
M99.85	Iná biomechanická porucha funkcie v panv.obl.	O97.9	Smrť z následkov b.n. pôrod.príčiny
M99.86	Iná biomechanická porucha funkcie v obl.DK	P75	Mekóniový ileus pri cystickej fibróze (E84.1†)
M99.87	Iná biomechanická porucha funkcie v obl.HK	P95	Smrť plodu z blížšie neurčenej príčiny
M99.88	Iná biomechanická porucha funkcie v obl.hrud. koša	P96.4	Ukončenie gravidity ako prič.pošk.plodu a novorod.
M99.89	Iná biomechanická porucha funkcie v obl.brucha.a i.m.	Q87.0	Syndróm vrod.chýb postih.najmä výzor tváre
M99.90	Biomechanická porucha funkcie,blíž.neurč.v obl.hlavy	Q87.1	Syndróm vrod.chýb spojený najmä s nízkym vzrastom
M99.91	Biomechanická porucha funkcie,blíž.neurč.v krčnej obl.	Q87.2	Syndrómy vrod.chýb zahŕňajúce najmä končatiny
M99.92	Biomechanická porucha funkcie,blíž.neurč.v hrud.obl.	Q87.3	Syndróm vrod.chýb zahŕňajúci skorý nadmemný rast
M99.93	Biomechanická porucha funkcie,blíž.neurč.v driek.obl.	Q87.5	Iné syndrómy vrod.chýb s inými zmenami kostí
M99.94	Biomechanická porucha funkcie,blíž.neurč.v kríž.obl.	Q87.8	Iné syndrómy vrod.chýb,nezat.inde.,b.u.
M99.95	Biomechanická porucha funkcie,blíž.neurč.v panv.obl.	R65.0	SIRS infekčného pôvodu bez orgánového zlyh.
M99.96	Biomechanická porucha funkcie,blíž.neurč.v obl.DK,b.n.	R65.1	SIRS infekčnej genézy s orgánovým zlyh.
M99.97	Biomechanická porucha funkcie,blíž.neurč.v obl.HK,b.n.	R65.2	SIRS neinfekčnej genézy bez orgánového zlyh.
M99.98	Biomechanická porucha funkcie,blíž.neurč.v obl.hrud.koša	R65.3	SIRS neinfekčnej genézy s orgánovým zlyh.
M99.99	Biomechanická porucha funkcie,blíž.neurč.v brucha a na i.m.	R65.9	Syndróm systémovej zápalovej odpovede (SIRS),blíž.neurč.
N08.0	Glomerulová chor.pri infekč./parazit.chor.z.i.	R69	Neznáme a blížšie neurčené príčiny chorobnosti
N08.1	Glomerulová choroba pri nádorových chorobách	R75	Laboratórny dôkaz vírusu ľudskej imunodeficiencie (HIV)
N08.2	Glomerul.chor.pri chorobách krvi a poruch.imunit.systému	R78.0	Nález alkoholu v krvi
N08.3	Glomerul.choroba pri DM	R96.0	Náhla smrť
N08.4	Glomerul.choroba pri i.endokrin.,nutričnej a metabol.chor.	R96.1	Smrť,ktorá nastala za men.ako 24hod.od zač.prízn.,ináč nevysv.
N08.5	Glomerul.chor.pri systémovej chorobe spojiva	R98	Smrť bez svedkov
N08.8	Glomerulová choroba pri iných chorobách zatried.i..	R99	Iná nepresne určená a neurčená príčina smrti
N16.0	Tubulointersticiálna chor.pri infekč./parazit.chor.zatried.i.	S01.83	Otvor.rana(obl.hlavy)v spojení s intrakraniál.poranením
N16.1	Tubulointersticiálna chor.pri nádor.chor.	S01.84	Poškod.mäkkých častí I.st.pri zatvor.zlom.,vyklbení na hlavu

Kód	Popis	Kód	Popis
S01.85	Poškod.mäkkých častí II.st.pri zatvor.zlom.,vyklbení na hlave	S61.86	Pošk.mäk.č.III.st.pri zatvor.zlom./vyklb.zápäs.a ruky
S01.86	Poškod.mäkkých častí III.st.pri zatvor.zlom.,vyklbení na hlave	S61.87	Pošk.mäk.č.I.st.pri otvor.zlom./vyklb.zápäs.a ruky
S01.87	Poškod.mäkkých častí I.st.pri otvor.zlom.,vyklbení na hlave	S61.88	Pošk.mäk.č.II.st.pri otvor.zlom./vyklb.zápäs.a ruky
S01.88	Poškod.mäkkých častí II.st.pri otvor.zlom.,vyklbení na hlave	S61.89	Pošk.mäk.č.III.st.pri otvor.zlom./vyklb.zápäs.a ruky
S01.89	Poškod.mäkkých častí III.st.pri otvor.zlom.,vyklbení na hlave	S71.84	Pošk.mäk.č.I.st.pri zatvor.zlom./vyklb.bedra a stehna
S06.70	Bezvedomie pri poranení lebky a mozgu,menej.ako 30 min.	S71.85	Pošk.mäk.č.II.st.pri zatvor.zlom./vyklb.bedra a stehna
S06.71	Bezvedomie pri poranení lebky a mozgu,30 min.až 24hod.	S71.86	Pošk.mäk.č.III.st.pri zatvor.zlom./vyklb.bedra a stehna
S06.72	Bezvedom.s poran.lebky a mozgu,viac ako24 h,návrat pôv.st.v.	S71.87	Pošk.mäk.č.I.st.pri otvor.zlom./vyklb.bedra a stehna
S06.73	Bezvedomie,poranenie leb.a mozgu, > 24hod.,bez náv.r.p.s.v.	S71.88	Pošk.mäk.č.II.st.pri otvor.zlom./vyklb.bedra a stehna
S06.79	Bezvedomie pri poranení lebky a mozgu bliž.neurčeného trvania	S71.89	Pošk.mäk.č.III.st.pri otvor.zlom./vyklb.bedra a stehna
S11.84	Poškodenie mäč.č.I.st.pri zatvor.zlomenine,vyklbení na krku	S81.84	Poškodenie mäč.č.I.st.pri zatv.zlomenine,vyklbení predkolenia
S11.85	Poškodenie mäč.č.II.st.pri zatvor.zlomenine,vyklbení na krku	S81.85	Pošk.mäk.č.II.st.pri zatvor.zlom./vyklb.predkol.
S11.86	Poškodenie mäč.č.III.st.pri zatvor.zlom./vyklb.na krku	S81.86	Pošk.mäk.č.III.st.pri zatvor.zlom./vyklb.predkol.
S11.87	Poškodenie mäkkých č.I.st.pri otvor.zlomenine,vyklbení na krku	S81.87	Pošk.mäk.č.I.st.pri otvor.zlom./vyklb.predkol.
S11.88	Poškodenie mäč.č.II.st.pri otvor.zlomenine,vyklbení na krku	S81.88	Pošk.mäk.č.II.st.pri otvor.zlom./vyklb.predkol.
S11.89	Poškodenie mäč.č.III.st.pri otvor.zlomenine,vyklbení na krku	S81.89	Pošk.mäk.č.III.st.pri otvor.zlom./vyklb.predkol.
S14.70	Funkčná úroveň pri poranení krčnej miechy:blížšie neurčená	S91.84	Poškodenie mäč.č.I.st.pri zatvor.zlom./vyklb.nohy
S14.71	Funkčná úroveň pri poranení krčnej miechy: C1	S91.85	Poškodenie mäč.č.II.st.pri zatvor.zlom./vyklb.nohy
S14.72	Funkčná úroveň pri poranení krčnej miechy: C2	S91.86	Poškodenie mäč.č.III.st.pri zatvor.zlom./vyklb.nohy
S14.73	Funkčná úroveň pri poranení krčnej miechy: C3	S91.87	Poškodenie mäč.č.I.st.pri otvor.zlom./vyklb.nohy
S14.74	Funkčná úroveň pri poranení krčnej miechy: C4	S91.88	Poškodenie mäč.č.II.st.pri otvor.zlom./vyklb.nohy
S14.75	Funkčná úroveň pri poranení krčnej miechy: C5	S91.89	Poškodenie mäč.č.III.st.pri otvor.zlom./vyklb.nohy
S14.76	Funkčná úroveň pri poranení krčnej miechy: C6	T31.00	Popál.postih.men.ako10 %povrch.tela b.n.podiel popál.3.st
S14.77	Funkčná úroveň pri poranení krčnej miechy: C7	T31.10	Popál.10-19%povr.tela,<ako10 %/b.n.č.-popál.3.st.
S14.78	Funkčná úroveň pri poranení krčnej miechy: C8	T31.11	Popál.10-19%povr.tela,10-19%popál.3.st.
S21.83	Otvor.rana každej č.hrud.v spojení s vnútrohrud.por.	T31.20	Popál.20-29%povr.tela,<ako10 %/b.n.č.-popál.3.st.
S21.84	Poškodenie mäč.č.I.st.pri zatvor.zlomeninách,vyklben.na hrud.	T31.21	Popál.20-29%povr.tela,10-19%popál.3.st.
S21.85	Poškodenie mäč.č.II.st.pri zatvor.zlomeninách,vyklben.na hrud.	T31.22	Popál.20-29%povr.tela,20-29%popál.3.st.
S21.86	Poškodenie mäč.č.III.st.pri zatvor.zlomeninách,vyklben.na hrud	T31.30	Popál.30-39%povr.tela,<ako10 %/b.n.č.-popál.3.st.
S21.87	Poškodenie mäč.č.I.st.pri otvor.zlomeninách,vyklben.na hrud.	T31.31	Popál.30-39%povr.tela,10-19%popál.3.st.
S21.88	Poškodenie mäč.č.II.st.pri otvor.zlomeninách,vyklben.na hrud.	T31.32	Popál.30-39%povr.tela,20-29%popál.3.st.
S21.89	Poškodenie mäč.č.III.st.pri otvor.zlomeninách,vyklben.na hrud.	T31.33	Popál.30-39%povr.tela,30-39%popál.3.st.
S24.70	Funkčná výška pri poranení hrudíkovej miechy: úroveň b.n.	T31.40	Popál.40-49%povr.tela,<ako10 %/b.n.č.-popál.3.st.
S24.71	Funkčná výška pri poranení hrudníkovej miechy:Th1	T31.41	Popál.40-49%povr.tela,10-19%popál.3.st.
S24.72	Funkčná výška pri poranení hrudníkovej miechy:Th2/Th3	T31.42	Popál.40-49%povr.tela,20-29%popál.3.st.
S24.73	Funkčná výška pri poranení hrudníkovej miechy:Th4/Th5	T31.43	Popál.40-49%povr.tela,30-39%popál.3.st.
S24.74	Funkčná výška pri poranení hrudníkovej miechy:Th6/Th7	T31.44	Popál.40-49%povr.tela,40-49%popál.3.st.
S24.75	Funkčná výška pri poranení hrudníkovej miechy:Th8/Th9	T31.50	Popál.50-59%povr.tela,<ako10 %/b.n.č.-popál.3.st.
S24.76	Funkčná výška pri poranení hrudníkovej miechy:Th10/Th11	T31.51	Popál.50-59%povr.tela,10-19%popál.3.st.
S24.77	Funkčná výška pri poranení hrudníkovej miechy:Th12	T31.52	Popál.50-59%povr.tela,20-29%popál.3.st.
S31.83	Otvor.rana(kaž.č.brucha,drieku,panvy)spoj.s vnútrobruš.poran.	T31.53	Popál.50-59%povr.tela,30-39%popál.3.st.
S31.84	Poškodenie mäč.č.I.st.pri zatv.zlom.vyklb.driek.chrbtice,panvy	T31.54	Popál.50-59%povr.tela,40-49%popál.3.st.
S31.85	Poškoden.mäk.č.II.st.pri zatv.zlom.,vyklb.driek.chrbtice,panvy	T31.55	Popál.50-59%povr.tela,50-59%popál.3.st.
S31.86	Poškoden.mäk.č.III.st.pri zatv.zlom.vyklb.driek.chrbtice,panvy	T31.60	Popál.60-69%povr.tela,<ako10 %/b.n.č.-popál.3.st.
S31.87	Poškodenie mäč.č.I.st.pri otv.zlom.,vyklb.driek.chrbtice,panvy	T31.61	Popál.60-69%povr.tela,10-19%popál.3.st.
S31.88	Poškoden.mäk.č.II.st.pri otv.zlom.,vyklb.driek.chrbtice,panvy	T31.62	Popál.60-69%povr.tela,20-29%popál.3.st.
S31.89	Poškoden.mäk.č.III.st.pri otv.zlom.,vyklb.driek.chrbtice,panvy	T31.63	Popál.60-69%povr.tela,30-39%popál.3.st.
S34.70	Funkčná úroveň pri poranení driekovokrižovej miechy: b.ne.	T31.64	Popál.60-69%povr.tela,40-49%popál.3.st.
S34.71	Funkčná úroveň pri poranení driekovokrižovej miechy: L1	T31.65	Popál.60-69%povr.tela,50-59%popál.3.st.
S34.72	Funkčná úroveň pri poranení driekovokrižovej miechy: L2	T31.66	Popál.60-69%povr.tela,60-69%popál.3.st.
S34.73	Funkčná úroveň pri poranení driekovokrižovej miechy: L3	T31.70	Popál.70-79%povr.tela,<ako10 %/b.n.č.-popál.3.st.
S34.74	Funkčná úroveň pri poranení driekovokrižovej miechy: L4	T31.71	Popál.70-79%povr.tela,10-19%popál.3.st.
S34.75	Funkčná úroveň pri poranení driekovokrižovej miechy: L5	T31.72	Popál.70-79%povr.tela,20-29%popál.3.st.
S34.76	Funkčná úroveň pri poranení driekovokrižovej miechy: S1	T31.73	Popál.70-79%povr.tela,30-39%popál.3.st.
S34.77	Funkčná úroveň pri poranení driekovokrižovej miechy: S2 – S5	T31.74	Popál.70-79%povr.tela,40-49%popál.3.st.
S41.84	Poškodenie mäč.č.I.st.pri zatvor.zlomenine,vyklbení ramena	T31.75	Popál.70-79%povr.tela,50-59%popál.3.st.
S41.85	Poškodenie mäč.č.II.st.pri zatvor.zlomenine,vyklbení ramena	T31.76	Popál.70-79%povr.tela,60-69%popál.3.st.
S41.86	Poškodenie mäč.č.III.st.pri zatvor.zlomenine,vyklbení ramena	T31.77	Popál.70-79%povr.tela,70-79%popál.3.st.
S41.87	Poškodenie mäč.č.I.st.pri otvor.zlomenine,vyklbení ramena	T31.80	Popál.80-89%povr.tela,<ako10 %/b.n.č.-popál.3.st.
S41.88	Poškodenie mäč.č.II.st.pri otvor.zlomenine,vyklbení ramena	T31.81	Popál.80-89%povr.tela,10-19%popál.3.st.
S41.89	Poškodenie mäč.č.III.st.pri otvor.zlomenine,vyklbení ramena	T31.82	Popál.80-89%povr.tela,20-29%popál.3.st.
S51.84	Poškodenie mäč.č.I.st.pri zatvor.zlomenine,vyklb.predlaktia	T31.83	Popál.80-89%povr.tela,30-39%popál.3.st.
S51.85	Poškodenie mäč.č.II.st.pri zatvor.zlom./vyklb.predlak.	T31.84	Popál.80-89%povr.tela,40-49%popál.3.st.
S51.86	Poškodenie mäč.č.III.st.pri zatvor.zlom./vyklb.predlak.	T31.85	Popál.80-89%povr.tela,50-59%popál.3.st.
S51.87	Poškodenie mäč.č.I.st.pri otvor.zlom./vyklb.predlak.	T31.86	Popál.80-89%povr.tela,60-69%popál.3.st.
S51.88	Poškodenie mäč.č.II.st.pri otvor.zlom./vyklb.predlak.	T31.87	Popál.80-89%povr.tela,70-79%popál.3.st.
S51.89	Poškodenie mäč.č.III.st.pri otvor.zlom./vyklb.predlak.	T31.88	Popál.80-89%povr.tela,80-89%popál.3.st.
S61.84	Pošk.mäk.č.I.st.pri zatvor.zlom./vyklb.zápäs.a ruky	T31.90	Popál.90 a viac%povr.tela,<ako10 %/b.n.č.-popál.3.st.
S61.85	Pošk.mäk.č.II.st.pri zatvor.zlom./vyklb.zápäs.a ruky	T31.91	Popál.90 a viac%povr.tela,10-19%popál.3.st.

Kód	Popis	Kód	Popis
T31.92	Popál.90 a viac%povr.tela,20-29%popál.3.st.	T90.0	Neskoré následky povrchového poranenia hlavy
T31.93	Popál.90 a viac%povr. tela,30-39%popál.3.st.	T90.1	Neskoré následky otvorenej rany hlavy
T31.94	Popál.90 a viac%povr.tela,40-49%popál.3.st.	T90.2	Neskoré následky zlomeniny lebky a tvárových kostí
T31.95	Popál.90 a viac%povr.tela,50-59%popál.3.st.	T90.3	Neskoré následky poranenia hlavových nervov
T31.96	Popál.90 a viac%povr.tela,60-69%popál.3.st.	T90.4	Neskoré následky poranenia oka a očné
T31.97	Popál.90 a viac%povr.tela,70-79%popál.3.st.	T90.5	Neskoré následky vnútrolebkového poranenia
T31.98	Popál.90 a viac%povr.tela,80-89%popál.3.st.	T90.8	Neskoré následky iného bliž.urč.poranenia hlavy
T31.99	Popál.90 a viac%povr.tela,90 %/viac popál.3.st.	T90.9	Neskoré následky bližšie neurčeného poranenia hlavy
T32.00	Polept.<ako10%povr.tela,<ako10 %/b.n.č.-polept.3.st.	T91.0	Neskoré násl.povrch.ho poran.a otvor.rany krku a trupu
T32.10	Polept.10-19%povr.tela,<ako10 %/b.n.č.-polept.3.st.	T91.1	Neskoré následky zlomeniny chrčtice
T32.11	Polept.10-19%povr.tela,10-19%polept.3.st.	T91.2	Neskoré následky inej zlomeniny hrudníka a panvy
T32.20	Polept.20-29%povr.tela,<ako10 %/b.n.č.-polept.3.st.	T91.3	Neskoré následky poranenia miechy
T32.21	Polept.20-29%povr.tela,10-19%polept.3.st.	T91.4	Neskoré následky poranenia vnútrohud.org.
T32.22	Polept.20-29%povr.tela,20-29%polept.3.st.	T91.5	Neskoré následky poran.vnútrobruš. a panv.org.
T32.30	Polept.30-39%povr.tela,<ako10 %/b.n.č.-polept.3.st.	T91.8	Neskoré následky i.bliž.urč.poran.krku a trupu
T32.31	Polept.30-39%povr.tela,10-19%polept.3.st.	T91.9	Neskoré následky bliž.neurč.poran.krku a trupu
T32.32	Polept.30-39%povr.tela,20-29%polept.3.st.	T92.0	Neskoré následky otvorenej rany hornej končatiny
T32.33	Polept.30-39%povr.tela,30-39%polept.3.st.	T92.1	Neskoré následky zlomeniny ramena
T32.40	Polept.40-49%povr.tela,<ako10 %/b.n.č.-polept.3.st.	T92.2	Neskoré následky zlomeniny v úrovni zápästia a ruky
T32.41	Polept.40-49%povr.tela,10-19%polept.3.st.	T92.3	Nesk.následky vyklbenia,vyvrt.a natiah.HK
T32.42	Polept.40-49%povr.tela,20-29%polept.3.st.	T92.4	Neskoré následky poranenia nervu hornej končatiny
T32.43	Polept.40-49%povr.tela,30-39%polept.3.st.	T92.5	Neskoré následky poran.svalu a šľachy HK
T32.44	Polept.40-49%povr.tela,40-49%polept.3.st.	T92.6	Neskoré následky drvivého poran.a úraz.amput. HK
T32.50	Polept.50-59%povr.tela,<ako10 %/b.n.č.-polept.3.st.	T92.8	Neskoré následky i.bliž.urč.por.HK
T32.51	Polept.50-59%povr.tela,10-19%polept.3.st.	T92.9	Neskoré následky bliž.neurč.poran.HK
T32.52	Polept.50-59%povr.tela,20-29%polept.3.st.	T93.0	Neskoré následky otvorenej rany dolnej končatiny
T32.53	Polept.50-59%povr.tela,30-39%polept.3.st.	T93.1	Neskoré následky zlomeniny stehnovej kosti
T32.54	Polept.50-59%povr.tela,40-49%polept.3.st.	T93.2	Neskoré následky inej zlomeniny dolnej končatiny
T32.55	Polept.50-59%povr.tela,50-59%polept.3.st.	T93.3	Nesk.následky vyklb.vyvrt.a natiah.DK
T32.60	Polept.60-69%povr.tela,<ako10 %/b.n.č.-polept.3.st.	T93.4	Neskoré následky poranenia nervu dolnej končatiny
T32.61	Polept.60-69%povr.tela,10-19%polept.3.st.	T93.5	Neskoré následky poran.svalu a šľachy DK
T32.62	Polept.60-69%povr.tela,20-29%polept.3.st.	T93.6	Neskoré následky drvivého poran.a úraz.amput. DK
T32.63	Polept.60-69%povr.tela,30-39%polept.3.st.	T93.8	Neskoré následky i.bliž.urč.poranenia DK
T32.64	Polept.60-69%povr.tela,40-49%polept.3.st.	T93.9	Neskoré následky bliž.neurč.poranenia DK
T32.65	Polept.60-69%povr.tela,50-59%polept.3.st.	T94.0	Neskoré následky poranenia vláčnych oblastí tela
T32.66	Polept.60-69%povr.tela,60-69%polept.3.st.	T94.1	Neskoré následky poranenia:oblasť bliž.neurč.tela
T32.70	Polept.70-79%povr.tela,<ako10 %/b.n.č.-polept.3.st.	T95.0	Neskoré následky popál..polept.a omrzliny hlavy a krku
T32.71	Polept.70-79%povr.tela,10-19%polept.3.st.	T95.1	Neskoré následky popál..polept.a omrzliny trupu
T32.72	Polept.70-79%povr.tela,20-29%polept.3.st.	T95.2	Neskoré následky popál..polept.a omrzliny HK
T32.73	Polept.70-79%povr.tela,30-39%polept.3.st.	T95.3	Neskoré následky popál..polept.a omrzliny DK
T32.74	Polept.70-79%povr.tela,40-49%polept.3.st.	T95.4	Neskoré násl.popál.a polept.zatr.iba p.rozs.postih.povr.tela
T32.75	Polept.70-79%povr.tela,50-59%polept.3.st.	T95.8	Neskoré následky i.bliž.urč.popál..polept.a omrzliny
T32.76	Polept.70-79%povr.tela,60-69%polept.3.st.	T95.9	Neskoré následky bliž.neurč.popál..polept.a omrzliny
T32.77	Polept.70-79%povr.tela,70-79%polept.3.st.	T96	Neskoré následky otravy liekmi,l.a biol.akt.lát.
T32.80	Polept.80-89%povr.tela,<ako10 %/b.n.č.-polept.3.st.	T97	Neskoré následky tox.úč.lát.používanej najmä mimo lekárstva
T32.81	Polept.80-89%povr.tela,10-19%polept.3.st.	T98.0	Neskoré násl.úč.cudz.telesa vniknutého prirodz.m otvorom
T32.82	Polept.80-89%povr.tela,20-29%polept.3.st.	T98.1	Neskoré následky i.a bliž.neurč.účinkov vonk.příčin
T32.83	Polept.80-89%povr.tela,30-39%polept.3.st.	T98.2	Neskoré následky niektorých včasných kompl.úrazov
T32.84	Polept.80-89%povr.tela,40-49%polept.3.st.	T98.3	Neskoré následky komplikácií chir.výkonu a lekář.star.,n.i.
T32.85	Polept.80-89%povr.tela,50-59%polept.3.st.	U06.0	Nepokrytý kód U06.0
T32.86	Polept.80-89%povr.tela,60-69%polept.3.st.	U06.1	Nepokrytý kód U06.1
T32.87	Polept.80-89%povr.tela,70-79%polept.3.st.	U06.2	Nepokrytý kód U06.2
T32.88	Polept.80-89%povr.tela,80-89%polept.3.st.	U06.3	Nepokrytý kód U06.3
T32.90	Polept.90 a viac%povr.tela,<ako10 %/b.n.č.-polept.3.st.	U06.4	Nepokrytý kód U06.4
T32.91	Polept.90 a viac%povr.tela,10-19%polept.3.st.	U06.5	Nepokrytý kód U06.5
T32.92	Polept.90 a viac%povr.tela,20-29%polept.3.st.	U06.6	Nepokrytý kód U06.6
T32.93	Polept.90 a viac%povr.tela,30-39%polept.3.st.	U06.7	Nepokrytý kód U06.7
T32.94	Polept.90 a viac%povr.tela,40-49%polept.3.st.	U06.8	Nepokrytý kód U06.8
T32.95	Polept.90 a viac%povr.tela,50-59%polept.3.st.	U06.9	Choroba zapríčinená vírusom Zika, bližšie neurčená
T32.96	Polept.90 a viac%povr.tela,60-69%polept.3.st.	U07.0	Nepokrytý kód U07.0
T32.97	Polept.90 a viac%povr.tela,70-79%polept.3.st.	U07.1	Nepokrytý kód U07.1
T32.98	Polept.90 a viac%povr.tela,80-89%polept.3.st.	U07.2	Nepokrytý kód U07.2
T32.99	Polept.90 a viac%povr.tela,90% a viac polept.3.st.	U07.3	Nepokrytý kód U07.3
T74.0	Zanedbanie alebo opustenie	U07.4	Nepokrytý kód U07.4
T74.1	Fyzické zneužitie	U07.5	Nepokrytý kód U07.5
T74.2	Pohlavné zneužitie	U07.6	Nepokrytý kód U07.6
T74.3	Psychické zneužitie	U07.7	Nepokrytý kód U07.7
T74.8	Iný syndróm,zapříčinený zlým zaobchádzaním	U07.8	Nepokrytý kód U07.8
T74.9	Syndróm,zapříč.zlým zaobchádzaním,b.n.	U07.9	Nepokrytý kód U07.9

Kód	Popis	Kód	Popis
U50.00	Nijaké/min.obm.pohyb.funkcii,Barthelovej index100b.	U99.2	Nepokrytý kód U99.2
U50.01	Nijaké/min.obm.pohyb.funkcii,mot.FIM 85-91b.	U99.3	Nepokrytý kód U99.3
U50.10	Lahké obm.pohyb.funkcii,Barthelovej index80-95b.	U99.4	Nepokrytý kód U99.4
U50.11	Lahké obm.pohyb.funkcii,mot.FIM 69-84b.	U99.5	Nepokrytý kód U99.5
U50.20	Stredné obm.pohyb.funkcii,Barthelovej index60-75b.	U99.6	Nepokrytý kód U99.6
U50.21	Stredné obm.pohyb.funkcii,mot.FIM 59-68b.	U99.7	Nepokrytý kód U99.7
U50.30	Stredne ťažké obm.pohyb.funkcii,Barthelovej index40-55b.	U99.8	Nepokrytý kód U99.8
U50.31	Stredne ťažké obm.pohyb.funkcii,mot.FIM 43-58b.	U99.9	Nepokrytý kód U99.9
U50.40	Ťažké obm.pohyb.funkcii,Barthelovej index20-35b.	Z00.0	Všeobecné lekárske vyšetrenie
U50.41	Ťažké obm.pohyb.funkcii,mot.FIM 31-42b.	Z00.1	Rutinné vyšetrenie zdravotného stavu dieťaťa
U50.50	Veľmi ťažké obm.pohyb.funkcii,Barthelovej index0-15b.	Z00.2	Vyšetrenie v období rýchleho rastu v detstve
U50.51	Veľmi ťažké obm.pohyb.funkcii,mot.FIM 13-30b.	Z00.3	Vyšetrenie vývinu dospievajúceho
U51.00	Nijaké/min.obm.kogn.funkcii,rozš.Barthelovej index70-90b.	Z00.4	Všeobecné psychiatrické vyšetrenie,n.i.
U51.01	Nijaké/min.obm.kogn.funkcii,kognitívny FIM 30-35b.	Z00.6	Vyšetrenie na porovn.a kontrolu v rámci klin.výsk.progr.
U51.02	Nijaké/min.obm.kogn.funkcii,MMSE 24-30b.	Z00.8	Iné všeobecné vyšetrenie
U51.10	Stredné obm.kogn.funkcii,rozš.Barthelovej index20-65b.	Z01.6	Rádiologické vyšetrenie, nezatriedené inde
U51.11	Stredné obm.kogn.funkcii,kogn.IM 11-29b.	Z01.7	Laboratórne vyšetrenie
U51.12	Stredné obm.kogn.funkcii,MMSE 17-23b.	Z01.9	Špeciálne vyšetrenie, bližšie neurčené
U51.20	Ťažké obm.kogn.funkcii,rozš.Barthelovej index0-15b.	Z04.9	Vyš.a pozor. z bliž.neu.dôvodov
U51.21	Ťažké obm.kogn.funkcii,kogn. FIM 5-10b.	Z21	Bezprízn.stav inf.HIV (vir.ludského imunodef.)
U51.22	Ťažké obm.kogn.funkcii,MMSE 0 – 16 bodov	Z32.0	Gravidita, (ešte) nepotvrdená
U52.0	Barthelovej index pri včasnej rhb.31 a viacb.	Z32.1	Potvrdená gravidita
U52.1	Barthelovej index pri včasnej rhb.-75 až 30b.	Z33	Gravidita ako vedľajší nález
U52.2	Barthelovej indexpri včasnej rhb.-200 až-76b.	Z34.0	Dohľad nad normálnou prvou graviditou
U52.3	Barthelovej indexpri včasnej rhb.men.ako-200b.	Z34.8	Dohľad nad inou normálnou graviditou
U55.10	Vyk.zápis do zozn.čak.na transpl.srdca,b.ozn.st./vys.nalieh.	Z34.9	Dohľad nad normálnou graviditou, bližšie neurčenou
U55.11	Vyk.zápis do zozn.čak.na transpl.srdca,označ.st.nalieh.	Z35.0	Dohľad nad graviditou s anamnézou neplodnosti
U55.12	Vyk.zápis do zozn.čak.na transpl.srdca,čak.st.vys.nalieh.	Z35.1	Dohľad nad graviditou s anamnézou potratu
U55.20	Vyk.zápis do zozn.čak.na transpl.pľúc,b.ozn.st./vys.nal.	Z35.2	Dohľad nad gravid.s i.nepriaznivou pôr.anamnézou
U55.21	Vyk.zápis do zozn.čak.na transpl.pľúc,označ.st.nal.	Z35.3	Dohľad nad gravid.s anamnézou nedost.prenatálnej star.
U55.22	Vyk.zápis do zozn.čak.na transpl.pľúc,označ.st.vys.nal.	Z35.4	Dohľad nad graviditou mnohorodičky
U55.30	Vyk.záp.do zozn.čak.na transpl.srdca a pľ.,b.ozn.st./vys.nal.	Z35.5	Dohľad nad staršou prvoroďičkou
U55.31	Vyk.zápis do zozn.čak.na transpl.srdca a pľúc,označ.st.nal.	Z35.6	Dohľad nad veľmi mladou prvoroďičkou
U55.32	Vyk.zápis do zozn.čak.na transpl.srdca a pľ.,označ.vys.nal.	Z35.7	Dohľad nad rizik. gravid.v dôsledku sociál.problem.
U60.1	Klinické kategórie choroby HIV: kategória A	Z35.8	Dohľad nad inou rizikovou graviditou
U60.2	Klinické kategórie choroby HIV: kategória B	Z35.9	Dohľad nad rizikovou graviditou, bližšie neurčenou
U60.3	Klinické kategórie choroby HIV: kategória C	Z37.0	Jedno dieťa, živonarodené
U60.9	Klinické kategórie choroby HIV, bližšie neurčené	Z37.1	Jedno dieťa, mŕtvonarodené
U61.1	Počet pomocných T-buniek pri chorobe HIV	Z37.2	Dvojčatá, živonarodené
U61.2	Počet pomocných T-buniek pri chorobe HIV	Z37.3	Dvojčatá, jedno živonarodené, jedno mŕtvonarodené
U61.3	Počet pomocných T-buniek pri chorobe HIV	Z37.4	Dvojčatá, mŕtvonarodené
U61.9	Počet (CD4+-) pomocných T-buniek pri chorobe HIV	Z37.5	Iný viacpočetný pôrod, všetky deti živonarodené
U69.00	Sek.klas.za ú.ext.kontr.kv.záp.pf.dosp.,z.i.,získ.v nem.	Z37.6	Iný viacpočetný pôrod, niektoré deti živonarodené
U69.10	Sek.klas.,o.adm.ú.:chor.z.i.-podozr.,med.neind.est.op.	Z37.7	Iný viacpočetný pôrod, všetky deti mŕtvonarodené
U69.20	Sek.klas.na o.epid.ú.:chripka A/H1N1,pandémia 2009	Z37.9	Výsledok pôrodu, bližšie neurčený
U69.21	Sek.klas.na o.epid.ú.:chripka A/H5N1,epidémia	Z44.8	Skúšanie a prispôs.i.vonk.protet.pom.
U80.0	Staph.aer.rez.na OXA,glp.ATB,chin.,streptogr./oxazolid.	Z44.9	Skúšanie a prispôs.b.n.vonk.protet.pom.
U80.1	Str.pn.rez.na PNC,OXA,makrolid.ATB,oxazolid./streptogr.	Z47.0	Násled.star.,zahŕň.odstr.kostnej dlahy/i.vnúť.fix.pom.
U80.2	Ent.faecalis rez.na glp.ATB,oxazolid.streptogr./v.úr.amg.rez.	Z49.2	Iná dialýza
U80.3	Ent.faecium rez.na glp.ATB,oxazolid.,streptogr./v.úr.amg.rez.	Z50.0	Rehabilitácia pri chorobách srdca
U80.4	Esch.klebs.prot.rez.chin.karbap.amik./dok.rez.vš.btI.ATB	Z50.1	Iná fyzikálna liečba
U80.5	Enterobacter,citrobacter a serratia rez.-karbap.,chin./amik.	Z50.2	Rehabilitácia pri alkoholizme
U80.6	Ps.aer.a i.non-ferm.p.rez.karbap.chin.amik.ceft./pip.s tazob.	Z50.3	Rehabilitácia pri liek./drog.j závislosti
U80.7	Burkh.a stenotroph.rez.-chin.,amik.,ceft.,pip.s tazob./CTM	Z50.4	Psychoterapia, nezatriedená inde
U81	Pôvodca s mutirezistenciou na antibiotiká	Z50.5	Logopedická liečba (liečba porúch hlasu, reči)
U82.0	Myc.tbc s rez.pr.jed./viac.antituberk.prv.radu	Z50.6	Ortopedické cvičenia
U82.1	Multirezistentná tuberkulóza [MDR-TB]	Z50.7	Pracovná liečba a rehabilitácia, nezatriedená inde
U82.2	Atyp.mykobakt./nocardia s rez.na jed./viac.liek.prv.radu	Z50.8	Starostlivosť, zahŕňajúca iné rehabilitačné výkony
U83	Kandida s rezistenciou na flukonazol/vorikonazol	Z50.9	Starostlivosť,zahŕň.ehabilitačné výk. b.n.
U84	Herpesvírus s rezistenciou na virostatiká	Z51.0	Liečebná rádioterapia
U85	Vírus HIV s rezistenciou na virostatiká/inhib.proteináz	Z51.1	Cyklus chemoterapie pre zhubný nádor
U99.04	Trvalá a nezvratná kolostómia	Z51.2	Iná chemoterapia
U99.05	Trvalá a nezvratná ileostómia	Z51.3	Transfúzia krvi bez uvedenia diagnózy
U99.06	Trvalá a nezvratná urostómia	Z51.5	Paliatívna starostlivosť
U99.07	Intenzifikovaný inzulínový režim	Z51.81	Aferéza
U99.08	Konvenčný inzulínový režim	Z51.82	Komb.liečba zhubného nád.ziarením a chemoterapiou
U99.09	Liečba perorálnymi antidiabetikami a diétou	Z52.00	Darca plnej krvi
U99.1	Nepokrytý kód U99.1	Z54.0	Rekonvalescencia po operačnom výkone
U99.10	Liečba inkretínovými injekčnými mimetikami	Z54.1	Rekonvalescencia po rádioterapii

Kód	Popis	Kód	Popis
Z54.2	Rekonvalescencia po chemoterapii	Z62.0	Nedostatočný rodičovský dozor a kontrola
Z54.3	Rekonvalescencia po psychoterapii	Z62.1	Nadmerná rodičovská ochrana
Z54.4	Rekonvalescencia po liečbe zlomeniny	Z62.2	Ústavná výchova
Z54.7	Rekonvalescencia po kombinovanej liečbe	Z62.3	Nepriateľstvo voči dieťaťu, dieťa ako obetný baránok
Z54.8	Rekonvalescencia po inej liečbe	Z62.4	Emočné zanedbávanie dieťaťa
Z54.9	Rekonvalescencia po bližšie neurčenej liečbe	Z62.5	Iné problémy súvisiace so zanedbávaním výchovy
Z55.0	Negramotnosť a nízky stupeň gramotnosti	Z62.6	Neprim.rodič.nátlak a iné abnor.spôsoby výchovy
Z55.1	Nedostupné a nedosiahnuteľné školské vzdelanie	Z62.8	Iné bližšie určené problémy súvisiace s výchovou
Z55.2	Nezvládnutie skúšok	Z62.9	Problém súvisiaci s výchovou, bližšie neurčený
Z55.3	Zlý prospech v škole	Z63.0	Problémy vo vzťahu medzi manželmi alebo partnermi
Z55.4	Zlá prispôb.pri vyuč.a konflikty s učiteľmi a spolužiakmi	Z63.1	Problémy vo vzťahu s rodičmi a svokrovcami
Z55.8	Iné problémy súvis.so vzdelávaním a gramotnosťou	Z63.2	Neprimeraná rodinná podpora
Z55.9	Problémy súvis.so vzdel.a gramotnosťou, bliž.neu.	Z63.3	Neprítomnosť člena rodiny
Z56.0	Nezamestnanosť, bližšie neurčená	Z63.4	Zmiznutie a smrť člena rodiny
Z56.1	Zmena zamestnania	Z63.5	Rozpadnutie rodiny odlúčením a rozvodom
Z56.2	Hrozba straty zamestnania	Z63.6	Pribuzný odkazovaný na domácu starostlivosť
Z56.3	Stresujúci pracovný režim	Z63.7	Iné stres.život.udal.postih.rodinu a domácnosť
Z56.4	Konflikt s nadriadeným a spolupracovníkmi	Z63.8	Iné bliž.ur.probl.úvis.so skup.prim.star.
Z56.5	Nevhodná práca	Z63.9	Problémy súvis.so skup.prim.star.,b.n.
Z56.6	Iné fyzické a duševné vypätie v súvislosti s prácou	Z64.0	Problémy súvisiace s nechcenou graviditou
Z56.7	Iné a bliž.neu.problémy súvisiace so zamestnaním	Z64.8	Iné kont.prilež.vo vzťahu k urč.psychosoc.okol.
Z57.0	Profesionálne vystavenie hluku	Z70.0	Poradenstvo súvisiace s pohlavným postojom
Z57.1	Profesionálne vystavenie žiareniu (radiácii)	Z70.1	Porad.súvis.s pac.pohla.správnam a orientáciou
Z57.2	Profesionálne vystavenie prachu	Z70.2	Porad.súvis.s pohl.správ. a orient.tretej osoby
Z57.3	Profes.vystav.ným znečisťujúcim látkam v ovzduší	Z70.3	Porad.súvis.s komb.probl.pohla.postoja, správ. a orient.
Z57.4	Profes.vystav.toxickým látkam v poľnohospodárstve	Z70.8	Iné sexuologické poradenstvo
Z57.5	Profes.vystav.toxickým látkam v i.priemys.odvetviach	Z70.9	Sexuologické poradenstvo, bližšie neurčené
Z57.6	Profesionálne vystavenie extrémnej teplote	Z72.0	Problémy v súvislosti s užívaním tabaku
Z57.7	Profesionálne vystavenie vibráciám	Z72.1	Problémy v súvislosti s užívaním alkoholu
Z57.8	Profesionálne vystavenie iným rizikovým faktorom	Z72.2	Problémy v súvislosti s užívaním návykových látok
Z57.9	Profes.vystav.bliž.neu.rizikóvemu faktoru	Z75.0	Zdravotné služby nedostupné v domácom prostredí
Z58.0	Vystavenie hluku	Z75.1	Osoba čakajúca inde na prijatie do vhodného zariadenia
Z58.1	Vystavenie znečistenému ovzdušiu	Z75.2	Čakacia doba na vyšetrenie a liečbu
Z58.2	Vystavenie znečistenej vode	Z75.3	Nedostupnosť a neprístupnosť zdravotníckych služieb
Z58.3	Vystavenie znečistenej pôde	Z75.4	Nedostupnosť a neprístupnosť iných pomocných služieb
Z58.4	Vystavenie žiareniu	Z75.5	Starostlivosť počas dovolenky
Z58.5	Vystavenie inému znečisteniu	Z75.60	Vykonaná reg.na org.transpl.b.vys.st.nalieh.:oblička
Z58.6	Nedostatočné zásobovanie pitnou vodou	Z75.64	Vykon.reg.na org.transpl.b.vys.st.nalieh.:oblička-pankr.
Z58.7	Vystavenie tabakovému dymu	Z75.65	Vykonaná reg.na org.transpl.b.vys.st.nalieh.:pankreas
Z58.8	Iné problémy súvisiace so životným prostredím	Z75.66	Vykonaná reg.na org.transpl.b.vys.st.nalieh.:tenké črevo
Z58.9	Problém súvis.so životným prostredím,b.n.	Z75.67	Vykonaná reg.na org.transpl.b.vys.st.nalieh.:pečeň
Z59.0	Bezdomovstvo	Z75.68	Vykonaná reg.na org.transpl.b.vys.st.nalieh.:iný orgán
Z59.1	Neprimerané bývanie	Z75.69	Vykonaná reg.na org.transpl.b.vys.st.nalieh.:b.n.orgán
Z59.2	Nezhody so susedmi, nájomníkmi a vlastníkom	Z75.70	Vykonaná reg.na org.transpl.s vys.st.nalieh.:oblička
Z59.3	Problémy súvisiace s bývaním v ubytovacom zariadení	Z75.74	Vykon. reg.na org.transpl.s vys.st.nalieh.:oblička-pankr.
Z59.4	Nedostatok primeranej potravy	Z75.75	Vykonaná reg.na org.transpl.s vys.st.nalieh.:pankreas
Z59.5	Extrémna chudoba	Z75.76	Vykonaná reg.na org.transpl.s vys.st.nalieh.:tenké črevo
Z59.6	Nízky príjem	Z75.77	Vykonaná reg.na org.transpl.s vys.st.nalieh.:pečeň
Z59.7	Nedostatočné soc.poistenie a soc.starostlivosť	Z75.78	Vykonaná reg.na org.transpl.s vys.st.nalieh.:b.n.orgán
Z59.8	Iné problémy súvis.s bývaním a ekonomickou situáciou	Z75.79	Vykonaná reg.na org.transpl.s vys.st.nalieh.:b.n.orgán
Z59.9	Problém súvis.s bývaním a ekonomickou situáciou,b.n.	Z75.8	Iné prob.súvis.s možn.zdrav.star./s i.zdrav.opaterou
Z60.0	Problémy s prispôbením sa zmenám životného cyklu	Z75.9	Bliž.neu.prob.súvis.s možn.zdrav.star./s i.zdrav.opaterou
Z60.1	Atypická rodičovská situácia	Z76.3	Zdravá osoba sprevádzajúca chorého
Z60.2	Osamelo žijúca osoba	Z76.5	Simulant (vedomá simulácia)
Z60.3	Ťažkosti s kultúrnou asimiláciou	Z85.0	Zhubný nádor tráviacich orgánov v osobnej anamnéze
Z60.4	Sociálne vylúčenie a odvrhnutie	Z85.1	Zhub.nád.priedušn.,priedušiek a pľúc v osob.anam.
Z60.5	Terč diskriminácie a perzekúcie	Z85.2	Zhub.nád.i.dých.a vnútrohrod.org.v osob.anam.
Z60.8	Iné problémy súvisiace so sociálnym prostredím	Z85.3	Zhubný nádor prsníka v osobnej anamnéze
Z60.9	Problém súvis.so soc.prostredím,b.n.	Z85.4	Zhubný nádor pohlavných orgánov v osobnej anamnéze
Z61.0	Strata láskyplného vzťahu v detstve	Z85.5	Zhubný nádor močovej sústavy v osobnej anamnéze
Z61.1	Premiestnenie z domova v detstve	Z85.6	Leukémia v osobnej anamnéze
Z61.2	Zmena rodinných vzťahov v detstve	Z85.7	Iné zhub.nád.lymf.,krvotv.a pribuz.tkan.v osob.anam.
Z61.3	Udalosti vedúce k strate sebaúcty v detstve	Z85.8	Zhub.nád.i.org./systémov v osob.anam.
Z61.4	Probl.súvis.s údaj.pohl.zneuž.dieť.os.z okr.prim.star.	Z85.9	Zhubný nádor v osobnej anamnéze, bližšie neurčený
Z61.5	Probl.súvis.s údaj.pohl.zneuž.dieť.os.mimo okr.prim.star.	Z86.0	Iné nádory v osobnej anamnéze
Z61.6	Problémy súvisiace s údajným fyzickým zneužitím dieťaťa	Z86.1	Infekčné a parazitové choroby v osobnej anamnéze
Z61.7	Osobná desivá skúsenosť v detstve	Z86.2	Chor.krvi/krvotv.org.a niekt.por.,tyk.sa imun.v osb.anam.
Z61.8	Iné negatívne udalosti v detstve	Z86.3	Endokrinné,nutričné a metab.chor.v os.anam.
Z61.9	Negatívna udalosť v detstve, bližšie neurčená	Z86.4	Abúzus psychoaktívnych látok v osobnej anamnéze

Kód	Popis	Kód	Popis
Z86.5	Iné poruchy psychiky a správania v osobnej anamnéze	Z93.3	Stav s predtým vytvorenou kolostómiou
Z86.6	Choroba nervového systému a zmysl.org.v os.anamn.	Z93.4	Stav s predtým umelo vytvor.výstením gastrointest.súst.
Z86.7	Choroby obehovej sústavy v osobnej anamnéze	Z93.5	Stav s predtým vytvorenou cystostómiou
Z87.0	Choroby dýchacej sústavy v osobnej anamnéze	Z93.6	Stav s predtým vytvor.i.umelým vyústením moč.súst.
Z87.1	Choroby tráviacich orgánov v osobnej anamnéze	Z93.80	Stav s predtým vytvorenou hrudníkovou stómiou
Z87.2	Choroby kože a podkožného tkaniva v osobnej anamnéze	Z93.88	Stav s predtým umelo vytvoreným iným vyústením
Z87.3	Choroba sval.a kostr.súst.a spojiv.tkan.v osob.anam.	Z93.9	Stav s predtým umelo vytvor.vyústením,b.n.
Z87.4	Choroby močovopohlavnej sústavy v osobnej anamnéze	Z94.0	Stav po transplantácii obličky
Z87.5	Kompl.gravidity,pôr.a šesťonedelia v osob.anam.	Z94.1	Stav po transplantácii srdca
Z87.6	Niektoré patolog.stavy v perinat.obd.v osob.anam.	Z94.2	Stav po transplantácii pľúc
Z87.7	Vrod.chyby,defor. a chrom.anomálie v osob.anam.	Z94.3	Stav po transplantácii srdca a pľúc
Z87.8	Iné bližšie určené choroby v osobnej anamnéze	Z94.4	Stav po transplantácii pečene
Z88.0	Alergia na penicilín v osobnej anamnéze	Z94.5	Stav po transplantácii kože
Z88.1	Alergia na iné antibiotiká v osobnej anamnéze	Z94.6	Stav po transplantácii kosti
Z88.2	Alergia na sulfonamidy v osobnej anamnéze	Z94.7	Stav po transplantácii rohovky
Z88.3	Alergia na iné protinfekčné lieky v osob.anam.	Z94.80	Stav po traspl.krvotv.(kmeň.)bun.,bez súč.imunosupr.
Z88.4	Alergia na anestetiká v osobnej anamnéze	Z94.81	Stav po traspl.krvotv.(kmeň.)bun.,so súč.imunosupr.
Z88.5	Alergia na opiáty v osobnej anamnéze	Z94.88	Stav po transplantácii iného orgánu alebo tkaniva
Z88.6	Alergia na analgetiká v osobnej anamnéze	Z94.9	Stav po traspl.orgánu/tkan. b.n.
Z88.7	Alergia na sérum a vakcínu v osobnej anamnéze	Z95.0	Stav po implantácii kardiostimulátora
Z88.8	Alergia na i.liek.,lieč.a biol.aktív.lát.v osob.anam.	Z95.1	Stav po implantácii aortokoron.bajpasu pomocou štepu
Z88.9	Alergia na b.n.liek.,lieč.a biol.aktív.lát.v osob.anam.	Z95.2	Stav po implantácii protetickej srdcovej chlopne
Z89.0	Získané chýbanie prsta (prstov,vr.palca),jednostranné	Z95.3	Stav po implantácii xenogénnej srdcovej chlopne
Z89.1	Získané chýbanie ruky a zápästia	Z95.4	Stav po implantácii inej náhrady srdcovej chlopne
Z89.2	Získané chýbanie hornej končatiny nad zápästím	Z95.5	Stav po implantácii koron.angioplastického impl. a štepu
Z89.3	Získané chýbanie oboch HK na akejkolvek úr.	Z95.80	Stav po implantácii systému podporujúceho srdce
Z89.4	Získané chýbanie nohy a členka	Z95.81	Stav po implantácii cievného permanentného katétra
Z89.5	Získané chýbanie DK v úr.kol./pod kol.,jednostranné	Z95.88	Stav po implant.i.srdc./ciev.implantátov/transplantátov
Z89.6	Získané chýbanie DK nad kol.,jednostranné	Z95.9	Stav po implant.srd./ciev.implantátu/štepu,b.n.
Z89.7	Získané chýbanie oboch DK(kt.kolvek úr.,okr.prstov)	Z96.0	Stav po implantácii močovopohlavných implantátov
Z89.8	Získané chýbanie HK a DK (kt.kolvek úr.)	Z96.1	Stav po implantácii vnútroočnej šošovky
Z89.9	Získané chýbanie končatiny, bližšie neurčené	Z96.2	Stav po implant.ušných a audiologických implantátov
Z90.0	Získané chýbanie časti hlavy a krku	Z96.3	Stav po implantácii umelého hrtana
Z90.1	Získané chýbanie prsníka (prsňikov)	Z96.4	Stav po implantácii endokrinného implantátu
Z90.2	Získané chýbanie (časti) pľúc	Z96.5	Stav po implant.implantátov zub.koreňa/sánk.implantátov
Z90.3	Získané chýbanie časti žalúdka	Z96.6	Stav po implant.ortopedických kĺbových implantátov
Z90.4	Získané chýbanie iných častí tráviacej sústavy	Z96.7	Stav po implant.i.kostného a šľachového implantátu
Z90.5	Získané chýbanie obličky	Z96.80	Stav po implantácii bronchového stentu
Z90.6	Získané chýbanie iných orgánov močovej sústavy	Z96.81	Stav po implantácii tracheového stentu
Z90.7	Získané chýbanie pohlavného orgánu (orgánov)	Z96.88	Stav po implant.iných.bliž.ur.funkč.implantátov
Z90.8	Získané chýbanie iných orgánov	Z96.9	Stav po implant.funkč.implantátov b.n.
Z91.0	Alergia na i.lát.ako liek.a biol.lát.v osob.anam.	Z97.1	Stav po rekonštrukcii umelej konč.(kompl./čiasť.)
Z91.1	Nedodržiavanie lieč.a lieč.ho režimu v os.anam.	Z97.8	Stav po implantácii iných bližšie určených pomôcok
Z91.8	Iné bliž.ur.rizikové faktory,n.i.	Z98.0	Stav po vytvorení črevného bajpasu alebo anastomózy
Z92.1	Dlhodobé (súčasně)užív.antikoagulancií v osob.anam.	Z98.1	Artrodéza
Z92.2	Dlhodobé (súčasně)užív.i.liekov v osob.anam.	Z98.2	Stav po implantácii pom.na drenáž mozgovomiechového moku
Z92.3	Rádioterapia v osobnej anamnéze	Z98.8	Iné bližšie určené pooperačné stavy
Z92.4	Veľký chir.výk.v osob.anam.,n.i.	Z99.0	Závislosť od aspirátora
Z92.6	Chemoterapia pre zhubný nádor v osobnej anamnéze	Z99.1	Závislosť od respirátora
Z92.8	Iná liečba v osobnej anamnéze	Z99.2	Závislosť od obličkovej dialýzy
Z92.9	Liečba v osobnej anamnéze, bližšie neurčená	Z99.3	Závislosť od invalidného vozíka
Z93.0	Stav s predtým vytvorenou tracheostómiou	Z99.8	Závislosť od i.pomocných prístrojov/pomôcok
Z93.1	Stav s predtým vytvorenou gastrostómiou	Z99.9	Závislosť od pomocného prístroja/pom.,b.n.
Z93.2	Stav s predtým vytvorenou ileostómiou		

Slovník pojmov

Australian Refined Diagnosis Related Groups (AR-DRG)

Druhý národný DRG-klasifikačný systém v Austrálii, vyvíjaný spoločnosťou Commonwealth Department of Health and Family Services.

Dátum prijatia

Dátum prijatia pacienta do nemocnice.

Diagnosis Related Group (DRG)

Skupiny súvisiacich diagnóz, do ktorých sú zaradované prípady s klinickou a nákladovou podobnosťou.

DRG-klasifikačný systém

Je klasifikačný systém, zaraďujúci pacientov do čo najhomogénnejších skupín vo vzťahu k spotrebe zdrojov nemocnice a to podľa medicínskych a ďalších kritérií.

Funkcie

Funkcie sú zaraďovacie algoritmy, prípadne kódy diagnóz alebo výkonov, ktoré sa používajú vo viacerých MDC alebo základných DRG v rámci MDC.

German Diagnosis Related Groups (G-DRG)

Nemecký DRG-klasifikačný systém, vyvíjaný spoločnosťou Institut für das Entgeltsystem im Krankenhaus GmbH (InEK GmbH).

Grouper

Grouper (gruper) je SW-nástroj (počítačový program), ktorý zabezpečuje zaradenie hospitalizačného prípadu do konkrétnej DRG.

Hlavná diagnostická kategória (MDC)

Je založená na podobnosti prípadov predovšetkým z hľadiska orgánových systémov, prípadne etiológie ochorenia, ktorého liečba je naviazaná na špeciálnu medicínsku odbornosť.

Hlavná diagnóza (HDg)

Je diagnóza, ktorá bola analýzou stanovená ako hlavná príčina vedúca k hospitalizácii pacienta.

Hmotnosť pri prijatí

Hmotnosť v čase prijatia do nemocnice pre deti vo veku menej ako 1 rok.

Chybové a ostatné DRG

Záznam údajov o hospitalizácii s klinicky netypickými alebo neplatnými informáciami sa zaraďuje do chybovej alebo ostatnej DRG.

Jeden ošetrovací deň

Jeden ošetrovací deň je definovaný ako deň prijatia na hospitalizáciu v kalendárny deň a prepustenie v ten istý kalendárny deň alebo v nasledujúci kalendárny deň.

Komorbidity

Je súčasný výskyt dvoch alebo viacerých chorobných procesov bez vzájomného vzťahu, ktoré boli prítomné pri prijatí.

Komplikácia

Je chorobný proces (alebo udalosť), objaviaci sa počas ochorenia (po prijatí), ktorý však nie je esenciálnou súčasťou tohto ochorenia, aj keď z tohto ochorenia môže vychádzať alebo môže mať nezávislé príčiny.

Komplikácia a/alebo komorbidity (CC)

Komplikácie a komorbidity sú vedľajšie diagnózy, ktoré spravidla vedú k signifikantne vyššej spotrebe zdrojov.

Neoperačný výkon (nie-OP-výkon)

Výkon, ktorý je v rámci niektorých MDC signifikantný pre zatriedenie hospitalizačného prípadu. Neoperačné výkony v zmysle SK-DRG môžu byť aj výkony, ktoré sa prevádzajú na operačných sálach.

Operačný, iný a medicínsky segment

MDC sú rozdelené maximálne do troch rozličných segmentov (operačný, iný, a medicínsky). Zaradenie prípadu do segmentu sa riadi podľa vykonania alebo nevykonania OP-výkonu a nie-OP-výkonu.

Operačný výkon (OP-výkon)

Výkon, ktorý je signifikantný v rámci kompletnej systematiky SK-DRG.

Ošetrovacía doba (OD)

Ošetrovacía doba pacienta sa vypočíta ako rozdiel medzi dátumom prepustenia z nemocnice a dátumom prijatia do nemocnice. Dni na priepustke vrátane dňa, kedy pacient na priepustku odchádza, sa do ošetrovacej doby nezapočítavajú. Pri prijatí a prepustení v ten istý kalendárny deň je ošetrovacía doba jeden deň.

Slovak Diagnosis Related Groups (SK-DRG)

Slovenský DRG-klasifikačný systém. Bližšie informácie k SK-DRG sa nachádzajú v časti Úvod, zväzok 1.

Stupeň klinickej obtiažnosti prípadu (PCCL)

Je miera kumulatívneho efektu komplikácií a komorbidií vypočítavaná samostatne pre každý hospitalizačný prípad.

Stupeň závažnosti komplikácií a komorbidít (CCL)

Stupne závažnosti komplikácií a komorbidít sa pridelujú všetkým vedľajším diagnózam. Hodnoty CCL môžu byť 0 až 4 pre prípady s operáciami a pre novorodencov.

V ostatných prípadoch môžu byť hodnoty CCL 0 až 3.

Hodnoty znaenajú:

1=ľahká komplikácia alebo komorbidita,

2=stredne ťažká komplikácia alebo komorbidita,

3=ťažká komplikácia alebo komorbidita,

4=veľmi ťažká komplikácia alebo komorbidita.

Vedľajšia diagnóza (VDg)

Je ochorenie alebo poruchy (diagnóza), ktoré sa vyskytujú súčasne s hlavnou diagnózou alebo sa vyvinuli počas hospitalizácie.

Základná DRG (ADRG)

Jedna alebo viaceré DRG, ktoré sú definované vždy rovnakým zoznamom diagnóz a výkonov. DRG v rámci jednej základnej DRG sa rozlišujú spotrebou zdrojov a sú členené na základe rozličných faktorov ako napr. komplikujúce diagnózy/výkony, vek a/alebo stupeň klinickej obtiažnosti prípadu (PCCL).

<http://www.udzs-sk.sk/drg-klasifikacny-system>